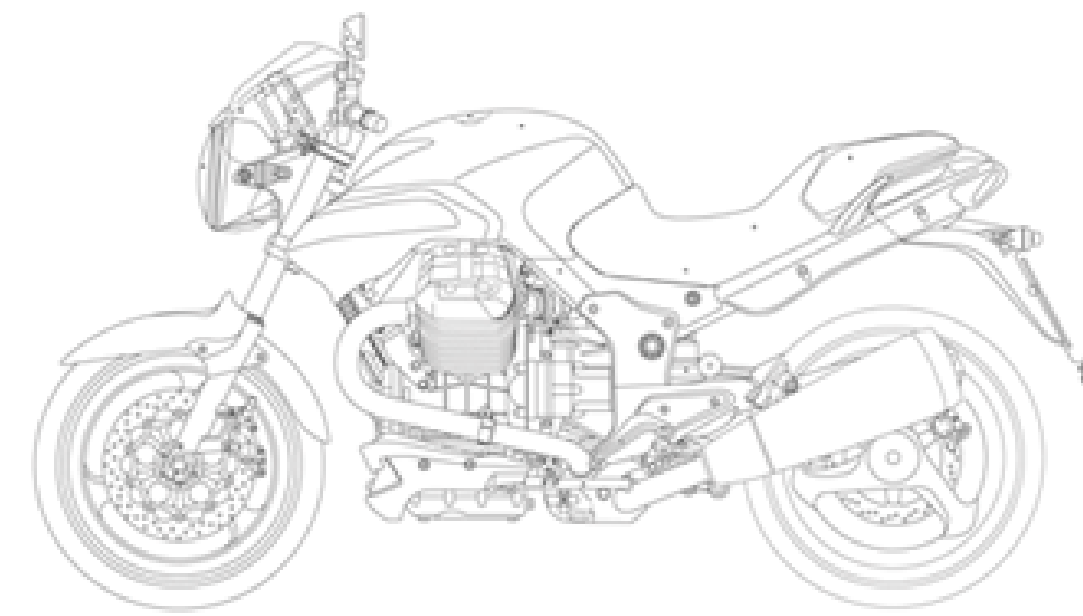




PIAGGIO & C.s.p.a.



## ERSATZTEILKATALOG



### **1200 Sport 8V 2008-2013**

Vorsatzcode Fahrgestell: ZGULPJ20, ZGULPR00, ZGULPR01, ZGULPJ01  
Vorsatzcode Motor:

*1200 SPORT*

**GU092**



## Inhaltsverzeichnis

Fertige Produkte.....	4
Alphanumerisches Verzeichnis.....	5
RAHMEN.....	11
Tafel 33.01 - Rahmen.....	11
Tafel 33.02 - Hauptständer.....	12
Tafel 33.03 - Fussrasten I.....	13
Tafel 33.04 - Fussrasten II.....	14
Tafel 33.05 - Schalthebel.....	15
Tafel 33.06 - Lenkung.....	16
Tafel 33.07 - Vorderradgabel.....	17
Tafel 33.08 - Schwinge.....	19
Tafel 33.12 - Pleuelstange und Stoßdämpfer.....	20
Tafel 33.13 - Kraftstofftank.....	21
Tafel 33.14 - Frontaufbau I.....	22
Tafel 33.15 - Frontaufbau II.....	23
Tafel 33.16 - Stütze.....	24
Tafel 33.17 - Vorderes Schutzblech.....	25
Tafel 33.18 - Sitz-Mittlerer aufbau.....	26
Tafel 33.19 - R.Kar. - Sch.bl.....	28
Tafel 33.20 - R.Kar. - R.verkl.....	29
Tafel 33.21 - Instrumententafel.....	30
Tafel 33.22 - Lenkstange - Schaltungen.....	32
Tafel 33.23 - Vorderradbremspumpe.....	33
Tafel 33.24 - Kupplung schalt. kpl.....	34
Tafel 33.25 - Ölkühler.....	35
Tafel 33.26 - Anlage Blow-by.....	36
Tafel 33.27 - Einspeisung.....	37
Tafel 33.28 - Filtergehäuse.....	38
Tafel 33.29 - Auslassgruppe.....	39
Tafel 33.30 - Benzinpumpe int.....	40
Tafel 33.31 - Vorderrad.....	41
Tafel 33.32 - Vorderradbremzange.....	42
Tafel 33.33 - Hinterrad.....	43
Tafel 33.34 - Hinterradbremspumpe.....	44
Tafel 33.35 - Hinterradbremzange.....	46
Tafel 33.36 - Bremsanlage ABS.....	47
Tafel 33.37 - Frontscheinwerfer/Hupe.....	48
Tafel 33.38 - Rücklicht.....	49
Tafel 33.39 - Elektrische anlage I.....	50
Tafel 33.40 - Elektrische anlage II.....	52
Tafel 33.41 - Bausatz Schlösser.....	54
Tafel 33.42 - Aufkleber-Deko.....	55
MOTOR.....	57



---

Tafel 34.09 - Getriebe kpl.....	57
Tafel 34.10 - Getriebe kpl.-Häuse.....	58
Tafel 34.11 - Getriebe kpl.-Teilerradsatz.....	59
Tafel 34.43 - Gehäuse I.....	60
Tafel 34.44 - Gehäuse II.....	62
Tafel 34.45 - Zylinderkopf - ventile.....	63
Tafel 34.46 - Kopfdeckel.....	64
Tafel 34.47 - Recht Zylindersteuer.....	65
Tafel 34.48 - Links Zylindersteuer.....	67
Tafel 34.49 - Kurbelwelle - Zylinder.....	69
Tafel 34.50 - Steuer.....	71
Tafel 34.51 - Schmierung.....	72
Tafel 34.52 - Ölpumpe.....	73
Tafel 34.53 - Ölfilter.....	74
Tafel 34.54 - Kupplung.....	75
Tafel 34.55 - Getriebegehäuse.....	76
Tafel 34.56 - Schaltgabel.....	77
Tafel 34.57 - Hauptwelle.....	78
Tafel 34.58 - Festrad.....	79
Tafel 34.59 - Kupplungswelle.....	80
Tafel 34.60 - Stromgenerator.....	81
Tafel 34.61 - Startermotor.....	82
Tafel 34.62 - Klappenkörper.....	83
SPEZIALWERKZEUG.....	84
Tafel 36.63 - Specific tools I.....	84
Tafel 36.64 - Specific tools II.....	85



## Fertige Produkte

Code	Gültigkeit
GU9032708AU800	
GU9032708AU801	
GU9032708AU802	
GU9032708EU800	
GU9032708EU801	
GU9032708EU802	
GU9032708EUB00	
GU9032708EUB03	
GU9032708GB800	
GU9032708GB801	
GU9032708GB802	
GU9032708GBB00	
GU9032708GBB03	
GU9032708JP800	
GU9032708JP801	
GU9032708JP802	
GU9032708JPA00	
GU9032708JPA01	
GU9032708JPA02	
GU9032709AUD00	
GU9032709AUD01	
GU9032709AUD03	
GU9032709AUDXX	
GU9032709EUB00	
GU9032709EUB03	
GU9032709JPAXX	
GU9032709JPD03	



Code	Nr. der Tafel	Pos.	Code	Nr. der Tafel	Pos.	Code	Nr. der Tafel	Pos.
0000000	33.31	14	873491	34.62	8	883045	34.09	7
0000000	33.33	8	873626	34.46	9	883046	34.09	2
013763	34.51	8	873631	34.47	12	883079	33.29	20
015792	34.47	5	873631	34.48	12	883125	33.39	1
015792	34.48	5	873654	34.46	13	883275	33.27	3
015935	34.43	35	873667	34.49	2	883284	33.01	1
020470Y	36.63	5	873668	34.46	8	883314	33.38	1
020672Y	36.63	12	873689	34.47	28	883315	34.62	17
020673Y	36.63	16	873689	34.49	20	883316	34.62	16
020674Y	36.63	19	873690	34.48	28	883345	33.21	1
020675Y	36.63	20	873690	34.49	21	883346	33.21	1
020676Y	36.63	21	873850	34.47	10	883367	33.22	18
020677Y	36.63	1	873850	34.48	10	883368	33.22	19
020678Y	36.63	22	873861	34.62	14	883418	33.39	3
020689Y	36.63	23	873879	34.62	7	883419	33.39	2
020716Y	36.63	4	873906	34.52	14	883419	33.39	2
237553	34.52	7	873928	34.50	8	883422	33.22	5
244585	34.48	29	874126	34.45	9	883423	33.22	7
285846	34.45	8	874127	34.45	5	883424	33.22	2
411209	34.43	2	874134	34.43	34	883438	33.42	7
414835	34.52	9	874213	34.43	19	883482	33.29	9
434947	34.51	6	874223	34.51	3	883482	33.29	9
436438	34.45	6	874238	34.51	18	883483	33.42	1
484819	34.47	11	874257	34.43	27	883494	33.25	7
484819	34.48	11	874280	34.50	18	883495	33.26	1
487444	34.47	14	874281	34.50	11	883496	33.18	5
487444	34.48	14	874286	34.49	7	88349600BM	33.18	5
560110	34.43	10	874287	34.49	4	88349600XE4	33.18	5
621914	34.51	12	874288	34.49	5	88349600Y02	33.18	5
639542	33.02	3	874289	34.49	6	883497	33.39	2
640912	33.39	13	874293	34.49	15	883499	33.26	5
641541	34.51	16	874335	34.45	7	883500	33.26	6
825597	34.44	4	874482	34.52	8	883528	33.42	18
825597	34.45	11	874521	34.47	22	883529	33.42	17
825597	34.49	11	874521	34.48	22	883530	33.42	15
825694	34.47	7	874567	34.49	8	883531	33.42	14
825694	34.48	7	874601	34.47	19	883818	33.40	2
827018	34.45	10	874601	34.48	19	883819	33.40	3
827018	34.47	2	874616	34.52	11	883828	33.19	1
827018	34.48	2	874621	34.47	3	883883	33.31	1
829122	34.53	2	874621	34.48	3	883886	33.33	1
829486	34.52	5	874621	34.49	12	883906	33.39	2
829661	34.52	6	874622	34.47	3	883907	33.29	9
830249	34.46	3	874622	34.48	3	883908	33.29	16
843060	34.47	20	874622	34.49	12	884033	33.34	24
843060	34.48	20	874645	34.51	9	884118	33.39	1
849131	34.49	18	874646	34.51	7	884145	33.39	1
849866	34.49	23	874650	34.52	1	886340	33.42	16
872606	34.46	10	874655	34.51	11	886944	33.42	23
872607	34.46	1	874669	34.51	4	886945	33.42	21
872695	34.45	3	874799	34.50	15	886946	33.42	22
872696	34.45	4	874801	34.52	10	886947	33.42	18
872726	34.46	4	874805	34.47	29	886948	33.42	17
872740	34.46	14	874805	34.48	30	886949	33.42	19
872741	34.46	11	874980	34.43	26	886950	33.42	20
872742	34.46	7	875243	34.49	19	886951	33.42	15
872755	34.45	2	875244	34.49	19	886952	33.42	14
872755	34.48	1	875554	34.48	16	88697700Y01	33.14	1
872756	34.45	1	877820	34.53	6	88697900BM	33.20	1
872756	34.47	1	8783390001	34.49	17	88698000BM	33.20	2
872759	34.47	6	8783390002	34.49	17	88698100Y02	33.18	17
872759	34.48	6	8783390003	34.49	17	886986	33.18	1
872814	34.47	21	879707	34.47	10	887123	34.51	22
872814	34.48	21	879707	34.48	10	887422	33.27	1
873425	34.48	4	879916	34.47	11	887422	33.30	1
873426	34.47	4	879916	34.48	11	969323	34.51	10
873490	34.62	3	883030	33.39	1	974228	34.47	27



Code	Nr. der Tafel	Pos.	Code	Nr. der Tafel	Pos.	Code	Nr. der Tafel	Pos.
974228	34.48	27	976674	34.47	15	978895	34.51	1
976023	34.54	1	976674	34.48	15	978911	33.24	7
976053	34.54	2	976678	34.60	1	978915	33.29	2
976304	34.49	10	976680	34.51	15	978916	33.29	1
976311	34.47	3	976681	34.51	17	981007	34.49	13
976311	34.48	3	976696	34.54	14	981008	34.49	1
976311	34.49	12	976697	34.62	1	981009	34.49	3
976312	34.49	9	976698	34.47	16	981010	34.62	2
976330	34.50	1	976934	34.55	17	981011	34.62	20
976331	34.50	4	976961	34.43	30	981046	33.24	2
976334	34.50	9	977041	33.34	14	981050	33.23	2
976337	34.47	26	977056	33.33	10	981087	33.21	28
976337	34.48	26	977079	33.02	1	981087	33.41	7
976338	34.47	25	977080	33.02	2	981094	33.07	4
976338	34.48	25	977666	33.41	1	981095	33.07	5
976341	34.47	24	977749	33.14	3	981096	33.07	3
976341	34.48	24	977749	33.14	3	981097	33.07	2
976342	34.49	22	977750NA	33.14	8	981098	33.07	21
976350	34.47	18	977751	33.14	7	981114	34.51	21
976350	34.48	18	977752	33.14	9	981115	34.53	15
976352	34.59	1	977754	33.18	17	AP4ADN000007	34.43	20
976355	34.50	6	97775400XE4	33.18	17	AP8101372	33.25	4
976359	34.47	8	97775400Y02A	33.18	17	AP8101586	33.26	8
976359	34.48	8	977761	33.40	25	AP8101595	33.13	12
976360	34.47	9	977762	33.40	26	AP8101595	33.19	15
976360	34.48	9	977769	33.40	21	AP8101595	33.28	17
976376	33.29	3	977771	33.40	22	AP8101595	33.34	5
976381	34.50	2	977772	33.40	20	AP8101595	34.55	15
976453	34.55	1	977805	33.01	14	AP8101861	33.03	10
976478	34.44	9	977806	33.01	13	AP8101968	33.34	16
976480	34.44	1	977809	33.01	7	AP8102151	33.26	3
976481	34.54	7	97781800XE4	33.14	1	AP8102151	33.34	28
976484	34.54	8	97781800Y02A	33.14	1	AP8102375	33.15	9
976486	34.43	18	9778190087	33.14	3	AP8102375	33.16	3
976488	34.50	3	977820	33.42	16	AP8102375	33.17	3
976498	34.62	5	977822	33.03	3	AP8102375	33.19	6
976502	34.43	16	977823	33.03	5	AP8102375	33.20	4
976521	33.29	15	977824	33.03	8	AP8102502	33.18	12
976522	33.29	7	977825	33.03	11	AP8102520	33.26	4
976523	33.29	8	977831	33.18	1	AP8102523	33.18	11
976532	34.59	4	978093	33.01	15	AP8102524	33.02	9
976533	34.59	3	978157	33.37	21	AP8102913	33.18	8
976535	34.54	5	978158	33.37	20	AP8102914	33.18	7
976538	34.50	10	978175	33.07	15	AP8104211	33.28	2
976539	34.43	1	978176	33.07	14	AP8104451	33.13	15
976554	34.44	5	978177	33.07	18	AP8104509	33.22	10
976555	34.62	4	978178	33.07	17	AP8104666	33.13	13
976556	33.39	21	978180	33.07	22	AP8104921	33.22	21
976559	34.46	12	978181	33.07	27	AP8104922	33.22	22
976560	34.46	6	978182	33.07	26	AP8110066	33.12	5
976563	34.54	9	978183	33.07	25	AP8110068	33.12	6
976564	34.54	10	978184	33.07	24	AP8110077	33.06	8
976565	34.55	5	978185	33.07	32	AP8112811	33.40	9
976566	34.62	6	978186	33.07	33	AP8112811	33.40	9
976570	34.09	1	978187	33.07	31	AP8112996	33.34	27
976581	34.11	1	978204	33.22	1	AP8113288	33.34	3
976589	34.47	17	978220	33.41	5	AP8113594	33.34	2
976589	34.48	17	978282	33.07	1	AP8113993	33.23	5
976591	34.46	2	978287	33.29	16	AP8113995	33.23	3
976592	34.51	5	978350	33.08	1	AP8113996	33.24	4
976593	34.54	12	978392	34.10	17	AP8113997	33.24	5
976594	34.54	12	978505	33.40	11	AP8113998	33.24	6
976595	34.54	12	978606	33.23	1	AP8117200	33.40	5
976596	34.54	12	978607	33.24	1	AP8117200	34.61	5
976597	34.51	19	978739	34.54	3	AP8118492	33.22	16
976625	34.51	14	978854	34.51	16	AP8118502	33.22	15
976665	34.50	16	978882	33.42	6	AP8118503	33.22	17



Code	Nr. der Tafel	Pos.	Code	Nr. der Tafel	Pos.	Code	Nr. der Tafel	Pos.
AP8118579	33.22	9	AP8140190	36.64	2	AP8152329	33.19	4
AP8120030	33.28	12	AP8144007	33.05	7	AP8152329	33.28	9
AP8120030	33.39	5	AP8144007	33.34	25	AP8152329	33.34	10
AP8120177	33.40	6	AP8144038	33.28	16	AP8152329	33.40	4
AP8120178	33.34	13	AP8144046	33.40	15	AP8152334	33.21	21
AP8120405	33.38	4	AP8144071	33.29	19	AP8152336	33.32	7
AP8120428	33.28	19	AP8144164	33.28	7	AP8152339	33.04	8
AP8120455	33.20	16	AP8144538	33.18	3	AP8152339	33.15	5
AP8120485	34.11	7	AP8144553	33.40	7	AP8152339	33.16	4
AP8120594	33.16	7	AP8144565	33.14	5	AP8152339	33.18	4
AP8120615	33.28	4	AP8144707	33.37	19	AP8152339	33.19	5
AP8120876	33.28	18	AP8150046	33.04	12	AP8152339	33.20	3
AP8120912	33.05	3	AP8150046	34.44	10	AP8152339	33.21	13
AP8120912	33.34	20	AP8150255	33.21	4	AP8152384	33.06	10
AP8120952	33.13	14	AP8150292	33.02	7	AP8152396	33.12	16
AP8120952	33.19	14	AP8150292	33.12	13	AP8152397	33.12	9
AP8120952	34.55	16	AP8150413	33.15	3	AP8152398	33.12	2
AP8120965	33.13	11	AP8150421	33.21	15	AP8152409	33.03	2
AP8121032	34.61	7	AP8150421	33.28	13	AP8152410	34.09	3
AP8121096	33.20	15	AP8150432	33.01	11	AP8152482	33.12	15
AP8121098	34.11	6	AP8150462	33.05	5	AP8201124	33.13	2
AP8121133	33.03	9	AP8150462	33.34	22	AP8201301	33.34	17
AP8121155	33.12	10	AP8150509	33.21	5	AP8201808	33.19	16
AP8121170	33.29	13	AP8150509	33.26	7	AP8201808	33.35	12
AP8121205	33.06	9	AP8152001	33.02	8	AP8202238	33.35	11
AP8121207	33.06	4	AP8152055	33.20	14	AP8202238	33.36	10
AP8121218	34.09	4	AP8152147	33.12	12	AP8212702	33.38	5
AP8121221	33.05	2	AP8152166	34.50	7	AP8213113	33.35	8
AP8121221	33.34	19	AP8152238	33.21	20	AP8213113	33.36	9
AP8121520	33.22	4	AP8152242	34.09	5	AP8220150	33.21	3
AP8121567	33.03	1	AP8152267	33.19	9	AP8220162	33.04	14
AP8121804	33.13	6	AP8152272	33.33	12	AP8220283	33.40	19
AP8121915	33.24	9	AP8152273	33.27	2	AP8220526	33.04	15
AP8121927	33.34	23	AP8152273	33.34	30	AP8220546	33.40	17
AP8121994	33.02	6	AP8152274	33.27	6	AP8221023	33.18	19
AP8123641	33.06	7	AP8152277	33.40	12	AP8221023	33.28	11
AP8123642	33.06	5	AP8152278	33.21	23	AP8221023	33.39	6
AP8123643	33.06	3	AP8152278	33.28	20	AP8221036	33.06	15
AP8123644	33.06	6	AP8152278	33.31	19	AP8221036	33.38	3
AP8124266	33.40	14	AP8152278	33.33	14	AP8221128	33.16	6
AP8124768	33.40	13	AP8152278	33.34	12	AP8221145	33.34	11
AP8124869	33.40	16	AP8152278	34.54	4	AP8221204	33.02	10
AP8124936	33.21	16	AP8152279	33.28	10	AP8221211	33.02	11
AP8124976	33.38	6	AP8152279	33.34	4	AP8221227	33.01	12
AP8124985	33.21	22	AP8152279	33.39	4	AP8221277	33.03	6
AP8125773	33.31	4	AP8152282	33.39	7	AP8221307	33.01	9
AP8125777	33.31	3	AP8152286	33.37	15	AP8224164	33.19	10
AP8125779	33.31	5	AP8152287	33.16	5	AP8224462	33.40	18
AP8125791	33.31	9	AP8152291	33.13	7	AP9100838	36.63	3
AP8127109	33.37	2	AP8152291	34.43	29	AP9150472	34.51	23
AP8127469	33.31	18	AP8152292	33.20	8	B0133785001	34.49	14
AP8127514	33.37	9	AP8152298	33.06	14	B0133785002	34.49	14
AP8127515	33.37	10	AP8152298	33.27	5	B0133785003	34.49	14
AP8127552	33.37	11	AP8152298	33.38	2	B013603	34.47	8
AP8127552	33.38	9	AP8152299	33.18	10	B013603	34.48	8
AP8133594	33.24	8	AP8152299	33.39	23	B013605	34.47	9
AP8133594	33.35	10	AP8152300	33.04	6	B013605	34.48	9
AP8133594	33.36	2	AP8152300	33.37	18	B014603	34.47	13
AP8133597	33.35	7	AP8152301	33.01	8	B014603	34.48	13
AP8133597	33.36	8	AP8152301	33.12	11	B015125	34.49	25
AP8133962	33.23	7	AP8152302	33.15	8	B015126	34.49	26
AP8134378	33.29	18	AP8152302	33.17	2	B015681	34.47	12
AP8134448	33.19	8	AP8152302	33.20	6	B015681	34.48	12
AP8134451	33.03	7	AP8152306	33.19	11	B043864	33.13	9
AP8135608	33.12	8	AP8152306	33.38	7	B045021	33.22	12
AP8135924	33.12	4	AP8152318	33.08	2	B0630111	34.54	12
AP8140179	36.63	11	AP8152320	33.35	2	B063012	34.54	12



Code	Nr. der Tafel	Pos.	Code	Nr. der Tafel	Pos.	Code	Nr. der Tafel	Pos.
B063025	34.55	11	GU05004930	34.43	24	GU05358130	34.10	5
B063858	33.41	1	GU05005730	34.53	4	GU05358230	34.10	7
B063859	33.41	3	GU05100230	33.13	1	GU05358330	34.10	1
CM162701	34.47	30	GU0510023000XE4	33.13	1	GU05358530	34.10	15
CM162701	34.48	31	GU0510023000Z1	33.13	1	GU05358630	34.10	16
CM162702	34.47	30	GU05100232	33.13	1	GU05421430	33.01	2
CM162702	34.48	31	GU05102930	33.13	16	GU05421530	33.01	3
CM162703	34.47	30	GU05103830	33.28	5	GU05434330	33.17	1
CM162703	34.48	31	GU05103930	33.13	8	GU0543433000XE4	33.17	1
CM162704	34.47	30	GU05103930	33.41	2	GU05434331	33.17	1
CM162704	34.48	31	GU05107430	33.30	3	GU05434332	33.17	1
CM162705	34.47	30	GU05113530	33.28	6	GU05436530	33.35	12
CM162705	34.48	31	GU05113730	33.28	3	GU05436530	33.36	11
GU00823923140	33.02	14	GU05114031	33.28	1	GU05438630	33.19	7
GU00823950050	33.34	6	GU05114130	33.28	8	GU05438730	33.19	1
GU01003651	34.43	15	GU05121630	33.29	6	GU05443530NA	33.04	1
GU01106090	33.30	2	GU05123430	33.29	22	GU05446030NA	33.04	11
GU01108490	33.30	4	GU05124230	33.29	10	GU05446431	33.04	9
GU01154230	33.26	12	GU05128230	33.29	14	GU05446930	33.04	7
GU01154230	34.43	11	GU05135930	33.27	4	GU05447430	33.04	13
GU01154230	34.51	2	GU05152230	34.53	3	GU05464330NA	33.20	11
GU01161331	33.26	11	GU05157430	33.26	2	GU05464830	33.20	13
GU01161331	34.51	13	GU05159330	33.26	10	GU05466830	33.18	6
GU01163600	34.53	8	GU05162031	33.25	1	GU05466830	33.41	4
GU01163700	34.53	7	GU05164630	33.25	2	GU05467330	33.20	7
GU01528930	34.10	13	GU05204930	34.55	8	GU05476430	33.15	7
GU01528930	34.10	8	GU05206530	34.10	12	GU05479630	33.19	2
GU01528930	34.43	23	GU05210631	34.57	1	GU05493130	33.06	1
GU01528930	34.55	9	GU05211331	34.57	10	GU05494030	33.06	2
GU01530593	33.07	30	GU05211431	34.57	7	GU05526630	33.07	19
GU01576530	33.04	3	GU05212031	34.57	4	GU05530535	33.07	12
GU01603480	33.22	14	GU05212631	34.57	9	GU05547030	33.08	6
GU01609630	33.22	20	GU05213631	34.58	1	GU05547130	33.08	5
GU01612190	33.31	11	GU05214031	34.58	7	GU05547930	33.08	8
GU01654630	33.32	3	GU05214231	34.58	3	GU05548030	33.08	3
GU01659130	33.32	5	GU05214431	34.58	12	GU05550230	33.12	1
GU01659131	33.32	6	GU05214630	34.57	5	GU05560330	33.12	3
GU01721600	33.39	15	GU05214630	34.58	5	GU05562030	33.12	7
GU01722700	33.39	17	GU05214731	34.58	9	GU05562430	33.12	14
GU01722701	33.39	17	GU05215031	34.58	10	GU05570230	33.18	2
GU01722702	33.39	17	GU05215631	34.57	2	GU0557023000XE4	33.18	2
GU01722703	33.39	17	GU05220531	34.58	11	GU05570230BM	33.18	2
GU01722704	33.39	17	GU05230531	34.56	18	GU05570232	33.18	2
GU01722705	33.39	17	GU05230831	34.56	21	GU05570530	33.16	1
GU01929100	36.63	7	GU05232431	34.56	19	GU05570630	33.16	2
GU02107100	33.13	5	GU05232631	34.56	20	GU05573230	33.20	1
GU03013800	34.52	12	GU05234130	34.56	11	GU0557323000XE4	33.20	1
GU03013800	34.61	9	GU05234230	34.56	12	GU0557323000Y02A	33.20	1
GU03270300	33.20	9	GU05234431	34.56	1	GU05573330	33.20	2
GU03270300	33.21	8	GU05234631	34.56	2	GU0557333000XE4	33.20	2
GU03469201	34.61	8	GU05234731	34.56	10	GU0557333000Y02A	33.20	2
GU03530506	33.07	23	GU05234931	34.56	13	GU05573830	33.18	13
GU03530510	33.07	20	GU05235531	34.56	3	GU05573831	33.18	14
GU03530513	33.07	16	GU05236231	34.56	7	GU05576230	33.15	2
GU03530524	33.07	10	GU05238131	34.56	15	GU05576230NA	33.15	2
GU03530525	33.07	9	GU05238231	34.56	8	GU05576330	33.15	4
GU03530526	33.07	8	GU05238331	34.56	14	GU05576330NA	33.15	4
GU03530527	33.07	7	GU05238431	34.56	9	GU05576631	33.15	1
GU03530528	33.07	6	GU05239330	34.56	17	GU05576731	33.15	6
GU03604845	33.24	3	GU05251130	33.05	1	GU05578630	33.37	6
GU03609600	33.22	20	GU05256930	33.05	13	GU05578631	33.37	8
GU03617710	33.31	12	GU05257830	33.05	12	GU05603331	33.22	13
GU03617710	33.33	2	GU05258230	33.05	10	GU05606630	33.24	10
GU03749845	33.23	9	GU05326330	34.09	6	GU05610530	33.31	1
GU05001630	34.44	12	GU05351230	34.10	2	GU05611430	33.31	7
GU05002130	34.44	3	GU05352430	34.11	2	GU05613330	33.31	6
GU05003630	34.43	17	GU05358030	34.10	6	GU05613335	33.31	15



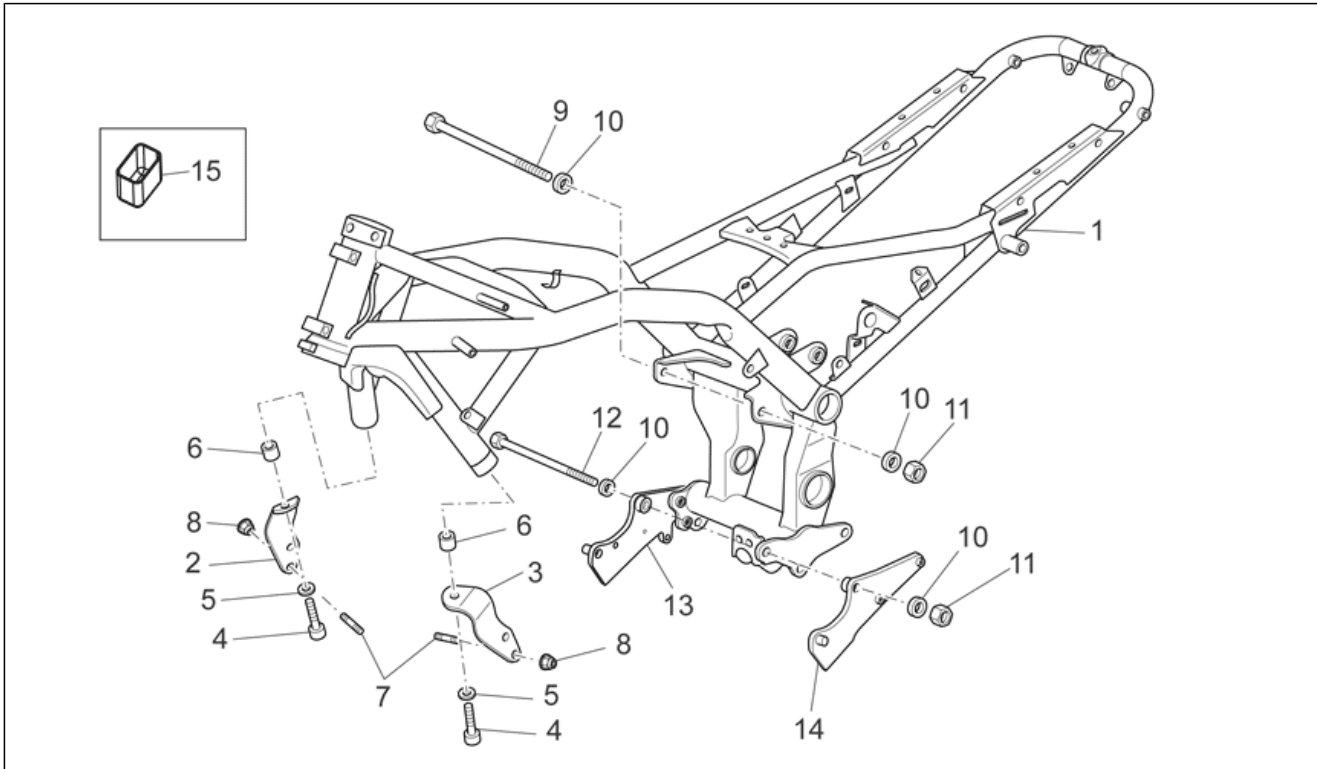


Code	Nr. der Tafel	Pos.	Code	Nr. der Tafel	Pos.	Code	Nr. der Tafel	Pos.
GU05614130	33.31	8	GU05902735	36.64	6	GU31159050	34.53	14
GU05615230	33.31	2	GU05902736	36.64	1	GU32461610	33.18	16
GU05630530	33.33	1	GU05911730	36.63	2	GU32461810	33.18	15
GU05630531	33.33	1	GU05917530	33.42	4	GU32727010	33.29	12
GU05632730	33.33	3	GU05926030	33.42	8	GU32944210	33.20	17
GU05634430	33.33	5	GU05927230	36.63	6	GU49609601	33.21	25
GU05635730	33.33	6	GU05944530	33.42	10	GU49609601	33.31	20
GU05638130	34.11	9	GU05944930	33.42	12	GU49609601	33.33	15
GU05652230	33.32	2	GU05945030	33.42	9	GU4FAN000030	34.60	10
GU05652330	33.32	1	GU06658800	33.23	6	GU61270300	34.43	13
GU05653030	33.35	1	GU06917300	33.42	3	GU90271014	34.56	16
GU05654630	33.35	3	GU06917400	33.42	2	GU90271022	34.56	4
GU05657530	33.35	9	GU12006400	34.51	20	GU90271030	34.57	8
GU05658431	33.06	13	GU12018900	34.43	6	GU90271030	34.58	8
GU05659030	33.35	5	GU12022600	34.43	31	GU90271230	34.57	6
GU05659130	33.35	4	GU12911801	36.63	10	GU90271230	34.58	6
GU05659230	33.32	4	GU12912000	36.63	8	GU90273026	34.11	8
GU05661130	33.23	4	GU12913600	36.63	17	GU90274002	33.21	17
GU05663530	33.34	7	GU14085900	34.54	11	GU90274008	33.29	11
GU05666030	33.34	9	GU14086000	34.54	13	GU90353014	34.56	22
GU05666930	33.34	1	GU14433400	34.50	12	GU90401424	34.55	12
GU05677030	33.34	18	GU14609650	33.02	15	GU90404558	34.11	3
GU05680530	33.36	5	GU14609650	33.39	24	GU90405367	34.43	4
GU05680830	33.36	4	GU14609650	33.40	1	GU90408511	34.10	10
GU05680930	33.36	7	GU14615901	33.29	5	GU90412237	34.44	2
GU05681030	33.36	1	GU14615901	34.43	5	GU90412541	34.58	14
GU05681130	33.36	6	GU14616150	33.31	13	GU90706141	33.39	16
GU05681430	33.31	16	GU14616150	33.33	9	GU90706151	34.53	5
GU05681530	33.33	11	GU14912603	36.63	24	GU90706178	34.43	25
GU05683130	33.36	12	GU14927100	36.63	9	GU90706203	34.43	32
GU05683730	33.33	13	GU17661052	33.34	8	GU90706347	34.44	8
GU05701430	34.60	7	GU17947560	36.63	15	GU90718120	34.10	3
GU05702530	34.60	6	GU18144350	34.52	4	GU91120606	34.44	13
GU05704531	33.40	2	GU18144350	34.53	13	GU91120607	34.44	7
GU05704630	33.40	3	GU18144350	34.55	7	GU91120622	33.25	8
GU05716730	33.39	9	GU19002020	34.55	14	GU91120924	33.20	10
GU05717030	33.39	14	GU19207220	34.55	10	GU91180823	34.60	2
GU05730730	34.61	1	GU19927100	36.63	18	GU91181215	33.01	6
GU05733330	34.61	4	GU19929600	36.63	14	GU91551010	33.25	3
GU05735530	33.41	6	GU25656100	33.23	8	GU91600365	34.50	19
GU05738030	33.22	8	GU25656100	33.35	6	GU91600450	34.50	14
GU05740530	33.37	1	GU25656100	33.36	3	GU92201025	34.56	6
GU05740531	33.37	1	GU28576591	33.19	12	GU92201117	34.56	5
GU05743730	33.37	14	GU28742562	33.40	10	GU92201226	34.58	13
GU05745730	33.21	11	GU29722760	33.39	17	GU92201226	34.59	2
GU05747830	33.40	8	GU29729461	33.39	20	GU92201822	34.57	11
GU05747930	33.40	11	GU30027931	33.28	15	GU92201822	34.58	2
GU05751630	33.38	8	GU30103730	33.13	10	GU92204230	34.11	5
GU05751730	33.38	11	GU30150900	34.53	9	GU92208518	34.11	4
GU05764030	33.21	6	GU30153000	34.53	1	GU92232028	34.59	5
GU05764330	33.21	10	GU30158900	34.52	3	GU92249224	33.08	7
GU05764430	33.21	12	GU30158900	34.53	12	GU92252029	34.57	3
GU05764430	33.21	12	GU30217900	33.01	5	GU92252029	34.58	4
GU05764530	33.21	14	GU30441005	33.03	4	GU92602525	34.50	17
GU05766530	33.21	2	GU30530561	33.07	28	GU92605408	34.60	12
GU05767830	33.21	26	GU30530577	33.07	29	GU92606206	33.34	15
GU05780430	33.21	27	GU30609600	33.39	24	GU92606516	34.60	8
GU05780530	33.19	3	GU30611460	33.33	7	GU92609408	33.40	24
GU05782530	33.21	18	GU30714201	34.60	9	GU92630104	33.39	12
GU05782530	33.41	3	GU30716500	33.39	8	GU92630206	33.21	24
GU05900130	33.42	11	GU30729330	33.28	14	GU92630206	33.37	13
GU05902530	36.63	13	GU30944300	33.42	5	GU92630206	33.38	13
GU05902730	36.64	8	GU30970200	33.42	13	GU92630707	33.05	11
GU05902731	36.64	5	GU31003766	34.10	9	GU92650138	33.29	21
GU05902732	36.64	3	GU31003766	34.43	22	GU92660012	34.60	5
GU05902733	36.64	4	GU31003766	34.55	13	GU92660021	33.29	4
GU05902734	36.64	7	GU31159050	34.52	2	GU92660021	34.43	8



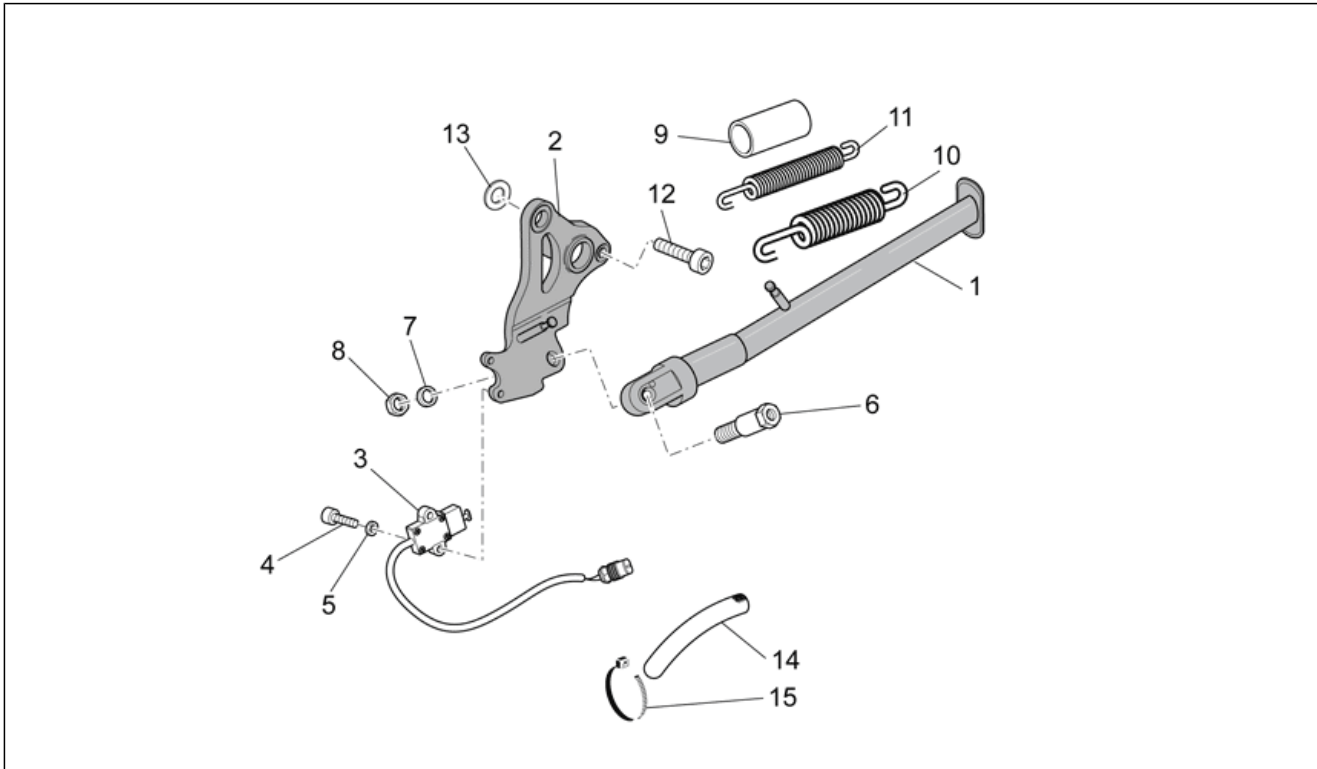
Code	Nr. der Tafel	Pos.	Code	Nr. der Tafel	Pos.
GU92750180	34.50	13	GU98370616	34.55	4
GU92787205	33.15	10	GU98370625	33.18	9
GU93180220	34.55	3	GU98612216	33.02	4
GU93231604	33.14	6	GU98620445	34.60	3
GU93304360	33.39	24	GU98620560	34.60	4
GU93304360	33.40	1	GU98680335	34.43	14
GU93304390	33.08	4	GU98680335	34.44	15
GU93305061	34.62	13	GU98680340	33.07	13
GU93306017	33.26	13	GU98680340	33.22	11
GU93306018	33.26	9	GU98680340	33.25	5
GU93306050	34.62	18	GU98680340	34.43	28
GU93450105	33.37	4	GU98680360	34.43	21
GU93450105	33.38	14	GU98680440	33.04	5
GU93450126	33.37	12	GU98680445	33.29	17
GU93450126	33.38	10	GU98680450	34.10	11
GU93450265	33.37	3	GU98682125	33.39	10
GU94321077	34.53	10	GU98682212	33.39	18
GU95005304	33.15	11	GU98682212	34.62	15
GU95005306	33.25	6	GU98682215	33.20	5
GU95005306	34.52	13	GU98682316	33.05	4
GU95005312	33.29	23	GU98682316	33.34	21
GU95005325	33.31	10	GU98682316	34.44	14
GU95008204	33.39	11	GU98682320	33.05	6
GU95008205	33.39	19	GU98682320	33.05	9
GU95008206	34.53	11	GU98682320	34.44	6
GU95008206	34.62	10	GU98682325	33.08	9
GU95008208	33.13	4	GU98682330	34.44	11
GU95008208	34.61	3	GU98682414	33.13	3
GU95008213	33.05	8	GU98682416	33.21	7
GU95008305	34.62	19	GU98682425	33.06	12
GU95008308	33.16	8	GU98682425	33.20	12
GU95008310	33.34	26	GU98682430	33.06	11
GU95008313	33.01	10	GU98682430	33.21	19
GU95008313	33.02	13	GU98682435	33.37	7
GU95020105	33.02	5	GU98682535	33.07	11
GU95021104	33.23	11	GU98682650	33.01	4
GU95100116	34.49	16	GU98683520	33.39	22
GU95100116	34.62	12	GU98690435	33.22	3
GU95100244	33.37	16	GU98692216	33.14	2
GU95129131	33.40	23	GU98692313	33.21	9
GU95510620	34.10	4	GU98692318	33.37	5
GU95512081	34.43	9	GU98692318	33.38	12
GU95980216	34.43	33	GU98692325	33.21	9
GU95980319	34.55	6	GU98692425	33.04	4
GU96508066	34.43	3	GU98692425	33.22	6
GU96508075	34.43	7	GU98692430	33.04	2
GU97202355	34.55	2	GU98710215	33.37	22
GU97202665	33.33	4	GU98882325	34.62	9
GU98082475	34.61	2	GU99210406	34.10	14
GU98084425	34.43	12			
GU98230510	34.46	5			
GU98230612	34.54	6			
GU98230850	34.60	11			
GU98231235	33.02	12			
GU98250510	33.31	17			
GU98350210	33.04	10			
GU98350210	33.34	29			
GU98350210	34.47	23			
GU98350210	34.48	23			
GU98350310	34.49	24			
GU98350310	34.62	11			
GU98350315	34.50	5			
GU98370412	33.14	4			
GU98370412	33.23	10			
GU98370609	34.61	6			
GU98370614	33.19	13			
GU98370616	33.18	18			

<b>Einheit</b>	RAHMEN
<b>Code</b>	33.01
<b>Beschreibung</b>	Rahmen
<b>Inspektion</b>	1



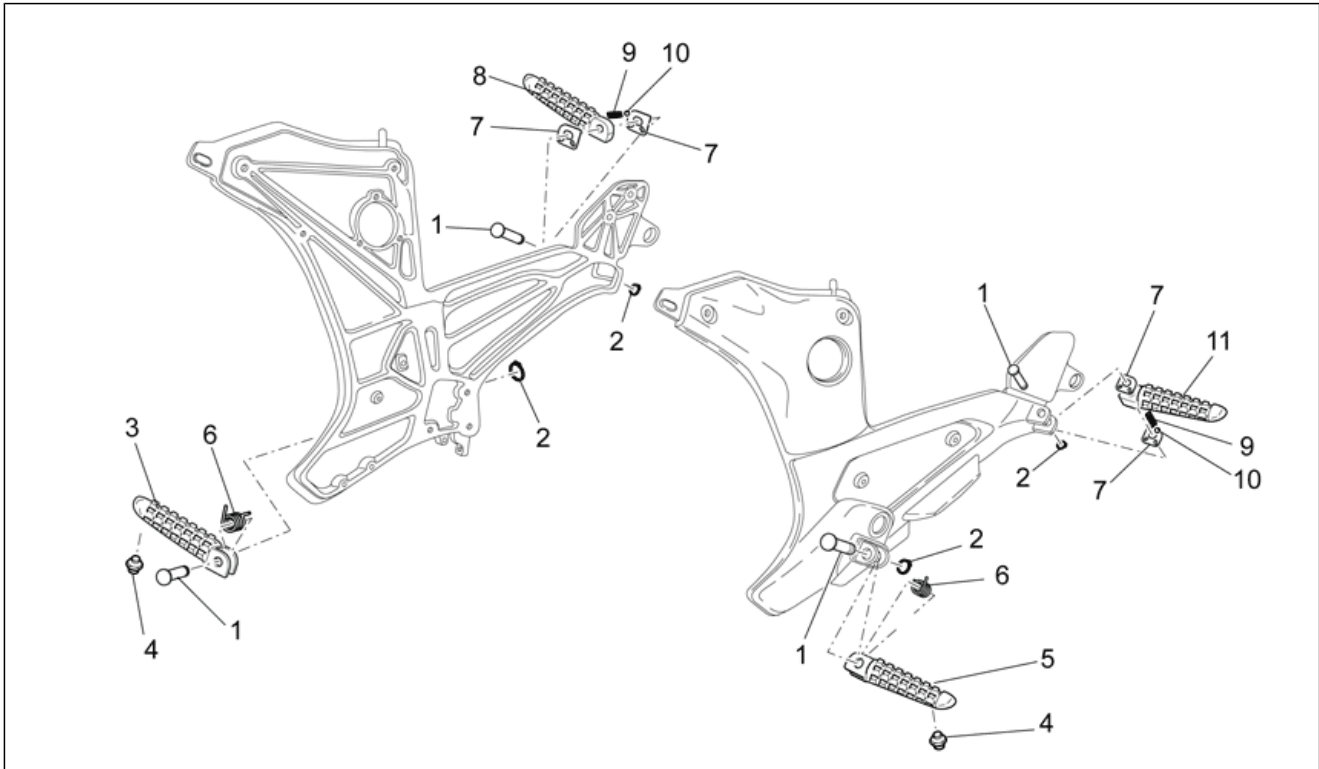
Pos.	Code	Beschreibung	Menge	Varianten
1	883284	Rahmen	1	
2	GU05421430	Rechts Platte	1	
3	GU05421530	Links Platte	1	
4	GU98682650	TCEI Schraube M12x50	2	
5	GU30217900	Ausgleichscheibe 13x18x1,7	2	
6	GU91181215	Distanzscheibe 12x35x14	2	
7	977809	Stiftschraube M10x38	4	
8	AP8152301	Selbstsperrende Mutter	4	
9	AP8221307	Bolzen M12	1	
10	GU95008313	Ausgleichscheibe 13x24x2,5	4	
11	AP8150432	Selbstsperr.mut Unt. M12*	2	
12	AP8221227	Bolzen M12x270	1	
13	977806	Rechts Platte	1	
14	977805	Links Platte	1	
15	978093	Kappe	2	

<b>Einheit</b>	RAHMEN
<b>Code</b>	33.02
<b>Beschreibung</b>	Hauptständer
<b>Inspektion</b>	1



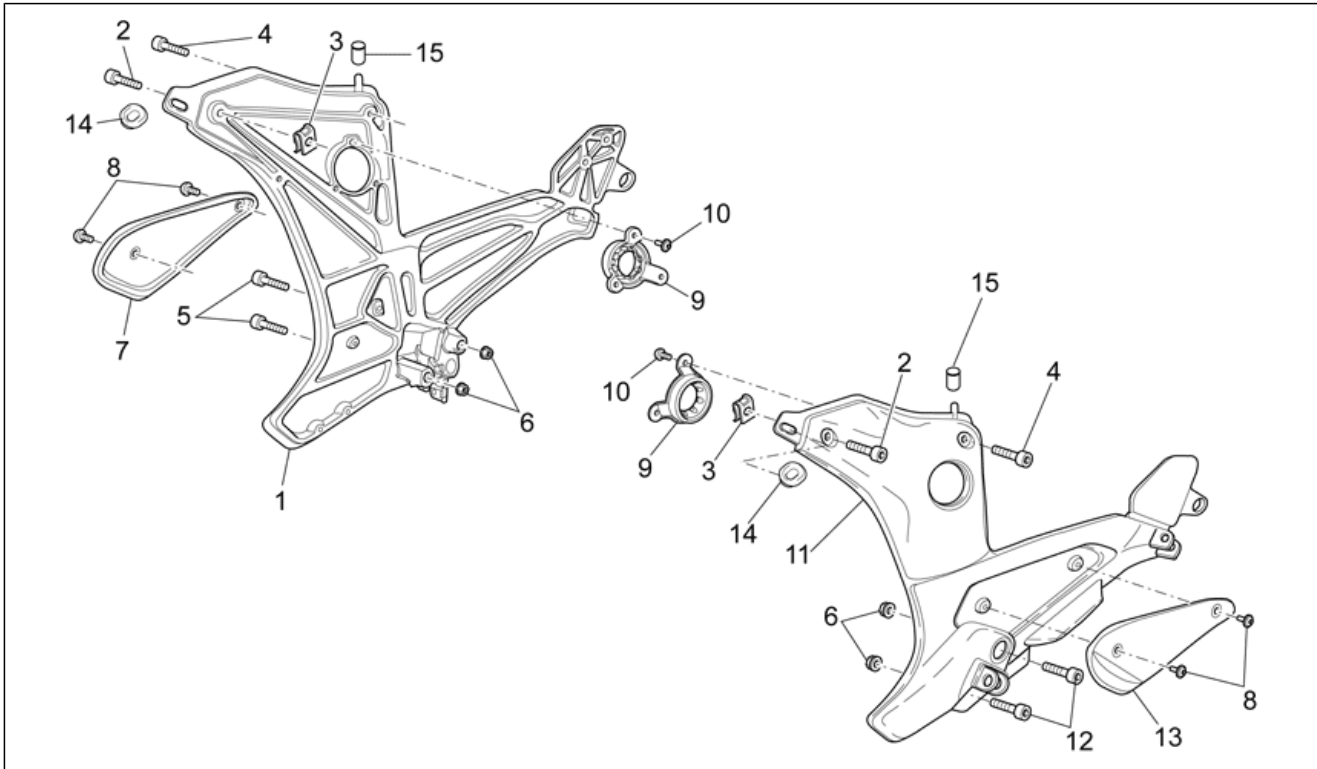
Pos.	Code	Beschreibung	Menge	Varianten
1	977079	Seitenständer	1	Land:Other country[EU], Great Britain[UK]
2	977080	Hauptständer platte	1	Land:Other country[EU], Great Britain[UK]
3	639542	Button for the side stand	1	
4	GU98612216	TCEI Schraube	2	
5	GU95020105	Ausgleichscheibe 5,3x8,9x2,4	2	
6	AP8121994	Ständerschraube	1	Land:Other country[EU], Great Britain[UK]
7	AP8150292	Gebogene Sprengscheibe *	1	
8	AP8152001	Mutter unten M10x1,25	1	
9	AP8102524	Schutz f. Ständerfeder	1	
10	AP8221204	Hauptständer Schraubenfeder	1	
11	AP8221211	Rückholfeder Ständer	1	
12	GU98231235	TBEI Schraube M12x35	2	
13	GU95008313	Ausgleichscheibe 13x24x2,5	2	
14	GU00823923140	Thermische Hülle	1	
15	GU14609650	Schelle 3,6x20,6	2	

<b>Einheit</b>	RAHMEN
<b>Code</b>	33.03
<b>Beschreibung</b>	Fussrasten I
<b>Inspektion</b>	1



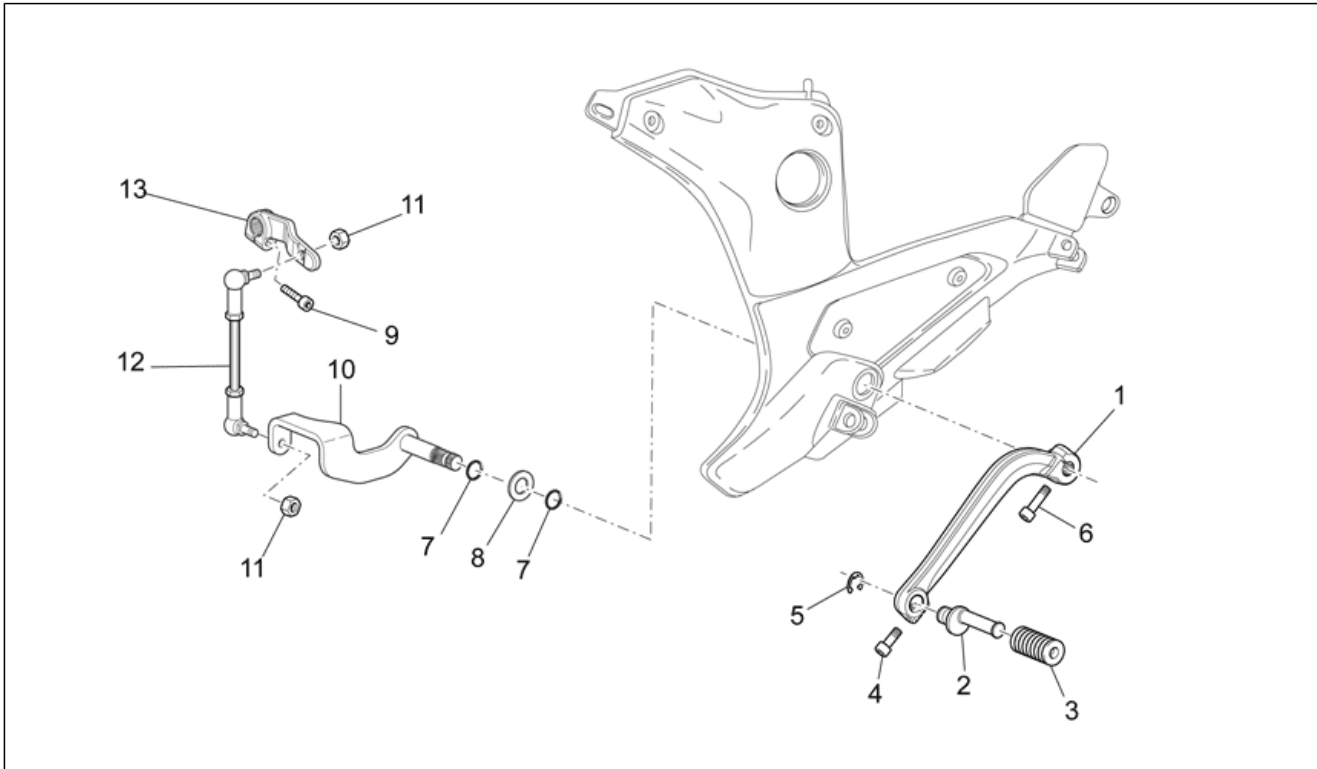
Pos.	Code	Beschreibung	Menge	Varianten
1	AP8121567	Bolzen	4	
2	AP8152409	Sperring	4	
3	977822	Fussrasten r. Old	1	
4	GU30441005	Stift	2	
5	977823	Fussrasten l. Old	1	
6	AP8221277	Rückholfeder	2	
7	AP8134451	Fixierplatte	4	
8	977824	Soziusraste rechts Old	1	
9	AP8121133	Schraubenfederkompr.	2	
10	AP8101861	Kugel D6,35	2	
11	977825	Soziusraste links Old	1	

<b>Einheit</b>	RAHMEN
<b>Code</b>	33.04
<b>Beschreibung</b>	Fussrasten II
<b>Inspektion</b>	1



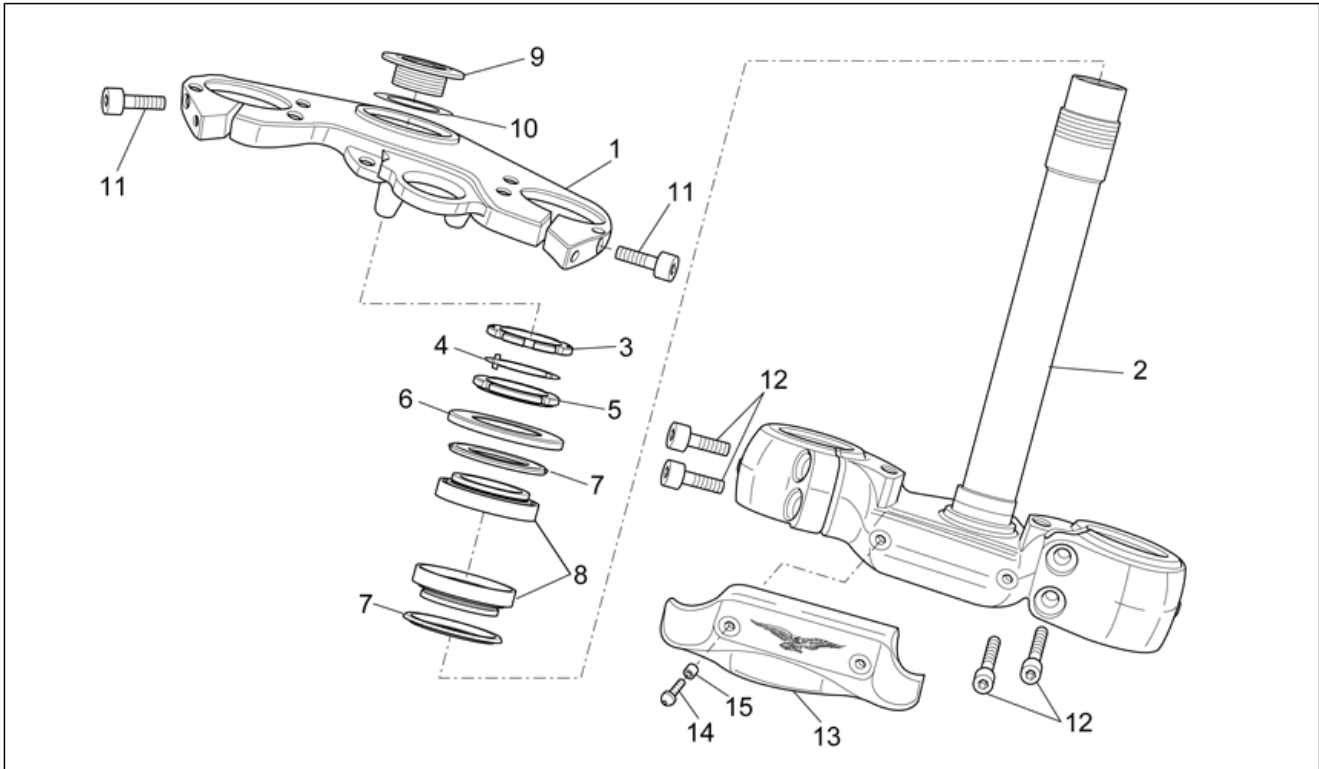
Pos.	Code	Beschreibung	Menge	Varianten
1	GU05443530NA	Platte, R.schwarz	1	
2	GU98692430	TCEI Schraube M8x30	2	
3	GU01576530	Klemmutter M8x1,25	2	
4	GU98692425	TCEI Schraube M8x25	2	
5	GU98680440	TCEI Schraube M8x40	2	
6	AP8152300	Selbstsperrende Mutter M8	4	
7	GU05446930	Rechter schutz	1	
8	AP8152339	TBEI Schraube m.Flansch M5x9	4	
9	GU05446431	Ring	2	
10	GU98350210	TBEI Schraube	6	
11	GU05446030NA	Links Platte	1	
12	AP8150046	TCEI Schraube M8x55	2	
13	GU05447430	Linker schutz	1	
14	AP8220162	Gummi	4	
15	AP8220526	Gummi	2	

<b>Einheit</b>	RAHMEN
<b>Code</b>	33.05
<b>Beschreibung</b>	Schalthebel
<b>Inspektion</b>	1



Pos.	Code	Beschreibung	Menge	Varianten
1	GU05251130	Schalthebel	1	
2	AP8121221	Stift Bremshebel	1	
3	AP8120912	Gummi für Hebel	1	
4	GU98682316	TCEI Schraube M6x16	1	
5	AP8150462	Seegerring d9	1	
6	GU98682320	TCEI Schraube M6x20	1	
7	AP8144007	O-Ring 11,11x1,78	2	
8	GU95008213	Ausgleichscheibe 12,2X20X2	1	
9	GU98682320	TCEI Schraube M6x20	1	
10	GU05258230	Umlenkhebel	1	
11	GU92630707	Mutter	2	
12	GU05257830	Spannstange f.Getriebe,Kpl.	1	
13	GU05256930	Umlenkhebel	1	

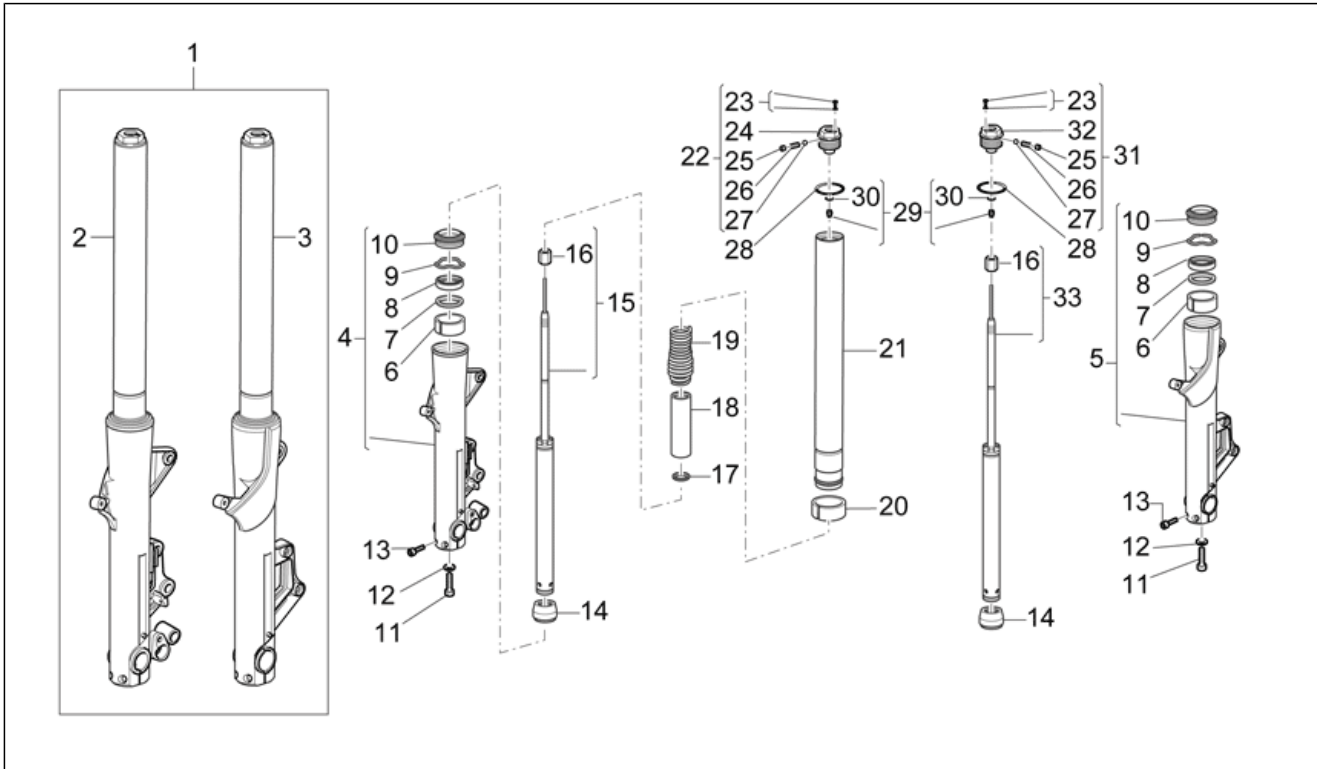
<b>Einheit</b>	RAHMEN
<b>Code</b>	33.06
<b>Beschreibung</b>	Lenkung
<b>Inspektion</b>	1



Pos.	Code	Beschreibung	Menge	Varianten
1	GU05493130	Ob. Gabelplatte	1	
2	GU05494030	Fuß mit Rohr	1	
3	AP8123643	Gegenmutter	1	
4	AP8121207	Sicherheitspl. Lenkung	1	
5	AP8123642	Nutmutter	1	
6	AP8123644	Staubschutzring	1	
7	AP8123641	Staubschutzring	2	
8	AP8110077	Axialkugellager	2	
9	AP8121205	Fixierbuchse ob. Platte	1	
10	AP8152384	Scheibe Lenkkopf	1	
11	GU98682430	TCEI Schraube M8x30	2	
12	GU98682425	TCEI Schraube M8x25	4	
13	GU05658431	Fixierplatte Bremsschlauch	1	
14	AP8152298	TBEI Schraube m.Flansch M5x16	2	
15	AP8221036	Buchse 5,3x8x7,1	2	

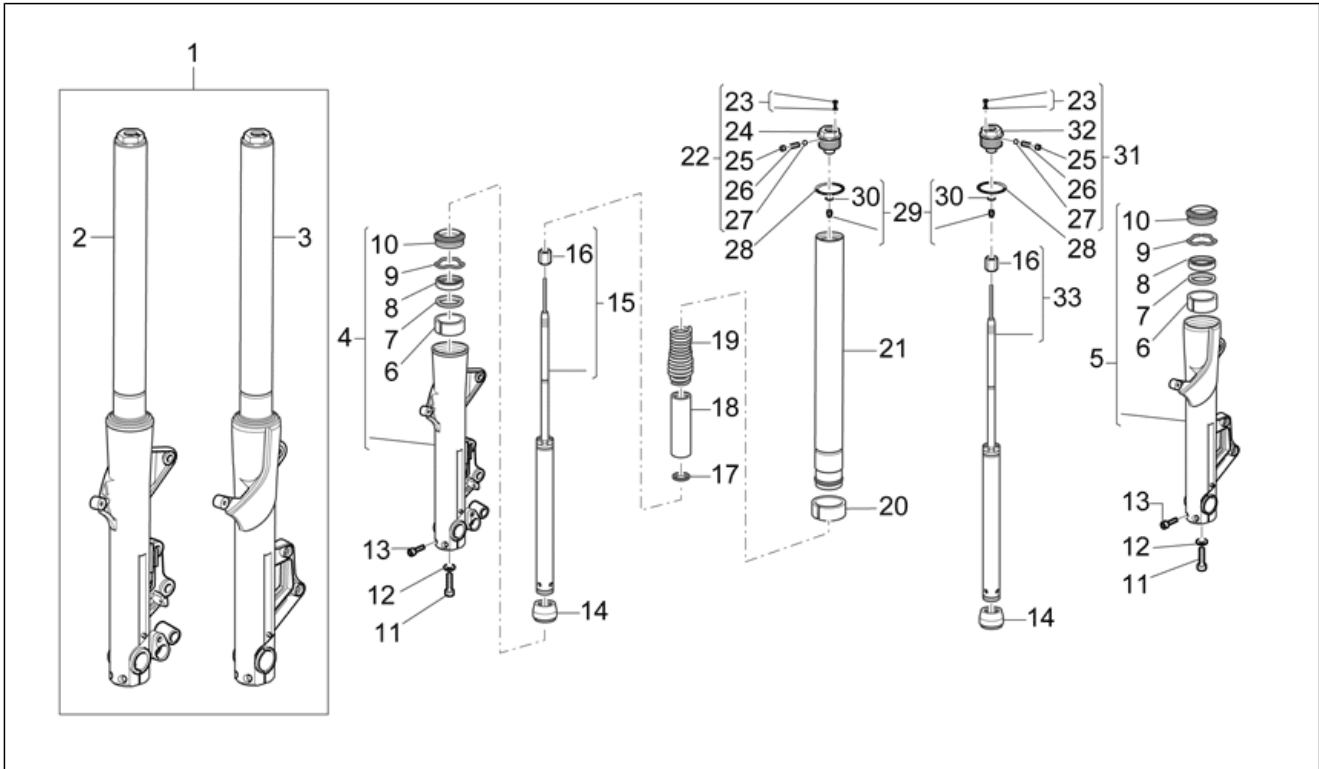


<b>Einheit</b>	RAHMEN
<b>Code</b>	33.07
<b>Beschreibung</b>	Vorderradgabel
<b>Inspektion</b>	1



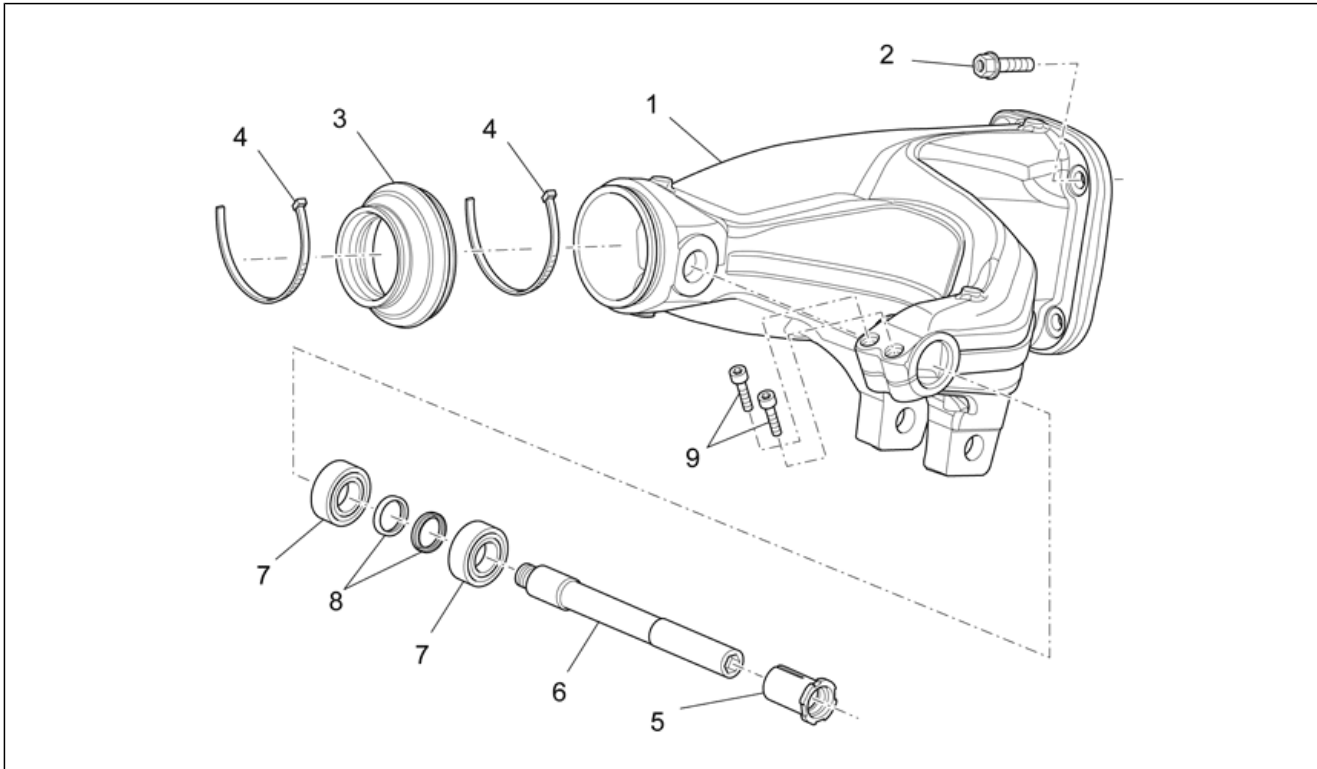
Pos.	Code	Beschreibung	Menge	Varianten
1	978282	Vorderradgabel "Marzocchi"	1	
2	981097	Kolbenstange rechts kpl. "Marzocchi"	1	
3	981096	Kolbenstange links kpl. "Marzocchi"	1	
4	981094	Rechte Hülse D. 45	1	
5	981095	Linke Hülse D. 45	1	
6	GU03530528	Obere Buchse	2	
7	GU03530527	Becher	2	
8	GU03530526	Gasket ring	2	
9	GU03530525	Sperring	2	
10	GU03530524	Staubschutz	2	
11	GU98682535	TCEI Schraube M10x35	2	
12	GU05530535	Ausgleichscheibe 14x10,5x1,5	2	
13	GU98680340	TCEI Schraube M6x40	4	
14	978176	Puffer	2	
15	978175	Pumpgestänge rechts "REBOUND"	1	
16	GU03530513	Gegenmutter	2	
17	978178	Ausgleichscheibe	2	
18	978177	Vorspannrohr	2	
19	GU05526630	Feder	2	
20	GU03530510	Untere Buchse	2	
21	981098	Schaft D. 45	2	
22	978180	Verschlußschraube kplt. "REBOUND"	2	
23	GU03530506	Schraube mit OR	2	
24	978184	Aufkleber "REBOUND"	2	
25	978183	Feststellschraube	2	
26	978182	Feder	2	
27	978181	Kugel	2	
28	GU30530561	O-Ring	2	

<b>Einheit</b>	RAHMEN
<b>Code</b>	33.07
<b>Beschreibung</b>	Vorderradgabel
<b>Inspektion</b>	1



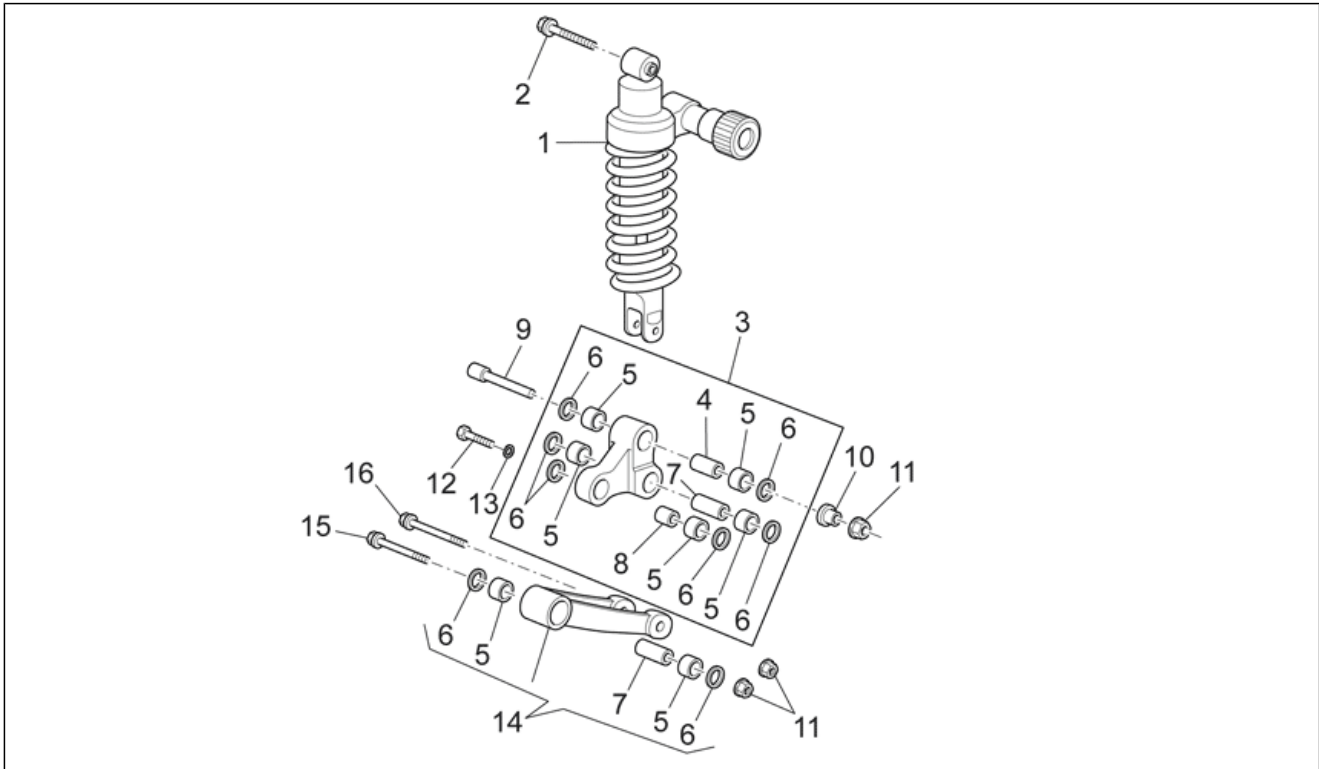
Pos.	Code	Beschreibung	Menge	Varianten
29	GU30530577	Regelschraube	2	
30	GU01530593	O-Ring	2	
31	978187	Verschlussschraube kplt. "COMPRESSION"	2	
32	978185	Aufkleber "COMPRESSION"	2	
33	978186	Pumpgestänge links "COMPRESSION"	1	

<b>Einheit</b>	RAHMEN
<b>Code</b>	33.08
<b>Beschreibung</b>	Schwinge
<b>Inspektion</b>	1



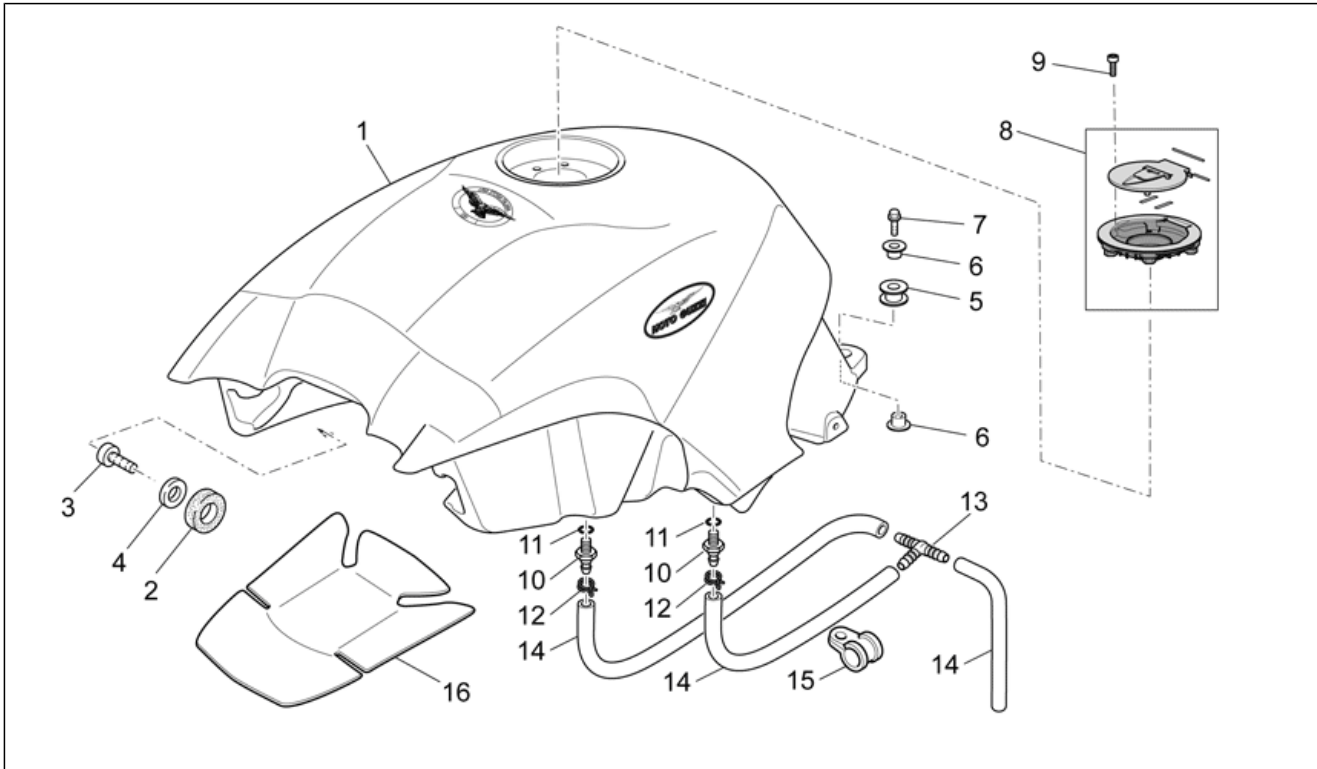
Pos.	Code	Beschreibung	Menge	Varianten
1	978350	Schwinge, schwarz	1	
2	AP8152318	TE Schr. m. Flansch M10x35	4	
3	GU05548030	Gummibalg	1	
4	GU93304390	Schelle 3,6x375	2	
5	GU05547130	Buchse	1	
6	GU05547030	Bolzen	1	
7	GU92249224	Rollenlager 25x47x17	2	
8	GU05547930	Gasket ring	2	
9	GU98682325	TCEI Schraube M6x25	2	

<b>Einheit</b>	RAHMEN
<b>Code</b>	33.12
<b>Beschreibung</b>	Pleuelstange und Stoßdämpfer
<b>Inspektion</b>	1



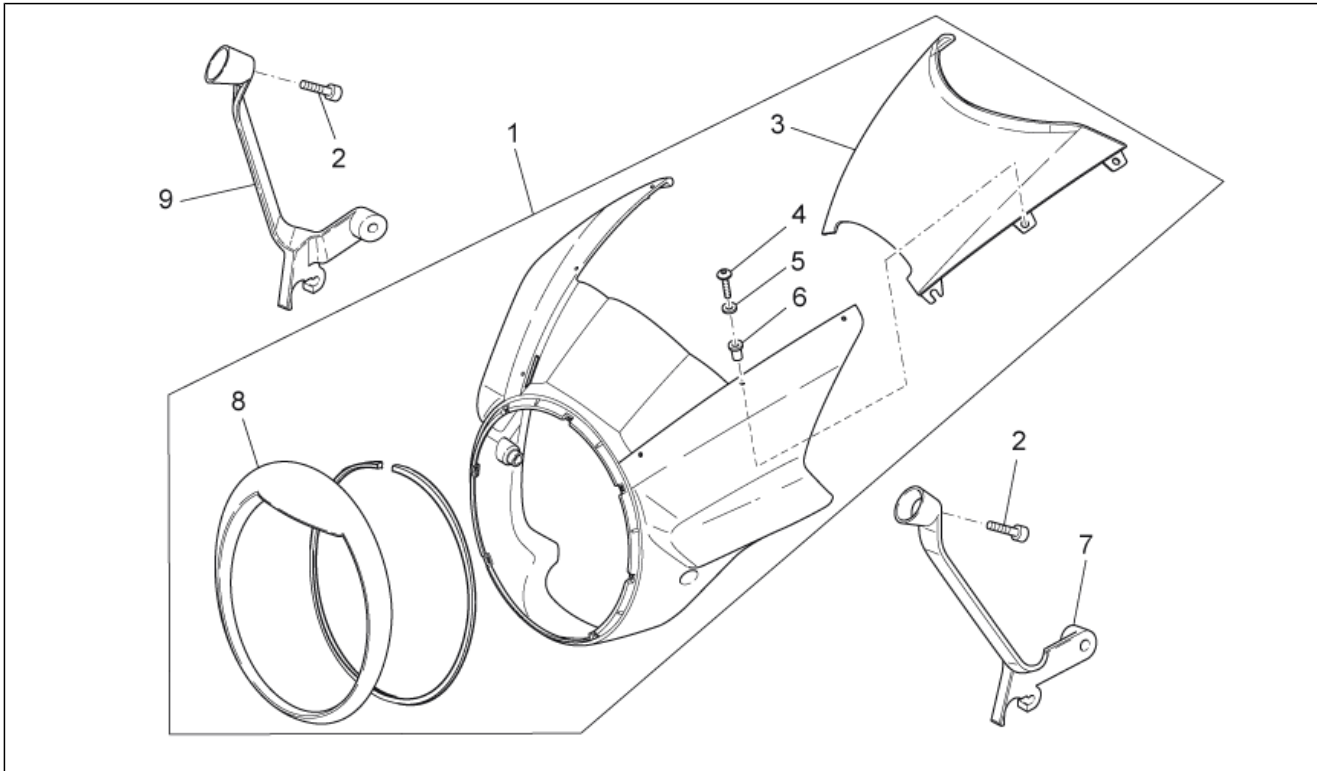
Pos.	Code	Beschreibung	Menge	Varianten
1	GU05550230	Stoßdämpfer	1	
2	AP8152398	TE Schr. m. Flansch M10x80	1	
3	GU05560330	Doppelte Pleuelstange	1	
4	AP8135924	Pleuelbolzen L40	1	
5	AP8110066	Nadellager	7	
6	AP8110068	Ölabstreifring D18x24x3	8	
7	GU05562030	Pleuelbolzen L47	2	
8	AP8135608	Pleuelbolzen L25	1	
9	AP8152397	TCEI Schraube M10x82	1	
10	AP8121155	T-Buchse *	1	
11	AP8152301	Selbstsperrende Mutter	3	
12	AP8152147	Sechskantschraube M10x47	1	
13	AP8150292	Gebogene Sprengscheibe *	1	
14	GU05562430	Einfache Pleuelstange	1	
15	AP8152482	TE Schr. m. Flansch M10x85	1	
16	AP8152396	TE Schr. m. Flansch M10x95	1	

<b>Einheit</b>	RAHMEN
<b>Code</b>	33.13
<b>Beschreibung</b>	Kraftstofftank
<b>Inspektion</b>	1



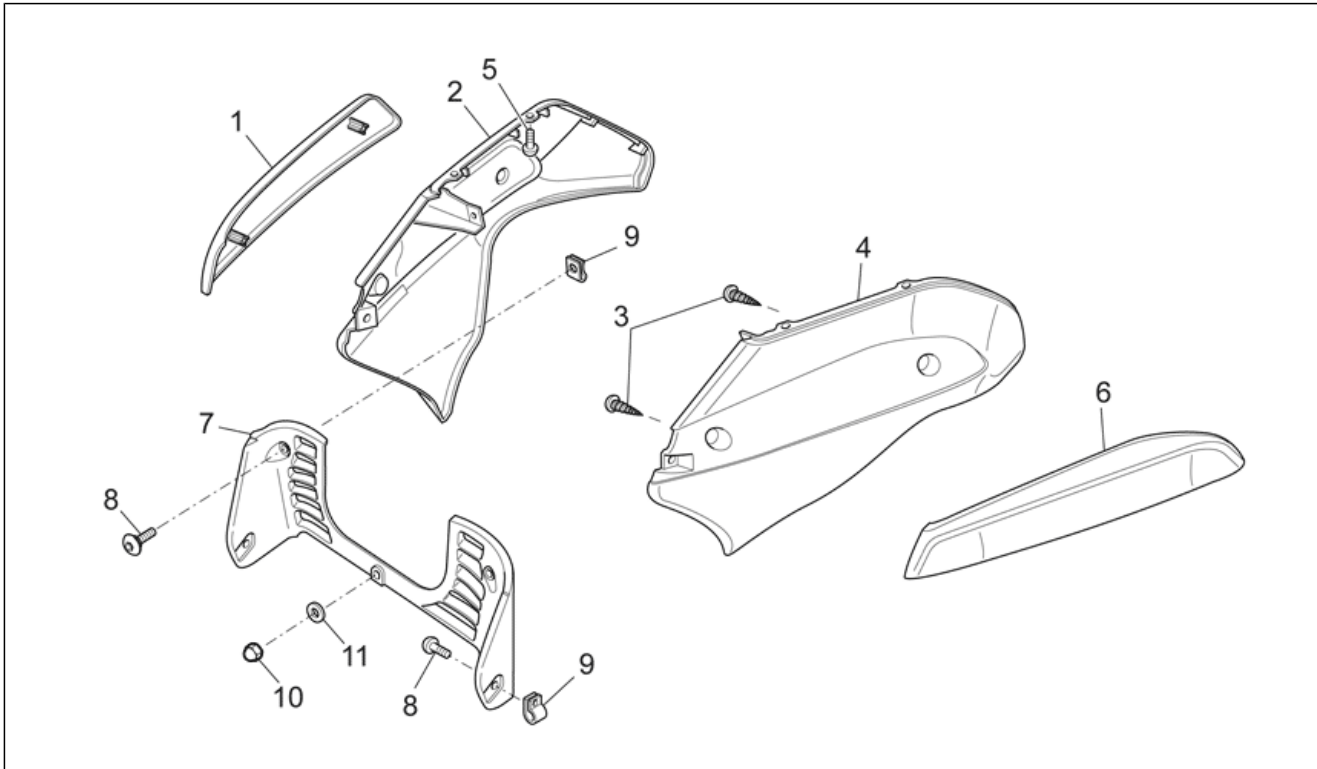
Pos.	Code	Beschreibung	Menge	Varianten
1	GU05100230	Kraftstoffbehälter hne farbe	1	Land:Other country[EU], Great Britain[UK]
1	GU0510023000XE4	Kraftstofftank silber	1	Fahrzeugfarbe:Silver crowd 2008[s/cr] Land:Other country[EU], Great Britain[UK]
1	GU0510023000Z1	Kraftstofftank rot/weiß lack.	1	Fahrzeugfarbe:Rosso/Bianco 2011[r/wh] Land:Other country[EU]
1	GU05100232	Kraftstofftank, schwarz	1	Fahrzeugfarbe:Guzzi Black 2008[g/bl] Land:Other country[EU], Great Britain[UK]
2	AP8201124	Gummi *	2	
3	GU98682414	TCEI Schraube	2	
4	GU95008208	Ausgleichscheibe 8,4X15X1,5	2	
5	GU02107100	Gummi	1	
6	AP8121804	Distanzscheibe *	2	
7	AP8152291	TE Schr. m. Flansch	1	
8	GU05103930	Tankverschluss	1	
9	B043864	TCEI Schraube M5x14	4	
10	GU30103730	Anschluss	2	
11	AP8120965	O-Ring 2018	2	
12	AP8101595	Schelle D10,1	2	
13	AP8104666	3-Wegeanschluss	1	
14	AP8120952	Kraftstoffleitung 5,5x10	3	
15	AP8104451	Kabelführungs	2	
16	GU05102930	Isolierung mitte	1	

<b>Einheit</b>	RAHMEN
<b>Code</b>	33.14
<b>Beschreibung</b>	Frontaufbau I
<b>Inspektion</b>	1



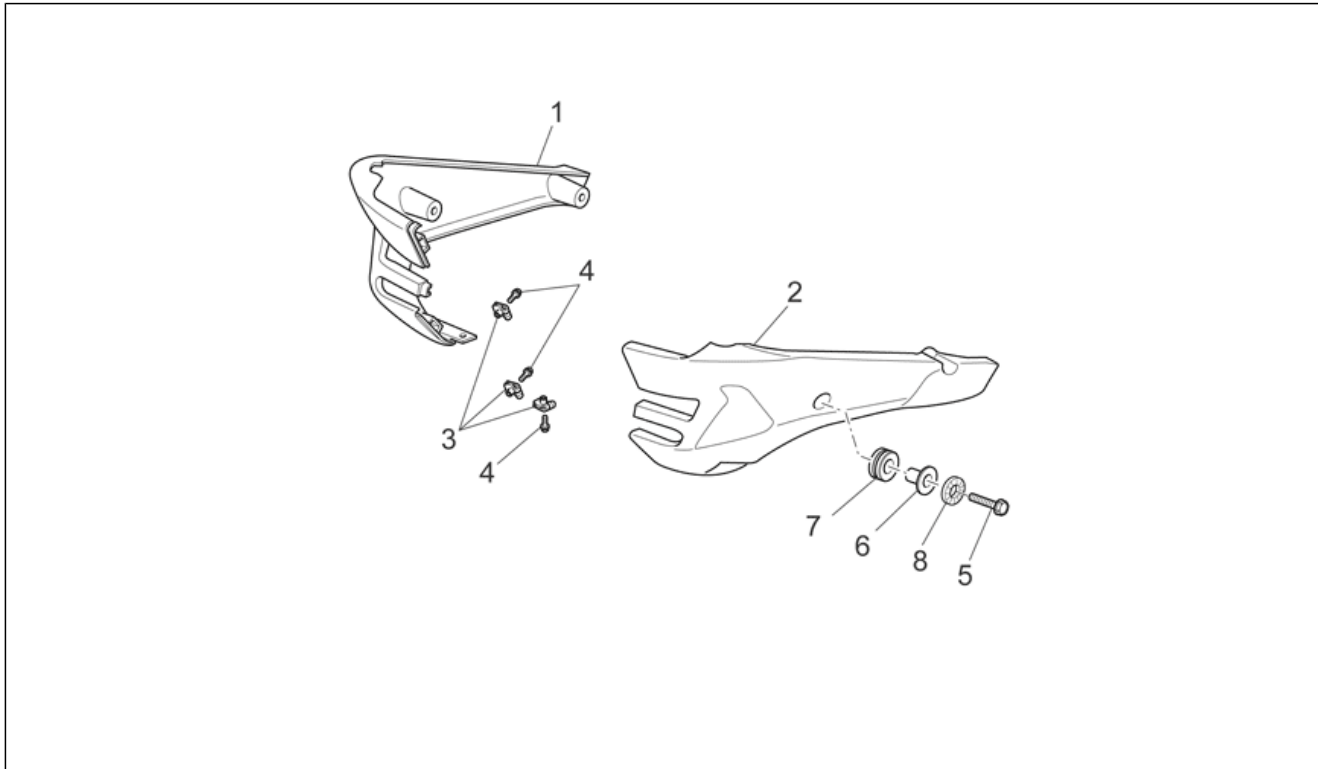
Pos.	Code	Beschreibung	Menge	Varianten
1	88697700Y01	Kuppel kpl.rot	1	<b>Fahrzeugfarbe:</b> Rosso/Bianco 2011[r/wh]
1	97781800XE4	Kuppel kpl.silbergrau	1	<b>Fahrzeugfarbe:</b> Silver crowd 2008[s/cr]
1	97781800Y02A	Kuppel kpl.swcharz	1	<b>Fahrzeugfarbe:</b> Guzzi Black 2008[g/bl]
2	GU98692216	TCEI Schraube	2	
3	977749	Verschl.Kuppel tafel roh	1	
3	97774900BM	Verschl.Kuppel tafel weiß	1	<b>Fahrzeugfarbe:</b> Rosso/Bianco 2011[r/wh]
3	9778190087	Verschl.Kuppel tafel weiß	1	<b>Fahrzeugfarbe:</b> Guzzi Black 2008[g/bl], Silver crowd 2008[s/cr]
4	GU98370412	TBEI Schraube M4x12	6	
5	AP8144565	U-scheibe Nylon	6	
6	GU93231604	Vibrierenfende Buchse M4x7,9x12,7	6	
7	977751	Windschildhalterung li.	1	
8	977750NA	Scheinwerferrahmen schwarz	1	
9	977752	Windschildhalterung re.	1	

<b>Einheit</b>	RAHMEN
<b>Code</b>	33.15
<b>Beschreibung</b>	Frontaufbau II
<b>Inspektion</b>	1



Pos.	Code	Beschreibung	Menge	Varianten
1	GU05576631	Rechter schutz	1	
2	GU05576230	Re. seitr. Verkleidung roh	1	
2	GU05576230NA	R. Seitenverkl.schwarz	1	
3	AP8150413	Gew.schr. 3,9x14	4	
4	GU05576330	Li. seitr. Verkleidung roh	1	
4	GU05576330NA	L. Seitenverkl.schwarz	1	
5	AP8152339	TBEI Schraube m.Flansch M5x9	6	
6	GU05576731	Linker schutz	1	
7	GU05476430	Kühlergitter	1	
8	AP8152302	TBEI Schraube m.Flansch M5x12	4	
9	AP8102375	Klammer m5	4	
10	GU92787205	Hutmutter	1	
11	GU95005304	Ausgleichscheibe 5,2x18x1,5	1	

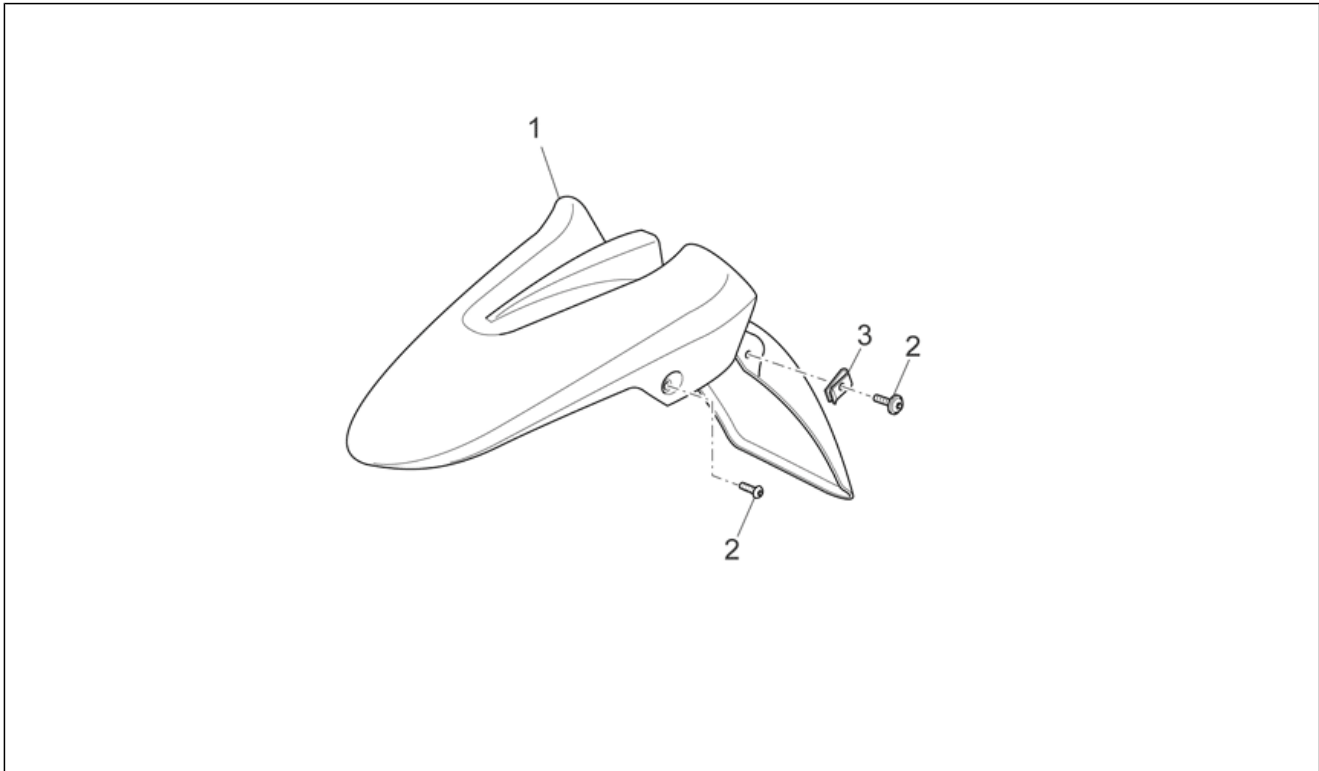
<b>Einheit</b>	RAHMEN
<b>Code</b>	33.16
<b>Beschreibung</b>	Stütze
<b>Inspektion</b>	1



Pos.	Code	Beschreibung	Menge	Varianten
1	GU05570530	R.Stütze	1	
2	GU05570630	L.Stütze	1	
3	AP8102375	Klammer m5	3	
4	AP8152339	TBEI Schraube m.Flansch M5x9	3	
5	AP8152287	TE Schr. m. Flansch M8x25	4	
6	AP8221128	T-Buchse 8,5x10,7x12	4	
7	AP8120594	Gummi	4	
8	GU95008308	Ausgleichscheibe	4	

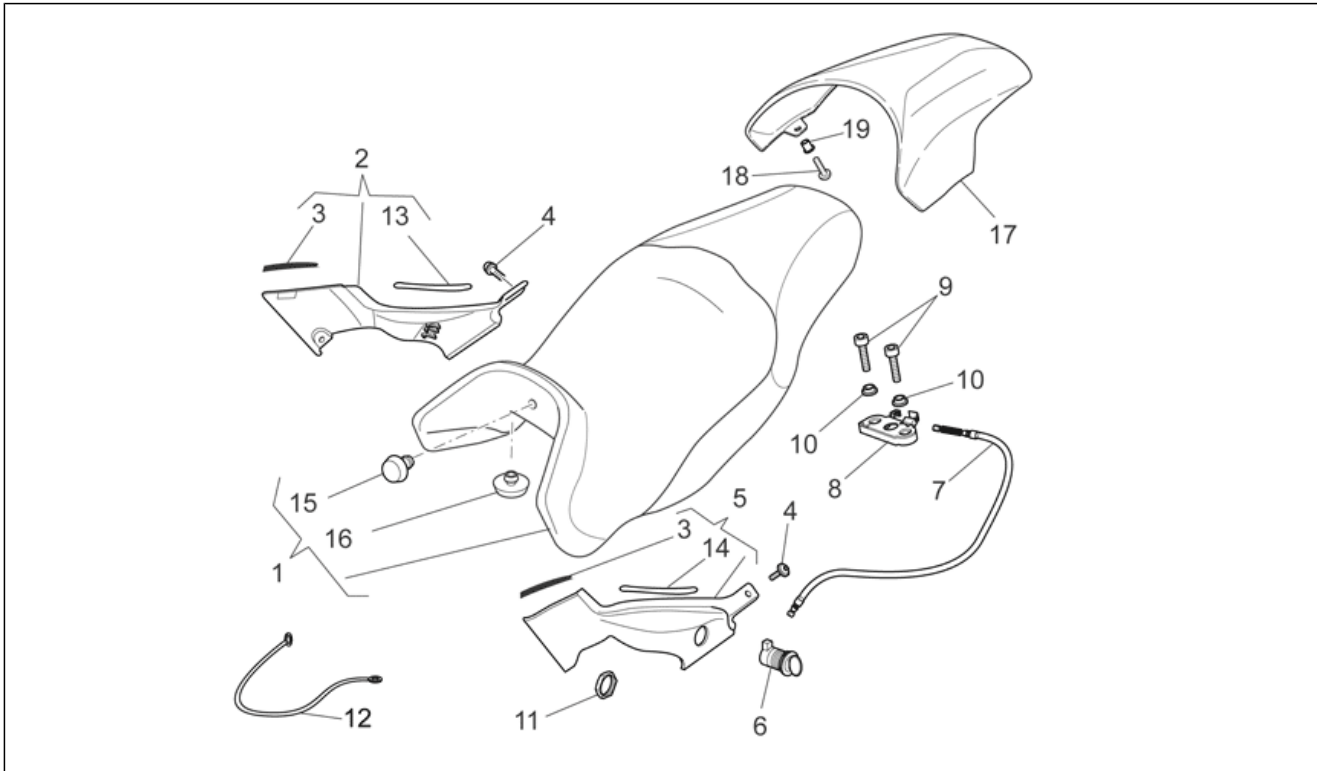


<b>Einheit</b>	RAHMEN
<b>Code</b>	33.17
<b>Beschreibung</b>	Vorderes Schutzblech
<b>Inspektion</b>	1



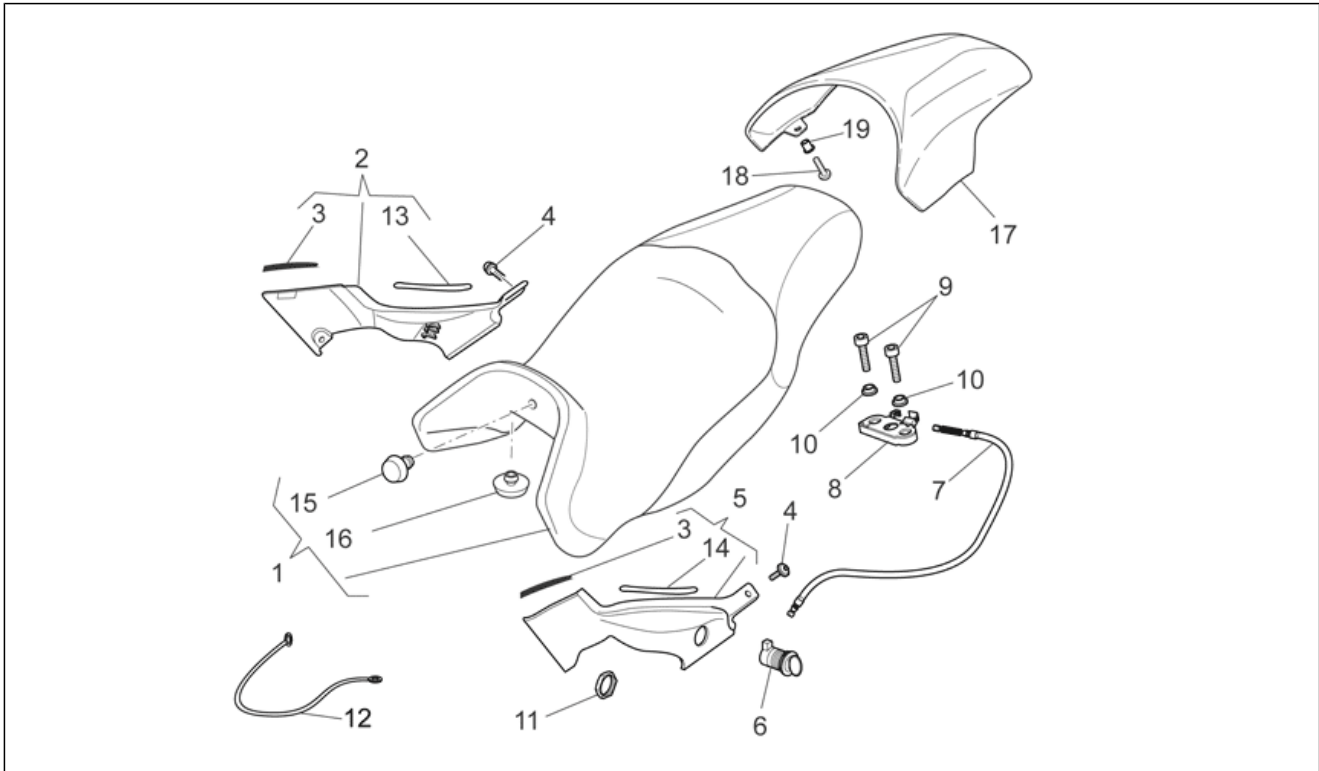
Pos.	Code	Beschreibung	Menge	Varianten
1	GU05434330	Vorder Schutzblech ohne farbe	1	
1	GU054343300XE4	Schutzblech vorn silber	1	<b>Fahrzeugfarbe:</b> Silver crowd 2008[s/cr]
1	GU05434331	V. Schutzblech, rot	1	<b>Fahrzeugfarbe:</b> Rosso/Bianco 2011[r/wh]
1	GU05434332	Kotflügel v. schwarz	1	<b>Fahrzeugfarbe:</b> Guzzi Black 2008[g/bl]
2	AP8152302	TBEI Schraube m.Flansch M5x12	4	
3	AP8102375	Klammer m5	2	

<b>Einheit</b>	RAHMEN
<b>Code</b>	33.18
<b>Beschreibung</b>	Sitz-Mittlerer aufbau
<b>Inspektion</b>	1



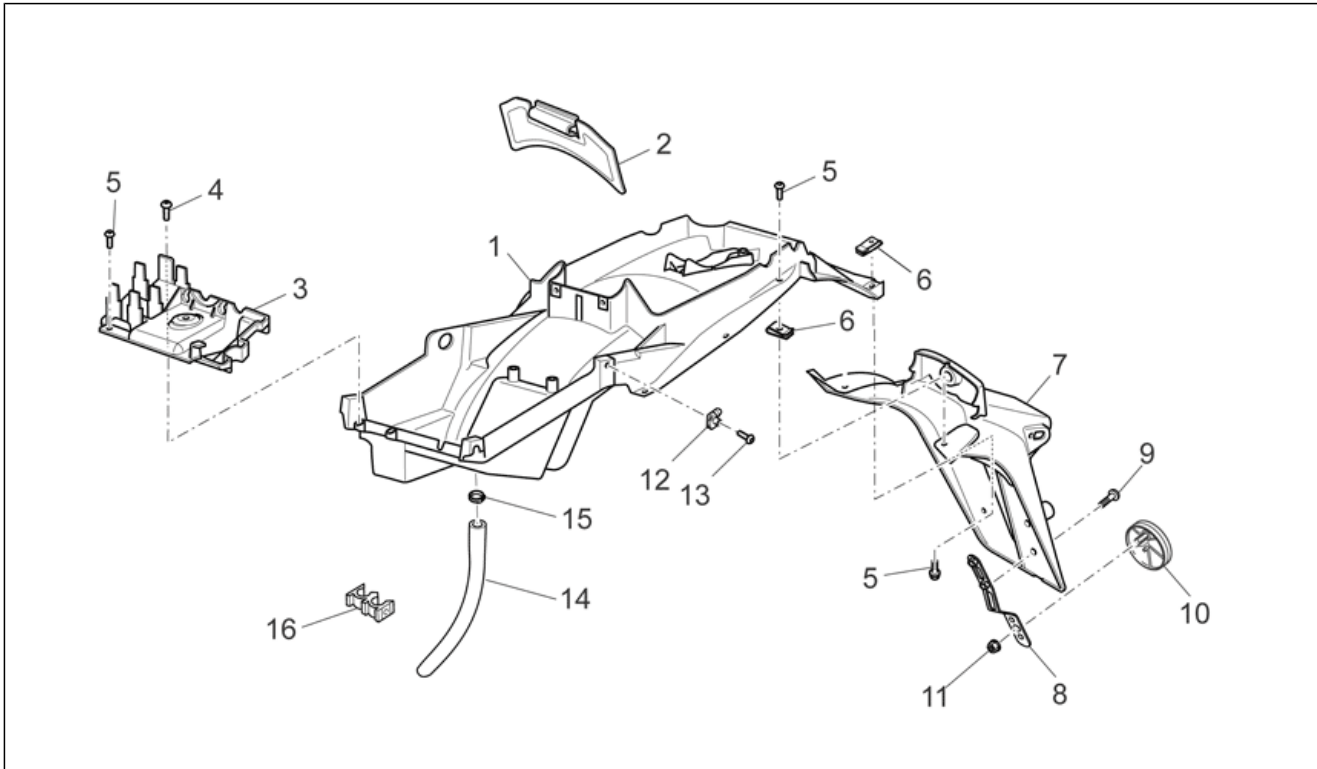
Pos.	Code	Beschreibung	Menge	Varianten
1	886986	Zweisitziger Sattel	1	Fahrzeugfarbe:Rosso/Bianco 2011[r/wh]
1	977831	Zweisitziger Sattel	1	Fahrzeugfarbe:Guzzi Black 2008[g/bl], Silver crowd 2008[s/cr]
2	GU05570230	R.Seitenabdeckung hne farbe	1	
2	GU0557023000XE4	Kl. Re. Seitenteil silber	1	Fahrzeugfarbe:Silver crowd 2008[s/cr]
2	GU05570230BM	R. kl. Seitenteil, weiß	1	Fahrzeugfarbe:Rosso/Bianco 2011[r/wh]
2	GU05570232	R. kl. Seitenteil, schw.	1	Fahrzeugfarbe:Guzzi Black 2008[g/bl]
3	AP8144538	Dichtung	2	
4	AP8152339	TBEI Schraube m.Flansch M5x9	2	
5	883496	L.Seitenabdeckung hne farbe	1	
5	88349600BM	L. kl. Seitenteil, weiß	1	Fahrzeugfarbe:Rosso/Bianco 2011[r/wh]
5	88349600XE4	Kl. li. Seitenteil silber	1	Fahrzeugfarbe:Silver crowd 2008[s/cr]
5	88349600Y02	L. kl. Seitenteil, schw.	1	Fahrzeugfarbe:Guzzi Black 2008[g/bl]
6	GU05466830	Sitzschloß	1	
7	AP8102914	Sitz-Einkupplungsvorrichtung	1	
8	AP8102913	Fixierplatte Soziussitz	1	
9	GU98370625	TBEI Schraube	2	
10	AP8152299	Selbstsperrende Mutter M6	2	
11	AP8102523	Schloß mutter M22x1,5	1	
12	AP8102502	Schutzhelm-Befestigungskabel	1	
13	GU05573830	Deko rechter Seitenschutz	1	
14	GU05573831	Deko linker Seitenschutz	1	
15	GU32461810	Gummi	5	
16	GU32461610	Gummi	10	
17	88698100Y02	Sitzabdeckung, schwarz	1	Fahrzeugfarbe:Rosso/Bianco 2011[r/wh]
17	977754	Beifahrersitzabdeck.hne farbe	1	
17	97775400XE4	Sitzabdeckung silbergrau	1	Fahrzeugfarbe:Silver crowd 2008[s/cr]
17	97775400Y02A	Sitzabdeckung, schwarz	1	Fahrzeugfarbe:Guzzi Black 2008[g/bl]

<b>Einheit</b>	RAHMEN
<b>Code</b>	33.18
<b>Beschreibung</b>	Sitz-Mittlerer aufbau
<b>Inspektion</b>	1



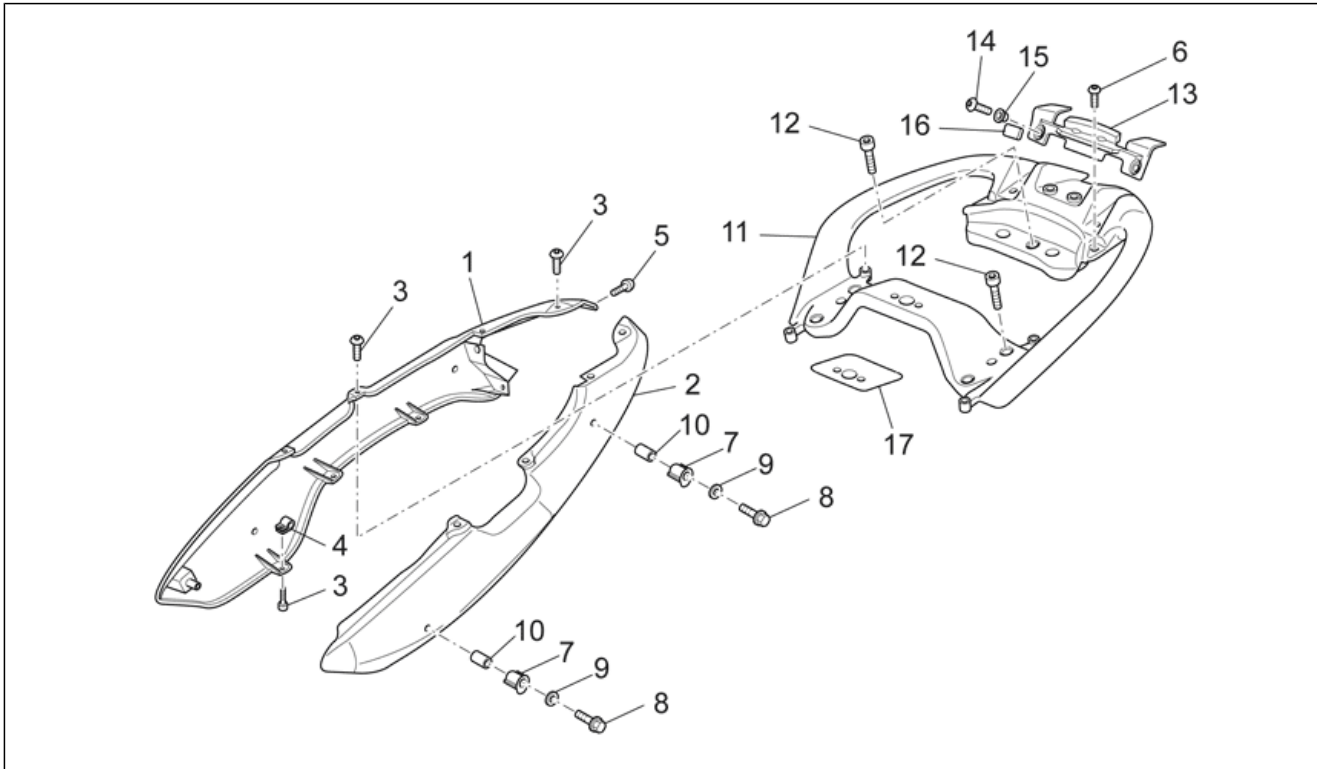
Pos.	Code	Beschreibung	Menge	Varianten
18	GU98370616	TBEI Schraube M6x16 inox	2	
19	AP8221023	T-Buchse	2	

<b>Einheit</b>	RAHMEN
<b>Code</b>	33.19
<b>Beschreibung</b>	R.Kar. - Sch.bl
<b>Inspektion</b>	1



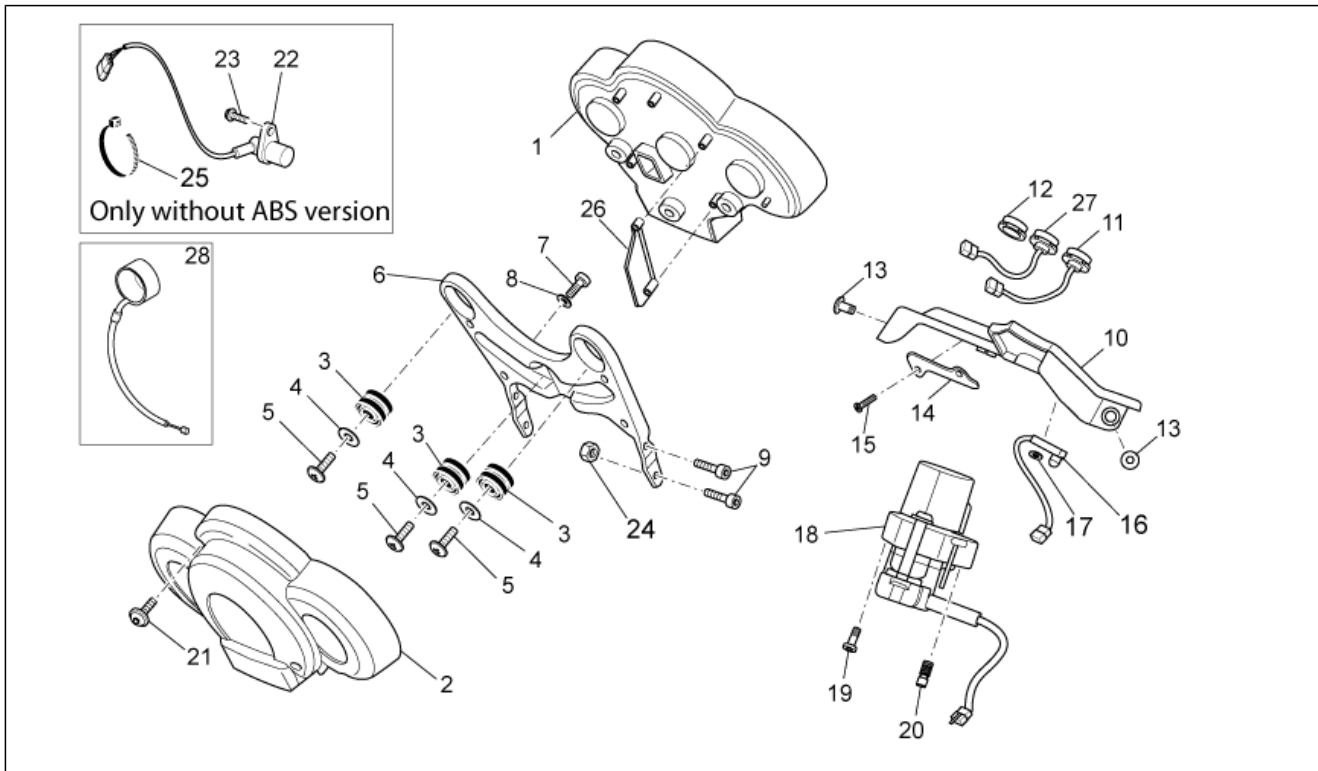
Pos.	Code	Beschreibung	Menge	Varianten
1	883828	Spritzschutz	1	<b>Technische Daten:</b> Veicoli con batteria YT20-BS[B]
1	GU05438730	Spritzschutz	1	<b>Technische Daten:</b> Veicoli con batteria YTX20CH-BS[A]
2	GU05479630	Klappe	1	
3	GU05780530	Halter	1	
4	AP8152329	Kreuz.schl.flnschschr. M5x20	3	
5	AP8152339	TBEI Schraube m.Flansch M5x9	7	
6	AP8102375	Klammer m5	4	
7	GU05438630	Kennzeichenplatte	1	
8	AP8134448	Rückstrahler-Fixierung	1	
9	AP8152267	TBEI Spez.schr. M5x12	2	
10	AP8224164	Rückstrahler Rücklicht, rot	1	
11	AP8152306	Selbstsperrende Mutter m5	1	
12	GU28576591	Klammer M6	6	
13	GU98370614	TBEI Schraube M6x14	6	
14	AP8120952	Kraftstoffleitung 5,5x10	1	
15	AP8101595	Schelle D10,1	1	
16	AP8201808	Kabelführungs D8	2	

<b>Einheit</b>	RAHMEN
<b>Code</b>	33.20
<b>Beschreibung</b>	R.Kar. - R.verkl.
<b>Inspektion</b>	1



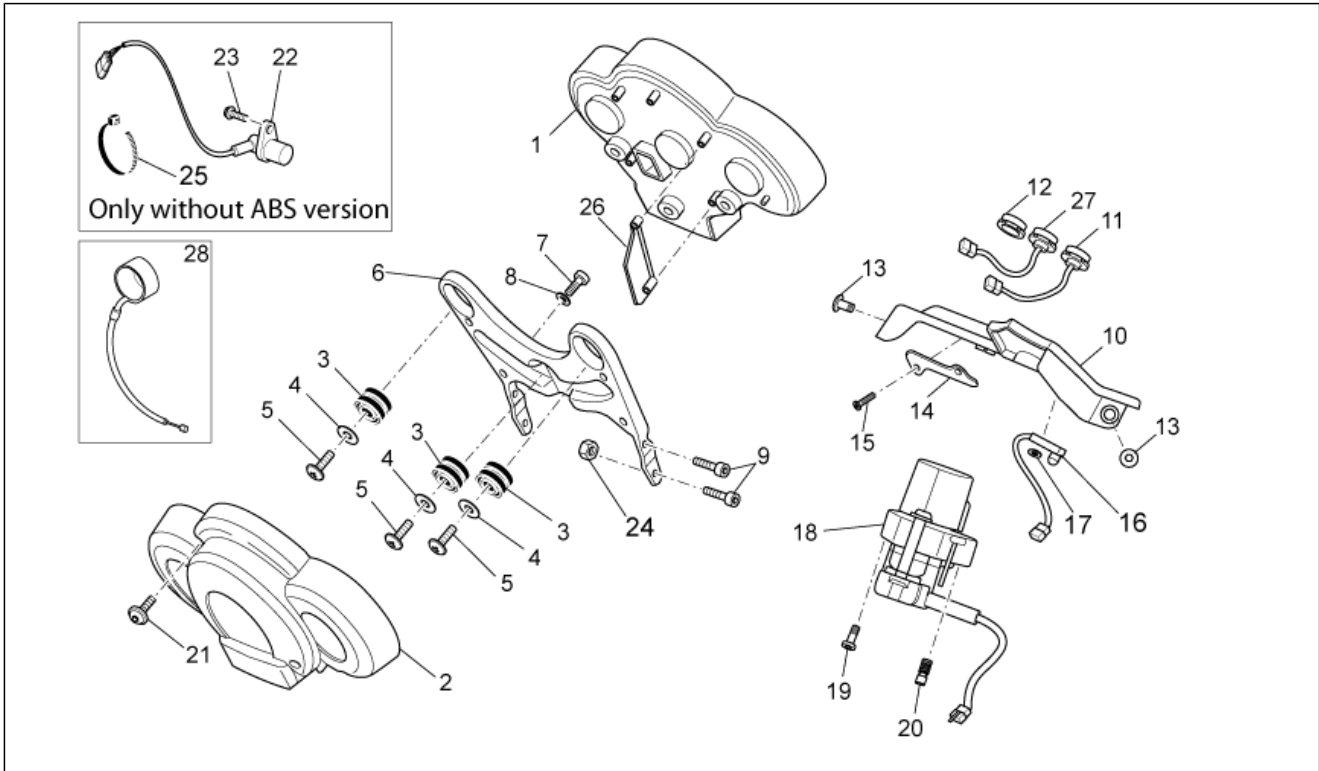
Pos.	Code	Beschreibung	Menge	Varianten
1	88697900BM	Heckteil r., weiß	1	Fahrzeugfarbe:Rosso/Bianco 2011[r/wh]
1	GU05573230	Heckteil r., roh	1	
1	GU0557323000XE4	Heckteil r., Silber	1	Fahrzeugfarbe:Silver crowd 2008[s/cr]
1	GU0557323000Y02A	Heckteil r., schwarz	1	Fahrzeugfarbe:Guzzi Black 2008[g/bl]
2	88698000BM	Heckteil l., s.weiß	1	Fahrzeugfarbe:Rosso/Bianco 2011[r/wh]
2	GU05573330	Heckteil l., roh	1	
2	GU0557333000XE4	Heckteil l., Silber	1	Fahrzeugfarbe:Silver crowd 2008[s/cr]
2	GU0557333000Y02A	Heckteil l., schwarz	1	Fahrzeugfarbe:Guzzi Black 2008[g/bl]
3	AP8152339	TBEI Schraube m.Flansch M5x9	10	
4	AP8102375	Klammer m5	10	
5	GU98682215	TCEI Schraube	2	
6	AP8152302	TBEI Schraube m.Flansch M5x12	2	
7	GU05467330	Haken	4	
8	AP8152292	TE Schr. m. Flansch	4	
9	GU03270300	Ausgleichscheibe 8,4x15	4	
10	GU91120924	Distanzscheibe 9x18x24	4	
11	GU05464330NA	Handgriff, schwarz	1	
12	GU98682425	TCEI Schraube M8x25	5	
13	GU05464830	Deckel	1	
14	AP8152055	TBEI Schraube M8x12	2	
15	AP8121096	T-Buchse 8,2x12x4	2	
16	AP8120455	Gummi	2	
17	GU32944210	Deko schutz	1	

<b>Einheit</b>	RAHMEN
<b>Code</b>	33.21
<b>Beschreibung</b>	Instrumententafel
<b>Inspektion</b>	1



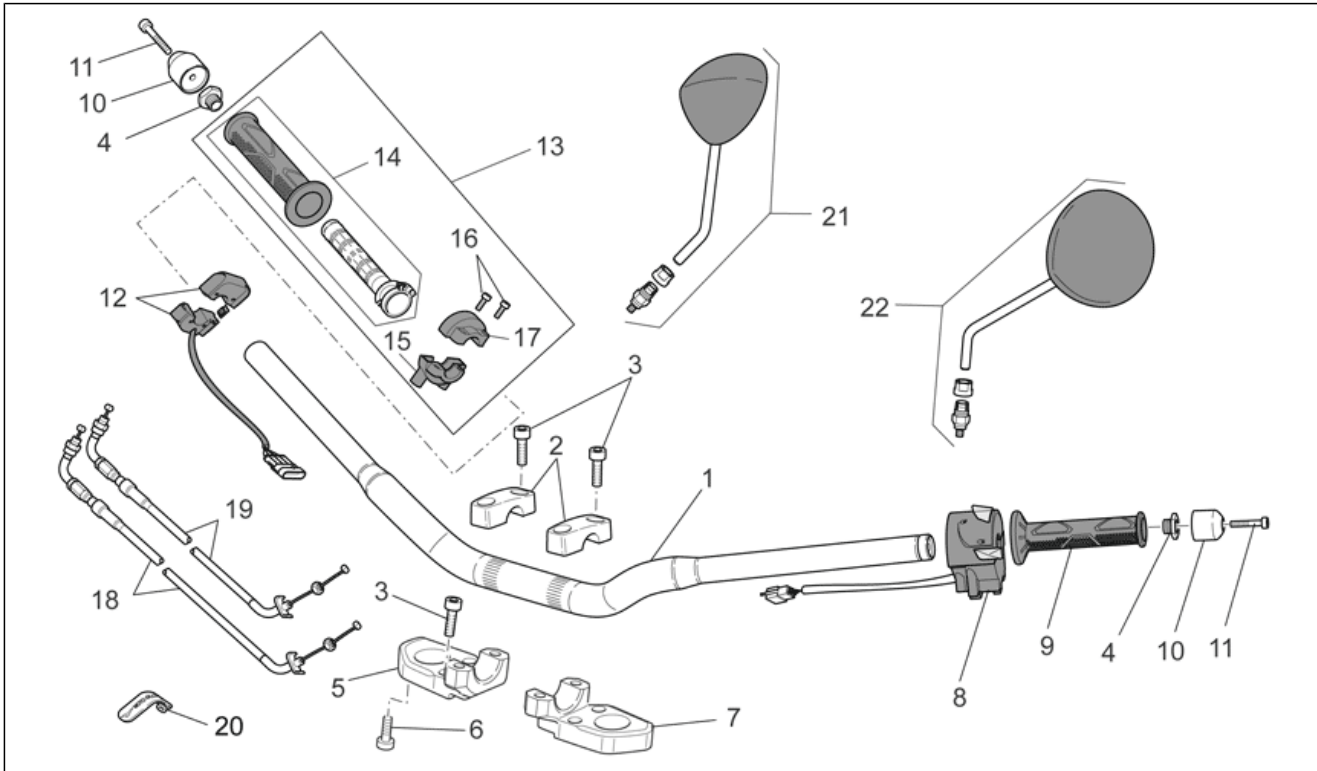
Pos.	Code	Beschreibung	Menge	Varianten
1	883345	Instrum.tafel kplt.	1	Land:Other country[EU]
1	883346	Instrum.tafel kplt.	1	Land:Great Britain[UK]
2	GU05766530	Deckel	1	
3	AP8220150	Gummi	3	
4	AP8150255	Ausgleichscheibe 5x20x1,5	3	
5	AP8150509	Gew.schr. 5x14	3	
6	GU05764030	Fixierplatte	1	
7	GU98682416	TCEI Schraube M8x16	1	
8	GU03270300	Ausgleichscheibe 8,4x15	1	
9	GU98692313	TCEI Schraube M6x12	2	
9	GU98692325	TCEI Schraube M6x25	2	
10	GU05764330	Instrumententafel	1	
11	GU05745730	Schalter Hazard	1	
12	GU05764430	Deckel	2	Technische Daten:Version without ABS[noABS]
12	GU05764430	Deckel	1	Technische Daten:ABS version[ABS]
13	AP8152339	TBEI Schraube m.Flansch M5x9	2	
14	GU05764530	Platte	1	
15	AP8150421	Gew.schr. 2,9x12	2	
16	AP8124936	Lufttemperaturfühler	1	
17	GU90274002	Wellenscheibe	2	
18	GU05782530	Lenkschloß	1	
19	GU98682430	TCEI Schraube M8x30	1	
20	AP8152238	Reißschraube M8x28	1	
21	AP8152334	TBEI Schraube m.Flansch M3x12	4	
22	AP8124985	Kilom.zählersens. kplt.	1	Technische Daten:Version without ABS[noABS]
23	AP8152278	TE Schr. m. Flansch M6x16	1	Technische Daten:Version without ABS[noABS]
24	GU92630206	Mutter M6x1	2	
25	GU49609601	Schelle 2,4x92	2	Technische Daten:Version without ABS[noABS]

<b>Einheit</b>	RAHMEN
<b>Code</b>	33.21
<b>Beschreibung</b>	Instrumententafel
<b>Inspektion</b>	1



Pos.	Code	Beschreibung	Menge	Varianten
26	GU05767830	Protection	1	
27	GU05780430	Schalter ABS	1	<b>Technische Daten:</b> ABS version[ABS]
28	981087	Immobilizer antenne	1	

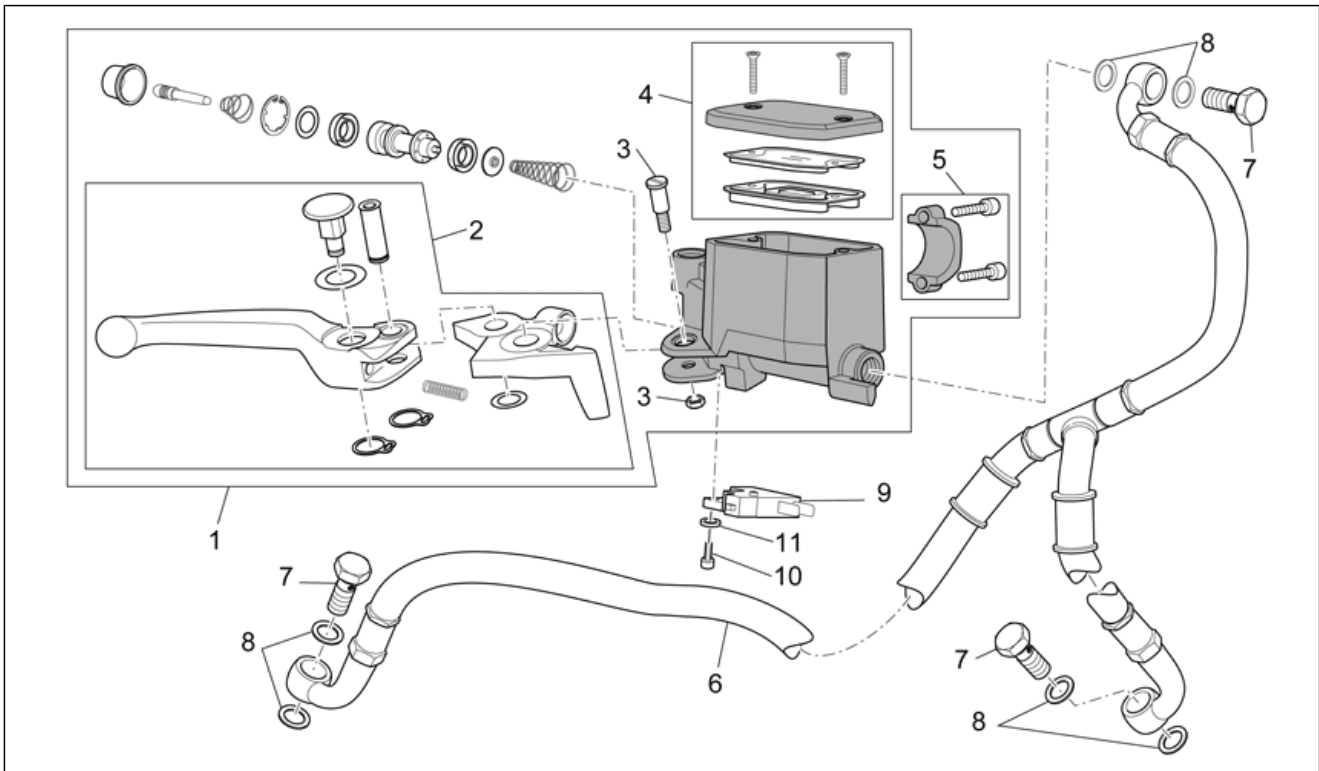
<b>Einheit</b>	RAHMEN
<b>Code</b>	33.22
<b>Beschreibung</b>	Lenkstange - Schaltungen
<b>Inspektion</b>	1



Pos.	Code	Beschreibung	Menge	Varianten
1	978204	Lenkstange	1	
2	883424	Bügelbolzen	2	
3	GU98690435	TCEI Schraube M8x35	8	
4	AP8121520	Endstück Schwinggew.	1	
5	883422	R.unter.Bügelbolzen	1	
6	GU98692425	TCEI Schraube M8x25	2	
7	883423	L.unter.Bügelbolzen	1	
8	GU05738030	Linker Lichtschalter	1	
9	AP8118579	Links griff	1	
10	AP8104509	Schwingschutzgewicht schwarz	2	
11	GU98680340	TCEI Schraube M6x40	2	
12	B045021	Rechter Lichtschalter	1	
13	GU05603331	Gasschaltung kpl	1	
14	GU01603480	Rechts griff	1	
15	AP8118502	Gasschaltung V.Bügelbolzen	1	
16	AP8118492	Kappenschraube	2	
17	AP8118503	Gasschaltung H.Bügelbolzen	1	
18	883367	Gas trasmission delivery	1	
19	883368	Gas trasmission return	1	
20	GU01609630	Schelle L46 mm	2	
20	GU03609600	Schelle L36 mm	4	
21	AP8104921	Rückspiegel rechts	1	
22	AP8104922	Rückspiegel links	1	

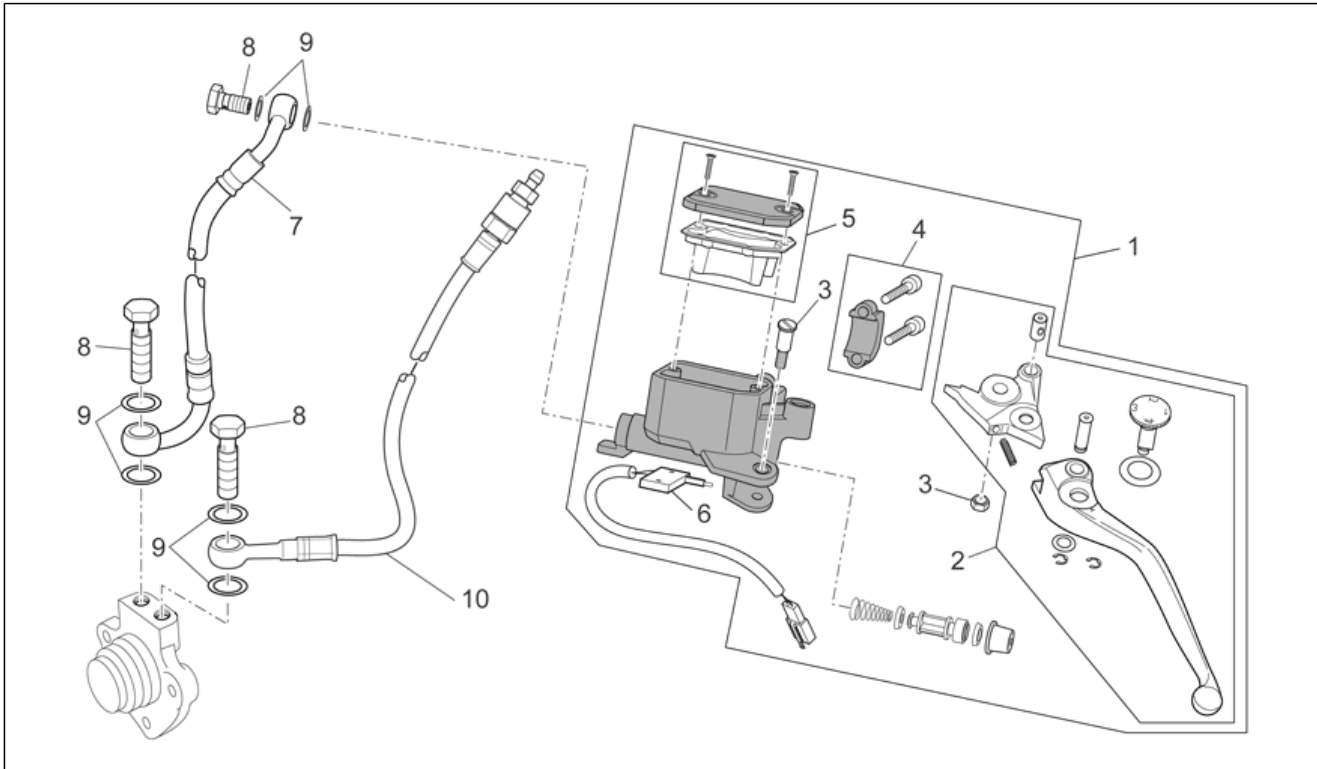


<b>Einheit</b>	RAHMEN
<b>Code</b>	33.23
<b>Beschreibung</b>	Vorderradbremspumpe
<b>Inspektion</b>	1



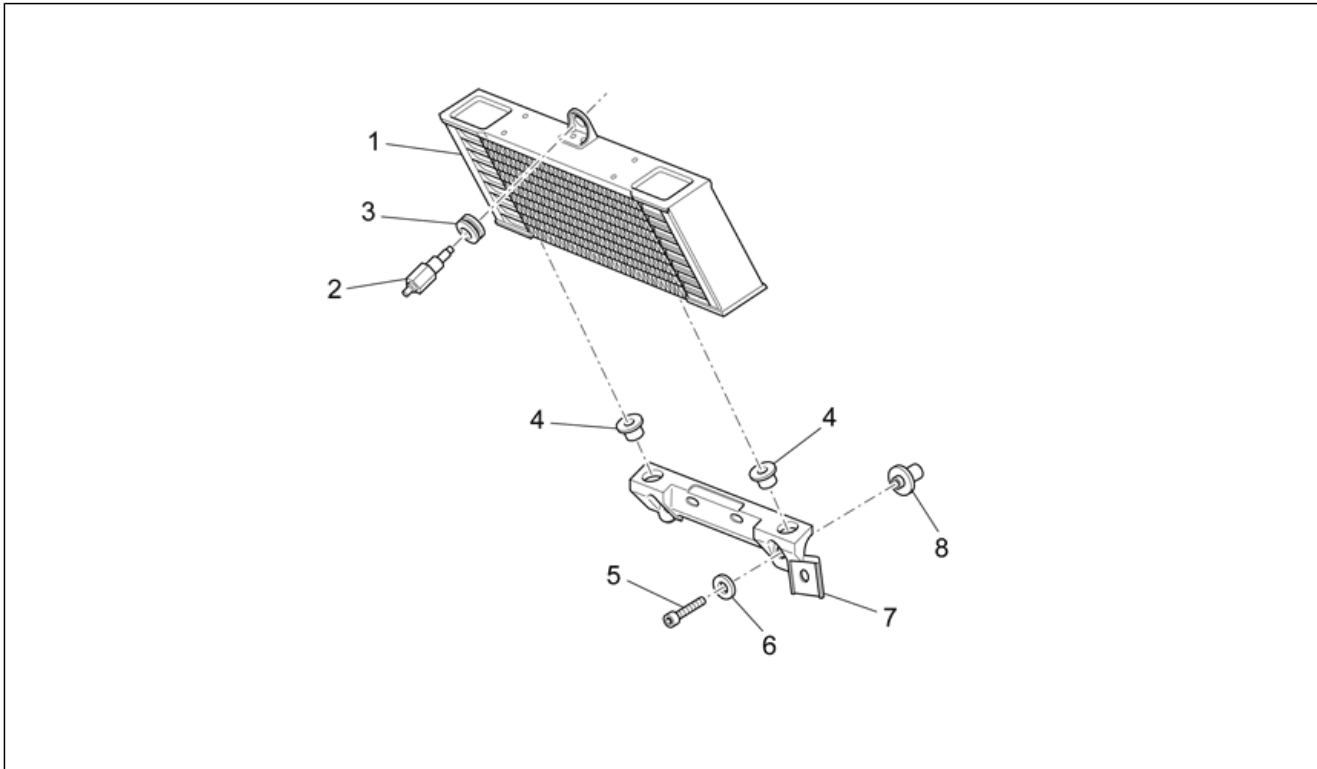
Pos.	Code	Beschreibung	Menge	Varianten
1	978606	Vorderradbremspumpe	1	
2	981050	Vorderradbremshebel	1	
3	AP8113995	Hebelbolzen	1	
4	GU05661130	Tankverschluß	1	
5	AP8113993	Bügelbolzen	1	
6	GU06658800	Vorderradbremsschlauch	1	<b>Technische Daten:</b> Version without ABS[noABS]
7	AP8133962	Fixierschraube Ölschlauch *	3	
8	GU25656100	Dichtung	6	
9	GU03749845	Bremslichtschalter	1	
10	GU98370412	TBEI Schraube M4x12	1	
11	GU95021104	Ausgleichscheibe 4,3x8x1,5	1	

<b>Einheit</b>	RAHMEN
<b>Code</b>	33.24
<b>Beschreibung</b>	Kupplung schalt. kpl
<b>Inspektion</b>	1



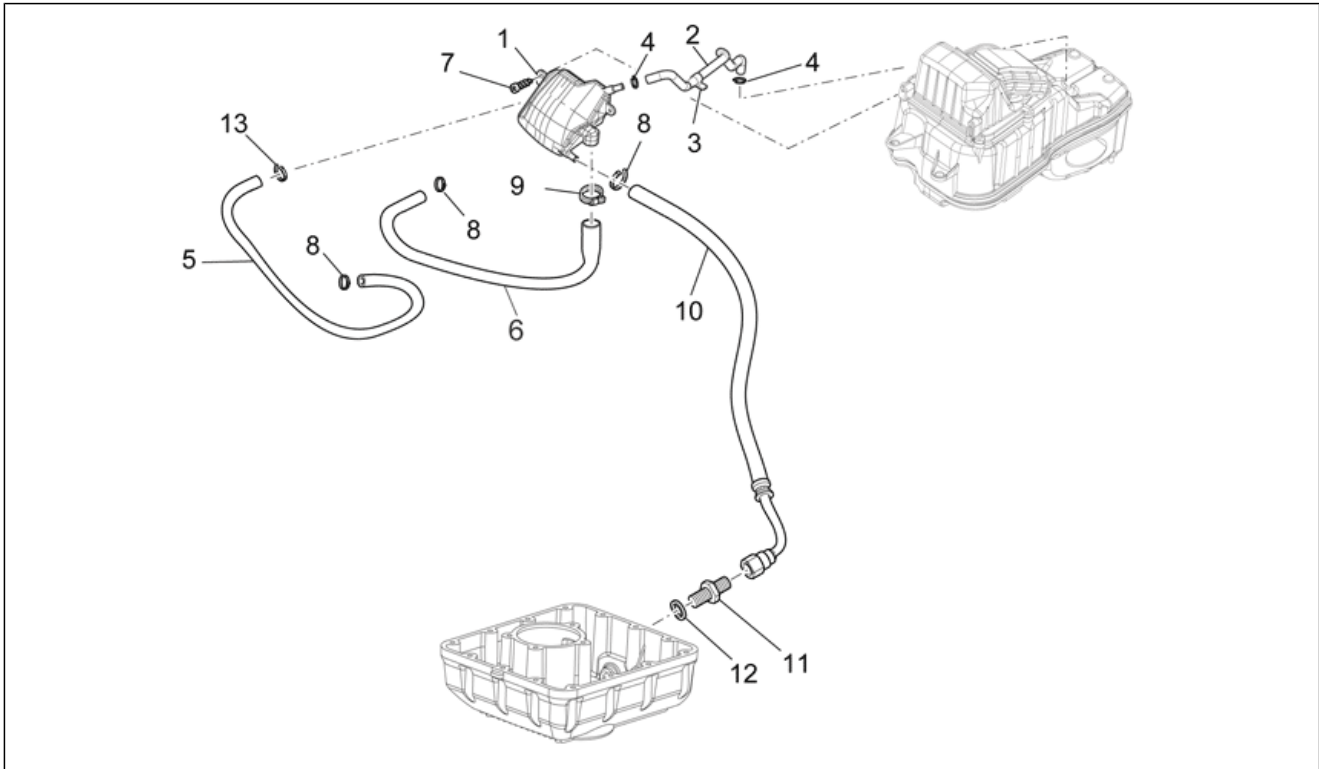
Pos.	Code	Beschreibung	Menge	Varianten
1	978607	Kupplungspumpe	1	
2	981046	Kupplungshebel	1	
3	GU03604845	Hebelbolzen	1	
4	AP8113996	Bügelbolzen	1	
5	AP8113997	Tankverschluß	1	
6	AP8113998	Mikroschalter	1	
7	978911	Kupplungsschlauch	1	
8	AP8133594	Fixierschraube Ölschlauch	3	
9	AP8121915	Dichtung	6	
10	GU05606630	Ablaßrohr kupplung	1	

<b>Einheit</b>	RAHMEN
<b>Code</b>	33.25
<b>Beschreibung</b>	Ölkühler
<b>Inspektion</b>	1



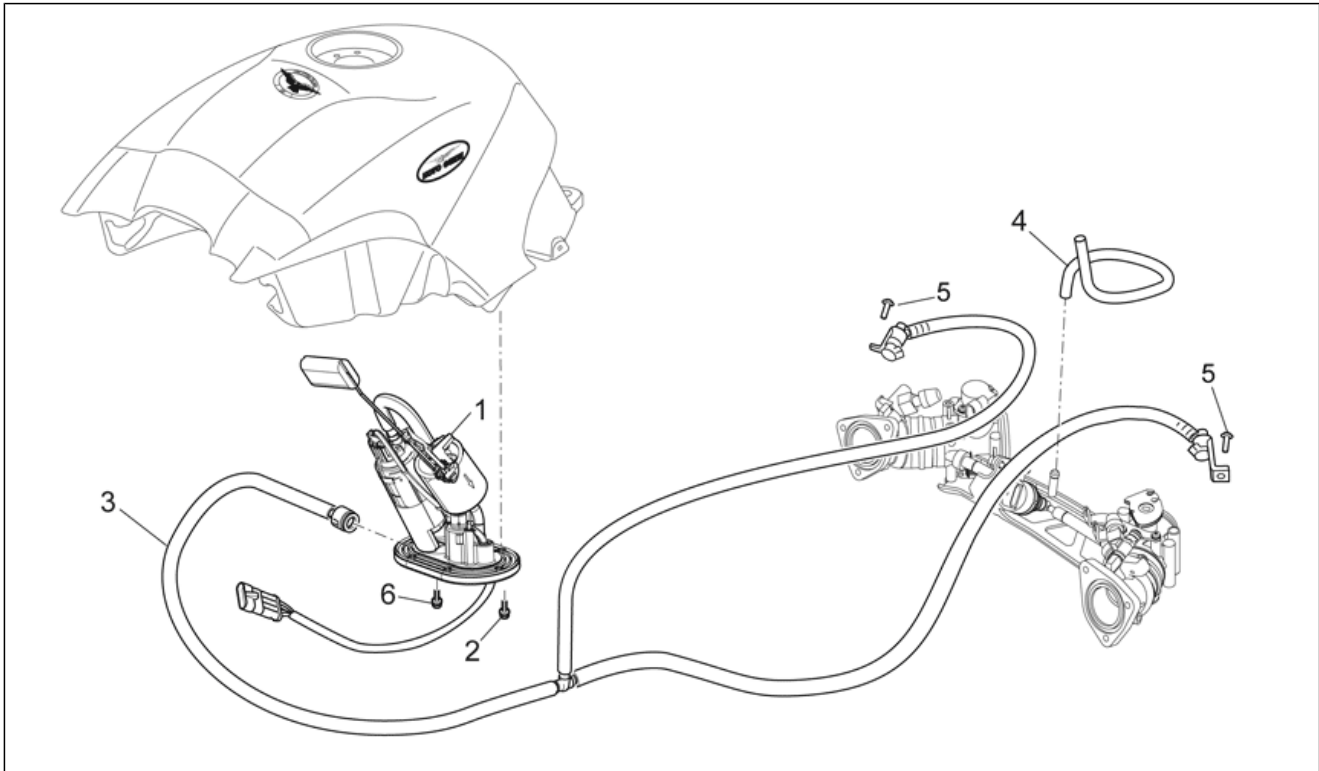
Pos.	Code	Beschreibung	Menge	Varianten
1	GU05162031	Ölkühler kpl.	1	
2	GU05164630	Spezialschraube	1	
3	GU91551010	Gummi	1	
4	AP8101372	Silent-Block	2	
5	GU98680340	TCEI Schraube M6x40	2	
6	GU95005306	Ausgleichscheibe 6,4x13x1,5	2	
7	883494	Bügel	1	
8	GU91120622	Buchse 6,2x11x22,5	2	

<b>Einheit</b>	RAHMEN
<b>Code</b>	33.26
<b>Beschreibung</b>	Anlage Blow-by
<b>Inspektion</b>	1



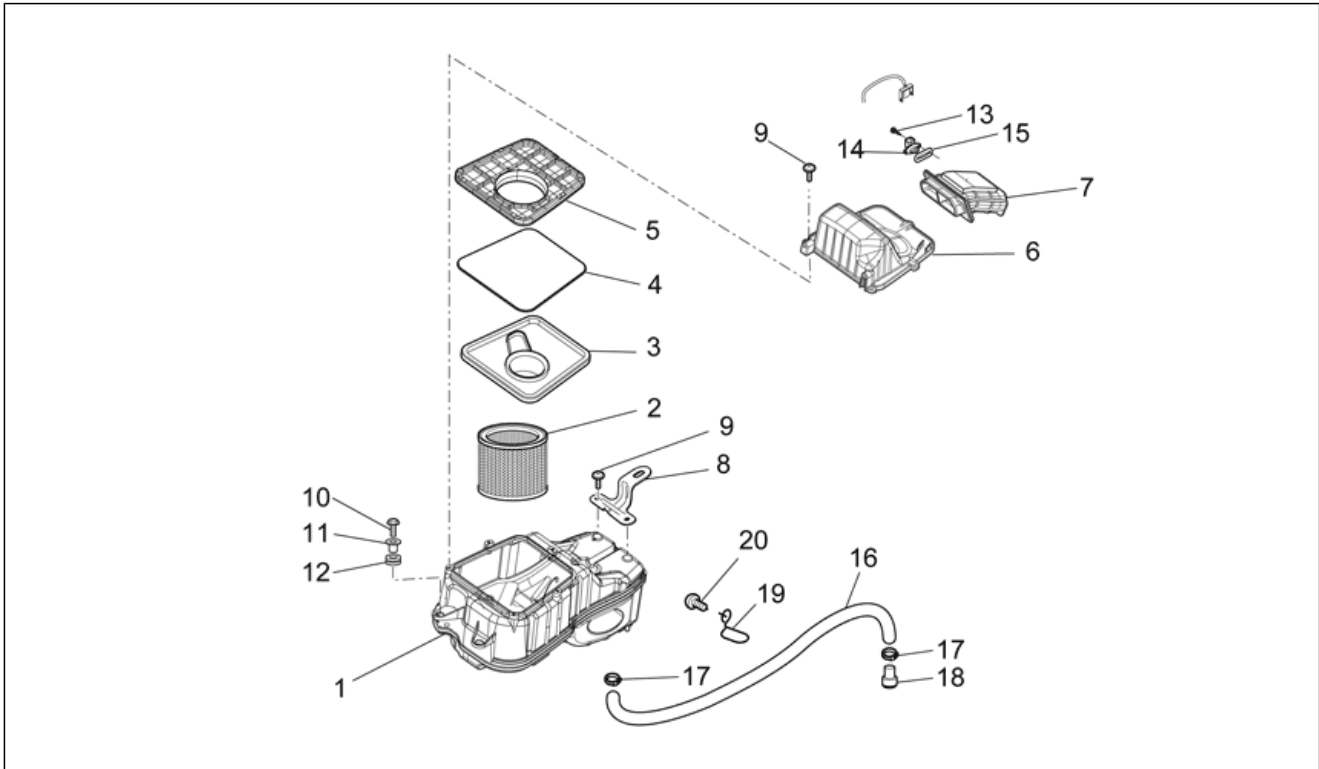
Pos.	Code	Beschreibung	Menge	Varianten
1	883495	Hause	1	
2	GU05157430	Entlüftungsschlauch Kühler	1	
3	AP8102151	Schelle schwarz D12*	1	
4	AP8102520	Schlauchschnelle	2	
5	883499	Schlauch rechts	1	
6	883500	Schlauch links	1	
7	AP8150509	Gew.schr. 5x14	2	
8	AP8101586	Schlauchschnelle D.15,5x6,6	3	
9	GU93306018	Schnelle 17X29X8	1	
10	GU05159330	Absaugleitung	1	
11	GU01161331	Übersetzung	1	
12	GU01154230	Dichtung	1	
13	GU93306017	Schnelle	1	

<b>Einheit</b>	RAHMEN
<b>Code</b>	33.27
<b>Beschreibung</b>	Einspeisung
<b>Inspektion</b>	1



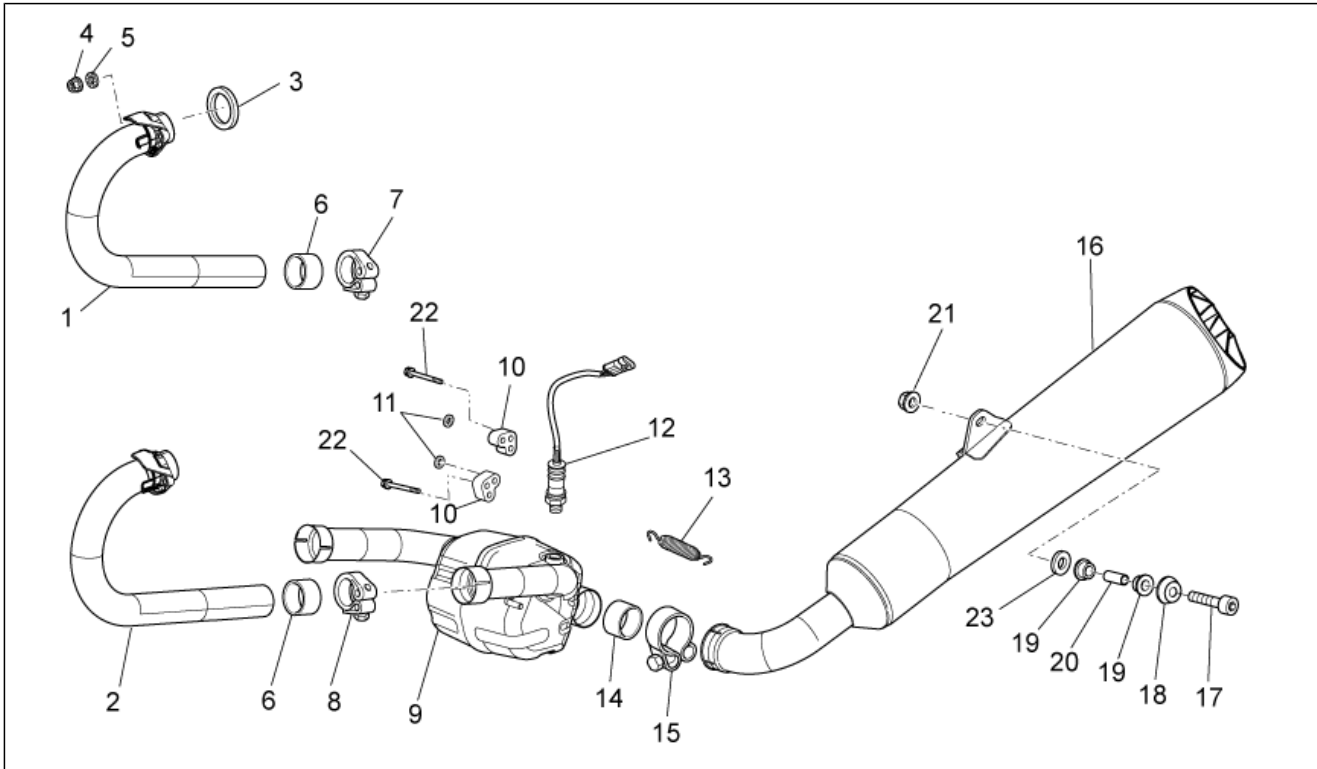
Pos.	Code	Beschreibung	Menge	Varianten
1	887422	Kraftstoffpumpe	1	
2	AP8152273	Flanschschraube M5x16	4	
3	883275	Kraftstoffleitung, Kpl.	1	Land:Other country[EU], Great Britain[UK]
4	GU05135930	Leitung	1	
5	AP8152298	TBEI Schraube m.Flansch M5x16	2	
6	AP8152274	TE Schr. m. Flansch M5x20	2	

<b>Einheit</b>	RAHMEN
<b>Code</b>	33.28
<b>Beschreibung</b>	Filtergehäuse
<b>Inspektion</b>	1



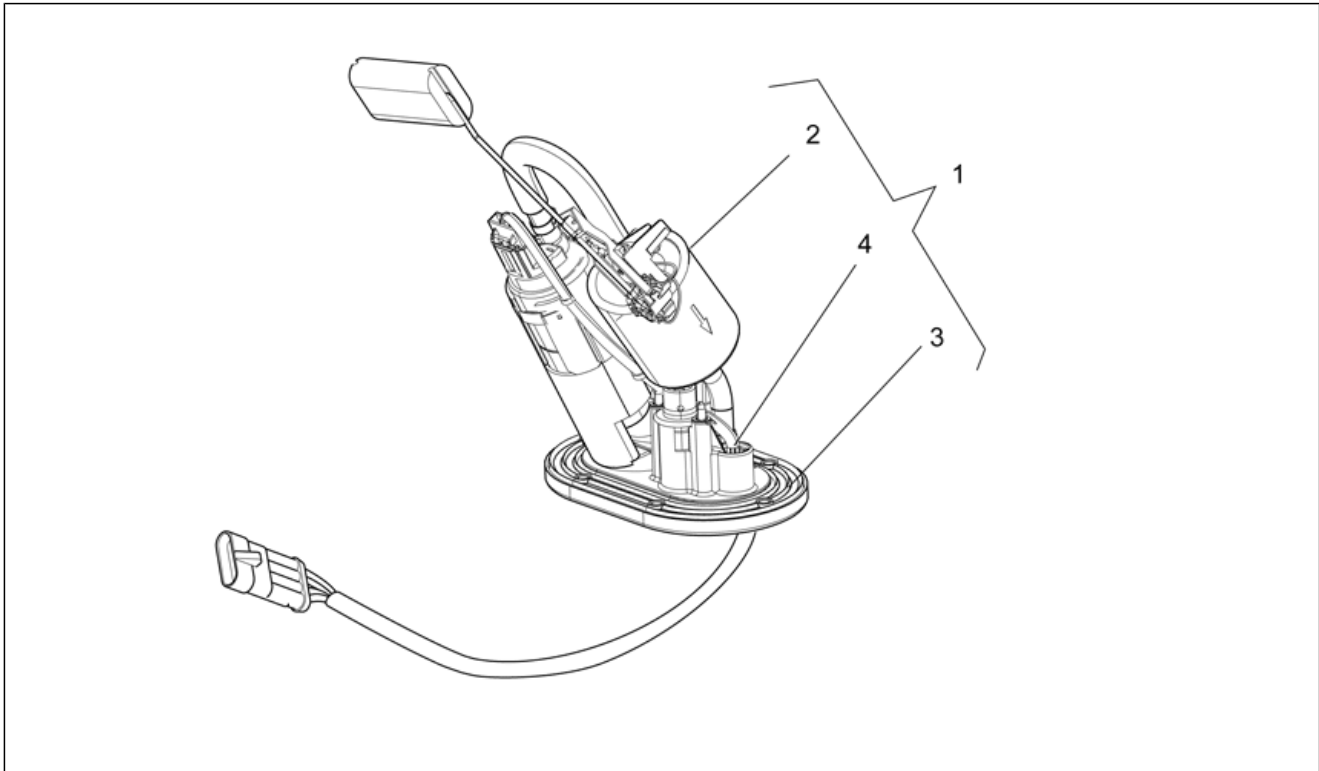
Pos.	Code	Beschreibung	Menge	Varianten
1	GU05114031	Filtergehäuse	1	
2	AP8104211	Luftfilter	1	
3	GU05113730	Protection	1	
4	AP8120615	Dichtung D3	1	
5	GU05103830	Klebeschwamm	1	
6	GU05113530	Deckel	1	
7	AP8144164	Ansaugmuffe	1	
8	GU05114130	Filtergehäusehalter	1	
9	AP8152329	Kreuz.schl.flnschschr. M5x20	7	
10	AP8152279	TE Schr. m. Flansch M6x20	2	
11	AP8221023	T-Buchse	2	
12	AP8120030	Gummi	2	
13	AP8150421	Gew.schr. 2,9x12	2	
14	GU30729330	Lufttemperaturfühler	1	
15	GU30027931	Dichtung	1	
16	AP8144038	Kraftstoffleitung 6x10	1	
17	AP8101595	Schelle D10,1	2	
18	AP8120876	Verschlußschraube	1	
19	AP8120428	Kabelführungs	1	
20	AP8152278	TE Schr. m. Flansch M6x16	1	

<b>Einheit</b>	RAHMEN
<b>Code</b>	33.29
<b>Beschreibung</b>	Auslassgruppe
<b>Inspektion</b>	1



Pos.	Code	Beschreibung	Menge	Varianten
1	978916	R. Auspuffrohr	1	
2	978915	Linkes Auspuffrohr	1	
3	976376	Dichtung	2	
4	GU92660021	Geflanschte Mutter M8	4	
5	GU14615901	Ausgleichscheibe 8,4X13X0,8	4	
6	GU05121630	Dichtung	2	
7	976522	Schelle re.	1	
8	976523	Schelle li.	1	
9	883482	Expansionsraum	1	
9	883482	Expansionsraum	1	Baujahr:2009[9] Land:JP[JP]
9	883907	Expansionsraum	1	Baujahr:2010[A] Land:JP[JP]
10	GU05124230	Gummi	1	
11	GU90274008	Wellenscheibe D8	4	
12	GU32727010	Lamdasonde	1	
13	AP8121170	Feder	1	
14	GU05128230	Dichtung	1	
15	976521	Schelle	1	
16	883908	Schalldämpfer	1	Baujahr:2010[A] Land:JP[JP]
16	978287	Schalldämpfer	1	Baujahr:2009[9]
17	GU98680445	TCEI Schraube	1	
18	AP8134378	Fixierhülse Schalldämpfer	1	
19	AP8144071	Gummi auspuffrohr	2	
20	883079	Distanzscheibe	1	
21	GU92650138	Mutter M8x1,25	1	
22	GU05123430	Schelle re.	2	
23	GU95005312	Ausgleichscheibe 8,5x24x2	1	

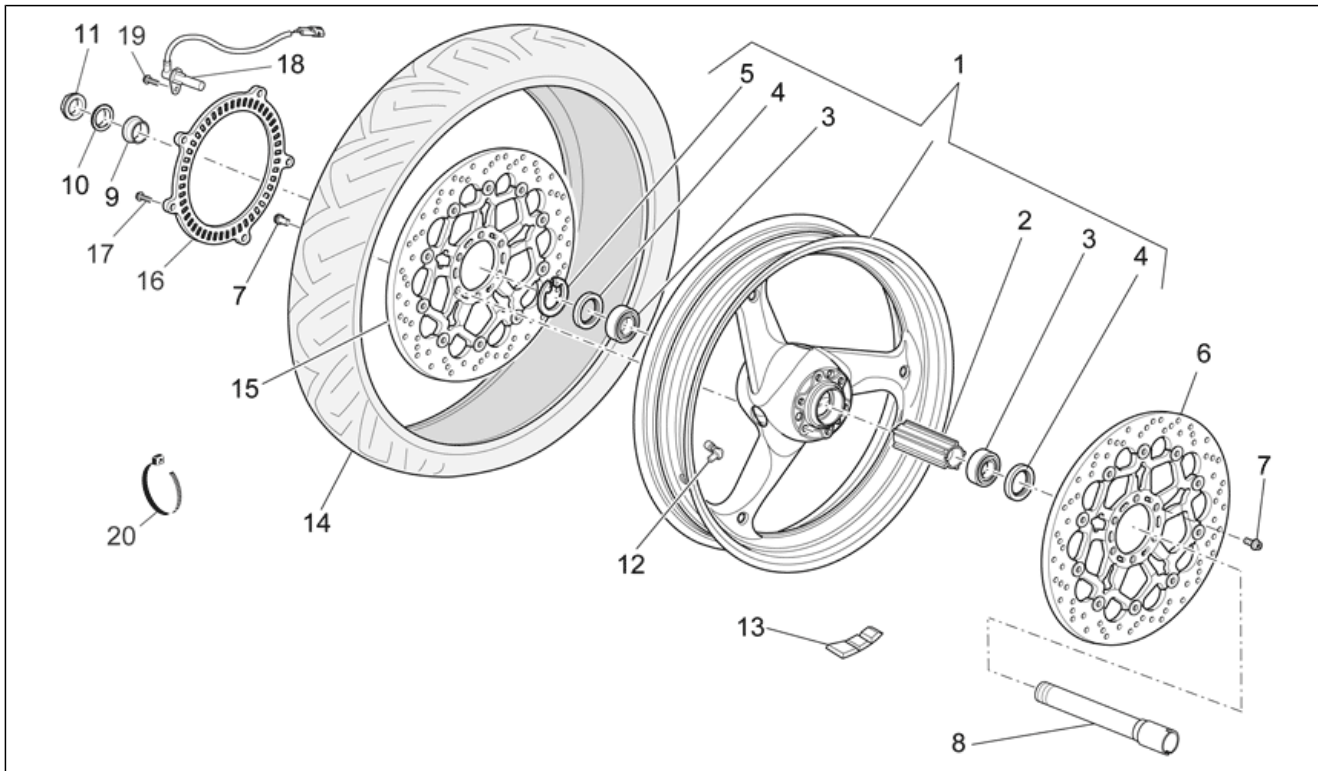
<b>Einheit</b>	RAHMEN
<b>Code</b>	33.30
<b>Beschreibung</b>	Benzinpumpe int.
<b>Inspektion</b>	1



Pos.	Code	Beschreibung	Menge	Varianten
1	887422	Kraftstoffpumpe	1	
2	GU01106090	Kraftstofffilter	1	
3	GU05107430	Dichtung	1	
4	GU01108490	Schelle 11,3	4	

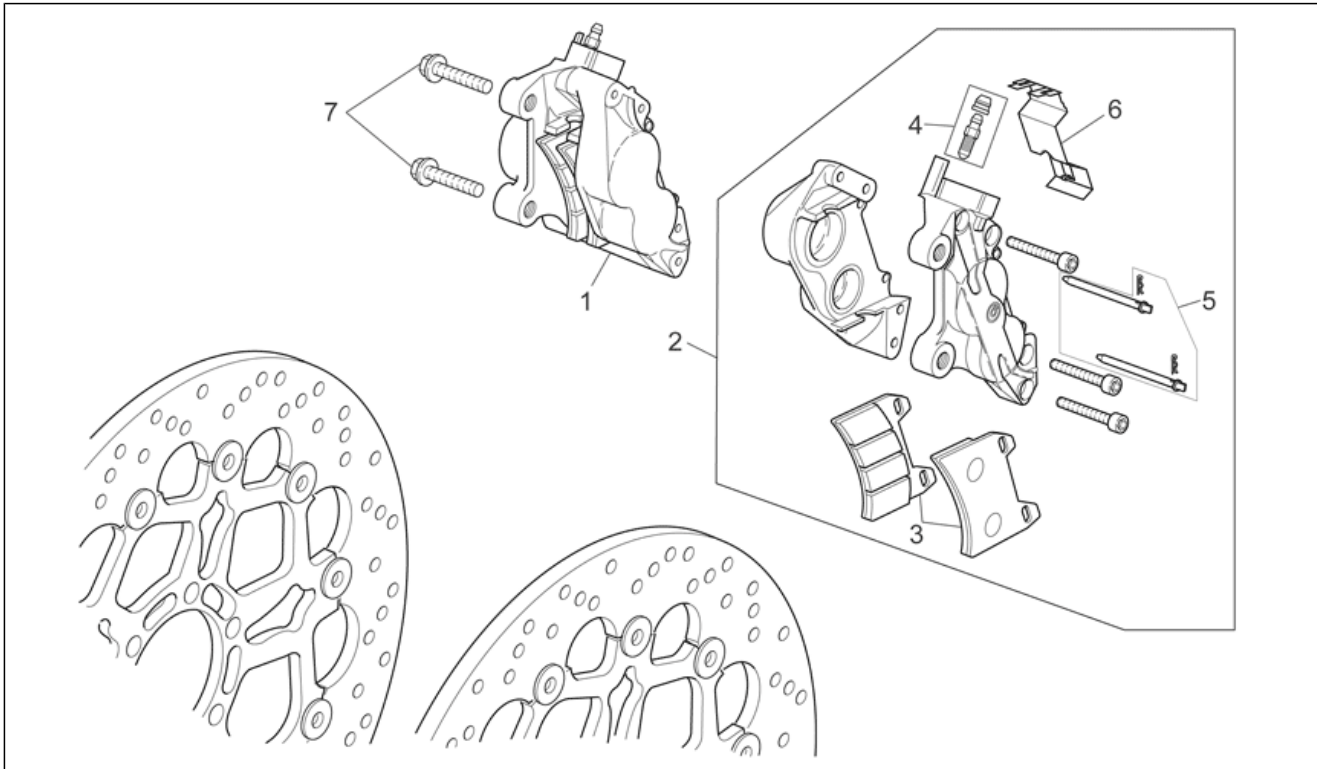


<b>Einheit</b>	RAHMEN
<b>Code</b>	33.31
<b>Beschreibung</b>	Vorderrad
<b>Inspektion</b>	1



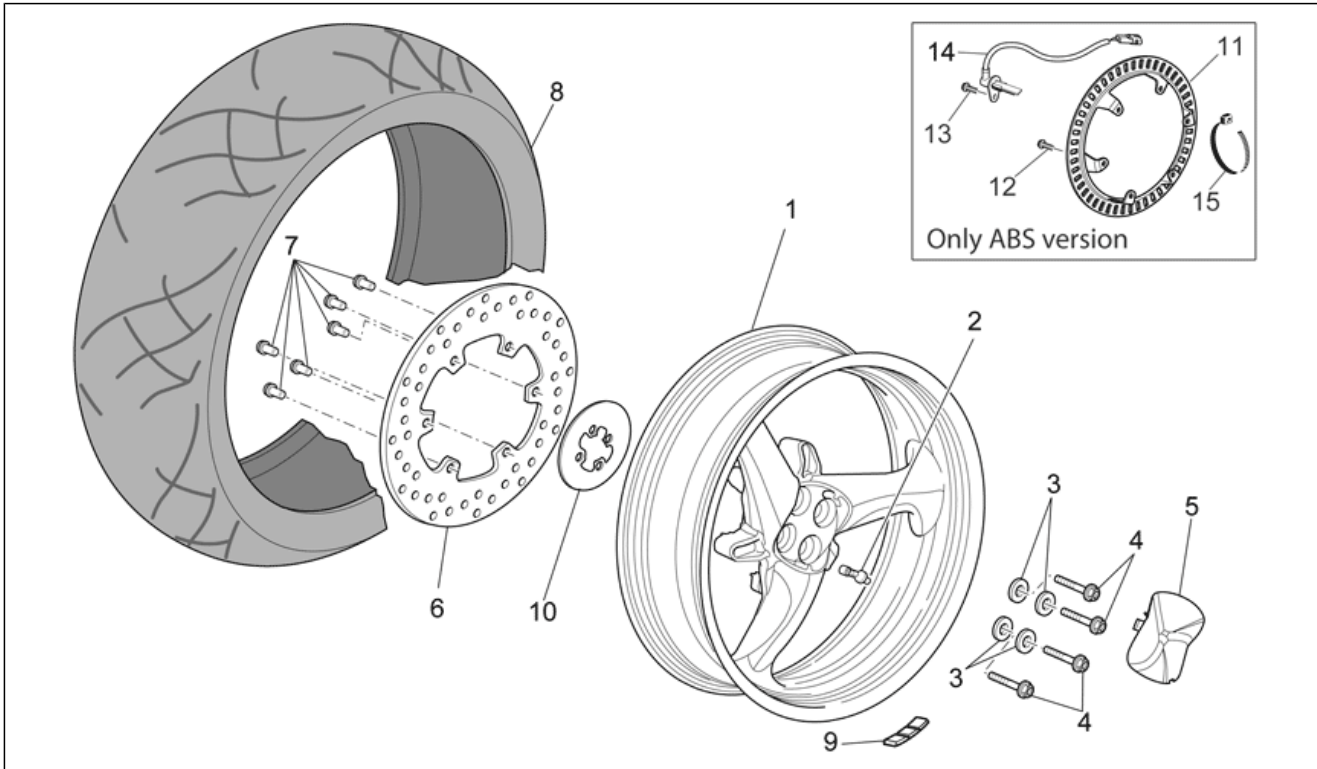
Pos.	Code	Beschreibung	Menge	Varianten
1	883883	Vorderrad, dunkelgrau 3,5X17"	1	<b>Technische Daten:</b> Marchiato ZCV[ZCV]
1	GU05610530	Vorderrad, dunkelgrau 3,5x17"	1	<b>Technische Daten:</b> Marchio Brembo[BR]
2	GU05615230	Distanzstück Lager	1	
3	AP8125777	Kugellager 25x47x12	2	
4	AP8125773	Gasket ring 30x47x7	2	
5	AP8125779	Seegerring	1	
6	GU05613330	Vorderradbremsscheibe, gold 320	1	
7	GU05611430	Schraube	12	
8	GU05614130	Vorderradbolzen	1	
9	AP8125791	Distanzscheibe	1	
10	GU95005325	Ausgleichscheibe 25,2X36X1	1	
11	GU01612190	Mutter	1	
12	GU03617710	Schlauchloses Reifenventil	1	
13	GU14616150	Gegengewicht	1	
14	0000000	Reifen	0	
15	GU05613335	Vorderradbremsscheibe, gold 320	1	
16	GU05681430	Wheel speed sensor, LH front	1	<b>Technische Daten:</b> ABS version[ABS]
17	GU98250510	Schraube	5	<b>Technische Daten:</b> ABS version[ABS]
18	AP8127469	Sensor abs	1	<b>Technische Daten:</b> ABS version[ABS]
19	AP8152278	TE Schr. m. Flansch M6x16	1	<b>Technische Daten:</b> ABS version[ABS]
20	GU49609601	Schelle 2,4x92	1	<b>Technische Daten:</b> ABS version[ABS]

<b>Einheit</b>	RAHMEN
<b>Code</b>	33.32
<b>Beschreibung</b>	Vorderradbremzange
<b>Inspektion</b>	1



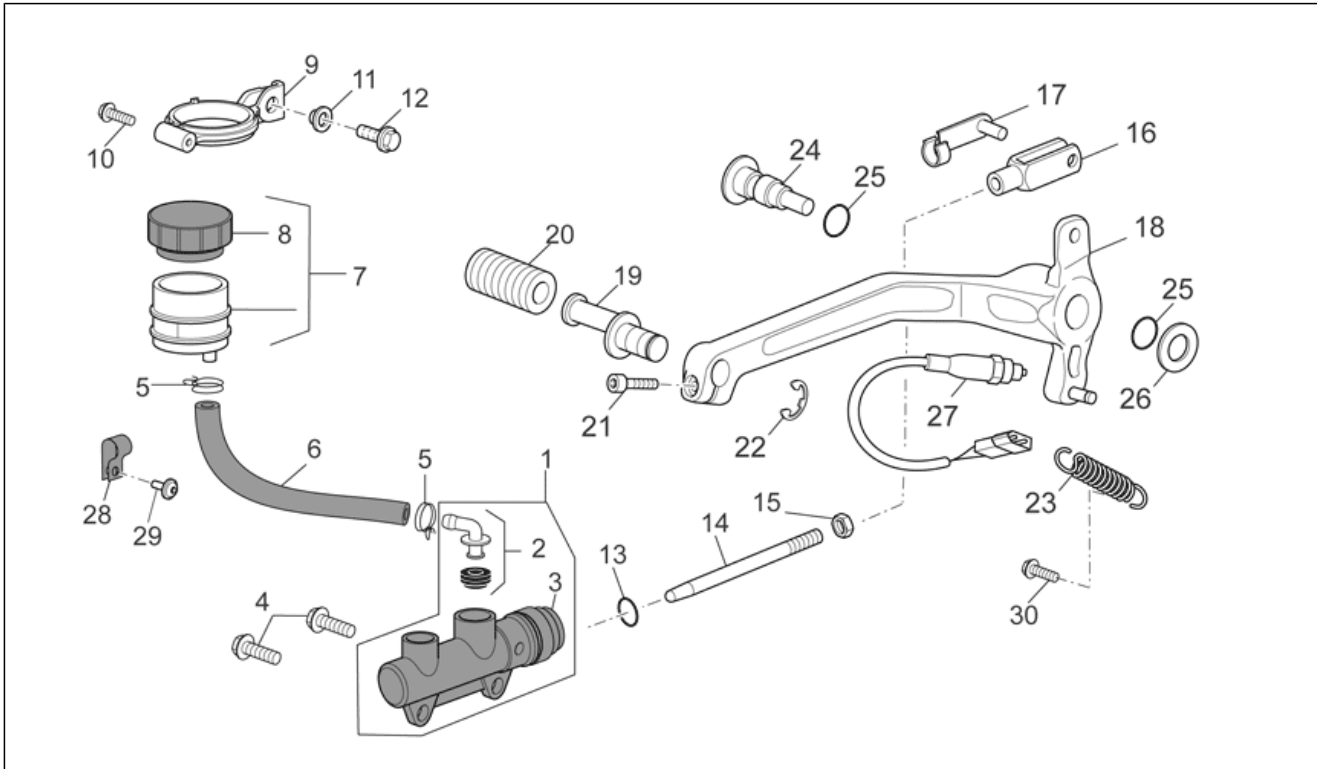
Pos.	Code	Beschreibung	Menge	Varianten
1	GU05652330	Bremszan.vorn rs Gold	1	
2	GU05652230	Bremszan.vorn ls Gold	1	
3	GU01654630	Beläge (Paar)	2	
4	GU05659230	Entlüftung+Haube	2	
5	GU01659130	Stifte-Federn Bremszange	2	
6	GU01659131	Feder	2	
7	AP8152336	TE Schr. m. Flansch M10x1,25	4	

<b>Einheit</b>	RAHMEN
<b>Code</b>	33.33
<b>Beschreibung</b>	Hinterrad
<b>Inspektion</b>	1



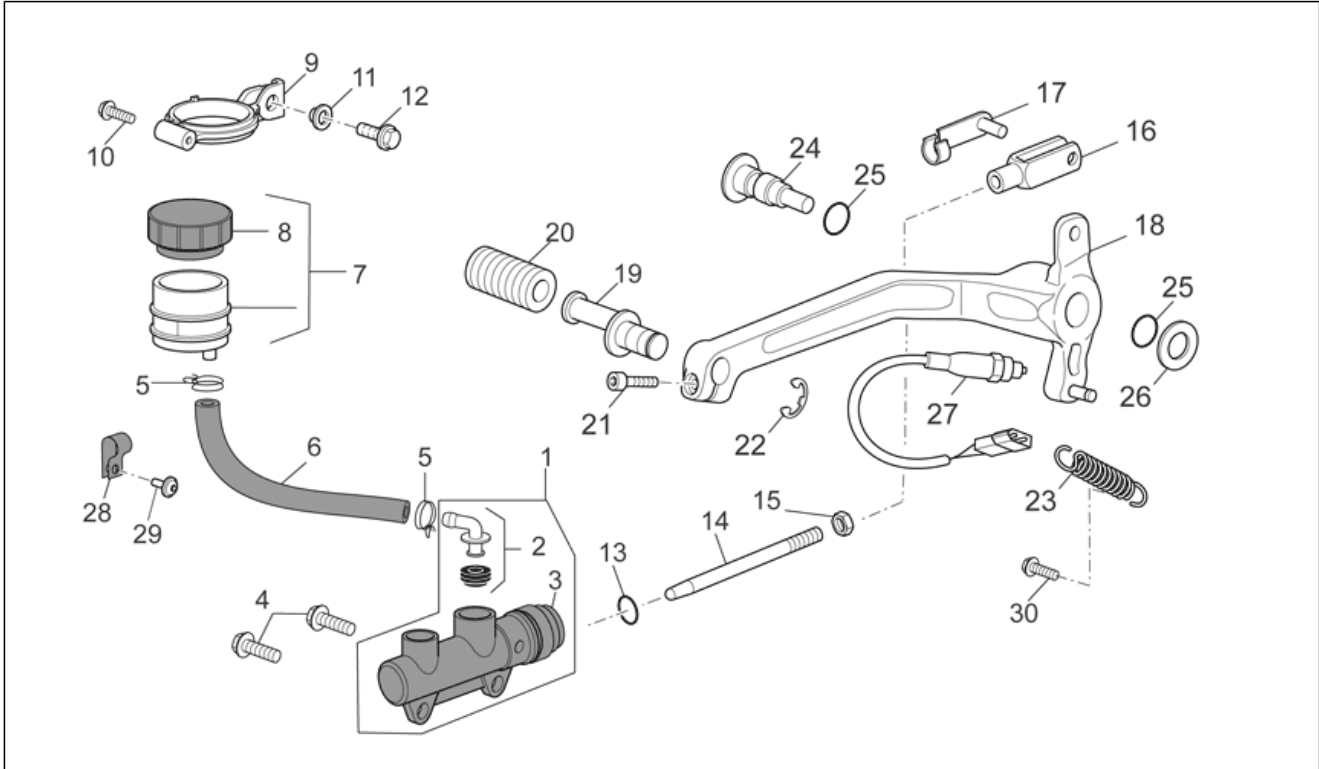
Pos.	Code	Beschreibung	Menge	Varianten
1	883886	Hinterrad, grau 5,5X17"	1	<b>Technische Daten:</b> ABS version[ABS], Marchiato ZCV[ZCV]
1	GU05630530	Hinterrad, grau 5,5x17"	1	<b>Technische Daten:</b> Version without ABS[noABS]
1	GU05630531	Hinterrad, grau 5,5x17"	1	<b>Technische Daten:</b> ABS version[ABS], Marchio Brembo[BR]
2	GU03617710	Schlauchloses Reifenventil	1	
3	GU05632730	Konischebuchse	4	
4	GU97202665	TE Schr. m. Flansch M12x65	4	
5	GU05634430	Deckel	1	
6	GU05635730	Vorderradbremsscheibe	1	
7	GU30611460	Schraube	6	
8	0000000	Reifen	1	
9	GU14616150	Gegengewicht	1	
10	977056	Staubschutzring	1	
11	GU05681530	Wheel speed sensor, LH front	1	<b>Technische Daten:</b> ABS version[ABS]
12	AP8152272	TE Schr. m. Flansch M5x12	6	<b>Technische Daten:</b> ABS version[ABS]
13	GU05683730	Sensor	1	<b>Technische Daten:</b> ABS version[ABS]
14	AP8152278	TE Schr. m. Flansch M6x16	1	<b>Technische Daten:</b> ABS version[ABS]
15	GU49609601	Schelle 2,4x92	1	<b>Technische Daten:</b> ABS version[ABS]

<b>Einheit</b>	RAHMEN
<b>Code</b>	33.34
<b>Beschreibung</b>	Hinterradbremspumpe
<b>Inspektion</b>	1



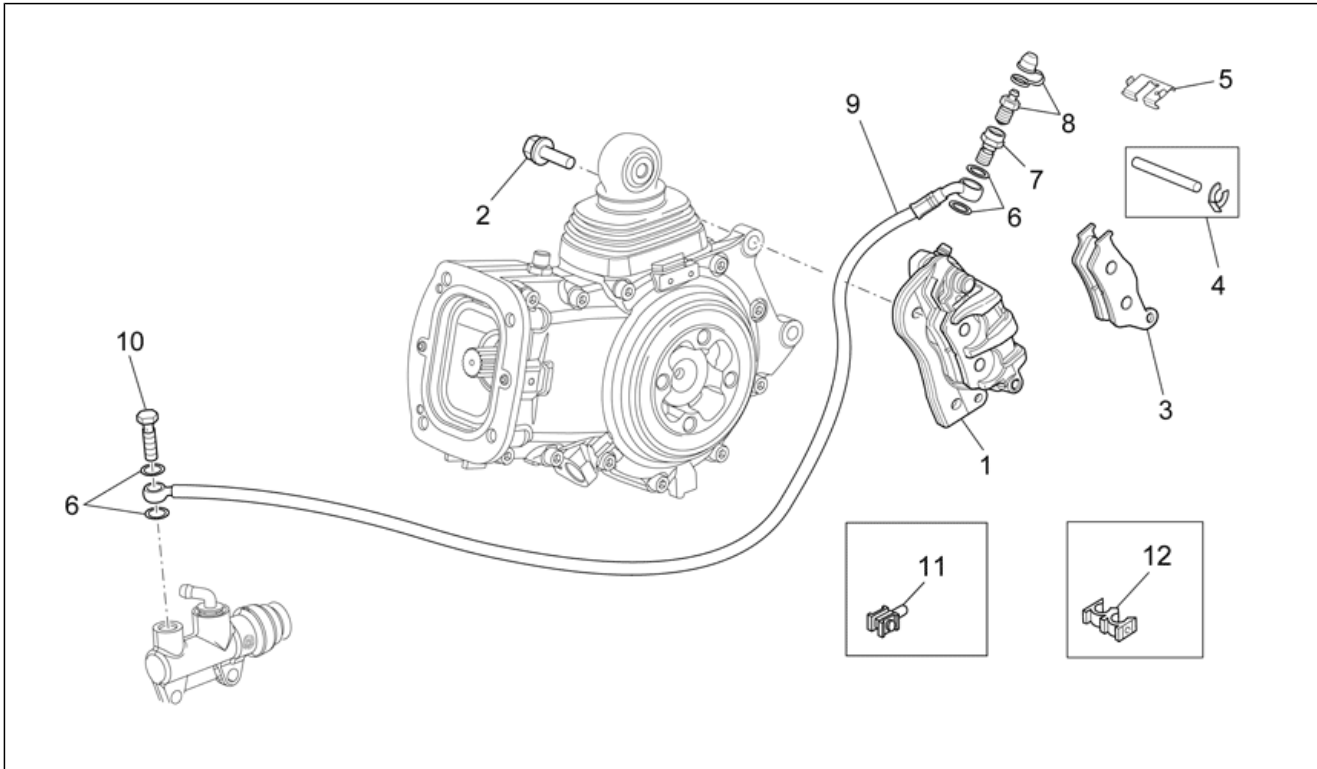
Pos.	Code	Beschreibung	Menge	Varianten
1	GU0566930	Hinterradbremspumpe	1	
2	AP8113594	Hinterer Pumpenanschluß	1	
3	AP8113288	Gummibalg	1	
4	AP8152279	TE Schr. m. Flansch M6x20	2	
5	AP8101595	Schelle D10,1	2	
6	GU00823950050	Ölschlauch	1	
7	GU05663530	Bremsöltank	1	
8	GU17661052	Tankverschluß	1	
9	GU05666030	Tankfixierung	1	
10	AP8152329	Kreuz.schl.flnschschr. M5x20	1	
11	AP8221145	T-Buchse *	1	
12	AP8152278	TE Schr. m. Flansch M6x16	1	
13	AP8120178	O-Ring OR112	1	
14	977041	Pumpenstange brems	1	
15	GU92606206	Mutter	1	
16	AP8101968	Schaltgabel	1	
17	AP8201301	Klemmen für Schaltgabel	1	
18	GU05677030	H.bremshebel	1	
19	AP8121221	Stift Bremshebel	1	
20	AP8120912	Gummi für Hebel	1	
21	GU98682316	TCEI Schraube M6x16	1	
22	AP8150462	Seegerring d9	1	
23	AP8121927	Feder Hinterradbremsh.	1	
24	884033	Stift Hinterradbremsh.	1	
25	AP8144007	O-Ring 11,11x1,78	2	
26	GU95008310	Ausgleichscheibe 10,5x22x2,5	1	
27	AP8112996	Interruttore frizione	1	
28	AP8102151	Schelle schwarz D12*	1	

<b>Einheit</b>	RAHMEN
<b>Code</b>	33.34
<b>Beschreibung</b>	Hinterradbremspumpe
<b>Inspektion</b>	1



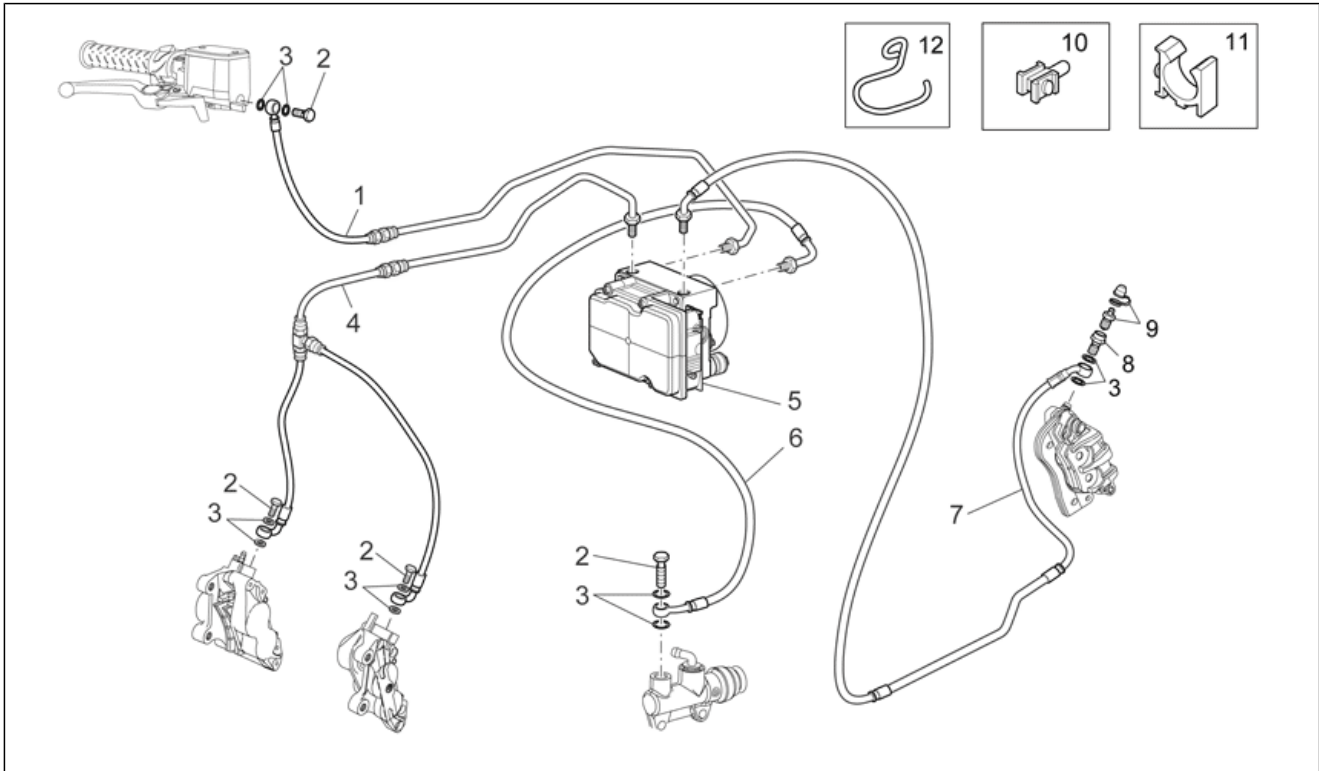
Pos.	Code	Beschreibung	Menge	Varianten
29	GU98350210	TBEI Schraube	1	
30	AP8152273	Flanschschraube M5x16	1	

<b>Einheit</b>	RAHMEN
<b>Code</b>	33.35
<b>Beschreibung</b>	Hinterradbremsszange
<b>Inspektion</b>	1



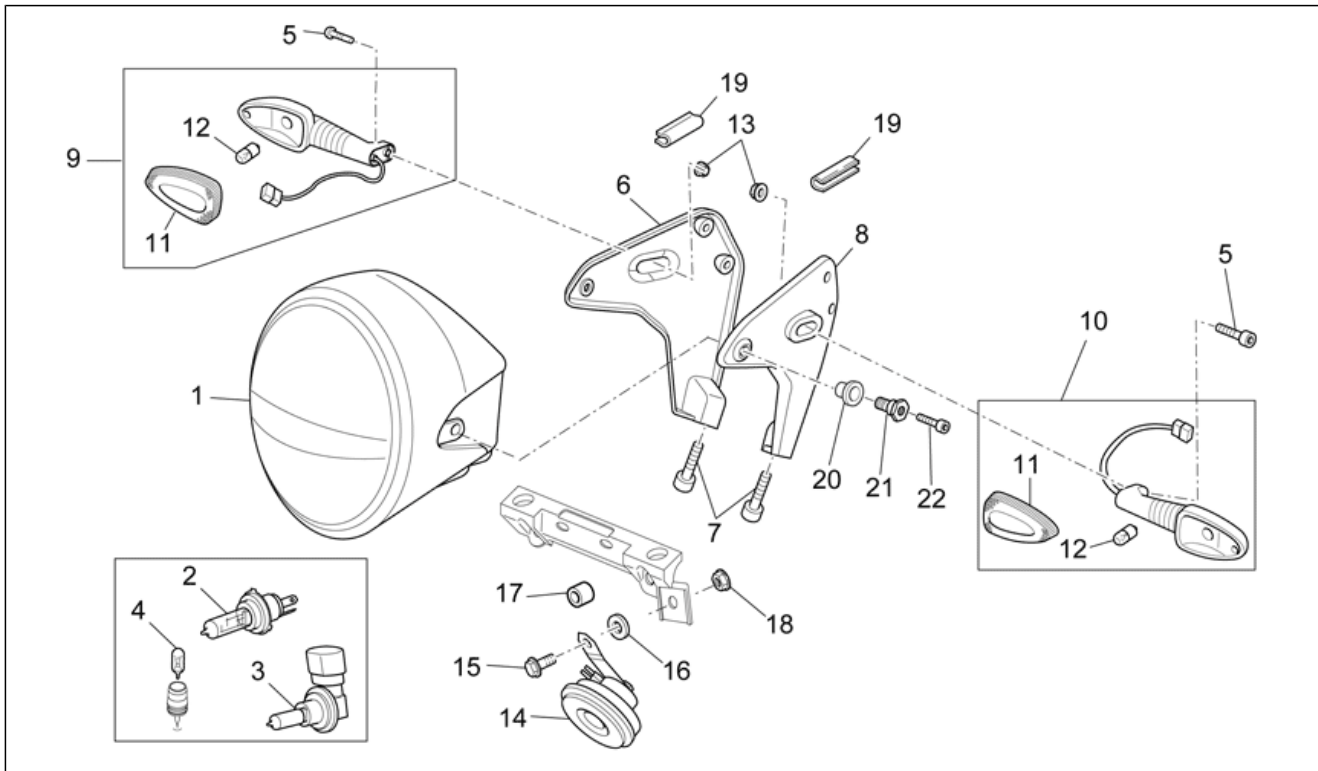
Pos.	Code	Beschreibung	Menge	Varianten
1	GU05653030	Hinterradbremsszange	1	
2	AP8152320	TE Schr. m. Flansch	2	
3	GU05654630	Beläge (Paar)	1	
4	GU05659130	Stift+Splint Bremse	1	
5	GU05659030	Feder	1	
6	GU25656100	Dichtung	4	
7	AP8133597	Schraube	1	
8	AP8213113	Entlüftung+Haube	1	
9	GU05657530	Hinterradbremssleitung	1	<b>Technische Daten:</b> Version without ABS[noABS]
10	AP8133594	Fixierschraube Ölschlauch	1	
11	AP8202238	Kabelführungs Haken	4	
12	AP8201808	Kabelführungs D8	4	<b>Technische Daten:</b> Version without ABS[noABS]
12	GU05436530	Kabelführungs D5	4	<b>Technische Daten:</b> ABS version[ABS]

<b>Einheit</b>	RAHMEN
<b>Code</b>	33.36
<b>Beschreibung</b>	Bremsanlage ABS
<b>Inspektion</b>	1



Pos.	Code	Beschreibung	Menge	Varianten
1	GU05681030	Vorderradbremseleitung	1	<b>Technische Daten:</b> ABS version[ABS]
2	AP8133594	Fixierschraube Ölschlauch	4	
3	GU25656100	Dichtung	10	
4	GU05680830	Vorderradbremseleitung	1	<b>Technische Daten:</b> ABS version[ABS]
5	GU05680530	Steuergerät/Pumpe ABS	1	<b>Technische Daten:</b> ABS version[ABS]
6	GU05681130	Radbremseleitung	1	<b>Technische Daten:</b> ABS version[ABS]
7	GU05680930	Hinterradbremseleitung	1	<b>Technische Daten:</b> ABS version[ABS]
8	AP8133597	Schraube	1	
9	AP8213113	Entlüftung+Haube	1	
10	AP8202238	Kabelführungs Haken	4	
11	GU05436530	Kabelführungs D5	4	<b>Technische Daten:</b> ABS version[ABS]
12	GU05683130	Kabelführungs D8	1	<b>Technische Daten:</b> ABS version[ABS]

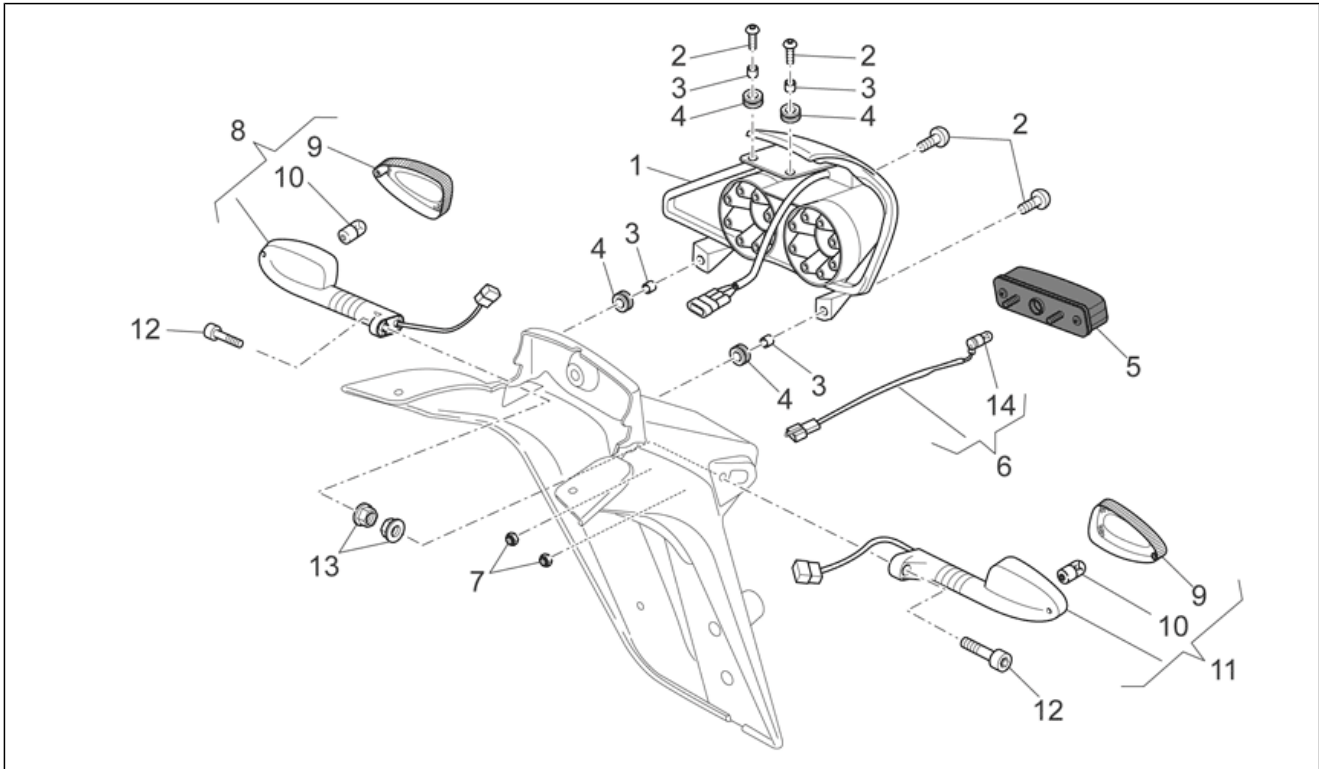
<b>Einheit</b>	RAHMEN
<b>Code</b>	33.37
<b>Beschreibung</b>	Frontscheinwerfer/Hupe
<b>Inspektion</b>	1



Pos.	Code	Beschreibung	Menge	Varianten
1	GU05740530	Scheinwerfer	1	Land:Other country[EU]
1	GU05740531	Vord.Scheinwerf.Kpl.L.Lenkung	1	Land:Australia[AU], India[IN], JP[JP], Great Britain[UK]
2	AP8127109	Lampen H7-12V-55W	1	
3	GU93450265	Lampen H9-12V-65W	1	
4	GU93450105	Lampen	1	
5	GU98692318	TCEI Schraube	2	
6	GU05578630	Halter rechts	1	
7	GU98682435	TCEI Schraube	2	
8	GU05578631	Halter links	1	
9	AP8127514	Vorderblinker rechts	1	
10	AP8127515	Vorderblinker links	1	
11	AP8127552	Blinkerblende	2	
12	GU93450126	Lampen orange	2	
13	GU92630206	Mutter M6x1	2	
14	GU05743730	Hupe	1	
15	AP8152286	TE Schr. m. Flansch M8x20	1	
16	GU95100244	Ausgleichscheibe	1	
18	AP8152300	Selbstsperrende Mutter M8	1	
19	AP8144707	Dichtung	2	
20	978158	T-Buchse *	2	
21	978157	Spezialschraube	2	
22	GU98710215	TCCCE Schraube	2	

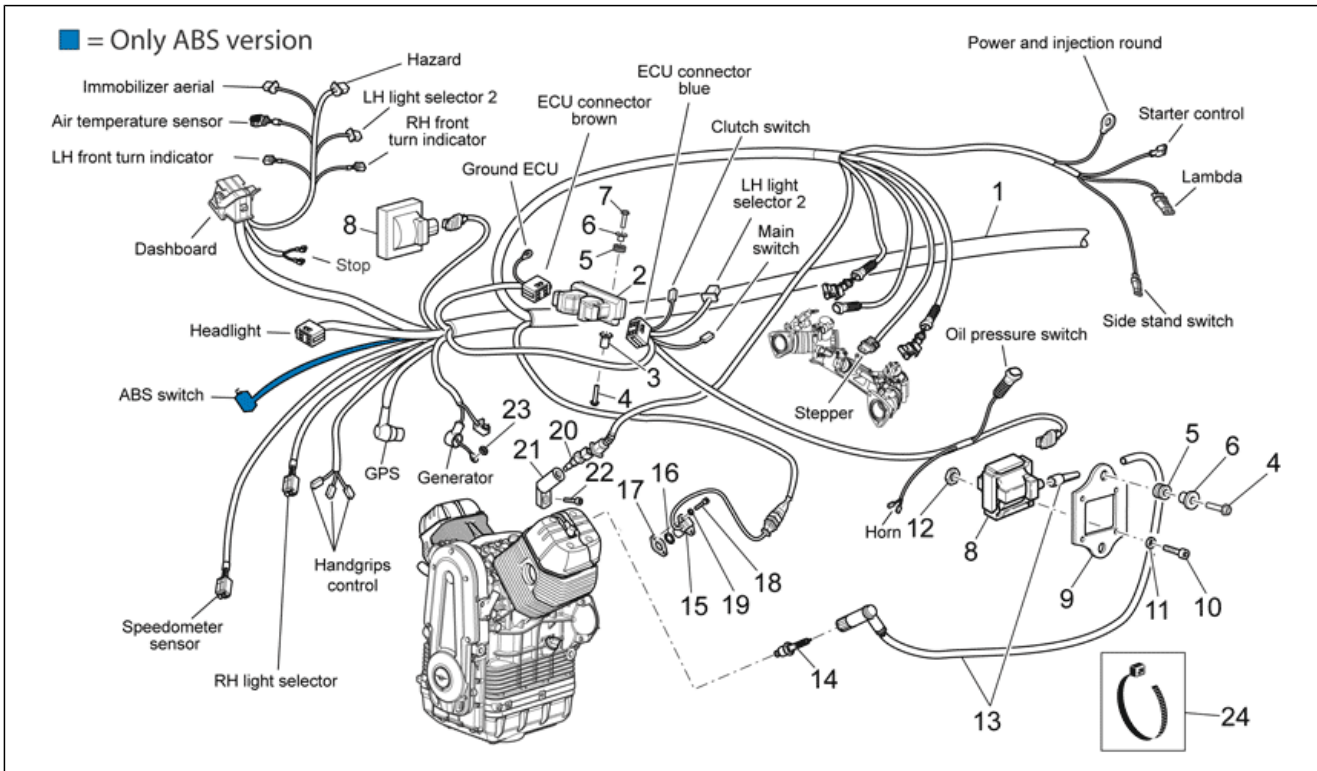


<b>Einheit</b>	RAHMEN
<b>Code</b>	33.38
<b>Beschreibung</b>	Rücklicht
<b>Inspektion</b>	1



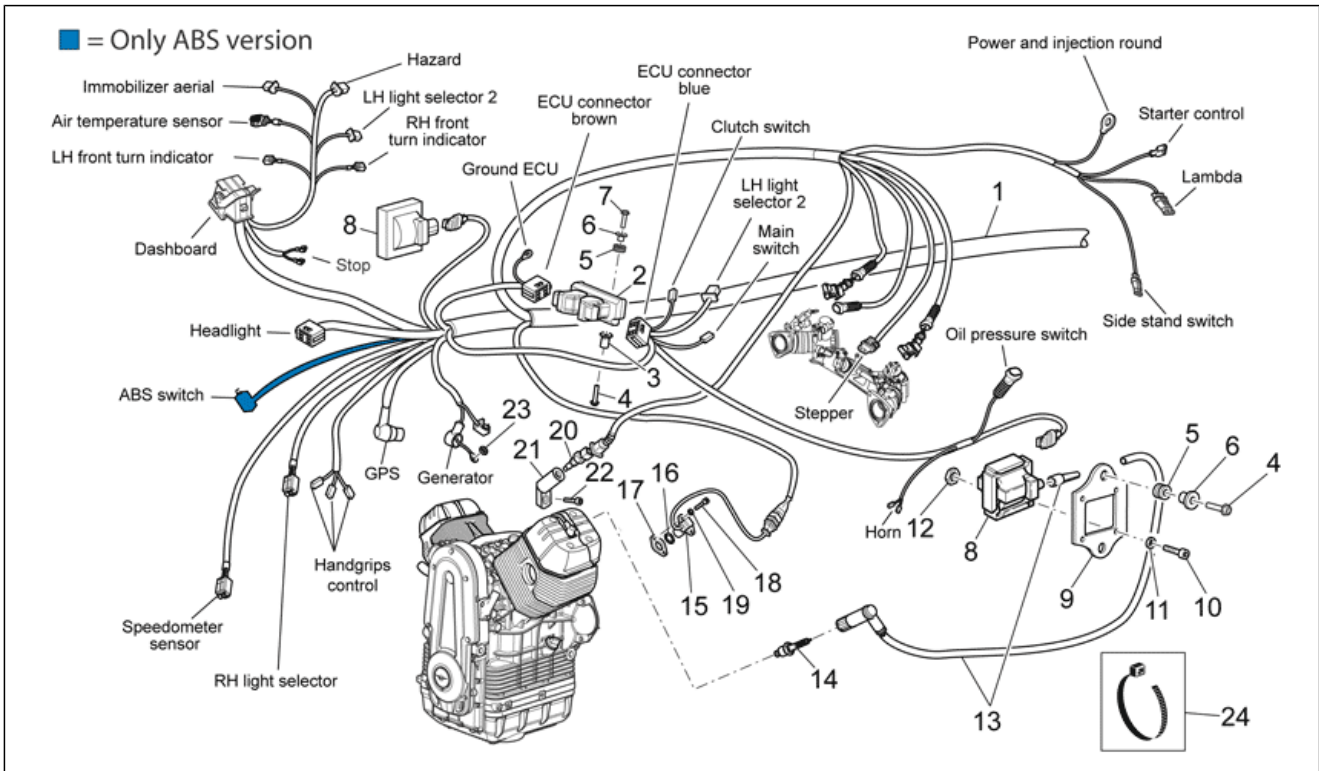
Pos.	Code	Beschreibung	Menge	Varianten
1	883314	Rücklicht	1	
2	AP8152298	TBEI Schraube m.Flansch M5x16	4	
3	AP8221036	Buchse 5,3x8x7,1	4	
4	AP8120405	Gummi	4	
5	AP8212702	Kennzeichenleuchte	1	
6	AP8124976	Kennzeich.leuch.Kabel	1	
7	AP8152306	Selbstsperrende Mutter m5	2	
8	GU05751630	Rückblinker rechts	1	
9	AP8127552	Blinkerblende	2	
10	GU93450126	Lampen orange	2	
11	GU05751730	Rückblinker links	1	
12	GU98692318	TCEI Schraube	2	
13	GU92630206	Mutter M6x1	2	
14	GU93450105	Lampen	1	

<b>Einheit</b>	RAHMEN
<b>Code</b>	33.39
<b>Beschreibung</b>	Elektrische anlage I
<b>Inspektion</b>	1



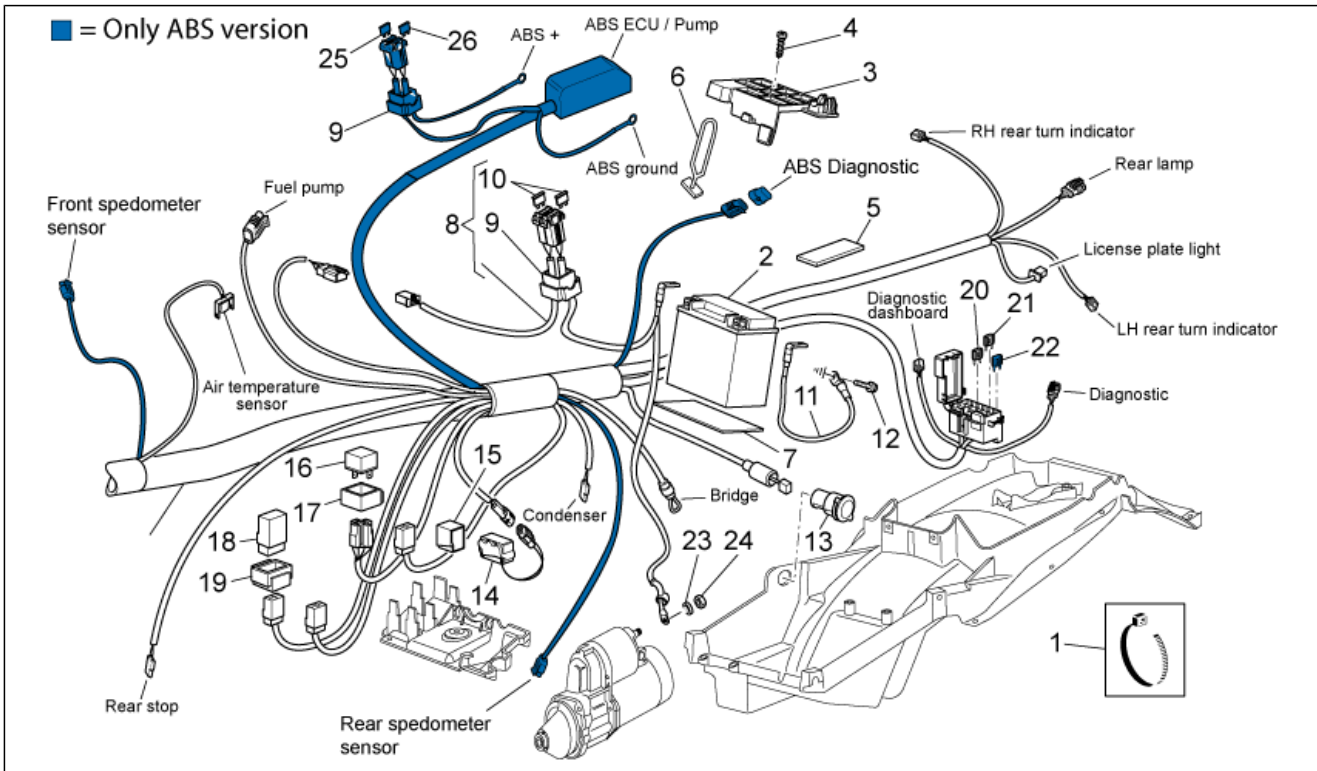
Pos.	Code	Beschreibung	Menge	Varianten
1	883030	Hauptverkabelung	1	<b>Technische Daten:</b> Version without ABS[noABS]
1	883125	Hauptverkabelung ABS	1	<b>Technische Daten:</b> ABS version[ABS]
1	884118	Hauptverkabelung	1	<b>Technische Daten:</b> Version without ABS[noABS]
1	884145	Hauptverkabelung ABS	1	<b>Technische Daten:</b> ABS version[ABS]
2	883419	Steuergerät	1	<b>Baujahr:</b> 2009[9] <b>Land:</b> JP[JP] <b>Technische Daten:</b> Version without ABS[noABS]
2	883419	Steuergerät	1	<b>Technische Daten:</b> Version without ABS[noABS]
2	883497	Steuergerät	1	<b>Technische Daten:</b> ABS version[ABS]
2	883906	Steuergerät	1	<b>Baujahr:</b> 2010[A] <b>Land:</b> JP[JP] <b>Technische Daten:</b> Version without ABS[noABS]
3	883418	Buchse	2	
4	AP8152279	TE Schr. m. Flansch M6x20	6	
5	AP8120030	Gummi	6	
6	AP8221023	T-Buchse	6	
7	AP8152282	TE Schr. m. Flansch M6x35	2	
8	GU30716500	Zuendtransform.cpl.	2	
9	GU05716730	Halter Steuergerät	2	
10	GU98682125	TCEI Schraube	8	
11	GU95008204	Ausgleichscheibe 4,3x8x0,5	8	
12	GU92630104	Mutter M4x0,7	8	
13	640912	Zuendkabel	2	
14	GU05717030	Zündkerze NGK PMR8B	2	
15	GU01721600	Phasen-und Umdrehungsfuhler	1	
16	GU90706141	O-Ring	1	
17	GU01722700	Dichtung 0,3mm	1	
17	GU01722701	Dichtung 0,4 mm	1	
17	GU01722702	Dichtung 0,6mm	1	

<b>Einheit</b>	RAHMEN
<b>Code</b>	33.39
<b>Beschreibung</b>	Elektrische anlage I
<b>Inspektion</b>	1



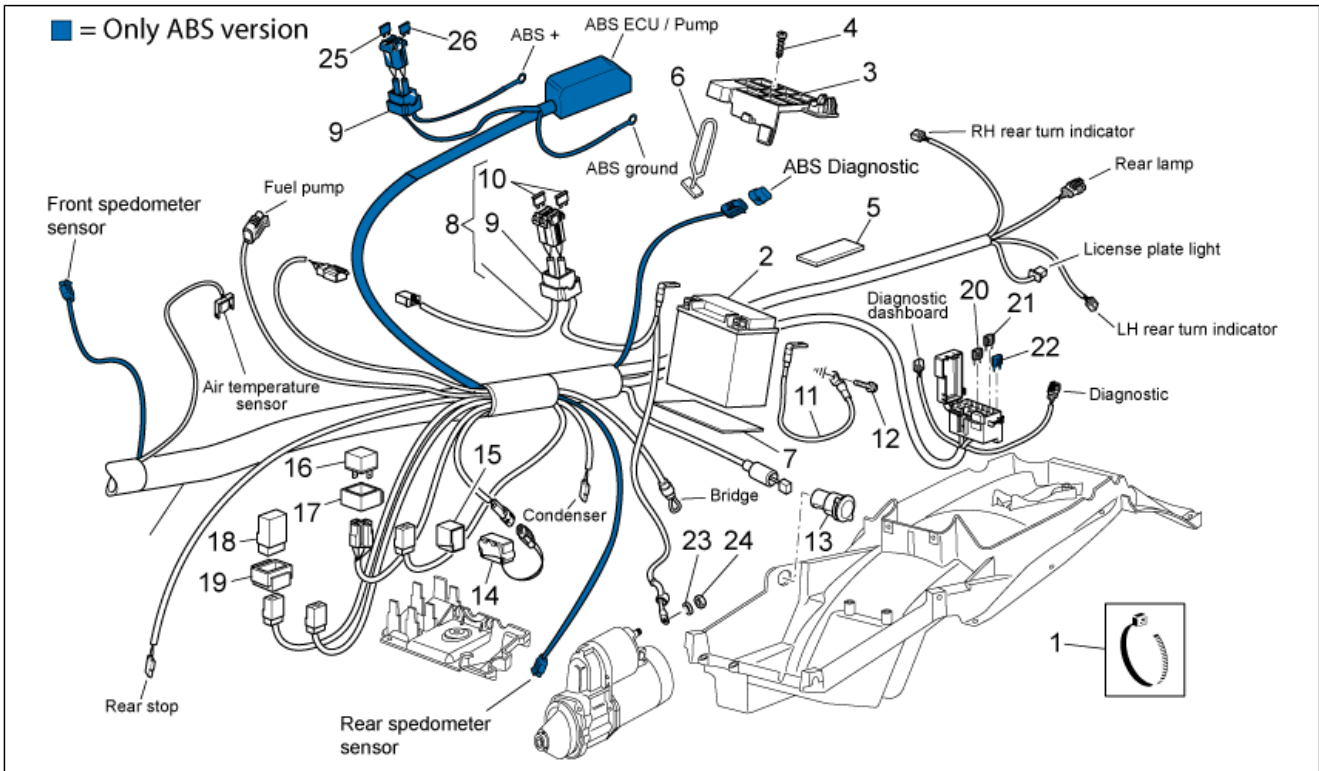
Pos.	Code	Beschreibung	Menge	Varianten
17	GU01722703	Dichtung	1	
17	GU01722704	Dichtung 1mm	1	
17	GU01722705	Dichtung 1,5mm	1	
17	GU29722760	Dichtung 0,5 mm	1	
18	GU98682212	TCEI Schraube M5x12	2	
19	GU95008205	Ausgleichscheibe 5,3x10x0,8	2	
20	GU29729461	Sensor temperatur	1	
21	976556	Sensor halter	1	
22	GU98683520	TCEI Schraube M10x20	1	
23	AP8152299	Selbstsperrende Mutter M6	1	
24	GU14609650	Schelle 3,6x20,6	23	
24	GU30609600	Schelle 8,8x185	1	
24	GU93304360	Schelle 7,6x380	2	

<b>Einheit</b>	RAHMEN
<b>Code</b>	33.40
<b>Beschreibung</b>	Elektrische anlage II
<b>Inspektion</b>	1



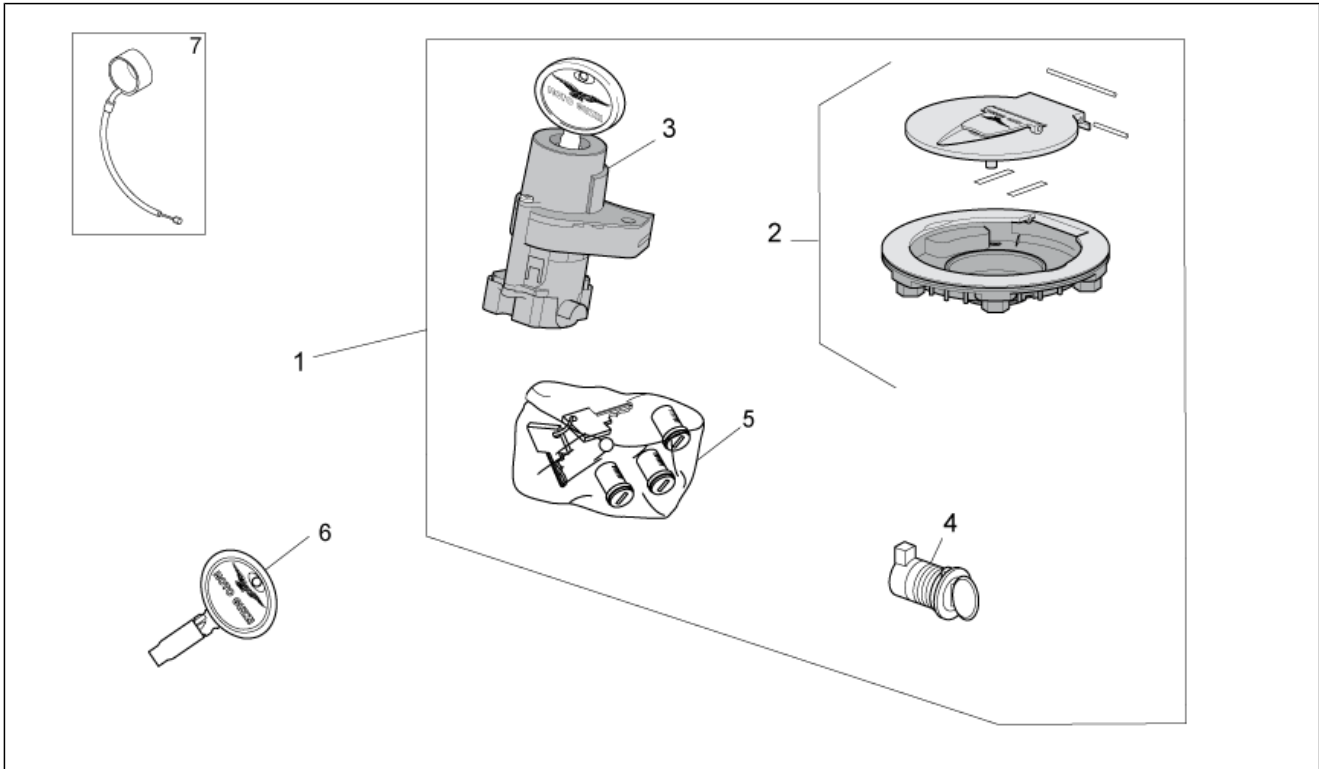
Pos.	Code	Beschreibung	Menge	Varianten
1	GU14609650	Schelle 3,6x20,6	23	
1	GU93304360	Schelle 7,6x380	2	
2	883818	Batterie	1	<b>Technische Daten:</b> Veicoli con batteria YT20-BS[B]
2	GU05704531	Batterie 12V-20Ah	1	<b>Technische Daten:</b> Veicoli con batteria YTX20CH-BS[A]
3	883819	Batteriedeckel	1	<b>Technische Daten:</b> Veicoli con batteria YT20-BS[B]
3	GU05704630	Batteriedeckel	1	<b>Technische Daten:</b> Veicoli con batteria YTX20CH-BS[A]
4	AP8152329	Kreuz.schl.flinschschr. M5x20	2	
5	AP8117200	Klebeschwamm	1	
6	AP8120177	Scheinw.halter Elastik	2	
7	AP8144553	Gummi für Haterung	2	
8	GU05747830	Verkabelung	1	
9	AP8112811	Sicherungsblockgummi	1	<b>Technische Daten:</b> Version without ABS[noABS]
9	AP8112811	Sicherungsblockgummi	2	<b>Technische Daten:</b> ABS version[ABS]
10	GU28742562	Sicherung 30A	3	
11	978505	Masse-Batteriekabel	1	<b>Technische Daten:</b> Veicoli con batteria YT20-BS[B]
11	GU05747930	Masse-Batteriekabel	1	<b>Technische Daten:</b> Veicoli con batteria YTX20CH-BS[A]
12	AP8152277	TE Schr. m. Flansch M6x12	1	
13	AP8124768	Strombuchse kpl.	1	
14	AP8124266	Neigungsfühler	1	
15	AP8144046	Sensor halter gummi	1	
16	AP8124869	Relais Einspritzung	1	
17	AP8220546	Auflagegummi Relais	1	
18	AP8224462	Zündrelais 12V/30A	3	
19	AP8220283	Gummi *	3	
20	977772	Sicherung 15A	6	
21	977769	Sicherung 3A	2	
22	977771	Sicherung 10A	1	<b>Technische Daten:</b> ABS version[ABS]
23	GU95129131	Scheibe 8,4x15x1,7	1	

<b>Einheit</b>	RAHMEN
<b>Code</b>	33.40
<b>Beschreibung</b>	Elektrische anlage II
<b>Inspektion</b>	1



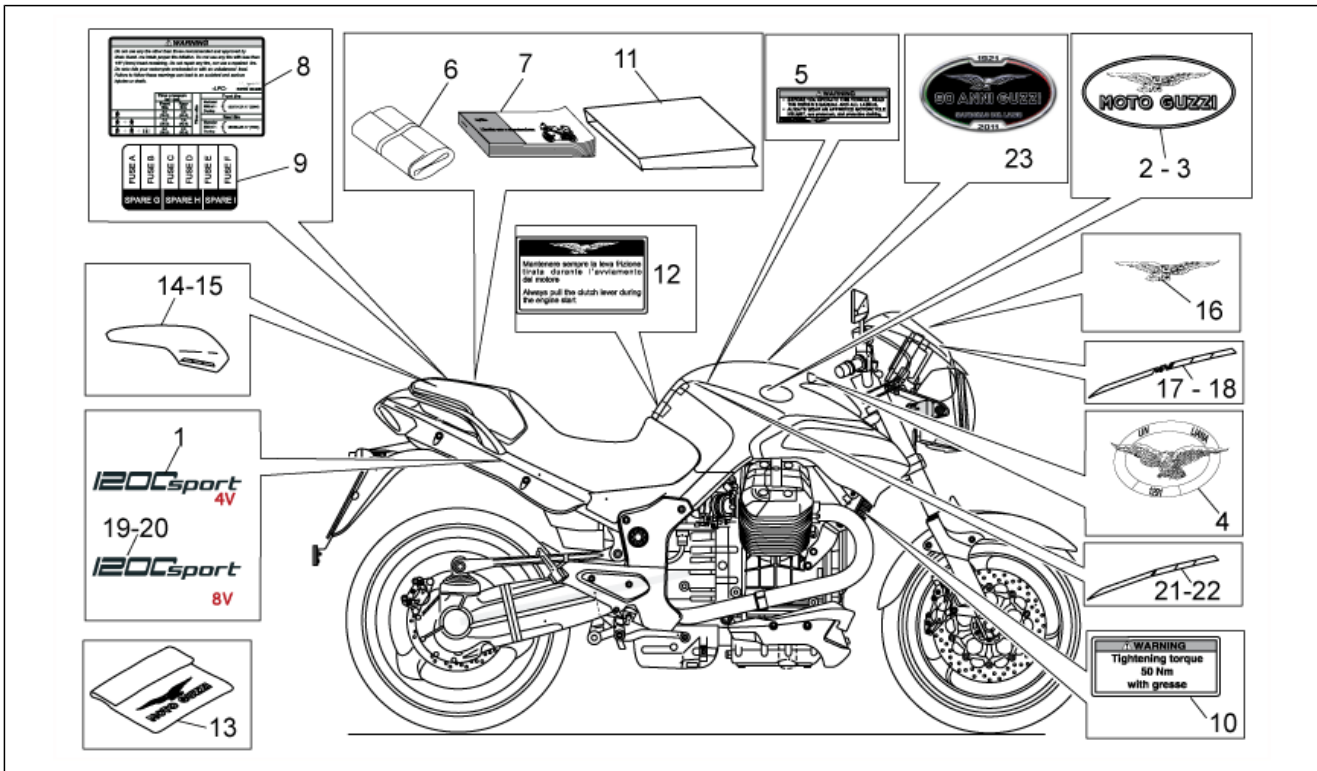
Pos.	Code	Beschreibung	Menge	Varianten
24	GU92609408	Mutter M8x1,25	1	
25	977761	Sicherung ABS-25A	2	Technische Daten:ABS version[ABS]
26	977762	Sicherung ABS-40A	2	Technische Daten:ABS version[ABS]

<b>Einheit</b>	RAHMEN
<b>Code</b>	33.41
<b>Beschreibung</b>	Bausatz Schlösser
<b>Inspektion</b>	1



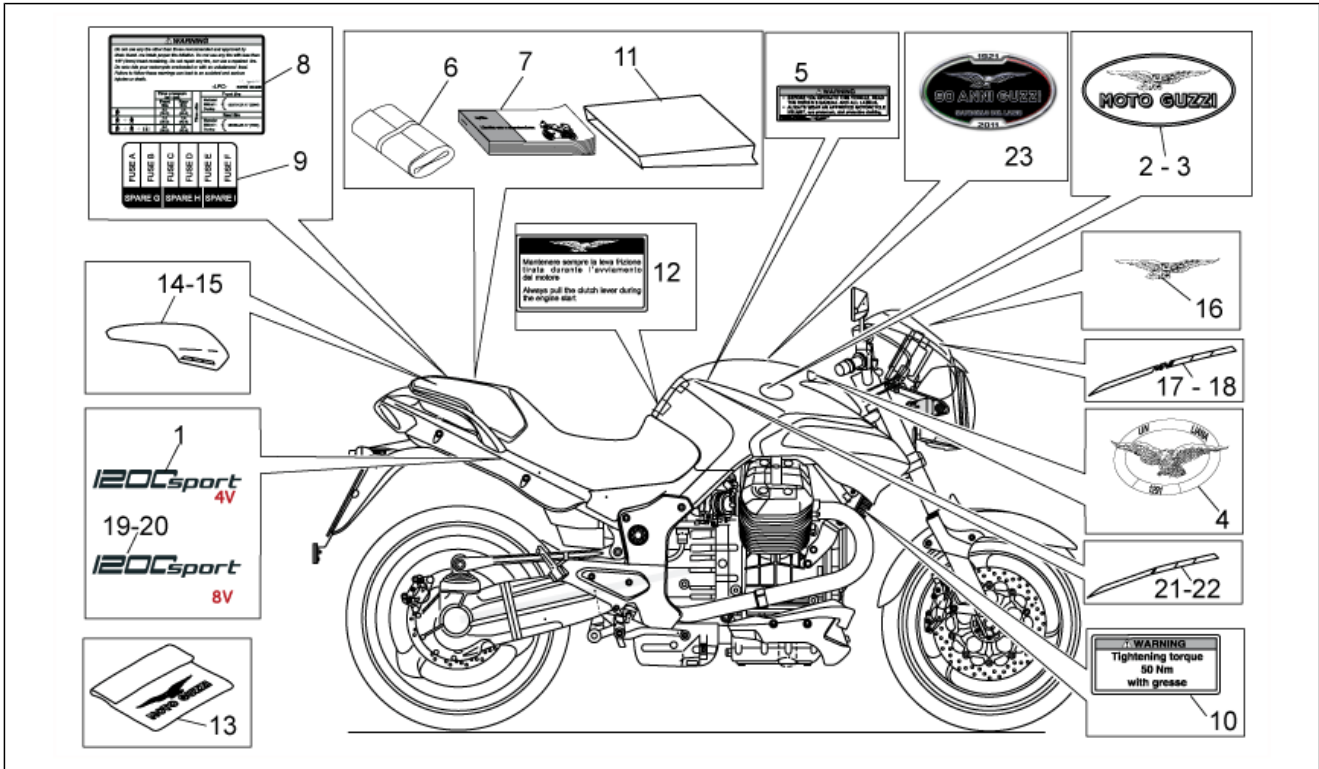
Pos.	Code	Beschreibung	Menge	Varianten
1	977666	Kit Schließvorrichtungen	1	Land:Other country[EU], JP[JP], Great Britain[UK]
1	B063858	Kit Schließvorrichtungen	1	Land:USA[US]
2	GU05103930	Tankverschluß	1	
3	B063859	Lenkschloß	1	Land:USA[US]
3	GU05782530	Lenkschloß	1	Land:Other country[EU], JP[JP], Great Britain[UK]
4	GU05466830	Sitzschloß	1	
5	978220	Rotor kit with key	1	
6	GU05735530	Schlüssel nicht gezackt roh	1	
7	981087	Immobilizer antenne	1	

<b>Einheit</b>	RAHMEN
<b>Code</b>	33.42
<b>Beschreibung</b>	Aufkleber-Deko
<b>Inspektion</b>	1



Pos.	Code	Beschreibung	Menge	Varianten
1	883483	Deko 1200 Sport 4V	2	Fahrzeugfarbe:Guzzi Black 2008[g/bl], Silver crowd 2008[s/cr]
2	GU06917400	L.Schild rot/gold AL	1	
3	GU06917300	R. Schild rot/gold AL	1	
4	GU05917530	Deko "Italian Story"	1	Fahrzeugfarbe:Guzzi Black 2008[g/bl], Silver crowd 2008[s/cr]
5	GU30944300	Deko "Attention"	1	
6	978882	Werkzeugtasche	1	
7	883438	Gebrauchsanleitung I-F-D-NL	1	Land:Other country[EU], Great Britain[UK]
8	GU05926030	Aufkleber Reifendruck	1	
9	GU05945030	Aufkleber "schema fusibili"	1	
10	GU05944530	Deko Warning	1	
11	GU05900130	Säckchen für Dokumente	1	
12	GU05944930	Deko Engine Start	1	
13	GU30970200	Abdeckplane	1	
14	883531	Nummernhalter li.	1	Fahrzeugfarbe:Guzzi Black 2008[g/bl], Silver crowd 2008[s/cr] Technische Daten:Without decals applied[ND]
14	886952	Nummernhalter li.	1	Fahrzeugfarbe:Rosso/Bianco 2011[r/wh] Technische Daten:Without decals applied[ND]
15	883530	Nummernhalter re.	1	Fahrzeugfarbe:Guzzi Black 2008[g/bl], Silver crowd 2008[s/cr] Technische Daten:Without decals applied[ND]
15	886951	Nummernhalter re.	1	Fahrzeugfarbe:Rosso/Bianco 2011[r/wh] Technische Daten:Without decals applied[ND]
16	886340	Schild Aquila	1	
16	977820	Deko "Adler"	1	Fahrzeugfarbe:Guzzi Black 2008[g/bl], Silver crowd 2008[s/cr]
17	883529	Linkes Aufkleber kuppel	1	Fahrzeugfarbe:Guzzi Black 2008[g/bl], Silver crowd 2008[s/cr]
17	886948	Linkes Aufkleber kuppel	1	Fahrzeugfarbe:Rosso/Bianco 2011[r/wh]

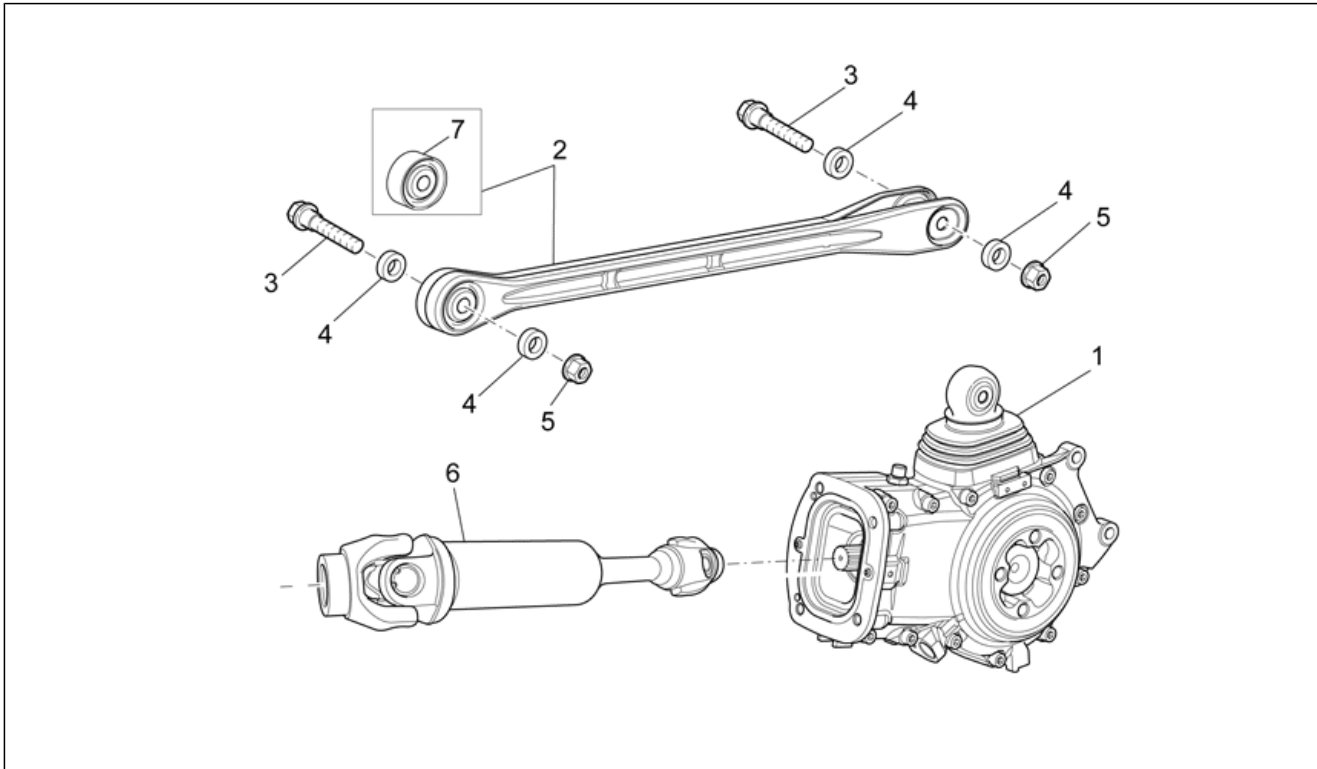
<b>Einheit</b>	RAHMEN
<b>Code</b>	33.42
<b>Beschreibung</b>	Aufkleber-Deko
<b>Inspektion</b>	1



Pos.	Code	Beschreibung	Menge	Varianten
18	883528	Rechtes Aufkleber kuppel	1	Fahrzeugfarbe:Guzzi Black 2008[g/bl], Silver crowd 2008[s/cr]
18	886947	Rechtes Aufkleber kuppel	1	Fahrzeugfarbe:Rosso/Bianco 2011[r/wh]
19	886949	Aufkleber re 1200 Sport 8V	1	Fahrzeugfarbe:Rosso/Bianco 2011[r/wh]
20	886950	Aufkleber L. 1200 Sport 8V	1	Baujahr:2010[A]
21	886945	Aufkleber gold linie DX	1	Fahrzeugfarbe:Rosso/Bianco 2011[r/wh]
22	886946	Aufkleber gold linie SX	1	Fahrzeugfarbe:Rosso/Bianco 2011[r/wh]
23	886944	Deko "90 Anni Guzzi"	1	

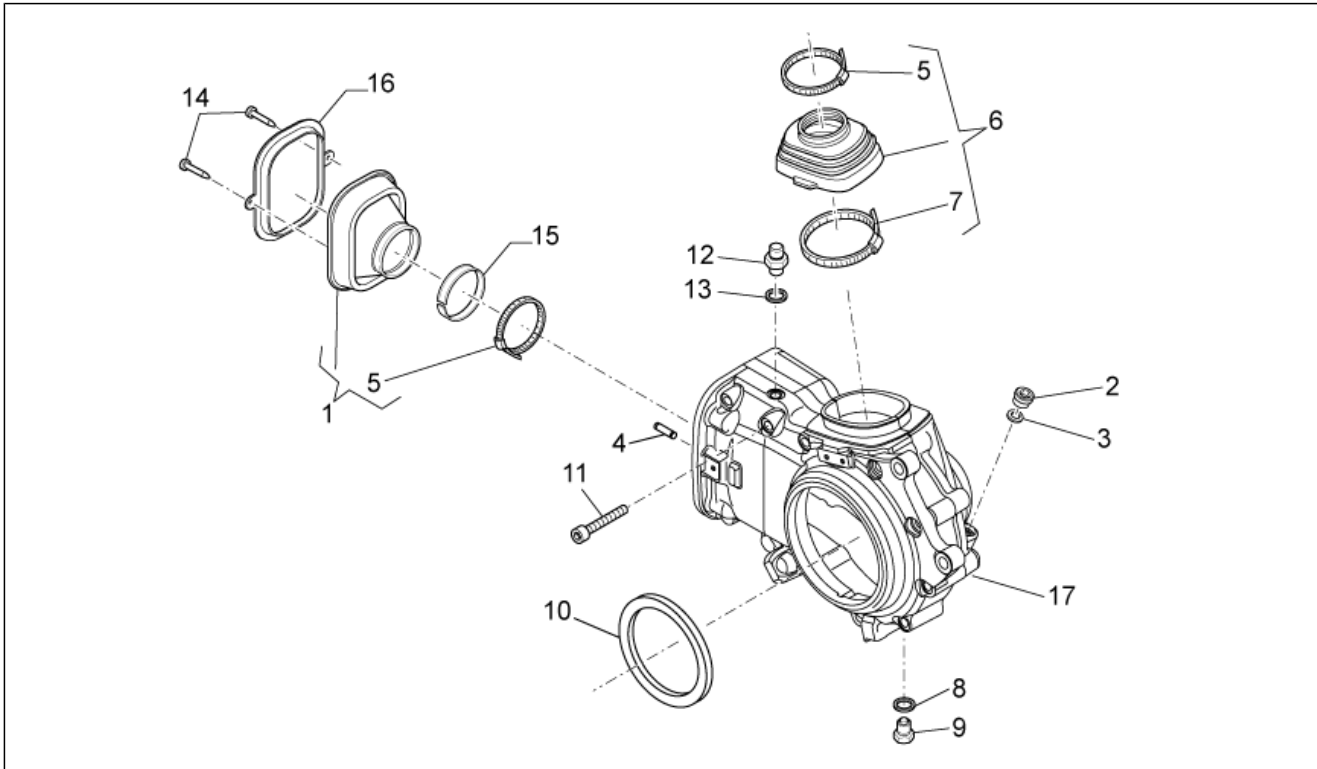


<b>Einheit</b>	MOTOR
<b>Code</b>	34.09
<b>Beschreibung</b>	Getriebe kpl.
<b>Inspektion</b>	1



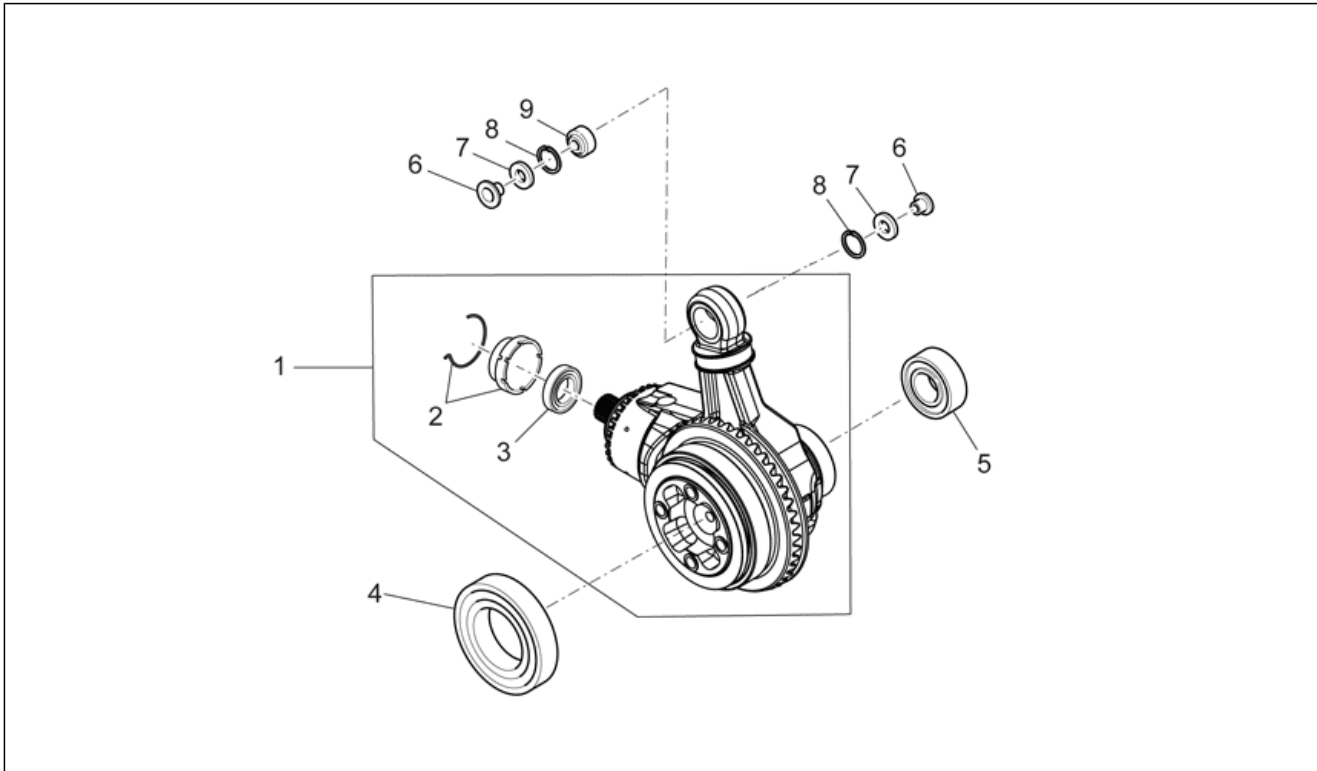
Pos.	Code	Beschreibung	Menge	Varianten
1	976570	Kraftübertragung, kpl.schwarz	1	
2	883046	Reaktionsstange kompl.	1	
3	AP8152410	TE Schr. m. Flansch M10x55	2	
4	AP8121218	Distanzscheibe 10,2x20x4	3	
5	AP8152242	Mutter	2	
6	GU05326330	Getriebe	1	
7	883045	Schwingschutzlager	1	

<b>Einheit</b>	MOTOR
<b>Code</b>	34.10
<b>Beschreibung</b>	Getriebe kpl.-Häuse
<b>Inspektion</b>	1



Pos.	Code	Beschreibung	Menge	Varianten
1	GU05358330	Staubschutzhäube	1	
2	GU05351230	Ölschraube M12x1,5	1	
3	GU90718120	Ausgleichscheibe	1	
4	GU95510620	Stift 6x20	2	
5	GU05358130	Schelle	2	
6	GU05358030	Staubschutzhäube	1	
7	GU05358230	Schelle	1	
8	GU01528930	Dichtung 10x18x1,5	1	
9	GU31003766	Ölablaßschraube M10x1	1	
10	GU90408511	Gasket ring 85x110x8BASL	1	
11	GU98680450	TCEI Schraube M8x50	11	
12	GU05206530	Entlüftungsschraube	1	
13	GU01528930	Dichtung 10x18x1,5	1	
14	GU99210406	Schraube M3,9x6,5	2	
15	GU05358530	Ring	1	
16	GU05358630	Dichtung	1	
17	978392	Kraftübertragungsgehäuse schw.	1	

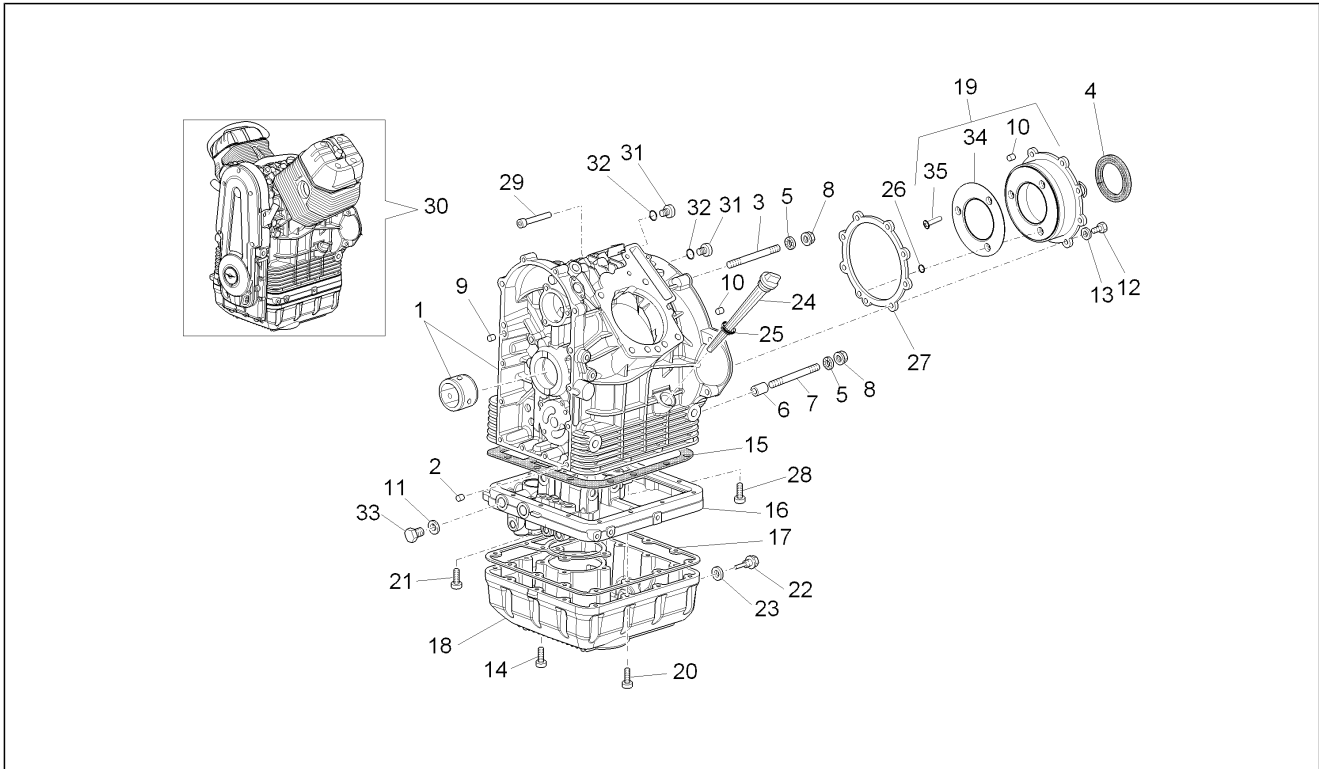
<b>Einheit</b>	MOTOR
<b>Code</b>	34.11
<b>Beschreibung</b>	Getriebe kpl.-Teilerradsatz
<b>Inspektion</b>	1



Pos.	Code	Beschreibung	Menge	Varianten
1	976581	Teilerradsatz kit 12/44	1	
2	GU05352430	Nutmutter	1	
3	GU90404558	Gasket ring 45x58x7	1	
4	GU92208518	Kugellager 85x120x18	1	
5	GU92204230	Kugellager 30x62x16	1	
6	AP8121098	Buchse	2	
7	AP8120485	Gasket ring	2	
8	GU90273026	Seegerring	2	
9	GU05638130	Kugelgelenk	1	

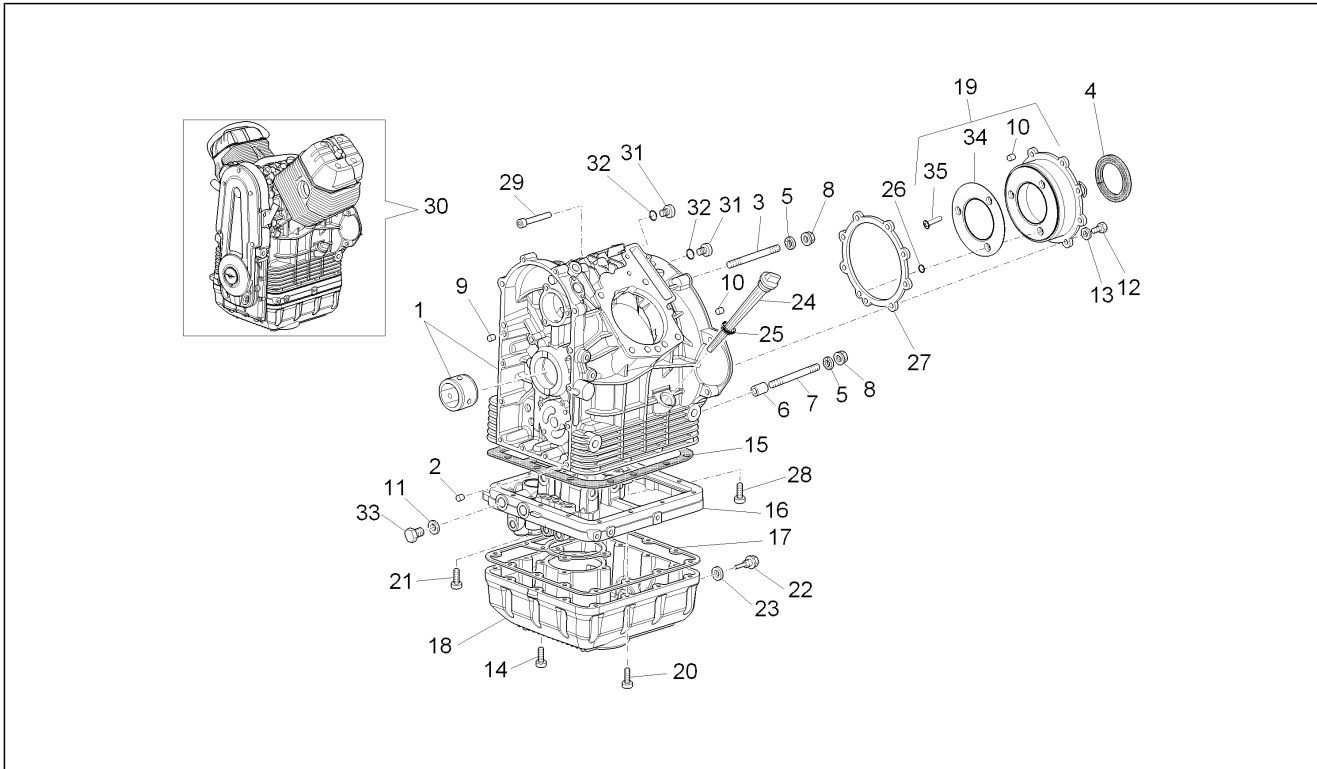


<b>Einheit</b>	MOTOR
<b>Code</b>	34.43
<b>Beschreibung</b>	Gehäuse I
<b>Inspektion</b>	1



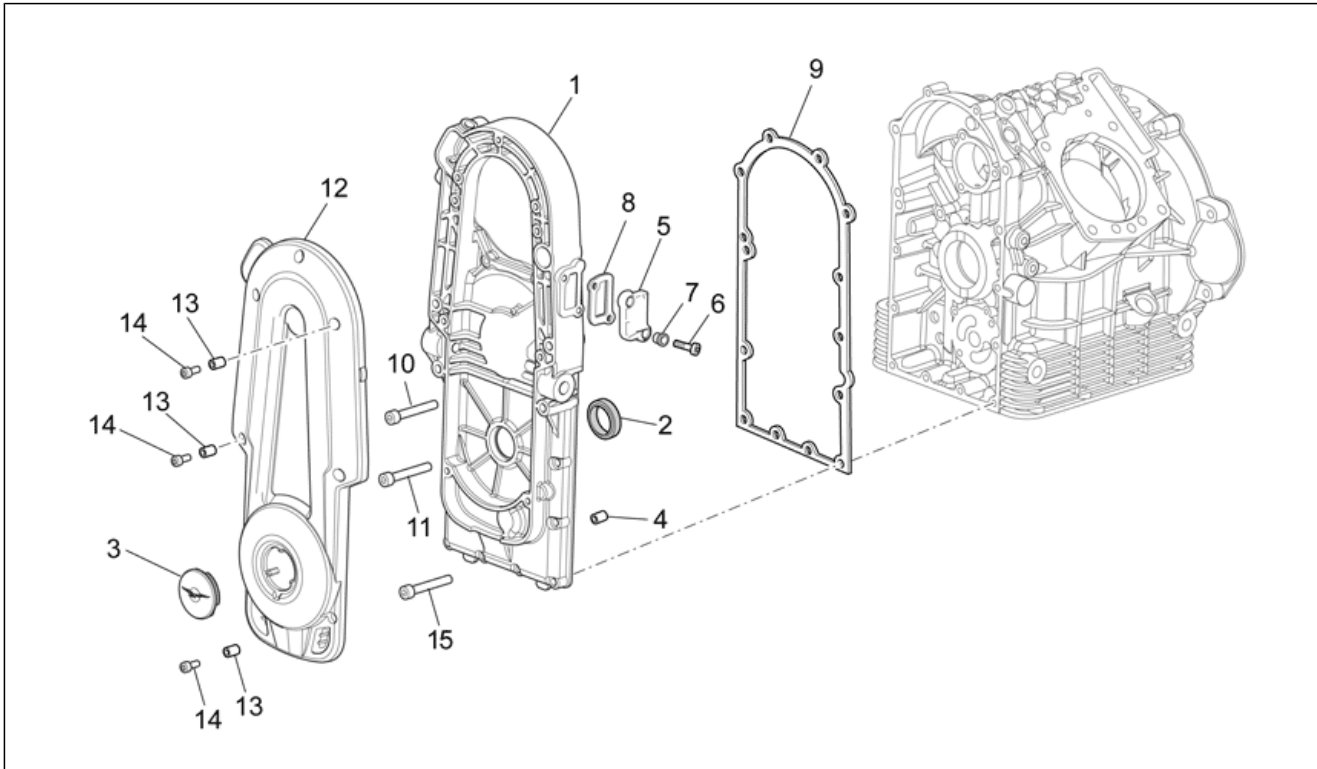
Pos.	Code	Beschreibung	Menge	Varianten
1	976539	Kurbelge schwarz	1	
2	411209	Stift	2	
3	GU96508066	Stiftschraube M8X66	3	
4	GU90405367	Gasket ring	1	
5	GU14615901	Ausgleichscheibe 8,4X13X0,8	5	
6	GU12018900	Kupplungsbuchse	2	
7	GU96508075	Stiftschraube M8x75	2	
8	GU92660021	Geflanschte Mutter M8	5	
9	GU95512081	Stift	2	
10	560110	Stift	2	
11	GU01154230	Dichtung	2	
12	GU98084425	Sechskantschraube M8x25	8	
13	GU61270300	Sprengscheibe 8x15x0,3	8	
14	GU98680335	TCEI Schraube M6x35	4	
15	GU01003651	Dichtung	1	
16	976502	Flansch schwarz	1	
17	GU05003630	Dichtung	1	
18	976486	Ölwanne grau schwarz	1	
19	874213	Flansch komplett	1	
20	AP4ADN000007	TCEI Schraube	14	
21	GU98680360	TCEI Schraube M6x60	2	
22	GU31003766	Ölablaßschraube M10x1	1	
23	GU01528930	Dichtung 10x18x1,5	1	
24	GU05004930	Ölstandschrabe	1	
25	GU90706178	O-Ring 17,86X2,62	1	
26	874980	O-Ring 7,5X2	1	
27	874257	Dichtung	1	
28	GU98680340	TCEI Schraube M6x40	2	

<b>Einheit</b>	MOTOR
<b>Code</b>	34.43
<b>Beschreibung</b>	Gehäuse I
<b>Inspektion</b>	1



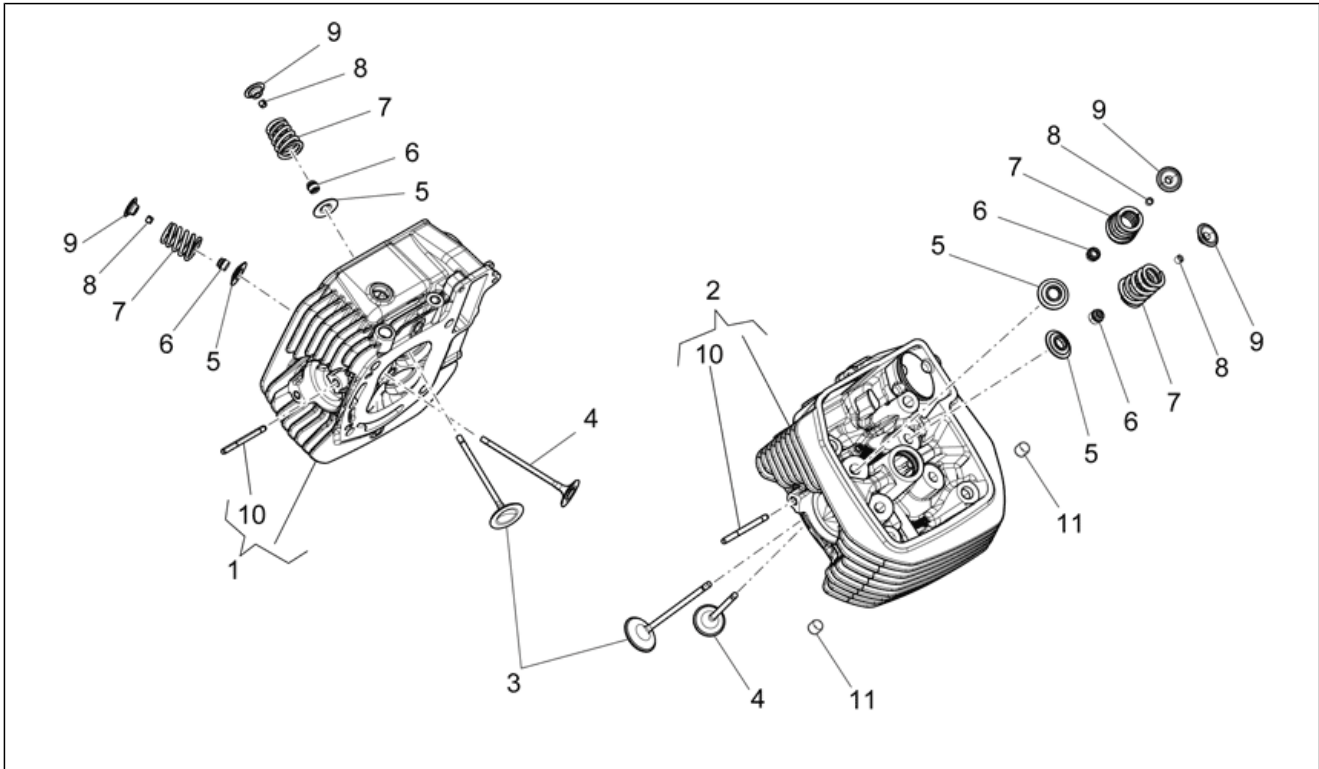
Pos.	Code	Beschreibung	Menge	Varianten
29	AP8152291	TE Schr. m. Flansch	1	
30	976961	Motor komplett	1	
31	GU12022600	Ölschraube	2	
32	GU90706203	O-Ring 20,24X2,62	2	
33	GU95980216	Deckel	2	
34	874134	Disco recupero olio	1	
35	015935	Vite TBCIC M5x12	3	

<b>Einheit</b>	MOTOR
<b>Code</b>	34.44
<b>Beschreibung</b>	Gehäuse II
<b>Inspektion</b>	1



Pos.	Code	Beschreibung	Menge	Varianten
1	976480	Steuergehäusedeckel schwarz	1	
2	GU90412237	Gasket ring 22x35x7viton	1	
3	GU05002130	Deckel	1	
4	825597	Stift 11,8X10	2	
5	976554	Deckel	1	
6	GU98682320	TCEI Schraube M6x20	2	
7	GU91120607	Buchse 6,4x8,4x10,5	2	
8	GU90706347	O-Ring 34,65x1,78viton	1	
9	976478	Deckeldichtung Kupplungsseite	1	
10	AP8150046	TCEI Schraube M8x55	4	
11	GU98682330	TCEI Schraube M6x20	9	
12	GU05001630	Generatordeckel grau	1	
13	GU91120606	Buchse 6,8x8,8x5,8	6	
14	GU98682316	TCEI Schraube M6x16	5	
15	GU98680335	TCEI Schraube M6x35	1	

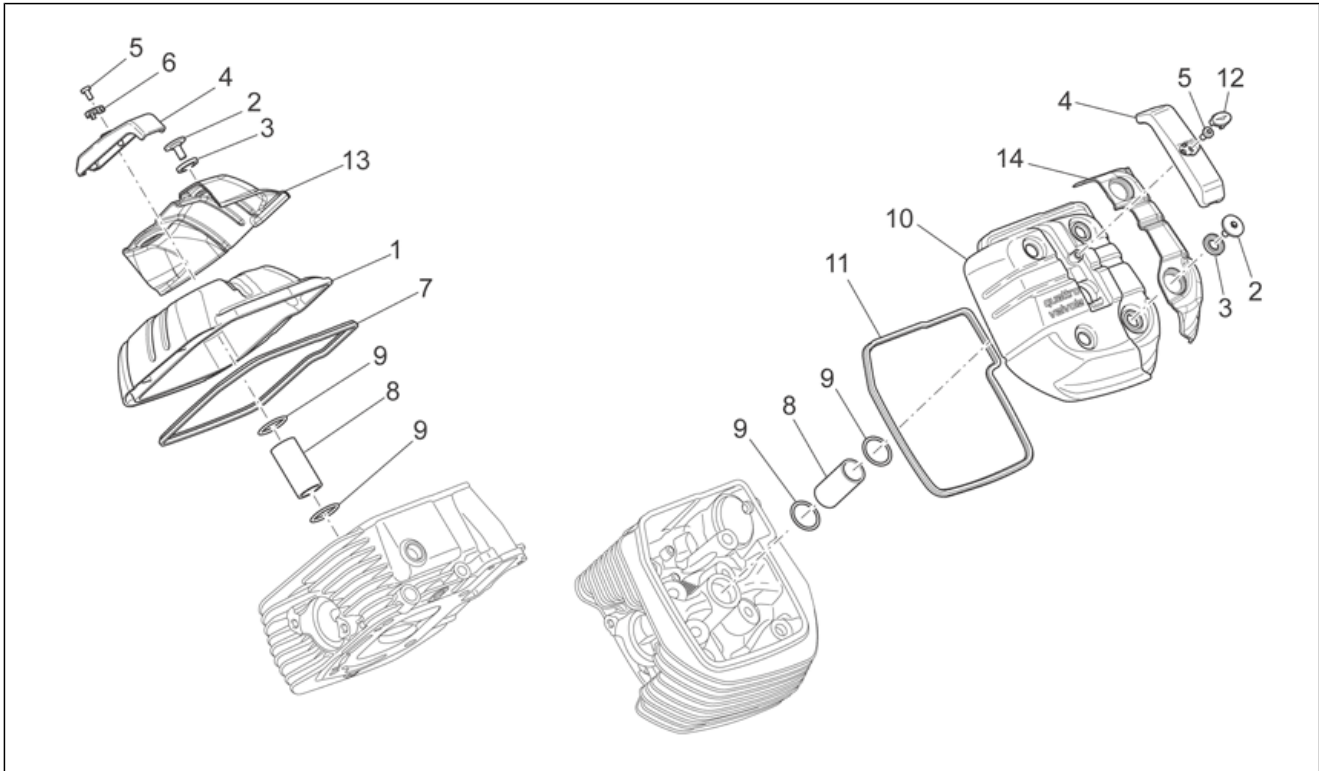
<b>Einheit</b>	MOTOR
<b>Code</b>	34.45
<b>Beschreibung</b>	Zylinderkopf - ventile
<b>Inspektion</b>	1



Pos.	Code	Beschreibung	Menge	Varianten
1	872756	Zylinderkopf re.	1	
2	872755	Zylinderkopf li.	1	
3	872695	Einlaßventil	4	
4	872696	Auslaßventil	4	
5	874127	Becher unten	4	
6	436438	Ventil Dichtring	8	
7	874335	Ventilfeder	8	
8	285846	Ventilhalbkegel	8	
9	874126	Becher obere	8	
10	827018	Auspufftopf Stiftschraube M8X3X46	4	
11	825597	Stift 11,8X10	8	



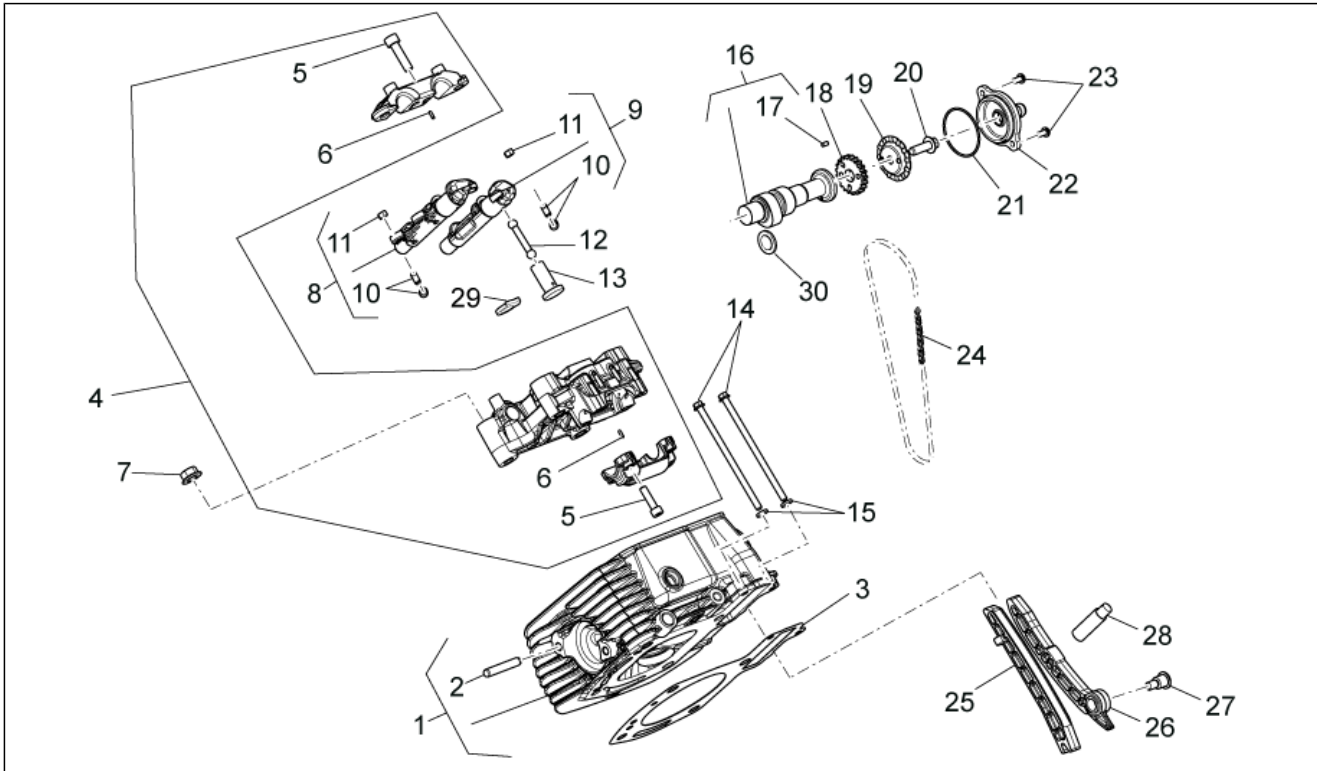
<b>Einheit</b>	MOTOR
<b>Code</b>	34.46
<b>Beschreibung</b>	Kopfdeckel
<b>Inspektion</b>	1



Pos.	Code	Beschreibung	Menge	Varianten
1	872607	Kopfdeckel R.	1	
2	976591	Spezialschraube	8	
3	830249	Stopfen dämpfer	8	
4	872726	Zündkerzedeckel	2	
5	GU98230510	TBEI Schraube	2	
6	976560	Rechtes Schild "Moto Guzzi"	1	
7	872742	Dichtung re	1	
8	873668	Leitung	2	
9	873626	O-Ring 26X2,5	4	
10	872606	Kopfdeckel L.	1	
11	872741	Dichtung li	1	
12	976559	L.Schild "Moto Guzzi"	1	
13	873654	Deckel re.	1	
14	872740	Deckel li.	1	

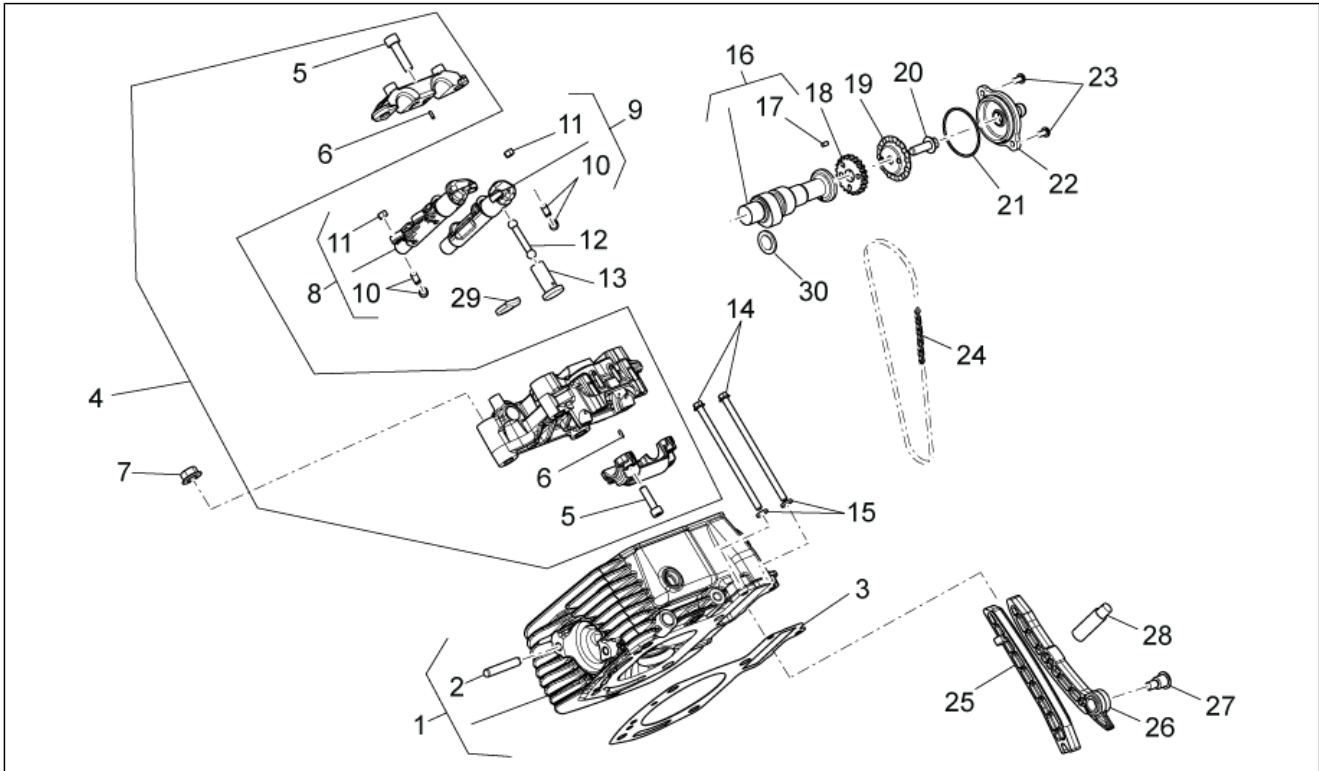


<b>Einheit</b>	MOTOR
<b>Code</b>	34.47
<b>Beschreibung</b>	Recht Zylindersteuer
<b>Inspektion</b>	1



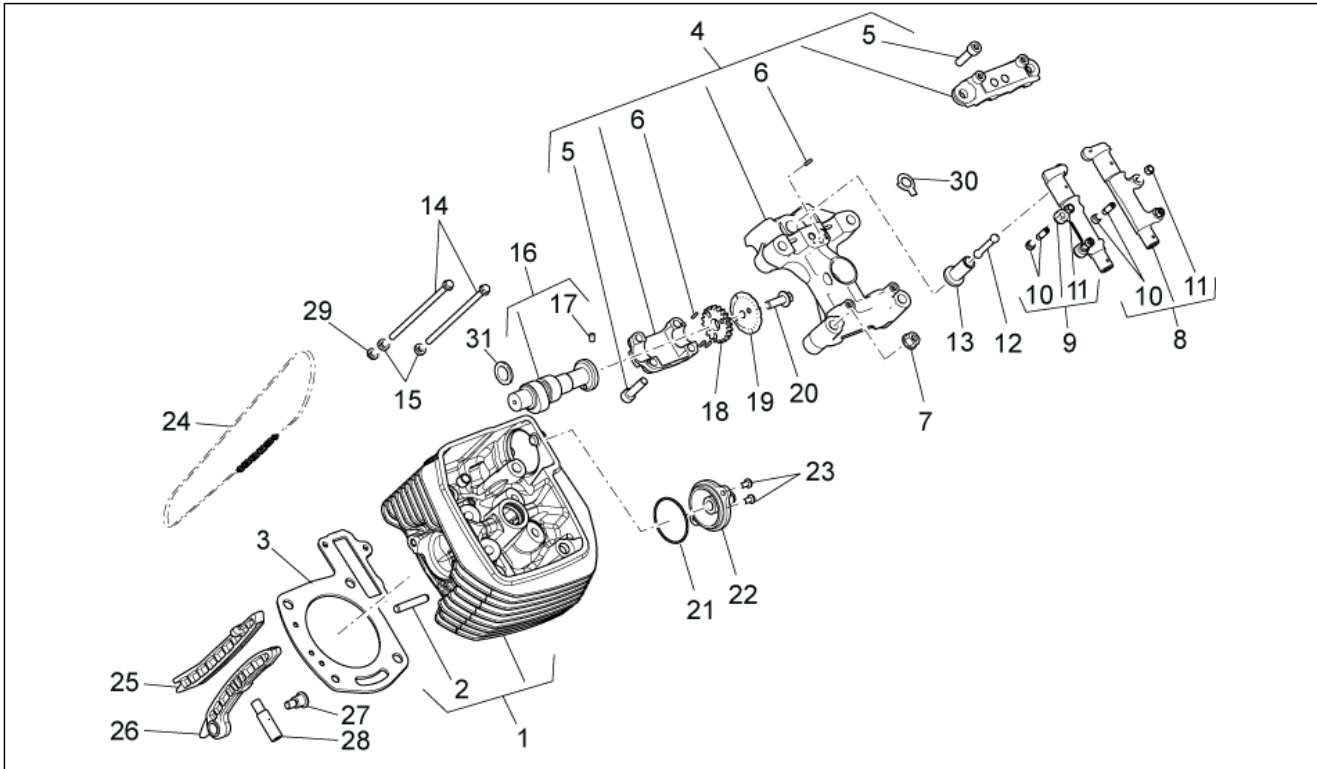
Pos.	Code	Beschreibung	Menge	Varianten
1	872756	Zylinderkopf re.	1	
2	827018	Auspufftopf Stiftschraube M8X3X46	4	
3	874621	Dichtung Zylinderkopf 0,65 mm	2	
3	874622	Dichtung Zylinderkopf 0,85 mm	2	
3	976311	Dichtung Zylinderkopf 1,05 mm	2	
4	873426	Kiphebellager re.	1	
5	015792	Schraube M8x30	6	
6	872759	Stift D. 2,5	4	
7	825694	Mutter M10x1,25	8	
8	976359	Kiphebel	1	<b>Technische Daten:</b> Asta comando bilanciere old[OLD]
8	B013603	Bilanciere aspirazione sx scarico dx	1	<b>Technische Daten:</b> Asta comando bilanciere new[NEW]
9	976360	Kiphebel	1	<b>Technische Daten:</b> Asta comando bilanciere old[OLD]
9	B013605	Bilanciere aspirazione dx scarico sx	1	<b>Technische Daten:</b> Asta comando bilanciere new[NEW]
10	873850	Regelschraube	4	<b>Technische Daten:</b> Asta comando bilanciere old[OLD]
10	879707	Einstellschraube	4	<b>Technische Daten:</b> Asta comando bilanciere new[NEW]
11	484819	Mutter	4	<b>Technische Daten:</b> Asta comando bilanciere old[OLD]
11	879916	Kiphebel Einstellmutter	4	<b>Technische Daten:</b> Asta comando bilanciere new[NEW]
12	873631	Kiphebelstange	2	<b>Technische Daten:</b> Asta comando bilanciere old[OLD]
12	B015681	Kiphebelstange	2	<b>Technische Daten:</b> Asta comando bilanciere new[NEW]
13	B014603	Bicchierino per punteria	4	
14	487444	Flanschschraube M6x120	2	
15	976674	Flachscheibe 12x6,1x2	2	
16	976698	Nockenwelle	1	
17	976589	Stift	1	
18	976350	Zahnrad Steuer.	1	
19	874601	Blattöleflüster	1	
20	843060	Flanschschraube	1	
21	872814	O-Ring 47,35X1,78	1	

<b>Einheit</b>	MOTOR
<b>Code</b>	34.47
<b>Beschreibung</b>	Recht Zylindersteuer
<b>Inspektion</b>	1



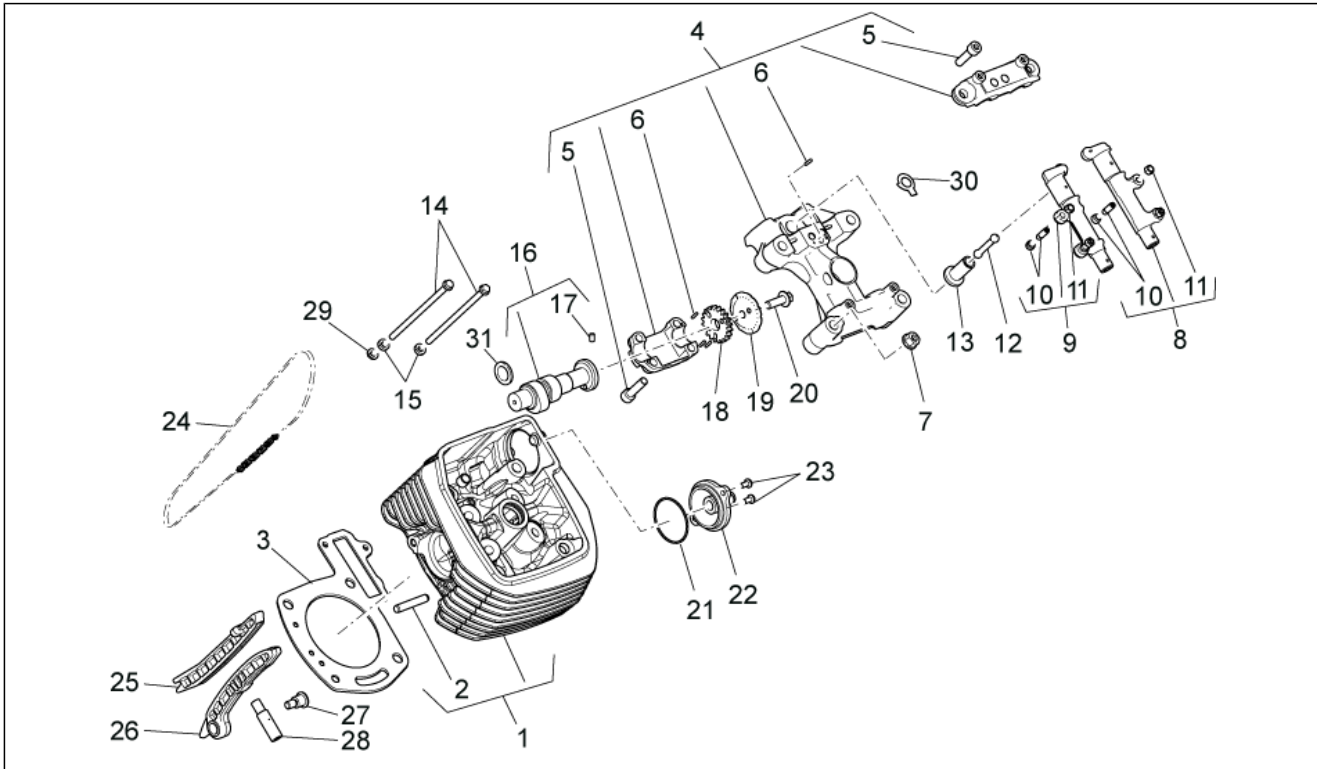
Pos.	Code	Beschreibung	Menge	Varianten
22	874521	Entlüftungsdeckel kpl.	1	
23	GU98350210	TBEI Schraube	2	
24	976341	Steuerkette	1	
25	976338	Kettengleitführung	1	
26	976337	Kettenspanner Gleitbacke	1	
27	974228	Distanzstückschraube	1	
28	873689	Kettenspanner re.	1	
29	874805	Platte	1	
30	CM162701	Distanzscheibe 1,06	1	
30	CM162702	Distanzscheibe 1,08	1	
30	CM162703	Distanzscheibe 1,10	1	
30	CM162704	Distanzscheibe 1,12	1	
30	CM162705	Distanzscheibe 1,14	1	

<b>Einheit</b>	MOTOR
<b>Code</b>	34.48
<b>Beschreibung</b>	Links Zylindersteuer
<b>Inspektion</b>	1



Pos.	Code	Beschreibung	Menge	Varianten
1	872755	Zylinderkopf li.	1	
2	827018	Auspufftopf Stiftschraube M8X3X46	4	
3	874621	Dichtung Zylinderkopf 0,65 mm	2	
3	874622	Dichtung Zylinderkopf 0,85 mm	2	
3	976311	Dichtung Zylinderkopf 1,05 mm	2	
4	873425	Kiphebellager li.	1	
5	015792	Schraube M8x30	6	
6	872759	Stift D. 2,5	4	
7	825694	Mutter M10x1,25	8	
8	976359	Kiphebel	1	<b>Technische Daten:</b> Asta comando bilancierte old[OLD]
8	B013603	Bilanciere aspirazione sx scarico dx	1	<b>Technische Daten:</b> Asta comando bilancierte new[NEW]
9	976360	Kiphebel	1	<b>Technische Daten:</b> Asta comando bilancierte old[OLD]
9	B013605	Bilanciere aspirazione dx scarico sx	1	<b>Technische Daten:</b> Asta comando bilancierte new[NEW]
10	873850	Regelschraube	4	<b>Technische Daten:</b> Asta comando bilancierte old[OLD]
10	879707	Einstellschraube	4	<b>Technische Daten:</b> Asta comando bilancierte new[NEW]
11	484819	Mutter	4	<b>Technische Daten:</b> Asta comando bilancierte old[OLD]
11	879916	Kiphebel Einstellmutter	4	<b>Technische Daten:</b> Asta comando bilancierte new[NEW]
12	873631	Kiphebelstange	2	<b>Technische Daten:</b> Asta comando bilancierte old[OLD]
12	B015681	Kiphebelstange	2	<b>Technische Daten:</b> Asta comando bilancierte new[NEW]
13	B014603	Bicchierino per punteria	4	
14	487444	Flanschschraube M6x120	2	
15	976674	Flachscheibe 12x6,1x2	2	
16	875554	Nockenwelle	1	
17	976589	Stift	1	
18	976350	Zahnrad Steuer.	1	
19	874601	Blattölemlüfter	1	
20	843060	Flanschschraube	1	
21	872814	O-Ring 47,35X1,78	1	

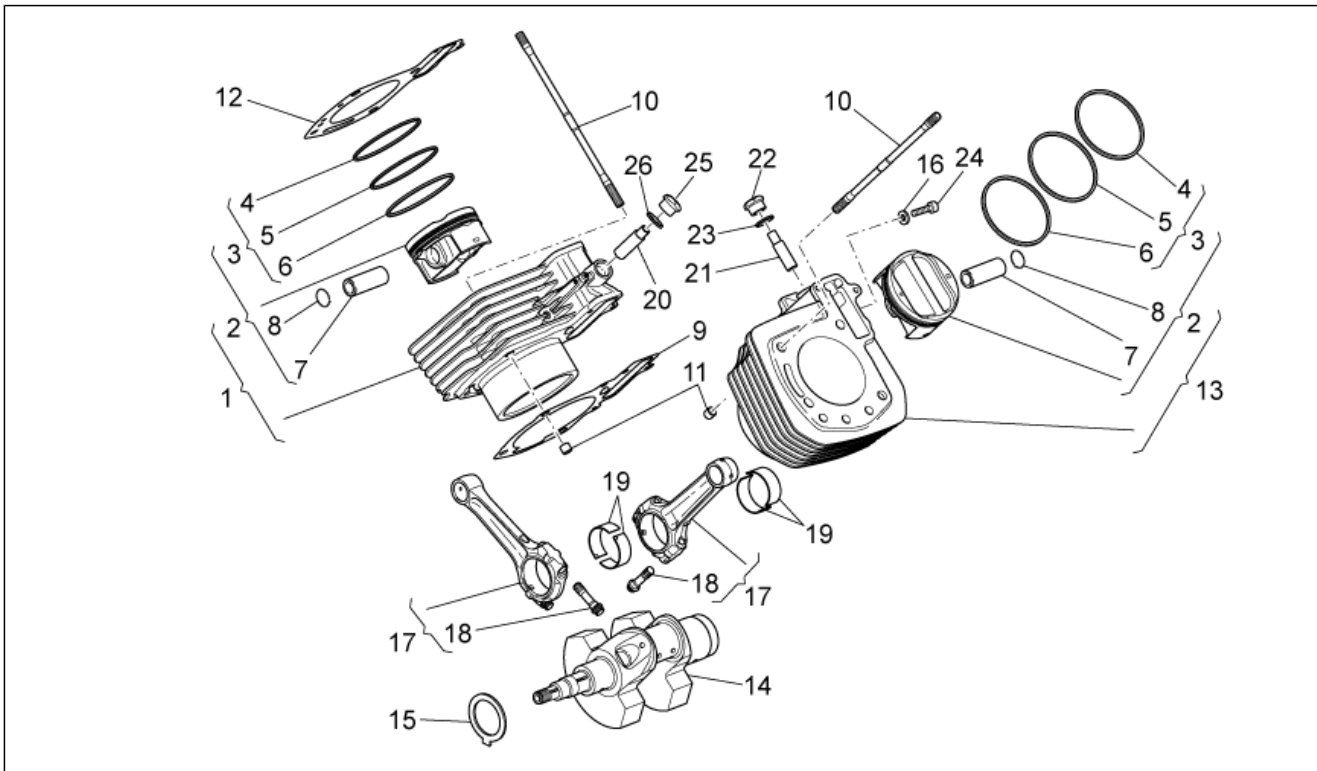
<b>Einheit</b>	MOTOR
<b>Code</b>	34.48
<b>Beschreibung</b>	Links Zylindersteuer
<b>Inspektion</b>	1



Pos.	Code	Beschreibung	Menge	Varianten
22	874521	Entlüftungsdeckel kpl.	1	
23	GU98350210	TBEI Schraube	2	
24	976341	Steuerkette	1	
25	976338	Kettengleitführung	1	
26	976337	Kettenspanner Gleitbacke	1	
27	974228	Distanzstückschraube	1	
28	873690	Kettenspanner li.	1	
29	244585	Distanzscheibe	1	
30	874805	Platte	1	
31	CM162701	Distanzscheibe 1,06	1	
31	CM162702	Distanzscheibe 1,08	1	
31	CM162703	Distanzscheibe 1,10	1	
31	CM162704	Distanzscheibe 1,12	1	
31	CM162705	Distanzscheibe 1,14	1	

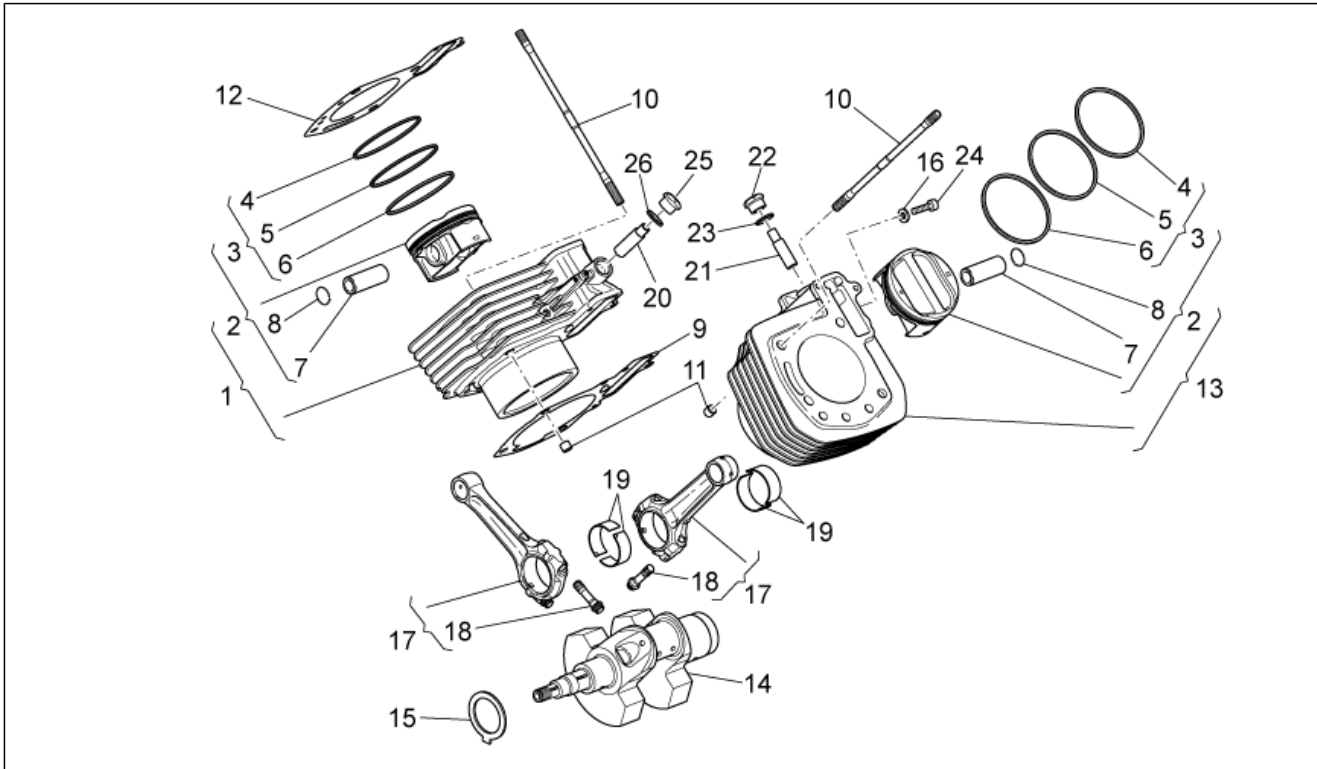


<b>Einheit</b>	MOTOR
<b>Code</b>	34.49
<b>Beschreibung</b>	Kurbelwelle - Zylinder
<b>Inspektion</b>	1



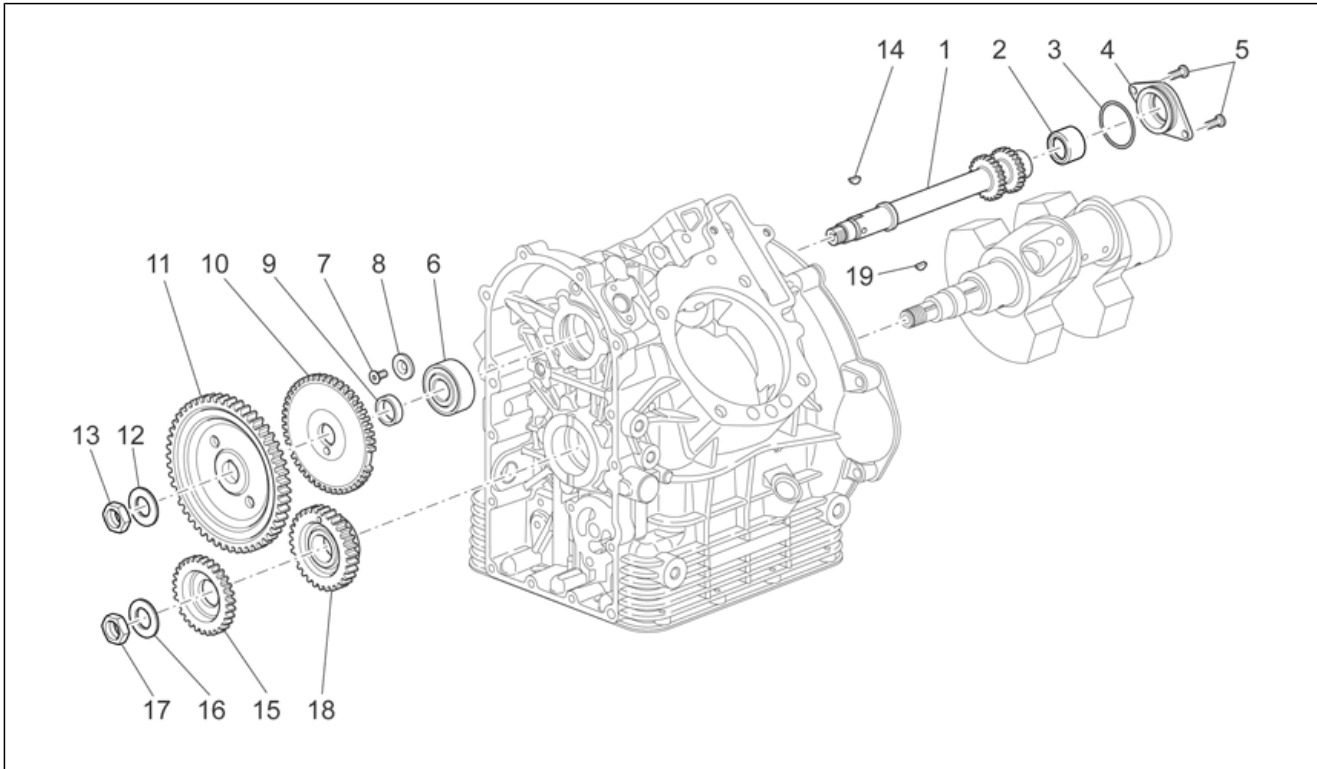
Pos.	Code	Beschreibung	Menge	Varianten
1	981008	Re. Zylinder mit Kolben kpl.	1	
2	873667	Kolben D95 kpl	2	
3	981009	Kolbenring-Satz	2	
4	874287	Kolbenrung	2	
5	874288	Kolbenrung	2	
6	874289	Kolbenrung	2	
7	874286	Bolzen	2	
8	874567	Sperring	4	
9	976312	ZYLINDERFUSSDICHTUNG	2	
10	976304	Stiftschraube	8	
11	825597	Stift 11,8X10	4	
12	874621	Dichtung Zylinderkopf 0,65 mm	2	
12	874622	Dichtung Zylinderkopf 0,85 mm	2	
12	976311	Dichtung Zylinderkopf 1,05 mm	2	
13	981007	Li. Zylinder mit Kolben kpl.	1	
14	B0133785001	Welle kpl.	1	<b>Technische Daten:</b> Colore selezione Marrone[C1]
14	B0133785002	Welle kpl.	1	<b>Technische Daten:</b> Colore selezione Verde[C2]
14	B0133785003	Welle kpl.	1	<b>Technische Daten:</b> Colore selezione Nero[C3]
15	874293	Zwischenlegscheibe	1	
16	GU95100116	Ausgleichscheibe 6,25x10x1,5	1	
17	8783390001	Baugruppe Pleuelstange kpl.	2	<b>Technische Daten:</b> Colore selezione Marrone[C1]
17	8783390002	Baugruppe Pleuelstange kpl.	2	<b>Technische Daten:</b> Colore selezione Verde[C2]
17	8783390003	Baugruppe Pleuelstange kpl.	2	<b>Technische Daten:</b> Colore selezione Nero[C3]
18	849131	Pleuelschraube	4	
19	875243	Halbsch. Bronzebchs. 1,535-1,540	4	<b>Technische Daten:</b> Segno rosso[RS]
19	875244	Halbsch. Bronzebchs. 1,539-1,544	4	<b>Technische Daten:</b> Segno blu[BS]
20	873689	Kettenspanner re.	1	
21	873690	Kettenspanner li.	1	

<b>Einheit</b>	MOTOR
<b>Code</b>	34.49
<b>Beschreibung</b>	Kurbelwelle - Zylinder
<b>Inspektion</b>	1



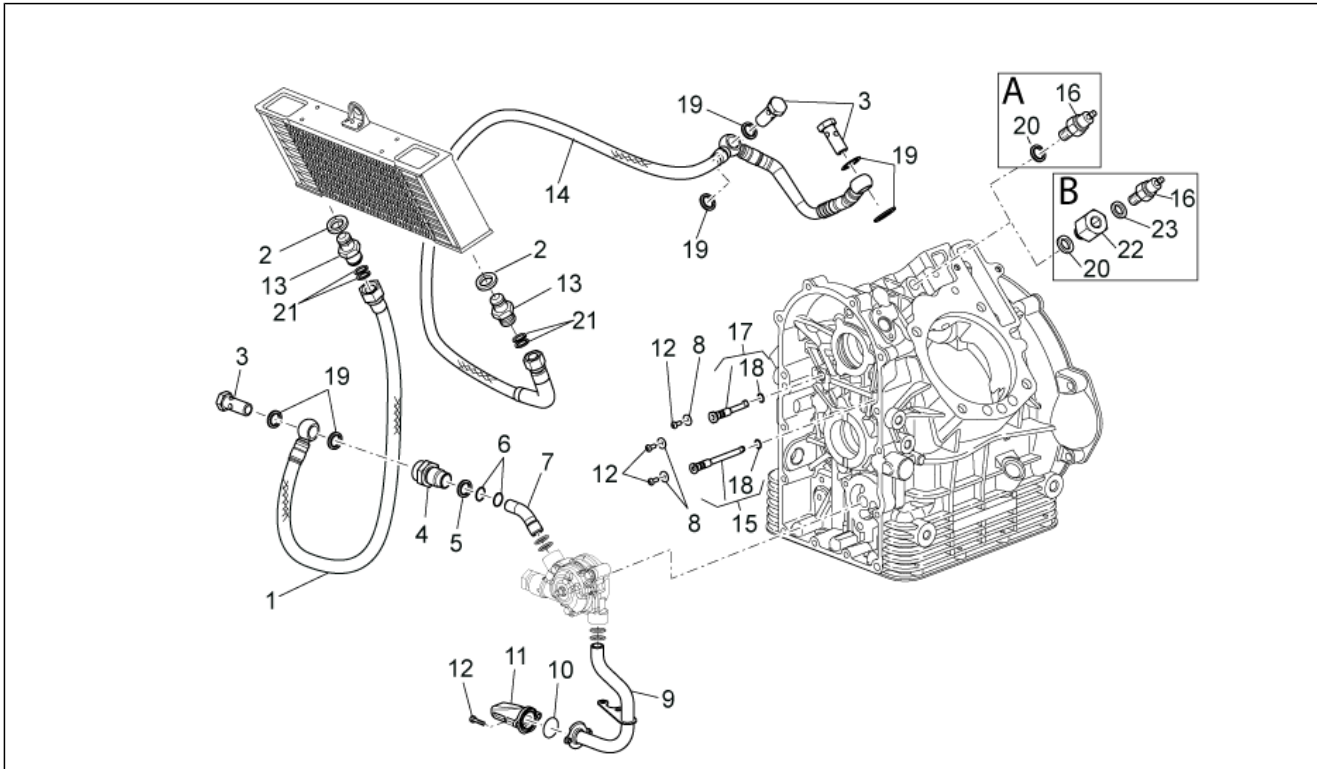
Pos.	Code	Beschreibung	Menge	Varianten
22	976342	Schraube	1	
23	849866	Ausgleichscheibe	2	
24	GU98350310	TBEI Schraube M6x20	1	
25	B015125	Schraube	1	
26	B015126	O-Ring 26.64x2.62	1	

<b>Einheit</b>	MOTOR
<b>Code</b>	34.50
<b>Beschreibung</b>	Steuer
<b>Inspektion</b>	1



Pos.	Code	Beschreibung	Menge	Varianten
1	976330	Steuer	1	
2	976381	Nadelkaefig 25x32x12	1	
3	976488	O-Ring 37,82x1,78	1	
4	976331	Flansch	1	
5	GU98350315	TBEI Schraube M6x14	2	
6	976355	Kugellager 20x47x18	1	
7	AP8152166	Schraube M6x16	1	
8	873928	Unterlegscheibe	1	
9	976334	Distanzscheibe	1	
10	976538	Wheel speed sensor, LH front	1	
11	874281	Zahnrad Ventilsteuerung	1	
12	GU14433400	Sprengscheibe 19x34x1,5	1	
13	GU92750180	Mutter M18	1	
14	GU91600450	Keil	1	
15	874799	Treibendes Zahnrad	1	
16	976665	Tellerfeder	1	
17	GU92602525	Mutter M25	1	
18	874280	Treibendes Zahnrad	1	
19	GU91600365	Keil 3x6,5	1	

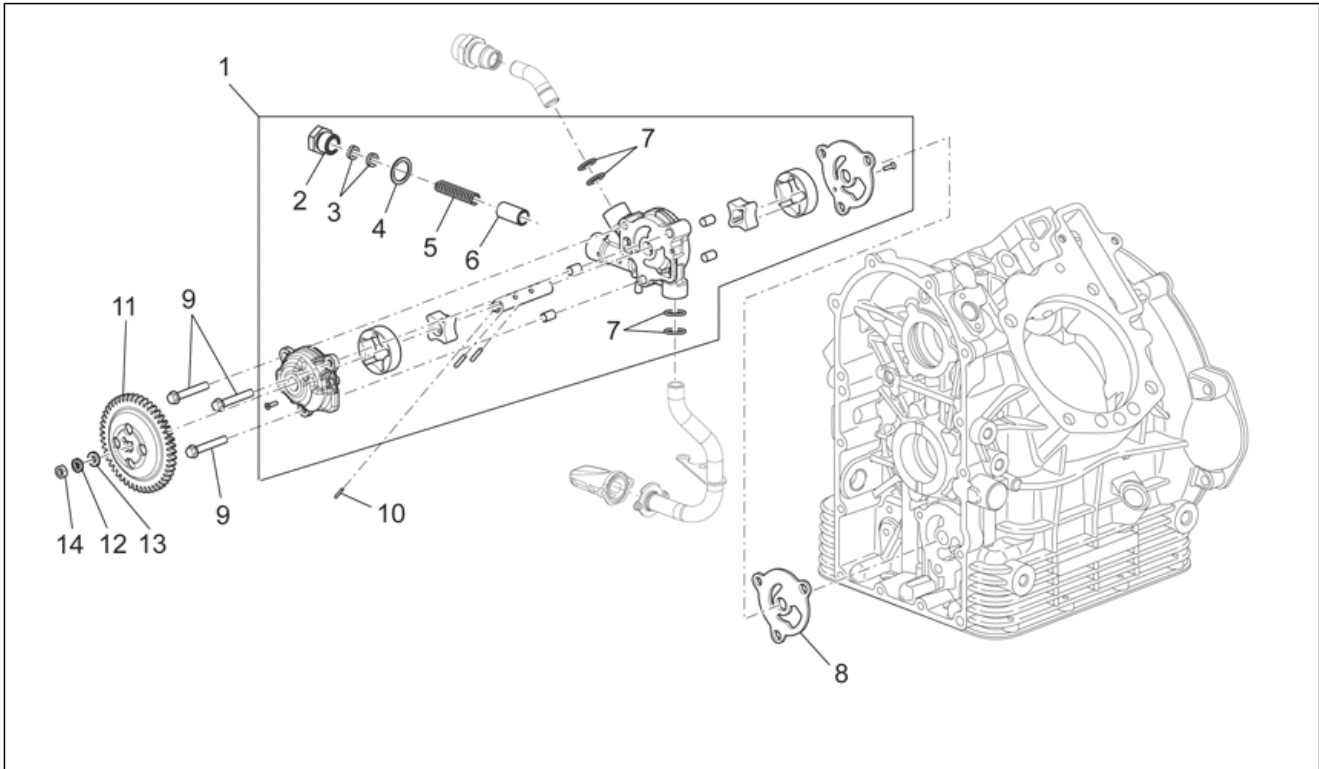
<b>Einheit</b>	MOTOR
<b>Code</b>	34.51
<b>Beschreibung</b>	Schmierung
<b>Inspektion</b>	1



Pos.	Code	Beschreibung	Menge	Varianten
1	978895	Rohr	1	
2	GU01154230	Dichtung	2	
3	874223	Lochschaube	3	
4	874669	Nippel	1	
5	976592	Dichtung	1	
6	434947	O-Ring 12,42x1	2	
7	874646	Ölschlauch	1	
8	013763	Flachscheibe 4,2x12x1	3	
9	874645	Ansaugleitung	1	
10	969323	O-Ring	1	
11	874655	Ölfiltersatz	1	
12	621914	Schraube	5	
13	GU01161331	Übersetzung	2	
14	976625	Rohr	1	
15	976680	Linkes Düse	1	
16	641541	Oil pressure sensor	1	
16	978854	Druckfühler	1	
17	976681	Rechtes Düse	1	
18	874238	O-Ring	4	
19	976597	Kupferdichtung	6	
20	GU12006400	Dichtung 12,25	1	
21	981114	O-Ring	4	
22	887123	Anschluss M12x1,5	1	
23	AP9150472	Ausgleichscheibe 10,5x17x1,5	1	

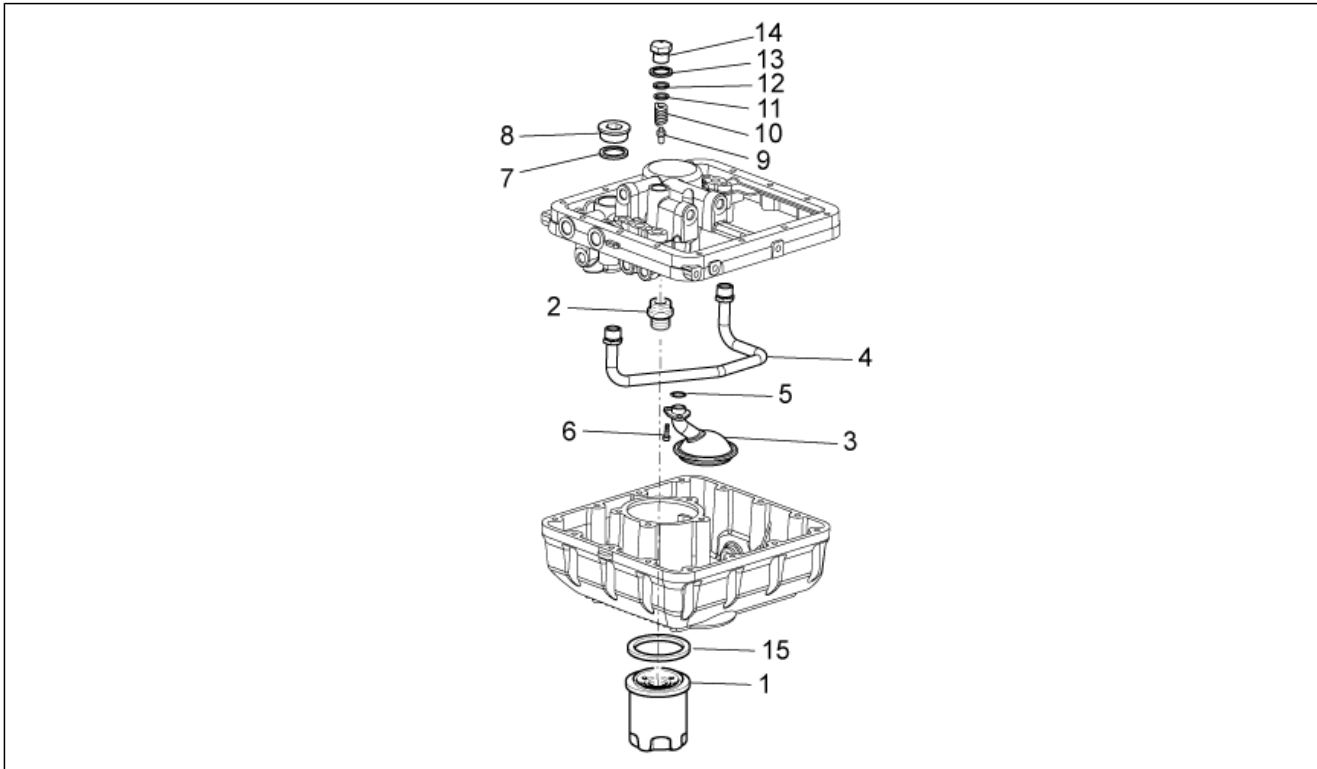


<b>Einheit</b>	MOTOR
<b>Code</b>	34.52
<b>Beschreibung</b>	Ölpumpe
<b>Inspektion</b>	1



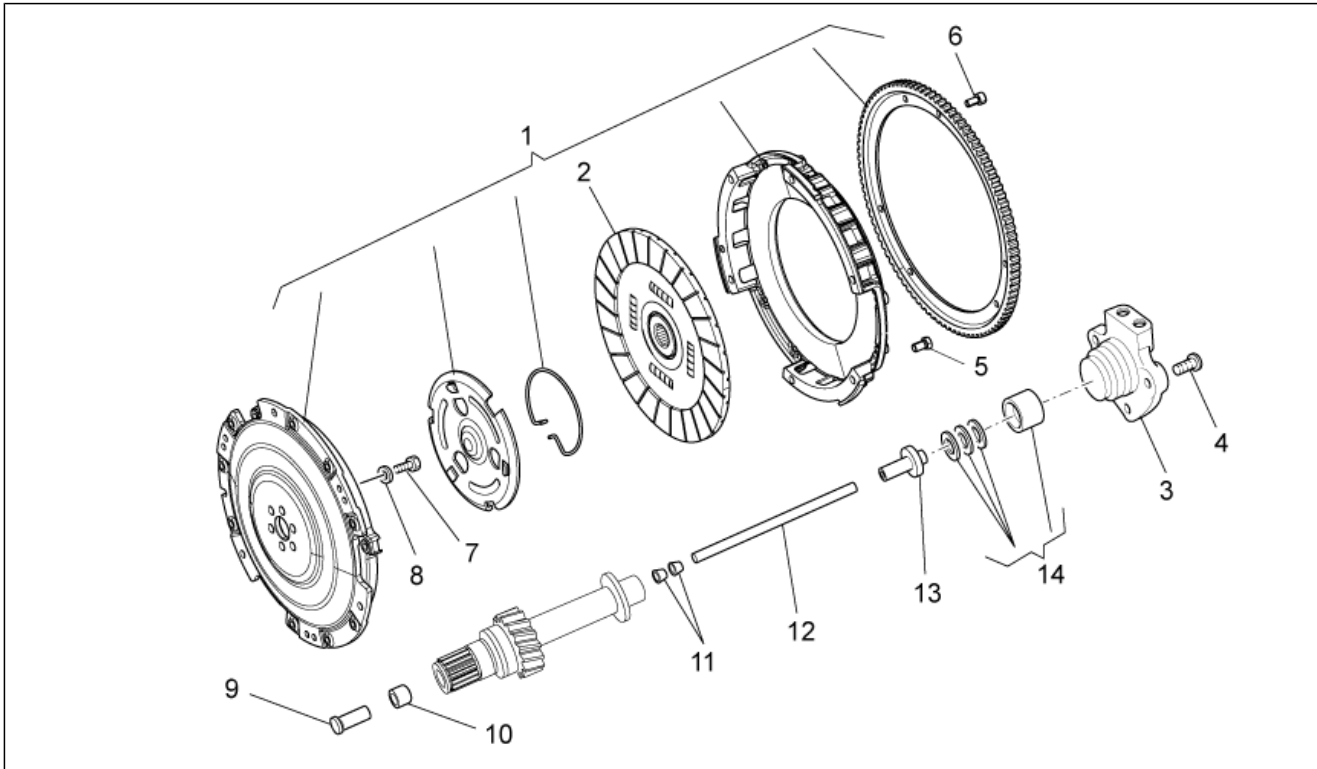
Pos.	Code	Beschreibung	Menge	Varianten
1	874650	Ölpumpe	1	
2	GU31159050	Deckel	1	
3	GU30158900	Ausgleichscheibe	2	
4	GU18144350	Ausgleichscheibe 18,25x24x1	1	
5	829486	Feder	1	
6	829661	Oil pressure valve	1	
7	237553	O-Ring	4	
8	874482	Dichtung	1	
9	414835	Schraube	3	
10	874801	Stift 2x13,8	1	
11	874616	Ölpumpen-Zahn.	1	
12	GU03013800	Ausgleichscheibe 6,4x12	1	
13	GU95005306	Ausgleichscheibe 6,4x13x1,5	1	
14	873906	Mutter unten	1	

<b>Einheit</b>	MOTOR
<b>Code</b>	34.53
<b>Beschreibung</b>	Ölfiler
<b>Inspektion</b>	1



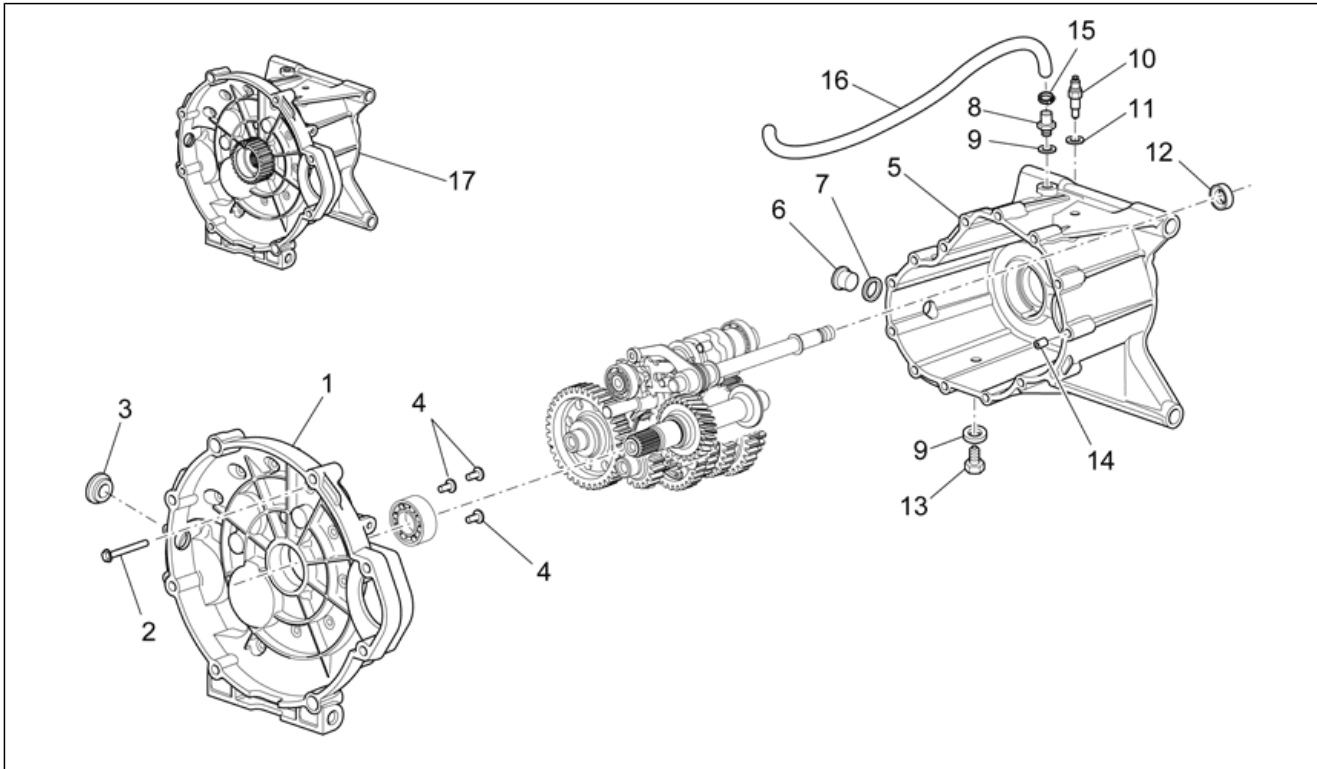
Pos.	Code	Beschreibung	Menge	Varianten
1	GU30153000	Ölfilerersatz	1	
2	829122	Ölfileranschluss	1	
3	GU05152230	Ölfilerersatz	1	
4	GU05005730	Leitung	1	
5	GU90706151	O-Ring 15,08x2,62viton	1	
6	877820	TCEI Schraube M6x18	2	
7	GU01163700	Kupferdichtung	1	
8	GU01163600	Deckel	1	
9	GU30150900	Kolben	1	
10	GU94321077	Feder	1	
11	GU95008206	Ausgleichscheibe 6,15x11x0,8	2	
12	GU30158900	Ausgleichscheibe	1	
13	GU18144350	Ausgleichscheibe 18,25x24x1	1	
14	GU31159050	Deckel	1	
15	981115	Dichtung	1	<b>Technische Daten:</b> Rif. Comunicazione tecnica n°...[CT1]

<b>Einheit</b>	MOTOR
<b>Code</b>	34.54
<b>Beschreibung</b>	Kupplung
<b>Inspektion</b>	1



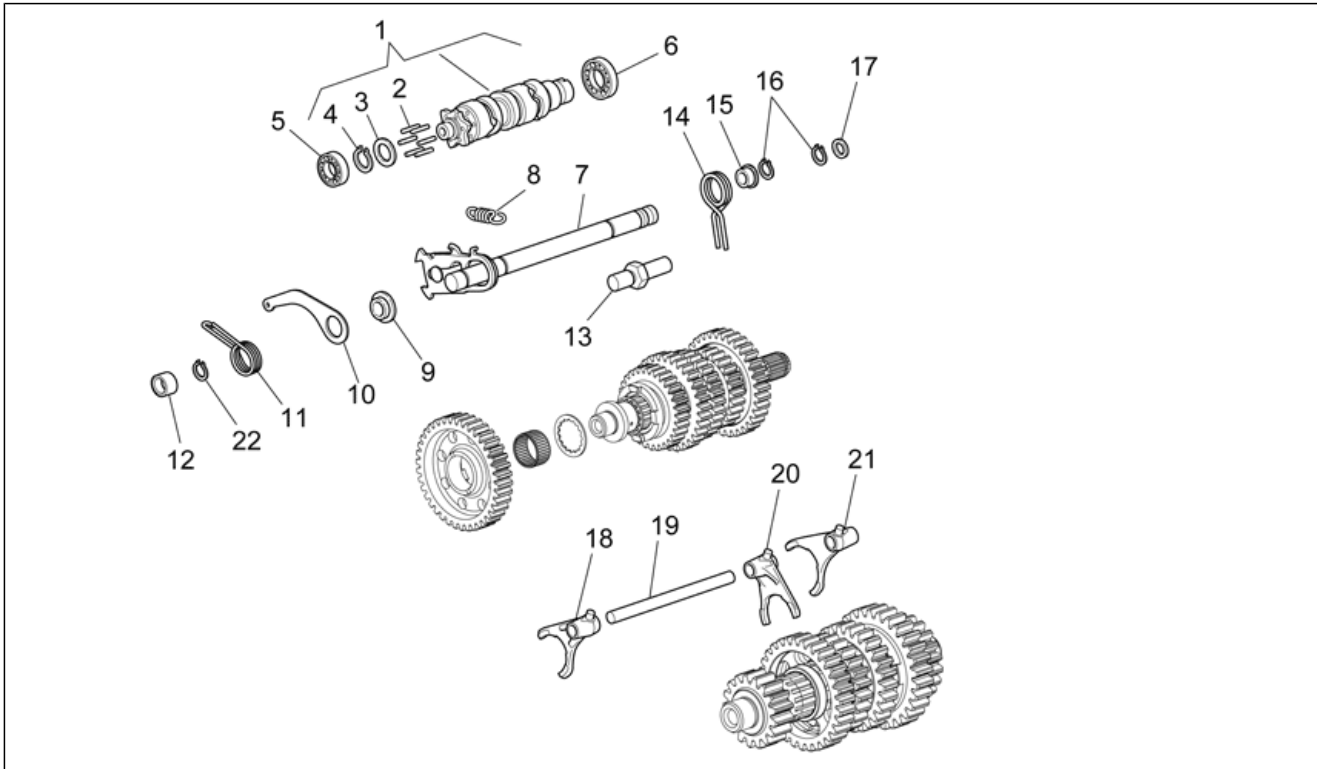
Pos.	Code	Beschreibung	Menge	Varianten
1	976023	Kupplung kplt.	1	
2	976053	Innenlamelle	1	
3	978739	Kupplungszyylinder	1	
4	AP8152278	TE Schr. m. Flansch M6x16	3	
5	976535	TCEI Schraube M7x16	6	
6	GU98230612	Schraube	6	
7	976481	TE Schr. m. Flansch M8x25	6	
8	976484	Konische Sprengscheibe 8,2X15	6	
9	976563	Kupplung schließen	1	
10	976564	Buchse	1	
11	GU14085900	Buchse	2	
12	976593	Stange L=mm183	1	<b>Technische Daten:</b> Un taglio d'identificazione[1T]
12	976594	Stange L=mm184,5	1	<b>Technische Daten:</b> Due tagli d'identificazione[2T]
12	976595	Stange L=mm186	1	<b>Technische Daten:</b> Tre tagli d'identificazione[3T]
12	976596	Stange L=mm187,5	1	<b>Technische Daten:</b> Quattro tagli d'identificazione[4T]
12	B0630111	Asta L=mm 1 185	1	<b>Technische Daten:</b> Cinque tagli di identificazione[5T]
12	B063012	Asta L=mm 185,5	1	<b>Technische Daten:</b> Sei tagli di identificazione[6T]
13	GU14086000	Innengehäuse	1	
14	976696	Mot.lager set	1	

<b>Einheit</b>	MOTOR
<b>Code</b>	34.55
<b>Beschreibung</b>	Getriebegehäuse
<b>Inspektion</b>	1



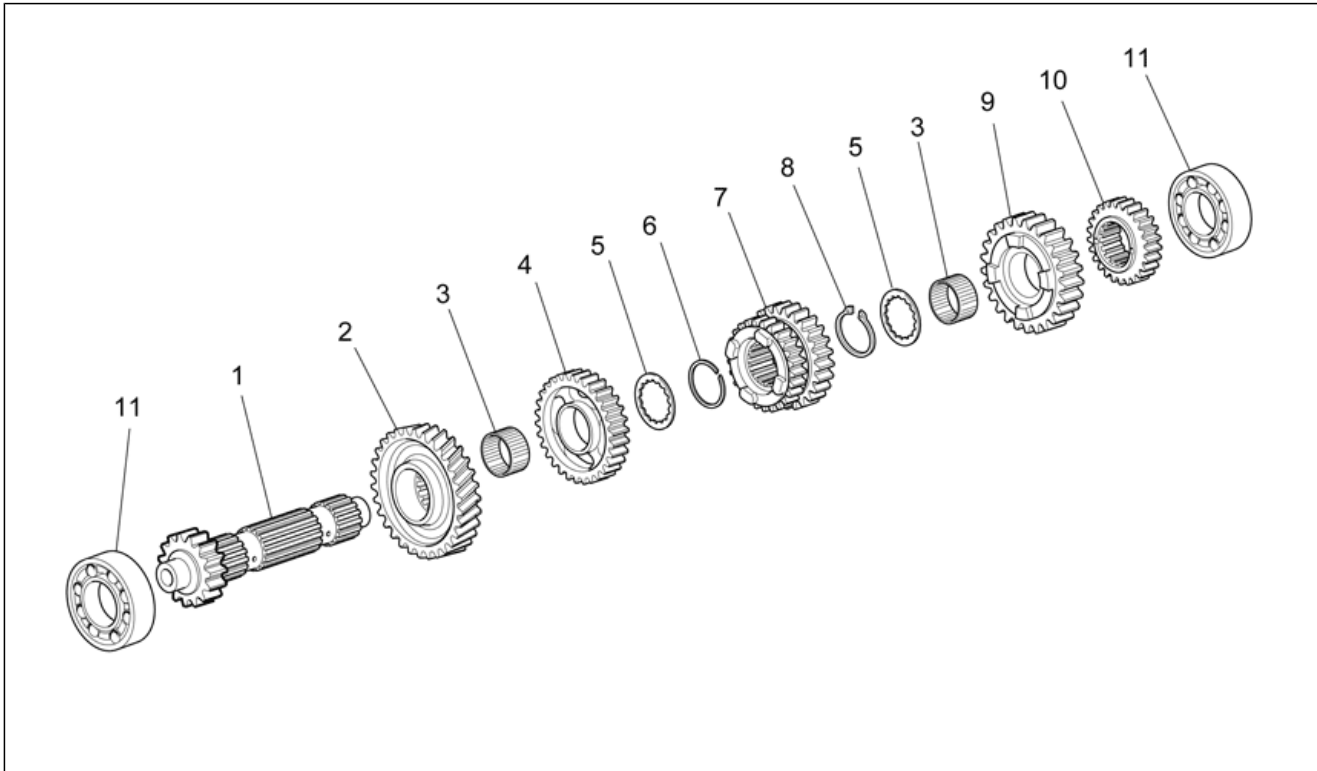
Pos.	Code	Beschreibung	Menge	Varianten
1	976453	Kupplungsglocke nero	1	
2	GU97202355	TE Schr. m. Flansch M6x55	14	
3	GU93180220	Deckel	1	
4	GU98370616	TBEI Schraube M6x16 inox	3	
5	976565	Getriebegehäuse schwarz	1	
6	GU95980319	Ölschraube M18x1,5	1	
7	GU18144350	Ausgleichscheibe 18,25x24x1	1	
8	GU05204930	Entlüftungsschraube	1	
9	GU01528930	Dichtung 10x18x1,5	2	
10	GU19207220	Sensor	1	
11	B063025	Guarnizione 8,7x14,2x1,3	1	
12	GU90401424	Gasket ring 14x24x7	1	
13	GU31003766	Ölablaßschraube M10x1	1	
14	GU19002020	Buchse 6,6x9x13	2	
15	AP8101595	Schelle D10,1	1	
16	AP8120952	Kraftstoffleitung 5,5x10	1	
17	976934	Schaltgetriebe kpl.	1	

<b>Einheit</b>	MOTOR
<b>Code</b>	34.56
<b>Beschreibung</b>	Schaltgabel
<b>Inspektion</b>	1



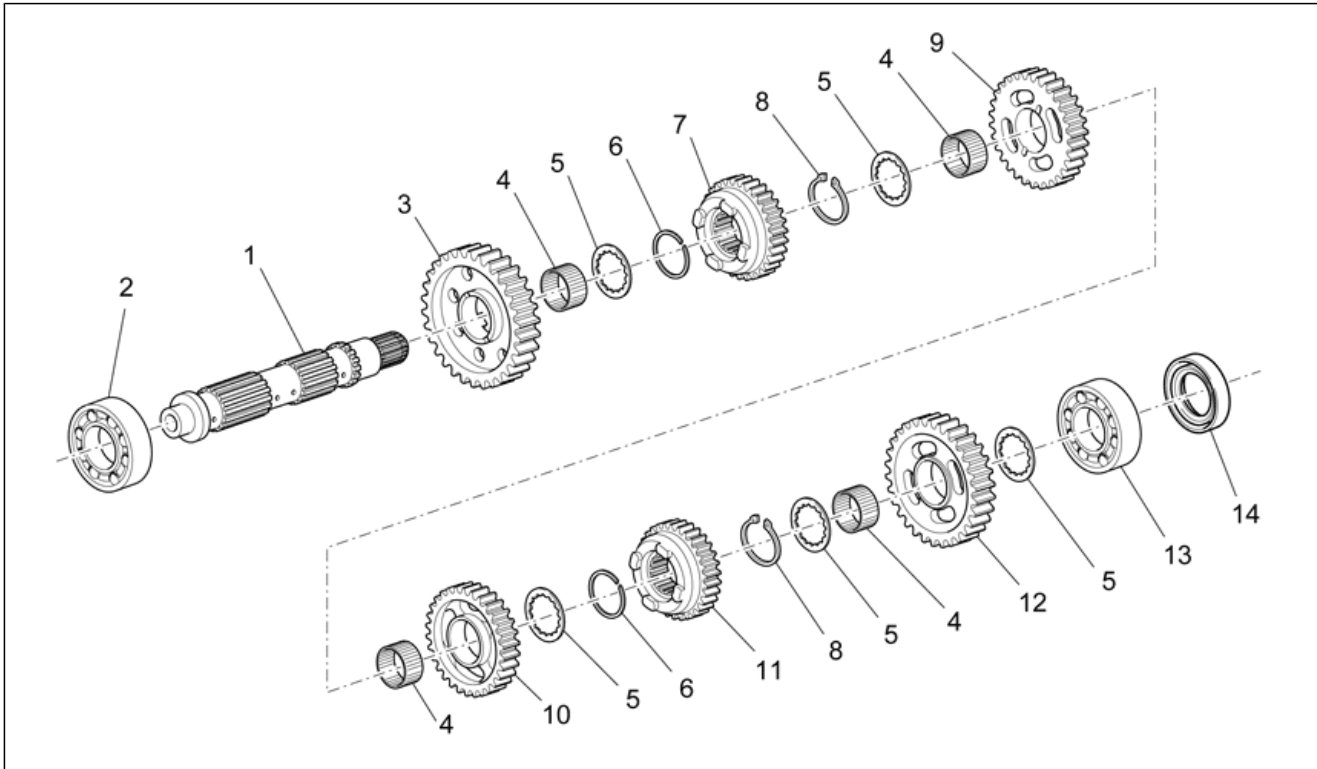
Pos.	Code	Beschreibung	Menge	Varianten
1	GU05234431	Verschiebenocken kplt.	1	
2	GU05234631	Stift	6	
3	GU05235531	Scheibe	1	
4	GU90271022	Seegerring	1	
5	GU92201117	Kugellager 17x35x10	1	
6	GU92201025	Kugellager 25x42x9	1	
7	GU05236231	Schaltautomat	1	
8	GU05238231	Feder	1	
9	GU05238431	Buchse	1	
10	GU05234731	Hebel Index	1	
11	GU05234130	Feder	1	
12	GU05234230	Distanzscheibe	1	
13	GU05234931	Befestigungsbolzen	1	
14	GU05238331	Feder	1	
15	GU05238131	Distanzscheibe	1	
16	GU90271014	Seegerring	2	
17	GU05239330	Anlaufscheibe	1	
18	GU05230531	Schaltgabel 1a-3a	1	
19	GU05232431	Schaltstange	1	
20	GU05232631	Schaltgabel 5a-6a	1	
21	GU05230831	Schaltgabel 2a-4a	1	
22	GU90353014	Seegerring	1	

<b>Einheit</b>	MOTOR
<b>Code</b>	34.57
<b>Beschreibung</b>	Hauptwelle
<b>Inspektion</b>	1



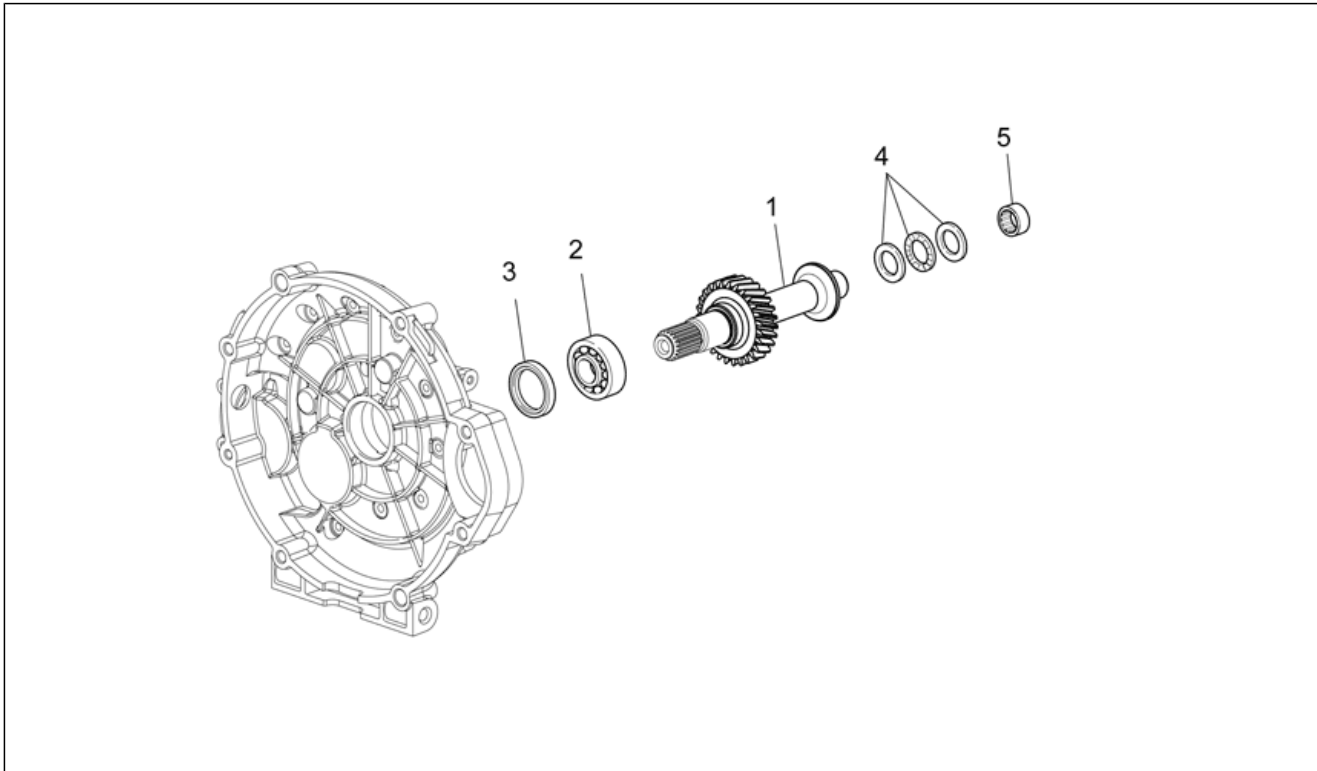
Pos.	Code	Beschreibung	Menge	Varianten
1	GU05210631	Vorgelegewelle Z=17	1	
2	GU05215631	Zahnwerk des Hauptantrieb Z=35	1	
3	GU92252029	Nadelkaefig 26x30x15,6	2	
4	GU05212031	Zahnrad 5a Z=31	1	
5	GU05214630	Bundscheibe	2	
6	GU90271230	Sprengring 30x1,2SW	1	
7	GU05211431	Zahnrad 3a-4a Z=23-26	1	
8	GU90271030	Sprengring 30x27,9	1	
9	GU05212631	Zahnrad 6a Z=29	1	
10	GU05211331	Zahnrad 2a Z=20	1	
11	GU92201822	Kugellager 20x52x15	2	

<b>Einheit</b>	MOTOR
<b>Code</b>	34.58
<b>Beschreibung</b>	Festrad
<b>Inspektion</b>	1



Pos.	Code	Beschreibung	Menge	Varianten
1	GU05213631	Festrad	1	
2	GU92201822	Kugellager 20x52x15	1	
3	GU05214231	Zahnrad 1a Z=38	1	
4	GU92252029	Nadelkaefig 26x30x15,6	4	
5	GU05214630	Bundscheibe	5	
6	GU90271230	Sprengring 30x1,2SW	2	
7	GU05214031	Zahnrad 5a Z=30	1	
8	GU90271030	Sprengring 30x27,9	2	
9	GU05214731	Zahnrad 3a Z=31	1	
10	GU05215031	Zahnrad 4a Z=29	1	
11	GU05220531	Zahnrad 6a Z=25	1	
12	GU05214431	Zahnrad 2a Z=34	1	
13	GU92201226	Kugellager 25x52x15	1	
14	GU90412541	Gasket ring 25X40X7	1	

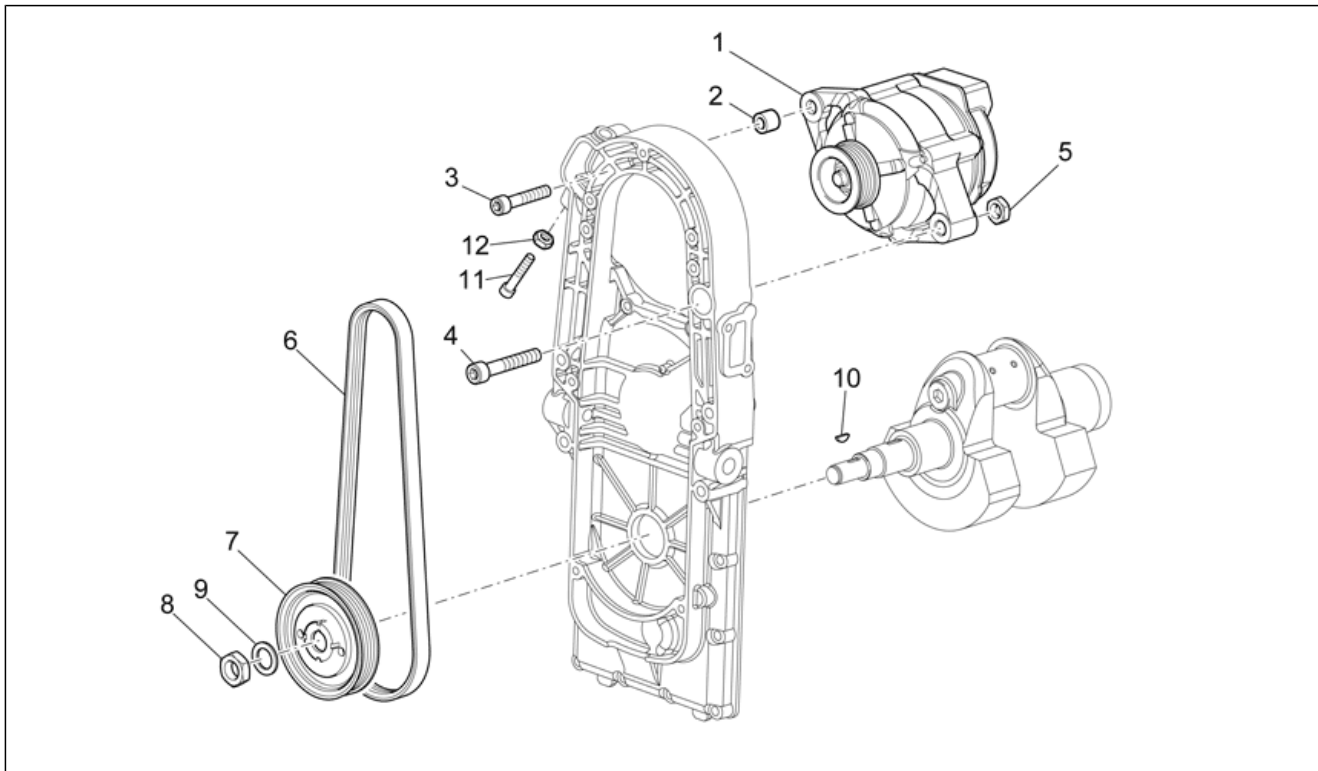
<b>Einheit</b>	MOTOR
<b>Code</b>	34.59
<b>Beschreibung</b>	Kupplungswelle
<b>Inspektion</b>	1



Pos.	Code	Beschreibung	Menge	Varianten
1	976352	Kupplungswelle Z=24	1	
2	GU92201226	Kugellager 25x52x15	1	
3	976533	Gasket ring 25x47x7	1	
4	976532	Drucklager	1	
5	GU92232028	Rollenlager 20x28x13	1	

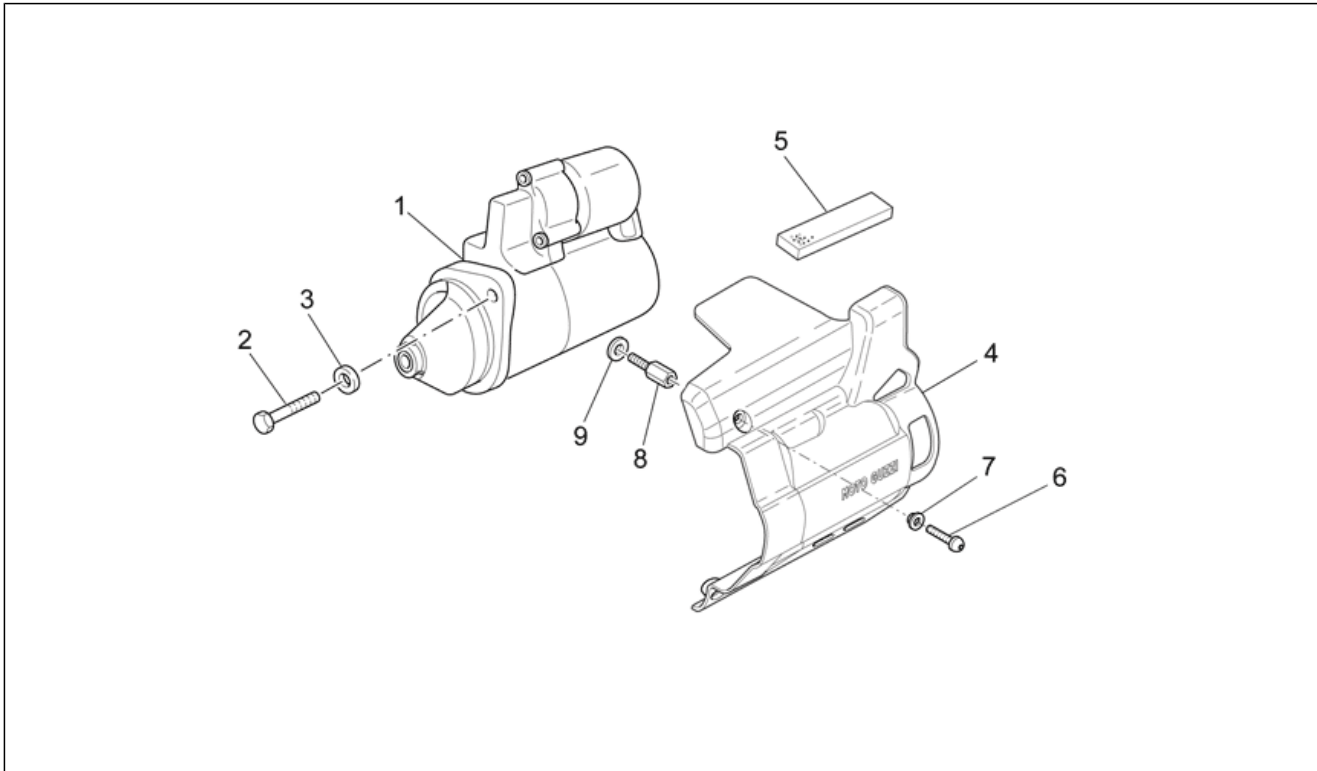


<b>Einheit</b>	MOTOR
<b>Code</b>	34.60
<b>Beschreibung</b>	Stromgenerator
<b>Inspektion</b>	1



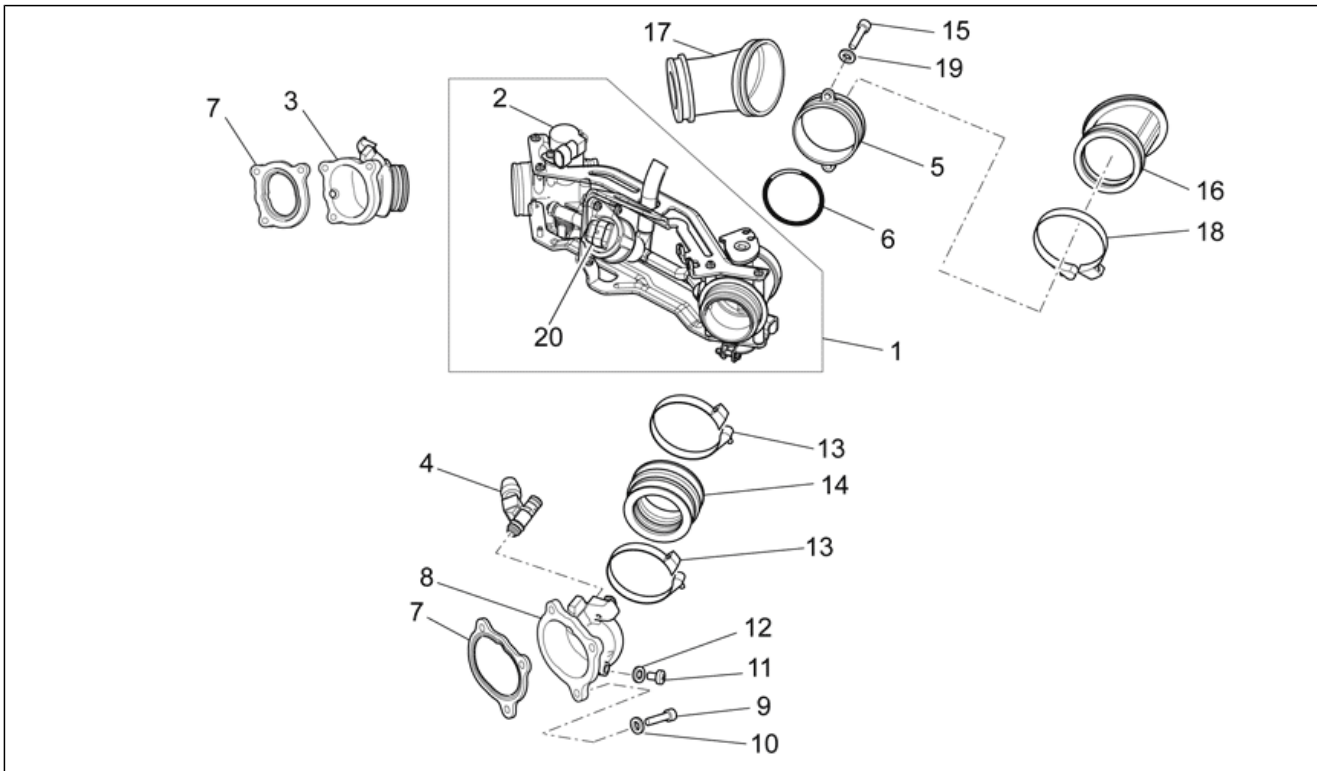
Pos.	Code	Beschreibung	Menge	Varianten
1	976678	Drehstromgenerator	1	
2	GU91180823	Distanzscheibe 8,5x17x13	1	
3	GU98620445	TCEI Schraube M8x45	1	
4	GU98620560	TCEI Schraube M10x60	1	
5	GU92660012	Mutter M10x1,5	1	
6	GU05702530	Riemen	1	
7	GU05701430	Drehstromgenerator enriemensc.	1	
8	GU92606516	Mutter M16	1	
9	GU30714201	Ausgleichscheibe 16,25x24,5x5	1	
10	GU4FAN000030	Keil Schwungmagnet	1	
11	GU98230850	TBEI Schraube M8x50	1	
12	GU92605408	Mutter M8x1,25	1	

<b>Einheit</b>	MOTOR
<b>Code</b>	34.61
<b>Beschreibung</b>	Startermotor
<b>Inspektion</b>	1



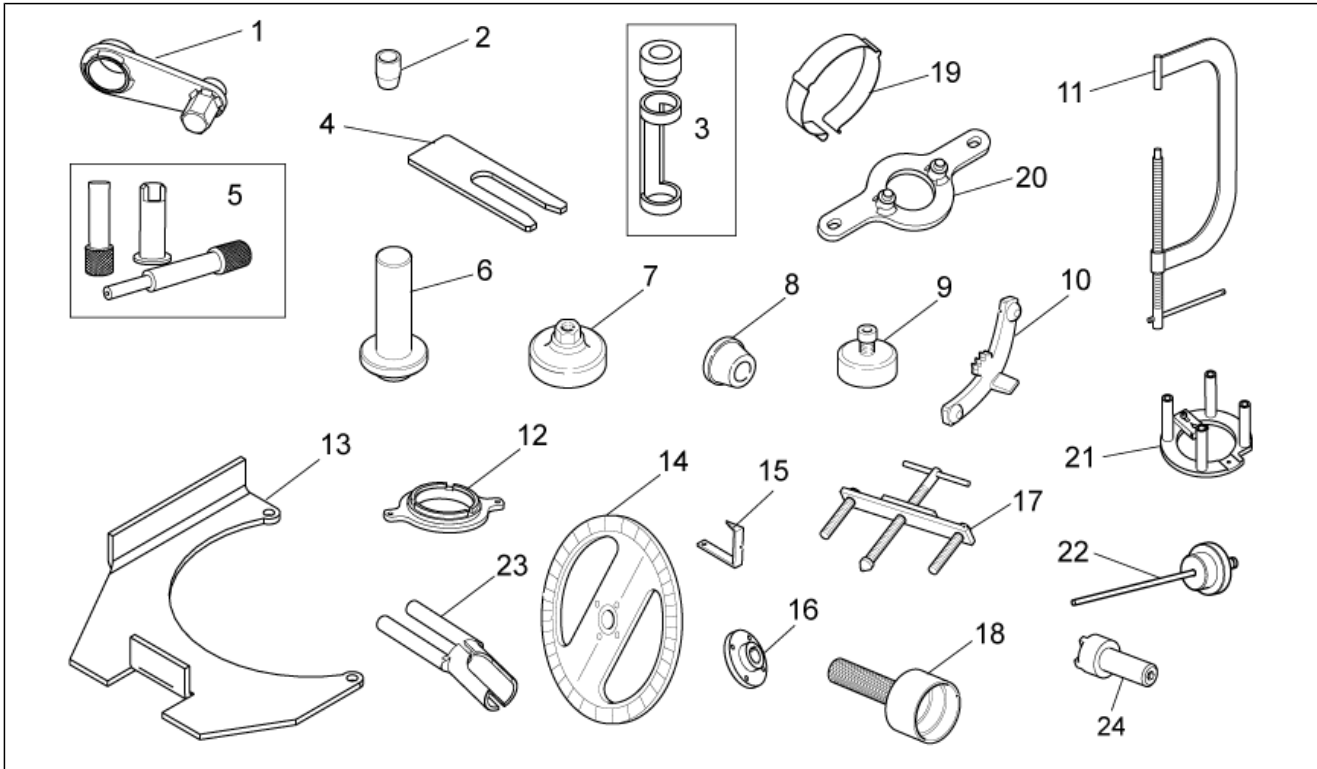
Pos.	Code	Beschreibung	Menge	Varianten
1	GU05730730	Startermotor Bosch	1	
2	GU98082475	Sechskantschraube M8x75	2	
3	GU95008208	Ausgleichscheibe 8,4X15X1,5	2	
4	GU05733330	Deckel chrom grau	1	
5	AP8117200	Klebeschwamm	1	
6	GU98370609	TBEI Schraube M6x10	2	
7	AP8121032	Buchse	2	
8	GU03469201	Stiftschraube	1	
9	GU03013800	Ausgleichscheibe 6,4x12	1	

<b>Einheit</b>	MOTOR
<b>Code</b>	34.62
<b>Beschreibung</b>	Klappenkörper
<b>Inspektion</b>	1



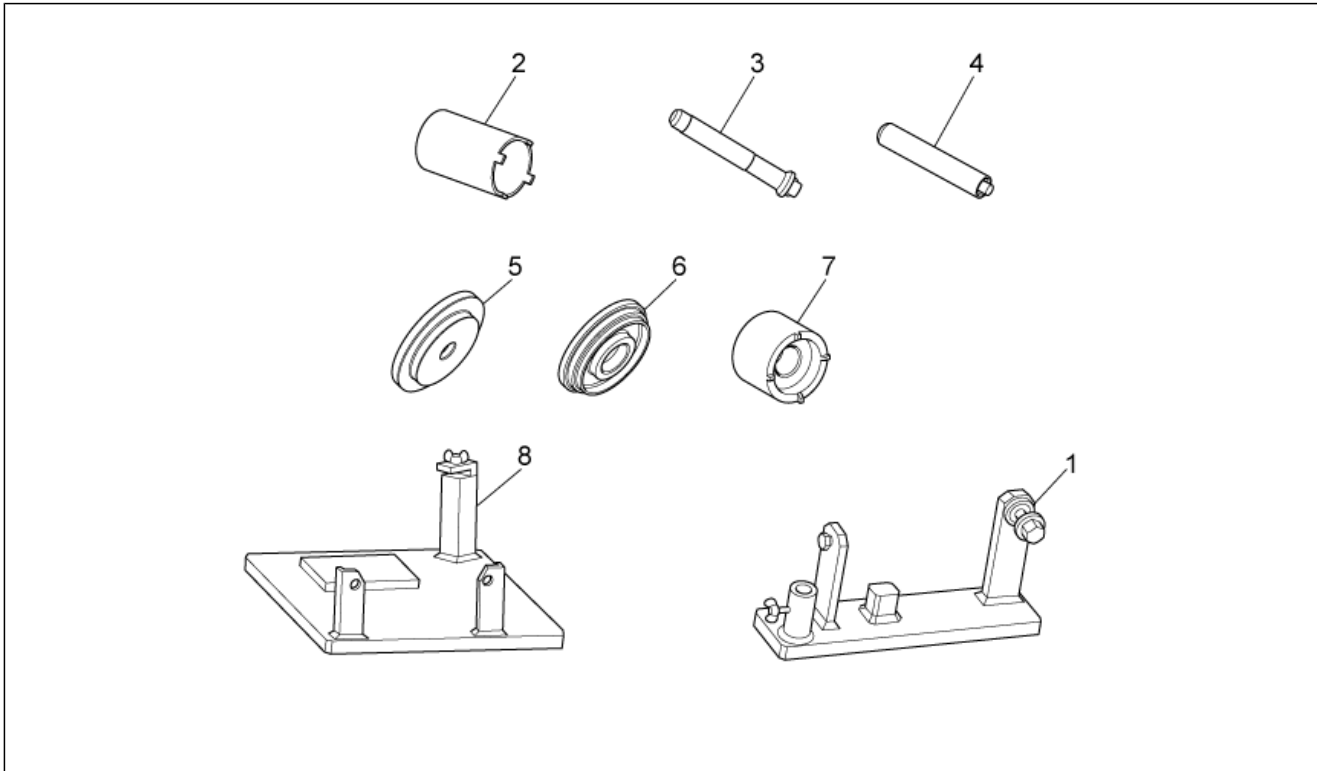
Pos.	Code	Beschreibung	Menge	Varianten
1	976697	Körper mit Drossel, kpl.	1	
2	981010	Potentiometer	1	
3	873490	Ansaugkrümmer links	1	
4	976555	Kompl.Satz.f.Spritzdüsel	2	
5	976498	Flansch	2	
6	976566	O-Ring 53,7x1,78	2	
7	873879	Ansaugsammlerdichtung	2	
8	873491	Ansaugkrümmer rechts	1	
9	GU98882325	Flache Innensechskantsch. M6x25 M6x25	6	
10	GU95008206	Ausgleichscheibe 6,15x11x0,8	6	
11	GU98350310	TBEI Schraube M6x20	2	
12	GU95100116	Ausgleichscheibe 6,25x10x1,5	2	
13	GU93305061	Schelle 61/65,5	4	
14	873861	Hülse	2	
15	GU98682212	TCEI Schraube M5x12	2	
16	883316	Einlaßmuffe rechts	1	
17	883315	Einlaßmuffe links	1	
18	GU93306050	Schelle 50x90x9	2	
19	GU95008305	Ausgleichscheibe 5,3X10X1	2	
20	981011	Elektromotor Standgaseinstellung	1	

<b>Einheit</b>	SPEZIALWERKZEUG
<b>Code</b>	36.63
<b>Beschreibung</b>	Specific tools I
<b>Inspektion</b>	1



Pos.	Code	Beschreibung	Menge	Varianten
1	020677Y	Riemenspannwerkzeug	1	
2	GU05911730	Riemenspannwerkzeug	1	
3	AP9100838	Ventilfederspannwerkzeug	1	
4	020716Y	Pleuelstangensperre	1	
5	020470Y	Werkz. Mont. Kolbenb.spreng.	1	
6	GU05927230	Setzdorn für Abdichtring	1	
7	GU01929100	Ausbau Wanne- & FilterDeckels	1	
8	GU12912000	SchwungradFl.Einbau m.Simmerin	1	
9	GU14927100	SimmeringEinbau SchwungradFl.	1	
10	GU12911801	Befestig.Schwungrad/Starter	1	
11	AP8140179	Bow for valve assy&disassy	1	
12	020672Y	Kupplungfederspannwerkzeug	1	
13	GU05902530	Stütze für Getriebegehäuse	1	
14	GU19929600	Scheibe für Phaseneinstellung	1	
15	GU17947560	Pfeil für Phaseneinstellung	1	
16	020673Y	Radnabe für Skalenscheibe	1	
17	GU12913600	Ausbau Flansch Schwungradseite	1	
18	GU19927100	SimmeringEinbau Schwungradfl.	1	
19	020674Y	Kolbenringspanner	1	
20	020675Y	Sprengring Servicewellenrad	1	
21	020676Y	Messuhrhalter Kolbenpos.	1	
22	020678Y	Prüfwerkz. Kupplungsstab	1	
23	020689Y	Auszieherfunkensteckerkappe	1	
24	GU14912603	Schlüssel	1	

<b>Einheit</b>	SPEZIALWERKZEUG
<b>Code</b>	36.64
<b>Beschreibung</b>	Specific tools II
<b>Inspektion</b>	1



Pos.	Code	Beschreibung	Menge	Varianten
1	GU05902736	Halter für Kegelhäderpaar	1	
2	AP8140190	Steering lock tool	1	
3	GU05902732	Griff für Puffer	1	
4	GU05902733	Haltestopfen f. Kugelgelenk	1	
5	GU05902731	Öldicht.stopfen Getriebegeh. 85	1	
6	GU05902735	Öldicht.haltestopf.Ritzel 45x58	1	
7	GU05902734	Schlüssel Ritzelnutmutter	1	
8	GU05902730	Hater f. Getriebegehäuse	1	