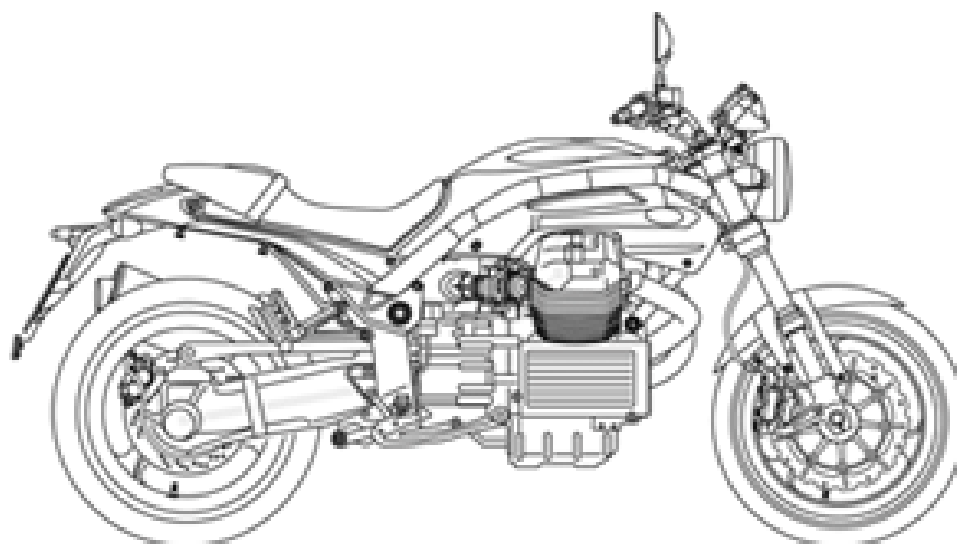




PIAGGIO & C.s.p.a.



ERSATZTEILKATALOG



Griso V 8V 1200 2007-2013

Vorsatzcode Fahrgestell: ZGULSE, ZGULSJ, ZGULSU, ZGULSG
Vorsatzcode Motor:

GRISO

GU088



Inhaltsverzeichnis

Fertige Produkte.....	4
Alphanumerisches Verzeichnis.....	6
RAHMEN.....	13
Tafel 33.01 - Rahmen.....	13
Tafel 33.02 - Seitenständer.....	14
Tafel 33.03 - Fussrasten I.....	15
Tafel 33.04 - Fussrasten II.....	16
Tafel 33.05 - Schalthebel.....	17
Tafel 33.06 - Lenkung.....	18
Tafel 33.07 - Vorderradgabel.....	19
Tafel 33.08 - Schwinge.....	21
Tafel 33.09 - Getriebe kpl.....	22
Tafel 33.10 - Getriebe kpl.-Häuse.....	23
Tafel 33.11 - Getriebe kpl.-Teilerradsatz.....	24
Tafel 33.12 - Pleuelstange und Stoßdämpfer.....	25
Tafel 33.13 - Kraftstofftank.....	26
Tafel 33.14 - Frontaufbau - Leitblech.....	27
Tafel 33.15 - Vorderes Schutzblech.....	28
Tafel 33.16 - Sitz.....	29
Tafel 33.17 - R.Kar. - Sch.bl.....	30
Tafel 33.18 - R.Kar. - R.verkl.....	32
Tafel 33.19 - Instrumententafel.....	33
Tafel 33.20 - Lenkstange - Schaltungen.....	34
Tafel 33.21 - Vorderradbrenspumpe.....	36
Tafel 33.22 - Kupplung schalt. kpl.....	37
Tafel 33.23 - Ölkühler.....	38
Tafel 33.24 - Anlage Blow-by.....	39
Tafel 33.25 - Einspeisung.....	40
Tafel 33.26 - Filtergehäuse.....	41
Tafel 33.27 - Auslassgruppe.....	42
Tafel 33.28 - Benzinpumpe int.....	44
Tafel 33.29 - SE Vorderrad.....	45
Tafel 33.30 - Vorderradbrenszange.....	46
Tafel 33.31 - Std Hinterrad.....	47
Tafel 33.32 - Hinterradbrenspumpe.....	48
Tafel 33.33 - Hinterradbrenszange.....	50
Tafel 33.34 - Frontscheinwerfer/Hupe.....	51
Tafel 33.35 - Rücklicht.....	53
Tafel 33.36 - Elektrische anlage I.....	54
Tafel 33.37 - Elektrische anlage II.....	56
Tafel 33.38 - Bausatz Schlösser.....	57
Tafel 33.39 - Aufkleber-Deko.....	58
Tafel 33.63 - Benzindampfrückf.-Anlage.....	62



Tafel 33.64 - SE Vorderrad.....	63
Tafel 33.65 - SE Hinterrad.....	64
MOTOR.....	65
Tafel 34.40 - Gehäuse I.....	65
Tafel 34.41 - Gehäuse II.....	67
Tafel 34.42 - Zylinderkopf - ventile.....	68
Tafel 34.43 - Kopfdeckel.....	69
Tafel 34.44 - Recht Zylindersteuer I.....	70
Tafel 34.45 - Links Zylindersteuer I.....	72
Tafel 34.46 - Kurbelwelle - Zylinder.....	74
Tafel 34.47 - Steuer.....	76
Tafel 34.48 - Schmierung.....	77
Tafel 34.49 - Ölpumpe.....	78
Tafel 34.50 - Ölfilter.....	79
Tafel 34.51 - Kupplung.....	80
Tafel 34.52 - Getriebegehäuse.....	81
Tafel 34.53 - Schaltgabel.....	82
Tafel 34.54 - Hauptwelle.....	83
Tafel 34.55 - Festrad.....	84
Tafel 34.56 - Kupplungswelle.....	85
Tafel 34.57 - Stromgenerator.....	86
Tafel 34.58 - Startermotor.....	87
Tafel 34.59 - Klappenkörper.....	88
Tafel 34.60 - Recht Zylindersteuer II.....	89
Tafel 34.61 - Links Zylindersteuer II.....	91
SPEZIALWERKZEUG.....	93
Tafel 36.60 - Specific tools I.....	93
Tafel 36.61 - Specific tools II.....	94
Tafel 36.62 - Specific tools III.....	95



Fertige Produkte

Code	Gültigkeit
GU9032437AU800	
GU9032437AU801	
GU9032437AU802	
GU9032437EU700	
GU9032437EU701	
GU9032437EU702	
GU9032437EU703	
GU9032437FR700	
GU9032437FR702	
GU9032437GB700	
GU9032437GB701	
GU9032437GB702	
GU9032437GB703	
GU9032437JP700	
GU9032437JP701	
GU9032437JP702	
GU9032437JP703	
GU9032438AU900	
GU9032438AU901	
GU9032438EU900	
GU9032438EU901	
GU9032438EUA00	
GU9032438EUA02	
GU9032438FR900	
GU9032438FR901	
GU9032438GB900	
GU9032438GB901	
GU9032438JP900	
GU9032438JP901	
GU9032440AUA00	
GU9032440AUA01	
GU9032440AUC00	
GU9032440AUC02	
GU9032440CAB00	
GU9032440CAB01	
GU9032440CAC00	
GU9032440CAC01	
GU9032440CAC02	
GU9032440CAD00	
GU9032440CAD02	
GU9032440CAE00	
GU9032440CAE02	



Code	Gültigkeit
GU9032440EUA00	
GU9032440EUA01	
GU9032440EUC00	
GU9032440EUC02	
GU9032440GBA00	
GU9032440GBA01	
GU9032440GBC00	
GU9032440GBC02	
GU9032440IND00	
GU9032440IND02	
GU9032440ITC02	
GU9032440JPA00	
GU9032440JPA01	
GU9032440JPC00	
GU9032440JPC02	
GU9032440USB00	
GU9032440USB01	
GU9032440USC00	
GU9032440USC01	
GU9032440USC02	
GU9032440USD00	
GU9032440USD02	
GU9032440USE00	
GU9032440USE02	



Code	Nr. der Tafel	Pos.	Code	Nr. der Tafel	Pos.	Code	Nr. der Tafel	Pos.
0000000	33.29	14	843060	34.60	27	874521	34.45	22
013763	34.48	8	843060	34.61	27	874567	34.46	8
015792	34.44	5	849131	34.46	18	874601	34.44	19
015792	34.45	5	849866	34.46	23	874601	34.45	19
015792	34.60	5	854603	33.21	2	874601	34.60	26
015792	34.61	5	856062	33.63	8	874601	34.61	26
015935	34.40	35	856063	33.63	6	874616	34.49	11
020470Y	36.60	5	856774	33.29	6	874621	34.44	3
020672Y	36.60	12	860138	33.63	7	874621	34.45	3
020673Y	36.60	16	872606	34.43	10	874621	34.46	12
020674Y	36.60	19	872607	34.43	1	874622	34.44	3
020675Y	36.60	20	872695	34.42	3	874622	34.45	3
020676Y	36.60	21	872696	34.42	4	874622	34.46	12
020677Y	36.60	1	872726	34.43	4	874645	34.48	9
020678Y	36.60	22	872740	34.43	14	874646	34.48	7
020689Y	36.60	23	872741	34.43	11	874650	34.49	1
020716Y	36.60	4	872742	34.43	7	874655	34.48	11
118737	34.48	5	872755	34.42	2	874669	34.48	4
1A002060	34.44	30	872756	34.42	1	874680	34.48	1
1A002060	34.45	31	872759	34.44	6	874716	34.48	14
237553	34.49	7	872759	34.45	6	874799	34.47	15
244585	34.45	29	872759	34.60	4	874801	34.49	10
244585	34.61	33	872759	34.61	4	874805	34.44	29
285846	34.42	8	872814	34.44	21	874805	34.45	30
292022	33.34	5	872814	34.45	21	874980	34.40	26
292022	33.35	9	873425	34.45	4	875243	34.46	19
292723	33.34	4	873426	34.44	4	875244	34.46	19
2B000182	33.64	2	873490	34.59	3	8776384	34.44	16
2B000183	33.65	2	873491	34.59	8	8776384	34.45	16
2L000168	33.39	19	873626	34.43	9	877820	34.50	6
2L000169	33.39	20	873631	34.44	12	8783390001	34.46	17
2L000170	33.39	21	873631	34.45	12	8783390002	34.46	17
411209	34.40	2	873654	34.43	13	8783390003	34.46	17
414835	34.49	9	873667	34.46	2	878553	34.42	2
414837	34.60	17	873668	34.43	8	878556	34.42	1
414837	34.61	17	873689	34.44	28	878574	34.60	1
434947	34.48	6	873689	34.46	20	878574	34.61	1
436438	34.42	6	873690	34.45	28	878868	34.60	32
484819	34.44	11	873690	34.46	21	878868	34.61	32
484819	34.45	11	873850	34.44	10	879707	34.44	10
487444	34.44	14	873850	34.45	10	879707	34.60	11
487444	34.45	14	873861	34.59	14	879707	34.61	11
487444	34.60	23	873873	34.44	16	879869	34.52	5
487444	34.61	23	873873	34.45	16	879916	34.44	11
560110	34.40	10	873879	34.59	7	879916	34.60	10
581957	34.48	12	873904	34.59	1	879916	34.61	10
584509	33.36	18	873906	34.49	14	879936	34.60	19
639542	33.02	15	873928	34.47	8	879936	34.61	19
640598	33.34	3	874126	34.42	9	879937	34.60	20
640912	33.36	13	874127	34.42	5	879937	34.61	20
672381	33.39	28	874134	34.40	34	879938	34.60	18
825597	34.41	4	874213	34.40	19	879938	34.61	18
825597	34.42	11	874223	34.48	3	879975	34.43	3
825597	34.46	11	874238	34.48	18	879987	34.43	15
827018	34.42	10	874239	34.48	17	880123	34.43	10
829122	34.50	2	874240	34.48	15	880124	34.43	1
829486	34.49	5	874257	34.40	27	880127	34.43	16
829661	34.49	6	874280	34.47	18	880879	34.44	4
830249	34.43	3	874281	34.47	11	880881	34.45	4
833520	34.44	7	874286	34.46	7	880965	34.60	28
833520	34.45	7	874287	34.46	4	880965	34.61	28
833520	34.60	22	874288	34.46	5	883045	33.09	7
833520	34.61	22	874289	34.46	6	883046	33.09	2
842360	34.60	6	874293	34.46	15	883067	33.39	27
842360	34.61	6	874335	34.42	7	883092	33.25	6
843060	34.44	20	874482	34.49	8	883093	33.25	7
843060	34.45	20	874521	34.44	22	883277	33.39	7



Code	Nr. der Tafel	Pos.	Code	Nr. der Tafel	Pos.	Code	Nr. der Tafel	Pos.
883279	33.39	20	887969	33.39	38	976560	34.43	6
883280	33.39	21	887970	33.39	39	976563	34.51	9
883281	33.39	19	887971	33.39	36	976564	34.51	10
883340	33.19	1	88797200YE3	33.13	1	976570	33.09	1
883417	33.34	27	88797300YN1	33.14	1	976581	33.11	1
883462	33.34	23	88797400YN1	33.14	10	976584	34.44	21
883463	33.34	22	88797500YN1	33.18	1	976584	34.45	21
883606	33.16	1	887976	33.16	1	976589	34.44	17
883611	33.39	15	969323	34.48	10	976589	34.45	17
883612	33.39	16	974228	34.44	27	976589	34.60	8
883613	33.39	1	974228	34.45	27	976589	34.61	8
883614	33.39	17	976023	34.51	1	976591	34.43	2
883615	33.39	18	976053	34.51	2	976593	34.51	12
883619	33.39	7	976304	34.46	10	976594	34.51	12
883627	33.19	10	976311	34.44	3	976595	34.51	12
883688	33.64	8	976311	34.45	3	976596	34.51	12
883730	33.39	19	976311	34.46	12	976665	34.47	16
883731	33.39	20	976312	34.46	9	976674	34.44	15
883732	33.39	21	976330	34.47	1	976674	34.45	15
883802	33.20	18	976331	34.47	4	976674	34.60	24
883802	33.20	20	976334	34.47	9	976674	34.61	24
883851	33.28	5	976337	34.44	26	976690	34.44	22
883874	33.27	1	976337	34.45	26	976690	34.45	22
883875	33.27	2	976337	34.60	31	976696	34.51	14
883883	33.29	1	976337	34.61	31	976929	34.40	30
883886	33.31	1	976338	34.44	25	976934	34.52	17
883900	33.36	2	976338	34.45	25	9769945	34.40	30
883905	33.36	2	976338	34.60	30	977041	33.32	14
883909	33.27	16	976338	34.61	30	977050	33.01	16
883917	33.39	19	976341	34.44	24	977052	33.04	1
883918	33.39	20	976341	34.45	24	977053	33.04	6
883919	33.39	21	976341	34.60	29	977056	33.31	9
883932	33.39	11	976341	34.61	29	977056	33.65	5
884033	33.32	24	976342	34.46	22	977062	33.13	17
884077	33.64	1	976350	34.44	18	977065	33.02	6
884078	33.65	1	976350	34.45	18	977067	33.02	1
884095	33.03	3	976350	34.60	25	97717R	33.64	2
884096	33.03	5	976350	34.61	25	97718R	33.65	2
884097	33.03	8	976351	34.56	1	977350	33.01	1
884098	33.03	11	976355	34.47	6	977418	33.63	2
884163	33.64	1	976359	34.44	8	977421	33.17	20
884164	33.65	1	976359	34.45	8	977500	33.39	11
884192	33.39	19	976360	34.44	9	977769	33.37	11
884193	33.39	20	976360	34.45	9	977772	33.37	11
884194	33.39	21	976376	33.27	3	977773	33.37	11
884321	33.39	19	976381	34.47	2	977795	33.35	10
884322	33.39	20	976453	34.52	1	977822	33.03	3
884323	33.39	21	976478	34.41	9	977823	33.03	5
886141	33.39	40	976480	34.41	1	977824	33.03	8
886944	33.39	29	976481	34.51	7	977825	33.03	11
887082	33.65	8	976484	34.51	8	977918	33.38	5
887083	33.65	9	976486	34.40	18	978159	33.07	2
887084	33.64	6	976488	34.47	3	978160	33.07	1
887423	33.25	1	976494	34.59	16	978204	33.20	1
887423	33.28	1	976495	34.59	17	978239	33.16	1
887771	33.25	1	976498	34.59	5	978242	33.27	16
887771	33.28	1	976502	34.40	16	978301	33.65	15
887959	33.39	30	976532	34.56	4	978311	33.34	1
887960	33.39	31	976533	34.56	3	978350	33.08	1
887961	33.39	15	976534	34.59	6	978364	33.33	10
887962	33.39	16	976535	34.51	5	978392	33.10	17
887963	33.39	1	976538	34.47	10	978396	33.27	1
887964	33.39	32	976539	34.40	1	978397	33.27	2
887965	33.39	33	976554	34.41	5	978400	33.21	6
887966	33.39	34	976555	34.59	4	978403	33.39	1
887967	33.39	35	976556	33.36	26	97840400BM	33.14	1
887968	33.39	37	976559	34.43	12	97840400Y01	33.14	1



Code	Nr. der Tafel	Pos.	Code	Nr. der Tafel	Pos.	Code	Nr. der Tafel	Pos.
97840400Y02	33.14	1	AP8101744	33.65	14	AP8121032	34.58	7
97840400YV2	33.14	1	AP8101861	33.03	10	AP8121075	33.13	9
97840500BM	33.14	10	AP8101890	33.32	28	AP8121098	33.11	6
97840500Y01	33.14	10	AP8102375	33.01	13	AP8121133	33.03	9
97840500Y02	33.14	10	AP8102375	33.14	9	AP8121155	33.12	10
97840500YV2	33.14	10	AP8102375	33.17	2	AP8121207	33.06	4
978406	33.36	2	AP8102375	33.18	3	AP8121218	33.09	4
978407	33.36	1	AP8102375	33.37	14	AP8121221	33.05	2
978407	33.37	1	AP8102377	33.63	5	AP8121221	33.32	19
978409	33.39	7	AP8102502	33.16	10	AP8121223	33.05	6
978414	33.33	1	AP8102520	33.24	14	AP8121267	33.63	17
978434	33.32	1	AP8102523	33.16	9	AP8121346	33.06	9
978455	33.07	19	AP8102524	33.02	9	AP8121475	33.36	29
978456	33.07	18	AP8102678	33.63	1	AP8121513	33.27	26
978464	33.30	1	AP8102764	33.24	15	AP8121520	33.20	10
978465	33.30	2	AP8102765	33.24	11	AP8121567	33.03	1
978466	33.30	4	AP8102913	33.16	3	AP8121607	33.02	12
978487	33.07	3	AP8104329	33.26	2	AP8121773	33.27	20
978497	33.64	10	AP8104614	33.63	7	AP8121795	33.02	4
978498	33.64	13	AP8104666	33.13	16	AP8121795	33.19	6
978516	33.64	5	AP8104666	33.63	9	AP8121805	33.04	3
978528	33.64	1	AP8104921	33.20	20	AP8121811	33.23	16
978530	33.64	6	AP8104921	33.20	20	AP8121882	33.02	20
978570	33.20	18	AP8104922	33.20	18	AP8121882	33.19	18
978570	33.20	20	AP8104922	33.20	18	AP8121927	33.32	23
978606	33.21	1	AP8106713	33.22	1	AP8121929	33.17	12
978607	33.22	1	AP8110066	33.12	5	AP8121929	33.18	5
978662	33.34	1	AP8110068	33.12	6	AP8123641	33.06	7
978739	33.22	10	AP8110077	33.06	8	AP8123642	33.06	5
978739	34.51	3	AP8112811	33.37	4	AP8123643	33.06	3
978743	33.20	16	AP8112996	33.32	27	AP8123644	33.06	6
978744	33.20	17	AP8113004	33.22	9	AP8123810	33.07	4
978745	33.25	3	AP8113004	33.33	6	AP8123811	33.07	26
978764	33.64	8	AP8113070	33.30	5	AP8123812	33.07	27
978765	33.24	16	AP8113070	33.33	9	AP8123815	33.07	11
978767	33.24	1	AP8113081	33.32	16	AP8123816	33.07	10
978781	33.24	17	AP8113082	33.32	17	AP8123817	33.07	12
978810	33.64	7	AP8113288	33.32	3	AP8123819	33.07	14
978810	33.65	10	AP8113993	33.21	5	AP8123820	33.07	15
978811	33.64	15	AP8113993	33.22	4	AP8123821	33.07	16
978811	33.65	11	AP8113995	33.21	3	AP8123824	33.07	20
978815	33.65	8	AP8113997	33.22	5	AP8123825	33.07	22
978816	33.65	9	AP8113998	33.22	6	AP8123827	33.07	24
978849	33.65	1	AP8117200	34.58	5	AP8123828	33.07	25
978854	34.48	16	AP8118492	33.20	14	AP8123832	33.07	6
978882	33.39	6	AP8118502	33.20	13	AP8123834	33.07	13
978885	33.27	11	AP8118503	33.20	15	AP8123835	33.07	7
981007	34.46	13	AP8118579	33.20	7	AP8123836	33.07	8
981008	34.46	1	AP8118659	33.22	2	AP8124869	33.37	9
981009	34.46	3	AP8120030	33.23	7	AP8124936	33.19	11
981010	34.59	2	AP8120030	33.24	3	AP8125773	33.29	4
981011	34.59	20	AP8120030	33.26	21	AP8125773	33.64	4
981012	33.07	23	AP8120030	33.36	5	AP8125777	33.29	3
981013	33.07	21	AP8120178	33.32	13	AP8125777	33.64	3
981046	33.22	2	AP8120428	33.04	18	AP8125779	33.29	5
981050	33.21	2	AP8120485	33.11	7	AP8127098	33.35	3
981115	34.50	15	AP8120593	33.26	4	AP8127703	33.20	6
981142	33.27	29	AP8120594	33.22	13	AP8133594	33.22	8
981143	33.27	28	AP8120675	33.34	13	AP8133595	33.33	8
981149	33.34	2	AP8120876	33.26	20	AP8133597	33.33	7
981160	33.19	19	AP8120912	33.05	3	AP8133962	33.21	7
AP4ADN000007	34.40	20	AP8120912	33.32	20	AP8133962	33.33	11
AP8101586	33.24	19	AP8120952	34.52	16	AP8134378	33.27	21
AP8101595	33.26	19	AP8120965	33.13	14	AP8134448	33.17	13
AP8101595	33.32	5	AP8120965	33.63	13	AP8134451	33.03	7
AP8101595	34.52	15	AP8121014	33.02	7	AP8134948	33.16	8
AP8101744	33.64	14	AP8121032	33.23	5	AP8135608	33.12	8



Code	Nr. der Tafel	Pos.	Code	Nr. der Tafel	Pos.	Code	Nr. der Tafel	Pos.
AP8135924	33.12	4	AP8152302	33.18	2	B0136054	34.60	12
AP8140145	36.62	1	AP8152306	33.02	17	B0136054	34.61	12
AP8140146	36.62	2	AP8152306	33.17	19	B013661	34.60	16
AP8140147	36.62	3	AP8152306	33.17	26	B013661	34.61	16
AP8140148	36.62	4	AP8152306	33.35	8	B014576	34.60	7
AP8140149	36.62	5	AP8152318	33.08	2	B014576	34.61	7
AP8140150	36.62	6	AP8152320	33.33	2	B014603	34.44	13
AP8140151	36.62	7	AP8152325	33.20	5	B014603	34.45	13
AP8140179	36.60	11	AP8152329	33.26	5	B015124	34.46	25
AP8140190	36.61	1	AP8152329	33.32	10	B015126	34.46	26
AP8144007	33.05	7	AP8152339	33.15	2	B015681	34.44	12
AP8144007	33.32	25	AP8152339	33.37	13	B016785	34.60	2
AP8144038	33.26	18	AP8152384	33.06	10	B016785	34.61	2
AP8144046	33.36	19	AP8152396	33.12	16	B017026	34.61	3
AP8144071	33.27	19	AP8152397	33.12	9	B017029	34.60	3
AP8144164	33.26	8	AP8152398	33.12	2	B043864	33.13	5
AP8144328	33.13	8	AP8152409	33.03	2	B045021	33.20	21
AP8149034	33.17	21	AP8152410	33.09	3	B0630111	34.51	12
AP8150046	34.41	10	AP8152410	33.27	24	B063012	34.51	12
AP8150292	33.02	13	AP8152414	33.30	9	B063025	34.52	11
AP8150292	33.12	13	AP8152473	33.02	10	CM074706	34.59	4
AP8150377	33.17	7	AP8152482	33.12	15	CM162701	34.44	2
AP8150413	33.14	6	AP8157100	33.39	22	CM162701	34.45	1
AP8150413	33.17	17	AP8163495	33.07	5	CM162702	34.44	2
AP8150413	33.63	3	AP8163496	33.07	9	CM162702	34.45	1
AP8150420	33.17	18	AP8201358	33.63	4	CM162703	34.44	2
AP8150421	33.26	9	AP8201808	33.33	13	CM162703	34.45	1
AP8150432	33.01	8	AP8202238	33.33	12	CM162704	34.44	2
AP8150450	33.18	10	AP8220162	33.01	11	CM162704	34.45	1
AP8150462	33.05	5	AP8220162	33.14	4	CM162705	34.44	2
AP8150462	33.32	22	AP8220228	33.19	8	CM162705	34.45	1
AP8150509	33.19	9	AP8220238	33.01	10	GU00823923140	33.02	18
AP8150509	33.35	2	AP8220263	33.13	15	GU00823950050	33.32	6
AP8152001	33.02	14	AP8220263	33.17	9	GU00823955080	33.24	12
AP8152043	33.19	16	AP8220283	33.37	8	GU01003651	34.40	15
AP8152147	33.12	12	AP8220346	33.27	23	GU01106090	33.28	4
AP8152166	34.47	7	AP8220526	33.26	13	GU01108490	33.28	3
AP8152242	33.09	5	AP8220546	33.37	10	GU01154230	33.24	10
AP8152268	33.17	14	AP8221023	33.26	17	GU01154230	34.40	11
AP8152270	33.17	24	AP8221023	33.34	12	GU01154230	34.48	2
AP8152273	33.25	2	AP8221023	33.36	6	GU01161331	33.24	9
AP8152277	33.24	5	AP8221036	33.06	12	GU01161331	34.48	13
AP8152278	33.22	11	AP8221145	33.32	11	GU01163600	34.50	8
AP8152278	33.24	4	AP8221160	33.01	6	GU01163700	34.50	7
AP8152278	33.32	12	AP8221197	33.02	8	GU01528930	33.10	13
AP8152278	34.51	4	AP8221242	33.19	3	GU01528930	33.10	8
AP8152279	33.26	16	AP8221270	33.26	12	GU01528930	34.40	23
AP8152279	33.32	4	AP8221277	33.03	6	GU01528930	34.52	9
AP8152279	33.36	4	AP8221307	33.01	9	GU01603480	33.20	12
AP8152280	33.13	10	AP8224164	33.17	15	GU01609630	33.20	19
AP8152281	33.23	3	AP8224164	33.17	25	GU01612190	33.29	11
AP8152282	33.36	7	AP8224462	33.37	7	GU01612190	33.64	11
AP8152285	33.36	30	AP8257609	33.39	23	GU01654630	33.30	3
AP8152286	33.29	7	AP8257742	33.39	25	GU01659130	33.30	6
AP8152287	33.02	11	AP8257794	33.39	24	GU01659131	33.30	7
AP8152287	33.34	15	AP9100838	36.60	3	GU01721600	33.36	20
AP8152288	33.01	5	B0133785001	34.46	14	GU01722700	33.36	22
AP8152290	33.07	17	B0133785002	34.46	14	GU01722701	33.36	22
AP8152291	34.40	29	B0133785003	34.46	14	GU01722702	33.36	22
AP8152298	33.06	14	B013479	34.60	14	GU01722703	33.36	22
AP8152299	33.16	5	B013479	34.61	14	GU01722704	33.36	22
AP8152299	33.35	15	B013552	34.60	21	GU01722705	33.36	22
AP8152299	33.36	17	B013552	34.61	21	GU01743790	33.34	23
AP8152300	33.04	4	B013603	34.44	8	GU01743791	33.34	22
AP8152301	33.12	11	B0136034	34.60	9	GU01753440	33.34	26
AP8152301	33.27	22	B0136034	34.61	9	GU01929100	36.60	7
AP8152302	33.14	2	B013605	34.44	9	GU03013800	33.26	14



Code	Nr. der Tafel	Pos.	Code	Nr. der Tafel	Pos.	Code	Nr. der Tafel	Pos.
GU03013800	33.27	7	GU05466830	33.38	4	GU06123401	33.27	10
GU03013800	34.49	12	GU05547030	33.08	6	GU06123500	33.27	9
GU03013800	34.58	9	GU05547130	33.08	5	GU06124800	33.27	11
GU03270300	34.58	3	GU05547930	33.08	8	GU06126900	33.27	14
GU03469201	34.58	8	GU05548030	33.08	3	GU06159300	33.24	8
GU03604845	33.22	3	GU05560330	33.12	3	GU06162000	33.23	1
GU03609600	33.20	19	GU05562030	33.12	7	GU06164630	33.24	6
GU03617710	33.29	12	GU05562430	33.12	14	GU06250900	33.05	1
GU03617710	33.31	2	GU05603331	33.20	11	GU06257800	33.05	9
GU03749845	33.21	9	GU05606630	33.22	12	GU06400100	33.01	1
GU03995730	33.39	26	GU05610530	33.29	1	GU06409800	33.01	14
GU05001630	34.41	12	GU05611430	33.64	9	GU06412300	33.24	2
GU05002130	34.41	3	GU05614130	33.29	8	GU06418600	33.17	6
GU05003630	34.40	17	GU05615230	33.29	2	GU06431700	33.02	3
GU05004930	34.40	24	GU05630531	33.31	1	GU06431900	33.02	2
GU05005730	34.50	4	GU05632730	33.31	3	GU06434300	33.15	1
GU05107430	33.28	2	GU05632730	33.65	3	GU0643430000BM	33.15	1
GU05128230	33.27	15	GU05634430	33.31	5	GU0643430000YN1	33.15	1
GU05135930	33.25	4	GU05635730	33.31	6	GU0643430000YV2	33.15	1
GU05152230	34.50	3	GU05635730	33.65	6	GU06434301	33.15	1
GU05204930	34.52	8	GU05638130	33.11	9	GU06434302	33.15	1
GU05206530	33.10	12	GU05654630	33.33	3	GU06438600	33.17	10
GU05210631	34.54	1	GU05658431	33.06	13	GU06438700	33.17	1
GU05211331	34.54	10	GU05659030	33.33	5	GU06439200	33.17	16
GU05211431	34.54	7	GU05659130	33.33	4	GU06443500	33.04	14
GU05212031	34.54	4	GU05661130	33.21	4	GU06445900	33.04	7
GU05212631	34.54	9	GU05663530	33.32	7	GU06445901	33.04	9
GU05213631	34.55	1	GU05666030	33.32	9	GU06446000	33.04	10
GU05214031	34.55	7	GU05701430	34.57	7	GU06447500	33.04	16
GU05214231	34.55	3	GU05702530	34.57	6	GU06447501	33.04	11
GU05214431	34.55	12	GU05704531	33.37	2	GU06461300	33.01	15
GU05214630	34.54	5	GU05712431	34.57	1	GU06462100	33.16	6
GU05214630	34.55	5	GU05716730	33.36	9	GU06467300	33.17	3
GU05214731	34.55	9	GU05717030	33.36	16	GU06469200	33.18	6
GU05215031	34.55	10	GU05729230	33.36	3	GU06477000	33.37	15
GU05215631	34.54	2	GU05730730	34.58	1	GU06479600	33.16	2
GU05220531	34.55	11	GU05733330	34.58	4	GU06493100	33.06	1
GU05230531	34.53	18	GU05781630	33.07	28	GU06494000	33.06	2
GU05230831	34.53	21	GU05900130	33.39	14	GU06496100	33.34	8
GU05232431	34.53	19	GU05902530	36.60	13	GU06496200	33.34	9
GU05232631	34.53	20	GU05902730	36.61	7	GU06500200	33.20	4
GU05234130	34.53	11	GU05902731	36.61	4	GU06500600	33.20	2
GU05234230	34.53	12	GU05902732	36.61	2	GU06517700	33.39	9
GU05234431	34.53	1	GU05902733	36.61	3	GU06550200	33.12	1
GU05234631	34.53	2	GU05902734	36.61	6	GU06571500	33.18	8
GU05234731	34.53	10	GU05902735	36.61	5	GU06571600	33.18	9
GU05234931	34.53	13	GU05902736	36.61	8	GU0657310000BM	33.18	1
GU05235531	34.53	3	GU05911730	36.60	2	GU0657310000Y01	33.18	1
GU05236231	34.53	7	GU05917530	33.39	4	GU0657310000Y02	33.18	1
GU05238131	34.53	15	GU05927230	36.60	6	GU0657310000YV2	33.18	1
GU05238231	34.53	8	GU05944530	33.39	13	GU06573300	33.18	4
GU05238331	34.53	14	GU05944930	33.39	10	GU06576800	33.14	5
GU05238431	34.53	9	GU05945030	33.39	8	GU06576900	33.14	7
GU05239330	34.53	17	GU06100200	33.13	1	GU06582600	33.23	14
GU05256930	33.05	10	GU0610020000BM	33.13	1	GU06583000	33.23	8
GU05326330	33.09	6	GU0610020000Y01	33.13	1	GU06583200	33.23	2
GU05351230	33.10	2	GU0610020000Y02	33.13	1	GU06583600	33.23	9
GU05352430	33.11	2	GU0610020000YV2	33.13	1	GU06606500	33.22	7
GU05358030	33.10	6	GU061020300	33.13	2	GU06609600	33.36	27
GU05358130	33.10	5	GU06103900	33.13	4	GU06609600	33.37	20
GU05358230	33.10	7	GU06103900	33.38	2	GU06616300	33.29	9
GU05358330	33.10	1	GU06107100	33.13	7	GU06677000	33.32	18
GU05358530	33.10	15	GU06113300	33.26	3	GU06704700	33.17	8
GU05358630	33.10	16	GU06113700	33.26	7	GU06704800	33.17	5
GU05425530	33.01	4	GU06114000	33.26	1	GU06704901	33.13	11
GU05446431	33.04	12	GU06114200	33.26	6	GU06729800	33.14	8
GU05466830	33.16	7	GU06121900	33.27	12	GU06736800	33.38	1



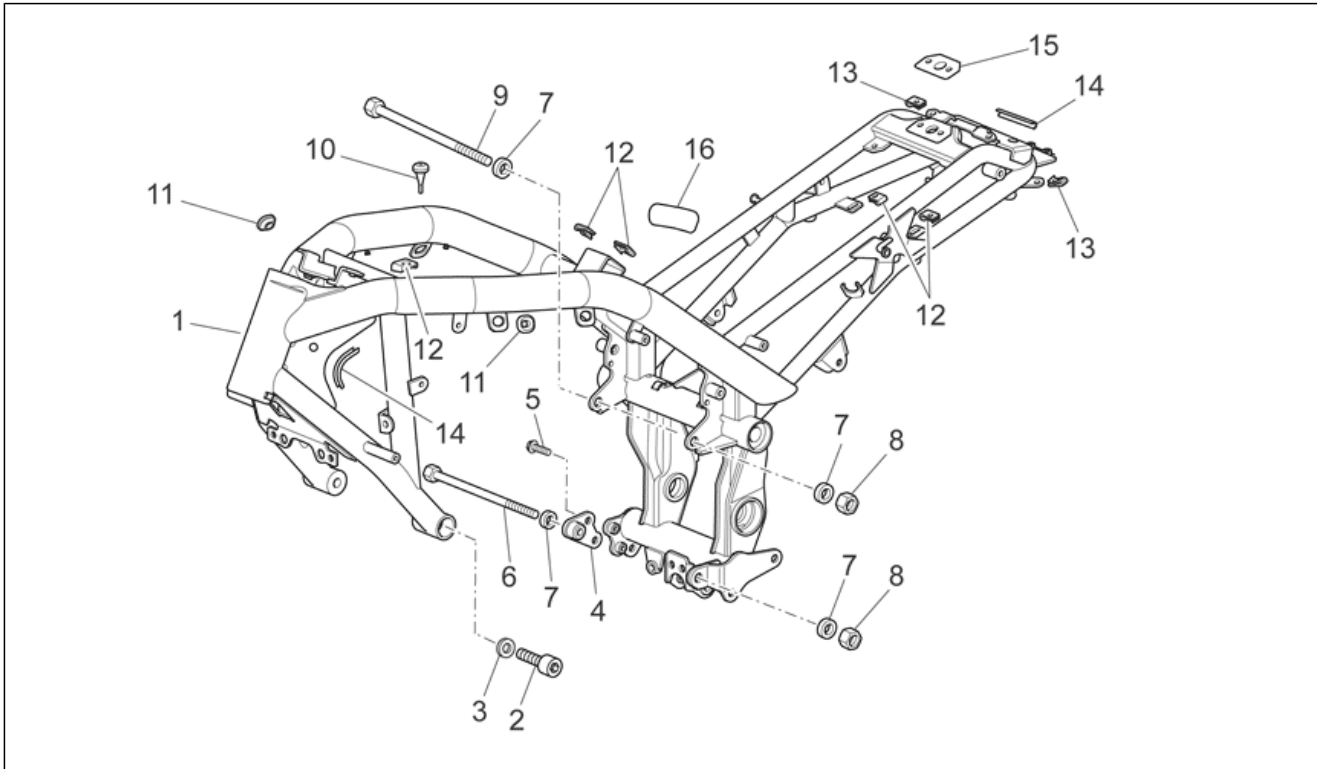
Code	Nr. der Tafel	Pos.	Code	Nr. der Tafel	Pos.	Code	Nr. der Tafel	Pos.
GU06740200	33.34	2	GU29729461	33.36	25	GU92201822	34.55	2
GU06740200	33.34	2	GU30027931	33.26	11	GU92204230	33.11	5
GU06740400	33.34	28	GU30103730	33.13	13	GU92208518	33.11	4
GU06740500	33.34	1	GU30103730	33.63	12	GU92232028	34.56	5
GU06740500	33.34	1	GU30150900	34.50	9	GU92249224	33.08	7
GU06740501	33.34	1	GU30153000	34.50	1	GU92252029	34.54	3
GU06740900	33.35	1	GU30158900	34.49	3	GU92252029	34.55	4
GU06741200	33.18	7	GU30158900	34.50	12	GU92602525	34.47	17
GU06746300	33.37	12	GU30217900	33.01	3	GU92605408	34.57	12
GU06747900	33.37	6	GU30441005	33.03	4	GU92606206	33.32	15
GU06750600	33.34	16	GU30611460	33.31	7	GU92606516	34.57	8
GU06750600	33.35	11	GU30611460	33.65	7	GU92609408	33.37	19
GU06751601	33.34	21	GU30714201	34.57	9	GU92630104	33.36	12
GU06751601	33.35	16	GU30716500	33.36	8	GU92630707	33.05	11
GU06753700	33.34	19	GU30729330	33.26	10	GU92650035	33.17	23
GU06753700	33.35	12	GU30944300	33.39	5	GU92650138	33.27	27
GU06764000	33.19	4	GU30970200	33.39	12	GU92650138	33.34	10
GU06765100	33.19	2	GU31003766	33.10	9	GU92660012	34.57	5
GU06765200	33.19	10	GU31003766	34.40	22	GU92660021	34.40	8
GU06765400	33.19	15	GU31003766	34.52	13	GU92750180	34.47	13
GU06765500	33.02	19	GU31159050	34.49	2	GU92787006	33.26	15
GU06765500	33.19	17	GU31159050	34.50	14	GU92787006	33.34	18
GU06782500	33.19	13	GU32474710	33.35	7	GU92787008	33.27	4
GU06782500	33.38	3	GU32602860	33.20	8	GU93180220	34.52	3
GU06783600	33.14	11	GU32727010	33.27	13	GU93222023	33.13	12
GU06917300	33.39	3	GU32748010	33.37	3	GU93222023	33.19	7
GU06917400	33.39	2	GU49609601	33.36	28	GU93231605	33.14	3
GU06926000	33.39	11	GU49609601	33.37	17	GU93304390	33.08	4
GU12018900	34.40	6	GU4FAN000030	34.57	10	GU93304390	33.36	28
GU12022600	34.40	31	GU61270300	34.40	13	GU93305061	34.59	13
GU12548201	34.59	18	GU90271014	34.53	16	GU93306017	33.24	18
GU12911801	36.60	10	GU90271022	34.53	4	GU93306018	33.24	13
GU12912000	36.60	8	GU90271030	34.54	8	GU93450127	33.34	20
GU12913600	36.60	17	GU90271030	34.55	8	GU93450127	33.35	13
GU14018400	33.09	8	GU90271230	34.54	6	GU94321077	34.50	10
GU14085900	34.51	11	GU90271230	34.55	6	GU95005306	33.23	4
GU14086000	34.51	13	GU90273026	33.11	8	GU95005306	34.49	13
GU14433400	34.47	12	GU90274002	33.19	12	GU95005308	33.27	6
GU14609650	33.36	28	GU90353014	34.53	22	GU95005312	33.27	18
GU14609650	33.37	17	GU90401424	34.52	12	GU95005325	33.29	10
GU14615901	33.23	11	GU90404558	33.11	3	GU95008204	33.36	11
GU14615901	33.27	5	GU90405367	34.40	4	GU95008205	33.25	8
GU14615901	33.34	7	GU90408511	33.10	10	GU95008205	33.35	5
GU14615901	34.40	5	GU90412237	34.41	2	GU95008205	33.36	24
GU14616150	33.29	13	GU90412541	34.55	14	GU95008206	33.36	11
GU14616150	33.31	8	GU90706009	33.63	14	GU95008206	34.59	10
GU14616150	33.64	12	GU90706061	33.64	16	GU95008210	33.05	8
GU14616150	33.65	13	GU90706061	33.65	12	GU95008305	34.59	19
GU14912603	36.60	24	GU90706141	33.36	21	GU95008310	33.32	26
GU14927100	36.60	9	GU90706151	34.50	5	GU95008313	33.01	7
GU17661052	33.32	8	GU90706178	34.40	25	GU95021104	33.21	11
GU17947560	36.60	15	GU90706203	34.40	32	GU95021108	33.34	25
GU18144350	34.49	4	GU90706347	34.41	8	GU95100116	34.46	16
GU18144350	34.50	13	GU90718120	33.10	3	GU95100116	34.59	12
GU18144350	34.52	7	GU91120507	33.35	6	GU95129100	34.44	1
GU19002020	34.52	14	GU91120606	34.41	13	GU95129100	34.45	2
GU19149800	33.23	13	GU91120607	34.41	7	GU95129100	34.60	13
GU19207220	34.52	10	GU91120620	33.27	8	GU95129100	34.61	13
GU19659500	33.32	2	GU91180711	33.23	6	GU95129131	33.37	18
GU19927100	36.60	18	GU91180823	34.57	2	GU95510620	33.10	4
GU19929600	36.60	14	GU91600365	34.47	19	GU95512081	34.40	9
GU25656100	33.21	8	GU91600450	34.47	14	GU95963062	33.63	11
GU25656100	33.30	8	GU92201025	34.53	6	GU95980216	34.40	33
GU28576591	33.01	12	GU92201117	34.53	5	GU95980319	34.52	6
GU28576591	33.24	7	GU92201226	34.55	13	GU95990023	33.63	10
GU28742562	33.37	5	GU92201226	34.56	2	GU96508066	34.40	3
GU29722760	33.36	22	GU92201822	34.54	11	GU96508075	34.40	7



Code	Nr. der Tafel	Pos.
GU97202355	34.52	2
GU97202435	33.63	16
GU97202665	33.31	4
GU97202665	33.65	4
GU97260435	33.19	14
GU98082475	34.58	2
GU98084425	34.40	12
GU98210616	33.19	5
GU98223530	33.17	22
GU98230510	34.43	5
GU98230512	33.23	15
GU98230612	34.51	6
GU98230619	33.34	14
GU98230850	34.57	11
GU98231235	33.63	15
GU98250835	33.17	4
GU98350210	33.04	13
GU98350210	33.32	29
GU98350210	34.44	23
GU98350210	34.45	23
GU98350310	34.46	24
GU98350310	34.59	11
GU98350315	34.47	5
GU98350416	33.34	24
GU98370412	33.04	17
GU98370412	33.21	10
GU98370609	33.27	25
GU98370609	34.58	6
GU98370616	34.52	4
GU98370619	33.35	14
GU98370625	33.16	4
GU98370625	34.59	9
GU98610335	33.34	11
GU98612220	33.02	16
GU98620445	34.57	3
GU98620560	34.57	4
GU98622214	34.44	23
GU98622214	34.45	23
GU98622214	34.60	15
GU98622214	34.61	15
GU98680222	33.17	11
GU98680222	33.25	5
GU98680222	33.35	4
GU98680335	34.40	14
GU98680335	34.41	15
GU98680340	33.13	6
GU98680340	33.20	9
GU98680340	34.40	28
GU98680360	34.40	21
GU98680445	33.27	17
GU98680450	33.10	11
GU98682125	33.36	10
GU98682212	33.36	23
GU98682212	34.59	15
GU98682215	33.37	16
GU98682316	33.02	5
GU98682316	33.05	4
GU98682316	33.32	21
GU98682316	34.41	14
GU98682320	33.05	12
GU98682320	34.41	6
GU98682325	33.08	9
GU98682330	34.41	11
GU98682650	33.01	2
GU98683520	33.36	31
GU98690335	33.34	17
GU98690440	33.23	10

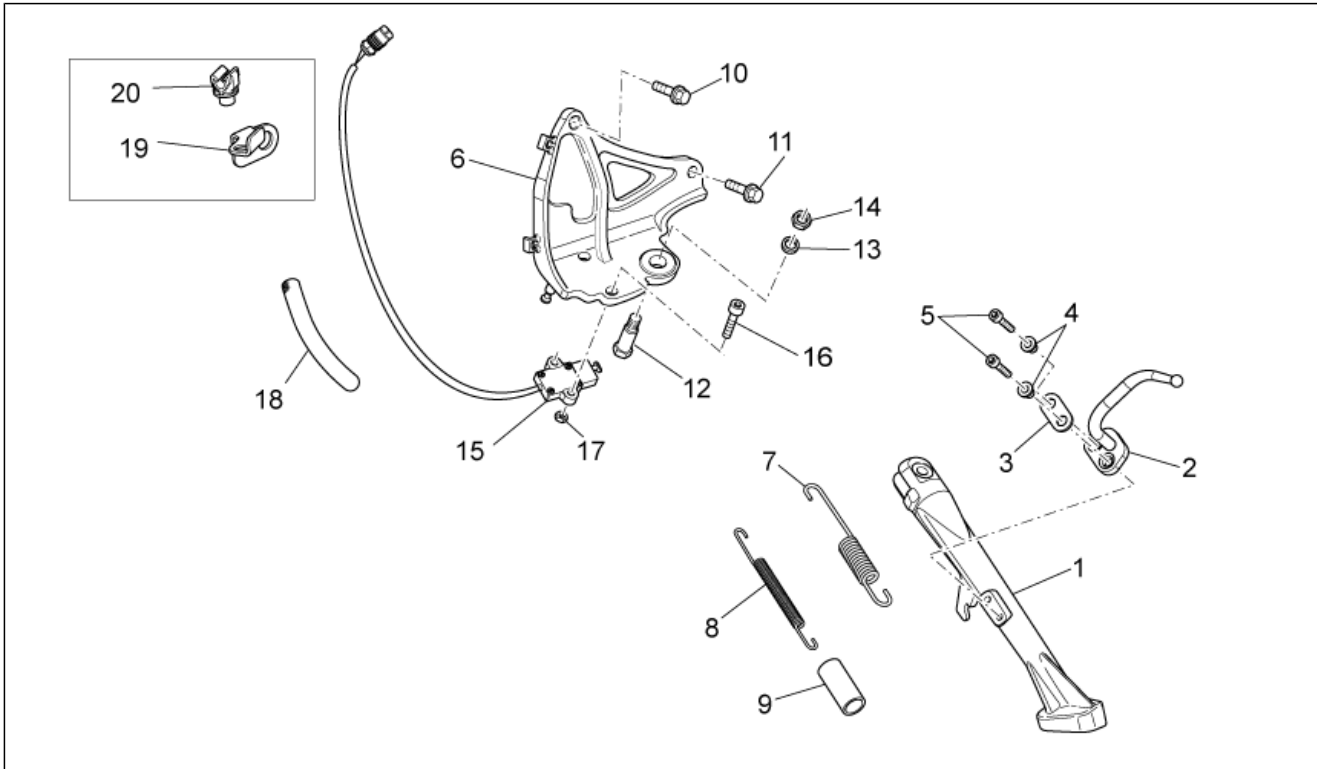
Code	Nr. der Tafel	Pos.
GU98690540	33.23	12
GU98700430	33.04	5
GU98700430	33.06	11
GU98700430	33.20	3
GU98700430	33.34	6
GU98700475	33.04	2
GU98700530	33.04	15
GU98710215	33.04	8
GU98710215	33.13	3
GU99210406	33.10	14

Einheit	RAHMEN
Code	33.01
Beschreibung	Rahmen
Inspektion	1



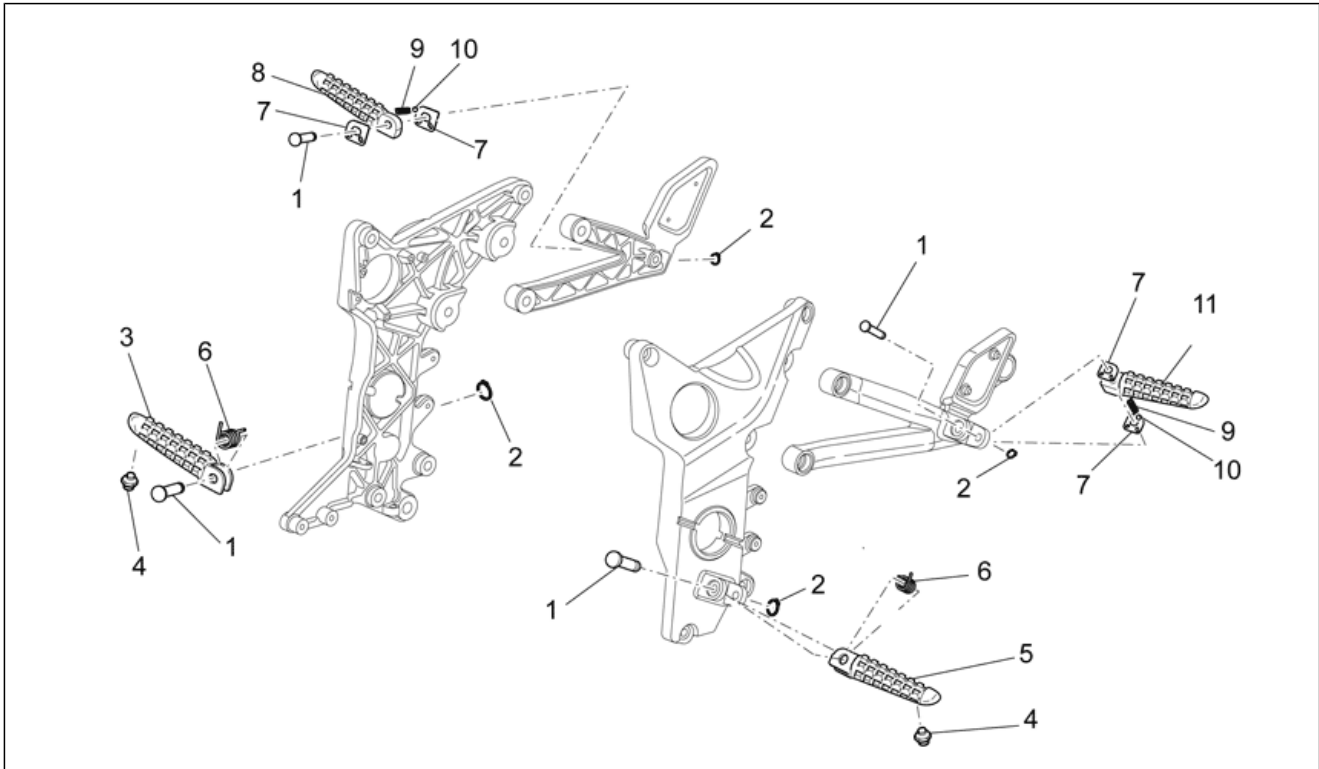
Pos.	Code	Beschreibung	Menge	Varianten
1	977350	Rahmen kpl.schwarz, glänzend	1	
1	GU06400100	Rahmen grau	1	
2	GU98682650	TCEI Schraube M12x50	2	
3	GU30217900	Ausgleichscheibe 13x18x1,7	2	
4	GU05425530	Rechts Platte	1	
5	AP8152288	TE Schr. m. Flansch	2	
6	AP8221160	Bolzen M12	1	
7	GU95008313	Ausgleichscheibe 13x24x2,5	4	
8	AP8150432	Selbstsperr.mut Unt. M12*	2	
9	AP8221307	Bolzen M12	1	
10	AP8220238	Gummi	2	
11	AP8220162	Gummi	4	
12	GU28576591	Klammer M6	8	
13	AP8102375	Klammer m5	8	
14	GU06409800	Dichtung	3	
15	GU06461300	Schutzabdeckung	1	
16	977050	Deko schutz	2	

Einheit	RAHMEN
Code	33.02
Beschreibung	Seitenständer
Inspektion	1



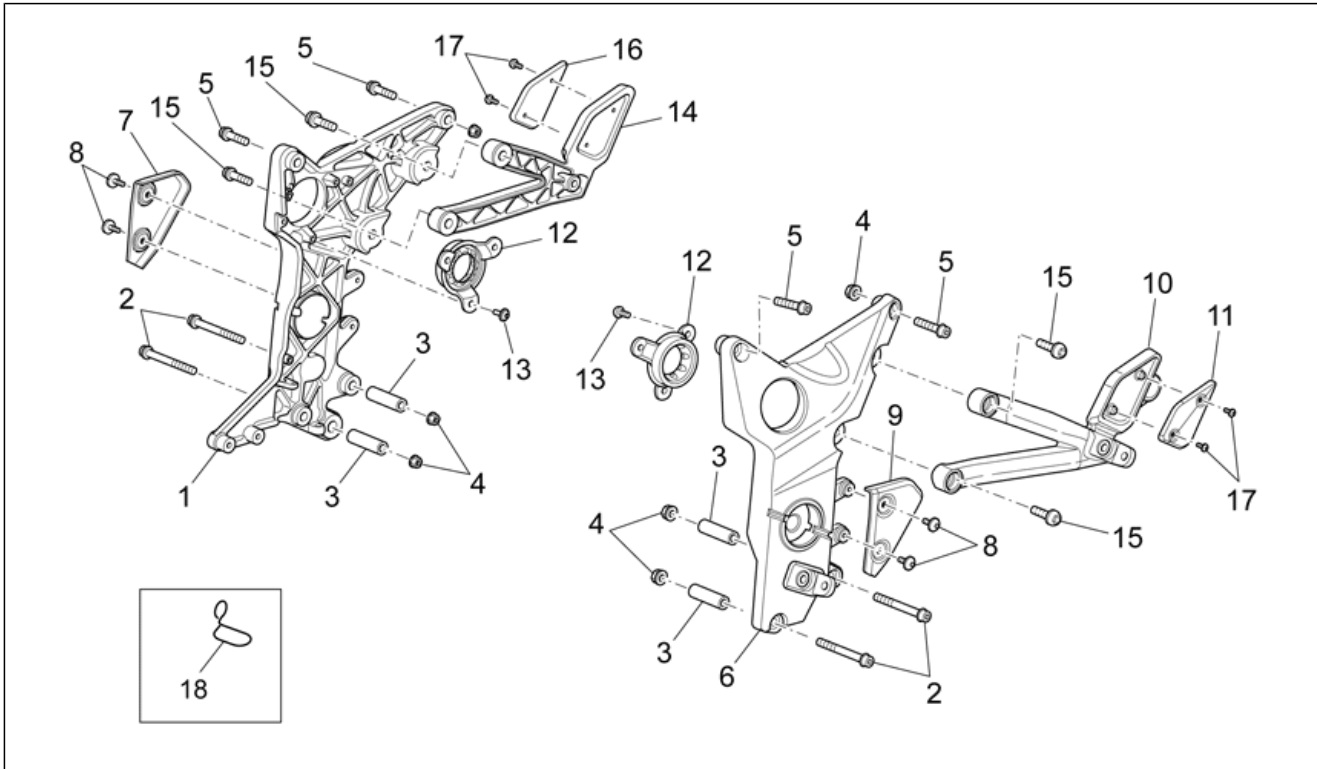
Pos.	Code	Beschreibung	Menge	Varianten
1	977067	Seitenständer	1	
2	GU06431900	Hebel	1	
3	GU06431700	Dichtung	1	
4	AP8121795	T-Buchse	2	
5	GU98682316	TCEI Schraube M6x16	2	
6	977065	Hauptständer platte	1	
7	AP8121014	Schraubenfeder *	1	
8	AP8221197	Hauptständer Schraubenfeder	1	
9	AP8102524	Schutz f. Ständerfeder	1	
10	AP8152473	TE Schr. m. Flansch	1	
11	AP8152287	TE Schr. m. Flansch M8x25	2	
12	AP8121607	Ständerschraube	1	
13	AP8150292	Gebogene Sprengscheibe *	1	
14	AP8152001	Mutter unten M10x1,25	1	
15	639542	Button for the side stand	1	
16	GU98612220	TCEI Schraube	2	
17	AP8152306	Selbstsperrende Mutter m5	1	
18	GU00823923140	Thermische Hülle	1	
19	GU06765500	Kabelführung	1	
20	AP8121882	Kabelführungs	1	

Einheit	RAHMEN
Code	33.03
Beschreibung	Fussrasten I
Inspektion	1



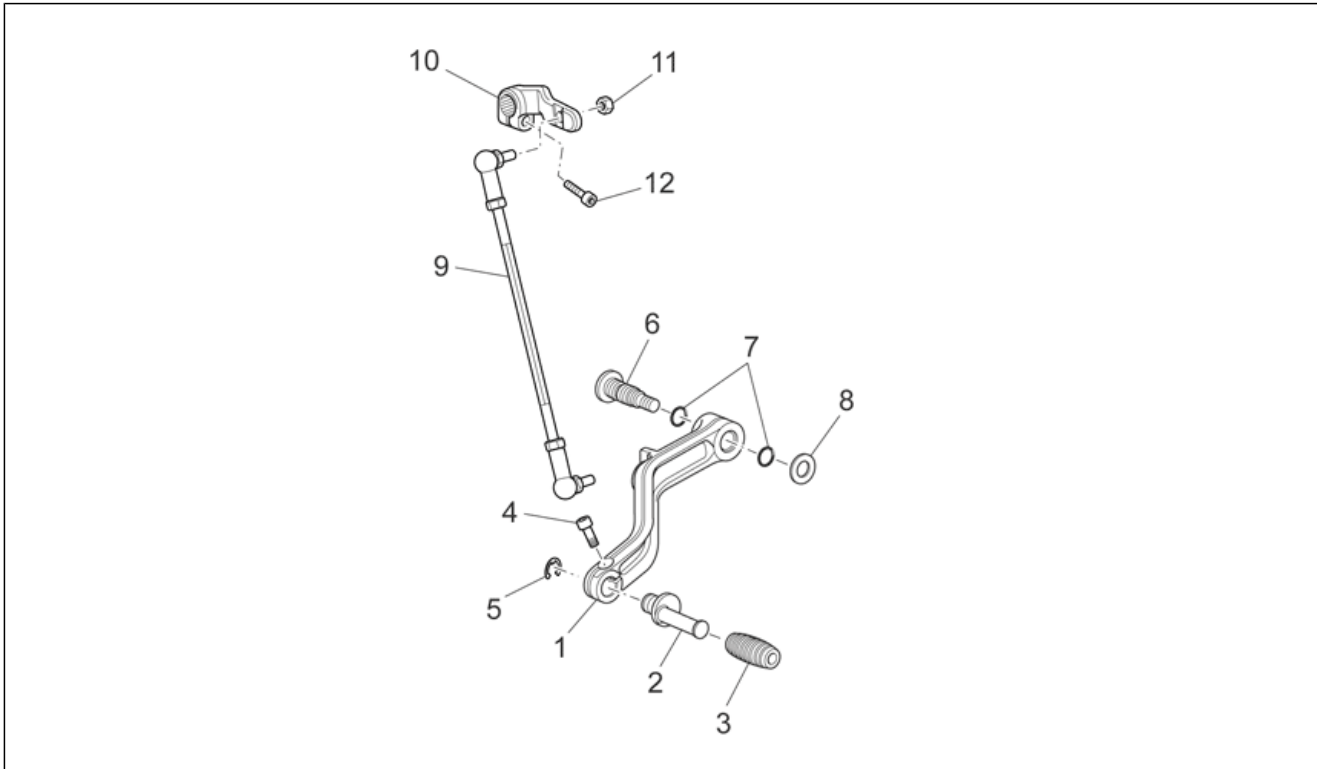
Pos.	Code	Beschreibung	Menge	Varianten
1	AP8121567	Bolzen	4	
2	AP8152409	Sperring	4	
3	884095	Fussrasten r. New	1	
3	977822	Fussrasten r. Old	1	
4	GU30441005	Stift	2	
5	884096	Fussrasten l. New	1	
5	977823	Fussrasten l. Old	1	
6	AP8221277	Rückholfeder	2	
7	AP8134451	Fixierplatte	4	
8	884097	Soziusraste rechts New	1	
8	977824	Soziusraste rechts Old	1	
9	AP8121133	Schraubenfederkompr.	2	
10	AP8101861	Kugel D6,35	2	
11	884098	Soziusraste links New	1	
11	977825	Soziusraste links Old	1	

Einheit	RAHMEN
Code	33.04
Beschreibung	Fussrasten II
Inspektion	1



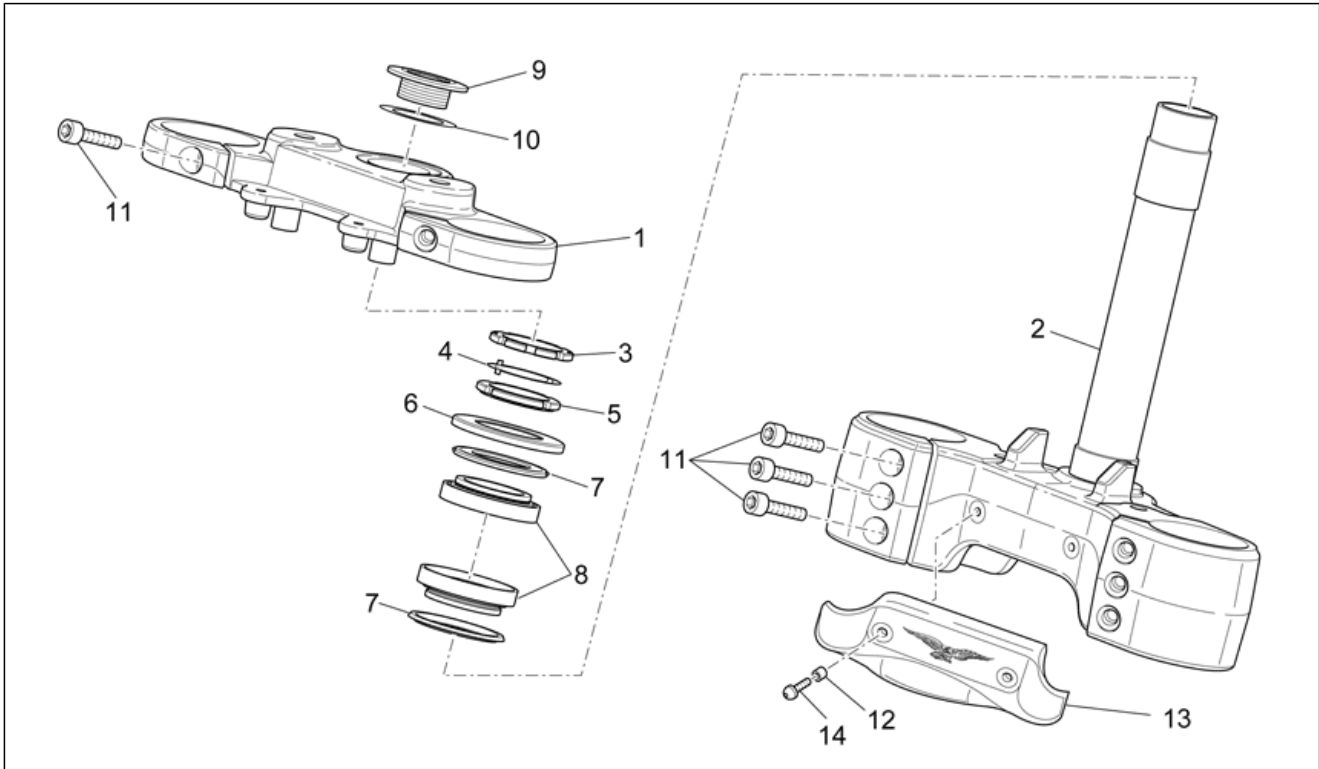
Pos.	Code	Beschreibung	Menge	Varianten
1	977052	Rechts Platte	1	
2	GU98700475	Zylinderschraube M8x75	4	
3	AP8121805	Distanzscheibe 8,2x14x49,5	4	
4	AP8152300	Selbstsperrende Mutter M8	6	
5	GU98700430	Zylinderschraube M8x30	4	
6	977053	Links Platte	1	
7	GU06445900	Rechter schutz	1	
8	GU98710215	TCCCE Schraube	4	
9	GU06445901	Linker schutz	1	
10	GU06446000	Halter linke Soziusfußr.	1	
11	GU06447501	Linker schutz	1	
12	GU05446431	Ring	2	
13	GU98350210	TBEI Schraube	6	
14	GU06443500	Halter rechte Fußraste	1	
15	GU98700530	Zylinderschraube M10x30	4	
16	GU06447500	Rechter schutz	1	
17	GU98370412	TBEI Schraube M4x12	4	
18	AP8120428	Kabelführungs	1	

Einheit	RAHMEN
Code	33.05
Beschreibung	Schalthebel
Inspektion	1



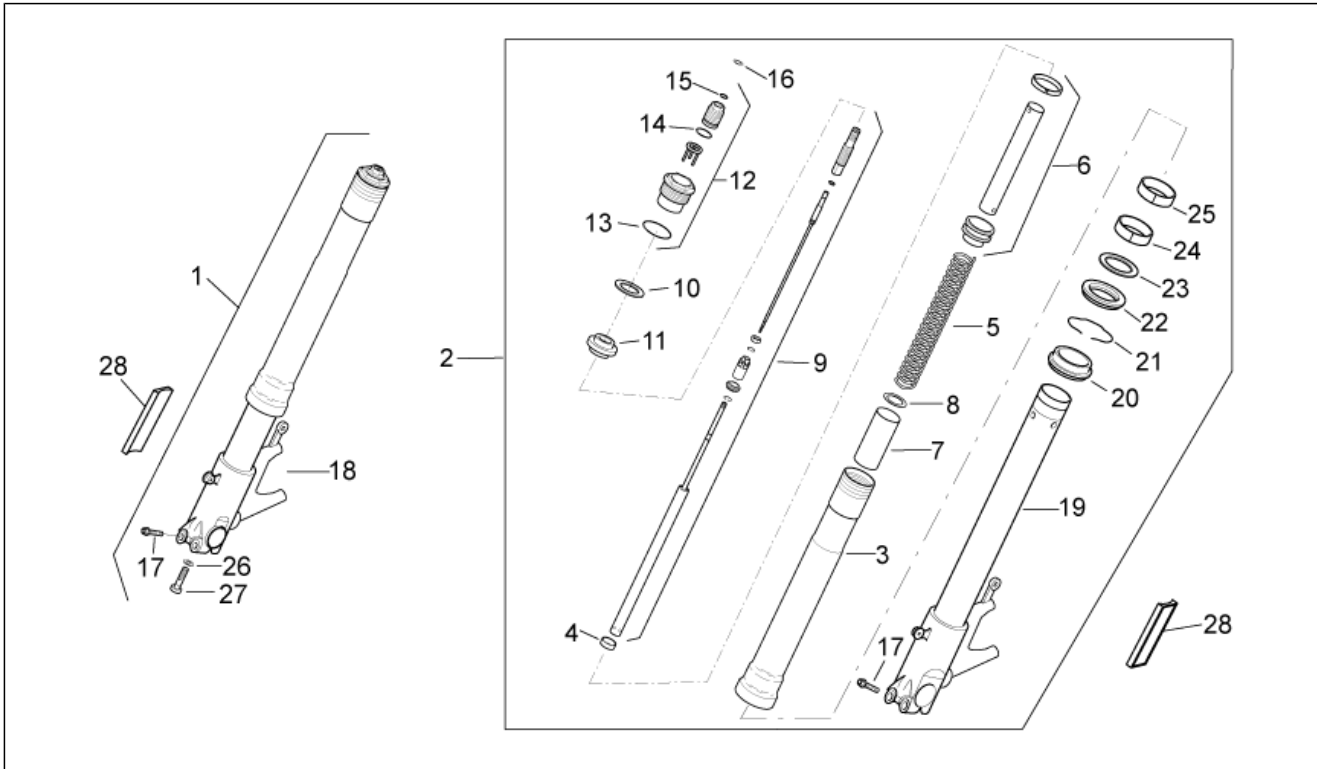
Pos.	Code	Beschreibung	Menge	Varianten
1	GU06250900	Schalthebel	1	
2	AP8121221	Stift Bremshebel	1	
3	AP8120912	Gummi für Hebel	1	
4	GU98682316	TCEI Schraube M6x16	1	
5	AP8150462	Seegerring d9	1	
6	AP8121223	Stift Hinterradbremshieb.	1	
7	AP8144007	O-Ring 11,11x1,78	2	
8	GU95008210	Ausgleichscheibe 10,2X18X2	1	
9	GU06257800	Spannstange f.Getriebe,Kpl.	1	
10	GU05256930	Umlenkhebel	1	
11	GU92630707	Mutter	2	
12	GU98682320	TCEI Schraube M6x20	1	

Einheit	RAHMEN
Code	33.06
Beschreibung	Lenkung
Inspektion	1



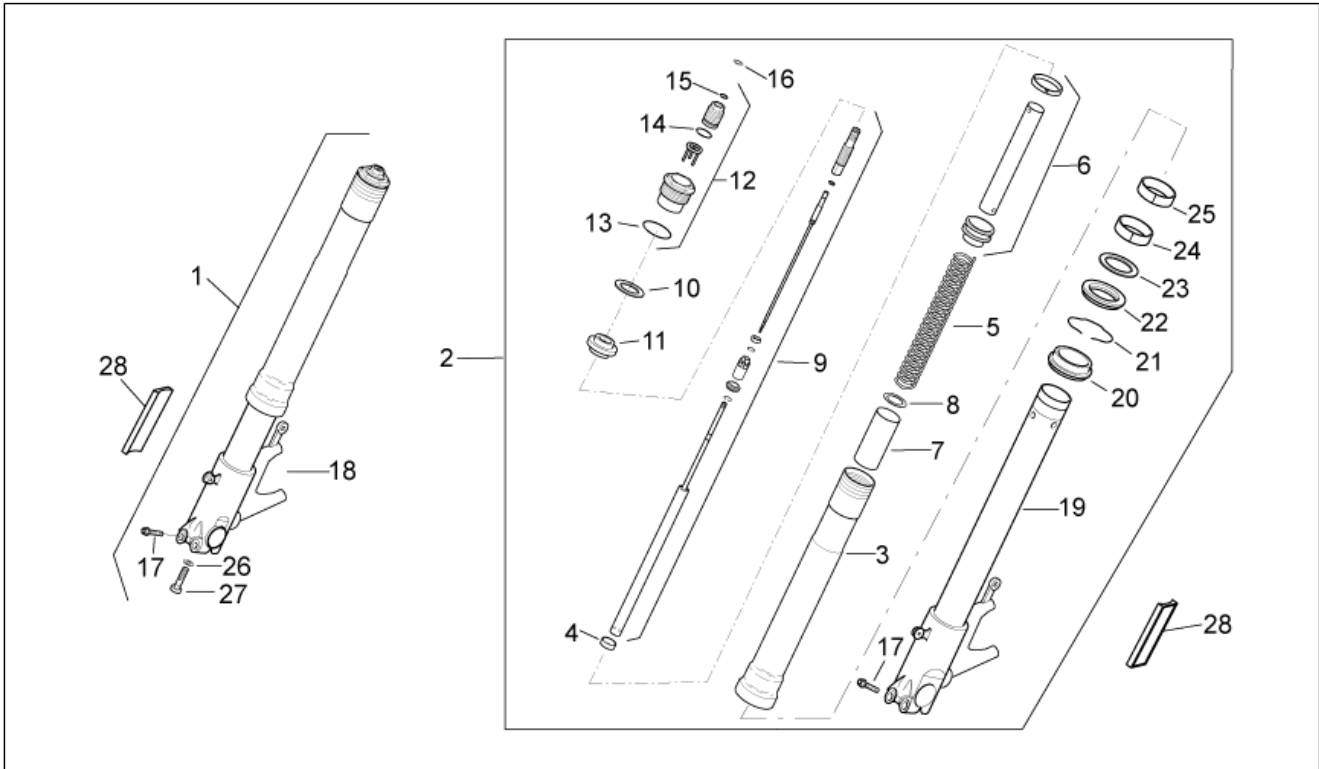
Pos.	Code	Beschreibung	Menge	Varianten
1	GU06493100	Ob. Gabelplatte	1	
2	GU06494000	Fuß mit Rohr	1	
3	AP8123643	Gegenmutter	1	
4	AP8121207	Sicherheitspl. Lenkung	1	
5	AP8123642	Nutmutter	1	
6	AP8123644	Staubschutzring	1	
7	AP8123641	Staubschutzring	2	
8	AP8110077	Axialkugellager	2	
9	AP8121346	Fixierbuchse ob. Platte	1	
10	AP8152384	Scheibe Lenkkopf	1	
11	GU98700430	Zylinderschraube M8x30	8	
12	AP8221036	Buchse 5,3x8x7,1	2	
13	GU05658431	Fixierplatte Bremsschlauch	1	
14	AP8152298	TBEI Schraube m.Flansch M5x16	2	

Einheit	RAHMEN
Code	33.07
Beschreibung	Vorderradgabel
Inspektion	1



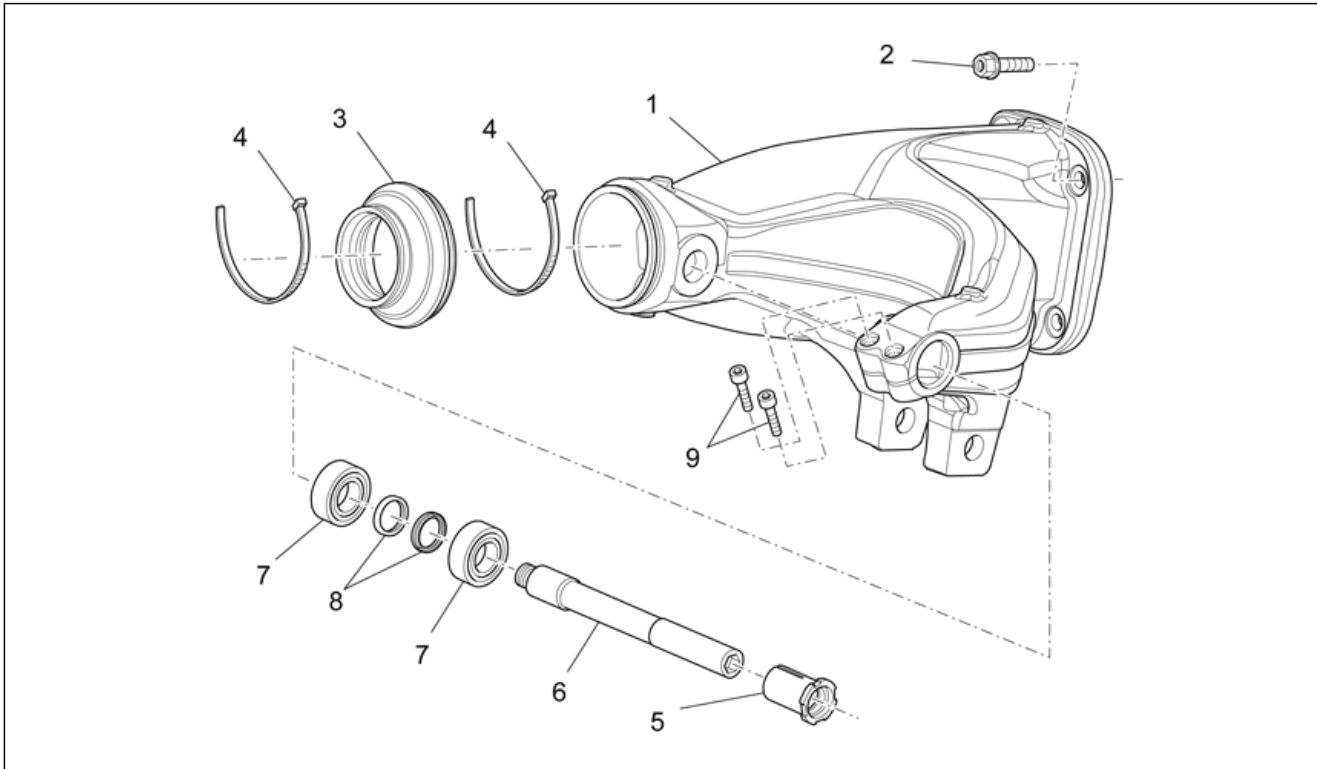
Pos.	Code	Beschreibung	Menge	Varianten
1	978160	Kolbenstange Radial rch	1	
2	978159	Kolbenstange Radial lks	1	
3	978487	Hülse	2	
4	AP8123810	Anschlußhülse Pumpenrad	2	
5	AP8163495	Feder	2	
6	AP8123832	Vorspannschlauch kpl	2	
7	AP8123835	Distanzscheibe	2	
8	AP8123836	Ausgleichscheibe	2	
9	AP8163496	Pumpenrad kplt.	2	
10	AP8123816	Ausgleichscheibe	2	
11	AP8123815	Ring	2	
12	AP8123817	Versch. Schaft kpl.	2	
13	AP8123834	O-Ring	2	
14	AP8123819	O-Ring	2	
15	AP8123820	O-Ring	2	
16	AP8123821	Sperring	2	
17	AP8152290	TE Schr. m. Flansch M8x40	4	
18	978456	***Klinke rechts	1	
19	978455	***Klinke links	1	
20	AP8123824	Staubschutz	2	
21	981013	Seegerring	2	
22	AP8123825	Ölabstreifring	2	
23	981012	Ring	2	
24	AP8123827	Buchse D.47,1xd.43xh.20	2	
25	AP8123828	Gleitbuchse D.44,5xd.41,1xh.20	2	
26	AP8123811	Spezial-U-scheibe	2	
27	AP8123812	Schraube M10x1,5	2	
28	GU05781630	Rückstrahler, gelb	2	Land:Canadian[CA], United States of America[USA]

Einheit	RAHMEN
Code	33.07
Beschreibung	Vorderradgabel
Inspektion	1



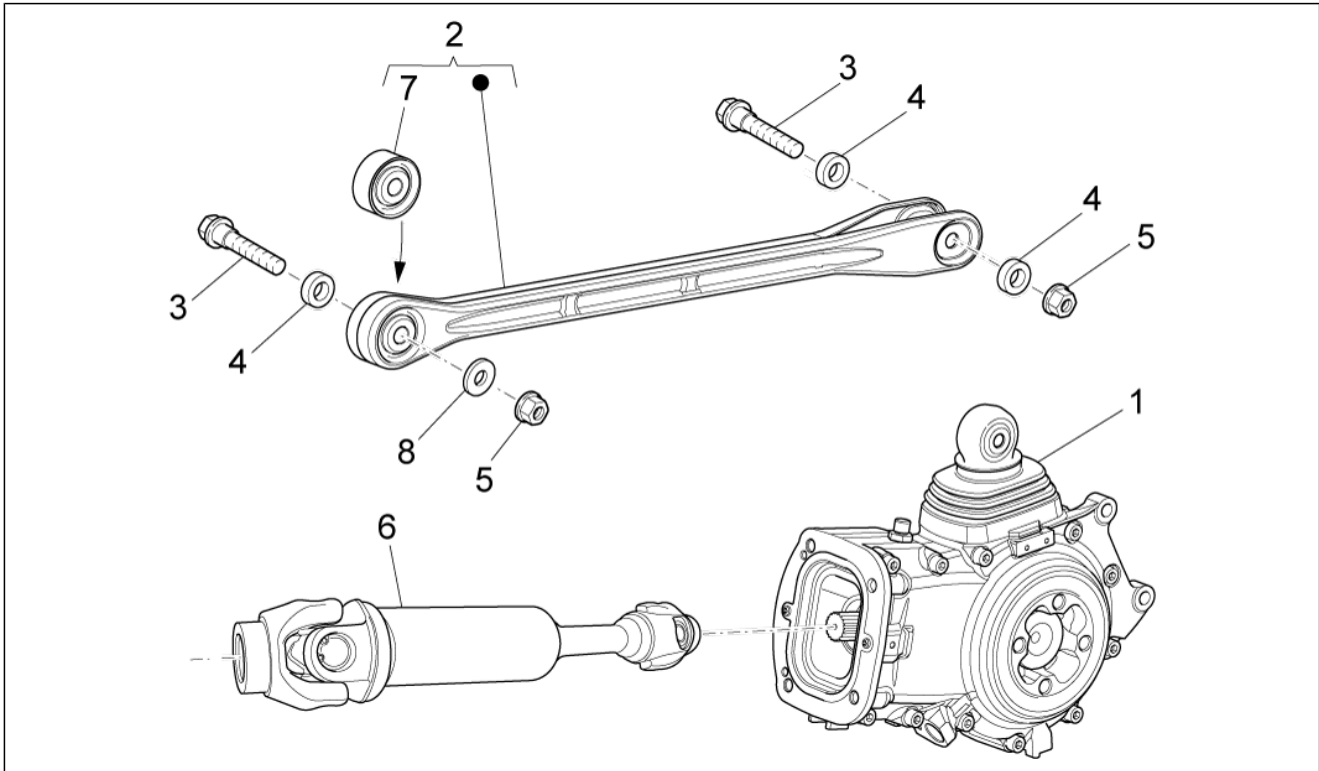
Pos.	Code	Beschreibung	Menge	Varianten
				Technische Daten:Standard version[std]

Einheit	RAHMEN
Code	33.08
Beschreibung	Schwinge
Inspektion	1



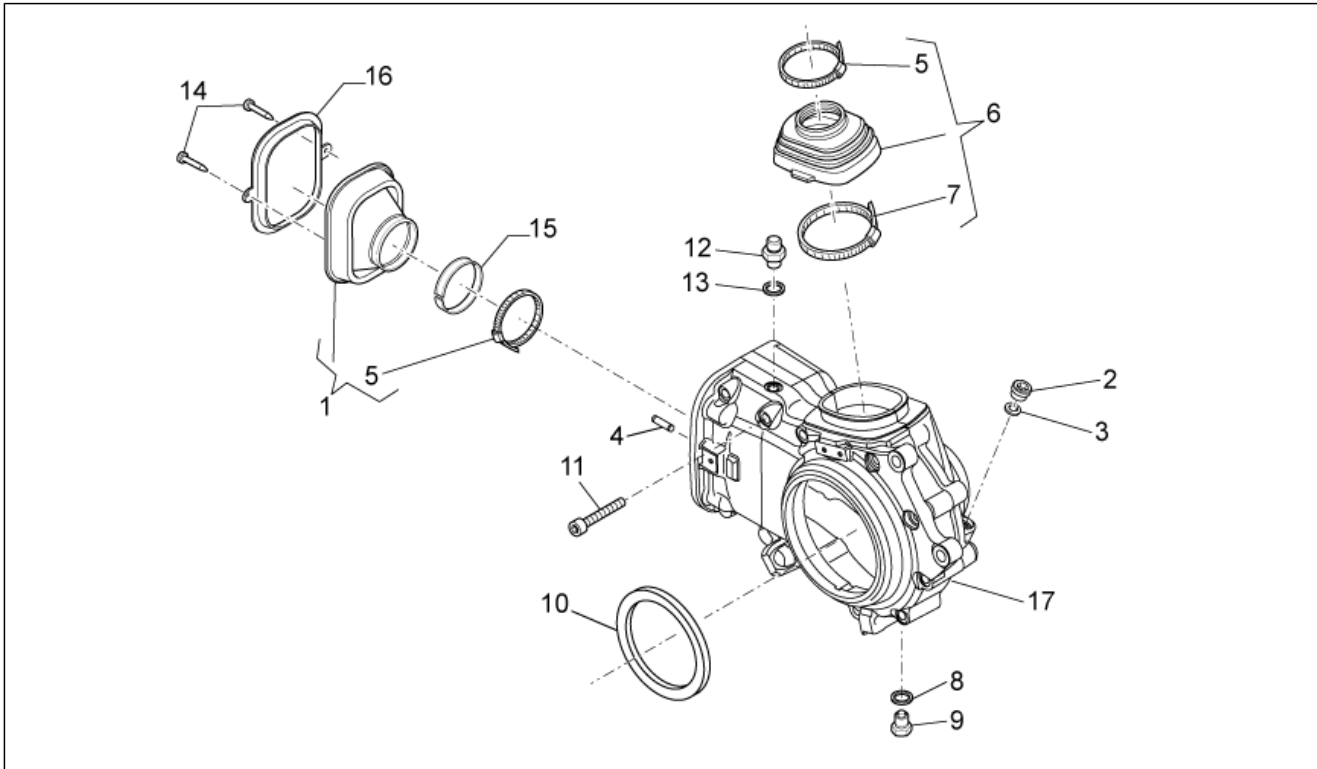
Pos.	Code	Beschreibung	Menge	Varianten
1	978350	Schwinge, schwarz	1	
2	AP8152318	TE Schr. m. Flansch M10x35	4	
3	GU05548030	Gummibalg	1	
4	GU93304390	Schelle 3,6x375	2	
5	GU05547130	Buchse	1	
6	GU05547030	Bolzen	1	
7	GU92249224	Rollenlager 25x47x17	2	
8	GU05547930	Gasket ring	2	
9	GU98682325	TCEI Schraube M6x25	2	

Einheit	RAHMEN
Code	33.09
Beschreibung	Getriebe kpl.
Inspektion	1



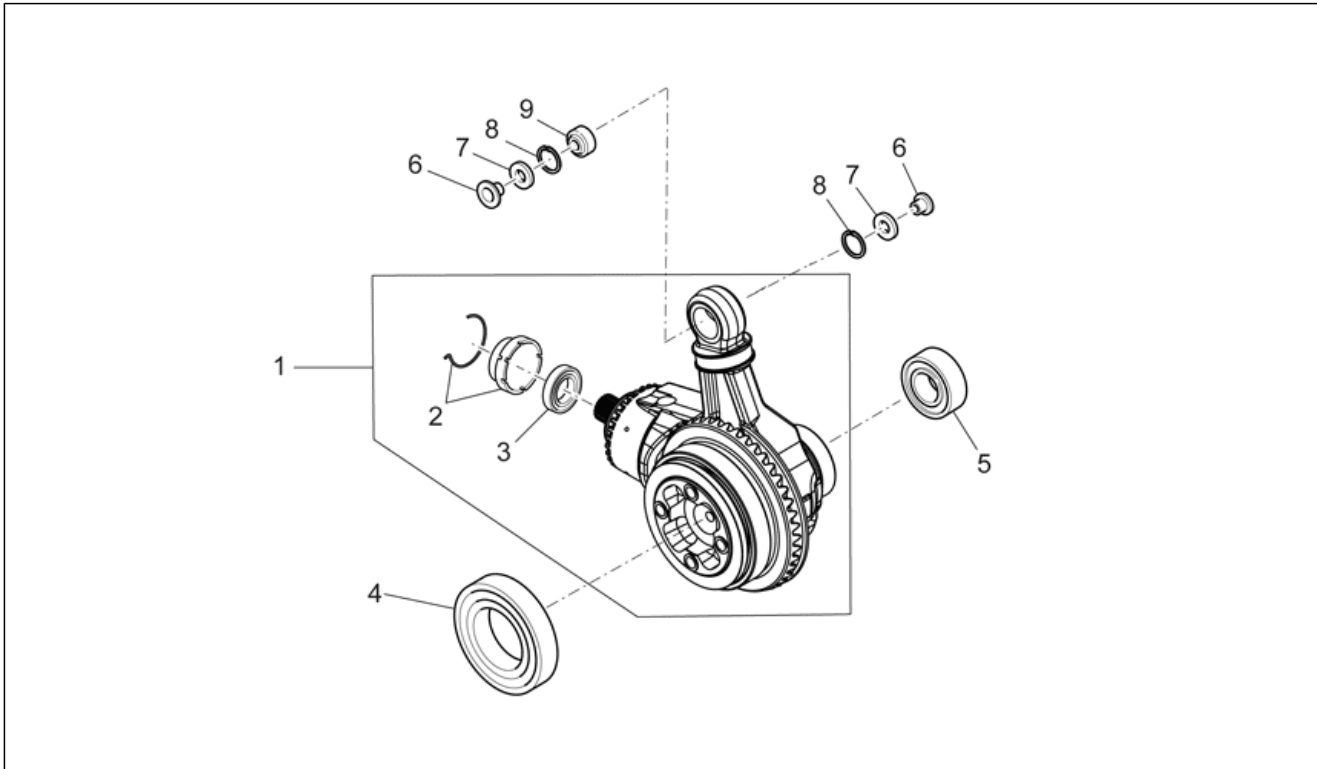
Pos.	Code	Beschreibung	Menge	Varianten
1	976570	Kraftübertragung, kpl.schwarz	1	
2	883046	Reaktionsstange kompl.	1	
3	AP8152410	TE Schr. m. Flansch M10x55	2	
4	AP8121218	Distanzscheibe 10,2x20x4	3	
5	AP8152242	Mutter	2	
6	GU05326330	Getriebe	1	
7	883045	Schwingschutzlager	1	
8	GU14018400	Ausgleichscheibe 10,5X21X1	1	

Einheit	RAHMEN
Code	33.10
Beschreibung	Getriebe kpl.-Häuse
Inspektion	1



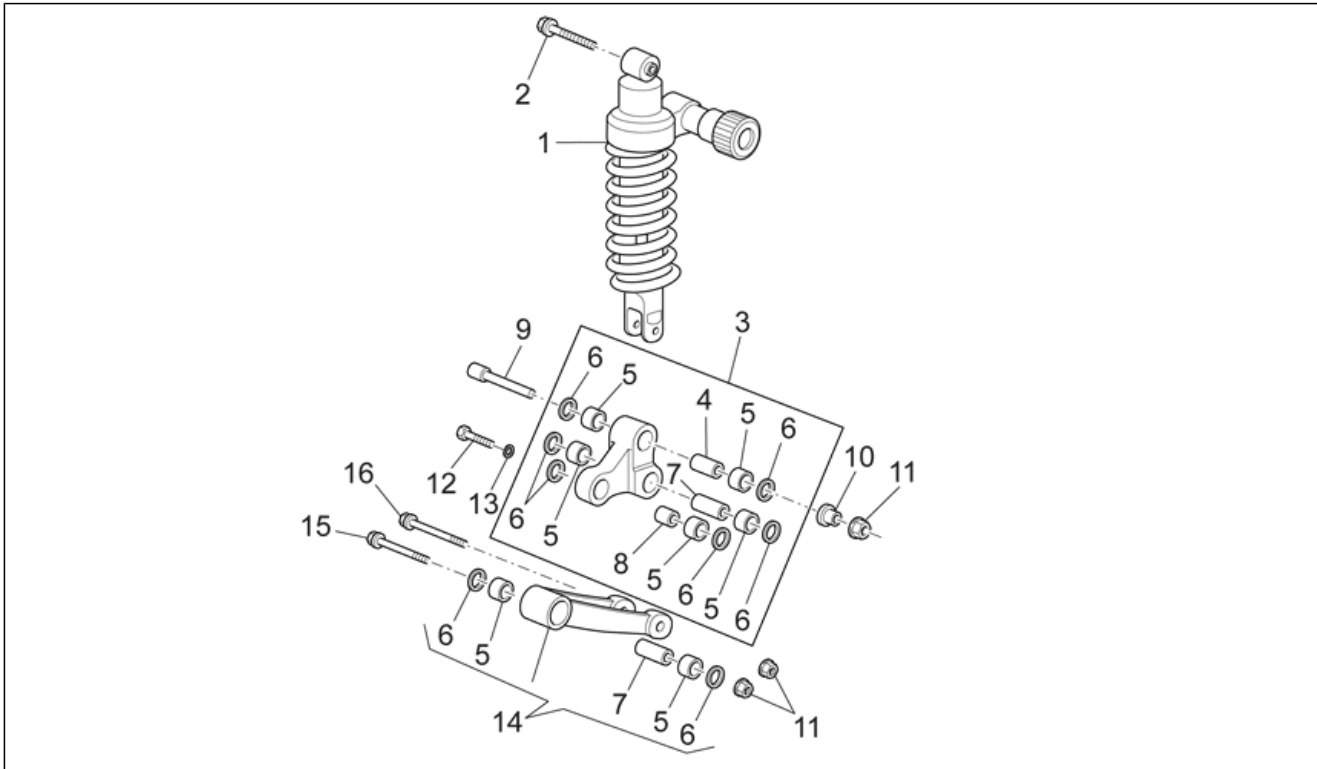
Pos.	Code	Beschreibung	Menge	Varianten
1	GU05358330	Staubschutzhaube	1	
2	GU05351230	Ölschraube M12x1,5	1	
3	GU90718120	Ausgleichscheibe	1	
4	GU95510620	Stift 6x20	2	
5	GU05358130	Schelle	2	
6	GU05358030	Staubschutzhaube	1	
7	GU05358230	Schelle	1	
8	GU01528930	Dichtung 10x18x1,5	1	
9	GU31003766	Ölablaßschraube M10x1	1	
10	GU90408511	Gasket ring 85x110x8BASL	1	
11	GU98680450	TCEI Schraube M8x50	11	
12	GU05206530	Entlüftungsschraube	1	
13	GU01528930	Dichtung 10x18x1,5	1	
14	GU99210406	Schraube M3,9x6,5	2	
15	GU05358530	Ring	1	
16	GU05358630	Dichtung	1	
17	978392	Kraftübertragungsgehäuse schw.	1	

Einheit	RAHMEN
Code	33.11
Beschreibung	Getriebe kpl.-Teilerradsatz
Inspektion	1



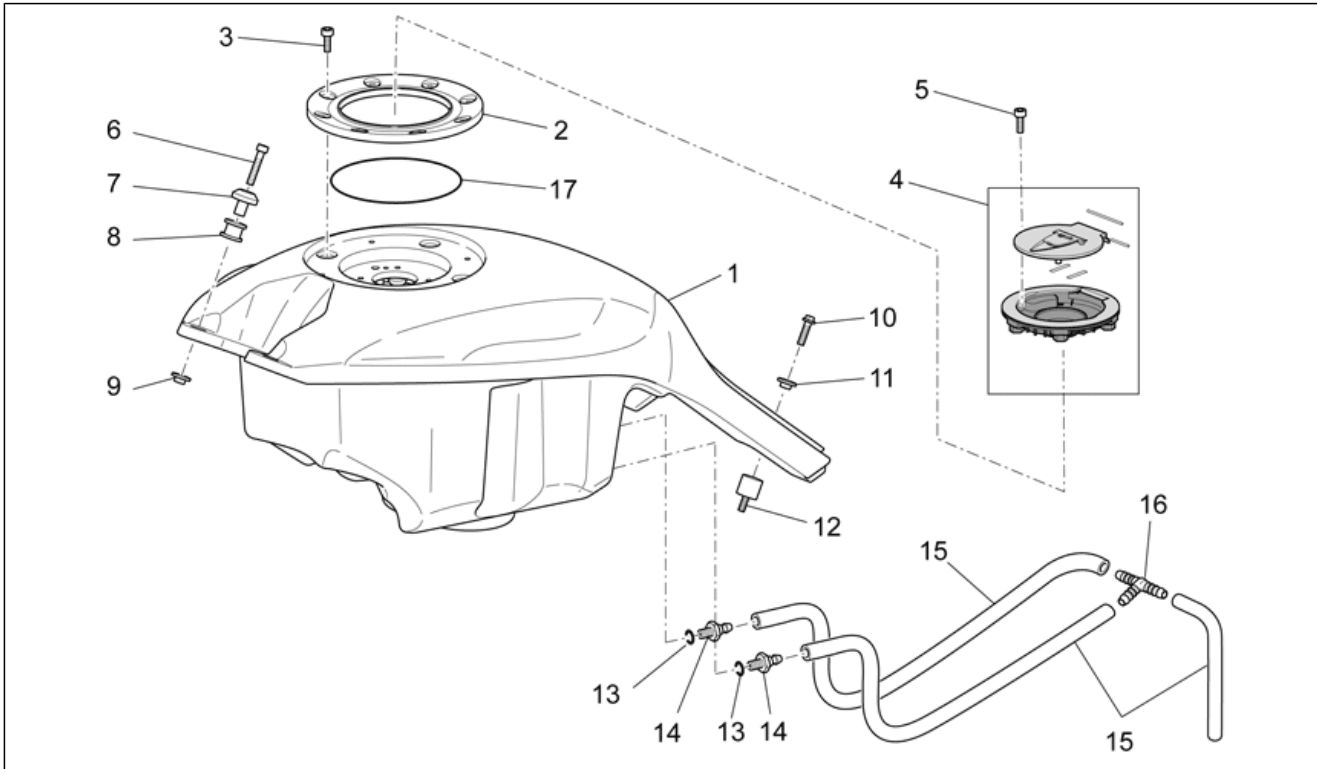
Pos.	Code	Beschreibung	Menge	Varianten
1	976581	Teilerradsatz kit 12/44	1	
2	GU05352430	Nutmutter	1	
3	GU90404558	Gasket ring 45x58x7	1	
4	GU92208518	Kugellager 85x120x18	1	
5	GU92204230	Kugellager 30x62x16	1	
6	AP8121098	Buchse	2	
7	AP8120485	Gasket ring	2	
8	GU90273026	Seegerring	2	
9	GU05638130	Kugelgelenk	1	

Einheit	RAHMEN
Code	33.12
Beschreibung	Pleuelstange und Stoßdämpfer
Inspektion	1



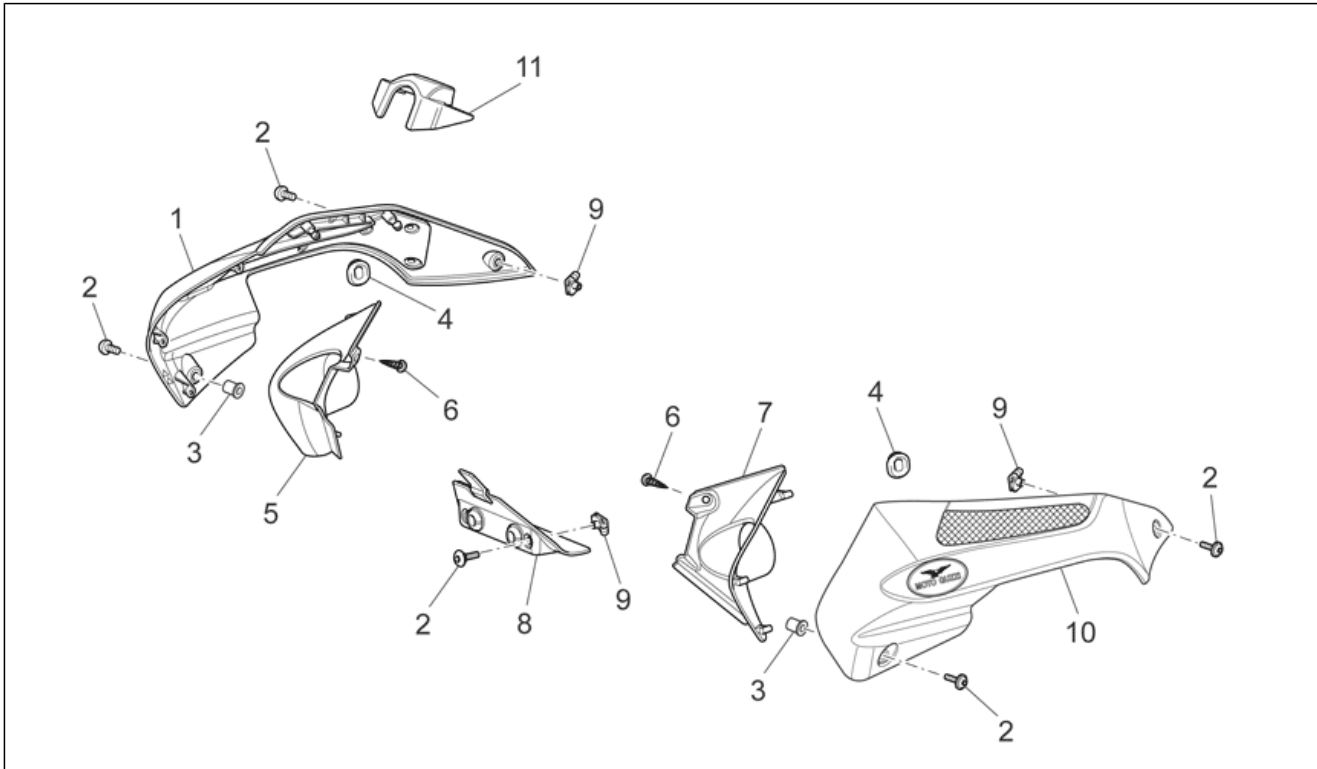
Pos.	Code	Beschreibung	Menge	Varianten
1	GU06550200	Stoßdämpfer	1	
2	AP8152398	TE Schr. m. Flansch M10x80	1	
3	GU05560330	Doppelte Pleuelstange	1	
4	AP8135924	Pleuelbolzen L40	1	
5	AP8110066	Nadellager	7	
6	AP8110068	Ölabstreifring D18x24x3	8	
7	GU05562030	Pleuelbolzen L47	2	
8	AP8135608	Pleuelbolzen L25	1	
9	AP8152397	TCEI Schraube M10x82	1	
10	AP8121155	T-Buchse *	1	
11	AP8152301	Selbstsperrende Mutter	3	
12	AP8152147	Sechskantschraube M10x47	1	
13	AP8150292	Gebogene Sprengscheibe *	1	
14	GU05562430	Einfache Pleuelstange	1	
15	AP8152482	TE Schr. m. Flansch M10x85	1	
16	AP8152396	TE Schr. m. Flansch M10x95	1	

Einheit	RAHMEN
Code	33.13
Beschreibung	Kraftstofftank
Inspektion	1



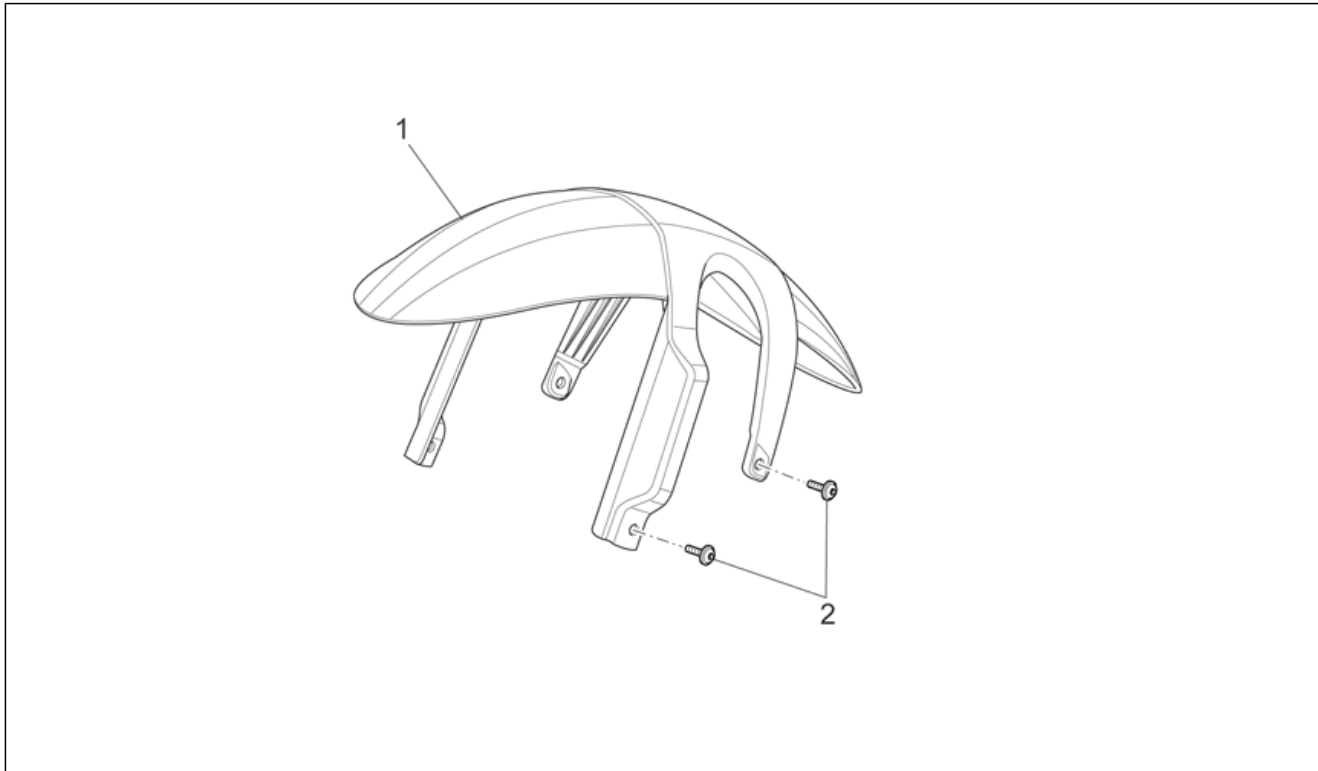
Pos.	Code	Beschreibung	Menge	Varianten
1	88797200YE3	Kraftstofftank grau	1	Fahrzeugfarbe: Black Devil[b/d] Technische Daten: Decalcato[D]
1	GU06100200	Kraftstoffbehälter hne farbe	1	Fahrzeugfarbe: Blank[gr]
1	GU0610020000BM	Kraftstofftank, weiß	1	Fahrzeugfarbe: Diamond Light 2007[d/wh] Technische Daten: Decalcato[D]
1	GU0610020000Y01	Kraftstofftank, rot	1	Fahrzeugfarbe: Guzzi Red 2007[r/red] Technische Daten: Decalcato[D]
1	GU0610020000Y02	Kraftstofftank, schwarz	1	Fahrzeugfarbe: Guzzi Black 2007[g/bl] Technische Daten: Decalcato[D]
1	GU0610020000YV2	Kraftstofftank grün	1	Fahrzeugfarbe: Tenni Green 2009 (s.t.883601)[t/gn] Technische Daten: Decalcato[D]
2	GU06102300	Nutmutter für Verschluss	1	
3	GU98710215	TCCCE Schraube	8	
4	GU06103900	Tankverschluss	1	
5	B043864	TCEI Schraube M5x14	4	
6	GU98680340	TCEI Schraube M6x40	2	
7	GU06107100	Aufnahmebüchse Kraftstofftank	2	
8	AP8144328	Gummi	2	
9	AP8121075	T-Buchse *	2	
10	AP8152280	TE Schr. m. Flansch M6x25	2	
11	GU06704901	T-Buchse *	2	
12	GU93222023	Silent-Block	2	
13	GU30103730	Anschluss	2	
14	AP8120965	O-Ring 2018	2	
15	AP8220263	Entlüftungsschlauch Kühler 4x8	3	
16	AP8104666	3-Wegeanschluss	1	
17	977062	O-Ring 164,69X3,53	1	

Einheit	RAHMEN
Code	33.14
Beschreibung	Frontaufbau - Leitblech
Inspektion	1



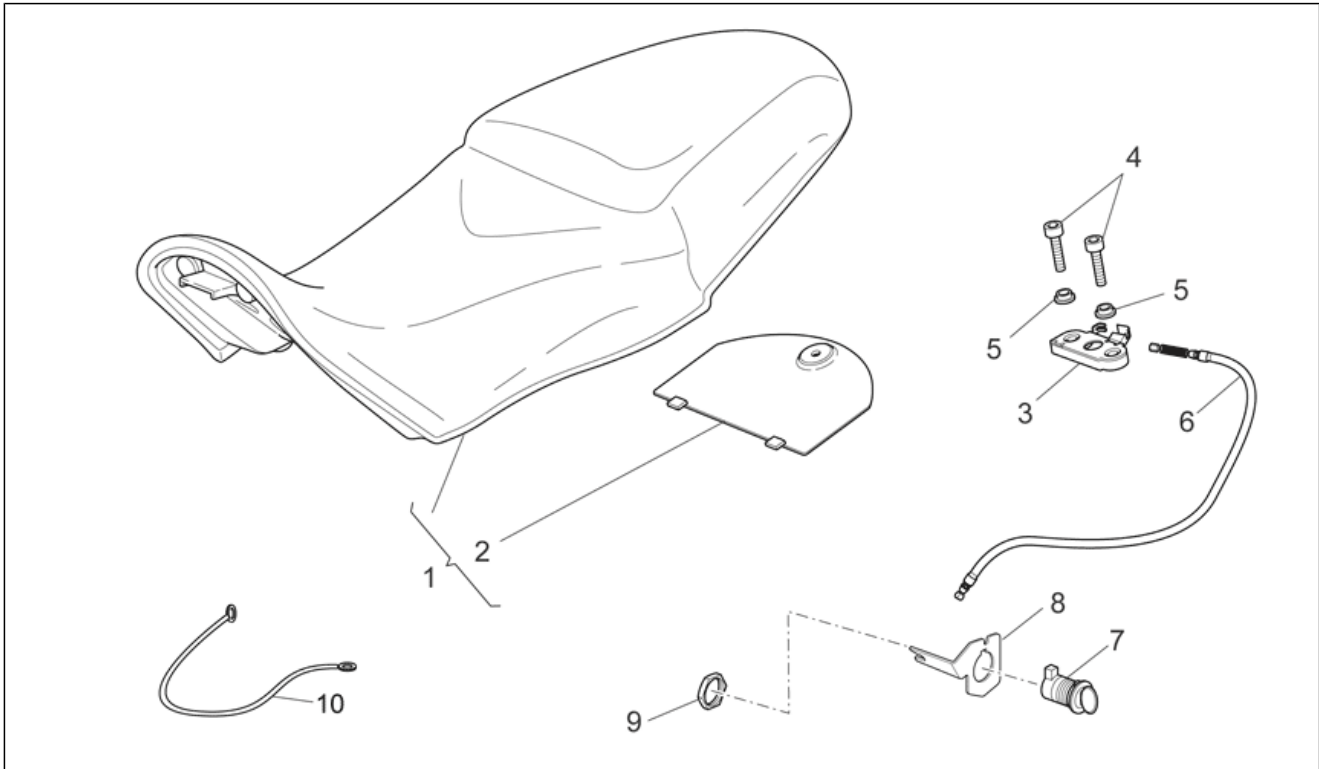
Pos.	Code	Beschreibung	Menge	Varianten
1	88797300YN1	R. Leitblech, schwarz	1	Fahrzeugfarbe: Black Devil[b/d] Technische Daten: Decalcatato[D]
1	97840400BM	Rechtes Leitblech,weiß	1	Fahrzeugfarbe: Diamond Light 2007[d/wh] Technische Daten: Decalcatato[D]
1	97840400Y01	R. Leitblech, rot	1	Fahrzeugfarbe: Guzzi Red 2007[r/red] Technische Daten: Decalcatato[D]
1	97840400Y02	R. Leitblech, schwarz	1	Fahrzeugfarbe: Guzzi Black 2007[g/bl] Technische Daten: Decalcatato[D]
1	97840400YV2	Leitblech re.grün lack.	1	Fahrzeugfarbe: Tenni Green 2009 (s.t.883601)[t/gn] Technische Daten: Decalcatato[D]
2	AP8152302	TBEI Schraube m.Flansch M5x12	8	
3	GU93231605	Vibrierenfende Buchse	2	
4	AP8220162	Gummi	4	
5	GU06576800	Schloss re.	1	
6	AP8150413	Gew.schr. 3,9x14	6	
7	GU06576900	Schloss li.	1	
8	GU06729800	Schutz	1	
9	AP8102375	Klammer m5	2	
10	88797400YN1	L. Leitblech, schwarz	1	Fahrzeugfarbe: Black Devil[b/d] Technische Daten: Decalcatato[D]
10	97840500BM	Leitblech li.weiß lack.	1	Fahrzeugfarbe: Diamond Light 2007[d/wh] Technische Daten: Decalcatato[D]
10	97840500Y01	Linkes Leitblech, rot	1	Fahrzeugfarbe: Guzzi Red 2007[r/red] Technische Daten: Decalcatato[D]
10	97840500Y02	L. Leitblech, schwarz	1	Fahrzeugfarbe: Guzzi Black 2007[g/bl] Technische Daten: Decalcatato[D]
10	97840500YV2	Leitblech li.grün lack.	1	Fahrzeugfarbe: Tenni Green 2009 (s.t.883601)[t/gn] Technische Daten: Decalcatato[D]
11	GU06783600	Schutzabdeckung	1	

Einheit	RAHMEN
Code	33.15
Beschreibung	Vorderes Schutzblech
Inspektion	1



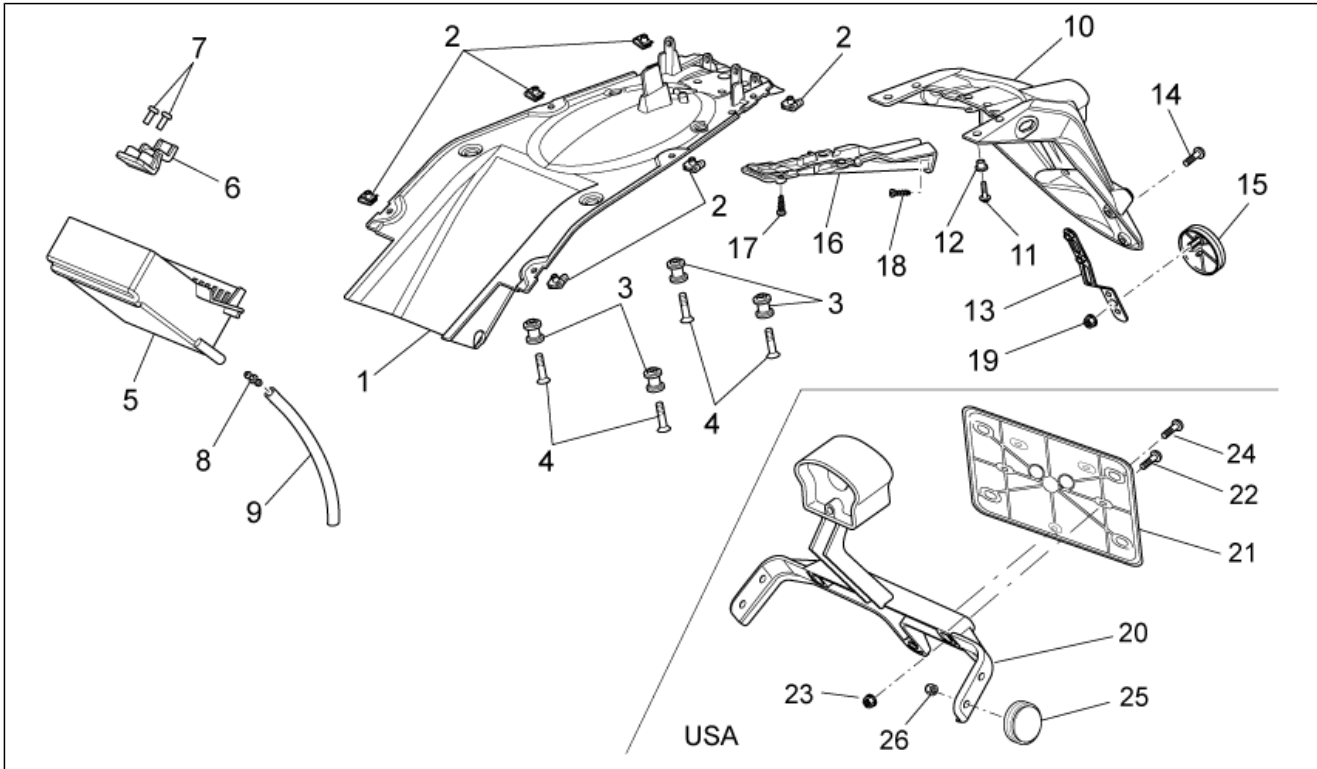
Pos.	Code	Beschreibung	Menge	Varianten
1	GU06434300	Vorder Schutzblech ohne farbe	1	
1	GU0643430000BM	Vorderes Schutzblech, weiss	1	Fahrzeugfarbe: Diamond Light 2007[d/wh]
1	GU0643430000YN1	Kotflügel v. schwarz	1	Fahrzeugfarbe: Black Devil[b/d] Technische Daten: Nuova distribuzione a rullini[ND]
1	GU0643430000YV2	Schutzblech vorn grün	1	Fahrzeugfarbe: Tenni Green 2009 (s.t.883601)[t/gn]
1	GU06434301	Kotflügel v. schwarz	1	Fahrzeugfarbe: Guzzi Black 2007[g/bl]
1	GU06434302	V. Schutzblech, rot	1	Fahrzeugfarbe: Guzzi Red 2007[r/red]
2	AP8152339	TBEI Schraube m.Flansch M5x9	4	

Einheit	RAHMEN
Code	33.16
Beschreibung	Sitz
Inspektion	1



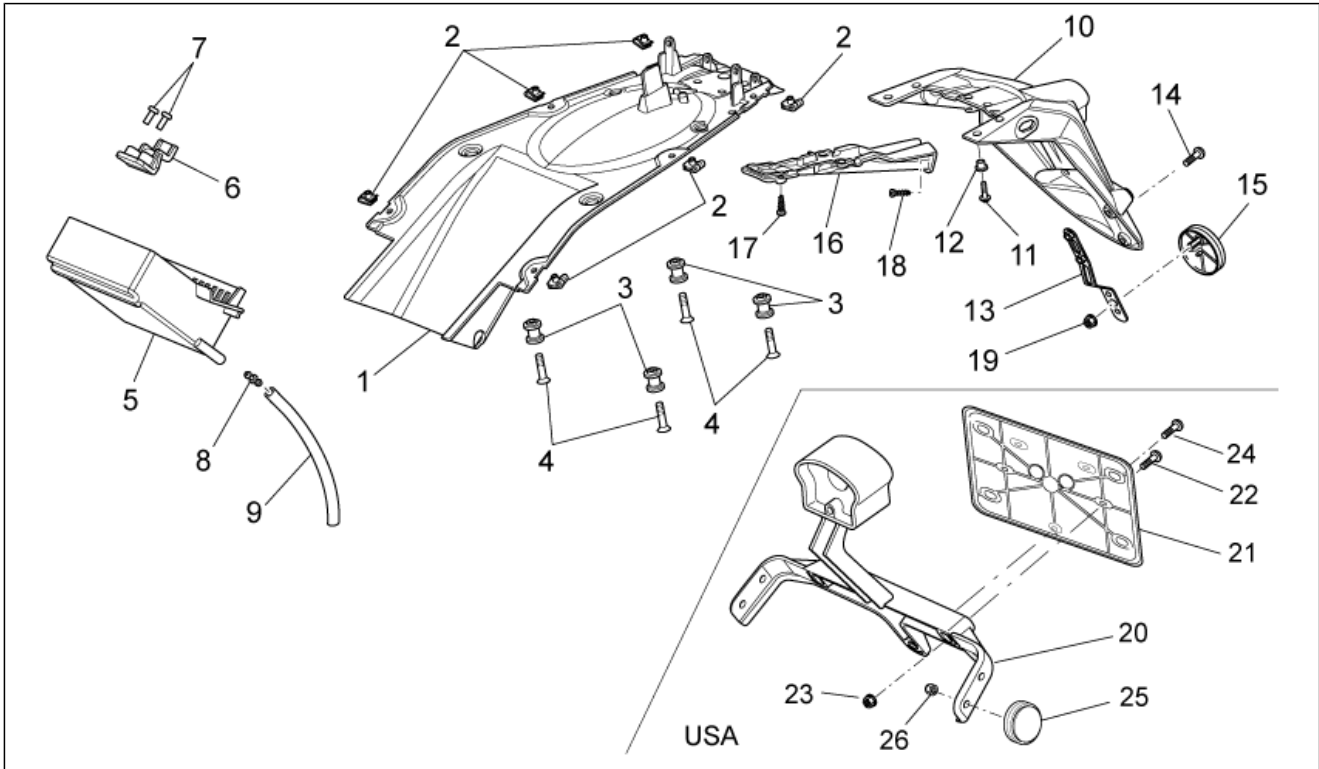
Pos.	Code	Beschreibung	Menge	Varianten
1	883606	Sitz	1	Baujahr: 2010[A], 2011[B] Technische Daten: Versione Special Edition[SE]
1	887976	Sitz	1	Baujahr: 2012[C] Fahrzeugfarbe: Black Devil[b/d] Technische Daten: Versione Special Edition[SE]
1	978239	Sitz	1	Technische Daten: Standard version[std]
2	GU06479600	Klappe	1	
3	AP8102913	Fixierplatte Soziussitz	1	
4	GU98370625	TBEI Schraube	2	
5	AP8152299	Selbstsperrende Mutter M6	2	
6	GU06462100	Sitz-Einkupplungsvorrichtung	1	
7	GU05466830	Sitzschloß	1	
8	AP8134948	Platte	1	
9	AP8102523	Schloß mutter M22x1,5	1	
10	AP8102502	Schutzhelm-Befestigungskabel	1	

Einheit	RAHMEN
Code	33.17
Beschreibung	R.Kar. - Sch.bl
Inspektion	1



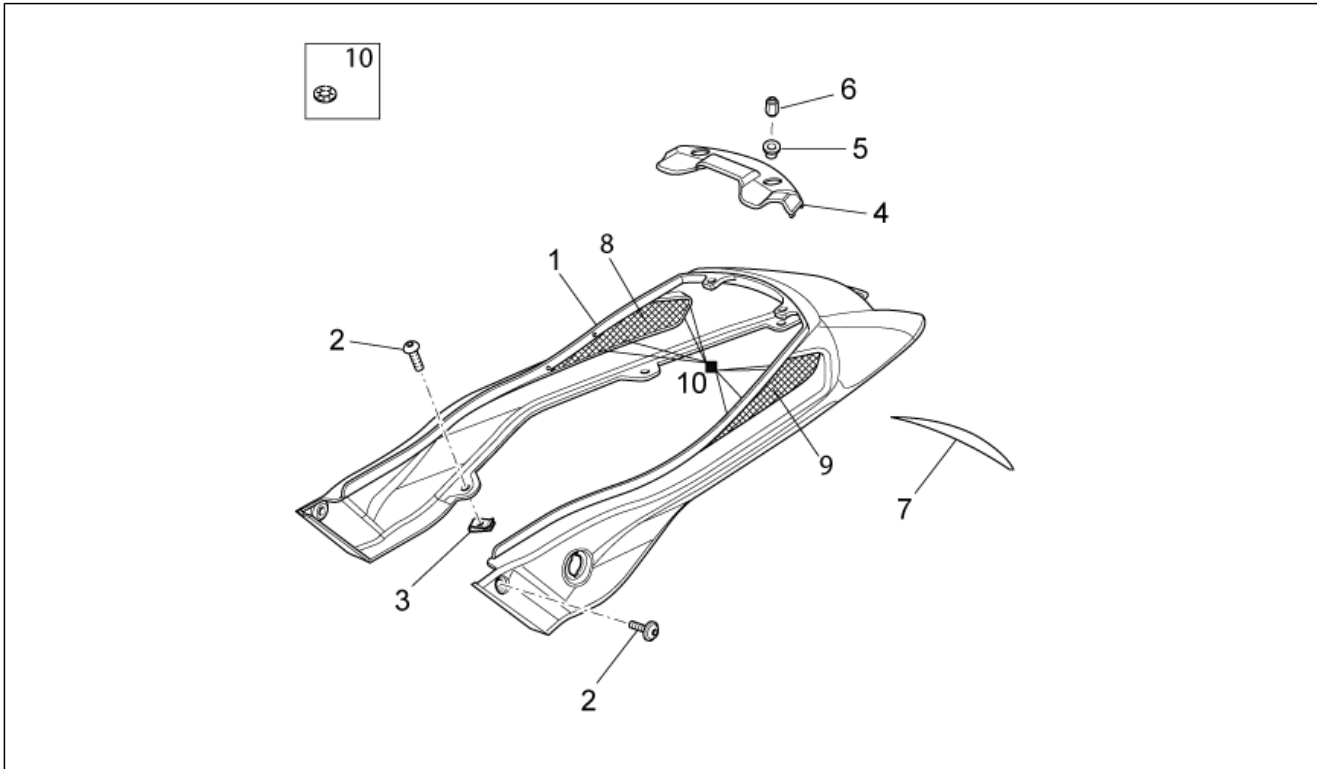
Pos.	Code	Beschreibung	Menge	Varianten
1	GU06438700	Spritzschutz	1	
2	AP8102375	Klammer m5	6	
3	GU06467300	Stiftschraube	4	
4	GU98250835	Schraube	4	
5	GU06704800	Batteriehalter	1	
6	GU06418600	Fixierplatte Batterie	1	
7	AP8150377	Schraube	2	
8	GU06704700	Anschluss	1	
9	AP8220263	Entlüftungsschlauch Kühler 4x8	1	
10	GU06438600	Kennzeichenplatte	1	
11	GU98680222	TCEI Schraube	6	
12	AP8121929	T-Buchse 6,5x8,6x9	6	
13	AP8134448	Rückstrahler-Fixierung	1	
14	AP8152268	TBEI Spez.schr. M5x16	2	
15	AP8224164	Rückstrahler Rücklicht, rot	1	
16	GU06439200	Stütze	1	
17	AP8150413	Gew.schr. 3,9x14	2	
18	AP8150420	Gewindeschraube Edelstahl *	1	
19	AP8152306	Selbstsperrende Mutter m5	1	
20	977421	Kennzeichenplatte	1	Land:Canadian[CA], United States of America[USA] Technische Daten:Standard version[std]
21	AP8149034	Kennzeichenhalter	1	Land:Canadian[CA], United States of America[USA] Technische Daten:Standard version[std]
22	GU98223530	Schraube	2	Land:Canadian[CA], United States of America[USA] Technische Daten:Standard version[std]
23	GU92650035	Geflanschte Mutter	2	Land:Canadian[CA], United States of America[USA] Technische Daten:Standard version[std]
24	AP8152270	TBEI Schraube M5x25	1	Land:Canadian[CA], United States of America[USA] Technische Daten:Standard version[std]

Einheit	RAHMEN
Code	33.17
Beschreibung	R.Kar. - Sch.bl
Inspektion	1



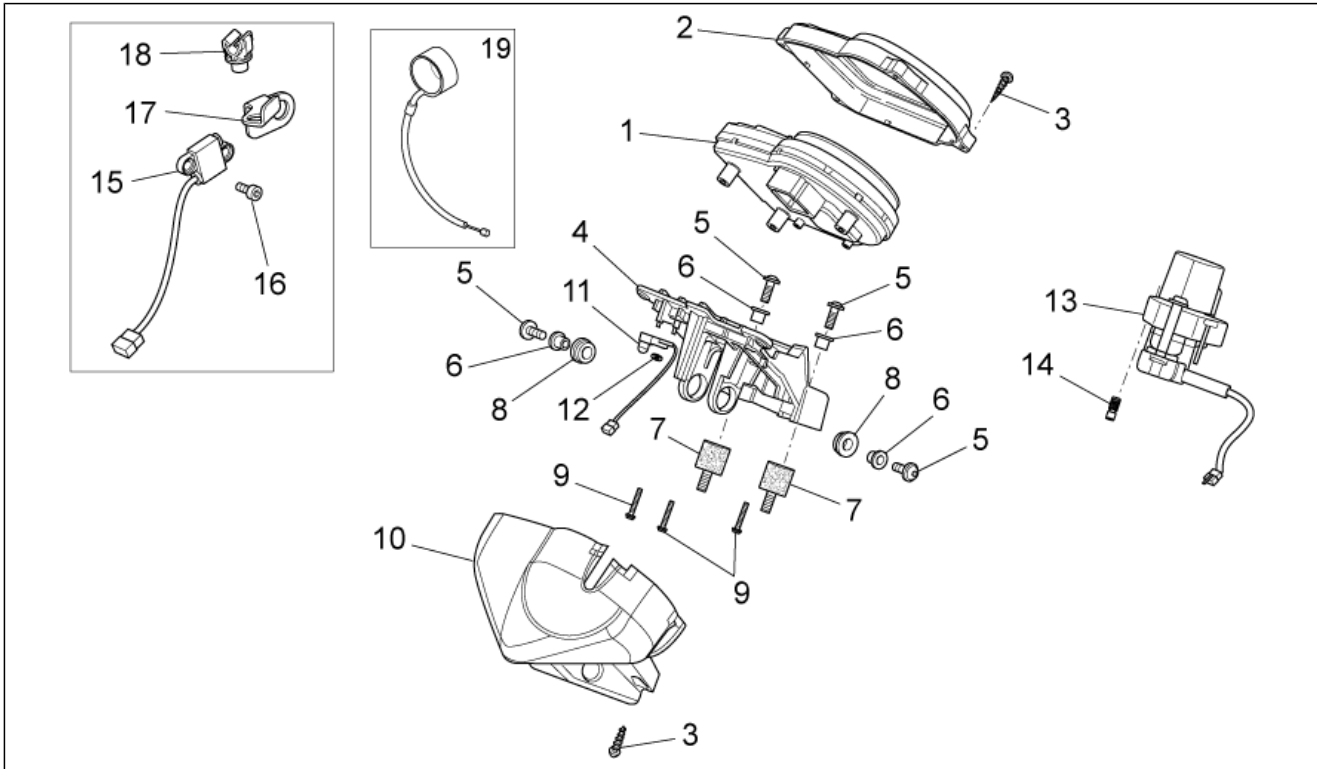
Pos.	Code	Beschreibung	Menge	Varianten
25	AP8224164	Rückstrahler Rücklicht, rot	1	Land:Canadian[CA], United States of America[USA] Technische Daten:Standard version[std]
26	AP8152306	Selbstsperrende Mutter m5	2	Land:Canadian[CA], United States of America[USA] Technische Daten:Standard version[std]

Einheit	RAHMEN
Code	33.18
Beschreibung	R.Kar. - R.verkl.
Inspektion	1



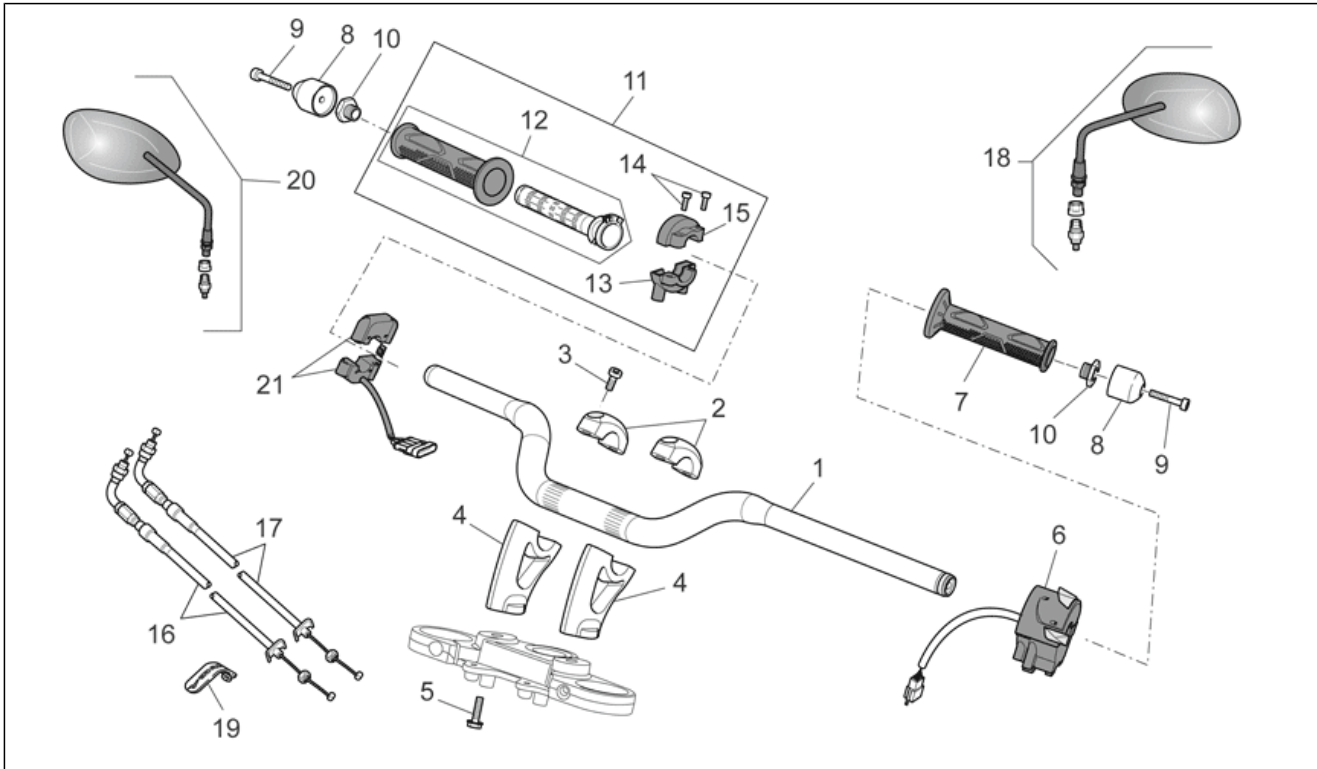
Pos.	Code	Beschreibung	Menge	Varianten
1	88797500YN1	Hint.Verkleid.schwarz	1	Fahrzeugfarbe: Black Devil[b/d] Technische Daten: Decalcato[D]
1	GU0657310000BM	Hi. Verkleidung Weiss	1	Fahrzeugfarbe: Diamond Light 2007[d/wh] Technische Daten: Decalcato[D]
1	GU0657310000Y01	Hint.Verkleid.rot	1	Fahrzeugfarbe: Guzzi Red 2007[r/red] Technische Daten: Decalcato[D]
1	GU0657310000Y02	Hint.Verkleid.schwarz	1	Fahrzeugfarbe: Guzzi Black 2007[g/bl] Technische Daten: Decalcato[D]
1	GU0657310000YV2	Hintere Verkleidung grün	1	Fahrzeugfarbe: Tenni Green 2009 (s.t.883601)[t/gn] Technische Daten: Decalcato[D]
2	AP8152302	TBEI Schraube m.Flansch M5x12	8	
3	AP8102375	Klammer m5	6	
4	GU06573300	Schloss	1	
5	AP8121929	T-Buchse 6,5x8,6x9	2	
6	GU06469200	Distanzscheibe	2	
7	GU06741200	Schwingungsdämpfergummi	1	
8	GU06571500	Netz rechtes Seitenteil	1	
9	GU06571600	Netz linkes Seitenteil	1	
10	AP8150450	Wellenscheibe D5	1	

Einheit	RAHMEN
Code	33.19
Beschreibung	Instrumententafel
Inspektion	1



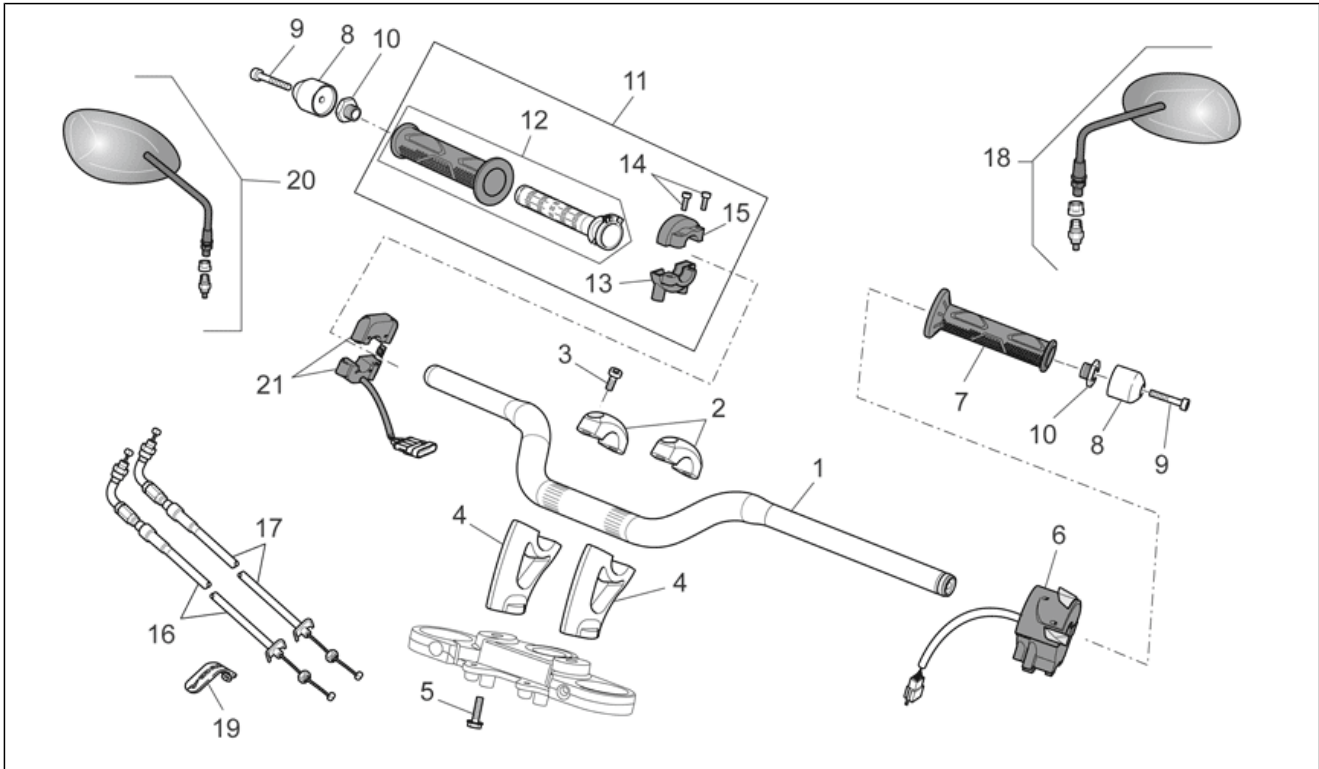
Pos.	Code	Beschreibung	Menge	Varianten
1	883340	Instrum.tafel kplt.	1	
2	GU06765100	Chrom. Instrum.rahmen	1	
3	AP8221242	Gewindeschraube Spezial 3,5x20	7	
4	GU06764000	Halterfassung	1	
5	GU98210616	TBEI Schraube m.Flansch M6x16 inox	4	
6	AP8121795	T-Buchse	4	
7	GU93222023	Silent-Block	2	
8	AP8220228	Gummi *	2	
9	AP8150509	Gew.schr. 5x14	3	
10	883627	Armaturenblettdeckel	1	Technische Daten: Versione Special Edition[SE]
10	GU06765200	Armaturenblettdeckel	1	Technische Daten: Standard version[std]
11	AP8124936	Lufttemperaturfühler	1	
12	GU90274002	Wellenscheibe	2	
13	GU06782500	Lenkschloß	1	
14	GU97260435	Schraube	2	
15	GU06765400	Kilom.zählersens. kplt.	1	
16	AP8152043	TCEI Schraube M4x10	2	
17	GU06765500	Kabelführung	1	
18	AP8121882	Kabelführungs	1	
19	981160	***Antenna	0	

Einheit	RAHMEN
Code	33.20
Beschreibung	Lenkstange - Schaltungen
Inspektion	1



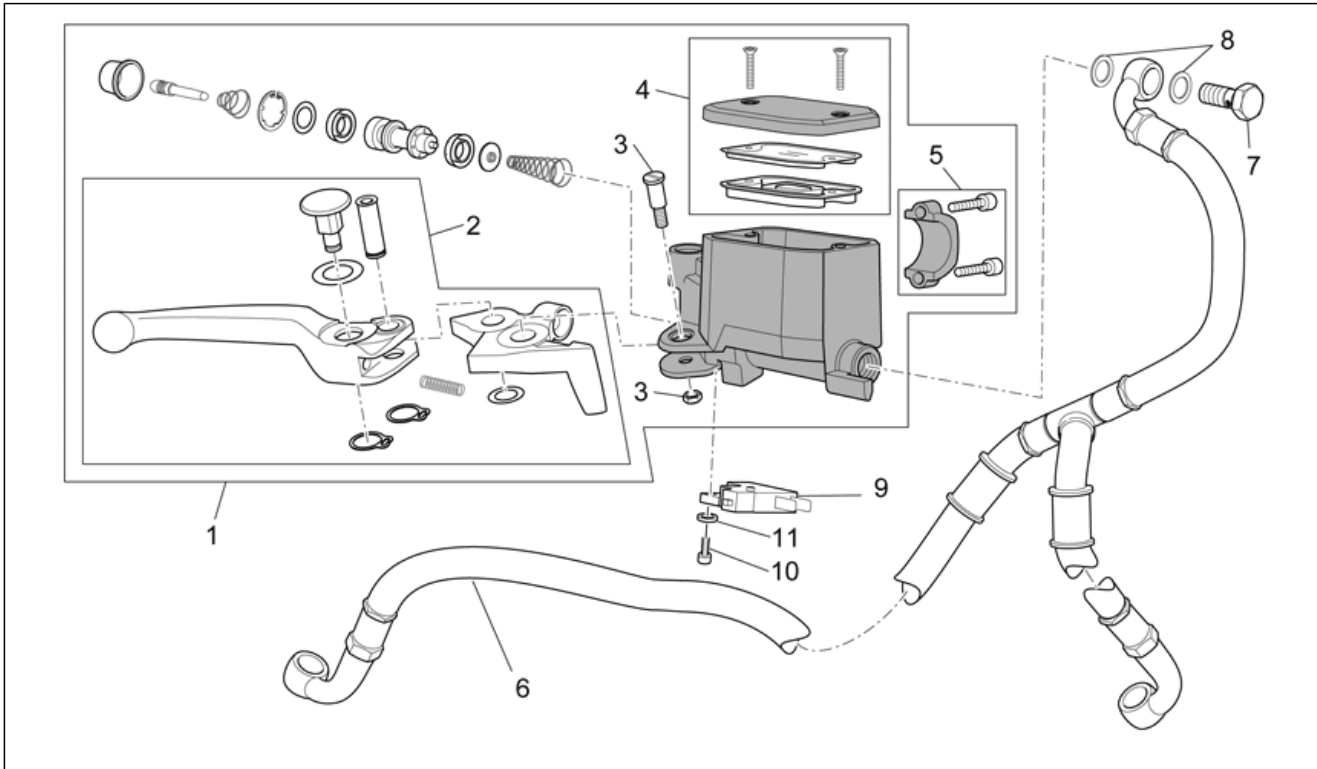
Pos.	Code	Beschreibung	Menge	Varianten
1	978204	Lenkstange	1	
2	GU06500600	Bügelbolzen oben	2	
3	GU98700430	Zylinderschraube M8x30	4	
4	GU06500200	Unter.Bügelbolzen	2	
5	AP8152325	TE Schr. m. Flansch	2	
6	AP8127703	Linker Lichtschalter	1	
7	AP8118579	Links griff	1	
8	GU32602860	Schwingschutzgewicht chr.	2	
9	GU98680340	TCEI Schraube M6x40	2	
10	AP8121520	Endstück Schwinggew.	2	
11	GU05603331	Gasschaltung kpl	1	
12	GU01603480	Rechts griff	1	
13	AP8118502	Gasschaltung V.Bügelbolzen	1	
14	AP8118492	Kappenschraube	2	
15	AP8118503	Gasschaltung H.Bügelbolzen	1	
16	978743	Gas trasmission delivery	1	
17	978744	Gas trasmission return	1	
18	883802	Rückspiegel rechts/links	1	Baujahr: 2007[7], 2008[8], 2009[9] Fahrzeugfarbe: marcato "FU E11 81R-001047"[B] Technische Daten: Standard version[std]
18	978570	Rückspiegel rechts/links	1	Baujahr: 2007[7], 2008[8], 2009[9] Fahrzeugfarbe: marked "FAR"[A] Technische Daten: Standard version[std]
18	AP8104922	Rückspiegel links	1	Technische Daten: Versione Special Edition[SE]
18	AP8104922	Rückspiegel links	1	Baujahr: 2010[A]
19	GU01609630	Schelle L46 mm	4	
19	GU03609600	Schelle L36 mm	1	
20	883802	Rückspiegel rechts/links	1	Baujahr: 2007[7], 2008[8], 2009[9] Fahrzeugfarbe: marcato "FU E11 81R-001047"[B] Technische Daten: Standard version[std]

Einheit	RAHMEN
Code	33.20
Beschreibung	Lenkstange - Schaltungen
Inspektion	1



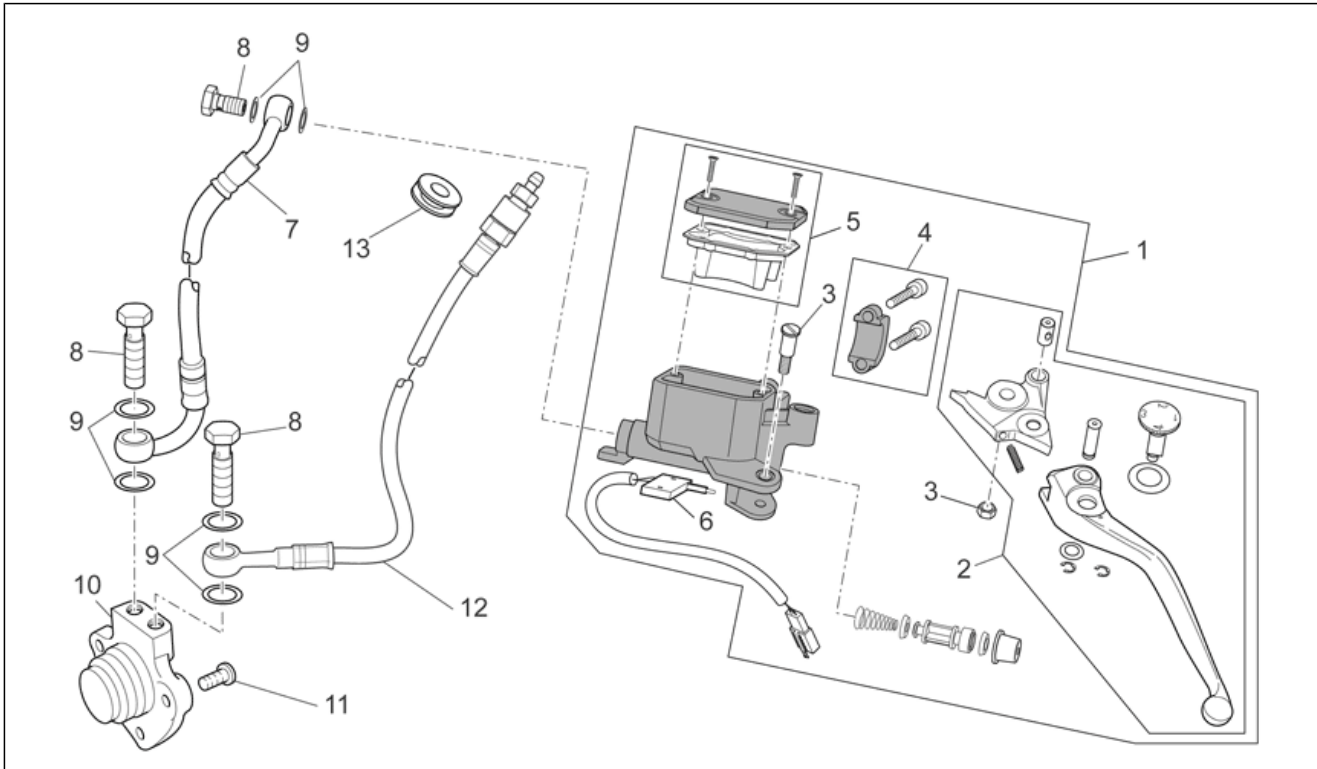
Pos.	Code	Beschreibung	Menge	Varianten
20	978570	Rückspiegel rechts/links	1	Baujahr: 2007[7], 2008[8], 2009[9] Fahrzeugfarbe: marked "FAR"[A] Technische Daten: Standard version[std]
20	AP8104921	Rückspiegel rechts	1	Technische Daten: Versione Special Edition[SE]
20	AP8104921	Rückspiegel rechts	1	Baujahr: 2010[A]
21	B045021	Rechter Lichtschalter	1	

Einheit	RAHMEN
Code	33.21
Beschreibung	Vorderradbremspumpe
Inspektion	1



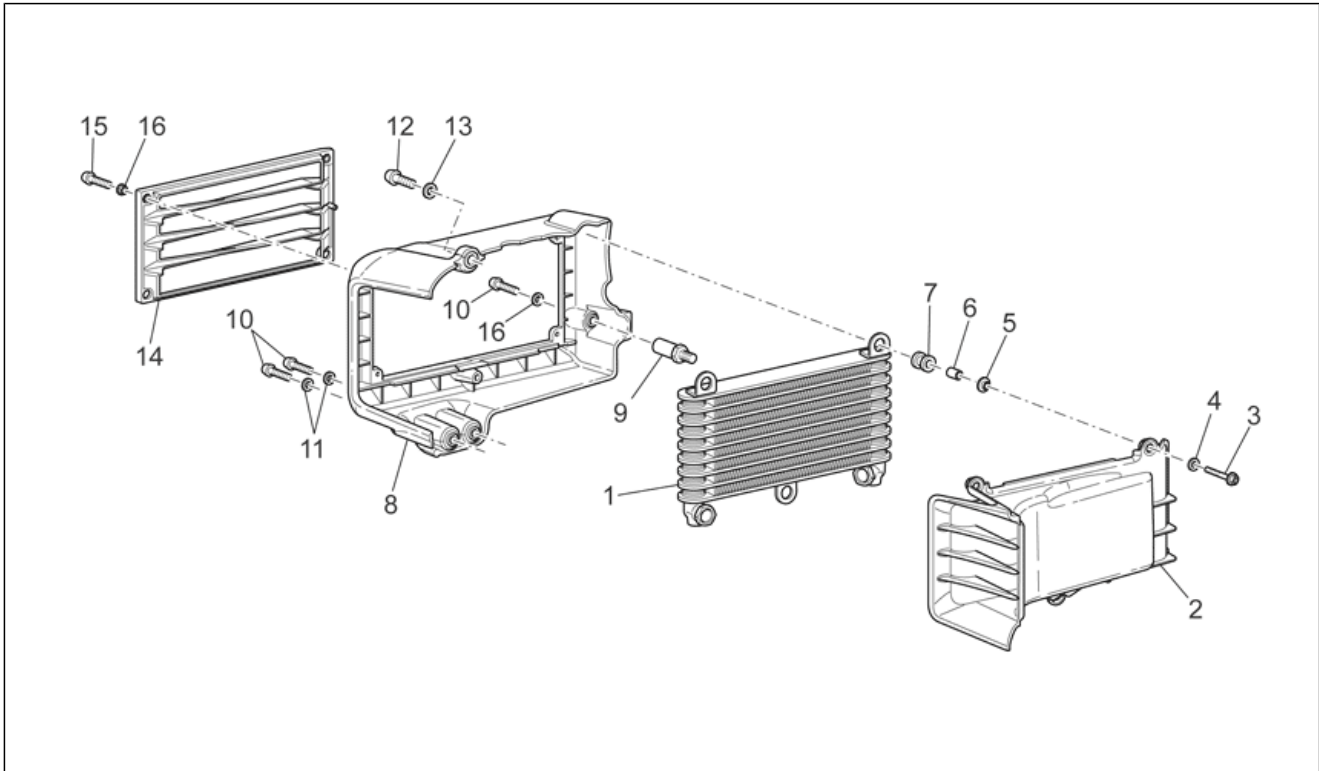
Pos.	Code	Beschreibung	Menge	Varianten
1	978606	Vorderradbremspumpe	1	
2	854603	Vorderradbremshebel	1	Technische Daten: First series[1A], Ghiera regolazione leva color oro[GL]
2	981050	Vorderradbremshebel	1	Technische Daten: Second series[2A], Ghiera regolazione leva color argento[SL]
3	AP8113995	Hebelbolzen	1	
4	GU05661130	Tankverschluß	1	
5	AP8113993	Bügelbolzen	1	
6	978400	Vorderradbremssleitung	1	
7	AP8133962	Fixierschraube Ölschlauch *	1	
8	GU25656100	Dichtung	2	
9	GU03749845	Bremslichtschalter	1	
10	GU98370412	TBEI Schraube M4x12	1	
11	GU95021104	Ausgleichscheibe 4,3x8x1,5	1	

Einheit	RAHMEN
Code	33.22
Beschreibung	Kupplung schalt. kpl
Inspektion	1



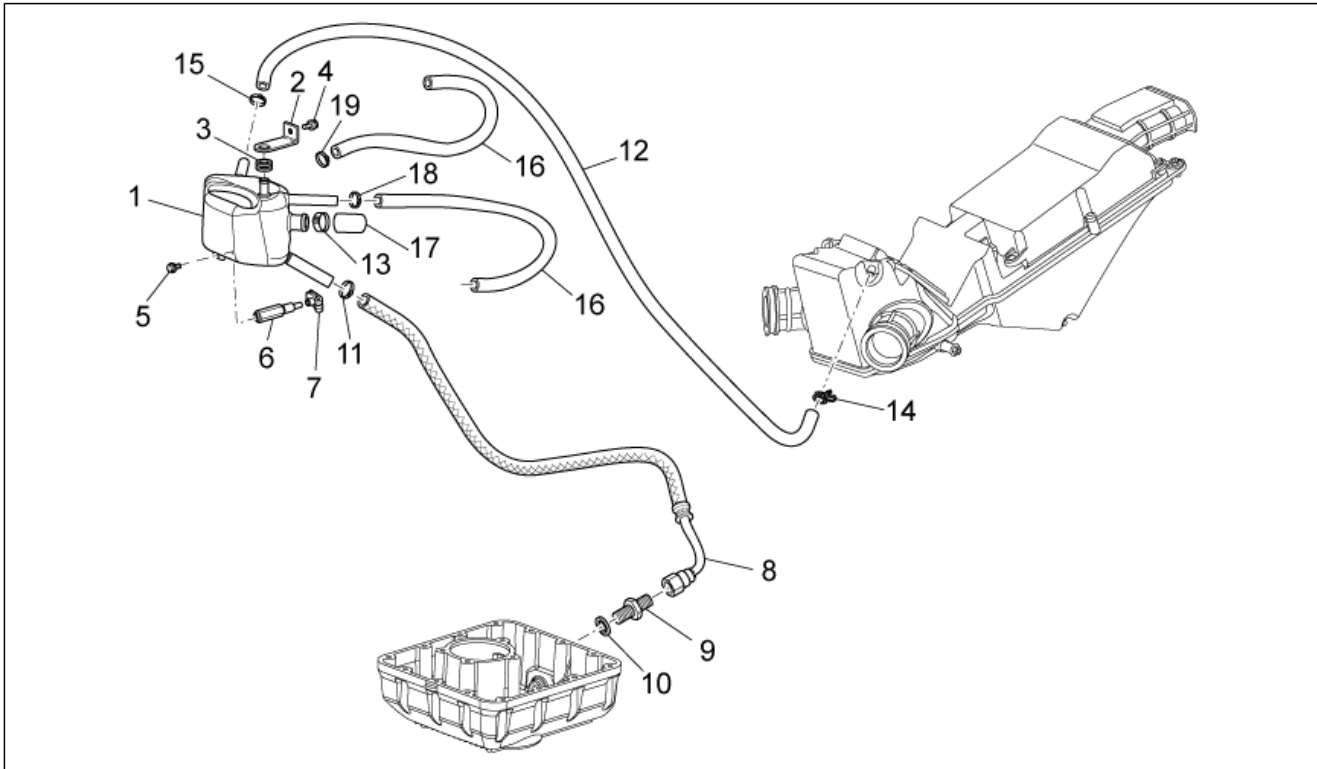
Pos.	Code	Beschreibung	Menge	Varianten
1	978607	Kupplungspumpe	1	Technische Daten: Second series[2A], Ghiera regolazione leva color argento[SL]
1	AP8106713	Kupplungspumpe	1	Technische Daten: First series[1A], Ghiera regolazione leva color oro[GL]
2	981046	Kupplungshebel	1	Technische Daten: Second series[2A], Ghiera regolazione leva color argento[SL]
2	AP8118659	Kupplungshebel	1	Technische Daten: First series[1A], Ghiera regolazione leva color oro[GL]
3	GU03604845	Hebelbolzen	1	
4	AP8113993	Bügelbolzen	1	
5	AP8113997	Tankverschluss	1	
6	AP8113998	Mikroschalter	1	
7	GU06606500	Kupplungsschlauch	1	
8	AP8133594	Fixierschraube Ölschlauch	3	
9	AP8113004	Ausgleichscheibe 10x14x1,6*	6	
10	978739	Kupplungszylinder	1	
11	AP8152278	TE Schr. m. Flansch M6x16	3	
12	GU05606630	Ablaßrohr kupplung	1	
13	AP8120594	Gummi	1	

Einheit	RAHMEN
Code	33.23
Beschreibung	Ölkühler
Inspektion	1



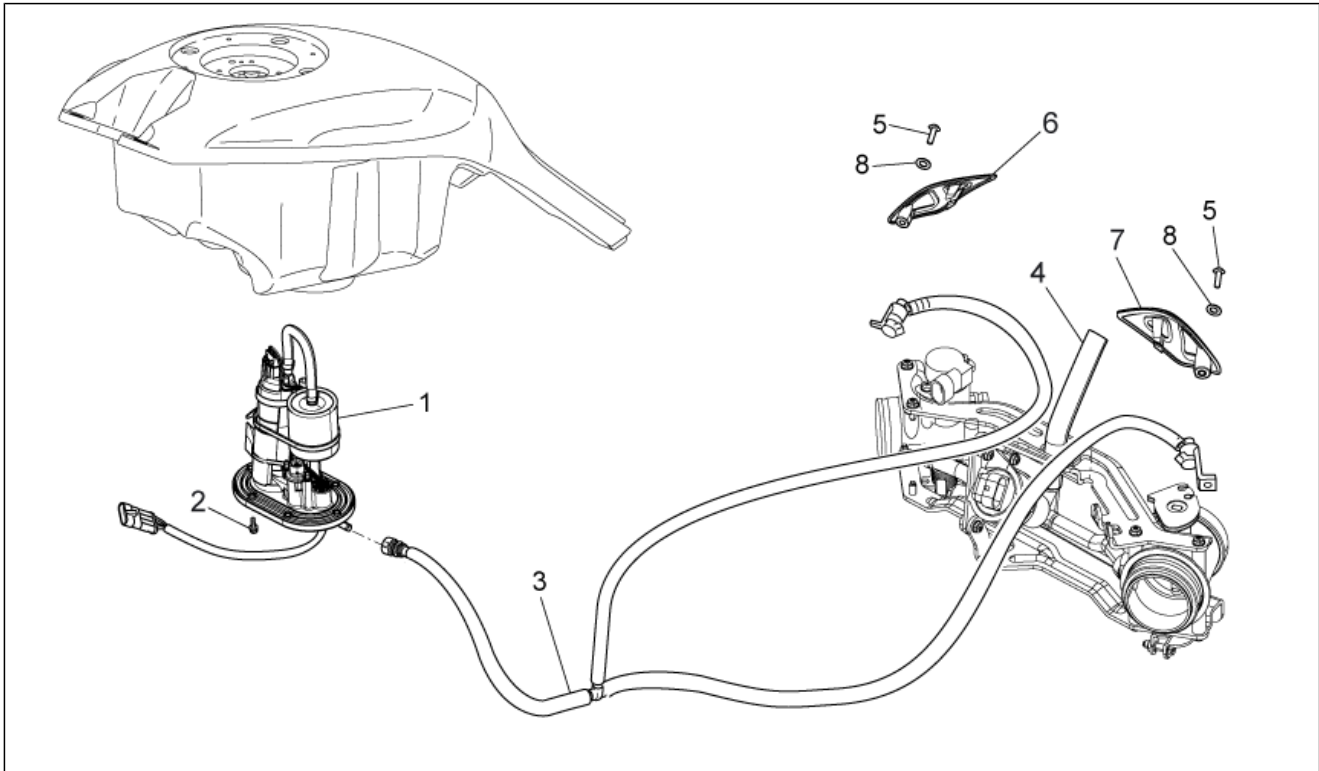
Pos.	Code	Beschreibung	Menge	Varianten
1	GU06162000	Ölkühler kpl.	1	
2	GU06583200	Leitblech	1	
3	AP8152281	TE Schr. m. Flansch M6x30	3	
4	GU95005306	Ausgleichscheibe 6,4x13x1,5	3	
5	AP8121032	Buchse	3	
6	GU91180711	Distanzscheibe 7x10x11	3	
7	AP8120030	Gummi	3	
8	GU06583000	Deckel	1	
9	GU06583600	Distanzscheibe	1	
10	GU98690440	Schraube	3	
11	GU14615901	Ausgleichscheibe 8,4x13x0,8	3	
12	GU98690540	Zylinderschraube M10x30	1	
13	GU19149800	Ausgleichscheibe 10,5x16x1	1	
14	GU06582600	Kühlergitter	1	
15	GU98230512	TBEI Schraube	4	
16	AP8121811	T-Buchse	4	

Einheit	RAHMEN
Code	33.24
Beschreibung	Anlage Blow-by
Inspektion	1



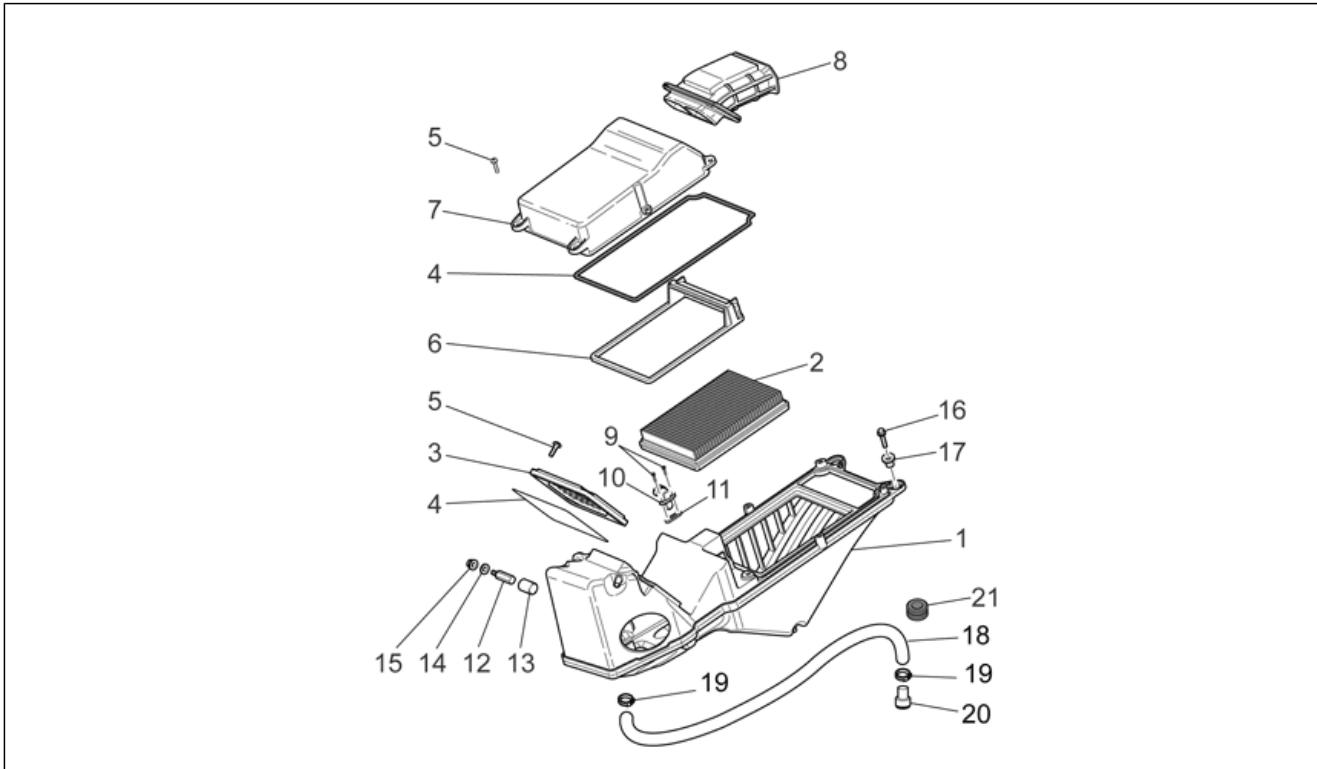
Pos.	Code	Beschreibung	Menge	Varianten
1	978767	Hause	1	
2	GU06412300	Platte	1	
3	AP8120030	Gummi	1	
4	AP8152278	TE Schr. m. Flansch M6x16	1	
5	AP8152277	TE Schr. m. Flansch M6x12	1	
6	GU06164630	Distanzscheibe	1	
7	GU28576591	Klammer M6	1	
8	GU06159300	Absaugleitung	1	
9	GU01161331	Übersetzung	1	
10	GU01154230	Dichtung	1	
11	AP8102765	Schlauchschelle weiß D.13,5x6	1	
12	GU00823955080	Entlüftungsschlauch Kühler	1	
13	GU93306018	Schelle 17X29X8	1	
14	AP8102520	Schlauchschelle	1	
15	AP8102764	Schlauchschelle weiß d.13x6	1	
16	978765	Entlüftungsschlauch Kühler	2	
17	978781	Kappe	1	
18	GU93306017	Schelle	1	
19	AP8101586	Schlauchschelle D.15,5x6,6	1	

Einheit	RAHMEN
Code	33.25
Beschreibung	Einspeisung
Inspektion	1



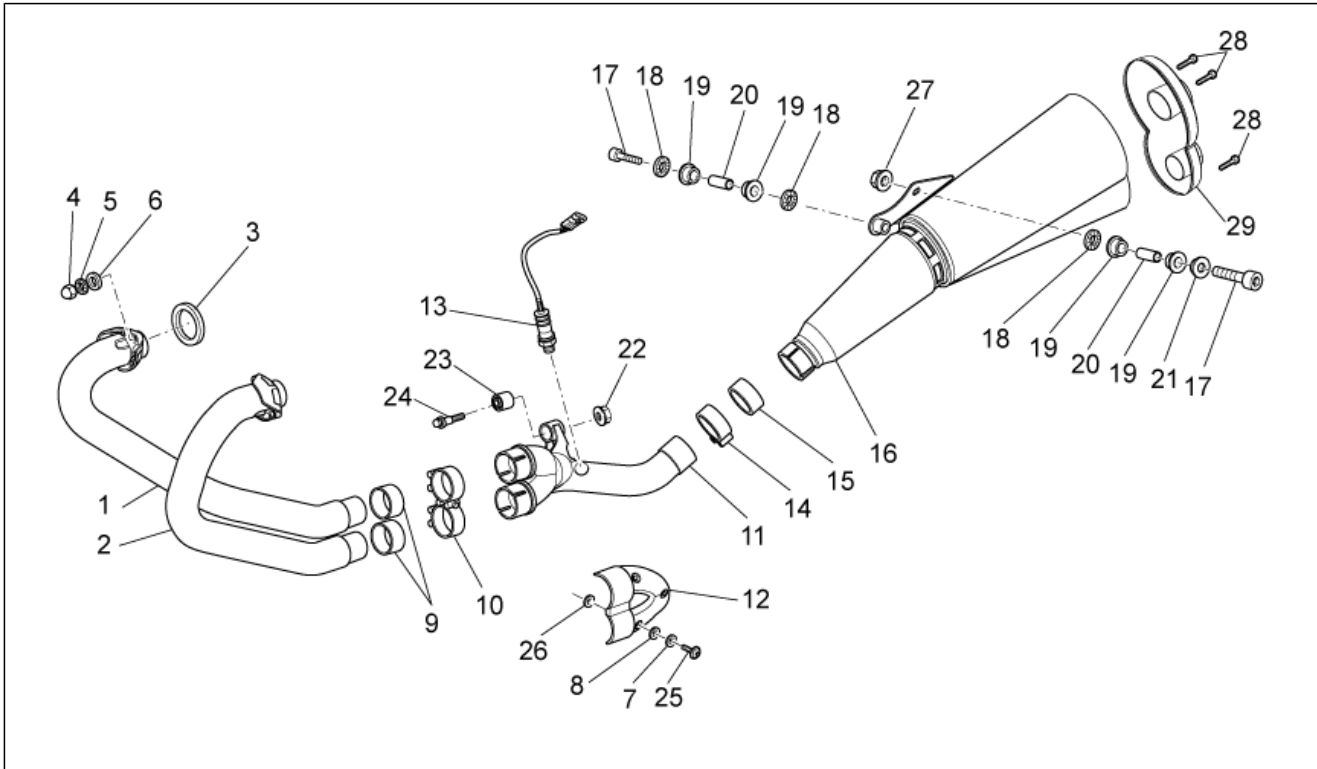
Pos.	Code	Beschreibung	Menge	Varianten
1	887423	Kraftstoffpumpe	1	Land:Other country[EU]
1	887771	Kraftstoffpumpe	1	Land:United States of America[USA]
2	AP8152273	Flanschschraube M5x16	6	
3	978745	Kraftstoffleitung, Kpl.	1	
4	GU05135930	Leitung	1	
5	GU98680222	TCEI Schraube	2	
6	883092	Rechter schutz	1	
7	883093	Linker schutz	1	
8	GU95008205	Ausgleichscheibe 5,3x10x0,8	1	

Einheit	RAHMEN
Code	33.26
Beschreibung	Filtergehäuse
Inspektion	1



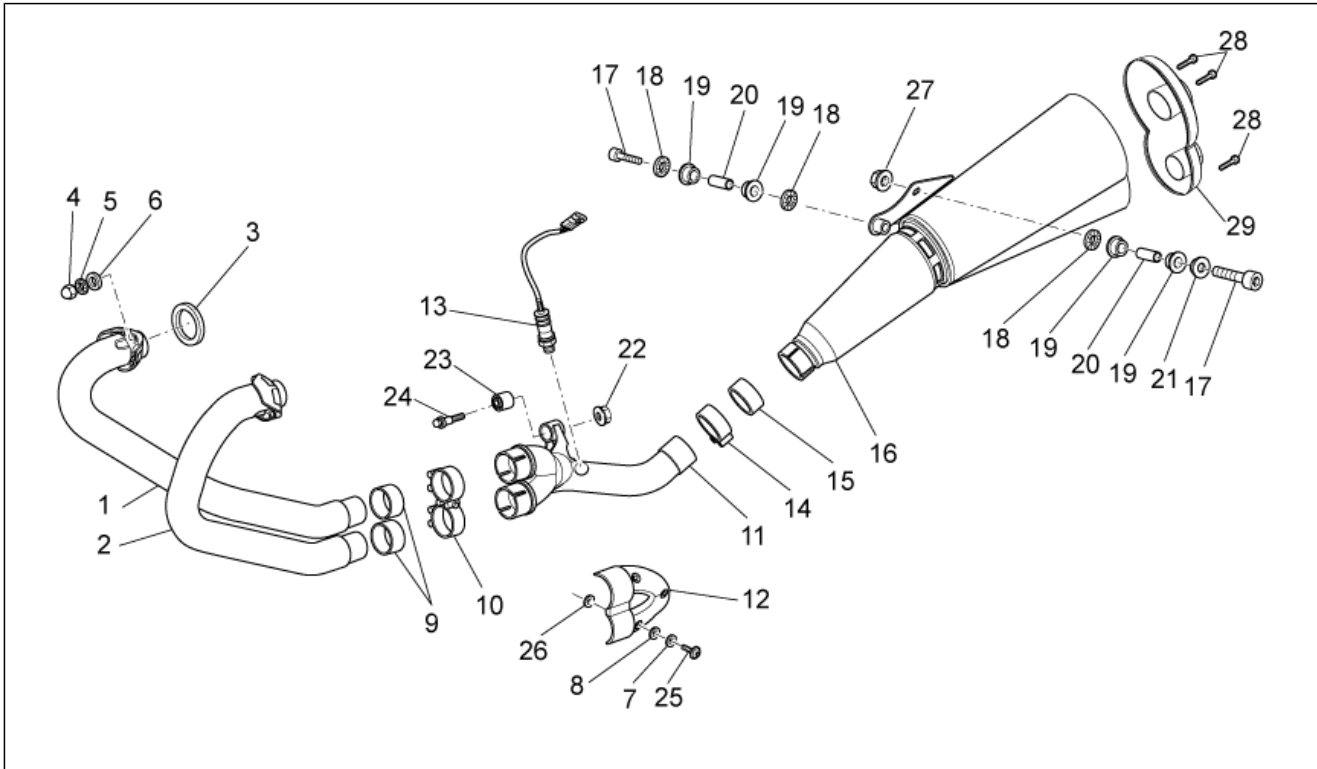
Pos.	Code	Beschreibung	Menge	Varianten
1	GU06114000	Filtergehäuse	1	
2	AP8104329	Luftfilter	1	
3	GU06113300	Inspektionsdeckel	1	
4	AP8120593	Dichtung D4	1	
5	AP8152329	Kreuz.schl.flnschr. M5x20	10	
6	GU06114200	Protection	1	
7	GU06113700	Deckel	1	
8	AP8144164	Ansaugmuffe	1	
9	AP8150421	Gew.schr. 2,9x12	2	
10	GU30729330	Lufttemperaturfühler	1	
11	GU30027931	Dichtung	1	
12	AP8221270	Befestigungsz. Filtergehäuse	2	
13	AP8220526	Gummi	2	
14	GU03013800	Ausgleichscheibe 6,4x12	2	
15	GU92787006	Hutmutter M6x1	2	
16	AP8152279	TE Schr. m. Flansch M6x20	2	
17	AP8221023	T-Buchse	2	
18	AP8144038	Kraftstoffleitung 6x10	2	
19	AP8101595	Schelle D10,1	4	
20	AP8120876	Verschlussschraube	2	
21	AP8120030	Gummi	2	

Einheit	RAHMEN
Code	33.27
Beschreibung	Auslassgruppe
Inspektion	1



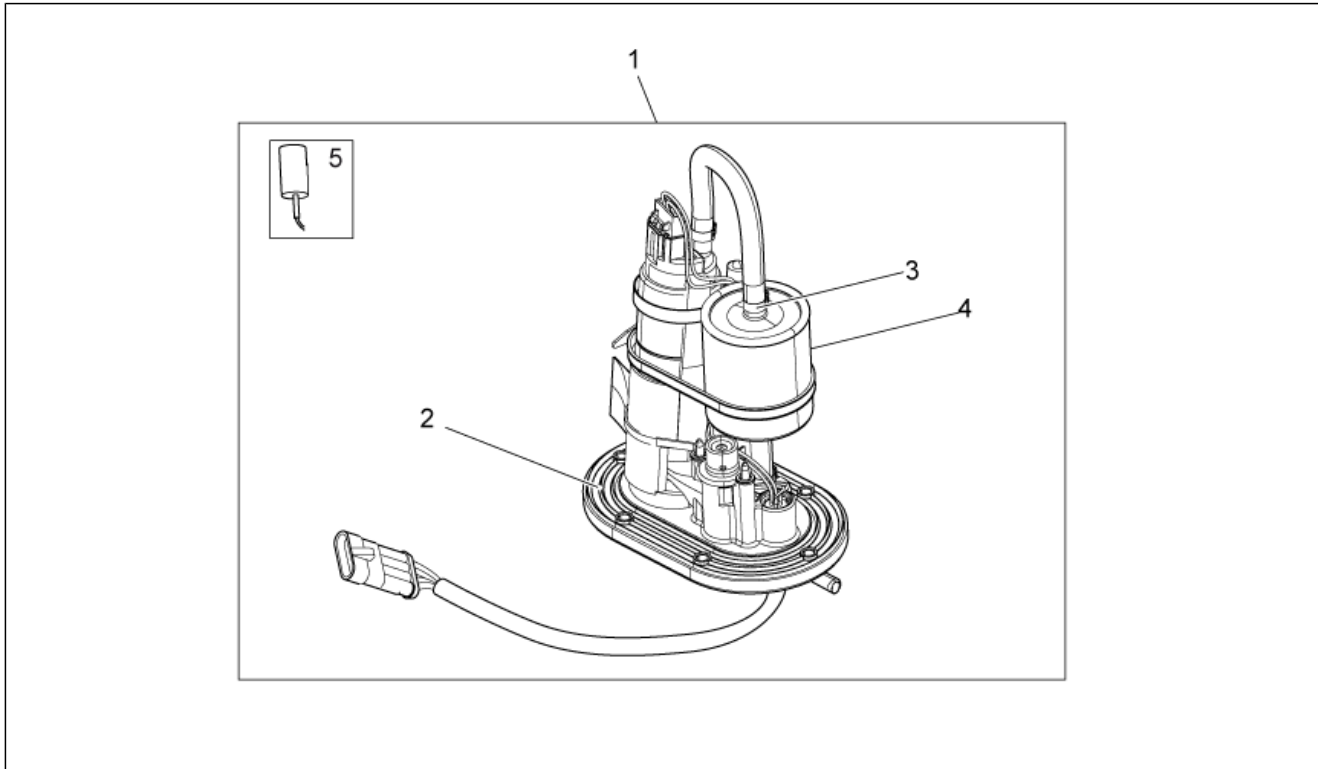
Pos.	Code	Beschreibung	Menge	Varianten
1	883874	R. Auspuffrohr	1	Land:Japan[J]
1	978396	R. Auspuffrohr	1	Land:Other country[EU]
2	883875	Linkes Auspuffrohr	1	Baujahr:2010[A] Land:Japan[J]
2	978397	Linkes Auspuffrohr	1	Baujahr:2007[7], 2008[8], 2009[9]
3	976376	Dichtung	2	
4	GU92787008	Hutmutter M8x1,25	4	
5	GU14615901	Ausgleichscheibe 8,4X13X0,8	4	
6	GU95005308	Ausgleichscheibe 8,4x14,57x1,6	4	
7	GU03013800	Ausgleichscheibe 6,4x12	3	
8	GU91120620	Distanzscheibe	3	
9	GU06123500	Dichtung	2	
10	GU06123401	Schelle	1	
11	978885	mitt. Auspuffrohr	1	Technische Daten:Versione Special Edition[SE]
11	GU06124800	mitt. Auspuffrohr	1	Technische Daten:Standard version[std]
12	GU06121900	Wärmeschutz	1	
13	GU32727010	Lamdasonde	1	
14	GU06126900	Schelle	1	
15	GU05128230	Dichtung	1	
16	883909	Schalldämpfer	1	Baujahr:2010[A] Land:Japan[J]
16	978242	Schalldämpfer	1	Baujahr:2007[7], 2008[8], 2009[9]
17	GU98680445	TCEI Schraube	2	
18	GU95005312	Ausgleichscheibe 8,5x24x2	3	
19	AP8144071	Gummi auspuffrohr	4	
20	AP8121773	Distanzscheibe *	2	
21	AP8134378	Fixierhülse Schalldämpfer	1	
22	AP8152301	Selbstsperrende Mutter	1	

Einheit	RAHMEN
Code	33.27
Beschreibung	Auslassgruppe
Inspektion	1



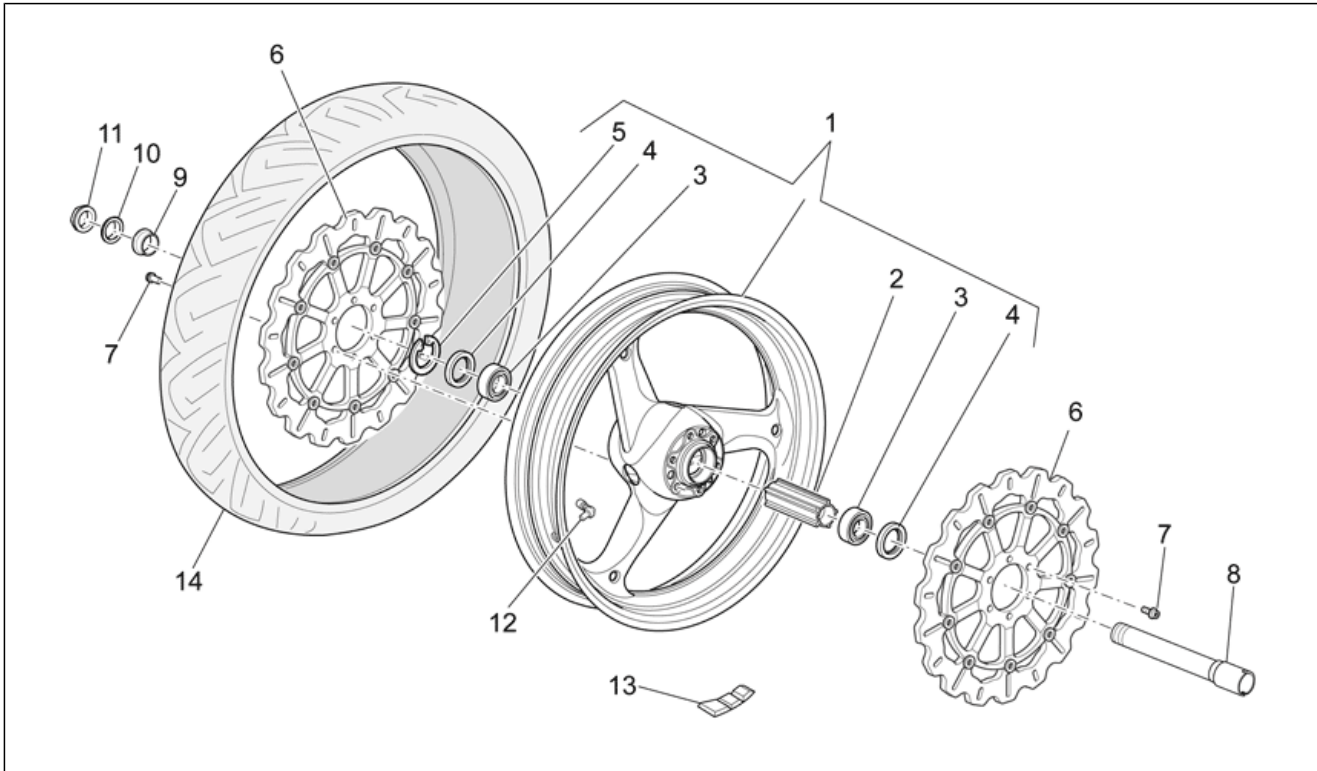
Pos.	Code	Beschreibung	Menge	Varianten
23	AP8220346	Silent-Block	1	
24	AP8152410	TE Schr. m. Flansch M10x55	1	
25	GU98370609	TBEI Schraube M6x10	3	
26	AP8121513	Ausgleichscheibe 5,5X20X1	3	
27	GU92650138	Mutter M8x1,25	1	
28	981143	Schraube	3	
29	981142	Boden	1	

Einheit	RAHMEN
Code	33.28
Beschreibung	Benzinpumpe int.
Inspektion	1



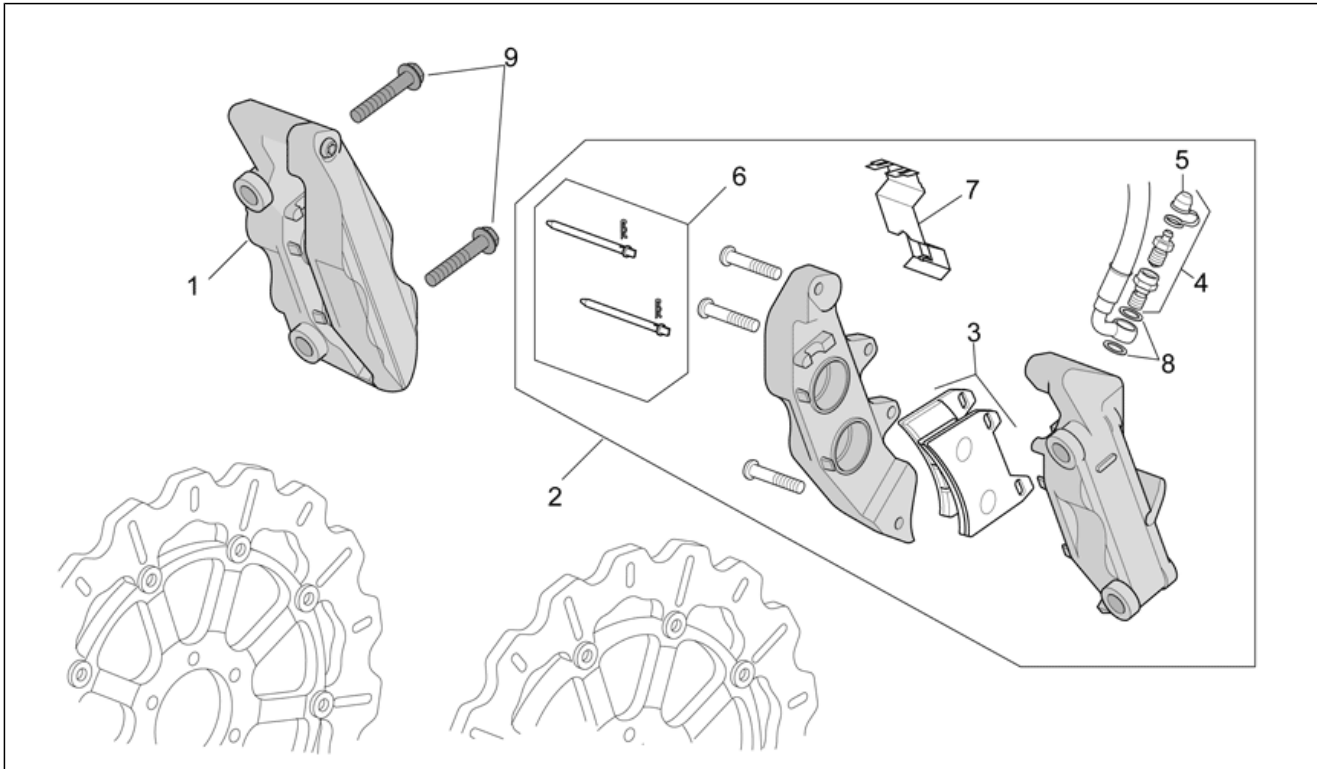
Pos.	Code	Beschreibung	Menge	Varianten
1	887423	Kraftstoffpumpe	1	Land:Other country[EU]
1	887771	Kraftstoffpumpe	1	Land:United States of America[USA]
2	GU05107430	Dichtung	1	
3	GU01108490	Schelle 11,3	4	
4	GU01106090	Kraftstofffilter	1	
5	883851	Thermistor	1	

Einheit	RAHMEN
Code	33.29
Beschreibung	SE Vorderrad
Inspektion	1



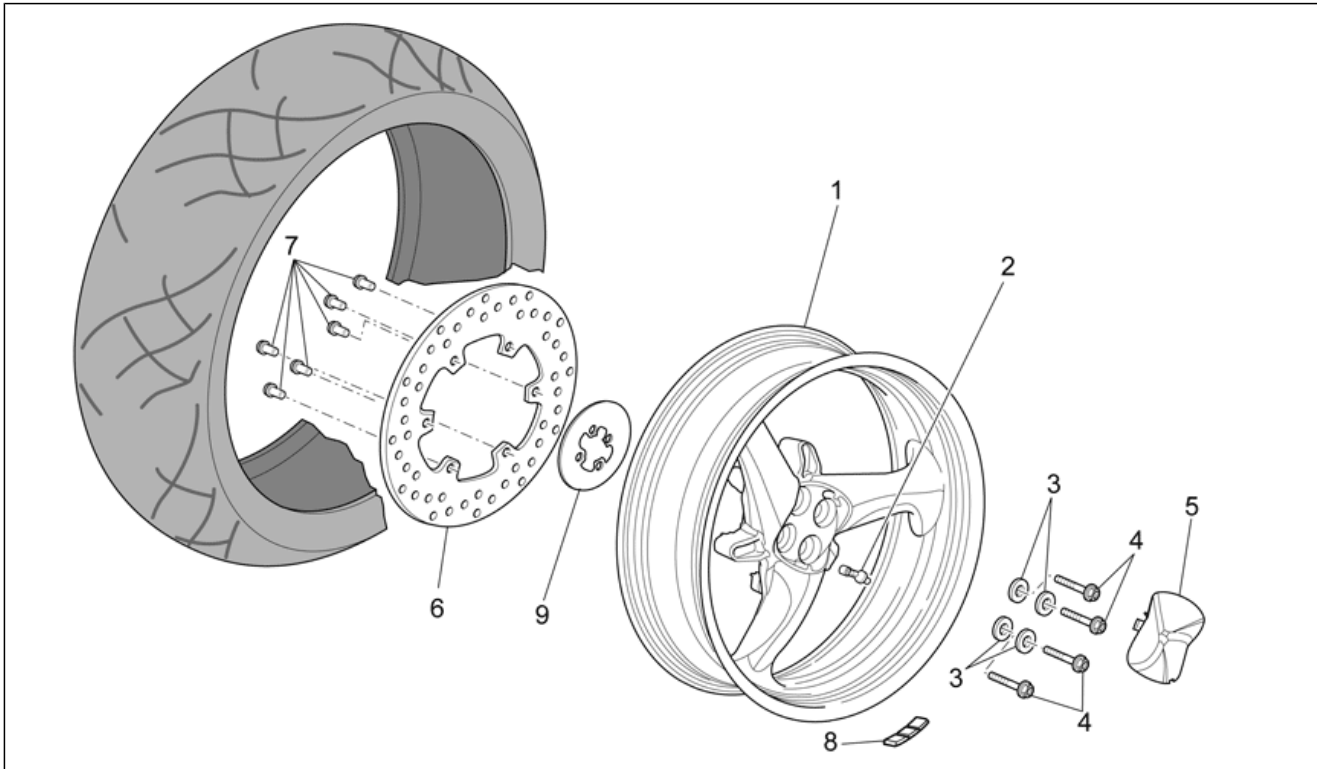
Pos.	Code	Beschreibung	Menge	Varianten
1	883883	Vorderrad, dunkelgrau 3,5X17"	1	Technische Daten: Standard version[std], Marchiato ZCV[ZCV]
1	GU05610530	Vorderrad, dunkelgrau 3,5x17"	1	Technische Daten: Marchio Brembo[BRE], Standard version[std]
2	GU05615230	Distanzstück Lager	1	Technische Daten: Standard version[std]
3	AP8125777	Kugellager 25x47x12	2	Technische Daten: Standard version[std]
4	AP8125773	Gasket ring 30x47x7	2	Technische Daten: Standard version[std]
5	AP8125779	Seegerring	1	Technische Daten: Standard version[std]
6	856774	Vorderradbremsscheibe	2	Technische Daten: Standard version[std]
7	AP8152286	TE Schr. m. Flansch M8x20	12	Technische Daten: Standard version[std]
8	GU05614130	Vorderradbolzen	1	Technische Daten: Standard version[std]
9	GU06616300	Distanzscheibe	1	Technische Daten: Standard version[std]
10	GU95005325	Ausgleichscheibe 25,2X36X1	1	Technische Daten: Standard version[std]
11	GU01612190	Mutter	1	Technische Daten: Standard version[std]
12	GU03617710	Schlauchloses Reifventil	1	Technische Daten: Standard version[std]
13	GU14616150	Gegengewicht	1	Technische Daten: Standard version[std]
14	0000000	Reifen	0	

Einheit	RAHMEN
Code	33.30
Beschreibung	Vorderradbremzange
Inspektion	1



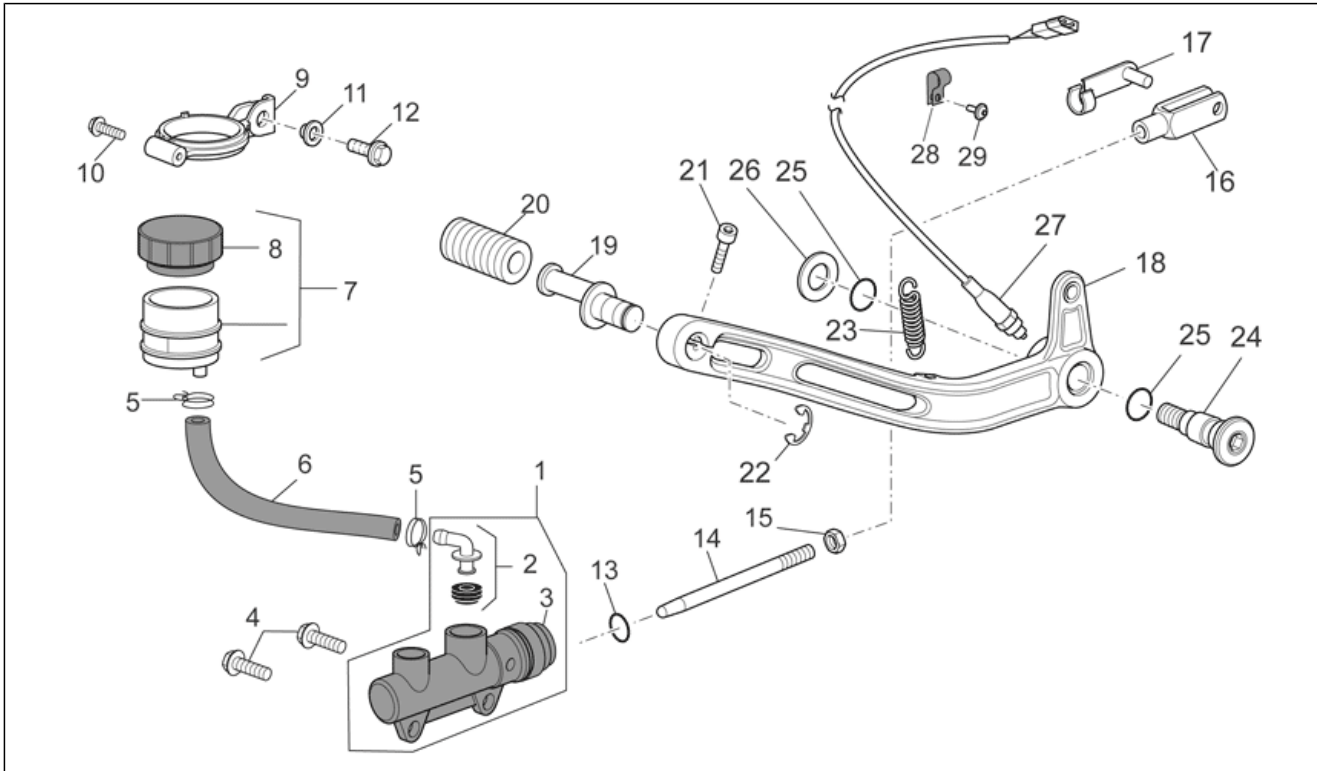
Pos.	Code	Beschreibung	Menge	Varianten
1	978464	Re. Vorderradbremzange, schwarz P432	1	
2	978465	Li. Vorderradbremzange, schwarz P432	1	
3	GU01654630	Beläge (Paar)	2	
4	978466	Entlüftungsanschluß	2	
5	AP8113070	Entlüftungskappe	1	
6	GU01659130	Stifte-Federn Bremzange	2	
7	GU01659131	Feder	2	
8	GU25656100	Dichtung	4	
9	AP8152414	TE Schr. m. Flansch M10x55	4	

Einheit	RAHMEN
Code	33.31
Beschreibung	Std Hinterrad
Inspektion	1



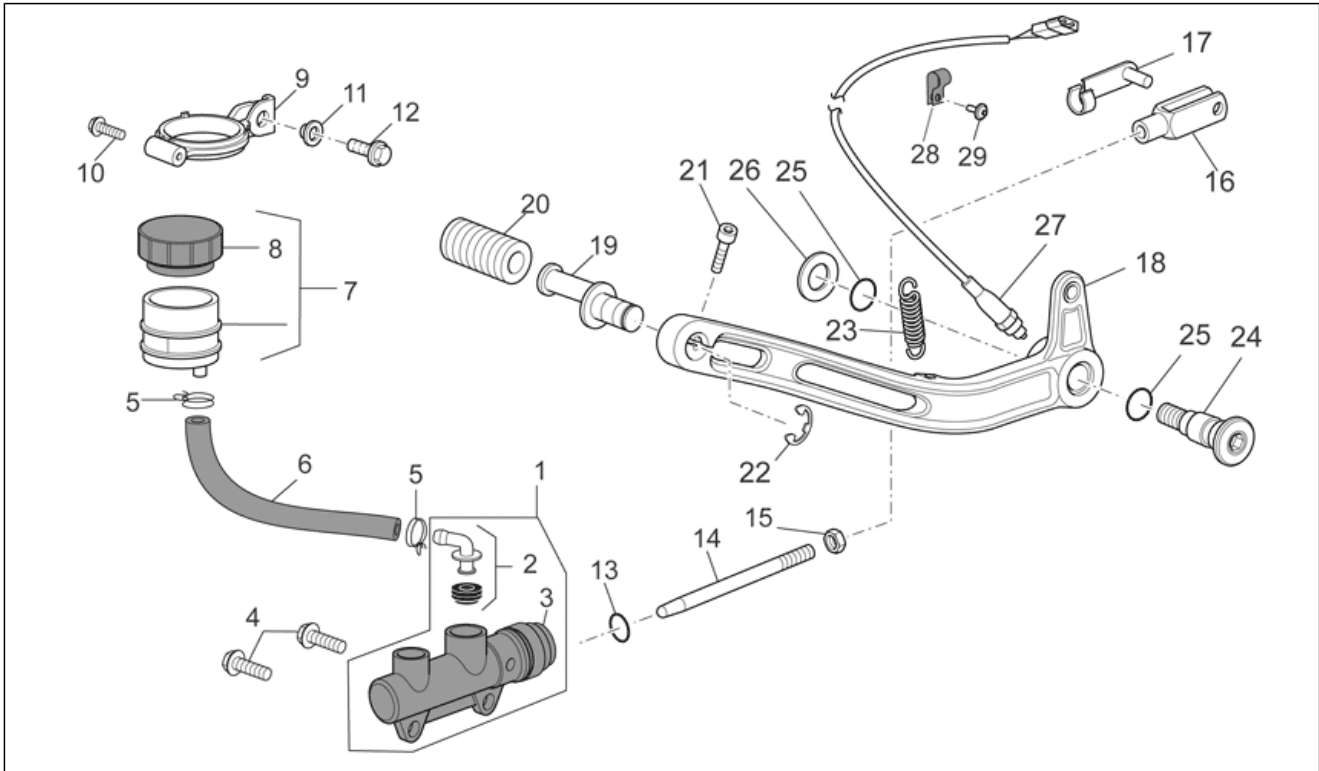
Pos.	Code	Beschreibung	Menge	Varianten
1	883886	Hinterrad, grau 5,5X17"	1	Technische Daten: Marchiato ZCV[ZCV]
1	GU05630531	Hinterrad, grau 5,5x17"	1	Technische Daten: Marchio Brembo[BRE]
2	GU03617710	Schlauchloses Reifenventil	1	Technische Daten: Standard version[std]
3	GU05632730	Konischebuchse	4	Technische Daten: Standard version[std]
4	GU97202665	TE Schr. m. Flansch M12x65	4	Technische Daten: Standard version[std]
5	GU05634430	Deckel	1	Technische Daten: Standard version[std]
6	GU05635730	Vorderradbremsscheibe	1	Technische Daten: Standard version[std]
7	GU30611460	Schraube	6	Technische Daten: Standard version[std]
8	GU14616150	Gegengewicht	1	Technische Daten: Standard version[std]
9	977056	Staubschutzring	1	Technische Daten: Standard version[std]

Einheit	RAHMEN
Code	33.32
Beschreibung	Hinterradbremspumpe
Inspektion	1



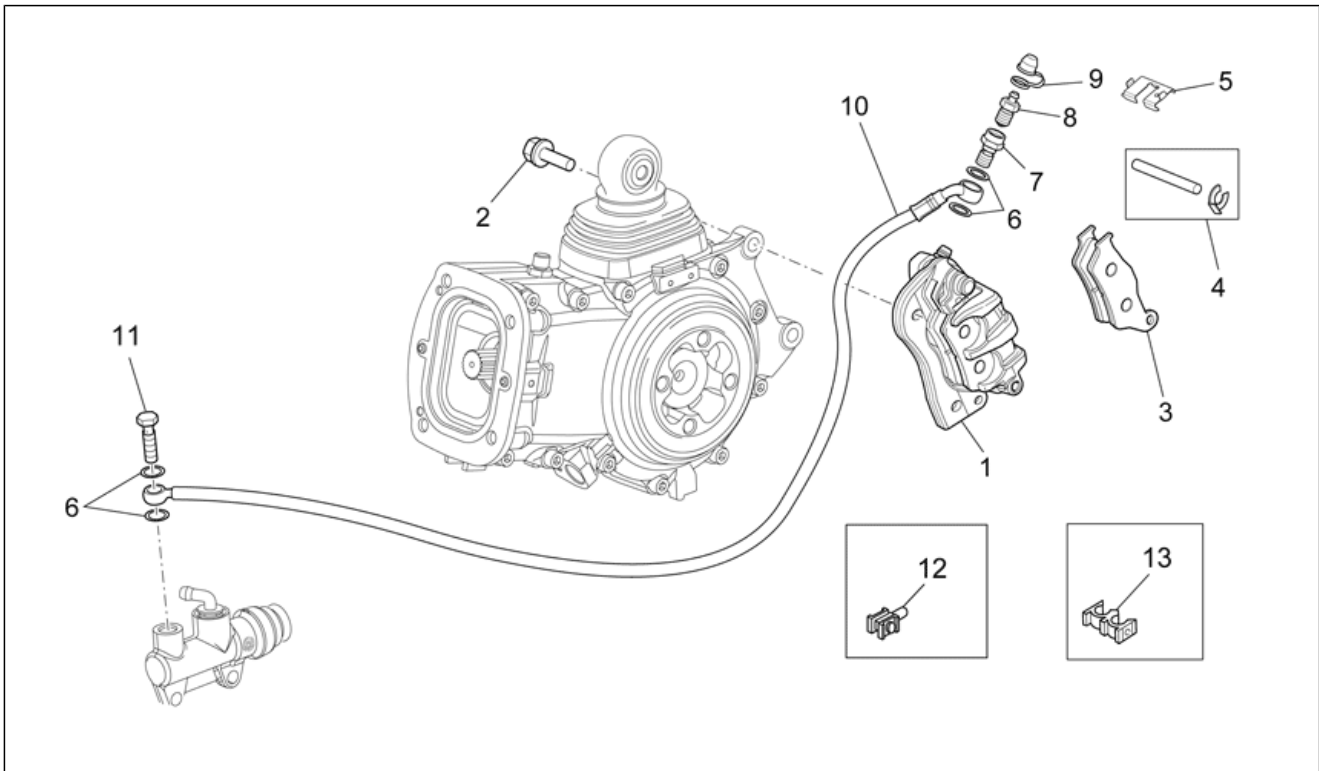
Pos.	Code	Beschreibung	Menge	Varianten
1	978434	Hinterradbremspumpe	1	
2	GU19659500	Revisionsgr.f.Pumpenstutzen	1	
3	AP8113288	Gummibalg	1	
4	AP8152279	TE Schr. m. Flansch M6x20	2	
5	AP8101595	Schelle D10,1	2	
6	GU00823950050	Ölschlauch	1	
7	GU05663530	Bremsöltank	1	
8	GU17661052	Tankverschluß	1	
9	GU05666030	Tankfixierung	1	
10	AP8152329	Kreuz.schl.flnschschr. M5x20	1	
11	AP8221145	T-Buchse *	1	
12	AP8152278	TE Schr. m. Flansch M6x16	1	
13	AP8120178	O-Ring OR112	1	
14	977041	Pumpenstange brems	1	
15	GU92606206	Mutter	1	
16	AP8113081	Schaltgabel	1	
17	AP8113082	Klemmen für Schaltgabel	1	
18	GU06677000	H.bremshebel	1	
19	AP8121221	Stift Bremshebel	1	
20	AP8120912	Gummi für Hebel	1	
21	GU98682316	TCEI Schraube M6x16	1	
22	AP8150462	Seegerring d9	1	
23	AP8121927	Feder Hinterradbremsh.	1	
24	884033	Stift Hinterradbremsh.	1	
25	AP8144007	O-Ring 11,11x1,78	2	
26	GU95008310	Ausgleichscheibe 10,5x22x2,5	1	
27	AP8112996	Interruttore frizione	1	
28	AP8101890	Schelle schwarz D8	3	

Einheit	RAHMEN
Code	33.32
Beschreibung	Hinterradbremspumpe
Inspektion	1



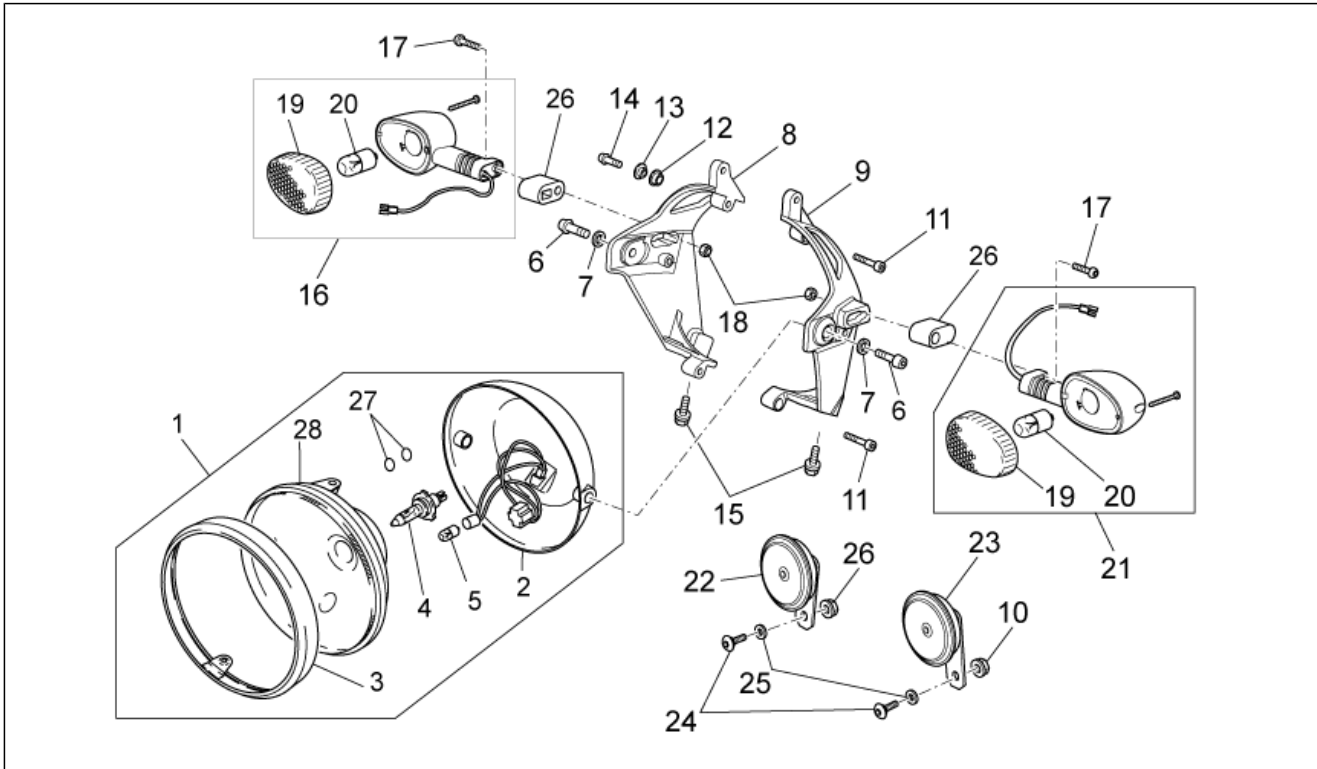
Pos.	Code	Beschreibung	Menge	Varianten
29	GU98350210	TBEI Schraube	3	

Einheit	RAHMEN
Code	33.33
Beschreibung	Hinterradbremzange
Inspektion	1



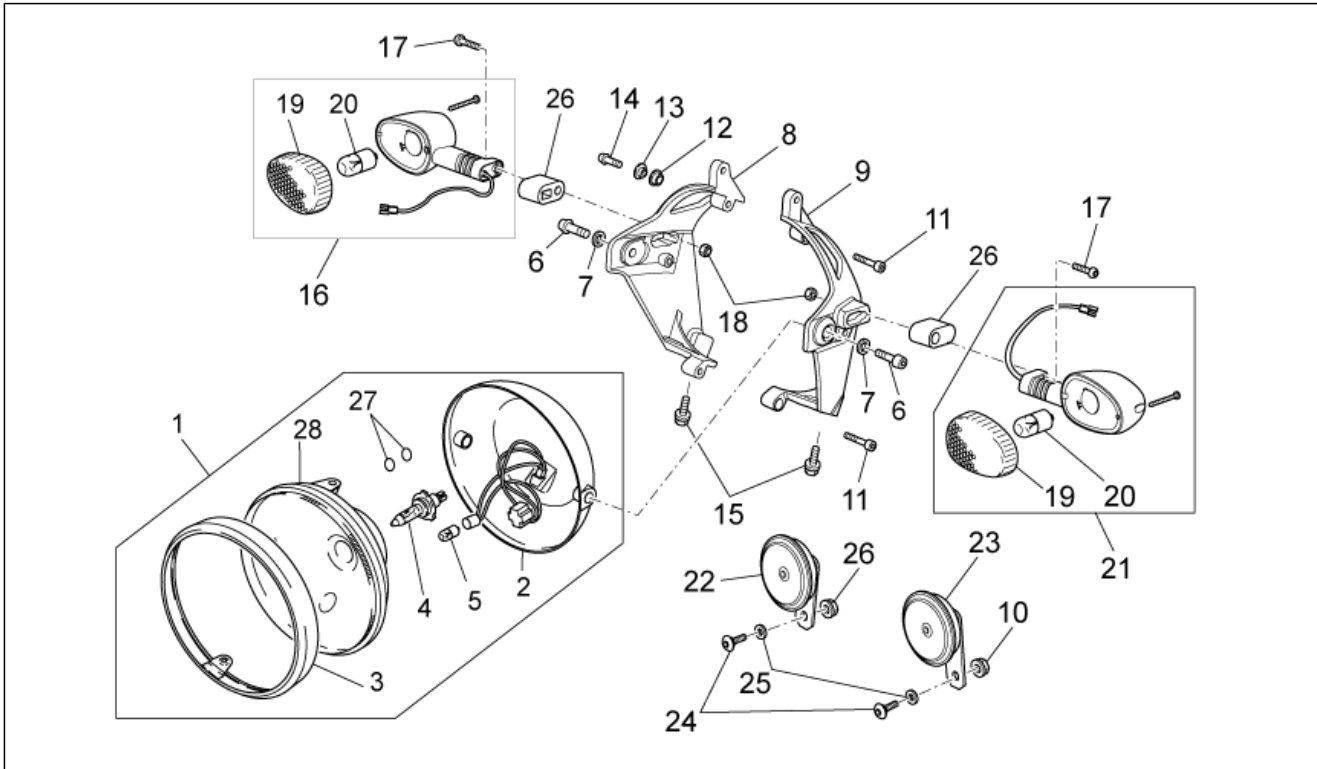
Pos.	Code	Beschreibung	Menge	Varianten
1	978414	Hinterradbremzange, schw.	1	
2	AP8152320	TE Schr. m. Flansch	2	
3	GU05654630	Beläge (Paar)	1	
4	GU05659130	Stift+Splint Bremse	1	
5	GU05659030	Feder	1	
6	AP8113004	Ausgleichscheibe 10x14x1,6*	4	
7	AP8133597	Schraube	1	
8	AP8133595	Entlüftungsanschluß	1	
9	AP8113070	Entlüftungskappe	1	
10	978364	Hinterradbremseleitung	1	
11	AP8133962	Fixierschraube Ölschlauch *	1	
12	AP8202238	Kabelführungs Haken	4	
13	AP8201808	Kabelführungs D8	5	

Einheit	RAHMEN
Code	33.34
Beschreibung	Frontscheinwerfer/Hupe
Inspektion	1



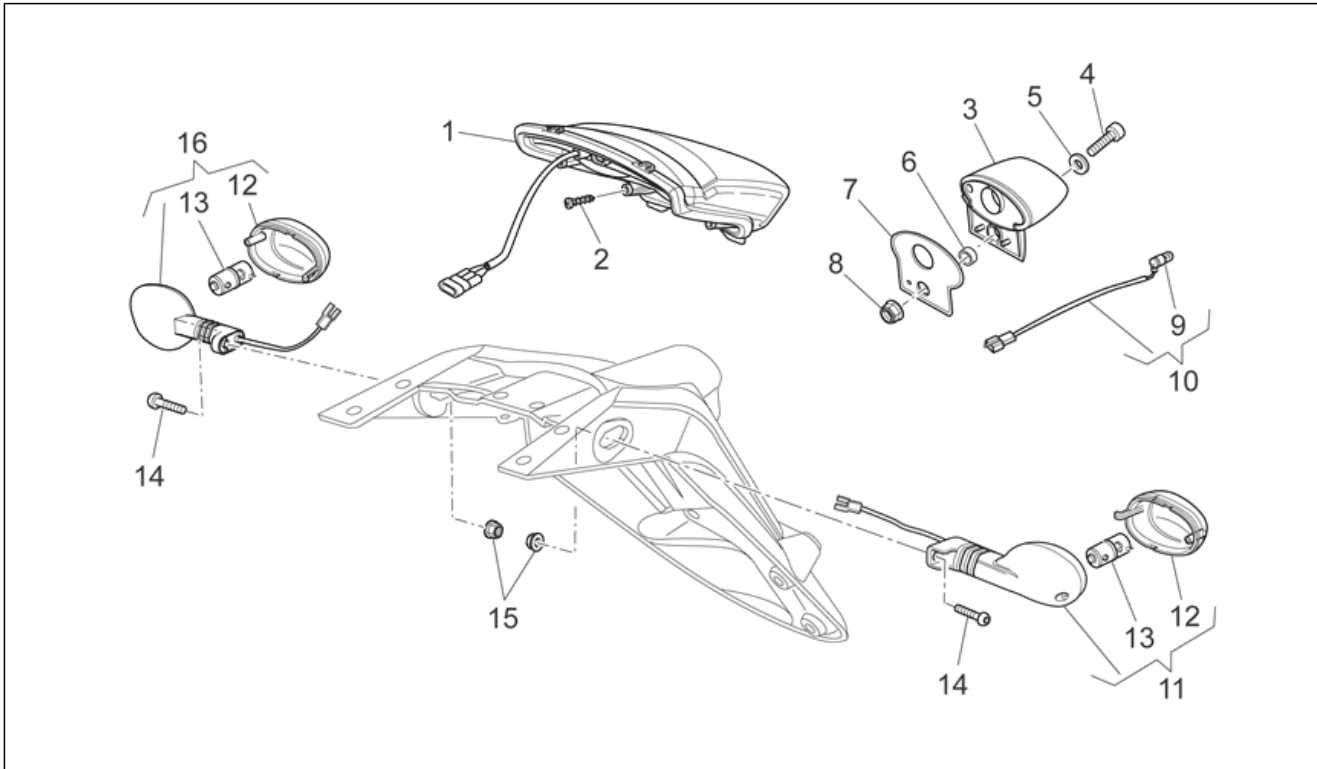
Pos.	Code	Beschreibung	Menge	Varianten
1	978311	Scheinwerfer	1	Land:Other country[EU] Technische Daten:Versione Special Edition[SE]
1	978662	Vord.Scheinwerf.Kpl.L.Lenkung	1	Land:Australia[AUS], India[IND], Malaysia[MAL], Filippine[PI], Great Britain[UK] Technische Daten:Versione Special Edition[SE]
1	GU06740500	Scheinwerfer	1	Land:Canadian[CA], Other country[EU], United States of America[USA] Technische Daten:Standard version[std]
1	GU06740500	Scheinwerfer	1	Baujahr:2010[A] Land:Australia[AUS], Japan[J], Great Britain[UK] Technische Daten:Standard version[std]
1	GU06740501	Vord.Scheinwerf.Kpl.L.Lenkung	1	Baujahr:2007[7], 2008[8], 2009[9] Land:Australia[AUS], Japan[J], Great Britain[UK] Technische Daten:Standard version[std]
2	981149	Haube, schwarz	1	Land:Other country[EU] Technische Daten:Versione Special Edition[SE]
2	GU06740200	Haube scheinw.	1	Technische Daten:Standard version[std]
2	GU06740200	Haube scheinw.	1	Land:Great Britain[UK] Technische Daten:Versione Special Edition[SE]
3	640598	Verchromte Nutmutter	1	
4	292723	Lampen H4 60/55W 12V	1	
5	292022	Lampen 12V-5W	1	
6	GU98700430	Zylinderschraube M8x30	2	
7	GU14615901	Ausgleichscheibe 8,4X13X0,8	2	
8	GU06496100	Halter rechts	1	
9	GU06496200	Halter links	1	
10	GU92650138	Mutter M8x1,25	2	
11	GU98610335	TCEI Schraube	2	
12	AP8221023	T-Buchse	1	
13	AP8120675	Gummi *	1	
14	GU98230619	TBEI Schraube	1	

Einheit	RAHMEN
Code	33.34
Beschreibung	Frontscheinwerfer/Hupe
Inspektion	1



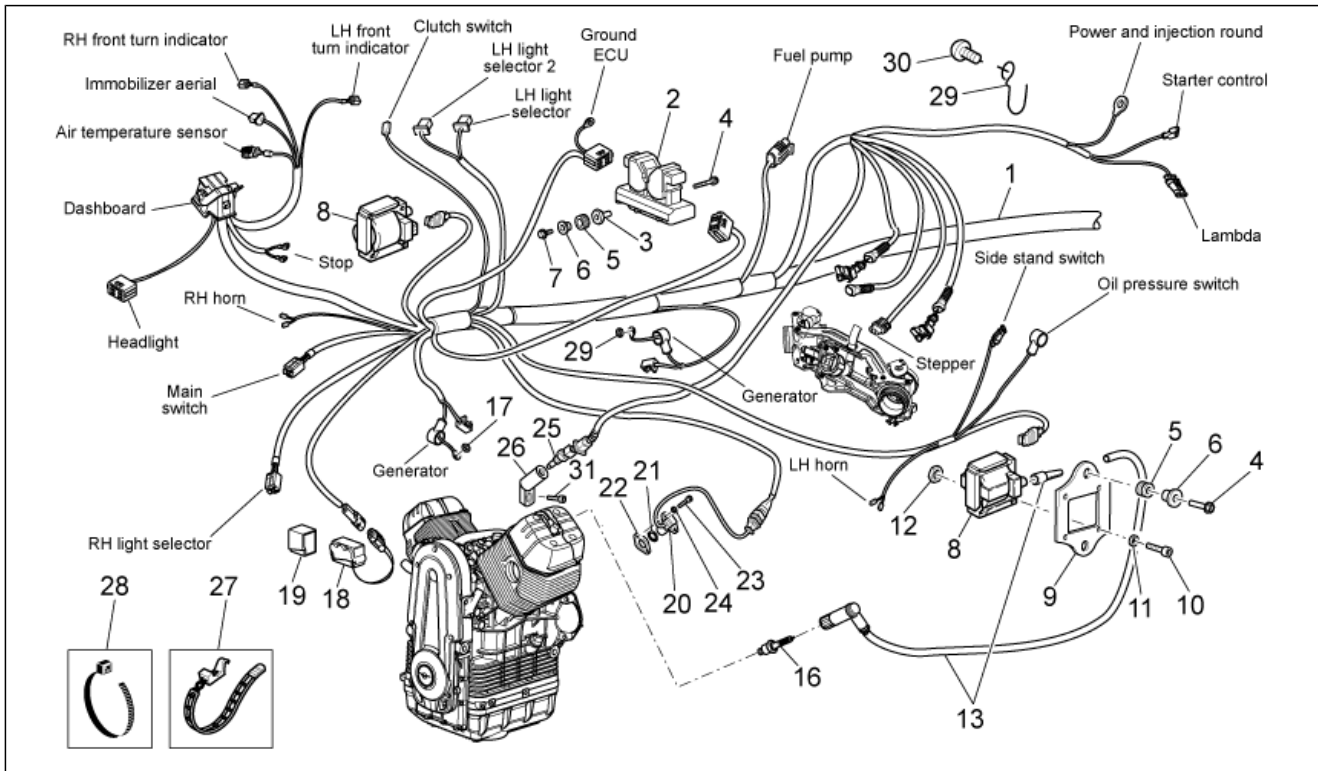
Pos.	Code	Beschreibung	Menge	Varianten
15	AP8152287	TE Schr. m. Flansch M8x25	2	
16	GU06750600	Vorderblinker rechts / Hinterblinker links	1	
17	GU98690335	TCEI Schraube	2	
18	GU92787006	Hutmutter M6x1	2	
19	GU06753700	Blinkerblende	2	
20	GU93450127	Lampen	2	
21	GU06751601	Vorderblinker links/ Hinterblinker rechts	1	
22	883463	Signal hupe L	1	
22	GU01743791	Signal hupe L	1	
23	883462	Signal hupe H	1	
23	GU01743790	Signal hupe H	1	
24	GU98350416	TBEI Schraube M8x16	2	
25	GU95021108	Sprengscheibe	2	
26	GU01753440	Distanzscheibe, schwarz	2	Land:Canadian[CA], United States of America[USA] Technische Daten:Standard version[std]
27	883417	O-Ring	2	
28	GU06740400	Scheinwerfereinheit	1	

Einheit	RAHMEN
Code	33.35
Beschreibung	Rücklicht
Inspektion	1



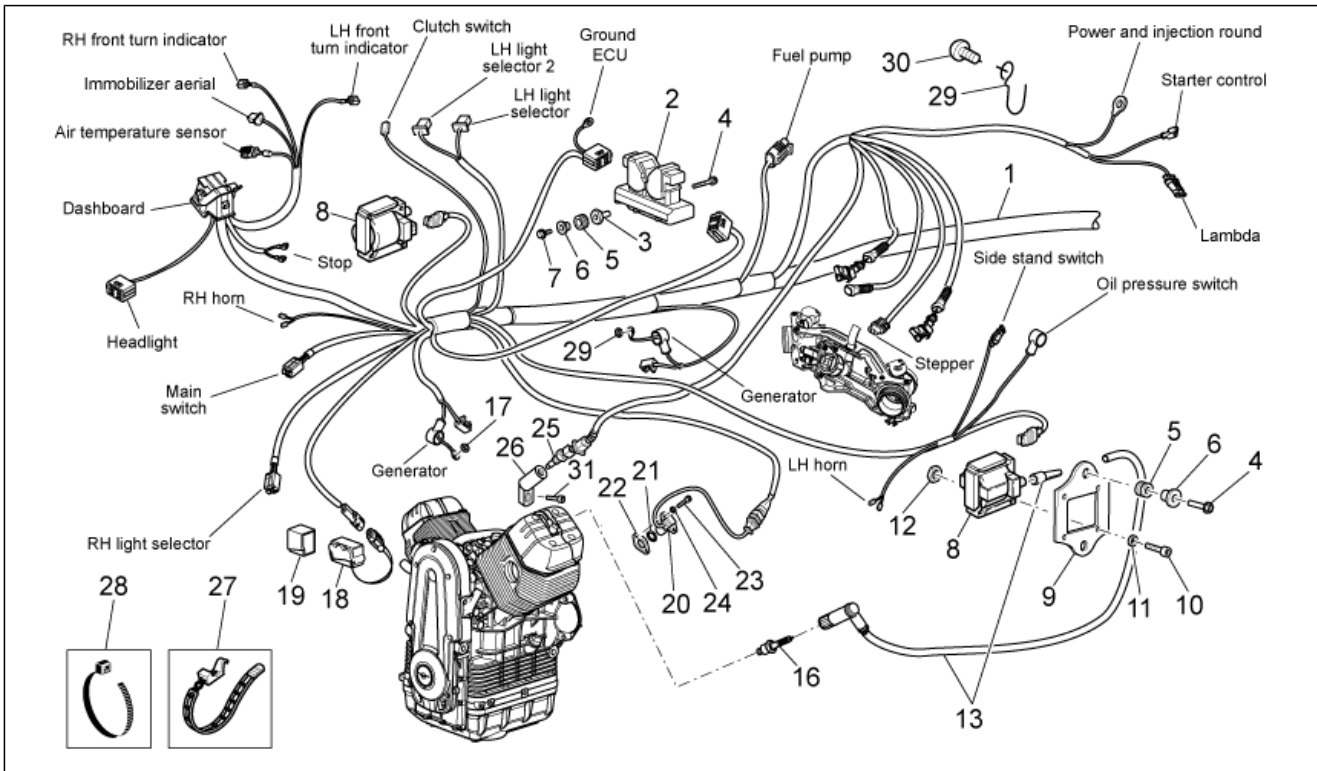
Pos.	Code	Beschreibung	Menge	Varianten
1	GU06740900	Rücklicht	1	
2	AP8150509	Gew.schr. 5x14	4	
3	AP8127098	Kennzeichenleuchte	1	
4	GU98680222	TCEI Schraube	1	
5	GU95008205	Ausgleichscheibe 5,3x10x0,8	1	
6	GU91120507	Buchse	1	
7	GU32474710	Gummi für Haterung	1	
8	AP8152306	Selbstsperrende Mutter m5	1	
9	292022	Lampen 12V-5W	1	
10	977795	Kennzeich.leuch.Kabel	1	
11	GU06750600	Vorderblinker rechts / Hinterblinker links	1	
12	GU06753700	Blinkerblende	2	
13	GU93450127	Lampen	2	
14	GU98370619	TBEI Schraube	2	
15	AP8152299	Selbstsperrende Mutter M6	2	
16	GU06751601	Vorderblinker links/ Hinterblinker rechts	1	

Einheit	RAHMEN
Code	33.36
Beschreibung	Elektrische anlage I
Inspektion	1



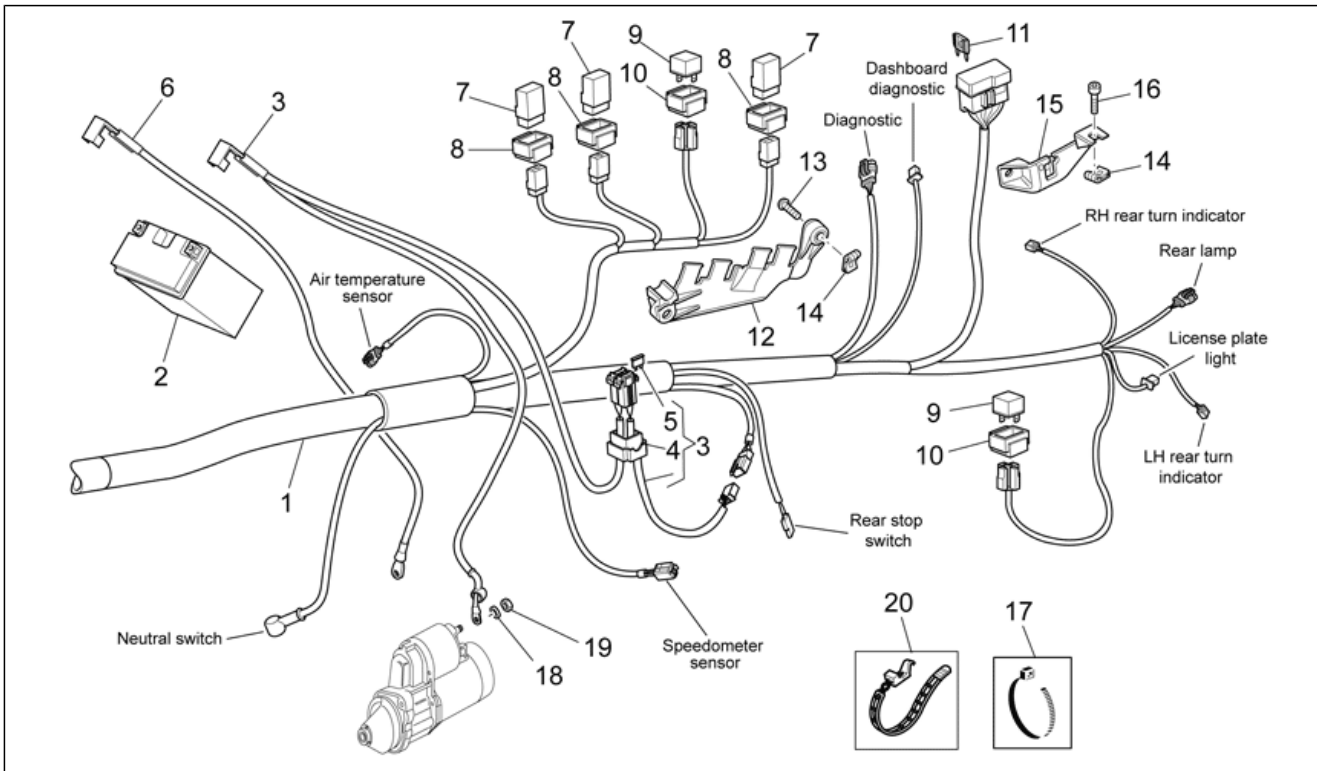
Pos.	Code	Beschreibung	Menge	Varianten
1	978407	Hauptverkabelung	1	
2	883900	Steuergerät	1	Baujahr: 2010[A] Land: Australia[AUS], Other country[EU], Great Britain[UK], United States of America[USA] Technische Daten: Telai ZGULSG[V2]
2	883905	Steuergerät	1	Baujahr: 2010[A] Land: Japan[J] Technische Daten: Telai ZGULSG[V2]
2	978406	Steuergerät	1	Baujahr: 2007[7], 2008[8], 2009[9] Technische Daten: Telai ZGULSE - ZGULSJ - ZGULSU[V1]
3	GU05729230	Buchse	2	
4	AP8152279	TE Schr. m. Flansch M6x20	6	
5	AP8120030	Gummi	6	
6	AP8221023	T-Buchse	6	
7	AP8152282	TE Schr. m. Flansch M6x35	2	
8	GU30716500	Zuendtransform.cpl.	2	
9	GU05716730	Halter Steuergerät	2	
10	GU98682125	TCEI Schraube	8	
11	GU95008204	Ausgleichscheibe 4,3x8x0,5	8	
12	GU92630104	Mutter M4x0,7	8	
13	640912	Zuendkabel	2	
16	GU05717030	Zündkerze NGK PMR8B	2	
17	AP8152299	Selbstsperrende Mutter M6	1	
18	584509	Sensore antiribaltamento	1	
19	AP8144046	Sensor halter gummi	1	
20	GU01721600	Phasen-und Umdrehungsfuhler	1	
21	GU90706141	O-Ring	1	
22	GU01722700	Dichtung 0,3mm	1	
22	GU01722701	Dichtung 0,4 mm	1	

Einheit	RAHMEN
Code	33.36
Beschreibung	Elektrische anlage I
Inspektion	1



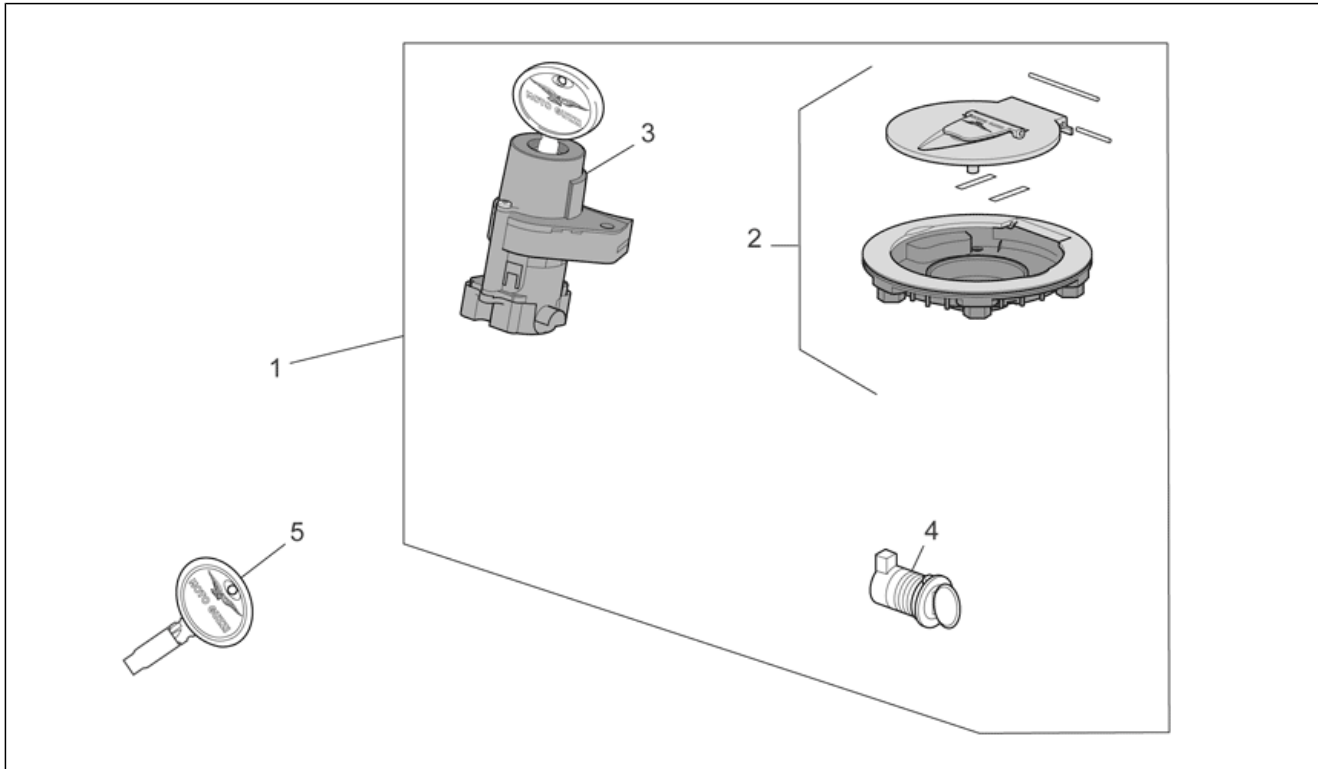
Pos.	Code	Beschreibung	Menge	Varianten
22	GU01722702	Dichtung 0,6mm	1	
22	GU01722703	Dichtung	1	
22	GU01722704	Dichtung 1mm	1	
22	GU01722705	Dichtung 1,5mm	1	
22	GU29722760	Dichtung 0,5 mm	1	
23	GU98682212	TCEI Schraube M5x12	2	
24	GU95008205	Ausgleichscheibe 5,3x10x0,8	2	
25	GU29729461	Sensor temperatur	1	
26	976556	Sensor halter	1	
27	GU06609600	Schelle	3	
28	GU14609650	Schelle 3,6x20,6	13	
28	GU49609601	Schelle 2,4x92	7	
28	GU93304390	Schelle 3,6x375	2	
29	AP8121475	Kabelführung	1	
30	AP8152285	TE Schr. m. Flansch	1	
31	GU98683520	TCEI Schraube M10x20	1	

Einheit	RAHMEN
Code	33.37
Beschreibung	Elektrische anlage II
Inspektion	1



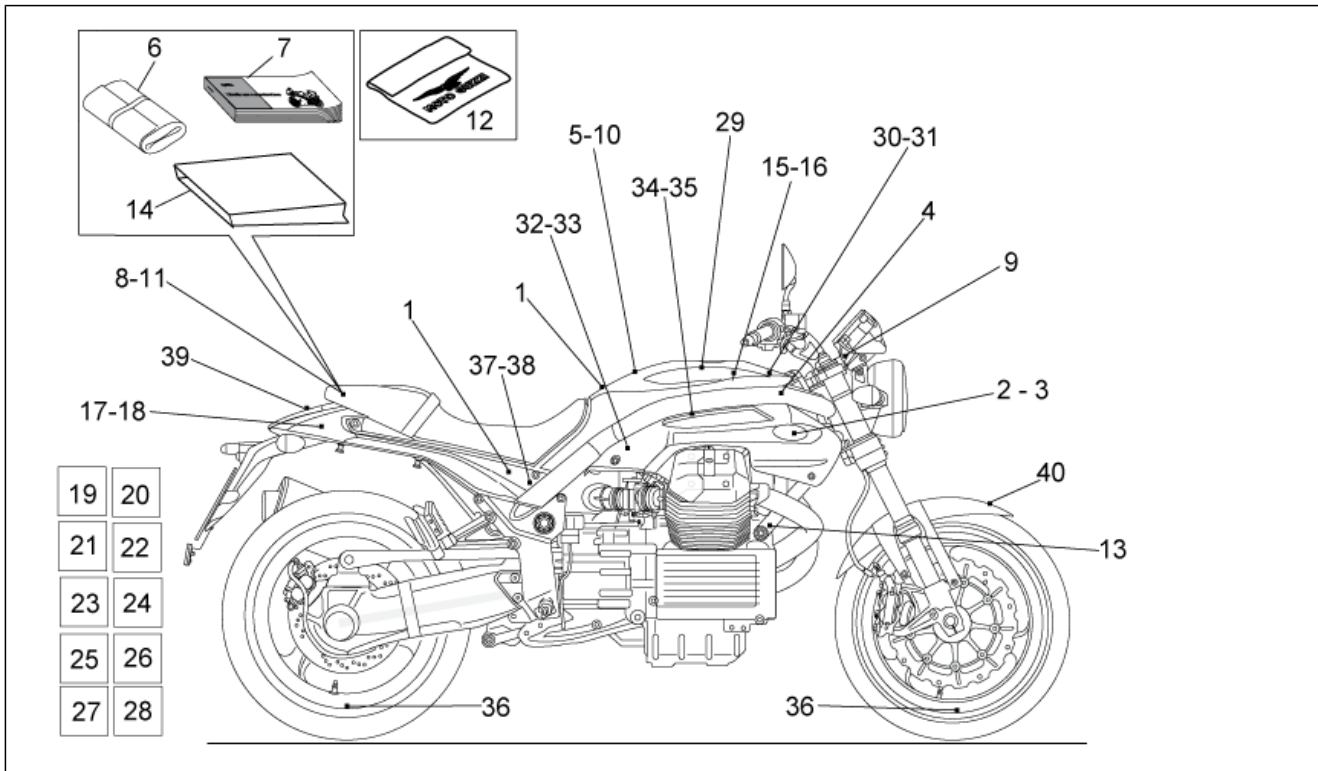
Pos.	Code	Beschreibung	Menge	Varianten
1	978407	Hauptverkabelung	1	
2	GU05704531	Batterie 12V-20Ah	1	
3	GU32748010	Verkabelung	1	
4	AP8112811	Sicherungsblockgummi	1	
5	GU28742562	Sicherung 30A	3	
6	GU06747900	Masse-Batteriekabel	1	
7	AP8224462	Zündrelais 12V/30A	3	
8	AP8220283	Gummi *	3	
9	AP8124869	Relais Einspritzung	2	
10	AP8220546	Auflagegummi Relais	2	
11	977769	Sicherung 3A	2	
11	977772	Sicherung 15A	4	
11	977773	Sicherung 20A	2	
12	GU06746300	Bügel	1	
13	AP8152339	TBEI Schraube m.Flansch M5x9	2	
14	AP8102375	Klammer m5	4	
15	GU06477000	Bügel	1	
16	GU98682215	TCEI Schraube	2	
17	GU14609650	Schelle 3,6x20,6	13	
17	GU49609601	Schelle 2,4x92	7	
18	GU95129131	Scheibe 8,4x15x1,7	1	
19	GU92609408	Mutter M8x1,25	1	
20	GU06609600	Schelle	3	

Einheit	RAHMEN
Code	33.38
Beschreibung	Bausatz Schlösser
Inspektion	1



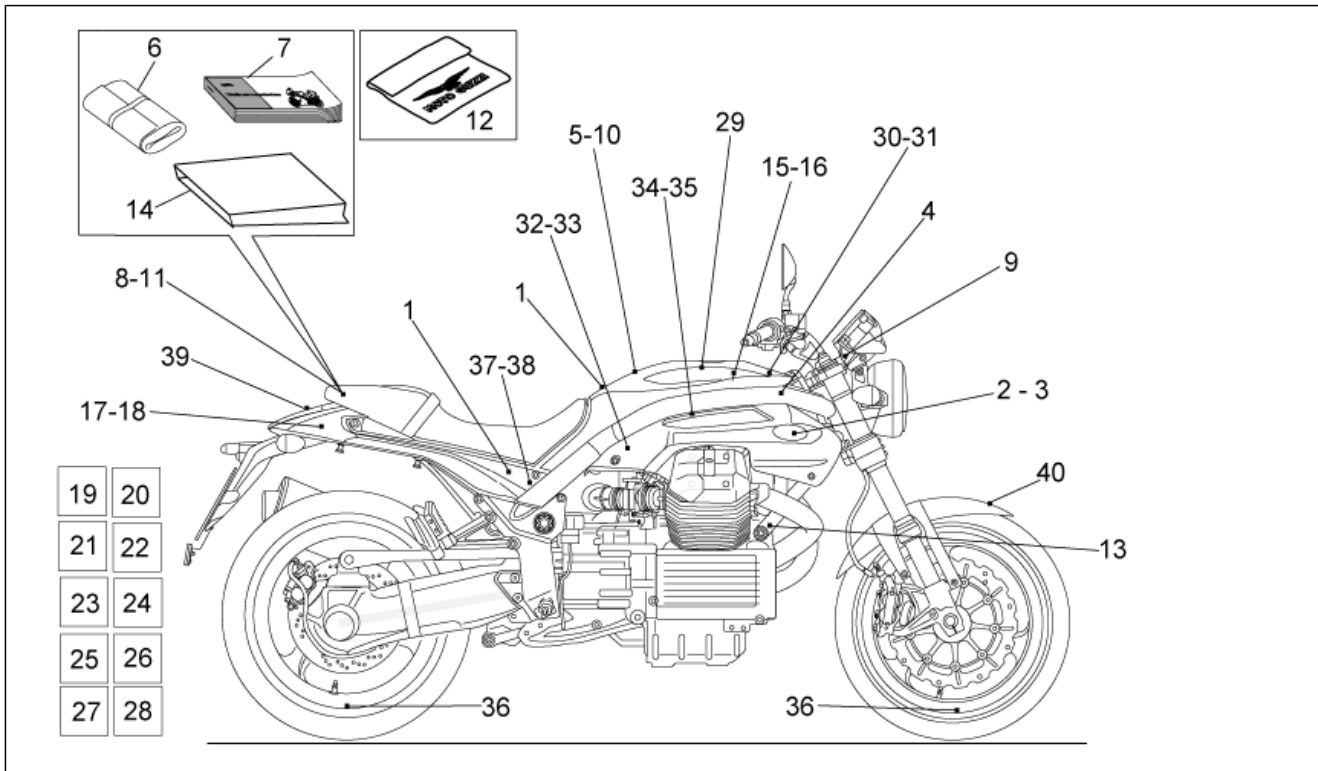
Pos.	Code	Beschreibung	Menge	Varianten
1	GU06736800	Kit Schließvorrichtungen	1	
2	GU06103900	Tankverschluß	1	
3	GU06782500	Lenkschloß	1	
4	GU05466830	Sitzschloß	1	
5	977918	Schlüssel nicht gezackt roh	1	

Einheit	RAHMEN
Code	33.39
Beschreibung	Aufkleber-Deko
Inspektion	1



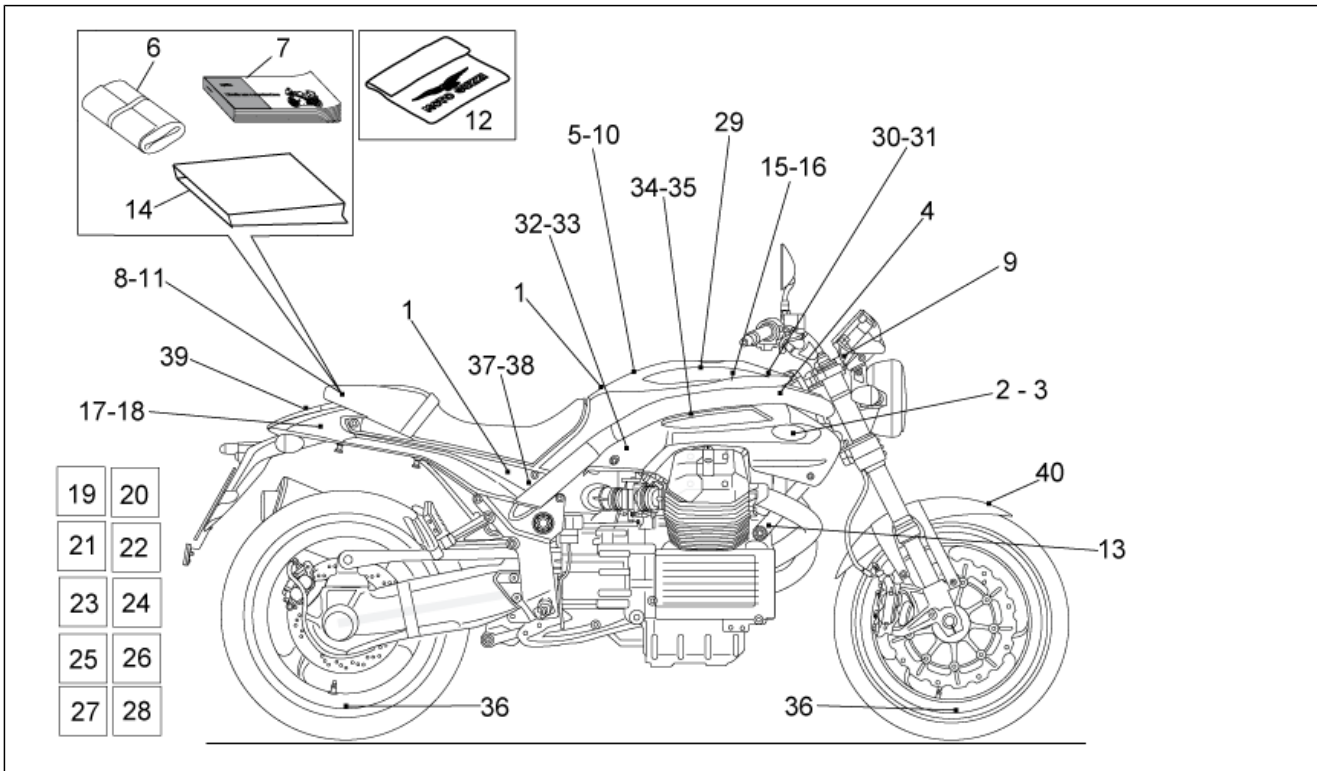
Pos.	Code	Beschreibung	Menge	Varianten
1	883613	Deko "Griso 8V"	2	Technische Daten: Versione Special Edition[SE]
1	887963	Aufkleber Tank "Griso"	1	Baujahr: 2012[C] Fahrzeugfarbe: Black Devil[b/d] Technische Daten: Versione Special Edition[SE]
1	978403	Deko "Griso 8V"	2	Technische Daten: Standard version[std]
2	GU06917400	L.Schild rot/gold AL	1	
3	GU06917300	R. Schild rot/gold AL	1	
4	GU05917530	Deko "Italian Story"	1	
5	GU30944300	Deko "Attention"	1	
6	978882	Werkzeugtasche	1	
7	883277	Gebrauchsanleitung I-F-D-E-NL-UK	1	Land: Canadian[CA], United States of America[USA]
7	883619	Gebrauchsanleitung I-F-D-E-NL-UK	1	Technische Daten: Versione Special Edition[SE]
7	978409	Gebrauchsanleitung I-F-D-E-NL-UK	1	Land: Australia[AUS], Other country[EU], Japan[J], Great Britain[UK] Technische Daten: Standard version[std]
8	GU05945030	Aufkleber "schema fusibili"	1	
9	GU06517700	Schild "Griso"	1	
10	GU05944930	Deko Engine Start	1	
11	883932	Aufkleber Reifendruck	1	Baujahr: 2011[B] Land: United States of America[USA]
11	977500	Aufkleber Reifendruck	1	Land: United States of America[USA]
11	GU06926000	Aufkleber Reifendruck	1	Land: Australia[AUS], Other country[EU], Japan[J], Great Britain[UK]
12	GU30970200	Abdeckplane	1	
13	GU05944530	Deko Warning	1	
14	GU05900130	Säckchen für Dokumente	1	
15	883611	Aufkl. weiß re.	1	Technische Daten: Versione Special Edition[SE]
15	887961	Decalco serbatoio dx fascia	1	Baujahr: 2012[C] Fahrzeugfarbe: Black Devil[b/d] Technische Daten: Versione Special Edition[SE]

Einheit	RAHMEN
Code	33.39
Beschreibung	Aufkleber-Deko
Inspektion	1



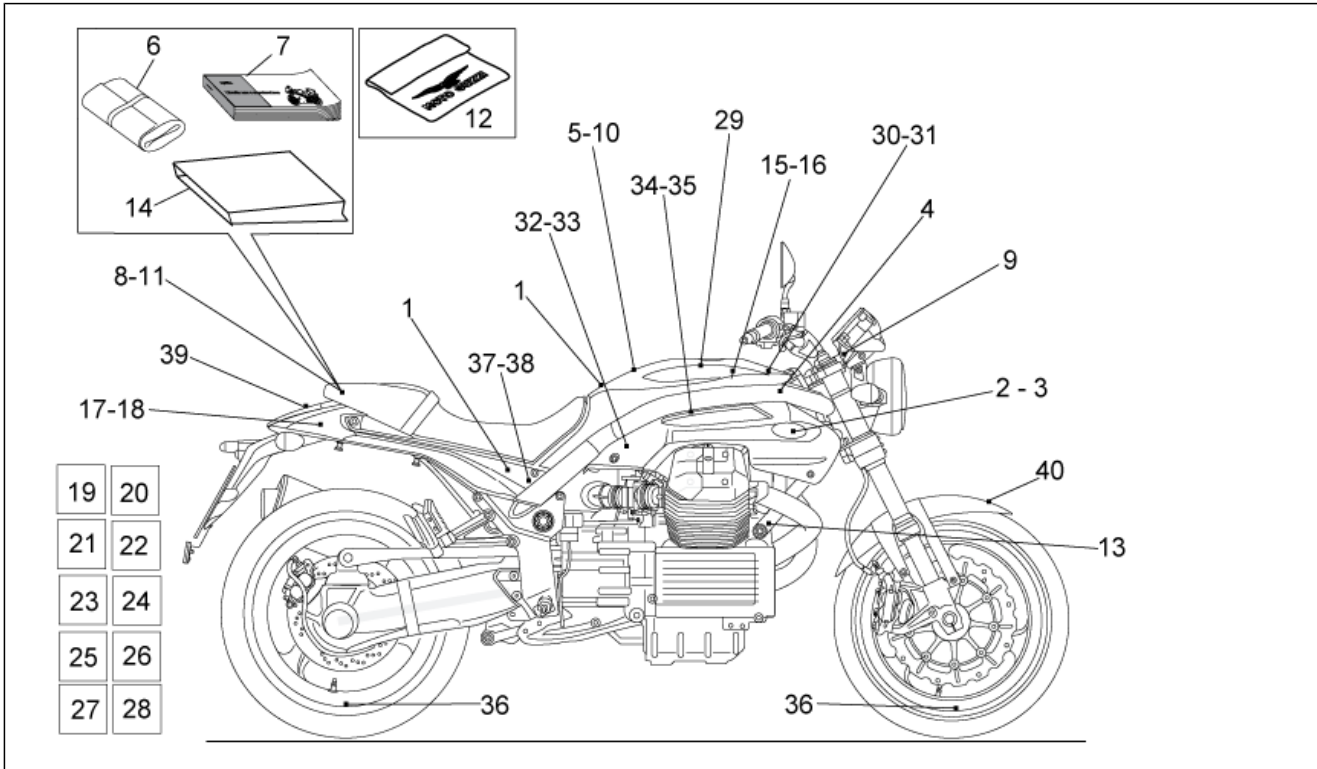
Pos.	Code	Beschreibung	Menge	Varianten
16	883612	Aufkl. weiß li.	1	Technische Daten: Versione Special Edition[SE]
16	887962	Decalco serbatoio sx fascia	1	Baujahr: 2012[C] Fahrzeugfarbe: Black Devil[b/d] Technische Daten: Versione Special Edition[SE]
17	883614	Aufkl. weiß re.	1	Technische Daten: Versione Special Edition[SE]
18	883615	Aufkl. weiß li.	1	Technische Daten: Versione Special Edition[SE]
19	2L000168	Lautherausgabe selbstkleber	1	Baujahr: 2014[E] Land: Canadian[CA], United States of America[USA]
19	883281	Lautherausgabe selbstkleber	1	Baujahr: 2009[9] Land: United States of America[USA]
19	883730	Lautherausgabe selbstkleber	1	Baujahr: 2010[A] Land: United States of America[USA]
19	883917	Lautherausgabe selbstkleber	1	Baujahr: 2011[B] Land: United States of America[USA]
19	884192	Lautherausgabe selbstkleber	1	Baujahr: 2012[C] Land: United States of America[USA]
19	884321	Lautherausgabe selbstkleber	1	Baujahr: 2013[D] Land: Canadian[CA], United States of America[USA]
20	2L000169	Emission control sticker	1	Baujahr: 2014[E] Land: Canadian[CA], United States of America[USA]
20	883279	Emission control sticker	1	Baujahr: 2009[9] Land: United States of America[USA]
20	883731	Emission control sticker	1	Baujahr: 2010[A] Land: United States of America[USA]
20	883918	Emission control sticker	1	Baujahr: 2011[B] Land: United States of America[USA]
20	884193	Emission control sticker	1	Baujahr: 2012[C] Land: United States of America[USA]
20	884322	Emission control sticker	1	Baujahr: 2013[D] Land: Canadian[CA], United States of America[USA]
21	2L000170	Carbon filter sticker	1	Baujahr: 2014[E] Land: Canadian[CA], United States of America[USA]

Einheit	RAHMEN
Code	33.39
Beschreibung	Aufkleber-Deko
Inspektion	1



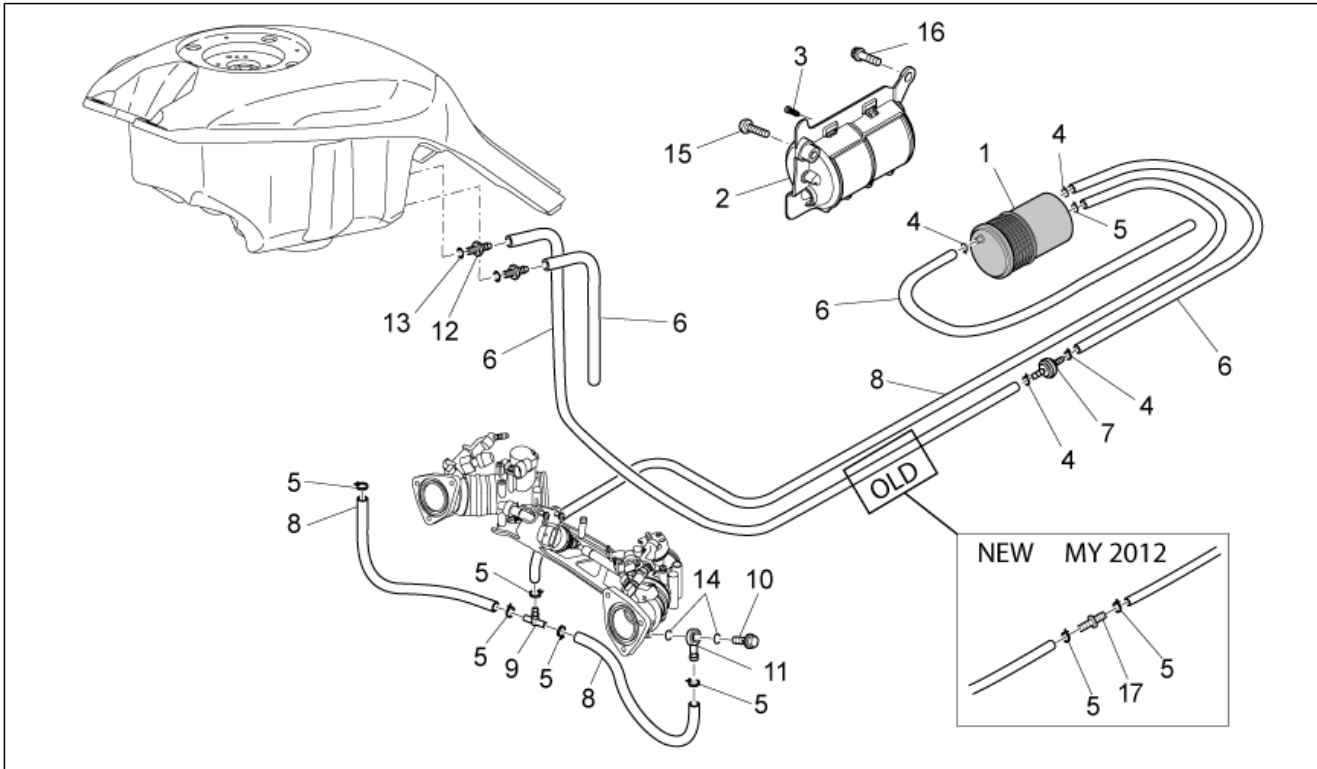
Pos.	Code	Beschreibung	Menge	Varianten
21	883280	Carbon filter sticker	1	Baujahr: 2009[9] Land: United States of America[USA]
21	883732	Carbon filter sticker	1	Baujahr: 2010[A] Land: United States of America[USA]
21	883919	Carbon filter sticker	1	Baujahr: 2011[B] Land: United States of America[USA]
21	884194	Carbon filter sticker	1	Baujahr: 2012[C] Land: United States of America[USA]
21	884323	Carbon filter sticker	1	Baujahr: 2013[D] Land: Canadian[CA], United States of America[USA]
22	AP8157100	Deko Shock Adsorber	1	
23	AP8257609	Spiegel deko	2	
24	AP8257794	Batterie deko	1	
25	AP8257742	Keys warning decal	1	
26	GU03995730	Deko "Unleaded Fuelonly"	1	Land: Australia[AUS] Technische Daten: Versione Special Edition[SE]
27	883067	Fälschungssicheres Schild 78 KW	1	Technische Daten: Versione Special Edition[SE]
28	672381	Schild ices-002	1	Land: Canadian[CA]
29	886944	Deko "90 Anni Guzzi"	1	
30	887959	Decalco serbatoio dx fascia	1	Baujahr: 2012[C] Fahrzeugfarbe: Black Devil[b/d] Technische Daten: Versione Special Edition[SE]
31	887960	Decalco serbatoio sx fascia	1	Baujahr: 2012[C] Fahrzeugfarbe: Black Devil[b/d] Technische Daten: Versione Special Edition[SE]
32	887964	Decalco fascia DX	1	Baujahr: 2012[C] Fahrzeugfarbe: Black Devil[b/d] Technische Daten: Versione Special Edition[SE]
33	887965	Decalco fascia SX	1	Baujahr: 2012[C] Fahrzeugfarbe: Black Devil[b/d] Technische Daten: Versione Special Edition[SE]
34	887966	Decalco fascia DX	1	Baujahr: 2012[C]

Einheit	RAHMEN
Code	33.39
Beschreibung	Aufkleber-Deko
Inspektion	1



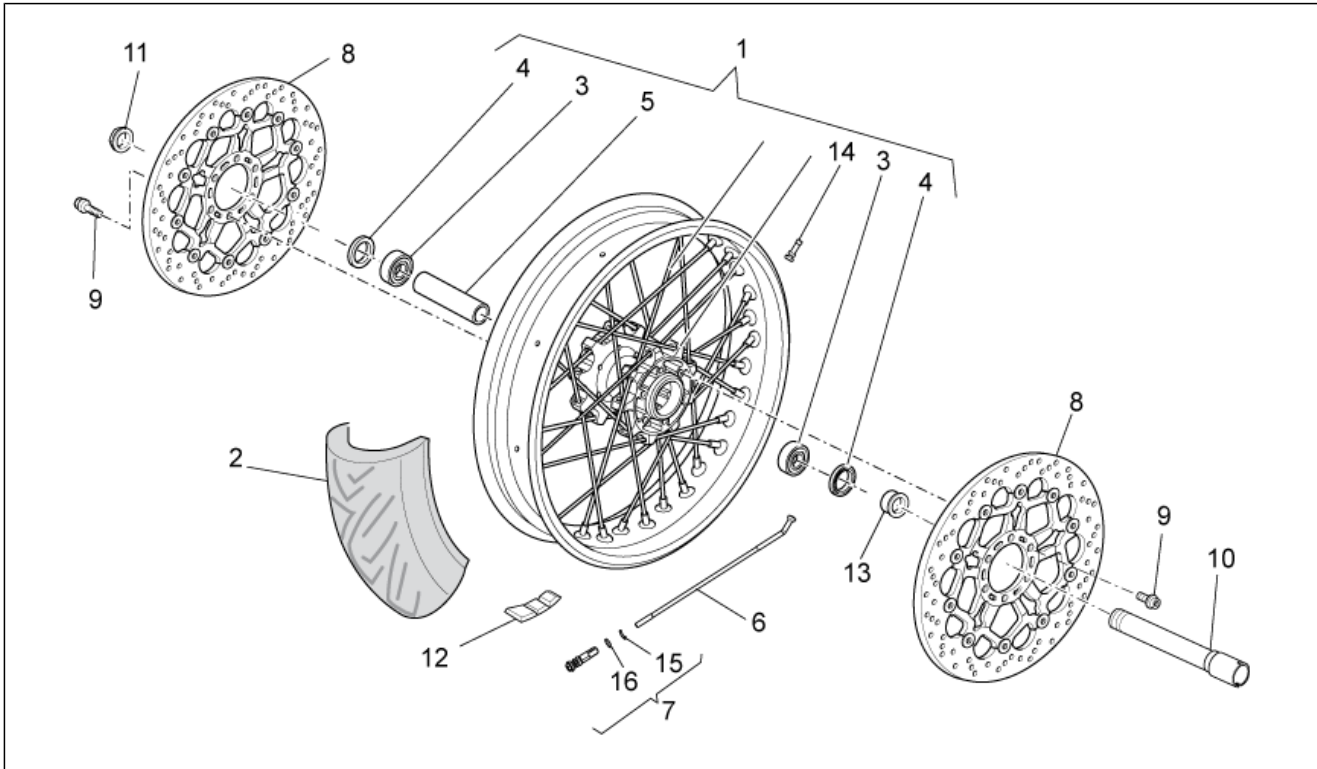
Pos.	Code	Beschreibung	Menge	Varianten
				Fahrzeugfarbe:Black Devil[b/d] Technische Daten:Versione Special Edition[SE]
35	887967	Decalco fascia SX	1	Baujahr:2012[C] Fahrzeugfarbe:Black Devil[b/d] Technische Daten:Versione Special Edition[SE]
36	887971	Deko "Moto Guzzi"	4	Baujahr:2012[C] Fahrzeugfarbe:Black Devil[b/d] Technische Daten:Versione Special Edition[SE]
37	887968	Aufkleber re "1200"	1	Baujahr:2012[C] Fahrzeugfarbe:Black Devil[b/d] Technische Daten:Versione Special Edition[SE]
38	887969	Aufkleber L. "1200"	1	Baujahr:2012[C] Fahrzeugfarbe:Black Devil[b/d] Technische Daten:Versione Special Edition[SE]
39	887970	Deko Heckteil	1	Baujahr:2012[C] Fahrzeugfarbe:Black Devil[b/d] Technische Daten:Versione Special Edition[SE]
40	886141	Deko "Aquila"	1	Baujahr:2012[C] Fahrzeugfarbe:Black Devil[b/d] Technische Daten:Versione Special Edition[SE]

Einheit	RAHMEN
Code	33.63
Beschreibung	Benzindampfdruckf.-Anlage
Inspektion	1



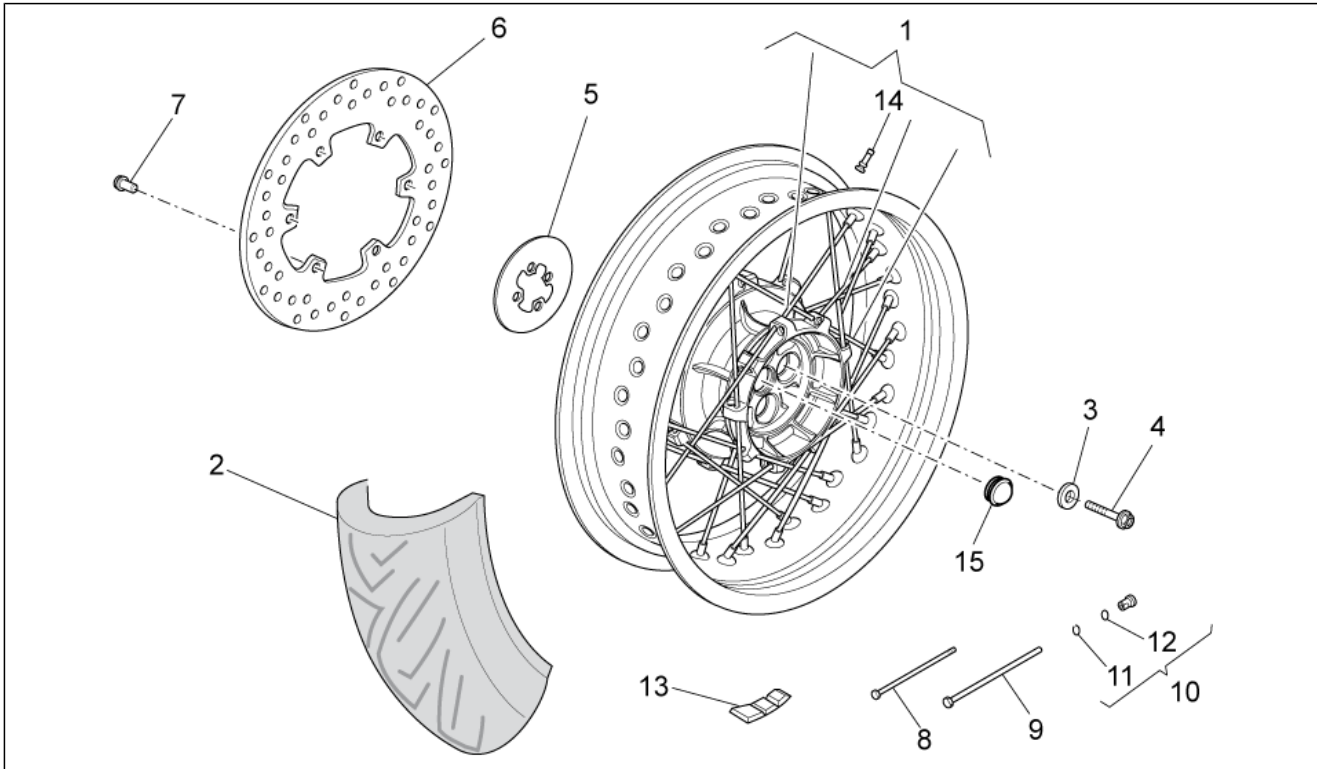
Pos.	Code	Beschreibung	Menge	Varianten
1	AP8102678	Kohlefilter	1	Land:Canadian[CA], United States of America[USA]
2	977418	Canister halteplatte	1	Land:Canadian[CA], United States of America[USA]
3	AP8150413	Gew.schr. 3,9x14	3	Land:Canadian[CA], United States of America[USA]
4	AP8201358	Schelle D 11,9	4	Land:Canadian[CA], United States of America[USA]
5	AP8102377	Schelle D9,1*	8	Land:Canadian[CA], United States of America[USA]
6	856063	Leitung SAE 30 d.12,7x6,35	3	Land:Canadian[CA], United States of America[USA]
7	860138	Ventil	1	Baujahr:2012[C] Land:Canadian[CA], United States of America[USA] Technische Daten:New version[NEW]
7	AP8104614	Druckventil	1	Baujahr:2007[7], 2008[8], 2009[9], 2010[A], 2011[B] Land:Canadian[CA], United States of America[USA] Technische Daten:Old version[OLD]
8	856062	Leitung SAE 30 d.11,11x4,8	3	Land:Canadian[CA], United States of America[USA]
9	AP8104666	3-Wegeanschluß	1	Land:Canadian[CA], United States of America[USA]
10	GU95990023	Lochschaube	2	Land:Canadian[CA], United States of America[USA]
11	GU95963062	Anschluss	2	Land:Canadian[CA], United States of America[USA]
12	GU30103730	Anschluss	2	Land:Canadian[CA], United States of America[USA]
13	AP8120965	O-Ring 2018	2	Land:Canadian[CA], United States of America[USA]
14	GU90706009	O-Ring 6x1	4	Land:Canadian[CA], United States of America[USA]
15	GU98231235	TBEI Schraube M12x35	1	Land:Canadian[CA], United States of America[USA]
16	GU97202435	Schraube	1	Land:Canadian[CA], United States of America[USA]
17	AP8121267	Drosselspindel	1	Baujahr:2012[C] Land:Canadian[CA], United States of America[USA] Technische Daten:New version[NEW]

Einheit	RAHMEN
Code	33.64
Beschreibung	SE Vorderrad
Inspektion	1



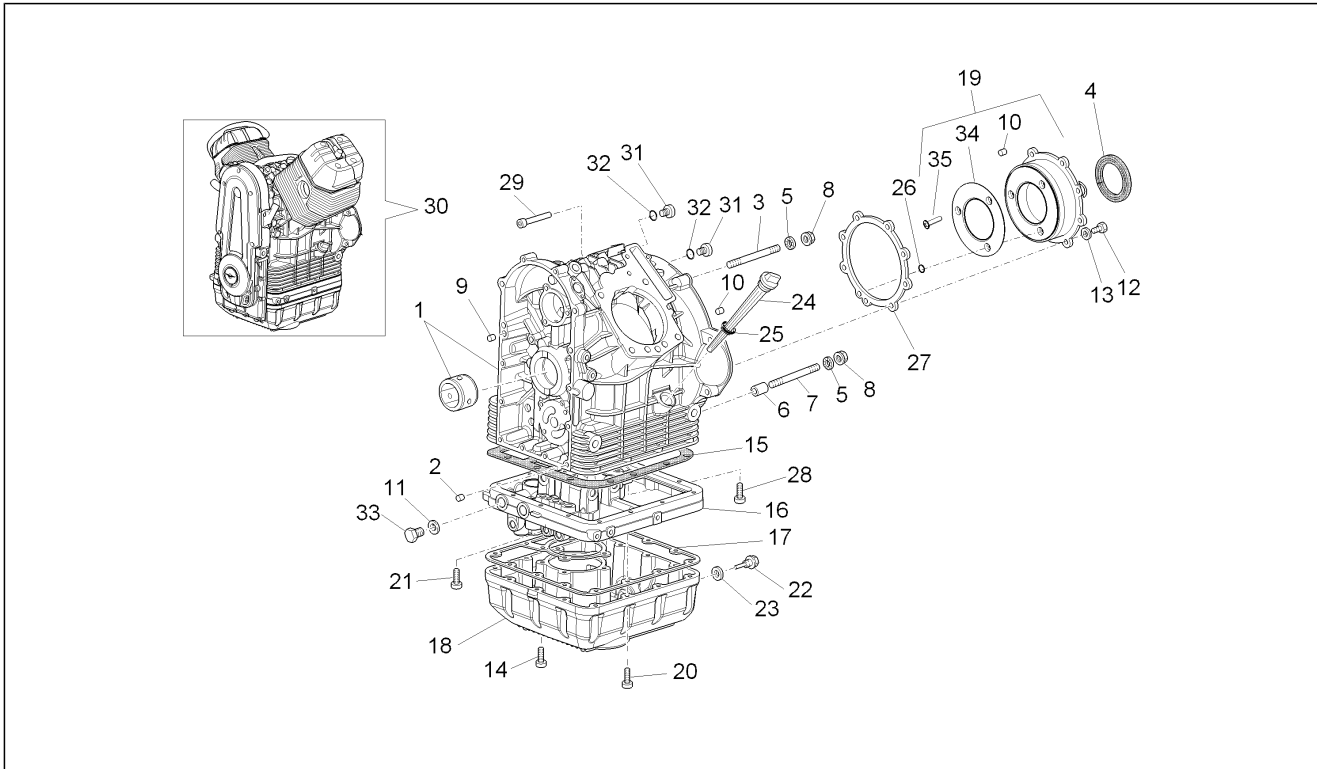
Pos.	Code	Beschreibung	Menge	Varianten
1	884077	Vorderrad, schwarz 3,5X17"	1	Technische Daten: Ruota marchiata BEHR[RBE], Ruota con raggi ZN[RZN], Versione Special Edition[SE]
1	884163	Vorderrad, schwarz 3,5X17"	1	Technische Daten: Ruota marchiata GIANT[RGI], Ruota con raggi ZN[RZN], Versione Special Edition[SE]
1	978528	Vorderrad, schwarz 3,5x17"	1	Technische Daten: Ruota marchiata BEHR[RBE], Ruota con raggi CR[RCR], Versione Special Edition[SE]
2	2B000182	Vorderreifen	1	Technische Daten: Marchio MICHELEN[MI]
2	97717R	Vorderreifen 120/70 ZR 17"	1	Technische Daten: Versione Special Edition[SE]
3	AP8125777	Kugellager 25x47x12	2	Technische Daten: Versione Special Edition[SE]
4	AP8125773	Gasket ring 30x47x7	2	Technische Daten: Versione Special Edition[SE]
5	978516	Distanzstück Lager	1	Technische Daten: Versione Special Edition[SE]
6	887084	Vord.speiche	36	Technische Daten: Versione Special Edition[SE], Galvanized[ZN]
6	978530	Speiche	36	Technische Daten: Cromo Lucido[CR], Versione Special Edition[SE]
7	978810	Nippel L=34	36	Technische Daten: Versione Special Edition[SE]
8	883688	Vorderradbremsscheibe 320	2	Technische Daten: Versione Special Edition[SE], Marchio Sunstar[SUN]
8	978764	Vorderradbremsscheibe	2	Technische Daten: Marchio Brembo[BRE], Versione Special Edition[SE]
9	GU05611430	Schraube	12	Technische Daten: Versione Special Edition[SE]
10	978497	Vorderradbolzen	1	Technische Daten: Versione Special Edition[SE]
11	GU01612190	Mutter	1	Technische Daten: Versione Special Edition[SE]
12	GU14616150	Gegengewicht	1	Technische Daten: Versione Special Edition[SE]
13	978498	Distanzscheibe	1	Technische Daten: Versione Special Edition[SE]
14	AP8101744	Schlauchloses Reifenventil	1	Technische Daten: Versione Special Edition[SE]
15	978811	Sprengring	36	Technische Daten: Versione Special Edition[SE]
16	GU90706061	O-Ring OR2025	36	Technische Daten: Versione Special Edition[SE]

Einheit	RAHMEN
Code	33.65
Beschreibung	SE Hinterrad
Inspektion	1



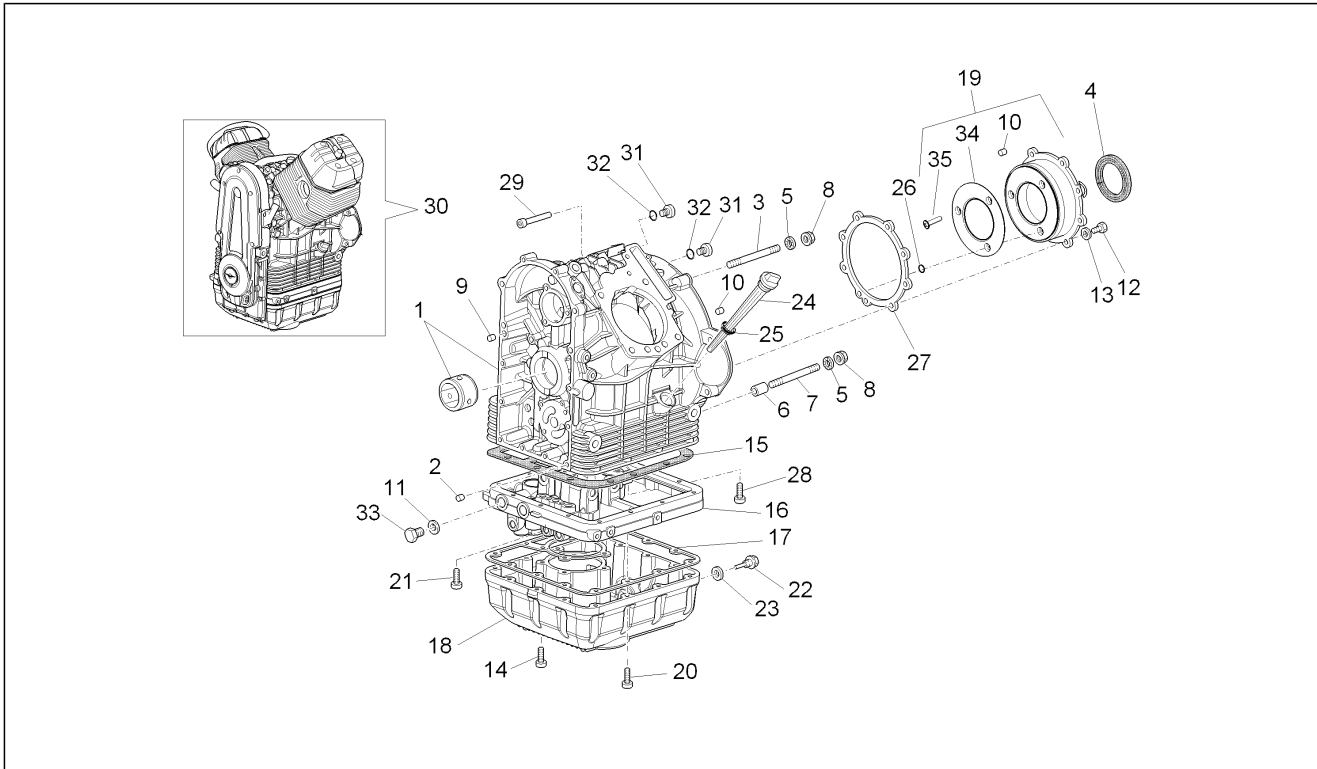
Pos.	Code	Beschreibung	Menge	Varianten
1	884078	Hinterrad ohne Scheibe 5,5x17	1	Technische Daten: Ruota marchiata BEHR[RBE], Ruota con raggi ZN[RZN], Versione Special Edition[SE]
1	884164	Hinterrad ohne Scheibe 5,5x17	1	Technische Daten: Ruota marchiata GIANT[RGI], Ruota con raggi ZN[RZN], Versione Special Edition[SE]
1	978849	Hinterrad ohne Scheibe 5,5x17"	1	Technische Daten: Ruota marchiata BEHR[RBE], Ruota con raggi CR[RCR], Versione Special Edition[SE]
2	2B000183	Hinterreifen	1	Technische Daten: Marchio MICHELEN[MI]
2	97718R	Pneumatico posteriore 180/55 ZR 17"	1	Technische Daten: Versione Special Edition[SE]
3	GU05632730	Konischebuchse	4	Technische Daten: Versione Special Edition[SE]
4	GU97202665	TE Schr. m. Flansch M12x65	4	Technische Daten: Versione Special Edition[SE]
5	977056	Staubschutzring	1	Technische Daten: Versione Special Edition[SE]
6	GU05635730	Vorderradbremsscheibe	1	Technische Daten: Versione Special Edition[SE]
7	GU30611460	Schraube	6	Technische Daten: Versione Special Edition[SE]
8	887082	Kurze Speike L=147,4mm	18	Technische Daten: Versione Special Edition[SE], Galvanized[ZN]
8	978815	Kurze Speike	18	Technische Daten: Cromo Lucido[CR], Versione Special Edition[SE]
9	887083	Lange Speike L=154,9mm	18	Technische Daten: Versione Special Edition[SE], Galvanized[ZN]
9	978816	Lange Speike	18	Technische Daten: Cromo Lucido[CR], Versione Special Edition[SE]
10	978810	Nippel L=34	36	Technische Daten: Versione Special Edition[SE]
11	978811	Sprengring	36	Technische Daten: Versione Special Edition[SE]
12	GU90706061	O-Ring OR2025	36	Technische Daten: Versione Special Edition[SE]
13	GU14616150	Gegengewicht	1	Technische Daten: Versione Special Edition[SE]
14	AP8101744	Schlauchloses Reifenventil	1	Technische Daten: Versione Special Edition[SE]
15	978301	Deckel	1	Technische Daten: Versione Special Edition[SE]

Einheit	MOTOR
Code	34.40
Beschreibung	Gehäuse I
Inspektion	1



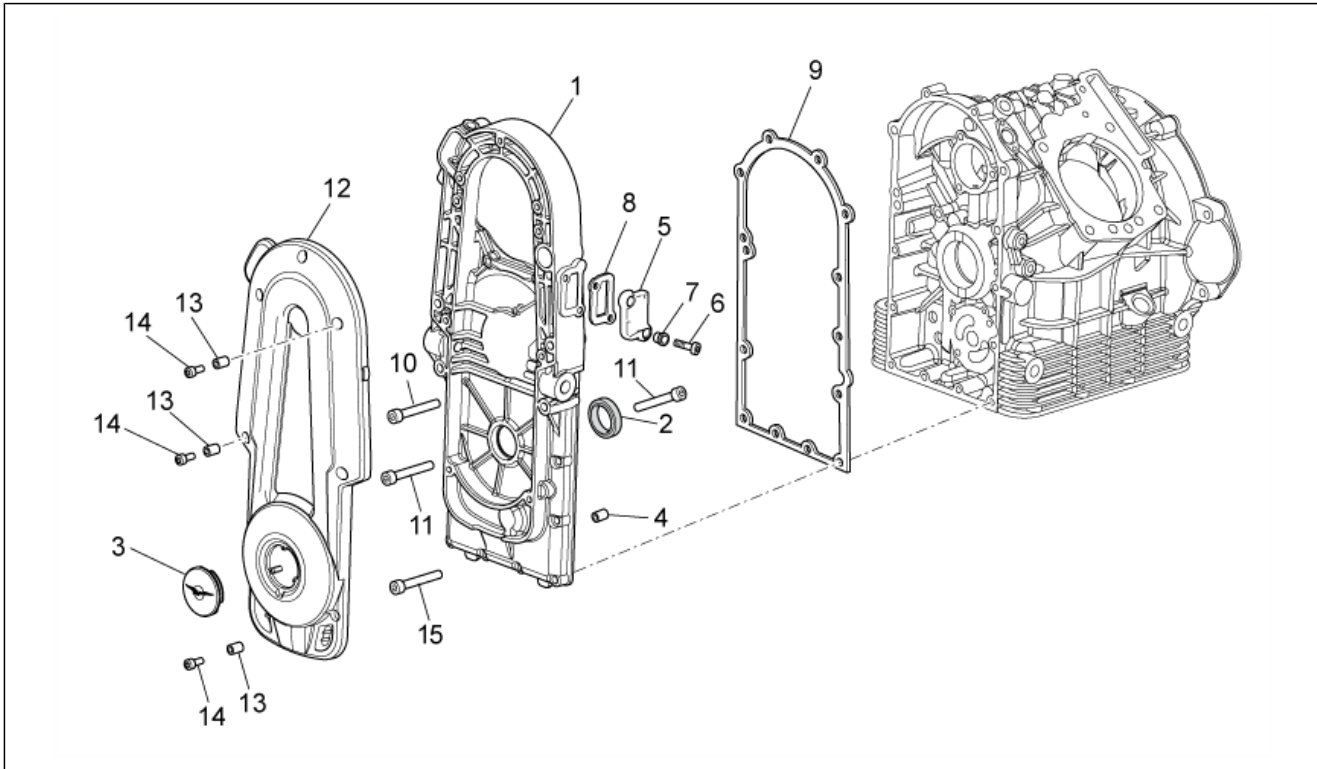
Pos.	Code	Beschreibung	Menge	Varianten
1	976539	Kurbelge schwarz	1	
2	411209	Stift	2	
3	GU96508066	Stiftschraube M8X66	3	
4	GU90405367	Gasket ring	1	
5	GU14615901	Ausgleichscheibe 8,4X13X0,8	5	
6	GU12018900	Kupplungsbuchse	2	
7	GU96508075	Stiftschraube M8x75	2	
8	GU92660021	Geflanschte Mutter M8	5	
9	GU95512081	Stift	2	
10	560110	Stift	2	
11	GU01154230	Dichtung	2	
12	GU98084425	Sechskantschraube M8x25	8	
13	GU61270300	Sprengscheibe 8x15x0,3	8	
14	GU98680335	TCEI Schraube M6x35	4	
15	GU01003651	Dichtung	1	
16	976502	Flansch schwarz	1	
17	GU05003630	Dichtung	1	
18	976486	Ölwanne grau schwarz	1	
19	874213	Flansch komplett	1	
20	AP4ADN000007	TCEI Schraube	14	
21	GU98680360	TCEI Schraube M6x60	2	
22	GU31003766	Ölablaßschraube M10x1	1	
23	GU01528930	Dichtung 10x18x1,5	1	
24	GU05004930	Ölstandschrabe	1	
25	GU90706178	O-Ring 17,86X2,62	1	
26	874980	O-Ring 7,5X2	1	
27	874257	Dichtung	1	
28	GU98680340	TCEI Schraube M6x40	2	

Einheit	MOTOR
Code	34.40
Beschreibung	Gehäuse I
Inspektion	1



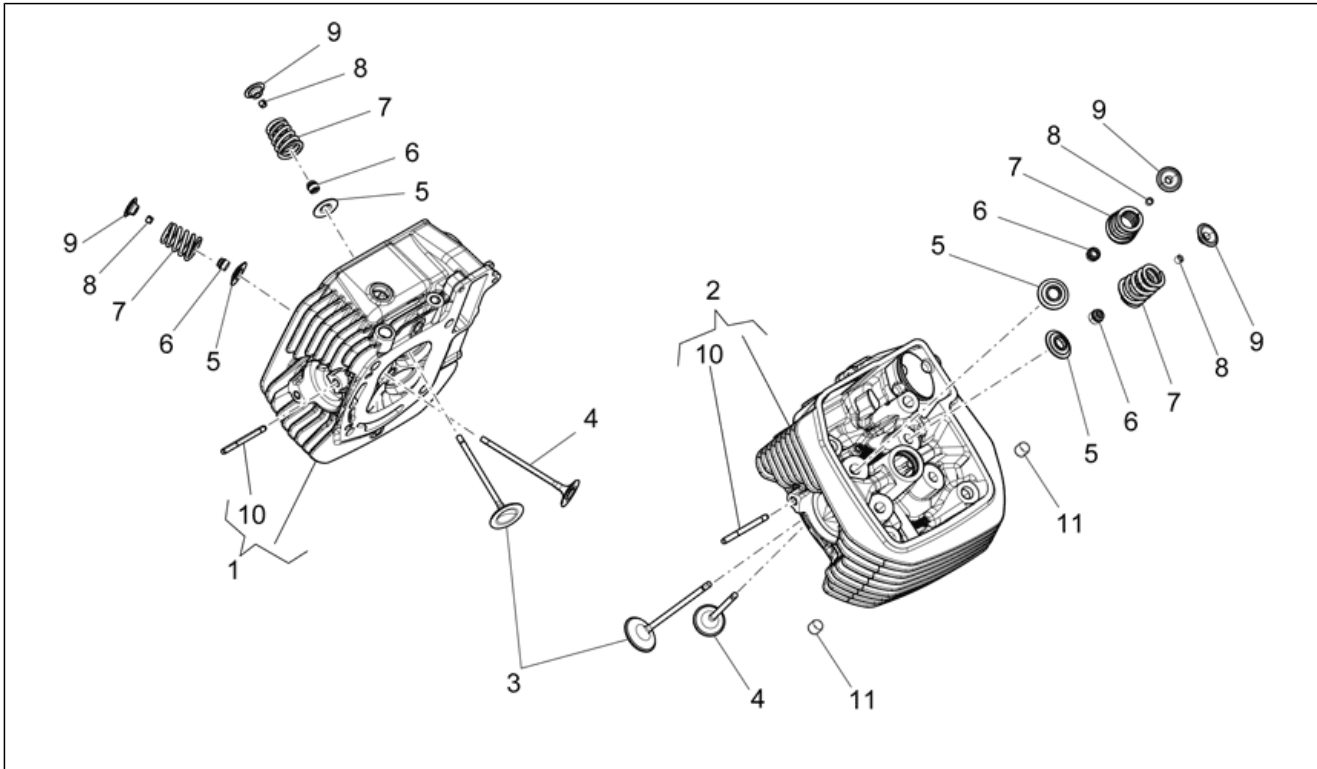
Pos.	Code	Beschreibung	Menge	Varianten
29	AP8152291	TE Schr. m. Flansch	1	
30	976929	Motor komplett	1	Technische Daten: Vecchia distribuzione[VD]
30	9769945	***Motor komplett	1	Technische Daten: Nuova distribuzione a rullini[ND]
31	GU12022600	Ölschraube	2	
32	GU90706203	O-Ring 20,24X2,62	2	
33	GU95980216	Deckel	2	
34	874134	Disco recupero olio	1	
35	015935	Vite TBCIC M5x12	3	

Einheit	MOTOR
Code	34.41
Beschreibung	Gehäuse II
Inspektion	1



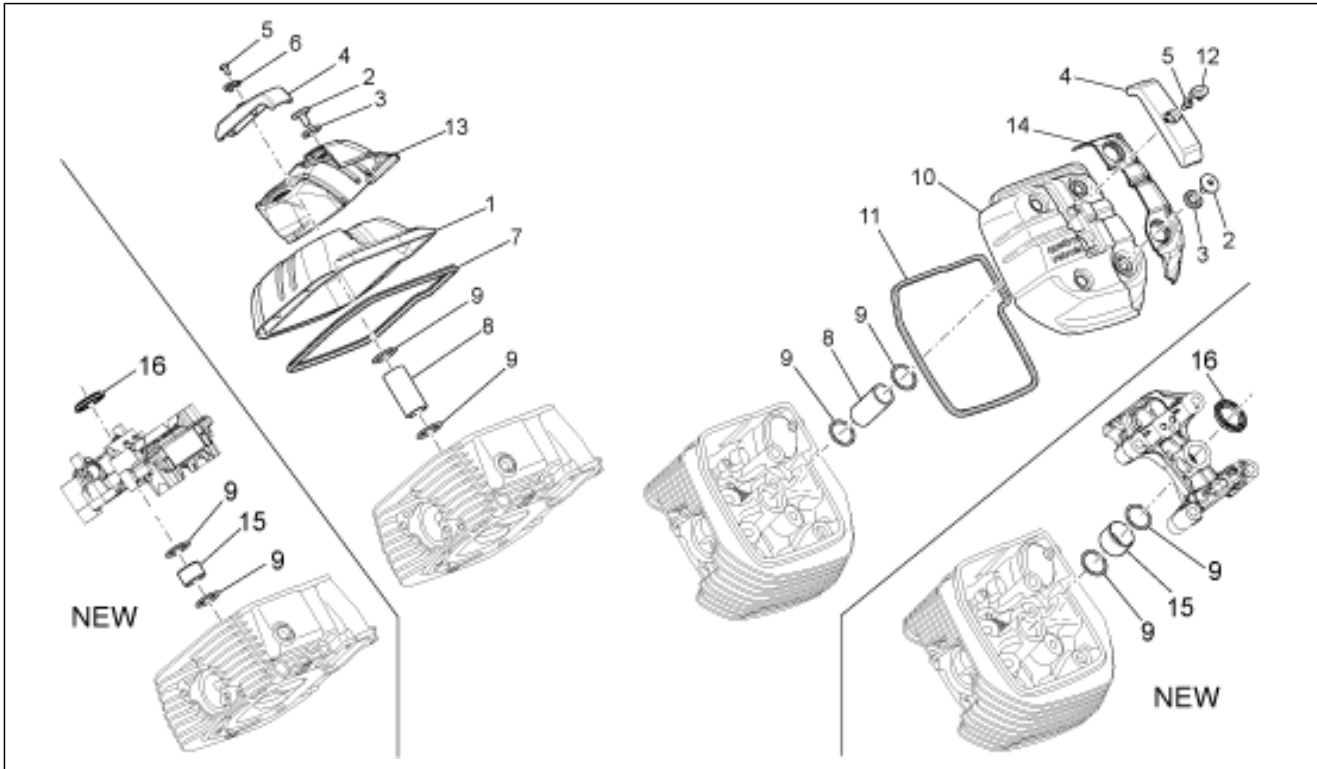
Pos.	Code	Beschreibung	Menge	Varianten
1	976480	Steuergehäusedeckel schwarz	1	
2	GU90412237	Gasket ring 22x35x7viton	1	
3	GU05002130	Deckel	1	
4	825597	Stift 11,8X10	2	
5	976554	Deckel	1	
6	GU98682320	TCEI Schraube M6x20	2	
7	GU91120607	Buchse 6,4x8,4x10,5	2	
8	GU90706347	O-Ring 34,65x1,78viton	1	
9	976478	Deckeldichtung Kupplungsseite	1	
10	AP8150046	TCEI Schraube M8x55	4	
11	GU98682330	TCEI Schraube M6x20	9	
12	GU05001630	Generatordeckel grau	1	
13	GU91120606	Buchse 6,8x8,8x5,8	6	
14	GU98682316	TCEI Schraube M6x16	5	
15	GU98680335	TCEI Schraube M6x35	1	

Einheit	MOTOR
Code	34.42
Beschreibung	Zylinderkopf - ventile
Inspektion	1



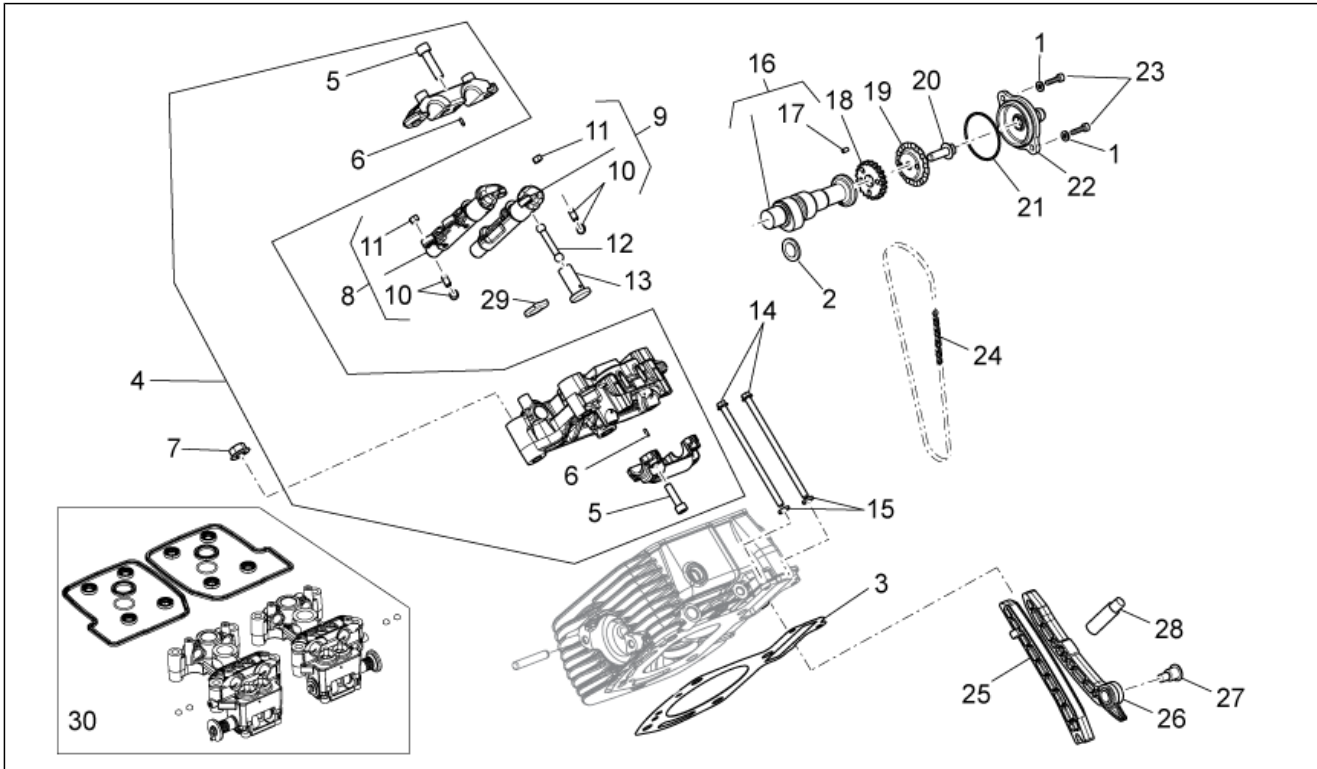
Pos.	Code	Beschreibung	Menge	Varianten
1	872756	Zylinderkopf re.	1	Technische Daten: Telai ZGULSE - ZGULSJ - ZGULSU[V1]
1	878556	Zylinderkopf re.	1	Technische Daten: Telai ZGULSG[V2]
2	872755	Zylinderkopf li.	1	Technische Daten: Telai ZGULSE - ZGULSJ - ZGULSU[V1]
2	878553	Zylinderkopf li.	1	Technische Daten: Telai ZGULSG[V2]
3	872695	Einlaßventil	4	
4	872696	Auslaßventil	4	
5	874127	Becher unten	4	
6	436438	Ventil Dichtring	8	
7	874335	Ventilfeder	8	
8	285846	Ventilhalbkegel	8	
9	874126	Becher obere	8	
10	827018	Auspufftopf Stiftschraube M8X3X46	4	
11	825597	Stift 11,8X10	8	

Einheit	MOTOR
Code	34.43
Beschreibung	Kopfdeckel
Inspektion	1



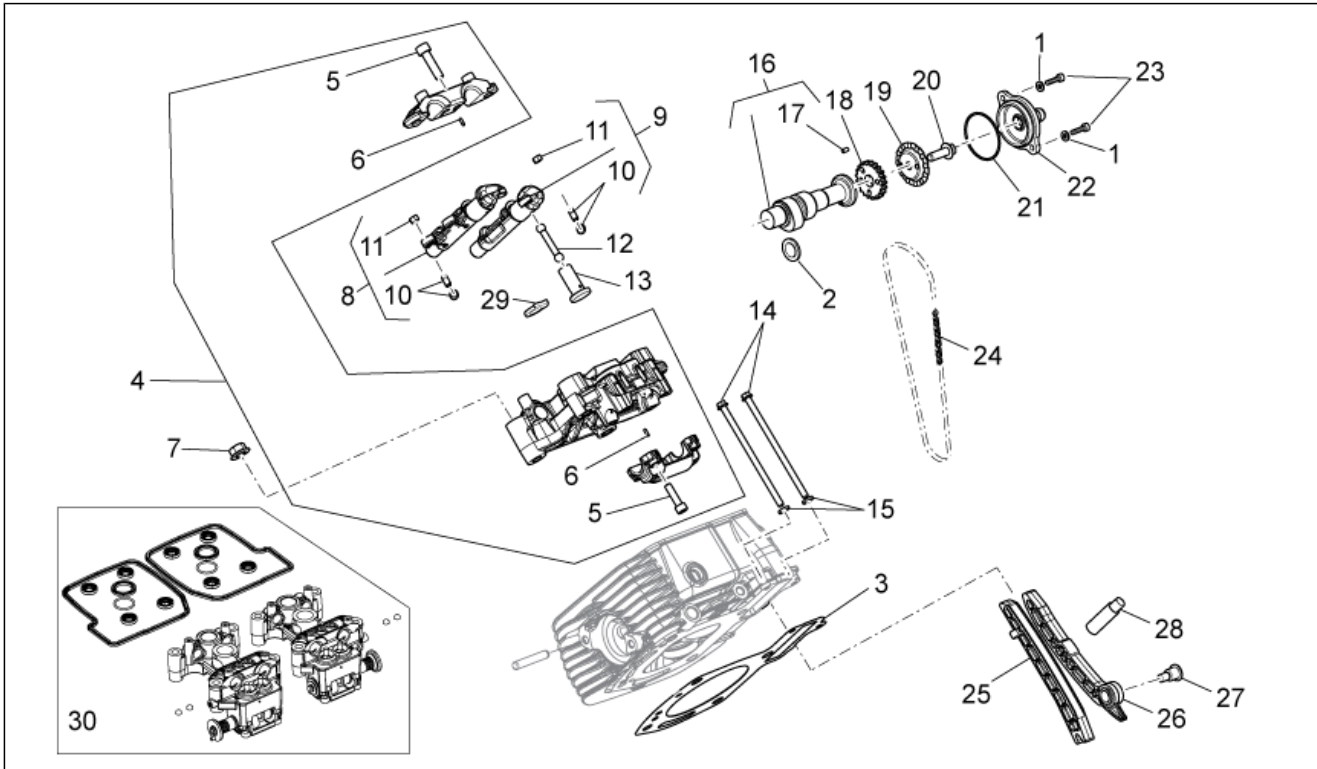
Pos.	Code	Beschreibung	Menge	Varianten
1	872607	Kopfdeckel R.	2	Technische Daten: Old version[OLD]
1	880124	Kopfdeckel R.	1	Technische Daten: New version[NEW]
2	976591	Spezialschraube	8	
3	830249	Stopfen dämpfer	8	Technische Daten: Old version[OLD]
3	879975	Stopfen dämpfer	8	Technische Daten: New version[NEW]
4	872726	Zündkerzedeckel	2	
5	GU98230510	TBEI Schraube	2	
6	976560	Rechtes Schild "Moto Guzzi"	1	
7	872742	Dichtung re	1	
8	873668	Leitung	2	Technische Daten: Old version[OLD]
9	873626	O-Ring 26X2,5	4	
10	872606	Kopfdeckel L.	1	Technische Daten: Old version[OLD]
10	880123	Kopfdeckel L.	1	Technische Daten: New version[NEW]
11	872741	Dichtung li	1	
12	976559	L.Schild "Moto Guzzi"	1	
13	873654	Deckel re.	1	
14	872740	Deckel li.	1	
15	879987	Leitung	2	Technische Daten: New version[NEW]
16	880127	Dichtung	2	Technische Daten: Old version[OLD]

Einheit	MOTOR
Code	34.44
Beschreibung	Recht Zylindersteuer I
Inspektion	1



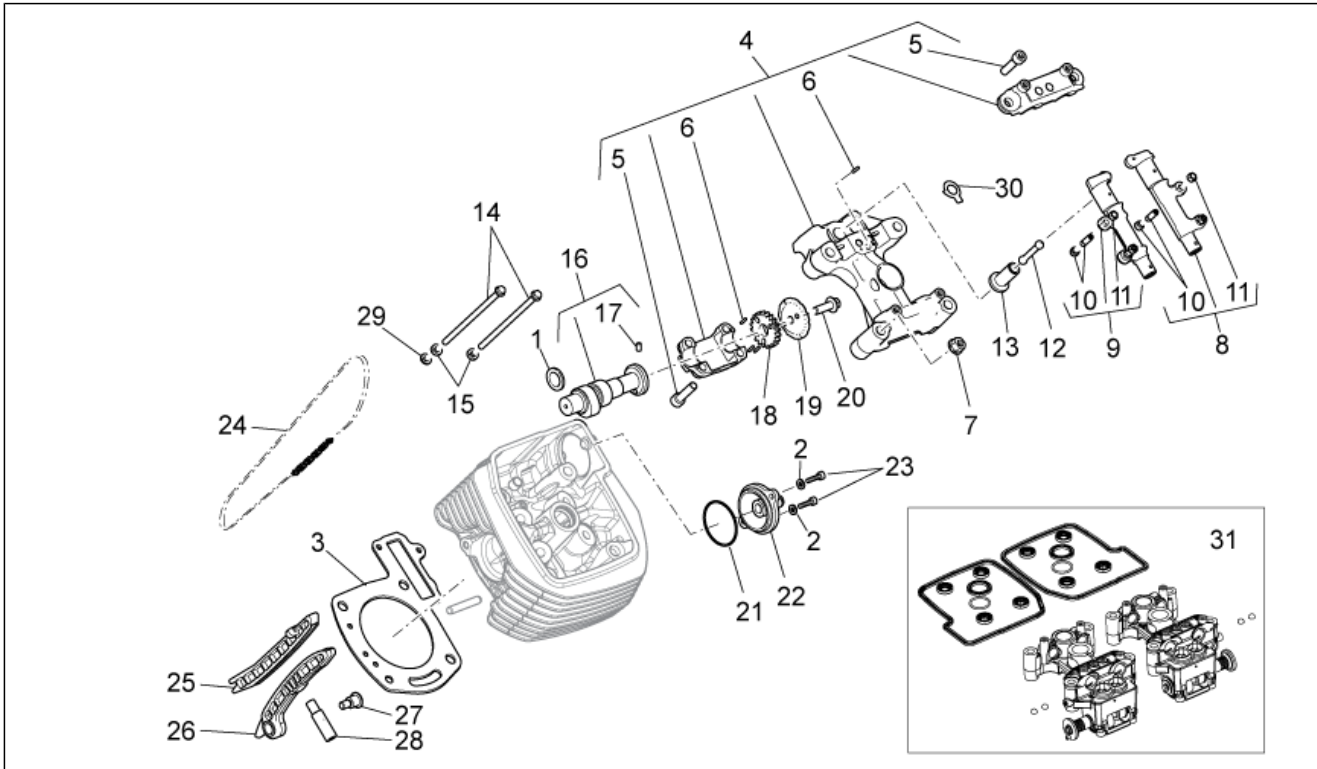
Pos.	Code	Beschreibung	Menge	Varianten
1	GU95129100	Sprengscheibe 5,3X10X0,5	1	Technische Daten: Telai ZGULSG[V2]
2	CM162701	Distanzscheibe 1,06	1	
2	CM162702	Distanzscheibe 1,08	1	
2	CM162703	Distanzscheibe 1,10	1	
2	CM162704	Distanzscheibe 1,12	1	
2	CM162705	Distanzscheibe 1,14	1	
3	874621	Dichtung Zylinderkopf 0,65 mm	2	
3	874622	Dichtung Zylinderkopf 0,85 mm	2	
3	976311	Dichtung Zylinderkopf 1,05 mm	2	
4	873426	Kipphebellager re.	1	Technische Daten: Old version[OLD]
4	880879	Kipphebellager re.	1	Technische Daten: New version[NEW]
5	015792	Schraube M8x30	6	
6	872759	Stift D. 2,5	4	
7	833520	Mutter M10X1,25 6H	4	
8	976359	Kipphebel	1	Technische Daten: Asta comando bilancierte old[M1]
8	B013603	Bilanciere aspirazione sx scarico dx	1	Technische Daten: Asta comando bilancierte new[M2]
9	976360	Kipphebel	1	Technische Daten: Asta comando bilancierte old[M1]
9	B013605	Bilanciere aspirazione dx scarico sx	1	Technische Daten: Asta comando bilancierte new[M2]
10	873850	Regelschraube	4	Technische Daten: Asta comando bilancierte old[M1]
10	879707	Einstellschraube	4	Technische Daten: Asta comando bilancierte new[M2]
11	484819	Mutter	4	Technische Daten: Asta comando bilancierte old[M1]
11	879916	Kipphebel Einstellmutter	4	Technische Daten: Asta comando bilancierte new[M2]
12	873631	Kipphebelstange	2	Technische Daten: Asta comando bilancierte old[M1]
12	B015681	Kipphebelstange	2	Technische Daten: Asta comando bilancierte new[M2]
13	B014603	Bicchierino per punteria	2	
14	487444	Flanschschraube M6x120	2	
15	976674	Flachscheibe 12x6,1x2	2	
16	873873	Nockenwelle	1	Baujahr: 2007[7], 2008[8], 2009[9]

Einheit	MOTOR
Code	34.44
Beschreibung	Recht Zylindersteuer I
Inspektion	1



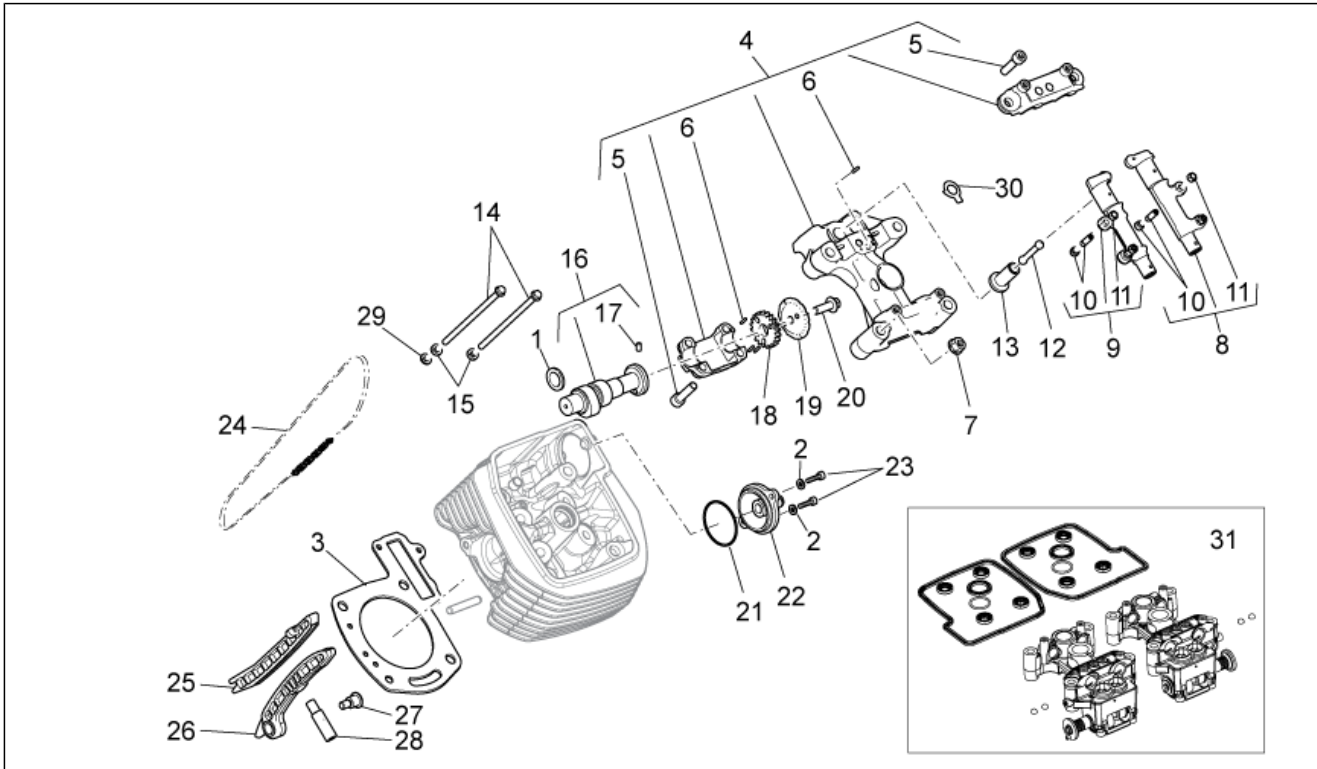
Pos.	Code	Beschreibung	Menge	Varianten
				Technische Daten: Telai ZGULSE - ZGULSJ - ZGULSU[V1]
16	8776384	Nockenwelle	1	Baujahr: 2010[A] Technische Daten: Telai ZGULSG[V2]
17	976589	Stift	1	
18	976350	Zahnrad Steuer.	1	
19	874601	Blattöentlüfter	1	
20	843060	Flanschschraube	1	
21	872814	O-Ring 47,35X1,78	1	Technische Daten: Telai ZGULSE - ZGULSJ - ZGULSU[V1]
21	976584	O-Ring 44.17X1.78	1	Technische Daten: Telai ZGULSG[V2]
22	874521	Entlüftungsdeckel kpl.	1	Technische Daten: Telai ZGULSE - ZGULSJ - ZGULSU[V1]
22	976690	Entlüftungsdeckel kpl.	1	Technische Daten: Telai ZGULSG[V2]
23	GU98350210	TBEI Schraube	2	Technische Daten: Telai ZGULSE - ZGULSJ - ZGULSU[V1]
23	GU98622214	Schraube	1	Technische Daten: Telai ZGULSG[V2]
24	976341	Steuerkette	1	
25	976338	Kettengleitführung	1	
26	976337	Kettenspanner Gleitbacke	1	
27	974228	Distanstückschraube	1	
28	873689	Kettenspanner re.	1	
29	874805	Platte	1	
30	1A002060	kit trasformazione distribuzione "A"	1	Baujahr: 2010[A], 2011[B], 2012[C]

Einheit	MOTOR
Code	34.45
Beschreibung	Links Zylindersteuer I
Inspektion	1



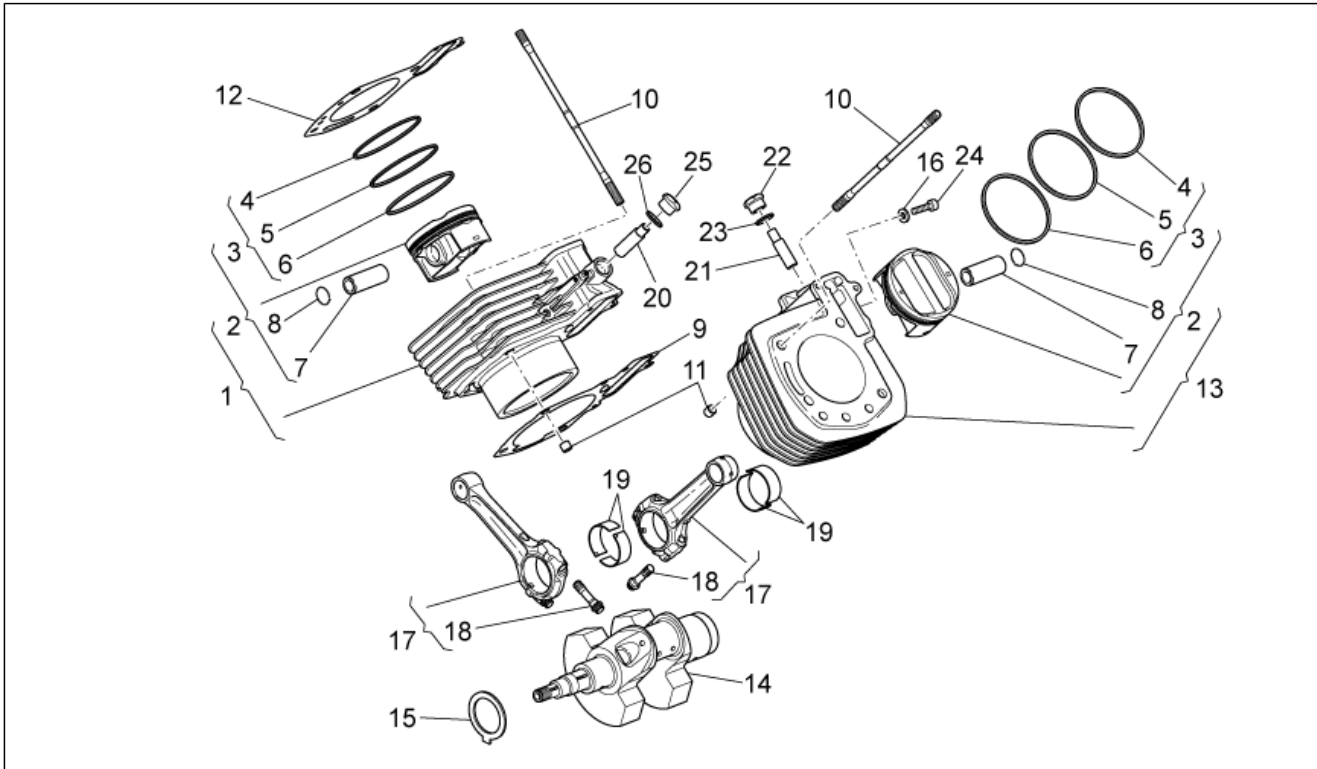
Pos.	Code	Beschreibung	Menge	Varianten
1	CM162701	Distanzscheibe 1,06	1	
1	CM162702	Distanzscheibe 1,08	1	
1	CM162703	Distanzscheibe 1,10	1	
1	CM162704	Distanzscheibe 1,12	1	
1	CM162705	Distanzscheibe 1,14	1	
2	GU95129100	Sprengscheibe 5,3X10X0,5	1	Technische Daten: Telai ZGULSG[V2]
3	874621	Dichtung Zylinderkopf 0,65 mm	2	
3	874622	Dichtung Zylinderkopf 0,85 mm	2	
3	976311	Dichtung Zylinderkopf 1,05 mm	2	
4	873425	Kipphebellager li.	1	Technische Daten: Old version[OLD]
4	880881	Kipphebellager li.	1	Technische Daten: New version[NEW]
5	015792	Schraube M8x30	6	
6	872759	Stift D. 2,5	4	
7	833520	Mutter M10X1,25 6H	4	
8	976359	Kipphebel	1	
9	976360	Kipphebel	1	
10	873850	Regelschraube	4	
11	484819	Mutter	4	
12	873631	Kipphebelstange	2	
13	B014603	Bicchierino per punteria	2	
14	487444	Flanschschraube M6x120	2	
15	976674	Flachscheibe 12x6,1x2	2	
16	873873	Nockenwelle	1	Baujahr: 2007[7], 2008[8], 2009[9] Technische Daten: Telai ZGULSE - ZGULSJ - ZGULSU[V1]
16	8776384	Nockenwelle	1	Baujahr: 2010[A] Technische Daten: Telai ZGULSG[V2]
17	976589	Stift	1	
18	976350	Zahnrad Steuer.	1	

Einheit	MOTOR
Code	34.45
Beschreibung	Links Zylindersteuer I
Inspektion	1



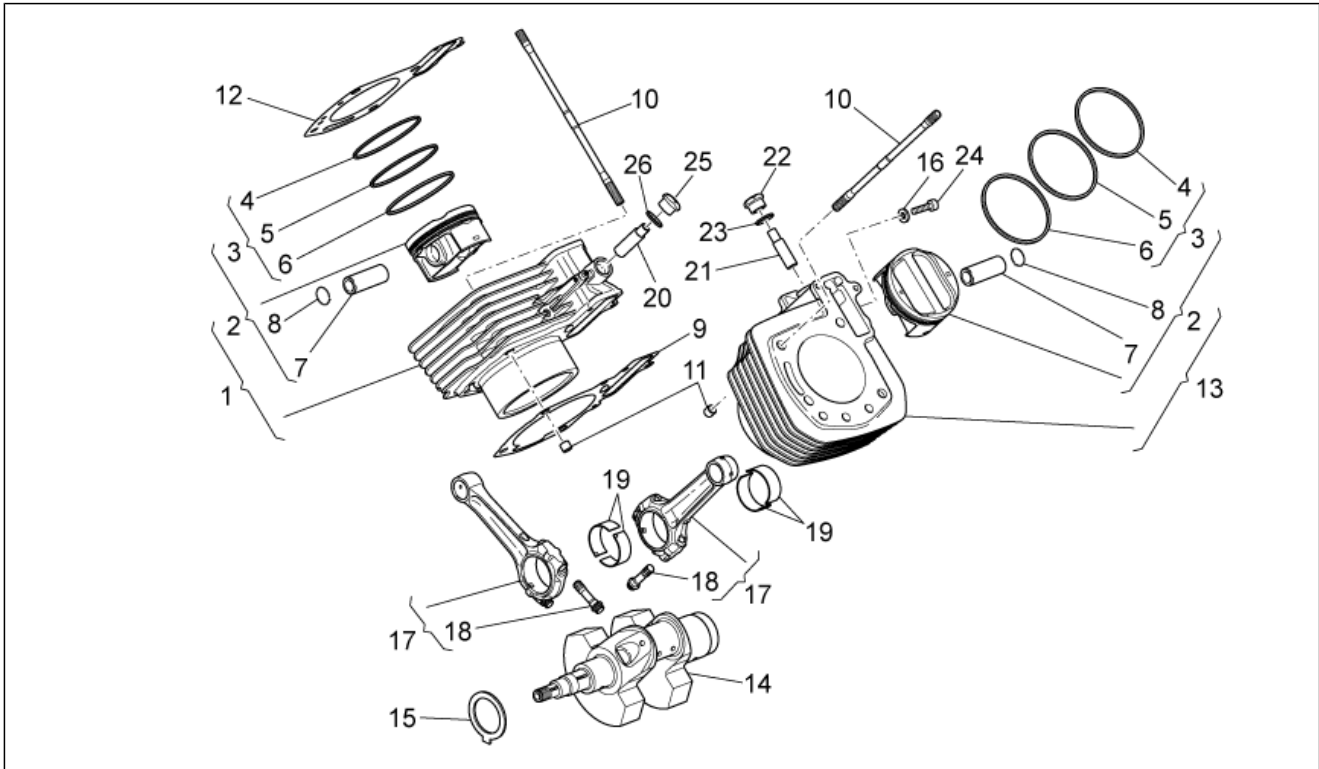
Pos.	Code	Beschreibung	Menge	Varianten
19	874601	Blattöentlüfter	1	
20	843060	Flanschschraube	1	
21	872814	O-Ring 47,35X1,78	1	Technische Daten: Telai ZGULSE - ZGULSJ - ZGULSU[V1]
21	976584	O-Ring 44.17X1.78	1	Technische Daten: Telai ZGULSG[V2]
22	874521	Entlüftungsdeckel kpl.	1	Technische Daten: Telai ZGULSE - ZGULSJ - ZGULSU[V1]
22	976690	Entlüftungsdeckel kpl.	1	Technische Daten: Telai ZGULSG[V2]
23	GU98350210	TBEI Schraube	2	Technische Daten: Telai ZGULSE - ZGULSJ - ZGULSU[V1]
23	GU98622214	Schraube	1	Technische Daten: Telai ZGULSG[V2]
24	976341	Steuerkette	1	
25	976338	Kettengleitführung	1	
26	976337	Kettenspanner Gleitbacke	1	
27	974228	Distanzstückschraube	1	
28	873690	Kettenspanner li.	1	
29	244585	Distanzscheibe	1	
30	874805	Platte	1	
31	1A002060	kit trasformazione distribuzione "A"	1	Baujahr: 2010[A], 2011[B], 2012[C]

Einheit	MOTOR
Code	34.46
Beschreibung	Kurbelwelle - Zylinder
Inspektion	1



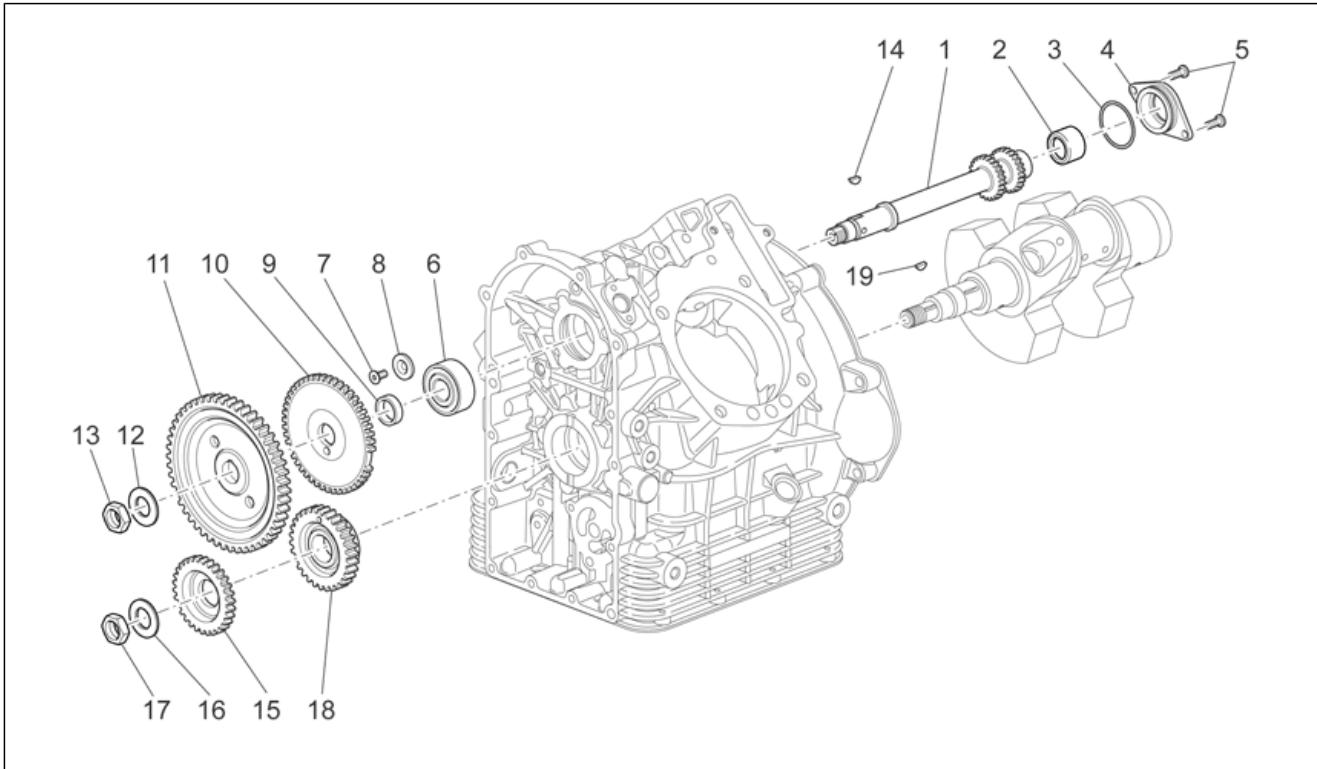
Pos.	Code	Beschreibung	Menge	Varianten
1	981008	Re. Zylinder mit Kolben kpl.	1	
2	873667	Kolben D95 kpl	2	
3	981009	Kolbenring-Satz	2	
4	874287	Kolbenrung	2	
5	874288	Kolbenrung	2	
6	874289	Kolbenrung	2	
7	874286	Bolzen	2	
8	874567	Sperring	4	
9	976312	ZYLINDERFUSSDICHTUNG	2	
10	976304	Stiftschraube	8	
11	825597	Stift 11,8X10	4	
12	874621	Dichtung Zylinderkopf 0,65 mm	2	
12	874622	Dichtung Zylinderkopf 0,85 mm	2	
12	976311	Dichtung Zylinderkopf 1,05 mm	2	
13	981007	Li. Zylinder mit Kolben kpl.	1	
14	B0133785001	Welle kpl.	1	Technische Daten: Colore selezione Marrone[C1]
14	B0133785002	Welle kpl.	1	Technische Daten: Colore selezione Verde[C2]
14	B0133785003	Welle kpl.	1	Technische Daten: Colore selezione Nero[C3]
15	874293	Zwischenlegscheibe	1	
16	GU95100116	Ausgleichscheibe 6,25x10x1,5	2	
17	8783390001	Baugruppe Pleuelstange kpl.	2	Technische Daten: Colore selezione Marrone[C1]
17	8783390002	Baugruppe Pleuelstange kpl.	2	Technische Daten: Colore selezione Verde[C2]
17	8783390003	Baugruppe Pleuelstange kpl.	2	Technische Daten: Colore selezione Nero[C3]
18	849131	Pleuelschraube	4	
19	875243	Halbsch. Bronzebchs. 1,535-1,540	4	Technische Daten: Segno rosso[RS]
19	875244	Halbsch. Bronzebchs. 1,539-1,544	4	Technische Daten: Segno blu[BS]
20	873689	Kettenspanner re.	1	
21	873690	Kettenspanner li.	1	

Einheit	MOTOR
Code	34.46
Beschreibung	Kurbelwelle - Zylinder
Inspektion	1



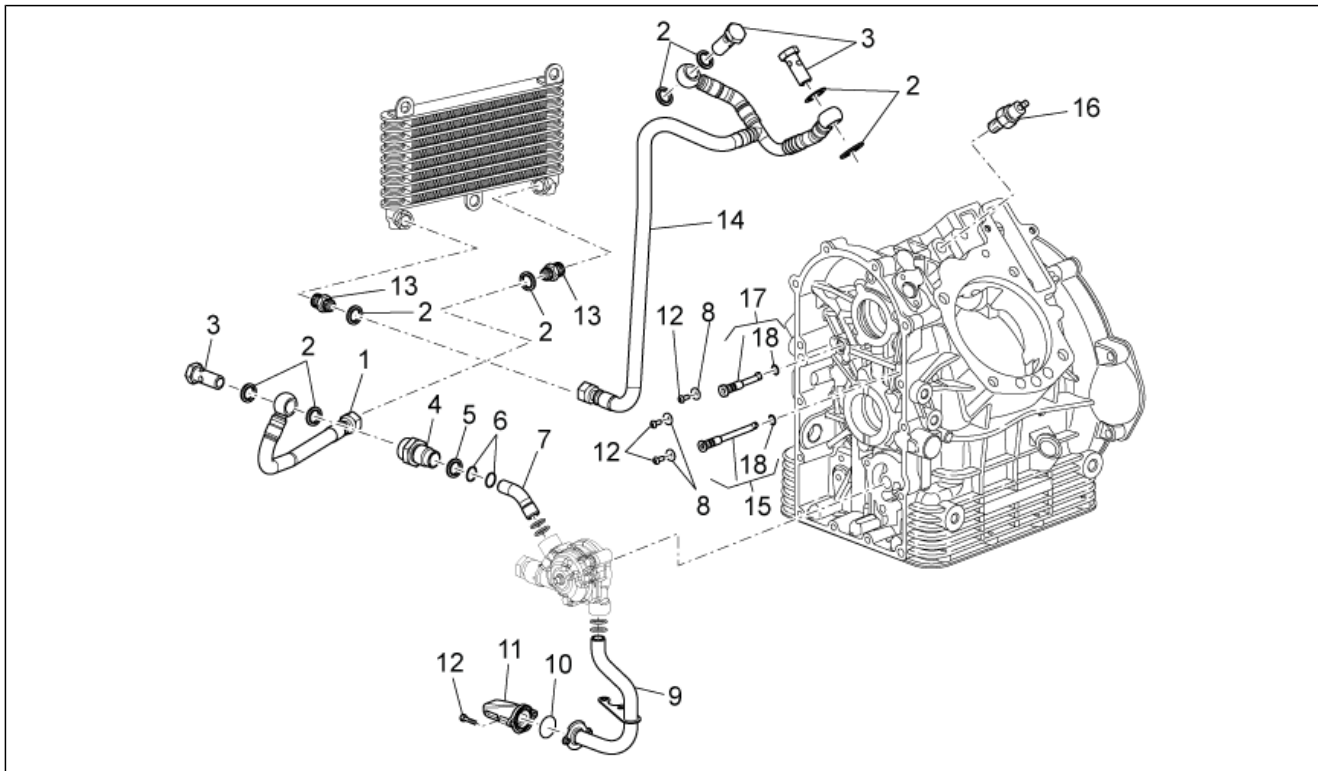
Pos.	Code	Beschreibung	Menge	Varianten
22	976342	Schraube	2	
23	849866	Ausgleichscheibe	2	
24	GU98350310	TBEI Schraube M6x20	2	
25	B015124	Schraube	1	
26	B015126	O-Ring 26.64x2.62	1	

Einheit	MOTOR
Code	34.47
Beschreibung	Steuer
Inspektion	1



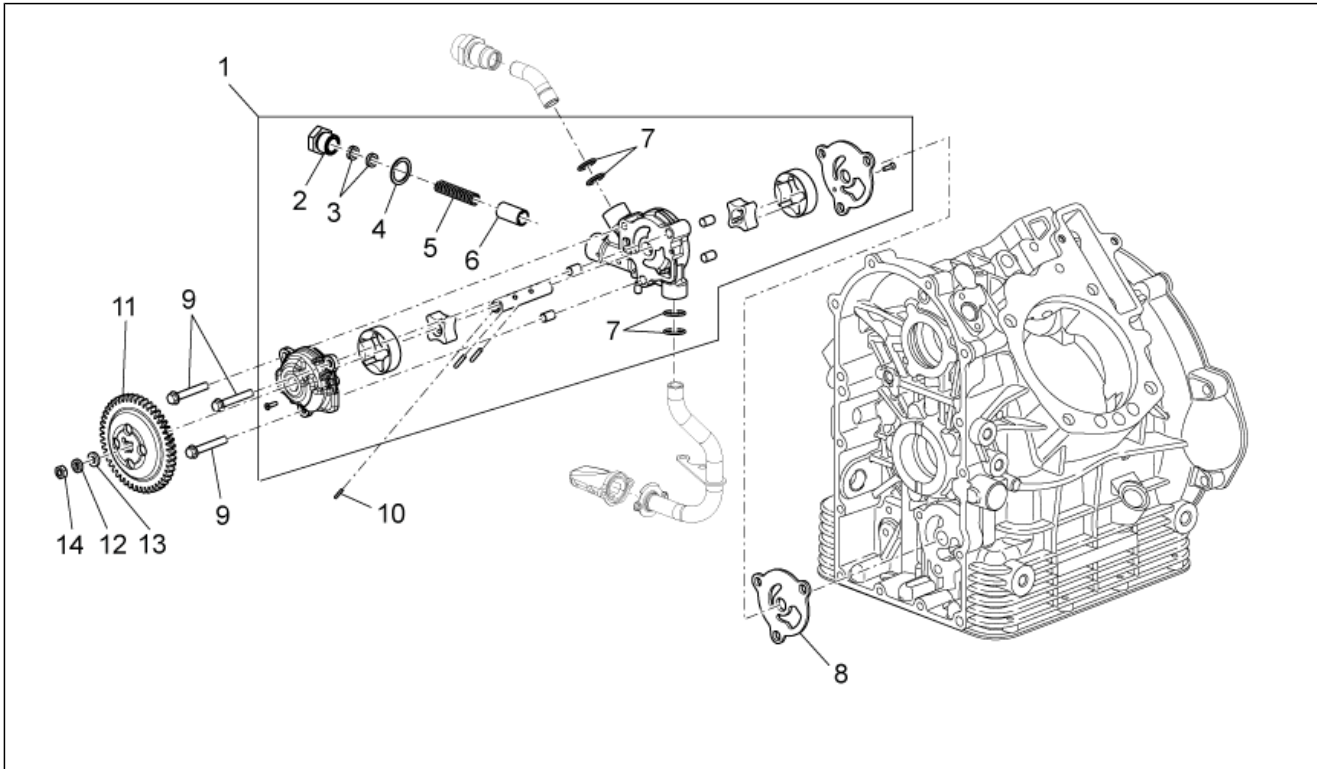
Pos.	Code	Beschreibung	Menge	Varianten
1	976330	Steuer	1	
2	976381	Nadelkaefig 25x32x12	1	
3	976488	O-Ring 37,82x1,78	1	
4	976331	Flansch	1	
5	GU98350315	TBEI Schraube M6x14	2	
6	976355	Kugellager 20x47x18	1	
7	AP8152166	Schraube M6x16	2	
8	873928	Unterlegscheibe	1	
9	976334	Distanzscheibe	1	
10	976538	Wheel speed sensor, LH front	1	
11	874281	Zahnrad Ventilsteuerung	1	
12	GU14433400	Sprengscheibe 19x34x1,5	1	
13	GU92750180	Mutter M18	1	
14	GU91600450	Keil	1	
15	874799	Treibendes Zahnrad	1	
16	976665	Tellerfeder	1	
17	GU92602525	Mutter M25	1	
18	874280	Treibendes Zahnrad	1	
19	GU91600365	Keil 3x6,5	1	

Einheit	MOTOR
Code	34.48
Beschreibung	Schmierung
Inspektion	1



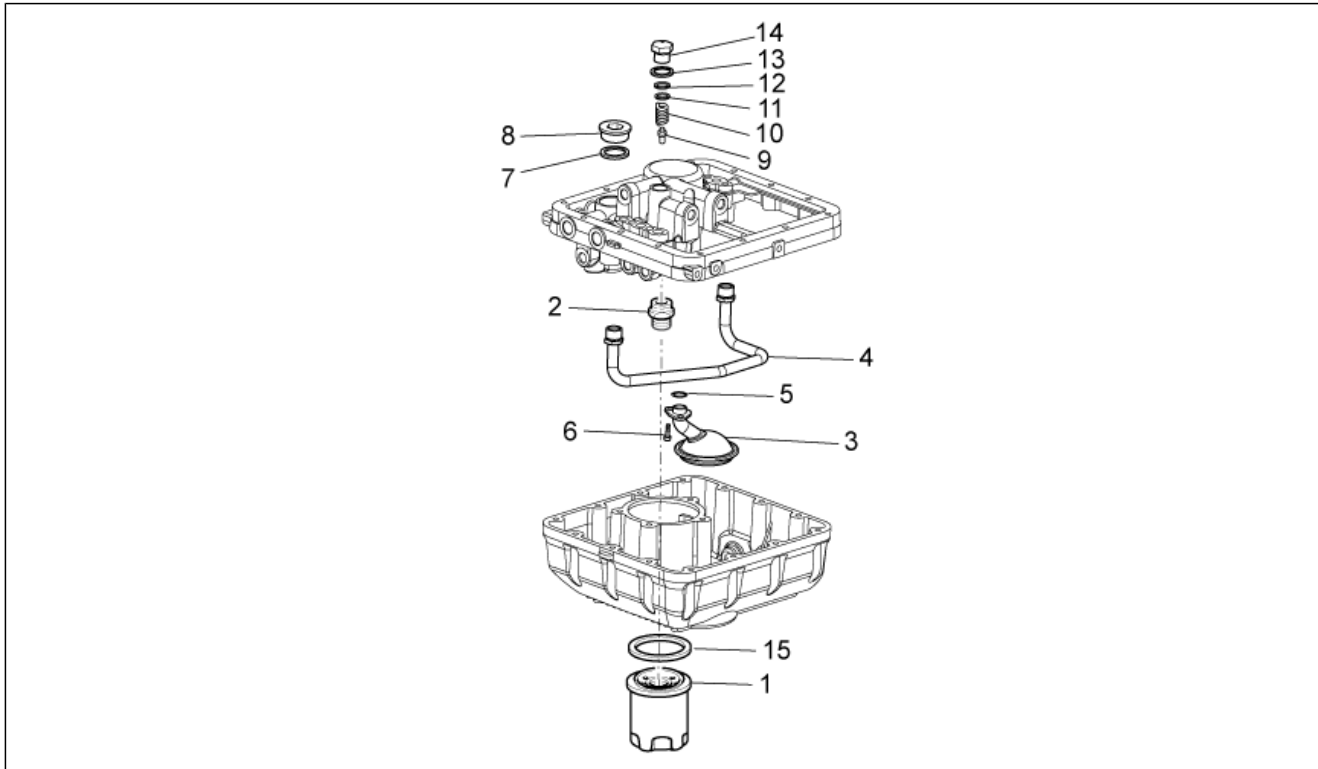
Pos.	Code	Beschreibung	Menge	Varianten
1	874680	Rohr	1	
2	GU01154230	Dichtung	8	
3	874223	Lochschaube	3	
4	874669	Nippel	1	
5	118737	Dichtung	1	
6	434947	O-Ring 12,42x1	2	
7	874646	Ölschlauch	1	
8	013763	Flachscheibe 4,2x12x1	3	
9	874645	Ansaugleitung	1	
10	969323	O-Ring	1	
11	874655	Ölfiltereinsatz	1	
12	581957	TBEI Schraube	5	
13	GU01161331	Übersetzung	2	
14	874716	Rohr	1	
15	874240	Linkes Düse	1	
16	978854	Druckfühler	1	
17	874239	Rechtes Düse	1	
18	874238	O-Ring	4	

Einheit	MOTOR
Code	34.49
Beschreibung	Ölpumpe
Inspektion	1



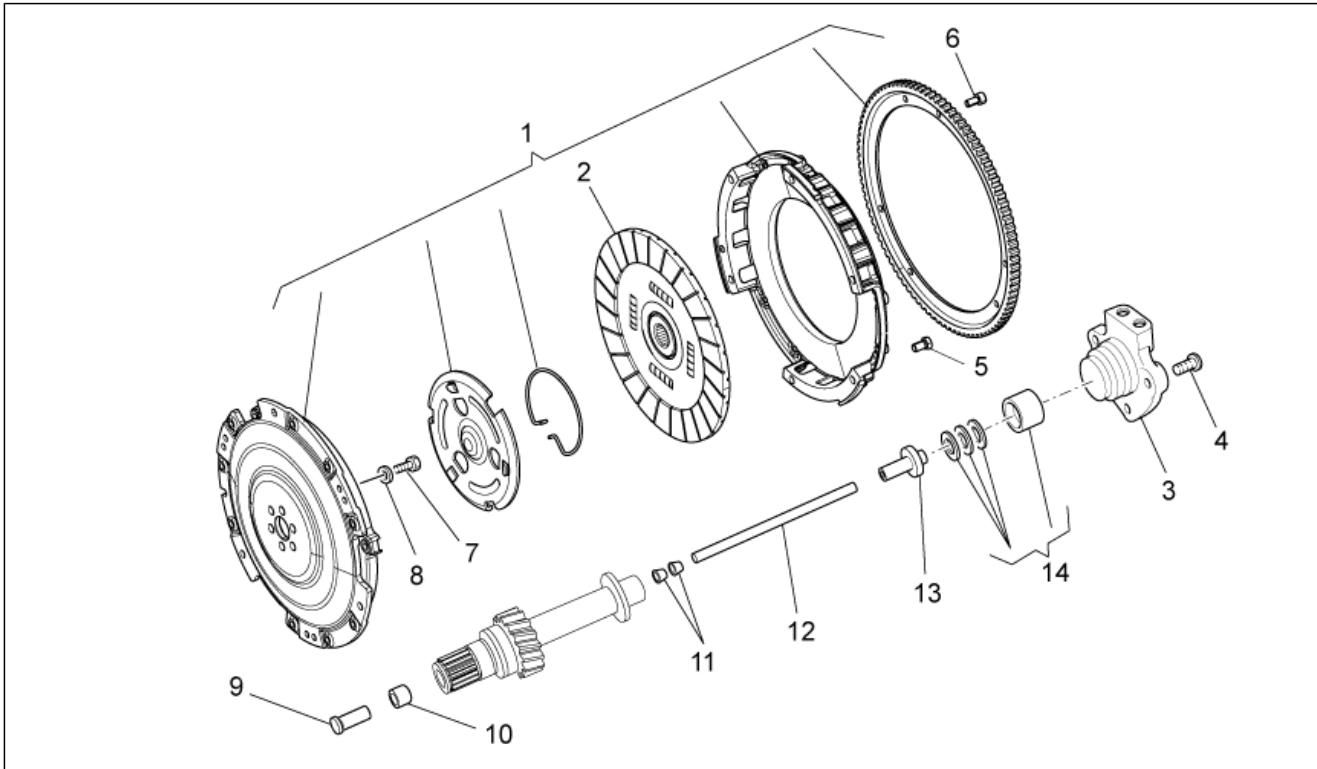
Pos.	Code	Beschreibung	Menge	Varianten
1	874650	Ölpumpe	1	
2	GU31159050	Deckel	1	
3	GU30158900	Ausgleichscheibe	2	
4	GU18144350	Ausgleichscheibe 18,25x24x1	1	
5	829486	Feder	1	
6	829661	Oil pressure valve	1	
7	237553	O-Ring	4	
8	874482	Dichtung	1	
9	414835	Schraube	3	
10	874801	Stift 2x13,8	1	
11	874616	Ölpumpen-Zahn.	1	
12	GU03013800	Ausgleichscheibe 6,4x12	1	
13	GU95005306	Ausgleichscheibe 6,4x13x1,5	1	
14	873906	Mutter unten	1	

Einheit	MOTOR
Code	34.50
Beschreibung	Ölfiler
Inspektion	1



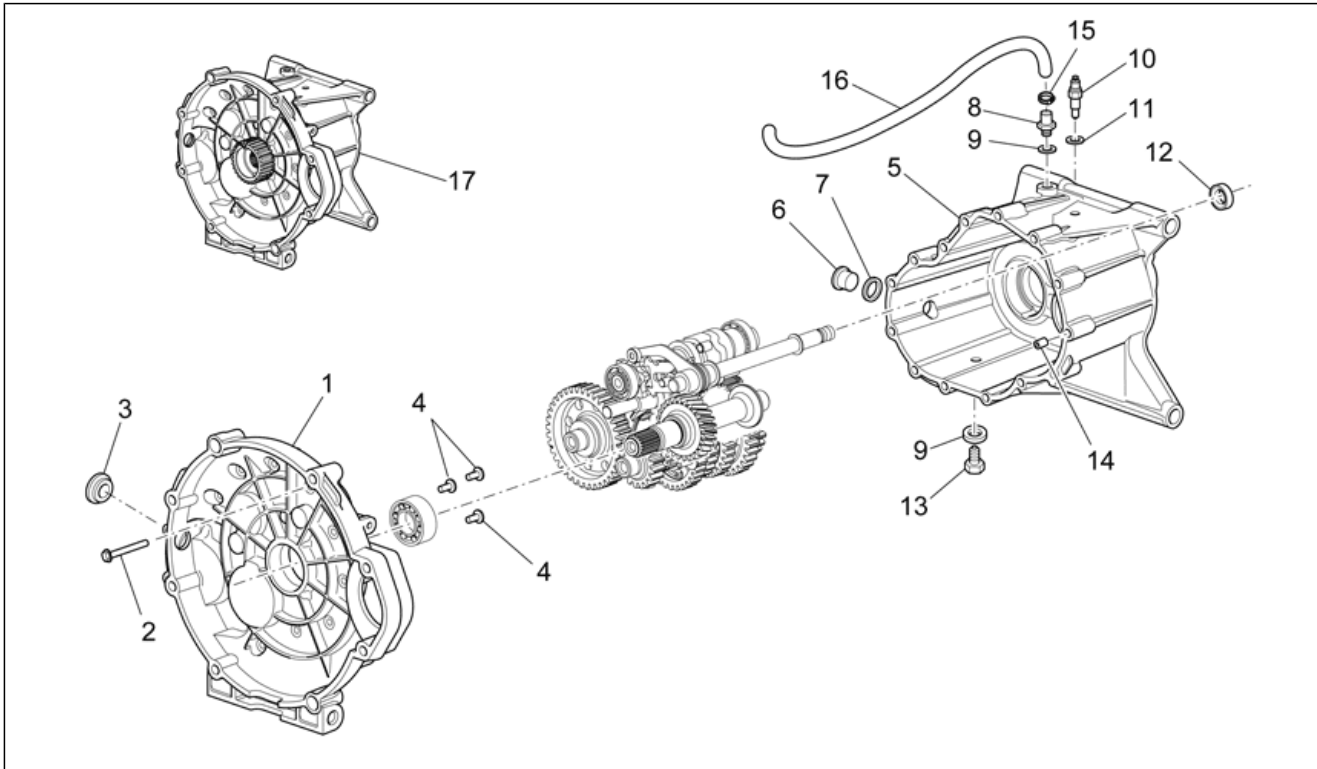
Pos.	Code	Beschreibung	Menge	Varianten
1	GU30153000	Ölfilerersatz	1	
2	829122	Ölfileranschluss	1	
3	GU05152230	Ölfilerersatz	1	
4	GU05005730	Leitung	1	
5	GU90706151	O-Ring 15,08x2,62viton	1	
6	877820	TCEI Schraube M6x18	2	
7	GU01163700	Kupferdichtung	1	
8	GU01163600	Deckel	1	
9	GU30150900	Kolben	1	
10	GU94321077	Feder	1	
11	GU95008206	Ausgleichscheibe 6,15x11x0,8	2	
12	GU30158900	Ausgleichscheibe	1	
13	GU18144350	Ausgleichscheibe 18,25x24x1	1	
14	GU31159050	Deckel	1	
15	981115	Dichtung	1	Technische Daten: Rif. Comunicazione tecnica n°...[CT1]

Einheit	MOTOR
Code	34.51
Beschreibung	Kupplung
Inspektion	1



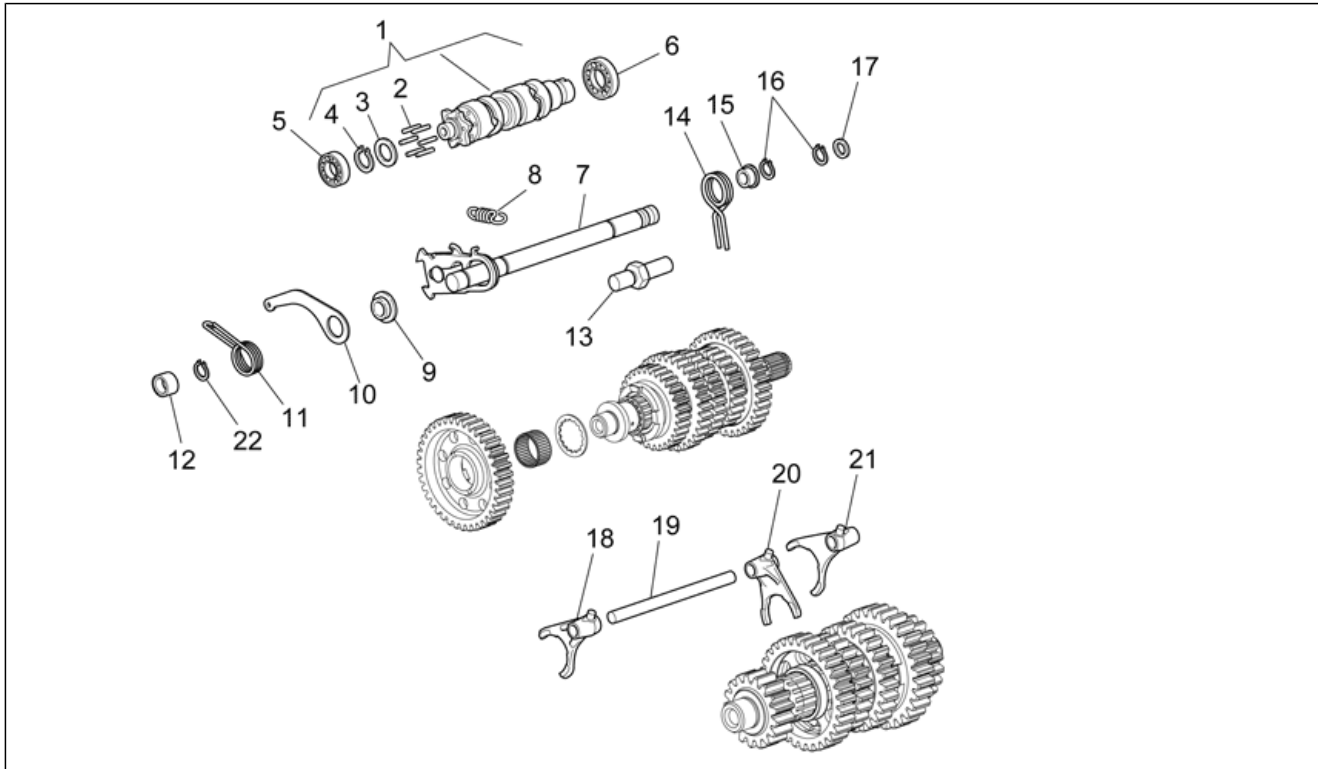
Pos.	Code	Beschreibung	Menge	Varianten
1	976023	Kupplung kplt.	1	
2	976053	Innenlamelle	1	
3	978739	Kupplungszylinder	1	
4	AP8152278	TE Schr. m. Flansch M6x16	3	
5	976535	TCEI Schraube M7x16	6	
6	GU98230612	Schraube	6	
7	976481	TE Schr. m. Flansch M8x25	6	
8	976484	Konische Sprengscheibe 8,2X15	1	
9	976563	Kupplung schließen	1	
10	976564	Buchse	1	
11	GU14085900	Buchse	2	
12	976593	Stange L=mm183	1	Technische Daten: Un taglio d'identificazione[1T]
12	976594	Stange L=mm184,5	1	Technische Daten: Due tagli d'identificazione[2T]
12	976595	Stange L=mm186	1	Technische Daten: Tre tagli d'identificazione[3T]
12	976596	Stange L=mm187,5	1	Technische Daten: Quattro tagli d'identificazione[4T]
12	B0630111	Asta L=mm 1 185	1	Technische Daten: Cinque tagli di identificazione[5T]
12	B063012	Asta L=mm 185,5	1	Technische Daten: Sei tagli di identificazione[6T]
13	GU14086000	Innengehäuse	1	
14	976696	Mot.lager set	1	

Einheit	MOTOR
Code	34.52
Beschreibung	Getriebegehäuse
Inspektion	1



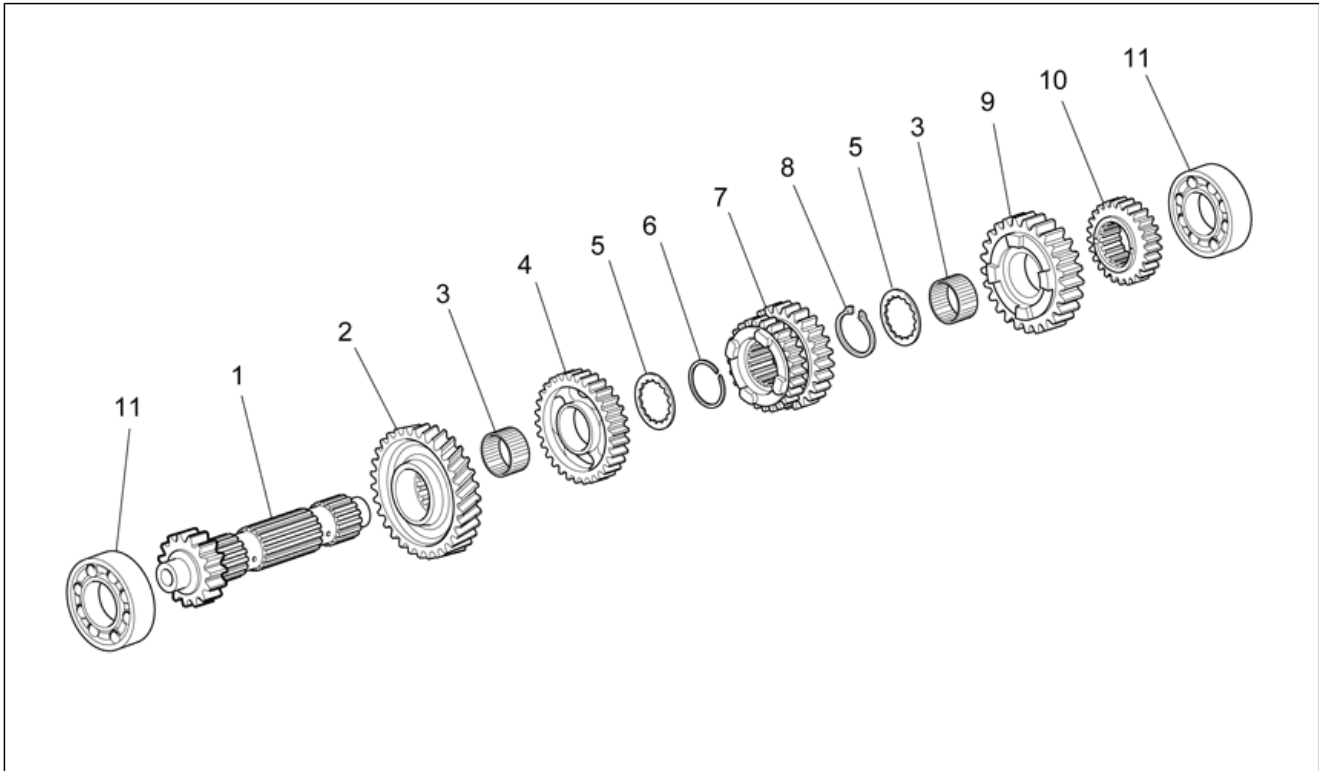
Pos.	Code	Beschreibung	Menge	Varianten
1	976453	Kupplungsglocke nero	1	
2	GU97202355	TE Schr. m. Flansch M6x55	14	
3	GU93180220	Deckel	1	
4	GU98370616	TBEI Schraube M6x16 inox	3	
5	879869	Getriebegehäuse	1	
6	GU95980319	Ölschraube M18x1,5	1	
7	GU18144350	Ausgleichscheibe 18,25x24x1	1	
8	GU05204930	Entlüftungsschraube	1	
9	GU01528930	Dichtung 10x18x1,5	2	
10	GU19207220	Sensor	1	
11	B063025	Guarnizione 8,7x14,2x1,3	1	
12	GU90401424	Gasket ring 14x24x7	1	
13	GU31003766	Ölablaßschraube M10x1	1	
14	GU19002020	Buchse 6,6x9x13	2	
15	AP8101595	Schelle D10,1	1	
16	AP8120952	Kraftstoffleitung 5,5x10	1	
17	976934	Schaltgetriebe kpl.	1	

Einheit	MOTOR
Code	34.53
Beschreibung	Schaltgabel
Inspektion	1



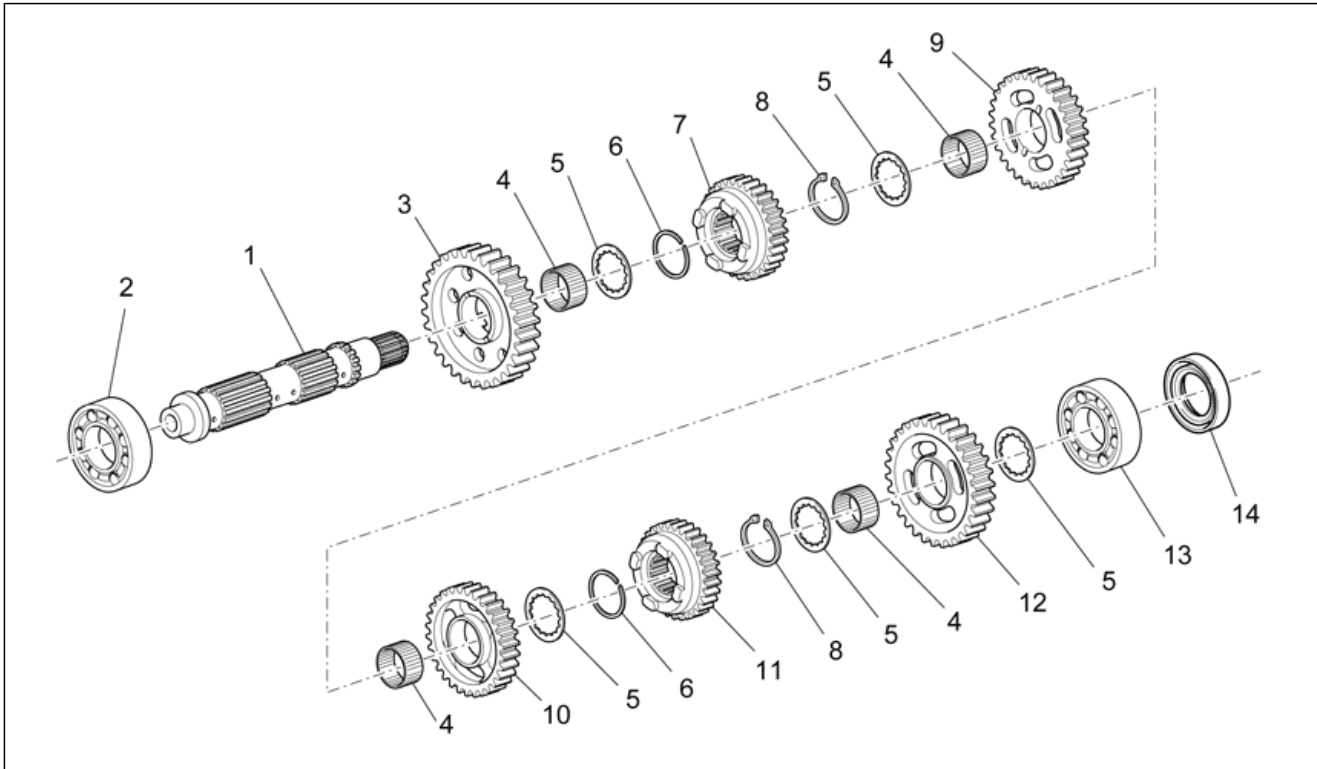
Pos.	Code	Beschreibung	Menge	Varianten
1	GU05234431	Verschiebenocken kplt.	1	
2	GU05234631	Stift	6	
3	GU05235531	Scheibe	1	
4	GU90271022	Seegerring	1	
5	GU92201117	Kugellager 17x35x10	1	
6	GU92201025	Kugellager 25x42x9	1	
7	GU05236231	Schaltautomat	1	
8	GU05238231	Feder	1	
9	GU05238431	Buchse	1	
10	GU05234731	Hebel Index	1	
11	GU05234130	Feder	1	
12	GU05234230	Distanzscheibe	1	
13	GU05234931	Befestigungsbolzen	1	
14	GU05238331	Feder	1	
15	GU05238131	Distanzscheibe	1	
16	GU90271014	Seegerring	2	
17	GU05239330	Anlaufscheibe	1	
18	GU05230531	Schaltgabel 1a-3a	1	
19	GU05232431	Schaltstange	1	
20	GU05232631	Schaltgabel 5a-6a	1	
21	GU05230831	Schaltgabel 2a-4a	1	
22	GU90353014	Seegerring	1	

Einheit	MOTOR
Code	34.54
Beschreibung	Hauptwelle
Inspektion	1



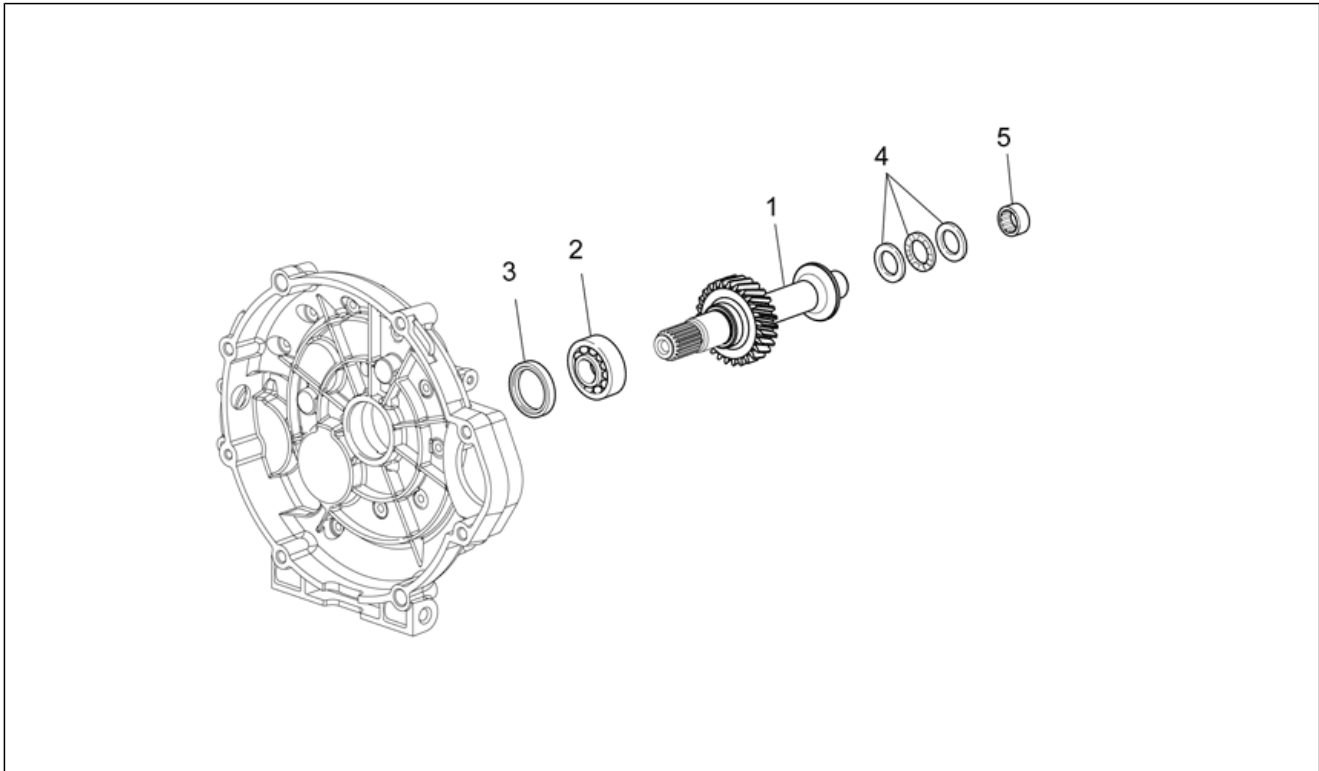
Pos.	Code	Beschreibung	Menge	Varianten
1	GU05210631	Vorgelegewelle Z=17	1	
2	GU05215631	Zahnwerk des Hauptantrieb Z=35	1	
3	GU92252029	Nadelkaefig 26x30x15,6	2	
4	GU05212031	Zahnrad 5a Z=31	1	
5	GU05214630	Bundscheibe	2	
6	GU90271230	Sprengring 30x1,2SW	1	
7	GU05211431	Zahnrad 3a-4a Z=23-26	1	
8	GU90271030	Sprengring 30x27,9	1	
9	GU05212631	Zahnrad 6a Z=29	1	
10	GU05211331	Zahnrad 2a Z=20	1	
11	GU92201822	Kugellager 20x52x15	2	

Einheit	MOTOR
Code	34.55
Beschreibung	Festrad
Inspektion	1



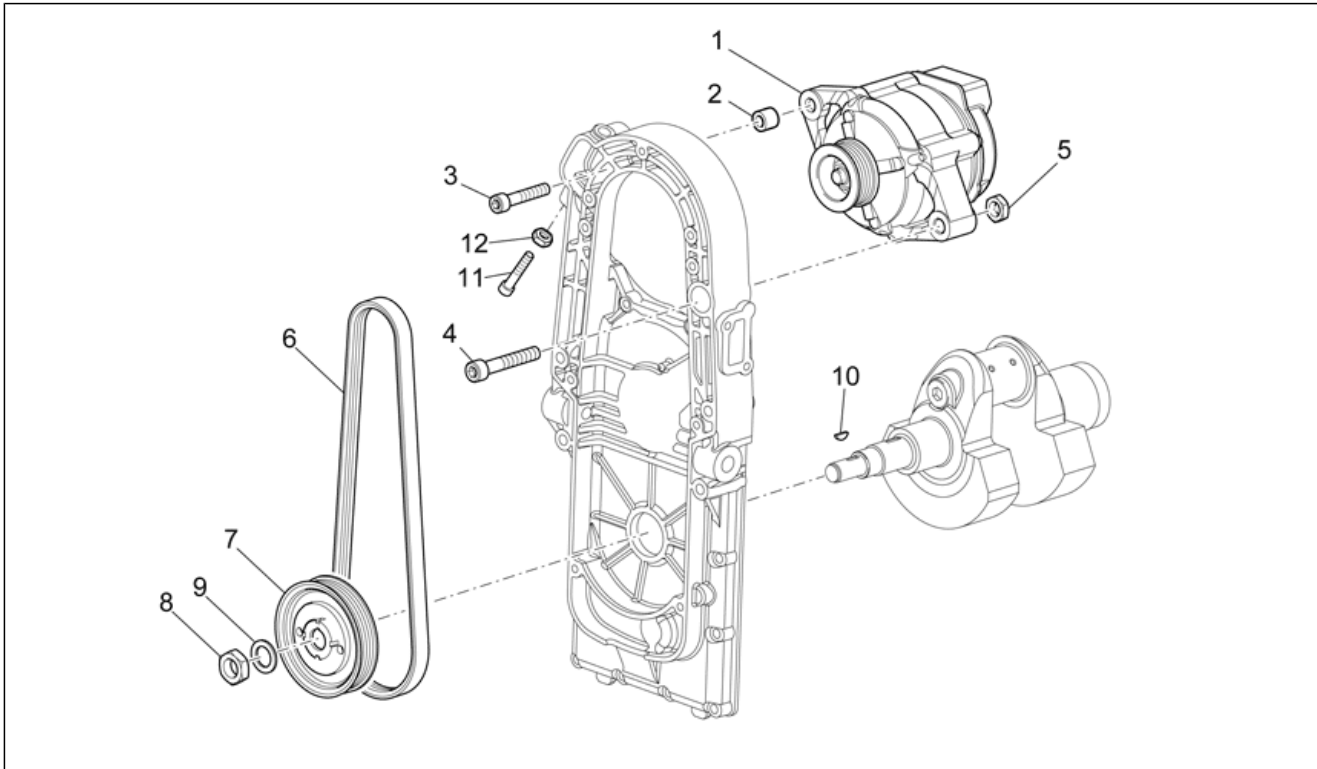
Pos.	Code	Beschreibung	Menge	Varianten
1	GU05213631	Festrad	1	
2	GU92201822	Kugellager 20x52x15	1	
3	GU05214231	Zahnrad 1a Z=38	1	
4	GU92252029	Nadelkaefig 26x30x15,6	4	
5	GU05214630	Bundscheibe	5	
6	GU90271230	Sprengring 30x1,2SW	2	
7	GU05214031	Zahnrad 5a Z=30	1	
8	GU90271030	Sprengring 30x27,9	2	
9	GU05214731	Zahnrad 3a Z=31	1	
10	GU05215031	Zahnrad 4a Z=29	1	
11	GU05220531	Zahnrad 6a Z=25	1	
12	GU05214431	Zahnrad 2a Z=34	1	
13	GU92201226	Kugellager 25x52x15	1	
14	GU90412541	Gasket ring 25X40X7	1	

Einheit	MOTOR
Code	34.56
Beschreibung	Kupplungswelle
Inspektion	1



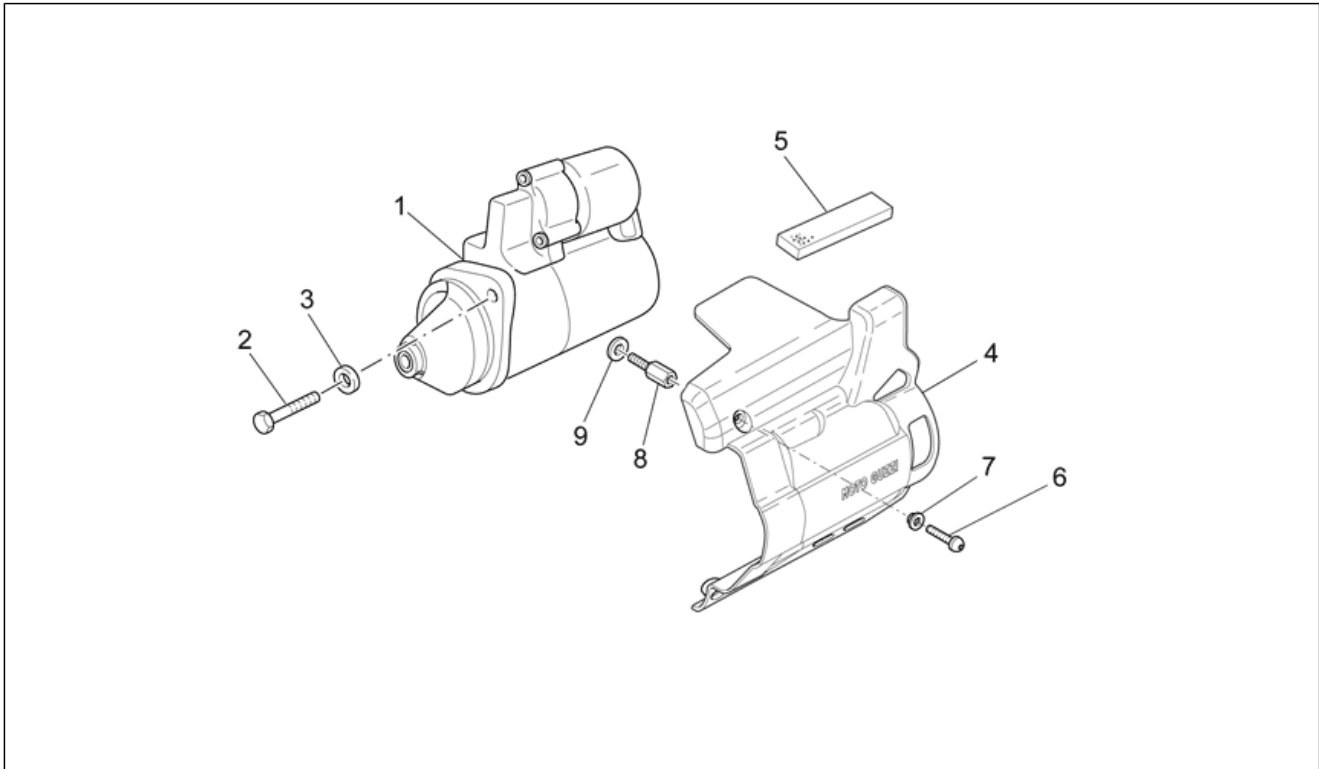
Pos.	Code	Beschreibung	Menge	Varianten
1	976351	Kupplungswelle Z=26	1	
2	GU92201226	Kugellager 25x52x15	1	
3	976533	Gasket ring 25x47x7	1	
4	976532	Drucklager	1	
5	GU92232028	Rollenlager 20x28x13	1	

Einheit	MOTOR
Code	34.57
Beschreibung	Stromgenerator
Inspektion	1



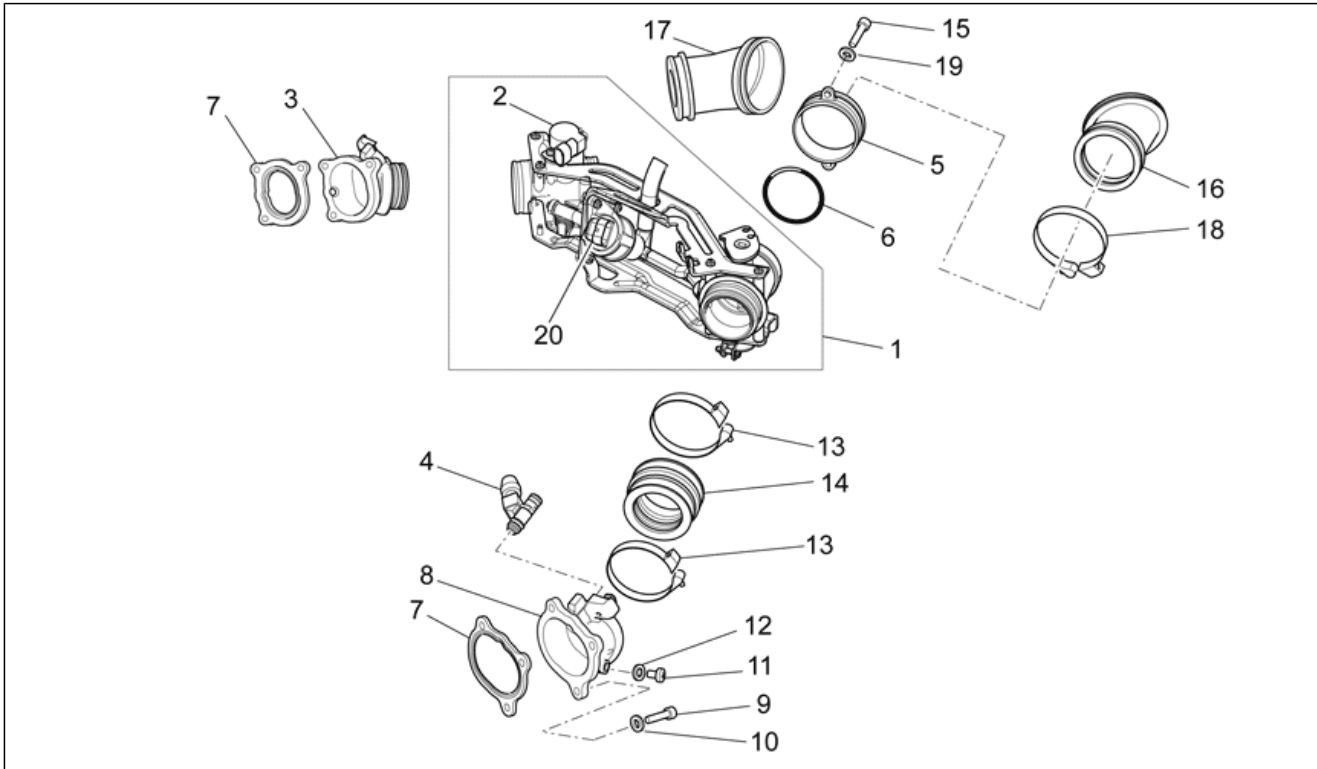
Pos.	Code	Beschreibung	Menge	Varianten
1	GU05712431	Drehstromgenerator	1	
2	GU91180823	Distanzscheibe 8,5x17x13	1	
3	GU98620445	TCEI Schraube M8x45	1	
4	GU98620560	TCEI Schraube M10x60	1	
5	GU92660012	Mutter M10x1,5	1	
6	GU05702530	Riemen	1	
7	GU05701430	Drehstromgenerator enriemensc.	1	
8	GU92606516	Mutter M16	1	
9	GU30714201	Ausgleichscheibe 16,25x24,5x5	1	
10	GU4FAN000030	Keil Schwungmagnet	1	
11	GU98230850	TBEI Schraube M8x50	1	
12	GU92605408	Mutter M8x1,25	1	

Einheit	MOTOR
Code	34.58
Beschreibung	Startermotor
Inspektion	1



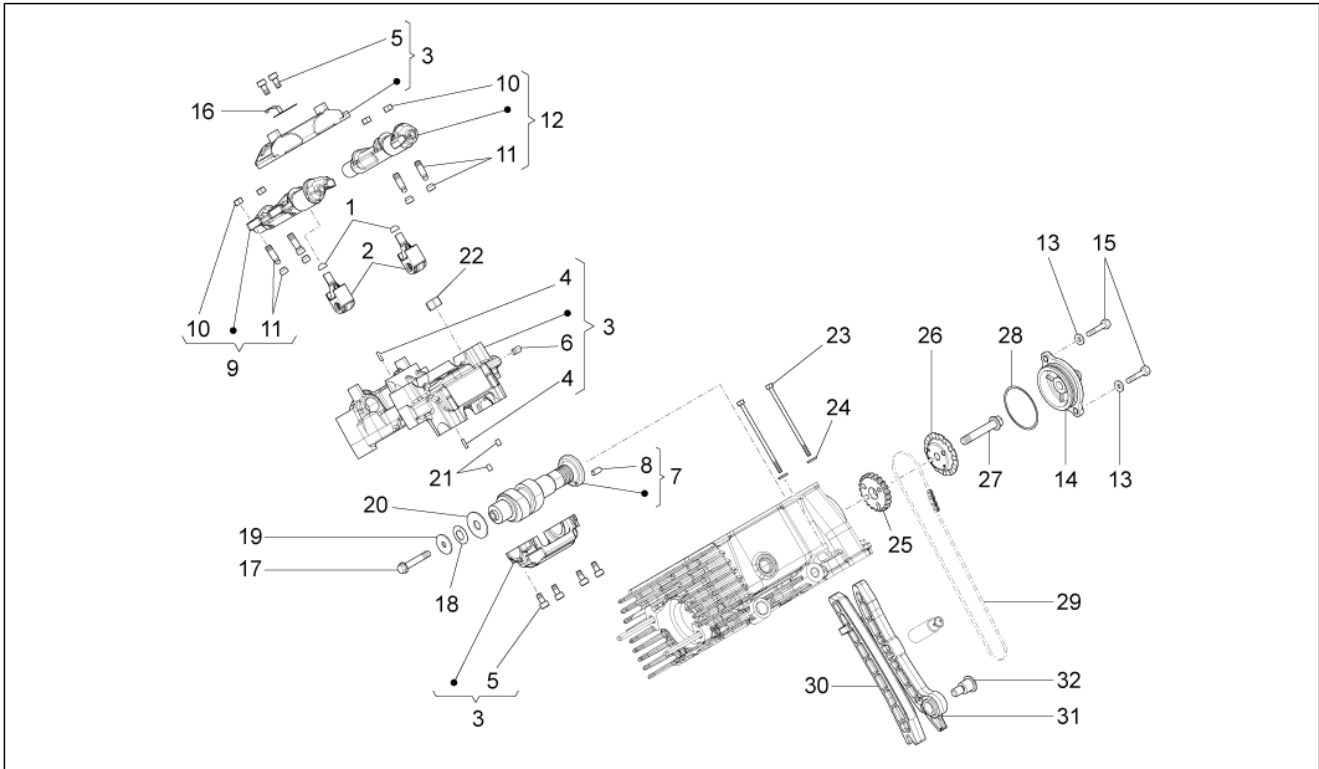
Pos.	Code	Beschreibung	Menge	Varianten
1	GU05730730	Startermotor Bosch	1	
2	GU98082475	Sechskantschraube M8x75	2	
3	GU03270300	Ausgleichscheibe 8,4x15	2	
4	GU05733330	Deckel chrom grau	1	
5	AP8117200	Klebeschwamm	1	
6	GU98370609	TBEI Schraube M6x10	2	
7	AP8121032	Buchse	2	
8	GU03469201	Stiftschraube	1	
9	GU03013800	Ausgleichscheibe 6,4x12	1	

Einheit	MOTOR
Code	34.59
Beschreibung	Klappenkörper
Inspektion	1



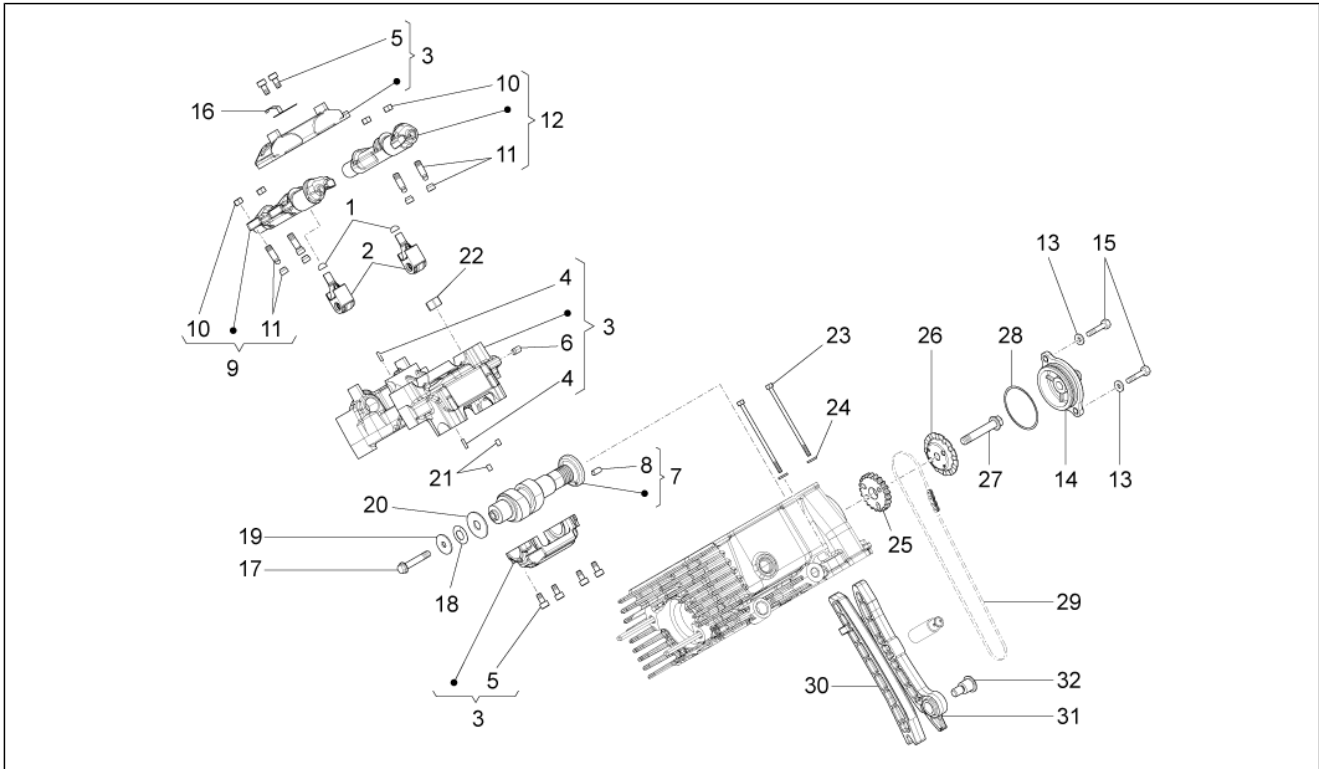
Pos.	Code	Beschreibung	Menge	Varianten
1	873904	Körper mit Drossel, kpl.	1	
2	981010	Potentiometer	1	
3	873490	Ansaugkrümmer links	1	
4	976555	Kompl.Satz.f.Spritzdüsel	2	Technische Daten: Telai ZGULSE - ZGULSJ - ZGULSU[V1]
4	CM074706	Kompl.Satz.f.Spritzdüsel	2	Technische Daten: Telai ZGULSG[V2]
5	976498	Flansch	2	
6	976534	O-Ring 56,87x1,78	2	
7	873879	Ansaugsammlerdichtung	2	
8	873491	Ansaugkrümmer rechts	1	
9	GU98370625	TBEI Schraube	6	
10	GU95008206	Ausgleichscheibe 6,15x11x0,8	6	
11	GU98350310	TBEI Schraube M6x20	2	
12	GU95100116	Ausgleichscheibe 6,25x10x1,5	2	
13	GU93305061	Schelle 61/65,5	4	
14	873861	Hülse	2	
15	GU98682212	TCEI Schraube M5x12	2	
16	976494	Einlaßmuffe links	1	
17	976495	Einlaßmuffe rechts	1	
18	GU12548201	Schelle 62/82 mm	2	
19	GU95008305	Ausgleichscheibe 5,3X10X1	2	
20	981011	Elektromotor Standgaseinstellung	1	

Einheit	MOTOR
Code	34.60
Beschreibung	Recht Zylindersteuer II
Inspektion	1



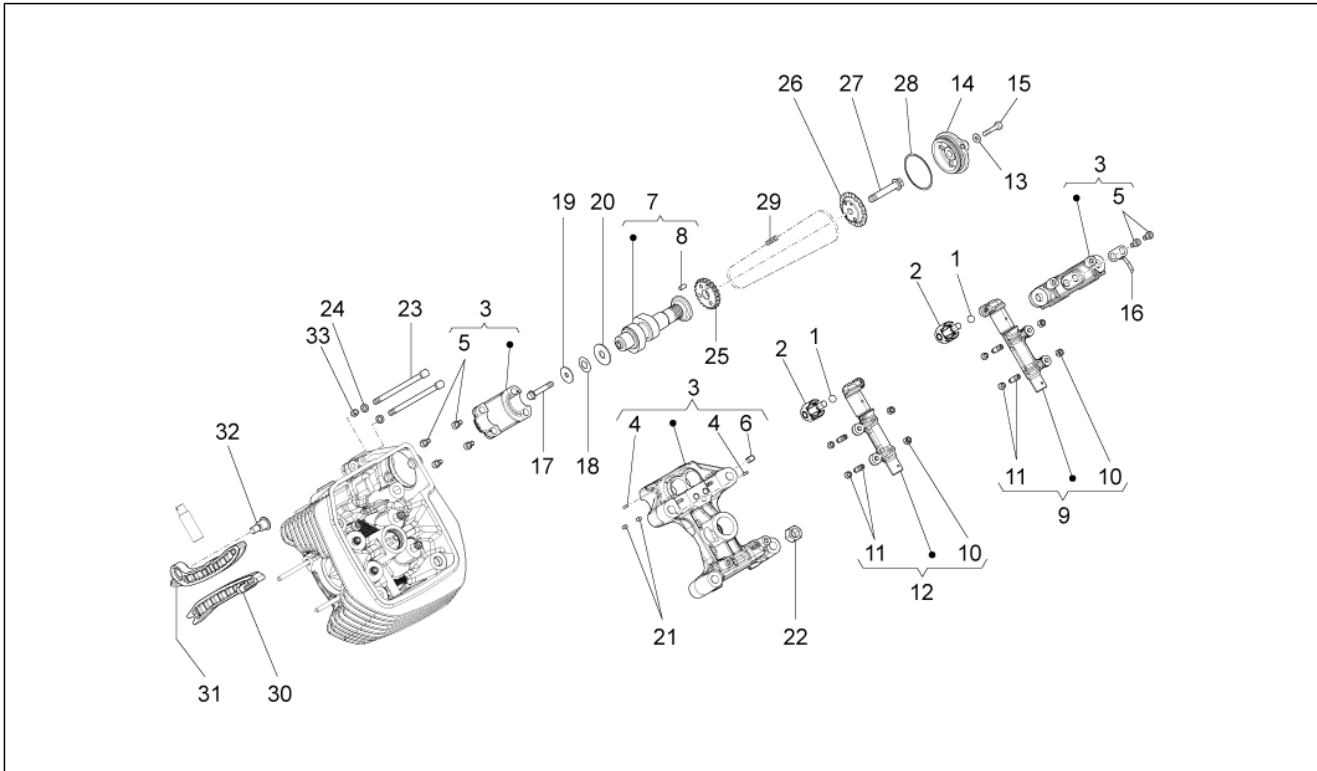
Pos.	Code	Beschreibung	Menge	Varianten
1	878574	Belag	2	
2	B016785	Ventilstängel	2	
3	B017029	Supporto asse bilancieri DX	1	
4	872759	Stift D. 2,5	4	
5	015792	Schraube M8x30	6	
6	842360	Verschlußschraube M6x10	1	
7	B014576	Nockenwelle	1	
8	976589	Stift	1	
9	B0136034	Bilanciere aspirazione sx scarico dx	1	
10	879916	Kiphebel Einstellmutter	4	
11	879707	Einstellschraube	4	
12	B0136054	Bilanciere aspirazione dx scarico sx	1	
13	GU95129100	Sprengscheibe 5,3X10X0,5	2	
14	B013479	Entlüftungsdeckel kpl.	1	
15	GU98622214	Schraube	2	
16	B013661	Platte	1	
17	414837	TE Schr. m. Flansch M6x25	1	
18	879938	Tellerfeder	1	
19	879936	Shim	1	
20	879937	Shim	1	
21	B013552	Rolle	2	
22	833520	Mutter M10X1,25 6H	8	
23	487444	Flanschschraube M6x120	2	
24	976674	Flachscheibe 12x6,1x2	2	
25	976350	Zahnrad Steuer.	1	
26	874601	Blattöentlüfter	1	
27	843060	Flanschschraube	1	
28	880965	Gasket ring 2,62x46,52	0	

Einheit	MOTOR
Code	34.60
Beschreibung	Recht Zylindersteuer II
Inspektion	1



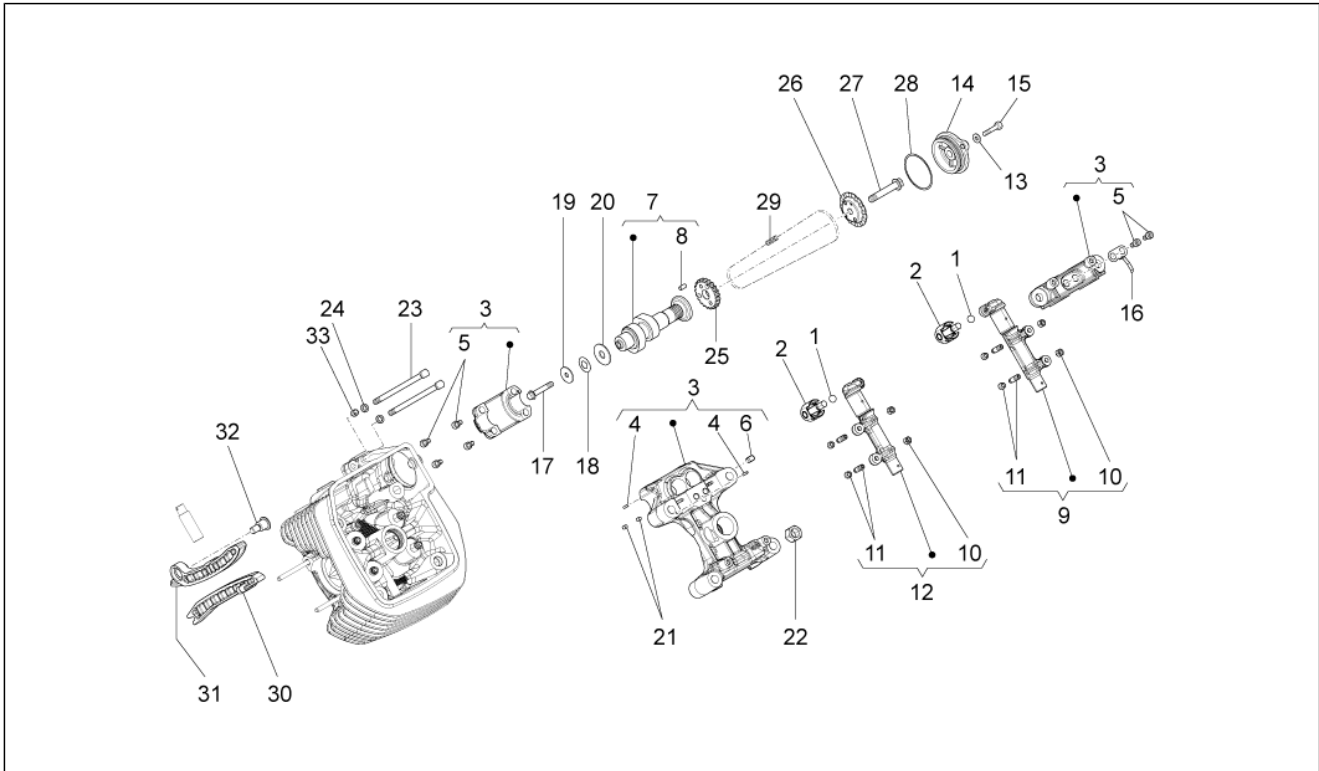
Pos.	Code	Beschreibung	Menge	Varianten
29	976341	Steuerkette	1	
30	976338	Kettengleitführung	1	
31	976337	Kettenspanner Gleitbacke	1	
32	878868	Distanzstückschraube M8	1	

Einheit	MOTOR
Code	34.61
Beschreibung	Links Zylindersteuer II
Inspektion	1



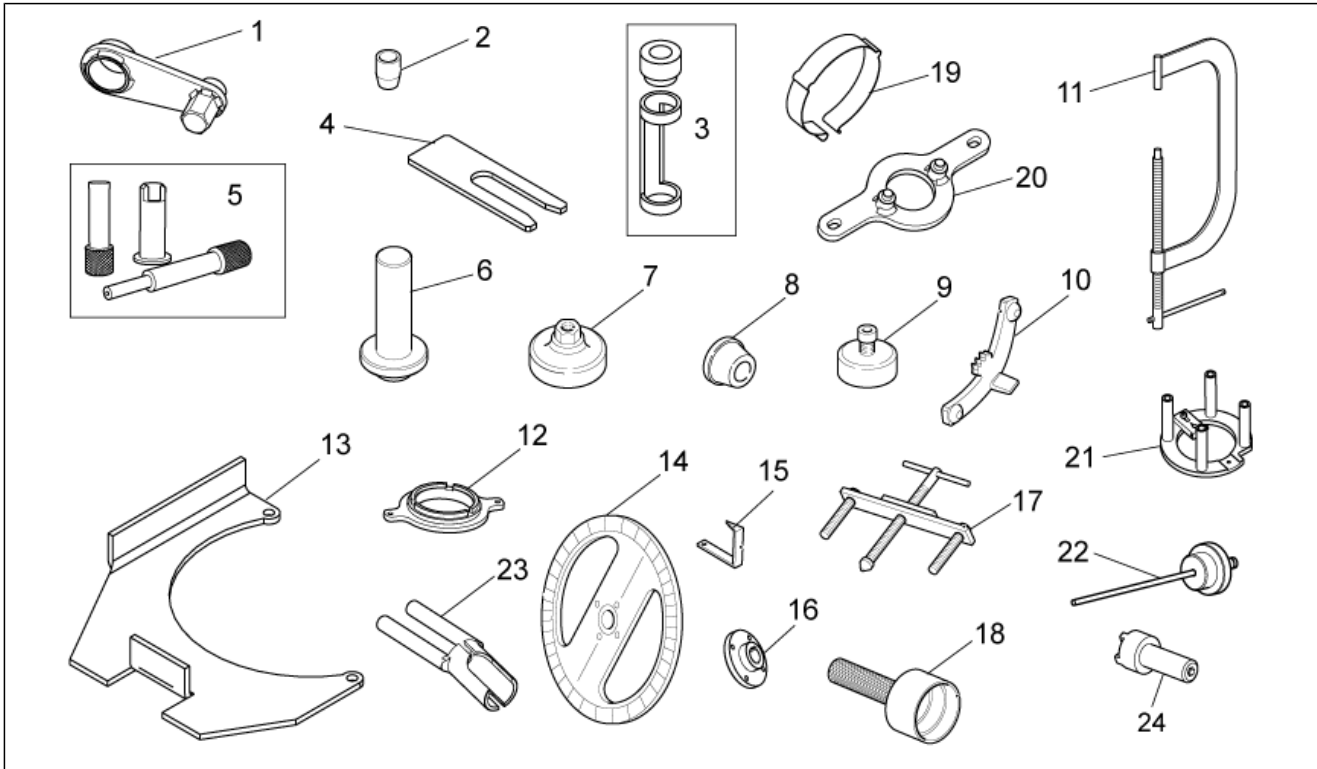
Pos.	Code	Beschreibung	Menge	Varianten
1	878574	Belag	2	
2	B016785	Ventilstassel	2	
3	B017026	Supporto asse bilancieri SX	1	
4	872759	Stift D. 2,5	4	
5	015792	Schraube M8x30	6	
6	842360	Verschluschraube M6x10	1	
7	B014576	Nockenwelle	1	
8	976589	Stift	1	
9	B0136034	Bilanciere aspirazione sx scarico dx	1	
10	879916	Kiphebel Einstellmutter	4	
11	879707	Einstellschraube	4	
12	B0136054	Bilanciere aspirazione dx scarico sx	1	
13	GU95129100	Sprengscheibe 5,3X10X0,5	2	
14	B013479	Entlftungsdeckel kpl.	1	
15	GU98622214	Schraube	2	
16	B013661	Platte	1	
17	414837	TE Schr. m. Flansch M6x25	1	
18	879938	Tellerfeder	1	
19	879936	Shim	1	
20	879937	Shim	1	
21	B013552	Rolle	2	
22	833520	Mutter M10X1,25 6H	4	
23	487444	Flanschschraube M6x120	2	
24	976674	Flachscheibe 12x6,1x2	2	
25	976350	Zahnrad Steuer.	1	
26	874601	Blattlentlfter	1	
27	843060	Flanschschraube	1	
28	880965	Gasket ring 2,62x46,52	1	

Einheit	MOTOR
Code	34.61
Beschreibung	Links Zylindersteuer II
Inspektion	1



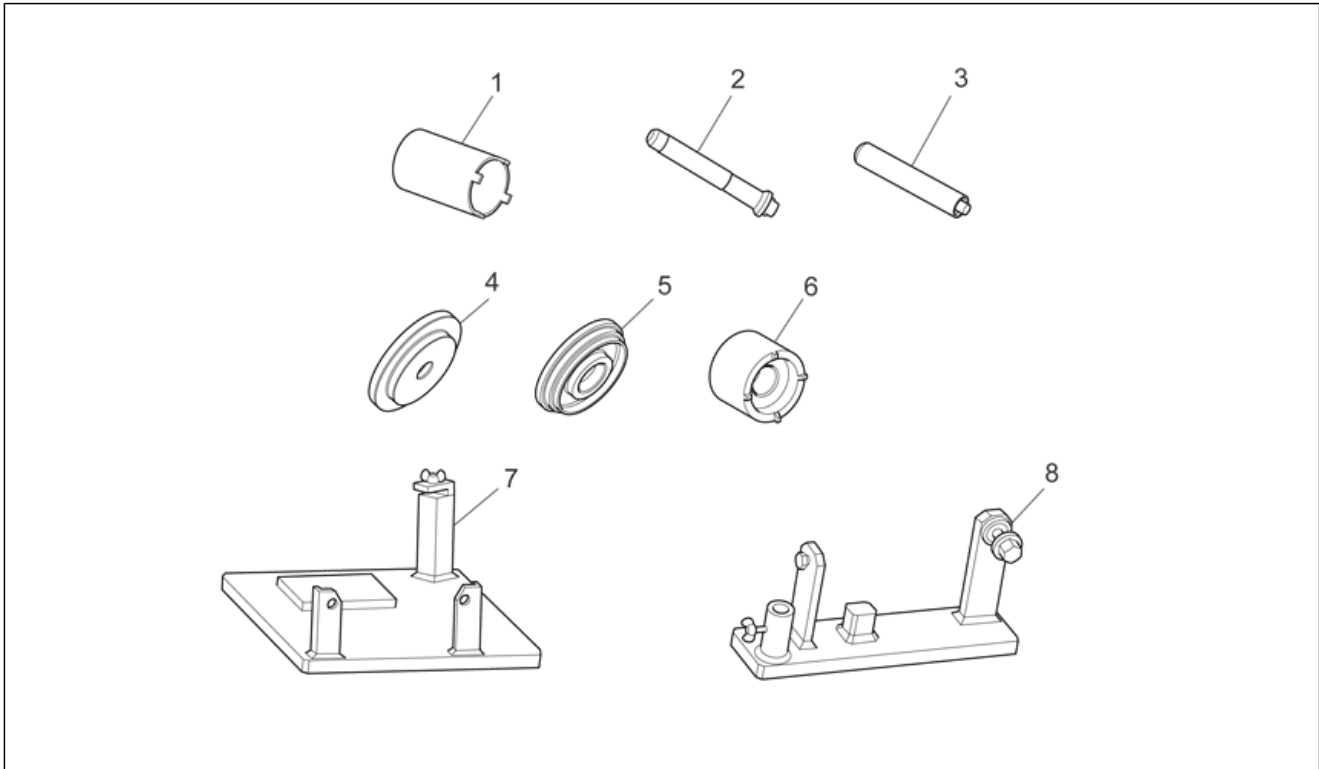
Pos.	Code	Beschreibung	Menge	Varianten
29	976341	Steuerkette	1	
30	976338	Kettengleitführung	1	
31	976337	Kettenspanner Gleitbacke	1	
32	878868	Distanzstückschraube M8	1	
33	244585	Distanzscheibe	1	

Einheit	SPEZIALWERKZEUG
Code	36.60
Beschreibung	Specific tools I
Inspektion	1



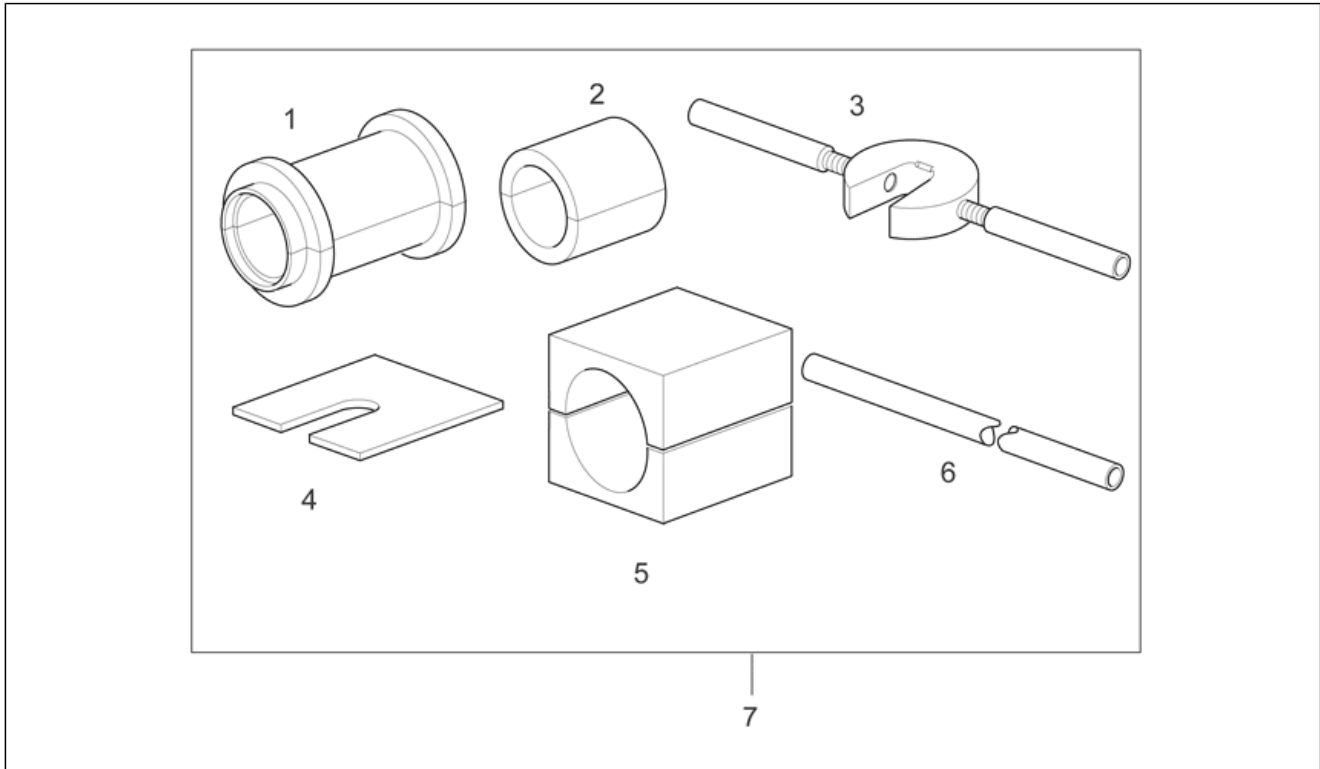
Pos.	Code	Beschreibung	Menge	Varianten
1	020677Y	Riemenspannwerkzeug	1	
2	GU05911730	Riemenspannwerkzeug	1	
3	AP9100838	Ventilfederspannwerkzeug	1	
4	020716Y	Pleuelstangensperre	1	
5	020470Y	Werkz. Mont. Kolbenb.spreng.	1	
6	GU05927230	Setzdorn für Abdichtring	1	
7	GU01929100	Ausbau Wanne- & FilterDeckels	1	
8	GU12912000	SchwungradFl.Einbau m.Simmerin	1	
9	GU14927100	SimmeringEinbau SchwungradFl.	1	
10	GU12911801	Befestig.Schwungrad/Starter	1	
11	AP8140179	Bow for valve Assy&disassy	1	
12	020672Y	Kupplungfederspannwerkzeug	1	
13	GU05902530	Stütze für Getriebegehäuse	1	
14	GU19929600	Scheibe für Phaseneinstellung	1	
15	GU17947560	Pfeil für Phaseneinstellung	1	
16	020673Y	Radnabe für Skalenscheibe	1	
17	GU12913600	Ausbau Flansch Schwungradseite	1	
18	GU19927100	SimmeringEinbau Schwungradfl.	1	
19	020674Y	Kolbenringspanner	1	
20	020675Y	Sprengring Servicewellenrad	1	
21	020676Y	Messuhrhalter Kolbenpos.	1	
22	020678Y	Prüfwerkz. Kupplungsstab	1	
23	020689Y	Auszieherfunkensteckerkappe	1	
24	GU14912603	Schlüssel	1	

Einheit	SPEZIALWERKZEUG
Code	36.61
Beschreibung	Specific tools II
Inspektion	1



Pos.	Code	Beschreibung	Menge	Varianten
1	AP8140190	Steering lock tool	1	
2	GU05902732	Griff für Puffer	1	
3	GU05902733	Haltestopfen f. Kugelgelenk	1	
4	GU05902731	Öldicht.stopfen Getriebegeh. 85	1	
5	GU05902735	Öldicht.haltestopf.Ritzel 45x58	1	
6	GU05902734	Schlüssel Ritzelnutmutter	1	
7	GU05902730	Hater f. Getriebegehäuse	1	
8	GU05902736	Halter für Kegelräderpaar	1	

Einheit	SPEZIALWERKZEUG
Code	36.62
Beschreibung	Specific tools III
Inspektion	1



Pos.	Code	Beschreibung	Menge	Varianten
1	AP8140145	Tool oil seal assy Ø41 mm	1	
2	AP8140146	Weight for AP8140189	1	
3	AP8140147	Tool for spacer stop	1	
4	AP8140148	Trennplatte	1	
5	AP8140149	Schutzbacken	1	
6	AP8140150	Tool to assist bleeding air	1	
7	AP8140151	Showa forks tool kit	1	