



PIAGGIO & C.s.p.a.



ERSATZTEILKATALOG



Griso S.E. 1200 8V 2015

Vorsatzcode Fahrgestell: ZGULSG01

Vorsatzcode Motor:

GRISO

GU118



Inhaltsverzeichnis

Fertige Produkte.....	4
Alphanumerisches Verzeichnis.....	5
RAHMEN.....	10
Tafel 33.01 - Rahmen.....	10
Tafel 33.02 - Seitenständer.....	11
Tafel 33.03 - Fussrasten I.....	12
Tafel 33.04 - Fussrasten II.....	13
Tafel 33.05 - Schalthebel.....	14
Tafel 33.06 - Lenkung.....	15
Tafel 33.07 - Vorderradgabel.....	16
Tafel 33.08 - Schwinge.....	17
Tafel 33.09 - Getriebe kpl.....	18
Tafel 33.10 - Getriebe kpl.-Häuse.....	19
Tafel 33.11 - Getriebe kpl.-Teilerradsatz.....	20
Tafel 33.12 - Pleuelstange und Stoßdämpfer.....	21
Tafel 33.13 - Kraftstofftank.....	22
Tafel 33.14 - Frontaufbau - Leitblech.....	23
Tafel 33.15 - Vorderes Schutzblech.....	24
Tafel 33.16 - Sitz.....	25
Tafel 33.17 - R.Kar. - Sch.bl.....	26
Tafel 33.18 - R.Kar. - R.verkl.....	27
Tafel 33.19 - Instrumententafel.....	28
Tafel 33.20 - Lenkstange - Schaltungen.....	29
Tafel 33.21 - Vorderradbrenspumpe.....	30
Tafel 33.22 - Kupplung schalt. kpl.....	31
Tafel 33.23 - Ölkühler.....	32
Tafel 33.24 - Anlage Blow-by.....	33
Tafel 33.25 - Einspeisung.....	34
Tafel 33.26 - Filtergehäuse.....	35
Tafel 33.27 - Auslassgruppe.....	36
Tafel 33.28 - Benzinpumpe int.....	38
Tafel 33.30 - Vorderradbrenszange.....	39
Tafel 33.32 - Hinterradbrenspumpe.....	40
Tafel 33.33 - Hinterradbrenszange.....	42
Tafel 33.34 - Frontscheinwerfer/Hupe.....	43
Tafel 33.35 - Rücklicht.....	44
Tafel 33.36 - Elektrische anlage I.....	45
Tafel 33.37 - Elektrische anlage II.....	47
Tafel 33.38 - Bausatz Schlösser.....	48
Tafel 33.39 - Aufkleber-Deko.....	49
Tafel 33.64 - SE Vorderrad.....	51
Tafel 33.65 - SE Hinterrad.....	52
MOTOR.....	53



Tafel 34.40 - Gehäuse I.....	53
Tafel 34.41 - Gehäuse II.....	55
Tafel 34.42 - Zylinderkopf - ventile.....	56
Tafel 34.43 - Kopfdeckel.....	57
Tafel 34.46 - Kurbelwelle - Zylinder.....	58
Tafel 34.47 - Steuer.....	60
Tafel 34.48 - Schmierung.....	61
Tafel 34.49 - Ölpumpe.....	62
Tafel 34.50 - Ölfilter.....	63
Tafel 34.51 - Kupplung.....	64
Tafel 34.52 - Getriebegehäuse.....	65
Tafel 34.53 - Schaltgabel.....	66
Tafel 34.54 - Hauptwelle.....	67
Tafel 34.55 - Festrad.....	68
Tafel 34.56 - Kupplungswelle.....	69
Tafel 34.57 - Stromgenerator.....	70
Tafel 34.58 - Startermotor.....	71
Tafel 34.59 - Klappenkörper.....	72
Tafel 34.60 - Recht Zylindersteuer II.....	73
Tafel 34.61 - Links Zylindersteuer II.....	75



Fertige Produkte

Code	Gültigkeit
GU9032440AUF00	
GU9032440AUF03	
GU9032440EUF00	
GU9032440EUF03	
GU9032440GBF00	
GU9032440GBF03	



Code	Nr. der Tafel	Pos.	Code	Nr. der Tafel	Pos.	Code	Nr. der Tafel	Pos.
013763	34.48	8	873654	34.43	13	880965	34.61	28
015792	34.60	5	873667	34.46	2	883045	33.09	7
015792	34.61	5	873689	34.46	20	883046	33.09	2
118737	34.48	5	873690	34.46	21	883067	33.39	24
1A000425	34.60	27	873861	34.59	14	883092	33.25	6
1A000425	34.61	27	873879	34.59	7	883093	33.25	7
224566	34.50	8	873904	34.59	1	883340	33.19	1
237553	34.49	7	873906	34.49	14	883417	33.34	27
244585	34.61	33	873928	34.47	8	883462	33.34	23
285846	34.42	8	874126	34.42	9	883463	33.34	22
292022	33.34	5	874127	34.42	5	883493	34.43	4
292022	33.35	9	874223	34.48	3	883619	33.39	7
292723	33.34	4	874238	34.48	18	883627	33.19	10
2A000270	34.40	28	874280	34.47	18	883688	33.64	8
2B000182	33.64	2	874281	34.47	11	883768	33.19	15
2B000183	33.65	2	874286	34.46	7	883851	33.28	5
2B000892	33.23	1	874287	34.46	4	883932	33.39	11
2H000500000YN1	33.14	1	874288	34.46	5	884033	33.32	24
2H000501000YN1	33.14	10	874289	34.46	6	884084	33.36	1
2H000502000YN1	33.18	1	874293	34.46	15	884095	33.03	3
2H000503	33.39	19	874482	34.49	8	884096	33.03	5
2H000504	33.39	22	874567	34.46	8	884097	33.03	8
2H000505	33.39	23	874601	34.60	26	884098	33.03	11
2H000506	33.39	25	874601	34.61	26	884163	33.64	1
2H000507	33.39	17	874621	34.46	12	884164	33.65	1
2H000508	33.39	12	874622	34.46	12	886141	33.39	4
2H000509	33.39	8	874646	34.48	7	887044	34.47	14
2H000510	33.16	1	874650	34.49	1	887082	33.65	8
2L0003775	34.40	27	874655	34.48	11	887083	33.65	9
411209	34.40	2	874655	34.50	12	887084	33.64	6
414835	34.49	9	874669	34.48	4	887423	33.25	1
414837	34.60	17	874680	34.48	1	887423	33.28	1
414837	34.61	17	874716	34.48	14	887465	33.13	4
434947	34.48	6	874799	34.47	15	887465	33.38	2
436438	34.42	6	874801	34.49	10	887959	33.39	21
487444	34.60	23	874980	34.40	16	887960	33.39	20
487444	34.61	23	875243	34.46	19	887961	33.39	15
560110	34.40	4	875244	34.46	19	887962	33.39	16
581957	34.48	12	876486	34.50	7	887963	33.39	1
621914	34.50	14	877101	34.49	11	887964	33.39	19
639542	33.02	15	8783390001	34.46	17	887965	33.39	22
639687	33.36	16	8783390002	34.46	17	887966	33.39	23
640598	33.34	3	8783390003	34.46	17	887967	33.39	25
640912	33.36	13	878574	34.60	1	887968	33.39	17
641541	34.48	16	878574	34.61	1	887969	33.39	12
825597	34.41	4	878868	34.60	32	887970	33.39	8
825597	34.42	11	878868	34.61	32	887971	33.39	18
825597	34.46	11	879707	34.60	11	88797200YE3	33.13	1
825694	34.60	22	879707	34.61	11	88797200YR2	33.13	1
827018	34.42	10	879869	34.52	5	88797300YN1	33.14	1
829122	34.50	2	8798774	34.59	3	88797400YN1	33.14	10
829232	34.47	13	8798784	34.59	8	88797500YN1	33.18	1
829486	34.49	5	879916	34.60	10	887976	33.16	1
829661	34.49	6	879916	34.61	10	969323	34.48	10
833520	34.61	22	879936	34.60	19	969323	34.50	13
842360	34.60	6	879936	34.61	19	976023	34.51	1
842360	34.61	6	879937	34.60	20	976053	34.51	2
849131	34.46	18	879937	34.61	20	976311	34.46	12
849866	34.46	23	879938	34.60	18	976312	34.46	9
872695	34.42	3	879938	34.61	18	976330	34.47	1
872696	34.42	4	879975	34.43	3	976331	34.47	4
872740	34.43	14	879987	34.43	8	976334	34.47	9
872741	34.43	11	880123	34.43	10	976337	34.60	31
872742	34.43	7	880124	34.43	1	976337	34.61	31
872759	34.60	4	880127	34.43	15	976338	34.60	30
872759	34.61	4	8803984	34.40	1	976338	34.61	30
873626	34.43	9	880965	34.60	28	976341	34.60	29



Code	Nr. der Tafel	Pos.	Code	Nr. der Tafel	Pos.	Code	Nr. der Tafel	Pos.
976341	34.61	29	978350	33.08	1	AP8104329	33.26	2
976342	34.46	22	978364	33.33	10	AP8104666	33.13	16
976350	34.60	25	978392	33.10	17	AP8104921	33.20	20
976350	34.61	25	978396	33.27	1	AP8104922	33.20	18
976351	34.56	1	978397	33.27	2	AP8106713	33.22	1
976355	34.47	6	978400	33.21	6	AP8110066	33.12	5
976376	33.27	3	978407	33.37	1	AP8110068	33.12	6
976381	34.47	2	978414	33.33	1	AP8110077	33.06	8
976453	34.52	1	978434	33.32	1	AP8112811	33.37	4
976478	34.41	9	978455	33.07	19	AP8112996	33.32	27
976481	34.51	7	978456	33.07	18	AP8113004	33.22	9
976484	34.51	8	978464	33.30	1	AP8113004	33.33	6
976488	34.47	3	978465	33.30	2	AP8113070	33.30	5
976494	34.59	16	978466	33.30	4	AP8113070	33.33	9
976495	34.59	17	978487	33.07	3	AP8113081	33.32	16
976498	34.59	5	978497	33.64	10	AP8113082	33.32	17
976532	34.56	4	978498	33.64	13	AP8113288	33.32	3
976533	34.56	3	978516	33.64	5	AP8113993	33.21	5
976534	34.59	6	978606	33.21	1	AP8113993	33.22	4
976535	34.51	5	978607	33.22	1	AP8113995	33.21	3
976538	34.47	10	978739	33.22	10	AP8113997	33.22	5
976556	33.36	26	978739	34.51	3	AP8113998	33.22	6
976559	34.43	12	978743	33.20	16	AP8117200	34.58	5
976560	34.43	6	978744	33.20	17	AP8118492	33.20	14
976563	34.51	9	978745	33.25	3	AP8118502	33.20	13
976564	34.51	10	978765	33.24	16	AP8118503	33.20	15
976570	33.09	1	978767	33.24	1	AP8118579	33.20	7
976581	33.11	1	978781	33.24	17	AP8118659	33.22	2
976589	34.60	8	978810	33.64	7	AP8120030	33.23	7
976589	34.61	8	978810	33.65	10	AP8120030	33.24	3
976591	34.43	2	978811	33.64	15	AP8120030	33.26	21
976593	34.51	12	978811	33.65	11	AP8120030	33.36	5
976594	34.51	12	978882	33.39	6	AP8120178	33.32	13
976595	34.51	12	978885	33.27	11	AP8120428	33.04	18
976596	34.51	12	981007	34.46	13	AP8120485	33.11	7
976614	33.13	3	981008	34.46	1	AP8120593	33.26	4
976631	34.41	1	981009	34.46	3	AP8120594	33.22	13
976649	34.47	17	981010	34.59	2	AP8120675	33.34	13
976665	34.47	16	981011	34.59	20	AP8120876	33.26	20
976674	34.60	24	981012	33.07	23	AP8120912	33.05	3
976674	34.61	24	981013	33.07	21	AP8120912	33.32	20
976680	34.48	15	981046	33.22	2	AP8120952	34.52	16
976681	34.48	17	981050	33.21	2	AP8120965	33.13	14
976696	34.51	14	981142	33.27	29	AP8121014	33.02	7
976703	34.40	12	981143	33.27	28	AP8121032	33.23	5
976899	34.46	10	981149	33.34	2	AP8121032	34.58	7
976934	34.52	17	981160	33.19	19	AP8121075	33.13	9
977041	33.32	14	AP8101586	33.24	19	AP8121098	33.11	6
977050	33.01	16	AP8101595	33.26	19	AP8121133	33.03	9
977052	33.04	1	AP8101595	33.32	5	AP8121155	33.12	10
977053	33.04	6	AP8101595	34.52	15	AP8121207	33.06	4
977056	33.65	5	AP8101744	33.64	14	AP8121218	33.09	4
977062	33.13	17	AP8101744	33.65	14	AP8121221	33.05	2
977065	33.02	6	AP8101861	33.03	10	AP8121221	33.32	19
977067	33.02	1	AP8101890	33.32	28	AP8121223	33.05	6
977350	33.01	1	AP8102375	33.01	13	AP8121346	33.06	9
977769	33.37	11	AP8102375	33.14	9	AP8121475	33.36	29
977772	33.37	11	AP8102375	33.17	2	AP8121513	33.27	26
977773	33.37	11	AP8102375	33.18	3	AP8121520	33.20	10
977795	33.35	10	AP8102375	33.37	14	AP8121567	33.03	1
977918	33.38	5	AP8102502	33.16	10	AP8121607	33.02	12
978159	33.07	2	AP8102520	33.24	14	AP8121773	33.27	20
978160	33.07	1	AP8102523	33.16	9	AP8121795	33.02	4
978204	33.20	1	AP8102524	33.02	9	AP8121795	33.19	6
978242	33.27	16	AP8102764	33.24	15	AP8121805	33.04	3
978301	33.65	15	AP8102765	33.24	11	AP8121811	33.23	16
978311	33.34	1	AP8102913	33.16	3	AP8121882	33.02	20



Code	Nr. der Tafel	Pos.	Code	Nr. der Tafel	Pos.	Code	Nr. der Tafel	Pos.
AP8121882	33.19	18	AP8152242	33.09	5	AP8221145	33.32	11
AP8121927	33.32	23	AP8152268	33.17	14	AP8221160	33.01	6
AP8121929	33.17	12	AP8152273	33.25	2	AP8221197	33.02	8
AP8121929	33.18	5	AP8152277	33.24	5	AP8221242	33.19	3
AP8123641	33.06	7	AP8152278	33.22	11	AP8221270	33.26	12
AP8123642	33.06	5	AP8152278	33.24	4	AP8221277	33.03	6
AP8123643	33.06	3	AP8152278	33.32	12	AP8221307	33.01	9
AP8123644	33.06	6	AP8152278	34.51	4	AP8224164	33.17	15
AP8123810	33.07	4	AP8152279	33.26	16	AP8224462	33.37	7
AP8123811	33.07	26	AP8152279	33.32	4	B013037	34.51	13
AP8123812	33.07	24	AP8152279	33.36	4	B0133785001	34.46	14
AP8123815	33.07	11	AP8152280	33.13	10	B0133785002	34.46	14
AP8123816	33.07	10	AP8152281	33.23	3	B0133785003	34.46	14
AP8123817	33.07	12	AP8152282	33.36	7	B013479	34.60	14
AP8123819	33.07	14	AP8152284	34.40	21	B013479	34.61	14
AP8123820	33.07	15	AP8152285	33.36	30	B013517	34.42	7
AP8123821	33.07	16	AP8152287	33.02	11	B013552	34.60	21
AP8123824	33.07	20	AP8152287	33.34	15	B013552	34.61	21
AP8123825	33.07	22	AP8152288	33.01	5	B0136034	34.60	9
AP8123832	33.07	6	AP8152290	33.07	17	B0136034	34.61	9
AP8123834	33.07	13	AP8152298	33.06	14	B0136054	34.60	12
AP8123835	33.07	7	AP8152299	33.16	5	B0136054	34.61	12
AP8123836	33.07	8	AP8152299	33.35	15	B013661	34.60	16
AP8124266	33.36	18	AP8152299	33.36	17	B013661	34.61	16
AP8124869	33.37	9	AP8152300	33.04	4	B013807	34.42	2
AP8124936	33.19	11	AP8152301	33.12	11	B013808	34.42	1
AP8125773	33.64	4	AP8152301	33.27	22	B014576	34.60	7
AP8125777	33.64	3	AP8152302	33.14	2	B014576	34.61	7
AP8127098	33.35	3	AP8152302	33.18	2	B015124	34.46	25
AP8127703	33.20	6	AP8152306	33.02	17	B015126	34.46	26
AP8133594	33.22	8	AP8152306	33.17	19	B016785	34.60	2
AP8133595	33.33	8	AP8152306	33.35	8	B016785	34.61	2
AP8133597	33.33	7	AP8152318	33.08	2	B017026	34.61	3
AP8133962	33.21	7	AP8152320	33.33	2	B017029	34.60	3
AP8133962	33.33	11	AP8152325	33.20	5	B043864	33.13	5
AP8134378	33.27	21	AP8152329	33.26	5	B045021	33.20	21
AP8134448	33.17	13	AP8152329	33.32	10	B0630111	34.51	12
AP8134451	33.03	7	AP8152339	33.15	2	B063012	34.51	12
AP8134948	33.16	8	AP8152339	33.37	13	B063025	34.52	11
AP8135608	33.12	8	AP8152384	33.06	10	B063271	34.40	18
AP8135924	33.12	4	AP8152396	33.12	16	B063274	34.50	6
AP8144007	33.05	7	AP8152397	33.12	9	B063428	34.50	1
AP8144007	33.32	25	AP8152398	33.12	2	B063850	34.40	20
AP8144038	33.26	18	AP8152409	33.03	2	B063861	34.40	17
AP8144046	33.36	19	AP8152410	33.09	3	B063898	34.40	19
AP8144071	33.27	19	AP8152410	33.27	24	B063905	34.53	13
AP8144164	33.26	8	AP8152414	33.30	9	B063934	34.50	9
AP8144328	33.13	8	AP8152473	33.02	10	B063942	34.50	10
AP8150285	34.40	25	AP8152482	33.12	15	B063956	34.53	14
AP8150285	34.41	5	AP8163495	33.07	5	B064018	34.48	9
AP8150292	33.02	13	AP8163496	33.07	9	B064018	34.50	11
AP8150292	33.12	13	AP8201808	33.33	13	B064112	34.53	10
AP8150377	33.17	7	AP8202238	33.33	12	B064113	34.53	11
AP8150413	33.14	6	AP8220162	33.01	11	B064260	33.39	3
AP8150413	33.17	17	AP8220162	33.14	4	B064261	33.39	2
AP8150420	33.17	18	AP8220228	33.19	8	CM074706	34.59	4
AP8150421	33.26	9	AP8220238	33.01	10	CM2270014	33.36	2
AP8150432	33.01	8	AP8220263	33.13	15	GU00823923140	33.02	18
AP8150450	33.18	10	AP8220263	33.17	9	GU00823950050	33.32	6
AP8150462	33.05	5	AP8220283	33.37	8	GU00823955080	33.24	12
AP8150462	33.32	22	AP8220346	33.27	23	GU01106090	33.28	4
AP8150509	33.19	9	AP8220526	33.26	13	GU01108490	33.28	3
AP8150509	33.35	2	AP8220546	33.37	10	GU01154230	33.24	10
AP8152001	33.02	14	AP8221023	33.26	17	GU01154230	34.48	2
AP8152043	33.19	16	AP8221023	33.34	12	GU01161331	33.24	9
AP8152147	33.12	12	AP8221023	33.36	6	GU01161331	34.48	13
AP8152166	34.47	7	AP8221036	33.06	12	GU01528930	33.10	13

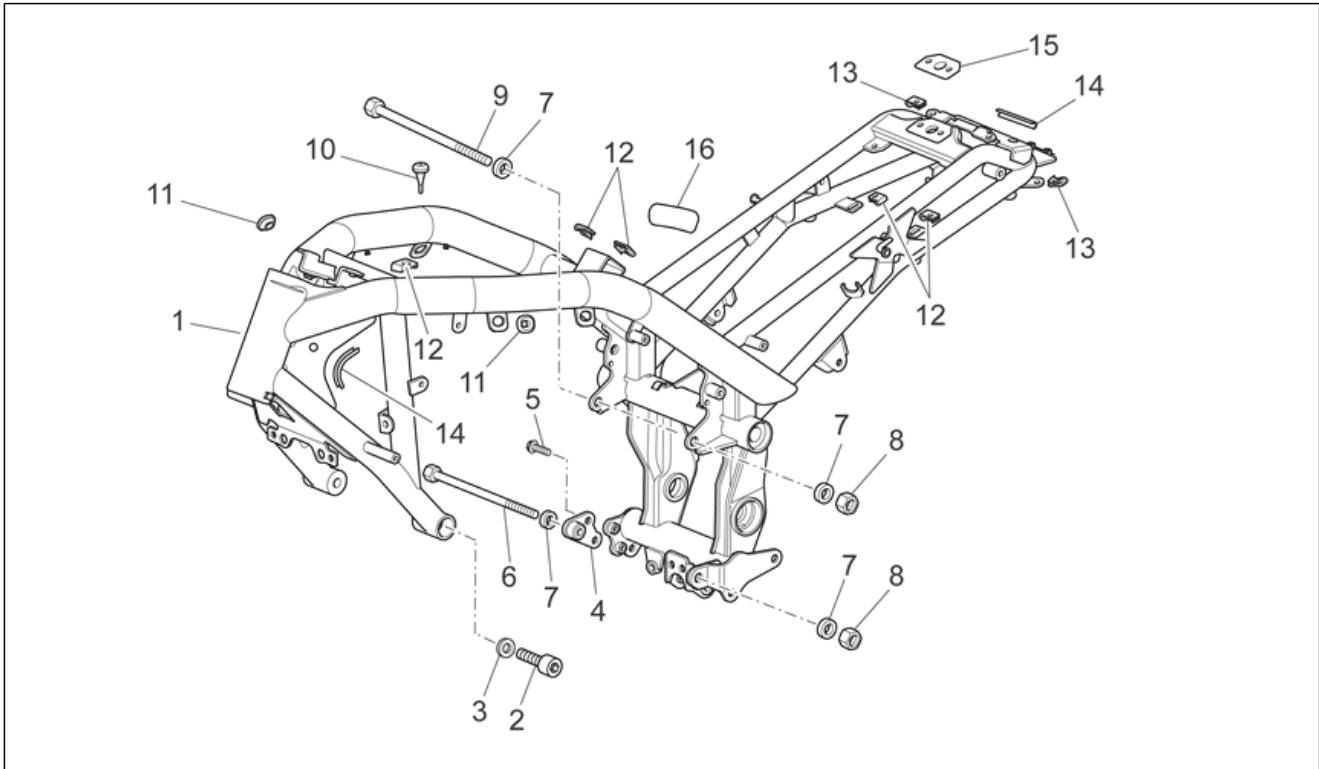


Code	Nr. der Tafel	Pos.	Code	Nr. der Tafel	Pos.	Code	Nr. der Tafel	Pos.
GU01528930	33.10	8	GU05358230	33.10	7	GU06445901	33.04	9
GU01528930	34.40	23	GU05358330	33.10	1	GU06446000	33.04	10
GU01528930	34.52	9	GU05358530	33.10	15	GU06447500	33.04	16
GU01603480	33.20	12	GU05358630	33.10	16	GU06447501	33.04	11
GU01609630	33.20	19	GU05425530	33.01	4	GU06461300	33.01	15
GU01612190	33.64	11	GU05446431	33.04	12	GU06462100	33.16	6
GU01654630	33.30	3	GU05466830	33.16	7	GU06467300	33.17	3
GU01659130	33.30	6	GU05466830	33.38	4	GU06469200	33.18	6
GU01659131	33.30	7	GU05547030	33.08	6	GU06477000	33.37	15
GU01721600	33.36	20	GU05547130	33.08	5	GU06479600	33.16	2
GU01722700	33.36	22	GU05547930	33.08	8	GU06493100	33.06	1
GU01722701	33.36	22	GU05548030	33.08	3	GU06494000	33.06	2
GU01722702	33.36	22	GU05560330	33.12	3	GU06496100	33.34	8
GU01722703	33.36	22	GU05562030	33.12	7	GU06496200	33.34	9
GU01722704	33.36	22	GU05562430	33.12	14	GU06500200	33.20	4
GU01722705	33.36	22	GU05603331	33.20	11	GU06500600	33.20	2
GU01753440	33.34	26	GU05606630	33.22	12	GU06517700	33.39	9
GU03013800	33.26	14	GU05611430	33.64	9	GU06550200	33.12	1
GU03013800	33.27	7	GU05632730	33.65	3	GU06571500	33.18	8
GU03013800	34.49	12	GU05635730	33.65	6	GU06571600	33.18	9
GU03013800	34.58	9	GU05638130	33.11	9	GU06573300	33.18	4
GU03270300	34.58	3	GU05654630	33.33	3	GU06576800	33.14	5
GU03469201	34.58	8	GU05658431	33.06	13	GU06576900	33.14	7
GU03604845	33.22	3	GU05659030	33.33	5	GU06582600	33.23	14
GU03609600	33.20	19	GU05659130	33.33	4	GU06583000	33.23	8
GU03749845	33.21	9	GU05661130	33.21	4	GU06583200	33.23	2
GU05001630	34.41	8	GU05663530	33.32	7	GU06583600	33.23	9
GU05002130	34.41	3	GU05666030	33.32	9	GU06606500	33.22	7
GU05107430	33.28	2	GU05701430	34.57	7	GU06609600	33.36	27
GU05128230	33.27	15	GU05702530	34.57	6	GU06609600	33.37	20
GU05135930	33.25	4	GU05704531	33.37	2	GU06677000	33.32	18
GU05204930	34.52	8	GU05712431	34.57	1	GU06704700	33.17	8
GU05206530	33.10	12	GU05716730	33.36	9	GU06704800	33.17	5
GU05210631	34.54	1	GU05729230	33.36	3	GU06704901	33.13	11
GU05211331	34.54	10	GU05730730	34.58	1	GU06729800	33.14	8
GU05211431	34.54	7	GU05733330	34.58	4	GU06736800	33.38	1
GU05212031	34.54	4	GU05781630	33.07	25	GU06740400	33.34	28
GU05212631	34.54	9	GU05900130	33.39	14	GU06740900	33.35	1
GU05213631	34.55	1	GU05944530	33.39	13	GU06741200	33.18	7
GU05214031	34.55	7	GU05944930	33.39	10	GU06746300	33.37	12
GU05214231	34.55	3	GU06100200	33.13	1	GU06747900	33.37	6
GU05214431	34.55	12	GU06102300	33.13	2	GU06750600	33.34	16
GU05214630	34.54	5	GU06107100	33.13	7	GU06750600	33.35	11
GU05214630	34.55	5	GU06113300	33.26	3	GU06751601	33.34	21
GU05214731	34.55	9	GU06113700	33.26	7	GU06751601	33.35	16
GU05215031	34.55	10	GU06114000	33.26	1	GU06753700	33.34	19
GU05215631	34.54	2	GU06114200	33.26	6	GU06753700	33.35	12
GU05220531	34.55	11	GU06121900	33.27	12	GU06764000	33.19	4
GU05230531	34.53	18	GU06123401	33.27	10	GU06765100	33.19	2
GU05230831	34.53	21	GU06123500	33.27	9	GU06765500	33.02	19
GU05232431	34.53	19	GU06126900	33.27	14	GU06765500	33.19	17
GU05232631	34.53	20	GU06159300	33.24	8	GU06782500	33.19	13
GU05234230	34.53	12	GU06164630	33.24	6	GU06782500	33.38	3
GU05234431	34.53	1	GU06250900	33.05	1	GU06783600	33.14	11
GU05234631	34.53	2	GU06257800	33.05	9	GU06917300	33.39	3
GU05235531	34.53	3	GU06409800	33.01	14	GU06917400	33.39	2
GU05236231	34.53	7	GU06412300	33.24	2	GU12018900	34.40	6
GU05238131	34.53	15	GU06418600	33.17	6	GU12022600	34.40	10
GU05238231	34.53	8	GU06431700	33.02	3	GU12022600	34.40	26
GU05238431	34.53	9	GU06431900	33.02	2	GU12548201	34.59	18
GU05239330	34.53	17	GU06434300	33.15	1	GU14018400	33.09	8
GU05256930	33.05	10	GU0643430000YN1	33.15	1	GU14085900	34.51	11
GU05326330	33.09	6	GU06438600	33.17	10	GU14433400	34.47	12
GU05351230	33.10	2	GU06438700	33.17	1	GU14609650	33.36	28
GU05352430	33.11	2	GU06439200	33.17	16	GU14609650	33.37	17
GU05358030	33.10	6	GU06443500	33.04	14	GU14615901	33.23	11
GU05358130	33.10	5	GU06445900	33.04	7	GU14615901	33.27	5



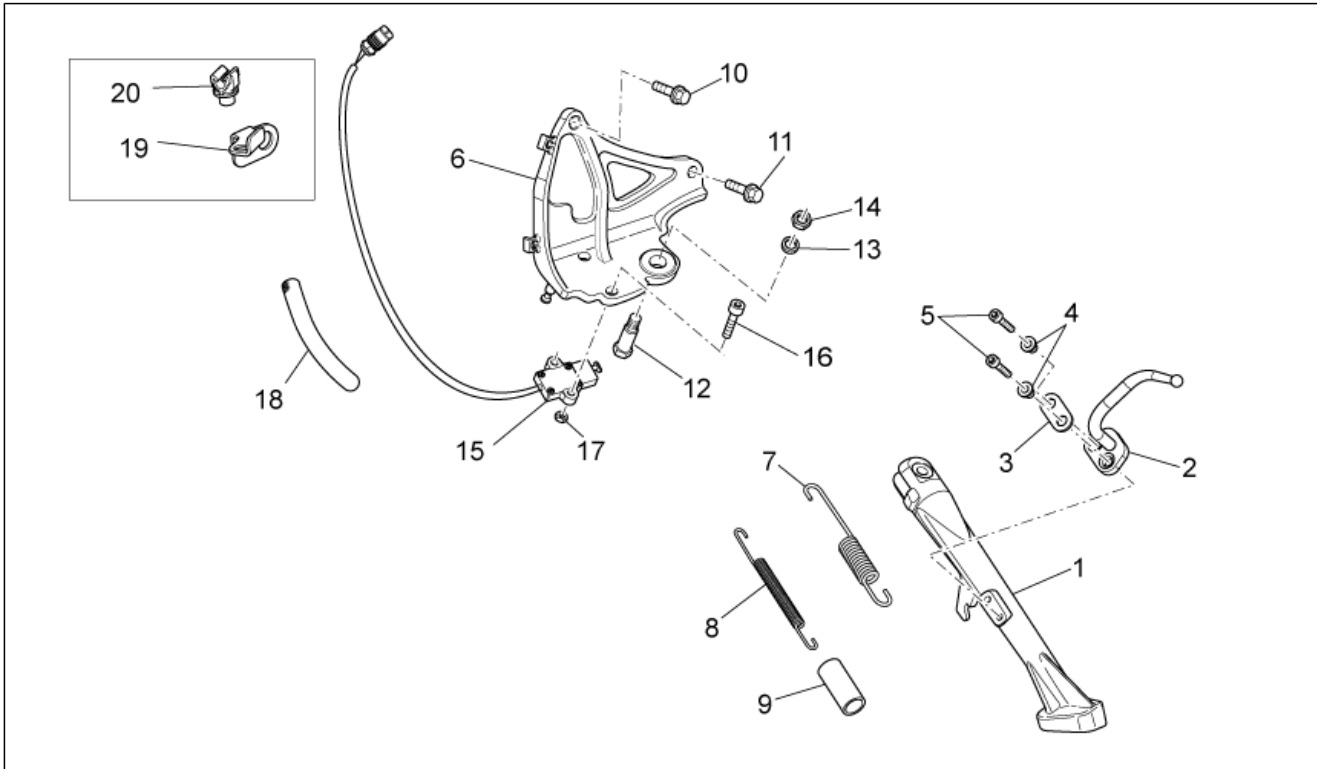
Code	Nr. der Tafel	Pos.	Code	Nr. der Tafel	Pos.	Code	Nr. der Tafel	Pos.
GU14615901	33.34	7	GU91600365	34.47	19	GU98084314	34.50	5
GU14615901	34.40	8	GU92201025	34.53	6	GU98084425	34.40	13
GU14616150	33.64	12	GU92201117	34.53	5	GU98210616	33.19	5
GU14616150	33.65	13	GU92201226	34.55	13	GU98230510	34.43	5
GU17661052	33.32	8	GU92201226	34.56	2	GU98230512	33.23	15
GU18144350	34.49	4	GU92201822	34.54	11	GU98230612	34.51	6
GU18144350	34.52	7	GU92201822	34.55	2	GU98230619	33.34	14
GU19002020	34.52	14	GU92204230	33.11	5	GU98230850	34.57	11
GU19149800	33.23	13	GU92208518	33.11	4	GU98250835	33.17	4
GU19152200	34.50	3	GU92232028	34.56	5	GU98350210	33.04	13
GU19207220	34.52	10	GU92249224	33.08	7	GU98350210	33.32	29
GU19659500	33.32	2	GU92252029	34.54	3	GU98350310	34.46	24
GU25656100	33.21	8	GU92252029	34.55	4	GU98350310	34.59	11
GU25656100	33.30	8	GU92605408	34.57	12	GU98350315	34.47	5
GU28576591	33.01	12	GU92606206	33.32	15	GU98350416	33.34	24
GU28576591	33.24	7	GU92606516	34.57	8	GU98370412	33.04	17
GU28742562	33.37	5	GU92609408	33.37	19	GU98370412	33.21	10
GU29722760	33.36	22	GU92630104	33.36	12	GU98370609	33.27	25
GU29729461	33.36	25	GU92630707	33.05	11	GU98370609	34.58	6
GU30027931	33.26	11	GU92650138	33.27	27	GU98370616	34.52	4
GU30103730	33.13	13	GU92650138	33.34	10	GU98370619	33.35	14
GU30158900	34.49	3	GU92660012	34.57	5	GU98370625	33.16	4
GU30217900	33.01	3	GU92660021	34.40	9	GU98370625	34.59	9
GU30441005	33.03	4	GU92787006	33.26	15	GU98610335	33.34	11
GU30611460	33.65	7	GU92787006	33.34	18	GU98612220	33.02	16
GU30714201	34.57	9	GU92787008	33.27	4	GU98620445	34.57	3
GU30716500	33.36	8	GU93180220	34.52	3	GU98620455	34.41	10
GU30729330	33.26	10	GU93222023	33.13	12	GU98620560	34.57	4
GU30944300	33.39	5	GU93222023	33.19	7	GU98622214	34.60	15
GU31003766	33.10	9	GU93231605	33.14	3	GU98622214	34.61	15
GU31003766	34.40	22	GU93304390	33.08	4	GU98680222	33.17	11
GU31003766	34.52	13	GU93304390	33.36	28	GU98680222	33.25	5
GU31159050	34.49	2	GU93305061	34.59	13	GU98680222	33.35	4
GU32474710	33.35	7	GU93306017	33.24	18	GU98680340	33.13	6
GU32602860	33.20	8	GU93306018	33.24	13	GU98680340	33.20	9
GU32727010	33.27	13	GU93450127	33.34	20	GU98680445	33.27	17
GU32748010	33.37	3	GU93450127	33.35	13	GU98680450	33.10	11
GU49609601	33.36	28	GU95005306	33.23	4	GU98682125	33.36	10
GU49609601	33.37	17	GU95005306	34.49	13	GU98682212	33.36	23
GU4FAN000030	34.57	10	GU95005308	33.27	6	GU98682212	34.59	15
GU61270300	34.40	14	GU95005312	33.27	18	GU98682215	33.37	16
GU90271014	34.53	16	GU95008204	33.36	11	GU98682316	33.02	5
GU90271022	34.53	4	GU95008205	33.25	8	GU98682316	33.05	4
GU90271030	34.54	8	GU95008205	33.35	5	GU98682316	33.32	21
GU90271030	34.55	8	GU95008205	33.36	24	GU98682316	34.41	6
GU90271230	34.54	6	GU95008206	34.59	10	GU98682320	33.05	12
GU90271230	34.55	6	GU95008210	33.05	8	GU98682325	33.08	9
GU90273026	33.11	8	GU95008305	34.59	19	GU98682330	34.40	24
GU90274002	33.19	12	GU95008310	33.32	26	GU98682330	34.41	11
GU90353014	34.53	22	GU95008313	33.01	7	GU98682650	33.01	2
GU90401424	34.52	12	GU95021104	33.21	11	GU98683520	33.36	31
GU90404558	33.11	3	GU95021108	33.34	25	GU98690335	33.34	17
GU90405367	34.40	15	GU95100116	34.46	16	GU98690440	33.23	10
GU90408511	33.10	10	GU95100116	34.59	12	GU98690540	33.23	12
GU90412237	34.41	2	GU95129100	34.60	13	GU98700430	33.04	5
GU90412541	34.55	14	GU95129100	34.61	13	GU98700430	33.06	11
GU90706061	33.64	16	GU95129131	33.37	18	GU98700430	33.20	3
GU90706061	33.65	12	GU95187006	34.50	4	GU98700430	33.34	6
GU90706141	33.36	21	GU95510620	33.10	4	GU98700475	33.04	2
GU90706178	34.40	29	GU95512081	34.40	3	GU98700530	33.04	15
GU90706203	34.40	11	GU95980319	34.52	6	GU98710215	33.04	8
GU90718120	33.10	3	GU96508066	34.40	5	GU99210406	33.10	14
GU91120507	33.35	6	GU96508075	34.40	7			
GU91120606	34.41	7	GU97202355	34.52	2			
GU91120620	33.27	8	GU97202665	33.65	4			
GU91180711	33.23	6	GU97260435	33.19	14			
GU91180823	34.57	2	GU98082475	34.58	2			

Einheit	RAHMEN
Code	33.01
Beschreibung	Rahmen
Inspektion	1



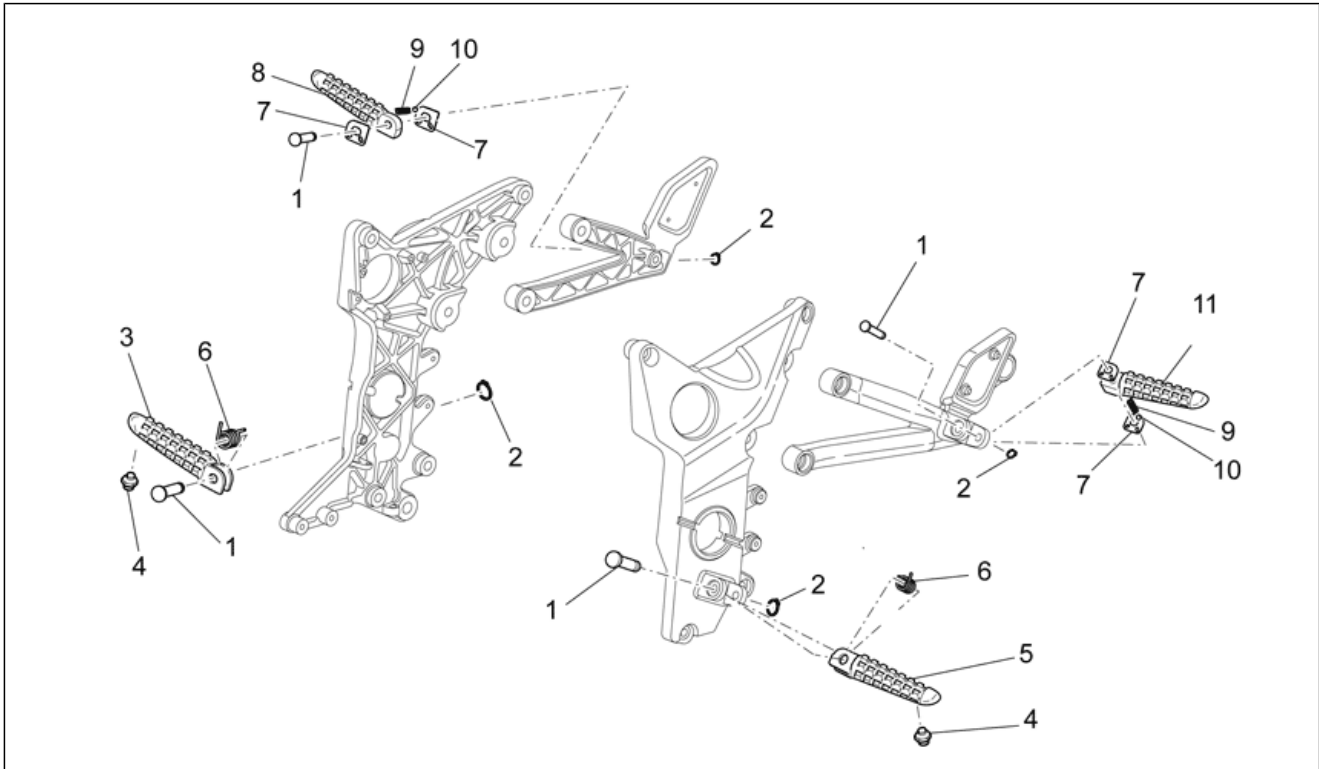
Pos.	Code	Beschreibung	Menge	Varianten
1	977350	Rahmen kpl.schwarz, glänzend	1	
2	GU98682650	TCEI Schraube M12x50	2	
3	GU30217900	Ausgleichscheibe 13x18x1,7	2	
4	GU05425530	Rechts Platte	1	
5	AP8152288	TE Schr. m. Flansch	2	
6	AP8221160	Bolzen M12	1	
7	GU95008313	Ausgleichscheibe 13x24x2,5	4	
8	AP8150432	Selbstsperr.mut Unt. M12*	2	
9	AP8221307	Bolzen M12	1	
10	AP8220238	Gummi	2	
11	AP8220162	Gummi	4	
12	GU28576591	Klammer M6	8	
13	AP8102375	Klammer m5	8	
14	GU06409800	Dichtung	3	
15	GU06461300	Schutzabdeckung	1	
16	977050	Deko schutz	2	

Einheit	RAHMEN
Code	33.02
Beschreibung	Seitenständer
Inspektion	1



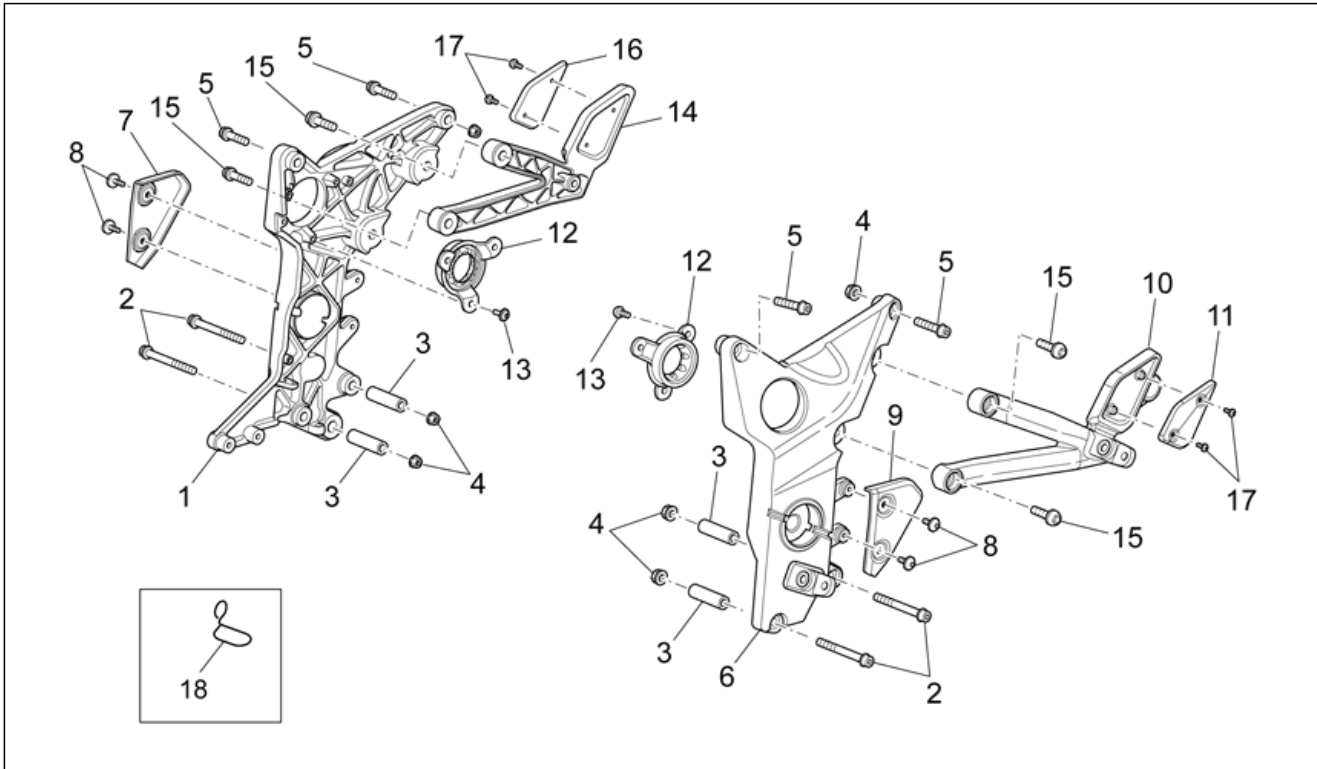
Pos.	Code	Beschreibung	Menge	Varianten
1	977067	Seitenständer	1	
2	GU06431900	Hebel	1	
3	GU06431700	Dichtung	1	
4	AP8121795	T-Buchse	2	
5	GU98682316	TCEI Schraube M6x16	2	
6	977065	Hauptständer platte	1	
7	AP8121014	Schraubenfeder *	1	
8	AP8221197	Hauptständer Schraubenfeder	1	
9	AP8102524	Schutz f. Ständerfeder	1	
10	AP8152473	TE Schr. m. Flansch	1	
11	AP8152287	TE Schr. m. Flansch M8x25	2	
12	AP8121607	Ständerschraube	1	
13	AP8150292	Gebogene Sprengscheibe *	1	
14	AP8152001	Mutter unten M10x1,25	1	
15	639542	Seitenständerschalter	1	
16	GU98612220	TCEI Schraube	2	
17	AP8152306	Selbstsperrende Mutter m5	1	
18	GU00823923140	Thermische Hülle	1	
19	GU06765500	Kabelführung	1	
20	AP8121882	Kabelführungs	1	

Einheit	RAHMEN
Code	33.03
Beschreibung	Fussrasten I
Inspektion	1



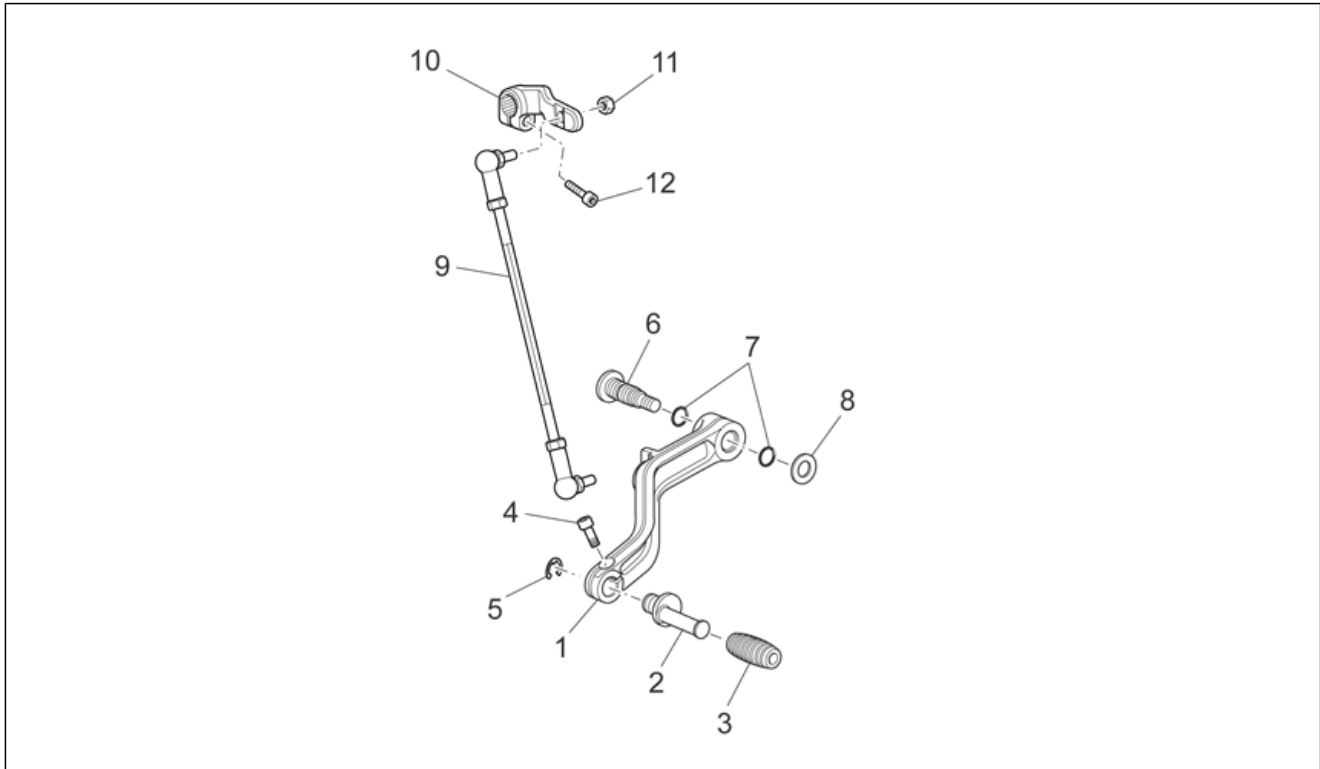
Pos.	Code	Beschreibung	Menge	Varianten
1	AP8121567	Bolzen	4	
2	AP8152409	Sperring	4	
3	884095	Fussrasten r.	1	
4	GU30441005	Stift	2	
5	884096	Fussrasten l.	1	
6	AP8221277	Rückholfeder	2	
7	AP8134451	Fixierplatte	4	
8	884097	Soziusraste rechts	1	
9	AP8121133	Schraubenfederkompr.	2	
10	AP8101861	Kugel D6,35	2	
11	884098	Soziusraste links	1	

Einheit	RAHMEN
Code	33.04
Beschreibung	Fussrasten II
Inspektion	1



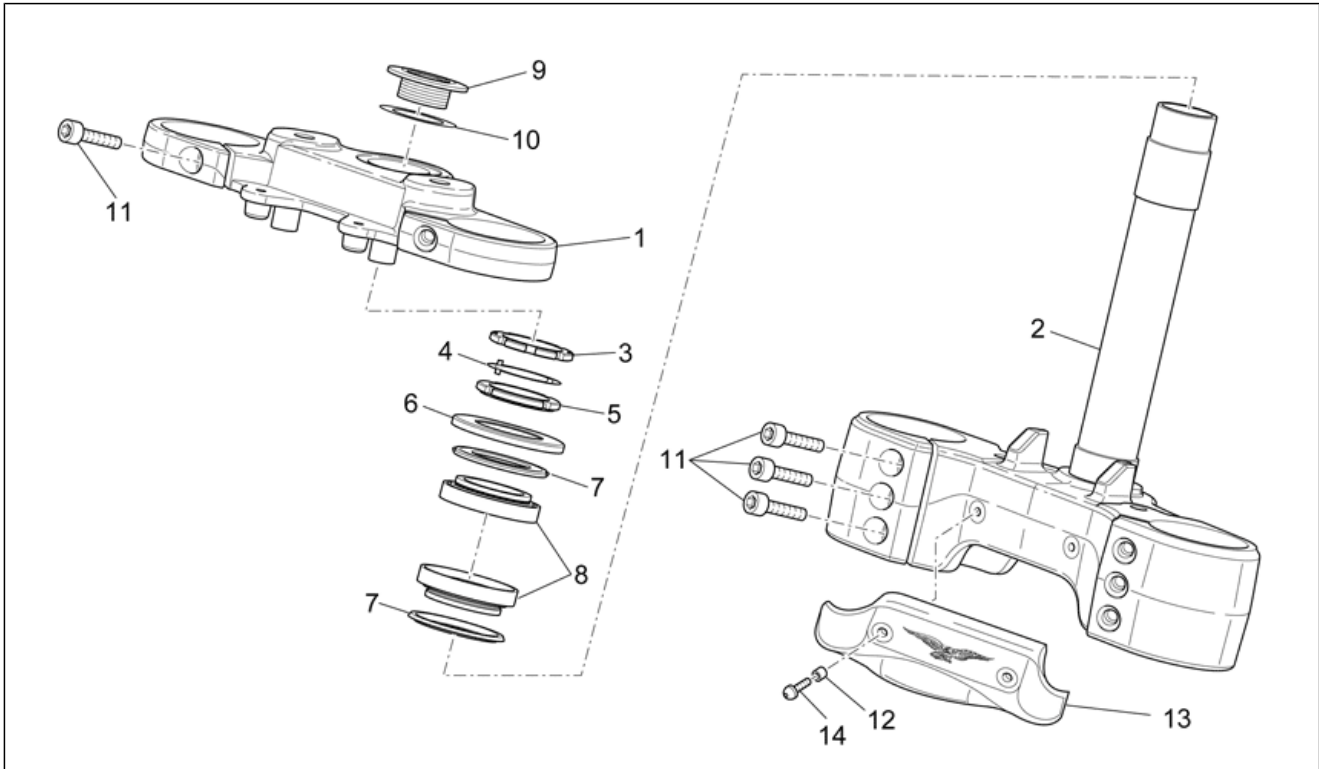
Pos.	Code	Beschreibung	Menge	Varianten
1	977052	Rechts Platte	1	
2	GU98700475	Zylinderschraube M8x75	4	
3	AP8121805	Distanzscheibe 8,2x14x49,5	4	
4	AP8152300	Selbstsperrende Mutter M8	6	
5	GU98700430	Zylinderschraube M8x30	4	
6	977053	Links Platte	1	
7	GU06445900	Rechter schutz	1	
8	GU98710215	TCCCE Schraube	4	
9	GU06445901	Linker schutz	1	
10	GU06446000	Halter linke Soziesfußr.	1	
11	GU06447501	Linker schutz	1	
12	GU05446431	Ring	2	
13	GU98350210	TBEI Schraube	6	
14	GU06443500	Halter rechte Fußraste	1	
15	GU98700530	Zylinderschraube M10x30	4	
16	GU06447500	Rechter schutz	1	
17	GU98370412	TBEI Schraube M4x12	4	
18	AP8120428	Kabelführungs	1	

Einheit	RAHMEN
Code	33.05
Beschreibung	Schalthebel
Inspektion	1



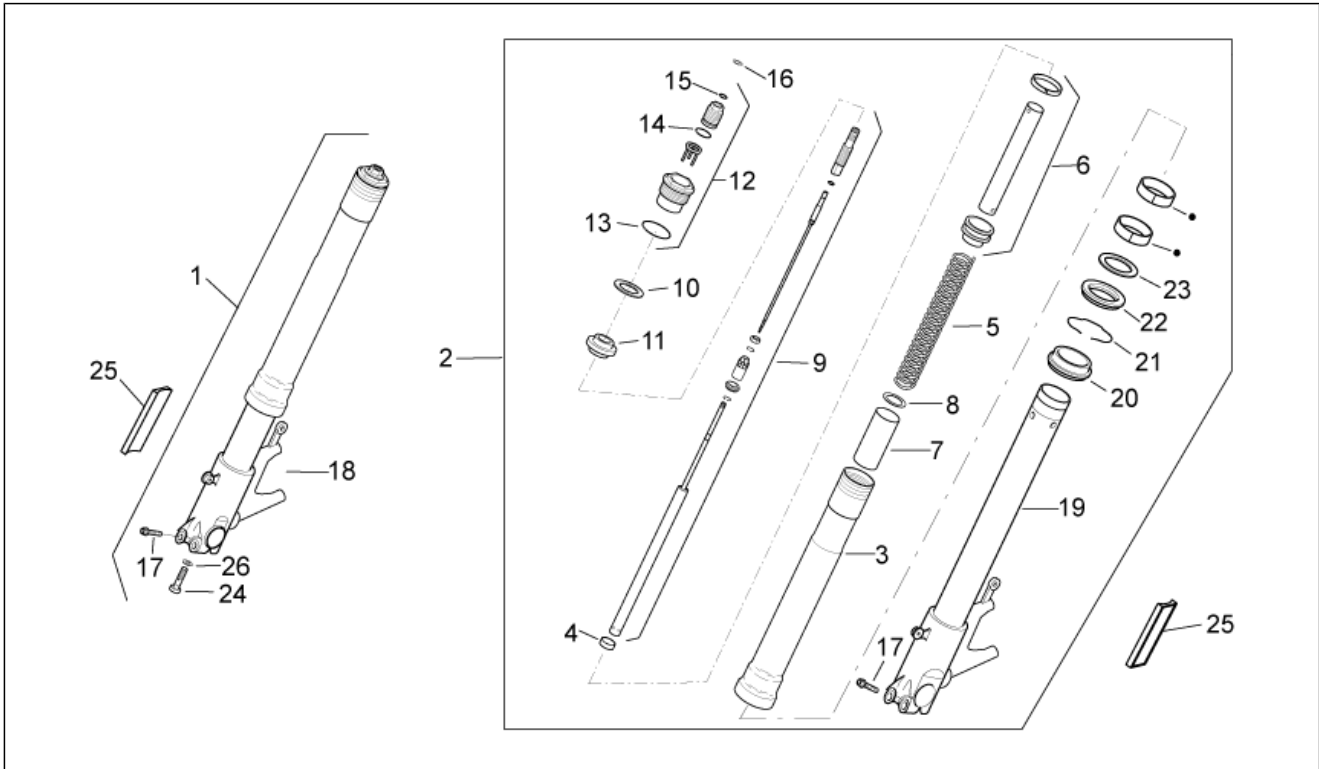
Pos.	Code	Beschreibung	Menge	Varianten
1	GU06250900	Schalthebel	1	
2	AP8121221	Stift Bremshebel	1	
3	AP8120912	Gummi für Hebel	1	
4	GU98682316	TCEI Schraube M6x16	1	
5	AP8150462	Seegerring d9	1	
6	AP8121223	Stift Hinterradbremshieb.	1	
7	AP8144007	O-Ring 11,11x1,78	2	
8	GU95008210	Ausgleichscheibe 10,2X18X2	1	
9	GU06257800	Spannstange f.Getriebe,Kpl.	1	
10	GU05256930	Umlenkhebel	1	
11	GU92630707	Mutter	2	
12	GU98682320	TCEI Schraube M6x20	1	

Einheit	RAHMEN
Code	33.06
Beschreibung	Lenkung
Inspektion	1



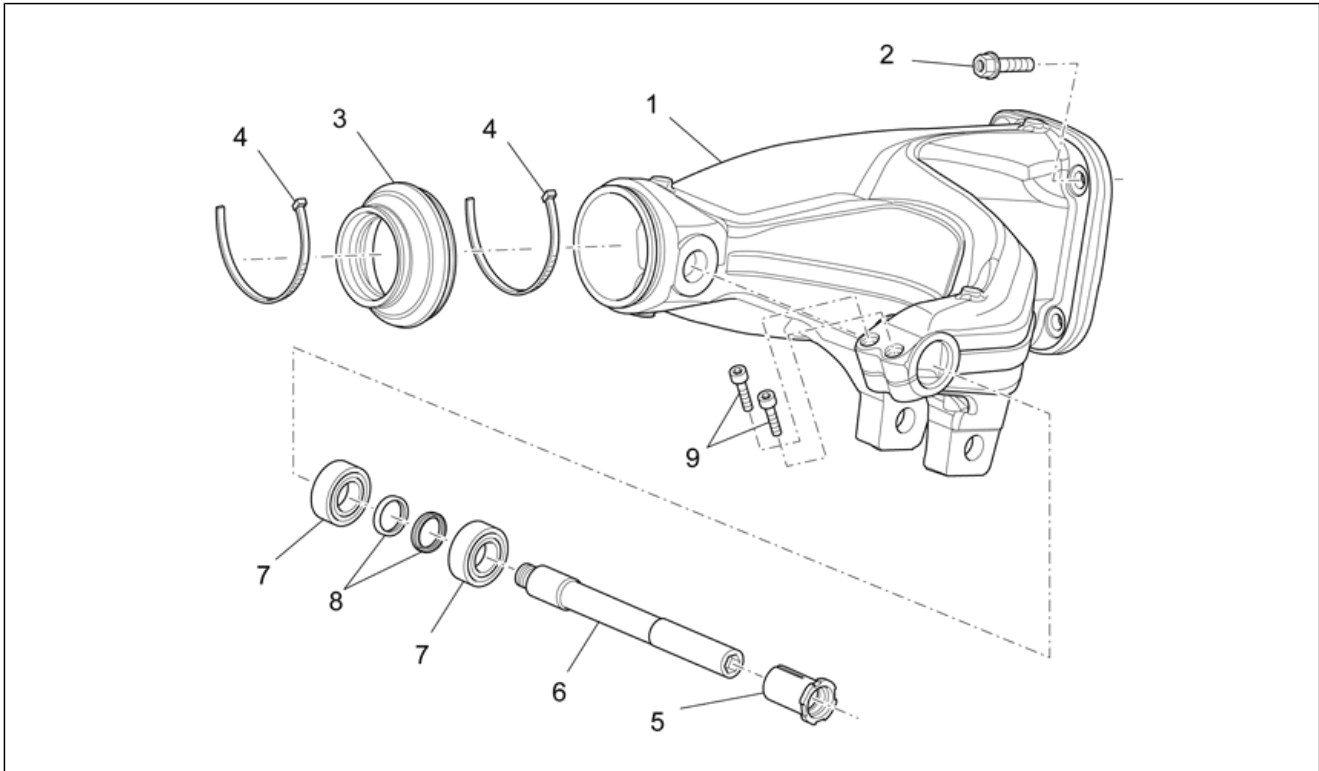
Pos.	Code	Beschreibung	Menge	Varianten
1	GU06493100	Ob. Gabelplatte	1	
2	GU06494000	Fuß mit Rohr	1	
3	AP8123643	Gegenmutter	1	
4	AP8121207	Sicherheitspl. Lenkung	1	
5	AP8123642	Nutmutter	1	
6	AP8123644	Staubschutzring	1	
7	AP8123641	Staubschutzring	2	
8	AP8110077	Axialkugellager	2	
9	AP8121346	Fixierbuchse ob. Platte	1	
10	AP8152384	Scheibe Lenkkopf	1	
11	GU98700430	Zylinderschraube M8x30	8	
12	AP8221036	Buchse 5,3x8x7,1	2	
13	GU05658431	Fixierplatte Bremsschlauch	1	
14	AP8152298	TBEI Schraube m.Flansch M5x16	2	

Einheit	RAHMEN
Code	33.07
Beschreibung	Vorderradgabel
Inspektion	1



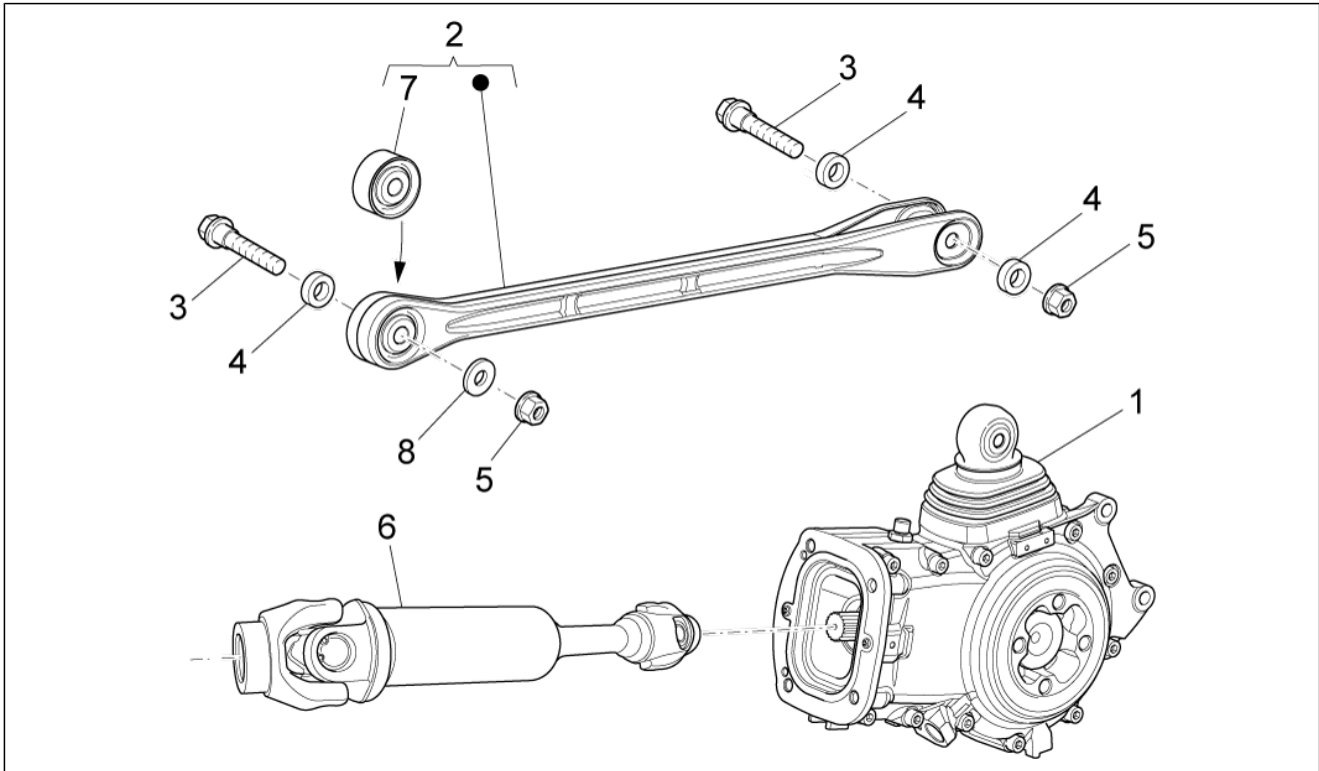
Pos.	Code	Beschreibung	Menge	Varianten
1	978160	Kolbenstange Radial rch	1	
2	978159	Kolbenstange Radial lks	1	
3	978487	Hülse	2	
4	AP8123810	Anschlußhülse Pumpenrad	2	
5	AP8163495	Feder	2	
6	AP8123832	Vorspannschlauch kpl.	2	
7	AP8123835	Distanzscheibe	2	
8	AP8123836	Ausgleichscheibe	2	
9	AP8163496	Pumpenrad kplt.	2	
10	AP8123816	Ausgleichscheibe	2	
11	AP8123815	Ring	2	
12	AP8123817	Versch. Schaft kpl.	2	
13	AP8123834	O-Ring	2	
14	AP8123819	O-Ring	2	
15	AP8123820	O-Ring	2	
16	AP8123821	Sperring	2	
17	AP8152290	TE Schr. m. Flansch M8x40	4	
18	978456	Kolbenstange rechts kpl.	1	
19	978455	Kolbenstange links kpl.	1	
20	AP8123824	Staubschutz	2	
21	981013	Seegerring	2	
22	AP8123825	Ölabstreifring	2	
23	981012	Ring	2	
24	AP8123812	Schraube M10x1,5	2	
25	GU05781630	Rückstrahler, gelb	2	
26	AP8123811	Spezial-U-scheibe	2	

Einheit	RAHMEN
Code	33.08
Beschreibung	Schwinge
Inspektion	1



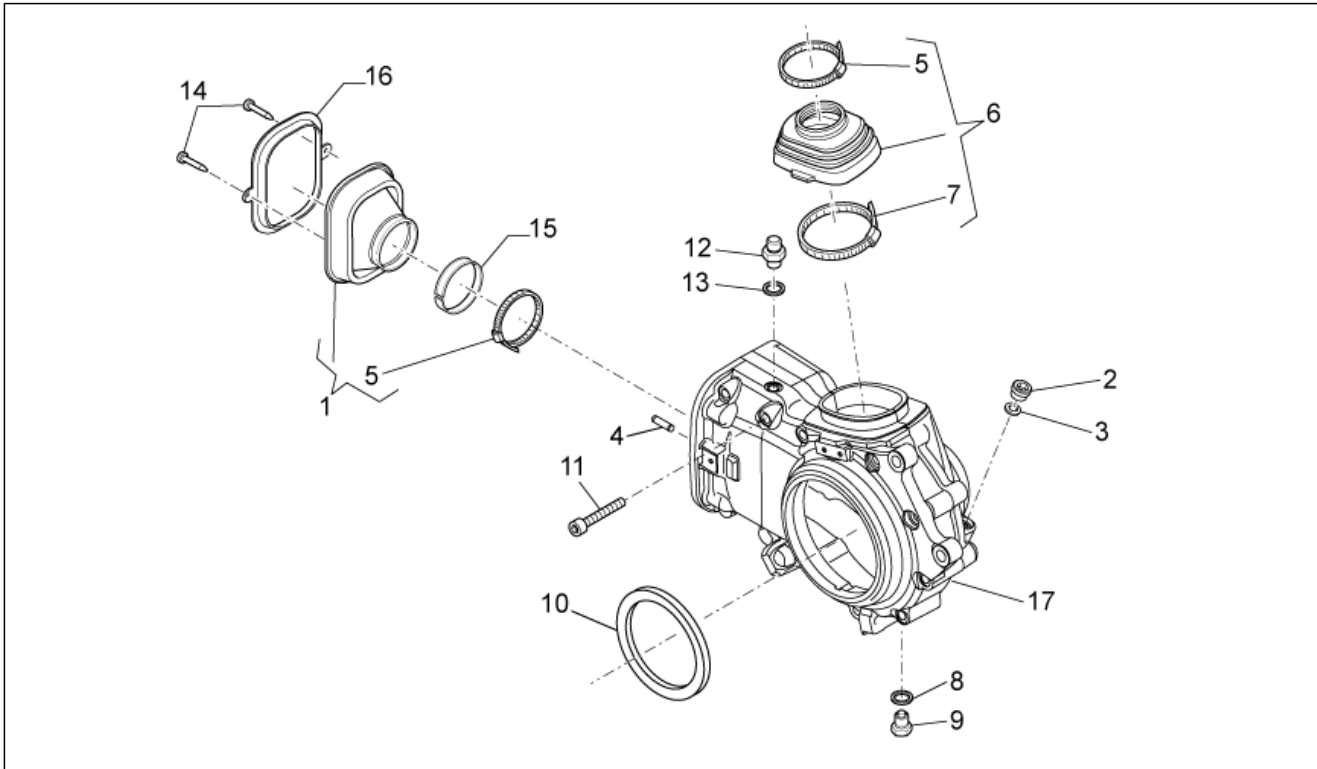
Pos.	Code	Beschreibung	Menge	Varianten
1	978350	Schwinge, schwarz	1	
2	AP8152318	TE Schr. m. Flansch M10x35	4	
3	GU05548030	Gummibalg	1	
4	GU93304390	Schelle 3,6x375	2	
5	GU05547130	Buchse	1	
6	GU05547030	Bolzen	1	
7	GU92249224	Rollenlager 25x47x17	2	
8	GU05547930	Gasket ring	2	
9	GU98682325	TCEI Schraube M6x25	2	

Einheit	RAHMEN
Code	33.09
Beschreibung	Getriebe kpl.
Inspektion	1



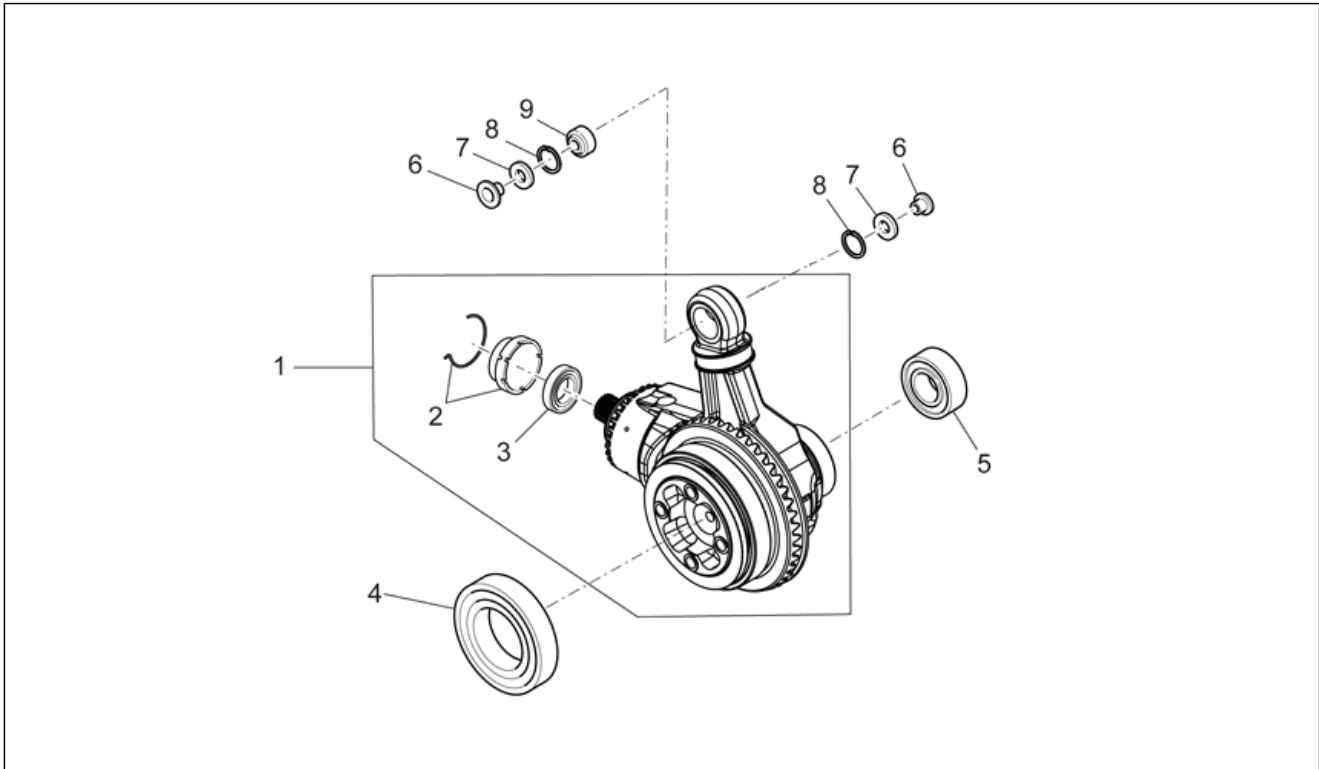
Pos.	Code	Beschreibung	Menge	Varianten
1	976570	Kraftübertragung, kpl.schwarz	1	
2	883046	Reaktionsstange kompl.	1	
3	AP8152410	TE Schr. m. Flansch M10x55	2	
4	AP8121218	Distanzscheibe 10,2x20x4	3	
5	AP8152242	Mutter	2	
6	GU05326330	Getriebe	1	
7	883045	Schwingschutzlager	1	
8	GU14018400	Ausgleichscheibe 10,5X21X1	1	

Einheit	RAHMEN
Code	33.10
Beschreibung	Getriebe kpl.-Häuse
Inspektion	1



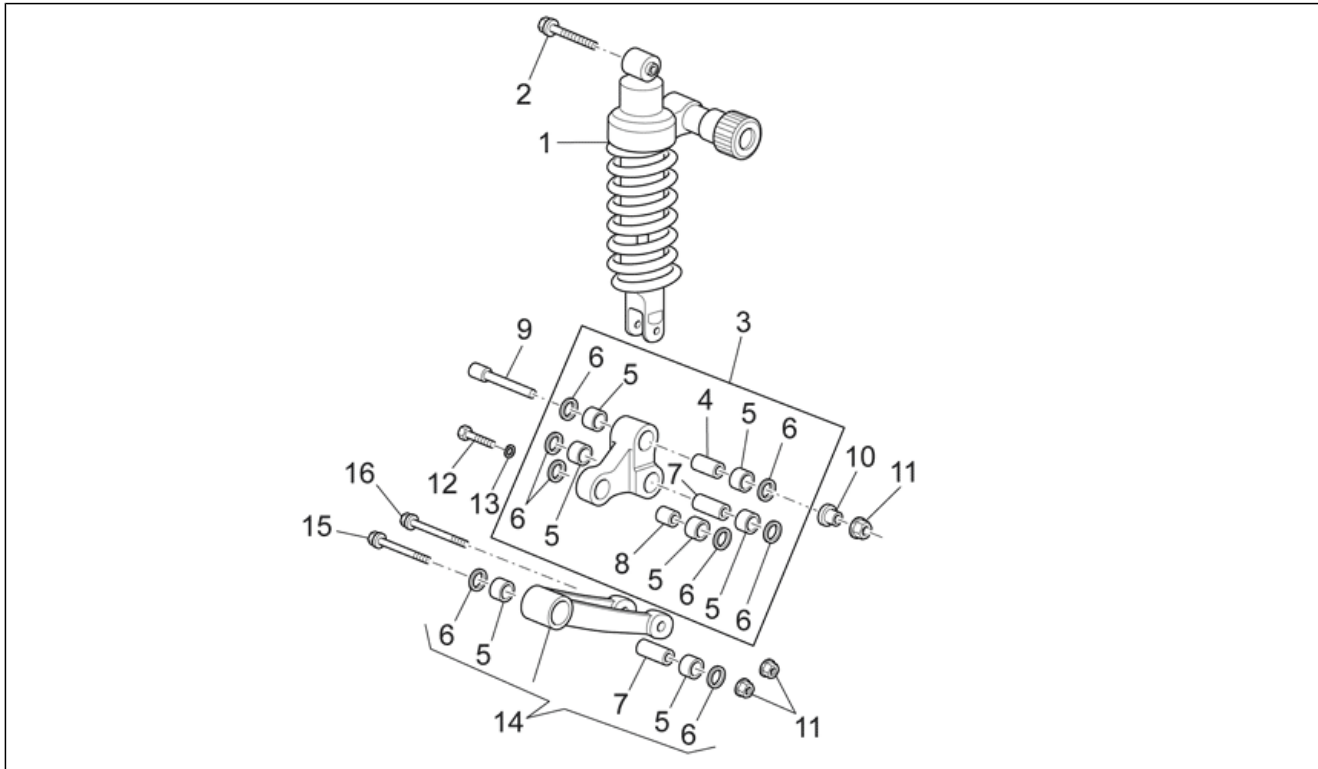
Pos.	Code	Beschreibung	Menge	Varianten
1	GU05358330	Staubschutzhäube	1	
2	GU05351230	Ölschraube M12x1,5	1	
3	GU90718120	Ausgleichscheibe	1	
4	GU95510620	Stift 6x20	2	
5	GU05358130	Schelle	2	
6	GU05358030	Staubschutzhäube	1	
7	GU05358230	Schelle	1	
8	GU01528930	Dichtung 10x18x1,5	1	
9	GU31003766	Ölablaßschraube M10x1	1	
10	GU90408511	Gasket ring 85x110x8BASL	1	
11	GU98680450	TCEI Schraube M8x50	11	
12	GU05206530	Entlüftungsschraube	1	
13	GU01528930	Dichtung 10x18x1,5	1	
14	GU99210406	Schraube M3,9x6,5	2	
15	GU05358530	Ring	1	
16	GU05358630	Dichtung	1	
17	978392	Kraftübertragungsgehäuse schw.	1	

Einheit	RAHMEN
Code	33.11
Beschreibung	Getriebe kpl.-Teilerradsatz
Inspektion	1



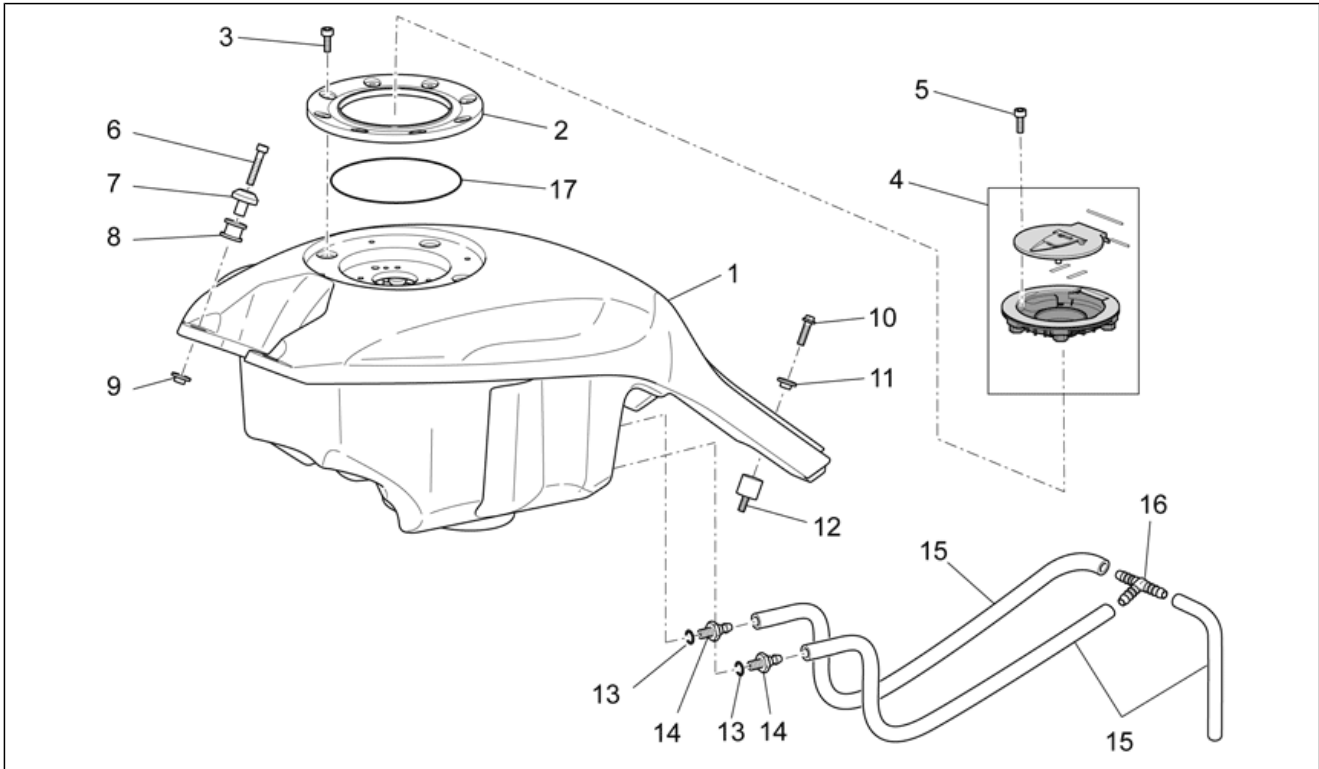
Pos.	Code	Beschreibung	Menge	Varianten
1	976581	Teilerradsatz kit 12/44	1	
2	GU05352430	Nutmutter	1	
3	GU90404558	Gasket ring 45x58x7	1	
4	GU92208518	Kugellager 85x120x18	1	
5	GU92204230	Kugellager 30x62x16	1	
6	AP8121098	Buchse	2	
7	AP8120485	Gasket ring	2	
8	GU90273026	Seegerring	2	
9	GU05638130	Kugelgelenk	1	

Einheit	RAHMEN
Code	33.12
Beschreibung	Pleuelstange und Stoßdämpfer
Inspektion	1



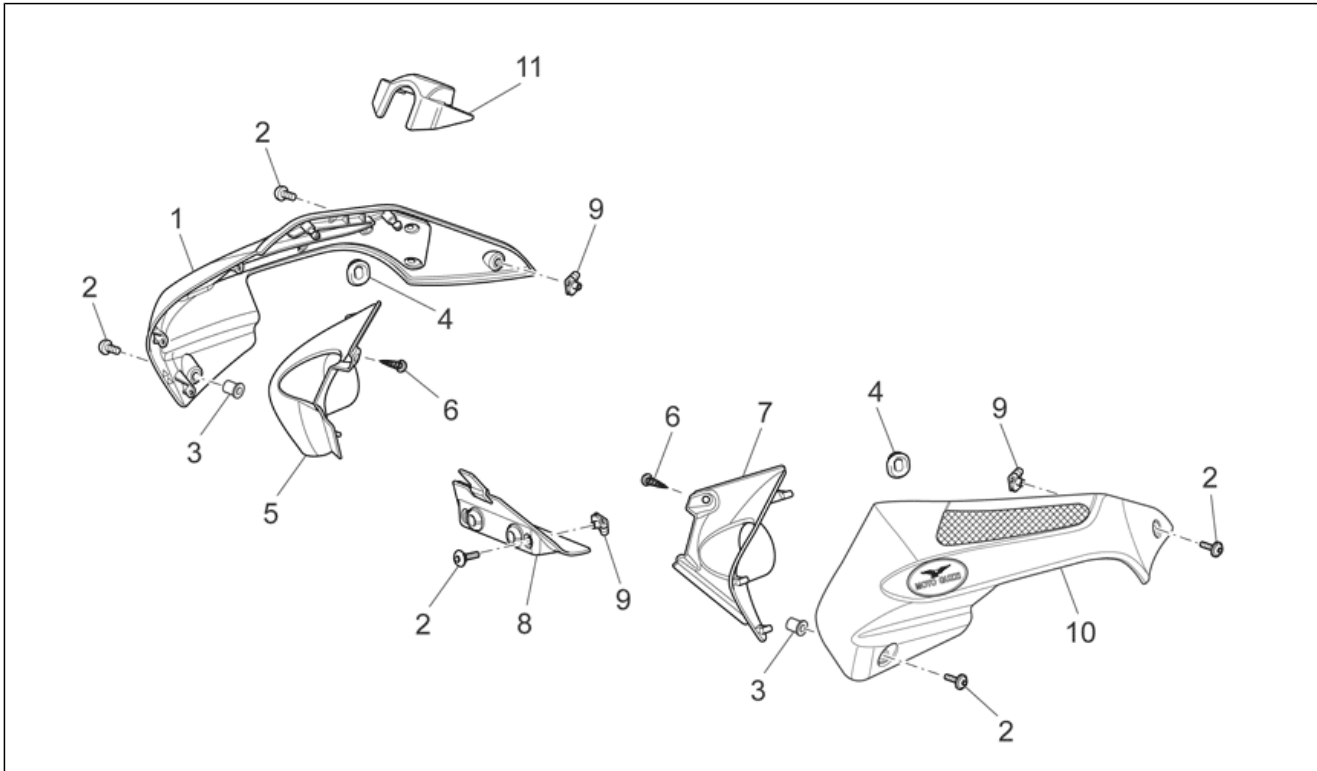
Pos.	Code	Beschreibung	Menge	Varianten
1	GU06550200	Stoßdämpfer	1	
2	AP8152398	TE Schr. m. Flansch M10x80	1	
3	GU05560330	Doppelte Pleuelstange	1	
4	AP8135924	Pleuelbolzen L40	1	
5	AP8110066	Nadellager	7	
6	AP8110068	Ölabstreifring D18x24x3	8	
7	GU05562030	Pleuelbolzen L47	2	
8	AP8135608	Pleuelbolzen L25	1	
9	AP8152397	TCEI Schraube M10x82	1	
10	AP8121155	T-Buchse *	1	
11	AP8152301	Selbstsperrende Mutter	3	
12	AP8152147	Sechskantschraube M10x47	1	
13	AP8150292	Gebogene Sprengscheibe *	1	
14	GU05562430	Einfache Pleuelstange	1	
15	AP8152482	TE Schr. m. Flansch M10x85	1	
16	AP8152396	TE Schr. m. Flansch M10x95	1	

Einheit	RAHMEN
Code	33.13
Beschreibung	Kraftstofftank
Inspektion	1



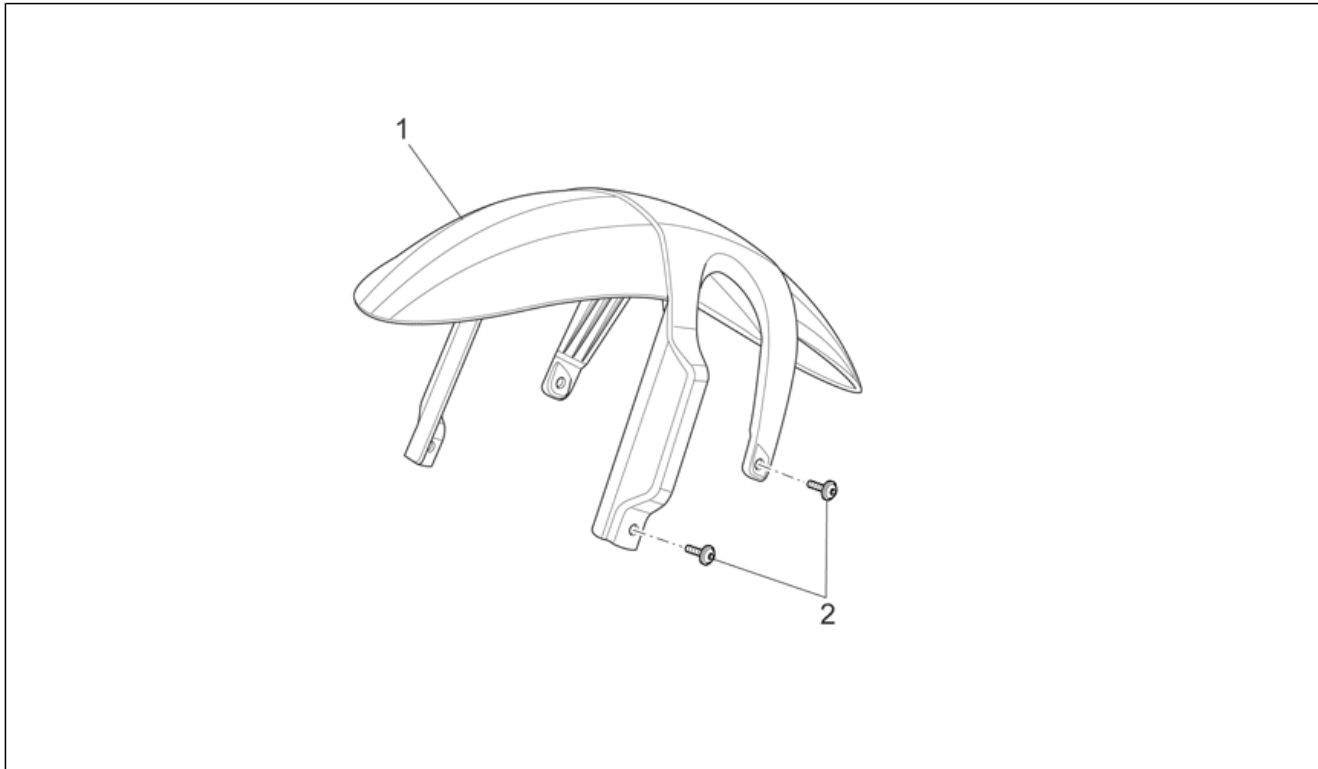
Pos.	Code	Beschreibung	Menge	Varianten
1	88797200YE3	Kraftstofftank grau	1	Fahrzeugfarbe: Black Devil[b/d]
1	88797200YR2	Kraftstofftank, rot	1	Fahrzeugfarbe: Rosso Trophy[ro]
1	GU06100200	Kraftstoffbehälter hne farbe	1	Fahrzeugfarbe: Unlackiert[gr]
2	GU06102300	Nutmutter für Verschluss	1	
3	976614	TCCCE Schraube M5X15	8	
4	887465	Tankfüllschraube	1	
5	B043864	TCEI Schraube M5x14	4	
6	GU98680340	TCEI Schraube M6x40	2	
7	GU06107100	Aufnahmebüchse Kraftstofftank	2	
8	AP8144328	Gummi	2	
9	AP8121075	T-Buchse *	2	
10	AP8152280	TE Schr. m. Flansch M6x25	2	
11	GU06704901	T-Buchse *	2	
12	GU93222023	Silent-Block	2	
13	GU30103730	Anschluss	2	
14	AP8120965	O-Ring 2018	2	
15	AP8220263	Entlüftungsschlauch Kühler 4x8	3	
16	AP8104666	3-Wegeanschluss	1	
17	977062	O-Ring 164,69X3,53	1	

Einheit	RAHMEN
Code	33.14
Beschreibung	Frontaufbau - Leitblech
Inspektion	1



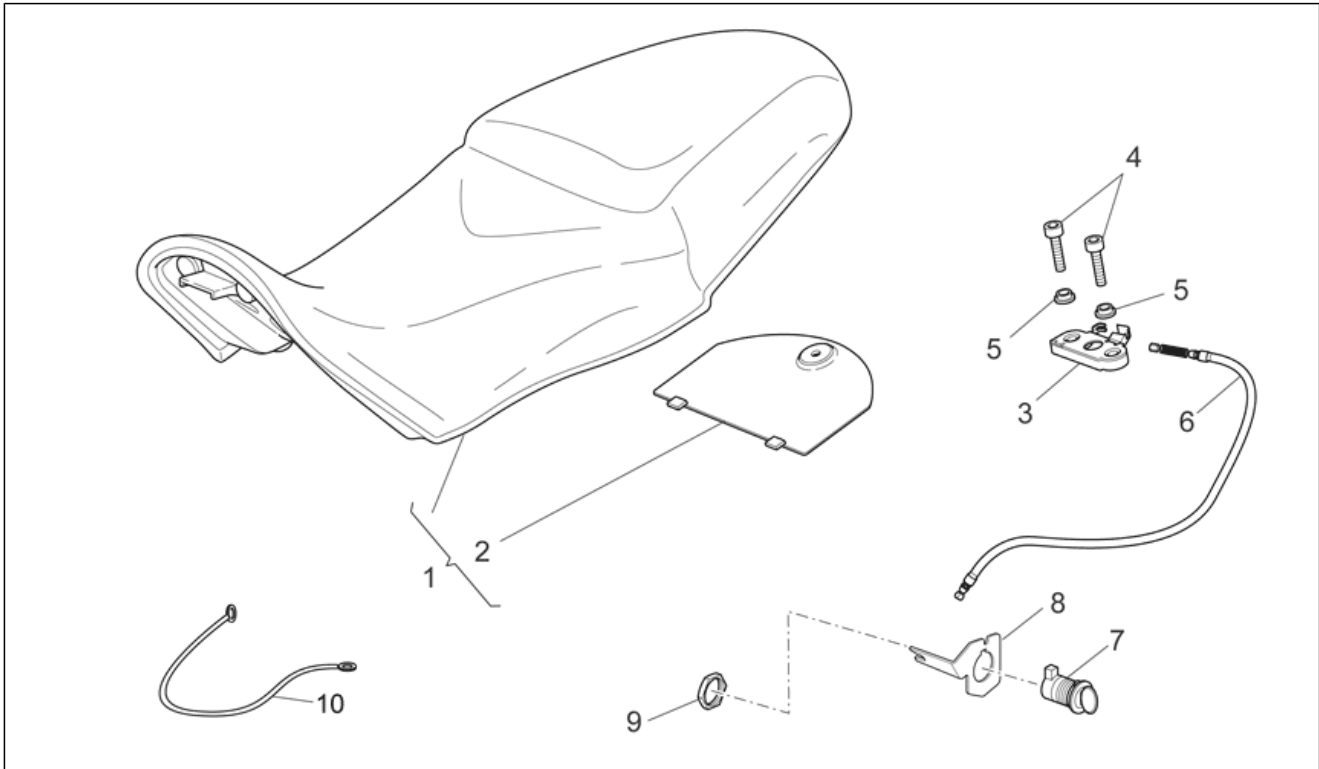
Pos.	Code	Beschreibung	Menge	Varianten
1	2H000500000YN1	Convogliatore dx v.nero/rosso	1	Fahrzeugfarbe: Rosso Trophy[ro] Technische Daten: Mit Aufkleber[D]
1	88797300YN1	R. Leitblech, schwarz	1	Fahrzeugfarbe: Black Devil[b/d] Technische Daten: Mit Aufkleber[D]
2	AP8152302	TBEI Schraube m.Flansch M5x12	8	
3	GU93231605	Vibrierenfende Buchse	2	
4	AP8220162	Gummi	4	
5	GU06576800	Schloss re.	1	
6	AP8150413	Gew.schr. 3,9x14	6	
7	GU06576900	Schloss li.	1	
8	GU06729800	Schutz	1	
9	AP8102375	Klammer m5	2	
10	2H000501000YN1	Convogliatore sx v.nero/rosso	1	Fahrzeugfarbe: Rosso Trophy[ro] Technische Daten: Mit Aufkleber[D]
10	88797400YN1	L. Leitblech, schwarz	1	Fahrzeugfarbe: Black Devil[b/d] Technische Daten: Mit Aufkleber[D]
11	GU06783600	Schutzabdeckung	1	

Einheit	RAHMEN
Code	33.15
Beschreibung	Vorderes Schutzblech
Inspektion	1



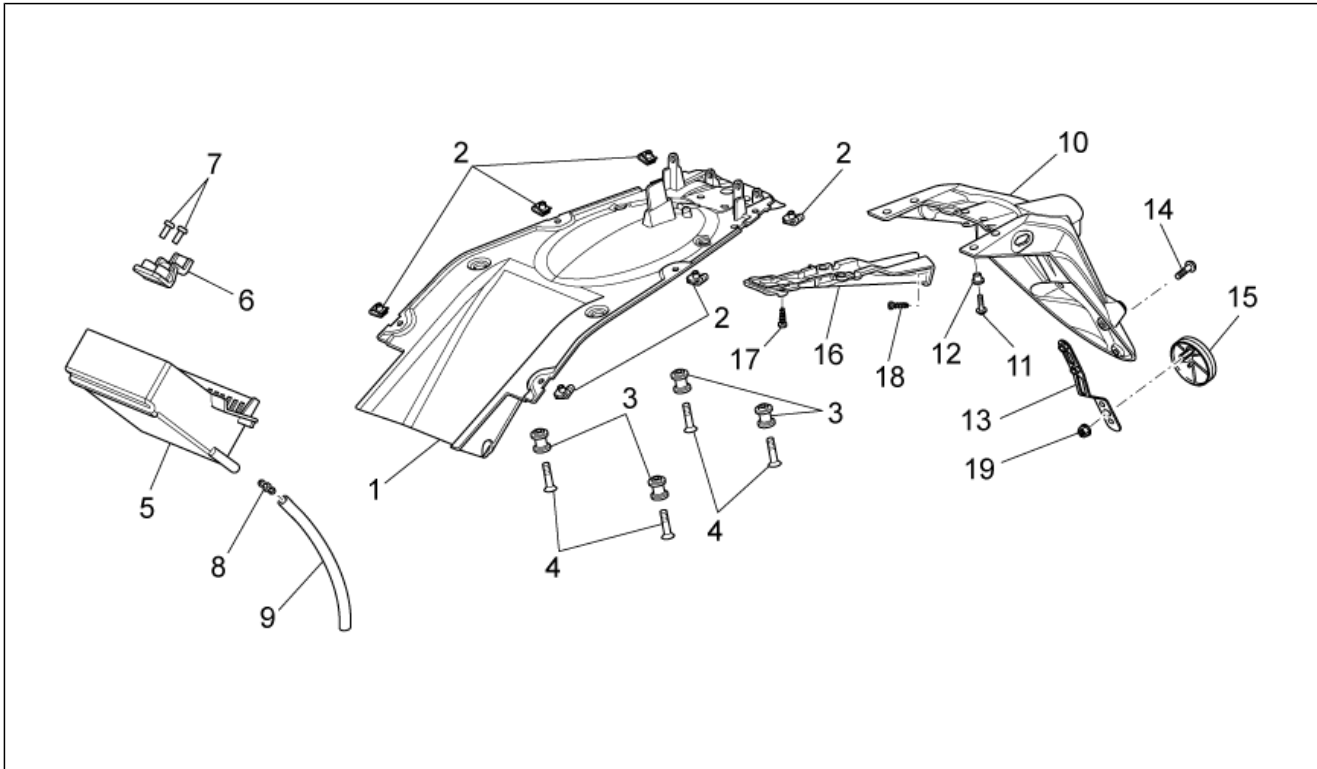
Pos.	Code	Beschreibung	Menge	Varianten
1	GU06434300	Vorder Schutzblech ohne farbe	1	
1	GU0643430000YN1	Kotflügel v. schwarz	1	Fahrzeugfarbe: Rosso Trophy[ro] Technische Daten:
2	AP8152339	TBEI Schraube m.Flansch M5x9	4	

Einheit	RAHMEN
Code	33.16
Beschreibung	Sitz
Inspektion	1



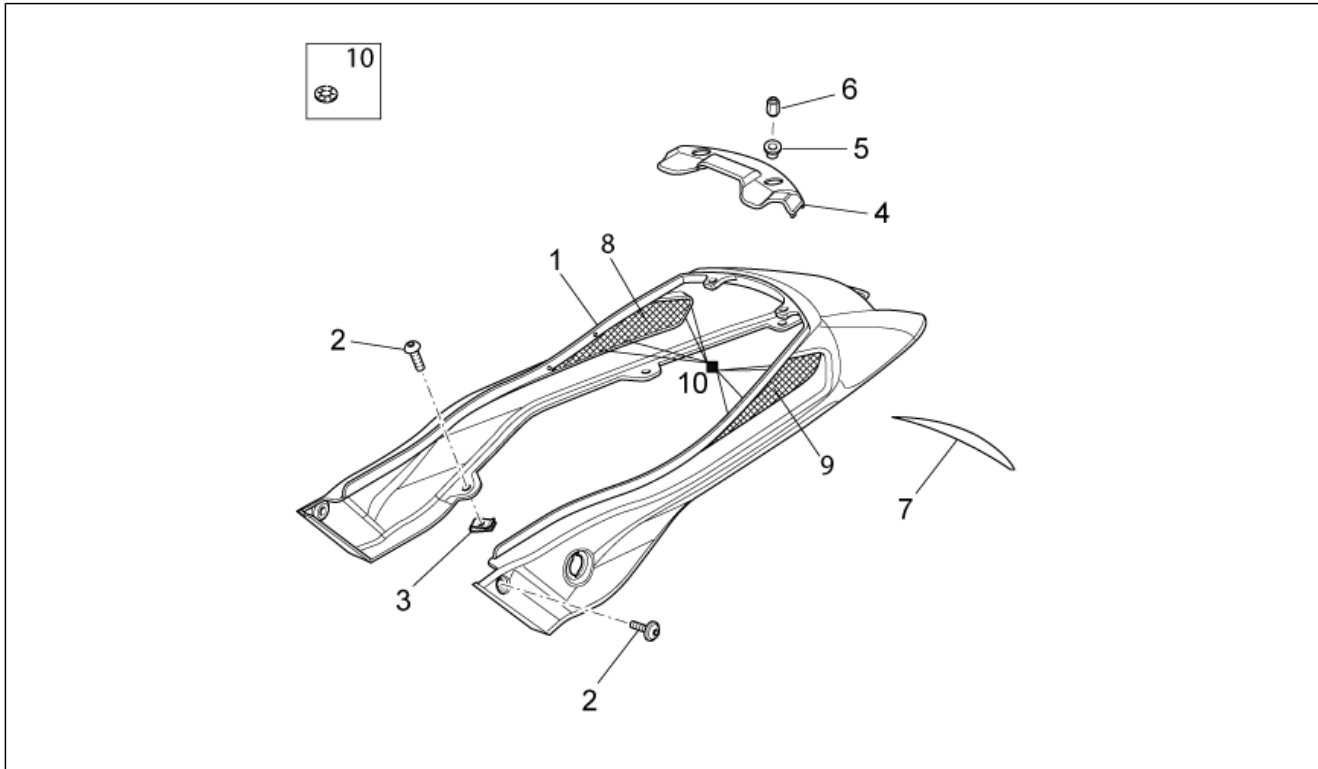
Pos.	Code	Beschreibung	Menge	Varianten
1	2H000510	Sitz, schwarz	1	Fahrzeugfarbe:Rosso Trophy[ro]
1	887976	Sitz	1	Fahrzeugfarbe:Black Devil[b/d]
2	GU06479600	Klappe	1	
3	AP8102913	Fixierplatte Soziussitz	1	
4	GU98370625	TBEI Schraube	2	
5	AP8152299	Selbstsperrende Mutter M6	2	
6	GU06462100	Sitz-Einkuppungsvorrichtung	1	
7	GU05466830	Sitzschloß	1	
8	AP8134948	Platte	1	
9	AP8102523	Schloß mutter M22x1,5	1	
10	AP8102502	Schutzhelm-Befestigungskabel	1	

Einheit	RAHMEN
Code	33.17
Beschreibung	R.Kar. - Sch.bl
Inspektion	1



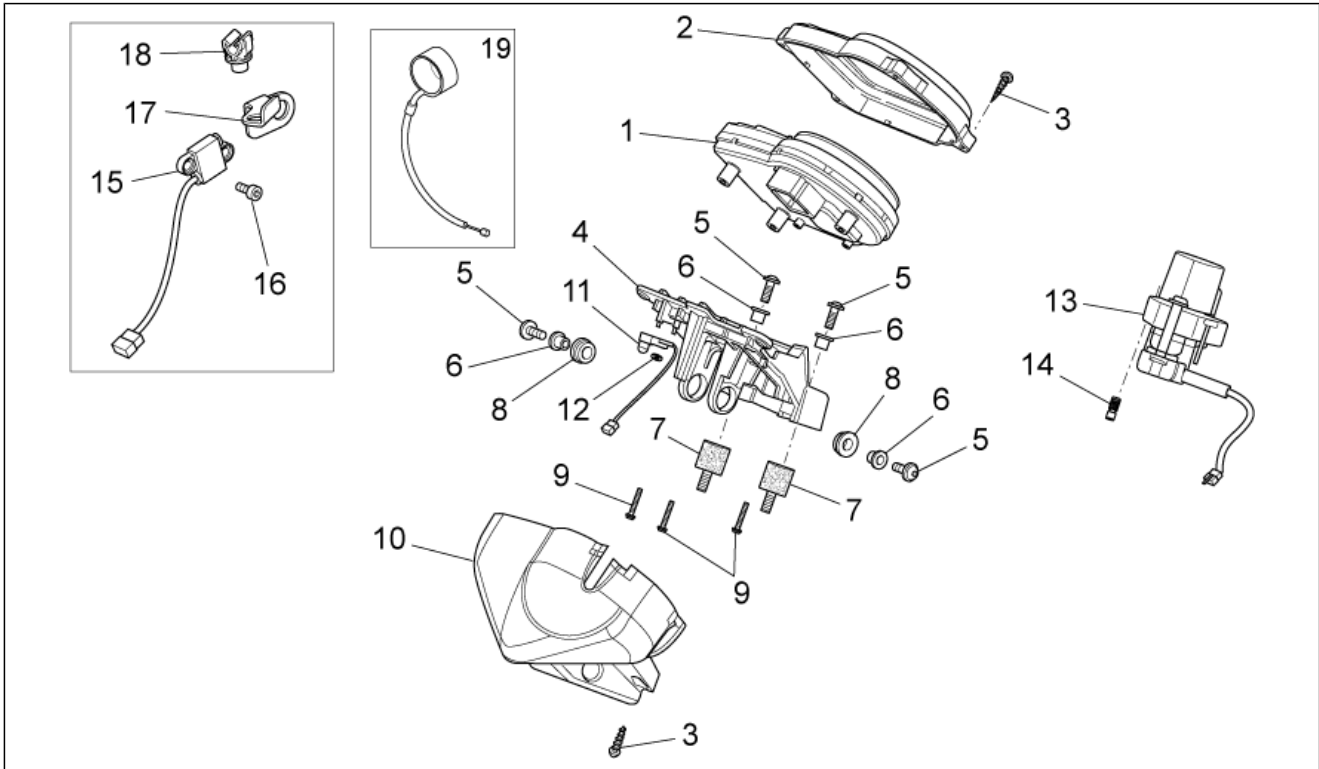
Pos.	Code	Beschreibung	Menge	Varianten
1	GU06438700	Spritzschutz	1	
2	AP8102375	Klammer m5	6	
3	GU06467300	Stiftschraube	4	
4	GU98250835	Schraube	4	
5	GU06704800	Batteriehalter	1	
6	GU06418600	Fixierplatte Batterie	1	
7	AP8150377	Schraube	2	
8	GU06704700	Anschluss	1	
9	AP8220263	Entlüftungsschlauch Kühler 4x8	1	
10	GU06438600	Kennzeichenplatte	1	
11	GU98680222	TCEI Schraube	6	
12	AP8121929	T-Buchse 6,5x8,6x9	6	
13	AP8134448	Rückstrahler-Fixierung	1	
14	AP8152268	TBEI Spez.schr. M5x16	2	
15	AP8224164	Rückstrahler Rücklicht, rot	1	
16	GU06439200	Stütze	1	
17	AP8150413	Gew.schr. 3,9x14	2	
18	AP8150420	Gewindeschraube Edelstahl *	1	
19	AP8152306	Selbstsperrende Mutter m5	1	

Einheit	RAHMEN
Code	33.18
Beschreibung	R.Kar. - R.verkl.
Inspektion	1



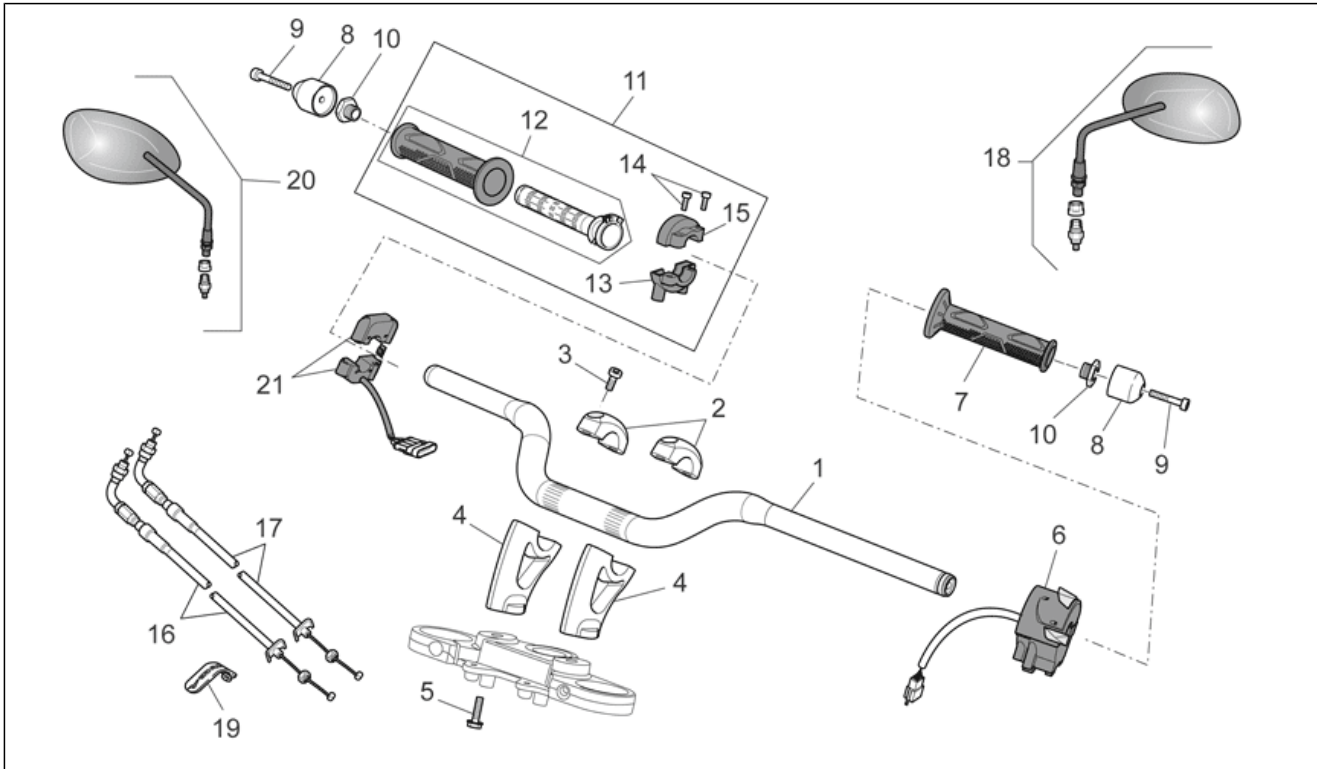
Pos.	Code	Beschreibung	Menge	Varianten
1	2H000502000YN1	Codone post.nero/rosso	1	Fahrzeugfarbe: Rosso Trophy[ro] Technische Daten: Mit Aufkleber[D]
1	88797500YN1	Hint.Verkleid.schwarz	1	Fahrzeugfarbe: Black Devil[b/d] Technische Daten: Mit Aufkleber[D]
2	AP8152302	TBEI Schraube m.Flansch M5x12	8	
3	AP8102375	Klammer m5	6	
4	GU06573300	Schloss	1	
5	AP8121929	T-Buchse 6,5x8,6x9	2	
6	GU06469200	Distanzscheibe	2	
7	GU06741200	Schwingungsdämpfergummi	1	
8	GU06571500	Netz rechtes Seitenteil	1	
9	GU06571600	Netz linkes Seitenteil	1	
10	AP8150450	Wellenscheibe D5	1	

Einheit	RAHMEN
Code	33.19
Beschreibung	Instrumententafel
Inspektion	1



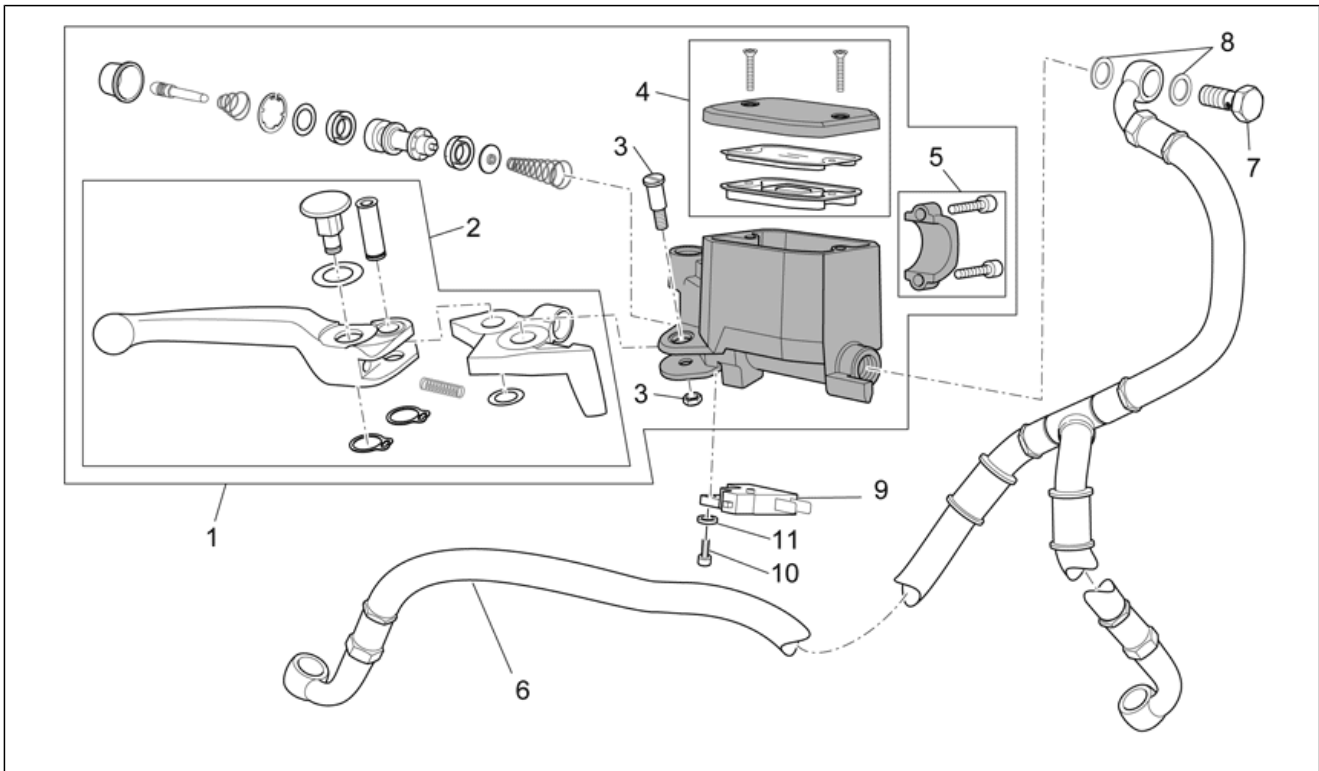
Pos.	Code	Beschreibung	Menge	Varianten
1	883340	Instrum.tafel kplt.	1	
2	GU06765100	Chrom. Instrum.rahmen	1	
3	AP8221242	Gewindeschraube Spezial 3,5x20	7	
4	GU06764000	Haltefassung	1	
5	GU98210616	TBEI Schraube m.Flansch M6x16 inox	4	
6	AP8121795	T-Buchse	4	
7	GU93222023	Silent-Block	2	
8	AP8220228	Gummi *	2	
9	AP8150509	Gew.schr. 5x14	3	
10	883627	Lower dash.cover, black	1	
11	AP8124936	Lufttemperaturfühler	1	
12	GU90274002	Wellenscheibe	2	
13	GU06782500	Lenkschloß	1	
14	GU97260435	Schraube	2	
15	883768	Geschwindig.sensor	1	
16	AP8152043	TCEI Schraube M4x10	2	
17	GU06765500	Kabelführung	1	
18	AP8121882	Kabelführungs	1	
19	981160	Immobilizer antenne	0	

Einheit	RAHMEN
Code	33.20
Beschreibung	Lenkstange - Schaltungen
Inspektion	1



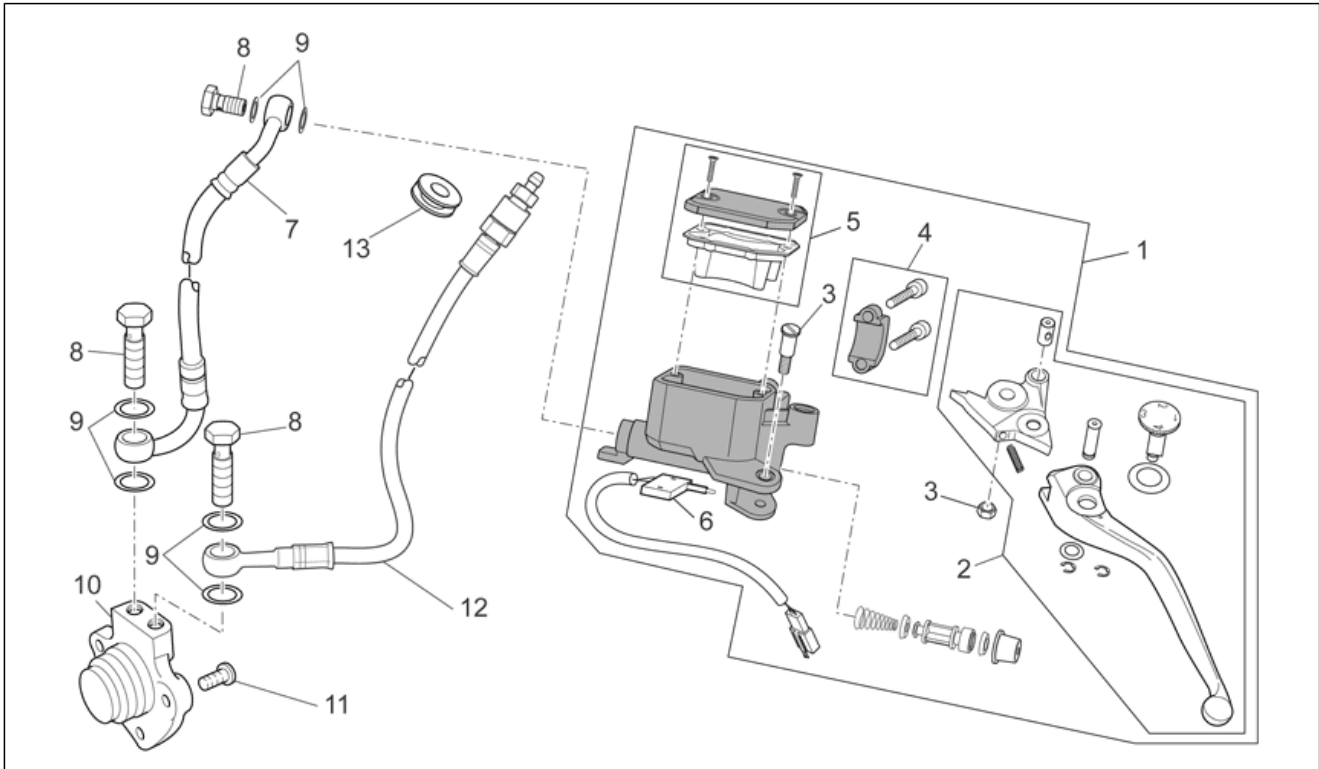
Pos.	Code	Beschreibung	Menge	Varianten
1	978204	Lenkstange	1	
2	GU06500600	Bügelbolzen oben	2	
3	GU98700430	Zylinderschraube M8x30	4	
4	GU06500200	Unter.Bügelbolzen	2	
5	AP8152325	TE Schr. m. Flansch	2	
6	AP8127703	Linker Lichtschalter	1	
7	AP8118579	Links griff	1	
8	GU32602860	Schwingschutzgewicht chr.	2	
9	GU98680340	TCEI Schraube M6x40	2	
10	AP8121520	Endstück Schwinggew.	2	
11	GU05603331	Gasschaltung kpl	1	
12	GU01603480	Rechts griff	1	
13	AP8118502	Gasschaltung V.Bügelbolzen	1	
14	AP8118492	Kappenschraube	2	
15	AP8118503	Gasschaltung H.Bügelbolzen	1	
16	978743	Gas trasmission delivery	1	
17	978744	Gas trasmission return	1	
18	AP8104922	Rückspiegel links	1	
19	GU01609630	Schelle L46 mm	4	
19	GU03609600	Schelle L36 mm	1	
20	AP8104921	Rückspiegel rechts	1	
21	B045021	Rechter Lichtschalter	1	

Einheit	RAHMEN
Code	33.21
Beschreibung	Vorderradbremspumpe
Inspektion	1



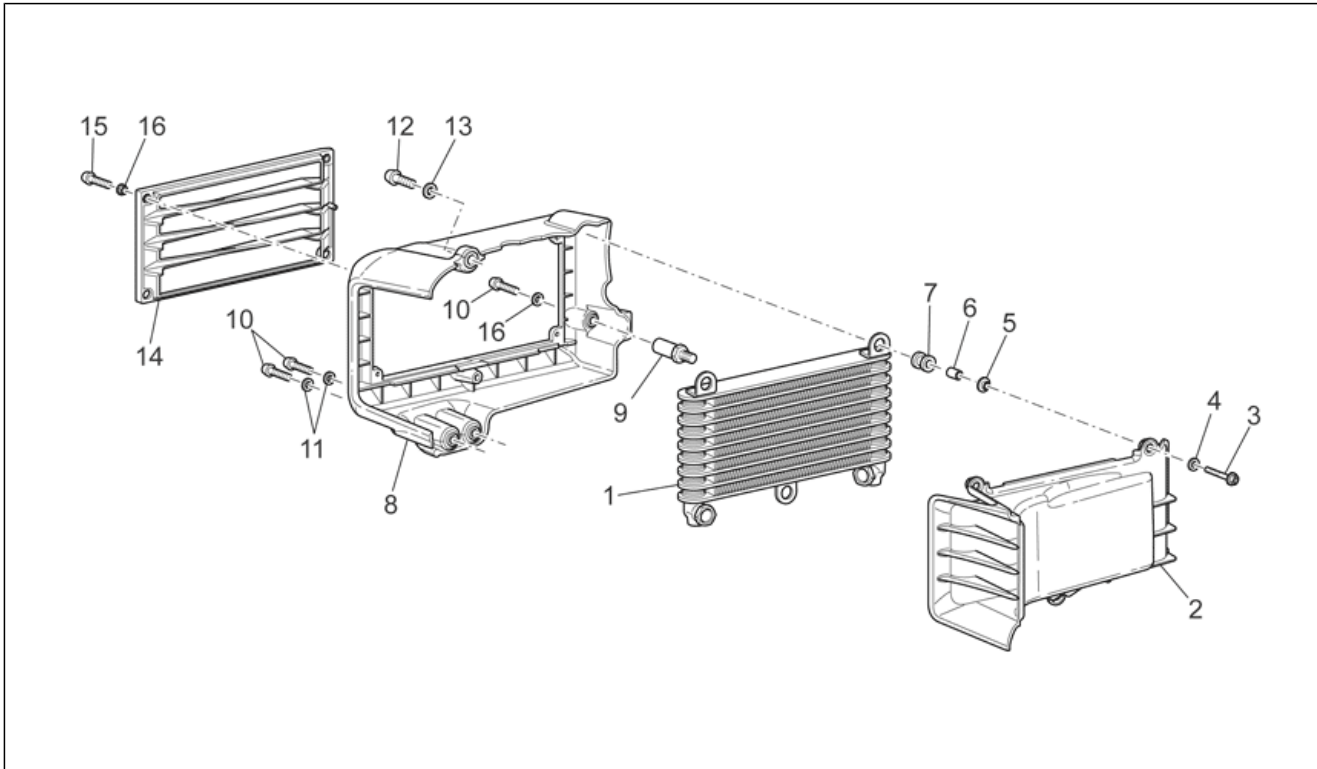
Pos.	Code	Beschreibung	Menge	Varianten
1	978606	Vorderradbremspumpe	1	
2	981050	Vorderradbremshebel	1	
3	AP8113995	Hebelbolzen	1	
4	GU05661130	Tankverschluß	1	
5	AP8113993	Bügelbolzen	1	
6	978400	Vorderradbremseleitung	1	
7	AP8133962	Fixierschraube Ölschlauch *	1	
8	GU25656100	Dichtung	2	
9	GU03749845	Bremslichtschalter	1	
10	GU98370412	TBEI Schraube M4x12	1	
11	GU95021104	Ausgleichscheibe 4,3x8x1,5	1	

Einheit	RAHMEN
Code	33.22
Beschreibung	Kupplung schalt. kpl
Inspektion	1



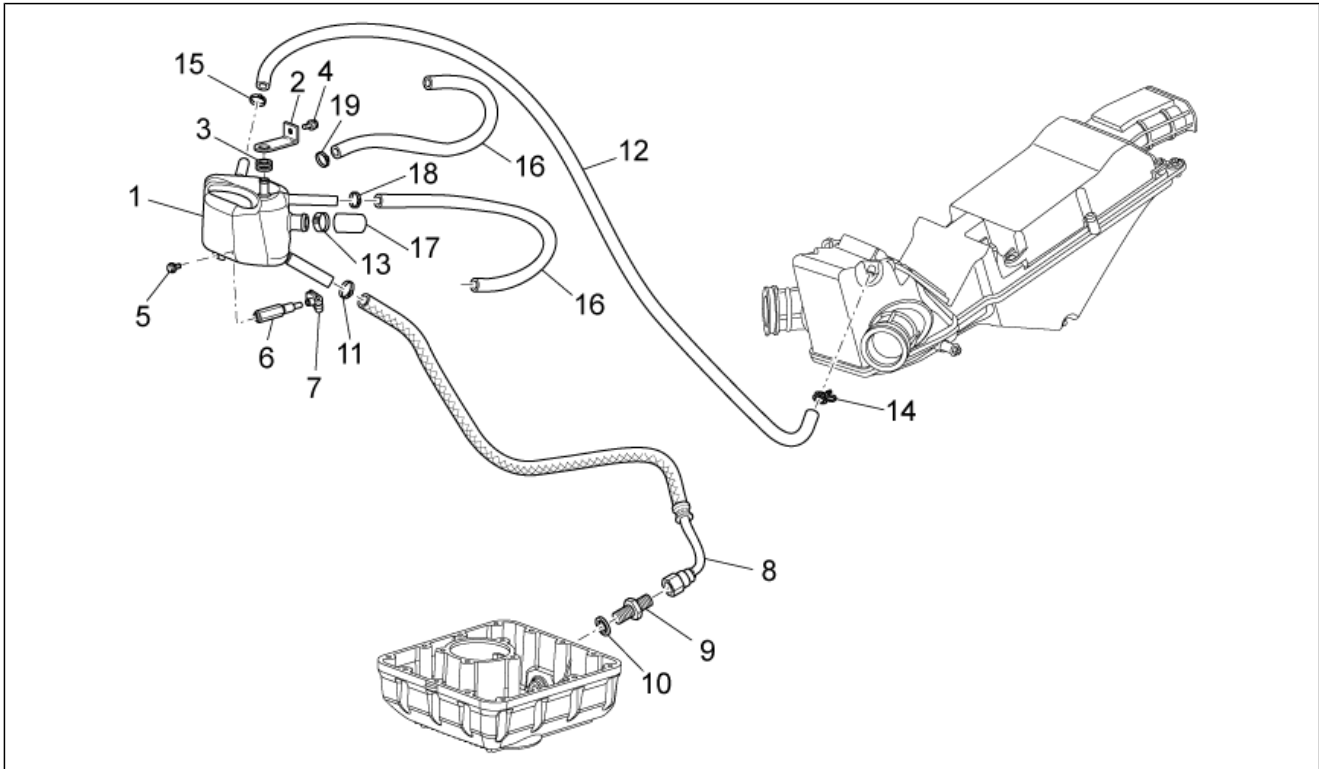
Pos.	Code	Beschreibung	Menge	Varianten
1	978607	Kupplungspumpe	1	Technische Daten: Gewinding Hebeleinstellung Farbe Silber[SL]
1	AP8106713	Kupplungspumpe	1	Technische Daten: Gewinding Hebeleinstellung Farbe Gold[GL]
2	981046	Kupplungshebel	1	Technische Daten: Gewinding Hebeleinstellung Farbe Silber[SL]
2	AP8118659	Kupplungshebel	1	Technische Daten: Gewinding Hebeleinstellung Farbe Gold[GL]
3	GU03604845	Hebelbolzen	1	
4	AP8113993	Bügelbolzen	1	
5	AP8113997	Tankverschluß	1	
6	AP8113998	Mikroschalter	1	
7	GU06606500	Kupplungsschlauch	1	
8	AP8133594	Fixierschraube Ölschlauch	3	
9	AP8113004	Ausgleichscheibe 10x14x1,6*	6	
10	978739	Kupplungszylinder	1	
11	AP8152278	TE Schr. m. Flansch M6x16	3	
12	GU05606630	Ablaßrohr kupplung	1	
13	AP8120594	Gummi	1	

Einheit	RAHMEN
Code	33.23
Beschreibung	Ölkühler
Inspektion	1



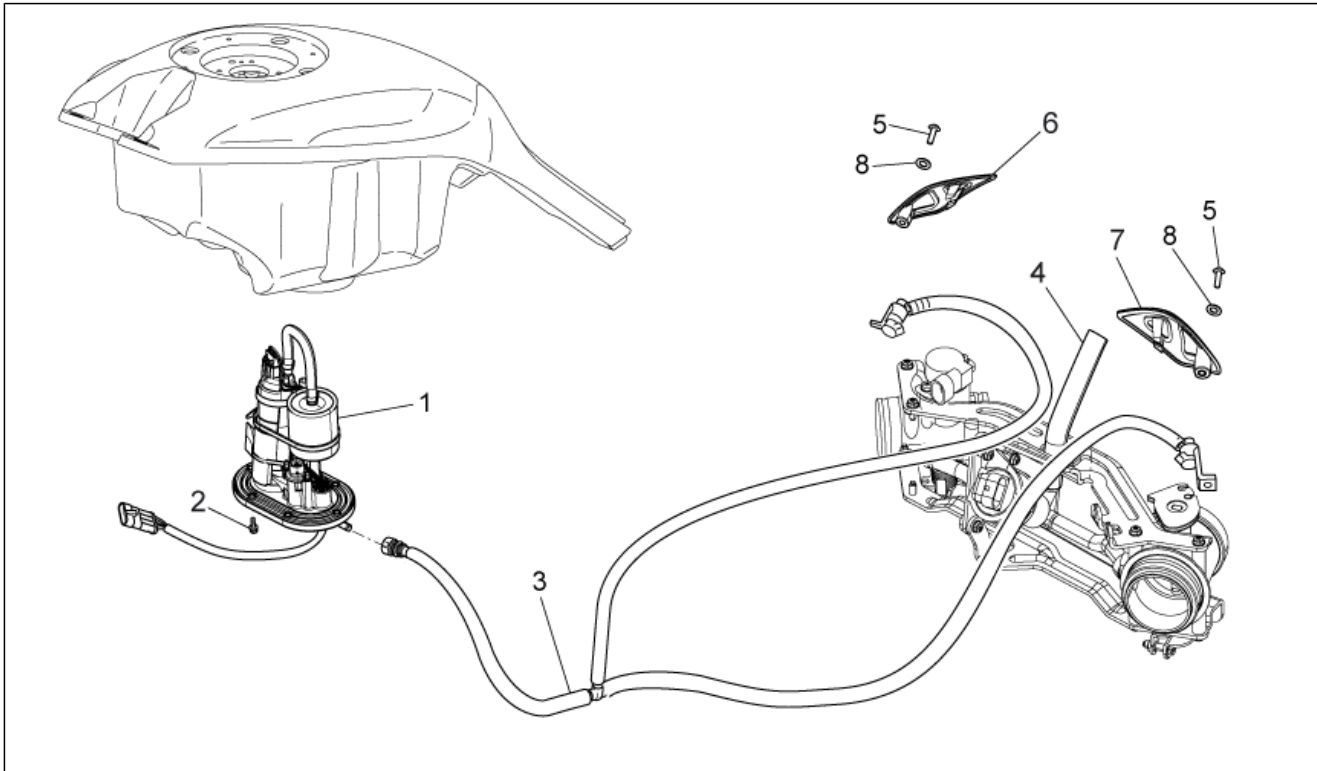
Pos.	Code	Beschreibung	Menge	Varianten
1	2B000892	Ölkühler	1	
2	GU06583200	Leitblech	1	
3	AP8152281	TE Schr. m. Flansch M6x30	3	
4	GU95005306	Ausgleichscheibe 6,4x13x1,5	3	
5	AP8121032	Buchse	3	
6	GU91180711	Distanzscheibe 7x10x11	3	
7	AP8120030	Gummi	3	
8	GU06583000	Deckel	1	
9	GU06583600	Distanzscheibe	1	
10	GU98690440	Schraube TCEI M8x40	3	
11	GU14615901	Ausgleichscheibe 8,4x13x0,8	3	
12	GU98690540	Zylinderschraube M10x30	1	
13	GU19149800	Ausgleichscheibe 10,5x16x1	1	
14	GU06582600	Kühlergitter	1	
15	GU98230512	TBEI Schraube	4	
16	AP8121811	T-Buchse	4	

Einheit	RAHMEN
Code	33.24
Beschreibung	Anlage Blow-by
Inspektion	1



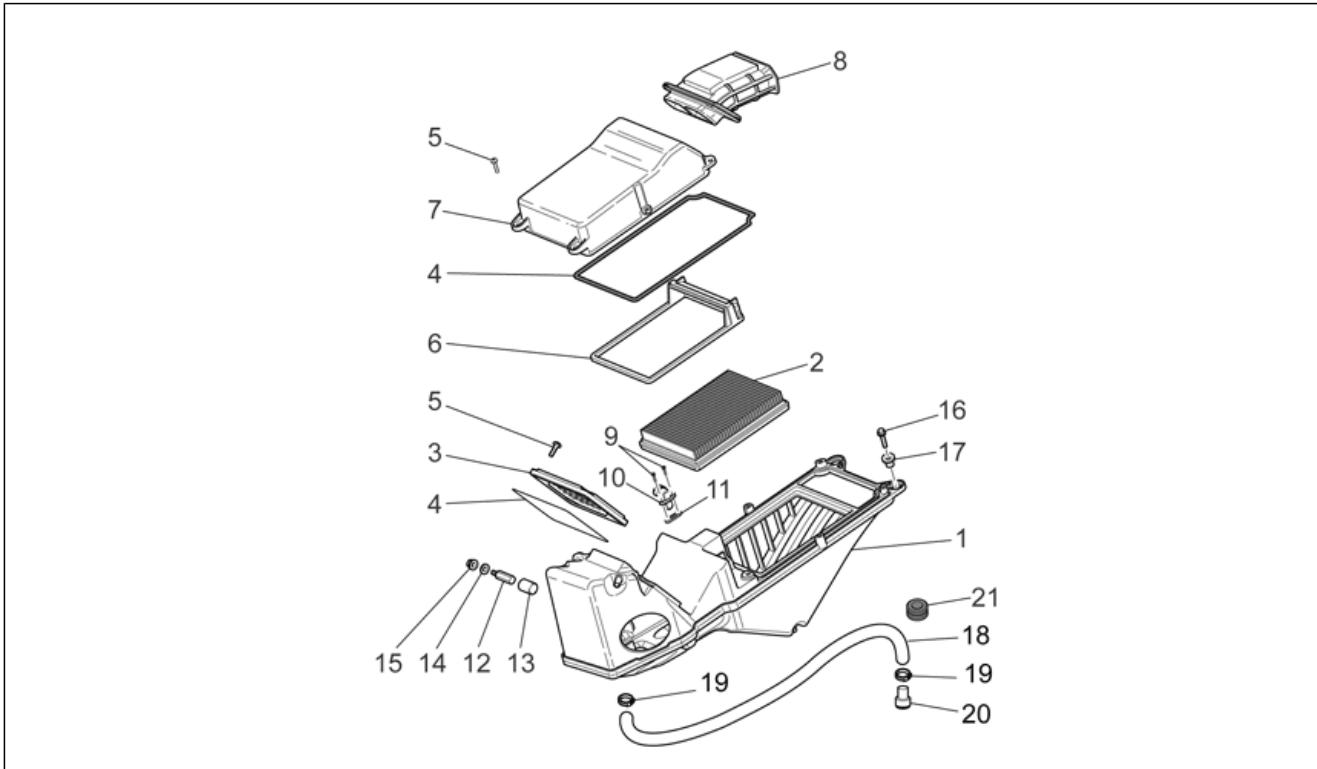
Pos.	Code	Beschreibung	Menge	Varianten
1	978767	Hause	1	
2	GU06412300	Platte	1	
3	AP8120030	Gummi	1	
4	AP8152278	TE Schr. m. Flansch M6x16	1	
5	AP8152277	TE Schr. m. Flansch M6x12	1	
6	GU06164630	Distanzscheibe	1	
7	GU28576591	Klammer M6	1	
8	GU06159300	Absaugleitung	1	
9	GU01161331	Übersetzung	1	
10	GU01154230	Dichtung	1	
11	AP8102765	Schlauchschelle weiß D.13,5x6	1	
12	GU00823955080	Entlüftungsschlauch Kühler	1	
13	GU93306018	Schelle 17X29X8	1	
14	AP8102520	Schlauchschelle	1	
15	AP8102764	Schlauchschelle weiß d.13x6	1	
16	978765	Entlüftungsschlauch Kühler	2	
17	978781	Kappe	1	
18	GU93306017	Schelle	1	
19	AP8101586	Schlauchschelle D.15,5x6,6	1	

Einheit	RAHMEN
Code	33.25
Beschreibung	Einspeisung
Inspektion	1



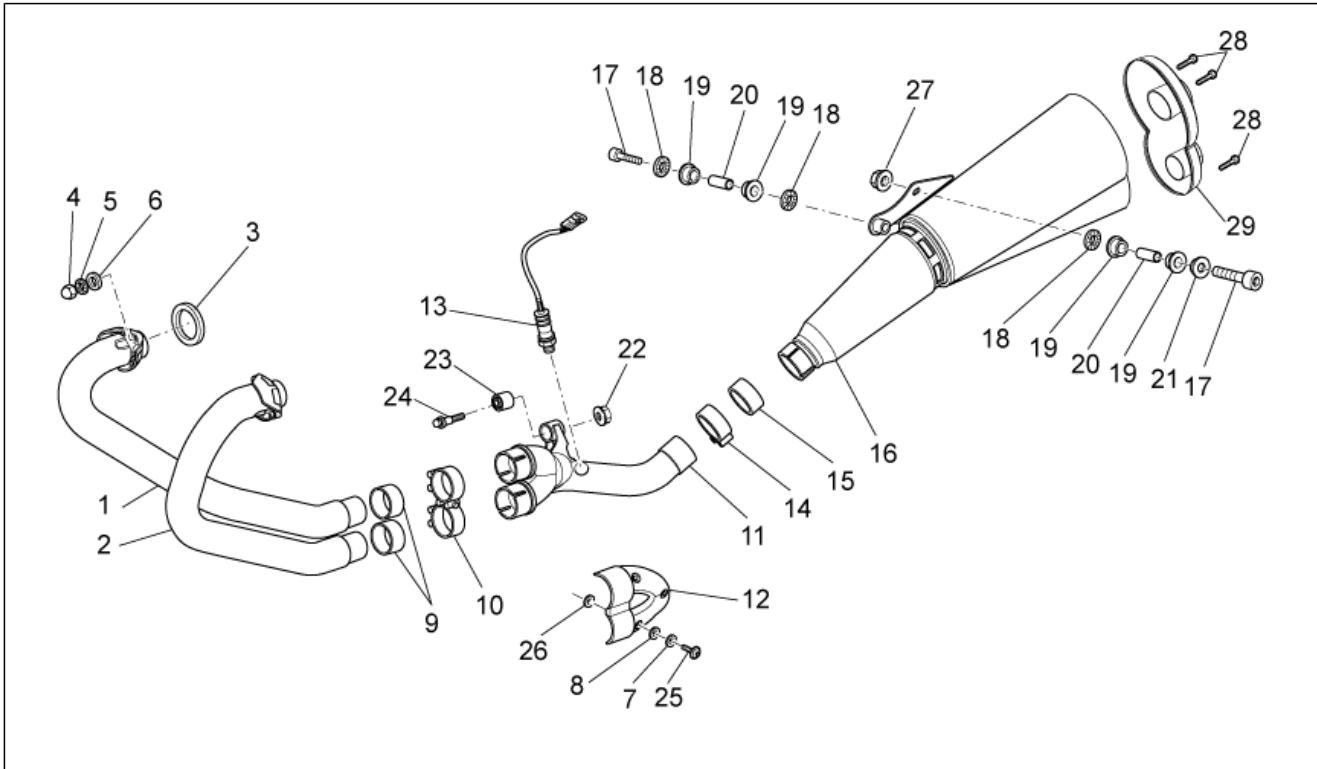
Pos.	Code	Beschreibung	Menge	Varianten
1	887423	Kraftstoffpumpe	1	
2	AP8152273	Flanschschraube M5X15	6	
3	978745	Kraftstoffleitung, Kpl.	1	
4	GU05135930	Leitung	1	
5	GU98680222	TCEI Schraube	2	
6	883092	Rechter schutz	1	
7	883093	Linker schutz	1	
8	GU95008205	Ausgleichscheibe 5,3x10x0,8	1	

Einheit	RAHMEN
Code	33.26
Beschreibung	Filtergehäuse
Inspektion	1



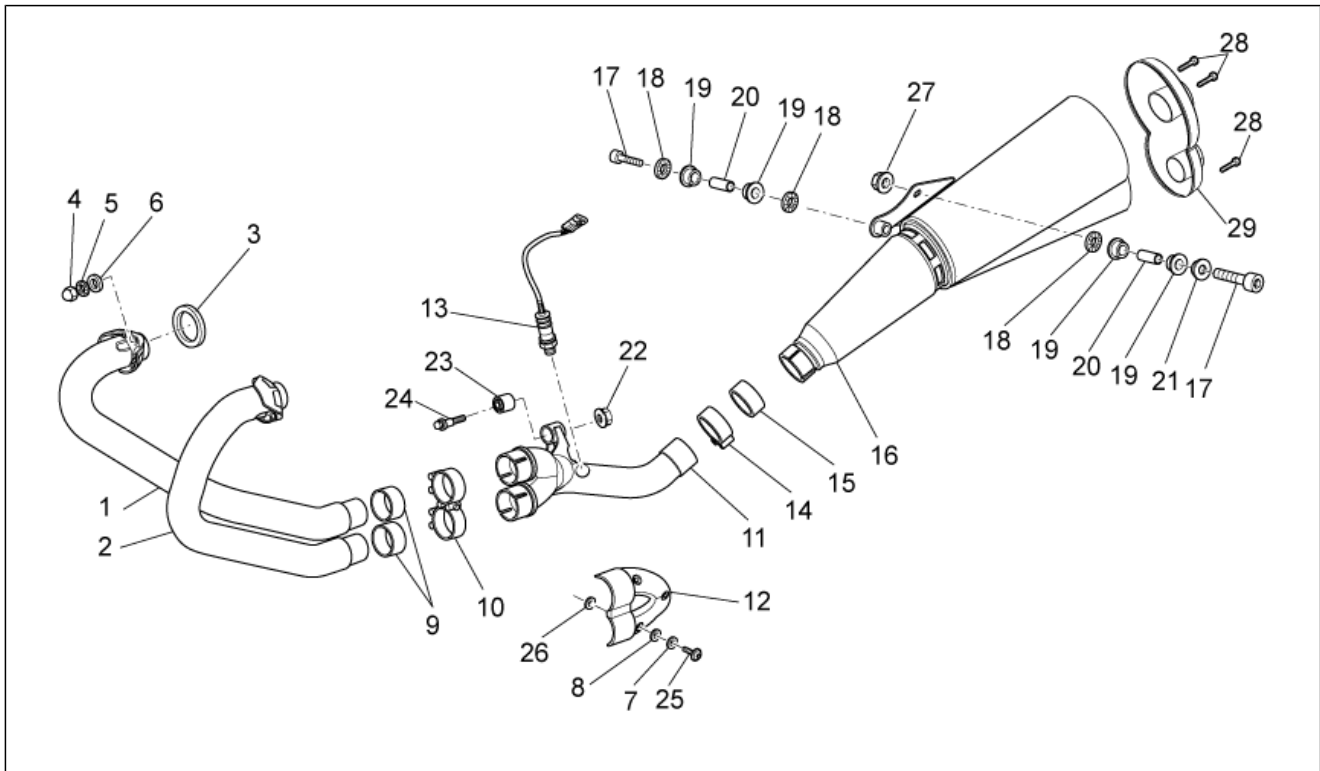
Pos.	Code	Beschreibung	Menge	Varianten
1	GU06114000	Filtergehäuse	1	
2	AP8104329	Luftfilter	1	
3	GU06113300	Inspektionsdeckel	1	
4	AP8120593	Dichtung D4	1	
5	AP8152329	Kreuz.schl.flnschsch. M5x20	10	
6	GU06114200	Protection	1	
7	GU06113700	Deckel	1	
8	AP8144164	Ansaugmuffe	1	
9	AP8150421	Gew.schr. 2,9x12	2	
10	GU30729330	Lufttemperaturfühler	1	
11	GU30027931	Dichtung	1	
12	AP8221270	Befestigungsz. Filtergehäuse	2	
13	AP8220526	Gummi	2	
14	GU03013800	Ausgleichscheibe 6,4x12	2	
15	GU92787006	Hutmutter M6x1	2	
16	AP8152279	TE Schr. m. Flansch M6x20	2	
17	AP8221023	T-Buchse	2	
18	AP8144038	Kraftstoffleitung 6x10	2	
19	AP8101595	Schelle D10,1	4	
20	AP8120876	Verschlussschraube	2	
21	AP8120030	Gummi	2	

Einheit	RAHMEN
Code	33.27
Beschreibung	Auslassgruppe
Inspektion	1



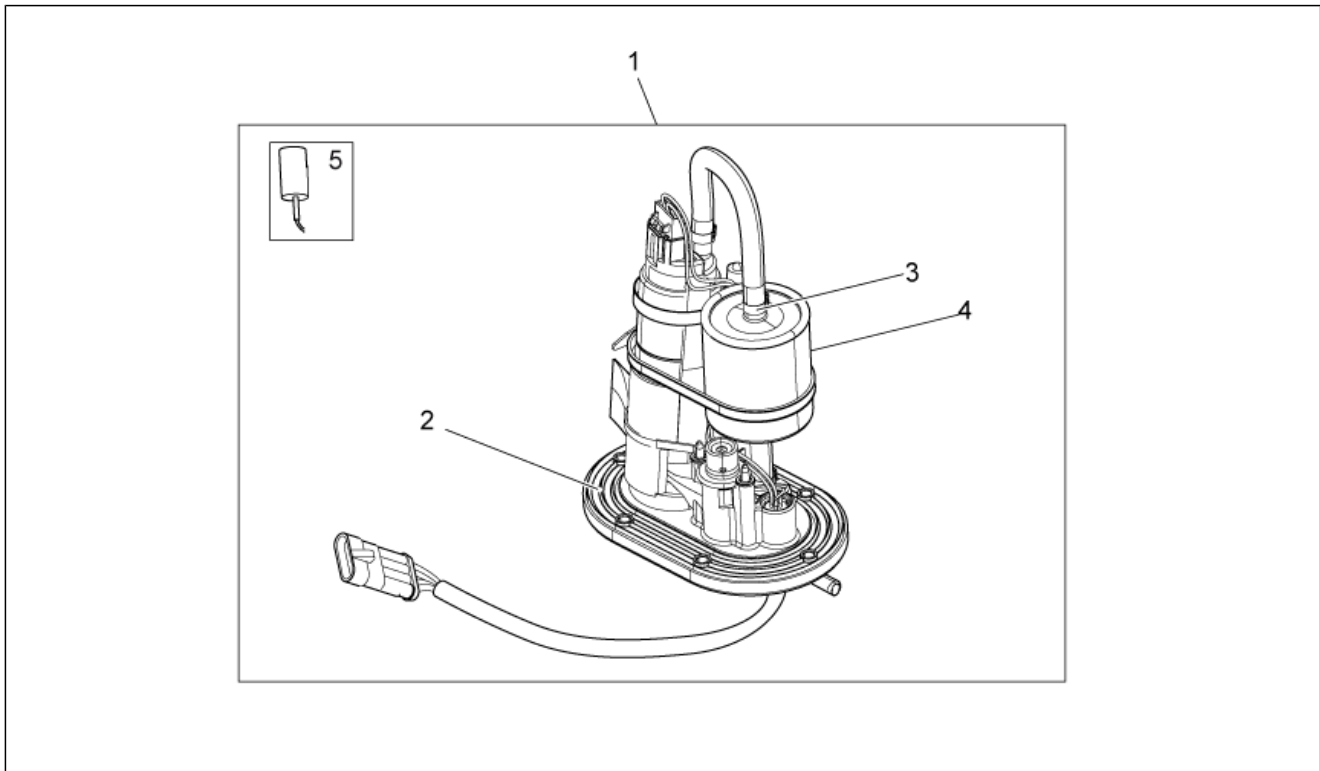
Pos.	Code	Beschreibung	Menge	Varianten
1	978396	R. Auspuffrohr	1	
2	978397	Linkes Auspuffrohr	1	
3	976376	Dichtung	2	
4	GU92787008	Hutmutter M8x1,25	4	
5	GU14615901	Ausgleichscheibe 8,4X13X0,8	4	
6	GU95005308	Ausgleichscheibe 8,4x14,57x1,6	4	
7	GU03013800	Ausgleichscheibe 6,4x12	3	
8	GU91120620	Distanzscheibe	3	
9	GU06123500	Dichtung	2	
10	GU06123401	Schelle	1	
11	978885	mitt. Auspuffrohr	1	
12	GU06121900	Wärmeschutz	1	
13	GU32727010	Lamdasonde	1	
14	GU06126900	Schelle	1	
15	GU05128230	Dichtung	1	
16	978242	Schalldämpfer	1	
17	GU98680445	TCEI Schraube	2	
18	GU95005312	Ausgleichscheibe 8,5x24x2	3	
19	AP8144071	Gummi auspuffrohr	4	
20	AP8121773	Distanzscheibe *	2	
21	AP8134378	Fixierhülse Schalldämpfer	1	
22	AP8152301	Selbstsperrende Mutter	1	
23	AP8220346	Silent-Block	1	
24	AP8152410	TE Schr. m. Flansch M10x55	1	
25	GU98370609	TBEI Schraube M6x10	3	
26	AP8121513	Ausgleichscheibe 5,5X20X1	3	
27	GU92650138	Mutter M8x1,25	1	
28	981143	Schraube	3	

Einheit	RAHMEN
Code	33.27
Beschreibung	Auslassgruppe
Inspektion	1



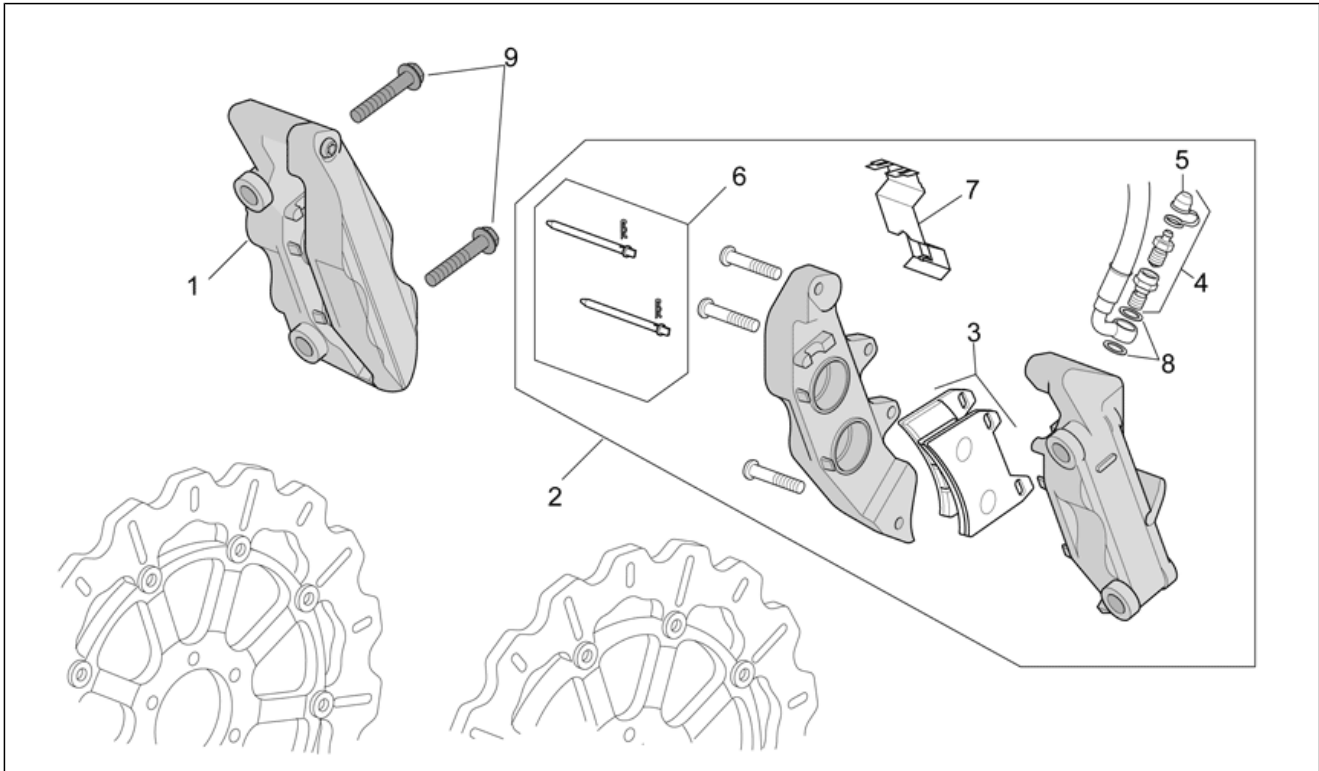
Pos.	Code	Beschreibung	Menge	Varianten
29	981142	Boden	1	

Einheit	RAHMEN
Code	33.28
Beschreibung	Benzinpumpe int.
Inspektion	1



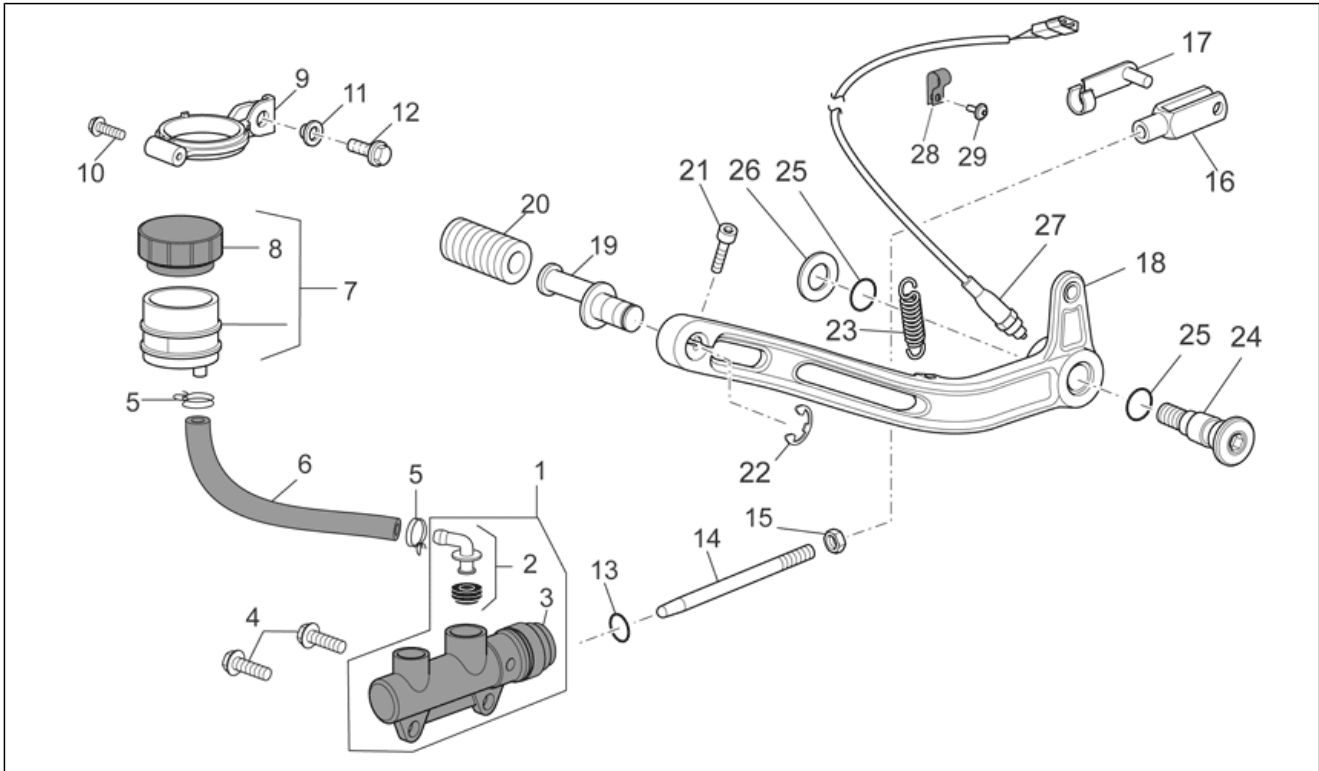
Pos.	Code	Beschreibung	Menge	Varianten
1	887423	Kraftstoffpumpe	1	
2	GU05107430	Dichtung	1	
3	GU01108490	Schelle 11,3	4	
4	GU01106090	Kraftstofffilter	1	
5	883851	Thermistor	1	

Einheit	RAHMEN
Code	33.30
Beschreibung	Vorderradbremzange
Inspektion	1



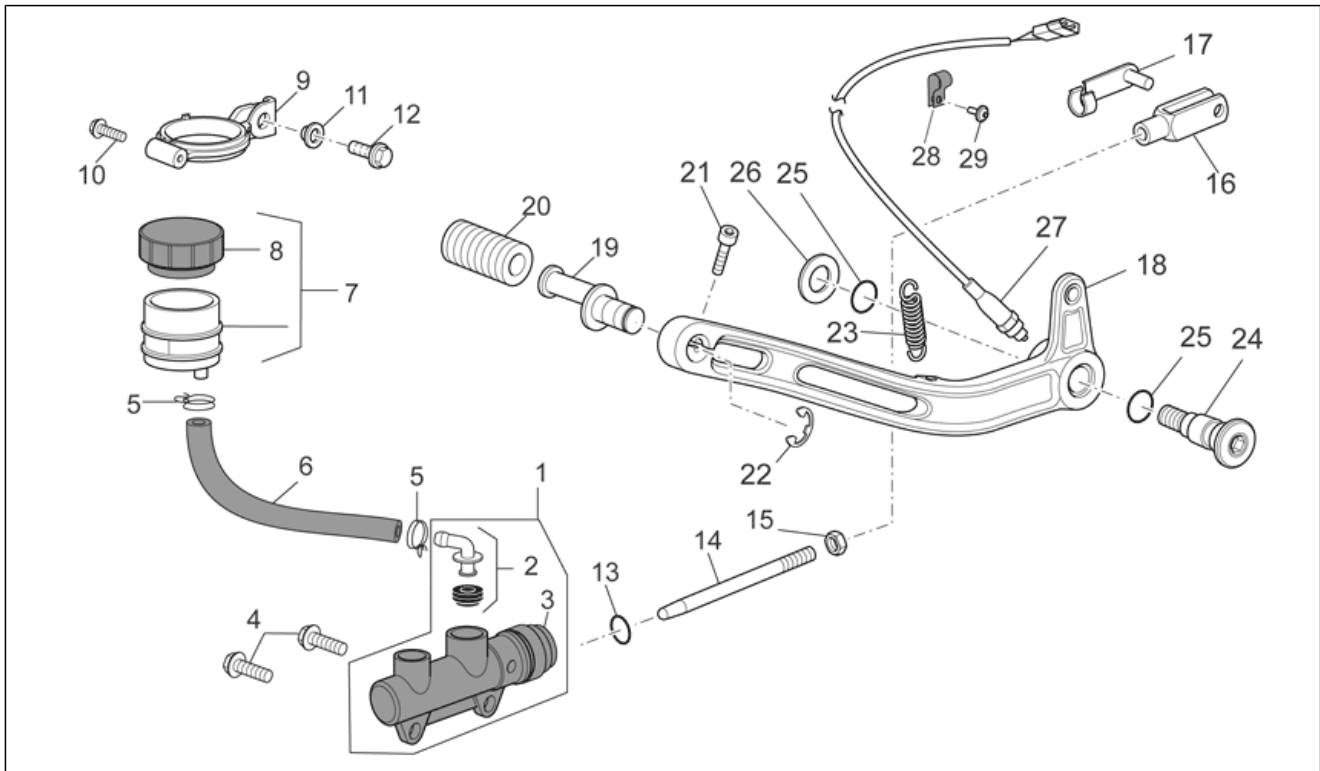
Pos.	Code	Beschreibung	Menge	Varianten
1	978464	Re. Vorderradbremzange, schwarz P432	1	
2	978465	Li. Vorderradbremzange, schwarz P432	1	
3	GU01654630	Beläge (Paar)	2	
4	978466	Entlüftungsanschluß	2	
5	AP8113070	Entlüftungskappe	1	
6	GU01659130	Stifte-Federn Bremzange	2	
7	GU01659131	Feder	2	
8	GU25656100	Dichtung	4	
9	AP8152414	TE Schr. m. Flansch M10x55	4	

Einheit	RAHMEN
Code	33.32
Beschreibung	Hinterradbremspumpe
Inspektion	1



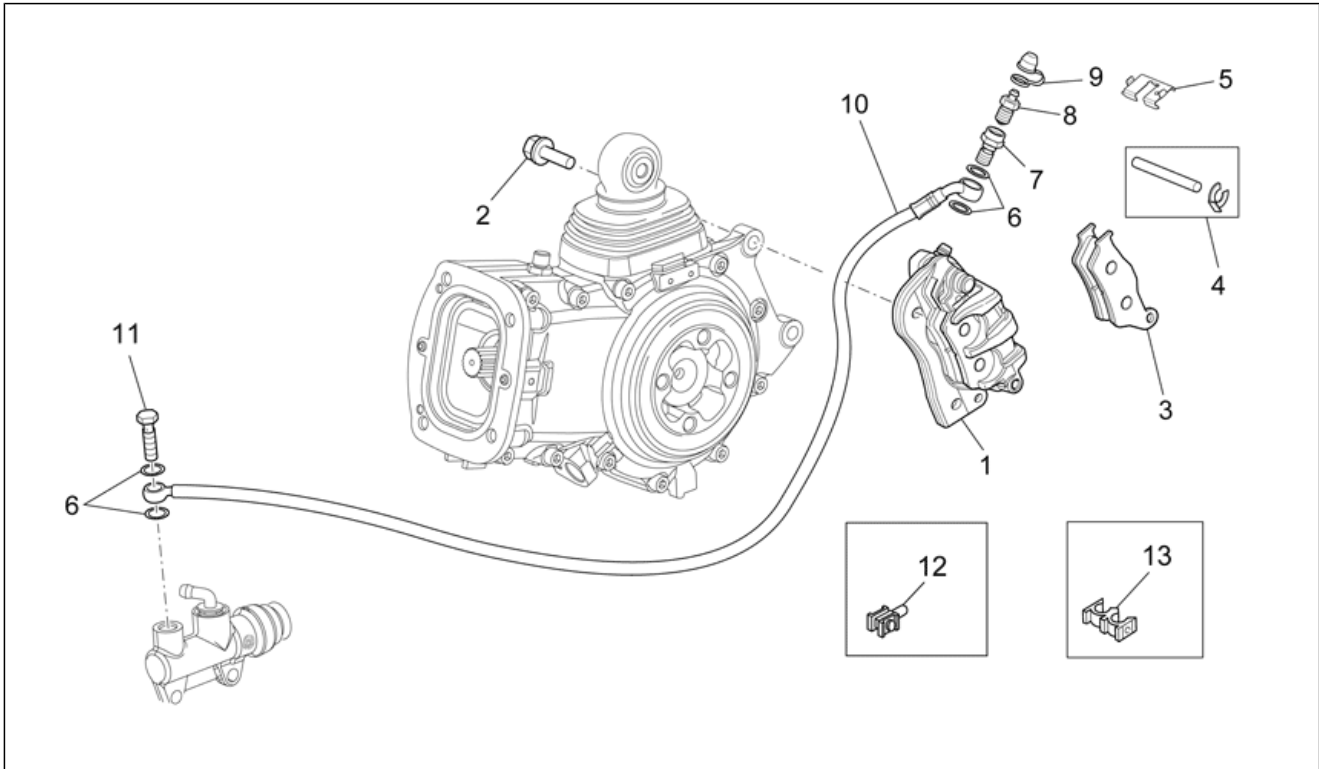
Pos.	Code	Beschreibung	Menge	Varianten
1	978434	Hinterradbremspumpe	1	
2	GU19659500	Revisionsgr.f.Pumpenstutzen	1	
3	AP8113288	Gummibalg	1	
4	AP8152279	TE Schr. m. Flansch M6x20	2	
5	AP8101595	Schelle D10,1	2	
6	GU00823950050	Ölschlauch	1	
7	GU05663530	Bremsöltank	1	
8	GU17661052	Tankverschluß	1	
9	GU05666030	Tankfixierung	1	
10	AP8152329	Kreuz.schl.flnschschr. M5x20	1	
11	AP8221145	T-Buchse *	1	
12	AP8152278	TE Schr. m. Flansch M6x16	1	
13	AP8120178	O-Ring OR112	1	
14	977041	Pumpenstange brems	1	
15	GU92606206	Mutter	1	
16	AP8113081	Schaltgabel	1	
17	AP8113082	Klemmen für Schaltgabel	1	
18	GU06677000	H.bremshebel	1	
19	AP8121221	Stift Bremshebel	1	
20	AP8120912	Gummi für Hebel	1	
21	GU98682316	TCEI Schraube M6x16	1	
22	AP8150462	Seegerring d9	1	
23	AP8121927	Feder Hinterradbremsh.	1	
24	884033	Stift Hinterradbremsh.	1	
25	AP8144007	O-Ring 11,11x1,78	2	
26	GU95008310	Ausgleichscheibe 10,5x22x2,5	1	
27	AP8112996	Mikroschalter	1	
28	AP8101890	Schelle schwarz D8	3	

Einheit	RAHMEN
Code	33.32
Beschreibung	Hinterradbremspumpe
Inspektion	1



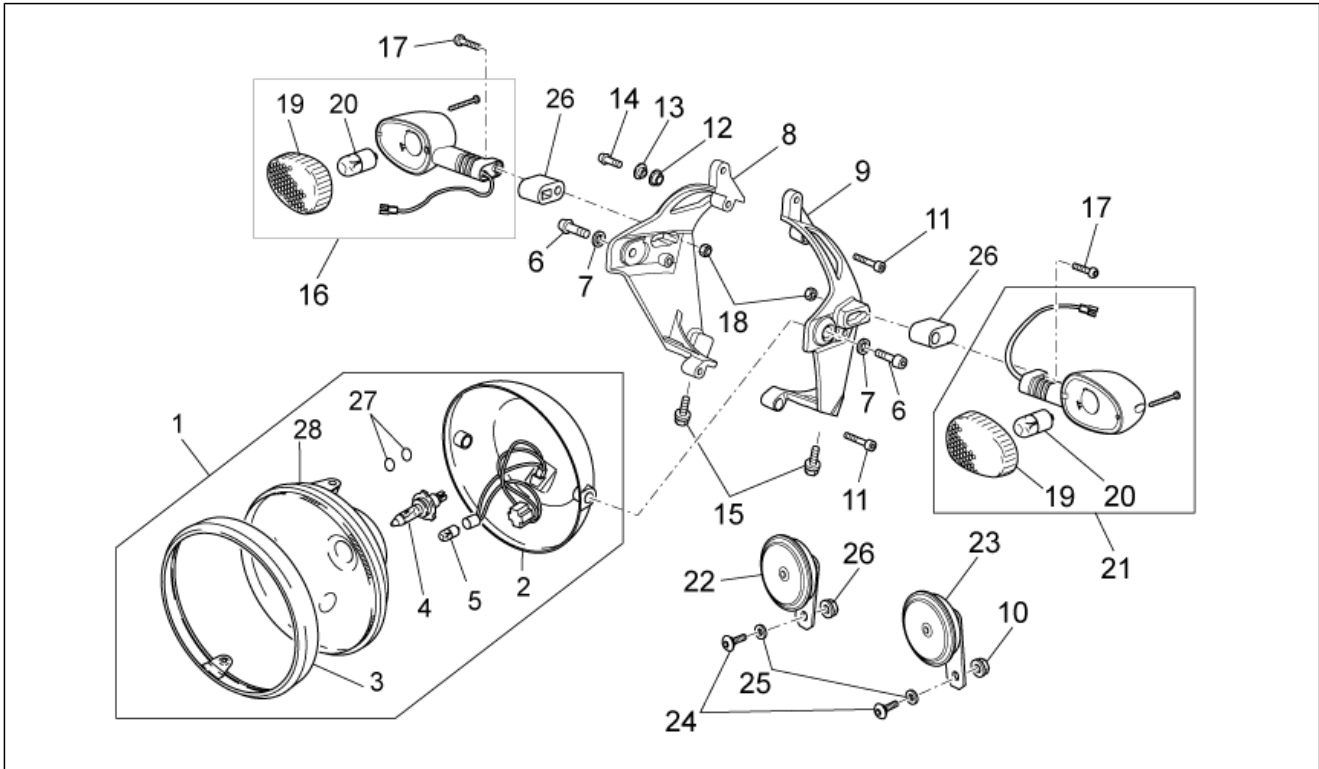
Pos.	Code	Beschreibung	Menge	Varianten
29	GU98350210	TBEI Schraube	3	

Einheit	RAHMEN
Code	33.33
Beschreibung	Hinterradbremzange
Inspektion	1



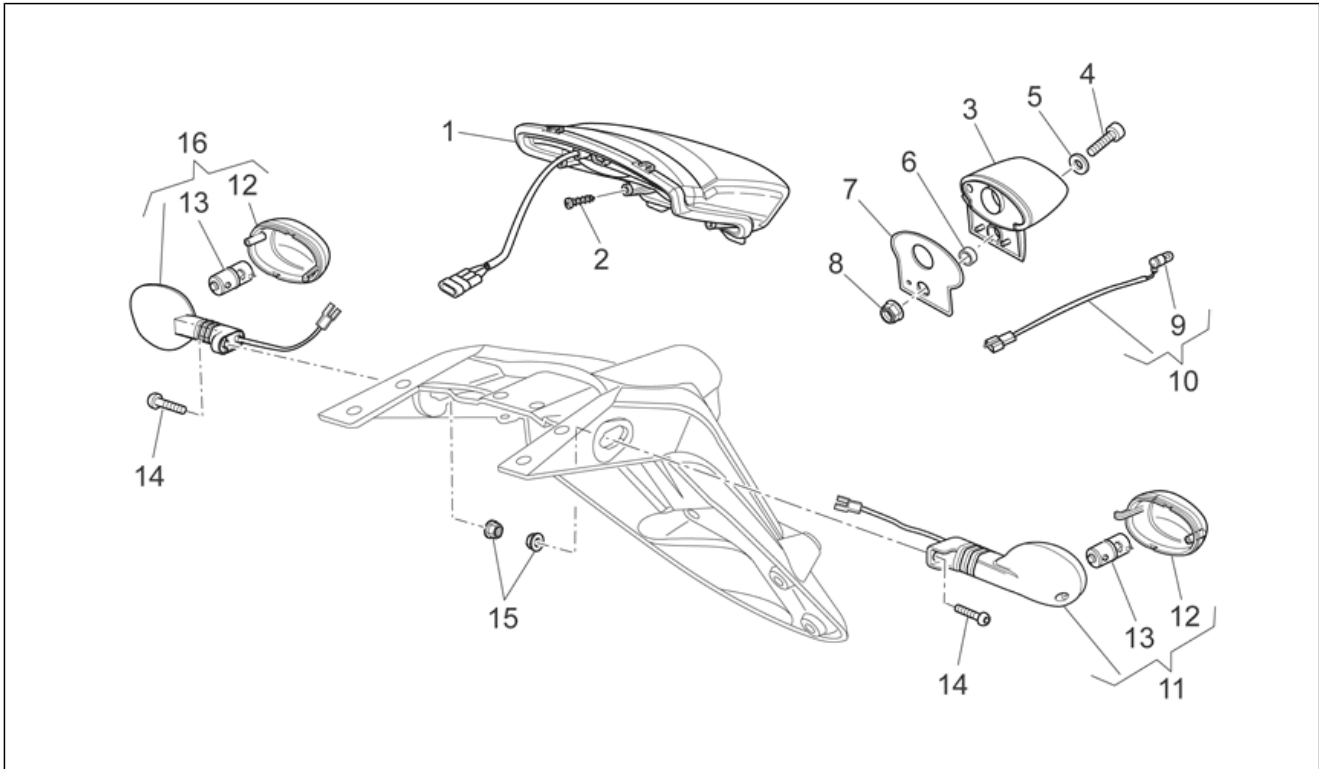
Pos.	Code	Beschreibung	Menge	Varianten
1	978414	Hinterradbremzange, schw.	1	
2	AP8152320	TE Schr. m. Flansch	2	
3	GU05654630	Beläge (Paar)	1	
4	GU05659130	Stift+Splint Bremse	1	
5	GU05659030	Feder	1	
6	AP8113004	Ausgleichscheibe 10x14x1,6*	4	
7	AP8133597	Schraube	1	
8	AP8133595	Entlüftungsanschluß	1	
9	AP8113070	Entlüftungskappe	1	
10	978364	Hinterradbremseleitung	1	
11	AP8133962	Fixierschraube Ölschlauch *	1	
12	AP8202238	Kabelführungs Haken	4	
13	AP8201808	Kabelführungs D8	5	

Einheit	RAHMEN
Code	33.34
Beschreibung	Frontscheinwerfer/Hupe
Inspektion	1



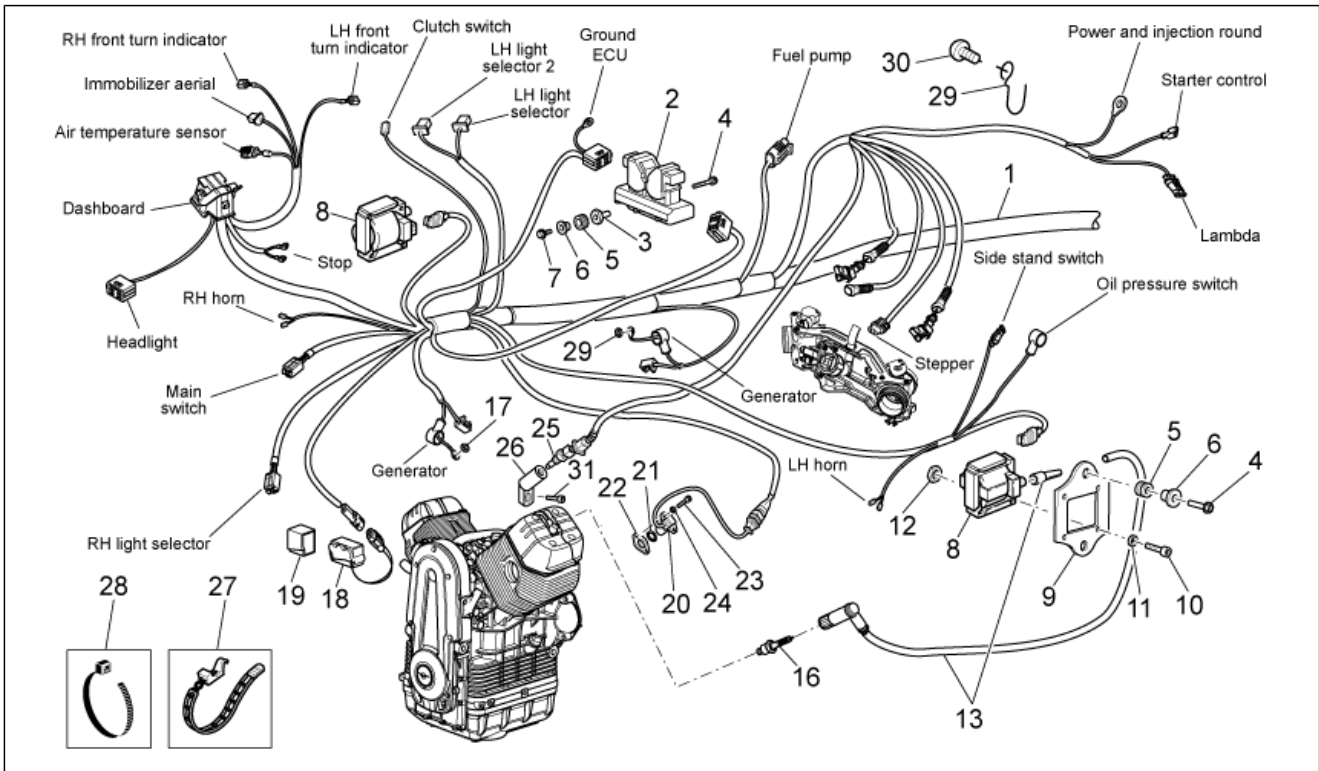
Pos.	Code	Beschreibung	Menge	Varianten
1	978311	Scheinwerfer	1	
2	981149	Haube, schwarz	1	
3	640598	Verchromte Nutmutter	1	
4	292723	Lampen H4 60/55W 12V	1	
5	292022	Lampen 12V-5W	1	
6	GU98700430	Zylinderschraube M8x30	2	
7	GU14615901	Ausgleichscheibe 8,4X13X0,8	2	
8	GU06496100	Halter rechts	1	
9	GU06496200	Halter links	1	
10	GU92650138	Mutter M8x1,25	2	
11	GU98610335	TCEI Schraube	2	
12	AP8221023	T-Buchse	1	
13	AP8120675	Gummi *	1	
14	GU98230619	TBEI Schraube	1	
15	AP8152287	TE Schr. m. Flansch M8x25	2	
16	GU06750600	Vorderblinker rechts / Hinterblinker links	1	
17	GU98690335	TCEI Schraube	2	
18	GU92787006	Hutmutter M6x1	2	
19	GU06753700	Blinkerblende	2	
20	GU93450127	Lampen	2	
21	GU06751601	Vorderblinker links/ Hinterblinker rechts	1	
22	883463	Signal hupe L	1	
23	883462	Signal hupe H	1	
24	GU98350416	TBEI Schraube M8x16	2	
25	GU95021108	Sprengscheibe	2	
26	GU01753440	Distanzscheibe, schwarz	2	
27	883417	O-Ring	2	
28	GU06740400	Scheinwerfereinheit	1	

Einheit	RAHMEN
Code	33.35
Beschreibung	Rücklicht
Inspektion	1



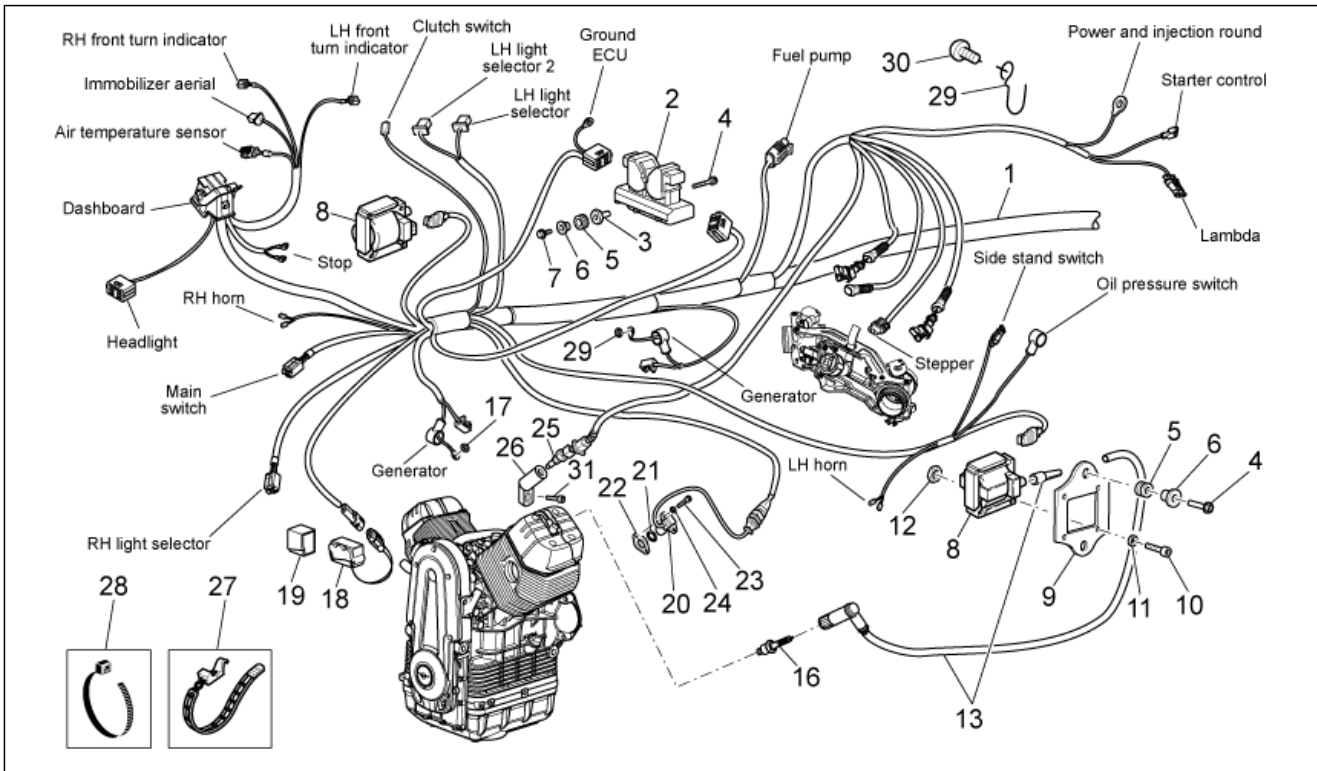
Pos.	Code	Beschreibung	Menge	Varianten
1	GU06740900	Rücklicht	1	
2	AP8150509	Gew.schr. 5x14	4	
3	AP8127098	Kennzeichenleuchte	1	
4	GU98680222	TCEI Schraube	1	
5	GU95008205	Ausgleichscheibe 5,3x10x0,8	1	
6	GU91120507	Buchse	1	
7	GU32474710	Gummi für Haterung	1	
8	AP8152306	Selbstsperrende Mutter m5	1	
9	292022	Lampen 12V-5W	1	
10	977795	Kennzeich.leuch.Kabel	1	
11	GU06750600	Vorderblinker rechts / Hinterblinker links	1	
12	GU06753700	Blinkerblende	2	
13	GU93450127	Lampen	2	
14	GU98370619	TBEI Schraube	2	
15	AP8152299	Selbstsperrende Mutter M6	2	
16	GU06751601	Vorderblinker links/ Hinterblinker rechts	1	

Einheit	RAHMEN
Code	33.36
Beschreibung	Elektrische anlage I
Inspektion	1



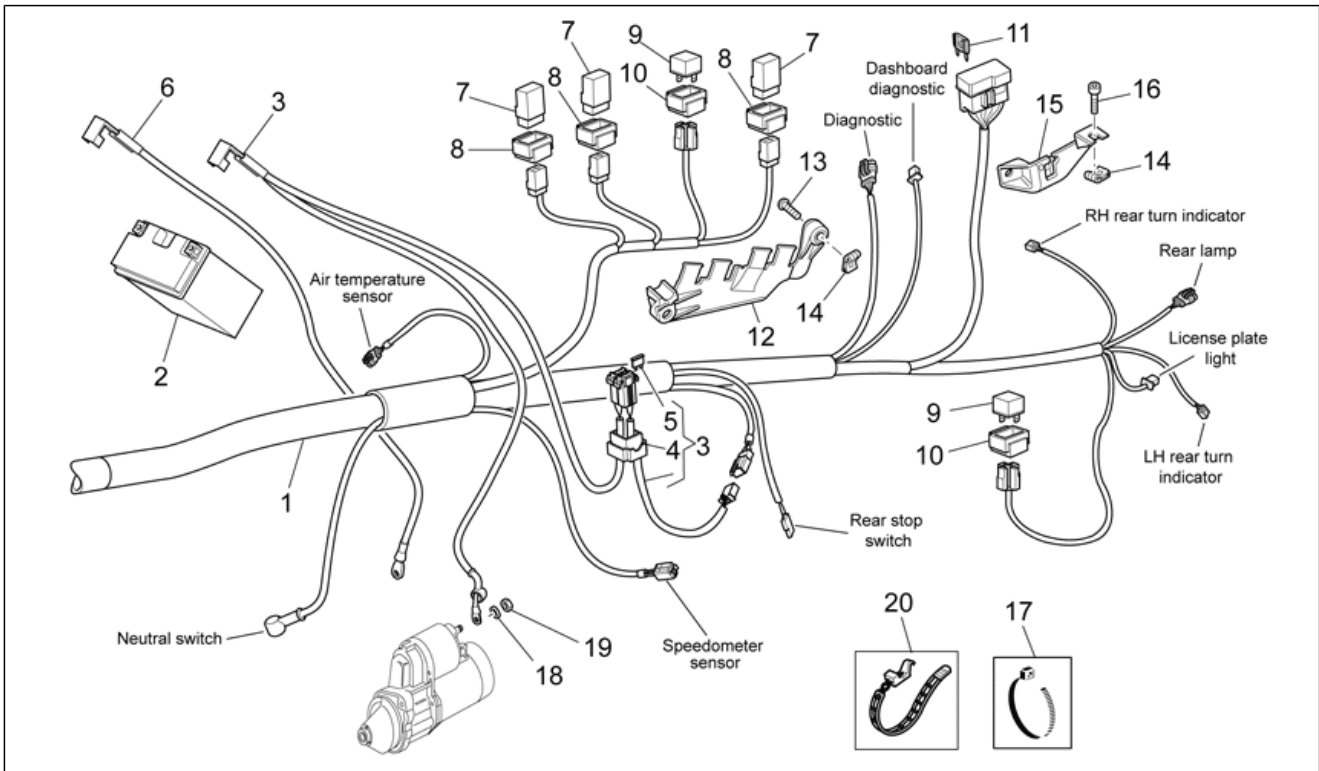
Pos.	Code	Beschreibung	Menge	Varianten
1	884084	Hauptverkabelung	1	
2	CM2270014	Steuergerät	1	
3	GU05729230	Buchse	2	
4	AP8152279	TE Schr. m. Flansch M6x20	6	
5	AP8120030	Gummi	6	
6	AP8221023	T-Buchse	6	
7	AP8152282	TE Schr. m. Flansch M6x35	2	
8	GU30716500	Zuendtransform.cpl.	2	
9	GU05716730	Halter Steuergerät	2	
10	GU98682125	TCEI Schraube	8	
11	GU95008204	Ausgleichscheibe 4,3x8x0,5	8	
12	GU92630104	Mutter M4x0,7	8	
13	640912	Zuendkabel	2	
16	639687	Zündkerze CR8EKB	2	
17	AP8152299	Selbstsperrende Mutter M6	1	
18	AP8124266	Neigungsfühler	1	
19	AP8144046	Sensor halter gummi	1	
20	GU01721600	Phasen-und Umdrehungsfuhler	1	
21	GU90706141	O-Ring	1	
22	GU01722700	Dichtung 0,3mm	1	
22	GU01722701	Dichtung 0,4 mm	1	
22	GU01722702	Dichtung 0,6mm	1	
22	GU01722703	Dichtung	1	
22	GU01722704	Dichtung 1mm	1	
22	GU01722705	Dichtung 1,5mm	1	
22	GU29722760	Dichtung 0,5 mm	1	
23	GU98682212	TCEI Schraube M5x12	2	
24	GU95008205	Ausgleichscheibe 5,3x10x0,8	2	

Einheit	RAHMEN
Code	33.36
Beschreibung	Elektrische anlage I
Inspektion	1



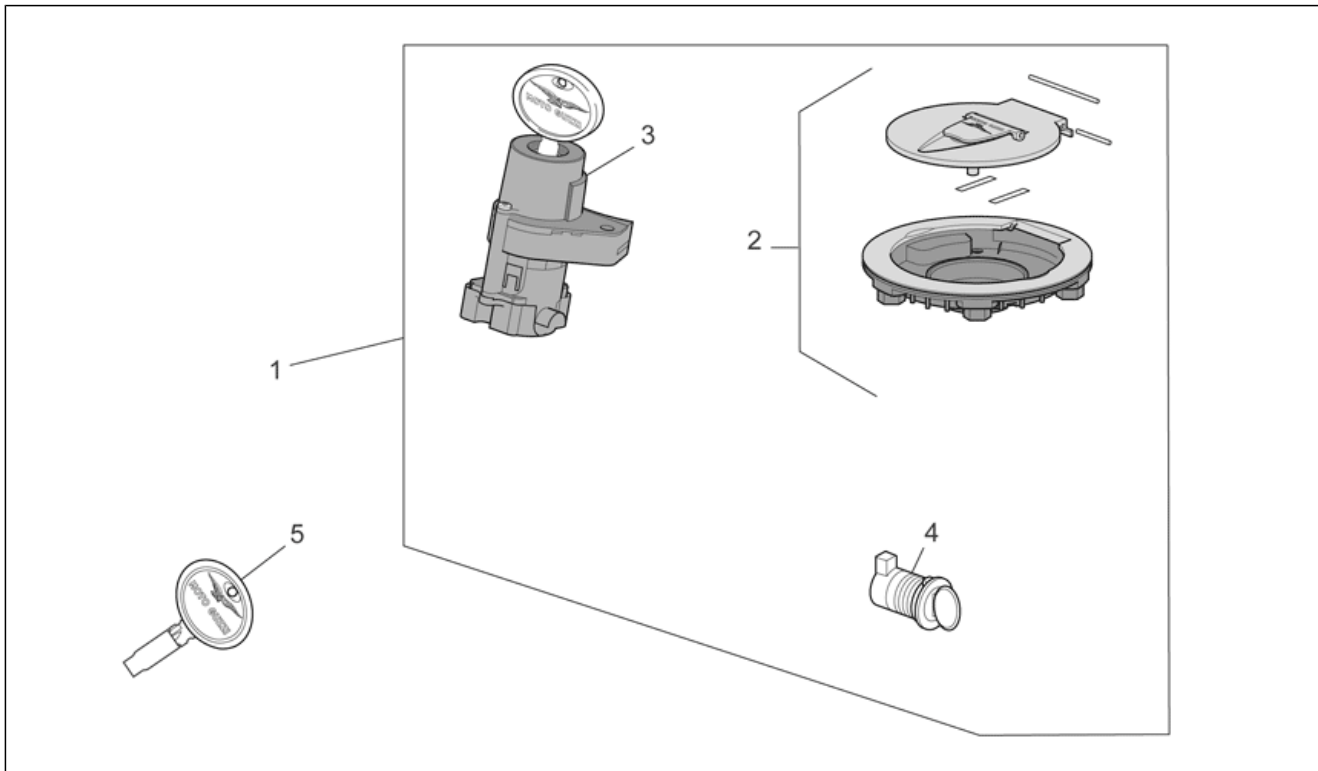
Pos.	Code	Beschreibung	Menge	Varianten
25	GU29729461	Sensor temperatur	1	
26	976556	Sensor halter	1	
27	GU06609600	Schelle	3	
28	GU14609650	Schelle 3,6x20,6	13	
28	GU49609601	Schelle 2,4x92	7	
28	GU93304390	Schelle 3,6x375	2	
29	AP8121475	Kabelführung	1	
30	AP8152285	TE Schr. m. Flansch	1	
31	GU98683520	TCEI Schraube M10x20	1	

Einheit	RAHMEN
Code	33.37
Beschreibung	Elektrische anlage II
Inspektion	1



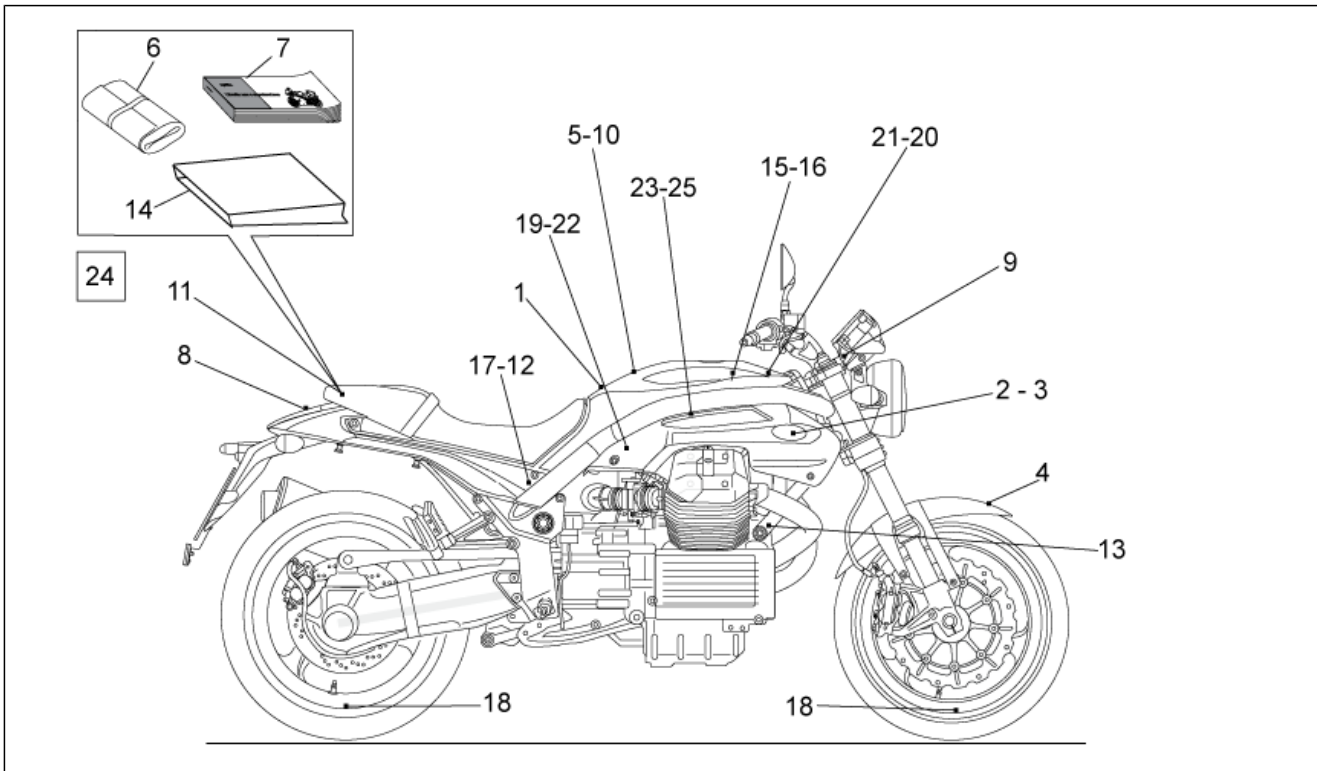
Pos.	Code	Beschreibung	Menge	Varianten
1	978407	Hauptverkabelung	1	
2	GU05704531	Batterie 12V-20Ah	1	
3	GU32748010	Verkabelung	1	
4	AP8112811	Sicherungsblockgummi	1	
5	GU28742562	Sicherung 30A	3	
6	GU06747900	Masse-Batteriekabel	1	
7	AP8224462	Zündrelais 12V/30A	3	
8	AP8220283	Gummi *	3	
9	AP8124869	Relais Einspritzung	2	
10	AP8220546	Auflagegummi Relais	2	
11	977769	Sicherung 3A	2	
11	977772	Sicherung 15A	4	
11	977773	Sicherung 20A	2	
12	GU06746300	Bügel	1	
13	AP8152339	TBEI Schraube m.Flansch M5x9	2	
14	AP8102375	Klammer m5	4	
15	GU06477000	Bügel	1	
16	GU98682215	TCEI Schraube	2	
17	GU14609650	Schelle 3,6x20,6	13	
17	GU49609601	Schelle 2,4x92	7	
18	GU95129131	Scheibe 8,4x15x1,7	1	
19	GU92609408	Mutter M8x1,25	1	
20	GU06609600	Schelle	3	

Einheit	RAHMEN
Code	33.38
Beschreibung	Bausatz Schlösser
Inspektion	1



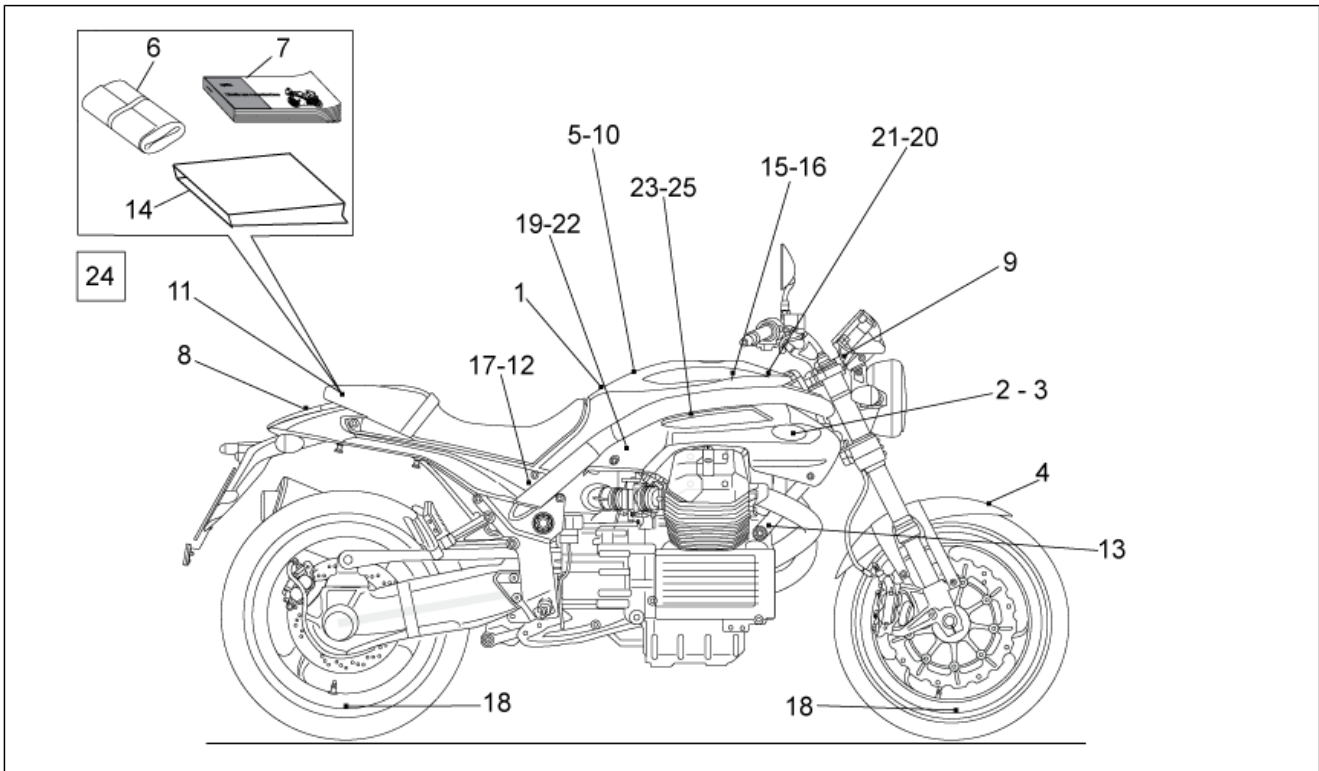
Pos.	Code	Beschreibung	Menge	Varianten
1	GU06736800	Kit Schließvorrichtungen	1	
2	887465	Tankfüllschraube	1	
3	GU06782500	Lenkschloß	1	
4	GU05466830	Sitzschloß	1	
5	977918	Schlüssel nicht gezackt roh	1	

Einheit	RAHMEN
Code	33.39
Beschreibung	Aufkleber-Deko
Inspektion	1



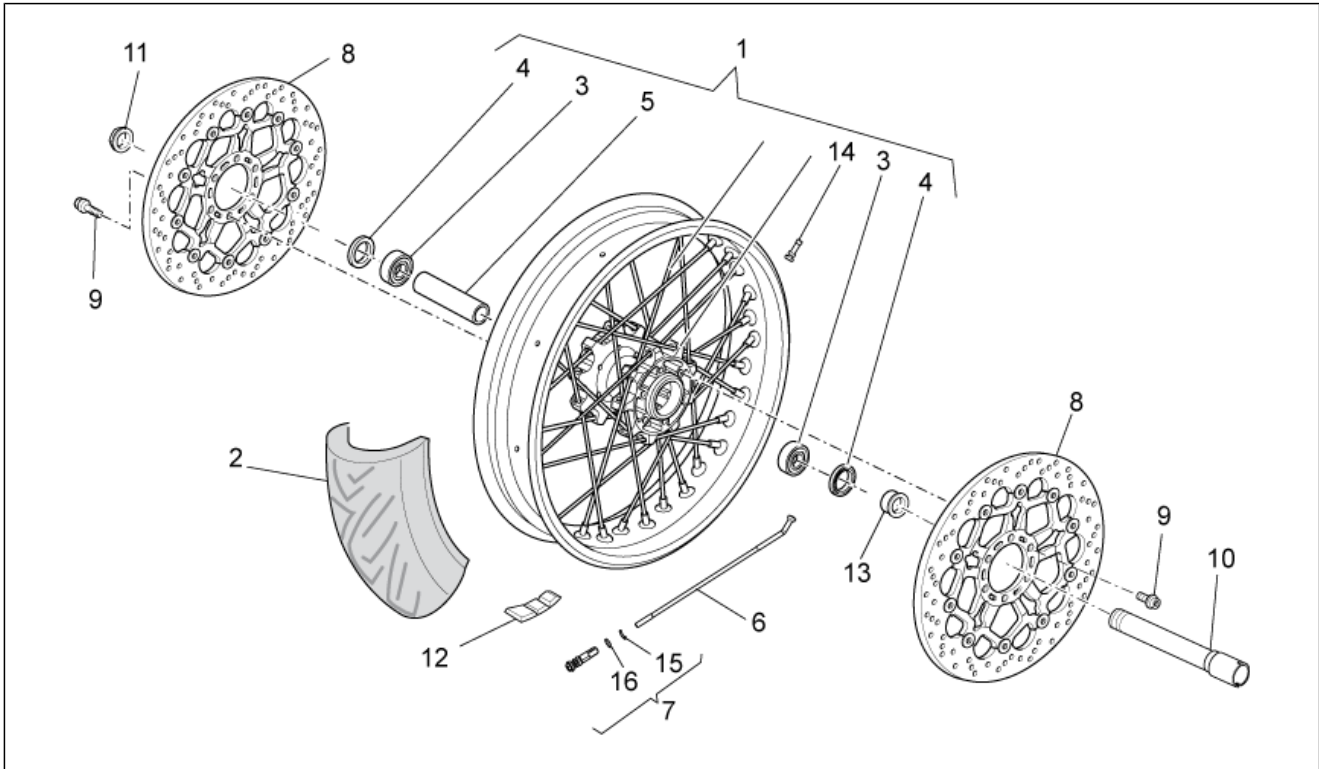
Pos.	Code	Beschreibung	Menge	Varianten
1	887963	Aufkleber Tank "Griso"	1	
2	B064261	Aufkleber li "Moto Guzzi"	1	Fahrzeugfarbe:Rosso Trophy[ro]
2	GU06917400	L.Schild rot/gold AL	1	Fahrzeugfarbe:Black Devil[b/d]
3	B064260	Aufkleber re "Moto Guzzi"	1	Fahrzeugfarbe:Rosso Trophy[ro]
3	GU06917300	R. Schild rot/gold AL	1	Fahrzeugfarbe:Black Devil[b/d]
4	886141	Deko "Aquila"	1	
5	GU30944300	Deko "Attention"	1	
6	978882	Werkzeugtasche	1	
7	883619	Gebrauchsanleitung I-F-D-E-NL-UK	1	
8	2H000509	Deko Heckteil "Griso"	1	Fahrzeugfarbe:Rosso Trophy[ro]
8	887970	Deko Heckteil	1	Fahrzeugfarbe:Black Devil[b/d]
9	GU06517700	Schild "Griso"	1	
10	GU05944930	Deko Engine Start	1	
11	883932	Aufkleber Reifendruck	1	
12	2H000508	Deko Heckteil li. "1200 SE"	1	Fahrzeugfarbe:Rosso Trophy[ro]
12	887969	Aufkleber L. "1200"	1	Fahrzeugfarbe:Black Devil[b/d]
13	GU05944530	Deko Warning	1	
14	GU05900130	Säckchen für Dokumente	1	
15	887961	Aufkleber Tank re Streifen	1	
16	887962	Aufkleber Tank li Streifen	1	
17	2H000507	Deko Heckteil re. "1200 SE"	1	Fahrzeugfarbe:Rosso Trophy[ro]
17	887968	Aufkleber re "1200"	1	Fahrzeugfarbe:Black Devil[b/d]
18	887971	Deko "Moto Guzzi"	4	
19	2H000503	Rechtes Leitblech, deko	1	Fahrzeugfarbe:Rosso Trophy[ro]
19	887964	Aufkleber Streifen DX	1	Fahrzeugfarbe:Black Devil[b/d]
20	887960	Aufkleber Tank li Streifen	1	
21	887959	Aufkleber Tank re Streifen	1	
22	2H000504	Linkes Leitblech, deko	1	Fahrzeugfarbe:Rosso Trophy[ro]

Einheit	RAHMEN
Code	33.39
Beschreibung	Aufkleber-Deko
Inspektion	1



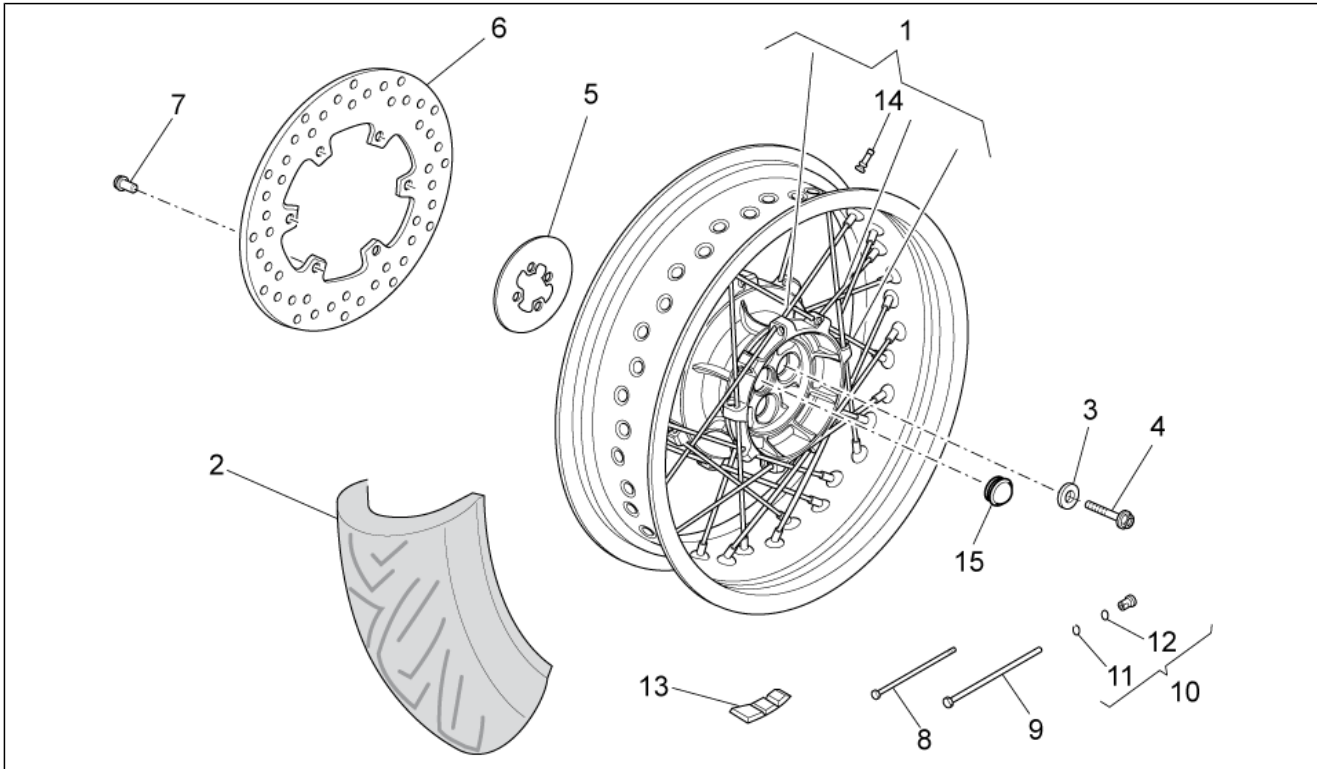
Pos.	Code	Beschreibung	Menge	Varianten
22	887965	Aufkleber Streifen SX	1	Fahrzeugfarbe:Black Devil[b/d]
23	2H000505	Rechtes Leitblech, deko	1	Fahrzeugfarbe:Rosso Trophy[ro]
23	887966	Aufkleber Streifen DX	1	Fahrzeugfarbe:Black Devil[b/d]
24	883067	Fälschungssicheres Schild 78 KW	1	
25	2H000506	Linkes Leitblech, deko	1	Fahrzeugfarbe:Rosso Trophy[ro]
25	887967	Aufkleber Streifen SX	1	Fahrzeugfarbe:Black Devil[b/d]

Einheit	RAHMEN
Code	33.64
Beschreibung	SE Vorderrad
Inspektion	1



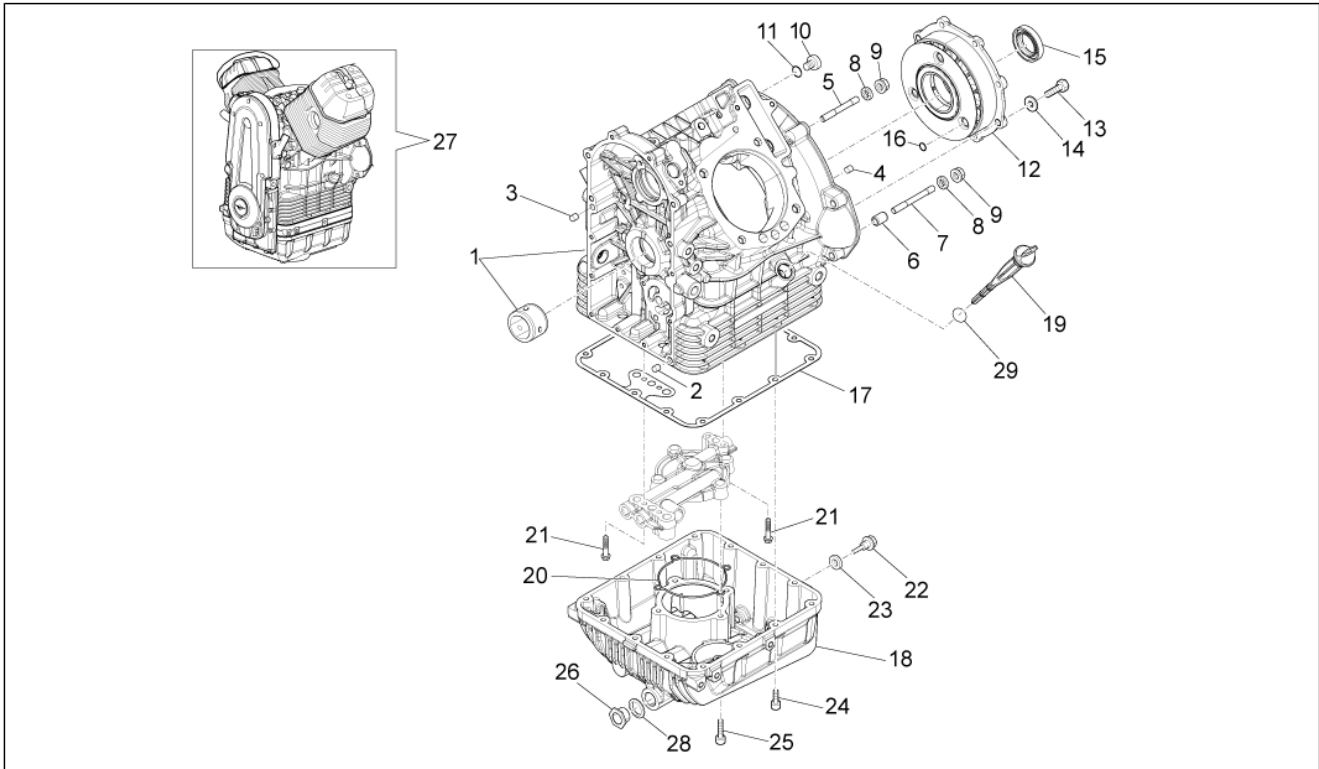
Pos.	Code	Beschreibung	Menge	Varianten
1	884163	Vorderrad, schwarz 3,5X17"	1	
2	2B000182	Vorderreifen	1	
3	AP8125777	Kugellager 25x47x12	2	
4	AP8125773	Gasket ring 30x47x7	2	
5	978516	Distanzstück Lager	1	
6	887084	Vord.speiche	36	
7	978810	Nippel L=34	36	
8	883688	Vorderradbremsscheibe 320	2	
9	GU05611430	Schraube	12	
10	978497	Vorderradbolzen	1	
11	GU01612190	Mutter	1	
12	GU14616150	Gegengewicht	1	
13	978498	Distanzscheibe	1	Technische Daten:
14	AP8101744	Schlauchloses Reifenventil	1	Technische Daten:
15	978811	Sprengring	36	Technische Daten:
16	GU90706061	O-Ring OR2025	36	Technische Daten:

Einheit	RAHMEN
Code	33.65
Beschreibung	SE Hinterrad
Inspektion	1



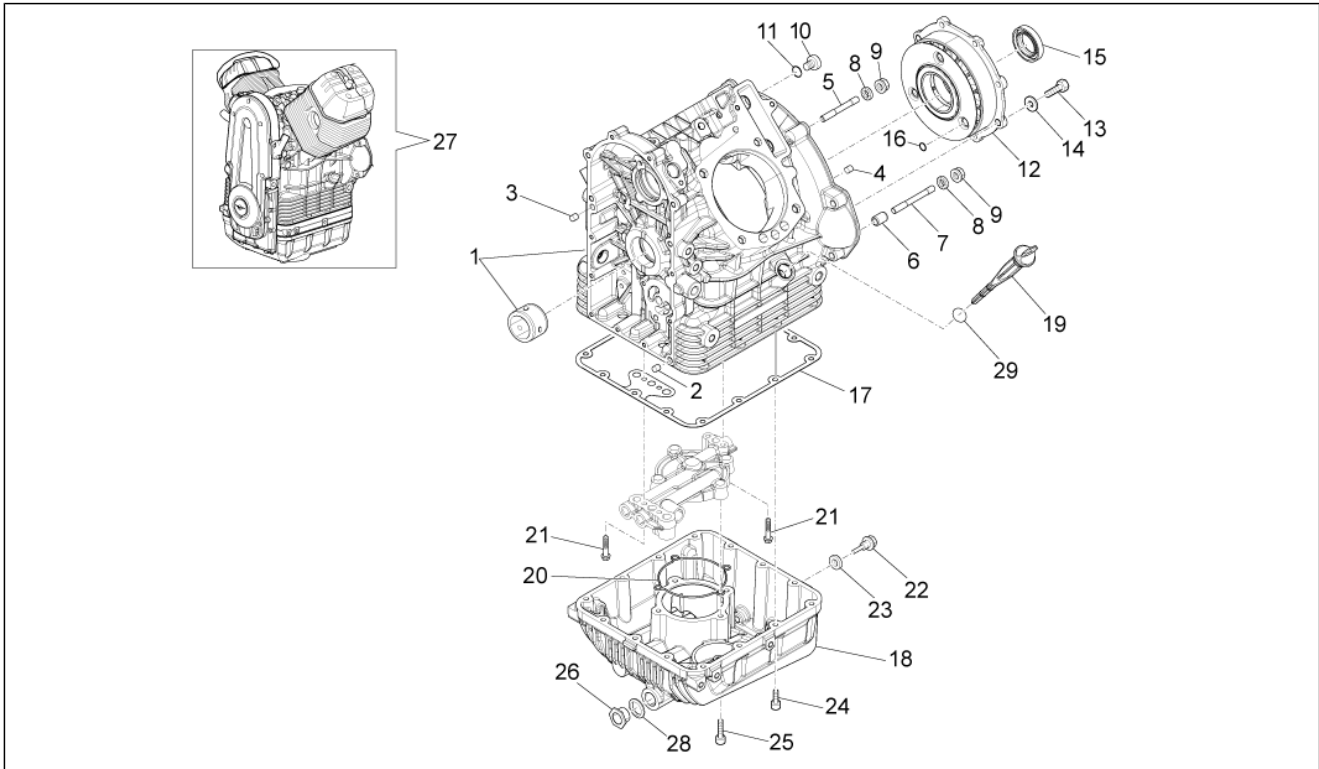
Pos.	Code	Beschreibung	Menge	Varianten
1	884164	Hinterrad ohne Scheibe 5,5x17	1	
2	2B000183	Hinterreifen	1	
3	GU05632730	Konischebuchse	4	
4	GU97202665	TE Schr. m. Flansch M12x65	4	
5	977056	Staubschutzring	1	
6	GU05635730	Vorderradbremsscheibe	1	
7	GU30611460	Schraube	6	
8	887082	Kurze Speike L=147,4mm	18	
9	887083	Lange Speike L=154,9mm	18	
10	978810	Nippel L=34	36	
11	978811	Sprengring	36	
12	GU90706061	O-Ring OR2025	36	
13	GU14616150	Gegengewicht	1	
14	AP8101744	Schlauchloses Reifenventil	1	
15	978301	Deckel	1	

Einheit	MOTOR
Code	34.40
Beschreibung	Gehäuse I
Inspektion	1



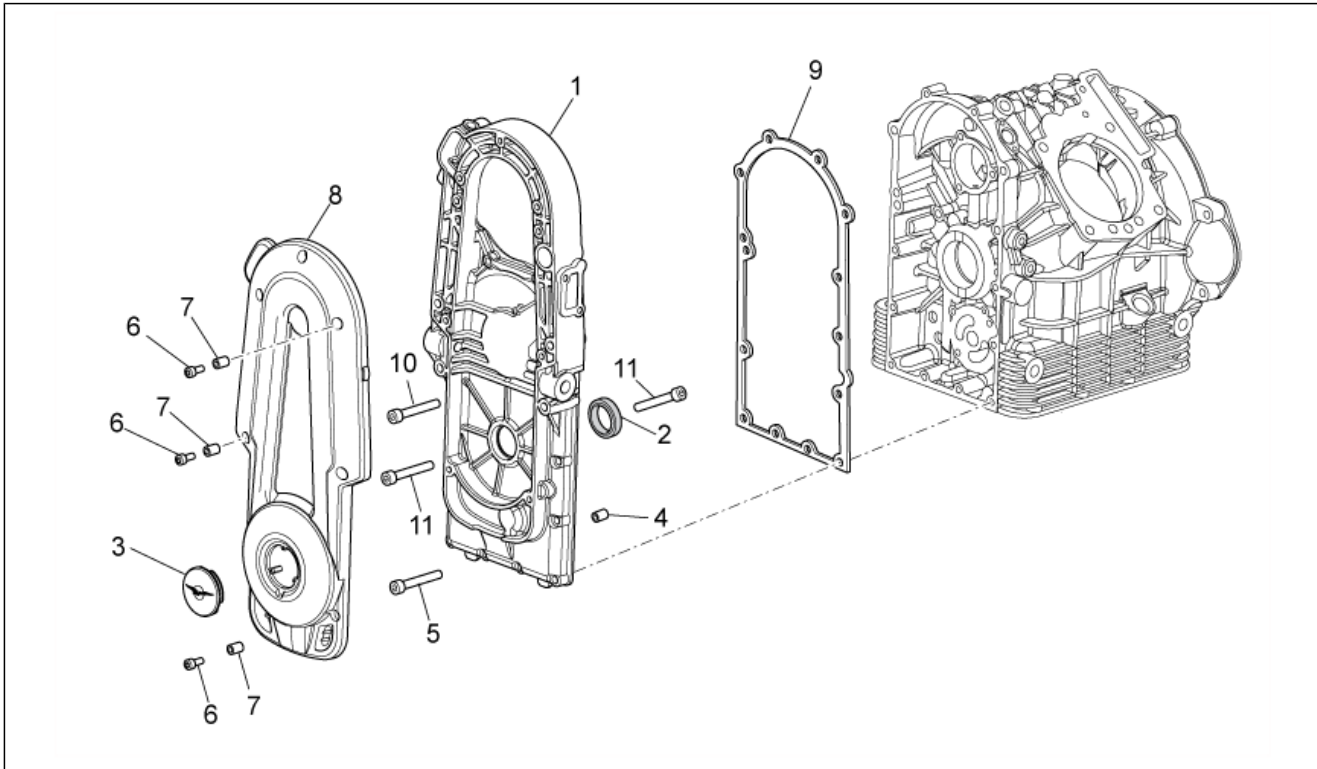
Pos.	Code	Beschreibung	Menge	Varianten
1	8803984	Motorgehäuse	1	
2	411209	Stift	2	
3	GU95512081	Stift	2	
4	560110	Stift	1	
5	GU96508066	Stiftschraube M8X66	3	
6	GU12018900	Kupplungsbuchse	2	
7	GU96508075	Stiftschraube M8x75	2	
8	GU14615901	Ausgleichscheibe 8,4X13X0,8	5	
9	GU92660021	Geflanschte Mutter M8	5	
10	GU12022600	Ölschraube	2	
11	GU90706203	O-Ring 20,24X2,62	2	
12	976703	Flansch komplett	1	
13	GU98084425	Sechskantschraube M8x25	8	
14	GU61270300	Sprengscheibe 8x15x0,3	8	
15	GU90405367	Gasket ring	1	
16	874980	O-Ring 7,5X2	1	
17	B063861	Ölwandichtung	1	
18	B063271	Ölwanne	1	
19	B063898	Ölmeßstab	1	
20	B063850	Dichtung	1	
21	AP8152284	TE Schr. m. Flansch	4	
22	GU31003766	Ölablaßschraube M10x1	1	
23	GU01528930	Dichtung 10x18x1,5	1	
24	GU98682330	TCEI Schraube M6x20	14	
25	AP8150285	TCEI Schraube M6x35	4	
26	GU12022600	Ölschraube	1	
27	2L0003775	Motor komplett	1	
28	2A000270	O-ring 20,29x2,62	1	

Einheit	MOTOR
Code	34.40
Beschreibung	Gehäuse I
Inspektion	1



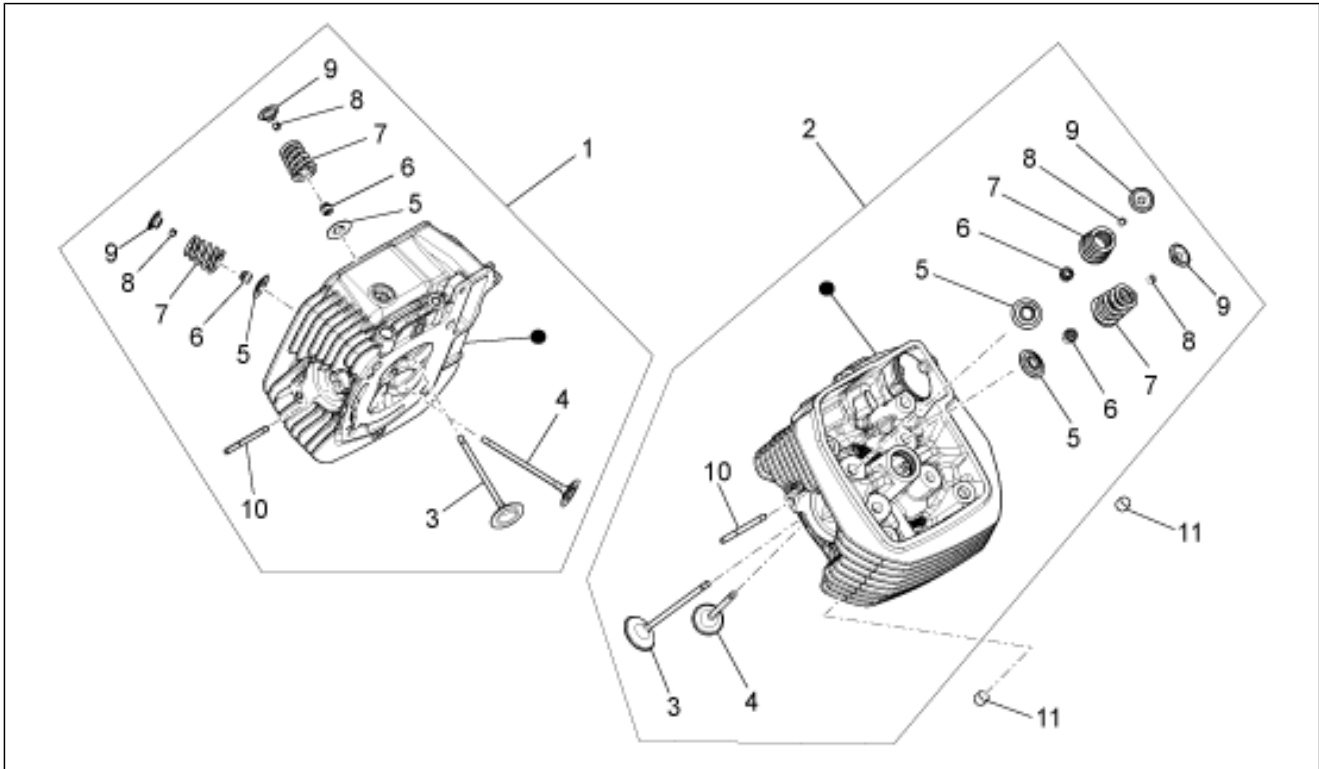
Pos.	Code	Beschreibung	Menge	Varianten
29	GU90706178	O-Ring 17,86X2,62	1	

Einheit	MOTOR
Code	34.41
Beschreibung	Gehäuse II
Inspektion	1



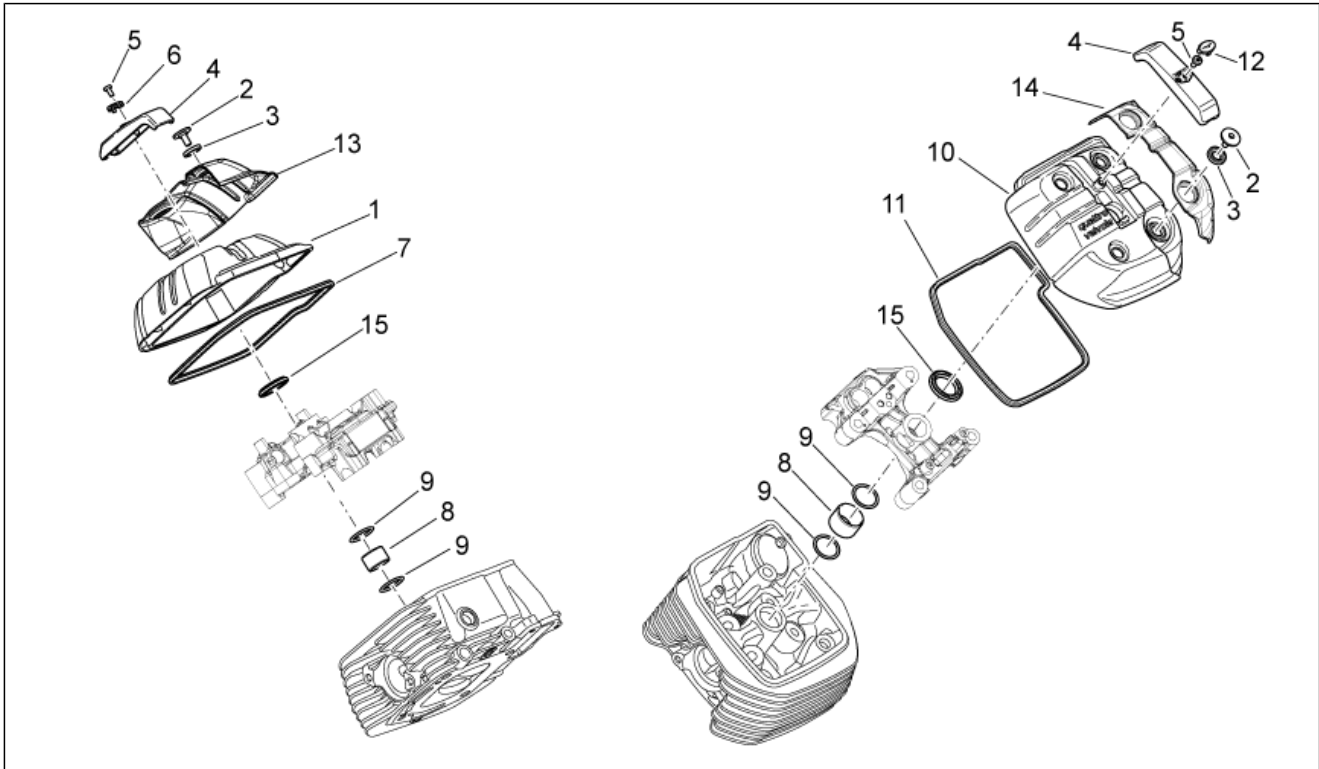
Pos.	Code	Beschreibung	Menge	Varianten
1	976631	Steuer Deckel	1	
2	GU90412237	Gasket ring 22x35x7viton	1	
3	GU05002130	Deckel	1	
4	825597	Stift 11,8X10	2	
5	AP8150285	TCEI Schraube M6x35	1	
6	GU98682316	TCEI Schraube M6x16	5	
7	GU91120606	Buchse 6,8x8,8x5,8	6	
8	GU05001630	Generatordeckel grau	1	
9	976478	Deckeldichtung Kupplungsseite	1	
10	GU98620455	TCEI Schraube M8x55	4	
11	GU98682330	TCEI Schraube M6x20	9	

Einheit	MOTOR
Code	34.42
Beschreibung	Zylinderkopf - ventile
Inspektion	1



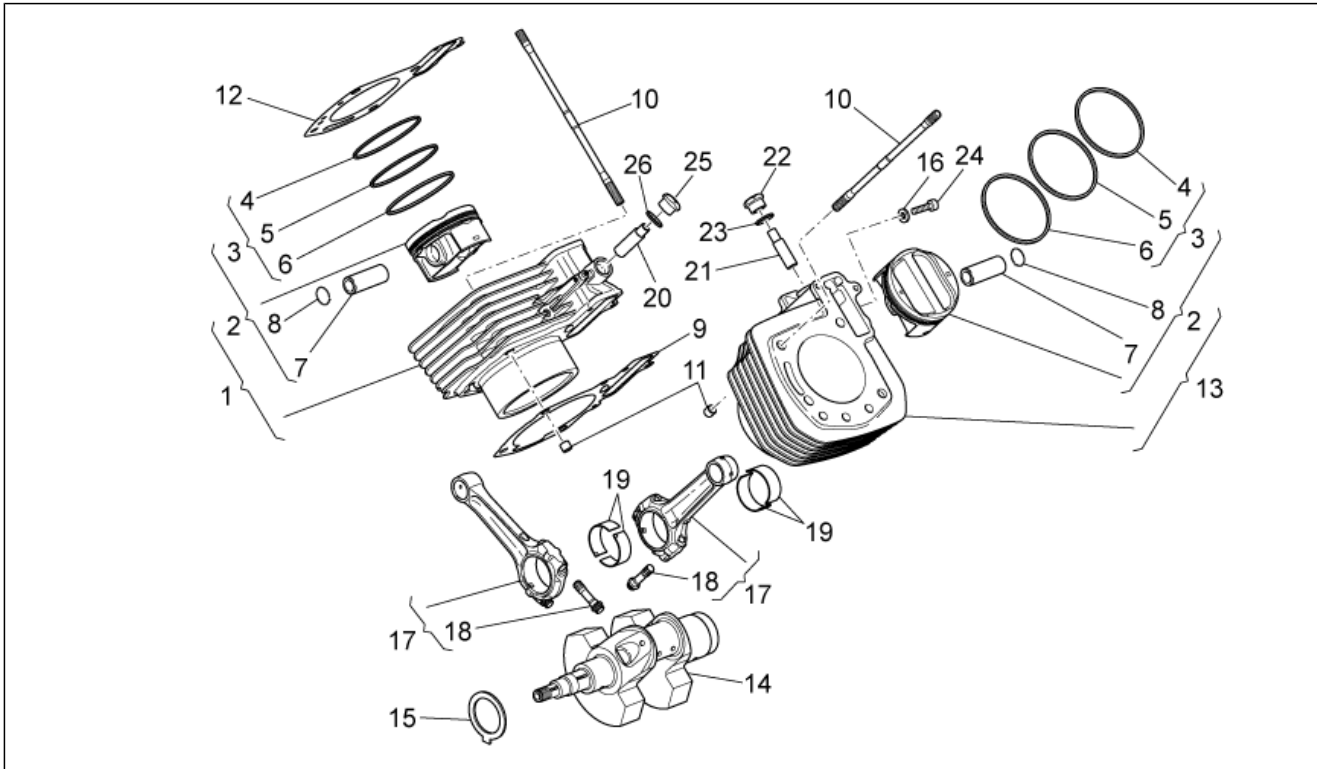
Pos.	Code	Beschreibung	Menge	Varianten
1	B013808	Zylinderkopf re.	1	
2	B013807	Zylinderkopf li.	1	
3	872695	Einlaßventil	4	
4	872696	Auslaßventil	4	
5	874127	Becher unten	8	
6	436438	Ventil Dichtring	8	
7	B013517	Ventilfeder	8	
8	285846	Ventilhalbkegel	8	
9	874126	Becher obere	8	
10	827018	Auspufftopf Stiftschraube M8X3X46	4	
11	825597	Stift 11,8X10	8	

Einheit	MOTOR
Code	34.43
Beschreibung	Kopfdeckel
Inspektion	1



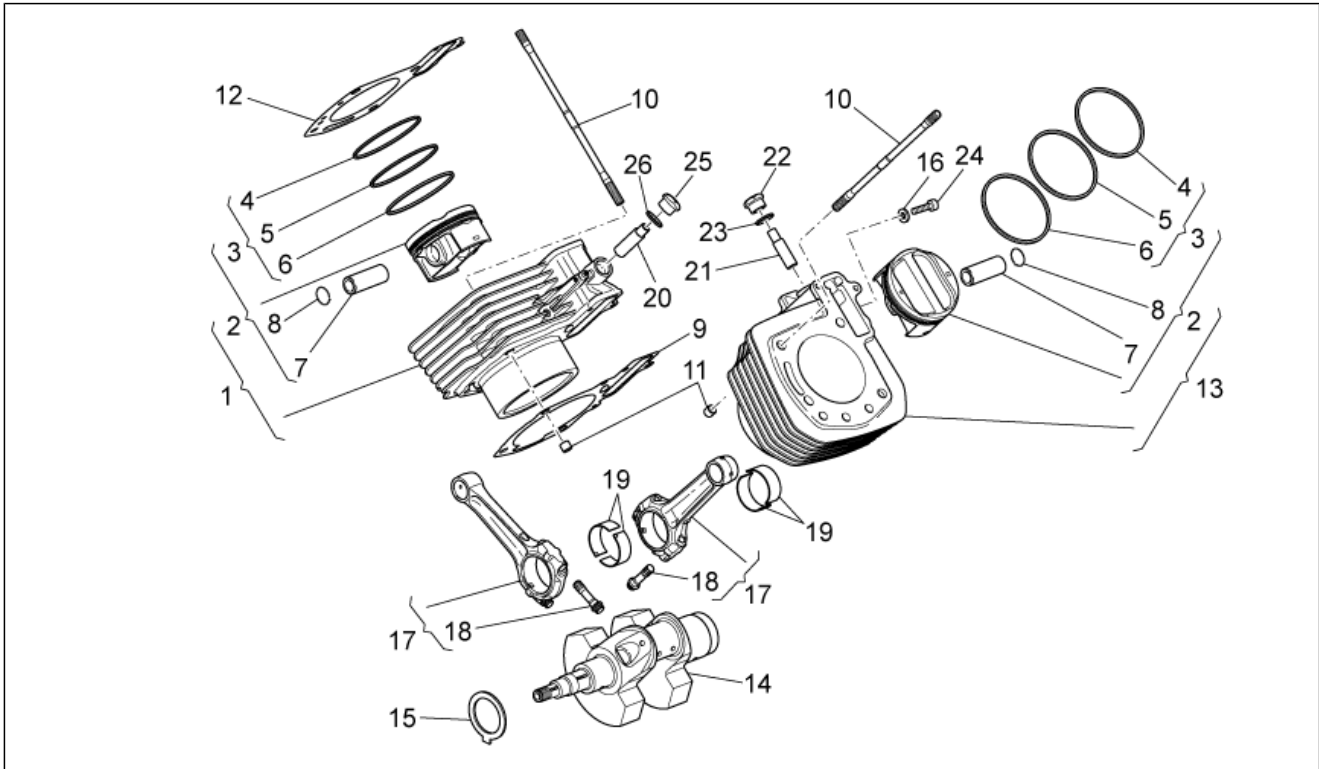
Pos.	Code	Beschreibung	Menge	Varianten
1	880124	Kopfdeckel R.	1	
2	976591	Spezialschraube	8	
3	879975	Stopfen dämpfer	8	
4	883493	Zündkerzedeckel	2	
5	GU98230510	TBEI Schraube	2	
6	976560	Rechtes Schild "Moto Guzzi"	1	
7	872742	Dichtung re	1	
8	879987	Leitung	2	
9	873626	O-Ring 26X2,5	4	
10	880123	Kopfdeckel L.	1	
11	872741	Dichtung li	1	
12	976559	L.Schild "Moto Guzzi"	1	
13	873654	Deckel re.	1	
14	872740	Deckel li.	1	
15	880127	Dichtung	2	

Einheit	MOTOR
Code	34.46
Beschreibung	Kurbelwelle - Zylinder
Inspektion	1



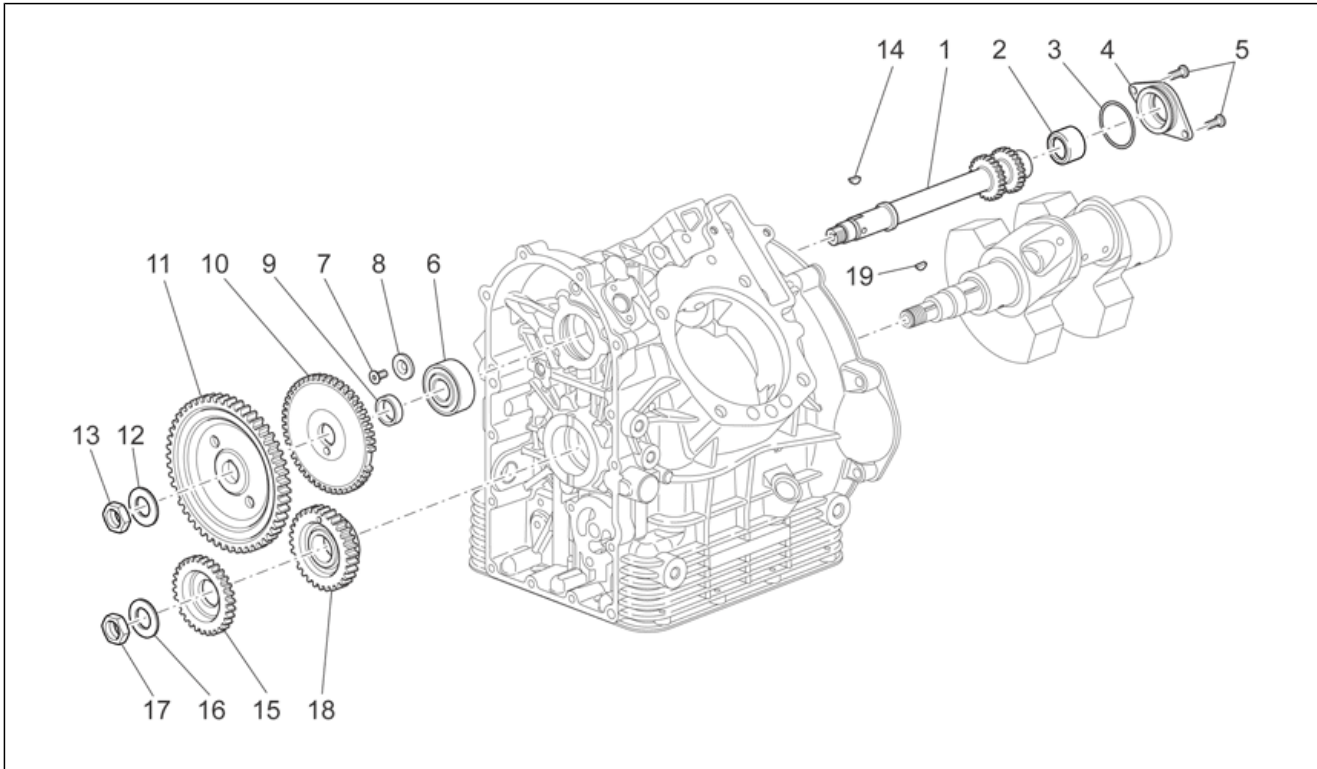
Pos.	Code	Beschreibung	Menge	Varianten
1	981008	Re. Zylinder mit Kolben kpl.	1	
2	873667	Kolben D95 kpl	2	
3	981009	Kolbenring-Satz	2	
4	874287	Kolbenrung	2	
5	874288	Kolbenrung	2	
6	874289	Kolbenrung	2	
7	874286	Bolzen	2	
8	874567	Sperring	4	
9	976312	ZYLINDERFUSSDICHTUNG	2	
10	976899	Stiftschraube M10x251	8	
11	825597	Stift 11,8X10	4	
12	874621	Dichtung Zylinderkopf 0,65 mm	2	
12	874622	Dichtung Zylinderkopf 0,85 mm	2	
12	976311	Dichtung Zylinderkopf 1,05 mm	2	
13	981007	Li. Zylinder mit Kolben kpl.	1	
14	B0133785001	Welle kpl.	1	Technische Daten: Farbe Auswahl Braun[C1]
14	B0133785002	Welle kpl.	1	Technische Daten: Farbe Auswahl Grün[C2]
14	B0133785003	Welle kpl.	1	Technische Daten: Farbe Selektion Schwarz[C3]
15	874293	Zwischenlegscheibe	1	
16	GU95100116	Ausgleichscheibe 6,25x10x1,5	2	
17	8783390001	Baugruppe Pleuelstange kpl.	2	Technische Daten: Farbe Auswahl Braun[C1]
17	8783390002	Baugruppe Pleuelstange kpl.	2	Technische Daten: Farbe Auswahl Grün[C2]
17	8783390003	Baugruppe Pleuelstange kpl.	2	Technische Daten: Farbe Selektion Schwarz[C3]
18	849131	Pleuelschraube	4	
19	875243	Halbsch. Bronzebchs. 1,535-1,540	4	Technische Daten: Zeichen rot[RS]
19	875244	Halbsch. Bronzebchs. 1,539-1,544	4	Technische Daten: Zeichen Blau[BS]
20	873689	Kettenspanner re.	1	
21	873690	Kettenspanner li.	1	

Einheit	MOTOR
Code	34.46
Beschreibung	Kurbelwelle - Zylinder
Inspektion	1



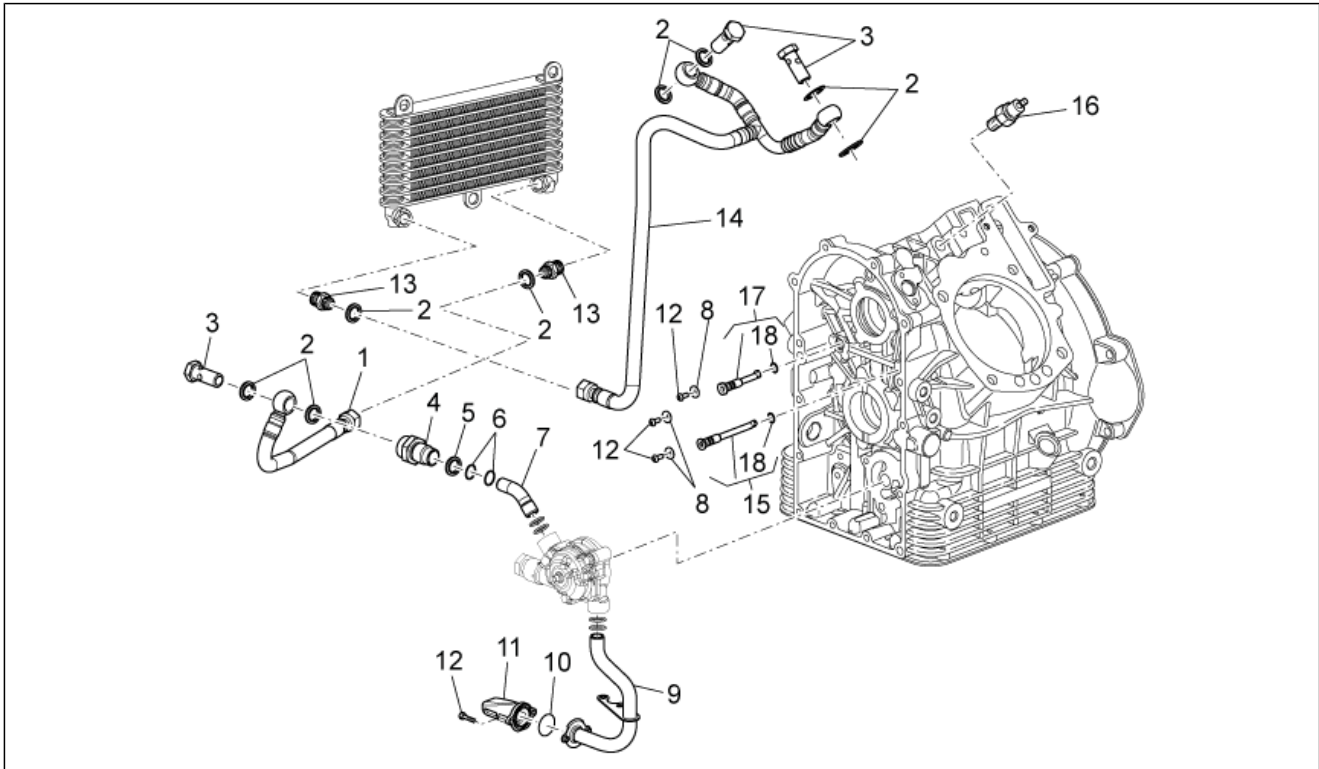
Pos.	Code	Beschreibung	Menge	Varianten
22	976342	Schraube	2	
23	849866	Ausgleichscheibe	2	
24	GU98350310	TBEI Schraube M6x20	2	
25	B015124	Schraube	1	
26	B015126	O-Ring 26.64x2.62	1	

Einheit	MOTOR
Code	34.47
Beschreibung	Steuer
Inspektion	1



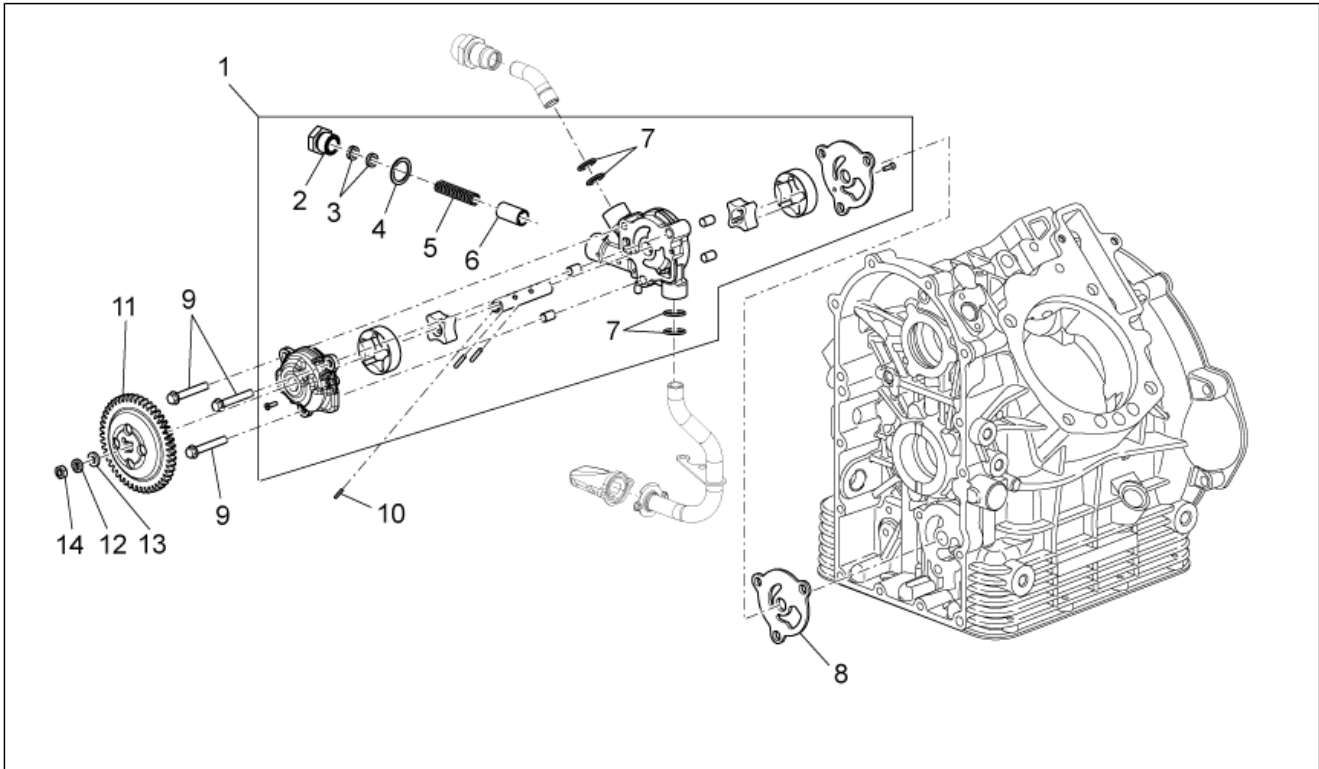
Pos.	Code	Beschreibung	Menge	Varianten
1	976330	Steuer	1	
2	976381	Nadelkaefig 25x32x12	1	
3	976488	O-Ring 37,82x1,78	1	
4	976331	Flansch	1	
5	GU98350315	TBEI Schraube M6x14	2	
6	976355	Kugellager 20x47x18	1	
7	AP8152166	Schraube M6x16	2	
8	873928	Unterlegscheibe	1	
9	976334	Distanzscheibe	1	
10	976538	Wheel speed sensor, LH front	1	
11	874281	Zahnrad Ventilsteuerung	1	
12	GU14433400	Sprengscheibe 19x34x1,5	1	
13	829232	Mutter M18x1,5	1	
14	887044	Lasche 4x5	1	
15	874799	Treibendes Zahnrad	1	
16	976665	Tellerfeder	1	
17	976649	Mutter M25x1,5	1	
18	874280	Treibendes Zahnrad	1	
19	GU91600365	Keil 3x6,5	1	

Einheit	MOTOR
Code	34.48
Beschreibung	Schmierung
Inspektion	1



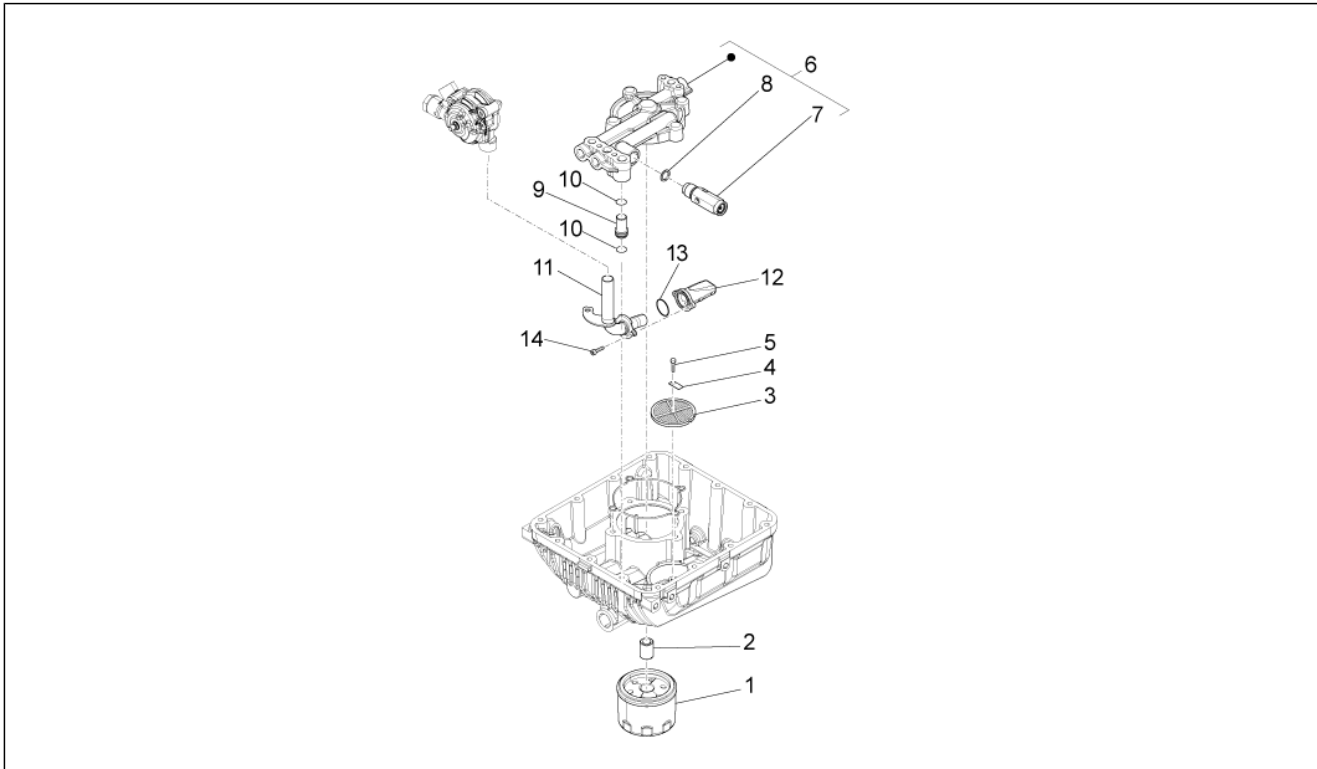
Pos.	Code	Beschreibung	Menge	Varianten
1	874680	Rohr	1	
2	GU01154230	Dichtung	8	
3	874223	Lochschaube	3	
4	874669	Nippel	1	
5	118737	Dichtung	1	
6	434947	O-Ring 12,42x1	2	
7	874646	Ölschlauch	1	
8	013763	Flachscheibe 4,2x12x1	3	
9	B064018	Olansaugrohr	1	
10	969323	O-Ring	1	
11	874655	Ölfiltersatz	1	
12	581957	TBEI Schraube	5	
13	GU01161331	Übersetzung	2	
14	874716	Rohr	1	
15	976680	Linkes Düse	1	
16	641541	Öldrucksensor	1	
17	976681	Rechtes Düse	1	
18	874238	O-Ring	4	

Einheit	MOTOR
Code	34.49
Beschreibung	Ölpumpe
Inspektion	1



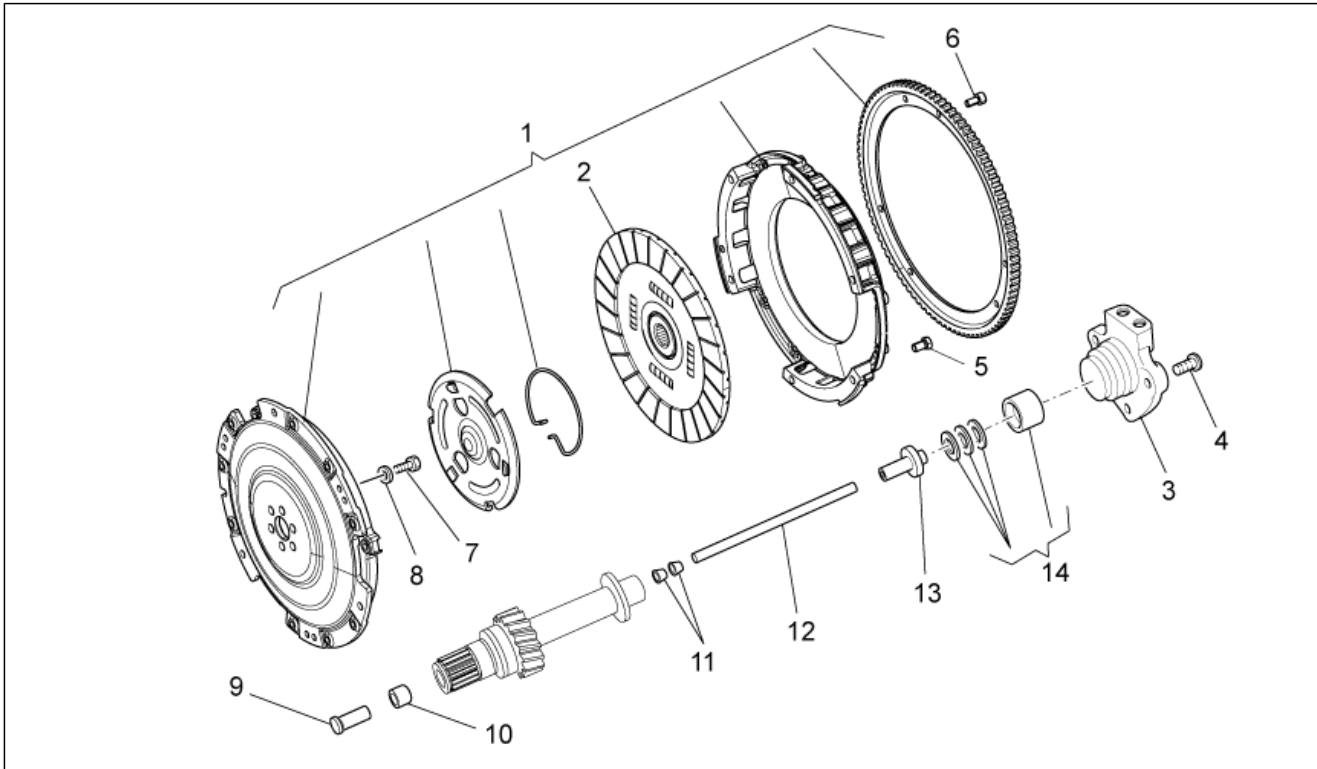
Pos.	Code	Beschreibung	Menge	Varianten
1	874650	Ölpumpe	1	
2	GU31159050	Deckel	1	
3	GU30158900	Ausgleichscheibe	2	
4	GU18144350	Ausgleichscheibe 18,25x24x1	1	
5	829486	Feder	1	
6	829661	Oil pressure valve	1	
7	237553	O-Ring	4	
8	874482	Dichtung	1	
9	414835	Schraube	3	
10	874801	Stift 2x13,8	1	
11	877101	Zahnrad Ölpumpe	1	
12	GU03013800	Ausgleichscheibe 6,4x12	1	
13	GU95005306	Ausgleichscheibe 6,4x13x1,5	1	
14	873906	Mutter unten	1	

Einheit	MOTOR
Code	34.50
Beschreibung	ÖlfILTER
Inspektion	1



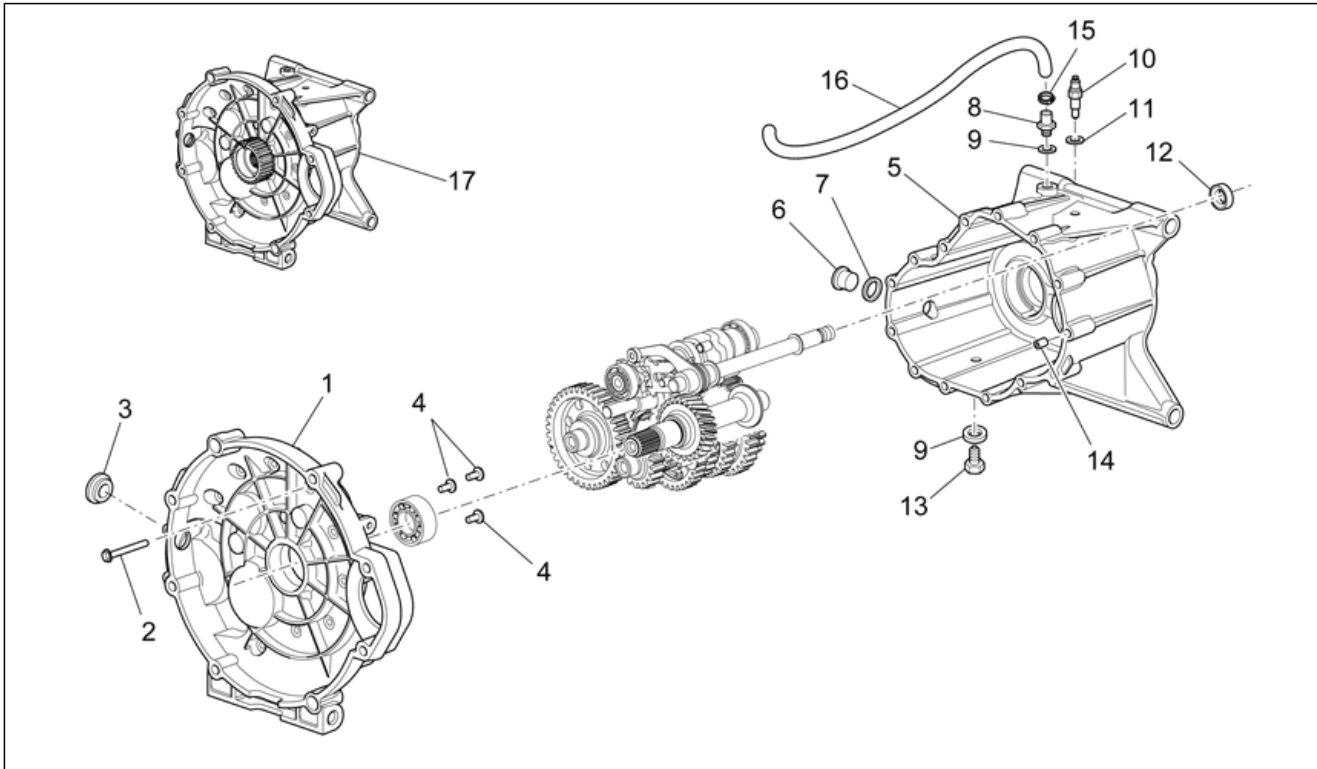
Pos.	Code	Beschreibung	Menge	Varianten
1	B063428	Ölfiltreinsatz	1	
2	829122	ÖlfILTERANSCHLUSS	1	
3	GU19152200	Ölfiltreinsatz	1	
4	GU95187006	Platte	1	
5	GU98084314	Sechskantschraube M6x14	1	
6	B063274	Flansch komplett	1	
7	876486	Öl-druckreglerventil	1	
8	224566	Unterlegscheibe	1	
9	B063934	Ölschlauch	1	
10	B063942	O-Ring 14x3	2	
11	B064018	Olansaugrohr	1	
12	874655	Ölfiltreinsatz	1	
13	969323	O-Ring	1	
14	621914	Schraube	2	

Einheit	MOTOR
Code	34.51
Beschreibung	Kupplung
Inspektion	1



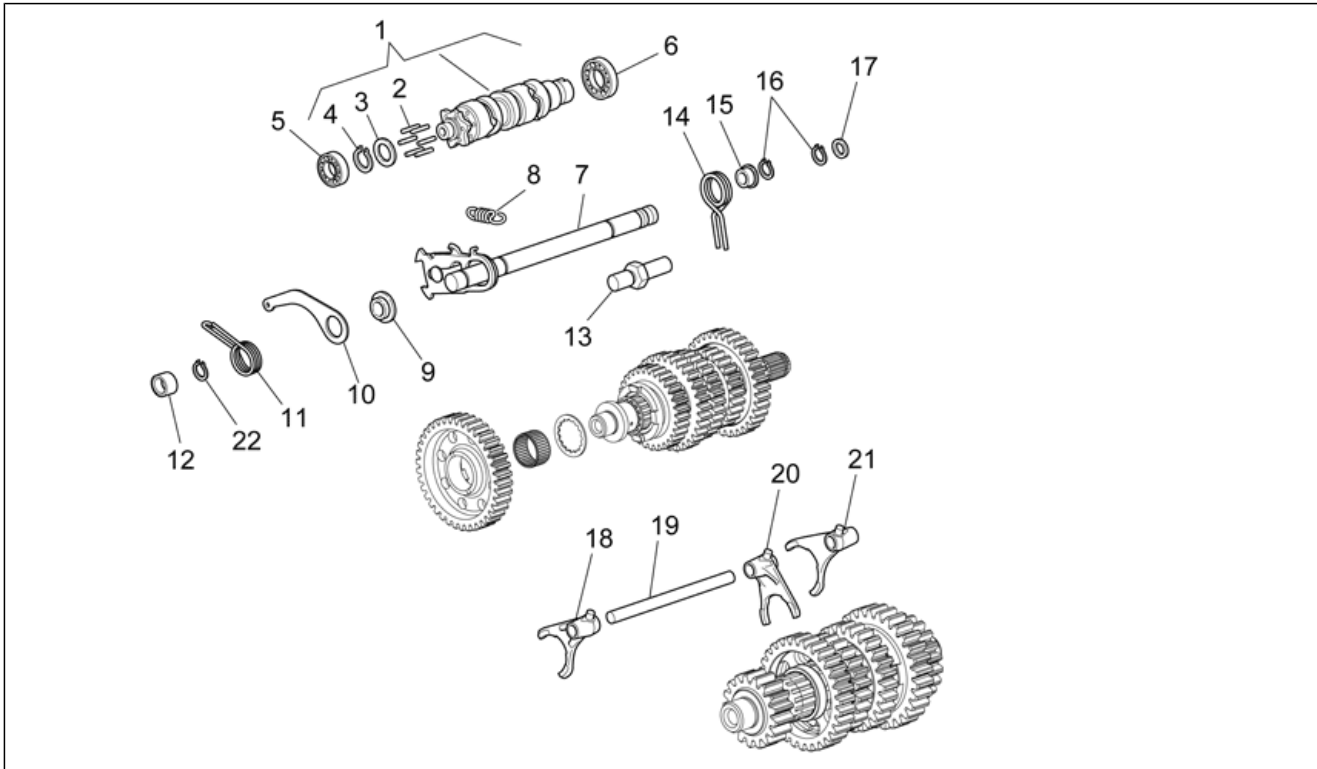
Pos.	Code	Beschreibung	Menge	Varianten
1	976023	Kupplung kplt.	1	
2	976053	Innenlamelle	1	
3	978739	Kupplungszylinder	1	
4	AP8152278	TE Schr. m. Flansch M6x16	3	
5	976535	TCEI Schraube M7x16	6	
6	GU98230612	Schraube	6	
7	976481	TE Schr. m. Flansch M8x25	6	
8	976484	Konische Sprengscheibe 8,2X15	1	
9	976563	Kupplung schließen	1	
10	976564	Buchse	1	
11	GU14085900	Buchse	2	
12	976593	Stange L=mm183	1	Technische Daten: Un taglio d'identificazione[1T]
12	976594	Stange L=mm184,5	1	Technische Daten: Due tagli d'identificazione[2T]
12	976595	Stange L=mm186	1	Technische Daten: Tre tagli d'identificazione[3T]
12	976596	Stange L=mm187,5	1	Technische Daten: Quattro tagli d'identificazione[4T]
12	B0630111	Stange L=mm 1185	1	Technische Daten: Fünf Identifikationstypen[5T]
12	B063012	Stange L=mm 185,5	1	Technische Daten: Sechs Identifikationstypen[6T]
13	B013037	Kupplungswelle	1	
14	976696	Mot.lager set	1	

Einheit	MOTOR
Code	34.52
Beschreibung	Getriebegehäuse
Inspektion	1



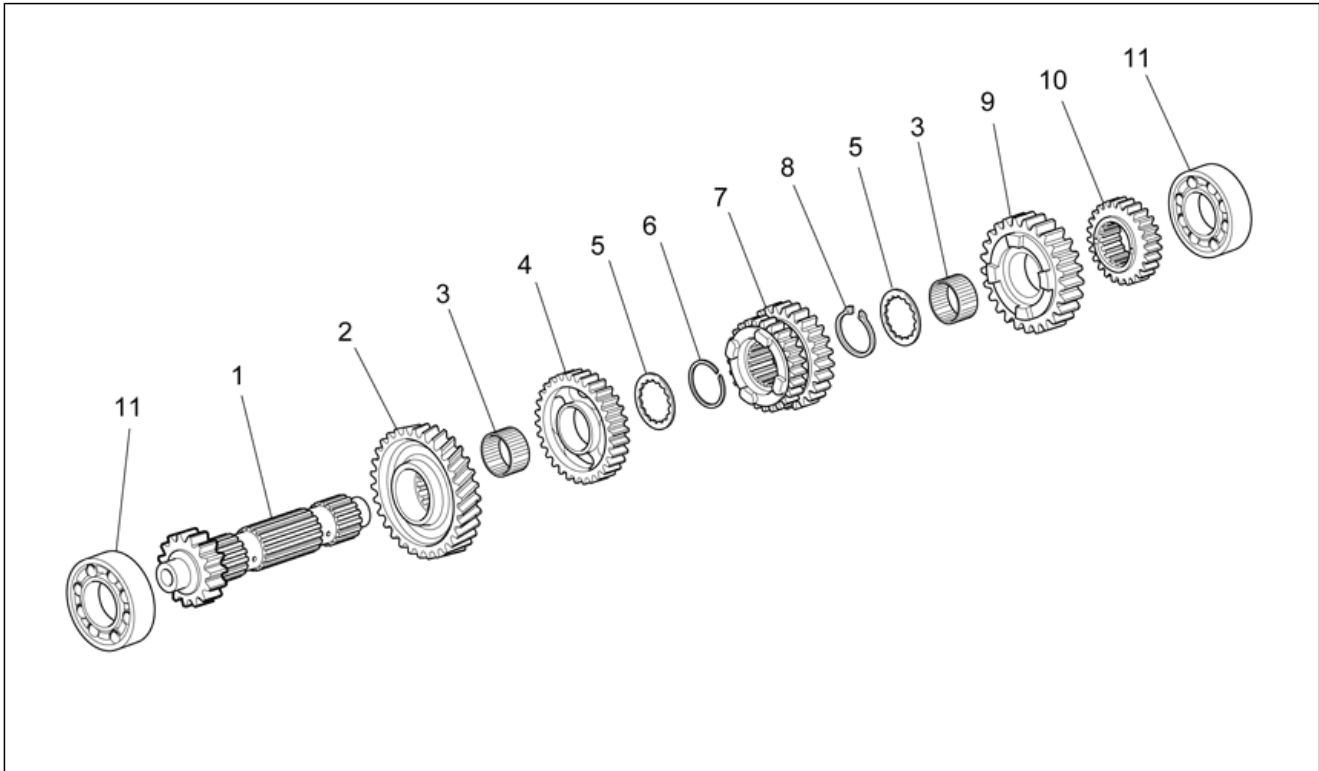
Pos.	Code	Beschreibung	Menge	Varianten
1	976453	Kupplungsglocke nero	1	
2	GU97202355	TE Schr. m. Flansch M6x55	14	
3	GU93180220	Deckel	1	
4	GU98370616	TBEI Schraube M6x16 inox	3	
5	879869	Getriebegehäuse	1	
6	GU95980319	Ölschraube M18x1,5	1	
7	GU18144350	Ausgleichscheibe 18,25x24x1	1	
8	GU05204930	Entlüftungsschraube	1	
9	GU01528930	Dichtung 10x18x1,5	2	
10	GU19207220	Sensor	1	
11	B063025	Dichtung 8,7x14,2x1,3	1	
12	GU90401424	Gasket ring 14x24x7	1	
13	GU31003766	Ölablaßschraube M10x1	1	
14	GU19002020	Buchse 6,6x9x13	2	
15	AP8101595	Schelle D10,1	1	
16	AP8120952	Kraftstoffleitung 5,5x10	1	
17	976934	Schaltgetriebe kpl.	1	

Einheit	MOTOR
Code	34.53
Beschreibung	Schaltgabel
Inspektion	1



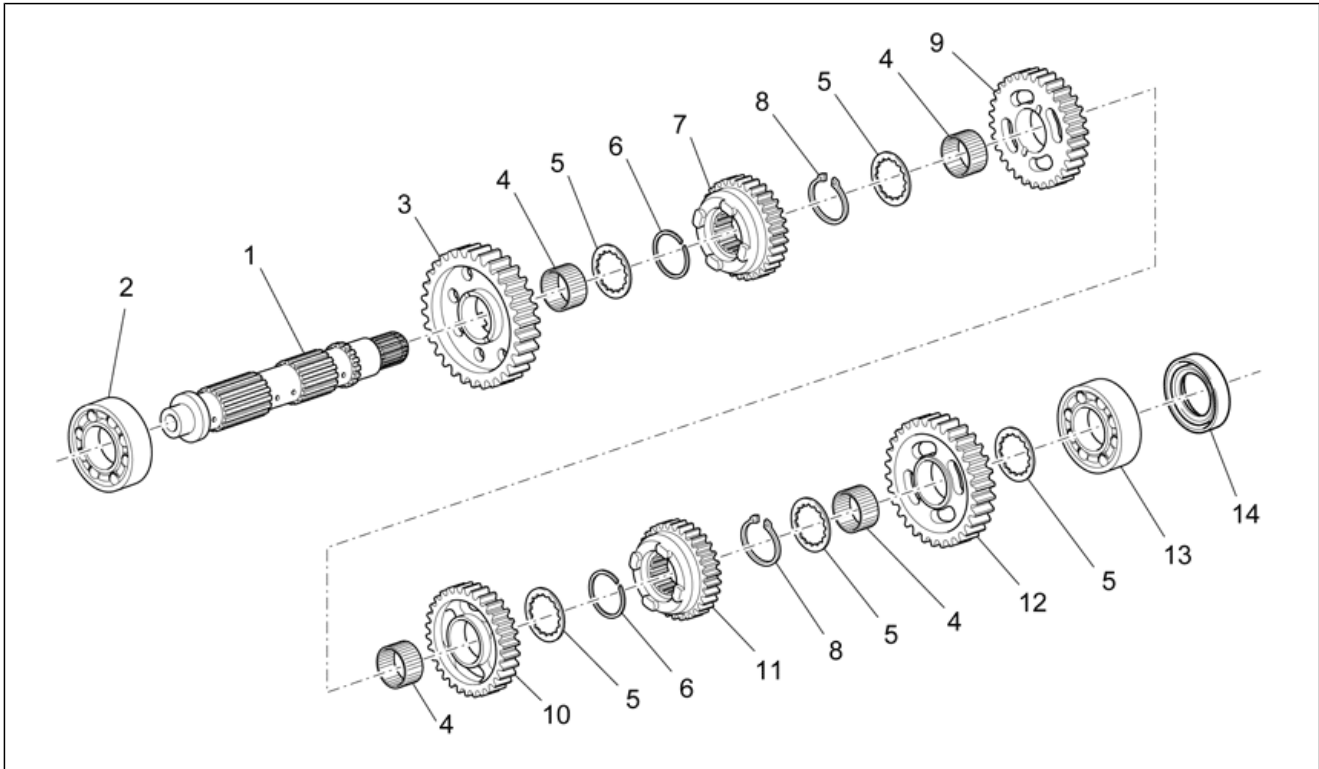
Pos.	Code	Beschreibung	Menge	Varianten
1	GU05234431	Verschiebenocken kplt.	1	
2	GU05234631	Stift	6	
3	GU05235531	Scheibe	1	
4	GU90271022	Seegerring	1	
5	GU92201117	Kugellager 17x35x10	1	
6	GU92201025	Kugellager 25x42x9	1	
7	GU05236231	Schaltautomat	1	
8	GU05238231	Feder	1	
9	GU05238431	Buchse	1	
10	B064112	Indexhebel kplt.	1	
11	B064113	Index feder	1	
12	GU05234230	Distanzscheibe	1	
13	B063905	Befestigungsbolzen	1	
14	B063956	Feder	1	
15	GU05238131	Distanzscheibe	1	
16	GU90271014	Seegerring	2	
17	GU05239330	Anlaufscheibe	1	
18	GU05230531	Schaltgabel 1a-3a	1	
19	GU05232431	Schaltstange	1	
20	GU05232631	Schaltgabel 5a-6a	1	
21	GU05230831	Schaltgabel 2a-4a	1	
22	GU90353014	Seegerring	1	

Einheit	MOTOR
Code	34.54
Beschreibung	Hauptwelle
Inspektion	1



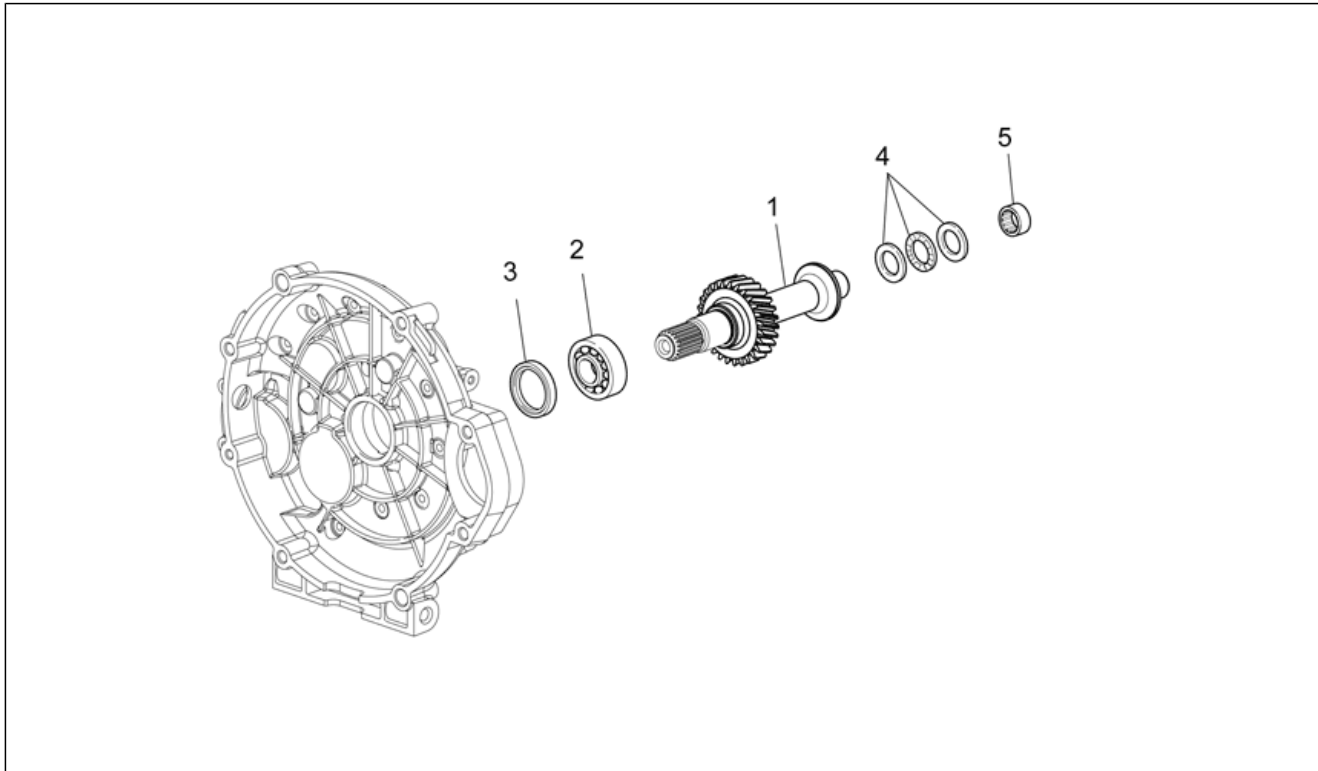
Pos.	Code	Beschreibung	Menge	Varianten
1	GU05210631	Vorgelegewelle Z=17	1	
2	GU05215631	Zahnwerk des Hauptantrieb Z=35	1	
3	GU92252029	Nadelkaefig 26x30x15,6	2	
4	GU05212031	Zahnrad 5a Z=31	1	
5	GU05214630	Bundscheibe	2	
6	GU90271230	Sprengring 30x1,2SW	1	
7	GU05211431	Zahnrad 3a-4a Z=23-26	1	
8	GU90271030	Sprengring 30x27,9	1	
9	GU05212631	Zahnrad 6a Z=29	1	
10	GU05211331	Zahnrad 2a Z=20	1	
11	GU92201822	Kugellager 20x52x15	2	

Einheit	MOTOR
Code	34.55
Beschreibung	Festrad
Inspektion	1



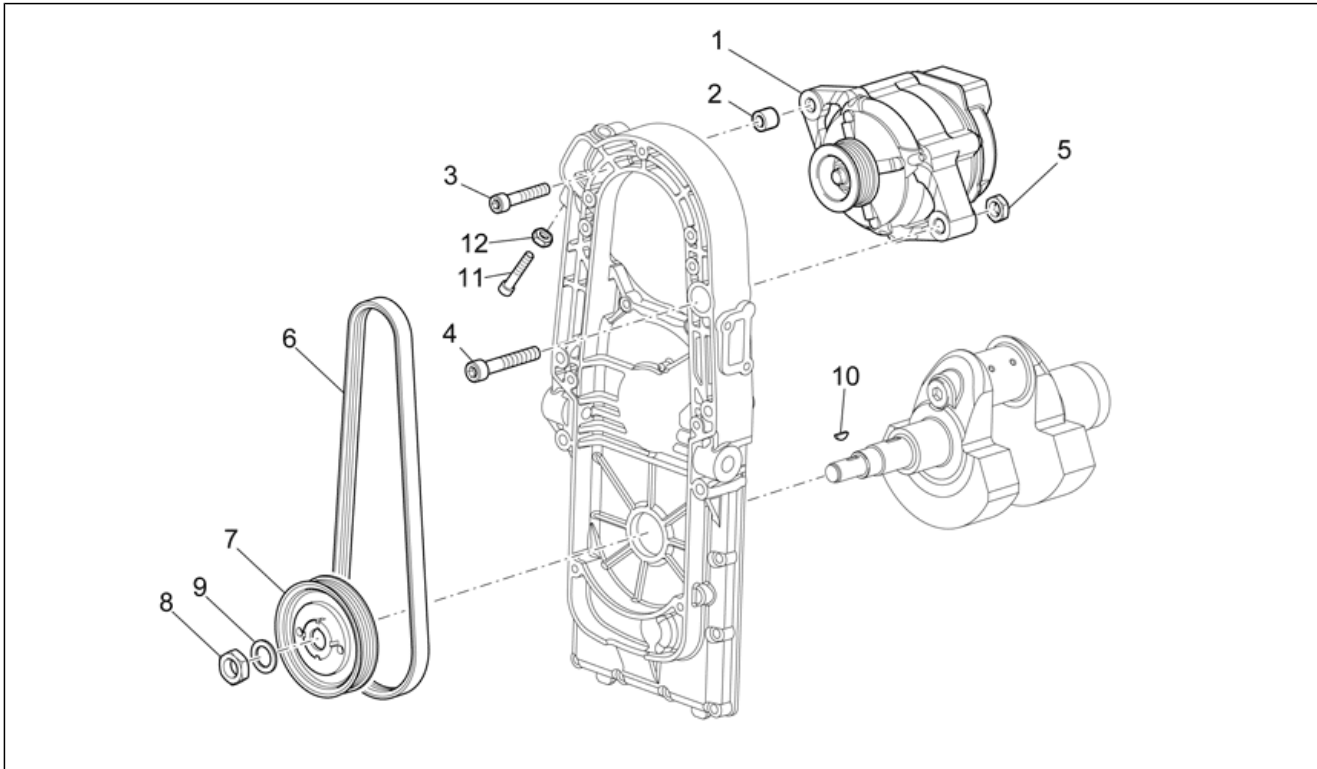
Pos.	Code	Beschreibung	Menge	Varianten
1	GU05213631	Festrad	1	
2	GU92201822	Kugellager 20x52x15	1	
3	GU05214231	Zahnrad 1a Z=38	1	
4	GU92252029	Nadelkaefig 26x30x15,6	4	
5	GU05214630	Bundscheibe	5	
6	GU90271230	Sprengring 30x1,2SW	2	
7	GU05214031	Zahnrad 5a Z=30	1	
8	GU90271030	Sprengring 30x27,9	2	
9	GU05214731	Zahnrad 3a Z=31	1	
10	GU05215031	Zahnrad 4a Z=29	1	
11	GU05220531	Zahnrad 6a Z=25	1	
12	GU05214431	Zahnrad 2a Z=34	1	
13	GU92201226	Kugellager 25x52x15	1	
14	GU90412541	Gasket ring 25X40X7	1	

Einheit	MOTOR
Code	34.56
Beschreibung	Kupplungswelle
Inspektion	1



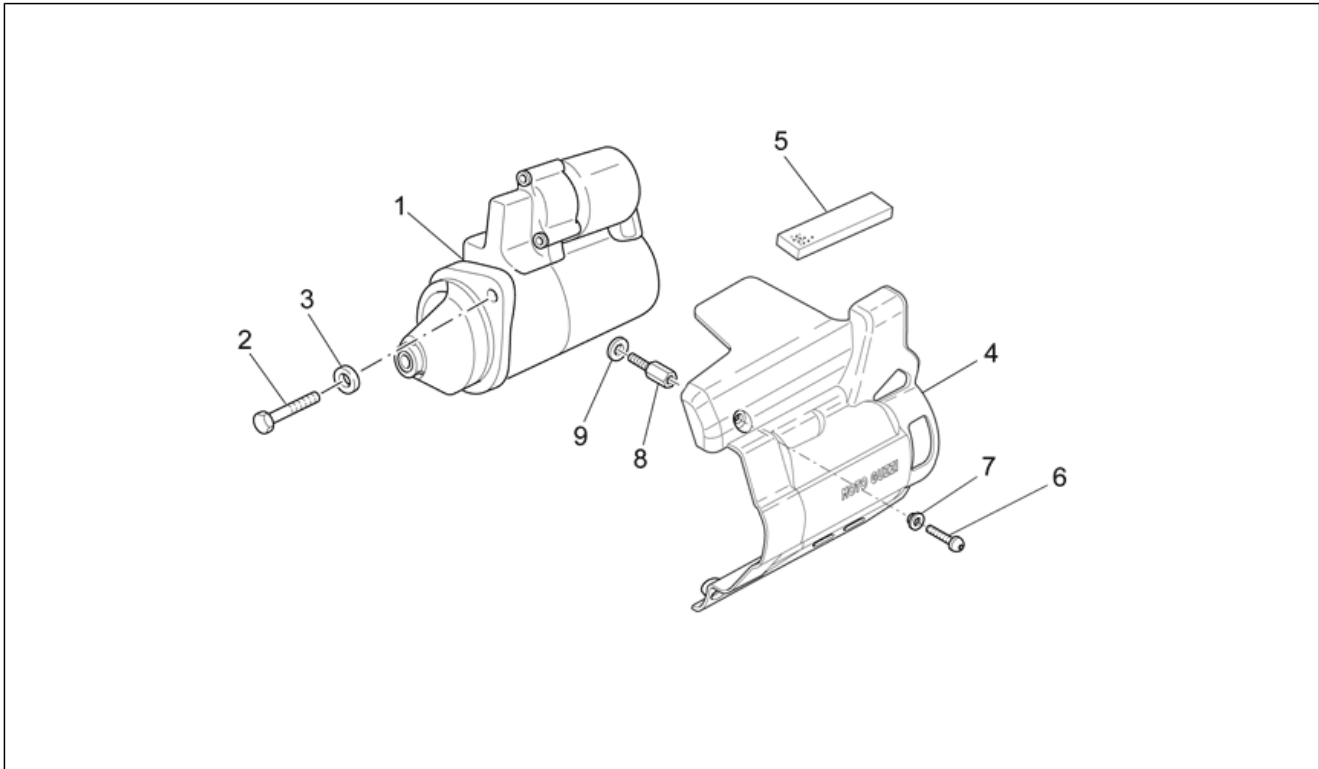
Pos.	Code	Beschreibung	Menge	Varianten
1	976351	Kupplungswelle Z=26	1	
2	GU92201226	Kugellager 25x52x15	1	
3	976533	Gasket ring 25x47x7	1	
4	976532	Drucklager	1	
5	GU92232028	Rollenlager 20x28x13	1	

Einheit	MOTOR
Code	34.57
Beschreibung	Stromgenerator
Inspektion	1



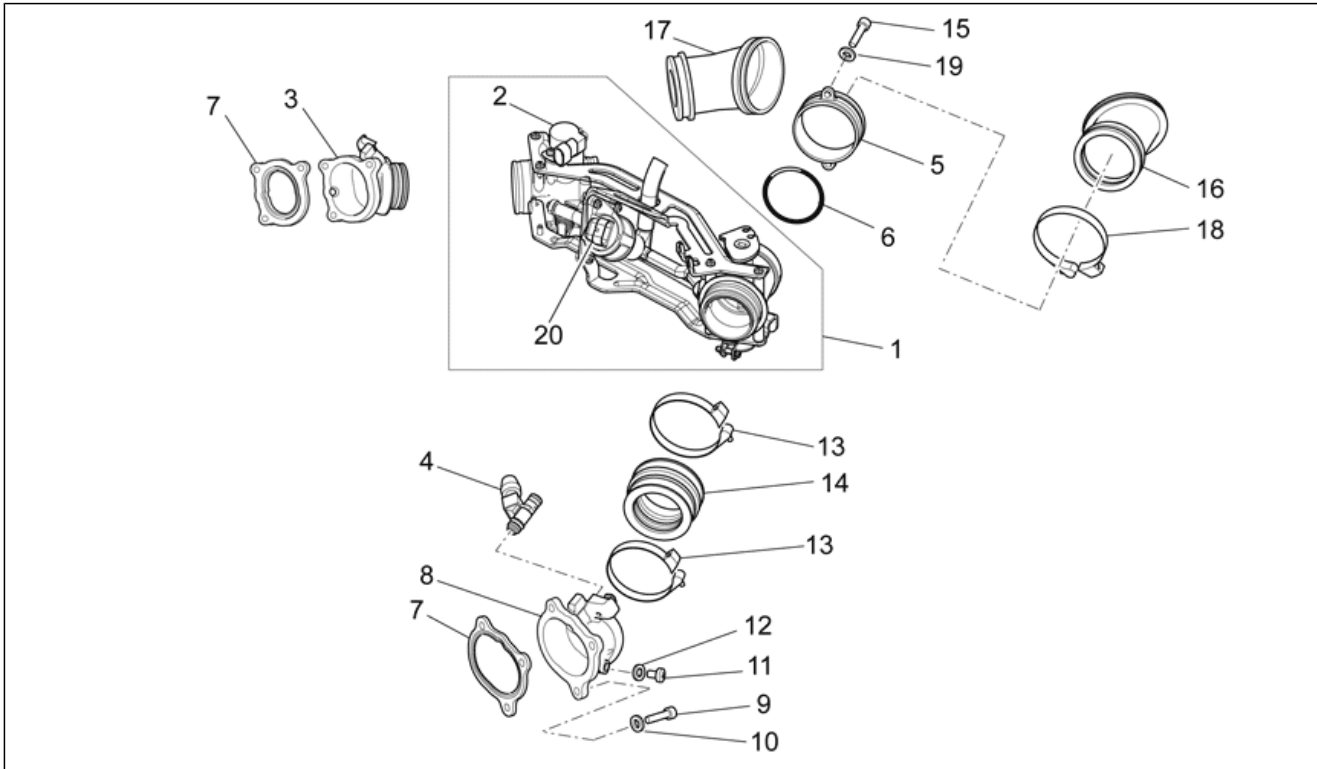
Pos.	Code	Beschreibung	Menge	Varianten
1	GU05712431	Drehstromgenerator	1	
2	GU91180823	Distanzscheibe 8,5x17x13	1	
3	GU98620445	TCEI Schraube M8x45	1	
4	GU98620560	TCEI Schraube M10x60	1	
5	GU92660012	Mutter M10x1,5	1	
6	GU05702530	Riemen	1	
7	GU05701430	Drehstromgenerator enriemensc.	1	
8	GU92606516	Mutter M16	1	
9	GU30714201	Ausgleichscheibe 16,25x24,5x5	1	
10	GU4FAN000030	Keil Schwungmagnet	1	
11	GU98230850	TBEI Schraube M8x50	1	
12	GU92605408	Mutter M8x1,25	1	

Einheit	MOTOR
Code	34.58
Beschreibung	Startermotor
Inspektion	1



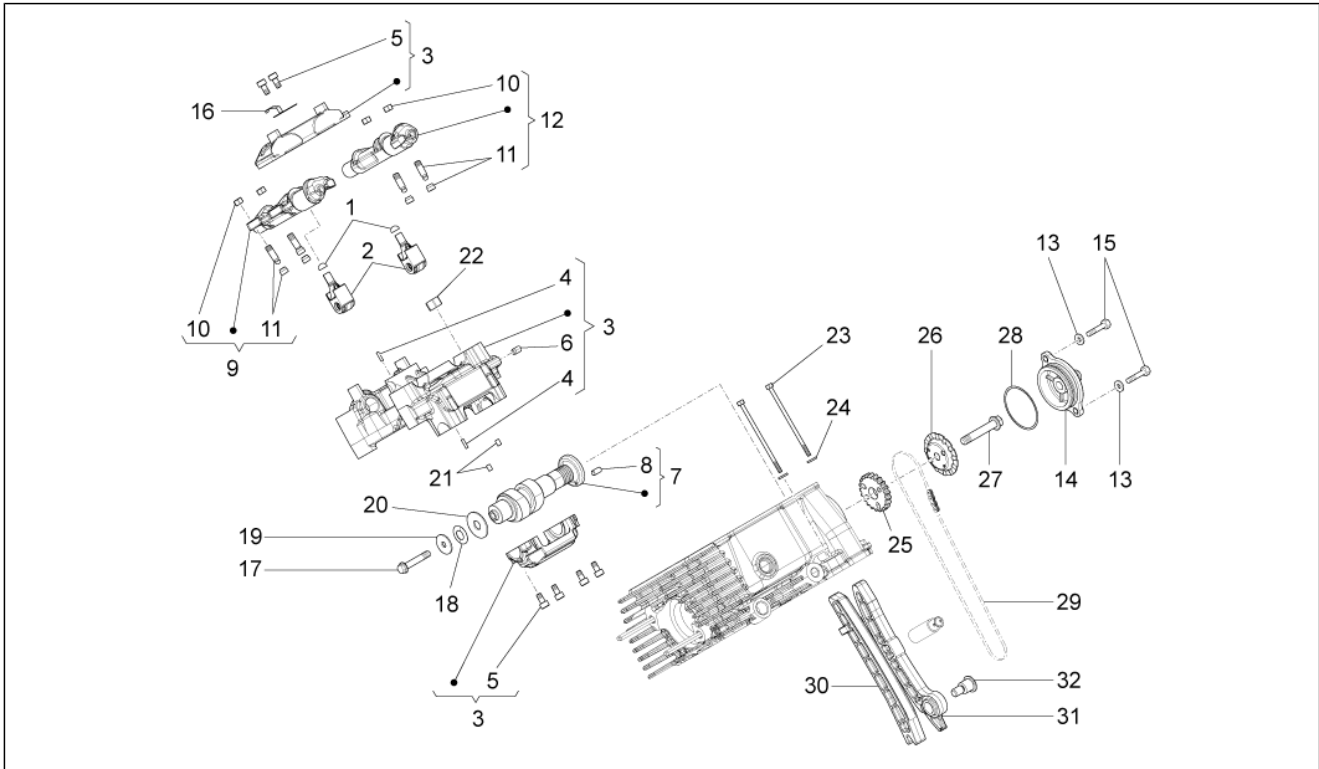
Pos.	Code	Beschreibung	Menge	Varianten
1	GU05730730	Startermotor Bosch	1	
2	GU98082475	Sechskantschraube M8x75	2	
3	GU03270300	Ausgleichscheibe 8,4x15	2	
4	GU05733330	Deckel chrom grau	1	
5	AP8117200	Klebeschwamm	1	
6	GU98370609	TBEI Schraube M6x10	2	
7	AP8121032	Buchse	2	
8	GU03469201	Stiftschraube	1	
9	GU03013800	Ausgleichscheibe 6,4x12	1	

Einheit	MOTOR
Code	34.59
Beschreibung	Klappenkörper
Inspektion	1



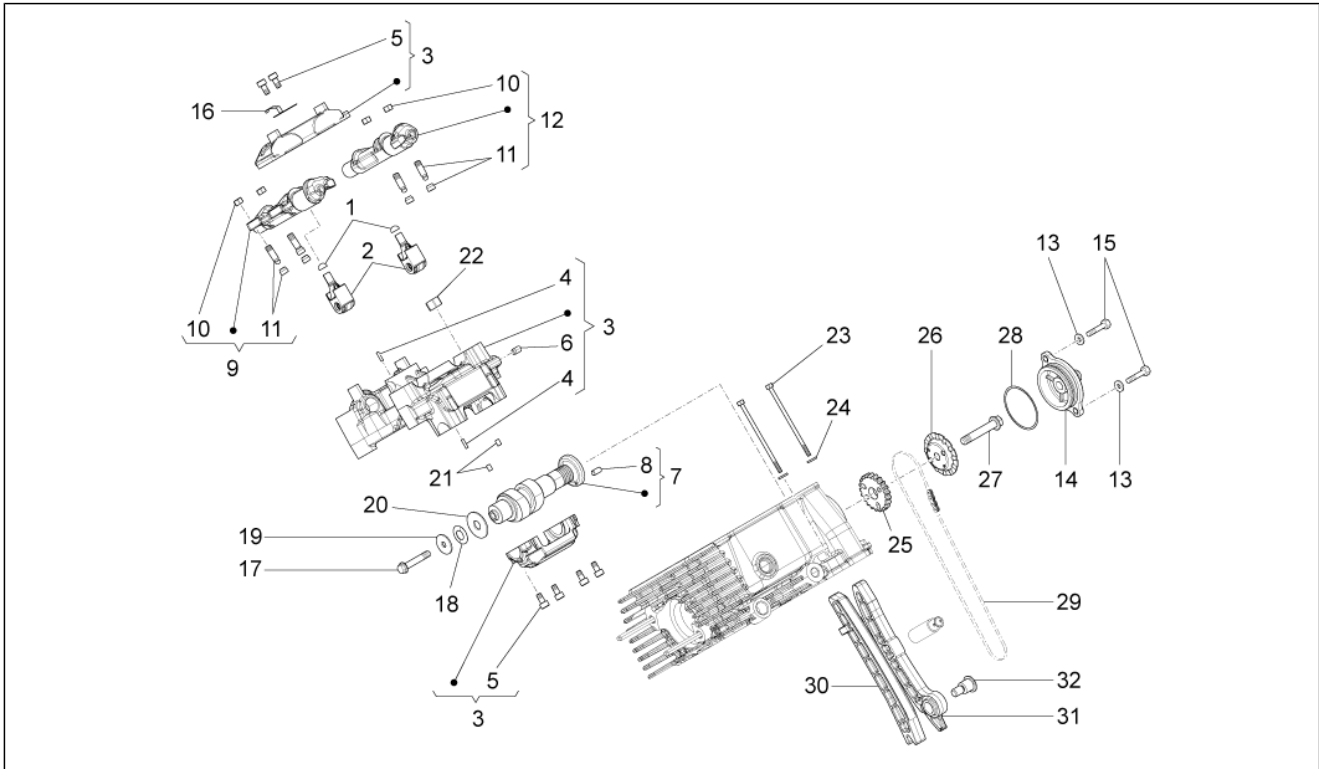
Pos.	Code	Beschreibung	Menge	Varianten
1	873904	Körper mit Drossel, kpl.	1	
2	981010	Potentiometer	1	
3	8798774	Ansaugkrümmer links	1	
4	CM074706	Kompl.Satz.f.Spritzdüsel	2	
5	976498	Flansch	2	
6	976534	O-Ring 56,87x1,78	2	
7	873879	Ansaugsammlerdichtung	2	
8	8798784	Ansaugkrümmer rechts	1	
9	GU98370625	TBEI Schraube	6	
10	GU95008206	Ausgleichscheibe 6,15x11x0,8	6	
11	GU98350310	TBEI Schraube M6x20	2	
12	GU95100116	Ausgleichscheibe 6,25x10x1,5	2	
13	GU93305061	Schelle 61/65,5	4	
14	873861	Hülse	2	
15	GU98682212	TCEI Schraube M5x12	2	
16	976494	Einlaßmuffe links	1	
17	976495	Einlaßmuffe rechts	1	
18	GU12548201	Schelle 62/82 mm	2	
19	GU95008305	Ausgleichscheibe 5,3X10X1	2	
20	981011	Elektromotor Standgaseinstellung	1	

Einheit	MOTOR
Code	34.60
Beschreibung	Recht Zylindersteuer II
Inspektion	1



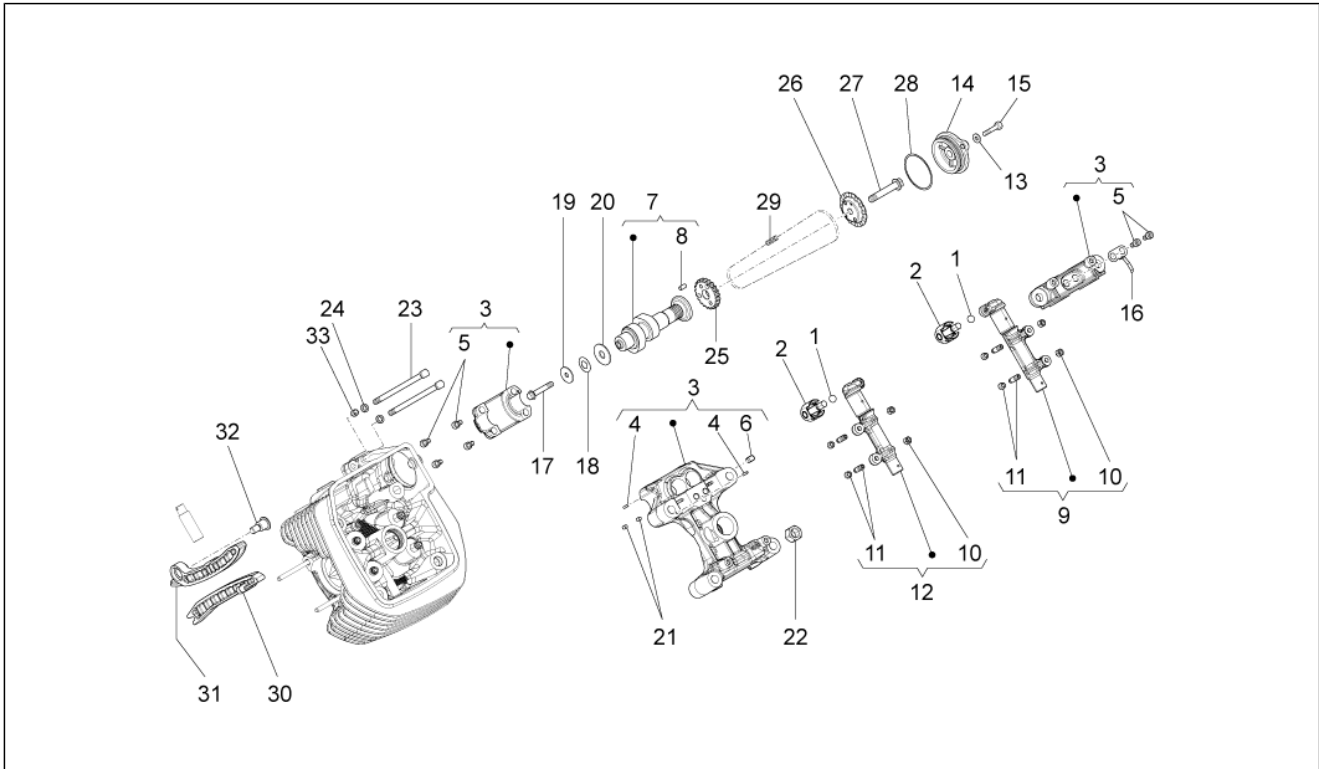
Pos.	Code	Beschreibung	Menge	Varianten
1	878574	Belag	2	
2	B016785	Ventilstängel	2	
3	B017029	Halterung Kipphebelwelle DX	1	
4	872759	Stift D. 2,5	4	
5	015792	Schraube M8x30	6	
6	842360	Verschlußschraube M6x10	1	
7	B014576	Nockenwelle	1	
8	976589	Stift	1	
9	B0136034	Kipphebel Einlass li Auslass re	1	
10	879916	Kipphebel Einstellmutter	4	
11	879707	Einstellschraube	4	
12	B0136054	Kipphebel Einlass re Auslass li	1	
13	GU95129100	Sprengscheibe 5,3X10X0,5	2	
14	B013479	Entlüftungsdeckel kpl.	1	
15	GU98622214	Schraube	2	
16	B013661	Platte	1	
17	414837	TE Schr. m. Flansch M6x25	1	
18	879938	Tellerfeder	1	
19	879936	Abstreifscheibe	1	
20	879937	Abstreifscheibe	1	
21	B013552	Rolle	2	
22	825694	Mutter M10x1,25	8	
23	487444	Flanschschraube M6x120	2	
24	976674	Flachscheibe 12x6,1x2	2	
25	976350	Zahnrad Steuer.	1	
26	874601	Blattöentlüfter	1	
27	1A000425	Flanschschraube	1	
28	880965	Gasket ring 2,62x46,52	0	

Einheit	MOTOR
Code	34.60
Beschreibung	Recht Zylindersteuer II
Inspektion	1



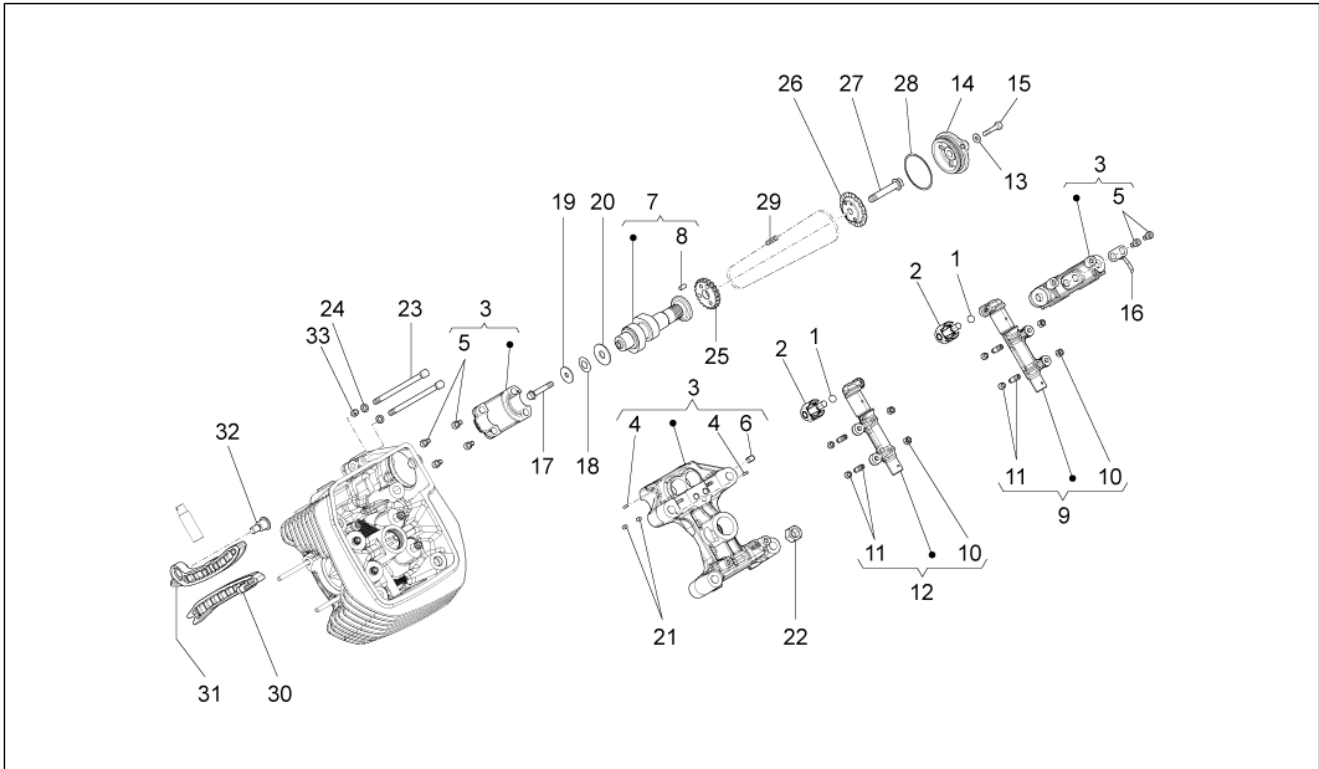
Pos.	Code	Beschreibung	Menge	Varianten
29	976341	Steuerkette	1	
30	976338	Kettengleitführung	1	
31	976337	Kettenspanner Gleitbacke	1	
32	878868	Distanzstückschraube M8	1	

Einheit	MOTOR
Code	34.61
Beschreibung	Links Zylindersteuer II
Inspektion	1



Pos.	Code	Beschreibung	Menge	Varianten
1	878574	Belag	2	
2	B016785	Ventilstängel	2	
3	B017026	Halterung Kipphebelwelle SX	1	
4	872759	Stift D. 2,5	4	
5	015792	Schraube M8x30	6	
6	842360	Verschlußschraube M6x10	1	
7	B014576	Nockenwelle	1	
8	976589	Stift	1	
9	B0136034	Kipphebel Einlass li Auslass re	1	
10	879916	Kipphebel Einstellmutter	4	
11	879707	Einstellschraube	4	
12	B0136054	Kipphebel Einlass re Auslass li	1	
13	GU95129100	Sprengscheibe 5,3X10X0,5	2	
14	B013479	Entlüftungsdeckel kpl.	1	
15	GU98622214	Schraube	2	
16	B013661	Platte	1	
17	414837	TE Schr. m. Flansch M6x25	1	
18	879938	Tellerfeder	1	
19	879936	Abstreifscheibe	1	
20	879937	Abstreifscheibe	1	
21	B013552	Rolle	2	
22	833520	Mutter M10X1,25 6H	4	
23	487444	Flanschschraube M6x120	2	
24	976674	Flachscheibe 12x6,1x2	2	
25	976350	Zahnrad Steuer.	1	
26	874601	Blattöentlüfter	1	
27	1A000425	Flanschschraube	1	
28	880965	Gasket ring 2,62x46,52	1	

Einheit	MOTOR
Code	34.61
Beschreibung	Links Zylindersteuer II
Inspektion	1



Pos.	Code	Beschreibung	Menge	Varianten
29	976341	Steuerkette	1	
30	976338	Kettengleitführung	1	
31	976337	Kettenspanner Gleitbacke	1	
32	878868	Distanzstückschraube M8	1	
33	244585	Distanzscheibe	1	