



PIAGGIO & C.s.p.a.



ERSATZTEILKATALOG



Norge 1200 IE 8V Polizia Stradale 2014

Vorsatzcode Fahrgestell: ZGULPS03

Vorsatzcode Motor:

NORGE

GU111



Inhaltsverzeichnis

Fertige Produkte.....	4
Alphanumerisches Verzeichnis.....	5
RAHMEN.....	11
Tafel 33.01 - Rahmen I.....	11
Tafel 33.02 - Rahmen II.....	12
Tafel 33.03 - Hauptständer.....	13
Tafel 33.04 - Fussrasten I.....	14
Tafel 33.05 - Fussrasten II.....	15
Tafel 33.06 - Schalthebel.....	16
Tafel 33.07 - Lenkung.....	17
Tafel 33.08 - Vorderradgabel.....	18
Tafel 33.09 - Schwinge.....	19
Tafel 33.10 - Getriebe kpl.....	20
Tafel 33.11 - Getriebe kpl.-Häuse.....	21
Tafel 33.12 - Getriebe kpl.-Teilerradsatz.....	22
Tafel 33.13 - Pleuelstange und Stoßdämpfer.....	23
Tafel 33.14 - Kraftstofftank.....	24
Tafel 33.16 - Frontaufbau I.....	25
Tafel 33.17 - Frontaufbau II.....	26
Tafel 33.18 - Windschutzscheibe II.....	27
Tafel 33.19 - Windschutzscheibe I.....	28
Tafel 33.20 - Mittlerer Aufbau.....	29
Tafel 33.22 - Vorderes Schutzblech.....	31
Tafel 33.23 - Sitz-Mittlerer aufbau.....	32
Tafel 33.24 - R.Kar. - Sch.bl.....	33
Tafel 33.25 - R.Kar. - R.verkl.....	34
Tafel 33.29 - Instrumententafel.....	35
Tafel 33.31 - Lenkstange - Schaltungen.....	36
Tafel 33.32 - Vorderradbrenspumpe.....	37
Tafel 33.33 - Kupplung schalt. kpl.....	38
Tafel 33.34 - Ölkühler.....	39
Tafel 33.35 - Anlage Blow-by.....	40
Tafel 33.36 - Einspeisung.....	41
Tafel 33.37 - Filtergehäuse.....	42
Tafel 33.38 - Auslassgruppe.....	43
Tafel 33.39 - Benzinpumpe int.....	44
Tafel 33.40 - Vorderrad.....	45
Tafel 33.41 - Vorderradbrenszange.....	46
Tafel 33.42 - Hinterrad.....	47
Tafel 33.43 - Hinterradbrenspumpe.....	48
Tafel 33.44 - Hinterradbrenszange.....	50
Tafel 33.45 - Bremsanlage ABS.....	51
Tafel 33.46 - Frontscheinwerfer/Hupe.....	52



Tafel 33.47 - Rücklicht.....	53
Tafel 33.48 - Elektrische anlage I.....	54
Tafel 33.49 - Elektrische anlage II.....	56
Tafel 33.50 - Bausatz Schlösser.....	57
Tafel 33.51 - Aufkleber-Deko.....	58
Tafel 33.72 - Side cases.....	59
Tafel 33.77 - Police ausiliary Electrical system.....	60
Tafel 33.78 - Police special equipment.....	61
MOTOR.....	62
Tafel 34.52 - Gehäuse.....	62
Tafel 34.53 - Zylinderkopf und Ventile.....	64
Tafel 34.54 - Kurbelwelle - Zylinder.....	65
Tafel 34.55 - Steuer.....	67
Tafel 34.56 - Ölpumpe.....	68
Tafel 34.57 - Ölfilter.....	69
Tafel 34.58 - Kupplung.....	70
Tafel 34.59 - Getriebegehäuse.....	71
Tafel 34.60 - Schaltgabel.....	72
Tafel 34.61 - Hauptwelle.....	73
Tafel 34.62 - Festrad.....	74
Tafel 34.63 - Kupplungswelle.....	75
Tafel 34.64 - Stromgenerator.....	76
Tafel 34.65 - Startermotor.....	77
Tafel 34.66 - Klappenkörper.....	78
Tafel 34.67 - Gehäuse II.....	79
Tafel 34.68 - Kopfdeckel.....	80
Tafel 34.73 - Schmierung.....	81
Tafel 34.74 - Recht Zylindersteuer II.....	82
Tafel 34.75 - Links Zylindersteuer II.....	84



NORGE
GU111 -

Vorsatzcode Fahrgestell: ZGULPS03
Vorsatzcode Motor:

Fertige Produkte

Code	Gültigkeit
GU9032735EUB00	
GU9032735EUD03	



NORGE
GU111 -

Vorsatzcode Fahrgestell: ZGULPS03
Vorsatzcode Motor:

Code	Nr. der Tafel	Pos.	Code	Nr. der Tafel	Pos.	Code	Nr. der Tafel	Pos.
003056	33.19	17	598839	33.37	20	874281	34.55	11
006966	33.18	18	598839	33.40	19	874286	34.54	7
006976	33.19	19	598839	33.42	14	874287	34.54	4
013763	34.73	8	598839	33.43	12	874288	34.54	5
013880	33.19	18	598839	34.58	4	874289	34.54	6
015792	34.74	5	620365	33.18	19	874293	34.54	15
015792	34.75	5	621914	34.73	12	874482	34.56	8
015935	34.52	34	639542	33.03	12	874567	34.54	8
018639	33.19	3	639687	33.48	15	874601	34.74	26
177408	34.67	8	640468	33.19	9	874601	34.75	26
180379	33.07	20	642077	34.73	22	874621	34.54	12
231908	33.19	11	642221	33.48	14	874622	34.54	12
237553	34.56	7	642243	33.48	13	874645	34.73	9
244585	34.75	33	653027	33.18	3	874646	34.73	7
248419	33.16	2	653028	33.18	6	8746505	34.56	1
248419	33.78	10	653156	33.18	8	874655	34.73	11
259658	33.18	13	653157	33.18	7	874669	34.73	4
271695	33.18	12	654172	33.19	6	874801	34.56	10
274369	33.18	10	654174	33.19	14	874980	34.52	26
274369	33.19	12	654175	33.19	16	875243	34.54	19
285846	34.53	8	655461	33.19	2	875244	34.54	19
292022	33.46	4	655463	33.19	1	877101	34.56	11
292022	33.47	14	655465	33.19	8	877820	34.57	6
294278	33.46	3	655467	33.18	2	8783390001	34.54	17
2B000540	33.78	1	655679	33.19	5	8783390002	34.54	17
2B000787000YA1	33.72	1	825597	34.53	11	8783390003	34.54	17
2B000788000YA1	33.72	2	825597	34.54	11	878574	34.74	1
2B000789	33.78	2	825597	34.67	4	878574	34.75	1
2B000790	33.31	26	827018	34.53	10	8787074	34.55	15
2B000807	33.72	3	829122	34.57	2	878868	34.74	32
2B000808	33.72	4	829232	34.55	13	878868	34.75	32
2B000809	33.72	5	829486	34.56	5	879404	34.54	25
2B000814	33.72	6	829661	34.56	6	879405	34.54	26
2B000815	33.72	7	833520	34.74	22	879707	34.74	11
2B000816	33.78	5	833520	34.75	22	879707	34.75	11
2B000817	33.78	6	840542	33.18	9	879865	34.53	1
2B000818	33.78	4	840542	33.19	13	879869	34.59	5
2B000860	33.29	10	842360	34.74	6	879871	34.59	1
2B000862	33.18	5	842360	34.75	6	879872	34.52	16
2B000864	33.50	8	843060	34.74	27	879874	34.52	18
2B000867000YA1	33.78	11	843060	34.75	27	879876	34.67	1
2B0010545	33.25	11	847180	33.48	17	879877	34.66	8
2D000017	33.39	1	849131	34.54	18	879878	34.66	3
2D000076	33.77	1	849866	34.54	23	879916	34.74	10
2D000077	33.77	2	853215	33.07	17	879916	34.75	10
2D000083	33.78	21	872695	34.53	3	879930	34.53	2
2H000489	33.51	8	872696	34.53	4	879936	34.74	19
411209	34.52	2	872740	34.68	14	879936	34.75	19
414835	34.56	9	872741	34.68	11	879937	34.74	20
414837	34.74	17	872742	34.68	7	879937	34.75	20
414837	34.75	17	872759	34.74	4	879938	34.74	18
434947	34.73	6	872759	34.75	4	879938	34.75	18
436438	34.53	6	873626	34.68	9	879975	34.68	3
479175	33.18	17	873654	34.68	13	879987	34.68	8
479882	33.17	9	873667	34.54	2	880123	34.68	10
487444	34.74	23	873689	34.54	20	880124	34.68	1
487444	34.75	23	873690	34.54	21	880127	34.68	15
487567	34.66	25	873861	34.66	14	880270	34.66	1
487665	33.19	10	873879	34.66	7	880398	34.52	1
560110	34.52	10	873906	34.56	14	880965	34.74	28
576565	33.18	4	873928	34.55	8	880965	34.75	28
580141	33.46	2	874126	34.53	9	883045	33.10	7
581957	33.29	6	874127	34.53	5	883046	33.10	2
584332	33.46	8	874134	34.52	33	883079	33.38	20
584332	33.47	10	874223	34.73	3	883144	34.52	24
584344	33.38	12	874238	34.73	18	883242	33.03	1
584509	33.49	14	874280	34.55	18	883251	33.03	7



NORGE
GU111 -

Vorsatzcode Fahrgestell: ZGULPS03
Vorsatzcode Motor:

Code	Nr. der Tafel	Pos.	Code	Nr. der Tafel	Pos.	Code	Nr. der Tafel	Pos.
883274	33.03	6	88423900YA1	33.78	16	969323	34.73	10
883275	33.36	3	884240	33.78	12	976053	34.58	2
883314	33.47	1	884241	33.78	9	976177	34.61	4
883315	34.66	17	884247	33.17	1	976178	34.62	7
883316	34.66	16	88424700YA1	33.17	1	976179	34.61	9
883486	33.78	14	884248	33.17	2	976180	34.62	11
883493	34.68	4	88424800YA1	33.17	2	976304	34.54	10
883495	33.35	1	884249	33.17	4	976311	34.54	12
883496	33.23	5	884250	33.17	3	976312	34.54	9
88349600YA1	33.23	5	884251	33.16	1	976330	34.55	1
883499	33.35	5	88425100YA1	33.16	1	976331	34.55	4
883500	33.35	6	884268	33.77	3	976334	34.55	9
883518	33.20	11	884269	33.72	8	976337	34.74	31
88351800YA1	33.20	11	884277	33.20	15	976337	34.75	31
883519	33.20	12	884278	33.20	16	976338	34.74	30
88351900YA1	33.20	12	884288	33.03	10	976338	34.75	30
883520	33.20	18	884305	33.77	6	976341	34.74	29
883521	33.20	19	884352	33.38	25	976341	34.75	29
883522	33.51	1	886122	34.73	14	976342	34.54	22
883523	33.51	5	886123	33.34	1	976350	34.74	25
883526	33.17	16	886160	33.31	11	976350	34.75	25
88352600YA1	33.17	16	886166	33.45	3	976352	34.63	1
883539	33.51	6	886209	33.48	1	976355	34.55	6
8835411	33.38	16	886209	33.49	1	976376	33.38	3
883567	33.29	1	886229	33.31	5	976381	34.55	2
883629	33.20	27	886235	33.34	8	976478	34.67	9
883630	33.20	26	886239	33.51	9	976481	34.58	7
883682	33.24	3	886255	34.64	1	976484	34.58	8
883720	33.29	8	886340	33.51	4	976488	34.55	3
883744	33.02	1	886594	33.34	2	976498	34.66	5
883747	33.17	19	886632	33.31	14	976521	33.38	15
883751	33.46	14	886633	33.31	15	976522	33.38	7
883790	33.18	11	886776	33.48	30	976523	33.38	8
883795	33.19	7	887097	33.38	9	976532	34.63	4
883799	33.48	27	887209	34.66	24	976533	34.63	3
883810	33.18	1	887214	33.38	1	976535	34.58	5
883816	33.46	1	887215	33.38	2	976538	34.55	10
883818	33.49	2	887426	33.17	17	976554	34.67	5
883819	33.49	3	887696	33.45	4	976556	33.48	22
883820	33.48	2	890517	33.02	4	976559	34.68	12
883838	33.45	1	890517	33.23	3	976560	34.68	6
883839	33.45	2	890721	33.35	3	976564	34.58	10
883840	33.45	5	890721	33.43	28	976566	34.66	6
883841	33.45	6	890979	33.46	11	976570	33.10	1
883843	33.38	24	895033	33.40	14	976581	33.12	1
883853	33.41	1	895481	33.49	16	976589	34.74	8
883854	33.41	2	896011	33.40	15	976589	34.75	8
883855	33.13	1	896012	33.40	6	976591	34.68	2
883864	33.24	1	896540	34.66	20	976592	34.73	5
883883	33.40	1	896544	33.14	14	976593	34.58	12
883886	33.42	1	896544	33.24	14	976594	34.58	12
883889	33.20	3	896544	34.59	16	976595	34.58	12
88388900YA1	33.20	3	897580	33.29	11	976596	34.58	12
883890	33.20	1	897582	33.29	2	976597	34.73	19
88389000YA1	33.20	1	897585	33.29	9	976635	34.57	8
883891	33.20	2	897599	34.73	1	976636	34.57	7
883946	33.20	20	897671	33.07	1	976649	34.55	17
883947	33.20	21	897771	33.42	8	976665	34.55	16
883966	33.09	3	898050	33.34	9	976674	34.74	24
884033	33.43	24	898051	33.20	9	976674	34.75	24
884169	33.03	2	898128	33.31	9	976680	34.73	15
884183	33.01	3	898129	33.31	1	976681	34.73	17
884184	33.01	2	898244	33.34	12	976695	34.58	1
884187	33.01	1	898245	33.07	18	976696	34.58	14
884219	33.78	11	898254	33.20	28	976703	34.52	19
884237	33.78	13	898368	33.04	4	976976	34.59	17
88423800YA1	33.78	15	898401	33.07	16	9769885	34.52	30



Code	Nr. der Tafel	Pos.	Code	Nr. der Tafel	Pos.	Code	Nr. der Tafel	Pos.
977041	33.43	14	AP8102502	33.23	12	AP8123655	33.08	9
977056	33.42	10	AP8102520	33.35	4	AP8124768	33.49	13
977080	33.03	11	AP8102523	33.23	11	AP8124936	33.48	26
977119	33.17	14	AP8102524	33.03	17	AP8124976	33.47	6
977121	33.17	13	AP8102913	33.23	8	AP8125773	33.40	4
977125	33.17	10	AP8102914	33.23	7	AP8125777	33.40	3
977126	33.17	11	AP8104211	33.37	2	AP8125779	33.40	5
977619	33.20	13	AP8104451	33.14	15	AP8125791	33.40	9
977623	33.20	14	AP8104572	33.31	7	AP8127469	33.40	18
977628	33.31	19	AP8104666	33.14	13	AP8127552	33.47	9
977629	33.31	20	AP8104921	33.31	16	AP8128189	33.40	16
977638	33.19	4	AP8104922	33.31	8	AP8133594	33.33	8
977644	33.18	20	AP8110066	33.13	5	AP8133614	33.41	3
977645	33.18	21	AP8110068	33.13	6	AP8133945	33.41	4
977740	33.31	21	AP8110077	33.07	8	AP8133945	33.45	9
977809	33.01	7	AP8112811	33.49	9	AP8134378	33.38	18
977906	33.31	12	AP8112996	33.43	27	AP8134448	33.24	8
977918	33.50	6	AP8113003	33.45	7	AP8134838	33.04	9
977993	33.78	17	AP8113004	33.33	9	AP8135608	33.13	8
978074	33.23	16	AP8113004	33.45	8	AP8135924	33.13	4
978123	33.23	1	AP8113070	33.45	10	AP8144007	33.06	7
978220	33.50	5	AP8113288	33.43	3	AP8144007	33.43	25
978350	33.09	1	AP8113594	33.43	2	AP8144030	33.03	21
978392	33.11	17	AP8113993	33.32	5	AP8144038	33.37	16
978427	33.46	6	AP8113993	33.33	4	AP8144046	33.49	15
978428	33.46	5	AP8113995	33.32	3	AP8144071	33.38	19
978571	33.46	7	AP8113997	33.33	5	AP8144164	33.37	7
978606	33.32	1	AP8113998	33.33	6	AP8144553	33.49	7
978607	33.33	1	AP8117200	33.49	5	AP8144565	33.18	14
978739	34.58	3	AP8120030	33.02	6	AP8144565	33.29	7
978854	34.73	16	AP8120030	33.20	29	AP8145034	33.04	6
978882	33.51	10	AP8120030	33.34	4	AP8145035	33.04	8
981007	34.54	13	AP8120030	33.37	12	AP8150046	33.05	12
981008	34.54	1	AP8120030	33.45	11	AP8150046	33.38	17
981009	34.54	3	AP8120030	33.48	5	AP8150046	34.67	10
981010	34.66	2	AP8120177	33.49	6	AP8150210	33.31	24
981046	33.33	2	AP8120178	33.43	13	AP8150248	33.34	7
981050	33.32	2	AP8120405	33.20	17	AP8150252	33.34	11
981084	33.08	15	AP8120405	33.47	4	AP8150255	33.29	4
981085	33.08	20	AP8120428	33.37	19	AP8150292	33.03	22
981087	33.50	7	AP8120455	33.25	8	AP8150292	33.13	13
981115	34.57	15	AP8120485	33.12	7	AP8150324	33.20	5
981154	33.08	1	AP8120594	33.20	4	AP8150421	33.37	13
981155	33.08	12	AP8120615	33.37	4	AP8150432	33.01	11
981156	33.08	2	AP8120876	33.37	18	AP8150450	33.17	5
981158	33.08	19	AP8120912	33.06	3	AP8150462	33.06	5
981159	33.08	26	AP8120912	33.43	20	AP8150462	33.43	22
AP4ADN000007	34.52	20	AP8120965	33.14	11	AP8150493	33.46	10
AP8101586	33.35	8	AP8120965	33.17	20	AP8150500	33.20	10
AP8101595	33.14	12	AP8121096	33.25	9	AP8150509	33.29	5
AP8101595	33.24	15	AP8121098	33.12	6	AP8150509	33.35	7
AP8101595	33.37	17	AP8121155	33.13	10	AP8150523	33.34	6
AP8101595	33.43	5	AP8121170	33.38	13	AP8152001	33.03	16
AP8101595	33.45	16	AP8121205	33.07	9	AP8152055	33.25	10
AP8101595	34.59	15	AP8121207	33.07	4	AP8152147	33.13	12
AP8101968	33.43	16	AP8121218	33.10	4	AP8152166	34.55	7
AP8102375	33.17	7	AP8121221	33.06	2	AP8152242	33.10	5
AP8102375	33.20	23	AP8121221	33.43	19	AP8152268	33.24	9
AP8102375	33.20	6	AP8121567	33.04	1	AP8152272	33.42	12
AP8102375	33.22	3	AP8121795	33.17	8	AP8152273	33.36	2
AP8102375	33.24	6	AP8121804	33.14	6	AP8152273	33.43	30
AP8102375	33.25	4	AP8121927	33.43	23	AP8152274	33.36	1
AP8102375	33.34	10	AP8121994	33.03	15	AP8152277	33.04	3
AP8102381	33.17	6	AP8123641	33.07	7	AP8152277	33.19	15
AP8102381	33.18	22	AP8123642	33.07	5	AP8152277	33.49	12
AP8102381	33.29	14	AP8123643	33.07	3	AP8152279	33.37	10
AP8102381	33.46	13	AP8123644	33.07	6	AP8152279	33.43	4



Code	Nr. der Tafel	Pos.	Code	Nr. der Tafel	Pos.	Code	Nr. der Tafel	Pos.
AP8152279	33.48	4	AP8220283	33.49	19	GU01154230	34.73	2
AP8152280	33.78	18	AP8220283	33.77	5	GU01154230	34.73	23
AP8152282	33.48	7	AP8220526	33.05	15	GU01161331	33.35	11
AP8152285	33.46	12	AP8220546	33.49	17	GU01161331	34.73	13
AP8152286	33.40	7	AP8221023	33.37	11	GU01528930	33.11	13
AP8152287	33.20	7	AP8221023	33.45	12	GU01528930	33.11	8
AP8152287	33.78	20	AP8221023	33.48	6	GU01528930	34.52	23
AP8152291	33.14	7	AP8221036	33.07	15	GU01528930	34.59	9
AP8152291	34.52	29	AP8221036	33.47	3	GU01573960	33.29	13
AP8152298	33.07	14	AP8221128	33.02	5	GU01576530	33.05	3
AP8152298	33.20	25	AP8221128	33.20	8	GU01609630	33.31	17
AP8152298	33.36	5	AP8221145	33.43	11	GU01612190	33.40	11
AP8152298	33.47	2	AP8221204	33.03	18	GU01659130	33.41	5
AP8152299	33.23	10	AP8221211	33.03	19	GU01659131	33.41	6
AP8152299	33.48	25	AP8221227	33.01	12	GU01721600	33.48	16
AP8152299	33.78	3	AP8221277	33.04	5	GU01722700	33.48	18
AP8152300	33.02	3	AP8221307	33.01	9	GU01722701	33.48	18
AP8152300	33.05	6	AP8221317	33.03	4	GU01722702	33.48	18
AP8152301	33.01	8	AP8221318	33.03	5	GU01722703	33.48	18
AP8152301	33.13	11	AP8224164	33.24	10	GU01722704	33.48	18
AP8152302	33.22	2	AP8224192	33.32	6	GU01722705	33.48	18
AP8152302	33.25	6	AP8224462	33.49	18	GU01731760	33.48	28
AP8152302	33.29	12	AP8224462	33.77	4	GU02107100	33.14	5
AP8152302	33.78	8	AP8706527	33.31	13	GU03013800	34.56	12
AP8152306	33.24	11	AP9100519	33.45	14	GU03270300	34.65	3
AP8152306	33.34	3	B013036	34.58	9	GU03604845	33.33	3
AP8152306	33.47	7	B013037	34.58	13	GU03609600	33.31	17
AP8152318	33.09	2	B0133785001	34.54	14	GU03617710	33.40	12
AP8152320	33.44	2	B0133785002	34.54	14	GU03617710	33.42	2
AP8152329	33.24	4	B0133785003	34.54	14	GU05001630	34.67	12
AP8152329	33.37	9	B013479	34.74	14	GU05002130	34.67	3
AP8152329	33.43	10	B013479	34.75	14	GU05003630	34.52	17
AP8152329	33.49	4	B013517	34.53	7	GU05005730	34.57	4
AP8152339	33.05	8	B013552	34.74	21	GU05100230	33.14	1
AP8152339	33.16	3	B013552	34.75	21	GU051002300YA1	33.14	1
AP8152339	33.17	15	B0136034	34.74	9	GU05102930	33.14	16
AP8152339	33.23	4	B0136034	34.75	9	GU05103830	33.37	5
AP8152339	33.24	5	B0136054	34.74	12	GU05103930	33.14	8
AP8152339	33.25	3	B0136054	34.75	12	GU05103930	33.50	2
AP8152384	33.07	10	B013661	34.74	16	GU05107430	33.39	3
AP8152385	33.41	7	B013661	34.75	16	GU05113530	33.37	6
AP8152396	33.13	16	B014576	34.74	7	GU05113730	33.37	3
AP8152397	33.13	9	B014576	34.75	7	GU05114031	33.37	1
AP8152398	33.13	2	B016785	34.74	2	GU05114130	33.37	8
AP8152409	33.04	2	B016785	34.75	2	GU05121630	33.38	6
AP8152410	33.10	3	B017026	34.75	3	GU05124230	33.38	10
AP8152482	33.13	15	B017029	34.74	3	GU05124330	33.38	22
AP8161083	33.34	5	B043864	33.14	9	GU05128230	33.38	14
AP8163076	33.08	14	B0630111	34.58	12	GU05135930	33.36	4
AP8163091	33.08	10	B063012	34.58	12	GU05152230	34.57	3
AP8163093	33.08	4	B063025	34.59	11	GU05157430	33.35	2
AP8163094	33.08	5	B063858	33.50	1	GU05159330	33.35	10
AP8163095	33.08	6	B063859	33.50	3	GU05204930	34.59	8
AP8163096	33.08	7	CM074706	34.66	4	GU05206530	33.11	12
AP8163097	33.08	8	CM225603	33.49	22	GU05210631	34.61	1
AP8163098	33.08	17	CM225610	33.49	23	GU05211331	34.61	10
AP8163102	33.08	16	CM225615	33.49	21	GU05211431	34.61	7
AP8178918	33.03	3	CM225720	33.49	20	GU05213631	34.62	1
AP8201124	33.14	2	CM225730	33.49	10	GU05214231	34.62	3
AP8201301	33.43	17	CM225740	33.49	24	GU05214431	34.62	12
AP8201808	33.24	16	GU00823923140	33.03	23	GU05214630	34.61	5
AP8201808	33.45	15	GU00823950050	33.43	6	GU05214630	34.62	5
AP8202238	33.45	13	GU01003651	34.52	15	GU05214731	34.62	9
AP8212702	33.47	5	GU01106090	33.39	2	GU05215031	34.62	10
AP8220150	33.29	3	GU01108490	33.39	4	GU05230531	34.60	18
AP8220162	33.05	14	GU01154230	33.35	12	GU05230831	34.60	21
AP8220162	33.17	12	GU01154230	34.52	11	GU05232431	34.60	19



Code	Nr. der Tafel	Pos.	Code	Nr. der Tafel	Pos.	Code	Nr. der Tafel	Pos.
GU05232631	34.60	20	GU05606630	33.33	10	GU30611460	33.42	7
GU05234130	34.60	11	GU05610530	33.40	1	GU30714201	34.64	9
GU05234230	34.60	12	GU05614130	33.40	8	GU30716500	33.48	8
GU05234431	34.60	1	GU05615230	33.40	2	GU30729330	33.37	14
GU05234631	34.60	2	GU05630531	33.42	1	GU31003766	33.11	9
GU05234731	34.60	10	GU05632730	33.42	3	GU31003766	34.52	22
GU05234931	34.60	13	GU05634430	33.42	5	GU31003766	34.59	13
GU05235531	34.60	3	GU05635730	33.42	6	GU31159050	34.56	2
GU05236231	34.60	7	GU05638130	33.12	9	GU31159050	34.57	14
GU05238131	34.60	15	GU05653030	33.44	1	GU31576183	33.20	22
GU05238231	34.60	8	GU05654630	33.44	3	GU32441210	33.04	7
GU05238331	34.60	14	GU05658431	33.07	13	GU32461810	33.23	15
GU05238431	34.60	9	GU05659030	33.44	5	GU32944210	33.25	7
GU05239330	34.60	17	GU05659130	33.44	4	GU49609601	33.40	17
GU05251130	33.06	1	GU05661130	33.32	4	GU49609601	33.42	15
GU05256930	33.06	13	GU05663530	33.43	7	GU4FAN000030	34.64	10
GU05257830	33.06	12	GU05666030	33.43	9	GU61270300	34.52	13
GU05258230	33.06	10	GU05666930	33.43	1	GU90271014	34.60	16
GU05326330	33.10	6	GU05677030	33.43	18	GU90271016	33.08	21
GU05351230	33.11	2	GU05681530	33.42	11	GU90271022	34.60	4
GU05352430	33.12	2	GU05683730	33.42	13	GU90271030	34.61	8
GU05358030	33.11	6	GU05701430	34.64	7	GU90271030	34.62	8
GU05358130	33.11	5	GU05702530	34.64	6	GU90271230	34.61	6
GU05358230	33.11	7	GU05716730	33.48	9	GU90271230	34.62	6
GU05358330	33.11	1	GU05729230	33.48	3	GU90273026	33.12	8
GU05358530	33.11	15	GU05730730	34.65	1	GU90274008	33.38	11
GU05358630	33.11	16	GU05747930	33.49	11	GU90353014	34.60	22
GU05429630	33.03	9	GU05751630	33.47	8	GU90401424	34.59	12
GU05434330	33.22	1	GU05751730	33.47	11	GU90404558	33.12	3
GU0543433000YA1	33.22	1	GU05944930	33.51	7	GU90405367	34.52	4
GU05436530	33.45	15	GU06215600	34.61	2	GU90408511	33.11	10
GU05438630	33.24	7	GU06765500	34.67	16	GU90412237	34.67	2
GU05443530NA	33.05	1	GU06917300	33.51	3	GU90412541	34.62	14
GU05446030NA	33.05	11	GU06917400	33.51	2	GU90706009	34.66	23
GU05446431	33.05	9	GU12006400	34.73	20	GU90706151	34.57	5
GU05446930	33.05	7	GU12018900	34.52	6	GU90706178	34.52	25
GU05447430	33.05	13	GU12022600	34.52	31	GU90706203	34.52	32
GU05464830	33.25	13	GU14018400	33.10	8	GU90718120	33.11	3
GU05466830	33.23	6	GU14085900	34.58	11	GU91120606	34.67	13
GU05466830	33.50	4	GU14433400	34.55	12	GU91120607	34.67	7
GU05479630	33.24	2	GU14609650	33.03	24	GU91180506	33.20	24
GU05490730	33.08	3	GU14609650	33.48	24	GU91180823	34.64	2
GU05494030	33.07	2	GU14609650	33.49	8	GU91181215	33.01	6
GU05504530	33.08	13	GU14615901	33.38	5	GU91600365	34.55	19
GU05525430	33.08	18	GU14615901	33.78	19	GU91600450	34.55	14
GU05530532	33.08	22	GU14615901	34.52	5	GU92201025	34.60	6
GU05530533	33.08	23	GU14616150	33.40	13	GU92201117	34.60	5
GU05530534	33.08	27	GU14616150	33.42	9	GU92201226	34.62	13
GU05530536	33.08	25	GU17661052	33.43	8	GU92201226	34.63	2
GU05547030	33.09	6	GU18144350	34.56	4	GU92201822	34.61	11
GU05547130	33.09	5	GU18144350	34.57	13	GU92201822	34.62	2
GU05547930	33.09	8	GU18144350	34.59	7	GU92204230	33.12	5
GU05560330	33.13	3	GU19002020	34.59	14	GU92208518	33.12	4
GU05562030	33.13	7	GU19207220	34.59	10	GU92232028	34.63	5
GU05562430	33.13	14	GU28576591	33.24	12	GU92249224	33.09	7
GU05570230	33.23	2	GU29722760	33.48	18	GU92252029	34.61	3
GU0557023000YA1	33.23	2	GU29729461	33.48	21	GU92252029	34.62	4
GU05573230	33.25	1	GU29732550	33.49	25	GU92605408	34.64	12
GU0557323000YA1	33.25	1	GU30027931	33.37	15	GU92606206	33.43	15
GU05573330	33.25	2	GU30103730	33.14	10	GU92606516	34.64	8
GU0557333000YA1	33.25	2	GU30150900	34.57	9	GU92609408	34.65	5
GU05573830	33.23	13	GU30153000	34.57	1	GU92630104	33.48	12
GU05573831	33.23	14	GU30158900	34.56	3	GU92630206	33.47	13
GU05600230	33.31	10	GU30158900	34.57	12	GU92630508	33.38	21
GU05600930	33.31	3	GU30217900	33.01	5	GU92630707	33.06	11
GU05604630	33.31	18	GU30609600	33.48	24	GU92660012	34.64	5
GU05606530	33.33	7	GU30609600	33.49	8	GU92660021	33.38	4



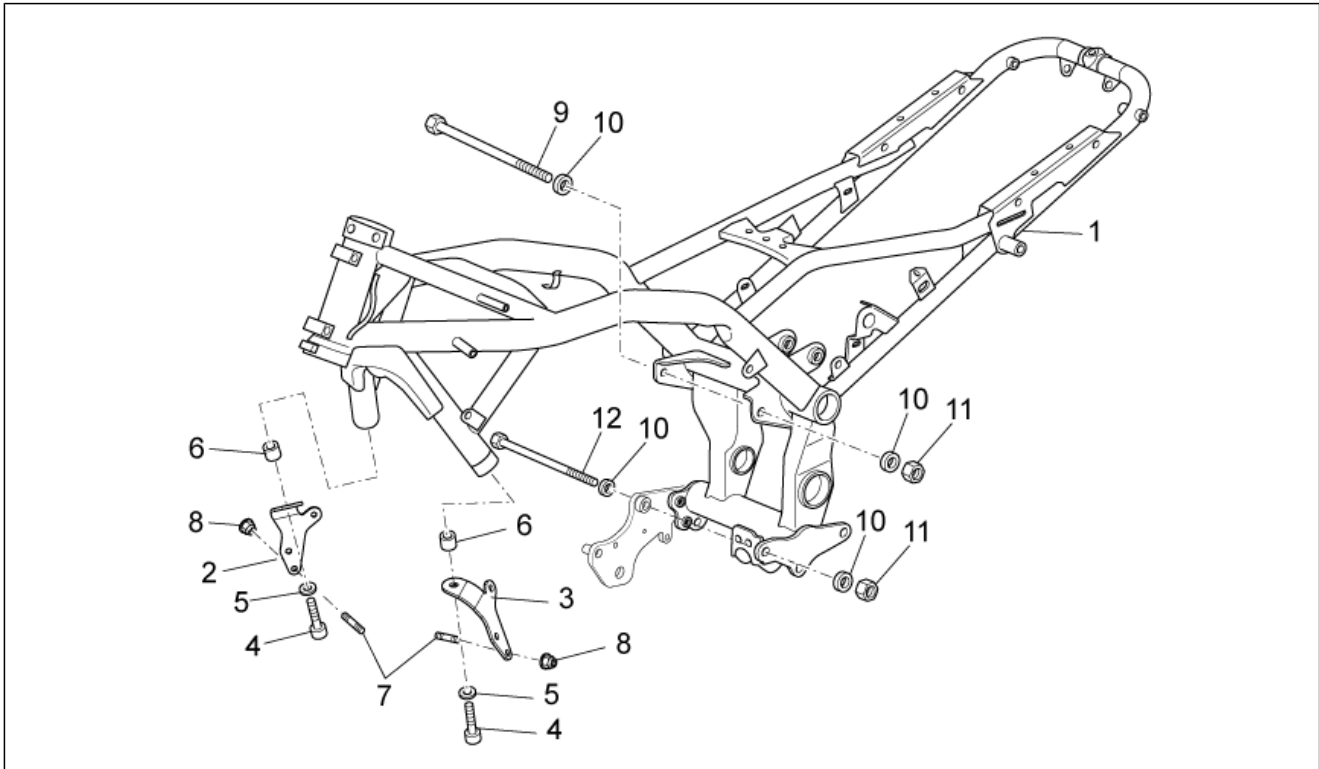
NORGE
GU111 -

Vorsatzcode Fahrgestell: ZGULPS03
Vorsatzcode Motor:

Code	Nr. der Tafel	Pos.
GU92660021	34.52	8
GU93180220	34.59	3
GU93304390	33.09	4
GU93305061	34.66	13
GU93306017	33.35	13
GU93306018	33.35	9
GU93306050	34.66	18
GU94321077	34.57	10
GU95005306	34.56	13
GU95005312	33.38	23
GU95005325	33.40	10
GU95008204	33.48	11
GU95008205	33.48	20
GU95008206	34.57	11
GU95008206	34.66	10
GU95008208	33.14	4
GU95008213	33.06	8
GU95008305	34.66	19
GU95008310	33.43	26
GU95008313	33.01	10
GU95008313	33.03	25
GU95020105	33.03	14
GU95021104	33.32	8
GU95100116	34.54	16
GU95100116	34.66	12
GU95100141	33.78	7
GU95129100	34.74	13
GU95129100	34.75	13
GU95129131	34.65	4
GU95510620	33.11	4
GU95512081	34.52	9
GU95963062	34.66	21
GU95980216	34.52	27
GU95980216	34.73	21
GU95980319	34.59	6
GU95990023	34.66	22
GU96508066	34.52	3
GU96508075	34.52	7
GU97202355	34.59	2
GU97202665	33.42	4
GU97240600	33.17	18
GU98082475	34.65	2
GU98084425	34.52	12
GU98230510	34.68	5
GU98230612	34.58	6
GU98230850	34.64	11
GU98231235	33.03	20
GU98325316	33.46	9
GU98350210	33.05	10
GU98350210	33.43	29
GU98350310	34.54	24
GU98350310	34.66	11
GU98350315	34.55	5
GU98370412	33.18	15
GU98370412	33.32	7
GU98370614	33.24	13
GU98370616	34.59	4
GU98370625	33.18	16
GU98370625	33.23	9
GU98612216	33.03	13
GU98612325	33.31	22
GU98620330	34.67	11
GU98620335	34.52	14
GU98620335	34.67	15
GU98620445	34.64	3
GU98620560	34.64	4
GU98622214	34.74	15

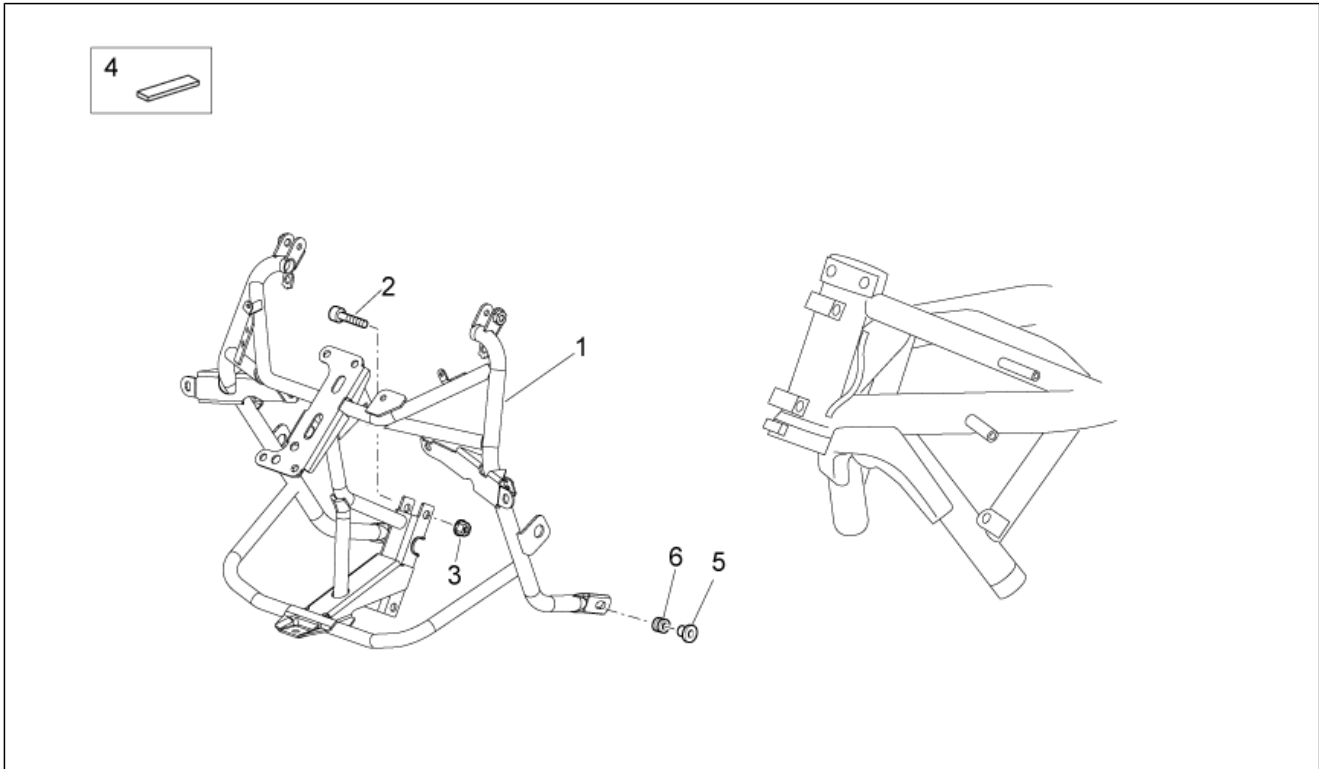
Code	Nr. der Tafel	Pos.
GU98622214	34.75	15
GU98680340	33.08	24
GU98680340	34.52	28
GU98680360	34.52	21
GU98680370	33.31	6
GU98680440	33.02	2
GU98680440	33.05	5
GU98680450	33.11	11
GU98680465	33.31	25
GU98682125	33.48	10
GU98682212	33.48	19
GU98682212	33.48	29
GU98682212	34.66	15
GU98682215	33.25	5
GU98682316	33.06	4
GU98682316	33.43	21
GU98682316	34.67	14
GU98682320	33.06	6
GU98682320	33.06	9
GU98682320	34.67	6
GU98682325	33.09	9
GU98682414	33.14	3
GU98682425	33.07	12
GU98682425	33.25	12
GU98682430	33.07	11
GU98682530	33.03	8
GU98682535	33.08	11
GU98682650	33.01	4
GU98683520	33.48	23
GU98690440	33.31	2
GU98692216	33.16	4
GU98692318	33.07	19
GU98692318	33.47	12
GU98692425	33.05	4
GU98692430	33.05	2
GU98832430	33.31	4
GU98882325	34.66	9
GU99210406	33.11	14

Einheit	RAHMEN
Code	33.01
Beschreibung	Rahmen I
Inspektion	1



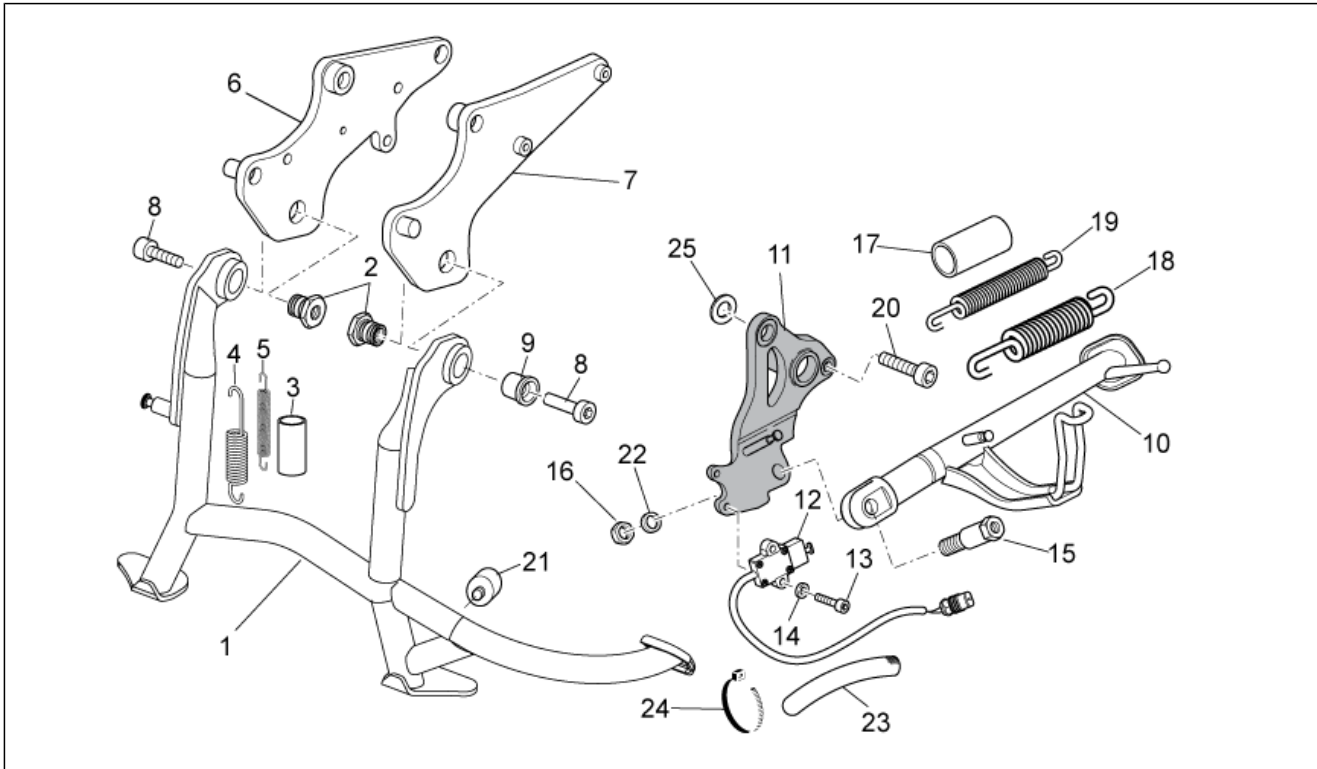
Pos.	Code	Beschreibung	Menge	Varianten
1	884187	Rahmen P.A.	1	
2	884184	Leitungsanschlussplatte DX	1	
3	884183	Leitungsanschlussplatte SX	1	
4	GU98682650	TCEI Schraube M12x50	2	
5	GU30217900	Ausgleichscheibe 13x18x1,7	2	
6	GU91181215	Distanzscheibe 12x35x14	2	
7	977809	Stiftschraube M10x38	4	
8	AP8152301	Selbstsperrende Mutter	4	
9	AP8221307	Bolzen M12	1	
10	GU95008313	Ausgleichscheibe 13x24x2,5	4	
11	AP8150432	Selbstsperr.mut Unt. M12*	2	
12	AP8221227	Bolzen M12x270	1	

Einheit	RAHMEN
Code	33.02
Beschreibung	Rahmen II
Inspektion	1



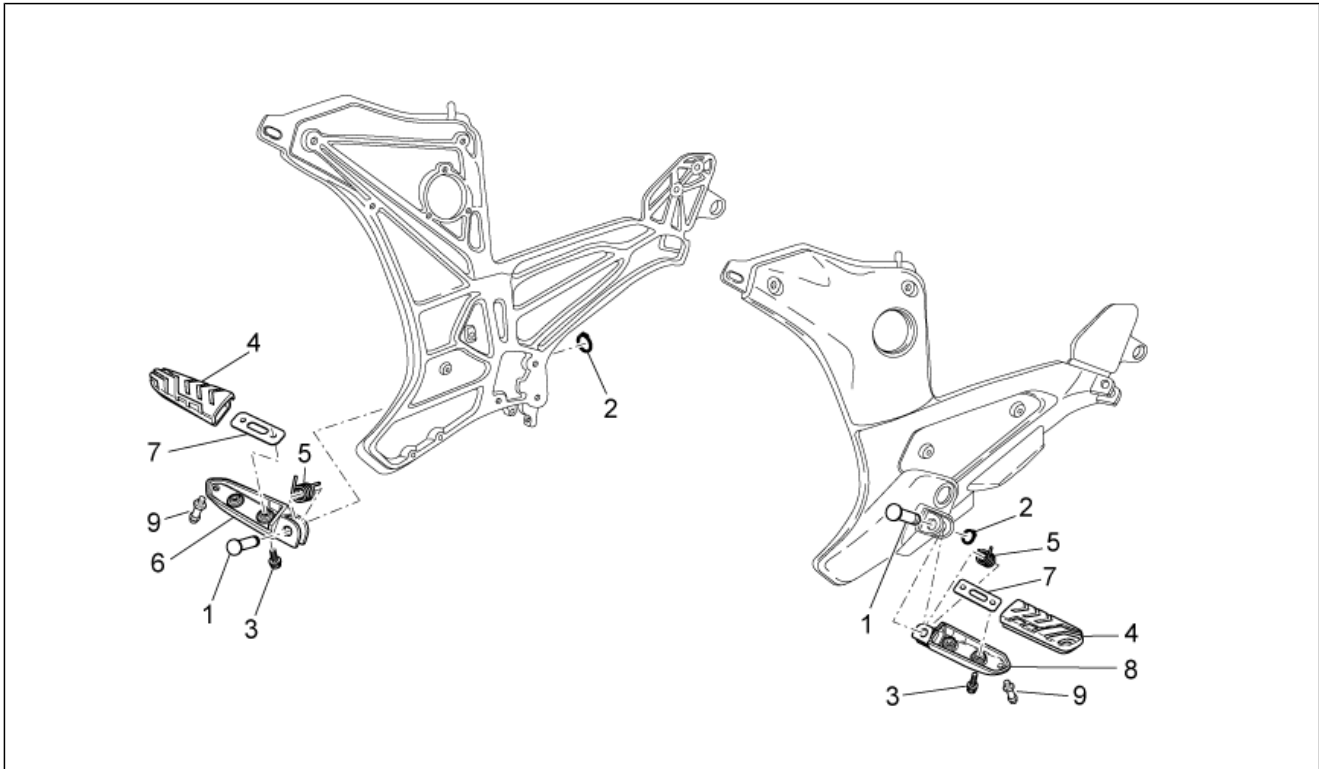
Pos.	Code	Beschreibung	Menge	Varianten
1	883744	Rahmen vorne mit inneren Teilen	1	
2	GU98680440	TCEI Schraube M8x40	2	
3	AP8152300	Selbstsperrende Mutter M8	4	
4	890517	Dichtung Sportsch.	1	
5	AP8221128	T-Buchse 8,5x10,7x12	2	
6	AP8120030	Gummi	2	

Einheit	RAHMEN
Code	33.03
Beschreibung	Hauptständer
Inspektion	1



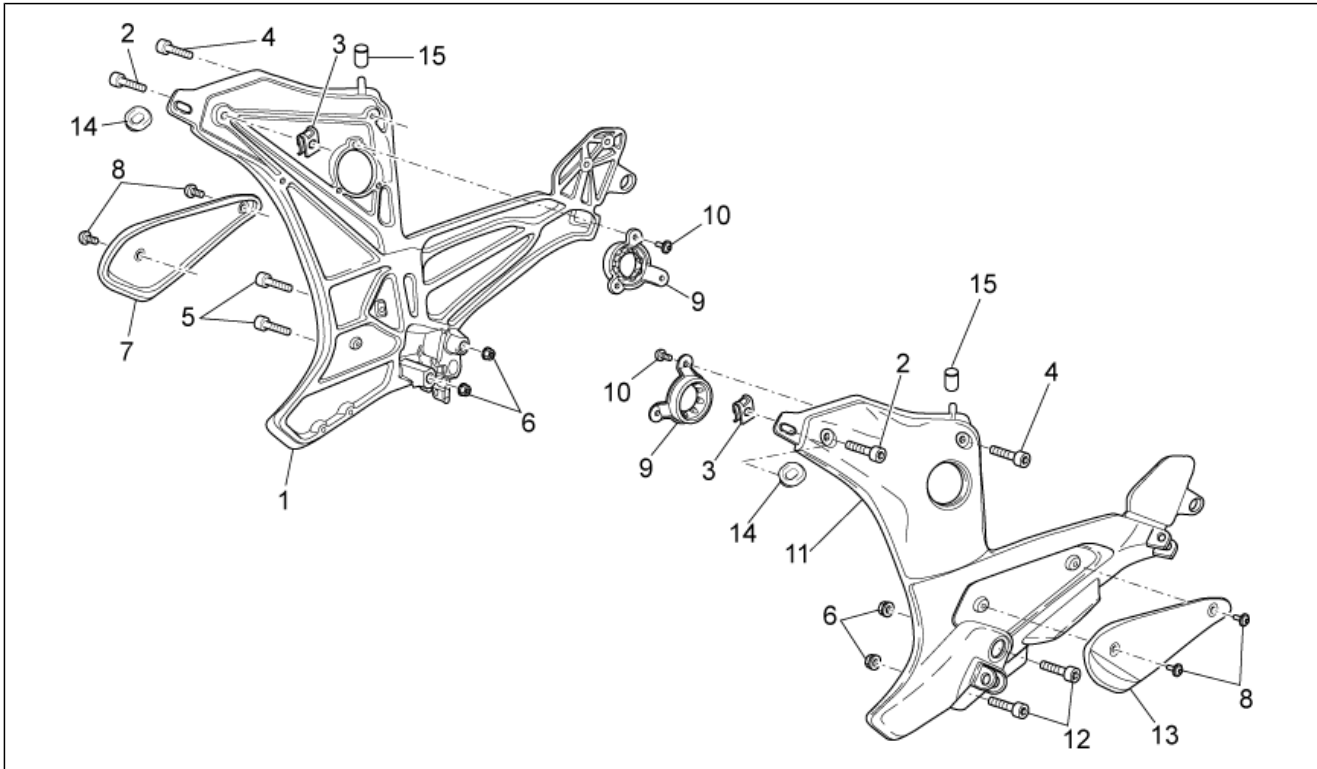
Pos.	Code	Beschreibung	Menge	Varianten
1	883242	Hauptständer	1	
2	884169	Ständerhalterung	2	
3	AP8178918	Schutz f. Ständerfeder	1	
4	AP8221317	Hauptständer Schraubenfeder	1	
5	AP8221318	Rückholfeder Ständer	1	
6	883274	Rechts Platte	1	
7	883251	Links Platte	1	
8	GU98682530	TCEI Schraube M10x30	2	
9	GU05429630	Buchse	2	
10	884288	Seitenständer	1	
11	977080	Hauptständer platte	1	
12	639542	Seitenständerschalter	1	
13	GU98612216	TCEI Schraube	2	
14	GU95020105	Ausgleichscheibe 5,3x8,9x2,4	2	
15	AP8121994	Ständerschraube	1	
16	AP8152001	Mutter unten M10x1,25	1	
17	AP8102524	Schutz f. Ständerfeder	1	
18	AP8221204	Hauptständer Schraubenfeder	1	
19	AP8221211	Rückholfeder Ständer	1	
20	GU98231235	TBEI Schraube M12x35	2	
21	AP8144030	Anschlagstopfen Ständer	1	
22	AP8150292	Gebogene Sprengscheibe *	1	
23	GU00823923140	Thermische Hülle	1	
24	GU14609650	Schelle 3,6x20,6	2	
25	GU95008313	Ausgleichscheibe 13x24x2,5	2	

Einheit	RAHMEN
Code	33.04
Beschreibung	Fussrasten I
Inspektion	1



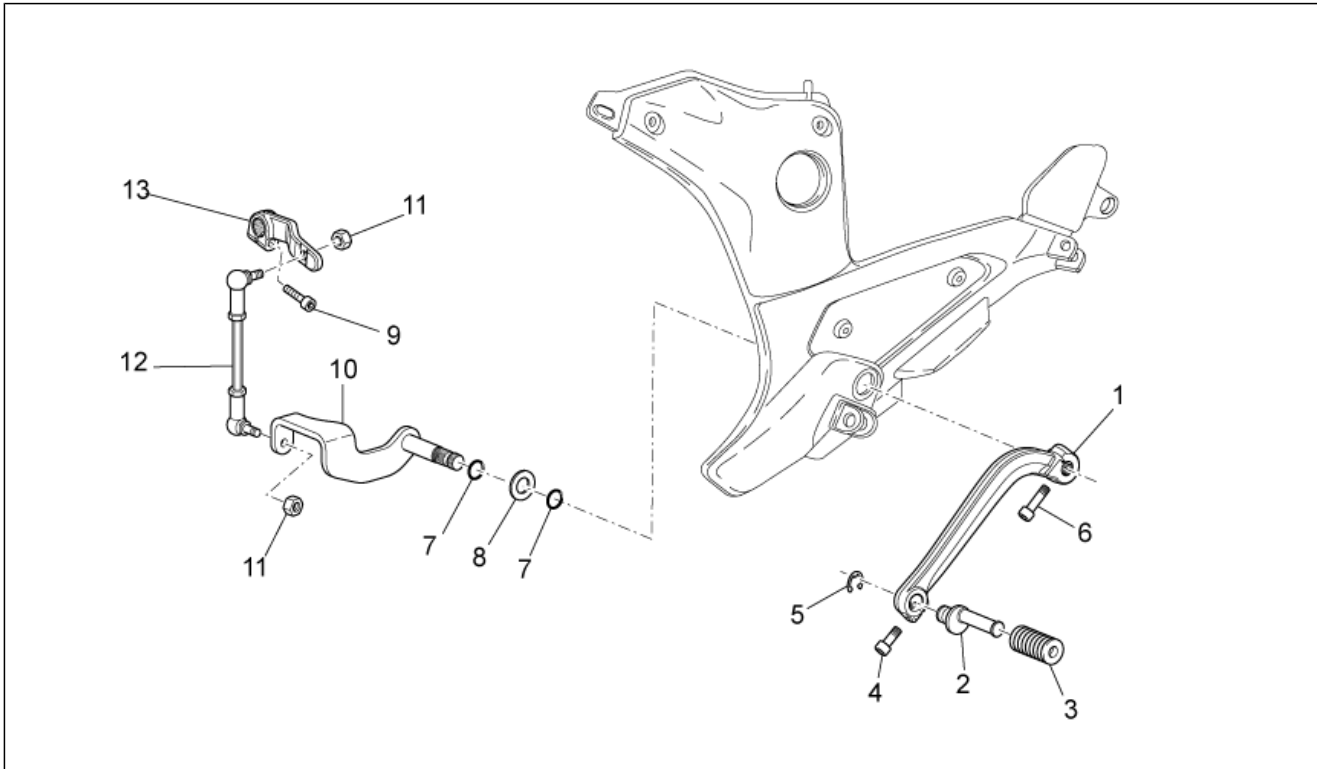
Pos.	Code	Beschreibung	Menge	Varianten
1	AP8121567	Bolzen	2	
2	AP8152409	Sperring	2	
3	AP8152277	TE Schr. m. Flansch M6x12	4	
4	898368	Gummiraste	2	
5	AP8221277	Rückholfeder	2	
6	AP8145034	Fussrasten r.	1	
7	GU32441210	Platte	2	
8	AP8145035	Fussrasten l.	1	
9	AP8134838	Rastenbolzen	2	

Einheit	RAHMEN
Code	33.05
Beschreibung	Fussrasten II
Inspektion	1



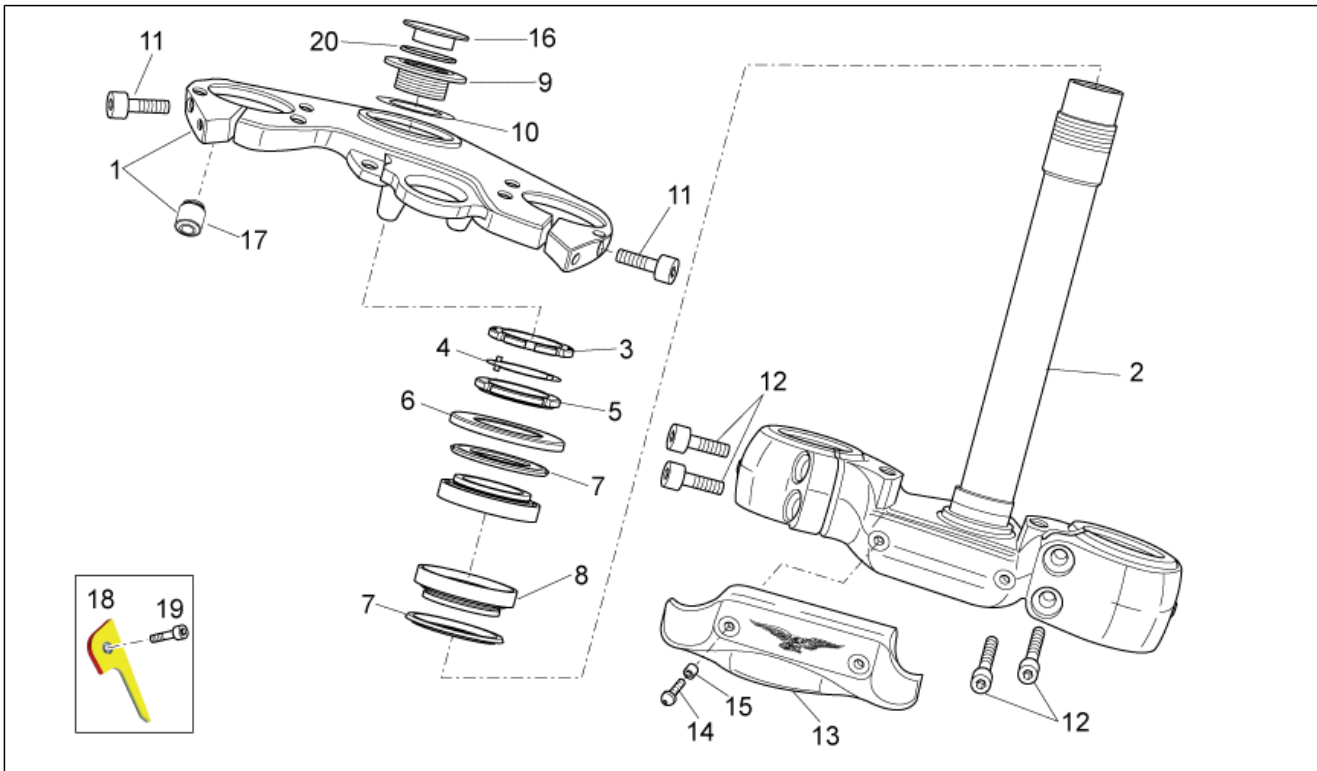
Pos.	Code	Beschreibung	Menge	Varianten
1	GU05443530NA	Platte, R.schwarz	1	
2	GU98692430	TCEI Schraube M8x30	2	
3	GU01576530	Klemmutter M8x1,25	2	
4	GU98692425	TCEI Schraube M8x25	2	
5	GU98680440	TCEI Schraube M8x40	2	
6	AP8152300	Selbstsperrende Mutter M8	4	
7	GU05446930	Rechter schutz	1	
8	AP8152339	TBEI Schraube m.Flansch M5x9	4	
9	GU05446431	Ring	2	
10	GU98350210	TBEI Schraube	6	
11	GU05446030NA	Links Platte	1	
12	AP8150046	TCEI Schraube M8x55	2	
13	GU05447430	Linker schutz	1	
14	AP8220162	Gummi	4	
15	AP8220526	Gummi	2	

Einheit	RAHMEN
Code	33.06
Beschreibung	Schalthebel
Inspektion	1



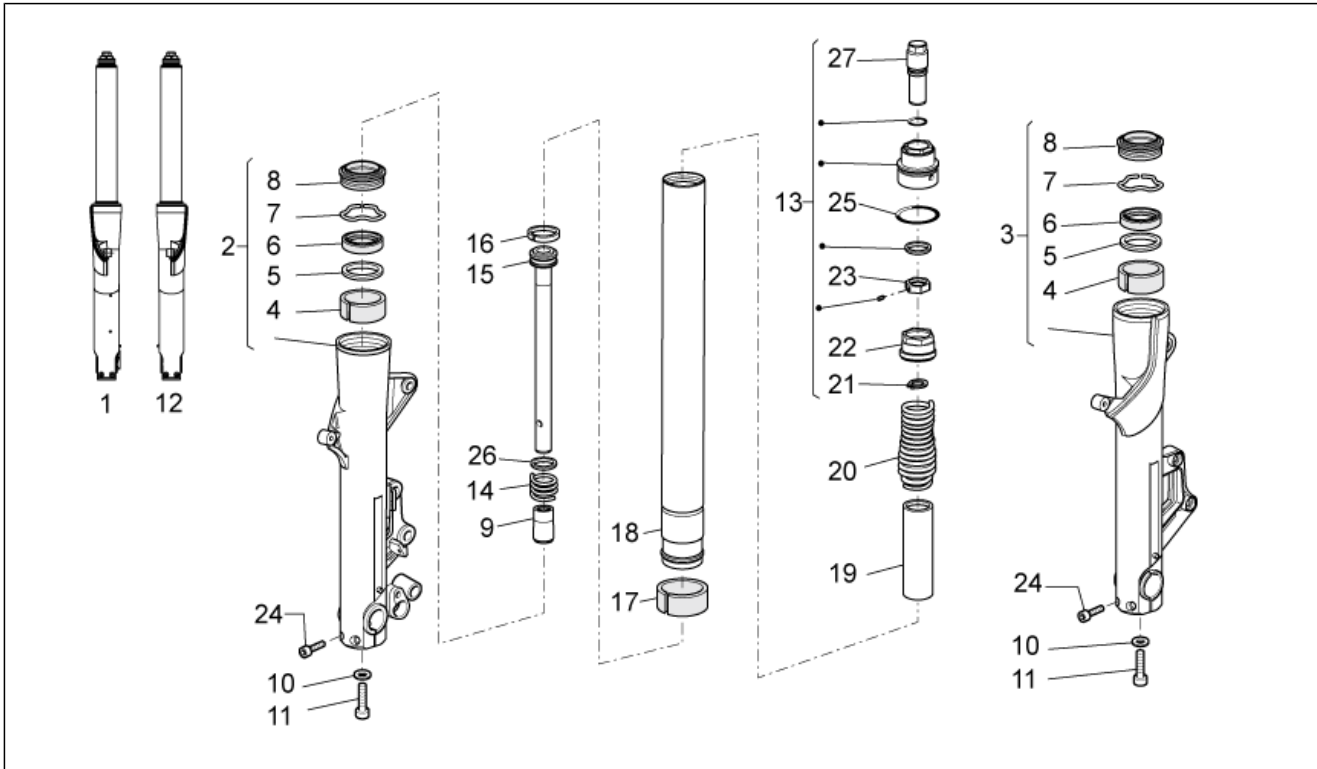
Pos.	Code	Beschreibung	Menge	Varianten
1	GU05251130	Schalthebel	1	
2	AP8121221	Stift Bremshebel	1	
3	AP8120912	Gummi für Hebel	1	
4	GU98682316	TCEI Schraube M6x16	1	
5	AP8150462	Seegerring d9	1	
6	GU98682320	TCEI Schraube M6x20	1	
7	AP8144007	O-Ring 11,11x1,78	2	
8	GU95008213	Ausgleichscheibe 12,2X20X2	1	
9	GU98682320	TCEI Schraube M6x20	1	
10	GU05258230	Umlenkhebel	1	
11	GU92630707	Mutter	2	
12	GU05257830	Spannstange f.Getriebe,Kpl.	1	
13	GU05256930	Umlenkhebel	1	

Einheit	RAHMEN
Code	33.07
Beschreibung	Lenkung
Inspektion	1



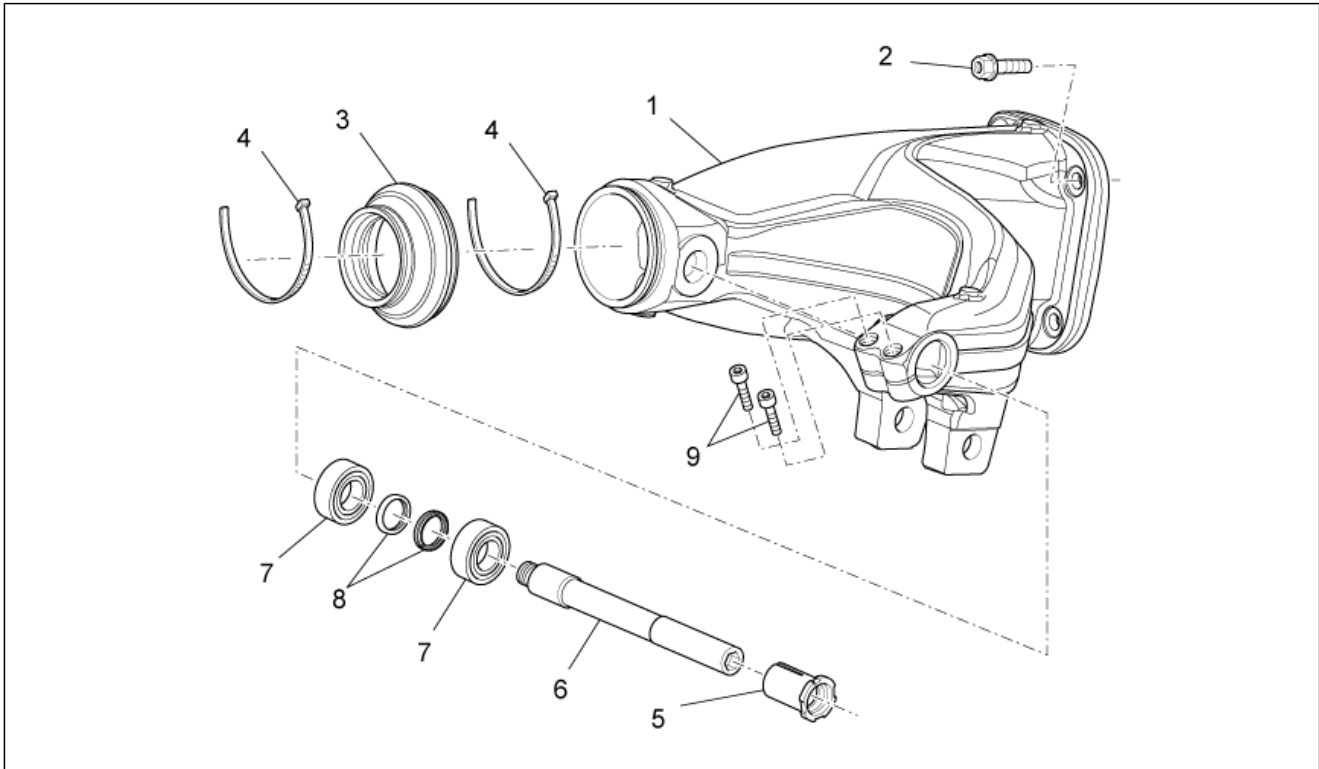
Pos.	Code	Beschreibung	Menge	Varianten
1	897671	Plättchen oben	1	
2	GU05494030	Fuß mit Rohr	1	
3	AP8123643	Gegenmutter	1	
4	AP8121207	Sicherheitspl. Lenkung	1	
5	AP8123642	Nutmutter	1	
6	AP8123644	Staubschutzring	1	
7	AP8123641	Staubschutzring	2	
8	AP8110077	Axialkugellager	2	
9	AP8121205	Fixierbuchse ob. Platte	1	
10	AP8152384	Scheibe Lenkkopf	1	
11	GU98682430	TCEI Schraube M8x30	2	
12	GU98682425	TCEI Schraube M8x25	4	
13	GU05658431	Fixierplatte Bremsschlauch	1	
14	AP8152298	TBEI Schraube m.Flansch M5x16	2	
15	AP8221036	Buchse 5,3x8x7,1	2	
16	898401	Vers.Schraubenabd.	1	
17	853215	Schwingschutzlager	6	
18	898245	Fixierplatte	1	
19	GU98692318	TCEI Schraube	1	
20	180379	O-Ring 41x2,62	1	

Einheit	RAHMEN
Code	33.08
Beschreibung	Vorderradgabel
Inspektion	1



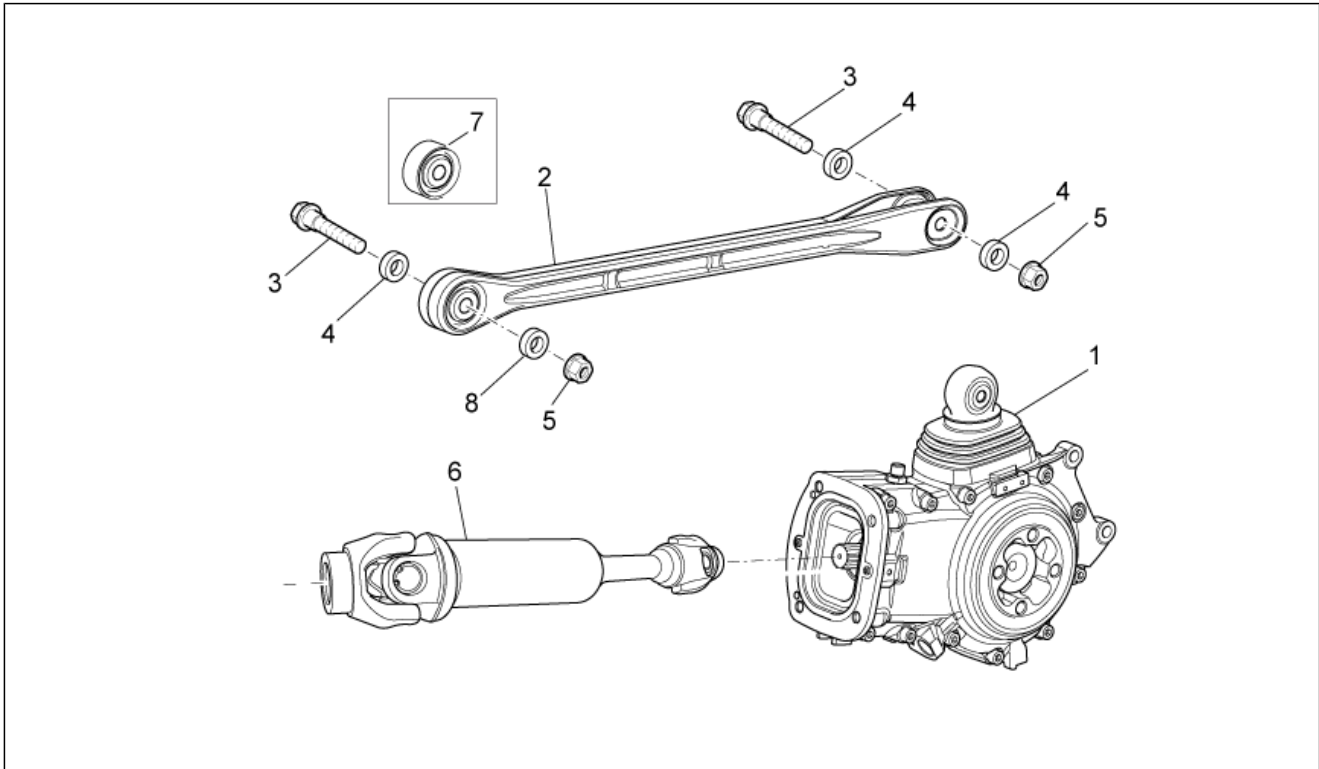
Pos.	Code	Beschreibung	Menge	Varianten
1	981154	Kolbenstange rechts	1	
2	981156	Rechte Hülse	1	
3	GU05490730	Linke Hülse	1	
4	AP8163093	Buchse	2	
5	AP8163094	Becher 58x46x3	2	
6	AP8163095	Gasket ring 45x58x11	2	
7	AP8163096	Sperring D.63	2	
8	AP8163097	Staubschutz D.45	2	
9	AP8123655	Bodenstopfen	2	
10	AP8163091	Ausgleichscheibe 14x10,5x1,5	2	
11	GU98682535	TCEI Schraube M10x35	2	
12	981155	Kolbenstange links	4	
13	GU05504530	Verschlussschraube kplt.	2	
14	AP8163076	Gegenfeder	2	
15	981084	Pumpenrad kplt.	2	
16	AP8163102	Kolbenring D39,5	2	
17	AP8163098	Buchse	2	
18	GU05525430	Schaft	2	
19	981158	Vorspannrohr	2	
20	981085	Feder	2	
21	GU90271016	Sperring	2	
22	GU05530532	Buchse	2	
23	GU05530533	Mutter	2	
24	GU98680340	TCEI Schraube M6x40	4	
25	GU05530536	O-Ring	2	
26	981159	Flachscheibe D.E. 38 D.I. 12,01x2,5	2	
27	GU05530534	Scheinwerferregulier	2	

Einheit	RAHMEN
Code	33.09
Beschreibung	Schwinge
Inspektion	1



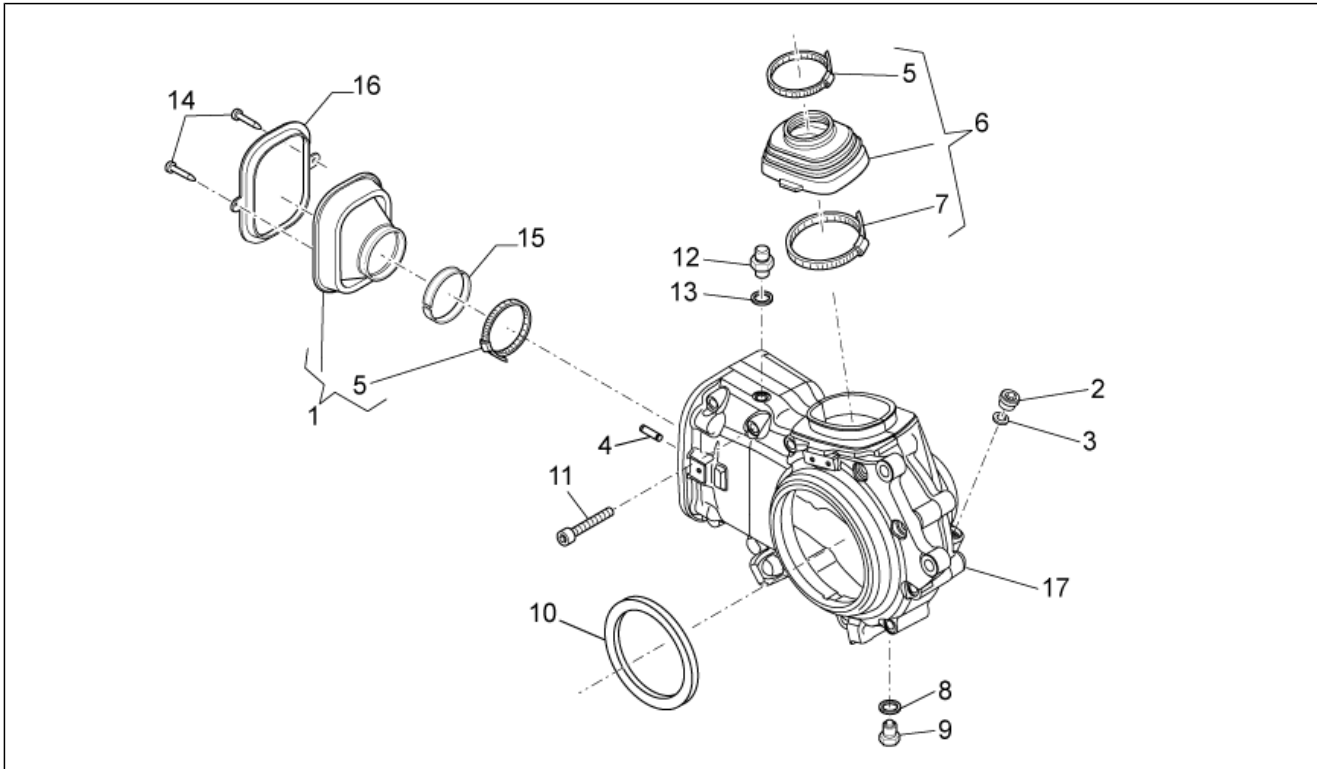
Pos.	Code	Beschreibung	Menge	Varianten
1	978350	Schwinge, schwarz	1	
2	AP8152318	TE Schr. m. Flansch M10x35	4	
3	883966	Gummibalg	1	
4	GU93304390	Schelle 3,6x375	2	
5	GU05547130	Buchse	1	
6	GU05547030	Bolzen	1	
7	GU92249224	Rollenlager 25x47x17	2	
8	GU05547930	Gasket ring	2	
9	GU98682325	TCEI Schraube M6x25	2	

Einheit	RAHMEN
Code	33.10
Beschreibung	Getriebe kpl.
Inspektion	1



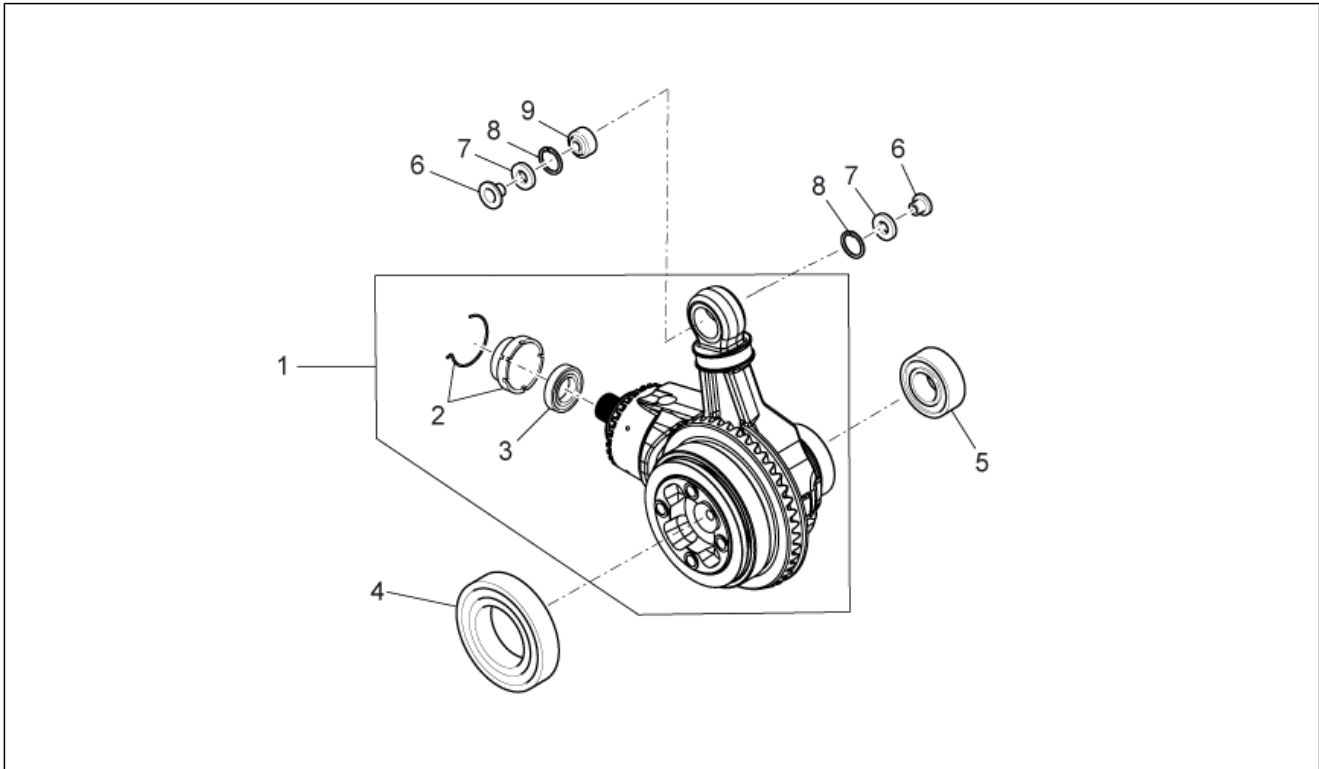
Pos.	Code	Beschreibung	Menge	Varianten
1	976570	Kraftübertragung, kpl.schwarz	1	
2	883046	Reaktionsstange kompl.	1	
3	AP8152410	TE Schr. m. Flansch M10x55	2	
4	AP8121218	Distanzscheibe 10,2x20x4	3	
5	AP8152242	Mutter	2	
6	GU05326330	Getriebe	1	
7	883045	Schwingschutzlager	1	
8	GU14018400	Ausgleichscheibe 10,5X21X1	1	

Einheit	RAHMEN
Code	33.11
Beschreibung	Getriebe kpl.-Häuse
Inspektion	1



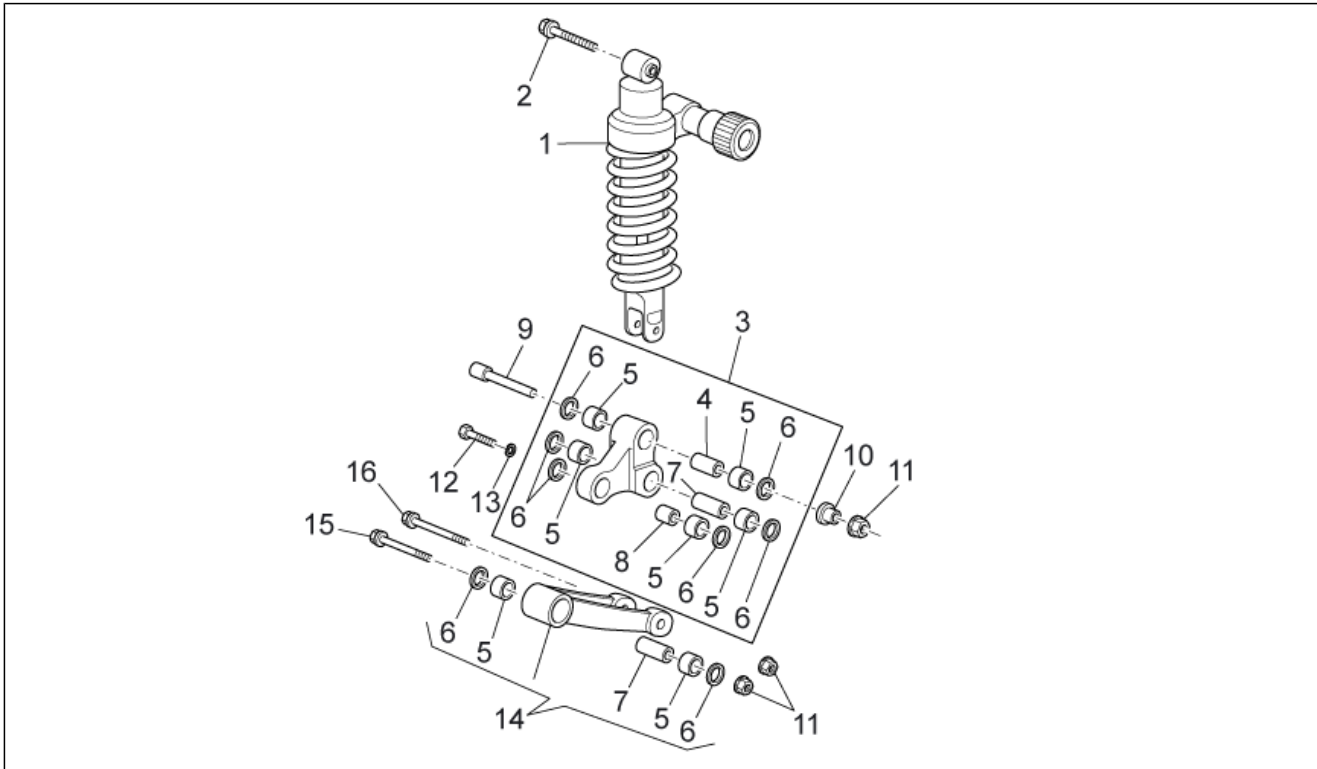
Pos.	Code	Beschreibung	Menge	Varianten
1	GU05358330	Staubschutzhäube	1	
2	GU05351230	Ölschraube M12x1,5	1	
3	GU90718120	Ausgleichscheibe	1	
4	GU95510620	Stift 6x20	2	
5	GU05358130	Schelle	2	
6	GU05358030	Staubschutzhäube	1	
7	GU05358230	Schelle	1	
8	GU01528930	Dichtung 10x18x1,5	1	
9	GU31003766	Ölablaßschraube M10x1	1	
10	GU90408511	Gasket ring 85x110x8BASL	1	
11	GU98680450	TCEI Schraube M8x50	11	
12	GU05206530	Entlüftungsschraube	1	
13	GU01528930	Dichtung 10x18x1,5	1	
14	GU99210406	Schraube M3,9x6,5	2	
15	GU05358530	Ring	1	
16	GU05358630	Dichtung	1	
17	978392	Kraftübertragungsgehäuse schw.	1	Technische Spezifikationen: Farbe Schwarz[N]

Einheit	RAHMEN
Code	33.12
Beschreibung	Getriebe kpl.-Teilerradsatz
Inspektion	1



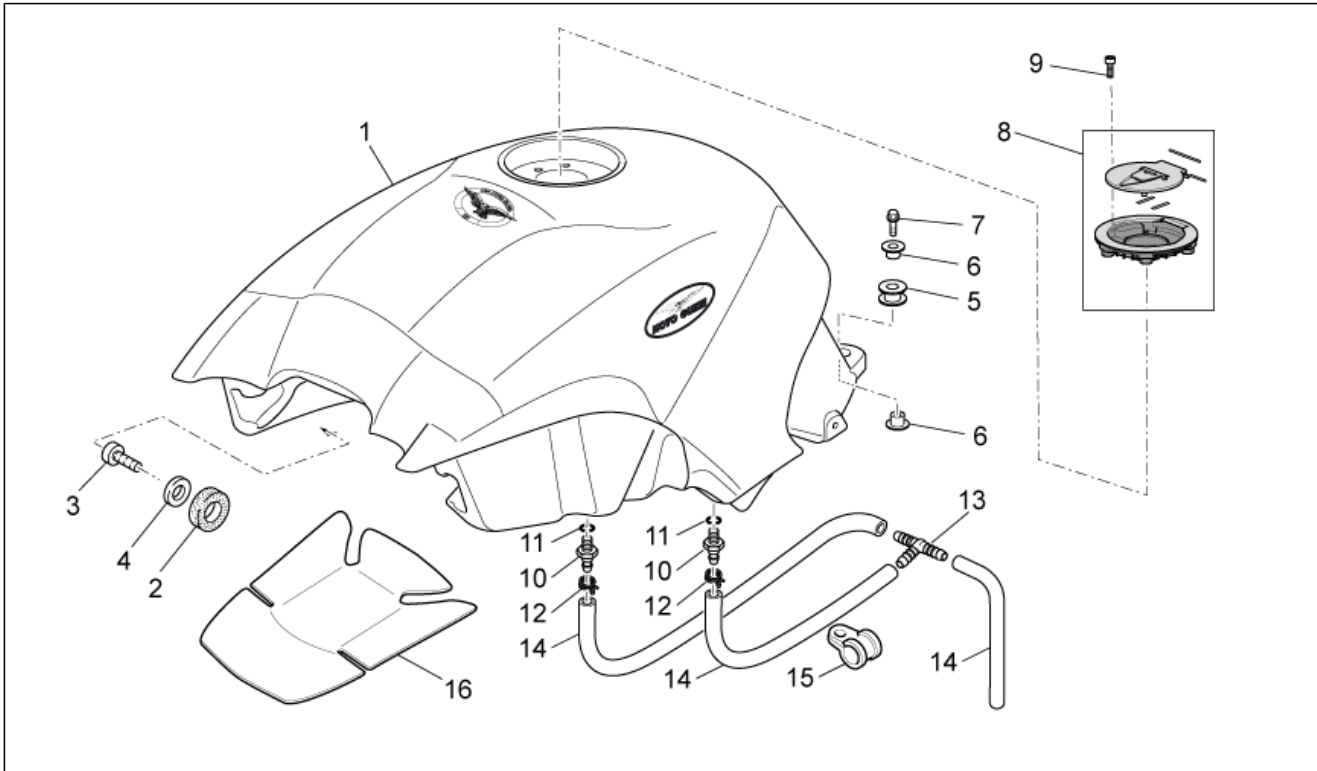
Pos.	Code	Beschreibung	Menge	Varianten
1	976581	Teilerradsatz kit 12/44	1	
2	GU05352430	Nutmutter	1	
3	GU90404558	Gasket ring 45x58x7	1	
4	GU92208518	Kugellager 85x120x18	1	
5	GU92204230	Kugellager 30x62x16	1	
6	AP8121098	Buchse	2	
7	AP8120485	Gasket ring	2	
8	GU90273026	Seegerring	2	
9	GU05638130	Kugelgelenk	1	

Einheit	RAHMEN
Code	33.13
Beschreibung	Pleuelstange und Stoßdämpfer
Inspektion	1



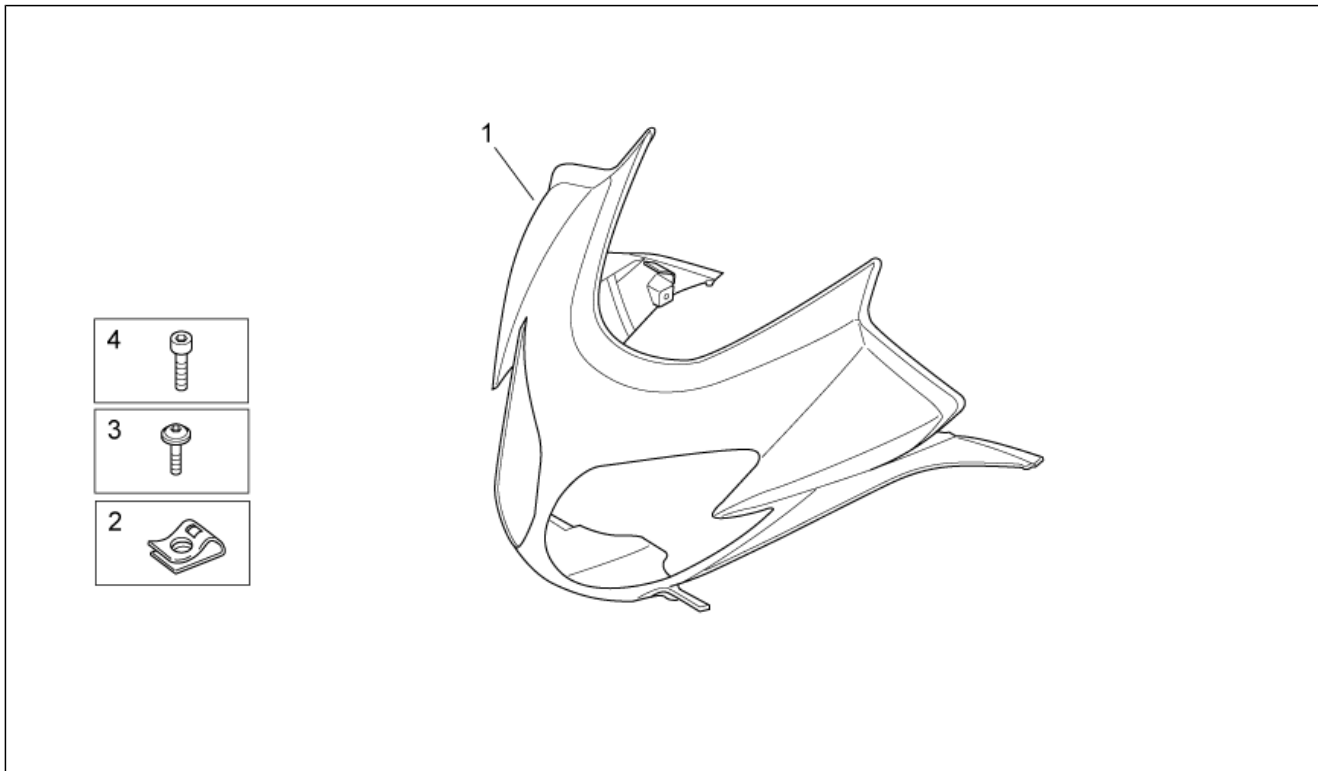
Pos.	Code	Beschreibung	Menge	Varianten
1	883855	Hinterer Stoßdämpfer	1	
2	AP8152398	TE Schr. m. Flansch M10x80	1	
3	GU05560330	Doppelte Pleuelstange	1	
4	AP8135924	Pleuelbolzen L40	1	
5	AP8110066	Nadellager	7	
6	AP8110068	Ölabstreifring D18x24x3	8	
7	GU05562030	Pleuelbolzen L47	2	
8	AP8135608	Pleuelbolzen L25	1	
9	AP8152397	TCEI Schraube M10x82	1	
10	AP8121155	T-Buchse *	1	
11	AP8152301	Selbstsperrende Mutter	3	
12	AP8152147	Sechskantschraube M10x47	1	
13	AP8150292	Gebogene Sprengscheibe *	1	
14	GU05562430	Einfache Pleuelstange	1	
15	AP8152482	TE Schr. m. Flansch M10x85	1	
16	AP8152396	TE Schr. m. Flansch M10x95	1	

Einheit	RAHMEN
Code	33.14
Beschreibung	Kraftstofftank
Inspektion	1



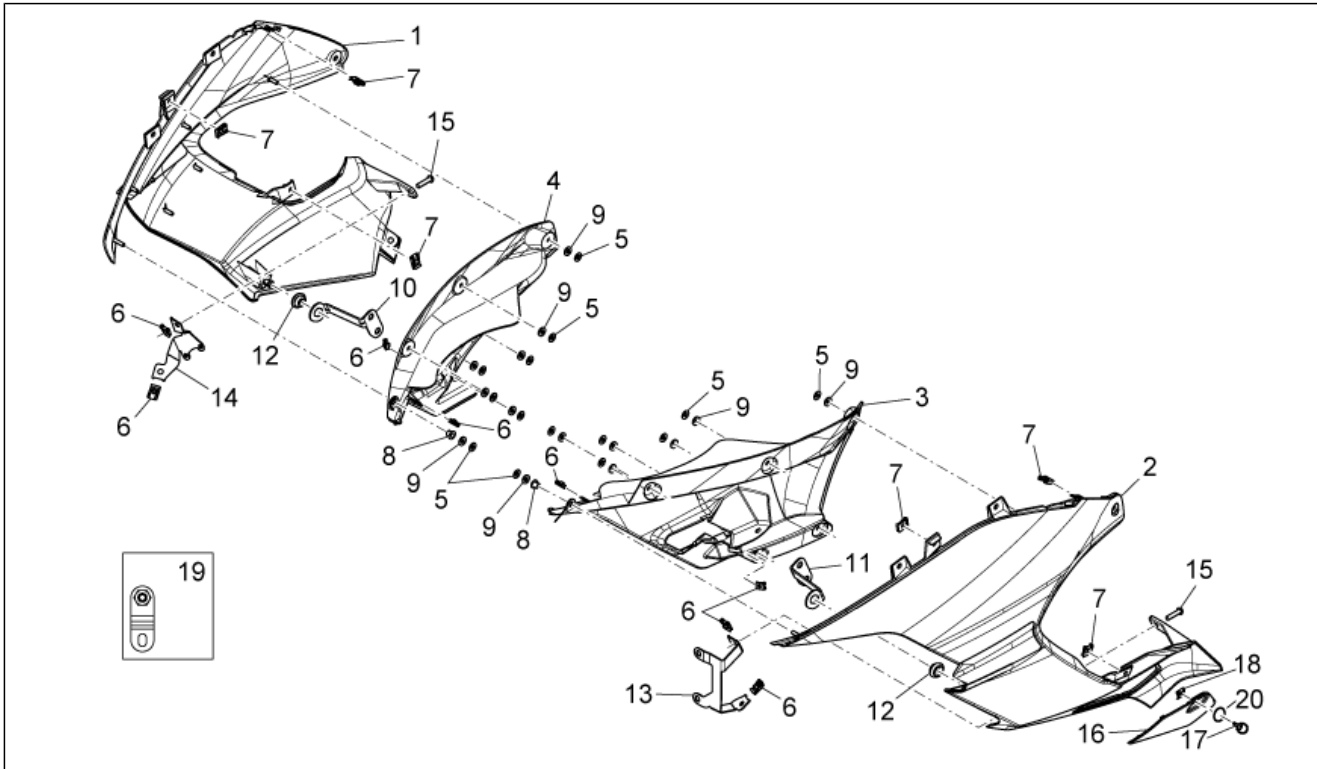
Pos.	Code	Beschreibung	Menge	Varianten
1	GU05100230	Kraftstoffbehälter hne farbe	1	Fahrzeugfarbe:Unlackiert[GR]
1	GU0510023000YA1	Kraftstofftank, h.blau	1	
2	AP8201124	Gummi *	2	
3	GU98682414	TCEI Schraube	2	
4	GU95008208	Ausgleichscheibe 8,4X15X1,5	2	
5	GU02107100	Gummi	1	
6	AP8121804	Distanzscheibe *	2	
7	AP8152291	TE Schr. m. Flansch	1	
8	GU05103930	Tankverschluß	1	
9	B043864	TCEI Schraube M5x14	4	
10	GU30103730	Anschluss	2	
11	AP8120965	O-Ring 2018	2	
12	AP8101595	Schelle D10,1	2	
13	AP8104666	3-Wegeanschluss	1	
14	896544	Kraftstoffleitung 5,5x10	3	
15	AP8104451	Kabelführungs	2	
16	GU05102930	Isolierung mitte	1	

Einheit	RAHMEN
Code	33.16
Beschreibung	Frontaufbau I
Inspektion	1



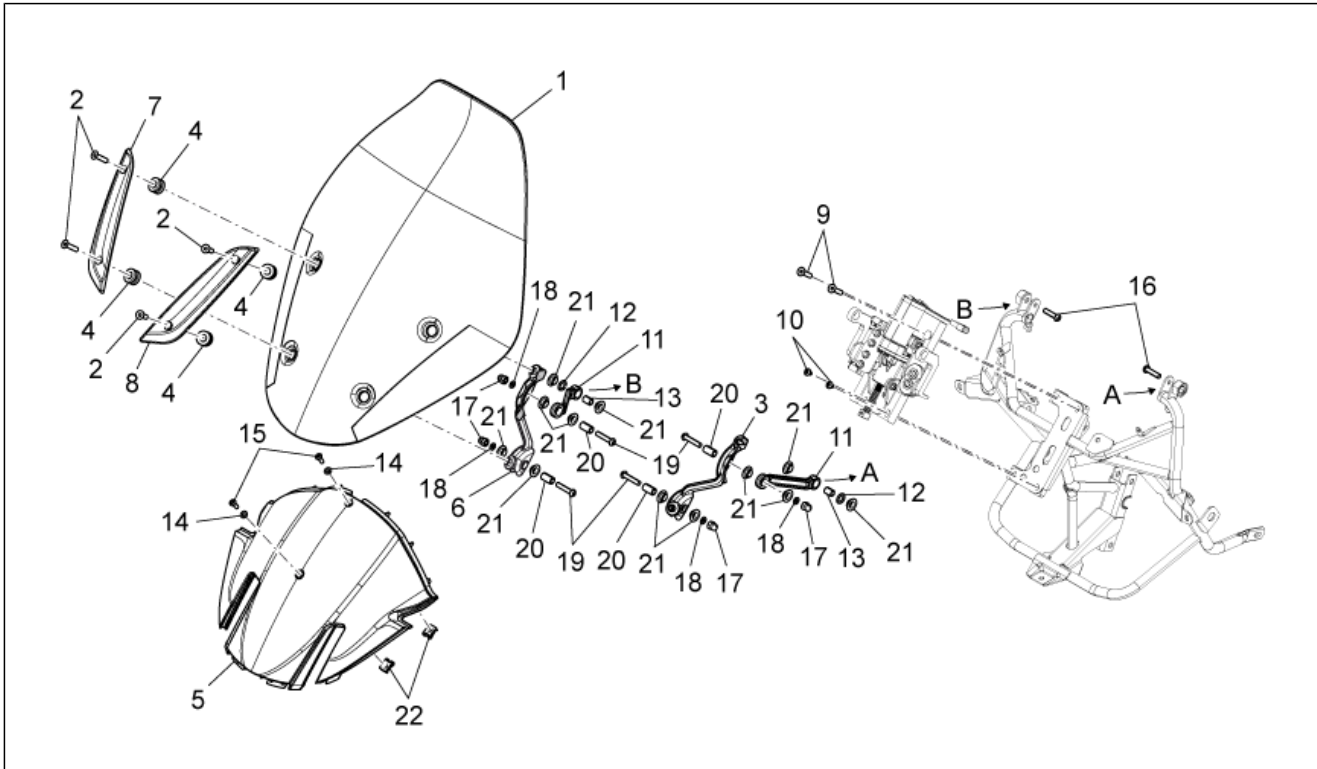
Pos.	Code	Beschreibung	Menge	Varianten
1	884251	Fahrtwindschutzhne farbe P.A.	1	
1	88425100YA1	Kuppel hellblau lack.	1	
2	248419	Plattchen m5	12	
3	AP8152339	TBEI Schraube m.Flansch M5x9	8	
4	GU98692216	TCEI Schraube	2	

Einheit	RAHMEN
Code	33.17
Beschreibung	Frontaufbau II
Inspektion	1



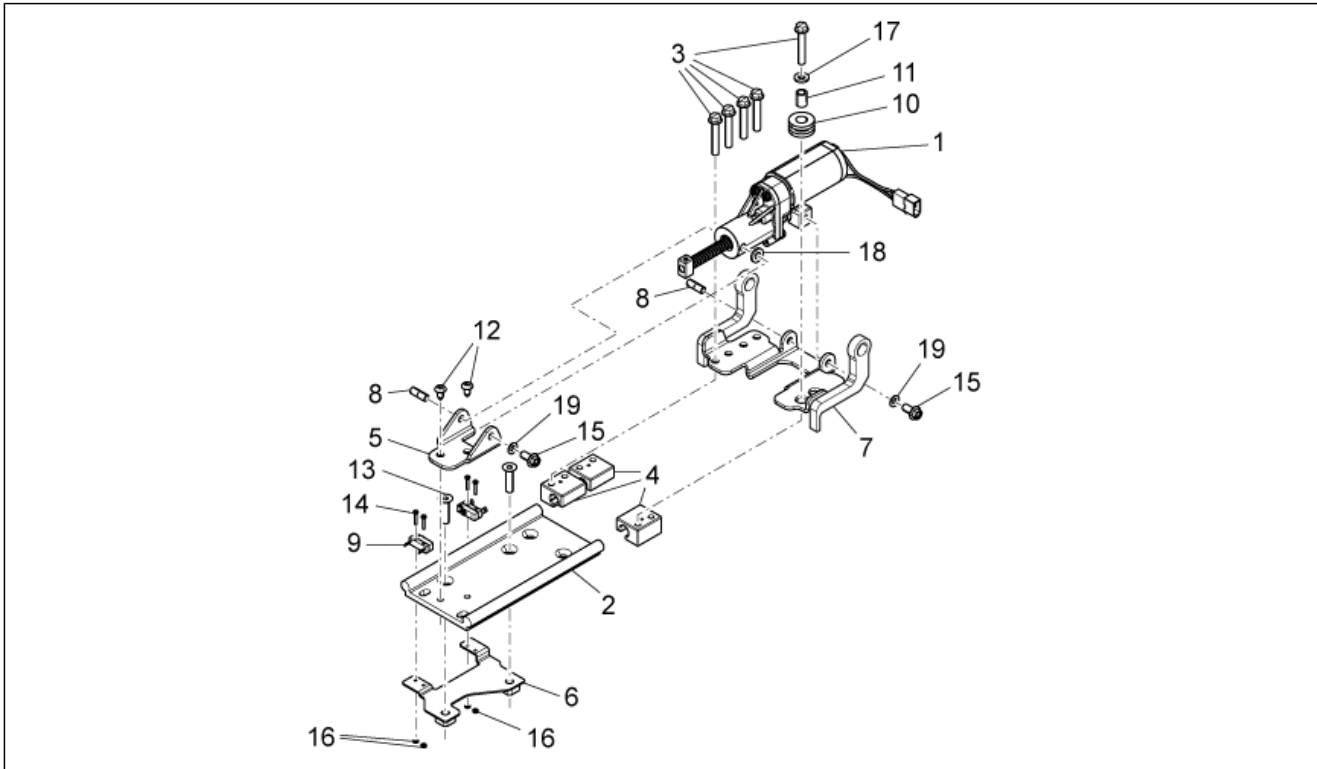
Pos.	Code	Beschreibung	Menge	Varianten
1	884247	Re. seitl. Verkleidung roh P.A.	1	
1	88424700YA1	Re. seitl. Verkleidung hellbl.	1	
2	884248	Li. seitl. Verkleidung roh P.A.	1	
2	88424800YA1	Li. seitl. Verkleidung hellbl.	1	
3	884250	L.inn.Rumpf P.A.	1	
4	884249	R.inn.Rumpf P.A.	1	
5	AP8150450	Wellenscheibe D5	14	
6	AP8102381	Klammer M4	10	
7	AP8102375	Klammer m5	6	
8	AP8121795	T-Buchse	2	
9	479882	Distanzscheibe	14	
10	977125	Rechts Platte	1	
11	977126	Links Platte	1	
12	AP8220162	Gummi	2	
13	977121	L.Platte Hinten.	1	
14	977119	R.Platte Hinten.	1	
15	AP8152339	TBEI Schraube m.Flansch M5x9	4	
16	883526	Klappe	1	
16	88352600YA1	Sportello verifica olio azzurro	1	
17	887426	Bolzen 1/4 di giro	1	
18	GU97240600	Spezialklammer	1	
19	883747	Platte	1	
20	AP8120965	O-Ring 2018	1	

Einheit	RAHMEN
Code	33.18
Beschreibung	Windschutzscheibe II
Inspektion	1



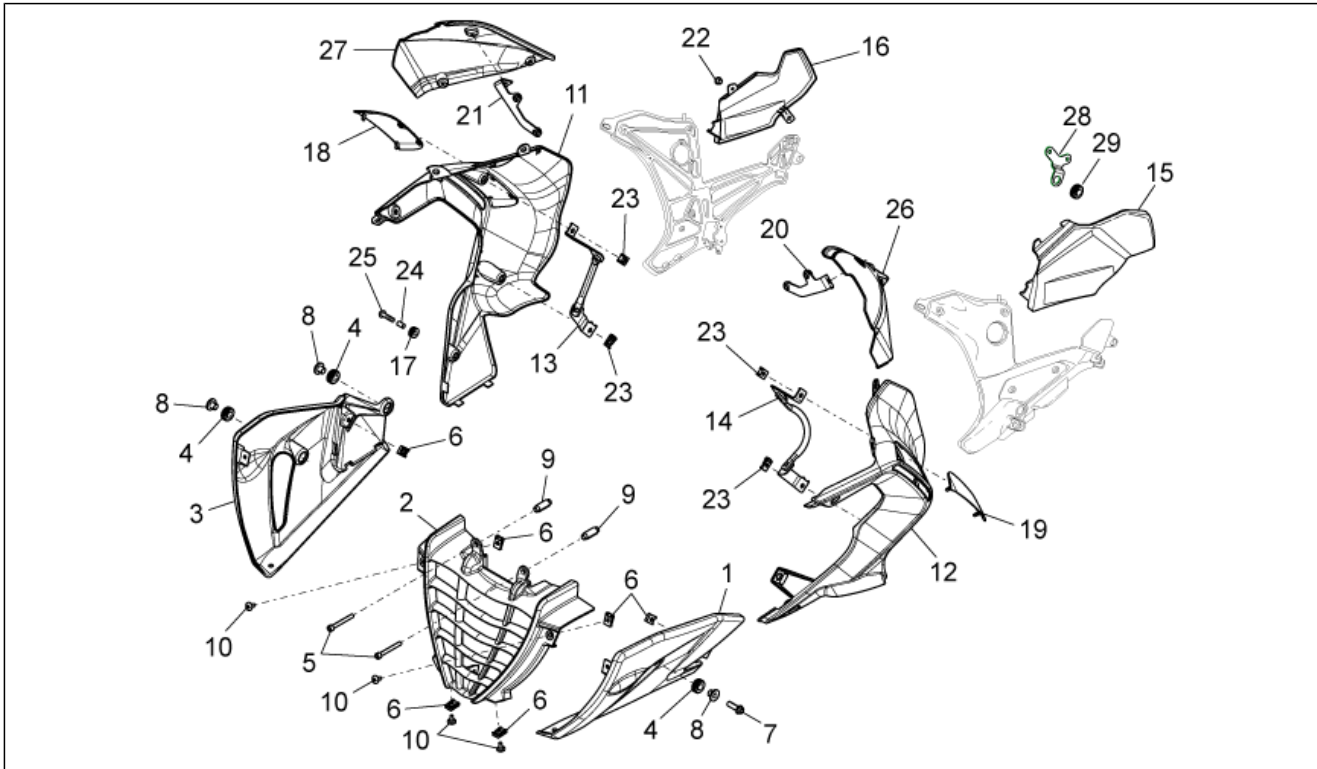
Pos.	Code	Beschreibung	Menge	Varianten
1	883810	Wetterschutz	1	
2	655467	Schraube	4	
3	653027	Halterung Windschutzscheibe li	1	
4	576565	Kabelführung zylinderförmig	4	
5	2B000862	Vorderreifen	1	
6	653028	Halterung Windschutzscheibe re	1	
7	653157	Rechtes bügel	1	
8	653156	Linkes bügel	1	
9	840542	Schraube	2	
10	274369	TBEI Schraube M6x12	2	
11	883790	Pleuelstange	2	
12	271695	Gasket ring	2	
13	259658	Distanzscheibe	2	
14	AP8144565	U-scheibe Nylon	2	
15	GU98370412	TBEI Schraube M4x12	2	
16	GU98370625	TBEI Schraube	2	
17	479175	Hutmutter	4	
18	006966	Federring 6,4x11x0,5	4	
19	620365	TBEI Schraube M6x30	4	
20	977644	Distanzscheibe	4	
21	977645	Buchse	12	
22	AP8102381	Klammer M4	2	

Einheit	RAHMEN
Code	33.19
Beschreibung	Windschutzscheibe I
Inspektion	1



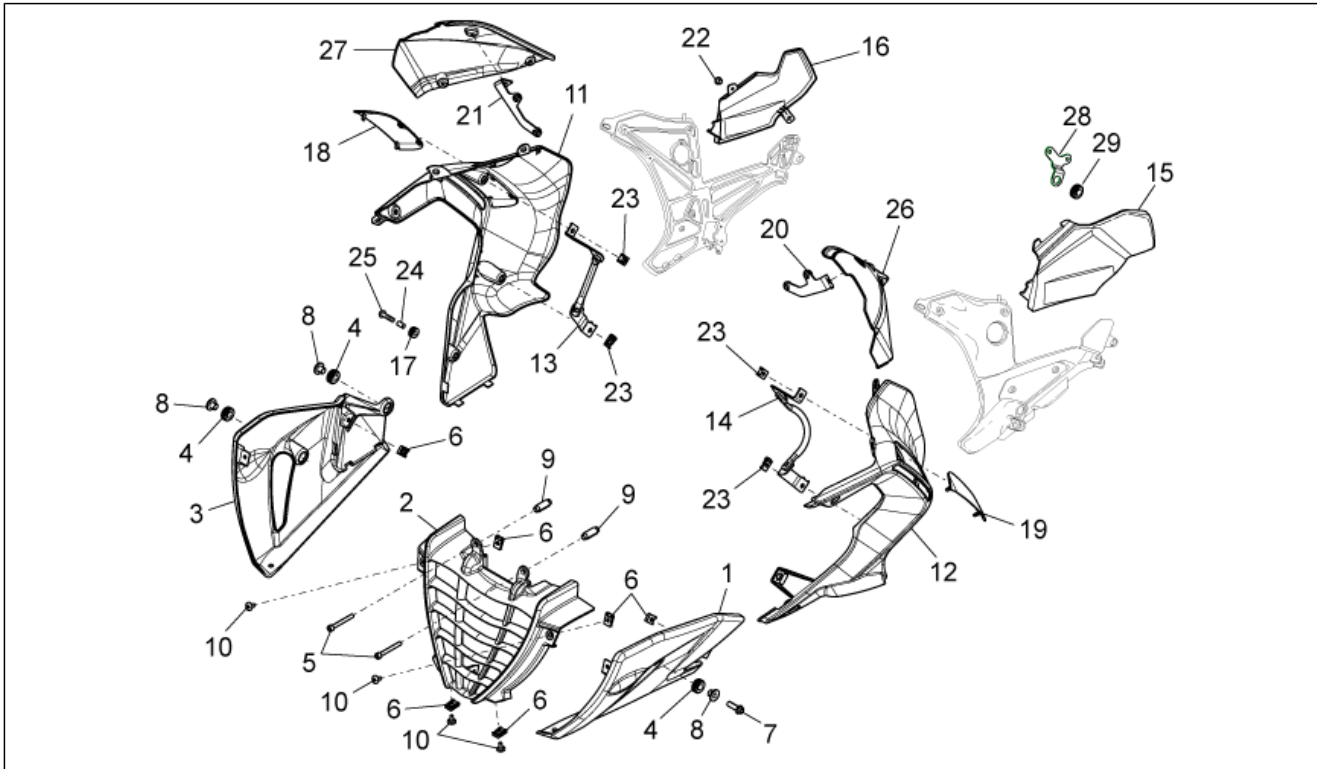
Pos.	Code	Beschreibung	Menge	Varianten
1	655463	Elektromotor	1	
2	655461	Gleitsbahn	1	
3	018639	Sechskantschraube M6x20	6	
4	977638	Gleitender Bloc	3	
5	655679	Platte	1	
6	654172	Halterbügel	1	
7	883795	Untere Platte	1	
8	655465	Aufnahmebolzen	2	
9	640468	Schalter	2	
10	487665	Kabelführung	2	
11	231908	Distanzscheibe	2	
12	274369	TBEI Schraube M6x12	2	
13	840542	Schraube	2	
14	654174	TC Schraube M2x12*	4	
15	AP8152277	TE Schr. m. Flansch M6x12	2	
16	654175	Mutter M2*	4	
17	003056	Flachscheibe 6,4x12x1	2	
18	013880	Flachscheibe 16x6,5x1,5	1	
19	006976	Sprenzscheibe 12x6,4x0,5	2	

Einheit	RAHMEN
Code	33.20
Beschreibung	Mittlerer Aufbau
Inspektion	1



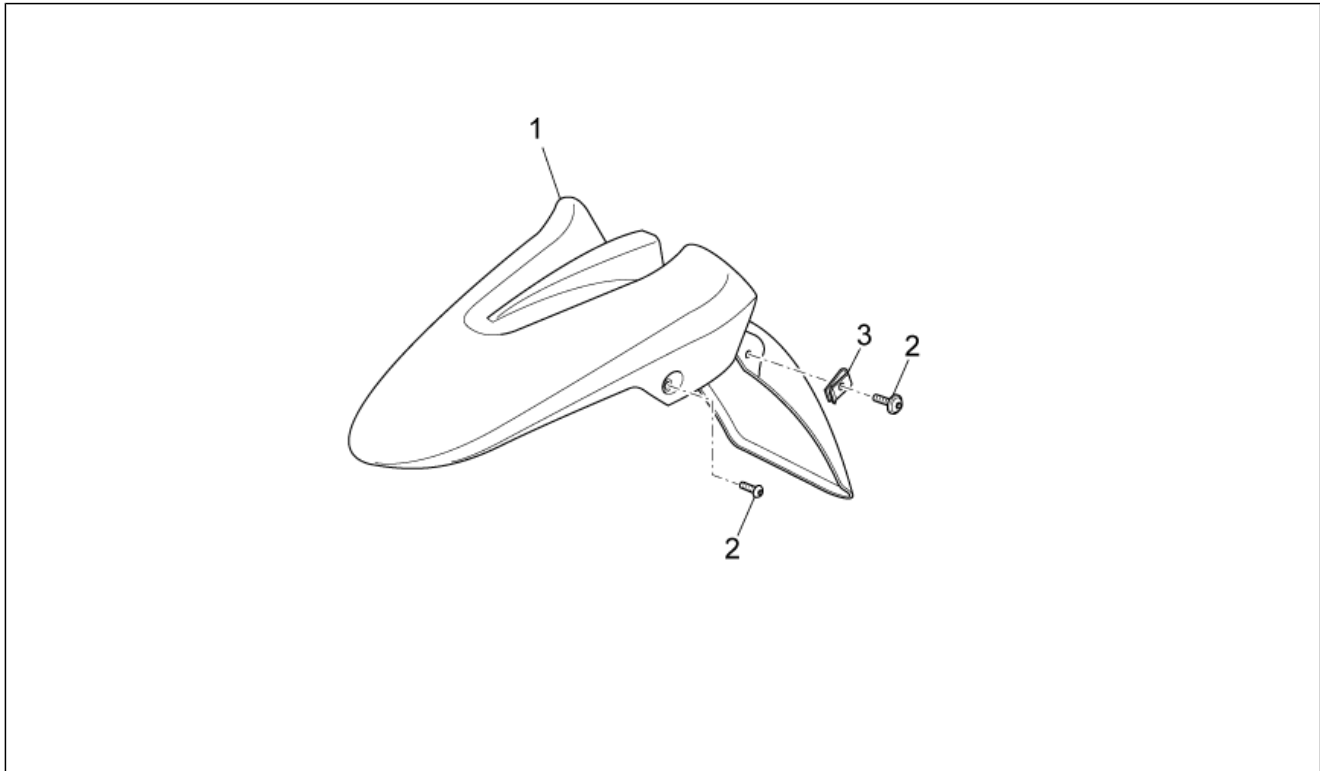
Pos.	Code	Beschreibung	Menge	Varianten
1	883890	Verkl.sx	1	
1	88389000YA1	Puntale sx verniciato	1	
2	883891	Gitter	1	
3	883889	Verkl.dx	1	
3	88388900YA1	Puntale dx verniciato	1	
4	AP8120594	Gummi	3	
5	AP8150324	TCEI Schraube M6x50	2	
6	AP8102375	Klammer m5	6	
7	AP8152287	TE Schr. m. Flansch M8x25	1	
8	AP8221128	T-Buchse 8,5x10,7x12	3	
9	898051	Distanzscheibe	2	
10	AP8150500	TBEI Schraube M5x9	4	
11	883518	Re. Seitenteil roh	1	
11	88351800YA1	R. Seitent., h.blau	1	
12	883519	Li. Seitenteil roh	1	
12	88351900YA1	L. Seitent., h.blau	1	
13	977619	Halter rechts	1	
14	977623	Halter links	1	
15	884277	H. L. Seitenteil P.A.	1	
16	884278	H. R. Seitenteil P.A.	1	
17	AP8120405	Gummi	6	
18	883520	Deckel re.	1	
19	883521	Deckel li.	1	
20	883946	Links Platte	1	
21	883947	Rechts Platte	1	
22	GU31576183	Distanzscheibe	1	
23	AP8102375	Klammer m5	4	
24	GU91180506	Distanzscheibe	4	

Einheit	RAHMEN
Code	33.20
Beschreibung	Mittlerer Aufbau
Inspektion	1



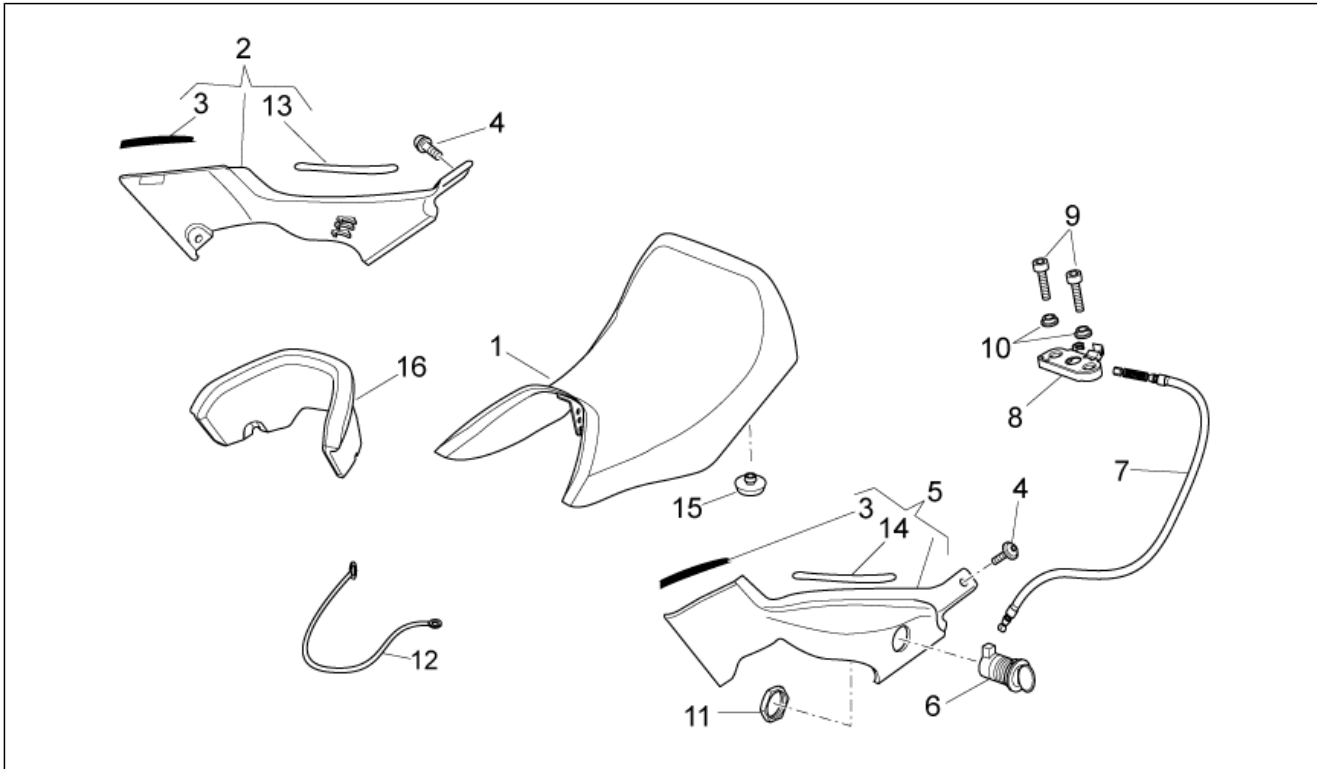
Pos.	Code	Beschreibung	Menge	Varianten
25	AP8152298	TBEI Schraube m.Flansch M5x16	6	
26	883630	Hinterer Wand L.	1	
27	883629	Hinterer Wand R.	1	
28	898254	Befestigungspl. Seitenteil	1	
29	AP8120030	Gummi	1	

Einheit	RAHMEN
Code	33.22
Beschreibung	Vorderes Schutzblech
Inspektion	1



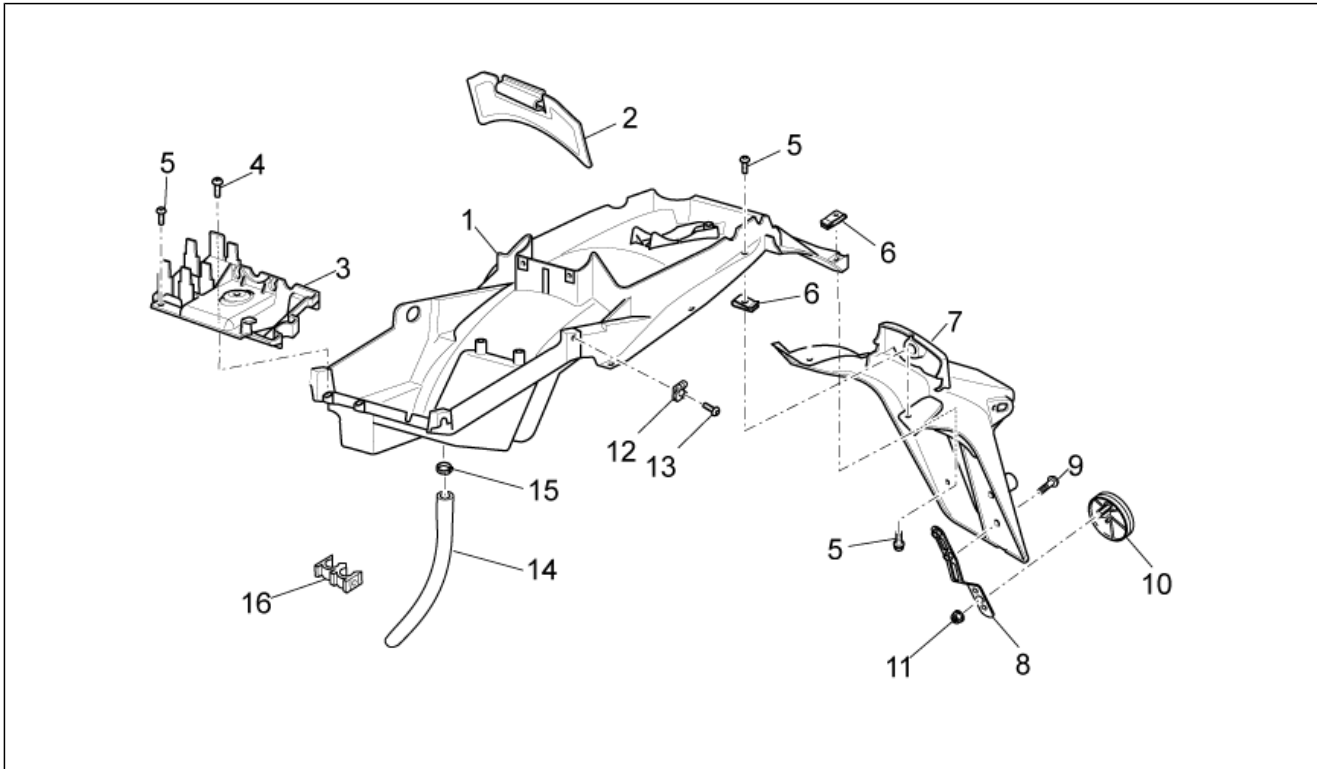
Pos.	Code	Beschreibung	Menge	Varianten
1	GU05434330	Vorder Schutzblech ohne farbe	1	
1	GU0543433000YA1	V. Schutzblech, h.bl.	1	
2	AP8152302	TBEI Schraube m.Flansch M5x12	4	
3	AP8102375	Klammer m5	2	

Einheit	RAHMEN
Code	33.23
Beschreibung	Sitz-Mittlerer aufbau
Inspektion	1



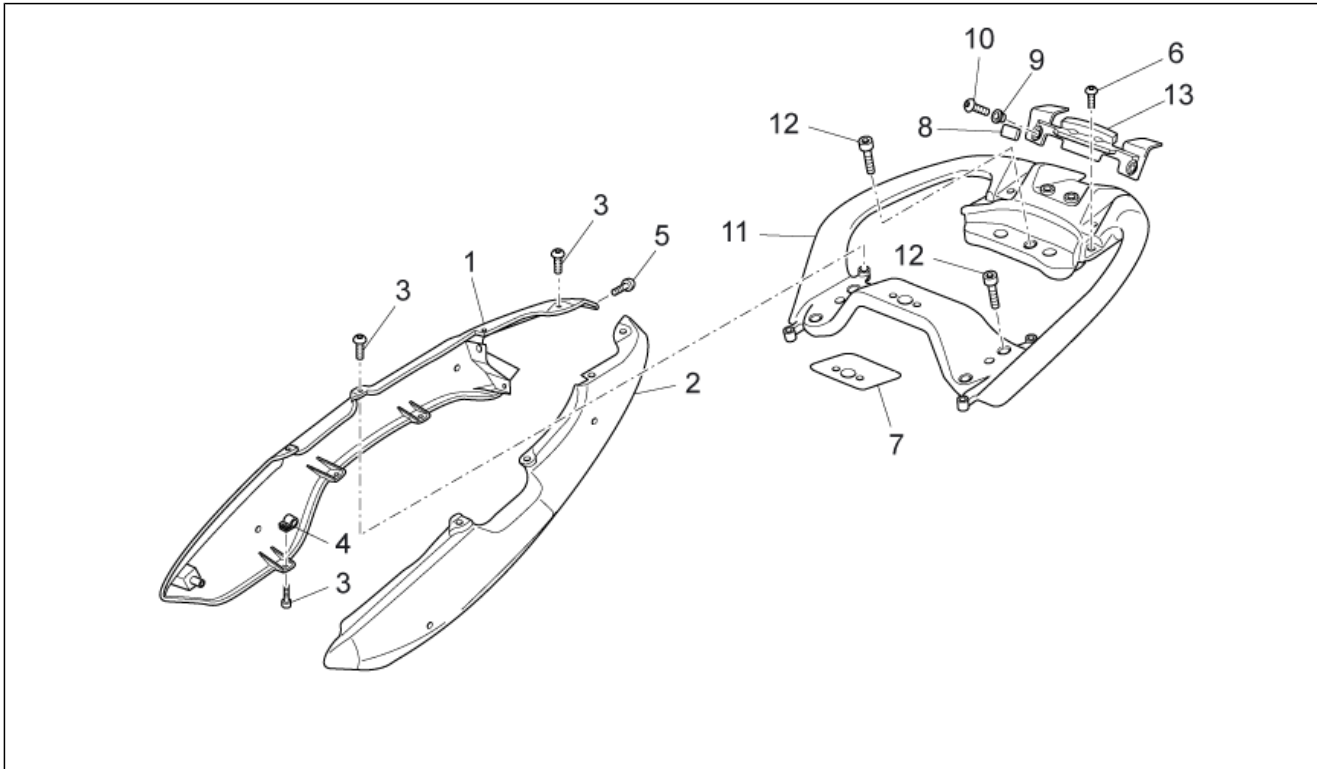
Pos.	Code	Beschreibung	Menge	Varianten
1	978123	Einzelstuh schwarz	1	
2	GU05570230	R.Seitenabdeckung hne farbe	1	
2	GU0557023000YA1	R. Seitenteil, hellblau	1	
3	890517	Dichtung Sportsch.	2	
4	AP8152339	TBEI Schraube m.Flansch M5x9	2	
5	883496	L.Seitenabdeckung hne farbe	1	
5	88349600YA1	L. Seitenteil, hellblau	1	
6	GU05466830	Sitzschloß	1	
7	AP8102914	Sitz-Einkupplungsvorrichtung	1	
8	AP8102913	Fixierplatte Soziussitz	1	
9	GU98370625	TBEI Schraube	2	
10	AP8152299	Selbstsperrende Mutter M6	2	
11	AP8102523	Schloß mutter M22x1,5	1	
12	AP8102502	Schutzhelm-Befestigungskabel	1	
13	GU05573830	Deko rechter Seitenschutz	1	
14	GU05573831	Deko linker Seitenschutz	1	
15	GU32461810	Gummi	6	
16	978074	Tankabdeckung	1	

Einheit	RAHMEN
Code	33.24
Beschreibung	R.Kar. - Sch.bl
Inspektion	1



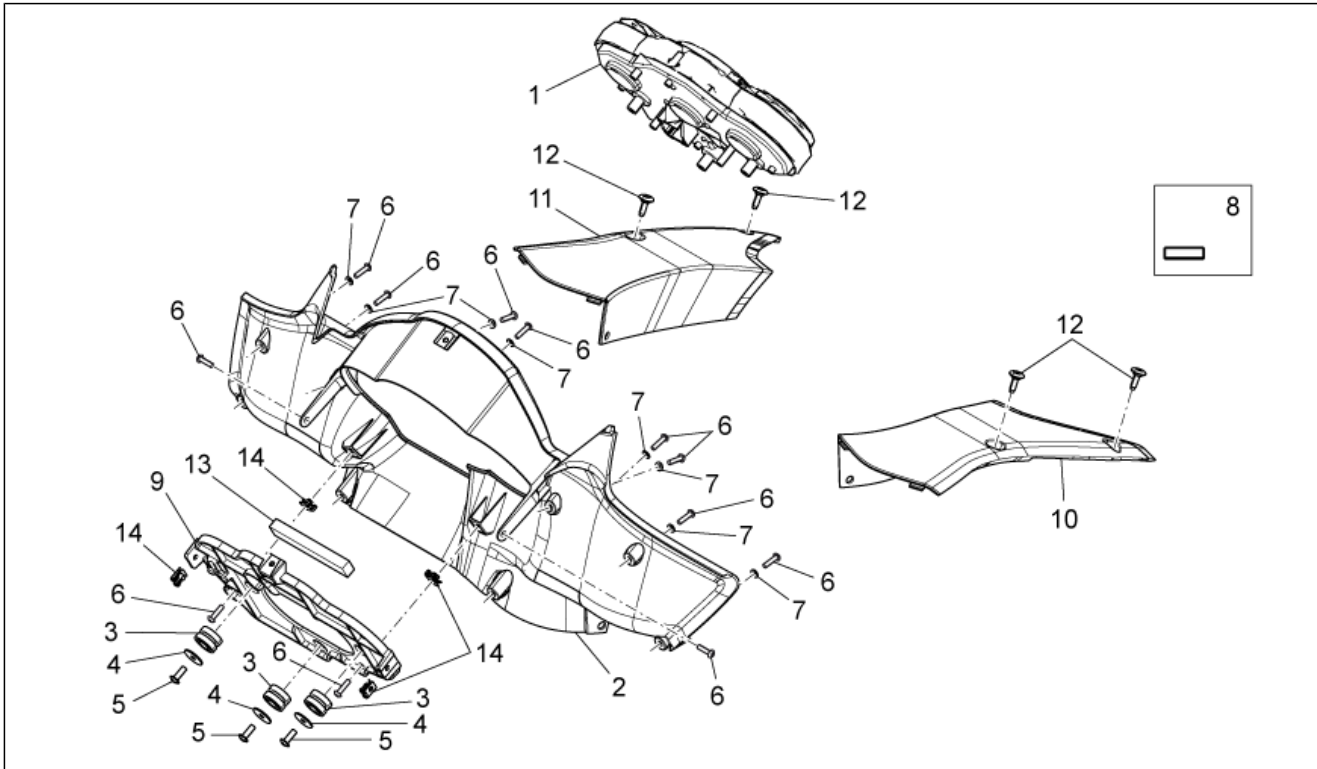
Pos.	Code	Beschreibung	Menge	Varianten
1	883864	Spritzschutz	1	
2	GU05479630	Klappe	1	
3	883682	ABS-Halterung	1	
4	AP8152329	Kreuz.schl.finschschr. M5x20	3	
5	AP8152339	TBEI Schraube m.Flansch M5x9	7	
6	AP8102375	Klammer m5	4	
7	GU05438630	Kennzeichenplatte	1	
8	AP8134448	Rückstrahler-Fixierung	1	
9	AP8152268	TBEI Spez.schr. M5x16	2	
10	AP8224164	Rückstrahler Rücklicht, rot	1	
11	AP8152306	Selbstsperrende Mutter m5	1	
12	GU28576591	Klammer M6	6	
13	GU98370614	TBEI Schraube M6x14	6	
14	896544	Kraftstoffleitung 5,5x10	1	
15	AP8101595	Schelle D10,1	1	
16	AP8201808	Kabelführungs D8	2	

Einheit	RAHMEN
Code	33.25
Beschreibung	R.Kar. - R.verkl.
Inspektion	1



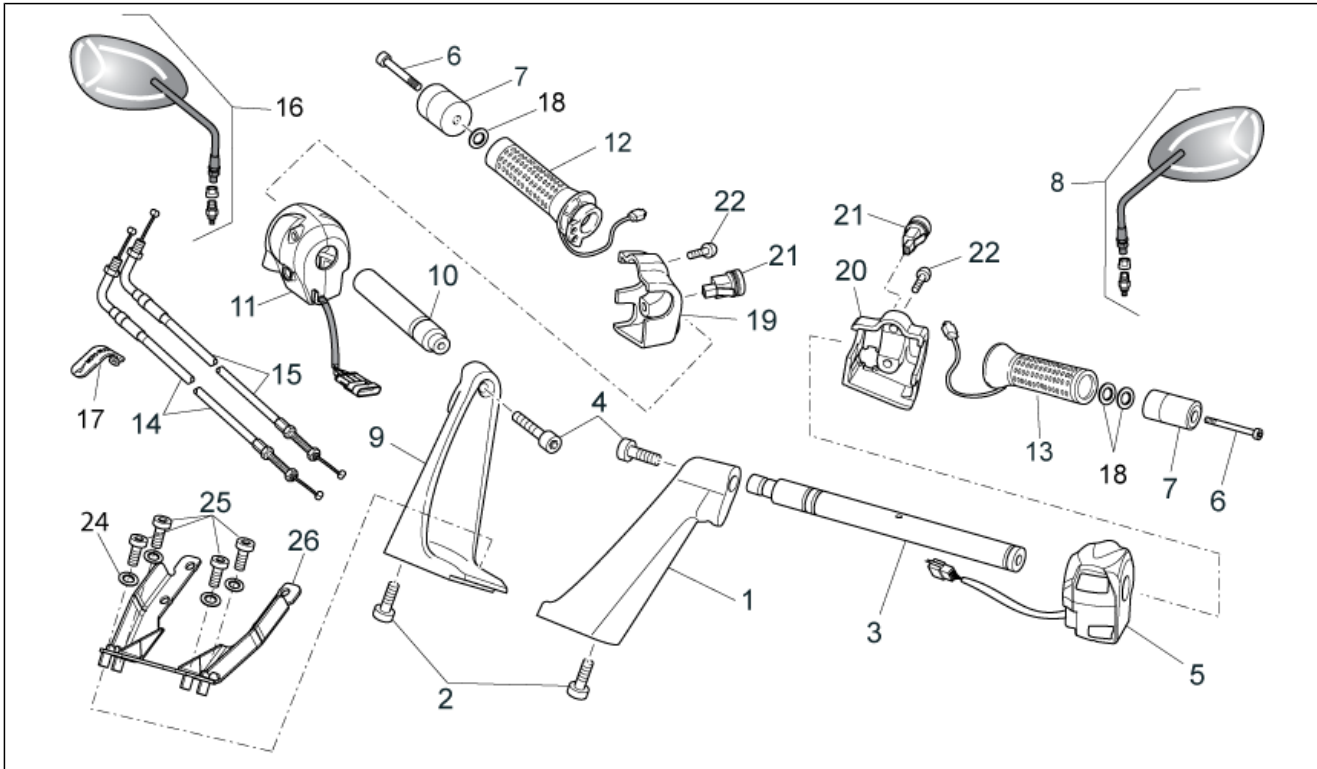
Pos.	Code	Beschreibung	Menge	Varianten
1	GU05573230	Heckteil r., roh	1	
1	GU0557323000YA1	Heckteil r., blau	1	
2	GU05573330	Heckteil l., roh	1	
2	GU0557333000YA1	Heckteil li	1	
3	AP8152339	TBEI Schraube m.Flansch M5x9	10	
4	AP8102375	Klammer m5	10	
5	GU98682215	TCEI Schraube	2	
6	AP8152302	TBEI Schraube m.Flansch M5x12	2	
7	GU32944210	Deko schutz	1	
8	AP8120455	Gummi	2	
9	AP8121096	T-Buchse 8,2x12x4	2	
10	AP8152055	TBEI Schraube M8x12	2	
11	2B0010545	Soziusgriff	1	
12	GU98682425	TCEI Schraube M8x25	5	
13	GU05464830	Deckel	1	

Einheit	RAHMEN
Code	33.29
Beschreibung	Instrumententafel
Inspektion	1



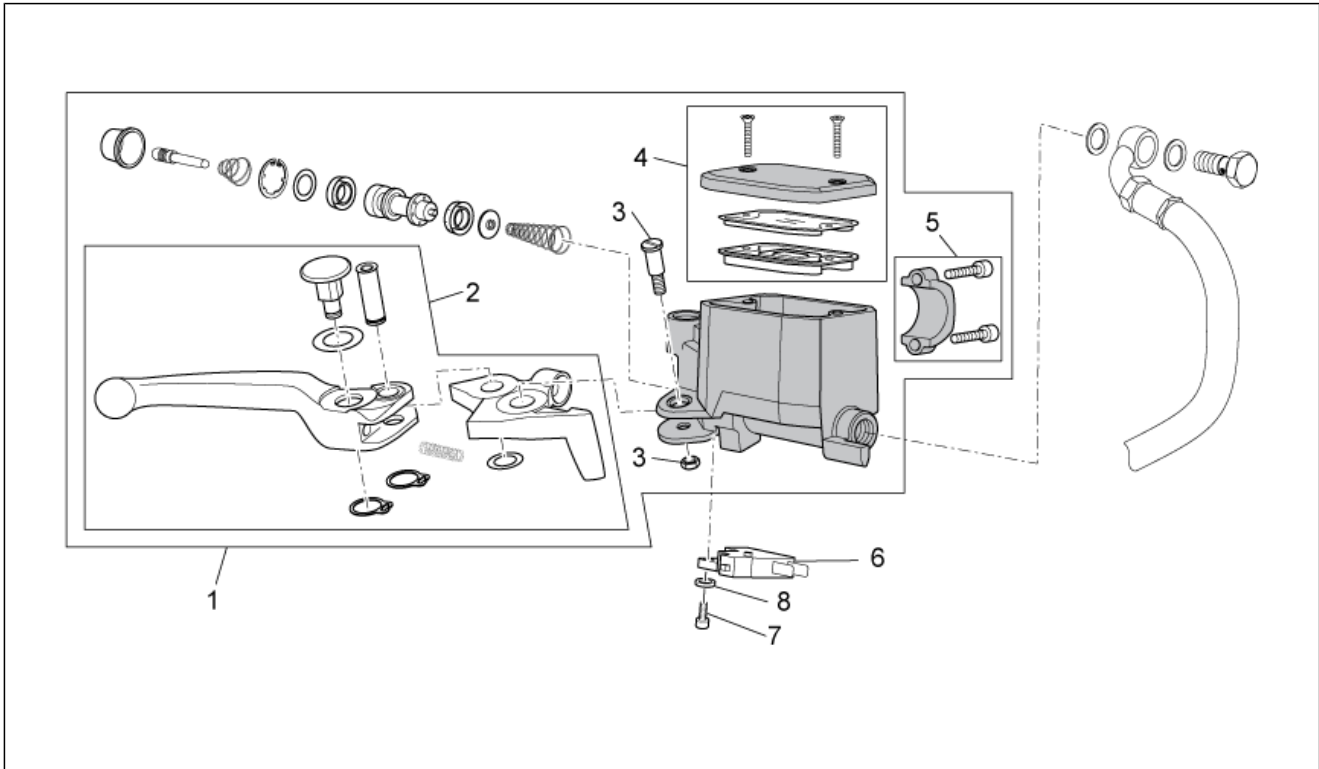
Pos.	Code	Beschreibung	Menge	Varianten
1	883567	Instrumententafel	1	
2	897582	Haltefassung	1	
3	AP8220150	Gummi	3	
4	AP8150255	Ausgleichscheibe 5x20x1,5	3	
5	AP8150509	Gew.schr. 5x14	3	
6	581957	TBEI Schraube	12	
7	AP8144565	U-scheibe Nylon	8	
8	883720	Gummi	1	
9	897585	Flansch	1	
10	2B000860	Instrumententafel li.	1	
11	897580	Instrumententafel re.	1	
12	AP8152302	TBEI Schraube m.Flansch M5x12	4	
13	GU01573960	Schwingungsdämpfergummi	1	
14	AP8102381	Klammer M4	4	

Einheit	RAHMEN
Code	33.31
Beschreibung	Lenkstange - Schaltungen
Inspektion	1



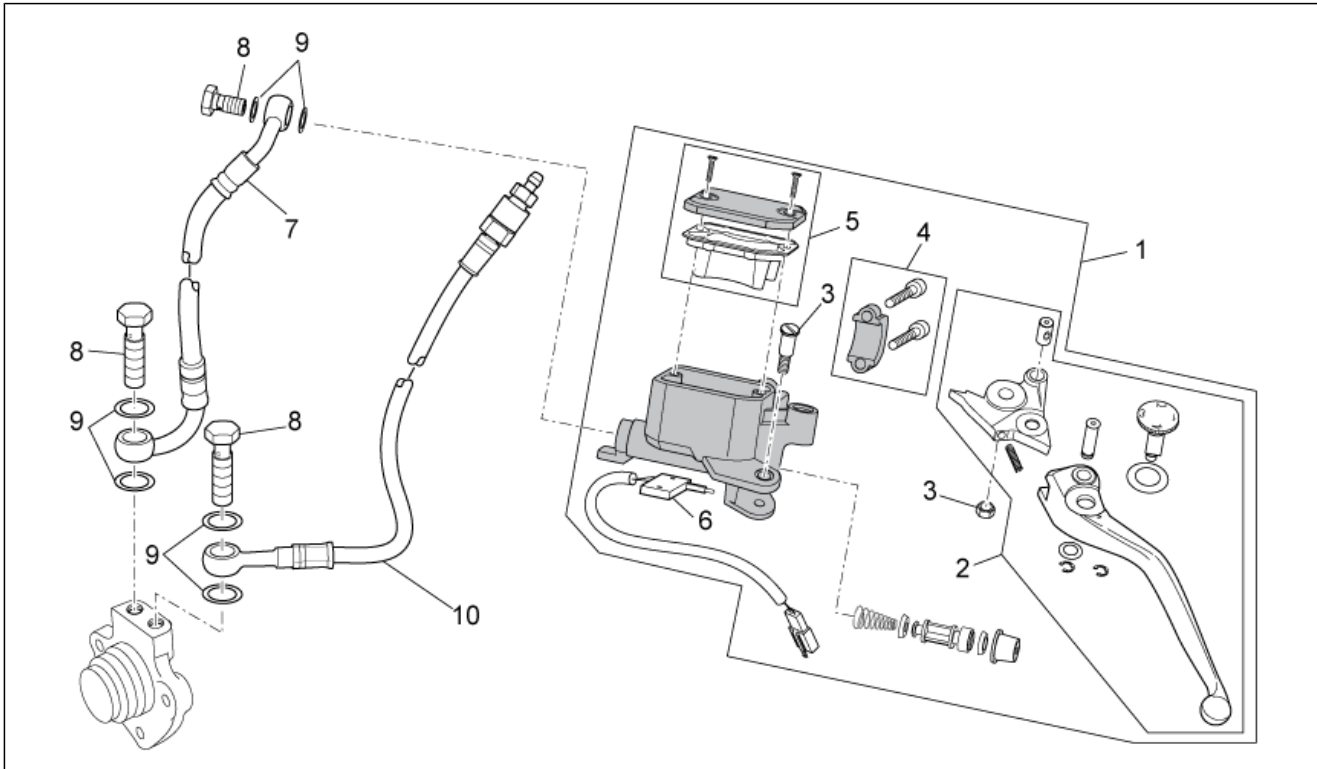
Pos.	Code	Beschreibung	Menge	Varianten
1	898129	Halbblenker links	1	
2	GU98690440	Schraube TCEI M8x40	6	
3	GU05600930	Lenkerschlauch L.	1	
4	GU98832430	Schraube	2	
5	886229	Linker Lichtschalter	1	
6	GU98680370	Schraube M6x70	2	
7	AP8104572	Schwingschutzgewicht schwarz	2	
8	AP8104922	Rückspiegel links	1	
9	898128	Lenkerteil re.	1	
10	GU05600230	Lenkerschlauch R.	1	
11	886160	Vorrichtung recht	1	
12	977906	Beheizter rechtesgriff links	1	
13	AP8706527	Beheizter lenkergriff links	1	
14	886632	Gasantrieb	1	
15	886633	Bowdenzuzug	1	
16	AP8104921	Rückspiegel rechts	2	
17	GU01609630	Schelle L46 mm	2	
17	GU03609600	Schelle L36 mm	4	
18	GU05604630	Distanzscheibe 6x21x4	3	
19	977628	R. Bügelbolzen	1	
20	977629	L. Bügelbolzen	1	
21	977740	Knopf	2	
22	GU98612325	Schraube M6x25	2	
24	AP8150210	Gebogene Sprengscheibe *	4	
25	GU98680465	Schraube	4	
26	2B000790	Halterbügel Funk	1	

Einheit	RAHMEN
Code	33.32
Beschreibung	Vorderradbremspumpe
Inspektion	1



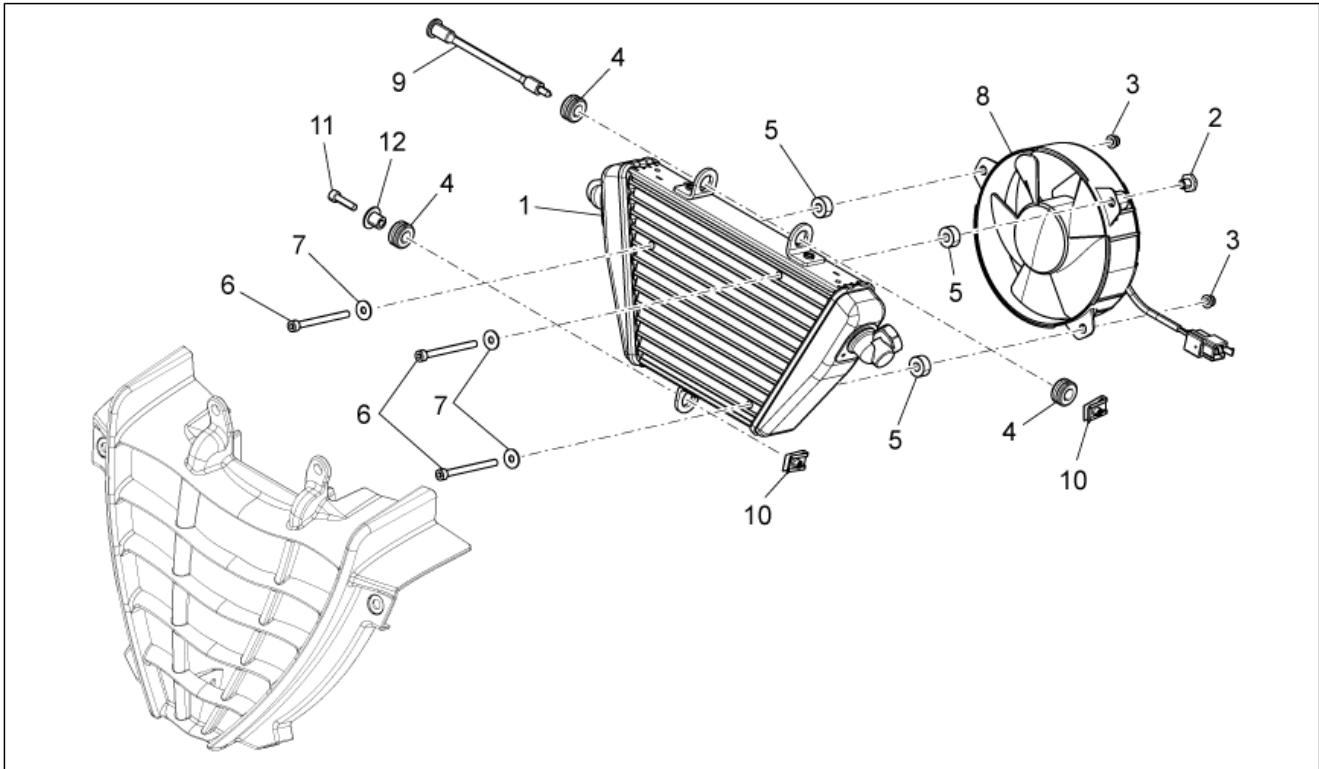
Pos.	Code	Beschreibung	Menge	Varianten
1	978606	Vorderradbremspumpe	1	
2	981050	Vorderradbremshebel	1	
3	AP8113995	Hebelbolzen	1	
4	GU05661130	Tankverschluß	1	
5	AP8113993	Bügelbolzen	1	
6	AP8224192	Bremslichtschalter mit Gummi	1	
7	GU98370412	TBEI Schraube M4x12	1	
8	GU95021104	Ausgleichscheibe 4,3x8x1,5	1	

Einheit	RAHMEN
Code	33.33
Beschreibung	Kupplung schalt. kpl
Inspektion	1



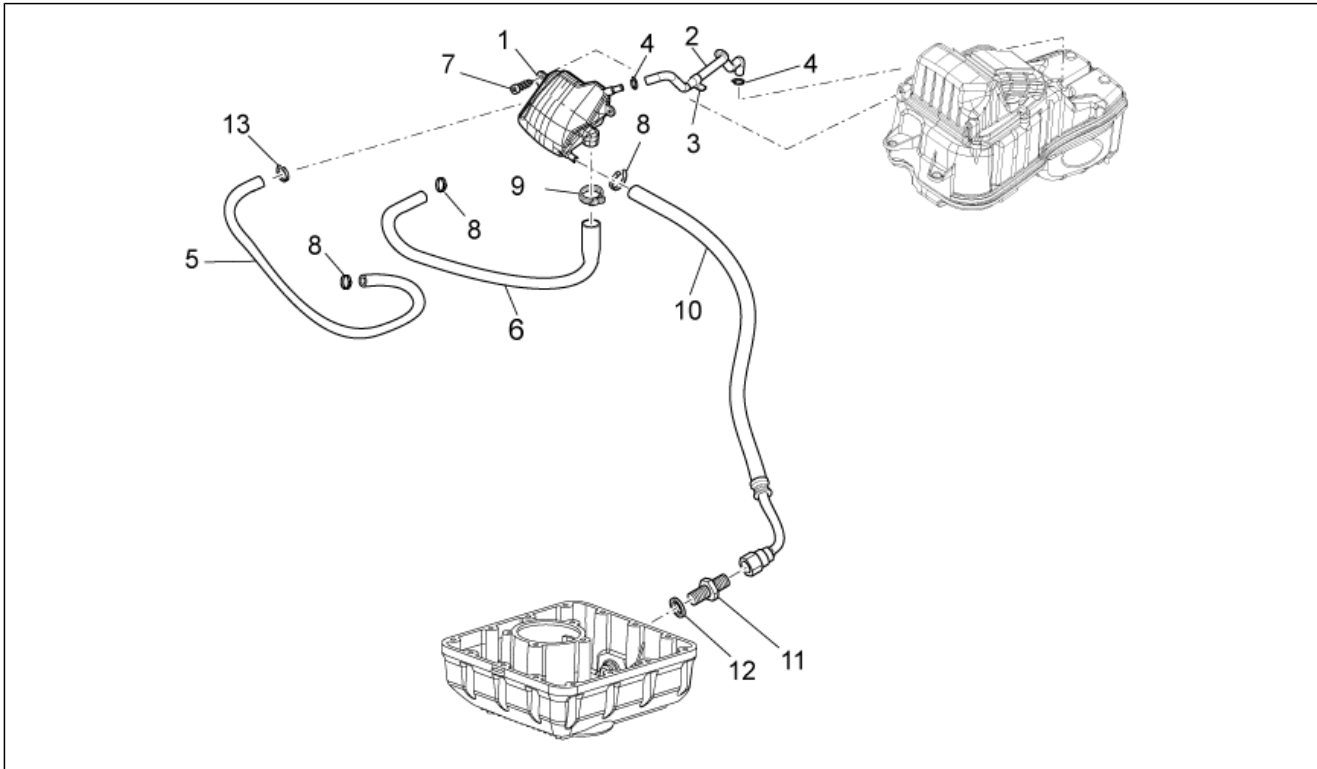
Pos.	Code	Beschreibung	Menge	Varianten
1	978607	Kupplungspumpe	1	
2	981046	Kupplungshebel	1	
3	GU03604845	Hebelbolzen	1	
4	AP8113993	Bügelbolzen	1	
5	AP8113997	Tankverschluß	1	
6	AP8113998	Mikroschalter	1	
7	GU05606530	Kupplungsschlauch	1	
8	AP8133594	Fixierschraube Ölschlauch	3	
9	AP8113004	Ausgleichscheibe 10x14x1,6*	6	
10	GU05606630	Ablaßrohr kupplung	1	

Einheit	RAHMEN
Code	33.34
Beschreibung	Ölkühler
Inspektion	1



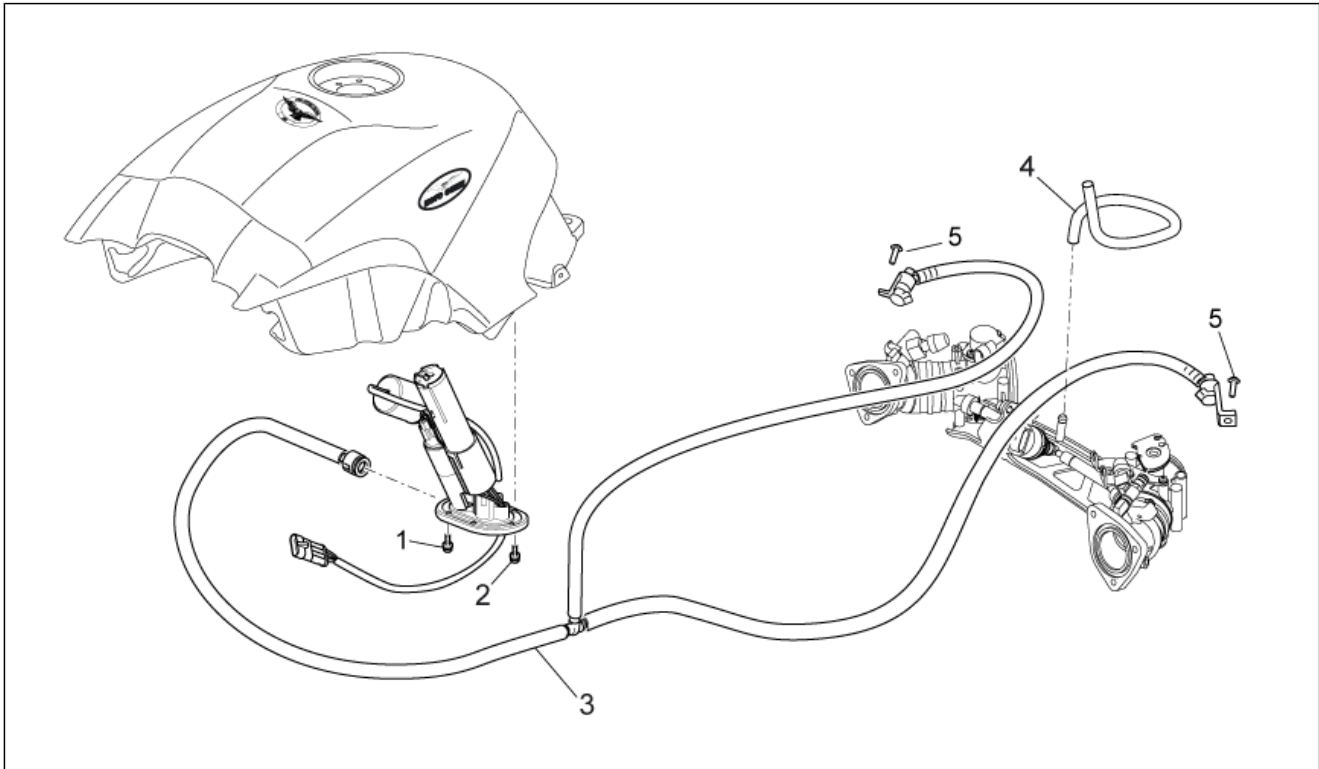
Pos.	Code	Beschreibung	Menge	Varianten
1	886123	Ölkühler	1	
2	886594	Gewindebuchse	1	
3	AP8152306	Selbstsperrende Mutter m5	2	
4	AP8120030	Gummi	3	
5	AP8161083	Distanzscheibe	3	
6	AP8150523	TCEI Schraube M5x60	3	
7	AP8150248	Ausgleichscheibe 5,5x15x1,6	3	
8	886235	El.Lüfter kpl.	1	
9	898050	Bolzen	1	
10	AP8102375	Klammer m5	2	
11	AP8150252	TCEI Schraube M5x20	1	
12	898244	T-Buchse	1	

Einheit	RAHMEN
Code	33.35
Beschreibung	Anlage Blow-by
Inspektion	1



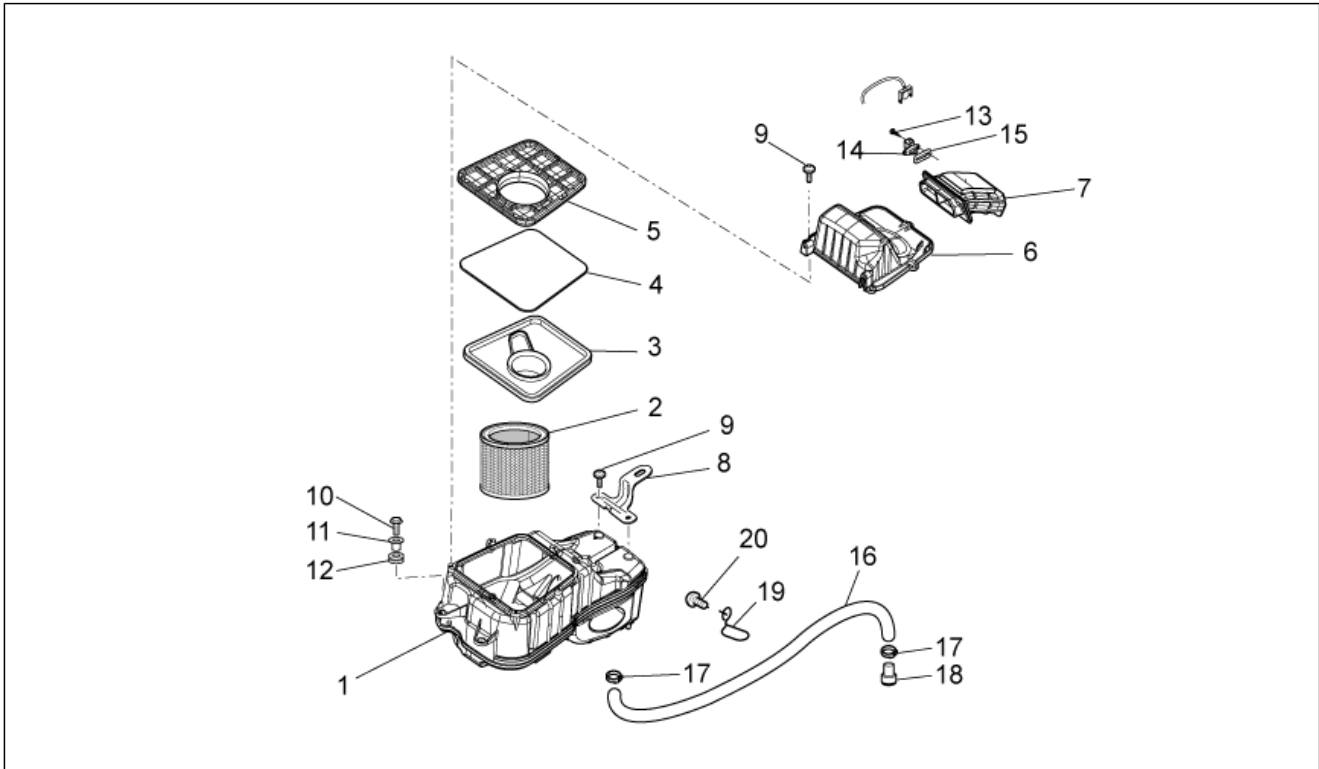
Pos.	Code	Beschreibung	Menge	Varianten
1	883495	Hause	1	
2	GU05157430	Entlüftungsschlauch Kühler	1	
3	890721	Kabelschelle	1	
4	AP8102520	Schlauchschelle	2	
5	883499	Schlauch rechts	1	
6	883500	Schlauch links	1	
7	AP8150509	Gew.schr. 5x14	2	
8	AP8101586	Schlauchschelle D.15,5x6,6	3	
9	GU93306018	Schelle 17X29X8	1	
10	GU05159330	Absaugleitung	1	
11	GU01161331	Übersetzung	1	
12	GU01154230	Dichtung	1	
13	GU93306017	Schelle	4	

Einheit	RAHMEN
Code	33.36
Beschreibung	Einspeisung
Inspektion	1



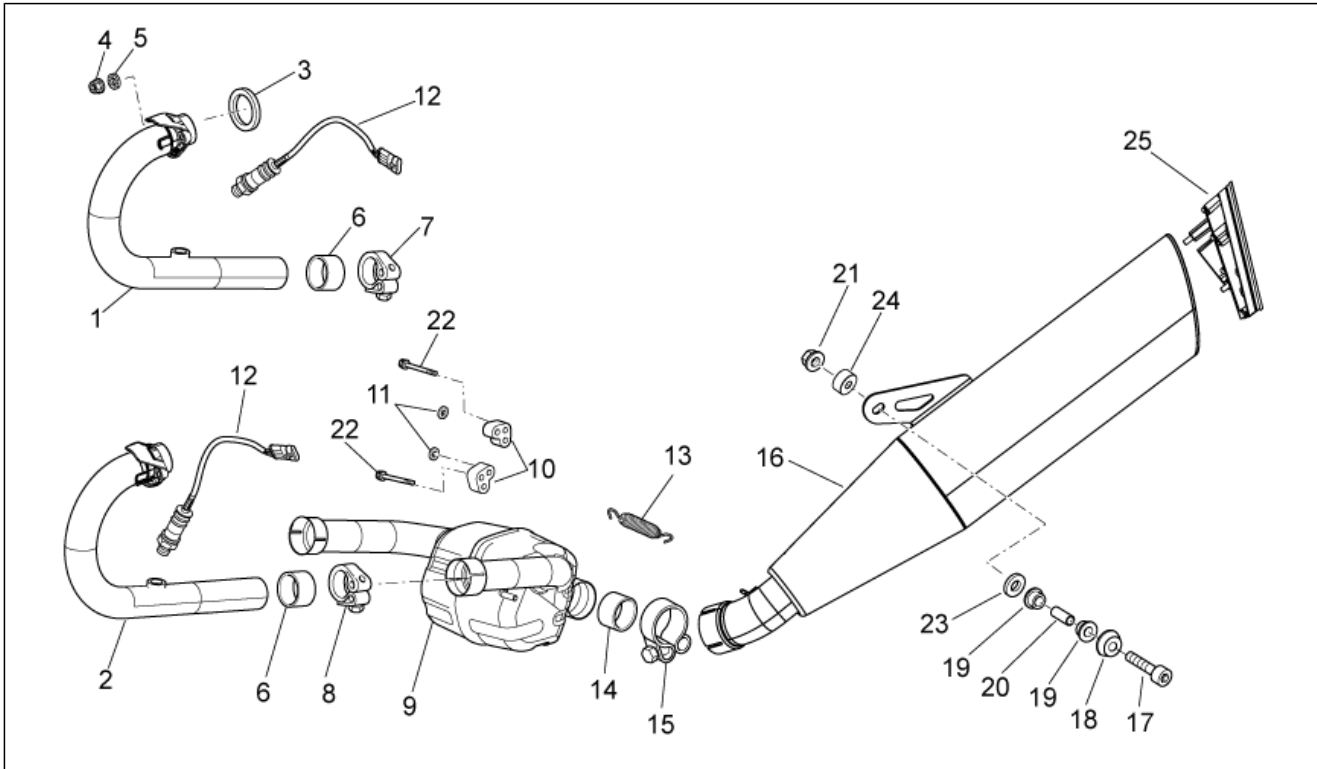
Pos.	Code	Beschreibung	Menge	Varianten
1	AP8152274	TE Schr. m. Flansch M5x20	2	
2	AP8152273	Flanschschraube M5x16	4	
3	883275	Kraftstoffleitung, Kpl.	1	
4	GU05135930	Leitung	1	
5	AP8152298	TBEI Schraube m.Flansch M5x16	2	

Einheit	RAHMEN
Code	33.37
Beschreibung	Filtergehäuse
Inspektion	1



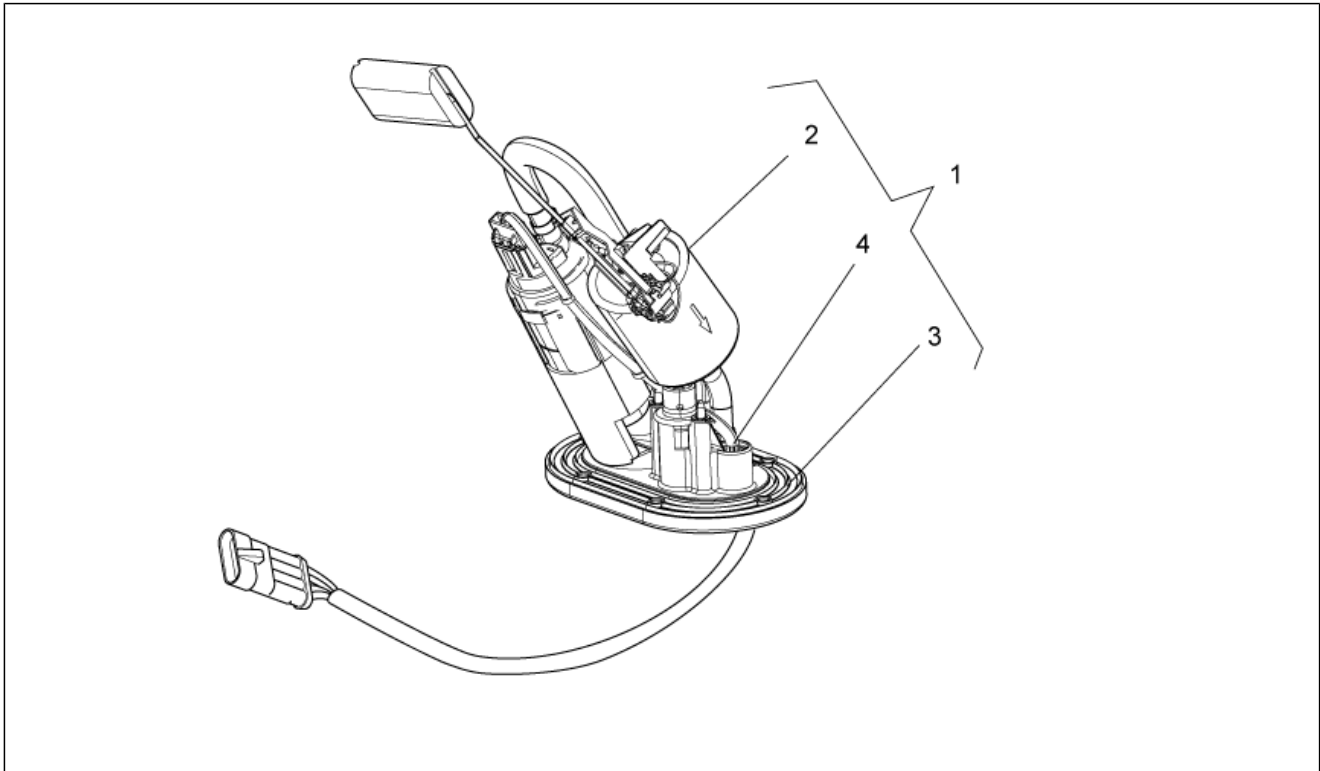
Pos.	Code	Beschreibung	Menge	Varianten
1	GU05114031	Filtergehäuse	1	
2	AP8104211	Luftfilter	1	
3	GU05113730	Protection	1	
4	AP8120615	Dichtung D3	1	
5	GU05103830	Klebeschwamm	1	
6	GU05113530	Deckel	1	
7	AP8144164	Ansaugmuffe	1	
8	GU05114130	Filtergehäusehalter	1	
9	AP8152329	Kreuz.schl.flnschschr. M5x20	7	
10	AP8152279	TE Schr. m. Flansch M6x20	2	
11	AP8221023	T-Buchse	2	
12	AP8120030	Gummi	2	
13	AP8150421	Gew.schr. 2,9x12	2	
14	GU30729330	Lufttemperaturfühler	1	
15	GU30027931	Dichtung	1	
16	AP8144038	Kraftstoffleitung 6x10	1	
17	AP8101595	Schelle D10,1	2	
18	AP8120876	Verschlußschraube	1	
19	AP8120428	Kabelführungs	1	
20	598839	TE Schr. m. Flansch	1	

Einheit	RAHMEN
Code	33.38
Beschreibung	Auslassgruppe
Inspektion	1



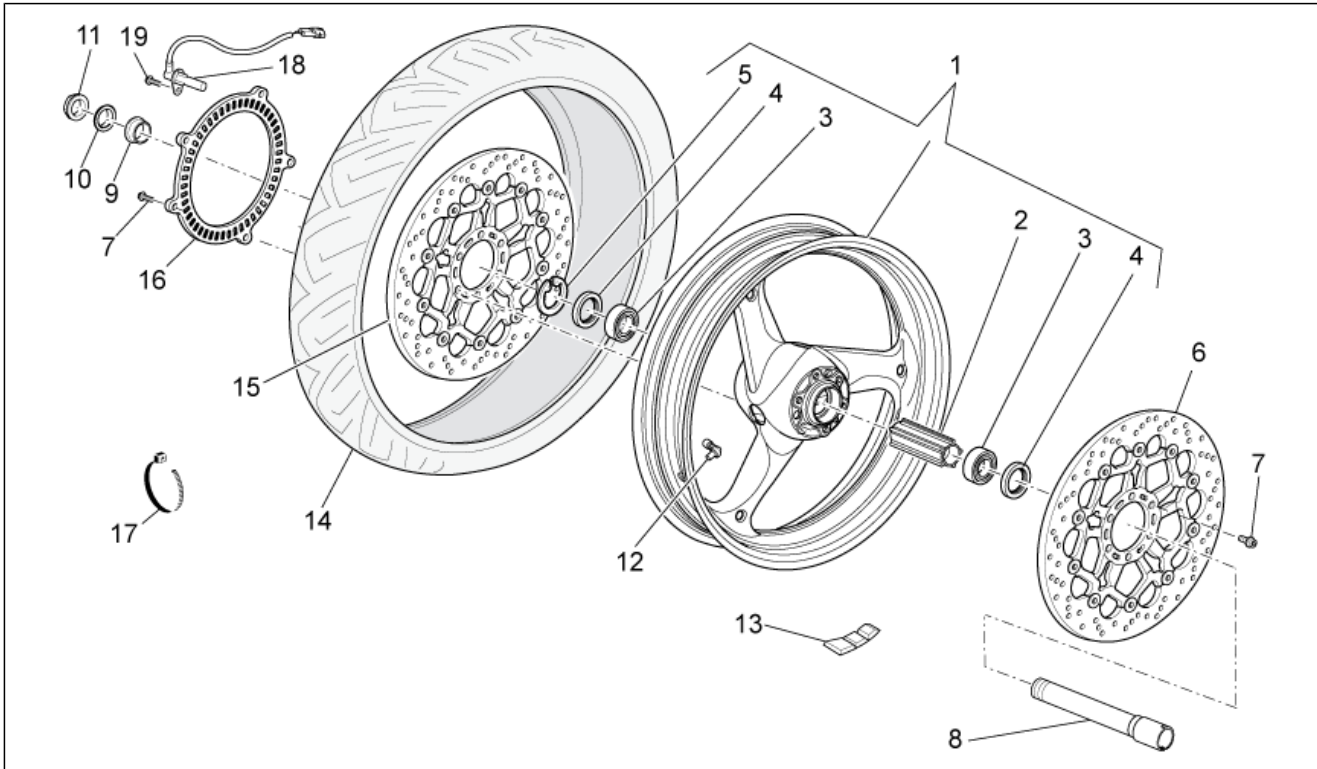
Pos.	Code	Beschreibung	Menge	Varianten
1	887214	R. Auspuffrohr	1	
2	887215	Linkes Auspuffrohr	1	
3	976376	Dichtung	2	
4	GU92660021	Geflanschte Mutter M8	4	
5	GU14615901	Ausgleichscheibe 8,4X13X0,8	4	
6	GU05121630	Dichtung	2	
7	976522	Schelle re.	4	
8	976523	Schelle li.	2	
9	887097	Zentr. Vorschalldämpfer	2	
10	GU05124230	Gummi	2	
11	GU90274008	Wellenscheibe D8	4	
12	584344	Lamdasonde l. 325 mm	2	
13	AP8121170	Feder	1	
14	GU05128230	Dichtung	1	
15	976521	Schelle	1	
16	8835411	Schalldämpfer	1	
17	AP8150046	TCEI Schraube M8x55	1	
18	AP8134378	Fixierhülse Schalldämpfer	1	
19	AP8144071	Gummi auspuffrohr	2	
20	883079	Distanzscheibe	1	
21	GU92630508	Mutter	1	
22	GU05124330	Schraube	2	
23	GU95005312	Ausgleichscheibe 8,5x24x2	1	
24	883843	Distanzscheibe	1	
25	884352	Boden	1	

Einheit	RAHMEN
Code	33.39
Beschreibung	Benzinpumpe int.
Inspektion	1



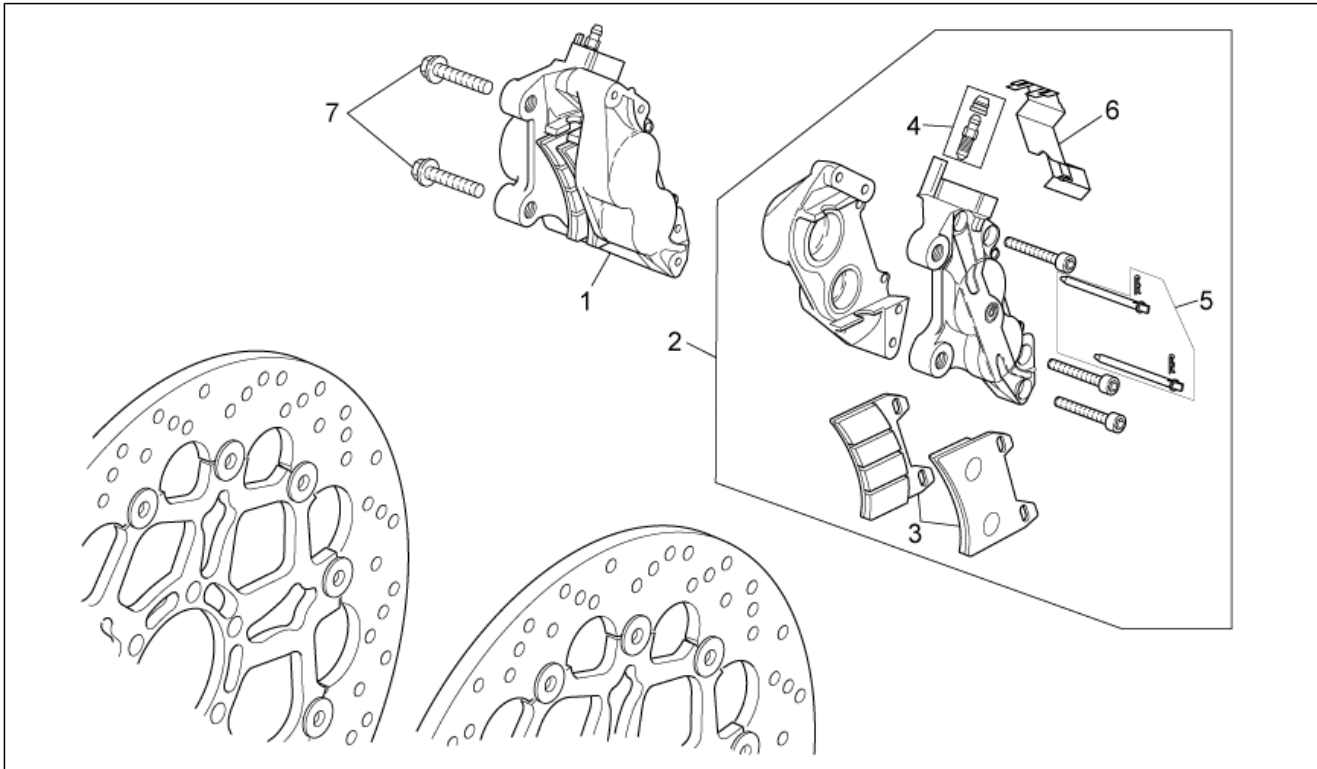
Pos.	Code	Beschreibung	Menge	Varianten
1	2D000017	Kraftstoffpumpe kplt.	1	
2	GU01106090	Kraftstofffilter	1	
3	GU05107430	Dichtung	1	
4	GU01108490	Schelle 11,3	4	

Einheit	RAHMEN
Code	33.40
Beschreibung	Vorderrad
Inspektion	1



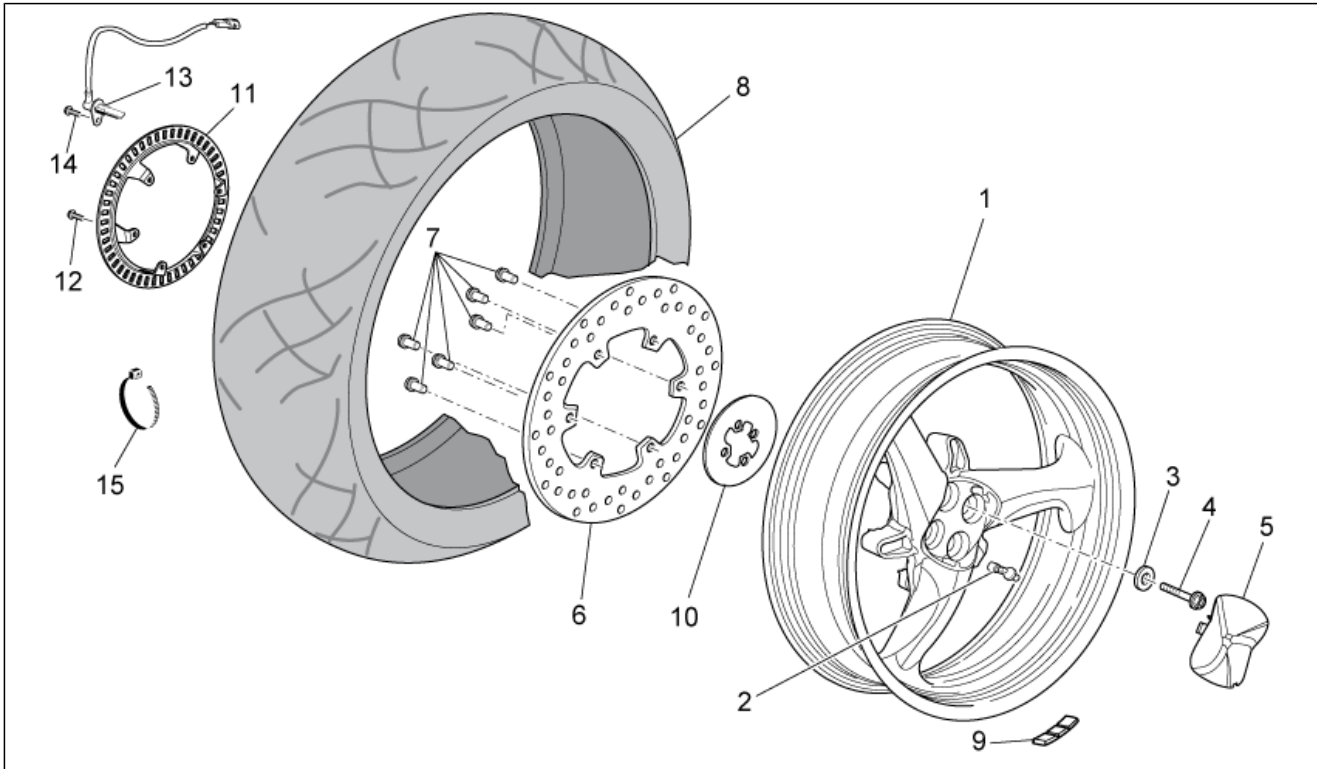
Pos.	Code	Beschreibung	Menge	Varianten
1	883883	Vorderrad, dunkelgrau 3,5X17"	1	Technische Spezifikationen: Mit Kennzeichnung ZCV[ZCV]
1	GU05610530	Vorderrad, dunkelgrau 3,5x17"	1	Technische Spezifikationen: Marke Brembo[BR]
2	GU05615230	Distanzstück Lager	1	
3	AP8125777	Kugellager 25x47x12	2	
4	AP8125773	Gasket ring 30x47x7	2	
5	AP8125779	Seegerring	1	
6	896012	Vorderradbremsscheibe SX	1	
7	AP8152286	TE Schr. m. Flansch M8x20	12	
8	GU05614130	Vorderradbolzen	1	
9	AP8125791	Distanzscheibe	1	
10	GU95005325	Ausgleichscheibe 25,2X36X1	1	
11	GU01612190	Mutter	1	
12	GU03617710	Schlauchloses Reifenventil	1	
13	GU14616150	Gegengewicht	1	
14	895033	Vorderreifen 120/70 ZR 17"	1	
15	896011	Vorderradbremsscheibe DX	1	
16	AP8128189	Wheel speed sensor, LH front	1	
17	GU49609601	Schelle 2,4x92	1	
18	AP8127469	Sensor abs	1	
19	598839	TE Schr. m. Flansch	1	

Einheit	RAHMEN
Code	33.41
Beschreibung	Vorderradbremzange
Inspektion	1



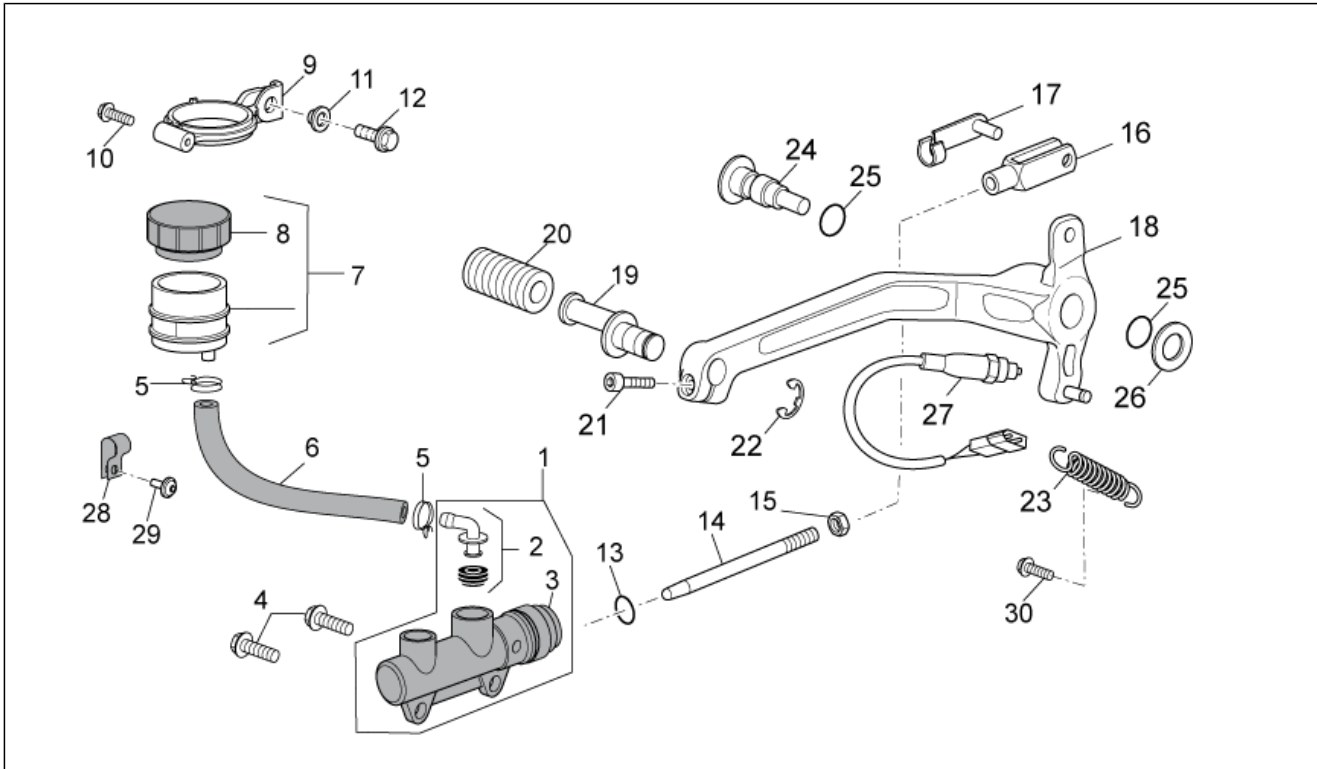
Pos.	Code	Beschreibung	Menge	Varianten
1	883853	Bremszan.vorn rs Gold	1	
2	883854	Bremszan.vorn ls Gold	1	
3	AP8133614	Beläge (Paar)	2	
4	AP8133945	Bausatz Entlüftungsüberh.	2	
5	GU01659130	Stifte-Federn Bremszange	2	
6	GU01659131	Feder	2	
7	AP8152385	TCEI Schraube M10x1,25	4	

Einheit	RAHMEN
Code	33.42
Beschreibung	Hinterrad
Inspektion	1



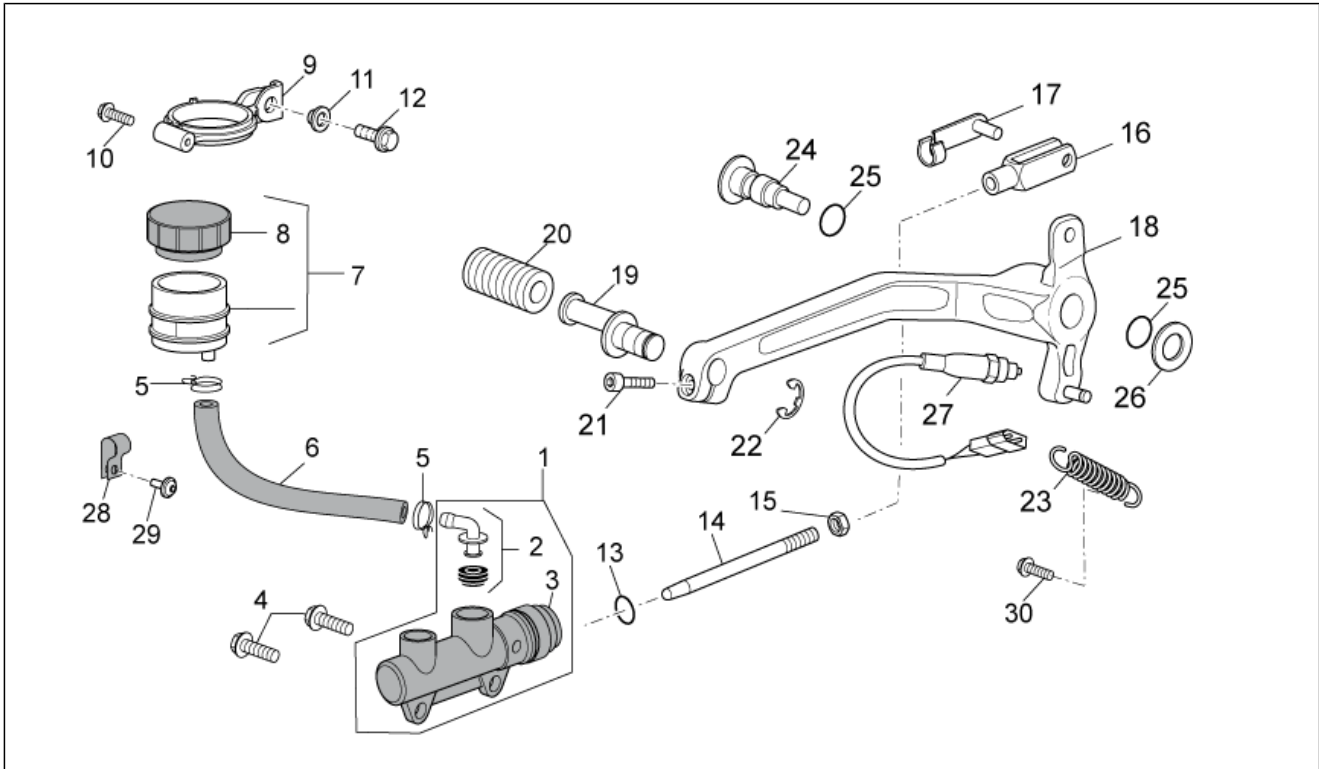
Pos.	Code	Beschreibung	Menge	Varianten
1	883886	Hinterrad, grau 5,5X17"	1	Technische Spezifikationen: Mit Kennzeichnung ZCV[ZCV]
1	GU05630531	Hinterrad, grau 5,5x17"	1	Technische Spezifikationen: Marke Brembo[BR]
2	GU03617710	Schlauchloses Reifenventil	1	
3	GU05632730	Konischebuchse	4	
4	GU97202665	TE Schr. m. Flansch M12x65	4	
5	GU05634430	Deckel	1	
6	GU05635730	Vorderradbremsscheibe	1	
7	GU30611460	Schraube	6	
8	897771	Hinterreifen 180/55 R17 ANGEL	1	
9	GU14616150	Gegengewicht	1	
10	977056	Staubschutzring	1	
11	GU05681530	Wheel speed sensor, LH front	1	
12	AP8152272	TE Schr. m. Flansch M5x12	6	
13	GU05683730	Sensor	1	
14	598839	TE Schr. m. Flansch	1	
15	GU49609601	Schelle 2,4x92	1	

Einheit	RAHMEN
Code	33.43
Beschreibung	Hinterradbremspumpe
Inspektion	1



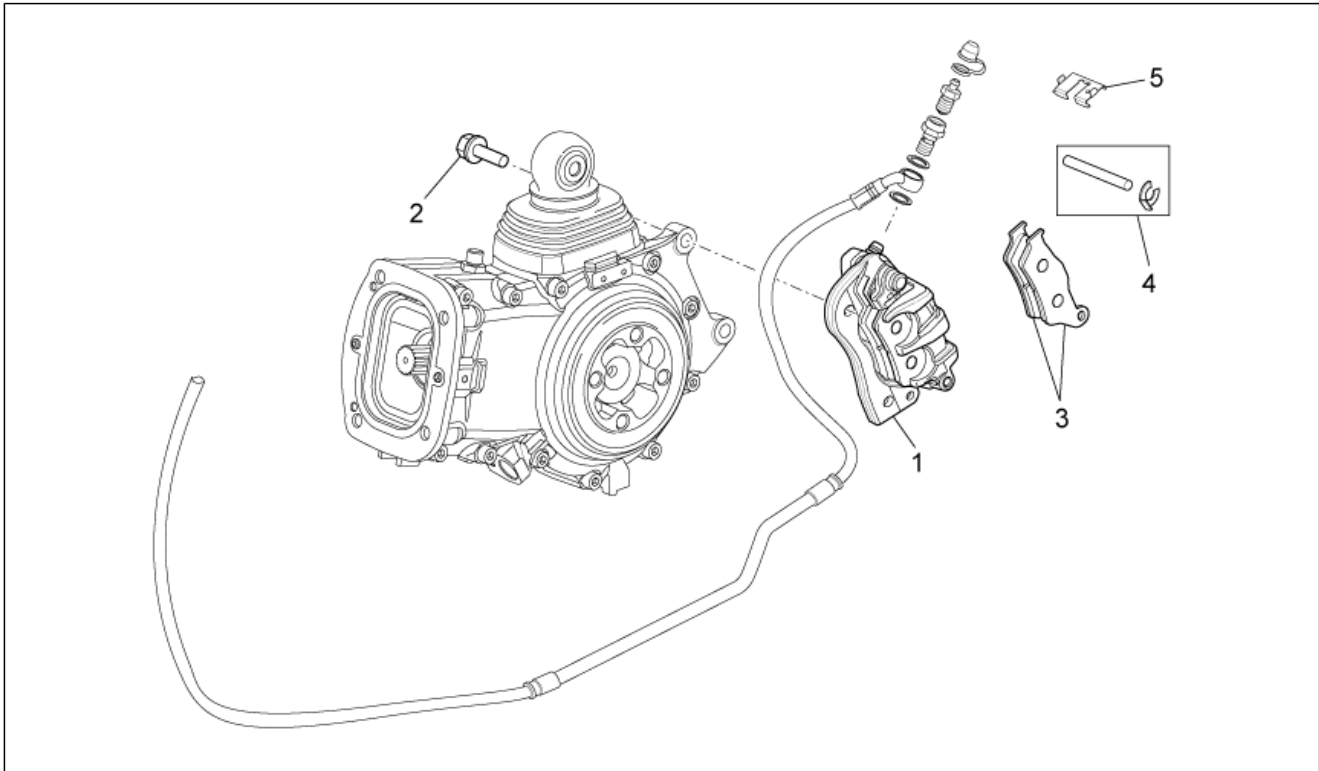
Pos.	Code	Beschreibung	Menge	Varianten
1	GU0566930	Hinterradbremspumpe	1	
2	AP8113594	Hintere Pumpenanschluß	1	
3	AP8113288	Gummibalg	1	
4	AP8152279	TE Schr. m. Flansch M6x20	2	
5	AP8101595	Schelle D10,1	2	
6	GU00823950050	Ölschlauch	1	
7	GU05663530	Bremsöltank	1	
8	GU17661052	Tankverschluß	1	
9	GU05666030	Tankfixierung	1	
10	AP8152329	Kreuz.schl.flnschschr. M5x20	1	
11	AP8221145	T-Buchse *	1	
12	598839	TE Schr. m. Flansch	1	
13	AP8120178	O-Ring OR112	1	
14	977041	Pumpenstange brems	1	
15	GU92606206	Mutter	1	
16	AP8101968	Schaltgabel	1	
17	AP8201301	Klemmen für Schaltgabel	1	
18	GU05677030	H.bremshebel	1	
19	AP8121221	Stift Bremshebel	1	
20	AP8120912	Gummi für Hebel	1	
21	GU98682316	TCEI Schraube M6x16	1	
22	AP8150462	Seegerring d9	1	
23	AP8121927	Feder Hinterradbremsh.	1	
24	884033	Stift Hinterradbremsh.	1	
25	AP8144007	O-Ring 11,11x1,78	2	
26	GU95008310	Ausgleichscheibe 10,5x22x2,5	1	
27	AP8112996	Mikroschalter	1	
28	890721	Kabelschelle	1	

Einheit	RAHMEN
Code	33.43
Beschreibung	Hinterradbremspumpe
Inspektion	1



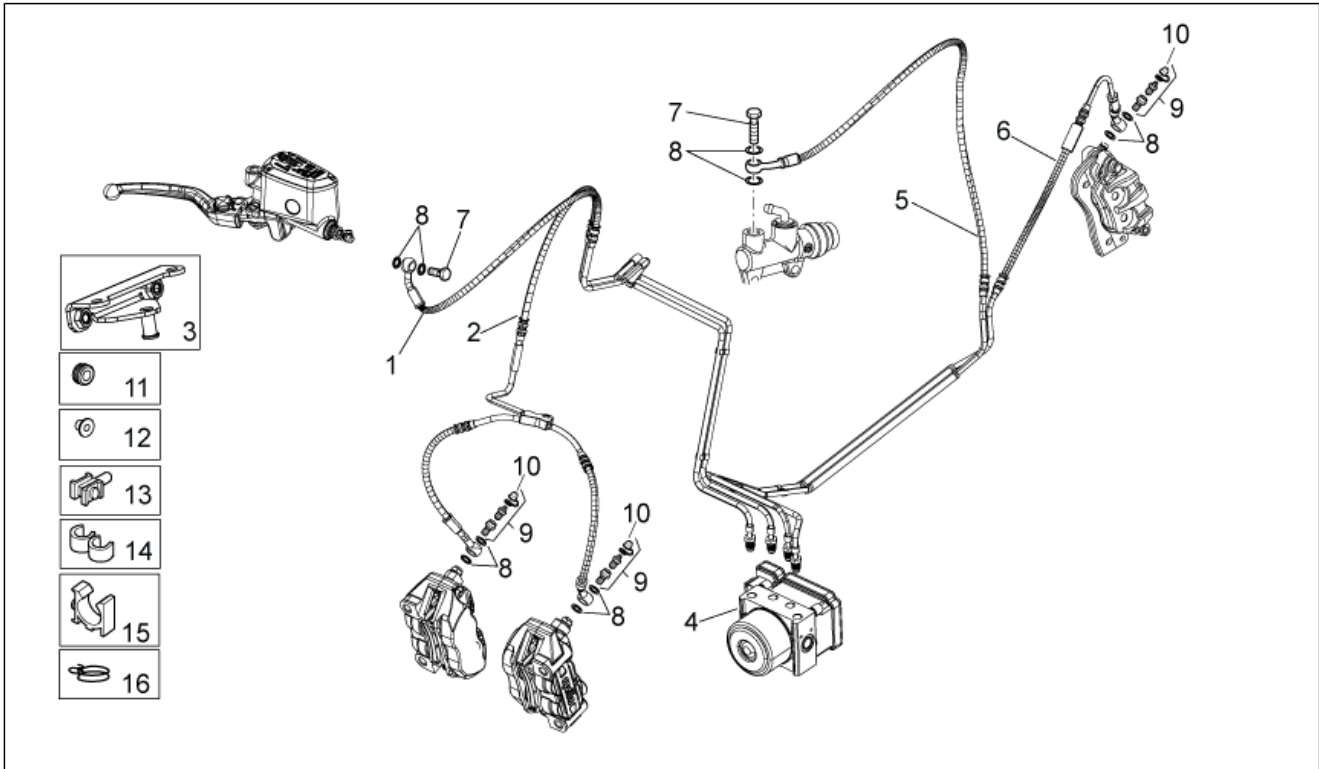
Pos.	Code	Beschreibung	Menge	Varianten
29	GU98350210	TBEI Schraube	1	
30	AP8152273	Flanschschraube M5x16	1	

Einheit	RAHMEN
Code	33.44
Beschreibung	Hinterradbremzange
Inspektion	1



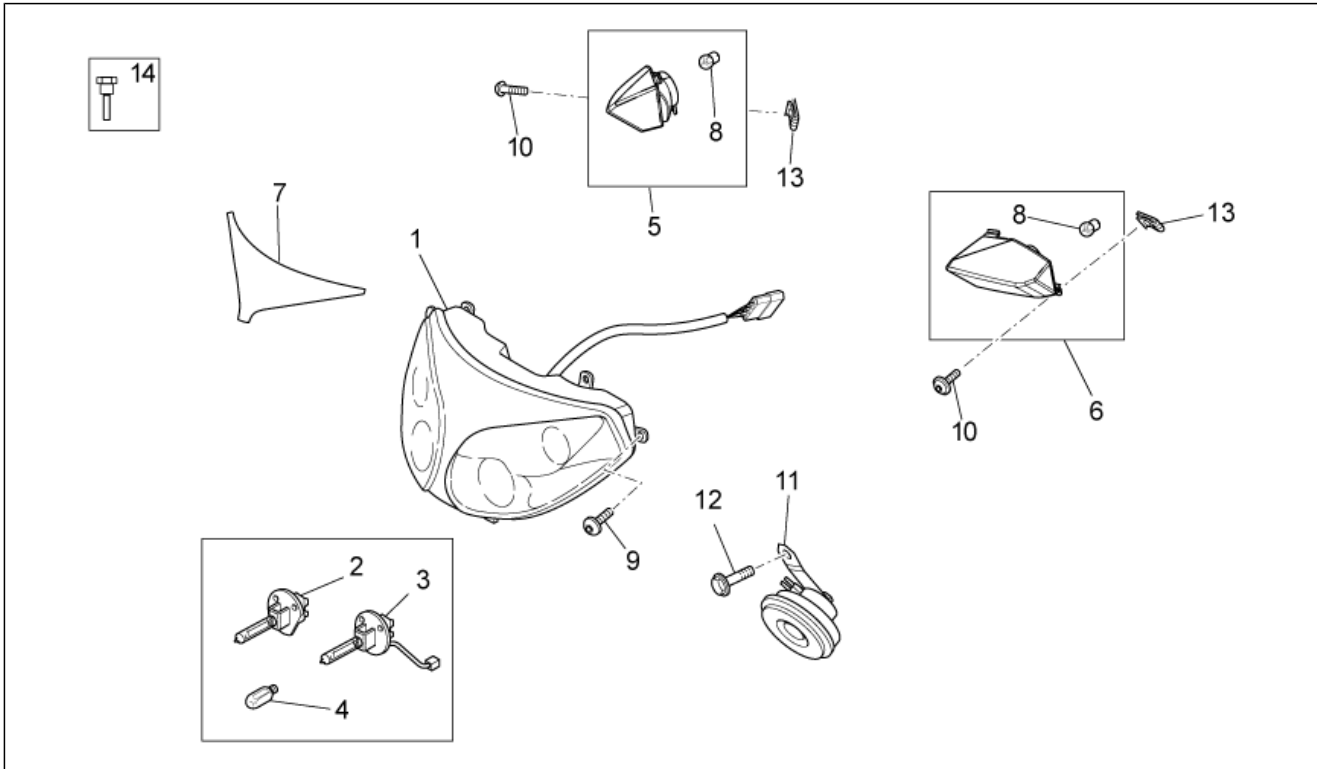
Pos.	Code	Beschreibung	Menge	Varianten
1	GU05653030	Hinterradbremzange	1	
2	AP8152320	TE Schr. m. Flansch	2	
3	GU05654630	Beläge (Paar)	1	
4	GU05659130	Stift+Splint Bremse	1	
5	GU05659030	Feder	1	

Einheit	RAHMEN
Code	33.45
Beschreibung	Bremsanlage ABS
Inspektion	1



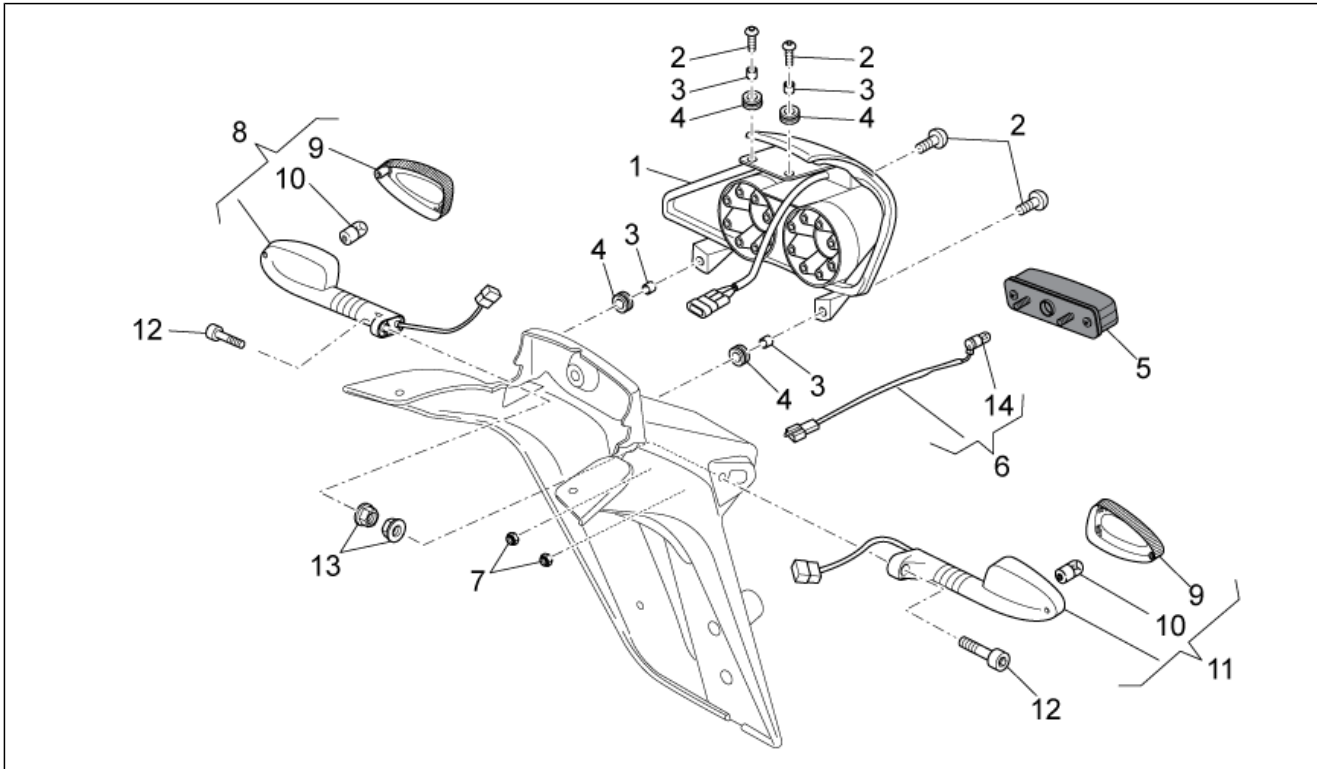
Pos.	Code	Beschreibung	Menge	Varianten
1	883838	Bremsölleitung vorn	1	
2	883839	Bremsölleitung vorn	1	
3	886166	Platte	1	
4	887696	ABS-Steuergerät Cluster	1	
5	883840	Bremölleitung hinten	1	
6	883841	Bremölleitung hinten	1	
7	AP8113003	Fixierschraube Ölschlauch *	2	
8	AP8113004	Ausgleichscheibe 10x14x1,6*	10	
9	AP8133945	Bausatz Entlüftungsüberh.	3	
10	AP8113070	Entlüftungskappe	3	
11	AP8120030	Gummi	2	
12	AP8221023	T-Buchse	2	
13	AP8202238	Kabelführungs Haken	4	
14	AP9100519	Kleine Feder	4	
15	AP8201808	Kabelführungs D8	2	
15	GU05436530	Kabelführungs D5	4	
16	AP8101595	Schelle D10,1	2	

Einheit	RAHMEN
Code	33.46
Beschreibung	Frontscheinwerfer/Hupe
Inspektion	1



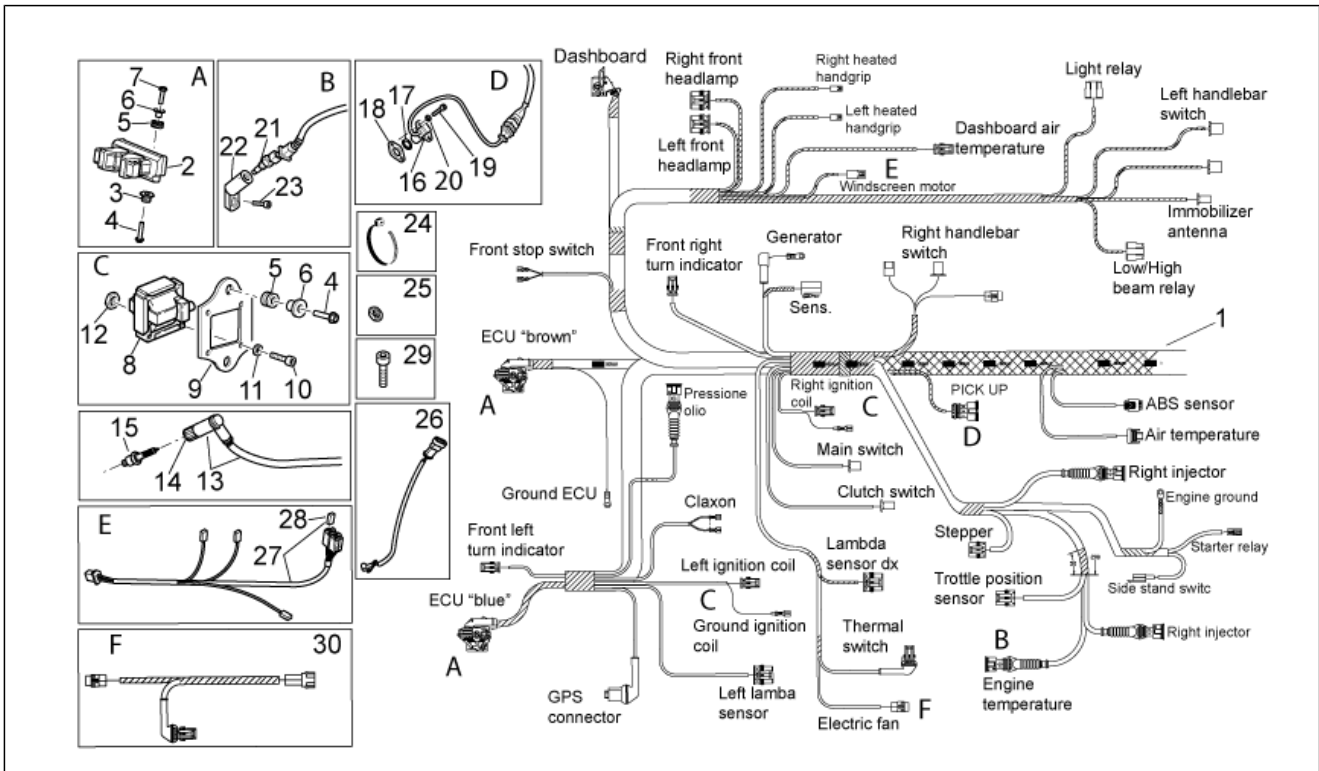
Pos.	Code	Beschreibung	Menge	Varianten
1	883816	Scheinwerfer	1	
2	580141	Lampen H112V-55W	1	
3	294278	Lampen H3 12V-55W	1	
4	292022	Lampen 12V-5W	1	
5	978428	Vorderblinker rechts	1	
6	978427	Vorderblinker links	1	
7	978571	Aufkleber Scheinwerfer	1	
8	584332	Lampen 12V-10W	2	
9	GU98325316	Schraube	6	
10	AP8150493	TBEI Schraube M4x16	2	
11	890979	Hupe	1	
12	AP8152285	TE Schr. m. Flansch	1	
13	AP8102381	Klammer M4	2	
14	883751	Säulenmutter	2	

Einheit	RAHMEN
Code	33.47
Beschreibung	Rücklicht
Inspektion	1



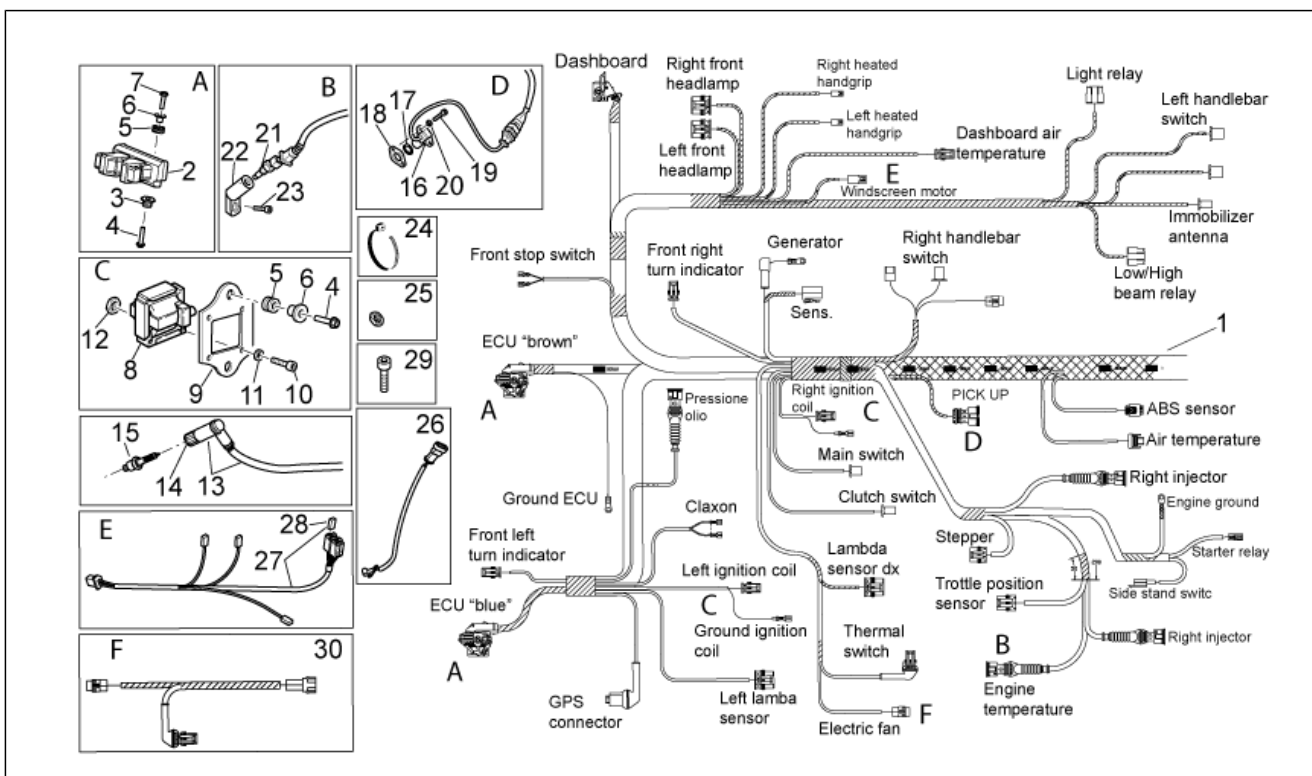
Pos.	Code	Beschreibung	Menge	Varianten
1	883314	Rücklicht	1	
2	AP8152298	TBEI Schraube m.Flansch M5x16	4	
3	AP8221036	Buchse 5,3x8x7,1	4	
4	AP8120405	Gummi	4	
5	AP8212702	Kennzeichenleuchte	1	
6	AP8124976	Kennzeich.leuch.Kabel	1	
7	AP8152306	Selbstsperrende Mutter m5	2	
8	GU05751630	Rückblinker rechts	1	
9	AP8127552	Blinkerblende	2	
10	584332	Lampen 12V-10W	2	
11	GU05751730	Rückblinker links	1	
12	GU98692318	TCEI Schraube	2	
13	GU92630206	Mutter M6x1	2	
14	292022	Lampen 12V-5W	1	

Einheit	RAHMEN
Code	33.48
Beschreibung	Elektrische anlage I
Inspektion	1



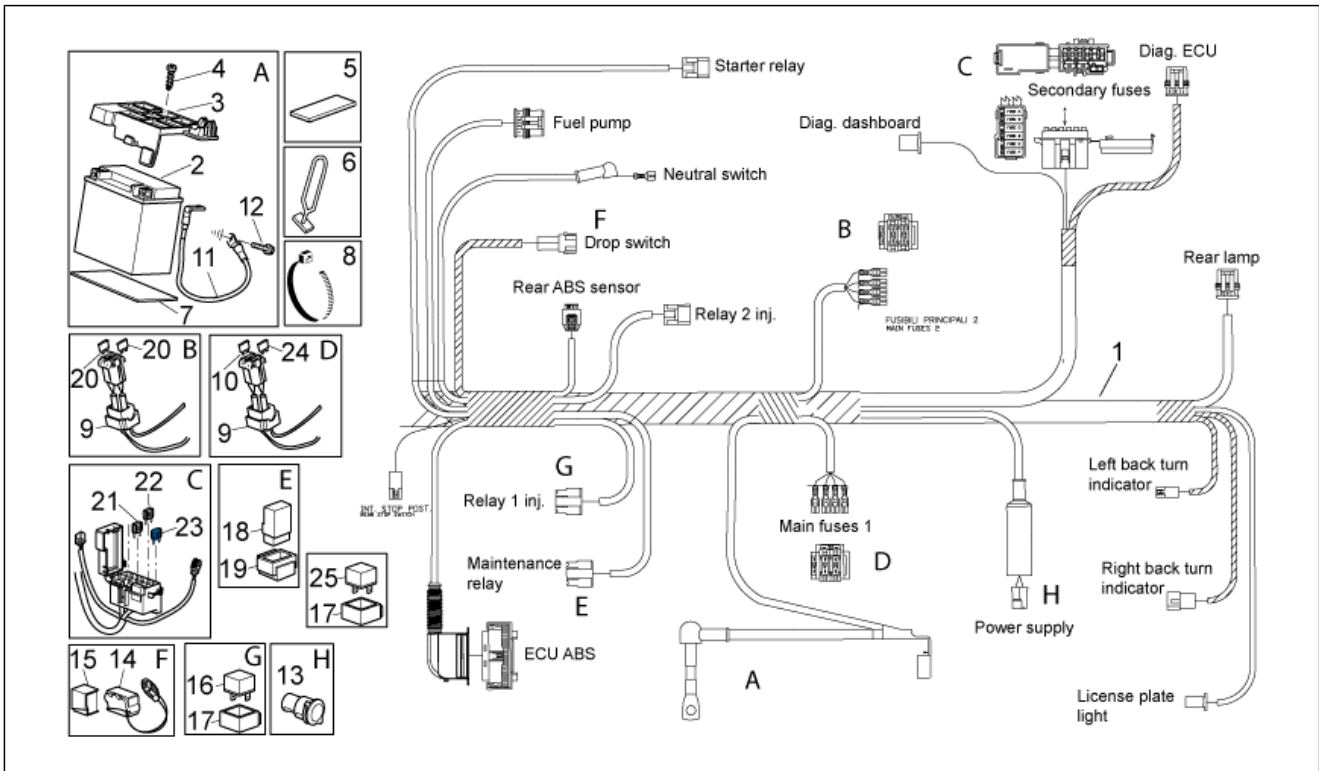
Pos.	Code	Beschreibung	Menge	Varianten
1	886209	Hauptverkabelung	1	
2	883820	Elektronische Steuereinheit	1	
3	GU05729230	Buchse	2	
4	AP8152279	TE Schr. m. Flansch M6x20	6	
5	AP8120030	Gummi	6	
6	AP8221023	T-Buchse	6	
7	AP8152282	TE Schr. m. Flansch M6x35	2	
8	GU30716500	Zuendtransform.cpl.	2	
9	GU05716730	Halter Steuergerät	2	
10	GU98682125	TCEI Schraube	8	
11	GU95008204	Ausgleichscheibe 4,3x8x0,5	8	
12	GU92630104	Mutter M4x0,7	8	
13	642243	Zuendkabel	2	
14	642221	Zündkerzenstecker	2	
15	639687	Zündkerze CR8EKB	2	
16	GU01721600	Phasen-und Umdrehungsfuhler	1	
17	847180	O-Ring	1	
18	GU01722700	Dichtung 0,3mm	1	
18	GU01722701	Dichtung 0,4 mm	1	
18	GU01722702	Dichtung 0,6mm	1	
18	GU01722703	Dichtung	1	
18	GU01722704	Dichtung 1mm	1	
18	GU01722705	Dichtung 1,5mm	1	
18	GU29722760	Dichtung 0,5 mm	1	
19	GU98682212	TCEI Schraube M5x12	2	
20	GU95008205	Ausgleichscheibe 5,3x10x0,8	2	
21	GU29729461	Sensor temperatur	1	
22	976556	Sensor halter	1	

Einheit	RAHMEN
Code	33.48
Beschreibung	Elektrische anlage I
Inspektion	1



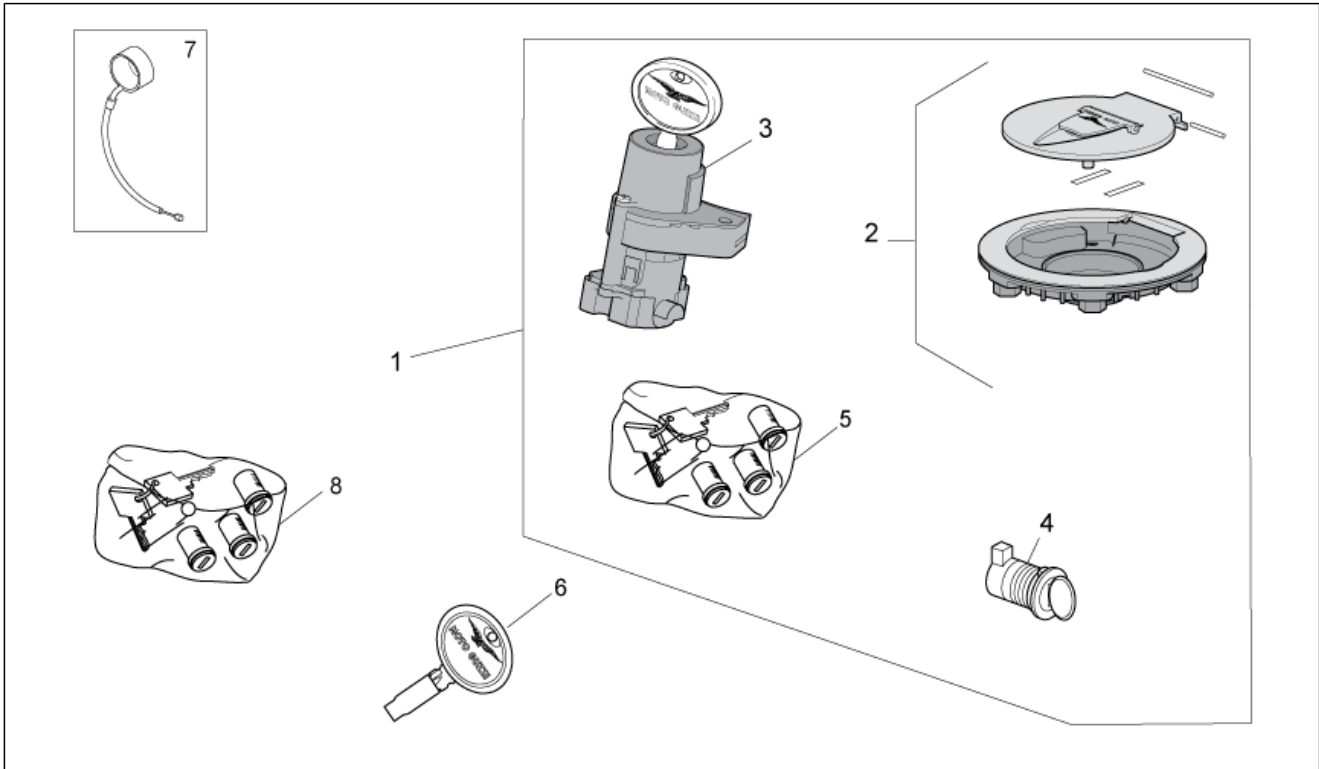
Pos.	Code	Beschreibung	Menge	Varianten
23	GU98683520	TCEI Schraube M10x20	1	
24	GU14609650	Schelle 3,6x20,6	22	
24	GU30609600	Schelle 8,8x185	1	
25	AP8152299	Selbstsperrende Mutter M6	1	
26	AP8124936	Lufttemperaturfühler	1	
27	883799	Verdrahtung Motor	1	
28	GU01731760	Minirelais umsch.Si. A1001A403	2	
29	GU98682212	TCEI Schraube M5x12	2	
30	886776	Verkabelung Kühlgebläse	1	

Einheit	RAHMEN
Code	33.49
Beschreibung	Elektrische anlage II
Inspektion	1



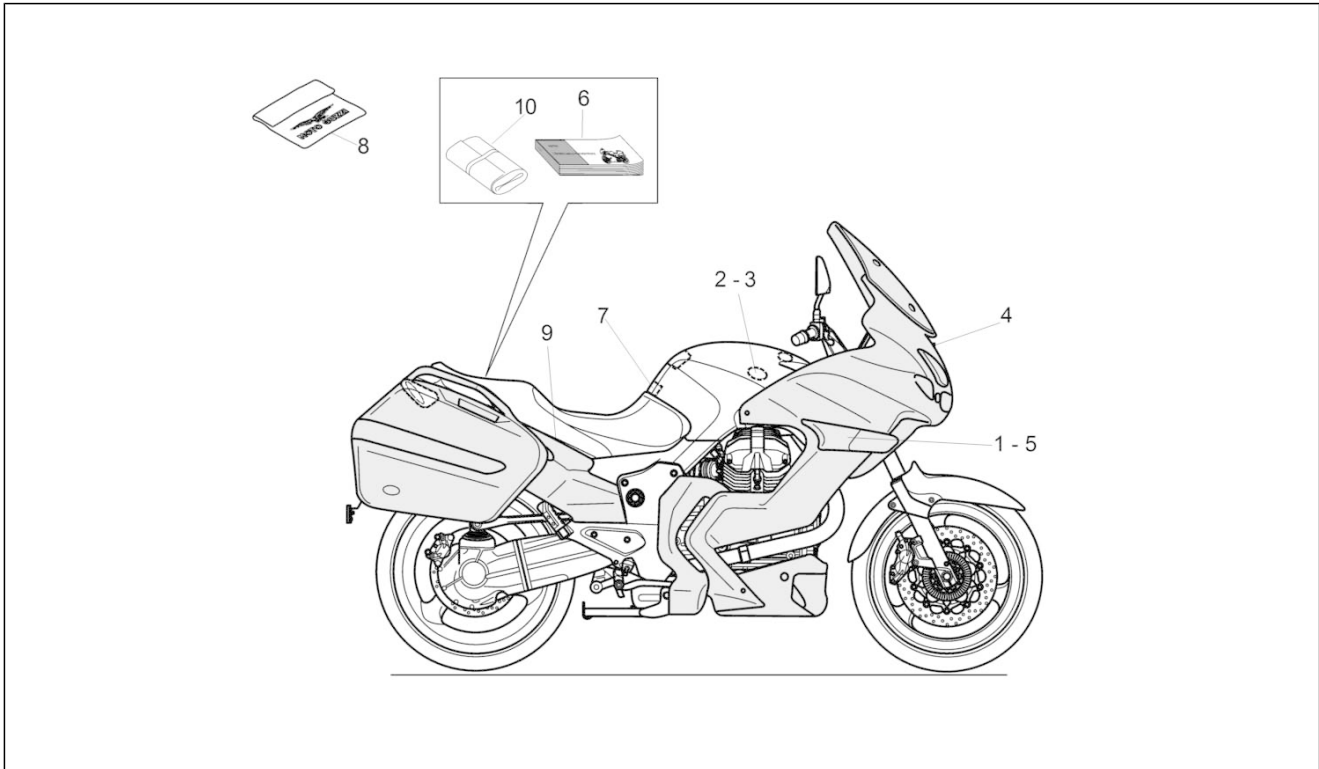
Pos.	Code	Beschreibung	Menge	Varianten
1	886209	Hauptverkabelung	1	
2	883818	Batterie	1	
3	883819	Batteriedeckel	1	
4	AP8152329	Kreuz.schl.finschschr. M5x20	2	
5	AP8117200	Klebschwamm	1	
6	AP8120177	Scheinw.halter Elastik	2	
7	AP8144553	Gummi für Haterung	2	
8	GU14609650	Schelle 3,6x20,6	22	
8	GU30609600	Schelle 8,8x185	1	
9	AP8112811	Sicherungsblockgummi	2	
10	CM225730	Sicherung 30A	1	
11	GU05747930	Masse-Batteriekabel	1	
12	AP8152277	TE Schr. m. Flansch M6x12	1	
13	AP8124768	Strombuchse kpl.	1	
14	584509	Kippsensor	1	
15	AP8144046	Sensor halter gummi	1	
16	895481	Relais Einspritzung 12V 40W	1	
17	AP8220546	Auflagegummi Relais	1	
18	AP8224462	Zündrelais 12V/30A	3	
19	AP8220283	Gummi *	3	
20	CM225720	Sicherung 20A	4	
21	CM225615	Sicherung 15A	4	
22	CM225603	Sicherung 3A	2	
23	CM225610	Sicherung 10A	3	
24	CM225740	Sicherung 40A	1	
25	GU29732550	Zündrelais 5 pin	1	

Einheit	RAHMEN
Code	33.50
Beschreibung	Bausatz Schlösser
Inspektion	1



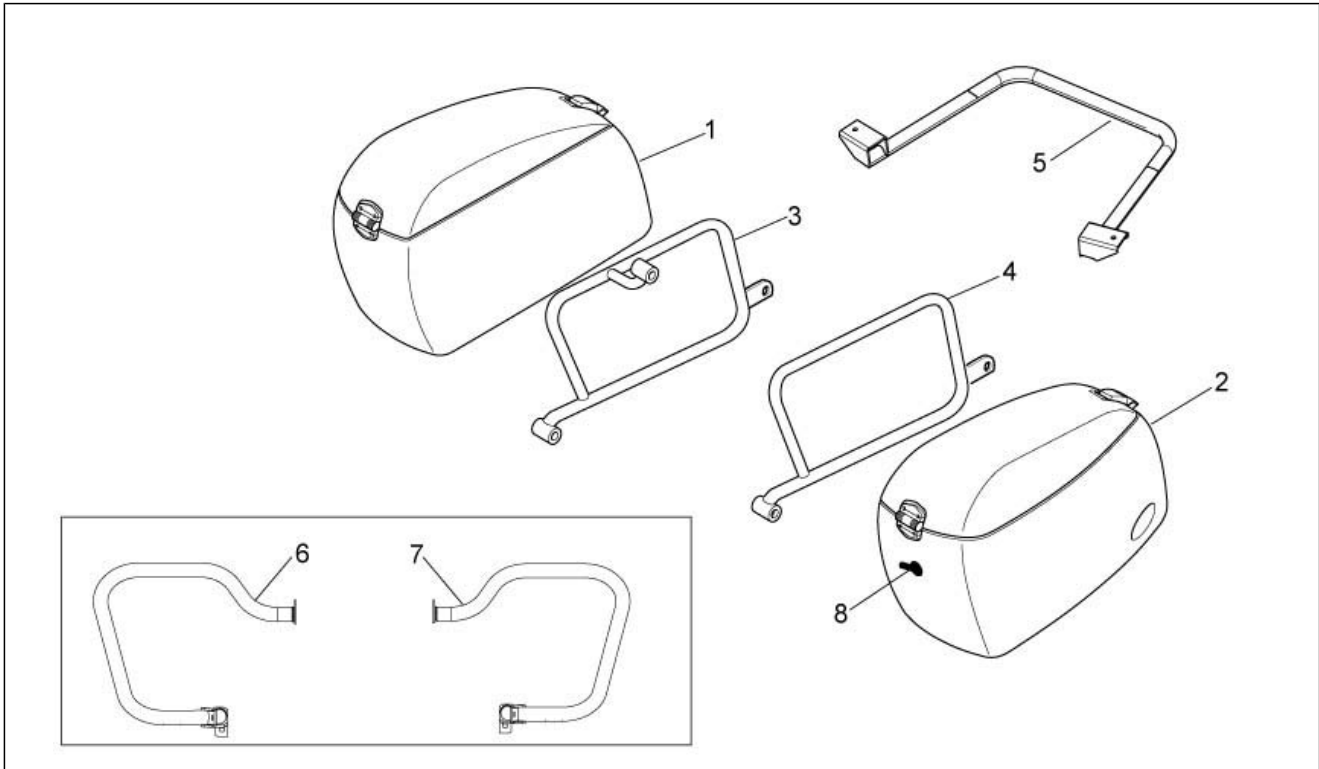
Pos.	Code	Beschreibung	Menge	Varianten
1	B063858	Kit Schließvorrichtungen	1	
2	GU05103930	Tankverschluss	1	
3	B063859	Lenkschloß	1	
4	GU05466830	Sitzschloß	1	
5	978220	Rotor kit with key	1	
6	977918	Schlüssel nicht gezackt roh	1	
7	981087	Immobilizer antenne	1	
8	2B000864	Bausatz Taschenschloss	1	

Einheit	RAHMEN
Code	33.51
Beschreibung	Aufkleber-Deko
Inspektion	1



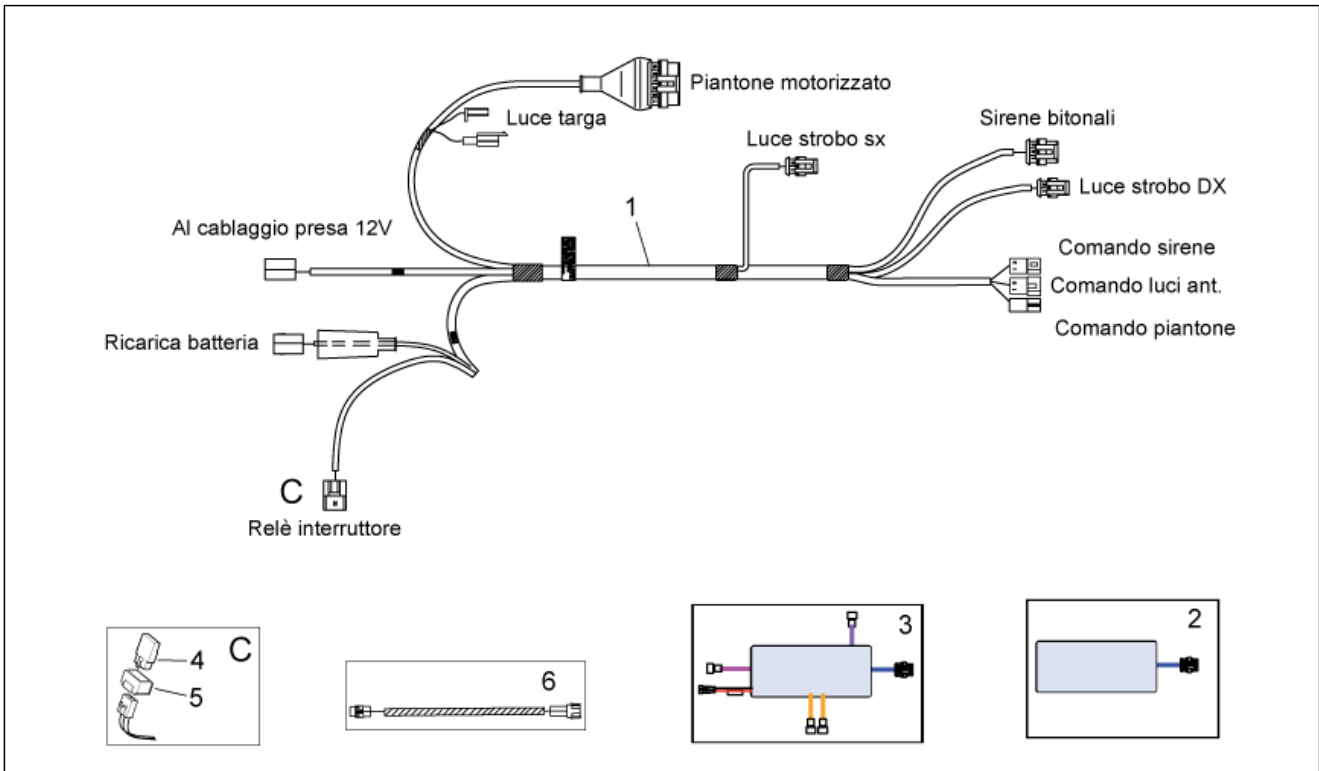
Pos.	Code	Beschreibung	Menge	Varianten
1	883522	Logo Norge dx	1	
2	GU06917400	L.Schild rot/gold AL	1	
3	GU06917300	R. Schild rot/gold AL	1	
4	886340	Schild Aquila	1	
5	883523	Logo Norge sx	1	
6	883539	Bed./Wart.-Anleit. I-F-D-E-NL-UK	1	
7	GU05944930	Deko Engine Start	1	
8	2H000489	Zierstreifensatz POLIZIA	1	
9	886239	Aufkleber Heckteil re-li GT 8V	2	
10	978882	Werkzeugtasche	1	

Einheit	RAHMEN
Code	33.72
Beschreibung	Side cases
Inspektion	1



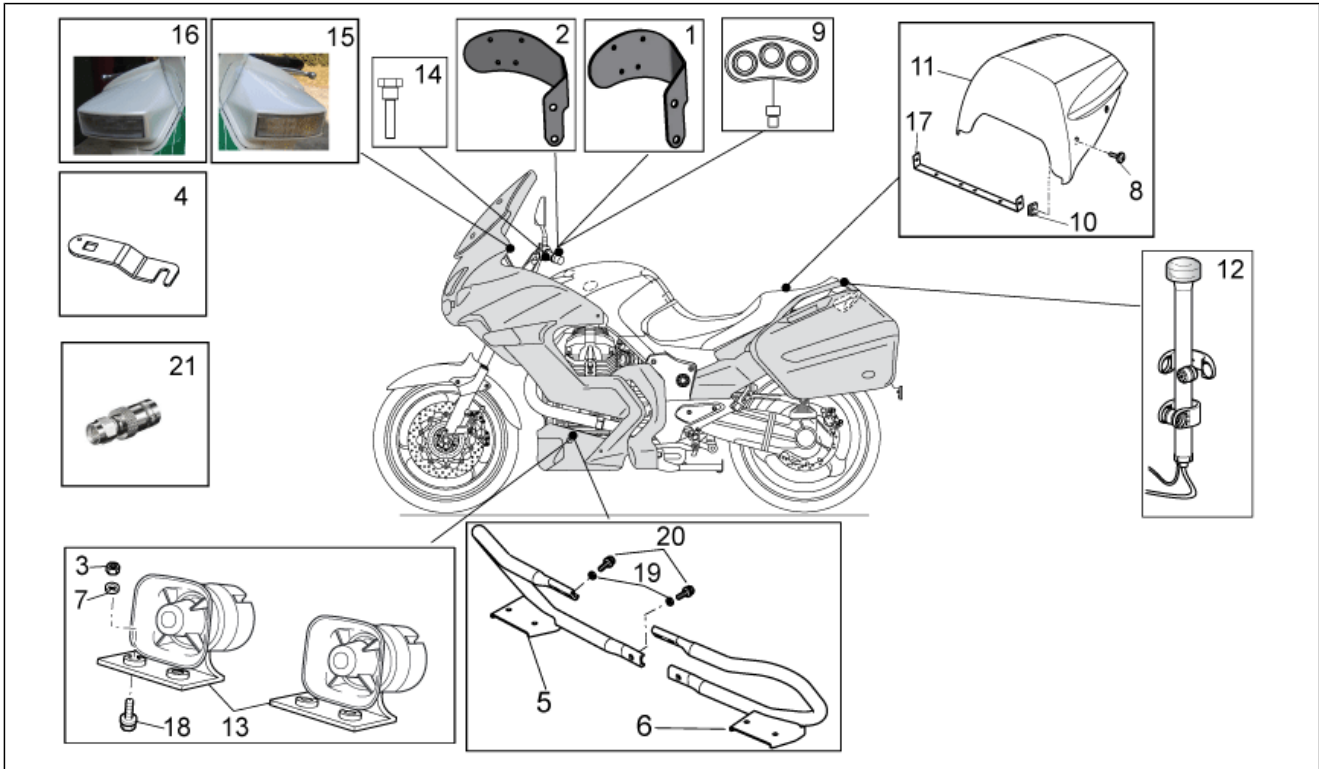
Pos.	Code	Beschreibung	Menge	Varianten
1	2B000787000YA1	Seitentasche re.	1	
2	2B000788000YA1	Seitentasche li.	1	
3	2B000807	Gepäcktaschenhalterung rechts	1	
4	2B000808	Gepäcktaschenhalterung links	1	
5	2B000809	Querträger Verbindung Taschen	1	
6	2B000814	Schutz Gehäuse	1	
7	2B000815	Schutz Gehäuse	1	
8	884269	Schalter	1	

Einheit	RAHMEN
Code	33.77
Beschreibung	Police auxiliary Electrical system
Inspektion	1



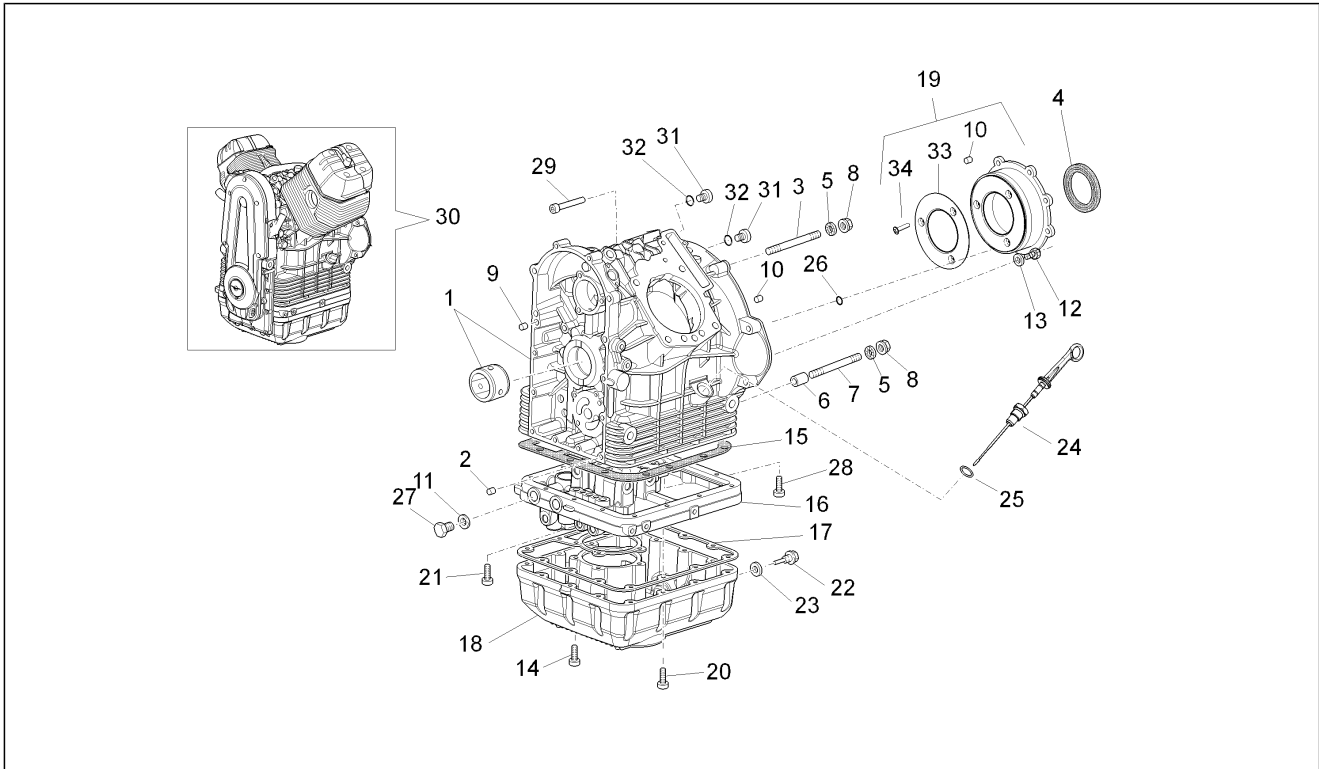
Pos.	Code	Beschreibung	Menge	Varianten
1	2D000076	Auxiliary wiring harness	1	
2	2D000077	Centralina gestione batteria GB1	1	
3	884268	Steuergerät P.A.	1	
4	AP8224462	Zündrelais 12V/30A	1	
5	AP8220283	Gummi *	1	
6	884305	Verlängerungskabel Sirenen	1	

Einheit	RAHMEN
Code	33.78
Beschreibung	Police special equipment
Inspektion	1



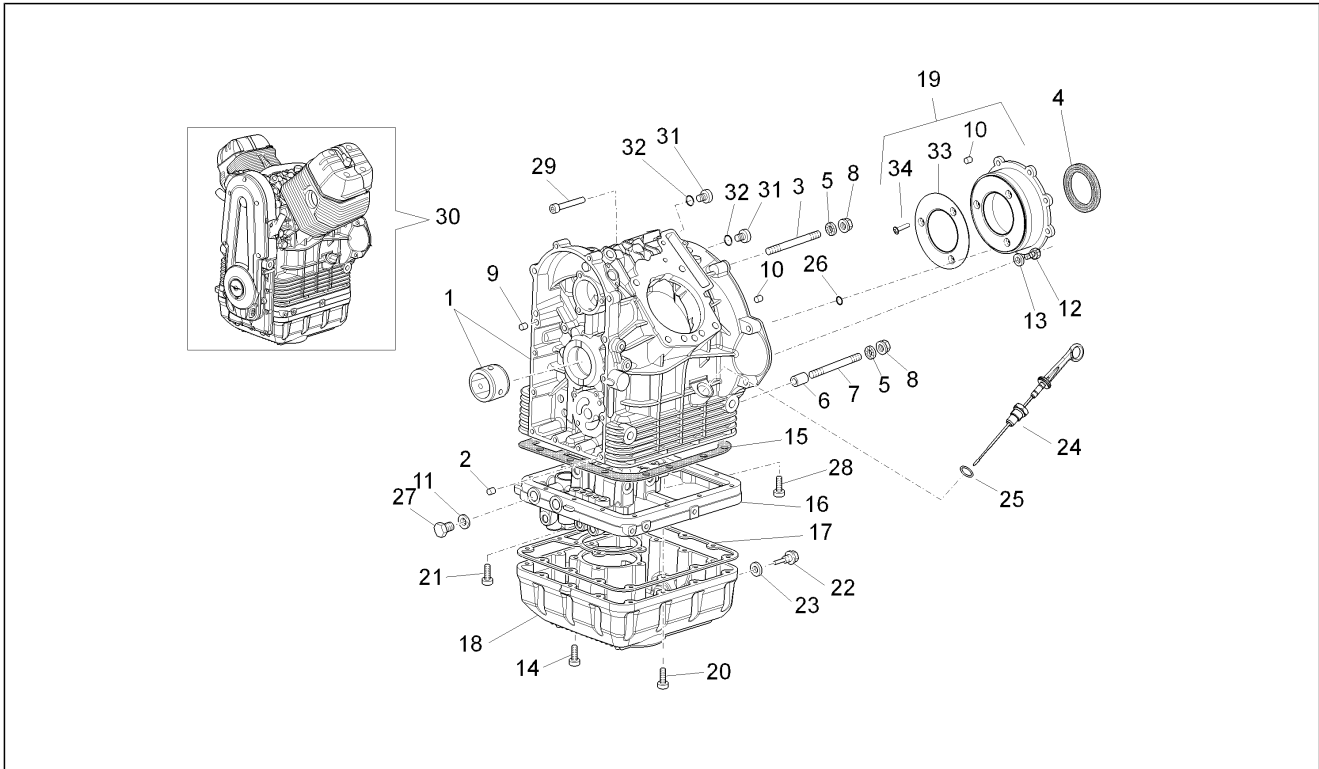
Pos.	Code	Beschreibung	Menge	Varianten
1	2B000540	Halter. Tasten links	1	
2	2B000789	Halter. Tasten links	1	
3	AP8152299	Selbstsperrende Mutter M6	4	
4	2B000818	Sicherheitshaken	1	
5	2B000816	Stoßstange rohr DX	1	
6	2B000817	Stoßstange rohr SX	1	
7	GU95100141	Ausgleichscheibe 6,4x12x1,2	4	
8	AP8152302	TBEI Schraube m.Flansch M5x12	4	
9	884241	Druckknopf tafel	1	
10	248419	Plattchen m5	4	
11	2B000867000YA1	Heckteil, blau	1	
11	884219	Heckteil schmutzig	1	
12	884240	Strobo rod	1	
13	884237	Sirene kit	1	
14	883486	Säulenmutter	2	
15	88423800YA1	Front headlight SX	1	
16	88423900YA1	Front headlight DX	1	
17	977993	Bügel	1	
18	AP8152280	TE Schr. m. Flansch M6x25	4	
19	GU14615901	Ausgleichscheibe 8,4X13X0,8	6	
20	AP8152287	TE Schr. m. Flansch M8x25	6	
21	2D000083	Adattatore cavo antenna	1	

Einheit	MOTOR
Code	34.52
Beschreibung	Gehäuse
Inspektion	1



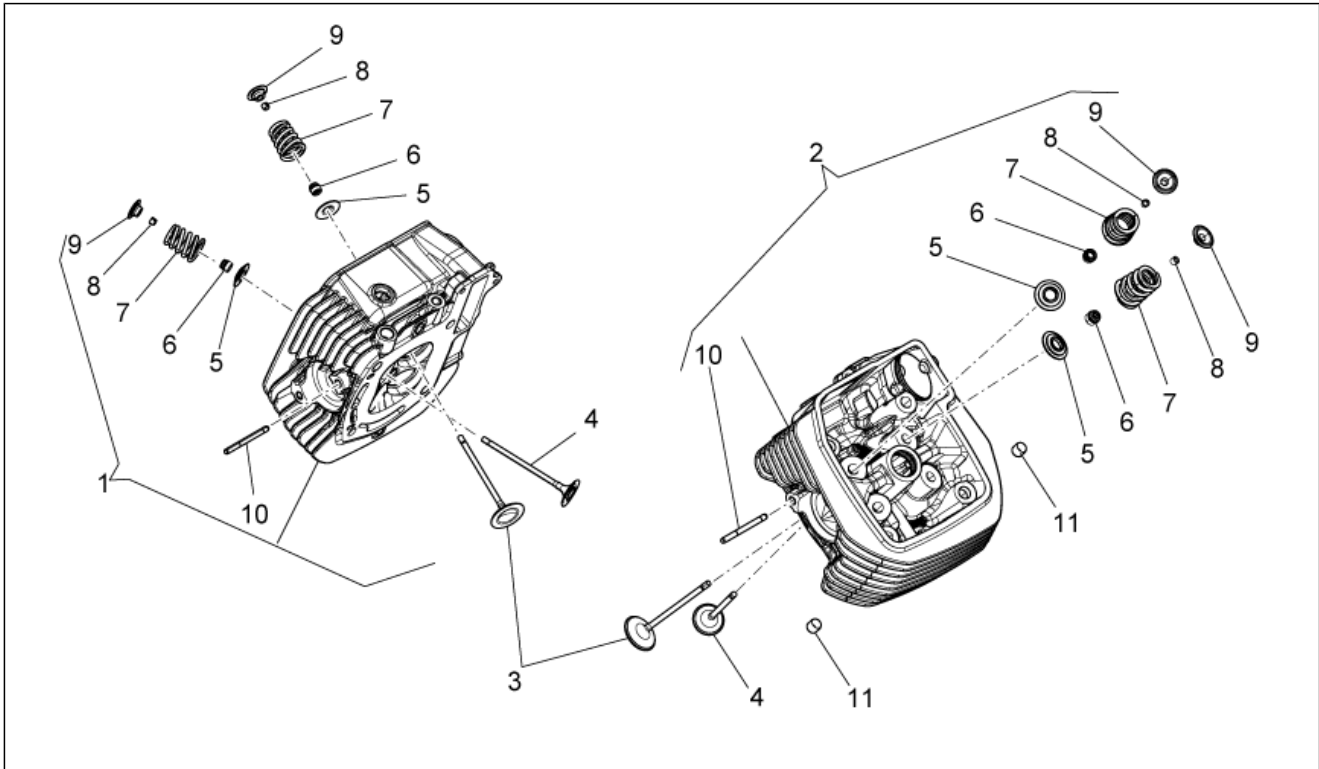
Pos.	Code	Beschreibung	Menge	Varianten
1	880398	Gehäuse	1	
2	411209	Stift	2	
3	GU96508066	Stiftschraube M8x66	3	
4	GU90405367	Gasket ring	1	
5	GU14615901	Ausgleichscheibe 8,4X13X0,8	5	
6	GU12018900	Kupplungsbuchse	2	
7	GU96508075	Stiftschraube M8x75	2	
8	GU92660021	Geflanschte Mutter M8	5	
9	GU95512081	Stift	2	
10	560110	Stift	2	
11	GU01154230	Dichtung	2	
12	GU98084425	Sechskantschraube M8x25	8	
13	GU61270300	Sprengscheibe 8x15x0,3	8	
14	GU98620335	Schraube M6x35	4	
15	GU01003651	Dichtung	1	
16	879872	Flansch	1	
17	GU05003630	Dichtung	1	
18	879874	Pfropfen	1	
19	976703	Flansch komplett	1	
20	AP4ADN000007	TCEI Schraube	14	
21	GU98680360	TCEI Schraube M6x60	2	
22	GU31003766	Ölablaßschraube M10x1	1	
23	GU01528930	Dichtung 10x18x1,5	1	
24	883144	Ölstandstab	1	
25	GU90706178	O-Ring 17,86X2,62	1	
26	874980	O-Ring 7,5X2	1	
27	GU95980216	Deckel	2	
28	GU98680340	TCEI Schraube M6x40	2	

Einheit	MOTOR
Code	34.52
Beschreibung	Gehäuse
Inspektion	1



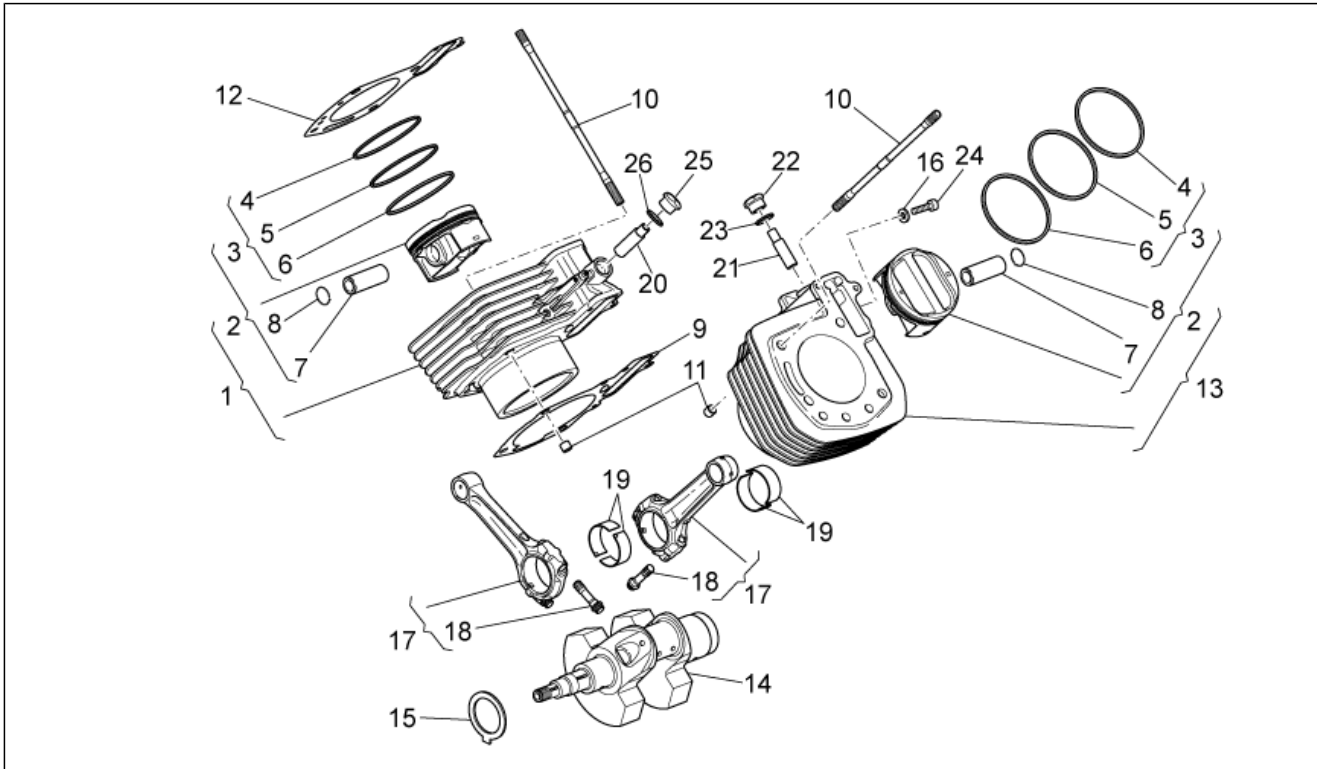
Pos.	Code	Beschreibung	Menge	Varianten
29	AP8152291	TE Schr. m. Flansch	1	
30	9769885	Motor komplett	1	
31	GU12022600	Ölschraube	2	
32	GU90706203	O-Ring 20,24X2,62	2	
33	874134	Ölfangscheibe	1	
34	015935	Schraube TBCIC M5x12	3	

Einheit	MOTOR
Code	34.53
Beschreibung	Zylinderkopf und Ventile
Inspektion	1



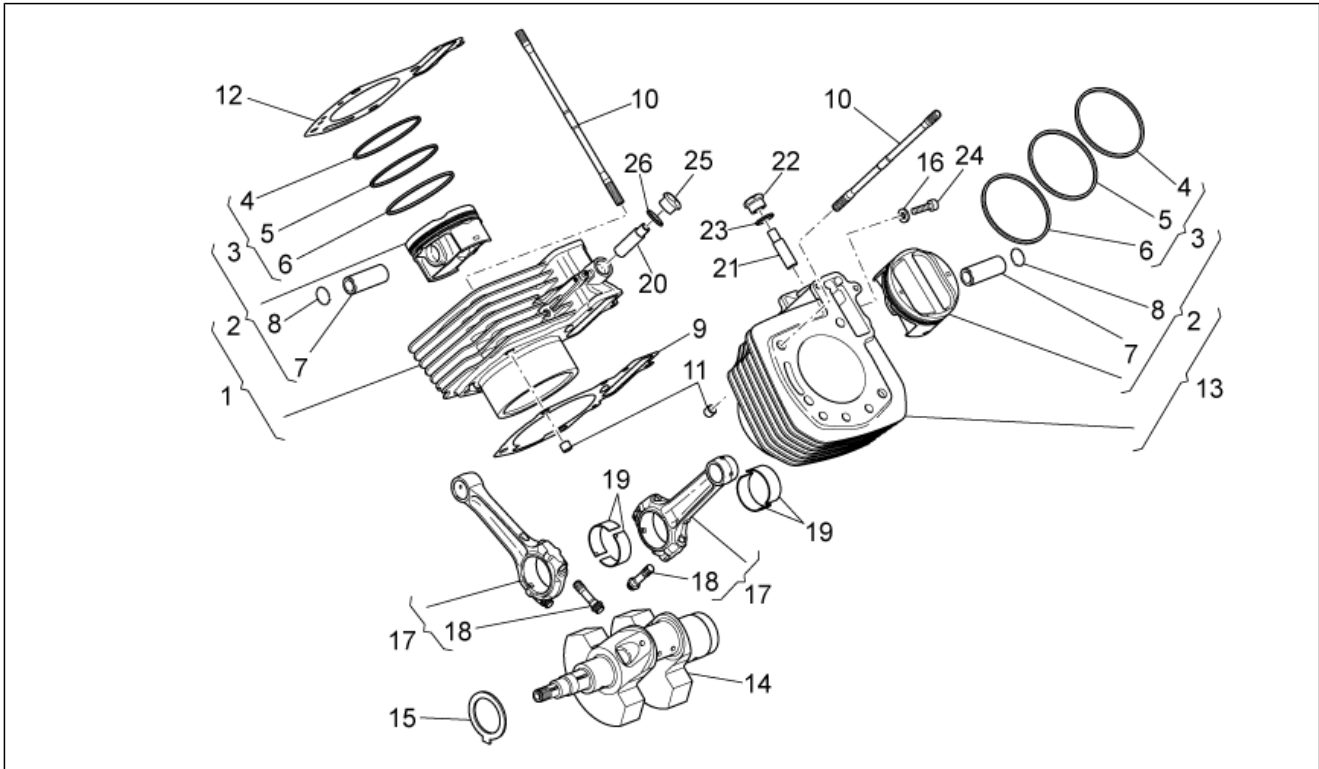
Pos.	Code	Beschreibung	Menge	Varianten
1	879865	Zylinderkopf re.	1	
2	879930	Zylinderkopf li.	1	
3	872695	Einlaßventil	4	
4	872696	Auslaßventil	4	
5	874127	Becher unten	4	
6	436438	Ventil Dichtring	8	
7	B013517	Ventilfeder	8	
8	285846	Ventilhalbkegel	8	
9	874126	Becher obere	8	
10	827018	Auspufftopf Stiftschraube M8X3X46	4	
11	825597	Stift 11,8X10	8	

Einheit	MOTOR
Code	34.54
Beschreibung	Kurbelwelle - Zylinder
Inspektion	1



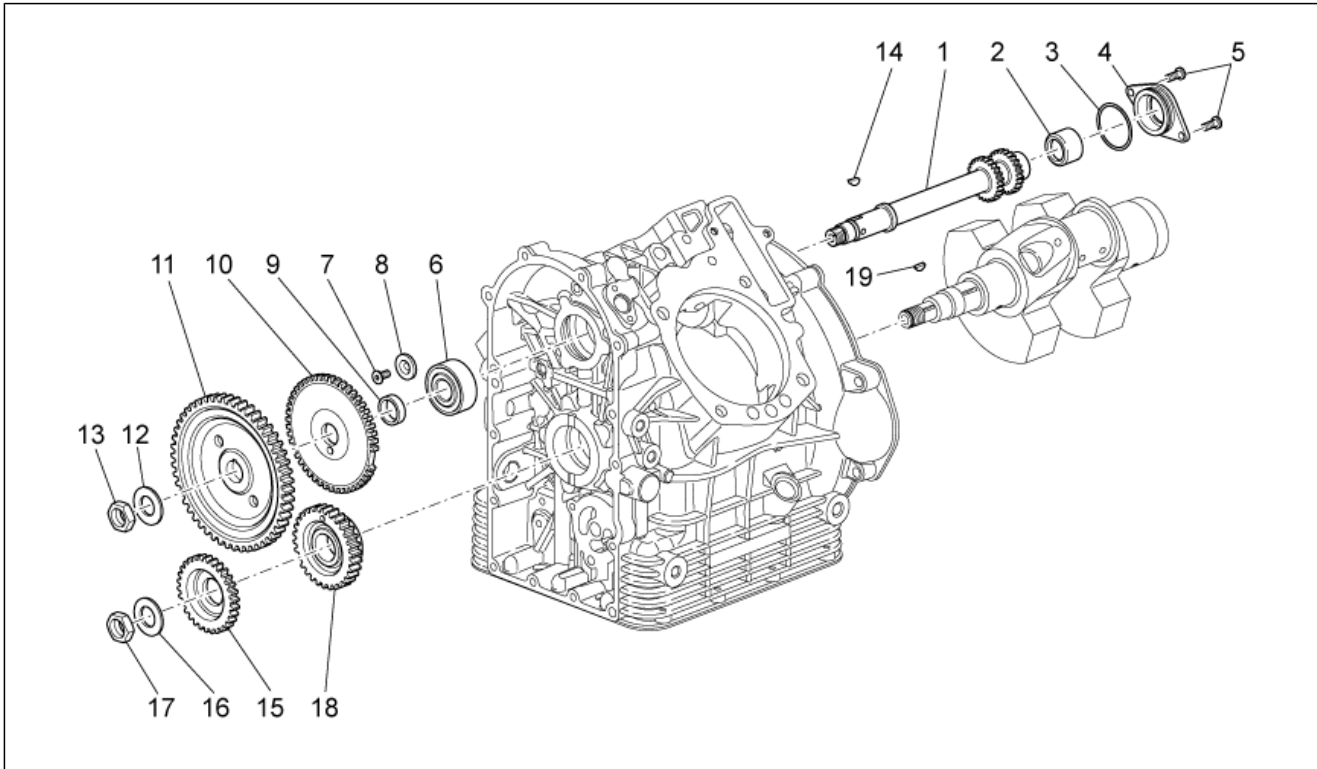
Pos.	Code	Beschreibung	Menge	Varianten
1	981008	Re. Zylinder mit Kolben kpl.	1	
2	873667	Kolben D95 kpl	2	
3	981009	Kolbenring-Satz	2	
4	874287	Kolbenrung	2	
5	874288	Kolbenrung	2	
6	874289	Kolbenrung	2	
7	874286	Bolzen	2	
8	874567	Sperring	4	
9	976312	ZYLINDERFUSSDICHTUNG	2	
10	976304	Stiftschraube	8	
11	825597	Stift 11,8X10	4	
12	874621	Dichtung Zylinderkopf 0,65 mm	2	
12	874622	Dichtung Zylinderkopf 0,85 mm	2	
12	976311	Dichtung Zylinderkopf 1,05 mm	2	
13	981007	Li. Zylinder mit Kolben kpl.	1	
14	B0133785001	Welle kplt.	1	Technische Spezifikationen:Farbe Auswahl Braun[C1]
14	B0133785002	Welle kplt.	1	Technische Spezifikationen:Farbe Auswahl Grün[C2]
14	B0133785003	Welle kplt.	1	Technische Spezifikationen:Farbe Selektion Schwarz[C3]
15	874293	Zwischenlegscheibe	1	
16	GU95100116	Ausgleichscheibe 6,25x10x1,5	2	
17	8783390001	Baugruppe Pleuelstange kplt.	2	Technische Spezifikationen:Farbe Auswahl Braun[C1]
17	8783390002	Baugruppe Pleuelstange kplt.	2	Technische Spezifikationen:Farbe Auswahl Grün[C2]
17	8783390003	Baugruppe Pleuelstange kplt.	2	Technische Spezifikationen:Farbe Selektion Schwarz[C3]
18	849131	Pleuelschraube	4	
19	875243	Halbsch. Bronzebchs. 1,535-1,540	4	
19	875244	Halbsch. Bronzebchs. 1,539-1,544	4	
20	873689	Kettenspanner re.	1	
21	873690	Kettenspanner li.	1	

Einheit	MOTOR
Code	34.54
Beschreibung	Kurbelwelle - Zylinder
Inspektion	1



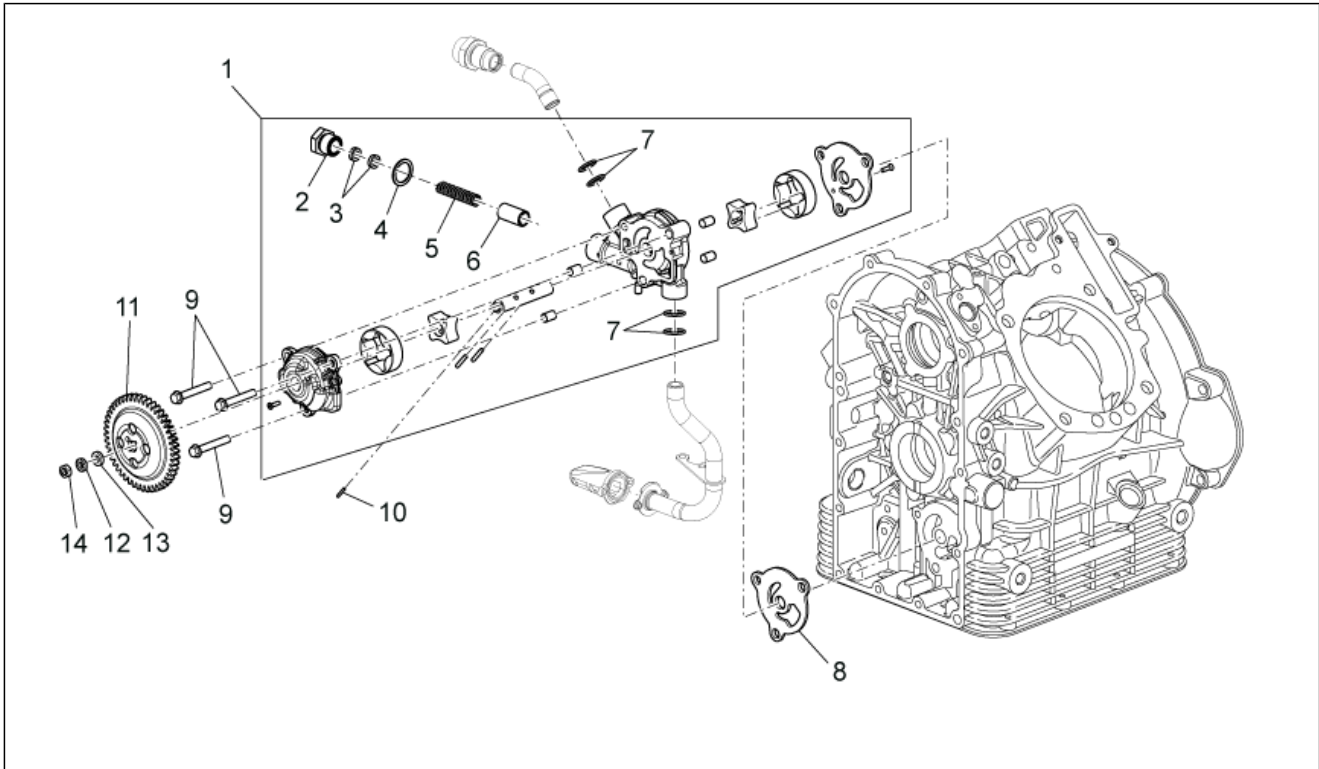
Pos.	Code	Beschreibung	Menge	Varianten
22	976342	Schraube	1	
23	849866	Ausgleichscheibe	1	
24	GU98350310	TBEI Schraube M6x20	2	
25	879404	Schraube	1	
26	879405	Unterlegscheibe	1	

Einheit	MOTOR
Code	34.55
Beschreibung	Steuer
Inspektion	1



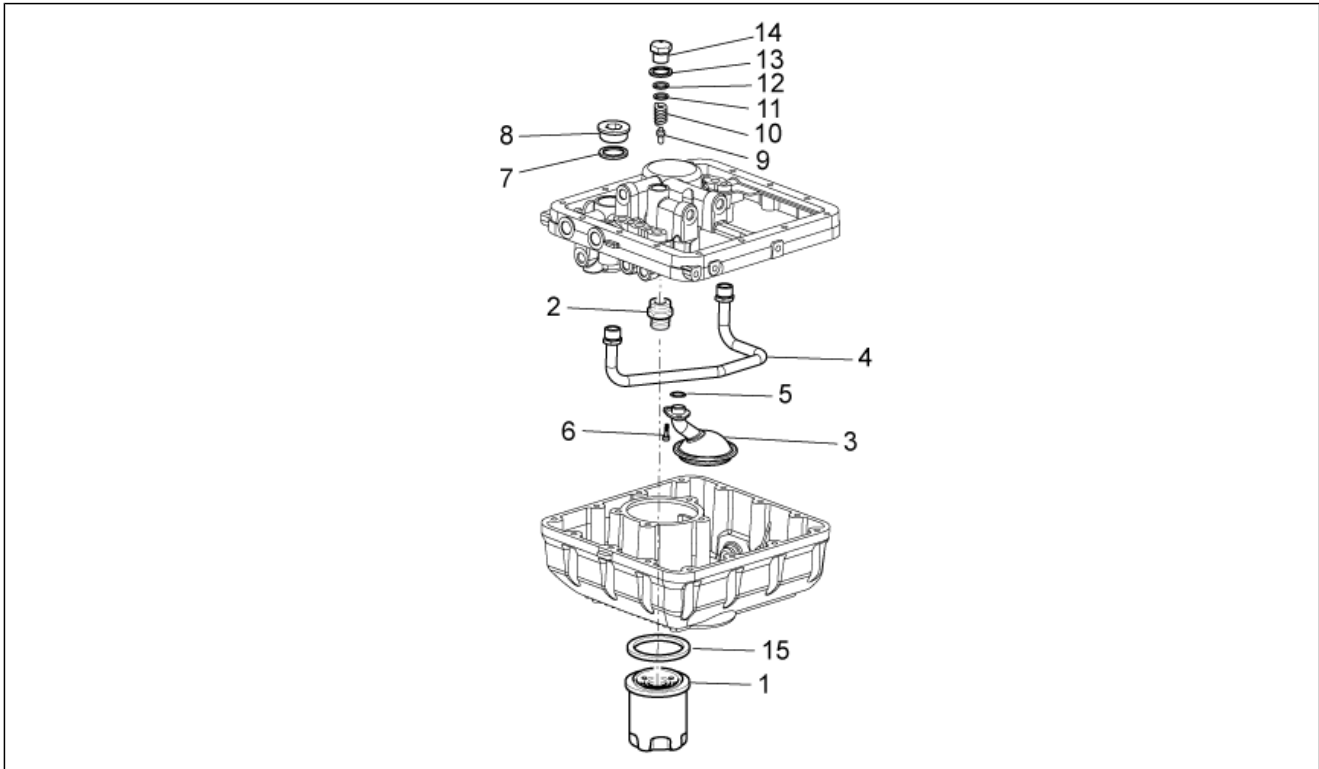
Pos.	Code	Beschreibung	Menge	Varianten
1	976330	Steuer	1	
2	976381	Nadelkaefig 25x32x12	1	
3	976488	O-Ring 37,82x1,78	1	
4	976331	Flansch	1	
5	GU98350315	TBEI Schraube M6x14	2	
6	976355	Kugellager 20x47x18	1	
7	AP8152166	Schraube M6x16	2	
8	873928	Unterlegscheibe	1	
9	976334	Distanzscheibe	1	
10	976538	Wheel speed sensor, LH front	1	
11	874281	Zahnrad Ventilsteuerung	1	
12	GU14433400	Sprengscheibe 19x34x1,5	1	
13	829232	Mutter M18x1,5	1	
14	GU91600450	Keil	1	
15	8787074	Angetriebenes Ölpumpenrad	1	
16	976665	Tellerfeder	1	
17	976649	Mutter M25x1,5	1	
18	874280	Treibendes Zahnrad	1	
19	GU91600365	Keil 3x6,5	1	

Einheit	MOTOR
Code	34.56
Beschreibung	Ölpumpe
Inspektion	1



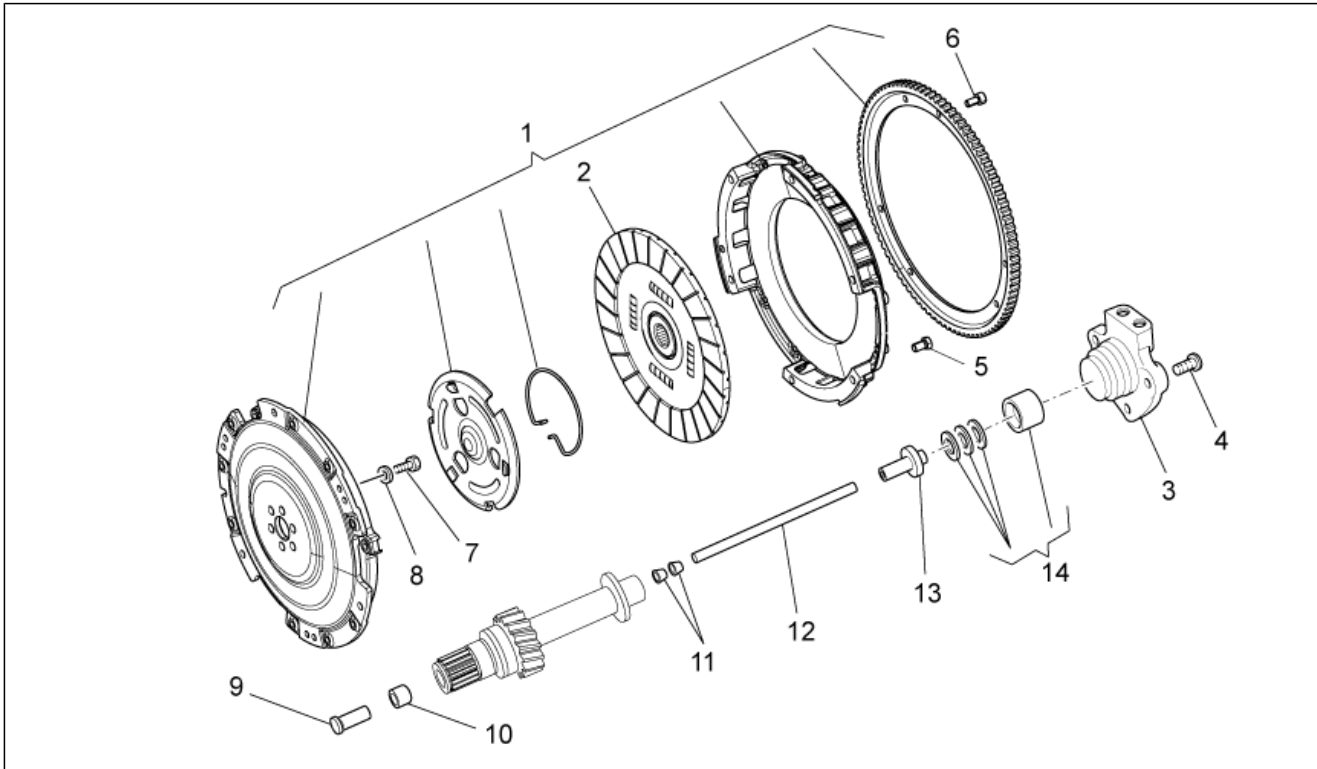
Pos.	Code	Beschreibung	Menge	Varianten
1	8746505	Ölpumpe	1	
2	GU31159050	Deckel	1	
3	GU30158900	Ausgleichscheibe	2	
4	GU18144350	Ausgleichscheibe 18,25x24x1	1	
5	829486	Feder	1	
6	829661	Oil pressure valve	1	
7	237553	O-Ring	4	
8	874482	Dichtung	1	
9	414835	Schraube	3	
10	874801	Stift 2x13,8	1	
11	877101	Zahnrad Ölpumpe	1	
12	GU03013800	Ausgleichscheibe 6,4x12	1	
13	GU95005306	Ausgleichscheibe 6,4x13x1,5	1	
14	873906	Mutter unten	1	

Einheit	MOTOR
Code	34.57
Beschreibung	Ölfiler
Inspektion	1



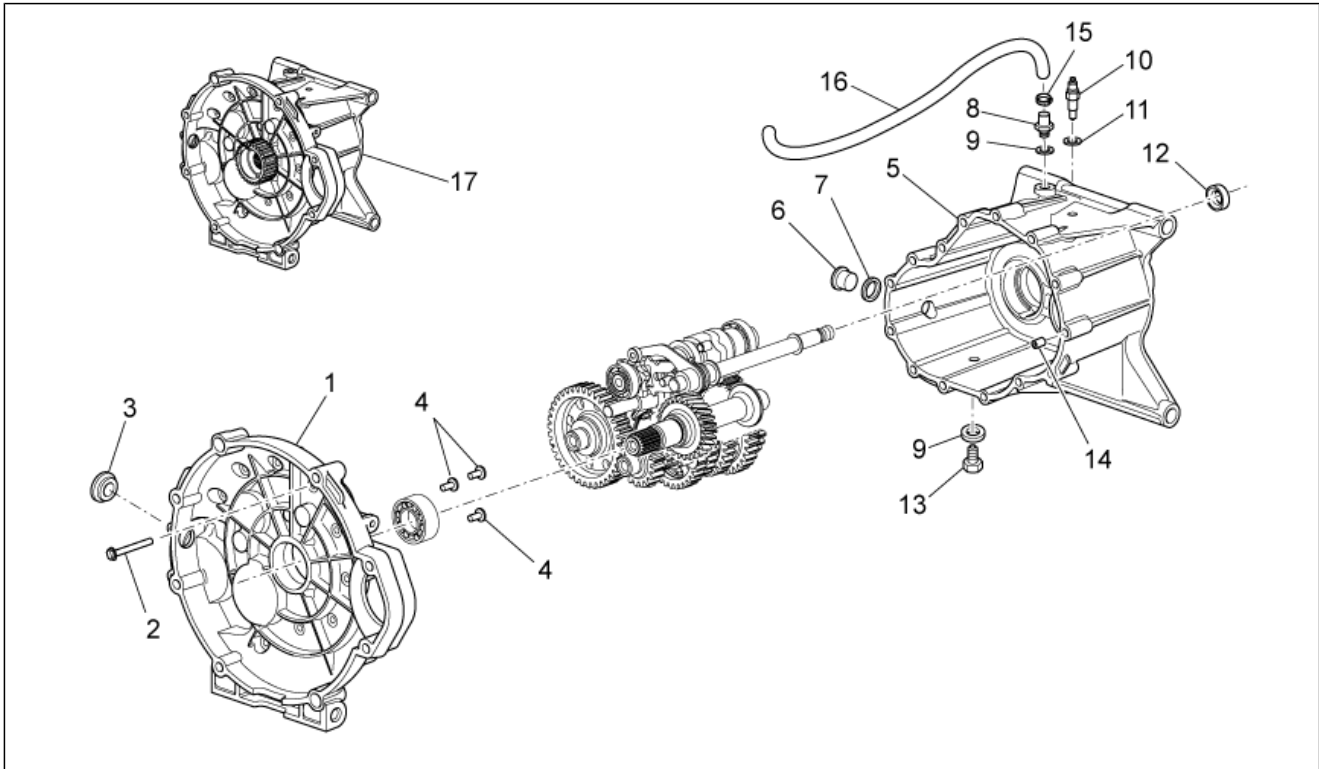
Pos.	Code	Beschreibung	Menge	Varianten
1	GU30153000	Ölfilerersatz	1	
2	829122	Ölfileranschluss	1	
3	GU05152230	Ölfilerersatz	1	
4	GU05005730	Leitung	1	
5	GU90706151	O-Ring 15,08x2,62viton	1	
6	877820	TCEI Schraube M6x18	2	
7	976636	Kupferdichtung	1	
8	976635	Deckel	1	
9	GU30150900	Kolben	1	
10	GU94321077	Feder	1	
11	GU95008206	Ausgleichscheibe 6,15x11x0,8	2	
12	GU30158900	Ausgleichscheibe	1	
13	GU18144350	Ausgleichscheibe 18,25x24x1	1	
14	GU31159050	Deckel	1	
15	981115	Dichtung	1	

Einheit	MOTOR
Code	34.58
Beschreibung	Kupplung
Inspektion	1



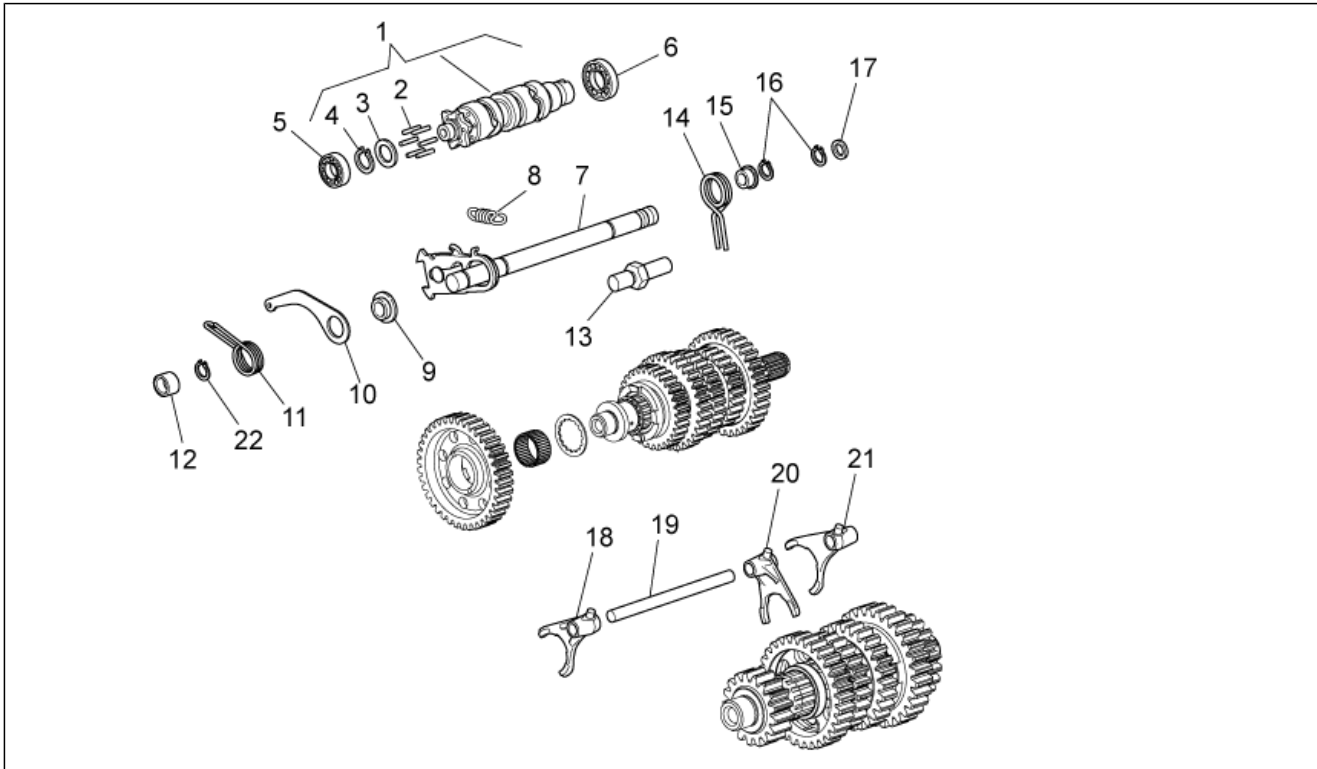
Pos.	Code	Beschreibung	Menge	Varianten
1	976695	Kupplung kplt.	1	
2	976053	Innenlamelle	1	
3	978739	Kupplungszylinder	1	
4	598839	TE Schr. m. Flansch	3	
5	976535	TCEI Schraube M7x16	6	
6	GU98230612	Schraube	6	
7	976481	TE Schr. m. Flansch M8x25	6	
8	976484	Konische Sprengscheibe 8,2X15	1	
9	B013036	Kupplung schließen	1	
10	976564	Buchse	1	
11	GU14085900	Buchse	2	
12	976593	Stange L=mm183	1	
12	976594	Stange L=mm184,5	1	
12	976595	Stange L=mm186	1	
12	976596	Stange L=mm187,5	1	
12	B0630111	Stange L=mm 1185	1	
12	B063012	Stange L=mm 185,5	1	
13	B013037	Kupplungswelle	1	
14	976696	Mot.lager set	1	

Einheit	MOTOR
Code	34.59
Beschreibung	Getriebegehäuse
Inspektion	1



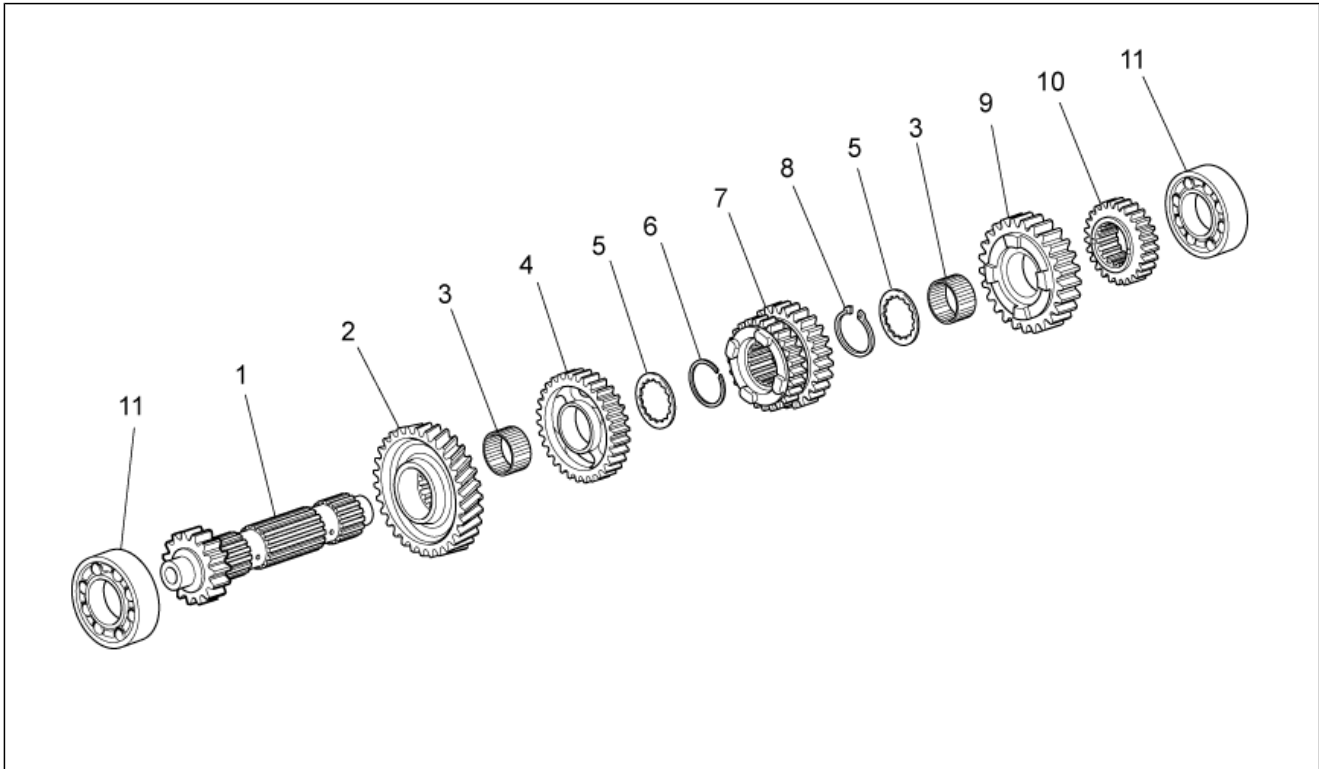
Pos.	Code	Beschreibung	Menge	Varianten
1	879871	Kupplungsglocke	1	
2	GU97202355	TE Schr. m. Flansch M6x55	14	
3	GU93180220	Deckel	1	
4	GU98370616	TBEI Schraube M6x16 inox	3	
5	879869	Getriebegehäuse	1	
6	GU95980319	Ölschraube M18x1,5	1	
7	GU18144350	Ausgleichscheibe 18,25x24x1	1	
8	GU05204930	Entlüftungsschraube	1	
9	GU01528930	Dichtung 10x18x1,5	2	
10	GU19207220	Sensor	1	
11	B063025	Dichtung 8,7x14,2x1,3	1	
12	GU90401424	Gasket ring 14x24x7	1	
13	GU31003766	Ölablaßschraube M10x1	1	
14	GU19002020	Buchse 6,6x9x13	2	
15	AP8101595	Schelle D10,1	1	
16	896544	Kraftstoffleitung 5,5x10	1	
17	976976	Getriebegehäuse kpl.	1	

Einheit	MOTOR
Code	34.60
Beschreibung	Schaltgabel
Inspektion	1



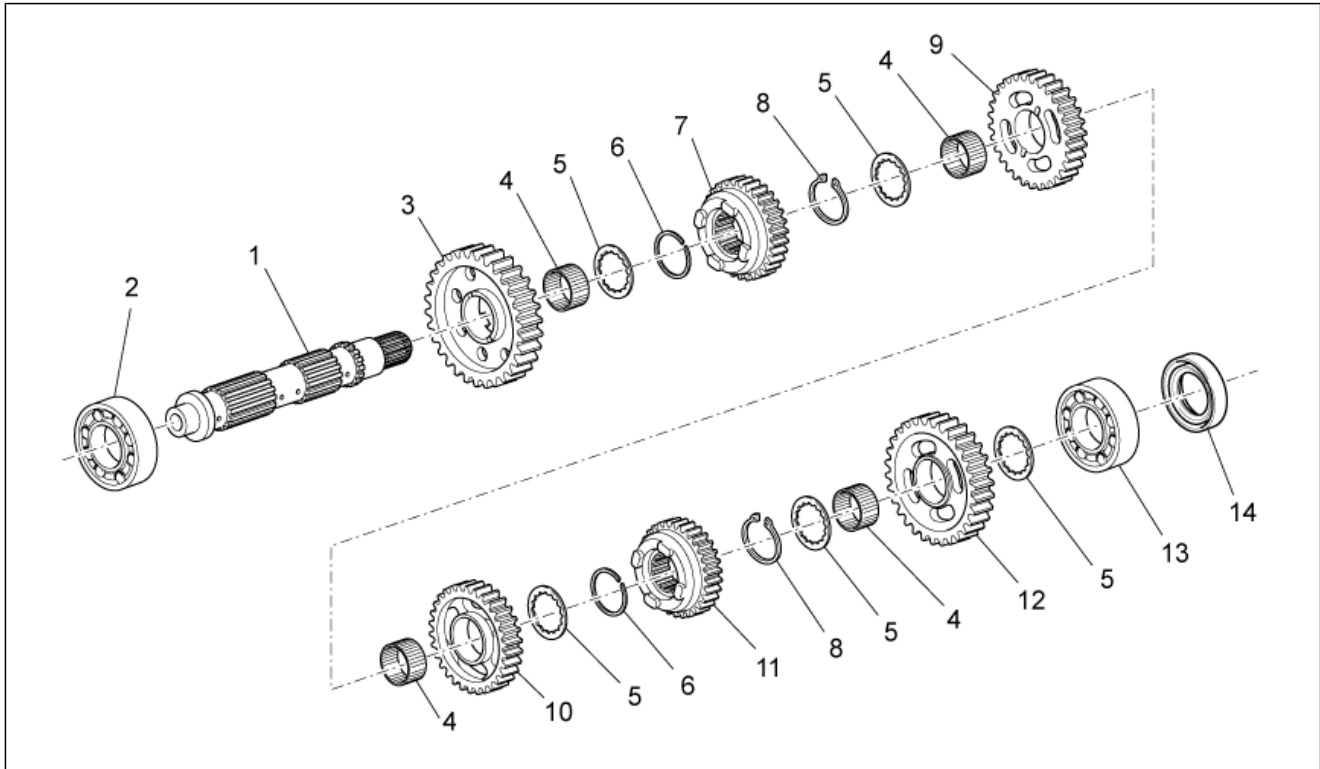
Pos.	Code	Beschreibung	Menge	Varianten
1	GU05234431	Verschiebenocken kplt.	1	
2	GU05234631	Stift	6	
3	GU05235531	Scheibe	1	
4	GU90271022	Seegerring	1	
5	GU92201117	Kugellager 17x35x10	1	
6	GU92201025	Kugellager 25x42x9	1	
7	GU05236231	Schaltautomat	1	
8	GU05238231	Feder	1	
9	GU05238431	Buchse	1	
10	GU05234731	Hebel Index	1	
11	GU05234130	Feder	1	
12	GU05234230	Distanzscheibe	1	
13	GU05234931	Befestigungsbolzen	1	
14	GU05238331	Feder	1	
15	GU05238131	Distanzscheibe	1	
16	GU90271014	Seegerring	2	
17	GU05239330	Anlaufscheibe	1	
18	GU05230531	Schaltgabel 1a-3a	1	
19	GU05232431	Schaltstange	1	
20	GU05232631	Schaltgabel 5a-6a	1	
21	GU05230831	Schaltgabel 2a-4a	1	
22	GU90353014	Seegerring	1	

Einheit	MOTOR
Code	34.61
Beschreibung	Hauptwelle
Inspektion	1



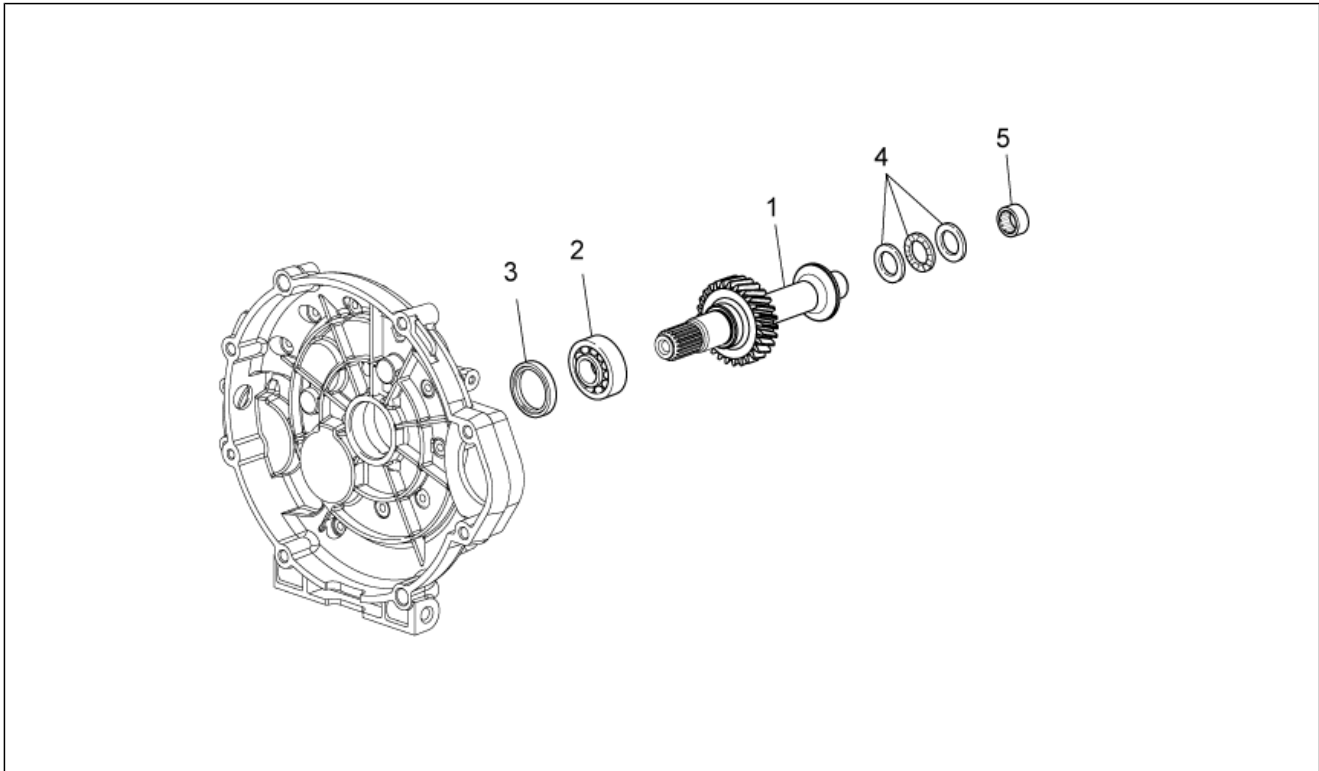
Pos.	Code	Beschreibung	Menge	Varianten
1	GU05210631	Vorgelegewelle Z=17	1	
2	GU06215600	Zahnwerk des Hauptantrieb Z=35	1	
3	GU92252029	Nadelkaefig 26x30x15,6	2	
4	976177	Zahnrad 5. Gang Z=31	1	
5	GU05214630	Bundscheibe	2	
6	GU90271230	Sprengring 30x1,2SW	1	
7	GU05211431	Zahnrad 3a-4a Z=23-26	1	
8	GU90271030	Sprengring 30x27,9	1	
9	976179	Zahnrad 6. Gang Z=30	1	
10	GU05211331	Zahnrad 2a Z=20	1	
11	GU92201822	Kugellager 20x52x15	2	

Einheit	MOTOR
Code	34.62
Beschreibung	Festrad
Inspektion	1



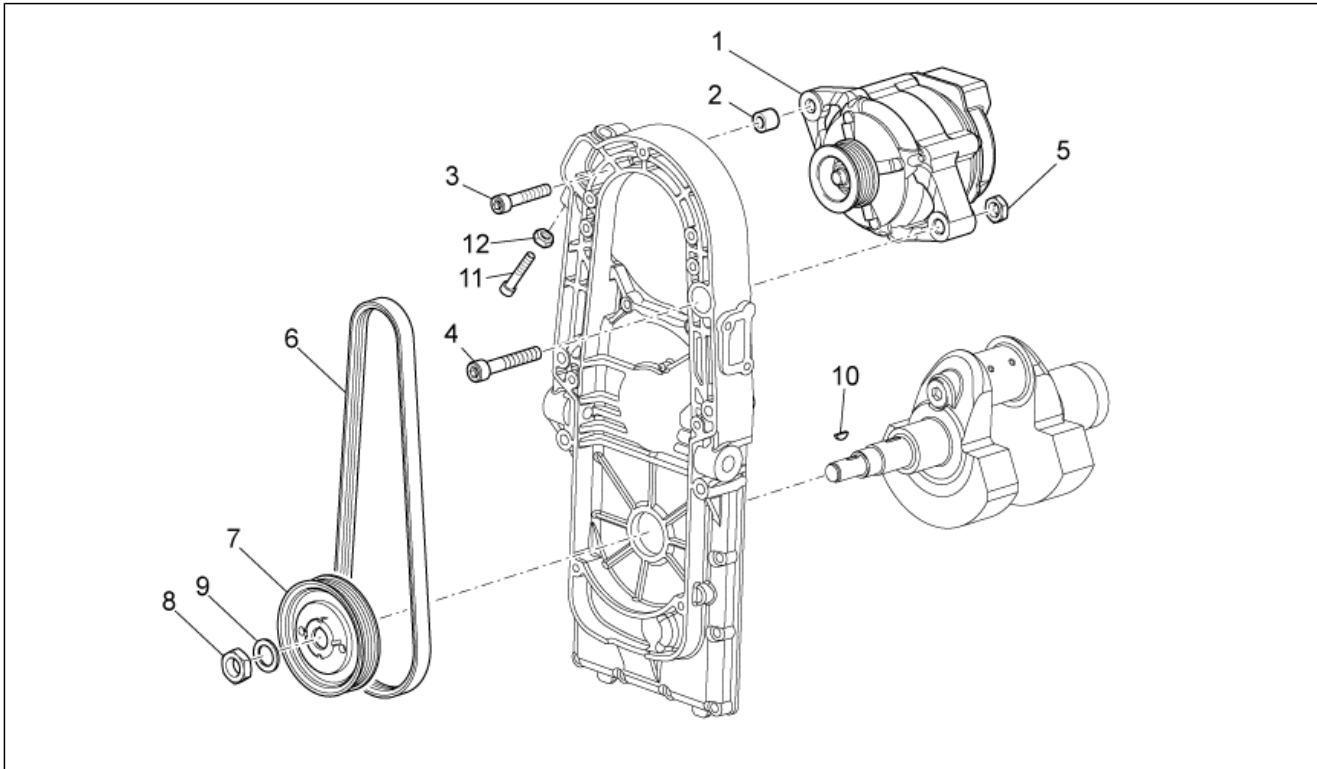
Pos.	Code	Beschreibung	Menge	Varianten
1	GU05213631	Festrad	1	
2	GU92201822	Kugellager 20x52x15	1	
3	GU05214231	Zahnrad 1a Z=38	1	
4	GU92252029	Nadelkaefig 26x30x15,6	4	
5	GU05214630	Bundscheibe	5	
6	GU90271230	Sprengtring 30x1,2SW	2	
7	976178	Zahnrad 5. Gang Z=29	1	
8	GU90271030	Sprengtring 30x27,9	2	
9	GU05214731	Zahnrad 3a Z=31	1	
10	GU05215031	Zahnrad 4a Z=29	1	
11	976180	Zahnrad 6. Gang Z=24	1	
12	GU05214431	Zahnrad 2a Z=34	1	
13	GU92201226	Kugellager 25x52x15	1	
14	GU90412541	Gasket ring 25X40X7	1	

Einheit	MOTOR
Code	34.63
Beschreibung	Kupplungswelle
Inspektion	1



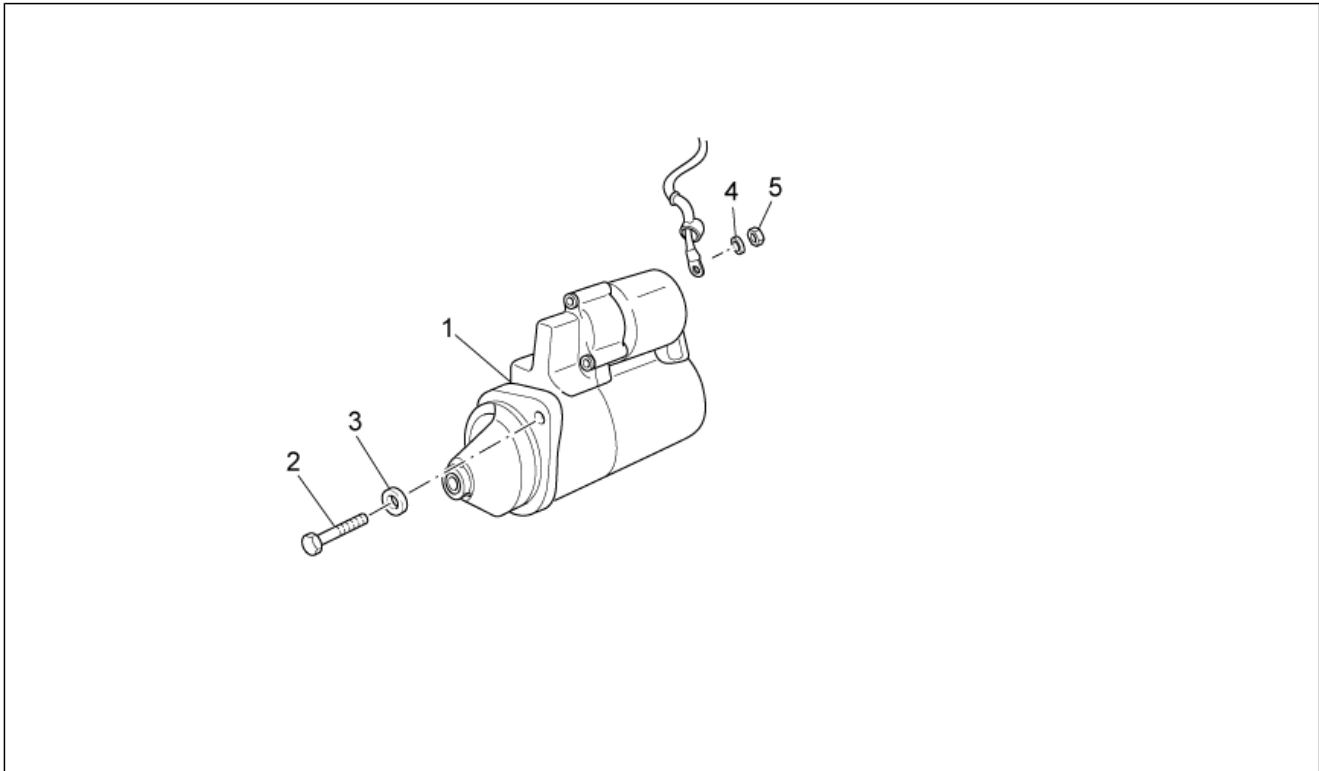
Pos.	Code	Beschreibung	Menge	Varianten
1	976352	Kupplungswelle Z=24	1	
2	GU92201226	Kugellager 25x52x15	1	
3	976533	Gasket ring 25x47x7	1	
4	976532	Drucklager	1	
5	GU92232028	Rollenlager 20x28x13	1	

Einheit	MOTOR
Code	34.64
Beschreibung	Stromgenerator
Inspektion	1



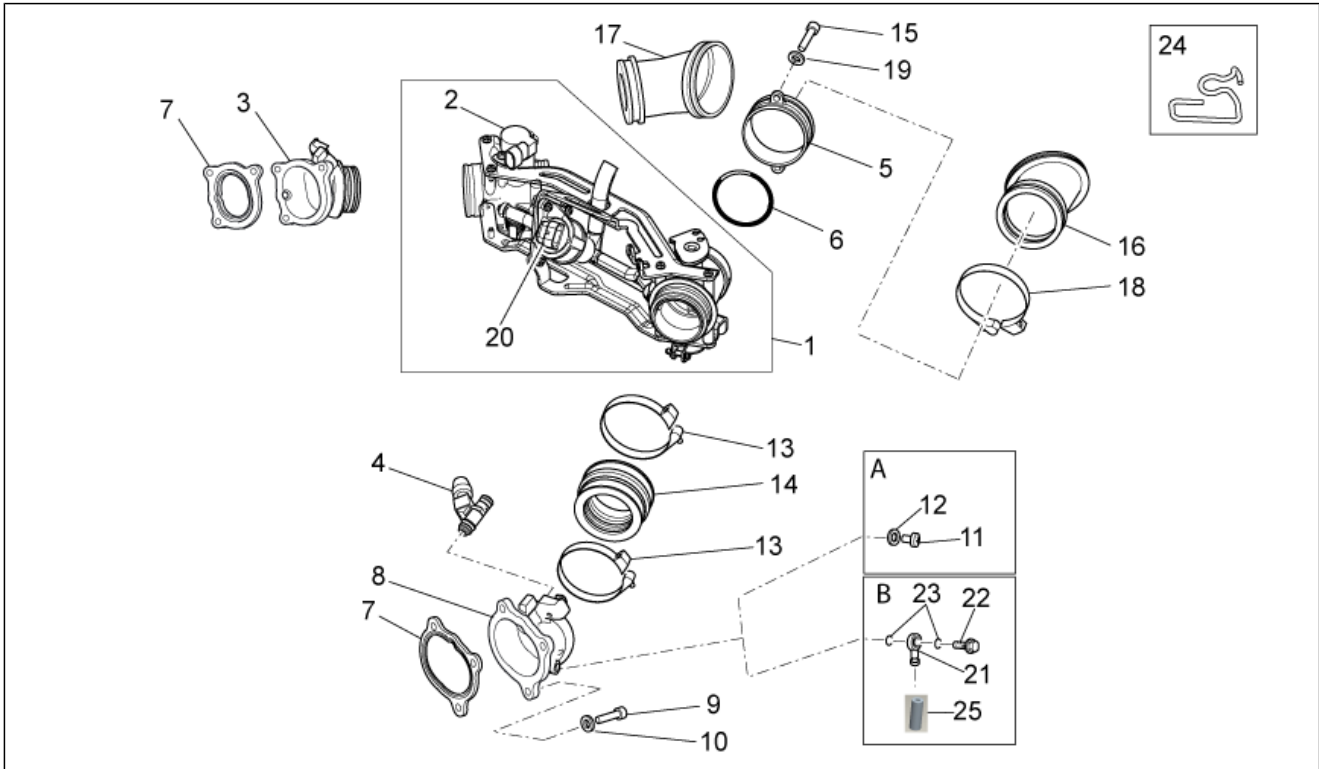
Pos.	Code	Beschreibung	Menge	Varianten
1	886255	Drehstromgenerator	1	
2	GU91180823	Distanzscheibe 8,5x17x13	1	
3	GU98620445	TCEI Schraube M8x45	1	
4	GU98620560	TCEI Schraube M10x60	1	
5	GU92660012	Mutter M10x1,5	1	
6	GU05702530	Riemen	1	
7	GU05701430	Drehstromgenerator enriemensc.	1	
8	GU92606516	Mutter M16	1	
9	GU30714201	Ausgleichscheibe 16,25x24,5x5	1	
10	GU4FAN000030	Keil Schwungmagnet	1	
11	GU98230850	TBEI Schraube M8x50	1	
12	GU92605408	Mutter M8x1,25	1	

Einheit	MOTOR
Code	34.65
Beschreibung	Startermotor
Inspektion	1



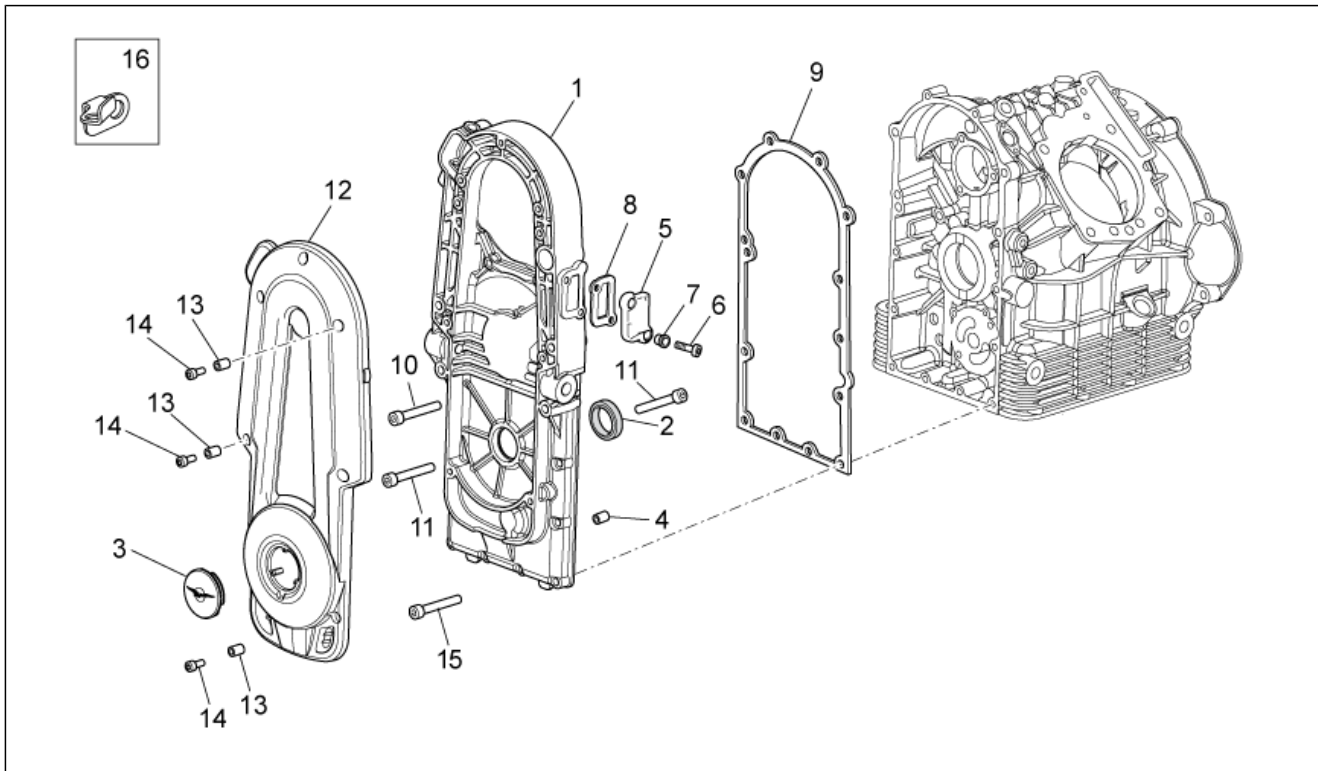
Pos.	Code	Beschreibung	Menge	Varianten
1	GU05730730	Startermotor Bosch	1	
2	GU98082475	Sechskantschraube M8x75	2	
3	GU03270300	Ausgleichscheibe 8,4x15	2	
4	GU95129131	Scheibe 8,4x15x1,7	1	
5	GU92609408	Mutter M8x1,25	1	

Einheit	MOTOR
Code	34.66
Beschreibung	Klappenkörper
Inspektion	1



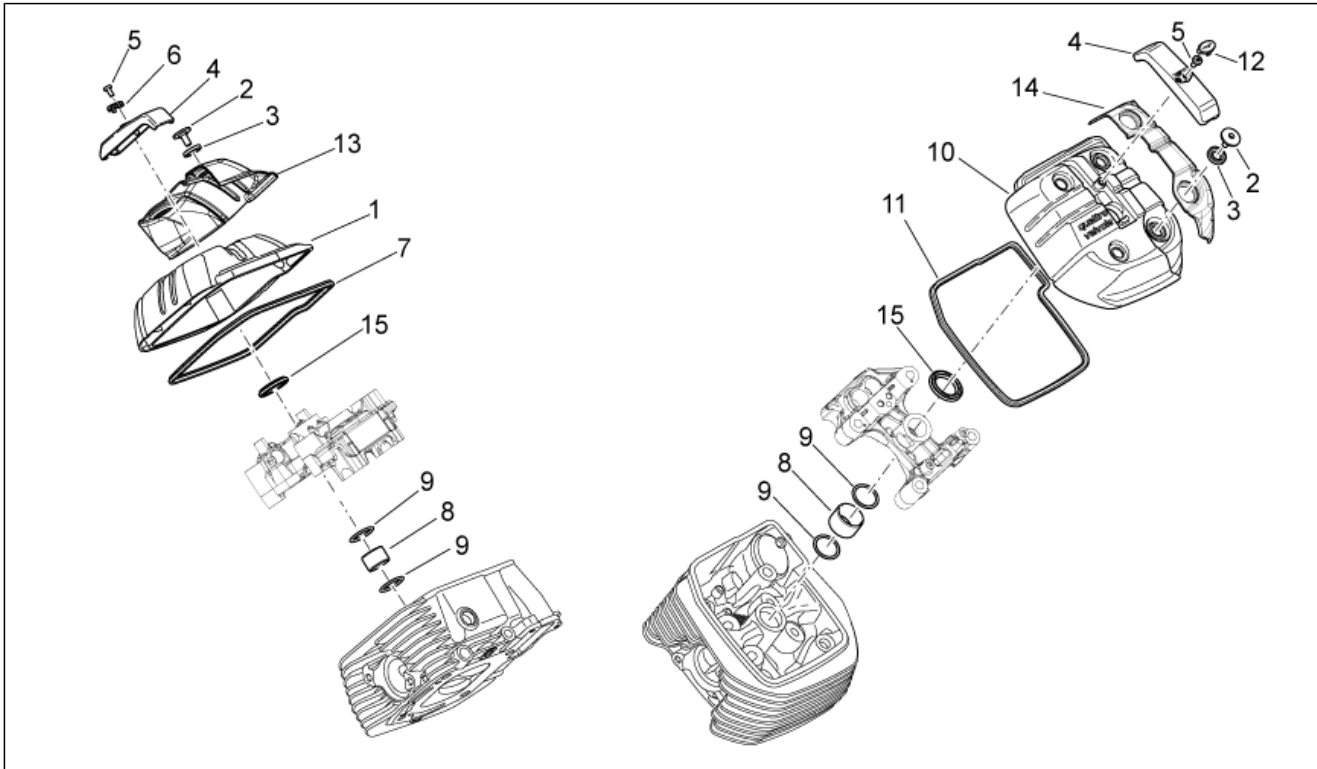
Pos.	Code	Beschreibung	Menge	Varianten
1	880270	Klappenkörper	1	
2	981010	Potentiometer	1	
3	879878	Ansaugkrümmer rechts	1	
4	CM074706	Kompl.Satz.f.Spritzdüsel	2	
5	976498	Flansch	2	
6	976566	O-Ring 53,7x1,78	2	
7	873879	Ansaugsammlerdichtung	2	
8	879877	Ansaugkrümmer links	1	
9	GU98882325	Flache Innensechskantsch. M6x25 M6x25	6	
10	GU95008206	Ausgleichscheibe 6,15x11x0,8	6	
11	GU98350310	TBEI Schraube M6x20	2	
12	GU95100116	Ausgleichscheibe 6,25x10x1,5	2	
13	GU93305061	Schelle 61/65,5	4	
14	873861	Hülse	2	
15	GU98682212	TCEI Schraube M5x12	2	
16	883316	Einlaßmuffe rechts	1	
17	883315	Einlaßmuffe links	1	
18	GU93306050	Schelle 50x90x9	2	
19	GU95008305	Ausgleichscheibe 5,3X10X1	2	
20	896540	Elektromotor Standgaseinstellung	1	
21	GU95963062	Anschluss	2	
22	GU95990023	Lochschaube	2	
23	GU90706009	O-Ring 6x1	4	
24	887209	Kabelführung	1	
25	487567	Deckel	1	

Einheit	MOTOR
Code	34.67
Beschreibung	Gehäuse II
Inspektion	1



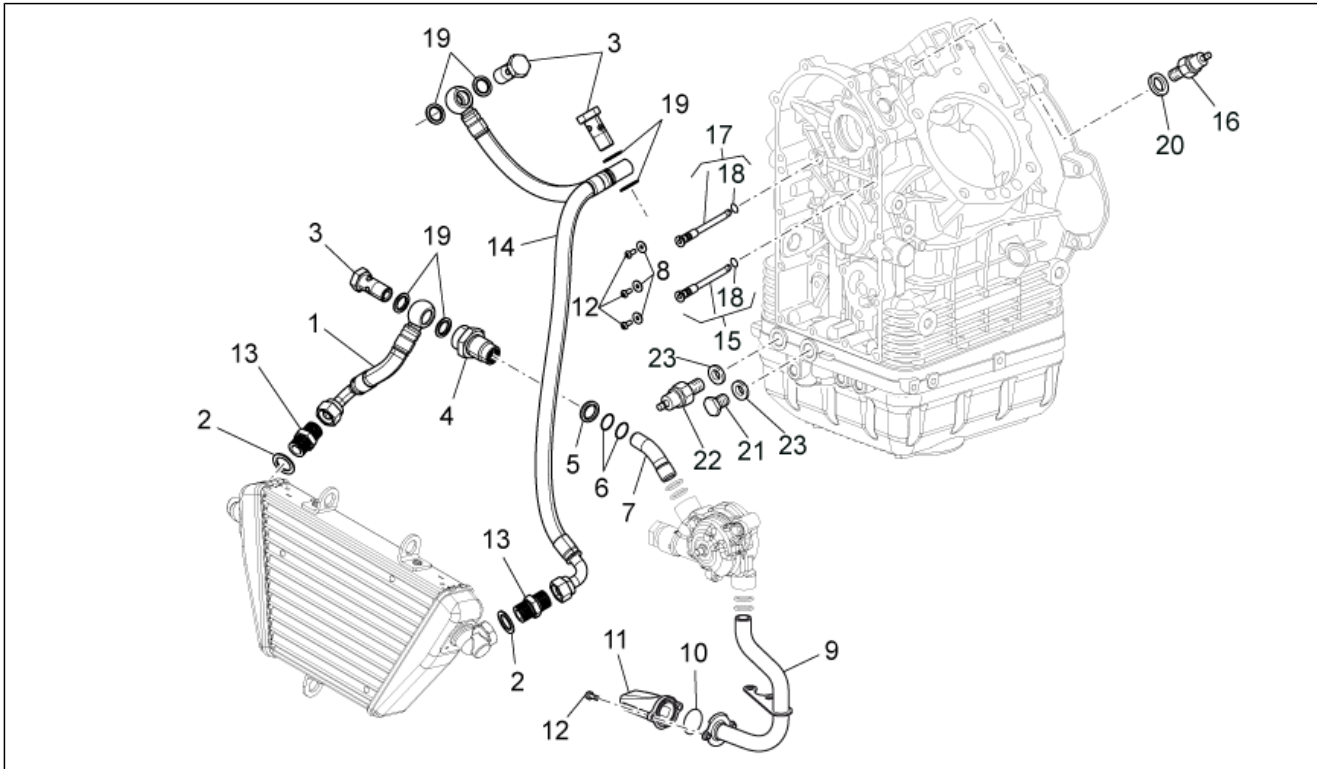
Pos.	Code	Beschreibung	Menge	Varianten
1	879876	Steuer Deckel	1	
2	GU90412237	Gasket ring 22x35x7viton	1	
3	GU05002130	Deckel	1	
4	825597	Stift 11,8X10	2	
5	976554	Deckel	1	
6	GU98682320	TCEI Schraube M6x20	2	
7	GU91120607	Buchse 6,4x8,4x10,5	2	
8	177408	O-Ring	1	
9	976478	Deckeldichtung Kupplungsseite	1	
10	AP8150046	TCEI Schraube M8x55	4	
11	GU98620330	Schraube	9	
12	GU05001630	Generatordeckel grau	1	
13	GU91120606	Buchse 6,8x8,8x5,8	6	
14	GU98682316	TCEI Schraube M6x16	5	
15	GU98620335	Schraube M6x35	1	
16	GU06765500	Kabelführung	1	

Einheit	MOTOR
Code	34.68
Beschreibung	Kopfdeckel
Inspektion	1



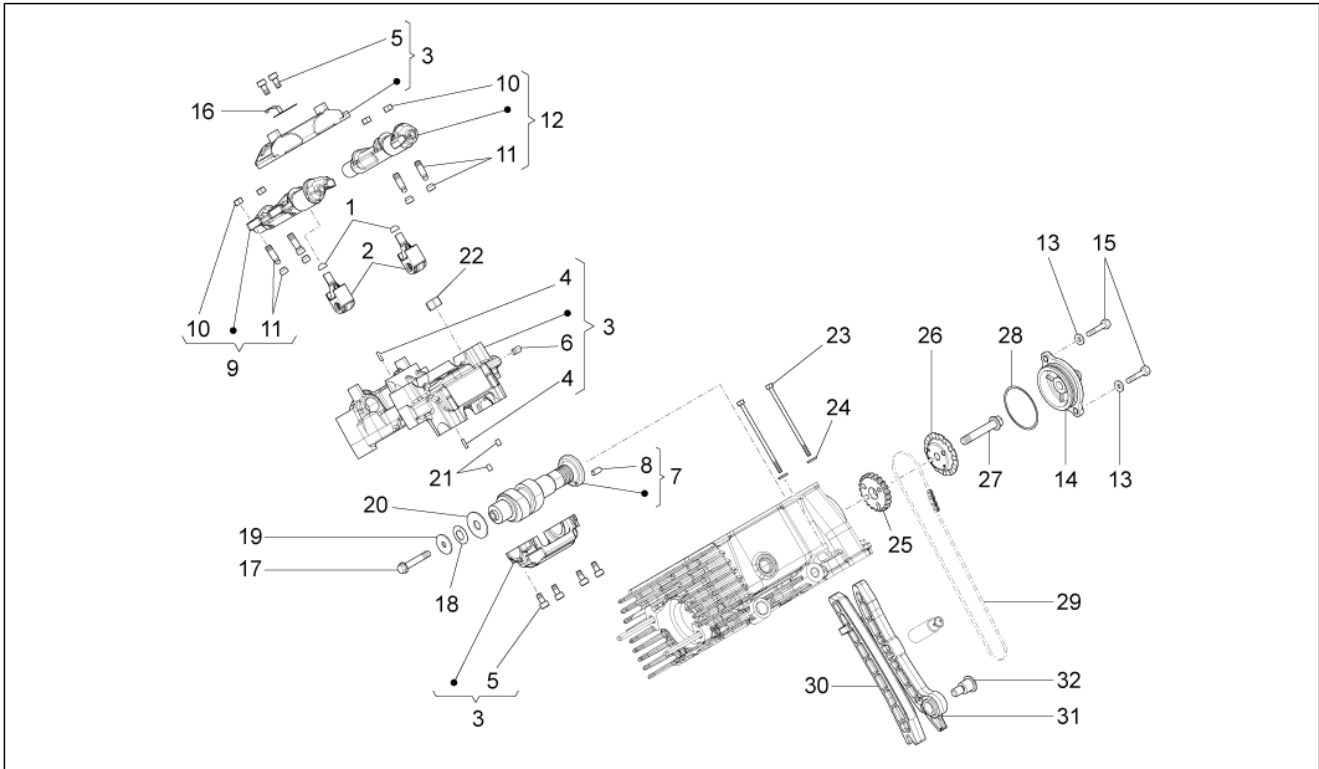
Pos.	Code	Beschreibung	Menge	Varianten
1	880124	Kopfdeckel R.	1	
2	976591	Spezialschraube	8	
3	879975	Stopfen dämpfer	8	
4	883493	Zündkerzedeckel	2	
5	GU98230510	TBEI Schraube	2	
6	976560	Rechtes Schild "Moto Guzzi"	1	
7	872742	Dichtung re	1	
8	879987	Leitung	2	
9	873626	O-Ring 26X2,5	4	
10	880123	Kopfdeckel L.	1	
11	872741	Dichtung li	1	
12	976559	L.Schild "Moto Guzzi"	1	
13	873654	Deckel re.	1	
14	872740	Deckel li.	1	
15	880127	Dichtung	2	

Einheit	MOTOR
Code	34.73
Beschreibung	Schmierung
Inspektion	1



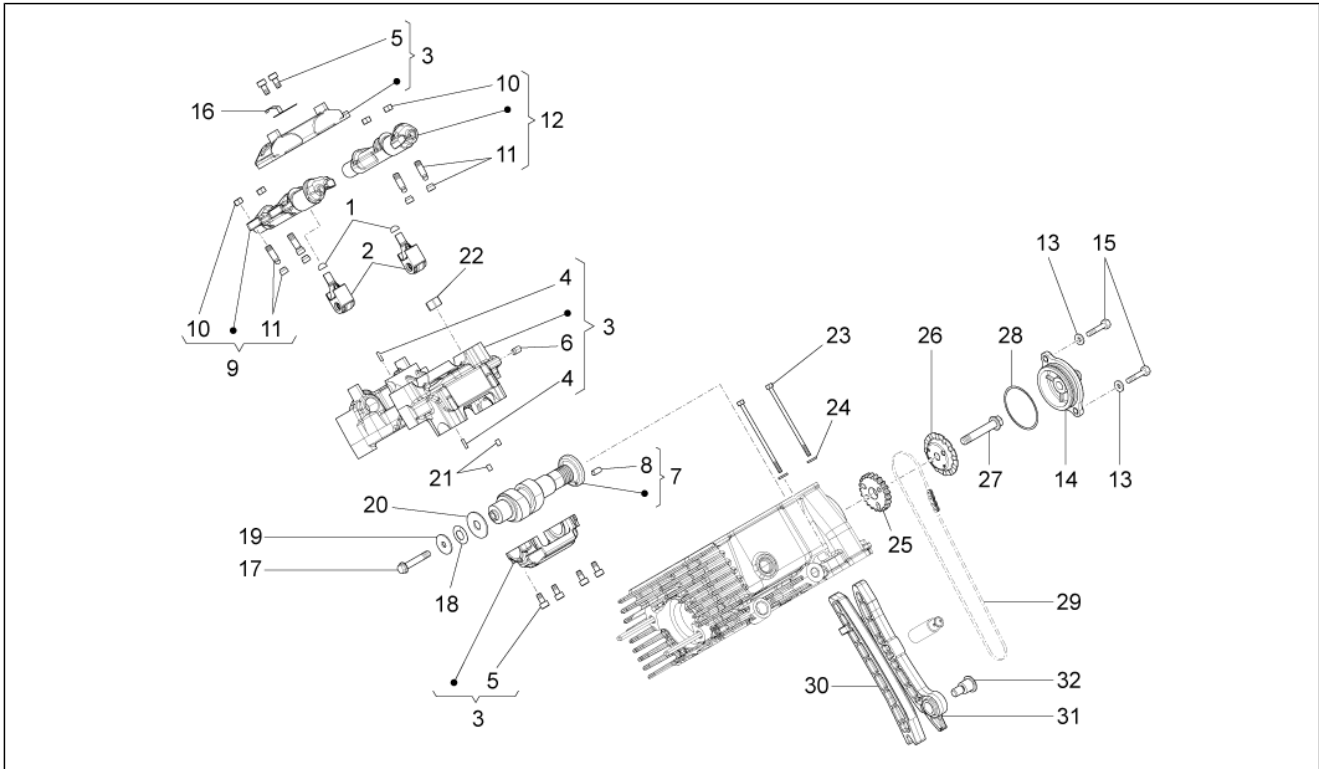
Pos.	Code	Beschreibung	Menge	Varianten
1	897599	Rohr	1	
2	GU01154230	Dichtung	2	
3	874223	Lochschaube	3	
4	874669	Nippel	1	
5	976592	Dichtung	1	
6	434947	O-Ring 12,42x1	2	
7	874646	Ölschlauch	1	
8	013763	Flachscheibe 4,2x12x1	3	
9	874645	Ansaugleitung	1	
10	969323	O-Ring	1	
11	874655	Ölfiltereinsatz	1	
12	621914	Schraube	5	
13	GU01161331	Übersetzung	2	
14	886122	lückaufleitung	1	
15	976680	Linkes Düse	1	
16	978854	Druckfühler	1	
17	976681	Rechtes Düse	1	
18	874238	O-Ring	4	
19	976597	Kupferdichtung	6	
20	GU12006400	Dichtung 12,25	1	
21	GU95980216	Deckel	1	
22	642077	Thermoschalter	1	
23	GU01154230	Dichtung	2	

Einheit	MOTOR
Code	34.74
Beschreibung	Recht Zylindersteuer II
Inspektion	1



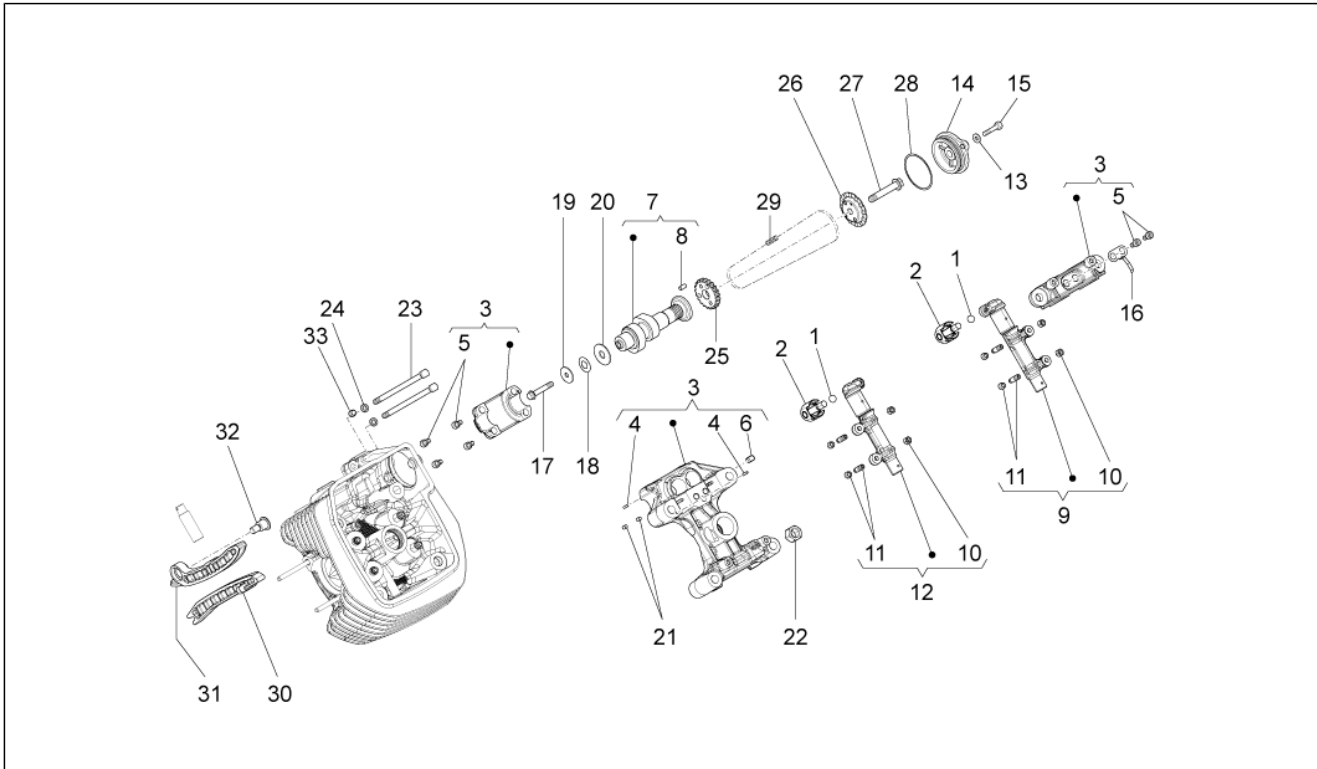
Pos.	Code	Beschreibung	Menge	Varianten
1	878574	Belag	2	
2	B016785	Ventilstässel	2	
3	B017029	Halterung Kipphebelwelle DX	1	
4	872759	Stift D. 2,5	4	
5	015792	Schraube M8x30	6	
6	842360	Verschlußschraube M6x10	1	
7	B014576	Nockenwelle	1	
8	976589	Stift	1	
9	B0136034	Kipphebel Einlass li Auslass re	1	
10	879916	Kipphebel Einstellmutter	4	
11	879707	Einstellschraube	4	
12	B0136054	Kipphebel Einlass re Auslass li	1	
13	GU95129100	Sprengscheibe 5,3X10X0,5	2	
14	B013479	Entlüftungsdeckel kpl.	1	
15	GU98622214	Schraube	2	
16	B013661	Platte	1	
17	414837	TE Schr. m. Flansch M6x25	1	
18	879938	Tellerfeder	1	
19	879936	Abstreifscheibe	1	
20	879937	Abstreifscheibe	1	
21	B013552	Rolle	2	
22	833520	Mutter M10X1,25 6H	8	
23	487444	Flanschschraube M6x120	2	
24	976674	Flachscheibe 12x6,1x2	2	
25	976350	Zahnrad Steuer.	1	
26	874601	Blattöentlüfter	1	
27	843060	Flanschschraube	1	
28	880965	Gasket ring 2,62x46,52	0	

Einheit	MOTOR
Code	34.74
Beschreibung	Recht Zylindersteuer II
Inspektion	1



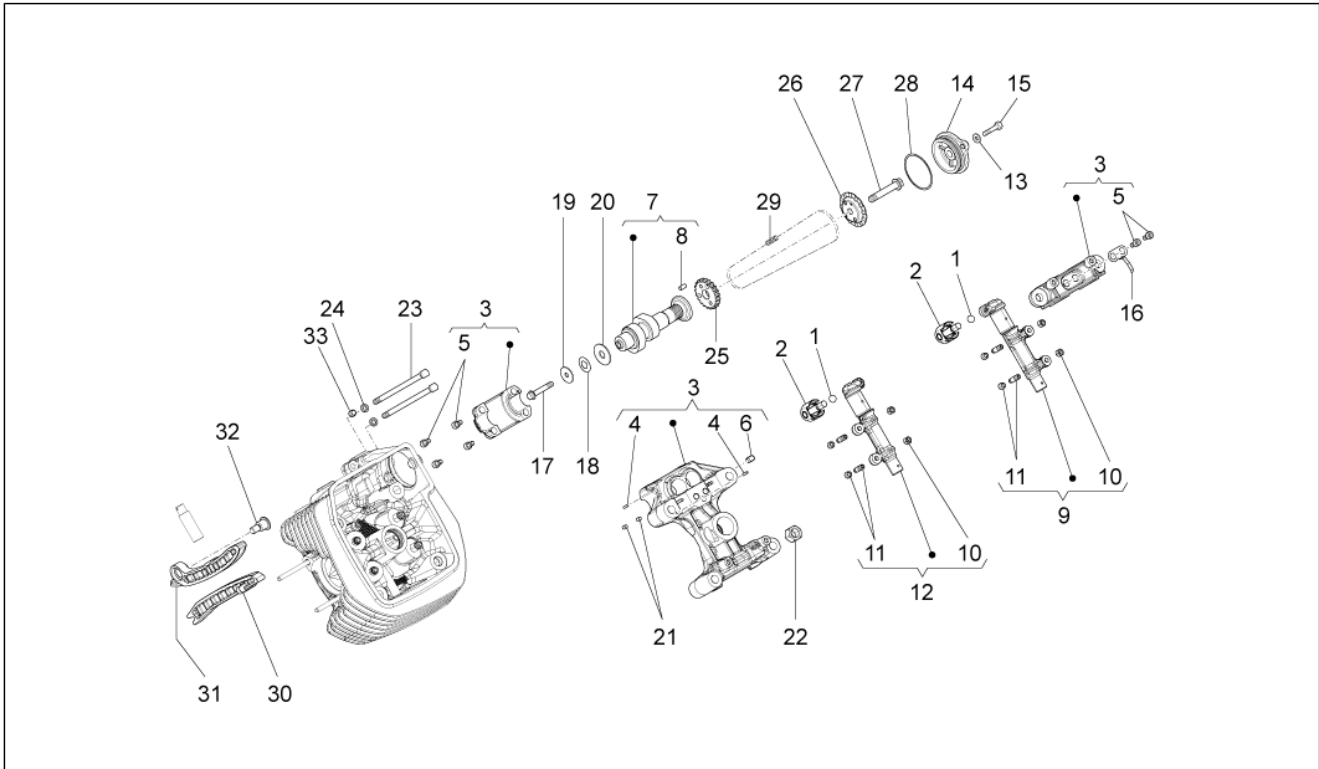
Pos.	Code	Beschreibung	Menge	Varianten
29	976341	Steuerkette	1	
30	976338	Kettengleitführung	1	
31	976337	Kettenspanner Gleitbacke	1	
32	878868	Distanzstückschraube M8	1	

Einheit	MOTOR
Code	34.75
Beschreibung	Links Zylindersteuer II
Inspektion	1



Pos.	Code	Beschreibung	Menge	Varianten
1	878574	Belag	2	
2	B016785	Ventilstässel	2	
3	B017026	Halterung Kipphebelwelle SX	1	
4	872759	Stift D. 2,5	4	
5	015792	Schraube M8x30	6	
6	842360	Verschlußschraube M6x10	1	
7	B014576	Nockenwelle	1	
8	976589	Stift	1	
9	B0136034	Kipphebel Einlass li Auslass re	1	
10	879916	Kipphebel Einstellmutter	4	
11	879707	Einstellschraube	4	
12	B0136054	Kipphebel Einlass re Auslass li	1	
13	GU95129100	Sprengscheibe 5,3X10X0,5	2	
14	B013479	Entlüftungsdeckel kpl.	1	
15	GU98622214	Schraube	2	
16	B013661	Platte	1	
17	414837	TE Schr. m. Flansch M6x25	1	
18	879938	Tellerfeder	1	
19	879936	Abstreifscheibe	1	
20	879937	Abstreifscheibe	1	
21	B013552	Rolle	2	
22	833520	Mutter M10X1,25 6H	4	
23	487444	Flanschschraube M6x120	2	
24	976674	Flachscheibe 12x6,1x2	2	
25	976350	Zahnrad Steuer.	1	
26	874601	Blattöentlüfter	1	
27	843060	Flanschschraube	1	
28	880965	Gasket ring 2,62x46,52	1	

Einheit	MOTOR
Code	34.75
Beschreibung	Links Zylindersteuer II
Inspektion	1



Pos.	Code	Beschreibung	Menge	Varianten
29	976341	Steuerkette	1	
30	976338	Kettengleitführung	1	
31	976337	Kettenspanner Gleitbacke	1	
32	878868	Distanzstückschraube M8	1	
33	244585	Distanzscheibe	1	