



PIAGGIO & C.s.p.a.



ERSATZTEILKATALOG



Stelvio 1200 8V STD - NTX 2011-2014

Vorsatzcode Fahrgestell: ZGULZE00, ZGULZG00, ZGULZU01

Vorsatzcode Motor:

STELVIO

GU110



Inhaltsverzeichnis

Fertige Produkte.....	4
Alphanumerisches Verzeichnis.....	6
RAHMEN.....	13
Tafel 33.01 - Rahmen.....	13
Tafel 33.02 - Rahmen II.....	14
Tafel 33.03 - Hauptständer.....	15
Tafel 33.04 - Fußrasten Fahrer.....	17
Tafel 33.05 - Soziusrasten.....	18
Tafel 33.06 - Schalthebel.....	19
Tafel 33.07 - Lenkung.....	20
Tafel 33.08 - Vorderradgabel.....	21
Tafel 33.09 - Schwinge.....	23
Tafel 33.10 - Getriebe kpl.....	24
Tafel 33.11 - Getriebe kpl.-Häuse.....	25
Tafel 33.12 - Getriebe kpl.-Teilerradsatz.....	26
Tafel 33.13 - Pleuelstange und Stoßdämpfer.....	27
Tafel 33.14 - Kraftstofftank.....	28
Tafel 33.15 - Frontaufbau - Kuppel.....	30
Tafel 33.16 - Frontaufbau - Leitblech.....	32
Tafel 33.17 - Mittlerer Aufbau.....	35
Tafel 33.18 - Vord.Schutzblech-Stütze.....	36
Tafel 33.19 - Sitz.....	37
Tafel 33.20 - R.Kar. I.....	38
Tafel 33.21 - R.Kar.II.....	39
Tafel 33.22 - Griff - Gepäckträger.....	40
Tafel 33.23 - Instrumententafel.....	41
Tafel 33.24 - Lenkstange - Schaltungen.....	42
Tafel 33.25 - Vorderradbremspumpe.....	43
Tafel 33.26 - Kupplung schalt. kpl.....	44
Tafel 33.27 - Ölkühler.....	45
Tafel 33.28 - Anlage Blow-by.....	46
Tafel 33.29 - Einspeisung.....	47
Tafel 33.30 - Filtergehäuse.....	48
Tafel 33.31 - Auslassgruppe.....	49
Tafel 33.33 - Vorderrad.....	50
Tafel 33.34 - Vorderradbremzange.....	52
Tafel 33.35 - Hinterrad.....	53
Tafel 33.36 - Hinterradbremspumpe.....	54
Tafel 33.37 - Hinterradbremzange.....	56
Tafel 33.39 - Bremsanlage ABS 2010.....	57
Tafel 33.40 - Frontscheinwerfer/Hupe.....	58
Tafel 33.41 - Rücklicht.....	59
Tafel 33.42 - Elektrische anlage I.....	60



Tafel 33.43 - Elektrische anlage II.....	62
Tafel 33.44 - Bausatz Schlösser.....	64
Tafel 33.45 - Aufkleber-Deko.....	65
Tafel 33.46 - Vorderrad II.....	67
Tafel 33.47 - Hinterrad II.....	68
Tafel 33.66 - Special parts.....	69
Tafel 33.69 - Benzindampfrückf.-Anlage.....	71
MOTOR.....	72
Tafel 34.46 - Gehäuse I.....	72
Tafel 34.47 - Gehäuse II.....	74
Tafel 34.48 - Zylinderkopf - ventile.....	75
Tafel 34.49 - Kopfdeckel.....	76
Tafel 34.50 - Recht Zylindersteuer (bowl).....	77
Tafel 34.51 - Links Zylindersteuer I.....	79
Tafel 34.52 - Kurbelwelle - Zylinder.....	81
Tafel 34.53 - Steuer.....	83
Tafel 34.54 - Schmierung.....	84
Tafel 34.55 - Ölpumpe.....	85
Tafel 34.56 - Ölfilter.....	86
Tafel 34.57 - Kupplung.....	87
Tafel 34.58 - Getriebegehäuse.....	88
Tafel 34.59 - Schaltgabel.....	89
Tafel 34.60 - Hauptwelle.....	90
Tafel 34.61 - Festrad.....	91
Tafel 34.62 - Kupplungswelle.....	92
Tafel 34.63 - Stromgenerator.....	93
Tafel 34.64 - Startermotor.....	94
Tafel 34.65 - Klappenkörper.....	95
Tafel 34.66 - Recht Zylindersteuer (roller).....	96
Tafel 34.67 - Links Zylindersteuer (roller).....	98
SPEZIALWERKZEUG.....	100
Tafel 36.67 - Specific tools I.....	100
Tafel 36.68 - Specific tools II.....	101



Fertige Produkte

Code	Gültigkeit
GU9032759AUB00	
GU9032759AUB03	
GU9032759AUE04	
GU9032759EUA00	
GU9032759EUA01	
GU9032759EUA02	
GU9032759EUA03	
GU9032759EUE04	
GU9032759GBA00	
GU9032759GBA01	
GU9032759GBA02	
GU9032759GBA03	
GU9032759GBE04	
GU9032760AUB00	
GU9032760AUB01	
GU9032760AUC00	
GU9032760AUC02	
GU9032760CAC00	
GU9032760CAC01	
GU9032760CAC02	
GU9032760CAD00	
GU9032760CAD01	
GU9032760CAD02	
GU9032760CAE00	
GU9032760CAE01	
GU9032760CAE02	
GU9032760CAE03	
GU9032760EUA00	
GU9032760EUA01	
GU9032760EUC00	
GU9032760EUC02	
GU9032760GBA00	
GU9032760GBA01	
GU9032760GBC00	
GU9032760GBC02	
GU9032760USC00	
GU9032760USC01	
GU9032760USC02	
GU9032760USD00	
GU9032760USD01	
GU9032760USD02	
GU9032760USE00	



STELVIO
GU110 - Stelvio 1200 8V STD - NTX 2011-2014

Vorsatzcode Fahrgestell: ZGULZE00,
ZGULZG00, ZGULZU01
Vorsatzcode Motor:

Code	Gültigkeit
GU9032760USE01	
GU9032760USE02	
GU9032760USE03	
GU9032761EUA00	
GU9032761EUA01	



Code	Nr. der Tafel	Pos.	Code	Nr. der Tafel	Pos.	Code	Nr. der Tafel	Pos.
013763	34.54	8	639542	33.03	11	874223	34.54	3
015792	34.50	5	639687	33.42	12	874238	34.54	18
015792	34.51	5	640879	33.43	18	874280	34.53	18
015792	34.66	5	641277	33.29	9	874281	34.53	11
015792	34.67	5	641541	34.54	16	874286	34.52	7
015935	34.46	34	642221	33.42	20	874287	34.52	4
018622	33.13	2	642233	33.42	11	874288	34.52	5
020470Y	36.67	5	825597	34.47	4	874289	34.52	6
020672Y	36.67	12	825597	34.48	11	874293	34.52	15
020673Y	36.67	16	825597	34.52	11	874482	34.55	8
020674Y	36.67	19	827018	34.48	10	874567	34.52	8
020675Y	36.67	20	829122	34.56	2	874601	34.50	19
020676Y	36.67	21	829232	34.53	13	874601	34.51	19
020677Y	36.67	1	829486	34.55	5	874601	34.66	26
020678Y	36.67	22	829661	34.55	6	874601	34.67	26
020689Y	36.67	23	833520	34.50	7	874621	34.50	3
020716Y	36.67	4	833520	34.51	7	874621	34.51	3
1A002060	34.50	29	833520	34.66	22	874621	34.52	12
1A002060	34.51	30	833520	34.67	22	874622	34.50	3
237553	34.55	7	842360	34.66	6	874622	34.51	3
244585	34.51	29	842360	34.67	6	874622	34.52	12
244585	34.67	33	843060	34.50	20	874645	34.54	9
248419	33.15	21	843060	34.51	20	874646	34.54	7
248419	33.16	11	843060	34.66	27	8746505	34.55	1
248419	33.17	5	843060	34.67	27	874655	34.54	11
248419	33.18	10	847180	33.42	22	874669	34.54	4
248419	33.20	2	849131	34.52	18	874801	34.55	10
248419	33.21	2	849866	34.52	23	874980	34.46	26
248419	33.22	15	85222R	33.24	15	875173	34.50	23
248419	33.23	19	85223R	33.24	16	875173	34.51	23
248419	33.40	7	854937	33.29	3	875243	34.52	19
269787	33.15	4	856062	33.69	8	875244	34.52	19
285846	34.48	8	856063	33.69	6	877056	34.65	17
292022	33.40	3	856152	33.43	28	877057	34.65	16
292022	33.41	13	856330	33.69	10	877062	33.30	1
292723	33.40	2	859777	33.33	21	877101	34.55	11
293556	33.66	24	859777	33.46	17	877820	34.56	6
2L000171	33.45	20	859792	33.33	19	878275	34.52	10
2L000172	33.45	18	859792	33.46	15	8783390001	34.52	17
2L000173	33.45	19	860138	33.69	7	8783390002	34.52	17
2R000006	33.40	22	872695	34.48	3	8783390003	34.52	17
2R000007	33.40	23	872696	34.48	4	878574	34.66	1
411209	34.46	2	872740	34.49	14	878574	34.67	1
414835	34.55	9	872741	34.49	11	8787074	34.53	15
414837	34.66	17	872742	34.49	7	878751	34.50	13
414837	34.67	17	872759	34.50	6	878751	34.51	13
434947	34.54	6	872759	34.51	6	878868	34.50	27
436438	34.48	6	872759	34.66	4	878868	34.51	27
484819	34.50	11	872759	34.67	4	878868	34.66	32
484819	34.51	11	873626	34.49	9	878868	34.67	32
487444	34.50	14	873631	34.50	12	8792724	34.50	16
487444	34.51	14	873631	34.51	12	879404	34.52	25
487444	34.66	23	873654	34.49	13	879405	34.52	26
487444	34.67	23	873667	34.52	2	879707	34.50	10
487567	34.65	25	873689	34.50	28	879707	34.51	10
560110	34.46	10	873689	34.52	20	879707	34.66	11
560173	33.15	5	873690	34.51	28	879707	34.67	11
581061	33.43	9	873690	34.52	21	879869	34.58	5
581957	34.54	12	873850	34.50	10	879871	34.58	1
584332	33.40	9	873850	34.51	10	879872	34.46	16
584332	33.41	2	873861	34.65	14	879874	34.46	18
584344	33.31	24	873879	34.65	7	879876	34.47	1
598839	33.28	4	873906	34.55	14	879877	34.65	8
598839	33.35	18	873928	34.53	8	879878	34.65	3
598839	33.36	12	874126	34.48	9	879916	34.50	11
598839	33.47	12	874127	34.48	5	879916	34.51	11
598839	34.57	4	874134	34.46	33	879916	34.66	10



Code	Nr. der Tafel	Pos.	Code	Nr. der Tafel	Pos.	Code	Nr. der Tafel	Pos.
879916	34.67	10	883991	33.66	22	886339	33.28	17
879936	34.66	19	884033	33.36	24	88662300YE2	33.01	1
879936	34.67	19	884093	33.33	1	886646	33.02	1
879937	34.66	20	884094	33.35	1	886647	33.20	1
879937	34.67	20	884166	33.35	1	886738	33.66	8
879938	34.66	18	884168	33.33	1	886739	33.66	19
879938	34.67	18	884312	33.24	24	886740	33.66	2
879975	34.49	3	884312	33.66	25	886741	33.66	20
879987	34.49	8	884318	33.45	20	886819	33.23	6
880123	34.49	10	884319	33.45	18	886821	33.16	3
880124	34.49	1	884320	33.45	19	886822	33.16	4
880127	34.49	15	886078	33.15	13	886823	33.16	5
880270	34.65	1	886079	33.15	14	886824	33.16	6
880398	34.46	1	886098	33.28	1	886828	33.14	5
880879	34.50	4	886149	33.39	3	886831	33.27	1
880881	34.51	4	886159	33.24	11	886857	34.64	4
880965	34.50	21	886162	33.39	1	886858	33.27	5
880965	34.51	21	886163	33.39	5	88688700DE	33.14	1
880965	34.66	28	886164	33.39	2	886905	33.45	16
880965	34.67	28	886165	33.39	6	886906	33.45	15
883009	33.33	1	886175	33.19	6	886907	33.45	1
883023	33.20	5	886184	33.19	1	886911	33.43	13
883024	33.20	4	886185	33.04	3	886929	33.66	4
883034	33.28	5	886185	33.04	10	886930	33.66	5
883035	33.28	6	886191	33.08	1	886933	33.04	21
883036	33.28	8	886192	33.08	23	886944	33.45	17
883044	33.06	9	886195	33.15	6	886987	33.04	1
883045	33.10	7	886196	33.15	7	887029	33.40	1
883046	33.10	2	886197	33.15	10	887033	33.15	16
883047	33.22	12	886198	33.15	11	887039	33.15	24
883048	33.19	9	886199	33.07	1	887040	33.15	25
883092	33.29	7	886199	33.08	11	887067	33.34	1
883093	33.29	8	886201	33.13	1	887068	33.34	2
883094	33.31	7	886202	33.07	2	887070	33.34	3
883097	33.30	12	886202	33.08	13	887082	33.35	2
883101	33.01	20	886205	33.20	9	887083	33.35	3
883103	33.04	2	886206	33.20	6	887085	33.33	5
883107	33.04	20	886207	33.20	7	887091	33.08	1
883127	34.63	13	88621100A2	33.19	4	887092	33.08	23
883134	33.66	14	886229	33.24	6	887095	33.14	9
883144	34.46	24	886234	33.24	10	887123	34.54	22
883148	33.42	29	886236	33.15	15	887134	33.15	3
883177	33.20	15	88625400BM	33.18	1	887174	33.15	2
883208	33.03	30	88625400DE	33.18	1	887209	34.65	24
883214	33.21	13	88625400NI	33.18	1	887313	33.66	23
883253	33.66	10	88625400XV6	33.18	1	887319	33.08	8
883254	33.66	9	88625400Y02	33.18	1	887320	33.08	10
883413	33.03	31	88625400YA2	33.18	1	887328	33.15	3
883433	33.35	1	886255	34.63	1	887450	33.45	18
883460	33.24	19	886307	33.31	15	887451	33.45	19
883461	33.24	20	886311	33.33	24	887452	33.45	20
88346700NI	33.16	16	886311	33.46	9	887458	33.66	2
88346700Y11	33.16	16	886312	33.35	8	887459	33.66	20
88346800NI	33.16	17	886312	33.47	2	887820	33.40	1
88346800Y11	33.16	17	886315	33.08	5	887821	33.40	21
883493	34.49	4	886316	33.08	15	887947	33.43	29
883543	33.24	11	886317	33.08	7	890513	33.30	4
883617	33.20	8	886318	33.08	20	894704	33.33	10
883633	33.29	5	886319	33.08	8	894704	33.35	19
883655	33.66	15	886320	33.08	10	894704	33.46	20
883656	33.03	1	886321	33.08	9	894704	33.47	13
883657	33.66	7	886322	33.08	26	895351	33.39	4
883664	33.03	6	886323	33.08	21	895481	33.42	17
883768	33.23	13	886324	33.08	14	896011	33.33	12
883776	33.45	11	886325	33.40	12	896011	33.46	7
883966	33.09	3	886326	33.03	10	896012	33.33	11
883969	33.66	1	886329	33.18	3	896012	33.46	8



Code	Nr. der Tafel	Pos.	Code	Nr. der Tafel	Pos.	Code	Nr. der Tafel	Pos.
896110	33.31	12	976337	34.66	31	976703	34.46	19
896540	34.65	20	976337	34.67	31	9769795	34.46	30
896715	33.42	19	976338	34.50	25	976985	34.58	17
897241	33.45	7	976338	34.51	25	9769865	34.46	30
897618	33.29	4	976338	34.66	30	977041	33.36	14
897622	33.31	1	976338	34.67	30	977056	33.35	15
897623	33.31	2	976341	34.50	24	977056	33.47	5
897624	33.31	8	976341	34.51	24	977303	33.45	4
897629	33.46	1	976341	34.66	29	977582	33.31	20
897631	33.47	1	976341	34.67	29	977666	33.44	1
897634	33.42	2	976342	34.52	22	977681	33.15	12
897635	33.14	1	976350	34.50	18	977795	33.41	12
89763500BM	33.14	1	976350	34.51	18	977916	33.43	3
89763500NI	33.14	1	976350	34.66	25	977918	33.44	6
89763500XV6	33.14	1	976350	34.67	25	978002	33.03	7
89763500Y02	33.14	1	976351	34.62	1	978030	33.33	15
89763500YA2	33.14	1	976355	34.53	6	978030	33.46	12
897636	33.29	1	976359	34.50	8	978040	33.24	1
897637	33.16	1	976359	34.51	8	978042	33.24	4
89763700BM	33.16	1	976360	34.50	9	978059	33.24	18
89763700DE	33.16	1	976360	34.51	9	978152	33.17	3
89763700NI	33.16	1	976376	33.31	3	978152	33.42	3
89763700Y02	33.16	1	976381	34.53	2	978220	33.44	5
89763700Y11	33.16	1	976478	34.47	9	978301	33.35	14
89763700YA2	33.16	1	976481	34.57	7	978350	33.09	1
897638	33.16	2	976484	34.57	8	978392	33.11	17
89763800BM	33.16	2	976488	34.53	3	978414	33.37	1
89763800DE	33.16	2	976498	34.65	5	978425	33.21	1
89763800NI	33.16	2	976521	33.31	14	978427	33.40	10
89763800Y02	33.16	2	976532	34.62	4	978428	33.40	8
89763800Y11	33.16	2	976533	34.62	3	97843900Y10	33.22	1
89763800YA2	33.16	2	976535	34.57	5	978444	33.31	22
897639	33.16	8	976538	34.53	10	978445	33.18	1
89763900NI	33.16	8	976554	34.47	5	978449	33.23	5
89763900NI	33.16	8	976556	33.42	27	978516	33.33	4
89763900Y11	33.16	8	976559	34.49	12	978516	33.46	2
897640	33.16	9	976560	34.49	6	978526	33.01	14
89764000NI	33.16	9	976564	34.57	10	978579	33.27	1
89764000NI	33.16	9	976566	34.65	6	978606	33.25	1
89764000Y11	33.16	9	976570	33.10	1	978607	33.26	1
897641	33.15	1	976581	33.12	1	978647	33.45	8
89764100NI	33.15	1	976589	34.50	17	978739	34.57	3
89764100Y11	33.15	1	976589	34.51	17	978776	33.18	5
897645	33.23	1	976589	34.66	8	978777	33.18	4
897886	33.41	1	976589	34.67	8	978784	33.25	6
898165	33.17	1	976591	34.49	2	978810	33.33	6
89816500NI	33.17	1	976592	34.54	5	978810	33.35	5
89816500YN2	33.17	1	976593	34.57	12	978811	33.33	8
89816600NI	33.23	2	976594	34.57	12	978811	33.35	6
89816600Y11	33.23	2	976595	34.57	12	978814	33.35	4
89816600YN2	33.23	2	976596	34.57	12	978815	33.35	2
898169	33.05	12	976597	34.54	19	978816	33.35	3
899064	34.54	21	976614	33.15	26	978821	33.24	2
899505	33.42	1	976614	33.23	3	978841	33.01	4
899505	33.43	1	976625	34.54	14	978846	33.27	5
899522	33.40	20	976635	34.56	8	978864	33.33	5
969323	34.54	10	976636	34.56	7	978874	33.01	6
976053	34.57	2	976649	34.53	17	978882	33.45	6
976311	34.50	3	976665	34.53	16	978895	34.54	1
976311	34.51	3	976674	34.50	15	978911	33.26	7
976311	34.52	12	976674	34.51	15	978984	33.01	7
976312	34.52	9	976674	34.66	24	981007	34.52	13
976330	34.53	1	976674	34.67	24	981008	34.52	1
976331	34.53	4	976680	34.54	15	981009	34.52	3
976334	34.53	9	976681	34.54	17	981010	34.65	2
976337	34.50	26	976695	34.57	1	981024	33.08	16
976337	34.51	26	976696	34.57	14	981025	33.08	17



Code	Nr. der Tafel	Pos.	Code	Nr. der Tafel	Pos.	Code	Nr. der Tafel	Pos.
981026	33.08	18	AP8120030	33.27	4	AP8134948	33.19	11
981027	33.08	19	AP8120030	33.28	3	AP8135608	33.13	8
981033	33.08	22	AP8120030	33.30	14	AP8135924	33.13	4
981046	33.26	2	AP8120030	33.39	11	AP8140146	36.68	10
981050	33.25	2	AP8120030	33.40	6	AP8140149	36.68	11
981073	33.66	3	AP8120030	33.42	14	AP8140179	36.67	11
981087	33.23	18	AP8120178	33.36	13	AP8140190	36.68	1
981087	33.44	7	AP8120428	33.03	22	AP8140758	36.68	9
981099	33.24	22	AP8120446	33.69	18	AP8144007	33.06	7
981100	33.24	23	AP8120485	33.12	7	AP8144007	33.36	25
981101	33.24	21	AP8120622	33.15	8	AP8144038	33.30	18
AP4ADN000007	34.46	20	AP8120831	33.04	11	AP8144065	33.16	14
AP8101372	33.14	6	AP8120831	33.04	4	AP8144071	33.31	18
AP8101586	33.28	15	AP8120876	33.15	23	AP8144164	33.30	8
AP8101595	33.30	19	AP8120876	33.30	20	AP8144303	33.69	9
AP8101595	33.36	5	AP8120912	33.06	3	AP8144662	33.23	7
AP8101595	34.58	15	AP8120912	33.36	20	AP8149034	33.21	10
AP8101744	33.33	7	AP8120952	34.58	16	AP8150046	34.47	10
AP8101744	33.35	4	AP8120965	33.14	10	AP8150220	33.08	4
AP8101861	33.05	7	AP8121032	33.39	13	AP8150255	33.23	8
AP8102159	33.69	17	AP8121032	34.64	7	AP8150285	33.14	4
AP8102239	33.69	4	AP8121072	33.31	19	AP8150292	33.03	16
AP8102349	33.28	7	AP8121096	33.18	12	AP8150292	33.13	13
AP8102378	33.69	14	AP8121098	33.12	6	AP8150342	33.24	9
AP8102381	33.15	22	AP8121133	33.05	6	AP8150342	33.66	13
AP8102381	33.16	12	AP8121155	33.13	10	AP8150413	33.23	17
AP8102381	33.16	19	AP8121205	33.07	9	AP8150421	33.16	7
AP8102381	33.40	18	AP8121207	33.07	4	AP8150421	33.23	20
AP8102503	33.14	11	AP8121218	33.10	4	AP8150421	33.30	9
AP8102523	33.19	12	AP8121221	33.06	2	AP8150432	33.01	13
AP8102524	33.03	17	AP8121221	33.36	19	AP8150450	33.16	13
AP8102678	33.69	1	AP8121223	33.06	6	AP8150462	33.06	5
AP8102738	33.69	5	AP8121267	33.69	16	AP8150462	33.36	22
AP8102764	33.28	14	AP8121467	33.03	2	AP8150509	33.22	13
AP8102765	33.28	11	AP8121567	33.04	8	AP8150509	33.23	9
AP8102913	33.19	7	AP8121567	33.05	4	AP8152001	33.03	15
AP8104329	33.30	2	AP8121607	33.03	32	AP8152043	33.23	14
AP8104572	33.24	8	AP8121795	33.42	4	AP8152147	33.13	12
AP8104627	33.66	11	AP8121819	33.66	12	AP8152154	33.22	9
AP8104803	33.14	3	AP8121882	33.23	16	AP8152166	34.53	7
AP8104921	33.24	13	AP8121890	33.22	10	AP8152238	33.23	11
AP8104922	33.24	14	AP8121994	33.03	14	AP8152242	33.10	5
AP8110066	33.13	5	AP8123206	33.08	3	AP8152268	33.21	6
AP8110068	33.13	6	AP8123641	33.07	7	AP8152272	33.35	11
AP8110077	33.07	8	AP8123642	33.07	5	AP8152272	33.47	7
AP8112811	33.43	4	AP8123643	33.07	3	AP8152273	33.33	20
AP8112996	33.36	27	AP8123644	33.07	6	AP8152273	33.46	16
AP8113003	33.26	8	AP8124421	33.14	8	AP8152277	33.04	7
AP8113003	33.39	7	AP8124768	33.43	12	AP8152277	33.05	13
AP8113004	33.26	9	AP8124936	33.43	8	AP8152277	33.05	8
AP8113004	33.39	8	AP8125773	33.33	3	AP8152277	33.39	14
AP8113070	33.34	5	AP8125773	33.46	4	AP8152277	33.69	3
AP8113070	33.39	10	AP8125777	33.33	2	AP8152278	33.15	19
AP8113081	33.36	16	AP8125777	33.46	3	AP8152279	33.02	4
AP8113082	33.36	17	AP8126701	33.19	3	AP8152279	33.36	4
AP8113288	33.36	3	AP8127098	33.41	6	AP8152279	33.40	13
AP8113594	33.36	2	AP8128189	33.33	13	AP8152279	33.42	13
AP8113993	33.25	5	AP8128189	33.46	14	AP8152280	33.14	7
AP8113993	33.26	4	AP8133779	33.36	6	AP8152280	33.20	13
AP8113995	33.25	3	AP8133945	33.34	4	AP8152280	33.27	2
AP8113997	33.26	5	AP8133945	33.39	9	AP8152280	33.30	16
AP8113998	33.26	6	AP8133962	33.25	7	AP8152286	33.33	14
AP8117003	33.15	28	AP8134276	33.04	5	AP8152286	33.46	10
AP8117200	34.64	5	AP8134378	33.31	17	AP8152287	33.03	24
AP8118579	33.24	7	AP8134448	33.21	4	AP8152288	33.01	8
AP8120001	33.19	2	AP8134451	33.05	5	AP8152291	34.46	29
AP8120001	33.66	21	AP8134884	33.69	2	AP8152298	33.07	13



Code	Nr. der Tafel	Pos.	Code	Nr. der Tafel	Pos.	Code	Nr. der Tafel	Pos.
AP8152299	33.40	14	AP8221211	33.03	19	CM162704	34.50	2
AP8152300	33.02	3	AP8221277	33.04	6	CM162704	34.51	2
AP8152300	33.03	27	AP8221307	33.01	11	CM162705	34.50	2
AP8152300	33.04	13	AP8221310	33.43	19	CM162705	34.51	2
AP8152301	33.13	11	AP8221317	33.03	4	CM225603	33.43	23
AP8152301	33.31	11	AP8221318	33.03	5	CM225605	33.43	24
AP8152302	33.15	27	AP8224164	33.21	5	CM225610	33.43	21
AP8152302	33.16	15	AP8224462	33.42	35	CM225615	33.43	22
AP8152302	33.18	2	AP8706314	33.66	24	CM225720	33.43	20
AP8152302	33.20	16	AP9100765	33.43	27	CM225730	33.43	5
AP8152302	33.21	3	AP9100838	36.67	3	CM225740	33.43	6
AP8152302	33.22	16	AP9100855	33.08	25	GU00823923140	33.03	23
AP8152302	33.41	3	AP9100856	33.08	6	GU00823955080	33.28	12
AP8152306	33.21	7	AP9150472	34.54	23	GU01003651	34.46	15
AP8152306	33.41	11	B013036	34.57	9	GU01154230	33.28	10
AP8152306	33.42	34	B0133785001	34.52	14	GU01154230	34.46	11
AP8152318	33.09	2	B0133785002	34.52	14	GU01154230	34.54	2
AP8152320	33.37	2	B0133785003	34.52	14	GU01161331	33.28	9
AP8152325	33.24	5	B013479	34.50	22	GU01161331	34.54	13
AP8152329	33.20	10	B013479	34.51	22	GU01528930	33.11	8
AP8152329	33.30	5	B013479	34.66	14	GU01528930	34.46	23
AP8152329	33.36	10	B013479	34.67	14	GU01528930	34.58	9
AP8152339	33.16	10	B013517	34.48	7	GU01530588	33.08	2
AP8152339	33.17	2	B013552	34.66	21	GU01603480	33.24	12
AP8152339	33.18	9	B013552	34.67	21	GU01609630	33.24	17
AP8152339	33.20	3	B013603	34.50	8	GU01612190	33.33	16
AP8152339	33.21	9	B013603	34.51	8	GU01612190	33.46	11
AP8152384	33.07	10	B0136034	34.66	9	GU01659130	33.34	6
AP8152396	33.13	16	B0136034	34.67	9	GU01659131	33.34	7
AP8152397	33.13	9	B013605	34.50	9	GU01721600	33.42	21
AP8152409	33.04	9	B013605	34.51	9	GU01722700	33.42	23
AP8152409	33.05	9	B0136054	34.66	12	GU01722701	33.42	23
AP8152410	33.10	3	B0136054	34.67	12	GU01722702	33.42	23
AP8152410	33.31	9	B013661	34.50	1	GU01722703	33.42	23
AP8152414	33.34	9	B013661	34.51	1	GU01722704	33.42	23
AP8152482	33.13	15	B013661	34.66	16	GU01722705	33.42	23
AP8157631	33.45	9	B013661	34.67	16	GU01929100	36.67	7
AP8158359	33.29	2	B013807	34.48	2	GU03013800	33.22	14
AP8161254	33.08	24	B013808	34.48	1	GU03013800	34.55	12
AP8163094	33.08	27	B014223	34.51	16	GU03013800	34.64	9
AP8163095	33.08	30	B014576	34.66	7	GU03256800	33.06	16
AP8163096	33.08	29	B014576	34.67	7	GU03469201	34.64	8
AP8163097	33.08	28	B015681	34.50	12	GU03604845	33.26	3
AP8178918	33.03	3	B015681	34.51	12	GU03617710	33.46	5
AP8201417	33.39	15	B016785	34.66	2	GU03617710	33.47	9
AP8201727	33.43	25	B016785	34.67	2	GU03749845	33.25	9
AP8201749	33.33	22	B017026	34.67	3	GU05001630	34.47	12
AP8201749	33.46	18	B017029	34.66	3	GU05002130	34.47	3
AP8201808	33.37	7	B043198	33.45	7	GU05003630	34.46	17
AP8202238	33.37	6	B043864	33.14	13	GU05005730	34.56	4
AP8220162	33.28	13	B0630111	34.57	12	GU05103930	33.14	2
AP8220263	33.14	12	B063012	34.57	12	GU05103930	33.44	2
AP8220263	33.20	12	B063025	34.58	11	GU05128230	33.31	13
AP8220283	33.42	30	B063045	33.45	15	GU05152230	34.56	3
AP8220346	33.31	10	B063226	33.45	21	GU05204930	34.58	8
AP8220526	33.30	13	B063314	33.45	15	GU05206530	33.11	12
AP8220546	33.42	16	B063858	33.44	1	GU05210631	34.60	1
AP8221023	33.27	3	B063859	33.44	3	GU05211331	34.60	10
AP8221023	33.30	17	B064021	33.66	6	GU05211431	34.60	7
AP8221023	33.39	12	CM013202	33.43	26	GU05212031	34.60	4
AP8221023	33.40	5	CM074706	34.65	4	GU05212631	34.60	9
AP8221023	33.42	15	CM162701	34.50	2	GU05213631	34.61	1
AP8221036	33.07	14	CM162701	34.51	2	GU05214031	34.61	7
AP8221128	33.18	7	CM162702	34.50	2	GU05214231	34.61	3
AP8221145	33.36	11	CM162702	34.51	2	GU05214431	34.61	12
AP8221160	33.01	11	CM162703	34.50	2	GU05214630	34.60	5
AP8221204	33.03	18	CM162703	34.51	2	GU05214630	34.61	5

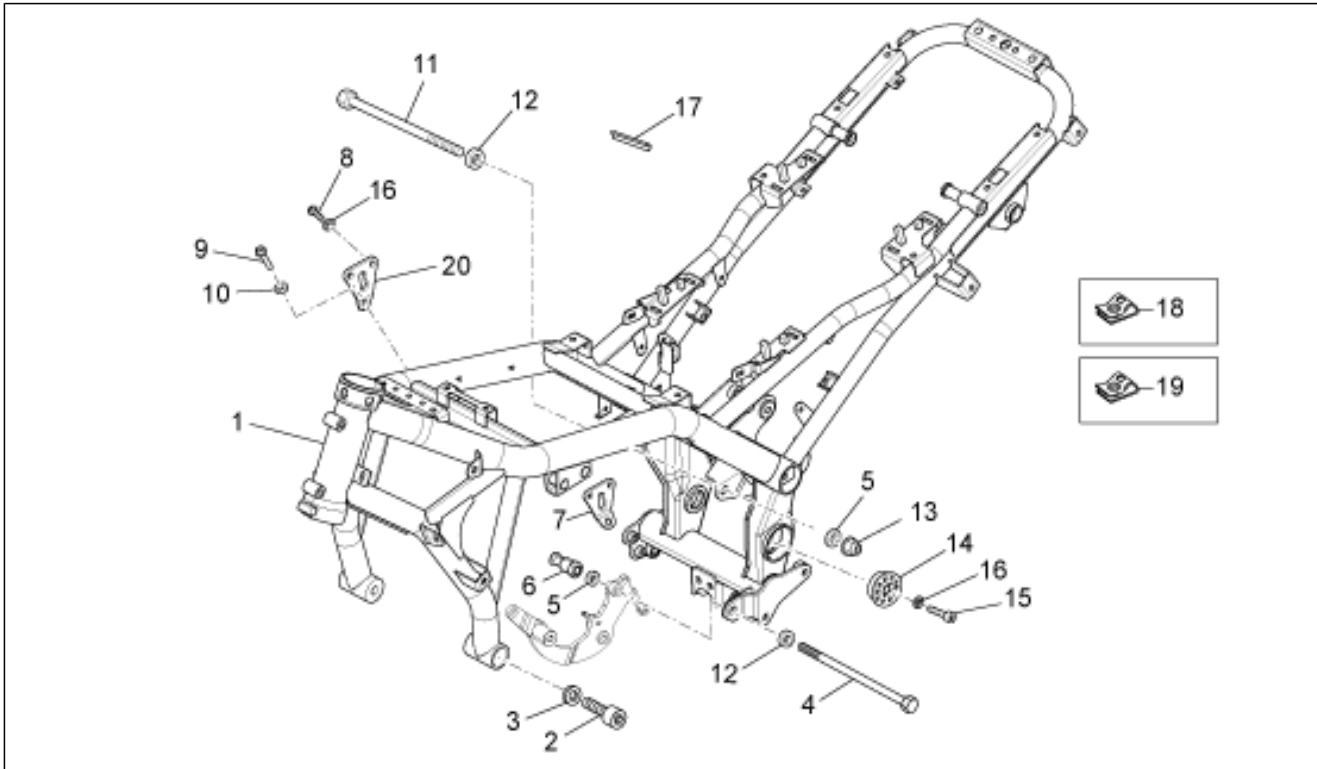


Code	Nr. der Tafel	Pos.	Code	Nr. der Tafel	Pos.	Code	Nr. der Tafel	Pos.
GU05214731	34.61	9	GU05782530	33.44	3	GU19929600	36.67	14
GU05215031	34.61	10	GU05900130	33.45	14	GU25656100	33.25	8
GU05215631	34.60	2	GU05902530	36.67	13	GU25656100	33.34	8
GU05220531	34.61	11	GU05902730	36.68	7	GU28576591	33.01	18
GU05230531	34.59	18	GU05902731	36.68	4	GU28576591	33.27	7
GU05230831	34.59	21	GU05902732	36.68	2	GU28576591	33.28	16
GU05232431	34.59	19	GU05902733	36.68	3	GU28576591	33.31	23
GU05232631	34.59	20	GU05902734	36.68	6	GU28576592	33.01	19
GU05234130	34.59	11	GU05902735	36.68	5	GU28576592	33.02	6
GU05234230	34.59	12	GU05902736	36.68	8	GU28576592	33.20	14
GU05234431	34.59	1	GU05911730	36.67	2	GU28576592	33.36	28
GU05234631	34.59	2	GU05927230	36.67	6	GU28576592	33.69	15
GU05234731	34.59	10	GU05944530	33.45	13	GU29722760	33.42	23
GU05234931	34.59	13	GU05944930	33.45	10	GU29729461	33.42	26
GU05235531	34.59	3	GU06113700	33.30	7	GU29732550	33.42	18
GU05236231	34.59	7	GU06114200	33.30	6	GU30027931	33.30	11
GU05238131	34.59	15	GU06123500	33.31	6	GU30150900	34.56	9
GU05238231	34.59	8	GU06250900	33.06	1	GU30153000	34.56	1
GU05238331	34.59	14	GU06409800	33.01	17	GU30158900	34.55	3
GU05238431	34.59	9	GU06412300	33.28	2	GU30158900	34.56	12
GU05239330	34.59	17	GU06609600	33.42	31	GU30217900	33.01	3
GU05256930	33.06	10	GU06609600	33.43	17	GU30217900	33.03	21
GU05326330	33.10	6	GU06616300	33.33	17	GU30434000	33.36	23
GU05351230	33.11	2	GU06616300	33.46	13	GU30714201	34.63	9
GU05352430	33.12	2	GU06677000	33.36	18	GU30716500	33.42	6
GU05358030	33.11	6	GU06704700	33.20	11	GU30729330	33.30	3
GU05358130	33.11	5	GU06747900	33.43	7	GU30944300	33.45	5
GU05358230	33.11	7	GU06765500	33.23	15	GU30970200	33.45	12
GU05358330	33.11	1	GU06917300	33.45	3	GU31003766	33.11	9
GU05358530	33.11	15	GU06917400	33.45	2	GU31003766	34.46	22
GU05358630	33.11	16	GU10528900	33.11	13	GU31003766	34.58	13
GU05429630	33.03	9	GU12006400	34.54	20	GU31159050	34.55	2
GU05466630	33.22	5	GU12018900	34.46	6	GU31159050	34.56	14
GU05466631	33.22	6	GU12022600	34.46	31	GU32258010	33.06	14
GU05466830	33.19	10	GU12911801	36.67	10	GU32258110	33.06	13
GU05466830	33.44	4	GU12912000	36.67	8	GU32441210	33.05	3
GU05547030	33.09	6	GU12913600	36.67	17	GU32442310	33.05	1
GU05547130	33.09	5	GU14018400	33.10	8	GU32442710	33.05	10
GU05547930	33.09	8	GU14085900	34.57	11	GU32443210	33.05	2
GU05560330	33.13	3	GU14086000	34.57	13	GU32443211	33.05	11
GU05562030	33.13	7	GU14217901	33.15	20	GU32461610	33.19	5
GU05562430	33.13	14	GU14433400	34.53	12	GU32474710	33.41	10
GU05606630	33.26	10	GU14609650	33.03	29	GU49609601	33.33	23
GU05632730	33.35	12	GU14609650	33.42	32	GU49609601	33.35	20
GU05632730	33.47	3	GU14609650	33.43	18	GU49609601	33.42	32
GU05635730	33.35	9	GU14615901	33.01	16	GU49609601	33.43	18
GU05635730	33.47	6	GU14615901	33.03	25	GU49609601	33.46	19
GU05638130	33.12	9	GU14615901	33.04	14	GU49609601	33.47	14
GU05654630	33.37	3	GU14615901	33.15	17	GU4FAN000030	34.63	10
GU05658431	33.07	12	GU14615901	33.22	4	GU61270300	34.46	13
GU05659030	33.37	5	GU14615901	33.31	5	GU80438610	33.21	8
GU05659130	33.37	4	GU14615901	34.46	5	GU90271014	34.59	16
GU05661130	33.25	4	GU14616150	33.33	18	GU90271022	34.59	4
GU05663530	33.36	7	GU14616150	33.35	10	GU90271030	34.60	8
GU05666030	33.36	9	GU14616150	33.46	6	GU90271030	34.61	8
GU05666930	33.36	1	GU14616150	33.47	8	GU90271230	34.60	6
GU05681530	33.35	13	GU14912603	36.67	24	GU90271230	34.61	6
GU05681530	33.47	10	GU14927100	36.67	9	GU90273026	33.12	8
GU05683730	33.35	17	GU17661052	33.36	8	GU90353014	34.59	22
GU05683730	33.47	11	GU17947560	36.67	15	GU90401424	34.58	12
GU05701430	34.63	7	GU18144350	34.55	4	GU90404558	33.12	3
GU05702530	34.63	6	GU18144350	34.56	13	GU90405367	34.46	4
GU05704531	33.43	2	GU18144350	34.58	7	GU90408511	33.11	10
GU05716730	33.42	7	GU19002020	34.58	14	GU90412237	34.47	2
GU05730730	34.64	1	GU19149800	33.01	10	GU90412541	34.61	14
GU05781630	33.08	31	GU19207220	34.58	10	GU90706009	33.69	11
GU05782530	33.23	10	GU19927100	36.67	18	GU90706009	34.65	23



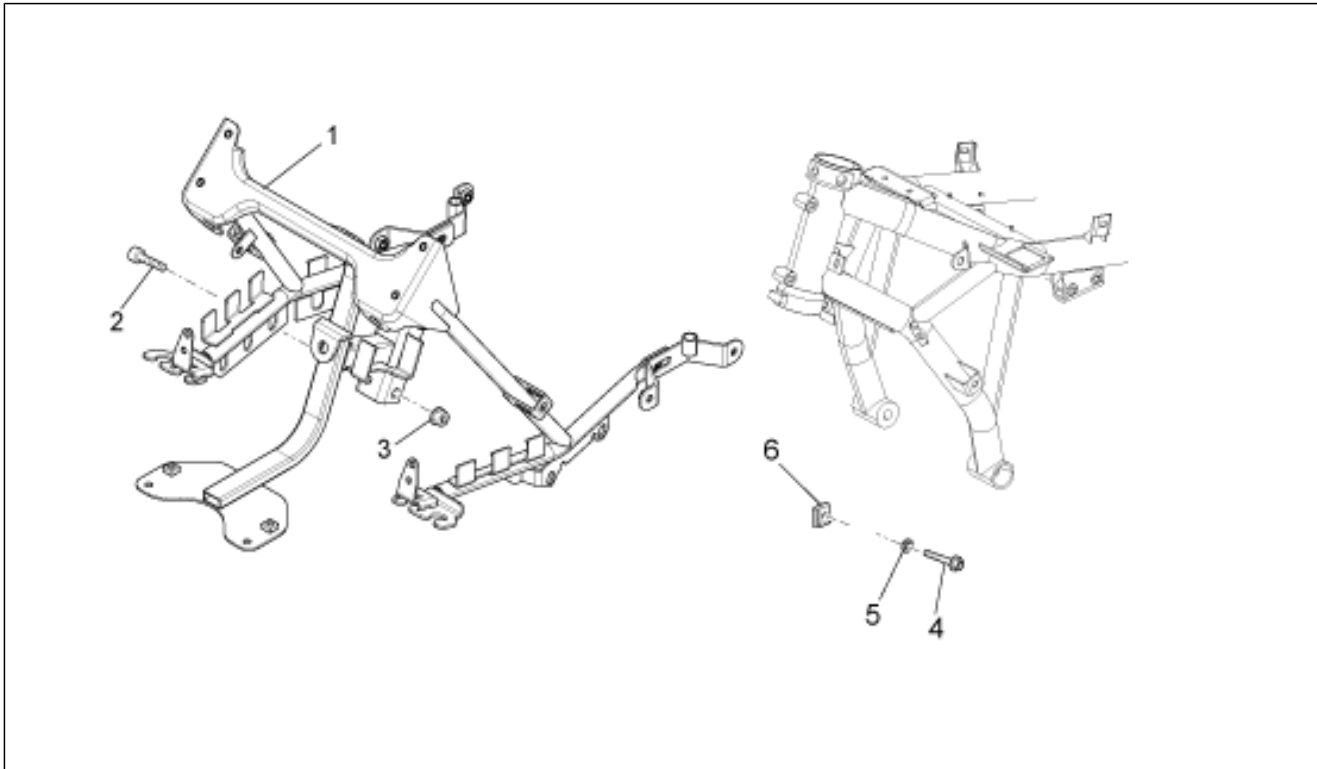
Code	Nr. der Tafel	Pos.	Code	Nr. der Tafel	Pos.	Code	Nr. der Tafel	Pos.
GU90706061	33.33	9	GU95008210	33.06	8	GU98680225	33.41	7
GU90706061	33.35	7	GU95008305	34.65	19	GU98680340	33.27	6
GU90706151	34.56	5	GU95008310	33.36	26	GU98680340	34.46	28
GU90706178	34.46	25	GU95008313	33.01	5	GU98680360	34.46	21
GU90706203	34.46	32	GU95020105	33.03	13	GU98680435	33.04	12
GU90706347	34.47	8	GU95021104	33.25	11	GU98680440	33.02	2
GU90718120	33.11	3	GU95021206	33.36	29	GU98680450	33.11	11
GU91120507	33.40	16	GU95100059	33.41	5	GU98680460	33.04	18
GU91120507	33.41	9	GU95100059	33.42	33	GU98680460	33.31	16
GU91120606	34.47	13	GU95100116	34.52	16	GU98680465	33.04	17
GU91120607	34.47	7	GU95100116	34.65	12	GU98680480	33.04	15
GU91180600	33.17	4	GU95100141	33.02	5	GU98682116	33.40	11
GU91180601	33.23	4	GU95129100	33.40	15	GU98682125	33.42	8
GU91180823	34.63	2	GU95129100	34.66	13	GU98682212	33.42	24
GU91551010	33.18	6	GU95129100	34.67	13	GU98682212	34.65	15
GU91600365	34.53	19	GU95129131	33.43	10	GU98682316	33.06	4
GU91600450	34.53	14	GU95129240	33.01	12	GU98682316	33.36	21
GU92201025	34.59	6	GU95510620	33.11	4	GU98682316	34.47	14
GU92201117	34.59	5	GU95512081	34.46	9	GU98682320	33.06	12
GU92201226	34.61	13	GU95963062	33.69	12	GU98682320	34.47	6
GU92201226	34.62	2	GU95963062	34.65	21	GU98682325	33.09	9
GU92201822	34.60	11	GU95980216	34.46	27	GU98682330	34.47	11
GU92201822	34.61	2	GU95980319	34.58	6	GU98682416	33.22	3
GU92204230	33.12	5	GU95990023	33.69	13	GU98682416	33.66	27
GU92208518	33.12	4	GU95990023	34.65	22	GU98682425	33.04	16
GU92232028	34.62	5	GU96508066	34.46	3	GU98682425	33.22	2
GU92249224	33.09	7	GU96508075	34.46	7	GU98682430	33.07	11
GU92252029	34.60	3	GU97202355	34.58	2	GU98682430	33.08	12
GU92252029	34.61	4	GU97202435	33.03	26	GU98682430	33.23	12
GU92605408	34.63	12	GU97202665	33.35	16	GU98682530	33.03	8
GU92606206	33.36	15	GU97202665	33.47	4	GU98682650	33.01	2
GU92606516	34.63	8	GU98054520	33.01	9	GU98683520	33.42	28
GU92609206	33.06	15	GU98082475	34.64	2	GU98690245	33.42	5
GU92609408	33.43	11	GU98084425	34.46	12	GU98692210	33.41	4
GU92630104	33.42	10	GU98223530	33.21	11	GU98692414	33.01	15
GU92630707	33.06	11	GU98230510	34.49	5	GU98692420	33.66	16
GU92630708	33.66	18	GU98230612	34.57	6	GU98692525	33.66	26
GU92650035	33.21	12	GU98230625	33.39	16	GU98700430	33.24	3
GU92650036	33.30	15	GU98230820	33.22	7	GU98882325	34.65	9
GU92650138	33.31	21	GU98230850	34.63	11	GU99210406	33.11	14
GU92660012	34.63	5	GU98231235	33.03	20			
GU92660021	33.31	4	GU98250635	33.22	11			
GU92660021	34.46	8	GU98257618	33.15	9			
GU92787205	33.43	16	GU98350210	33.43	14			
GU93180072	33.41	14	GU98350310	34.52	24			
GU93180220	34.58	3	GU98350310	34.65	11			
GU93242015	33.03	28	GU98350315	34.53	5			
GU93301313	33.30	10	GU98350320	33.39	17			
GU93304360	33.42	32	GU98350416	33.18	11			
GU93304390	33.09	4	GU98350425	33.18	8			
GU93304390	33.31	25	GU98350430	33.22	8			
GU93304390	33.42	32	GU98370412	33.16	18			
GU93304390	33.43	18	GU98370412	33.25	10			
GU93305061	34.65	13	GU98370609	34.64	6			
GU93306050	34.65	18	GU98370616	34.58	4			
GU94321077	34.56	10	GU98370625	33.19	8			
GU95005306	34.55	13	GU98612216	33.03	12			
GU95005308	33.66	17	GU98620335	34.46	14			
GU95005310	33.15	18	GU98620335	34.47	15			
GU95008204	33.42	9	GU98620445	34.63	3			
GU95008205	33.40	17	GU98620485	33.04	19			
GU95008205	33.41	8	GU98620560	34.63	4			
GU95008205	33.42	25	GU98622214	34.66	15			
GU95008205	33.43	15	GU98622214	34.67	15			
GU95008206	34.56	11	GU98680125	33.40	19			
GU95008206	34.65	10	GU98680222	33.29	6			
GU95008208	34.64	3	GU98680225	33.40	4			

Einheit	RAHMEN
Code	33.01
Beschreibung	Rahmen
Inspektion	1



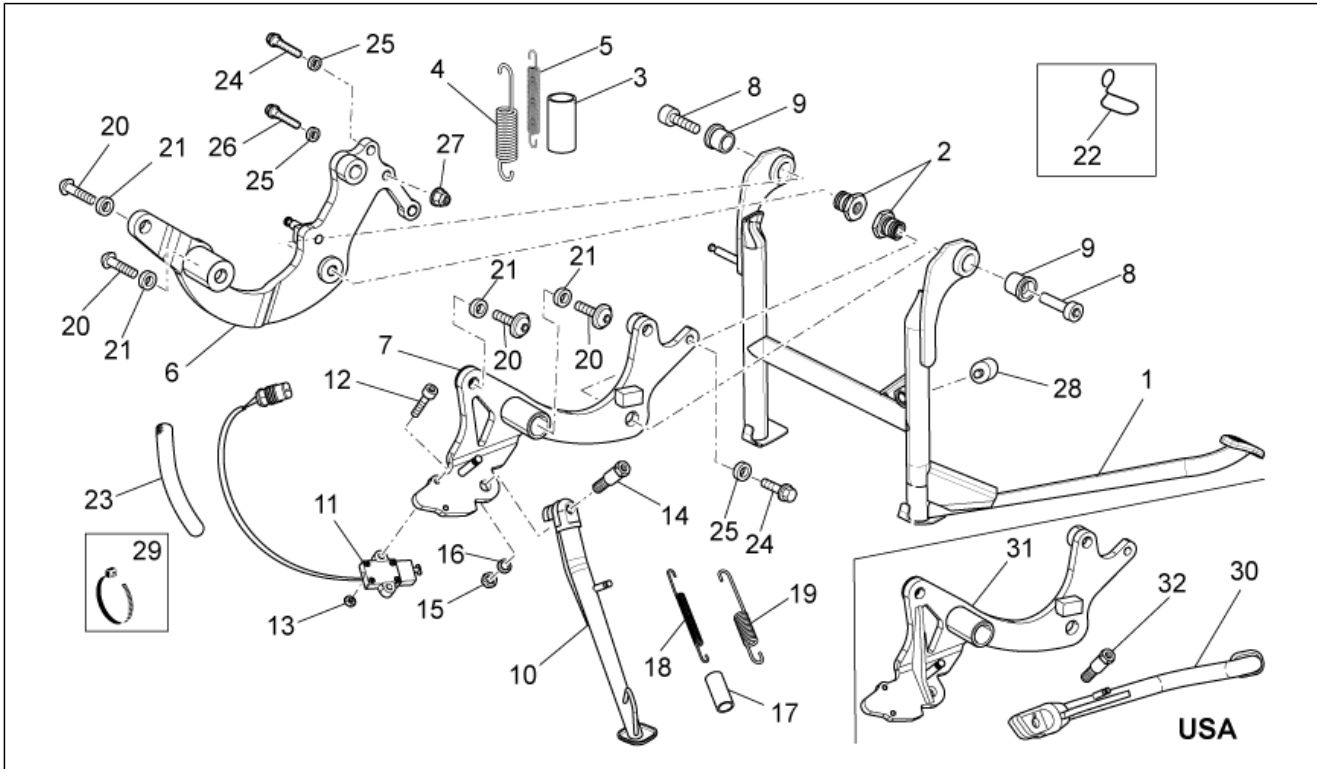
Pos.	Code	Beschreibung	Menge	Varianten
1	88662300YE2	Rahmen	1	
2	GU98682650	TCEI Schraube M12x50	2	
3	GU30217900	Ausgleichscheibe 13x18x1,7	2	
4	978841	Bolzen M12x260	1	
5	GU95008313	Ausgleichscheibe 13x24x2,5	2	
6	978874	Buchse	1	
7	978984	Links Platte	1	
8	AP8152288	TE Schr. m. Flansch	4	
9	GU98054520	Schraube	2	
10	GU19149800	Ausgleichscheibe 10,5x16x1	2	
11	AP8221160	Bolzen M12	1	Technische Spezifikationen: Version NTX[NTX]
11	AP8221307	Bolzen M12	1	Technische Spezifikationen: Standardversion[Std]
12	GU95129240	Scheibe	2	
13	AP8150432	Selbstsperr.mut Unt. M12*	1	
14	978526	Deckel	2	
15	GU98692414	Schraube M8x14	2	
16	GU14615901	Ausgleichscheibe 8,4X13X0,8	6	
17	GU06409800	Dichtung	1	
18	GU28576591	Klammer M6	8	
19	GU28576592	Klemmutter M6	6	
20	883101	Rechts Platte	1	

Einheit	RAHMEN
Code	33.02
Beschreibung	Rahmen II
Inspektion	1



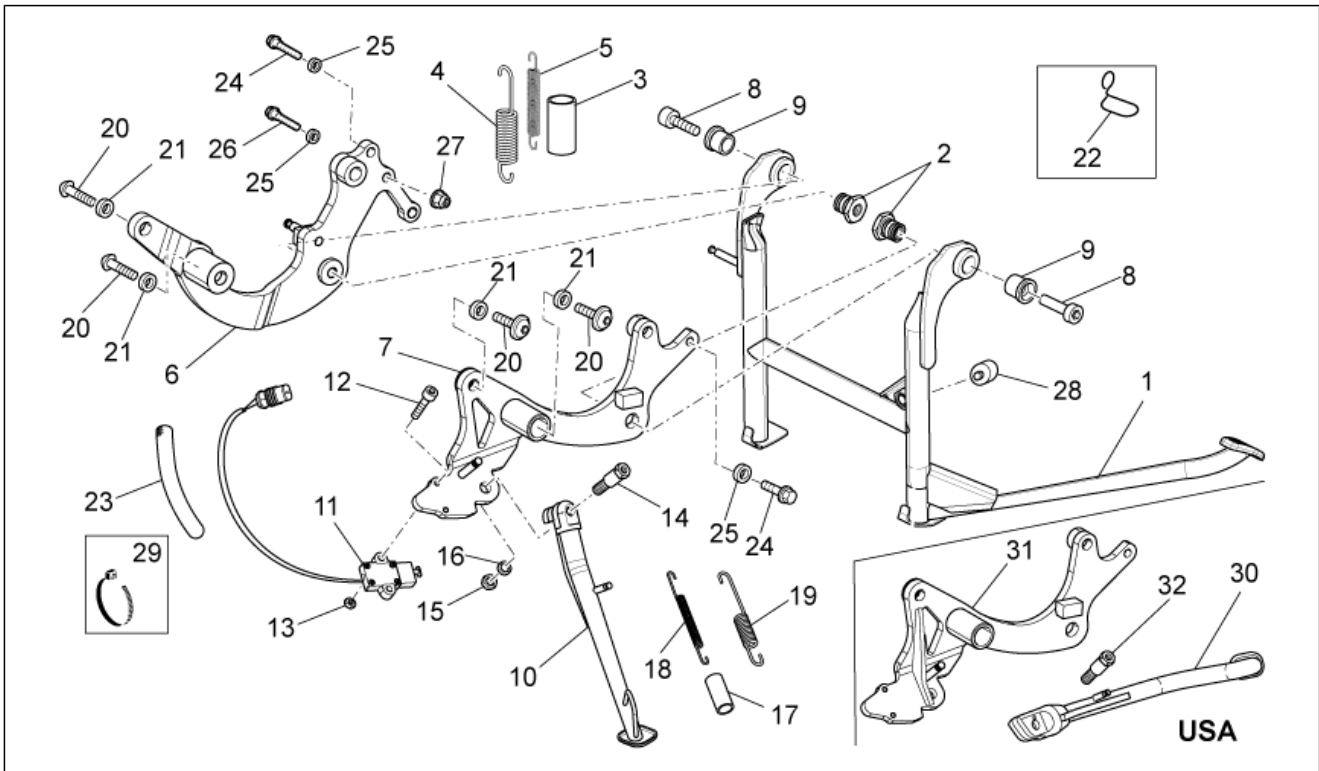
Pos.	Code	Beschreibung	Menge	Varianten
1	886646	Vorderer kleiner rahmen	1	
2	GU98680440	TCEI Schraube M8x40	2	
3	AP8152300	Selbstsperrende Mutter M8	2	
4	AP8152279	TE Schr. m. Flansch M6x20	2	
5	GU95100141	Ausgleichscheibe 6,4x12x1,2	2	
6	GU28576592	Klemmutter M6	2	

Einheit	RAHMEN
Code	33.03
Beschreibung	Hauptständer
Inspektion	1



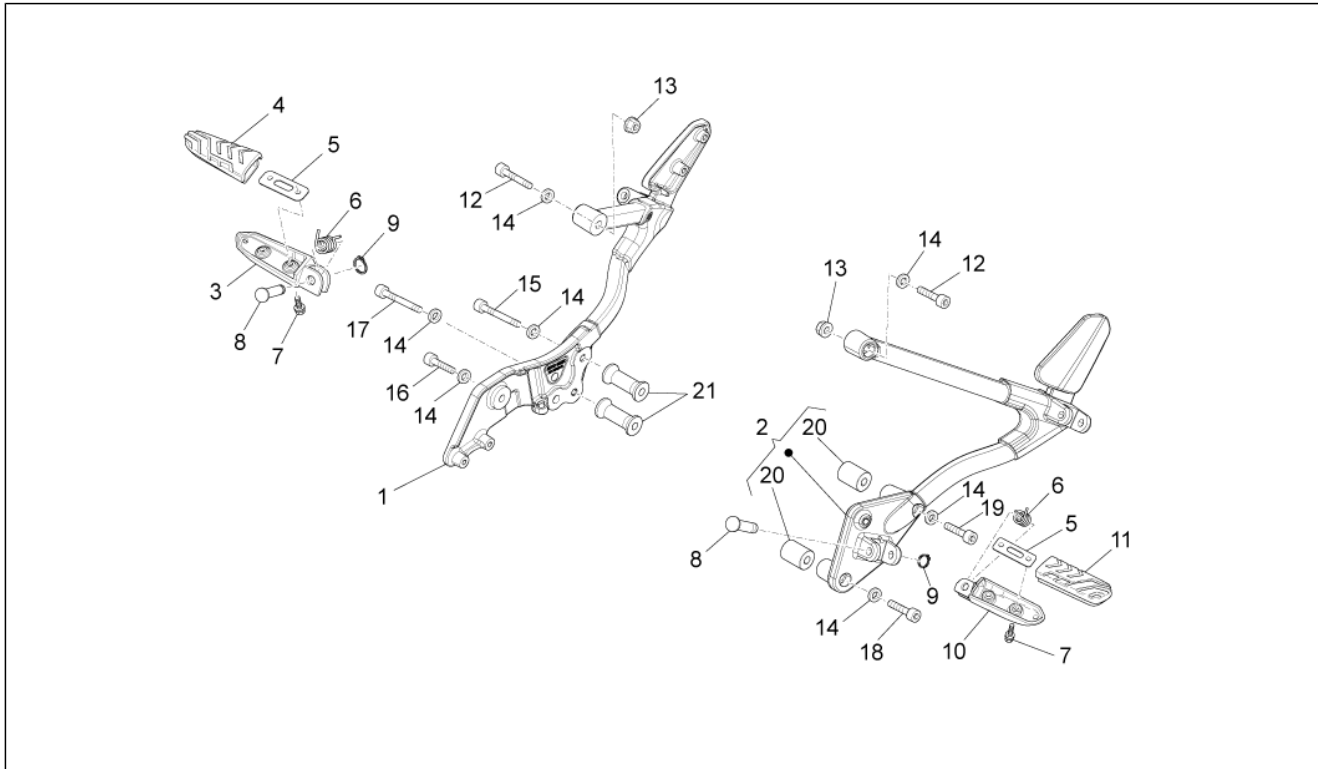
Pos.	Code	Beschreibung	Menge	Varianten
1	883656	Hauptständer	1	
2	AP8121467	Halter	2	
3	AP8178918	Schutz f. Ständerfeder	1	
4	AP8221317	Hauptständer Schraubenfeder	1	
5	AP8221318	Rückholfeder Ständer	1	
6	883664	Rechts Platte	1	
7	978002	Links Platte	1	
8	GU98682530	TCEI Schraube M10x30	2	
9	GU05429630	Buchse	2	
10	886326	Seitenständer	1	
11	639542	Seitenständerschalter	1	
12	GU98612216	TCEI Schraube	2	
13	GU95020105	Ausgleichscheibe 5,3x8,9x2,4	2	
14	AP8121994	Ständerschraube	1	
15	AP8152001	Mutter unten M10x1,25	1	
16	AP8150292	Gebogene Sprengscheibe *	1	
17	AP8102524	Schutz f. Ständerfeder	1	
18	AP8221204	Hauptständer Schraubenfeder	1	
19	AP8221211	Rückholfeder Ständer	1	
20	GU98231235	TBEI Schraube M12x35	4	
21	GU30217900	Ausgleichscheibe 13x18x1,7	2	
22	AP8120428	Kabelführungs	1	
23	GU00823923140	Thermische Hülle	1	
24	AP8152287	TE Schr. m. Flansch M8x25	1	
25	GU14615901	Ausgleichscheibe 8,4X13X0,8	2	
26	GU97202435	Schraube	1	
27	AP8152300	Selbstsperrende Mutter M8	1	
28	GU93242015	Puffer	1	

Einheit	RAHMEN
Code	33.03
Beschreibung	Hauptständer
Inspektion	1



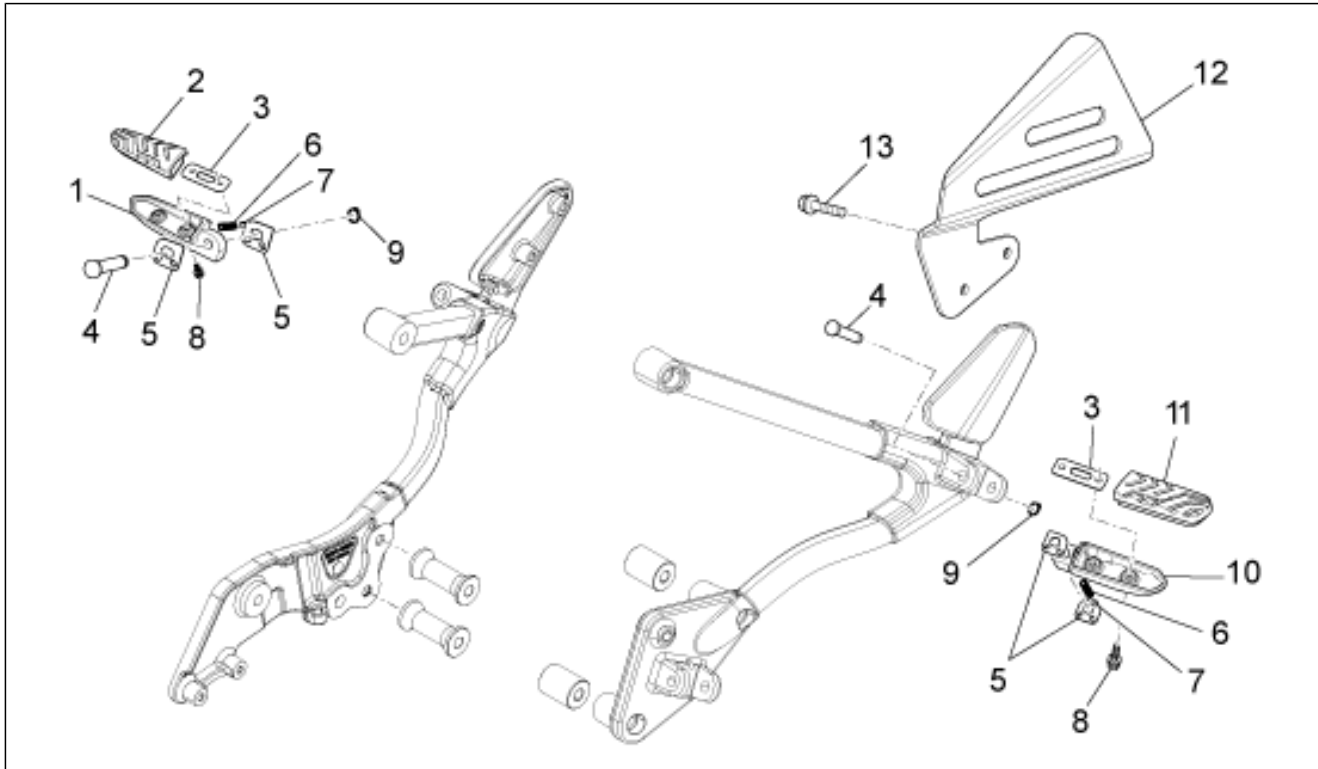
Pos.	Code	Beschreibung	Menge	Varianten
29	GU14609650	Schelle 3,6x20,6	2	
30	883208	Seitenständer	1	Land:Kanada[CA], Vereinigte Staaten von Amerika[USA]
31	883413	Links Platte	1	Land:Kanada[CA], Vereinigte Staaten von Amerika[USA]
32	AP8121607	Ständerschraube	1	Land:Kanada[CA], Vereinigte Staaten von Amerika[USA]

Einheit	RAHMEN
Code	33.04
Beschreibung	Fußrasten Fahrer
Inspektion	1



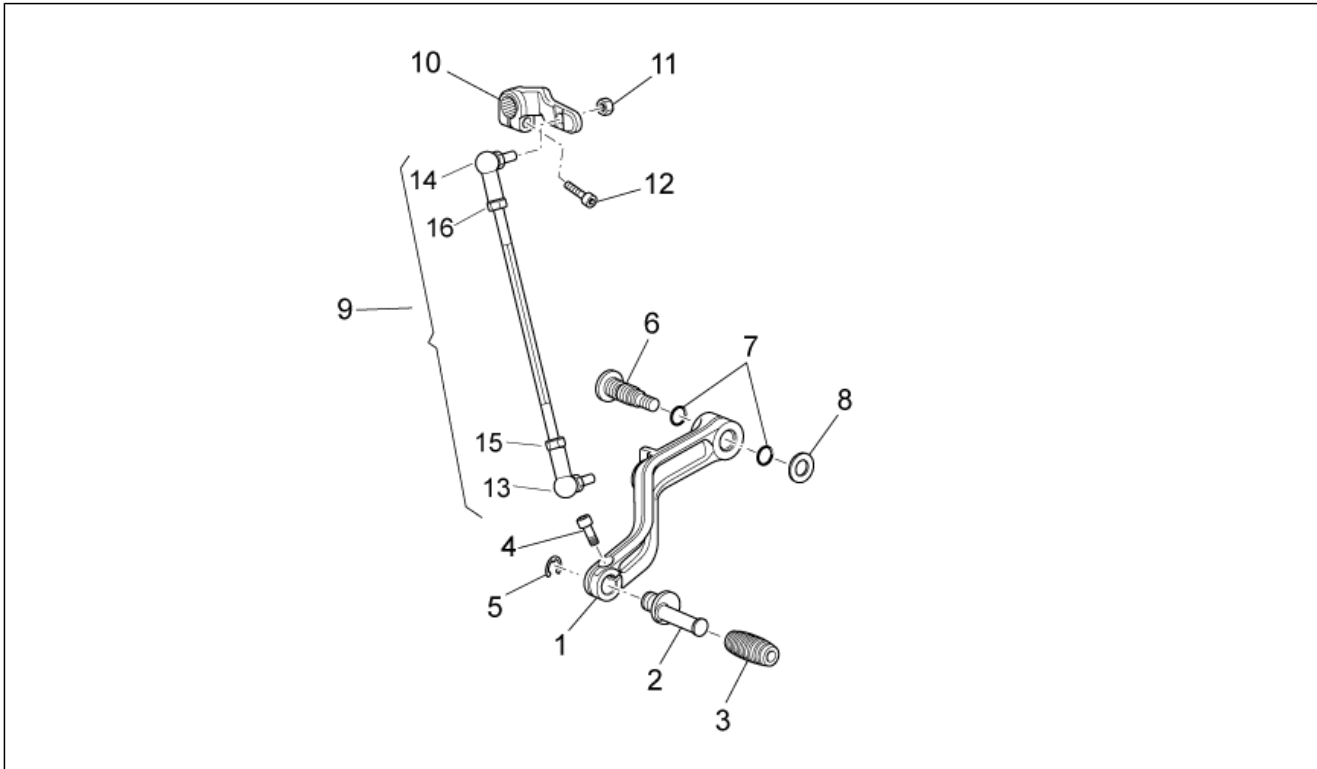
Pos.	Code	Beschreibung	Menge	Varianten
1	886987	Halter rechte Fußraste	1	
2	883103	Halter linke Soziusfußr.	1	
3	886184	Fussrasten r.	1	
4	AP8120831	Gummi Trittbrett	1	
5	AP8134276	Platte	1	
6	AP8221277	Rückholfeder	2	
7	AP8152277	TE Schr. m. Flansch M6x12	4	
8	AP8121567	Bolzen	2	
9	AP8152409	Sperring	2	
10	886185	Fussrasten l.	1	
11	AP8120831	Gummi Trittbrett	1	
12	GU98680435	TCEI Schraube M8x35	2	
13	AP8152300	Selbstsperrende Mutter M8	2	
14	GU14615901	Ausgleichscheibe 8,4X13X0,8	7	
15	GU98680480	Schraube	1	
16	GU98682425	TCEI Schraube M8x25	1	
17	GU98680465	Schraube	1	
18	GU98680460	TCEI Schraube M8x60	1	
19	GU98620485	Schraube	1	
20	883107	Distanzscheibe	2	
21	886933	Distanzscheibe	2	

Einheit	RAHMEN
Code	33.05
Beschreibung	Soziusrasten
Inspektion	1



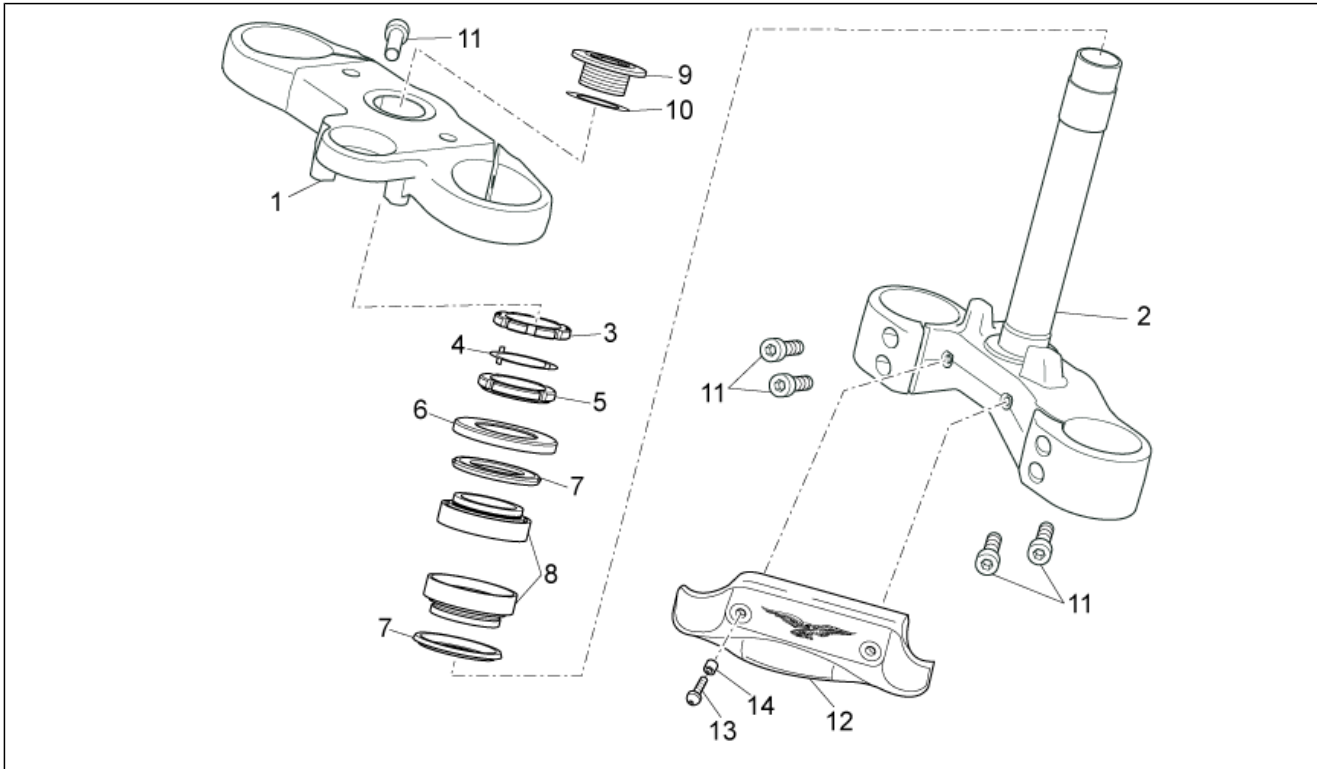
Pos.	Code	Beschreibung	Menge	Varianten
1	GU32442310	Soziusraste rechts	1	
2	GU32443210	Gummi für Haterung	1	
3	GU32441210	Platte	2	
4	AP8121567	Bolzen	2	
5	AP8134451	Fixierplatte	4	
6	AP8121133	Schraubenfederkompr.	2	
7	AP8101861	Kugel D6,35	2	
8	AP8152277	TE Schr. m. Flansch M6x12	4	
9	AP8152409	Sperring	2	
10	GU32442710	Soziusraste links	1	
11	GU32443211	Gummi für Haterung	1	
12	898169	Schutz l. Soziusfußraste	1	
13	AP8152277	TE Schr. m. Flansch M6x12	2	

Einheit	RAHMEN
Code	33.06
Beschreibung	Schalthebel
Inspektion	1



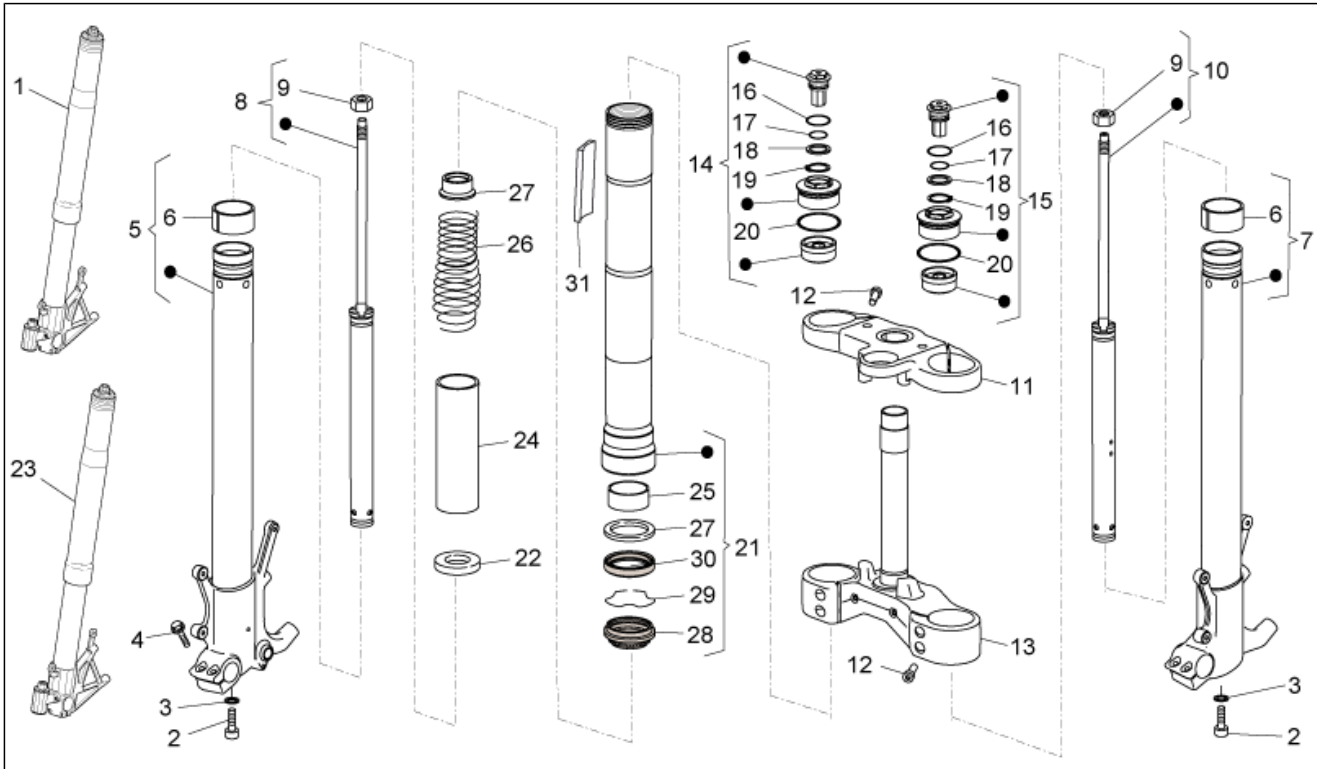
Pos.	Code	Beschreibung	Menge	Varianten
1	GU06250900	Schalthebel	1	
2	AP8121221	Stift Bremshebel	1	
3	AP8120912	Gummi für Hebel	1	
4	GU98682316	TCEI Schraube M6x16	1	
5	AP8150462	Seegerring d9	1	
6	AP8121223	Stift Hinterradbremshieb.	1	
7	AP8144007	O-Ring 11,11x1,78	2	
8	GU95008210	Ausgleichscheibe 10,2X18X2	1	
9	883044	Spannstange f.Getriebe,Kpl.	1	
10	GU05256930	Umlenkhebel	1	
11	GU92630707	Mutter	2	
12	GU98682320	TCEI Schraube M6x20	1	
13	GU32258110	Kugelgelenk	1	
14	GU32258010	Kugelgelenk	1	
15	GU92609206	Mutter M6	1	
16	GU03256800	Mutter M6	1	

Einheit	RAHMEN
Code	33.07
Beschreibung	Lenkung
Inspektion	1



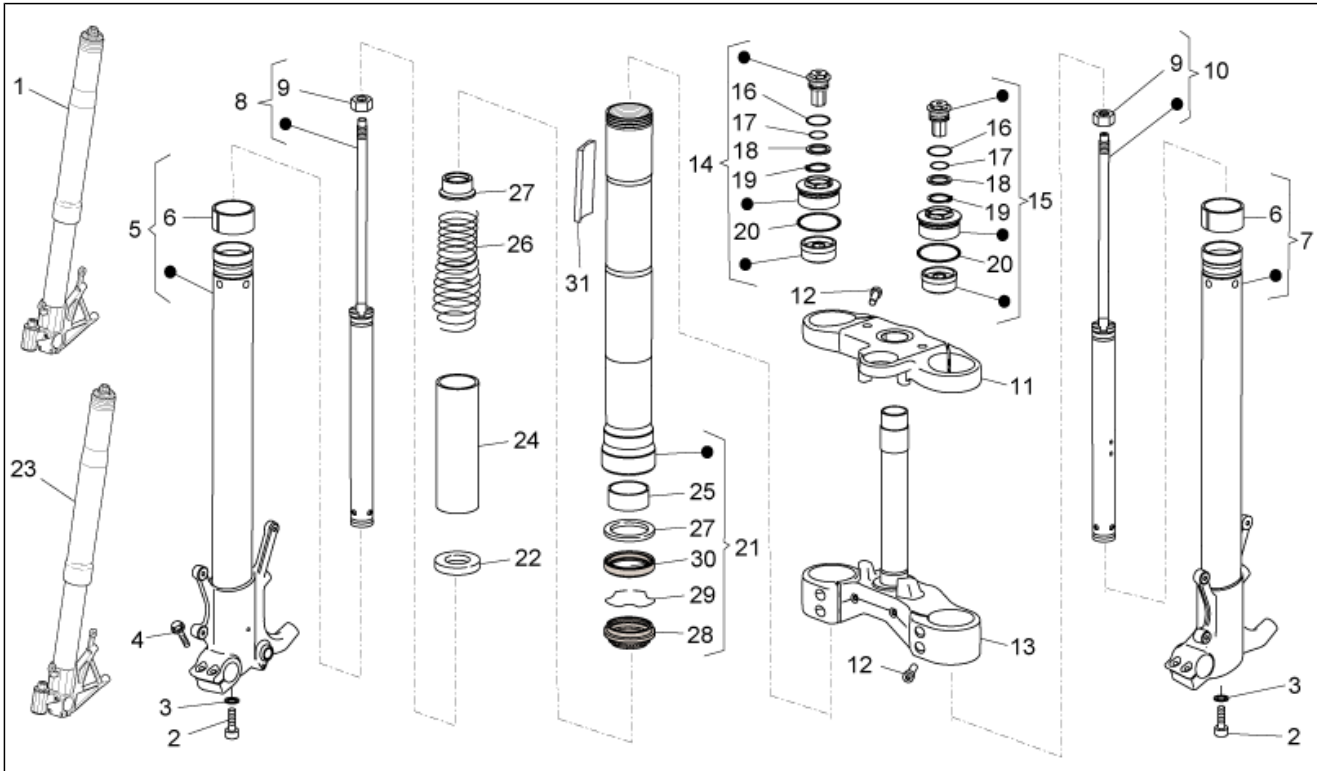
Pos.	Code	Beschreibung	Menge	Varianten
1	886199	Ob. Gabelplatte D45	1	
2	886202	Fuß mit Rohr D45	1	
3	AP8123643	Gegenmutter	1	
4	AP8121207	Sicherheitspl. Lenkung	1	
5	AP8123642	Nutmutter	1	
6	AP8123644	Staubschutzring	1	
7	AP8123641	Staubschutzring	2	
8	AP8110077	Axialkugellager	2	
9	AP8121205	Fixierbuchse ob. Platte	1	
10	AP8152384	Scheibe Lenkkopf	1	
11	GU98682430	TCEI Schraube M8x30	6	
12	GU05658431	Fixierplatte Bremsschlauch	1	
13	AP8152298	TBEI Schraube m.Flansch M5x16	2	
14	AP8221036	Buchse 5,3x8x7,1	2	

Einheit	RAHMEN
Code	33.08
Beschreibung	Vorderradgabel
Inspektion	1



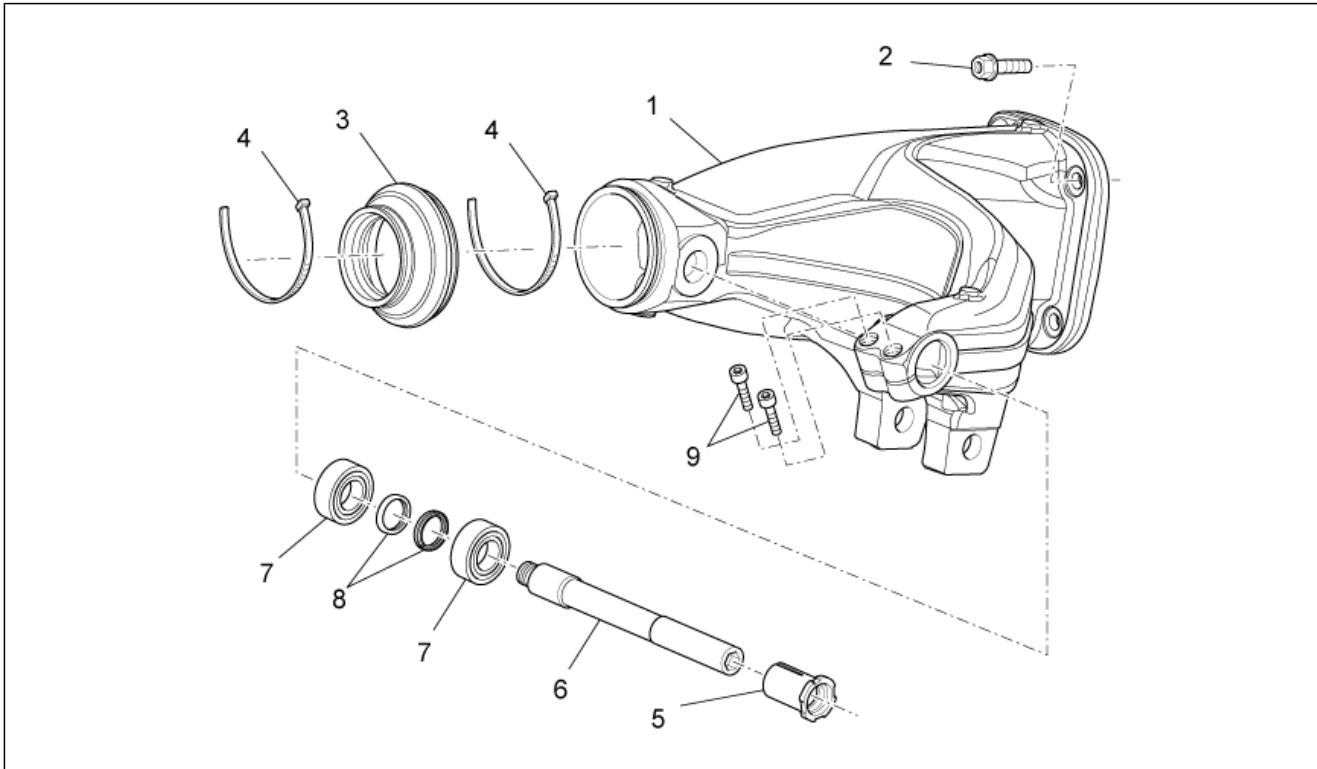
Pos.	Code	Beschreibung	Menge	Varianten
1	886191	Laufbühse, R. Kpl. D45	1	Technische Spezifikationen: 1. Serie mit Kennschild y1311164>A[F1A]
1	887091	Laufbühse, R. Kpl. D45	1	Technische Spezifikationen: 2. Serie mit Kennschild y1311164>B[F2A]
2	GU01530588	Schraube	2	
3	AP8123206	Dichtscheibe	2	
4	AP8150220	TCEI Schraube M6x30	4	
5	886315	Klb.st.+ Radhtr. rch.	1	
6	AP9100856	Untere Buchse 45x20	2	
7	886317	Klb.st.+ Radhtr. lks.	1	
8	886319	Pumpenrad r. kplt.	1	Technische Spezifikationen: 1. Serie mit Kennschild y1311164>A[F1A]
8	887319	Pumpenrad r. kplt.	1	Technische Spezifikationen: 2. Serie mit Kennschild y1311164>B[F2A]
9	886321	Mutter	2	
10	886320	Pumpenrad l. kplt.	1	Technische Spezifikationen: 1. Serie mit Kennschild y1311164>A[F1A]
10	887320	Pumpenrad l. kplt.	1	Technische Spezifikationen: 2. Serie mit Kennschild y1311164>B[F2A]
11	886199	Ob. Gabelplatte D45	1	
12	GU98682430	TCEI Schraube M8x30	6	
13	886202	Fuß mit Rohr D45	1	
14	886324	R.Geflanschte Mutter	1	
15	886316	L.Geflanschte Mutter	1	
16	981024	O-Ring	2	
17	981025	O-Ring	2	
18	981026	Unterlegscheibe	2	
19	981027	Sperring	2	
20	886318	O-Ring	2	

Einheit	RAHMEN
Code	33.08
Beschreibung	Vorderradgabel
Inspektion	1



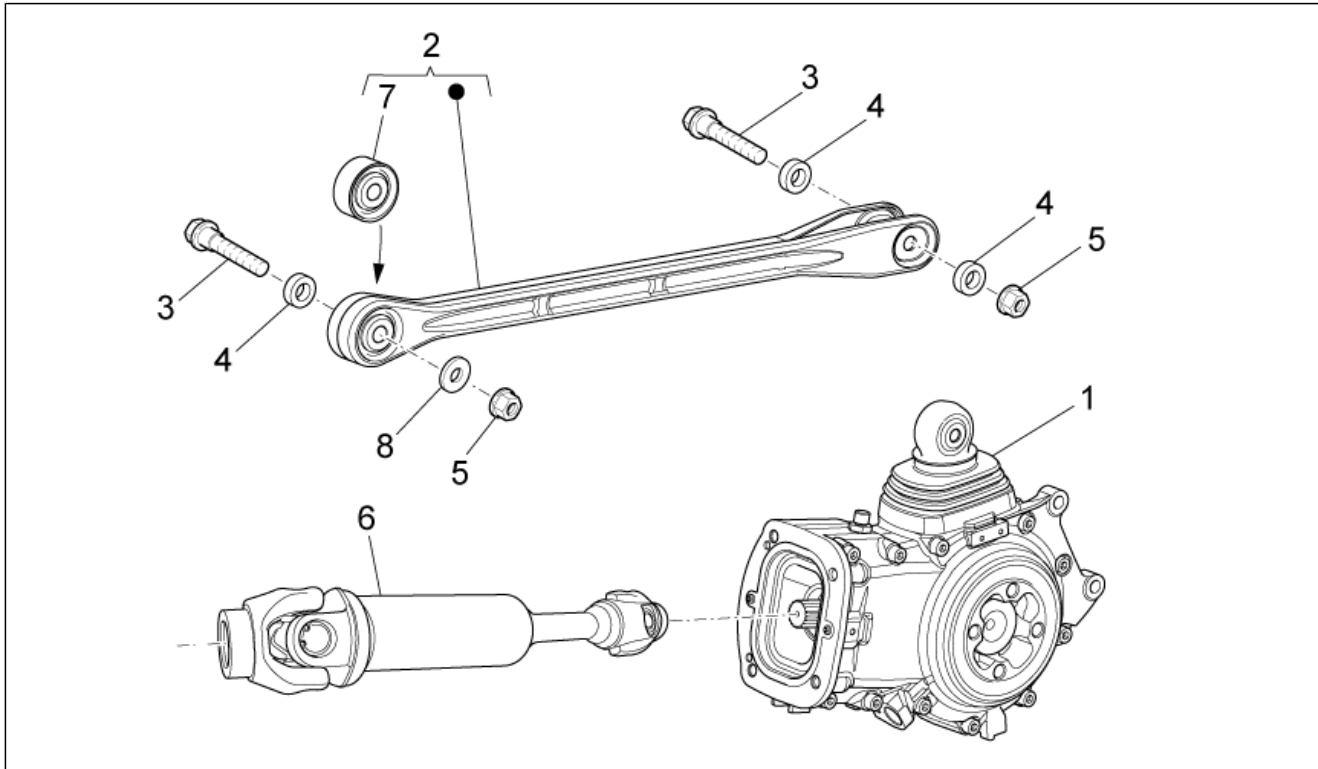
Pos.	Code	Beschreibung	Menge	Varianten
21	886323	Hülse kplt.	2	
22	981033	Federbecher	2	
23	886192	Laufbühse, L. Kpl. D45	1	Technische Spezifikationen: 1. Serie mit Kennschild y1311164>A[F1A]
23	887092	Laufbühse, L. Kpl. D45	1	Technische Spezifikationen: 2. Serie mit Kennschild y1311164>B[F2A]
24	AP8161254	Vorspannrohr	2	
25	AP9100855	Obere Buchse 45x15	2	
26	886322	Feder	2	
27	AP8163094	Becher 58x46x3	2	
28	AP8163097	Staubschutz D.45	2	
29	AP8163096	Sperring D.63	2	
30	AP8163095	Gasket ring 45x58x11	2	
31	GU05781630	Rückstrahler, gelb	2	Land: Kanada[CA], Vereinigte Staaten von Amerika[USA]

Einheit	RAHMEN
Code	33.09
Beschreibung	Schwinge
Inspektion	1



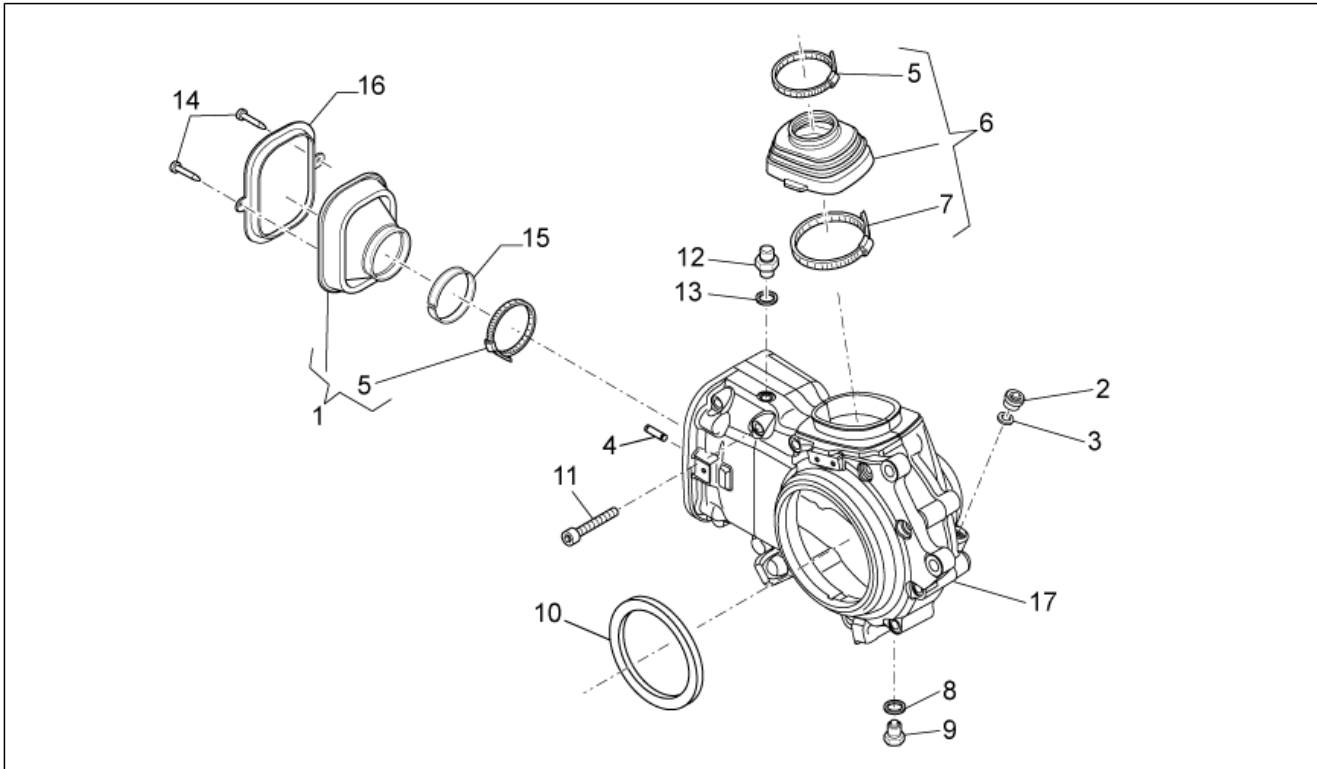
Pos.	Code	Beschreibung	Menge	Varianten
1	978350	Schwinge, schwarz	1	
2	AP8152318	TE Schr. m. Flansch M10x35	4	
3	883966	Gummibalg	1	
4	GU93304390	Schelle 3,6x375	2	
5	GU05547130	Buchse	1	
6	GU05547030	Bolzen	1	
7	GU92249224	Rollenlager 25x47x17	2	
8	GU05547930	Gasket ring	2	
9	GU98682325	TCEI Schraube M6x25	2	

Einheit	RAHMEN
Code	33.10
Beschreibung	Getriebe kpl.
Inspektion	1



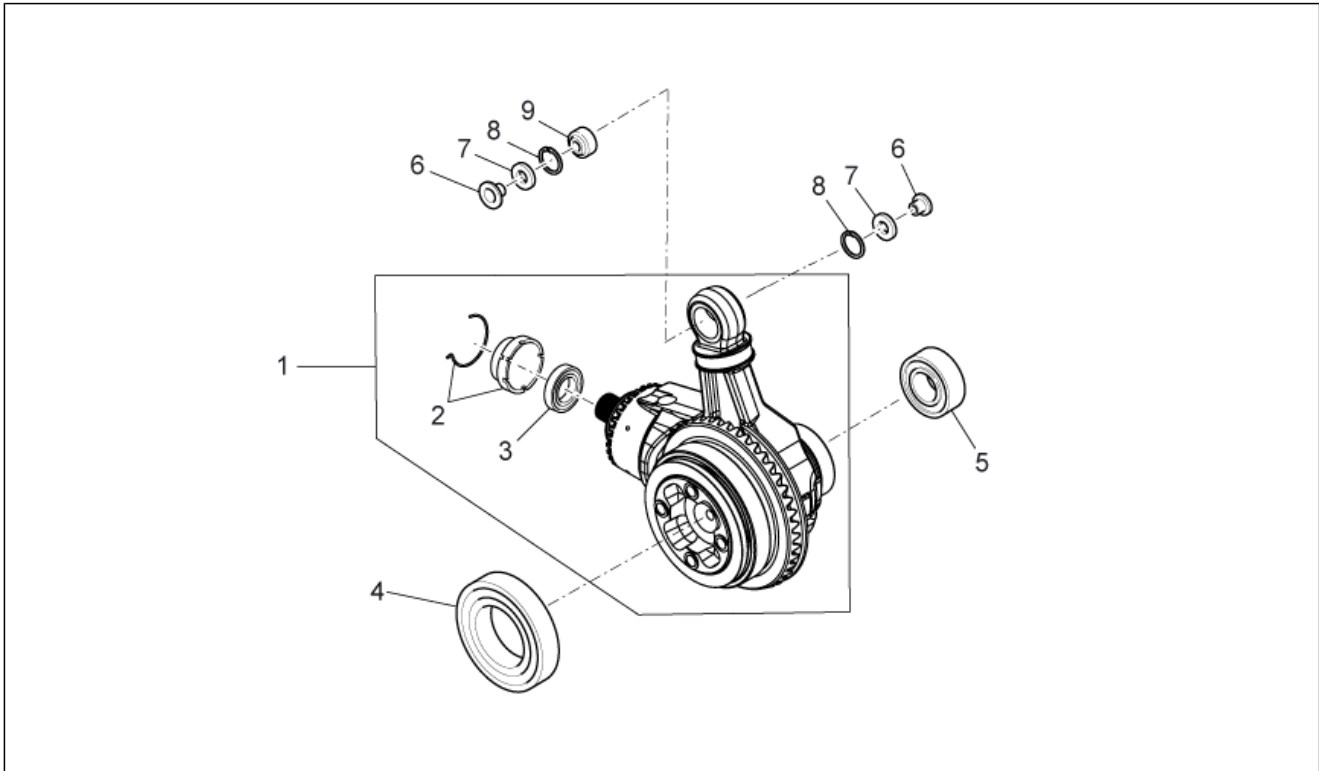
Pos.	Code	Beschreibung	Menge	Varianten
1	976570	Kraftübertragung, kpl.schwarz	1	
2	883046	Reaktionsstange kompl.	1	
3	AP8152410	TE Schr. m. Flansch M10x55	2	
4	AP8121218	Distanzscheibe 10,2x20x4	3	
5	AP8152242	Mutter	2	
6	GU05326330	Getriebe	1	
7	883045	Schwingschutzlager	1	
8	GU14018400	Ausgleichscheibe 10,5X21X1	1	

Einheit	RAHMEN
Code	33.11
Beschreibung	Getriebe kpl.-Häuse
Inspektion	1



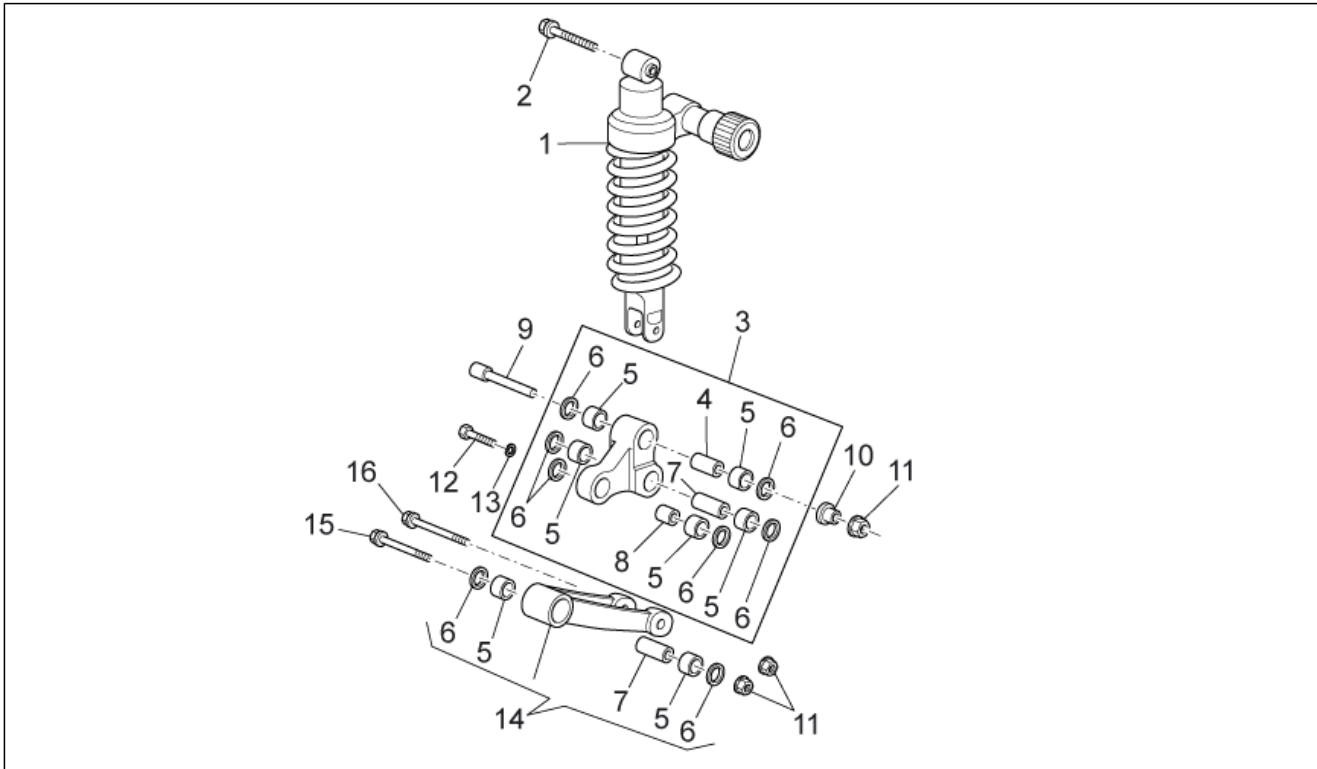
Pos.	Code	Beschreibung	Menge	Varianten
1	GU05358330	Staubschutzhäube	1	
2	GU05351230	Ölschraube M12x1,5	1	
3	GU90718120	Ausgleichscheibe	1	
4	GU95510620	Stift 6x20	2	
5	GU05358130	Schelle	2	
6	GU05358030	Staubschutzhäube	1	
7	GU05358230	Schelle	1	
8	GU01528930	Dichtung 10x18x1,5	1	
9	GU31003766	Ölablaßschraube M10x1	1	
10	GU90408511	Gasket ring 85x110x8BASL	1	
11	GU98680450	TCEI Schraube M8x50	11	
12	GU05206530	Entlüftungsschraube	1	
13	GU10528900	Dichtung	1	
14	GU99210406	Schraube M3,9x6,5	2	
15	GU05358530	Ring	1	
16	GU05358630	Dichtung	1	
17	978392	Kraftübertragungsgehäuse schw.	1	

Einheit	RAHMEN
Code	33.12
Beschreibung	Getriebe kpl.-Teilerradsatz
Inspektion	1



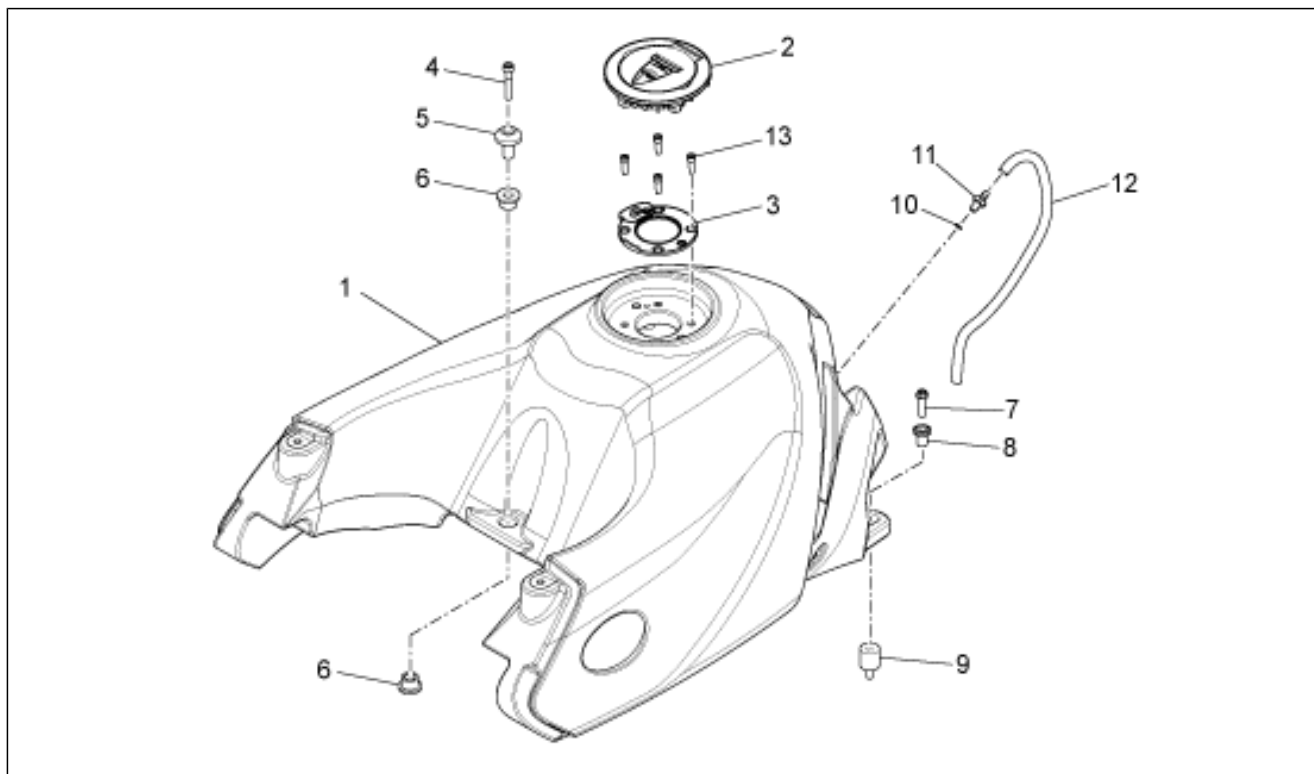
Pos.	Code	Beschreibung	Menge	Varianten
1	976581	Teilerradsatz kit 12/44	1	
2	GU05352430	Nutmutter	1	
3	GU90404558	Gasket ring 45x58x7	1	
4	GU92208518	Kugellager 85x120x18	1	
5	GU92204230	Kugellager 30x62x16	1	
6	AP8121098	Buchse	2	
7	AP8120485	Gasket ring	2	
8	GU90273026	Seegerring	2	
9	GU05638130	Kugelgelenk	1	

Einheit	RAHMEN
Code	33.13
Beschreibung	Pleuelstange und Stoßdämpfer
Inspektion	1



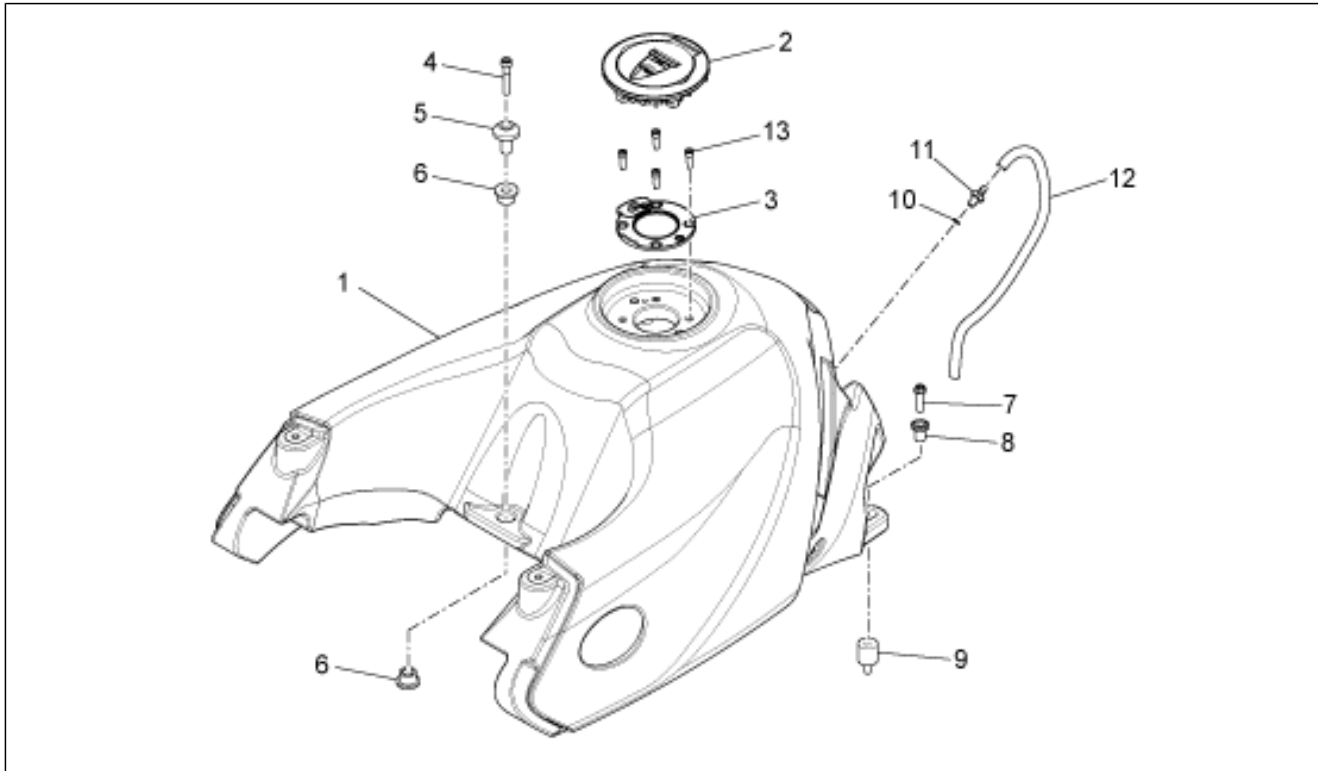
Pos.	Code	Beschreibung	Menge	Varianten
1	886201	Hinterer Stoßdämpfer	1	
2	018622	Schraube	1	
3	GU05560330	Doppelte Pleuelstange	1	
4	AP8135924	Pleuelbolzen L40	1	
5	AP8110066	Nadellager	7	
6	AP8110068	Ölabstreifring D18x24x3	8	
7	GU05562030	Pleuelbolzen L47	2	
8	AP8135608	Pleuelbolzen L25	1	
9	AP8152397	TCEI Schraube M10x82	1	
10	AP8121155	T-Buchse *	1	
11	AP8152301	Selbstsperrende Mutter	3	
12	AP8152147	Sechskantschraube M10x47	1	
13	AP8150292	Gebogene Sprengscheibe *	1	
14	GU05562430	Einfache Pleuelstange	1	
15	AP8152482	TE Schr. m. Flansch M10x85	1	
16	AP8152396	TE Schr. m. Flansch M10x95	1	

Einheit	RAHMEN
Code	33.14
Beschreibung	Kraftstofftank
Inspektion	1



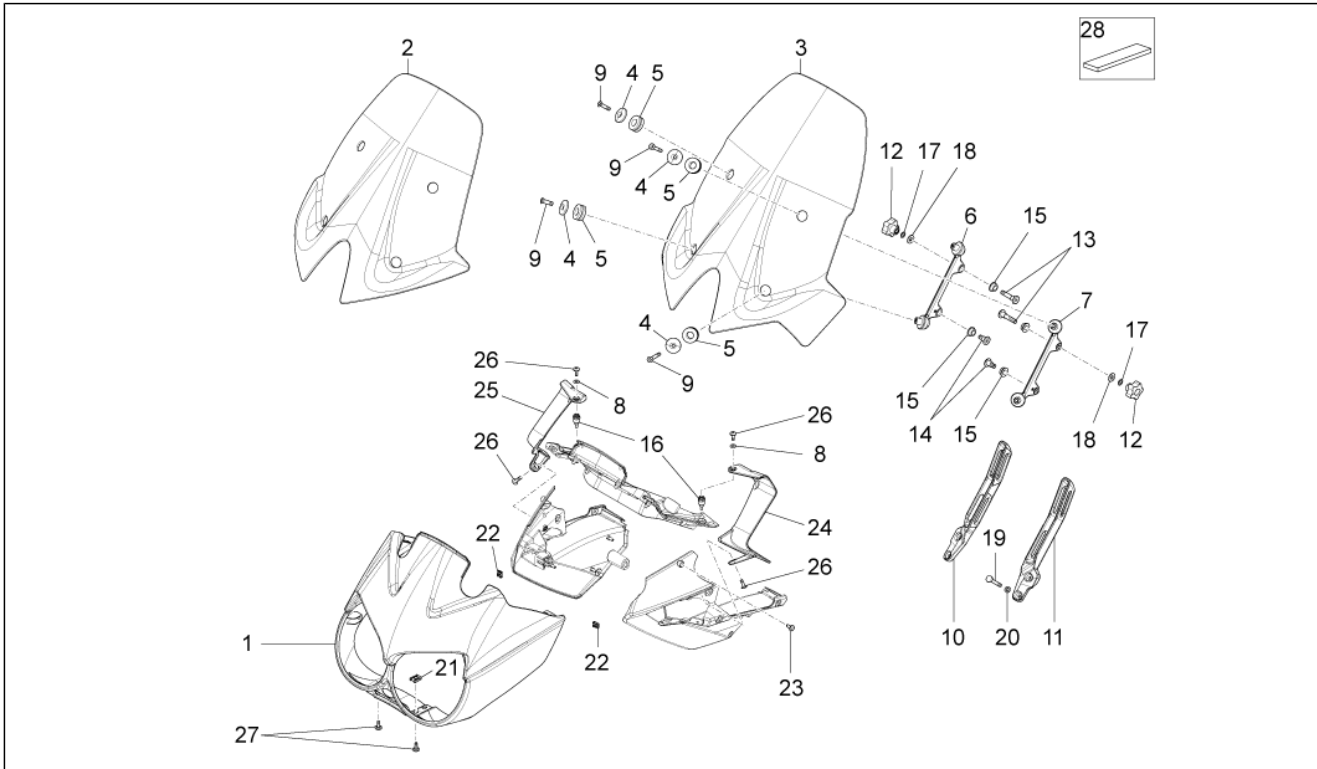
Pos.	Code	Beschreibung	Menge	Varianten
1	88688700DE	Kraftstofftank, blau	1	Baujahr: 2014[E] Fahrzeugfarbe: Midnight Blau[bl] Technische Spezifikationen: Mit Aufkleber[D]
1	897635	Benzintank roh	1	
1	89763500BM	Kraftstofftank, weiß	1	Fahrzeugfarbe: Weiß Diamant (t.B.886900)[whd] Technische Spezifikationen: Mit Aufkleber[D], Standardversion[Std]
1	89763500NI	Kraftstofftank, schwarz	1	Fahrzeugfarbe: Schwarz Competition (t.B.886899)[blc] Technische Spezifikationen: Mit Aufkleber[D], Version NTX[NTX]
1	89763500XV6	Kraftstofftank, grün	1	Fahrzeugfarbe: Grün Raptor Matt (t.B.B063041)[green] Technische Spezifikationen: Mit Aufkleber[D], Version NTX[NTX]
1	89763500Y02	Kraftstofftank, schwarz	1	Fahrzeugfarbe: Schwarz Guzzi (t.B.886901)[blg] Technische Spezifikationen: Mit Aufkleber[D], Standardversion[Std]
1	89763500YA2	Kraftstofftank, orange	1	Fahrzeugfarbe: Orange Kupfer (t.B.886902)[ar] Land: Vereinigte Staaten von Amerika[USA] Technische Spezifikationen: Mit Aufkleber[D], Version NTX[NTX], Standardversion[Std]
2	GU05103930	Tankverschluß	1	
3	AP8104803	Tankverschlußdichtung	1	
4	AP8150285	TCEI Schraube M6x35	1	
5	886828	Compass Anlage	1	
6	AP8101372	Silent-Block	2	
7	AP8152280	TE Schr. m. Flansch M6x25	2	
8	AP8124421	Anschluss	2	
9	887095	Schwingschutzlager	2	
10	AP8120965	O-Ring 2018	2	
11	AP8102503	Anschluß Gummihalter	2	
12	AP8220263	Entlüftungsschlauch Kühler 4x8	5	

Einheit	RAHMEN
Code	33.14
Beschreibung	Kraftstofftank
Inspektion	1



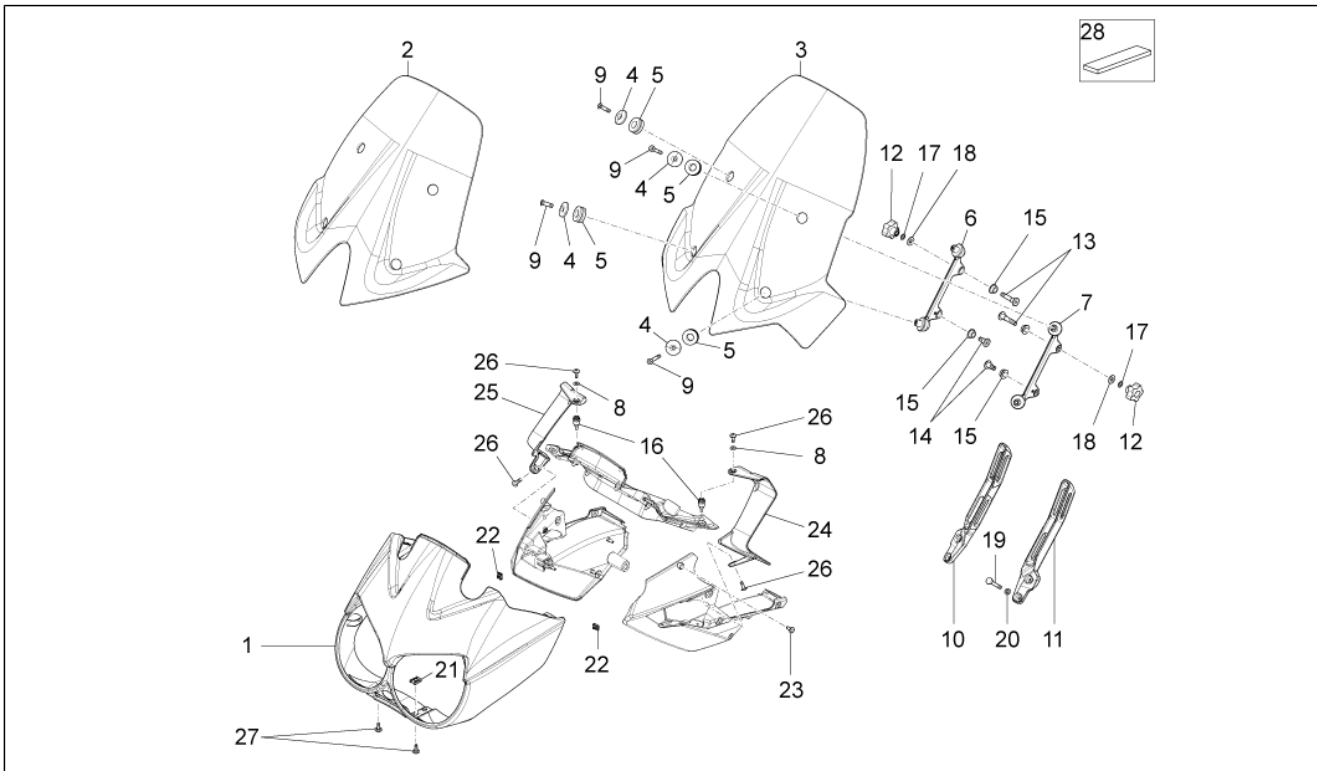
Pos.	Code	Beschreibung	Menge	Varianten
13	B043864	TCEI Schraube M5x14	4	

Einheit	RAHMEN
Code	33.15
Beschreibung	Frontaufbau - Kuppel
Inspektion	1



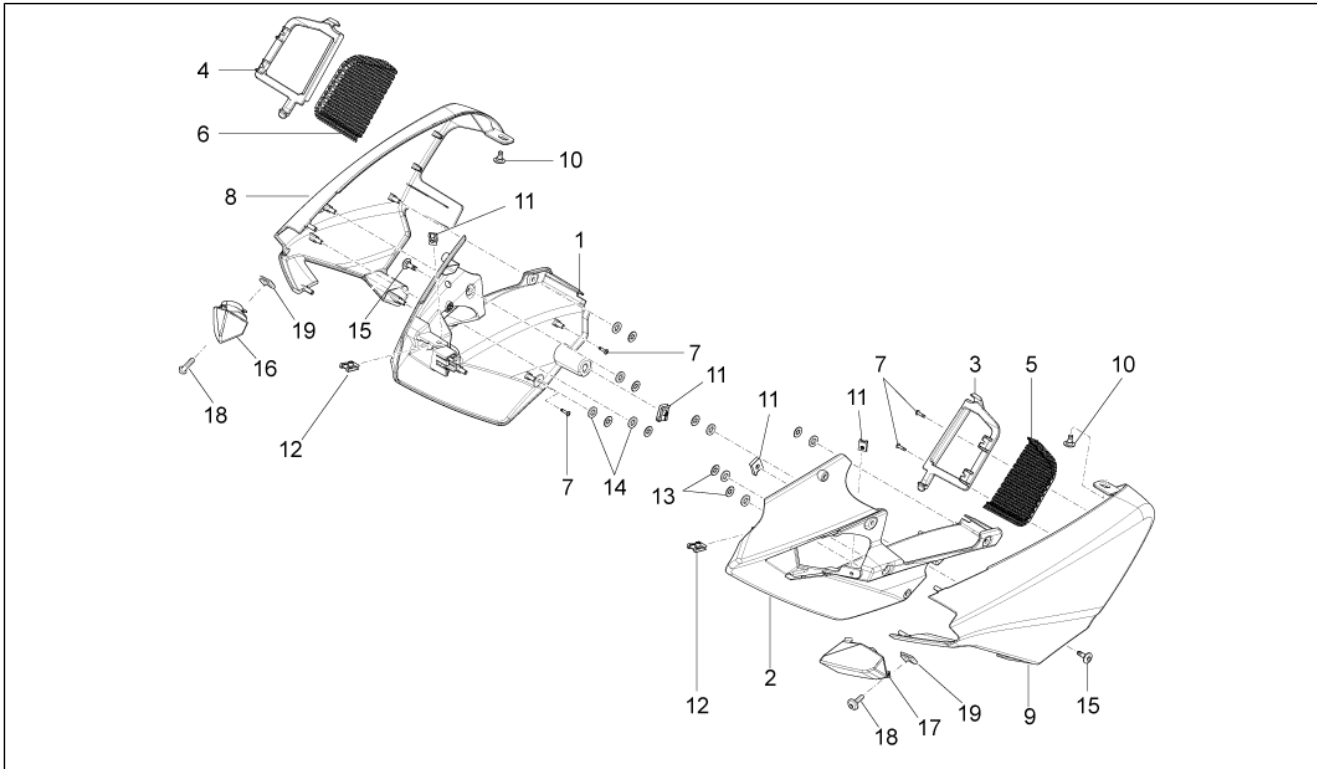
Pos.	Code	Beschreibung	Menge	Varianten
1	897641	Fahrtwindschutzhne farbe	1	
1	89764100NI	Kuppel, schwarz	1	Fahrzeugfarbe: Orange Kupfer (t.B.886902)[ar], Schwarz Guzzi (t.B.886901)[blg], Grün Raptor Matt (t.B.B063041)[green], Weiß Diamant (t.B.886900)[whd] Land: Vereinigte Staaten von Amerika[USA] Technische Spezifikationen: Version NTX[NTX], Standardversion[Std]
1	89764100Y11	Kuppel, grau	1	Fahrzeugfarbe: Schwarz Competition (t.B. 886899)[blc] Technische Spezifikationen: Version NTX[NTX]
2	887174	Wetterschutz	1	Technische Spezifikationen: Standardversion[Std]
3	887134	Wetterschutz	1	Technische Spezifikationen: Version NTX[NTX]
3	887328	Wetterschutz	1	Land: Australien[AUS], Kanada[CA], Vereinigte Staaten von Amerika[USA] Technische Spezifikationen: Version NTX[NTX]
4	269787	Spezial-U-scheibe nero	4	
5	560173	Gummi	4	
6	886195	Halter rechts	1	
7	886196	Halter links	1	
8	AP8120622	Vord. Staubschutzring	2	
9	GU98257618	Schraube M6x18	4	
10	886197	Rechtes bügel	1	
11	886198	Linkes bügel	1	
12	977681	Griff	2	
13	886078	Aufnahmebolzen	2	
14	886079	Aufnahmebolzen	2	
15	886236	T-Buchse	4	
16	887033	Stiftschraube	2	
17	GU14615901	Ausgleichscheibe 8,4X13X0,8	2	
18	GU95005310	Ausgleichscheibe 8,4x18x2	2	
19	AP8152278	TE Schr. m. Flansch M6x16	4	

Einheit	RAHMEN
Code	33.15
Beschreibung	Frontaufbau - Kuppel
Inspektion	1



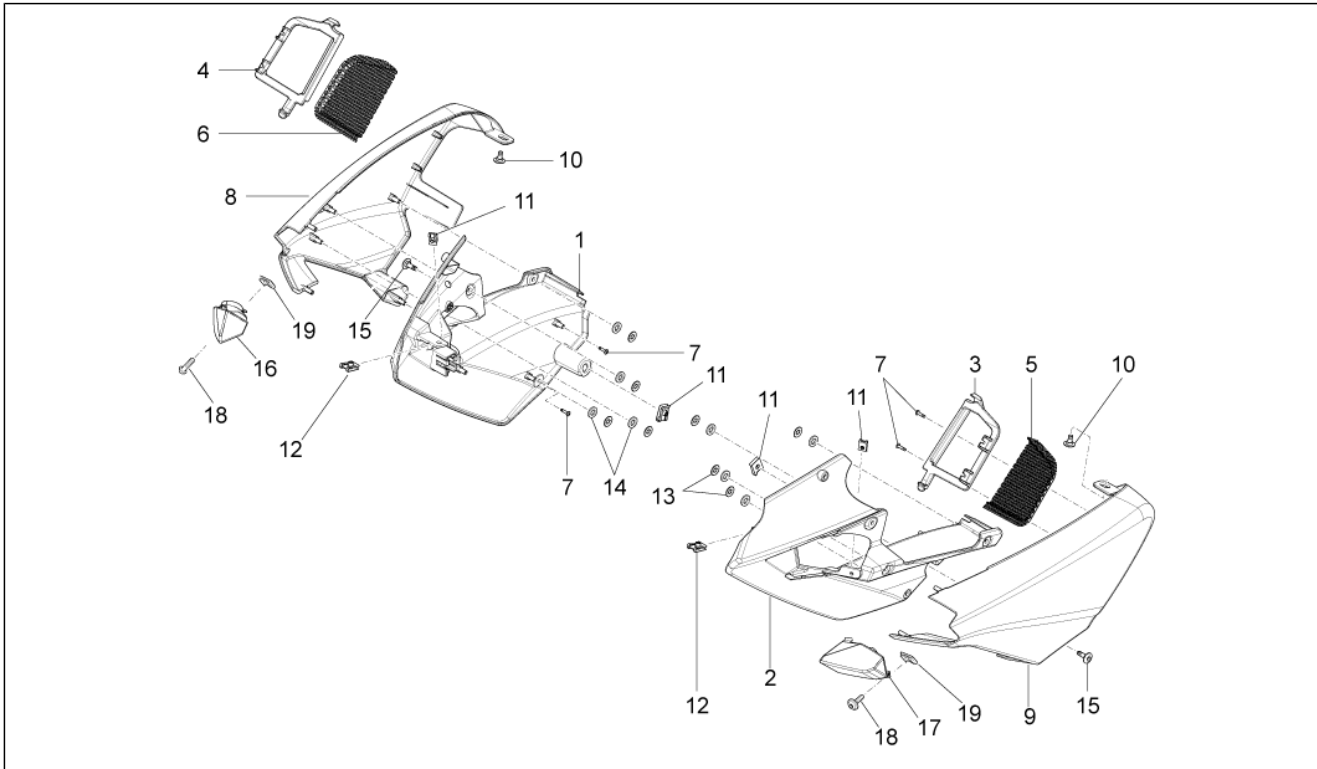
Pos.	Code	Beschreibung	Menge	Varianten
20	GU14217901	Scheibe 6,4x10x0,7	4	
21	248419	Plattchen m5	1	
22	AP8102381	Klammer M4	2	
23	AP8120876	Verschlußschraube	1	
24	887039	L. Deflektor	1	Technische Spezifikationen: Version NTX[NTX]
25	887040	R. Deflektor	1	Technische Spezifikationen: Version NTX[NTX]
26	976614	TCCCE Schraube M5X15	4	
27	AP8152302	TBEI Schraube m.Flansch M5x12	2	
28	AP8117003	Klebeschwamm 15X5	1	

Einheit	RAHMEN
Code	33.16
Beschreibung	Frontaufbau - Leitblech
Inspektion	1



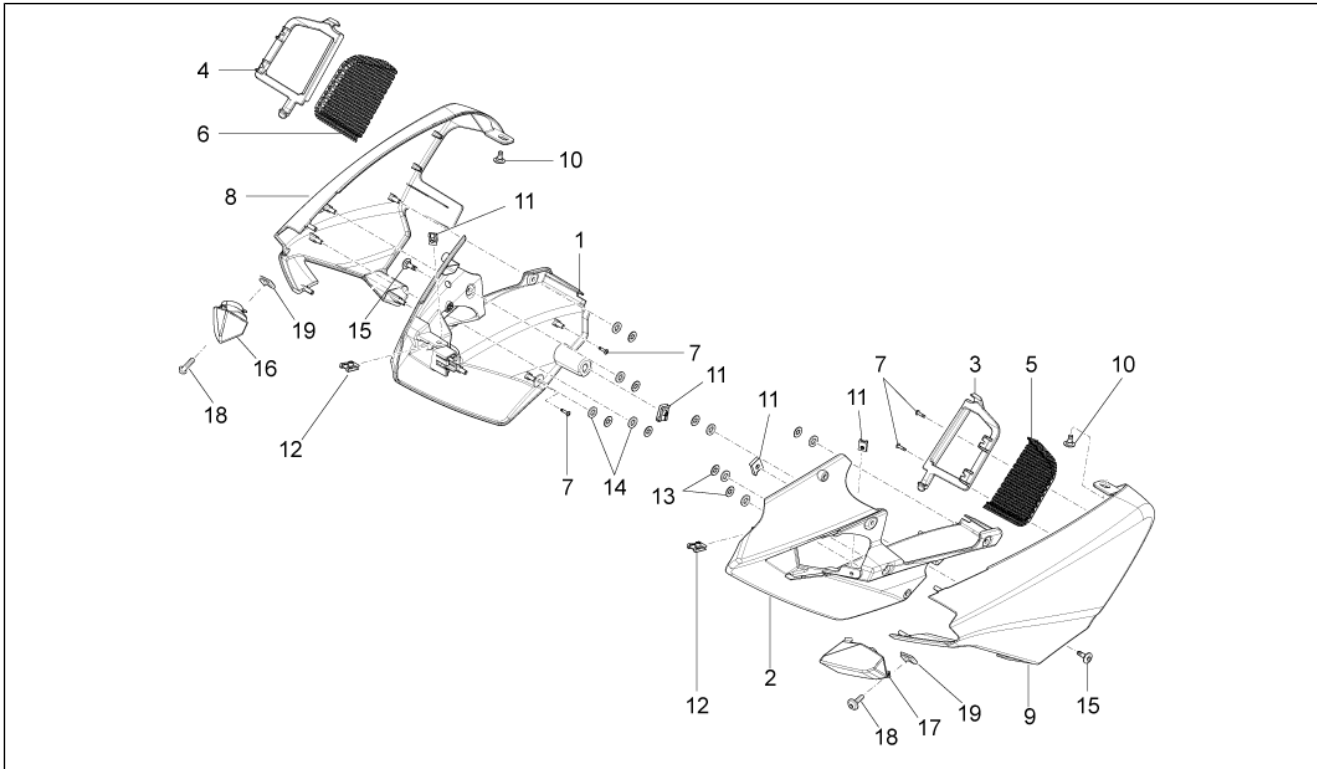
Pos.	Code	Beschreibung	Menge	Varianten
1	897637	Re. Seitenteil roh	1	
1	89763700BM	Seitenteil rechts	1	Fahrzeugfarbe: Weiß Diamant (t.B.886900)[whd] Technische Spezifikationen: Standardversion[Std]
1	89763700DE	Re. Seitenteil blau	1	Baujahr: 2014[E] Fahrzeugfarbe: Midnight Blau[bl]
1	89763700NI	Re. Seitenteil schwarz	1	Fahrzeugfarbe: Orange Kupfer (t.B.886902)[ar], Grün Raptor Matt (t.B.B063041)[green] Land: Vereinigte Staaten von Amerika[USA] Technische Spezifikationen: Version NTX[NTX]
1	89763700Y02	Re. Seitenteil schwarz Guzzi	1	Fahrzeugfarbe: Schwarz Guzzi (t.B.886901)[blg] Technische Spezifikationen: Standardversion[Std]
1	89763700Y11	Seitenteil rechts technogrey	1	Fahrzeugfarbe: Schwarz Competition (t.B. 886899)[blc] Technische Spezifikationen: Version NTX[NTX]
1	89763700YA2	Seitenteil rechts	1	Fahrzeugfarbe: Orange Kupfer (t.B.886902)[ar] Technische Spezifikationen: Standardversion[Std]
2	897638	Li. Seitenteil roh	1	
2	89763800BM	Seitenteil links	1	Fahrzeugfarbe: Weiß Diamant (t.B.886900)[whd] Technische Spezifikationen: Standardversion[Std]
2	89763800DE	Li. Seitenteil blau	1	Baujahr: 2014[E] Fahrzeugfarbe: Midnight Blau[bl]
2	89763800NI	Li. Seitenteil schwarz	1	Fahrzeugfarbe: Orange Kupfer (t.B.886902)[ar], Grün Raptor Matt (t.B.B063041)[green] Land: Vereinigte Staaten von Amerika[USA] Technische Spezifikationen: Version NTX[NTX]
2	89763800Y02	Li. Seitenteil schwarz Guzzi	1	Fahrzeugfarbe: Schwarz Guzzi (t.B.886901)[blg] Technische Spezifikationen: Standardversion[Std]
2	89763800Y11	Seitenteil links technogrey	1	Fahrzeugfarbe: Schwarz Competition (t.B. 886899)[blc] Technische Spezifikationen: Version NTX[NTX]
2	89763800YA2	Seitenteil links	1	Fahrzeugfarbe: Orange Kupfer (t.B.886902)[ar] Technische Spezifikationen: Standardversion[Std]
3	886821	Gitterrahmen LI	1	
4	886822	Gitterrahmen RE	1	

Einheit	RAHMEN
Code	33.16
Beschreibung	Frontaufbau - Leitblech
Inspektion	1



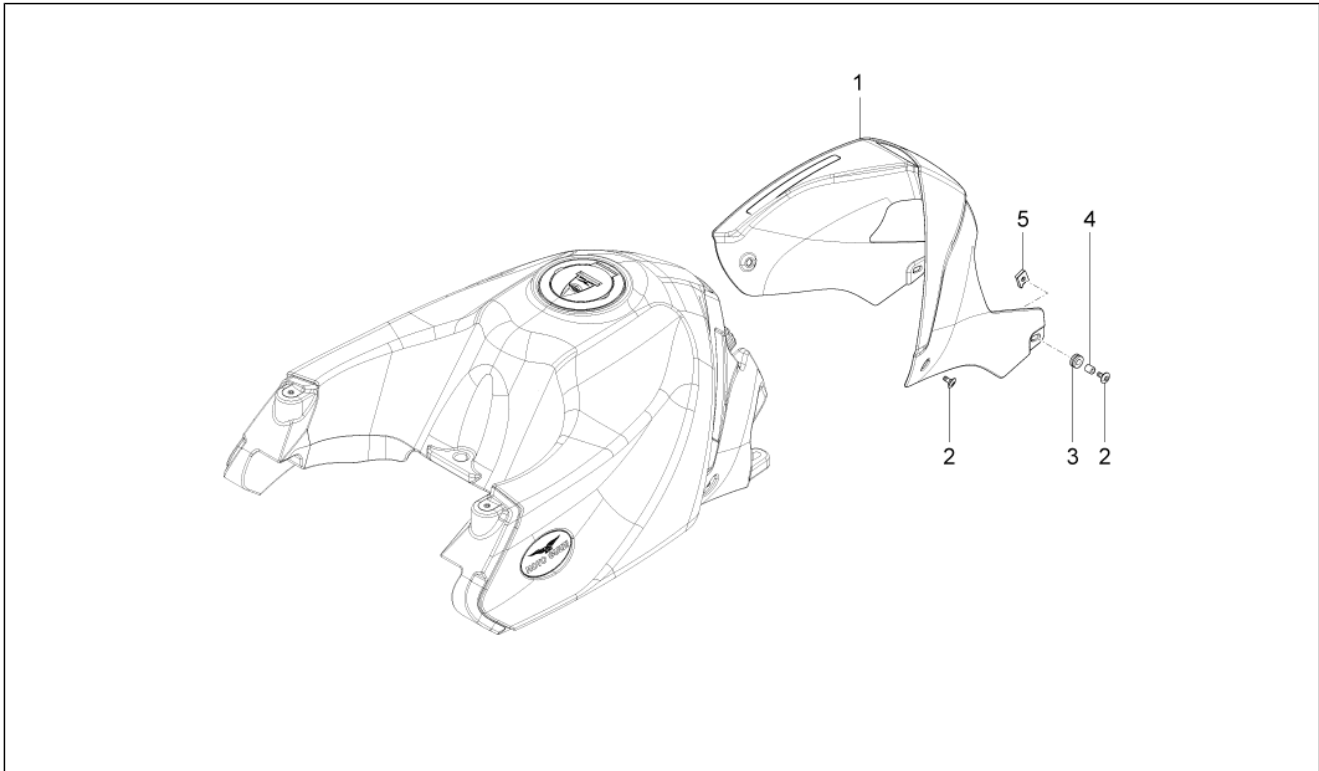
Pos.	Code	Beschreibung	Menge	Varianten
5	886823	Gitter Luftleitblech LI	1	
6	886824	Gitter Luftleitblech RE	1	
7	AP8150421	Gew.schr. 2,9x12	4	
8	897639	Luftleitblech re roh	1	
8	89763900NI	R. Leitblech, schwarz	1	Fahrzeugfarbe: Orange Kupfer (t.B.886902)[ar], Schwarz Guzzi (t.B.886901)[blg], Weiß Diamant (t.B.886900)[whd] Technische Spezifikationen: Standardversion[Std]
8	89763900NI	R. Leitblech, schwarz	1	Fahrzeugfarbe: Orange Kupfer (t.B.886902)[ar], Grün Raptor Matt (t.B.B063041)[green] Land: Vereinigte Staaten von Amerika[USA] Technische Spezifikationen: Version NTX[NTX]
8	89763900Y11	Rechtes Leitblech technogrey	1	Fahrzeugfarbe: Schwarz Competition (t.B. 886899)[blc] Technische Spezifikationen: Version NTX[NTX]
9	897640	Luftleitblech li roh	1	
9	89764000NI	L. Leitblech, schwarz	1	Fahrzeugfarbe: Orange Kupfer (t.B.886902)[ar], Schwarz Guzzi (t.B.886901)[blg], Weiß Diamant (t.B.886900)[whd] Technische Spezifikationen: Standardversion[Std]
9	89764000NI	L. Leitblech, schwarz	1	Fahrzeugfarbe: Orange Kupfer (t.B.886902)[ar], Grün Raptor Matt (t.B.B063041)[green] Land: Vereinigte Staaten von Amerika[USA] Technische Spezifikationen: Version NTX[NTX]
9	89764000Y11	Linkes Leitblech technogrey	1	Fahrzeugfarbe: Schwarz Competition (t.B. 886899)[blc] Technische Spezifikationen: Version NTX[NTX]
10	AP8152339	TBEI Schraube m.Flansch M5x9	1	
11	248419	Plattchen m5	4	
12	AP8102381	Klammer M4	2	
13	AP8150450	Wellenscheibe D5	8	
14	AP8144065	Gummi	8	
15	AP8152302	TBEI Schraube m.Flansch M5x12	2	
16	88346700NI	Rechter Deckel schwarz	1	Land: Kanada[CA], Vereinigte Staaten von Amerika[USA]
16	88346700Y11	Rechter Deckel grau	1	Land: Kanada[CA], Vereinigte Staaten von Amerika[USA]

Einheit	RAHMEN
Code	33.16
Beschreibung	Frontaufbau - Leitblech
Inspektion	1



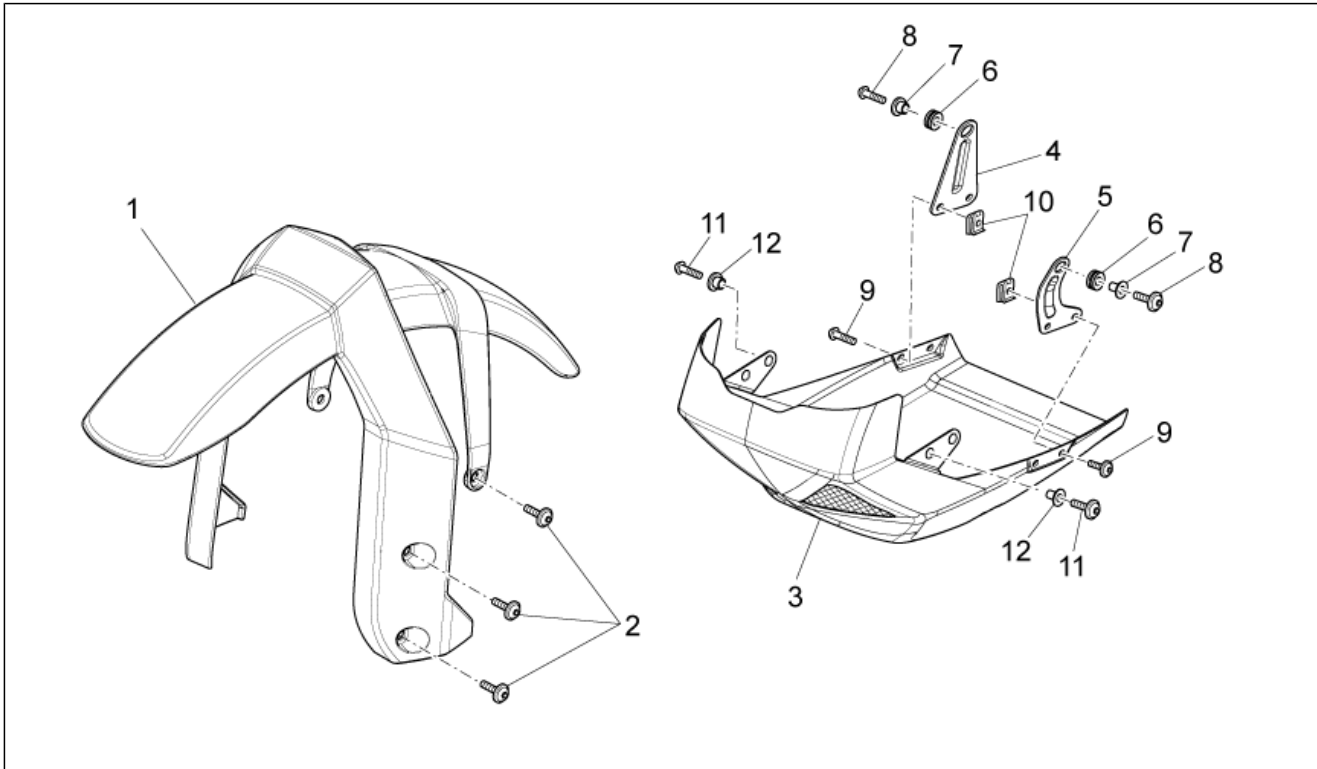
Pos.	Code	Beschreibung	Menge	Varianten
17	88346800NI	Kappe li schwarz	1	Land:Kanada[CA], Vereinigte Staaten von Amerika[USA]
17	88346800Y11	Kappe li grau	1	Land:Kanada[CA], Vereinigte Staaten von Amerika[USA]
18	GU98370412	TBEI Schraube M4x12	2	Land:Kanada[CA], Vereinigte Staaten von Amerika[USA]
19	AP8102381	Klammer M4	2	Land:Kanada[CA], Vereinigte Staaten von Amerika[USA]

Einheit	RAHMEN
Code	33.17
Beschreibung	Mittlerer Aufbau
Inspektion	1



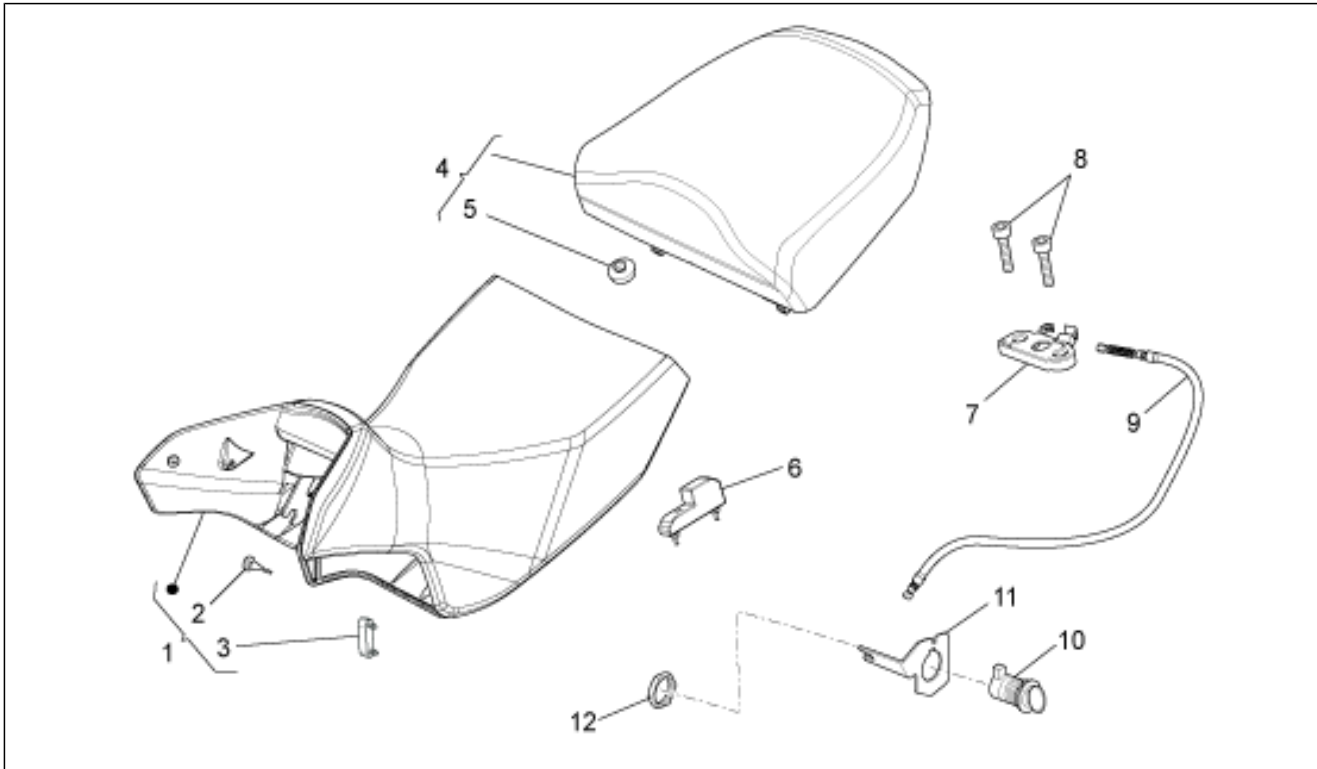
Pos.	Code	Beschreibung	Menge	Varianten
1	898165	Tankverkleidung roh	1	
1	89816500NI	Tankverkleidung	1	
1	89816500YN2	Tankverkleidung Black Alcyone	1	Baujahr: 2014[E] Fahrzeugfarbe: Midnight Blau[bl]
2	AP8152339	TBEI Schraube m.Flansch M5x9	4	
3	978152	Gummi	2	
4	GU91180600	Distanzscheibe 6,25x8x5	2	
5	248419	Plattchen m5	2	

Einheit	RAHMEN
Code	33.18
Beschreibung	Vord.Schutzblech-Stütze
Inspektion	1



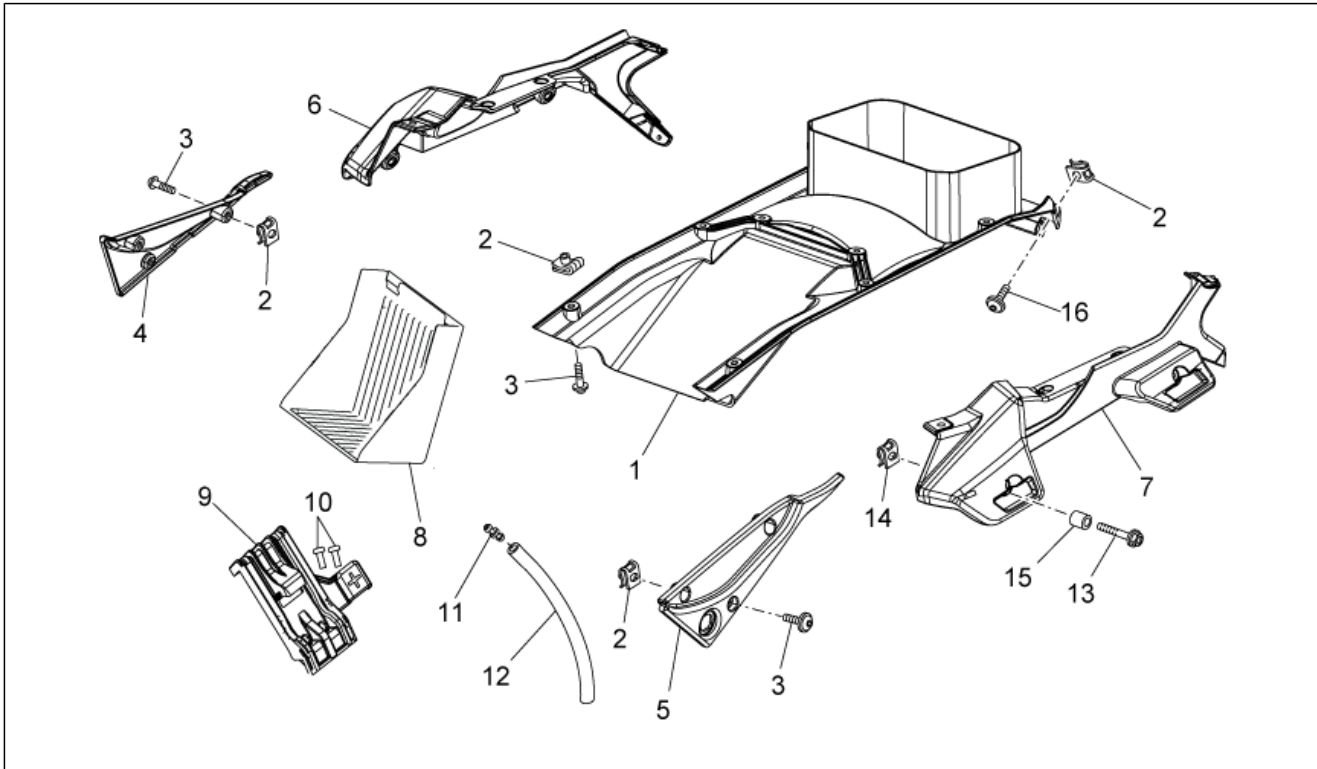
Pos.	Code	Beschreibung	Menge	Varianten
1	88625400BM	V. Schutzblech, weiß	1	Fahrzeugfarbe: Weiß Diamant (t.B.886900)[whd] Technische Spezifikationen: Standardversion[Std]
1	88625400DE	V. Schutzblech, blau	1	Baujahr: 2014[E] Fahrzeugfarbe: Midnight Blau[bl]
1	88625400NI	V. Schutzblech, schwarz	1	Fahrzeugfarbe: Schwarz Competition (t.B. 886899)[blc] Technische Spezifikationen: Version NTX[NTX]
1	88625400XV6	V. Schutzblech, grün	1	Fahrzeugfarbe: Grün Raptor Matt (t.B.B063041)[green] Technische Spezifikationen: Version NTX[NTX]
1	88625400Y02	V. Schutzblech, schwarz	1	Fahrzeugfarbe: Schwarz Guzzi (t.B.886901)[blg] Technische Spezifikationen: Standardversion[Std]
1	88625400YA2	V. Schutzblech, orange	1	Fahrzeugfarbe: Orange Kupfer (t.B.886902)[ar] Land: Vereinigte Staaten von Amerika[USA] Technische Spezifikationen: Version NTX[NTX], Standardversion[Std]
1	978445	Vorder Schutzblech ohne farbe	1	
2	AP8152302	TBEI Schraube m.Flansch M5x12	6	
3	886329	Stütze, schwarz	1	Technische Spezifikationen: Standardversion[Std]
4	978777	Rechtes bügel	1	
5	978776	Linkes bügel	1	
6	GU91551010	Gummi	2	
7	AP8221128	T-Buchse 8,5x10,7x12	2	
8	GU98350425	TBEI Schraube	2	
9	AP8152339	TBEI Schraube m.Flansch M5x9	4	
10	248419	Plattchen m5	4	
11	GU98350416	TBEI Schraube M8x16	4	
12	AP8121096	T-Buchse 8,2x12x4	4	

Einheit	RAHMEN
Code	33.19
Beschreibung	Sitz
Inspektion	1



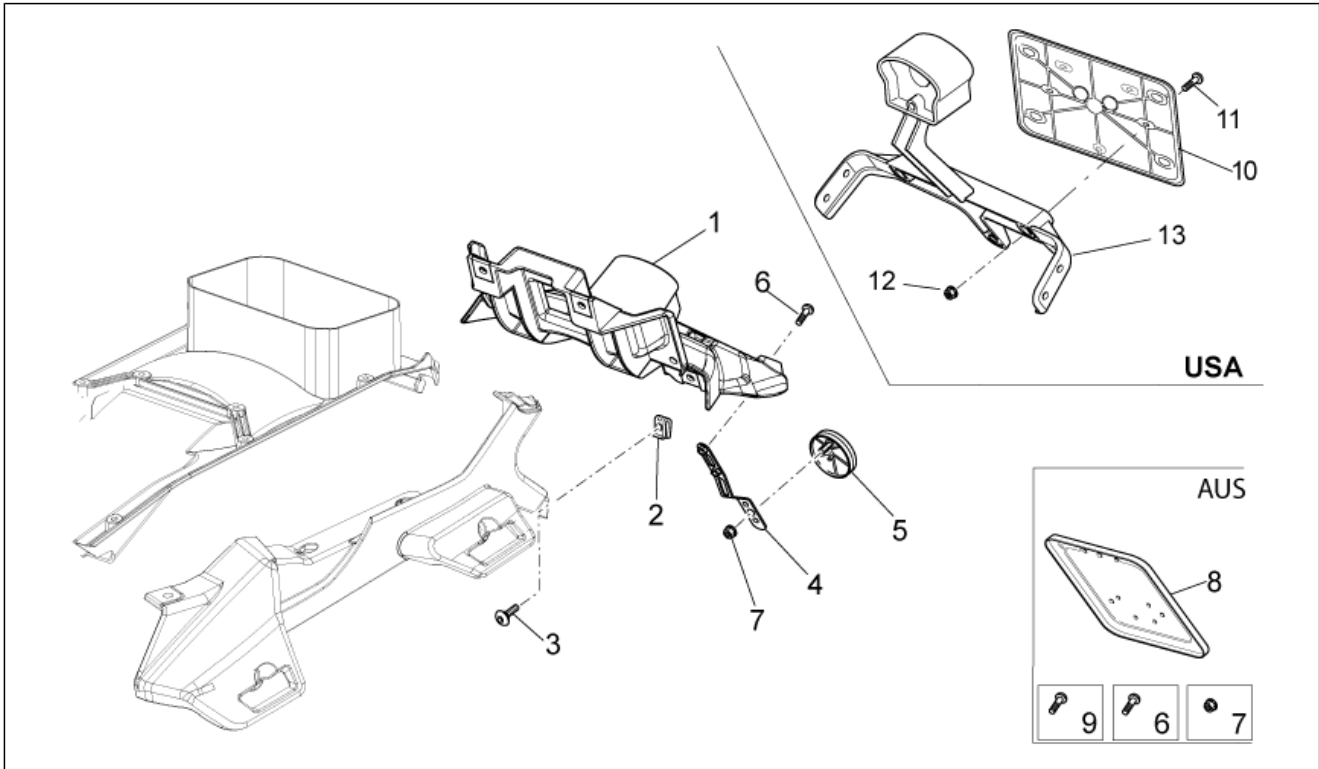
Pos.	Code	Beschreibung	Menge	Varianten
1	88617600A2	Fahrersitz	1	
2	AP8120001	Gummi	2	
3	AP8126701	Sitz-Auflagegummi	2	
4	88621100A2	Soziussitz	1	
5	GU32461610	Gummi	5	
6	886175	Gummi	4	
7	AP8102913	Fixierplatte Soziussitz	1	
8	GU98370625	TBEI Schraube	2	
9	883048	Sitz-Einkupplungsvorrichtung	1	
10	GU05466830	Sitzschloß	1	
11	AP8134948	Platte	1	
12	AP8102523	Schloß mutter M22x1,5	1	

Einheit	RAHMEN
Code	33.20
Beschreibung	R.Kar. I
Inspektion	1



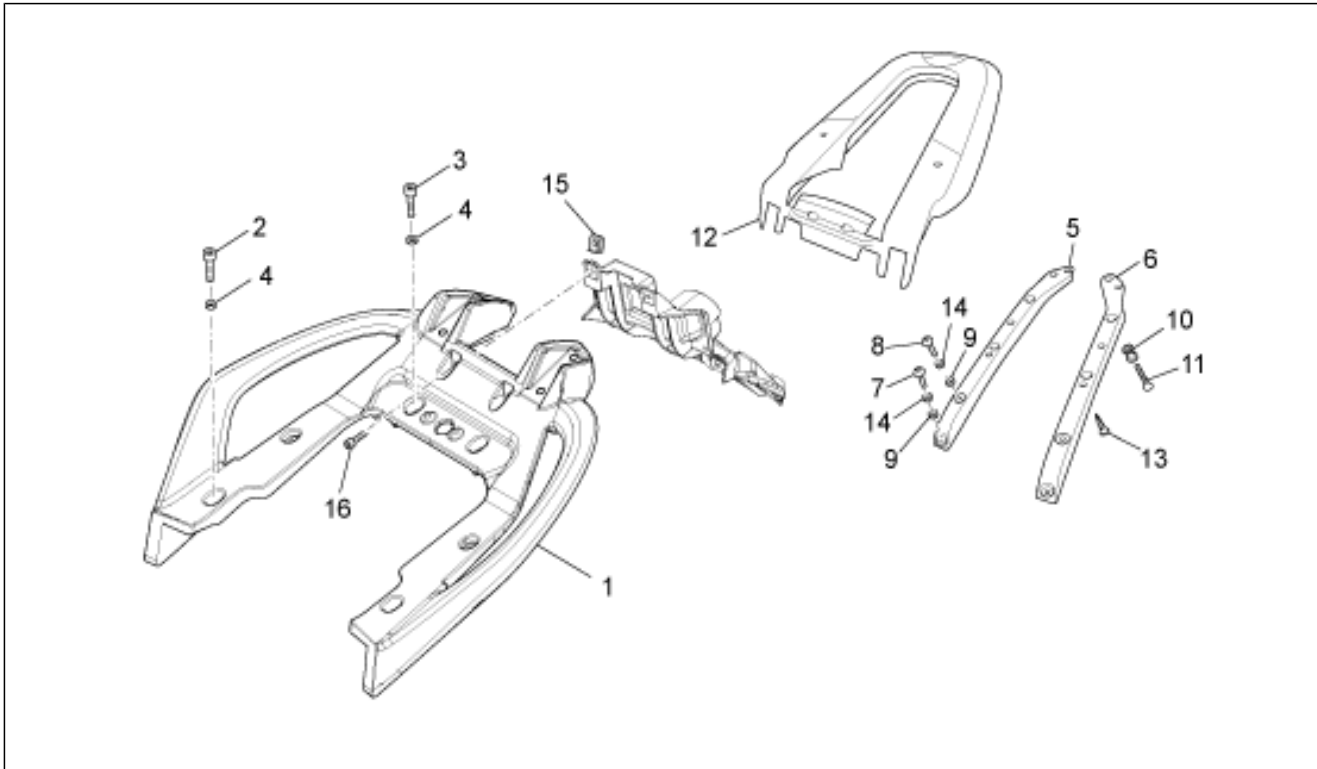
Pos.	Code	Beschreibung	Menge	Varianten
1	886647	Spritzschutz	1	
2	248419	Plattchen m5	9	
3	AP8152339	TBEI Schraube m.Flansch M5x9	10	
4	883024	R. kl. Seitenteil	1	
5	883023	L. kl. Seitenteil	1	
6	886206	Halter rechts	1	
7	886207	Halter links	1	
8	883617	Batteriehalter	1	
9	886205	Fixierplatte Batterie	1	
10	AP8152329	Kreuz.schl.flnschschr. M5x20	2	
11	GU06704700	Anschluss	1	
12	AP8220263	Entlüftungsschlauch Kühler 4x8	1	
13	AP8152280	TE Schr. m. Flansch M6x25	4	
14	GU28576592	Klemmutter M6	4	
15	883177	Buchse 6,2x10x10,7	4	
16	AP8152302	TBEI Schraube m.Flansch M5x12	2	

Einheit	RAHMEN
Code	33.21
Beschreibung	R.Kar.II
Inspektion	1



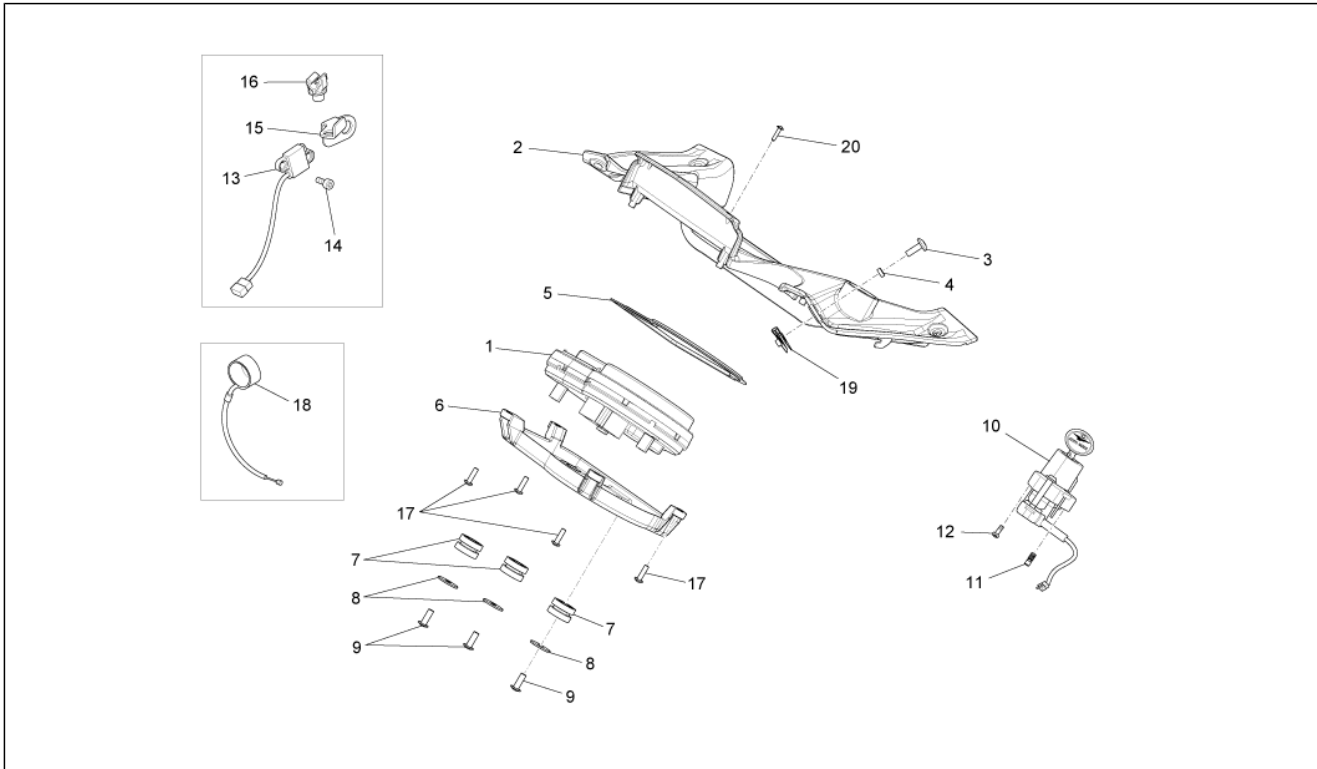
Pos.	Code	Beschreibung	Menge	Varianten
1	978425	Kennzeichenplatte	1	
2	248419	Plattchen m5	2	
3	AP8152302	TBEI Schraube m.Flansch M5x12	2	
4	AP8134448	Rückstrahler-Fixierung	1	
5	AP8224164	Rückstrahler Rücklicht, rot	1	
6	AP8152268	TBEI Spez.schr. M5x16	6	
7	AP8152306	Selbstsperrende Mutter m5	4	
8	GU80438610	Kennzeichenplatte	1	Land:Australien[AUS]
9	AP8152339	TBEI Schraube m.Flansch M5x9	4	Land:Australien[AUS]
10	AP8149034	Kennzeichenhalter	1	Land:Kanada[CA], Vereinigte Staaten von Amerika[USA]
11	GU98223530	Schraube	2	Land:Kanada[CA], Vereinigte Staaten von Amerika[USA]
12	GU92650035	Geflanschte Mutter	2	Land:Kanada[CA], Vereinigte Staaten von Amerika[USA]
13	883214	H.rückstrahler Support	1	Land:Kanada[CA], Vereinigte Staaten von Amerika[USA]

Einheit	RAHMEN
Code	33.22
Beschreibung	Griff - Gepäckträger
Inspektion	1



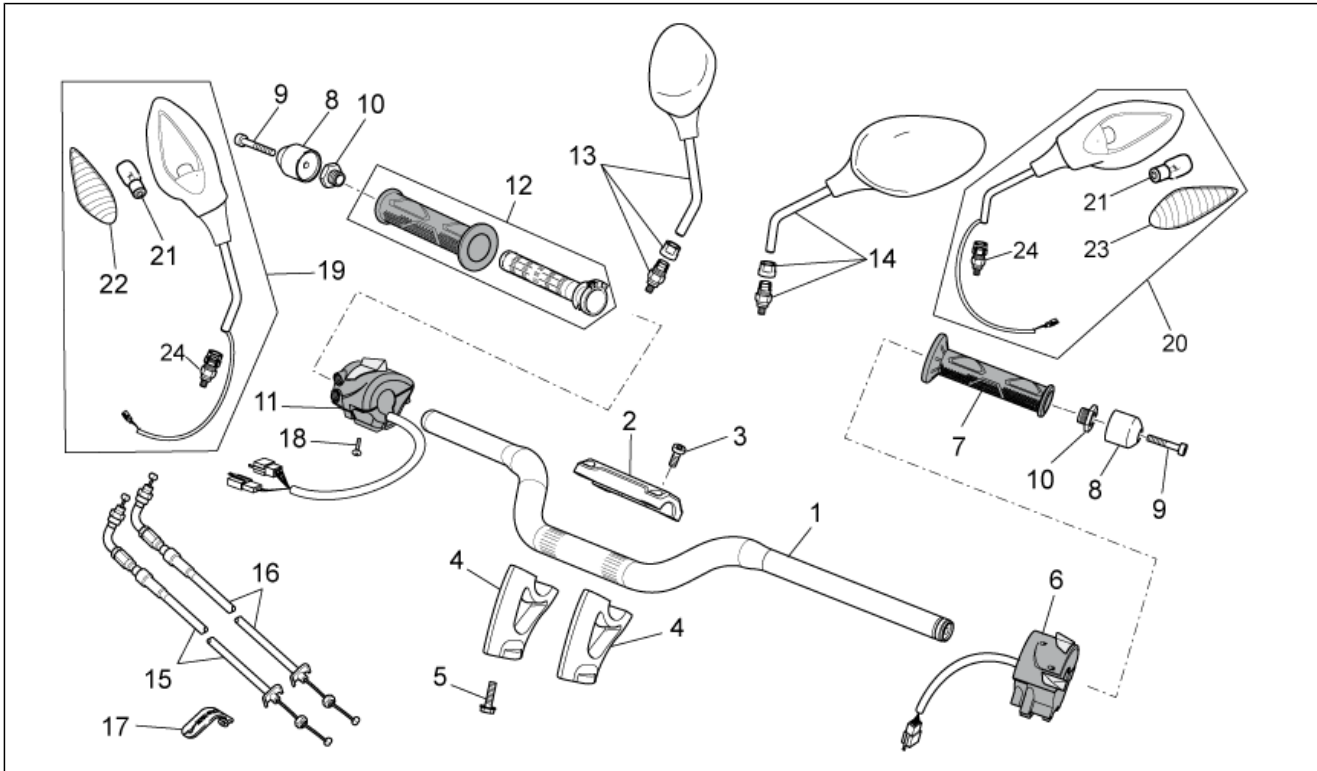
Pos.	Code	Beschreibung	Menge	Varianten
1	97843900Y10	Gr. Soziushaltegriff	1	
2	GU98682425	TCEI Schraube M8x25	4	
3	GU98682416	TCEI Schraube M8x16	2	
4	GU14615901	Ausgleichscheibe 8,4X13X0,8	6	
5	GU05466630	Gepäckträgerhalter re.	1	
6	GU05466631	Gepäckträgerhalter li.	1	
7	GU98230820	TBEI Schraube M8x20	2	
8	GU98350430	TBEI Schraube M8x30	2	
9	AP8152154	Ausgleichscheibe 8,4x13*	4	
10	AP8121890	Buchse	2	
11	GU98250635	Schraube M6x35	2	
12	883047	Objektr.deck.	1	
13	AP8150509	Gew.schr. 5x14	4	
14	GU03013800	Ausgleichscheibe 6,4x12	4	
15	248419	Plattchen m5	2	
16	AP8152302	TBEI Schraube m.Flansch M5x12	2	

Einheit	RAHMEN
Code	33.23
Beschreibung	Instrumententafel
Inspektion	1



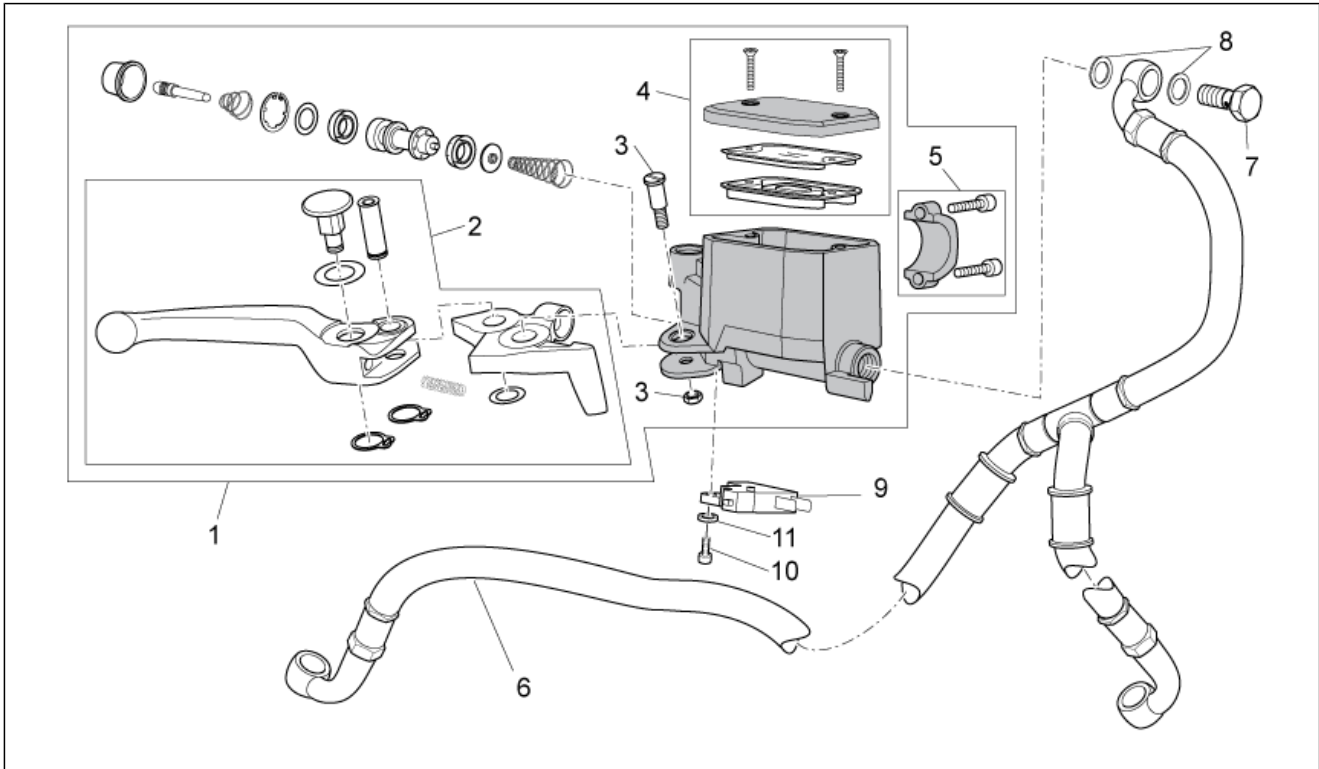
Pos.	Code	Beschreibung	Menge	Varianten
1	897645	Instrumententafel	1	
2	89816600NI	Instrumententafel roh	1	Fahrzeugfarbe: Orange Kupfer (t.B.886902)[ar], Grün Raptor Matt (t.B.B063041)[green] Land: Vereinigte Staaten von Amerika[USA] Technische Spezifikationen: Version NTX[NTX], Standardversion[Std]
2	89816600Y11	Instrumententafel roh	1	Technische Spezifikationen: Version NTX[NTX]
2	89816600YN2	Instrumententafel roh Black Alcyone	1	Baujahr: 2014[E] Fahrzeugfarbe: Midnight Blau[bl]
3	976614	TCCCE Schraube M5X15	4	
4	GU91180601	Distanzscheibe 6,2x8x3	2	
5	978449	Dichtung	1	
6	886819	Halterfassung	1	
7	AP8144662	Gummi	3	
8	AP8150255	Ausgleichscheibe 5x20x1,5	3	
9	AP8150509	Gew.schr. 5x14	3	
10	GU05782530	Lenkschloß	1	
11	AP8152238	Reißschraube M8x28	1	
12	GU98682430	TCEI Schraube M8x30	1	
13	883768	Geschwindig.sensor	1	Technische Spezifikationen: Version ohne ABS[No ABS]
14	AP8152043	TCEI Schraube M4x10	2	Technische Spezifikationen: Version ohne ABS[No ABS]
15	GU06765500	Kabelführung	1	Technische Spezifikationen: Version ohne ABS[No ABS]
16	AP8121882	Kabelführungs	1	Technische Spezifikationen: Version ohne ABS[No ABS]
17	AP8150413	Gew.schr. 3,9x14	2	
18	981087	Immobilizer antenne	1	
19	248419	Plattchen m5	4	
20	AP8150421	Gew.schr. 2,9x12	2	

Einheit	RAHMEN
Code	33.24
Beschreibung	Lenkstange - Schaltungen
Inspektion	1



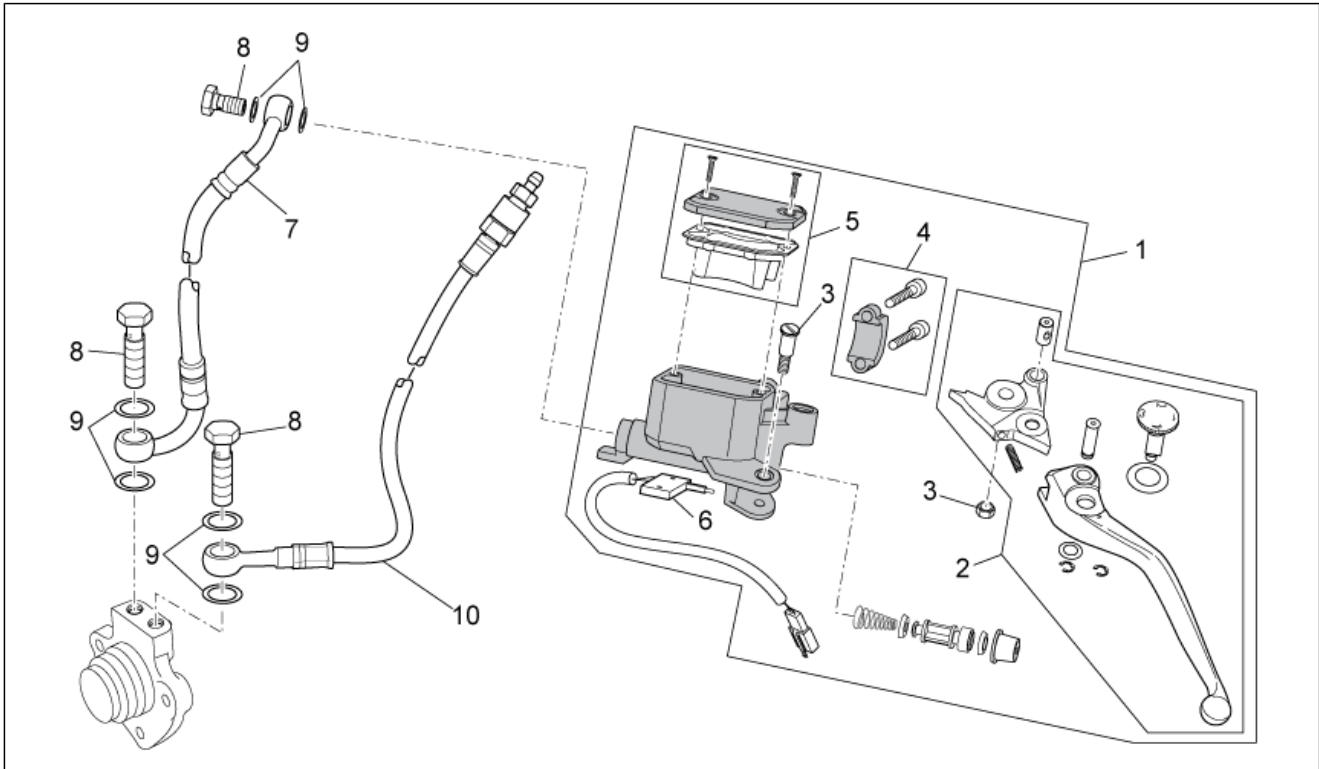
Pos.	Code	Beschreibung	Menge	Varianten
1	978040	Lenkstange	1	
2	978821	Bügelbolzen oben	1	
3	GU98700430	Zylinderschraube M8x30	4	
4	978042	Unter.Bügelbolzen	2	
5	AP8152325	TE Schr. m. Flansch	2	
6	886229	Linker Lichtschalter	1	
7	AP8118579	Links griff	1	
8	AP8104572	Schwingschutzgewicht schwarz	2	
9	AP8150342	TCEI Schraube M6x70	2	
10	886234	Endstück Schwinggew.	2	
11	883543	Motor Stop-Start Vorr.	1	Technische Spezifikationen: Version ohne ABS[No ABS]
11	886159	Motor Stop-Start Vorr.	1	Technische Spezifikationen:
12	GU01603480	Rechts griff	1	
13	AP8104921	Rückspiegel rechts	1	
14	AP8104922	Rückspiegel links	1	
15	85222R	Gas trasmission delivery	1	
16	85223R	Gas trasmission return	1	
17	GU01609630	Schelle L46 mm	4	
18	978059	Gew.schr.	1	
19	883460	Rückspiegel rechts	1	Land: Kanada[CA], Vereinigte Staaten von Amerika[USA]
20	883461	Rückspiegel links	1	Land: Kanada[CA], Vereinigte Staaten von Amerika[USA]
21	981101	Lampen 12V-15W	1	Land: Kanada[CA], Vereinigte Staaten von Amerika[USA]
22	981099	R.Blinkerblende	1	Land: Kanada[CA], Vereinigte Staaten von Amerika[USA]
23	981100	L.Blinkerblende	1	Land: Kanada[CA], Vereinigte Staaten von Amerika[USA]
24	884312	Spiegelbefestigung Feder	2	Land: Kanada[CA], Vereinigte Staaten von Amerika[USA]

Einheit	RAHMEN
Code	33.25
Beschreibung	Vorderradbrenspumpe
Inspektion	1



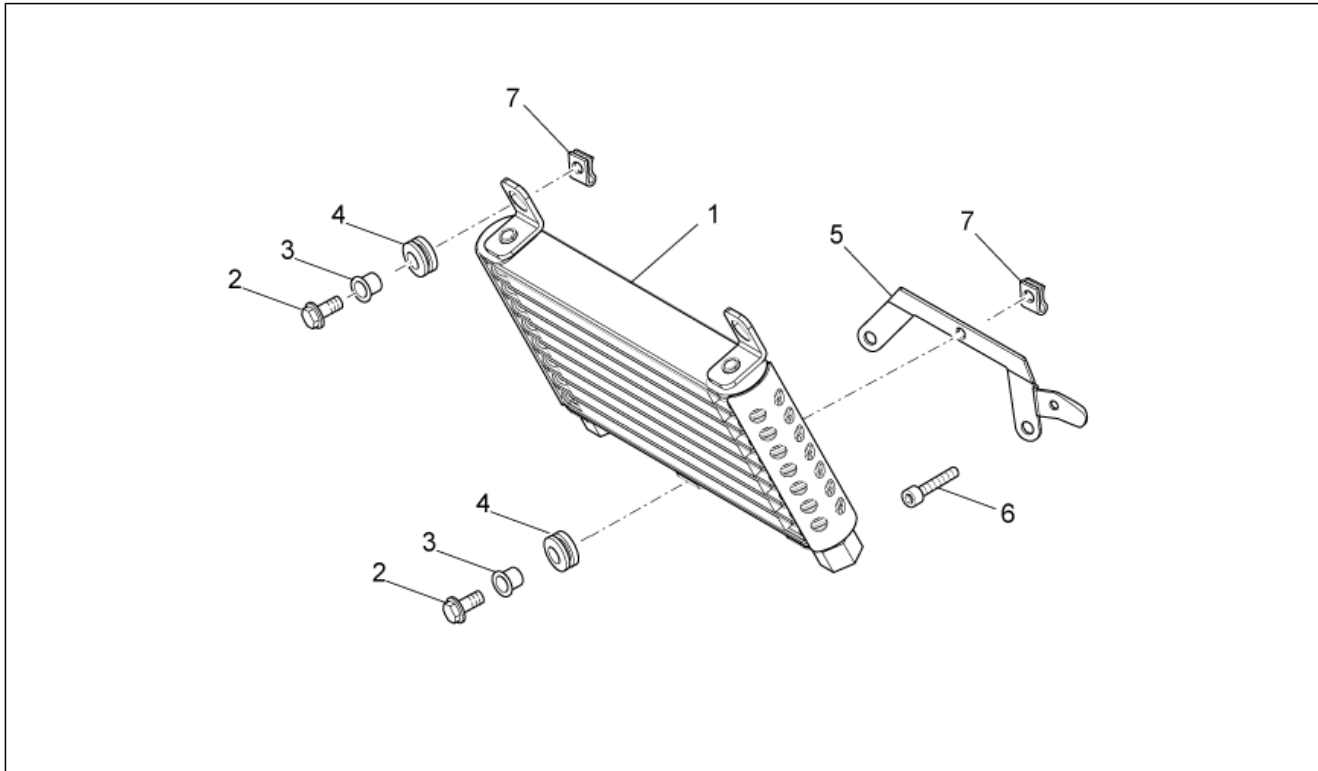
Pos.	Code	Beschreibung	Menge	Varianten
1	978606	Vorderradbrenspumpe	1	
2	981050	Vorderradbrenshebel	1	
3	AP8113995	Hebelbolzen	1	
4	GU05661130	Tankverschluß	1	
5	AP8113993	Bügelbolzen	1	
6	978784	Vorderradbrensleitung	1	Technische Spezifikationen: Version ohne ABS[No ABS]
7	AP8133962	Fixierschraube Ölschlauch *	1	Technische Spezifikationen: Version ohne ABS[No ABS]
8	GU25656100	Dichtung	2	
9	GU03749845	Bremslichtschalter	1	
10	GU98370412	TBEI Schraube M4x12	1	
11	GU95021104	Ausgleichscheibe 4,3x8x1,5	1	

Einheit	RAHMEN
Code	33.26
Beschreibung	Kupplung schalt. kpl
Inspektion	1



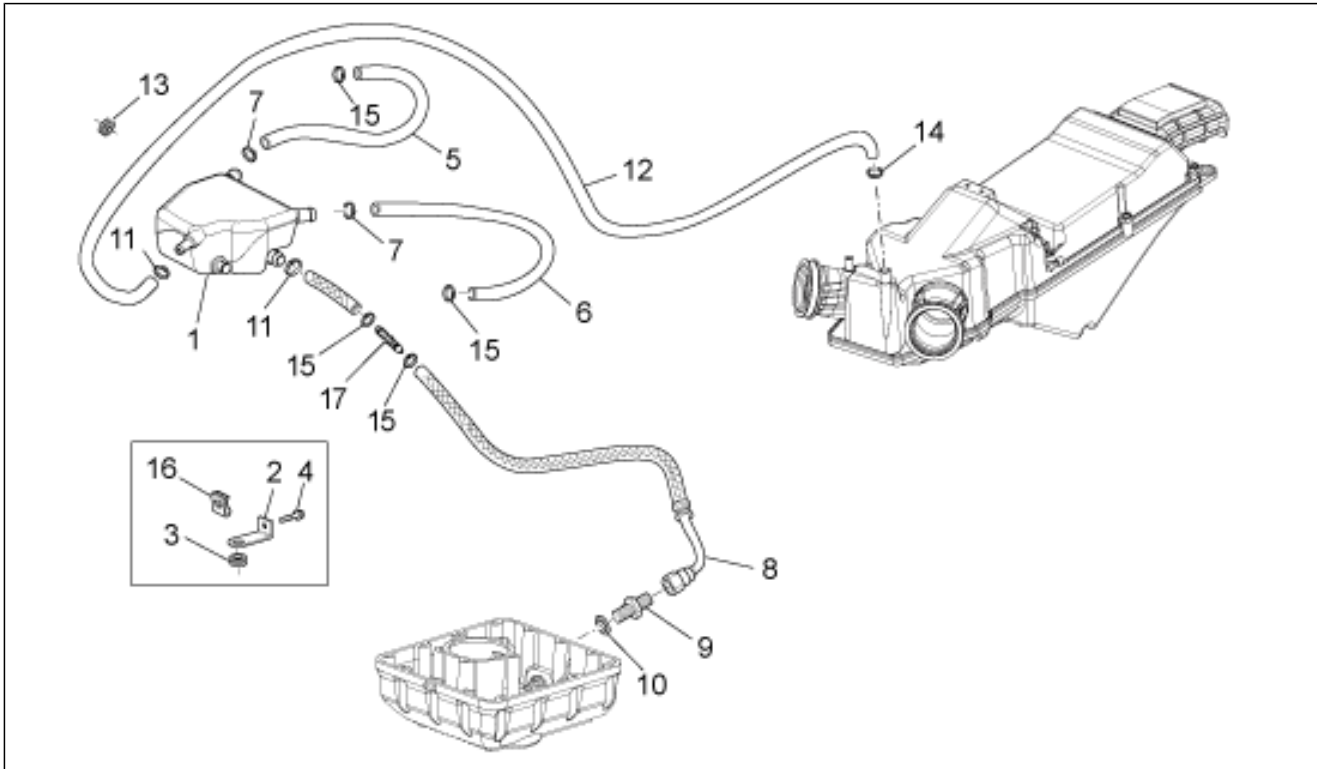
Pos.	Code	Beschreibung	Menge	Varianten
1	978607	Kupplungspumpe	1	
2	981046	Kupplungshebel	1	
3	GU03604845	Hebelbolzen	1	
4	AP8113993	Bügelbolzen	1	
5	AP8113997	Tankverschluß	1	
6	AP8113998	Mikroschalter	1	
7	978911	Kupplungsschlauch	1	
8	AP8113003	Fixierschraube Ölschlauch *	3	
9	AP8113004	Ausgleichscheibe 10x14x1,6*	6	
10	GU05606630	Ablaßrohr kupplung	1	

Einheit	RAHMEN
Code	33.27
Beschreibung	Ölkühler
Inspektion	1



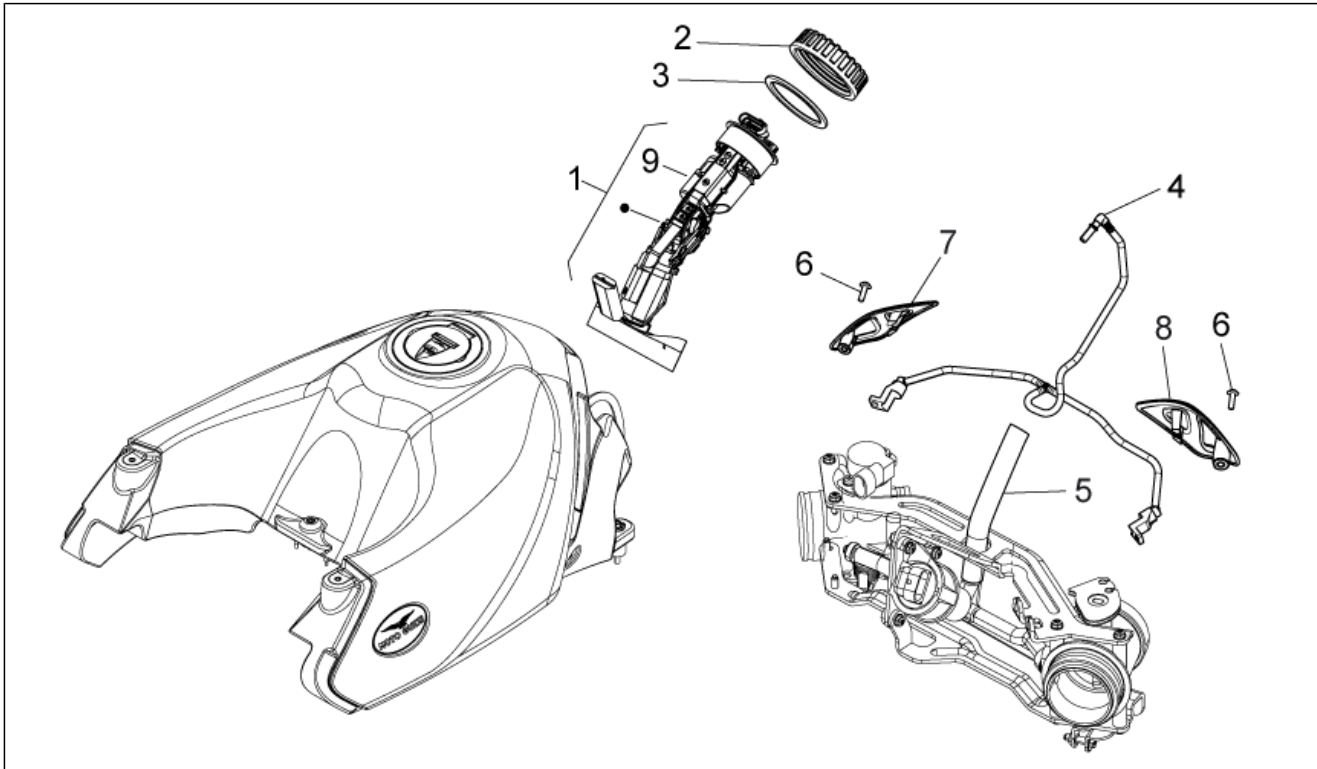
Pos.	Code	Beschreibung	Menge	Varianten
1	886831	Ölkühler kpl.	1	
1	978579	Ölkühler kpl.	1	
2	AP8152280	TE Schr. m. Flansch M6x25	3	
3	AP8221023	T-Buchse	3	
4	AP8120030	Gummi	3	
5	886858	Kühlerbefestigung	1	
5	978846	Kühlerbefestigung	1	
6	GU98680340	TCEI Schraube M6x40	2	
7	GU28576591	Klammer M6	1	

Einheit	RAHMEN
Code	33.28
Beschreibung	Anlage Blow-by
Inspektion	1



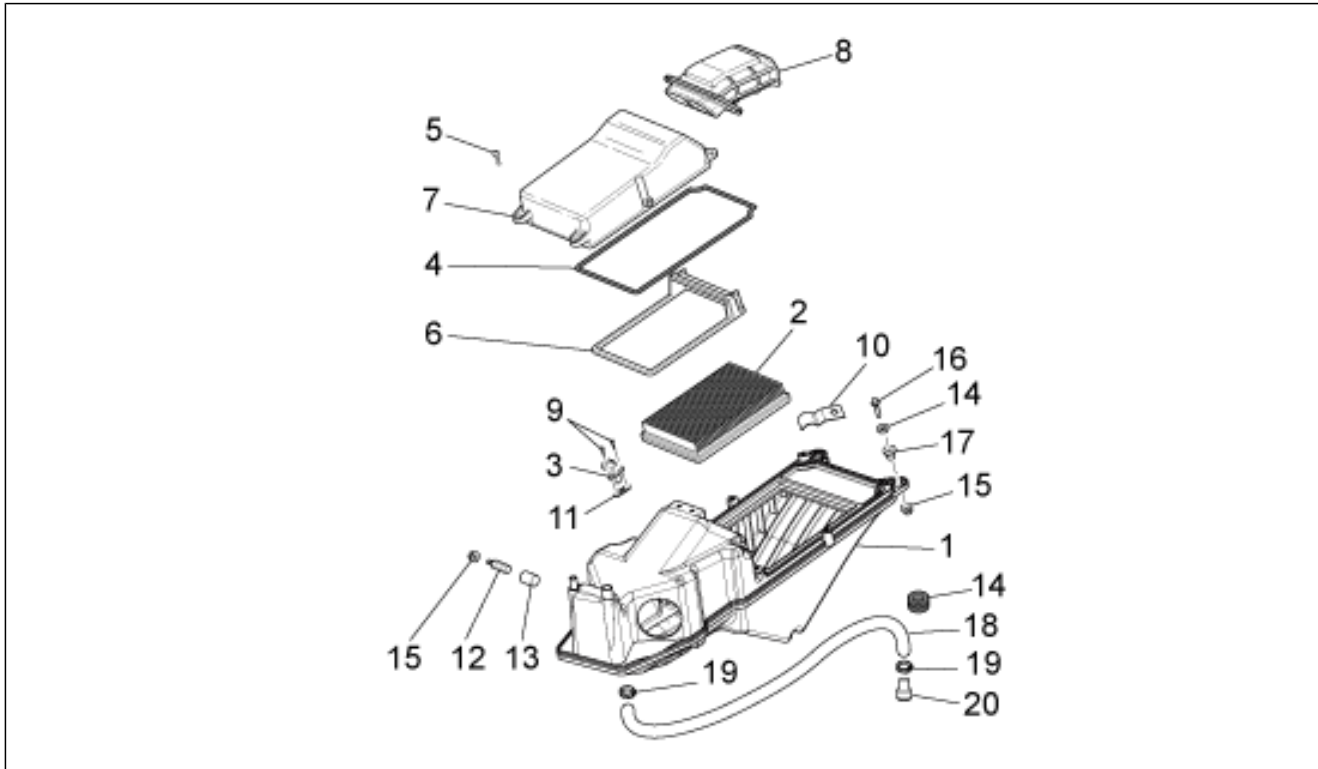
Pos.	Code	Beschreibung	Menge	Varianten
1	886098	Hause	1	
2	GU06412300	Platte	1	
3	AP8120030	Gummi	1	
4	598839	TE Schr. m. Flansch	1	
5	883034	Schlauch rechts	1	
6	883035	Schlauch links	1	
7	AP8102349	Schlauschelle weiß D17,5x8	2	
8	883036	Absaugleitung	1	
9	GU01161331	Übersetzung	1	
10	GU01154230	Dichtung	1	
11	AP8102765	Schlauschelle weiß D.13,5x6	2	
12	GU00823955080	Entlüftungsschlauch Kühler	1	
13	AP8220162	Gummi	1	
14	AP8102764	Schlauschelle weiß d.13x6	1	
15	AP8101586	Schlauschelle D.15,5x6,6	4	
16	GU28576591	Klammer M6	1	
17	886339	2-Wege Anschluß	1	

Einheit	RAHMEN
Code	33.29
Beschreibung	Einspeisung
Inspektion	1



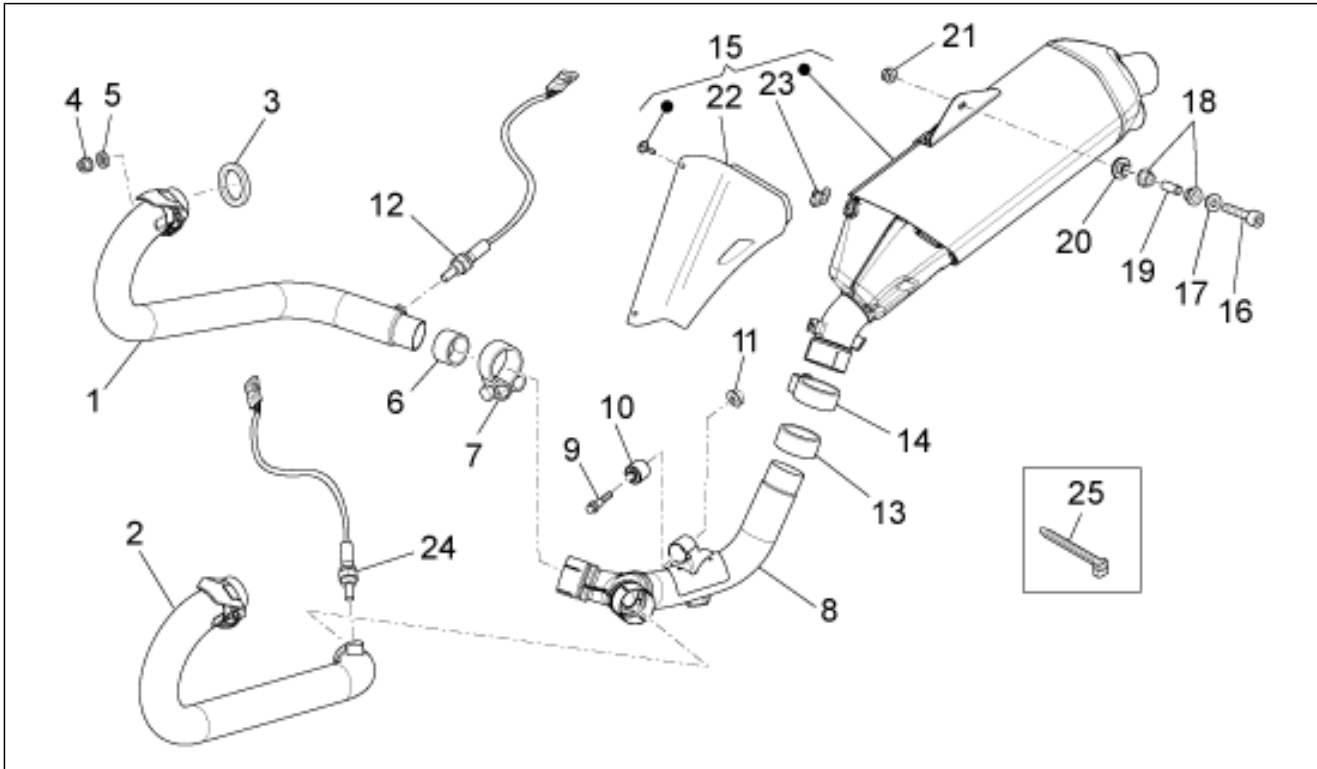
Pos.	Code	Beschreibung	Menge	Varianten
1	897636	Kraftstoffpumpe	1	
2	AP8158359	Nutmutter	1	
3	854937	Dichtung	1	
4	897618	benzinschlauch	1	
5	883633	Entlüftungsschlauch Kühler	1	
6	GU98680222	TCEI Schraube	2	
7	883092	Rechter schutz	1	
8	883093	Linker schutz	1	
9	641277	Not available	1	

Einheit	RAHMEN
Code	33.30
Beschreibung	Filtergehäuse
Inspektion	1



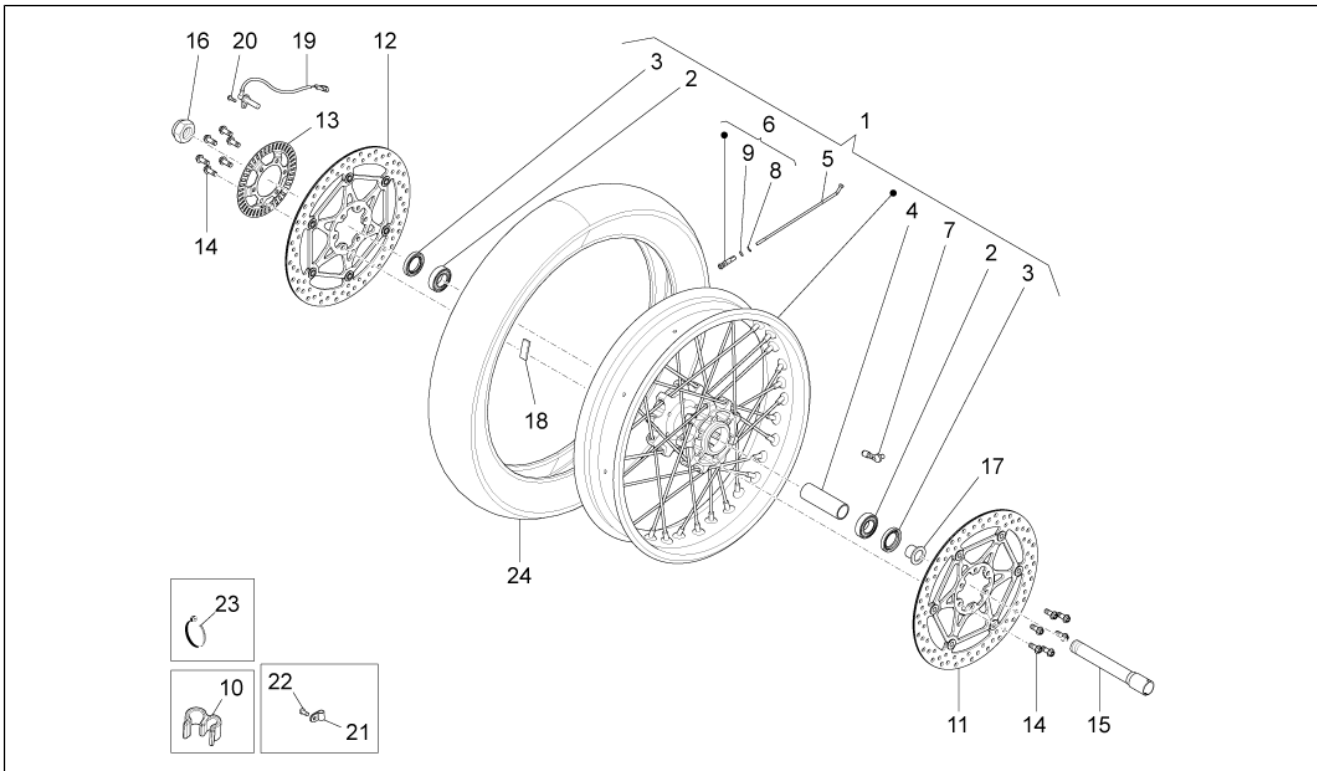
Pos.	Code	Beschreibung	Menge	Varianten
1	877062	Filtergehäuse	1	
2	AP8104329	Luftfilter	1	
3	GU30729330	Lufttemperaturfühler	1	
4	890513	Dichtung D4	1	
5	AP8152329	Kreuz.schl.flnschschr. M5x20	6	
6	GU06114200	Protection	1	
7	GU06113700	Deckel	1	
8	AP8144164	Ansaugmuffe	1	
9	AP8150421	Gew.schr. 2,9x12	2	
10	GU93301313	Bügelbolzen	1	
11	GU30027931	Dichtung	1	
12	883097	Befestigungsz. Filtergehäuse	2	
13	AP8220526	Gummi	2	
14	AP8120030	Gummi	2	
15	GU92650036	Geflanschte Mutter M6	2	
16	AP8152280	TE Schr. m. Flansch M6x25	2	
17	AP8221023	T-Buchse	2	
18	AP8144038	Kraftstoffleitung 6x10	2	
19	AP8101595	Schelle D10,1	4	
20	AP8120876	Verschlussschraube	2	

Einheit	RAHMEN
Code	33.31
Beschreibung	Auslassgruppe
Inspektion	1



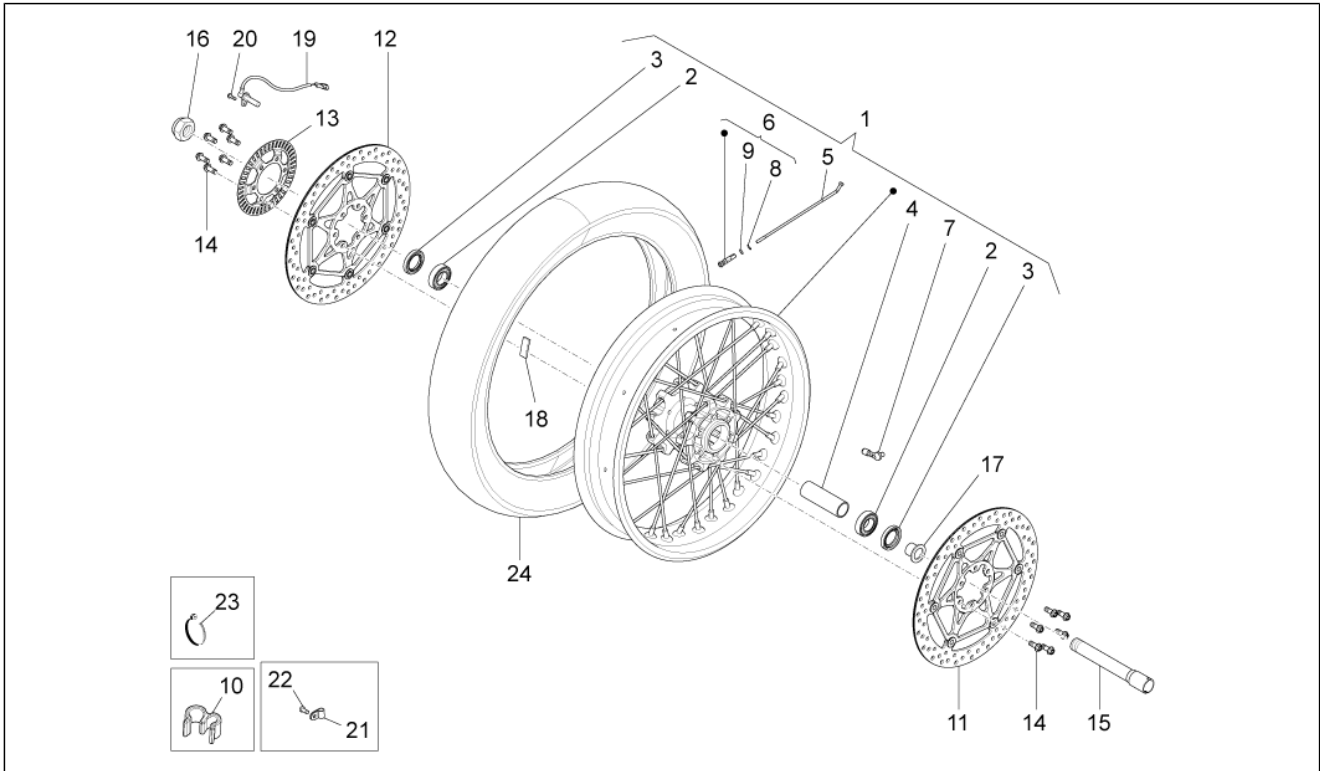
Pos.	Code	Beschreibung	Menge	Varianten
1	897622	R. Auspuffrohr	1	
2	897623	Linkes Auspuffrohr	1	
3	976376	Dichtung	2	
4	GU92660021	Geflanschte Mutter M8	4	
5	GU14615901	Ausgleichscheibe 8,4X13X0,8	4	
6	GU06123500	Dichtung	2	
7	883094	Schelle	2	
8	897624	Auspuffrohr Mitte	1	
9	AP8152410	TE Schr. m. Flansch M10x55	1	
10	AP8220346	Silent-Block	1	
11	AP8152301	Selbstsperrende Mutter	1	
12	896110	Lamdasonde l.660 mm	1	
13	GU05128230	Dichtung	1	
14	976521	Schelle	1	
15	886307	Schalldämpfer	1	
16	GU98680460	TCEI Schraube M8x60	1	
17	AP8134378	Fixierhülse Schalldämpfer	1	
18	AP8144071	Gummi auspuffrohr	2	
19	AP8121072	Distanzscheibe	1	
20	977582	Distanzscheibe	1	
21	GU92650138	Mutter M8x1,25	1	
22	978444	Schutzabdeckung	1	
23	GU28576591	Klammer M6	2	
24	584344	Lamdasonde l. 325 mm	1	
25	GU93304390	Schelle 3,6x375	1	

Einheit	RAHMEN
Code	33.33
Beschreibung	Vorderrad
Inspektion	1



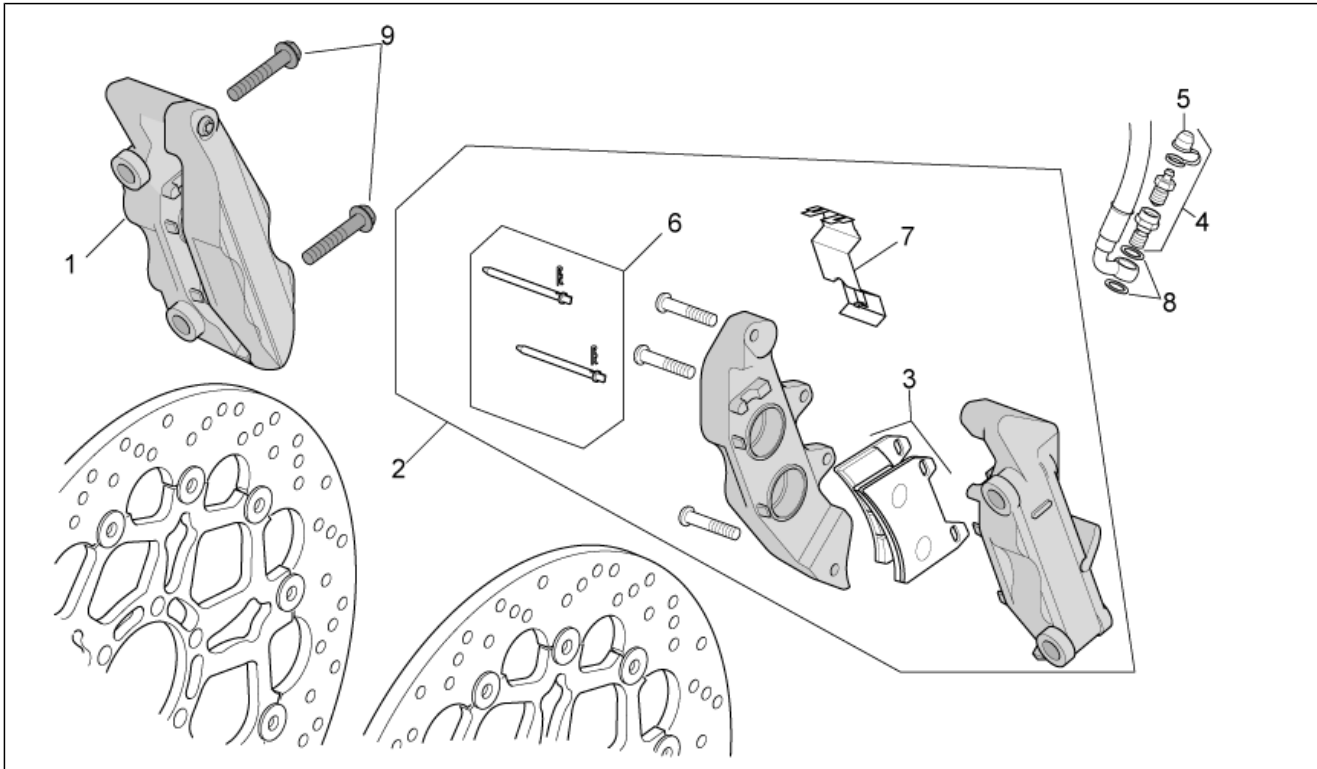
Pos.	Code	Beschreibung	Menge	Varianten
1	883009	Vorderrad 2,50x19"	1	Technische Spezifikationen: Rad mit Kennzeichnung BEHR[RBE], Rad mit Speichen CR[RCR]
1	884093	Vorderrad 2,50x19"	1	Technische Spezifikationen: Rad mit Kennzeichnung BEHR[RBE], Rad mit Speichen ZN[RZN]
1	884168	Vorderrad 2,50x19"	1	Technische Spezifikationen: Rad mit Kennzeichnung GIANT[RGI], Rad mit Speichen ZN[RZN]
2	AP8125777	Kugellager 25x47x12	2	
3	AP8125773	Gasket ring 30x47x7	2	
4	978516	Distanzstück Lager	1	
5	887085	Speiche	36	Technische Spezifikationen: Verzinkt[ZN]
5	978864	Speiche	36	Technische Spezifikationen: Chrom Glänzend[CR]
6	978810	Nippel L=34	36	
7	AP8101744	Schlauchloses Reifenventil	1	
8	978811	Sprengring	36	
9	GU90706061	O-Ring OR2025	36	
10	894704	Kabelführung	3	
11	896012	Vorderradbremsscheibe SX	1	
12	896011	Vorderradbremsscheibe DX	1	
13	AP8128189	Wheel speed sensor, LH front	1	
14	AP8152286	TE Schr. m. Flansch M8x20	12	
15	978030	Vorderradbolzen	1	
16	GU01612190	Mutter	1	
17	GU06616300	Distanzscheibe	1	
18	GU14616150	Gegengewicht	1	
19	859792	Sensor ABS	1	
20	AP8152273	Flanschschraube M5x16	1	
21	859777	Kabelführung	3	
22	AP8201749	Linsenschraube M4x6	1	
23	GU49609601	Schelle 2,4x92	1	

Einheit	RAHMEN
Code	33.33
Beschreibung	Vorderrad
Inspektion	1



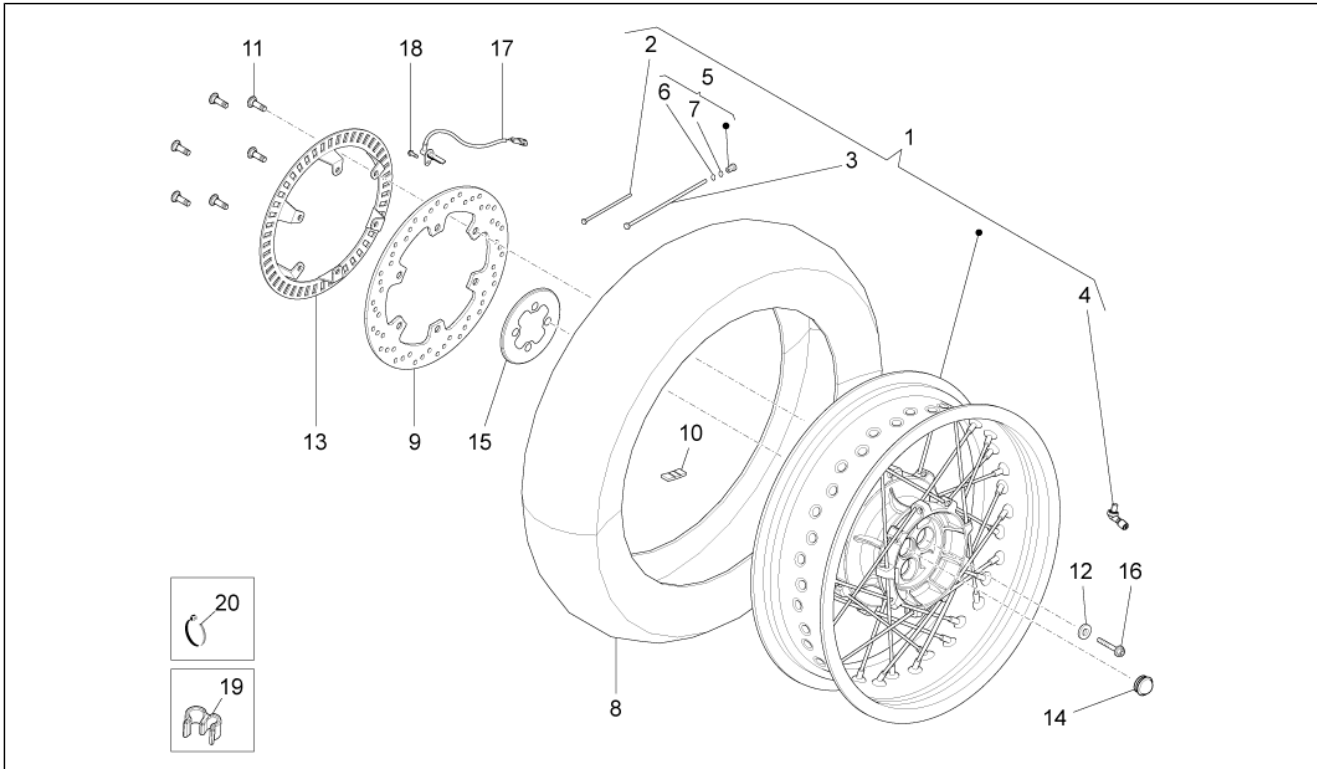
Pos.	Code	Beschreibung	Menge	Varianten
24	886311	Vorderreifen 110/80 R19	1	

Einheit	RAHMEN
Code	33.34
Beschreibung	Vorderradbremzange
Inspektion	1



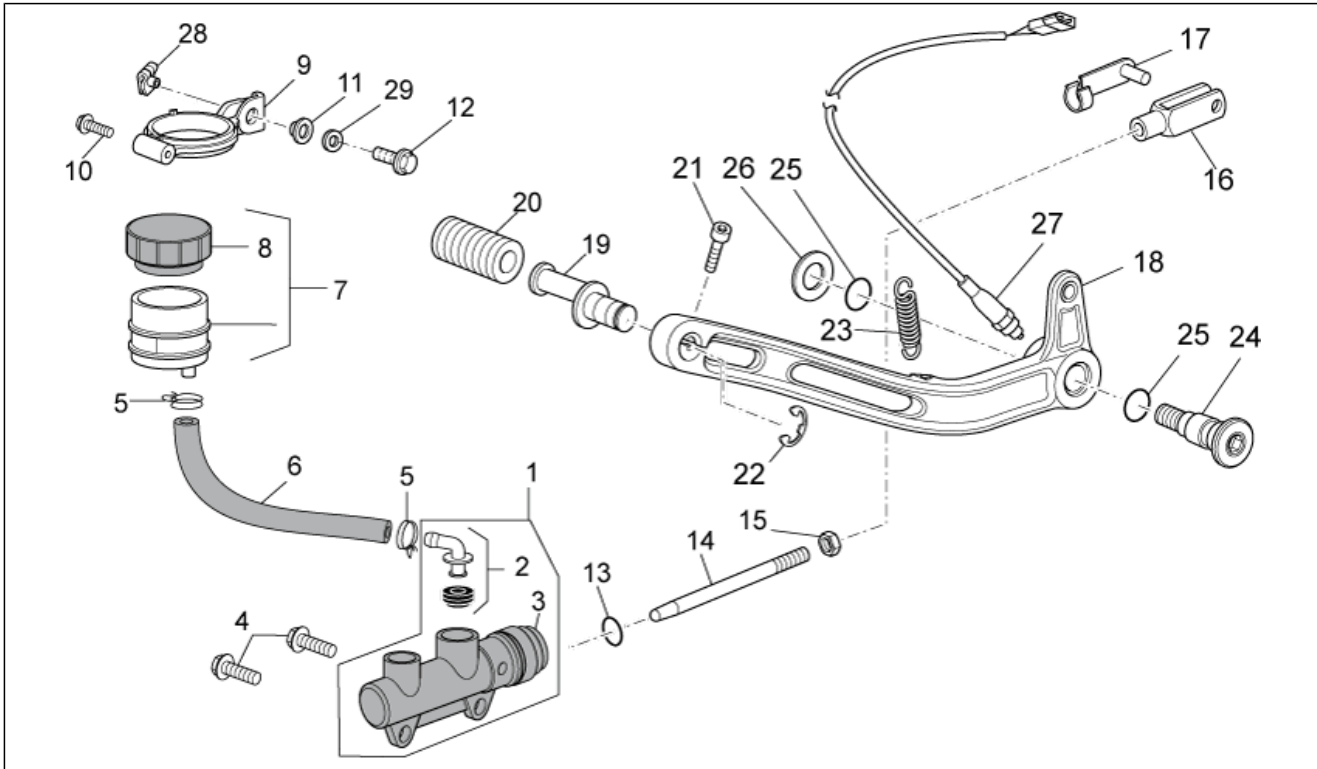
Pos.	Code	Beschreibung	Menge	Varianten
1	887067	Vorderradbremzange r.	1	Technische Spezifikationen:
2	887068	Vorderradbremzange l.	1	Technische Spezifikationen:
3	887070	Beläge (paar)	2	Technische Spezifikationen:
4	AP8133945	Bausatz Entlüftungsüberh.	2	
5	AP8113070	Entlüftungskappe	2	
6	GU01659130	Stifte-Federn Bremzange	2	
7	GU01659131	Feder	2	
8	GU25656100	Dichtung	4	
9	AP8152414	TE Schr. m. Flansch M10x55	4	

Einheit	RAHMEN
Code	33.35
Beschreibung	Hinterrad
Inspektion	1



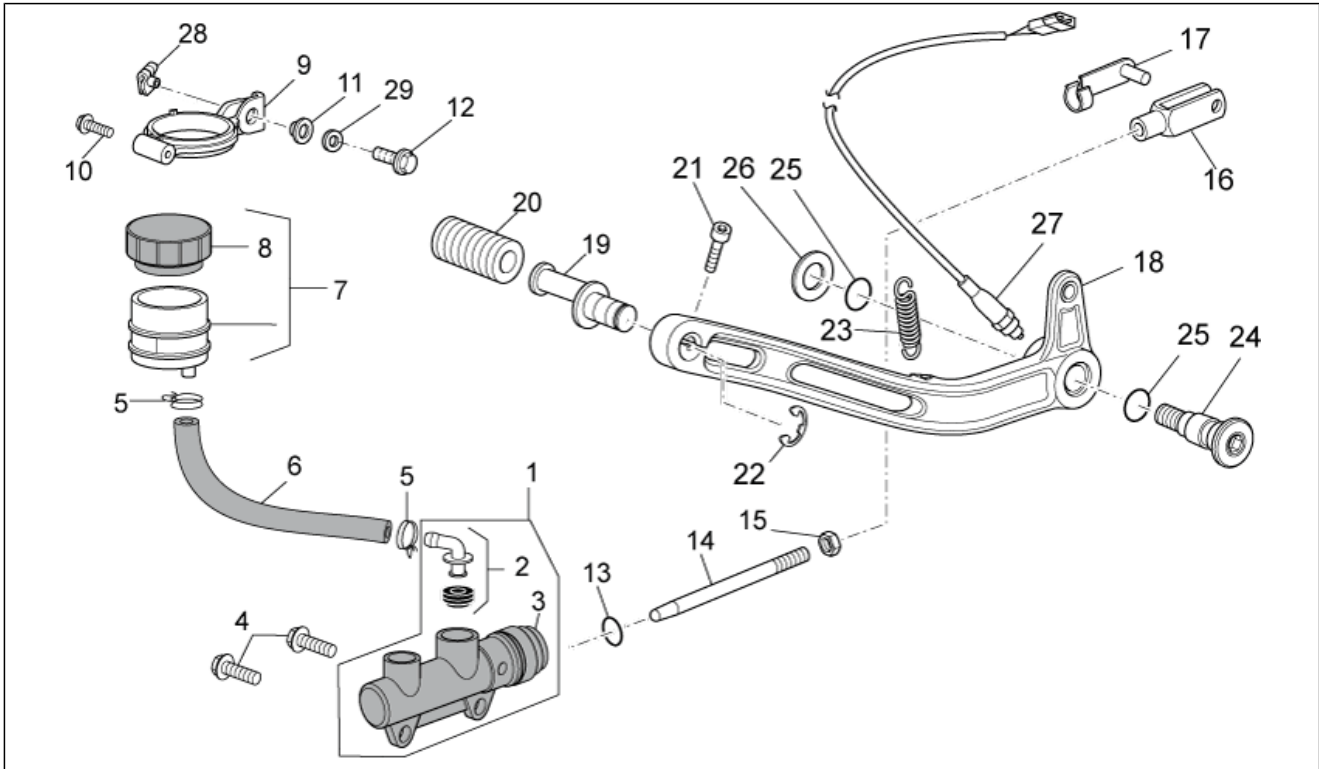
Pos.	Code	Beschreibung	Menge	Varianten
1	883433	Hinterrad 4,25X17"	1	Technische Spezifikationen: Rad mit Kennzeichnung BEHR[RBE], Rad mit Speichen CR[RCR]
1	884094	Hinterrad 4,25X17"	1	Technische Spezifikationen: Rad mit Kennzeichnung BEHR[RBE], Rad mit Speichen ZN[RZN]
1	884166	Hinterrad 4,25X17"	1	Technische Spezifikationen: Rad mit Kennzeichnung GIANT[RGI], Rad mit Speichen ZN[RZN]
2	887082	Kurze Speike L=147,4mm	18	Technische Spezifikationen: Verzinkt[ZN]
2	978815	Kurze Speike	18	Technische Spezifikationen: Chrom Glänzend[CR]
3	887083	Lange Speike L=154,9mm	18	Technische Spezifikationen: Verzinkt[ZN]
3	978816	Lange Speike	18	Technische Spezifikationen: Chrom Glänzend[CR]
4	978814	Schlauchloses Reifenventil	1	
4	AP8101744	Schlauchloses Reifenventil	1	
5	978810	Nippel L=34	36	
6	978811	Sprengring	36	
7	GU90706061	O-Ring OR2025	36	
8	886312	Hinterer Reifen 150/70 R17	1	
9	GU05635730	Vorderradbremsscheibe	1	
10	GU14616150	Gegengewicht	1	
11	AP8152272	TE Schr. m. Flansch M5x12	6	
12	GU05632730	Konischebuchse	4	
13	GU05681530	Wheel speed sensor, LH front	1	
14	978301	Deckel	1	
15	977056	Staubschutzring	1	
16	GU97202665	TE Schr. m. Flansch M12x65	4	
17	GU05683730	Sensor	1	
18	598839	TE Schr. m. Flansch	1	
19	894704	Kabelführung	4	
20	GU49609601	Schelle 2,4x92	1	

Einheit	RAHMEN
Code	33.36
Beschreibung	Hinterradbremspumpe
Inspektion	1



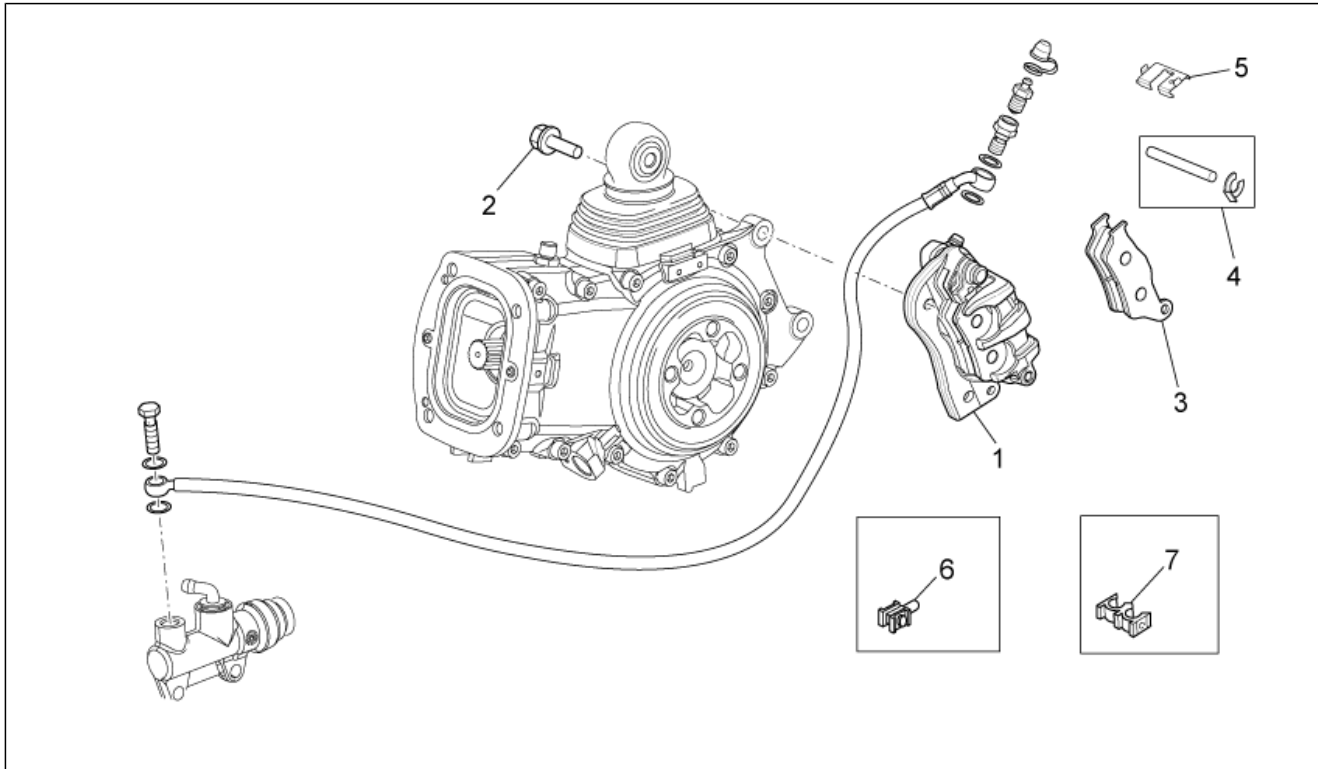
Pos.	Code	Beschreibung	Menge	Varianten
1	GU0566930	Hinterradbremspumpe	1	
2	AP8113594	Hinterer Pumpenanschluß	1	
3	AP8113288	Gummibalg	1	
4	AP8152279	TE Schr. m. Flansch M6x20	2	
5	AP8101595	Schelle D10,1	2	
6	AP8133779	Hinterradbremseleitung	1	
7	GU05663530	Bremsöltank	1	
8	GU17661052	Tankverschluß	1	
9	GU05666030	Tankfixierung	1	
10	AP8152329	Kreuz.schl.flnschschr. M5x20	1	
11	AP8221145	T-Buchse *	1	
12	598839	TE Schr. m. Flansch	1	
13	AP8120178	O-Ring OR112	1	
14	977041	Pumpenstange brems	1	
15	GU92606206	Mutter	1	
16	AP8113081	Schaltgabel	1	
17	AP8113082	Klemmen für Schaltgabel	1	
18	GU06677000	H.bremshebel	1	
19	AP8121221	Stift Bremshebel	1	
20	AP8120912	Gummi für Hebel	1	
21	GU98682316	TCEI Schraube M6x16	1	
22	AP8150462	Seegerring d9	1	
23	GU30434000	Innere Feder	1	
24	884033	Stift Hinterradbremshieb.	1	
25	AP8144007	O-Ring 11,11x1,78	2	
26	GU95008310	Ausgleichscheibe 10,5x22x2,5	1	
27	AP8112996	Mikroschalter	1	
28	GU28576592	Klemmutter M6	1	

Einheit	RAHMEN
Code	33.36
Beschreibung	Hinterradbremspumpe
Inspektion	1



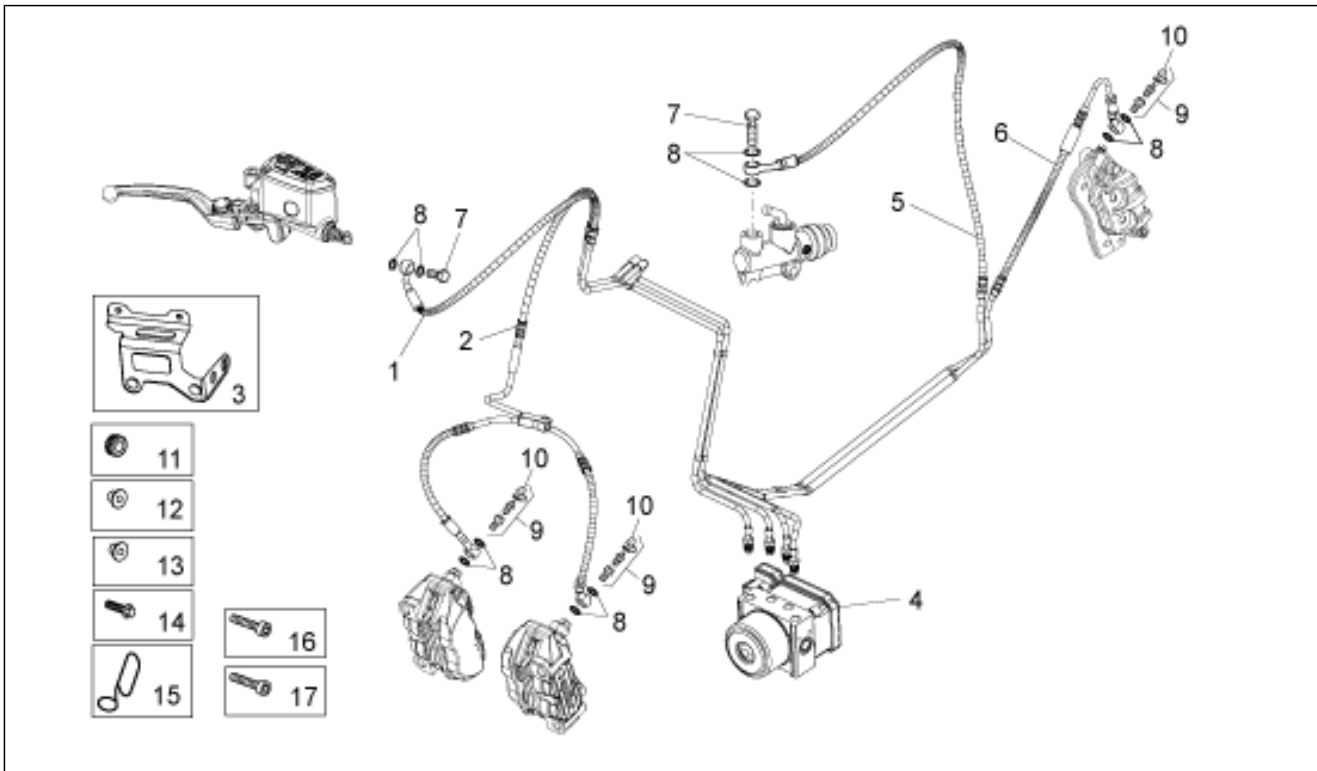
Pos.	Code	Beschreibung	Menge	Varianten
29	GU95021206	Ausgleichscheibe	1	

Einheit	RAHMEN
Code	33.37
Beschreibung	Hinterradbremsszange
Inspektion	1



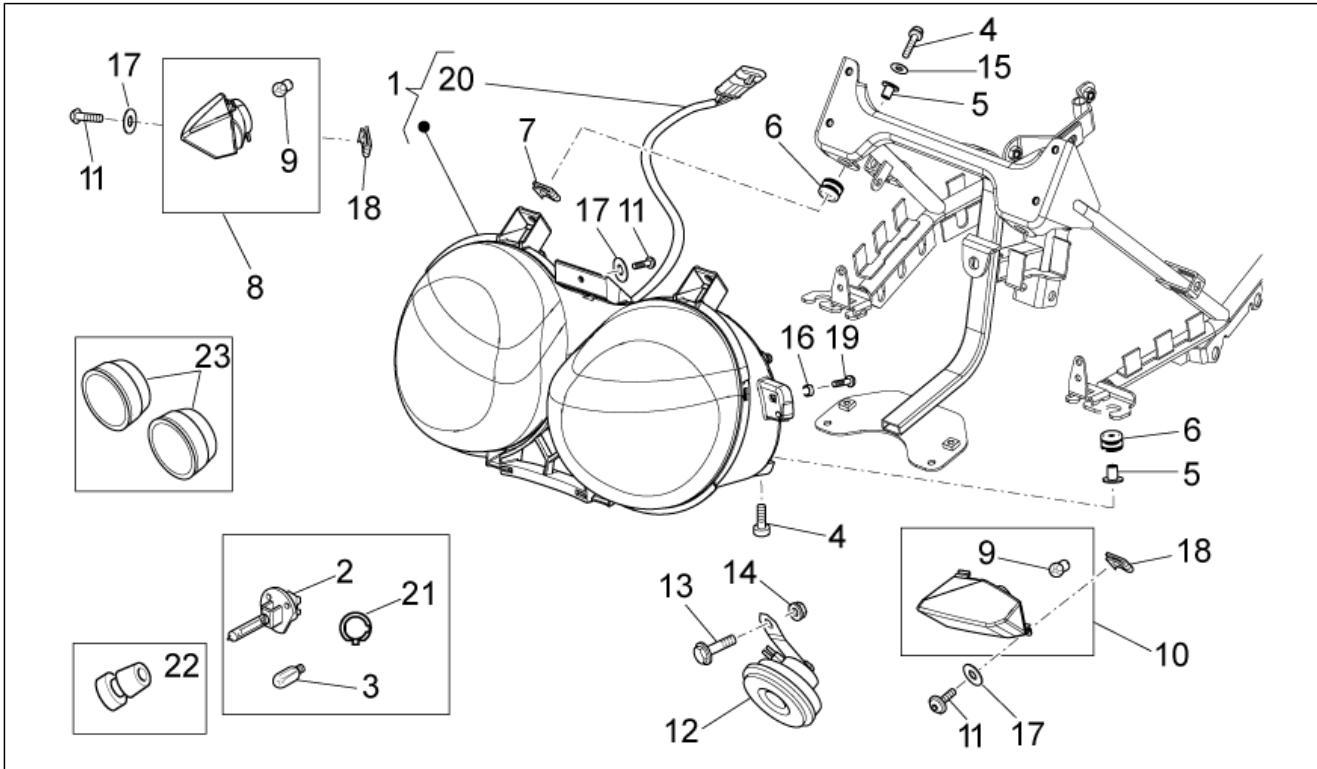
Pos.	Code	Beschreibung	Menge	Varianten
1	978414	Hinterradbremsszange, schw.	1	
2	AP8152320	TE Schr. m. Flansch	2	
3	GU05654630	Beläge (Paar)	1	
4	GU05659130	Stift+Splint Bremse	1	
5	GU05659030	Feder	1	
6	AP8202238	Kabelführungs Haken	4	
7	AP8201808	Kabelführungs D8	5	

Einheit	RAHMEN
Code	33.39
Beschreibung	Bremsanlage ABS 2010
Inspektion	1



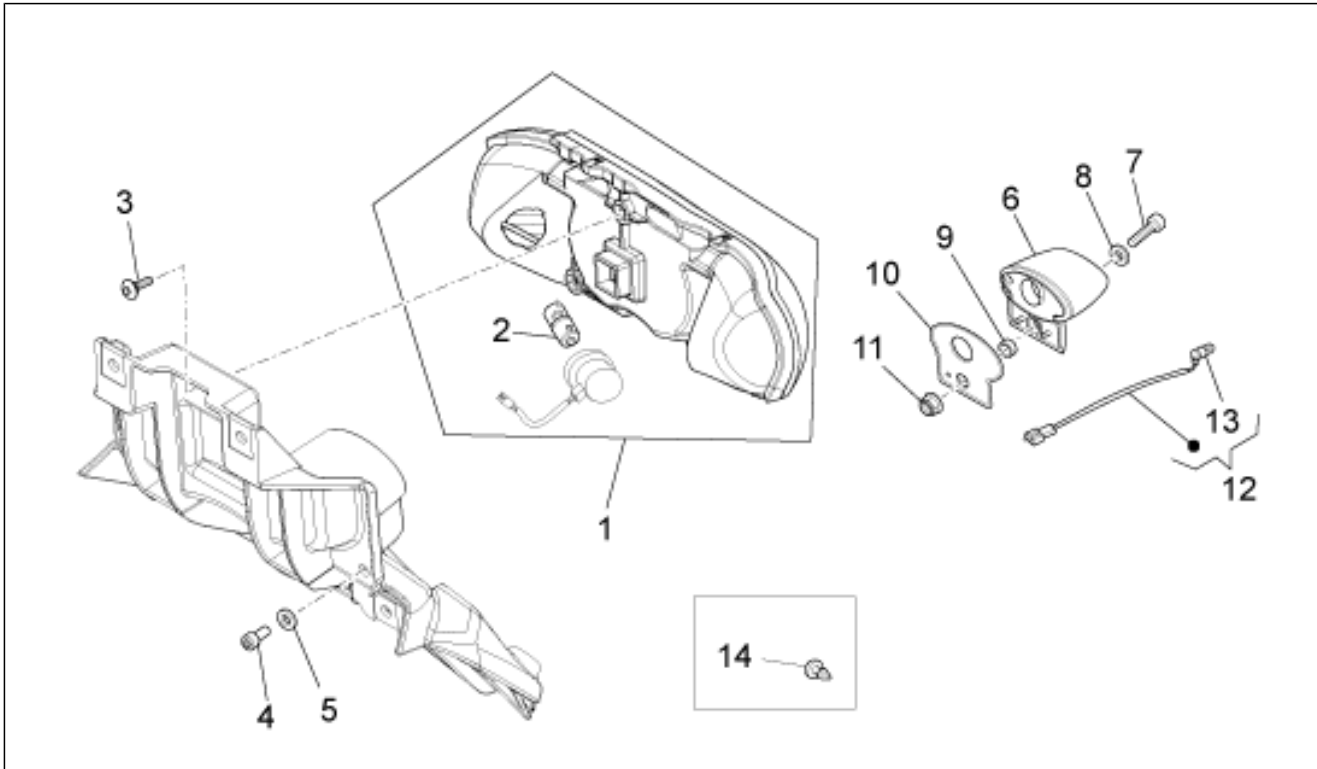
Pos.	Code	Beschreibung	Menge	Varianten
1	886162	Bremsölleitung vorn	1	Technische Spezifikationen:
2	886164	Bremsölleitung vorn	1	Technische Spezifikationen:
3	886149	Halter	1	Technische Spezifikationen:
4	895351	Steuergerät ABS	1	Technische Spezifikationen:
5	886163	Bremölleitung hinten	1	Technische Spezifikationen:
6	886165	Bremölleitung hinten	1	Technische Spezifikationen:
7	AP8113003	Fixierschraube Ölschlauch *	2	Technische Spezifikationen:
8	AP8113004	Ausgleichscheibe 10x14x1,6*	10	Technische Spezifikationen:
9	AP8133945	Bausatz Entlüftungsüberh.	3	Technische Spezifikationen:
10	AP8113070	Entlüftungskappe	3	Technische Spezifikationen:
11	AP8120030	Gummi	3	Technische Spezifikationen:
12	AP8221023	T-Buchse	3	Technische Spezifikationen:
13	AP8121032	Buchse	1	Technische Spezifikationen:
14	AP8152277	TE Schr. m. Flansch M6x12	2	Technische Spezifikationen:
15	AP8201417	Kabelführungs	1	Technische Spezifikationen:
16	GU98230625	TBEI Schraube M6x25	1	
17	GU98350320	TBEI Schraube M6x20	2	

Einheit	RAHMEN
Code	33.40
Beschreibung	Frontscheinwerfer/Hupe
Inspektion	1



Pos.	Code	Beschreibung	Menge	Varianten
1	887029	Scheinwerfer kpl.	1	
1	887820	Scheinwerfer kpl.	1	Land:Australien[AUS], Großbritannien[GB]
2	292723	Lampen H4 60/55W 12V	2	
3	292022	Lampen 12V-5W	2	
4	GU98680225	TCEI Schraube M5x25	2	
5	AP8221023	T-Buchse	4	
6	AP8120030	Gummi	4	
7	248419	Plattchen m5	4	
8	978428	Vorderblinker rechts	1	
9	584332	Lampen 12V-10W	2	
10	978427	Vorderblinker links	1	
11	GU98682116	Schraube	3	
12	886325	Hupe	1	
13	AP8152279	TE Schr. m. Flansch M6x20	1	
14	AP8152299	Selbstsperrende Mutter M6	1	
15	GU95129100	Sprengscheibe 5,3X10X0,5	2	
16	GU91120507	Buchse	2	
17	GU95008205	Ausgleichscheibe 5,3x10x0,8	3	
18	AP8102381	Klammer M4	2	
19	GU98680125	Schraube M4x25	2	
20	899522	Verkabel.Scheinwerf.	1	
21	887821	Verdunkler für Scheinwerfer	1	Land:Australien[AUS], Großbritannien[GB]
22	2R000006	Lampenhalter.	2	
23	2R000007	***Haube	2	

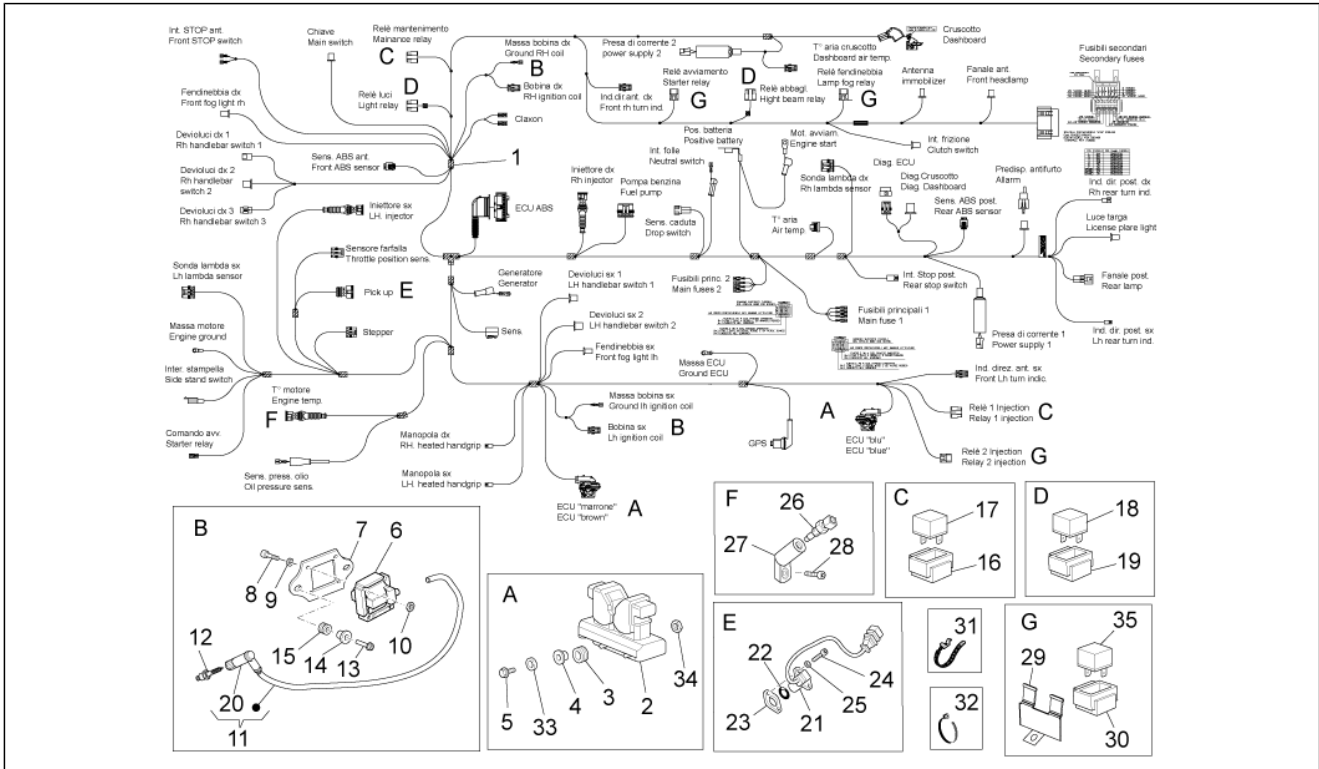
Einheit	RAHMEN
Code	33.41
Beschreibung	Rücklicht
Inspektion	1



Pos.	Code	Beschreibung	Menge	Varianten
1	897886	Rücklicht	1	
2	584332	Lampen 12V-10W	2	
3	AP8152302	TBEI Schraube m.Flansch M5x12	1	
4	GU98692210	TCEI Schraube	2	
5	GU95100059	Ausgleichscheibe 5,25x14x1,5	2	
6	AP8127098	Kennzeichenleuchte	1	
7	GU98680225	TCEI Schraube M5x25	1	
8	GU95008205	Ausgleichscheibe 5,3x10x0,8	1	
9	GU91120507	Buchse	1	
10	GU32474710	Gummi für Haterung	1	
11	AP8152306	Selbstsperrende Mutter m5	1	
12	977795	Kennzeich.leuch.Kabel	1	
13	292022	Lampen 12V-5W	1	
14	GU93180072	Gummi	2	



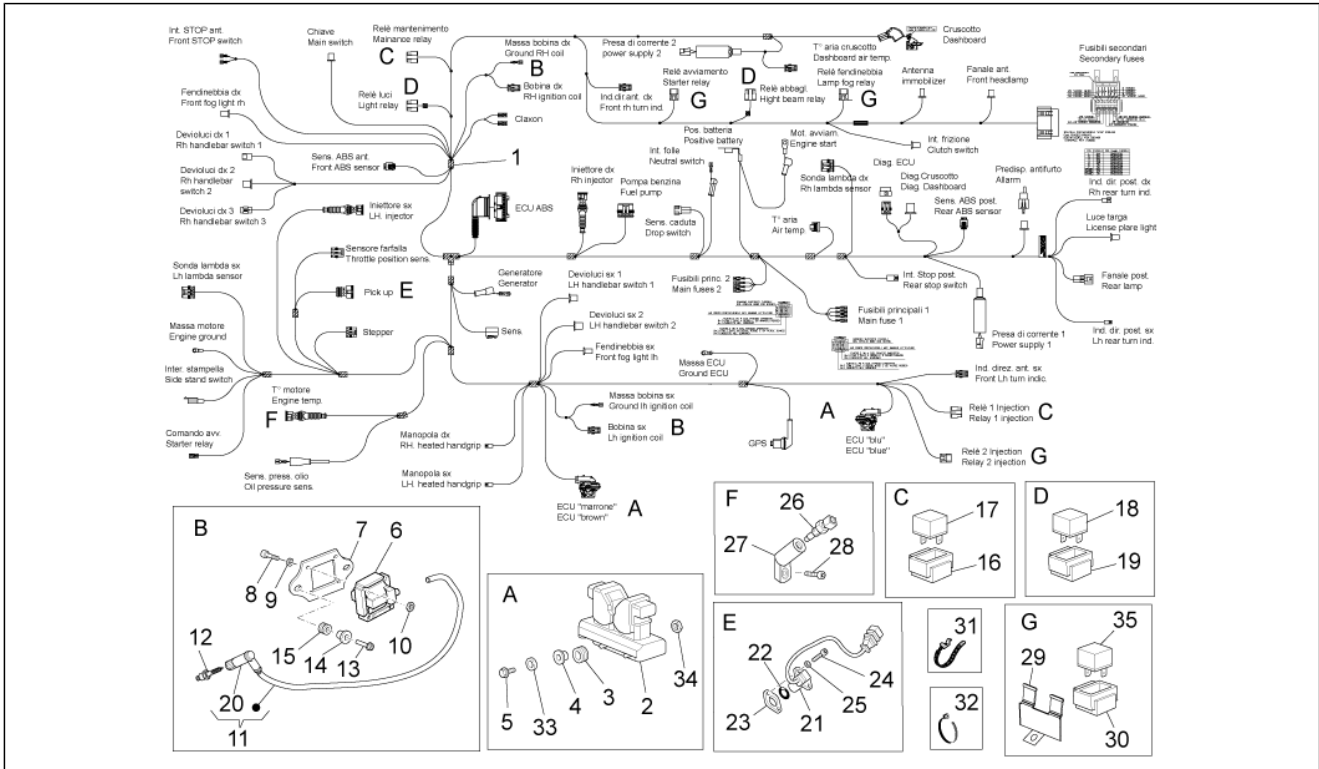
Einheit	RAHMEN
Code	33.42
Beschreibung	Elektrische anlage I
Inspektion	1



Pos.	Code	Beschreibung	Menge	Varianten
1	899505	Hauptverkabelung	1	Technische Spezifikationen:
2	897634	Elektronische Steuereinheit	1	Technische Spezifikationen:
3	978152	Gummi	2	
4	AP8121795	T-Buchse	2	
5	GU98690245	TCEI Schraube M5x45	2	
6	GU30716500	Zuendtransform.cpl.	2	
7	GU05716730	Halter Steuergerät	2	
8	GU98682125	TCEI Schraube	8	
9	GU95008204	Ausgleichscheibe 4,3x8x0,5	8	
10	GU92630104	Mutter M4x0,7	8	
11	642233	Zuendkabel	2	
12	639687	Zündkerze CR8EKB	2	
13	AP8152279	TE Schr. m. Flansch M6x20	6	
14	AP8120030	Gummi	6	
15	AP8221023	T-Buchse	6	
16	AP8220546	Auflagegummi Relais	2	
17	895481	Relais Einspritzung 12V 40W	2	
18	GU29732550	Zündrelais 5 pin	2	
19	896715	Auflagegummi Relais	2	
20	642221	Zündkerzenstecker	2	
21	GU01721600	Phasen-und Umdrehungsfuher	1	
22	847180	O-Ring	1	
23	GU01722700	Dichtung 0,3mm	1	
23	GU01722701	Dichtung 0,4 mm	1	
23	GU01722702	Dichtung 0,6mm	1	
23	GU01722703	Dichtung	1	
23	GU01722704	Dichtung 1mm	1	
23	GU01722705	Dichtung 1,5mm	1	

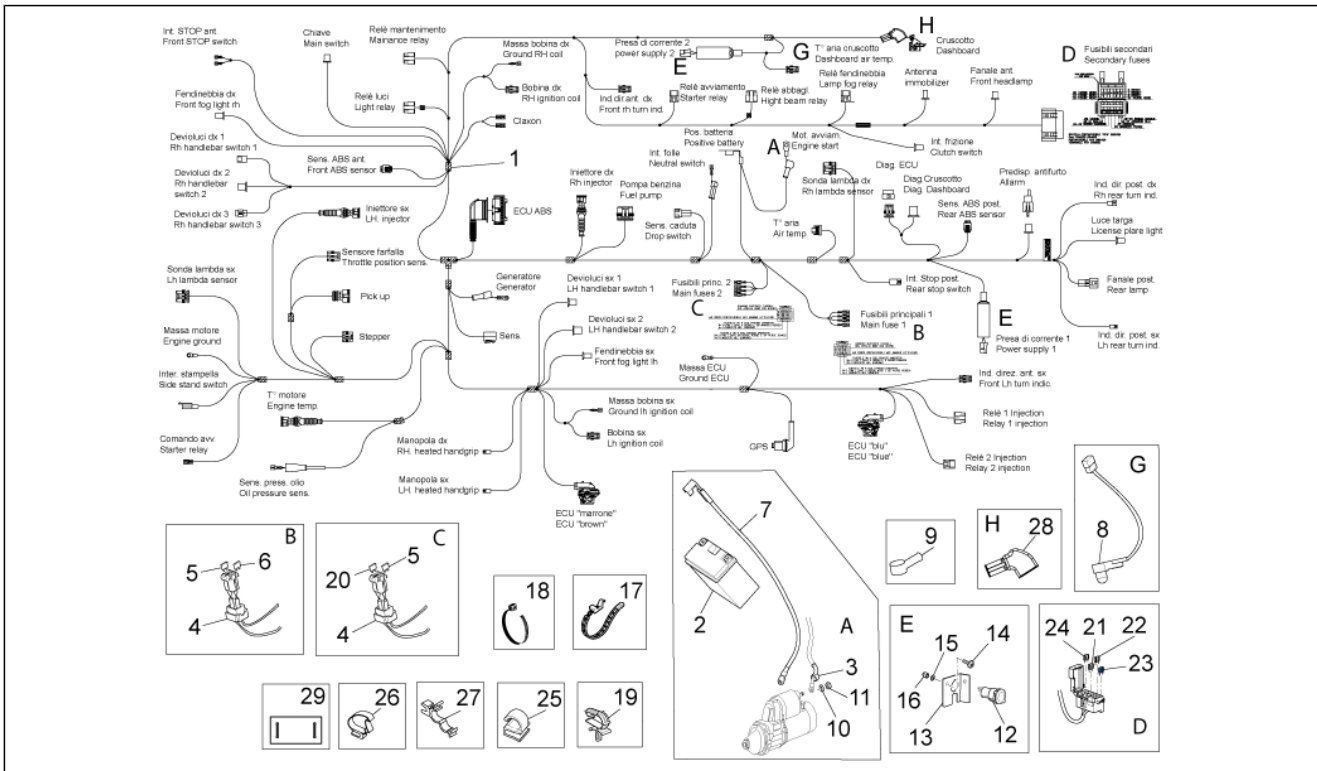


Einheit	RAHMEN
Code	33.42
Beschreibung	Elektrische anlage I
Inspektion	1



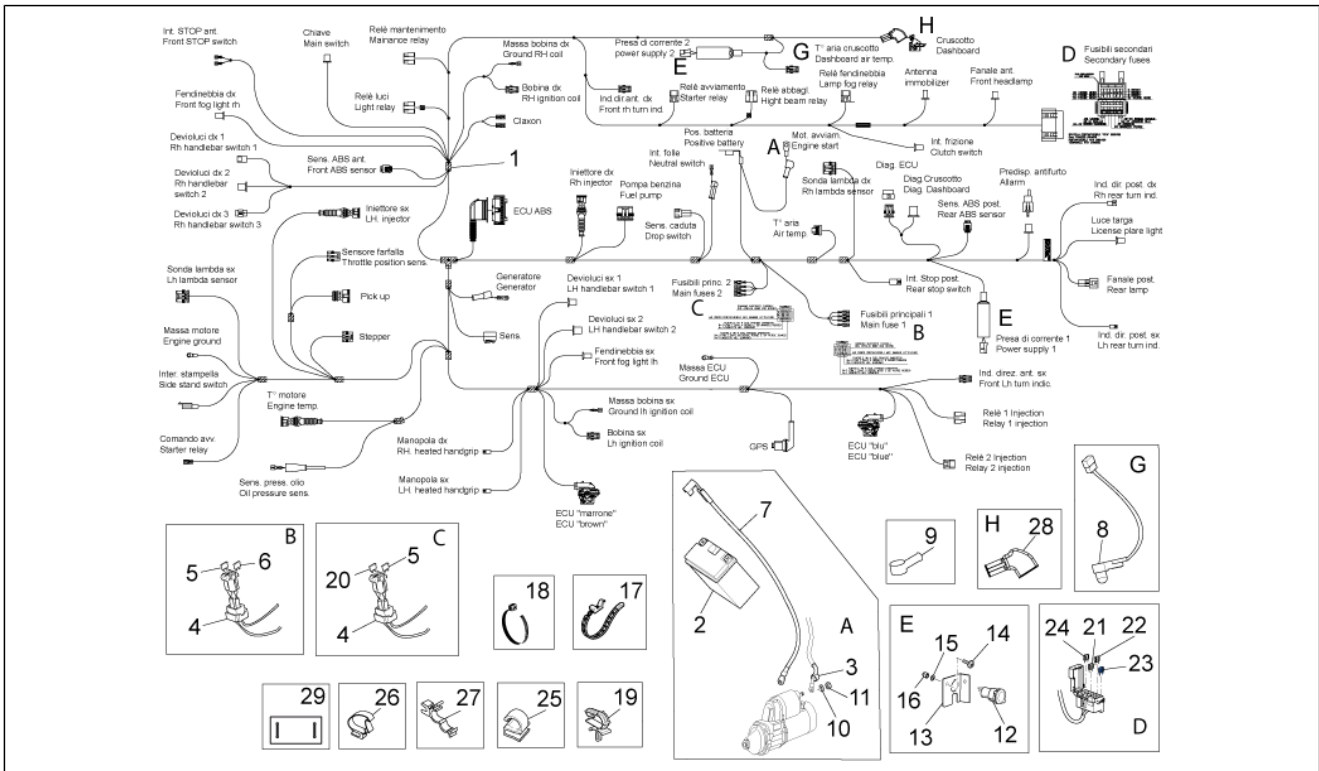
Pos.	Code	Beschreibung	Menge	Varianten
23	GU29722760	Dichtung 0,5 mm	1	
24	GU98682212	TCEI Schraube M5x12	2	
25	GU95008205	Ausgleichscheibe 5,3x10x0,8	2	
26	GU29729461	Sensor temperatur	1	
27	976556	Sensor halter	1	
28	GU98683520	TCEI Schraube M10x20	1	
29	883148	Platte	1	
30	AP8220283	Gummi *	3	
31	GU06609600	Schelle	9	
32	GU14609650	Schelle 3,6x20,6	23	
32	GU49609601	Schelle 2,4x92	5	
32	GU93304360	Schelle 7,6x380	2	
32	GU93304390	Schelle 3,6x375	2	
33	GU95100059	Ausgleichscheibe 5,25x14x1,5	2	
34	AP8152306	Selbstsperrende Mutter m5	2	
35	AP8224462	Zündrelais 12V/30A	3	

Einheit	RAHMEN
Code	33.43
Beschreibung	Elektrische anlage II
Inspektion	1



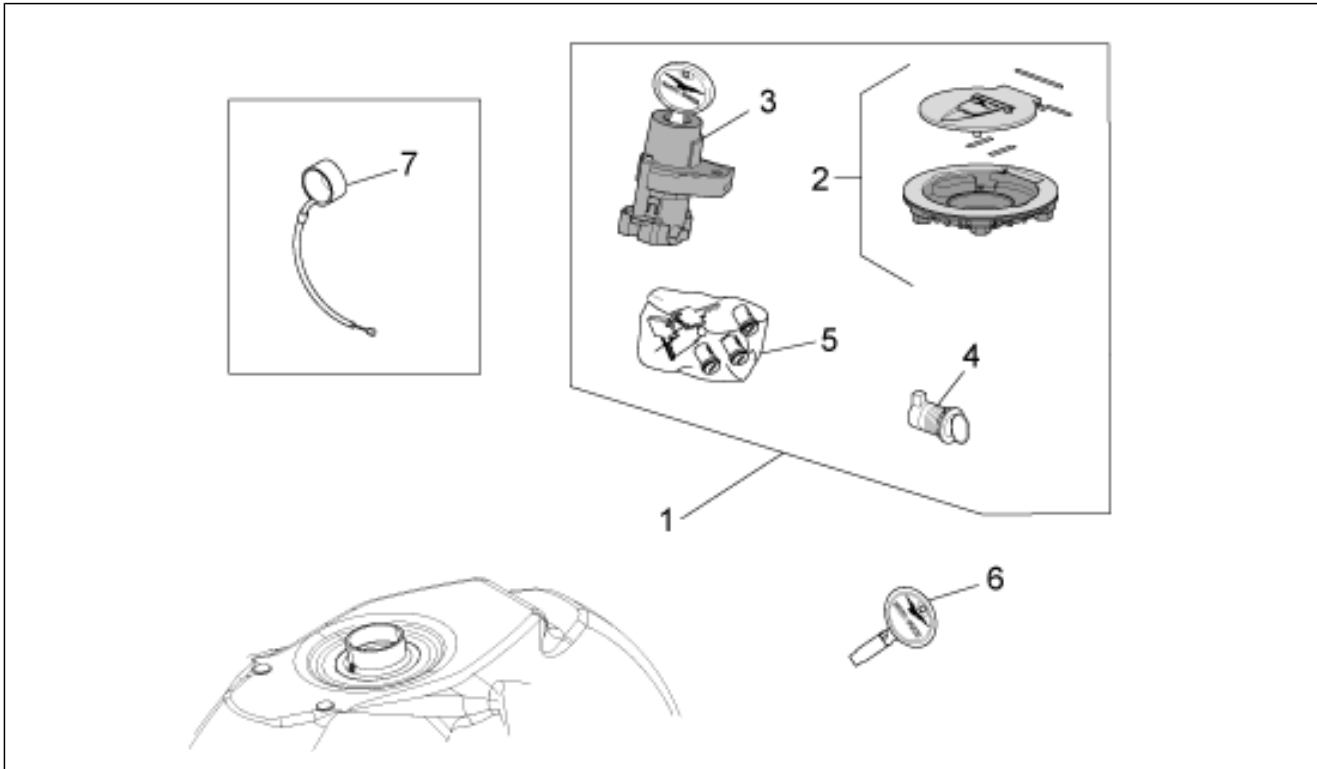
Pos.	Code	Beschreibung	Menge	Varianten
1	899505	Hauptverkabelung	1	Technische Spezifikationen:
2	GU05704531	Batterie 12V-20Ah	1	
3	977916	Isolierhaube	1	
4	AP8112811	Sicherungsblockgummi	2	
5	CM225730	Sicherung 30A	2	
6	CM225740	Sicherung 40A	2	
7	GU06747900	Masse-Batteriekabel	1	
8	AP8124936	Lufttemperaturfühler	1	
9	581061	Kappe	1	
10	GU95129131	Scheibe 8,4x15x1,7	1	
11	GU92609408	Mutter M8x1,25	1	
12	AP8124768	Strombuchse kpl.	2	
13	886911	Fixierplatte	1	
14	GU98350210	TBEI Schraube	2	
15	GU95008205	Ausgleichscheibe 5,3x10x0,8	2	
16	GU92787205	Hutmutter	2	
17	GU06609600	Schelle	9	
18	640879	Schelle 2,7x132	2	
18	GU14609650	Schelle 3,6x20,6	23	
18	GU49609601	Schelle 2,4x92	5	
18	GU93304390	Schelle 3,6x375	2	
19	AP8221310	Kabelführungs	4	
20	CM225720	Sicherung 20A	2	
21	CM225610	Sicherung 10A	4	
22	CM225615	Sicherung 15A	3	
23	CM225603	Sicherung 3A	2	
24	CM225605	Sicherung 5A	2	
25	AP8201727	Kabelführungs schw.	1	

Einheit	RAHMEN
Code	33.43
Beschreibung	Elektrische anlage II
Inspektion	1



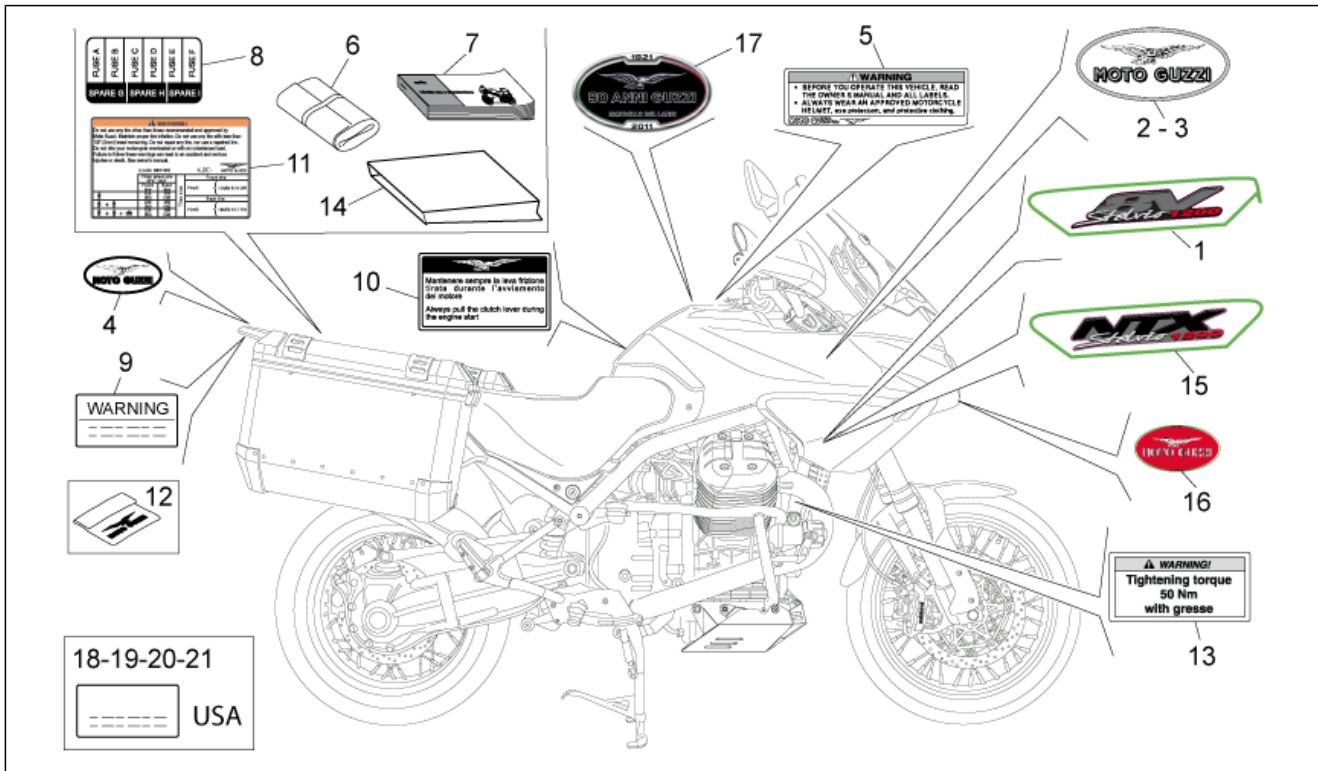
Pos.	Code	Beschreibung	Menge	Varianten
26	CM013202	Rückhaltefeder Leitungen/Kabel	1	
27	AP9100765	Kleine Feder	1	
28	856152	Isolierhaube	1	
29	887947	Schutzstück	1	

Einheit	RAHMEN
Code	33.44
Beschreibung	Bausatz Schlösser
Inspektion	1



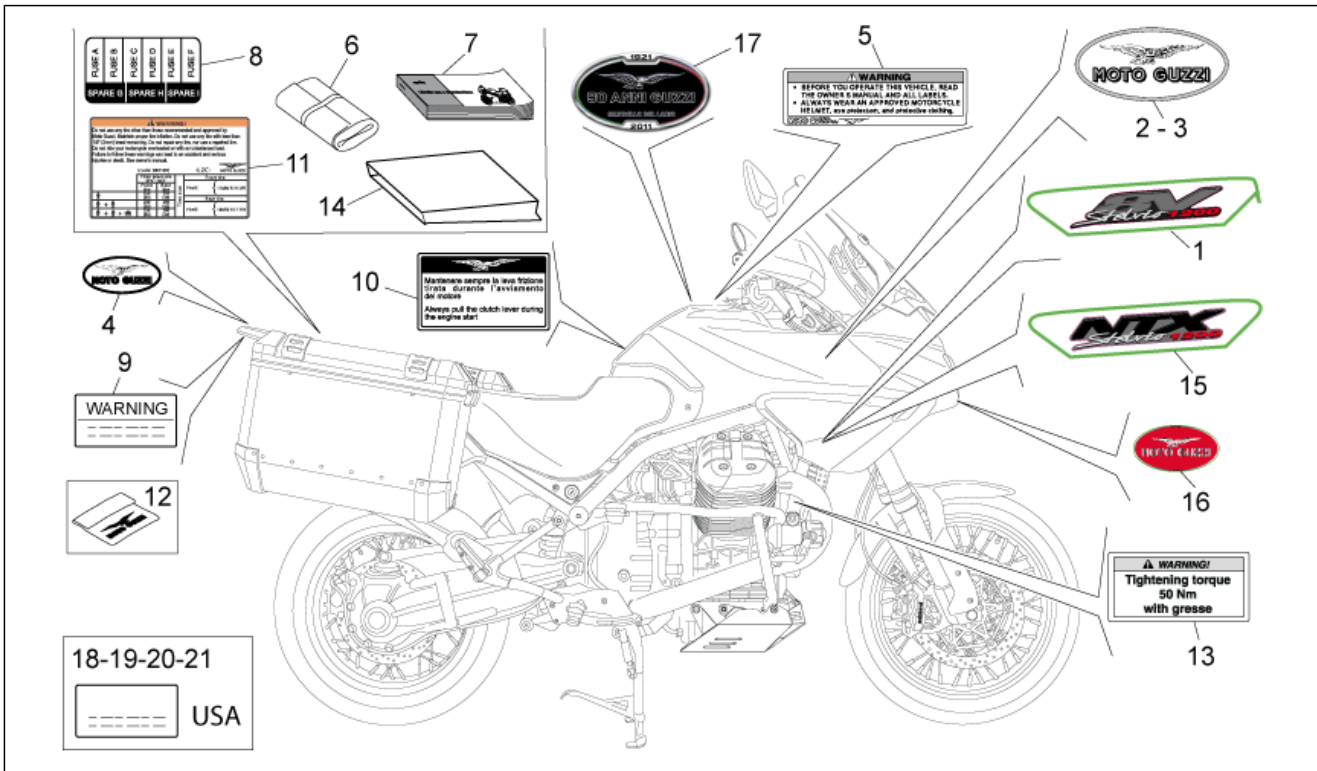
Pos.	Code	Beschreibung	Menge	Varianten
1	977666	Kit Schließvorrichtungen	1	Land:Australien[AUS], Kanada[CA], Europe[EU], Großbritannien[GB]
1	B063858	Kit Schließvorrichtungen	1	Land:Vereinigte Staaten von Amerika[USA]
2	GU05103930	Tankverschluß	1	
3	B063859	Lenkschloß	1	Land:Vereinigte Staaten von Amerika[USA]
3	GU05782530	Lenkschloß	1	Land:Australien[AUS], Kanada[CA], Europe[EU], Großbritannien[GB]
4	GU05466830	Sitzschloß	1	
5	978220	Rotor kit with key	1	
6	977918	Schlüssel nicht gezackt roh	1	
7	981087	Immobilizer antenne	1	

Einheit	RAHMEN
Code	33.45
Beschreibung	Aufkleber-Deko
Inspektion	1



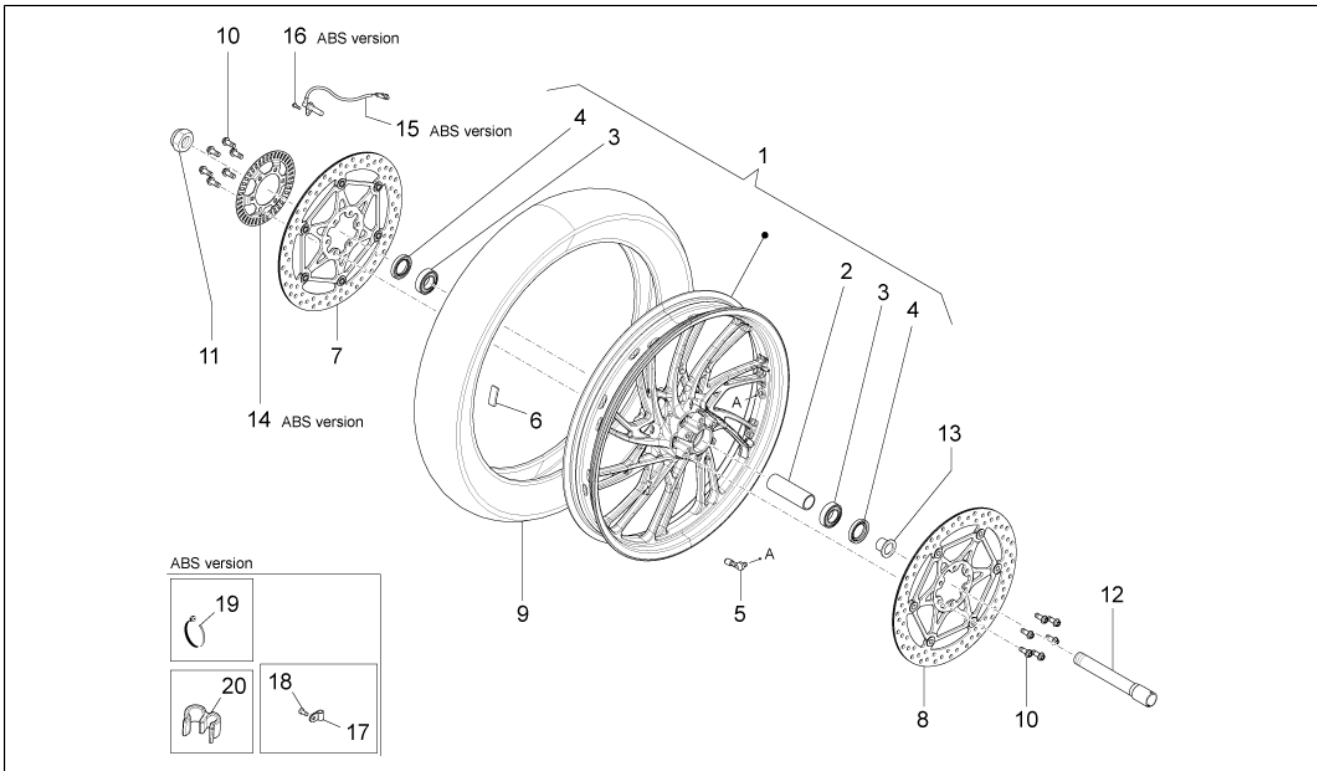
Pos.	Code	Beschreibung	Menge	Varianten
1	886907	Deko "Stelvio 1200 8V"	2	Technische Spezifikationen: Standardversion[Std]
2	GU06917400	L.Schild rot/gold AL	1	
3	GU06917300	R. Schild rot/gold AL	1	
4	977303	Schild "Moto Guzzi"	1	
5	GU30944300	Deko "Attention"	1	
6	978882	Werkzeugtasche	1	
7	897241	Bed./Wart.-Anleit. I-F-D-E-NL-UK	1	
7	B043198	Gebrauchsanleitung	1	Land: Kanada[CA], Vereinigte Staaten von Amerika[USA]
8	978647	Aufkleber "schema fusibili"	1	
9	AP8157631	Schild	1	
10	GU05944930	Deko Engine Start	1	
11	883776	Aufkleber Reifendruck	1	
12	GU30970200	Abdeckplane	1	
13	GU05944530	Deko Warning	1	
14	GU05900130	Säckchen für Dokumente	1	
15	886906	Deko "Stelvio 1200 NTX"	2	Technische Spezifikationen: Version NTX[NTX]
15	B063045	Deko "Stelvio 1200 NTX"	2	Fahrzeugfarbe: Grün Raptor Matt (t.B.B063041)[green] Land: Vereinigte Staaten von Amerika[USA] Technische Spezifikationen: Version NTX[NTX]
15	B063314	Deko "Stelvio 1200 NTX"	2	Fahrzeugfarbe: Orange Kupfer (t.B.886902)[ar] Land: Vereinigte Staaten von Amerika[USA] Technische Spezifikationen: Version NTX[NTX]
16	886905	Schild "Moto Guzzi"	1	
17	886944	Deko "90 Anni Guzzi"	1	
18	2L000172	Emission control sticker	1	Baujahr: 2014[E] Land: Kanada[CA], Vereinigte Staaten von Amerika[USA]
18	884319	Emission control sticker	1	Baujahr: 2013[D] Land: Kanada[CA], Vereinigte Staaten von Amerika[USA]
18	887450	Emission control sticker	1	Baujahr: 2011[B], 2012[C] Land: Kanada[CA], Vereinigte Staaten von Amerika[USA]

Einheit	RAHMEN
Code	33.45
Beschreibung	Aufkleber-Deko
Inspektion	1



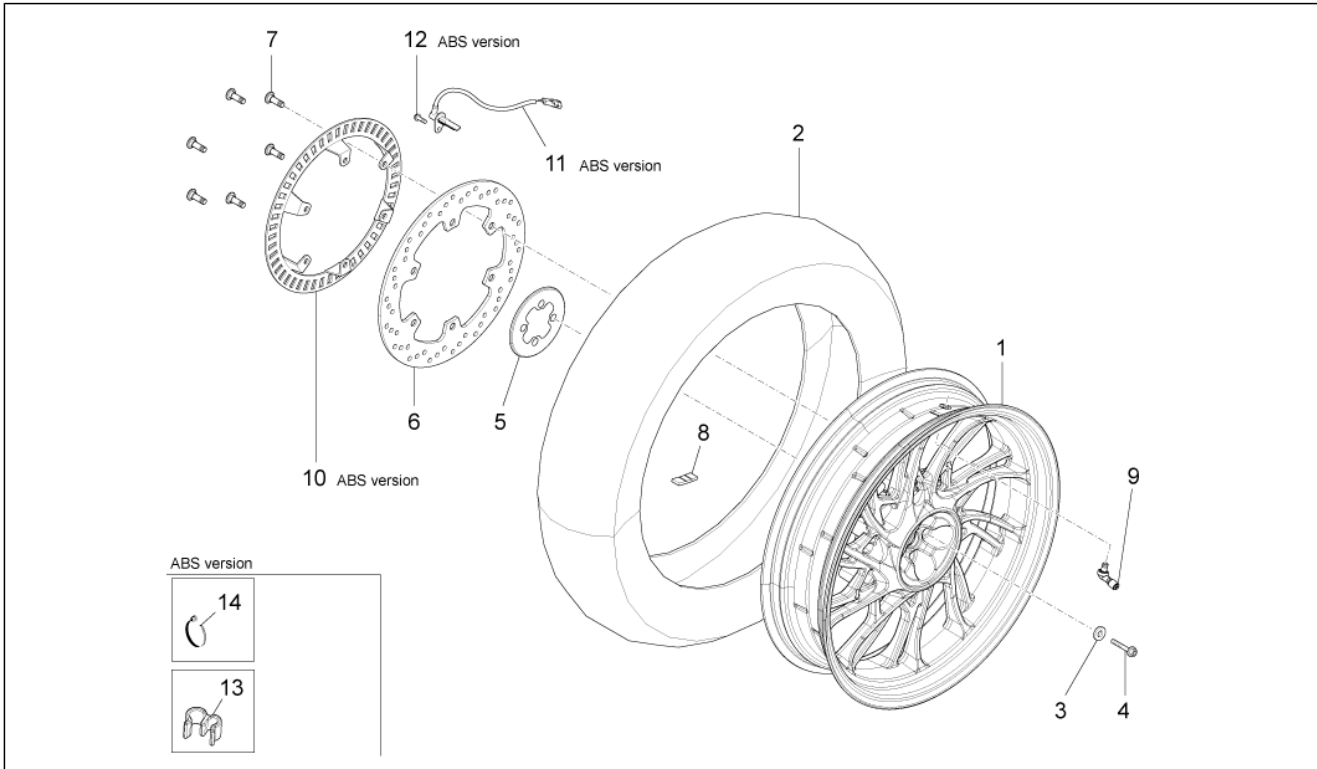
Pos.	Code	Beschreibung	Menge	Varianten
19	2L000173	Shed deko	1	Baujahr:2014[E] Land:Kanada[CA], Vereinigte Staaten von Amerika[USA]
19	884320	Shed deko	1	Baujahr:2013[D] Land:Kanada[CA], Vereinigte Staaten von Amerika[USA]
19	887451	Shed deko	1	Baujahr:2011[B], 2012[C] Land:Kanada[CA], Vereinigte Staaten von Amerika[USA]
20	2L000171	Lautherausgabe selbstkleber	1	Baujahr:2014[E] Land:Kanada[CA], Vereinigte Staaten von Amerika[USA]
20	884318	Lautherausgabe selbstkleber	1	Baujahr:2013[D] Land:Kanada[CA], Vereinigte Staaten von Amerika[USA]
20	887452	Lautherausgabe selbstkleber	1	Baujahr:2011[B], 2012[C] Land:Kanada[CA], Vereinigte Staaten von Amerika[USA]
21	B063226	Aufkleber Reifendruck	1	Land:Kanada[CA], Vereinigte Staaten von Amerika[USA]

Einheit	RAHMEN
Code	33.46
Beschreibung	Vorderrad II
Inspektion	1



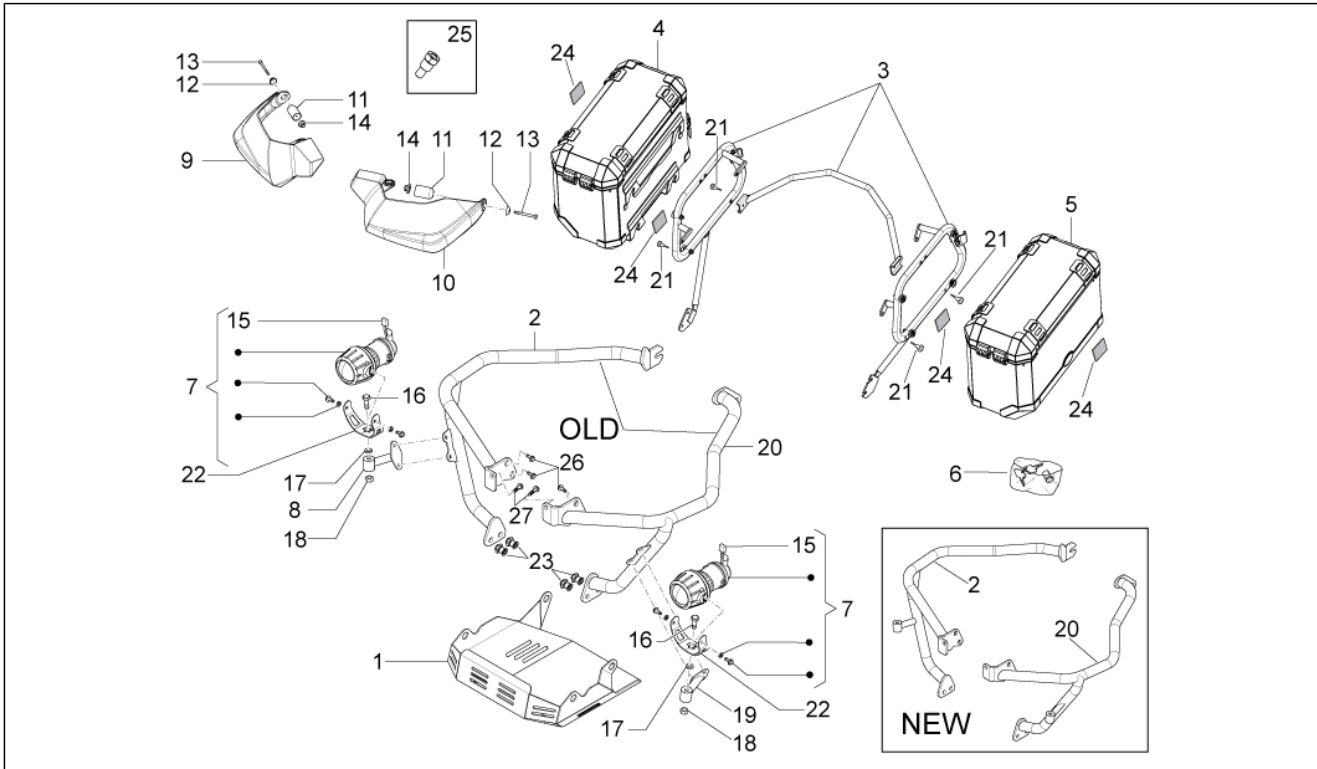
Pos.	Code	Beschreibung	Menge	Varianten
1	897629	Rod	1	
2	978516	Distanzstück Lager	1	
3	AP8125777	Kugellager 25x47x12	2	
4	AP8125773	Gasket ring 30x47x7	2	
5	GU03617710	Schlauchloses Reifenventil	1	
6	GU14616150	Gegengewicht	1	
7	896011	Vorderradbremsscheibe DX	1	
8	896012	Vorderradbremsscheibe SX	1	
9	886311	Vorderreifen 110/80 R19	1	
10	AP8152286	TE Schr. m. Flansch M8x20	12	
11	GU01612190	Mutter	1	
12	978030	Vorderradbolzen	1	
13	GU06616300	Distanzscheibe	1	
14	AP8128189	Wheel speed sensor, LH front	1	Technische Spezifikationen:
15	859792	Sensor ABS	1	Technische Spezifikationen:
16	AP8152273	Flanschschraube M5x16	1	Technische Spezifikationen:
17	859777	Kabelführung	1	Technische Spezifikationen:
18	AP8201749	Linsenschraube M4x6	1	Technische Spezifikationen:
19	GU49609601	Schelle 2,4x92	1	Technische Spezifikationen:
20	894704	Kabelführung	3	Technische Spezifikationen:

Einheit	RAHMEN
Code	33.47
Beschreibung	Hinterrad II
Inspektion	1



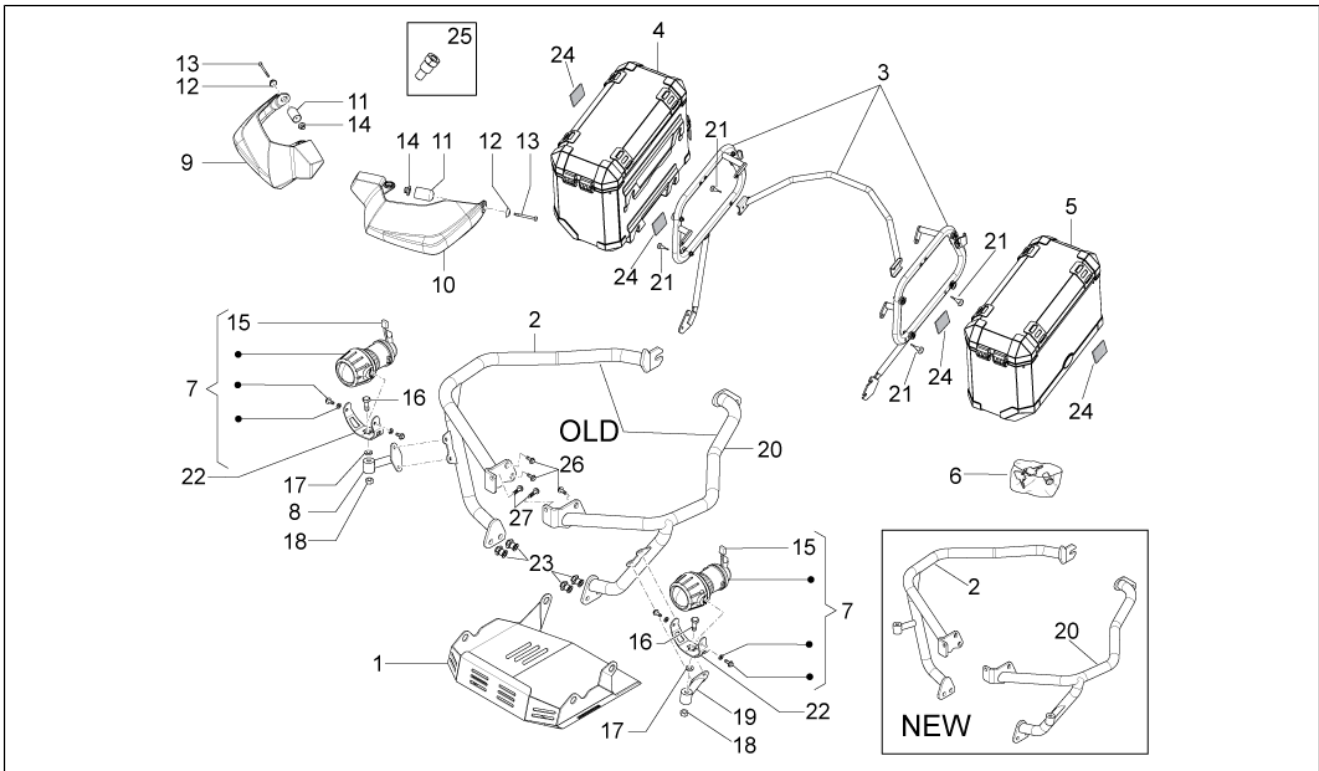
Pos.	Code	Beschreibung	Menge	Varianten
1	897631	Radfelge	1	
2	886312	Hinterer Reifen 150/70 R17	1	
3	GU05632730	Konischebuchse	4	
4	GU97202665	TE Schr. m. Flansch M12x65	4	
5	977056	Staubschutzring	1	
6	GU05635730	Vorderradbremsscheibe	1	
7	AP8152272	TE Schr. m. Flansch M5x12	6	Technische Spezifikationen:
8	GU14616150	Gegengewicht	1	
9	GU03617710	Schlauchloses Reifenventil	1	
10	GU05681530	Wheel speed sensor, LH front	1	Technische Spezifikationen:
11	GU05683730	Sensor	1	Technische Spezifikationen:
12	598839	TE Schr. m. Flansch	1	Technische Spezifikationen:
13	894704	Kabelführung	4	Technische Spezifikationen:
14	GU49609601	Schelle 2,4x92	1	Technische Spezifikationen:

Einheit	RAHMEN
Code	33.66
Beschreibung	Special parts
Inspektion	1



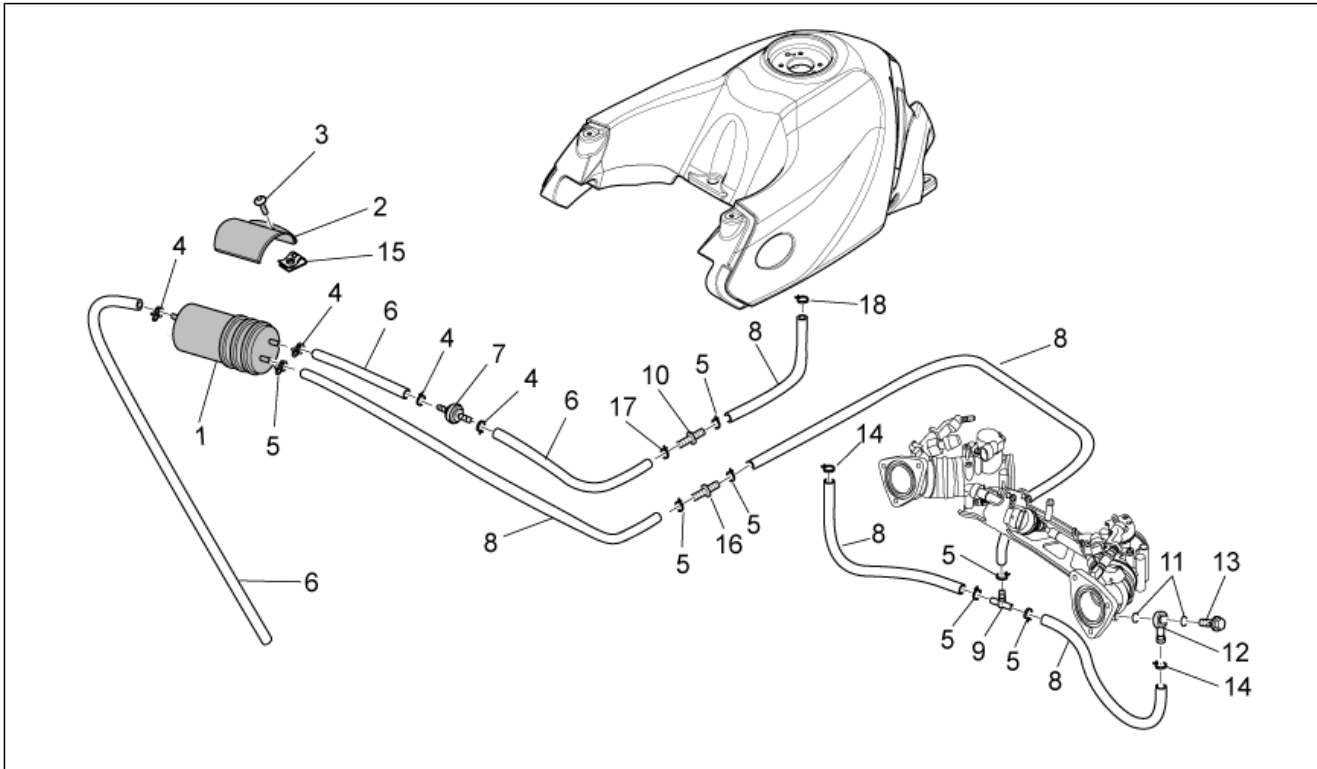
Pos.	Code	Beschreibung	Menge	Varianten
1	883969	Wannenschutz	1	Technische Spezifikationen:
2	886740	Zylinderabdeckungen RE Old	1	Technische Spezifikationen:
2	887458	Zylinderabdeckungen RE New	1	Technische Spezifikationen: Version NTX[NTX]
3	981073	suitcase connect. Kit	1	Technische Spezifikationen:
4	886929	RH suitcase	1	Technische Spezifikationen:
5	886930	LH suitcase	1	Technische Spezifikationen:
6	B064021	Kit serratura valigie coppia chiavi unificate	1	Technische Spezifikationen:
7	883657	Nebelscheinwerfer	2	Technische Spezifikationen:
8	886738	Halterung Scheinwerfer RE	1	Technische Spezifikationen:
9	883254	Handschutz rechts	1	Technische Spezifikationen:
10	883253	Handschutz links	1	Technische Spezifikationen:
11	AP8104627	Schwingschutzgewicht schwarz	2	Technische Spezifikationen:
12	AP8121819	Ausgleichscheibe 6,5x12,5*	2	Technische Spezifikationen:
13	AP8150342	TCEI Schraube M6x70	2	Technische Spezifikationen:
14	883134	Endkopf	2	Technische Spezifikationen:
15	883655	Verkabel.Scheinwerf.	1	Technische Spezifikationen: Version NTX[NTX]
16	GU98692420	TCEI Schraube M8x20	1	Technische Spezifikationen: Version NTX[NTX]
17	GU95005308	Ausgleichscheibe 8,4x14,57x1,6	1	Technische Spezifikationen: Version NTX[NTX]
18	GU92630708	Mutter	1	Technische Spezifikationen: Version NTX[NTX]
19	886739	Halterung Scheinwerfer LI	1	Technische Spezifikationen: Version NTX[NTX]
20	886741	Zylinderabdeckungen LI Old	1	Technische Spezifikationen: Version NTX[NTX]
20	887459	Zylinderabdeckungen LI New	1	Technische Spezifikationen: Version NTX[NTX]
21	AP8120001	Gummi	4	Technische Spezifikationen:
22	883991	Befestigungsbügel Nebelschlussleuchte	2	Technische Spezifikationen:
23	887313	Distanzscheibe	4	Technische Spezifikationen:
24	293556	Rückstrahler seitlich	4	Land: Australien[AUS] Technische Spezifikationen: Version NTX[NTX]
24	AP8706314	Rückstrahler	4	Land: Kanada[CA], Vereinigte Staaten von Amerika[USA] Technische Spezifikationen: Version NTX[NTX]

Einheit	RAHMEN
Code	33.66
Beschreibung	Special parts
Inspektion	1



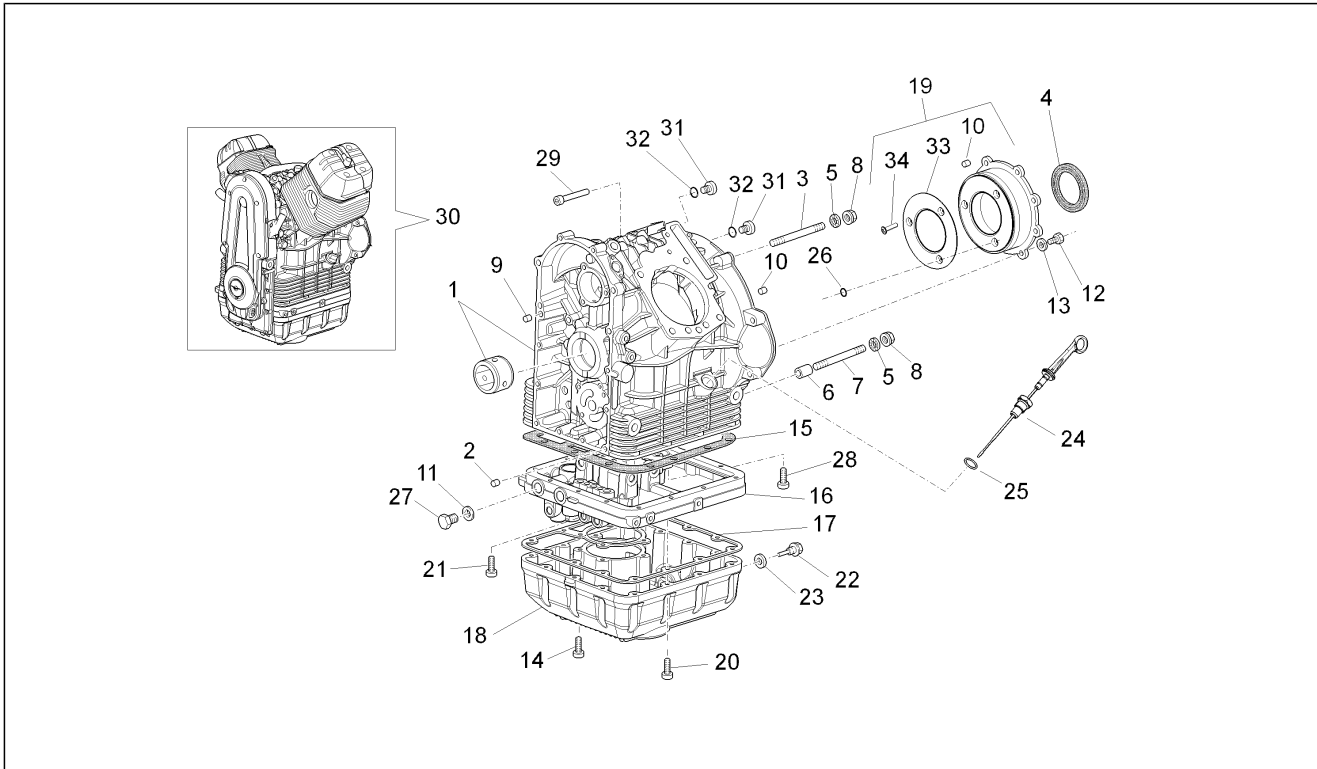
Pos.	Code	Beschreibung	Menge	Varianten
25	884312	Spiegelbefestigung Feder	2	Land: Vereinigte Staaten von Amerika[USA] Technische Spezifikationen: Version NTX[NTX]
26	GU98692525	TCEI Schraube M10x25	4	Technische Spezifikationen: Version NTX[NTX]
27	GU98682416	TCEI Schraube M8x16	2	Technische Spezifikationen: Version NTX[NTX]

Einheit	RAHMEN
Code	33.69
Beschreibung	Benzindampfdruckf.-Anlage
Inspektion	1



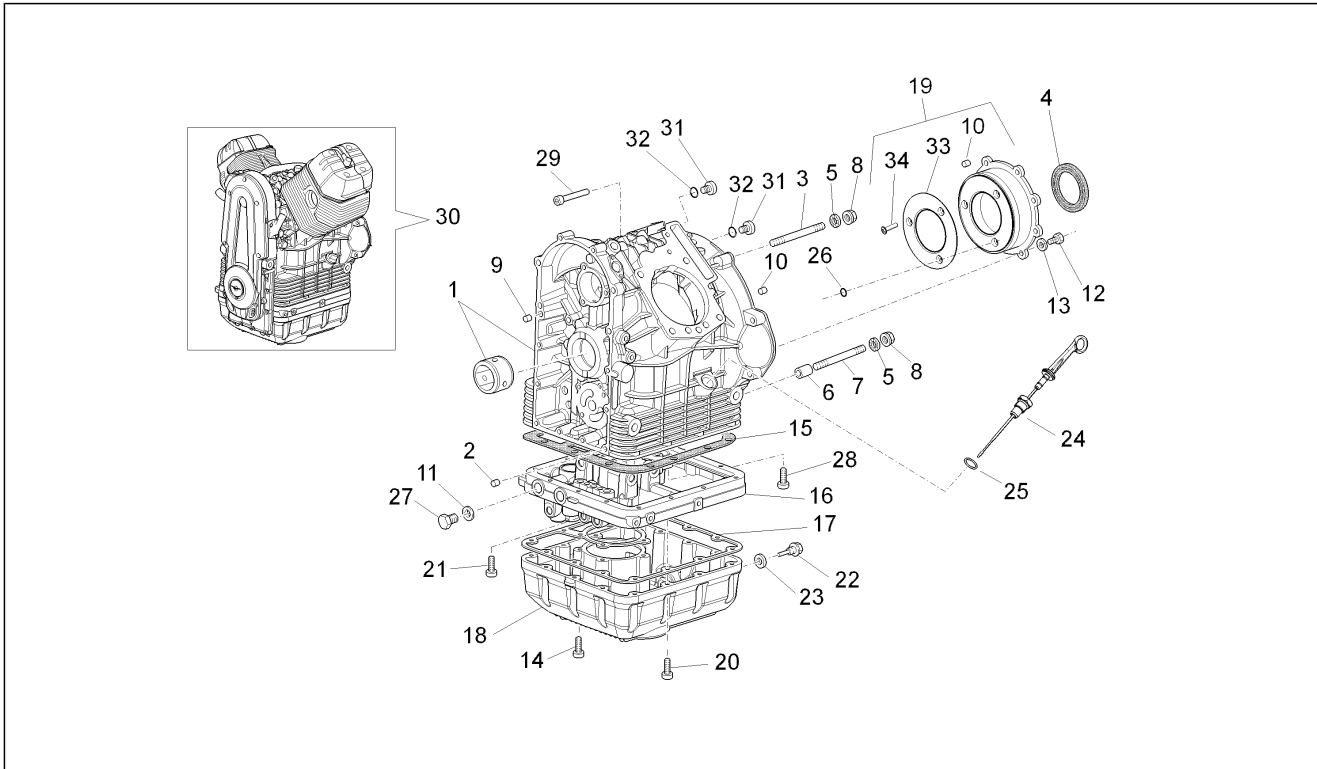
Pos.	Code	Beschreibung	Menge	Varianten
1	AP8102678	Kohlefilter	1	Land:Kanada[CA], Vereinigte Staaten von Amerika[USA]
2	AP8134884	Canister halteplatte	1	Land:Kanada[CA], Vereinigte Staaten von Amerika[USA]
3	AP8152277	TE Schr. m. Flansch M6x12	1	Land:Kanada[CA], Vereinigte Staaten von Amerika[USA]
4	AP8102239	Schelle 12,5x8	6	Land:Kanada[CA], Vereinigte Staaten von Amerika[USA]
5	AP8102738	Schlauchschelle	6	Land:Kanada[CA], Vereinigte Staaten von Amerika[USA]
6	856063	Leitung SAE 30 d.12,7x6,35	4	Land:Kanada[CA], Vereinigte Staaten von Amerika[USA]
7	860138	Ventil	1	Land:Kanada[CA], Vereinigte Staaten von Amerika[USA]
8	856062	Leitung SAE 30 d.11,11x4,8	3	Land:Kanada[CA], Vereinigte Staaten von Amerika[USA]
9	AP8144303	3-Wegeanschluß	1	Land:Kanada[CA], Vereinigte Staaten von Amerika[USA]
10	856330	Anschluss	1	Land:Kanada[CA], Vereinigte Staaten von Amerika[USA]
11	GU90706009	O-Ring 6x1	4	Land:Kanada[CA], Vereinigte Staaten von Amerika[USA]
12	GU95963062	Anschluss	2	Land:Kanada[CA], Vereinigte Staaten von Amerika[USA]
13	GU95990023	Lochschaube	2	Land:Kanada[CA], Vereinigte Staaten von Amerika[USA]
14	AP8102378	Schelle D11,3	2	Land:Kanada[CA], Vereinigte Staaten von Amerika[USA]
15	GU28576592	Klemmutter M6	1	Land:Kanada[CA], Vereinigte Staaten von Amerika[USA]
16	AP8121267	Drosselspindel	1	Land:Kanada[CA], Vereinigte Staaten von Amerika[USA]
17	AP8102159	Schelle	1	Land:Kanada[CA], Vereinigte Staaten von Amerika[USA]
18	AP8120446	Schlauchschelle, grün D11x6,6x1	1	Land:Kanada[CA], Vereinigte Staaten von Amerika[USA]

Einheit	MOTOR
Code	34.46
Beschreibung	Gehäuse I
Inspektion	1



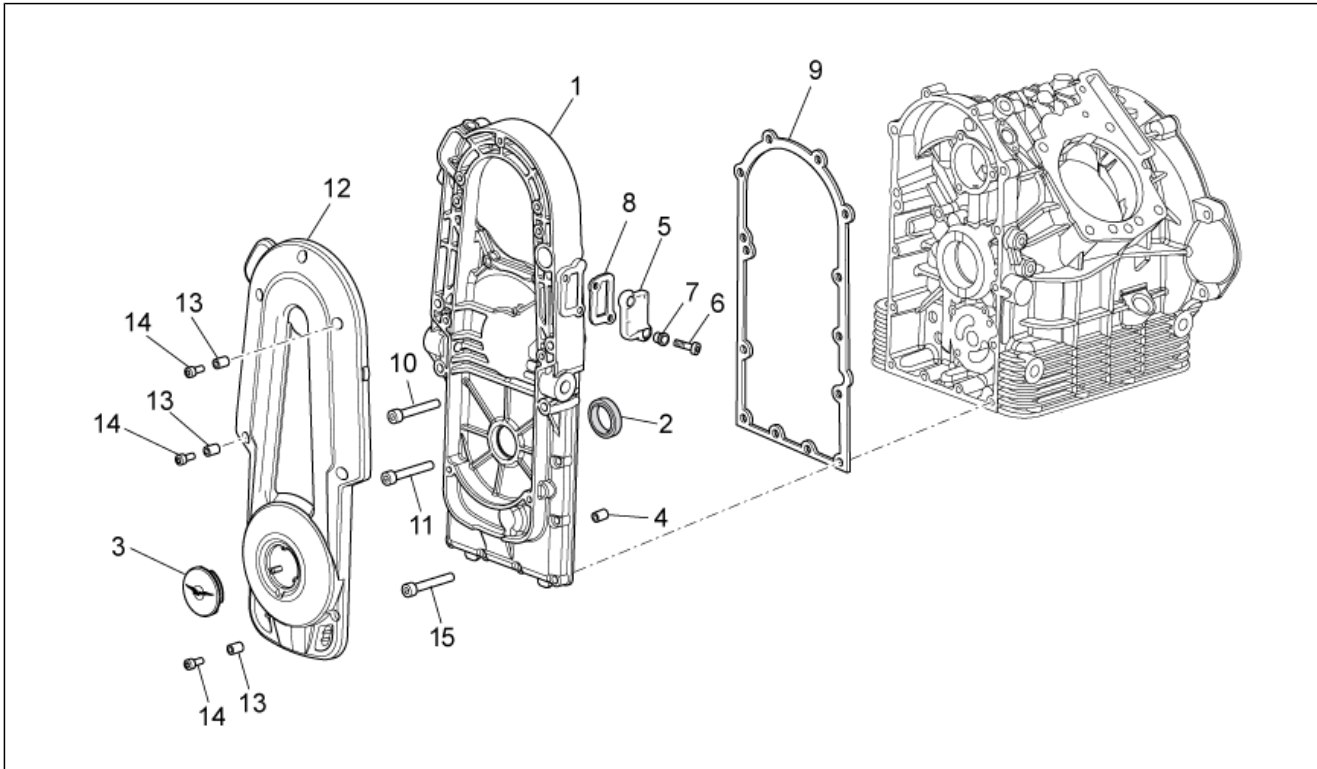
Pos.	Code	Beschreibung	Menge	Varianten
1	880398	Gehäuse	1	
2	411209	Stift	2	
3	GU96508066	Stiftschraube M8X66	3	
4	GU90405367	Gasket ring	1	
5	GU14615901	Ausgleichscheibe 8,4X13X0,8	5	
6	GU12018900	Kupplungsbuchse	2	
7	GU96508075	Stiftschraube M8x75	2	
8	GU92660021	Geflanschte Mutter M8	5	
9	GU95512081	Stift	2	
10	560110	Stift	2	
11	GU01154230	Dichtung	2	
12	GU98084425	Sechskantschraube M8x25	8	
13	GU61270300	Sprengscheibe 8x15x0,3	8	
14	GU98620335	Schraube M6x35	4	
15	GU01003651	Dichtung	1	
16	879872	Flansch	1	
17	GU05003630	Dichtung	1	
18	879874	Pfropfen	1	
19	976703	Flansch komplett	1	
20	AP4ADN000007	TCEI Schraube	14	
21	GU98680360	TCEI Schraube M6x60	2	
22	GU31003766	Ölablaßschraube M10x1	1	
23	GU01528930	Dichtung 10x18x1,5	1	
24	883144	Ölstandstab	1	
25	GU90706178	O-Ring 17,86X2,62	1	
26	874980	O-Ring 7,5X2	1	
27	GU95980216	Deckel	2	
28	GU98680340	TCEI Schraube M6x40	2	

Einheit	MOTOR
Code	34.46
Beschreibung	Gehäuse I
Inspektion	1



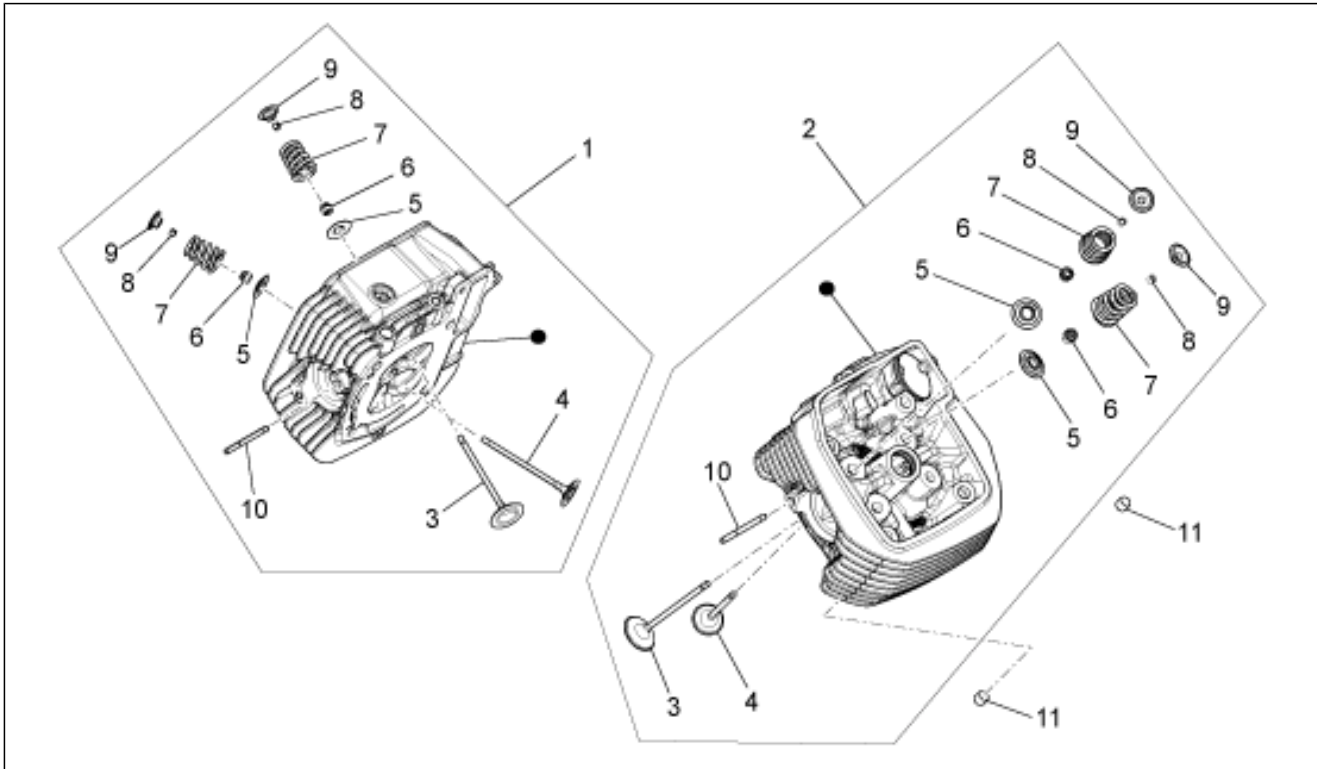
Pos.	Code	Beschreibung	Menge	Varianten
29	AP8152291	TE Schr. m. Flansch	1	
30	9769795	Motor komplett	1	Technische Spezifikationen: Alte Ventilsteuerung[VD]
30	9769865	Motor komplett	1	Technische Spezifikationen: Neue Ventilsteuerung mit Walzen[ND]
31	GU12022600	Ölschraube	2	
32	GU90706203	O-Ring 20,24X2,62	2	
33	874134	Ölfangscheibe	1	
34	015935	Schraube TBCIC M5x12	3	

Einheit	MOTOR
Code	34.47
Beschreibung	Gehäuse II
Inspektion	1



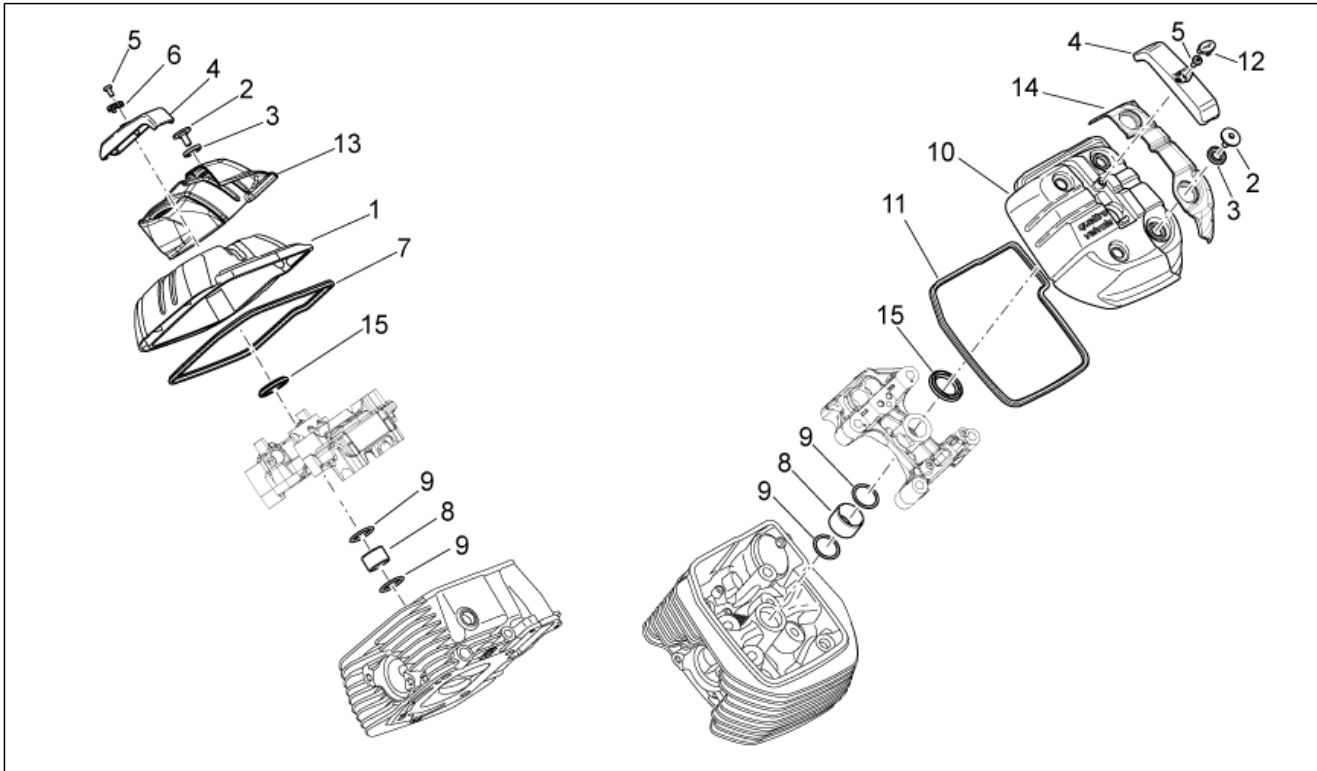
Pos.	Code	Beschreibung	Menge	Varianten
1	879876	Steuer Deckel	1	
2	GU90412237	Gasket ring 22x35x7viton	1	
3	GU05002130	Deckel	1	
4	825597	Stift 11,8X10	2	
5	976554	Deckel	1	
6	GU98682320	TCEI Schraube M6x20	2	
7	GU91120607	Buchse 6,4x8,4x10,5	2	
8	GU90706347	O-Ring 34,65x1,78viton	1	
9	976478	Deckeldichtung Kupplungsseite	1	
10	AP8150046	TCEI Schraube M8x55	4	
11	GU98682330	TCEI Schraube M6x20	9	
12	GU05001630	Generatordeckel grau	1	
13	GU91120606	Buchse 6,8x8,8x5,8	6	
14	GU98682316	TCEI Schraube M6x16	5	
15	GU98620335	Schraube M6x35	1	

Einheit	MOTOR
Code	34.48
Beschreibung	Zylinderkopf - ventile
Inspektion	1



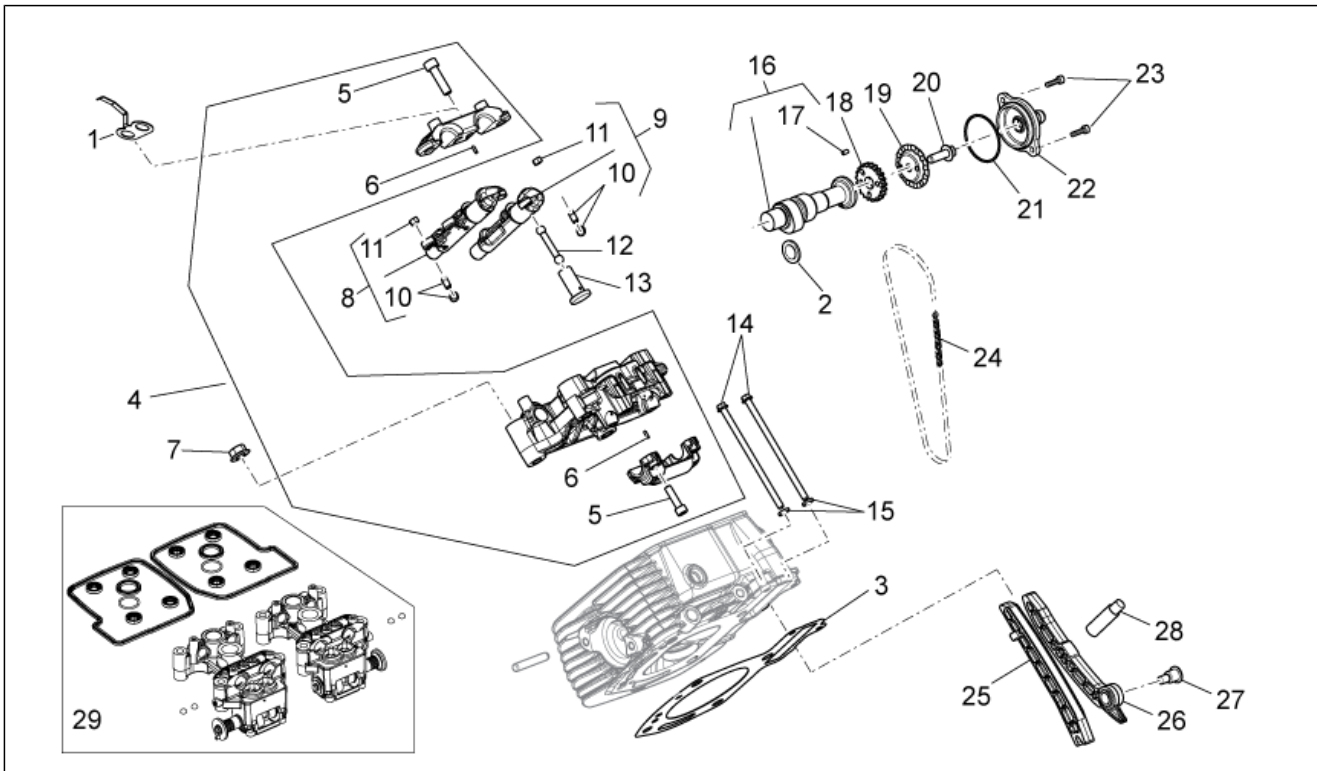
Pos.	Code	Beschreibung	Menge	Varianten
1	B013808	Zylinderkopf re.	1	
2	B013807	Zylinderkopf li.	1	
3	872695	Einlaßventil	4	
4	872696	Auslaßventil	4	
5	874127	Becher unten	8	
6	436438	Ventil Dichtring	8	
7	B013517	Ventilfeder	8	
8	285846	Ventilhalbkegel	8	
9	874126	Becher obere	8	
10	827018	Auspufftopf Stiftschraube M8X3X46	4	
11	825597	Stift 11,8X10	8	

Einheit	MOTOR
Code	34.49
Beschreibung	Kopfdeckel
Inspektion	1



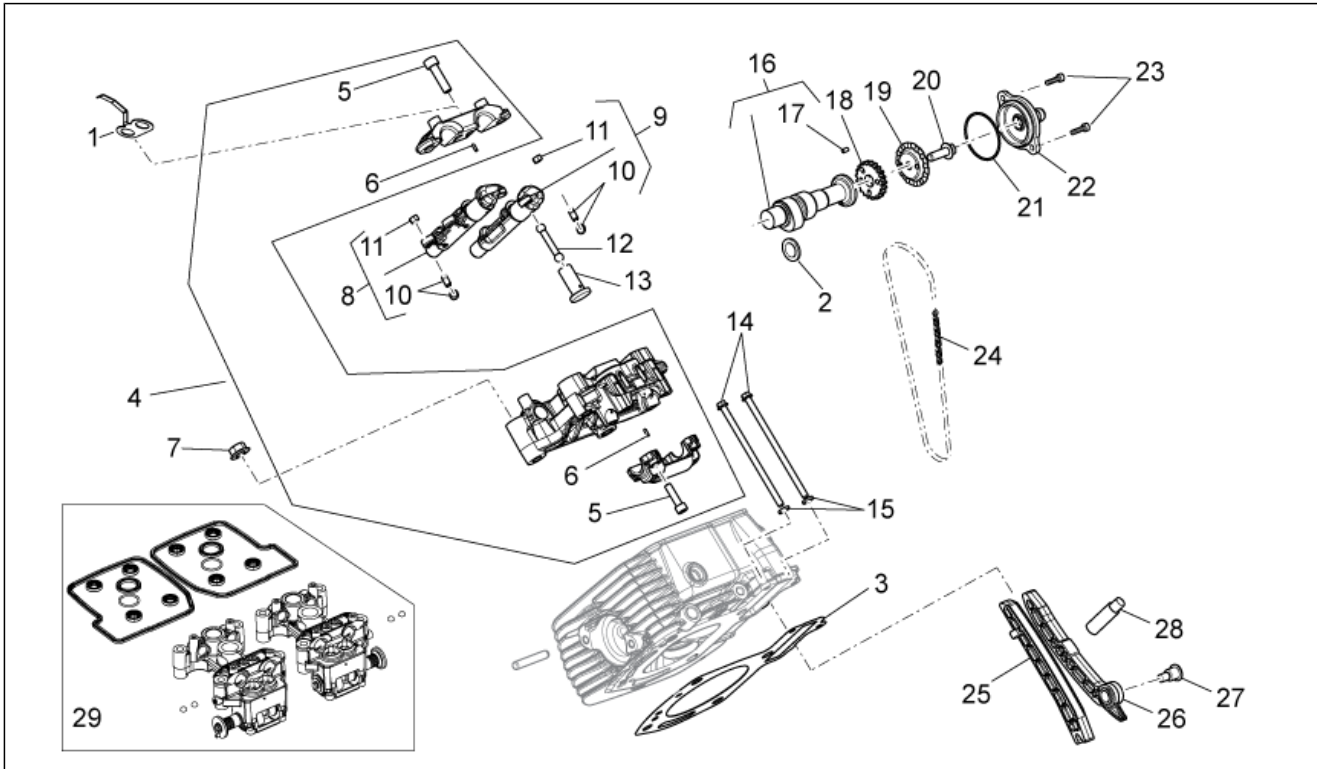
Pos.	Code	Beschreibung	Menge	Varianten
1	880124	Kopfdeckel R.	1	
2	976591	Spezialschraube	8	
3	879975	Stopfen dämpfer	8	
4	883493	Zündkerzedeckel	2	
5	GU98230510	TBEI Schraube	2	
6	976560	Rechtes Schild "Moto Guzzi"	1	
7	872742	Dichtung re	1	
8	879987	Leitung	2	
9	873626	O-Ring 26X2,5	4	
10	880123	Kopfdeckel L.	1	
11	872741	Dichtung li	1	
12	976559	L.Schild "Moto Guzzi"	1	
13	873654	Deckel re.	1	
14	872740	Deckel li.	1	
15	880127	Dichtung	2	

Einheit	MOTOR
Code	34.50
Beschreibung	Recht Zylindersteuer (bowl)
Inspektion	1



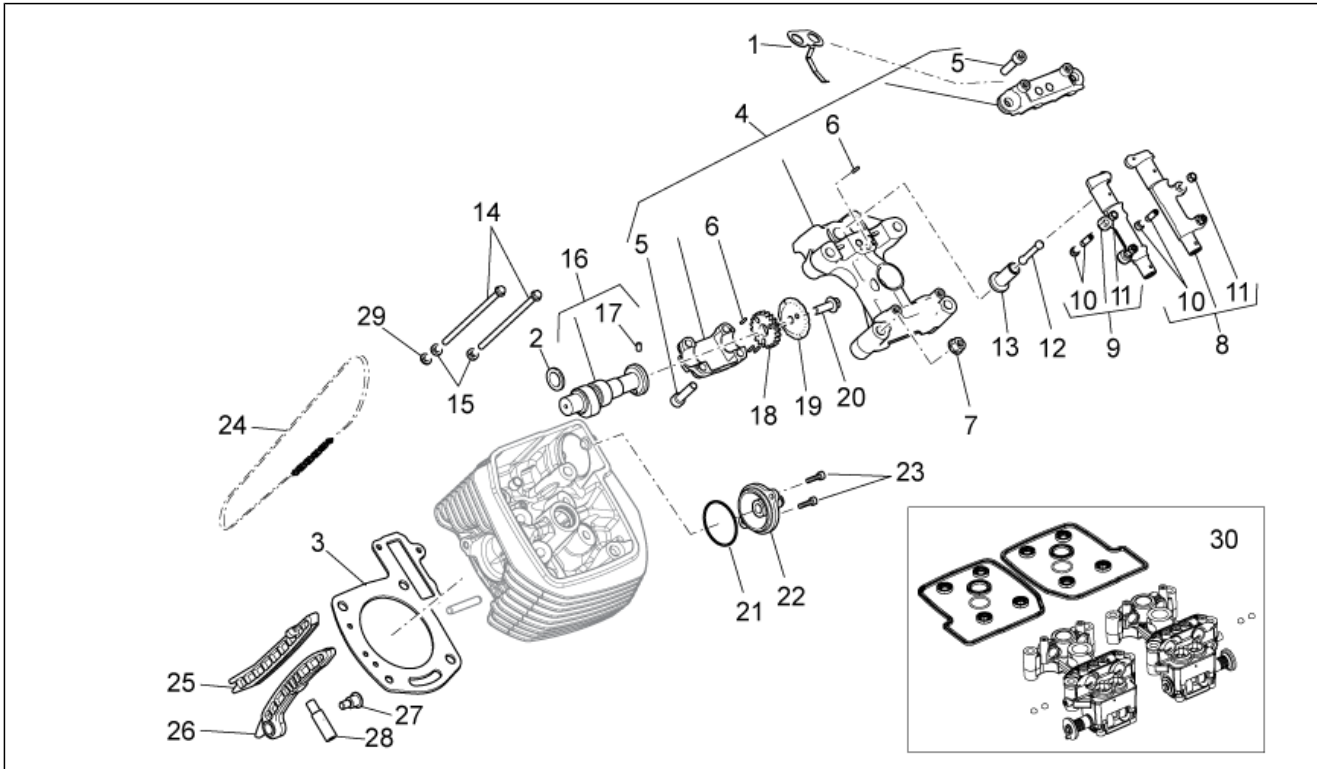
Pos.	Code	Beschreibung	Menge	Varianten
1	B013661	Platte	1	
2	CM162701	Distanzscheibe 1,06	1	
2	CM162702	Distanzscheibe 1,08	1	
2	CM162703	Distanzscheibe 1,10	1	
2	CM162704	Distanzscheibe 1,12	1	
2	CM162705	Distanzscheibe 1,14	1	
3	874621	Dichtung Zylinderkopf 0,65 mm	2	
3	874622	Dichtung Zylinderkopf 0,85 mm	2	
3	976311	Dichtung Zylinderkopf 1,05 mm	2	
4	880879	Kiphebellager re.	1	
5	015792	Schraube M8x30	6	
6	872759	Stift D. 2,5	4	
7	833520	Mutter M10X1,25 6H	4	
8	976359	Kiphebel	1	Technische Spezifikationen: Betätigungsstange Kiphebel old[OLD]
8	B013603	Kiphebel Einlass li Auslass re	1	Technische Spezifikationen: Betätigungsstange Kiphebel new[NEW]
9	976360	Kiphebel	1	Technische Spezifikationen: Betätigungsstange Kiphebel old[OLD]
9	B013605	Kiphebel Einlass re Auslass li	1	Technische Spezifikationen: Betätigungsstange Kiphebel new[NEW]
10	873850	Regelschraube	4	Technische Spezifikationen: Betätigungsstange Kiphebel old[OLD]
10	879707	Einstellschraube	4	Technische Spezifikationen: Betätigungsstange Kiphebel new[NEW]
11	484819	Mutter	4	Technische Spezifikationen: Betätigungsstange Kiphebel old[OLD]
11	879916	Kiphebel Einstellmutter	4	Technische Spezifikationen: Betätigungsstange Kiphebel new[NEW]

Einheit	MOTOR
Code	34.50
Beschreibung	Recht Zylindersteuer (bowl)
Inspektion	1



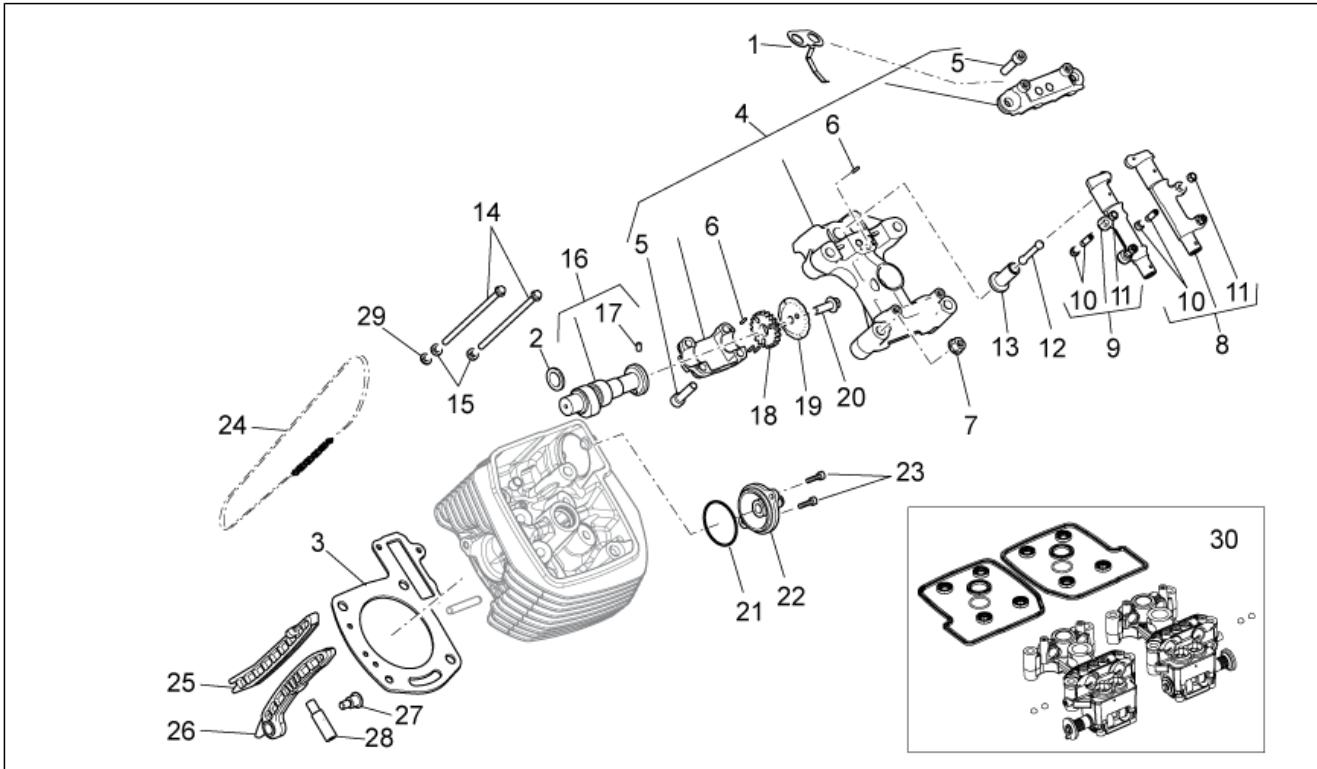
Pos.	Code	Beschreibung	Menge	Varianten
12	873631	Kipphebelstange	2	Technische Spezifikationen: Betätigungsstange Kipphebel old[OLD]
12	8015681	Kipphebelstange	2	Technische Spezifikationen: Betätigungsstange Kipphebel new[NEW]
13	878751	Ventilstüssel schließen	2	
14	487444	Flanschschraube M6x120	2	
15	976674	Flachscheibe 12x6,1x2	2	
16	8792724	Nockenwelle	1	
17	976589	Stift	1	
18	976350	Zahnrad Steuer.	1	
19	874601	Blattöhlentlüfter	1	
20	843060	Flanschschraube	1	
21	880965	Gasket ring 2,62x46,52	1	
22	8013479	Entlüftungsdeckel kpl.	1	
23	875173	Linsenkopfschraube Torx	2	
24	976341	Steuerkette	1	
25	976338	Kettengleitführung	1	
26	976337	Kettenspanner Gleitbacke	1	
27	878868	Distanstückschraube M8	1	
28	873689	Kettenspanner re.	1	
29	1A002060	kit trasformazione distribuzione "A"	1	Baujahr: 2011[B], 2012[C]

Einheit	MOTOR
Code	34.51
Beschreibung	Links Zylindersteuer I
Inspektion	1



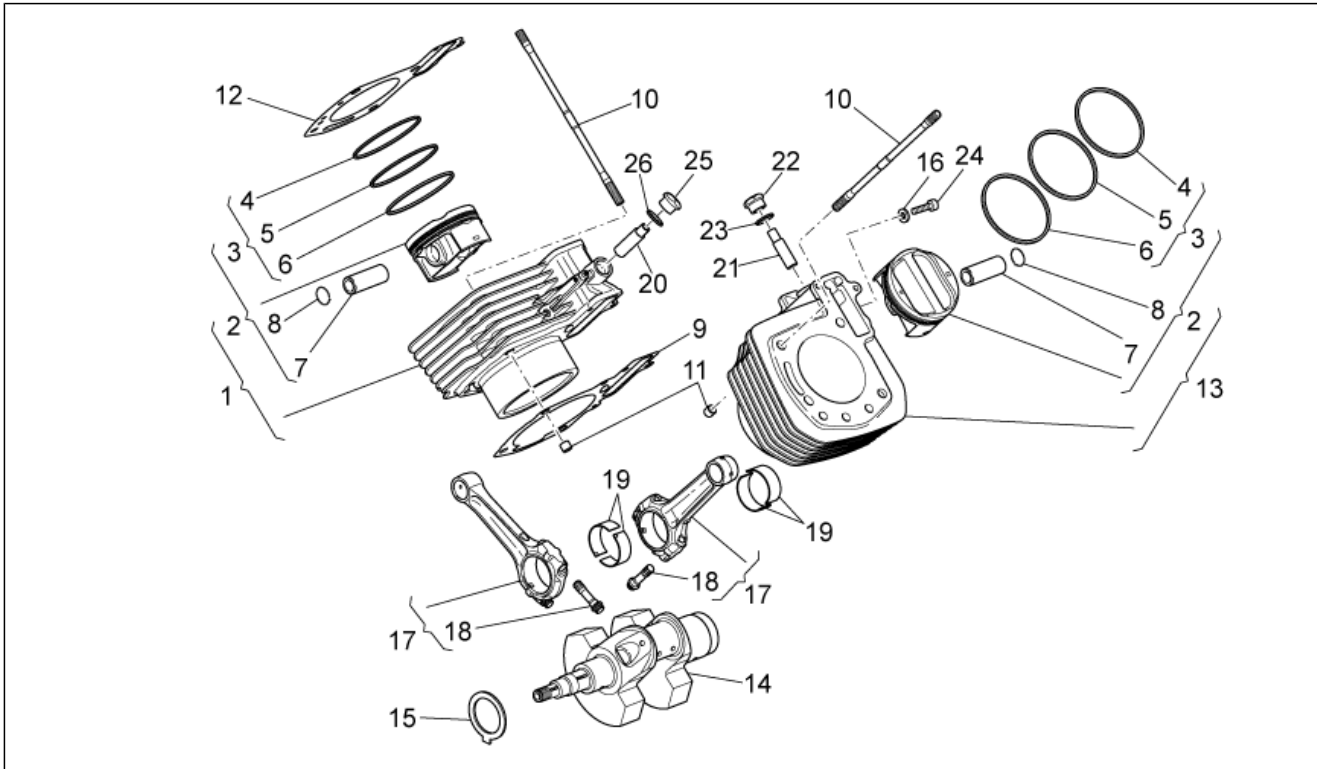
Pos.	Code	Beschreibung	Menge	Varianten
1	B013661	Platte	1	
2	CM162701	Distanzscheibe 1,06	1	
2	CM162702	Distanzscheibe 1,08	1	
2	CM162703	Distanzscheibe 1,10	1	
2	CM162704	Distanzscheibe 1,12	1	
2	CM162705	Distanzscheibe 1,14	1	
3	874621	Dichtung Zylinderkopf 0,65 mm	2	
3	874622	Dichtung Zylinderkopf 0,85 mm	2	
3	976311	Dichtung Zylinderkopf 1,05 mm	2	
4	880881	Kiphebellager li.	1	
5	015792	Schraube M8x30	6	
6	872759	Stift D. 2,5	4	
7	833520	Mutter M10X1,25 6H	4	
8	976359	Kiphebel	1	Technische Spezifikationen: Betätigungsstange Kiphebel old[OLD]
8	B013603	Kiphebel Einlass li Auslass re	1	Technische Spezifikationen: Betätigungsstange Kiphebel new[NEW]
9	976360	Kiphebel	1	Technische Spezifikationen: Betätigungsstange Kiphebel old[OLD]
9	B013605	Kiphebel Einlass re Auslass li	1	Technische Spezifikationen: Betätigungsstange Kiphebel new[NEW]
10	873850	Regelschraube	4	Technische Spezifikationen: Betätigungsstange Kiphebel old[OLD]
10	879707	Einstellschraube	4	Technische Spezifikationen: Betätigungsstange Kiphebel new[NEW]
11	484819	Mutter	4	Technische Spezifikationen: Betätigungsstange Kiphebel old[OLD]
11	879916	Kiphebel Einstellmutter	4	Technische Spezifikationen: Betätigungsstange Kiphebel new[NEW]

Einheit	MOTOR
Code	34.51
Beschreibung	Links Zylindersteuer I
Inspektion	1



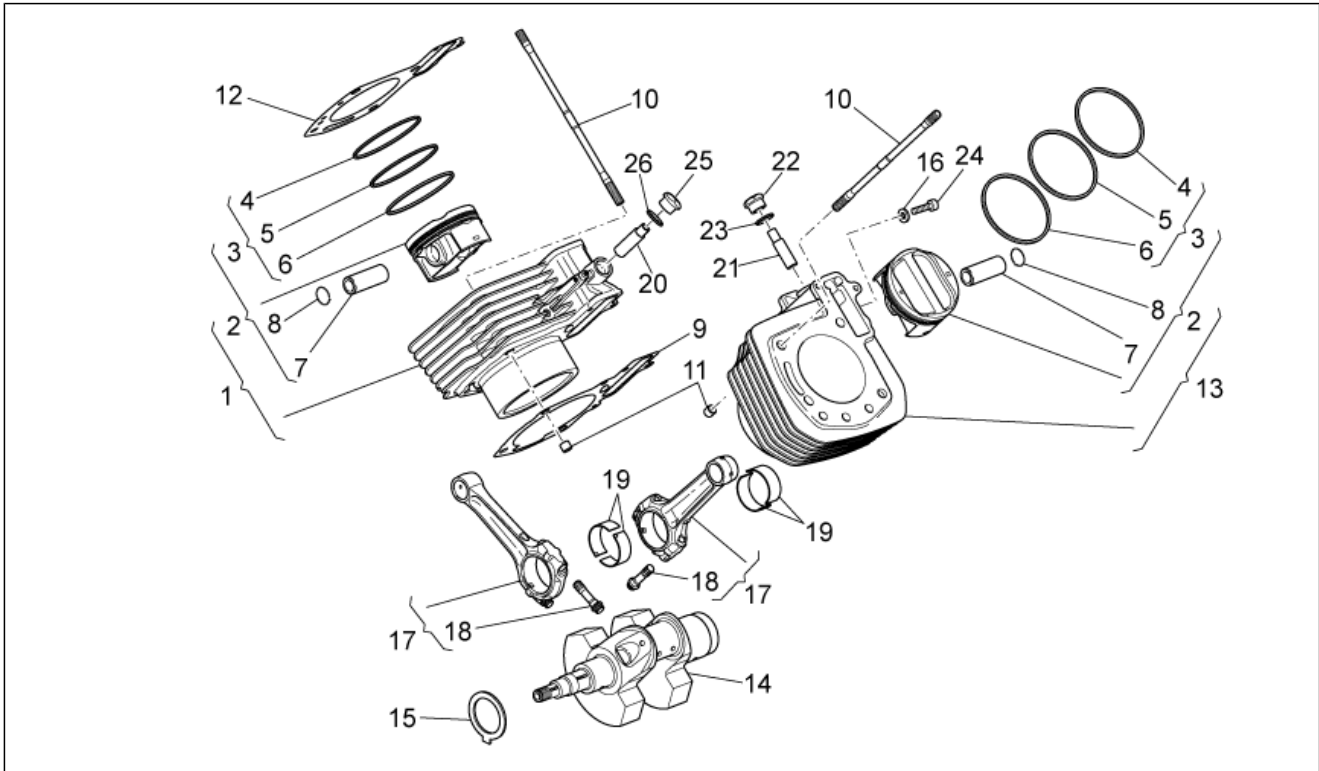
Pos.	Code	Beschreibung	Menge	Varianten
12	873631	Kipphebelstange	2	Technische Spezifikationen: Betätigungsstange Kipphebel old[OLD]
12	B015681	Kipphebelstange	1	Technische Spezifikationen: Betätigungsstange Kipphebel new[NEW]
13	878751	Ventilstüssel schließen	2	
14	487444	Flanschschraube M6x120	2	
15	976674	Flachscheibe 12x6,1x2	2	
16	B014223	Nockenwelle mit inneren Teilen	1	
17	976589	Stift	1	
18	976350	Zahnrad Steuer.	1	
19	874601	Blattölehlüfter	1	
20	843060	Flanschschraube	1	
21	880965	Gasket ring 2,62x46,52	1	
22	B013479	Entlüftungsdeckel kpl.	1	
23	875173	Linsenkopfschraube Torx	1	
24	976341	Steuerkette	1	
25	976338	Kettengleitführung	1	
26	976337	Kettenspanner Gleitbacke	1	
27	878868	Distanstückschraube M8	1	
28	873690	Kettenspanner li.	1	
29	244585	Distanzscheibe	1	
30	1A002060	kit trasformazione distribuzione "A"	1	Baujahr: 2011[B], 2012[C]

Einheit	MOTOR
Code	34.52
Beschreibung	Kurbelwelle - Zylinder
Inspektion	1



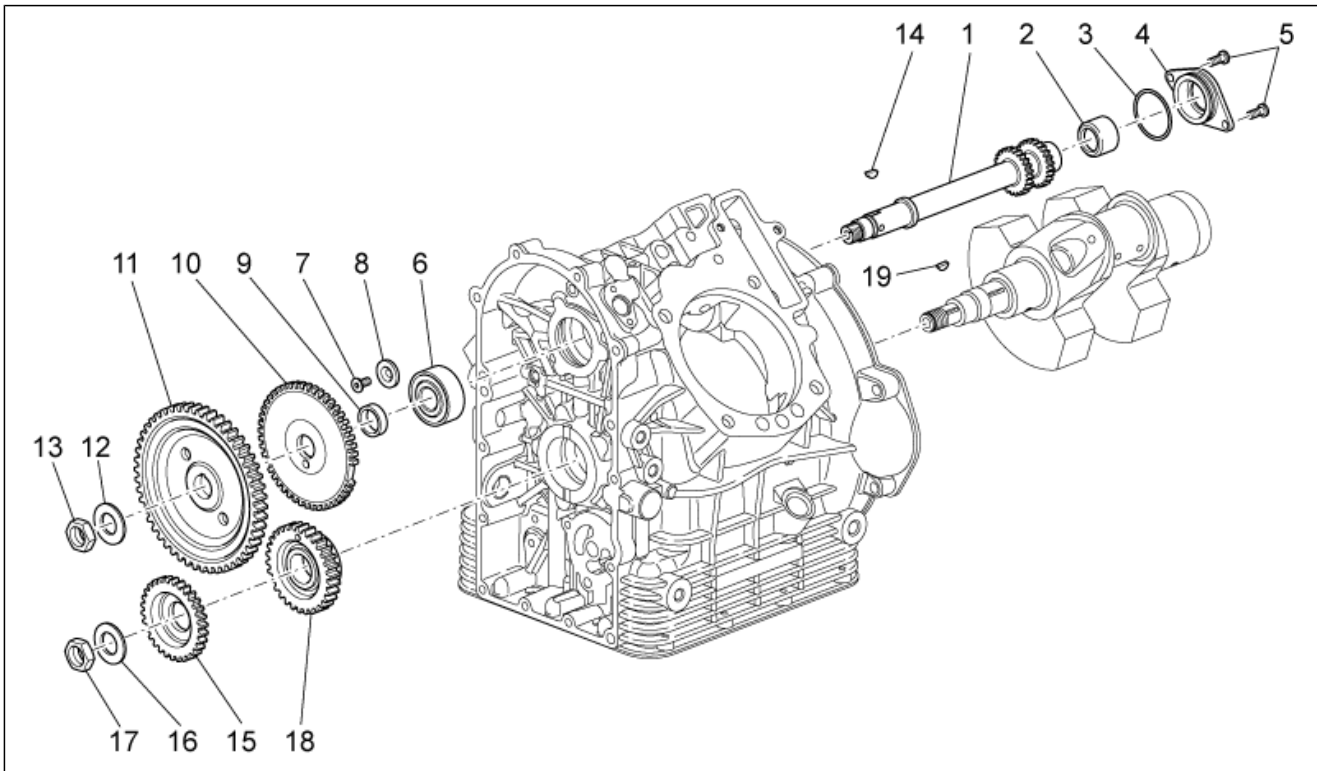
Pos.	Code	Beschreibung	Menge	Varianten
1	981008	Re. Zylinder mit Kolben kpl.	1	
2	873667	Kolben D95 kpl	2	
3	981009	Kolbenring-Satz	2	
4	874287	Kolbenrung	2	
5	874288	Kolbenrung	2	
6	874289	Kolbenrung	2	
7	874286	Bolzen	2	
8	874567	Sperring	4	
9	976312	ZYLINDERFUSSDICHTUNG	2	
10	878275	Stiftschraube	8	
11	825597	Stift 11,8X10	4	
12	874621	Dichtung Zylinderkopf 0,65 mm	2	
12	874622	Dichtung Zylinderkopf 0,85 mm	2	
12	976311	Dichtung Zylinderkopf 1,05 mm	2	
13	981007	Li. Zylinder mit Kolben kpl.	1	
14	B0133785001	Welle kpl.	1	Technische Spezifikationen:Farbe Auswahl Braun[C1]
14	B0133785002	Welle kpl.	1	Technische Spezifikationen:Farbe Auswahl Grün[C2]
14	B0133785003	Welle kpl.	1	Technische Spezifikationen:Farbe Selektion Schwarz[C3]
15	874293	Zwischenlegscheibe	1	
16	GU95100116	Ausgleichscheibe 6,25x10x1,5	1	
17	8783390001	Baugruppe Pleuelstange kpl.	2	Technische Spezifikationen:Farbe Auswahl Braun[C1]
17	8783390002	Baugruppe Pleuelstange kpl.	2	Technische Spezifikationen:Farbe Auswahl Grün[C2]
17	8783390003	Baugruppe Pleuelstange kpl.	2	Technische Spezifikationen:Farbe Selektion Schwarz[C3]
18	849131	Pleuelschraube	4	
19	875243	Halbsch. Bronzebchs. 1,535-1,540	4	Technische Spezifikationen:Zeichen rot[RS]
19	875244	Halbsch. Bronzebchs. 1,539-1,544	4	Technische Spezifikationen:Zeichen Blau[BS]
20	873689	Kettenspanner re.	1	
21	873690	Kettenspanner li.	1	

Einheit	MOTOR
Code	34.52
Beschreibung	Kurbelwelle - Zylinder
Inspektion	1



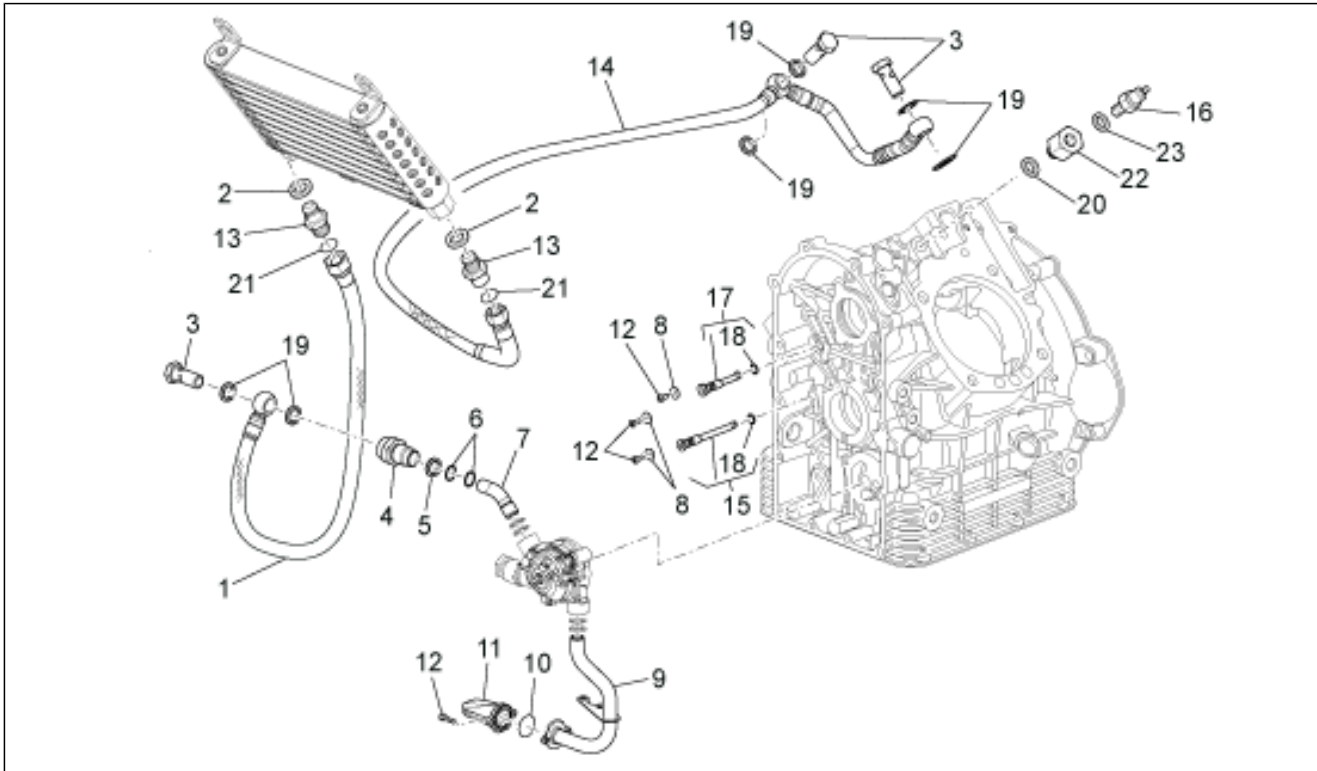
Pos.	Code	Beschreibung	Menge	Varianten
22	976342	Schraube	2	
23	849866	Ausgleichscheibe	2	
24	GU98350310	TBEI Schraube M6x20	1	
25	879404	Schraube	2	
26	879405	Unterlegscheibe	1	

Einheit	MOTOR
Code	34.53
Beschreibung	Steuer
Inspektion	1



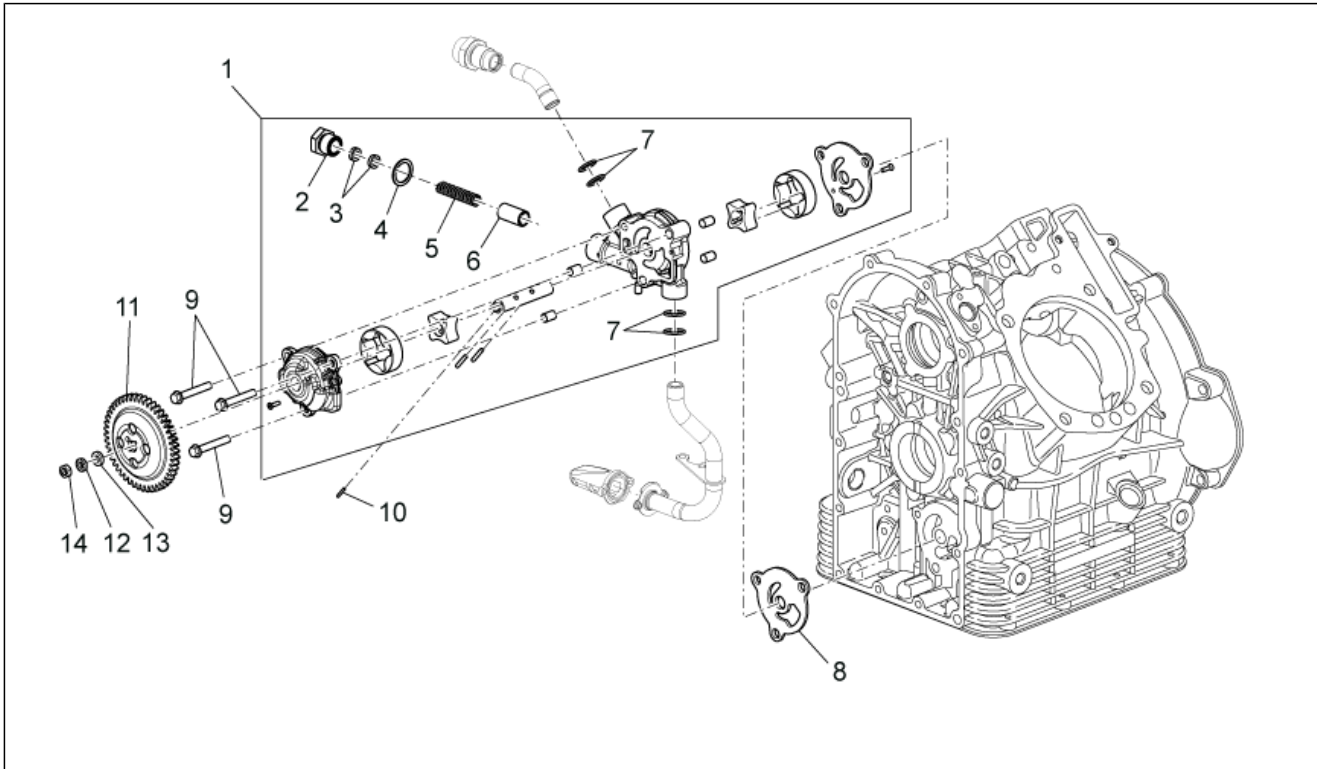
Pos.	Code	Beschreibung	Menge	Varianten
1	976330	Steuer	1	
2	976381	Nadelkaefig 25x32x12	1	
3	976488	O-Ring 37,82x1,78	1	
4	976331	Flansch	1	
5	GU98350315	TBEI Schraube M6x14	2	
6	976355	Kugellager 20x47x18	1	
7	AP8152166	Schraube M6x16	1	
8	873928	Unterlegscheibe	1	
9	976334	Distanzscheibe	1	
10	976538	Wheel speed sensor, LH front	1	
11	874281	Zahnrad Ventilsteuerung	1	
12	GU14433400	Sprengscheibe 19x34x1,5	1	
13	829232	Mutter M18x1,5	1	
14	GU91600450	Keil	1	
15	8787074	Angetriebenes Ölpumpenrad	1	
16	976665	Tellerfeder	1	
17	976649	Mutter M25x1,5	1	
18	874280	Treibendes Zahnrad	1	
19	GU91600365	Keil 3x6,5	1	

Einheit	MOTOR
Code	34.54
Beschreibung	Schmierung
Inspektion	1



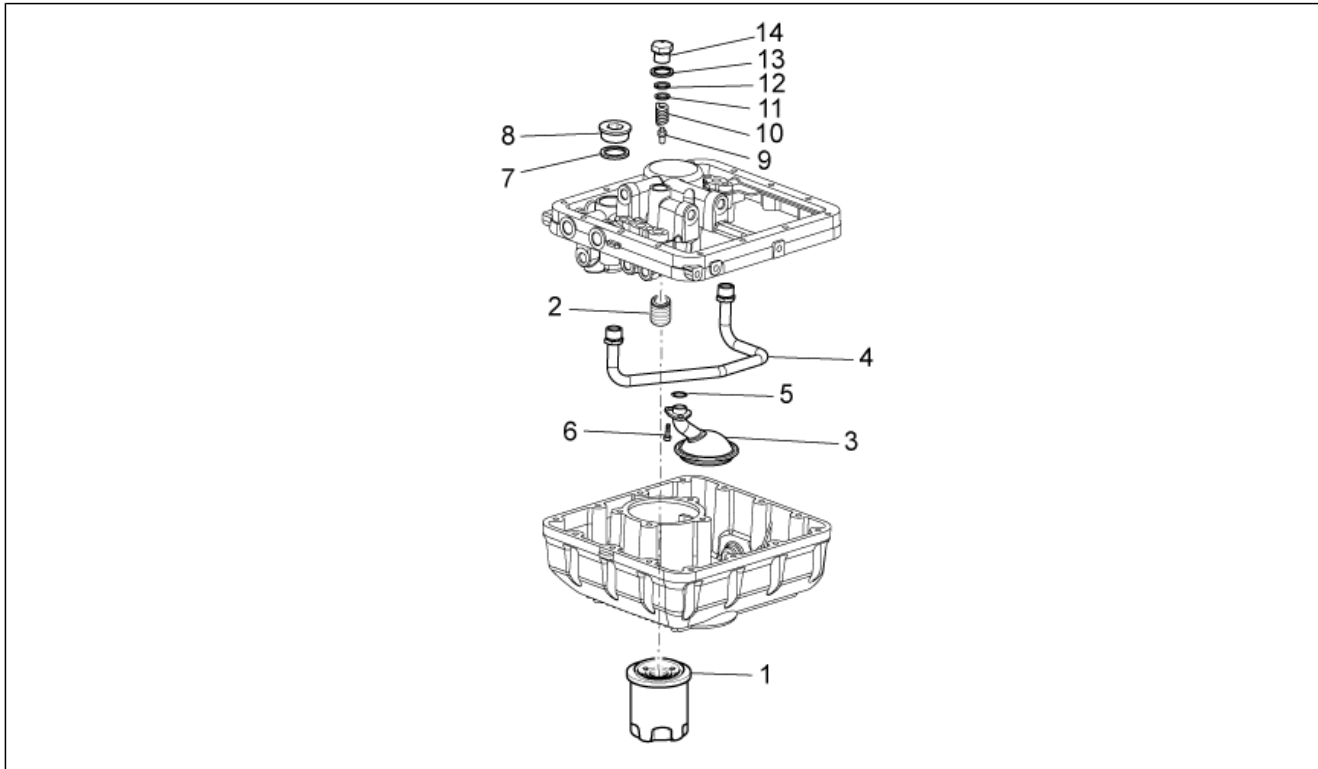
Pos.	Code	Beschreibung	Menge	Varianten
1	978895	Rohr	1	
2	GU01154230	Dichtung	2	
3	874223	Lochschaube	3	
4	874669	Nippel	1	
5	976592	Dichtung	1	
6	434947	O-Ring 12,42x1	2	
7	874646	Ölschlauch	1	
8	013763	Flachscheibe 4,2x12x1	3	
9	874645	Ansaugleitung	1	
10	969323	O-Ring	1	
11	874655	Ölfiltersatz	1	
12	581957	TBEI Schraube	5	
13	GU01161331	Übersetzung	2	
14	976625	Rohr	1	
15	976680	Linkes Düse	1	
16	641541	Öldrucksensor	1	
17	976681	Rechtes Düse	1	
18	874238	O-Ring	4	
19	976597	Kupferdichtung	6	
20	GU12006400	Dichtung 12,25	1	
21	899064	O-Ring	4	
22	887123	Anschluss M12x1,5	1	
23	AP9150472	Ausgleichscheibe 10,5x17x1,5	1	

Einheit	MOTOR
Code	34.55
Beschreibung	Ölpumpe
Inspektion	1



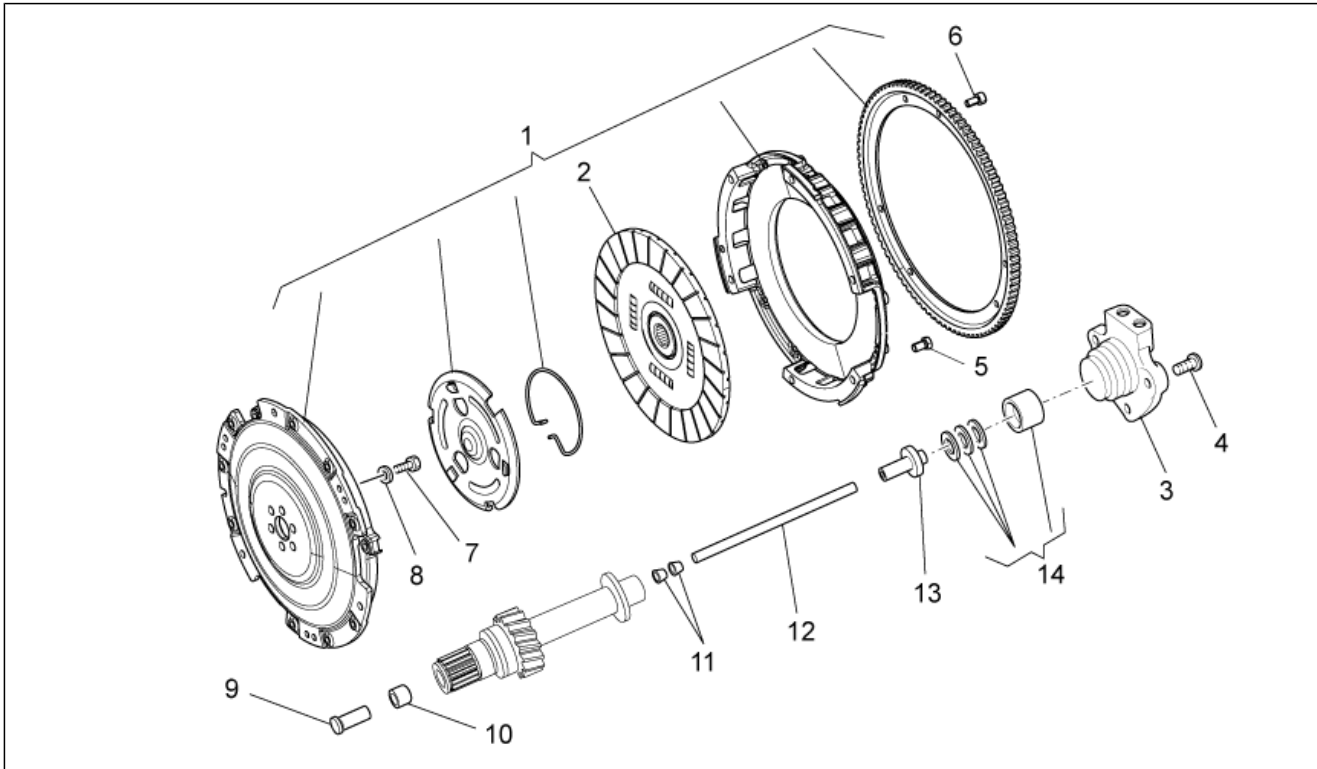
Pos.	Code	Beschreibung	Menge	Varianten
1	8746505	Ölpumpe	1	
2	GU31159050	Deckel	1	
3	GU30158900	Ausgleichscheibe	2	
4	GU18144350	Ausgleichscheibe 18,25x24x1	1	
5	829486	Feder	1	
6	829661	Oil pressure valve	1	
7	237553	O-Ring	4	
8	874482	Dichtung	1	
9	414835	Schraube	3	
10	874801	Stift 2x13,8	1	
11	877101	Zahnrad Ölpumpe	1	
12	GU03013800	Ausgleichscheibe 6,4x12	1	
13	GU95005306	Ausgleichscheibe 6,4x13x1,5	1	
14	873906	Mutter unten	1	

Einheit	MOTOR
Code	34.56
Beschreibung	Ölfiler
Inspektion	1



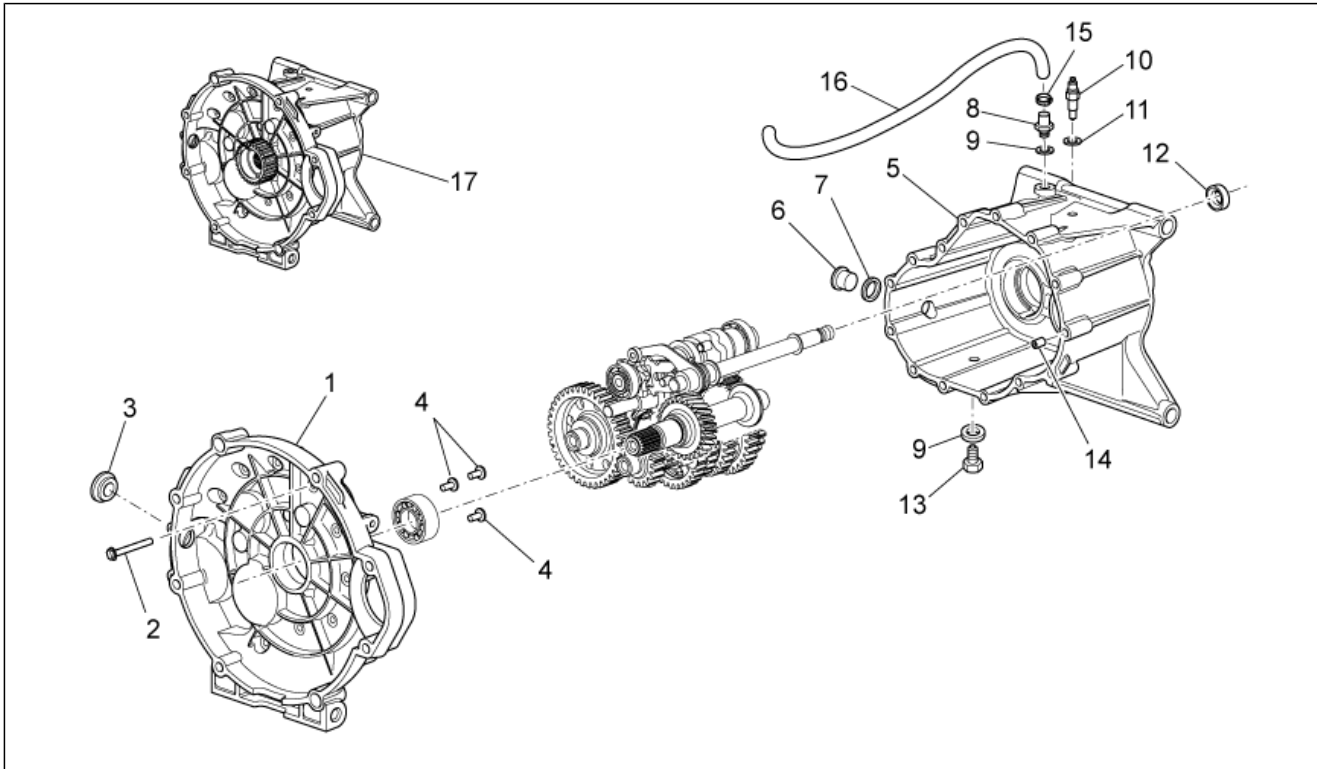
Pos.	Code	Beschreibung	Menge	Varianten
1	GU30153000	Ölfilerersatz	1	
2	829122	Ölfileranschluss	1	
3	GU05152230	Ölfilerersatz	1	
4	GU05005730	Leitung	1	
5	GU90706151	O-Ring 15,08x2,62viton	1	
6	877820	TCEI Schraube M6x18	2	
7	976636	Kupferdichtung	1	
8	976635	Deckel	1	
9	GU30150900	Kolben	1	
10	GU94321077	Feder	1	
11	GU95008206	Ausgleichscheibe 6,15x11x0,8	2	
12	GU30158900	Ausgleichscheibe	1	
13	GU18144350	Ausgleichscheibe 18,25x24x1	1	
14	GU31159050	Deckel	1	

Einheit	MOTOR
Code	34.57
Beschreibung	Kupplung
Inspektion	1



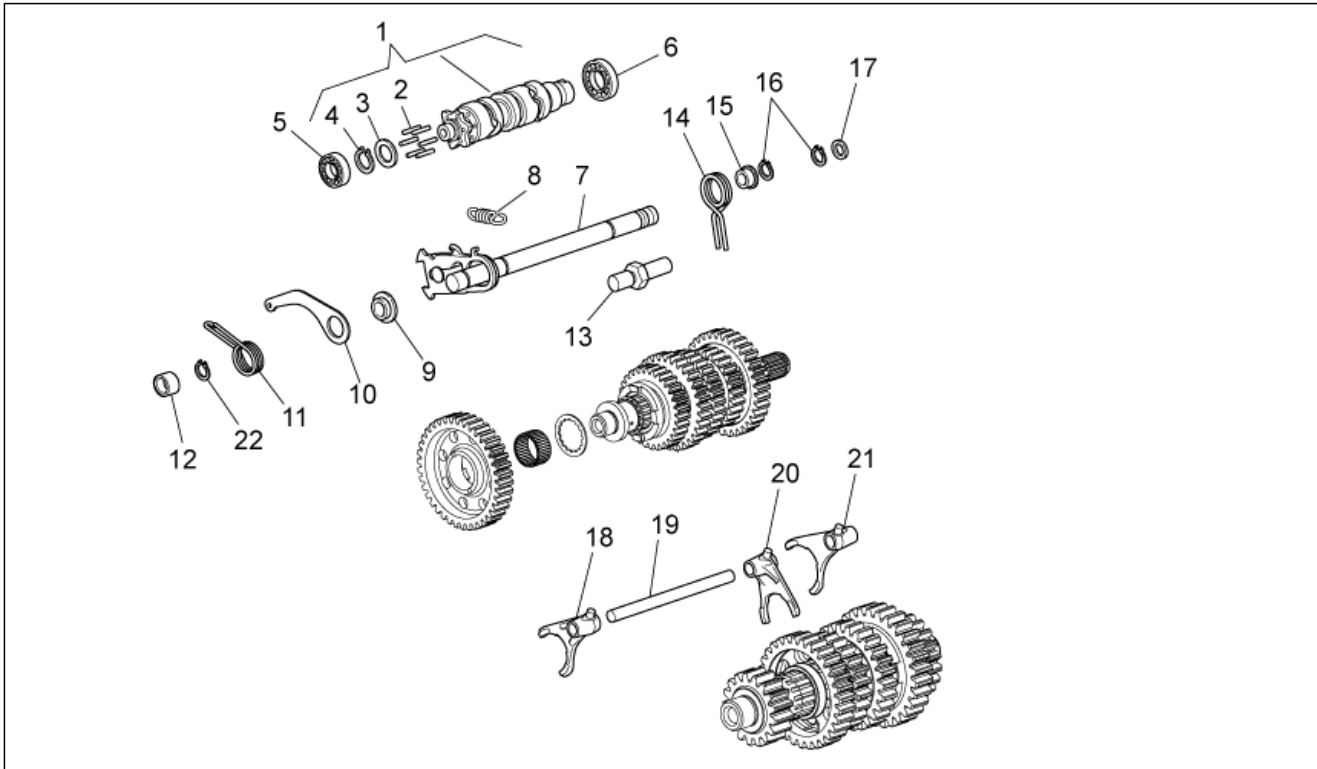
Pos.	Code	Beschreibung	Menge	Varianten
1	976695	Kupplung kplt.	1	
2	976053	Innenlamelle	1	
3	978739	Kupplungszyylinder	1	
4	598839	TE Schr. m. Flansch	3	
5	976535	TCEI Schraube M7x16	6	
6	GU98230612	Schraube	6	
7	976481	TE Schr. m. Flansch M8x25	6	
8	976484	Konische Sprengscheibe 8,2X15	6	
9	B013036	Kupplung schließen	1	
10	976564	Buchse	1	
11	GU14085900	Buchse	2	
12	976593	Stange L=mm183	1	Technische Spezifikationen:
12	976594	Stange L=mm184,5	1	Technische Spezifikationen:
12	976595	Stange L=mm186	1	Technische Spezifikationen:
12	976596	Stange L=mm187,5	1	Technische Spezifikationen:
12	B0630111	Stange L=mm 1185	1	Technische Spezifikationen: Fünf Identifikationstypen[5T]
12	B063012	Stange L=mm 185,5	1	Technische Spezifikationen: Sechs Identifikationstypen[6T]
13	GU14086000	Innengehäuse	1	
14	976696	Mot.lager set	1	

Einheit	MOTOR
Code	34.58
Beschreibung	Getriebegehäuse
Inspektion	1



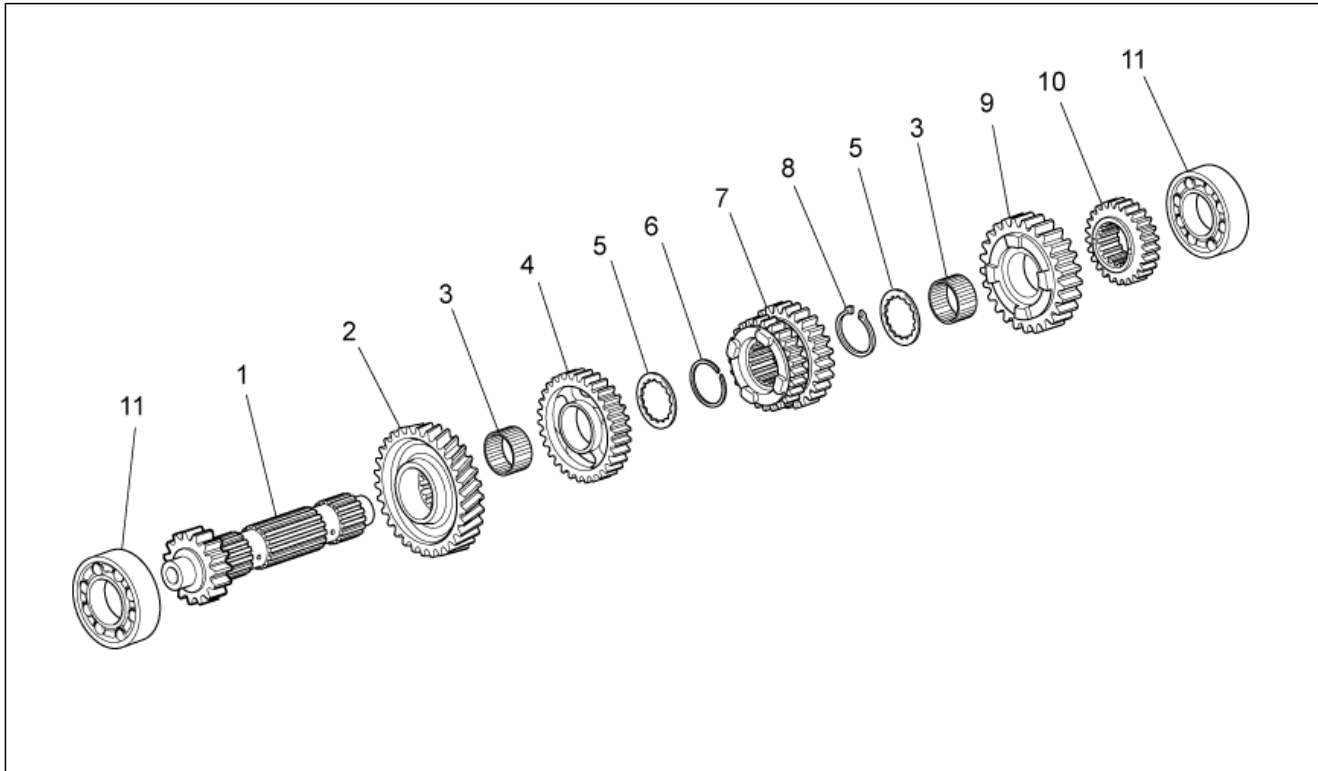
Pos.	Code	Beschreibung	Menge	Varianten
1	879871	Kupplungsglocke	1	
2	GU97202355	TE Schr. m. Flansch M6x55	14	
3	GU93180220	Deckel	1	
4	GU98370616	TBEI Schraube M6x16 inox	3	
5	879869	Getriebegehäuse	1	
6	GU95980319	Ölschraube M18x1,5	1	
7	GU18144350	Ausgleichscheibe 18,25x24x1	1	
8	GU05204930	Entlüftungsschraube	1	
9	GU01528930	Dichtung 10x18x1,5	2	
10	GU19207220	Sensor	1	
11	B063025	Dichtung 8,7x14,2x1,3	1	
12	GU90401424	Gasket ring 14x24x7	1	
13	GU31003766	Ölablaßschraube M10x1	1	
14	GU19002020	Buchse 6,6x9x13	2	
15	AP8101595	Schelle D10,1	1	
16	AP8120952	Kraftstoffleitung 5,5x10	1	
17	976985	Schaltgetriebe kpl.	1	

Einheit	MOTOR
Code	34.59
Beschreibung	Schaltgabel
Inspektion	1



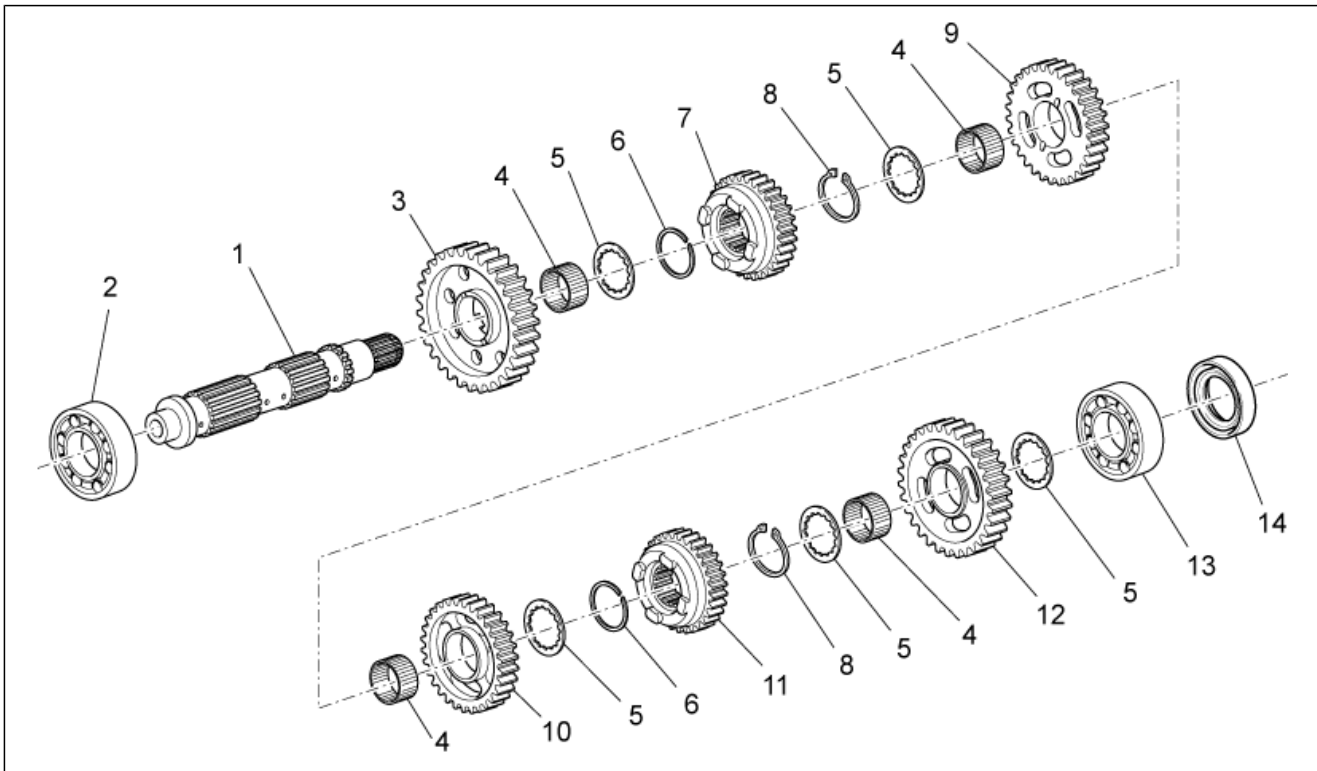
Pos.	Code	Beschreibung	Menge	Varianten
1	GU05234431	Verschiebenocken kplt.	1	
2	GU05234631	Stift	6	
3	GU05235531	Scheibe	1	
4	GU90271022	Seegerring	1	
5	GU92201117	Kugellager 17x35x10	1	
6	GU92201025	Kugellager 25x42x9	1	
7	GU05236231	Schaltautomat	1	
8	GU05238231	Feder	1	
9	GU05238431	Buchse	1	
10	GU05234731	Hebel Index	1	
11	GU05234130	Feder	1	
12	GU05234230	Distanzscheibe	1	
13	GU05234931	Befestigungsbolzen	1	
14	GU05238331	Feder	1	
15	GU05238131	Distanzscheibe	1	
16	GU90271014	Seegerring	2	
17	GU05239330	Anlaufscheibe	1	
18	GU05230531	Schaltgabel 1a-3a	1	
19	GU05232431	Schaltstange	1	
20	GU05232631	Schaltgabel 5a-6a	1	
21	GU05230831	Schaltgabel 2a-4a	1	
22	GU90353014	Seegerring	1	

Einheit	MOTOR
Code	34.60
Beschreibung	Hauptwelle
Inspektion	1



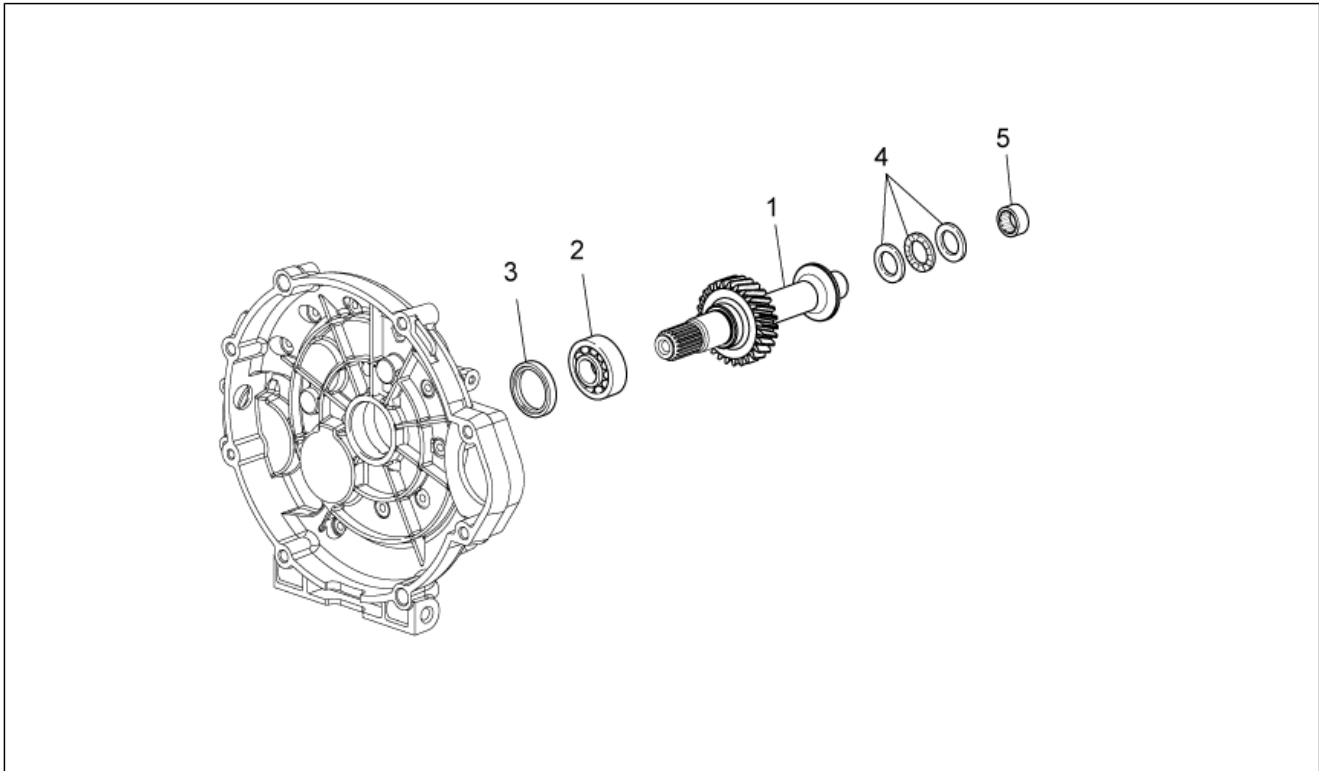
Pos.	Code	Beschreibung	Menge	Varianten
1	GU05210631	Vorgelegewelle Z=17	1	
2	GU05215631	Zahnwerk des Hauptantrieb Z=35	1	
3	GU92252029	Nadelkaefig 26x30x15,6	2	
4	GU05212031	Zahnrad 5a Z=31	1	
5	GU05214630	Bundscheibe	2	
6	GU90271230	Sprengring 30x1,2SW	1	
7	GU05211431	Zahnrad 3a-4a Z=23-26	1	
8	GU90271030	Sprengring 30x27,9	1	
9	GU05212631	Zahnrad 6a Z=29	1	
10	GU05211331	Zahnrad 2a Z=20	1	
11	GU92201822	Kugellager 20x52x15	2	

Einheit	MOTOR
Code	34.61
Beschreibung	Festrad
Inspektion	1



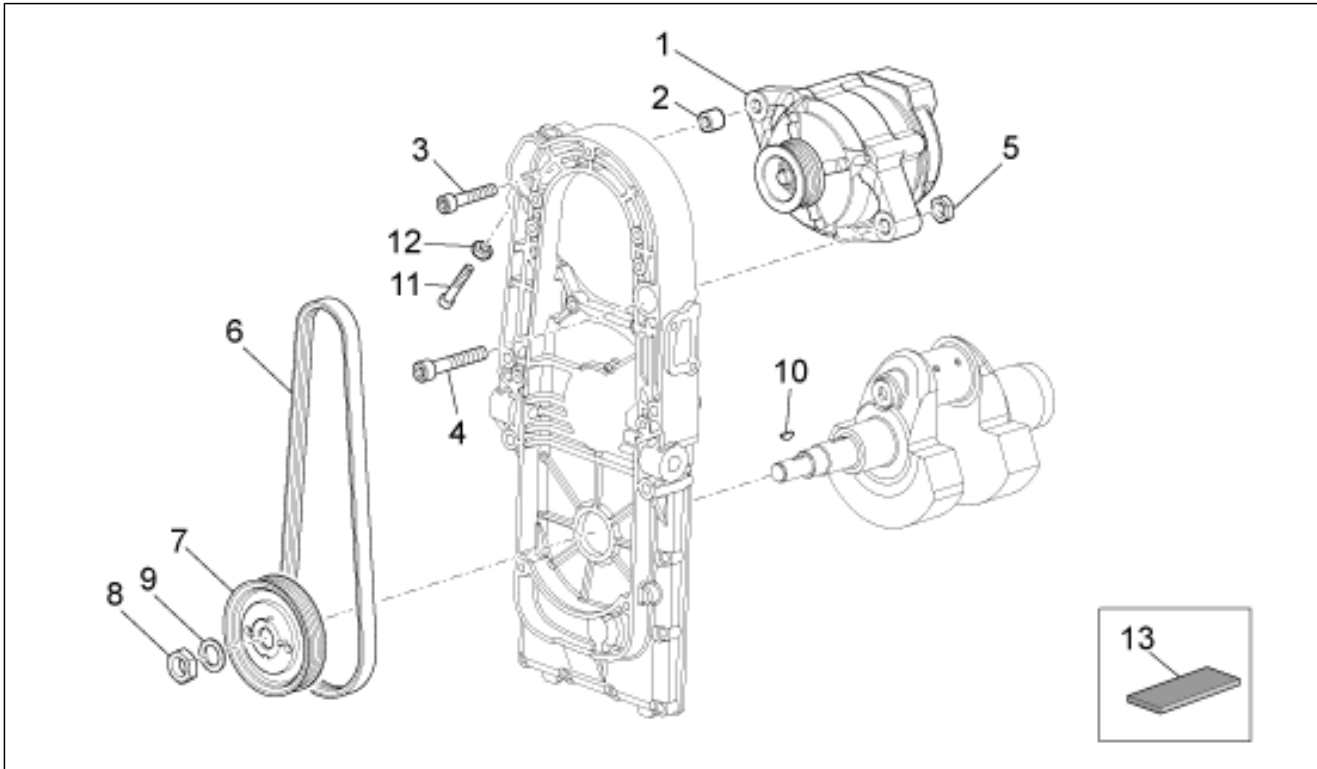
Pos.	Code	Beschreibung	Menge	Varianten
1	GU05213631	Festrad	1	
2	GU92201822	Kugellager 20x52x15	1	
3	GU05214231	Zahnrad 1a Z=38	1	
4	GU92252029	Nadelkaefig 26x30x15,6	4	
5	GU05214630	Bundscheibe	5	
6	GU90271230	Sprengring 30x1,2SW	2	
7	GU05214031	Zahnrad 5a Z=30	1	
8	GU90271030	Sprengring 30x27,9	2	
9	GU05214731	Zahnrad 3a Z=31	1	
10	GU05215031	Zahnrad 4a Z=29	1	
11	GU05220531	Zahnrad 6a Z=25	1	
12	GU05214431	Zahnrad 2a Z=34	1	
13	GU92201226	Kugellager 25x52x15	1	
14	GU90412541	Gasket ring 25X40X7	1	

Einheit	MOTOR
Code	34.62
Beschreibung	Kupplungswelle
Inspektion	1



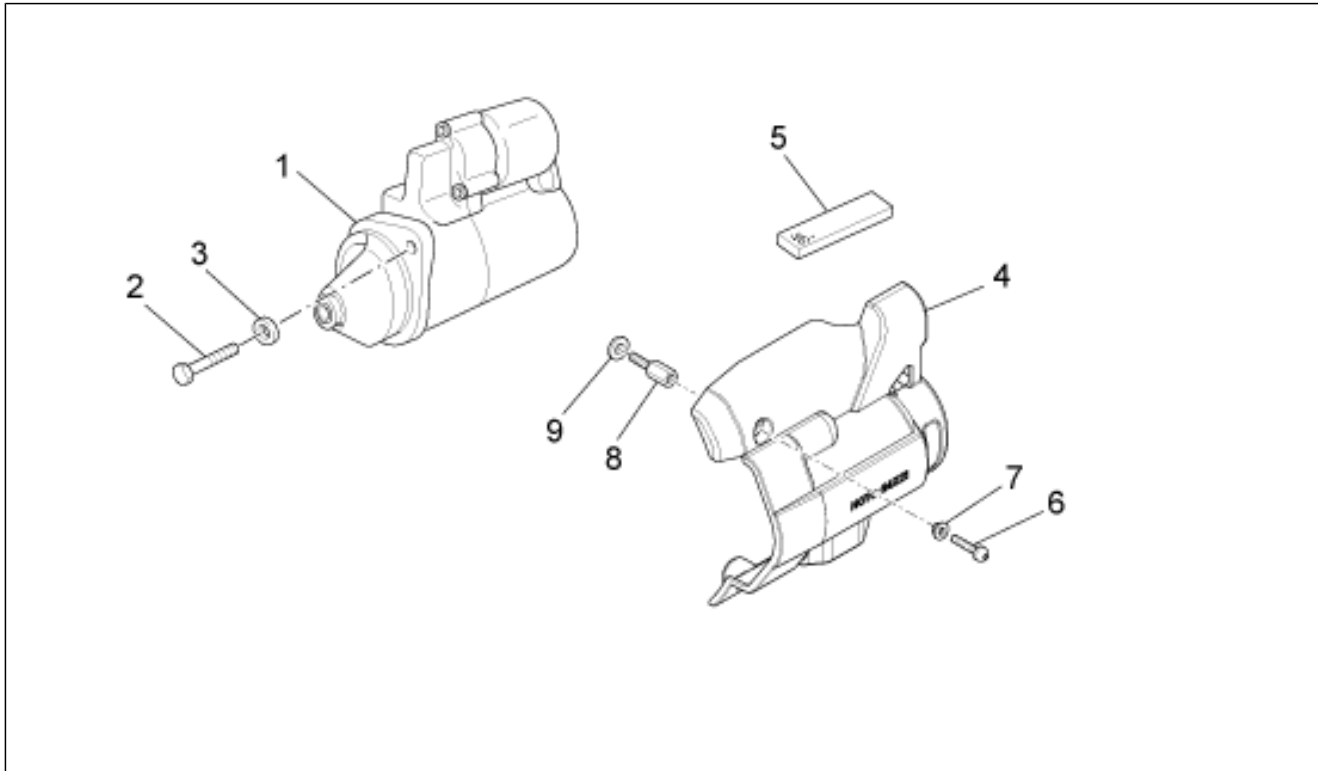
Pos.	Code	Beschreibung	Menge	Varianten
1	976351	Kupplungswelle Z=26	1	
2	GU92201226	Kugellager 25x52x15	1	
3	976533	Gasket ring 25x47x7	1	
4	976532	Drucklager	1	
5	GU92232028	Rollenlager 20x28x13	1	

Einheit	MOTOR
Code	34.63
Beschreibung	Stromgenerator
Inspektion	1



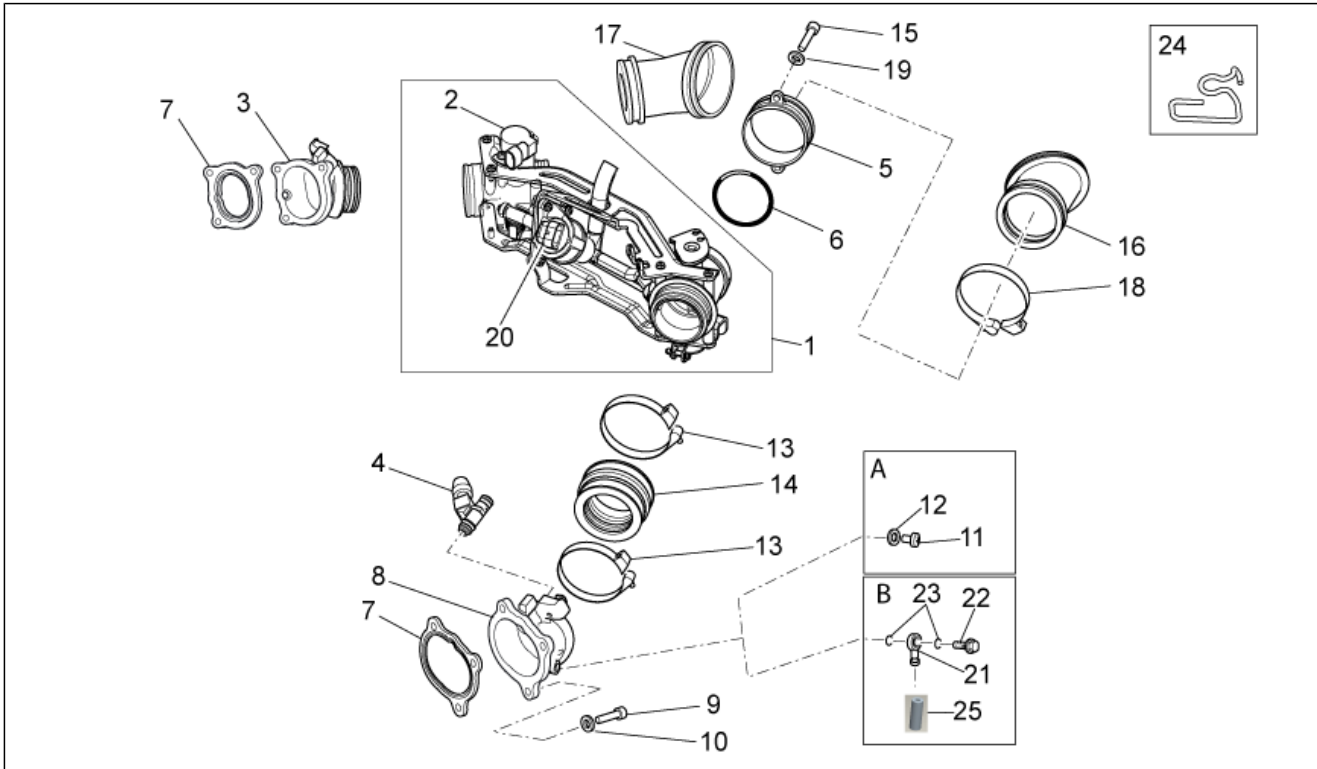
Pos.	Code	Beschreibung	Menge	Varianten
1	886255	Drehstromgenerator	1	
2	GU91180823	Distanzscheibe 8,5x17x13	1	
3	GU98620445	TCEI Schraube M8x45	1	
4	GU98620560	TCEI Schraube M10x60	1	
5	GU92660012	Mutter M10x1,5	1	
6	GU05702530	Riemen	1	
7	GU05701430	Drehstromgenerator enriemensc.	1	
8	GU92606516	Mutter M16	1	
9	GU30714201	Ausgleichscheibe 16,25x24,5x5	1	
10	GU4FAN000030	Keil Schwungmagnet	1	
11	GU98230850	TBEI Schraube M8x50	1	
12	GU92605408	Mutter M8x1,25	1	
13	883127	Gummi für Haterung 5mm	1	

Einheit	MOTOR
Code	34.64
Beschreibung	Startermotor
Inspektion	1



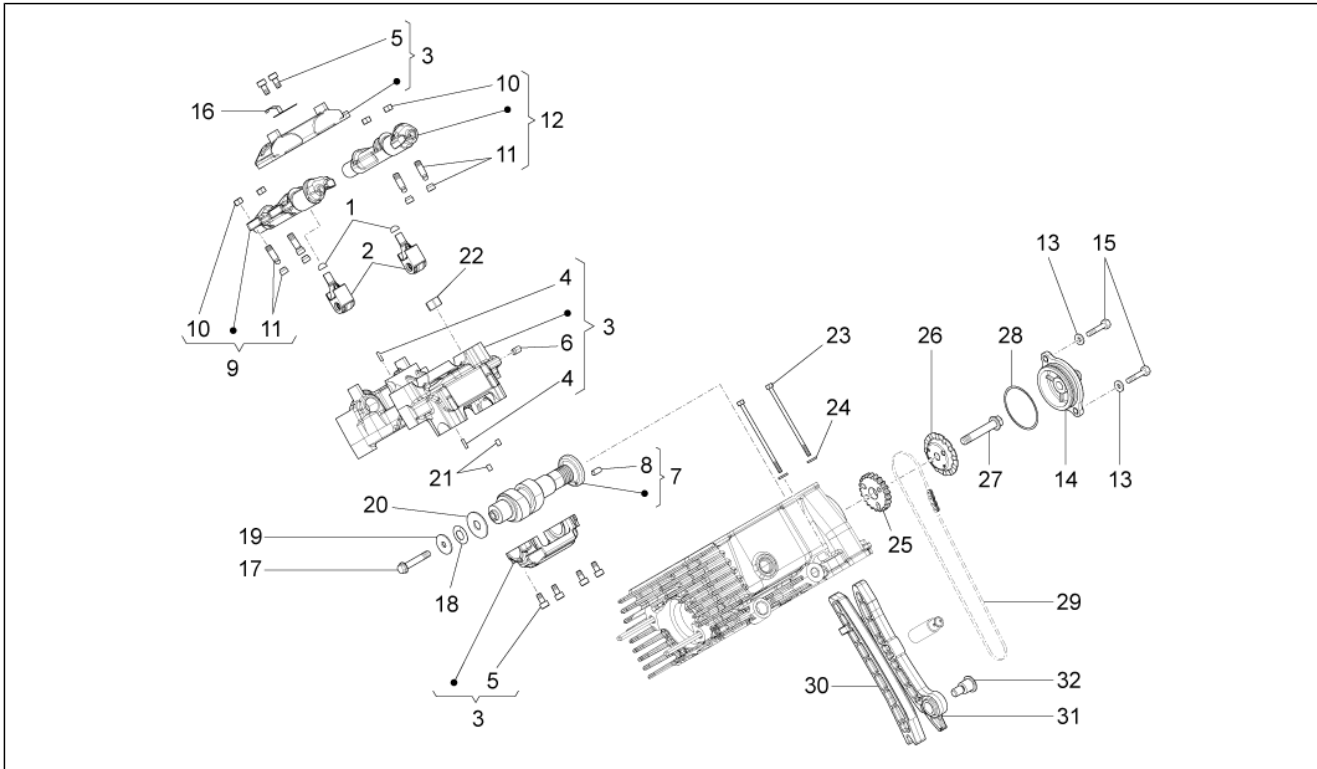
Pos.	Code	Beschreibung	Menge	Varianten
1	GU05730730	Startermotor Bosch	1	
2	GU98082475	Sechskantschraube M8x75	2	
3	GU95008208	Ausgleichscheibe 8,4X15X1,5	2	
4	886857	Abdeckung	1	
5	AP8117200	Klebeschwamm	1	
6	GU98370609	TBEI Schraube M6x10	2	
7	AP8121032	Buchse	2	
8	GU03469201	Stiftschraube	2	
9	GU03013800	Ausgleichscheibe 6,4x12	1	

Einheit	MOTOR
Code	34.65
Beschreibung	Klappenkörper
Inspektion	1



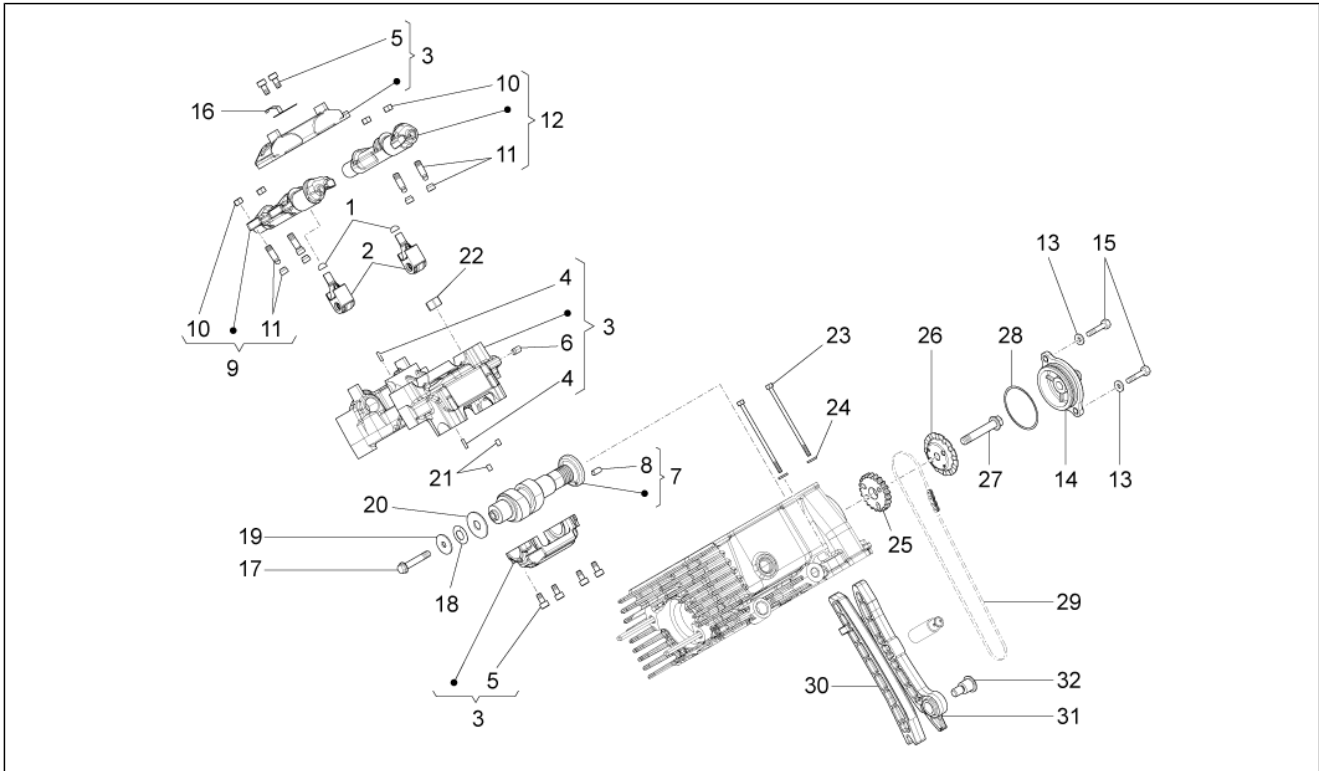
Pos.	Code	Beschreibung	Menge	Varianten
1	880270	Klappenkörper	1	
2	981010	Potentiometer	1	
3	879878	Ansaugkrümmer rechts	1	
4	CM074706	Kompl.Satz.f.Spritzdüsel	2	
5	976498	Flansch	2	
6	976566	O-Ring 53,7x1,78	2	
7	873879	Ansaugsammlerdichtung	2	
8	879877	Ansaugkrümmer links	1	
9	GU98882325	Flache Innensechskantsch. M6x25 M6x25	6	
10	GU95008206	Ausgleichscheibe 6,15x11x0,8	6	
11	GU98350310	TBEI Schraube M6x20	2	
12	GU95100116	Ausgleichscheibe 6,25x10x1,5	2	
13	GU93305061	Schelle 61/65,5	4	
14	873861	Hülse	2	
15	GU98682212	TCEI Schraube M5x12	2	
16	877057	Einlaßmuffe rechts	1	
17	877056	Einlaßmuffe links	1	
18	GU93306050	Schelle 50x90x9	2	
19	GU95008305	Ausgleichscheibe 5,3X10X1	2	
20	896540	Elektromotor Standgaseinstellung	1	
21	GU95963062	Anschluss	2	
22	GU95990023	Lochschaube	2	
23	GU90706009	O-Ring 6x1	4	
24	887209	Kabelführung	1	
25	487567	Deckel	1	

Einheit	MOTOR
Code	34.66
Beschreibung	Recht Zylindersteuer (roller)
Inspektion	1



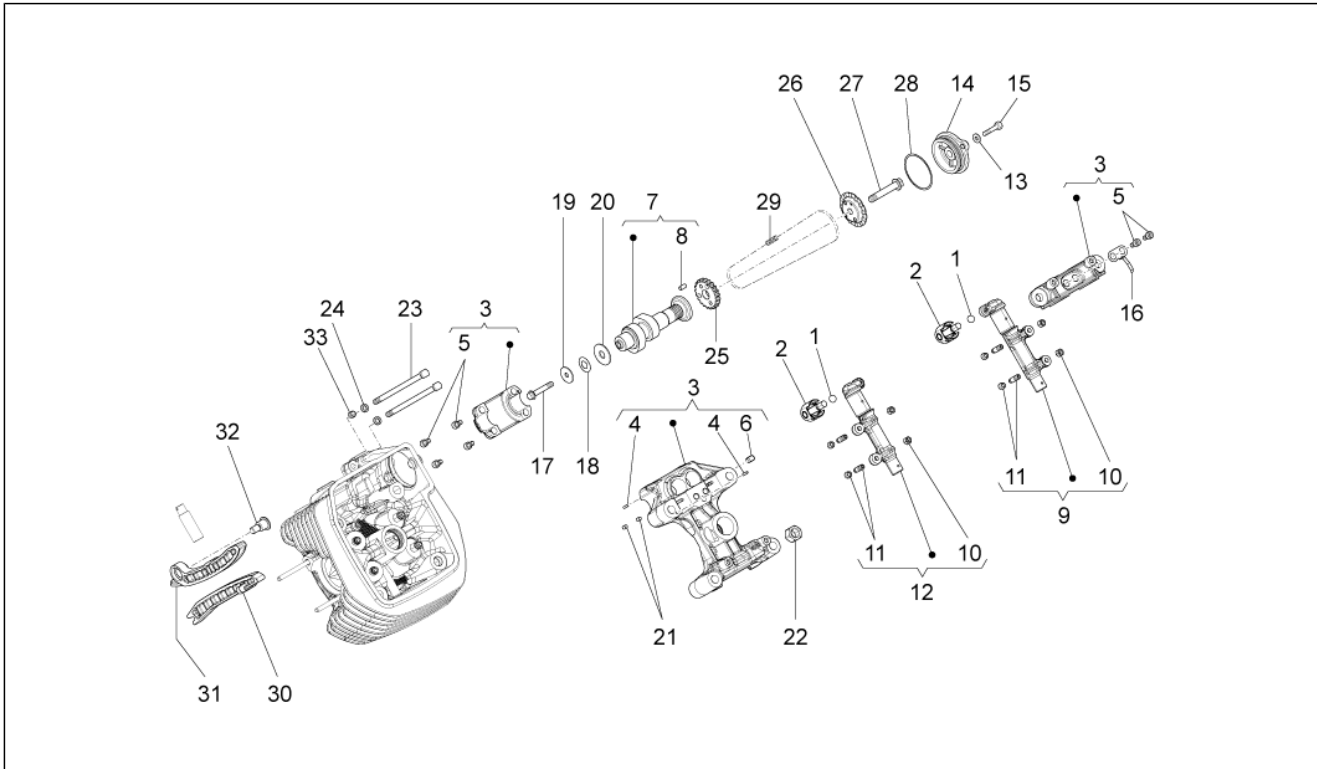
Pos.	Code	Beschreibung	Menge	Varianten
1	878574	Belag	2	
2	B016785	Ventilstässel	2	
3	B017029	Halterung Kipphebelwelle DX	1	
4	872759	Stift D. 2,5	4	
5	015792	Schraube M8x30	6	
6	842360	Verschlußschraube M6x10	1	
7	B014576	Nockenwelle	1	
8	976589	Stift	1	
9	B0136034	Kipphebel Einlass li Auslass re	1	
10	879916	Kipphebel Einstellmutter	4	
11	879707	Einstellschraube	4	
12	B0136054	Kipphebel Einlass re Auslass li	1	
13	GU95129100	Sprengscheibe 5,3X10X0,5	2	
14	B013479	Entlüftungsdeckel kpl.	1	
15	GU98622214	Schraube	2	
16	B013661	Platte	1	
17	414837	TE Schr. m. Flansch M6x25	1	
18	879938	Tellerfeder	1	
19	879936	Abstreifscheibe	1	
20	879937	Abstreifscheibe	1	
21	B013552	Rolle	2	
22	833520	Mutter M10X1,25 6H	8	
23	487444	Flanschschraube M6x120	2	
24	976674	Flachscheibe 12x6,1x2	2	
25	976350	Zahnrad Steuer.	1	
26	874601	Blattöentlüfter	1	
27	843060	Flanschschraube	1	
28	880965	Gasket ring 2,62x46,52	0	

Einheit	MOTOR
Code	34.66
Beschreibung	Recht Zylindersteuer (roller)
Inspektion	1



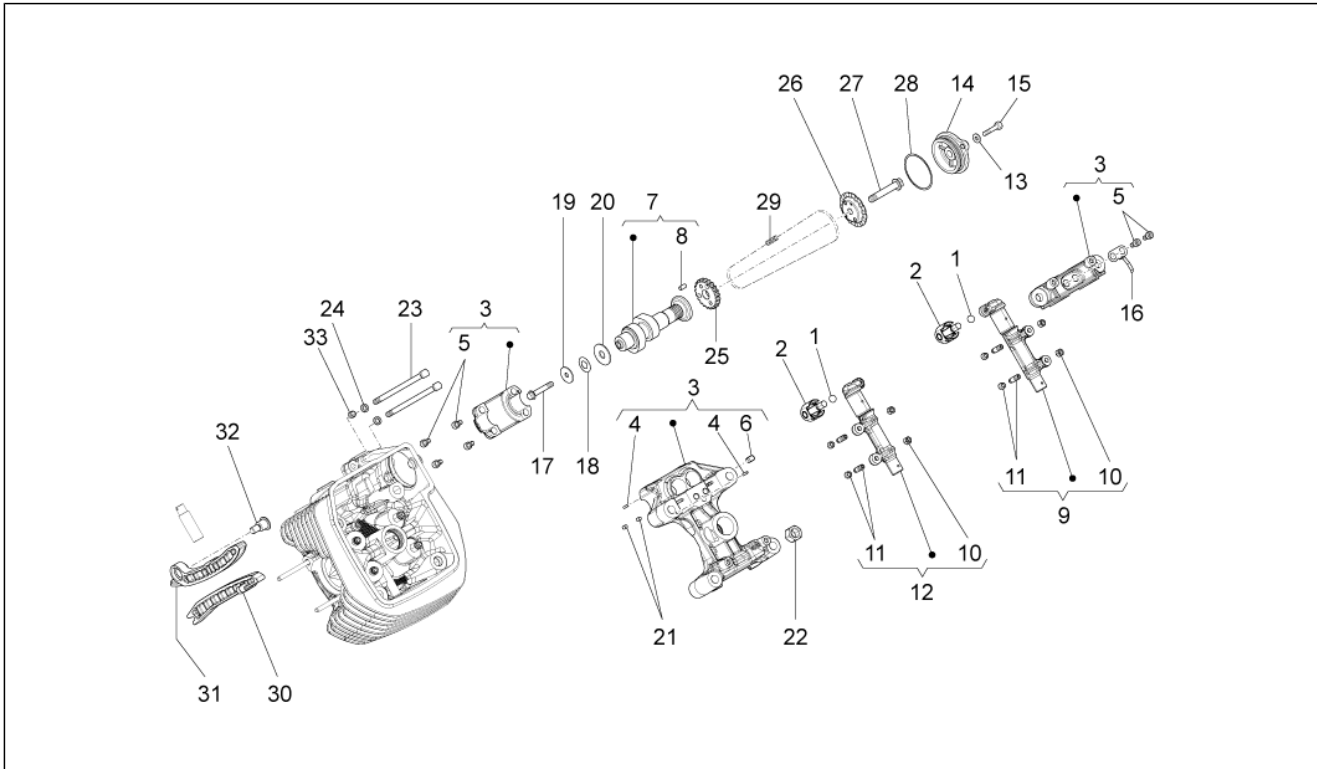
Pos.	Code	Beschreibung	Menge	Varianten
29	976341	Steuerkette	1	
30	976338	Kettengleitführung	1	
31	976337	Kettenspanner Gleitbacke	1	
32	878868	Distanzstückschraube M8	1	

Einheit	MOTOR
Code	34.67
Beschreibung	Links Zylindersteuer (roller)
Inspektion	1



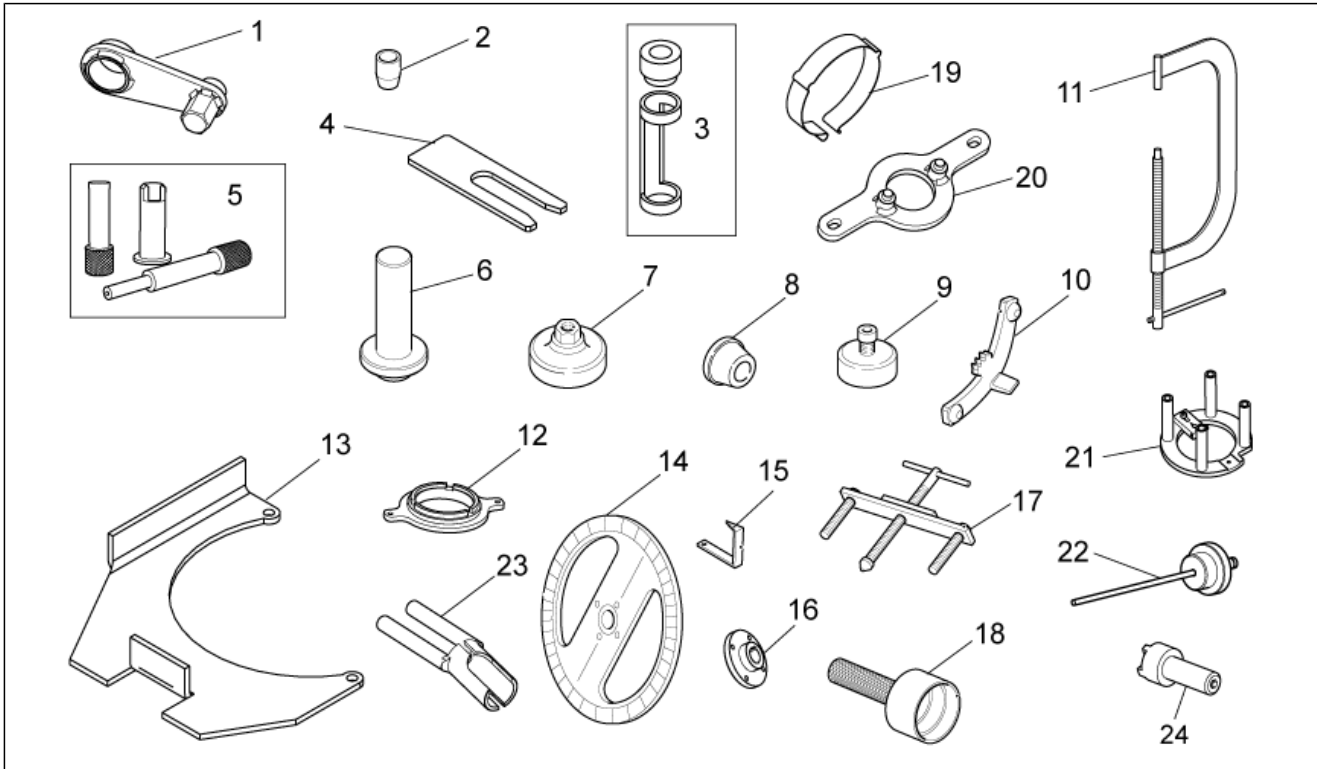
Pos.	Code	Beschreibung	Menge	Varianten
1	878574	Belag	2	
2	B016785	Ventilstängel	2	
3	B017026	Halterung Kipphebelwelle SX	1	
4	872759	Stift D. 2,5	4	
5	015792	Schraube M8x30	6	
6	842360	Verschlußschraube M6x10	1	
7	B014576	Nockenwelle	1	
8	976589	Stift	1	
9	B0136034	Kipphebel Einlass li Auslass re	1	
10	879916	Kipphebel Einstellmutter	4	
11	879707	Einstellschraube	4	
12	B0136054	Kipphebel Einlass re Auslass li	1	
13	GU95129100	Sprengscheibe 5,3X10X0,5	2	
14	B013479	Entlüftungsdeckel kpl.	1	
15	GU98622214	Schraube	2	
16	B013661	Platte	1	
17	414837	TE Schr. m. Flansch M6x25	1	
18	879938	Tellerfeder	1	
19	879936	Abstreifscheibe	1	
20	879937	Abstreifscheibe	1	
21	B013552	Rolle	2	
22	833520	Mutter M10X1,25 6H	4	
23	487444	Flanschschraube M6x120	2	
24	976674	Flachscheibe 12x6,1x2	2	
25	976350	Zahnrad Steuer.	1	
26	874601	Blattöltentlüfter	1	
27	843060	Flanschschraube	1	
28	880965	Gasket ring 2,62x46,52	1	

Einheit	MOTOR
Code	34.67
Beschreibung	Links Zylindersteuer (roller)
Inspektion	1



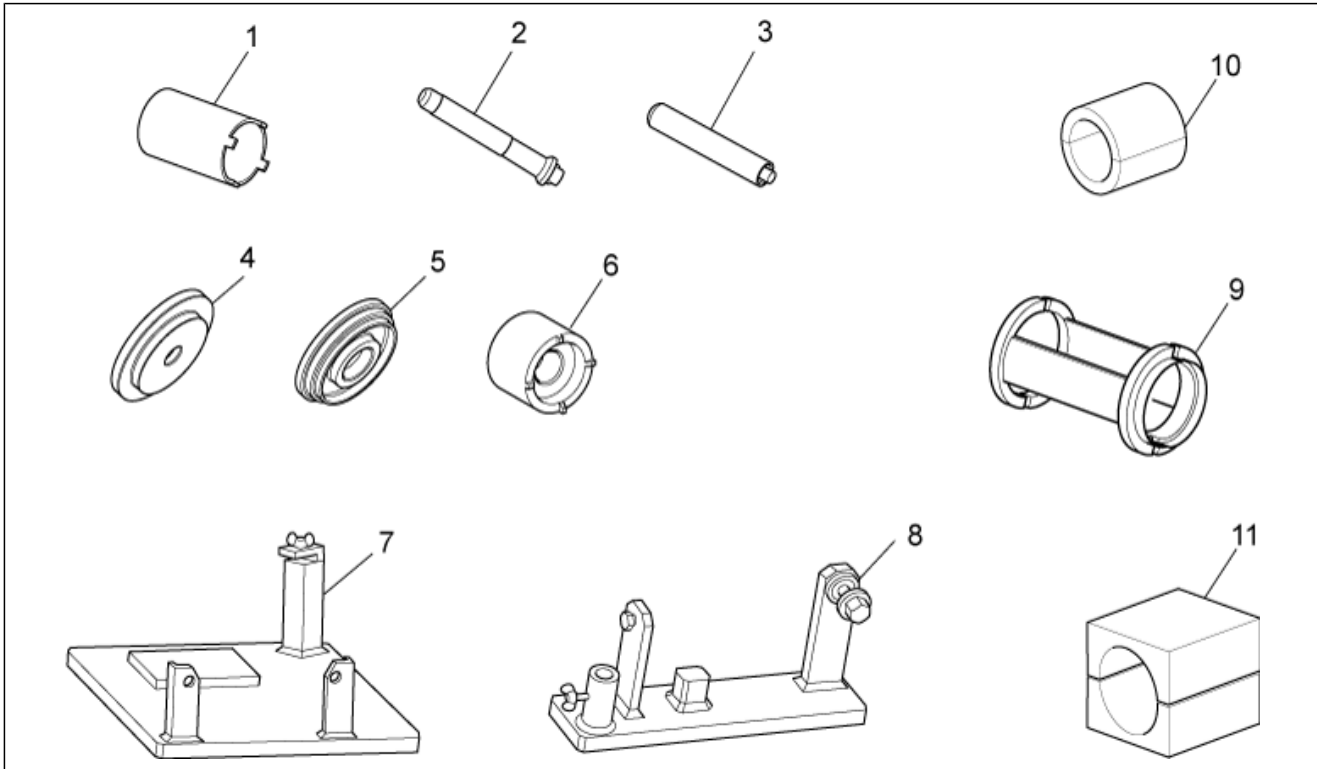
Pos.	Code	Beschreibung	Menge	Varianten
29	976341	Steuerkette	1	
30	976338	Kettengleitführung	1	
31	976337	Kettenspanner Gleitbacke	1	
32	878868	Distanzstückschraube M8	1	
33	244585	Distanzscheibe	1	

Einheit	SPEZIALWERKZEUG
Code	36.67
Beschreibung	Specific tools I
Inspektion	1



Pos.	Code	Beschreibung	Menge	Varianten
1	020677Y	Riemenspannwerkzeug	1	
2	GU05911730	Riemenspannwerkzeug	1	
3	AP9100838	Ventilfederspannwerkzeug	1	
4	020716Y	Pleuelstangensperre	1	
5	020470Y	Werkz. Mont. Kolbenb.spreng.	1	
6	GU05927230	Setzdorn für Abdichtring	1	
7	GU01929100	Ausbau Wanne- & FilterDeckels	1	
8	GU12912000	Schwungradfl.Einbau m.Simmerin	1	
9	GU14927100	SimmeringEinbau Schwungradfl.	1	
10	GU12911801	Befestig.Schwungrad/Starter	1	
11	AP8140179	Bow for valve assy&disassy	1	
12	020672Y	Kupplungfederspannwerkzeug	1	
13	GU05902530	Stütze für Getriebegehäuse	1	
14	GU19929600	Scheibe für Phaseneinstellung	1	
15	GU17947560	Pfeil für Phaseneinstellung	1	
16	020673Y	Radnabe für Skalenscheibe	1	
17	GU12913600	Ausbau Flansch Schwungradseite	1	
18	GU19927100	SimmeringEinbau Schwungradfl.	1	
19	020674Y	Kolbenringspanner	1	
20	020675Y	Sprengring Servicewellenrad	1	
21	020676Y	Messuhrhalter Kolbenpos.	1	
22	020678Y	Prüfwerkz. Kupplungsstab	1	
23	020689Y	Auszieherfunkensteckerkappe	1	
24	GU14912603	Schlüssel	1	

Einheit	SPEZIALWERKZEUG
Code	36.68
Beschreibung	Specific tools II
Inspektion	1



Pos.	Code	Beschreibung	Menge	Varianten
1	AP8140190	Steering lock tool	1	
2	GU05902732	Griff für Puffer	1	
3	GU05902733	Haltestopfen f. Kugelgelenk	1	
4	GU05902731	Öldicht.stopfen Getriebegeh. 85	1	
5	GU05902735	Öldicht.haltestopf.Ritzel 45x58	1	
6	GU05902734	Schlüssel Ritzelnutmutter	1	
7	GU05902730	Hater f. Getriebegehäuse	1	
8	GU05902736	Halter für Kegelräderpaar	1	
9	AP8140758	Tool oil seal assy	1	
10	AP8140146	Weight for AP8140189	1	
11	AP8140149	Schutzbacken	1	