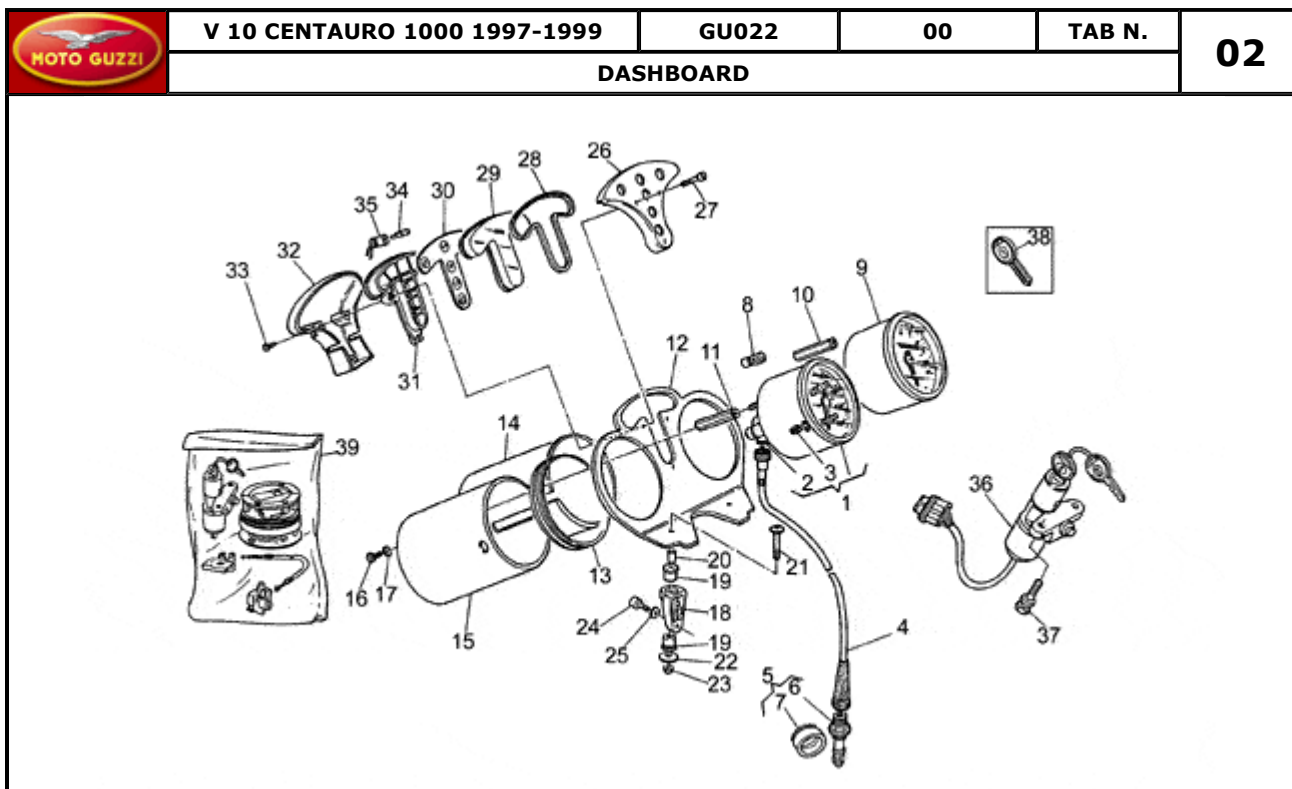


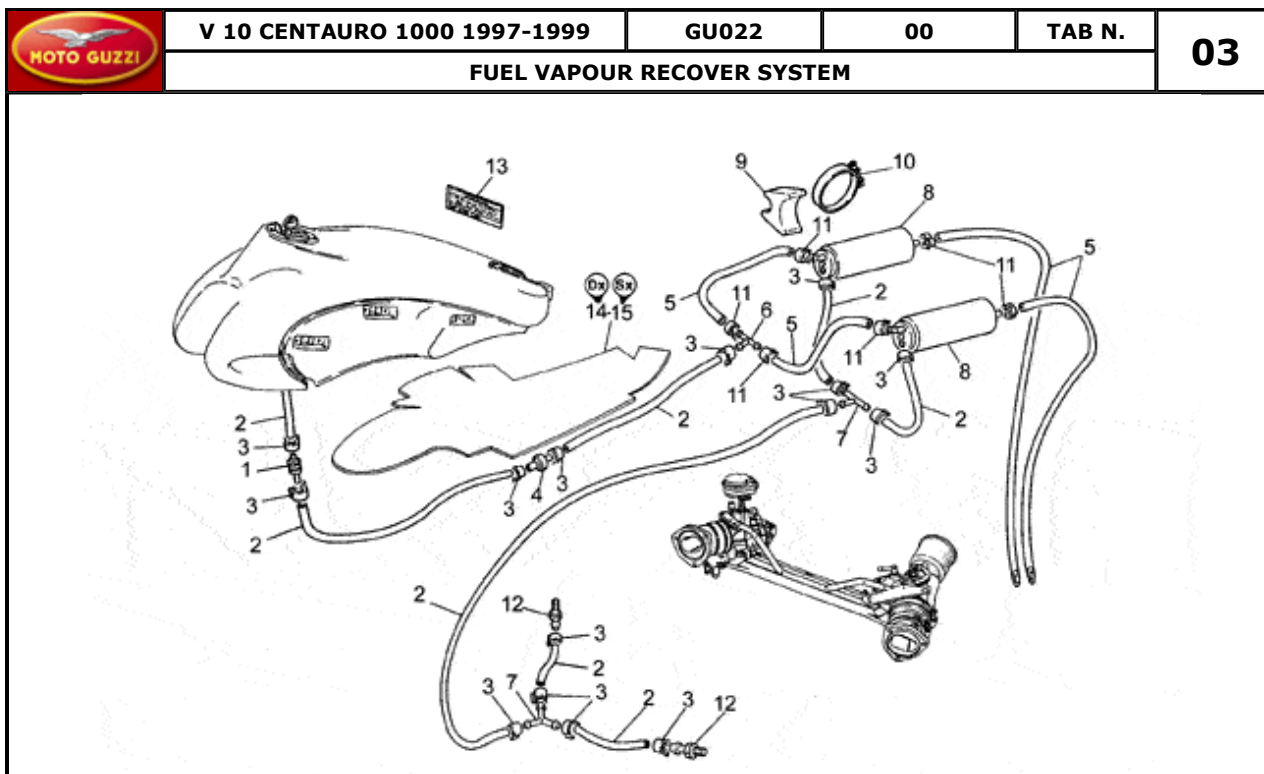
Pos.	Description	Year	I_M	Country	Version	Code	Q.ty	P.Cod.
1	Transmission housing	-	-	-	-	GU01350350	1	
2	Roller bearing	-	-	-	-	GU92252225	1	
	Ring	-	-	-	-	GU92259025	1	
3	Ext. plate	-	-	-	-	GU01351050	1	
4	Int. plate	-	-	-	-	GU01352150	1	
5	Support	-	-	-	-	GU01350950	1	
6	Oil plug	-	-	-	-	GU28351260	1	
7	Gasket 20,1x28x2	-	-	-	-	GU95100709	1	
8	Oil level plug	-	-	-	-	GU95980214	1	
9	Gasket	-	-	-	-	GU10528900	2	
10	Gasket ring	-	-	-	-	GU90403850	1	
11	Gasket ring	-	-	-	-	GU12351100	1	
12	Roller bearing 40x55x17	-	-	-	-	GU92254340	1	
13	Gasket ring	-	-	-	-	GU90403552	1	
14	Tap.roller bearing 25x5	-	-	-	-	GU92249227	2	
15	Flange	-	-	-	-	GU18352400	1	
16	Gasket 58,42x2,62	-	-	-	-	GU90706584	2	
17	Spacer	-	-	-	-	GU18355100	1	
18	Shim 0,1 mm	-	-	-	-	GU12355202	1	
	Shim 0,15 mm	-	-	-	-	GU12355203	1	
19	Spacer 1,2 mm	-	-	-	-	GU19355322	1	
	Spacer 1,9 mm	-	-	-	-	GU19355329	1	
	Spacer 1,8 mm	-	-	-	-	GU19355328	1	
	Spacer 1,7 mm	-	-	-	-	GU19355327	1	
	Spacer 1,6 mm	-	-	-	-	GU19355326	1	
	Spacer 1,5 mm	-	-	-	-	GU19355325	1	
	Spacer 1,3 mm	-	-	-	-	GU19355323	1	
	Spacer 1,1 mm	-	-	-	-	GU19355321	1	
	Spacer 1 mm	-	-	-	-	GU19355320	1	
	Spacer 1,4 mm	-	-	-	-	GU19355324	1	
20	Screw M8X25	-	-	-	1A	GU98054425	8	
	Screw M8X25	-	-	-	2A	GU19357660	8	
21	Washer 8,4X13X0,8	-	-	-	2A	GU14615901	8	

	Spring washer 8x15x0,3	-	-	-	1A	-	GU61270300	8
22	Plate	-	-	-	1A	-	GU95187008	8
23	Flange	-	-	-	-	-	GU17350400	1
24	Gasket	-	-	-	-	-	GU17350700	2
25	Spacer 0,9 mm	-	-	-	-	-	GU17355402	1
	Spacer 1,5 mm	-	-	-	-	-	GU17355412	1
	Spacer 1,3 mm	-	-	-	-	-	GU17355410	1
	Spacer 1,2 mm	-	-	-	-	-	GU17355408	1
	Spacer 1 mm	-	-	-	-	-	GU17355404	1
	Spacer 0,8 mm	-	-	-	-	-	GU17355400	1
	Spacer 1,1 mm	-	-	-	-	-	GU17355406	1
26	Ball bearing 70x110x13	-	-	-	-	-	GU92201070	1
27	Gasket ring	-	-	-	-	-	GU90407085	1
28	Drive flange	-	-	-	-	-	GU17351400	1
29	Bevel gear 8/33	-	-	-	-	-	GU30354602	1
30	Screw	-	-	-	-	-	GU12356300	8
31	Washer 8,4X13X0,8	-	-	-	-	-	GU14615901	14
32	Nut	-	-	-	-	-	GU30356700	1
33	Lock	-	-	-	-	-	GU30358100	1
34	Clearance washer	-	-	-	-	-	GU18214650	1
35	Washer	-	-	-	-	-	GU37359005	1
36	Stud bolt	-	-	-	-	-	GU01357900	4
37	Screw	-	-	-	-	-	GU98610455	1
38	Screw	-	-	-	-	-	GU30558700	1
39	Screw	-	-	-	-	-	GU98054530	1
40	Oil unload plug M10X1	-	-	-	-	-	GU31003766	1
41	Snap ring	-	-	-	-	-	GU90271020	1
42	Self-locking nut M6X1	-	-	-	-	-	GU92630506	4
43	Washer 10,5x16x1	-	-	-	-	-	GU19149800	1
44	Washer	-	-	-	-	-	GU95000210	1

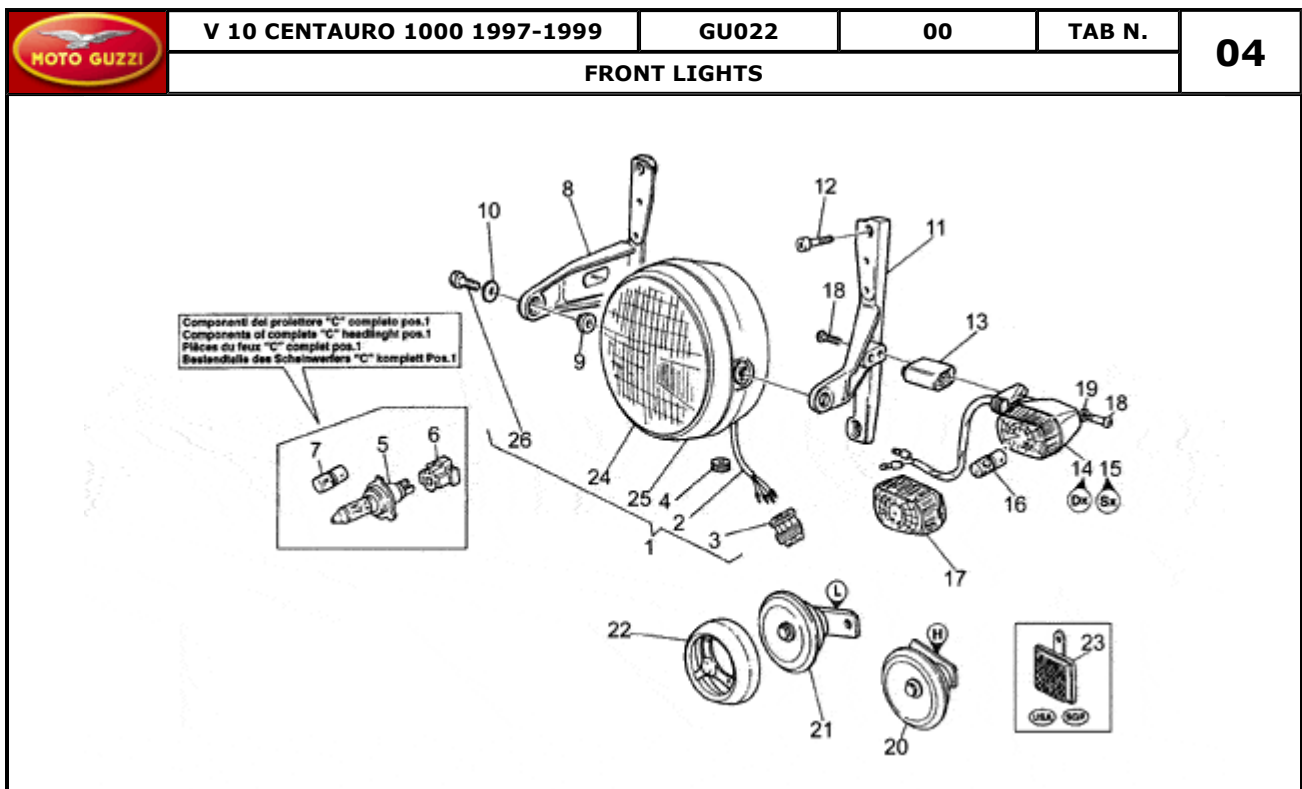


Pos.	Description	Year	I_M_	Country	Version	Code	Q.ty	P.Cod.
1	Speedometer MPH Borletti	-	-	UK-USA	-	GU02762400	1	
	Speedometer KMH Borletti	-	-	-	-	GU02761500	1	
2	Gear 60°	-	-	-	-	GU23768310	1	
3	Reset button	-	-	-	00998N	GU02762800	1	
4	Odometer cable	-	-	-	-	GU01760400	1	
5	Gear Z5/11	-	-	-	-	GU14762510	1	
6	Pinion Z5	-	-	-	-	GU12763300	1	
7	Chain ring Z11	-	-	-	-	GU14766110	1	
8	Lamp 12V 3W	-	-	-	-	GU17762150	2	
9	Electronic revolution counter	-	-	-	-	GU02767200	1	
10	Column nut 45mm	-	-	-	-	GU02763400	2	
11	Stud bolt 40mm	-	-	-	-	GU02763000	2	
12	Dashboard lower support	-	-	-	-	GU02764000	1	
13	Dashboard rubber	-	-	-	-	GU02762300	2	
14	Tachometer support	-	-	-	-	GU02761900	1	
15	Odometer support	-	-	-	-	GU02762000	1	
16	Hex socket screw M5x10	-	-	-	-	GU98230510	4	
17	Spring washer 5,3X10X0,5	-	-	-	-	GU95129100	4	
18	Socket support	-	-	-	-	GU02766000	2	
19	Rubber spacer	-	-	-	-	GU02765500	4	
20	Spacer	-	-	-	-	GU91180721	4	
21	Screw	-	-	-	-	GU98230636	2	
22	Flat washer	-	-	-	-	GU95100144	2	
23	Nut M6x1	-	-	-	-	GU92630206	2	
24	Hex socket screw M6X16	-	-	-	-	GU98622316	4	
25	Washer 6,15x11x0,8	-	-	-	-	GU95004206	4	
26	Indicator light box	-	-	-	-	GU02766200	1	
27	Screw	-	-	-	-	GU98872115	3	
28	Gasket	-	-	-	-	GU02768200	1	
29	Protection	-	-	-	-	GU02768400	1	
30	Panel with lenses	-	-	-	-	GU02781100	1	
31	Indicator light box	-	-	-	-	GU02766300	1	
32	Lower cover	-	-	-	-	GU02766500	1	


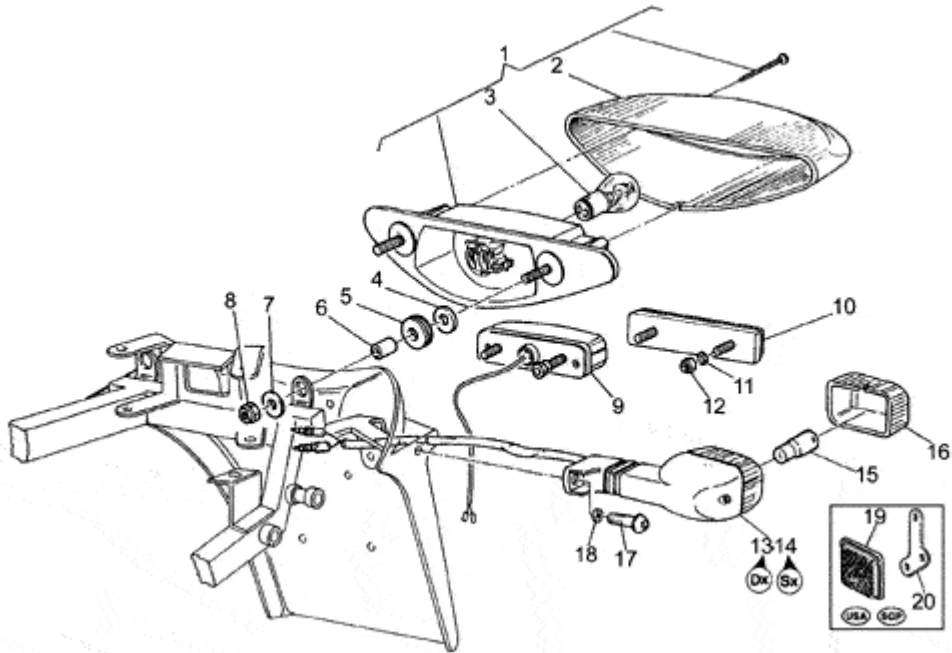
33	Screw	-	-	-	-	-	GU98872110	3
34	Lamp 12V-1,2W	-	-	-	-	-	GU93450140	6
35	Lampholder	-	-	-	-	-	GU02768600	6
36	Main switch - steering lock	-	-	-	-	-	GU01782500	1
37	Shear rivet	-	-	-	-	-	GU66468115	2
38	Non indented key blank	-	-	-	-	-	GU30735500	1
39	Lock hardware kit	-	-	-	-	-	GU02736800	1

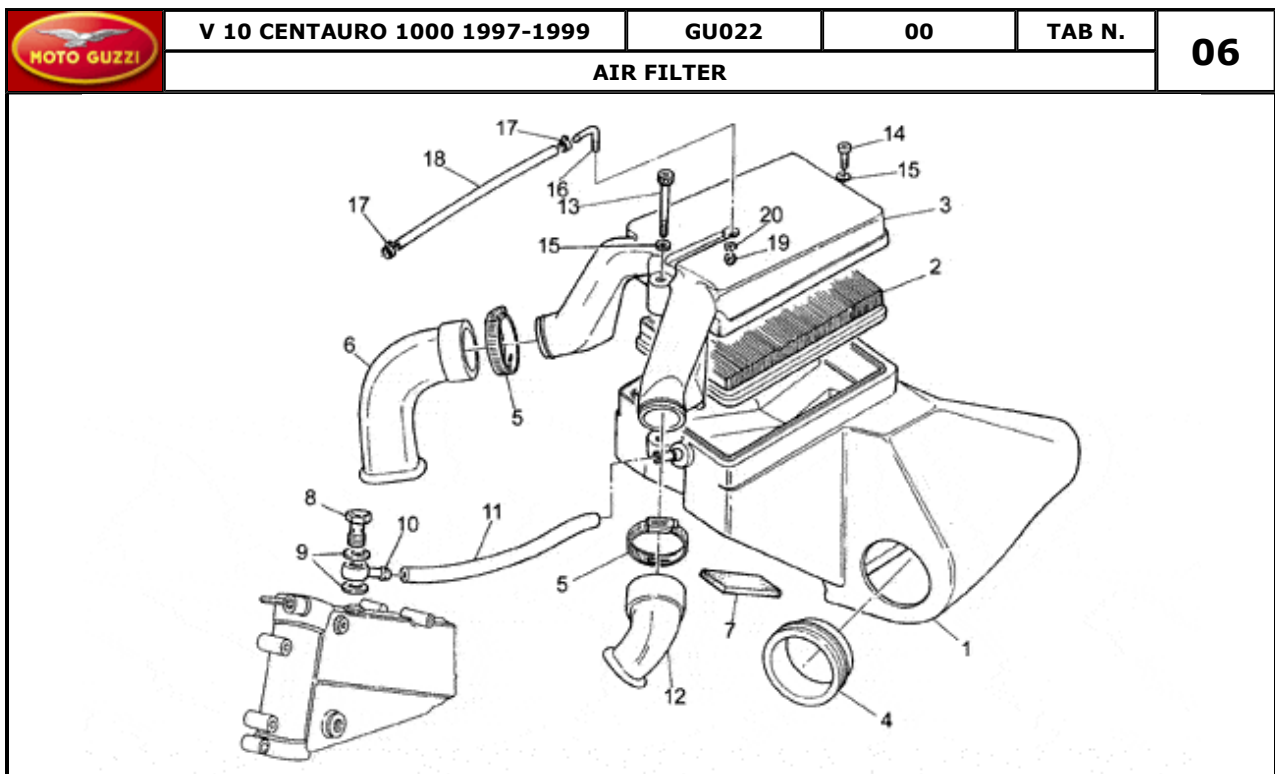


Pos.	Description	Year	I_M	Country	Version	Code	Q.ty	P.Cod.
1	Oil breather valve	-	-	-	-	GU29104985	1	
2	Pipe SAEJ30R76X121/4"	-	-	-	-	GU00823956060	1	
3	Hose clamp	-	-	-	-	GU29108550	16	
4	Pressure valve	-	-	-	-	GU01102520	1	
5	Rubber pipe 12,5X7,8 5/16"	-	-	-	-	GU00823956080	1	
6	3-way union	-	-	-	-	GU30106620	1	
7	3-way union	-	-	-	-	GU29106660	2	
8	Carbon filter	-	-	-	-	GU02116020	2	
9	Spacer	-	-	-	-	GU02551800	4	
10	Hose clamp 62/82 mm	-	-	-	-	GU12548201	4	
11	Hose clamp	-	-	-	-	GU28157950	6	
12	Union	-	-	-	-	GU30115220	2	
13	Decal "Attention"	-	-	-	-	GU30944300	1	
14	RH heat protection	-	-	-	-	GU02103800	1	
15	LH heat protection	-	-	-	-	GU02103801	1	

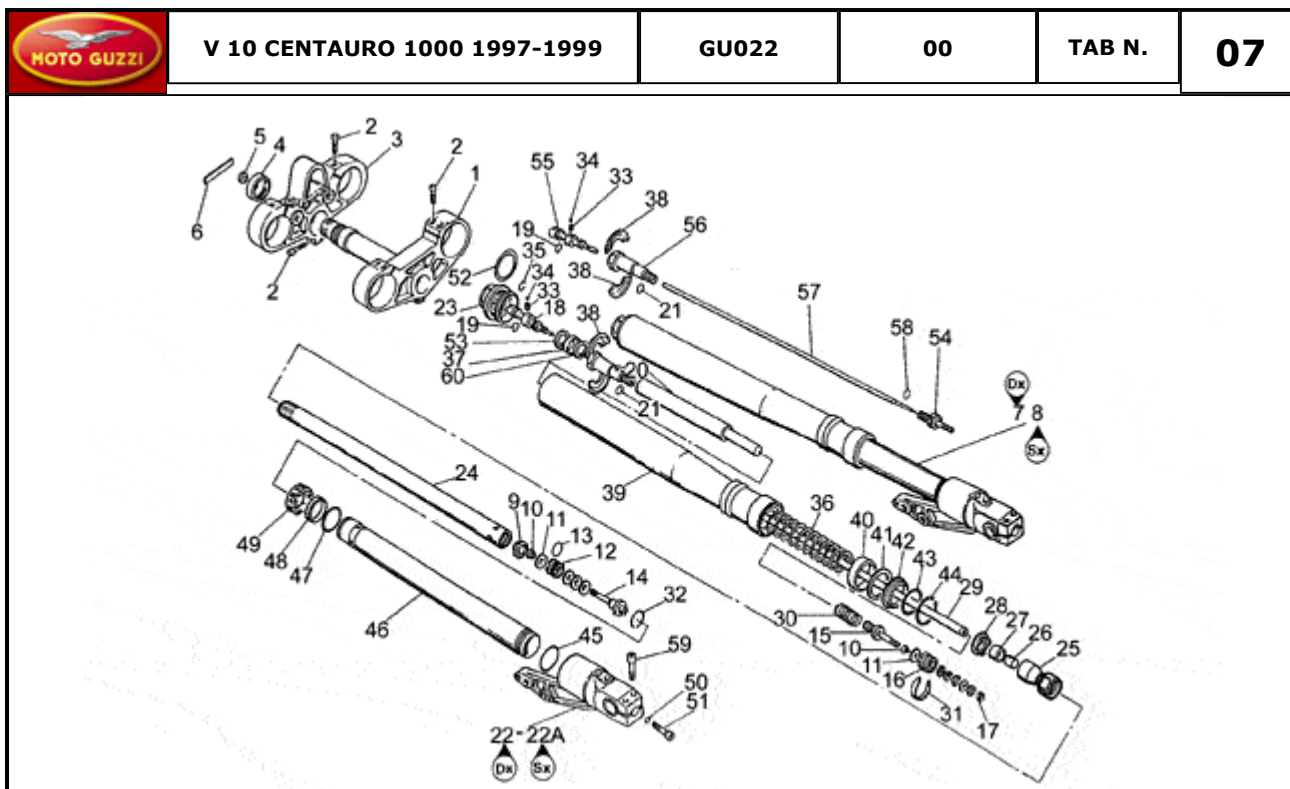


Pos.	Description	Year	I_M	Country	Version	Code	Q.ty	P.Cod.
1	Cpl headlightsteering headligh	-	-	AUS-J-MAL-NZ-UK	-	GU02740505	1	
	Headlight	-	-	-	-	GU02740501	1	
2	Wiring	-	-	-	-	GU02746900	1	
3	4-way connector AMP	-	-	-	-	GU01756100	1	
4	Rubber spacer	-	-	-	-	GU91551033	1	
5	Lamp 12V-55/60W	-	-	-	-	GU93450232	1	
6	Lampholder	-	-	-	-	GU01756220	1	
7	Lamp 12V-4W	-	-	-	-	GU93450119	1	
8	RH front clamp	-	-	-	-	GU02496100	1	
9	Spacer	-	-	-	-	GU14439800	2	
10	Washer	-	-	-	-	GU95004208	2	
11	LH front clamp	-	-	-	-	GU02496200	1	
12	Hex socket screw M6X16	-	-	-	-	GU98622316	2	
13	Spacer, chromium plated	-	-	-	-	GU02753400	2	
14	Rear RH turn indicator	-	-	-	-	GU30751601	1	
15	Rear LH turn indicator	-	-	-	-	GU30750601	1	
16	Lamp 12V-10W	-	-	-	-	GU93450127	2	
17	Turn indicator lens	-	-	-	-	GU30753701	2	
18	Hex socket screw M6x18	-	-	-	-	GU98230619	3	
19	Washer 6,4x10x0,7	-	-	-	-	GU14217901	2	
20	Horn H	-	-	-	-	GU31743765	1	
21	Horn L	-	-	-	-	GU31743766	1	
22	Horn mask	-	-	-	-	GU31744765	1	
23	Reflector	-	-	SGP-USA	-	GU48745880	2	
24	Optical group	-	-	-	01298N	GU02740400	1	
25	Rear cap	-	-	-	01298N	GU02740458	1	
26	Screws-series	-	-	-	01298N	GU02740459	1	

		V 10 CENTAURO 1000 1997-1999	GU022	00	TAB N.	05		
TAILLIGHT								
								
Pos.	Description	Year	I_M_	Country	Version	Code	Q.ty	P.Cod.
1	Taillight	-	-	-	-	GU02740900	1	
2	Taillight lens	-	-	-	-	GU02741700	1	
3	Lamp 12V/5-21W	-	-	-	-	GU93450224	1	
4	Washer 6,2X18X1	-	-	-	-	GU95100118	2	
5	Rubber spacer	-	-	-	-	GU91551085	2	
6	Spacer	-	-	-	-	GU91180608	2	
7	Washer 6,4x12x1,2	-	-	-	-	GU95100141	2	
8	Nut M6x1	-	-	-	-	GU92630206	2	
9	Number-plate light	-	-	-	-	GU02745200	1	
10	Reflector	-	-	-	-	GU31745865	1	
11	Washer	-	-	-	-	GU95129080	2	
12	Nut M4x0,7	-	-	-	-	GU92630104	2	
13	Rear LH turn indicator	-	-	-	-	GU30750601	1	
14	Rear RH turn indicator	-	-	-	-	GU30751601	1	
15	Lamp 12V-10W	-	-	-	-	GU93450127	2	
16	Turn indicator lens	-	-	-	-	GU30753701	2	
17	Screw	-	-	-	-	GU98230620	2	
18	Washer 5,3x10x0,5	-	-	-	-	GU95100121	2	
19	Rear reflector, red	-	-	SGP-USA	-	GU14781570	2	
20	Reflector support	-	-	SGP-USA	-	GU30781820	2	

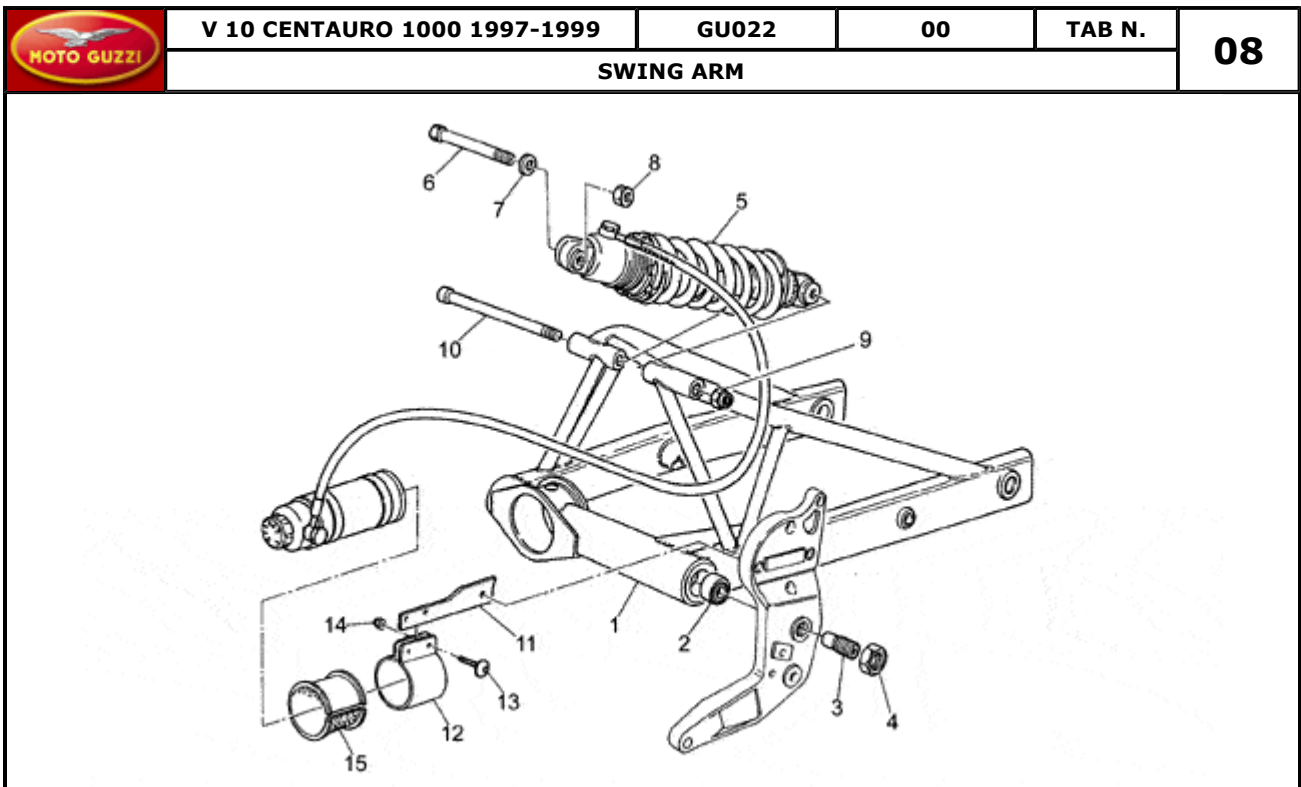


Pos.	Description	Year	I_M	Country	Version	Code	Q.ty	P.Cod.
1	Air box	-	-	-	-	GU02114000	1	
2	Air filter	-	-	-	-	GU30113600	1	
3	Air filter cover	-	-	-	-	GU37113405	1	
4	Intake hose	-	-	-	-	GU01114850	2	
5	Clamp	-	-	-	-	GU12548401	2	
6	Intake hose RH	-	-	-	-	GU02116900	1	
	Intake hose RH	-	-	CH	-	GU02116902	1	
7	Vibration-damping rubber	-	-	-	-	GU17489645	1	
8	Bored screw	-	-	-	-	GU95990084	1	
9	Gasket	-	-	-	-	GU10154200	2	
10	Union	-	-	-	-	GU30107401	1	
11	Pipe SAEJ30R9	-	-	-	-	GU00823952080	1	
12	Intake hose	-	-	-	-	GU02116901	1	
	Intake hose LH	-	-	CH	-	GU02116903	1	
13	Screw	-	-	-	-	GU98610365	1	
14	Hex socket screw M6X25	-	-	-	-	GU98622325	1	
15	Washer 6,15x11x0,8	-	-	-	-	GU95004206	2	
16	Breather pipe	-	-	-	-	GU37116305	1	
17	Hose clamp D9	-	-	-	-	GU61108500	2	
18	Pipe SAE30 R73/16"	-	-	-	-	GU00823956050	1	
19	Nut M6x1	-	-	-	-	GU92630206	1	
20	Gasket	-	-	-	-	GU37111705	1	



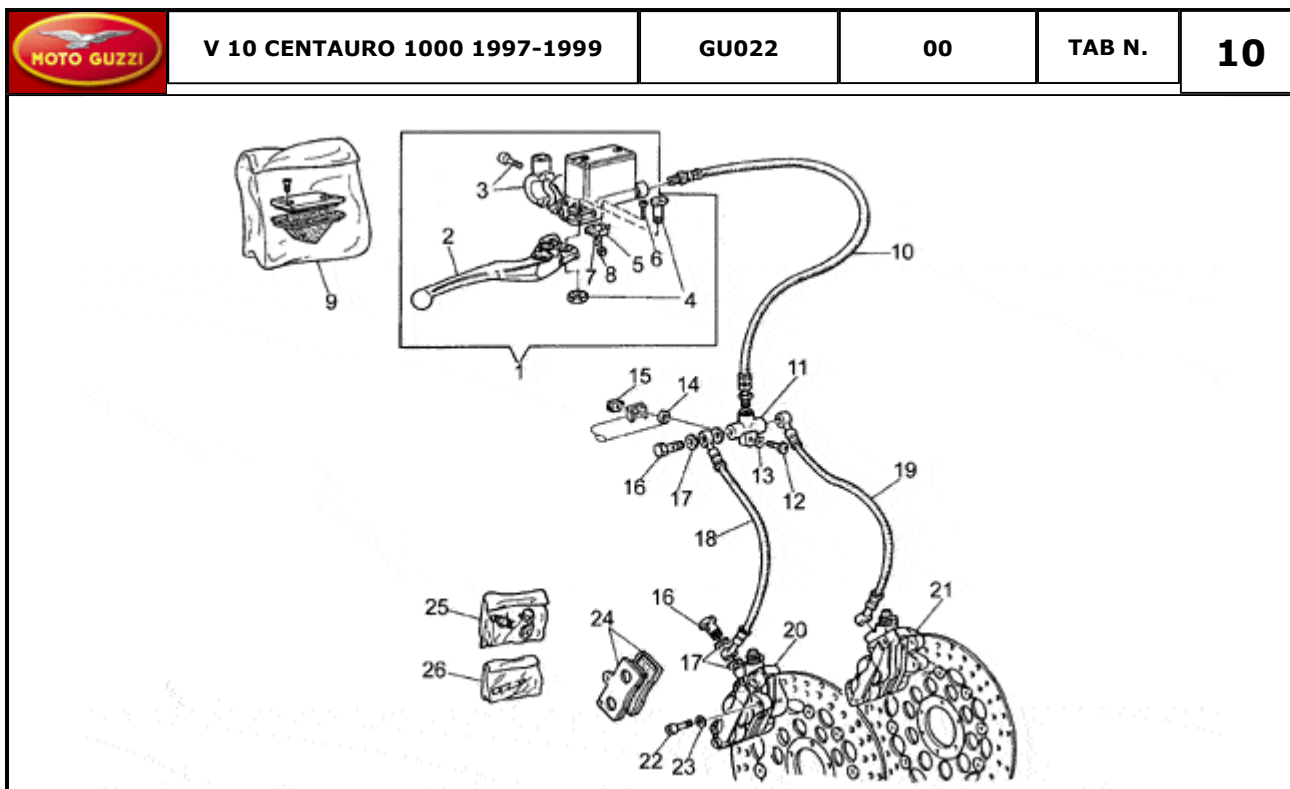
Pos.	Description	Year	I_M	Country	Version	Code	Q.ty	P.Cod.
1	Bottom plate, light colour	-	-	-	00898N	-	GU01494001	1
	Bottom plate, gunmetal grey	-	-	-	-	-	GU01494000	1
2	Screw M8X30	-	-	-	-	-	GU98622430	7
3	Top plate, gunmetal grey	-	-	-	-	-	GU02493100	1
	Top plate, light colour	-	-	-	00898N	-	GU02493101	1
4	Plug	-	-	-	-	-	GU30513400	1
5	Plug	-	-	-	-	-	GU23943410	1
6	Decal "Aquila"	-	-	-	-	-	GU01517700	1
7	RH hub cpl.	-	-	-	C	-	GU01490600	1
8	LH hub cpl.	-	-	-	E	-	GU01490700	1
9	Nut	-	-	-	-	-	GU01530510	2
10	Spring	-	-	-	-	-	GU01530511	4
11	Calibration blade	-	-	-	-	-	GU01530512	4
12	Piston	-	-	-	C	-	GU01530513	2
13	O-ring	-	-	-	-	-	GU01530514	2
14	Valve	-	-	-	C	-	GU01530515	2
15	Piston	-	-	-	E	-	GU01530516	1
16	Piston	-	-	-	E	-	GU01530517	2
17	Nut	-	-	-	-	-	GU01530518	2
18	RH needle rebound	-	-	-	C	-	GU01530519	1
19	O-ring	-	-	-	-	-	GU01530520	4
20	Adjuster unit	-	-	-	C	-	GU01530521	1
21	O-ring	-	-	-	-	-	GU01530522	2
22	RH wheel carrier	-	-	-	-	-	GU01530523	1
	LH wheel carrier	-	-	-	-	-	GU01530561	1
23	LH plug	-	-	-	E	-	GU01530562	1
	LH plug	-	-	-	C	-	GU01530524	1
24	Pipe	-	-	-	-	-	GU01530525	2
25	Hose	-	-	-	-	-	GU01530526	2
26	Bush	-	-	-	-	-	GU01530527	2
27	Drift	-	-	-	-	-	GU01530528	2
28	Stop ring	-	-	-	-	-	GU01530529	2
29	Rod	-	-	-	-	-	GU01530530	2

30	Spring	-	-	-	-	-	GU01530531	2
31	Ring	-	-	-	-	-	GU01530532	2
32	Stop ring	-	-	-	-	-	GU01530533	2
33	Spring	-	-	-	-	-	GU01530534	2
34	Ball	-	-	-	-	-	GU01530535	4
35	Safety washer	-	-	-	-	-	GU01530536	2
36	Spring	-	-	-	-	-	GU01530537	2
37	Spacer H=2,5mm	-	-	-	-	-	GU01530538	2
	Spacer H=5mm	-	-	-	-	-	GU01530539	2
38	Half ring	-	-	-	-	-	GU01530540	4
39	Sleeve	-	-	-	-	-	GU01530541	2
40	Bush	-	-	-	-	-	GU01530542	2
41	Ring	-	-	-	-	-	GU01530543	2
42	Gasket ring	-	-	-	-	-	GU01530544	2
43	Spacer	-	-	-	-	-	GU01530545	2
44	Stop ring	-	-	-	-	-	GU01530546	2
45	O-ring	-	-	-	-	-	GU01530547	2
46	Sleeve	-	-	-	-	-	GU01530548	2
47	Washer	-	-	-	-	-	GU01530549	2
48	Bush	-	-	-	-	-	GU01530550	2
49	Stop ring	-	-	-	-	-	GU01530551	2
50	Washer	-	-	-	-	-	GU01530552	2
51	Screw	-	-	-	-	-	GU01530553	2
52	O-ring	-	-	-	-	-	GU01530554	2
53	Ring	-	-	-	-	-	GU01530555	2
54	Support	-	-	-	C	-	GU01530556	1
55	Adjuster needle	-	-	-	E	-	GU01530557	1
56	Adjuster unit	-	-	-	E	-	GU01530558	1
57	Adjuster rod	-	-	-	E	-	GU01530559	1
58	O-ring	-	-	-	-	-	GU01530560	1
59	Screw	-	-	-	-	-	GU98623430	4
60	Washer	-	-	-	-	-	GU01530563	2

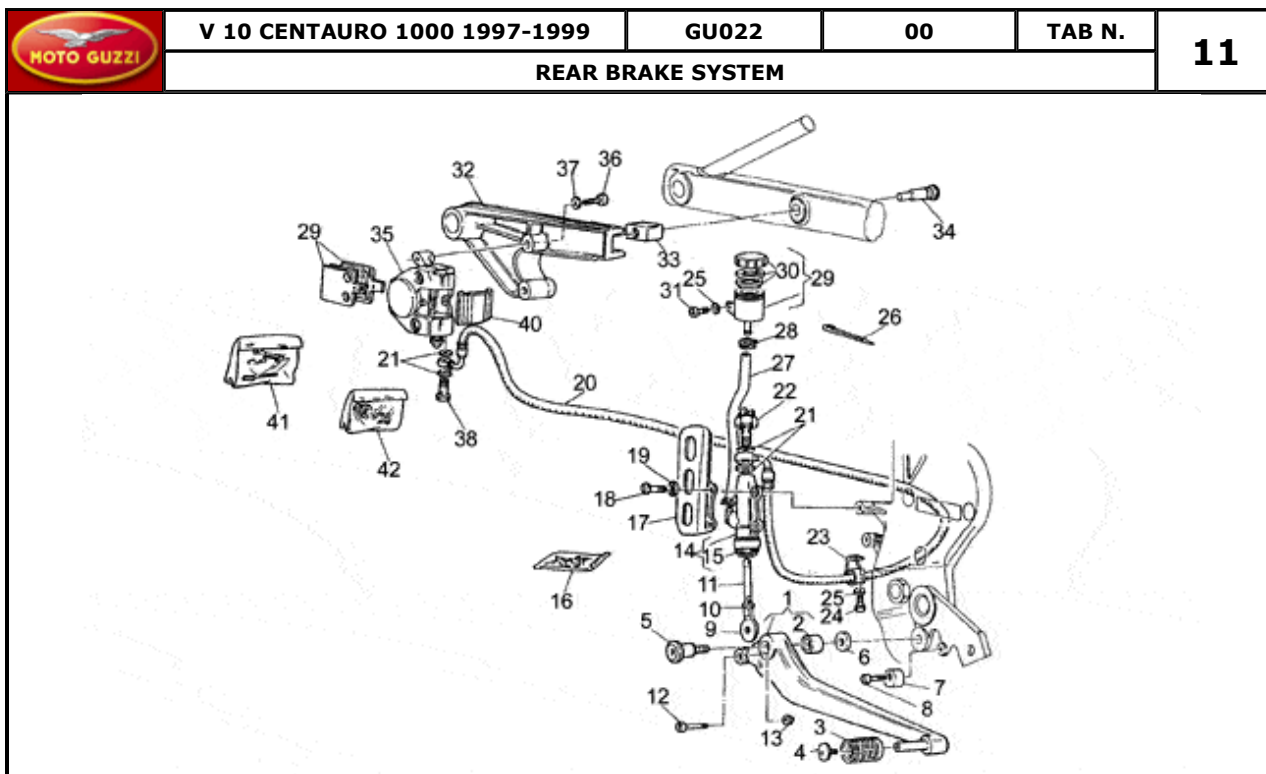


Pos.	Description	Year	I_M_	Country	Version	Code	Q.ty	P.Cod.
1	Swing arm, black	-	-	-	-	GU01540200	1	
2	Ball bearing	-	-	-	-	GU92218418	2	
3	Pin	-	-	-	-	GU37547005	2	
4	Nut	-	-	-	-	GU30547800	2	
5	Shock absorber White Power	-	-	-	-	GU02550200	1	
6	Top screw	-	-	-	-	GU98053670	1	
7	Washer	-	-	-	-	GU95004213	1	
8	Nut	-	-	-	-	GU92630513	1	
9	Self-locking nut	-	-	-	-	GU92630512	1	
10	Lower screw	-	-	-	-	GU98610616	1	
11	Clamp	-	-	-	-	GU02557900	1	
12	Hose clamp	-	-	-	-	GU02107300	1	
13	Screw	-	-	-	-	GU98230616	2	
14	Nut M6x1	-	-	-	-	GU92630106	2	
15	Rubber protection	-	-	-	-	GU29105860	1	

MOTO GUZZI		V 10 CENTAURO 1000 1997-1999	GU022	00	TAB N.	09		
ELECTRICAL SYSTEM								
Pos.	Description	Year	I_M	Country	Version	Code	Q.ty	P.Cod.
1	Electrical system	-	-	-	01698N-T1	GU02747102	1	
	Electrical system	-	-	-	T2	GU02747100	1	
2	Dash-board cable	-	-	-	T2	GU02747200	1	
	Dash-board cable	-	-	-	01698N-T1	GU02747202	1	
3	Battery 12V-12AH	-	-	-	1A	GU01704500	1	
	Battery 12V-13A	-	-	-	2A	GU01704501	1	
4	Battery fixing snap	-	-	-	-	GU02705500	1	
5	Drift	-	-	-	-	GU01706800	1	
6	Battery holder	-	-	-	-	GU02707000	1	
7	Clamp	-	-	-	-	GU02418200	1	
8	Screw	-	-	-	-	GU98622312	4	
9	Washer 6,4x10x0,7	-	-	-	-	GU14217901	4	
10	Drift	-	-	-	-	GU93180575	2	
11	Starter motor wiring harness	-	-	-	-	GU02748401	1	
12	Cap	-	-	-	-	GU19707100	2	
13	Ground-battery lead	-	-	-	-	GU02747901	1	
14	Fuse holder box	-	-	-	-	GU37743005	1	
15	Fuse 15A	-	-	-	-	GU28742560	6	
16	Sticker "schema fusibili"	-	-	-	-	GU02945000	1	
17	Screw	-	-	-	-	GU98230616	2	
19	Antivibration bush	-	-	-	-	GU93231605	2	
20	Flasher unit	-	-	-	-	GU17750520	1	
21	Support	-	-	-	-	GU30756100	1	
22	Relay Siemens A302/B1008	-	-	-	-	GU30732560	2	
23	Relais support	-	-	-	-	GU30732400	2	
24	Clamp	-	-	-	-	GU02746300	1	
25	RH clamp	-	-	-	-	GU30477101	1	
26	LH plate	-	-	-	-	GU30477200	1	
27	Screw	-	-	-	-	GU98230616	2	
28	Nut M6x1	-	-	-	-	GU92630206	2	
29	Spacer	-	-	-	-	GU91180607	2	
30	Rubber spacer	-	-	-	-	GU91551085	2	
31	Screw	-	-	-	-	GU98230616	2	
32	Hose clamp 3,6x20,6	-	-	-	-	GU14609650	1	
33	Hose clamp 3,6x375	-	-	-	-	GU93304390	1	

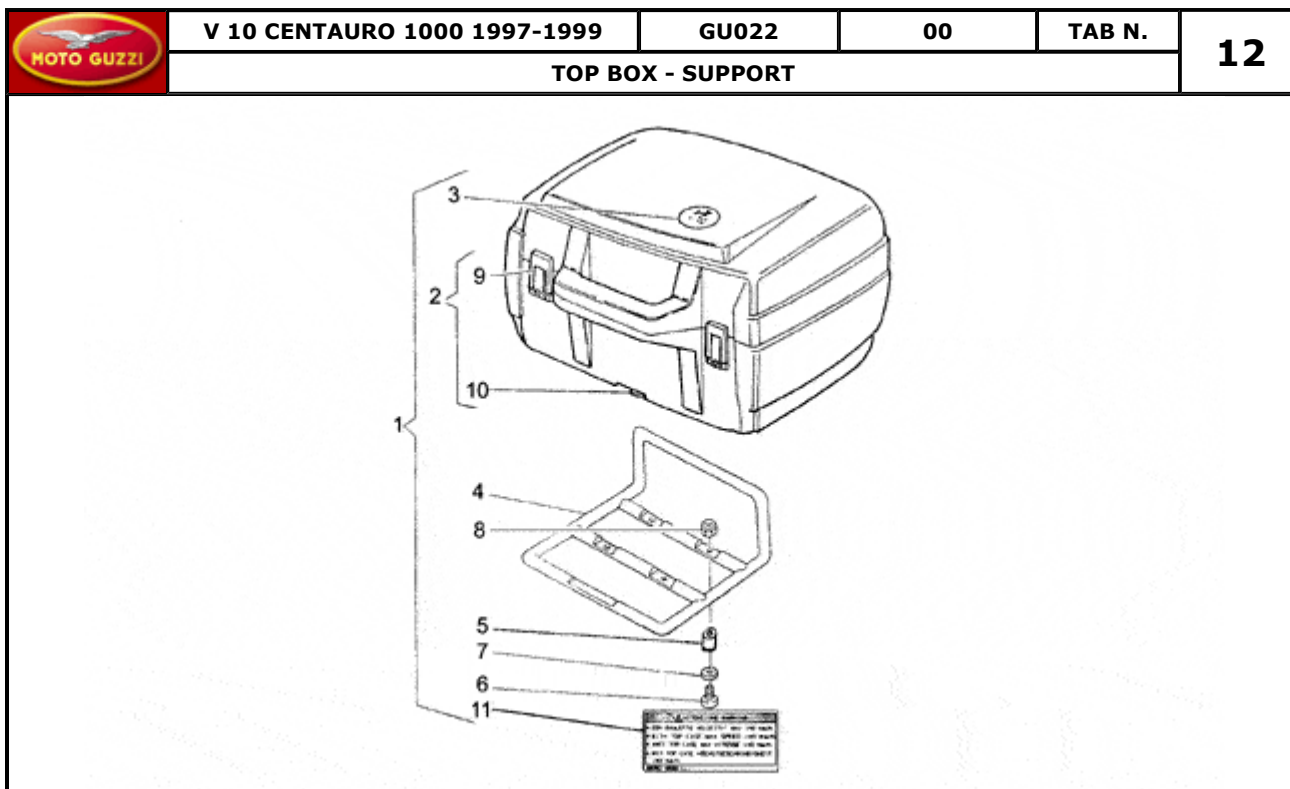


Pos.	Description	Year	I_M_	Country	Version	Code	Q.ty	P.Cod.
1	Front master cilinder	-	-	-	-	GU02660100	1	
2	Brake lever	-	-	-	-	GU02605600	1	
3	Bracket	-	-	-	-	GU27664075	1	
4	Pin	-	-	-	-	GU27604815	1	
5	Microswitch	-	-	-	-	GU30749860	1	
6	Screw	-	-	-	-	GU98200214	2	
7	Ball	-	-	-	-	GU92295708	1	
8	Nut	-	-	-	-	GU92601002	1	
9	Pump cover	-	-	-	-	GU27661115	1	
10	Brake hose	-	-	-	FM	GU02657100	1	
	Brake hose	-	-	-	00698N- RM	GU02657110	1	
11	Distributor	-	-	-	-	GU31656860	1	
12	Screw	-	-	-	-	GU98230635	1	
13	Special washer	-	-	-	-	GU61013800	1	
14	Spacer	-	-	-	-	GU91180710	1	
15	Captive nut	-	-	-	-	GU92660601	1	
16	Oil pipe screw *	-	-	-	-	GU95990028	5	
17	Gasket	-	-	-	-	GU25656100	8	
18	RH front oil pipe	-	-	-	-	GU30658800	1	
19	LH front oil pipe	-	-	-	-	GU30658801	1	
20	RH Front brake caliper, gold	-	-	-	-	GU30652302	1	
21	LH Front brake caliper, gold	-	-	-	-	GU30652202	1	
22	Screw	-	-	-	-	GU98602525	4	
23	Washer 10,5x16x1	-	-	-	-	GU19149800	4	
24	Pads pair	-	-	-	-	GU30654602	2	
25	Bleeder+cap	-	-	-	-	GU30659200	2	
26	Pads kit	-	-	-	-	GU30659102	2	




Pos.	Description	Year	I_M_	Country	Version	Code	Q.ty	P.Cod.
1	Rear brake lever	-	-	-	-	GU02677000	1	
2	Bush	-	-	-	-	GU37678105	1	
3	Rubber spacer	-	-	-	-	GU14251001	1	
4	Screw	-	-	-	-	GU98230616	1	
5	Rear brake lever pin	-	-	-	-	GU02676600	1	
6	Washer	-	-	-	-	GU95100342	1	
7	Cam	-	-	-	-	GU30677600	1	
8	Hex socket screw M6X25	-	-	-	-	GU98622325	1	
9	Ball joint	-	-	-	-	GU30675300	1	
10	Nut	-	-	-	-	GU92602206	1	
11	Master cylinder rod	-	-	-	-	GU01675200	1	
12	Screw	-	-	-	-	GU98622320	1	
13	Nut M6x1	-	-	-	-	GU92630206	1	
14	Rear master cylinder	-	-	-	-	GU30666900	1	
15	Protection collar	-	-	-	-	GU30530525	1	
16	Pump connection overhaul unit	-	-	-	-	GU19659500	1	
17	Brake master cyl.protection	-	-	-	-	GU30665445	1	
18	Screw	-	-	-	-	GU98230620	2	
19	Washer 6,4x10x0,7	-	-	-	-	GU14217901	2	
20	Rear brake hose	-	-	-	-	GU02657500	1	
21	Gasket	-	-	-	-	GU25656100	4	
22	Brake light switch	-	-	-	-	GU14657050	1	
23	Hose clamp	-	-	-	-	GU19718000	1	
24	Screw	-	-	-	-	GU98054310	1	
25	Washer 6,15x11x0,8	-	-	-	-	GU95004206	2	
26	Hose clamp 2,4x92	-	-	-	-	GU49609601	3	
27	Rear brake hose	-	-	-	-	GU00823950050	1	
28	Hose clamp	-	-	-	-	GU19157800	2	
29	Brake oil tank complete	-	-	-	-	GU30663500	1	
30	Tank cover	-	-	-	-	GU30661101	1	
31	Hex socket screw M6x16	-	-	-	-	GU98612316	1	
32	Rear brake caliper support	-	-	-	-	GU01635850	1	
33	Block	-	-	-	-	GU37636105	1	
34	Special screw	-	-	-	-	GU37638605	1	

35	Rear brake caliper, gold	-	-	-	-	-	GU30653001	1
36	Screw	-	-	-	-	-	GU98602430	2
37	Washer 8,4X13X0,8	-	-	-	-	-	GU14615901	2
38	Oil pipe screw *	-	-	-	-	-	GU95990028	1
39	Pads pair BREMBO	-	-	-	-	-	GU27654610	1
40	Brake caliper cover	-	-	-	-	-	GU30654700	1
41	Pin+Brake spring	-	-	-	-	-	GU30659101	1
42	Bleeder+cap BREMBO D.10	-	-	-	-	-	GU31659260	1

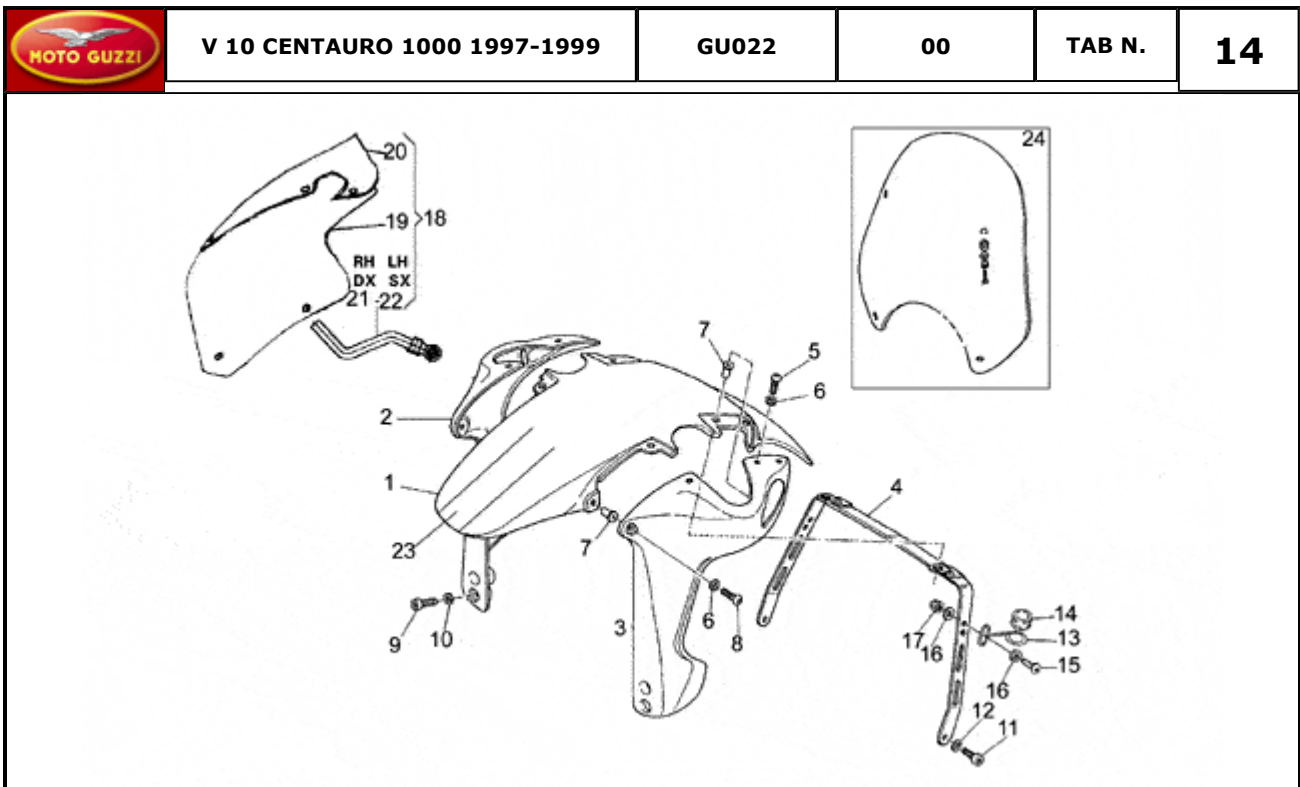


Pos.	Description	Year	I_M	Country	Version	Code	Q.ty	P.Cod.
1	Rigid top box kit	-	-	-	-	GU02487510	1	
2	Top box 40 L	-	-	-	-	GU31487665	1	
3	"MotoGuzzi" dec. 40 L	-	-	-	-	GU03482001	1	
4	Support plate	-	-	-	-	GU02487710	1	
5	Spacer	-	-	-	-	GU02487910	4	
6	Screw M6X50	-	-	-	-	GU98230650	1	
7	Washer 6,4x12x1,2	-	-	-	-	GU95100141	1	
8	Nut M6x1	-	-	-	-	GU92630106	1	
9	Lock	-	-	-	-	GU03484001	1	
10	Lock	-	-	-	-	GU03484000	1	
11	Name plate	-	-	-	-	GU02944310	1	

		V 10 CENTAURO 1000 1997-1999	GU022	00	TAB N.	13		
HANDLEBAR - CONTROLS								
Pos.	Description	Year	I_M_	Country	Version	Code	Q.ty	P.Cod.

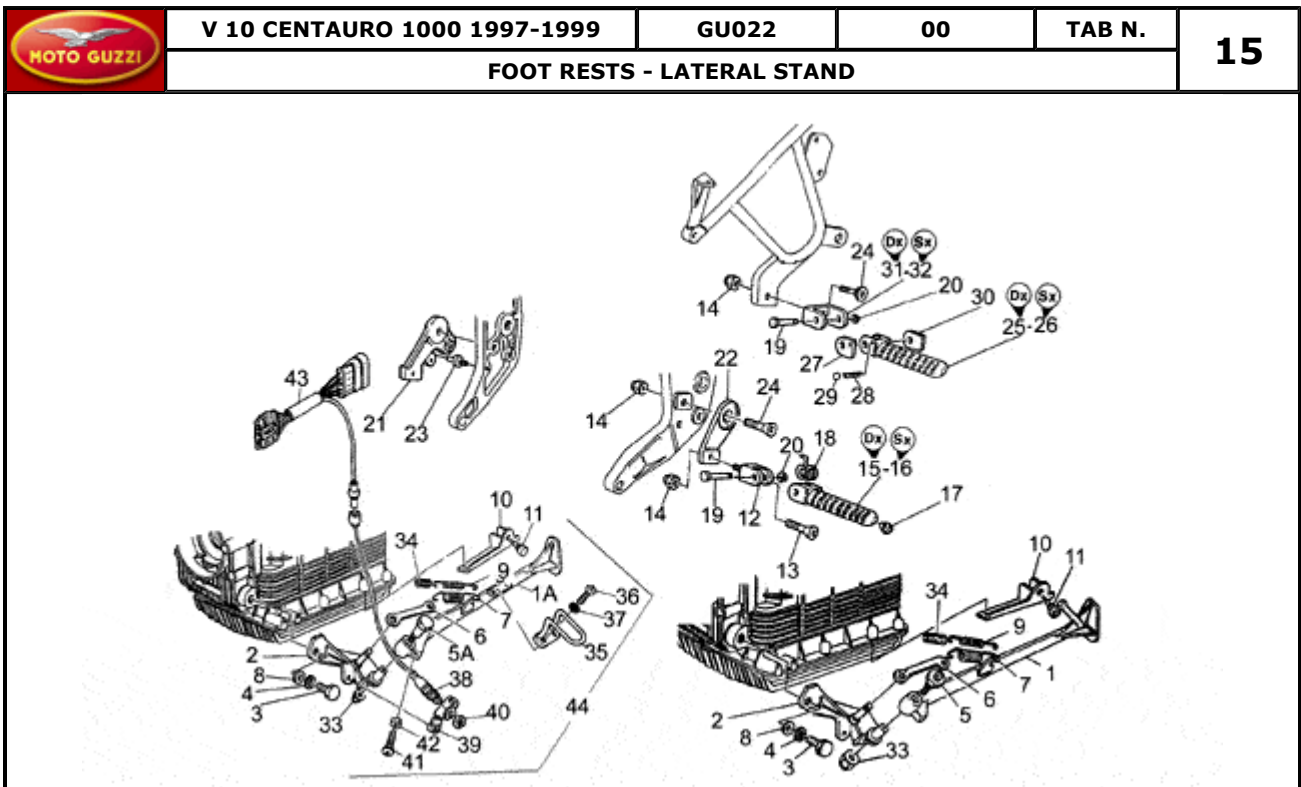
1	Handlebar	-	-	-	00698N- RM	GU02600310	1	
	Handlebar	-	-	-	FM	GU02600300	1	
2	Cup	-	-	-	-	GU27530505	4	
3	Rubber spacer	-	-	-	-	GU27530503	4	
4	Spacer	-	-	-	-	GU02530500	2	
5	Screw	-	-	-	-	GU98052570	2	
6	Washer 10,5x16x1	-	-	-	-	GU19149800	2	
7	Throttle w/out hand grip	-	-	-	-	GU01603400	1	
	Throttle	-	-	CH	-	GU01603404	1	
8	Throttle cable adjuster	-	-	-	-	GU01530505	1	
9	Throttle cable cap	-	-	-	-	GU01530506	1	
10	RH hand grip	-	-	-	-	GU27603520	1	
11	Nylon washer	-	-	-	-	GU29606970	1	
12	Throttle cable	-	-	-	00897N	GU02117500	1	
	Throttle cable	-	-	CH	00897N	GU02117504	1	
13	Engine stop-start device	-	-	-	-	GU01738800	1	
14	Clutch lever cpl.	-	-	-	-	GU02605500	1	
15	Register	-	-	-	-	GU30602500	1	
16	Starter lever	-	-	-	-	GU27135215	1	
17	Lever pin	-	-	-	-	GU27604315	1	
18	Washer	-	-	-	-	GU27530594	1	
19	Plate	-	-	-	-	GU27530595	1	
20	Nut M6x1	-	-	-	-	GU92630106	1	
21	LH lights sel. w/wiring	-	-	-	-	GU01738000	1	
	LH lights sel. w/wiring	-	-	J-NZ-SGP-USA	-	GU01738020	1	
22	LH hand grip	-	-	-	-	GU27603020	1	
23	H.bars anti.v weight	-	-	-	-	GU02602700	2	
24	Screw	-	-	-	-	GU98660435	2	
25	Clutch cable	-	-	-	-	GU02093001	1	
26	Protection	-	-	-	-	GU27663815	1	
27	Choke cable	-	-	-	00698N- RM	GU02132810	1	
	Choke cable	-	-	-	FM	GU02132800	1	
28	Return spring 7x1,1x25	-	-	-	-	GU94321073	1	

29	Washer 8,4X13X0,8	-	-	-	-	-	GU14615901	1
30	RH rearview mirror	-	-	-	-	-	GU02769801	1
31	LH rearview mirror	-	-	-	-	-	GU02769401	1
32	RH rearview mirror	-	-	AUS	-	-	GU14769870	1
33	LH rearview mirror	-	-	AUS	-	-	GU14769470	1
34	Lower clamp	-	-	-	00698N- RM	-	GU02600410	2
35	Upper clamp	-	-	-	00698N- RM	-	GU02601010	2
36	Screw	-	-	-	00698N- RM	-	GU98662330	4
37	Special washer	-	-	-	00698N- RM	-	GU61013800	4
38	Handlebar kit	-	-	-	00698N- RM	-	GU02600310001	1



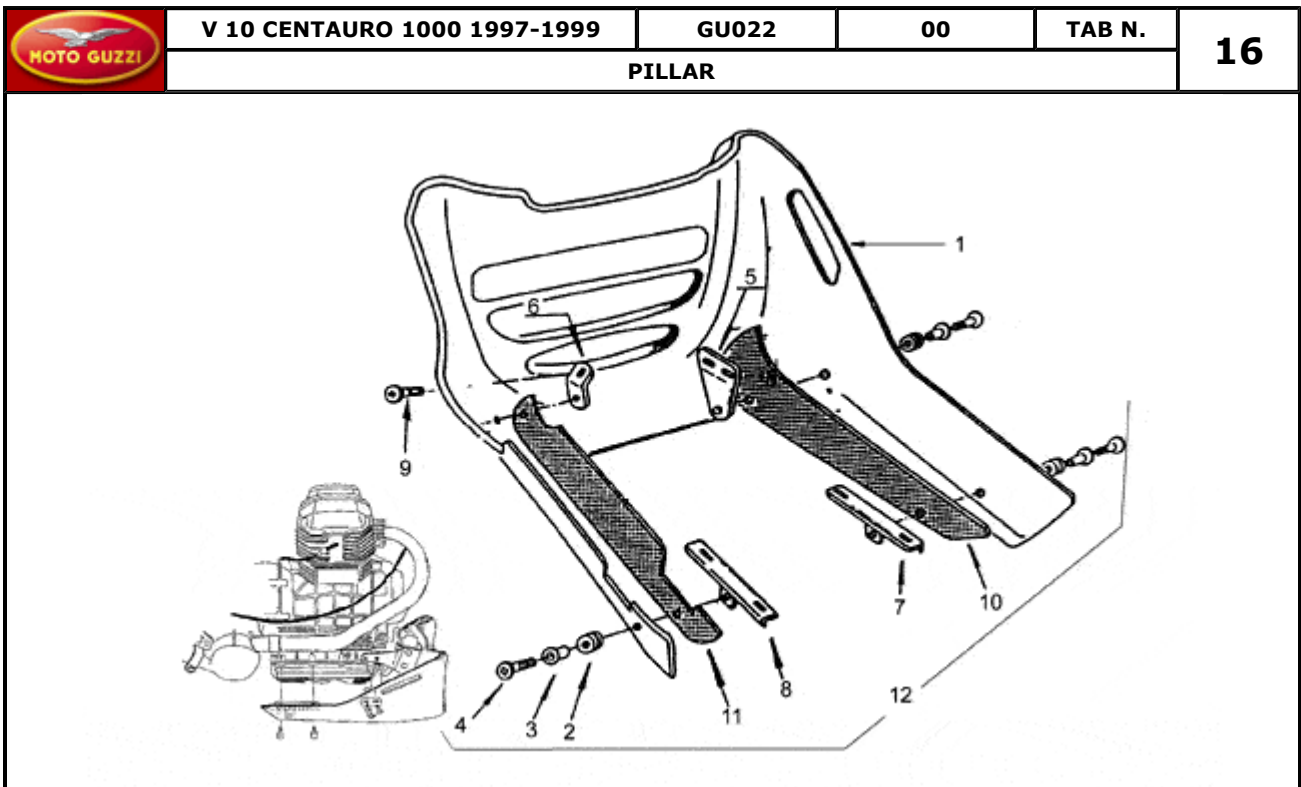
Pos.	Description	Year	I_M	Country	Version	Code	Q.ty	P.Cod.
1	Front mudguard, m.red	-	-	-	ST d.r	GU02434401	1	
	Front mudguard, anthracite	-	-	-	GT-ST m.a	GU02434402	1	
	Front mudguard, yellow	-	-	-	GT-ST g.y	GU02434403	1	
	Front mudguard, red fire	-	-	-	01298N-S f.r	GU02434430	1	
	Front mudguard, green	-	-	-	01298N-S i.g	GU02434431	1	
	Front mudguard blank	-	-	-	- gr	GU02434400	1	
2	RH front mudg. supp.-grey	-	-	-	GT-ST g.y-m.a	GU02435802	1	
	RH front mudg. supp.-red	-	-	-	01298N-S f.r	GU02435830	1	
	RH front mudg. supp.-silver	-	-	-	ST d.r	GU02435801	1	
	RH front mudguard supp.	-	-	-	- gr	GU02435800	1	
	RH front mudg. supp.-green	-	-	-	01298N-S i.g	GU02435831	1	
3	LH front mudguard supp.	-	-	-	- gr	GU02436000	1	
	LH front mudg. supp.-silver	-	-	-	ST d.r	GU02436001	1	
	LH front mudg. supp.-grey	-	-	-	GT-ST g.y-m.a	GU02436002	1	
	LH front mudg. supp.-red	-	-	-	01298N-S f.r	GU02436030	1	
	LH front mudg. supp.-green	-	-	-	01298N-S i.g	GU02436031	1	
4	Front mudguard support	-	-	-	- -	GU02435400	1	
5	Screw	-	-	-	- -	GU98230520	2	
6	Nylon washer 5,5X12X1	-	-	-	- -	GU30577800	8	
7	Antivibration bush	-	-	-	- -	GU93231605	8	
8	Screw	-	-	-	- -	GU98230515	6	
9	Screw	-	-	-	- -	GU98622314	4	
10	Washer	-	-	-	- -	GU29577860	4	
11	Screw	-	-	-	- -	GU98622320	2	
12	Washer 6,4x10x0,7	-	-	-	- -	GU14217901	2	
13	Cable-guide	-	-	-	- -	GU02436500	2	
14	Ring	-	-	-	- -	GU91551120	2	
15	Screw	-	-	-	- -	GU98230515	4	
16	Washer	-	-	-	- -	GU95004205	4	
17	Nut	-	-	-	- -	GU92630205	4	
18	Windshield assy.	-	-	-	- gr	GU02977210	1	
19	Windshield	-	-	-	- gr	GU02575410	1	
	Windshield, red	-	-	-	01298N-S f.r	GU02575430	1	

	Front fairing, green	-	-	-	01298N-S	i.g	GU02575431	1
20	Windscreen	-	-	-	01298N-S	-	GU02577210	1
21	RH windshield support	-	-	-	01298N-S	-	GU02578610	1
22	LH windshield support	-	-	-	01298N-S	-	GU02578611	1
23	White decal	-	-	-	01298N-S	-	GU02920230	0
24	Windscreen cpl.	-	-	-	GT	-	GU02575110	1


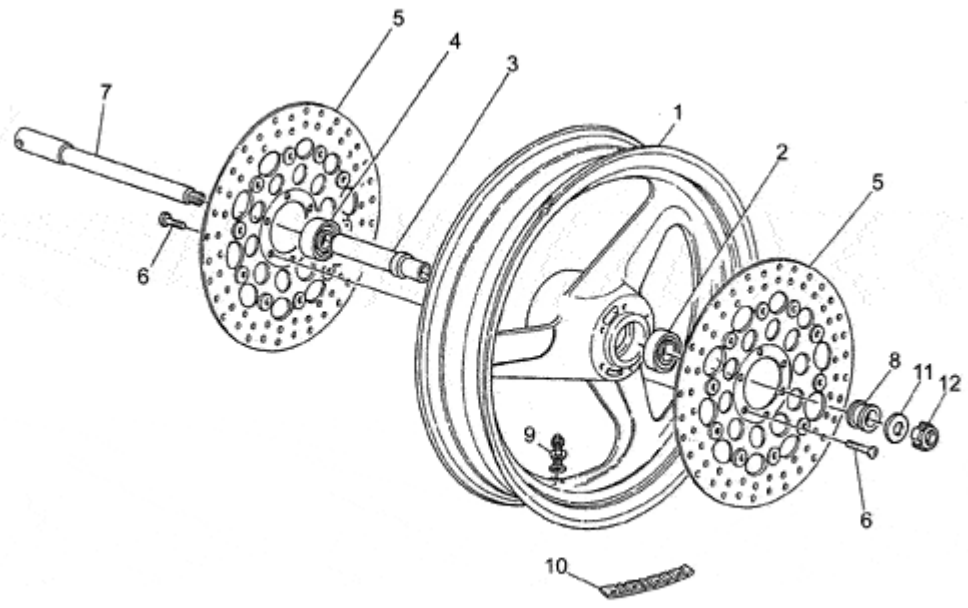


Pos.	Description	Year	I_M	Country	Version	Code	Q.ty	P.Cod.
1	Lateral stand	-	-	-	1A	GU30432100	1	
	Lateral stand	-	-	-	00798N-A	GU02432100	1	
2	Plate	-	-	-	-	GU01433400	1	
3	Screw	-	-	-	-	GU30432801	1	
4	Special washer	-	-	-	-	GU95021114	1	
5	Screw	-	-	-	1A	GU01433200	1	
	Screw	-	-	-	00798N-A	GU01433201	1	
6	Plate	-	-	-	-	GU30432700	1	
7	Outer spring	-	-	-	-	GU30434001	1	
8	Washer	-	-	-	-	GU95100521	1	
9	Inner spring	-	-	-	-	GU30434000	1	
10	Plate	-	-	-	-	GU01433600	1	
11	Drift	-	-	-	-	GU93180575	1	
12	Support	-	-	-	-	GU30442705	2	
13	Screw	-	-	-	-	GU98251030	2	
14	Nut M10X1,5	-	-	-	-	GU92630110	6	
15	RH Foot rests	-	-	-	-	GU30440705	1	
16	LH Foot rests	-	-	-	-	GU30441805	1	
17	Pin	-	-	-	-	GU30441005	2	
18	Return spring	-	-	-	-	GU30441105	2	
19	Pin	-	-	-	-	GU30442205	4	
20	Stop ring	-	-	-	-	GU90280006	4	
21	RH foot rest support	-	-	-	-	GU02442500	1	
22	LH front footrest bracket	-	-	-	-	GU02441500	1	
23	Stud bolt	-	-	-	-	GU02446800	1	
24	Screw	-	-	-	-	GU98251030	4	
25	Rear footrest, RH	-	-	-	-	GU30442405	1	
26	Rear footrest, LH	-	-	-	-	GU30442805	1	
27	Footrest plate	-	-	-	-	GU30443105	2	
28	Spring	-	-	-	-	GU94321062	2	
29	Ball	-	-	-	-	GU92295706	2	
30	Plate	-	-	-	-	GU30441605	2	
31	RH foot rest support	-	-	-	-	GU02442900	1	

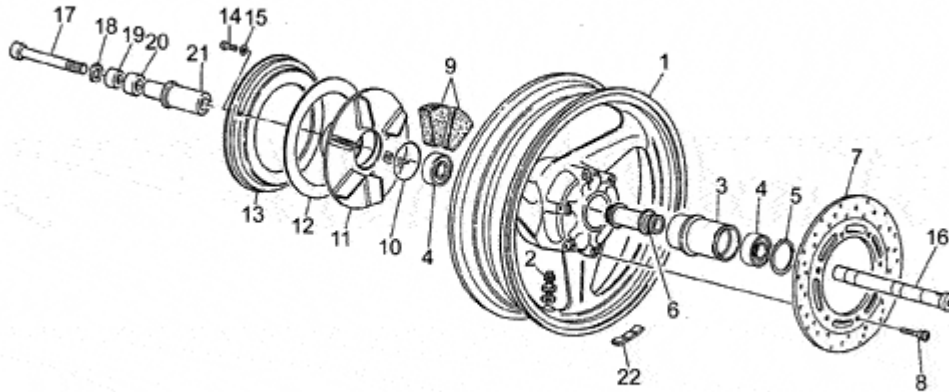
32	LH footrest support	-	-	-	-	-	GU02443000	1
33	Flanged nut	-	-	-	-	-	GU92660310	1
34	Pipe	-	-	-	-	-	GU30433800	1
35	Lever	-	-	-	00798N	-	GU02431900	1
36	Screw	-	-	-	00798N	-	GU98230615	2
37	Washer 6,4x10x0,7	-	-	-	00798N	-	GU14217901	2
38	Lateral stand switch	-	-	-	00798N	-	GU03759100	1
39	Plate	-	-	-	00798N	-	GU02433800	1
40	Nut M8X1	-	-	-	00798N	-	GU92602508	1
41	Screw	-	-	-	00798N	-	GU97040220	1
42	Nut	-	-	-	00798N	-	GU92602205	1
43	Stand switch wiring	-	-	-	00798N	-	GU02736200	1
44	Stand cpl.	-	-	-	00798N	-	GU02979201	1



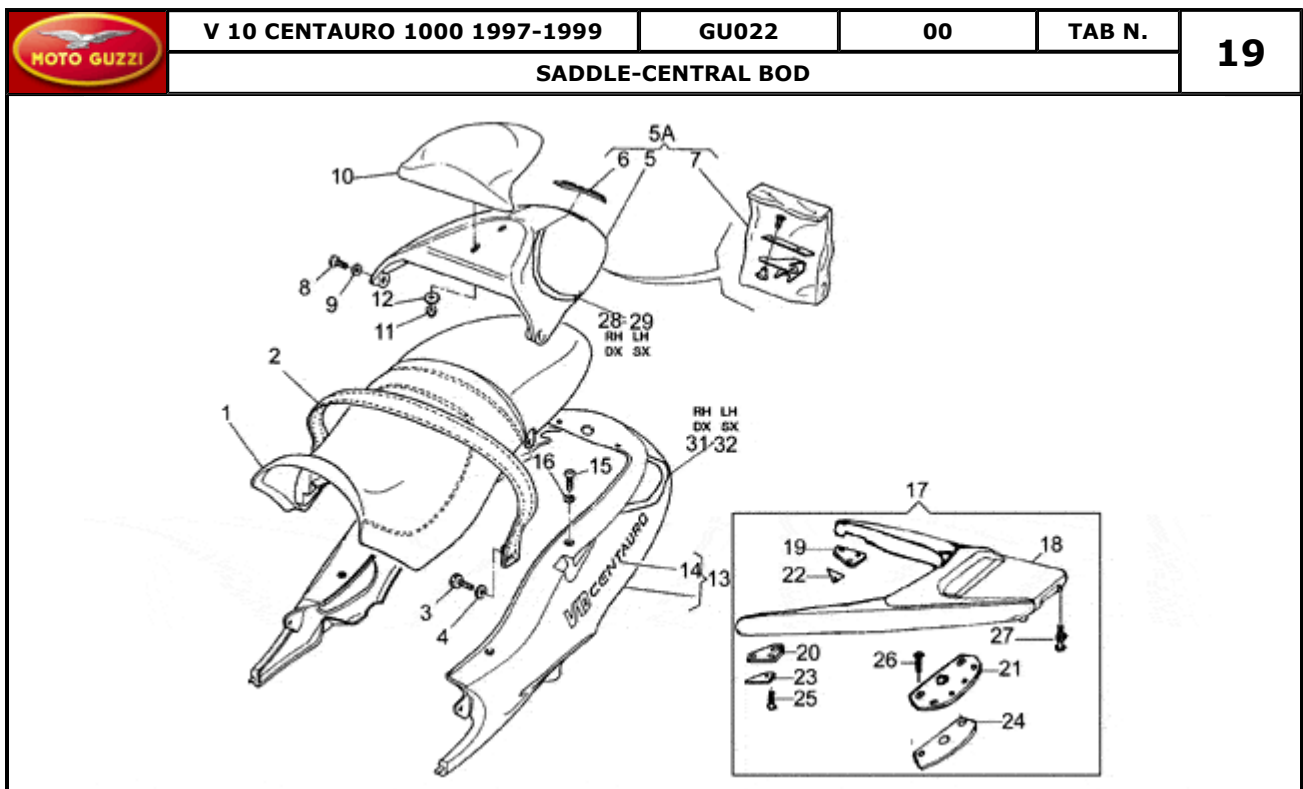
Pos.	Description	Year	I_M	Country	Version	Code	Q.ty	P.Cod.
1	Water cooler prot., green	-	-	-	01598N-S	i.g	GU02578531	1
	Water cooler prot., red	-	-	-	01598N-S	f.r	GU02578530	1
2	Rubber spacer	-	-	-	01598N	-	GU91551010	4
3	Spacer D.6,5	-	-	-	01598N	-	GU30576100	4
4	Screw M6X20	-	-	-	01598N	-	GU98230621	4
5	RH front plate	-	-	-	01598N	-	GU02571910	1
6	LH front plate	-	-	-	01598N	-	GU02572010	1
7	RH rear plate	-	-	-	01598N	-	GU02574210	1
8	LH rear plate	-	-	-	01598N	-	GU02574310	1
9	Screw 6X25	-	-	-	01598N	-	GU98230626	1
10	RH heat protection	-	-	-	01598N	-	GU02572710	1
11	LH heat protection	-	-	-	01598N	-	GU02572810	1
12	Water cooler protection assy.	-	-	-	01598N	gr	GU02977710	1

		V 10 CENTAURO 1000 1997-1999	GU022	00	TAB N.	17		
FRONT WHEEL								
								
Pos.	Description	Year	I_M_	Country	Version	Code	Q.ty	P.Cod.
1	Front wheel	-	-	-	-	GU01610300	1	
2	Ball bearing 25x52x15	-	-	-	-	GU92205227	1	
3	Bearing internal spacer	-	-	-	-	GU01615300	1	
4	Bearing 20x52x15	-	-	-	-	GU92201821	1	
5	Front brake disc	-	-	-	-	GU37613305	2	
6	Hex socket screw M8x20	-	-	-	-	GU98230820	12	
7	Front wheel spindle	-	-	-	-	GU01614100	1	
8	Spacer	-	-	-	-	GU01616300	1	
9	Air valve	-	-	-	-	GU28617760	1	
10	Counterweight	-	-	-	-	GU14616150	1	
11	Washer	-	-	-	-	GU95004219	1	
12	Ring nut	-	-	-	-	GU93704160	1	

	V 10 CENTAURO 1000 1997-1999	GU022	00	TAB N.	18
	REAR WHEEL				



Pos.	Description	Year	I_M_	Country	Version	Code	Q.ty	P.Cod.
1	Rear wheel	-	-	-	-	GU01630600	1	
2	Air valve	-	-	-	-	GU28617760	1	
3	Hub	-	-	-	-	GU01632200	1	
4	Ball bearing 20X47X14	-	-	-	-	GU92204220	2	
5	Circlip	-	-	-	-	GU90271055	1	
6	Spacer	-	-	-	-	GU01634000	1	
7	Rear brake disc, black	-	-	-	-	GU01635700	1	
8	Screw	-	-	-	-	GU30611460	6	
9	Rubber cush drive hub	-	-	-	-	GU01336800	12	
10	O-ring	-	-	-	-	GU90706490	1	
11	Flexible coupling disc	-	-	-	-	GU14335203	1	
12	Ring	-	-	-	-	GU14335350	1	
13	Flange	-	-	-	-	GU14335650	1	
14	Screw	-	-	-	-	GU98230620	6	
15	Special washer	-	-	-	-	GU61013800	6	
16	Rear wheel spindle	-	-	-	-	GU37633305	1	
17	Pin fixing screw	-	-	-	-	GU30632601	1	
18	Washer 13x18x1,7	-	-	-	-	GU30217900	1	
19	Bush	-	-	-	-	GU37634505	1	
20	Spacer	-	-	-	-	GU37634805	1	
21	RH inner spacer	-	-	-	-	GU37634105	1	
22	Counterweight	-	-	-	-	GU14616150	1	



Pos.	Description	Year	I_M	Country	Version	Code	Q.ty	P.Cod.
1	Saddle	-	-	-	01298N-S	-	GU02460510	1
	Saddle	-	-	-	01298N-GT	-	GU02460515	1
	Two-seat saddle	-	-	-	ST	-	GU02460500	1
2	Pillion seat strap	-	-	-	-	-	GU02462300	1
3	Screw	-	-	-	-	-	GU98054314	2
4	Washer 5,3x10x0,5	-	-	-	-	-	GU95100121	2
5	Seat cover, green	-	-	-	01298N-A-S	i.g	GU02466331	1
	Cover pillion rider seat blank	-	-	-	-	gr	GU02466400	1
	Saddle cover, red fire	-	-	-	01298N-A-S	f.r	GU02466330	1
	Seat cover, yellow	-	-	-	A-GT-ST	g.y	GU02466303	1
	Seat cover, anthracite	-	-	-	A-GT-ST	m.a	GU02466302	1
	Seat cover, m. red	-	-	-	A-ST	d.r	GU02466301	1
6	Adhesive label	-	-	-	-	-	GU02517700	1
7	Plate	-	-	-	-	-	GU02999501	1
8	Screw	-	-	-	-	-	GU98230615	2
9	Washer 6,15x11x0,8	-	-	-	-	-	GU95004206	1
10	Seat cushion	-	-	-	-	-	GU02461500	1
11	Nut M6x1	-	-	-	-	-	GU92630106	2
12	Washer	-	-	-	-	-	GU95100120	2
13	Rear fairing, red fire	-	-	-	01298N-S	f.r	GU02573130	1
	Rear fairing	-	-	-	-	gr	GU02573100	1
	Rear fairing, m. red	-	-	-	ST	d.r	GU02573101	1
	Rear fairing, anthracite	-	-	-	GT-ST	m.a	GU02573102	1
	Rear fairing, green	-	-	-	01298N-S	i.g	GU02573131	1
	Rear fairing, yellow	-	-	-	GT-ST	g.y	GU02573103	1
14	Silver decal "V10 CENTAURO"	-	-	-	GT-ST	-	GU02922000	2
	RH decal "V10 CENTAURO"	-	-	-	01298N-S	-	GU02922030	1
	LH decal "V10 CENTAURO"	-	-	-	01298N-S	-	GU02922130	1
15	Screw	-	-	-	-	-	GU98230618	6
16	Washer	-	-	-	-	-	GU29577860	6
17	Luggage rack	-	-	-	01298N	-	GU02976210	6

18	Luggage rack	-	-	-	01298N	-	GU02466511	1
19	R H front plate	-	-	-	01298N	-	GU02467410	2
20	L H front plate	-	-	-	01298N	-	GU02467411	2
21	Rear plate	-	-	-	01298N	-	GU02467610	1
22	RH bumper	-	-	-	01298N	-	GU02469710	1
23	LH bumper	-	-	-	01298N	-	GU02469711	1
24	Drift	-	-	-	01298N	-	GU02469810	1
25	Screw	-	-	-	01298N	-	GU98250614	2
26	Screw M6X30	-	-	-	01298N	-	GU98250630	6
27	Screw M6X18	-	-	-	01298N	-	GU02467310	6
28	RH white decal	-	-	-	01298N-S	-	GU02940430	1
29	LH white decal	-	-	-	01298N-S	-	GU02940530	1
31	RH white decal	-	-	-	01298N-S	-	GU02922330	1
32	LH white decal	-	-	-	01298N-S	-	GU02922430	1



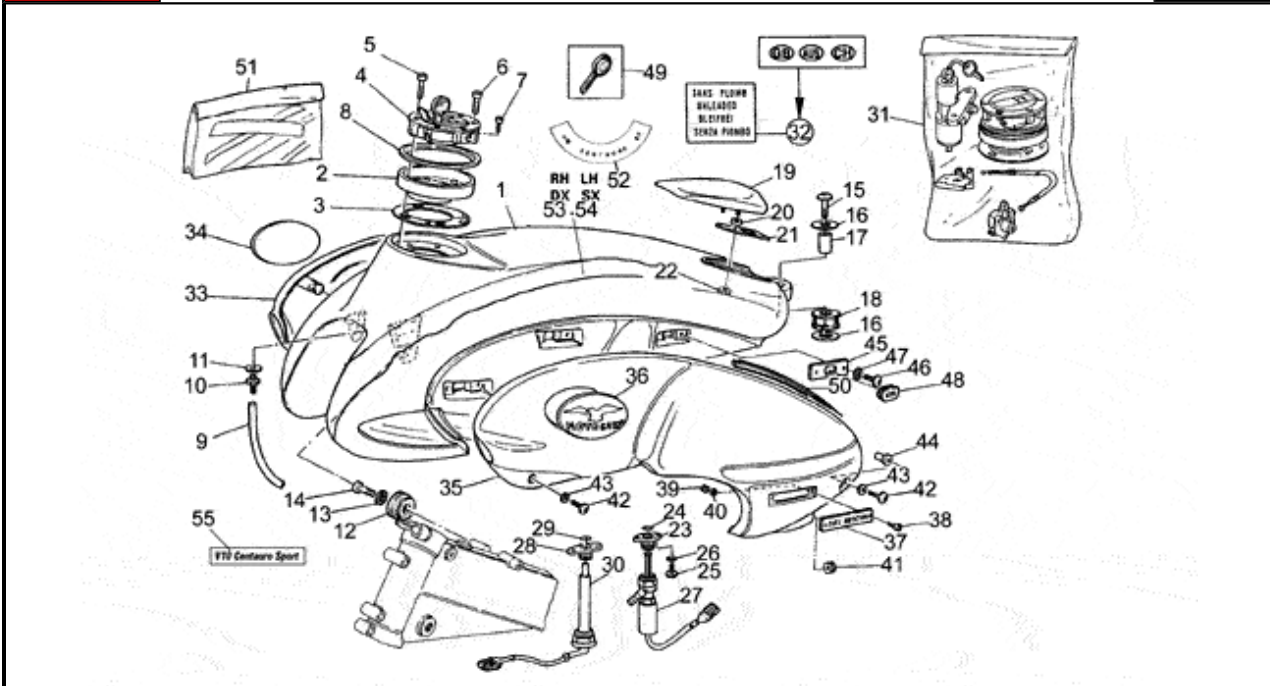
V 10 CENTAURO 1000 1997-1999

GU022

00


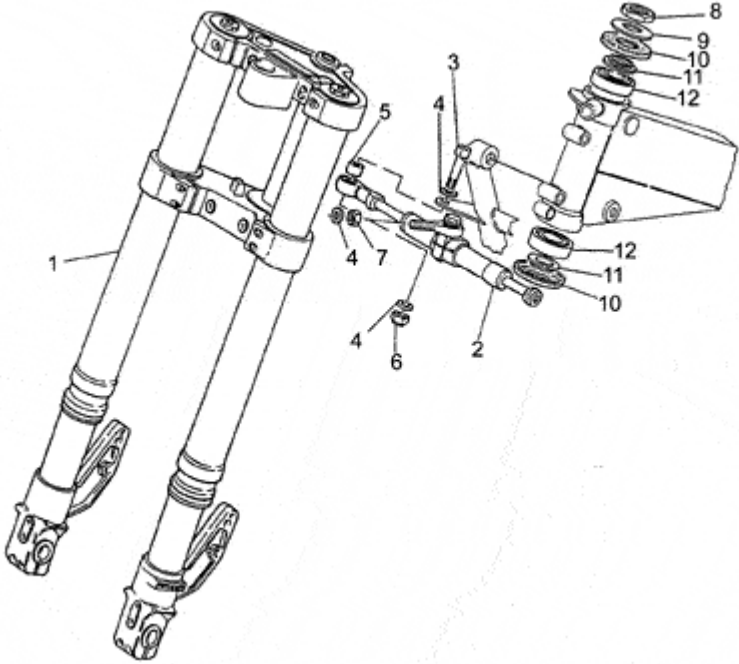
TAB N.


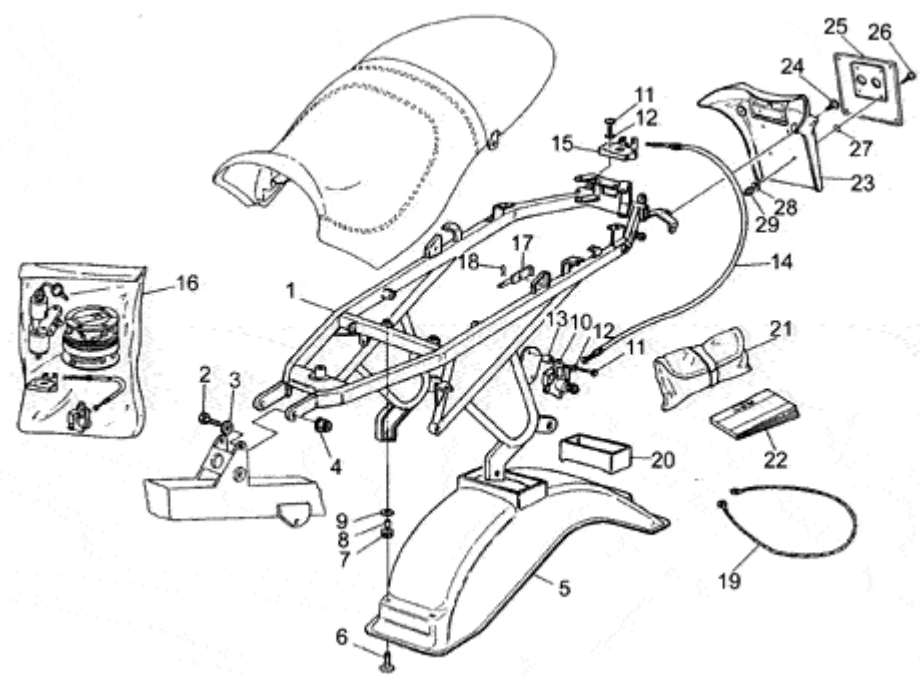
20



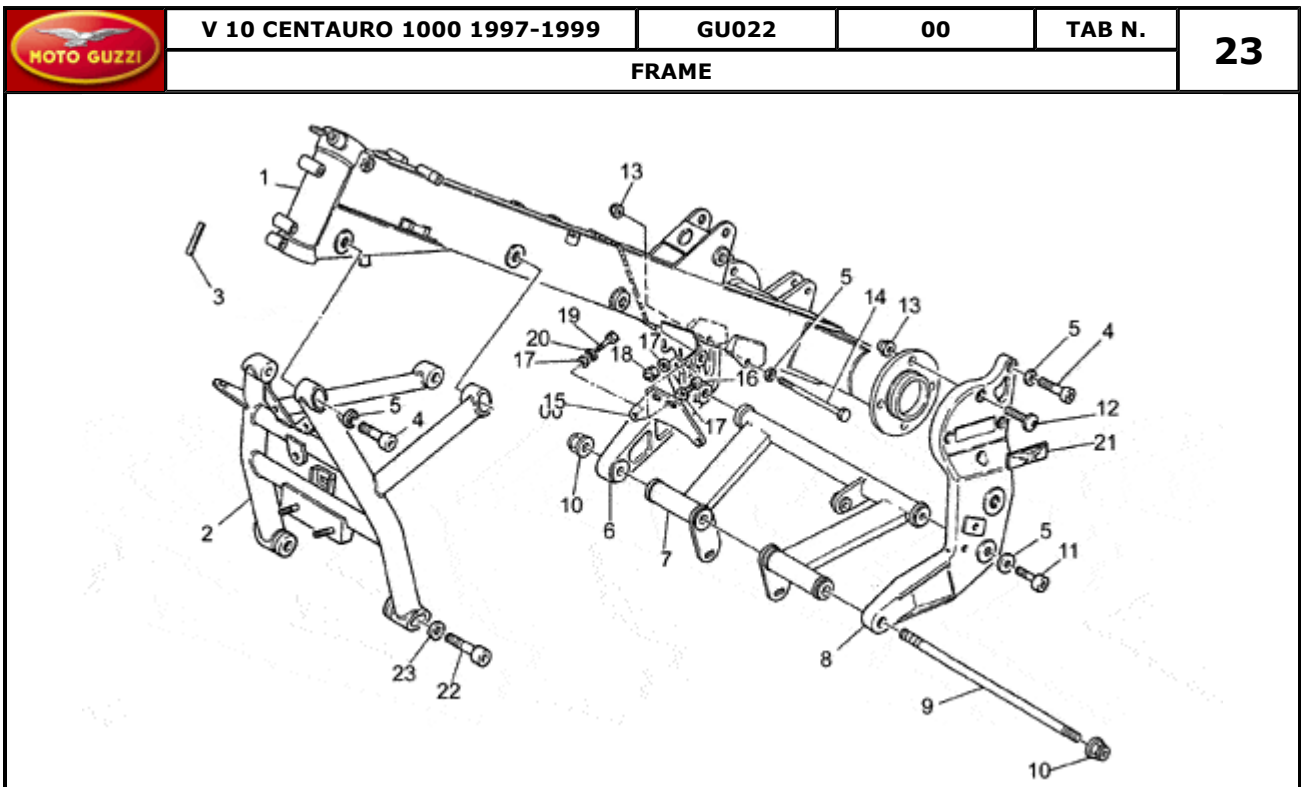
Pos.	Description	Year	I_M	Country	Version	Code	Q.ty	P.Cod.
1	Fuel tank, met. red	-	-	-	ST d.r	GU02100201	1	
	Fuel tank, anthracite	-	-	-	ST m.a	GU02100202	1	
	Fuel tank, yellow	-	-	-	ST g.y	GU02100203	1	
	Fuel tank, anthracite	-	-	-	01298N-GT m.a	GU02100211	1	
	Fuel tank, yellow	-	-	-	01298N-GT g.y	GU02100212	1	
	Fuel tank, red fire	-	-	-	01298N-S f.r	GU02100230	1	
	Fuel tank, green	-	-	-	01298N-S i.g	GU02100231	1	
	Fuel tank blank	-	-	-	- gr	GU02100200	1	
2	Flange	-	-	-	-	GU02102300	1	
	Fuel glass cup	-	-	CH	-	GU02102304	1	
3	Gasket	-	-	-	-	GU02102400	1	
4	Fuel filler cap	-	-	-	-	GU01103920	1	
5	Screw M5X30	-	-	-	-	GU98620230	3	
6	Hex socket screw M5X10	-	-	-	-	GU98622210	3	
7	Screw	-	-	-	-	GU98622215	1	
8	Gasket	-	-	-	-	GU01101700	1	
9	Rubber pipe 5X9	-	-	-	-	GU00823944050	1	
10	Union	-	-	-	-	GU30103730	1	
11	Gasket	-	-	-	-	GU30104630	1	
12	Rubber spacer	-	-	-	-	GU66103415	2	
13	Washer 8,4X13X0,8	-	-	-	-	GU14615901	2	
14	Screw	-	-	-	-	GU98622420	2	
15	Screw	-	-	-	-	GU98230845	1	
16	Washer	-	-	-	-	GU95100239	2	
17	Spacer	-	-	-	-	GU91180824	1	
18	Rubber spacer	-	-	-	-	GU02107100	1	
19	Fuel tank cover	-	-	-	-	GU02466200	1	
20	Spacer	-	-	-	-	GU91180605	2	
21	Plate	-	-	-	-	GU02462400	1	
22	Nut M6x1	-	-	-	-	GU92630206	2	
23	Ring nut	-	-	-	-	GU30101830	1	
24	O-ring	-	-	-	-	GU90706116	1	
25	Hex socket screw M5x10	-	-	-	-	GU98230510	4	

26	Washer 5,9X3X0,8	-	-	-	-	-	GU29217960	4
27	Fuel solenoid valve	-	-	-	01298N-GT-S	-	GU03105300	1
	Fuel cock	-	-	-	ST	-	GU02105300	1
28	Flange	-	-	-	-	-	GU02101800	1
29	O-ring	-	-	-	-	-	GU90706171	1
30	Fuel level sensor	-	-	-	ST	-	GU01103001	1
	Fuel level sensor	-	-	-	01298N-GT-S	-	GU03103000	1
31	Lock hardware kit	-	-	-	-	-	GU02736800	1
32	Sticker	-	-	AUS-CH-UK	-	-	GU29995735	1
33	RH side panel, grey	-	-	-	GT-ST	g.y-m.a	GU02570202	1
	RH side panel.red fire	-	-	-	01298N-S	f.r	GU02570230	1
	RH side panel, silver	-	-	-	ST	d.r	GU02570201	1
	RH body panel blank	-	-	-	-	gr	GU02570200	1
	RH side panel, green	-	-	-	01298N-S	i.g	GU02570231	1
34	RH decal "Moto Guzzi"	-	-	-	-	-	GU02917300	1
35	LH body panel blank	-	-	-	02498N	gr	GU02570403	1
	LH side panel, silver	-	-	-	02498N-ST	d.r	GU02570404	1
	LH side panel, grey	-	-	-	02498N-GT-ST	g.y-m.a	GU02570405	1
	LH side panel.red fire	-	-	-	02498N-S	f.r	GU02570432	1
	LH side panel, green	-	-	-	02498N-S	i.g	GU02570433	1
36	LH decal "Moto Guzzi"	-	-	-	-	-	GU02917400	1
37	"Fuel injection" decal	-	-	-	-	-	GU02586001	2
38	Screw	-	-	-	-	-	GU98280311	4
39	Nut	-	-	-	-	-	GU92601003	4
40	Washer	-	-	-	-	-	GU95000203	4
41	Rubber spacer	-	-	-	-	-	GU02572900	2
42	Screw	-	-	-	-	-	GU98230515	4
43	Nylon washer 5,5X12X1	-	-	-	-	-	GU30577800	4
44	Antivibration bush	-	-	-	-	-	GU93231605	2
45	Plate	-	-	-	-	-	GU02103600	6
46	Hex socket screw M5x10	-	-	-	-	-	GU98230510	12
47	Washer 5,9X3X0,8	-	-	-	-	-	GU29217960	12
48	Rubber spacer	-	-	-	-	-	GU02573900	6
49	Non indented key blank	-	-	-	01298N	-	GU30735500	1
50	Gasket	-	-	-	-	-	GU02573800	2
51	"Sport" decal set	-	-	-	01298N-S	-	GU02923330	1
52	"Centaur GT" decal	-	-	-	01298N-GT	-	GU02924010	1
53	RH white decal	-	-	-	01298N-S	-	GU02923530	1
54	LH white decal	-	-	-	01298N-S	-	GU02923630	1
55	White decal "V10 Cent.Sport"	-	-	-	01298N-S	-	GU02924030	1

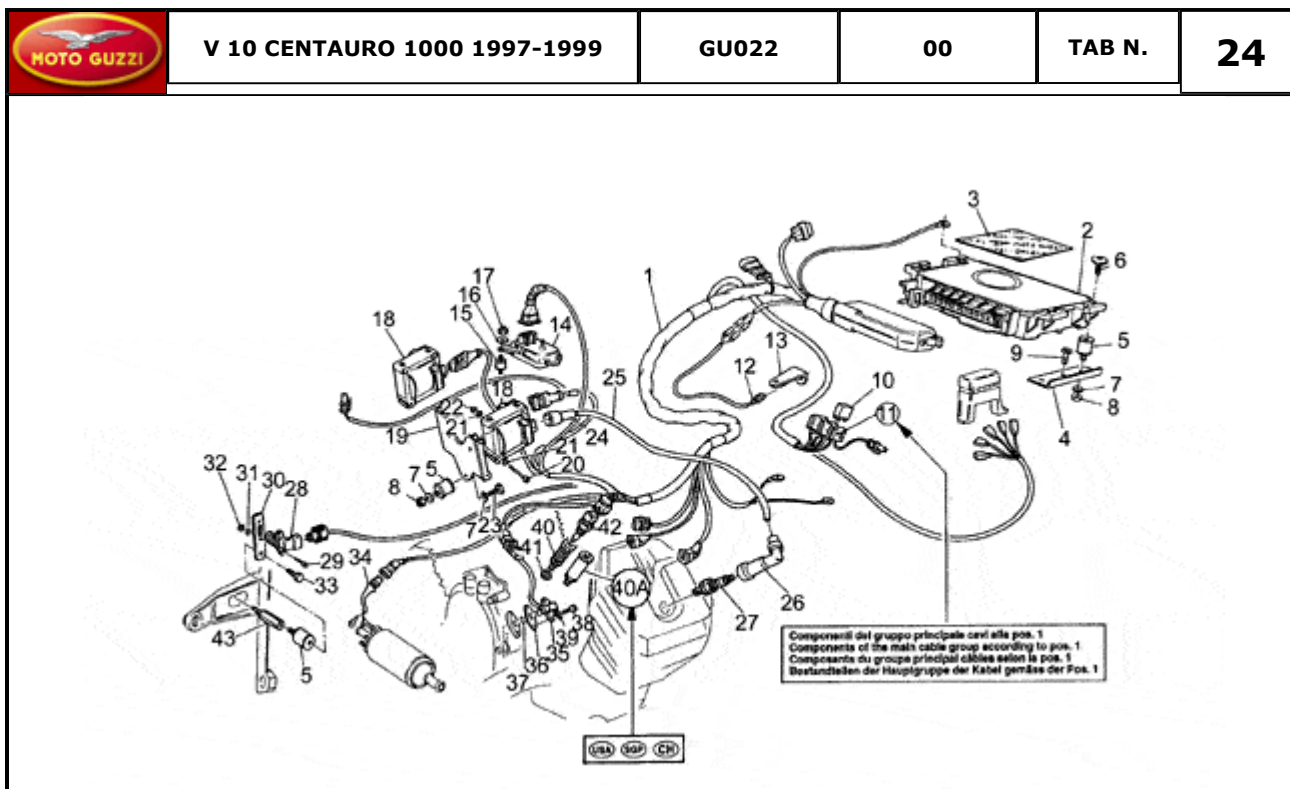
		V 10 CENTAURO 1000 1997-1999	GU022	00	TAB N.	21		
STEERING								
								
Pos.	Description	Year	I_M_	Country	Version	Code	Q.ty	P.Cod.
1	Front fork	-	-	-	-	GU02490200	1	
2	Steering shock absorber	-	-	-	-	GU30530201	1	
3	Screw M8X40	-	-	-	-	GU98620440	1	
4	Washer	-	-	-	-	GU95004208	3	
5	Spacer	-	-	-	-	GU91180810	1	
6	Nut	-	-	-	-	GU92630108	1	
7	Nut M8X1,25	-	-	-	-	GU92602208	1	
8	Nut	-	-	-	-	GU92700241	1	
9	Washer	-	-	-	-	GU30516500	1	
10	Dust cover	-	-	-	-	GU14517000	2	
11	Clearance washer	-	-	-	-	GU14516700	2	
12	Tap.roller bearing	-	-	-	-	GU92249225	2	

	V 10 CENTAURO 1000 1997-1999	GU022	00	TAB N.	22			
	REAR BODY - REAR FAIRING							
								
Pos.	Description	Year	I_M	Country	Version	Code	Q.ty	P.Cod.

1	Rear frame	-	-	-	01698N-T5	-	GU02410210	1
	Rear frame	-	-	-	T4	-	GU02410200	1
2	Screw	-	-	-	-	-	GU98054525	2
3	Washer 10,2x18x2	-	-	-	-	-	GU95004210	2
4	Nut	-	-	-	-	-	GU92660210	2
5	Rear mudguard	-	-	-	-	-	GU02437000	1
6	Screw	-	-	-	-	-	GU98230622	4
7	Rubber spacer	-	-	-	-	-	GU91551082	4
8	Spacer	-	-	-	-	-	GU91180608	4
9	Washer 6,4x12x1,2	-	-	-	-	-	GU95100141	1
10	Saddle lock	-	-	-	-	-	GU02468100	1
11	Screw	-	-	-	-	-	GU98230625	4
12	Washer 6,4x10x0,7	-	-	-	-	-	GU14217901	4
13	Spacer	-	-	-	-	-	GU91110712	2
14	Saddle fastener	-	-	-	-	-	GU02468800	1
15	Saddle lock	-	-	-	-	-	GU02468600	1
16	Lock hardware kit	-	-	-	-	-	GU02736800	1
17	Plate	-	-	-	-	-	GU02466700	1
18	Split pin	-	-	-	-	-	GU02466900	1
19	Helmet lock cable	-	-	-	-	-	GU02466800	1
20	Tool kit box	-	-	-	-	-	GU02476400	1
21	Toolkit	-	-	-	-	-	GU02909900	1
22	Operator's handbook	-	-	-	-	-	GU02900000	1
23	Splash guard	-	-	-	-	-	GU02438600	1
24	Screw	-	-	-	-	-	GU98230616	2
25	Number plate holder	-	-	-	-	-	GU39474600	1
26	Screw	-	-	-	-	-	GU98054212	4
27	O-ring	-	-	-	-	-	GU90706035	4
28	Washer	-	-	-	-	-	GU95000205	4
29	Nut	-	-	-	-	-	GU92630105	4




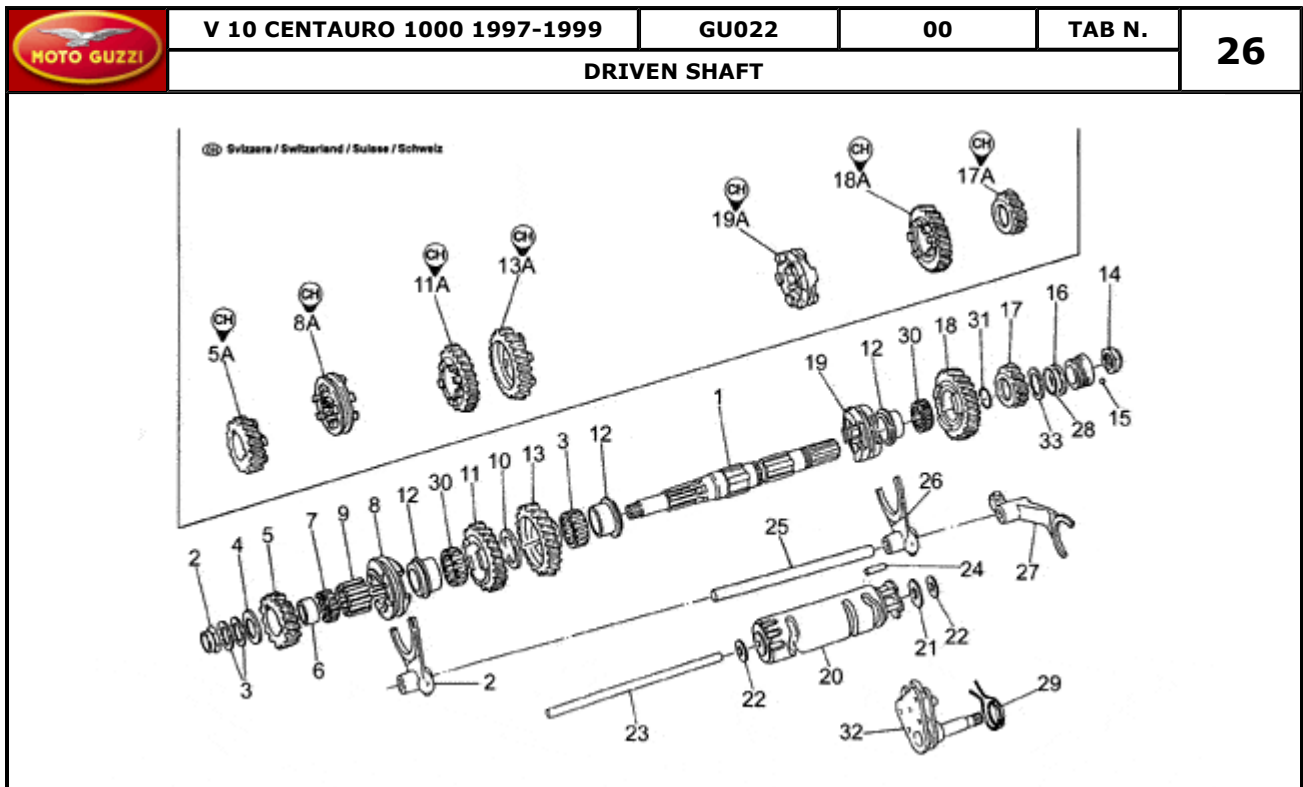
Pos.	Description	Year	I_M	Country	Version	Code	Q.ty	P.Cod.
1	Frame	-	-	-	-	GU01400100	1	
2	Cradle	-	-	-	-	GU01420200	1	
3	Guard decal	-	-	-	-	GU02931600	1	
4	Screw	-	-	-	-	GU98610525	6	
5	Washer 10,5x16x1	-	-	-	-	GU19149800	8	
6	RH plate	-	-	-	-	GU01415750	1	
7	Plate connection frame	-	-	-	-	GU37420105	1	
8	LH plate	-	-	-	-	GU01415850	1	
9	Stud bolt	-	-	-	-	GU30419601	1	
10	Tie rod	-	-	-	-	GU92660112	2	
11	Screw	-	-	-	-	GU98610540	1	
12	Screw M10X30	-	-	-	-	GU98231030	8	
13	Nut M10X1,5	-	-	-	-	GU92630110	8	
14	Screw	-	-	-	-	GU98072595	1	
15	Gearbox connecting plate	-	-	-	-	GU37202805	1	
16	Screw	-	-	-	-	GU98622420	2	
17	Washer	-	-	-	-	GU95004208	6	
18	Nut	-	-	-	-	GU92630508	2	
19	Screw sp.60mm	-	-	-	-	GU98072460	1	
	Screw sp.65mm	-	-	-	-	GU98072465	1	
20	Washer 8,4X13X0,8	-	-	-	-	GU14615901	2	
21	Decal "Aquila"	-	-	-	-	GU01517700	2	
22	Screw	-	-	-	-	GU98612635	2	
23	Washer 13x18x1,7	-	-	-	-	GU30217900	2	



Pos.	Description	Year	I_M	Country	Version	Code	Q.ty	P.Cod.
1	Injection wiring	-	-	-	-	GU02725800	1	
2	ECU	-	-	-	T6	GU02729500	1	
	ECU	-	-	-	T7	GU02729501	1	
3	Tamperproof dataplate	-	-	-	-	GU01732001	1	
4	Plate	-	-	-	-	GU02728700	2	
5	Silent-block	-	-	-	-	GU93222020	8	
6	Screw	-	-	-	-	GU98230616	4	
7	Washer	-	-	-	-	GU95000206	10	
8	Nut M6x1	-	-	-	-	GU92630106	9	
9	Screw	-	-	-	-	GU98230612	2	
10	Relay Siemens A302/B1008	-	-	-	-	GU30732560	2	
11	Relais support	-	-	-	-	GU30732400	2	
12	Led	-	-	-	-	GU29727860	1	
13	Support plate	-	-	-	-	GU30732900	1	
14	Pressure sensor	-	-	-	-	GU29727061	1	
15	Silent-block	-	-	-	-	GU93211315	3	
16	Washer	-	-	-	-	GU95100025	3	
17	Nut	-	-	-	-	GU92601004	3	
18	HT coil	-	-	-	-	GU30716500	2	
19	Clamp	-	-	-	-	GU01407400	1	
20	Screw	-	-	-	-	GU98620125	4	
21	Washer	-	-	-	-	GU95004204	8	
22	Nut M4x0,7	-	-	-	-	GU92630104	4	
23	Screw	-	-	-	-	GU98054308	3	
24	Cap	-	-	-	-	GU14717600	2	
25	HT cable	-	-	-	-	GU01718350	2	
26	Spark cap	-	-	-	-	GU30717402	2	
27	Spark plug NGK DR9EA	-	-	-	-	GU30717002	2	
28	Air temp. Sensor	-	-	-	-	GU30729331	1	
29	Screw	-	-	-	-	GU98610110	4	
30	Plate	-	-	-	-	GU02728200	1	
31	Washer	-	-	-	-	GU95120032	2	
32	Nut	-	-	-	-	GU92601003	2	

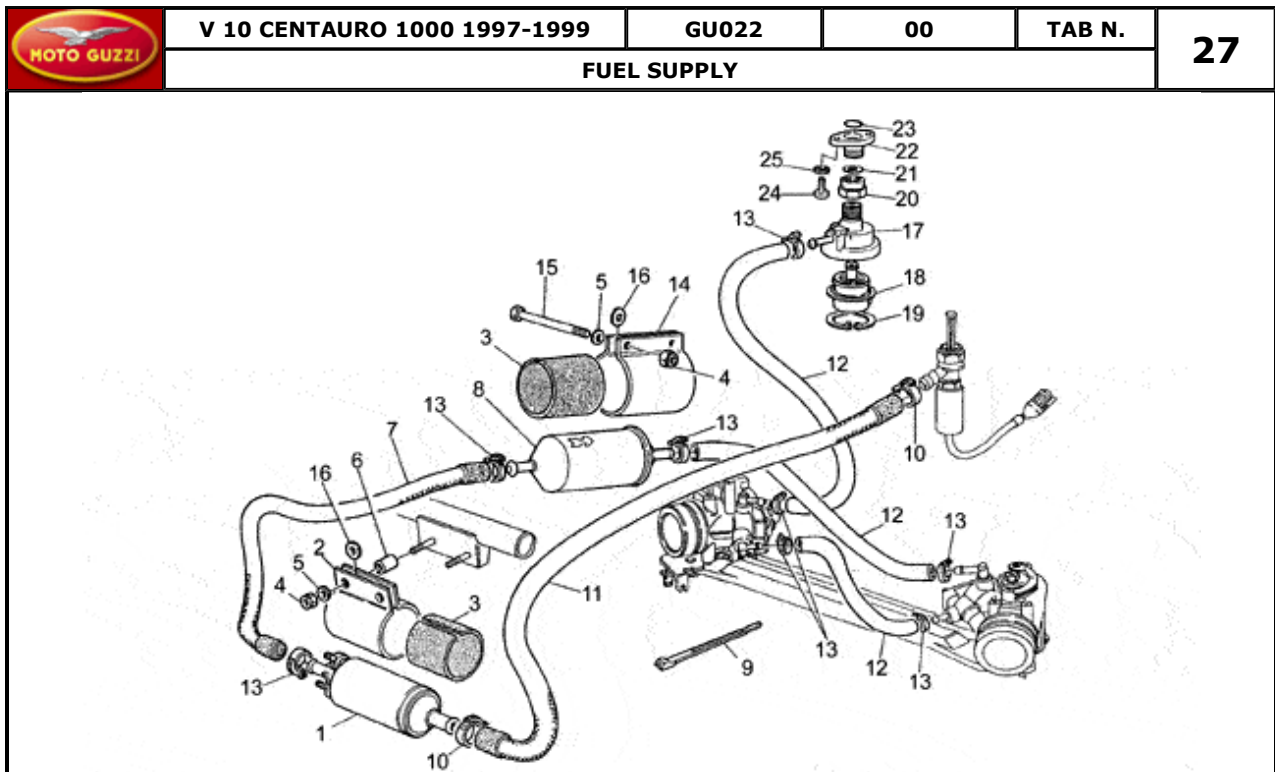
33	Screw	-	-	-	-	-	GU98054308	1
34	Fuel pump wiring	-	-	-	-	-	GU01738500	1
35	Phase/revolution sensor	-	-	-	-	-	GU01721600	1
36	Gasket 0,5 mm	-	-	-	-	-	GU29722760	3
37	O-ring	-	-	-	-	-	GU90706141	1
38	Hex socket screw M5X10	-	-	-	-	-	GU98622210	2
39	Washer	-	-	-	-	-	GU95004205	2
40	Sensor support	-	-	-	01298N- M2	-	GU02163300	1
	Sensor support	-	-	-	M1	-	GU30163301	1
41	Washer 10,2x18x2	-	-	-	-	-	GU95004210	1
42	Oil temperature sensor	-	-	-	-	-	GU29729461	1
43	Stud bolt	-	-	-	-	-	GU27742010	1

		V 10 CENTAURO 1000 1997-1999	GU022	00	TAB N.	25		
DRIVE SHAFT								
Pos.	Description	Year	I_M	Country	Version	Code	Q.ty	P.Cod.
1	Cylinder with piston	-	-	-	-	GU01060150	2	
2	Piston	-	-	-	-	GU02060400	2	
3	Piston rings set	-	-	-	-	GU30060600	2	
4	Upper segment	-	-	-	-	GU30060700	2	
5	Lower segment	-	-	-	-	GU30060900	2	
6	Oil scraper ring	-	-	-	-	GU30061000	2	
7	Piston pin	-	-	-	-	GU30061241	2	
8	Stop ring	-	-	-	-	GU90351038	4	
9	Bush	-	-	-	-	GU91111113	4	
10	Cylinder base gasket	-	-	-	-	GU30020800	2	
11	Stud bolt	-	-	-	-	GU30021700	8	
12	Connecting rod	-	-	-	-	GU30061541	2	
13	Chain ring	-	-	-	-	GU37067905	1	
14	Screw TCEI M6x12	-	-	-	-	GU37067705	8	
15	Washer 6,4x10x0,7	-	-	-	-	GU14217901	8	
16	Bearing half-shell	-	-	-	std	GU37062005	4	
	Bearing half-shell 0,254 mm	-	-	-	M	GU37062006	4	
	Bearing half-shell 0,508 mm	-	-	-	M	GU37062007	4	
	Bearing half-shell 0,762 mm	-	-	-	M	GU37062008	4	
17	Drive shaft	-	-	-	-	GU30064145	1	
18	Plug	-	-	-	-	GU12065400	1	
19	Flywheel	-	-	-	-	GU01067000	1	
20	Washer 8,4X13X0,8	-	-	-	-	GU14615901	6	
21	Screw M8X25	-	-	-	-	GU12067701	6	
22	Connecting rod screw	-	-	-	-	GU30062241	4	
23	Bush	-	-	-	-	GU30061841	2	


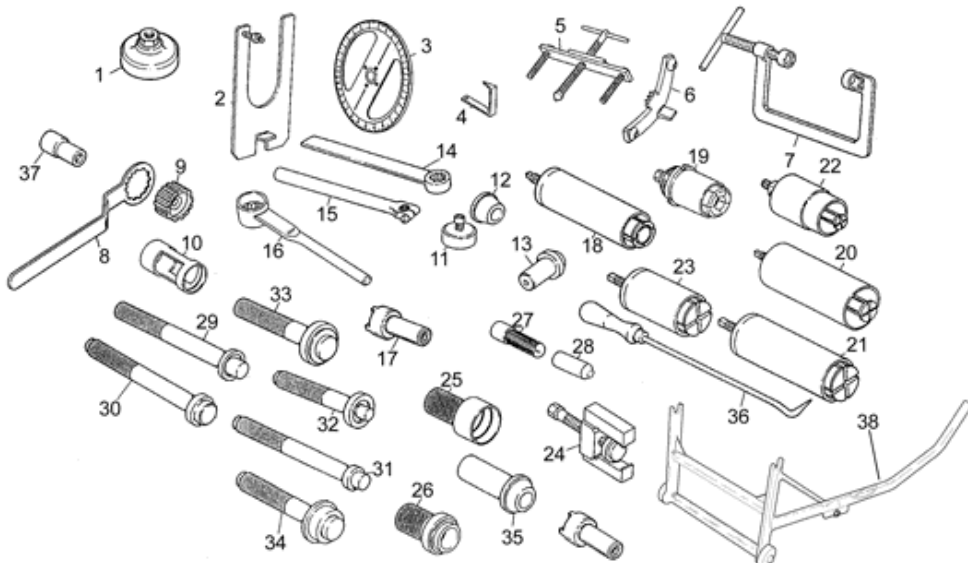



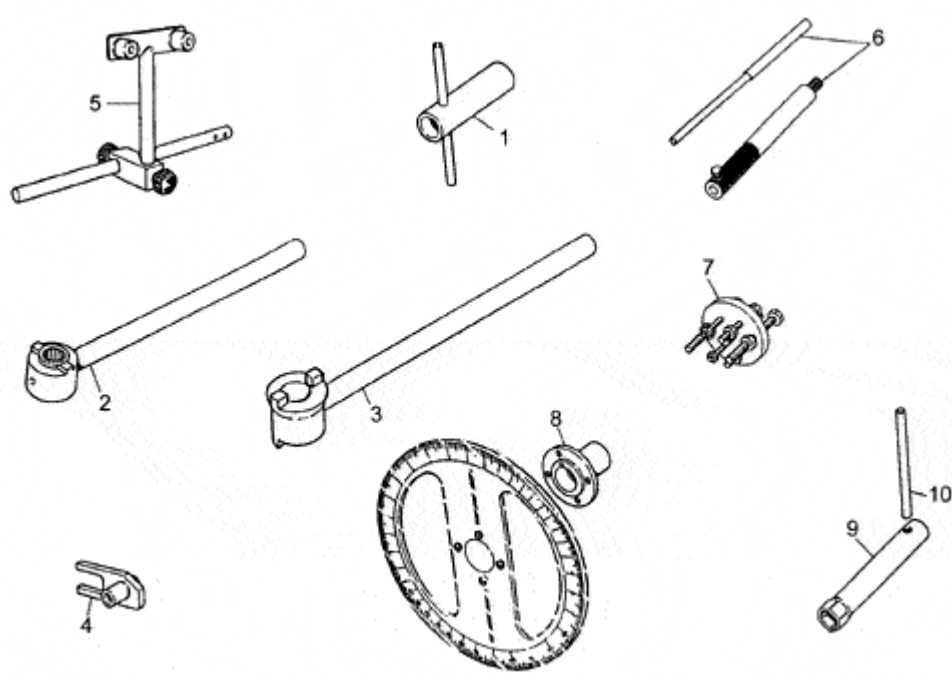
Pos.	Description	Year	I_M_	Country	Version	Code	Q.ty	P.Cod.
1	Driven shaft	-	-	-	-	GU30213602	1	
2	Nut	-	-	-	-	GU14217410	1	
3	Shim 17,25x27x0,5	-	-	-	-	GU43083810	2	
4	Clearance washer 17,1x30	-	-	-	-	GU14215400	1	
5	Gear 4a Z=20	-	-	-	-	GU02215100	1	
	Gear 4a Z=20	-	-	CH	-	GU14215110	1	
6	Ring 4a	-	-	-	-	GU92259017	1	
7	Roller cage 4a A.S.	-	-	-	-	GU92251022	1	
8	Hose 3a-4a AS	-	-	-	-	GU30231000	1	
	Sliding sleeve 3a-4a	-	-	CH	-	GU14231012	1	
9	Hose	-	-	-	-	GU14232512	1	
10	Washer 25x40x3	-	-	-	-	GU14218011	1	
11	Gear 3a Z=23	-	-	-	-	GU01214800	1	
	Gear 3a Z=22	-	-	CH	-	GU14214810	1	
12	Bush 1a-2a-3a AS	-	-	-	-	GU14213001	3	
13	Gear 2a Z=25	-	-	-	-	GU02214500	1	
	Gear 2a Z=25	-	-	CH	-	GU14214510	1	
14	Nut	-	-	-	-	GU14219310	1	
15	Ball	-	-	-	-	GU92295702	1	
16	Washer 22,1x32x2	-	-	-	-	GU14217300	1	
17	Gear 5a AS Z=21	-	-	CH	-	GU14215213	1	
	Gear 5a Z=19	-	-	-	-	GU02215200	1	
18	Gear 1a Z=29	-	-	-	-	GU02214200	1	
	Gear 1a Z=28	-	-	CH	-	GU14214210	1	
19	Sliding sleeve 1a-2a	-	-	CH	-	GU14230711	1	
	Sliding sleeve 1a/2a AS	-	-	-	-	GU30230700	1	
20	Shift cam	-	-	-	-	GU14234405	1	
21	Washer 8,2x28x1	-	-	-	-	GU14235500	1	
22	Shim 1,2 mm	-	-	-	-	GU55235003	3	
	Shim 0,6 mm	-	-	-	-	GU55235000	3	
	Shim 0,8 mm	-	-	-	-	GU55235001	3	
	Shim 1 mm	-	-	-	-	GU55235002	3	
23	Rod	-	-	-	-	GU14234300	1	


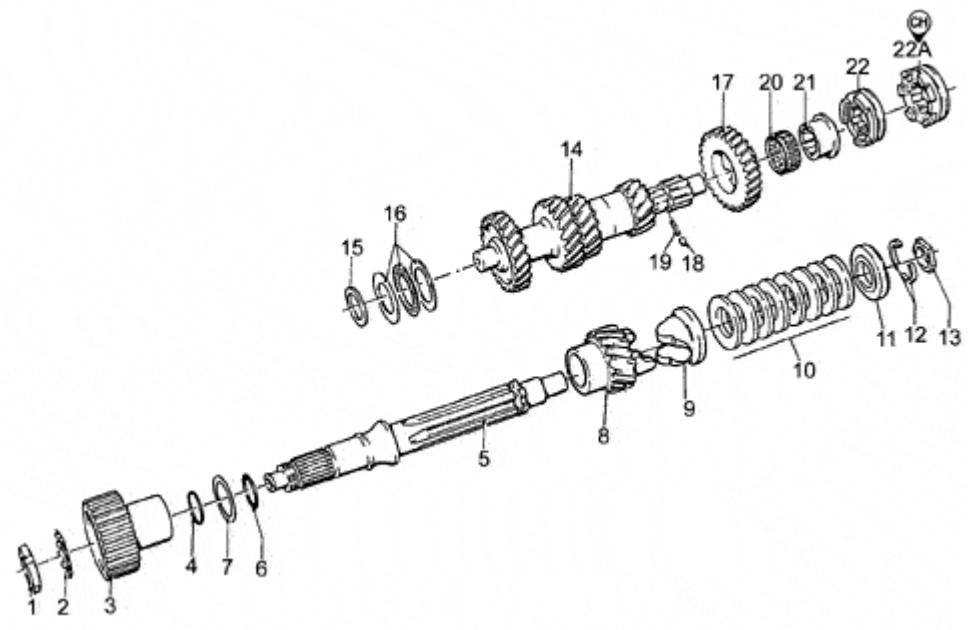
24	Pin	-	-	-	-	-	GU14234600	4
25	Rod	-	-	-	-	-	GU14232400	1
26	Fork 1a-2a-3a-4a	-	-	-	-	-	GU14230501	2
27	Fork 5a	-	-	-	-	-	GU14231201	1
28	O-ring 21,95x1,78	-	-	-	-	-	GU90706219	1
29	Spring	-	-	-	-	-	GU28238261	1
30	Roller cage 30x35x13	-	-	-	-	-	GU92251030	3
31	O-ring 20,24X2,62	-	-	-	-	-	GU90706203	1
32	Preselection complete	-	-	-	-	-	GU28236260	1
33	Washer	-	-	-	-	-	GU28217350	1

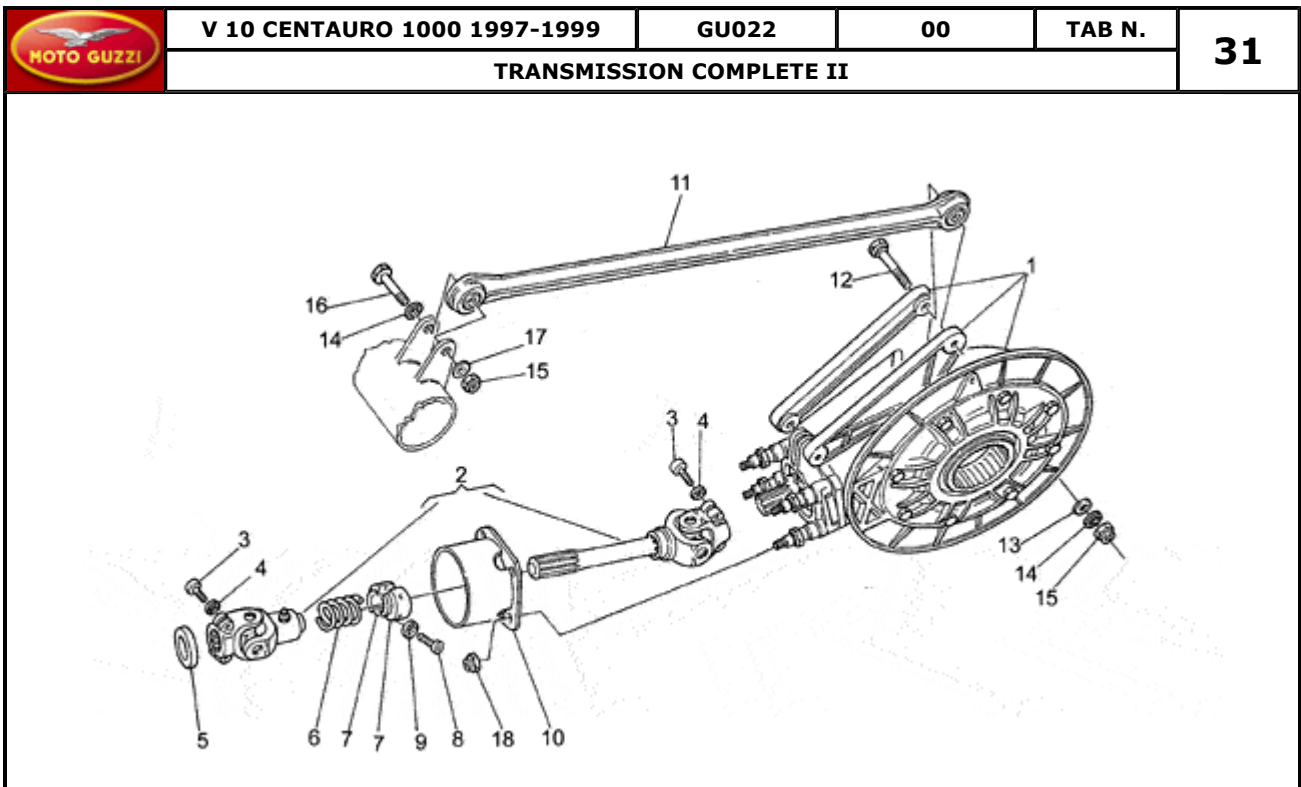


Pos.	Description	Year	I_M_	Country	Version	Code	Q.ty	P.Cod.
1	Fuel pump	-	-	-	-	GU29107261	1	
2	Hose clamp	-	-	-	-	GU30107300	1	
3	Support rubber part	-	-	-	-	GU30105800	2	
4	Nut M6x1	-	-	-	-	GU92630206	4	
5	Washer	-	-	-	-	GU95000206	8	
6	Spacer	-	-	-	-	GU91180618	2	
7	Pipe from p"ump to filter	-	-	-	-	GU30106100	1	
8	Fuel filter	-	-	-	-	GU30106000	1	
9	Hose clamp 8,8x185	-	-	-	-	GU30609600	4	
10	Hose clamp	-	-	-	-	GU12157900	2	
11	Fuel pipe	-	-	-	-	GU30106500	1	
12	Pipe SAEJ30R9	-	-	-	-	GU00823952080	1	
13	Hose clamp	-	-	-	-	GU93305017	8	
14	Hose clamp	-	-	-	-	GU30113800	1	
15	Screw	-	-	-	-	GU98052370	2	
16	Washer 6,4x12x1,2	-	-	-	-	GU95100141	4	
17	Voltage regulator support	-	-	-	-	GU01112900	1	
18	Fuel pressure regulator	-	-	-	-	GU01112800	1	
19	Circlip	-	-	-	-	GU90272037	1	
20	Ring nut	-	-	-	-	GU30105200	1	
21	Gasket	-	-	-	-	GU90714103	1	
22	Ring nut	-	-	-	-	GU30101830	1	
23	O-ring	-	-	-	-	GU90706116	1	
24	Hex socket screw M5x10	-	-	-	-	GU98230510	2	
25	Washer 5,9X3X0,8	-	-	-	-	GU29217960	2	

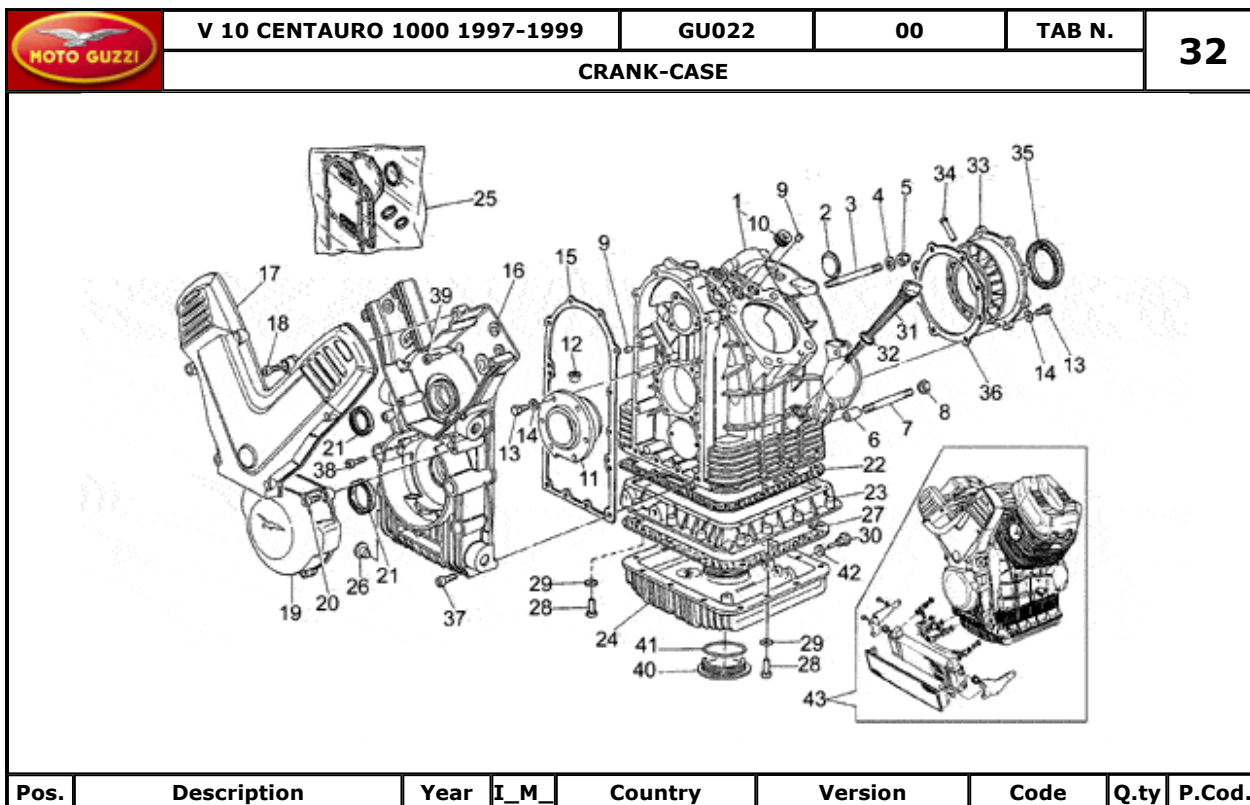
		V 10 CENTAURO 1000 1997-1999	GU022	00	TAB N.	28		
SPECIFIC TOOLS I								
								
Pos.	Description	Year	I_M	Country	Version	Code	Q.ty	P.Cod.
1	Wrench remov.cover sump/filter	-	-	-	32296C	-	GU01929100	1
2	Gearbox housing support	-	-	-	-	-	GU14929600	1
3	Index plate tim.sett./ign.cont	-	-	-	-	-	GU19929600	1
4	Arrow tim.set.ignition control	-	-	-	-	-	GU17947560	1
5	Flange removal flywheel side	-	-	-	-	-	GU12913600	1
6	Lock flywh.starter motor gear	-	-	-	-	-	GU12911801	1
7	Valve removaland fitting	-	-	-	-	-	GU10907200	1
8	Locking clutchinternal body	-	-	-	-	-	GU30912810	1
9	Tool for clutch assembly	-	-	-	-	-	GU30906510	1
10	Clutch shaft disass.	-	-	-	-	-	GU12905900	1
11	Seal ring onto flange fly.side	-	-	-	-	-	GU14927100	1
12	Flange flywheel side	-	-	-	-	-	GU12912000	1
13	Seal ring onto tim.syst.cover	-	-	-	-	-	GU14927200	1
14	Transmis.shaft locking tool	-	-	-	-	-	GU12907100	1
15	pre-selector tool	-	-	-	-	-	GU14928700	1
16	Transmission shaft locking	-	-	-	-	-	GU14905400	1
17	Key	-	-	-	-	-	GU14912603	1
18	Roller bearing extractor	-	-	-	-	-	GU14913100	1
19	Int. race extractor	-	-	-	-	-	GU14928500	1
20	Clutch shaft bearing extractor	-	-	-	-	-	GU17949260	1
21	Bearing ext. race extractor	-	-	-	-	-	GU17945060	1
22	Ball bearing extractor	-	-	-	-	-	GU14907000	1
23	Rollerball bear.trans.housing	-	-	-	-	-	GU12906900	1
24	Bearing int. race extractor	-	-	-	-	-	GU17948360	1
25	Internal race punch	-	-	-	-	-	GU17948460	1
26	Bearing ext. race punch	-	-	-	-	-	GU17948860	1
27	Internal ring punch	-	-	-	-	-	GU17945460	1
28	Internal ring punch	-	-	-	-	-	GU14928600	1
29	Punch ransmis.shaft bearing	-	-	-	-	-	GU14928900	1
30	Punch seal front fork sleeve	-	-	-	-	-	GU14929100	1
31	Roller bearing punch	-	-	-	-	-	GU14928800	1
32	Ball bearing punch	-	-	-	-	-	GU14929000	1
33	Oil seal punch	-	-	-	-	-	GU14929400	1
34	Oil seal punch	-	-	-	-	-	GU14929500	1
35	External race punch	-	-	-	-	-	GU17945160	1
36	Control fork positioner	-	-	-	-	-	GU14929300	1
37	Wheel pin locking tool	-	-	-	32296C	-	GU01929300	1
38	Central stand	-	-	-	01900N	-	GU00979717	1

		V 10 CENTAURO 1000 1997-1999	GU022	00	TAB N.	29		
SPECIFIC TOOLS II								
								
Pos.	Description	Year	I_M_	Country	Version	Code	Q.ty	P.Cod.
1	Camshaft turning tool	-	-	-	-	GU30927200	1	
2	Camshaft pulley tool	-	-	-	-	GU30927300	1	
3	Secondary shaft pulley tool	-	-	-	-	GU30927600	1	
4	Timing belt tensioner tool	-	-	-	-	GU30948600	1	
5	Comparator support	-	-	-	-	GU69907850	1	
6	Comparator head support	-	-	-	-	GU30948200	1	
7	Oil pump gear extractor	-	-	-	-	GU30948300	1	
8	Index plate hub	-	-	-	-	GU30949600	1	
9	Spark plug key	-	-	-	-	GU61901900	1	
10	Pin	-	-	-	-	GU30908400	1	

		V 10 CENTAURO 1000 1997-1999	GU022	00	TAB N.	30		
GEAR BOX								
								
Pos.	Description	Year	I_M_	Country	Version	Code	Q.ty	P.Cod.
1	Ring nut	-	-	-	-	GU93601022	1	
2	Washer 22x20x3,9	-	-	-	-	GU95028022	1	
3	Clutch gear	-	-	-	-	GU30081810	1	
4	O-ring 23,52x1,78	-	-	-	-	GU90706235	1	
5	Clutch shaft	-	-	-	-	GU14210702	1	
6	O-ring 20,24X2,62	-	-	-	-	GU90706203	1	
7	Oil-spreading washer 25,1x36x0,5	-	-	-	-	GU14218401	1	
8	Gear Z=17	-	-	-	-	GU01211100	1	
	Idle gear Z=17	-	-	CH	-	GU30211160	1	
9	Hose	-	-	-	-	GU30211260	1	
10	Belleville spring	-	-	-	-	GU30211560	8	
11	Disc	-	-	-	-	GU30211660	1	
12	Half ring	-	-	-	-	GU12211700	2	
13	Spacer	-	-	-	-	GU14219401	1	
14	Primary gear shaft	-	-	CH	-	GU14210513	1	
	Primary gear shaft	-	-	-	-	GU02210500	1	
15	Thrust washer sp.2	-	-	-	-	GU18211050	1	
	Thrust washer sp.2,1	-	-	-	-	GU18211051	1	
	Thrust washer sp.2,2	-	-	-	-	GU18211052	1	
	Thrust washer sp.2,4	-	-	-	-	GU18211054	1	
16	Roller bearing	-	-	-	-	GU92258525	1	
17	Gear 5a Z=26	-	-	-	-	GU02212000	1	
	Gear 5a Z=28	-	-	CH	-	GU14212013	1	
18	Roller	-	-	-	-	GU92296750	1	
19	Spring	-	-	-	-	GU94321051	1	
20	Roller cage 30x35x13	-	-	-	-	GU92251030	1	
21	Bush 5a AP	-	-	-	-	GU14212210	1	
22	Sliding sleeve 5a	-	-	-	-	GU30231500	1	
	Sliding sleeve 5a	-	-	CH	-	GU14231510	1	


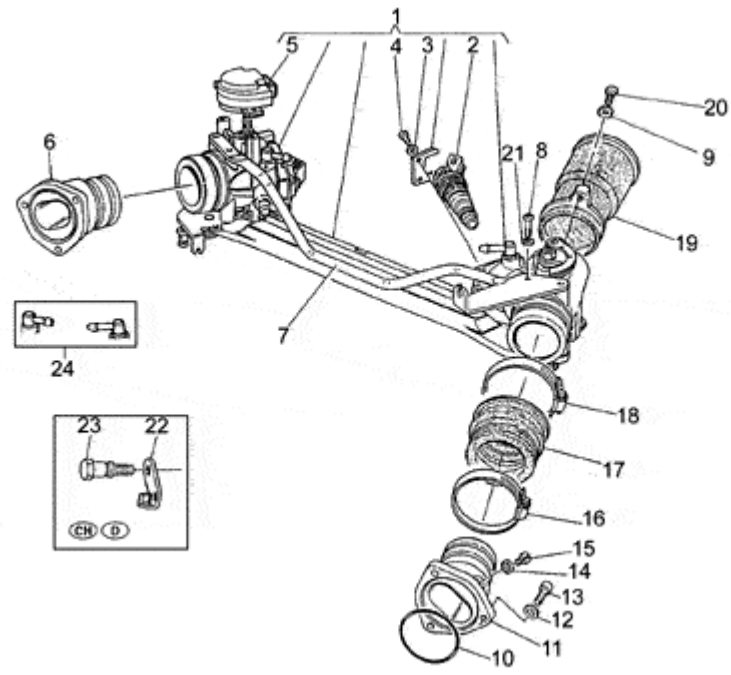


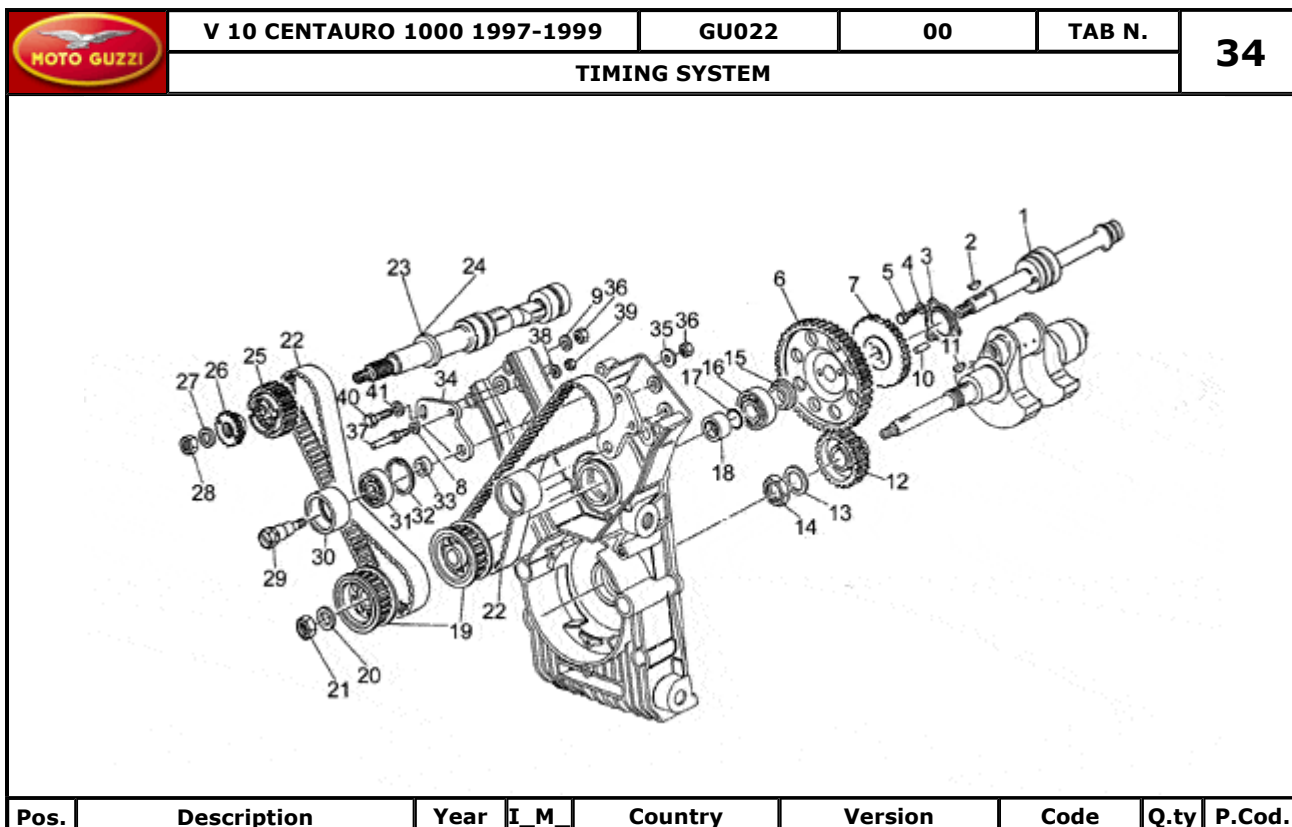
Pos.	Description	Year	I_M_	Country	Version	Code	Q.ty	P.Cod.
1	Transmission complete	-	-	-	-	GU01350250	1	
2	Drive shaft	-	-	-	-	GU30329502	1	
3	Screw	-	-	-	-	GU98832430	4	
4	Washer 8,4X13X0,8	-	-	-	-	GU14615901	4	
5	Spacer	-	-	-	-	GU30334600	1	
6	Spring	-	-	-	-	GU28037460	1	
7	Clump	-	-	-	-	GU30211700	2	
8	Hex socket screw M5x16	-	-	-	-	GU98612216	2	
9	Washer 5,9X3X0,8	-	-	-	-	GU29217960	2	
10	Cover	-	-	-	-	GU01358300	1	
11	Reaction rod assy.	-	-	-	-	GU37358806	1	
12	Screw M10X69	-	-	-	-	GU30357800	1	
13	Washer	-	-	-	-	GU95000210	1	
14	Washer 10,5x16x1	-	-	-	-	GU19149800	2	
15	Nut M10x1,25	-	-	-	-	GU92630410	2	
16	Screw M10x59	-	-	-	-	GU37357706	1	
17	Spacer	-	-	-	-	GU95100303	1	
18	Self-locking nut M6X1	-	-	-	-	GU92630506	4	



Pos.	Description	Year	I_M_	Country	Version	Code	Q.ty	P.Cod.
1	Crankcase	-	-	-	-	GU02000700	1	
2	Disc	-	-	-	-	GU12003900	1	
3	Stud bolt M8X66	-	-	-	-	GU96508066	4	
4	Washer	-	-	-	-	GU95004208	5	
5	Nut	-	-	-	-	GU92781081	2	
6	Coupling bush	-	-	-	-	GU12018900	2	
7	Stud bolt M8x75	-	-	-	-	GU96508075	2	
8	Nut M8X1,25	-	-	-	-	GU92602208	4	
9	Pin	-	-	-	-	GU95512081	4	
10	Plug	-	-	-	-	GU12065400	4	
11	Flange min.0,2 mm	-	-	-	M	GU14011901	1	
	Complete flange	-	-	-	std	GU14011900	1	
12	Pin	-	-	-	-	GU12012200	1	
13	Screw M8X25	-	-	-	-	GU98054425	14	
14	Spring washer 8x15x0,3	-	-	-	-	GU61270300	14	
15	Cover gasket	-	-	-	-	GU12001200	1	
16	Timing system cover	-	-	-	-	GU01001450	1	
17	Cover	-	-	-	-	GU30056800	1	
18	Screw	-	-	-	-	GU98612320	6	
19	Cover	-	-	-	-	GU30001600	1	
20	Hex socket screw M6X16	-	-	-	-	GU98622316	3	
21	Gasket ring 28x38x7	-	-	-	-	GU90402840	2	
22	Gasket	-	-	-	-	GU01003650	1	
23	Motor oil flange	-	-	-	-	GU01003252	1	
24	Motor oil cup	-	-	-	-	GU01003550	1	
25	Gasket set	-	-	-	-	GU01998950	1	
26	Plug	-	-	-	-	GU30002100	1	
27	Gasket	-	-	-	-	GU01003600	1	
28	Screw	-	-	-	-	GU98622322	28	
29	Washer 6,15x11x0,8	-	-	-	-	GU95004206	28	
30	Oil unload plug	-	-	-	CL	GU30003770	1	
	Oil unload plug M10X1	-	-	-	CC	GU31003766	1	
31	Oil level plug	-	-	-	-	GU01004900	1	
32	O-ring 17,86X2,62	-	-	-	-	GU90706178	1	
33	Flange min.0,2 mm	-	-	-	M	GU12011401	1	

	Flange min.0,4 mm	-	-	-	M	-	GU12011402	1
	Complete flange	-	-	-	std	-	GU12011400	1
	Flange min.0,6 mm	-	-	-	M	-	GU12011403	1
34	Pin	-	-	-	-	-	GU12011700	1
35	Gasket ring	-	-	-	-	-	GU90405367	1
36	Gasket	-	-	-	-	-	GU12011800	1
37	Screw M6X35	-	-	-	-	-	GU98620335	8
38	Hex socket screw M6X25	-	-	-	-	-	GU98622325	4
39	Screw	-	-	-	-	-	GU98622320	2
40	Plug	-	-	-	-	-	GU01003400	1
41	O-ring	-	-	-	-	-	GU90706948	1
42	Gasket	-	-	-	-	-	GU10528900	1
43	Engine w/o gearbox, blank	-	-	-	01298N- M2	-	GU400034900600	1
	Engine w/o gearbox, blank	-	-	-	M1	-	GU02690200	1

		V 10 CENTAURO 1000 1997-1999	GU022	00	TAB N.	33		
THROTTLE BODY								
								
Pos.	Description	Year	I_M_	Country	Version	Code	Q.ty	P.Cod.
1	Throttle body	-	-	-	-	GU30112501	1	
2	Injector IW724	-	-	-	-	GU30530500	2	
3	Washer	-	-	-	-	GU95020104	4	
4	Screw	-	-	-	-	GU98200410	4	
5	Throttle body sensor	-	-	-	-	GU30530501	1	
6	RH intake manifold	-	-	-	-	GU30115045	1	
7	Support	-	-	-	-	GU30110500	1	
8	Hex socket screw M5x10	-	-	-	-	GU98230510	4	
9	Washer	-	-	-	-	GU95004205	4	
10	Gasket ring	-	-	-	-	GU90706552	2	
11	LH intake manifold	-	-	-	-	GU30115046	1	
12	Washer 6,15x11x0,8	-	-	-	-	GU95004206	6	
13	Hex socket screw M6X25	-	-	-	-	GU98622325	6	
14	Washer 6,25x10x1,5	-	-	-	-	GU95100116	2	
15	Screw	-	-	-	-	GU98310610	2	
16	Clamp	-	-	-	-	GU12548401	2	
17	Intake hose	-	-	-	-	GU30114300	2	
18	Hose clamp 62/82 mm	-	-	-	-	GU12548201	2	
19	Intake hose	-	-	-	-	GU01114450	2	
20	Screw	-	-	-	-	GU98054216	4	
21	Washer 5,9X3X0,8	-	-	-	-	GU29217960	4	
22	Throttle bracket	-	-	D	37Kw	GU02118600	1	
	Throttle bracket	-	-	CH-D	25Kw	GU02118601	1	
23	Shear rivet	-	-	CH-D	-	GU30468104	2	
24	Sparkplug caps kit	-	-	-	01699N	GU02999200	1	



Pos.	Description	Year	I_M	Country	Version	Code	Q.ty	P.Cod.
1	Shaft	-	-	-	-	GU30052000	1	
2	Transmission key	-	-	-	-	GU91600565	1	
3	Flange	-	-	-	-	GU01054000	1	
4	Washer 6,5x11x2	-	-	-	-	GU95120065	3	
5	Hex screw M6X20	-	-	-	-	GU98054320	3	
6	Gear	-	-	-	-	GU01054550	1	
7	Wheel speed sensor, left front	-	-	-	-	GU01051700	1	
8	Washer	-	-	-	-	GU95000206	2	
9	Spring washer 8x15x0,3	-	-	-	-	GU61270300	2	
10	Pin	-	-	-	-	GU14234600	2	
11	Transmission key	-	-	-	-	GU91702355	1	
12	Gear	-	-	-	-	GU30072000	1	
13	Washer 25,5x35x2	-	-	-	-	GU95100837	1	
14	Nut M25	-	-	-	-	GU92602525	1	
15	Spacer	-	-	-	-	GU30057700	1	
16	Bearing 20X47X14	-	-	-	-	GU92201220	1	
17	Gasket ring 18,77X1,78	-	-	-	-	GU90706188	1	
18	Spacer	-	-	-	-	GU30057900	1	
19	Distribution pulley	-	-	-	-	GU30057400	2	
20	Washer 17X27X2	-	-	-	-	GU95004217	1	
21	Nut M6X1,5	-	-	-	-	GU92602316	1	
22	Timing belt	-	-	-	-	GU30055300	2	
23	RH camshaft	-	-	-	-	GU30053300	1	
24	LH camshaft	-	-	-	-	GU30053301	1	
25	Camshaft pulley	-	-	-	-	GU30056500	2	
26	Gear	-	-	-	-	GU30056400	2	
27	Washer	-	-	-	-	GU95100524	2	
28	Nut M14X1,5	-	-	-	-	GU92602514	2	
29	Belt tensioner pin	-	-	-	-	GU30059300	2	
30	Belt tensioner	-	-	-	-	GU30058700	2	
31	Bearing 15X42X13	-	-	-	-	GU92201414	2	
32	Circlip	-	-	-	-	GU90272042	2	
33	Spacer	-	-	-	-	GU91181206	2	

34	Plate	-	-	-	-	-	GU30058300	2
35	Washer	-	-	-	-	-	GU30054800	2
36	Nut M8X1,25	-	-	-	-	-	GU92602208	4
37	Pin	-	-	-	-	-	GU30059400	2
38	Washer	-	-	-	-	-	GU95129115	2
39	Nut M6X1,5	-	-	-	-	-	GU92602006	2
40	Screw M8X22	-	-	-	-	-	GU98054422	2
41	Washer	-	-	-	-	-	GU95000208	2



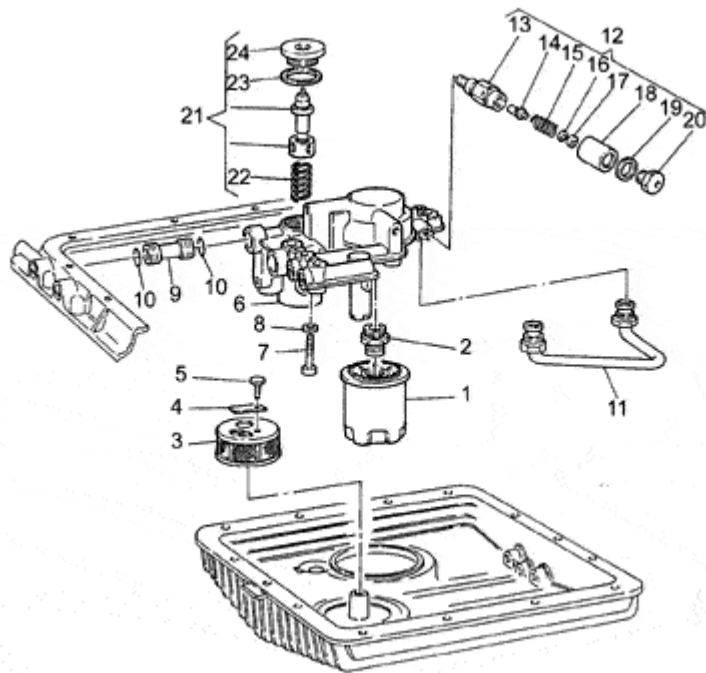
V 10 CENTAURO 1000 1997-1999

GU022

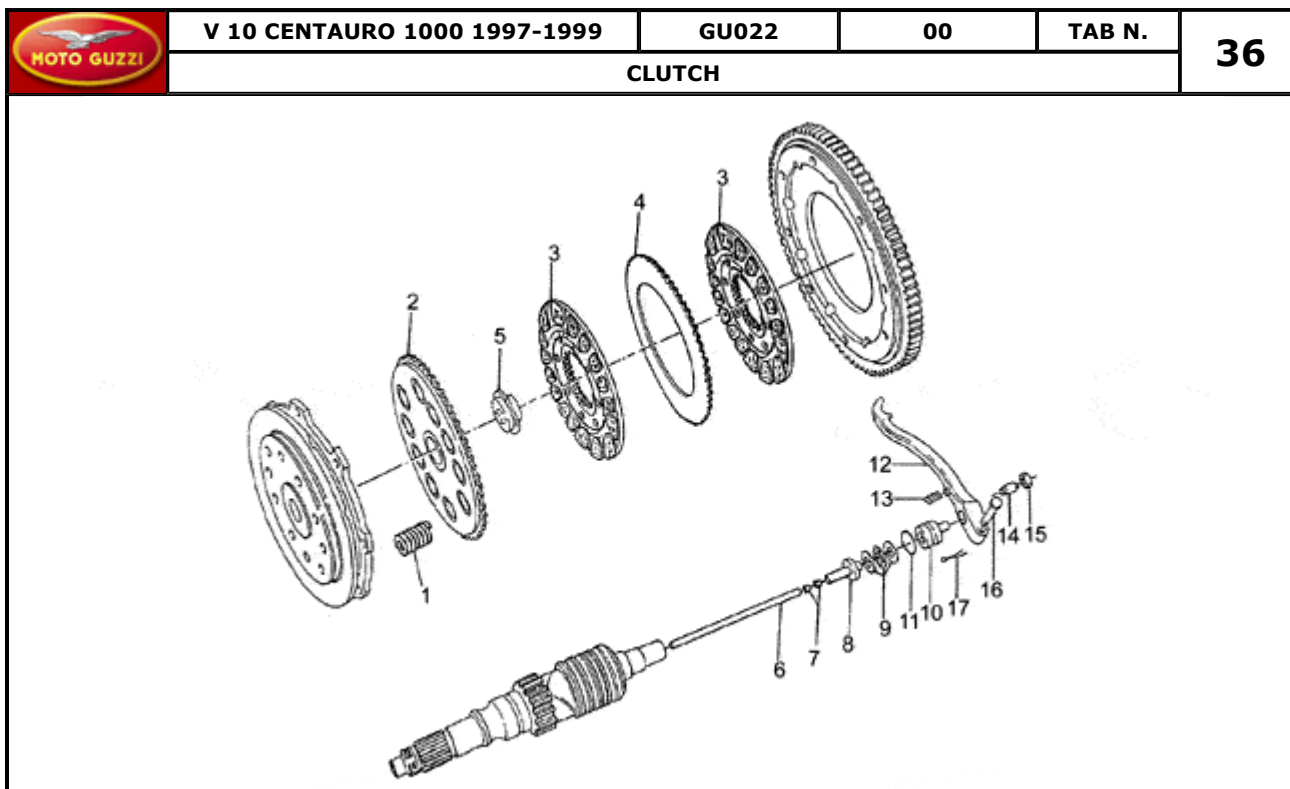
00

TAB N.

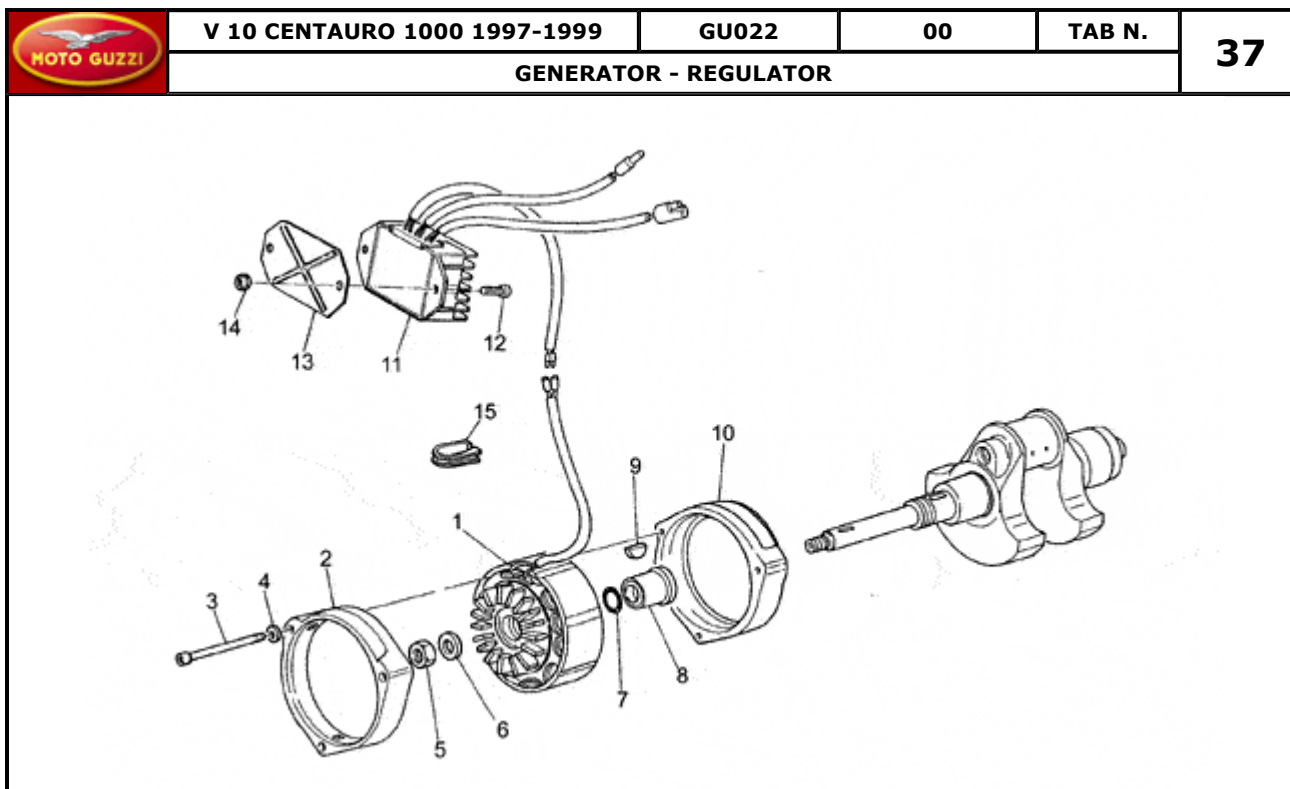
35




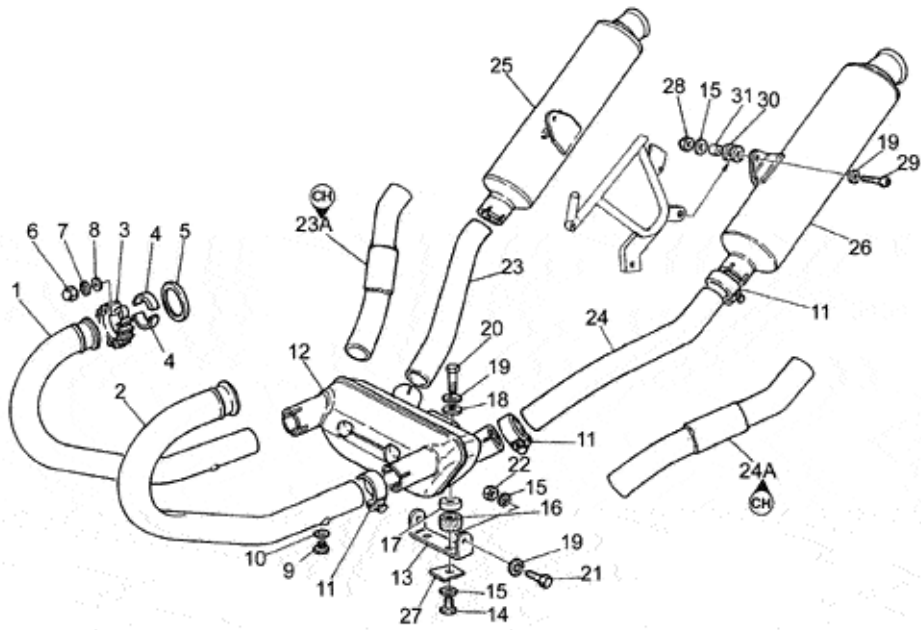
Pos.	Description	Year	I_M	Country	Version	Code	Q.ty	P.Cod.
1	Oil filter	-	-	-	-	GU30153000	1	
2	Union	-	-	-	-	GU30003800	1	
3	Oil filter	-	-	-	-	GU01152200	1	
4	Plate	-	-	-	-	GU95187006	1	
5	Hex screw M6X16	-	-	-	-	GU98054316	1	
6	Support	-	-	-	-	GU01003800	1	
7	Screw	-	-	-	-	GU98620340	4	
8	Washer 6,15x11x0,8	-	-	-	-	GU95004206	4	
9	Hose union	-	-	-	-	GU01005500	2	
10	O-ring 13,95x2,92	-	-	-	-	GU90706140	4	
11	Pipe	-	-	-	-	GU01005701	1	
12	Oil valve cpl.	-	-	-	-	GU30158201	1	
13	Valve body	-	-	-	-	GU30158701	1	
14	Piston	-	-	-	-	GU30150900	1	
15	Spring	-	-	-	-	GU94321079	1	
16	Washer 6,15x11x0,8	-	-	-	-	GU95004206	1	
17	Washer	-	-	-	-	GU30158900	1	
18	Cup	-	-	-	-	GU30158800	1	
19	Washer 18,25x24x1	-	-	-	-	GU18144350	1	
20	Plug	-	-	-	-	GU30159000	1	
21	Thermostatic valve compl.	-	-	-	-	GU01163500	1	
22	Spring	-	-	-	-	GU20164010	1	
23	Copper gasket	-	-	-	-	GU01163700	1	
24	Plug	-	-	-	-	GU01163600	1	



Pos.	Description	Year	I_M_	Country	Version	Code	Q.ty	P.Cod.
1	Clutch spring	-	-	-	-	GU13084100	10	
2	Disc	-	-	-	-	GU30082900	1	
3	Clutch plate complete	-	-	-	-	GU29084450	2	
4	Intermediate plate	-	-	-	-	GU12082300	1	
5	Cup	-	-	-	-	GU12082800	1	
6	Rod	-	-	-	-	GU14085700	1	
7	Bush	-	-	-	-	GU14085900	2	
8	Inner body	-	-	-	-	GU14086000	1	
9	Thrust bearing	-	-	-	-	GU12087001	1	
10	Outer body	-	-	-	-	GU14086100	1	
11	O-ring 17,13x2,62	-	-	-	-	GU90706170	1	
12	Clutch release shaft	-	-	-	-	GU14090202	1	
13	Lever return spring	-	-	-	-	GU94321105	1	
14	Adjuster screw	-	-	-	-	GU30090400	1	
15	Nut M8X1	-	-	-	-	GU92602508	1	
16	Pin 7x39	-	-	-	-	GU95780271	1	
17	Split pin	-	-	-	-	GU95500222	1	

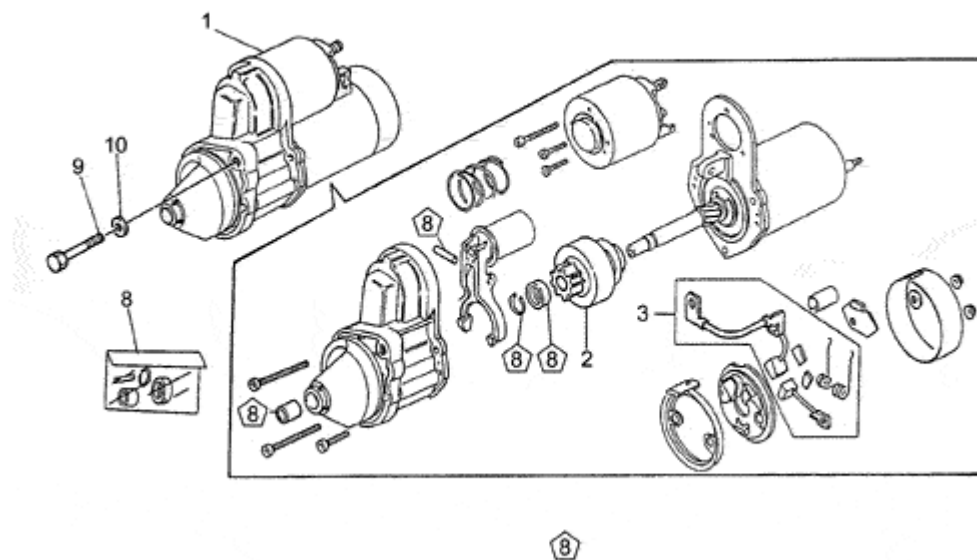


Pos.	Description	Year	I_M_	Country	Version	Code	Q.ty	P.Cod.
1	Generator	-	-	-	-	GU37712405	1	
2	Front calotte	-	-	-	-	GU29711460	1	
3	Screw	-	-	-	-	GU98620265	3	
4	Washer 5,9X3X0,8	-	-	-	-	GU29217960	3	
5	Nut M16X1,5	-	-	-	-	GU92603516	1	
6	Washer 16,25x24,5x5	-	-	-	-	GU30714201	1	
7	O-ring 17,86X2,62	-	-	-	-	GU90706178	1	
8	Spacer	-	-	-	-	GU37712306	1	
9	Transmission key	-	-	-	-	GU91600450	1	
10	Rear cap	-	-	-	-	GU29711960	1	
11	Voltage regulator	-	-	-	-	GU37703805	1	
12	Screw	-	-	-	-	GU98622416	2	
13	Plate	-	-	-	-	GU02704000	1	
14	Nut	-	-	-	-	GU92630208	2	
15	Rubber spacer	-	-	-	-	GU19007700	1	

		V 10 CENTAURO 1000 1997-1999	GU022	00	TAB N.	38		
EXHAUST UNIT								
								
Pos.	Description	Year	I_M_	Country	Version	Code	Q.ty	P.Cod.
1	RH exhaust pipe	-	-	-	-	GU30120900	1	
2	LH exhaust pipe	-	-	-	-	GU30120901	1	
3	Flange	-	-	-	-	GU14121050	2	
4	Spacer	-	-	-	-	GU30121200	4	
5	Gasket	-	-	-	-	GU90718406	2	
6	Nut	-	-	-	-	GU92781081	4	
7	Washer 8,4X13X0,8	-	-	-	-	GU14615901	4	
8	Washer	-	-	-	-	GU95007208	4	
9	Plug	-	-	-	-	GU98110007	2	
10	Gasket	-	-	-	-	GU30109330	2	
11	Hose clamp	-	-	-	-	GU30123400	6	
12	Expansion chamber	-	-	-	-	GU37123905	1	
13	Exhaust pipe support	-	-	-	-	GU37127105	1	
14	Screw	-	-	-	-	GU98054412	2	
15	Washer	-	-	-	-	GU95100256	6	
16	Silent-block	-	-	-	-	GU93233030	2	
17	Under spacer	-	-	-	-	GU30126700	2	
18	Upper spacer	-	-	-	-	GU30126701	2	
19	Washer	-	-	-	-	GU95100239	6	
20	Screw	-	-	-	-	GU98054430	2	
21	Screw	-	-	-	-	GU98054418	2	
22	Nut M8X1,25	-	-	-	-	GU92602208	2	
23	RH exhaust pipe	-	-	-	-	GU02124700	1	
	RH exhaust pipe	-	-	CH	cat	GU02124704	1	
24	LH exhaust pipe	-	-	CH	cat	GU02124804	1	
	LH exhaust pipe	-	-	-	-	GU02124800	1	
25	RH silencer	-	-	-	-	GU30123001	1	
	RH silencer	-	-	CH	-	GU30123005	1	
26	LH silencer	-	-	-	-	GU30122901	1	
	LH silencer	-	-	CH	-	GU30122905	1	
27	Plate	-	-	-	-	GU95187008	2	
28	Nut	-	-	-	-	GU92630108	2	
29	Screw M8x35	-	-	-	-	GU98230835	2	
30	Rubber spacer	-	-	-	-	GU14103400	2	
31	Spacer	-	-	-	-	GU91180817	2	

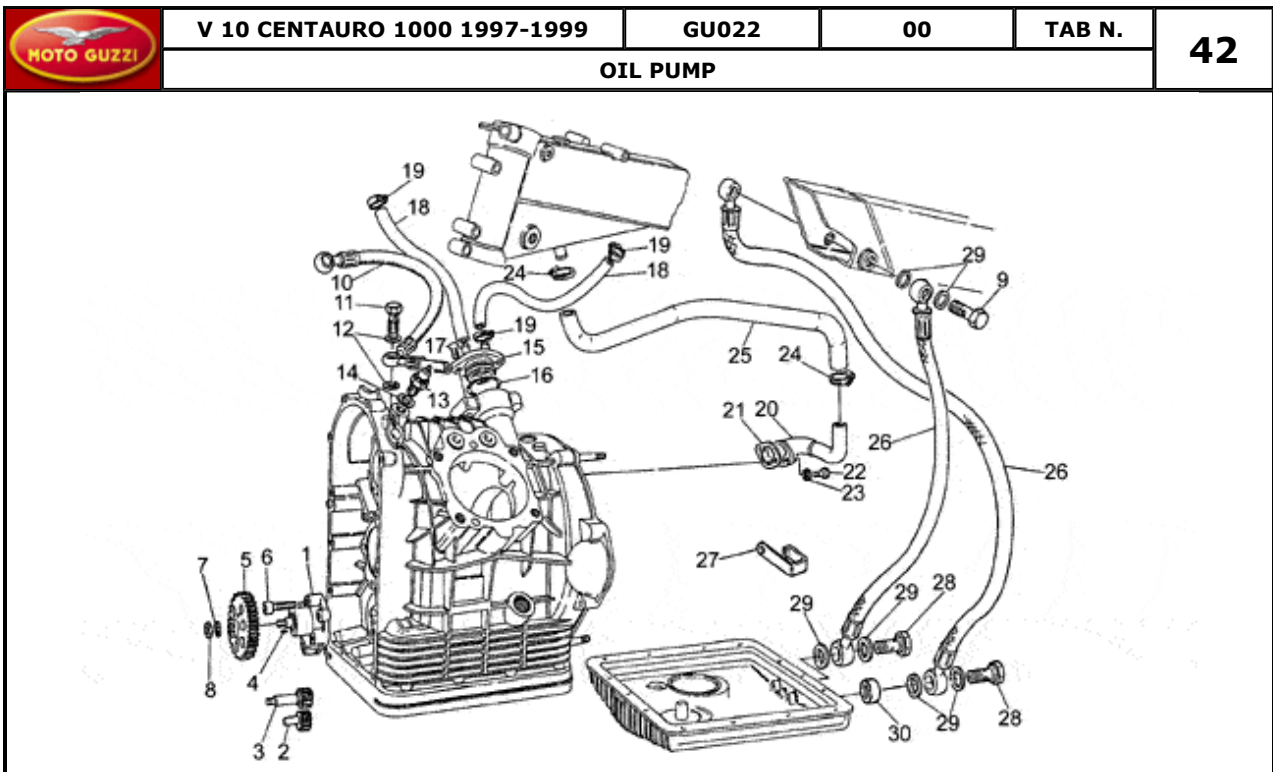
MOTO GUZZI		V 10 CENTAURO 1000 1997-1999	GU022	00	TAB N.	39		
BOOSTER KIT								
Pos.	Description	Year	I_M	Country	Version	Code	Q.ty	P.Cod.
1	RH exhaust pipe	-	-	-	01198N	-	GU01120940	1
2	LH exhaust pipe	-	-	-	01198N	-	GU01120941	1
3	Filler cap	-	-	-	01198N	-	GU02121140	2
4	Plug	-	-	-	01198N	-	GU98110007	2
5	Gasket	-	-	-	01198N	-	GU30109330	2
6	Gasket	-	-	-	01198N	-	GU90718370	2
7	RH flange	-	-	-	01198N	-	GU01121043	1
8	LH flange	-	-	-	01198N	-	GU01121042	1
9	Stud bolt M8X37,5	-	-	-	01198N	-	GU96508038	4
10	Nut	-	-	-	01198N	-	GU92630508	4
11	Exhaust manifold union	-	-	-	01198N	-	GU01123940	1
12	Spring	-	-	-	01198N	-	GU30127240	6
13	Front plate	-	-	-	01198N	-	GU01127141	1
14	Column nut	-	-	-	01198N	-	GU30128840	2
15	Washer 6,4x12x1,2	-	-	-	01198N	-	GU95100141	4
16	Notched washer	-	-	-	01198N	-	GU95021106	2
17	Screw	-	-	-	01198N	-	GU98054318	2
18	Silent-block	-	-	-	01198N	-	GU93213020	1
19	Washer teflon	-	-	-	01198N	-	GU30126740	2
20	Washer	-	-	-	01198N	-	GU95100239	2
21	Spring washer	-	-	-	01198N	-	GU95021108	2
22	Nut	-	-	-	01198N	-	GU92660208	2
23	Silent-block	-	-	-	01198N	-	GU93212521	2
24	Washer 6,4x12x1,2	-	-	-	01198N	-	GU95100141	8
25	Washer teflon	-	-	-	01198N	-	GU30126741	4
26	Nut	-	-	-	01198N	-	GU92660600	2
27	Plate	-	-	-	01198N	-	GU01126940	1
28	RH silencer	-	-	-	01198N	-	GU02123040	1
29	Silencer clip	-	-	-	01198N	-	GU01129440	2
30	Rubber spacer	-	-	-	01198N	-	GU01128140	2
31	Screw	-	-	-	01198N	-	GU98620450	2
32	Spacer	-	-	-	01198N	-	GU01128340	2
33	Washer	-	-	-	01198N	-	GU95100218	2
34	Nut	-	-	-	01198N	-	GU92630208	2
35	LH silencer	-	-	-	01198N	-	GU02122940	1
36	Eprom KK KIT 1	-	-	-	01198N	-	GU02727340	1
37	Booster kit	-	-	-	01198N	-	GU02976042	1
39	Sensor support	-	-	-	01198N	-	GU02163300	1

	V 10 CENTAURO 1000 1997-1999	GU022	00	TAB N.	40
	STARTER MOTOR				

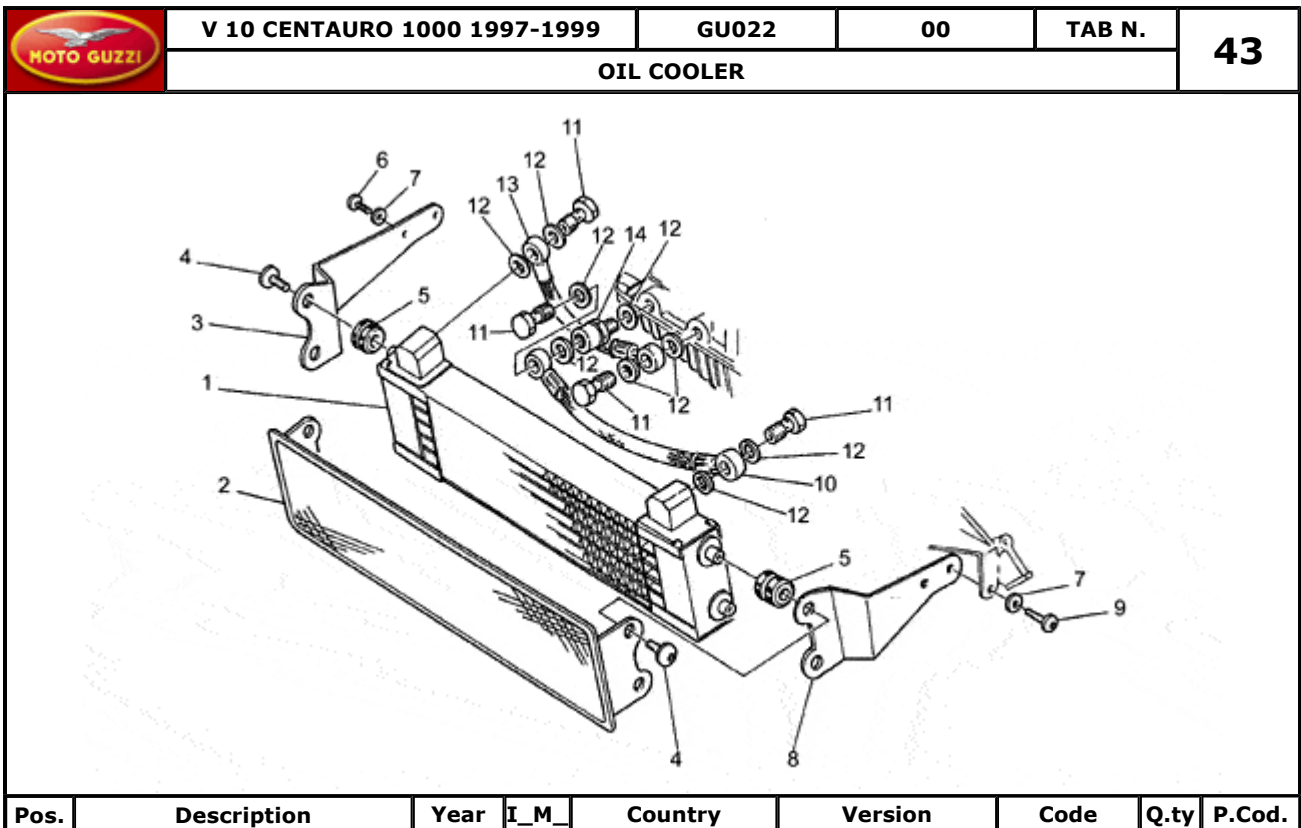


Pos.	Description	Year	I_M_	Country	Version	Code	Q.ty	P.Cod.
1	Starter motor Valeo	-	-	-	-	GU30730711	1	
2	Pinion assy	-	-	-	-	GU30530510	1	
3	Brush revision set	-	-	-	-	GU30530511	1	
8	Starter motor revision kit	-	-	-	-	GU30530512	1	
9	Hex screw M8X75	-	-	-	-	GU98052475	2	
10	Washer	-	-	-	-	GU95004208	2	

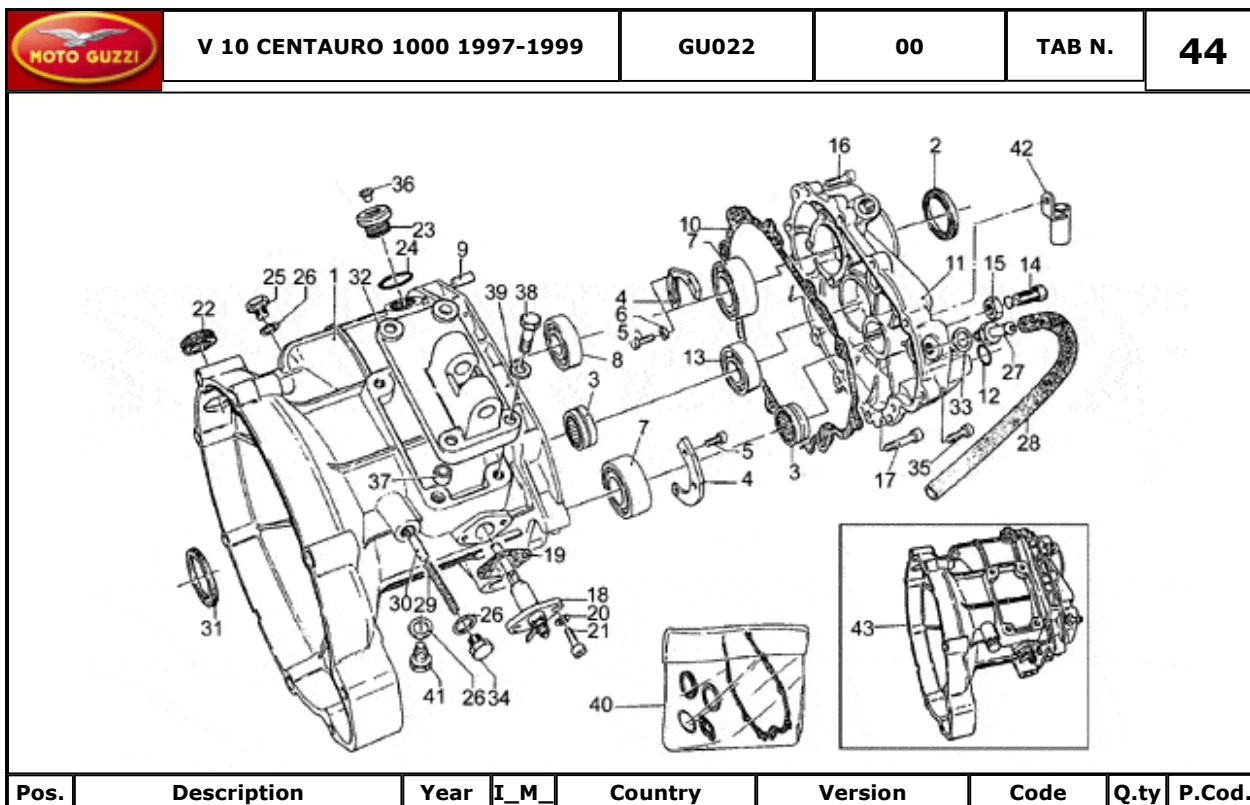
Pos.	Description	Year	I_M_	Country	Version	Code	Q.ty	P.Cod.	
1	Gear lever	-	-	-	-	GU02250800	1		
2	Bush	-	-	-	-	GU30252000	2		
3	Rubber spacer	-	-	-	-	GU14251001	1		
4	Screw	-	-	-	-	GU98230616	1		
5	Pin	-	-	-	-	GU98610410	1		
6	Washer	-	-	-	-	GU95004208	1		
7	Nut	-	-	-	-	GU92630208	1		
8	Fork	-	-	-	-	GU28258160	2		
9	Stud bolt	-	-	-	-	GU30257900	1		
10	Nut	-	-	-	-	GU92602206	1		
11	Lever	-	-	-	-	GU30258200	1		
12	Nut M6x1	-	-	-	-	GU92630206	1		
13	Hex screw M6X16	-	-	-	-	GU98054316	1		
14	Special washer	-	-	-	-	GU61013800	1		



Pos.	Description	Year	I_M	Country	Version	Code	Q.ty	P.Cod.
1	Oil pump	-	-	-	-	GU30146401	1	
2	Oil pump gear	-	-	-	-	GU30148401	1	
3	Oil pump gear	-	-	-	-	GU30147801	1	
4	Transmission key	-	-	-	-	GU91701232	1	
5	Oil pump gear	-	-	-	-	GU30147701	1	
6	Screw	-	-	-	-	GU98622435	4	
7	Washer	-	-	-	-	GU30147000	1	
8	Nut	-	-	-	-	GU92602308	1	
9	Bored screw	-	-	-	-	GU95990084	2	
10	Pipe	-	-	-	-	GU02153601	1	
11	Oil pipe screw	-	-	-	-	GU95990057	3	
12	Gasket	-	-	-	-	GU10528900	6	
13	Pressure sensor	-	-	-	-	GU17768750	1	
14	Gasket 12,25	-	-	-	-	GU12006400	1	
15	Plug	-	-	-	-	GU30018346	1	
16	O-ring	-	-	-	-	GU90706313	1	
17	Screw	-	-	-	-	GU98250820	2	
18	Pipe SAEJ30R9	-	-	-	-	GU00823952080	1	
19	Hose clamp	-	-	-	-	GU93305017	4	
20	Breather pipe	-	-	-	-	GU28007250	1	
21	Gasket	-	-	-	-	GU12007600	1	
22	Hex screw M6X20	-	-	-	-	GU98054320	2	
23	Washer 6,5x11x2	-	-	-	-	GU95120065	2	
24	Hose clamp	-	-	-	-	GU93305018	2	
25	Breather pipe	-	-	-	-	GU30157400	1	
26	Oil return pipe	-	-	-	-	GU01154600	2	
27	Pipe guide	-	-	-	-	GU01162800	1	
28	Oil pipe screw	-	-	-	-	GU01006600	2	
29	Gasket	-	-	-	-	GU10154200	10	
30	Spacer	-	-	-	-	GU91181613	2	

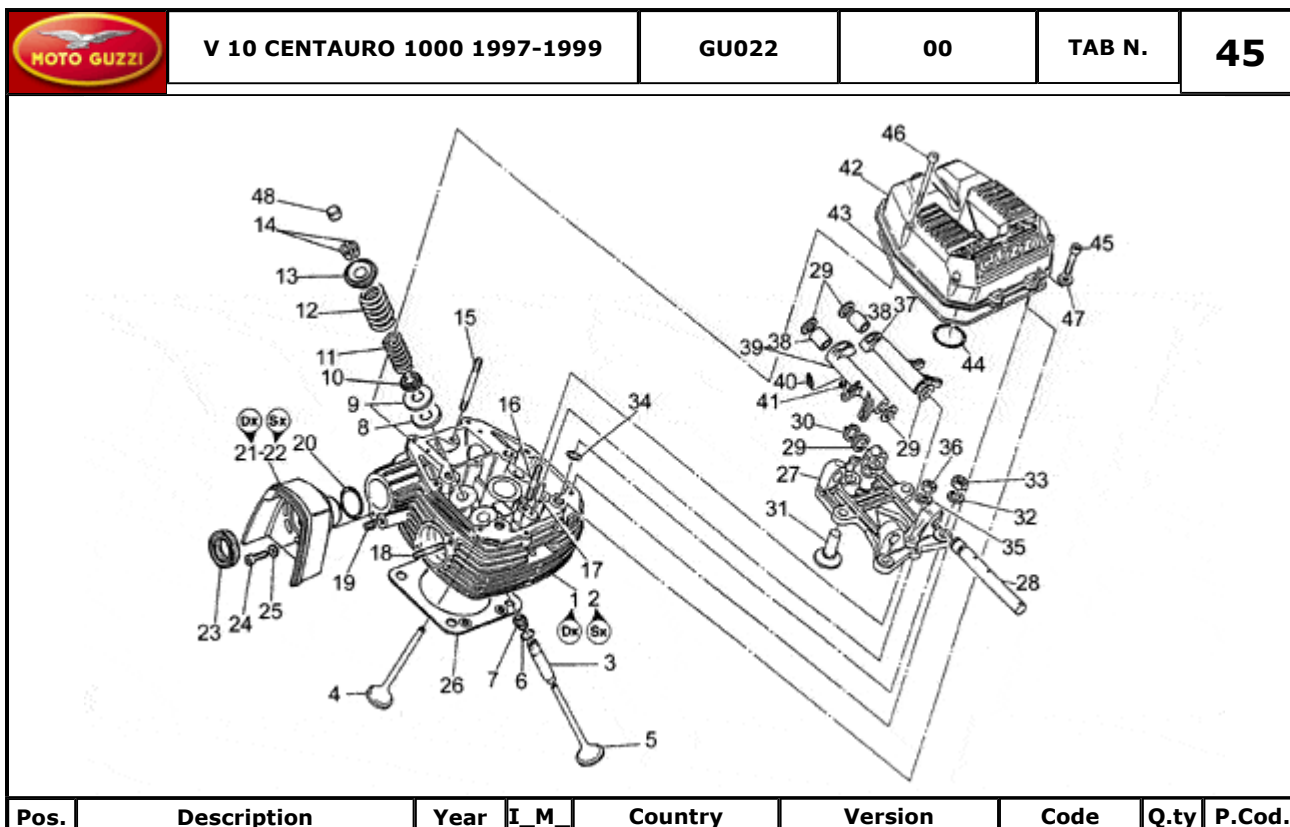


Pos.	Description	Year	I_M_	Country	Version	Code	Q.ty	P.Cod.
1	Oil cooler	-	-	-	-	GU01162000	1	
2	Water cooler protection	-	-	-	-	GU02582601	1	
3	RH clamp	-	-	-	-	GU01164200	1	
4	Screw	-	-	-	-	GU98230616	4	
5	Rubber spacer	-	-	-	-	GU91551132	4	
6	Screw	-	-	-	-	GU98230615	3	
7	Washer	-	-	-	-	GU95000206	4	
8	LH clamp	-	-	-	-	GU01164400	1	
9	Screw M6X20	-	-	-	-	GU98230621	1	
10	Pipe	-	-	-	-	GU01161600	1	
11	Oil pipe screw	-	-	-	-	GU01161700	4	
12	Gasket	-	-	-	-	GU10154200	9	
13	Oil return pipe	-	-	-	-	GU01162300	1	
14	Union	-	-	-	-	GU01162500	1	



Pos.	Description	Year	I_M	Country	Version	Code	Q.ty	P.Cod.
1	Transmission cage	-	-	-	-	GU30200245	1	
2	Gasket ring 35x47x7	-	-	-	-	GU90403547	1	
3	Roller bearing 17x35x15	-	-	-	-	GU92256218	2	
4	Plate	-	-	-	-	GU14213803	2	
5	Hex socket screw M6X16	-	-	-	-	GU98622316	6	
6	Washer 6,4x10x0,7	-	-	-	-	GU14217901	6	
7	Ball bearing AF/AS 25x52	-	-	-	-	GU92218424	2	
8	Roller bearing AS 17x47x14	-	-	-	-	GU92234717	1	
9	Pin	-	-	-	-	GU95512081	2	
10	Gasket	-	-	-	-	GU14201110	1	
11	Box cover	-	-	-	-	GU30200845	1	
12	O-ring 13,95x2,92	-	-	-	-	GU90706140	1	
13	Ball bearing AP 17x47x14	-	-	-	-	GU92201417	1	
14	Screw	-	-	-	-	GU14237800	1	
15	Low nut M12x1,25	-	-	-	-	GU92602512	1	
16	Hex socket screw M6X25	-	-	-	-	GU98622325	9	
17	Screw M6X35	-	-	-	-	GU98620335	1	
18	Neutral indicator switch	-	-	-	-	GU12207200	1	
19	Gasket	-	-	-	-	GU12207700	1	
20	Washer 6,4x10x0,7	-	-	-	-	GU14217901	2	
21	Screw	-	-	-	-	GU98230615	2	
22	Plug	-	-	-	-	GU93180220	1	
23	Oil plug	-	-	-	-	GU12022600	1	
24	O-ring 20,24X2,62	-	-	-	-	GU90706203	1	
25	Oil level plug	-	-	-	-	GU95980214	1	
26	Gasket	-	-	-	-	GU10528900	3	
27	Oil breather valve	-	-	-	-	GU14204955	1	
28	Pipe	-	-	-	-	GU00823942070	1	
29	Lever return spring	-	-	-	-	GU94321067	1	
30	Pawl	-	-	-	-	GU55234700	1	
31	Gasket ring 35x47x7/6,5	-	-	-	-	GU90403548	1	
32	Gearbox housing support	-	-	-	-	GU30202345	1	
33	Gasket 8,25x15x1	-	-	-	-	GU12154200	1	
34	Plug	-	-	-	-	GU95980610	1	
35	Screw	-	-	-	-	GU98822325	1	

36	Plug	-	-	-	-	-	GU93180245	1
37	Bush	-	-	-	-	-	GU91181006	2
38	Screw M8X22	-	-	-	-	-	GU98054422	3
	Screw M8X25	-	-	-	-	-	GU98054425	1
39	Washer	-	-	-	-	-	GU95004208	4
40	Gasket set	-	-	-	-	-	GU30999100	1
41	Oil unload plug M10X1	-	-	-	-	-	GU31003766	1
42	Support	-	-	-	-	-	GU30424660	1
43	Gear box assy	-	-	-	-	-	GU02695000	1
	Gear box assy	-	-	CH	-	-	GU400032802600	1



Pos.	Description	Year	I_M_	Country	Version	Code	Q.ty	P.Cod.
1	RH cylinder head	-	-	-	-	GU30022145	1	
2	LH cylinder head	-	-	-	-	GU30022245	1	
3	Valve guide	-	-	-	-	GU30036800	8	
4	Intake valve	-	-	-	-	GU30036000	4	
5	Exhaust valve	-	-	-	-	GU30036100	4	
6	Snap ring	-	-	-	-	GU90353024	8	
7	Oil seal	-	-	-	-	GU30037800	8	
8	Spacer 1 mm	-	-	-	-	GU30037201	16	
9	Spacer 1,5 mm	-	-	-	-	GU30037202	8	
10	Lower cup	-	-	-	-	GU30037001	8	
11	Inner spring	-	-	-	-	GU30037601	8	
12	Outer spring	-	-	-	-	GU30037501	8	
13	Upper cup	-	-	-	-	GU30038001	8	
14	Half-cone	-	-	-	-	GU30038100	16	
15	Stud bolt	-	-	-	-	GU96451450	2	
16	Stud bolt	-	-	-	-	GU96451430	2	
17	Pin	-	-	-	-	GU95512063	4	
18	Stud bolt	-	-	-	-	GU96508052	4	
19	Plug	-	-	-	-	GU98450513	2	
20	O-ring	-	-	-	-	GU90706331	2	
21	RH pulley cover	-	-	-	-	GU30002445	1	
22	LH pulley cover	-	-	-	-	GU30002545	1	
23	Gasket ring 25X40X7	-	-	-	-	GU90412541	2	
24	Screw	-	-	-	-	GU98622320	2	
25	Washer 6,15x11x0,8	-	-	-	-	GU95004206	2	
26	Cylinder head gasket	-	-	-	-	GU30022000	2	
27	Support plate	-	-	-	-	GU30034800	2	
28	Rocker arms axis	-	-	-	-	GU30031800	4	
29	Thrust washer 1 mm	-	-	-	-	GU30032300	12	
	Thrust washer 1,2 mm	-	-	-	-	GU30032302	12	
30	Circlip	-	-	-	-	GU90271012	4	
31	Tappet	-	-	-	-	GU30045740	4	
32	Washer	-	-	-	-	GU95000210	8	

33	Nut M10X1,5	-	-	-	-	-	GU92603010	8
34	O-ring 9x2	-	-	-	-	-	GU90706094	8
35	Washer 8,4X13X0,8	-	-	-	-	-	GU14615901	4
36	Nut	-	-	-	-	-	GU92602008	4
37	Rocker arm cpl.	-	-	-	-	-	GU30030200	2
38	Bush	-	-	-	-	-	GU30030801	8
39	Rocker arm assy.	-	-	-	-	-	GU30030400	2
40	Adjuster screw	-	-	-	-	-	GU30034000	8
41	Nut	-	-	-	-	-	GU30034100	8
42	Head cover	-	-	-	-	-	GU30023546	2
43	Head cover gasket	-	-	-	-	-	GU30023700	2
44	O-ring	-	-	-	-	-	GU90706361	2
45	Hex socket screw M6X25	-	-	-	-	-	GU98622325	8
46	Hex socket screw M6X50	-	-	-	-	-	GU98620350	8
47	Washer 6,15x11x0,8	-	-	-	-	-	GU95004206	8
48	Valve lifter bucket	-	-	-	-	-	GU30045340	8