


MOTO GUZZI®

ERSATZTEILKATALOG



V7 Special E5 ABS 2021 (EMEA)

Vorsatzcode Fahrgestell: ZGUKZB00

Vorsatzcode Motor: AW

Inhaltsverzeichnis

Fertige Produkte.....	4
Alphanumerisches Verzeichnis.....	5
Rahmen.....	10
Tafel 01.010 - Rahmen.....	10
Tafel 01.020 - Fussrasten.....	11
Tafel 01.030 - Hauptständer.....	12
Tafel 01.050 - Schwinge.....	13
Aufbau.....	14
Tafel 02.030 - Vorderes Schutzblech-Stütze.....	14
Tafel 02.100 - Mittlerer Aufbau.....	15
Tafel 02.120 - Sitz.....	16
Tafel 02.150 - Hinteres Schutzblech.....	17
Tafel 02.170 - Schlösser.....	18
Tafel 02.180 - Schilden.....	19
Tafel 02.190 - Deko.....	20
Motor.....	21
Tafel 03.010 - Motor-Fertigstellung.....	21
Tafel 03.020 - Schalthebel.....	22
Tafel 03.030 - Gehäuse I.....	24
Tafel 03.050 - Filtergehäuse.....	25
Tafel 03.060 - Klappenkörper.....	26
Tafel 03.090 - Kopfdeckel.....	27
Tafel 03.100 - Zylinderkopf - ventile.....	28
Tafel 03.120 - Steuer.....	29
Tafel 03.150 - Zylinder - Kolben.....	31
Tafel 03.160 - Kurbelwelle.....	32
Tafel 03.170 - Schaltgetriebe / Schaltgabel / Desmodrom.....	33
Tafel 03.180 - Schaltgetriebe - Zahnräder.....	35
Tafel 03.190 - Schmierung.....	37
Tafel 03.196 - Anlage Blow-by.....	39
Tafel 03.230 - Kupplung.....	40
Tafel 03.270 - Zuenderdeckel.....	42
Tafel 03.290 - Zündung / Elektrischer Anfang.....	43
Tafel 03.300 - Schwungmagnetstarter / Zündung.....	44
Tafel 03.320 - Secondary air.....	45
Tafel 03.330 - Auspuffrohr.....	46
Tafel 03.340 - Getriebe kpl.....	48
Tafel 03.350 - Getriebedeckel.....	49
Radaufhängungen.....	51
Tafel 04.060 - Vorderradgabel Kaifa.....	51
Tafel 04.080 - Stoßdämpfer.....	52
Räder.....	53
Tafel 05.010 - Vorderrad.....	53

Tafel 05.020 - Hinterrad.....	54
Bremsanlage	55
Tafel 06.010 - Vorderradbremspumpe.....	55
Tafel 06.020 - Vorderradbremzange.....	56
Tafel 06.030 - Hinterradbremspumpe.....	57
Tafel 06.040 - Hinterradbremzange.....	58
Tafel 06.050 - Bremsanlage ABS.....	59
Lenkstange - Schaltungen.....	61
Tafel 07.010 - Lenkung.....	61
Tafel 07.020 - Lenkstange - Schaltungen.....	62
Tafel 07.030 - Kupplungssteuerung.....	63
Vorderer lichter - Instrumente.....	64
Tafel 08.010 - Vorderer lichter.....	64
Tafel 08.020 - Instrumente.....	65
Tafel 08.030 - Hinterer lichter.....	66
Tank.....	67
Tafel 09.010 - Kraftstofftank.....	67
Tafel 09.020 - Benzindampfdruckf.-Anlage.....	68
Elektrische Anlage.....	69
Tafel 11.010 - Vorder Elektrische Anlage.....	69
Tafel 11.020 - Mitt. elektrische Anlage.....	70
Tafel 11.030 - Hint.Elektrische Anlage.....	71

Fertige Produkte

Code	Gültigkeit
GU9032137EUM01	
GU9032137EUM02	
GU9032137GBM01	
GU9032137GBM02	

Code	Nr. der Tafel	Pos.	Code	Nr. der Tafel	Pos.	Code	Nr. der Tafel	Pos.
000267	03.300	7	1A011963	03.120	20	288245	03.150	10
013763	03.190	14	1A012793	03.120	17	292022	08.010	2
013763	08.020	2	1A013671	03.120	15	292723	08.010	3
080341	11.020	4	1A013815	03.190	3	2A000097	03.170	41
1A000360	03.180	7	1A013883	03.120	24	2A000216	03.230	14
1A000365	03.180	16	1A013936	03.150	3	2A000224	03.170	20
1A000367	03.180	27	1A014335	03.330	22	2A000225	03.170	23
1A000368	03.180	28	1A014410	03.190	19	2A000226	03.170	21
1A000436	03.180	10	1A014411	03.190	20	2A000227	03.170	22
1A000566	03.180	4	1A014459	03.100	9	2A000241	03.170	28
1A000566	03.230	27	1A014626	03.300	5	2A000241	03.180	32
1A000833	03.330	19	1A014777	03.190	31	2A000306	03.170	27
1A002604	03.180	24	1A014844	03.190	10	2A000376	03.230	30
1A002604	03.180	9	1A014908	03.190	35	2A000378	03.230	15
1A003111	03.190	39	1A015041	03.120	13	2A000384	03.230	20
1A003444	11.020	14	1A015041	03.300	6	2A000385	03.230	21
1A003452	03.100	5	1A015201	03.330	30	2A000418	03.230	4
1A004442	03.190	15	1A015233	03.190	21	2A000467	03.170	15
1A004530	03.030	12	1A015236	03.190	18	2A000527	03.120	26
1A004549	03.190	11	1A0152720G	03.150	2	2A000529	03.230	7
1A004660	03.100	1	1A0152720H	03.150	2	2A000565	03.090	1
1A004661	03.100	1	1A0152720L	03.150	2	2A000579	03.120	19
1A004662	03.100	1	1A0152720M	03.150	2	2A000591	03.170	37
1A004750	03.100	8	1A015819	03.190	36	2A000625	03.180	5
1A004751	03.100	4	1A016297	03.100	2	2A000627	03.180	13
1A004903	03.120	3	1A016324	03.060	12	2A000631	03.230	25
1A004905	03.120	29	1A016330	03.120	5	2A000633	03.190	5
1A004907	03.120	27	1A016407	03.270	1	2A000638	03.230	5
1A004954	03.150	4	1A016442	03.190	41	2A000659	03.090	2
1A004955	03.150	5	1A016461	03.030	1	2A000741	03.230	2
1A005257	03.190	13	1A016500	03.300	1	2A000774	03.230	9
1A005951	03.120	22	1A016739	03.170	3	2A000823	03.170	43
1A005955	03.120	8	1A016739	03.190	24	2A000823	03.350	22
1A006243	03.120	6	1A016844	03.120	2	2A000838	03.230	24
1A006655	03.030	17	1A017035	03.120	9	2A000926	03.170	12
1A006656	03.030	16	1A017047	03.090	6	2A000938	03.170	31
1A006659	03.100	12	1A017127	03.190	30	2A000947	03.180	25
1A006659	03.120	25	1A017540	03.120	21	2A000948	03.180	22
1A0066680G	03.160	3	1A017659	03.060	8	2A000968	03.230	1
1A0066680N	03.160	3	1A017660	03.060	3	2A000969	03.230	6
1A0066680V	03.160	3	1A017801	03.320	3	2A000988	03.180	30
1A0066690G	03.160	2	1A017906	03.100	10	2A000989	03.180	29
1A0066690N	03.160	2	1A017908	03.100	11	2A000998	03.180	20
1A0066690V	03.160	2	1A017909	03.150	13	2A001004	03.230	10
1A006716	03.090	4	1A017910	03.150	1	2A001035R	03.230	28
1A006861	03.120	18	1A017912	03.090	3	2A001047	03.170	38
1A008102	03.030	2	1A017918	03.010	1	2A001050	03.170	47
1A008103	03.030	3	1A017929	03.190	37	2A001062	03.230	16
1A008104	03.030	4	1A018338	03.120	12	2A001099	03.160	1
1A008256	03.030	5	1A018712	03.030	10	2A0011145	03.170	1
1A008291	03.190	27	1A018733	03.030	11	2A001116	03.170	19
1A008325	03.190	7	1A018734	03.030	13	2A001118	03.170	6
1A008533	03.190	22	1B000068	08.010	6	2A001139	03.170	24
1A008566	03.190	38	1B000068	08.030	15	2B000219	09.020	11
1A008933	03.150	7	1C001209	06.050	7	2B000221	11.010	2
1A009167	03.060	7	1C001499	01.030	9	2B000404	03.350	2
1A009346	03.120	14	1C001499	05.020	21	2B000421	02.120	3
1A009630	03.230	19	1D000680	11.010	5	2B000525	06.040	1
1A009653	03.030	6	1D001393	03.060	2	2B000909	09.010	9
1A009653	03.190	16	1D002384	11.010	6	2B001009	03.020	15
1A010638	11.020	7	1R000319	11.030	14	2B001035	01.010	3
1A010753	03.160	5	224566	03.350	7	2B001138	03.170	48
1A010839	11.020	5	237553	03.190	12	2B001197	06.020	1
1A010855	03.150	12	254485	02.150	7	2B001279	05.020	8
1A011173	03.100	6	254485	03.330	14	2B001310	05.020	1
1A011548	03.150	6	254485	06.050	31	2B001311	03.350	3
1A011654	03.170	40	258146	08.020	12	2B001561	05.010	22

Code	Nr. der Tafel	Pos.	Code	Nr. der Tafel	Pos.	Code	Nr. der Tafel	Pos.
2B001564	06.050	14	2B003422	02.100	18	2B006740	05.020	22
2B001591	04.060	14	2B003424	04.060	1	2B006744	06.050	28
2B001612	01.010	13	2B003435	09.010	1	2B006809	04.080	1
2B001614	06.050	15	2B003450	02.100	8	2B006810	01.020	4
2B001636	03.340	2	2B003451	02.100	7	2B006811	01.020	3
2B001708	05.010	21	2B003543	06.010	1	2B006816	03.330	29
2B001770	03.170	51	2B003631	08.020	8	2B006817	03.330	8
2B001929	06.010	6	2B003701	05.010	2	2B006860R	03.350	28
2B001930	06.010	4	2B0037065	05.010	1	2B007092	06.050	23
2B001941	03.020	18	2B003711	08.020	9	2B007137	03.330	20
2B001956	05.020	19	2B003791	07.010	1	2B007195	07.020	12
2B001956	06.040	2	2B003832	08.010	15	2B007243	03.350	29
2B002146	08.030	11	2B003835	07.020	13	2B007247	03.330	18
2B002171	01.020	21	2B003836	07.020	17	2B007257	03.350	10
2B002171	03.350	25	2B003851	08.020	4	2B007288	03.330	1
2B002189	06.030	9	2B003948	04.060	3	2B007307	05.020	5
2B002195	01.010	19	2B003952	04.060	2	2B007308	05.020	11
2B002195	04.080	4	2B003994	02.170	4	2B007313	05.010	6
2B002200	03.350	13	2B0039954	02.170	3	2B007315	03.330	3
2B002205	01.050	7	2B004009	02.170	5	2B007316	03.330	2
2B002219	01.020	2	2B004080	07.020	6	2B007415	01.020	23
2B002225	01.020	5	2B004174	11.020	12	2B00744800C2	02.120	1
2B002311	01.010	7	2B004219	03.020	29	2B007461	02.100	1
2B002313	07.010	13	2B004226	08.020	6	2B007462	02.100	2
2B002390	07.030	2	2B004348	03.020	11	2B007463	02.150	1
2B002391	07.030	1	2B004396R	05.020	17	2B007463	02.150	1
2B002416	05.010	11	2B004431	05.020	6	2B007464	02.150	2
2B002416	05.020	18	2B004435	05.020	13	2B007465	08.030	22
2B002486	09.010	6	2B004436	05.020	12	2B007467	08.030	17
2B002494	02.170	9	2B004560	06.050	11	2B007468	02.150	19
2B002529	03.320	7	2B004778	05.010	19	2B007468	08.030	12
2B002530	03.320	9	2B004818	03.020	2	2B007471	03.330	24
2B002531	03.320	8	2B004818	06.030	2	2B007472	03.330	23
2B002535	03.350	27	2B004819	01.030	2	2B007473	03.330	28
2B002536	03.350	17	2B004821	03.020	14	2B007474	03.330	15
2B002567	09.010	8	2B004822	03.020	7	2B007486	01.010	9
2B002602	03.196	4	2B004825	02.030	2	2B007551	01.030	1
2B002632	09.020	1	2B004827	03.020	10	2B007553	08.030	20
2B002699	03.340	4	2B004828	03.020	8	2B007595	01.010	17
2B002781	11.030	12	2B004856	01.020	12	2B007596	01.010	15
2B002807	03.350	21	2B004914	03.020	9	2B007597	01.020	22
2B002810	01.010	16	2B004963	07.020	24	2B007631	02.150	3
2B002817	01.010	18	2B005012	03.350	1	2B007746	07.020	16
2B002851	03.050	5	2B005143	01.020	11	2B007787	01.050	3
2B002875	07.020	2	2B005856	01.050	2	2B007833	03.330	21
2B002919	01.020	1	2B006064	03.350	26	2B007933	02.030	3
2B002937	02.100	10	2B006086	05.020	24	2B008066	03.330	16
2B003039	06.010	5	2B006088R	03.350	14	2B008082	03.050	2
2B003040	06.010	3	2B006091	02.100	17	2B008083	03.050	14
2B003042	09.020	3	2B006106	07.030	8	2B008292	03.340	1
2B003052	11.020	13	2B006110	03.350	20	2B008376	07.020	11
2B003105	03.196	3	2B006168	02.100	9	2B008482	02.170	11
2B003111	01.050	5	2B006169	01.020	7	2B008488	02.170	1
2B003111	04.080	5	2B006170	01.020	6	2B008499	02.190	10
2B003204	03.196	2	2B006416	02.150	16	2B008514	02.190	9
2B003212	01.050	8	2B006416	08.030	7	2D0002805	06.030	14
2B003250	07.010	14	2B006508	05.010	23	2D000284	08.030	13
2B003250	07.010	3	2B006583	01.010	1	2D0002885	07.030	9
2B003250	07.020	5	2B006604	02.150	13	2D000294	08.020	10
2B003292	07.010	16	2B006720	06.050	3	2D000307	07.020	18
2B003306	02.180	2	2B006721	06.050	2	2D000308	07.020	9
2B003336	06.030	3	2B006722	06.050	5	2D000351	02.170	2
2B003342	08.010	13	2B006723	06.050	4	2D000386	08.010	1
2B003348	03.020	3	2B006724	06.050	13	2D000438	08.010	4
2B003357	06.040	3	2B006725	06.050	30	2D000439	08.010	5
2B003367	08.020	3	2B006729	08.010	11	2D000492	09.010	7
2B003422	01.050	9	2B006732	08.010	12	2D000508	08.030	19

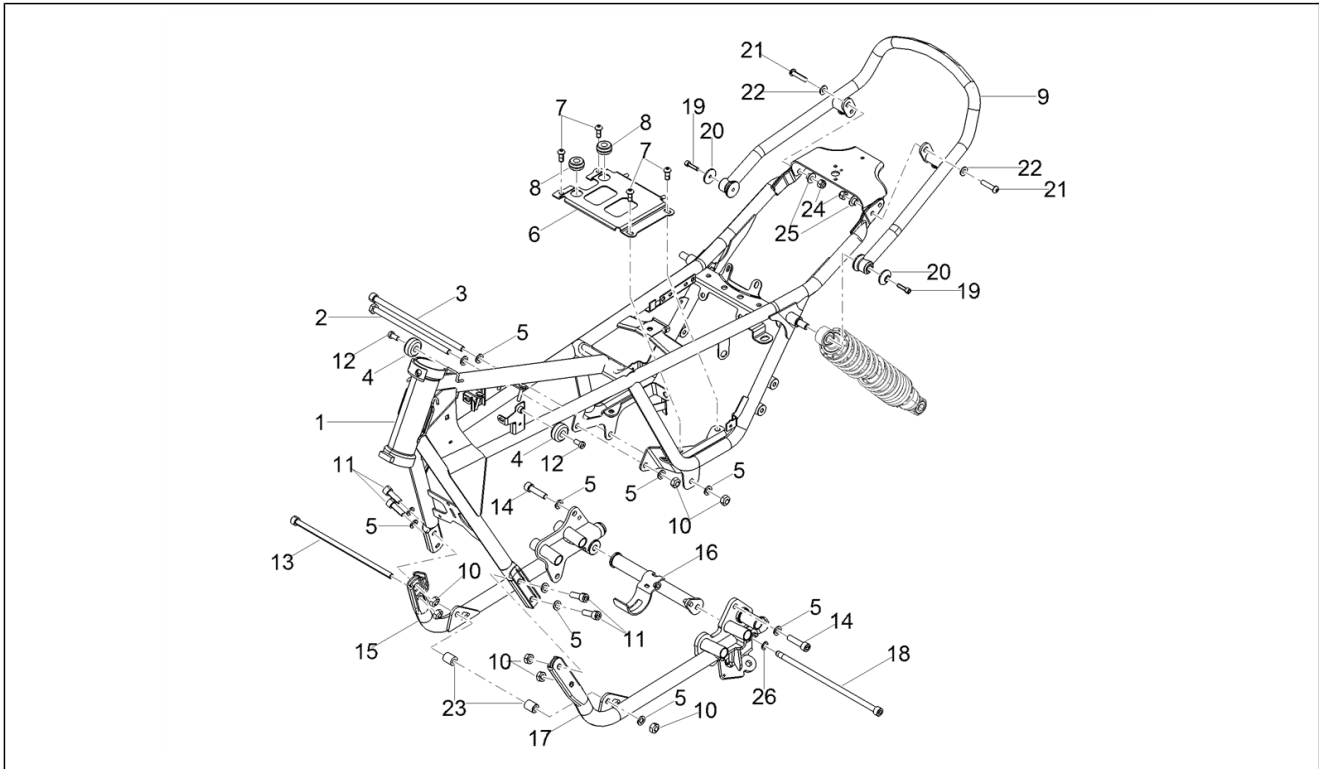
Code	Nr. der Tafel	Pos.	Code	Nr. der Tafel	Pos.	Code	Nr. der Tafel	Pos.
2D000522	08.030	16	849424	03.180	8	895328	06.030	5
2D000523	08.030	14	852090	03.330	27	895709	06.050	18
2D000540	06.050	1	852391	02.120	4	895915	02.100	4
2D000614	11.010	1	856063	09.020	7	967356	01.030	6
2D000614	11.020	1	857045	03.320	2	967363	01.020	24
2D000614	11.030	1	857046	03.320	5	967363	03.020	25
2D000620	11.030	2	857047	03.320	1	967363	03.330	9
2D000651	08.020	11	857181	03.320	10	974162	03.180	12
2D000652	08.020	11	857250	03.170	29	974165	03.180	15
2H001645	02.190	2	859792	05.010	20	974165	03.230	21
2H001646	02.190	3	859792	05.020	20	976168	03.030	20
2H004113000DK	09.010	1	859946	06.030	4	976168	03.190	40
2H004114000DK	02.100	2	871640	03.100	7	976591	03.090	5
2H004115000DK	02.100	1	873905	03.170	26	97729R	03.290	1
2H004116000B01	02.030	1	873928	03.180	2	978415	02.170	7
2H004116000DK	02.030	1	873928	03.230	12	978960	07.020	8
2H004117000B01	09.010	1	873931	03.180	18	AP8101861	01.020	20
2H004118000B01	02.100	2	874557	03.030	14	AP8102159	09.020	6
2H004119000B01	02.100	1	876859	02.100	12	AP8102239	09.020	4
2H004121	02.190	1	876879	03.330	17	AP8102375	02.100	11
2H004122	02.190	4	878872	03.120	1	AP8102375	11.030	8
2H004123	02.190	5	878872	03.120	4	AP8102520	03.050	15
2H004124	02.190	8	880260	03.060	4	AP8102520	09.020	9
2H004125	02.190	6	883161	11.030	9	AP8102524	01.030	5
2H004126	02.190	7	883673	06.020	6	AP8102671	06.050	29
2H004127	02.190	4	883688	05.010	10	AP8102738	09.020	2
2H004128	02.190	5	884031	04.080	3	AP8102764	09.020	8
2H004129	02.190	6	884033	06.030	7	AP8104525	03.050	4
2H004130	02.190	7	884043	03.330	12	AP8104924	03.050	7
2Q000447QK	02.180	1	886634	02.030	1	AP8110053	03.020	16
2R000109	04.060	7	886679	05.010	23	AP8110077	07.010	7
2R000110	04.060	23	886820	02.170	12	AP8110109	05.020	10
2R000243	04.060	19	887003	03.270	2	AP8113004	06.050	6
2R000248	06.040	8	887448	05.020	16	AP8113081	06.030	12
319446	08.010	14	887815	03.050	8	AP8113082	06.030	13
463195	02.100	14	887831	07.010	9	AP8117003	02.100	16
478533	11.020	11	887832	07.010	12	AP8120001	02.100	13
484993	03.030	9	887843	03.050	9	AP8120001	06.050	25
484993	03.150	11	887844	03.050	12	AP8120030	06.050	10
485693	03.030	15	887852	07.020	19	AP8120178	06.030	11
485693	03.190	34	887853	07.020	20	AP8120311	01.010	8
584211	11.030	4	887858	05.010	5	AP8120455	03.050	3
638733	11.030	14	887878	04.060	4	AP8120557	09.010	4
640698	11.010	3	887879	04.060	5	AP8120615	03.050	6
641040	11.020	8	887880	04.060	6	AP8120876	03.050	11
641901	11.020	15	887882	04.060	8	AP8120912	03.020	1
642034	11.020	16	887883	04.060	9	AP8120912	06.030	1
642569	11.030	19	887884	04.060	10	AP8121014	01.030	3
648708	05.020	3	887885	04.060	11	AP8121032	02.150	6
658837	03.170	45	887886	04.060	12	AP8121072	03.330	7
680212	11.020	9	887888	04.060	13	AP8121133	01.020	19
825597	03.150	8	887889	04.060	15	AP8121205	07.010	4
825694	03.100	13	887890	04.060	17	AP8121332	09.010	5
825694	03.120	23	887891	04.060	16	AP8121420	02.170	6
825725	03.300	2	887893	04.060	20	AP8121509	03.020	26
830061	03.060	6	887894	04.060	22	AP8121567	01.020	15
831135	03.030	22	887901	07.020	3	AP8121882	06.050	21
834764	03.170	33	887902	07.020	4	AP8121927	06.030	16
834951	03.330	13	887904	07.020	1	AP8123641	07.010	6
843213	02.150	15	887905	04.060	18	AP8123642	07.010	10
843213	08.030	9	887915	07.020	7	AP8123643	07.010	11
848650	03.180	17	887916	04.060	21	AP8123644	07.010	8
849308	03.180	21	890760	03.050	13	AP8124936	08.020	7
849308	03.180	6	890760	07.010	18	AP8124936	11.010	7
849309	03.180	23	894704	11.010	11	AP8125687	05.020	2
849310	03.180	26	894704	11.030	7	AP8127601	09.020	10
849396	03.180	14	895328	03.020	5	AP8127856	01.030	7

Code	Nr. der Tafel	Pos.	Code	Nr. der Tafel	Pos.	Code	Nr. der Tafel	Pos.
AP8134378	03.330	5	B015040	03.180	11	GU04355104	03.350	19
AP8134378	08.010	9	B015563	03.300	3	GU04355105	03.350	19
AP8134448	08.030	5	B015598	03.170	2	GU04355106	03.350	19
AP8134451	01.020	18	B015598	03.190	23	GU05217630	03.230	17
AP8134480	11.030	17	B016796	03.060	5	GU05234230	03.170	9
AP8144007	03.020	4	B016796	08.030	8	GU05235531	03.170	30
AP8144007	06.030	6	B016808	02.150	14	GU05238231	03.170	13
AP8144071	03.330	6	B016808	08.030	10	GU05238431	03.170	11
AP8144552	11.030	13	B017636	03.100	3	GU05239330	03.170	16
AP8144593	02.100	6	B018020	03.170	4	GU05351230	03.350	8
AP8150015	06.050	12	B018242	09.020	12	GU05659230	06.020	3
AP8150018	03.020	24	B018448	03.180	31	GU05781630	04.060	24
AP8150026	03.020	19	B063025	03.170	39	GU06418600	11.030	15
AP8150048	01.010	14	B063144	05.010	3	GU10034100	03.120	28
AP8150053	08.010	10	B063174	01.010	20	GU10528900	03.190	32
AP8150093	01.020	13	B063174	04.080	2	GU12022600	03.170	35
AP8150178	05.010	17	B063287	01.010	6	GU12154200	03.190	2
AP8150248	02.100	5	B063956	03.170	14	GU12351100	03.350	12
AP8150248	02.150	17	B064079	03.170	5	GU14085900	03.230	18
AP8150248	08.030	3	B064112	03.170	10	GU14086100	03.230	32
AP8150285	06.030	15	B064113	03.170	7	GU14217901	03.230	8
AP8150413	06.050	27	B064290	05.020	4	GU14609650	06.050	33
AP8150444	06.050	24	B064304	03.350	15	GU14609650	11.010	8
AP8150451	02.150	18	CM178609	08.020	1	GU14609650	11.020	3
AP8150451	06.050	19	CM179008	09.020	5	GU14609650	11.030	6
AP8150451	08.030	2	CM179101	08.030	18	GU14615901	02.030	4
AP8150500	02.100	3	CM179301	02.150	12	GU14615901	03.330	26
AP8150509	03.050	10	CM179301	06.050	8	GU14615901	03.340	3
AP8150540	07.020	14	CM179302	02.150	11	GU14615901	03.350	24
AP8150543	07.010	2	CM179302	11.030	16	GU14616150	05.010	15
AP8152043	06.010	8	CM180701	08.030	1	GU14616150	05.020	15
AP8152043	06.050	16	CM180702	08.030	21	GU18144350	03.190	8
AP8152055	03.330	10	CM225705	11.030	5	GU19002020	03.030	19
AP8152117	08.020	5	CM225707	11.030	5	GU19002020	03.170	36
AP8152138	03.020	17	CM225710	11.030	5	GU19002020	03.270	5
AP8152220	01.010	26	CM225715	11.030	5	GU19003800	03.030	18
AP8152229	02.170	8	CM225720	11.030	3	GU19003800	03.190	28
AP8152267	03.090	7	CM225730	11.030	5	GU19015020	03.030	8
AP8152277	03.170	49	CM226902	03.196	1	GU19017000	01.010	23
AP8152282	11.010	4	CM226902	03.320	6	GU19018920	03.030	21
AP8152288	06.040	5	CM228401	01.020	14	GU19018920	03.190	26
AP8152288	09.010	2	CM258301	03.060	13	GU19021360	03.150	9
AP8152299	02.150	8	CM258302	03.060	11	GU19058021	03.120	7
AP8152299	06.050	26	CM258303	03.050	17	GU19067700	03.230	3
AP8152299	07.010	15	CM277101	11.020	17	GU19351100	03.350	16
AP8152299	11.020	6	CM277102	11.020	18	GU19547000	01.050	1
AP8152306	08.030	4	CM312001	03.060	1	GU20258221	03.020	23
AP8152329	03.050	1	GU01528930	03.170	44	GU27066460	03.160	4
AP8152384	07.010	5	GU01528930	03.350	23	GU27152885	03.190	1
AP8152385	06.020	2	GU01528930	03.350	6	GU30601060	07.030	3
AP8152409	01.020	17	GU01609630	07.020	24	GU30602500	07.030	4
AP8161054	03.050	16	GU01659130	06.020	5	GU30630430	05.020	23
AP8201727	06.050	32	GU01659131	06.020	4	GU31003766	03.190	33
AP8210007	03.020	20	GU03013800	03.020	22	GU31003766	03.350	5
AP8213028	07.030	5	GU03013800	03.060	10	GU31159050	03.190	6
AP8213388	07.030	6	GU03605645	06.010	2	GU31544181	01.050	4
AP8221023	03.050	18	GU03609600	07.020	24	GU31544181	06.040	9
AP8221023	06.050	9	GU03612040	05.010	16	GU31610160	05.010	24
AP8221197	01.030	4	GU03631250	05.010	4	GU31614183	05.010	9
AP8221277	01.020	16	GU03631250	05.020	14	GU31616384	05.010	12
AP8224164	08.030	6	GU03658201	06.050	20	GU31659181	06.040	7
AP8224462	11.030	18	GU03658330	06.050	17	GU31659281	06.040	6
B013037	03.230	29	GU03749845	06.010	7	GU32441210	01.020	10
B013552	03.120	16	GU04355100	03.350	19	GU32442310	01.020	8
B013608	03.170	25	GU04355101	03.350	19	GU32442710	01.020	9
B013608	03.180	3	GU04355102	03.350	19	GU32461610	02.120	2
B013608	03.230	13	GU04355103	03.350	19	GU32603010	07.020	15

Code	Nr. der Tafel	Pos.
GU32603310	07.020	10
GU32615660	05.010	14
GU35214300	01.050	6
GU37359005	03.350	9
GU49609601	11.010	9
GU49609601	11.020	2
GU61270300	06.040	4
GU66103415	01.010	4
GU90271014	03.170	17
GU90271022	03.170	32
GU90272047	05.020	9
GU90353014	03.170	8
GU90401424	03.170	18
GU90402642	05.010	8
GU90413850	03.350	11
GU90706170	03.230	31
GU90706188	03.350	4
GU90706203	03.170	34
GU90706444	03.190	4
GU90706584	03.350	30
GU90706958	03.350	18
GU91120806	01.010	25
GU91120806	02.150	5
GU91551010	03.050	19
GU91551086	02.100	15
GU92201226	03.180	19
GU92201226	03.230	11
GU92201822	03.180	1
GU92204220	05.020	7
GU92204221	05.010	7
GU92296723	03.190	25
GU92606206	06.030	10
GU92606508	03.230	23
GU92609408	03.290	4
GU92630108	01.010	24
GU92630108	02.150	4
GU92630206	03.020	12
GU92630206	06.030	8
GU92630207	05.010	18
GU92630510	01.010	10
GU92630707	03.020	28
GU92660021	03.330	25
GU93180111	05.010	13
GU93180220	03.170	42
GU93304390	11.010	10
GU93304390	11.030	6
GU94321079	03.190	9
GU94321105	03.230	26
GU95005304	11.020	10
GU95005310	01.010	22
GU95005310	02.150	9
GU95005312	09.010	3
GU95008206	03.170	50
GU95008210	01.010	5
GU95008305	07.020	22
GU95008306	08.010	7
GU95008308	03.330	11
GU95020105	01.030	8
GU95021105	07.020	23
GU95100059	11.030	10
GU95100309	03.030	7
GU95100309	03.190	17
GU95129115	03.120	11
GU95129131	03.290	3
GU95129260	03.020	27
GU95500222	03.230	22
GU96451316	06.050	22

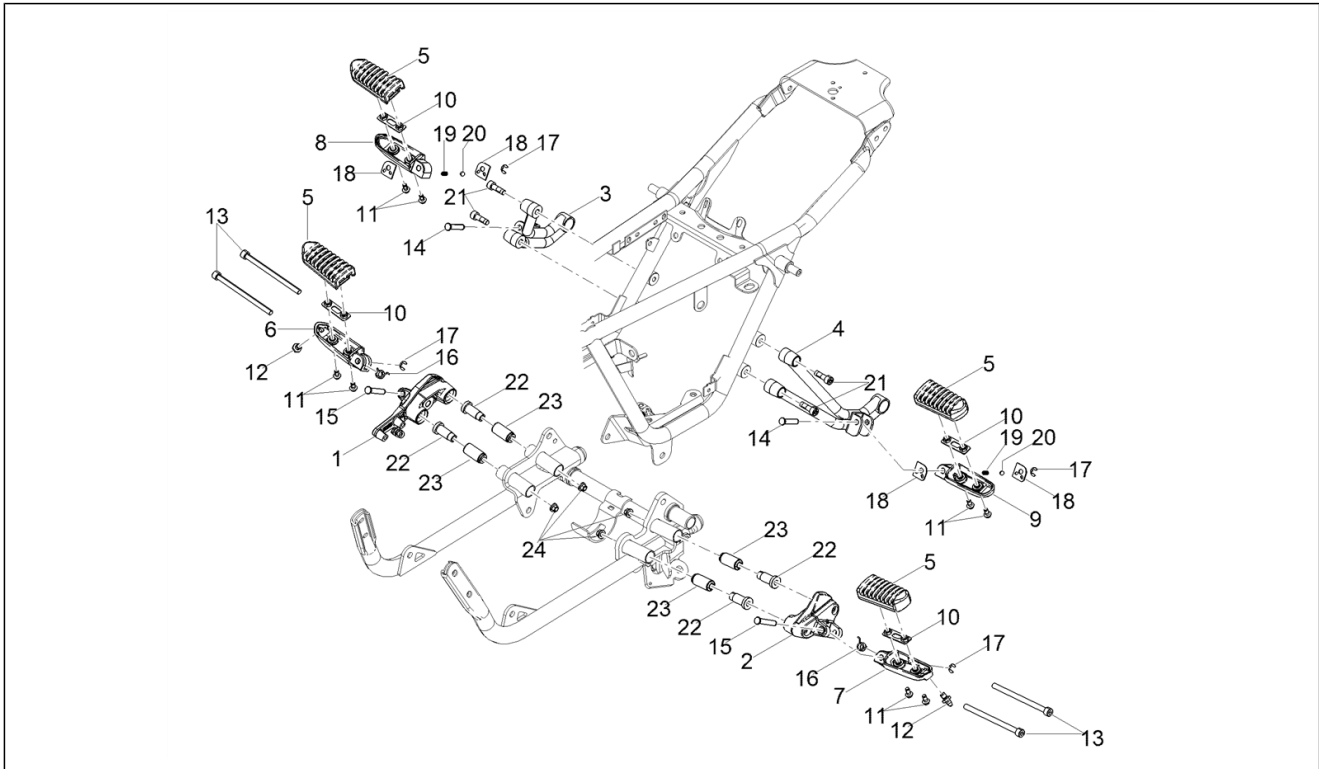
Code	Nr. der Tafel	Pos.
GU96451316	07.010	17
GU97202325	07.030	7
GU98110199	01.010	2
GU98230510	07.020	21
GU98370625	02.170	10
GU98612216	03.320	4
GU98622322	03.060	9
GU98632322	03.020	21
GU98680440	03.170	46
GU98680460	03.020	6
GU98682212	11.030	11
GU98682325	03.190	29
GU98682325	03.270	3
GU98682330	03.270	4
GU98682330	03.300	4
GU98682435	03.290	2
GU98682530	01.010	11
GU98690435	01.010	21
GU98690435	02.150	10
GU98690435	08.010	8
GU98690440	03.330	4
GU98690445	02.030	5
GU98692318	03.020	13
GU98882316	03.120	10
GU98882416	01.010	12

Einheit	Rahmen
Code	01.010
Beschreibung	Rahmen
Inspektion	1



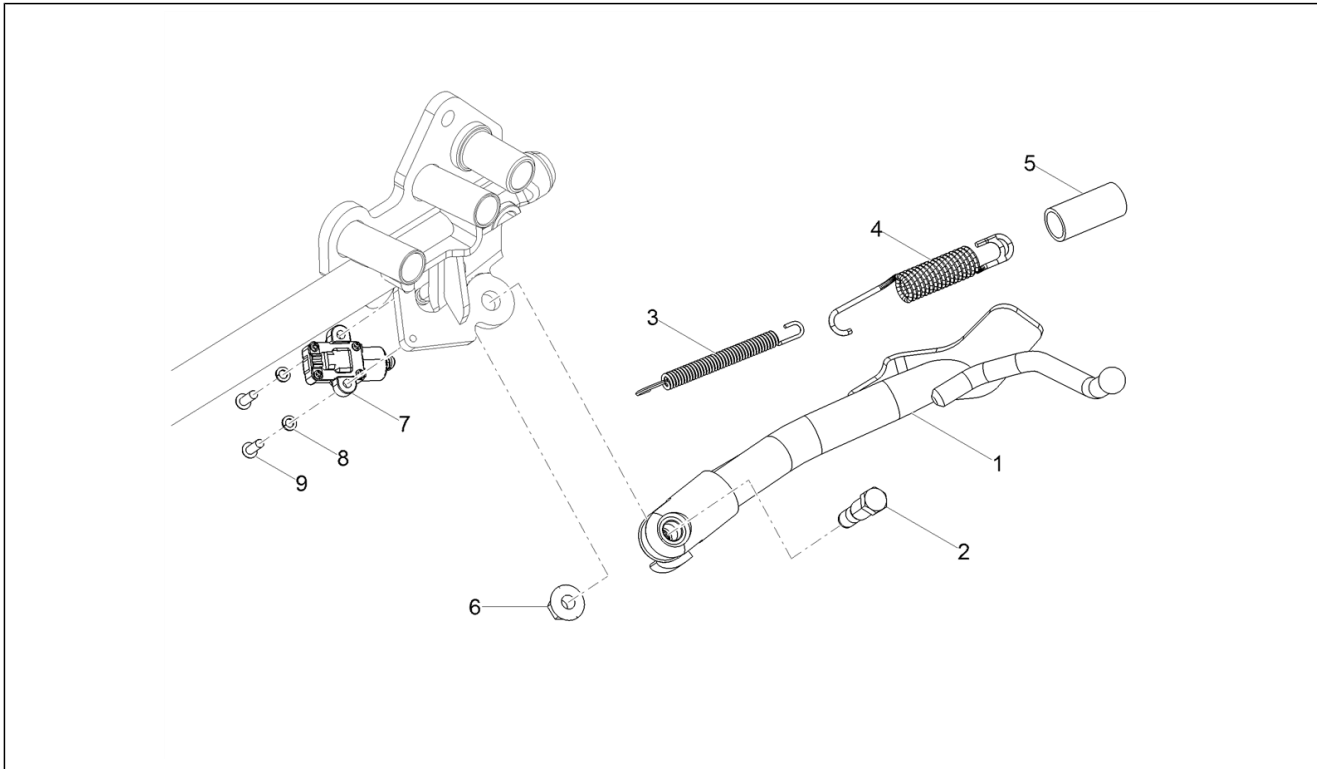
Pos.	Code	Beschreibung	Menge	Varianten
1	2B006583	Rahmen	1	
2	GU98110199	Bolzen M10x205	1	
3	2B001035	Bolzen 234X10	1	
4	GU66103415	Gummi	2	
5	GU95008210	Ausgleichscheibe 10,2X18X2	11	
6	B063287	Verbindungsplatte Rahmen	1	
7	2B002311	Linsenschraube Torx M8X20	4	
8	AP8120311	Gummi	2	
9	2B007486	Beifahrerhaltegriff	1	
10	GU92630510	Mutter M10x1,5	4	
11	GU98682530	TCEI Schraube M10x30	4	
12	GU98882416	Schraube TCEI M8x16	2	
13	2B001612	Bolzen M10X253	1	
14	AP8150048	TCEI Schraube	2	
15	2B007596	Arm Rahmenschleife rechts	1	
16	2B002810	Rahmenträger	1	
17	2B007595	Arm Rahmenschleife links	1	
18	2B002817	Zapfen M10	1	
19	2B002195	Schraube TCEI IX M6X35 vorimprägniert	2	
20	B063174	Buchse	2	
21	GU98690435	TCEI Schraube M8x35	2	
22	GU95005310	Ausgleichscheibe 8,4x18x2	2	
23	GU19017000	Buchse	3	
24	GU92630108	Mutter	2	
25	GU91120806	Distanzscheibe	2	
26	AP8152220	Scheibe	1	

Einheit	Rahmen
Code	01.020
Beschreibung	Fussrasten
Inspektion	1



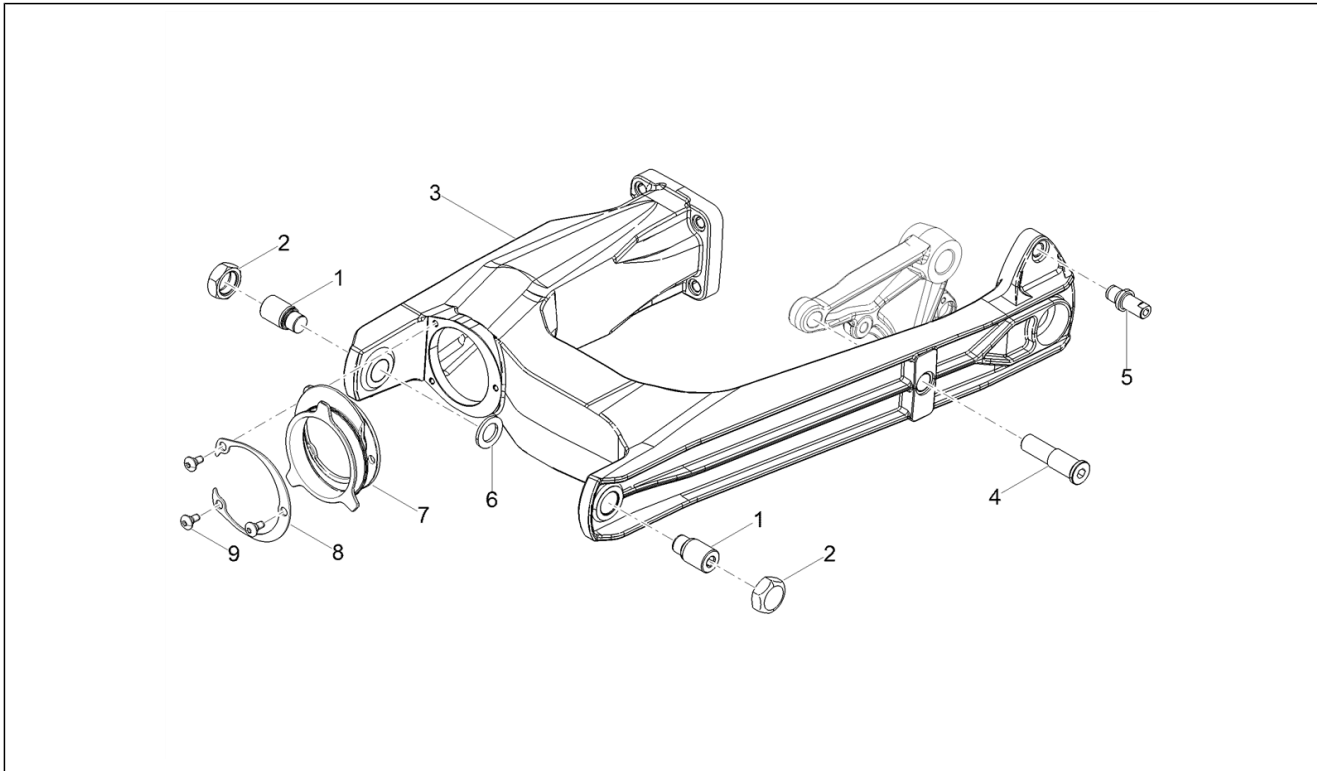
Pos.	Code	Beschreibung	Menge	Varianten
1	2B002919	Halter rechte Fußraste	1	
2	2B002219	Fußrastenhalter Fahrer links	1	
3	2B006811	Halter Soziusfußraste, rechts	1	
4	2B006810	Halter linke Soziusfußraste	1	
5	2B002225	Gummiraste	4	
6	2B006170	Fussrasten r.	1	
7	2B006169	Fussrasten l.	1	
8	GU32442310	Soziusraste rechts	1	
9	GU32442710	Soziusraste links	1	
10	GU32441210	Platte	4	
11	2B005143	TE Schr. m. Flansch M6x12	8	
12	2B004856	Rastenbolzen	2	
13	AP8150093	TCEI Schraube M8x120	4	
14	CM228401	Rastenbolzen	2	
15	AP8121567	Bolzen	2	
16	AP8221277	Rückholfeder	2	
17	AP8152409	Sperring	4	
18	AP8134451	Fixierplatte	4	
19	AP8121133	Schraubenfederkompr.	2	
20	AP8101861	Kugel D6,35	2	
21	2B002171	TC Schraube 8x25	4	
22	2B007597	Distanzscheibe	4	
23	2B007415	Schwingschutzlager	4	
24	967363	Mutter M8x1,25	4	

Einheit	Rahmen
Code	01.030
Beschreibung	Hauptständer
Inspektion	1



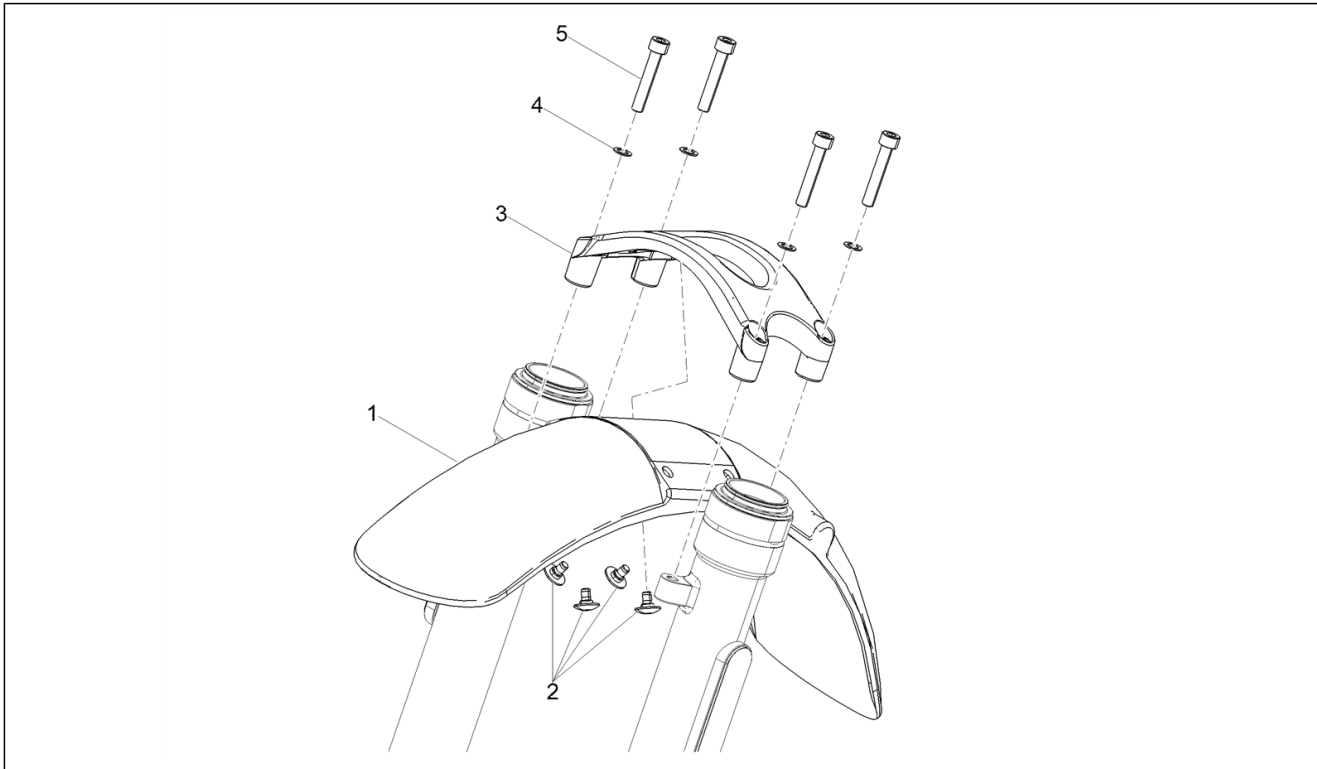
Pos.	Code	Beschreibung	Menge	Varianten
1	2B007551	Seitenständer	1	
2	2B004819	Ständerbolzen	1	
3	AP8121014	Schraubenfeder	1	
4	AP8221197	Hauptständer Schraubenfeder	1	
5	AP8102524	Schutz f. Ständerfeder	1	
6	967356	Geflanschte Mutter M10x1,25	1	
7	AP8127856	Ständer lichtschalter	1	
8	GU95020105	Ausgleichscheibe 5,3x8,9x2,4	1	
9	1C001499	Schraube TBEI TORX M5x16 INOX	2	

Einheit	Rahmen
Code	01.050
Beschreibung	Schwinge
Inspektion	1



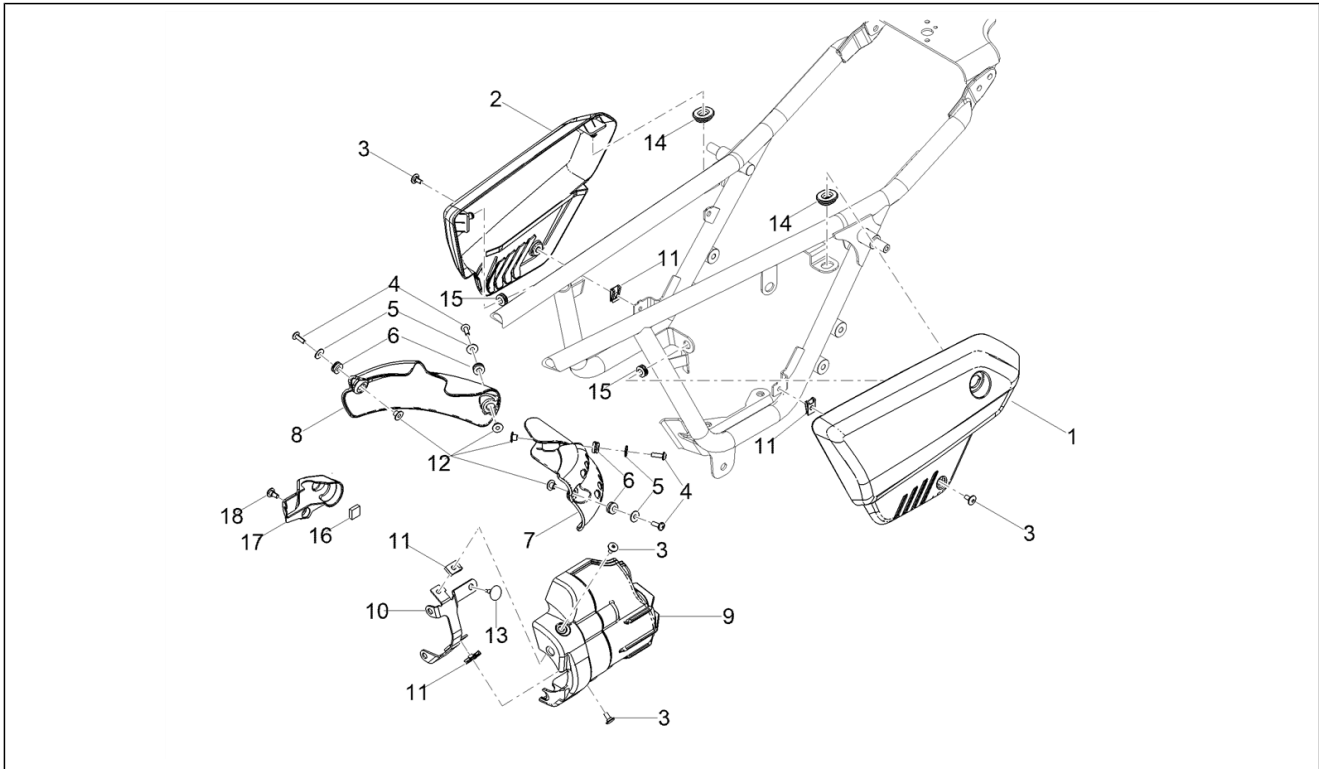
Pos.	Code	Beschreibung	Menge	Varianten
1	GU19547000	Scheinwerferregulier	2	
2	2B005856	Bolzen Mutter	2	
3	2B007787	Schwinge	1	
4	GU31544181	Bolzen	1	
5	2B003111	Stoßdämpfer-Bolzen	1	
6	GU35214300	Scheibe	1	
7	2B002205	Gummibalg	1	
8	2B003212	Fixierplatte	1	
9	2B003422	Schraube TBEI M5x12 TORX vorimprägniert	3	

Einheit	Aufbau
Code	02.030
Beschreibung	Vorderes Schutzblech-Stütze
Inspektion	1



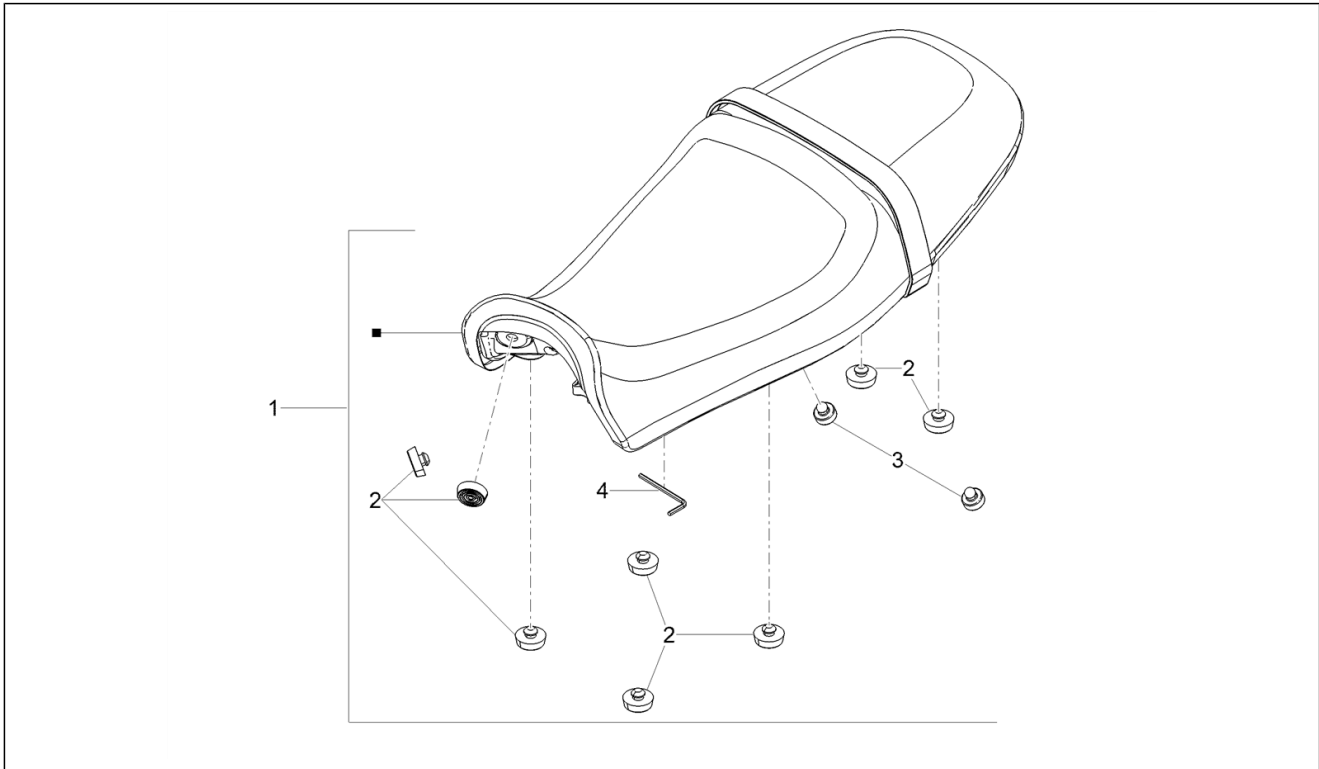
Pos.	Code	Beschreibung	Menge	Varianten
1	2H004116000B01	Kotflügel vorne weiß	1	Technische Spezifikation: Mit Aufkleber[D] Farbe: Weiß[WHI]
1	2H004116000DK	Kotflügel vorne blau	1	Technische Spezifikation: Mit Aufkleber[D] Farbe: Deep blue[BLU]
1	886634	Vorder Schutzblech ohne farbe	1	Farbe: Unlackiert[gr]
2	2B004825	Schraube TBEI vorgetränkt M6x11	4	
3	2B007933	Stabilisationsplatte	1	
4	GU14615901	Ausgleichscheibe 8,4X13X0,8	4	
5	GU98690445	Schraube M8x45	4	

Einheit	Aufbau
Code	02.100
Beschreibung	Mittlerer Aufbau
Inspektion	1



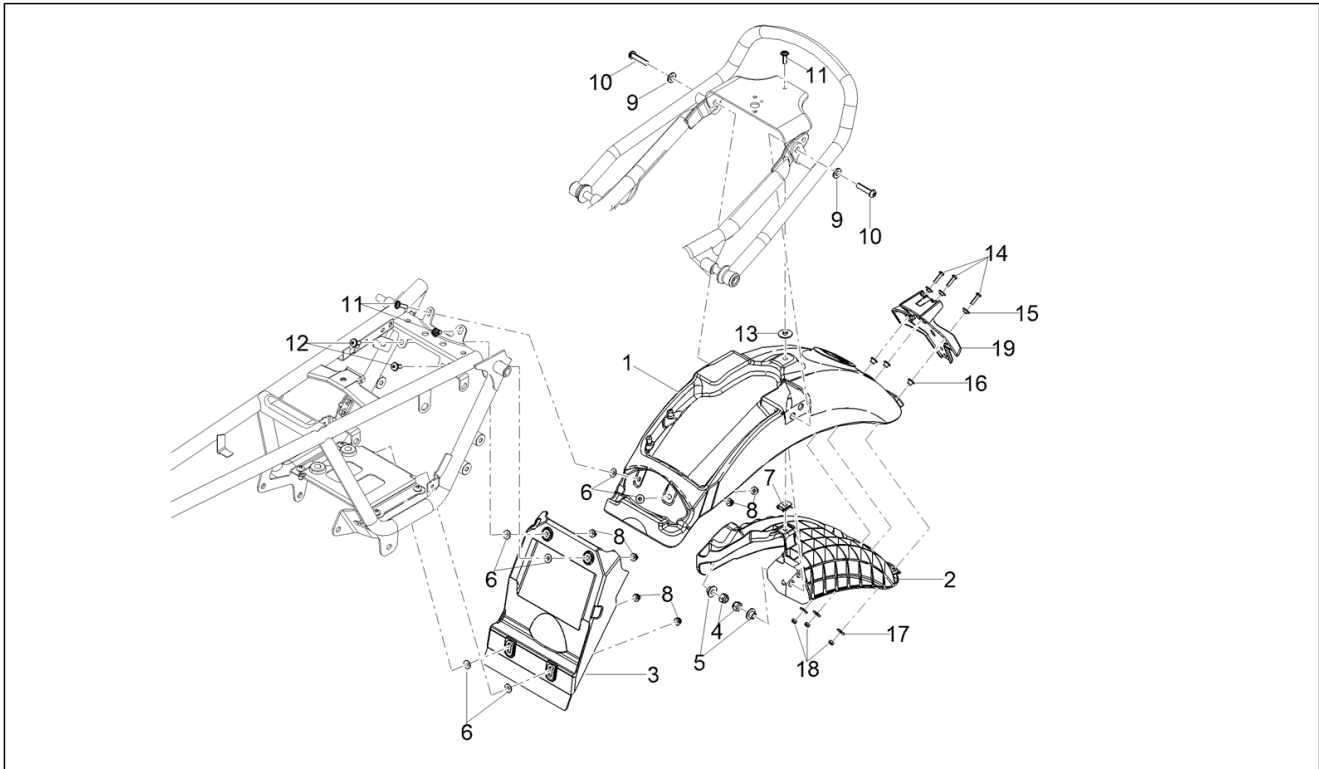
Pos.	Code	Beschreibung	Menge	Varianten
1	2H004115000DK	L. kl. Seitenteil, blau	1	Technische Spezifikation: Mit Aufkleber[D] Farbe: Deep blue[BLU]
1	2B007461	L. kl. Seitenteil, roh	1	Farbe: Unlackiert[gr]
1	2H004119000B01	L. kl. Seitenteil, weiß	1	Technische Spezifikation: Mit Aufkleber[D] Farbe: Weiß[WHI]
2	2H004118000B01	R. kl. Seitenteil, weiß	1	Technische Spezifikation: Mit Aufkleber[D] Farbe: Weiß[WHI]
2	2B007462	R. kl. Seitenteil, roh	1	Farbe: Unlackiert[gr]
2	2H004114000DK	R. kl. Seitenteil, blau	1	Technische Spezifikation: Mit Aufkleber[D] Farbe: Deep blue[BLU]
3	AP8150500	TBEI Schraube M5x9 NERINOX	4	
4	895915	TBEI Schraube m.Flansch M5X16	4	
5	AP8150248	Ausgleichscheibe 5,5x15x1,6	4	
6	AP8144593	Gummi	4	
7	2B003451	Einspritzdüsenabdeckung links	1	
8	2B003450	Einspritzdüsenabdeckung rechts	1	
9	2B006168	Abdeckung anlassermotor	1	
10	2B002937	Haltebügel Abdeckung	1	
11	AP8102375	Klammer M5	8	
12	876859	Distanzscheibe	4	
13	AP8120001	Gummi	1	
14	463195	Elastischer Puffer	2	
15	GU91551086	Gummi	2	
16	AP8117003	Klebeschwamm 15X5	1	
17	2B006091	Abdeckung Verkabelung	1	
18	2B003422	Schraube TBEI M5x12 TORX vorimprägniert	1	

Einheit	Aufbau
Code	02.120
Beschreibung	Sitz
Inspektion	1



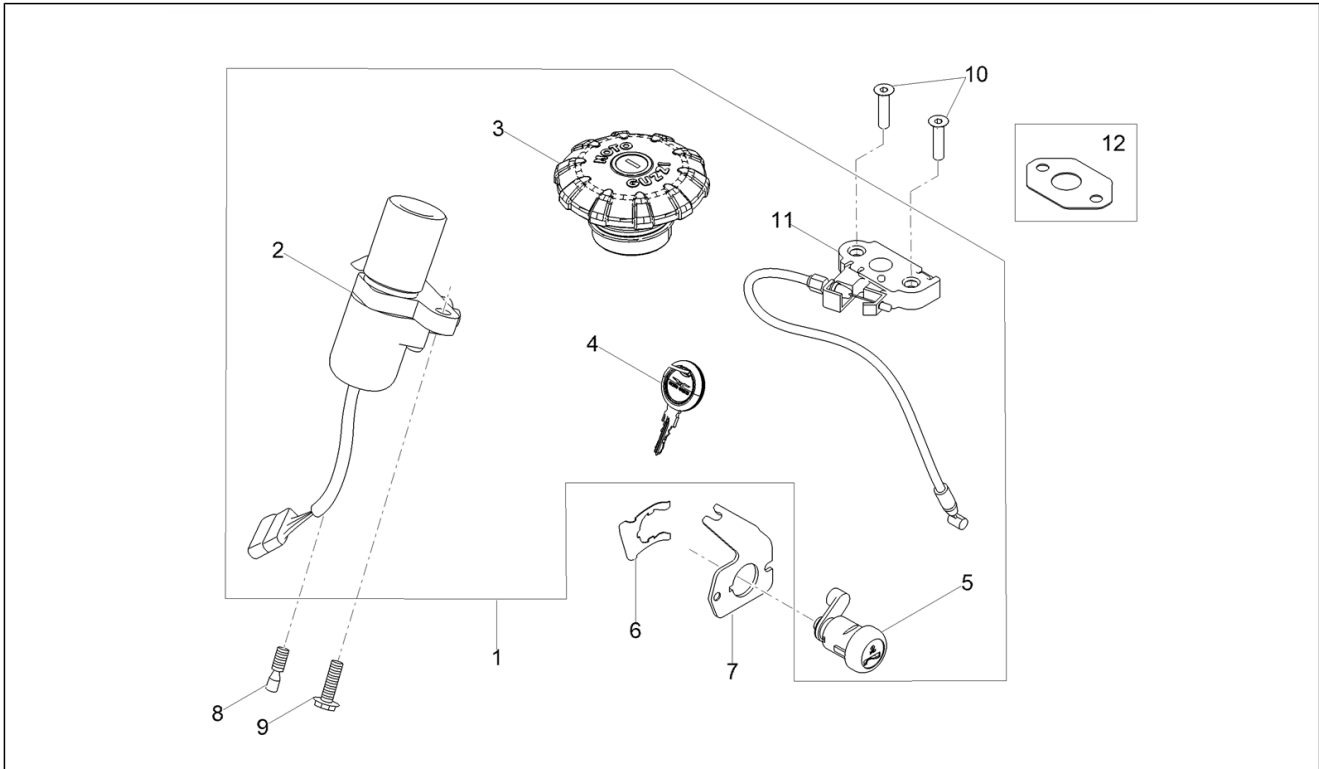
Pos.	Code	Beschreibung	Menge	Varianten
1	2B007448000C2	Sitz	1	Farbe:Deep blue[BLU] Weiß[WHI]
2	GU32461610	Gummi	8	
3	2B000421	Gummi	2	
4	852391	Schlüssel	1	

Einheit	Aufbau
Code	02.150
Beschreibung	Hinteres Schutzblech
Inspektion	1



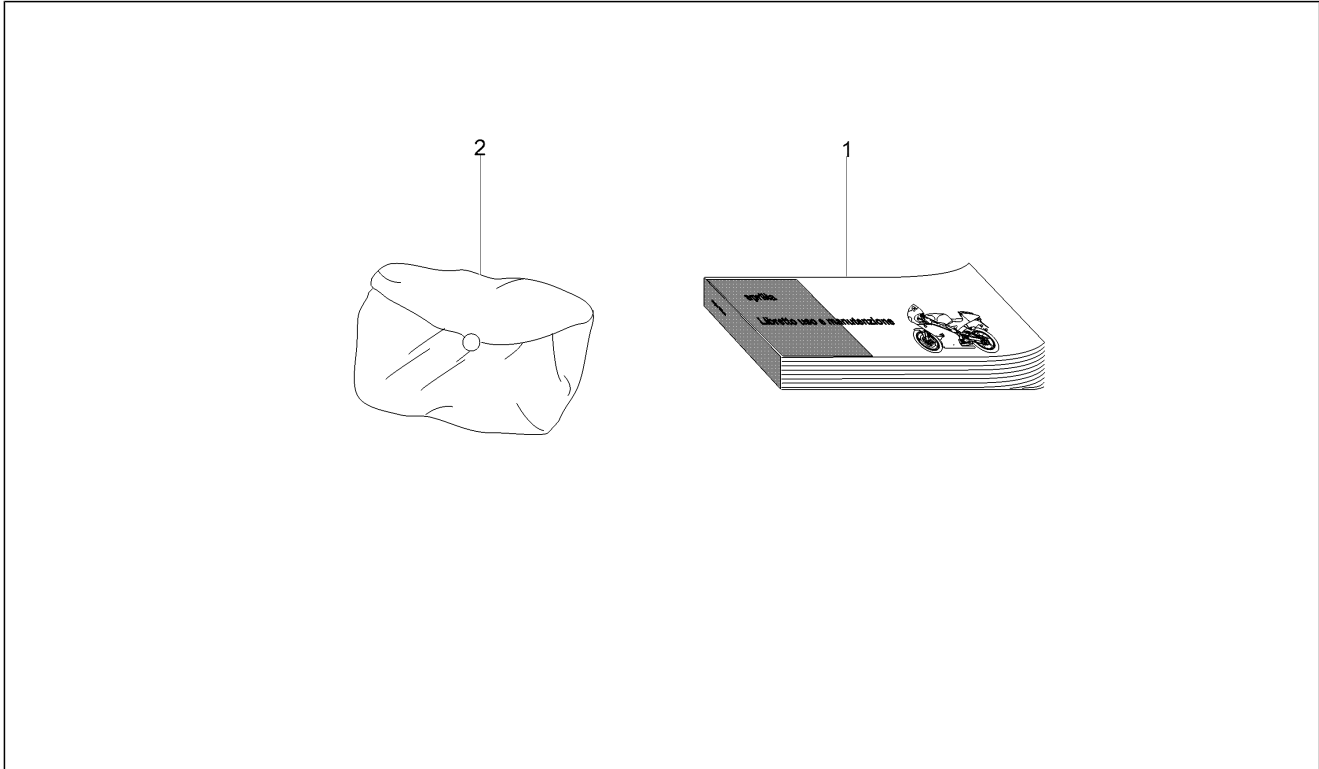
Pos.	Code	Beschreibung	Menge	Varianten
1	2B007463	Hinteres Schutzblech	1	Farbe:Unlackiert[gr]
1	2B007463000XN5	H. Schutzblech, schwarz	1	Farbe:Deep blue[BLU] Weiß[WHI]
2	2B007464	Verstärkung Heckkotflügel	1	
3	2B007631	Spritzschutz	1	
4	GU92630108	Mutter	2	
5	GU91120806	Distanzscheibe	2	
6	AP8121032	Buchse	6	
7	254485	Federplättchen M6	1	
8	AP8152299	Selbstsperrende Mutter M6	6	
9	GU95005310	Ausgleichscheibe 8,4x18x2	2	
10	GU98690435	TCEI Schraube M8x35	2	
11	CM179302	Metrische Schraube TBC	3	
12	CM179301	Torx head cylinder head screw M6x16	2	
13	2B006604	T-Buchse	1	
14	B016808	Covex head screw with torx M5x20	3	
15	843213	T-Buchse	3	
16	2B006416	Flanged spacer	3	
17	AP8150248	Ausgleichscheibe 5,5x15x1,6	3	
18	AP8150451	Selbstsperr.mut Unt. M5	3	
19	2B007468	Kennzeichenhalter	1	

Einheit	Aufbau
Code	02.170
Beschreibung	Schlösser
Inspektion	1



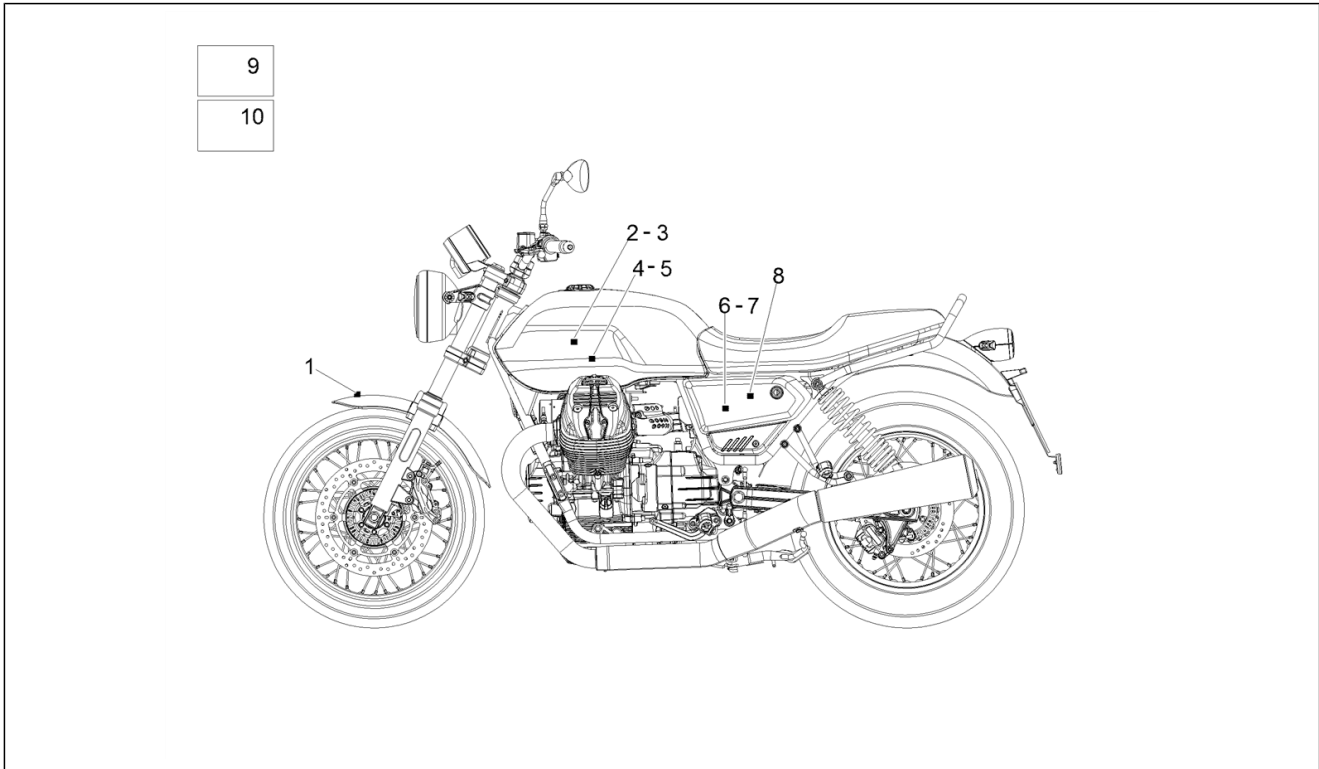
Pos.	Code	Beschreibung	Menge	Varianten
1	2B008488	Kit Schließvorrichtungen	1	
2	2D000351	Umschalter mit Schlüssel	1	
3	2B0039954	Verschluss mit Schlüssel	1	
4	2B003994	Gefräster Schlüssel	1	
5	2B004009	Schloss Sitzbank mit Schlüssel	1	
6	AP8121420	Gabelfeder	1	
7	978415	Kabelplatte	1	
8	AP8152229	Reißschraube M8x20	1	
9	2B002494	Schraube TCEI M8x20 vorimprägniert	1	
10	GU98370625	TBEI Schraube M6x25	2	
11	2B008482	Bowdenzug Sitzbankschließung	1	
12	886820	Sitzschloß Fixierplatte	1	

Einheit	Aufbau
Code	02.180
Beschreibung	Schilden
Inspektion	1



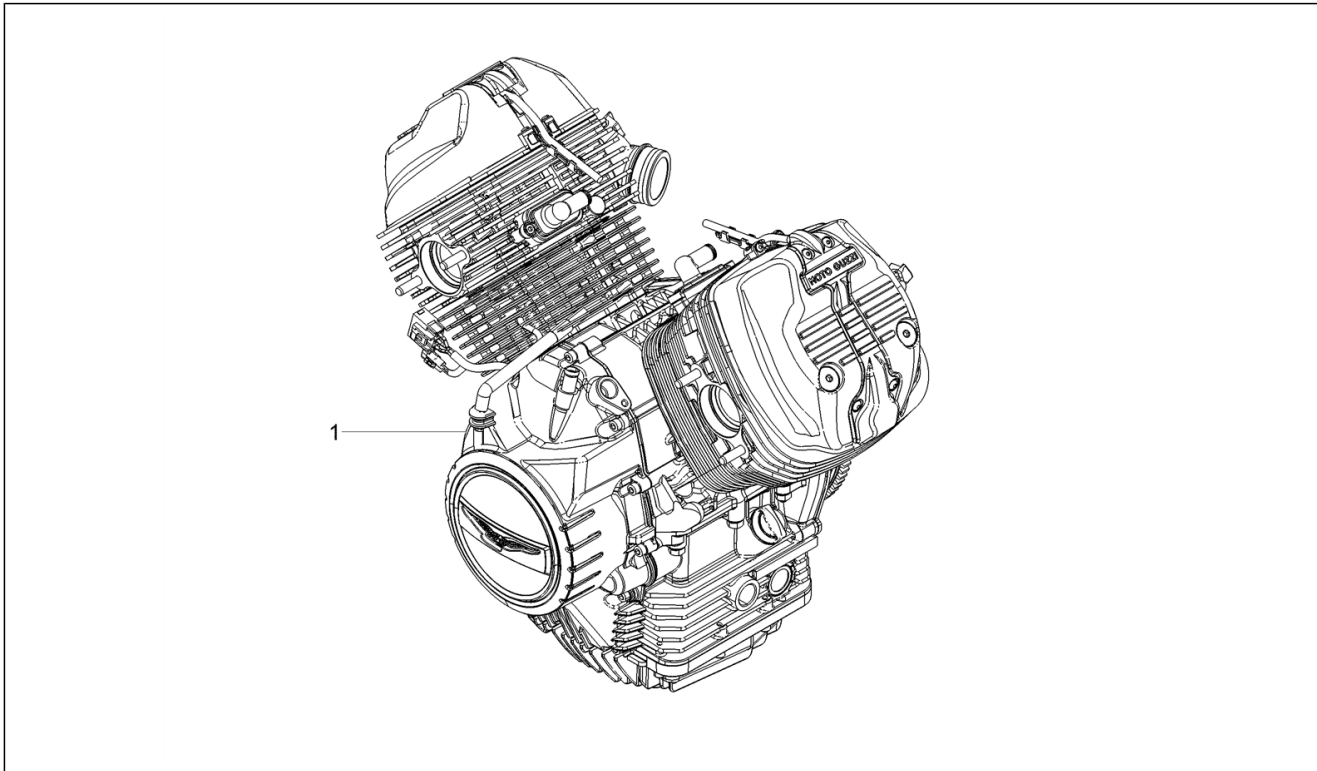
Pos.	Code	Beschreibung	Menge	Varianten
1	2Q000447QK	Bed./Wart.-Anl. V7 IT-FR-DE-NL-ES-EN	1	
2	2B003306	Werkzeugtasche	1	

Einheit	Aufbau
Code	02.190
Beschreibung	Deko
Inspektion	1



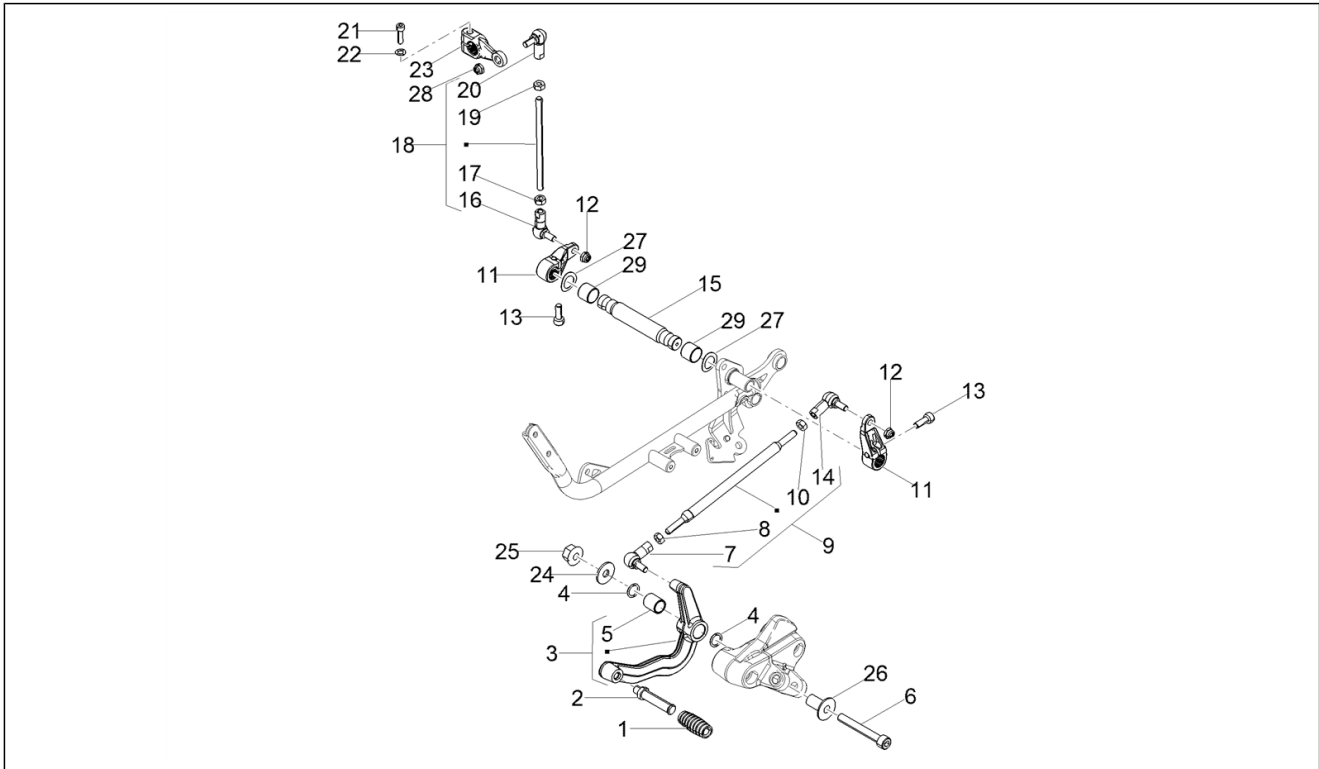
Pos.	Code	Beschreibung	Menge	Varianten
1	2H004121	Aufkleber Schutzblech v.	1	Farbe:Deep blue[BLU] Weiß[WHI]
2	2H001645	Targhetta "aquila" DX	1	Farbe:Deep blue[BLU] Weiß[WHI]
3	2H001646	Plakette "Aquila" links	1	Farbe:Deep blue[BLU] Weiß[WHI]
4	2H004122	Aufkleber Streifen re Tank	1	Farbe:Deep blue[BLU]
4	2H004127	Aufkleber Streifen re Tank	1	Farbe: Weiß[WHI]
5	2H004123	Aufkleber Streifen li Tank	1	Farbe:Deep blue[BLU]
5	2H004128	Aufkleber Streifen li Tank	1	Farbe: Weiß[WHI]
6	2H004125	Aufkleber Streifen rechts	1	Farbe:Deep blue[BLU]
6	2H004129	Aufkleber Streifen rechts	1	Farbe: Weiß[WHI]
7	2H004126	Aufkleber Streifen links	1	Farbe:Deep blue[BLU]
7	2H004130	Aufkleber Streifen links	1	Farbe: Weiß[WHI]
8	2H004124	Plakette rechts-links "V7 Special"	2	Farbe:Deep blue[BLU] Weiß[WHI]
9	2B008514	Aufkleber Reifendruck	1	Farbe:Deep blue[BLU] Weiß[WHI]
10	2B008499	Aufkleber Ausbau Seitenteil	1	Farbe:Deep blue[BLU] Weiß[WHI]

Einheit	Motor
Code	03.010
Beschreibung	Motor-Fertigstellung
Inspektion	1



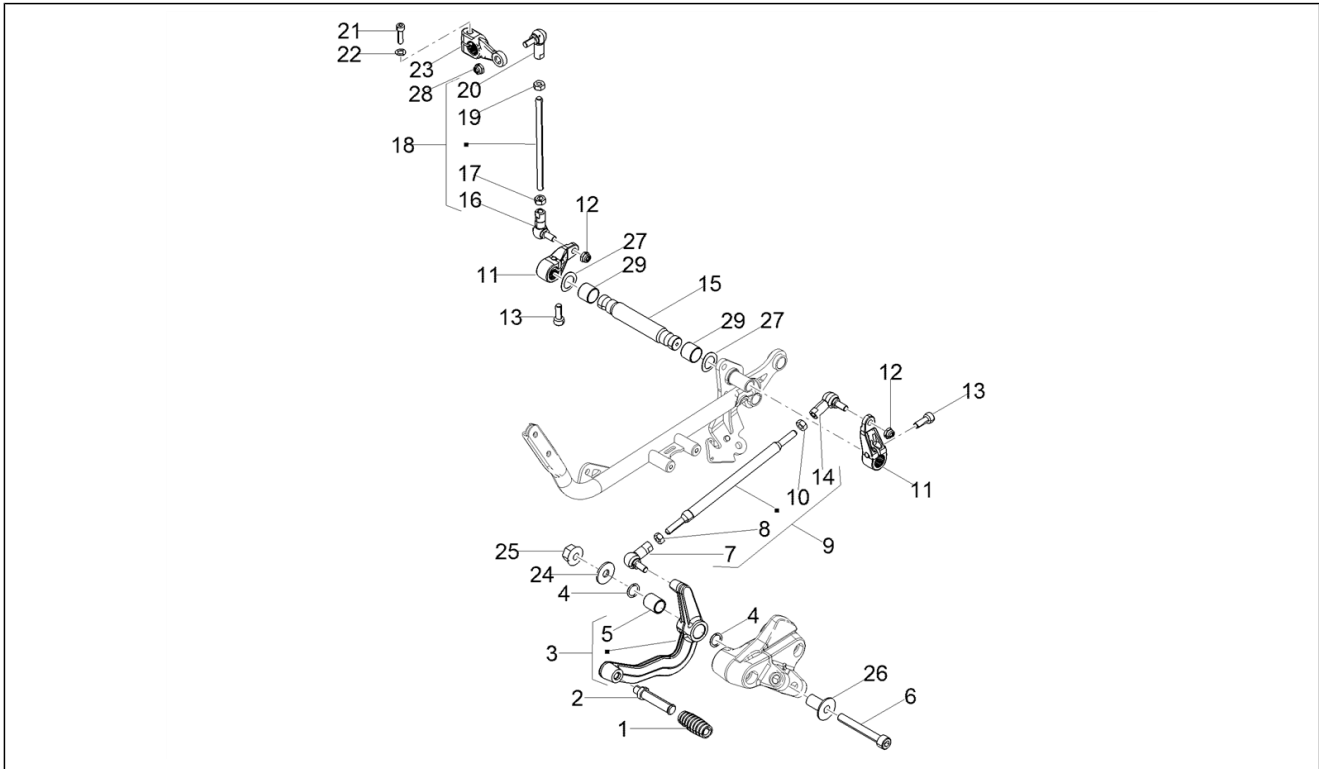
Pos.	Code	Beschreibung	Menge	Varianten
1	1A017918	Motor ohne Getriebe	1	

Einheit	Motor
Code	03.020
Beschreibung	Schalthebel
Inspektion	1



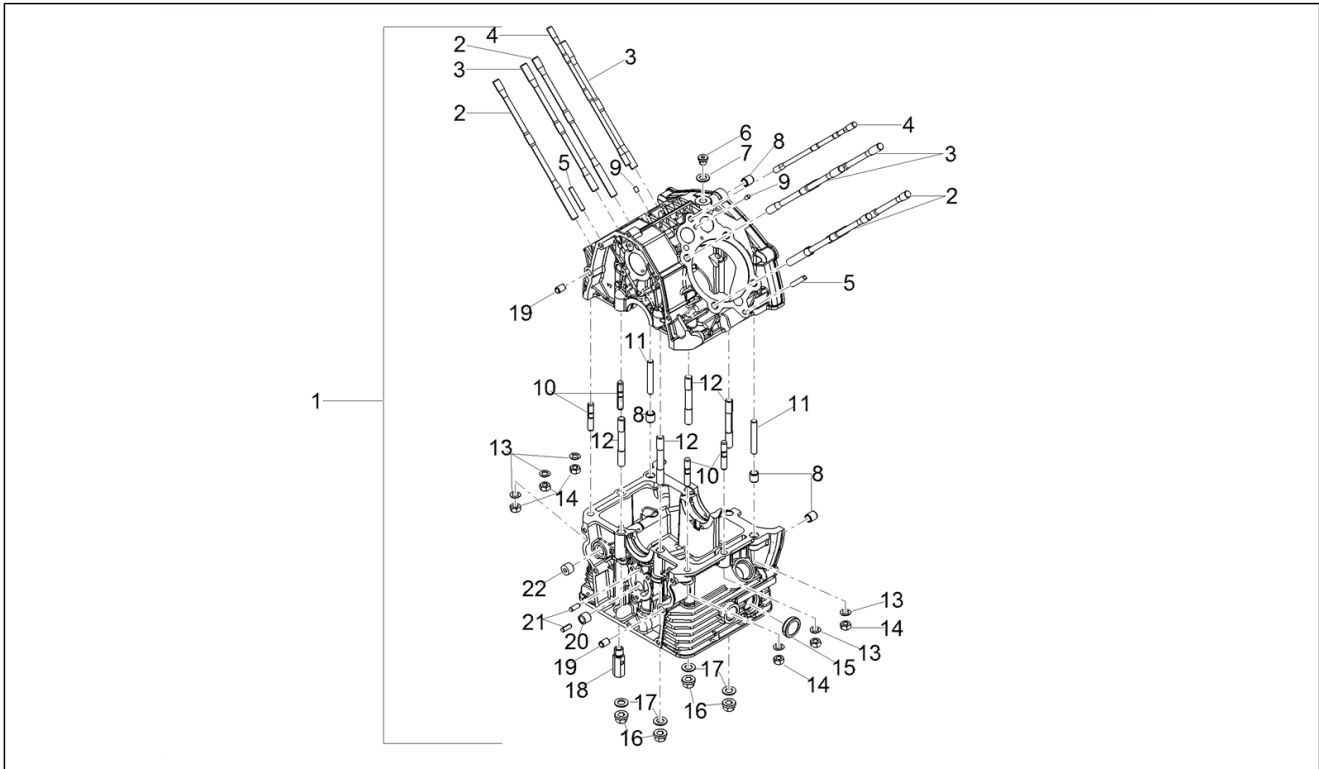
Pos.	Code	Beschreibung	Menge	Varianten
1	AP8120912	Gummi für Hebel	1	
2	2B004818	Gummigleitschutze	1	
3	2B003348	Schalthebel kpl.	1	
4	AP8144007	O-Ring 11,11x1,78	2	
5	895328	Buchse gesintert	1	
6	GU98680460	TCEI Schraube M8x60	1	
7	2B004822	Kugelgelenk links M6	1	
8	2B004828	Mutter Linksgewinde	1	
9	2B004914	Schalstange kpl.	1	
10	2B004827	Mutter Gewinde RE	1	
11	2B004348	Schalthebel	2	
12	GU92630206	Selbstsichernde Mutter M6x1	2	
13	GU98692318	TCEI Schraube M6x18	2	
14	2B004821	Kugelgelenk rechts M6	1	
15	2B001009	Hebelbolzen	1	
16	AP8110053	Kugelgelenk links M6	1	
17	AP8152138	Mutter	1	
18	2B001941	Zugstange Schaltzug	1	
19	AP8150026	Mutter M6	1	
20	AP8210007	Kugelgelenk rechts M6	1	
21	GU98632322	Schraube	1	
22	GU03013800	Ausgleichscheibe 6,4x12	1	
23	GU20258221	Schalthebel	1	
24	AP8150018	Ausgleichscheibe	1	
25	967363	Mutter M8x1,25	1	
26	AP8121509	Buchse	1	
27	GU95129260	Sprengscheibe	2	
28	GU92630707	Mutter M6	1	

Einheit	Motor
Code	03.020
Beschreibung	Schalthebel
Inspektion	1



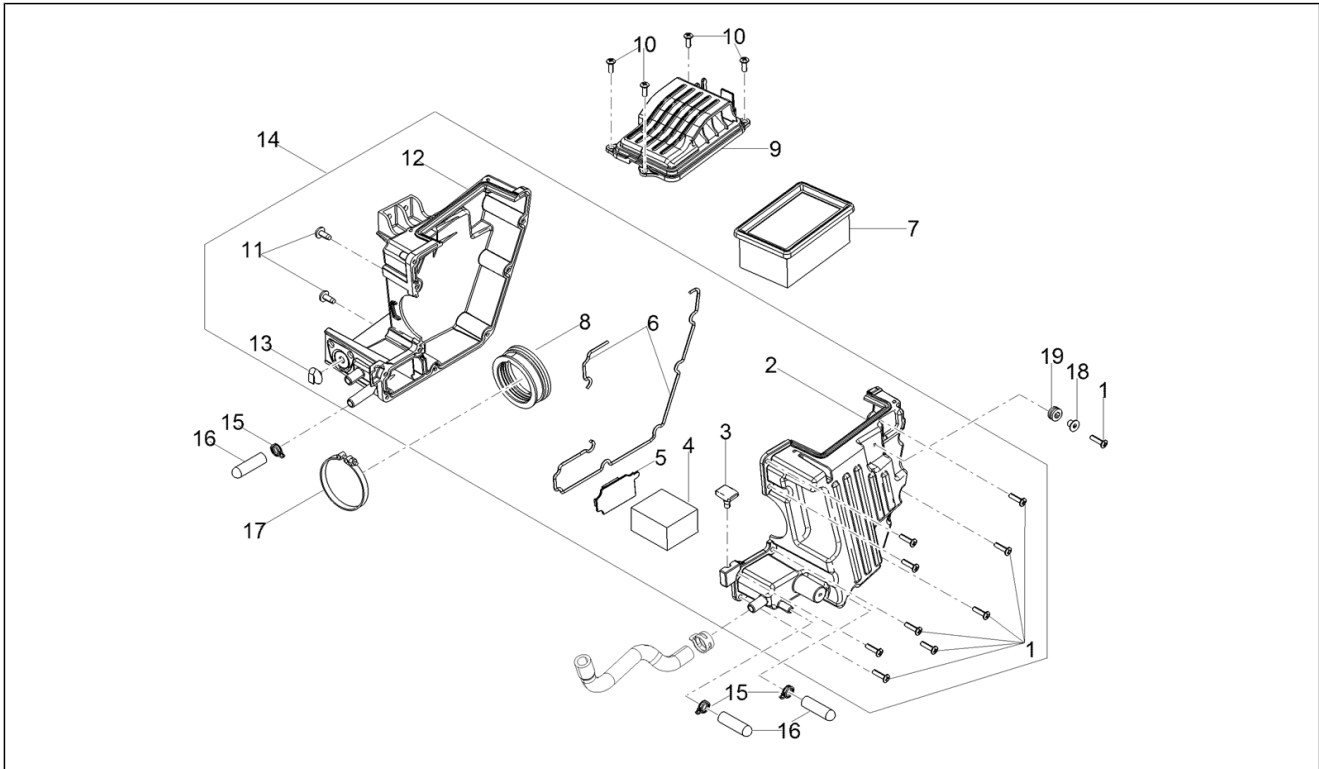
Pos.	Code	Beschreibung	Menge	Varianten
29	2B004219	Buchse	1	

Einheit	Motor
Code	03.030
Beschreibung	Gehäuse I
Inspektion	1



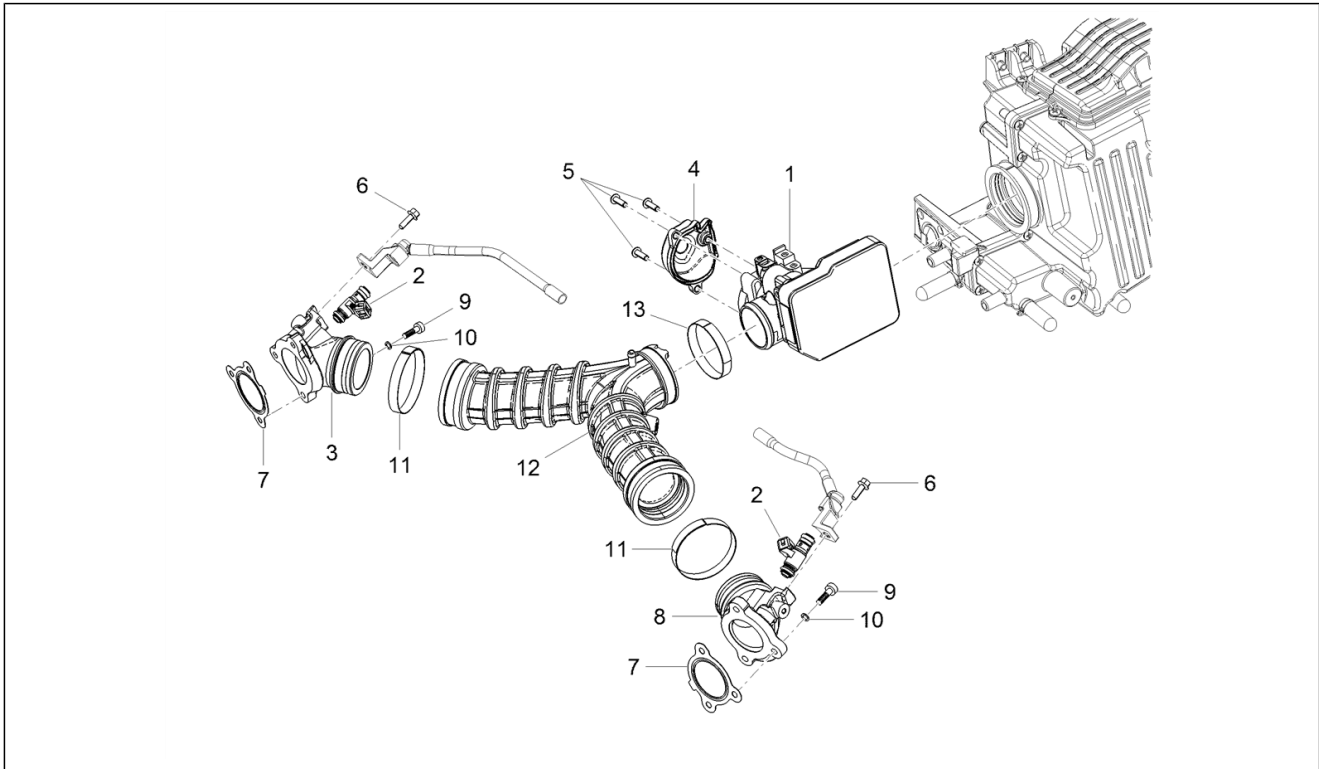
Pos.	Code	Beschreibung	Menge	Varianten
1	1A016461	Gekoppelte Kurbelgehäuse	1	
2	1A008102	Stiftschraube langer Kopf	4	
3	1A008103	Stiftschraube kurzer Kopf	4	
4	1A008104	Stiftschraube zentraler Kopf	2	
5	1A008256	Stiftschraube	2	
6	1A009653	Verschlußschraube M10	1	
7	GU95100309	Ausgleichscheibe	1	
8	GU19015020	Buchse	4	
9	484993	Haltestein	2	
10	1A018712	Stiftschraube	4	
11	1A018733	Stiftschraube	2	
12	1A004530	Stiftschraube	4	
13	1A018734	Flache Unterlegscheibe aus Metall	6	
14	874557	Geflanschte Mutter M8x1,25	6	
15	485693	Ölstandzeiger	1	
16	1A006656	Geflanschte Mutter M10x1	4	
17	1A006655	Flachscheibe	4	
18	GU19003800	Anschluss	1	
19	GU19002020	Buchse 6,6x9x13	2	
20	976168	Nadelhülse 10x14x12	1	
21	GU19018920	Stift	2	
22	831135	Verschlußschraube M14x1,5	1	

Einheit	Motor
Code	03.050
Beschreibung	Filtergehäuse
Inspektion	1



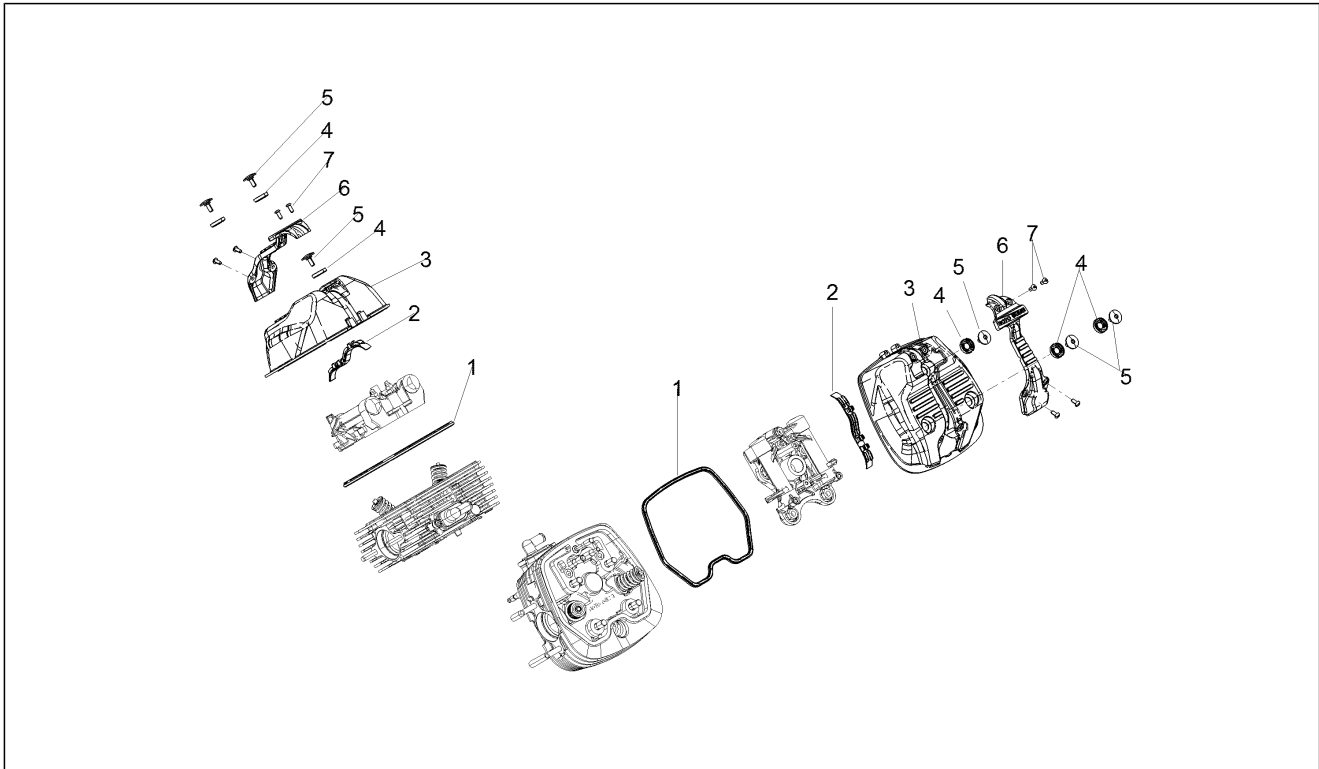
Pos.	Code	Beschreibung	Menge	Varianten
1	AP8152329	Kreuz.schl.flnschsch. M5x20	9	
2	2B008082	L.deckel Filtergehäuse	1	
3	AP8120455	Gummi	1	
4	AP8104525	Filter blow-by	1	
5	2B002851	Membran	1	
6	AP8120615	Dichtung D3	1	
7	AP8104924	Luftfilter	1	
8	887815	Ansaugmuffe	1	
9	887843	Luftfilterdeck	1	
10	AP8150509	Gew.schr. 5x14	4	
11	AP8120876	Verschlussschraube	2	
12	887844	Schale re Filtergehäuse	1	
13	890760	Halterung Instrumente	1	
14	2B008083	Sicherungskasten	1	
15	AP8102520	Schlauchschelle	3	
16	AP8161054	Kappe	3	
17	CM258303	Schelle 63	1	
18	AP8221023	T-Buchse	2	
19	GU91551010	Gummi 10X20X10	2	

Einheit	Motor
Code	03.060
Beschreibung	Klappenkörper
Inspektion	1



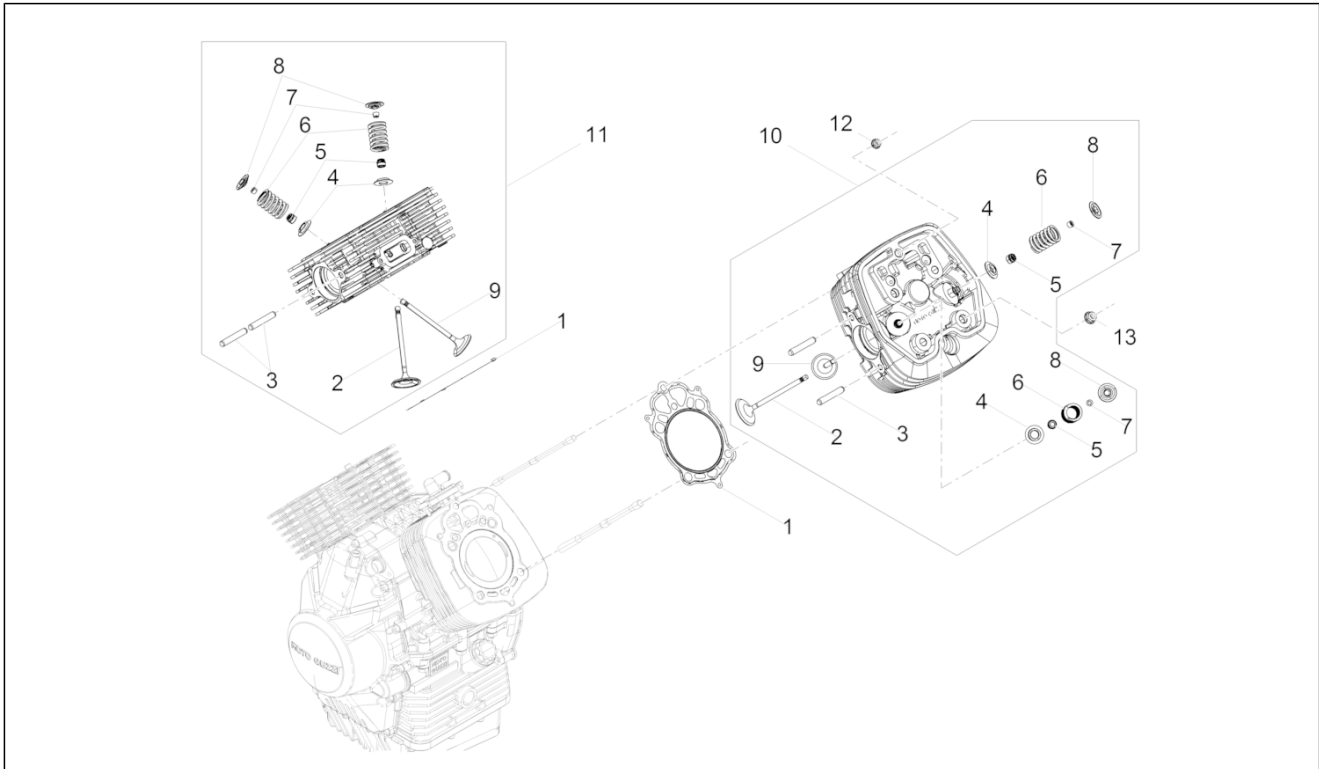
Pos.	Code	Beschreibung	Menge	Varianten
1	CM312001	Drosselkörper mit ECU	1	
2	1D001393	Injektor	2	
3	1A017660	Ansaugverbindung rechts	1	
4	880260	Deckel Drosselkörper	1	
5	B016796	Linsenkopfschraube Torx	3	
6	830061	Sechskantschraube geflanscht M5x16	2	
7	1A009167	Dichtung	2	
8	1A017659	Ansaugverbindung links	1	
9	GU98622322	Schraube	6	
10	GU03013800	Ausgleichscheibe 6,4x12	6	
11	CM258302	Schelle	2	
12	1A016324	Muffe Drosselklappe	1	
13	CM258301	Schelle	1	

Einheit	Motor
Code	03.090
Beschreibung	Kopfdeckel
Inspektion	1



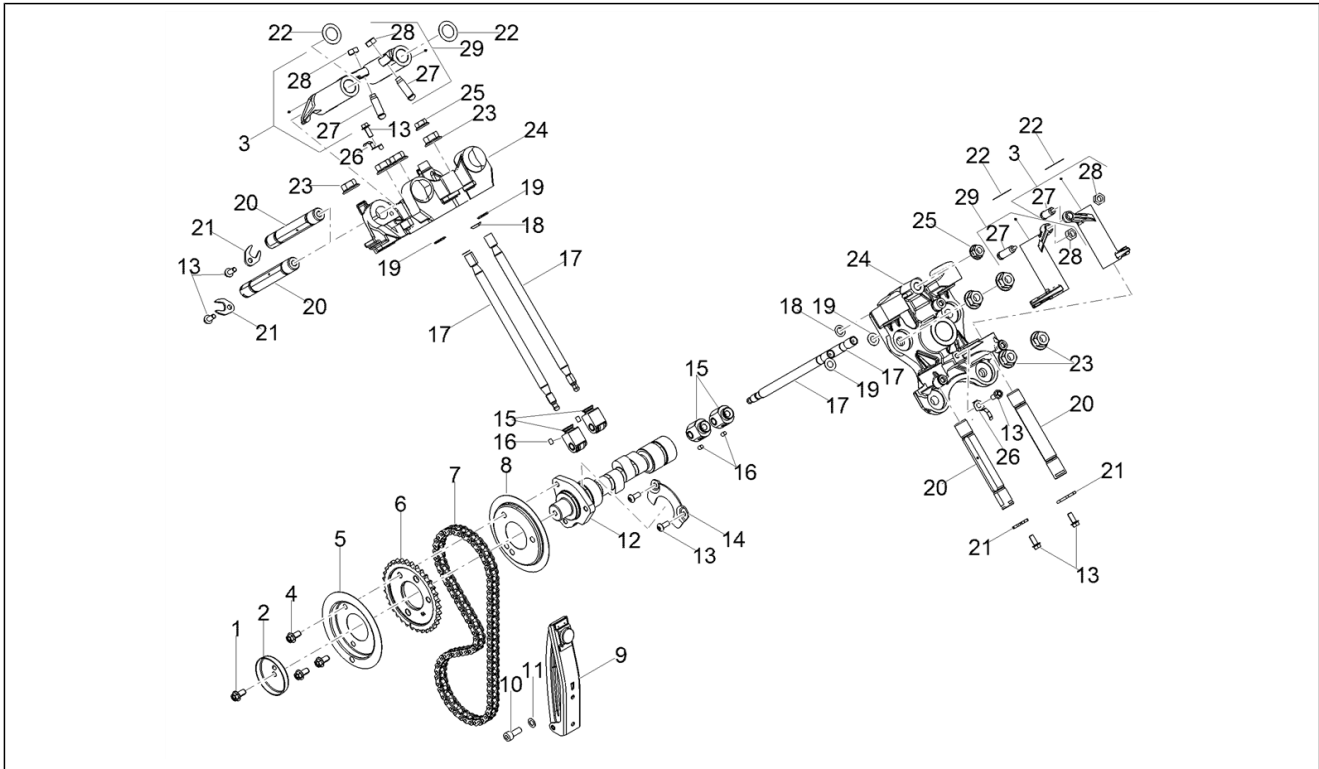
Pos.	Code	Beschreibung	Menge	Varianten
1	2A000565	Kopf Deckel Dichtung	2	
2	2A000659	Kabelführung	2	
3	1A017912	Kopfdeckel	2	
4	1A006716	Stopfen dämpfer	6	
5	976591	Spezialschraube	6	
6	1A017047	Zündkerzedeckel	2	
7	AP8152267	TBEI Spez.schr. M5x12	8	

Einheit	Motor
Code	03.100
Beschreibung	Zylinderkopf - ventile
Inspektion	1



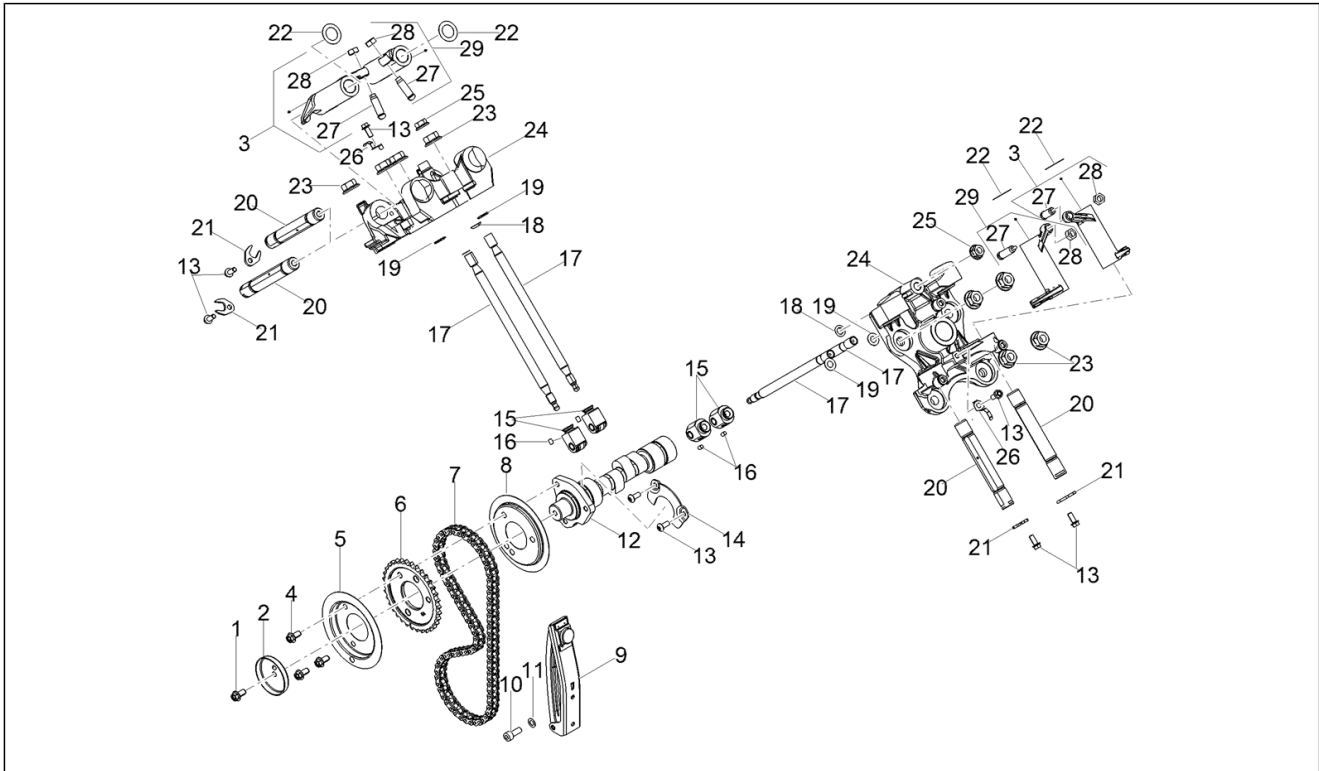
Pos.	Code	Beschreibung	Menge	Varianten
1	1A004660	Zylinder/Kopf Dichtung sp. 0,6 mm	1	
1	1A004661	Zylinder/Kopf Dichtung SP. 0.8 mm	1	
1	1A004662	Zylinder/Kopf Dichtung SP. 1 mm	1	
2	1A016297	Einlassventil	2	
3	B017636	Auspufftopf Stiftschraube	2	
4	1A004751	Federteller unten	4	
5	1A003452	Ventil Dichtring	2	
6	1A011173	Ventilrückholfeder	4	
7	871640	Halbkegel	8	
8	1A004750	Federteller oben	4	
9	1A014459	Auslassventil	2	
10	1A017906	L.Kopf kpl.mitVentilführungen	1	
11	1A017908	R.Kopf kpl.mitVentilführungen	1	
12	1A006659	Geflanschte Mutter M8x1.25	1	
13	825694	Mutter M10x1,25	1	

Einheit	Motor
Code	03.120
Beschreibung	Steuer
Inspektion	1



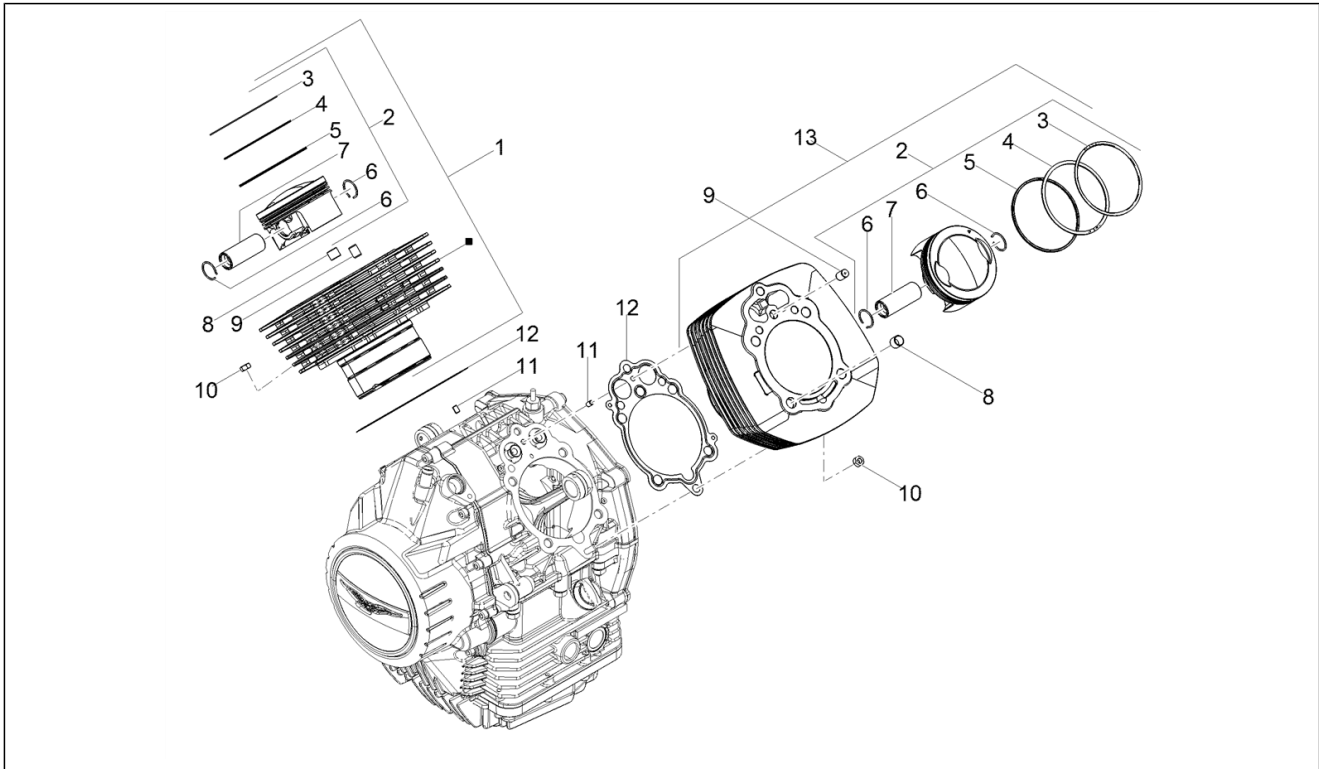
Pos.	Code	Beschreibung	Menge	Varianten
1	878872	TE Schr. m. Flansch	1	
2	1A016844	Protection	1	
3	1A004903	Kippschalter Einlass li Auslass re	2	
4	878872	TE Schr. m. Flansch	3	
5	1A016330	Begrenzungsblech	1	
6	1A006243	Steuer Zahnkranz	1	
7	GU19058021	Steuerkette	1	
8	1A005955	Platte	1	
9	1A017035	Kettenspanner	1	
10	GU98882316	Schraube	1	
11	GU95129115	Ausgleichscheibe	1	
12	1A018338	Nockenwelle mit inneren Teilen	1	
13	1A015041	Schraube m5x12 torx	8	
14	1A009346	Befestigungsblech Nockenwelle	1	
15	1A013671	Rollenstößel	4	
16	B013552	Rolle	4	
17	1A012793	Kippschalterstange	4	
18	1A006861	Gasket ring	2	
19	2A000579	Dichtungsring O-Ring 2,62x9.19	4	
20	1A011963	Kippschalter-Federwelle	4	
21	1A017540	Schaltgabel	4	
22	1A005951	Gebogene Sprengscheibe	4	
23	825694	Mutter M10x1,25	8	
24	1A013883	Kippschallager	2	
25	1A006659	Geflanschte Mutter M8x1.25	2	
26	2A000527	Platte	2	
27	1A004907	Einstellschraube	4	
28	GU10034100	Mutter	4	

Einheit	Motor
Code	03.120
Beschreibung	Steuer
Inspektion	1



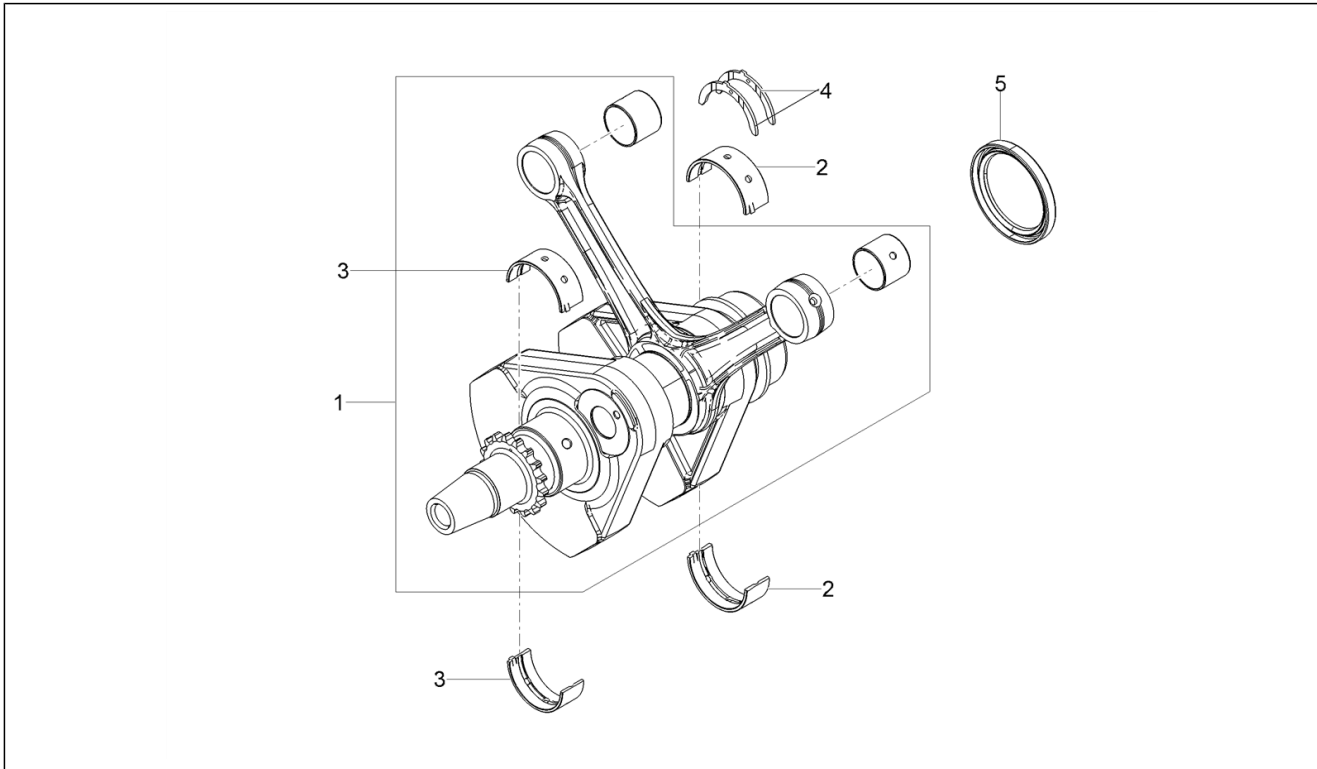
Pos.	Code	Beschreibung	Menge	Varianten
29	1A004905	Kippschraube Einlass re Auslass li	1	

Einheit	Motor
Code	03.150
Beschreibung	Zylinder - Kolben
Inspektion	1



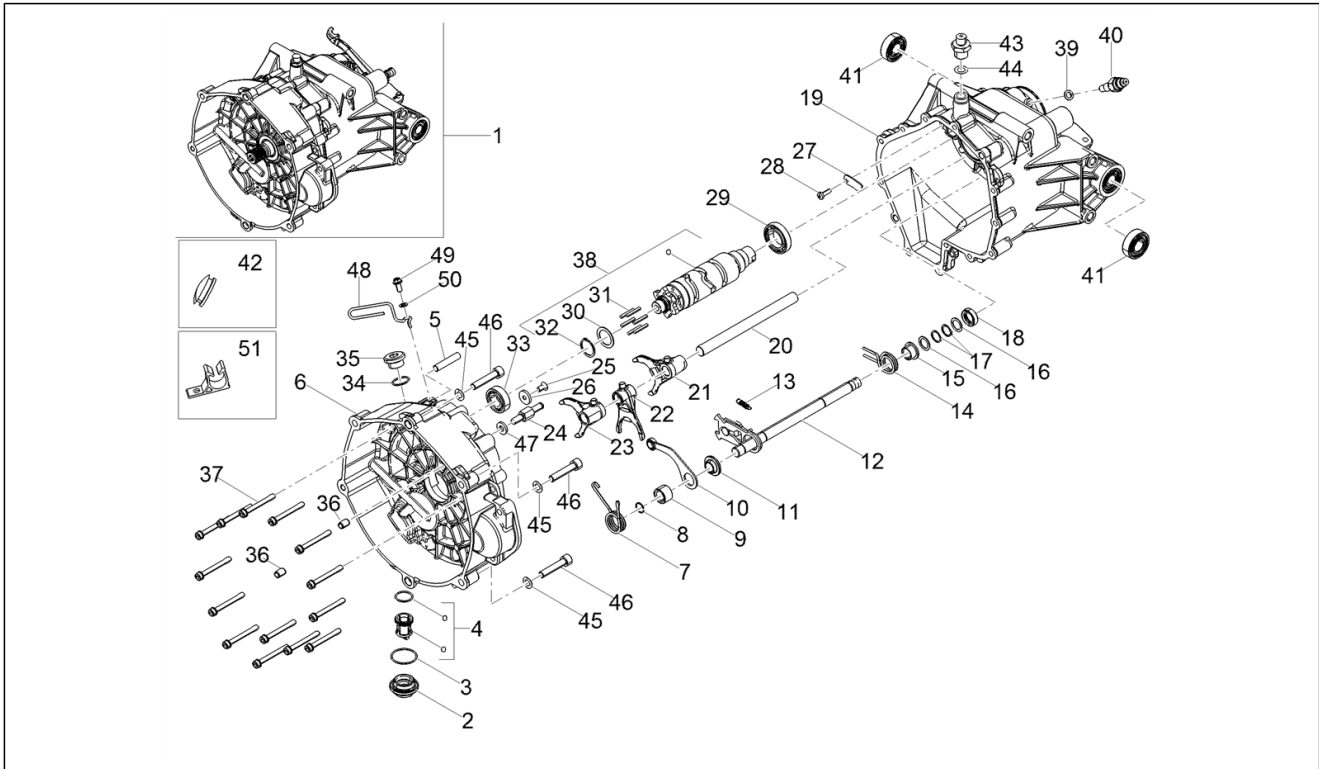
Pos.	Code	Beschreibung	Menge	Varianten
1	1A017910	Re. Zylinder mit Kolben kpl.	1	
2	1A0152720G	Kolben komplett Kat. G	1	
2	1A0152720H	Kolben komplett Kat. H	1	
2	1A0152720L	Kolben komplett Kat. L	1	
2	1A0152720M	Kolben komplett Kat. M	2	
3	1A013936	Kompressionsring	2	
4	1A004954	Kompressionsring	2	
5	1A004955	Ölabstreifer	2	
6	1A011548	Rückhaltering Kolbenbolzen	4	
7	1A008933	Bolzen	2	
8	825597	Stift 11,8X10	2	
9	GU19021360	Buchse	2	
10	288245	Mutter, selbstsichernd M6	2	
11	484993	Haltestein	2	
12	1A010855	Dichtung Zylinder/Gehäuse	2	
13	1A017909	Li. Zylinder mit Kolben kpl.	1	

Einheit	Motor
Code	03.160
Beschreibung	Kurbelwelle
Inspektion	1



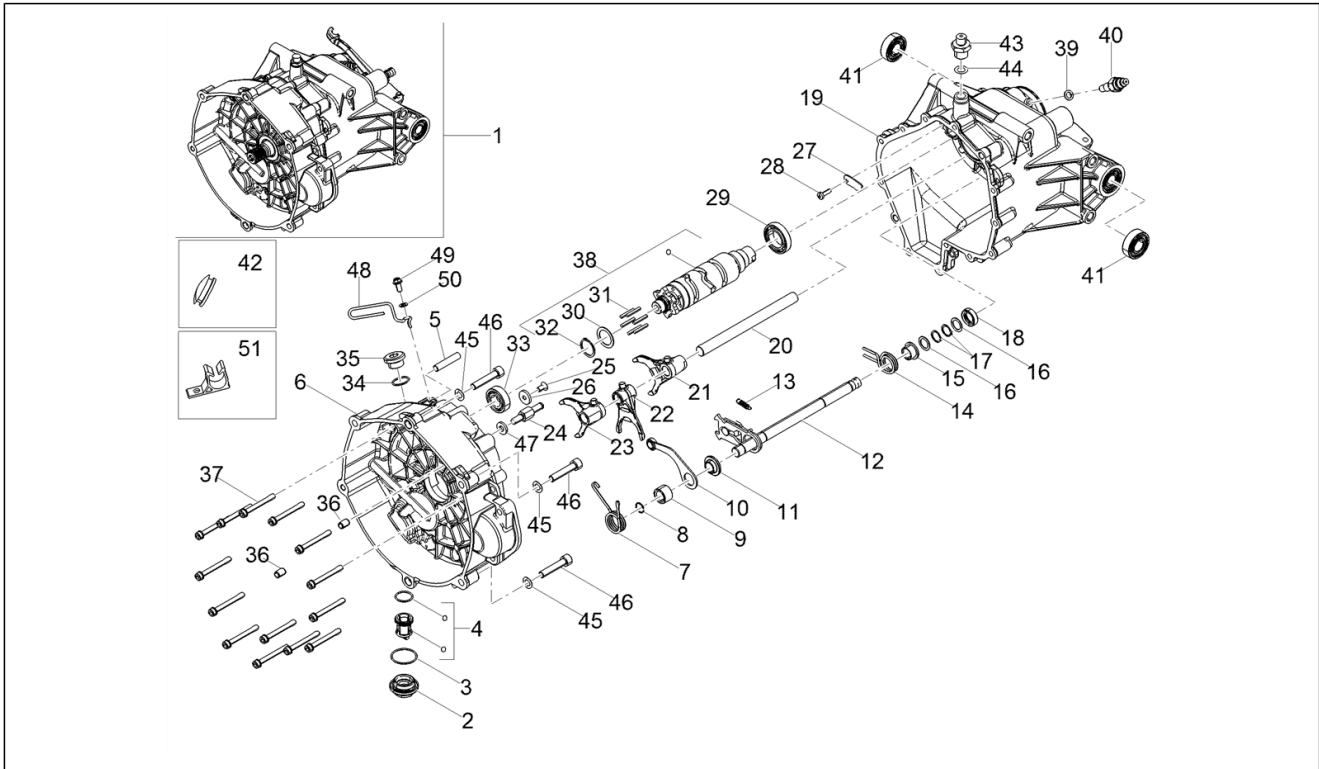
Pos.	Code	Beschreibung	Menge	Varianten
1	2A001099	Kurbelwelle komplett	1	
2	1A0066690N	Hauptlagerschale hinten Schwarz	2	
2	1A0066690V	Hauptlagerschale hinten Grün	2	
2	1A0066690G	Hauptlagerschale hinten gelb	1	
3	1A0066680G	Hauptlagerschale vorne gelb	1	
3	1A0066680N	Hauptlagerschale vorne Schwarz	1	
3	1A0066680V	Hauptlagerschale vorne Grün	1	
4	GU27066460	Halb-Klemme	2	
5	1A010753	Gasket ring 56x72x8	1	

Einheit	Motor
Code	03.170
Beschreibung	Schaltgetriebe / Schaltgabel / Desmodrom.
Inspektion	1



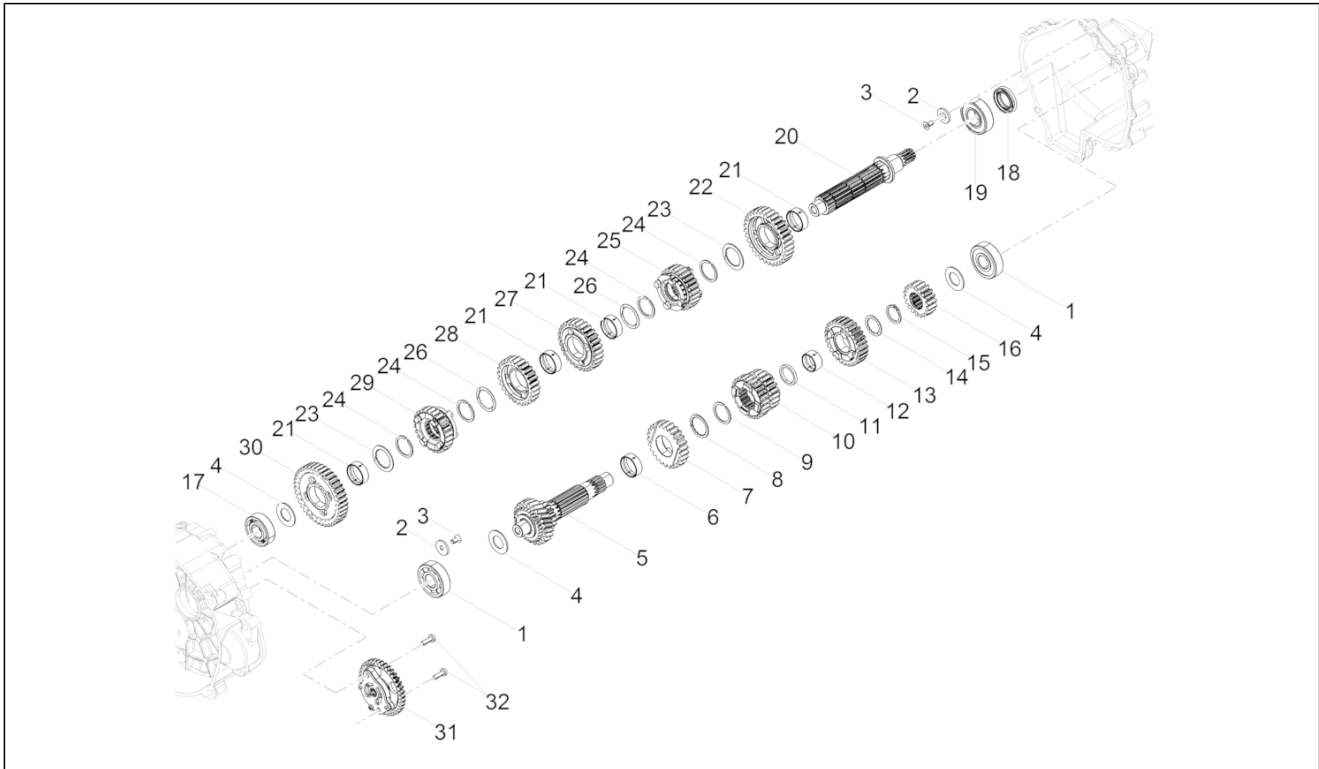
Pos.	Code	Beschreibung	Menge	Varianten
1	2A0011145	Getriebe komplett	1	
2	B015598	Ölfilter Verschluss	1	
3	1A016739	Dichtung 31,47x1,78	1	
4	B018020	Ölfiltereinsatz kpl.	1	
5	B064079	Aufnahmebolzen	1	
6	2A001118	Kupplungsglocke	1	
7	B064113	Index feder	1	
8	GU90353014	Seegerring	1	
9	GU05234230	Distanzscheibe	1	
10	B064112	Indexhebel kpl.	1	
11	GU05238431	Buchse	1	
12	2A000926	Schaltautomat	1	
13	GU05238231	Feder	1	
14	B063956	Feder	1	
15	2A000467	Distanzscheibe	1	
16	GU05239330	Anlaufscheibe	2	
17	GU90271014	Seegerring	2	
18	GU90401424	Gasket ring 14x24x7	1	
19	2A001116	Schaltgehäuse	1	
20	2A000224	Stange	1	
21	2A000226	Schaltgabel 2-3 Gang	1	
22	2A000227	Gabel 5.-6. Gang	1	
23	2A000225	Gabel für Sekundärwelle	1	
24	2A001139	Anschlagschraube	1	
25	B013608	Schraube	1	
26	873905	Unterlegscheibe	1	
27	2A000306	Anschlagplatte	1	
28	2A000241	Schraube M5x16	1	

Einheit	Motor
Code	03.170
Beschreibung	Schaltgetriebe / Schaltgabel / Desmodrom.
Inspektion	1



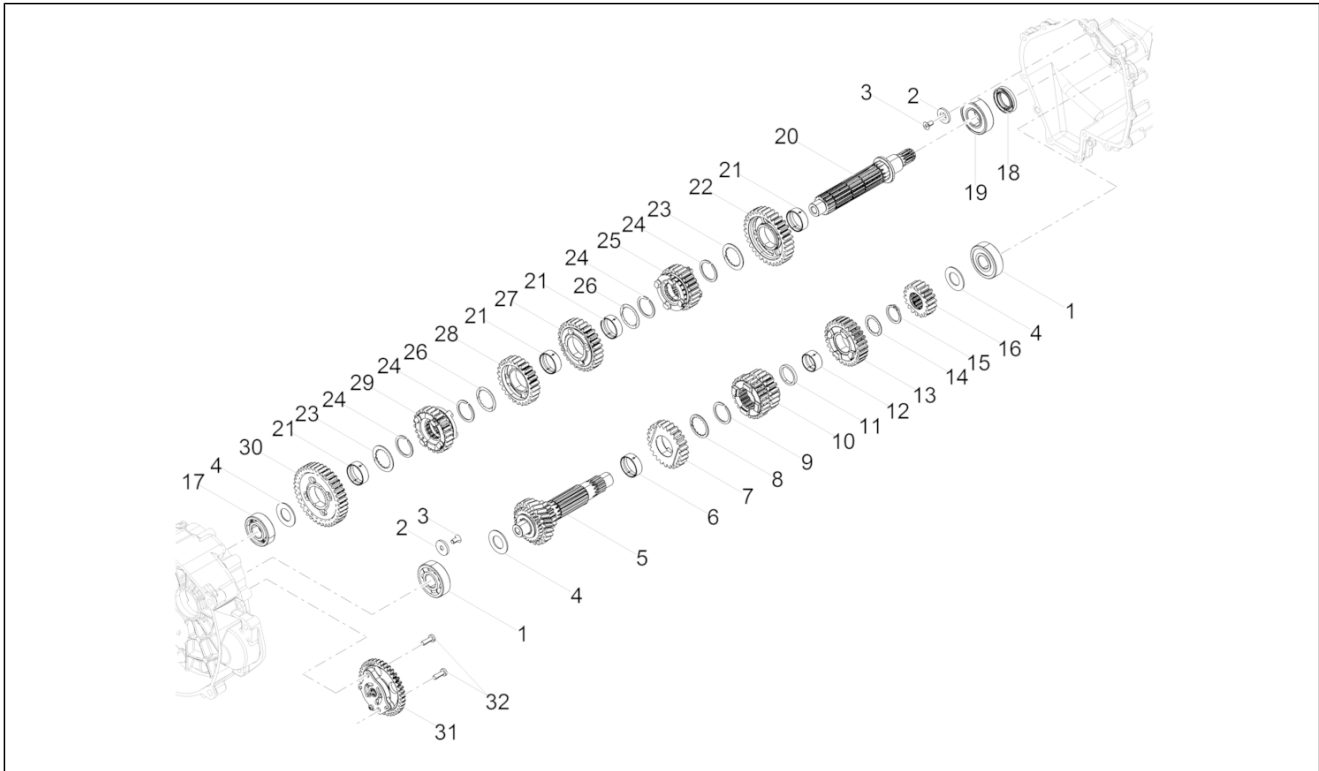
Pos.	Code	Beschreibung	Menge	Varianten
29	857250	Kugellager 25x42x9	1	
30	GU05235531	Scheibe	1	
31	2A000938	Stift	6	
32	GU90271022	Seegerring	1	
33	834764	Lager	1	
34	GU90706203	O-Ring 20,24X2,62	1	
35	GU12022600	Ölschraube	1	
36	GU19002020	Buchse 6,6x9x13	2	
37	2A000591	Zylinderschraube M6x55	14	
38	2A001047	Verschiebenocken kplt.	1	
39	B063025	Dichtung 8,7x14,2x1,3	1	
40	1A011654	Sensor	1	
41	2A000097	Kugellager 6202-2RSH/C3 LHT23	2	
42	GU93180220	Deckel	1	
43	2A000823	Entlüftungsschraube	1	
44	GU01528930	Dichtung 10x18x1,5	1	
45	658837	Gewellte Sprengscheibe D15 F8,4 S1,5 - INOX	6	
46	GU98680440	TCEI Schraube M8x40	6	
47	2A001050	Flachscheibe	1	
48	2B001138	Kabelführung	1	
49	AP8152277	Sechskantschraube geflanscht M6x12	1	
50	GU95008206	Ausgleichscheibe 6,15x11x0,8	1	
51	2B001770	Kabelführung	1	

Einheit	Motor
Code	03.180
Beschreibung	Schaltgetriebe - Zahnräder
Inspektion	1



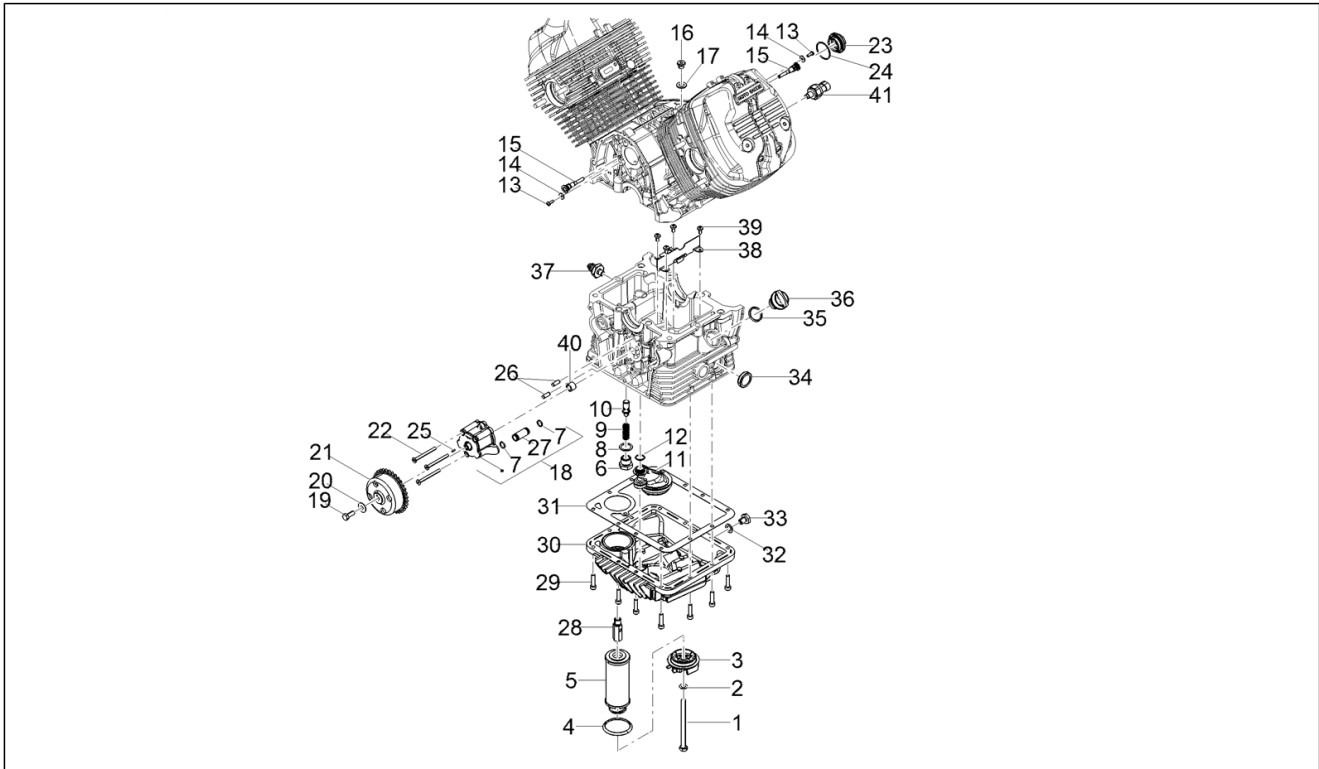
Pos.	Code	Beschreibung	Menge	Varianten
1	GU92201822	Kugellager 20x52x15	2	
2	873928	Unterlegscheibe	2	
3	B013608	Schraube	2	
4	1A000566	Ausgleichsscheibe	1	
5	2A000625	Vorgelegewelle	1	
6	849308	Buchse Beweglich	1	
7	1A000360	Schnellgangrad	1	
8	849424	Bundscheibe	1	
9	1A002604	Welle Sprengring	1	
10	1A000436	Schieberadgetriebe 3a - 4a vel.	1	
11	B015040	Ausgleichsscheibe	1	
12	974162	Buchse Beweglich	1	
13	2A000627	Zahnrad 6. Gang	1	
14	849396	Bundscheibe	1	
15	974165	Sprengring	1	
16	1A000365	Zahnrad 2.Hauptwelle	1	
17	848650	Kugellager 20x47x14	1	
18	873931	Gasket ring 40x25x7	1	
19	GU92201226	Kugellager 25x52x15	1	
20	2A000998	Nebentriebewelle	1	
21	849308	Buchse Beweglich	4	
22	2A000948	Zahnrad 2. Gang an Vorgelegewelle	1	
23	849309	Bundscheibe	2	
24	1A002604	Welle Sprengring	4	
25	2A000947	Zahnrad 6. Gang	1	
26	849310	Bundscheibe	2	
27	1A000367	Zahnrad 3. Gang Z=28	1	
28	1A000368	Zahnrad 4. Gang Z=26	1	

Einheit	Motor
Code	03.180
Beschreibung	Schaltgetriebe - Zahnräder
Inspektion	1



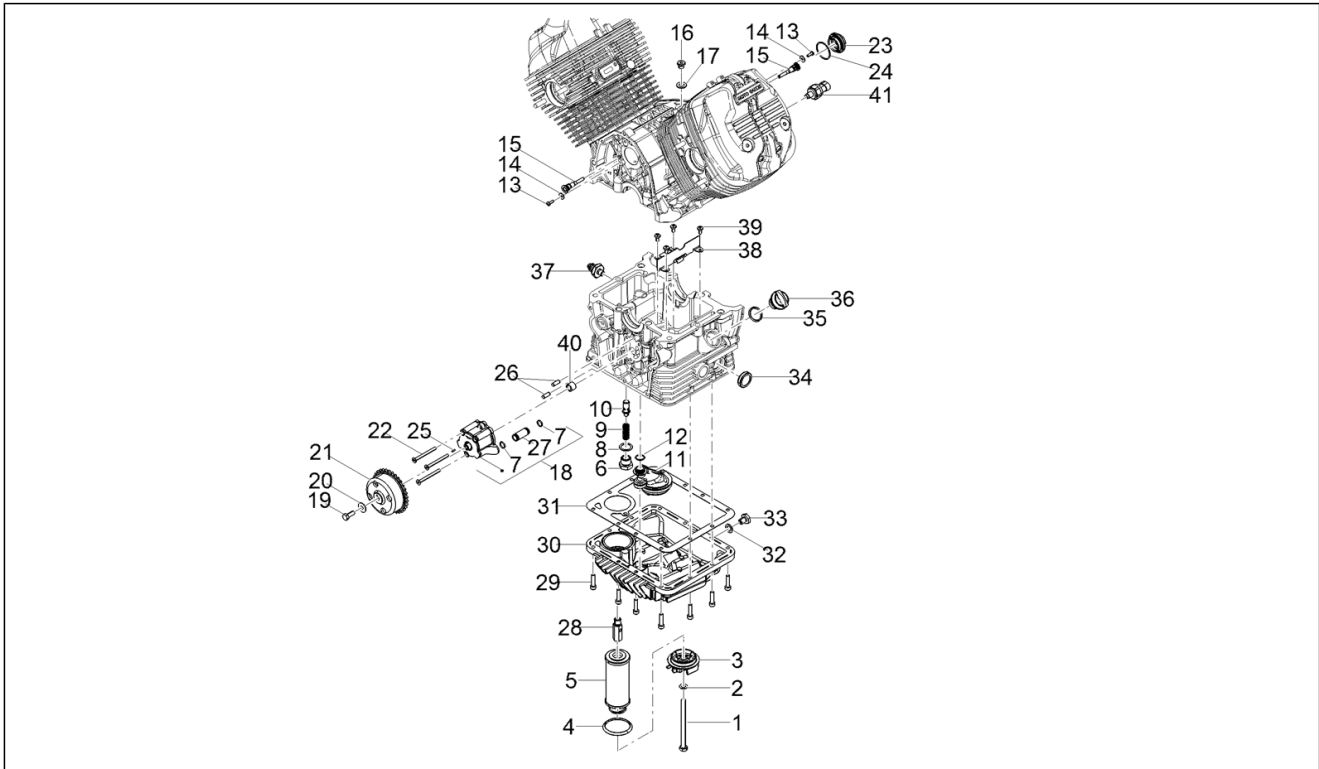
Pos.	Code	Beschreibung	Menge	Varianten
29	2A000989	Schnellgangrad	1	
30	2A000988	Zahnrad 1. Gang	1	
31	B018448	Ölpumpe	1	
32	2A000241	Schraube M5x16	2	

Einheit	Motor
Code	03.190
Beschreibung	Schmierung
Inspektion	1



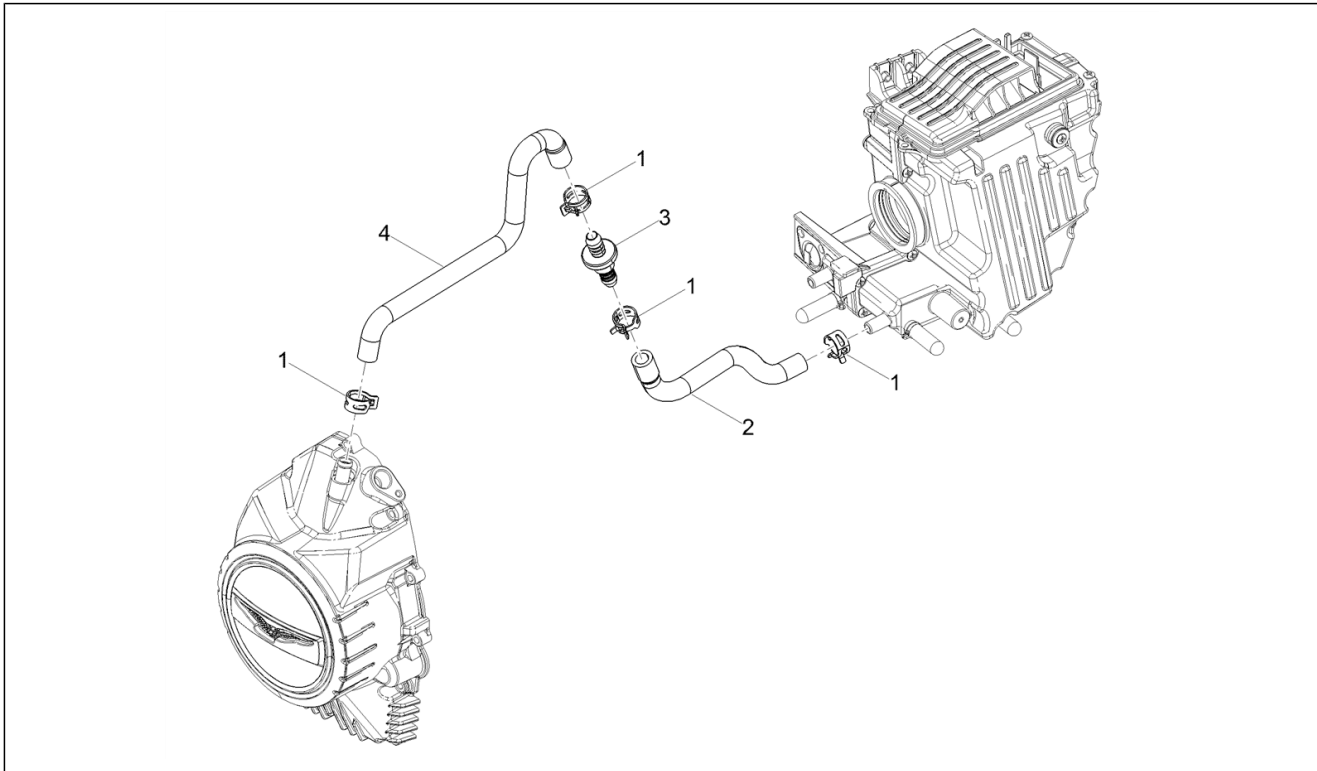
Pos.	Code	Beschreibung	Menge	Varianten
1	GU27152885	Schraubbolzen	1	
2	GU12154200	Dichtung 8,25x15x1	1	
3	1A013815	Ölfilterdeckel	1	
4	GU90706444	O-Ring	1	
5	2A000633	Ölfiltereinsatz	1	
6	GU31159050	Deckel	1	
7	1A008325	Dichtring (O-Ring)	2	
8	GU18144350	Ausgleichscheibe 18,25x24x1	3	
9	GU94321079	Feder	1	
10	1A014844	Öl-druckreglerventil	1	
11	1A004549	Oil strainer	1	
12	237553	O-Ring	1	
13	1A005257	Linsenschraube torx	2	
14	013763	Flachscheibe 4,2x12x1	2	
15	1A004442	Kühlhülse Kolben	2	
16	1A009653	Verschlußschraube M10	1	
17	GU95100309	Ausgleichscheibe	1	
18	1A015236	Ölpumpe komplett	1	
19	1A014410	Sechskantschraube M7x18 vorimprägniert	1	
20	1A014411	Tellerfeder	1	
21	1A015233	Zahnrad Ölpumpe	1	
22	1A008533	Senkschraube M5x55	3	
23	B015598	Ölfilter Verschuß	1	
24	1A016739	Dichtung 31,47x1,78	1	
25	GU92296723	Rolle	1	
26	GU19018920	Stift	2	
27	1A008291	Anschlußschlauch	1	
28	GU19003800	Anschluss	1	

Einheit	Motor
Code	03.190
Beschreibung	Schmierung
Inspektion	1



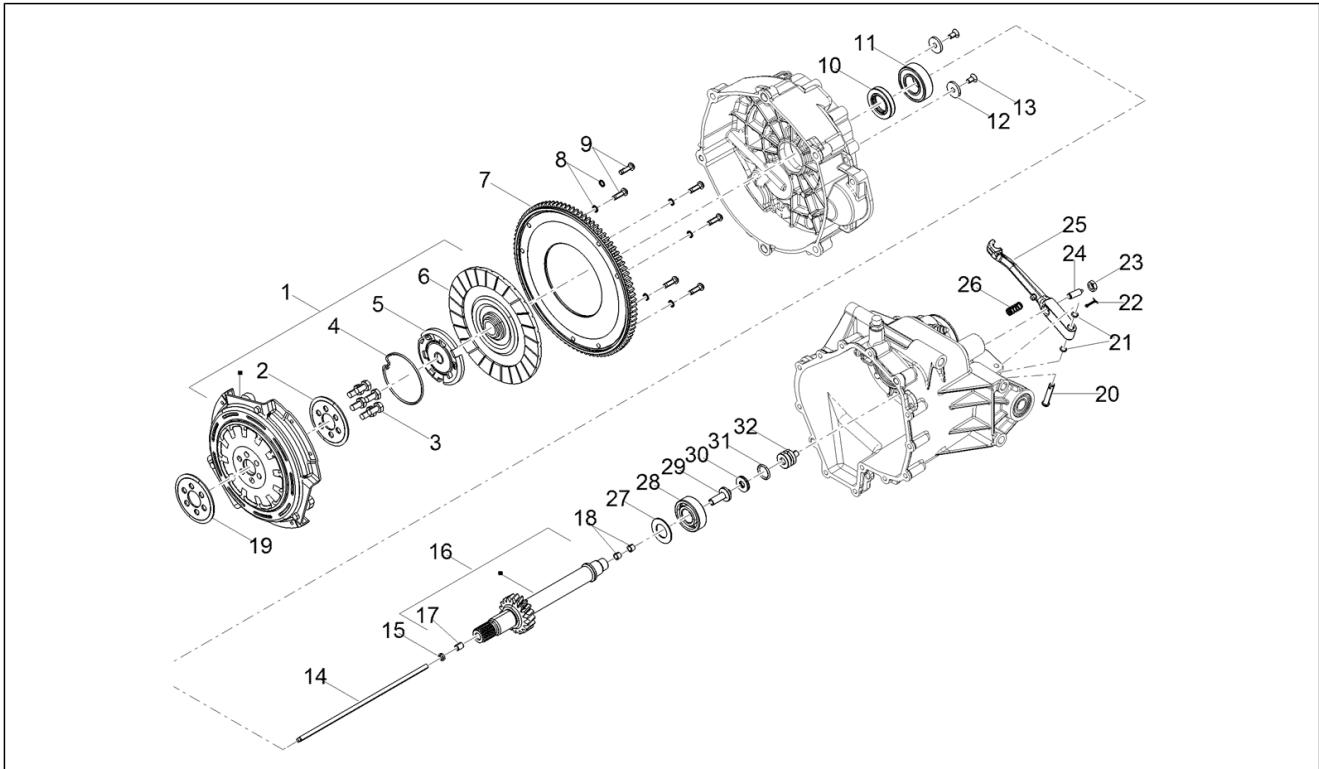
Pos.	Code	Beschreibung	Menge	Varianten
29	GU98682325	TCEI Schraube M6x25	12	
30	1A017127	Pfropfen	1	
31	1A014777	Ölwannendichtung	1	
32	GU10528900	Dichtung	1	
33	GU31003766	Ölablaßschraube M10x1	1	
34	485693	Ölstandzeiger	1	
35	1A014908	Dichtring (O-Ring)	1	
36	1A015819	Öleinfüllschraube	1	
37	1A017929	Öldrucksensor	1	
38	1A008566	Abdeckungsblech	1	
39	1A003111	Schraube TCIC M5x10	4	
40	976168	Nadelhülse 10x14x12	1	
41	1A016442	Sensor temperatur	1	

Einheit	Motor
Code	03.196
Beschreibung	Anlage Blow-by
Inspektion	1



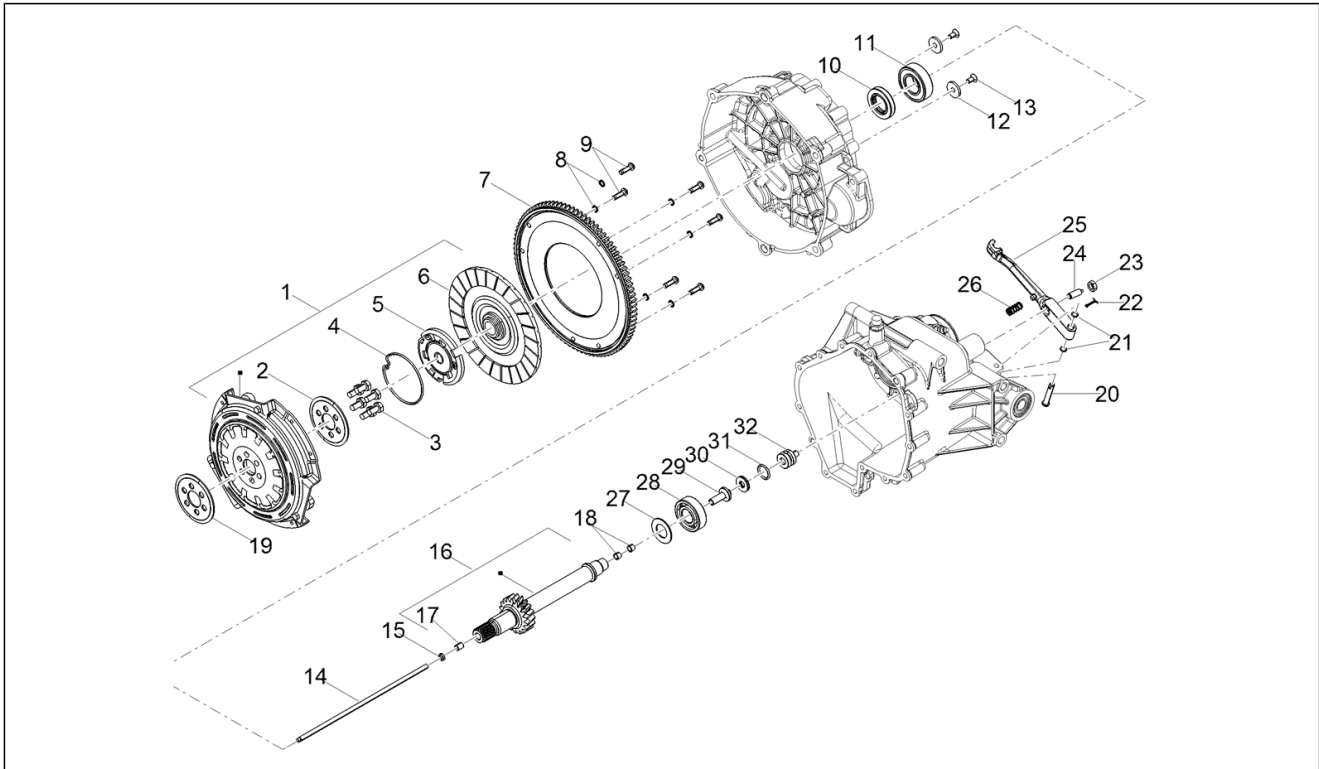
Pos.	Code	Beschreibung	Menge	Varianten
1	CM226902	Federschelle 19/12	4	
2	2B003204	Blow-By-Leitung	1	
3	2B003105	Rückstauventil	1	
4	2B002602	Blow-By-Leitung	1	

Einheit	Motor
Code	03.230
Beschreibung	Kupplung
Inspektion	1



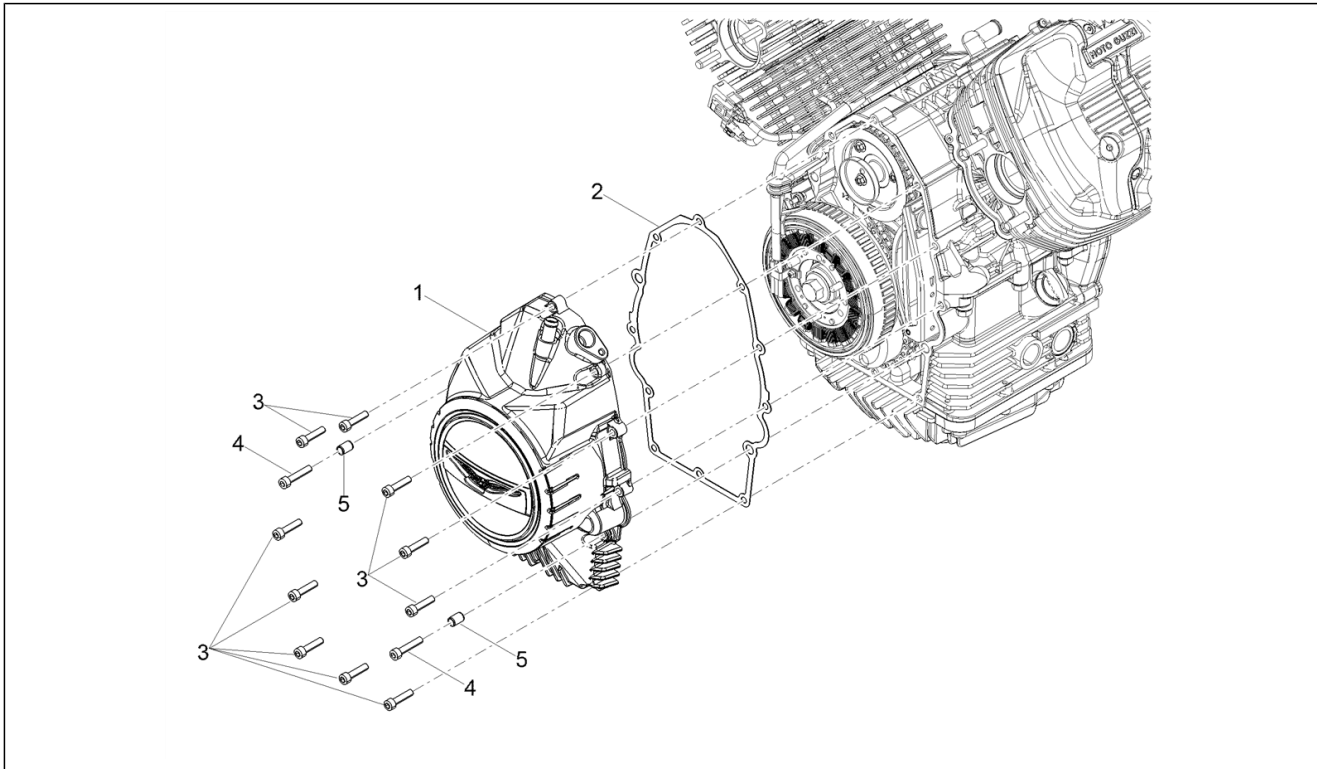
Pos.	Code	Beschreibung	Menge	Varianten
1	2A000968	Einscheibenkupplung	1	
2	2A000741	Stütze	1	
3	GU19067700	Schraube	6	
4	2A000418	Ring	1	
5	2A000638	Federteller	1	
6	2A000969	Getriebene Kuppl.scheibe	1	
7	2A000529	Anlasserzahnkranz	1	
8	GU14217901	Scheibe 6,4x10x0,7	6	
9	2A000774	Linsenschraube Torx M6X20	6	
10	2A001004	Gasket ring	1	
11	GU92201226	Kugellager 25x52x15	1	
12	873928	Unterlegscheibe	3	
13	B013608	Schraube	3	
14	2A000216	Regelstange	1	
15	2A000378	Gasket ring	1	
16	2A001062	Kupplungswelle Z=18	1	
17	GU05217630	Buchse	1	
18	GU14085900	Buchse	2	
19	1A009630	Kupplungsblech	1	
20	2A000384	Hebelbolzen	1	
21	974165	Sprengring	1	
21	2A000385	O-Ring 6.5x1.5	2	
22	GU95500222	Splint	1	
23	GU92606508	Mutter	1	
24	2A000838	Regelschraube	1	
25	2A000631	Ausrueckwelle	1	
26	GU94321105	Rückholfeder Starterhebel	1	
27	1A000566	Ausgleichsscheibe	1	

Einheit	Motor
Code	03.230
Beschreibung	Kupplung
Inspektion	1



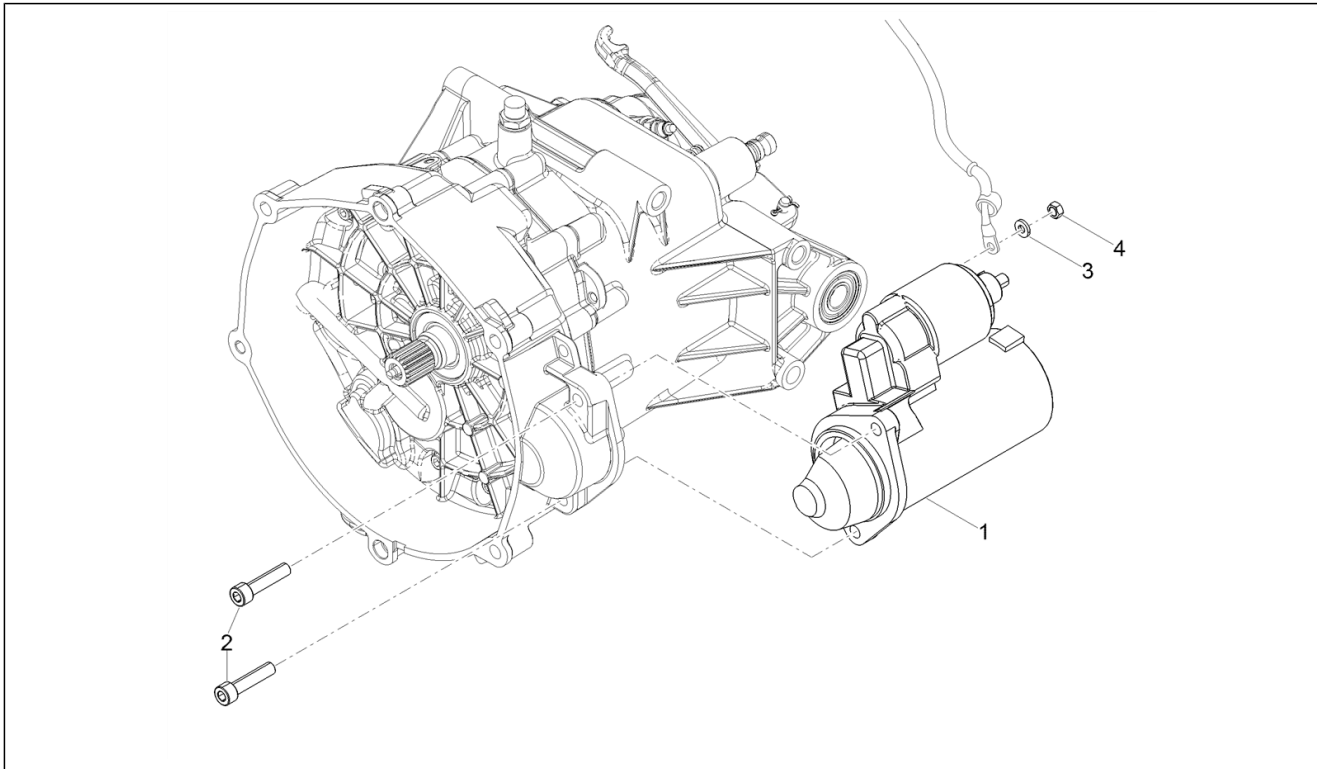
Pos.	Code	Beschreibung	Menge	Varianten
28	2A001035R	Kugellager 20x47x14	1	
29	B013037	Kupplungswelle	1	
30	2A000376	Drucklager	1	
31	GU90706170	O-Ring 17,13x2,62	1	
32	GU14086100	Aussengehäuse	1	

Einheit	Motor
Code	03.270
Beschreibung	Zuenderdeckel
Inspektion	1



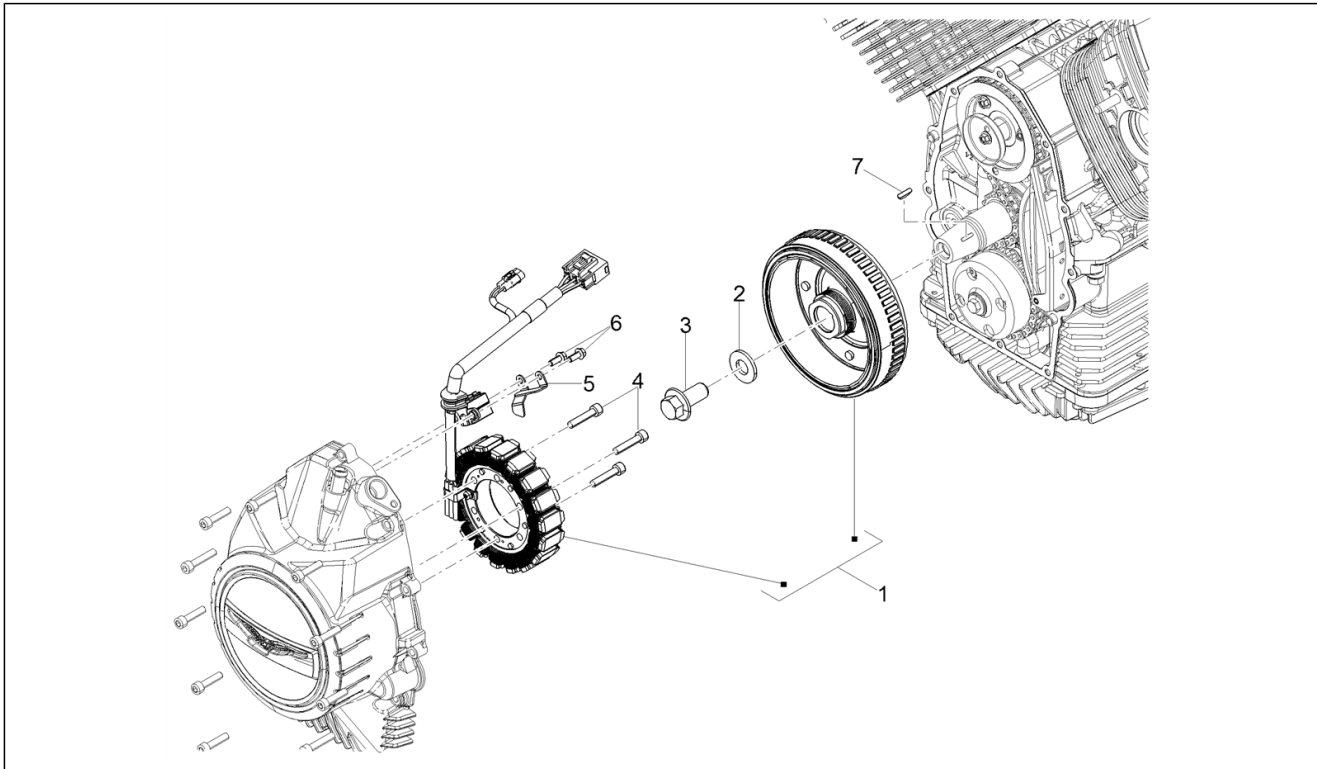
Pos.	Code	Beschreibung	Menge	Varianten
1	1A016407	Deckel	1	
2	887003	Deckeldichtung Kupplungsseite	1	
3	GU98682325	TCEI Schraube M6x25	10	
4	GU98682330	TCEI Schraube M6x20	2	
5	GU19002020	Buchse 6,6x9x13	2	

Einheit	Motor
Code	03.290
Beschreibung	Zündung / Elektrischer Anfang
Inspektion	1



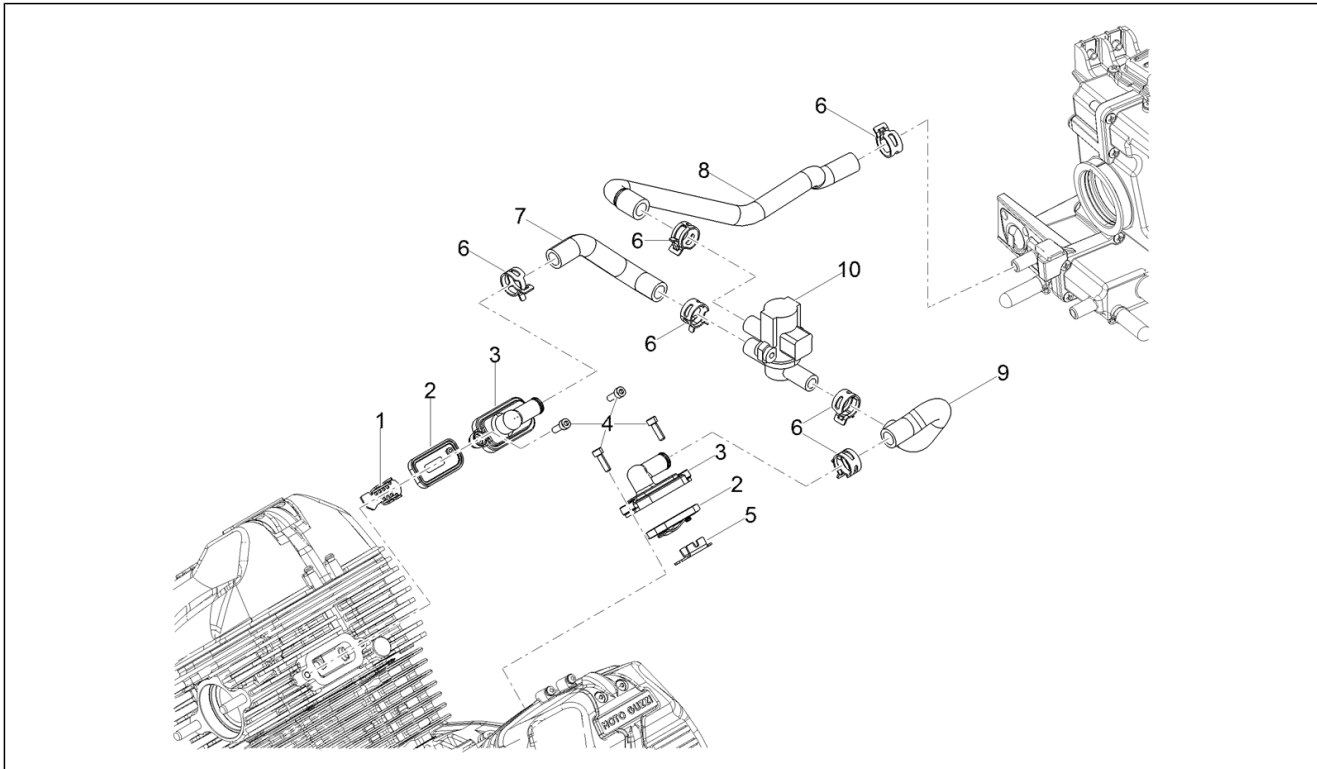
Pos.	Code	Beschreibung	Menge	Varianten
1	97729R	Startermotor	1	
2	GU98682435	TCEI Schraube	2	
3	GU95129131	Scheibe 8,4x15x1,7	1	
4	GU92609408	Mutter M8x1,25	1	

Einheit	Motor
Code	03.300
Beschreibung	Schwungmagnetstarter / Zündung
Inspektion	1



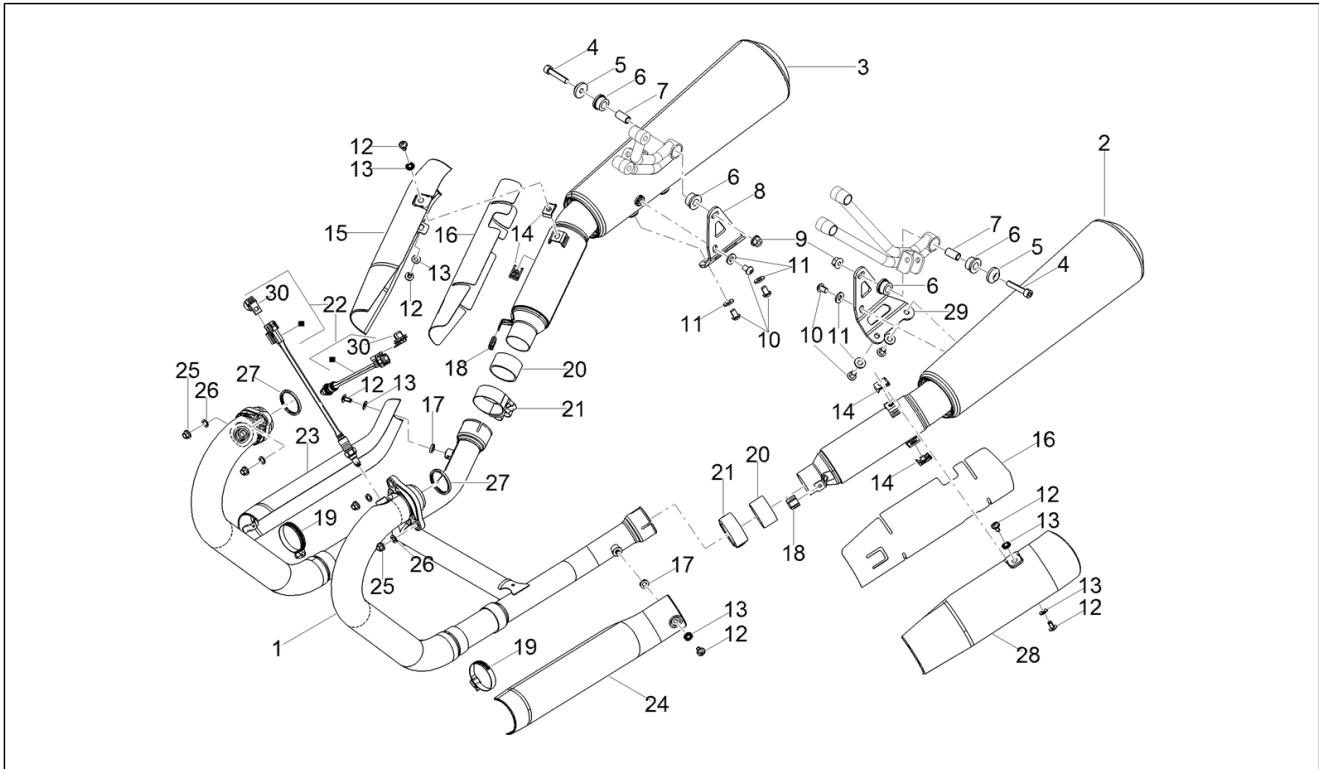
Pos.	Code	Beschreibung	Menge	Varianten
1	1A016500	Schwungmagnetzünder komplett	1	
2	825725	Flachscheibe 14.1x30x3	1	
3	B015563	TE Schr. m. Flansch M14x30	1	
4	GU98682330	TCEI Schraube M6x20	3	
5	1A014626	Platte	1	
6	1A015041	Schraube m5x12 torx	2	
7	000267	Keil	1	

Einheit	Motor
Code	03.320
Beschreibung	Secondary air
Inspektion	1



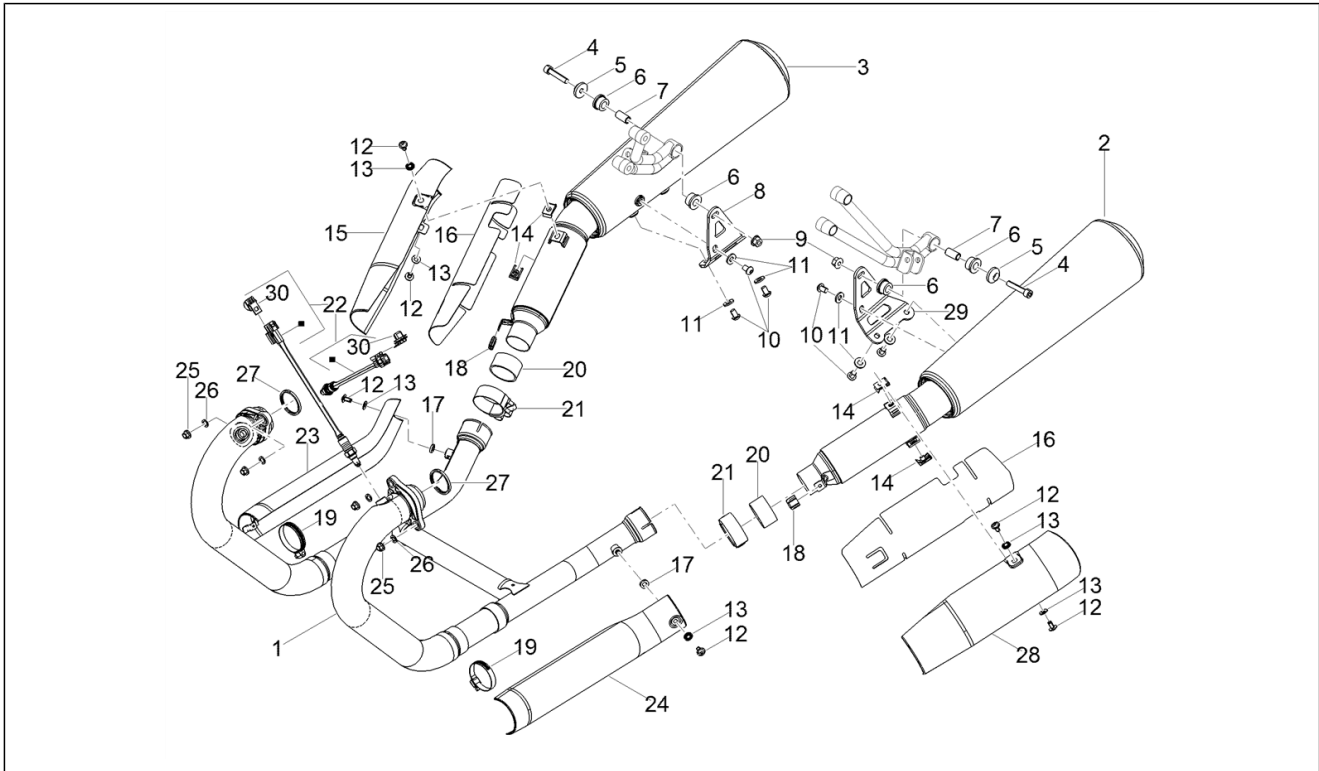
Pos.	Code	Beschreibung	Menge	Varianten
1	857047	Spark arrester	1	
2	857045	Reed valve	2	
3	1A017801	Abdeckung	2	
4	GU98612216	TCEI Schraube	4	
5	857046	Spark arrester	1	
6	CM226902	Federschelle 19/12	6	
7	2B002529	Schlauch rechts "S.A.S."	1	
8	2B002531	Leitung Filtergehäuse "S.A.S."	1	
9	2B002530	Schlauch links "S.A.S."	1	
10	857181	SAS ventil	1	

Einheit	Motor
Code	03.330
Beschreibung	Auspuffrohr
Inspektion	1



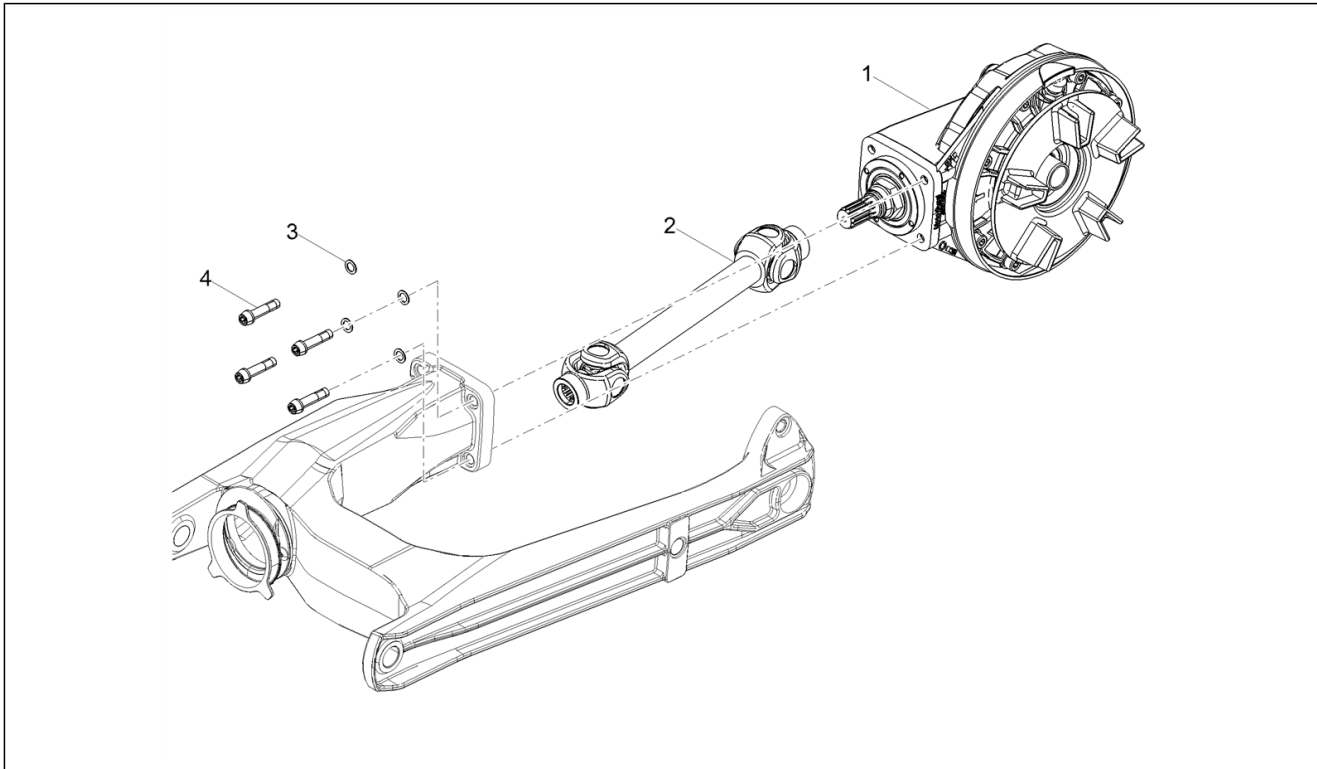
Pos.	Code	Beschreibung	Menge	Varianten
1	2B007288	Auslasskrümmer	1	
2	2B007316	Auspufftopf links	1	
3	2B007315	Auspufftopf rechts	1	
4	GU98690440	Schraube M8x40	2	
5	AP8134378	Compass Anlage	2	
6	AP8144071	Gummi auspuffrohr	4	
7	AP8121072	Distanzscheibe	2	
8	2B006817	Haltebügel Schalldämpfer re	1	
9	967363	Mutter M8x1,25	2	
10	AP8152055	TBEI Schraube M8x12	6	
11	GU95008308	Ausgleichscheibe	6	
12	884043	TBEI Schraube m.Flansch M6x12	6	
13	834951	Kegelscheibe	6	
14	254485	Federplättchen M6	4	
15	2B007474	Schutz Schalldämpfer re	1	
16	2B008066	Wärmeabdeckung	2	
17	876879	Abstandhalter	2	
18	2B007247	Gummi	2	
19	1A000833	Schlauchschele	2	
20	2B007137	Dichtung WIREMESH	2	
21	2B007833	Schlauchschele	2	
22	1A014335	Lamdasonde	2	
23	2B007472	Schutz Krümmer rechts	1	
24	2B007471	Schutz Krümmer links	1	
25	GU92660021	Geflanschte Mutter M8	4	
26	GU14615901	Ausgleichscheibe 8,4X13X0,8	4	
27	852090	Dichtung Auspuffrohr	2	
28	2B007473	Schutz Schalldämpfer li	1	

Einheit	Motor
Code	03.330
Beschreibung	Auspuffrohr
Inspektion	1



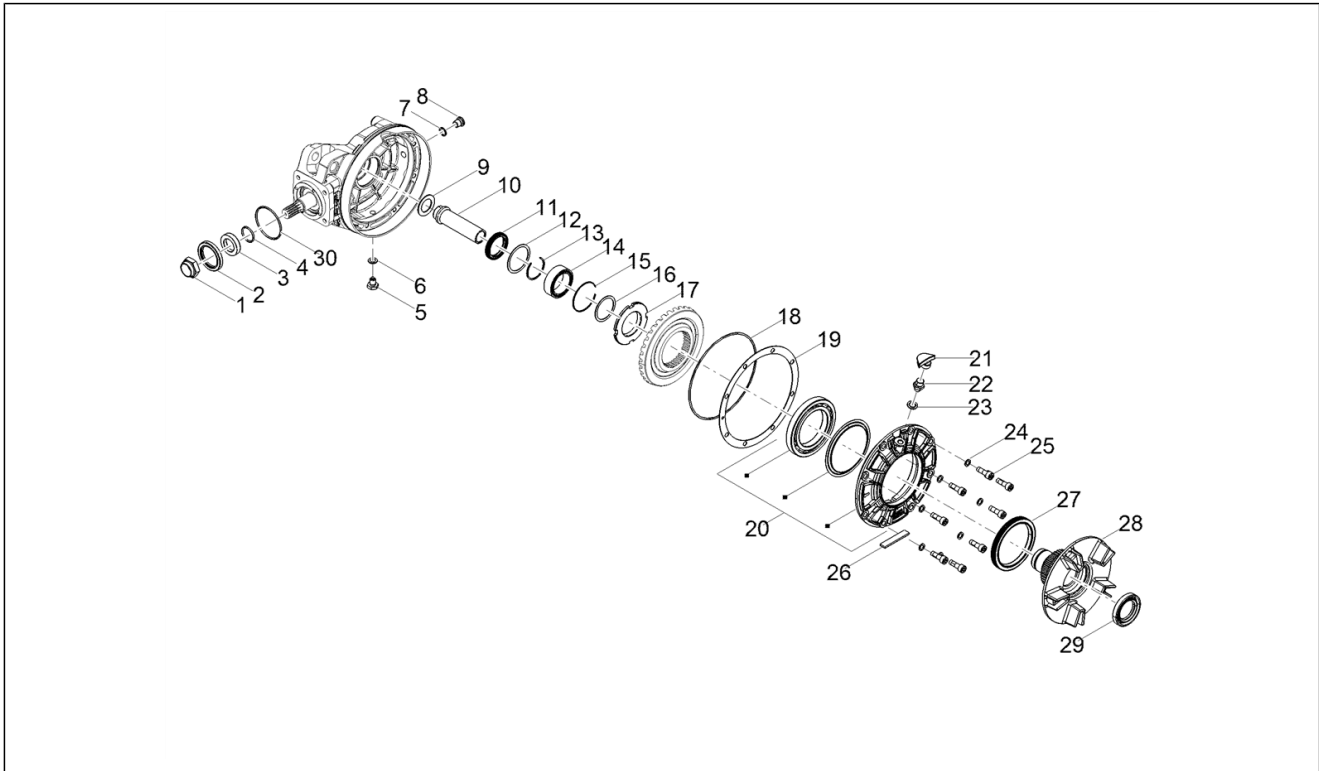
Pos.	Code	Beschreibung	Menge	Varianten
29	2B006816	Haltebügel Schalldämpfer li	1	
30	1A015201	Klammer	2	

Einheit	Motor
Code	03.340
Beschreibung	Getriebe kpl.
Inspektion	1



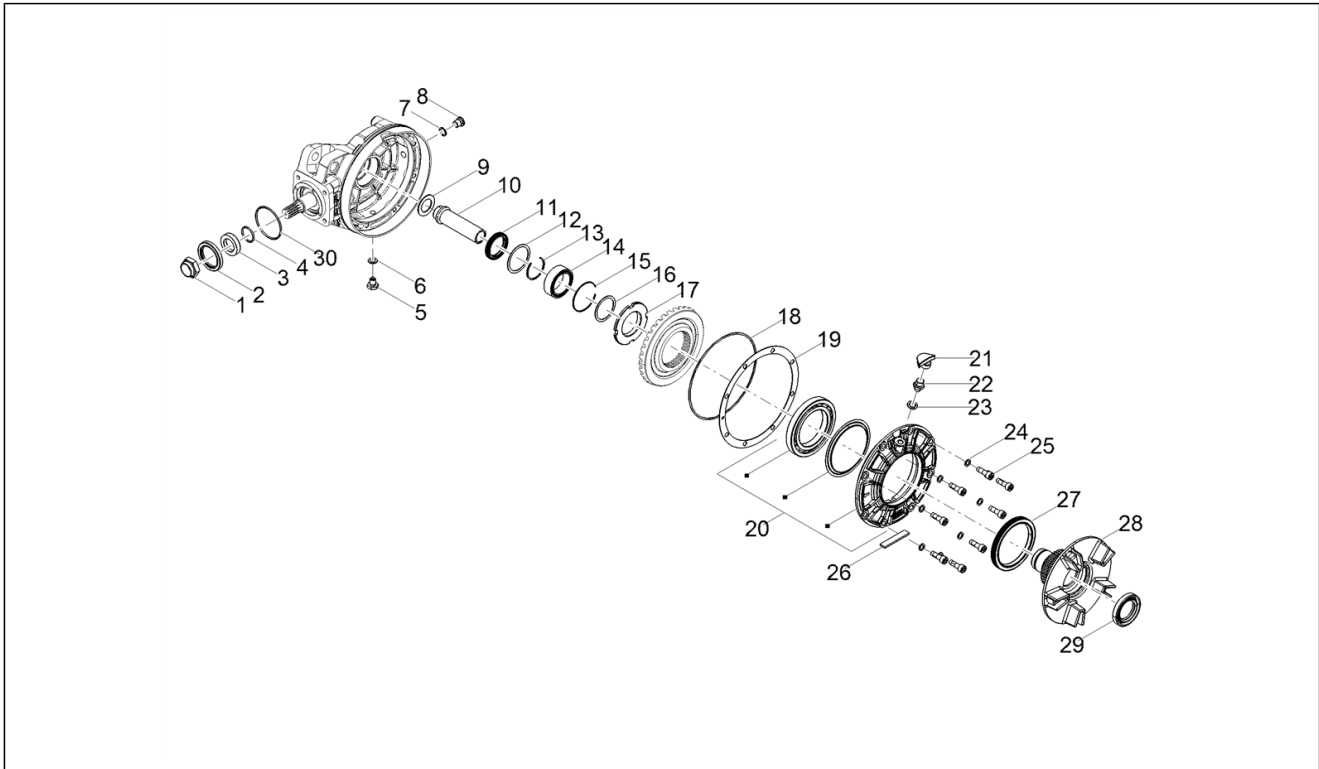
Pos.	Code	Beschreibung	Menge	Varianten
1	2B008292	Kraftübertragung, kpl.	1	
2	2B001636	Hauptwelle	1	
3	GU14615901	Ausgleichscheibe 8,4X13X0,8	4	
4	2B002699	Schraube TCC Torx M8x35 mit vorimpr. Bund	4	

Einheit	Motor
Code	03.350
Beschreibung	Getriebedeckel
Inspektion	1



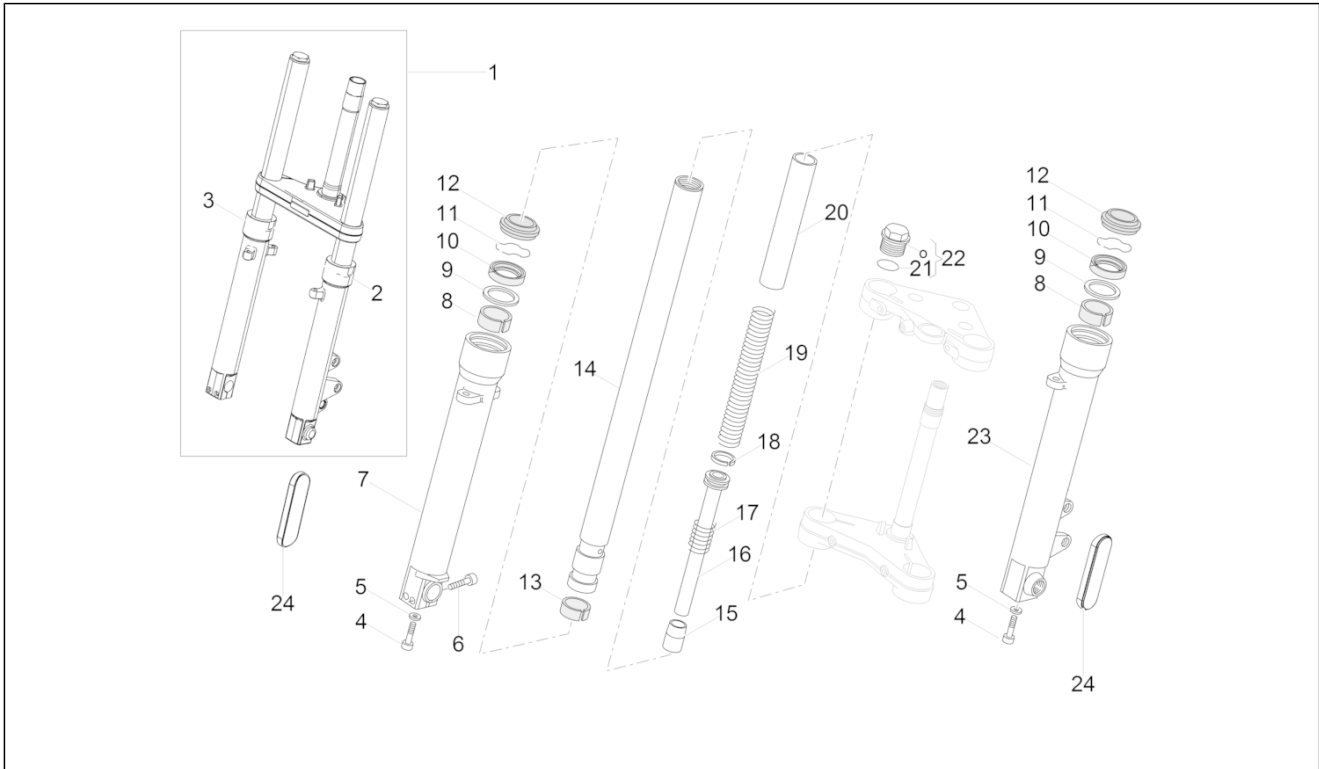
Pos.	Code	Beschreibung	Menge	Varianten
1	2B005012	Mutter	1	
2	2B000404	Gasket ring	1	
3	2B001311	Distanzscheibe	1	
4	GU90706188	Gasket ring 18,77X1,78	1	
5	GU31003766	Ölablaßschraube M10x1	1	
6	GU01528930	Dichtung 10x18x1,5	1	
7	224566	Unterlegscheibe	1	
8	GU05351230	Ölschraube M12x1,5	1	
9	GU37359005	Ausgleichscheibe	1	
10	2B007257	Abstandstück Rad	1	
11	GU90413850	Gasket ring 38X50X7	1	
12	GU12351100	Gasket ring	1	
13	2B002200	Wellenscheibe	1	
14	2B006088R	Rollenlager 40x55x17	1	
15	B064304	Seegerring	1	
16	GU19351100	Bundscheibe	1	
17	2B002536	Gewindinger Befestigung Zahnkranz	1	
18	GU90706958	O-Ring 158,42X2,62	1	
19	GU04355100	Scheibe 0,6 mm	1	
19	GU04355101	Scheibe 0,7 mm	1	
19	GU04355104	Scheibe 1 mm	1	
19	GU04355105	Scheibe 1,1 mm	1	
19	GU04355106	Scheibe 1,2 mm	1	
19	GU04355103	Scheibe 0,9 mm	1	
19	GU04355102	Scheibe 0,8 mm	1	
20	2B006110	Flansch	1	
21	2B002807	Kappe	1	
22	2A000823	Entlüftungsschraube	1	

Einheit	Motor
Code	03.350
Beschreibung	Getriebedeckel
Inspektion	1



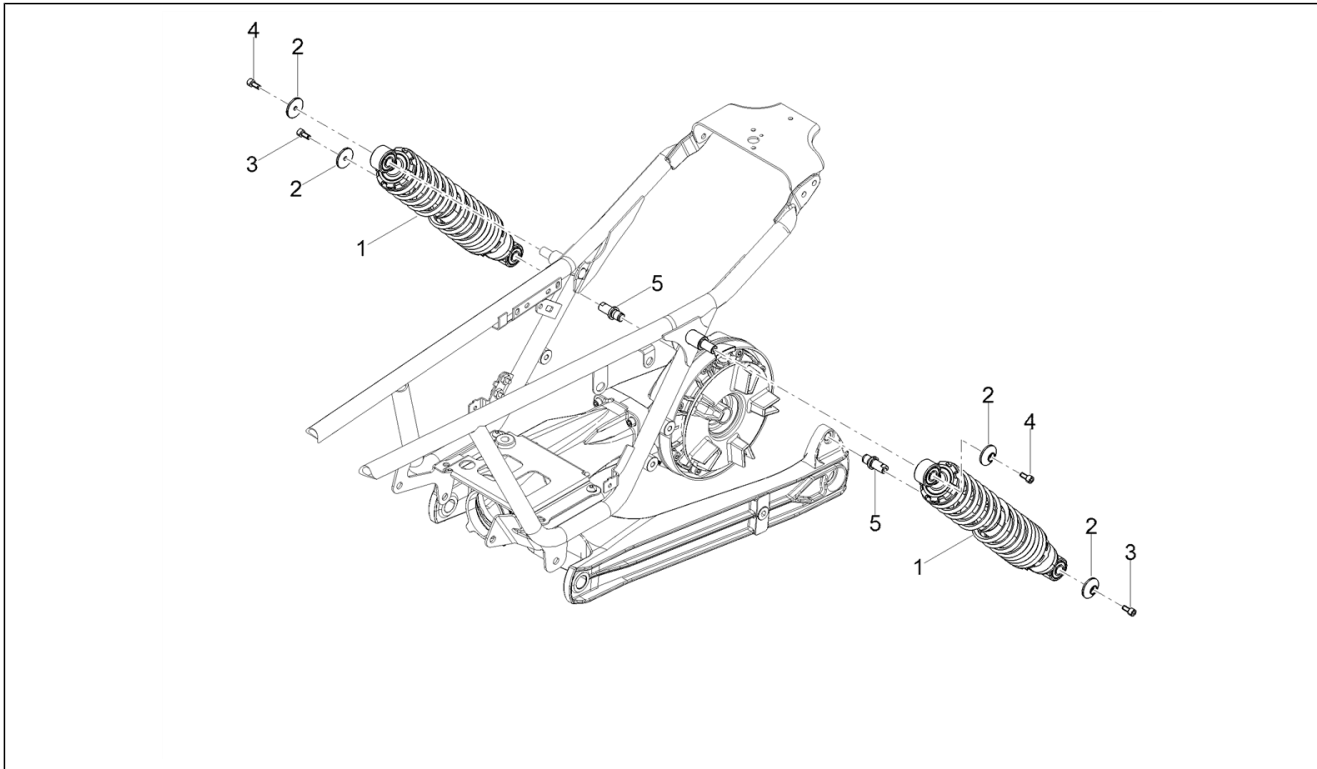
Pos.	Code	Beschreibung	Menge	Varianten
23	GU01528930	Dichtung 10x18x1,5	1	
24	GU14615901	Ausgleichscheibe 8,4X13X0,8	8	
25	2B002171	TC Schraube 8x25	8	
26	2B006064	Filz	1	
27	2B002535	Gasket ring 80x100x10	1	
28	2B006860R	Dämpfernabe	1	
29	2B007243	Gasket ring 26x42x7	1	
30	GU90706584	Dichtung 58,42x2,62	1	

Einheit	Radaufhängungen
Code	04.060
Beschreibung	Vorderradgabel Kaifa
Inspektion	1



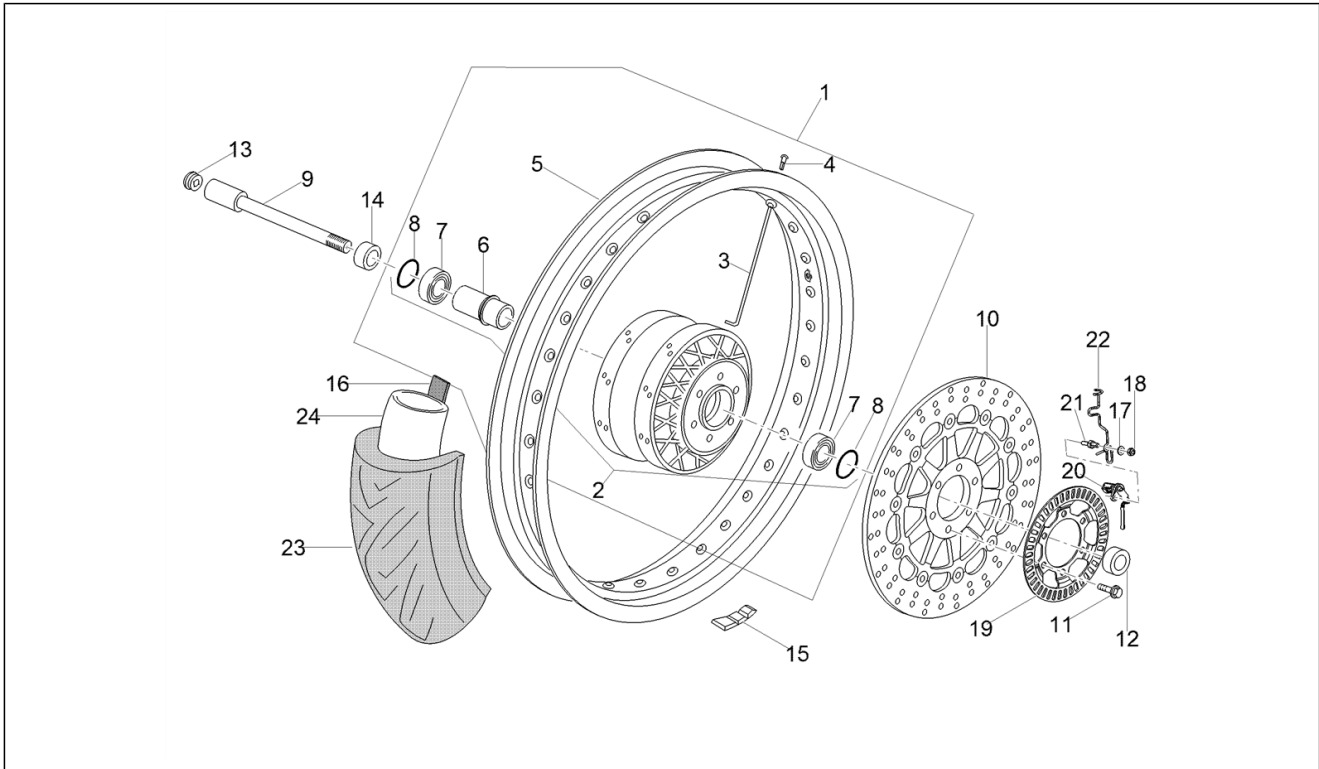
Pos.	Code	Beschreibung	Menge	Varianten
1	2B003424	Vorderradgabel	1	
2	2B003952	Kolbenstange mit Boden lks.	1	
3	2B003948	Kolbenstange mit Boden rch.	1	
4	887878	Schraube M10x30	2	
5	887879	Ausgleichscheibe	2	
6	887880	Schraube	2	
7	2R000109	Rechte Hülse	1	
8	887882	Obere Buchse	2	
9	887883	Ausgleichscheibe	2	
10	887884	Gasket ring	2	
11	887885	Sperring	2	
12	887886	Staubschutz	2	
13	887888	Buchse	2	
14	2B001591	Schaft	2	
15	887889	Puffer	2	
16	887891	Pumpenrad kplt.	2	
17	887890	Gegenfeder	2	
18	887905	Kolbenring	2	
19	2R000243	Feder	2	
20	887893	Leitung	2	
21	887916	O-Ring 4118	2	
22	887894	Verschlussschraube kplt.	2	
23	2R000110	Linke Hülse	1	
24	GU05781630	Rückstrahler, gelb	2	

Einheit	Radaufhängungen
Code	04.080
Beschreibung	Stoßdämpfer
Inspektion	1



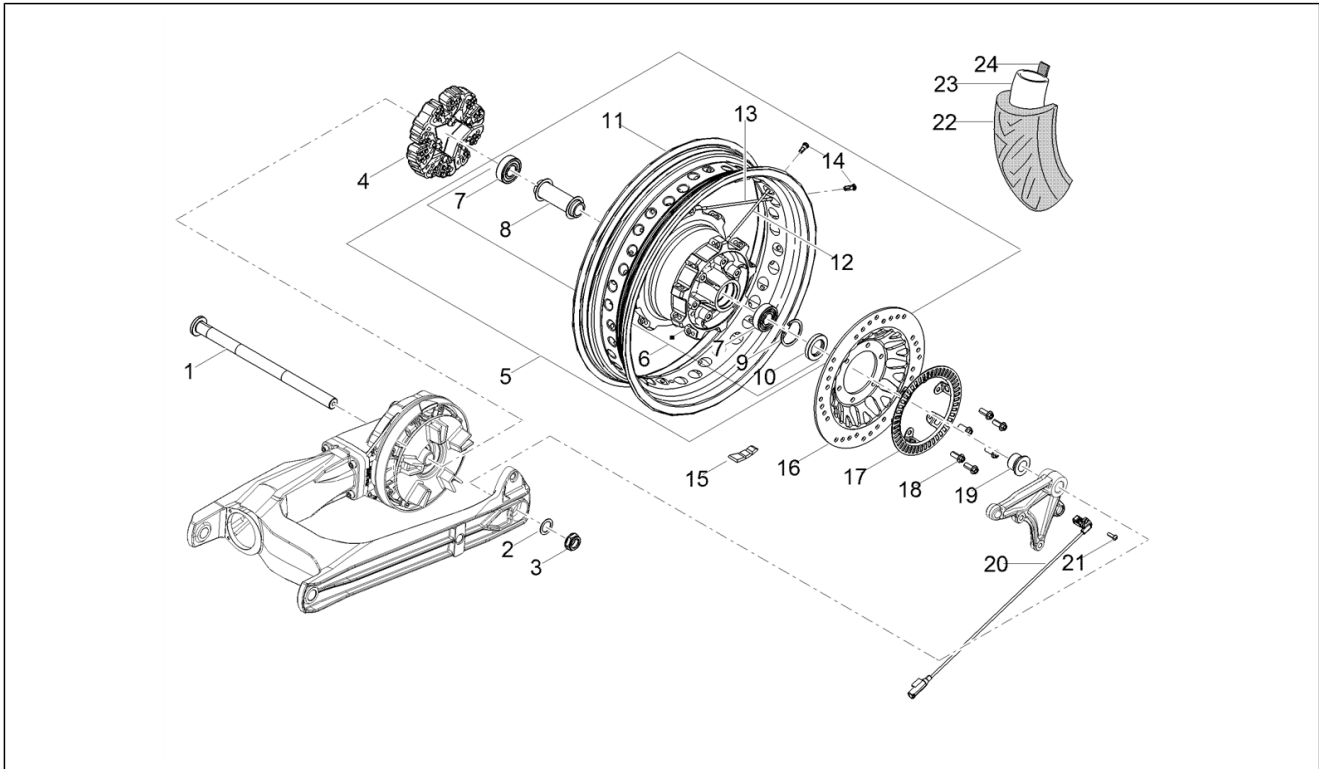
Pos.	Code	Beschreibung	Menge	Varianten
1	2B006809	Stossdämpfer hinten	2	
2	B063174	Buchse	4	
3	884031	Schraube TCEI vorgetränkt M6x14	2	
4	2B002195	Schraube TCEI IX M6X35 vorimprägniert	2	
5	2B003111	Stoßdämpfer-Bolzen	2	

Einheit	Räder
Code	05.010
Beschreibung	Vorderrad
Inspektion	1



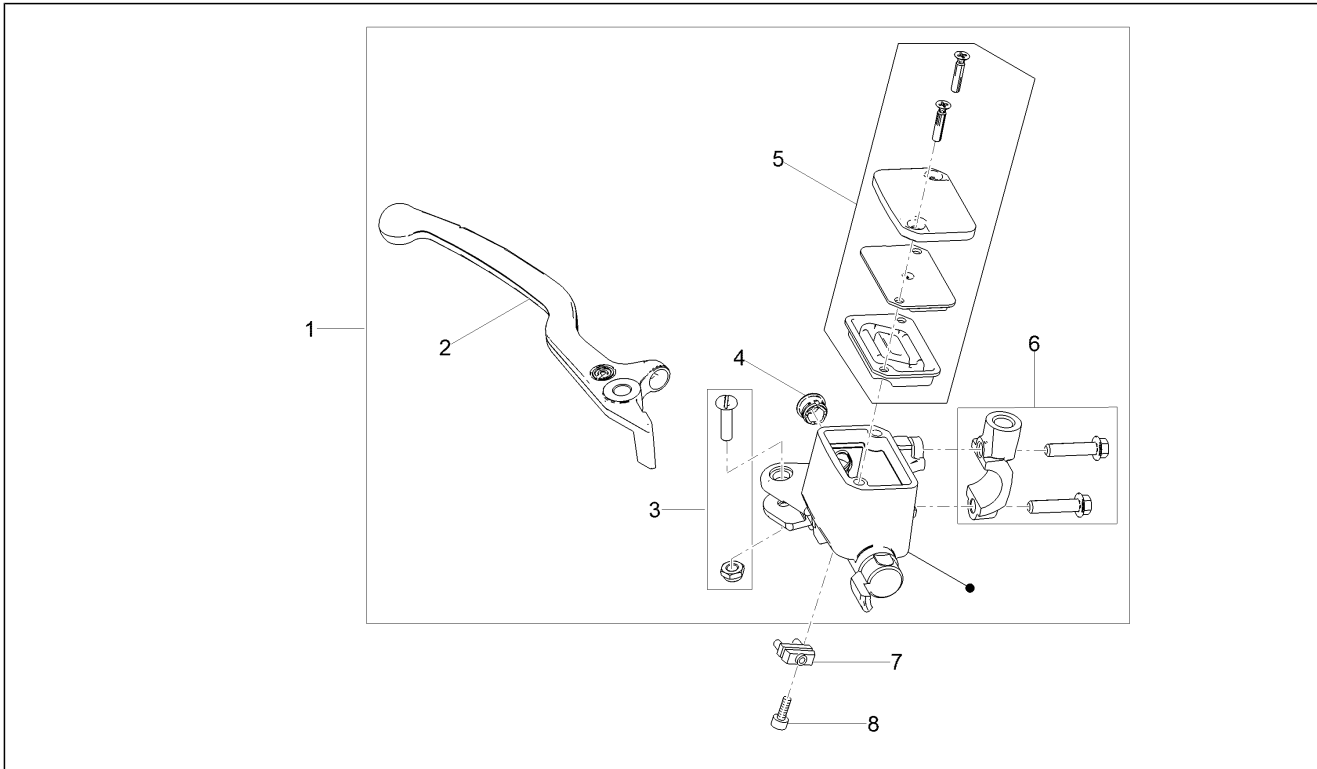
Pos.	Code	Beschreibung	Menge	Varianten
1	2B0037065	Vorderrad kpl	1	
2	2B003701	Radnabe	1	
3	B063144	Vorderradspeiche	36	
4	GU03631250	Nippel	36	
5	887858	Vorderradfelgen 2,5x18"	1	
6	2B007313	Distanzstück Lager	1	
7	GU92204221	Lager	2	
8	GU90402642	Gasket ring 26x42x7	1	
9	GU31614183	Vorderradbolzen	1	
10	883688	Vorderradbremsscheibe 320	1	
11	2B002416	TE Schr. m. Flansch M8x20	6	
12	GU31616384	L. Distanzscheibe	1	
13	GU93180111	Deckel 15 mm	1	
14	GU32615660	R. Distanzscheibe	1	
15	GU14616150	Gegengewicht	1	
16	GU03612040	Felgenband	1	
17	AP8150178	Ausgleichscheibe 6,4x12,5*	1	
18	GU92630207	Mutter	1	
19	2B004778	Hallgeber ABS	1	
20	859792	ABS-Sensor	1	
21	2B001708	Distanzscheibe	1	
22	2B001561	Kabelführung	1	
23	2B006508	Vorderreifen 100/90-18 M/C 56V Dunlop	1	
23	886679	Reifen 100/90-18" Pirelli	1	
24	GU31610160	Schlauch MB 18	1	

Einheit	Räder
Code	05.020
Beschreibung	Hinterrad
Inspektion	1



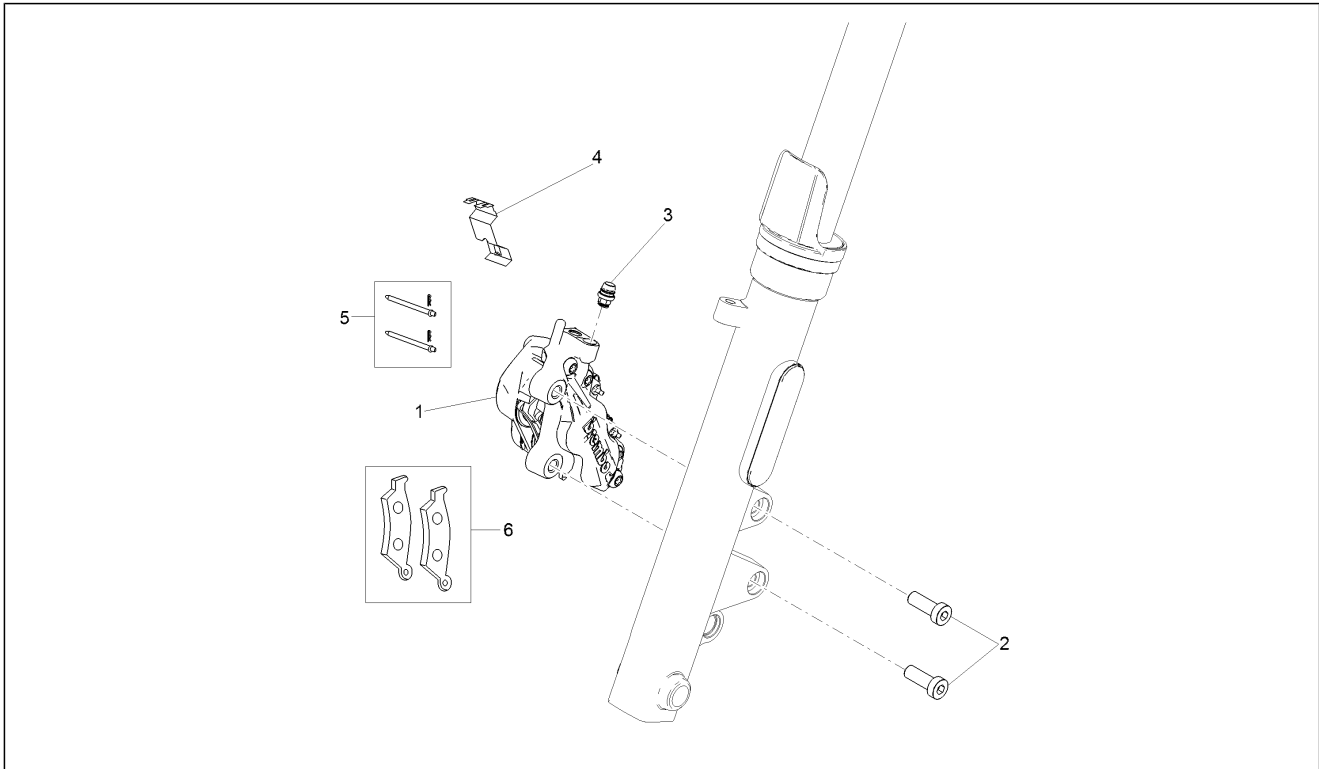
Pos.	Code	Beschreibung	Menge	Varianten
1	2B001310	Hinterradbolzen	1	
2	AP8125687	U-scheibe Hint.radbolz	1	
3	648708	Hinterradbolzen mut.	1	
4	B064290	Gummipuffer Torsionsdämpfer	5	
5	2B007307	Hinterrad	1	
6	2B004431	Hinterradnabe komplett	1	
7	GU92204220	Kugellager 20X47X14	2	
8	2B001279	Baugruppe Distanzscheibe Hinterrad	1	
9	GU90272047	Seegerring 47X50,5	36	
10	AP8110109	Gasket ring 28X47X7	1	
11	2B007308	Hintere Radfelge	1	
12	2B004436	Speiche 165 mm	18	
13	2B004435	Speiche 160 mm	18	
14	GU03631250	Nippel	36	
15	GU14616150	Gegengewicht	1	
16	887448	Bremsscheibe	1	
17	2B004396R	Phonic wheel	1	
18	2B002416	TE Schr. m. Flansch M8x20	6	
19	2B001956	Hinterrad Distanzscheibe	1	
20	859792	ABS-Sensor	1	
21	1C001499	Schraube TBEI TORX M5x16 INOX	1	
22	2B006740	Reifen 150/70 17	1	
23	GU30630430	Schlauch MD 17	1	
24	2B006086	Hinterradband	1	

Einheit	Bremsanlage
Code	06.010
Beschreibung	Vorderradbremspumpe
Inspektion	1



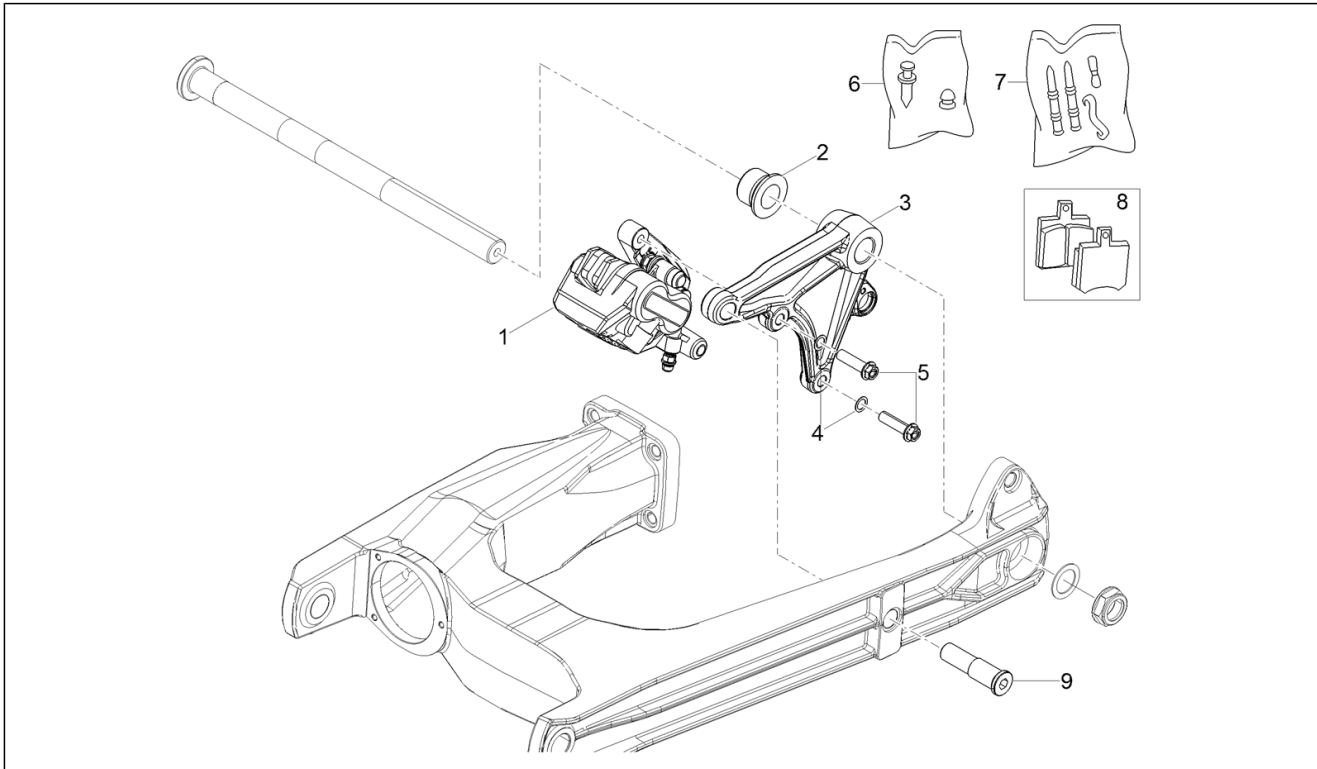
Pos.	Code	Beschreibung	Menge	Varianten
1	2B003543	Vorderradbremspumpe	1	
2	GU03605645	Bremshebel	1	
3	2B003040	Ersatzteil Hebelbolzen kpl. mit Mutter	1	
4	2B001930	Ersatzteil Schauglas vordere Bremspumpe	1	
5	2B003039	Ersatzteil Deckel kpl. mit Membran und Schrauben	1	
6	2B001929	Klemmschelle Bremsarmatur	1	
7	GU03749845	Bremslichtschalter	1	
8	AP8152043	TCEI Schraube M4x10	1	

Einheit	Bremsanlage
Code	06.020
Beschreibung	Vorderradbremzange
Inspektion	1



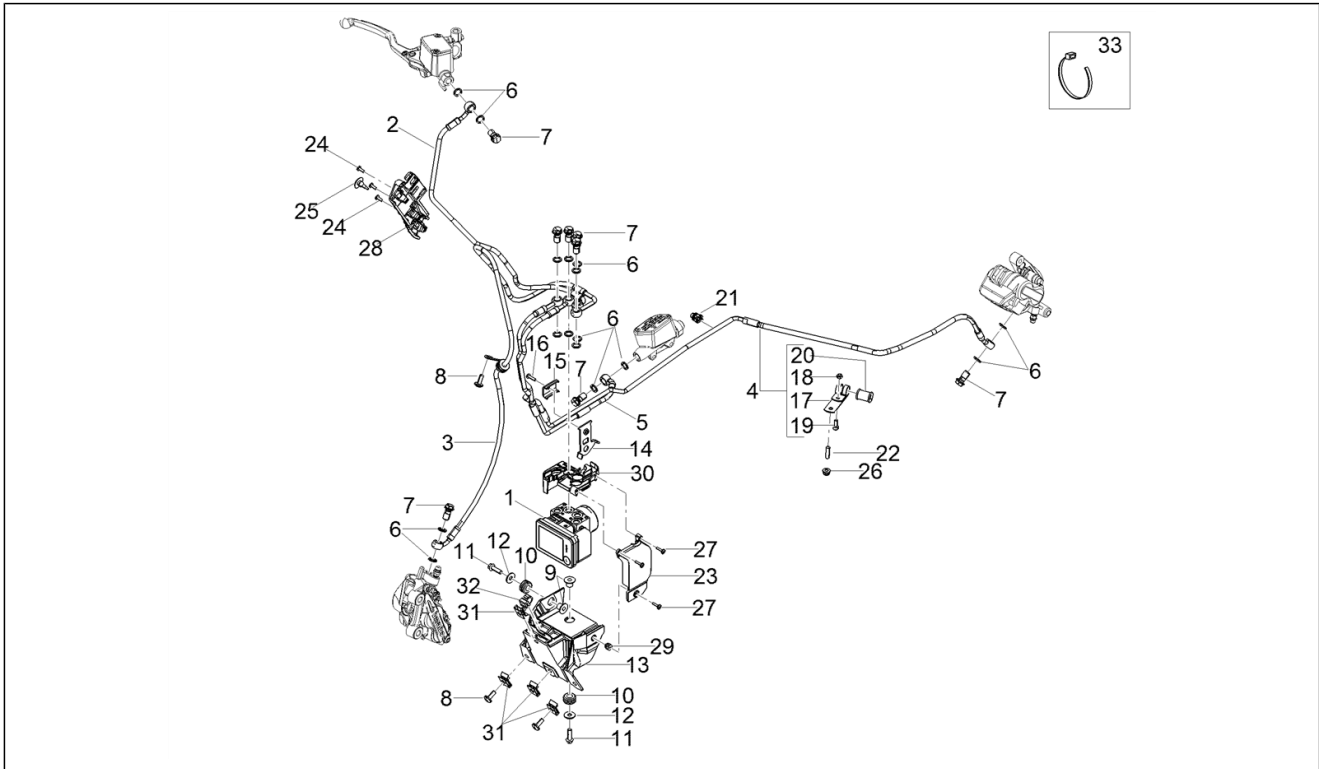
Pos.	Code	Beschreibung	Menge	Varianten
1	2B001197	Bremssattel Vorderradbremse links	1	
2	AP8152385	TCEI Schraube M10x1,25	2	
3	GU05659230	Entlüftung+Haube	1	
4	GU01659131	Feder	1	
5	GU01659130	Stifte-Federn Bremszange	1	
6	883673	Beläge (Paar)	1	

Einheit	Bremsanlage
Code	06.040
Beschreibung	Hinterradbremzange
Inspektion	1



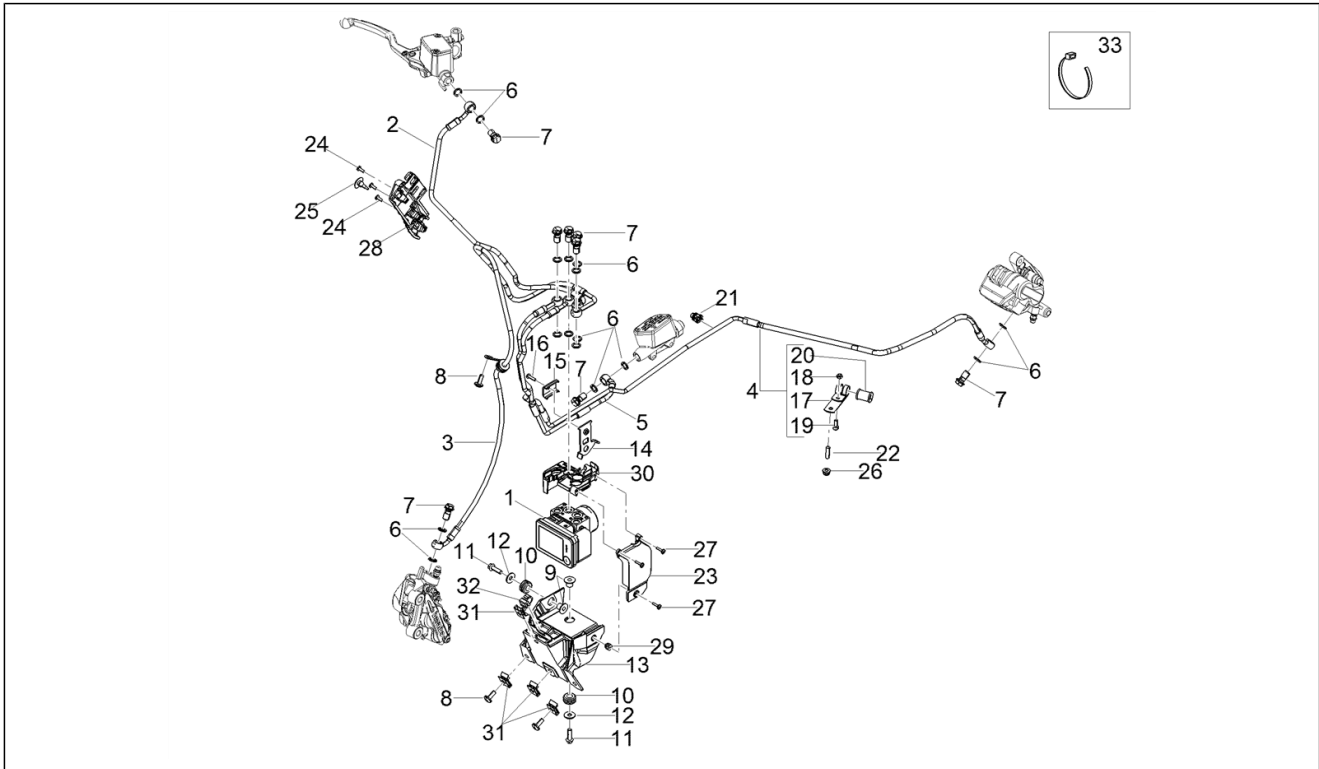
Pos.	Code	Beschreibung	Menge	Varianten
1	2B000525	Hinterradbremzange	1	
2	2B001956	Hinterrad Distanzscheibe	1	
3	2B003357	Bremssattelbefestigung	1	
4	GU61270300	Sprengscheibe 8x15x0,3	2	
5	AP8152288	TE Schr. m. Flansch M8x30	2	
6	GU31659281	Entlüftung+Haube	1	
7	GU31659181	Stifte+Feder kit	1	
8	2R000248	Paar Bremsklötze	1	
9	GU31544181	Bolzen	1	

Einheit	Bremsanlage
Code	06.050
Beschreibung	Bremsanlage ABS
Inspektion	1



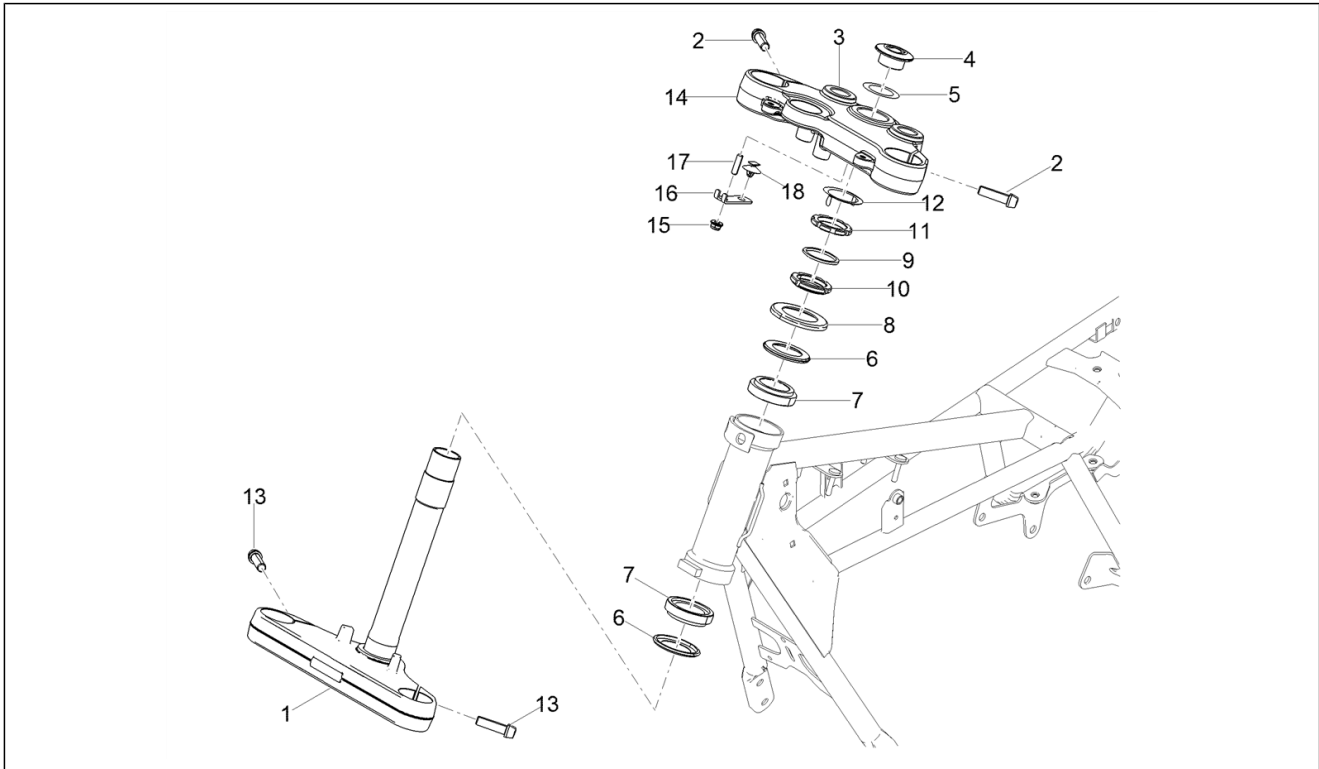
Pos.	Code	Beschreibung	Menge	Varianten
1	2D000540	Vorgefülltes ABS-Steuerggerät	1	
2	2B006721	ABS HECU Leitung - Pumpe vorne	1	
3	2B006720	ABS HECU Leitung - Bremssattel Vorderradbremse	1	
4	2B006723	Leitung ABS HECU - Bremssattel hinten	1	
5	2B006722	ABS HECU Leitung - Pumpe hinten	1	
6	AP8113004	Ausgleichscheibe 10x14x1,6*	16	
7	1C001209	Spezialschraube	8	
8	CM179301	Torx head cylinder head screw M6x16	3	
9	AP8221023	T-Buchse	2	
10	AP8120030	Gummi	2	
11	2B004560	Sechskantschraube M6x20 vorimprägniert	2	
12	AP8150015	Ausgleichscheibe 6,6x18x1,6*	2	
13	2B006724	Halterung ABS-Steuerggerät	1	
14	2B001564	Halteplatte Bremsschlauch	1	
15	2B001614	Fixierplatte Führungs	1	
16	AP8152043	TCEI Schraube M4x10	1	
17	GU03658330	Schelle	1	
18	895709	TCEI Schraube M5x12	1	
19	AP8150451	Selbstsperr.mut Unt. M5	1	
20	GU03658201	Ring	1	
21	AP8121882	Kabelführungs	1	
22	GU96451316	Stiftschraube	1	
23	2B007092	Deckel	1	
24	AP8150444	Gewindeschraube Edelstahl 3,9x10	3	
25	AP8120001	Gummi	1	
26	AP8152299	Selbstsperrende Mutter M6	1	
27	AP8150413	Gew.schr. 3,9x14	3	
28	2B006744	Kanal	1	

Einheit	Bremsanlage
Code	06.050
Beschreibung	Bremsanlage ABS
Inspektion	1



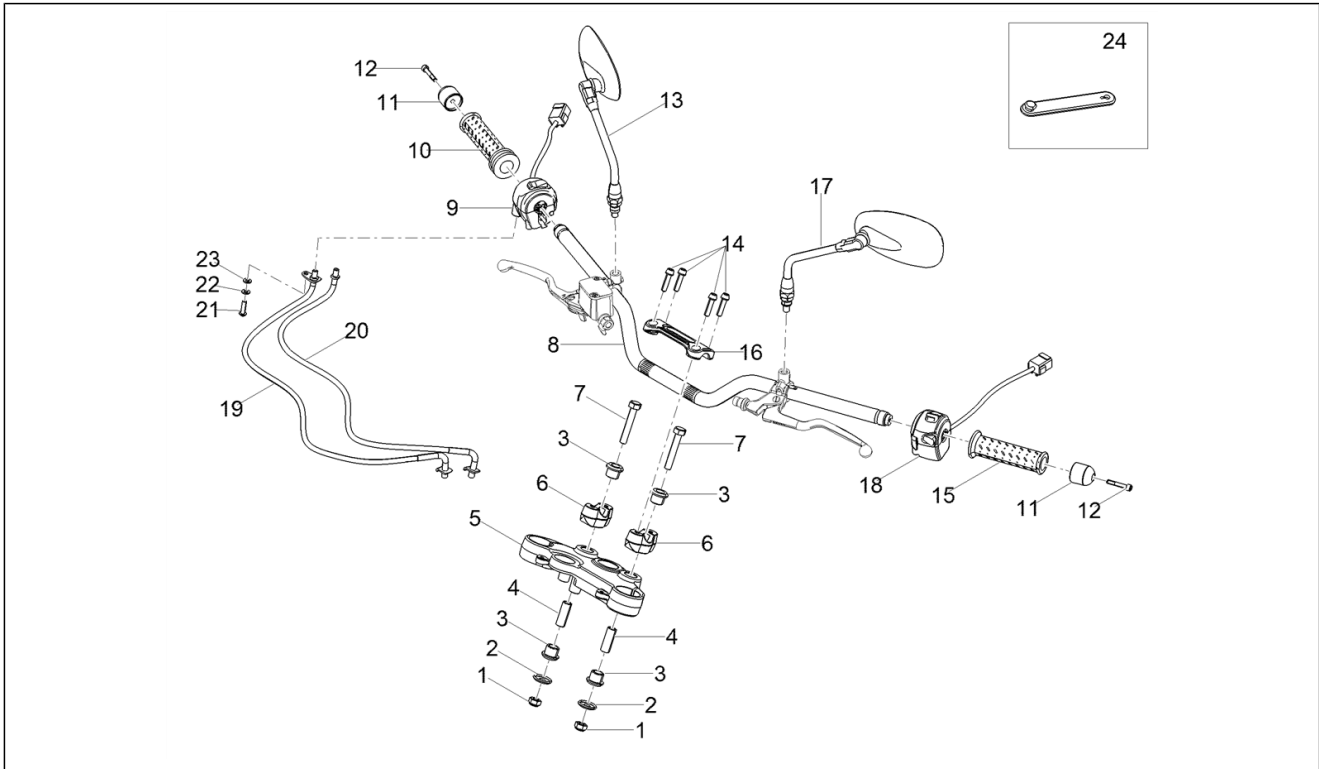
Pos.	Code	Beschreibung	Menge	Varianten
29	AP8102671	Kunststoffniet	1	
30	2B006725	Platte	1	
31	254485	Federplättchen M6	4	
32	AP8201727	Kabelführungs schw.	1	
33	GU14609650	Schelle 3,6x20,6	1	

Einheit	Lenkstange - Schaltungen
Code	07.010
Beschreibung	Lenkung
Inspektion	1



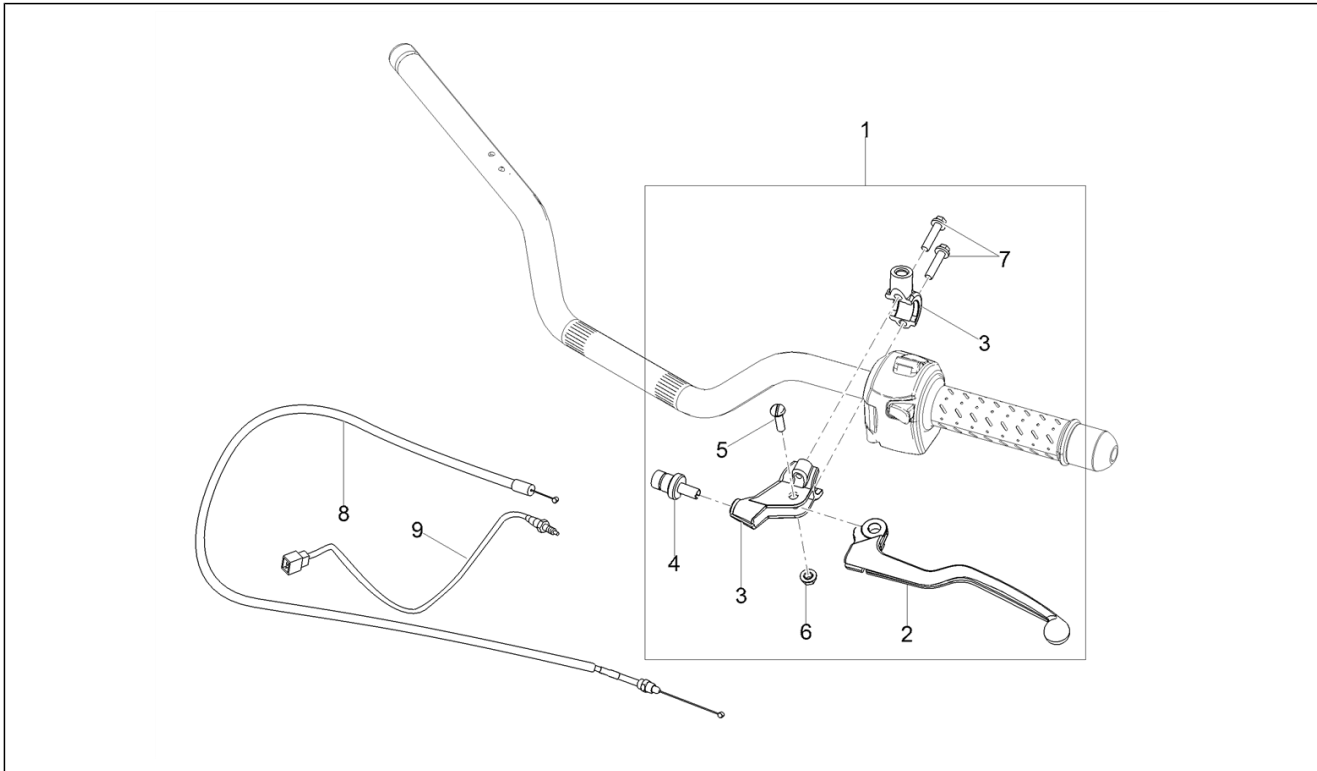
Pos.	Code	Beschreibung	Menge	Varianten
1	2B003791	Untere Gabelplatte	1	
2	AP8150543	Zylinderschraube M8x35	2	
3	2B003250	Obere Gabelbrücke	1	
4	AP8121205	Fixierbuchse ob. Platte	1	
5	AP8152384	Scheibe Lenkkopf	1	
6	AP8123641	Staubschutzring	2	
7	AP8110077	Axialkugellager	2	
8	AP8123644	Staubschutzring	1	
9	887831	Gummischeibe	1	
10	AP8123642	Nutmutter	1	
11	AP8123643	Gegenmutter	1	
12	887832	Sicherheitspl. Lenkung	1	
13	2B002313	Zylinderschraube M10x35	2	
14	2B003250	Obere Gabelbrücke	1	
15	AP8152299	Selbstsperrende Mutter M6	1	
16	2B003292	Platte	1	
17	GU96451316	Stiftschraube	1	
18	890760	Halterung Instrumente	1	

Einheit	Lenkstange - Schaltungen
Code	07.020
Beschreibung	Lenkstange - Schaltungen
Inspektion	1



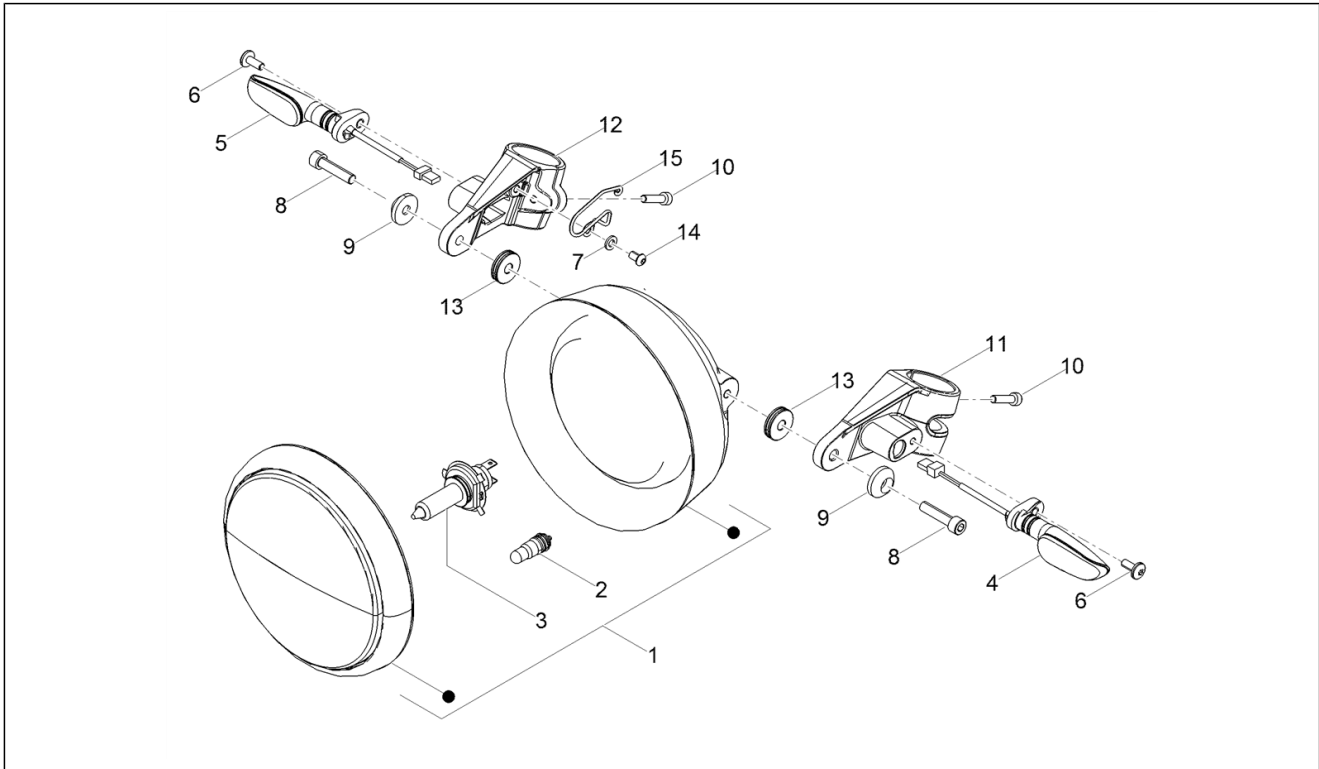
Pos.	Code	Beschreibung	Menge	Varianten
1	887904	Mutter	2	
2	2B002875	Becher	2	
3	887901	Gummi	4	
4	887902	Distanzscheibe	2	
5	2B003250	Obere Gabelbrücke	1	
6	2B004080	Unter.Bügelbolzen	2	
7	887915	Schraube M10x60	2	
8	978960	Lenkstange	1	
9	2D000308	Bedienelement rechts mit Mode	1	
10	GU32603310	Rechts griff	1	
11	2B008376	Lenkstangen-Schwingschutz	2	
12	2B007195	TCEI Schraube M6x45	2	
13	2B003835	Rückspiegel rechts	1	
14	AP8150540	Zylinderschraube	4	
15	GU32603010	Links griff	1	
16	2B007746	Obere Klemme Lenker	1	
17	2B003836	Rückspiegel links	1	
18	2D000307	Bedienelement links	1	
19	887852	Gas trasmission delivery	1	
20	887853	Gas trasmission return	1	
21	GU98230510	TBEI Schraube M5x10	1	
22	GU95008305	Ausgleichscheibe 5,3X10X1	1	
23	GU95021105	Zahnscheibe	1	
24	2B004963	Federklammer L60 mm	1	
24	GU01609630	Schelle L46 mm	1	
24	GU03609600	Schelle L36 mm	1	

Einheit	Lenkstange - Schaltungen
Code	07.030
Beschreibung	Kupplungssteuerung
Inspektion	1



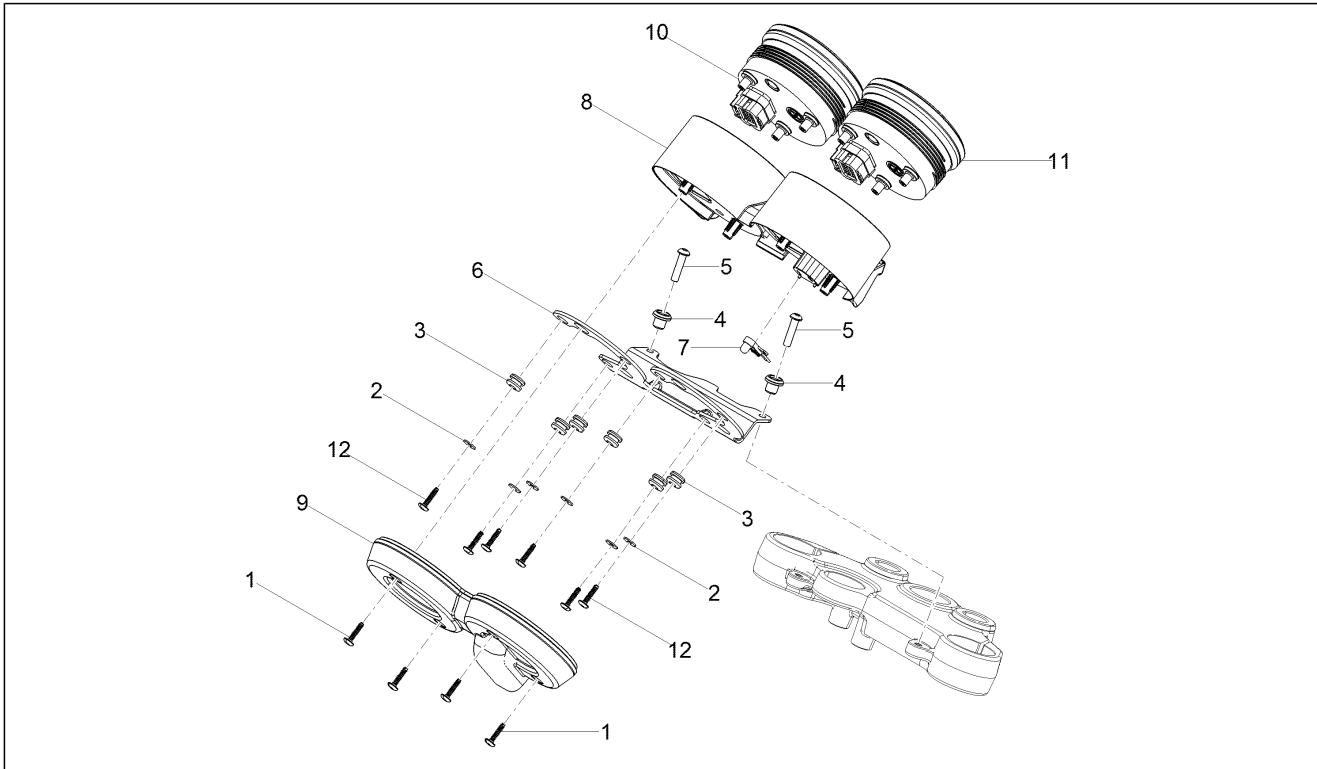
Pos.	Code	Beschreibung	Menge	Varianten
1	2B002391	Gruppe Kupplungshebel	1	
2	2B002390	Kupplungshebel	1	
3	GU30601060	Feder	1	
4	GU30602500	Einstellschraube	1	
5	AP8213028	Schraube	1	
6	AP8213388	Selbstsperrende Mutter	1	
7	GU97202325	TE Schr. m. Flansch schw. M6x25	2	
8	2B006106	Kupplungskabel	1	
9	2D0002885	Kupplungsschalter	1	

Einheit	Vorderer Lichter - Instrumente
Code	08.010
Beschreibung	Vorderer Lichter
Inspektion	1



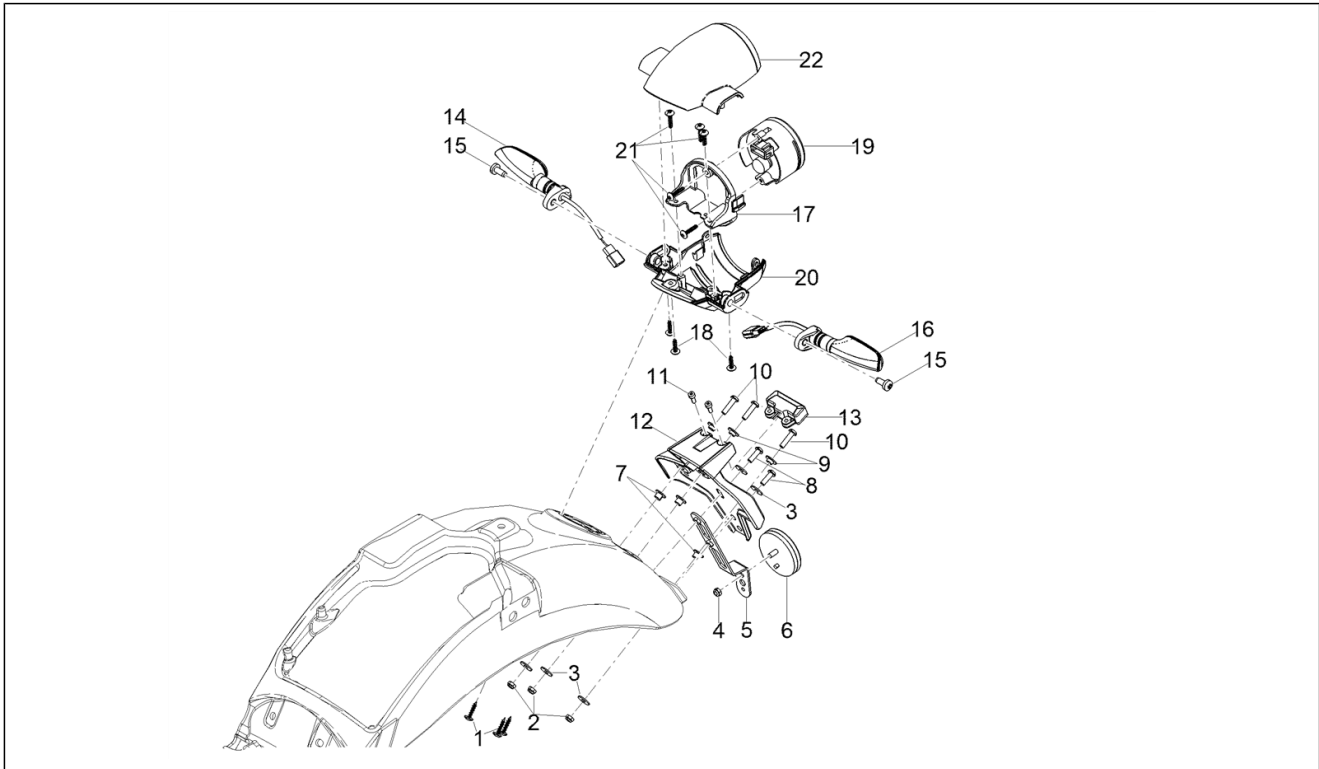
Pos.	Code	Beschreibung	Menge	Varianten
1	2D000386	Scheinwerfer, kompl.	1	
2	292022	Lampen 12V-5W	1	
3	292723	Lampen H4 12V-60/55W	1	
4	2D000438	Vorderer linker Blinker	1	
5	2D000439	Vorderer rechter Blinker	1	
6	1B000068	Gewindeschraube M6x14	2	
7	GU95008306	Ausgleichscheibe 6,4x12x1,2	1	
8	GU98690435	TCEI Schraube M8x35	2	
9	AP8134378	Compass Anlage	2	
10	AP8150053	TCEI Schraube M6x25	2	
11	2B006729	Scheinwerferhalterung li.	1	
12	2B006732	Scheinwerferhalterung re.	1	
13	2B003342	Abstandhalter Frontscheinwerfer	2	
14	319446	TCEI Schraube M6x10	1	
15	2B003832	Kabelführung	1	

Einheit	Vorderer Lichter - Instrumente
Code	08.020
Beschreibung	Instrumente
Inspektion	1



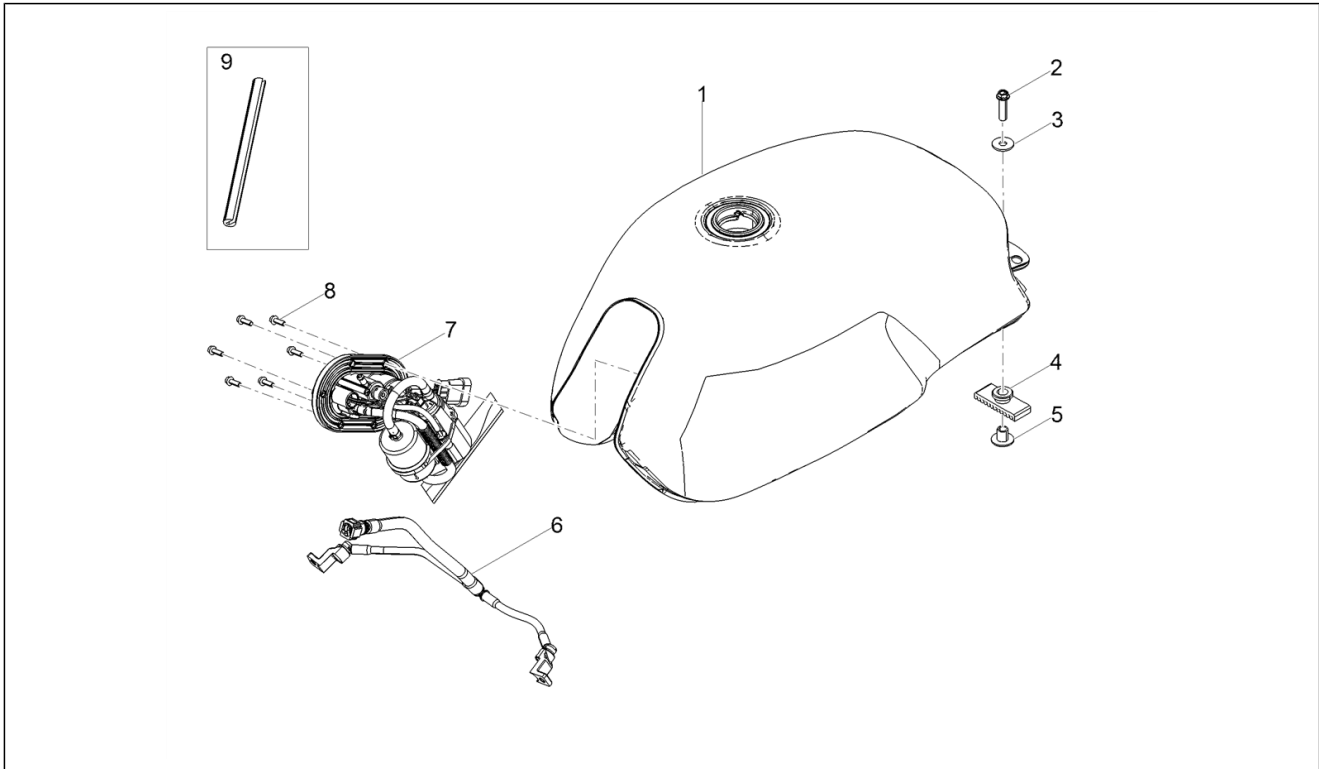
Pos.	Code	Beschreibung	Menge	Varianten
1	CM178609	Gew.schr.	4	
2	013763	Flachscheibe 4,2x12x1	6	
3	2B003367	Kabelführung	6	
4	2B003851	T-Buchse	2	
5	AP8152117	Schraube TBEI M6x25	2	
6	2B004226	Fixierplatte	1	
7	AP8124936	Lufttemperaturfühler	1	
8	2B003631	Obere Abdeckungen	1	
9	2B003711	Untere Abdeckungen	1	
10	2D000294	Instrumententafel mit Skala U/MIN	1	Land:Europa[EU] UK[UK]
11	2D000652	Instrumententafel MPH	1	Land:UK[UK]
11	2D000651	Instrumententafel km/h	1	Land:Europa[EU]
12	258146	Blechschrabe M3x20	6	

Einheit	Vorderer Lichter - Instrumente
Code	08.030
Beschreibung	Hinterer Lichter
Inspektion	1



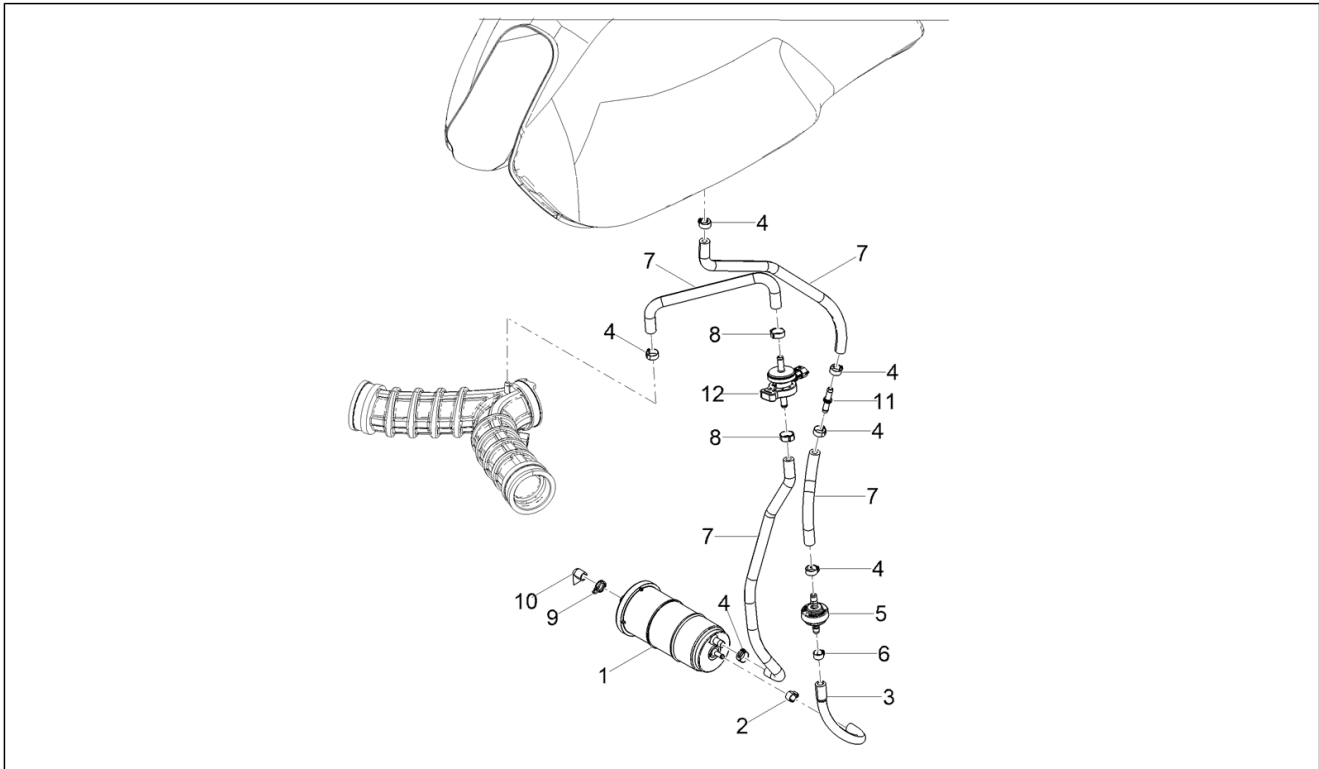
Pos.	Code	Beschreibung	Menge	Varianten
1	CM180701	Blechschaube D4x16	3	
2	AP8150451	Selbstsperr.mut Unt. M5	3	
3	AP8150248	Ausgleichscheibe 5,5x15x1,6	5	
4	AP8152306	Selbstsperrende Mutter M5	1	
5	AP8134448	Rückstrahler-Fixierung	1	
6	AP8224164	Rückstrahler Rücklicht, rot	1	
7	2B006416	Flanged spacer	3	
8	B016796	Linsenkopfschraube Torx	2	
9	843213	T-Buchse	3	
10	B016808	Covex head screw with torx M5x20	3	
11	2B002146	Schraube TBEI vorgetränkt M4x12	2	
12	2B007468	Kennzeichenhalter	1	
13	2D000284	Kennzeichenleuchte	1	
14	2D000523	Hinterer Blinker Re	1	
15	1B000068	Gewindeschraube M6x14	2	
16	2D000522	Hinterer Blinker Li	1	
17	2B007467	Rücklichtträger	1	
18	CM179101	Gewindeschraube	3	
19	2D000508	Rücklicht	1	
20	2B007553	Kappe unten kpl. Rücklicht	1	
21	CM180702	Blechschaube	5	
22	2B007465	Kappe oben Rücklicht	1	

Einheit	Tank
Code	09.010
Beschreibung	Kraftstofftank
Inspektion	1



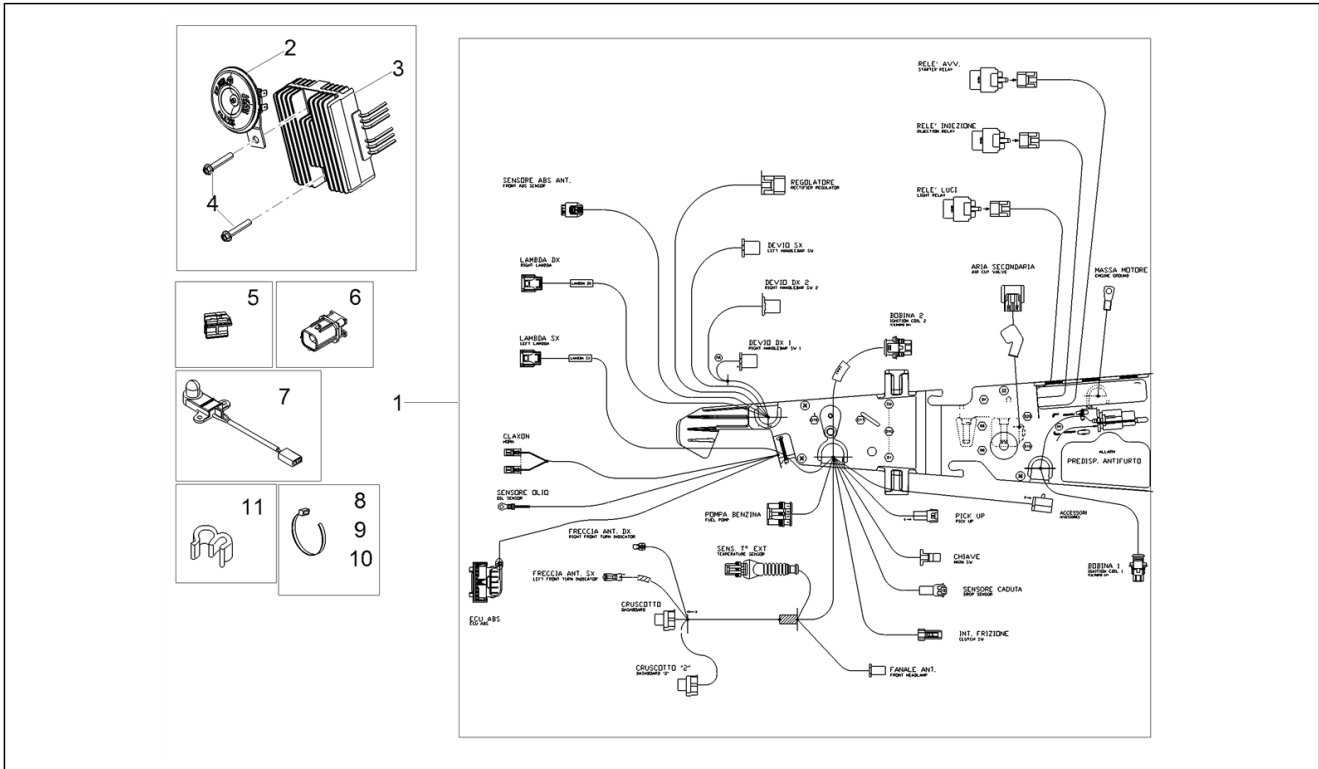
Pos.	Code	Beschreibung	Menge	Varianten
1	2H004117000B01	Kraftstofftank	1	Technische Spezifikation: Mit Aufkleber[D] Farbe: Weiß[WHI]
1	2B003435	Kraftstoffbehälter hne farbe	1	
1	2H004113000DK	Kraftstofftank	1	Technische Spezifikation: Mit Aufkleber[D] Farbe: Deep blue[BLU]
2	AP8152288	TE Schr. m. Flansch M8x30	1	
3	GU95005312	Ausgleichscheibe 8,5x24x2	1	
4	AP8120557	Gummi Tankanschluß	1	
5	AP8121332	Buchse	1	
6	2B002486	Kraftstoffleitungen	1	
7	2D000492	Kraftstoffpumpe	1	
8	2B002567	Sechskantschraube geflanscht M5X16	6	
9	2B000909	Dichtung	1	

Einheit	Tank
Code	09.020
Beschreibung	Benzindampfdruckf.-Anlage
Inspektion	1



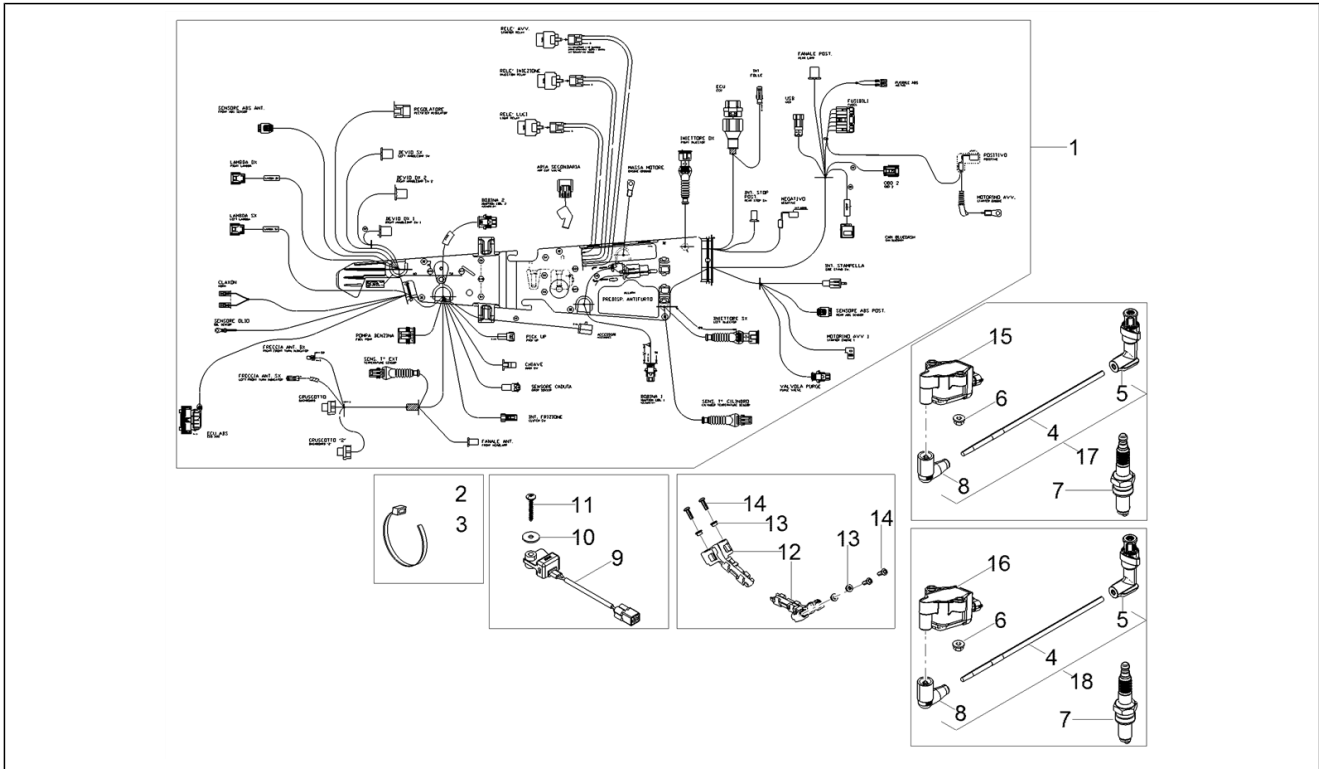
Pos.	Code	Beschreibung	Menge	Varianten
1	2B002632	Kohlefilter	1	
2	AP8102738	Schlauchschelle	1	
3	2B003042	Leitung SAE 30 R12A-3/16	1	
4	AP8102239	Schelle 12,5x8	5	
5	CM179008	Sicherheitsventil	1	
6	AP8102159	Schelle	1	
7	856063	Leitung SAE 30 d.12,7x6,35	4	
8	AP8102764	Schlauchschelle weiß d.13x6	2	
9	AP8102520	Schlauchschelle	1	
10	AP8127601	Lüftungsröhrchen	1	
11	2B000219	Anschluss	1	
12	B018242	Valve assy	1	

Einheit	Elektrische Anlage
Code	11.010
Beschreibung	Vorder Elektrische Anlage
Inspektion	1



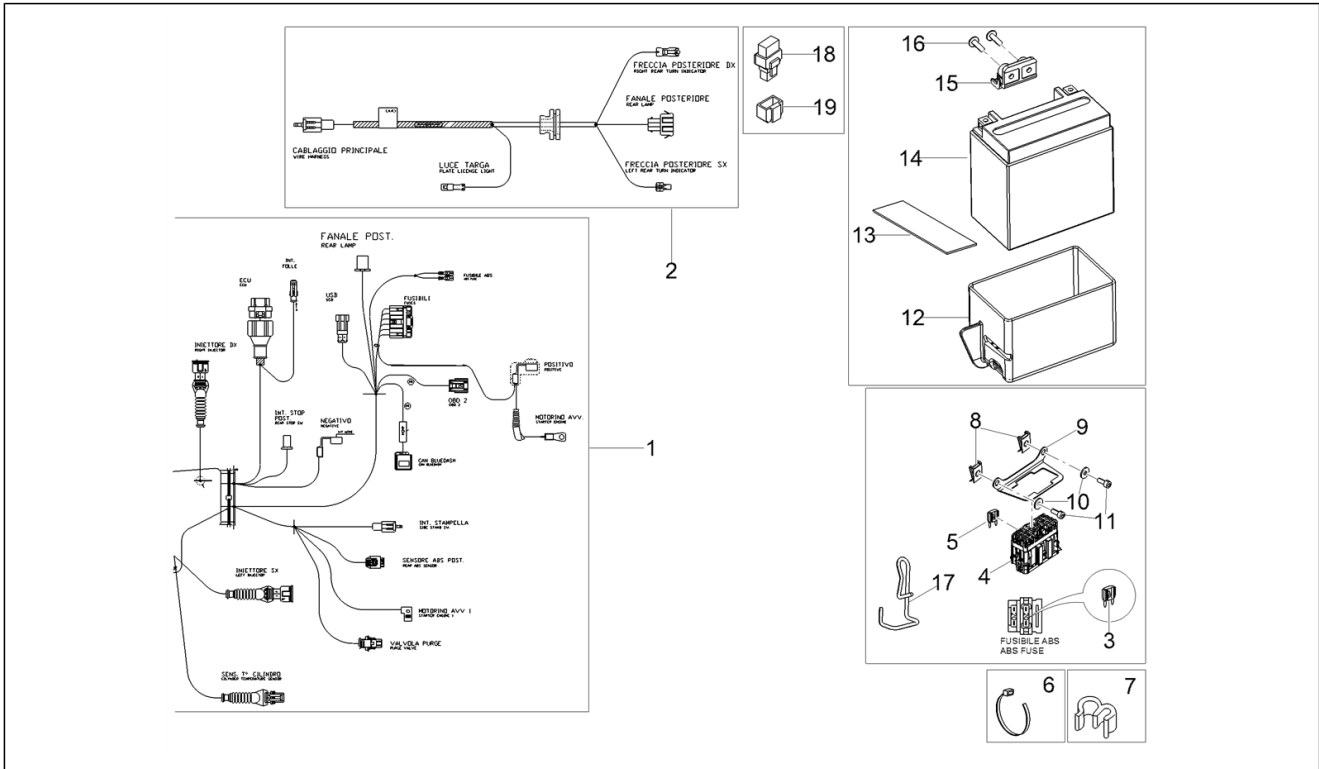
Pos.	Code	Beschreibung	Menge	Varianten
1	2D000614	Hauptverkabelung	1	
2	2B000221	Hupee	1	
3	640698	Spannungsregler	1	
4	AP8152282	TE Schr. m. Flansch M6x35	2	
5	1D000680	Steckverbinder kl.Feder	1	
6	1D002384	Deckel Kabelstecker	1	
7	AP8124936	Lufttemperaturfühler	1	
8	GU14609650	Schelle 3,6x20,6	24	
9	GU49609601	Schelle 2,4x92	1	
10	GU93304390	Schelle 3,6x375	2	
11	894704	Kabelführung	10	

Einheit	Elektrische Anlage
Code	11.020
Beschreibung	Mitt. elektrische Anlage
Inspektion	1



Pos.	Code	Beschreibung	Menge	Varianten
1	2D000614	Hauptverkabelung	1	
2	GU49609601	Schelle 2,4x92	1	
3	GU14609650	Schelle 3,6x20,6	24	
4	080341	Kabel Zündspulensockel	1	
5	1A010839	Zündkerzenstecker	2	
6	AP8152299	Selbstsperrende Mutter M6	4	
7	1A010638	Zündkerze MR8BI-8 NGK	2	
8	641040	Isolierhaube	2	
9	680212	Kippsensor	1	
10	GU95005304	Ausgleichscheibe 5,2x18x1,5	1	
11	478533	Gew.schr.	1	
12	2B004174	Halterung Zündkerzenkabel	2	
13	2B003052	T-Buchse	4	
14	1A003444	Linsenschraube	4	
15	641901	Zuendtransform.cpl.	1	
16	642034	Zuendtransform.cpl. DX	1	
17	CM277101	Zuendkabel (450 mm)	1	
18	CM277102	Zuendkabel (580 mm)	1	

Einheit	Elektrische Anlage
Code	11.030
Beschreibung	Hint.Elektrische Anlage
Inspektion	1



Pos.	Code	Beschreibung	Menge	Varianten
1	2D000614	Hauptverkabelung	1	
2	2D000620	Verkabelung Rücklicht	1	
3	CM225720	Sicherung 20A	2	
4	584211	Sicherungskasten	1	
5	CM225707	Sicherung 7,5A	1	
5	CM225710	Sicherung 10A	1	
5	CM225705	Sicherung 5A	2	
5	CM225715	Sicherung 15A	1	
5	CM225730	Sicherung 30A	1	
6	GU93304390	Schelle 3,6x375	2	
6	GU14609650	Schelle 3,6x20,6	24	
7	894704	Kabelführung	10	
8	AP8102375	Klammer M5	2	
9	883161	Hltr. Sicherungsblock	1	
10	GU95100059	Ausgleichscheibe 5,25x14x1,5	2	
11	GU98682212	TCEI Schraube M5x12	2	
12	2B002781	Batterieabdeckung	1	
13	AP8144552	seit. Gummiaufl. Batterie	1	
14	638733	Batterie Yuasa YTX14-BS 12V-12Ah (150x87x145)	1	
14	1R000319	Batterie PTX14-BS 12V 12Ah (Piaggio)	1	
15	GU06418600	Fixierplatte Batterie	1	
16	CM179302	Metrische Schraube TBC	2	
17	AP8134480	Sicherungshaken	2	
18	AP8224462	Zündrelais 12V-30A	3	
19	642569	Relaisträger elastico	1	