



PIAGGIO & C.s.p.a.



ERSATZTEILKATALOG



V7 Racer 750 2014

Vorsatzcode Fahrgestell: ZGULWV01

Vorsatzcode Motor:



Inhaltsverzeichnis

Fertige Produkte.....	4
Alphanumerisches Verzeichnis.....	5
RAHMEN.....	10
Tafel 33.01 - Rahmen I.....	10
Tafel 33.02 - Rahmen II.....	11
Tafel 33.03 - Seitenständer.....	12
Tafel 33.06 - Schalthebel.....	13
Tafel 33.07 - Vorderradgabel I.....	14
Tafel 33.08 - Vorderradgabel II.....	15
Tafel 33.11 - Hinten Stoßdämpfer.....	17
Tafel 33.12 - Kraftstofftank.....	18
Tafel 33.13 - Frontaufbau - Vrd. Schutzblech.....	19
Tafel 33.14 - Sitz-Mittlerer aufbau.....	20
Tafel 33.15 - R.Kar. I- Sch.bl.....	21
Tafel 33.16 - R.Kar.II - Kennzeichenplatte.....	22
Tafel 33.17 - Instrumententafel.....	23
Tafel 33.18 - Lenkstange - Schaltungen.....	24
Tafel 33.19 - Bremsanlage - Vorn.....	25
Tafel 33.21 - Kraftstoffpumpe.....	26
Tafel 33.23 - Auslassgruppe.....	27
Tafel 33.24 - Vorderrad.....	29
Tafel 33.25 - Hinterrad.....	30
Tafel 33.26 - Hinterradbrenspumpe.....	31
Tafel 33.27 - Hinterradbrenszange.....	33
Tafel 33.28 - Vorderer lichter.....	34
Tafel 33.29 - Hinterer lichter.....	35
Tafel 33.30 - Elektrische anlage I.....	36
Tafel 33.31 - Elektrische anlage II.....	37
Tafel 33.32 - Bausatz Schlösser.....	39
Tafel 33.33 - Abzieh. + Schilder.....	40
Tafel 33.51 - Benzindampfrückf.-Anlage.....	41
Tafel 33.52 - Filtergehäuse II.....	42
MOTOR.....	44
Tafel 34.09 - Getriebe kpl. I.....	44
Tafel 34.10 - Getriebe kpl. II.....	45
Tafel 34.34 - Gehäuse.....	48
Tafel 34.35 - Steuer Deckel.....	49
Tafel 34.36 - Zylinderkopf.....	50
Tafel 34.37 - Kurbelwelle kpl.....	51
Tafel 34.38 - Steuer.....	52
Tafel 34.39 - Ölpumpe.....	54
Tafel 34.40 - Kupplung I.....	55
Tafel 34.41 - Kupplung II.....	56



Tafel 34.42 - Getriebegehäuse.....	57
Tafel 34.43 - Schaltgetriebe.....	58
Tafel 34.44 - Schaltgabel.....	60
Tafel 34.45 - Drehstromgenerator - Regler.....	61
Tafel 34.46 - Startermotor.....	62
Tafel 34.47 - Klappenkörper.....	63



Fertige Produkte

Code	Gültigkeit
GU9032112AUE00	
GU9032112AUE01	
GU9032112EUE00	
GU9032112EUE01	
GU9032112GBE00	
GU9032112GBE01	
GU9032112JPE00	
GU9032112JPE01	
GU9032112JPF00	
GU9032112JPF01	
GU9032112ZCE00	
GU9032112ZCE01	



Code	Nr. der Tafel	Pos.	Code	Nr. der Tafel	Pos.	Code	Nr. der Tafel	Pos.
080341	33.30	6	880260	34.47	4	887280	33.06	17
248419	33.26	19	883127	33.52	6	887431	33.27	3
254485	33.14	16	883161	33.31	11	887443	33.33	4
254485	33.28	20	883192	33.27	7	887448	33.25	12
254485	33.52	14	883266	33.13	2	887449	33.27	1
254485	34.45	10	883295	33.14	5	887481	33.30	12
292022	33.28	9	883303	33.19	13	887483	34.36	25
292723	33.28	10	883349	33.25	8	887523	34.36	9
2A000085	34.35	1	883350	33.25	7	887528	34.38	27
2A000097	34.42	2	883417	33.28	24	887787	33.21	5
2A000098	34.42	1	883470	33.16	12	887812	34.47	14
2A0000995	34.37	1	883476	33.32	3	887815	33.52	13
2A000106	34.40	8	883477	33.32	1	887825	33.30	1
2A000115	34.45	6	883480	33.16	15	887825	33.31	1
2A000129	34.45	7	883502	33.12	5	887826	33.28	4
2A000146	34.38	1	883552	33.08	24	887826	33.29	4
2A000147	34.38	2	883581	33.19	2	887827	33.28	5
2A0002355	34.34	1	883602	33.08	32	887827	33.29	5
2B000045	33.52	36	883688	33.24	10	8878421	33.52	1
2B000178	33.23	11	883826	34.34	18	887843	33.52	2
2B000179	33.23	10	883940	33.18	3	887844	33.52	11
2B000560	33.07	1	884031	34.42	6	887845	33.52	12
2B000838	33.14	10	884311	34.47	13	887846	33.23	1
2B000839	33.14	9	886141	33.33	10	887847	33.23	2
2B000841	33.14	20	886364	34.42	3	887873	33.32	1
2B000842	33.14	21	886365	34.34	10	887874	33.32	3
2B000843	33.01	17	886368	33.14	12	887877	33.29	1
2B000844	33.01	18	886629	34.40	20	887878	33.08	1
2B000970	33.21	2	886630	33.11	3	887879	33.08	2
2B001048	33.18	27	886645	33.01	11	887880	33.08	3
2B001049	33.18	10	886665	33.06	13	887882	33.08	5
2D000006	33.32	10	886665	33.26	1	887883	33.08	6
2D000024	34.45	1	886666	33.26	9	887884	33.08	7
2D000043	34.45	2	886668	33.06	16	887885	33.08	8
2G000013	33.33	14	886670	34.37	11	887886	33.08	9
2H000419	33.12	1	886675	33.11	1	887887	33.08	10
2H000420	33.12	1	886676	34.09	11	887888	33.08	11
2H000421000Y02	33.13	7	886678	33.33	3	887889	33.08	12
2H000423	33.33	13	886679	33.24	18	887890	33.08	13
2H000424	33.33	12	886680	33.25	20	887891	33.08	14
2H000425	33.33	1	886681	33.24	2	887892	33.08	15
2H000426	33.33	7	886706	33.14	15	887893	33.08	16
2H000427	33.33	9	886711	33.25	2	887894	33.08	17
2H000428	33.33	8	886712	33.16	9	887895	33.08	18
2H000429	33.33	16	886713	33.16	10	887896	33.08	19
2H000430	33.33	17	886724	33.13	10	887899	33.08	25
2L0001895	34.34	28	886727	33.14	19	887900	33.08	23
2Q000043	33.33	5	88673000Y02	33.13	1	887905	33.08	28
2Q000045	33.33	5	886820	33.14	22	887916	33.08	22
2Q000054	33.33	5	886841	33.14	14	887944	33.12	1
2R000109	33.08	29	886842	33.08	21	887948	33.30	13
2R000110	33.08	4	887002	34.36	10	887971	33.33	11
584211	33.31	10	887003	34.35	2	890760	33.52	16
584332	33.29	7	887004	34.34	13	890979	33.28	16
638733	33.31	6	887005	34.42	10	893570	33.31	19
640598	33.28	11	887006	34.42	15	894505	33.25	13
641040	33.30	8	887093	34.39	9	894704	33.31	26
641541	34.39	8	887194	33.17	1	896110	33.23	21
641725	33.30	7	887196	34.44	8	897478	34.45	3
641901	33.30	4	887207	33.12	1	898086	33.07	7
642034	33.30	3	887235	34.42	17	898174	33.33	2
856063	33.51	14	8872690001	34.37	10	89817800A3	33.14	1
856796	33.06	20	8872690002	34.37	10	898179	33.13	7
857206	34.45	4	8872690003	34.37	10	898180	33.13	8
860138	33.51	7	8872724	34.36	1	898280	33.16	6
860651	34.09	19	8872754	34.36	2	898281	33.06	7
874567	34.37	14	887279	34.36	24	898281	33.26	27



Code	Nr. der Tafel	Pos.	Code	Nr. der Tafel	Pos.	Code	Nr. der Tafel	Pos.
898282	33.06	1	AP8120912	33.06	2	AP8152299	33.51	5
898283	33.06	3	AP8120912	33.26	2	AP8152300	33.02	14
898284	33.06	9	AP8121014	33.03	3	AP8152300	33.27	13
898285	33.26	30	AP8121032	33.15	13	AP8152306	33.16	5
898286	33.26	17	AP8121032	33.17	7	AP8152320	33.06	6
898287	33.26	12	AP8121072	33.23	22	AP8152320	33.26	33
898288	33.26	4	AP8121267	33.51	10	AP8152329	33.15	11
898611	33.06	12	AP8121307	33.07	4	AP8152329	33.52	18
898612	33.26	28	AP8121367	33.02	10	AP8152329	33.52	27
967356	33.03	6	AP8121375	33.03	2	AP8152339	33.16	8
969973	34.36	26	AP8121420	33.14	6	AP8152385	33.19	16
976604	34.34	12	AP8121420	33.32	8	AP8181140	33.31	24
976608	34.10	1	AP8121673	33.12	12	AP8201358	33.51	13
976614	33.14	13	AP8121927	33.26	3	AP8201358	33.52	3
976685	34.34	16	AP8121929	33.16	7	AP8201358	33.52	34
976898	34.36	20	AP8124718	33.16	13	AP8210007	33.06	18
976941	34.09	1	AP8124936	33.30	2	AP8213028	33.18	23
976992	34.42	21	AP8127856	33.03	8	AP8213057	33.26	15
977527	33.14	8	AP8133643	33.26	14	AP8220283	33.31	22
977527	33.32	4	AP8133798	33.27	2	AP8220460	33.07	6
978311	33.28	2	AP8133873	33.26	22	AP8220590	33.01	20
978323	33.19	15	AP8134378	33.23	18	AP8221023	33.52	26
978385	33.23	12	AP8134448	33.16	2	AP8221114	33.51	16
978386	33.23	15	AP8134640	33.26	35	AP8221172	33.01	16
978387	33.23	4	AP8144071	33.23	16	AP8221172	33.18	18
978415	33.14	7	AP8144071	34.36	23	AP8221197	33.03	5
978415	33.32	9	AP8144081	33.07	5	AP8221277	33.06	10
978662	33.28	2	AP8144146	33.07	3	AP8224164	33.16	3
97894600Y02	33.15	1	AP8144538	33.52	15	AP8224462	33.31	21
978947	33.15	2	AP8144553	33.52	7	AP9100477	33.06	15
978949	33.16	1	AP8144606	33.01	15	AP9100477	33.26	31
978970	33.26	13	AP8144729	33.52	17	B016796	34.47	5
981149	33.28	12	AP8149034	33.16	17	B043850	33.31	23
AP8101594	33.26	20	AP8150026	33.06	19	B063016	34.37	13
AP8101595	33.12	15	AP8150044	33.06	14	B063022	33.23	3
AP8102159	33.51	6	AP8150044	33.26	25	B063049	34.47	2
AP8102375	33.31	14	AP8150115	33.06	5	B063077	33.24	5
AP8102524	33.03	4	AP8150137	33.06	4	B063078	33.25	11
AP8102678	33.51	1	AP8150248	33.16	19	B063086	33.03	1
AP8102688	33.51	2	AP8150285	34.42	27	B063099	34.36	19
AP8102765	33.52	29	AP8150349	33.32	6	B063111	34.36	6
AP8102766	33.52	23	AP8150377	33.31	20	B063135	33.18	6
AP8102913	33.14	3	AP8150413	33.13	6	B063144	33.24	3
AP8104525	33.52	5	AP8150416	33.12	8	B06315100Y02	33.16	6
AP8104924	33.52	4	AP8150436	33.02	12	B063152	33.12	19
AP8104996	33.52	28	AP8150468	33.26	29	B063154	33.12	18
AP8110053	33.06	22	AP8150509	33.52	19	B063167	33.15	12
AP8113003	33.27	20	AP8152138	33.06	21	B063213	33.52	30
AP8113004	33.19	14	AP8152220	33.02	11	B063214	33.52	21
AP8113004	33.27	8	AP8152220	34.39	18	B063233	33.31	5
AP8113288	33.26	16	AP8152268	33.16	18	B063247	33.18	4
AP8113553	33.26	23	AP8152273	33.16	11	B063248	33.18	5
AP8118490	33.18	24	AP8152273	33.21	4	B063249	33.02	1
AP8120246	34.09	10	AP8152277	33.19	3	B063250	33.02	2
AP8120416	33.30	18	AP8152278	33.15	3	B063251	33.01	1
AP8120416	33.31	27	AP8152278	33.28	13	B063265	33.24	1
AP8120416	33.51	11	AP8152279	33.15	9	B063267	33.25	1
AP8120446	33.51	9	AP8152281	34.45	9	B063269	34.42	11
AP8120455	33.52	9	AP8152286	33.24	11	B063287	33.01	4
AP8120531	33.14	18	AP8152287	33.02	13	B063317	33.18	1
AP8120557	33.12	11	AP8152288	33.02	15	B063326	33.18	8
AP8120615	33.52	10	AP8152288	33.27	9	B063342	34.42	20
AP8120772	33.52	20	AP8152298	33.26	18	B063429	33.14	23
AP8120772	33.52	24	AP8152298	34.47	6	B063431	33.14	24
AP8120772	33.52	35	AP8152299	33.15	15	B063465	34.37	15
AP8120870	33.23	20	AP8152299	33.27	10	B063466	34.37	16
AP8120876	33.52	8	AP8152299	33.30	5	B063735	33.28	14



Code	Nr. der Tafel	Pos.	Code	Nr. der Tafel	Pos.	Code	Nr. der Tafel	Pos.
B063735	33.29	6	GU05900130	33.33	6	GU19206501	34.10	10
B063750	33.27	6	GU06740400	33.28	17	GU19212900	34.43	15
B063752	33.21	1	GU10054100	34.43	12	GU19213720	34.43	17
B063854	33.23	1	GU10214300	34.43	27	GU19213760	34.41	15
B063855	33.23	2	GU10214301	34.43	27	GU19214660	34.43	11
B063975	33.18	15	GU10214302	34.43	27	GU19215460	34.43	3
CM001928	33.07	9	GU10214303	34.43	27	GU19234600	34.44	2
CM001929	33.07	8	GU10214304	34.43	27	GU19237800	34.42	13
CM0074C9	33.30	10	GU10214305	34.43	27	GU19327601	34.09	5
CM0074D0	33.30	9	GU10528900	34.34	15	GU19328801	34.09	3
CM013202	33.31	25	GU10528900	34.40	13	GU19350700	34.10	22
CM225705	33.31	15	GU10528900	34.42	23	GU19351100	34.10	4
CM225710	33.31	16	GU12003702	34.34	20	GU19351900	34.10	2
CM225715	33.31	17	GU12022600	34.10	6	GU19352300	34.10	23
CM225730	33.31	18	GU12022600	34.42	24	GU19353500	34.10	24
CM228303	34.47	1	GU12087001	34.41	9	GU19355200	34.10	35
CM228304	34.47	1	GU12154200	34.34	23	GU19355202	34.10	36
GU00823923140	33.03	7	GU12154200	34.42	12	GU19355300	34.10	33
GU00823923140	33.51	12	GU13021900	34.34	26	GU19355301	34.10	33
GU00823923140	33.52	32	GU13021900	34.36	12	GU19355302	34.10	33
GU00823931055	33.28	19	GU14086000	34.41	10	GU19355303	34.10	33
GU00823931070	33.12	2	GU14086100	34.41	7	GU19355304	34.10	33
GU00823944050	33.12	16	GU14090201	34.41	1	GU19355305	34.10	33
GU00823950050	33.26	21	GU14090400	34.41	2	GU19355306	34.10	33
GU01103860	33.01	13	GU14217901	34.40	6	GU19355307	34.10	33
GU01528930	34.10	9	GU14217901	34.42	7	GU19355308	34.10	33
GU01609630	33.18	14	GU14217901	34.44	17	GU19355309	34.10	33
GU01654630	33.19	17	GU14609650	33.30	20	GU19355320	34.10	27
GU01659130	33.19	11	GU14609650	33.31	27	GU19355321	34.10	27
GU01659131	33.19	12	GU14615901	33.13	5	GU19355322	34.10	27
GU01665410	33.26	6	GU14615901	34.09	20	GU19355323	34.10	27
GU01721600	33.30	14	GU14615901	34.37	5	GU19355324	34.10	27
GU01744200	33.28	18	GU14616150	33.24	15	GU19355325	34.10	27
GU02717450	33.30	11	GU14616150	33.25	10	GU19355326	34.10	27
GU03013800	33.23	8	GU18144350	34.39	16	GU19355327	34.10	27
GU03013800	34.47	10	GU18161150	34.39	21	GU19355328	34.10	27
GU03067730	34.10	19	GU18257551	33.26	8	GU19355329	34.10	27
GU03101600	33.12	7	GU19002020	34.35	5	GU19355400	34.10	21
GU03101720	33.12	5	GU19002020	34.42	16	GU19355402	34.10	21
GU03101900	33.12	3	GU19003800	34.34	8	GU19355404	34.10	21
GU03102200	33.12	6	GU19007700	34.45	8	GU19355406	34.10	21
GU03102400	33.12	10	GU19015020	34.34	5	GU19355408	34.10	21
GU03103200	33.12	17	GU19017000	33.02	4	GU19355410	34.10	21
GU03103500	33.12	4	GU19018920	34.39	10	GU19355411	34.10	21
GU03163330	33.31	3	GU19021360	34.36	18	GU19355412	34.10	21
GU03270300	33.26	34	GU19021920	34.36	7	GU19355413	34.10	21
GU03468100	33.01	21	GU19025280	33.23	5	GU19356700	34.10	30
GU03604845	33.19	8	GU19025460	33.23	6	GU19356760	34.41	16
GU03605645	33.19	9	GU19027500	34.38	15	GU19356801	34.10	28
GU03609600	33.18	14	GU19030500	34.38	7	GU19357660	34.10	25
GU03612040	33.24	16	GU19032080	34.38	10	GU19547000	34.09	12
GU03631250	33.24	4	GU19032980	34.36	17	GU20085720	34.41	13
GU03631250	33.25	9	GU19032980	34.38	14	GU20147710	34.39	17
GU03658201	33.27	16	GU19034000	34.38	8	GU20147810	34.39	3
GU03658330	33.27	17	GU19037820	34.36	8	GU20148410	34.39	4
GU03658430	33.27	14	GU19045861	34.38	25	GU20148610	34.39	5
GU03660145	33.19	1	GU19055700	34.38	23	GU20208520	34.44	9
GU03661145	33.19	6	GU19058021	34.38	19	GU20352421	34.10	31
GU03664045	33.19	7	GU19058220	34.38	20	GU20355121	34.10	34
GU03740930	33.29	2	GU19062261	34.37	4	GU23204471	34.40	21
GU03749845	33.19	5	GU19065400	34.37	2	GU23204571	34.40	22
GU03922280	34.09	23	GU19067700	34.37	18	GU23211372	34.43	8
GU03995730	33.33	15	GU19083462	34.40	2	GU23217800	34.38	3
GU05107430	33.21	3	GU19146422	34.39	1	GU23328081	34.09	7
GU05659230	33.19	10	GU19152200	34.39	11	GU23442210	33.06	11
GU05730730	34.46	1	GU19202320	34.42	9	GU23442210	33.26	11
GU05781630	33.16	20	GU19203460	34.40	11	GU23548080	34.09	8



Code	Nr. der Tafel	Pos.	Code	Nr. der Tafel	Pos.	Code	Nr. der Tafel	Pos.
GU23548180	34.09	9	GU32208210	34.42	8	GU61270300	34.40	17
GU23943410	33.08	31	GU32210510	34.43	1	GU66103415	33.01	14
GU27037521	34.38	4	GU32211110	34.43	9	GU90271018	34.38	12
GU27061585	34.37	3	GU32211410	34.43	6	GU90271117	34.43	29
GU27061885	34.37	17	GU32211810	34.43	5	GU90271121	34.43	19
GU27062060	34.37	6	GU32212011	34.43	2	GU90271124	34.43	4
GU27065660	34.37	7	GU32213610	34.43	14	GU90272023	34.09	4
GU27066460	34.37	9	GU32213810	34.42	5	GU90272075	34.40	3
GU27066560	34.37	8	GU32214010	34.43	24	GU90274026	34.44	3
GU27152885	34.34	22	GU32214510	34.43	20	GU90353009	34.36	4
GU27153085	34.39	14	GU32214810	34.43	21	GU90353029	34.38	24
GU27210760	34.41	12	GU32215010	34.43	22	GU90353030	34.10	17
GU27633910	33.25	4	GU32215210	34.43	23	GU90400616	34.41	11
GU28157950	33.51	8	GU32231010	34.44	5	GU90402538	33.25	6
GU28157950	33.52	37	GU32231210	34.44	4	GU90402642	33.24	8
GU28252060	33.02	8	GU32233010	34.44	6	GU90403251	34.10	38
GU28576591	33.12	13	GU32234110	34.44	13	GU90403549	34.10	3
GU28576591	33.15	4	GU32234410	34.44	1	GU90407591	34.10	15
GU28612033	33.25	18	GU32234710	34.44	11	GU90706076	34.34	9
GU29729461	33.31	2	GU32234810	34.44	12	GU90706111	34.39	22
GU29759150	33.18	17	GU32234910	34.44	16	GU90706140	34.42	4
GU30109330	33.23	24	GU32235710	34.44	14	GU90706141	33.30	17
GU30577800	33.29	13	GU32238210	34.44	10	GU90706170	34.41	8
GU30601060	33.18	25	GU32251610	33.06	8	GU90706188	34.10	29
GU30602500	33.18	22	GU32350410	34.10	13	GU90706188	34.43	18
GU30630430	33.25	19	GU32351410	34.10	16	GU90706203	34.10	7
GU31003766	34.10	8	GU32354610	34.10	18	GU90706203	34.42	25
GU31003766	34.34	14	GU32431310	33.02	9	GU90706235	34.41	14
GU31003766	34.40	19	GU32439260	33.51	3	GU90706281	34.34	19
GU31003766	34.42	26	GU32461610	33.14	2	GU90706444	34.34	17
GU31016050	34.39	20	GU32506360	33.28	1	GU90706584	34.10	37
GU31037015	34.38	13	GU32517710	33.31	8	GU90714082	33.52	31
GU31038015	34.38	5	GU32555210	33.11	4	GU91113826	33.23	29
GU31045015	34.38	26	GU32555211	33.11	5	GU91120806	33.15	6
GU31112965	33.52	33	GU32602860	33.18	12	GU91180601	33.15	10
GU31121880	33.23	9	GU32603010	33.18	16	GU91181003	33.18	11
GU31150950	34.39	26	GU32603310	33.18	7	GU91181003	33.19	18
GU31159050	34.39	15	GU32605510	33.18	2	GU91551010	33.52	25
GU31327783	34.09	2	GU32615660	33.24	14	GU91551086	33.14	11
GU31439565	33.13	4	GU32632510	33.25	17	GU92201070	34.10	14
GU31513480	33.08	20	GU32633360	33.25	14	GU92201220	34.43	16
GU31544181	34.09	15	GU32633560	34.10	11	GU92201225	34.40	10
GU31547882	34.09	14	GU32634160	33.27	5	GU92204217	33.25	5
GU31610160	33.24	17	GU32636160	33.25	21	GU92204218	33.25	3
GU31614183	33.24	9	GU32735510	33.32	5	GU92204221	33.24	7
GU31615260	33.24	6	GU32735511	33.32	5	GU92218417	34.43	10
GU31616384	33.24	12	GU32747910	33.31	9	GU92230320	34.43	13
GU31634281	33.27	4	GU32753410	33.28	3	GU92234716	34.43	26
GU31634481	33.25	15	GU32753410	33.29	8	GU92249220	34.10	32
GU31659181	33.27	11	GU32781910	33.16	16	GU92249225	33.07	2
GU31659281	33.27	12	GU32782510	33.32	2	GU92249227	34.10	20
GU32032310	34.38	11	GU32944310	33.33	18	GU92251028	34.43	7
GU32053410	34.38	16	GU32999010	34.34	25	GU92252210	34.39	2
GU32054510	34.38	17	GU32999510	34.34	24	GU92252235	34.10	5
GU32067910	34.40	5	GU35214300	34.09	13	GU92296723	34.39	6
GU32080310	34.40	1	GU39238100	34.43	25	GU92602406	34.38	9
GU32084410	34.40	4	GU49609601	33.30	19	GU92602510	34.39	19
GU32115010	34.47	3	GU49609601	33.31	27	GU92603010	34.36	11
GU32115011	34.47	8	GU53429500	33.02	3	GU92606206	33.17	6
GU32115510	34.47	7	GU61027200	34.37	12	GU92606208	34.34	7
GU32121010	33.23	7	GU61036801	34.36	3	GU92606208	34.40	18
GU32121910	33.23	25	GU61038100	34.38	6	GU92606210	33.01	9
GU32121911	33.23	26	GU61054900	34.38	18	GU92606210	33.02	5
GU32128610	33.23	13	GU61270300	33.27	22	GU92606210	33.11	7
GU32129010	33.23	14	GU61270300	34.10	26	GU92606210	34.09	18
GU32202010	34.43	28	GU61270300	34.34	6	GU92606316	33.25	16
GU32206510	34.42	22	GU61270300	34.36	21	GU92606508	34.41	3

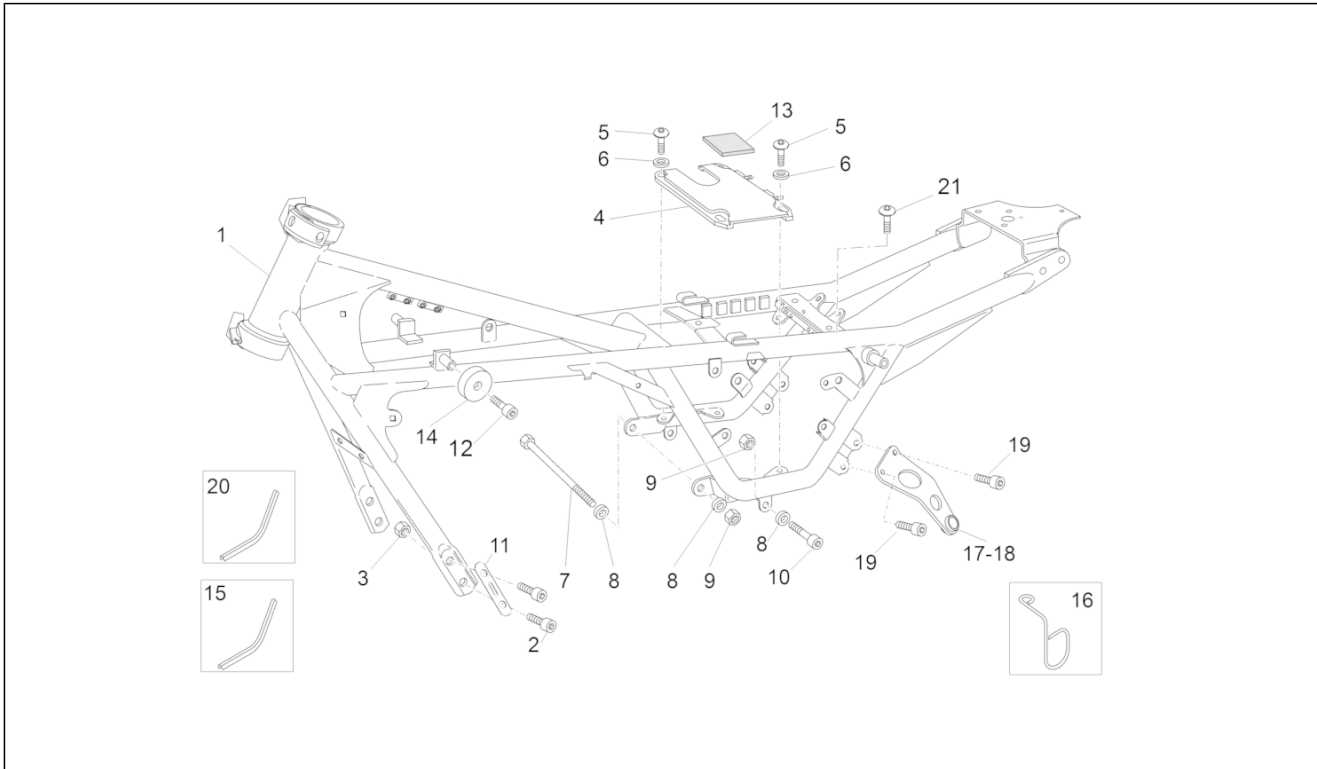


Code	Nr. der Tafel	Pos.
GU92606512	34.42	14
GU92630104	33.27	19
GU92630106	33.08	27
GU92630108	33.15	5
GU92630204	33.16	14
GU92630206	33.26	26
GU92630206	33.26	5
GU92630510	33.01	3
GU92640508	33.23	19
GU92787006	33.28	6
GU92787006	33.29	11
GU93180105	34.09	21
GU93180111	33.24	13
GU93180220	34.40	9
GU93180245	34.36	22
GU93222023	33.17	4
GU93231605	33.29	14
GU93301313	33.51	15
GU93305061	33.52	22
GU93305061	34.47	15
GU93450126	33.28	15
GU93450224	33.29	3
GU94321079	34.39	24
GU94321099	34.09	6
GU94321105	34.41	4
GU95004210	33.31	4
GU95005306	33.17	3
GU95005306	33.23	28
GU95005308	33.28	23
GU95005308	34.09	22
GU95005310	33.15	7
GU95005311	33.51	4
GU95005330	33.08	26
GU95008205	33.30	16
GU95008206	34.39	23
GU95008208	33.01	6
GU95008208	34.46	3
GU95008210	33.01	8
GU95008210	33.02	6
GU95008210	34.09	17
GU95008305	33.18	20
GU95008306	33.19	20
GU95008306	33.27	21
GU95020105	33.03	10
GU95021104	33.19	19
GU95021105	33.18	21
GU95021206	33.17	5
GU95021206	33.28	8
GU95021206	33.29	10
GU95100059	33.26	24
GU95100059	33.31	13
GU95100116	34.47	12
GU95100125	34.45	11
GU95100141	33.12	14
GU95100141	33.15	14
GU95100244	34.38	29
GU95100309	34.39	27
GU95100602	34.39	25
GU95100709	34.34	21
GU95129115	34.38	22
GU95129180	34.34	27
GU95129180	34.36	13
GU95129181	33.11	6
GU95187006	34.39	13
GU95401215	33.26	10
GU95500222	34.41	6
GU95780271	34.41	5

Code	Nr. der Tafel	Pos.
GU96451316	33.27	15
GU96451430	34.34	3
GU96451560	34.34	2
GU96506042	34.36	5
GU96508055	34.10	12
GU96508055	34.34	4
GU96510181	34.36	15
GU96510214	34.36	14
GU97202325	33.18	26
GU98054422	34.38	28
GU98082435	34.46	2
GU98082565	33.02	7
GU98084314	34.39	12
GU98084314	34.40	12
GU98084316	34.40	7
GU98110007	33.23	23
GU98110199	33.01	7
GU98230510	33.16	4
GU98230510	33.18	19
GU98230612	34.44	7
GU98252420	33.06	23
GU98252420	33.26	32
GU98257410	33.27	18
GU98257618	34.44	15
GU98310609	34.47	11
GU98350215	33.29	12
GU98350416	33.01	5
GU98370412	33.19	4
GU98370515	33.14	17
GU98370609	33.17	2
GU98370609	33.23	27
GU98370616	33.12	20
GU98370616	33.13	9
GU98370616	33.31	7
GU98370625	33.14	4
GU98370625	33.26	7
GU98370655	33.28	7
GU98370655	33.29	9
GU98370835	33.15	8
GU98370845	33.13	3
GU98612216	33.03	9
GU98620335	34.39	7
GU98622322	34.47	9
GU98680350	33.08	30
GU98680435	34.40	15
GU98680435	34.42	19
GU98680450	34.40	16
GU98680545	34.09	16
GU98680555	33.01	10
GU98682212	33.30	15
GU98682212	33.31	12
GU98682212	34.45	5
GU98682325	34.34	11
GU98682325	34.35	3
GU98682330	34.35	4
GU98682330	34.40	14
GU98682330	34.42	18
GU98682414	33.01	12
GU98682416	33.32	7
GU98682430	33.12	9
GU98682530	33.01	2
GU98690335	33.18	13
GU98690440	33.23	17
GU98692318	33.11	2
GU98692325	33.18	9
GU98692325	34.36	16
GU98692420	33.01	19

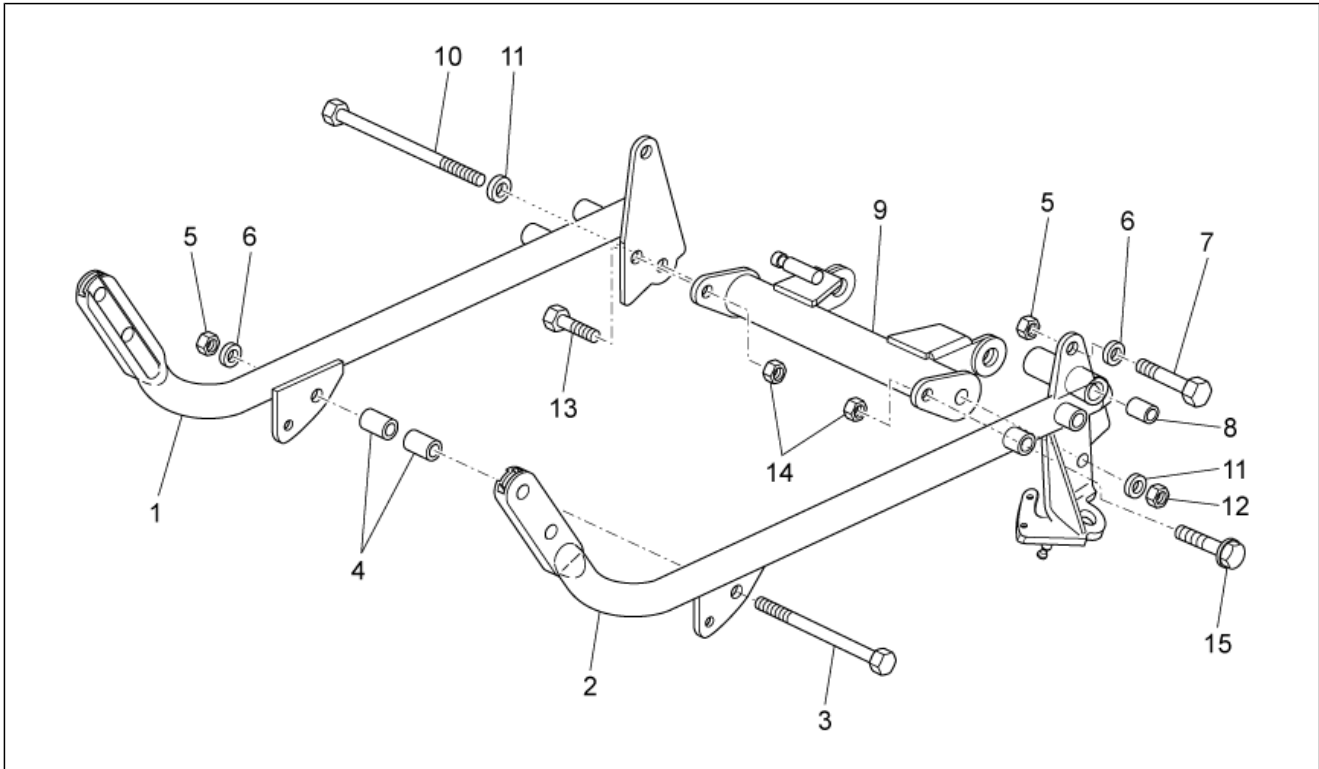
Code	Nr. der Tafel	Pos.
GU98692420	33.28	22
GU98880540	33.28	21
GU98882316	34.38	21

Einheit	RAHMEN
Code	33.01
Beschreibung	Rahmen I
Inspektion	1



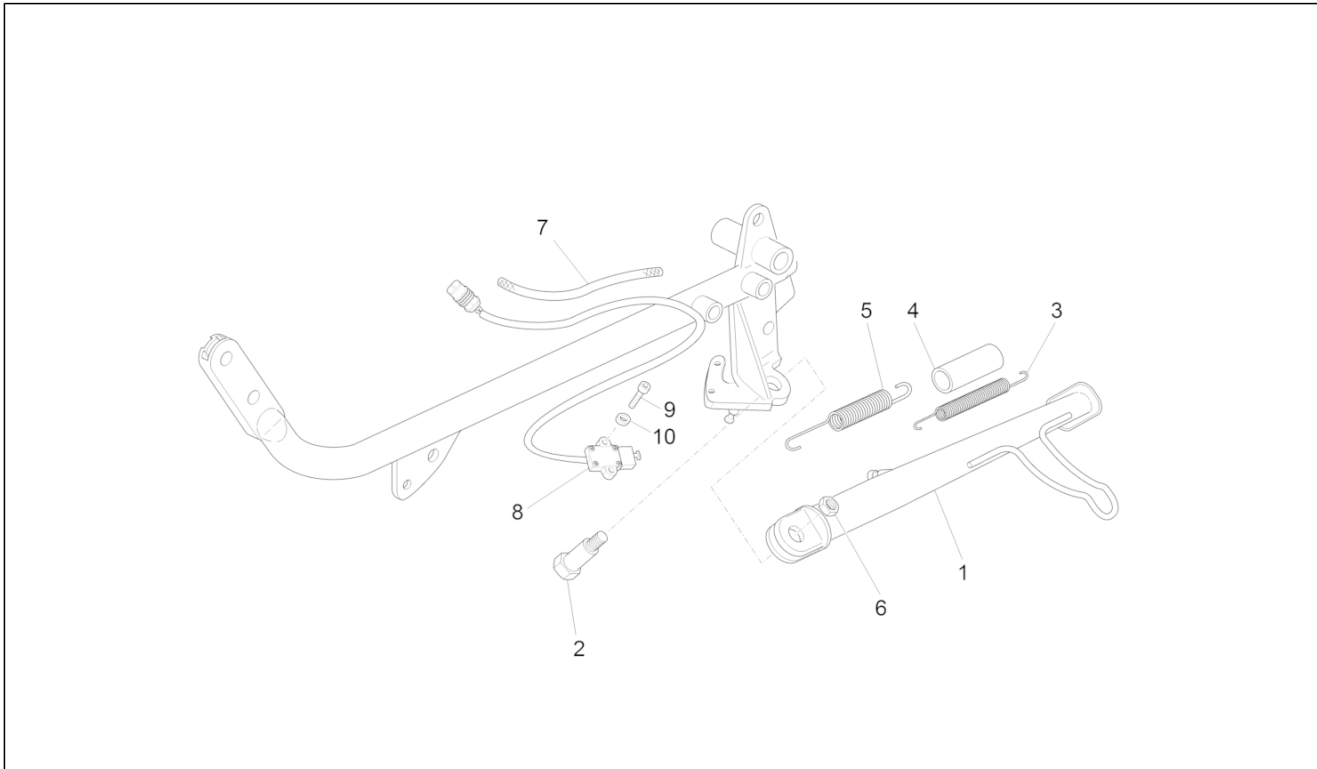
Pos.	Code	Beschreibung	Menge	Varianten
1	B063251	Rahmen, rot	1	
2	GU98682530	TCEI Schraube M10x30	4	
3	GU92630510	Mutter M10x1,5	4	
4	B063287	Verbindungsplatte Rahmen	1	
5	GU98350416	TBEI Schraube M8x16	4	
6	GU95008208	Ausgleichscheibe 8,4X15X1,5	4	
7	GU98110199	Bolzen M10x205	1	
8	GU95008210	Ausgleichscheibe 10,2X18X2	11	
9	GU92606210	Mutter M10x1,5	2	
10	GU98680555	Schraube M10x55	2	
11	886645	Platte	2	
12	GU98682414	TCEI Schraube	2	
13	GU01103860	Schwingungsdämpfergummi	1	
14	GU66103415	Gummi	2	
15	AP8144606	Dichtung 10X5	1	
16	AP8221172	Kabelführungs	1	
17	2B000843	Halter DX	1	
18	2B000844	Halter SX	1	
19	GU98692420	TCEI Schraube M8x20	4	
20	AP8220590	Dichtung	1	
21	GU03468100	Schraube	1	

Einheit	RAHMEN
Code	33.02
Beschreibung	Rahmen II
Inspektion	1



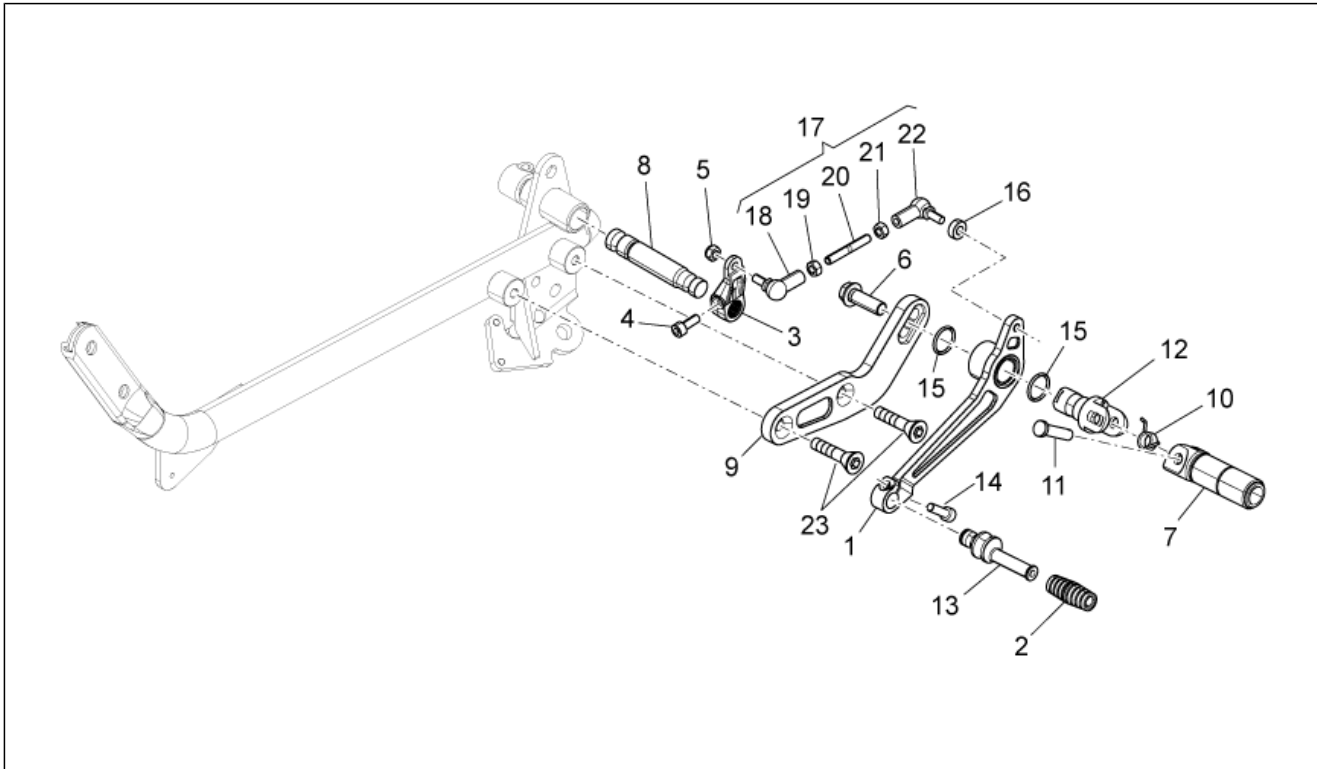
Pos.	Code	Beschreibung	Menge	Varianten
1	B063249	Wiegen, R.	1	
2	B063250	Wiegen, L.	1	
3	GU53429500	Bolzen M10x250	1	
4	GU19017000	Buchse	2	
5	GU92606210	Mutter M10x1,5	3	
6	GU95008210	Ausgleichscheibe 10,2X18X2	3	
7	GU98082565	Schraube M10x65	2	
8	GU28252060	Buchse 18 mm est.	2	
9	GU32431310	Querträger Untergestellhalter.	1	
10	AP8121367	Bolzen M10x260	1	
11	AP8152220	Scheibe	2	
12	AP8150436	Selbstsperr.mut Unt.	1	
13	AP8152287	TE Schr. m. Flansch M8x25	1	
14	AP8152300	Selbstsperrende Mutter M8	1	
15	AP8152288	TE Schr. m. Flansch	1	

Einheit	RAHMEN
Code	33.03
Beschreibung	Seitenständer
Inspektion	1



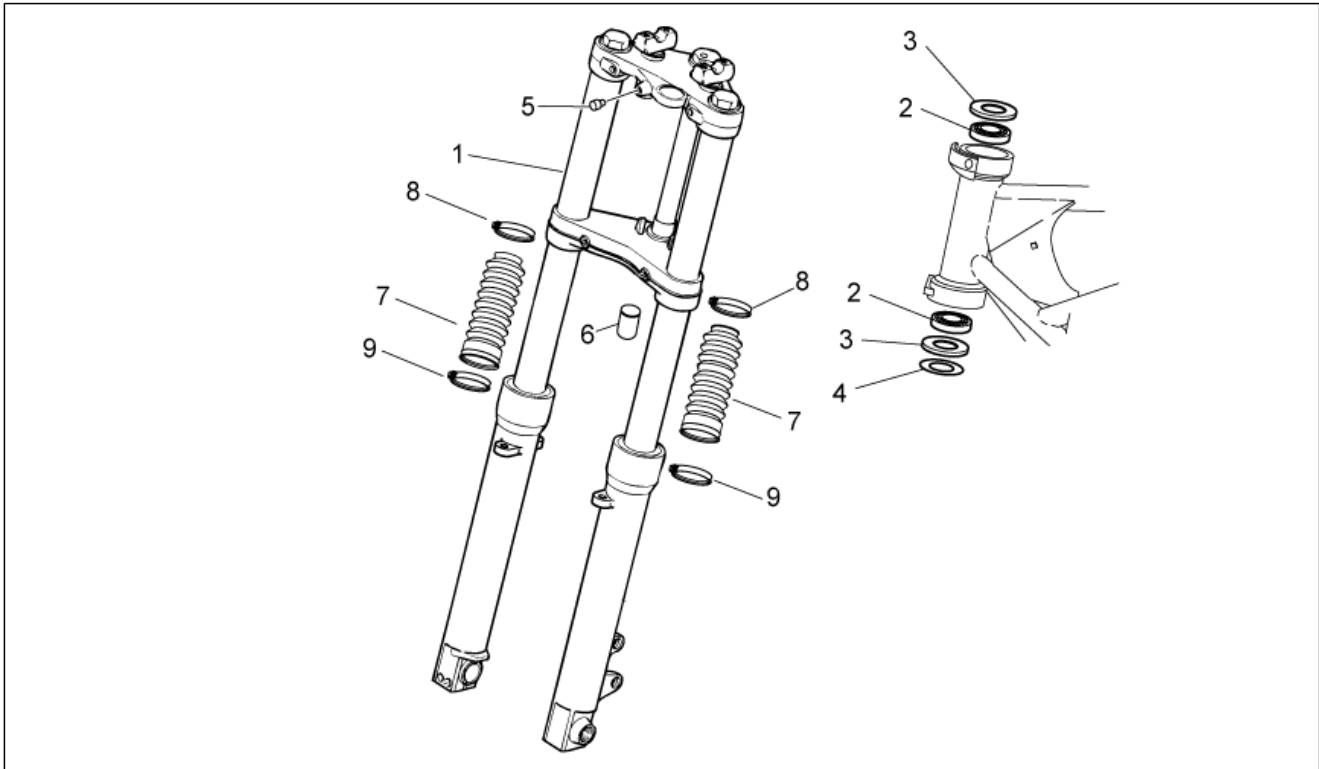
Pos.	Code	Beschreibung	Menge	Varianten
1	B063086	Seitenständer	1	
2	AP8121375	Ständerschraube	1	
3	AP8121014	Schraubenfeder *	1	
4	AP8102524	Schutz f. Ständerfeder	1	
5	AP8221197	Hauptständer Schraubenfeder	1	
6	967356	Geflanschte Mutter M10x1,25	1	
7	GU00823923140	Thermische Hülle	1	
8	AP8127856	Ständer lichtschalter	1	
9	GU98612216	TCEI Schraube	2	
10	GU95020105	Ausgleichscheibe 5,3x8,9x2,4	2	

Einheit	RAHMEN
Code	33.06
Beschreibung	Schalthebel
Inspektion	1



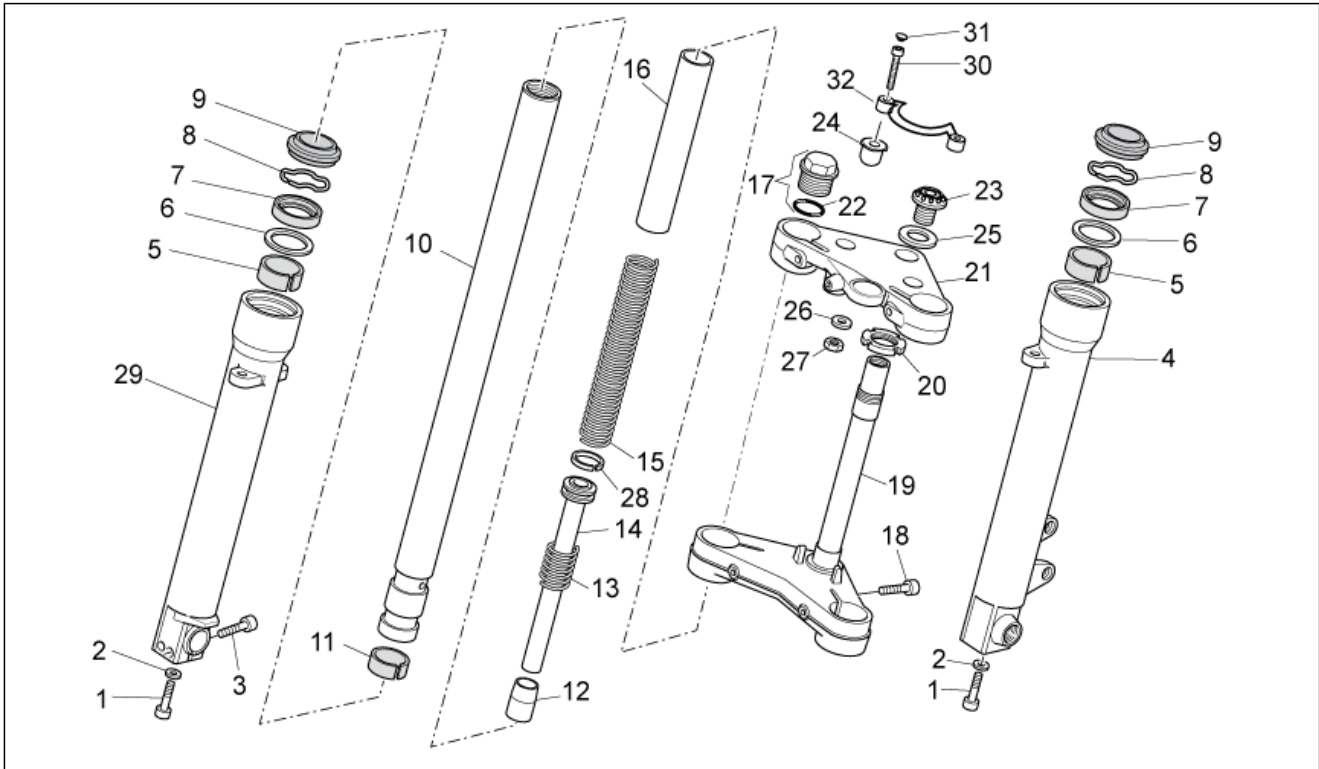
Pos.	Code	Beschreibung	Menge	Varianten
1	898282	Schalthebel	1	
2	AP8120912	Gummi für Hebel	1	
3	898283	Schalthebel	1	
4	AP8150137	TCEI Schraube	1	
5	AP8150115	Selbstsperr.mut Unt. M6	1	
6	AP8152320	TE Schr. m. Flansch	1	
7	898281	Fussrasten r.	1	
8	GU32251610	Hebelbolzen	1	
9	898284	Platte Fahrertrittbrett	1	
10	AP8221277	Rückholfeder	1	
11	GU23442210	Bolzen	1	
12	898611	Fußrastenhalter Fahrer links	1	
13	886665	Stift	1	
14	AP8150044	TCEI Schraube M6x20	1	
15	AP9100477	O-Ring 18x2	2	
16	886668	Distanzscheibe	1	
17	887280	Zugstange Schaltzug	1	
18	AP8210007	Kugelgelenk rechts M6	1	
19	AP8150026	Mutter M6	1	
20	856796	Umlenkstange Schaltgetriebe	1	
21	AP8152138	Mutter	1	
22	AP8110053	Kugelgelenk links M6	1	
23	GU98252420	Schraube M8x20	2	

Einheit	RAHMEN
Code	33.07
Beschreibung	Vorderradgabel I
Inspektion	1



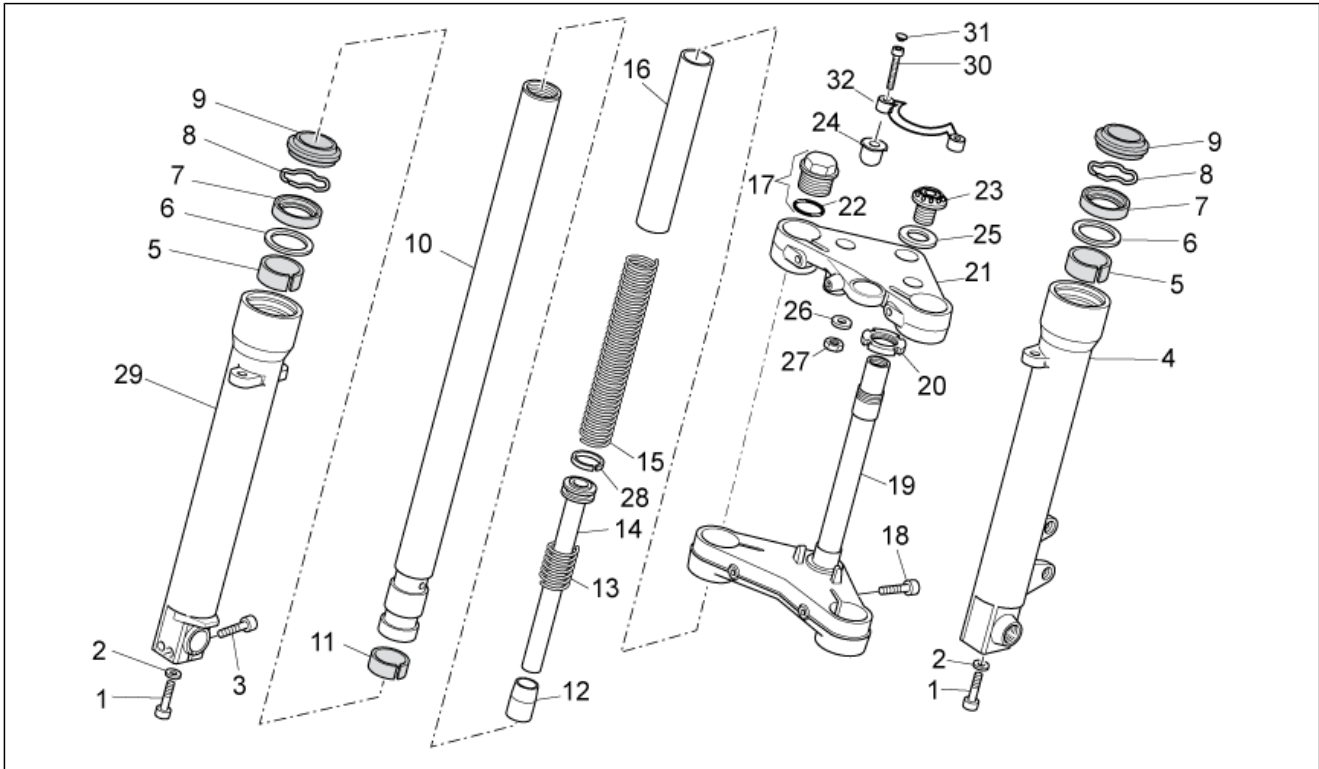
Pos.	Code	Beschreibung	Menge	Varianten
1	2B000560	Baugruppe vordere Gabel	1	
2	GU92249225	Rollenlager	2	
3	AP8144146	Gasket ring	1	
4	AP8121307	Ausgleichscheibe	1	
5	AP8144081	Gummi	1	
6	AP8220460	Gummibecher	1	
7	898086	Gabelbalg	7	
8	CM001929	Fascetta stringitubo 63.5	2	
9	CM001928	Schlauchselle 44	2	

Einheit	RAHMEN
Code	33.08
Beschreibung	Vorderradgabel II
Inspektion	1



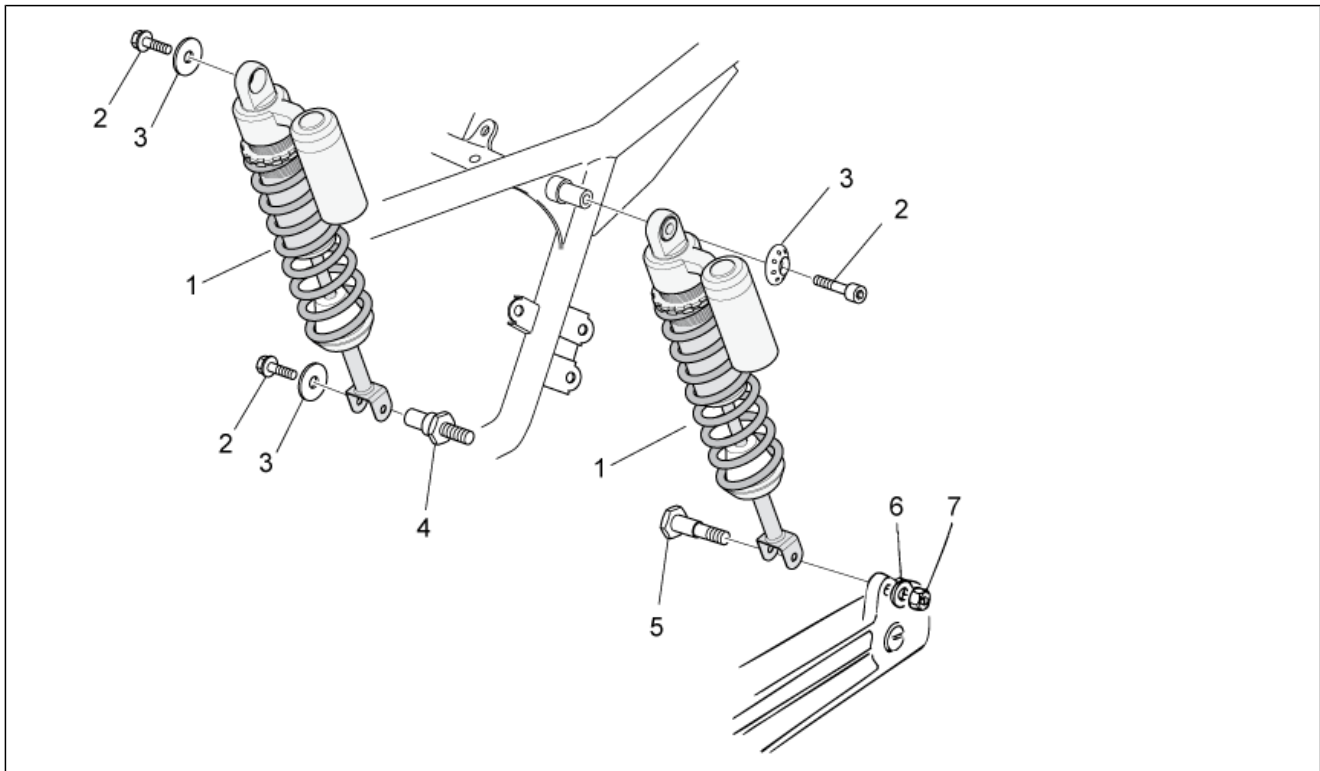
Pos.	Code	Beschreibung	Menge	Varianten
1	887878	Schraube M10x30	2	
2	887879	Ausgleichscheibe	2	
3	887880	Schraube	2	
4	2R000110	Linke Hülse	1	
5	887882	Obere Buchse	2	
6	887883	Ausgleichscheibe	2	
7	887884	Gasket ring	2	
8	887885	Sperring	2	
9	887886	Staubschutz	2	
10	887887	Schaft	2	
11	887888	Buchse	2	
12	887889	Puffer	2	
13	887890	Gegenfeder	2	
14	887891	Pumpenrad kplt.	2	
15	887892	Feder	2	
16	887893	Leitung	2	
17	887894	Verschlussschraube kplt.	2	
18	887895	Schraube	2	
19	887896	Fuß mit Rohr	1	
20	GU31513480	Nutmutter M25X1	1	
21	886842	Ob. Gabelplatte	1	
22	887916	O-Ring 4118	2	
23	887900	Mutter	1	
24	883552	Buchse	2	
25	887899	Ausgleichscheibe	1	
26	GU95005330	Ausgleichscheibe 6,4x30x1,5	2	
27	GU92630106	Mutter M6x1	2	
28	887905	Kolbenring	2	

Einheit	RAHMEN
Code	33.08
Beschreibung	Vorderradgabel II
Inspektion	1



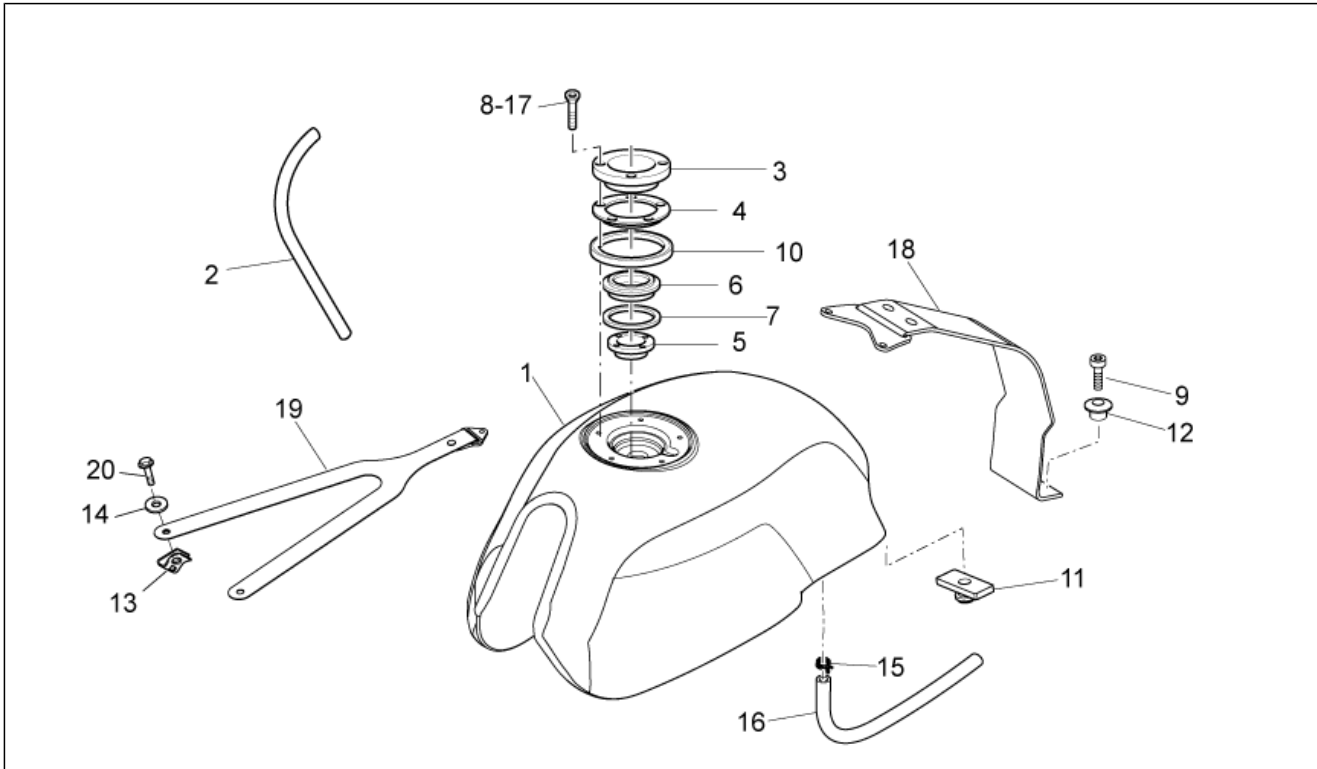
Pos.	Code	Beschreibung	Menge	Varianten
29	2R000109	Rechte Hülse	1	
30	GU98680350	TCEI Schraube M6x50	2	
31	GU23943410	Stopfen	8	
32	883602	Röhrchen	1	

Einheit	RAHMEN
Code	33.11
Beschreibung	Hinten Stoßdämpfer
Inspektion	1



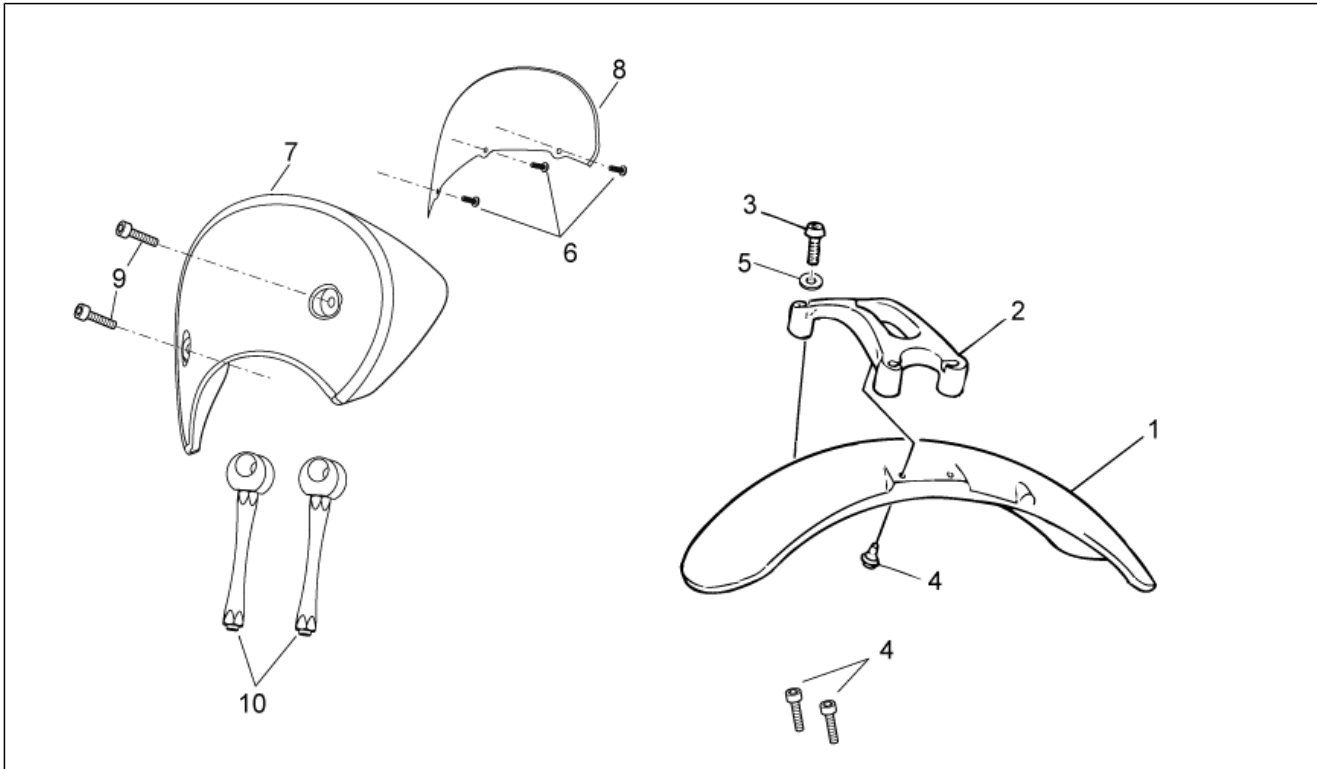
Pos.	Code	Beschreibung	Menge	Varianten
1	886675	Hinterer Stoßdämpfer	2	
2	GU98692318	TCEI Schraube	3	
3	886630	Buchse	3	
4	GU32555210	Bolzen	1	
5	GU32555211	Bolzen	1	
6	GU95129181	Scheibe	1	
7	GU92606210	Mutter M10x1,5	1	

Einheit	RAHMEN
Code	33.12
Beschreibung	Kraftstofftank
Inspektion	1



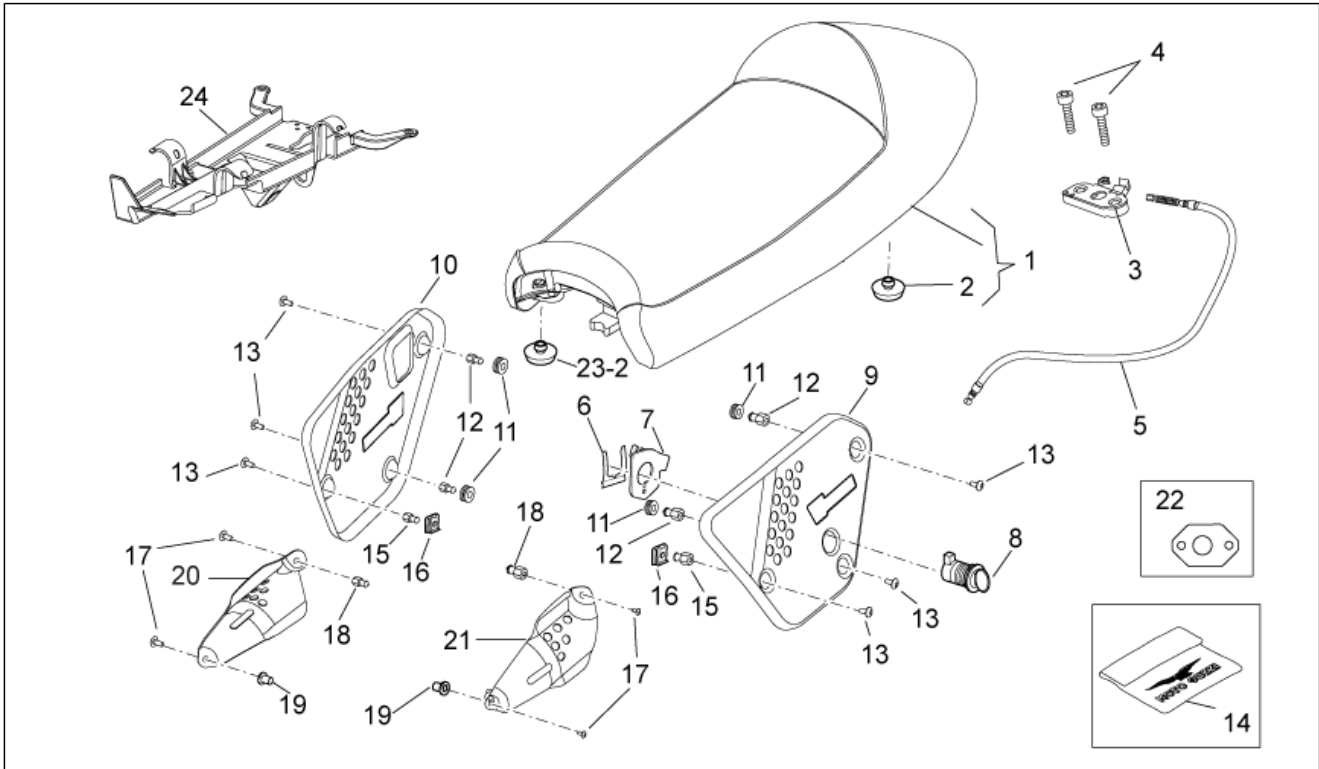
Pos.	Code	Beschreibung	Menge	Varianten
1	2H000419	Kraftstoffbehälter verchromte	1	Technische Spezifikation: Aufkl.[D]
1	2H000420	Kraftstoffbehälter verchromte	1	Land: China[CN] Technische Spezifikation: Aufkl.[D]
1	887207	Benzintank roh	1	Fahrzeugfarbe: Unlackiert[GR]
1	887944	Kraftstoffbehälter hne farbe	1	Land: China[CN]
2	GU00823931070	Dichtung	1	
3	GU03101900	Flansch	1	
4	GU03103500	Ring	1	
5	883502	Übersetzung 24 mm	1	Land: China[CN]
5	GU03101720	Übersetzung 38 mm	1	
6	GU03102200	Nutmutter für Verschuß	1	
7	GU03101600	Dichtung	2	
8	AP8150416	TCEI Schraube	3	
9	GU98682430	TCEI Schraube M8x30	1	
10	GU03102400	Dichtung	1	
11	AP8120557	Gummi Tankanschluß	1	
12	AP8121673	T-Buchse *	1	
13	GU28576591	Klammer M6	2	
14	GU95100141	Ausgleichscheibe 6,4x12x1,2	2	
15	AP8101595	Schelle D10,1	1	
16	GU00823944050	Leitung 5X9	1	
17	GU03103200	Schraube	2	
18	B063154	Riemen hinten	1	
19	B063152	Riemen vorne	1	
20	GU98370616	TBEI Schraube M6x16 inox	2	

Einheit	RAHMEN
Code	33.13
Beschreibung	Frontaufbau - Vrd. Schutzblech
Inspektion	1



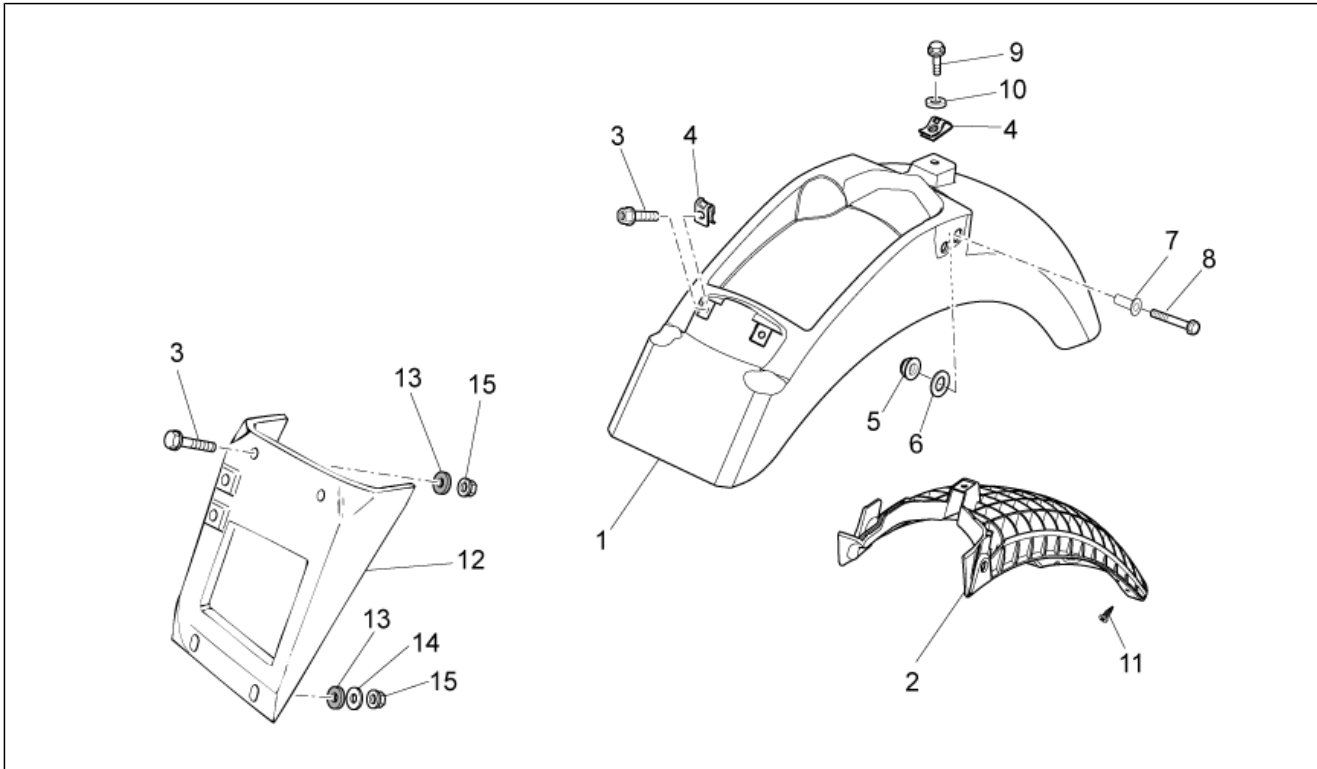
Pos.	Code	Beschreibung	Menge	Varianten
1	88673000Y02	V. Schutzblech, schwarz	1	
2	883266	Stabilisationsplatte	1	
3	GU98370845	TBEI Schraube	4	
4	GU31439565	Spezialschraube	4	
5	GU14615901	Ausgleichscheibe 8,4X13X0,8	4	
6	AP8150413	Gew.schr. 3,9x14	3	
7	2H000421000Y02	Fahrtwindschutz schwarz	1	Technische Spezifikation: Aufkl.[D]
7	898179	Fahrtwindschutzhne farbe	1	
8	898180	Windabweiser	1	
9	GU98370616	TBEI Schraube M6x16 inox	2	
10	886724	Halterung Kuppel	2	

Einheit	RAHMEN
Code	33.14
Beschreibung	Sitz-Mittlerer aufbau
Inspektion	1



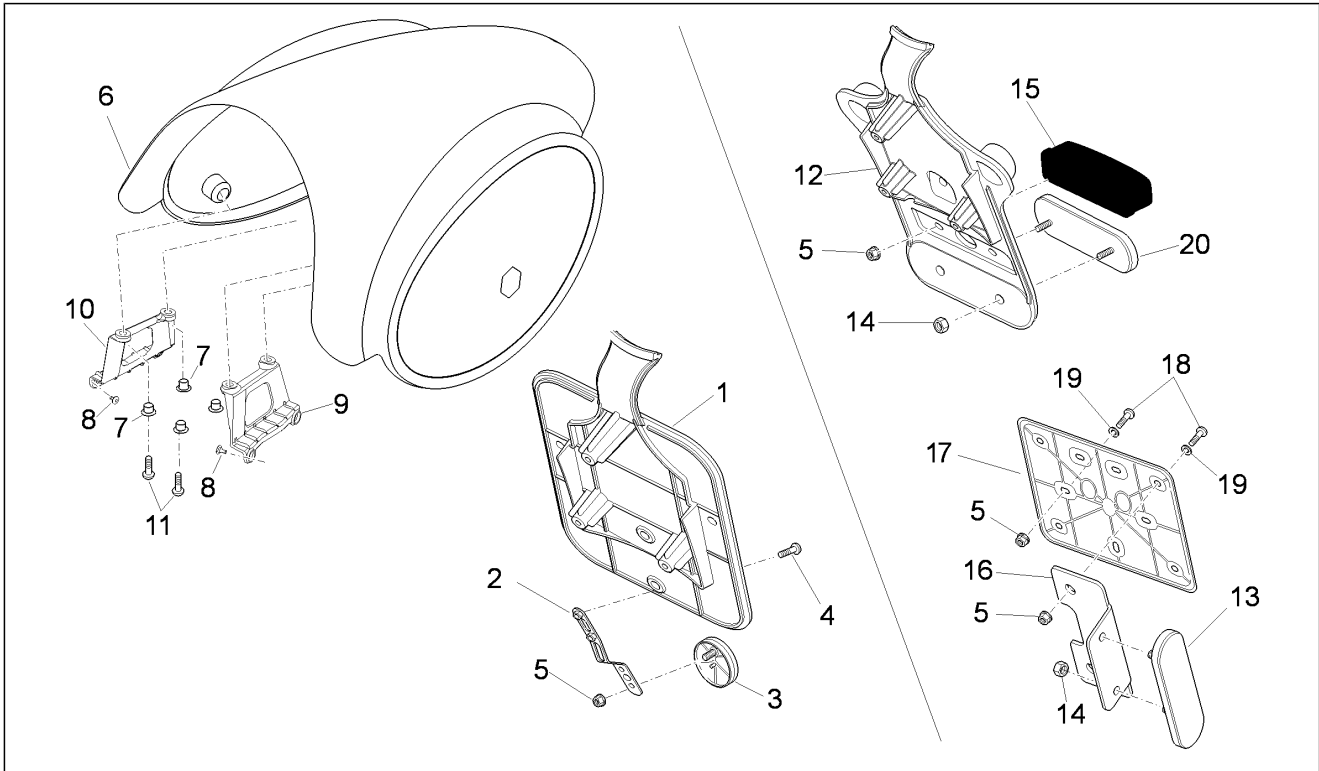
Pos.	Code	Beschreibung	Menge	Varianten
1	89817800A3	Sitz, braun	1	
2	GU32461610	Gummi	8	
3	AP8102913	Fixierplatte Soziussitz	1	
4	GU98370625	TBEI Schraube	2	
5	883295	Sitz-Einkupplungsvorrichtung	1	
6	AP8121420	Gabelfeder	1	
7	978415	Kabelplatte	1	
8	977527	Schloss komplett mit Schlüsseln	1	
9	2B000839	L. kl. Seitenteil	1	Technische Spezifikation:No decals[ND]
10	2B000838	R. kl. Seitenteil	1	Technische Spezifikation:No decals[ND]
11	GU91551086	Gummi	4	
12	886368	Fixierstift	4	
13	976614	TCCCE Schraube M5X15	6	
14	886841	Schutzsack Sitzbank	1	
15	886706	Fixierstift	2	
16	254485	Plattchen M6	2	
17	GU98370515	Schraube	4	
18	AP8120531	Gummi mit Einsatz	2	
19	886727	Fixierstift	2	
20	2B000841	Drosselkörperabdeckung RE	1	
21	2B000842	Drosselkörperabdeckung LI	1	
22	886820	Sitzschloß Fixierplatte	1	
23	B063429	Gummi	2	
24	B063431	Protection	0	

Einheit	RAHMEN
Code	33.15
Beschreibung	R.Kar. I- Sch.bl
Inspektion	1



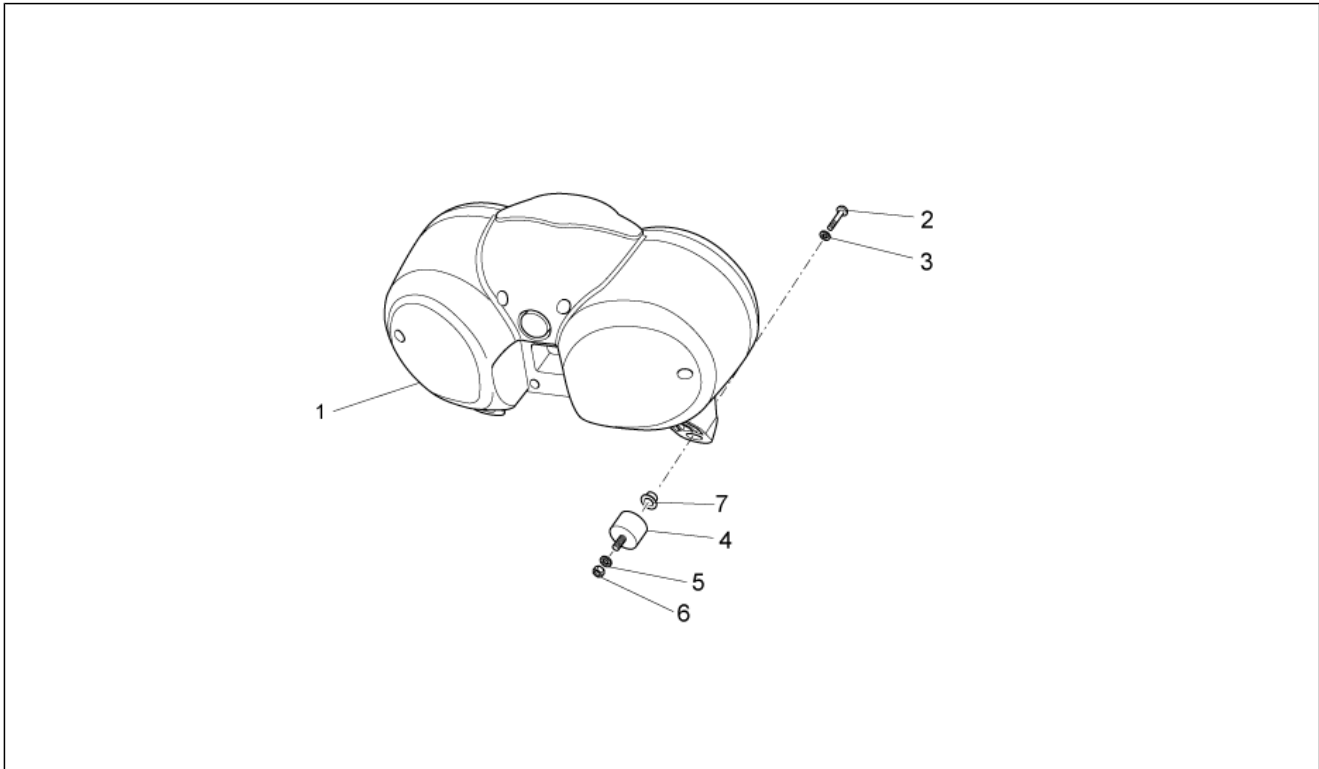
Pos.	Code	Beschreibung	Menge	Varianten
1	97894600Y02	H. Schutzblech, schwarz	1	
2	978947	Stütze	1	
3	AP8152278	TE Schr. m. Flansch M6x16	4	
4	GU28576591	Klammer M6	3	
5	GU92630108	Mutter	2	
6	GU91120806	Distanzscheibe	2	
7	GU95005310	Ausgleichscheibe 8,4x18x2	2	
8	GU98370835	Schraube	2	
9	AP8152279	TE Schr. m. Flansch M6x20	2	
10	GU91180601	Distanzscheibe 6,2x8x3	2	
11	AP8152329	Kreuz.schl.flnschschr. M5x20	3	
12	B063167	Spritzschutz	1	
13	AP8121032	Buchse	4	
14	GU95100141	Ausgleichscheibe 6,4x12x1,2	2	
15	AP8152299	Selbstsperrende Mutter M6	4	

Einheit	RAHMEN
Code	33.16
Beschreibung	R.Kar.II - Kennzeichenplatte
Inspektion	1



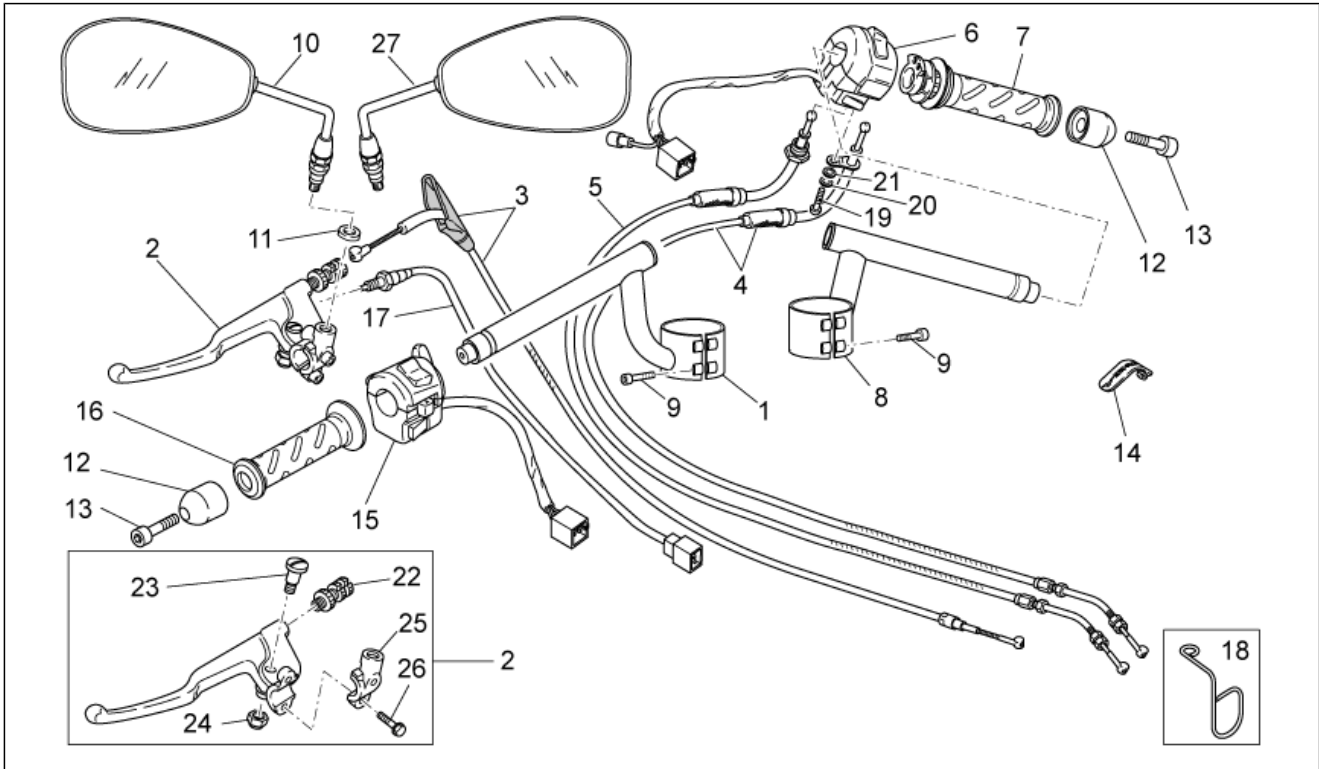
Pos.	Code	Beschreibung	Menge	Varianten
1	978949	Kennzeichenplatte	1	Land:Australien[AA], Europa[EU], Großbritannien[UK]
2	AP8134448	Rückstrahler-Fixierung	1	
3	AP8224164	Rückstrahler Rücklicht, rot	1	
4	GU98230510	TBEI Schraube	2	
5	AP8152306	Selbstsperrende Mutter m5	1	
6	898280	Heckteil schmutzig	1	
6	B06315100Y02	Heckteil, schwarz	1	
7	AP8121929	T-Buchse 6,5x8,6x9	4	
8	AP8152339	TBEI Schraube m.Flansch M5x9	4	
9	886712	Linkes bügel	1	
10	886713	Rechtes bügel	1	
11	AP8152273	Flanschschraube M5X15	4	
12	883470	Kennzeichenplatte	1	Land:China[CN]
13	AP8124718	Rückstrahler Rücklicht, rot	2	Land:China[CN]
14	GU92630204	Mutter	6	Land:China[CN]
15	883480	Kennzeichenleuchte	1	Land:China[CN]
16	GU32781910	Rückstrahler-Fixierung	2	Land:China[CN]
17	AP8149034	Kennzeichenhalter	1	Land:China[CN]
18	AP8152268	TBEI Spez.schr. M5x16	2	Land:China[CN]
19	AP8150248	Ausgleichscheibe 5,5x15x1,6	2	Land:China[CN]
20	GU05781630	Rückstrahler, gelb	1	Land:China[CN]

Einheit	RAHMEN
Code	33.17
Beschreibung	Instrumententafel
Inspektion	1



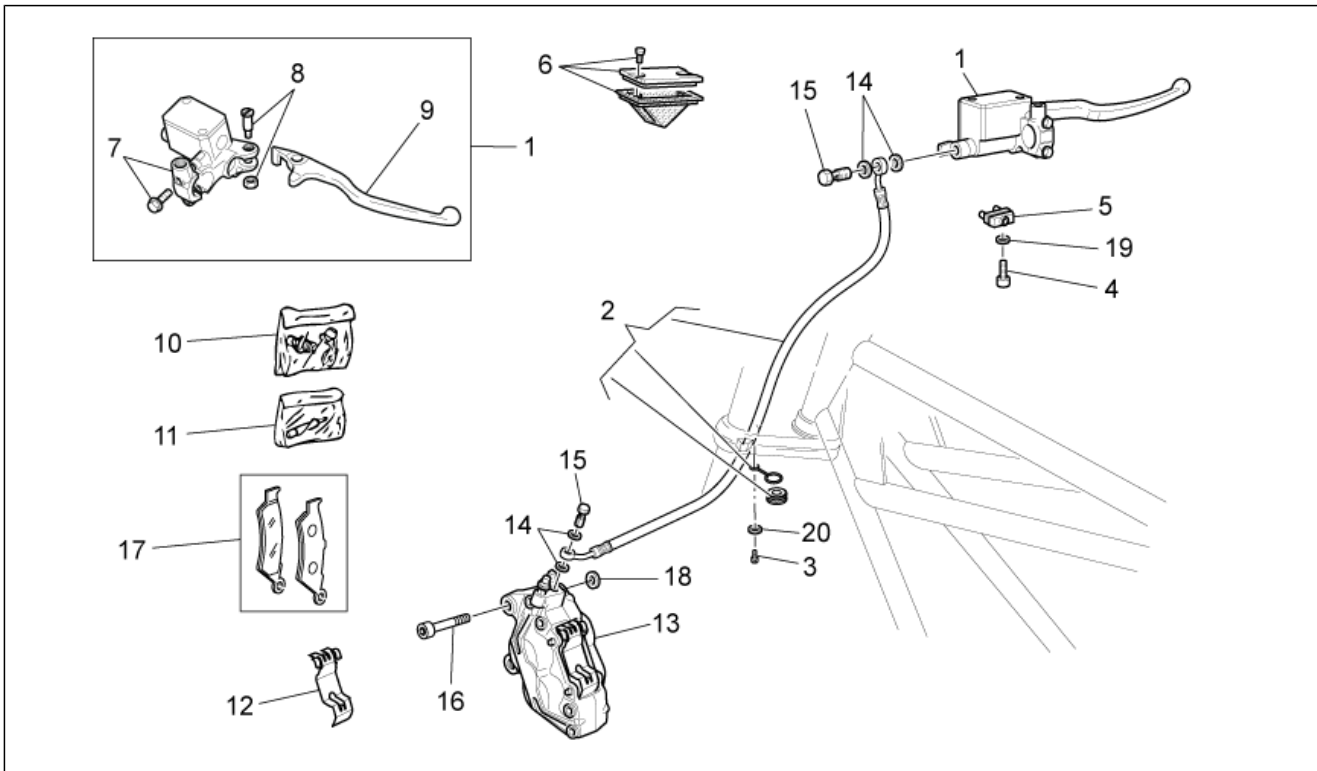
Pos.	Code	Beschreibung	Menge	Varianten
1	887194	Instrum.tafel kplt. km/h	1	
2	GU98370609	TBEI Schraube M6x10	3	
3	GU95005306	Ausgleichscheibe 6,4x13x1,5	3	
4	GU93222023	Silent-Block	3	
5	GU95021206	Ausgleichscheibe	3	
6	GU92606206	Mutter	3	
7	AP8121032	Buchse	3	

Einheit	RAHMEN
Code	33.18
Beschreibung	Lenkstange - Schaltungen
Inspektion	1



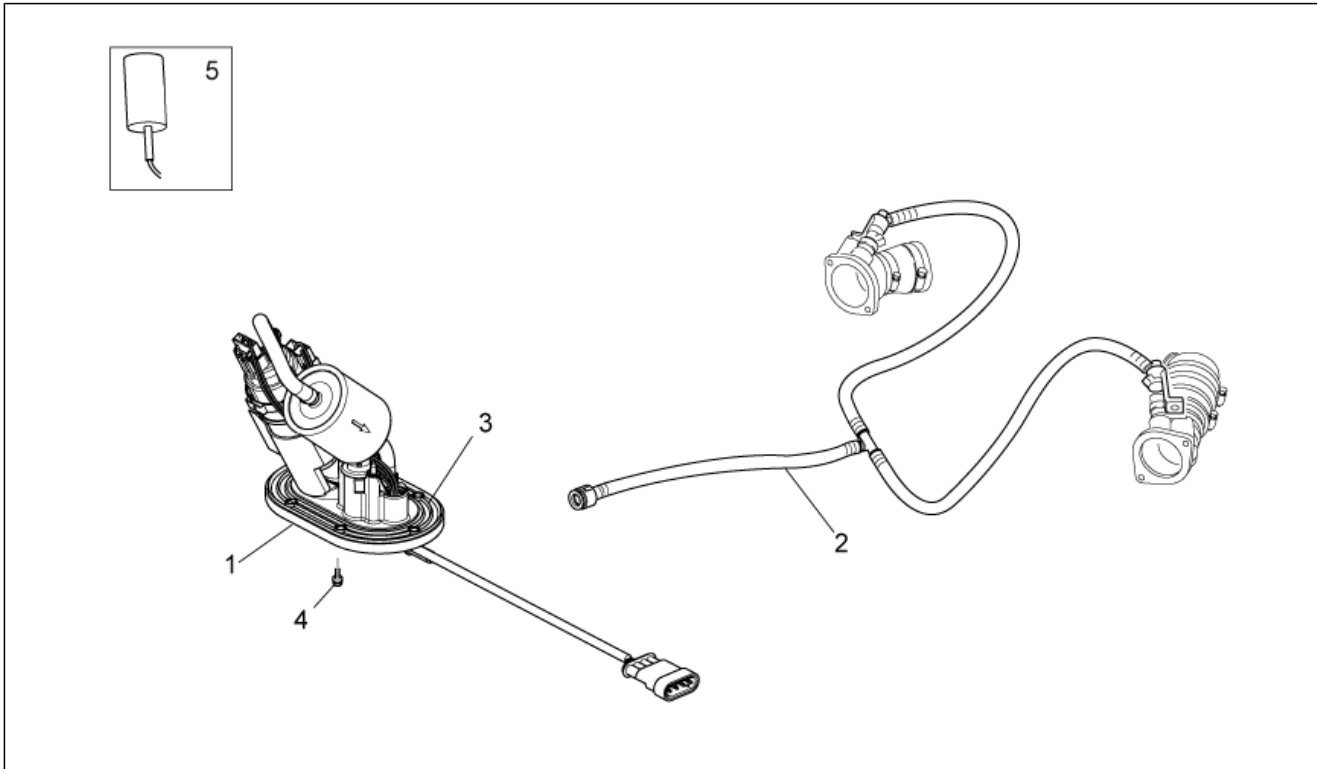
Pos.	Code	Beschreibung	Menge	Varianten
1	B063317	Halbblenker links	1	
2	GU32605510	Kupplungshebel	1	
3	883940	Kupplungskabel	1	
4	B063247	Gas trasmission delivery	1	
5	B063248	Gas trasmission return	1	
6	B063135	Rechter Lichtschalter	1	
7	GU32603310	Rechts griff	1	
8	B063326	Lenkerteil re.	1	
9	GU98692325	TCEI Schraube M6x25	4	
10	2B001049	Rückspiegel links	1	
11	GU91181003	Distanzscheibe 10,25X20X4	2	
12	GU32602860	Schwingschutzgewicht chr.	2	
13	GU98690335	TCEI Schraube	2	
14	GU01609630	Schelle L46 mm	2	
14	GU03609600	Schelle L36 mm	1	
15	B063975	Linker Lichtschalter	1	
16	GU32603010	Links griff	1	
17	GU29759150	Ständer lichtschalter	1	
18	AP8221172	Kabelführungs	1	
19	GU98230510	TBEI Schraube	1	
20	GU95008305	Ausgleichscheibe 5,3X10X1	1	
21	GU95021105	Zahnscheibe	1	
22	GU30602500	Einstellschraube	1	
23	AP8213028	Schraube	1	
24	AP8118490	Mutter	1	
25	GU30601060	Feder	1	
26	GU97202325	TE Schr. m. Flansch schw. M6x25	2	
27	2B001048	Rückspiegel rechts	1	

Einheit	RAHMEN
Code	33.19
Beschreibung	Bremsanlage - Vorn
Inspektion	1



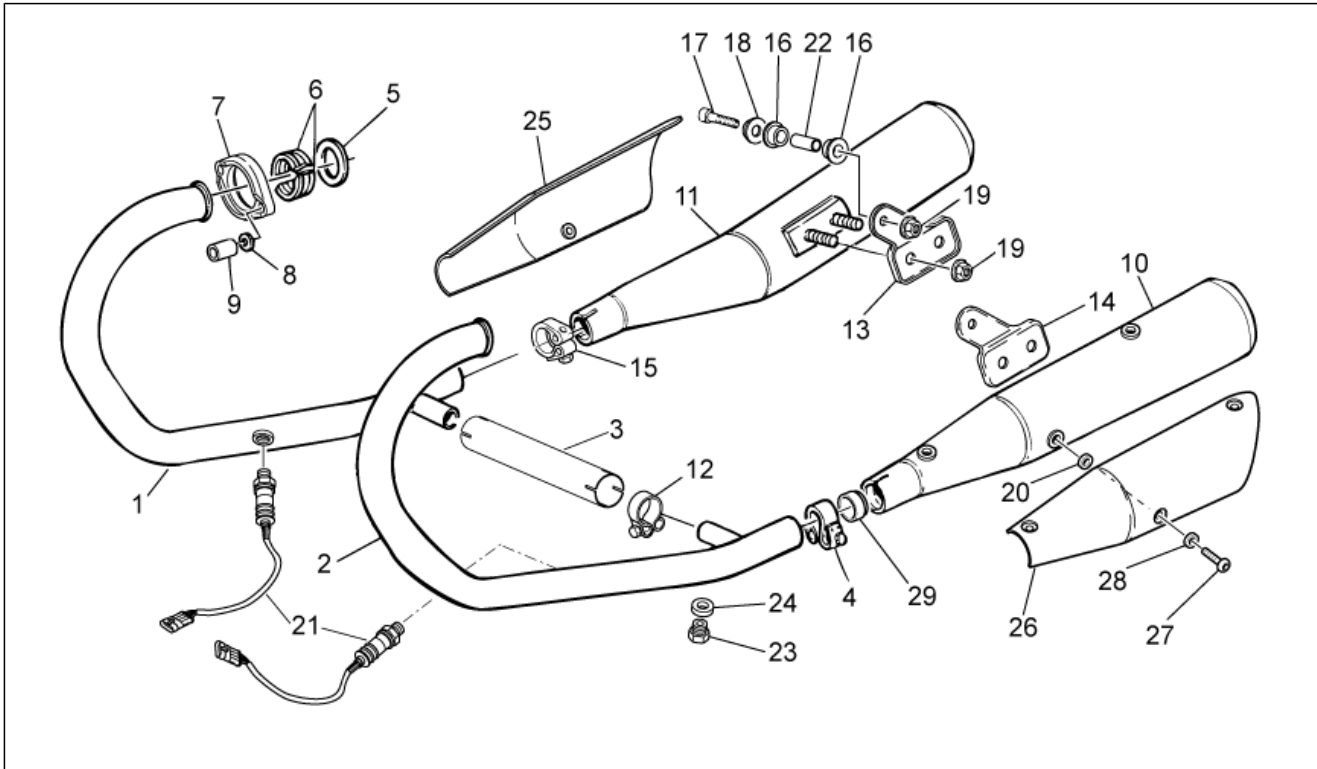
Pos.	Code	Beschreibung	Menge	Varianten
1	GU03660145	Vorderradbremspumpe	1	
2	883581	Radbremsleitung	1	
3	AP8152277	TE Schr. m. Flansch M6x12	1	
4	GU98370412	TBEI Schraube M4x12	1	
5	GU03749845	Bremslichtschalter	1	
6	GU03661145	Pumpendeckel	1	
7	GU03664045	Bügelbolzen	1	
8	GU03604845	Hebelbolzen	1	
9	GU03605645	Bremshebel	1	
10	GU05659230	Entlüftung+Haube	1	
11	GU01659130	Stifte-Federn Bremszange	1	
12	GU01659131	Feder	1	
13	883303	Li. Vorderradbremsszange, schwarz	1	
14	AP8113004	Ausgleichscheibe 10x14x1,6*	4	
15	978323	Fixierschraube Ölschlauch *	2	
16	AP8152385	TCEI Schraube M10x1,25	2	
17	GU01654630	Beläge (Paar)	1	
18	GU91181003	Distanzscheibe 10,25X20X4	2	
19	GU95021104	Ausgleichscheibe 4,3x8x1,5	1	
20	GU95008306	Ausgleichscheibe 6,4x12x1,2	1	

Einheit	RAHMEN
Code	33.21
Beschreibung	Kraftstoffpumpe
Inspektion	1



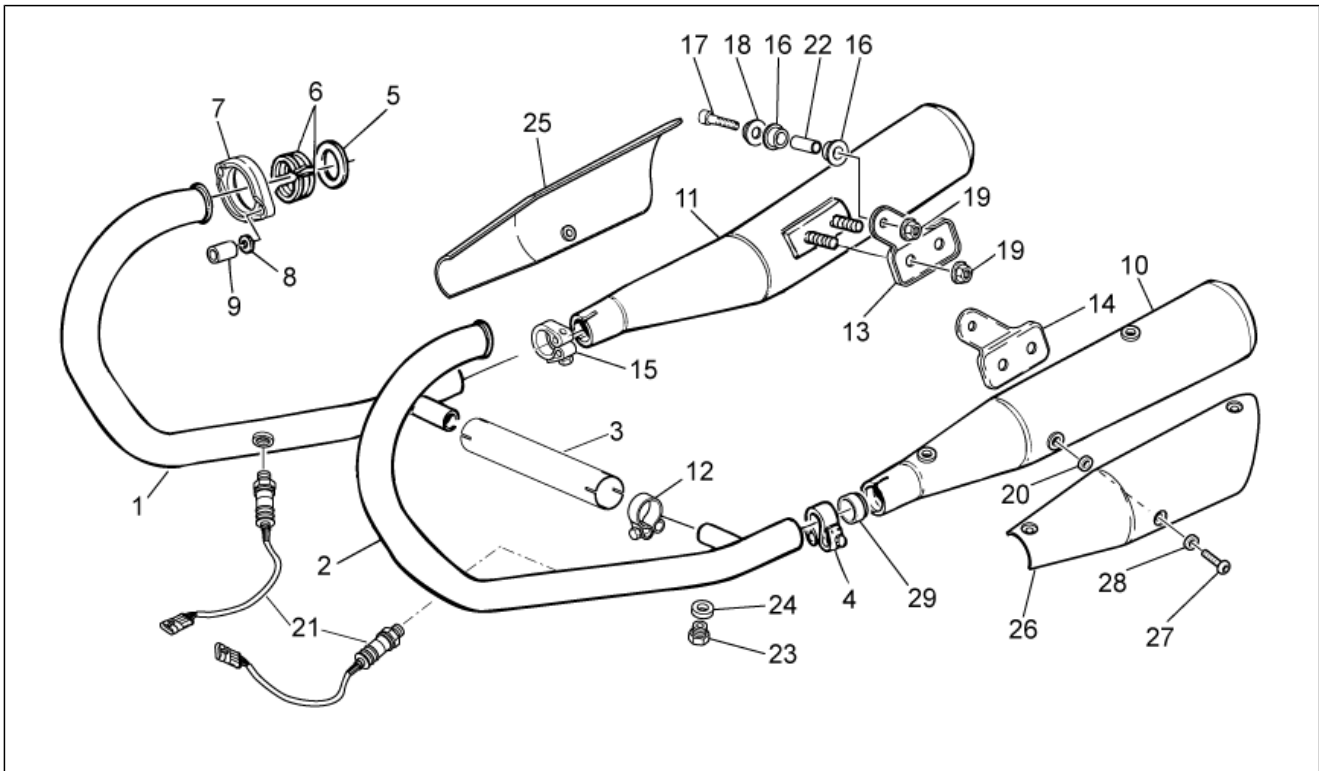
Pos.	Code	Beschreibung	Menge	Varianten
1	B063752	Kraftstoffpumpe	1	
2	2B000970	Kraftstoffschlauch	1	
3	GU05107430	Dichtung	1	
4	AP8152273	Flanschschraube M5X15	6	
5	887787	Benzinanzeige Sensor	1	

Einheit	RAHMEN
Code	33.23
Beschreibung	Auslassgruppe
Inspektion	1



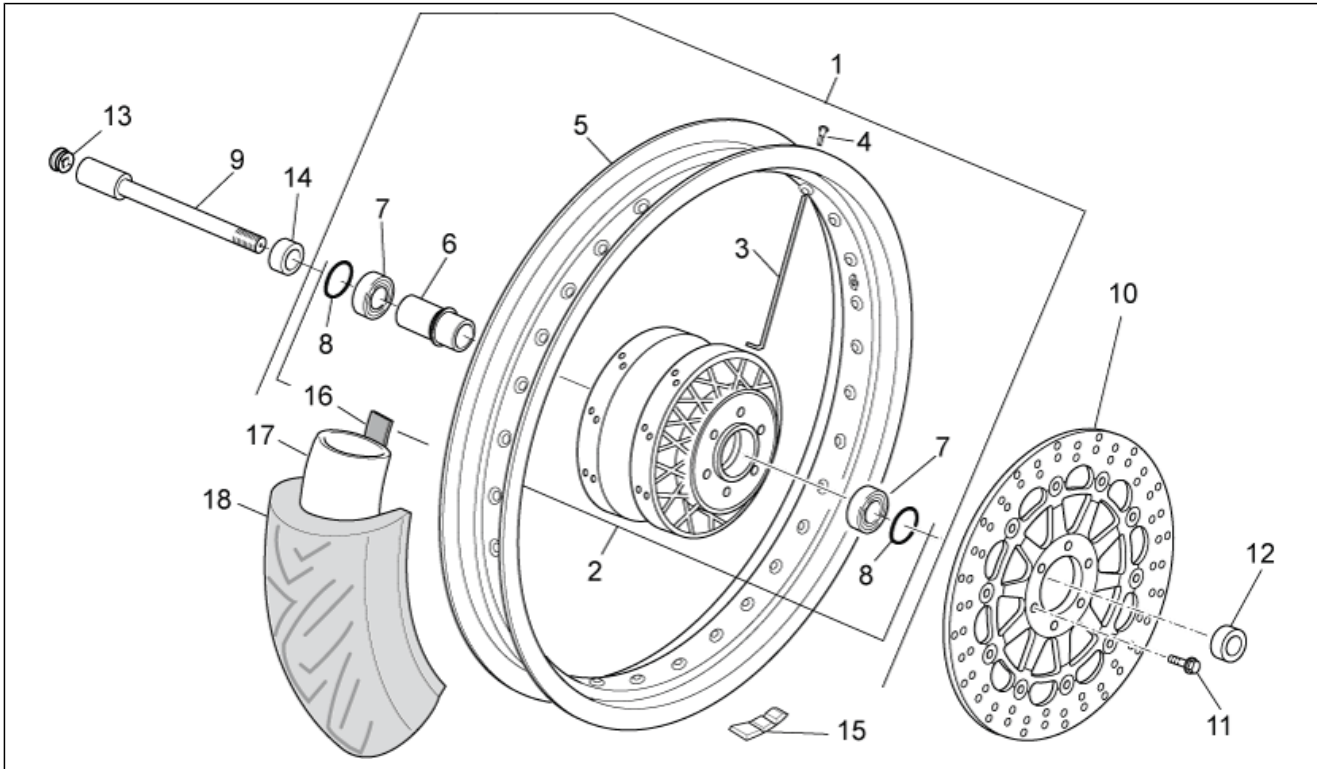
Pos.	Code	Beschreibung	Menge	Varianten
1	887846	R. Auspuffrohr	1	Land:Australien[AA], China[CN], Europa[EU], Japan[J], Großbritannien[UK]
1	B063854	R. Auspuffrohr	1	Land:Japan[J]
2	887847	Linkes Auspuffrohr	1	Land:Australien[AA], China[CN], Europa[EU], Japan[J], Großbritannien[UK]
2	B063855	Linkes Auspuffrohr	1	Land:Japan[J]
3	B063022	Anschluss Auspuffkrümmer	1	
4	978387	Schalldämpferschelle li.	1	
5	GU19025280	Dichtung	2	
6	GU19025460	Distanzscheibe	4	
7	GU32121010	Nutmutter	2	
8	GU03013800	Ausgleichscheibe 6,4x12	4	
9	GU31121880	Mutter	4	
10	2B000179	Auspufftopf links	1	
11	2B000178	Auspufftopf rechts	1	
12	978385	Schelle	2	
13	GU32128610	Rechts Platte	1	
14	GU32129010	Links Platte	1	
15	978386	Schalldämpferschelle re.	1	
16	AP8144071	Gummi auspuffrohr	4	
17	GU98690440	Schraube TCEI M8x40	2	
18	AP8134378	Fixierhülse Schalldämpfer	2	
19	GU92640508	Mutter M8	6	
20	AP8120870	Isolierscheibe	6	
21	896110	Lamda-sonde l.660 mm	2	
22	AP8121072	Distanzscheibe	2	
23	GU98110007	Deckel	2	
24	GU30109330	Dichtung	2	

Einheit	RAHMEN
Code	33.23
Beschreibung	Auslassgruppe
Inspektion	1



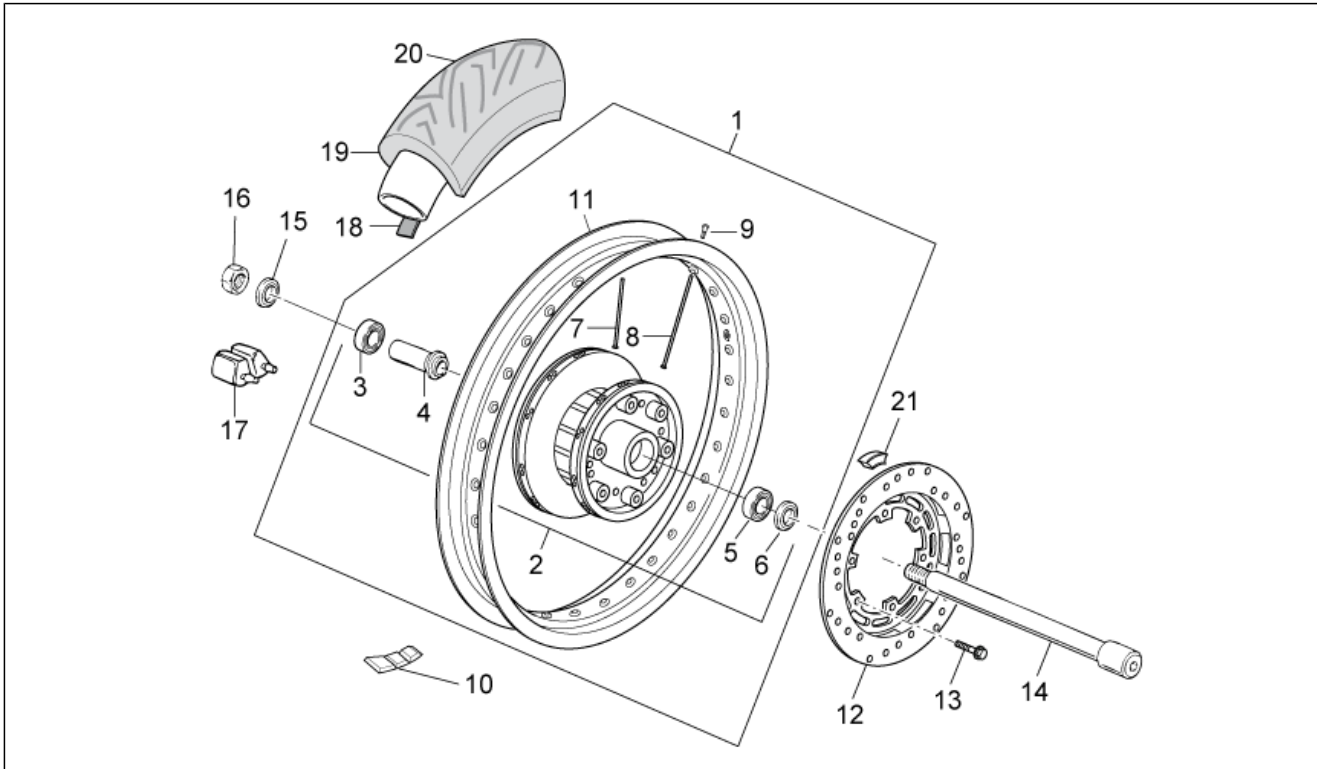
Pos.	Code	Beschreibung	Menge	Varianten
25	GU32121910	Rechter schutz	1	
26	GU32121911	Linker schutz	1	
27	GU98370609	TBEI Schraube M6x10	6	
28	GU95005306	Ausgleichscheibe 6,4x13x1,5	6	
29	GU91113826	Buchse	2	

Einheit	RAHMEN
Code	33.24
Beschreibung	Vorderrad
Inspektion	1



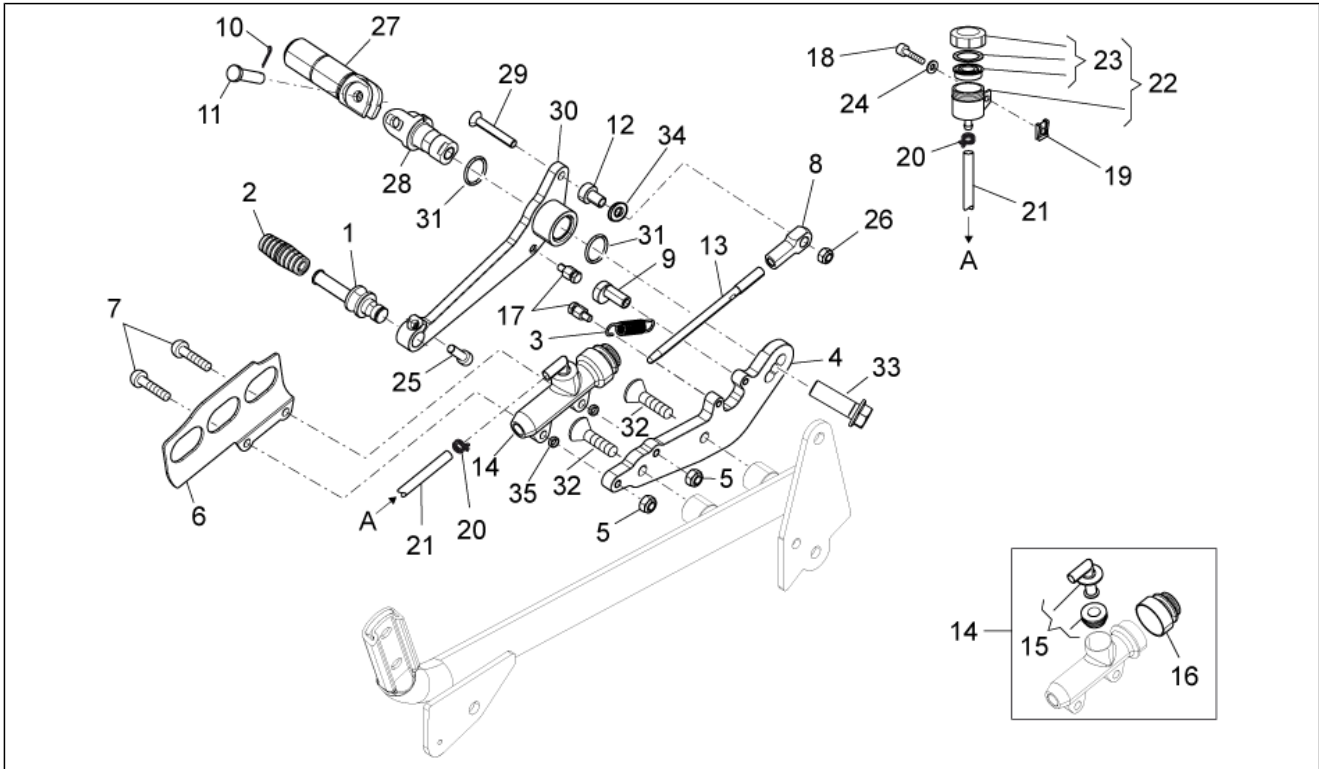
Pos.	Code	Beschreibung	Menge	Varianten
1	B063265	Vorderrad	1	
2	886681	Nabe vorne	1	
3	B063144	Vorderradspeiche	36	
4	GU03631250	Nippel	36	
5	B063077	Vorderradfelge schwarz 2.5X18"	1	
6	GU31615260	Distanzstück Lager	1	
7	GU92204221	Lager	2	
8	GU90402642	Gasket ring	1	
9	GU31614183	Vorderradbolzen	1	
10	883688	Vorderradbremsscheibe 320	1	
11	AP8152286	TE Schr. m. Flansch M8x20	6	
12	GU31616384	L. Distanzscheibe	1	
13	GU93180111	Deckel 15 mm	1	
14	GU32615660	R. Distanzscheibe	1	
15	GU14616150	Gegengewicht	1	
16	GU03612040	Felgenband	1	
17	GU31610160	Schlauch MB 18	1	
18	886679	Reifen 100/90 18	1	

Einheit	RAHMEN
Code	33.25
Beschreibung	Hinterrad
Inspektion	1



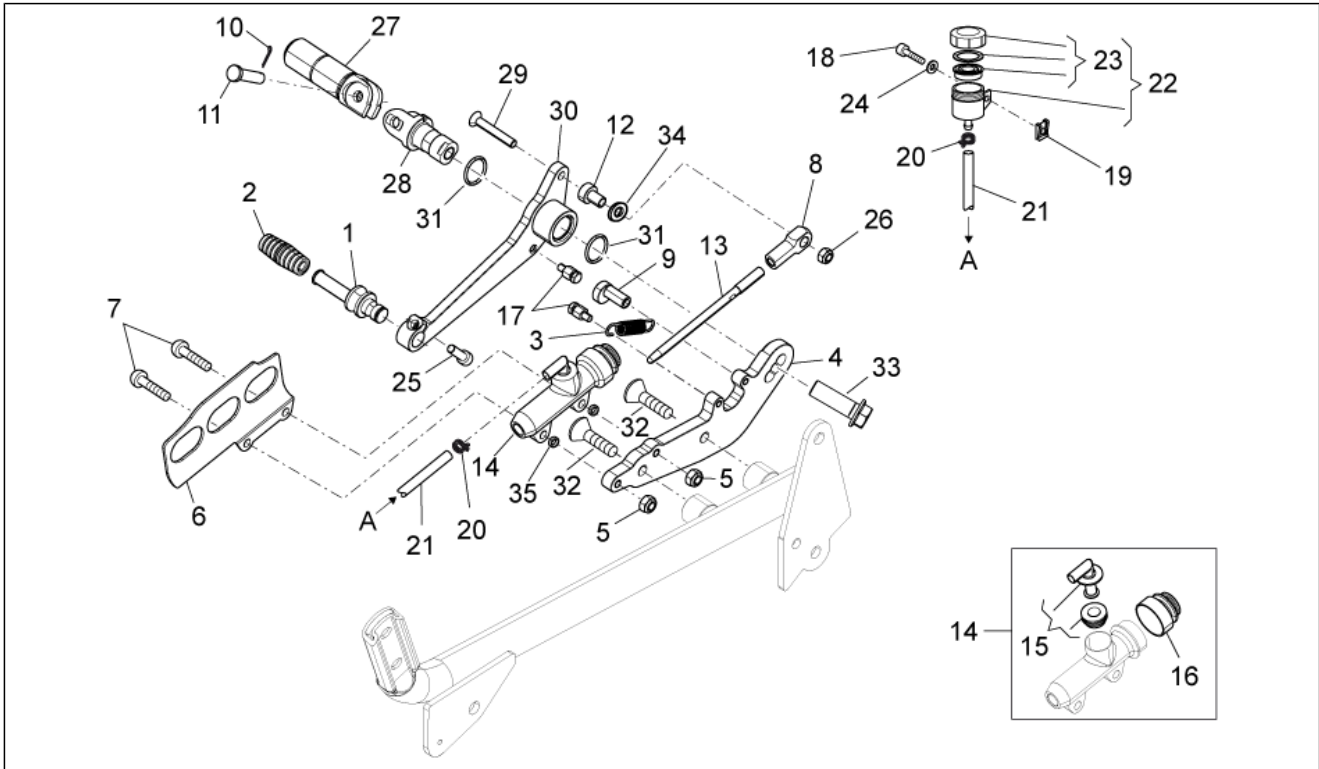
Pos.	Code	Beschreibung	Menge	Varianten
1	B063267	Hinterrad 3,5"x17"	1	
2	886711	Nabe hinten	1	
3	GU92204218	Lager	1	
4	GU27633910	Distanzscheibe	1	
5	GU92204217	Lager	1	
6	GU90402538	Gasket ring 25x40x7	1	
7	883350	Kurze Speike	18	
8	883349	Lange Speike mm 158	18	
9	GU03631250	Nippel	36	
10	GU14616150	Gegengewicht	1	
11	B063078	H.Felge 3,5"x17" Black	1	
12	887448	Bremsscheibe	1	
13	894505	TE Schr. m. Flansch M8x18	6	
14	GU32633360	Hinterradbolzen	1	
15	GU31634481	Ausgleichscheibe	1	
16	GU92606316	Mutter M16x1,5	1	
17	GU32632510	Gummikupplung	6	
18	GU28612033	Felgenband	1	
19	GU30630430	Schlauch MD 17	1	
20	886680	Reifen 130/80 17	1	
21	GU32636160	Gummi für Haterung	1	

Einheit	RAHMEN
Code	33.26
Beschreibung	Hinterradbremspumpe
Inspektion	1



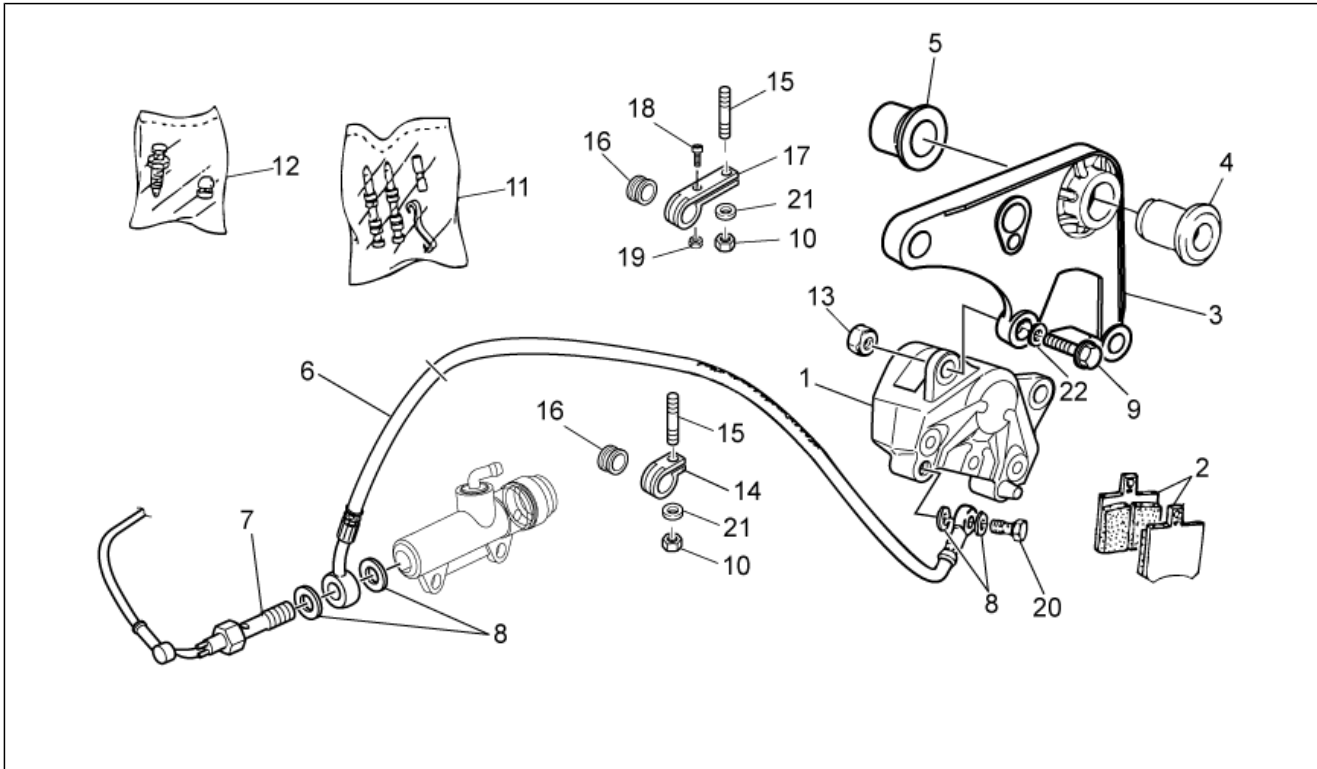
Pos.	Code	Beschreibung	Menge	Varianten
1	886665	Stift	1	
2	AP8120912	Gummi für Hebel	1	
3	AP8121927	Feder Hinterradbremsh.	1	
4	898288	Platte Fahrertrittbrett	1	
5	GU92630206	Mutter M6x1	2	
6	GU01665410	Schutz Bremspumpe schwarz	1	
7	GU98370625	TBEI Schraube	2	
8	GU18257551	Steckverbindung	1	
9	886666	Exzenterhülse	1	
10	GU95401215	Splint	1	
11	GU23442210	Bolzen	1	
12	898287	Hebelbolzen	1	
13	978970	Pumpenstange brems	1	
14	AP8133643	Hinterradbremspumpe	1	
15	AP8213057	Hinterer Pumpenanschluß	1	
16	AP8113288	Gummibalg	1	
17	898286	Federn Fixierstift	2	
18	AP8152298	TBEI Schraube m.Flansch M5x16	1	
19	248419	Plattchen m5	1	
20	AP8101594	Schelle D10,1*	2	
21	GU00823950050	Ölschlauch	1	
22	AP8133873	Bremsöltank	1	
23	AP8113553	Tankverschluß	1	
24	GU95100059	Ausgleichscheibe 5,25x14x1,5	1	
25	AP8150044	TCEI Schraube M6x20	1	
26	GU92630206	Mutter M6x1	1	
27	898281	Fussrasten r.	1	
28	898612	Fußrastenhalter Fahrer rechts	1	

Einheit	RAHMEN
Code	33.26
Beschreibung	Hinterradbremspumpe
Inspektion	1



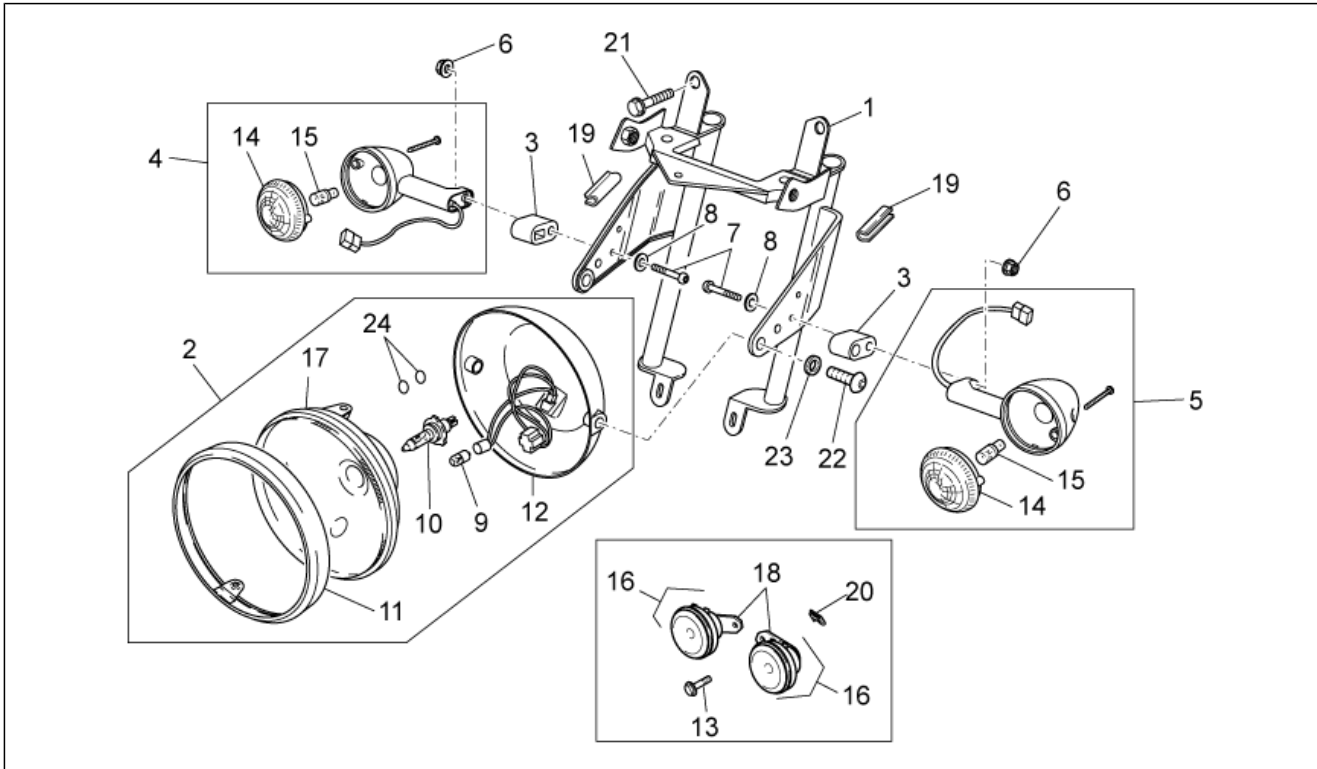
Pos.	Code	Beschreibung	Menge	Varianten
29	AP8150468	Schraube M6x40	1	
30	898285	Bremshebel	1	
31	AP9100477	O-Ring 18x2	2	
32	GU98252420	Schraube M8x20	2	
33	AP8152320	TE Schr. m. Flansch	1	
34	GU03270300	Ausgleichscheibe 8,4x15	1	
35	AP8134640	Filtergehäuse Distanzscheibe	2	

Einheit	RAHMEN
Code	33.27
Beschreibung	Hinterradbremsszange
Inspektion	1



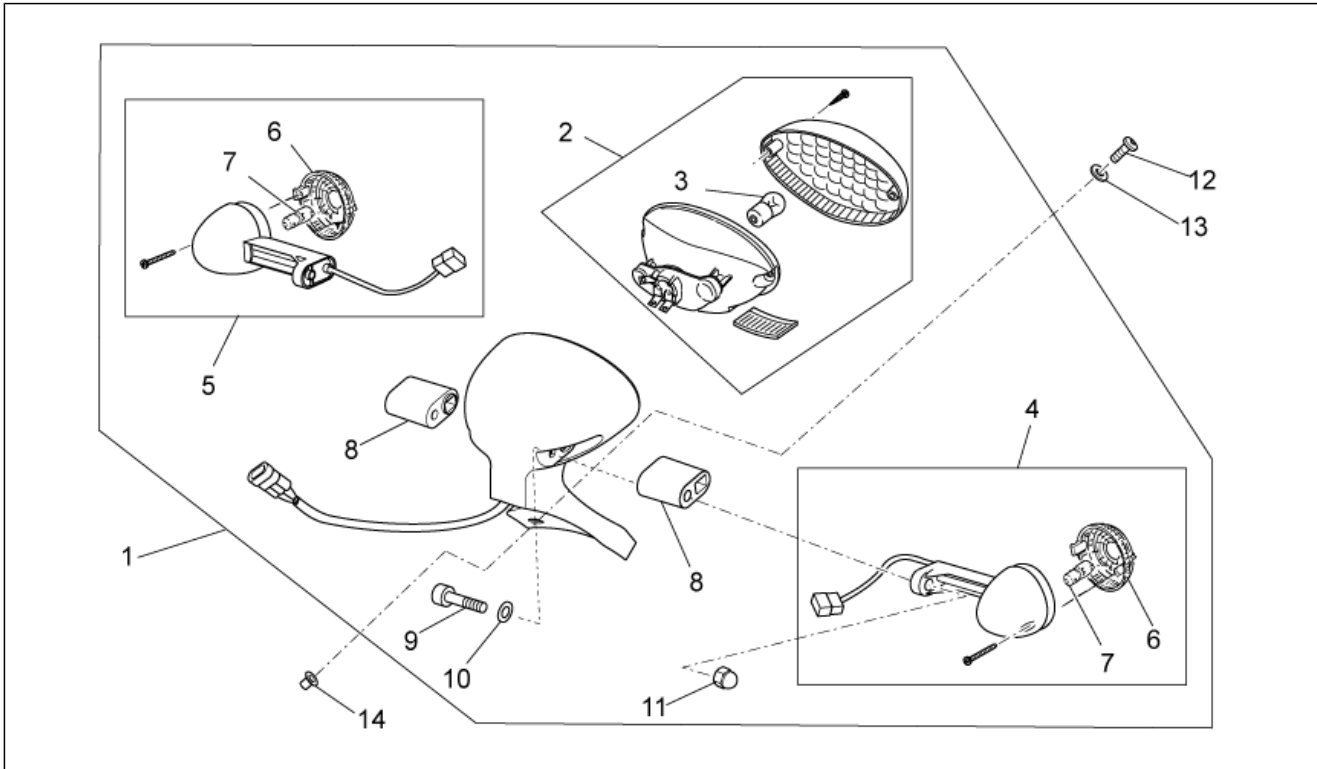
Pos.	Code	Beschreibung	Menge	Varianten
1	887449	Hinterradbremsszange	1	
2	AP8133798	Beläge (Paar)	1	
3	887431	Bremssattelbefestigung	1	
4	GU31634281	Buchse	1	
5	GU32634160	Distanzscheibe	1	
6	B063750	Hinterradbremsschlauch aus Gummi	1	
7	883192	Schalter	1	
8	AP8113004	Ausgleichscheibe 10x14x1,6*	4	
9	AP8152288	TE Schr. m. Flansch	2	
10	AP8152299	Selbstsperrende Mutter M6	2	
11	GU31659181	Stifte+Feder kit	1	
12	GU31659281	Entlüftung+Haube	1	
13	AP8152300	Selbstsperrende Mutter M8	2	
14	GU03658430	Schelle	1	
15	GU96451316	Stiftschraube	1	
16	GU03658201	Ring	2	
17	GU03658330	Schelle	1	
18	GU98257410	Schraube	1	
19	GU92630104	Mutter M4x0,7	1	
20	AP8113003	Fixierschraube Ölschlauch *	1	
21	GU95008306	Ausgleichscheibe 6,4x12x1,2	2	
22	GU61270300	Sprengscheibe 8x15x0,3	1	

Einheit	RAHMEN
Code	33.28
Beschreibung	Vorderer Lichter
Inspektion	1



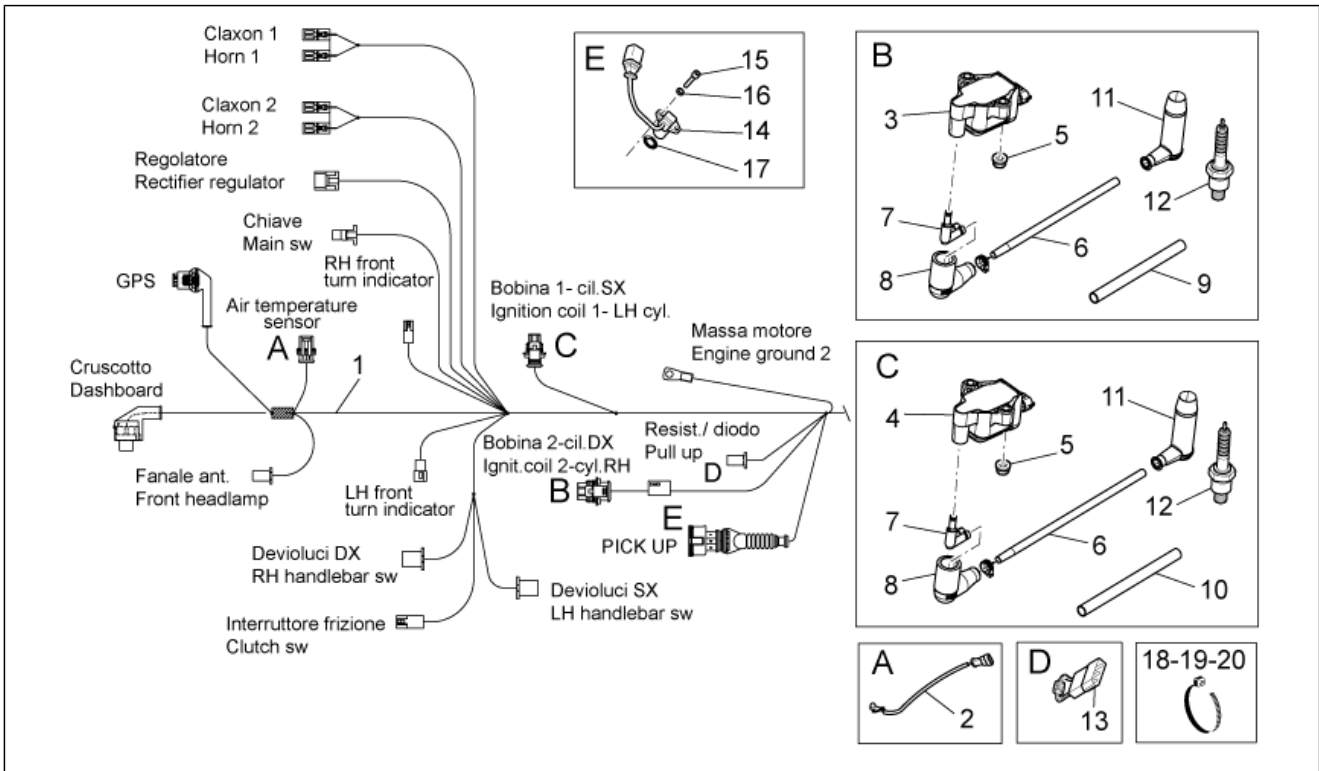
Pos.	Code	Beschreibung	Menge	Varianten
1	GU32506360	Scheinw.bügel	1	
2	978311	Scheinwerfer	1	
2	978662	Vord.Scheinwerf.Kpl.L.Lenkung	1	Land:Australien[AA], Japan[J]
3	GU32753410	Distanzscheibe	2	
4	887826	Vorderblinker rechts / Hinterblinker links	1	
5	887827	Vorderblinker links/ Hinterblinker rechts	1	
6	GU92787006	Hutmutter M6x1	2	
7	GU98370655	TBEI Schraube	2	
8	GU95021206	Ausgleichscheibe	2	
9	292022	Lampen 12V-5W	1	
10	292723	Lampen H4 60/55W 12V	1	
11	640598	Verchromte Nutmutter	1	
12	981149	Haube, schwarz	1	
13	AP8152278	TE Schr. m. Flansch M6x16	2	
14	B063735	Blinkerblende	2	
15	GU93450126	Lampen orange	2	
16	890979	Hupe	2	
17	GU06740400	Scheinwerfereinheit	1	
18	GU01744200	Bügel	6	
19	GU00823931055	Dichtung	1	
20	254485	Plattchen M6	2	
21	GU98880540	Schraube M10x40	2	
22	GU98692420	TCEI Schraube M8x20	2	
23	GU95005308	Ausgleichscheibe 8,4x14,57x1,6	2	
24	883417	O-Ring	2	

Einheit	RAHMEN
Code	33.29
Beschreibung	Hinterer Lichter
Inspektion	1



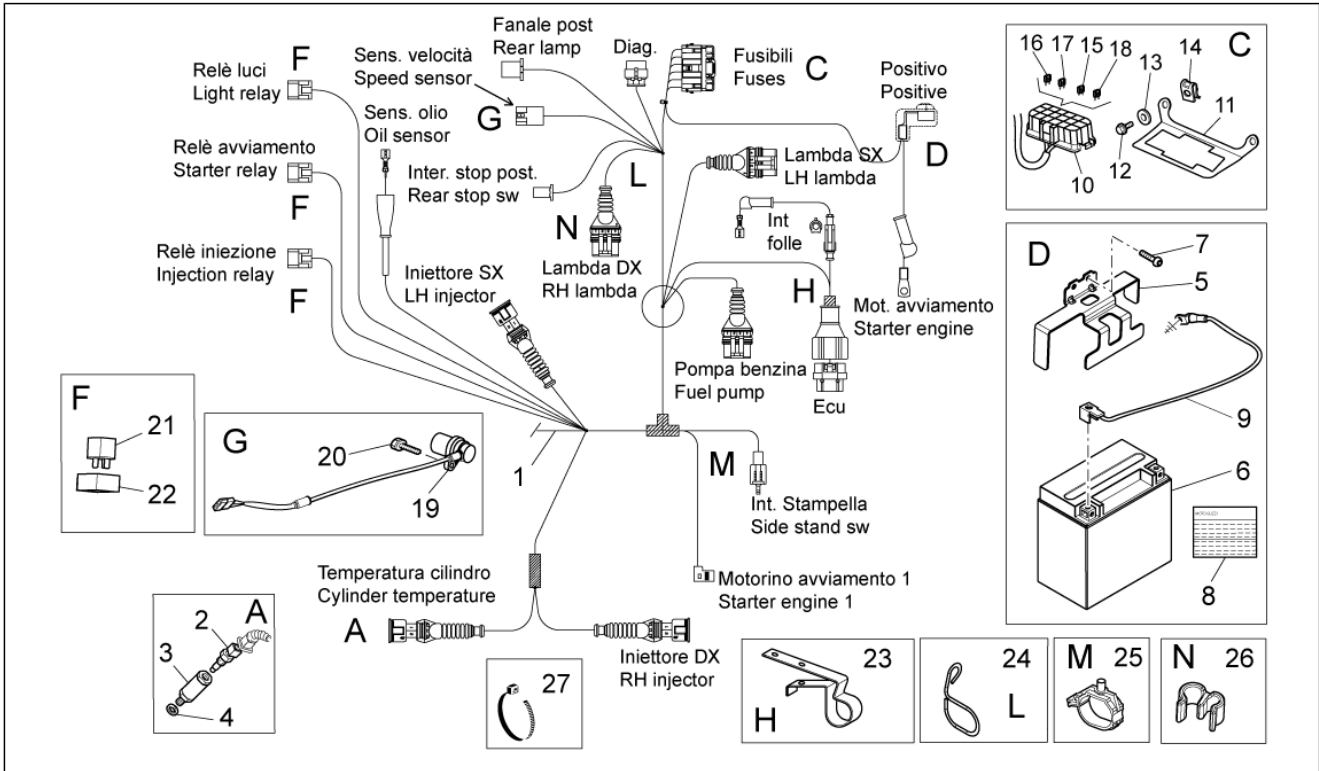
Pos.	Code	Beschreibung	Menge	Varianten
1	887877	Rücklicht kpl.	1	
2	GU03740930	Rücklicht	1	
3	GU93450224	Lampen	1	
4	887826	Vorderblinker rechts / Hinterblinker links	1	
5	887827	Vorderblinker links/ Hinterblinker rechts	1	
6	B063735	Blinkerblende	1	
7	584332	Lampen 12V-10W	2	
8	GU32753410	Distanzscheibe	2	
9	GU98370655	TBEI Schraube	2	
10	GU95021206	Ausgleichscheibe	2	
11	GU92787006	Hutmutter M6x1	2	
12	GU98350215	TBEI Schraube	3	
13	GU30577800	U-scheibe Nylon 5,5X12X1	3	
14	GU93231605	Vibrierenfende Buchse	3	

Einheit	RAHMEN
Code	33.30
Beschreibung	Elektrische anlage I
Inspektion	1



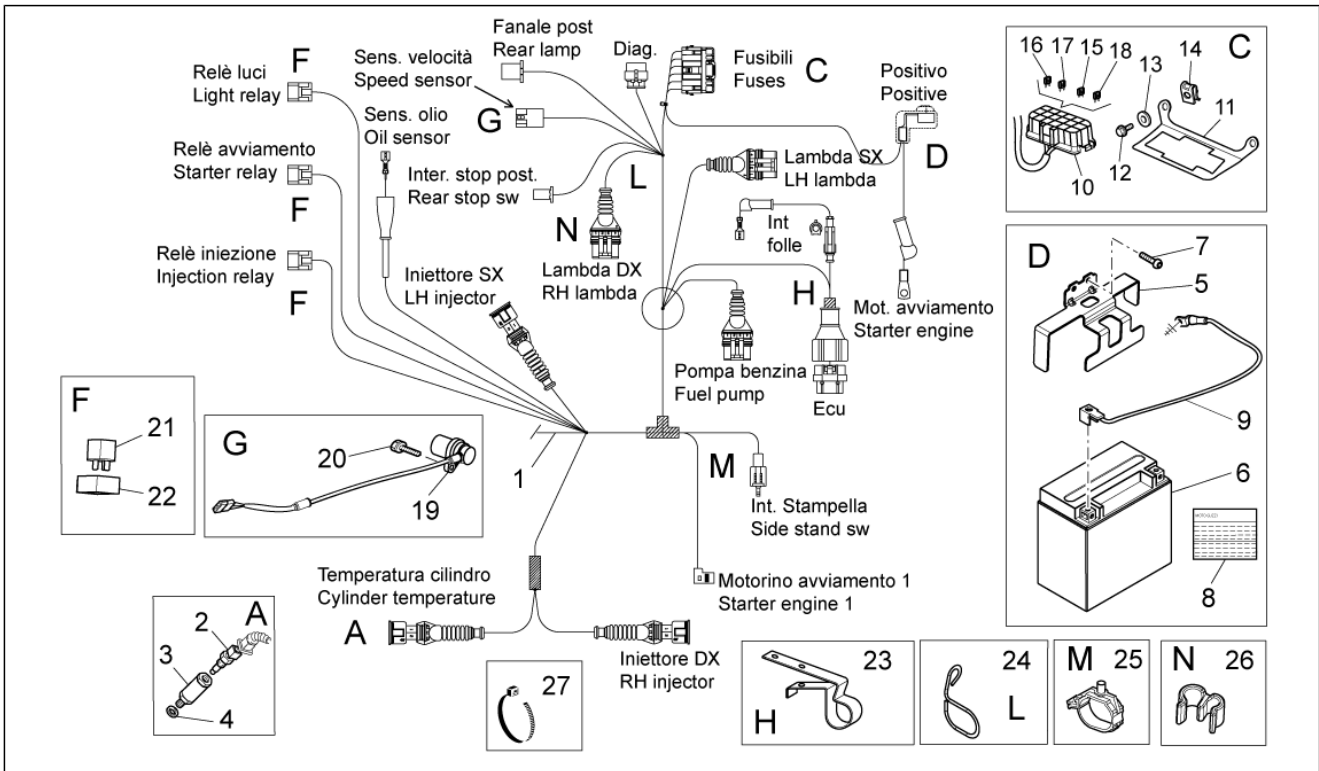
Pos.	Code	Beschreibung	Menge	Varianten
1	887825	Hauptverkabelung	1	
2	AP8124936	Lufttemperaturfühler	1	
3	642034	Zuendtransform.cpl. DX	1	
4	641901	Zuendtransform.cpl.	1	
5	AP8152299	Selbstsperrende Mutter M6	4	
6	080341	Kabel Zündspulensockel	2	
7	641725	Anschluss Zündspule	2	
8	641040	Isolierhaube	2	
9	CM0074D0	Schutzhuelse D.8-S.0,5-L.370	1	
10	CM0074C9	Kabelmantel grau D.8-S.0,5-L.435	1	
11	GU02717450	Zündkerzenkappe NGK	2	
12	887481	Zündkerze NGK CPR8EB-9	2	
13	887948	Diode	1	
14	GU01721600	Phasen-und Umdrehungsfuhler	1	
15	GU98682212	TCEI Schraube M5x12	2	
16	GU95008205	Ausgleichscheibe 5,3x10x0,8	2	
17	GU90706141	O-Ring	1	
18	AP8120416	Schelle schwarz 178x4	1	
19	GU49609601	Schelle 2,4x92	1	
20	GU14609650	Schelle 3,6x20,6	31	

Einheit	RAHMEN
Code	33.31
Beschreibung	Elektrische anlage II
Inspektion	1



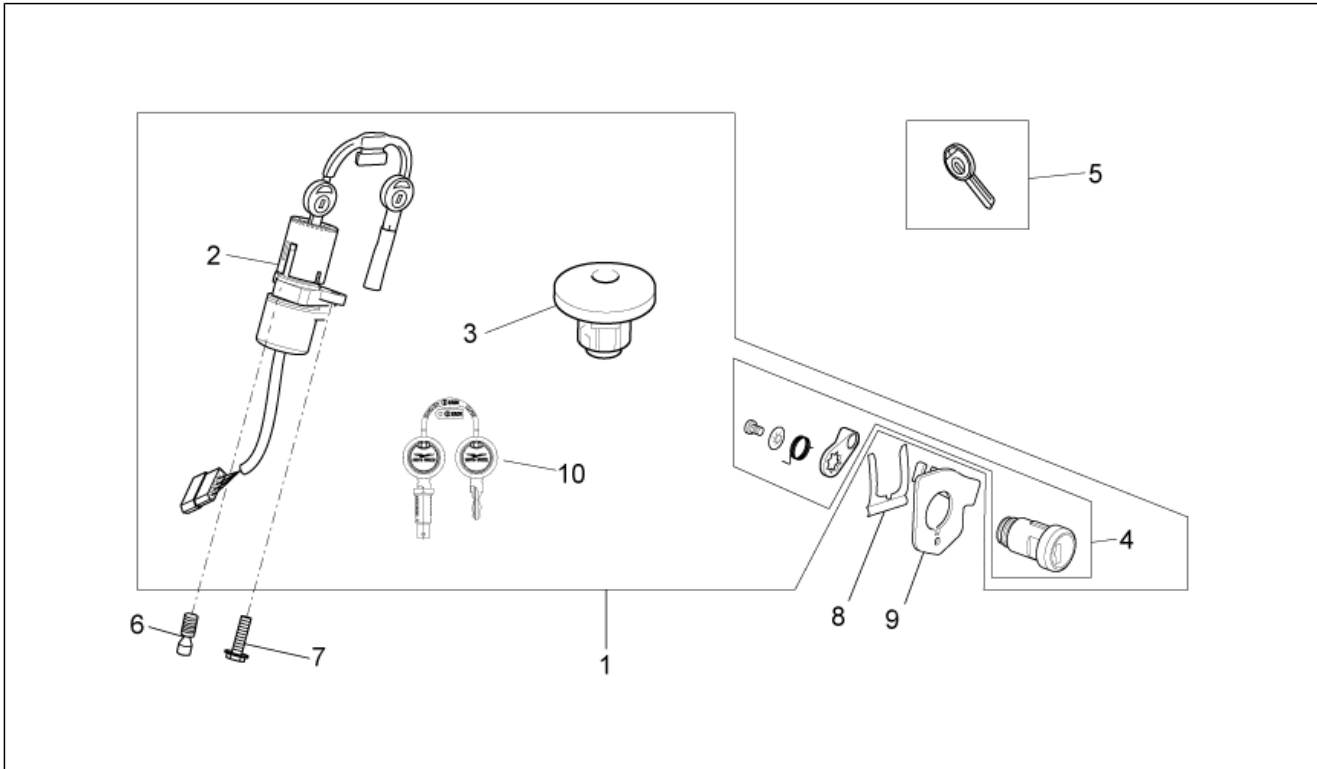
Pos.	Code	Beschreibung	Menge	Varianten
1	887825	Hauptverkabelung	1	
2	GU29729461	Sensor temperatur	1	
3	GU03163330	Sensor halter	1	
4	GU95004210	Ausgleichscheibe 10,2x18x2	1	
5	B063233	Batteriehalterung	1	
6	638733	Batterie Yuasa 12V-12Ah (150x85x145)	1	
7	GU98370616	TBEI Schraube M6x16 inox	2	
8	GU32517710	Deko "Battery service"	1	
9	GU32747910	Masse-Batteriekabel	1	
10	584211	Sicherungskasten	1	
11	883161	Hltr. Sicherungsblock	1	
12	GU98682212	TCEI Schraube M5x12	2	
13	GU95100059	Ausgleichscheibe 5,25x14x1,5	2	
14	AP8102375	Klammer m5	2	
15	CM225705	Sicherung 5A	2	
16	CM225710	Sicherung 10A	1	
17	CM225715	Sicherung 15A	2	
18	CM225730	Sicherung 30A	1	
19	893570	Kilom.zählersens. kpl.	1	
20	AP8150377	Schraube	1	
21	AP8224462	Zündrelais 12V/30A	3	
22	AP8220283	Gummi *	3	
23	B043850	Schelle	1	
24	AP8181140	Kabelführung	1	
25	CM013202	Rückhaltefeder Leitungen/Kabel	1	
26	894704	Kabelführung	1	
27	AP8120416	Schelle schwarz 178x4	1	
27	GU14609650	Schelle 3,6x20,6	21	

Einheit	RAHMEN
Code	33.31
Beschreibung	Elektrische anlage II
Inspektion	1



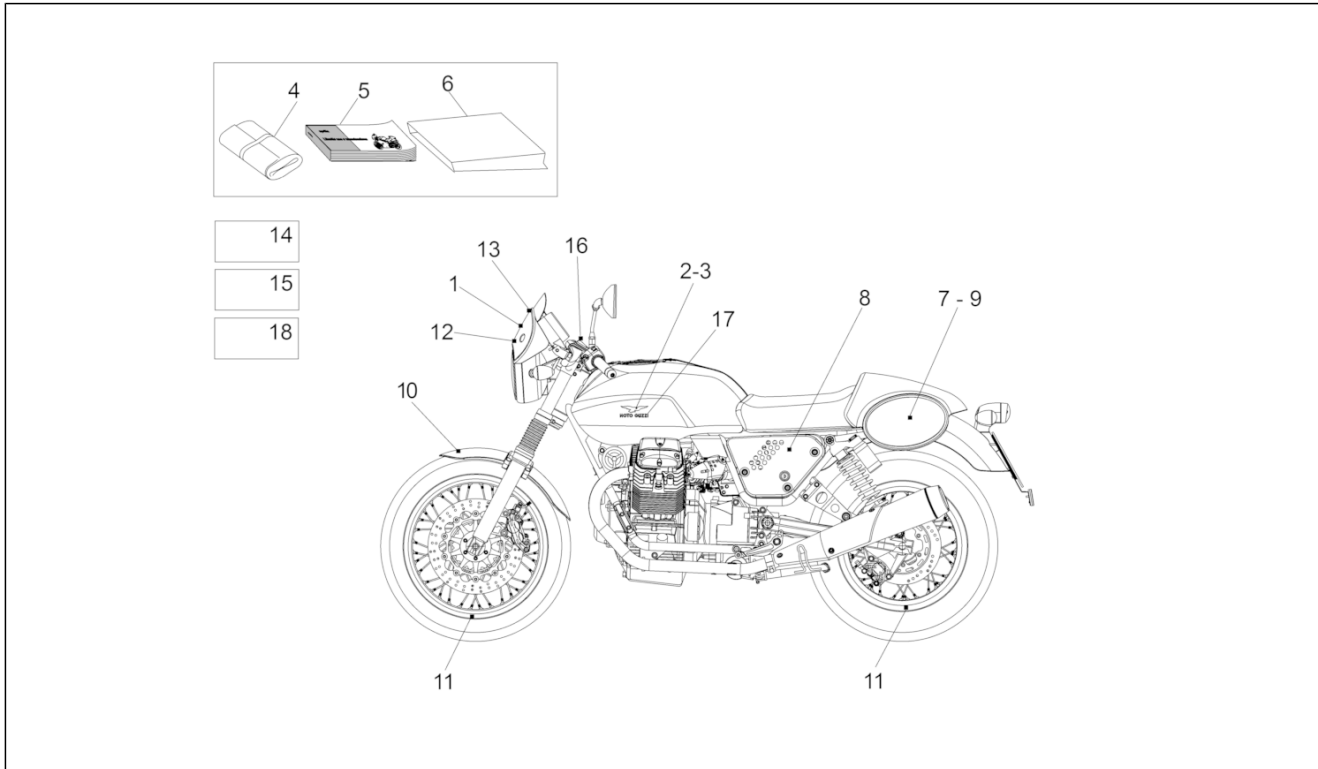
Pos.	Code	Beschreibung	Menge	Varianten
27	GU49609601	Schelle 2,4x92	1	

Einheit	RAHMEN
Code	33.32
Beschreibung	Bausatz Schlösser
Inspektion	1



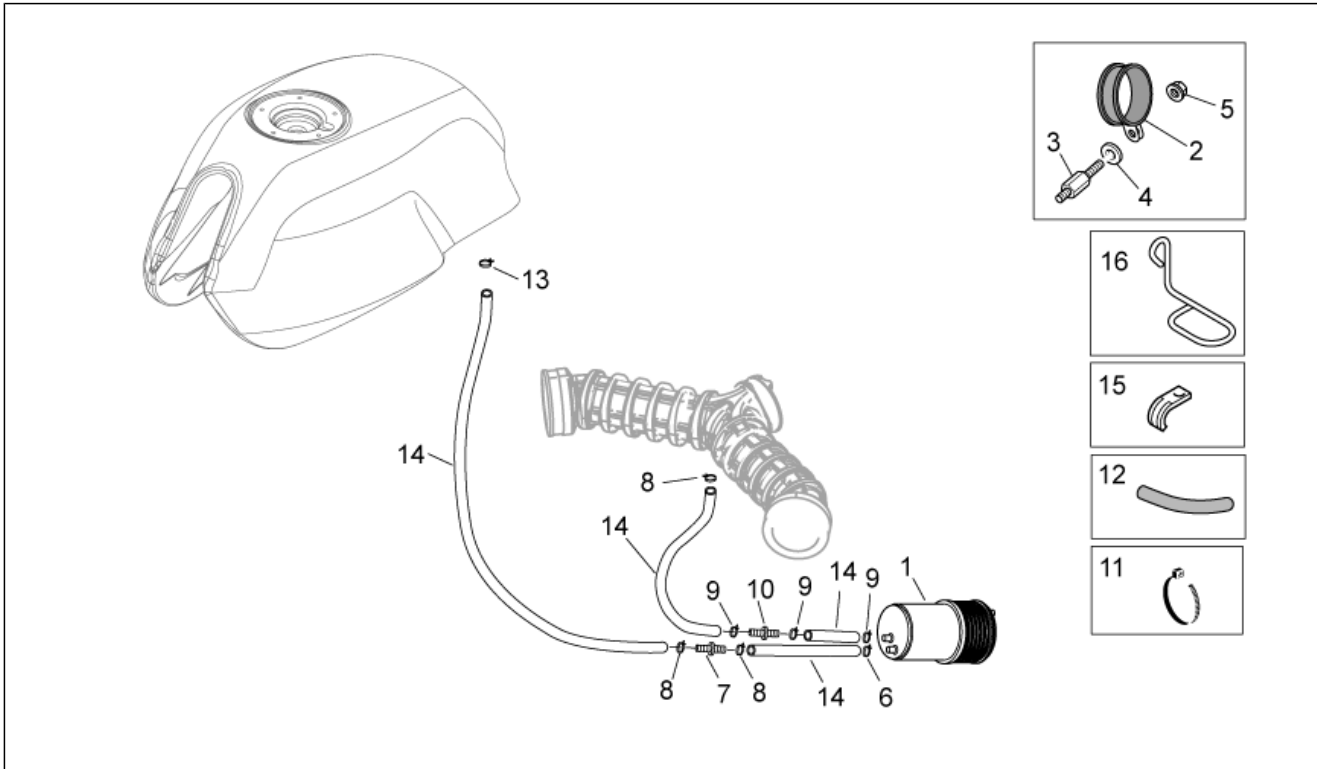
Pos.	Code	Beschreibung	Menge	Varianten
1	883477	Kit Schließvorrichtungen	1	Land:China[CN]
1	887873	Kit Schließvorrichtungen	1	
2	GU32782510	Lenkschloß	1	
3	883476	Tankverschluß	1	Land:China[CN]
3	887874	Tankverschluß	1	
4	977527	Schloss komplett mit Schlüsseln	1	
5	GU32735510	Schlüs.nicht gezackt roh-sch.go	1	
5	GU32735511	Schlüs.nicht gezackt roh-sch.cr	1	
6	AP8150349	Spezialschraube M8x15	1	
7	GU98682416	TCEI Schraube M8x16	1	
8	AP8121420	Gabelfeder	1	
9	978415	Kabelplatte	1	
10	2D000006	Schlosszylinder mit Schlüssel für Tankdeckel	1	

Einheit	RAHMEN
Code	33.33
Beschreibung	Abziehb. + Schilder
Inspektion	1



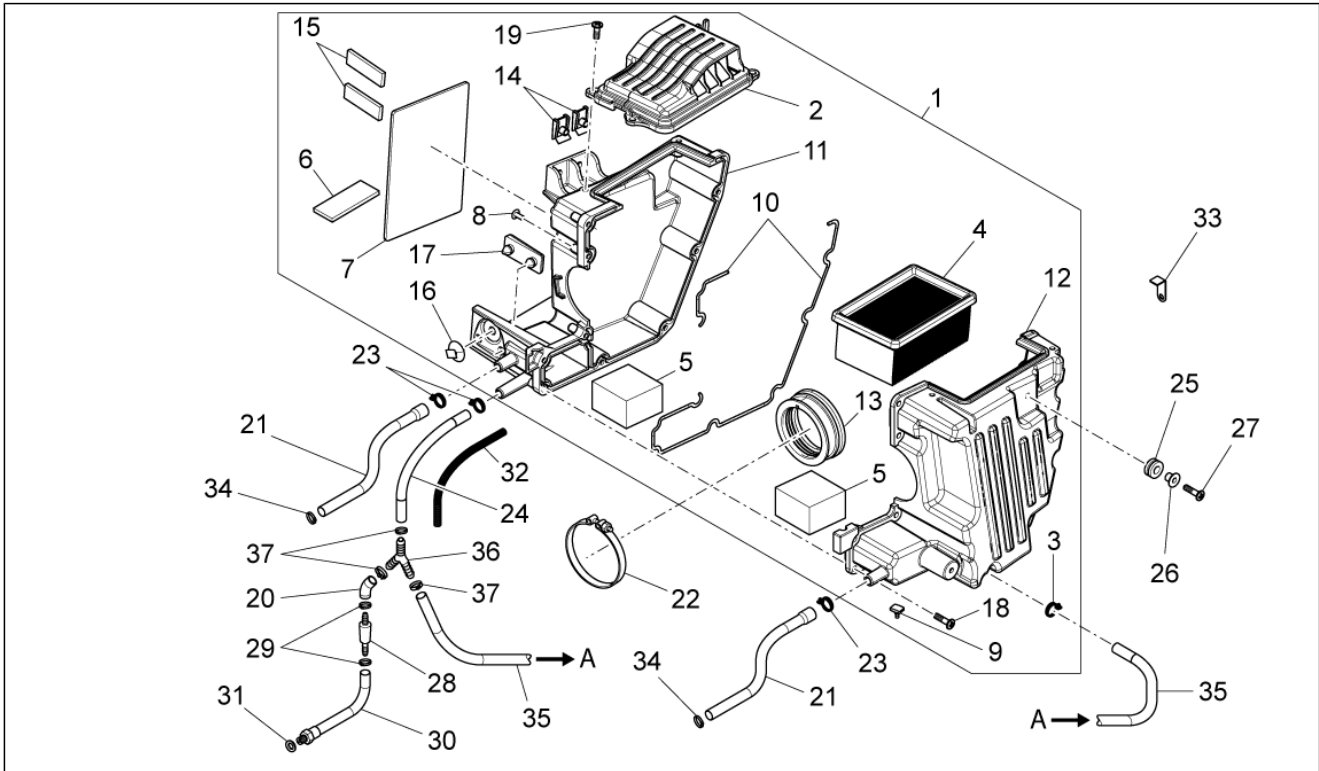
Pos.	Code	Beschreibung	Menge	Varianten
1	2H000425	Aufkleber kuppel	1	
2	898174	Aufkleber R. "Aquila"	1	
3	886678	Aufkleber L. "Aquila"	1	
4	887443	Werkzeugtasche	1	
5	2Q000043	Gebrauchsanleitung I-F-D-NL-E-UK	1	
5	2Q000045	Libretto uso e manutenzione JP-EN	1	Land:Japan[J]
5	2Q000054	Libretto uso e manutenzione ZN-EN-IT-DE	1	Land:China[CN]
6	GU05900130	Säckchen für Dokumente	1	
7	2H000426	Deko, schwarz dx-sx	1	
8	2H000428	Deko "V7 Racer" dx-sx	2	
9	2H000427	Aufkleber Heckteil re-li	2	
10	886141	Deko "Aquila"	1	
11	887971	Deko "Moto Guzzi"	4	
12	2H000424	Decalco filetto inferiore	1	
13	2H000423	Decalco filetto superiore	1	
14	2G000013	Shed deko	1	Land:China[CN]
15	GU03995730	Deko "Unleaded Fuelonly"	1	Land:Australien[AA]
16	2H000429	Targhetta piastra manubrio	1	
17	2H000430	Targhetta dx-sx "Moto Guzzi"	2	
18	GU32944310	Deko schutz	2	

Einheit	RAHMEN
Code	33.51
Beschreibung	Benzindampfrückf.-Anlage
Inspektion	1



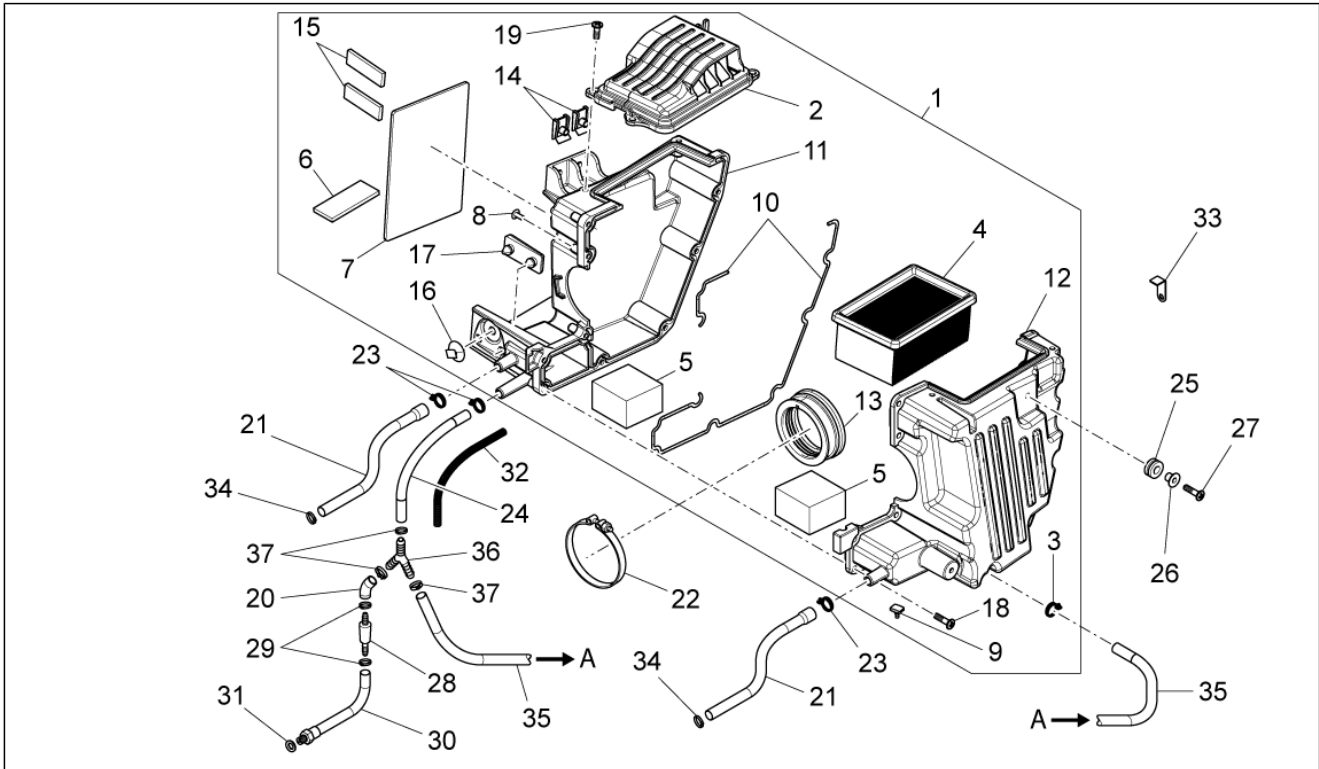
Pos.	Code	Beschreibung	Menge	Varianten
1	AP8102678	Kohlefilter	1	
2	AP8102688	Schelle d.76	1	
3	GU32439260	Canister halte USA	1	
4	GU95005311	Ausgleichscheibe	1	
5	AP8152299	Selbstsperrende Mutter M6	1	
6	AP8102159	Schelle	1	
7	860138	Ventil	1	
8	GU28157950	Schlauchschelle 12,5x8	4	
9	AP8120446	Schlauchschelle, grün D11x6,6x1	2	
10	AP8121267	Drosselspindel	1	
11	AP8120416	Schelle schwarz 178x4	1	
12	GU00823923140	Thermische Hülle	4	
13	AP8201358	Schelle D 11,9	1	
14	856063	Leitung SAE 30 d.12,7x6,35	3	
15	GU93301313	Bügelbolzen	1	
16	AP8221114	Kabelführungs	2	

Einheit	RAHMEN
Code	33.52
Beschreibung	Filtergehäuse II
Inspektion	1



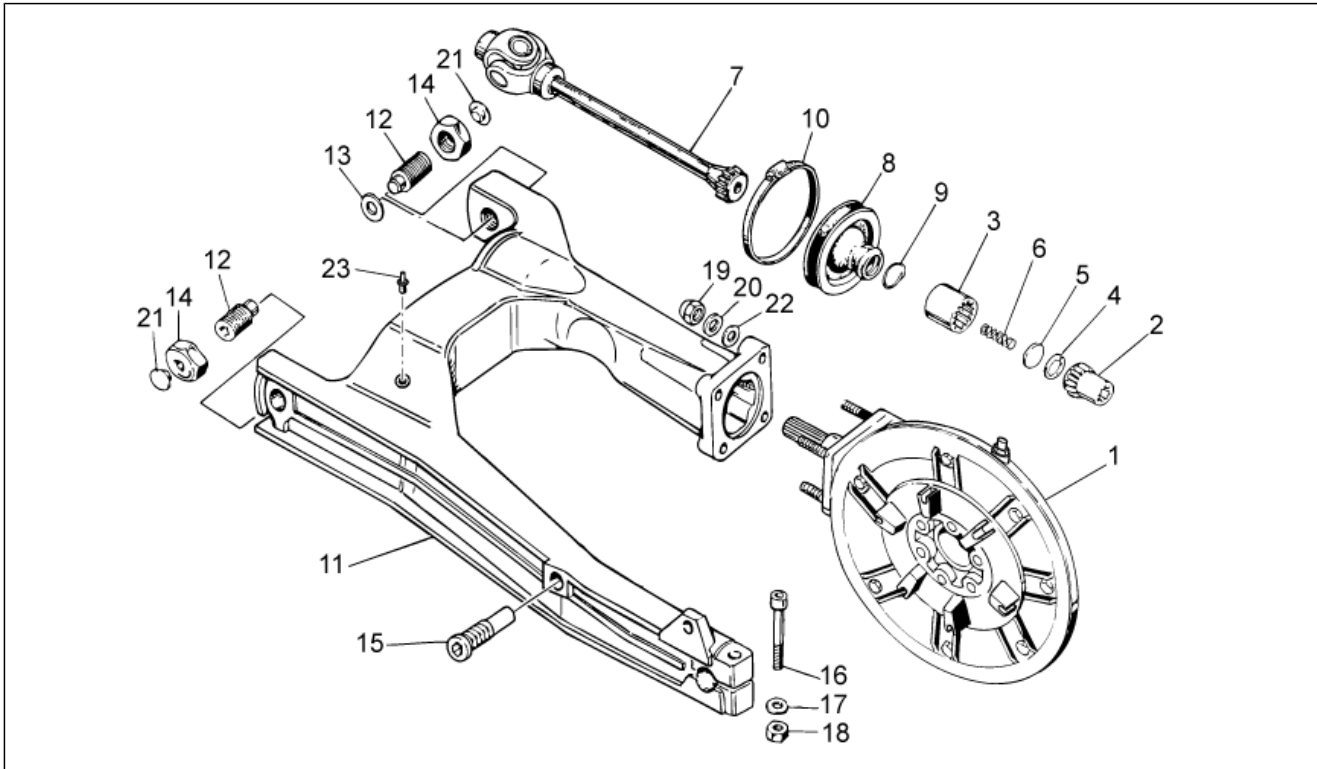
Pos.	Code	Beschreibung	Menge	Varianten
1	8878421	Filtergehäuse komplett	1	
2	887843	Luftfilterdeck	1	
3	AP8201358	Schelle D 11,9	1	
4	AP8104924	Luftfilter	1	
5	AP8104525	Filter blow-by	2	
6	883127	Gummi für Haterung 5mm	1	
7	AP8144553	Gummi für Haterung	1	
8	AP8120876	Verschlußschraube	2	
9	AP8120455	Gummi	1	
10	AP8120615	Dichtung D3	2	
11	887844	Schale re Filtergehäuse	1	
12	887845	Schale li Filtergehäuse	1	
13	887815	Ansaugmuffe	1	
14	254485	Plattchen M6	2	
15	AP8144538	Dichtung	2	
16	890760	Halterung Instrumente	1	
17	AP8144729	Anschlagstopfen Ständer	1	
18	AP8152329	Kreuz.schl.flnschschr. M5x20	9	
19	AP8150509	Gew.schr. 5x14	4	
20	AP8120772	Entlüftungsschlauch Kühler	1	
21	B063214	Blow-By-Leitung	2	
22	GU93305061	Schelle 61/65,5	1	
23	AP8102766	Schelle	3	
24	AP8120772	Entlüftungsschlauch Kühler	1	
25	GU91551010	Gummi	2	
26	AP8221023	T-Buchse	2	
27	AP8152329	Kreuz.schl.flnschschr. M5x20	2	
28	AP8104996	Rückstauventil	1	

Einheit	RAHMEN
Code	33.52
Beschreibung	Filtergehäuse II
Inspektion	1



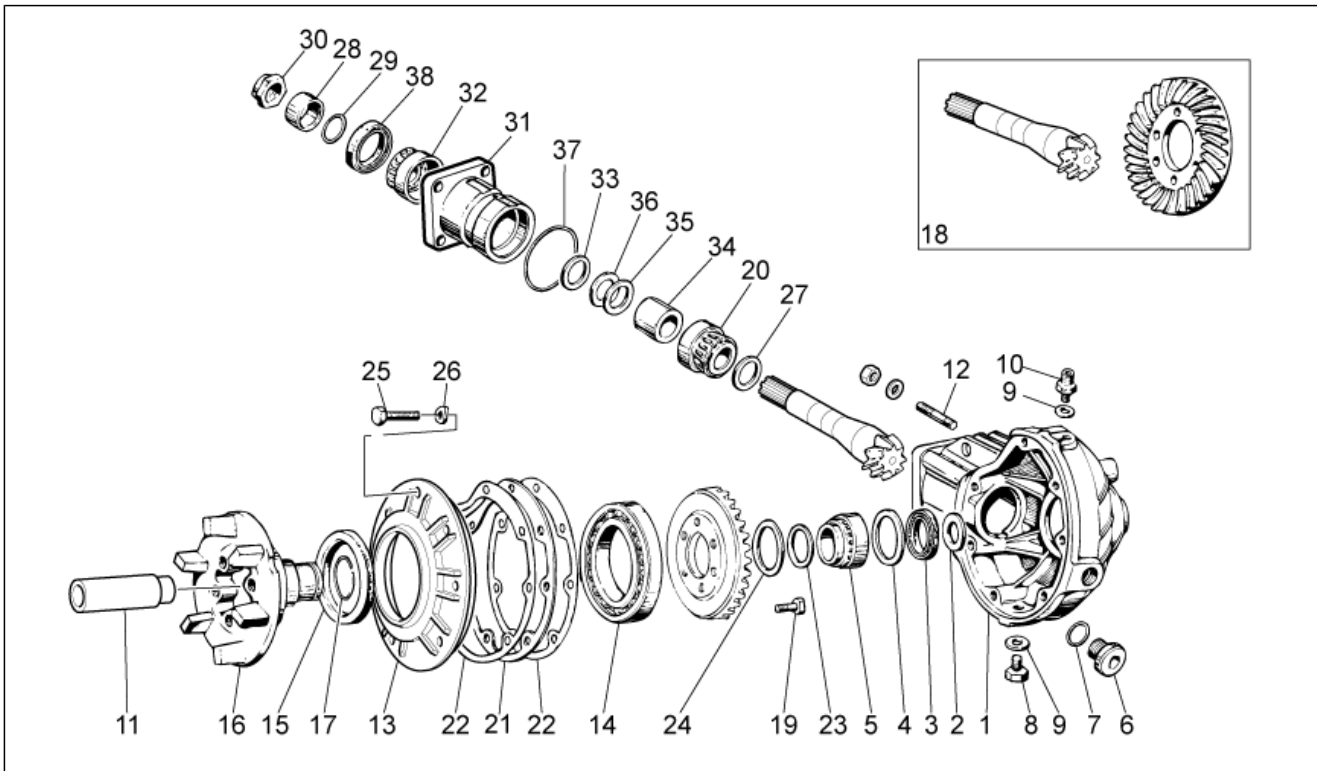
Pos.	Code	Beschreibung	Menge	Varianten
29	AP8102765	Schlauchschelle weiß D.13,5x6	2	
30	B063213	Entlüfter	1	
31	GU90714082	Dichtung	1	
32	GU00823923140	Thermische Hülle	1	
33	GU31112965	Winkel	1	
34	AP8201358	Schelle D 11,9	2	
35	AP8120772	Entlüftungsschlauch Kühler	1	
36	2B000045	3-Wegeanschluß	1	
37	GU28157950	Schlauchschelle 12,5x8	3	

Einheit	MOTOR
Code	34.09
Beschreibung	Getriebe kpl. I
Inspektion	1



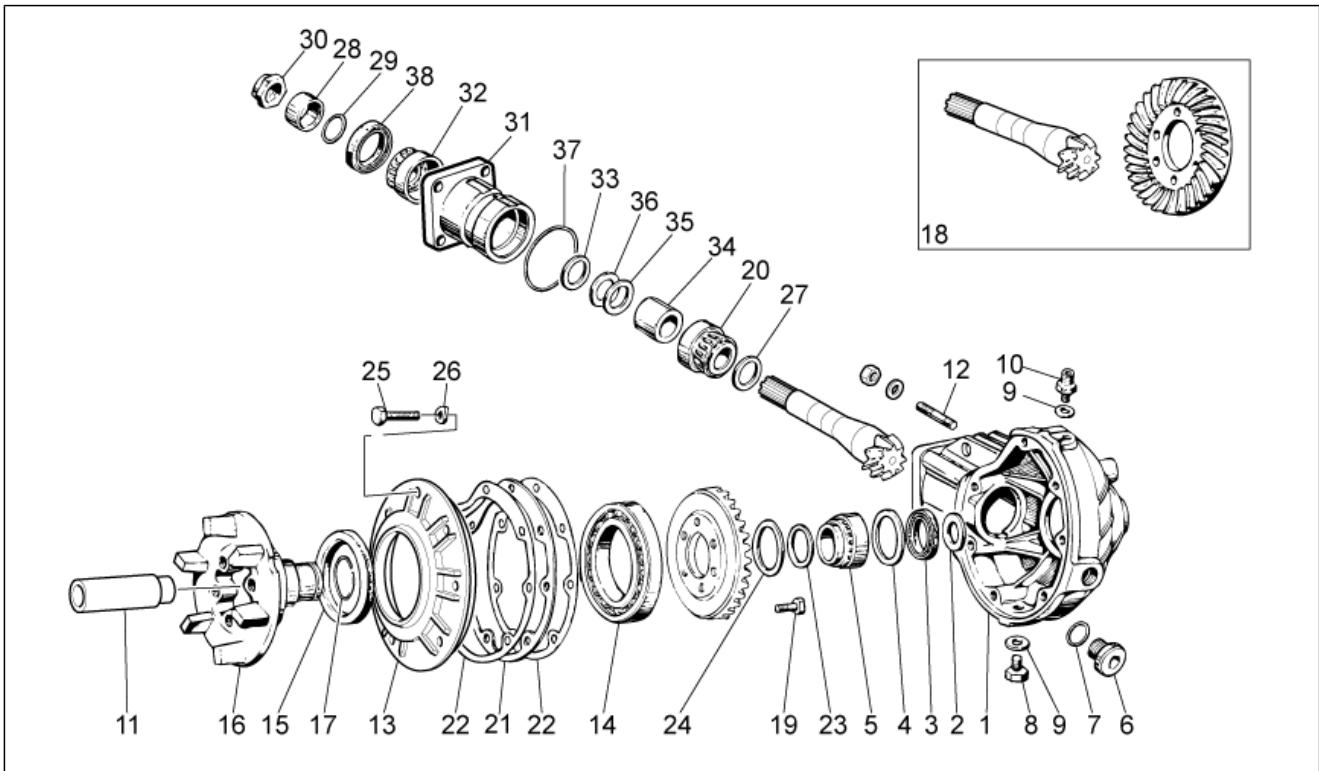
Pos.	Code	Beschreibung	Menge	Varianten
1	976941	Antriebsgehäuse kpl. Schwartz	1	
2	GU31327783	Hülse	1	
3	GU19328801	Hülse	1	
4	GU90272023	Seegerring	1	
5	GU19327601	Scheibe	1	
6	GU94321099	Feder	1	
7	GU23328081	Kardanwelle	1	
8	GU23548080	Schutzring	1	
9	GU23548180	Feder	1	
10	AP8120246	Schelle D=60-80	1	
11	886676	Schwinge, rot	1	
12	GU19547000	Bolzen	2	
13	GU35214300	Scheibe	1	
14	GU31547882	Mutter	2	
15	GU31544181	Bolzen	1	
16	GU98680545	Schraube M10x45	1	
17	GU95008210	Ausgleichscheibe 10,2X18X2	1	
18	GU92606210	Mutter M10x1,5	1	
19	860651	Hutmutter M8x1,25	4	
20	GU14615901	Ausgleichscheibe 8,4X13X0,8	4	
21	GU93180105	Deckel	2	
22	GU95005308	Ausgleichscheibe 8,4x14,57x1,6	4	
23	GU03922280	Deckel 5x9	1	

Einheit	MOTOR
Code	34.10
Beschreibung	Getriebe kpl. II
Inspektion	1



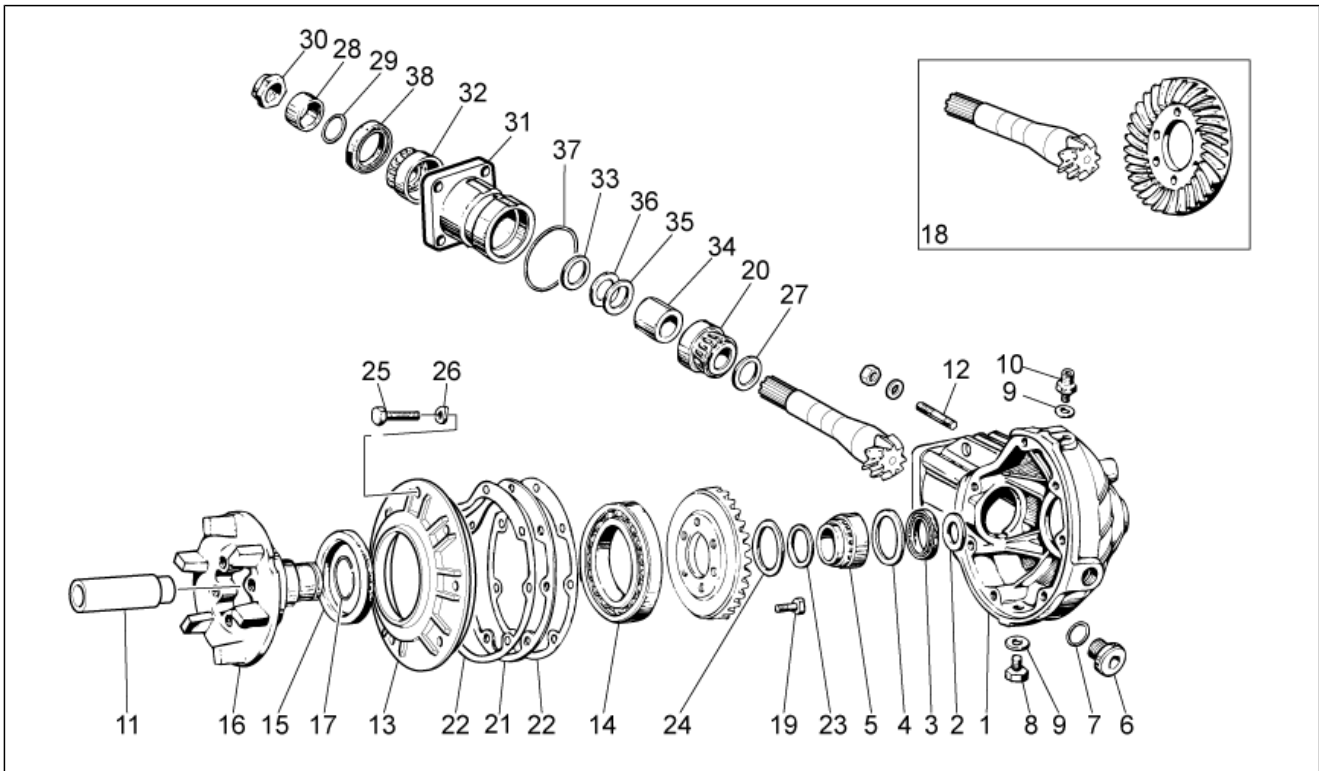
Pos.	Code	Beschreibung	Menge	Varianten
1	976608	Kraftübertragungsgehäuse schw.	1	
2	GU19351900	Bundscheibe	1	
3	GU90403549	Gasket ring 35x47x7	1	
4	GU19351100	Bundscheibe	1	
5	GU92252235	Rollenlager 35x50x17	1	
6	GU12022600	Ölschraube	1	
7	GU90706203	O-Ring 20,24X2,62	1	
8	GU31003766	Ölablaßschraube M10x1	1	
9	GU01528930	Dichtung 10x18x1,5	2	
10	GU19206501	Entlüftungsschraube	1	
11	GU32633560	Distanzscheibe	1	
12	GU96508055	Stiftschraube	4	
13	GU32350410	Deckel	1	
14	GU92201070	Kugellager 70x110x13	1	
15	GU90407591	Gasket ring 75x95x10	1	
16	GU32351410	Bolzen	1	
17	GU90353030	Sperring	1	
18	GU32354610	Teilerradsatz 8/33	1	
19	GU03067730	Schraube M8x25	6	
20	GU92249227	Rollenlager 25x5	1	
21	GU19355400	Scheibe 0,8 mm	1	
21	GU19355402	Scheibe 0,9 mm	1	
21	GU19355404	Scheibe 1 mm	1	
21	GU19355406	Scheibe 1,1 mm	1	
21	GU19355408	Scheibe 1,2 mm	1	
21	GU19355410	Scheibe 1,3 mm	1	
21	GU19355411	Scheibe 1,4 mm	1	
21	GU19355412	Scheibe 1,5 mm	1	

Einheit	MOTOR
Code	34.10
Beschreibung	Getriebe kpl. II
Inspektion	1



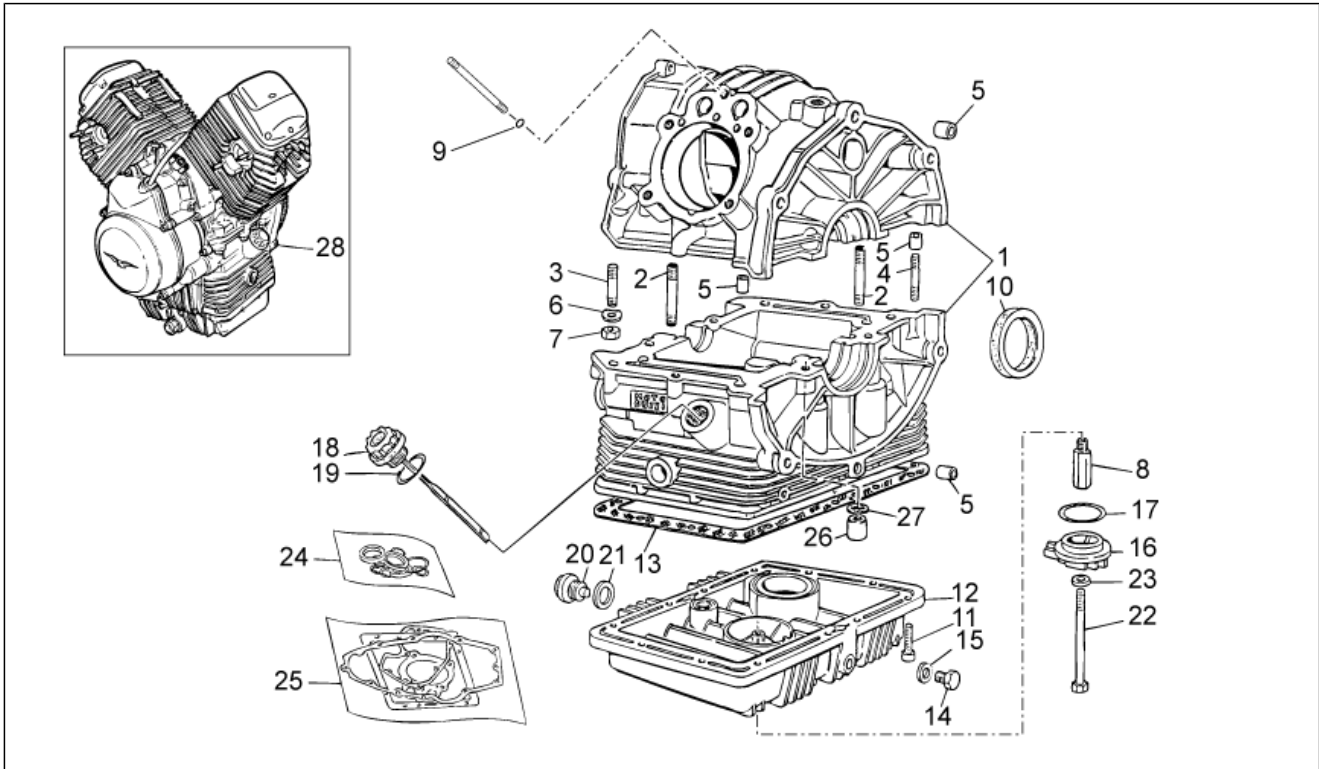
Pos.	Code	Beschreibung	Menge	Varianten
21	GU19355413	Scheibe 1,6 mm	1	
22	GU19350700	Dichtung	2	
23	GU19352300	Zwischenlegscheibe	1	
24	GU19353500	Zwischenlegscheibe	1	
25	GU19357660	Schraube	7	
26	GU61270300	Sprengscheibe 8x15x0,3	7	
27	GU19355320	Scheibe 1 mm	1	
27	GU19355321	Scheibe 1,1 mm	1	
27	GU19355322	Scheibe 1,2 mm	1	
27	GU19355323	Scheibe 1,3 mm	1	
27	GU19355324	Scheibe 1,4 mm	1	
27	GU19355325	Scheibe 1,5 mm	1	
27	GU19355326	Scheibe 1,6 mm	1	
27	GU19355327	Scheibe 1,7 mm	1	
27	GU19355328	Scheibe 1,8 mm	1	
27	GU19355329	Scheibe 1,9 mm	1	
28	GU19356801	Distanzscheibe	1	
29	GU90706188	Gasket ring 18,77X1,78	1	
30	GU19356700	Mutter	1	
31	GU20352421	Flansch	1	
32	GU92249220	Rollenlager 20x47x14	1	
33	GU19355300	Scheibe 1 mm	1	
33	GU19355301	Scheibe 1,1 mm	1	
33	GU19355302	Scheibe 1,2 mm	1	
33	GU19355303	Scheibe 1,3 mm	1	
33	GU19355304	Scheibe 1,4 mm	1	
33	GU19355305	Scheibe 1,5 mm	1	
33	GU19355306	Scheibe 1,6 mm	1	

Einheit	MOTOR
Code	34.10
Beschreibung	Getriebe kpl. II
Inspektion	1



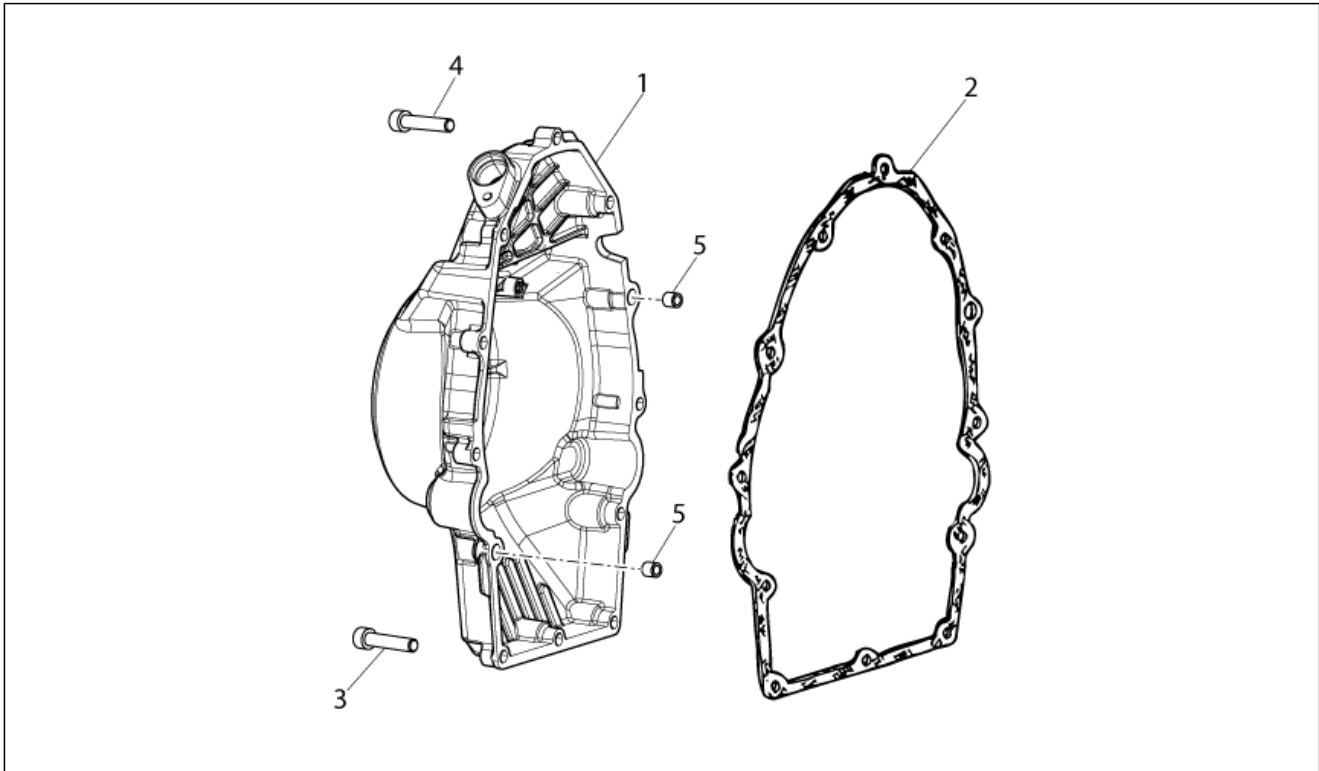
Pos.	Code	Beschreibung	Menge	Varianten
33	GU19355307	Scheibe 1,7 mm	1	
33	GU19355308	Scheibe 1,8 mm	1	
33	GU19355309	Scheibe 1,9 mm	1	
34	GU20355121	Distanzscheibe	1	
35	GU19355200	Passscheibe 0,1 mm	1	
36	GU19355202	Passscheibe 0,15 mm	1	
37	GU90706584	Dichtung 58,42x2,62	1	
38	GU90403251	Gasket ring 32x47x10	1	

Einheit	MOTOR
Code	34.34
Beschreibung	Gehäuse
Inspektion	1



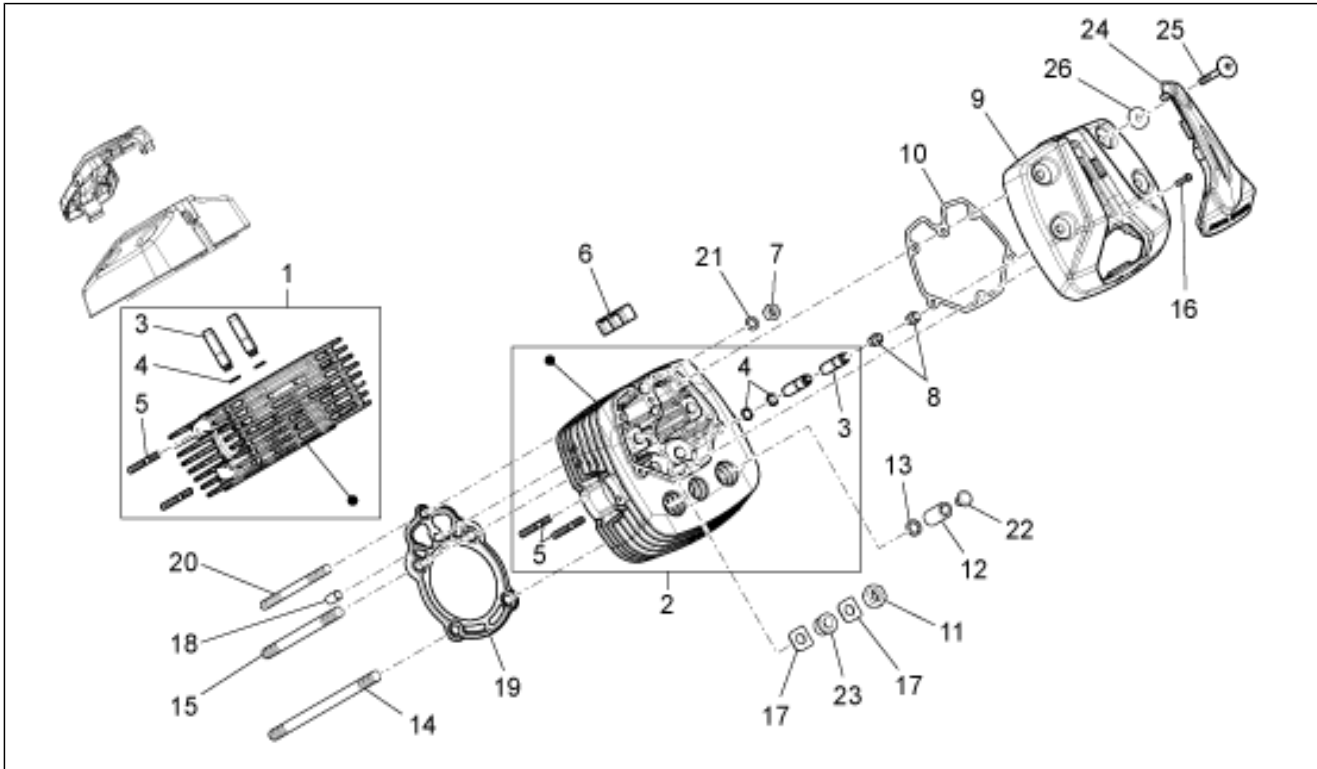
Pos.	Code	Beschreibung	Menge	Varianten
1	2A0002355	Komplettes motorengehäuse	1	
2	GU96451560	Stiftschraube	4	
3	GU96451430	Stiftschraube	4	
4	GU96508055	Stiftschraube	2	
5	GU19015020	Buchse	4	
6	GU61270300	Sprengscheibe 8x15x0,3	6	
7	GU92606208	Mutter M8x1,25	6	
8	GU19003800	Anschluss	1	
9	GU90706076	O-Ring	2	
10	886365	Gasket ring	1	
11	GU98682325	TCEI Schraube M6x25	12	
12	976604	Ölwanne grau schwarz	1	
13	887004	Ölwannendichtung	1	
14	GU31003766	Ölablaßschraube M10x1	1	
15	GU10528900	Dichtung	1	
16	976685	Deckel	1	
17	GU90706444	O-Ring	1	
18	883826	Öleinfüllschraube	1	
19	GU90706281	O-Ring 28,24x2,62	1	
20	GU12003702	Ölablaßschraube	1	
21	GU95100709	Dichtung 20,1x28x2	1	
22	GU27152885	Schraubbolzen	1	
23	GU12154200	Dichtung 8,25x15x1	1	
24	GU32999510	Dichtungssatz	1	
25	GU32999010	Dichtungen - Satz	1	
26	GU13021900	Säulenmutter	4	
27	GU95129180	Ausgleichscheibe 10,5X18X0,8	4	
28	2L0001895	Motor kpl.ohneSchaltgetriebe	1	

Einheit	MOTOR
Code	34.35
Beschreibung	Steuer Deckel
Inspektion	1



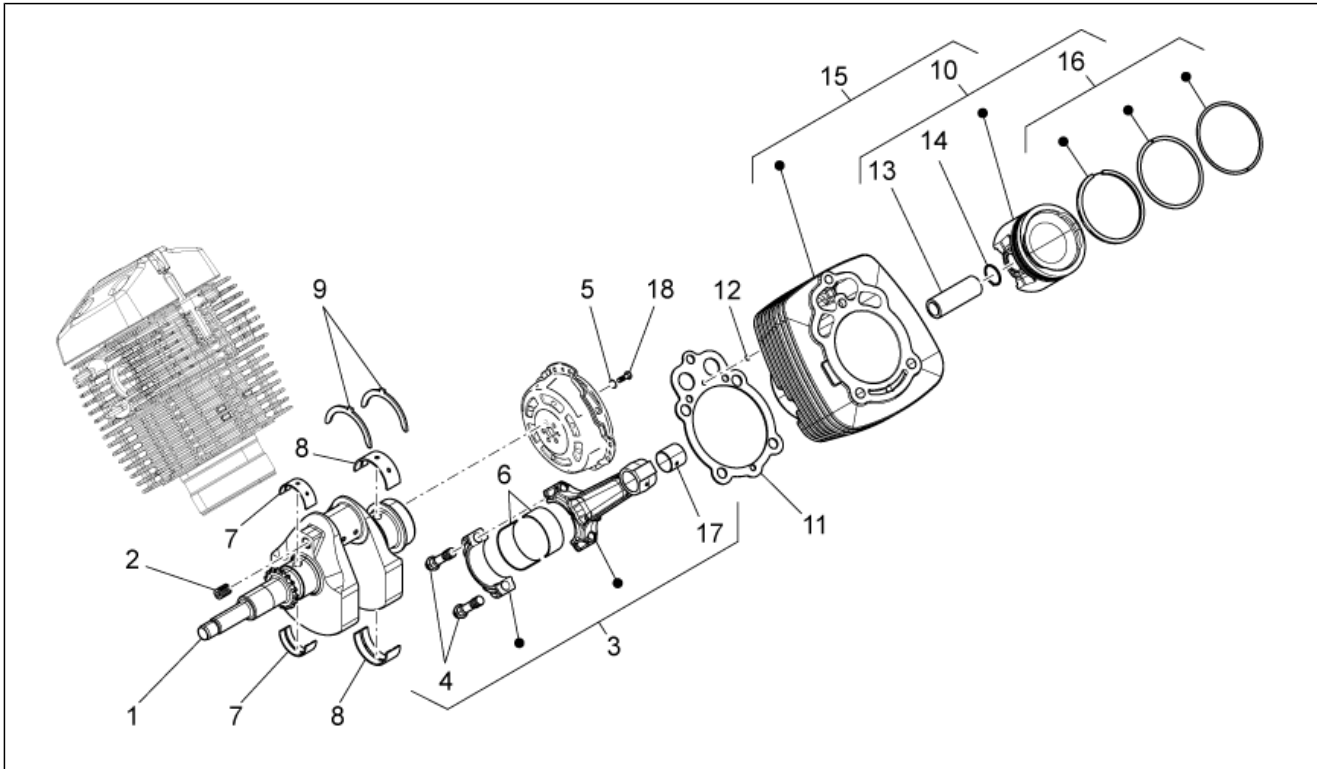
Pos.	Code	Beschreibung	Menge	Varianten
1	2A000085	Deckel	1	
2	887003	Deckeldichtung Kupplungsseite	1	
3	GU98682325	TCEI Schraube M6x25	10	
4	GU98682330	TCEI Schraube M6x20	2	
5	GU19002020	Buchse 6,6x9x13	2	

Einheit	MOTOR
Code	34.36
Beschreibung	Zylinderkopf
Inspektion	1



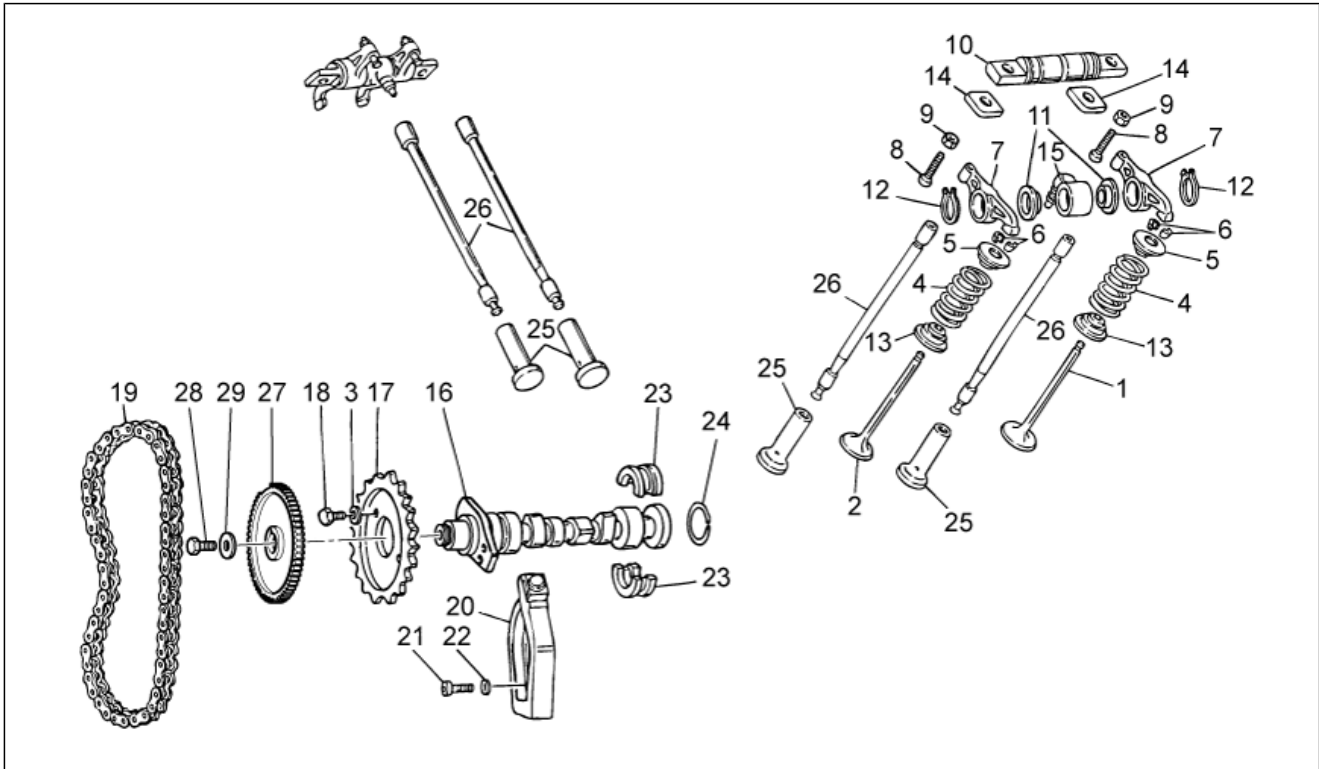
Pos.	Code	Beschreibung	Menge	Varianten
1	8872724	Kopf rechts	1	
2	8872754	Kopf links	1	
3	GU61036801	Ventilführung	4	
4	GU90353009	Sprengring	4	
5	GU96506042	Stiftschraube	4	
6	B063111	Schwingungsdämpfender Dübel	4	
7	GU19021920	Mutter	2	
8	GU19037820	Ölabstreifring	4	
9	887523	Kopfdeckel	2	
10	887002	Kopf Deckel Dichtung	2	
11	GU92603010	Mutter M10X1,5	4	
12	GU13021900	Säulenmutter	4	
13	GU95129180	Ausgleichscheibe 10,5X18X0,8	4	
14	GU96510214	Stiftschraube M10x214	4	
15	GU96510181	Stiftschraube M10x182	4	
16	GU98692325	TCEI Schraube M6x25	4	
17	GU19032980	Scheibe	8	
18	GU19021360	Buchse	2	
19	B063099	Dichtung Kopf-Zylinder	2	
20	976898	Stiftschraube M8x140	2	
21	GU61270300	Sprengscheibe 8x15x0,3	2	
22	GU93180245	Deckel	4	
23	AP8144071	Gummi auspuffrohr	1	
24	887279	Zündkerzendeckel	2	
25	887483	Schrauben Zylinderkopfdeckel M6x52.5	8	
26	969973	Ausgleichscheibe	8	

Einheit	MOTOR
Code	34.37
Beschreibung	Kurbelwelle kpl.
Inspektion	1



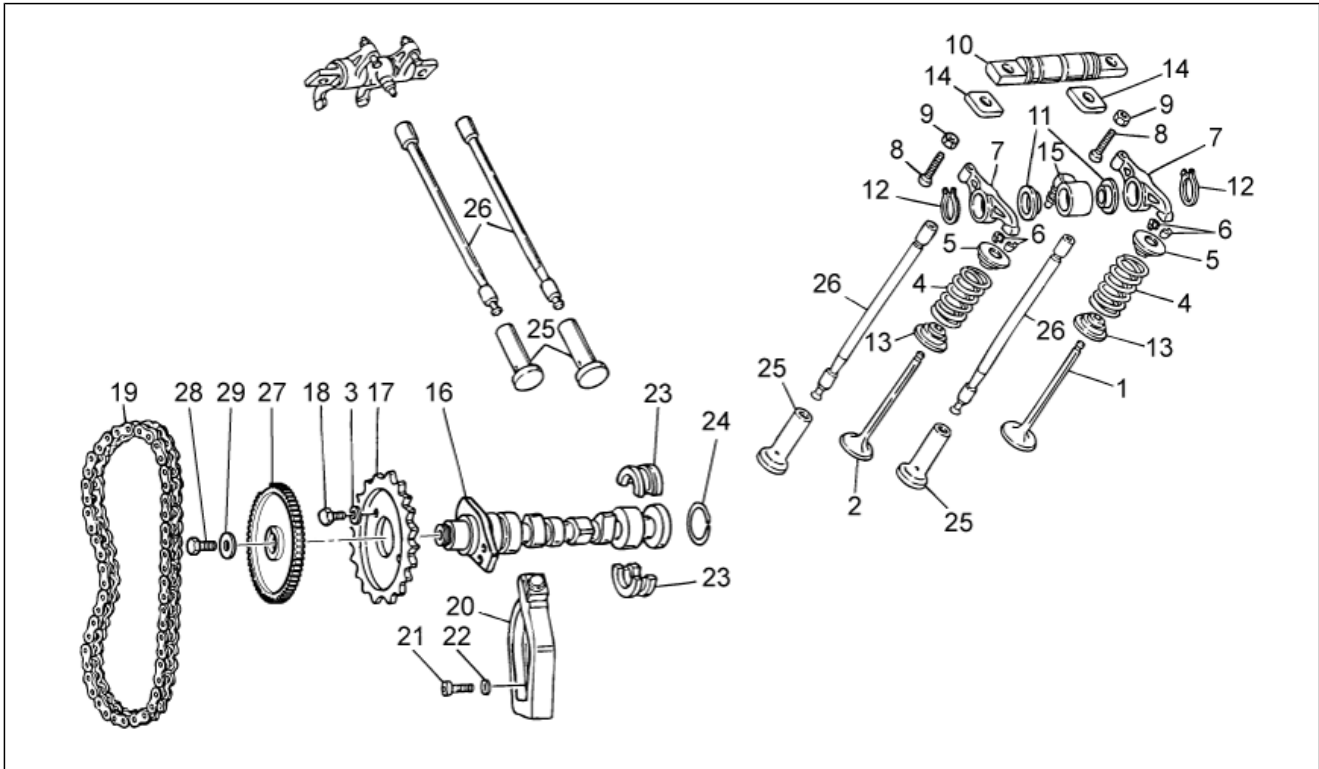
Pos.	Code	Beschreibung	Menge	Varianten
1	2A0000995	Kurbelwelle	1	
2	GU19065400	Deckel	1	
3	GU27061585	Baugruppe Pleuelstange kplt.	2	
4	GU19062261	Schraube	4	
5	GU14615901	Ausgleichscheibe 8,4X13X0,8	6	
6	GU27062060	Halbsch. Bronzebchs.	4	
7	GU27065660	Vord.Hauptlager	2	
8	GU27066560	Hilt.Hauptlager	2	
9	GU27066460	Halb-Klemme	2	
10	8872690001	Kolben kompl. D.80 Cat. D	1	
10	8872690002	Kolben kompl. D.80 Cat. E	1	
10	8872690003	Kolben kompl. D.80 Cat. F	1	
11	886670	Zylinderdichtung	2	
12	GU61027200	O-Ring	2	
13	B063016	Bolzen	2	
14	874567	Sperring	4	
15	B063465	Kolben mit Zylinder kpl.	2	
16	B063466	Kolbenring-Satz	2	
17	GU27061885	Buchse	2	
18	GU19067700	Schraube	6	

Einheit	MOTOR
Code	34.38
Beschreibung	Steuer
Inspektion	1



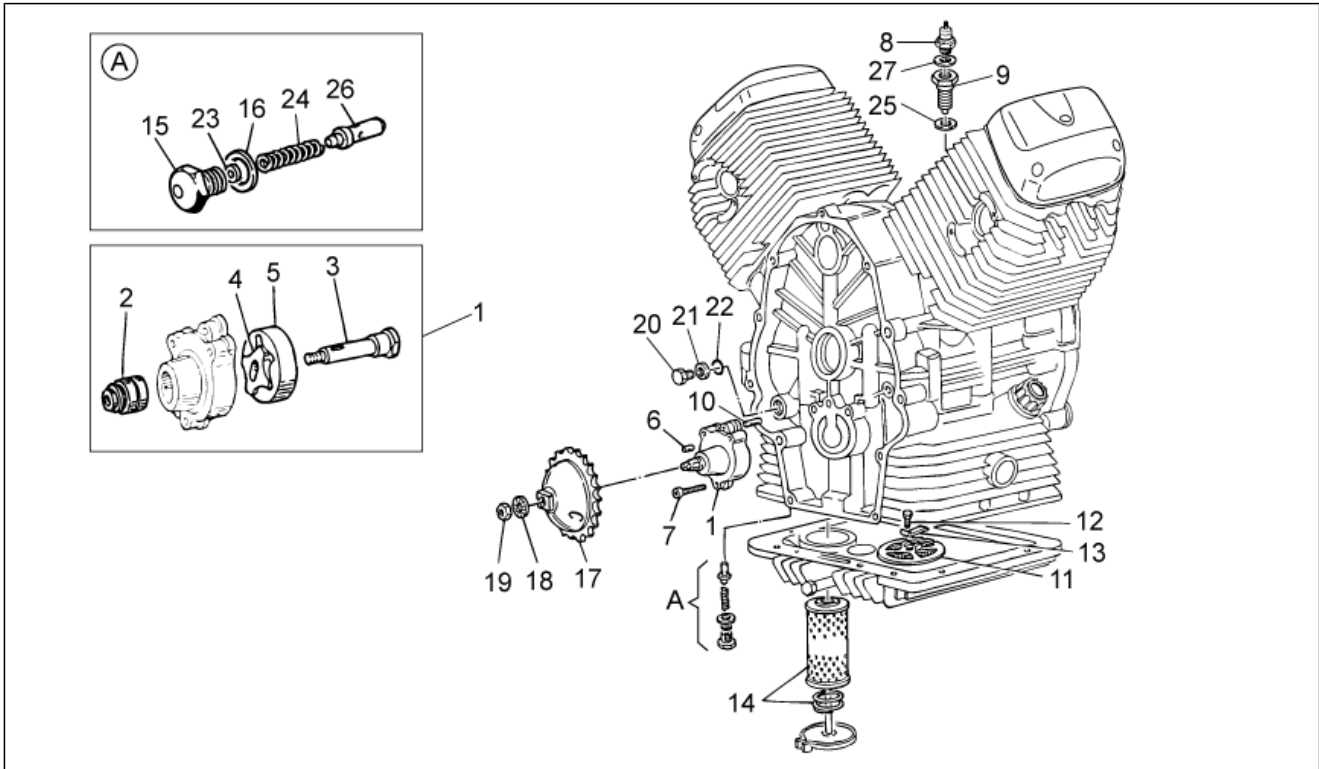
Pos.	Code	Beschreibung	Menge	Varianten
1	2A000146	Ein. ventil	2	
2	2A000147	Auslassventil	2	
3	GU23217800	Sicherungsblech	2	
4	GU27037521	Feder	4	
5	GU31038015	Obere Manschette	4	
6	GU61038100	Halbkegel	8	
7	GU19030500	Kipphebel	4	
8	GU19034000	Schraube	4	
9	GU92602406	Mutter M6x1	4	
10	GU19032080	Kipphebel-Federwelle	2	
11	GU32032310	Zwischenlegscheibe	4	
12	GU90271018	Seegerring	4	
13	GU31037015	Untere Manschette	4	
14	GU19032980	Scheibe	4	
15	GU19027500	Hülse	2	
16	GU32053410	Nockenwelle	1	
17	GU32054510	Zahnrad Ventilsteuerung	1	
18	GU61054900	Schraubbolzen	2	
19	GU19058021	Steuerkette	1	
20	GU19058220	Kettenspanner	1	
21	GU98882316	Schraube	1	
22	GU95129115	Ausgleichscheibe	1	
23	GU19055700	Sektor	2	
24	GU90353029	Sprengring	1	
25	GU19045861	Ventilstassel	4	
26	GU31045015	Kipphebelstange	4	
27	887528	Wheel speed sensor, LH front	1	
28	GU98054422	Schraube M8x22	1	

Einheit	MOTOR
Code	34.38
Beschreibung	Steuer
Inspektion	1



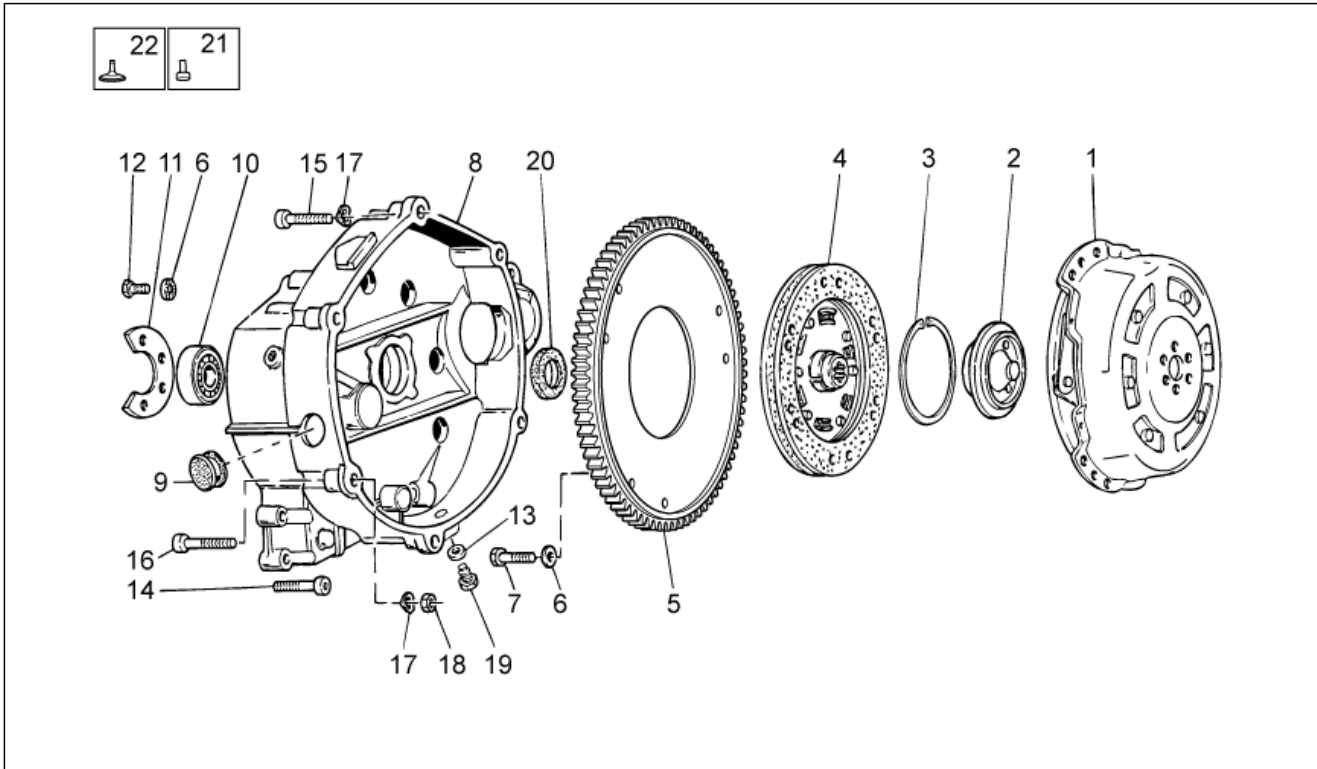
Pos.	Code	Beschreibung	Menge	Varianten
29	GU95100244	Ausgleichscheibe	1	

Einheit	MOTOR
Code	34.39
Beschreibung	Ölpumpe
Inspektion	1



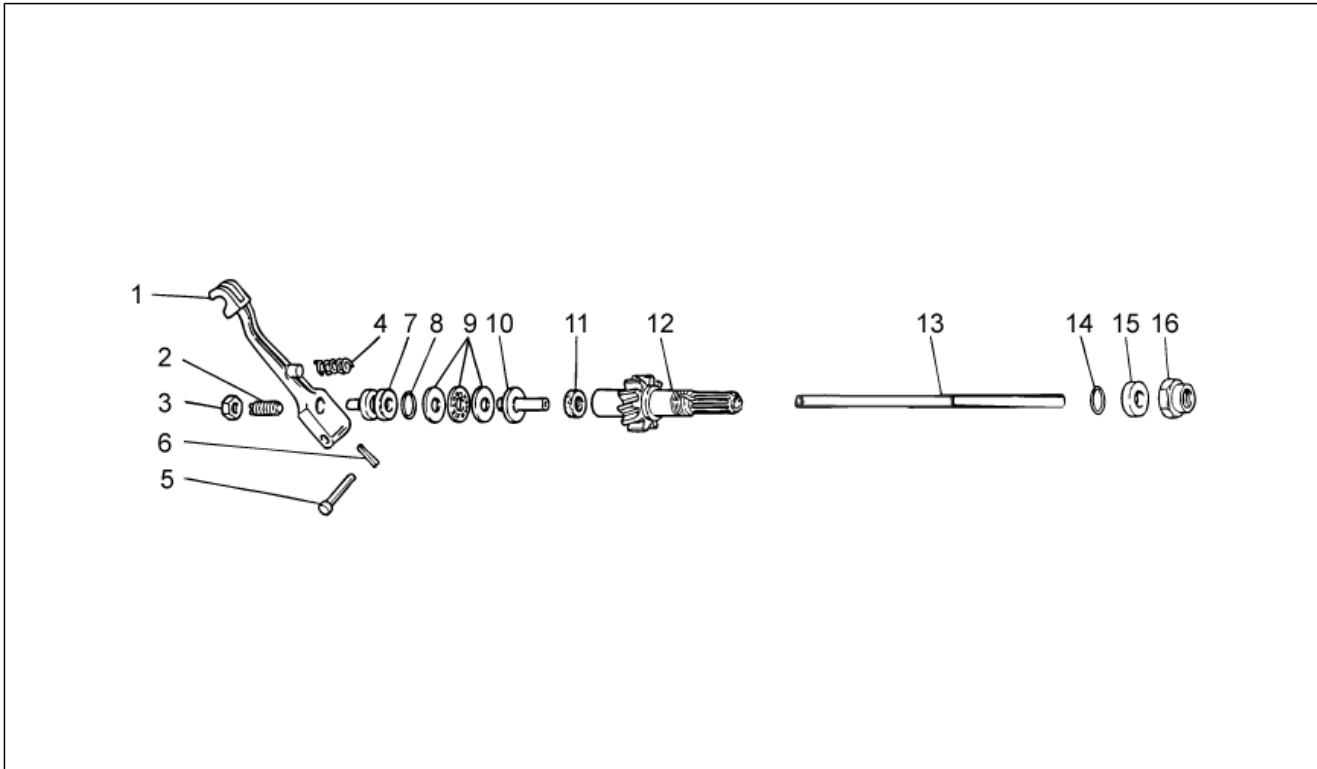
Pos.	Code	Beschreibung	Menge	Varianten
1	GU19146422	Ölpumpe	1	
2	GU92252210	Rollenlager 10x22x20	1	
3	GU20147810	Ölpumpenwelle	1	
4	GU20148410	Innen rotor	1	
5	GU20148610	Aussen rotor	1	
6	GU92296723	Rolle	1	
7	GU98620335	Schraube M6x35	3	
8	641541	Öldrucksensor	1	
9	887093	Anschluß	1	
10	GU19018920	Stift	2	
11	GU19152200	Ölfiltersatz	1	
12	GU98084314	Sechskantschraube M6x14	1	
13	GU95187006	Platte	1	
14	GU27153085	Ölfiltersatz	1	
15	GU31159050	Deckel	1	
16	GU18144350	Ausgleichscheibe 18,25x24x1	3	
17	GU20147710	Zahnrad pumpe	1	
18	AP8152220	Scheibe	1	
19	GU92602510	Mutter M10x1,25	1	
20	GU31016050	Deckel	1	
21	GU18161150	Dichtung 14,25	1	
22	GU90706111	O-Ring	1	
23	GU95008206	Ausgleichscheibe 6,15x11x0,8	3	
24	GU94321079	Feder	1	
25	GU95100602	Dichtung	1	
26	GU31159050	Kolben	1	
27	GU95100309	Ausgleichscheibe	1	

Einheit	MOTOR
Code	34.40
Beschreibung	Kupplung I
Inspektion	1



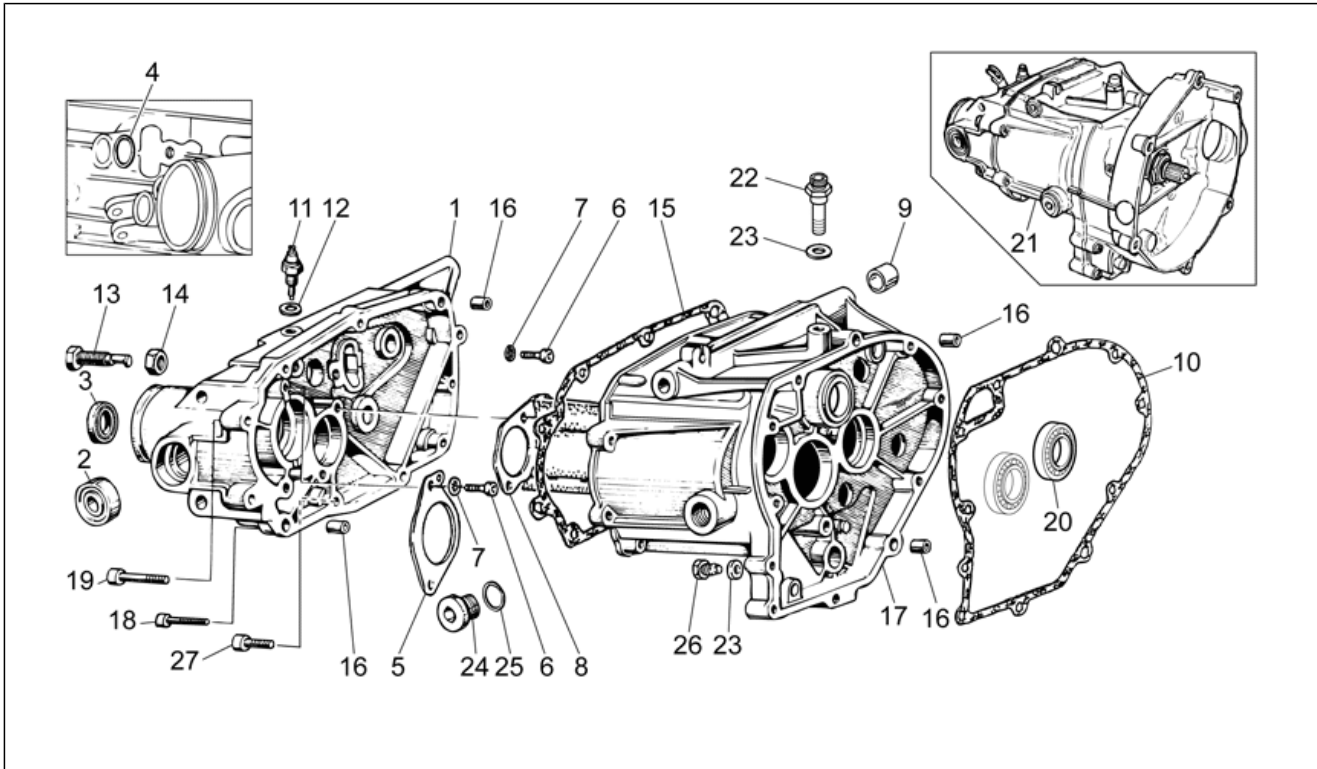
Pos.	Code	Beschreibung	Menge	Varianten
1	GU32080310	Kupplung	1	
2	GU19083462	Neuer Teller	1	
3	GU90272075	Sprengring	1	
4	GU32084410	Getriebene Kuppl.scheibe	1	
5	GU32067910	Zahnkranz	1	
6	GU14217901	Scheibe 6,4x10x0,7	9	
7	GU98084316	Sechskantschraube	6	
8	2A000106	Kupplungsglocke	1	
9	GU93180220	Deckel	1	
10	GU92201225	Lager 25x52x15	1	
11	GU19203460	Lagerplatte	1	
12	GU98084314	Sechskantschraube M6x14	3	
13	GU10528900	Dichtung	1	
14	GU98682330	TCEI Schraube M6x20	11	
15	GU98680435	TCEI Schraube M8x35	5	
16	GU98680450	TCEI Schraube M8x50	1	
17	GU61270300	Sprengscheibe 8x15x0,3	6	
18	GU92606208	Mutter M8x1,25	1	
19	GU31003766	Ölablaßschraube M10x1	1	
20	886629	Gasket ring	1	
21	GU23204471	Düse	1	
22	GU23204571	Düse	1	

Einheit	MOTOR
Code	34.41
Beschreibung	Kupplung II
Inspektion	1



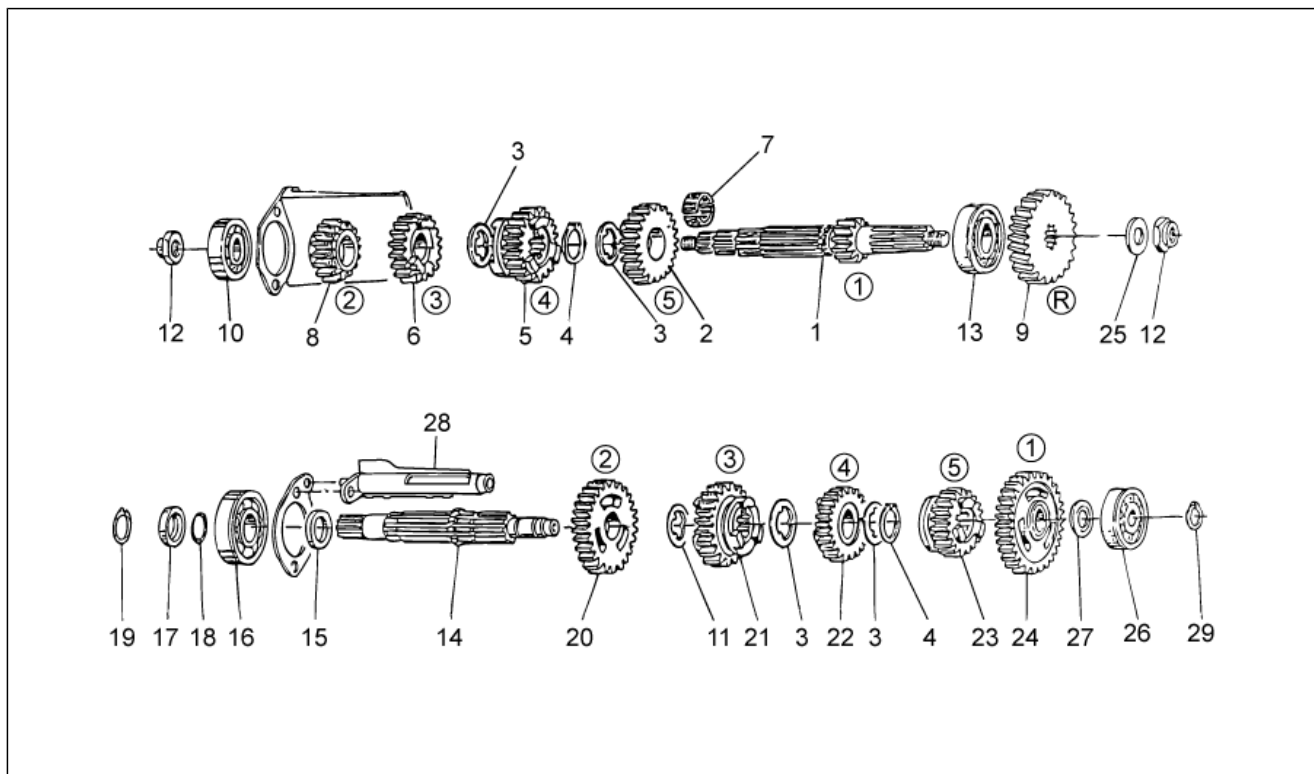
Pos.	Code	Beschreibung	Menge	Varianten
1	GU14090201	Ausrueckwelle	1	
2	GU14090400	Regelschraube	1	
3	GU92606508	Mutter	1	
4	GU94321105	Rückholfeder Starterhebel	1	
5	GU95780271	Stift 7x39	1	
6	GU95500222	Splint	1	
7	GU14086100	Aussengehäuse	1	
8	GU90706170	O-Ring 17,13x2,62	1	
9	GU12087001	Drucklager	1	
10	GU14086000	Innengehäuse	1	
11	GU90400616	Gasket ring 6x16x7	1	
12	GU27210760	Vorgelege Welle Z=16	1	
13	GU20085720	Stange	1	
14	GU90706235	O-Ring 23,52x1,78	1	
15	GU19213760	Distanzscheibe	1	
16	GU19356760	Mutter	1	

Einheit	MOTOR
Code	34.42
Beschreibung	Getriebegehäuse
Inspektion	1



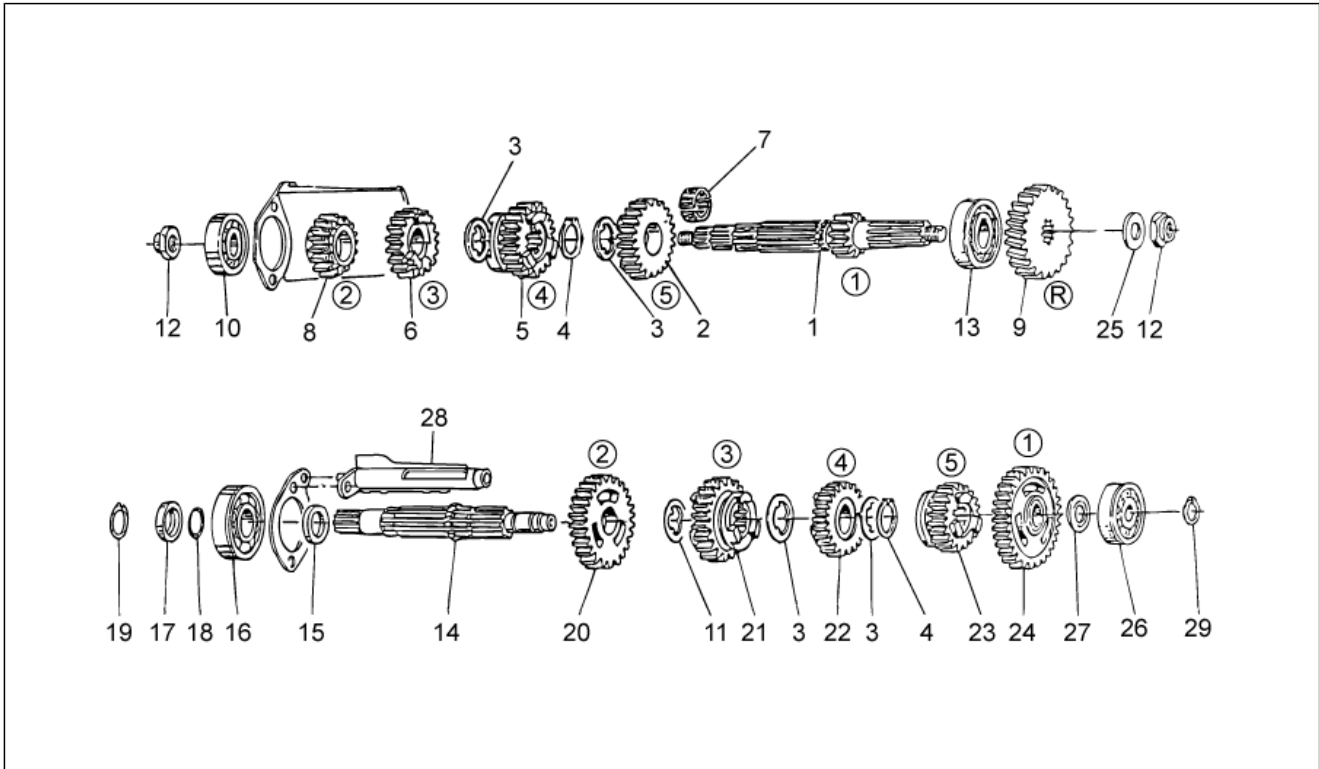
Pos.	Code	Beschreibung	Menge	Varianten
1	2A000098	Getriebegehäusedeckel	1	
2	2A000097	Kugellager 6202-2RSH/C3 LHT23	2	
3	886364	Gasket ring 28x40x7	1	
4	GU90706140	O-Ring 13,95x2,92	1	
5	GU32213810	Platte	1	
6	884031	TCEI Schraube M6x14	4	
7	GU14217901	Scheibe 6,4x10x0,7	4	
8	GU32208210	Ölschott	1	
9	GU19202320	Buchse 10,25x15,7x8	2	
10	887005	Dichtung	1	
11	B063269	Sensor	1	
12	GU12154200	Dichtung 8,25x15x1	1	
13	GU19237800	Schraube M12x1,25	1	
14	GU92606512	Mutter unten M12x1,25	1	
15	887006	Dichtung	1	
16	GU19002020	Buchse 6,6x9x13	4	
17	887235	Getriebegehäuse	1	
18	GU98682330	TCEI Schraube M6x20	5	
19	GU98680435	TCEI Schraube M8x35	4	
20	B063342	Kugellager 6004/C3	1	
21	976992	Schaltgetriebe kpl.	1	
22	GU32206510	Entlüftungsschraube	1	
23	GU10528900	Dichtung	2	
24	GU12022600	Ölschraube	1	
25	GU90706203	O-Ring 20,24x2,62	1	
26	GU31003766	Ölablaßschraube M10x1	1	
27	AP8150285	TCEI Schraube M6x35	2	

Einheit	MOTOR
Code	34.43
Beschreibung	Schaltgetriebe
Inspektion	1



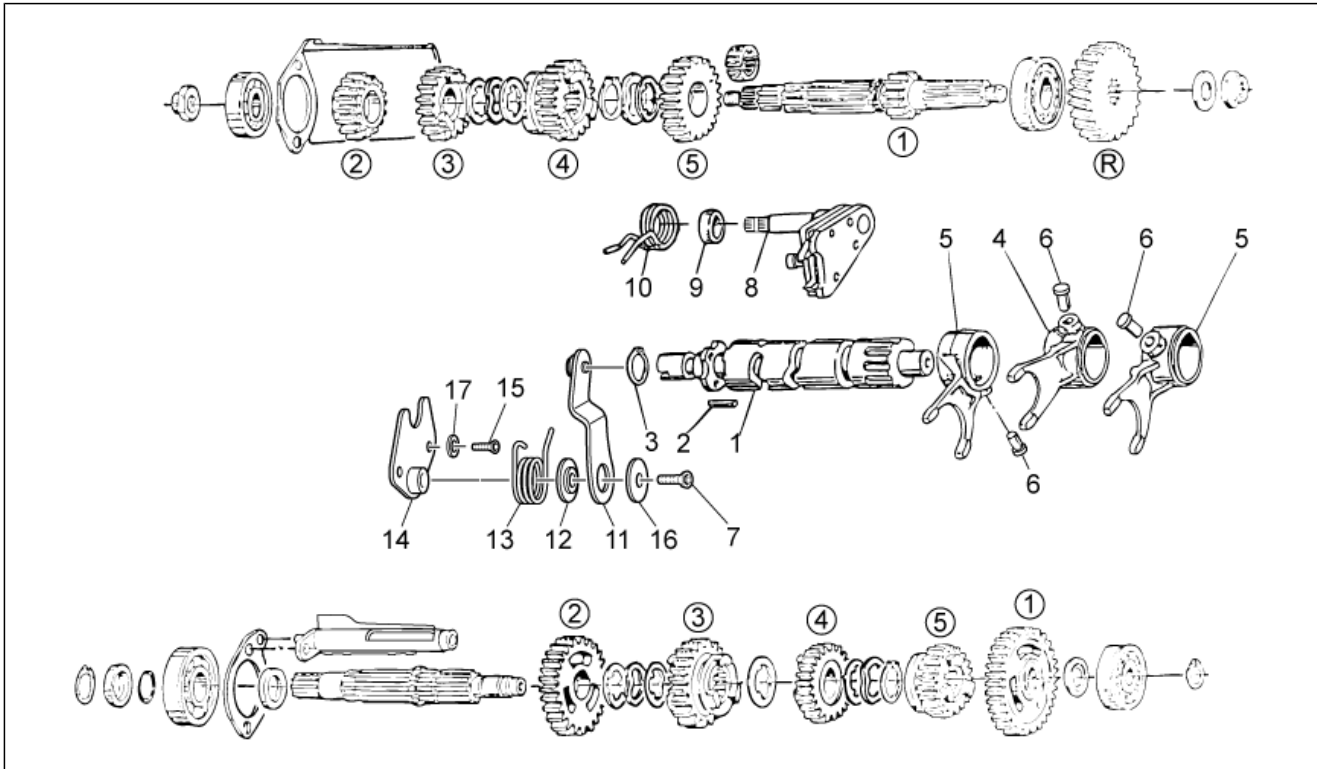
Pos.	Code	Beschreibung	Menge	Varianten
1	GU32210510	Vorgelegewelle Z=11	1	
2	GU32212011	Zahnrad 5a AP Z=25	1	
3	GU19215460	Zwischenlegscheibe	3	
4	GU90271124	Seegerring	2	
5	GU32211810	Zahnrad 4a AP Z=18	1	
6	GU32211410	Zahnrad 3a AP Z=18	1	
7	GU92251028	Nadelkaefig	1	
8	GU23211372	Zahnrad 2a AP Z=14	1	
9	GU32211110	Wahnradvorgelege AP Z=21	1	
10	GU92218417	Lager AP 17x40x17,5	1	
11	GU19214660	Bundscheibe	2	
12	GU10054100	Mutter	2	
13	GU92230320	Lager AP 20x37x17	1	
14	GU32213610	Festrad	1	
15	GU19212900	Distanzscheibe	1	
16	GU92201220	Lager 20X47X14	1	
17	GU19213720	Distanzscheibe	1	
18	GU90706188	Gasket ring 18,77X1,78	1	
19	GU90271121	Seegerring	1	
20	GU32214510	Zahnrad 2a AS Z=23	1	
21	GU32214810	Zahnrad 3a AS Z=23	1	
22	GU32215010	Zahnrad 4a AS Z=19	1	
23	GU32215210	Zahnrad 5a AS Z=22	1	
24	GU32214010	Zahnrad 1a AS Z=26	1	
25	GU39238100	Bundscheibe	1	
26	GU92234716	Lager	1	
27	GU10214300	Scheibe 1,5 mm	1	
27	GU10214301	Scheibe 1,7 mm	1	

Einheit	MOTOR
Code	34.43
Beschreibung	Schaltgetriebe
Inspektion	1



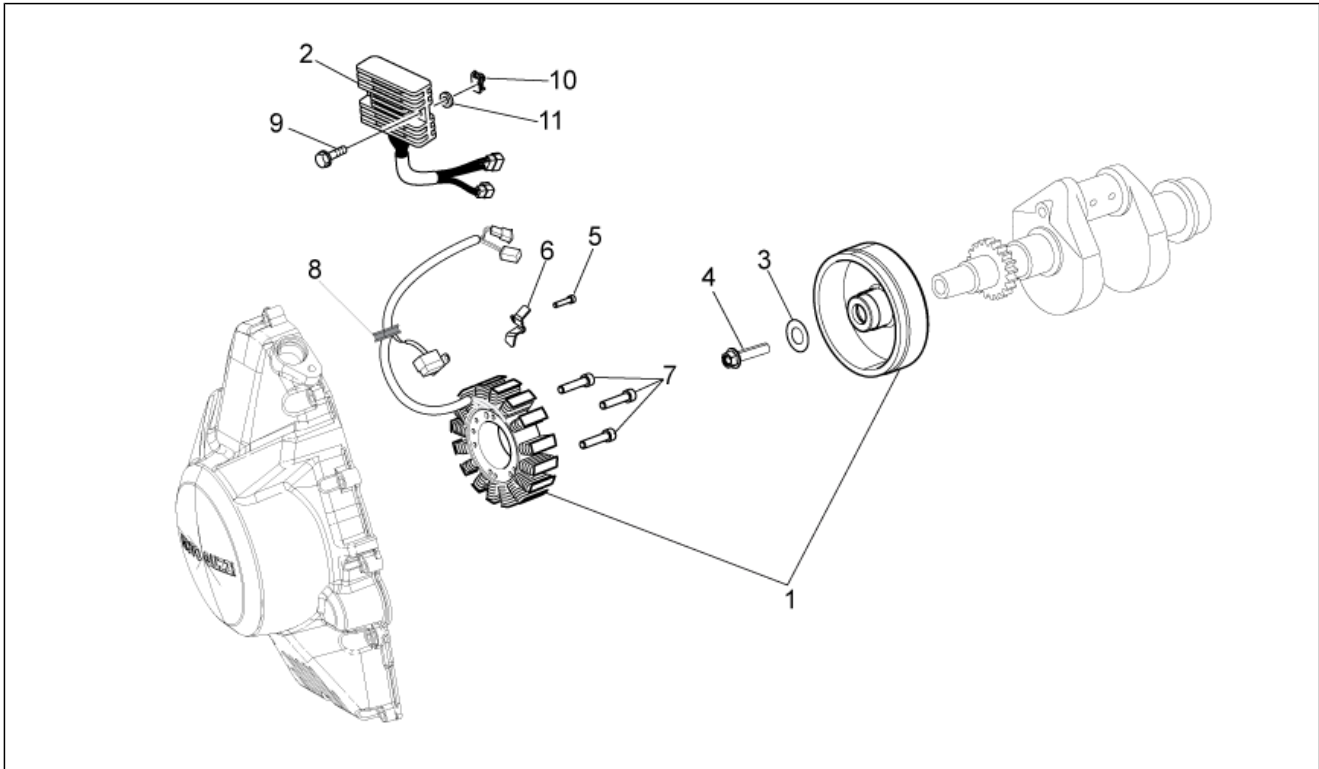
Pos.	Code	Beschreibung	Menge	Varianten
27	GU10214302	Scheibe 1,8 mm	1	
27	GU10214303	Scheibe 1,9 mm	1	
27	GU10214304	Ausgleichscheibe 2 mm	1	
27	GU10214305	Scheibe 2,1 mm	1	
28	GU32202010	Faenger	1	
29	GU90271117	Seegerring	1	

Einheit	MOTOR
Code	34.44
Beschreibung	Schaltgabel
Inspektion	1



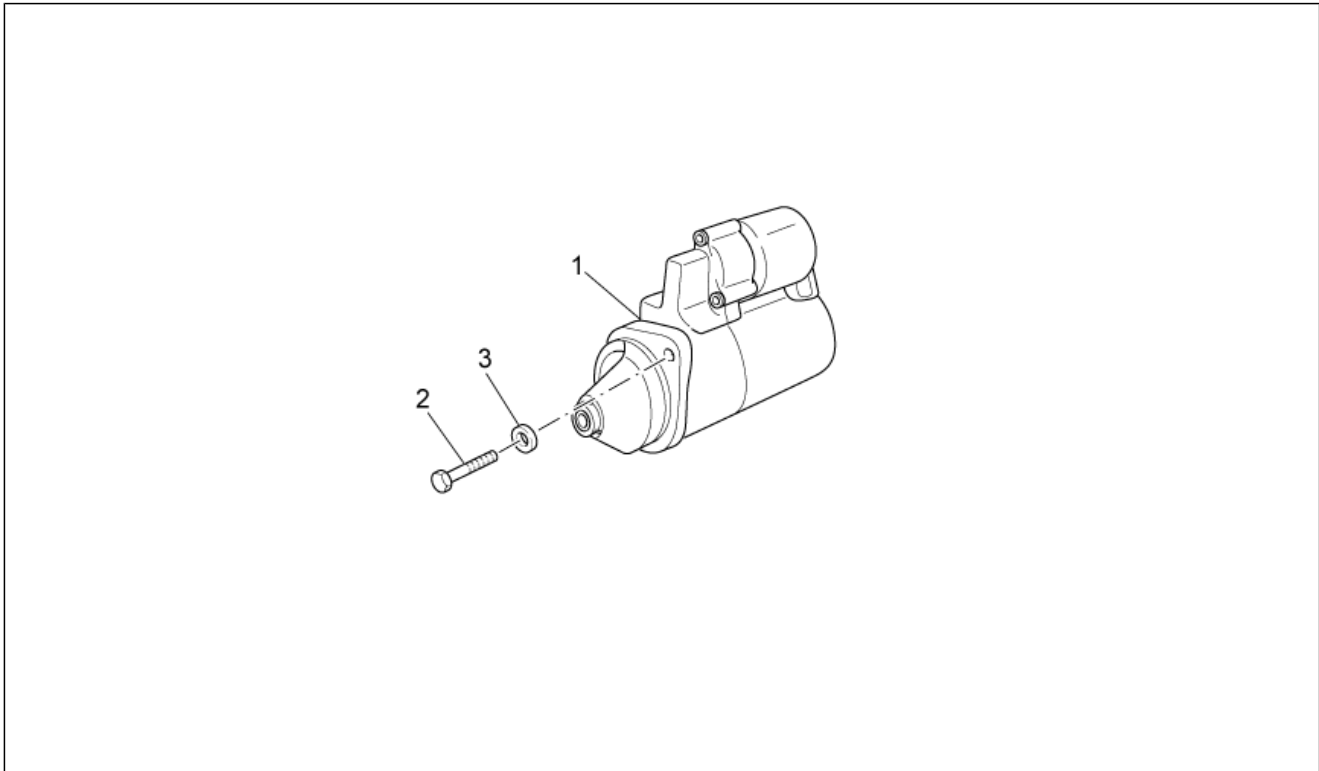
Pos.	Code	Beschreibung	Menge	Varianten
1	GU32234410	Verschiebenocken	1	
2	GU19234600	Stift	4	
3	GU90274026	Sprengring	1	
4	GU32231210	Schaltgabel AP	1	
5	GU32231010	Schaltgabel AS	2	
6	GU32233010	Rolle	3	
7	GU98230612	Schraube	1	
8	887196	Schaltautomat	1	
9	GU20208520	Distanzscheibe	1	
10	GU32238210	Feder	1	
11	GU32234710	Hebel	1	
12	GU32234810	Ausgleichscheibe	1	
13	GU32234110	Feder	1	
14	GU32235710	Platte	1	
15	GU98257618	Schraube M6x18	2	
16	GU32234910	Ausgleichscheibe 6,4x20x1	1	
17	GU14217901	Scheibe 6,4x10x0,7	2	

Einheit	MOTOR
Code	34.45
Beschreibung	Drehstromgenerator - Regler
Inspektion	1



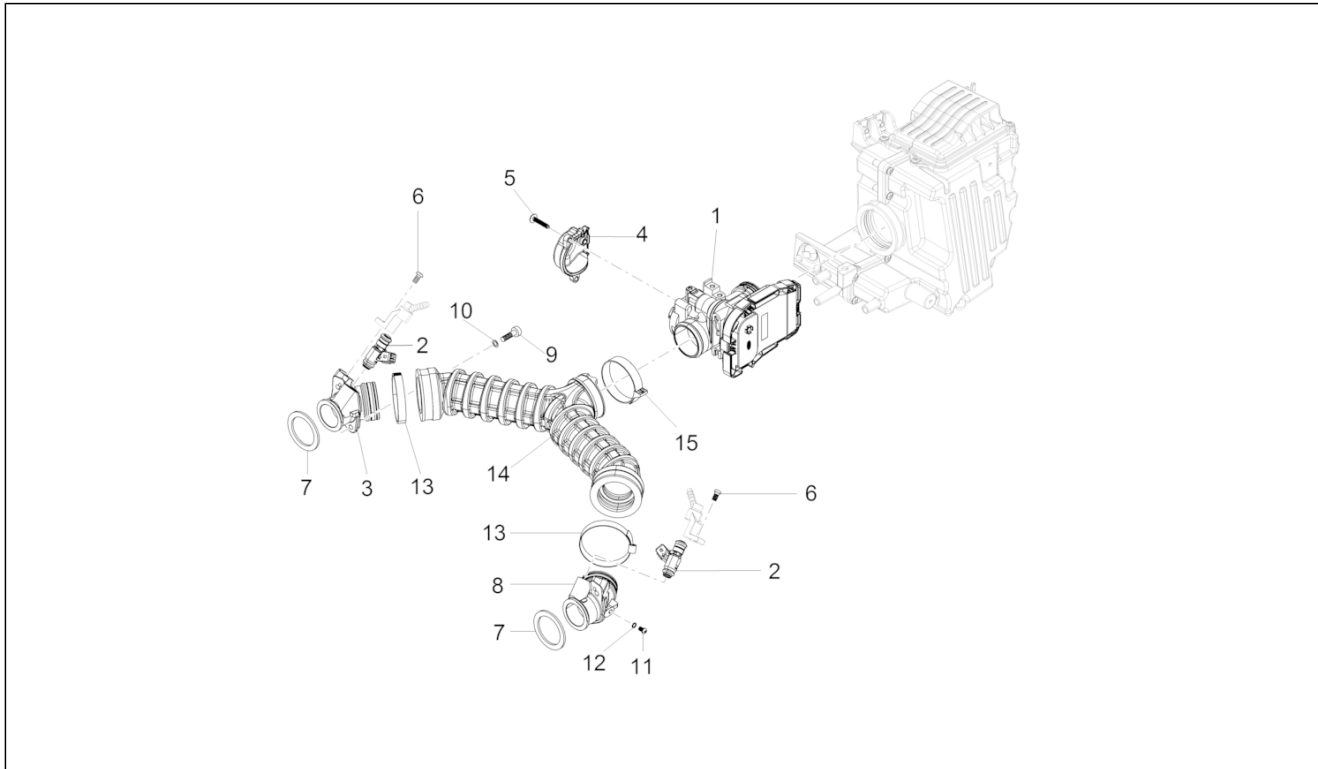
Pos.	Code	Beschreibung	Menge	Varianten
1	2D000024	Schwungrad Mag. klp.	1	
2	2D000043	Spannungsregler	1	
3	897478	Unterlegscheibe 12x26.5x3	1	
4	857206	TE Schr. m. Flansch M12X1,25X50	1	
5	GU98682212	TCEI Schraube M5x12	1	
6	2A000115	Platte	1	
7	2A000129	Flache Innensechskantschraube M6x35	3	
8	GU19007700	Gummi	1	
9	AP8152281	TE Schr. m. Flansch M6x30	2	
10	254485	Plattchen M6	2	
11	GU95100125	Ausgleichscheibe	2	

Einheit	MOTOR
Code	34.46
Beschreibung	Startermotor
Inspektion	1



Pos.	Code	Beschreibung	Menge	Varianten
1	GU05730730	Startermotor Bosch	1	
2	GU98082435	Sechskantschraube M8x35	2	
3	GU95008208	Ausgleichscheibe 8,4X15X1,5	2	

Einheit	MOTOR
Code	34.47
Beschreibung	Klappenkörper
Inspektion	1



Pos.	Code	Beschreibung	Menge	Varianten
1	CM228303	Einspritzsteuergerät	1	Land:Japan[J]
1	CM228304	Einspritzsteuergerät	1	
2	B063049	Injektor	2	
3	GU32115010	Ansaugkrümmer rechts	1	
4	880260	Klappenkörper Schutz	1	
5	B016796	Linsenkopfschraube Torx	3	
6	AP8152298	TBEI Schraube m.Flansch M5x16	2	
7	GU32115510	Dichtung	2	
8	GU32115011	Ansaugkrümmer links	1	
9	GU98622322	Schraube	4	
10	GU03013800	Ausgleichscheibe 6,4x12	4	
11	GU98310609	Schraube M6x10	2	
12	GU95100116	Ausgleichscheibe 6,25x10x1,5	2	
13	884311	Schelle D.61	2	
14	887812	Muffe Drosselklappe	1	
15	GU93305061	Schelle 61/65,5	1	