



PIAGGIO & C.s.p.a.



ERSATZTEILKATALOG



V7 II SPECIAL ABS 750

Vorsatzcode Fahrgestell: ZGULW200

Vorsatzcode Motor:



Inhaltsverzeichnis

Fertige Produkte.....	4
Alphanumerisches Verzeichnis.....	5
RAHMEN.....	10
Tafel 33.01 - Rahmen I.....	10
Tafel 33.02 - Rahmen II.....	11
Tafel 33.03 - Seitenständer.....	12
Tafel 33.04 - Fußrasten Fahrer.....	13
Tafel 33.05 - Soziusrasten.....	14
Tafel 33.06 - Schalthebel.....	15
Tafel 33.07 - Vorderradgabel I.....	16
Tafel 33.08 - Vorderradgabel II.....	17
Tafel 33.11 - Hinten Stoßdämpfer.....	19
Tafel 33.12 - Kraftstofftank.....	20
Tafel 33.13 - Frontaufbau - Vrd. Schutzblech.....	21
Tafel 33.14 - Sitz-Mittlerer aufbau.....	22
Tafel 33.15 - R.Kar. I- Sch.bl.....	23
Tafel 33.16 - R.Kar.II - Kennzeichenplatte.....	24
Tafel 33.17 - Instrumententafel.....	25
Tafel 33.18 - Lenkstange - Schaltungen.....	26
Tafel 33.19 - Bremsanlage - Vorn.....	27
Tafel 33.21 - Kraftstoffpumpe.....	28
Tafel 33.22 - Filtergehäuse.....	29
Tafel 33.23 - Auslassgruppe.....	30
Tafel 33.24 - Vorderrad I.....	31
Tafel 33.25 - Hinterrad I.....	32
Tafel 33.26 - Hinterradbrenspumpe.....	33
Tafel 33.27 - Hinterradbrenszange.....	34
Tafel 33.28 - Vorderer lichter.....	35
Tafel 33.29 - Hinterer lichter.....	36
Tafel 33.30 - Elektrische anlage I.....	37
Tafel 33.31 - Elektrische anlage II.....	38
Tafel 33.32 - Bausatz Schlösser.....	39
Tafel 33.33 - Abziehb. + Schilder.....	40
Tafel 33.36 - Bremsanlage ABS.....	41
MOTOR.....	42
Tafel 34.09 - Getriebe kpl. I.....	42
Tafel 34.10 - Getriebe kpl. II.....	43
Tafel 34.34 - Gehäuse.....	46
Tafel 34.35 - Steuer Deckel.....	47
Tafel 34.36 - Zylinderkopf.....	48
Tafel 34.37 - Kurbelwelle kpl.....	49
Tafel 34.38 - Steuer.....	50
Tafel 34.39 - Ölpumpe.....	52



Tafel 34.40 - Kupplung I.....	53
Tafel 34.41 - Kupplung II.....	54
Tafel 34.42 - Getriebegehäuse.....	55
Tafel 34.43 - Schaltgetriebe.....	56
Tafel 34.44 - Schaltgabel.....	57
Tafel 34.45 - Drehstromgenerator - Regler.....	58
Tafel 34.46 - Startermotor.....	59
Tafel 34.47 - Klappenkörper.....	60



Fertige Produkte

Code	Gültigkeit
GU9032114AUE00	
GU9032114AUE01	
GU9032114EUE00	
GU9032114EUE01	
GU9032114EUE02	
GU9032114EUE03	
GU9032114GBE00	
GU9032114GBE01	
GU9032114GBE02	
GU9032114GBE03	
GU9032114JPE00	
GU9032114JPE01	



Code	Nr. der Tafel	Pos.	Code	Nr. der Tafel	Pos.	Code	Nr. der Tafel	Pos.
	33.27	7	2B000975	33.01	1	2R000109	33.08	29
080341	33.30	6	2B000980	33.02	1	2R000110	33.08	4
1A000360	34.43	5	2B000988	33.02	2	2R000243	33.08	15
1A000361	34.43	11	2B000995	33.23	1	584211	33.31	10
1A000365	34.43	14	2B000996	33.23	2	638733	33.31	6
1A000366	34.43	16	2B001004	33.02	9	641040	33.30	8
1A000367	34.43	20	2B001008	33.02	8	641541	34.39	8
1A000368	34.43	21	2B001016	33.36	13	641725	33.30	7
1A000369	34.43	22	2B001031	34.47	14	641901	33.30	4
1A000370	34.43	18	2B001033	33.03	1	642034	33.30	3
1A000436	34.43	8	2B001035	33.01	10	658837	33.26	11
1A000566	34.43	2	2B001096	33.06	1	832029	33.30	14
1A002604	34.43	7	2B001101	33.17	8	834764	34.40	9
248419	33.26	19	2B001138	33.18	25	848650	34.40	3
254485	33.15	4	2B001197	33.19	13	849308	34.43	4
254485	33.22	14	2B001199	33.19	1	849309	34.43	17
254485	33.23	20	2B001202	33.18	3	849310	34.43	19
254485	33.28	20	2B001204	34.36	28	849396	34.43	12
254485	34.45	10	2B001230	33.02	10	849424	34.43	6
285536	34.40	14	2B001300	33.18	2	854973	33.36	8
2A000085	34.35	1	2B001342	33.21	2	857206	34.45	4
2A000097	34.42	4	2B001427	33.07	1	857250	34.42	10
2A0000995	34.37	1	2B001555	33.36	5	859792	33.24	20
2A000115	34.45	6	2B001556	33.36	4	859792	33.25	24
2A000129	34.45	7	2B001557	33.36	2	860651	34.09	19
2A000146	34.38	1	2B001558	33.36	3	862560	34.44	22
2A000147	34.38	2	2B001561	33.24	22	873905	34.40	8
2A000196	34.42	16	2B001564	33.36	14	873928	34.40	6
2A000199	34.43	23	2B001570	33.36	21	873928	34.42	8
2A000202	34.43	24	2B001591	33.08	10	874567	34.37	14
2A000203	34.43	15	2B001612	33.02	3	880260	34.47	4
2A000204	34.41	12	2B001614	33.36	15	883051	33.04	1
2A000210	34.42	1	2B001701	33.29	1	883052	33.04	2
2A000216	34.41	13	2B001708	33.24	21	883127	33.22	6
2A000219	34.44	5	2B001783	33.15	12	883161	33.31	11
2A000222	34.44	12	2B001926	33.19	9	883266	33.13	2
2A000224	34.44	16	2B001927	33.19	8	883293	33.23	15
2A000225	34.44	19	2B001928	33.19	6	883294	33.23	4
2A000226	34.44	17	2B001929	33.19	7	883295	33.14	5
2A000227	34.44	18	2B001941	33.06	8	883297	33.23	13
2A000230	34.43	1	2B001959	34.09	11	883298	33.23	14
2A0002355	34.34	1	2B001998	33.18	24	883349	33.25	8
2A000241	34.40	17	2D000005	33.30	11	883350	33.25	7
2A000241	34.42	6	2D000006	33.32	10	883417	33.28	18
2A000306	34.42	5	2D000021	33.17	10	883673	33.19	17
2A000375	34.42	11	2D000022	33.17	9	883688	33.24	10
2A000376	34.41	20	2D000024	34.45	1	883704	33.23	25
2A000378	34.41	24	2D000043	34.45	2	883802	33.18	10
2A0003794	34.40	1	2D000102	33.36	1	883826	34.34	18
2A000383	34.41	1	2D000108	33.30	1	884029	34.47	11
2A000384	34.41	5	2D000108	33.31	1	884035	33.11	1
2A000385	34.41	6	2H000019000XN2	33.12	1	884038	34.40	24
2A000416	34.44	20	2H000023	33.33	7	884039	34.39	7
2A000438	34.42	17	2H000024	33.33	13	884310	34.47	15
2B000176	33.23	11	2H000025	33.33	4	884311	34.47	13
2B000177	33.23	10	2H000026	33.33	12	886141	33.33	6
2B000225	33.25	22	2H000659	33.33	7	886340	33.33	1
2B000229	33.27	1	2H000660	33.33	13	886352000XN2	33.13	1
2B000276	33.36	22	2H000661	33.33	4	886365	34.34	10
2B000348	33.05	13	2H000662	33.33	12	886629	34.40	2
2B000349	33.05	12	2H000663000YA4	33.12	1	886670	34.37	11
2B000377	33.25	23	2H000663000YR6	33.12	1	887002	34.36	10
2B000508	33.26	14	2H000725	33.33	5	887003	34.35	2
2B000525	33.27	6	2H000728000XN2	33.14	10	887004	34.34	13
2B000840	33.14	16	2H000729000XN2	33.14	17	887093	34.39	9
2B000878	33.14	9	2L0002405	34.34	28	887194	33.17	1
2B000909	33.12	14	2Q000056	33.33	10	887207	33.12	1



Code	Nr. der Tafel	Pos.	Code	Nr. der Tafel	Pos.	Code	Nr. der Tafel	Pos.
8872690001	34.37	10	890979	33.28	16	AP8120615	33.22	10
8872690002	34.37	10	894505	33.25	13	AP8120772	33.22	20
8872690003	34.37	10	894704	33.31	26	AP8120870	33.23	24
8872724	34.36	1	895709	33.36	18	AP8120876	33.22	8
8872754	34.36	2	895839	33.33	8	AP8120912	33.06	2
887279	34.36	24	896110	33.23	21	AP8120912	33.26	2
887443	33.33	9	897478	34.45	3	AP8121014	33.03	3
887448	33.25	12	898164	33.11	3	AP8121032	33.15	10
887481	33.30	12	898283	33.06	4	AP8121032	33.15	13
887483	34.36	25	959559	33.36	16	AP8121032	33.17	7
887523	34.36	9	967356	33.03	6	AP8121072	33.23	22
887528	34.38	27	969973	34.36	26	AP8121133	33.05	6
887762	33.24	11	974162	34.43	10	AP8121307	33.07	4
887787	33.21	5	974165	34.43	13	AP8121375	33.03	2
887815	33.22	13	976604	34.34	12	AP8121420	33.14	7
887826	33.28	4	976608	34.10	1	AP8121420	33.32	8
887826	33.29	4	976685	34.34	16	AP8121673	33.12	12
887827	33.28	5	976898	34.36	20	AP8124936	33.30	2
887827	33.29	5	976941	34.09	1	AP8127856	33.03	8
8878421	33.22	1	977527	33.14	6	AP8134378	33.23	18
887843	33.22	2	977527	33.32	4	AP8134448	33.16	2
887844	33.22	11	978311	33.28	2	AP8134451	33.05	5
887845	33.22	12	978385	33.23	12	AP8144007	33.26	4
887852	33.18	4	978415	33.14	8	AP8144071	33.23	16
887853	33.18	5	978415	33.32	9	AP8144071	34.36	23
887873	33.32	1	978570	33.18	10	AP8144081	33.07	5
887874	33.32	3	978938	34.47	19	AP8144146	33.07	3
887875	33.24	19	978939	34.47	20	AP8144553	33.22	7
887878	33.08	1	978940	33.14	10	AP8144729	33.22	17
887879	33.08	2	978943	33.14	17	AP8145034	33.04	3
887880	33.08	3	978946	33.15	1	AP8145035	33.04	10
887882	33.08	5	978946	33.15	1	AP8150015	33.36	12
887883	33.08	6	978947	33.15	2	AP8150045	34.40	11
887884	33.08	7	978949	33.16	1	AP8150178	33.24	17
887885	33.08	8	978951	33.01	12	AP8150349	33.32	6
887886	33.08	9	978952	33.01	16	AP8150377	33.28	13
887888	33.08	11	978960	33.18	1	AP8150436	33.02	12
887889	33.08	12	978969	33.26	3	AP8150450	33.14	12
887890	33.08	13	978970	33.26	13	AP8150451	33.36	19
887891	33.08	14	981149	33.28	12	AP8150509	33.22	19
887893	33.08	16	AP8101594	33.26	20	AP8152043	33.19	4
887894	33.08	17	AP8101595	33.12	10	AP8152220	33.02	11
887895	33.08	18	AP8101861	33.05	7	AP8152220	34.39	18
887896	33.08	19	AP8102375	33.14	15	AP8152273	33.21	4
887898	33.08	21	AP8102375	33.31	14	AP8152277	33.04	7
887899	33.08	22	AP8102520	33.22	27	AP8152277	33.05	8
887900	33.08	23	AP8102524	33.03	4	AP8152278	33.11	2
887901	33.08	24	AP8102766	33.22	23	AP8152278	33.15	3
887902	33.08	25	AP8102913	33.14	3	AP8152279	33.15	9
887903	33.08	26	AP8104525	33.22	5	AP8152279	33.36	11
887904	33.08	27	AP8104924	33.22	4	AP8152281	34.45	9
887905	33.08	28	AP8113003	33.19	15	AP8152282	33.31	7
887908	33.26	26	AP8113003	33.36	7	AP8152288	33.27	4
887910	33.26	1	AP8113004	33.19	14	AP8152298	33.26	18
887911	33.26	24	AP8113004	33.36	6	AP8152298	34.47	6
887912	33.08	30	AP8113241	33.26	22	AP8152299	33.15	14
887913	33.08	31	AP8113288	33.26	16	AP8152299	33.30	5
887914	33.08	32	AP8113553	33.26	23	AP8152306	33.16	5
887915	33.08	33	AP8120030	33.36	10	AP8152329	33.15	11
887916	33.08	34	AP8120246	34.09	10	AP8152329	33.22	18
887917	33.08	36	AP8120311	33.01	13	AP8152329	33.22	24
887930	33.33	2	AP8120416	33.30	18	AP8152339	33.14	14
887931	33.33	3	AP8120416	33.31	19	AP8152385	33.19	16
88793900A1	33.14	1	AP8120455	33.22	9	AP8161054	33.22	15
887948	33.30	13	AP8120557	33.12	11	AP8181140	33.31	24
887952	33.26	27	AP8120573	33.04	9	AP8201358	33.22	3
890760	33.22	16	AP8120573	33.05	9	AP8201358	34.36	27



Code	Nr. der Tafel	Pos.	Code	Nr. der Tafel	Pos.	Code	Nr. der Tafel	Pos.
AP8213028	33.18	23	GU01528930	34.10	9	GU19017000	33.02	4
AP8213057	33.26	15	GU01528930	34.42	18	GU19018920	34.39	10
AP8213388	33.18	18	GU01609630	33.18	14	GU19021360	34.36	18
AP8220283	33.31	22	GU01659130	33.19	11	GU19021920	34.36	7
AP8220460	33.07	6	GU01659131	33.19	12	GU19025280	33.23	5
AP8221023	33.22	25	GU01665410	33.26	25	GU19025460	33.23	6
AP8221023	33.36	9	GU03013800	33.06	7	GU19027500	34.38	15
AP8221197	33.03	5	GU03013800	33.23	8	GU19030500	34.38	7
AP8221277	33.04	6	GU03013800	34.47	10	GU19032080	34.38	10
AP8224164	33.16	3	GU03067730	34.10	19	GU19032980	34.36	17
AP8224462	33.31	21	GU03101600	33.12	7	GU19032980	34.38	14
B013037	34.41	10	GU03101720	33.12	5	GU19034000	34.38	8
B013608	34.40	5	GU03101900	33.12	3	GU19037820	34.36	8
B013608	34.42	9	GU03102200	33.12	6	GU19045861	34.38	25
B015040	34.43	9	GU03102400	33.12	2	GU19055700	34.38	23
B015598	34.40	15	GU03103200	33.12	8	GU19058021	34.38	19
B016796	34.47	5	GU03103500	33.12	4	GU19058220	34.38	20
B017406	34.40	12	GU03163330	33.31	3	GU19062261	34.37	4
B017470	34.43	3	GU03609600	33.18	14	GU19065400	34.37	2
B018020	34.40	13	GU03612040	33.24	16	GU19067700	34.37	18
B018448	34.40	16	GU03631250	33.24	4	GU19083462	34.40	22
B043850	33.31	23	GU03631250	33.25	9	GU19146422	34.39	1
B063016	34.37	13	GU03658201	33.36	20	GU19152200	34.39	11
B063022	33.23	3	GU03658330	33.36	17	GU19206501	34.10	10
B063025	34.42	15	GU03740930	33.29	2	GU19213760	34.41	15
B063025	34.44	21	GU03749845	33.19	5	GU19327601	34.09	5
B063049	34.47	2	GU03922280	34.09	23	GU19328801	34.09	3
B063077	33.24	5	GU05107430	33.21	3	GU19350700	34.10	22
B063078	33.25	11	GU05217630	34.41	18	GU19351100	34.10	4
B063099	34.36	19	GU05234230	34.44	9	GU19351900	34.10	2
B063111	34.36	6	GU05234631	34.44	13	GU19352300	34.10	23
B063132	33.04	13	GU05235531	34.44	14	GU19353500	34.10	24
B063135	33.18	6	GU05238131	34.44	3	GU19355200	34.10	35
B063144	33.24	3	GU05238231	34.44	6	GU19355202	34.10	36
B063233	33.31	5	GU05238431	34.44	7	GU19355300	34.10	33
B063269	34.42	3	GU05239330	34.44	1	GU19355301	34.10	33
B063287	33.01	4	GU05659230	33.19	10	GU19355302	34.10	33
B063431	33.14	11	GU05730730	34.46	1	GU19355303	34.10	33
B063443	33.26	28	GU05900130	33.33	11	GU19355304	34.10	33
B063465	34.37	15	GU06740400	33.28	17	GU19355305	34.10	33
B063466	34.37	16	GU10528900	34.34	15	GU19355306	34.10	33
B063702	33.24	1	GU12003702	34.34	20	GU19355307	34.10	33
B063704	33.25	1	GU12022600	34.10	6	GU19355308	34.10	33
B063735	33.28	14	GU12022600	34.40	10	GU19355309	34.10	33
B063735	33.29	6	GU12154200	34.34	23	GU19355320	34.10	27
B063749	33.11	1	GU13021900	34.34	26	GU19355321	34.10	27
B063752	33.21	1	GU13021900	34.36	12	GU19355322	34.10	27
B063956	34.44	4	GU14085900	34.41	17	GU19355323	34.10	27
B063975	33.18	15	GU14086100	34.41	7	GU19355324	34.10	27
B064112	34.44	8	GU14090400	34.41	2	GU19355325	34.10	27
B064113	34.44	11	GU14217901	34.40	25	GU19355326	34.10	27
CM0074C9	33.30	10	GU14609650	33.30	20	GU19355327	34.10	27
CM0074D0	33.30	9	GU14609650	33.31	19	GU19355328	34.10	27
CM013202	33.31	25	GU14615901	33.05	15	GU19355329	34.10	27
CM225705	33.31	15	GU14615901	33.13	5	GU19355400	34.10	21
CM225710	33.31	16	GU14615901	34.09	20	GU19355402	34.10	21
CM225715	33.31	17	GU14615901	34.37	5	GU19355404	34.10	21
CM225720	33.31	20	GU14616150	33.24	15	GU19355406	34.10	21
CM225730	33.31	18	GU14616150	33.25	10	GU19355408	34.10	21
CM228306	34.47	1	GU18144350	34.39	16	GU19355410	34.10	21
CM228401	33.04	8	GU18161150	34.39	21	GU19355411	34.10	21
CM228401	33.05	4	GU18257551	33.26	8	GU19355412	34.10	21
CM258303	33.22	22	GU19002020	34.35	5	GU19355413	34.10	21
GU00823923140	33.03	7	GU19002020	34.42	2	GU19356700	34.10	30
GU00823931055	33.28	19	GU19003800	34.34	8	GU19356760	34.41	16
GU00823944050	33.12	13	GU19007700	34.45	8	GU19356801	34.10	28
GU00823950050	33.26	21	GU19015020	34.34	5	GU19357660	34.10	25



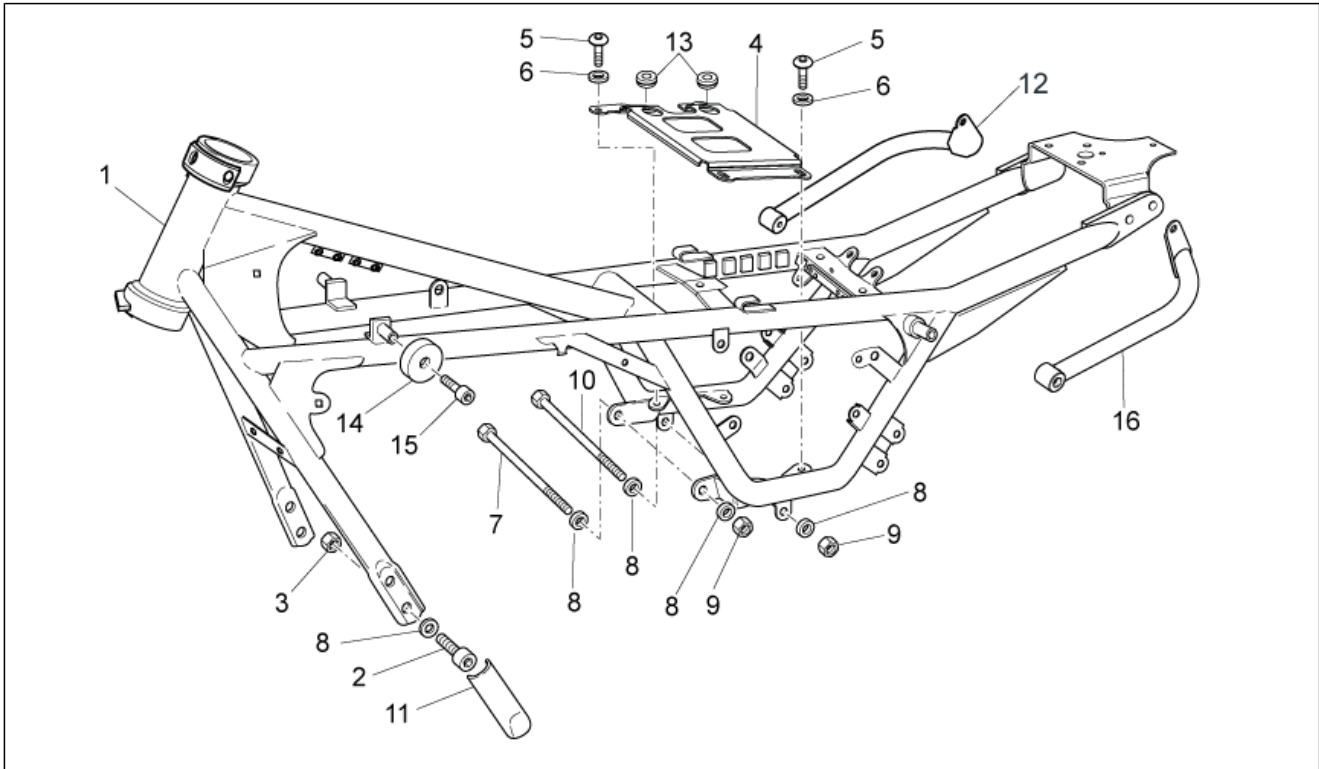
Code	Nr. der Tafel	Pos.	Code	Nr. der Tafel	Pos.	Code	Nr. der Tafel	Pos.
GU19547000	34.09	12	GU32434460	33.13	1	GU90706235	34.41	14
GU20147710	34.39	17	GU32441210	33.04	5	GU90706281	34.34	19
GU20147810	34.39	3	GU32441210	33.05	3	GU90706444	34.34	17
GU20148410	34.39	4	GU32442310	33.05	1	GU90706584	34.10	37
GU20148610	34.39	5	GU32442710	33.05	10	GU91113826	33.23	23
GU20258221	33.06	9	GU32443210	33.04	4	GU91120806	33.15	6
GU20352421	34.10	31	GU32443210	33.05	2	GU91181003	33.18	11
GU20355121	34.10	34	GU32443211	33.04	11	GU91181003	33.19	3
GU23217800	34.38	3	GU32443211	33.05	11	GU91551010	33.22	21
GU23328081	34.09	7	GU32457810	33.01	11	GU91551086	33.14	13
GU23548080	34.09	8	GU32461610	33.14	2	GU92201070	34.10	14
GU23548180	34.09	9	GU32506360	33.28	1	GU92201226	34.40	4
GU23943410	33.08	35	GU32517710	33.31	8	GU92201226	34.42	7
GU27037521	34.38	4	GU32555210	33.11	4	GU92201822	34.40	7
GU27061585	34.37	3	GU32555211	33.11	5	GU92201822	34.42	12
GU27061885	34.37	17	GU32602860	33.18	9	GU92204217	33.25	5
GU27062060	34.37	6	GU32603010	33.18	16	GU92204218	33.25	3
GU27065660	34.37	7	GU32603310	33.18	7	GU92204221	33.24	7
GU27066460	34.37	9	GU32613160	33.24	2	GU92249220	34.10	32
GU27066560	34.37	8	GU32615660	33.24	14	GU92249225	33.07	2
GU27152885	34.34	22	GU32632510	33.25	17	GU92249227	34.10	20
GU27153085	34.39	14	GU32633360	33.25	14	GU92252210	34.39	2
GU27633910	33.25	4	GU32633560	34.10	11	GU92252235	34.10	5
GU28612033	33.25	18	GU32634160	33.27	5	GU92296723	34.39	6
GU29729461	33.31	2	GU32636160	33.25	21	GU92602406	34.38	9
GU29759150	33.18	17	GU32692260	33.25	2	GU92602510	34.39	19
GU30577800	33.29	13	GU32735510	33.32	5	GU92603010	34.36	11
GU30577800	34.47	17	GU32747910	33.31	9	GU92606206	33.17	6
GU30601060	33.18	13	GU32753410	33.28	3	GU92606208	34.34	7
GU30602500	33.18	22	GU32753410	33.29	8	GU92606210	33.01	9
GU31003766	34.10	8	GU32782510	33.32	2	GU92606210	33.02	5
GU31003766	34.34	14	GU32999010	34.34	25	GU92606210	33.11	7
GU31016050	34.39	20	GU32999510	34.34	24	GU92606210	34.09	18
GU31037015	34.38	13	GU35214300	34.09	13	GU92606316	33.25	16
GU31038015	34.38	5	GU49609601	33.30	19	GU92606508	34.41	21
GU31045015	34.38	26	GU49609601	33.31	19	GU92609007	33.26	12
GU31112965	33.22	26	GU61027200	34.37	12	GU92630108	33.15	8
GU31121880	33.23	9	GU61036801	34.36	3	GU92630206	33.26	6
GU31150950	34.39	26	GU61038100	34.38	6	GU92630207	33.24	18
GU31159050	34.39	15	GU61054900	34.38	18	GU92630510	33.01	3
GU31327783	34.09	2	GU61270300	34.10	26	GU92630707	33.06	5
GU31439565	33.13	4	GU61270300	34.34	6	GU92640508	33.23	19
GU31513480	33.08	20	GU61270300	34.36	21	GU92660021	33.26	7
GU31544181	33.27	3	GU66103415	33.01	14	GU92787006	33.28	6
GU31544181	34.09	15	GU90271014	34.44	2	GU92787006	33.29	11
GU31547882	34.09	14	GU90271018	34.38	12	GU93180105	34.09	21
GU31614183	33.24	9	GU90271022	34.44	15	GU93180111	33.24	13
GU31615283	33.24	6	GU90272023	34.09	4	GU93180245	34.36	22
GU31616384	33.24	12	GU90272075	34.40	21	GU93222023	33.17	4
GU31634281	33.27	2	GU90353009	34.36	4	GU93231605	33.29	14
GU31634481	33.25	15	GU90353014	34.44	10	GU93231605	34.47	16
GU31659181	33.27	9	GU90353029	34.38	24	GU93301175	33.23	26
GU31659281	33.27	8	GU90353030	34.10	17	GU93450105	33.28	9
GU31740383	33.28	11	GU90401424	34.42	14	GU93450126	33.28	15
GU32032310	34.38	11	GU90402538	33.25	6	GU93450126	33.29	7
GU32053410	34.38	16	GU90402642	33.24	8	GU93450224	33.29	3
GU32054510	34.38	17	GU90403251	34.10	38	GU93450232	33.28	10
GU32067910	34.40	19	GU90403549	34.10	3	GU94321079	34.39	24
GU32080310	34.40	23	GU90407591	34.10	15	GU94321099	34.09	6
GU32084410	34.40	20	GU90412541	34.42	13	GU94321105	34.41	23
GU32115010	34.47	3	GU90706076	34.34	9	GU95005306	33.17	3
GU32115011	34.47	8	GU90706111	34.39	22	GU95005308	33.26	9
GU32115510	34.47	7	GU90706141	33.30	17	GU95005308	33.28	23
GU32121010	33.23	7	GU90706170	34.41	19	GU95005308	34.09	22
GU32350410	34.10	13	GU90706188	34.10	29	GU95005310	33.15	7
GU32351410	34.10	16	GU90706203	34.10	7	GU95005310	33.26	5
GU32354610	34.10	18	GU90706203	34.40	26	GU95008205	33.30	16



Code	Nr. der Tafel	Pos.
GU95008206	34.39	23
GU95008208	33.01	6
GU95008208	34.46	3
GU95008210	33.01	8
GU95008210	33.02	6
GU95008210	33.31	4
GU95008210	34.09	17
GU95008305	33.18	20
GU95008306	34.40	18
GU95020105	33.03	10
GU95021104	33.19	2
GU95021105	33.18	21
GU95021206	33.17	5
GU95021206	33.28	8
GU95021206	33.29	10
GU95100059	33.31	13
GU95100116	34.47	12
GU95100125	34.45	11
GU95100244	34.38	29
GU95100309	34.39	27
GU95100602	34.39	25
GU95100709	34.34	21
GU95129115	34.38	22
GU95129180	34.34	27
GU95129180	34.36	13
GU95129181	33.11	6
GU95129260	33.06	3
GU95187006	34.39	13
GU95500221	33.26	10
GU95500222	34.41	22
GU96451430	34.34	3
GU96451560	34.34	2
GU96506042	34.36	5
GU96508055	34.10	12
GU96508055	34.34	4
GU96510181	34.36	15
GU96510214	34.36	14
GU97202325	33.18	12
GU98054422	34.38	28
GU98082565	33.02	7
GU98084314	34.39	12
GU98110199	33.01	7
GU98210612	33.23	27
GU98230510	33.16	4
GU98230510	33.18	19
GU98350215	33.29	12
GU98350416	33.01	5
GU98370515	34.47	18
GU98370609	33.17	2
GU98370625	33.14	4
GU98370625	33.26	17
GU98370655	33.28	7
GU98370655	33.29	9
GU98370845	33.13	3
GU98612216	33.03	9
GU98612216	33.25	19
GU98622322	34.47	9
GU98632322	33.06	6
GU98680545	34.09	16
GU98682212	33.30	15
GU98682212	33.31	12
GU98682212	34.45	5
GU98682312	33.25	20
GU98682325	34.34	11
GU98682325	34.35	3
GU98682330	34.35	4
GU98682414	33.01	15

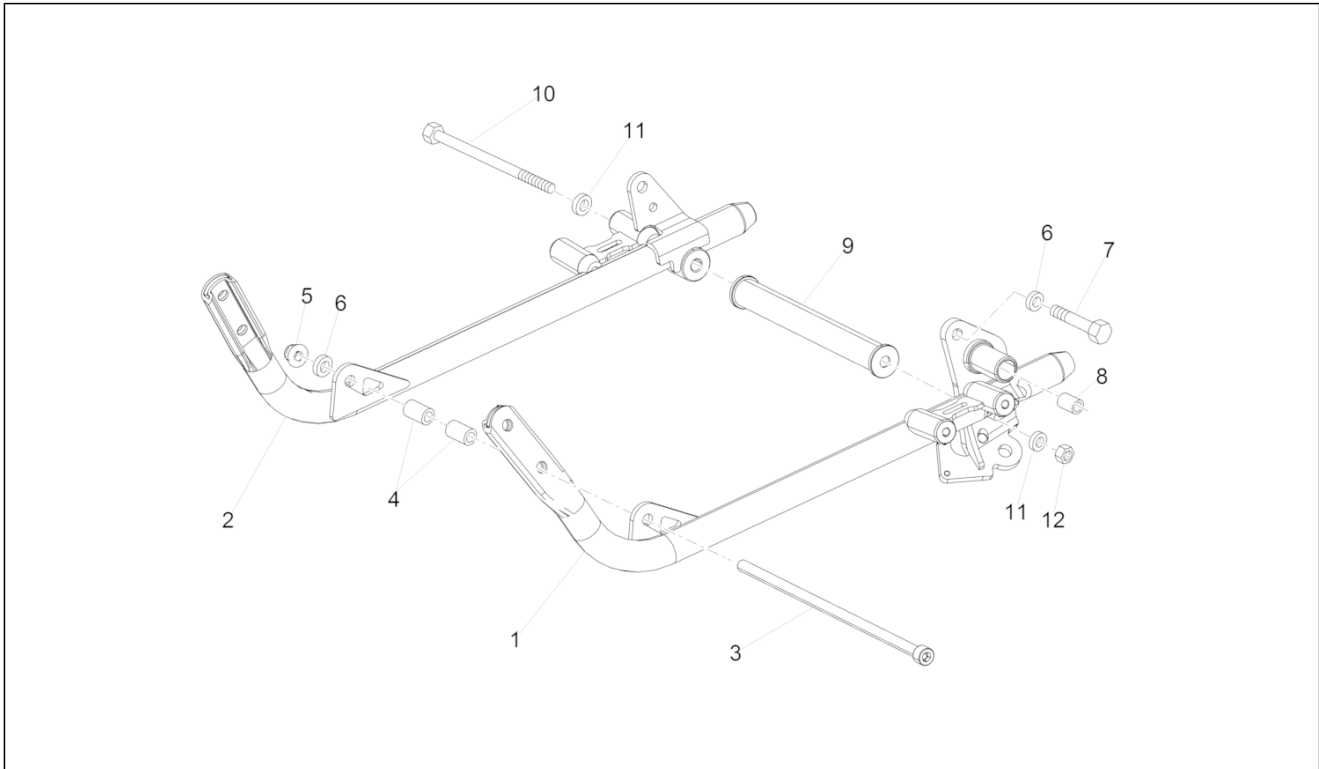
Code	Nr. der Tafel	Pos.
GU98682416	33.04	12
GU98682416	33.05	14
GU98682416	33.32	7
GU98682430	33.12	9
GU98682435	34.46	2
GU98682530	33.01	2
GU98690335	33.11	8
GU98690335	33.18	8
GU98690435	33.15	5
GU98690440	33.23	17
GU98692325	34.36	16
GU98692414	33.17	11
GU98692420	33.28	22
GU98880540	33.28	21
GU98882316	34.38	21

Einheit	RAHMEN
Code	33.01
Beschreibung	Rahmen I
Inspektion	1



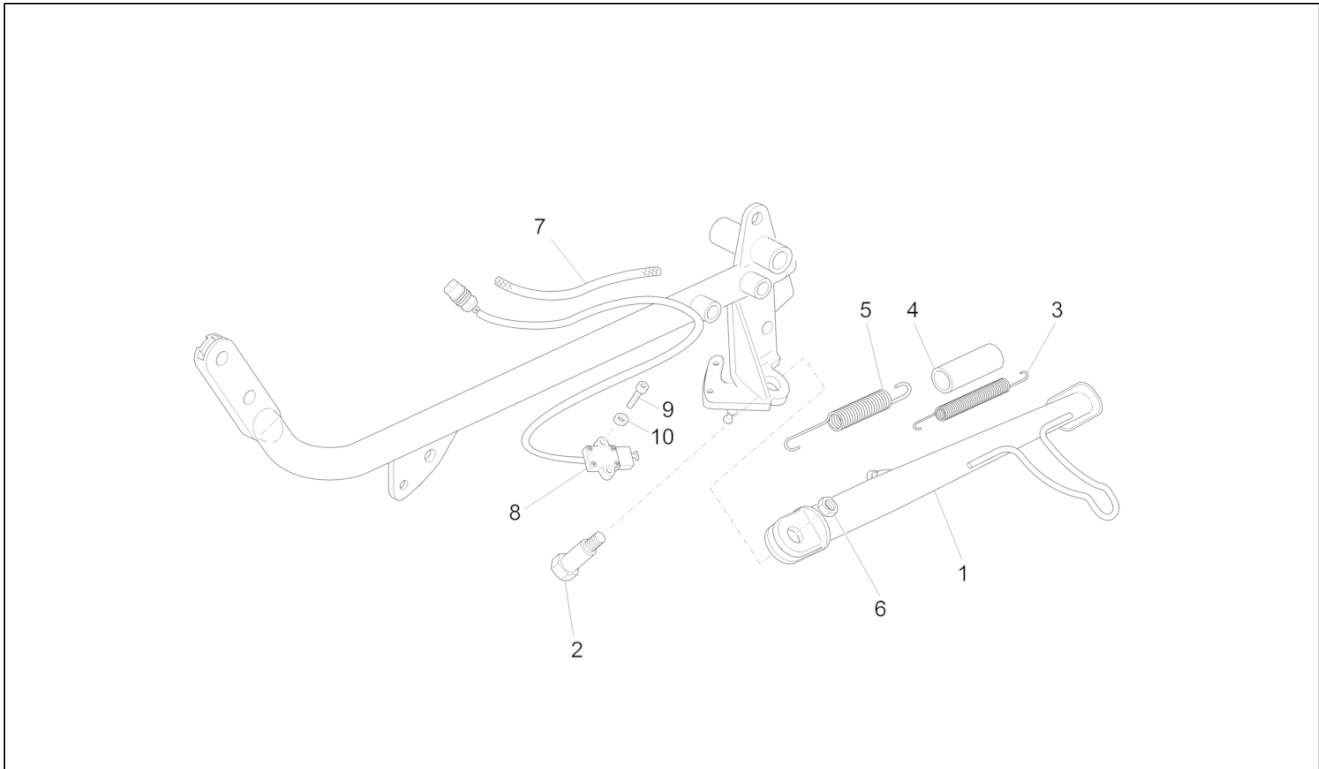
Pos.	Code	Beschreibung	Menge	Varianten
1	2B000975	Rahmen, schwarz	1	
2	GU98682530	TCEI Schraube M10x30	4	
3	GU92630510	Mutter M10x1,5	4	
4	B063287	Verbindungsplatte Rahmen	1	
5	GU98350416	TBEI Schraube M8x16	4	
6	GU95008208	Ausgleichscheibe 8,4X15X1,5	4	
7	GU98110199	Bolzen M10x205	1	
8	GU95008210	Ausgleichscheibe 10,2X18X2	11	
9	GU92606210	Mutter M10x1,5	3	
10	2B001035	Bolzen 234X10	2	
11	GU32457810	Schutzabdeckung	2	
12	978951	Griff re.	1	
13	AP8120311	Gummi *	2	
14	GU66103415	Gummi	2	
15	GU98682414	TCEI Schraube	2	
16	978952	L. Griff	1	

Einheit	RAHMEN
Code	33.02
Beschreibung	Rahmen II
Inspektion	1



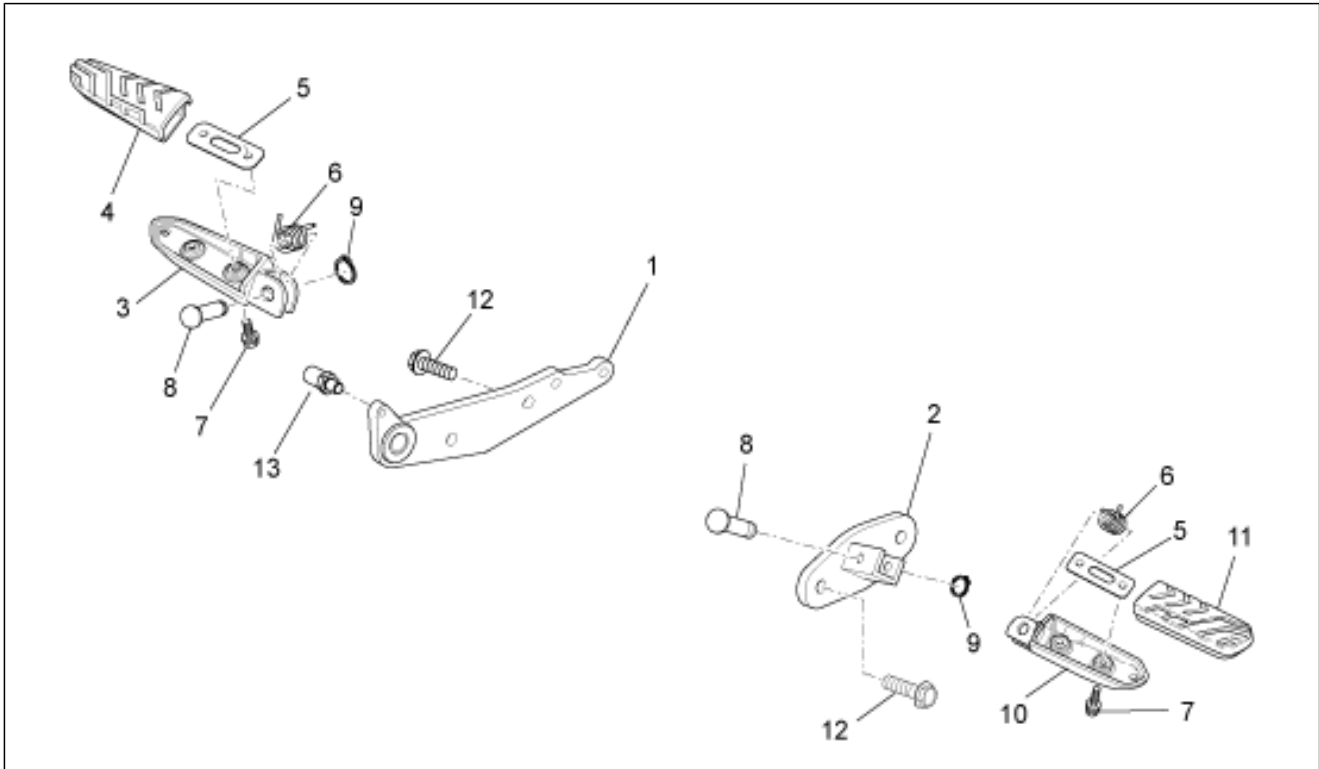
Pos.	Code	Beschreibung	Menge	Varianten
1	2B000980	Braccio culla SX	1	
2	2B000988	Braccio culla DX	1	
3	2B001612	Bolzen M10X199	1	
4	GU19017000	Buchse	2	
5	GU92606210	Mutter M10x1,5	3	
6	GU95008210	Ausgleichscheibe 10,2X18X2	3	
7	GU98082565	Schraube M10x65	2	
8	2B001008	Buchse	1	
9	2B001004	Quertrager	1	
10	2B001230	Bolzen 278X10	1	
11	AP8152220	Scheibe	2	
12	AP8150436	Selbstsperr.mut Unt.	1	

Einheit	RAHMEN
Code	33.03
Beschreibung	Seitenständer
Inspektion	1



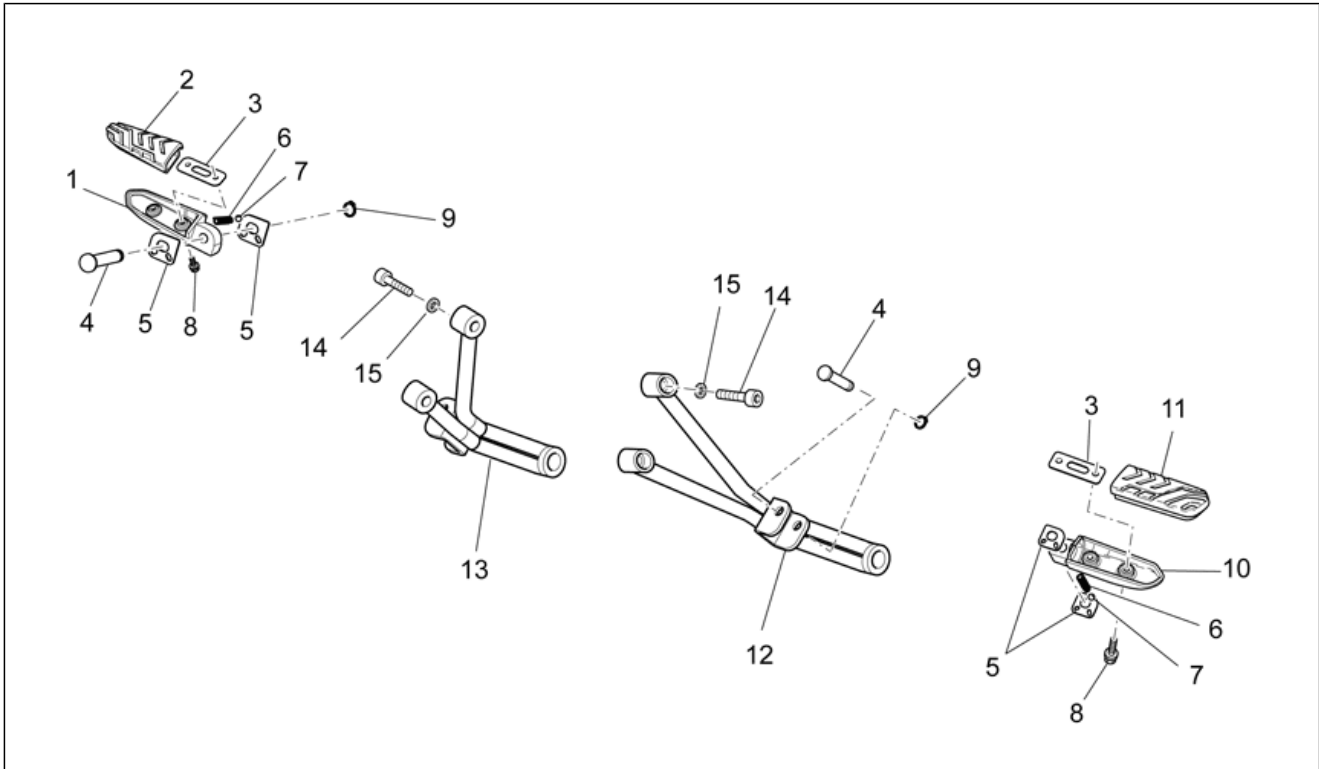
Pos.	Code	Beschreibung	Menge	Varianten
1	2B001033	Seitenständer	1	
2	AP8121375	Ständerschraube	1	
3	AP8121014	Schraubenfeder *	1	
4	AP8102524	Schutz f. Ständerfeder	1	
5	AP8221197	Hauptständer Schraubenfeder	1	
6	967356	Geflanschte Mutter M10x1,25	1	
7	GU00823923140	Thermische Hülle	1	
8	AP8127856	Ständer lichtschalter	1	
9	GU98612216	TCEI Schraube	2	
10	GU95020105	Ausgleichscheibe 5,3x8,9x2,4	2	

Einheit	RAHMEN
Code	33.04
Beschreibung	Fußrasten Fahrer
Inspektion	1



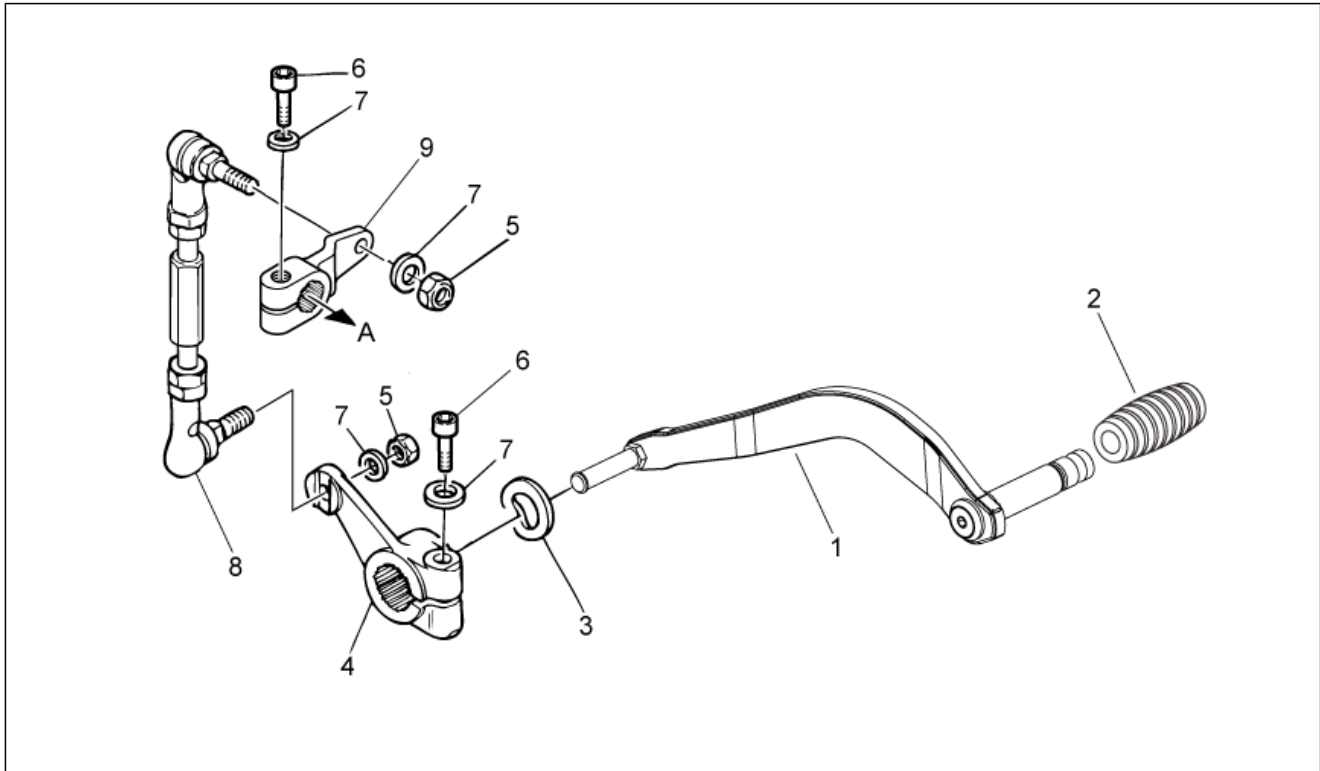
Pos.	Code	Beschreibung	Menge	Varianten
1	883051	Halter rechte Fußraste	1	
2	883052	Halter linke Soziusfußr.	1	
3	AP8145034	Fussrasten r.	1	
4	GU32443210	Gummi für Haterung	1	
5	GU32441210	Platte	2	
6	AP8221277	Rückholfeder	2	
7	AP8152277	TE Schr. m. Flansch M6x12	4	
8	CM228401	Rastenbolzen	2	
9	AP8120573	Sperring	2	
10	AP8145035	Fussrasten l.	1	
11	GU32443211	Gummi für Haterung	1	
12	GU98682416	TCEI Schraube M8x16	4	
13	B063132	Laufende	1	

Einheit	RAHMEN
Code	33.05
Beschreibung	Soziusrasten
Inspektion	1



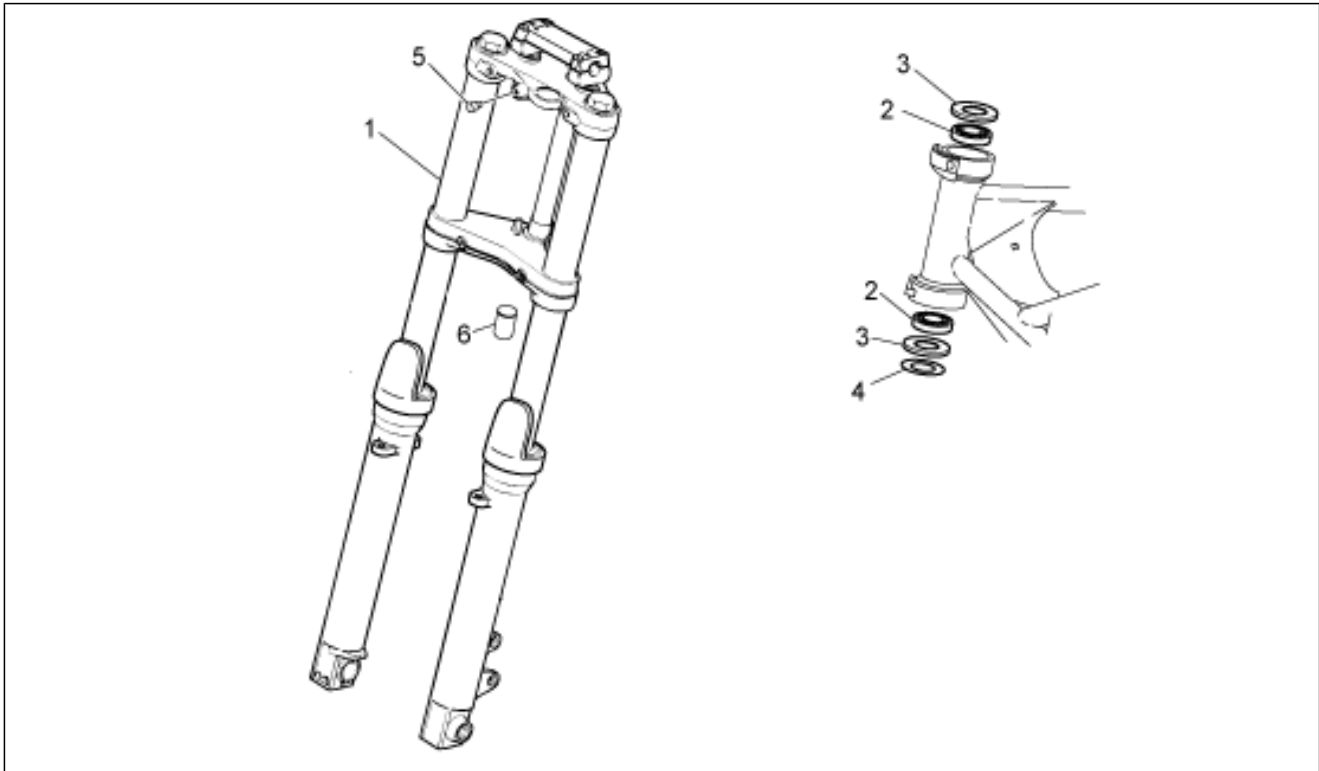
Pos.	Code	Beschreibung	Menge	Varianten
1	GU32442310	Soziusraste rechts	1	
2	GU32443210	Gummi für Haterung	1	
3	GU32441210	Platte	2	
4	CM228401	Rastenbolzen	2	
5	AP8134451	Fixierplatte	4	
6	AP8121133	Schraubenfederkompr.	2	
7	AP8101861	Kugel D6,35	2	
8	AP8152277	TE Schr. m. Flansch M6x12	4	
9	AP8120573	Sperring	2	
10	GU32442710	Soziusraste links	1	
11	GU32443211	Gummi für Haterung	1	
12	2B000349	Supporto pedane passeggero sx con Pi	1	
13	2B000348	Supporto pedane passeggero dx con Pi	1	
14	GU98682416	TCEI Schraube M8x16	4	
15	GU14615901	Ausgleichscheibe 8,4X13X0,8	4	

Einheit	RAHMEN
Code	33.06
Beschreibung	Schalthebel
Inspektion	1



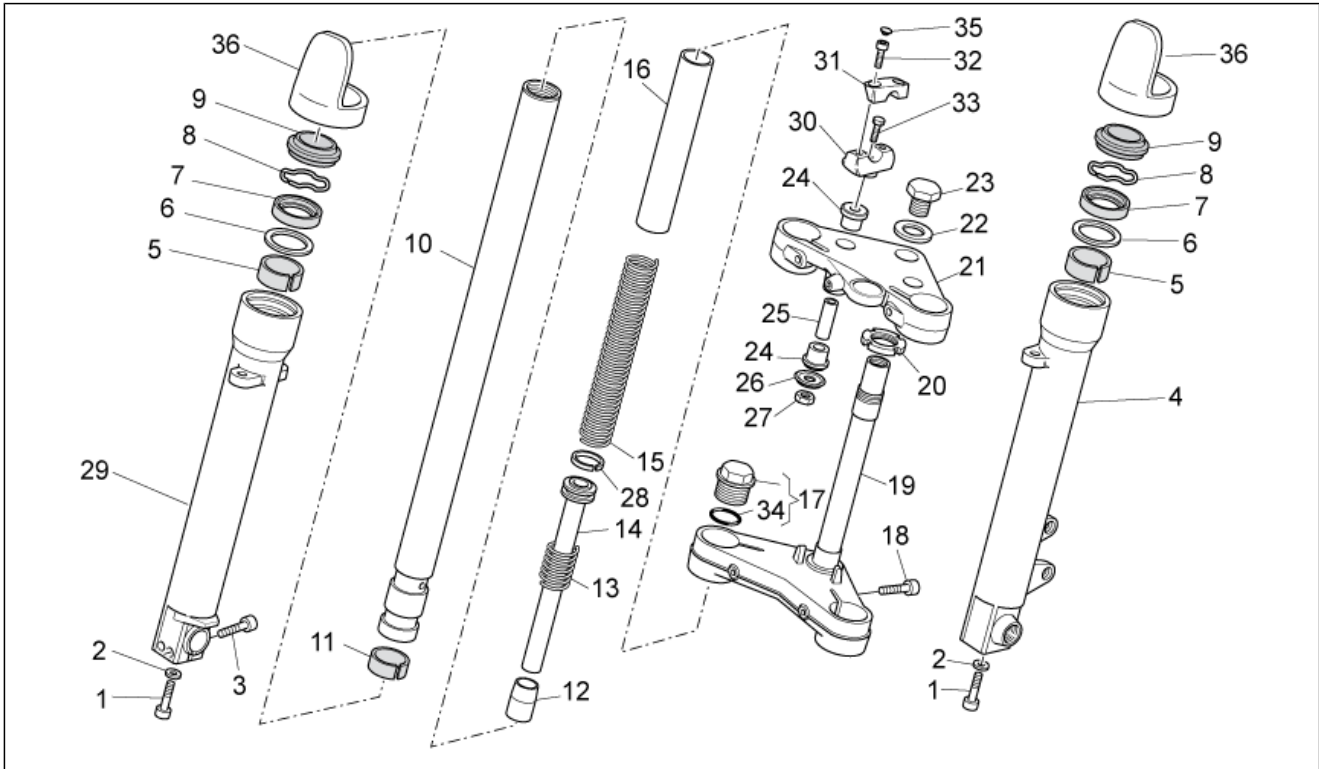
Pos.	Code	Beschreibung	Menge	Varianten
1	2B001096	Schalthebel	1	
2	AP8120912	Gummi für Hebel	1	
3	GU95129260	Sprengscheibe	2	
4	898283	Schalthebel	1	
5	GU92630707	Mutter	2	
6	GU98632322	Schraube	2	
7	GU03013800	Ausgleichscheibe 6,4x12	3	
8	2B001941	Zugstange Schaltzug	1	
9	GU20258221	Schalthebel	1	

Einheit	RAHMEN
Code	33.07
Beschreibung	Vorderradgabel I
Inspektion	1



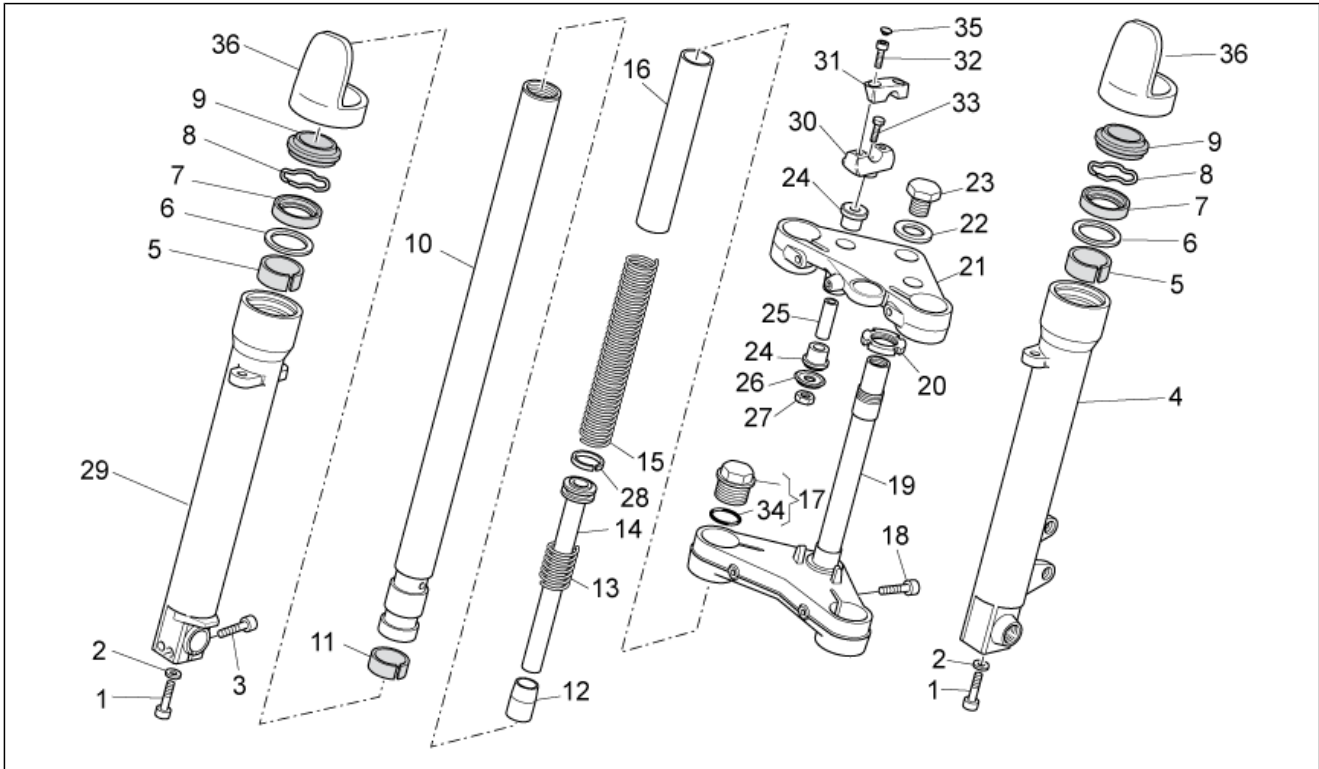
Pos.	Code	Beschreibung	Menge	Varianten
1	2B001427	Baugruppe vordere Gabel	1	
2	GU92249225	Rollenlager	2	
3	AP8144146	Gasket ring	1	
4	AP8121307	Ausgleichscheibe	1	
5	AP8144081	Gummi	1	
6	AP8220460	Gummibecher	1	

Einheit	RAHMEN
Code	33.08
Beschreibung	Vorderradgabel II
Inspektion	1



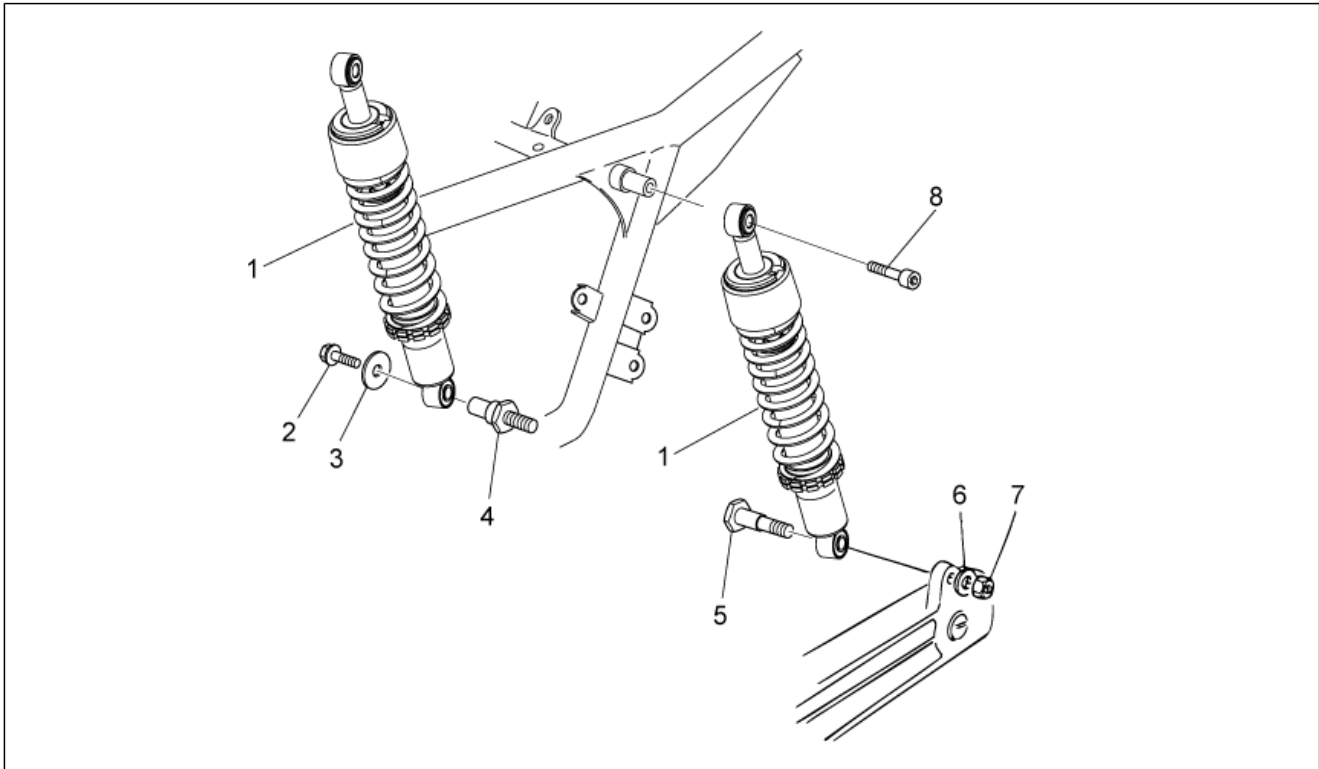
Pos.	Code	Beschreibung	Menge	Varianten
1	887878	Schraube M10x30	2	
2	887879	Ausgleichscheibe	2	
3	887880	Schraube	2	
4	2R000110	Linke Hülse	1	
5	887882	Obere Buchse	2	
6	887883	Ausgleichscheibe	2	
7	887884	Gasket ring	2	
8	887885	Sperring	2	
9	887886	Staubschutz	2	
10	2B001591	Schaft	2	
11	887888	Buchse	2	
12	887889	Puffer	2	
13	887890	Gegenfeder	2	
14	887891	Pumpenrad kplt.	2	
15	2R000243	Feder	2	
16	887893	Leitung	2	
17	887894	Verschlussschraube kplt.	2	
18	887895	Schraube	2	
19	887896	Fuß mit Rohr	1	
20	GU31513480	Nutmutter M25X1	1	
21	887898	Plättchen oben	1	
22	887899	Ausgleichscheibe	1	
23	887900	Mutter	1	
24	887901	Gummi	4	
25	887902	Distanzscheibe	2	
26	887903	Becher	2	
27	887904	Mutter	2	
28	887905	Kolbenring	2	

Einheit	RAHMEN
Code	33.08
Beschreibung	Vorderradgabel II
Inspektion	1



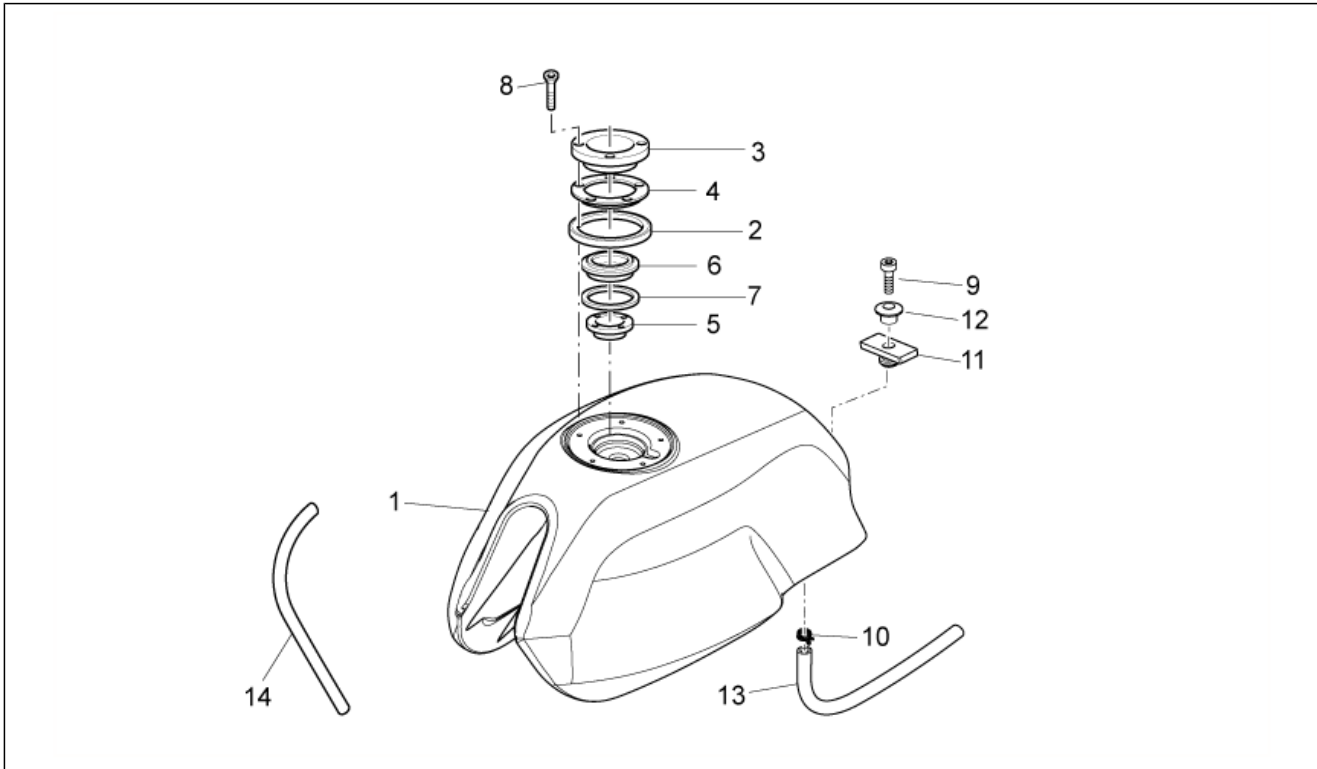
Pos.	Code	Beschreibung	Menge	Varianten
29	2R000109	Rechte Hülse	1	
30	887912	Unter.Bügelbolzen	2	
31	887913	Bügelbolzen oben	2	
32	887914	Schraube M8x30	4	
33	887915	Schraube M10x60	2	
34	887916	O-Ring 4118	2	
35	GU23943410	Stopfen	4	
36	887917	Stangenschutz	2	

Einheit	RAHMEN
Code	33.11
Beschreibung	Hinten Stoßdämpfer
Inspektion	1



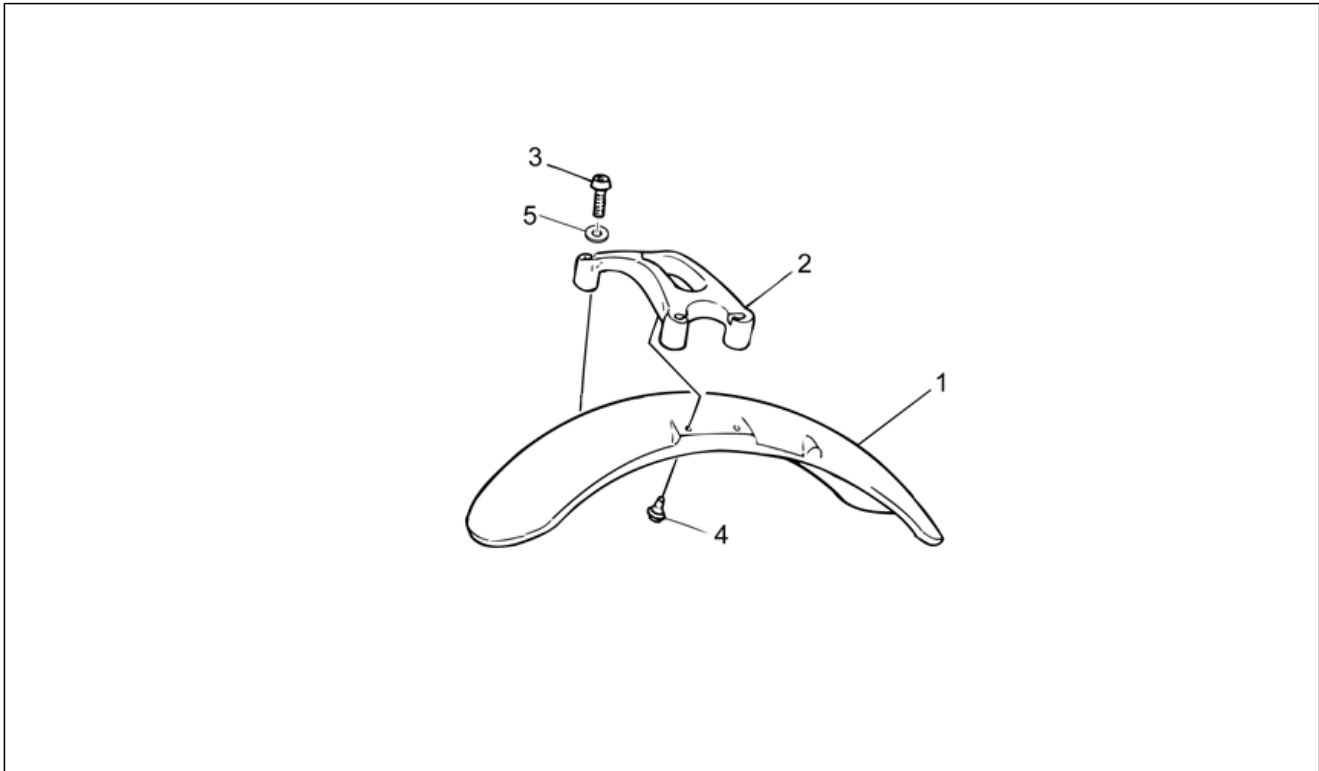
Pos.	Code	Beschreibung	Menge	Varianten
1	884035	Hinterer Stoßdämpfer	2	
1	B063749	Hinterer Stoßdämpfer	2	Technische Daten: Olle Amortidors SL[O]
2	AP8152278	TE Schr. m. Flansch M6x16	1	
3	898164	Dämpfer Distanzscheibe	1	
4	GU32555210	Bolzen	1	
5	GU32555211	Bolzen	1	
6	GU95129181	Scheibe	1	
7	GU92606210	Mutter M10x1,5	1	
8	GU98690335	TCEI Schraube	2	

Einheit	RAHMEN
Code	33.12
Beschreibung	Kraftstofftank
Inspektion	1



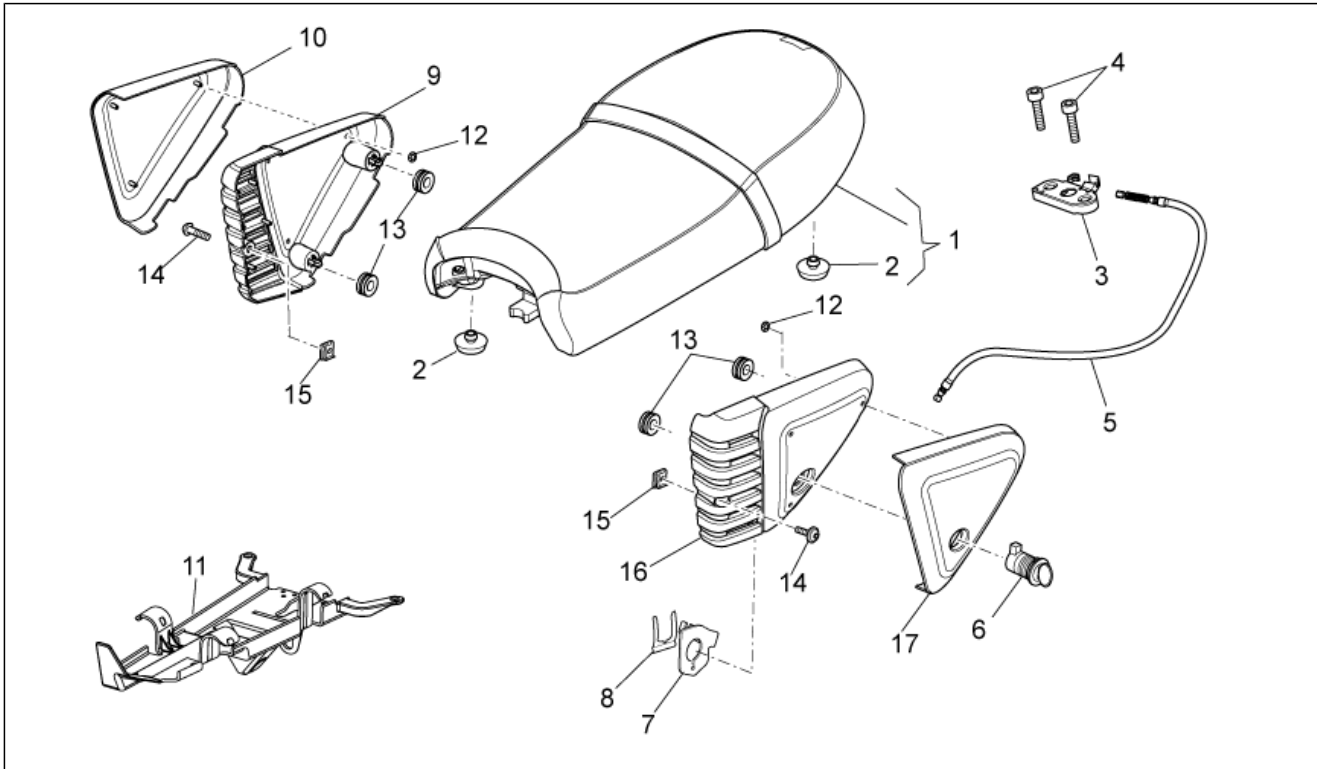
Pos.	Code	Beschreibung	Menge	Varianten
1	2H000019000XN2	Kraftstofftank, schwarz	1	Fahrzeugfarbe: Schwarz Competition[nc] Technische Daten: Mit Aufkleber[D]
1	2H000663000YA4	Kraftstofftank, h.blau	1	Fahrzeugfarbe: Azzurro Vieste[az] Technische Daten: Mit Aufkleber[D]
1	2H000663000YR6	Kraftstofftank, rot	1	Fahrzeugfarbe: Rosso Daytona[rd] Technische Daten: Mit Aufkleber[D]
1	887207	Benzintank roh	1	Fahrzeugfarbe: Unlackiert[gr]
2	GU03102400	Dichtung	1	
3	GU03101900	Flansch	1	
4	GU03103500	Ring	1	
5	GU03101720	Übersetzung 38 mm	1	
6	GU03102200	Nutmutter für Verschluss	1	
7	GU03101600	Dichtung	2	
8	GU03103200	Schraube	5	
9	GU98682430	TCEI Schraube M8x30	1	
10	AP8101595	Schelle D10,1	1	
11	AP8120557	Gummi Tankanschluß	1	
12	AP8121673	T-Buchse *	1	
13	GU00823944050	Leitung 5X9	1	
14	2B000909	Dichtung	1	

Einheit	RAHMEN
Code	33.13
Beschreibung	Frontaufbau - Vrd. Schutzblech
Inspektion	1



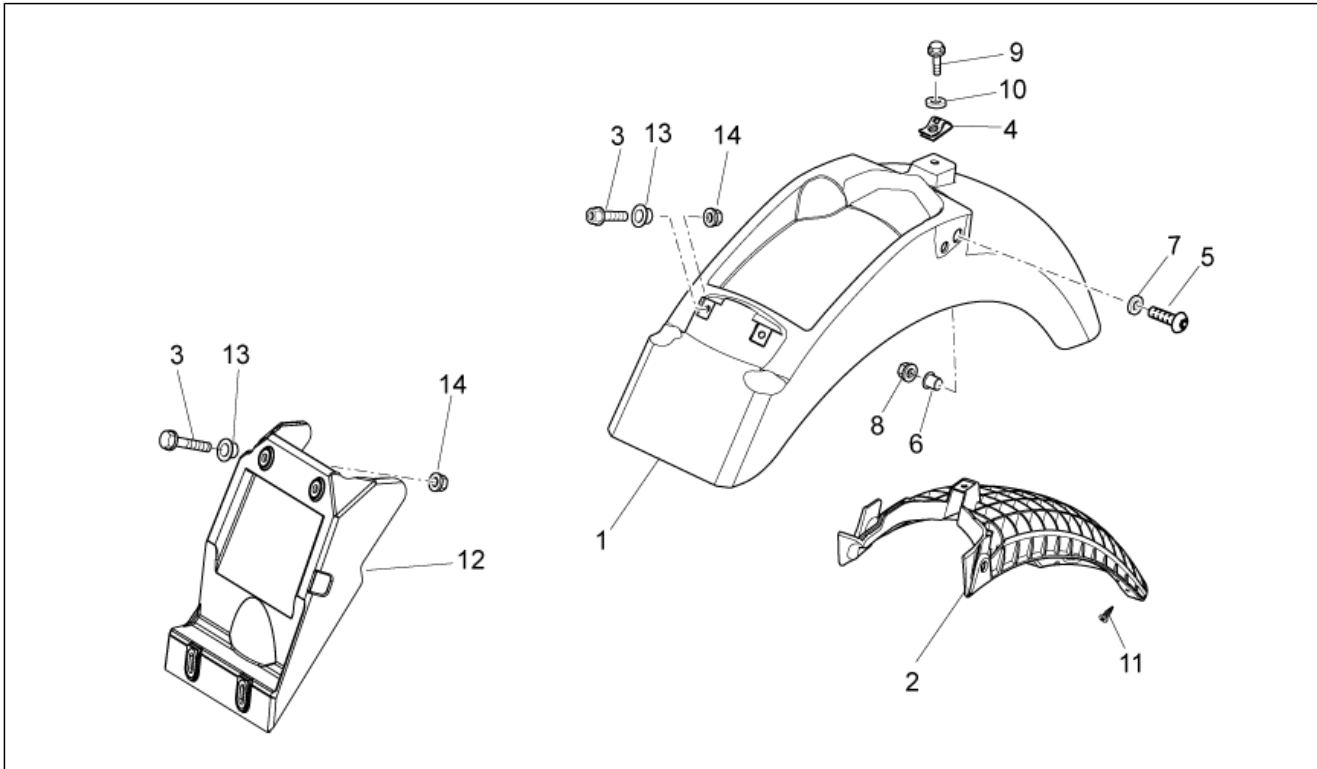
Pos.	Code	Beschreibung	Menge	Varianten
1	88635200XN2	V. Schutzblech, schwarz	1	Fahrzeugfarbe: Azzurro Vieste[az], Schwarz Competition[nc], Rosso Daytona[rd] Technische Daten: Mit Aufkleber[D]
1	GU32434460	Vorder Schutzblech ohne farbe	1	Fahrzeugfarbe: Unlackiert[gr]
2	883266	Stabilisationsplatte	1	
3	GU98370845	TBEI Schraube	4	
4	GU31439565	Spezialschraube	4	
5	GU14615901	Ausgleichscheibe 8,4X13X0,8	4	

Einheit	RAHMEN
Code	33.14
Beschreibung	Sitz-Mittlerer aufbau
Inspektion	1



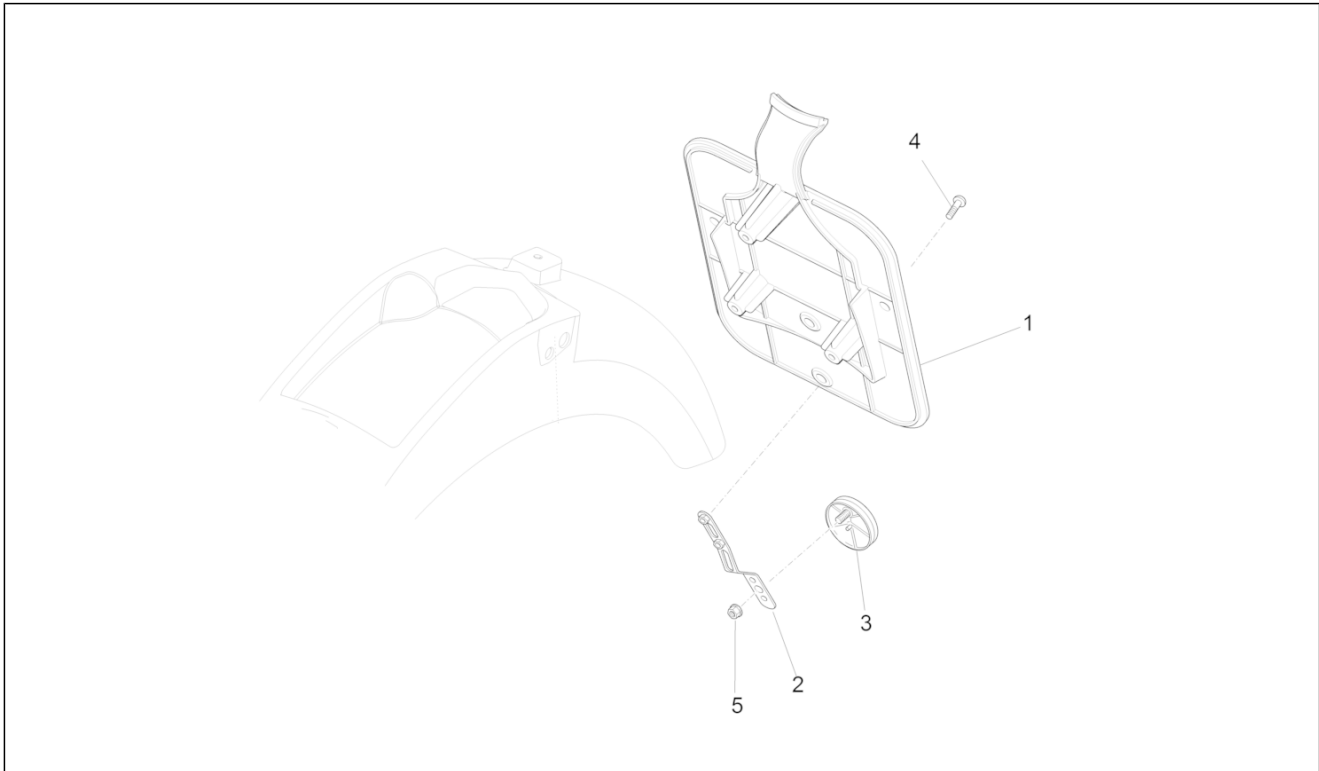
Pos.	Code	Beschreibung	Menge	Varianten
1	88793900A1	Zweisitziger Sattel	1	
2	GU32461610	Gummi	8	
3	AP8102913	Fixierplatte Soziussitz	1	
4	GU98370625	TBEI Schraube	2	
5	883295	Sitz-Einkupplungsvorrichtung	1	
6	977527	Schloss komplett mit Schlüsseln	1	
7	AP8121420	Gabelfeder	1	
8	978415	Kabelplatte	1	
9	2B000878	R. kl. Seitenteil	1	
10	2H000728000XN2	R. kl. Seitenteil, schw.	1	Fahrzeugfarbe: Azzurro Vieste[az], Schwarz Competition[nc], Rosso Daytona[rd] Technische Daten: Mit Aufkleber[D]
10	978940	R. kl. Seitenteil, roh	1	Fahrzeugfarbe: Unlackiert[gr]
11	B063431	Protection	1	
12	AP8150450	Wellenscheibe D5	1	
13	GU91551086	Gummi	4	
14	AP8152339	TBEI Schraube m.Flansch M5x9	2	
15	AP8102375	Klammer m5	2	
16	2B000840	L. kl. Seitenteil	1	
17	2H000729000XN2	L. kl. Seitenteil, schw.	1	Fahrzeugfarbe: Azzurro Vieste[az], Schwarz Competition[nc], Rosso Daytona[rd] Technische Daten: Mit Aufkleber[D]
17	978943	L. kl. Seitenteil, roh	1	Fahrzeugfarbe: Unlackiert[gr]

Einheit	RAHMEN
Code	33.15
Beschreibung	R.Kar. I- Sch.bl
Inspektion	1



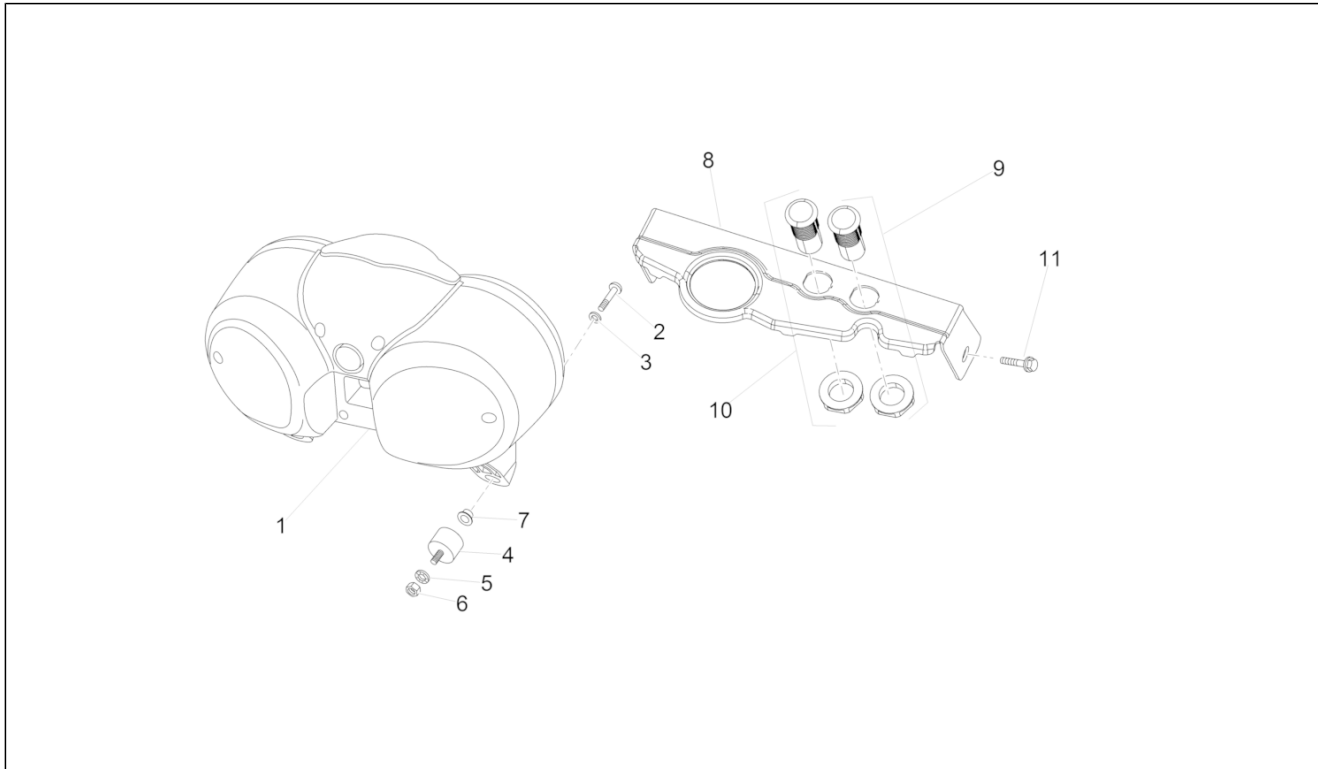
Pos.	Code	Beschreibung	Menge	Varianten
1	978946	Hint.Schutzblech hne farbe	1	Fahrzeugfarbe: Unlackiert[gr]
1	97894600XN2	H. Schutzblech, schwarz	1	Fahrzeugfarbe: Schwarz Competition[nc]
2	978947	Stütze	1	
3	AP8152278	TE Schr. m. Flansch M6x16	4	
4	254485	Plattchen M6	1	
5	GU98690435	TCEI Schraube M8x35	2	
6	GU91120806	Distanzscheibe	2	
7	GU95005310	Ausgleichscheibe 8,4x18x2	2	
8	GU92630108	Mutter	2	
9	AP8152279	TE Schr. m. Flansch M6x20	2	
10	AP8121032	Buchse	2	
11	AP8152329	Kreuz.schl.flnschschr. M5x20	3	
12	2B001783	Hinteres, Spritzschutz	1	
13	AP8121032	Buchse	6	
14	AP8152299	Selbstsperrende Mutter M6	6	

Einheit	RAHMEN
Code	33.16
Beschreibung	R.Kar.II - Kennzeichenplatte
Inspektion	1



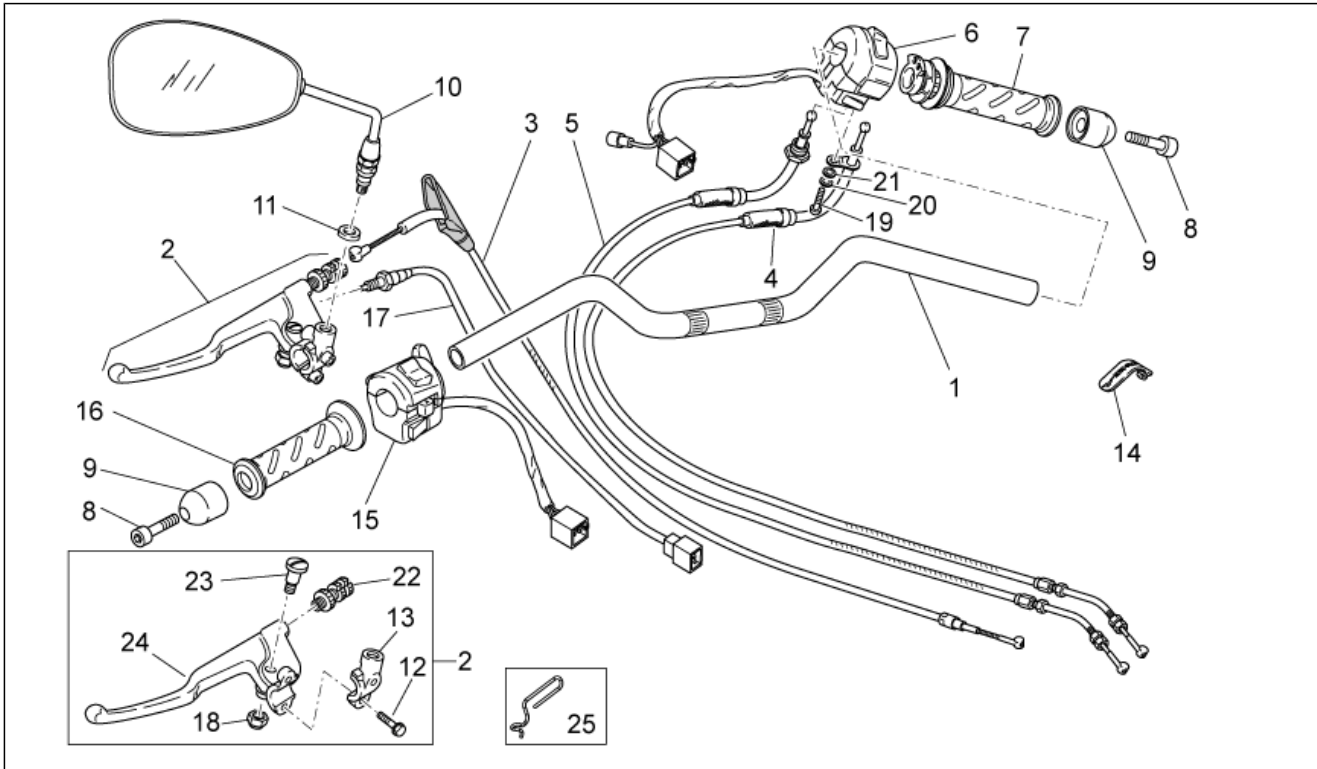
Pos.	Code	Beschreibung	Menge	Varianten
1	978949	Kennzeichenplatte	1	
2	AP8134448	Rückstrahler-Fixierung	1	
3	AP8224164	Rückstrahler Rücklicht, rot	1	
4	GU98230510	TBEI Schraube	1	
5	AP8152306	Selbstsperrende Mutter m5	1	

Einheit	RAHMEN
Code	33.17
Beschreibung	Instrumententafel
Inspektion	1



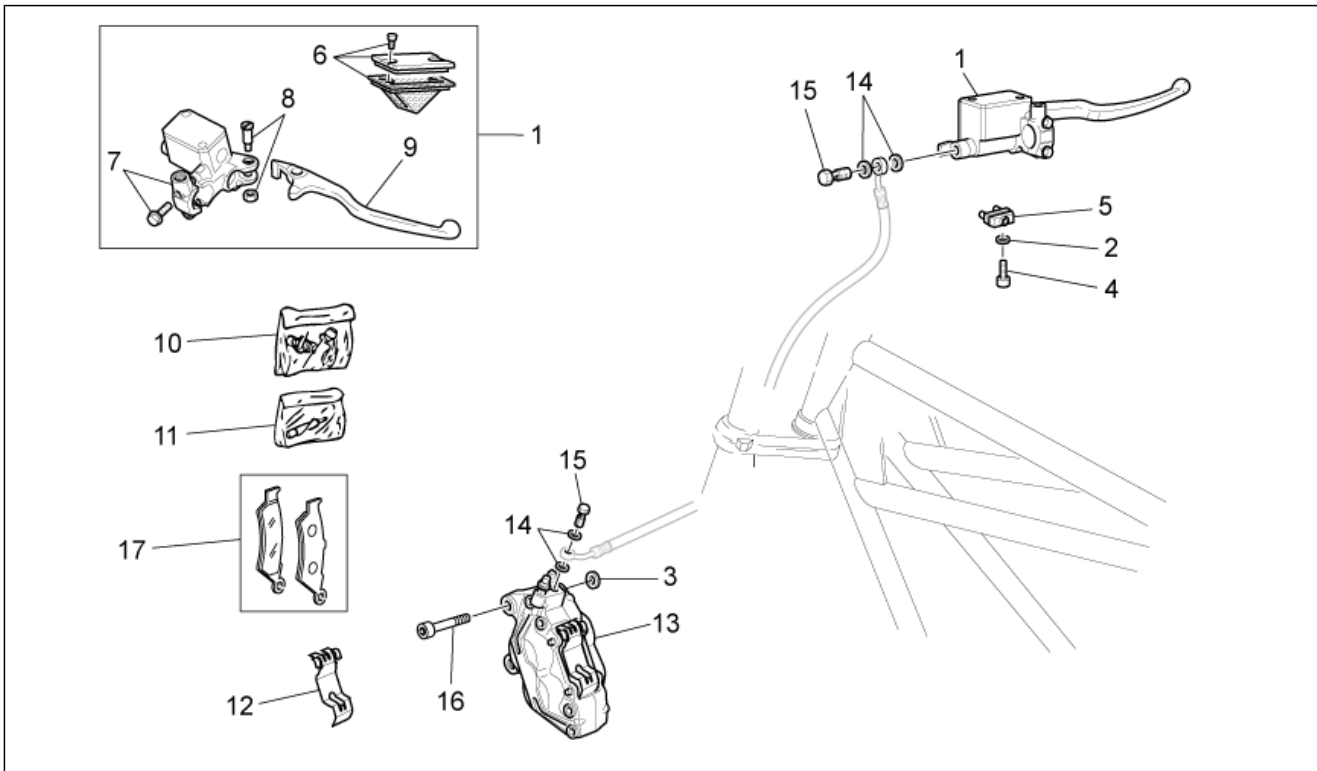
Pos.	Code	Beschreibung	Menge	Varianten
1	887194	Instrum.tafel kplt. km/h	1	
2	GU98370609	TBEI Schraube M6x10	3	
3	GU95005306	Ausgleichscheibe 6,4x13x1,5	3	
4	GU93222023	Silent-Block	3	
5	GU95021206	Ausgleichscheibe	3	
6	GU92606206	Mutter	3	
7	AP8121032	Buchse	3	
8	2B001101	Instrumentenrahmen	1	
9	2D000022	Kontrollampen MGCT	1	
10	2D000021	Kontrollampen ABS	1	
11	GU98692414	Schraube M8x14	2	

Einheit	RAHMEN
Code	33.18
Beschreibung	Lenkstange - Schaltungen
Inspektion	1



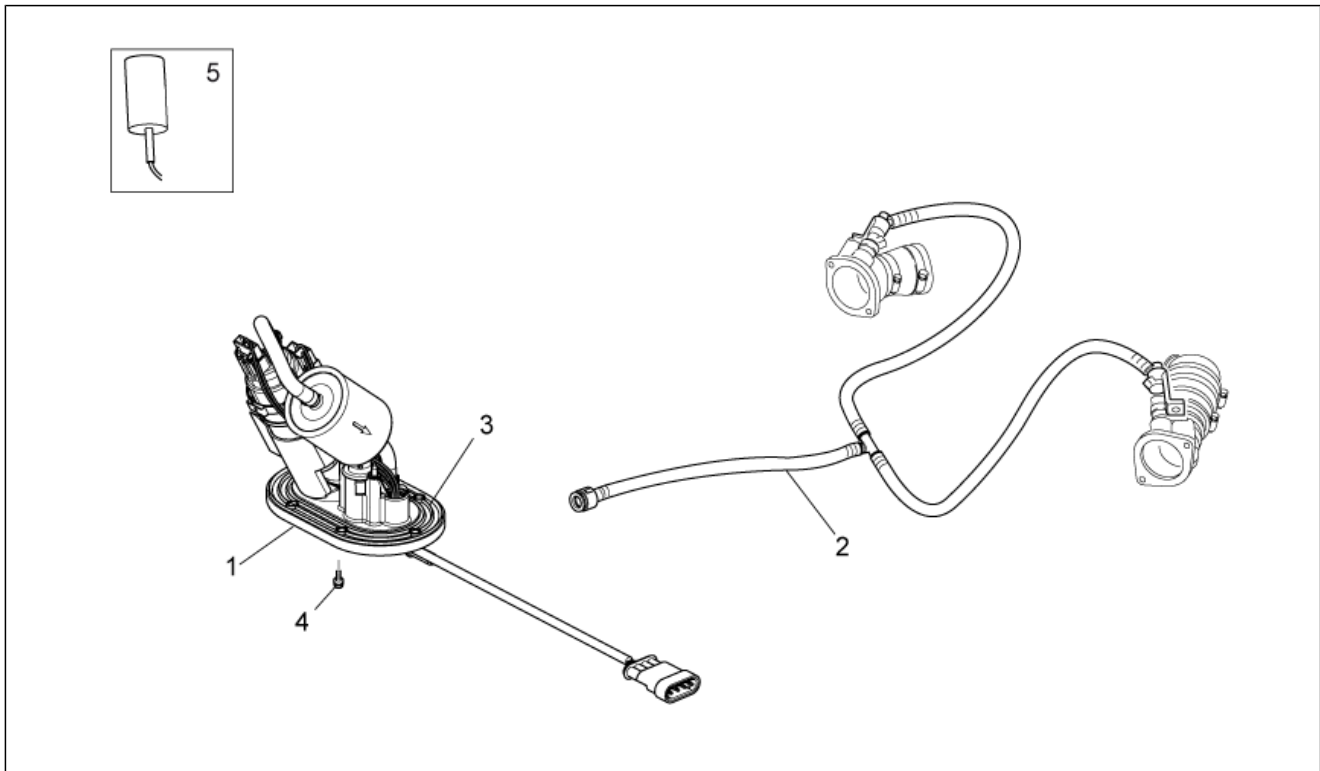
Pos.	Code	Beschreibung	Menge	Varianten
1	978960	Lenkstange	1	
2	2B001300	Kupplungshebel	1	
3	2B001202	Kupplungskabel	1	
4	887852	Gas trasmission delivery	1	
5	887853	Gas trasmission return	1	
6	B063135	Rechter Lichtschalter	1	
7	GU32603310	Rechts griff	1	
8	GU98690335	TCEI Schraube	2	
9	GU32602860	Schwingschutzgewicht chr.	2	
10	883802	Rückspiegel rechts/links	2	Technische Daten: "Gekennzeichnet mit ""FU E11 81R-001047""[FU]
10	978570	Rückspiegel rechts/links	2	Technische Daten: "mit Kennzeichnung ""FAR""[FAR]
11	GU91181003	Distanzscheibe 10,25X20X4	2	
12	GU97202325	TE Schr. m. Flansch schw. M6x25	2	
13	GU30601060	Feder	1	
14	GU01609630	Schelle L46 mm	2	
14	GU03609600	Schelle L36 mm	1	
15	B063975	Linker Lichtschalter	1	
16	GU32603010	Links griff	1	
17	GU29759150	Ständer lichtschalter	1	
18	AP8213388	Selbstsperrende Mutter	1	
19	GU98230510	TBEI Schraube	1	
20	GU95008305	Ausgleichscheibe 5,3X10X1	1	
21	GU95021105	Zahnscheibe	1	
22	GU30602500	Einstellschraube	1	
23	AP8213028	Schraube	1	
24	2B001998	Hebel Kupplungssteuer.	1	
25	2B001138	Kabelführung	1	

Einheit	RAHMEN
Code	33.19
Beschreibung	Bremsanlage - Vorn
Inspektion	1



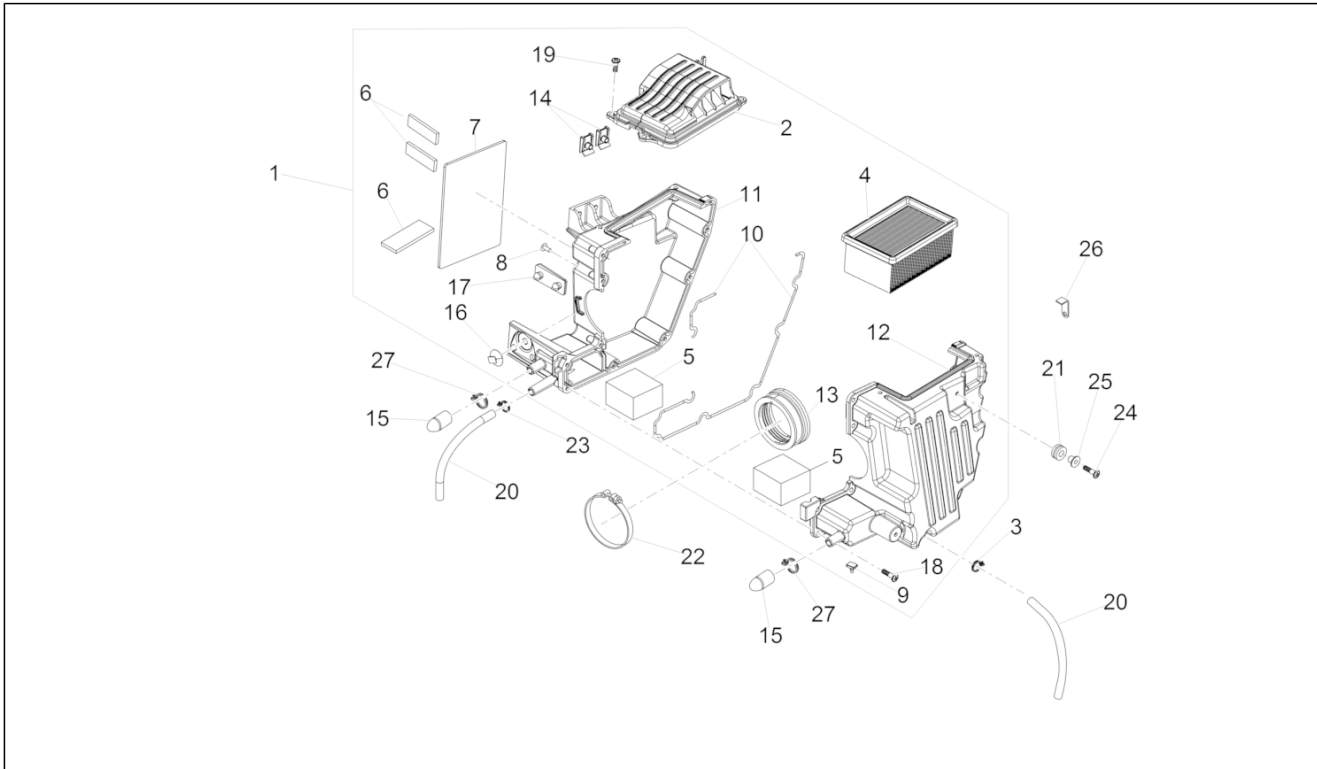
Pos.	Code	Beschreibung	Menge	Varianten
1	2B001199	Vorderradbremspumpe	1	
2	GU95021104	Ausgleichscheibe 4,3x8x1,5	1	
3	GU91181003	Distanzscheibe 10,25X20X4	2	
4	AP8152043	TCEI Schraube M4x10	1	
5	GU03749845	Bremslichtschalter	1	
6	2B001928	Pumpendeckel	1	
7	2B001929	Klemmschelle Bremsarmatur	1	
8	2B001927	Hebelbolzen kpl.	1	
9	2B001926	Bremshebel	1	
10	GU05659230	Entlüftung+Haube	1	
11	GU01659130	Stifte-Federn Bremszange	1	
12	GU01659131	Feder	1	
13	2B001197	Bremszange-scheibe linke	1	
14	AP8113004	Ausgleichscheibe 10x14x1,6*	4	
15	AP8113003	Fixierschraube Ölschlauch *	2	
16	AP8152385	TCEI Schraube M10x1,25	2	
17	883673	Beläge (Paar)	1	

Einheit	RAHMEN
Code	33.21
Beschreibung	Kraftstoffpumpe
Inspektion	1



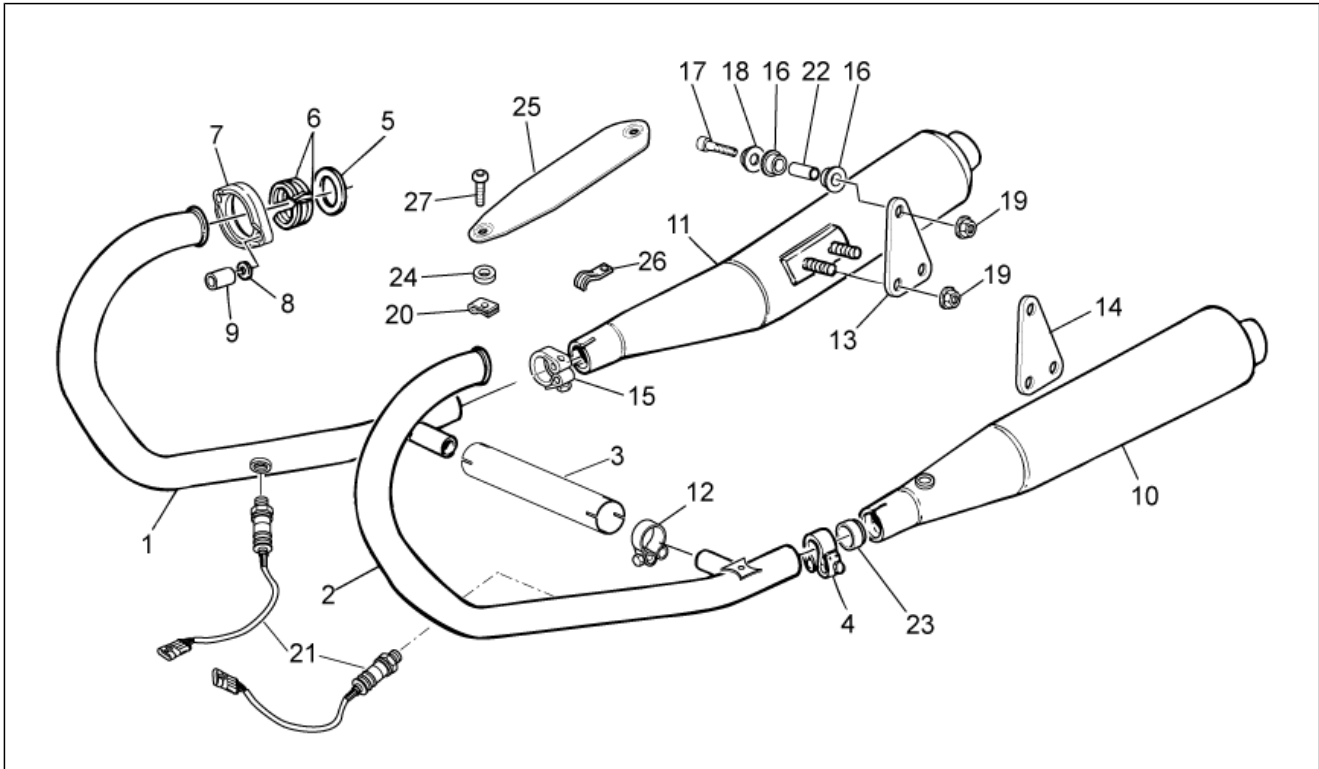
Pos.	Code	Beschreibung	Menge	Varianten
1	B063752	Kraftstoffpumpe	1	
2	2B001342	Kraftstoffschlauch	1	
3	GU05107430	Dichtung	1	
4	AP8152273	Flanschschraube M5X15	6	
5	887787	Benzinanzeige Sensor	1	

Einheit	RAHMEN
Code	33.22
Beschreibung	Filtergehäuse
Inspektion	1



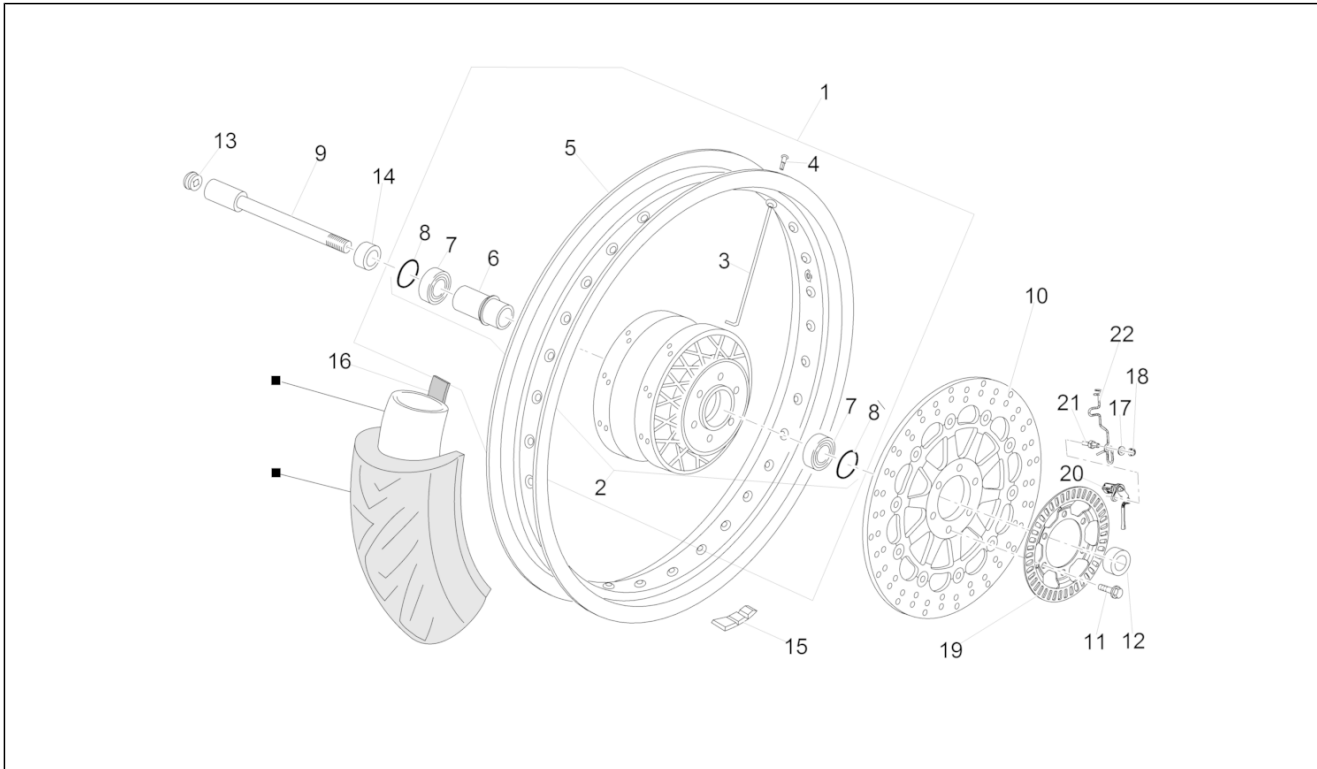
Pos.	Code	Beschreibung	Menge	Varianten
1	8878421	Filtergehäuse komplett	1	
2	887843	Luftfilterdeck	1	
3	AP8201358	Schelle D 11,9	1	
4	AP8104924	Luftfilter	1	
5	AP8104525	Filter blow-by	2	
6	883127	Gummi für Haterung 5mm	1	
7	AP8144553	Gummi für Haterung	1	
8	AP8120876	Verschlußschraube	2	
9	AP8120455	Gummi	1	
10	AP8120615	Dichtung D3	2	
11	887844	Schale re Filtergehäuse	1	
12	887845	Schale li Filtergehäuse	1	
13	887815	Ansaugmuffe	1	
14	254485	Plattchen M6	2	
15	AP8161054	Kappe	2	
16	890760	Halterung Instrumente	1	
17	AP8144729	Anschlagstopfen Ständer	1	
18	AP8152329	Kreuz.schl.flnschschr. M5x20	9	
19	AP8150509	Gew.schr. 5x14	4	
20	AP8120772	Entlüftungsschlauch Kühler	1	
21	GU91551010	Gummi	2	
22	CM258303	Schelle 63	1	
23	AP8102766	Schelle	3	
24	AP8152329	Kreuz.schl.flnschschr. M5x20	2	
25	AP8221023	T-Buchse	2	
26	GU31112965	Winkel	1	
27	AP8102520	Schlauchschelle	2	

Einheit	RAHMEN
Code	33.23
Beschreibung	Auslassgruppe
Inspektion	1



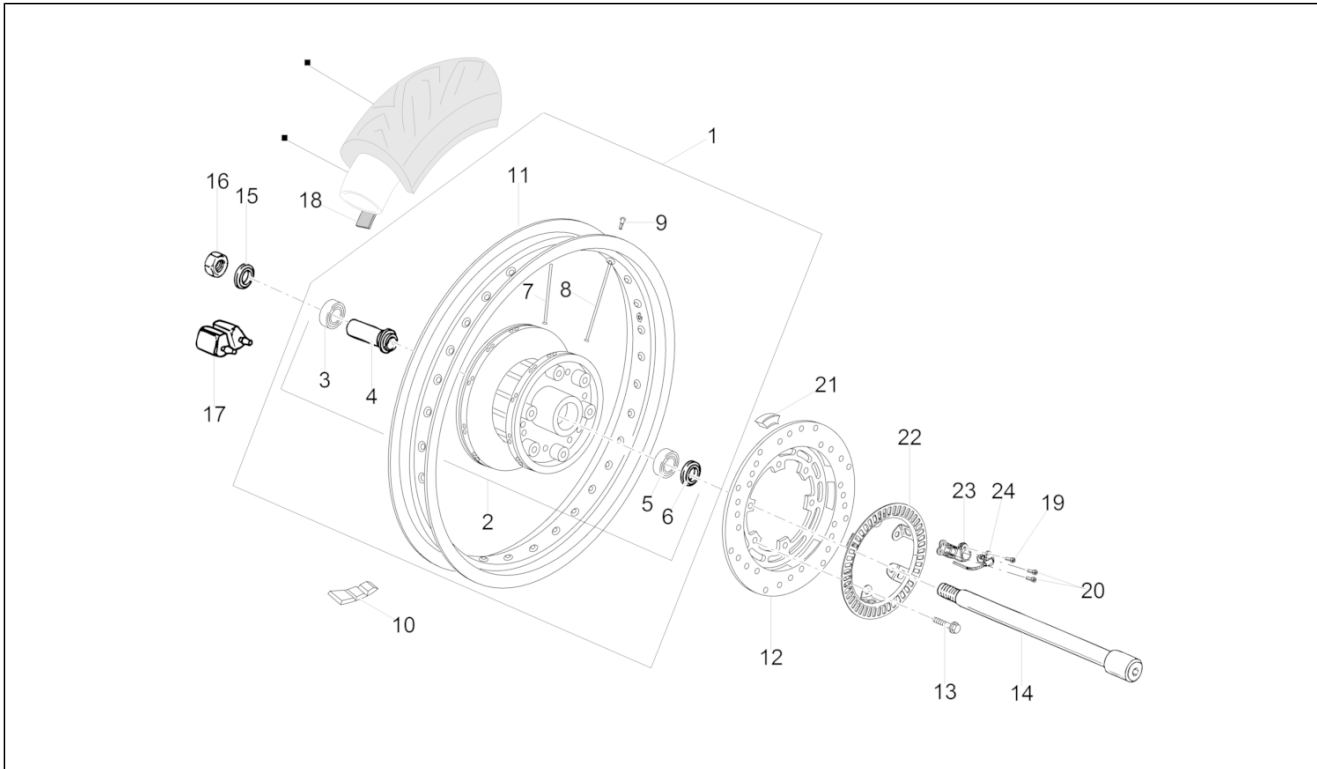
Pos.	Code	Beschreibung	Menge	Varianten
1	2B000995	Auslasskrümmer re.	1	
2	2B000996	Auslasskrümmer li.	1	
3	B063022	Anschluss Auspuffkrümmer	1	
4	883294	Schalldämpferschelle li.	1	
5	GU19025280	Dichtung	2	
6	GU19025460	Distanzscheibe	4	
7	GU32121010	Nutmutter	2	
8	GU03013800	Ausgleichscheibe 6,4x12	4	
9	GU31121880	Mutter	4	
10	2B000177	Auspufftopf links	1	
11	2B000176	Auspufftopf rechts	1	
12	978385	Schelle	2	
13	883297	Rechts Platte	1	
14	883298	Links Platte	1	
15	883293	Schalldämpferschelle re.	1	
16	AP8144071	Gummi auspuffrohr	4	
17	GU98690440	Schraube TCEI M8x40	2	
18	AP8134378	Fixierhülse Schalldämpfer	2	
19	GU92640508	Mutter M8	6	
20	254485	Plättchen M6	2	
21	896110	Lamda-sonde l.660 mm	2	
22	AP8121072	Distanzscheibe	2	
23	GU91113826	Buchse	2	
24	AP8120870	Isolierscheibe	4	
25	883704	Auspuffrohr Wärmeschutz	2	
26	GU93301175	Bügelbolzen	1	
27	GU98210612	TBEI Schraube m.Flansch M6x12	4	

Einheit	RAHMEN
Code	33.24
Beschreibung	Vorderrad I
Inspektion	1



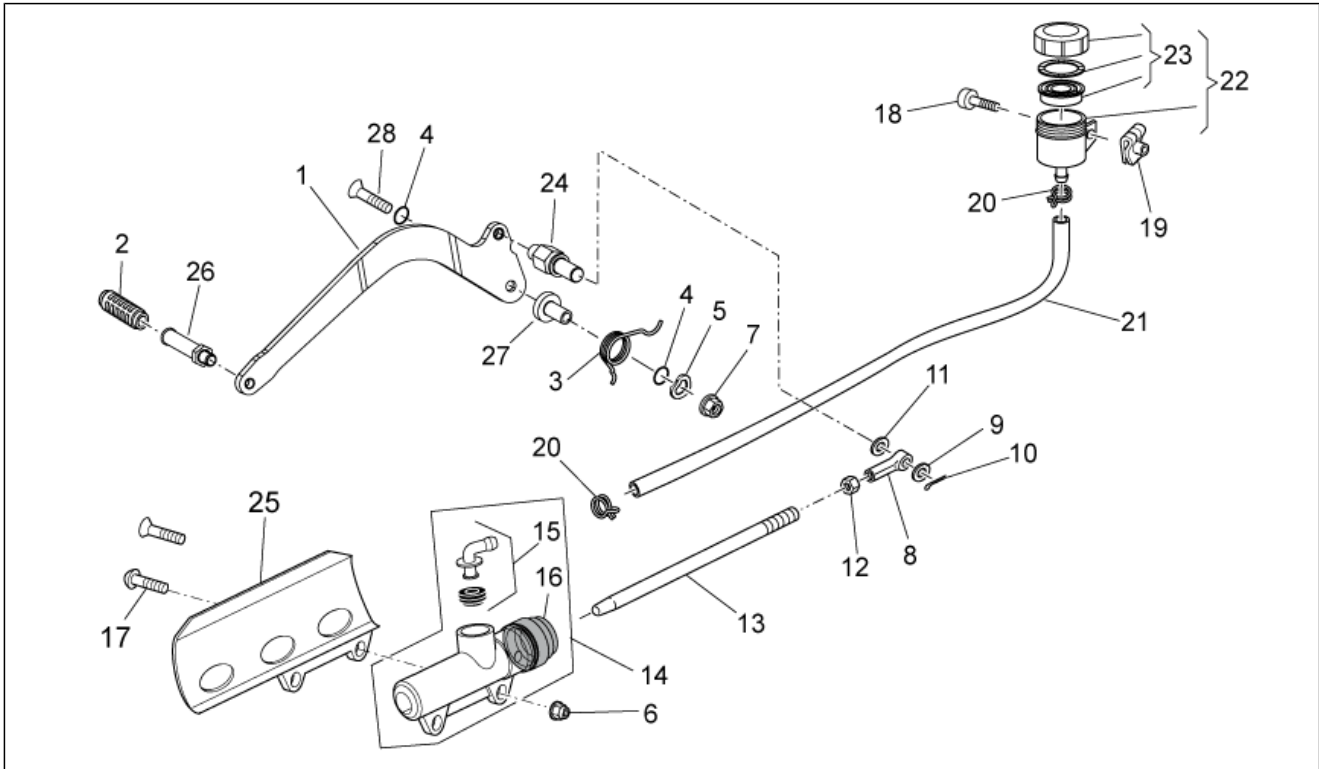
Pos.	Code	Beschreibung	Menge	Varianten
1	B063702	Vorderrad 2,5x18" Black	1	
2	GU32613160	Nabe vorne	1	
3	B063144	Vorderradspeiche	36	
4	GU03631250	Nippel	36	
5	B063077	Vorderradfelge schwarz 2.5X18"	1	
6	GU31615283	Distanzstück Lager	1	
7	GU92204221	Lager	2	
8	GU90402642	Gasket ring	1	
9	GU31614183	Vorderradbolzen	1	
10	883688	Vorderradbremsscheibe 320	1	
11	887762	Flanschschraube TE M8x22	6	
12	GU31616384	L. Distanzscheibe	1	
13	GU93180111	Deckel 15 mm	1	
14	GU32615660	R. Distanzscheibe	1	
15	GU14616150	Gegengewicht	1	
16	GU03612040	Felgenband	1	
17	AP8150178	Ausgleichscheibe 6,4x12,5*	1	
18	GU92630207	Mutter	1	
19	887875	Wheel speed sensor, LH front	1	
20	859792	Sensor ABS	1	
21	2B001708	Distanzscheibe	1	
22	2B001561	Kabelführung	1	

Einheit	RAHMEN
Code	33.25
Beschreibung	Hinterrad I
Inspektion	1



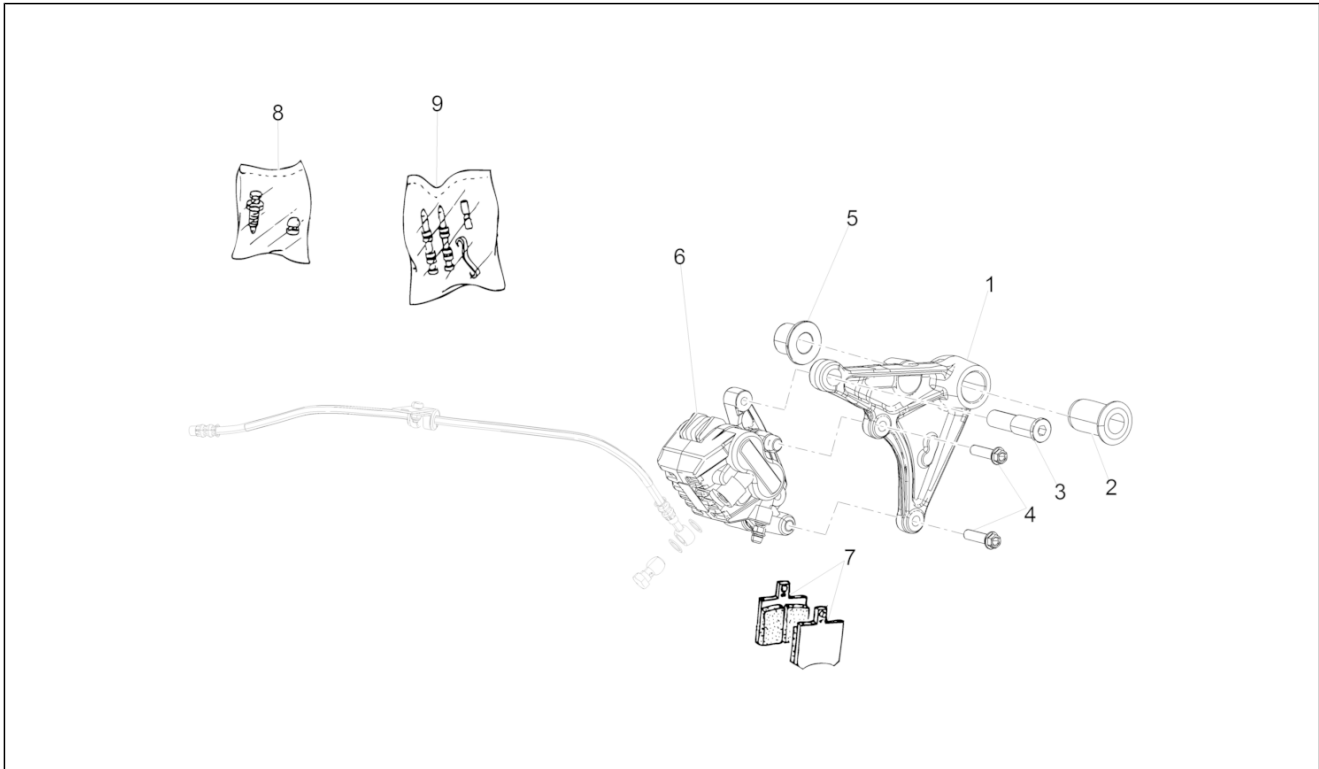
Pos.	Code	Beschreibung	Menge	Varianten
1	B063704	Hinterrad kpl 3,5x17" Black	1	
2	GU32692260	Nabe	1	
3	GU92204218	Lager	1	
4	GU27633910	Distanzscheibe	1	
5	GU92204217	Lager	1	
6	GU90402538	Gasket ring 25x40x7	1	
7	883350	Kurze Speike	18	
8	883349	Lange Speike mm 158	18	
9	GU03631250	Nippel	36	
10	GU14616150	Gegengewicht	1	
11	B063078	H.Felge 3,5"x17" Black	1	
12	887448	Bremsscheibe	1	
13	894505	TE Schr. m. Flansch M8x18	6	
14	GU32633360	Hinterradbolzen	1	
15	GU31634481	Ausgleichscheibe	1	
16	GU92606316	Mutter M16x1,5	1	
17	GU32632510	Gummikupplung	6	
18	GU28612033	Felgenband	1	
19	GU98612216	TCEI Schraube	1	
20	GU98682312	TCEI Schraube M6x12	2	
21	GU32636160	Gummi für Haterung	1	
22	2B000225	Wheel speed sensor, LH front	1	
23	2B000377	Halter Sensor ABS	1	
24	859792	Sensor ABS	1	

Einheit	RAHMEN
Code	33.26
Beschreibung	Hinterradbremspumpe
Inspektion	1



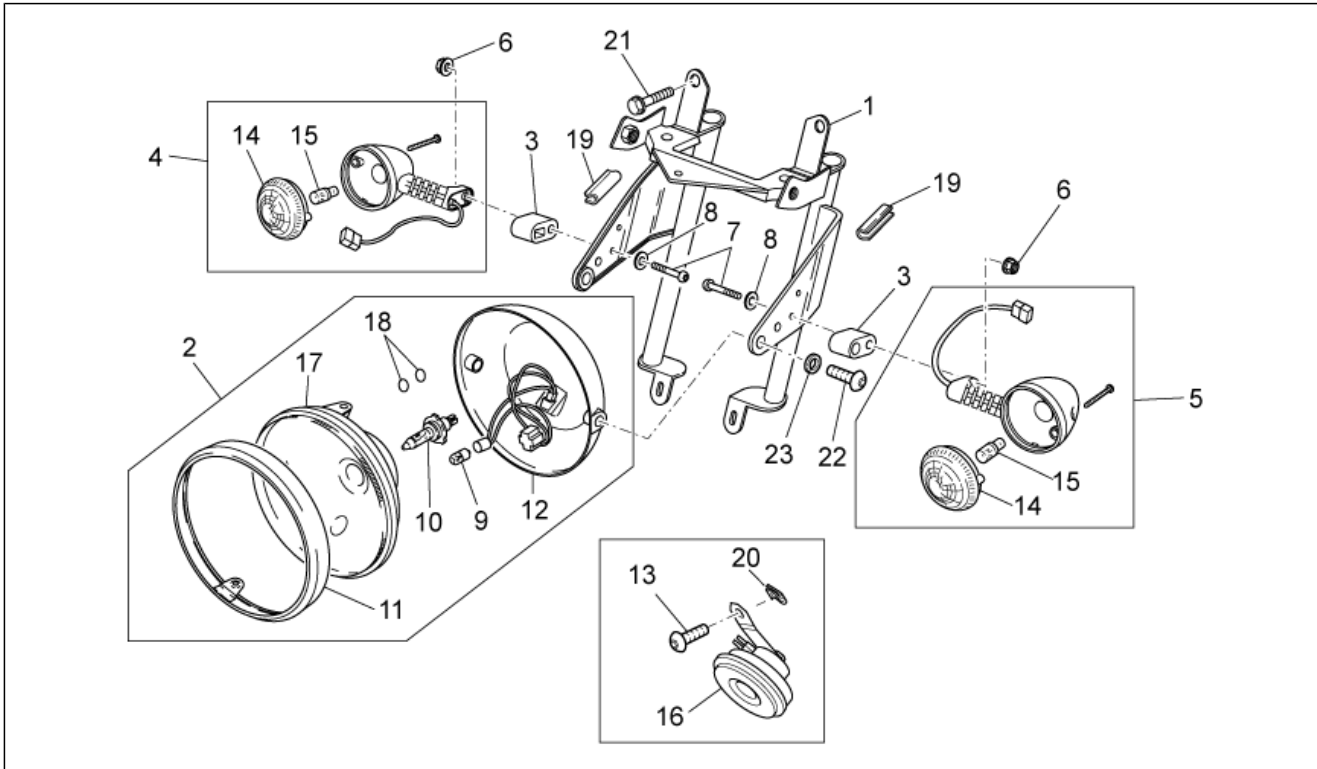
Pos.	Code	Beschreibung	Menge	Varianten
1	887910	Bremshebel	1	
2	AP8120912	Gummi für Hebel	1	
3	978969	Feder	1	
4	AP8144007	O-Ring 11,11x1,78	2	
5	GU95005310	Ausgleichscheibe 8,4x18x2	1	
6	GU92630206	Mutter M6x1	2	
7	GU92660021	Geflanschte Mutter M8	1	
8	GU18257551	Steckverbindung	1	
9	GU95005308	Ausgleichscheibe 8,4x14,57x1,6	1	
10	GU95500221	Splint	1	
11	658837	Gewellte Sprengscheibe D15 F8,4 S1,5 - INOX	1	
12	GU92609007	Mutter	1	
13	978970	Pumpenstange bremsen	1	
14	2B000508	Hinterradbremspumpe	1	
15	AP8213057	Hinterer Pumpenanschluß	1	
16	AP8113288	Gummibalg	1	
17	GU98370625	TBEI Schraube	2	
18	AP8152298	TBEI Schraube m.Flansch M5x16	1	
19	248419	Plattchen m5	1	
20	AP8101594	Schelle D10,1*	2	
21	GU00823950050	Ölschlauch	1	
22	AP8113241	Bremsöltank	1	
23	AP8113553	Tankverschluß	1	
24	887911	Bremshebelbolzen	1	
25	GU01665410	Schutz Bremspumpe schwarz	1	
26	887908	Gummigleitschutze	1	
27	887952	H.Bremshebuchse	1	
28	B063443	Schraube M8x50	1	

Einheit	RAHMEN
Code	33.27
Beschreibung	Hinterradbremsszange
Inspektion	1



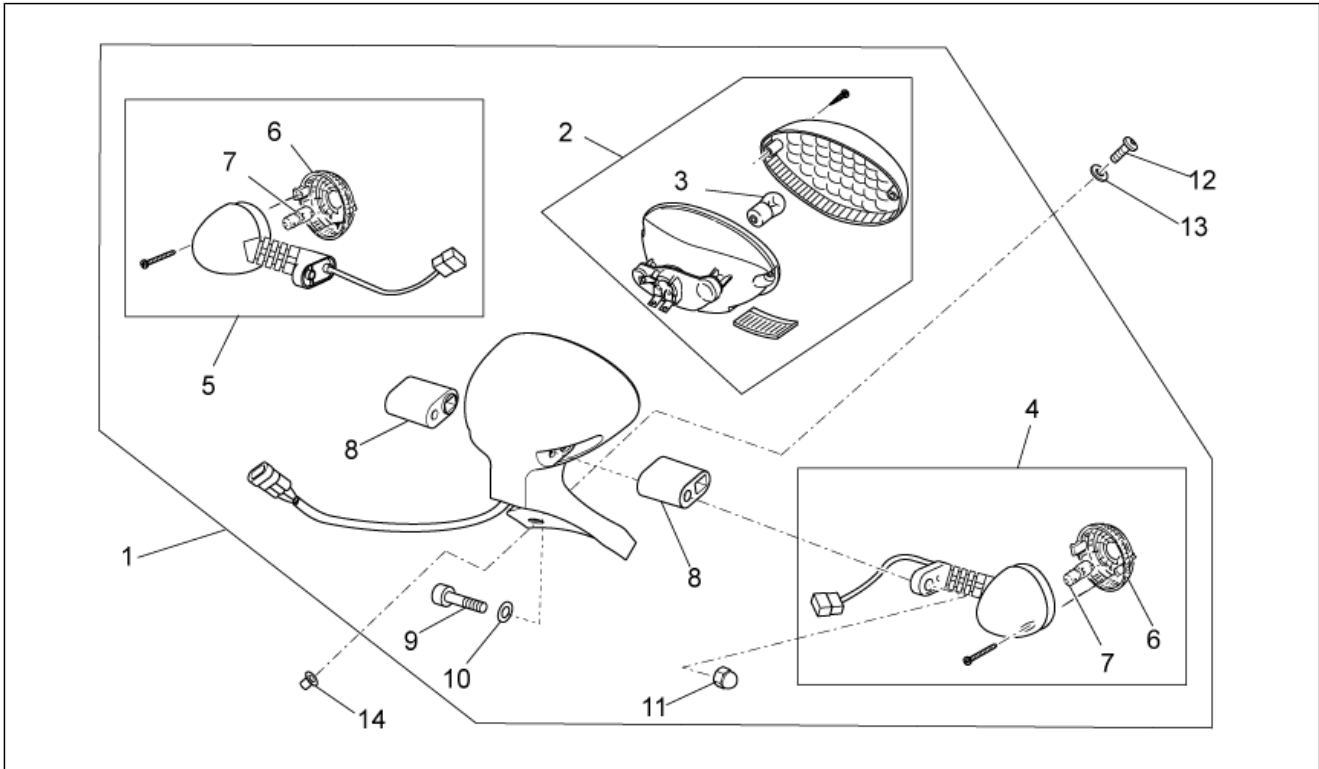
Pos.	Code	Beschreibung	Menge	Varianten
1	2B000229	Bremssattelbefestigung	1	
2	GU31634281	Buchse	1	
3	GU31544181	Bolzen	1	
4	AP8152288	TE Schr. m. Flansch	1	
5	GU32634160	Distanzscheibe	4	
6	2B000525	Hinterradbremsszange	1	
7			1	
8	GU31659281	Entlüftung+Haube	1	
9	GU31659181	Stifte+Feder kit	1	

Einheit	RAHMEN
Code	33.28
Beschreibung	Vorderer Lichter
Inspektion	1



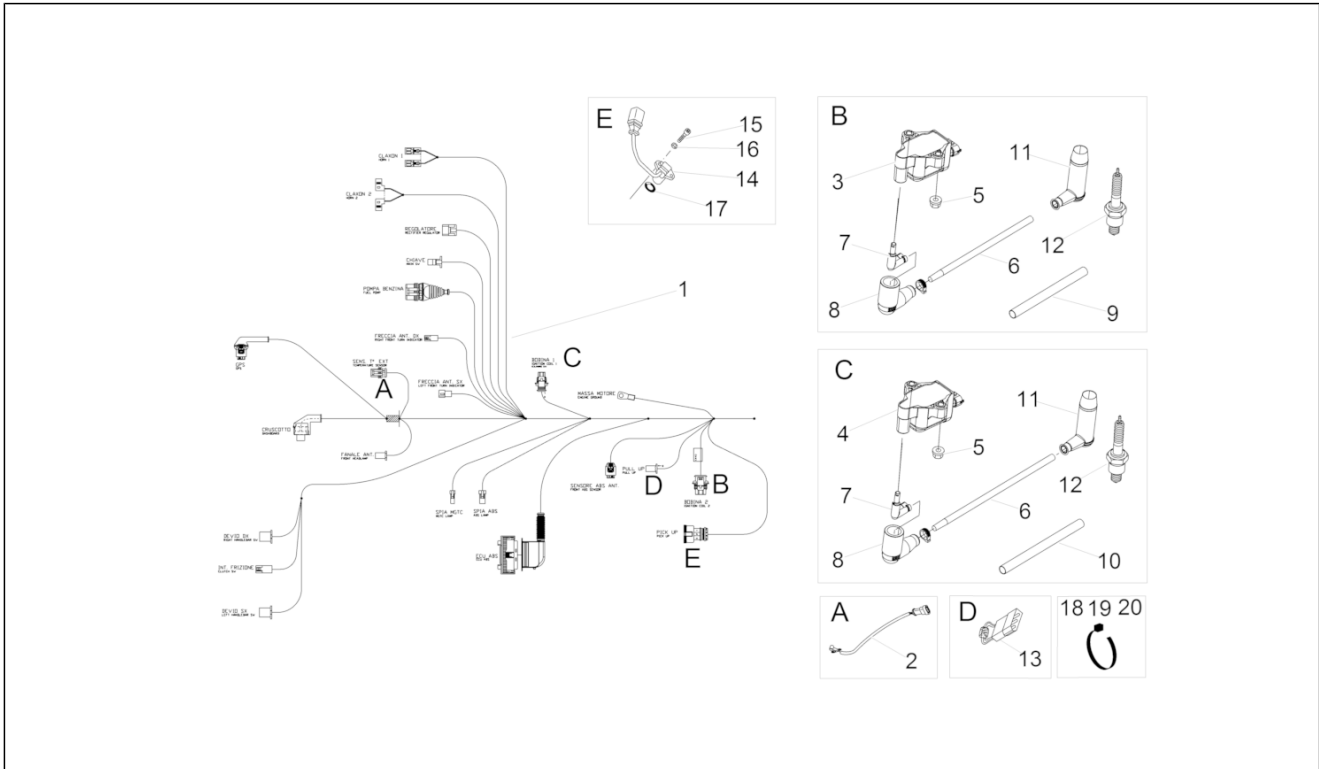
Pos.	Code	Beschreibung	Menge	Varianten
1	GU32506360	Scheinw.bügel	1	
2	978311	Scheinwerfer	1	
3	GU32753410	Distanzscheibe	2	
4	887826	Vorderblinker rechts / Hinterblinker links	1	
5	887827	Vorderblinker links/ Hinterblinker rechts	1	
6	GU92787006	Hutmutter M6x1	2	
7	GU98370655	TBEI Schraube	2	
8	GU95021206	Ausgleichscheibe	2	
9	GU93450105	Lampen	1	
10	GU93450232	Lampen 12V-55/60W	1	
11	GU31740383	Verchromte Nutmutter	1	
12	981149	Haube, schwarz	1	
13	AP8150377	Schraube	2	
14	B063735	Blinkerblende	2	
15	GU93450126	Lampen orange	2	
16	890979	Hupe	1	
17	GU06740400	Scheinwerfereinheit	1	
18	883417	O-Ring	2	
19	GU00823931055	Dichtung	1	
20	254485	Plattchen M6	2	
21	GU98880540	Schraube M10x40	2	
22	GU98692420	TCEI Schraube M8x20	2	
23	GU95005308	Ausgleichscheibe 8,4x14,57x1,6	2	

Einheit	RAHMEN
Code	33.29
Beschreibung	Hinterer Lichter
Inspektion	1



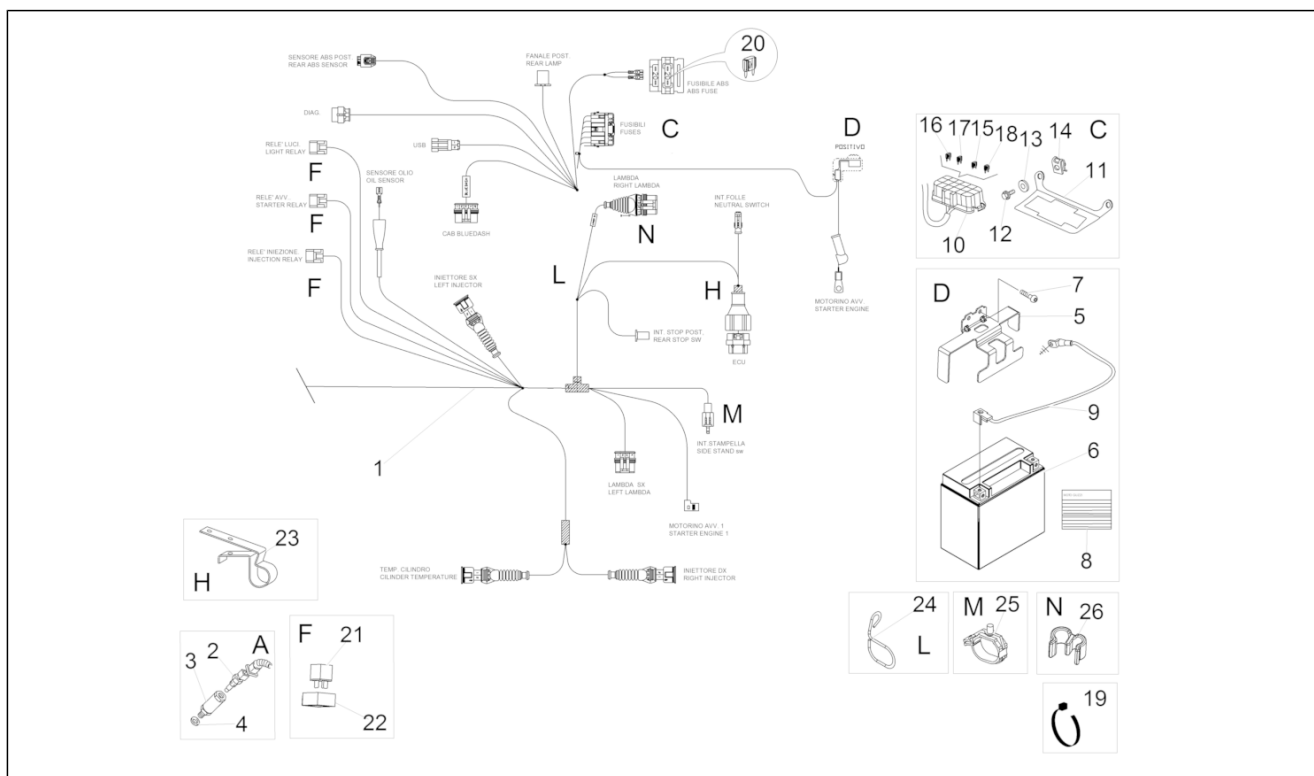
Pos.	Code	Beschreibung	Menge	Varianten
1	2B001701	Rücklicht	1	
2	GU03740930	Rücklicht	1	
3	GU93450224	Lampen	1	
4	887826	Vorderblinker rechts / Hinterblinker links	1	
5	887827	Vorderblinker links/ Hinterblinker rechts	1	
6	B063735	Blinkerblende	2	
7	GU93450126	Lampen orange	2	
8	GU32753410	Distanzscheibe	2	
9	GU98370655	TBEI Schraube	2	
10	GU95021206	Ausgleichscheibe	2	
11	GU92787006	Hutmutter M6x1	2	
12	GU98350215	TBEI Schraube	3	
13	GU30577800	U-scheibe Nylon 5,5X12X1	3	
14	GU93231605	Vibrierenfende Buchse	3	

Einheit	RAHMEN
Code	33.30
Beschreibung	Elektrische anlage I
Inspektion	1



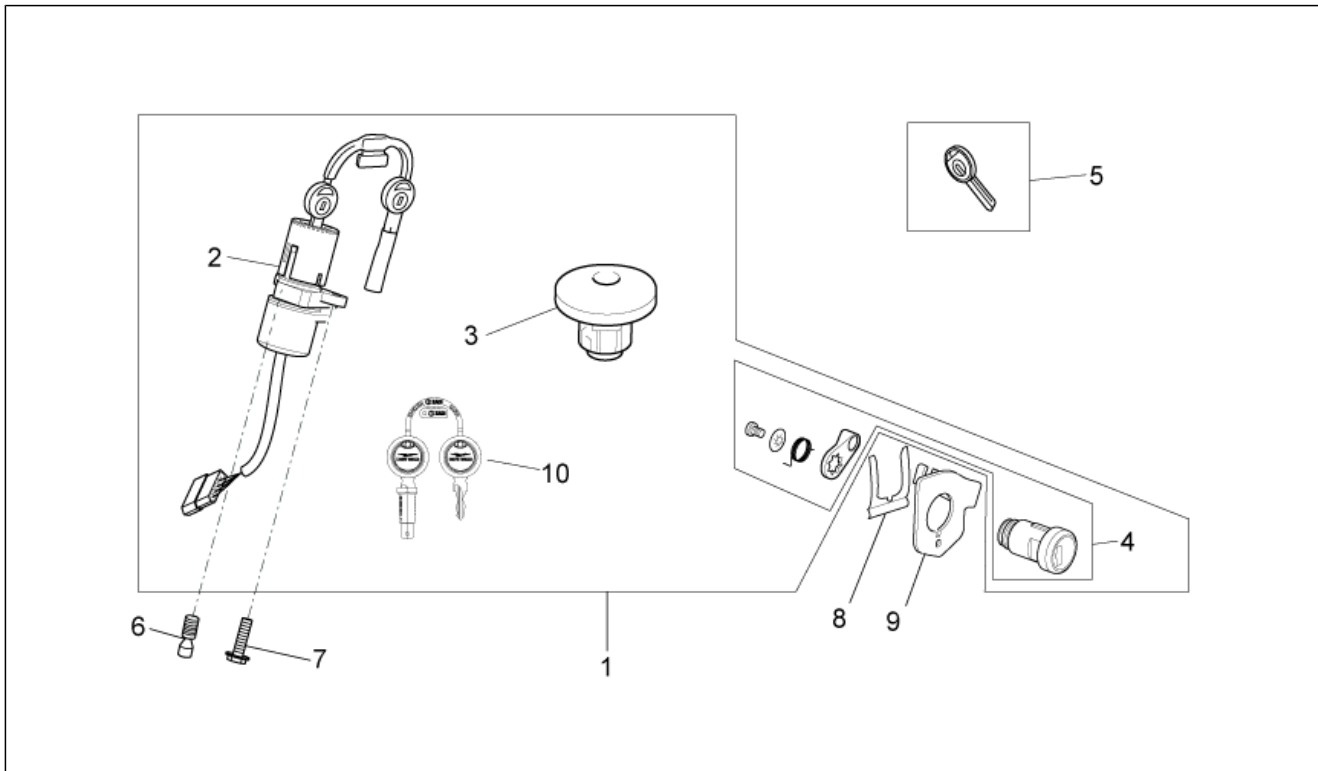
Pos.	Code	Beschreibung	Menge	Varianten
1	2D000108	Hauptverkabelung	1	
2	AP8124936	Lufttemperaturfühler	1	
3	642034	Zuendtransform.cpl. DX	1	
4	641901	Zuendtransform.cpl.	1	
5	AP8152299	Selbstsperrende Mutter M6	4	
6	080341	Kabel Zündspulensockel	2	
7	641725	Anschluss Zündspule	2	
8	641040	Isolierhaube	2	
9	CM0074D0	Schutzhuelse D.8-S.0,5-L.370	1	
10	CM0074C9	Kabelmantel grau D.8-S.0,5-L.435	1	
11	2D000005	Zündkerzenstecker	2	
12	887481	Zündkerze NGK CPR8EB-9	2	
13	887948	Diode	1	
14	832029	Tonrad sensor	1	
15	GU98682212	TCEI Schraube M5x12	2	
16	GU95008205	Ausgleichscheibe 5,3x10x0,8	2	
17	GU90706141	O-Ring	1	
18	AP8120416	Schelle schwarz 178x4	1	
19	GU49609601	Schelle 2,4x92	1	
20	GU14609650	Schelle 3,6x20,6	31	

Einheit	RAHMEN
Code	33.31
Beschreibung	Elektrische anlage II
Inspektion	1



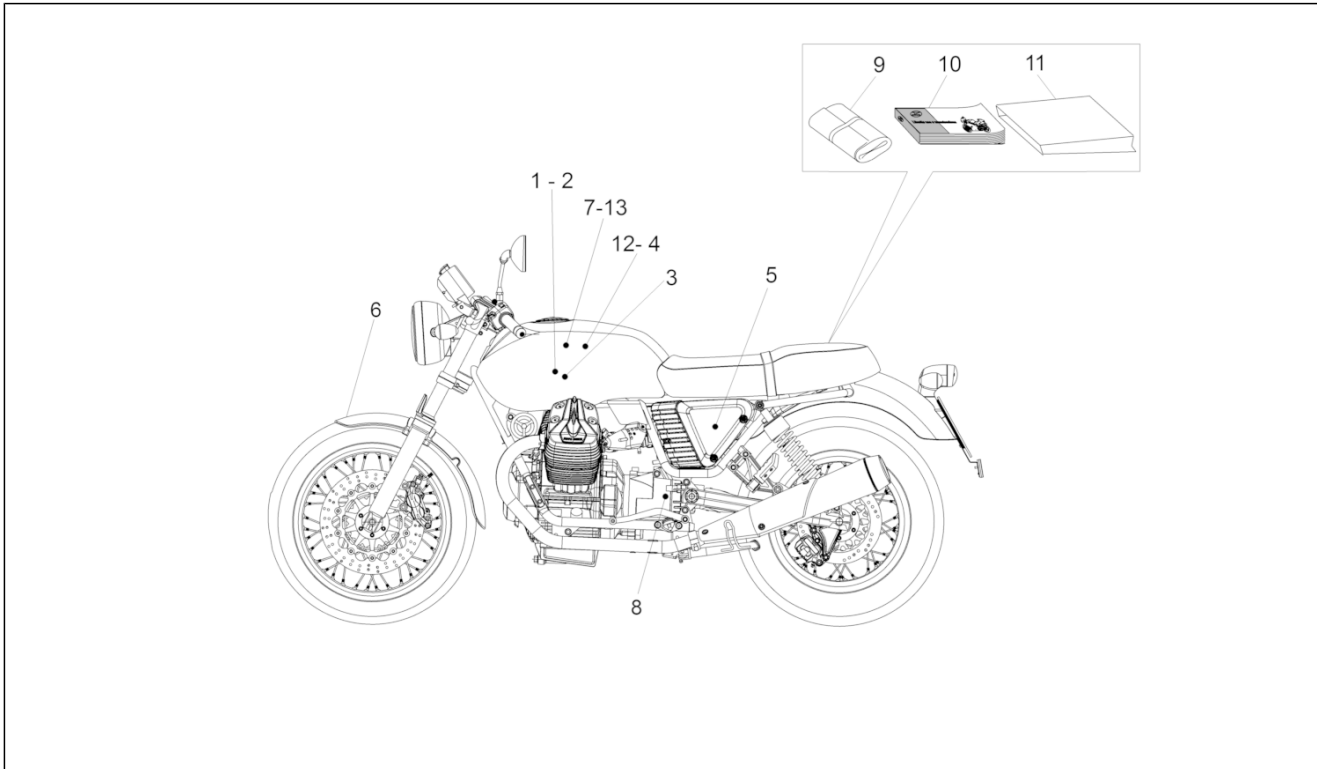
Pos.	Code	Beschreibung	Menge	Varianten
1	2D000108	Hauptverkabelung	1	
2	GU29729461	Sensor temperatur	1	
3	GU03163330	Sensor halter	1	
4	GU95008210	Ausgleichscheibe 10,2X18X2	4	
5	B063233	Batteriehalterung	1	
6	638733	Batterie Yuasa 12V-12Ah (150x85x145)	1	
7	AP8152282	TE Schr. m. Flansch M6x35	2	
8	GU32517710	Deko "Battery service"	1	
9	GU32747910	Masse-Batteriekabel	1	
10	584211	Sicherungskasten	1	
11	883161	Hltr. Sicherungsblock	1	
12	GU98682212	TCEI Schraube M5x12	2	
13	GU95100059	Ausgleichscheibe 5,25x14x1,5	2	
14	AP8102375	Klammer m5	2	
15	CM225705	Sicherung 5A	2	
16	CM225710	Sicherung 10A	1	
17	CM225715	Sicherung 15A	2	
18	CM225730	Sicherung 30A	1	
19	AP8120416	Schelle schwarz 178x4	1	
19	GU14609650	Schelle 3,6x20,6	21	
19	GU49609601	Schelle 2,4x92	1	
20	CM225720	Sicherung 20A	1	
21	AP8224462	Zündrelais 12V/30A	3	
22	AP8220283	Gummi *	3	
23	B043850	Schelle	1	
24	AP8181140	Kabelführung	1	
25	CM013202	Rückhaltefeder Leitungen/Kabel	1	
26	894704	Kabelführung	1	

Einheit	RAHMEN
Code	33.32
Beschreibung	Bausatz Schlösser
Inspektion	1



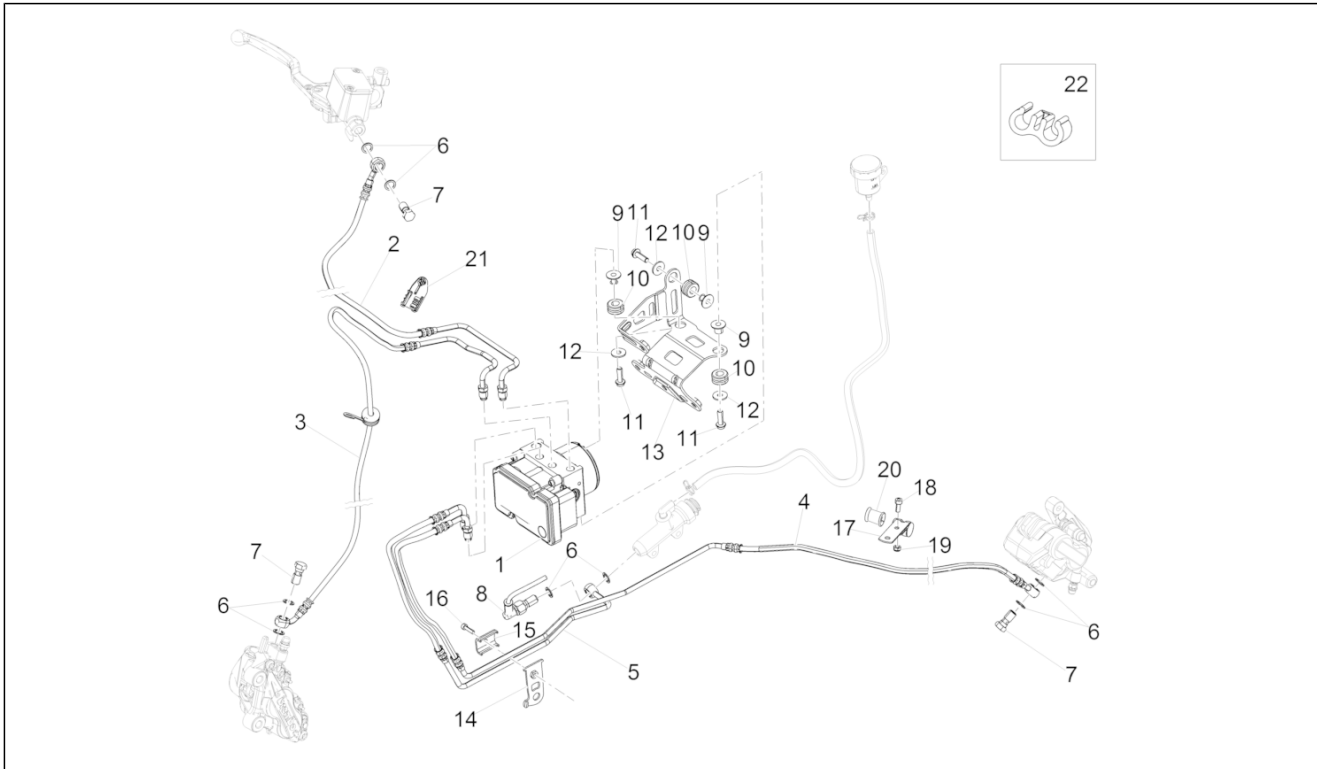
Pos.	Code	Beschreibung	Menge	Varianten
1	887873	Kit Schließvorrichtungen	1	
2	GU32782510	Lenkschloß	1	
3	887874	Tappo serbatoio senza chiavi	1	
4	977527	Schloss komplett mit Schlüsseln	1	
5	GU32735510	Schlüs.nicht gezackt roh-sch.go	1	
6	AP8150349	Spezialschraube M8x15	1	
7	GU98682416	TCEI Schraube M8x16	1	
8	AP8121420	Gabelfeder	1	
9	978415	Kabelplatte	1	
10	2D000006	Schlosszylinder mit Schlüssel für Tankdeckel	1	

Einheit	RAHMEN
Code	33.33
Beschreibung	Abziehb. + Schilder
Inspektion	1



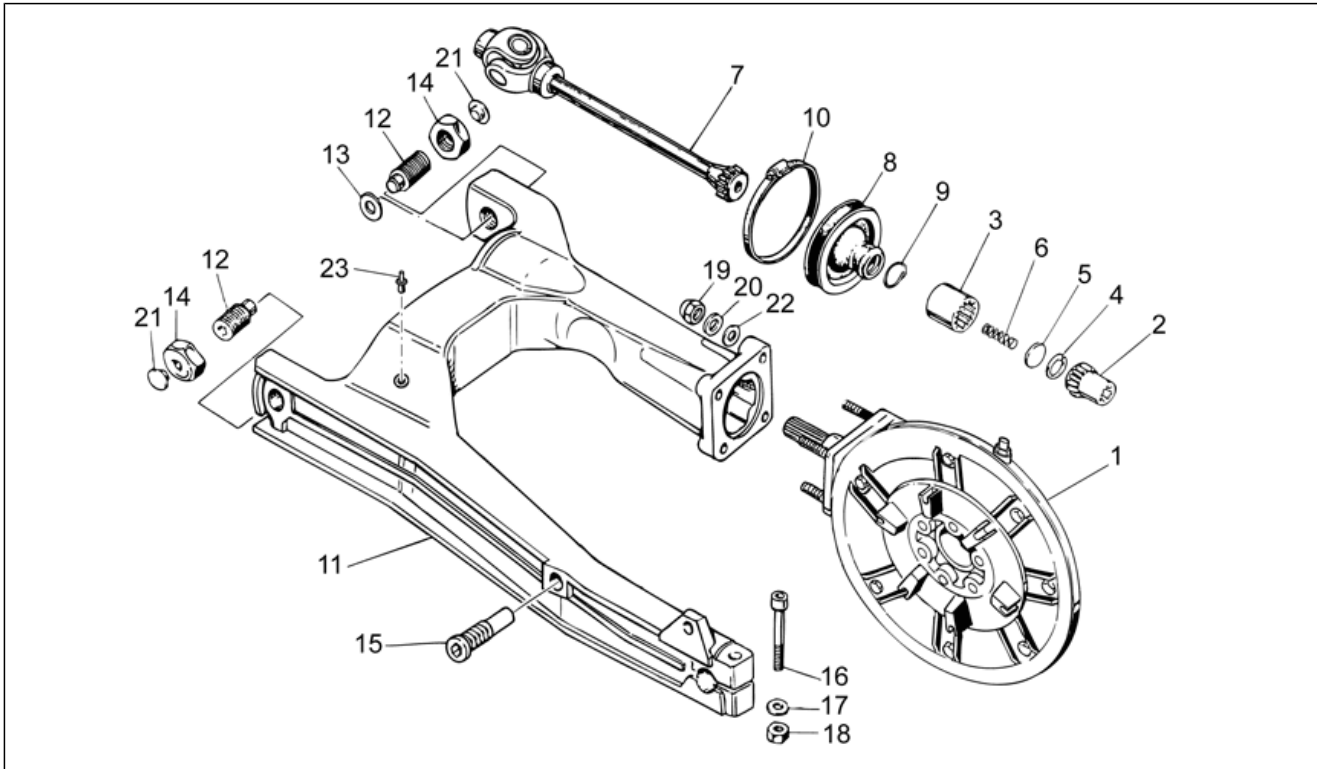
Pos.	Code	Beschreibung	Menge	Varianten
1	886340	Schild Aquila	1	
2	887930	L.Schild Aquila	1	
3	887931	Schild "Moto Guzzi"	2	
4	2H000025	Aufkleber Streifen hint. re Tank	1	Fahrzeugfarbe:Schwarz Competition[nc]
4	2H000661	Aufkleber Streifen hint. re Tank	1	Fahrzeugfarbe:Azzurro Vieste[az], Rosso Daytona[rd]
5	2H000725	Targhetta dx-sx	1	
6	886141	Deko "Aquila"	1	
7	2H000023	Aufkleber Streifen vorne re Tank	1	Fahrzeugfarbe:Schwarz Competition[nc]
7	2H000659	Aufkleber Streifen vorne re Tank	1	Fahrzeugfarbe:Azzurro Vieste[az], Rosso Daytona[rd]
8	895839	"Schild ""Eni"""	2	
9	887443	Werkzeugtasche	1	
10	2Q000056	Bed./Wart.-Anl.I-D-F-E-UK-NL I-F-D-E-NL-ES-EN	1	
11	GU05900130	Säckchen für Dokumente	2	
12	2H000026	Aufkleber Streifen hint. li Tank	1	Fahrzeugfarbe:Schwarz Competition[nc]
12	2H000662	Aufkleber Streifen hint. li Tank	1	Fahrzeugfarbe:Azzurro Vieste[az], Rosso Daytona[rd]
13	2H000024	Aufkleber Streifen vorn. li Tank	1	Fahrzeugfarbe:Schwarz Competition[nc]
13	2H000660	Aufkleber Streifen vorn. li Tank	1	Fahrzeugfarbe:Azzurro Vieste[az], Rosso Daytona[rd]

Einheit	RAHMEN
Code	33.36
Beschreibung	Bremsanlage ABS
Inspektion	1



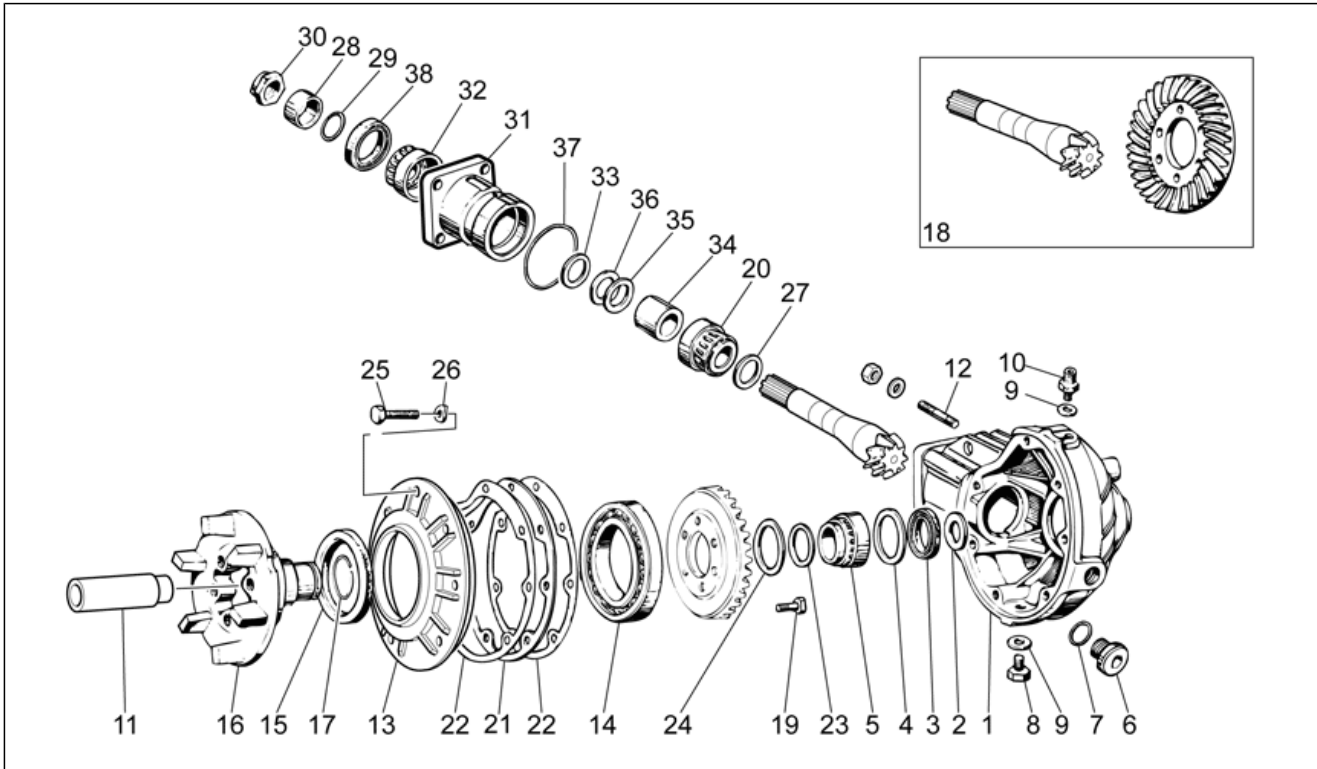
Pos.	Code	Beschreibung	Menge	Varianten
1	2D000102	ABS-Steuergerät	1	
2	2B001557	Leitung Pumpe vorn. ABS-Steuergerät	1	
3	2B001558	Leitung Bremssättel vorn. ABS-Steuergerät	1	
4	2B001556	Leitung Bremssättel hint. ABS-Steuergerät	1	
5	2B001555	Leitung Pumpe hint. ABS-Steuergerät	1	
6	AP8113004	Ausgleichscheibe 10x14x1,6*	8	
7	AP8113003	Fixierschraube Ölschlauch *	4	
8	854973	Bremslichtschalter	1	
9	AP8221023	T-Buchse	3	
10	AP8120030	Gummi	3	
11	AP8152279	TE Schr. m. Flansch M6x20	3	
12	AP8150015	Ausgleichscheibe 6,6x18x1,6*	3	
13	2B001016	Halterung ABS-Steuergerät	1	
14	2B001564	Halteplatte Bremsschlauch	1	
15	2B001614	Fixierplatte Führungs	1	
16	959559	TCEI Schraube M4x16	1	
17	GU03658330	Schelle	1	
18	895709	TCEI Schraube M5x12	1	
19	AP8150451	Selbstsperr.mut Unt.	1	
20	GU03658201	Ring	1	
21	2B001570	Halteplatte Bremsschlauch	1	
22	2B000276	Klammer	2	

Einheit	MOTOR
Code	34.09
Beschreibung	Getriebe kpl. I
Inspektion	1



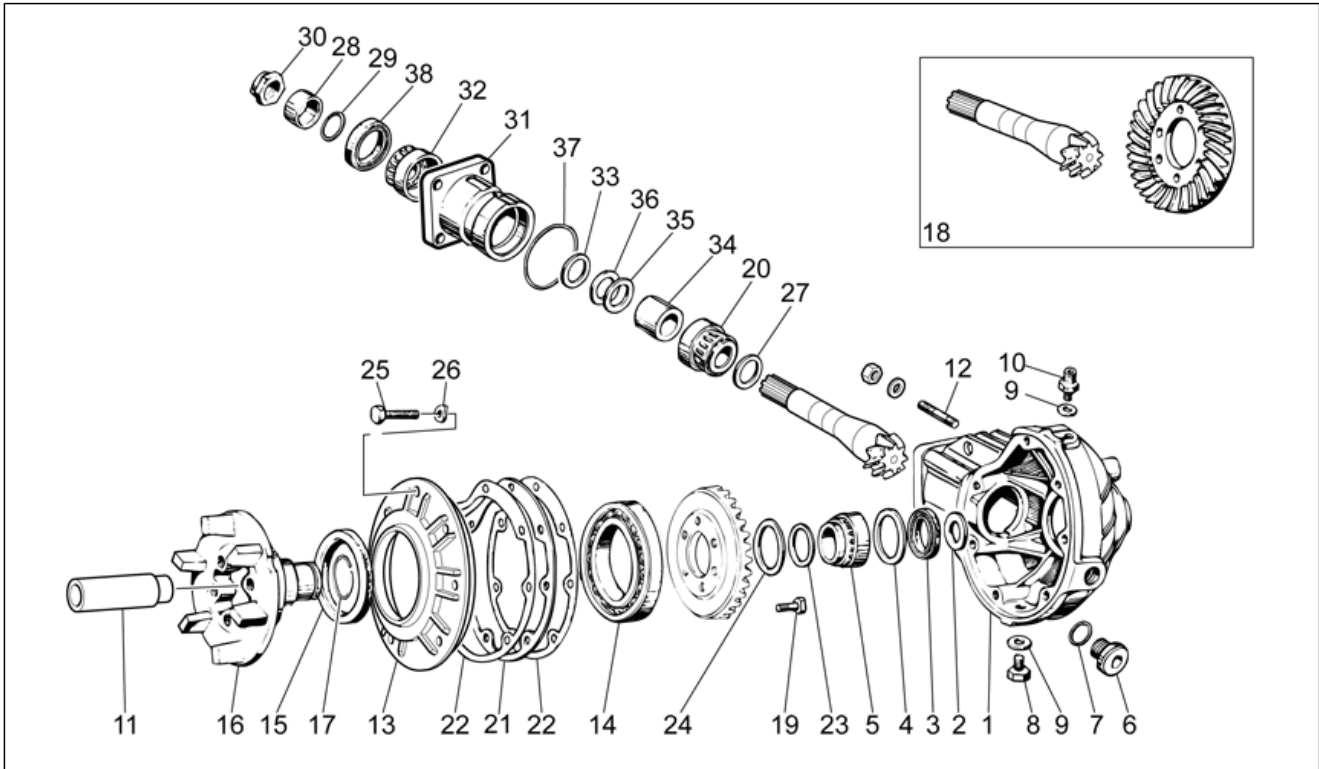
Pos.	Code	Beschreibung	Menge	Varianten
1	976941	Antriebsgehäuse kpl. Schwartz	1	
2	GU31327783	Hülse	1	
3	GU19328801	Hülse	1	
4	GU90272023	Seegerring	1	
5	GU19327601	Scheibe	1	
6	GU94321099	Feder	1	
7	GU23328081	Kardanwelle	1	
8	GU23548080	Schutzring	1	
9	GU23548180	Feder	1	
10	AP8120246	Schelle D=60-80	1	
11	2B001959	Schwinge, schwarz	1	
12	GU19547000	Bolzen	2	
13	GU35214300	Scheibe	1	
14	GU31547882	Mutter	2	
15	GU31544181	Bolzen	1	
16	GU98680545	Schraube M10x45	1	
17	GU95008210	Ausgleichscheibe 10,2X18X2	1	
18	GU92606210	Mutter M10x1,5	1	
19	860651	Hutmutter M8x1,25	4	
20	GU14615901	Ausgleichscheibe 8,4X13X0,8	4	
21	GU93180105	Deckel	2	
22	GU95005308	Ausgleichscheibe 8,4x14,57x1,6	4	
23	GU03922280	Deckel 5x9	1	

Einheit	MOTOR
Code	34.10
Beschreibung	Getriebe kpl. II
Inspektion	1



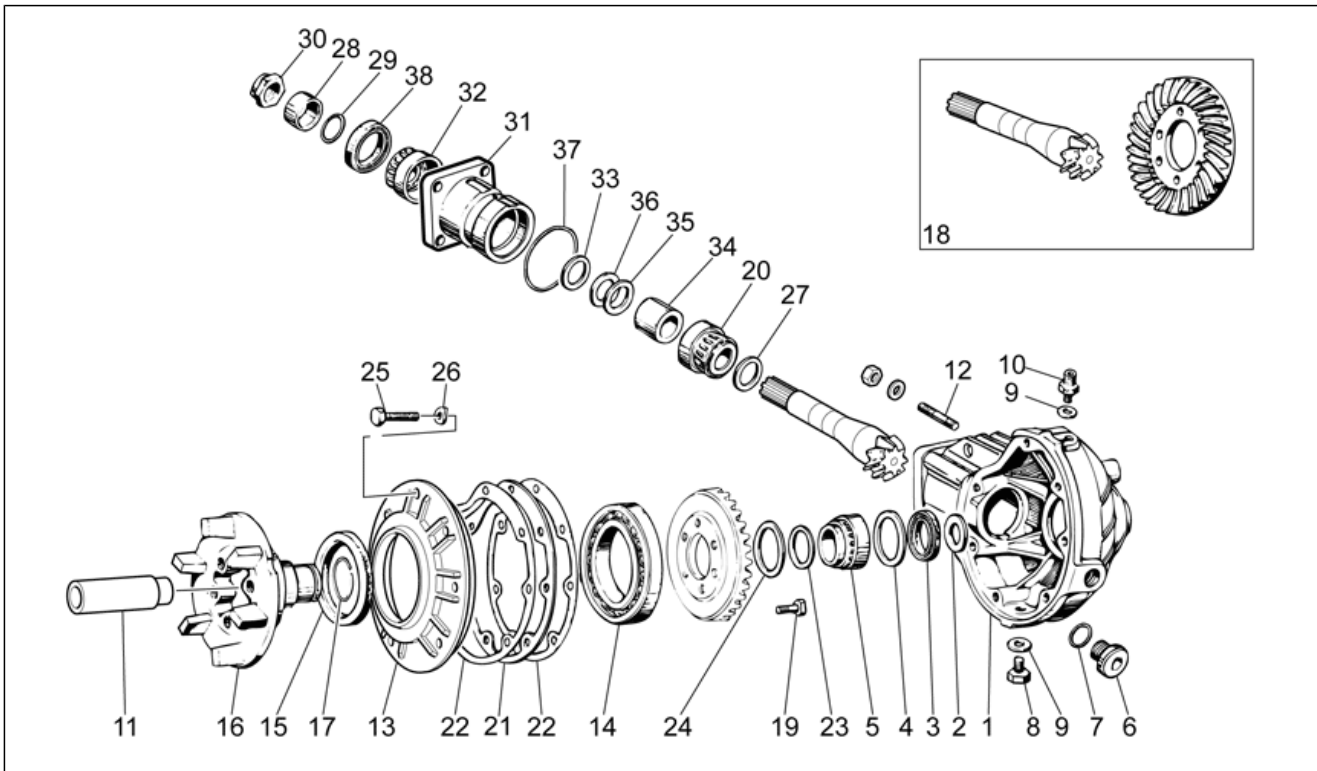
Pos.	Code	Beschreibung	Menge	Varianten
1	976608	Kraftübertragungsgehäuse schw.	1	
2	GU19351900	Bundscheibe	1	
3	GU90403549	Gasket ring 35x47x7	1	
4	GU19351100	Bundscheibe	1	
5	GU92252235	Rollenlager 35x50x17	1	
6	GU12022600	Ölschraube	1	
7	GU90706203	O-Ring 20,24X2,62	1	
8	GU31003766	Ölablaßschraube M10x1	1	
9	GU01528930	Dichtung 10x18x1,5	2	
10	GU19206501	Entlüftungsschraube	1	
11	GU32633560	Distanzscheibe	1	
12	GU96508055	Stiftschraube	4	
13	GU32350410	Deckel	1	
14	GU92201070	Kugellager 70x110x13	1	
15	GU90407591	Gasket ring 75x95x10	1	
16	GU32351410	Bolzen	1	
17	GU90353030	Sperring	1	
18	GU32354610	Teilerradsatz 8/33	1	
19	GU03067730	Schraube M8x25	6	
20	GU92249227	Rollenlager 25x5	1	
21	GU19355400	Scheibe 0,8 mm	1	
21	GU19355402	Scheibe 0,9 mm	1	
21	GU19355404	Scheibe 1 mm	1	
21	GU19355406	Scheibe 1,1 mm	1	
21	GU19355408	Scheibe 1,2 mm	1	
21	GU19355410	Scheibe 1,3 mm	1	
21	GU19355411	Scheibe 1,4 mm	1	
21	GU19355412	Scheibe 1,5 mm	1	

Einheit	MOTOR
Code	34.10
Beschreibung	Getriebe kpl. II
Inspektion	1



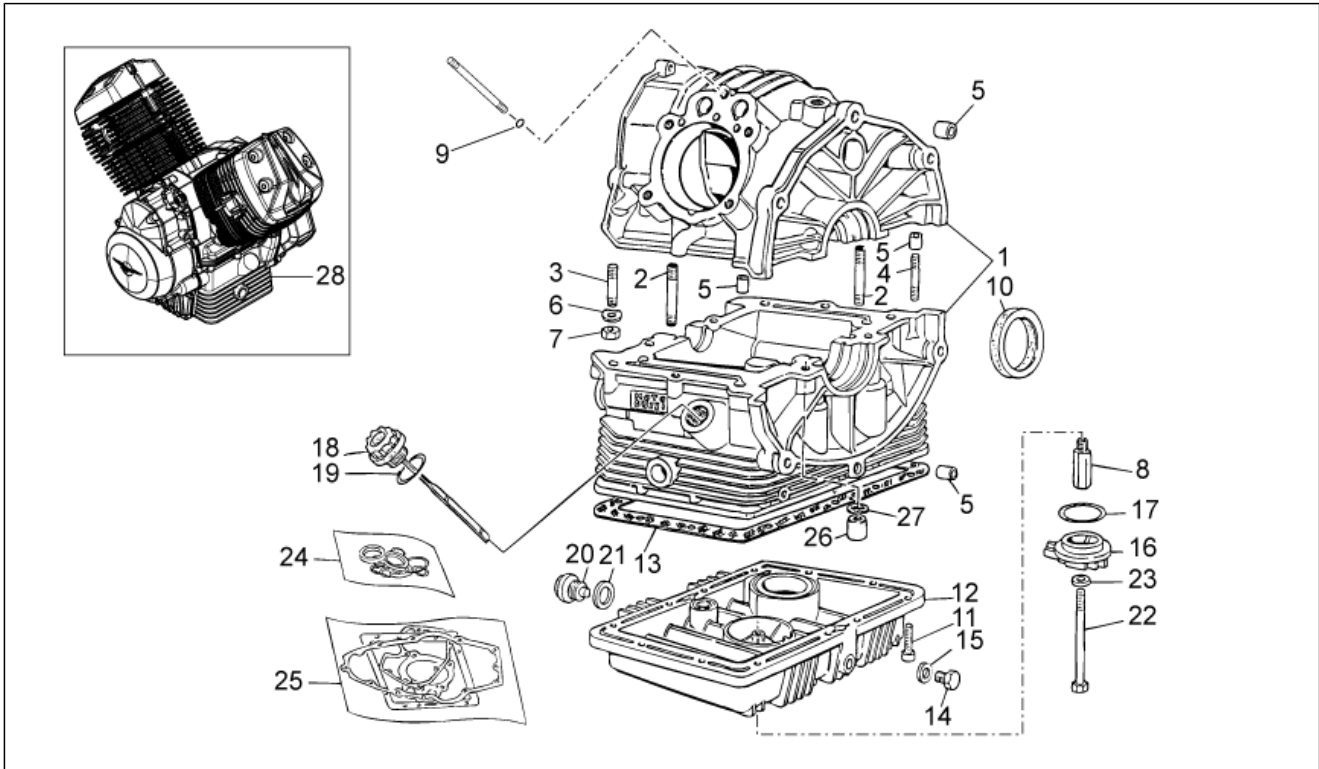
Pos.	Code	Beschreibung	Menge	Varianten
21	GU19355413	Scheibe 1,6 mm	1	
22	GU19350700	Dichtung	2	
23	GU19352300	Zwischenlegscheibe	1	
24	GU19353500	Zwischenlegscheibe	1	
25	GU19357660	Schraube	7	
26	GU61270300	Sprengscheibe 8x15x0,3	7	
27	GU19355320	Scheibe 1 mm	1	
27	GU19355321	Scheibe 1,1 mm	1	
27	GU19355322	Scheibe 1,2 mm	1	
27	GU19355323	Scheibe 1,3 mm	1	
27	GU19355324	Scheibe 1,4 mm	1	
27	GU19355325	Scheibe 1,5 mm	1	
27	GU19355326	Scheibe 1,6 mm	1	
27	GU19355327	Scheibe 1,7 mm	1	
27	GU19355328	Scheibe 1,8 mm	1	
27	GU19355329	Scheibe 1,9 mm	1	
28	GU19356801	Distanzscheibe	1	
29	GU90706188	Gasket ring 18,77X1,78	1	
30	GU19356700	Mutter	1	
31	GU20352421	Flansch	1	
32	GU92249220	Rollenlager 20x47x14	1	
33	GU19355300	Scheibe 1 mm	1	
33	GU19355301	Scheibe 1,1 mm	1	
33	GU19355302	Scheibe 1,2 mm	1	
33	GU19355303	Scheibe 1,3 mm	1	
33	GU19355304	Scheibe 1,4 mm	1	
33	GU19355305	Scheibe 1,5 mm	1	
33	GU19355306	Scheibe 1,6 mm	1	

Einheit	MOTOR
Code	34.10
Beschreibung	Getriebe kpl. II
Inspektion	1



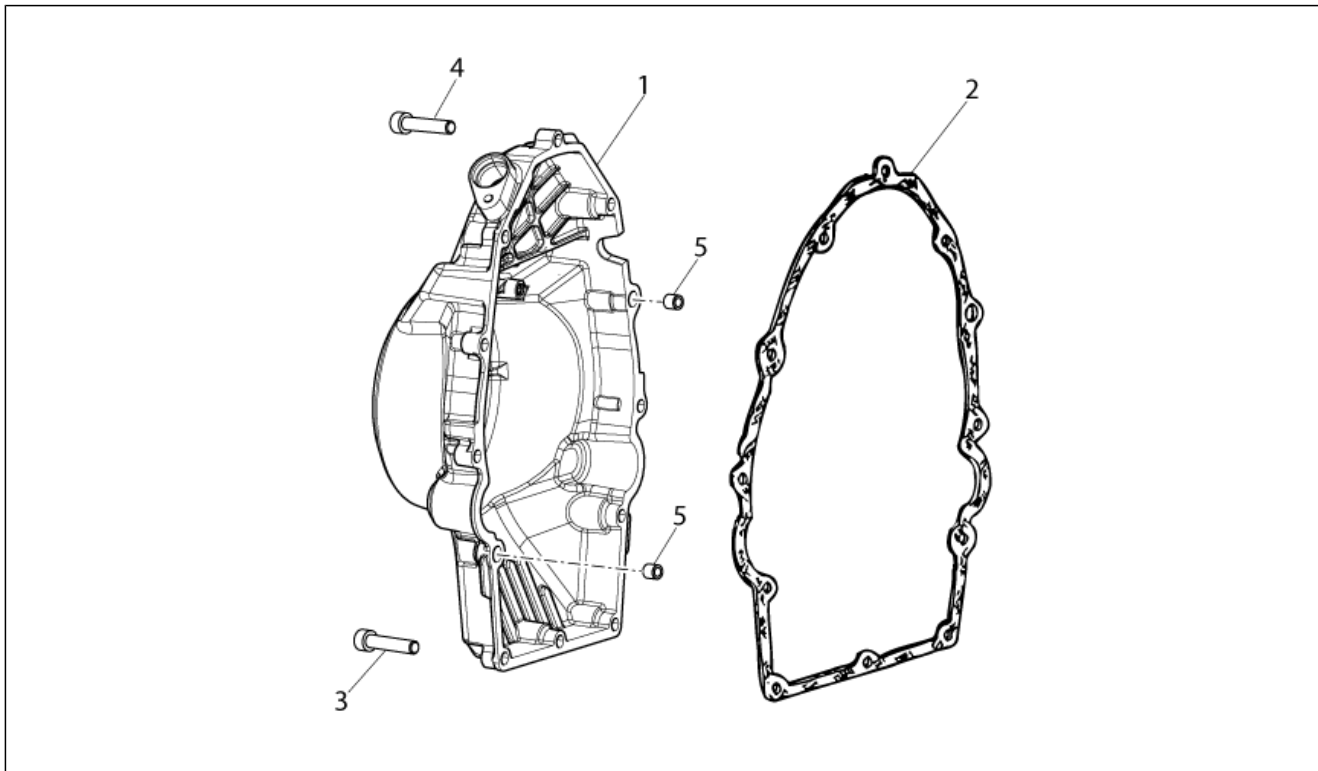
Pos.	Code	Beschreibung	Menge	Varianten
33	GU19355307	Scheibe 1,7 mm	1	
33	GU19355308	Scheibe 1,8 mm	1	
33	GU19355309	Scheibe 1,9 mm	1	
34	GU20355121	Distanzscheibe	1	
35	GU19355200	Passscheibe 0,1 mm	1	
36	GU19355202	Passscheibe 0,15 mm	1	
37	GU90706584	Dichtung 58,42x2,62	1	
38	GU90403251	Gasket ring 32x47x10	1	

Einheit	MOTOR
Code	34.34
Beschreibung	Gehäuse
Inspektion	1



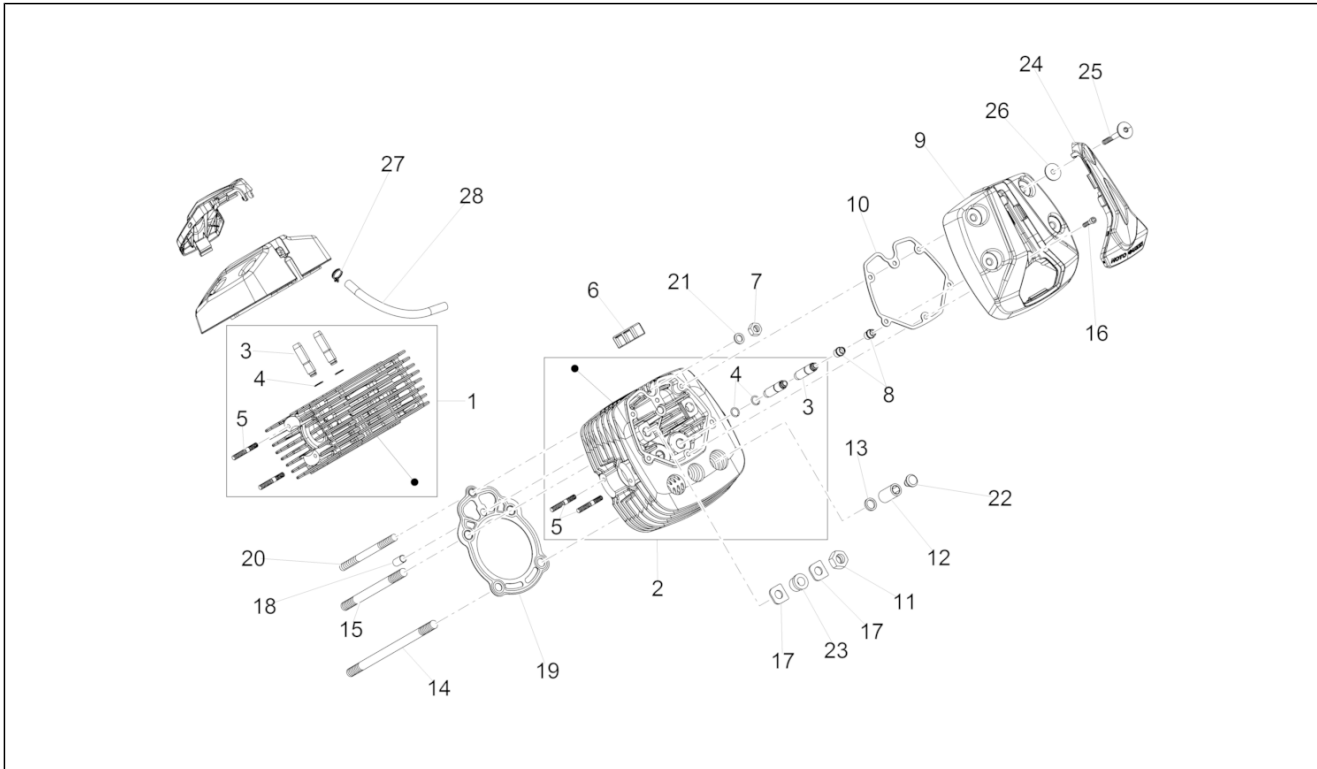
Pos.	Code	Beschreibung	Menge	Varianten
1	2A0002355	Komplettes motorengehäuse	1	
2	GU96451560	Stiftschraube	4	
3	GU96451430	Stiftschraube	4	
4	GU96508055	Stiftschraube	2	
5	GU19015020	Buchse	4	
6	GU61270300	Sprengscheibe 8x15x0,3	6	
7	GU92606208	Mutter M8x1,25	6	
8	GU19003800	Anschluss	1	
9	GU90706076	O-Ring	2	
10	886365	Gasket ring	1	
11	GU98682325	TCEI Schraube M6x25	12	
12	976604	Ölwanne grau schwarz	1	
13	887004	Ölwannendichtung	1	
14	GU31003766	Ölablaßschraube M10x1	1	
15	GU10528900	Dichtung	1	
16	976685	Deckel	1	
17	GU90706444	O-Ring	1	
18	883826	Öleinfüllschraube	1	
19	GU90706281	O-Ring 28,24x2,62	1	
20	GU12003702	Ölablaßschraube	1	
21	GU95100709	Dichtung 20,1x28x2	1	
22	GU27152885	Schraubbolzen	1	
23	GU12154200	Dichtung 8,25x15x1	1	
24	GU32999510	Dichtungssatz	1	
25	GU32999010	Dichtungen - Satz	1	
26	GU13021900	Säulenmutter	4	
27	GU95129180	Ausgleichscheibe 10,5X18X0,8	4	
28	2L0002405	Motor kpl.ohneSchaltgetriebe	1	

Einheit	MOTOR
Code	34.35
Beschreibung	Steuer Deckel
Inspektion	1



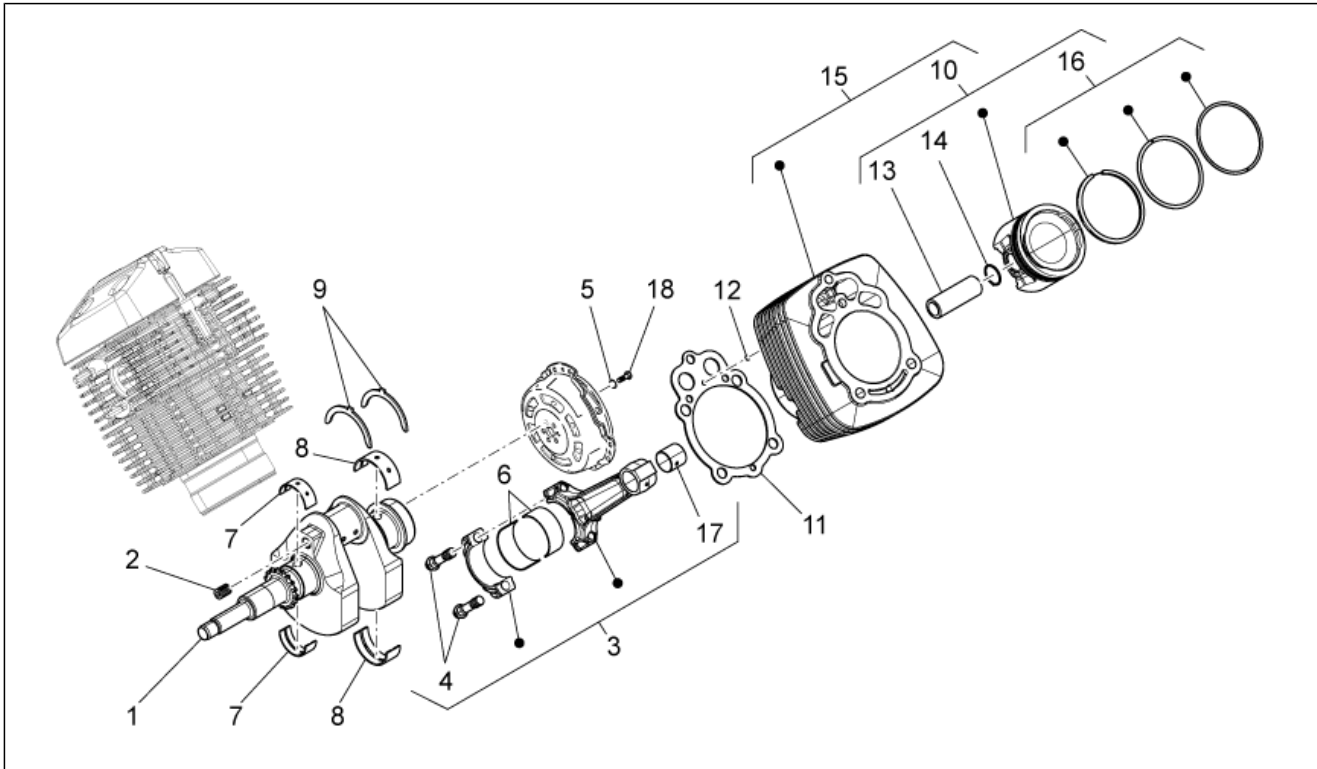
Pos.	Code	Beschreibung	Menge	Varianten
1	2A000085	Deckel	1	
2	887003	Deckeldichtung Kupplungsseite	1	
3	GU98682325	TCEI Schraube M6x25	10	
4	GU98682330	TCEI Schraube M6x20	2	
5	GU19002020	Buchse 6,6x9x13	2	

Einheit	MOTOR
Code	34.36
Beschreibung	Zylinderkopf
Inspektion	1



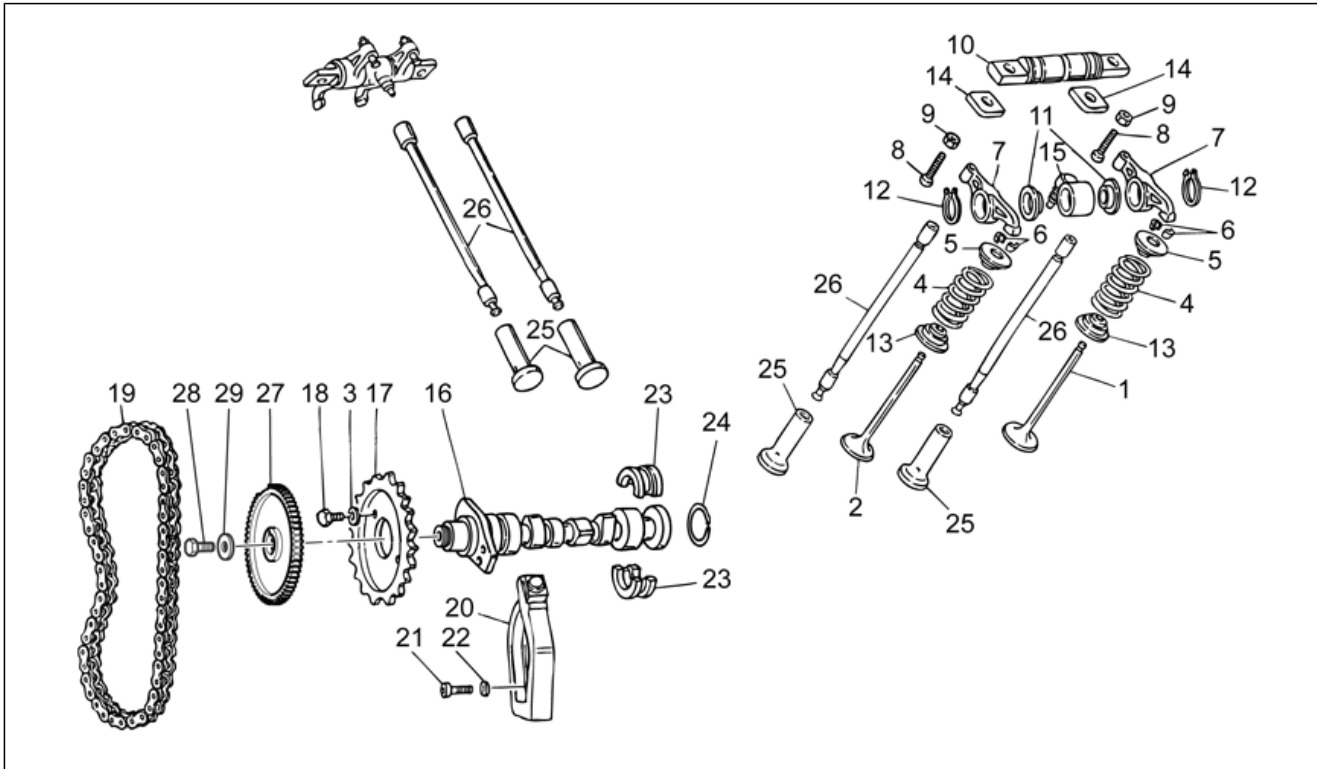
Pos.	Code	Beschreibung	Menge	Varianten
1	8872724	Kopf rechts	1	
2	8872754	Kopf links	1	
3	GU61036801	Ventilführung	4	
4	GU90353009	Sprengring	4	
5	GU96506042	Stiftschraube	4	
6	B063111	Schwingungsdämpfender Dübel	4	
7	GU19021920	Mutter	2	
8	GU19037820	Ölabstreifring	4	
9	887523	Kopfdeckel	2	
10	887002	Kopf Deckel Dichtung	2	
11	GU92603010	Mutter M10X1,5	4	
12	GU13021900	Säulenmutter	4	
13	GU95129180	Ausgleichscheibe 10,5X18X0,8	4	
14	GU96510214	Stiftschraube M10x214	4	
15	GU96510181	Stiftschraube M10x182	4	
16	GU98692325	TCEI Schraube M6x25	4	
17	GU19032980	Scheibe	8	
18	GU19021360	Buchse	2	
19	B063099	Dichtung Kopf-Zylinder	2	
20	976898	Stiftschraube M8x140	2	
21	GU61270300	Sprengscheibe 8x15x0,3	2	
22	GU93180245	Deckel	4	
23	AP8144071	Gummi auspuffrohr	1	
24	887279	Zündkerzendeckel	2	
25	887483	Schrauben Zylinderkopfdeckel M6x52.5	8	
26	969973	Ausgleichscheibe	8	
27	AP8201358	Schelle D 11,9	1	
28	2B001204	Entlüftungsschlauch	1	

Einheit	MOTOR
Code	34.37
Beschreibung	Kurbelwelle kpl.
Inspektion	1



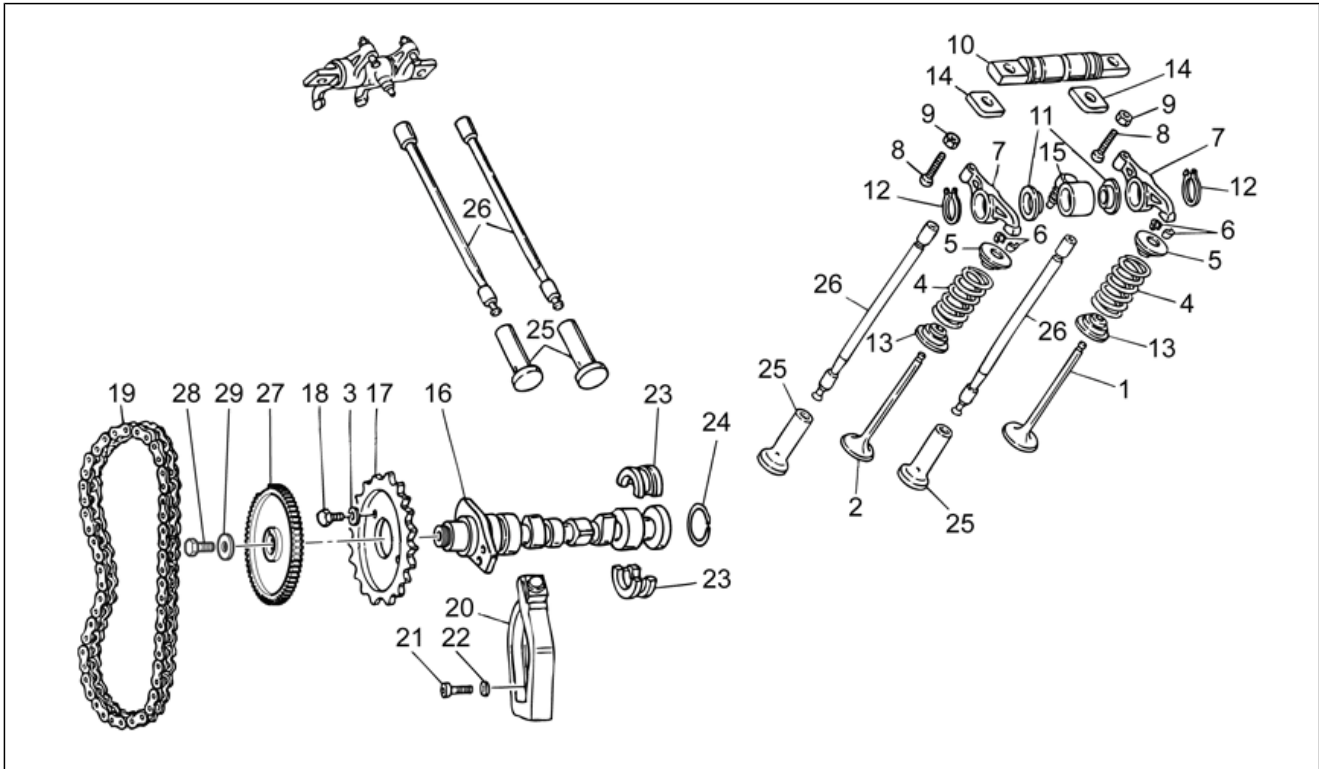
Pos.	Code	Beschreibung	Menge	Varianten
1	2A0000995	Kurbelwelle	1	
2	GU19065400	Deckel	1	
3	GU27061585	Baugruppe Pleuelstange kplt.	2	
4	GU19062261	Schraube	4	
5	GU14615901	Ausgleichscheibe 8,4X13X0,8	6	
6	GU27062060	Halbsch. Bronzebchs.	4	
7	GU27065660	Vord.Hauptlager	2	
8	GU27066560	Hilt.Hauptlager	2	
9	GU27066460	Halb-Klemme	2	
10	8872690001	Kolben kompl. D.80 Cat. D	1	
10	8872690002	Kolben kompl. D.80 Cat. E	1	
10	8872690003	Kolben kompl. D.80 Cat. F	1	
11	886670	Zylinderdichtung	2	
12	GU61027200	O-Ring	2	
13	B063016	Bolzen	2	
14	874567	Sperring	4	
15	B063465	Kolben mit Zylinder kpl.	2	
16	B063466	Kolbenring-Satz	2	
17	GU27061885	Buchse	2	
18	GU19067700	Schraube	6	

Einheit	MOTOR
Code	34.38
Beschreibung	Steuer
Inspektion	1



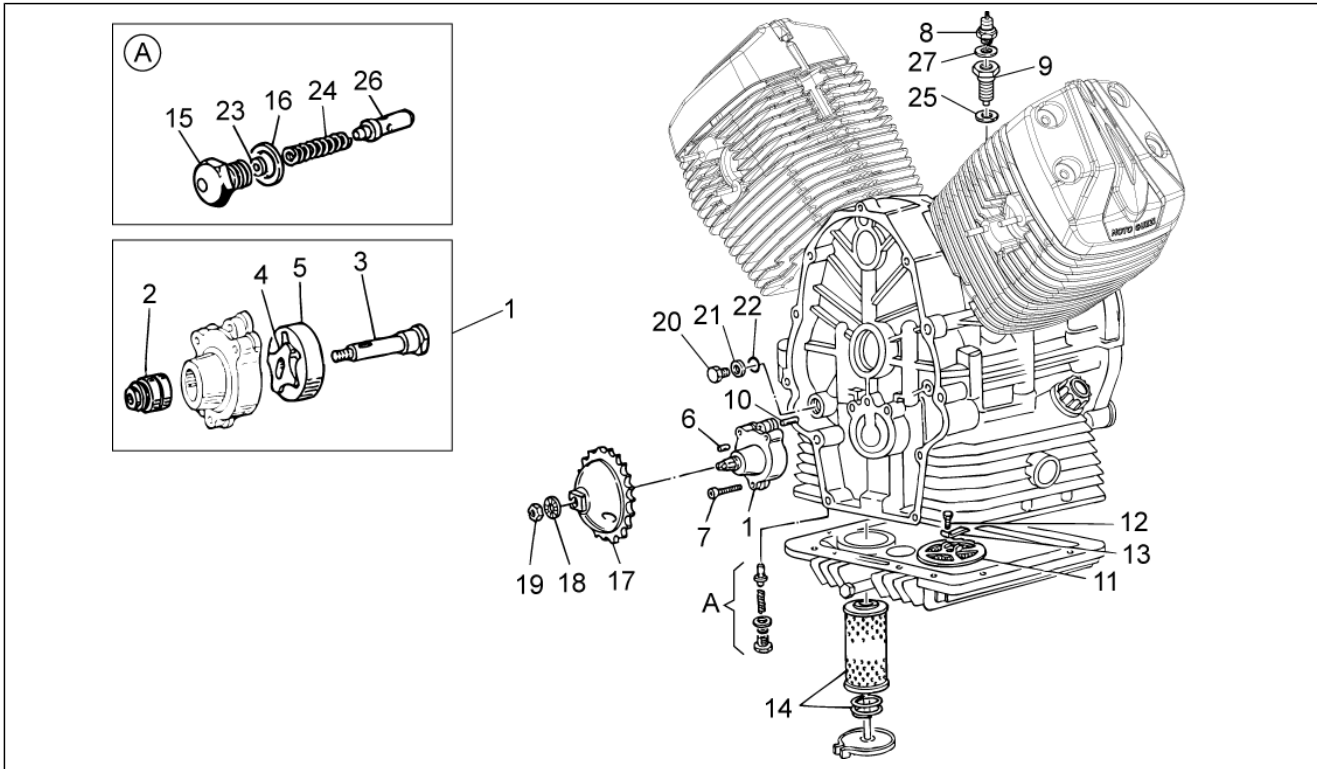
Pos.	Code	Beschreibung	Menge	Varianten
1	2A000146	Ein. ventil	2	
2	2A000147	Auslassventil	2	
3	GU23217800	Sicherungsblech	2	
4	GU27037521	Feder	4	
5	GU31038015	Obere Manschette	4	
6	GU61038100	Halbkegel	8	
7	GU19030500	Kipphebel	4	
8	GU19034000	Schraube	4	
9	GU92602406	Mutter M6x1	4	
10	GU19032080	Kipphebel-Federwelle	2	
11	GU32032310	Zwischenlegscheibe	4	
12	GU90271018	Seegerring	4	
13	GU31037015	Untere Manschette	4	
14	GU19032980	Scheibe	4	
15	GU19027500	Hülse	2	
16	GU32053410	Nockenwelle	1	
17	GU32054510	Zahnrad Ventilsteuerung	1	
18	GU61054900	Schraubbolzen	2	
19	GU19058021	Steuerkette	1	
20	GU19058220	Kettenspanner	1	
21	GU98882316	Schraube	1	
22	GU95129115	Ausgleichscheibe	1	
23	GU19055700	Sektor	2	
24	GU90353029	Sprengring	1	
25	GU19045861	Ventilstassel	4	
26	GU31045015	Kipphebelstange	4	
27	887528	Wheel speed sensor, LH front	1	
28	GU98054422	Schraube M8x22	1	

Einheit	MOTOR
Code	34.38
Beschreibung	Steuer
Inspektion	1



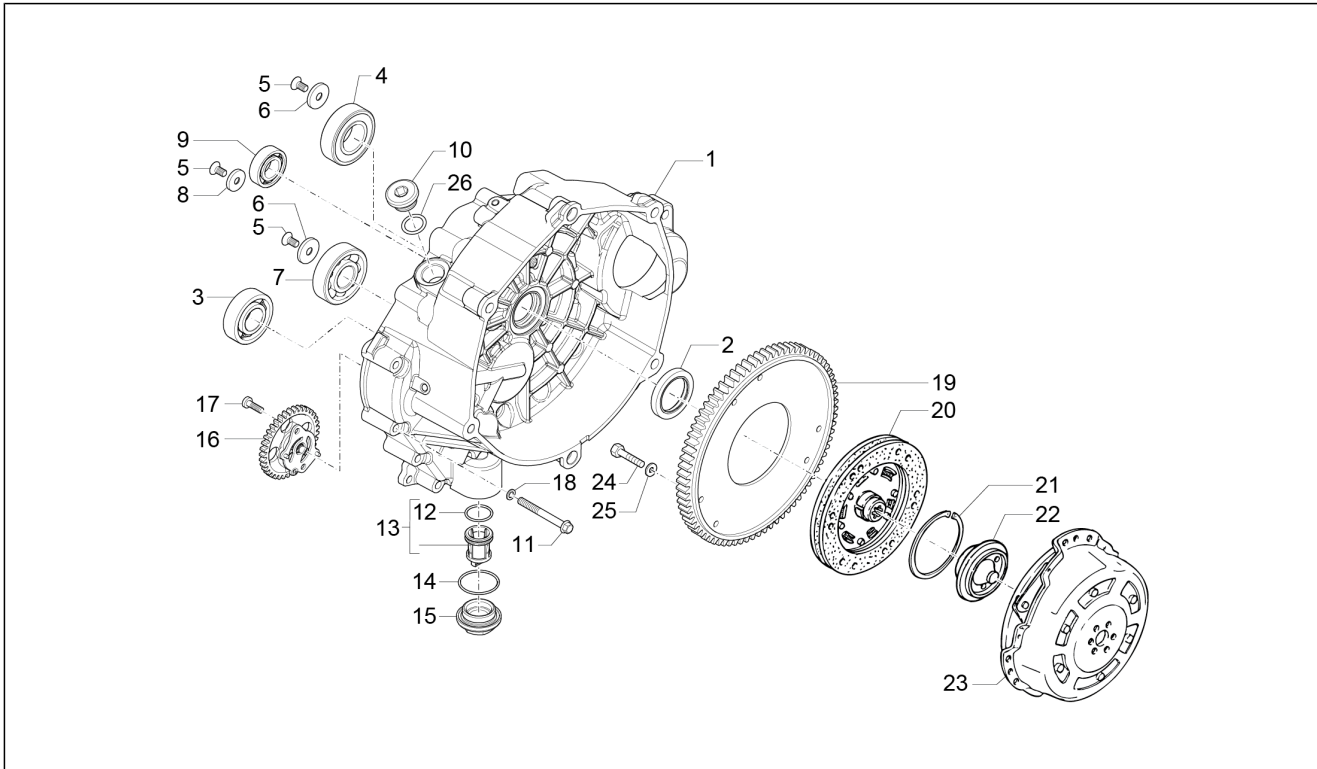
Pos.	Code	Beschreibung	Menge	Varianten
29	GU95100244	Ausgleichscheibe	1	

Einheit	MOTOR
Code	34.39
Beschreibung	Ölpumpe
Inspektion	1



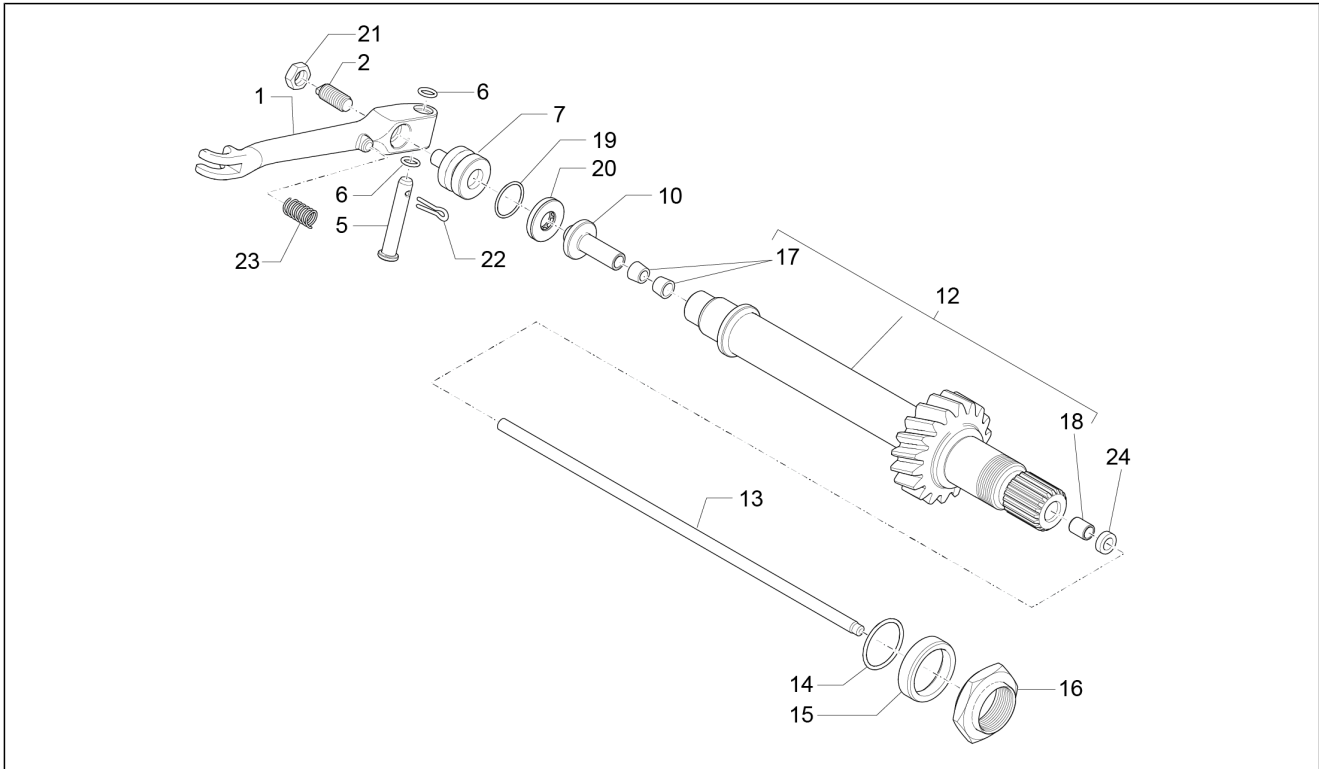
Pos.	Code	Beschreibung	Menge	Varianten
1	GU19146422	Ölpumpe	1	
2	GU92252210	Rollenlager 10x22x20	1	
3	GU20147810	Ölpumpenwelle	1	
4	GU20148410	Innen rotor	1	
5	GU20148610	Aussen rotor	1	
6	GU92296723	Rolle	1	
7	884039	TCEI Schraube M6x35	3	
8	641541	Öldrucksensor	1	
9	887093	Anschluß	1	
10	GU19018920	Stift	2	
11	GU19152200	Ölfiltereinsatz	1	
12	GU98084314	Sechskantschraube M6x14	1	
13	GU95187006	Platte	1	
14	GU27153085	Ölfiltereinsatz	1	
15	GU31159050	Deckel	1	
16	GU18144350	Ausgleichscheibe 18,25x24x1	3	
17	GU20147710	Zahnrad pumpe	1	
18	AP8152220	Scheibe	1	
19	GU92602510	Mutter M10x1,25	1	
20	GU31016050	Deckel	1	
21	GU18161150	Dichtung 14,25	1	
22	GU90706111	O-Ring	1	
23	GU95008206	Ausgleichscheibe 6,15x11x0,8	3	
24	GU94321079	Feder	1	
25	GU95100602	Dichtung	1	
26	GU31159050	Kolben	1	
27	GU95100309	Ausgleichscheibe	1	

Einheit	MOTOR
Code	34.40
Beschreibung	Kupplung I
Inspektion	1



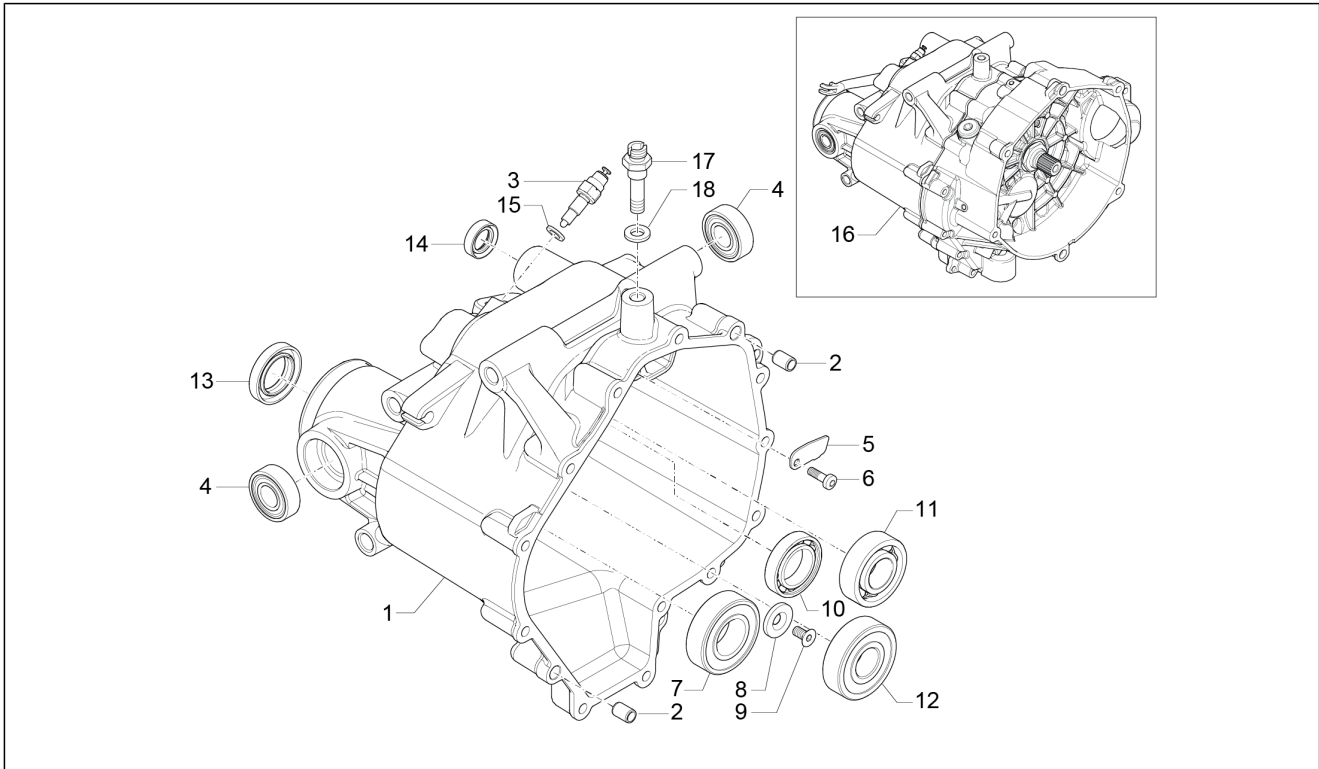
Pos.	Code	Beschreibung	Menge	Varianten
1	2A0003794	Kupplungsglocke	1	
2	886629	Gasket ring	1	
3	848650	Kugellager 20x47x14	1	
4	GU92201226	Kugellager 25x52x15	1	
5	B013608	Schraube	4	
6	873928	Unterlegscheibe	3	
7	GU92201822	Kugellager 20x52x15	1	
8	873905	Unterlegscheibe	1	
9	834764	Lager	1	
10	GU12022600	Ölschraube	1	
11	AP8150045	TCEI Schraube M6x55	14	
12	B017406	O-Ring 20,35x1,78	1	
13	B018020	Ölfiltereinsatz kpl.	1	
14	285536	O-Ring 31,47x1,78	1	
15	B015598	Ölfilter Verschluss	1	
16	B018448	Ölpumpe	1	
17	2A000241	Schraube M5x16	2	
18	GU95008306	Ausgleichscheibe 6,4x12x1,2	14	
19	GU32067910	Zahnkranz	1	
20	GU32084410	Getriebene Kuppl.scheibe	1	
21	GU90272075	Sprengring	1	
22	GU19083462	Neuer Teller	1	
23	GU32080310	Kupplung	1	
24	884038	Sechskantschraube M6x16	6	
25	GU14217901	Scheibe 6,4x10x0,7	6	
26	GU90706203	O-Ring 20,24x2,62	1	

Einheit	MOTOR
Code	34.41
Beschreibung	Kupplung II
Inspektion	1



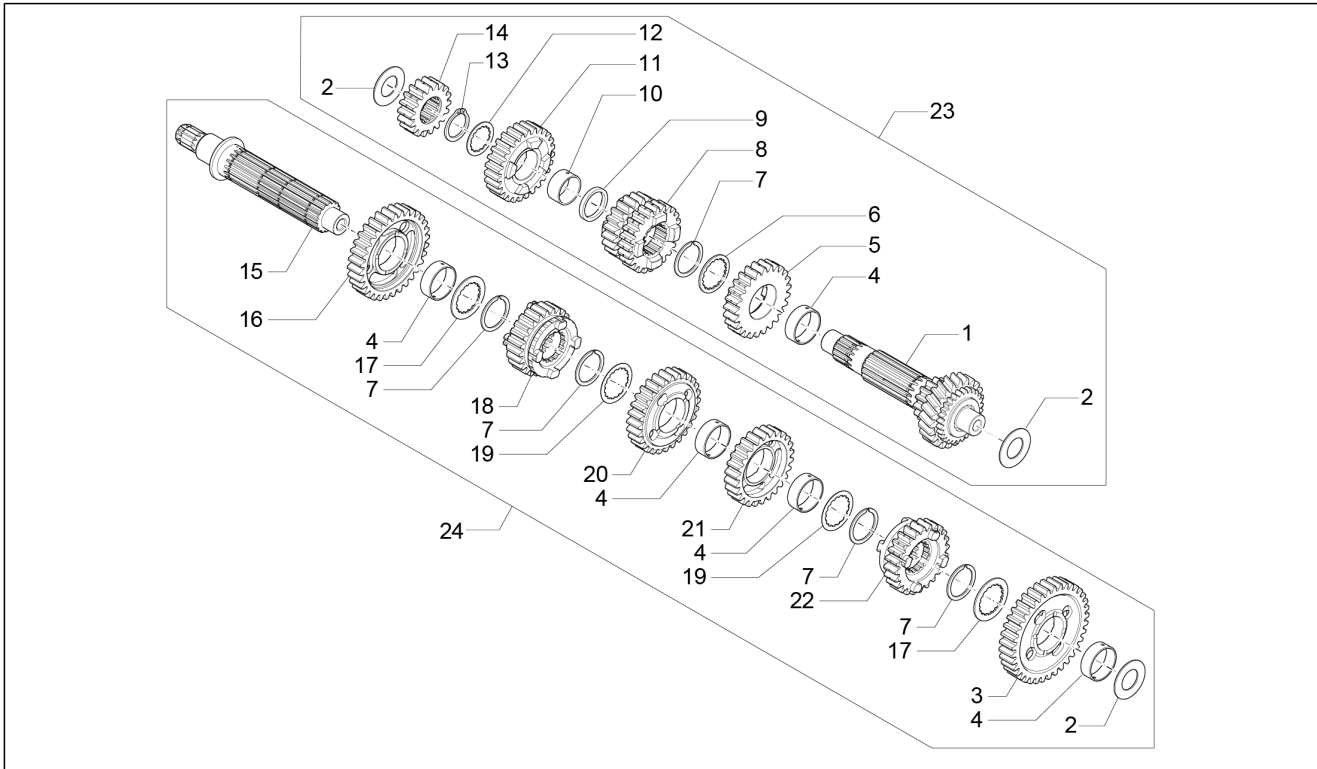
Pos.	Code	Beschreibung	Menge	Varianten
1	2A000383	Ausrueckwelle	1	
2	GU14090400	Regelschraube	1	
5	2A000384	Hebelbolzen	1	
6	2A000385	O-Ring 6.5x1.5	2	
7	GU14086100	Aussengehäuse	1	
10	B013037	Kupplungswelle	1	
12	2A000204	Kupplungswelle Z=18	1	
13	2A000216	Regelstange	1	
14	GU90706235	O-Ring 23,52x1,78	1	
15	GU19213760	Distanzscheibe	1	
16	GU19356760	Mutter	1	
17	GU14085900	Buchse	2	
18	GU05217630	Buchse	1	
19	GU90706170	O-Ring 17,13x2,62	1	
20	2A000376	Drucklager	1	
21	GU92606508	Mutter	1	
22	GU95500222	Splint	1	
23	GU94321105	Rückholfeder Starterhebel	1	
24	2A000378	Gasket ring	1	

Einheit	MOTOR
Code	34.42
Beschreibung	Getriebegehäuse
Inspektion	1



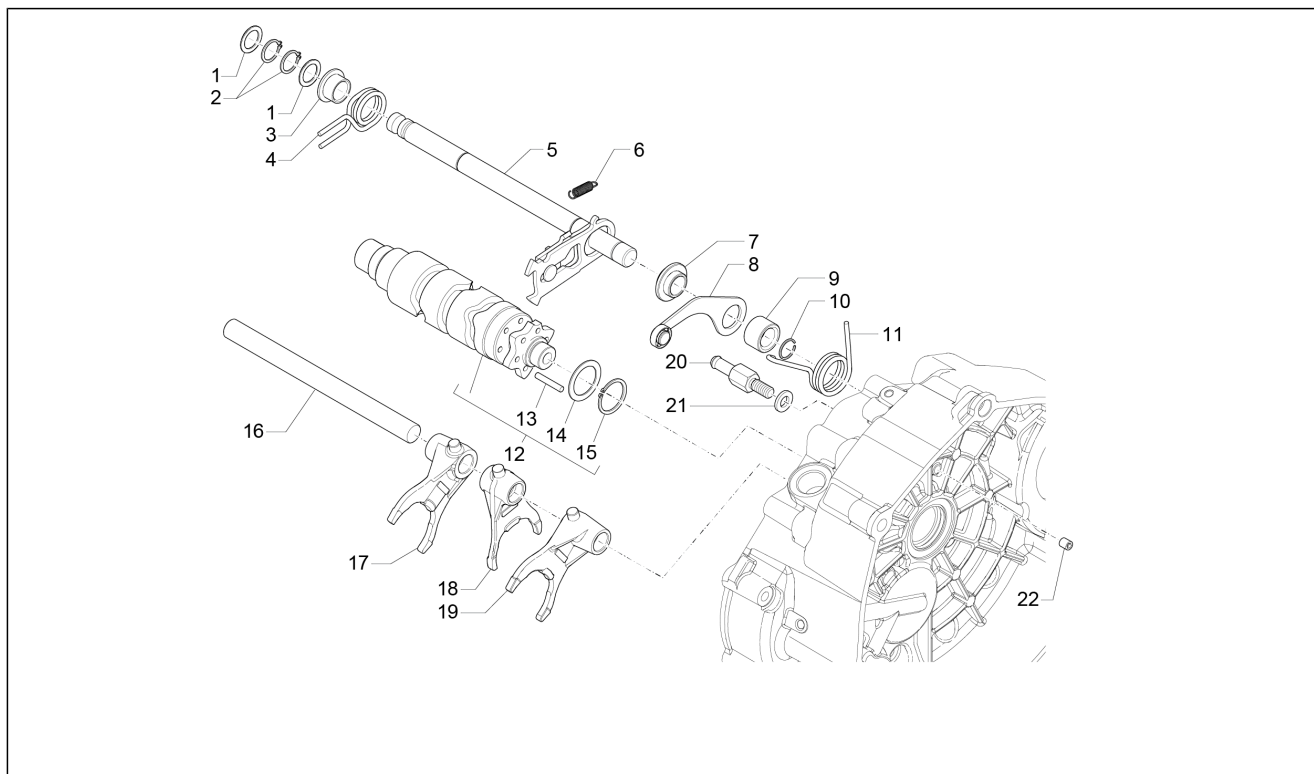
Pos.	Code	Beschreibung	Menge	Varianten
1	2A000210	Getriebegehäuse	1	
2	GU19002020	Buchse 6,6x9x13	2	
3	B063269	Sensor	1	
4	2A000097	Kugellager 6202-2RSH/C3 LHT23	2	
5	2A000306	Anschlagplatte	1	
6	2A000241	Schraube M5x16	1	
7	GU92201226	Kugellager 25x52x15	1	
8	873928	Unterlegscheibe	1	
9	B013608	Schraube	1	
10	857250	Kugellager 25x42x9	1	
11	2A000375	Kugellager	1	
12	GU92201822	Kugellager 20x52x15	1	
13	GU90412541	Gasket ring 25X40X7	1	
14	GU90401424	Gasket ring 14x24x7	1	
15	B063025	Dichtung 8,7x14,2x1,3	1	
16	2A000196	Schaltgetriebe kpl.	1	
17	2A000438	Entlüftungsschraube	1	
18	GU01528930	Dichtung 10x18x1,5	1	

Einheit	MOTOR
Code	34.43
Beschreibung	Schaltgetriebe
Inspektion	1



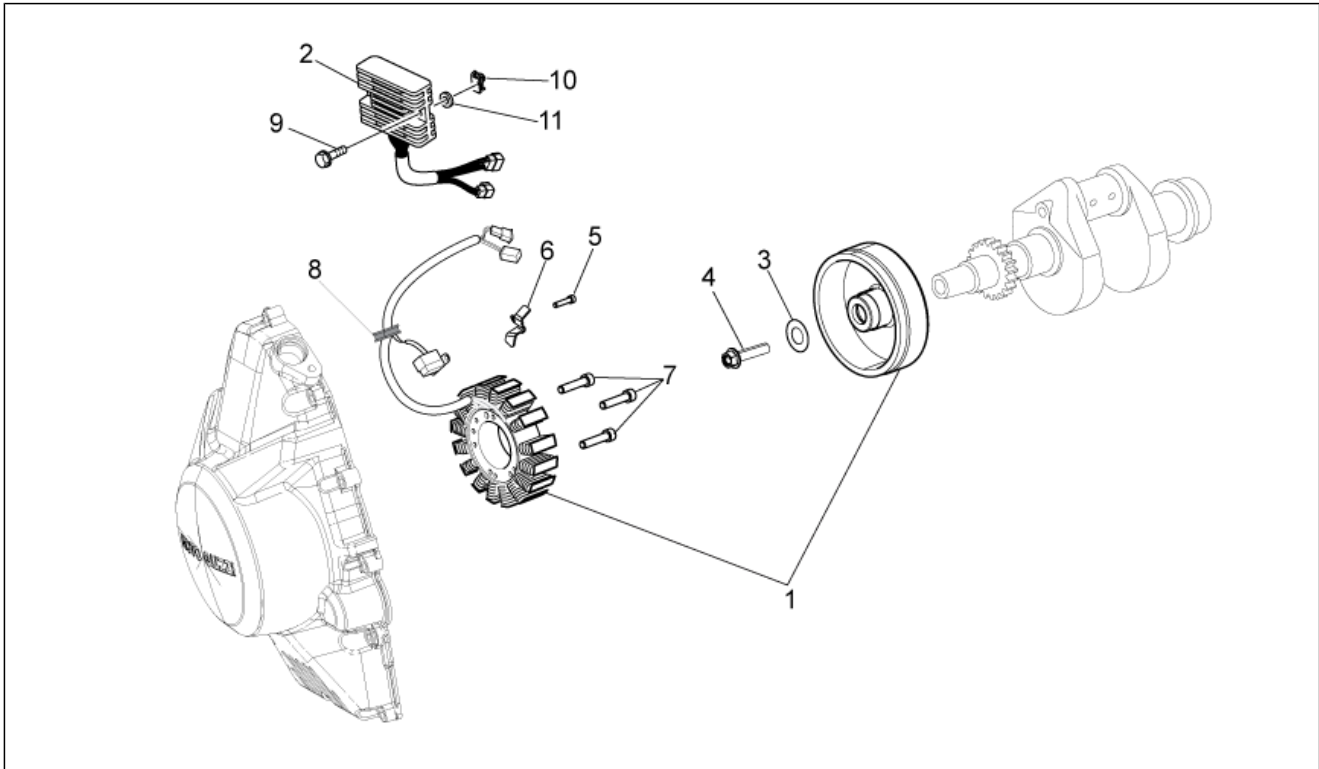
Pos.	Code	Beschreibung	Menge	Varianten
1	2A000230	Vorgelegewelle	1	
2	1A000566	Rondella di spallamento	3	
3	B017470	Zahnrad 1.gang	1	
4	849308	Buchse Beweglich	5	
5	1A000360	Schnellgangrad	1	
6	849424	Bundscheibe	1	
7	1A002604	Welle Sprengring	5	
8	1A000436	Zahnrad 3a - 4a vel.	1	
9	B015040	Rondella di spallamento	1	
10	974162	Buchse Beweglich	1	
11	1A000361	Zahnrad 6.Hauptwelle	1	
12	849396	Bundscheibe	1	
13	974165	Sprengring	1	
14	1A000365	Zahnrad 2.Hauptwelle	1	
15	2A000203	Albero cambio secondario	1	
16	1A000366	Wechselrad 2. gang Z=32	1	
17	849309	Bundscheibe	2	
18	1A000370	Zahnrad 6. Gang Z=24	1	
19	849310	Bundscheibe	2	
20	1A000367	Wechselrad 3. gang Z=28	1	
21	1A000368	Wechselrad 4. gang Z=26	1	
22	1A000369	Wechselrad 5. gang Z=24	1	
23	2A000199	Getriebeeingangsw. komp.	1	
24	2A000202	Getriebeabtriebsw.	1	

Einheit	MOTOR
Code	34.44
Beschreibung	Schaltgabel
Inspektion	1



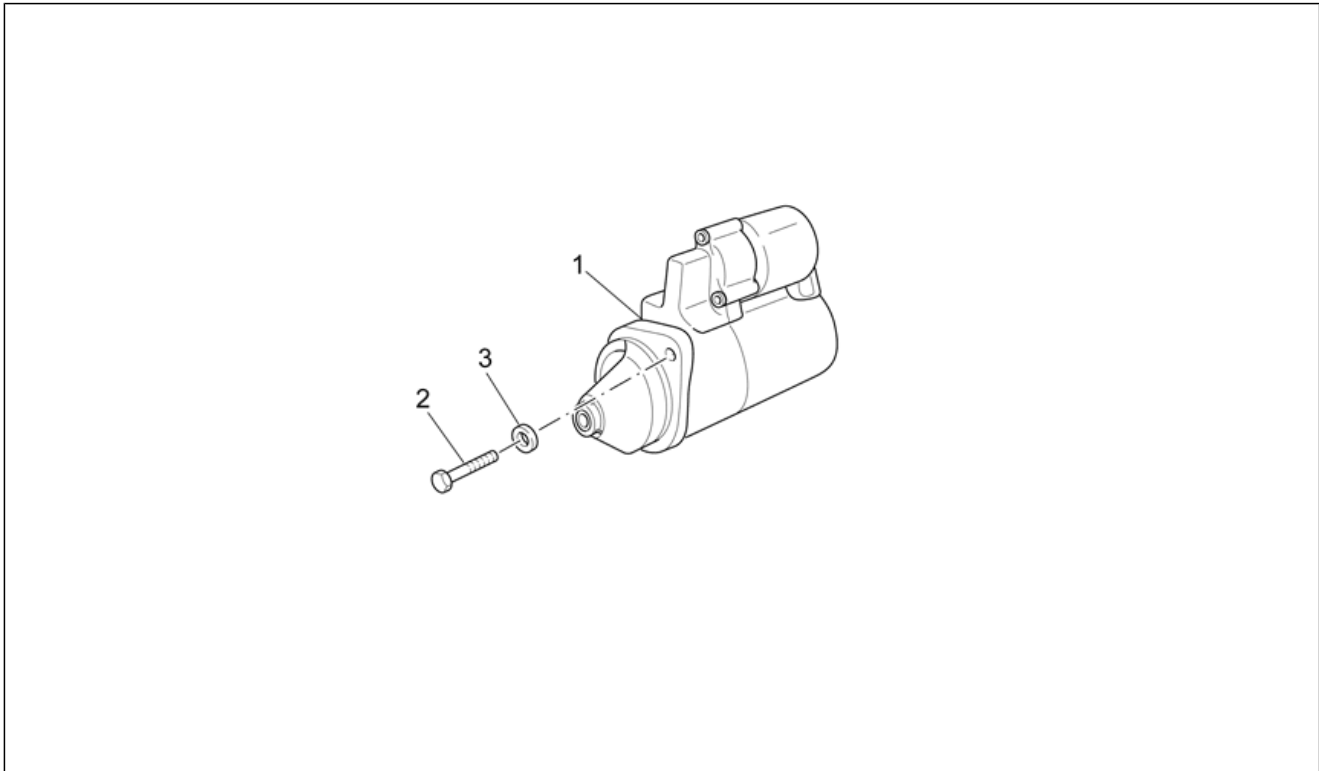
Pos.	Code	Beschreibung	Menge	Varianten
1	GU05239330	Anlaufscheibe	2	
2	GU90271014	Seegerring	2	
3	GU05238131	Distanzscheibe	1	
4	B063956	Feder	1	
5	2A000219	Schaltautomat	1	
6	GU05238231	Feder	1	
7	GU05238431	Buchse	1	
8	B064112	Indexhebel kpl.	1	
9	GU05234230	Distanzscheibe	1	
10	GU90353014	Seegerring	1	
11	B064113	Index feder	1	
12	2A000222	Verschiebenocken kpl.	1	
13	GU05234631	Stift	6	
14	GU05235531	Scheibe	1	
15	GU90271022	Seegerring	1	
16	2A000224	Stange	1	
17	2A000226	Schaltgabel 2-3 Gang	2	
18	2A000227	Forchetta 5-6 v.tà	1	
19	2A000225	Forchetta per albero secondario	1	
20	2A000416	Vite di fermo	1	
21	B063025	Dichtung 8,7x14,2x1,3	1	
22	862560	Spezia mutter	1	

Einheit	MOTOR
Code	34.45
Beschreibung	Drehstromgenerator - Regler
Inspektion	1



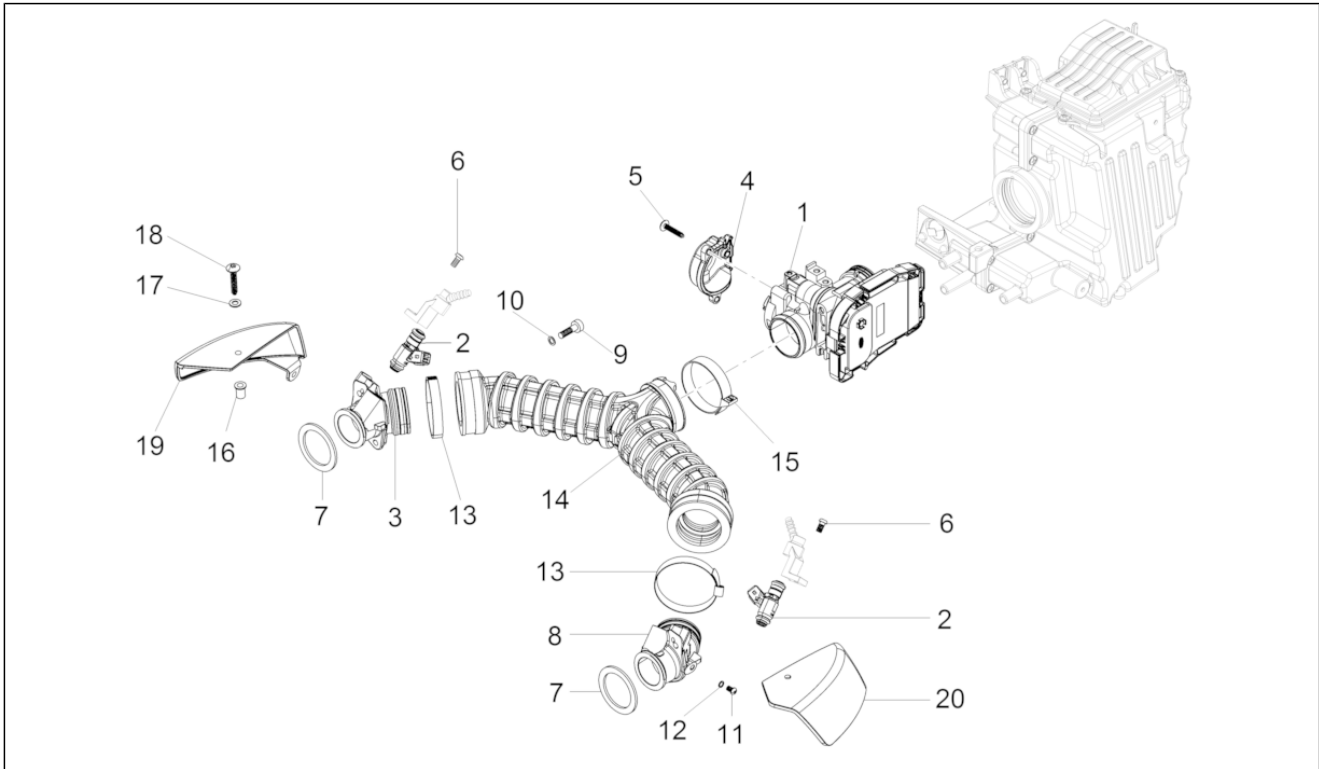
Pos.	Code	Beschreibung	Menge	Varianten
1	2D000024	Schwungrad Mag. klp.	1	
2	2D000043	Spannungsregler	1	
3	897478	Unterlegscheibe 12x26.5x3	1	
4	857206	TE Schr. m. Flansch M12X1,25X50	1	
5	GU98682212	TCEI Schraube M5x12	1	
6	2A000115	Platte	1	
7	2A000129	Flache Innensechskantschraube M6x35	3	
8	GU19007700	Gummi	1	
9	AP8152281	TE Schr. m. Flansch M6x30	2	
10	254485	Plattchen M6	2	
11	GU95100125	Ausgleichscheibe	2	

Einheit	MOTOR
Code	34.46
Beschreibung	Startermotor
Inspektion	1



Pos.	Code	Beschreibung	Menge	Varianten
1	GU05730730	Startermotor Bosch	1	
2	GU98682435	TCEI Schraube	2	
3	GU95008208	Ausgleichscheibe 8,4X15X1,5	2	

Einheit	MOTOR
Code	34.47
Beschreibung	Klappenkörper
Inspektion	1



Pos.	Code	Beschreibung	Menge	Varianten
1	CM228306	Einspritzsteuergerät	1	
2	B063049	Injektor	2	
3	GU32115010	Ansaugkrümmer rechts	1	
4	880260	Klappenkörper Schutz	1	
5	B016796	Linienkopfschraube Torx	3	
6	AP8152298	TBEI Schraube m.Flansch M5x16	2	
7	GU32115510	Dichtung	2	
8	GU32115011	Ansaugkrümmer links	1	
9	GU98622322	Schraube	4	
10	GU03013800	Ausgleichscheibe 6,4x12	4	
11	884029	TBEI Schraube M6x10	2	
12	GU95100116	Ausgleichscheibe 6,25x10x1,5	2	
13	884311	Schelle D.61	2	
14	2B001031	Muffe Drosselklappe	1	
15	884310	Schelle D.55	1	
16	GU93231605	Vibrierenfende Buchse	4	
17	GU30577800	U-scheibe Nylon 5,5X12X1	4	
18	GU98370515	Schraube	4	
19	978938	Rechter Deckel yerchrome	1	
20	978939	Deckel li.	1	