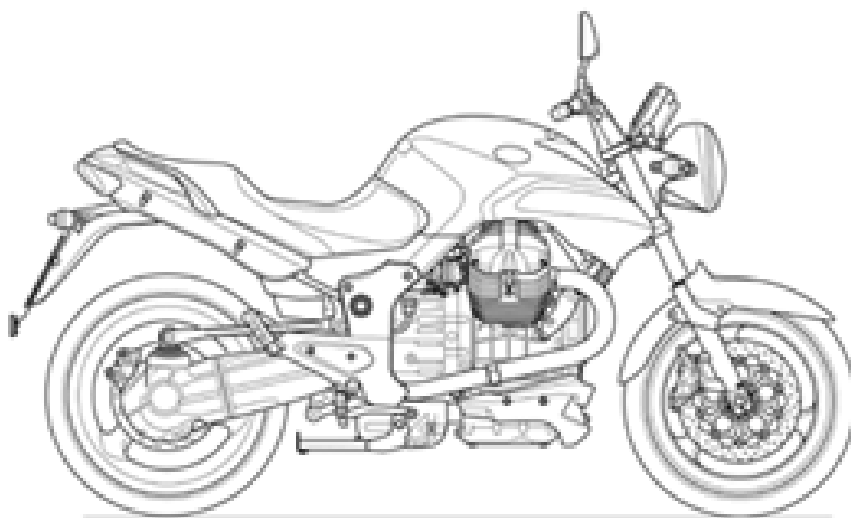




PIAGGIO & C.s.p.a.



## CATÁLOGO DE PIEZAS DE REPUESTO



### **Breva V IE 1100 2005-2007**

Prefijo chasis: ZGULP0, ZGULPA, ZGULPC

Prefijo motor:

*BREVA*

**GU077**



## Índice

Productos terminados.....	4
Índice alfanumérico.....	5
<b>BASTIDOR.....</b>	<b>12</b>
Tabla 33.01 - BASTIDOR.....	12
Tabla 33.02 - Caballetes.....	13
Tabla 33.03 - Estribos I.....	15
Tabla 33.04 - Estribos II.....	16
Tabla 33.05 - Palanca cambio.....	17
Tabla 33.06 - Dirección.....	18
Tabla 33.07 - HORQUILLA DELANTERA.....	19
Tabla 33.08 - BRAZO OSCILANTE TRASERO.....	21
Tabla 33.09 - Transmisión cpl.....	22
Tabla 33.10 - Trans.cpl.-Caja.....	23
Tabla 33.11 - Trans.cpl.-Par cónica.....	24
Tabla 33.12 - Varilla y amortiguador trasero.....	25
Tabla 33.13 - Depósito gasolina.....	26
Tabla 33.14 - Carrocería del. - Canalización.....	28
Tabla 33.15 - Guardab. Delant.-Puntal.....	29
Tabla 33.16 - Sillín-Carrocería cent.....	30
Tabla 33.17 - Car.tr. - Gdab.....	32
Tabla 33.18 - Carroc.tras. - Cola.....	33
Tabla 33.19 - Salpicadero.....	34
Tabla 33.20 - Manillar - Mandos.....	36
Tabla 33.21 - Bomba freno del.....	38
Tabla 33.22 - Mando embrague cpl.....	39
Tabla 33.23 - Radiador aceite.....	40
Tabla 33.24 - Instalación Blow-by.....	41
Tabla 33.25 - Alimentación.....	42
Tabla 33.26 - Caja del filtro.....	43
Tabla 33.27 - Grupo de escape.....	44
Tabla 33.28 - Bomba gasol. interna.....	45
Tabla 33.29 - RUEDA DELANTERA.....	46
Tabla 33.30 - Pinza freno delantero.....	47
Tabla 33.31 - Rueda trasera.....	48
Tabla 33.32 - Bomba freno tras.....	49
Tabla 33.33 - Pinza freno tras.....	51
Tabla 33.34 - Faro del./Claxon.....	52
Tabla 33.35 - Faro trasero.....	53
Tabla 33.36 - Instalación eléctrica I.....	54
Tabla 33.37 - Instalación eléctrica II.....	56
Tabla 33.38 - Juego cerraduras.....	58
Tabla 33.39 - PLACAS-CALCOMANÍAS.....	59
Tabla 33.57 - Eq.rec. vapores gas.....	62



---

Tabla 33.60 - Eq.freno ABS.....	63
MOTOR.....	64
Tabla 34.40 - Cáster.....	64
Tabla 34.41 - Culata y válvulas I.....	66
Tabla 34.42 - Culata y válvulas II.....	68
Tabla 34.43 - Cigüeñal cpl.....	70
Tabla 34.44 - Distribución.....	72
Tabla 34.45 - Bomba aceite I.....	74
Tabla 34.46 - Bomba aceite II.....	75
Tabla 34.47 - Filtro aceite.....	76
Tabla 34.48 - Embrague.....	77
Tabla 34.49 - Cambio.....	78
Tabla 34.50 - Selector cambio.....	79
Tabla 34.51 - EJE PRIMARIO CAMBIO.....	80
Tabla 34.52 - Eje secundario.....	81
Tabla 34.53 - Eje embrague.....	82
Tabla 34.54 - Generador de corriente.....	83
Tabla 34.55 - Motor arranque.....	84
Tabla 34.56 - Cuerpo válv.estrangulamiento.....	85
HERRAMIENTAS ESPECIALES.....	86
Tabla 36.58 - Herramientas específicas I.....	86
Tabla 36.59 - Herramientas específicas II.....	87



BREVA  
GU077 - Brevia V IE 1100 2005-2007

Prefijo chasis: ZGULP0, ZGULPA, ZGULPC  
Prefijo motor:

## Productos terminados

Código	Validez
9032700US601UNC	
9032700US602UNC	
AP60100EL04	
GU9032700CA701	
GU9032700CA702	
GU9032700US601	
GU9032700US602	
GU9032700US603	



Código	Nº Tabla	Pos.	Código	Nº Tabla	Pos.	Código	Nº Tabla	Pos.
0000000	33.07	26	977522	33.20	26	AP8102375	33.15	3
0000000	33.29	14	977523	33.19	1	AP8102375	33.15	6
0000000	33.31	8	977524	33.19	1	AP8102375	33.17	6
0000000	34.55	5	977556	33.15	1	AP8102375	33.18	4
0000000	34.55	6	977557	33.13	1	AP8102377	33.57	5
0000000	34.55	7	977558	33.13	1	AP8102378	33.57	4
0000000	34.55	8	977559	33.16	2	AP8102502	33.16	12
224202	34.42	8	977560	33.16	5	AP8102520	33.24	4
277916	34.46	2	977561	33.18	1	AP8102523	33.16	11
639542	33.02	32	977562	33.18	2	AP8102524	33.02	17
825597	34.42	9	977571	33.02	26	AP8102678	33.57	1
825597	34.43	24	977577	33.39	15	AP8102764	33.25	4
849131	34.43	14	977578	33.39	16	AP8102765	33.24	17
883045	33.09	7	977579	33.39	14	AP8102913	33.16	8
883079	33.27	24	977666	33.38	1	AP8102914	33.16	7
883802	33.20	22	977679	33.20	24	AP8104211	33.26	2
883802	33.20	23	977700	33.01	1	AP8104451	33.13	15
883818	33.37	2	977761	33.37	27	AP8104566	33.20	19
883819	33.37	3	977762	33.37	28	AP8104572	33.20	7
883828	33.17	1	977763	33.39	10	AP8104614	33.57	7
883883	33.29	1	977763	33.39	10	AP8104666	33.13	13
883886	33.31	1	977769	33.37	22	AP8104666	33.57	9
884033	33.32	24	977771	33.37	23	AP8106713	33.22	1
887422	33.28	1	977772	33.37	21	AP8110066	33.12	5
969973	34.41	45	977773	33.37	20	AP8110068	33.12	6
969973	34.42	46	977780	33.20	25	AP8110077	33.06	8
976003	34.43	13	977788	33.01	13	AP8112811	33.37	9
976031	34.43	12	977805	33.01	16	AP8112811	33.37	9
976041	34.40	1	977806	33.01	15	AP8112996	33.32	27
976064	34.43	9	978093	33.01	17	AP8113288	33.32	3
976068	34.41	44	978220	33.38	5	AP8113594	33.32	2
976068	34.42	45	978223	33.36	1	AP8113993	33.21	5
976079	34.42	1	978223	33.37	1	AP8113993	33.22	4
976080	34.42	2	978244	33.36	1	AP8113995	33.21	3
976087	34.42	20	978244	33.37	1	AP8113997	33.22	5
976107	34.42	3	978247	33.39	7	AP8113998	33.22	6
976117	34.43	17	978248	33.39	7	AP8117200	33.37	5
976134	34.46	1	978249	33.16	1	AP8117200	34.55	12
976139	34.41	38	978314	33.20	17	AP8118492	33.20	15
976139	34.42	38	978315	33.20	18	AP8118502	33.20	14
976144	34.41	42	978505	33.37	11	AP8118503	33.20	16
976144	34.42	41	978606	33.21	1	AP8118659	33.22	2
976152	34.42	4	978607	33.22	1	AP8120030	33.26	12
976153	34.42	22	978825	33.28	1	AP8120030	33.36	5
976165	34.46	3	981046	33.22	2	AP8120116	33.25	6
976168	34.46	15	981050	33.21	2	AP8120177	33.37	6
976171	34.43	16	981087	33.19	28	AP8120178	33.32	13
976172	34.43	16	981087	33.38	7	AP8120405	33.35	4
976181	34.42	10	981115	34.47	17	AP8120428	33.26	19
976186	34.43	17	AP4ADN000007	34.40	30	AP8120428	34.56	19
976196	34.43	1	AP4FAN000030	34.54	10	AP8120455	33.18	16
976448	34.46	6	AP8101372	33.23	6	AP8120485	33.11	7
976521	33.27	19	AP8101586	33.24	9	AP8120594	33.15	10
976522	33.27	11	AP8101588	33.24	11	AP8120615	33.26	4
976523	33.27	12	AP8101595	33.13	12	AP8120876	33.26	18
976688	34.45	14	AP8101595	33.17	15	AP8120912	33.05	3
976688	34.46	17	AP8101595	33.26	17	AP8120912	33.32	20
977041	33.32	14	AP8101595	33.32	5	AP8120952	33.13	14
977056	33.31	10	AP8101595	33.57	10	AP8120952	33.17	14
977079	33.02	10	AP8101595	34.49	15	AP8120952	33.57	6
977080	33.02	31	AP8101861	33.03	13	AP8120952	34.49	16
977093	33.02	28	AP8101944	33.57	11	AP8120965	33.13	11
977149	33.25	10	AP8101968	33.32	16	AP8120965	33.57	13
977292	33.02	26	AP8102151	33.24	3	AP8121032	34.55	14
977408	33.02	30	AP8102151	33.32	28	AP8121096	33.18	15
977472	33.39	7	AP8102239	33.25	7	AP8121098	33.11	6
977473	33.39	7	AP8102375	33.14	9	AP8121133	33.03	12



Código	Nº Tabla	Pos.
AP8121155	33.12	10
AP8121170	33.27	17
AP8121205	33.06	9
AP8121207	33.06	4
AP8121218	33.09	4
AP8121221	33.05	2
AP8121221	33.32	19
AP8121467	33.02	2
AP8121567	33.03	1
AP8121804	33.13	6
AP8121915	33.22	9
AP8121927	33.32	23
AP8121994	33.02	15
AP8123641	33.06	7
AP8123642	33.06	5
AP8123643	33.06	3
AP8123644	33.06	6
AP8124266	33.37	14
AP8124768	33.37	13
AP8124869	33.37	16
AP8124936	33.19	16
AP8124976	33.35	6
AP8124985	33.19	22
AP8125773	33.29	4
AP8125777	33.29	3
AP8125779	33.29	5
AP8125791	33.29	9
AP8127109	33.34	2
AP8127319	33.02	12
AP8127469	33.29	18
AP8127514	33.34	9
AP8127515	33.34	10
AP8127552	33.34	11
AP8127552	33.35	9
AP8127648	33.20	25
AP8127817	33.28	5
AP8133510	33.21	2
AP8133594	33.21	7
AP8133594	33.22	8
AP8133594	33.33	10
AP8133594	33.60	2
AP8133597	33.33	7
AP8133597	33.60	8
AP8134378	33.27	22
AP8134448	33.17	8
AP8134451	33.03	9
AP8134884	33.57	2
AP8135608	33.12	8
AP8135924	33.12	4
AP8140190	36.59	2
AP8144007	33.05	7
AP8144007	33.32	25
AP8144030	33.02	21
AP8144038	33.26	16
AP8144046	33.37	15
AP8144069	33.25	5
AP8144071	33.27	23
AP8144164	33.26	7
AP8144538	33.16	3
AP8144553	33.37	7
AP8144707	33.34	19
AP8145034	33.03	6
AP8145035	33.03	8
AP8149034	33.17	20
AP8150015	33.02	14
AP8150046	33.04	12
AP8150046	34.40	16

Código	Nº Tabla	Pos.
AP8150255	33.19	4
AP8150292	33.02	22
AP8150292	33.12	13
AP8150413	33.14	3
AP8150421	33.19	15
AP8150421	33.26	13
AP8150432	33.01	11
AP8150462	33.05	5
AP8150462	33.32	22
AP8150509	33.19	5
AP8150509	33.24	7
AP8152001	33.02	16
AP8152043	34.44	21
AP8152055	33.18	14
AP8152147	33.12	12
AP8152238	33.19	20
AP8152242	33.09	5
AP8152267	33.17	9
AP8152272	33.31	12
AP8152273	33.25	2
AP8152273	33.32	30
AP8152274	33.25	9
AP8152277	33.03	3
AP8152277	33.37	12
AP8152278	33.19	23
AP8152278	33.22	11
AP8152278	33.26	20
AP8152278	33.29	19
AP8152278	33.31	13
AP8152278	33.32	12
AP8152278	34.48	14
AP8152279	33.02	13
AP8152279	33.26	10
AP8152279	33.32	4
AP8152279	33.36	4
AP8152282	33.36	7
AP8152285	33.34	15
AP8152286	33.34	15
AP8152287	33.15	8
AP8152290	33.34	15
AP8152291	33.13	7
AP8152291	34.40	46
AP8152292	33.18	8
AP8152298	33.06	14
AP8152298	33.25	1
AP8152298	33.35	2
AP8152298	34.41	21
AP8152298	34.42	21
AP8152298	34.56	6
AP8152299	33.16	10
AP8152299	33.17	22
AP8152299	33.36	29
AP8152300	33.04	6
AP8152300	33.34	18
AP8152301	33.01	8
AP8152301	33.12	11
AP8152302	33.14	8
AP8152302	33.15	2
AP8152302	33.18	6
AP8152306	33.17	11
AP8152306	33.17	19
AP8152306	33.35	7
AP8152318	33.08	2
AP8152320	33.33	2
AP8152329	33.17	4
AP8152329	33.26	9
AP8152329	33.32	10

Código	Nº Tabla	Pos.
AP8152329	33.37	4
AP8152329	33.57	3
AP8152334	33.19	21
AP8152339	33.04	8
AP8152339	33.14	5
AP8152339	33.15	7
AP8152339	33.16	4
AP8152339	33.17	5
AP8152339	33.18	3
AP8152339	33.19	13
AP8152384	33.06	10
AP8152385	33.30	7
AP8152396	33.12	16
AP8152397	33.12	9
AP8152398	33.12	2
AP8152409	33.03	2
AP8152410	33.09	3
AP8152482	33.12	15
AP8178918	33.02	3
AP8201124	33.13	2
AP8201301	33.32	17
AP8201358	33.24	16
AP8201808	33.17	16
AP8201808	33.33	12
AP8202238	33.33	11
AP8202238	33.60	10
AP8212702	33.35	5
AP8213113	33.33	8
AP8213113	33.60	9
AP8220150	33.19	3
AP8220162	33.04	14
AP8220263	33.57	8
AP8220283	33.37	19
AP8220526	33.04	15
AP8220546	33.37	17
AP8221023	33.26	11
AP8221023	33.36	6
AP8221036	33.06	15
AP8221036	33.35	3
AP8221128	33.15	9
AP8221145	33.32	11
AP8221204	33.02	18
AP8221211	33.02	19
AP8221227	33.01	12
AP8221277	33.03	5
AP8221307	33.01	9
AP8221317	33.02	4
AP8221318	33.02	5
AP8224164	33.17	10
AP8224164	33.17	18
AP8224462	33.37	18
AP8258253	33.17	17
AP8706527	33.20	6
B045021	33.20	11
B063025	34.49	11
B063858	33.38	1
B063859	33.38	3
GU00823923140	33.02	23
GU00823950050	33.32	6
GU00823955080	33.24	8
GU01003651	34.40	24
GU01037030	34.41	40
GU01037030	34.42	10
GU01038060	34.41	13
GU01038060	34.42	13
GU01038160	34.41	14
GU01038160	34.42	14



Código	Nº Tabla	Pos.	Código	Nº Tabla	Pos.	Código	Nº Tabla	Pos.
GU01038730	34.41	10	GU04082800	34.48	5	GU05100238	33.13	1
GU01051730	34.44	8	GU04084100	34.48	1	GU05102930	33.13	16
GU01051730	34.44	8	GU04084100	34.48	1	GU05103830	33.26	5
GU01054001	34.44	5	GU04086100	34.48	10	GU05103930	33.13	8
GU01062030	34.43	16	GU05000730	34.40	1	GU05103930	33.38	2
GU01062031	34.43	16	GU05001231	34.40	14	GU05107230	33.28	1
GU01062032	34.43	16	GU05001430	34.40	15	GU05107430	33.28	3
GU01062033	34.43	16	GU05001630	34.40	21	GU05112530	34.56	1
GU01062230	34.43	14	GU05002130	34.40	40	GU05112830	34.56	2
GU01067930	34.43	22	GU05003130	34.40	25	GU05113530	33.26	6
GU01106090	33.28	2	GU05003530	34.40	27	GU05113730	33.26	3
GU01106692	33.25	3	GU05003630	34.40	26	GU05114031	33.26	1
GU01108490	33.28	4	GU05004930	34.40	34	GU05114130	33.26	8
GU01114390	34.56	14	GU05005730	34.47	4	GU05114430	34.56	17
GU01121030	33.27	4	GU05007230	34.40	18	GU05115030	34.56	3
GU01154230	33.23	2	GU05007330	34.40	36	GU05115031	34.56	8
GU01154230	33.24	15	GU05011830	34.40	42	GU05115730	34.56	4
GU01161331	33.23	3	GU05020830	34.43	9	GU05117530	33.20	17
GU01161331	33.24	14	GU05021831	34.41	42	GU05117830	33.20	18
GU01163500	34.47	5	GU05022130	34.41	1	GU05120930	33.27	1
GU01163600	34.47	8	GU05022132	34.41	1	GU05120931	33.27	2
GU01163700	34.47	7	GU05022230	34.41	2	GU05121630	33.27	10
GU01528930	33.10	13	GU05022232	34.41	2	GU05122930	33.27	20
GU01528930	33.10	8	GU05023430	34.41	37	GU05123930	33.27	13
GU01528930	34.40	33	GU05023430	34.42	37	GU05124230	33.27	14
GU01528930	34.49	9	GU05023530	34.41	36	GU05124330	33.27	26
GU01530501	33.07	12	GU05023530	34.42	36	GU05128230	33.27	18
GU01530503	33.07	24	GU05025330	34.43	23	GU05135830	34.56	20
GU01530509	33.07	27	GU05025331	34.41	17	GU05135930	33.25	8
GU01576530	33.04	3	GU05025331	34.42	17	GU05152230	34.47	3
GU01603480	33.20	13	GU05025930	34.41	39	GU05153430	33.24	1
GU01609630	33.20	21	GU05025930	34.42	39	GU05153630	34.45	8
GU01612190	33.29	11	GU05036030	34.41	6	GU05153630	34.46	10
GU01654630	33.30	3	GU05036030	34.42	6	GU05157430	33.24	2
GU01659130	33.30	5	GU05036131	34.41	5	GU05157630	33.24	10
GU01659131	33.30	6	GU05036131	34.42	5	GU05159330	33.24	13
GU01721600	33.36	20	GU05051730	34.44	8	GU05159630	33.24	5
GU01722700	33.36	22	GU05051730	34.44	8	GU05161631	33.23	5
GU01722701	33.36	22	GU05053331	34.44	3	GU05162030	33.23	1
GU01722702	33.36	22	GU05053530	34.44	22	GU05162031	33.23	1
GU01722703	33.36	22	GU05054530	34.44	9	GU05162331	33.23	4
GU01722704	33.36	22	GU05054531	34.44	9	GU05164230	33.23	11
GU01722705	33.36	22	GU05054531	34.44	9	GU05164630	33.23	7
GU01929100	36.58	7	GU05054532	34.44	9	GU05200231	34.49	5
GU02107100	33.13	5	GU05055230	34.44	20	GU05200531	34.49	1
GU03013800	34.55	16	GU05058030	34.44	16	GU05204930	34.49	8
GU03022055	34.41	20	GU05060130	34.43	1	GU05206530	33.10	12
GU03163330	33.36	26	GU05060230	34.43	2	GU05210631	34.51	1
GU03270300	33.18	9	GU05060630	34.43	3	GU05210731	34.53	1
GU03270300	33.19	8	GU05060730	34.43	4	GU05211030	34.53	12
GU03469201	34.55	15	GU05060930	34.43	5	GU05211131	34.53	8
GU03530510	33.07	17	GU05061030	34.43	6	GU05211231	34.53	10
GU03530524	33.07	8	GU05061530	34.43	13	GU05211331	34.51	10
GU03530525	33.07	7	GU05081830	34.53	5	GU05211431	34.51	7
GU03530526	33.07	6	GU05084430	34.48	3	GU05211530	34.53	13
GU03530527	33.07	5	GU05085730	34.48	6	GU05211630	34.53	14
GU03530528	33.07	4	GU05086330	33.22	10	GU05212031	34.51	4
GU03530550	33.07	16	GU05086330	34.48	13	GU05212631	34.51	9
GU03530551	33.07	9	GU05100230	33.13	1	GU05213631	34.52	1
GU03530553	33.07	14	GU05100230BM	33.13	1	GU05214031	34.52	7
GU03604845	33.22	3	GU05100231	33.13	1	GU05214231	34.52	3
GU03609600	33.20	21	GU05100232	33.13	1	GU05214431	34.52	12
GU03617710	33.29	12	GU05100233	33.13	1	GU05214630	34.51	5
GU03617710	33.31	2	GU05100235	33.13	1	GU05214630	34.52	5
GU03717450	33.36	14	GU05100235BM	33.13	1	GU05214731	34.52	9
GU03749845	33.21	9	GU05100236	33.13	1	GU05215031	34.52	10
GU04067000	34.43	19	GU05100237	33.13	1	GU05215631	34.51	2



Código	Nº Tabla	Pos.	Código	Nº Tabla	Pos.	Código	Nº Tabla	Pos.
GU05217630	34.48	12	GU05479630	33.17	2	GU05613330	33.29	6
GU05220531	34.52	11	GU05490230	33.07	1	GU05613335	33.29	15
GU05230531	34.50	18	GU05490630	33.07	2	GU05614130	33.29	8
GU05230831	34.50	21	GU05490730	33.07	3	GU05615230	33.29	2
GU05232431	34.50	19	GU05493130	33.06	1	GU05630530	33.31	1
GU05232631	34.50	20	GU05494030	33.06	2	GU05630531	33.31	1
GU05234130	34.50	11	GU05504530	33.07	13	GU05632730	33.31	3
GU05234230	34.50	12	GU05525430	33.07	18	GU05634430	33.31	5
GU05234431	34.50	1	GU05526630	33.07	20	GU05635730	33.31	6
GU05234631	34.50	2	GU05530530	33.07	15	GU05638130	33.11	9
GU05234731	34.50	10	GU05530531	33.07	19	GU05652230	33.30	2
GU05234931	34.50	13	GU05530532	33.07	22	GU05652330	33.30	1
GU05235531	34.50	3	GU05530533	33.07	23	GU05653030	33.33	1
GU05236231	34.50	7	GU05530534	33.07	28	GU05654630	33.33	3
GU05238131	34.50	15	GU05530535	33.07	10	GU05657530	33.33	9
GU05238231	34.50	8	GU05530536	33.07	25	GU05658431	33.06	13
GU05238331	34.50	14	GU05540230	33.08	1	GU05658830	33.21	6
GU05238431	34.50	9	GU05547030	33.08	6	GU05659030	33.33	5
GU05239330	34.50	17	GU05547130	33.08	5	GU05659130	33.33	4
GU05251130	33.05	1	GU05547930	33.08	8	GU05659230	33.30	4
GU05256930	33.05	13	GU05548030	33.08	3	GU05660130	33.21	1
GU05257830	33.05	12	GU05550230	33.12	1	GU05661130	33.21	4
GU05258230	33.05	10	GU05556030	33.12	3	GU05663530	33.32	7
GU05326330	33.09	6	GU05562030	33.12	7	GU05666030	33.32	9
GU05351230	33.10	2	GU05562430	33.12	14	GU05666930	33.32	1
GU05352430	33.11	2	GU05570230	33.16	2	GU05677030	33.32	18
GU05354230	33.11	1	GU05570230BM	33.16	2	GU05680530	33.60	5
GU05358030	33.10	6	GU05570231	33.16	2	GU05680830	33.60	4
GU05358130	33.10	5	GU05570232	33.16	2	GU05680930	33.60	7
GU05358230	33.10	7	GU05570233	33.16	2	GU05681030	33.60	1
GU05358330	33.10	1	GU05570430	33.16	5	GU05681130	33.60	6
GU05358530	33.10	15	GU05570430BM	33.16	5	GU05681430	33.29	16
GU05358630	33.10	16	GU05570431	33.16	5	GU05681530	33.31	11
GU05358830	33.09	2	GU05570432	33.16	5	GU05683130	33.60	12
GU05421430	33.01	2	GU05570433	33.16	5	GU05683730	33.31	14
GU05421530	33.01	3	GU05570530	33.15	4	GU05701430	34.54	7
GU05429630	33.02	9	GU05570630	33.15	5	GU05702530	34.54	6
GU05430330	33.02	1	GU05573230	33.18	1	GU05704531	33.37	2
GU05432130	33.02	10	GU05573230BM	33.18	1	GU05704630	33.37	3
GU05432131	33.02	28	GU05573231	33.18	1	GU05712431	34.54	1
GU05432930	33.02	6	GU05573232	33.18	1	GU05716530	33.36	8
GU05433430	33.02	7	GU05573233	33.18	1	GU05716730	33.36	9
GU05433630	33.02	11	GU05573330	33.18	2	GU05717030	33.36	19
GU05433631	33.02	29	GU05573330BM	33.18	2	GU05717430	33.36	18
GU05434330	33.15	1	GU05573331	33.18	2	GU05718330	33.36	13
GU05434330BM	33.15	1	GU05573332	33.18	2	GU05718331	33.36	17
GU05434331	33.15	1	GU05573333	33.18	2	GU05729230	33.36	3
GU05434332	33.15	1	GU05573830	33.16	13	GU05729530	33.36	2
GU05434333	33.15	1	GU05573831	33.16	14	GU05729535	33.36	2
GU05436530	33.33	12	GU05576230	33.14	2	GU05730730	34.55	17
GU05436530	33.60	11	GU05576231	33.14	2	GU05733330	34.55	11
GU05438630	33.17	7	GU05576330	33.14	4	GU05735530	33.38	6
GU05438730	33.17	1	GU05576331	33.14	4	GU05736830	33.38	1
GU05443530	33.04	1	GU05576631	33.14	1	GU05738030	33.20	5
GU05446030	33.04	11	GU05576731	33.14	6	GU05740530	33.34	1
GU05446431	33.04	9	GU05578630	33.34	6	GU05740531	33.34	1
GU05446930	33.04	7	GU05578631	33.34	8	GU05740532	33.34	1
GU05447430	33.04	13	GU05600230	33.20	10	GU05740930	33.35	1
GU05460530	33.16	1	GU05600630	33.20	9	GU05743730	33.34	14
GU05460530	33.16	1	GU05600730	33.20	1	GU05745730	33.19	11
GU05460531	33.16	1	GU05600930	33.20	3	GU05747130	33.36	1
GU05464330	33.18	11	GU05603331	33.20	12	GU05747130	33.37	1
GU05464830	33.18	13	GU05606530	33.22	7	GU05747131	33.36	1
GU05466830	33.16	6	GU05606630	33.22	12	GU05747131	33.37	1
GU05466830	33.38	4	GU05610530	33.29	1	GU05747830	33.37	8
GU05467330	33.18	7	GU05611430	33.29	7	GU05747930	33.37	11
GU05476430	33.14	7	GU05613330	33.29	15	GU05751630	33.35	8





Código	Nº Tabla	Pos.	Código	Nº Tabla	Pos.	Código	Nº Tabla	Pos.
GU05751730	33.35	11	GU12021700	34.43	12	GU25656102	34.45	9
GU05760030	33.19	1	GU12022600	34.41	15	GU25656102	34.46	11
GU05760031	33.19	1	GU12022600	34.42	15	GU28576591	33.17	12
GU05764030	33.19	6	GU12031800	34.41	33	GU28742562	33.37	10
GU05764330	33.19	10	GU12031800	34.42	33	GU29722760	33.36	22
GU05764430	33.19	12	GU12067701	34.43	20	GU29729461	33.36	25
GU05764430	33.19	12	GU12082300	34.48	4	GU30003800	34.47	2
GU05764530	33.19	14	GU12087001	34.48	9	GU30027931	33.26	15
GU05766530	33.19	2	GU12154200	34.45	11	GU30058310	34.44	17
GU05767830	33.19	26	GU12154200	34.46	13	GU30059211	34.44	18
GU05780430	33.19	27	GU12211700	34.53	15	GU30061241	34.43	7
GU05780530	33.17	3	GU12911801	36.58	10	GU30082900	34.48	2
GU05781630	33.07	30	GU12912000	36.58	8	GU30103730	33.13	10
GU05782530	33.19	18	GU12913600	36.58	17	GU30103730	33.57	12
GU05782530	33.38	3	GU13036801	34.41	3	GU30109330	33.27	9
GU05900030	33.39	7	GU13037200	34.41	8	GU30146400	34.45	1
GU05900031	33.39	7	GU13037200	34.42	42	GU30147700	34.45	4
GU05900130	33.39	11	GU13084100	34.48	1	GU30147700	34.46	7
GU05901930	36.58	4	GU13148300	34.45	2	GU30150900	34.47	9
GU05902530	36.58	13	GU13148300	34.46	4	GU30153000	34.47	1
GU05902730	36.59	8	GU14011900	34.40	10	GU30158900	34.47	12
GU05902731	36.59	5	GU14011901	34.40	10	GU30217900	33.01	5
GU05902732	36.59	3	GU14018400	33.09	8	GU30217900	33.02	27
GU05902733	36.59	4	GU14018400	34.41	24	GU30530510	34.55	3
GU05902734	36.59	7	GU14018400	34.42	24	GU30530511	34.55	4
GU05902735	36.59	6	GU14030201	34.41	25	GU30530512	34.55	9
GU05902736	36.59	1	GU14030201	34.42	25	GU30609600	33.36	28
GU05909930	33.39	6	GU14030401	34.41	26	GU30609600	33.37	26
GU05911730	36.58	2	GU14030401	34.42	26	GU30611460	33.31	7
GU05912530	36.58	3	GU14034865	34.41	22	GU30714201	34.54	9
GU05917530	33.39	4	GU14036860	34.41	4	GU30717061	33.36	16
GU05923330	33.39	13	GU14037300	34.41	9	GU30729330	33.26	14
GU05923331	33.39	10	GU14037300	34.42	43	GU30730711	34.55	1
GU05923332	33.39	10	GU14072001	34.44	12	GU30906510	36.58	19
GU05923333	33.39	10	GU14085900	34.48	7	GU30912810	36.58	18
GU05923430	33.39	1	GU14086000	34.48	8	GU30944300	33.39	5
GU05923431	33.39	1	GU14217901	34.43	11	GU30970200	33.39	17
GU05926030	33.39	8	GU14234600	34.44	4	GU31003766	33.10	9
GU05927230	36.58	6	GU14433400	34.44	10	GU31003766	34.40	32
GU05928030	36.58	5	GU14609650	33.02	24	GU31003766	34.49	13
GU05943930	33.39	14	GU14609650	33.36	28	GU31159050	34.47	14
GU05944030	33.39	15	GU14609650	33.37	26	GU31576183	34.56	18
GU05944930	33.39	12	GU14615901	33.27	6	GU31768780	34.45	12
GU05945030	33.39	9	GU14615901	34.40	5	GU31768780	34.46	14
GU05948630	36.58	1	GU14615901	34.43	21	GU32023910	34.42	44
GU05991030	34.40	45	GU14616150	33.29	13	GU32115610	34.56	5
GU05991530	34.49	17	GU14616150	33.31	9	GU32116810	34.41	18
GU05997630	33.39	16	GU14717600	33.36	15	GU32116810	34.42	18
GU05999030	34.40	43	GU14912603	36.58	20	GU32441210	33.03	7
GU05999530	34.40	44	GU14927100	36.58	9	GU32442310	33.03	11
GU06917300	33.39	3	GU14927300	36.58	12	GU32442710	33.03	14
GU06917400	33.39	2	GU17034050	34.41	28	GU32443210	33.03	4
GU10032700	34.41	32	GU17034050	34.42	28	GU32443211	33.03	10
GU10032700	34.42	32	GU17045860	34.44	2	GU32727010	33.27	16
GU10034100	34.41	29	GU17661052	33.32	8	GU32769460	33.20	22
GU10034100	34.42	29	GU17947560	36.58	15	GU32769860	33.20	23
GU10907200	36.58	11	GU18144350	34.47	13	GU32917310	33.39	3
GU12003900	34.40	2	GU18144350	34.49	7	GU32917312	33.39	3
GU12006400	34.45	13	GU19002020	34.49	14	GU32917410	33.39	2
GU12006400	34.46	16	GU19149800	34.46	9	GU32917412	33.39	2
GU12011400	34.40	28	GU19207220	34.49	10	GU32944210	33.18	17
GU12011401	34.40	28	GU19927100	36.58	16	GU37037405	34.41	11
GU12011402	34.40	28	GU19929600	36.58	14	GU37037405	34.42	11
GU12011403	34.40	28	GU20164010	34.47	6	GU37037605	34.41	12
GU12011700	34.40	29	GU25656100	33.21	8	GU37037605	34.42	12
GU12012200	34.40	11	GU25656100	33.33	6	GU37045006	34.44	1
GU12018900	34.40	6	GU25656100	33.60	3	GU37065405	34.43	18



Código	Nº Tabla	Pos.
GU37067705	34.43	10
GU400122400100	33.09	1
GU49609601	33.19	25
GU49609601	33.29	20
GU49609601	33.31	15
GU61270300	34.40	13
GU90118152	34.41	31
GU90118152	34.42	31
GU90271014	34.50	16
GU90271016	33.07	21
GU90271022	34.50	4
GU90271030	34.51	8
GU90271030	34.52	8
GU90271125	34.53	9
GU90271230	34.51	6
GU90271230	34.52	6
GU90272028	34.53	17
GU90273026	33.11	8
GU90274002	33.19	17
GU90274008	33.27	15
GU90351039	34.43	8
GU90353014	34.50	22
GU90353016	34.41	7
GU90353016	34.42	7
GU90401424	34.49	12
GU90401532	34.44	19
GU90403549	34.53	4
GU90404558	33.11	3
GU90405367	34.40	41
GU90408511	33.10	10
GU90412237	34.40	19
GU90412541	34.52	14
GU90706009	33.57	14
GU90706094	34.41	43
GU90706141	33.36	21
GU90706151	34.47	15
GU90706170	34.48	11
GU90706178	34.40	35
GU90706203	34.41	16
GU90706203	34.42	16
GU90706203	34.53	2
GU90706347	34.40	39
GU90706461	34.56	7
GU90718120	33.10	3
GU90718370	33.27	3
GU91111511	34.41	27
GU91111511	34.42	27
GU91112128	34.43	15
GU91120606	34.40	48
GU91120607	34.40	38
GU91120622	33.23	14
GU91120822	33.34	17
GU91120924	33.18	10
GU91180823	34.54	2
GU91181215	33.01	6
GU91551010	33.23	8
GU91600365	34.44	15
GU92201025	34.50	6
GU92201117	34.50	5
GU92201226	34.52	13
GU92201226	34.53	3
GU92201822	34.51	11
GU92201822	34.52	2
GU92204230	33.11	5
GU92208518	33.11	4
GU92232028	34.53	16
GU92249224	33.08	7

Código	Nº Tabla	Pos.
GU92252029	34.51	3
GU92252029	34.52	4
GU92252210	34.45	3
GU92602308	34.45	5
GU92602510	34.46	8
GU92602525	34.44	14
GU92603010	34.41	23
GU92603010	34.42	23
GU92605408	34.54	12
GU92606206	33.32	15
GU92606516	34.54	8
GU92609408	33.37	25
GU92630104	33.36	12
GU92630206	33.19	24
GU92630206	33.34	13
GU92630206	33.35	13
GU92650138	33.27	25
GU92660012	34.54	5
GU92660021	34.40	8
GU92750180	34.44	11
GU92787008	33.27	5
GU92787205	33.14	10
GU9287205	33.23	10
GU93180220	34.49	3
GU93304360	33.36	28
GU93304360	33.37	26
GU93304390	33.08	4
GU93305057	34.56	13
GU93305058	34.56	16
GU93305061	34.56	15
GU93306018	33.24	12
GU93450105	33.34	4
GU93450105	33.35	14
GU93450126	33.34	12
GU93450126	33.35	10
GU93450265	33.34	3
GU93601022	34.53	7
GU94321077	34.47	10
GU94322215	34.41	30
GU94322215	34.42	30
GU95005304	33.14	11
GU95005304	33.23	9
GU95005306	33.23	13
GU95005308	33.27	7
GU95005312	33.27	27
GU95005325	33.29	10
GU95008204	33.36	11
GU95008205	33.36	24
GU95008206	34.47	11
GU95008206	34.56	10
GU95008208	33.13	4
GU95008208	34.40	4
GU95008208	34.55	10
GU95008210	33.36	27
GU95008213	33.05	8
GU95008308	33.15	11
GU95008310	33.32	26
GU95008313	33.01	10
GU95008313	33.02	25
GU95020105	33.02	34
GU95021104	33.21	11
GU95028022	34.53	6
GU95100116	34.56	12
GU95100244	33.34	16
GU95100837	34.44	13
GU95120065	34.41	35
GU95120065	34.42	35

Código	Nº Tabla	Pos.
GU95120065	34.44	7
GU95120085	34.45	6
GU95129131	33.37	24
GU95129180	34.41	41
GU95129180	34.42	40
GU95129340	34.53	11
GU95510620	33.10	4
GU95512081	34.40	9
GU95960609	33.24	6
GU95963062	33.57	15
GU95980319	34.49	6
GU95990023	33.57	16
GU95990037	34.45	10
GU95990037	34.46	12
GU96508040	34.41	19
GU96508040	34.42	19
GU96508066	34.40	3
GU96508075	34.40	7
GU96510036	33.01	7
GU97202355	34.49	2
GU97202665	33.31	4
GU97260415	33.01	14
GU98082475	34.55	2
GU98084316	34.41	34
GU98084316	34.42	34
GU98084320	34.44	6
GU98084425	34.40	12
GU98110007	33.27	8
GU98210616	33.17	21
GU98230850	34.54	11
GU98231235	33.02	20
GU98250510	33.29	17
GU98250612	34.44	23
GU98257408	34.40	37
GU98350210	33.04	10
GU98350210	33.32	29
GU98350310	34.56	11
GU98350312	34.55	13
GU98350330	34.46	5
GU98370412	33.21	10
GU98370614	33.17	13
GU98370616	34.49	4
GU98370625	33.16	9
GU98612216	33.02	33
GU98620445	34.54	3
GU98620560	34.54	4
GU98680335	34.40	23
GU98680340	33.07	29
GU98680340	33.23	12
GU98680340	34.40	47
GU98680360	33.20	8
GU98680360	34.40	31
GU98680440	33.04	5
GU98680445	33.27	21
GU98680450	33.10	11
GU98682125	33.36	10
GU98682212	33.36	23
GU98682215	33.18	5
GU98682316	33.05	4
GU98682316	33.32	21
GU98682316	34.40	22
GU98682316	34.47	16
GU98682320	33.05	6
GU98682320	33.05	9
GU98682320	34.40	20
GU98682325	33.08	9
GU98682325	34.56	9



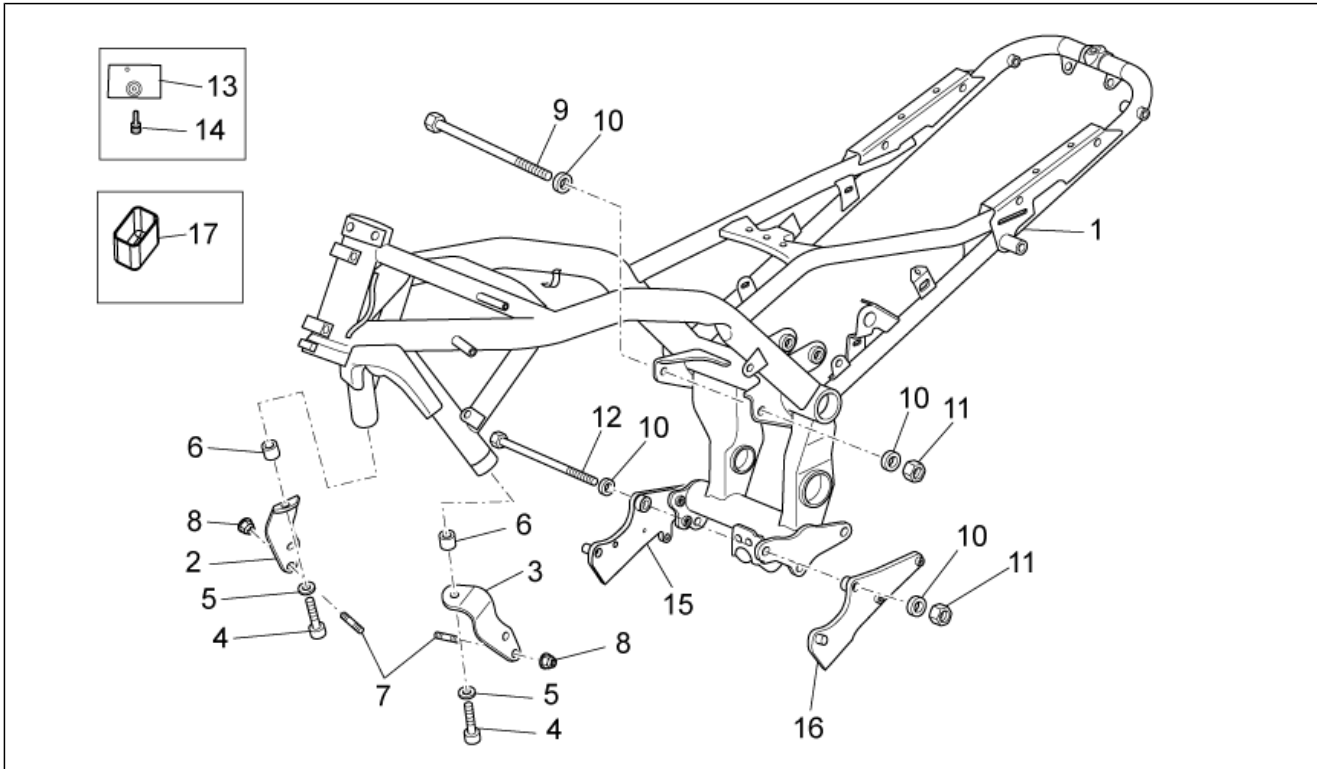
BREVA  
GU077 - Breva V IE 1100 2005-2007

Prefijo chasis: ZGULPO, ZGULPA, ZGULPC  
Prefijo motor:

---

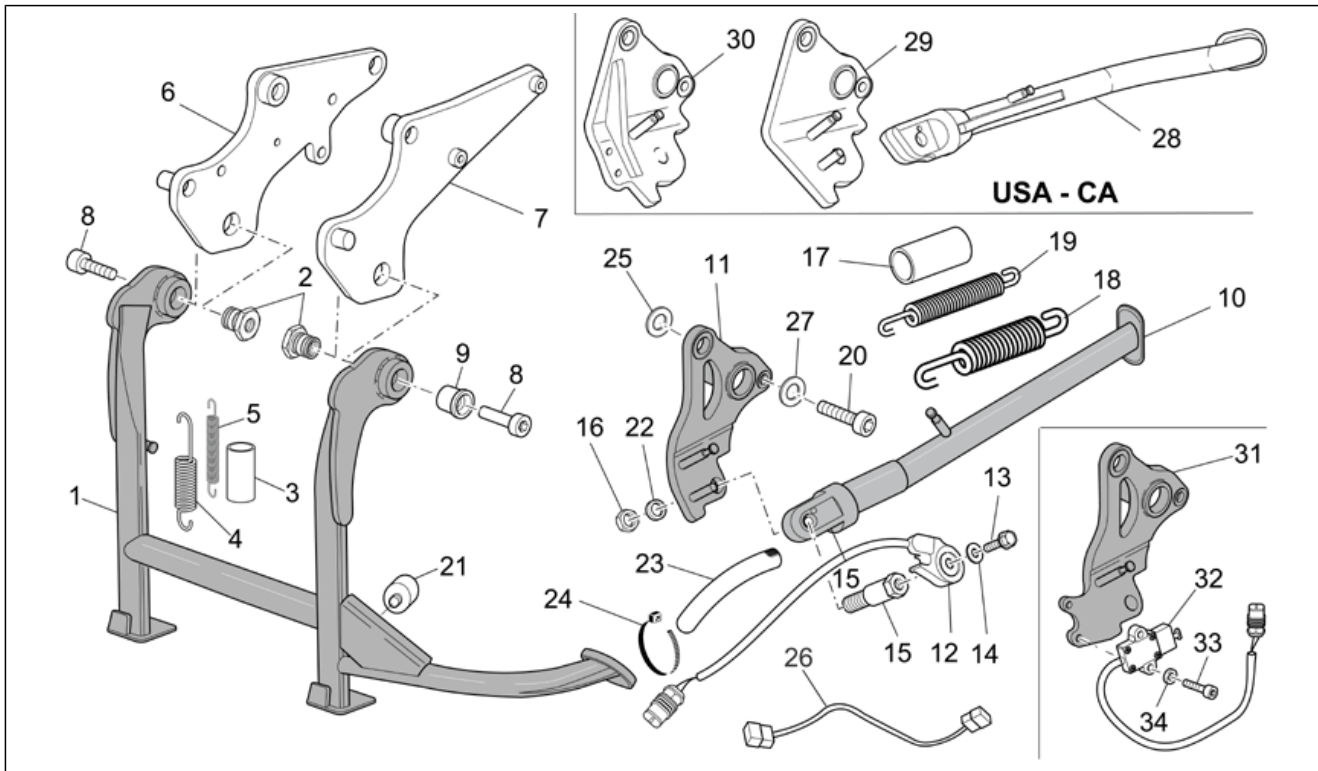
Código	Nº Tabla	Pos.
GU98682330	34.40	17
GU98682414	33.13	3
GU98682416	33.19	7
GU98682425	33.06	12
GU98682425	33.18	12
GU98682430	33.06	11
GU98682430	33.19	19
GU98682430	34.45	7
GU98682435	33.34	7
GU98682530	33.02	8
GU98682535	33.07	11
GU98682650	33.01	4
GU98692216	33.13	9
GU98692313	33.19	9
GU98692318	33.34	5
GU98692318	33.35	12
GU98692425	33.04	4
GU98692425	33.20	2
GU98692425	33.20	20
GU98692430	33.04	2
GU98692430	33.20	4
GU99210406	33.10	14

<b>Grupo</b>	BASTIDOR
<b>Código</b>	33.01
<b>Descripción</b>	BASTIDOR
<b>Revisión</b>	1



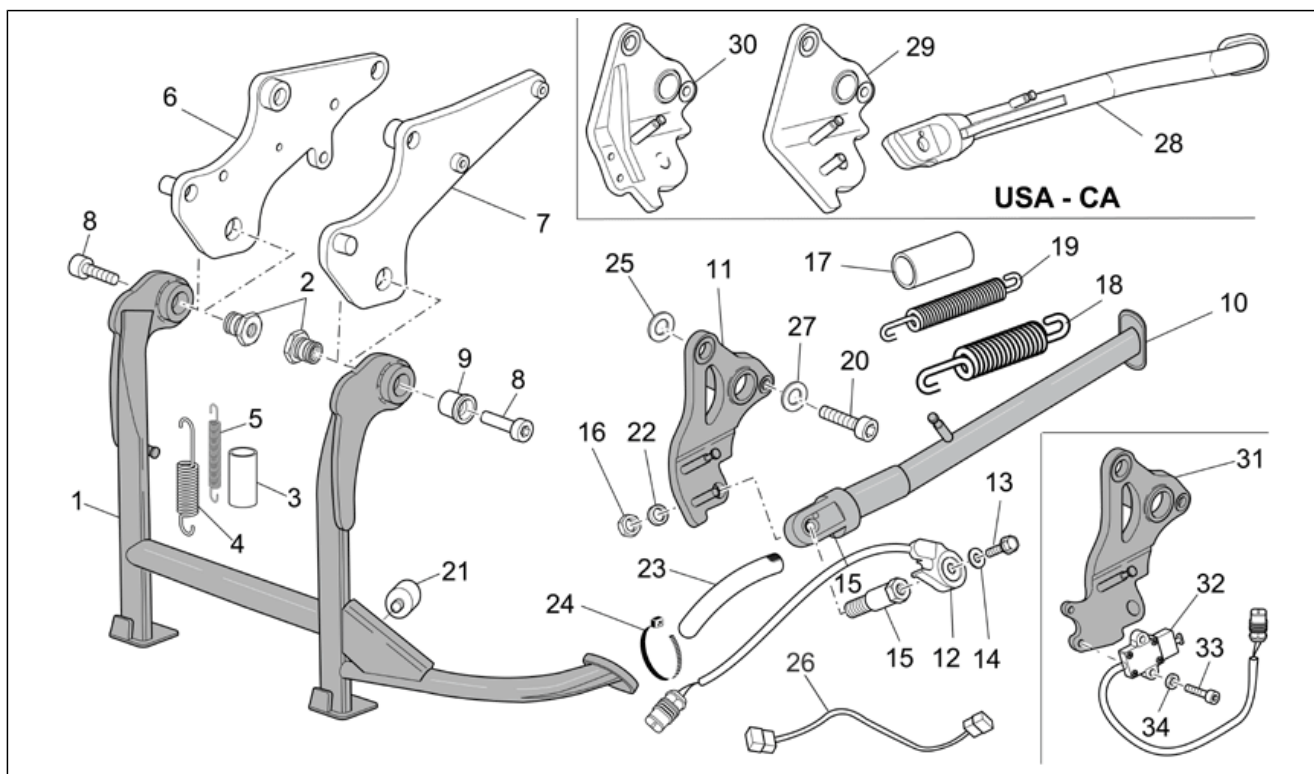
Pos.	Código	Descripción	Cant.	Variantes
1	977700	BASTIDOR	1	
2	GU05421430	Placa der.	1	
3	GU05421530	Placa izq.	1	
4	GU98682650	Tornillo Allen M12x50	2	
5	GU30217900	Arandela 13x18x1,7	2	
6	GU91181215	Distanciador 12x35x14	2	
7	GU96510036	Prisionero M10x35	4	
8	AP8152301	Tuerca autobloqueante	4	
9	AP8221307	Perno M12	1	
10	GU95008313	Arandela 13x24x2,5	4	
11	AP8150432	Tuerca autobloq.baja M12*	2	
12	AP8221227	Perno M12x270	1	
13	977788	Placa de soporte	1	PAÍS:Canadian[CA]
14	GU97260415	Tornillo especial M8x15	1	PAÍS:Canadian[CA]
15	977806	Placa der.	1	AÑO:2007[7]
16	977805	Placa izq.	1	AÑO:2007[7]
17	978093	Casquete	2	AÑO:2007[7]

<b>Grupo</b>	BASTIDOR
<b>Código</b>	33.02
<b>Descripción</b>	Caballetes
<b>Revisión</b>	1



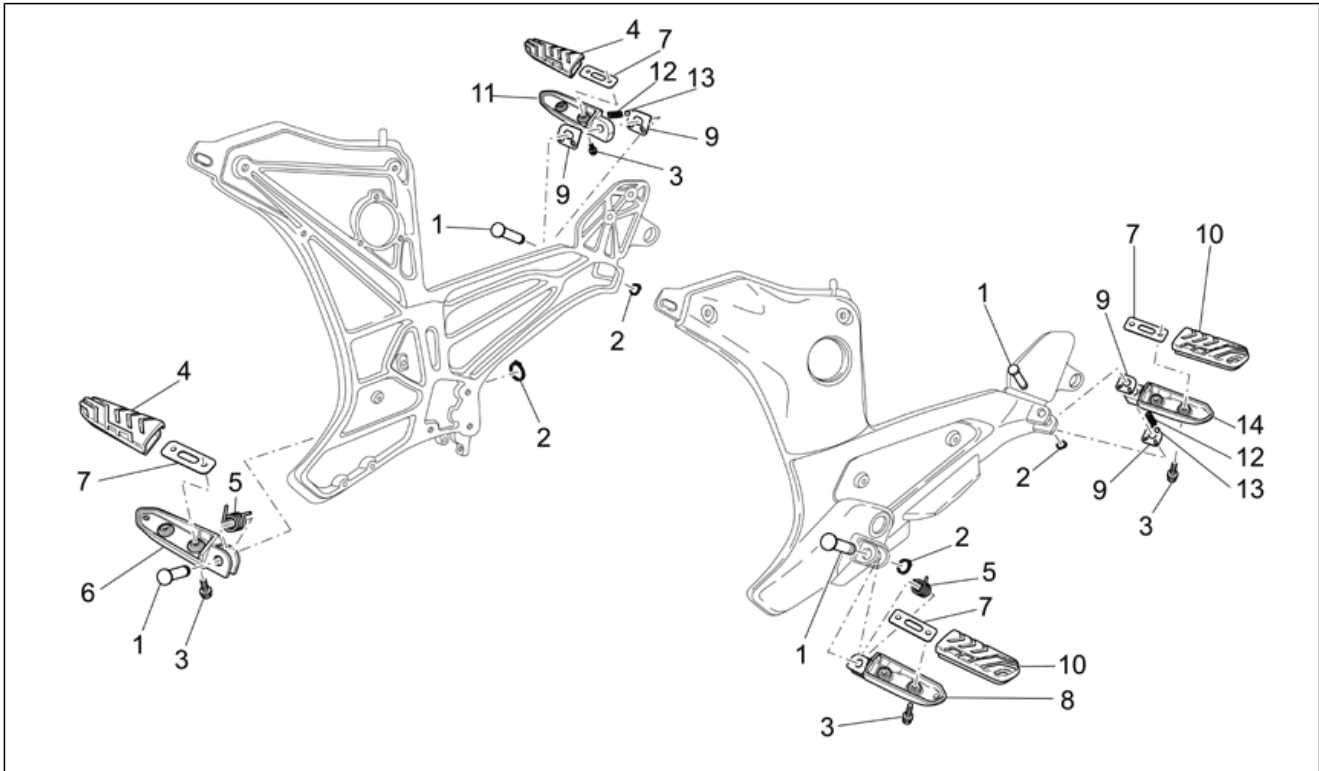
Pos.	Código	Descripción	Cant.	Variantes
1	GU05430330	Caballete central	1	AÑO:2005[5], 2006[6]
2	AP8121467	Soporte	2	AÑO:2005[5], 2006[6]
3	AP8178918	Prot.mueller caball.	1	AÑO:2005[5], 2006[6]
4	AP8221317	Mlle retorno caball.	1	AÑO:2005[5], 2006[6]
5	AP8221318	Mlle ret.caball.int.	1	AÑO:2005[5], 2006[6]
6	GU05432930	Placa der.	1	AÑO:2005[5], 2006[6]
7	GU05433430	Placa izq.	1	AÑO:2005[5], 2006[6]
8	GU98682530	Tornillo Allen M10x30	2	AÑO:2005[5], 2006[6]
9	GU05429630	Buje	2	AÑO:2005[5], 2006[6]
10	977079	Caballete lateral	1	PAÍS:Australia[AUS], Other country Europe[EU], Japan[J], Great Britain[UK] Especificaciones técnicas:Con interruptore lineare, pos. 32[V2]
10	GU05432130	Caballete lateral	1	PAÍS:Australia[AUS], Other country Europe[EU], Japan[J], Great Britain[UK] Especificaciones técnicas:Con interruptore rotativo, pos.12[V1]
11	GU05433630	Placa caballete	1	PAÍS:Australia[AUS], Other country Europe[EU], Japan[J], Great Britain[UK] Especificaciones técnicas:Con interruptore rotativo, pos.12[V1]
12	AP8127319	Interruptor rotativo	1	
13	AP8152279	Torn. CH con reborde M6x20	1	
14	AP8150015	Arandela 6,6x18x1,6*	1	
15	AP8121994	Tornillo fij. caballete	1	
16	AP8152001	Tuerca baja M10x1,25	1	
17	AP8102524	Prot.mueller caball.	1	
18	AP8221204	Mlle retorno caball.	1	
19	AP8221211	Mlle ret.caball.int.	1	
20	GU98231235	Tornillo M12x35	2	

<b>Grupo</b>	BASTIDOR
<b>Código</b>	33.02
<b>Descripción</b>	Caballetes
<b>Revisión</b>	1



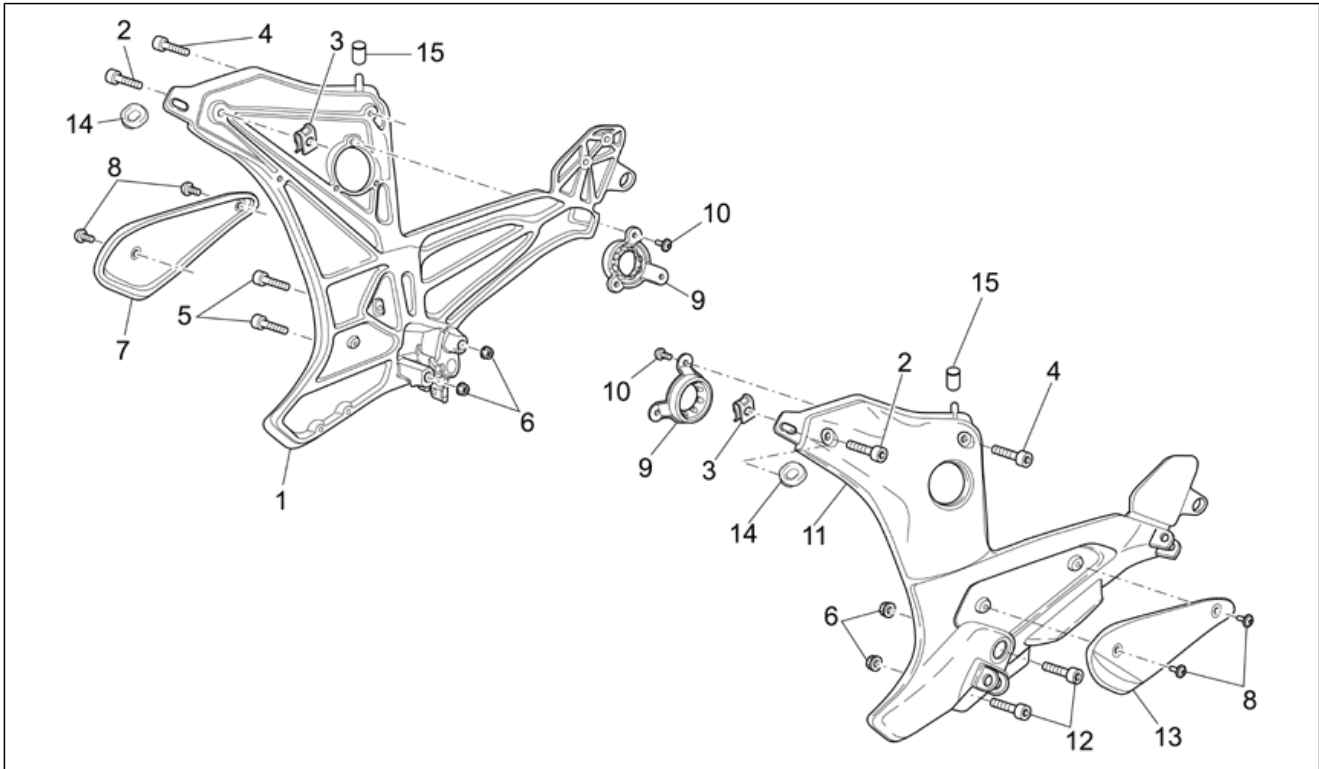
Pos.	Código	Descripción	Cant.	Variantes
21	AP8144030	Taco fin de carrera caballete	1	
22	AP8150292	Arandela elástica curva *	1	
23	GU00823923140	Kit motor arr.	1	
24	GU14609650	Abrazadera 3,6x20,6	2	
25	GU95008313	Arandela 13x24x2,5	2	
26	977292	Cable adaptador	1	<b>AÑO:</b> 2005[5], 2006[6] <b>Especificaciones técnicas:</b> Version without ABS[std], Con interruptore lineare, pos. 32[V2]
26	977571	Cable adaptador	1	<b>AÑO:</b> 2005[5], 2006[6] <b>Especificaciones técnicas:</b> ABS version[abs], Con interruptore rotativo, pos.12[V1]
27	GU30217900	Arandela 13x18x1,7	2	
28	977093	Caballete lateral	1	<b>PAÍS:</b> Canadian[CA], United States of America[USA] <b>Especificaciones técnicas:</b> Con interruptore lineare, pos. 32[V2]
28	GU05432131	Caballete lateral	1	<b>PAÍS:</b> Canadian[CA], United States of America[USA] <b>Especificaciones técnicas:</b> Con interruptore rotativo, pos.12[V1]
29	GU05433631	Placa caballete	1	<b>PAÍS:</b> Canadian[CA], United States of America[USA] <b>Especificaciones técnicas:</b> Con interruptore rotativo, pos.12[V1]
30	977408	Placa caballete	1	<b>PAÍS:</b> Canadian[CA], United States of America[USA] <b>Especificaciones técnicas:</b> Con interruptore lineare, pos. 32[V2]
31	977080	Placa caballete	1	<b>PAÍS:</b> Australia[AUS], Other country Europe[EU], Japan[J], Great Britain[UK] <b>Especificaciones técnicas:</b> Con interruptore lineare, pos. 32[V2]
32	639542	Button for the side stand	1	
33	GU98612216	Tornillo Allen	2	
34	GU95020105	Arandela 5,3x8,9x2,4	2	

<b>Grupo</b>	BASTIDOR
<b>Código</b>	33.03
<b>Descripción</b>	Estribos I
<b>Revisión</b>	1



Pos.	Código	Descripción	Cant.	Variantes
1	AP8121567	Perno	4	
2	AP8152409	Anillo de tope radial	4	
3	AP8152277	Torn. CH con reborde M6x12	8	
4	GU32443210	Goma	2	
5	AP8221277	Muelle retorno estribo	2	
6	AP8145034	Estribo piloto der.	1	
7	GU32441210	Placa	4	
8	AP8145035	Estribo piloto izq.	1	
9	AP8134451	Placa fin carr.estr.	4	
10	GU32443211	Goma	2	
11	GU32442310	Estribo pasaj. der.	1	
12	AP8121133	Mlle hél.cil.compr.	2	
13	AP8101861	Bola D6,35	2	
14	GU32442710	Estribo pasaj. izq.	1	

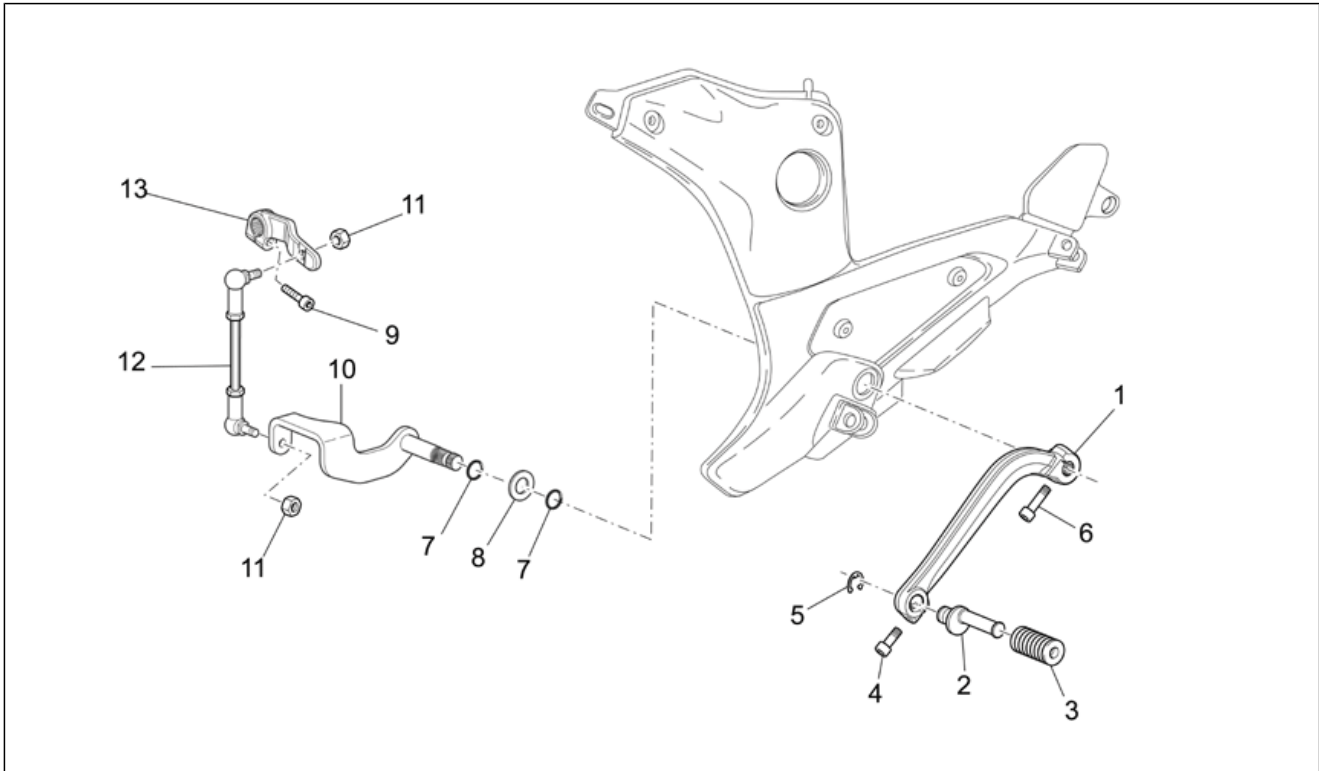
<b>Grupo</b>	BASTIDOR
<b>Código</b>	33.04
<b>Descripción</b>	Estribos II
<b>Revisión</b>	1



Pos.	Código	Descripción	Cant.	Variantes
1	GU05443530	Placa der.	1	
2	GU98692430	Tornillo Allen M8x30	2	
3	GU01576530	Tuerca de grapa M8x1,25	2	
4	GU98692425	Tornillo Allen M8x25	2	
5	GU98680440	Tornillo Allen M8x40	2	
6	AP8152300	Tuerca autobloqueante M8	4	
7	GU05446930	Protec.der.	1	
8	AP8152339	Tornillo con reborde M5x9	4	
9	GU05446431	Anillo	2	
10	GU98350210	Tornillo	6	
11	GU05446030	Placa izq.	1	
12	AP8150046	Tornillo Allen M8x55	2	
13	GU05447430	Protec.izq.	1	
14	AP8220162	Goma	4	
15	AP8220526	Goma	2	

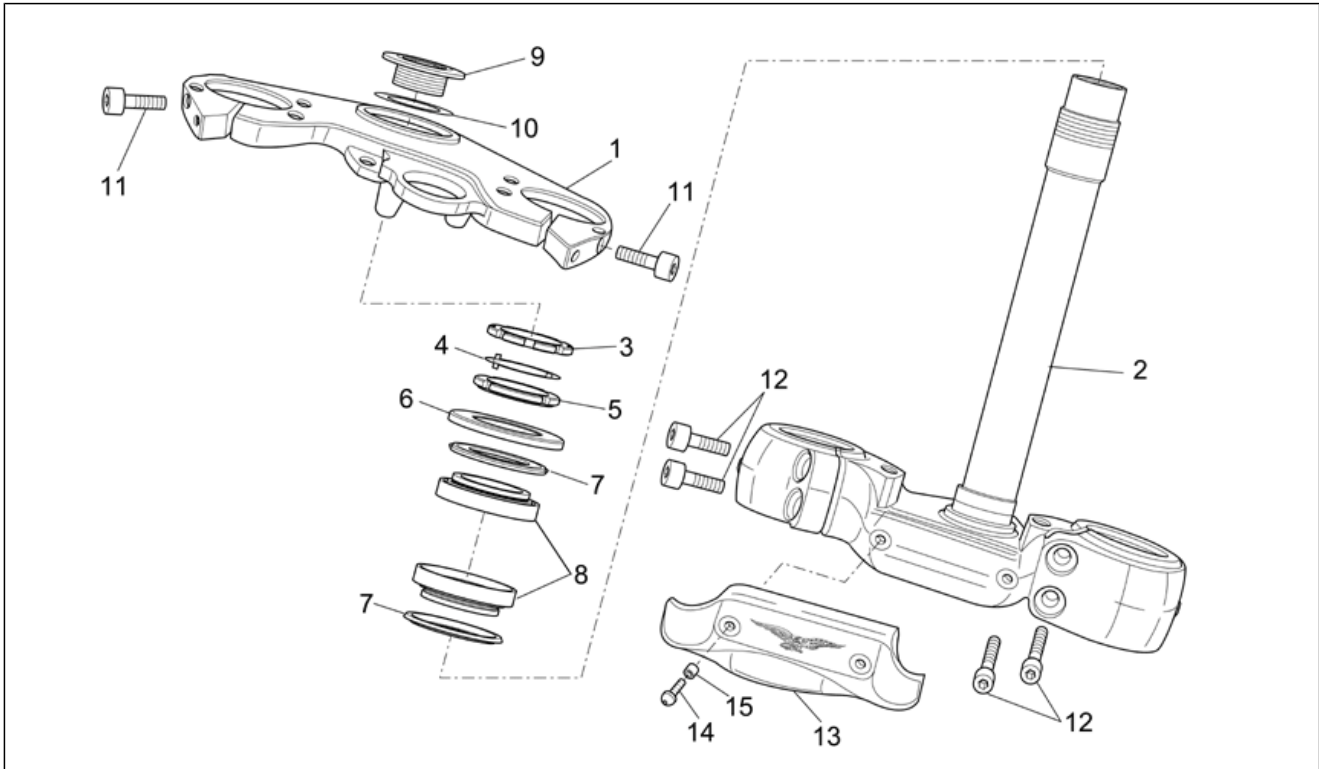


<b>Grupo</b>	BASTIDOR
<b>Código</b>	33.05
<b>Descripción</b>	Palanca cambio
<b>Revisión</b>	1



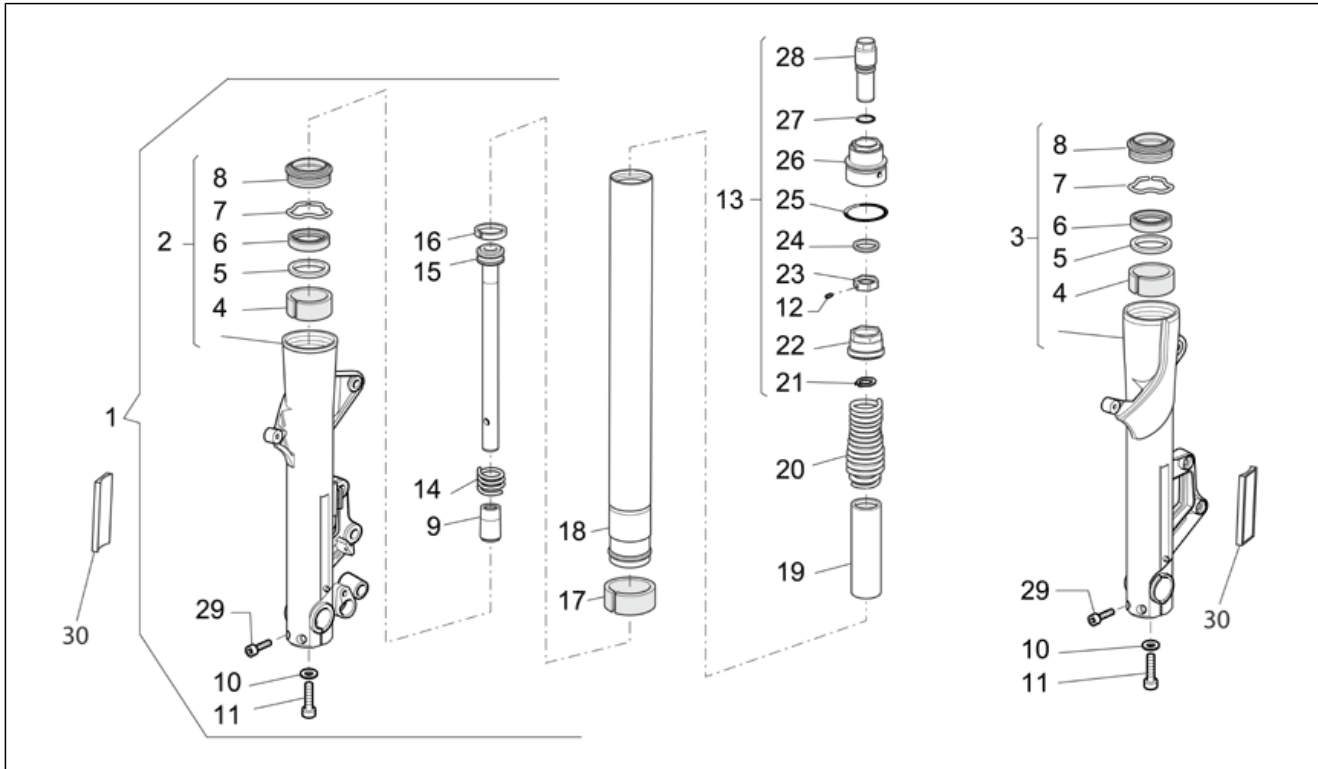
Pos.	Código	Descripción	Cant.	Variantes
1	GU05251130	Palanca cambio	1	
2	AP8121221	Barra palanca freno	1	
3	AP8120912	Goma para palanca	1	
4	GU98682316	Tornillo Allen M6x16	1	
5	AP8150462	Anillo de retención d9	1	
6	GU98682320	Tornillo Allen M6x20	1	
7	AP8144007	Junta tórica 11,11x1,78	2	
8	GU95008213	Arandela 12,2X20X2	1	
9	GU98682320	Tornillo Allen M6x20	1	
10	GU05258230	Leva ret.	1	
12	GU05257830	Renvio	1	
13	GU05256930	Leva ret.	1	

<b>Grupo</b>	BASTIDOR
<b>Código</b>	33.06
<b>Descripción</b>	Dirección
<b>Revisión</b>	1



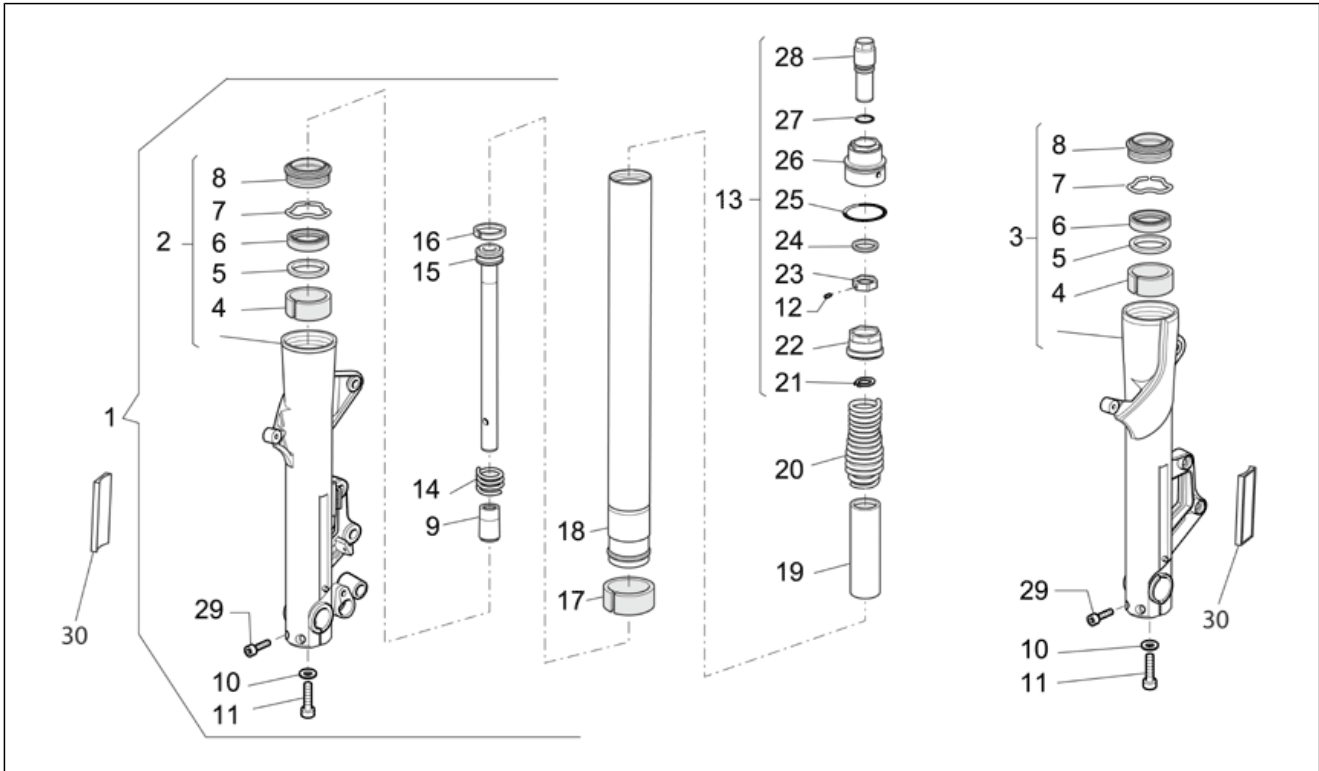
Pos.	Código	Descripción	Cant.	Variantes
1	GU05493130	Placa sup. horquilla	1	
2	GU05494030	Base con manguito	1	
3	AP8123643	Contravirola	1	
4	AP8121207	Placa segur. direc.	1	
5	AP8123642	Virola	1	
6	AP8123644	Anillo guardapolvo	1	
7	AP8123641	Anillo guardapolvo	2	
8	AP8110077	Cojinete axial bolas	2	
9	AP8121205	Buje fij. placa sup.	1	
10	AP8152384	Aran.tapón manguito	1	
11	GU98682430	Tornillo Allen M8x30	2	
12	GU98682425	Tornillo Allen M8x25	4	
13	GU05658431	Pl. fijac.tubo freno	1	
14	AP8152298	Tornillo con reborde M5x16	2	
15	AP8221036	Buje 5,3x8x7,1	2	

<b>Grupo</b>	BASTIDOR
<b>Código</b>	33.07
<b>Descripción</b>	HORQUILLA DELANTERA
<b>Revisión</b>	1



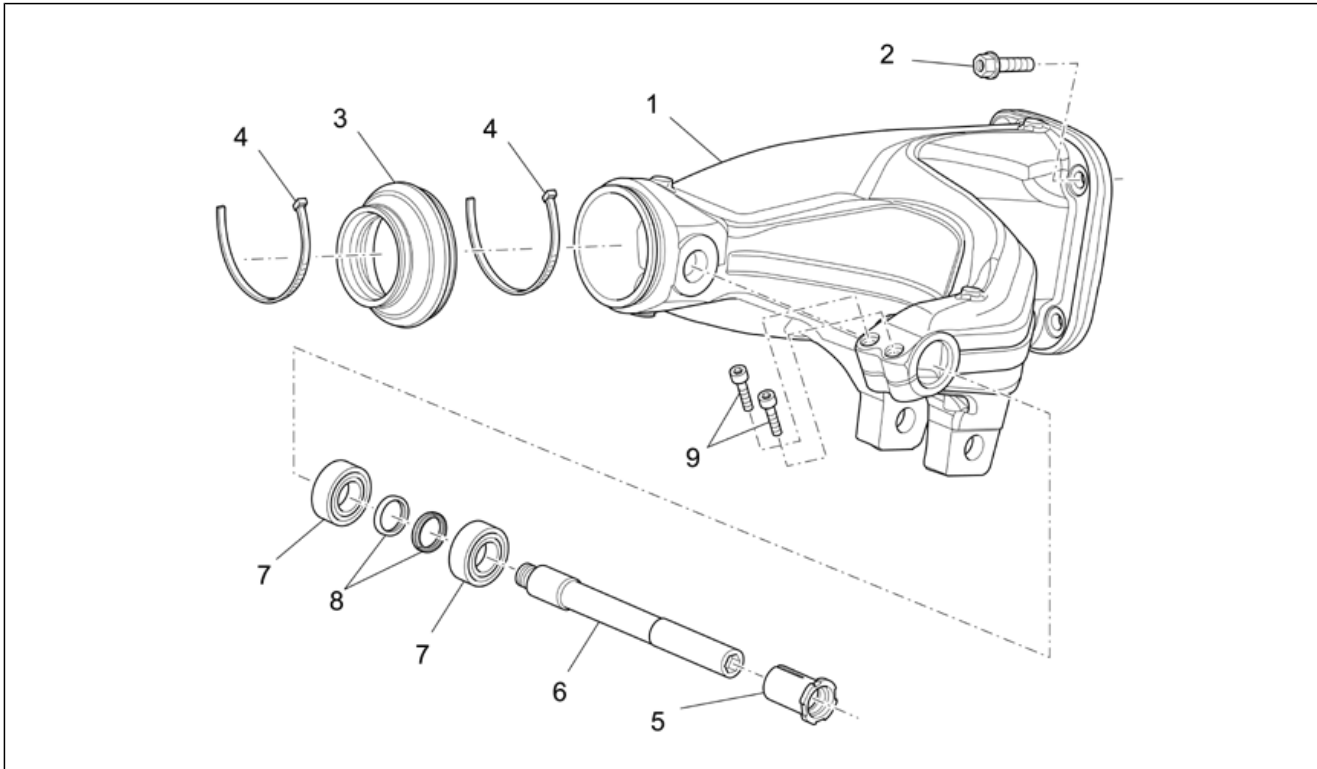
Pos.	Código	Descripción	Cant.	Variantes
1	GU05490230	HORQUILLA DELANTERA "Marzocchi"	1	
2	GU05490630	Funda der.	1	
3	GU05490730	Funda izq.	1	
4	GU03530528	Casquillo superior	2	
5	GU03530527	Cubeta	2	
6	GU03530526	Gasket ring	2	
7	GU03530525	Anillo de tope	2	
8	GU03530524	Guardapolvo	2	
9	GU03530551	Taco	2	
10	GU05530535	Arandela 14x10,5x1,5	2	
11	GU98682535	Tornillo Allen M10x35	2	
12	GU01530501	Espiga	2	
13	GU05504530	Gr. tapón cpl.	2	
14	GU03530553	Contramuelle	2	
15	GU05530530	Hidráulico cpl.	2	
16	GU03530550	Segmento	2	
17	GU03530510	Casquillo inferior	2	
18	GU05525430	Funda	2	
19	GU05530531	Tubo precarga	2	
20	GU05526630	Muelle	2	
21	GU90271016	Anillo de tope	2	
22	GU05530532	Buje	2	
23	GU05530533	Tuerca	2	
24	GU01530503	Rangua	2	
25	GU05530536	Junta tórica	2	
26	0000000	Cubierta	2	
27	GU01530509	Junta tórica	2	
28	GU05530534	Perno de reg.	2	

<b>Grupo</b>	BASTIDOR
<b>Código</b>	33.07
<b>Descripción</b>	HORQUILLA DELANTERA
<b>Revisión</b>	1



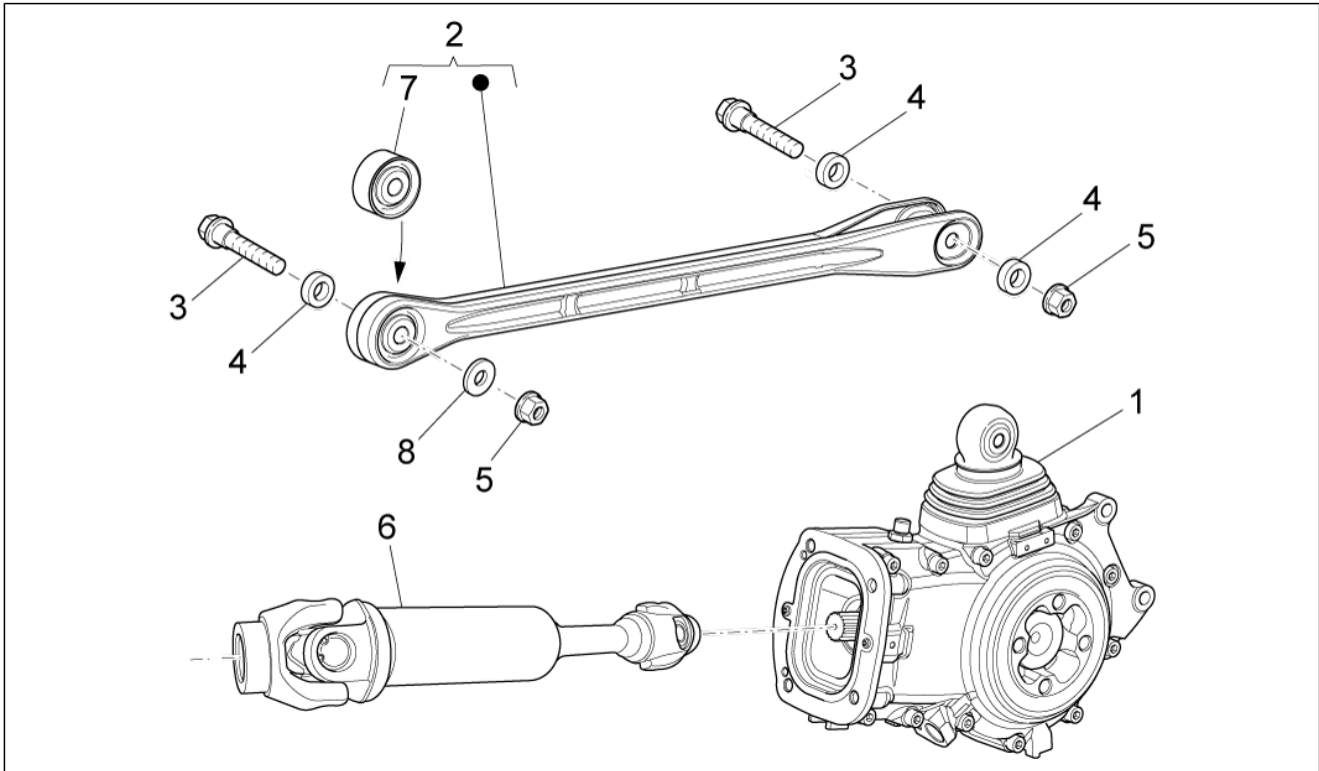
Pos.	Código	Descripción	Cant.	Variantes
29	GU98680340	Tornillo Allen M6x40	4	
30	GU05781630	Catafaro ámbar	2	PAÍS:Canadian[CA], United States of America[USA]

<b>Grupo</b>	BASTIDOR
<b>Código</b>	33.08
<b>Descripción</b>	BRAZO OSCILANTE TRASERO
<b>Revisión</b>	1



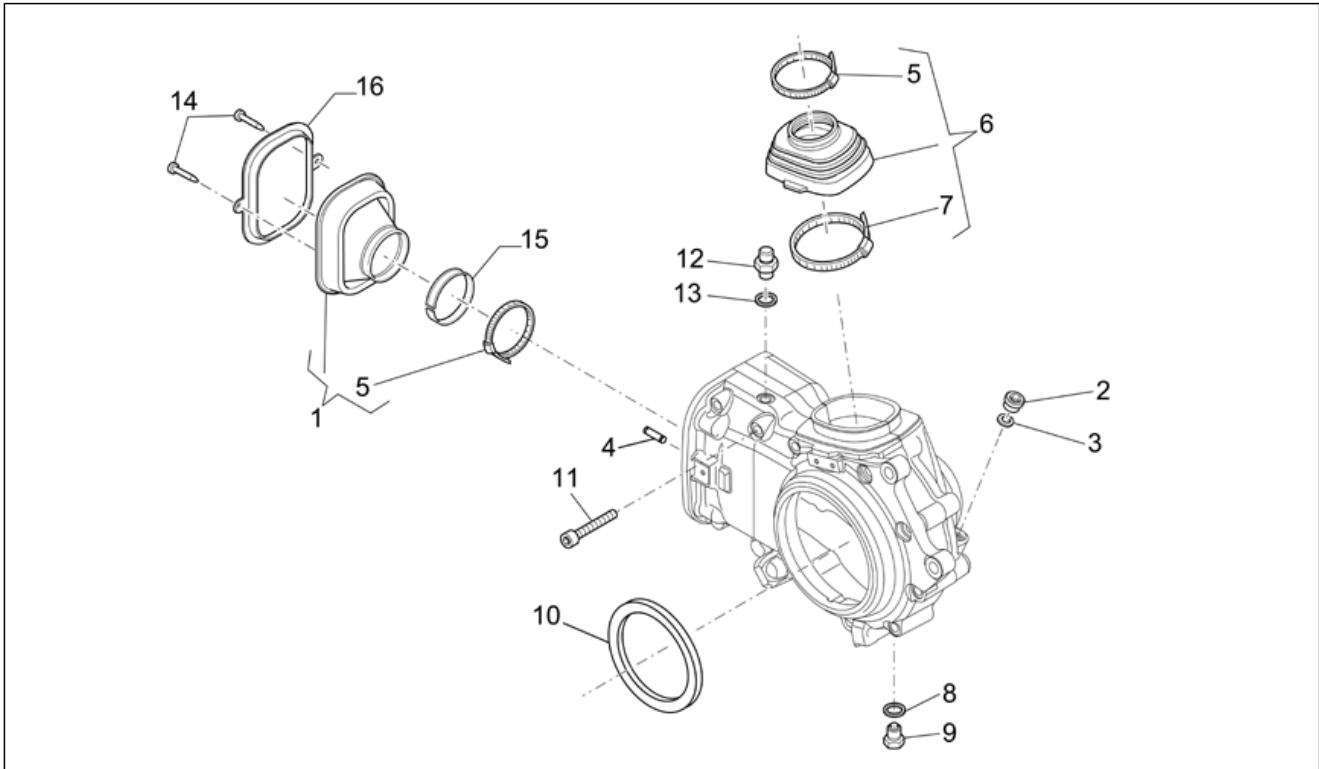
Pos.	Código	Descripción	Cant.	Variantes
1	GU05540230	Basculante	1	
2	AP8152318	Torn. CH con reborde M10x35	4	
3	GU05548030	Fuelle de goma	1	
4	GU93304390	Abrazadera 3,6x375	2	
5	GU05547130	Buje	1	
6	GU05547030	Perno	1	
7	GU92249224	Cojinete de rodillos 25x47x17	2	
8	GU05547930	Gasket ring	2	
9	GU98682325	Tornillo Allen M6x25	2	

<b>Grupo</b>	BASTIDOR
<b>Código</b>	33.09
<b>Descripción</b>	Transmisión cpl.
<b>Revisión</b>	1



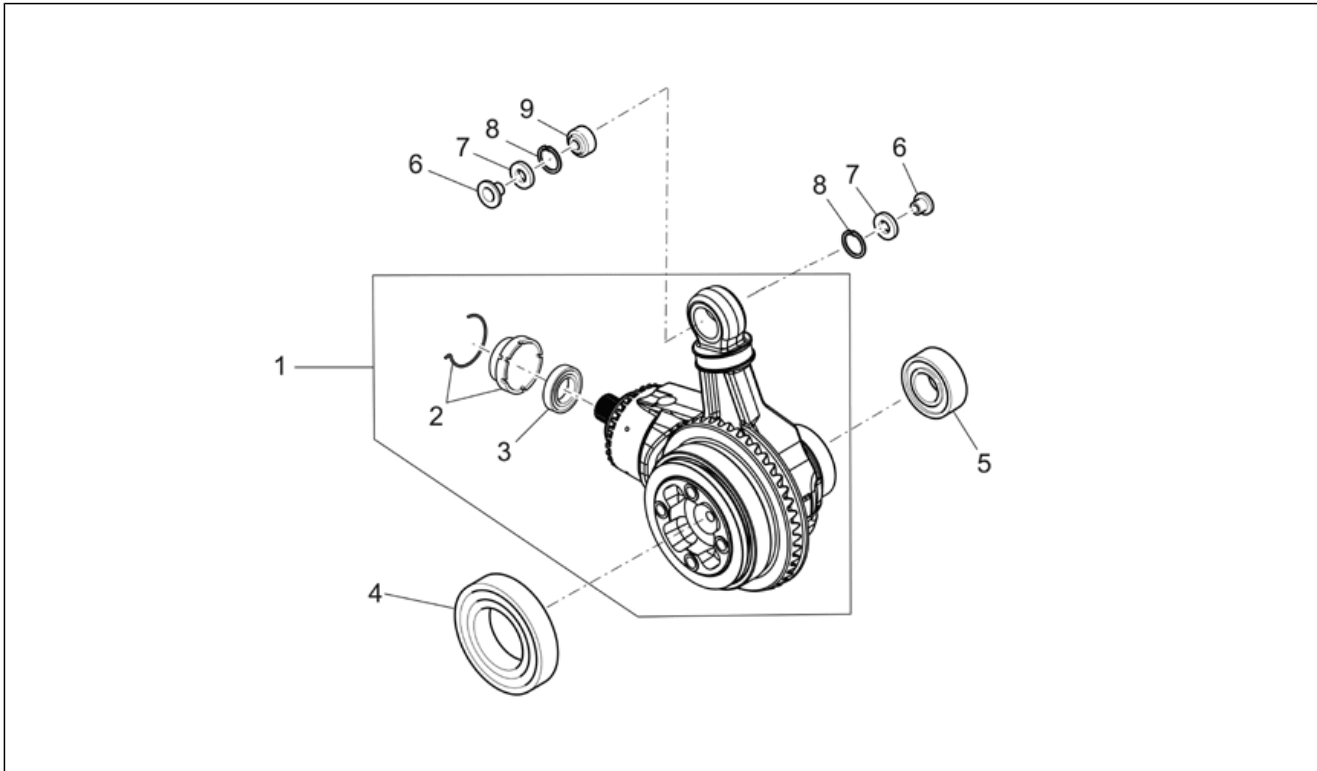
Pos.	Código	Descripción	Cant.	Variantes
1	GU400122400100	Caja transm.cpl.gris	1	
2	GU05358830	Varilla cpl.	1	
3	AP8152410	Torn. CH con reborde M10x55	2	
4	AP8121218	Distanciador 10,2x20x4	3	
5	AP8152242	Tuerca	2	
6	GU05326330	Eje de transmisión	1	
7	883045	Casquillo elástico	1	
8	GU14018400	Arandela 10,5X21X1	1	

<b>Grupo</b>	BASTIDOR
<b>Código</b>	33.10
<b>Descripción</b>	Trans.cpl.-Caja
<b>Revisión</b>	1



Pos.	Código	Descripción	Cant.	Variantes
1	GU05358330	Capuchón guardapolvo	1	
2	GU05351230	Tapón aceite M12x1,5	1	
3	GU90718120	Arandela	1	
4	GU95510620	Clavija 6x20	2	
5	GU05358130	Abrazadera	2	
6	GU05358030	Capuchón guardapolvo	1	
7	GU05358230	Abrazadera	1	
8	GU01528930	Junta 10x18x1,5	1	
9	GU31003766	Tapón descarg.aceite M10x1	1	
10	GU90408511	Gasket ring 85x110x8BASL	1	
11	GU98680450	Tornillo Allen M8x50	11	
12	GU05206530	Tapón respiradero	1	
13	GU01528930	Junta 10x18x1,5	1	
14	GU99210406	Tornillo M3,9x6,5	2	
15	GU05358530	Anillo	1	
16	GU05358630	Junta	1	

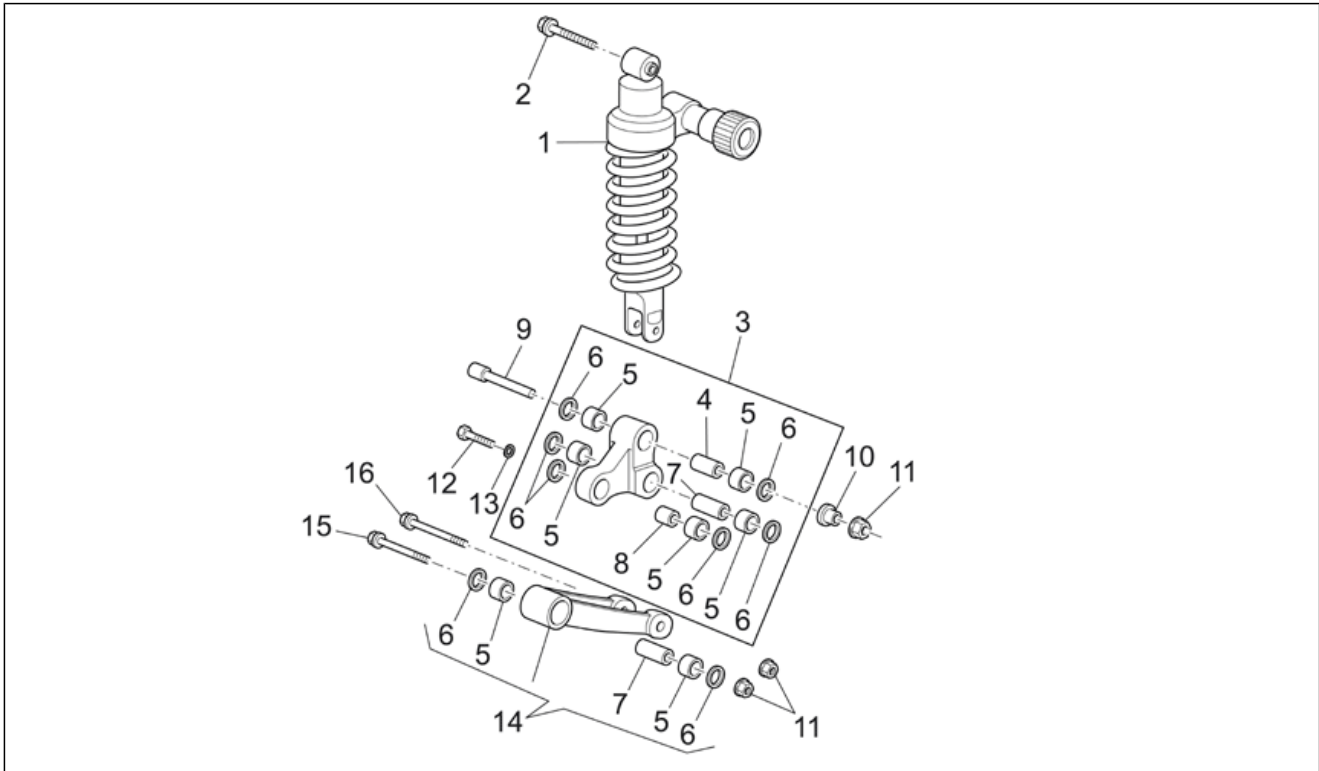
<b>Grupo</b>	BASTIDOR
<b>Código</b>	33.11
<b>Descripción</b>	Trans.cpl.-Par cónica
<b>Revisión</b>	1



Pos.	Código	Descripción	Cant.	Variantes
1	GU05354230	Kit par-cónica 12/44	1	
2	GU05352430	Virola	1	
3	GU90404558	Gasket ring 45x58x7	1	
4	GU92208518	Cojinete de bolas 85x120x18	1	
5	GU92204230	Cojinete de bolas 30x62x16	1	
6	AP8121098	Buje	2	
7	AP8120485	Gasket ring	2	
8	GU90273026	Anillo de retención	2	
9	GU05638130	Artic. esférica	1	

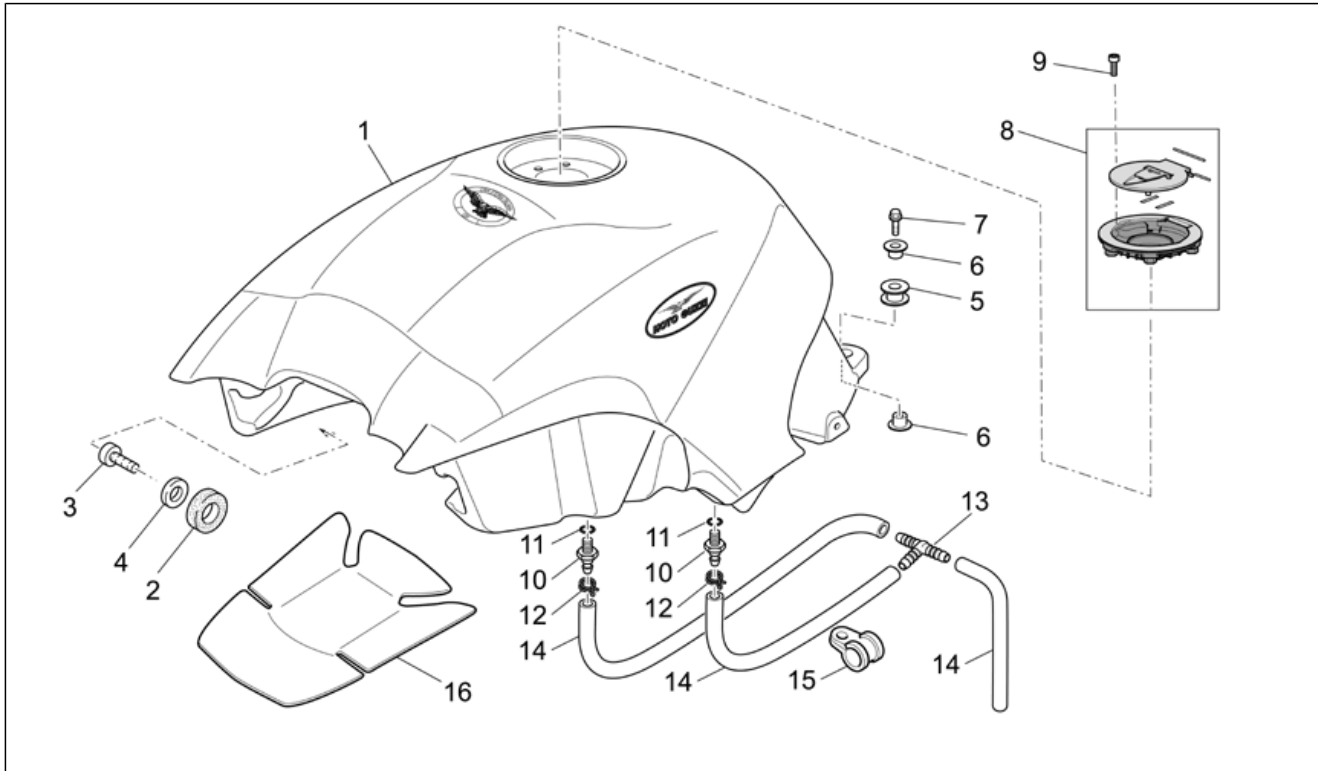


<b>Grupo</b>	BASTIDOR
<b>Código</b>	33.12
<b>Descripción</b>	Varilla y amortiguador trasero
<b>Revisión</b>	1



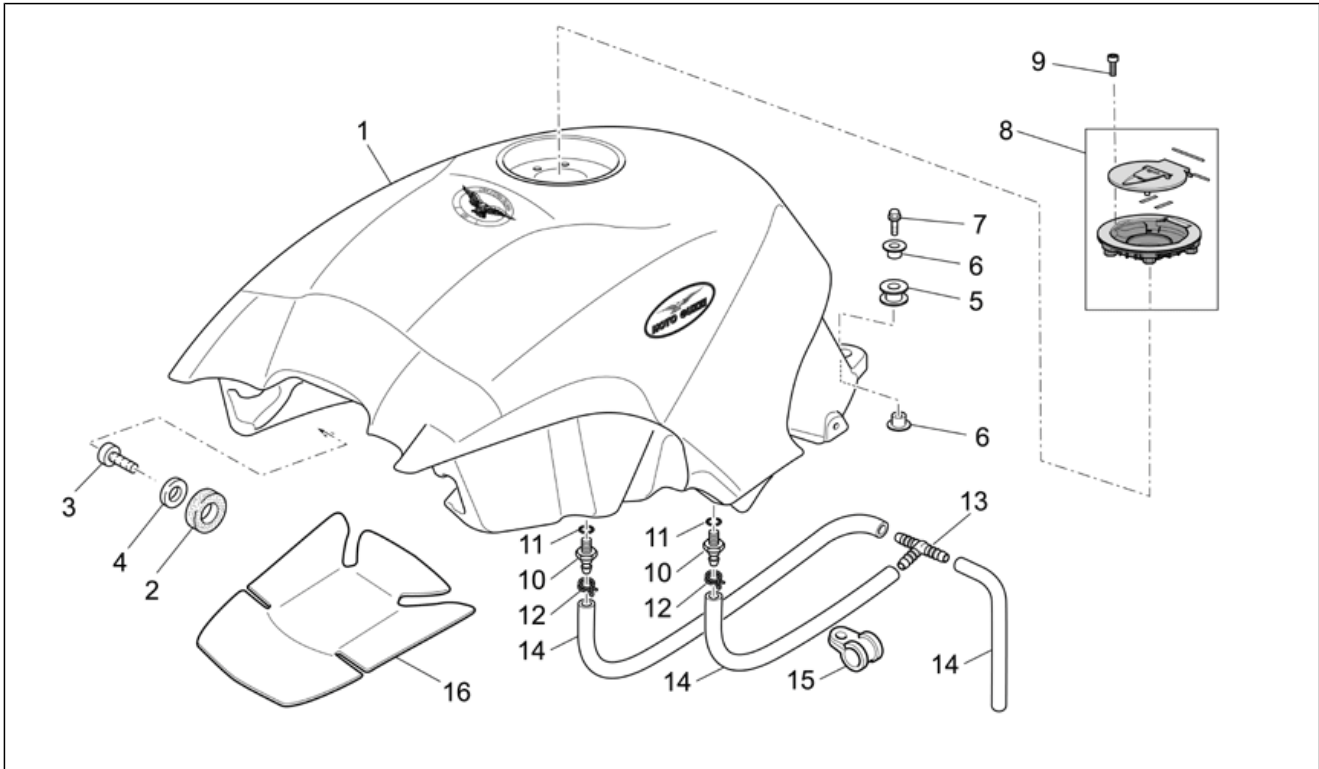
Pos.	Código	Descripción	Cant.	Variantes
1	GU05550230	Amortiguador	1	
2	AP8152398	Torn. CH con reborde M10x80	1	
3	GU05560330	Biela doble	1	
4	AP8135924	Pasador biela doble L40	1	
5	AP8110066	Cojinete de agujas	7	
6	AP8110068	Retén aceite D18x24x3	8	
7	GU05562030	Pasador biela doble L47	2	
8	AP8135608	Pasador biela doble L25	1	
9	AP8152397	Tornillo Allen M10x82	1	
10	AP8121155	Buje en 'T' *	1	
11	AP8152301	Tuerca autobloqueante	3	
12	AP8152147	Tornillo c. hex. M10x47	1	
13	AP8150292	Arandela elástica curva *	1	
14	GU05562430	Biela simple completa	1	
15	AP8152482	Torn. CH con reborde M10x85	1	
16	AP8152396	Torn. CH con reborde M10x95	1	

<b>Grupo</b>	BASTIDOR
<b>Código</b>	33.13
<b>Descripción</b>	Depósito gasolina
<b>Revisión</b>	1



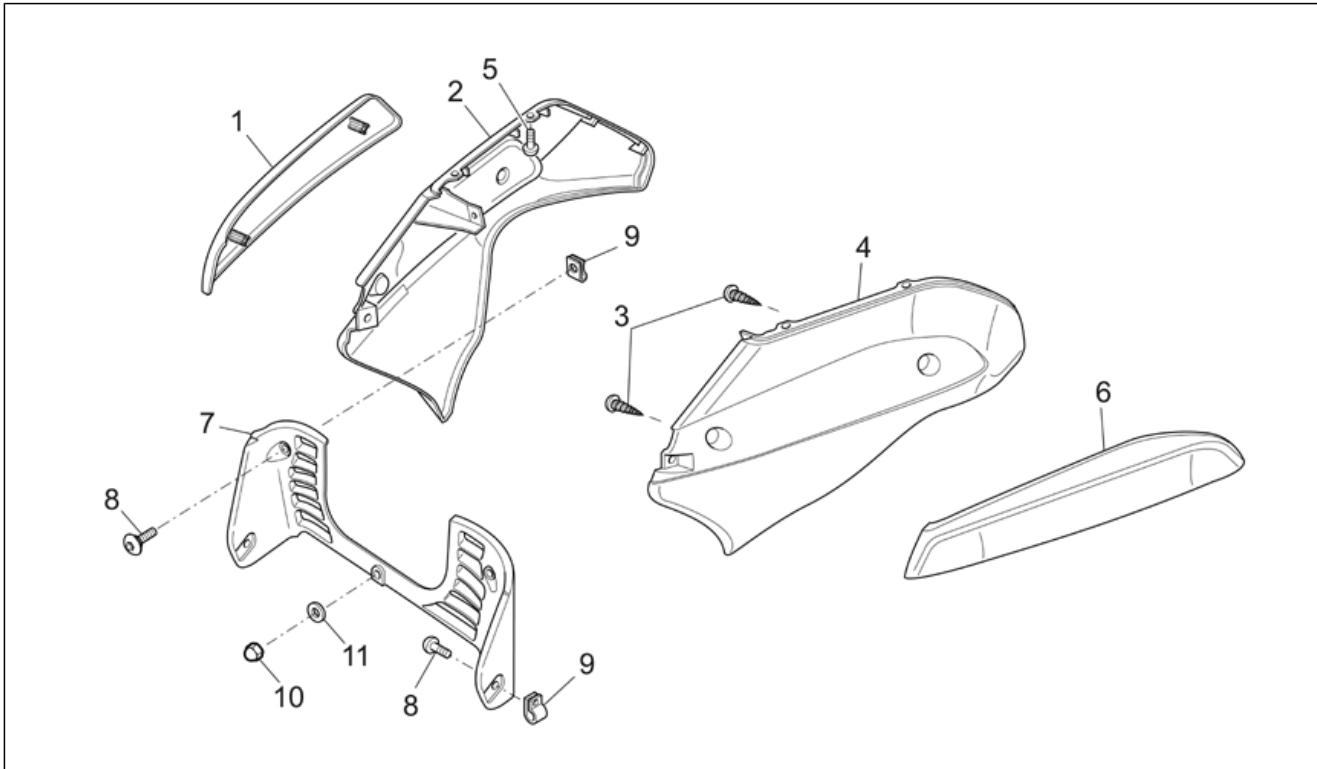
Pos.	Código	Descripción	Cant.	Variantes
1	977557	Depósito gasolina rojo	1	<b>COLOR VEHÍCULO:</b> Orange 2006[or] <b>PAÍS:</b> Australia[AUS], Other country Europe[EU], Japan[J], Great Britain[UK]
1	977558	Depósito gasolina rojo	1	<b>COLOR VEHÍCULO:</b> Orange 2006[or] <b>PAÍS:</b> Canadian[CA], United States of America[USA]
1	GU05100230	Depósito gasolina bas.	1	<b>COLOR VEHÍCULO:</b> Blank[gr] <b>PAÍS:</b> Australia[AUS], Other country Europe[EU], Japan[J], Great Britain[UK]
1	GU05100230BM	Depósito gasol.p.bco	1	<b>COLOR VEHÍCULO:</b> Diamond Light 2007[d/wh] <b>PAÍS:</b> Australia[AUS], Other country Europe[EU], Japan[J], Great Britain[UK]
1	GU05100231	Depósito gasolina rojo	1	<b>COLOR VEHÍCULO:</b> Race Red 2005-2006[r/re] <b>PAÍS:</b> Australia[AUS], Other country Europe[EU], Japan[J], Great Britain[UK]
1	GU05100232	Depós. gas. p. negro	1	<b>COLOR VEHÍCULO:</b> Guzzi Black 2006-2006[g/bl] <b>PAÍS:</b> Australia[AUS], Other country Europe[EU], Japan[J], Great Britain[UK]
1	GU05100233	Depósito gaso. gris	1	<b>COLOR VEHÍCULO:</b> Sasso del Lario Grey 2005-2006[s/gr] <b>PAÍS:</b> Australia[AUS], Other country Europe[EU], Japan[J], Great Britain[UK]
1	GU05100235	Depósito gasolina bas.	1	<b>COLOR VEHÍCULO:</b> Blank[gr] <b>PAÍS:</b> Canadian[CA], United States of America[USA]
1	GU05100235BM	Depósito gasol.p.bco	1	<b>COLOR VEHÍCULO:</b> Diamond Light 2007[d/wh] <b>PAÍS:</b> Canadian[CA], United States of America[USA]
1	GU05100236	Depósito gasolina rojo	1	<b>COLOR VEHÍCULO:</b> Race Red 2005-2006[r/re] <b>PAÍS:</b> Canadian[CA], United States of America[USA]
1	GU05100237	Depós. gas. p. negro	1	<b>COLOR VEHÍCULO:</b> Guzzi Black 2006-2006[g/bl] <b>PAÍS:</b> Canadian[CA], United States of America[USA]
1	GU05100238	Depósito gaso. gris	1	<b>COLOR VEHÍCULO:</b> Sasso del Lario Grey 2005-2006[s/gr] <b>PAÍS:</b> Canadian[CA], United States of America[USA]
2	AP8201124	Goma *	2	
3	GU98682414	Tornillo Allen	2	
4	GU95008208	Arandela 8,4X15X1,5	2	

<b>Grupo</b>	BASTIDOR
<b>Código</b>	33.13
<b>Descripción</b>	Depósito gasolina
<b>Revisión</b>	1



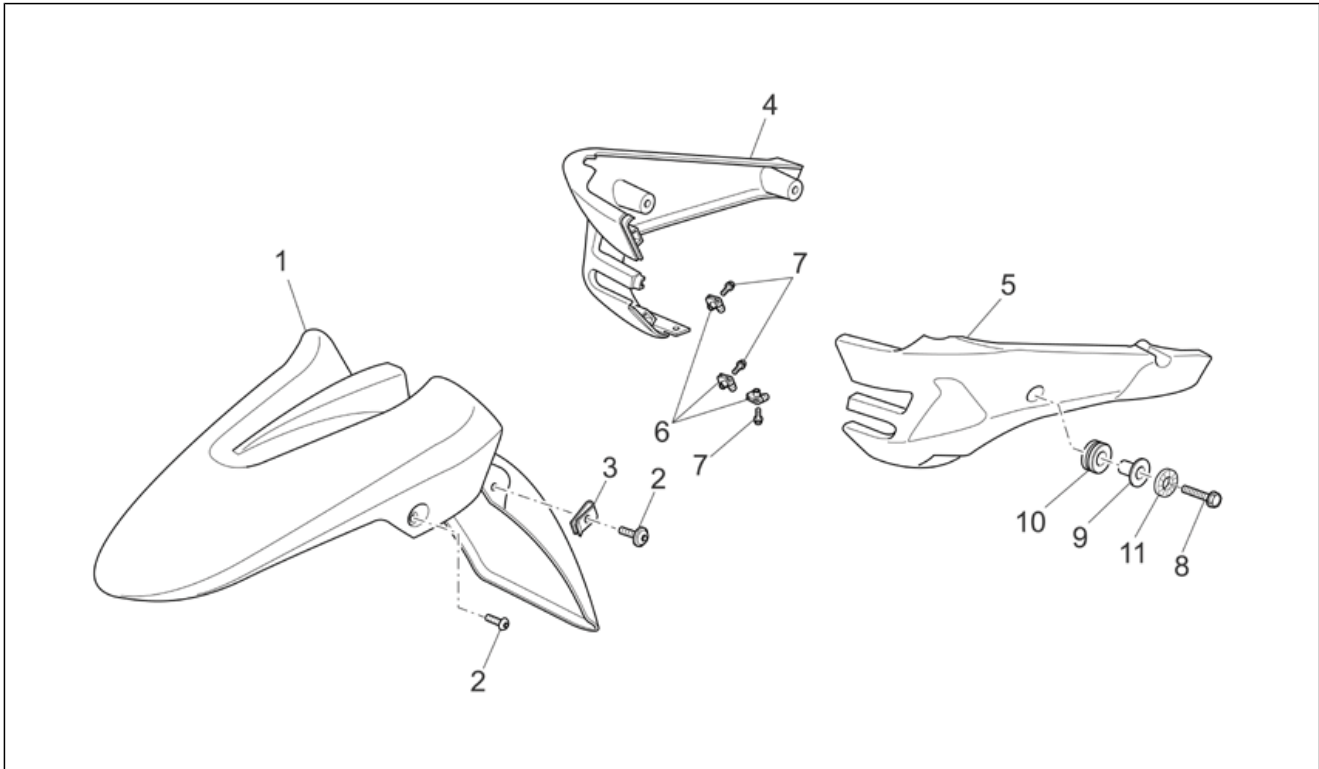
Pos.	Código	Descripción	Cant.	Variantes
5	GU02107100	Goma	1	
6	AP8121804	Distanciador *	2	
7	AP8152291	Torn. CH con reborde	1	
8	GU05103930	Tapón depósito	1	
9	GU98692216	Tornillo Allen	4	
10	GU30103730	Empalme	2	
11	AP8120965	Junta tórica 2018	2	
12	AP8101595	Abrazadera D10,1	2	
13	AP8104666	Empalme de 3 vías	1	
14	AP8120952	Tubo gasolina 5,5x10	3	
15	AP8104451	Guíacable	2	
16	GU05102930	Aislante	1	

<b>Grupo</b>	BASTIDOR
<b>Código</b>	33.14
<b>Descripción</b>	Carrocería del. - Canalización
<b>Revisión</b>	1



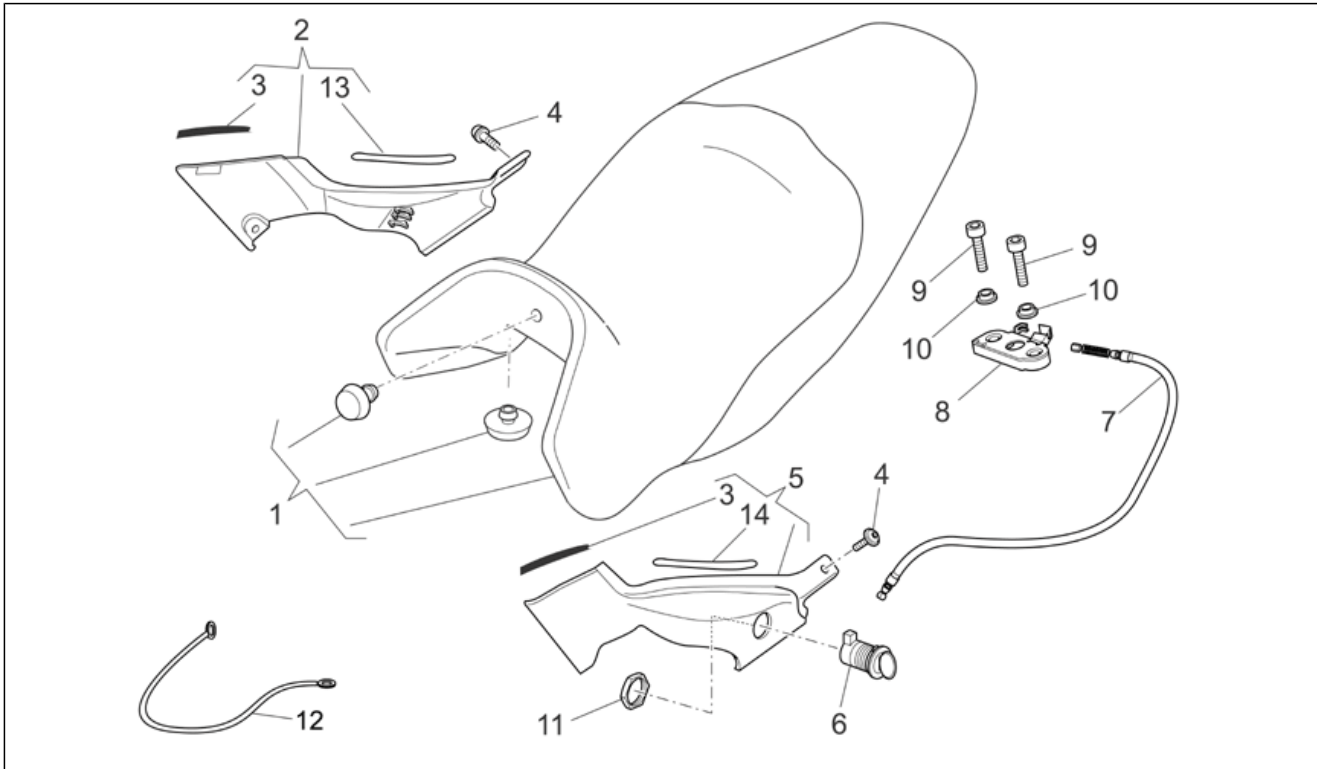
Pos.	Código	Descripción	Cant.	Variantes
1	GU05576631	Protec.der.	1	
2	GU05576230	Carenado lateral der. basto	1	COLOR VEHÍCULO:Blank[gr]
2	GU05576231	Caren.lat.der. technogrey	1	
3	AP8150413	Torn. autorr. 3,9x14	4	
4	GU05576330	Carenado lateral izq. basto	1	COLOR VEHÍCULO:Blank[gr]
4	GU05576331	Caren.lat.izq. technogrey	1	
5	AP8152339	Tornillo con reborde M5x9	6	
6	GU05576731	Protec.izq.	1	
7	GU05476430	Rejilla radiador	1	
8	AP8152302	Tornillo con reborde M5x12	4	
9	AP8102375	Clip m5	4	
10	GU92787205	Tuerca ciega	1	
11	GU95005304	Arandela 5,2x18x1,5	1	

<b>Grupo</b>	BASTIDOR
<b>Código</b>	33.15
<b>Descripción</b>	Guardab. Delant.-Puntal
<b>Revisión</b>	1



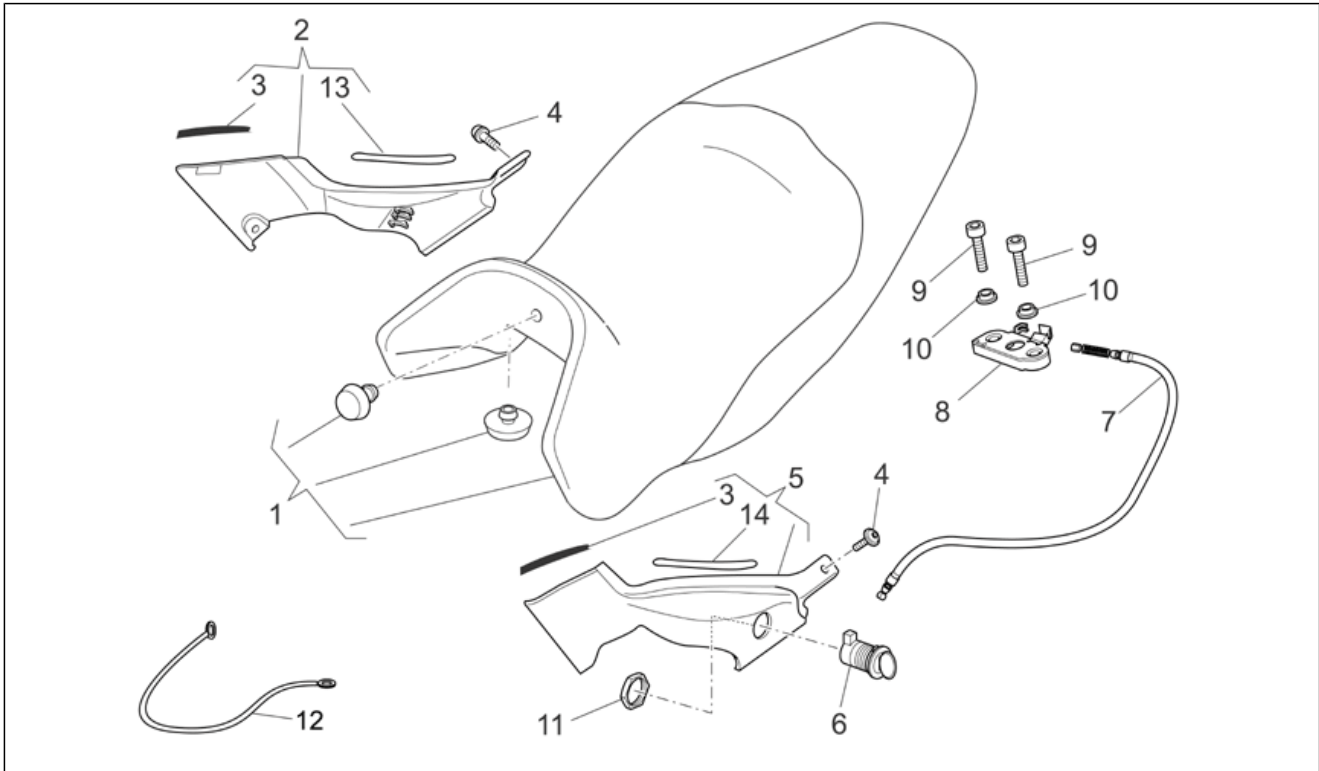
Pos.	Código	Descripción	Cant.	Variantes
1	977556	Guardab. del.naranja	1	COLOR VEHÍCULO:Orange 2006[or]
1	GU05434330	Guardab.delantero bas.	1	COLOR VEHÍCULO:Blank[gr]
1	GU05434330BM	Guardabarras del. blanco	1	COLOR VEHÍCULO:Diamond Light 2007[d/wh]
1	GU05434331	Guardab.delantero rojo	1	COLOR VEHÍCULO:Race Red 2005-2006[r/re]
1	GU05434332	Guardab. del. negro	1	COLOR VEHÍCULO:Guzzi Black 2006-2006[g/bl]
1	GU05434333	Guardabarr.del.gris	1	COLOR VEHÍCULO:Sasso del Lario Grey 2005-2006[s/gr]
2	AP8152302	Tornillo con reborde M5x12	4	
3	AP8102375	Clip m5	2	
4	GU05570530	Puntal del carenado der.	1	
5	GU05570630	Puntal del carenado izq.	1	
6	AP8102375	Clip m5	3	
7	AP8152339	Tornillo con reborde M5x9	3	
8	AP8152287	Torn. CH con reborde M8x25	4	
9	AP8221128	Buje en 'T' 8,5x10,7x12	4	
10	AP8120594	Goma	4	
11	GU95008308	Arandela	4	

<b>Grupo</b>	BASTIDOR
<b>Código</b>	33.16
<b>Descripción</b>	Sillín-Carrocería cent.
<b>Revisión</b>	1



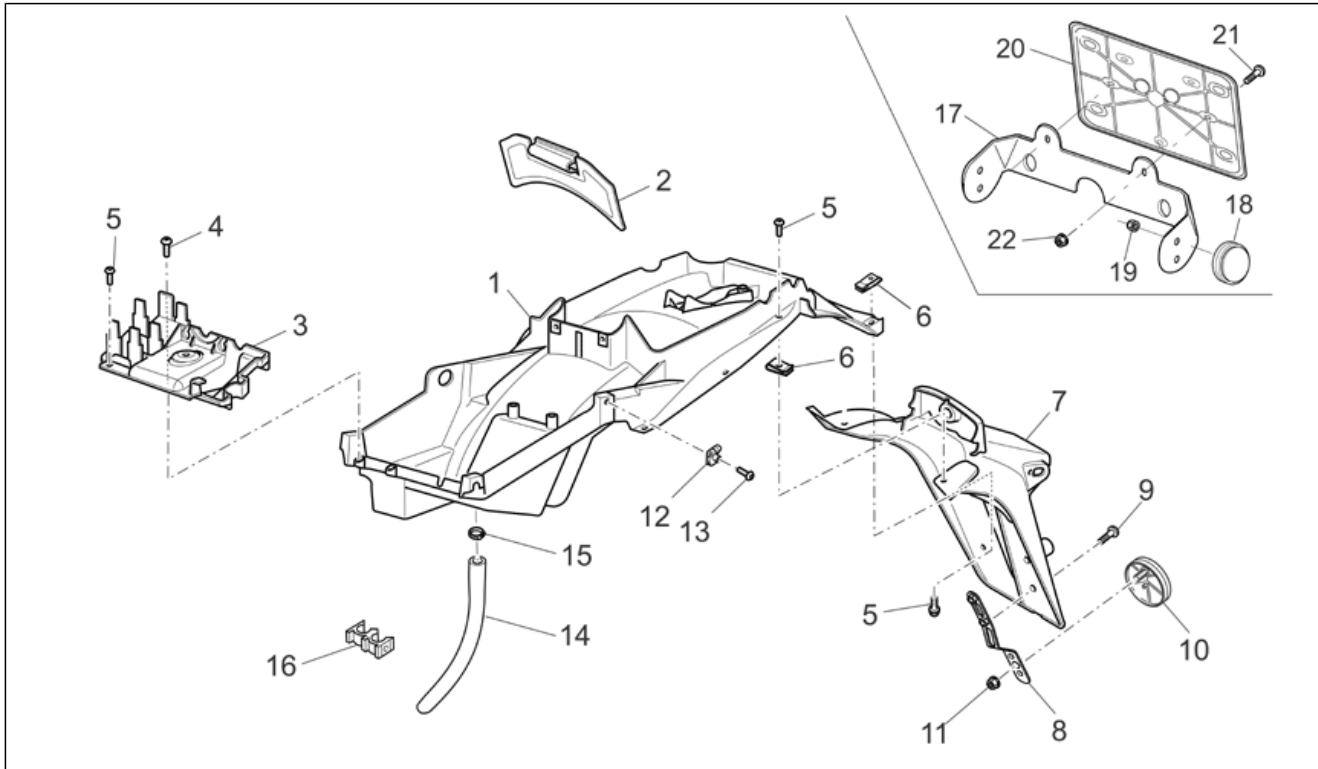
Pos.	Código	Descripción	Cant.	Variantes
1	978249	Sillín negro	1	AÑO:2007[7]
1	GU05460530	Sillín negro/gris	1	AÑO:2005[5], 2006[6] COLOR VEHÍCULO:Orange 2006[or], Race Red 2005-2006[r/re], Sasso del Lario Grey 2005-2006[s/gr]
1	GU05460530	Sillín negro/gris	1	AÑO:2005[5], 2006[6] COLOR VEHÍCULO:Guzzi Black 2006-2006[g/bl] PAÍS:Great Britain[UK]
1	GU05460531	Sillín rojo	1	AÑO:2005[5], 2006[6] COLOR VEHÍCULO:Guzzi Black 2006-2006[g/bl] PAÍS:Australia[AUS], Canadian[CA], Other country Europe[EU], Japan[J], United States of America[USA]
2	977559	Lat. peq. der. Naranja	1	COLOR VEHÍCULO:Orange 2006[or]
2	GU05570230	Lateral peq.der.bas.	1	COLOR VEHÍCULO:Blank[gr]
2	GU05570230BM	Later.peq.der.p.bco	1	COLOR VEHÍCULO:Diamond Light 2007[d/wh]
2	GU05570231	Lat. peq. der. Rojo	1	COLOR VEHÍCULO:Race Red 2005-2006[r/re]
2	GU05570232	Panel lateral der.negro	1	COLOR VEHÍCULO:Guzzi Black 2006-2006[g/bl]
2	GU05570233	Panel lateral der. gris	1	COLOR VEHÍCULO:Sasso del Lario Grey 2005-2006[s/gr]
3	AP8144538	Junta	2	
4	AP8152339	Tornillo con reborde M5x9	2	
5	977560	Lat. peq. izq. Naranja	1	COLOR VEHÍCULO:Orange 2006[or]
5	GU05570430	Lateral peq.izq.bas.	1	COLOR VEHÍCULO:Blank[gr]
5	GU05570430BM	Later.peq.izq. p.bco	1	COLOR VEHÍCULO:Diamond Light 2007[d/wh]
5	GU05570431	Lat. peq. izq. Rojo	1	COLOR VEHÍCULO:Race Red 2005-2006[r/re]
5	GU05570432	Lat. peq. izq.negro	1	COLOR VEHÍCULO:Guzzi Black 2006-2006[g/bl]
5	GU05570433	Panel lateral izq. gris	1	COLOR VEHÍCULO:Sasso del Lario Grey 2005-2006[s/gr]
6	GU05466830	Cerradura sillín	1	
7	AP8102914	Cable cerradura sill.	1	
8	AP8102913	Placa fij.sil.pasaj.	1	
9	GU98370625	Tornillo	2	
10	AP8152299	Tuerca autobloqueante M6	2	

<b>Grupo</b>	BASTIDOR
<b>Código</b>	33.16
<b>Descripción</b>	Sillín-Carrocería cent.
<b>Revisión</b>	1



Pos.	Código	Descripción	Cant.	Variantes
11	AP8102523	Tuerca cerradura M22x1,5	1	
12	AP8102502	Cable enganche casco	1	
13	GU05573830	Calco protec. lateral der.	1	
14	GU05573831	Calco protec. lateral izq.	1	

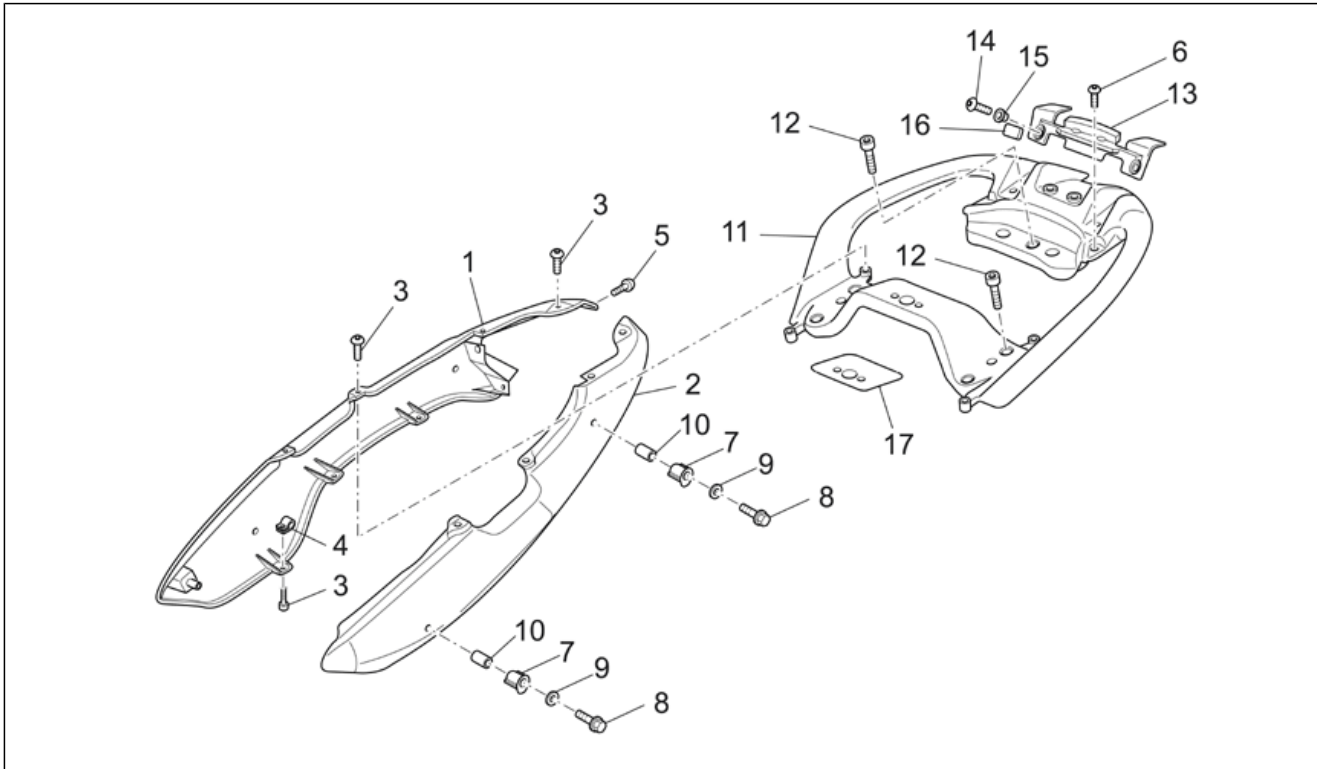
<b>Grupo</b>	BASTIDOR
<b>Código</b>	33.17
<b>Descripción</b>	Car.tr. - Gdab
<b>Revisión</b>	1



Pos.	Código	Descripción	Cant.	Variantes
1	883828	Parasalpicaduras	1	<b>Especificaciones técnicas:</b> Veicoli con batteria YT20-BS[B]
1	GU05438730	Parasalpicaduras	1	<b>Especificaciones técnicas:</b> Veicoli con batteria YTX20CH-BS[A]
2	GU05479630	PORTEZUELA	1	
3	GU05780530	Soporte	1	
4	AP8152329	Torn. c.cruz reborde M5x20	2	
5	AP8152339	Tornillo con reborde M5x9	7	
6	AP8102375	Clip m5	4	
7	GU05438630	Portamatrícula	1	
8	AP8134448	Soporte catafaro	1	
9	AP8152267	Tornillo M5x12	2	
10	AP8224164	Catafaro trasero rojo	1	
11	AP8152306	Tuerca autobloqueante m5	1	
12	GU28576591	Clip M6	6	
13	GU98370614	Tornillo M6x14	6	
14	AP8120952	Tube gasolina 5,5x10	1	
15	AP8101595	Abrazadera D10,1	1	
16	AP8201808	Guíacable D8	2	
17	AP8258253	Del.soporte catafaro	1	<b>PAÍS:</b> Canadian[CA], United States of America[USA]
18	AP8224164	Catafaro trasero rojo	2	<b>PAÍS:</b> Canadian[CA], United States of America[USA]
19	AP8152306	Tuerca autobloqueante m5	2	<b>PAÍS:</b> Canadian[CA], United States of America[USA]
20	AP8149034	Soporte matrícula	1	<b>PAÍS:</b> Canadian[CA], United States of America[USA]
21	GU98210616	Tornillo con reborde M6x16 inox	2	<b>PAÍS:</b> Canadian[CA], United States of America[USA]
22	AP8152299	Tuerca autobloqueante M6	2	<b>PAÍS:</b> Canadian[CA], United States of America[USA]

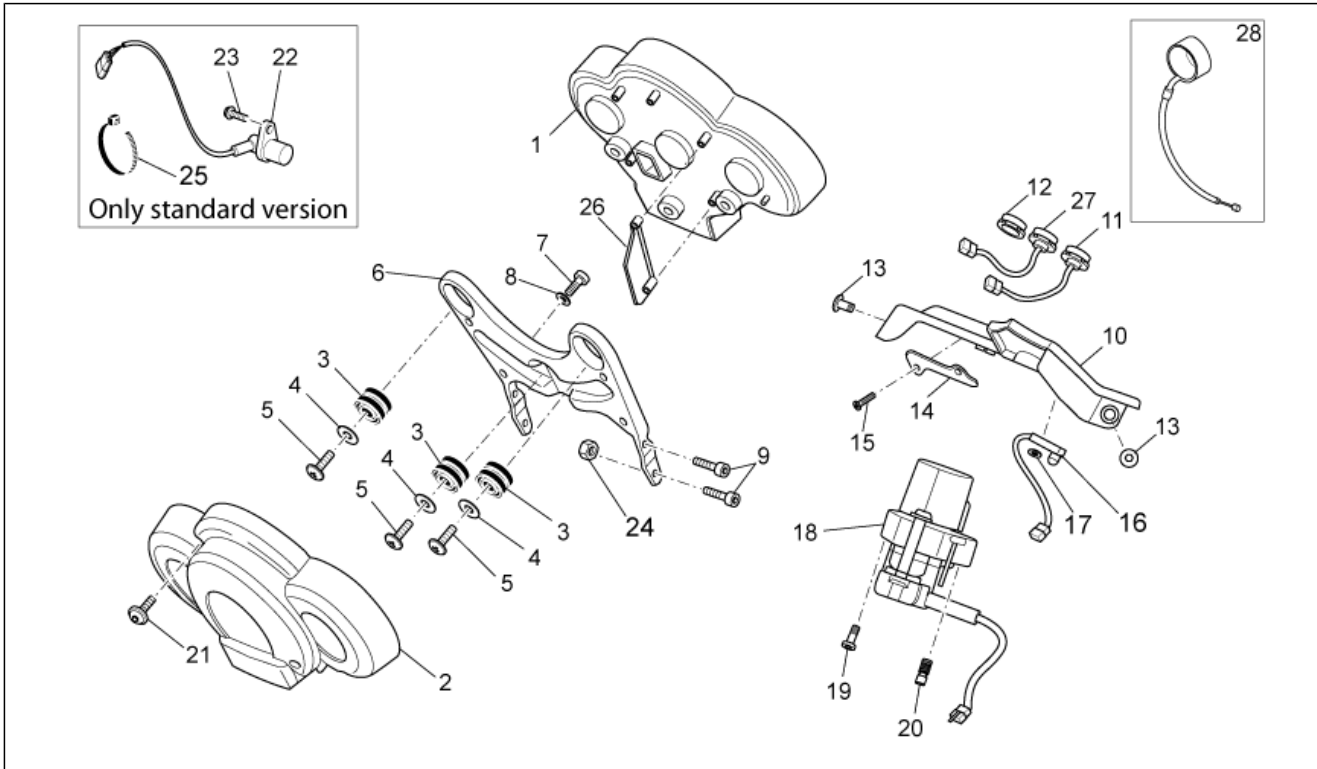


<b>Grupo</b>	BASTIDOR
<b>Código</b>	33.18
<b>Descripción</b>	Carroc.tras. - Cola
<b>Revisión</b>	1



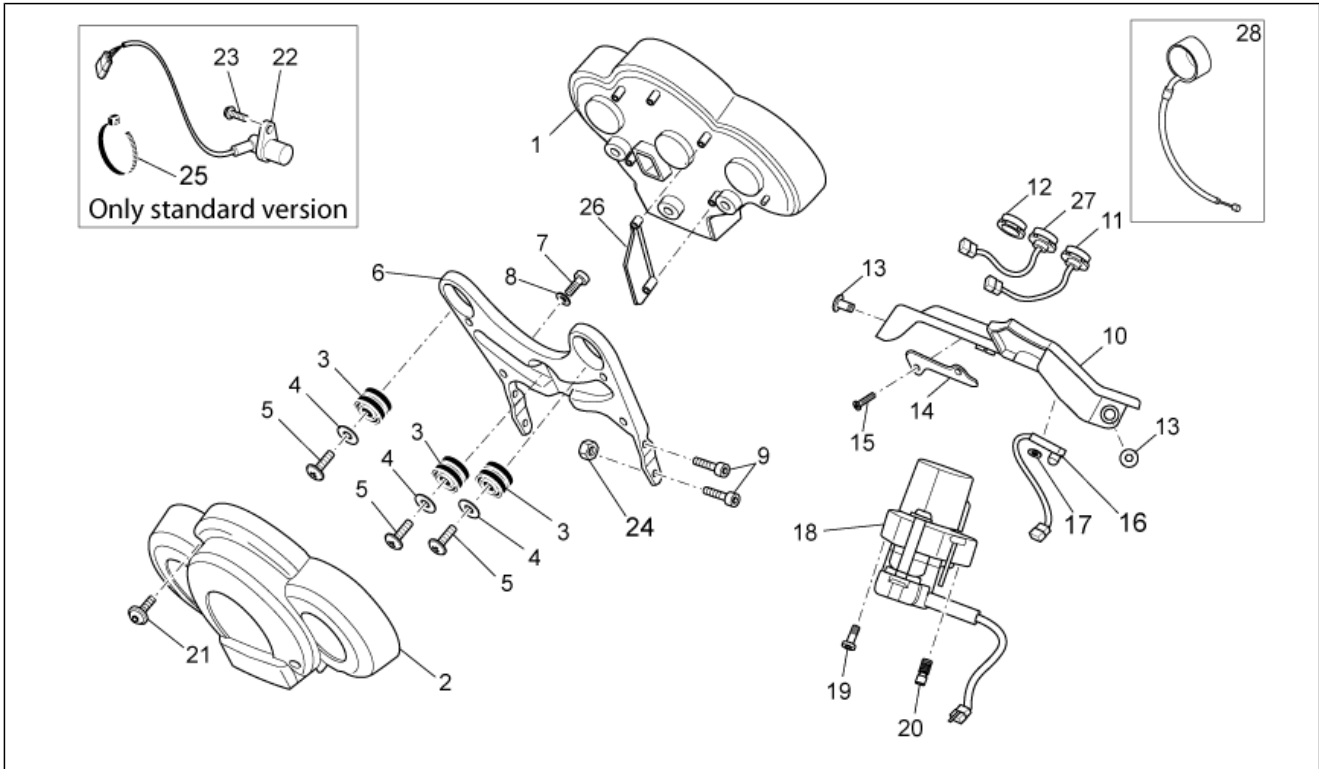
Pos.	Código	Descripción	Cant.	Variantes
1	977561	Cola p.naranja der.	1	COLOR VEHÍCULO:Orange 2006[or]
1	GU05573230	Cola plata, basto	1	COLOR VEHÍCULO:Blank[gr]
1	GU05573230BM	Cola p.blanco der.	1	COLOR VEHÍCULO:Diamond Light 2007[d/wh]
1	GU05573231	Cola der. p.rojo	1	COLOR VEHÍCULO:Race Red 2005-2006[r/re]
1	GU05573232	Cola pint. negro der.	1	COLOR VEHÍCULO:Guzzi Black 2006-2006[g/bl]
1	GU05573233	Cola pint. gris der.	1	COLOR VEHÍCULO:Sasso del Lario Grey 2005-2006[s/gr]
2	977562	Cola p.naranja izq.	1	COLOR VEHÍCULO:Orange 2006[or]
2	GU05573330	Cola plata izq., basto	1	COLOR VEHÍCULO:Blank[gr]
2	GU05573330BM	Cola izq. p. blanco	1	COLOR VEHÍCULO:Diamond Light 2007[d/wh]
2	GU05573331	Cola izq. p.rojo	1	COLOR VEHÍCULO:Race Red 2005-2006[r/re]
2	GU05573332	Cola izq. p. negro	1	COLOR VEHÍCULO:Guzzi Black 2006-2006[g/bl]
2	GU05573333	Cola izq. p gris	1	COLOR VEHÍCULO:Sasso del Lario Grey 2005-2006[s/gr]
3	AP8152339	Tornillo con reborde M5x9	10	
4	AP8102375	Clip m5	10	
5	GU98682215	Tornillo Allen	2	
6	AP8152302	Tornillo con reborde M5x12	2	
7	GU05467330	Gancho	4	
8	AP8152292	Torn. CH con reborde	4	
9	GU03270300	Arandela 8,4x15	4	
10	GU91120924	Distanciador 9x18x24	4	
11	GU05464330	Manilla	1	
12	GU98682425	Tornillo Allen M8x25	5	
13	GU05464830	Tapa	1	
14	AP8152055	Tornillo M8x12	2	
15	AP8121096	Buje en 'T' 8,2x12x4	2	
16	AP8120455	Goma	2	
17	GU32944210	Calco protec.	1	

<b>Grupo</b>	BASTIDOR
<b>Código</b>	33.19
<b>Descripción</b>	Salpicadero
<b>Revisión</b>	1



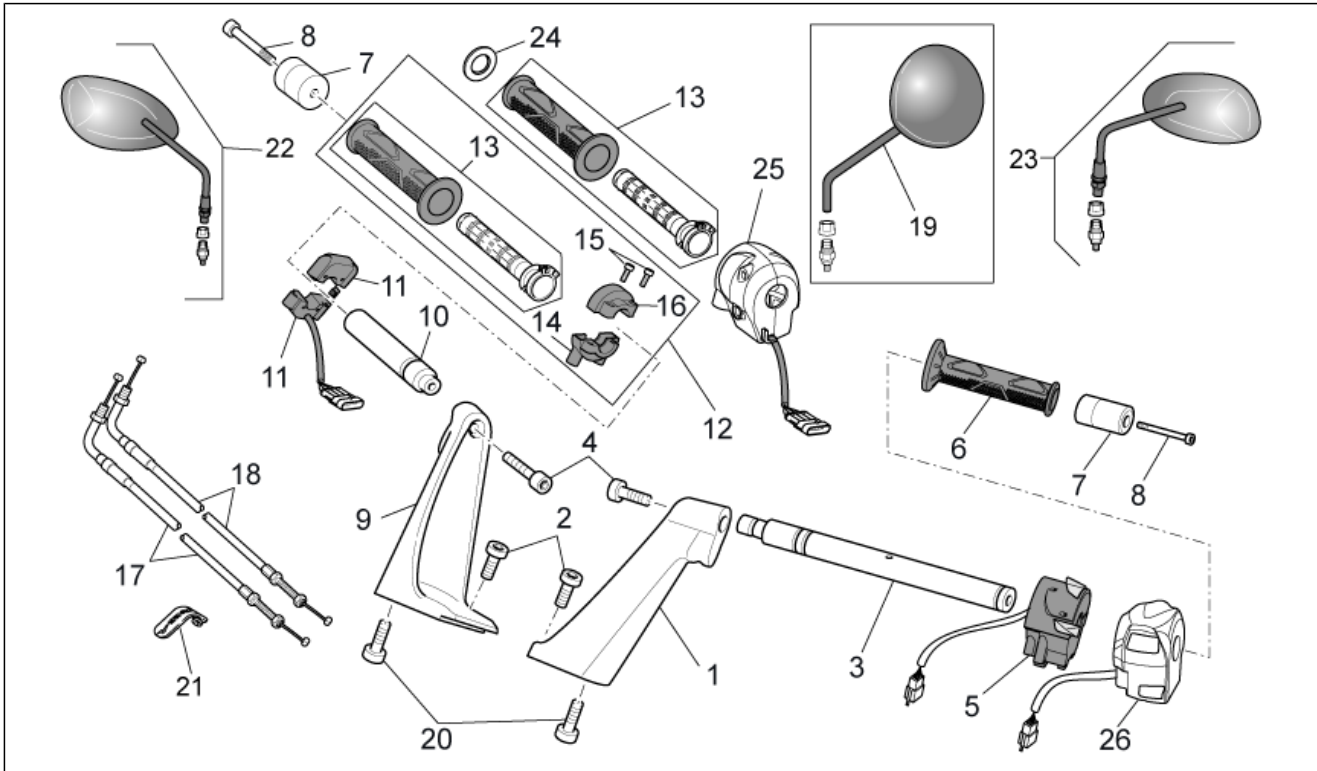
Pos.	Código	Descripción	Cant.	Variantes
1	977523	Salpicadero completo	1	AÑO:2007[7] PAÍS:Australia[AUS], Canadian[CA], Other country Europe[EU], Japan[J]
1	977524	Salpicadero completo	1	AÑO:2007[7] PAÍS:Great Britain[UK], United States of America[USA]
1	GU05760030	Salpicadero completo	1	AÑO:2005[5], 2006[6] PAÍS:Australia[AUS], Canadian[CA], Other country Europe[EU], Japan[J]
1	GU05760031	Salpicadero completo	1	AÑO:2005[5], 2006[6] PAÍS:Great Britain[UK], United States of America[USA]
2	GU05766530	Tapa	1	
3	AP8220150	Goma	3	
4	AP8150255	Arandela 5x20x1,5	3	
5	AP8150509	Torn. autorr. 5x14	3	
6	GU05764030	Placa de soporte	1	
7	GU98682416	Tornillo Allen M8x16	1	
8	GU03270300	Arandela 8,4x15	1	
9	GU98692313	Tornillo Allen M6x12	4	
10	GU05764330	Panel de mandos salpicadero	1	
11	GU05745730	Interruptor Hazard	1	AÑO:2005[5], 2006[6]
12	GU05764430	Tapón	2	Especificaciones técnicas:Version without ABS[std]
12	GU05764430	Tapón	1	Especificaciones técnicas:ABS version[abs]
13	AP8152339	Tornillo con reborde M5x9	2	
14	GU05764530	Placa	1	
15	AP8150421	Torn. autorr. 2,9x12	2	
16	AP8124936	Sensor temp. aire	1	
17	GU90274002	Arandela para ejes	2	
18	GU05782530	Bloque arran.-bloq.	1	
19	GU98682430	Tornillo Allen M8x30	1	

<b>Grupo</b>	BASTIDOR
<b>Código</b>	33.19
<b>Descripción</b>	Salpicadero
<b>Revisión</b>	1



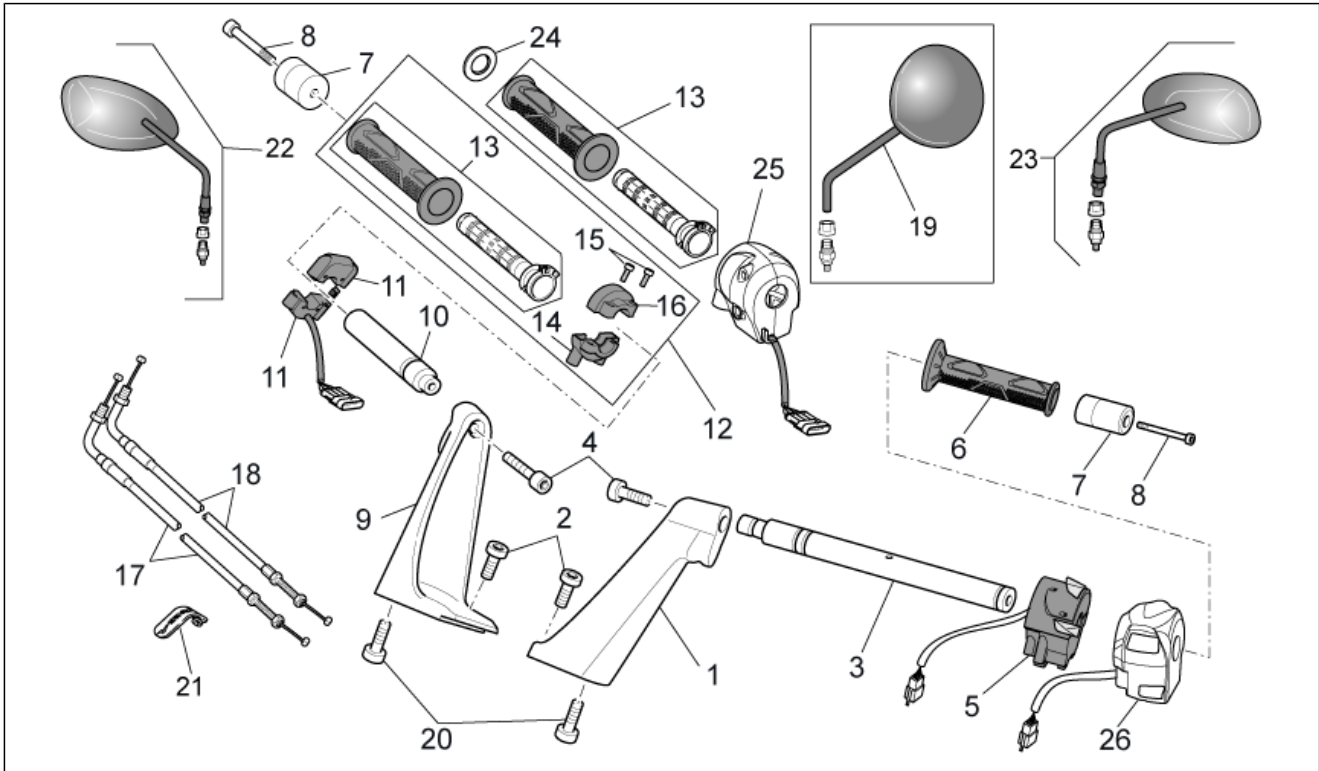
Pos.	Código	Descripción	Cant.	Variantes
20	AP8152238	Tornillo de tracción M8x28	1	
21	AP8152334	Tornillo con reborde M3x12	4	
22	AP8124985	Sensor cuentakm.cpl.	1	<b>Especificaciones técnicas:</b> Version without ABS[std]
23	AP8152278	Torn. CH con reborde M6x16	1	<b>Especificaciones técnicas:</b> Version without ABS[std]
24	GU92630206	Tuerca M6x1	2	
25	GU49609601	Abrazadera 2,4x92	2	<b>Especificaciones técnicas:</b> Version without ABS[std]
26	GU05767830	Protection	1	
27	GU05780430	Interruptor ABS	1	<b>Especificaciones técnicas:</b> ABS version[abs]
28	981087	Antena immobilizer	1	

<b>Grupo</b>	BASTIDOR
<b>Código</b>	33.20
<b>Descripción</b>	Manillar - Mandos
<b>Revisión</b>	1



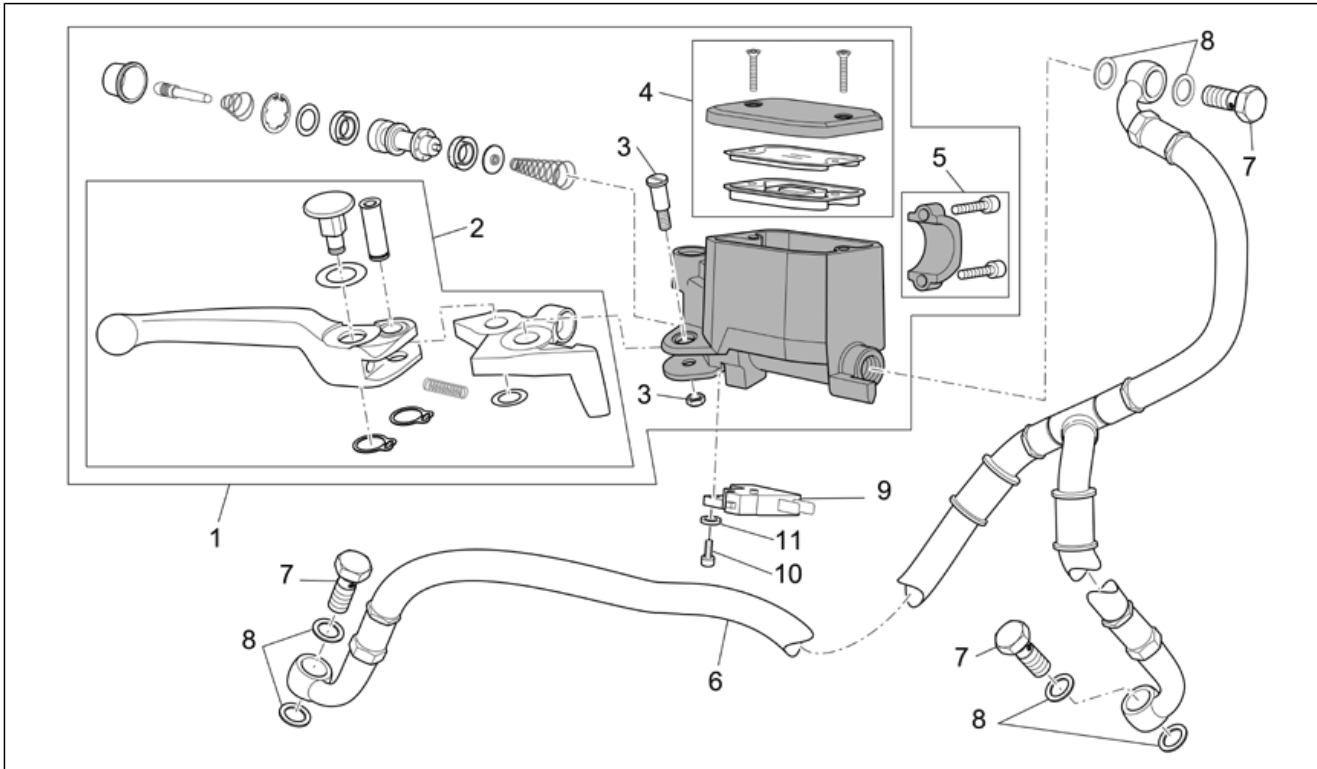
Pos.	Código	Descripción	Cant.	Variantes
1	GU05600730	Semimanillar izq.	1	
2	GU98692425	Tornillo Allen M8x25	4	
3	GU05600930	Tubo manillar Izq.	1	
4	GU98692430	Tornillo Allen M8x30	2	
5	GU05738030	Conmut. luces izq.	1	
6	AP8706527	Puño izq.calentada	1	
7	AP8104572	Peso antivib.p.negro	2	
8	GU98680360	Tornillo Allen M6x60	2	
9	GU05600630	Semimanillar der.	1	
10	GU05600230	Tubo manillar Der.	1	
11	B045021	Conmut. luces der.	1	AÑO:2005[5], 2006[6]
12	GU05603331	Mando gas cpl.	1	AÑO:2005[5], 2006[6]
13	GU01603480	Puño der.	1	
14	AP8118502	Perno del. mando gas	1	AÑO:2005[5], 2006[6]
15	AP8118492	Tornillo capuchón	2	AÑO:2005[5], 2006[6]
16	AP8118503	Perno tras. mando gas	1	AÑO:2005[5], 2006[6]
17	978314	Cable apertura gas	1	AÑO:2007[7]
17	GU05117530	Cable apertura gas	1	AÑO:2005[5], 2006[6]
18	978315	Cable cierre gas	1	AÑO:2007[7]
18	GU05117830	Cable cierre gas	1	AÑO:2005[5], 2006[6]
19	AP8104566	Espejo retrovisor	2	Especificaciones técnicas:First series[1A]
20	GU98692425	Tornillo Allen M8x25	2	
21	GU01609630	Abrazadera L46 mm	2	
21	GU03609600	Abrazadera L36 mm	4	
22	883802	Espejo retrovisor der./izq.	1	Especificaciones técnicas:marcato "FU E11 81R-001047"[4A]
22	GU32769460	Espejo retrovisor der.	1	Especificaciones técnicas:Second series[2A]

<b>Grupo</b>	BASTIDOR
<b>Código</b>	33.20
<b>Descripción</b>	Manillar - Mandos
<b>Revisión</b>	1



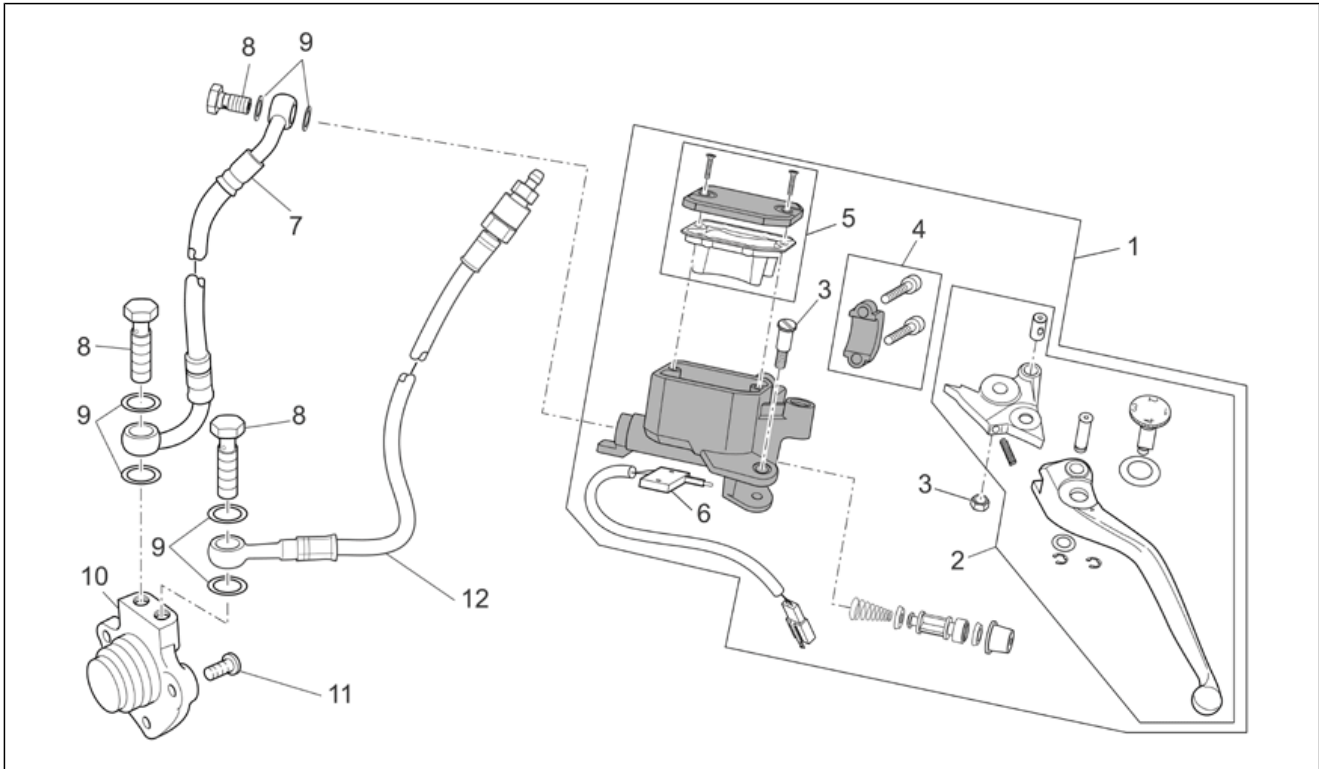
Pos.	Código	Descripción	Cant.	Variantes
23	883802	Espejo retrovisor der./izq.	1	<b>Especificaciones técnicas:</b> marcato "FU E11 81R-001047"[4A]
23	GU32769860	Espejo retrovisor izq.	1	<b>Especificaciones técnicas:</b> Second series[2A]
24	977679	Arandela en nylon	1	<b>AÑO:</b> 2007[7]
25	977780	Conmut. luces der.	1	<b>AÑO:</b> 2007[7] <b>Especificaciones técnicas:</b> Second series[2A], Bollino giallo all'interno[YL]
25	AP8127648	Conmut. luces der.	1	<b>AÑO:</b> 2007[7] <b>Especificaciones técnicas:</b> First series[1A]
26	977522	Conmut. luces izq.	1	<b>AÑO:</b> 2007[7]

<b>Grupo</b>	BASTIDOR
<b>Código</b>	33.21
<b>Descripción</b>	Bomba freno del.
<b>Revisión</b>	1



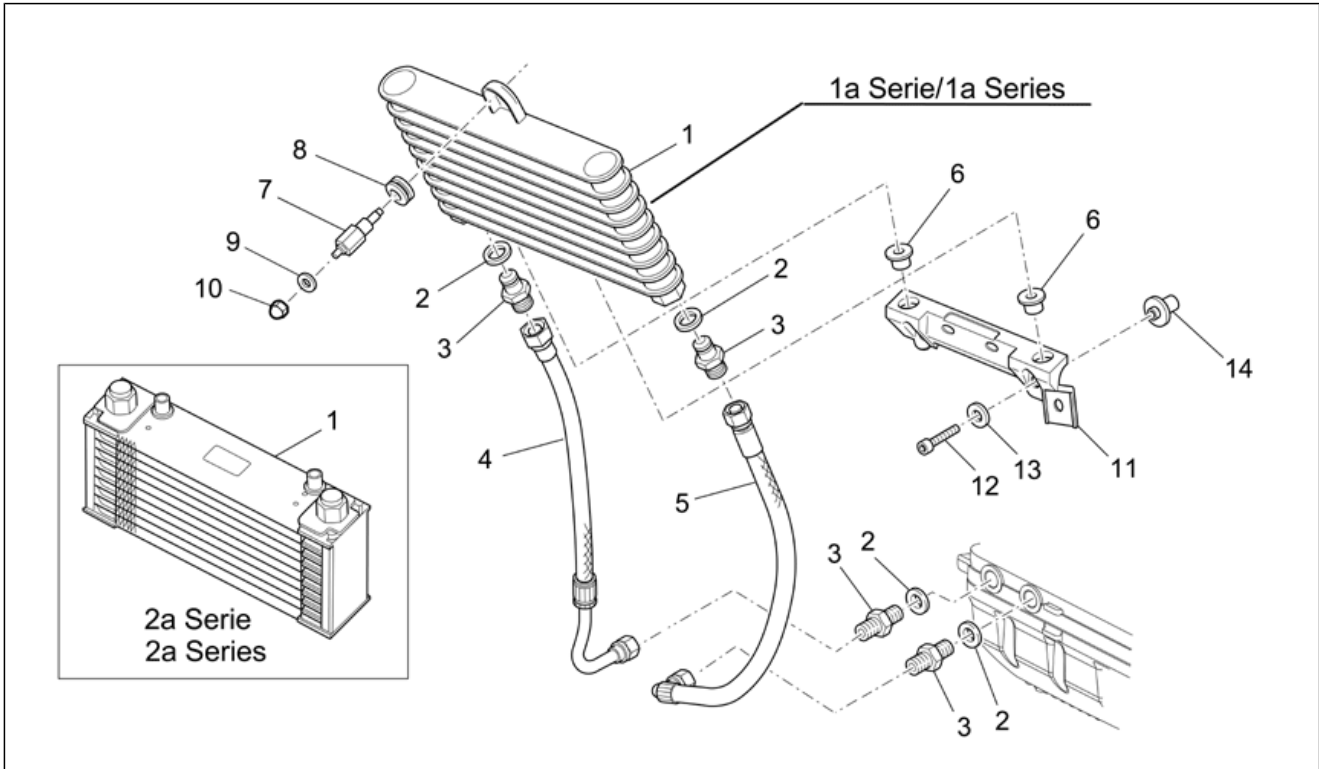
Pos.	Código	Descripción	Cant.	Variantes
1	978606	Bomba freno del.	1	<b>Especificaciones técnicas:</b> Second series[2A], Ghiera regolazione leva color argento[SL]
1	GU05660130	Bomba freno del.	1	<b>Especificaciones técnicas:</b> First series[1A], Ghiera regolazione leva color oro[GL]
2	981050	Palanca freno del.	1	<b>Especificaciones técnicas:</b> First series[1A], Ghiera regolazione leva color oro[GL]
2	AP8133510	Palanca freno del.	1	<b>Especificaciones técnicas:</b> Second series[2A], Ghiera regolazione leva color argento[SL]
3	AP8113995	Perno palanca	1	
4	GU05661130	Tapón depósito	1	
5	AP8113993	Perno U	1	
6	GU05658830	Tubo freno del.	1	<b>Especificaciones técnicas:</b> Version without ABS[std]
7	AP8133594	Tornillo tubo aceite	3	
8	GU25656100	Junta	6	
9	GU03749845	Interruptor de stop	1	
10	GU98370412	Tornillo M4x12	1	
11	GU95021104	Arandela 4,3x8x1,5	1	

<b>Grupo</b>	BASTIDOR
<b>Código</b>	33.22
<b>Descripción</b>	Mando embrague cpl.
<b>Revisión</b>	1



Pos.	Código	Descripción	Cant.	Variantes
1	978607	Bomba embrague	1	<b>Especificaciones técnicas:</b> Second series[2A], Ghiera regolazione leva color argento[SL]
1	AP8106713	Bomba embrague	1	<b>Especificaciones técnicas:</b> First series[1A], Ghiera regolazione leva color oro[GL]
2	981046	Palanca embrague	1	<b>Especificaciones técnicas:</b> Second series[2A], Ghiera regolazione leva color argento[SL]
2	AP8118659	Palanca embrague	1	<b>Especificaciones técnicas:</b> First series[1A], Ghiera regolazione leva color oro[GL]
3	GU03604845	Perno palanca	1	
4	AP8113993	Perno U	1	
5	AP8113997	Tapón depósito	1	
6	AP8113998	Microinterruptor	1	
7	GU05606530	Tubo embrague	1	
8	AP8133594	Tornillo tubo aceite	3	
9	AP8121915	Junta	6	
10	GU05086330	Cilindro mando embr.	1	
11	AP8152278	Torn. CH con reborde M6x16	3	
12	GU05606630	Tubo de embrague	1	

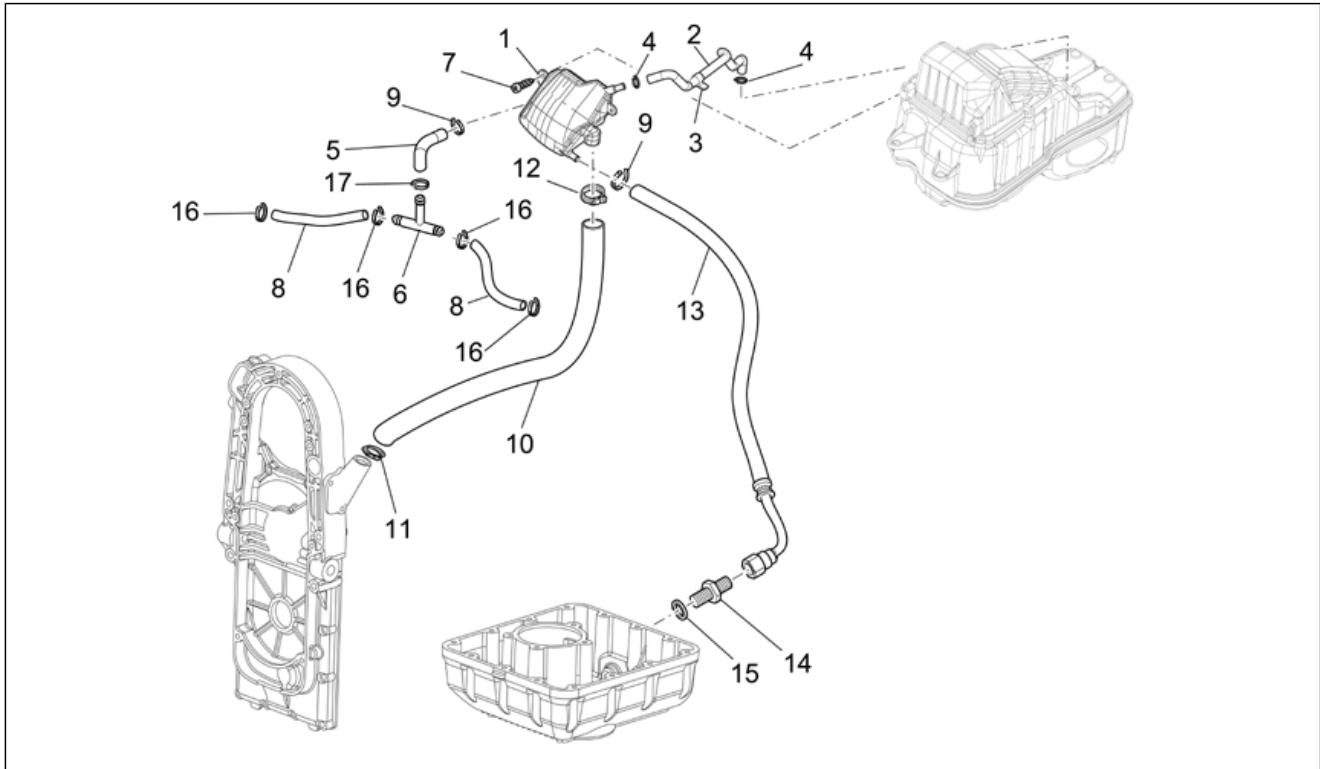
<b>Grupo</b>	BASTIDOR
<b>Código</b>	33.23
<b>Descripción</b>	Radiador aceite
<b>Revisión</b>	1



Pos.	Código	Descripción	Cant.	Variantes
1	GU05162030	Radiador aceite cpl.	1	<b>Especificaciones técnicas:</b> First series[1A], Ordinare 05162031[O1]
1	GU05162031	Radiador aceite cpl.	1	<b>Especificaciones técnicas:</b> Second series[2A]
2	GU01154230	Junta	4	
3	GU01161331	Reducción	4	
4	GU05162331	Tubo der.	1	
5	GU05161631	Tubo izq.	1	
6	AP8101372	Casquillo elástico	2	
7	GU05164630	Tornillo especial	1	
8	GU91551010	Goma	1	
9	GU95005304	Arandela 5,2x18x1,5	1	
10	GU92787205	Tuerca ciega	1	
11	GU05164230	Estribo	1	
12	GU98680340	Tornillo Allen M6x40	2	
13	GU95005306	Arandela 6,4x13x1,5	2	
14	GU91120622	Buje 6,2x11x22,5	2	

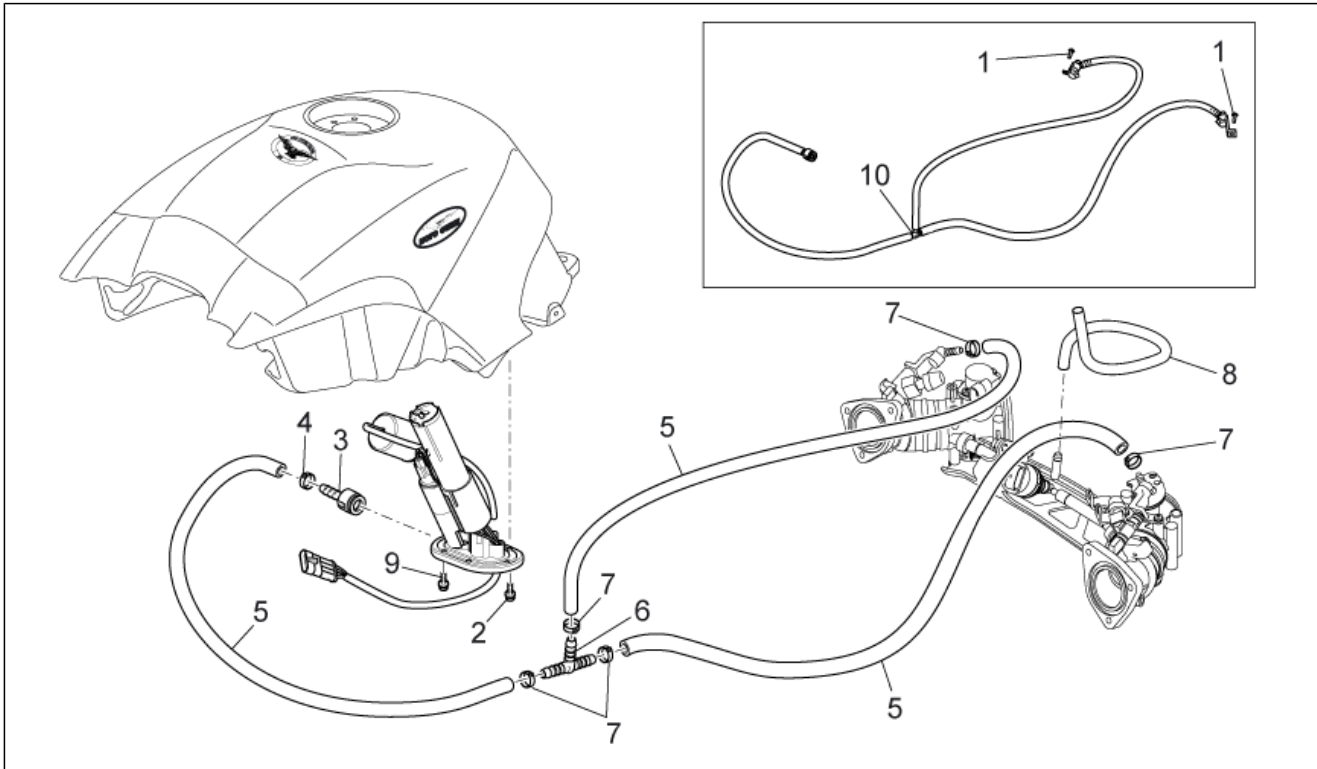


<b>Grupo</b>	BASTIDOR
<b>Código</b>	33.24
<b>Descripción</b>	Instalación Blow-by
<b>Revisión</b>	1



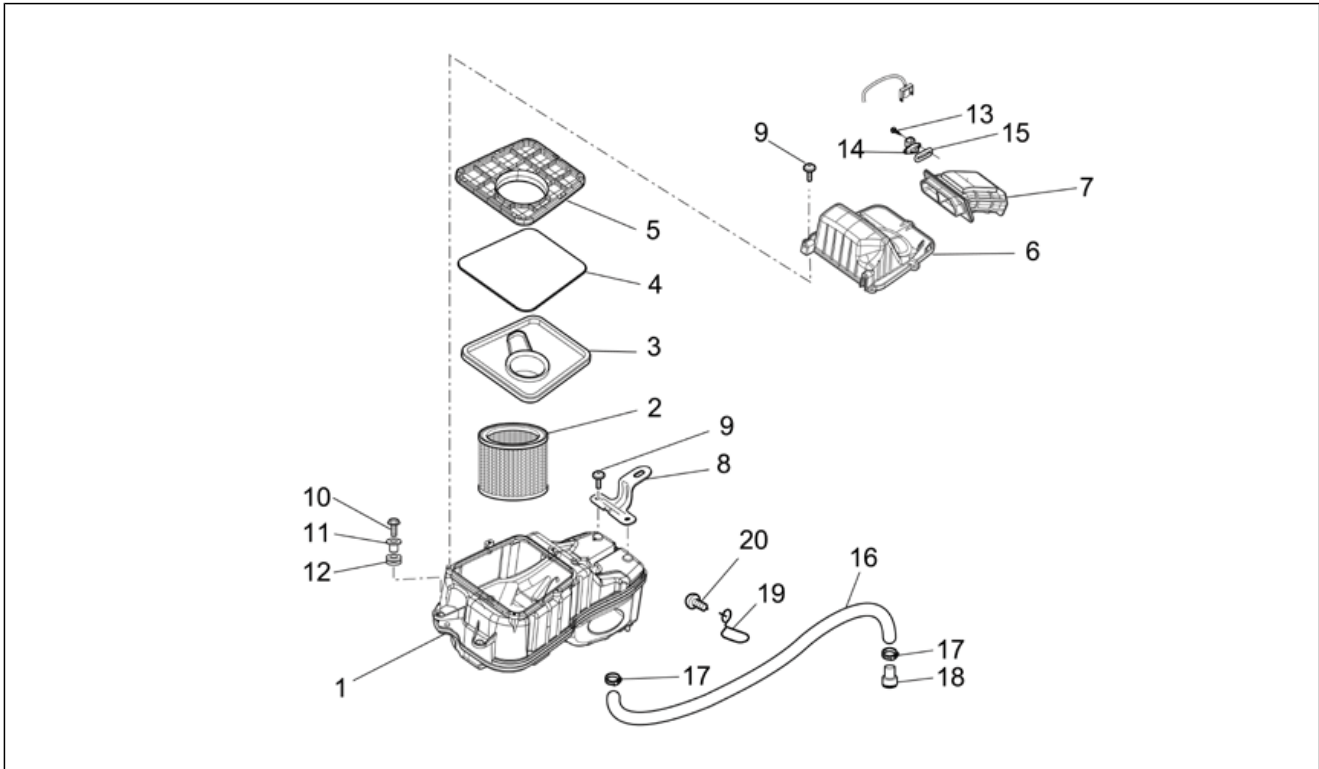
Pos.	Código	Descripción	Cant.	Variantes
1	GU05153430	Caja expansión	1	
2	GU05157430	Tubo respiradero	1	
3	AP8102151	Abrazadera negra D12*	1	
4	AP8102520	Faja stringitubo	2	
5	GU05159630	Tubo respiradero	1	
6	GU95960609	Empalme de 3 vías	1	
7	AP8150509	Torn. autorr. 5x14	2	
8	GU00823955080	Tubo respiradero	2	
9	AP8101586	Abrazadera clic D.15,5x6,6	2	
10	GU05157630	Tubo respiradero	1	
11	AP8101588	Abrazadera clic D.24,5x8,6	1	
12	GU93306018	Abrazadera 17X29X8	1	
13	GU05159330	Tubos	1	
14	GU01161331	Reducción	1	
15	GU01154230	Junta	1	
16	AP8201358	Abrazadera D 11,9	4	
17	AP8102765	Abrazadera clic blanca D.13,5x6	1	

<b>Grupo</b>	BASTIDOR
<b>Código</b>	33.25
<b>Descripción</b>	Alimentación
<b>Revisión</b>	1



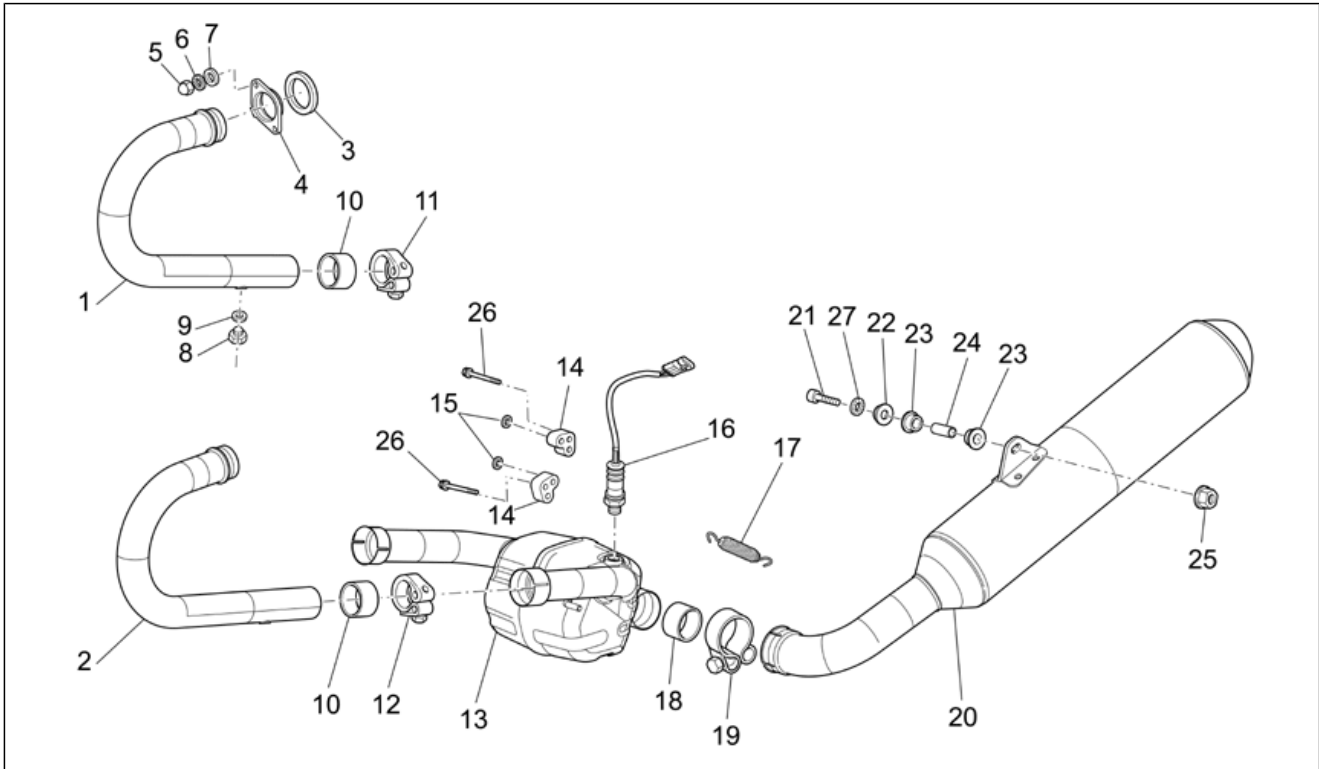
Pos.	Código	Descripción	Cant.	Variantes
1	AP8152298	Tornillo con reborde M5x16	2	
2	AP8152273	Tornillo con reborde M5x16	4	
3	GU01106692	Empalme	1	<b>Especificaciones técnicas:</b> First series[1A]
4	AP8102764	Abrazadera clic blanca d.13x6	1	<b>Especificaciones técnicas:</b> First series[1A]
5	AP8144069	Tubo gasolina 6x13	3	<b>Especificaciones técnicas:</b> First series[1A]
6	AP8120116	Empalme de 3 vías	1	<b>Especificaciones técnicas:</b> First series[1A]
7	AP8102239	Abrazadera 12,5x8	5	<b>Especificaciones técnicas:</b> First series[1A]
8	GU05135930	Tubo	1	
9	AP8152274	Torn. CH con reborde M5x20	2	
10	977149	Tubo gasolina, cpl.	1	<b>Especificaciones técnicas:</b> Second series[2A]

<b>Grupo</b>	BASTIDOR
<b>Código</b>	33.26
<b>Descripción</b>	Caja del filtro
<b>Revisión</b>	1



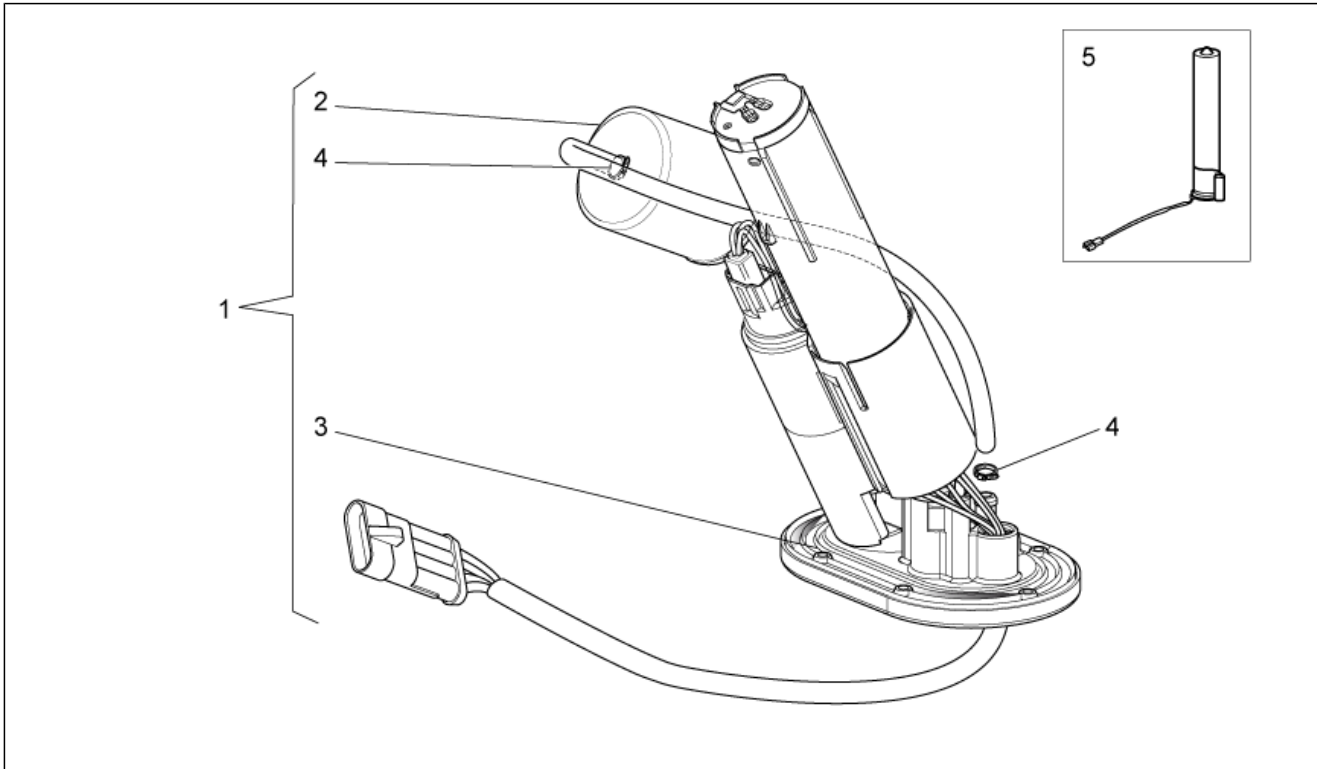
Pos.	Código	Descripción	Cant.	Variantes
1	GU05114031	CAJA DEL FILTRO	1	
2	AP8104211	Filtro aire	1	
3	GU05113730	Protection	1	
4	AP8120615	Junta D3	1	
5	GU05103830	Esponja adhesiva	1	
6	GU05113530	Tapa	1	
7	AP8144164	Manguito de admisión	1	
8	GU05114130	Suporte caja del filtro	1	
9	AP8152329	Torn. c.cruz reborde M5x20	7	
10	AP8152279	Torn. CH con reborde M6x20	2	
11	AP8221023	Buje en 'T'	2	
12	AP8120030	Goma	2	
13	AP8150421	Torn. autorr. 2,9x12	2	
14	GU30729330	Sensor temp. aire	1	
15	GU30027931	Junta	1	
16	AP8144038	Tubo gasolina 6x10	1	
17	AP8101595	Abrazadera D10,1	2	
18	AP8120876	Tapón de cierre	1	
19	AP8120428	Guíacable	1	
20	AP8152278	Torn. CH con reborde M6x16	1	

<b>Grupo</b>	BASTIDOR
<b>Código</b>	33.27
<b>Descripción</b>	Grupo de escape
<b>Revisión</b>	1



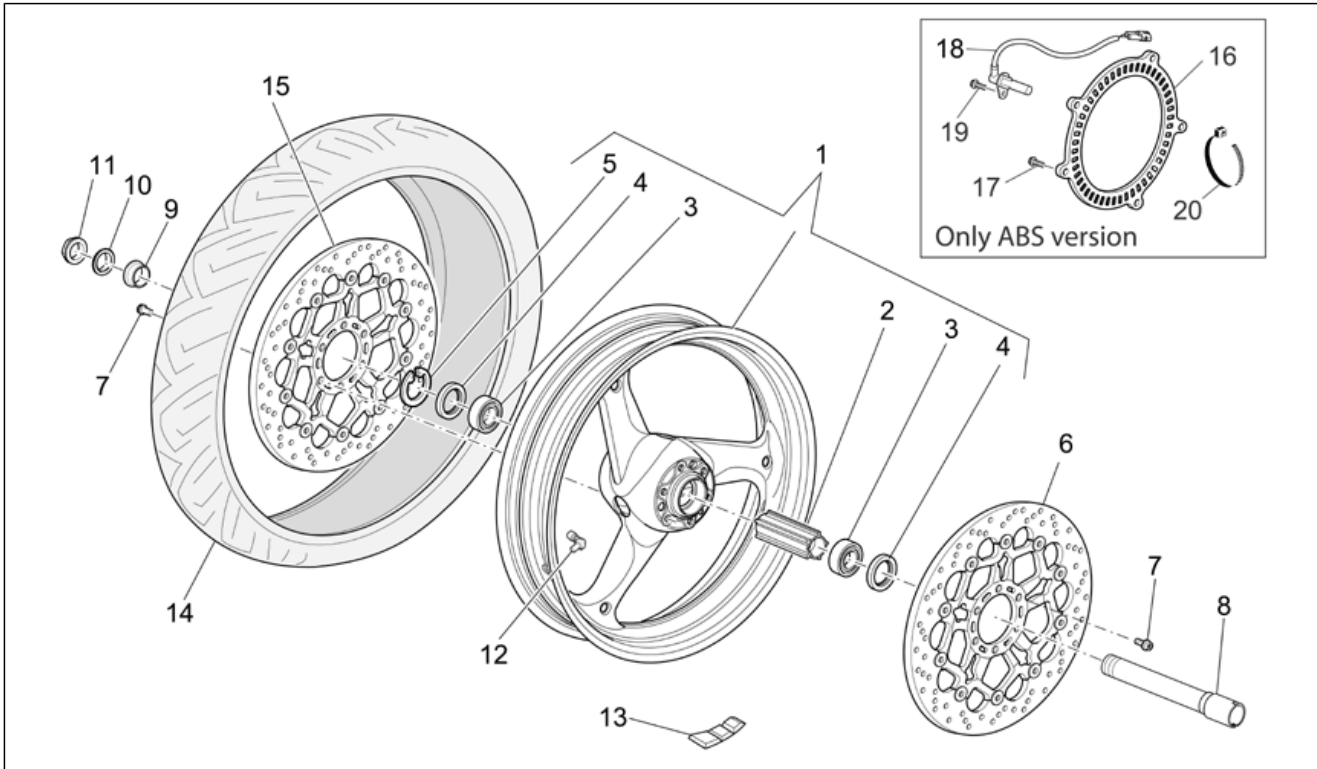
Pos.	Código	Descripción	Cant.	Variantes
1	GU05120930	Tubo escape der.	1	
2	GU05120931	Tubo escape izq.	1	
3	GU90718370	Junta	2	
4	GU01121030	Brida	2	
5	GU92787008	Tuerca ciega M8x1,25	4	
6	GU14615901	Arandela 8,4X13X0,8	4	
7	GU95005308	Arandela 8,4x14,57x1,6	4	
8	GU98110007	Tapón	2	
9	GU30109330	Junta	2	
10	GU05121630	Junta	2	
11	976522	Abrazadera der.	1	
12	976523	Abrazadera izq.	1	
13	GU05123930	Cámara expansión	1	
14	GU05124230	Goma	2	
15	GU90274008	Arandela para ejes D8	4	
16	GU32727010	Sonda lamda	1	
17	AP8121170	Muelle	1	
18	GU05128230	Junta	1	
19	976521	Abrazadera	1	
20	GU05122930	Silenciador	1	
21	GU98680445	Tornillo Allen	1	
22	AP8134378	Buje fijación silenciador	1	
23	AP8144071	Goma silencioso	2	
24	883079	Distanciador	1	
25	GU92650138	Tuerca M8x1,25	1	
26	GU05124330	Tornillo	2	
27	GU95005312	Arandela 8,5x24x2	1	

<b>Grupo</b>	BASTIDOR
<b>Código</b>	33.28
<b>Descripción</b>	Bomba gasol. interna
<b>Revisión</b>	1



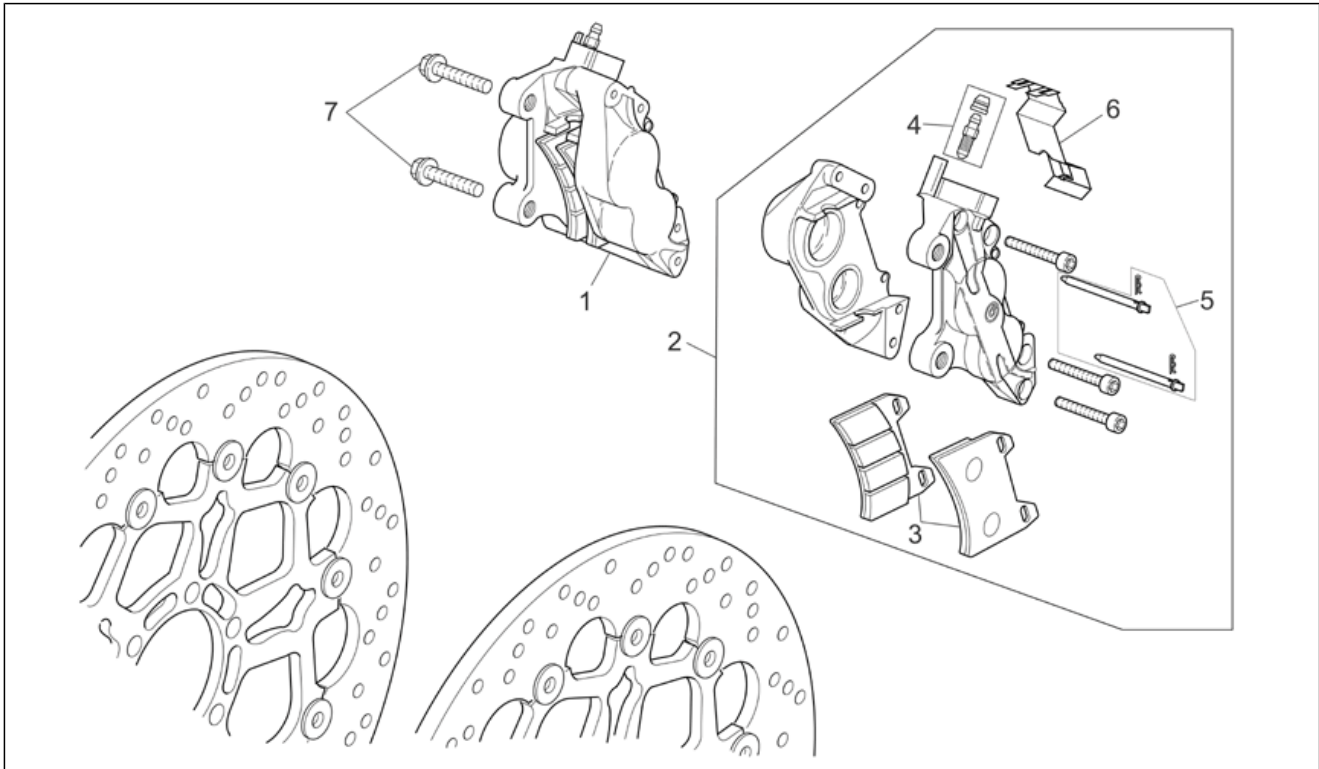
Pos.	Código	Descripción	Cant.	Variantes
1	887422	Bomba carburante	1	
1	978825	Bomba gasolina cpl.	1	<b>PAÍS:</b> Canadian[CA], United States of America[USA] <b>Especificaciones técnicas:</b> Pompa benz. cod. su flangia 978825[P2]
1	GU05107230	Bomba gasolina cpl.	1	<b>Especificaciones técnicas:</b> Pompa benz. cod. su flangia 05107230 - Nur wenn auf Flansch 05107230 geschrieben ist. Sonst Pumpe komplett bestellen[P1]
2	GU01106090	Filtro gasolina	1	<b>Especificaciones técnicas:</b> Pompa benz. cod. su flangia 05107230 - Nur wenn auf Flansch 05107230 geschrieben ist. Sonst Pumpe komplett bestellen[P1]
3	GU05107430	Junta Der.	1	<b>Especificaciones técnicas:</b> Pompa benz. cod. su flangia 05107230 - Nur wenn auf Flansch 05107230 geschrieben ist. Sonst Pumpe komplett bestellen[P1]
4	GU01108490	Abrazadera 11,3	4	<b>Especificaciones técnicas:</b> Pompa benz. cod. su flangia 05107230 - Nur wenn auf Flansch 05107230 geschrieben ist. Sonst Pumpe komplett bestellen[P1]
5	AP8127817	Sensor nivel gasol.	1	<b>Especificaciones técnicas:</b> Pompa benz. cod. su flangia 05107230 - Nur wenn auf Flansch 05107230 geschrieben ist. Sonst Pumpe komplett bestellen[P1]

<b>Grupo</b>	BASTIDOR
<b>Código</b>	33.29
<b>Descripción</b>	RUEDA DELANTERA
<b>Revisión</b>	1



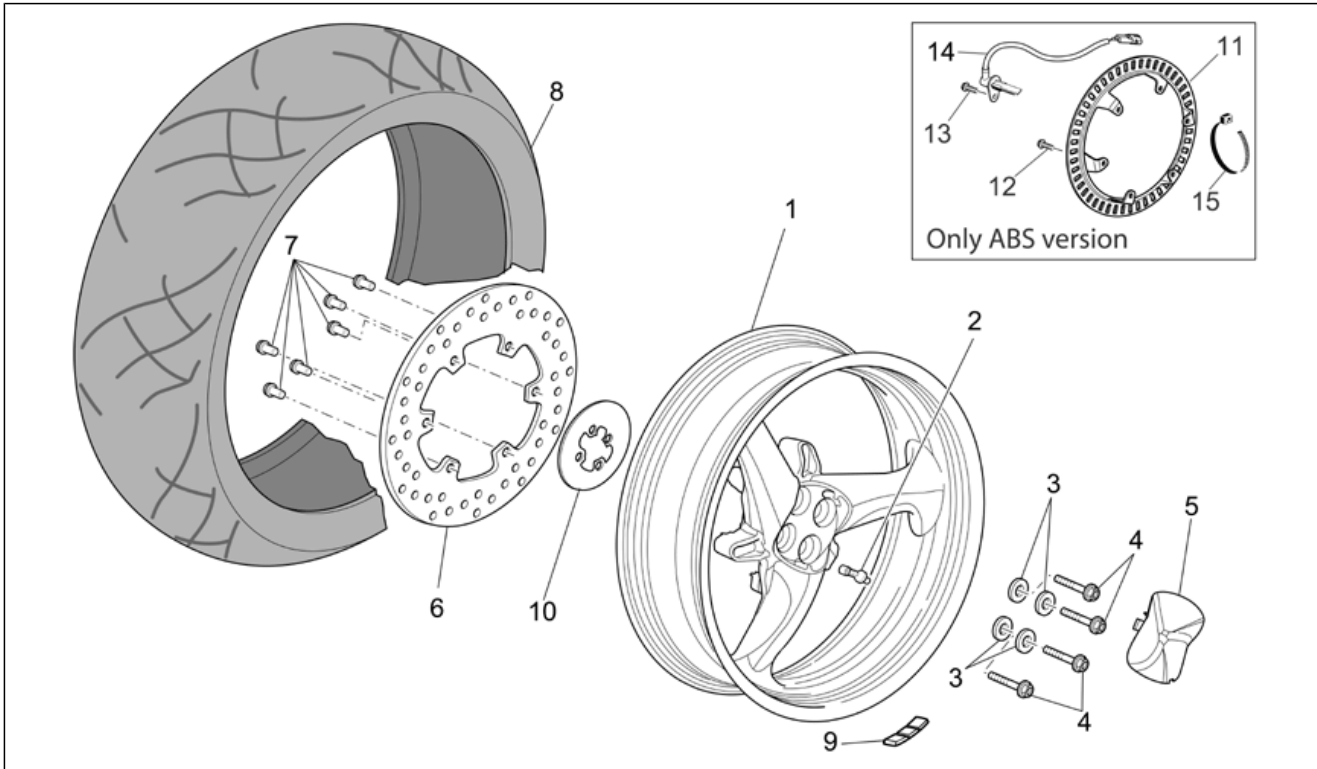
Pos.	Código	Descripción	Cant.	Variantes
1	883883	Rueda del.desn.gris oscuro 3,5X17"	1	<b>Especificaciones técnicas:</b> Marchiato ZCV[ZCV]
1	GU05610530	Rueda del.desn.gris oscuro 3,5x17"	1	<b>Especificaciones técnicas:</b> Marchio Brembo[BR]
2	GU05615230	Distanciador cojinetes	1	
3	AP8125777	Cojinete de bolas 25x47x12	2	
4	AP8125773	Gasket ring 30x47x7	2	
5	AP8125779	Anillo de retención	1	
6	GU05613330	Disco freno delantero, gold 320	1	
7	GU05611430	Tornillo	12	
8	GU05614130	Perno rueda del.	1	
9	AP8125791	Distanciador	1	
10	GU95005325	Arandela 25,2X36X1	1	
11	GU01612190	Tuerca	1	
12	GU03617710	Válvula neum. sin cámara	1	
13	GU14616150	Contrapeso	1	
14	0000000	Cubierta	1	
15	GU05613330	Disco freno delantero, gold 320	1	<b>Especificaciones técnicas:</b> Version without ABS[std]
15	GU05613335	Disco freno delantero, gold 320	1	<b>Especificaciones técnicas:</b> ABS version[abs]
16	GU05681430	Wheel speed sensor, LH front	1	<b>Especificaciones técnicas:</b> ABS version[abs]
17	GU98250510	Tornillo	5	<b>Especificaciones técnicas:</b> ABS version[abs]
18	AP8127469	Sensor abs	1	<b>Especificaciones técnicas:</b> ABS version[abs]
19	AP8152278	Torn. CH con reborde M6x16	1	<b>Especificaciones técnicas:</b> ABS version[abs]
20	GU49609601	Abrazadera 2,4x92	1	<b>Especificaciones técnicas:</b> ABS version[abs]

<b>Grupo</b>	BASTIDOR
<b>Código</b>	33.30
<b>Descripción</b>	Pinza freno delantero
<b>Revisión</b>	1



Pos.	Código	Descripción	Cant.	Variantes
1	GU05652330	Pinza fr.del.der.oro	1	
2	GU05652230	Pinza fr.del.izq.oro	1	
3	GU01654630	Pastillas-par	2	
4	GU05659230	Purga + capuchón	2	
5	GU01659130	Pernos+muelles pinza	2	
6	GU01659131	Muelle	2	
7	AP8152385	Tornillo Allen M10x1,25	4	

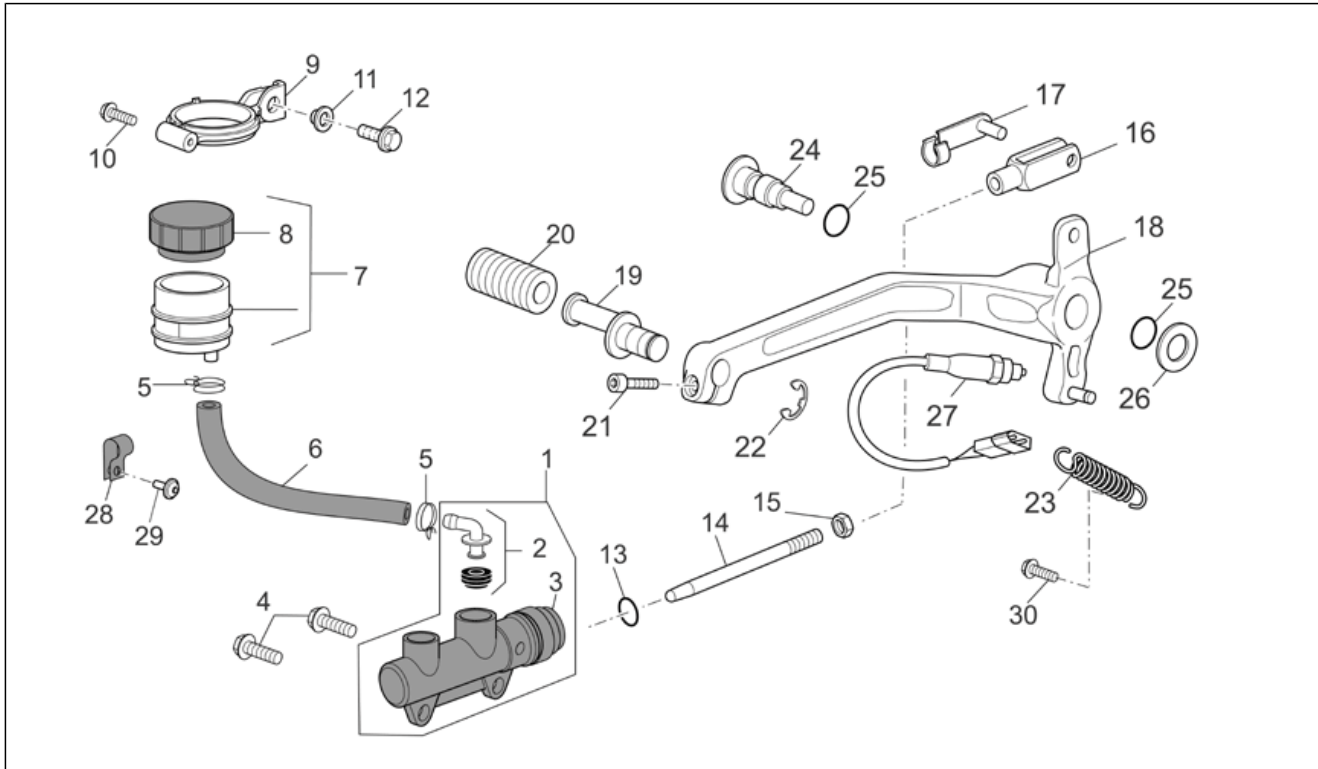
<b>Grupo</b>	BASTIDOR
<b>Código</b>	33.31
<b>Descripción</b>	Rueda trasera
<b>Revisión</b>	1



Pos.	Código	Descripción	Cant.	Variantes
1	883886	Rueda tras.desn.gris 5,5X17"	1	<b>Especificaciones técnicas:</b> ABS version[abs], Marchiato ZCV[ZCV]
1	GU05630530	Rueda tras.desn.gris 5,5x17"	1	<b>Especificaciones técnicas:</b> Version without ABS[std]
1	GU05630531	Rueda tras.desn.gris 5,5x17"	1	<b>Especificaciones técnicas:</b> ABS version[abs], Marchio Brembo[BR]
2	GU03617710	Válvula neum. sin cámara	1	
3	GU05632730	Buje cónica	4	
4	GU97202665	Torn. CH con reborde M12x65	4	
5	GU05634430	Tapa	1	
6	GU05635730	Disco freno trasero	1	
7	GU30611460	Tornillo	6	
8	0000000	Cubierta	1	
9	GU14616150	Contrapeso	1	
10	977056	Anillo guardapolvo	1	<b>Especificaciones técnicas:</b> Dal telaio ZGULP00046M113814[T3]
11	GU05681530	Wheel speed sensor, LH front	1	<b>Especificaciones técnicas:</b> ABS version[abs]
12	AP8152272	Torn. CH con reborde M5x12	6	<b>Especificaciones técnicas:</b> ABS version[abs]
13	AP8152278	Torn. CH con reborde M6x16	1	<b>Especificaciones técnicas:</b> ABS version[abs]
14	GU05683730	Sensor	1	<b>Especificaciones técnicas:</b> ABS version[abs]
15	GU49609601	Abrazadera 2,4x92	1	<b>Especificaciones técnicas:</b> ABS version[abs]

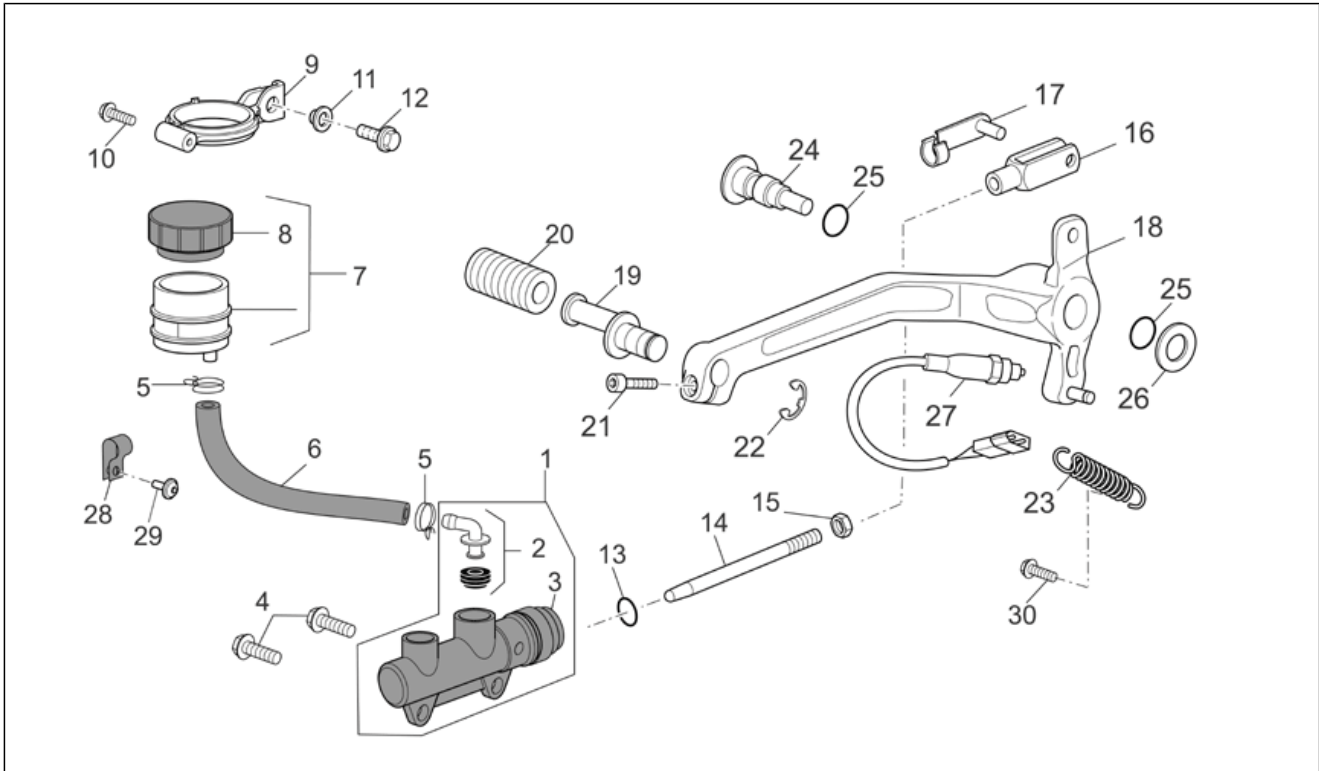


<b>Grupo</b>	BASTIDOR
<b>Código</b>	33.32
<b>Descripción</b>	Bomba freno tras.
<b>Revisión</b>	1



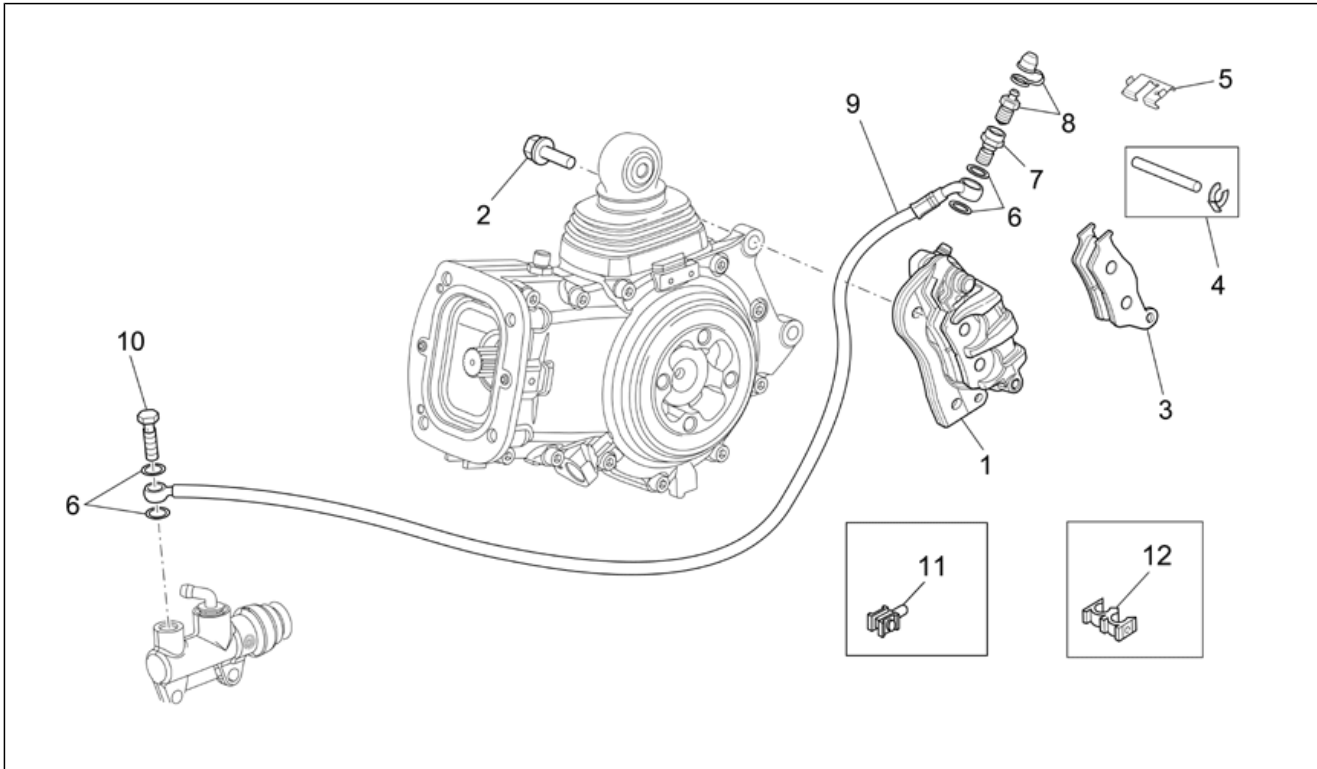
Pos.	Código	Descripción	Cant.	Variantes
1	GU05666930	Bomba freno tras.	1	
2	AP8113594	Empalme bomba trasera	1	
3	AP8113288	Fuelle de goma	1	
4	AP8152279	Torn. CH con reborde M6x20	2	
5	AP8101595	Abrazadera D10,1	2	
6	GU00823950050	Tubo aceite	1	
7	GU05663530	Depós.aceite fr.cnj.	1	
8	GU17661052	Tapón depósito	1	
9	GU05666030	Soporte depósito	1	
10	AP8152329	Torn. c.cruz reborde M5x20	1	
11	AP8221145	Buje en 'T' *	1	
12	AP8152278	Torn. CH con reborde M6x16	1	
13	AP8120178	Junta tórica OR112	1	
14	977041	Varilla bomba freno	1	
15	GU92606206	Tuerca	1	
16	AP8101968	Horquilla	1	
17	AP8201301	Clips para horquilla cambio	1	
18	GU05677030	Palanca freno tras.	1	
19	AP8121221	Barra palanca freno	1	
20	AP8120912	Goma para palanca	1	
21	GU98682316	Tornillo Allen M6x16	1	
22	AP8150462	Anillo de retención d9	1	
23	AP8121927	Muelle pal.freno tr.	1	
24	884033	Perno pal. freno tr.	1	
25	AP8144007	Junta tórica 11,11x1,78	2	
26	GU95008310	Arandela 10,5x22x2,5	1	
27	AP8112996	Interruttore frizione	1	
28	AP8102151	Abrazadera negra D12*	1	

<b>Grupo</b>	BASTIDOR
<b>Código</b>	33.32
<b>Descripción</b>	Bomba freno tras.
<b>Revisión</b>	1



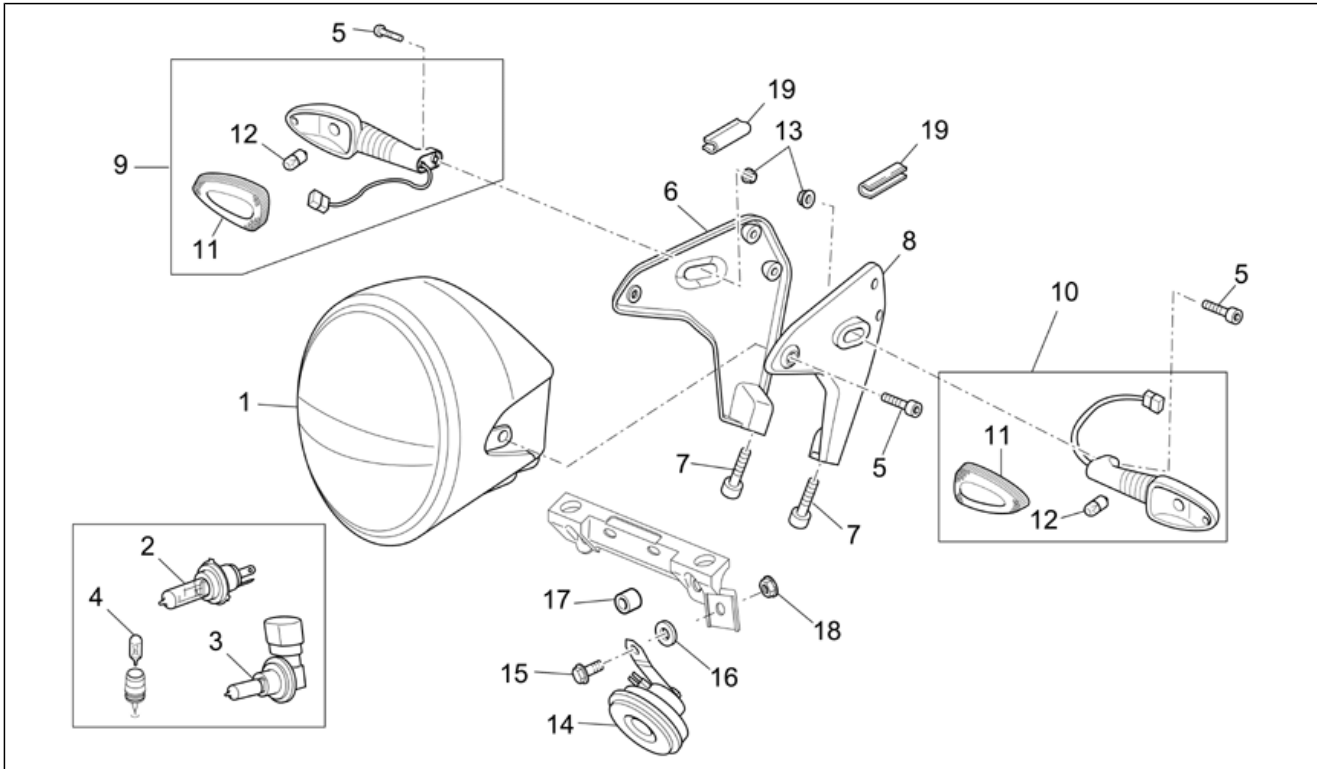
Pos.	Código	Descripción	Cant.	Variantes
29	GU98350210	Tornillo	1	
30	AP8152273	Tornillo con reborde M5x16	1	

<b>Grupo</b>	BASTIDOR
<b>Código</b>	33.33
<b>Descripción</b>	Pinza freno tras.
<b>Revisión</b>	1



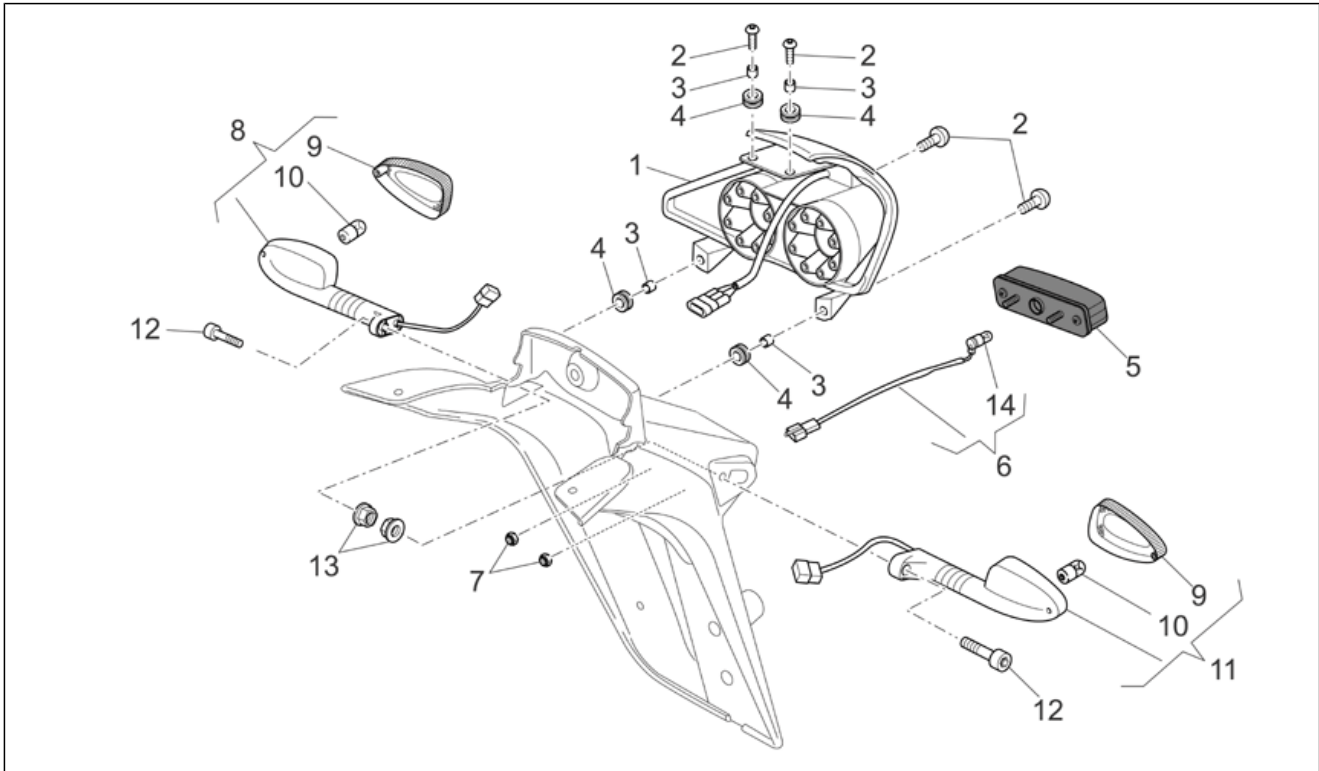
Pos.	Código	Descripción	Cant.	Variantes
1	GU05653030	Pinza freno tras.oro	1	
2	AP8152320	Torn. CH con reborde	2	
3	GU05654630	Pastillas-par	1	
4	GU05659130	Perno+Clavija pinza	1	
5	GU05659030	Muelle	1	
6	GU25656100	Junta	4	
7	AP8133597	Tornillo	1	
8	AP8213113	Purga + capuchón	1	
9	GU05657530	Tubo freno trasero	1	Especificaciones técnicas:Version without ABS[std]
10	AP8133594	Tornillo tubo aceite	1	
11	AP8202238	Anclaje guíacable	4	
12	AP8201808	Guíacable D8	4	Especificaciones técnicas:Version without ABS[std]
12	GU05436530	Guíacable D5	4	Especificaciones técnicas:ABS version[abs]

<b>Grupo</b>	BASTIDOR
<b>Código</b>	33.34
<b>Descripción</b>	Faro del./Claxon
<b>Revisión</b>	1



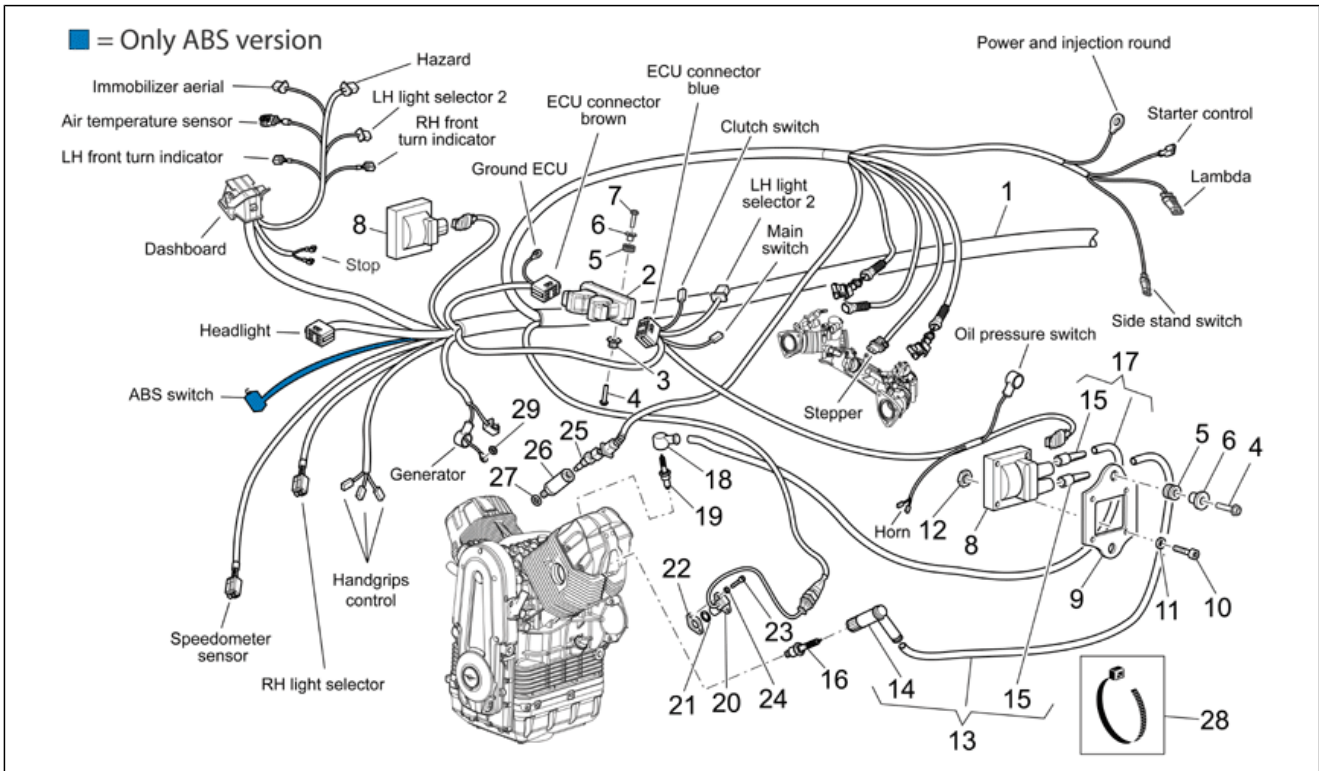
Pos.	Código	Descripción	Cant.	Variantes
1	GU05740530	Faro delantero	1	PAÍS:Other country Europe[EU]
1	GU05740531	Faro delantero	1	PAÍS:Australia[AUS], Japan[J], Great Britain[UK]
1	GU05740532	Faro delantero	1	PAÍS:Canadian[CA], United States of America[USA]
2	AP8127109	Lámpara H7-12V-55W	1	
3	GU93450265	Lámpara H9-12V-65W	1	
4	GU93450105	Lámpara	1	
5	GU98692318	Tornillo Allen	4	
6	GU05578630	Soporte der.	1	
7	GU98682435	Tornillo Allen	2	
8	GU05578631	Soporte izq.	1	
9	AP8127514	Indic. dir. del.der.	1	
10	AP8127515	Indicador direc. del. izq.	1	
11	AP8127552	Cristal indicador dirección	2	
12	GU93450126	Lámpara naranja	2	
13	GU92630206	Tuerca M6x1	2	
14	GU05743730	Claxon	1	
15	AP8152285	Torn. CH con reborde	1	Especificaciones técnicas:Third series[3A]
15	AP8152286	Torn. CH con reborde M8x20	1	Especificaciones técnicas:Second series[2A]
15	AP8152290	Torn. CH con reborde M8x40	1	Especificaciones técnicas:First series[1A]
16	GU95100244	Arandela	1	Especificaciones técnicas:Second series[2A]
17	GU91120822	Distanciador	1	Especificaciones técnicas:First series[1A]
18	AP8152300	Tuerca autobloqueante M8	1	
19	AP8144707	Junta	2	

<b>Grupo</b>	BASTIDOR
<b>Código</b>	33.35
<b>Descripción</b>	Faro trasero
<b>Revisión</b>	1



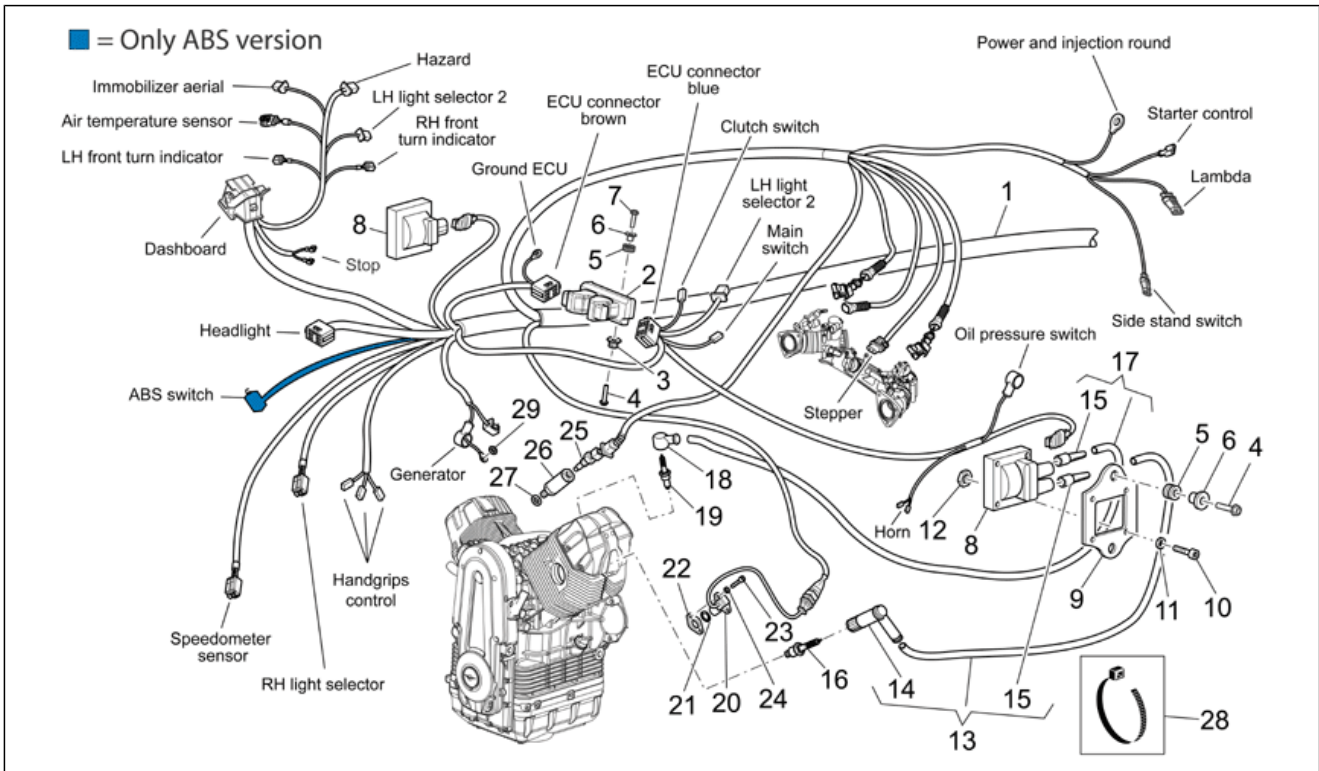
Pos.	Código	Descripción	Cant.	Variantes
1	GU05740930	Faro trasero	1	
2	AP8152298	Tornillo con reborde M5x16	4	
3	AP8221036	Buje 5,3x8x7,1	4	
4	AP8120405	Goma	4	
5	AP8212702	Faro matrícula	1	
6	AP8124976	Cableado luz matríc.	1	
7	AP8152306	Tuerca autobloqueante m5	2	
8	GU05751630	Indicador direc. tras. Der.	1	
9	AP8127552	Cristal indicador dirección	2	
10	GU93450126	Lámpara naranja	2	
11	GU05751730	Indicador direc. tras. Izq.	1	
12	GU98692318	Tornillo Allen	2	
13	GU92630206	Tuerca M6x1	2	
14	GU93450105	Lámpara	1	

<b>Grupo</b>	BASTIDOR
<b>Código</b>	33.36
<b>Descripción</b>	Instalación eléctrica I
<b>Revisión</b>	1



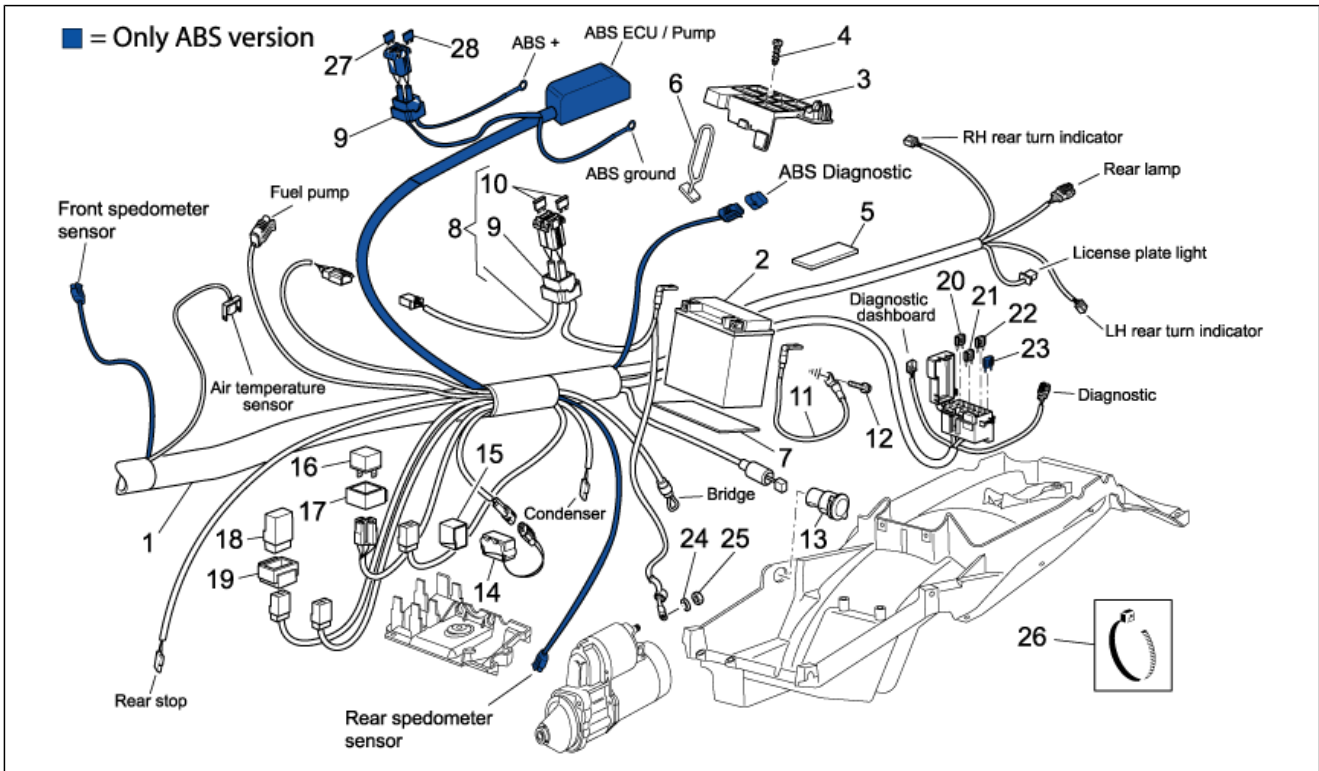
Pos.	Código	Descripción	Cant.	Variantes
1	978223	Cableado principal	1	AÑO:2007[7] Especificaciones técnicas:Version without ABS[std]
1	978244	Cableado principal	1	AÑO:2007[7] Especificaciones técnicas:ABS version[abs]
1	GU05747130	Cableado principal	1	AÑO:2005[5], 2006[6] Especificaciones técnicas:Version without ABS[std]
1	GU05747131	Cableado principal	1	AÑO:2005[5], 2006[6] Especificaciones técnicas:ABS version[abs]
2	GU05729530	Centralita	1	Especificaciones técnicas:Version without ABS[std]
2	GU05729535	Centralita	1	Especificaciones técnicas:ABS version[abs]
3	GU05729230	Buje	2	
4	AP8152279	Torn. CH con reborde M6x20	6	
5	AP8120030	Goma	6	
6	AP8221023	Buje en 'T'	6	
7	AP8152282	Torn. CH con reborde M6x35	2	
8	GU05716530	Bobina A.T.	2	
9	GU05716730	Soporte bobina	2	
10	GU98682125	Tornillo Allen	8	
11	GU95008204	Arandela 4,3x8x0,5	8	
12	GU92630104	Tuerca M4x0,7	8	
13	GU05718330	Cable A.T.	2	
14	GU03717450	Capuchón bujía	2	
15	GU14717600	Capuchón	4	
16	GU30717061	Bujía NGK BPR6ES	2	
17	GU05718331	Cable A.T.	2	
18	GU05717430	Capuchón bujía	2	
19	GU05717030	Bujía NGK PMR8B	2	
20	GU01721600	Sensor	1	
21	GU90706141	Junta tórica	1	

<b>Grupo</b>	BASTIDOR
<b>Código</b>	33.36
<b>Descripción</b>	Instalación eléctrica I
<b>Revisión</b>	1



Pos.	Código	Descripción	Cant.	Variantes
22	GU01722700	Junta 0,3mm	1	
22	GU01722701	Junta 0,4 mm	1	
22	GU01722702	Junta 0,6mm	1	
22	GU01722703	Junta	1	
22	GU01722704	Junta 1mm	1	
22	GU01722705	Junta 1,5mm	1	
22	GU29722760	Junta 0,5 mm	1	
23	GU98682212	Tornillo Allen M5x12	2	
24	GU95008205	Arandela 5,3x10x0,8	2	
25	GU29729461	Sensor	1	
26	GU03163330	Soporte sensor	1	
27	GU95008210	Arandela 10,2X18X2	1	
28	GU14609650	Abrazadera 3,6x20,6	23	
28	GU30609600	Abrazadera 8,8x185	1	
28	GU93304360	Abrazadera 7,6x380	2	
29	AP8152299	Tuerca autobloqueante M6	1	

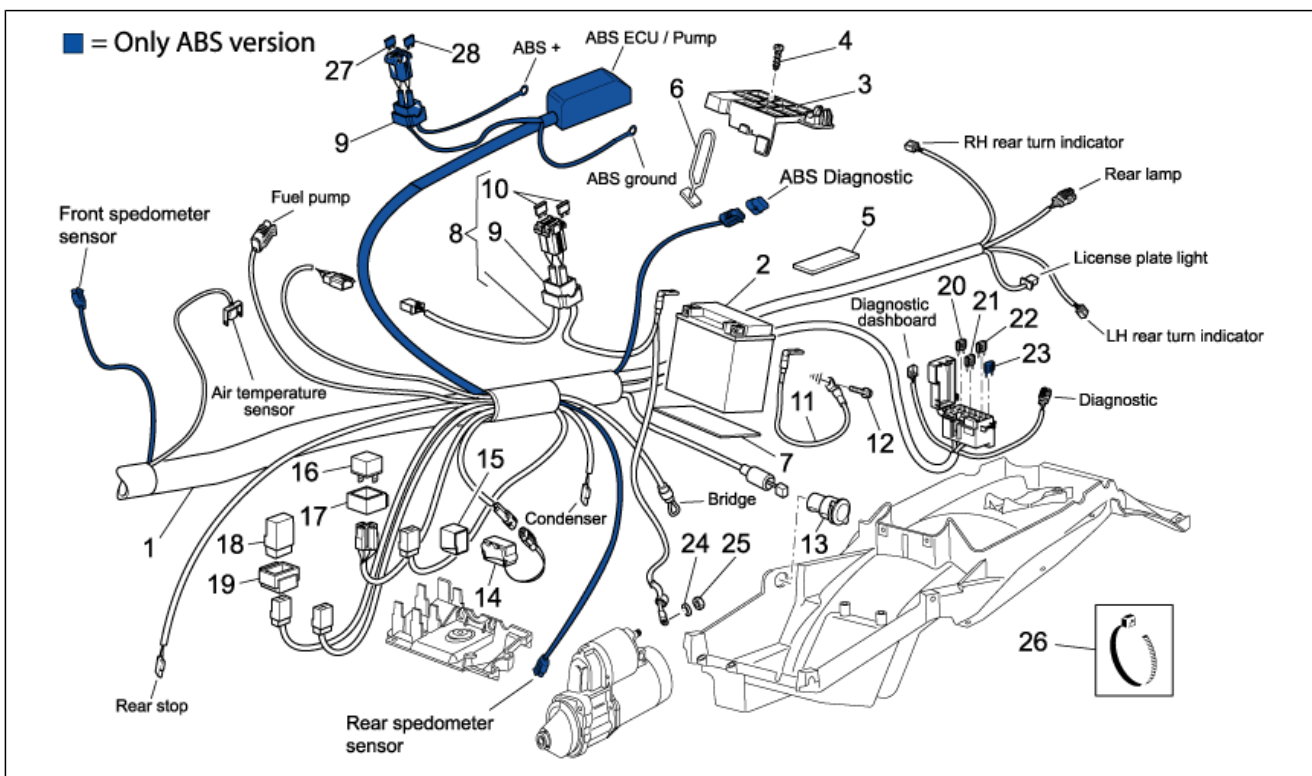
<b>Grupo</b>	BASTIDOR
<b>Código</b>	33.37
<b>Descripción</b>	Instalación eléctrica II
<b>Revisión</b>	1



Pos.	Código	Descripción	Cant.	Variantes
1	978223	Cableado principal	1	AÑO:2007[7] Especificaciones técnicas:Version without ABS[std]
1	978244	Cableado principal	1	AÑO:2007[7] Especificaciones técnicas:ABS version[abs]
1	GU05747130	Cableado principal	1	AÑO:2005[5], 2006[6] Especificaciones técnicas:Version without ABS[std]
1	GU05747131	Cableado principal	1	AÑO:2005[5], 2006[6] Especificaciones técnicas:ABS version[abs]
2	883818	Batería	1	Especificaciones técnicas:Veicoli con batteria YT20-BS[B]
2	GU05704531	Batería 12V-20Ah	1	Especificaciones técnicas:Veicoli con batteria YTX20CH-BS[A]
3	883819	Tapa batería	1	Especificaciones técnicas:Veicoli con batteria YT20-BS[B]
3	GU05704630	Tapa batería	1	Especificaciones técnicas:Veicoli con batteria YTX20CH-BS[A]
4	AP8152329	Torn. c.cruz reborde M5x20	2	
5	AP8117200	Esponja adhesiva	1	
6	AP8120177	Elástico portafaro	2	
7	AP8144553	Goma	2	
8	GU05747830	Cableado	1	
9	AP8112811	Goma portafusibles	1	Especificaciones técnicas:Version without ABS[std]
9	AP8112811	Goma portafusibles	2	Especificaciones técnicas:ABS version[abs]
10	GU28742562	Fusible 30A	3	
11	978505	Cableado masa-batería	1	Especificaciones técnicas:Veicoli con batteria YT20-BS[B]
11	GU05747930	Cableado masa-batería	1	Especificaciones técnicas:Veicoli con batteria YTX20CH-BS[A]
12	AP8152277	Torn. CH con reborde M6x12	1	
13	AP8124768	Toma corriente cpl.	1	
14	AP8124266	Sensor inclinación	1	
15	AP8144046	Goma soporte sensor	1	
16	AP8124869	Relé inyección	1	

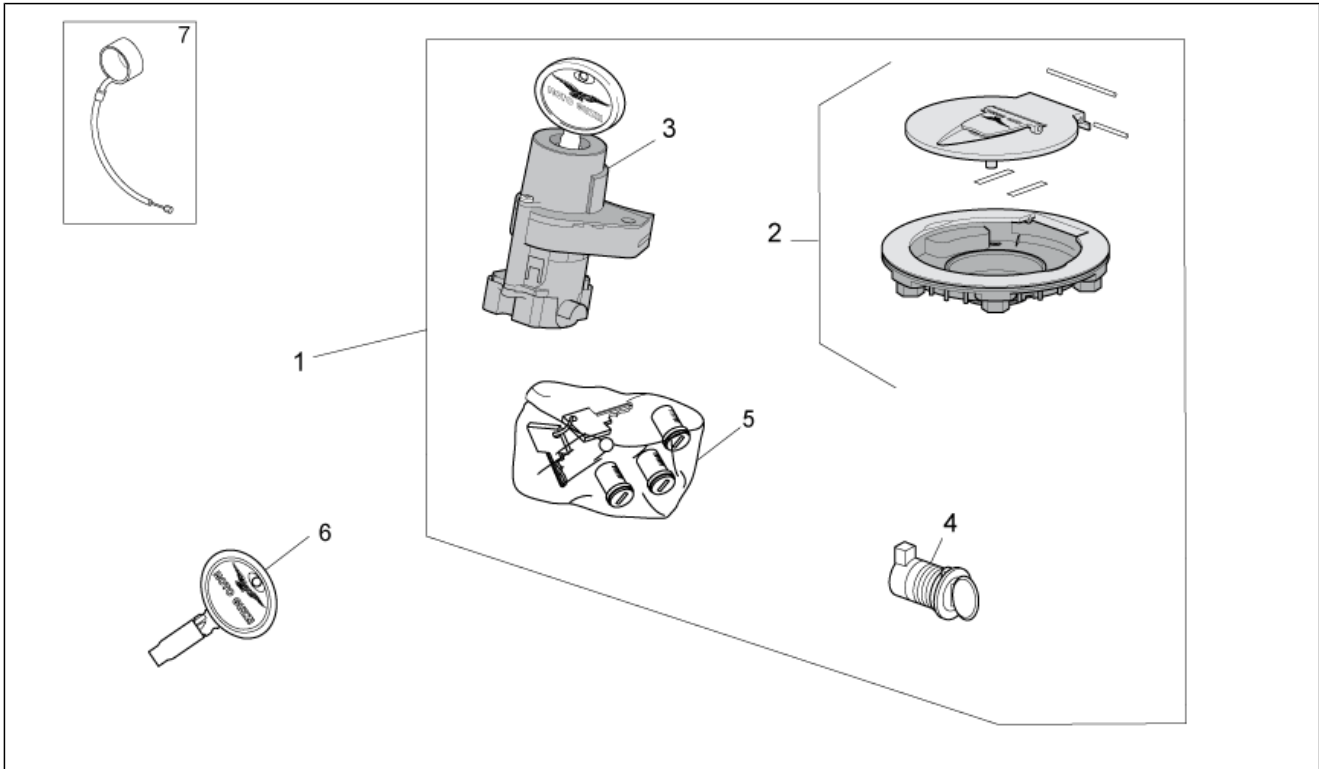


<b>Grupo</b>	BASTIDOR
<b>Código</b>	33.37
<b>Descripción</b>	Instalación eléctrica II
<b>Revisión</b>	1



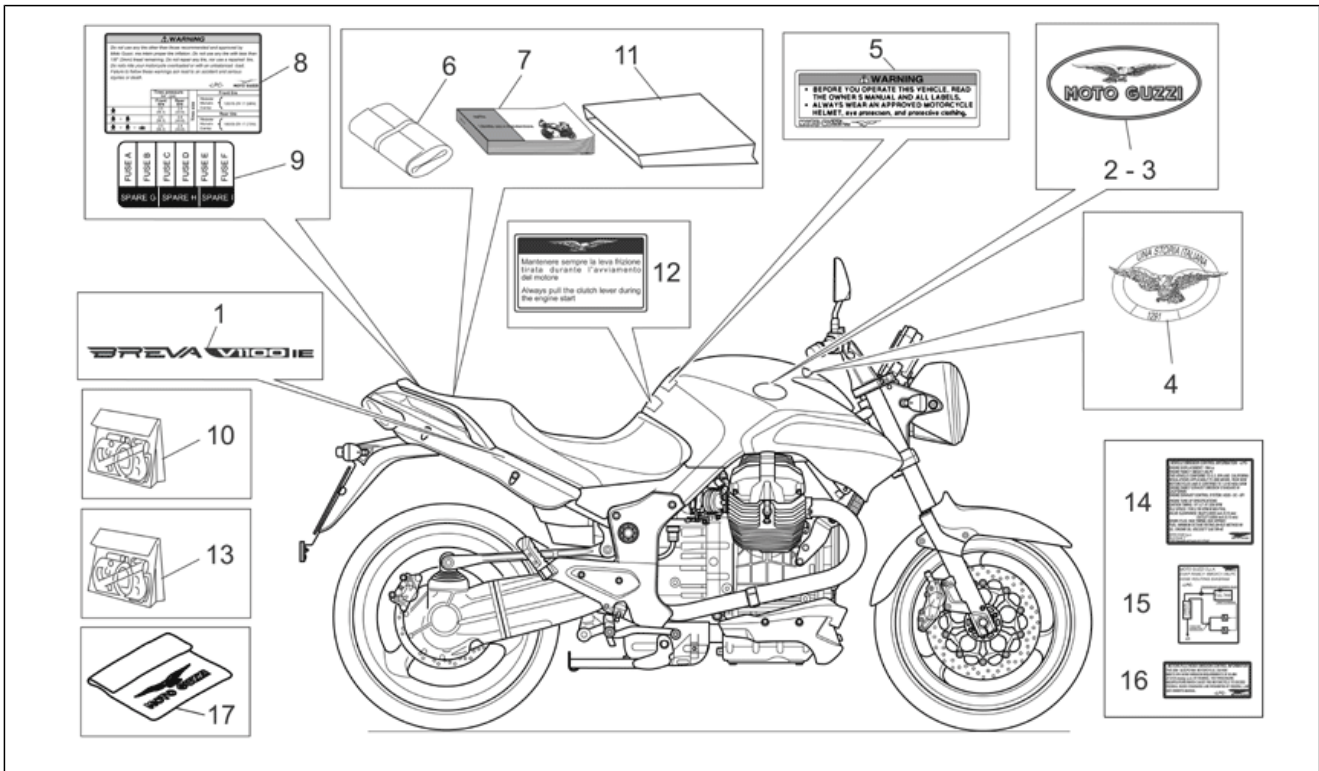
Pos.	Código	Descripción	Cant.	Variantes
17	AP8220546	Goma soporte relé	1	
18	AP8224462	Relé 12V/30A	3	
19	AP8220283	Goma *	3	
20	977773	Fusible 20A	2	
21	977772	Fusible 15A	4	
22	977769	Fusible 3A	2	
23	977771	Fusible 10A	1	Especificaciones técnicas:ABS version[abs]
24	GU95129131	Arandela 8,4x15x1,7	1	
25	GU92609408	Tuerca M8x1,25	1	
26	GU14609650	Abrazadera 3,6x20,6	23	
26	GU30609600	Abrazadera 8,8x185	1	
26	GU93304360	Abrazadera 7,6x380	2	
27	977761	Fusible ABS-25A	2	Especificaciones técnicas:ABS version[abs]
28	977762	Fusible ABS-40A	2	Especificaciones técnicas:ABS version[abs]

<b>Grupo</b>	BASTIDOR
<b>Código</b>	33.38
<b>Descripción</b>	Juego cerraduras
<b>Revisión</b>	1



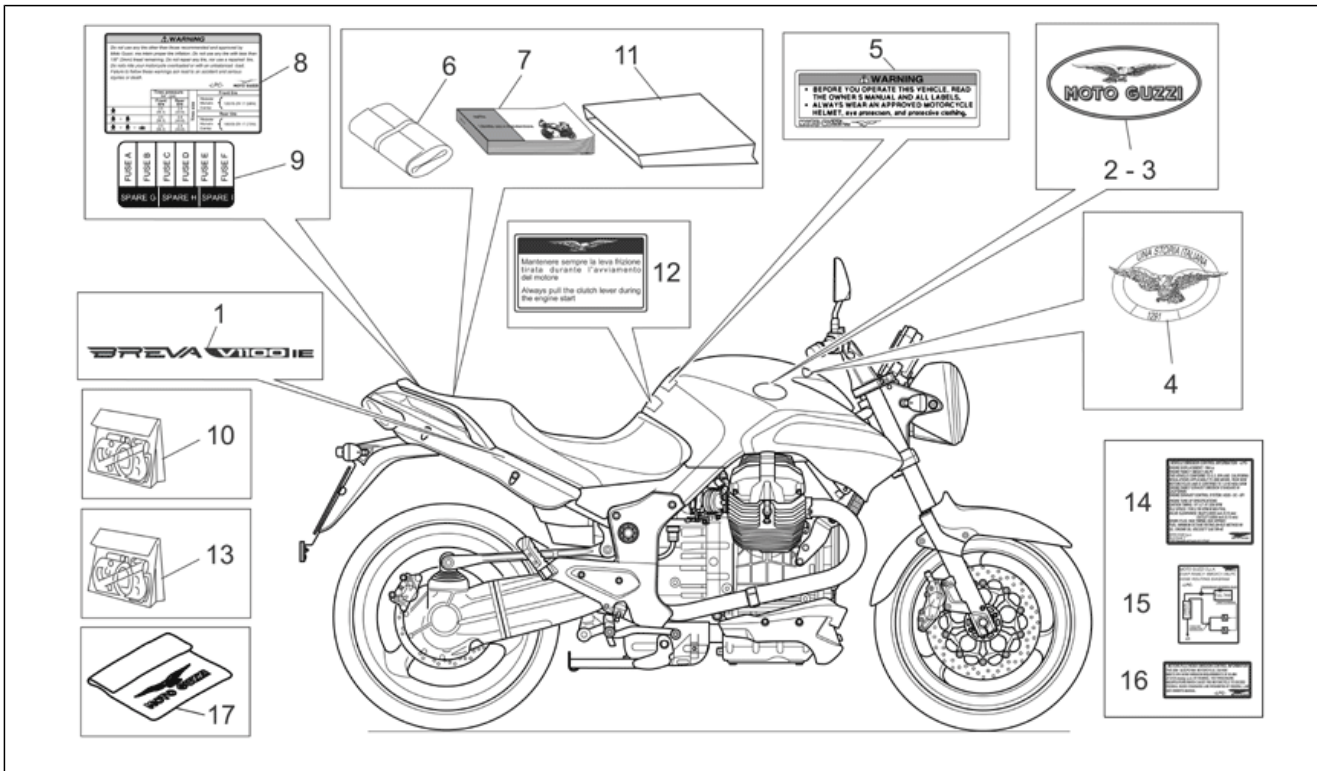
Pos.	Código	Descripción	Cant.	Variantes
1	977666	Kit cerraduras	1	AÑO:2007[7] PAÍS:Australia[AUS], Canadian[CA], Other country Europe[EU], Japan[J], Great Britain[UK]
1	B063858	Kit cerraduras	1	PAÍS:United States of America[USA]
1	GU05736830	Kit cerraduras	1	AÑO:2005[5], 2006[6] PAÍS:Australia[AUS], Canadian[CA], Other country Europe[EU], Japan[J], Great Britain[UK]
2	GU05103930	Tapón depósito	1	
3	B063859	Bloque arran.-bloq.	1	PAÍS:United States of America[USA]
3	GU05782530	Bloque arran.-bloq.	1	
4	GU05466830	Cerradura sillín	1	
5	978220	Kit rotor con llave	1	AÑO:2007[7]
6	GU05735530	Llave liscia bas.	1	
7	981087	Antena immobilizer	1	

<b>Grupo</b>	BASTIDOR
<b>Código</b>	33.39
<b>Descripción</b>	PLACAS-CALCOMANÍAS
<b>Revisión</b>	1



Pos.	Código	Descripción	Cant.	Variantes
1	GU05923430	Calco "Brevia V 1100 I.E."	2	<b>COLOR VEHÍCULO:</b> Diamond Light 2007[d/wh], Orange 2006[or], Race Red 2005-2006[r/re], Sasso del Lario Grey 2005-2006[s/gr]
1	GU05923431	Calco "Brevia V 1100 I.E."	2	<b>COLOR VEHÍCULO:</b> Guzzi Black 2006-2006[g/bl]
2	GU06917400	Placa Izq.roja/oro AL	1	<b>Especificaciones técnicas:</b> Second series[2A]
2	GU32917410	Placa Izq.negro roja AL	1	<b>COLOR VEHÍCULO:</b> Guzzi Black 2006-2006[g/bl], Sasso del Lario Grey 2005-2006[s/gr] <b>Especificaciones técnicas:</b> First series[1A]
2	GU32917412	Placa Izq.roja/gris AL	1	<b>COLOR VEHÍCULO:</b> Race Red 2005-2006[r/re] <b>Especificaciones técnicas:</b> First series[1A]
3	GU06917300	Placa Der.roja/oro AL	1	<b>Especificaciones técnicas:</b> Second series[2A]
3	GU32917310	Placa Der.negro roja AL	1	<b>COLOR VEHÍCULO:</b> Guzzi Black 2006-2006[g/bl], Sasso del Lario Grey 2005-2006[s/gr] <b>Especificaciones técnicas:</b> First series[1A]
3	GU32917312	Placa Der.roja/gris AL	1	<b>COLOR VEHÍCULO:</b> Race Red 2005-2006[r/re] <b>Especificaciones técnicas:</b> First series[1A]
4	GU05917530	Calco "Italian Story"	1	
5	GU30944300	Calco "Attention"	1	
6	GU05909930	Juego de herramientas	1	
7	977472	Manual uso y manten. I-F-D-NL-E-UK	1	<b>AÑO:</b> 2006[6] <b>PAÍS:</b> Australia[AUS], Other country Europe[EU], Japan[J], Great Britain[UK]
7	977473	Manual uso y manten.	1	<b>AÑO:</b> 2006[6] <b>PAÍS:</b> Canadian[CA], United States of America[USA]
7	978247	Manual uso y manten. I-F-D-NL-E-UK	1	<b>AÑO:</b> 2007[7] <b>PAÍS:</b> Australia[AUS], Other country Europe[EU], Japan[J], Great Britain[UK]
7	978248	Manual uso y manten.	1	<b>AÑO:</b> 2007[7] <b>PAÍS:</b> Canadian[CA], United States of America[USA]
7	GU05900030	Manual uso y manten.	1	<b>PAÍS:</b> Australia[AUS], Other country Europe[EU], Japan[J], Great Britain[UK] <b>Especificaciones técnicas:</b> Version without ABS[std]

<b>Grupo</b>	BASTIDOR
<b>Código</b>	33.39
<b>Descripción</b>	PLACAS-CALCOMANÍAS
<b>Revisión</b>	1



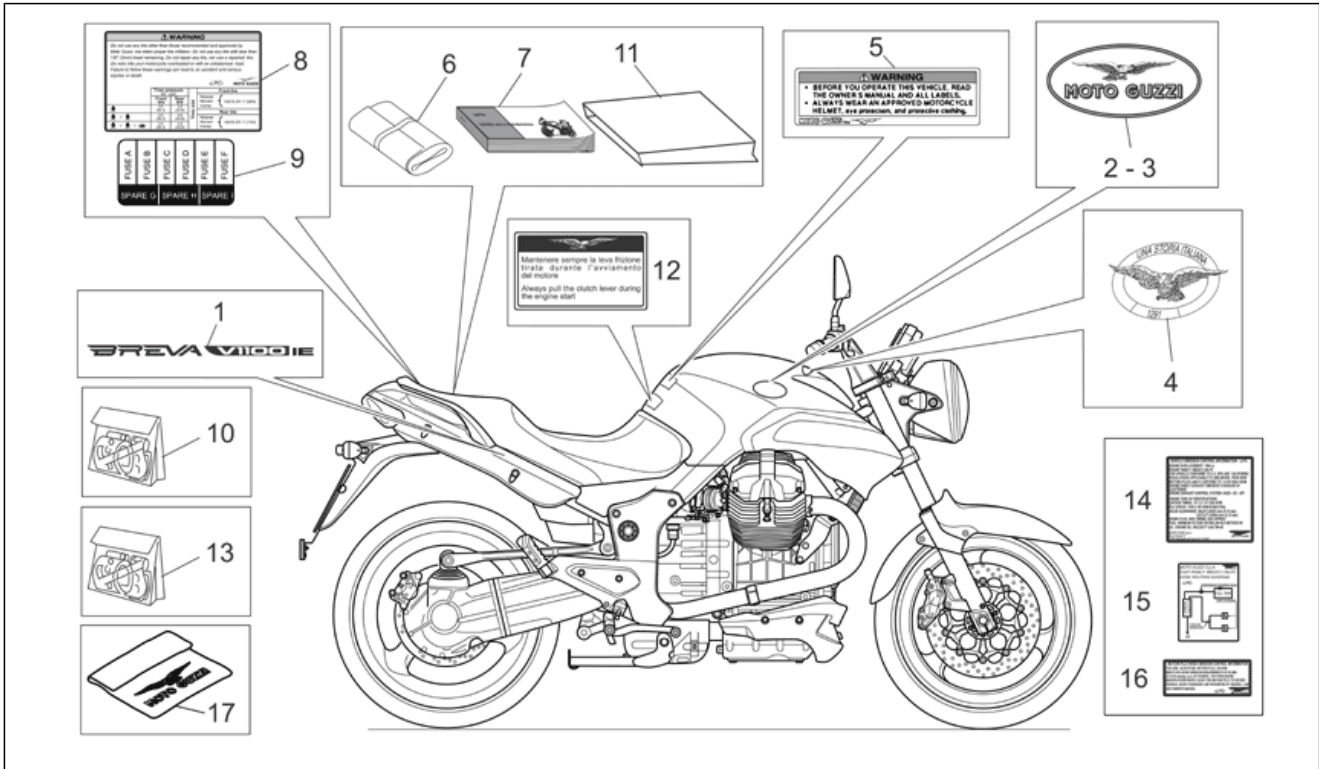
Pos.	Código	Descripción	Cant.	Variantes
7	GU05900031	Manual uso y manten.	1	AÑO:2006[6] PAÍS:United States of America[USA] Especificaciones técnicas:Version without ABS[std]
8	GU05926030	Calcom. presión neumáticos	1	
9	GU05945030	Calcom."schema fusible"	1	
10	977763	Lote de calcomanías	1	COLOR VEHÍCULO:Diamond Light 2007[d/wh], Orange 2006[or]
10	977763	Lote de calcomanías	1	COLOR VEHÍCULO:Race Red 2005-2006[r/re], Sasso del Lario Grey 2005-2006[s/gr] Especificaciones técnicas:Second series[2A]
10	GU05923331	Lote de calcomanías	1	COLOR VEHÍCULO:Race Red 2005-2006[r/re] Especificaciones técnicas:First series[1A]
10	GU05923332	Lote de calcomanías	1	COLOR VEHÍCULO:Guzzi Black 2006-2006[g/bl]
10	GU05923333	Lote de calcomanías	1	COLOR VEHÍCULO:Sasso del Lario Grey 2005-2006[s/gr] Especificaciones técnicas:First series[1A]
11	GU05900130	Bolsita para documentos	1	
12	GU05944930	Calco Engine Start	1	
13	GU05923330	Lote de calcomanías técnicas	1	PAÍS:Canadian[CA], United States of America[USA]
14	977579	Emission control sticker	1	AÑO:2007[7] PAÍS:Canadian[CA], United States of America[USA] Especificaciones técnicas:Dal telaio ZGULPC0047M113962[T2]
14	GU05943930	Emission control sticker	1	AÑO:2006[6] PAÍS:United States of America[USA] Especificaciones técnicas:Fino al telaio ZGULPC0047M113961[T1]
15	977577	Carbon filter sticker	1	AÑO:2007[7] PAÍS:Canadian[CA], United States of America[USA] Especificaciones técnicas:Dal telaio ZGULPC0047M113962[T2]
15	GU05944030	Carbon filter sticker	1	AÑO:2006[6] PAÍS:United States of America[USA]



BREVA  
GU077 - Brevia V IE 1100 2005-2007

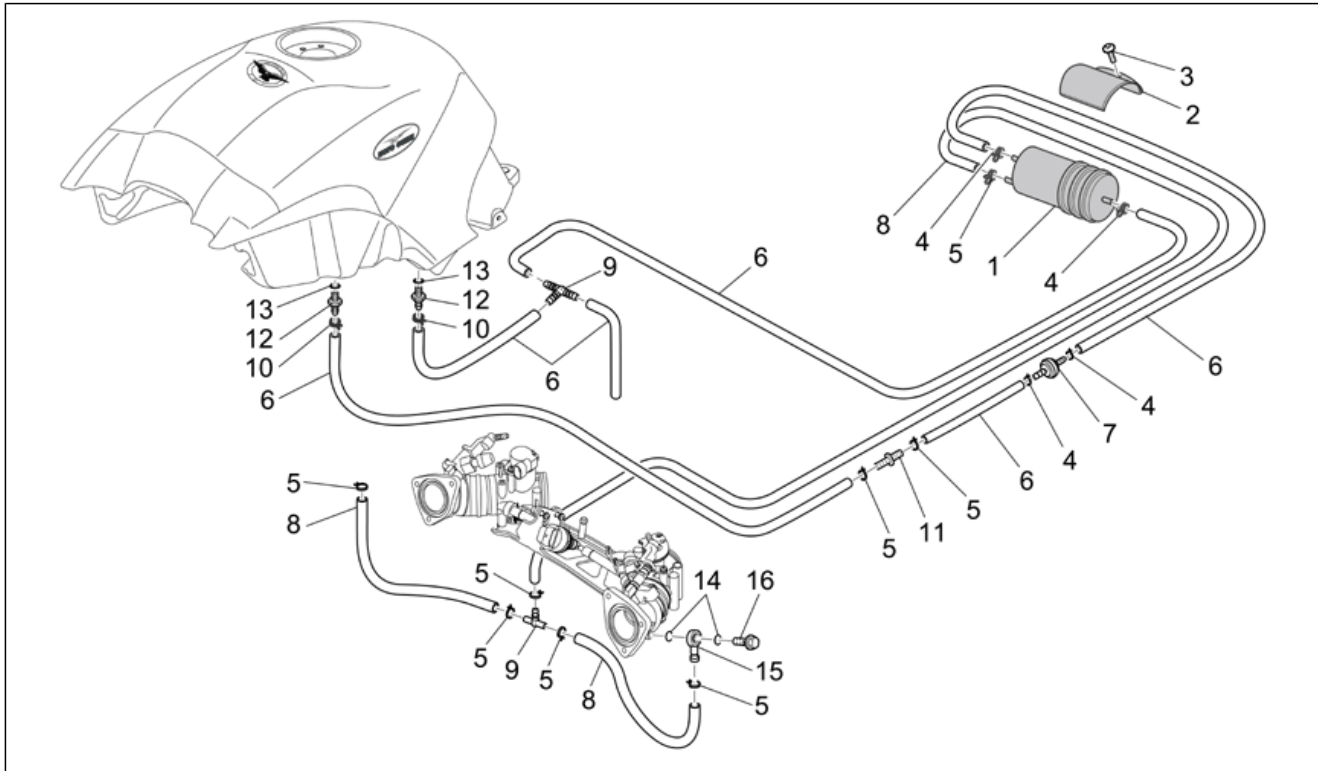
Prefijo chasis: ZGULPO, ZGULPA, ZGULPC  
Prefijo motor:

<b>Grupo</b>	BASTIDOR
<b>Código</b>	33.39
<b>Descripción</b>	PLACAS-CALCOMANÍAS
<b>Revisión</b>	1



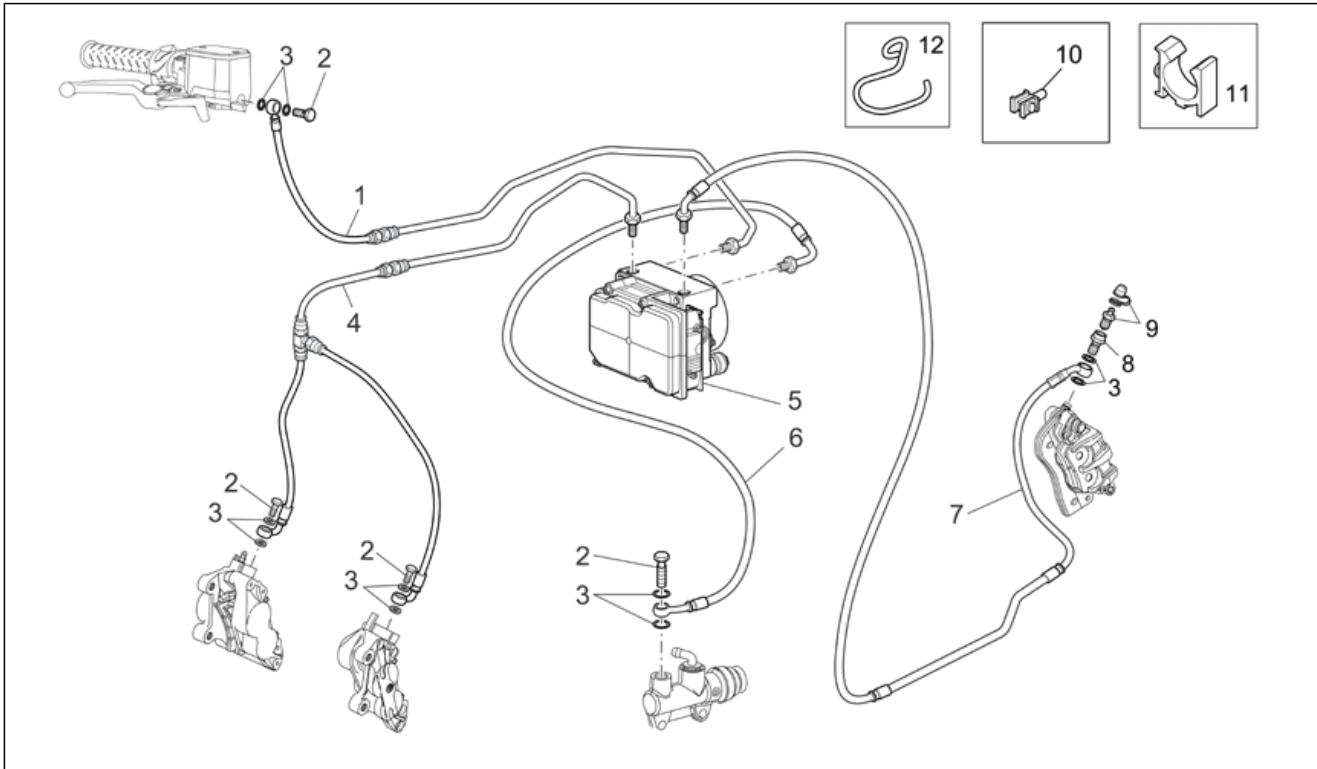
Pos.	Código	Descripción	Cant.	Variantes
				<b>Especificaciones técnicas:</b> Fino al telaio ZGULPC0047M113961[T1]
16	977578	Calco emisiones sonoras	1	<b>AÑO:</b> 2007[7] <b>PAÍS:</b> Canadian[CA], United States of America[USA] <b>Especificaciones técnicas:</b> Dal telaio ZGULPC0047M113962[T2]
16	GU05997630	Calco emisiones sonoras	1	<b>AÑO:</b> 2006[6] <b>PAÍS:</b> United States of America[USA] <b>Especificaciones técnicas:</b> Fino al telaio ZGULPC0047M113961[T1]
17	GU30970200	Funda para la moto	1	

<b>Grupo</b>	BASTIDOR
<b>Código</b>	33.57
<b>Descripción</b>	Eq.rec. vapores gas.
<b>Revisión</b>	1



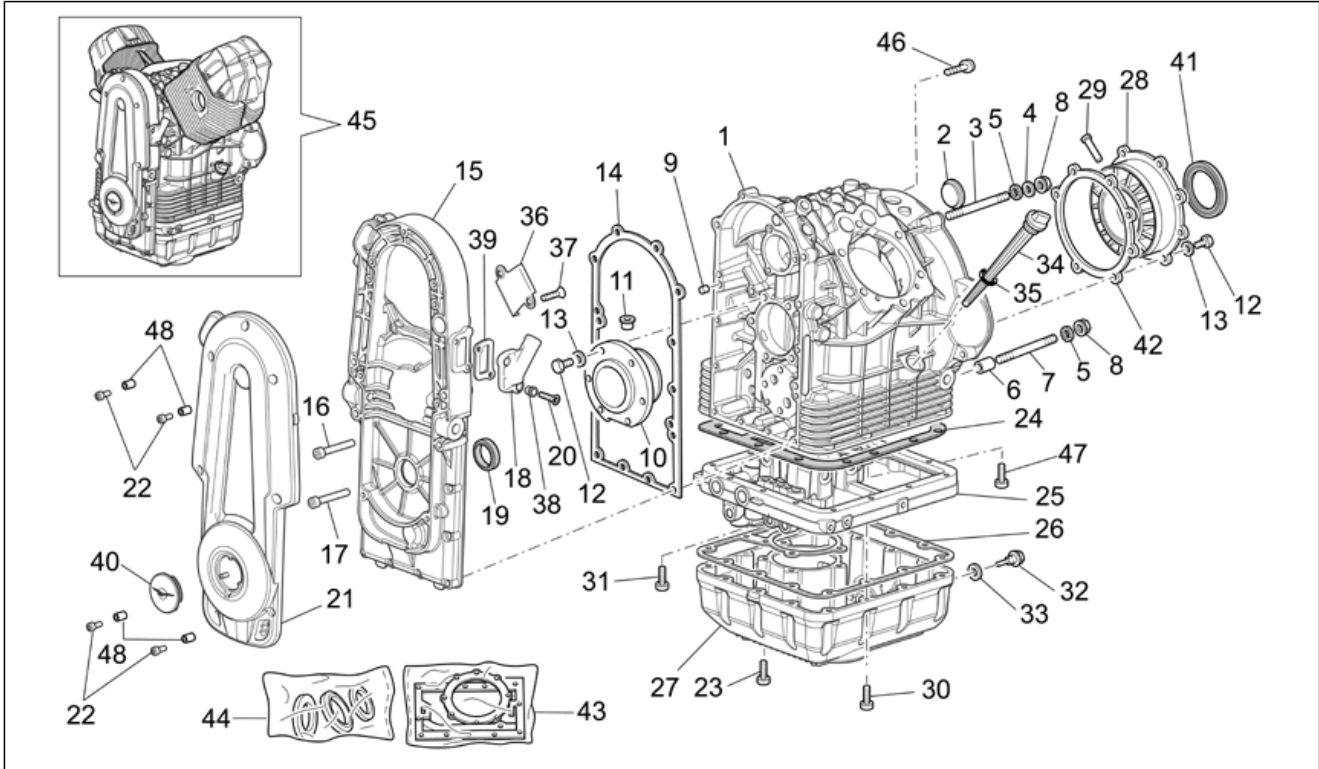
Pos.	Código	Descripción	Cant.	Variantes
1	AP8102678	Filtro de carbón	1	PAÍS:Canadian[CA], United States of America[USA]
2	AP8134884	Placa soporte canister	1	PAÍS:Canadian[CA], United States of America[USA]
3	AP8152329	Torn. c.cruz reborde M5x20	1	PAÍS:Canadian[CA], United States of America[USA]
4	AP8102378	Abrazadera D11,3	4	PAÍS:Canadian[CA], United States of America[USA]
5	AP8102377	Abrazadera D9,1*	8	PAÍS:Canadian[CA], United States of America[USA]
6	AP8120952	Tubo gasolina 5,5x10	3	PAÍS:Canadian[CA], United States of America[USA]
7	AP8104614	Válvula presión	1	PAÍS:Canadian[CA], United States of America[USA]
8	AP8220263	Tubo respiradero 4x8	2	PAÍS:Canadian[CA], United States of America[USA]
9	AP8104666	Empalme de 3 vías	2	PAÍS:Canadian[CA], United States of America[USA]
10	AP8101595	Abrazadera D10,1	2	PAÍS:Canadian[CA], United States of America[USA]
11	AP8101944	Empalme de dos vías	1	PAÍS:Canadian[CA], United States of America[USA]
12	GU30103730	Empalme	2	PAÍS:Canadian[CA], United States of America[USA]
13	AP8120965	Junta tórica 2018	2	PAÍS:Canadian[CA], United States of America[USA]
14	GU90706009	Junta tórica 6x1	4	PAÍS:Canadian[CA], United States of America[USA]
15	GU95963062	Empalme	2	PAÍS:Canadian[CA], United States of America[USA]
16	GU95990023	Tornillo perforado	2	PAÍS:Canadian[CA], United States of America[USA]

<b>Grupo</b>	BASTIDOR
<b>Código</b>	33.60
<b>Descripción</b>	Eq.freno ABS
<b>Revisión</b>	1



Pos.	Código	Descripción	Cant.	Variantes
1	GU05681030	Tubo freno del.	1	Especificaciones técnicas:ABS version[abs]
2	AP8133594	Tornillo tubo aceite	4	
3	GU25656100	Junta	10	
4	GU05680830	Tubo freno del.	1	Especificaciones técnicas:ABS version[abs]
5	GU05680530	Centralita/Bomba ABS	1	Especificaciones técnicas:ABS version[abs]
6	GU05681130	Tubo freno	1	Especificaciones técnicas:ABS version[abs]
7	GU05680930	Tubo freno trasero	1	Especificaciones técnicas:ABS version[abs]
8	AP8133597	Tornillo	1	
9	AP8213113	Purga + capuchón	1	
10	AP8202238	Anclaje guíacable	4	
11	GU05436530	Guíacable D5	4	Especificaciones técnicas:ABS version[abs]
12	GU05683130	Guíacable D8	1	Especificaciones técnicas:ABS version[abs]

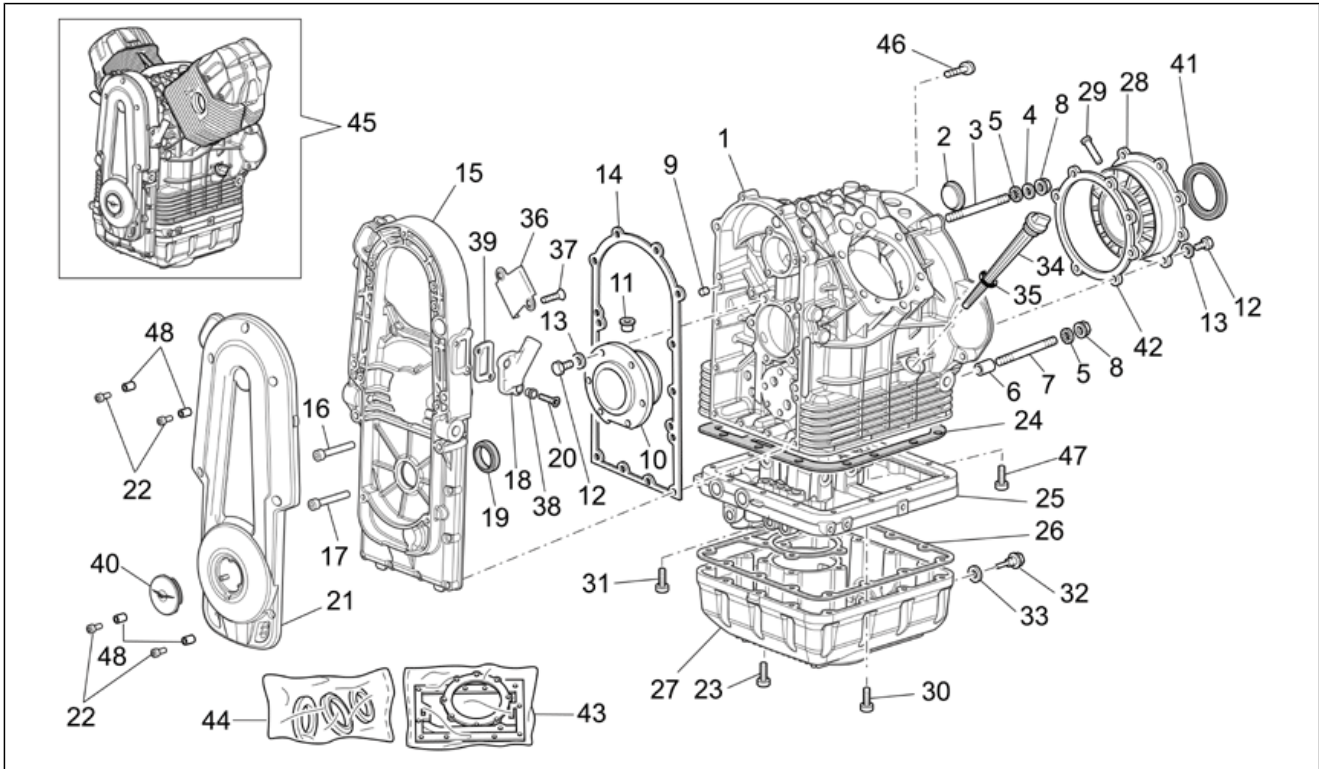
<b>Grupo</b>	MOTOR
<b>Código</b>	34.40
<b>Descripción</b>	Cárter
<b>Revisión</b>	1



Pos.	Código	Descripción	Cant.	Variantes
1	976041	Base-par negro	1	Especificaciones técnicas: Dal motore KP15051[M10]
1	GU05000730	Base-par negro	1	Especificaciones técnicas: Fino al motore KP15050[M9]
2	GU12003900	Plato	1	
3	GU96508066	Prisionero M8X66	3	
4	GU95008208	Arandela 8,4X15X1,5	2	
5	GU14615901	Arandela 8,4X13X0,8	5	
6	GU12018900	Casquillo	2	
7	GU96508075	Prisionero M8x75	2	
8	GU92660021	Tuerca con reborde M8	5	
9	GU95512081	Clavija	2	
10	GU14011900	Brida completa	1	
10	GU14011901	Brida min.0,2 mm	1	
11	GU12012200	Clavija	1	
12	GU98084425	Tornillo c. hex. M8x25	14	
13	GU61270300	Arandela elástica 8x15x0,3	14	
14	GU05001231	Junta tapa	1	
15	GU05001430	Tapa distribución negro	1	
16	AP8150046	Tornillo Allen M8x55	4	
17	GU98682330	Tornillo Allen M6x20	10	
18	GU05007230	Empalme	1	
19	GU90412237	Gasket ring 22x35x7viton	1	
20	GU98682320	Tornillo Allen M6x20	2	
21	GU05001630	Tapa gener.gris	1	
22	GU98682316	Tornillo Allen M6x16	4	
23	GU98680335	Tornillo Allen M6x35	4	
24	GU01003651	Junta Der.	1	
25	GU05003130	Brida	1	
26	GU05003630	Junta	1	

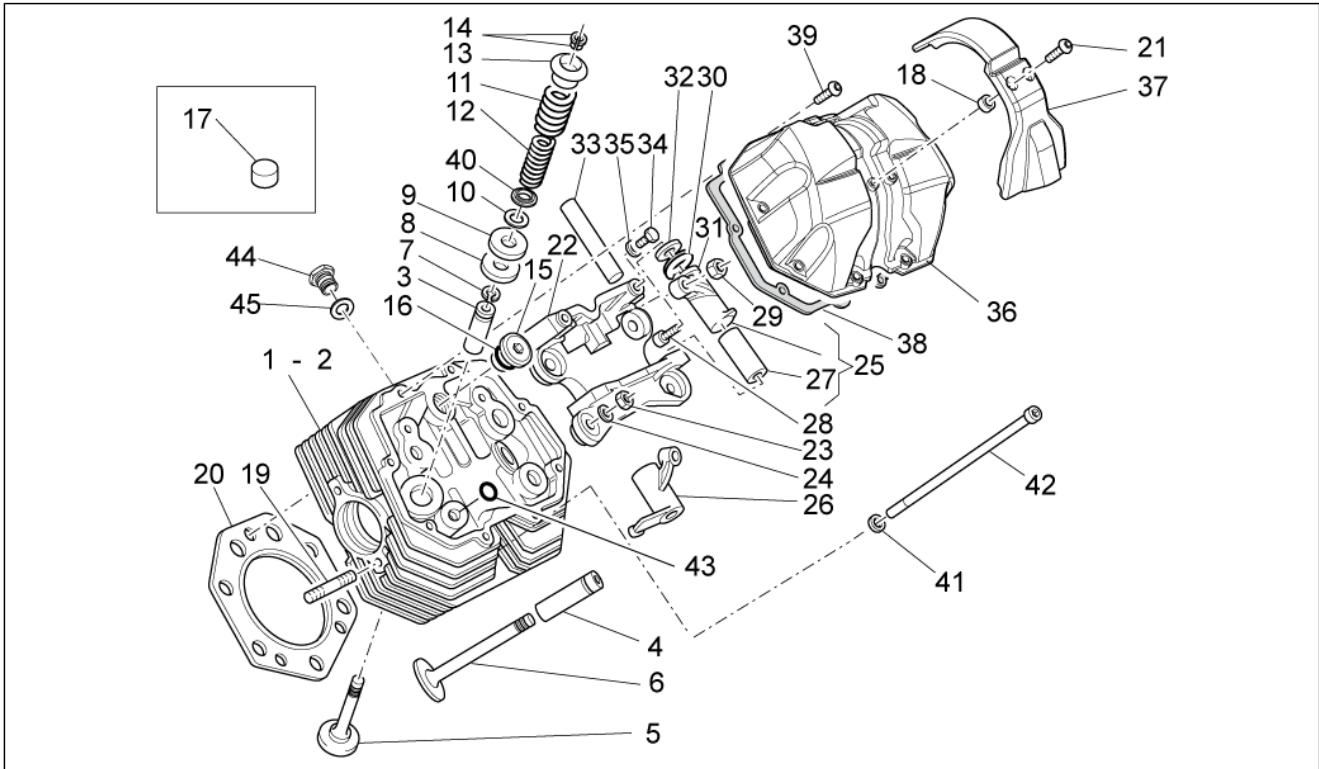


<b>Grupo</b>	MOTOR
<b>Código</b>	34.40
<b>Descripción</b>	Cárter
<b>Revisión</b>	1



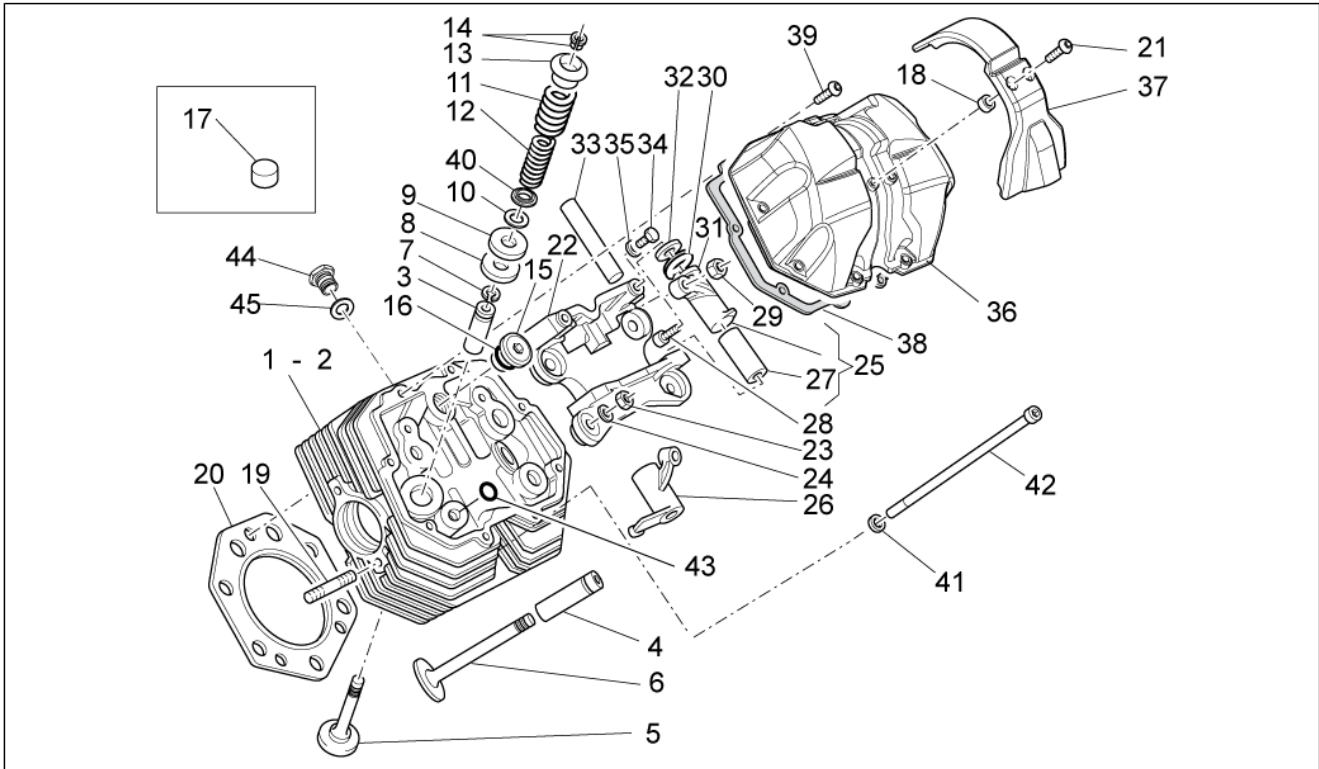
Pos.	Código	Descripción	Cant.	Variantes
27	GU05003530	Copa aceite motor negro	1	
28	GU12011400	Brida completa	1	
28	GU12011401	Brida min.0,2 mm	1	
28	GU12011402	Brida min.0,4 mm	1	
28	GU12011403	Brida min.0,6 mm	1	
29	GU12011700	Clavija	1	
30	AP4ADN000007	Tornillo Allen	14	
31	GU98680360	Tornillo Allen M6x60	2	
32	GU31003766	Tapón descarg.aceite M10x1	1	
33	GU01528930	Junta 10x18x1,5	1	
34	GU05004930	Tapón nivel de aceite	1	
35	GU90706178	Junta tórica 17,86X2,62	1	
36	GU05007330	Placa	1	
37	GU98257408	Tornillo TSPEI M4x8	2	
38	GU91120607	Buje 6,4x8,4x10,5	2	
39	GU90706347	Junta tórica 34,65x1,78viton	1	
40	GU05002130	Tapón	1	
41	GU90405367	Gasket ring	1	
42	GU05011830	Junta Der.	1	
43	GU05999030	Serie juntas motor	1	
44	GU05999530	Lit retén aceite/Cambio	1	
45	GU05991030	Motor cpl.	1	
46	AP8152291	Torn. CH con reborde	1	
47	GU98680340	Tornillo Allen M6x40	2	
48	GU91120606	Buje 6,8x8,8x5,8	4	

<b>Grupo</b>	MOTOR
<b>Código</b>	34.41
<b>Descripción</b>	Culata y válvulas I
<b>Revisión</b>	1



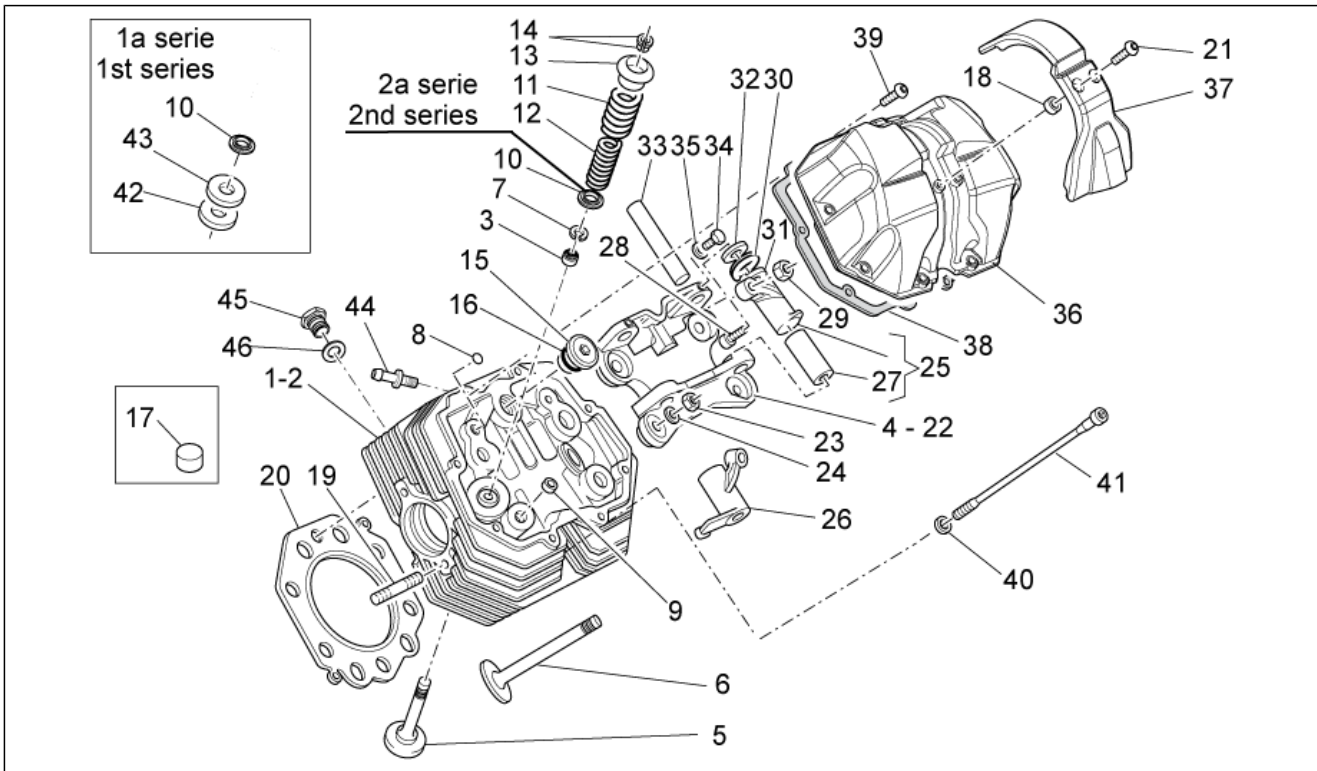
Pos.	Código	Descripción	Cant.	Variantes
1	GU05022130	Cabeza cil.tras.der.cpl.	1	<b>Especificaciones técnicas:</b> Fino al motore KP13482[M7]
1	GU05022132	Cabeza cil.tras.der.cpl.gris	1	<b>Especificaciones técnicas:</b> Dal motore KP13483[M8], Fino al motore KP15050[M9]
2	GU05022230	Cabeza cil.tras.izq.cpl.	1	<b>Especificaciones técnicas:</b> Fino al motore KP13482[M7]
2	GU05022232	Cabeza cil.tras.izq.cpl.gris	1	<b>Especificaciones técnicas:</b> Dal motore KP13483[M8], Fino al motore KP15050[M9]
3	GU13036801	Guía válvula escape	2	<b>Especificaciones técnicas:</b> Fino al motore KP13482[M7]
4	GU14036860	Guía válvula aspir.	2	<b>Especificaciones técnicas:</b> Fino al motore KP13482[M7]
5	GU05036131	Válvula de escape	2	
6	GU05036030	Válvula de admisión	2	
7	GU90353016	Anillo elástico	4	
8	GU13037200	Arandela 14,2x31x1	4	
9	GU14037300	Arandela 14,2x31x0,3	10	
10	GU01038730	Arandela	4	
11	GU37037405	Muelle exterior	4	
12	GU37037605	Muelle interior	4	
13	GU01038060	Platillo sup.	4	
14	GU01038160	Semicono válvula	8	
15	GU12022600	Tapón aceite	2	
16	GU90706203	Junta tórica 20,24X2,62	2	
17	GU05025331	Goma	18	
18	GU32116810	Buje 6,8x8,8x9,8	4	
19	GU96508040	Prisionero	4	
20	GU03022055	Junta	2	<b>Especificaciones técnicas:</b> Fino al motore KP15050[M9]
21	AP8152298	Tornillo con reborde M5x16	4	
22	GU14034865	Soporte	2	<b>Especificaciones técnicas:</b> Fino al motore KP15050[M9]
23	GU92603010	Tuerca M10X1,5	8	
24	GU14018400	Arandela 10,5X21X1	8	

<b>Grupo</b>	MOTOR
<b>Código</b>	34.41
<b>Descripción</b>	Culata y válvulas I
<b>Revisión</b>	1



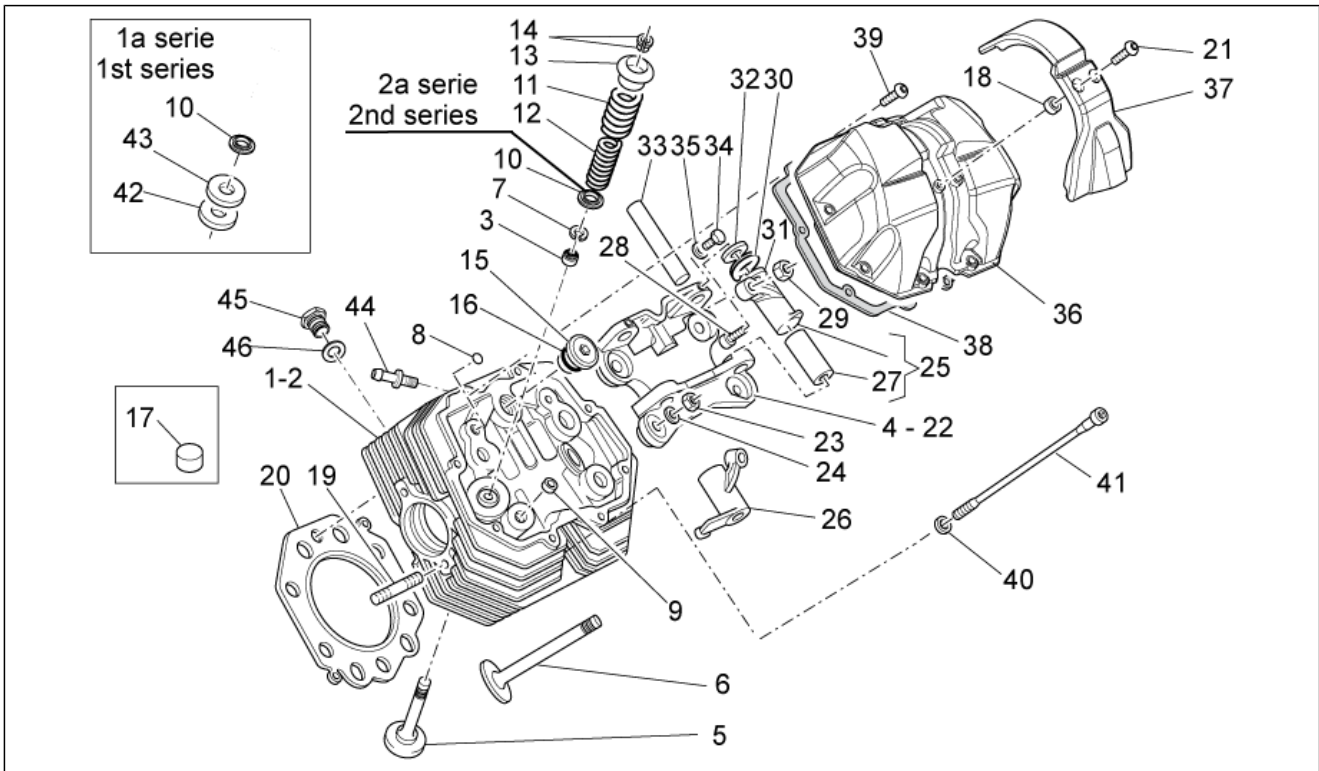
Pos.	Código	Descripción	Cant.	Variantes
25	GU14030201	Balancín cnj.der.	2	
26	GU14030401	Balancín cnj.izq.	2	
27	GU91111511	Buje 15x18x43	4	
28	GU17034050	Tornillo embrague	4	
29	GU10034100	Tuerca	4	
30	GU94322215	Muelle	4	
31	GU90118152	Arandela 15,2x26x1	8	
32	GU10032700	Arandela 15,2x26x0,5	4	
33	GU12031800	Eje balan.	4	
34	GU98084316	Tornillo c. hex.	4	
35	GU95120065	Arandela 6,5x11x2	4	
36	GU05023530	Tapa culata marr.	2	
37	GU05023430	Inserto	2	
38	976139	Junta tapa	2	
39	GU05025930	Tornillo M6x25	16	
40	GU01037030	Platillo inf. 14,2x32x5	4	
41	GU95129180	Arandela 10,5X18X0,8	4	
42	976144	Tornillo	4	<b>Especificaciones técnicas:</b> Dal motore KP14271[M6]
42	GU05021831	Tornillo	4	<b>Especificaciones técnicas:</b> Fino al motore KP14270[M5]
43	GU90706094	Junta tórica 9x2	8	<b>Especificaciones técnicas:</b> Fino al motore KP15050[M9]
44	976068	Tapón	2	
45	969973	Arandela	2	

<b>Grupo</b>	MOTOR
<b>Código</b>	34.42
<b>Descripción</b>	Culata y válvulas II
<b>Revisión</b>	1



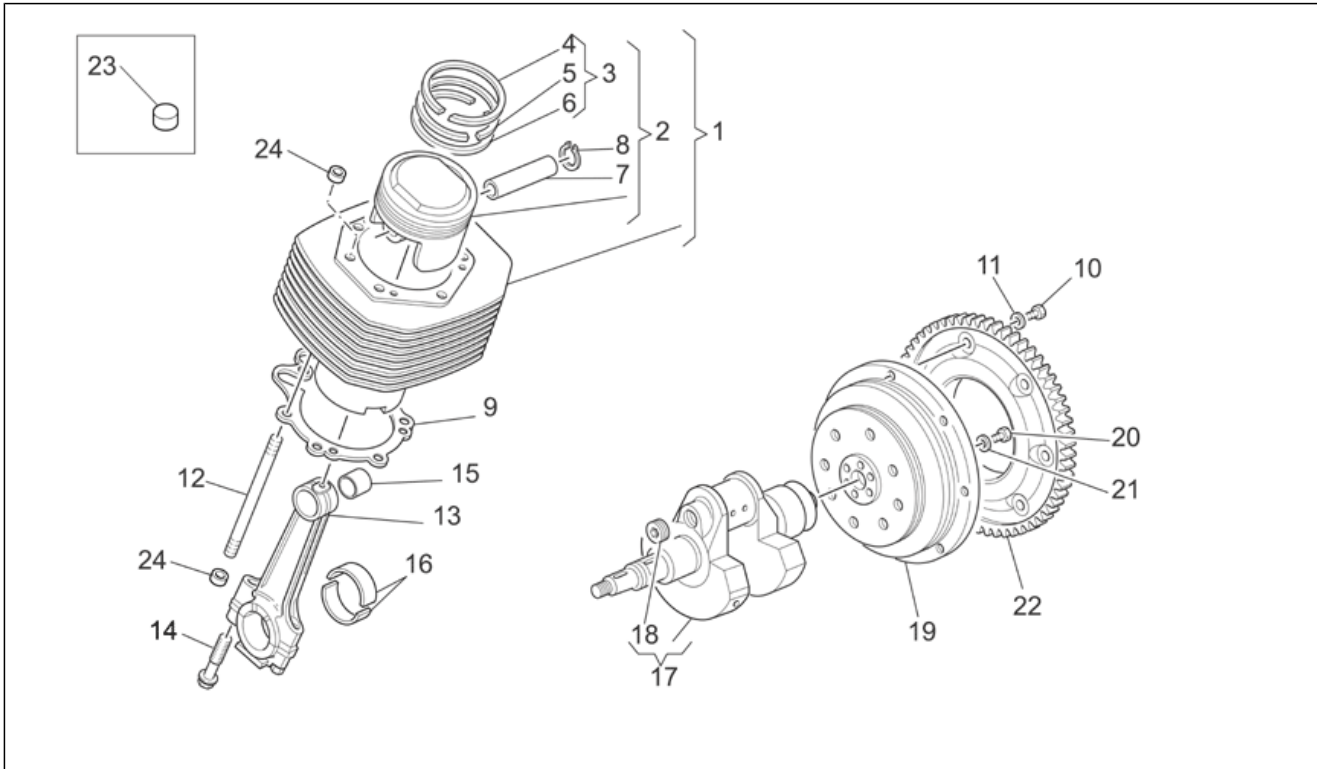
Pos.	Código	Descripción	Cant.	Variantes
1	976079	Cabeza cil.tras.der.cpl.gris	1	Especificaciones técnicas: Dal motore KP15051[M10]
2	976080	Cabeza cil.tras.izq.cpl.gris	1	Especificaciones técnicas: Dal motore KP15051[M10]
3	976107	Retén ac. guía válv. D8	4	Especificaciones técnicas: Dal motore KP15051[M10]
4	976152	Soporte der.	1	Especificaciones técnicas: Dal motore KP15051[M10]
5	GU05036131	Válvula de escape	2	
6	GU05036030	Válvula de admisión	2	
7	GU90353016	Anillo elástico	4	
8	224202	Junta tórica 8,73x1,78-viton	4	Especificaciones técnicas: Dal motore KP15051[M10]
9	825597	Clavija 11,8X10	4	Especificaciones técnicas: Dal motore KP15051[M10]
10	976181	Platillo inf. 14,2x32x7	4	Especificaciones técnicas: Second series[2A]
10	GU01037030	Platillo inf. 14,2x32x5	4	Especificaciones técnicas: First series[1A]
11	GU37037405	Muelle exterior	4	
12	GU37037605	Muelle interior	4	
13	GU01038060	Platillo sup.	4	
14	GU01038160	Semicono válvula	8	
15	GU12022600	Tapón aceite	2	
16	GU90706203	Junta tórica 20,24X2,62	2	
17	GU05025331	Goma	18	
18	GU32116810	Buje 6,8x8,8x9,8	4	
19	GU96508040	Prisionero	4	
20	976087	Junta	2	Especificaciones técnicas: Dal motore KP15051[M10]
21	AP8152298	Tornillo con reborde M5x16	4	
22	976153	Soporte izq.	1	Especificaciones técnicas: Dal motore KP15051[M10]
23	GU92603010	Tuerca M10X1,5	8	
24	GU14018400	Arandela 10,5X21X1	8	
25	GU14030201	Balancín cnj.der.	2	
26	GU14030401	Balancín cnj.izq.	2	
27	GU91111511	Buje 15x18x43	4	

<b>Grupo</b>	MOTOR
<b>Código</b>	34.42
<b>Descripción</b>	Culata y válvulas II
<b>Revisión</b>	1



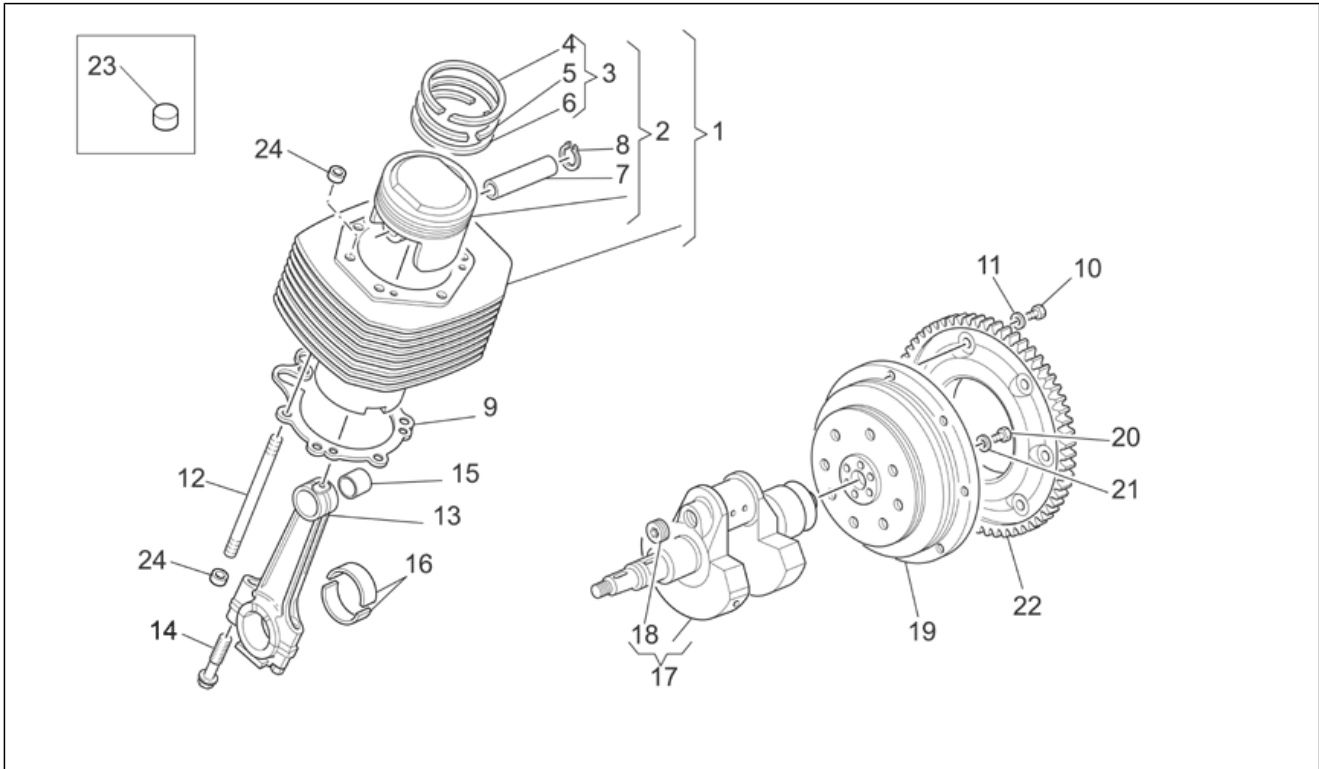
Pos.	Código	Descripción	Cant.	Variantes
28	GU17034050	Tornillo embrague	4	
29	GU10034100	Tuerca	4	
30	GU94322215	Muelle	4	
31	GU90118152	Arandela 15,2x26x1	8	
32	GU10032700	Arandela 15,2x26x0,5	4	
33	GU12031800	Eje balan.	4	
34	GU98084316	Tornillo c. hex.	4	
35	GU95120065	Arandela 6,5x11x2	4	
36	GU05023530	Tapa culata marr.	2	
37	GU05023430	Inserto	2	
38	976139	Junta tapa	2	
39	GU05025930	Tornillo M6x25	16	
40	GU95129180	Arandela 10,5X18X0,8	4	
41	976144	Tornillo	4	
42	GU13037200	Arandela 14,2x31x1	4	Especificaciones técnicas:First series[1A]
43	GU14037300	Arandela 14,2x31x0,3	10	Especificaciones técnicas:First series[1A]
44	GU32023910	Empalme respiradero en culata	1	
45	976068	Tapón	2	
46	969973	Arandela	2	

<b>Grupo</b>	MOTOR
<b>Código</b>	34.43
<b>Descripción</b>	Cigüeñal cpl.
<b>Revisión</b>	1



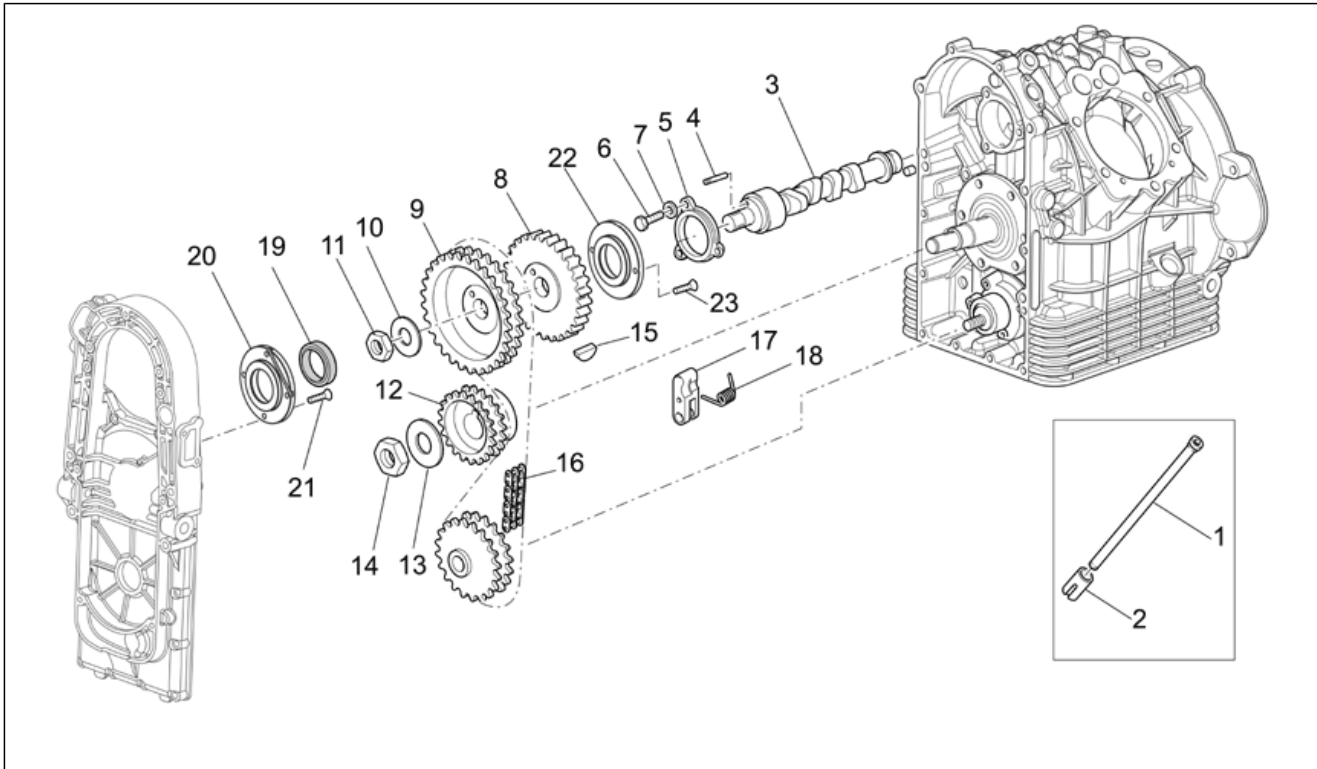
Pos.	Código	Descripción	Cant.	Variantes
1	976196	Cilindro con pistón cpl.	2	<b>Especificaciones técnicas:</b> Dal motore KP15051[M10]
1	GU05060130	Cilindro con pistón cpl.	2	<b>Especificaciones técnicas:</b> Fino al motore KP15050[M9]
2	GU05060230	Pistón cpl.	2	
3	GU05060630	Kit segmentos	2	
4	GU05060730	Fascia elástica sup.	2	
5	GU05060930	Fascia elástica int.	2	
6	GU05061030	Fascia elástica raspador	2	
7	GU30061241	Pasador	2	
8	GU90351039	Anillo de tope	4	
9	976064	Junta	2	<b>Especificaciones técnicas:</b> Dal motore KP15051[M10]
9	GU05020830	Junta	2	<b>Especificaciones técnicas:</b> Fino al motore KP15050[M9]
10	GU37067705	Tornillo	8	
11	GU14217901	Arandela 6,4x10x0,7	8	
12	976031	Prisionero	8	<b>Especificaciones técnicas:</b> Dal motore KP14271[M6]
12	GU12021700	Prisionero	8	<b>Especificaciones técnicas:</b> Fino al motore KP14270[M5]
13	976003	Biela cpl.	2	<b>Especificaciones técnicas:</b> Dal motore KP15262[M12]
13	GU05061530	Biela cpl.	2	<b>Especificaciones técnicas:</b> Fino al motore KP15261[M11]
14	849131	Tornillo biela	4	<b>Especificaciones técnicas:</b> Dal motore KP15262[M12]
14	GU01062230	Tornillo biela	4	<b>Especificaciones técnicas:</b> Fino al motore KP15261[M11]
15	GU91112128	Buje	2	<b>Especificaciones técnicas:</b> Fino al motore KP15261[M11]
16	976171	Semienvol. chumacera 1,539-1,544	4	<b>Especificaciones técnicas:</b> Segno blu[BS], Dal motore KP15262[M12]
16	976172	Semienvol. chumacera 1,535-1,540	4	<b>Especificaciones técnicas:</b> Dal motore KP15262[M12], Segno rosso[RS]
16	GU01062030	Semienvol. chumacera	4	<b>Especificaciones técnicas:</b> Fino al motore KP15261[M11]
16	GU01062031	Semienvol. chumacera min.0,254	4	<b>Especificaciones técnicas:</b> Fino al motore KP15261[M11]
16	GU01062032	Semienvol. chumacera min.0,508	4	<b>Especificaciones técnicas:</b> Fino al motore KP15261[M11]
16	GU01062033	Semienvol. chumacera min.0,762	4	<b>Especificaciones técnicas:</b> Fino al motore KP15261[M11]

<b>Grupo</b>	MOTOR
<b>Código</b>	34.43
<b>Descripción</b>	Cigüeñal cpl.
<b>Revisión</b>	1



Pos.	Código	Descripción	Cant.	Variantes
17	976117	Cigüeñal cpl.	1	<b>Especificaciones técnicas:</b> Fino al motore KP15261[M11]
17	976186	Cigüeñal cpl.	1	<b>Especificaciones técnicas:</b> Dal motore KP15262[M12]
18	GU37065405	Tapón	1	
19	GU04067000	Volante cpl.	1	
20	GU12067701	Tornillo	6	
21	GU14615901	Arandela 8,4X13X0,8	6	
22	GU01067930	Corona	1	
23	GU05025330	Goma	54	
24	825597	Clavija 11,8X10	6	<b>Especificaciones técnicas:</b> Dal motore KP15051[M10]

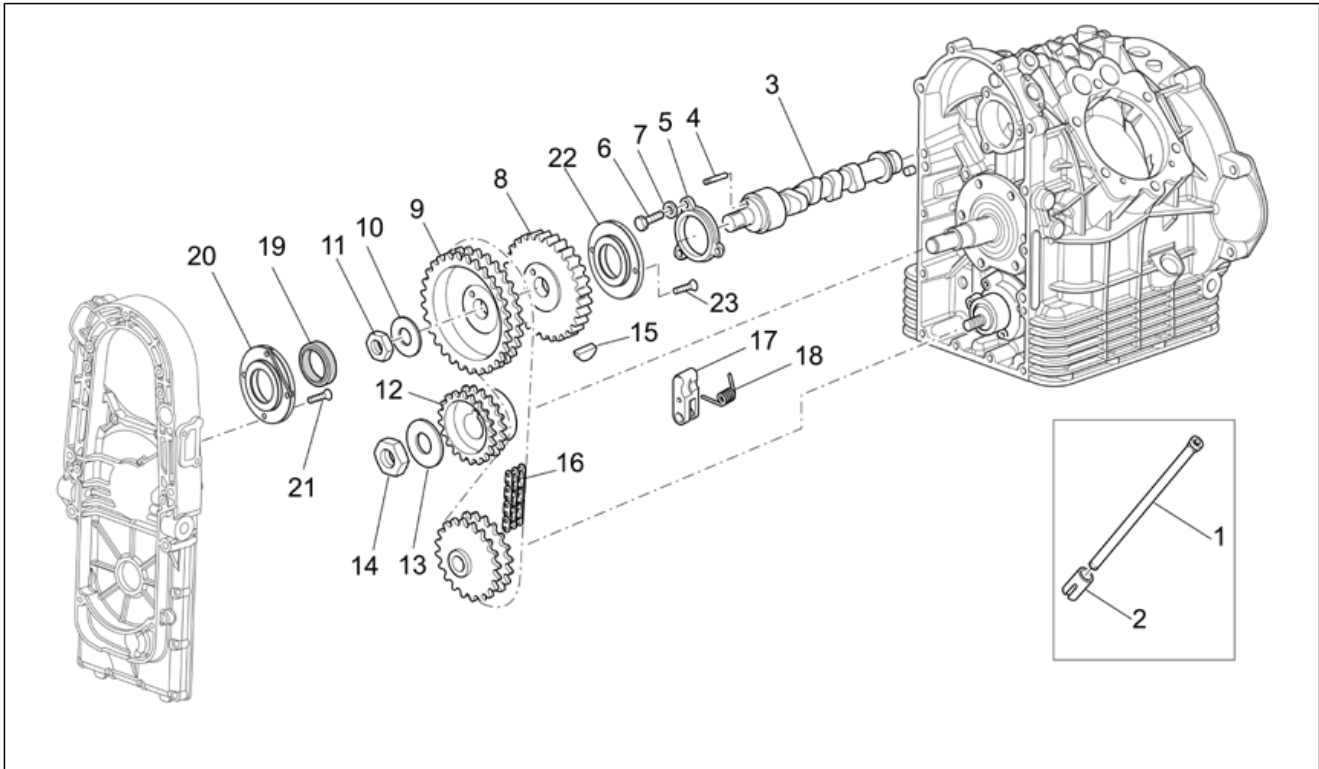
<b>Grupo</b>	MOTOR
<b>Código</b>	34.44
<b>Descripción</b>	Distribución
<b>Revisión</b>	1



Pos.	Código	Descripción	Cant.	Variantes
1	GU37045006	Varilla balancín	4	
2	GU17045860	Balancion	4	
3	GU05053331	Árbol de levas	1	
4	GU14234600	Clavija	1	
5	GU01054001	Brida	1	
6	GU98084320	Tornillo c. hex. M6x20	3	
7	GU95120065	Arandela 6,5x11x2	3	
8	GU01051730	Wheel speed sensor, LH front	1	<b>Especificaciones técnicas:</b> Fino al motore KP011312[M1]
8	GU01051730	Wheel speed sensor, LH front	1	<b>Especificaciones técnicas:</b> Dal motore KP013217[M4]
8	GU05051730	Wheel speed sensor, LH front	1	<b>Especificaciones técnicas:</b> Fino al motore KP013216[M3]
8	GU05051730	Wheel speed sensor, LH front	1	<b>Especificaciones técnicas:</b> Dal motore KP011313[M2]
9	GU05054530	Engran. distribución	1	<b>Especificaciones técnicas:</b> Fino al motore KP011312[M1]
9	GU05054531	Engran. distribución	1	<b>Especificaciones técnicas:</b> Fino al motore KP013216[M3]
9	GU05054531	Engran. distribución	1	<b>Especificaciones técnicas:</b> Dal motore KP011313[M2]
9	GU05054532	Engran. distribución	1	<b>Especificaciones técnicas:</b> Dal motore KP013217[M4]
10	GU14433400	Arandela elástica 19x34x1,5	1	
11	GU92750180	Tuerca M18	1	
12	GU14072001	Piñón	1	
13	GU95100837	Arandela 25,5x35x2	1	
14	GU92602525	Tuerca M25	1	
15	GU91600365	Chaveta 3x6,5	1	
16	GU05058030	Cadena	1	
17	GU30058310	Patín guía cadena	1	
18	GU30059211	Muelle	1	
19	GU90401532	Gasket ring 15x32x7viton	1	
20	GU05055230	Soporte	1	
21	AP8152043	Tornillo Allen M4x10	4	

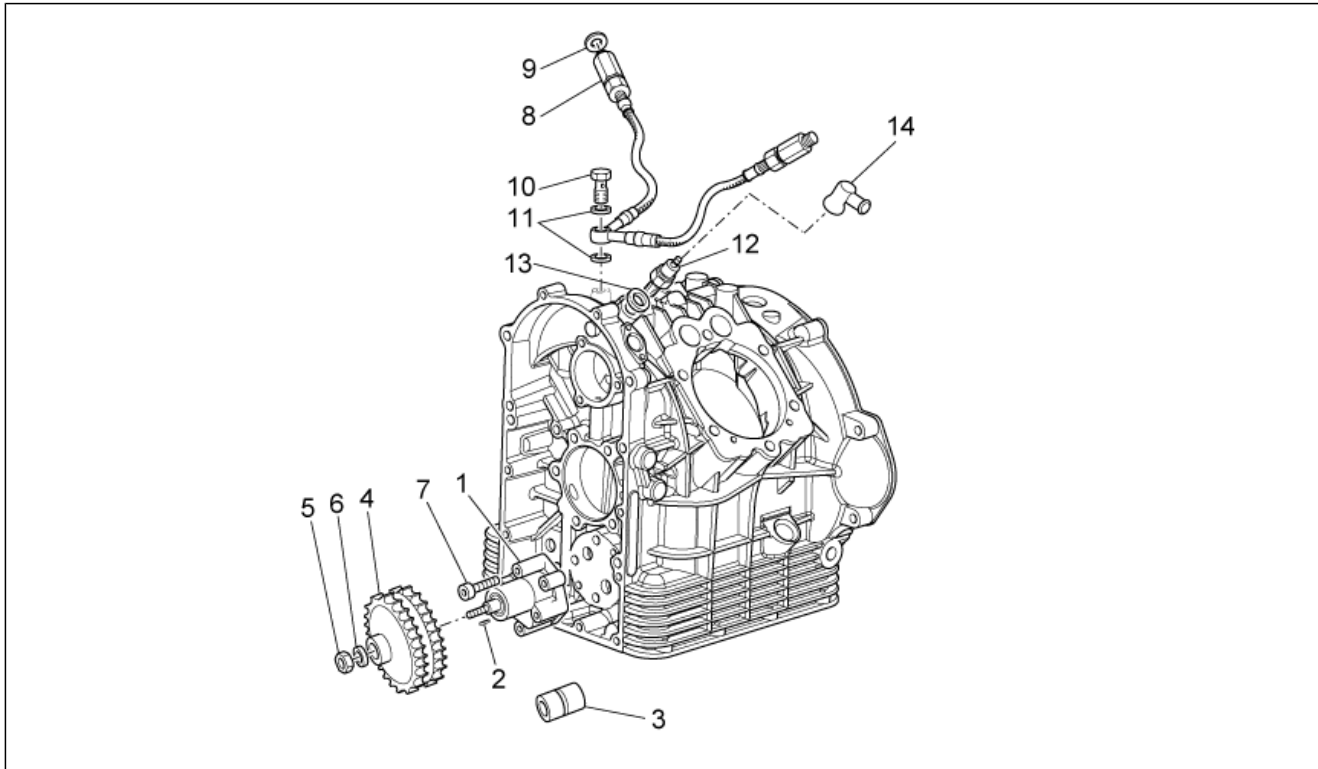


<b>Grupo</b>	MOTOR
<b>Código</b>	34.44
<b>Descripción</b>	Distribución
<b>Revisión</b>	1



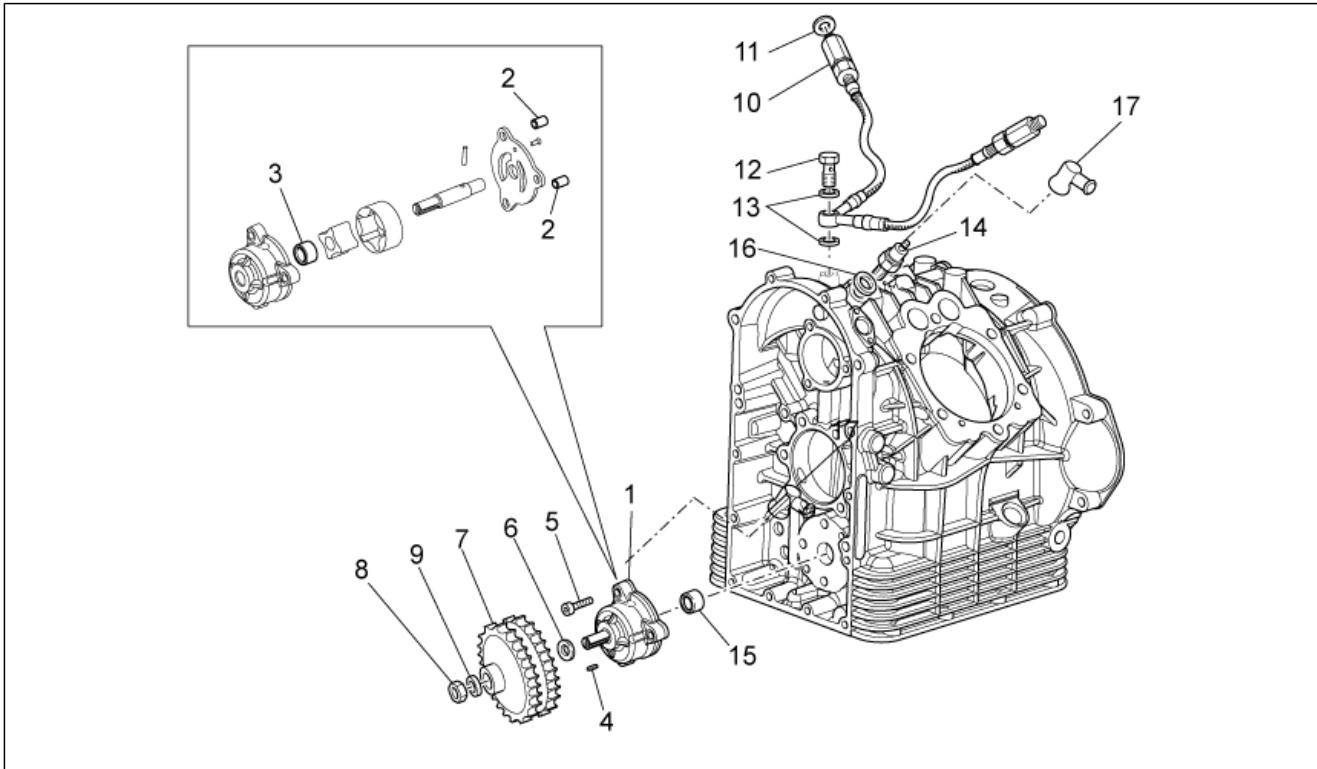
Pos.	Código	Descripción	Cant.	Variantes
22	GU05053530	Disco centrífugo	1	<b>Especificaciones técnicas:</b> Dal motore KP011313[M2], Fino al motore KP013216[M3]
23	GU98250612	Tornillo M6x12	2	<b>Especificaciones técnicas:</b> Dal motore KP011313[M2], Fino al motore KP013216[M3]

<b>Grupo</b>	MOTOR
<b>Código</b>	34.45
<b>Descripción</b>	Bomba aceite I
<b>Revisión</b>	1



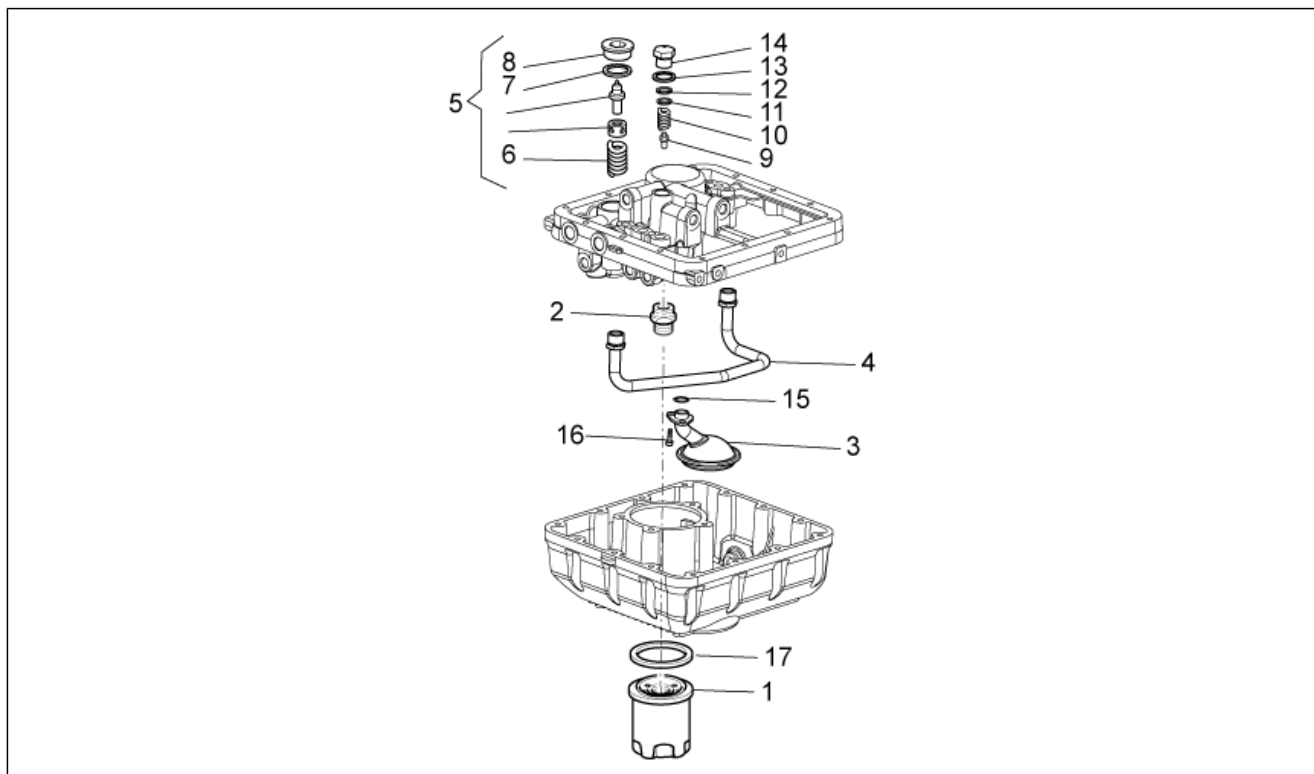
Pos.	Código	Descripción	Cant.	Variantes
1	GU30146400	Bomba aceite	1	<b>Especificaciones técnicas:</b> Fino al motore KP15050[M9]
2	GU13148300	Chaveta	1	
3	GU92252210	Cojinete de rodillos 10x22x20	1	<b>Especificaciones técnicas:</b> Fino al motore KP15050[M9]
4	GU30147700	Engran. bomba aceite	1	
5	GU92602308	Tuerca	1	<b>Especificaciones técnicas:</b> Fino al motore KP15050[M9]
6	GU95120085	Arandela elástica	1	<b>Especificaciones técnicas:</b> Fino al motore KP15050[M9]
7	GU98682430	Tornillo Allen M8x30	4	<b>Especificaciones técnicas:</b> Fino al motore KP15050[M9]
8	GU05153630	Tubos	1	
9	GU25656102	Junta	2	
10	GU95990037	Tornillo	1	
11	GU12154200	Junta 8,25x15x1	2	
12	GU31768780	Sensor presión	1	
13	GU12006400	Junta 12,25	1	
14	976688	Pressure oil sensor cap	1	

<b>Grupo</b>	MOTOR
<b>Código</b>	34.46
<b>Descripción</b>	Bomba aceite II
<b>Revisión</b>	1



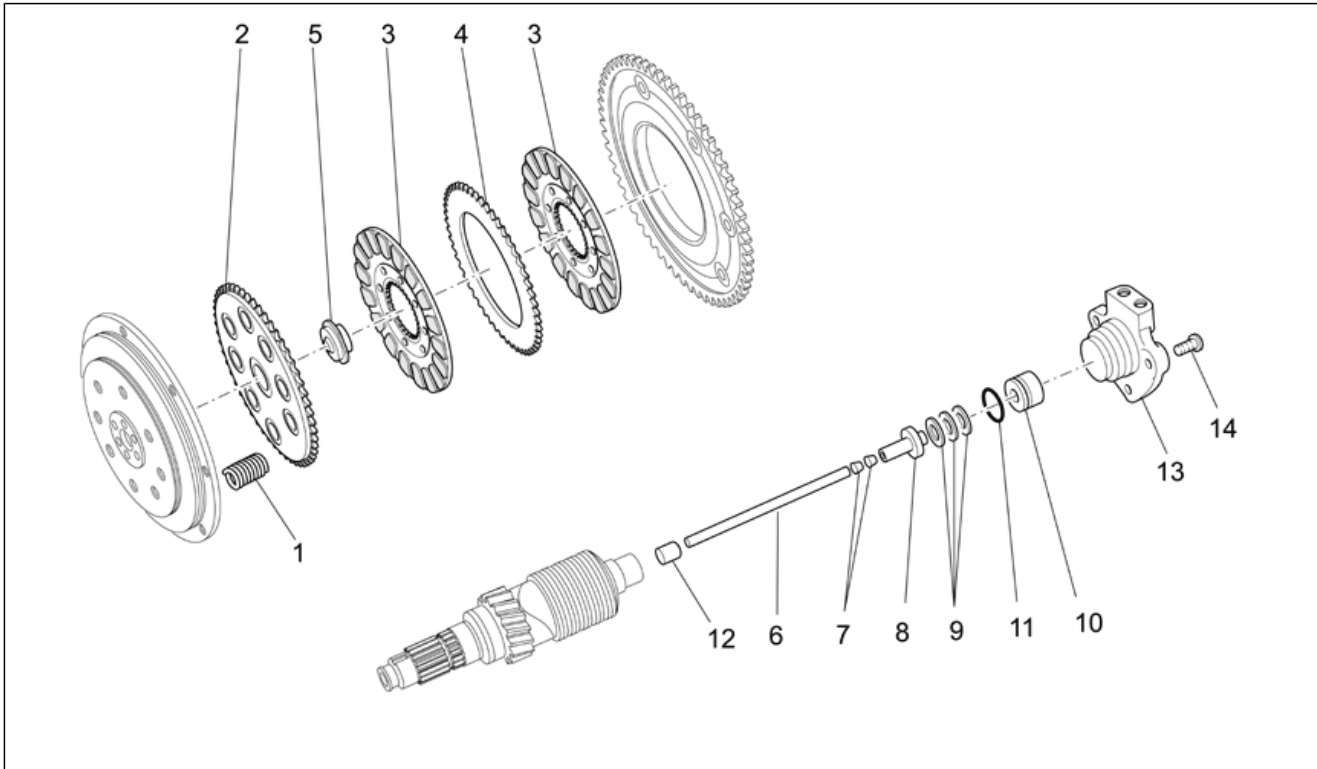
Pos.	Código	Descripción	Cant.	Variantes
1	976134	Bomba aceite	1	Especificaciones técnicas: Dal motore KP15051[M10]
2	277916	Perno de referencia	2	Especificaciones técnicas: Dal motore KP15051[M10]
3	976165	Cojinete de agujas 12x18x12	1	Especificaciones técnicas: Dal motore KP15051[M10]
4	GU13148300	Chaveta	1	
5	GU98350330	Tornillo M6x30	3	Especificaciones técnicas: Dal motore KP15051[M10]
6	976448	Rangua	1	Especificaciones técnicas: Dal motore KP15051[M10]
7	GU30147700	Engran. bomba aceite	1	
8	GU92602510	Tuerca M10x1,25	1	Especificaciones técnicas: Dal motore KP15051[M10]
9	GU19149800	Arandela 10,5x16x1	1	Especificaciones técnicas: Dal motore KP15051[M10]
10	GU05153630	Tubos	1	
11	GU25656102	Junta	2	
12	GU95990037	Tornillo	1	
13	GU12154200	Junta 8,25x15x1	2	
14	GU31768780	Sensor presión	1	
15	976168	Cojinete de agujas 10x14x12	1	Especificaciones técnicas: Dal motore KP15051[M10]
16	GU12006400	Junta 12,25	1	
17	976688	Pressure oil sensor cap	1	

<b>Grupo</b>	MOTOR
<b>Código</b>	34.47
<b>Descripción</b>	Filtro aceite
<b>Revisión</b>	1



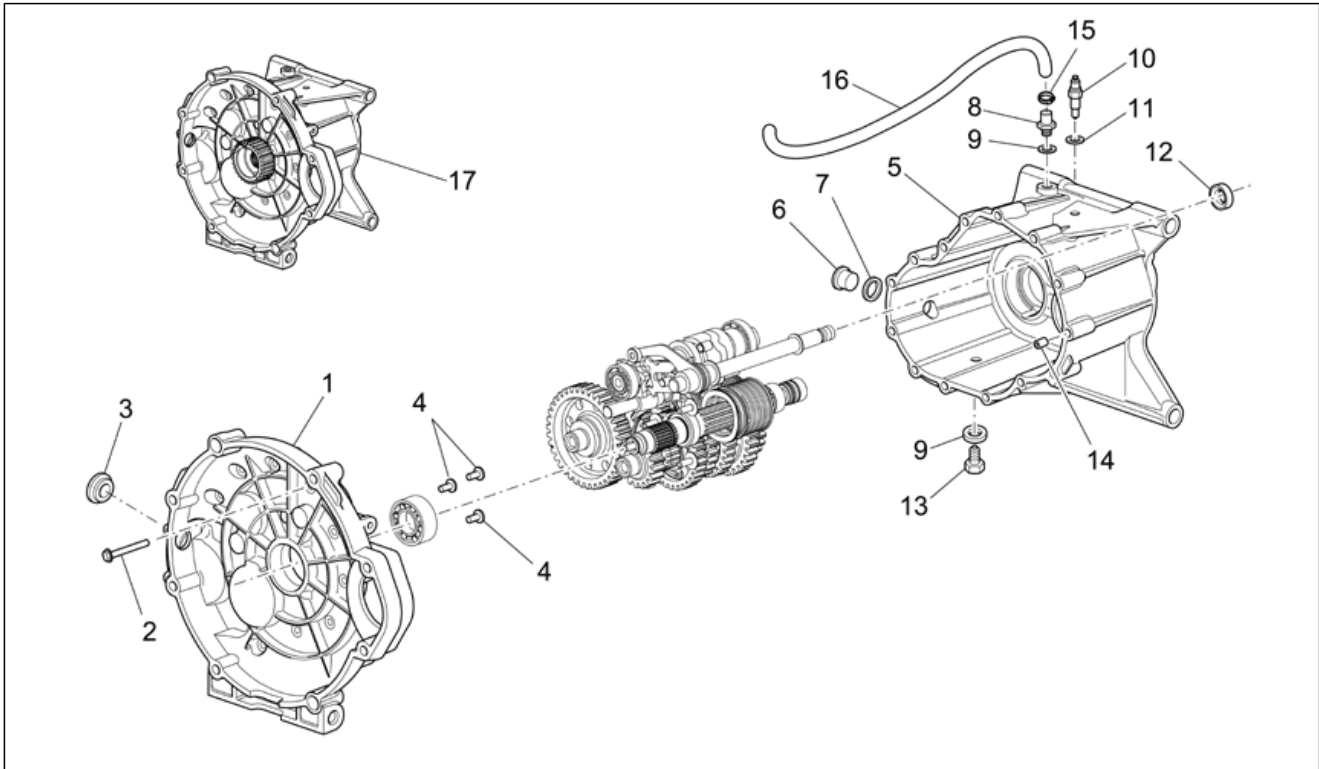
Pos.	Código	Descripción	Cant.	Variantes
1	GU30153000	Filtro aceite	1	
2	GU30003800	Empalme filtro aceite	1	
3	GU05152230	Filtro aceite	1	
4	GU05005730	Tubo	1	
5	GU01163500	Valvula	1	
6	GU20164010	Muelle	1	
7	GU01163700	Junta de cobre	1	
8	GU01163600	Tapón	1	
9	GU30150900	Émbolo	1	
10	GU94321077	Muelle	1	
11	GU95008206	Arandela 6,15x11x0,8	2	
12	GU30158900	Arandela	1	
13	GU18144350	Arandela 18,25x24x1	1	
14	GU31159050	Tapón	1	
15	GU90706151	Junta tórica 15,08x2,62viton	1	
16	GU98682316	Tornillo Allen M6x16	2	
17	981115	Junta	1	<b>Especificaciones técnicas:</b> Rif. Comunicazione tecnica n°... [CT1]

<b>Grupo</b>	MOTOR
<b>Código</b>	34.48
<b>Descripción</b>	Embrague
<b>Revisión</b>	1



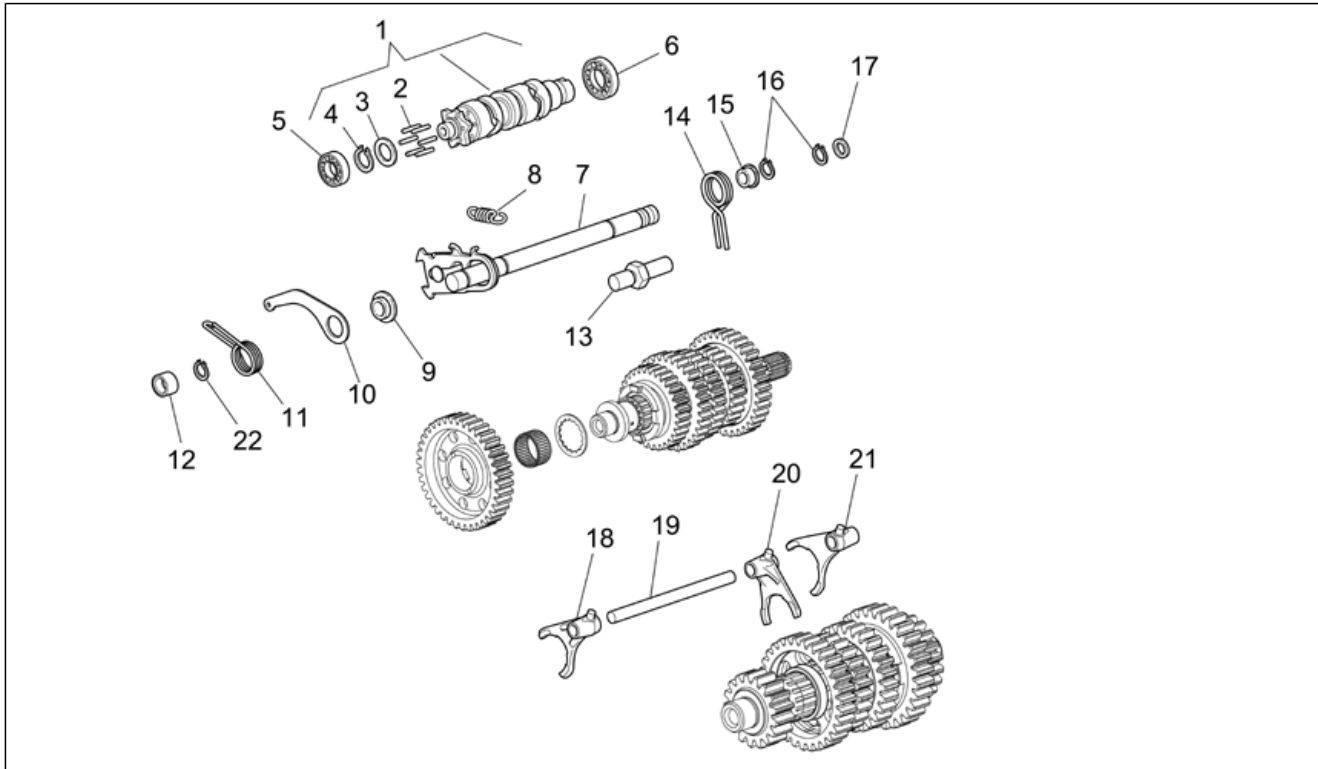
Pos.	Código	Descripción	Cant.	Variantes
1	GU04084100	Muelle embrague	10	<b>Especificaciones técnicas:</b> First series[1A]
1	GU04084100	Muelle embrague	5	<b>Especificaciones técnicas:</b> Second series[2A]
1	GU13084100	Muelle embrague	5	<b>Especificaciones técnicas:</b> Second series[2A], Segno rosso[RS]
2	GU30082900	Plato	1	
3	GU05084430	Disco embrague cpl.	2	
4	GU12082300	Disco embrague int.	1	
5	GU04082800	Cubeta	1	
6	GU05085730	Varilla	1	
7	GU14085900	Buje	2	
8	GU14086000	Cuerpo int.	1	
9	GU12087001	Cojinete de tope	1	
10	GU04086100	Cilindro mando embrague	1	
11	GU90706170	Junta tórica 17,13x2,62	1	
12	GU05217630	Buje	1	
13	GU05086330	Cilindro mando embr.	1	
14	AP8152278	Torn. CH con reborde M6x16	3	

<b>Grupo</b>	MOTOR
<b>Código</b>	34.49
<b>Descripción</b>	Cambio
<b>Revisión</b>	1



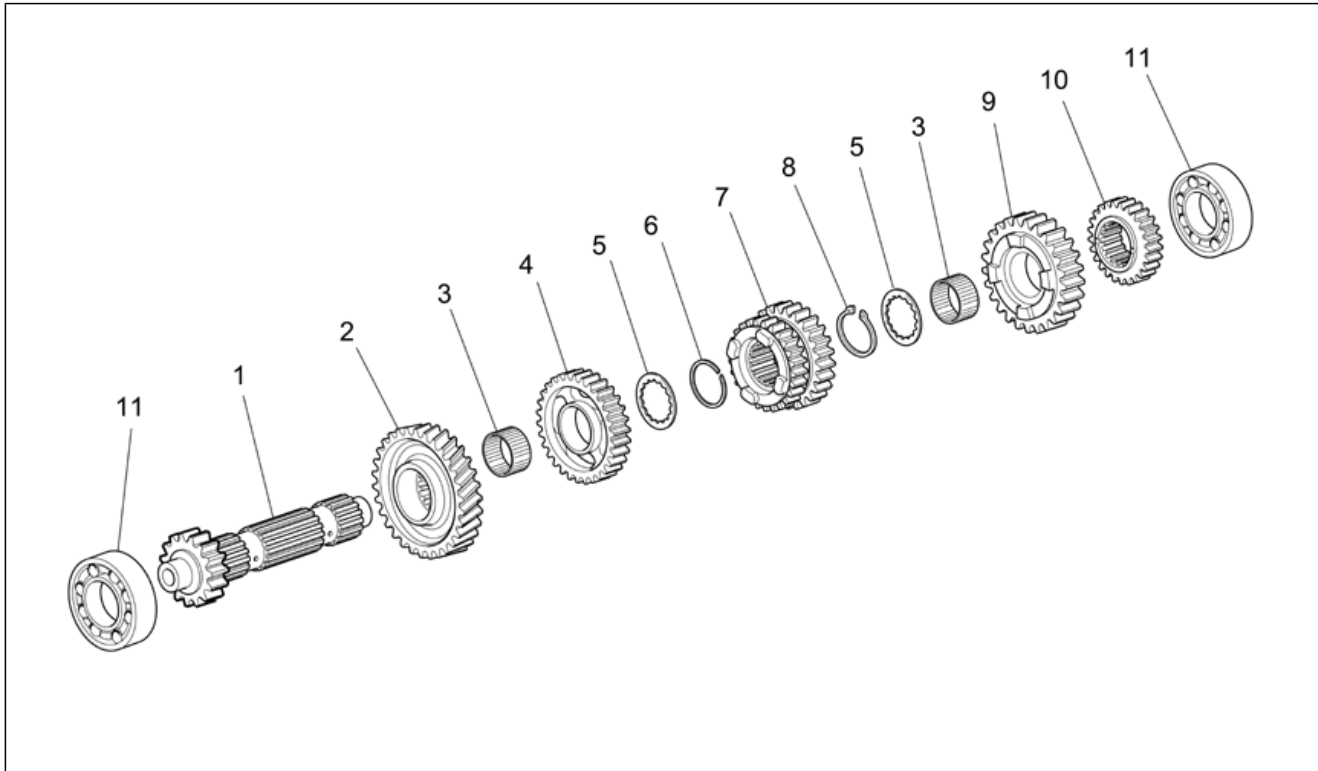
Pos.	Código	Descripción	Cant.	Variantes
1	GU05200531	Campana embrague	1	
2	GU97202355	Torn. CH con reborde M6x55	14	
3	GU93180220	Tapón	1	
4	GU98370616	Tornillo M6x16 inox	3	
5	GU05200231	Cambio	1	
6	GU95980319	Tapón aceite M18x1,5	1	
7	GU18144350	Arandela 18,25x24x1	1	
8	GU05204930	Tapón respiradero	1	
9	GU01528930	Junta 10x18x1,5	2	
10	GU19207220	Sensor	1	
11	B063025	Guarnizione 8,7x14,2x1,3	1	
12	GU90401424	Gasket ring 14x24x7	1	
13	GU31003766	Tapón descarg.aceite M10x1	1	
14	GU19002020	Buje 6,6x9x13	2	
15	AP8101595	Abrazadera D10,1	1	
16	AP8120952	Tubo gasolina 5,5x10	1	
17	GU05991530	Cambio completo	1	

<b>Grupo</b>	MOTOR
<b>Código</b>	34.50
<b>Descripción</b>	Selector cambio
<b>Revisión</b>	1



Pos.	Código	Descripción	Cant.	Variantes
1	GU05234431	Leva del cambio cpl.	1	
2	GU05234631	Barra	6	
3	GU05235531	Suplemento espesor	1	
4	GU90271022	Anillo de retención	1	
5	GU92201117	Cojinete de bolas 17x35x10	1	
6	GU92201025	Cojinete de bolas 25x42x9	1	
7	GU05236231	Pre-selector completo	1	
8	GU05238231	Muelle	1	
9	GU05238431	Buje	1	
10	GU05234731	Palanca Index	1	
11	GU05234130	Muelle	1	
12	GU05234230	Distanciador	1	
13	GU05234931	Perno enganche	1	
14	GU05238331	Muelle	1	
15	GU05238131	Distanciador	1	
16	GU90271014	Anillo de retención	2	
17	GU05239330	Rangua	1	
18	GU05230531	Horquilla 1a-3a	1	
19	GU05232431	Eje horquilla	1	
20	GU05232631	Horquilla 5a-6a	1	
21	GU05230831	Horquilla 2a-4a	1	
22	GU90353014	Anillo de retención	1	

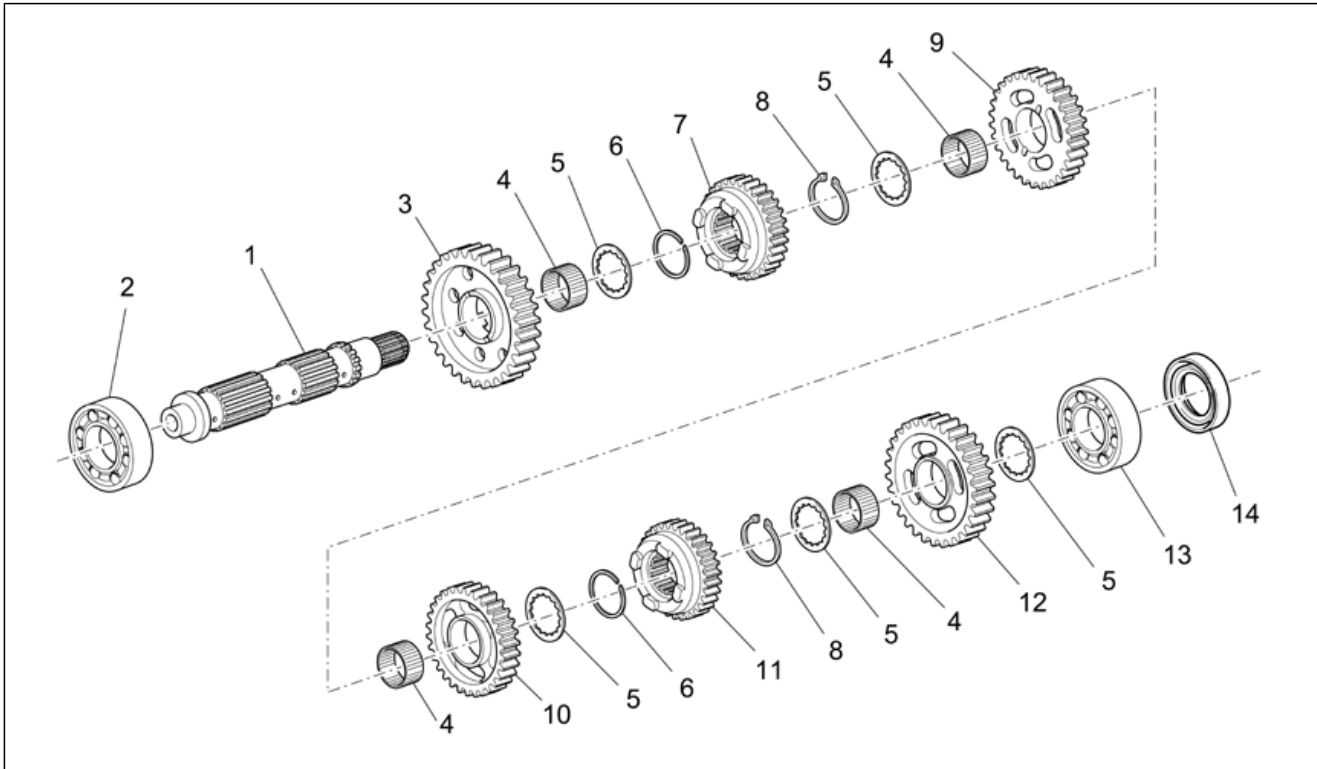
<b>Grupo</b>	MOTOR
<b>Código</b>	34.51
<b>Descripción</b>	EJE PRIMARIO CAMBIO
<b>Revisión</b>	1



Pos.	Código	Descripción	Cant.	Variantes
1	GU05210631	Eje primario Z=17	1	
2	GU05215631	Engranaje transm.primaria Z=35	1	
3	GU92252029	Jaula de agujas 26x30x15,6	2	
4	GU05212031	Engranaje 5a Z=31	1	
5	GU05214630	Arand. sop. lateral	2	
6	GU90271230	Anillo elástico 30x1,2SW	1	
7	GU05211431	Engranaje 3a-4a Z=23-26	1	
8	GU90271030	Anillo elástico 30x27,9	1	
9	GU05212631	Engranaje 6a Z=29	1	
10	GU05211331	Engranaje 2a Z=20	1	
11	GU92201822	Cojinete de bolas 20x52x15	2	

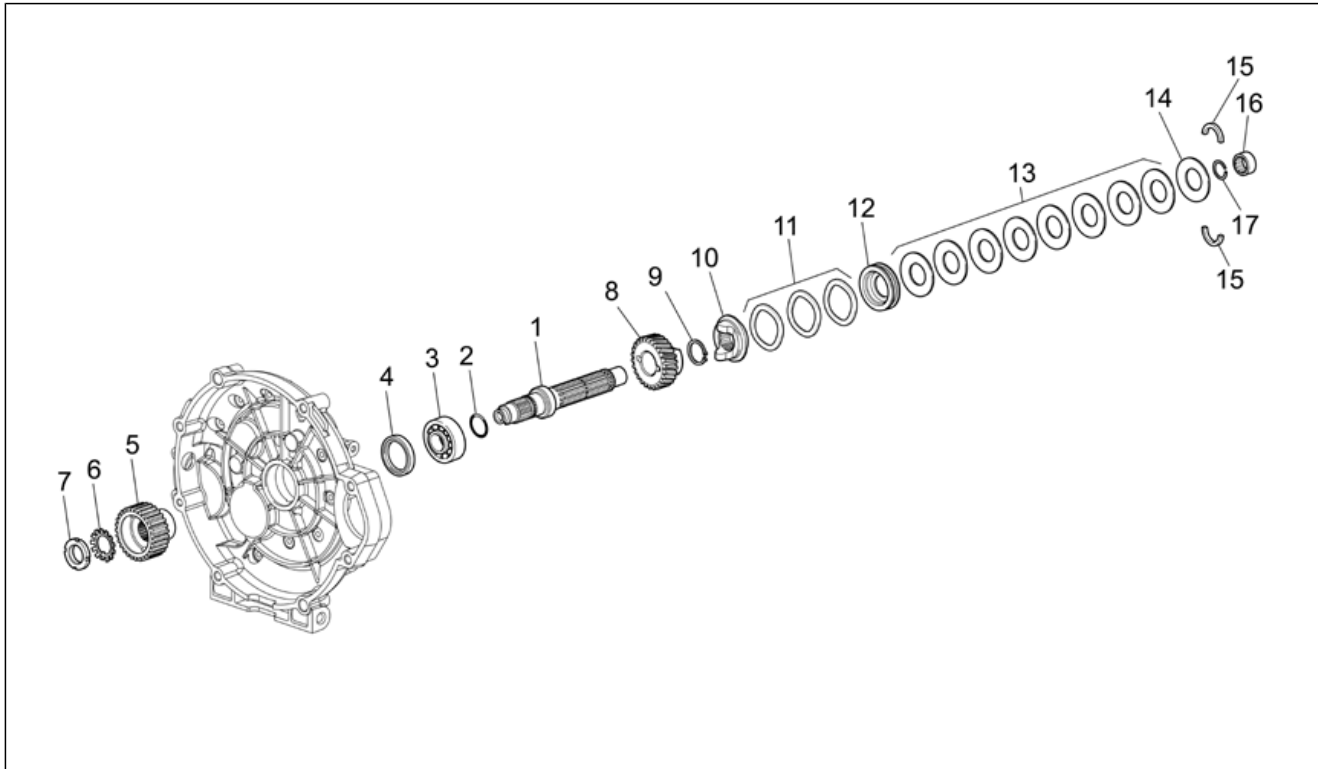


<b>Grupo</b>	MOTOR
<b>Código</b>	34.52
<b>Descripción</b>	Eje secundario
<b>Revisión</b>	1



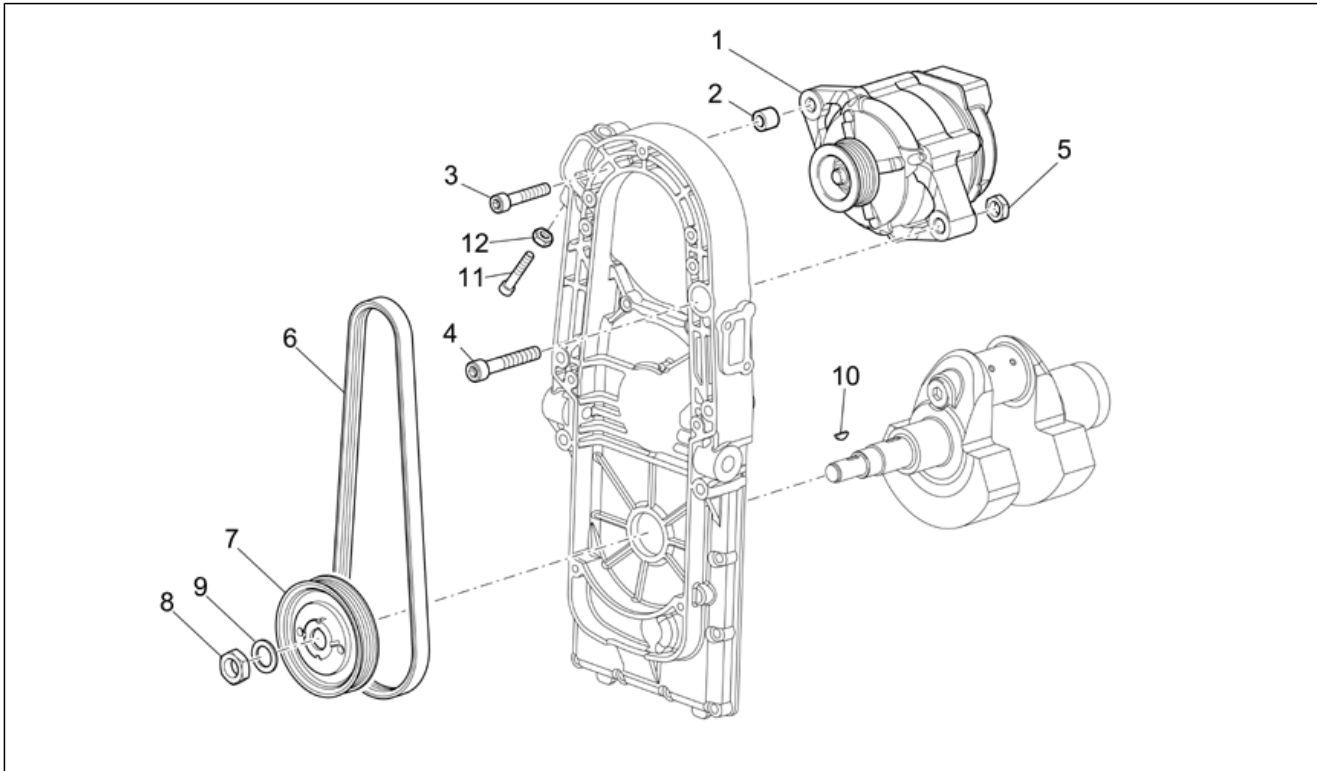
Pos.	Código	Descripción	Cant.	Variantes
1	GU05213631	Eje secundario	1	
2	GU92201822	Cojinete de bolas 20x52x15	1	
3	GU05214231	Engranaje 1a Z=38	1	
4	GU92252029	Jaula de agujas 26x30x15,6	4	
5	GU05214630	Arand. sop. lateral	5	
6	GU90271230	Anillo elástico 30x1,2SW	2	
7	GU05214031	Engranaje 5a Z=30	1	
8	GU90271030	Anillo elástico 30x27,9	2	
9	GU05214731	Engranaje 3a Z=31	1	
10	GU05215031	Engranaje 4a Z=29	1	
11	GU05220531	Engranaje 6a Z=25	1	
12	GU05214431	Engranaje 2a Z=34	1	
13	GU92201226	Cojinete de bolas 25x52x15	1	
14	GU90412541	Gasket ring 25X40X7	1	

<b>Grupo</b>	MOTOR
<b>Código</b>	34.53
<b>Descripción</b>	Eje embrague
<b>Revisión</b>	1



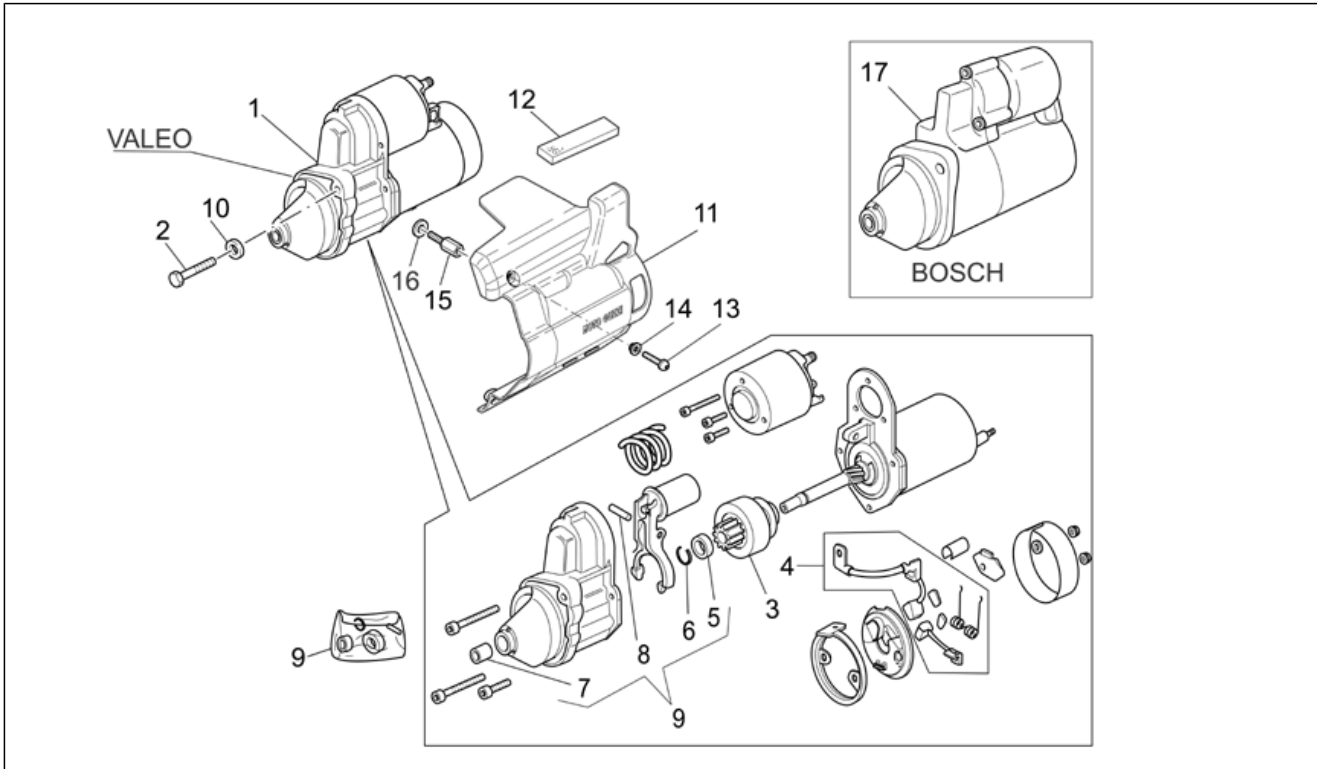
Pos.	Código	Descripción	Cant.	Variantes
1	GU05210731	Eje embrague	1	
2	GU90706203	Junta tórica 20,24X2,62	1	
3	GU92201226	Cojinete de bolas 25x52x15	1	
4	GU90403549	Gasket ring 35x47x7	1	
5	GU05081830	Cuerpo int.emb.	1	
6	GU95028022	Arandela 22x20x3,9	1	
7	GU93601022	Virola	1	
8	GU05211131	Engran.transm. Z=26	1	
9	GU90271125	Anillo elástico 25x2	1	
10	GU05211231	Manguito	1	
11	GU95129340	Arandela	3	
12	GU05211030	Plato	1	
13	GU05211530	Muelle de taza	8	
14	GU05211630	Plato	1	
15	GU12211700	Semianillo	2	
16	GU92232028	Cojinete de rodillos 20x28x13	1	
17	GU90272028	Anillo elástico 28x30,1	1	

<b>Grupo</b>	MOTOR
<b>Código</b>	34.54
<b>Descripción</b>	Generador de corriente
<b>Revisión</b>	1



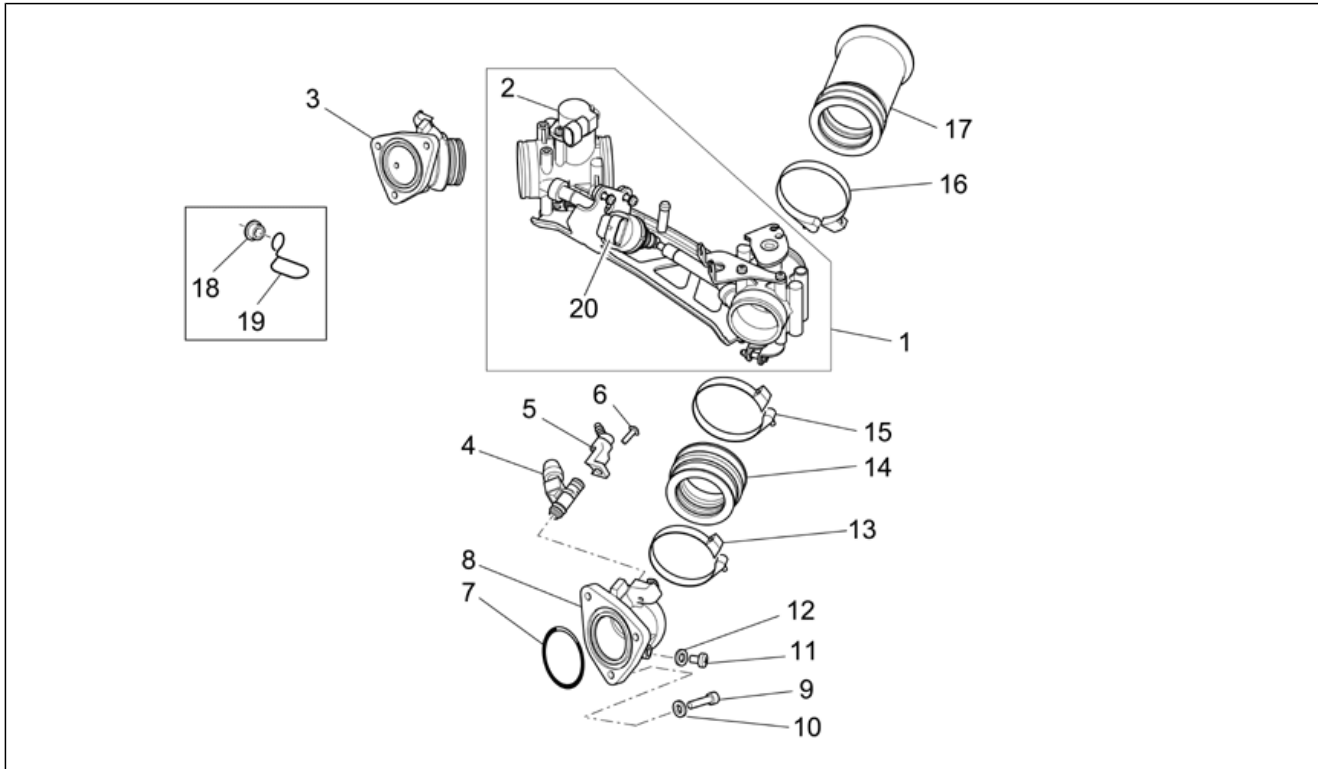
Pos.	Código	Descripción	Cant.	Variantes
1	GU05712431	Alternador	1	
2	GU91180823	Distanciador 8,5x17x13	1	
3	GU98620445	Tornillo Allen M8x45	1	
4	GU98620560	Tornillo Allen M10x60	1	
5	GU92660012	Tuerca M10X1,5	1	
6	GU05702530	Correa	1	
7	GU05701430	Polea mdo alternador	1	
8	GU92606516	Tuerca M16	1	
9	GU30714201	Arandela 16,25x24,5x5	1	
10	AP4FAN000030	Leng. vol. magneto	1	
11	GU98230850	Tornillo M8x50	1	
12	GU92605408	Tuerca M8x1,25	1	

<b>Grupo</b>	MOTOR
<b>Código</b>	34.55
<b>Descripción</b>	Motor arranque
<b>Revisión</b>	1



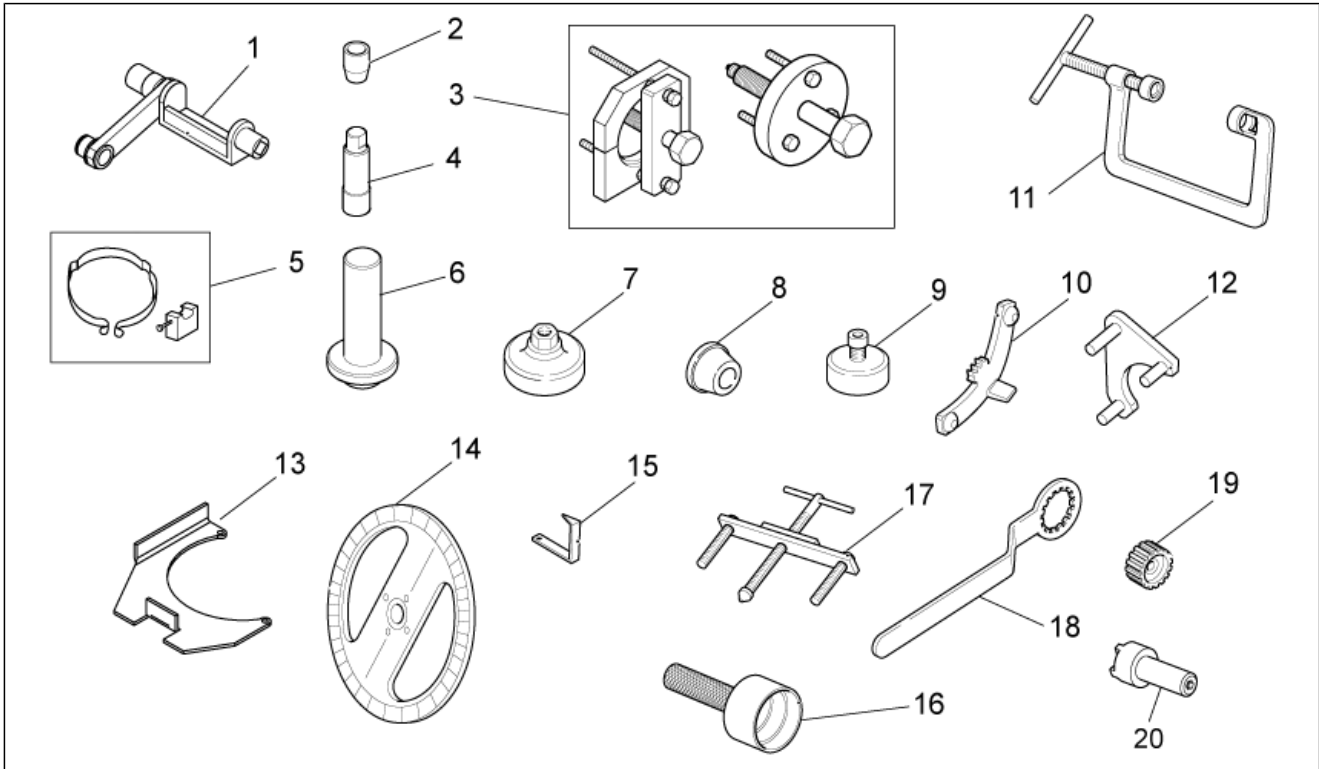
Pos.	Código	Descripción	Cant.	Variantes
1	GU30730711	Motor arranque Valeo	1	
2	GU98082475	Tornillo c. hex. M8x75	2	
3	GU30530510	Pignone completo	1	
4	GU30530511	Kit	1	
5	0000000	Cubierta	1	
6	0000000	Cubierta	1	
7	0000000	Cubierta	1	
8	0000000	Cubierta	1	
9	GU30530512	Kit rev. motor arr.	1	
10	GU95008208	Arandela 8,4X15X1,5	2	
11	GU05733330	Tapa gris.	1	
12	AP8117200	Esponja adhesiva	1	
13	GU98350312	Tornillo M6x12	2	
14	AP8121032	Buje	2	
15	GU03469201	Esp#rrago	1	
16	GU03013800	Arandela 6,4x12	1	
17	GU05730730	Motor arranque Bosch	1	

<b>Grupo</b>	MOTOR
<b>Código</b>	34.56
<b>Descripción</b>	Cuerpo válv.estrangulamiento
<b>Revisión</b>	1



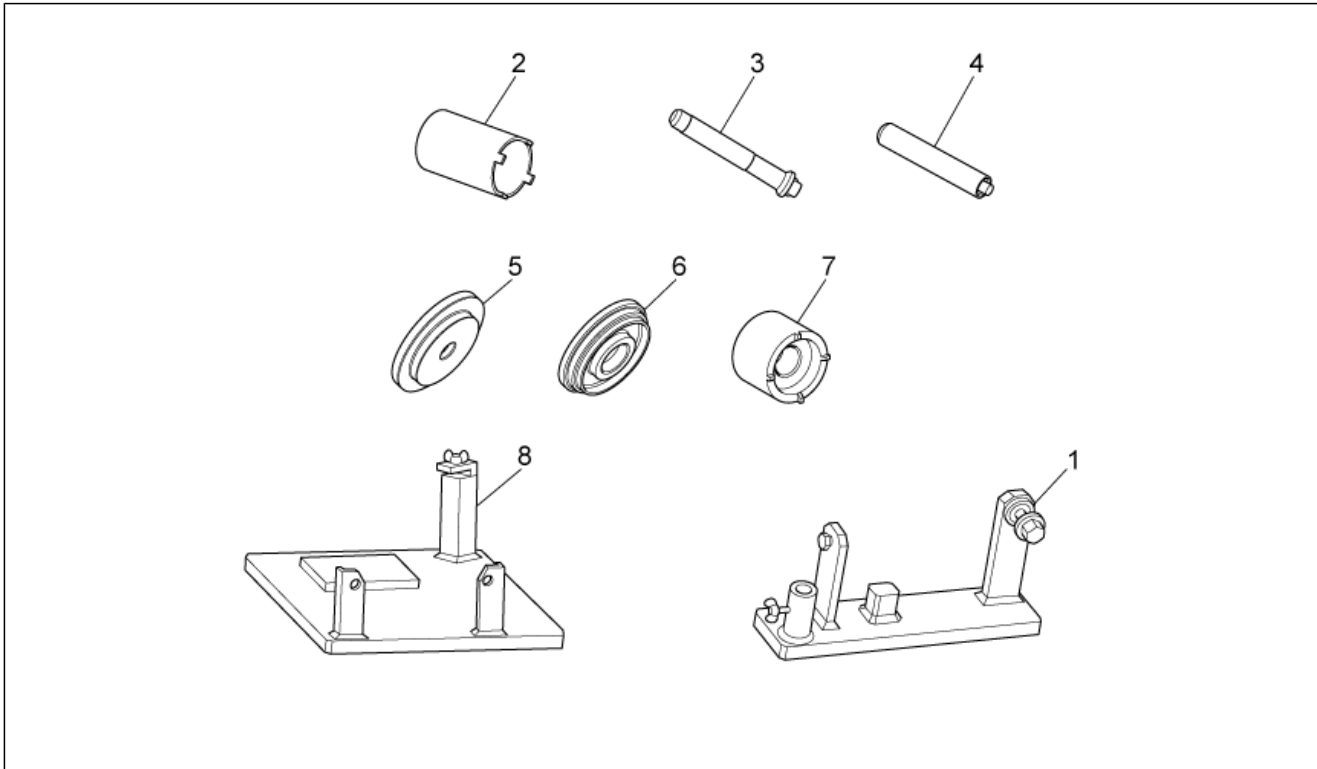
Pos.	Código	Descripción	Cant.	Variantes
1	GU05112530	Válv.estrangulamiento	1	
2	GU05112830	Potenciómetro	1	
3	GU05115030	Capuchón admisión izq.	1	
4	GU05115730	Inyector cpl.	2	
5	GU32115610	Capuchón	2	<b>Especificaciones técnicas:First series[1A]</b>
6	AP8152298	Tornillo con reborde M5x16	2	
7	GU90706461	Junta tórica 46,04x3,53	2	
8	GU05115031	Capuchón admisión izq.	1	
9	GU98682325	Tornillo Allen M6x25	6	
10	GU95008206	Arandela 6,15x11x0,8	6	
11	GU98350310	Tornillo M6x20	2	
12	GU95100116	Arandela 6,25x10x1,5	2	
13	GU93305057	Abrazadera 57x59,5x10	2	
14	GU01114390	Manguito	2	
15	GU93305061	Abrazadera 61/65,5	2	
16	GU93305058	Abrazadera	2	
17	GU05114430	Manguito de admisión	2	
18	GU31576183	Distanciador	1	
19	AP8120428	Guíacable	1	
20	GU05135830	Motor reg. ralenti	1	

<b>Grupo</b>	HERRAMIENTAS ESPECIALES
<b>Código</b>	36.58
<b>Descripción</b>	Herramientas específicas I
<b>Revisión</b>	1



Pos.	Código	Descripción	Cant.	Variantes
1	GU05948630	Herramienta tensado correa	1	
2	GU05911730	Cono introducción tapa del.	1	
3	GU05912530	Apertura caja cambio	1	
4	GU05901930	Llave bujía	1	
5	GU05928030	Prensa-segmentos mont.pistón	1	
6	GU05927230	Punzón anillo tapa distribuc.	1	
7	GU01929100	Tapa	1	
8	GU12912000	Brida su cigüeñal	1	
9	GU14927100	Retén reborde	1	
10	GU12911801	Bloque volante/corona arranque	1	
11	GU10907200	Desm./mont.válvulas	1	
12	GU14927300	Engran.Árbol levas	1	
13	GU05902530	Soporte cambio	1	
14	GU19929600	Disco distribución/encendido	1	
15	GU17947560	Arrow tim.set.ignition control	1	
16	GU19927100	Gasket ring	1	
17	GU12913600	Desm./mont.reborde	1	
18	GU30912810	Bloque cuerpo int.emb.	1	
19	GU30906510	Montaje horquilla	1	
20	GU14912603	Llave	1	

<b>Grupo</b>	HERRAMIENTAS ESPECIALES
<b>Código</b>	36.59
<b>Descripción</b>	Herramientas específicas II
<b>Revisión</b>	1



Pos.	Código	Descripción	Cant.	Variantes
1	GU05902736	Soporte par conico	1	
2	AP8140190	Llave almenada tuerca dir	1	
3	GU05902732	Asa útiles mont.Retenes	1	
4	GU05902733	Tampón estanq. artic. Esferica	1	
5	GU05902731	Tampón retén aceite caja tr. 85	1	
6	GU05902735	Tampón retén aceite piñon 45x58	1	
7	GU05902734	Llave para virola piñon	1	
8	GU05902730	Soporte caja transmisión	1	