



PIAGGIO & C.s.p.a.



CATÁLOGO DE PIEZAS DE REPUESTO



Stelvio 1200 8V STD - NTX 2011-2015

Prefijo chasis: ZGULZE00, ZGULZG00, ZGULZU01

Prefijo motor:

STELVIO

GU110



Índice

Productos terminados.....	4
Índice alfanumérico.....	6
BASTIDOR.....	13
Tabla 33.01 - BASTIDOR.....	13
Tabla 33.02 - Bastidor II.....	14
Tabla 33.03 - Caballetes.....	15
Tabla 33.04 - Estribos piloto.....	17
Tabla 33.05 - Estribos pas.....	18
Tabla 33.06 - Palanca cambio.....	19
Tabla 33.07 - Dirección.....	20
Tabla 33.08 - HORQUILLA DELANTERA.....	21
Tabla 33.09 - BRAZO OSCILANTE TRASERO.....	23
Tabla 33.10 - Transmisión cpl.....	24
Tabla 33.11 - Trans.cpl.-Caja.....	25
Tabla 33.12 - Trans.cpl.-Par cónica.....	26
Tabla 33.13 - Varilla y amortiguador trasero.....	27
Tabla 33.14 - Depósito gasolina.....	28
Tabla 33.15 - Carrocería del. - Capó.....	29
Tabla 33.16 - Carrocería del. - Canalización.....	31
Tabla 33.17 - Carrocería central.....	34
Tabla 33.18 - Guardab. Delant.-Puntal.....	35
Tabla 33.19 - Sillín.....	36
Tabla 33.20 - Carroc.tras.I.....	37
Tabla 33.21 - Carroc.tras.II.....	38
Tabla 33.22 - Asa - Transportín.....	39
Tabla 33.23 - Salpicadero.....	40
Tabla 33.24 - Manillar - Mandos.....	41
Tabla 33.25 - Bomba freno del.....	42
Tabla 33.26 - Mando embrague cpl.....	43
Tabla 33.27 - Radiador aceite.....	44
Tabla 33.28 - Instalación Blow-by.....	45
Tabla 33.29 - Alimentación.....	46
Tabla 33.30 - Caja del filtro.....	47
Tabla 33.31 - Grupo de escape.....	48
Tabla 33.33 - RUEDA DELANTERA.....	49
Tabla 33.34 - Pinza freno delantero.....	51
Tabla 33.35 - Rueda trasera.....	52
Tabla 33.36 - Bomba freno tras.....	53
Tabla 33.37 - Pinza freno tras.....	55
Tabla 33.39 - Eq.freno ABS 2010.....	56
Tabla 33.40 - Faro del./Claxon.....	57
Tabla 33.41 - Faro trasero.....	58
Tabla 33.42 - Instalación eléctrica I.....	59



Tabla 33.43 - Instalación eléctrica II.....	61
Tabla 33.44 - Juego cerraduras.....	63
Tabla 33.45 - PLACAS-CALCOMANÍAS.....	64
Tabla 33.46 - RUEDA DELANTERA II.....	66
Tabla 33.47 - Rueda trasera II.....	67
Tabla 33.66 - Special parts.....	68
Tabla 33.69 - Eq.rec. vapores gas.....	70
MOTOR.....	71
Tabla 34.46 - Cáster I.....	71
Tabla 34.47 - Cáster II.....	73
Tabla 34.48 - Culata - válvulas.....	74
Tabla 34.49 - Tapa culata.....	75
Tabla 34.50 - Distribución cilindro der. (bowl).....	76
Tabla 34.51 - Distribución cilindro izq. I.....	78
Tabla 34.52 - CIGÜEÑAL - Cilindro.....	80
Tabla 34.53 - Distribución.....	82
Tabla 34.54 - Lubricación.....	83
Tabla 34.55 - Bomba aceite.....	84
Tabla 34.56 - Filtro aceite.....	85
Tabla 34.57 - Embrague.....	86
Tabla 34.58 - Cambio.....	87
Tabla 34.59 - Selector cambio.....	88
Tabla 34.60 - EJE PRIMARIO CAMBIO.....	89
Tabla 34.61 - Eje secundario.....	90
Tabla 34.62 - Eje embrague.....	91
Tabla 34.63 - Generador de corriente.....	92
Tabla 34.64 - Motor arranque.....	93
Tabla 34.65 - Cuerpo válv.estrangulamiento.....	94
Tabla 34.66 - Distribución cilindro der. (roller).....	95
Tabla 34.67 - Distribución cilindro izq. (roller).....	97
HERRAMIENTAS ESPECIALES.....	99
Tabla 36.67 - Herramientas específicas I.....	99
Tabla 36.68 - Herramientas específicas II.....	100



Productos terminados

Código	Validez
GU9032759AUB00	
GU9032759AUB03	
GU9032759AUE04	
GU9032759EUA00	
GU9032759EUA01	
GU9032759EUA02	
GU9032759EUA03	
GU9032759EUE04	
GU9032759GBA00	
GU9032759GBA01	
GU9032759GBA02	
GU9032759GBA03	
GU9032759GBE04	
GU9032760AUB00	
GU9032760AUB01	
GU9032760AUC00	
GU9032760AUC02	
GU9032760CAC00	
GU9032760CAC01	
GU9032760CAC02	
GU9032760CAD00	
GU9032760CAD01	
GU9032760CAD02	
GU9032760CAE00	
GU9032760CAE01	
GU9032760CAE02	
GU9032760CAE03	
GU9032760CAF00	
GU9032760CAF03	
GU9032760CAF04	
GU9032760EUA00	
GU9032760EUA01	
GU9032760EUC00	
GU9032760EUC02	
GU9032760GBA00	
GU9032760GBA01	
GU9032760GBC00	
GU9032760GBC02	
GU9032760USC00	
GU9032760USC01	
GU9032760USC02	
GU9032760USD00	



STELVIO
GU110 - Stelvio 1200 8V STD - NTX 2011-2015

Prefijo chasis: ZGULZE00, ZGULZG00,
ZGULZU01
Prefijo motor:

Código	Validez
GU9032760USD01	
GU9032760USD02	
GU9032760USE00	
GU9032760USE01	
GU9032760USE02	
GU9032760USE03	
GU9032760USF00	
GU9032760USF03	
GU9032760USF04	
GU9032761EUA00	
GU9032761EUA01	



Código	Nº Tabla	Pos.	Código	Nº Tabla	Pos.	Código	Nº Tabla	Pos.
013763	34.54	8	598839	33.36	12	874126	34.48	9
015792	34.50	5	598839	33.47	12	874127	34.48	5
015792	34.51	5	598839	34.57	4	874134	34.46	33
015792	34.66	5	639542	33.03	11	874223	34.54	3
015792	34.67	5	639687	33.42	12	874238	34.54	18
015935	34.46	34	640879	33.43	18	874280	34.53	18
018622	33.13	2	641277	33.29	9	874281	34.53	11
020470Y	36.67	5	641541	34.54	16	874286	34.52	7
020672Y	36.67	12	642221	33.42	20	874287	34.52	4
020673Y	36.67	16	642233	33.42	11	874288	34.52	5
020674Y	36.67	19	825597	34.47	4	874289	34.52	6
020675Y	36.67	20	825597	34.48	11	874293	34.52	15
020676Y	36.67	21	825597	34.52	11	874482	34.55	8
020677Y	36.67	1	827018	34.48	10	874567	34.52	8
020678Y	36.67	22	829122	34.56	2	874601	34.50	19
020689Y	36.67	23	829232	34.53	13	874601	34.51	19
020716Y	36.67	4	829486	34.55	5	874601	34.66	26
1A002060	34.50	29	829661	34.55	6	874601	34.67	26
1A002060	34.51	30	833520	34.50	7	874621	34.50	3
237553	34.55	7	833520	34.51	7	874621	34.51	3
244585	34.51	29	833520	34.66	22	874621	34.52	12
244585	34.67	33	833520	34.67	22	874622	34.50	3
248419	33.15	21	842360	34.66	6	874622	34.51	3
248419	33.16	11	842360	34.67	6	874622	34.52	12
248419	33.17	5	843060	34.50	20	874645	34.54	9
248419	33.18	10	843060	34.51	20	874646	34.54	7
248419	33.20	2	843060	34.66	27	8746505	34.55	1
248419	33.21	2	843060	34.67	27	874655	34.54	11
248419	33.22	15	847180	33.42	22	874669	34.54	4
248419	33.23	19	849131	34.52	18	874801	34.55	10
248419	33.40	7	849866	34.52	23	874980	34.46	26
269787	33.15	4	85222R	33.24	15	875173	34.50	23
285846	34.48	8	85223R	33.24	16	875173	34.51	23
292022	33.40	3	854937	33.29	3	875243	34.52	19
292022	33.41	13	856062	33.69	8	875244	34.52	19
292723	33.40	2	856063	33.69	6	877056	34.65	17
293556	33.66	24	856152	33.43	28	877057	34.65	16
2G000044	33.45	20	856330	33.69	10	877062	33.30	1
2G000045	33.45	18	859777	33.33	21	877101	34.55	11
2G000046	33.45	19	859777	33.46	17	877820	34.56	6
2L000171	33.45	20	859792	33.33	19	878275	34.52	10
2L000172	33.45	18	859792	33.46	15	8783390001	34.52	17
2L000173	33.45	19	860138	33.69	7	8783390002	34.52	17
2R000006	33.40	22	872695	34.48	3	8783390003	34.52	17
2R000007	33.40	23	872696	34.48	4	878574	34.66	1
411209	34.46	2	872740	34.49	14	878574	34.67	1
414835	34.55	9	872741	34.49	11	8787074	34.53	15
414837	34.66	17	872742	34.49	7	878751	34.50	13
414837	34.67	17	872759	34.50	6	878751	34.51	13
434947	34.54	6	872759	34.51	6	878868	34.50	27
436438	34.48	6	872759	34.66	4	878868	34.51	27
484819	34.50	11	872759	34.67	4	878868	34.66	32
484819	34.51	11	873626	34.49	9	878868	34.67	32
487444	34.50	14	873631	34.50	12	8792724	34.50	16
487444	34.51	14	873631	34.51	12	879404	34.52	25
487444	34.66	23	873654	34.49	13	879405	34.52	26
487444	34.67	23	873667	34.52	2	879707	34.50	10
487567	34.65	25	873689	34.50	28	879707	34.51	10
560110	34.46	10	873689	34.52	20	879707	34.66	11
560173	33.15	5	873690	34.51	28	879707	34.67	11
581061	33.43	9	873690	34.52	21	879869	34.58	5
581957	34.54	12	873850	34.50	10	879871	34.58	1
584332	33.40	9	873850	34.51	10	879872	34.46	16
584332	33.41	2	873861	34.65	14	879874	34.46	18
584344	33.31	24	873879	34.65	7	879876	34.47	1
598839	33.28	4	873906	34.55	14	879877	34.65	8
598839	33.35	18	873928	34.53	8	879878	34.65	3



Código	Nº Tabla	Pos.	Código	Nº Tabla	Pos.	Código	Nº Tabla	Pos.
879916	34.50	11	883776	33.45	11	886324	33.08	14
879916	34.51	11	883966	33.09	3	886325	33.40	12
879916	34.66	10	883969	33.66	1	886326	33.03	10
879916	34.67	10	883991	33.66	22	886329	33.18	3
879936	34.66	19	884033	33.36	24	886339	33.28	17
879936	34.67	19	884093	33.33	1	88662300YE2	33.01	1
879937	34.66	20	884094	33.35	1	886646	33.02	1
879937	34.67	20	884166	33.35	1	886647	33.20	1
879938	34.66	18	884168	33.33	1	886738	33.66	8
879938	34.67	18	884303	33.15	29	886739	33.66	19
879975	34.49	3	884312	33.24	24	886740	33.66	2
879987	34.49	8	884312	33.66	25	886741	33.66	20
880123	34.49	10	884318	33.45	20	886819	33.23	6
880124	34.49	1	884319	33.45	18	886821	33.16	3
880127	34.49	15	884320	33.45	19	886822	33.16	4
880270	34.65	1	886078	33.15	13	886823	33.16	5
880398	34.46	1	886079	33.15	14	886824	33.16	6
880879	34.50	4	886098	33.28	1	886828	33.14	5
880881	34.51	4	886149	33.39	3	886831	33.27	1
880965	34.50	21	886159	33.24	11	886857	34.64	4
880965	34.51	21	886162	33.39	1	886858	33.27	5
880965	34.66	28	886163	33.39	5	88688700DE	33.14	1
880965	34.67	28	886164	33.39	2	886905	33.45	16
883009	33.33	1	886165	33.39	6	886906	33.45	15
883023	33.20	5	886175	33.19	6	886907	33.45	1
883024	33.20	4	886175A2	33.19	1	886911	33.43	13
883034	33.28	5	886184	33.04	3	886929	33.66	4
883035	33.28	6	886185	33.04	10	886930	33.66	5
883036	33.28	8	886191	33.08	1	886933	33.04	21
883044	33.06	9	886192	33.08	23	886944	33.45	17
883045	33.10	7	886195	33.15	6	886987	33.04	1
883046	33.10	2	886196	33.15	7	887029	33.40	1
883047	33.22	12	886197	33.15	10	887033	33.15	16
883048	33.19	9	886198	33.15	11	887039	33.15	24
883092	33.29	7	886199	33.07	1	887040	33.15	25
883093	33.29	8	886199	33.08	11	887067	33.34	1
883094	33.31	7	886201	33.13	1	887068	33.34	2
883097	33.30	12	886202	33.07	2	887070	33.34	3
883101	33.01	20	886202	33.08	13	887082	33.35	2
883103	33.04	2	886205	33.20	9	887083	33.35	3
883107	33.04	20	886206	33.20	6	887085	33.33	5
883127	34.63	13	886207	33.20	7	887091	33.08	1
883134	33.66	14	88621100A2	33.19	4	887092	33.08	23
883144	34.46	24	886229	33.24	6	887095	33.14	9
883148	33.42	29	886234	33.24	10	887123	34.54	22
883177	33.20	15	886236	33.15	15	887134	33.15	3
883208	33.03	30	88625400BM	33.18	1	887174	33.15	2
883214	33.21	13	88625400DE	33.18	1	887209	34.65	24
883253	33.66	10	88625400NI	33.18	1	887313	33.66	23
883254	33.66	9	88625400XV6	33.18	1	887319	33.08	8
883413	33.03	31	88625400Y02	33.18	1	887320	33.08	10
883433	33.35	1	88625400YA2	33.18	1	887328	33.15	3
883460	33.24	19	886255	34.63	1	887450	33.45	18
883461	33.24	20	886307	33.31	15	887451	33.45	19
88346700NI	33.16	16	886311	33.33	24	887452	33.45	20
88346700Y11	33.16	16	886311	33.46	9	887458	33.66	2
88346800NI	33.16	17	886312	33.35	8	887459	33.66	20
88346800Y11	33.16	17	886312	33.47	2	887820	33.40	1
883493	34.49	4	886315	33.08	5	887821	33.40	21
883543	33.24	11	886316	33.08	15	887947	33.43	29
883617	33.20	8	886317	33.08	7	890513	33.30	4
883633	33.29	5	886318	33.08	20	894704	33.33	10
883655	33.66	15	886319	33.08	8	894704	33.35	19
883656	33.03	1	886320	33.08	10	894704	33.46	20
883657	33.66	7	886321	33.08	9	894704	33.47	13
883664	33.03	6	886322	33.08	26	895351	33.39	4
883768	33.23	13	886323	33.08	21	895481	33.42	17



Código	Nº Tabla	Pos.	Código	Nº Tabla	Pos.	Código	Nº Tabla	Pos.
896011	33.33	12	976331	34.53	4	976680	34.54	15
896011	33.46	7	976334	34.53	9	976681	34.54	17
896012	33.33	11	976337	34.50	26	976695	34.57	1
896012	33.46	8	976337	34.51	26	976696	34.57	14
896110	33.31	12	976337	34.66	31	976703	34.46	19
896540	34.65	20	976337	34.67	31	9769795	34.46	30
896715	33.42	19	976338	34.50	25	976985	34.58	17
897241	33.45	7	976338	34.51	25	9769865	34.46	30
897618	33.29	4	976338	34.66	30	977041	33.36	14
897622	33.31	1	976338	34.67	30	977056	33.35	15
897623	33.31	2	976341	34.50	24	977056	33.47	5
897624	33.31	8	976341	34.51	24	977303	33.45	4
897629	33.46	1	976341	34.66	29	977582	33.31	20
897631	33.47	1	976341	34.67	29	977666	33.44	1
897634	33.42	2	976342	34.52	22	977681	33.15	12
897635	33.14	1	976350	34.50	18	977795	33.41	12
89763500BM	33.14	1	976350	34.51	18	977916	33.43	3
89763500NI	33.14	1	976350	34.66	25	977918	33.44	6
89763500XV6	33.14	1	976350	34.67	25	978002	33.03	7
89763500Y02	33.14	1	976351	34.62	1	978030	33.33	15
89763500YA2	33.14	1	976355	34.53	6	978030	33.46	12
897636	33.29	1	976359	34.50	8	978040	33.24	1
897637	33.16	1	976359	34.51	8	978042	33.24	4
89763700BM	33.16	1	976360	34.50	9	978059	33.24	18
89763700DE	33.16	1	976360	34.51	9	978152	33.17	3
89763700NI	33.16	1	976376	33.31	3	978152	33.42	3
89763700Y02	33.16	1	976381	34.53	2	978220	33.44	5
89763700Y11	33.16	1	976478	34.47	9	978301	33.35	14
89763700YA2	33.16	1	976481	34.57	7	978350	33.09	1
897638	33.16	2	976484	34.57	8	978392	33.11	17
89763800BM	33.16	2	976488	34.53	3	978414	33.37	1
89763800DE	33.16	2	976498	34.65	5	978425	33.21	1
89763800NI	33.16	2	976521	33.31	14	978427	33.40	10
89763800Y02	33.16	2	976532	34.62	4	978428	33.40	8
89763800Y11	33.16	2	976533	34.62	3	97843900Y10	33.22	1
89763800YA2	33.16	2	976535	34.57	5	978444	33.31	22
897639	33.16	8	976538	34.53	10	978445	33.18	1
89763900NI	33.16	8	976554	34.47	5	978449	33.23	5
89763900NI	33.16	8	976556	33.42	27	978516	33.33	4
89763900Y11	33.16	8	976559	34.49	12	978516	33.46	2
897640	33.16	9	976560	34.49	6	978526	33.01	14
89764000NI	33.16	9	976564	34.57	10	978579	33.27	1
89764000NI	33.16	9	976566	34.65	6	978606	33.25	1
89764000Y11	33.16	9	976570	33.10	1	978607	33.26	1
897641	33.15	1	976581	33.12	1	978647	33.45	8
89764100NI	33.15	1	976589	34.50	17	978739	34.57	3
89764100Y11	33.15	1	976589	34.51	17	978776	33.18	5
897645	33.23	1	976589	34.66	8	978777	33.18	4
897886	33.41	1	976589	34.67	8	978784	33.25	6
898165	33.17	1	976591	34.49	2	978810	33.33	6
89816500NI	33.17	1	976592	34.54	5	978810	33.35	5
89816500YN2	33.17	1	976593	34.57	12	978811	33.33	8
89816600NI	33.23	2	976594	34.57	12	978811	33.35	6
89816600Y11	33.23	2	976595	34.57	12	978814	33.35	4
89816600YN2	33.23	2	976596	34.57	12	978815	33.35	2
898169	33.05	12	976597	34.54	19	978816	33.35	3
899064	34.54	21	976614	33.15	26	978821	33.24	2
899505	33.42	1	976614	33.23	3	978841	33.01	4
899505	33.43	1	976625	34.54	14	978846	33.27	5
899522	33.40	20	976635	34.56	8	978864	33.33	5
969323	34.54	10	976636	34.56	7	978874	33.01	6
976053	34.57	2	976649	34.53	17	978882	33.45	6
976311	34.50	3	976665	34.53	16	978895	34.54	1
976311	34.51	3	976674	34.50	15	978911	33.26	7
976311	34.52	12	976674	34.51	15	978984	33.01	7
976312	34.52	9	976674	34.66	24	981007	34.52	13
976330	34.53	1	976674	34.67	24	981008	34.52	1



Código	Nº Tabla	Pos.	Código	Nº Tabla	Pos.	Código	Nº Tabla	Pos.
981009	34.52	3	AP8117200	34.64	5	AP8134378	33.31	17
981010	34.65	2	AP8118579	33.24	7	AP8134448	33.21	4
981024	33.08	16	AP8120001	33.19	2	AP8134451	33.05	5
981025	33.08	17	AP8120001	33.66	21	AP8134884	33.69	2
981026	33.08	18	AP8120030	33.27	4	AP8134948	33.19	11
981027	33.08	19	AP8120030	33.28	3	AP8135608	33.13	8
981033	33.08	22	AP8120030	33.30	14	AP8135924	33.13	4
981046	33.26	2	AP8120030	33.39	11	AP8140146	36.68	10
981050	33.25	2	AP8120030	33.40	6	AP8140149	36.68	11
981073	33.66	3	AP8120030	33.42	14	AP8140179	36.67	11
981087	33.23	18	AP8120178	33.36	13	AP8140190	36.68	1
981087	33.44	7	AP8120428	33.03	22	AP8140758	36.68	9
981099	33.24	22	AP8120446	33.69	18	AP8144007	33.06	7
981100	33.24	23	AP8120485	33.12	7	AP8144007	33.36	25
981101	33.24	21	AP8120622	33.15	8	AP8144038	33.30	18
AP4ADN000007	34.46	20	AP8120831	33.04	11	AP8144065	33.16	14
AP8101372	33.14	6	AP8120831	33.04	4	AP8144071	33.31	18
AP8101586	33.28	15	AP8120876	33.15	23	AP8144164	33.30	8
AP8101595	33.30	19	AP8120876	33.30	20	AP8144303	33.69	9
AP8101595	33.36	5	AP8120912	33.06	3	AP8144662	33.23	7
AP8101595	34.58	15	AP8120912	33.36	20	AP8149034	33.21	10
AP8101744	33.33	7	AP8120952	34.58	16	AP8150046	34.47	10
AP8101744	33.35	4	AP8120965	33.14	10	AP8150220	33.08	4
AP8101861	33.05	7	AP8121032	33.39	13	AP8150255	33.23	8
AP8102159	33.69	17	AP8121032	34.64	7	AP8150285	33.14	4
AP8102239	33.69	4	AP8121072	33.31	19	AP8150292	33.03	16
AP8102349	33.28	7	AP8121096	33.18	12	AP8150292	33.13	13
AP8102378	33.69	14	AP8121098	33.12	6	AP8150342	33.24	9
AP8102381	33.15	22	AP8121133	33.05	6	AP8150342	33.66	13
AP8102381	33.16	12	AP8121155	33.13	10	AP8150413	33.23	17
AP8102381	33.16	19	AP8121205	33.07	9	AP8150421	33.16	7
AP8102381	33.40	18	AP8121207	33.07	4	AP8150421	33.23	20
AP8102503	33.14	11	AP8121218	33.10	4	AP8150421	33.30	9
AP8102523	33.19	12	AP8121221	33.06	2	AP8150432	33.01	13
AP8102524	33.03	17	AP8121221	33.36	19	AP8150450	33.16	13
AP8102678	33.69	1	AP8121223	33.06	6	AP8150462	33.06	5
AP8102738	33.69	5	AP8121267	33.69	16	AP8150462	33.36	22
AP8102764	33.28	14	AP8121467	33.03	2	AP8150509	33.22	13
AP8102765	33.28	11	AP8121567	33.04	8	AP8150509	33.23	9
AP8102913	33.19	7	AP8121567	33.05	4	AP8152001	33.03	15
AP8104329	33.30	2	AP8121607	33.03	32	AP8152043	33.23	14
AP8104572	33.24	8	AP8121795	33.42	4	AP8152147	33.13	12
AP8104627	33.66	11	AP8121819	33.66	12	AP8152154	33.22	9
AP8104803	33.14	3	AP8121882	33.23	16	AP8152166	34.53	7
AP8104921	33.24	13	AP8121890	33.22	10	AP8152238	33.23	11
AP8104922	33.24	14	AP8121994	33.03	14	AP8152242	33.10	5
AP8110066	33.13	5	AP8123206	33.08	3	AP8152268	33.21	6
AP8110068	33.13	6	AP8123641	33.07	7	AP8152272	33.35	11
AP8110077	33.07	8	AP8123642	33.07	5	AP8152272	33.47	7
AP8112811	33.43	4	AP8123643	33.07	3	AP8152273	33.33	20
AP8112996	33.36	27	AP8123644	33.07	6	AP8152273	33.46	16
AP8113003	33.26	8	AP8124421	33.14	8	AP8152277	33.04	7
AP8113003	33.39	7	AP8124768	33.43	12	AP8152277	33.05	13
AP8113004	33.26	9	AP8124936	33.43	8	AP8152277	33.05	8
AP8113004	33.39	8	AP8125773	33.33	3	AP8152277	33.39	14
AP8113070	33.34	5	AP8125773	33.46	4	AP8152277	33.69	3
AP8113070	33.39	10	AP8125777	33.33	2	AP8152278	33.15	19
AP8113081	33.36	16	AP8125777	33.46	3	AP8152279	33.02	4
AP8113082	33.36	17	AP8126701	33.19	3	AP8152279	33.36	4
AP8113288	33.36	3	AP8127098	33.41	6	AP8152279	33.40	13
AP8113594	33.36	2	AP8128189	33.33	13	AP8152279	33.42	13
AP8113993	33.25	5	AP8128189	33.46	14	AP8152280	33.14	7
AP8113993	33.26	4	AP8133779	33.36	6	AP8152280	33.20	13
AP8113995	33.25	3	AP8133945	33.34	4	AP8152280	33.27	2
AP8113997	33.26	5	AP8133945	33.39	9	AP8152280	33.30	16
AP8113998	33.26	6	AP8133962	33.25	7	AP8152286	33.33	14
AP8117003	33.15	28	AP8134276	33.04	5	AP8152286	33.46	10



Código	Nº Tabla	Pos.	Código	Nº Tabla	Pos.	Código	Nº Tabla	Pos.
AP8152287	33.03	24	AP8221128	33.18	7	CM162702	34.50	2
AP8152288	33.01	8	AP8221145	33.36	11	CM162702	34.51	2
AP8152291	34.46	29	AP8221160	33.01	11	CM162703	34.50	2
AP8152298	33.07	13	AP8221204	33.03	18	CM162703	34.51	2
AP8152299	33.40	14	AP8221211	33.03	19	CM162704	34.50	2
AP8152300	33.02	3	AP8221277	33.04	6	CM162704	34.51	2
AP8152300	33.03	27	AP8221307	33.01	11	CM162705	34.50	2
AP8152300	33.04	13	AP8221310	33.43	19	CM162705	34.51	2
AP8152301	33.13	11	AP8221317	33.03	4	CM225603	33.43	23
AP8152301	33.31	11	AP8221318	33.03	5	CM225605	33.43	24
AP8152302	33.15	27	AP8224164	33.21	5	CM225610	33.43	21
AP8152302	33.16	15	AP8224462	33.42	35	CM225615	33.43	22
AP8152302	33.18	2	AP8706314	33.66	24	CM225720	33.43	20
AP8152302	33.20	16	AP9100765	33.43	27	CM225730	33.43	5
AP8152302	33.21	3	AP9100838	36.67	3	CM225740	33.43	6
AP8152302	33.22	16	AP9100855	33.08	25	GU00823923140	33.03	23
AP8152302	33.41	3	AP9100856	33.08	6	GU00823955080	33.28	12
AP8152306	33.21	7	AP9150472	34.54	23	GU01003651	34.46	15
AP8152306	33.41	11	B013036	34.57	9	GU01154230	33.28	10
AP8152306	33.42	34	B0133785001	34.52	14	GU01154230	34.46	11
AP8152318	33.09	2	B0133785002	34.52	14	GU01154230	34.54	2
AP8152320	33.37	2	B0133785003	34.52	14	GU01161331	33.28	9
AP8152325	33.24	5	B013479	34.50	22	GU01161331	34.54	13
AP8152329	33.20	10	B013479	34.51	22	GU01528930	33.11	8
AP8152329	33.30	5	B013479	34.66	14	GU01528930	34.46	23
AP8152329	33.36	10	B013479	34.67	14	GU01528930	34.58	9
AP8152339	33.16	10	B013517	34.48	7	GU01530588	33.08	2
AP8152339	33.17	2	B013552	34.66	21	GU01603480	33.24	12
AP8152339	33.18	9	B013552	34.67	21	GU01609630	33.24	17
AP8152339	33.20	3	B013603	34.50	8	GU01612190	33.33	16
AP8152339	33.21	9	B013603	34.51	8	GU01612190	33.46	11
AP8152384	33.07	10	B0136034	34.66	9	GU01659130	33.34	6
AP8152396	33.13	16	B0136034	34.67	9	GU01659131	33.34	7
AP8152397	33.13	9	B013605	34.50	9	GU01721600	33.42	21
AP8152409	33.04	9	B013605	34.51	9	GU01722700	33.42	23
AP8152409	33.05	9	B0136054	34.66	12	GU01722701	33.42	23
AP8152410	33.10	3	B0136054	34.67	12	GU01722702	33.42	23
AP8152410	33.31	9	B013661	34.50	1	GU01722703	33.42	23
AP8152414	33.34	9	B013661	34.51	1	GU01722704	33.42	23
AP8152482	33.13	15	B013661	34.66	16	GU01722705	33.42	23
AP8157631	33.45	9	B013661	34.67	16	GU01929100	36.67	7
AP8158359	33.29	2	B013807	34.48	2	GU03013800	33.22	14
AP8161254	33.08	24	B013808	34.48	1	GU03013800	34.55	12
AP8163094	33.08	27	B014223	34.51	16	GU03013800	34.64	9
AP8163095	33.08	30	B014576	34.66	7	GU03256800	33.06	16
AP8163096	33.08	29	B014576	34.67	7	GU03469201	34.64	8
AP8163097	33.08	28	B015681	34.50	12	GU03604845	33.26	3
AP8178918	33.03	3	B015681	34.51	12	GU03617710	33.46	5
AP8201417	33.39	15	B016785	34.66	2	GU03617710	33.47	9
AP8201727	33.43	25	B016785	34.67	2	GU03749845	33.25	9
AP8201749	33.33	22	B017026	34.67	3	GU05001630	34.47	12
AP8201749	33.46	18	B017029	34.66	3	GU05002130	34.47	3
AP8201808	33.37	7	B043198	33.45	7	GU05003630	34.46	17
AP8202238	33.37	6	B043864	33.14	13	GU05005730	34.56	4
AP8220162	33.28	13	B0630111	34.57	12	GU05103930	33.14	2
AP8220263	33.14	12	B063012	34.57	12	GU05103930	33.44	2
AP8220263	33.20	12	B063025	34.58	11	GU05128230	33.31	13
AP8220283	33.42	30	B063045	33.45	15	GU05152230	34.56	3
AP8220346	33.31	10	B063226	33.45	21	GU05204930	34.58	8
AP8220526	33.30	13	B063314	33.45	15	GU05206530	33.11	12
AP8220546	33.42	16	B063858	33.44	1	GU05210631	34.60	1
AP8221023	33.27	3	B063859	33.44	3	GU05211331	34.60	10
AP8221023	33.30	17	B064021	33.66	6	GU05211431	34.60	7
AP8221023	33.39	12	CM013202	33.43	26	GU05212031	34.60	4
AP8221023	33.40	5	CM074706	34.65	4	GU05212631	34.60	9
AP8221023	33.42	15	CM162701	34.50	2	GU05213631	34.61	1
AP8221036	33.07	14	CM162701	34.51	2	GU05214031	34.61	7

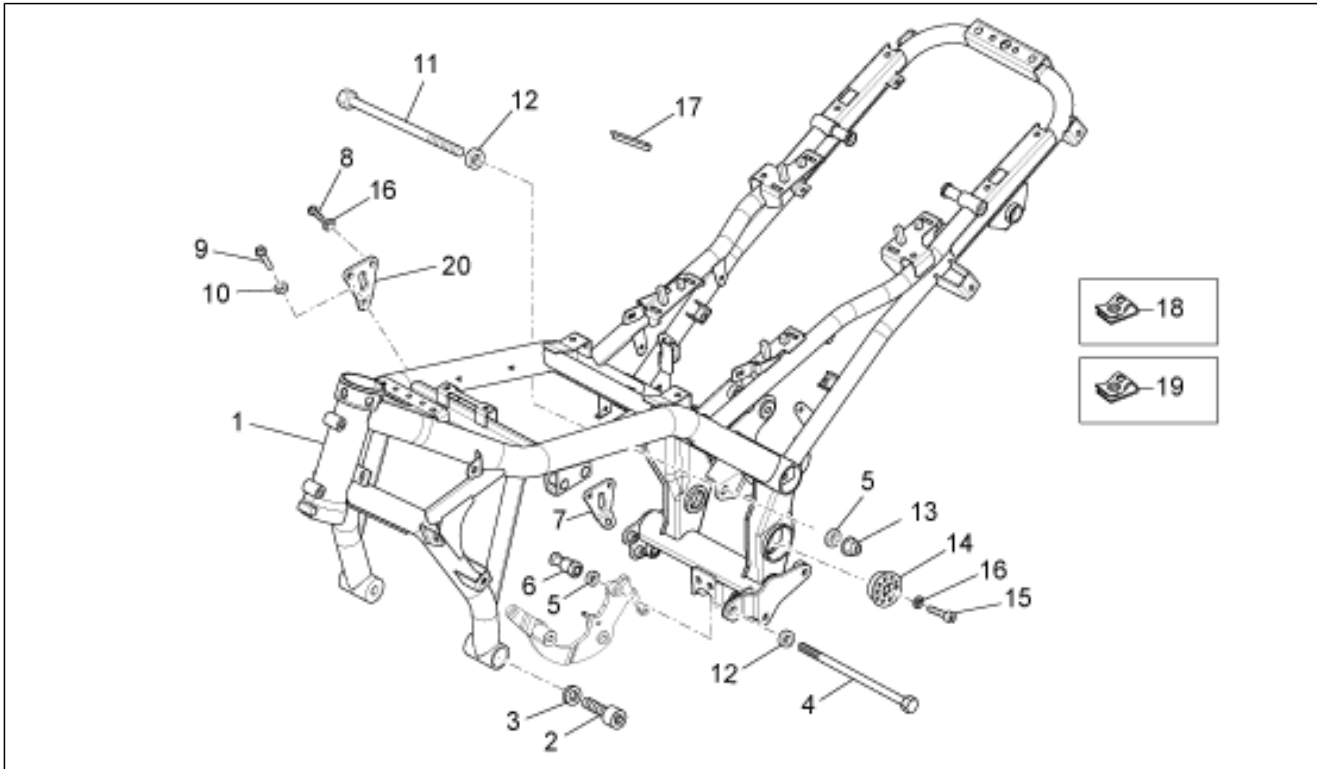


Código	Nº Tabla	Pos.	Código	Nº Tabla	Pos.	Código	Nº Tabla	Pos.
GU05214231	34.61	3	GU05716730	33.42	7	GU19002020	34.58	14
GU05214431	34.61	12	GU05730730	34.64	1	GU19149800	33.01	10
GU05214630	34.60	5	GU05781630	33.08	31	GU19207220	34.58	10
GU05214630	34.61	5	GU05782530	33.23	10	GU19927100	36.67	18
GU05214731	34.61	9	GU05782530	33.44	3	GU19929600	36.67	14
GU05215031	34.61	10	GU05900130	33.45	14	GU25656100	33.25	8
GU05215631	34.60	2	GU05902530	36.67	13	GU25656100	33.34	8
GU05220531	34.61	11	GU05902730	36.68	7	GU28576591	33.01	18
GU05230531	34.59	18	GU05902731	36.68	4	GU28576591	33.27	7
GU05230831	34.59	21	GU05902732	36.68	2	GU28576591	33.28	16
GU05232431	34.59	19	GU05902733	36.68	3	GU28576591	33.31	23
GU05232631	34.59	20	GU05902734	36.68	6	GU28576592	33.01	19
GU05234130	34.59	11	GU05902735	36.68	5	GU28576592	33.02	6
GU05234230	34.59	12	GU05902736	36.68	8	GU28576592	33.20	14
GU05234431	34.59	1	GU05911730	36.67	2	GU28576592	33.36	28
GU05234631	34.59	2	GU05927230	36.67	6	GU28576592	33.69	15
GU05234731	34.59	10	GU05944530	33.45	13	GU29722760	33.42	23
GU05234931	34.59	13	GU05944930	33.45	10	GU29729461	33.42	26
GU05235531	34.59	3	GU06113700	33.30	7	GU29732550	33.42	18
GU05236231	34.59	7	GU06114200	33.30	6	GU30027931	33.30	11
GU05238131	34.59	15	GU06123500	33.31	6	GU30150900	34.56	9
GU05238231	34.59	8	GU06250900	33.06	1	GU30153000	34.56	1
GU05238331	34.59	14	GU06409800	33.01	17	GU30158900	34.55	3
GU05238431	34.59	9	GU06412300	33.28	2	GU30158900	34.56	12
GU05239330	34.59	17	GU06609600	33.42	31	GU30217900	33.01	3
GU05256930	33.06	10	GU06609600	33.43	17	GU30217900	33.03	21
GU05326330	33.10	6	GU06616300	33.33	17	GU30434000	33.36	23
GU05351230	33.11	2	GU06616300	33.46	13	GU30714201	34.63	9
GU05352430	33.12	2	GU06677000	33.36	18	GU30716500	33.42	6
GU05358030	33.11	6	GU06704700	33.20	11	GU30729330	33.30	3
GU05358130	33.11	5	GU06747900	33.43	7	GU30944300	33.45	5
GU05358230	33.11	7	GU06765500	33.23	15	GU30970200	33.45	12
GU05358330	33.11	1	GU06917300	33.45	3	GU31003766	33.11	9
GU05358530	33.11	15	GU06917400	33.45	2	GU31003766	34.46	22
GU05358630	33.11	16	GU10528900	33.11	13	GU31003766	34.58	13
GU05429630	33.03	9	GU12006400	34.54	20	GU31159050	34.55	2
GU05466630	33.22	5	GU12018900	34.46	6	GU31159050	34.56	14
GU05466631	33.22	6	GU12022600	34.46	31	GU32258010	33.06	14
GU05466830	33.19	10	GU12911801	36.67	10	GU32258110	33.06	13
GU05466830	33.44	4	GU12912000	36.67	8	GU32441210	33.05	3
GU05547030	33.09	6	GU12913600	36.67	17	GU32442310	33.05	1
GU05547130	33.09	5	GU14018400	33.10	8	GU32442710	33.05	10
GU05547930	33.09	8	GU14085900	34.57	11	GU32443210	33.05	2
GU05560330	33.13	3	GU14086000	34.57	13	GU32443211	33.05	11
GU05562030	33.13	7	GU14217901	33.15	20	GU32461610	33.19	5
GU05562430	33.13	14	GU14433400	34.53	12	GU32474710	33.41	10
GU05606630	33.26	10	GU14609650	33.03	29	GU49609601	33.33	23
GU05632730	33.35	12	GU14609650	33.42	32	GU49609601	33.35	20
GU05632730	33.47	3	GU14609650	33.43	18	GU49609601	33.42	32
GU05635730	33.35	9	GU14615901	33.01	16	GU49609601	33.43	18
GU05635730	33.47	6	GU14615901	33.03	25	GU49609601	33.46	19
GU05638130	33.12	9	GU14615901	33.04	14	GU49609601	33.47	14
GU05654630	33.37	3	GU14615901	33.15	17	GU4FAN000030	34.63	10
GU05658431	33.07	12	GU14615901	33.22	4	GU61270300	34.46	13
GU05659030	33.37	5	GU14615901	33.31	5	GU80438610	33.21	8
GU05659130	33.37	4	GU14615901	34.46	5	GU90271014	34.59	16
GU05661130	33.25	4	GU14616150	33.33	18	GU90271022	34.59	4
GU05663530	33.36	7	GU14616150	33.35	10	GU90271030	34.60	8
GU05666030	33.36	9	GU14616150	33.46	6	GU90271030	34.61	8
GU05666930	33.36	1	GU14616150	33.47	8	GU90271230	34.60	6
GU05681530	33.35	13	GU14912603	36.67	24	GU90271230	34.61	6
GU05681530	33.47	10	GU14927100	36.67	9	GU90273026	33.12	8
GU05683730	33.35	17	GU17661052	33.36	8	GU90353014	34.59	22
GU05683730	33.47	11	GU17947560	36.67	15	GU90401424	34.58	12
GU05701430	34.63	7	GU18144350	34.55	4	GU90404558	33.12	3
GU05702530	34.63	6	GU18144350	34.56	13	GU90405367	34.46	4
GU05704531	33.43	2	GU18144350	34.58	7	GU90408511	33.11	10



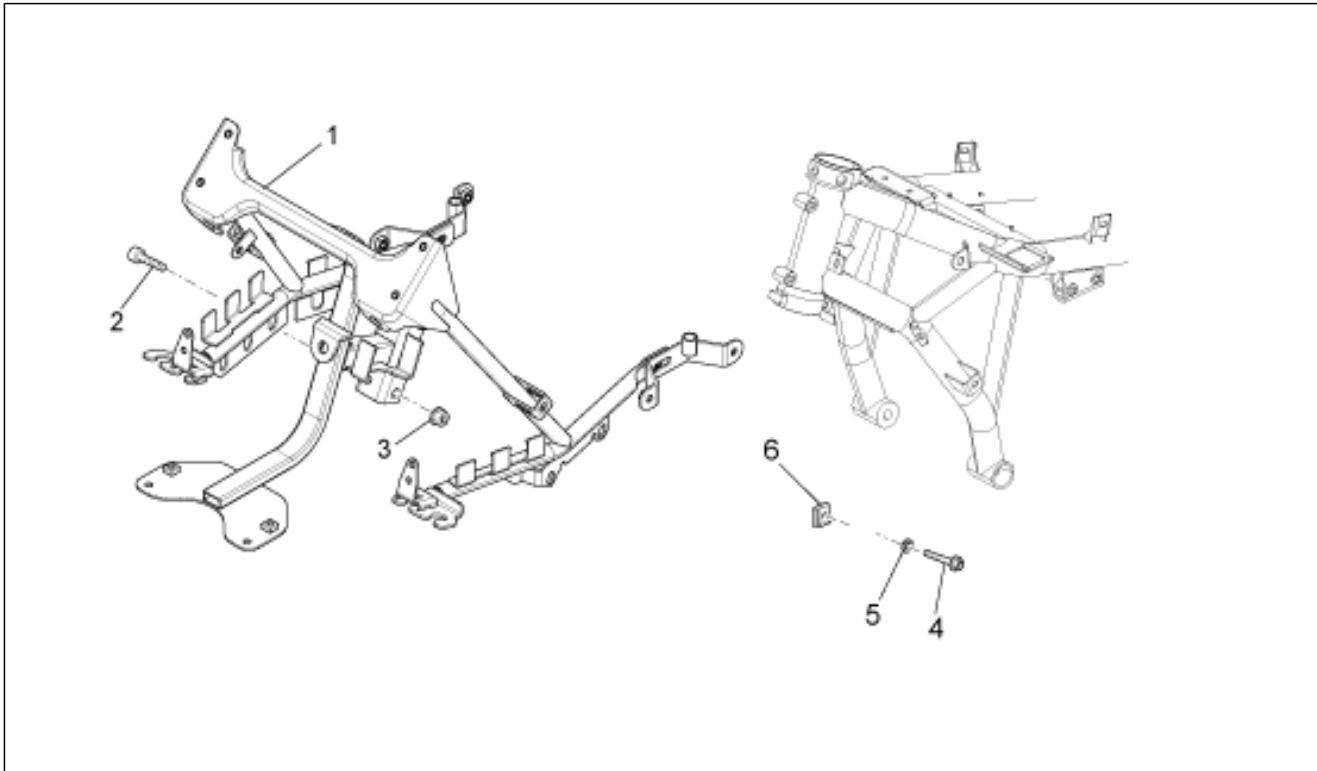
Código	Nº Tabla	Pos.	Código	Nº Tabla	Pos.	Código	Nº Tabla	Pos.
GU90412237	34.47	2	GU95008205	33.42	25	GU98680125	33.40	19
GU90412541	34.61	14	GU95008205	33.43	15	GU98680222	33.29	6
GU90706009	33.69	11	GU95008206	34.56	11	GU98680225	33.40	4
GU90706009	34.65	23	GU95008206	34.65	10	GU98680225	33.41	7
GU90706061	33.33	9	GU95008208	34.64	3	GU98680340	33.27	6
GU90706061	33.35	7	GU95008210	33.06	8	GU98680340	34.46	28
GU90706151	34.56	5	GU95008305	34.65	19	GU98680360	34.46	21
GU90706178	34.46	25	GU95008310	33.36	26	GU98680435	33.04	12
GU90706203	34.46	32	GU95008313	33.01	5	GU98680440	33.02	2
GU90706347	34.47	8	GU95020105	33.03	13	GU98680450	33.11	11
GU90718120	33.11	3	GU95021104	33.25	11	GU98680460	33.04	18
GU91120507	33.40	16	GU95021206	33.36	29	GU98680460	33.31	16
GU91120507	33.41	9	GU95100059	33.41	5	GU98680465	33.04	17
GU91120606	34.47	13	GU95100059	33.42	33	GU98680480	33.04	15
GU91120607	34.47	7	GU95100116	34.52	16	GU98682116	33.40	11
GU91180600	33.17	4	GU95100116	34.65	12	GU98682125	33.42	8
GU91180601	33.23	4	GU95100141	33.02	5	GU98682212	33.42	24
GU91180823	34.63	2	GU95129100	33.40	15	GU98682212	34.65	15
GU91551010	33.18	6	GU95129100	34.66	13	GU98682316	33.06	4
GU91551132	33.66	28	GU95129100	34.67	13	GU98682316	33.36	21
GU91600365	34.53	19	GU95129131	33.43	10	GU98682316	34.47	14
GU91600450	34.53	14	GU95129240	33.01	12	GU98682320	33.06	12
GU92201025	34.59	6	GU95510620	33.11	4	GU98682320	34.47	6
GU92201117	34.59	5	GU95512081	34.46	9	GU98682325	33.09	9
GU92201226	34.61	13	GU95963062	33.69	12	GU98682330	34.47	11
GU92201226	34.62	2	GU95963062	34.65	21	GU98682416	33.22	3
GU92201822	34.60	11	GU95980216	34.46	27	GU98682416	33.66	27
GU92201822	34.61	2	GU95980319	34.58	6	GU98682425	33.04	16
GU92204230	33.12	5	GU95990023	33.69	13	GU98682425	33.22	2
GU92208518	33.12	4	GU95990023	34.65	22	GU98682430	33.07	11
GU92232028	34.62	5	GU96508066	34.46	3	GU98682430	33.08	12
GU92249224	33.09	7	GU96508075	34.46	7	GU98682430	33.23	12
GU92252029	34.60	3	GU97202355	34.58	2	GU98682530	33.03	8
GU92252029	34.61	4	GU97202435	33.03	26	GU98682650	33.01	2
GU92605408	34.63	12	GU97202665	33.35	16	GU98683520	33.42	28
GU92606206	33.36	15	GU97202665	33.47	4	GU98690245	33.42	5
GU92606516	34.63	8	GU98054520	33.01	9	GU98692210	33.41	4
GU92609206	33.06	15	GU98082475	34.64	2	GU98692414	33.01	15
GU92609408	33.43	11	GU98084425	34.46	12	GU98692420	33.66	16
GU92630104	33.42	10	GU98223530	33.21	11	GU98692525	33.66	26
GU92630707	33.06	11	GU98230510	34.49	5	GU98700430	33.22	7
GU92630708	33.66	18	GU98230612	34.57	6	GU98700430	33.22	8
GU92650035	33.21	12	GU98230625	33.39	16	GU98700430	33.24	3
GU92650036	33.30	15	GU98230850	34.63	11	GU98882325	34.65	9
GU92650138	33.31	21	GU98231235	33.03	20	GU99210406	33.11	14
GU92660012	34.63	5	GU98250635	33.22	11			
GU92660021	33.31	4	GU98257618	33.15	9			
GU92660021	34.46	8	GU98350210	33.43	14			
GU92787205	33.43	16	GU98350310	34.52	24			
GU93180072	33.41	14	GU98350310	34.65	11			
GU93180220	34.58	3	GU98350315	34.53	5			
GU93242015	33.03	28	GU98350320	33.39	17			
GU93301313	33.30	10	GU98350416	33.18	11			
GU93304360	33.42	32	GU98350425	33.18	8			
GU93304390	33.09	4	GU98370412	33.16	18			
GU93304390	33.31	25	GU98370412	33.25	10			
GU93304390	33.42	32	GU98370609	34.64	6			
GU93304390	33.43	18	GU98370616	34.58	4			
GU93305061	34.65	13	GU98370625	33.19	8			
GU93306050	34.65	18	GU98612216	33.03	12			
GU94321077	34.56	10	GU98620335	34.46	14			
GU95005306	34.55	13	GU98620335	34.47	15			
GU95005308	33.66	17	GU98620445	34.63	3			
GU95005310	33.15	18	GU98620485	33.04	19			
GU95008204	33.42	9	GU98620560	34.63	4			
GU95008205	33.40	17	GU98622214	34.66	15			
GU95008205	33.41	8	GU98622214	34.67	15			

Grupo	BASTIDOR
Código	33.01
Descripción	BASTIDOR
Revisión	1



Pos.	Código	Descripción	Cant.	Variantes
1	88662300YE2	BASTIDOR	1	
2	GU98682650	Tornillo Allen M12x50	2	
3	GU30217900	Arandela 13x18x1,7	2	
4	978841	Perno M12x260	1	
5	GU95008313	Arandela 13x24x2,5	2	
6	978874	Buje	1	
7	978984	Placa izq.	1	
8	AP8152288	Torn. CH con reborde	4	
9	GU98054520	Tornillo	2	
10	GU19149800	Arandela 10,5x16x1	2	
11	AP8221160	Perno M12	1	Especificaciones técnicas:Versión NTX[NTX]
11	AP8221307	Perno M12	1	Especificaciones técnicas:Versión Estándar[Std]
12	GU95129240	Arandela	2	
13	AP8150432	Tuerca autobloq.baja M12*	1	
14	978526	Tapón	2	
15	GU98692414	Tornillo M8x14	2	
16	GU14615901	Arandela 8,4X13X0,8	6	
17	GU06409800	Junta	1	
18	GU28576591	Clip M6	8	
19	GU28576592	Tuerca de grapa M6	6	
20	883101	Placa der.	1	

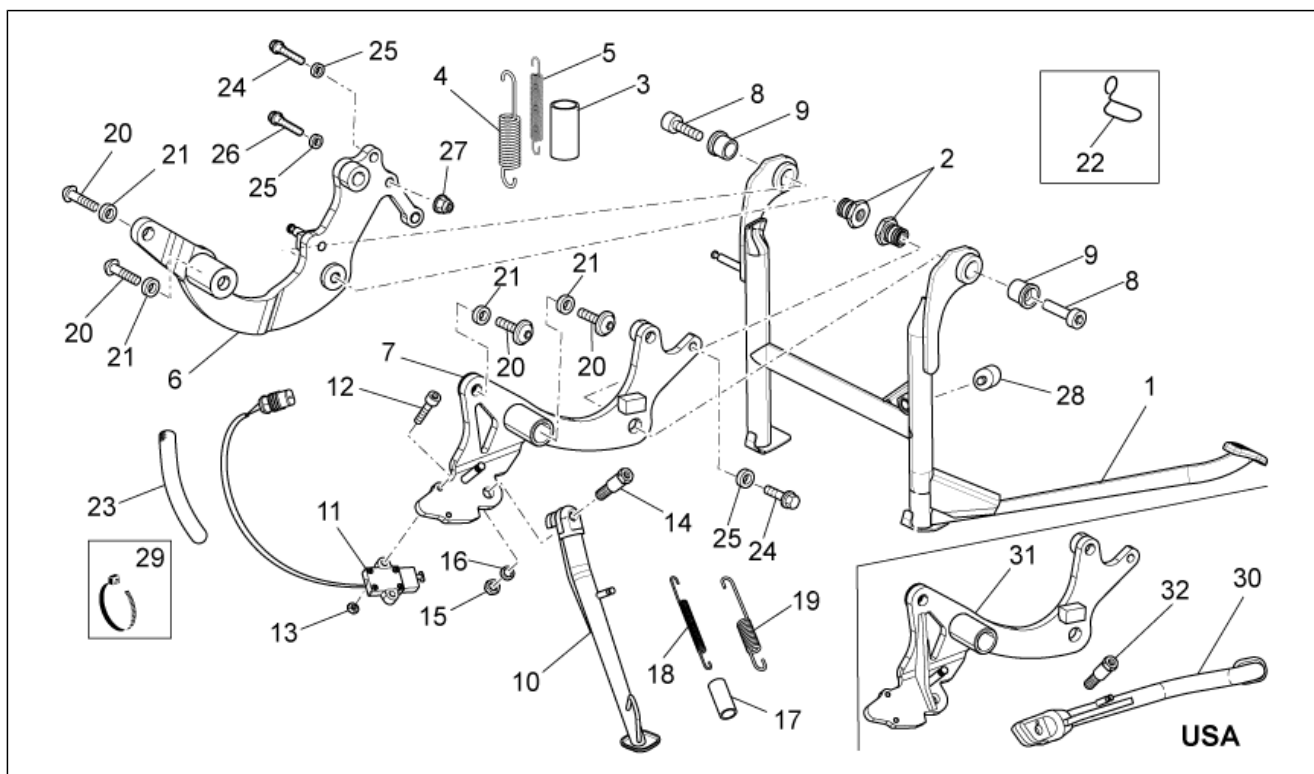
Grupo	BASTIDOR
Código	33.02
Descripción	Bastidor II
Revisión	1



Pos.	Código	Descripción	Cant.	Variantes
1	886646	Bastidor delantero	1	
2	GU98680440	Tornillo Allen M8x40	2	
3	AP8152300	Tuerca autobloqueante M8	2	
4	AP8152279	Torn. CH con reborde M6x20	2	
5	GU95100141	Arandela 6,4x12x1,2	2	
6	GU28576592	Tuerca de grapa M6	2	

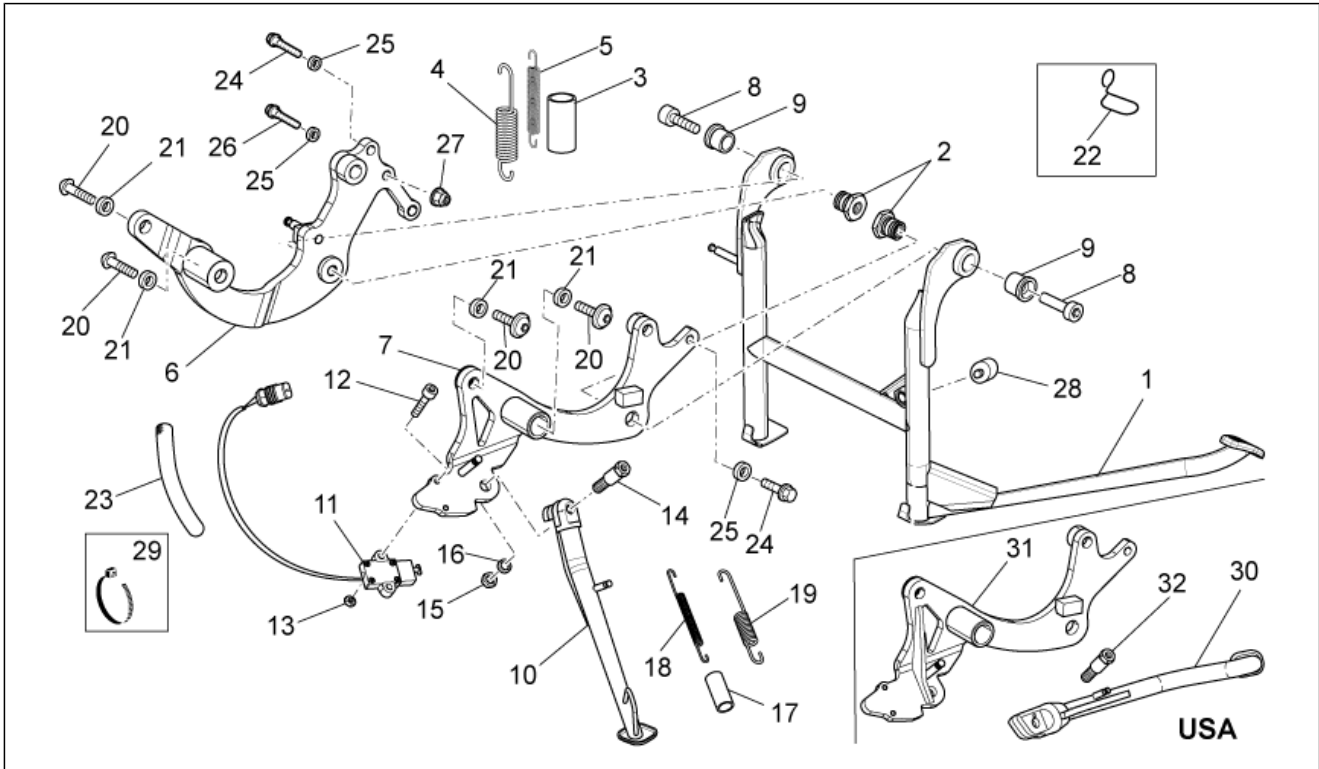


Grupo	BASTIDOR
Código	33.03
Descripción	Caballetes
Revisión	1



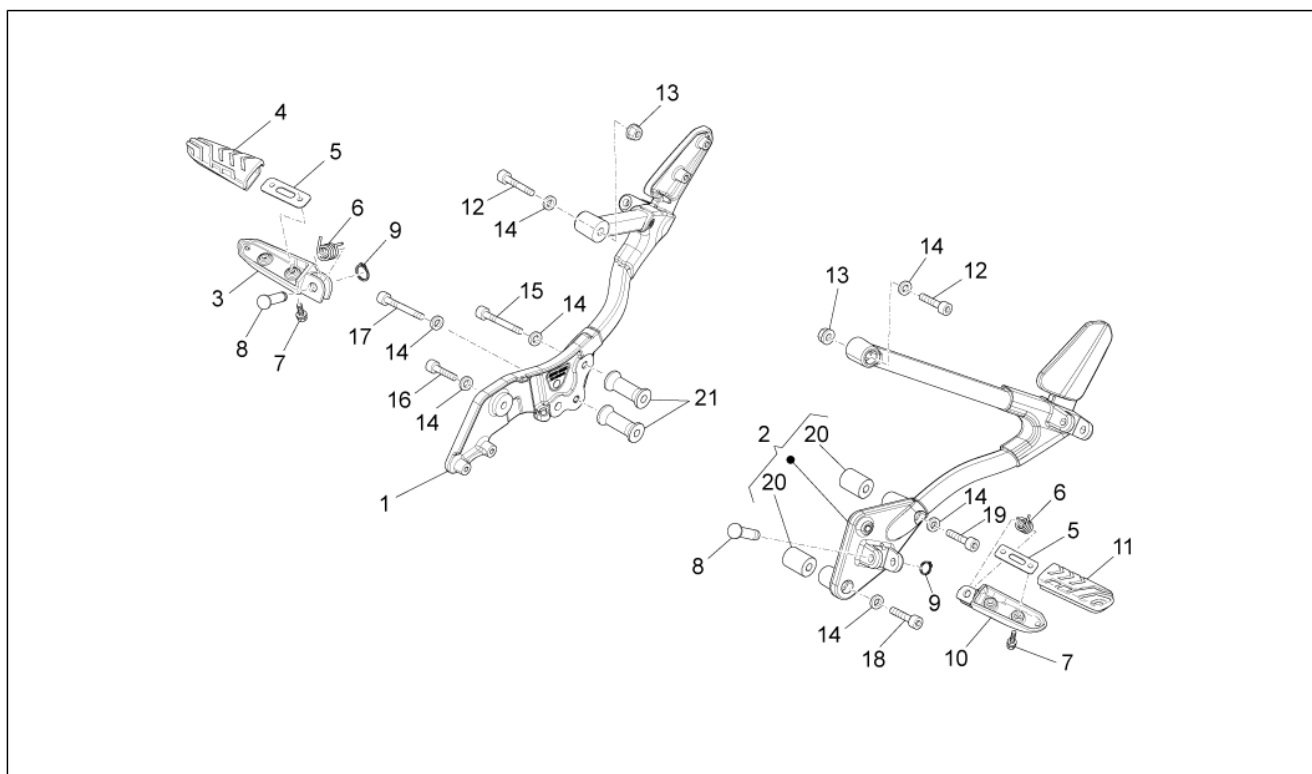
Pos.	Código	Descripción	Cant.	Variantes
1	883656	Caballete central	1	
2	AP8121467	Soporte	2	
3	AP8178918	Prot.mueller caball.	1	
4	AP8221317	Mlle retorno caball.	1	
5	AP8221318	Mlle ret.caball.int.	1	
6	883664	Placa der.	1	
7	978002	Placa izq.	1	
8	GU98682530	Tornillo Allen M10x30	2	
9	GU05429630	Buje	2	
10	886326	Caballete lateral	1	
11	639542	Pulsador para caballete lateral	1	
12	GU98612216	Tornillo Allen	2	
13	GU95020105	Arandela 5,3x8,9x2,4	2	
14	AP8121994	Tornillo fij. caballete	1	
15	AP8152001	Tuerca baja M10x1,25	1	
16	AP8150292	Arandela elástica curva *	1	
17	AP8102524	Prot.mueller caball.	1	
18	AP8221204	Mlle retorno caball.	1	
19	AP8221211	Mlle ret.caball.int.	1	
20	GU98231235	Tornillo M12x35	4	
21	GU30217900	Arandela 13x18x1,7	2	
22	AP8120428	Guíacable	1	
23	GU00823923140	Kit motor arr.	1	
24	AP8152287	Torn. CH con reborde M8x25	1	
25	GU14615901	Arandela 8,4X13X0,8	2	
26	GU97202435	Tornillo	1	
27	AP8152300	Tuerca autobloqueante M8	1	
28	GU93242015	Taco	1	

Grupo	BASTIDOR
Código	33.03
Descripción	Caballetes
Revisión	1



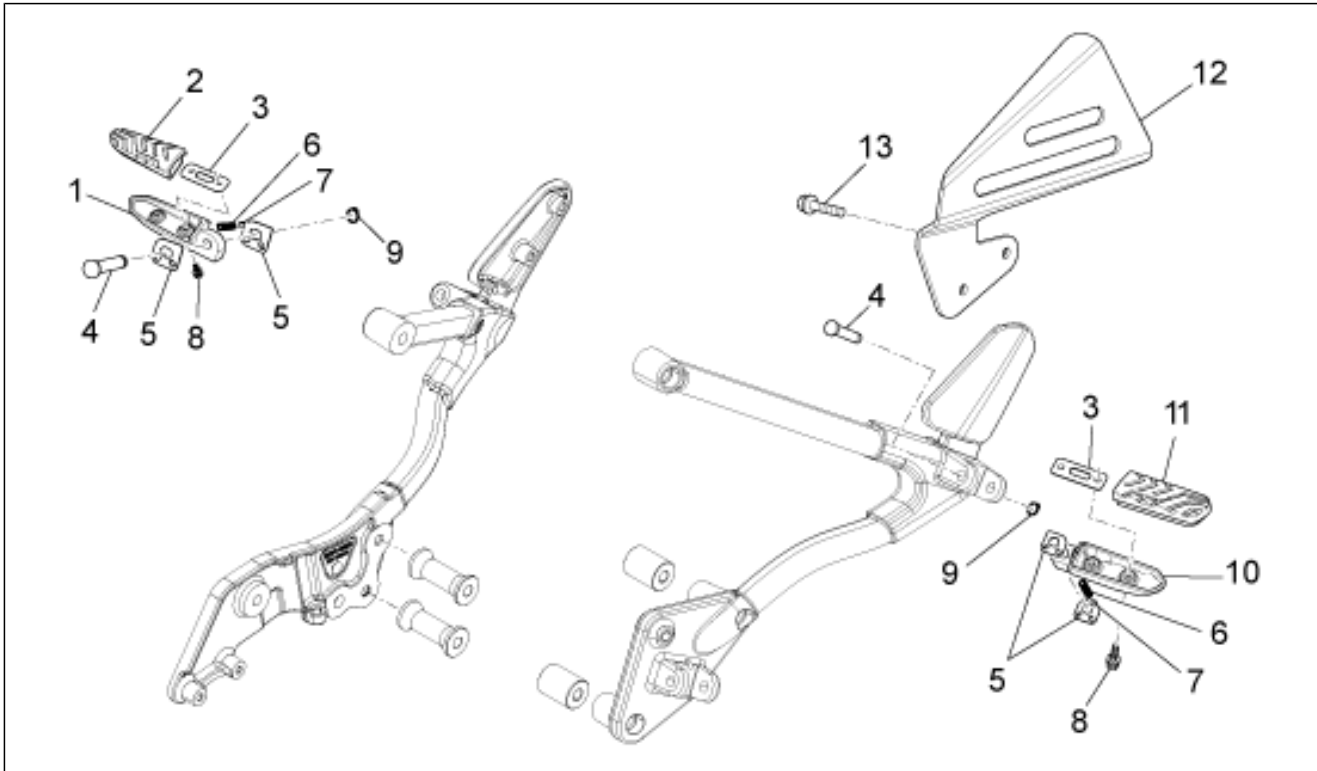
Pos.	Código	Descripción	Cant.	Variantes
29	GU14609650	Abrazadera 3,6x20,6	2	
30	883208	Caballote lateral	1	PAÍS:Canadá[CA], Estados Unidos de Norteamérica[USA]
31	883413	Placa izq.	1	PAÍS:Canadá[CA], Estados Unidos de Norteamérica[USA]
32	AP8121607	Tornillo fij. caballete	1	PAÍS:Canadá[CA], Estados Unidos de Norteamérica[USA]

Grupo	BASTIDOR
Código	33.04
Descripción	Estribos piloto
Revisión	1



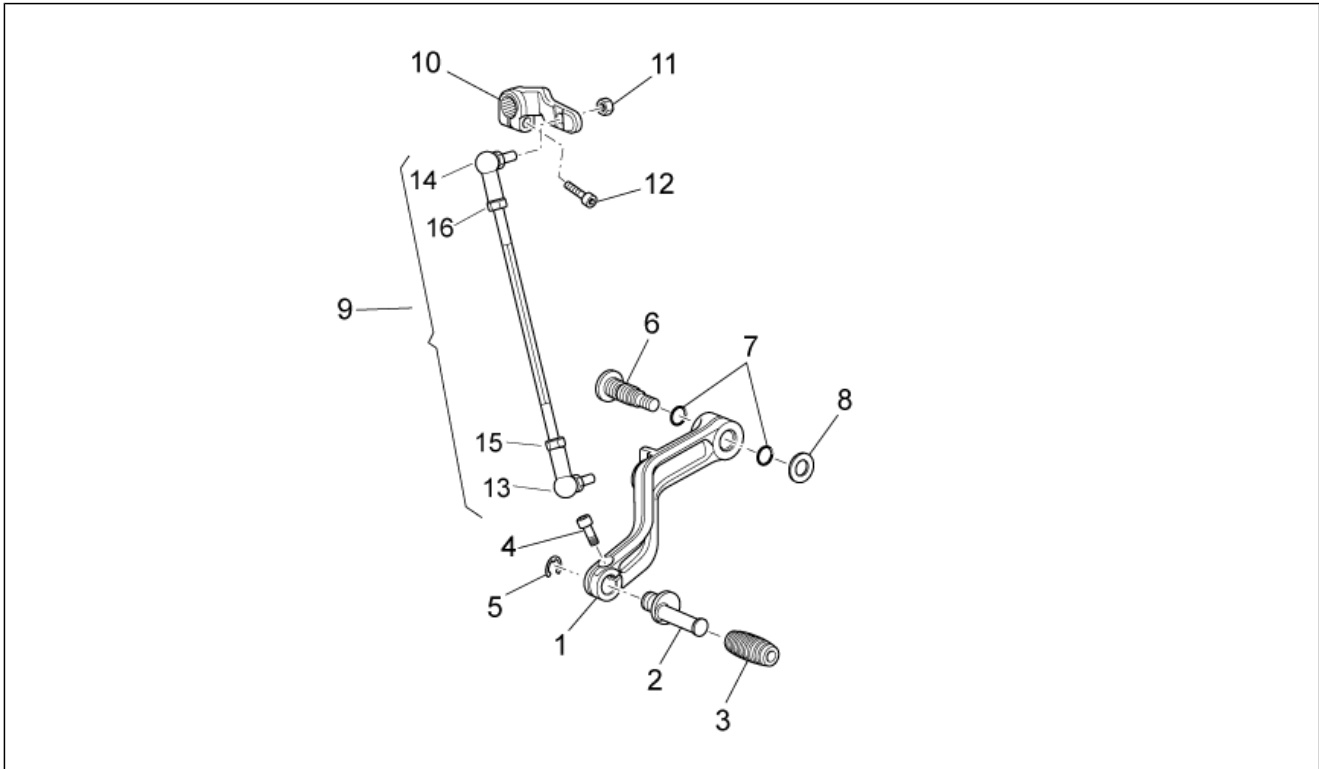
Pos.	Código	Descripción	Cant.	Variantes
1	886987	SopORTE estribo dcho	1	
2	883103	Sop.estr.izq.	1	
3	886184	Estribo piloto der.	1	
4	AP8120831	Goma estribo	1	
5	AP8134276	Placa	1	
6	AP8221277	Muelle retorno estribo	2	
7	AP8152277	Torn. CH con reborde M6x12	4	
8	AP8121567	Perno	2	
9	AP8152409	Anillo de tope radial	2	
10	886185	Estribo piloto izq.	1	
11	AP8120831	Goma estribo	1	
12	GU98680435	Tornillo Allen M8x35	2	
13	AP8152300	Tuerca autobloqueante M8	2	
14	GU14615901	Arandela 8,4X13X0,8	7	
15	GU98680480	Tornillo	1	
16	GU98682425	Tornillo Allen M8x25	1	
17	GU98680465	Tornillo	1	
18	GU98680460	Tornillo Allen M8x60	1	
19	GU98620485	Tornillo	1	
20	883107	DistanciadOr	2	
21	886933	DistanciadOr	2	

Grupo	BASTIDOR
Código	33.05
Descripción	Estribos pas.
Revisión	1



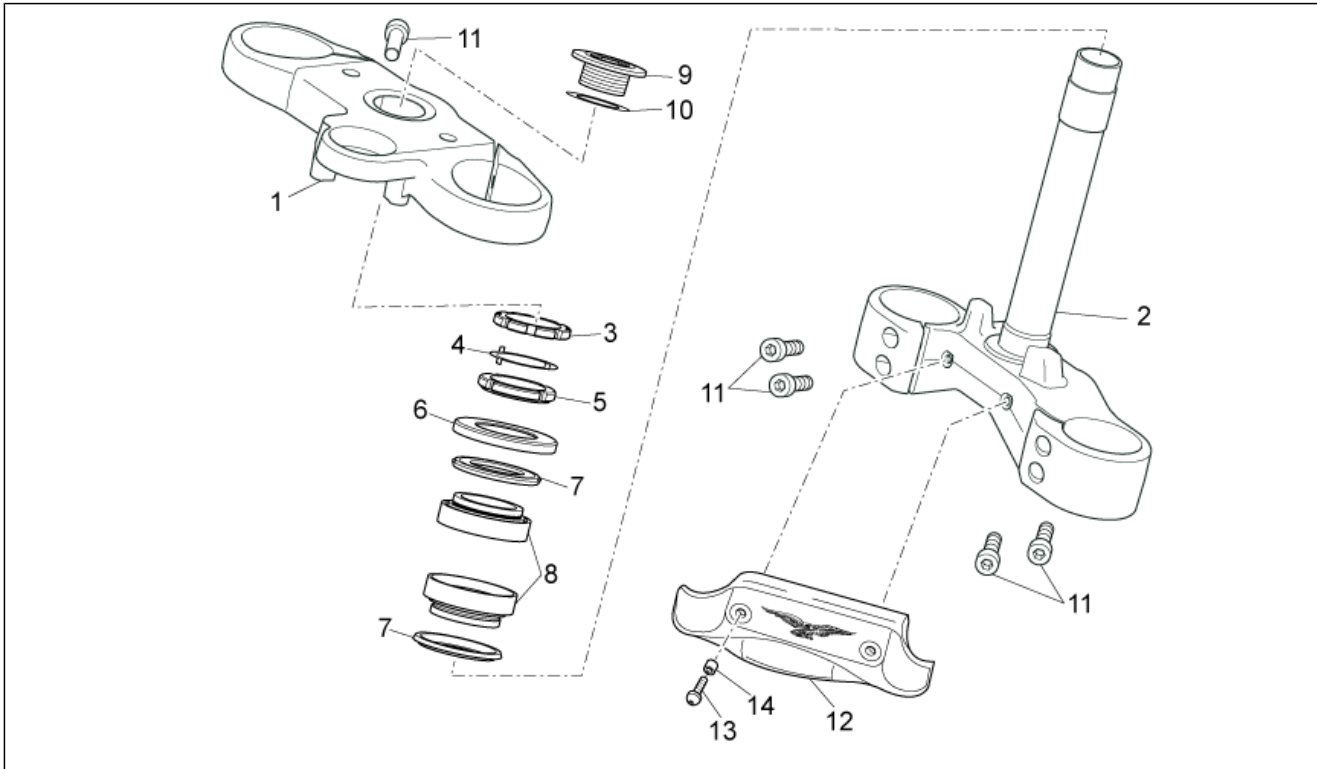
Pos.	Código	Descripción	Cant.	Variantes
1	GU32442310	Estribo pasaj .der.	1	
2	GU32443210	Goma	1	
3	GU32441210	Placa	2	
4	AP8121567	Perno	2	
5	AP8134451	Placa fin carr.estr.	4	
6	AP8121133	Mlle hél.cil.compr.	2	
7	AP8101861	Bola D6,35	2	
8	AP8152277	Torn. CH con reborde M6x12	4	
9	AP8152409	Anillo de tope radial	2	
10	GU32442710	Estribo pasaj .izq.	1	
11	GU32443211	Goma	1	
12	898169	Prot.estribo pas.i.	1	
13	AP8152277	Torn. CH con reborde M6x12	2	

Grupo	BASTIDOR
Código	33.06
Descripción	Palanca cambio
Revisión	1



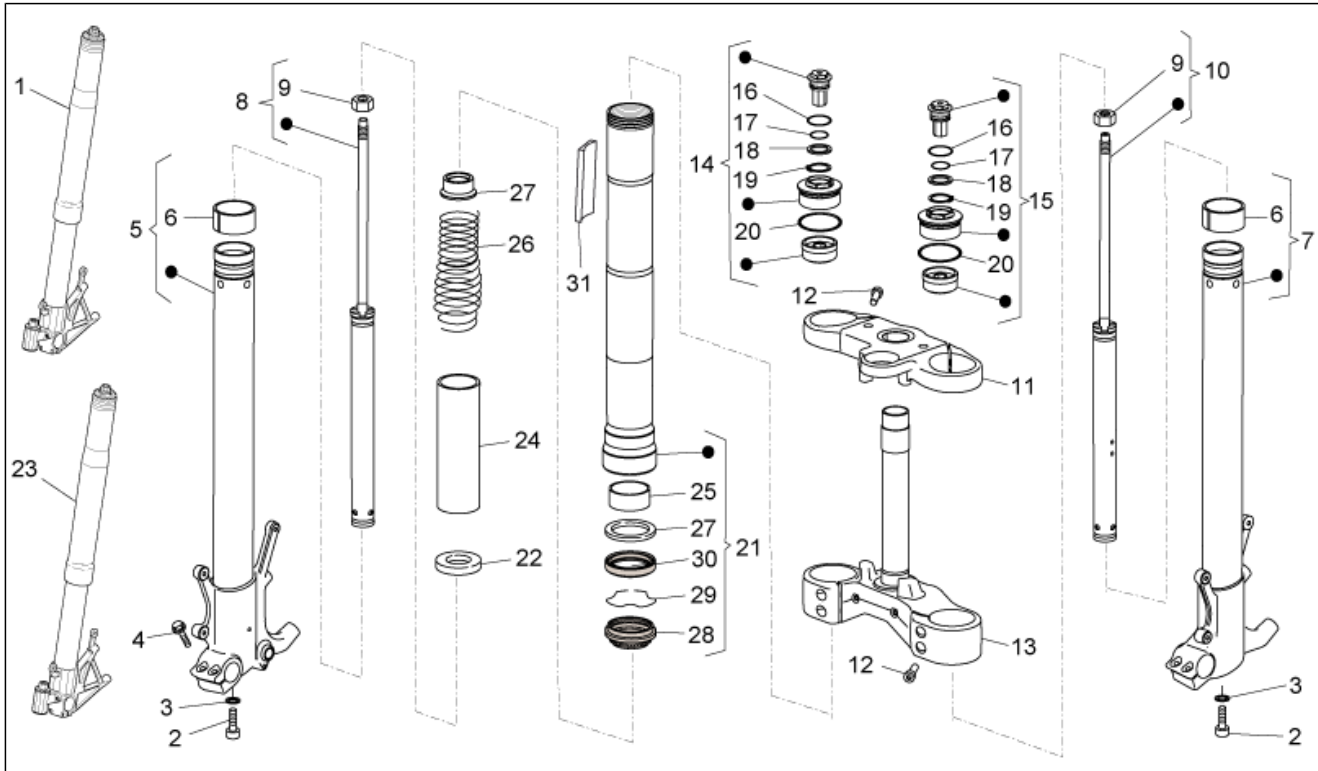
Pos.	Código	Descripción	Cant.	Variantes
1	GU06250900	Palanca cambio	1	
2	AP8121221	Barra palanca freno	1	
3	AP8120912	Goma para palanca	1	
4	GU98682316	Tornillo Allen M6x16	1	
5	AP8150462	Anillo de retención d9	1	
6	AP8121223	Perno pal. freno tr.	1	
7	AP8144007	Junta tórica 11,11x1,78	2	
8	GU95008210	Arandela 10,2X18X2	1	
9	883044	Renvio	1	
10	GU05256930	Leva ret.	1	
11	GU92630707	Tuerca	2	
12	GU98682320	Tornillo Allen M6x20	1	
13	GU32258110	Artic. esférica	1	
14	GU32258010	Artic. esférica	1	
15	GU92609206	Tuerca M6	1	
16	GU03256800	Tuerca M6	1	

Grupo	BASTIDOR
Código	33.07
Descripción	Dirección
Revisión	1



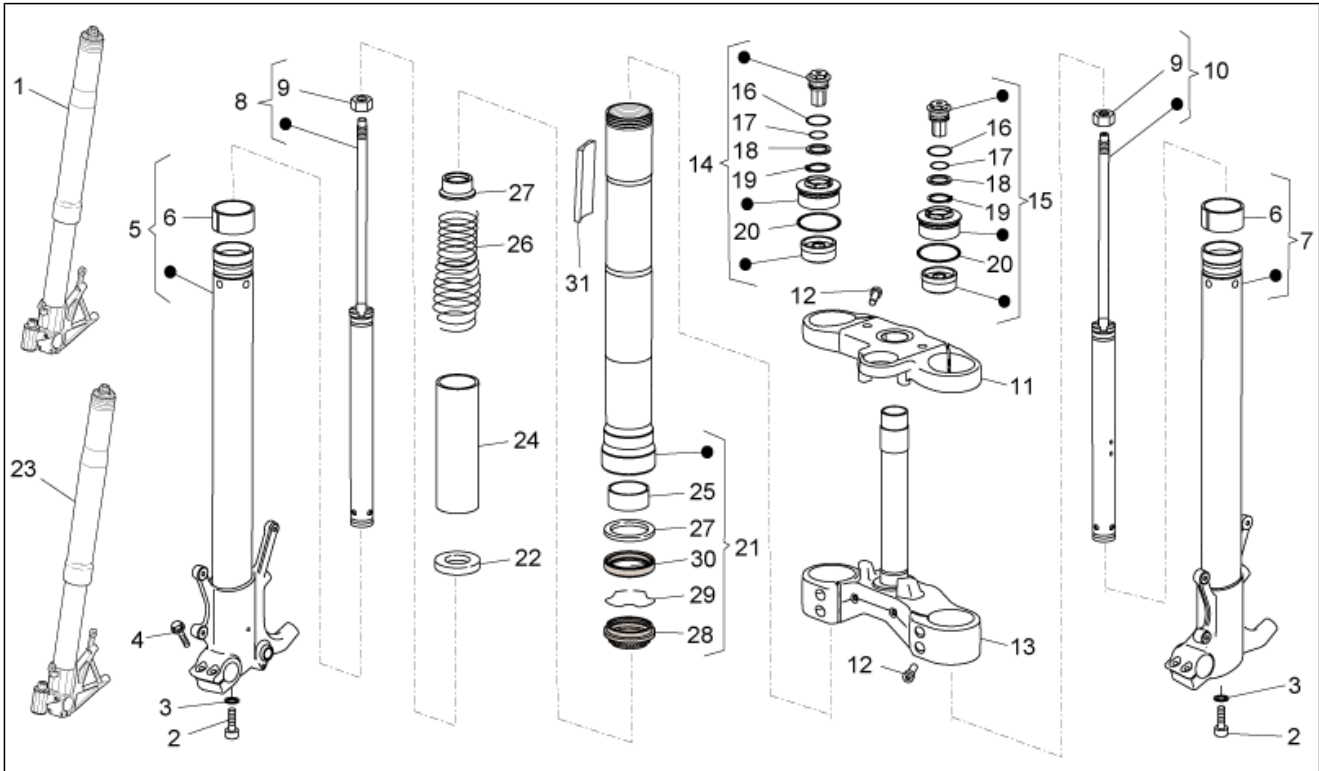
Pos.	Código	Descripción	Cant.	Variantes
1	886199	Placa sup. horquilla D45	1	
2	886202	Base con manguito D45	1	
3	AP8123643	Contravirola	1	
4	AP8121207	Placa segur. direc.	1	
5	AP8123642	Virola	1	
6	AP8123644	Anillo guardapolvo	1	
7	AP8123641	Anillo guardapolvo	2	
8	AP8110077	Cojinete axial bolas	2	
9	AP8121205	Buje fij. placa sup.	1	
10	AP8152384	Aran.tapón manguito	1	
11	GU98682430	Tornillo Allen M8x30	6	
12	GU05658431	Pl. fijac.tubo freno	1	
13	AP8152298	Tornillo con reborde M5x16	2	
14	AP8221036	Buje 5,3x8x7,1	2	

Grupo	BASTIDOR
Código	33.08
Descripción	HORQUILLA DELANTERA
Revisión	1



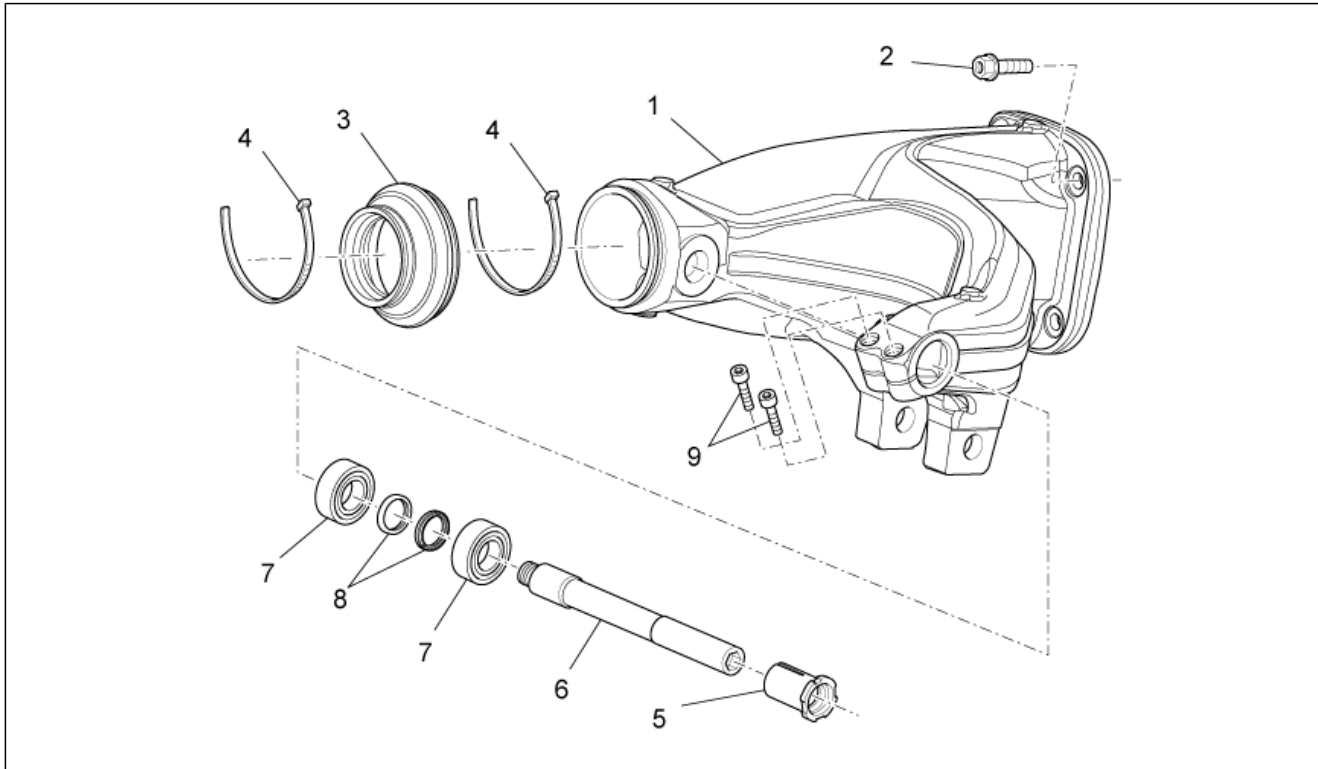
Pos.	Código	Descripción	Cant.	Variantes
1	886191	Varilla con fondo der. D45	1	Especificaciones técnicas: 1A Serie con placa de identificación y1311164>A[F1A]
1	887091	Varilla con fondo der. D45	1	Especificaciones técnicas: 2A Serie con placa de identificación y1311164>B[F2A]
2	GU01530588	Tornillo	2	
3	AP8123206	Arandela retención	2	
4	AP8150220	Tornillo Allen M6x30	4	
5	886315	Vást.+portarrda der.	1	
6	AP9100856	Casquillo inferior 45x20	2	
7	886317	Vást.+portarrda izq.	1	
8	886319	Hidráulico cpl.der.	1	Especificaciones técnicas: 1A Serie con placa de identificación y1311164>A[F1A]
8	887319	Hidráulico cpl.der.	1	Especificaciones técnicas: 2A Serie con placa de identificación y1311164>B[F2A]
9	886321	Tuerca	2	
10	886320	Hidráulico cpl.izq.	1	Especificaciones técnicas: 1A Serie con placa de identificación y1311164>A[F1A]
10	887320	Hidráulico cpl.izq.	1	Especificaciones técnicas: 2A Serie con placa de identificación y1311164>B[F2A]
11	886199	Placa sup. horquilla D45	1	
12	GU98682430	Tornillo Allen M8x30	6	
13	886202	Base con manguito D45	1	
14	886324	Tapón funda der.	1	
15	886316	Tapón funda izq.	1	
16	981024	Junta tórica	2	
17	981025	Junta tórica	2	
18	981026	Arandela	2	
19	981027	Anillo de tope	2	
20	886318	Junta tórica	2	

Grupo	BASTIDOR
Código	33.08
Descripción	HORQUILLA DELANTERA
Revisión	1



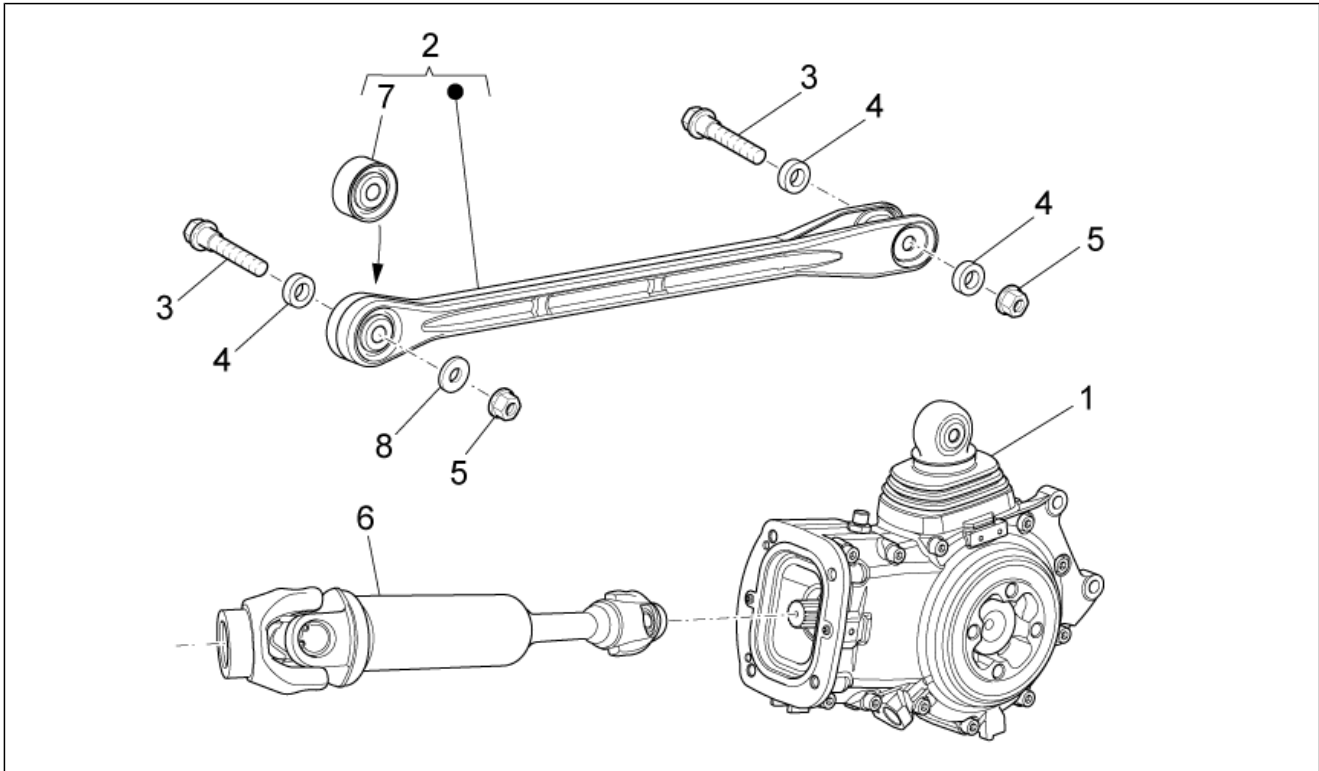
Pos.	Código	Descripción	Cant.	Variantes
21	886323	Funda completa	2	
22	981033	Cubeta portamuelle	2	
23	886192	Varilla con fondo izq. D45	1	Especificaciones técnicas: 1A Serie con placa de identificación y1311164>A[F1A]
23	887092	Varilla con fondo izq. D45	1	Especificaciones técnicas: 2A Serie con placa de identificación y1311164>B[F2A]
24	AP8161254	Tubo precarga	2	
25	AP9100855	Casquillo superior 45x15	2	
26	886322	Muelle	2	
27	AP8163094	Cubeta 58x46x3	2	
28	AP8163097	Guardapolvo D.45	2	
29	AP8163096	Anillo de tope D.63	2	
30	AP8163095	Gasket ring 45x58x11	2	
31	GU05781630	Catafaro ámbar	2	PAÍS: Canadá[CA], Estados Unidos de Norteamérica[USA]

Grupo	BASTIDOR
Código	33.09
Descripción	BRAZO OSCILANTE TRASERO
Revisión	1



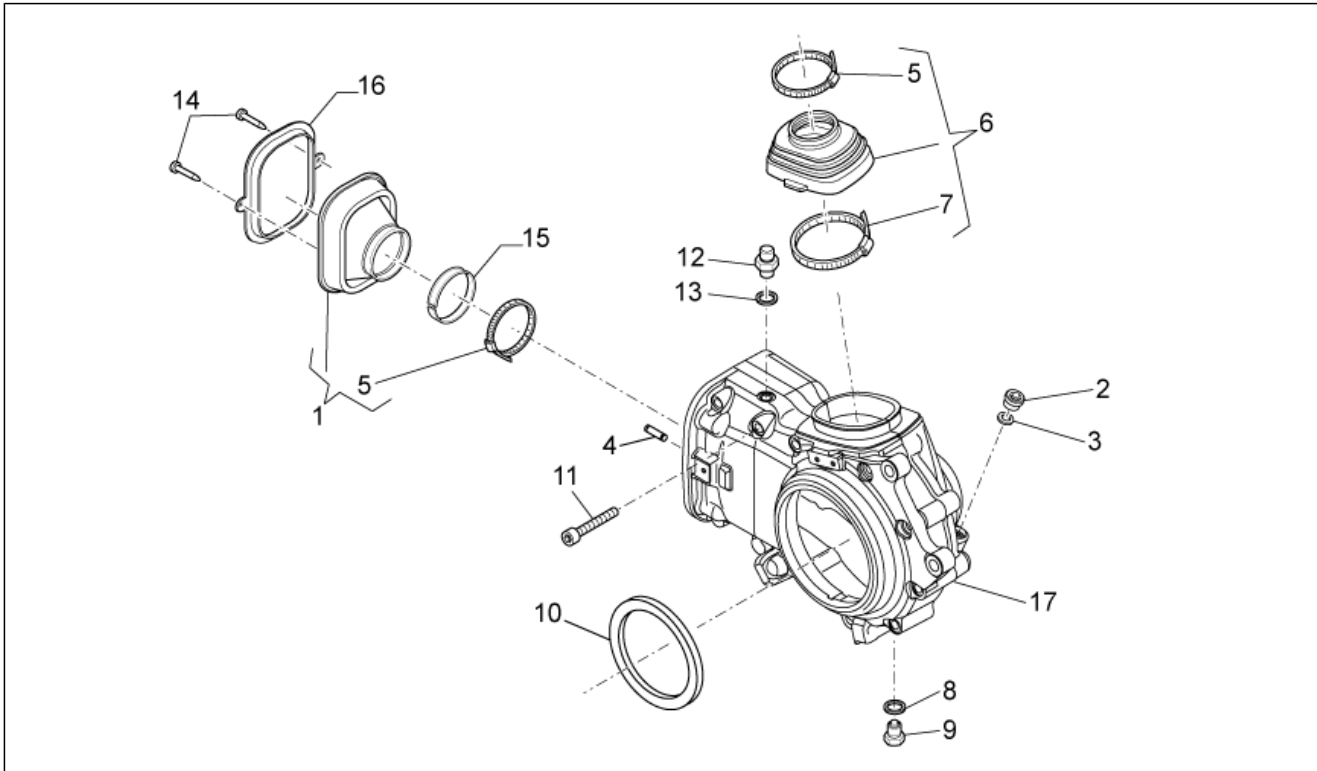
Pos.	Código	Descripción	Cant.	Variantes
1	978350	Brazo osc. negro	1	
2	AP8152318	Torn. CH con reborde M10x35	4	
3	883966	Fuelle de goma	1	
4	GU93304390	Abrazadera 3,6x375	2	
5	GU05547130	Buje	1	
6	GU05547030	Perno	1	
7	GU92249224	Cojinete de rodillos 25x47x17	2	
8	GU05547930	Gasket ring	2	
9	GU98682325	Tornillo Allen M6x25	2	

Grupo	BASTIDOR
Código	33.10
Descripción	Transmisión cpl.
Revisión	1



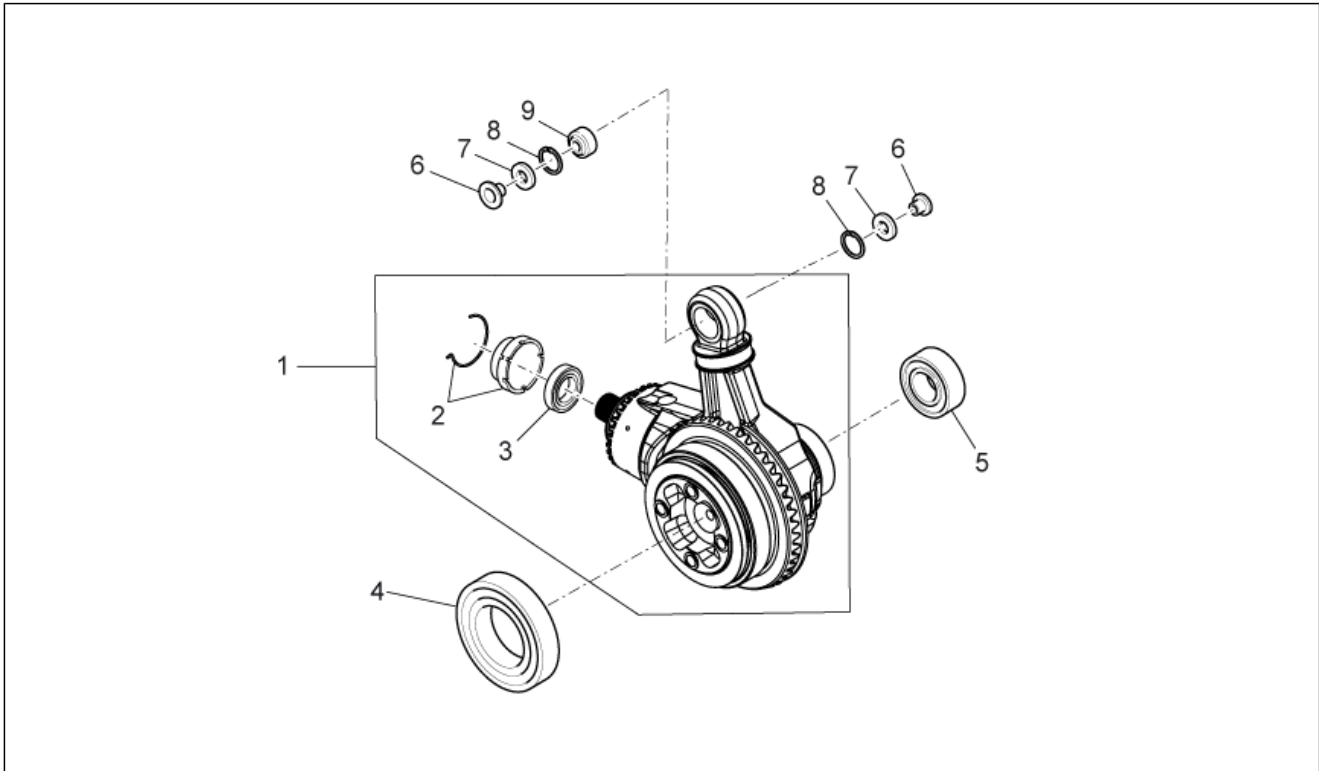
Pos.	Código	Descripción	Cant.	Variantes
1	976570	Caja transm.cpl.negro	1	
2	883046	Varilla cpl.	1	
3	AP8152410	Torn. CH con reborde M10x55	2	
4	AP8121218	Distanciador 10,2x20x4	3	
5	AP8152242	Tuerca	2	
6	GU05326330	Eje de transmisión	1	
7	883045	Casquillo elástico	1	
8	GU14018400	Arandela 10,5X21X1	1	

Grupo	BASTIDOR
Código	33.11
Descripción	Trans.cpl.-Caja
Revisión	1



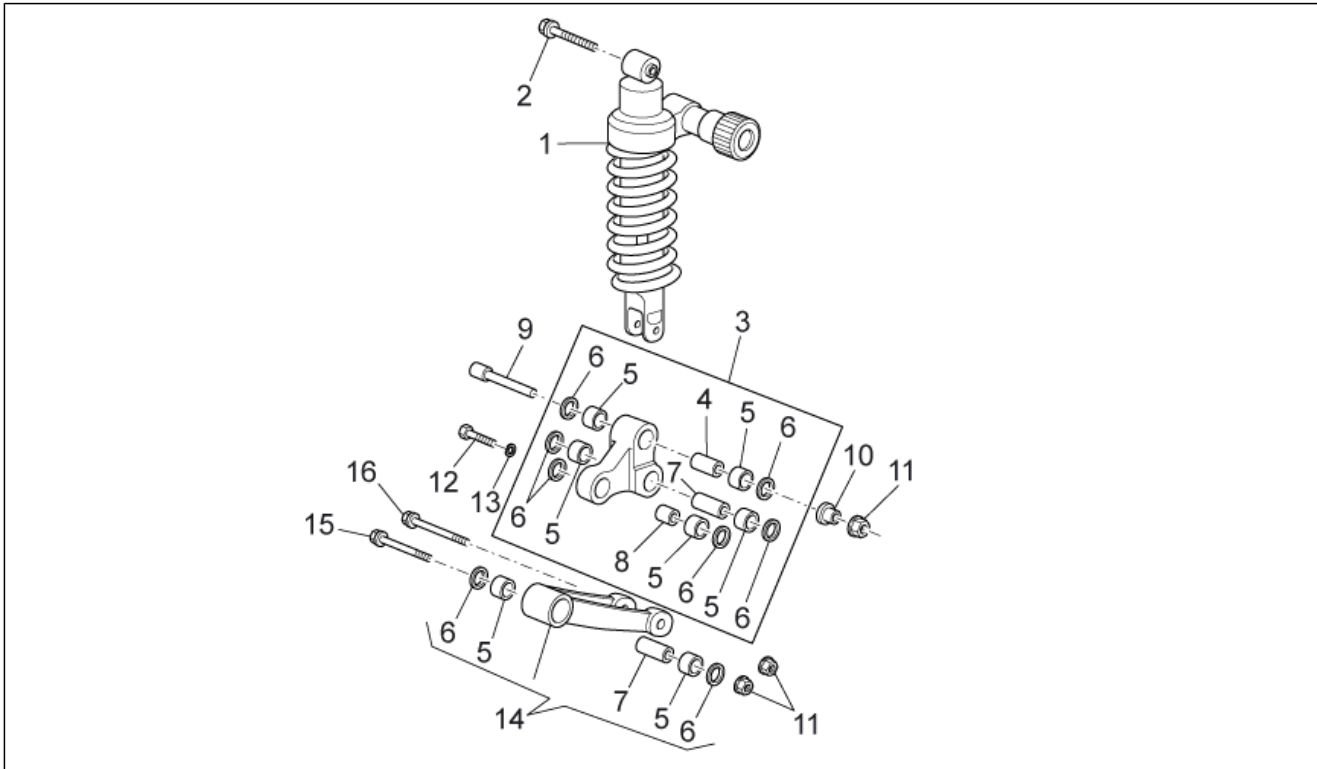
Pos.	Código	Descripción	Cant.	Variantes
1	GU05358330	Capuchón guardapolvo	1	
2	GU05351230	Tapón aceite M12x1,5	1	
3	GU90718120	Arandela	1	
4	GU95510620	Clavija 6x20	2	
5	GU05358130	Abrazadera	2	
6	GU05358030	Capuchón guardapolvo	1	
7	GU05358230	Abrazadera	1	
8	GU01528930	Junta 10x18x1,5	1	
9	GU31003766	Tapón descarg.aceite M10x1	1	
10	GU90408511	Gasket ring 85x110x8BASL	1	
11	GU98680450	Tornillo Allen M8x50	11	
12	GU05206530	Tapón respiradero	1	
13	GU10528900	Junta	1	
14	GU99210406	Tornillo M3,9x6,5	2	
15	GU05358530	Anillo	1	
16	GU05358630	Junta	1	
17	978392	Caja trans.negro	1	

Grupo	BASTIDOR
Código	33.12
Descripción	Trans.cpl.-Par cónica
Revisión	1



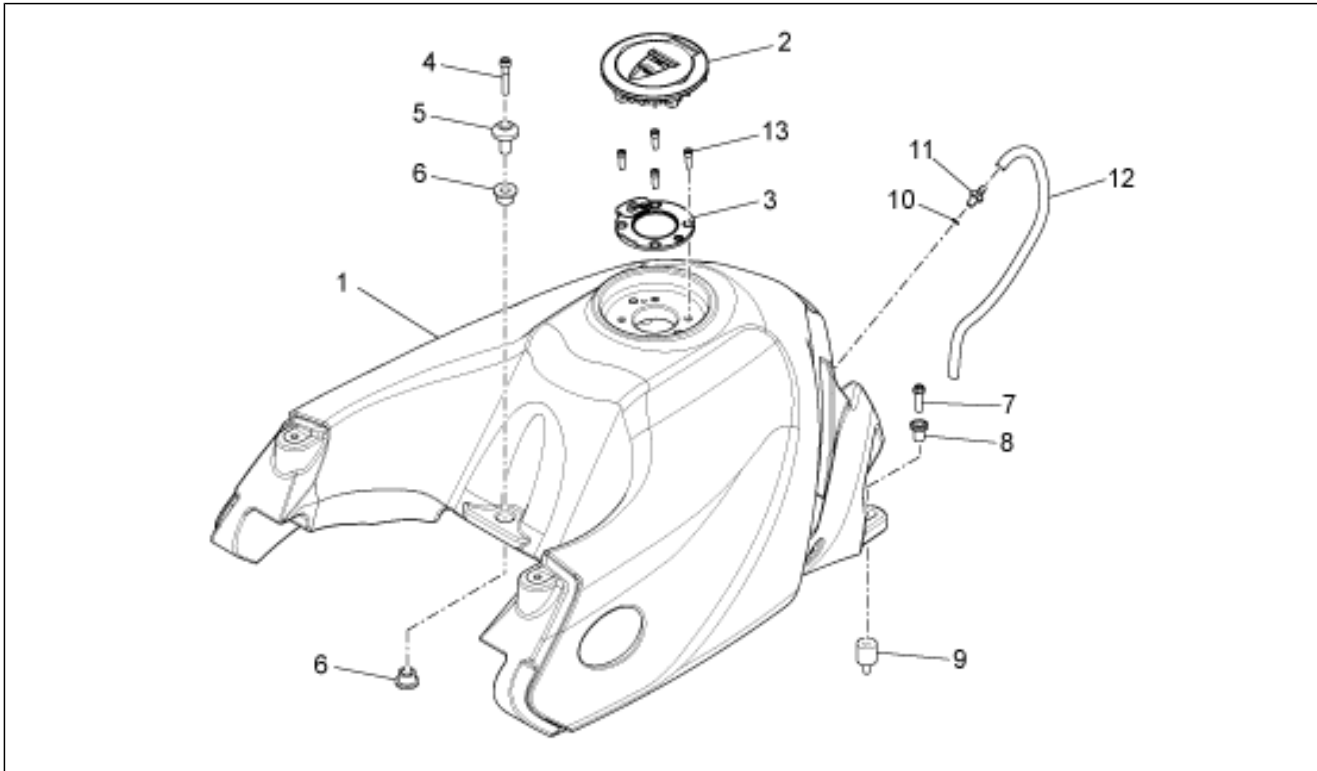
Pos.	Código	Descripción	Cant.	Variantes
1	976581	Kit par-cónica 12/44	1	
2	GU05352430	Virola	1	
3	GU90404558	Gasket ring 45x58x7	1	
4	GU92208518	Cojinete de bolas 85x120x18	1	
5	GU92204230	Cojinete de bolas 30x62x16	1	
6	AP8121098	Buje	2	
7	AP8120485	Gasket ring	2	
8	GU90273026	Anillo de retención	2	
9	GU05638130	Artic. esférica	1	

Grupo	BASTIDOR
Código	33.13
Descripción	Varilla y amortiguador trasero
Revisión	1



Pos.	Código	Descripción	Cant.	Variantes
1	886201	Amortiguador trasero	1	
2	018622	Tornillo	1	
3	GU05560330	Biela doble	1	
4	AP8135924	Pasador biela doble L40	1	
5	AP8110066	Cojinete de agujas	7	
6	AP8110068	Retén aceite D18x24x3	8	
7	GU05562030	Pasador biela doble L47	2	
8	AP8135608	Pasador biela doble L25	1	
9	AP8152397	Tornillo Allen M10x82	1	
10	AP8121155	Buje en 'T' *	1	
11	AP8152301	Tuerca autobloqueante	3	
12	AP8152147	Tornillo c. hex. M10x47	1	
13	AP8150292	Arandela elástica curva *	1	
14	GU05562430	Biela simple completa	1	
15	AP8152482	Torn. CH con reborde M10x85	1	
16	AP8152396	Torn. CH con reborde M10x95	1	

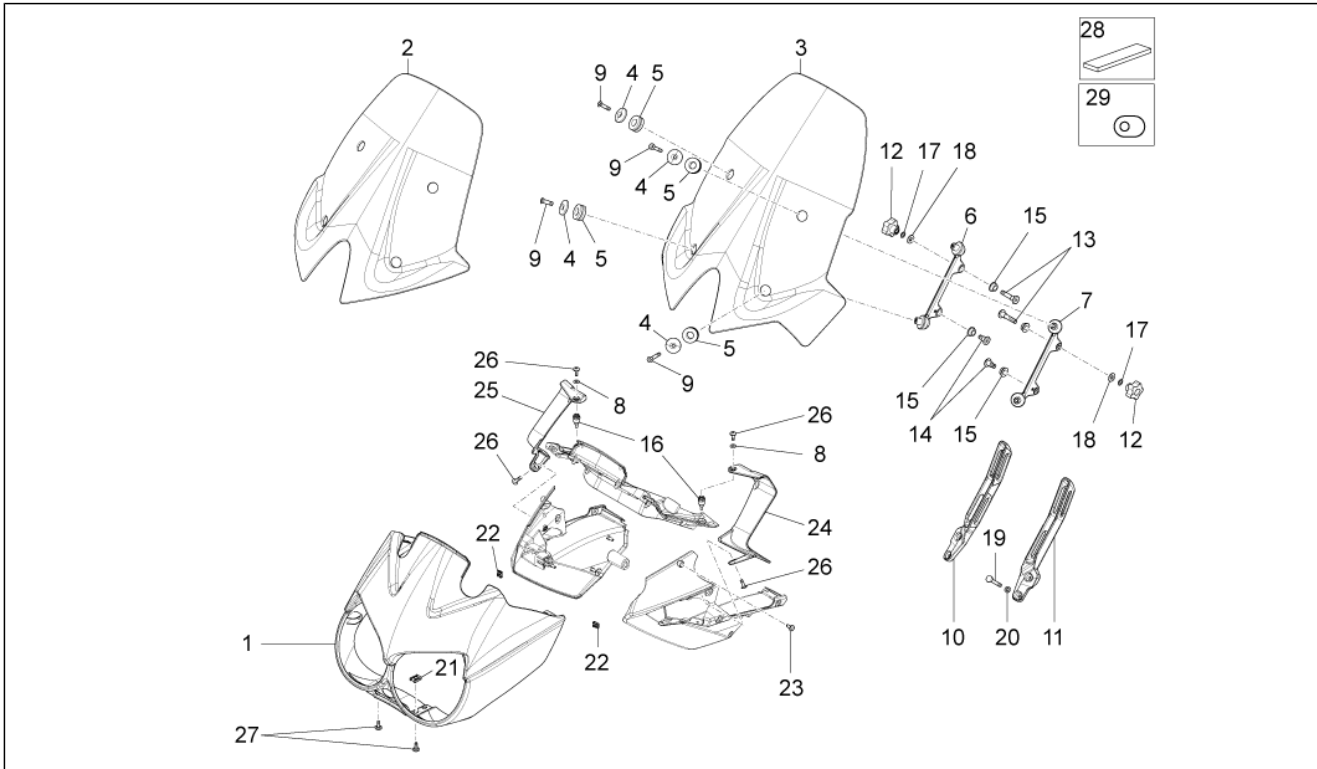
Grupo	BASTIDOR
Código	33.14
Descripción	Depósito gasolina
Revisión	1



Pos.	Código	Descripción	Cant.	Variantes
1	88688700DE	Depósito gasolina pint. azul	1	AÑO: 2014[E] COLOR VEHÍCULO: Azul Midnight[bl] Especificaciones técnicas: Con calco[D]
1	897635	Depósito gasolina en bruto	1	
1	89763500BM	Depósito gasol.p.bco	1	COLOR VEHÍCULO: Blanco diamante (f.t.886900)[whd] Especificaciones técnicas: Con calco[D], Versión Estándar[Std]
1	89763500NI	Depós. gas. p. negro	1	COLOR VEHÍCULO: Negro competition (f.t.886899)[blc] Especificaciones técnicas: Con calco[D], Versión NTX[NTX]
1	89763500XV6	Depósito gasolina pint. verde	1	COLOR VEHÍCULO: Verde Raptor Opaco (f.t.B063041)[green] Especificaciones técnicas: Con calco[D], Versión NTX[NTX]
1	89763500Y02	Depós. gas. p. negro	1	COLOR VEHÍCULO: Negro Guzzi (f.t.886901)[blg] Especificaciones técnicas: Con calco[D], Versión Estándar[Std]
1	89763500YA2	Depós. gas.p.naranja	1	COLOR VEHÍCULO: Anaranjado cobre (f.t.886902)[ar] PAÍS: Estados Unidos de Norteamérica[USA] Especificaciones técnicas: Con calco[D], Versión NTX[NTX], Versión Estándar[Std]
2	GU05103930	Tapón depósito	1	
3	AP8104803	Junta tapón gasolina	1	
4	AP8150285	Tornillo Allen M6x35	1	
5	886828	Apego Compass	1	
6	AP8101372	Casquillo elástico	2	
7	AP8152280	Torn. CH con reborde M6x25	2	
8	AP8124421	Terminal	2	
9	887095	Casquillo elástico	2	
10	AP8120965	Junta tórica 2018	2	
11	AP8102503	Empalme portagoma	2	
12	AP8220263	Tubo respiradero 4x8	5	
13	B043864	Tornillo Allen M5x14	4	

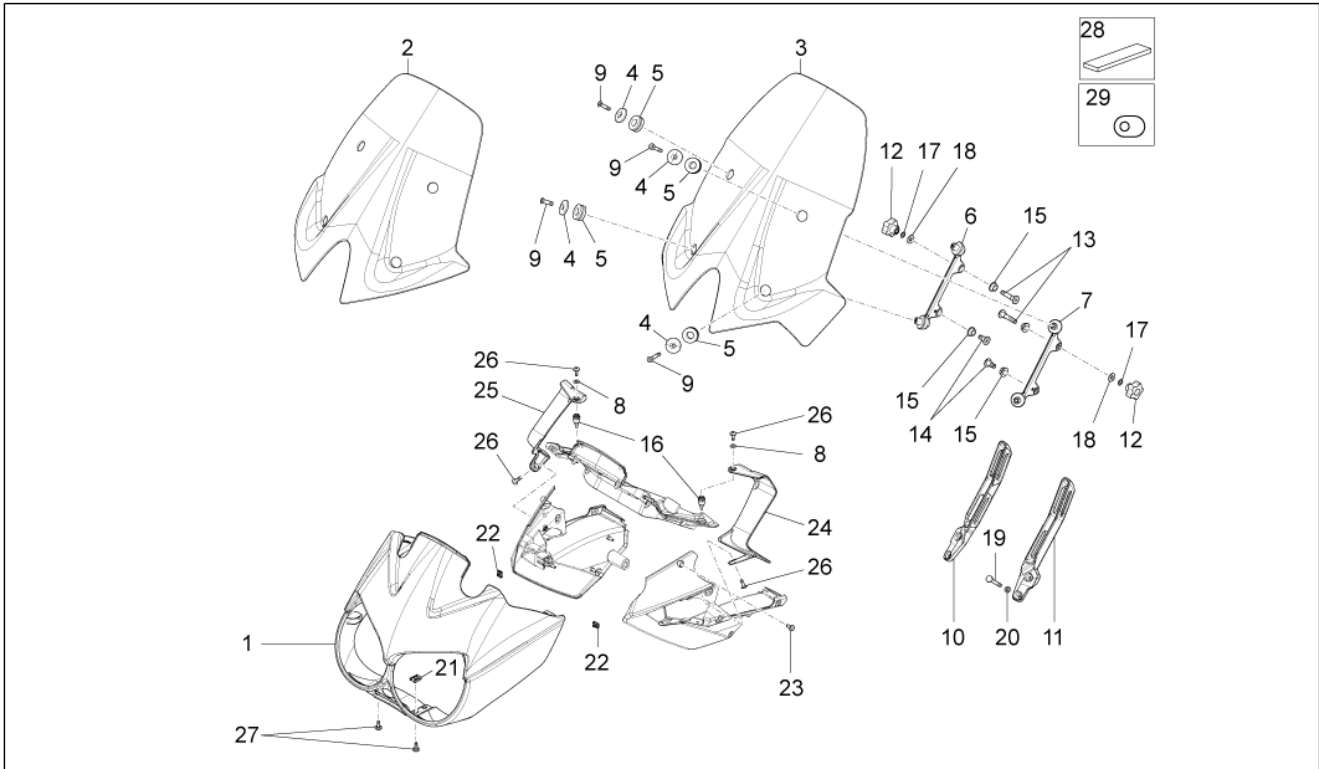


Grupo	BASTIDOR
Código	33.15
Descripción	Carrocería del. - Capó
Revisión	1



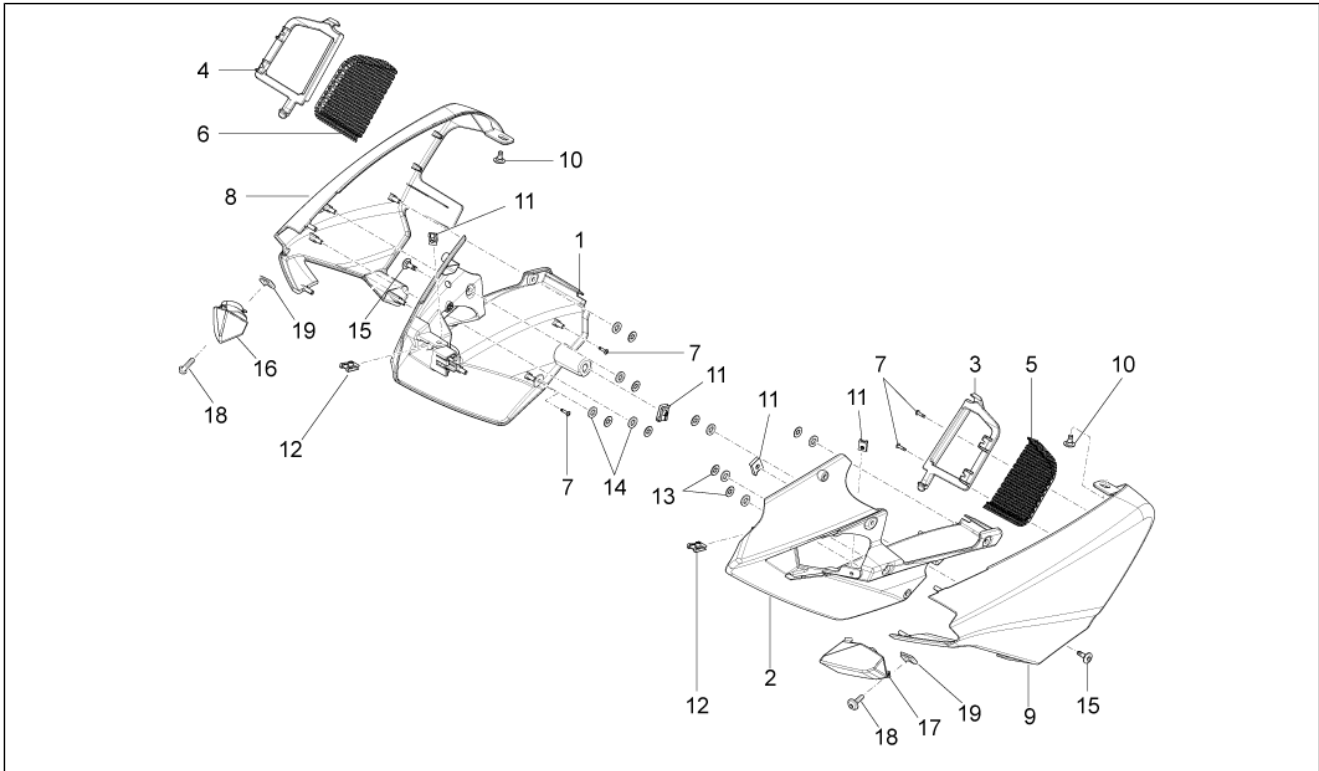
Pos.	Código	Descripción	Cant.	Variantes
1	897641	Cúpula bas.	1	
1	89764100NI	Cúpula p. negra	1	COLOR VEHÍCULO: Anaranjado cobre (f.t.886902)[ar], Negro Guzzi (f.t.886901)[blg], Verde Raptor Opaco (f.t.B063041)[green], Blanco diamante (f.t.886900)[whd] PAÍS: Estados Unidos de Norteamérica[USA] Especificaciones técnicas: Versión NTX[NTX], Versión Estándar[Std]
1	89764100Y11	Cúpula pintada gris	1	COLOR VEHÍCULO: Negro competition (f.t.886899)[blc] Especificaciones técnicas: Versión NTX[NTX]
2	887174	Parabrisas	1	Especificaciones técnicas: Versión Estándar[Std]
3	887134	Parabrisas	1	Especificaciones técnicas: Versión NTX[NTX]
3	887328	Parabrisas	1	PAÍS: Australia[AUS], Canadá[CA], Estados Unidos de Norteamérica[USA] Especificaciones técnicas: Versión NTX[NTX]
4	269787	Arandela especial nero	4	
5	560173	Goma	4	
6	886195	Soporte der.	1	
7	886196	Soporte izq.	1	
8	AP8120622	Anillo guardapolvo delantero	2	
9	GU98257618	Tornillo M6x18	4	
10	886197	Soporte derecho	1	
11	886198	Soporte izq.	1	
12	977681	Pomo	2	
13	886078	perno roscado	2	
14	886079	perno roscado	2	
15	886236	Buje en 'T'	4	
16	887033	Esp#rrago	2	
17	GU14615901	Arandela 8,4X13X0,8	2	
18	GU95005310	Arandela 8,4x18x2	2	
19	AP8152278	Torn. CH con reborde M6x16	4	

Grupo	BASTIDOR
Código	33.15
Descripción	Carrocería del. - Capó
Revisión	1



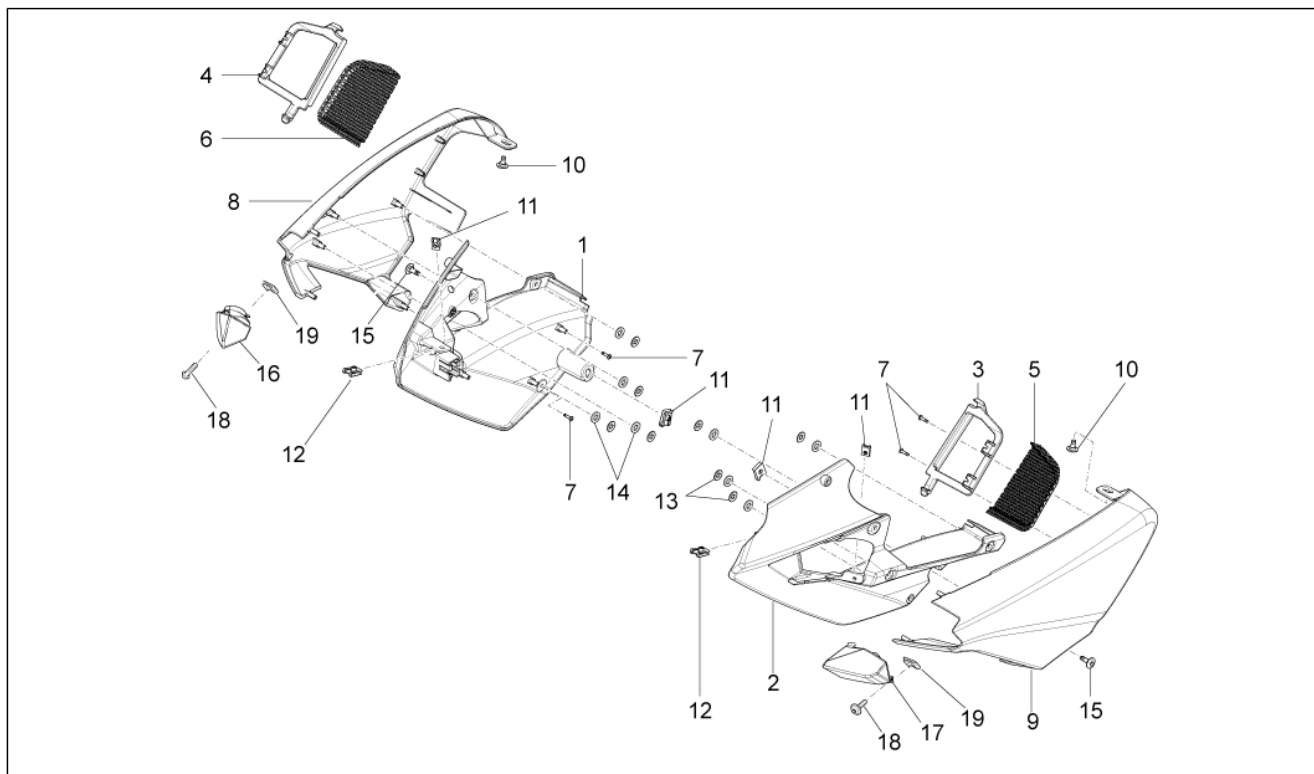
Pos.	Código	Descripción	Cant.	Variantes
20	GU14217901	Arandela 6,4x10x0,7	4	
21	248419	Placa elastica m5	1	
22	AP8102381	Clip M4	2	
23	AP8120876	Tapón de cierre	1	
24	887039	Deflector aire izq.	1	Especificaciones técnicas:Versión NTX[NTX]
25	887040	Deflector aire der.	1	Especificaciones técnicas:Versión NTX[NTX]
26	976614	Tornillo M5X15	4	
27	AP8152302	Tornillo con reborde M5x12	2	
28	AP8117003	Esponja adhesiva 15X5	1	
29	884303	***PLACA	2	

Grupo	BASTIDOR
Código	33.16
Descripción	Carrocería del. - Canalización
Revisión	1



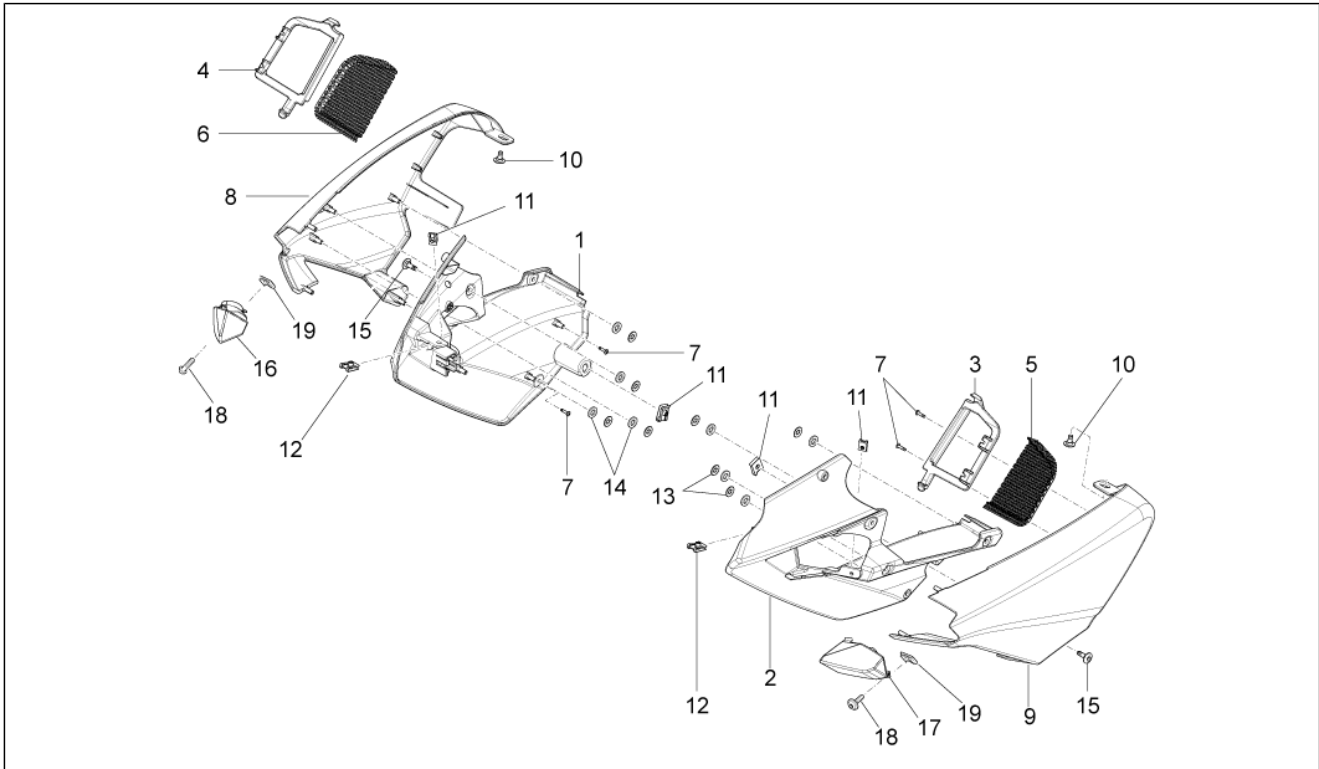
Pos.	Código	Descripción	Cant.	Variantes
1	897637	Lateral der. basto	1	
1	89763700BM	Lateral der.	1	COLOR VEHÍCULO: Blanco diamante (f.t.886900)[whd] Especificaciones técnicas: Versión Estándar[Std]
1	89763700DE	Lateral der. azul	1	AÑO: 2014[E] COLOR VEHÍCULO: Azul Midnight[bl]
1	89763700NI	Lateral der. negro	1	COLOR VEHÍCULO: Anaranjado cobre (f.t.886902)[ar], Verde Raptor Opaco (f.t.B063041)[green] PAÍS: Estados Unidos de Norteamérica[USA] Especificaciones técnicas: Versión NTX[NTX]
1	89763700Y02	Lateral der. negro Guzzi	1	COLOR VEHÍCULO: Negro Guzzi (f.t.886901)[blg] Especificaciones técnicas: Versión Estándar[Std]
1	89763700Y11	Lateral der. technogrey	1	COLOR VEHÍCULO: Negro competition (f.t.886899)[blc] Especificaciones técnicas: Versión NTX[NTX]
1	89763700YA2	Lateral der.	1	COLOR VEHÍCULO: Anaranjado cobre (f.t.886902)[ar] Especificaciones técnicas: Versión Estándar[Std]
2	897638	Lateral izq. basto	1	
2	89763800BM	Lateral izq.	1	COLOR VEHÍCULO: Blanco diamante (f.t.886900)[whd] Especificaciones técnicas: Versión Estándar[Std]
2	89763800DE	Lateral izq. azul	1	AÑO: 2014[E] COLOR VEHÍCULO: Azul Midnight[bl]
2	89763800NI	Lateral izq. negro	1	COLOR VEHÍCULO: Anaranjado cobre (f.t.886902)[ar], Verde Raptor Opaco (f.t.B063041)[green] PAÍS: Estados Unidos de Norteamérica[USA] Especificaciones técnicas: Versión NTX[NTX]
2	89763800Y02	Lateral izq. negro Guzzi	1	COLOR VEHÍCULO: Negro Guzzi (f.t.886901)[blg] Especificaciones técnicas: Versión Estándar[Std]
2	89763800Y11	Lateral izq. technogrey	1	COLOR VEHÍCULO: Negro competition (f.t.886899)[blc] Especificaciones técnicas: Versión NTX[NTX]
2	89763800YA2	Lateral izq.	1	COLOR VEHÍCULO: Anaranjado cobre (f.t.886902)[ar] Especificaciones técnicas: Versión Estándar[Std]
3	886821	Chasis rejilla izq.	1	
4	886822	Chasis rejilla der.	1	

Grupo	BASTIDOR
Código	33.16
Descripción	Carrocería del. - Canalización
Revisión	1



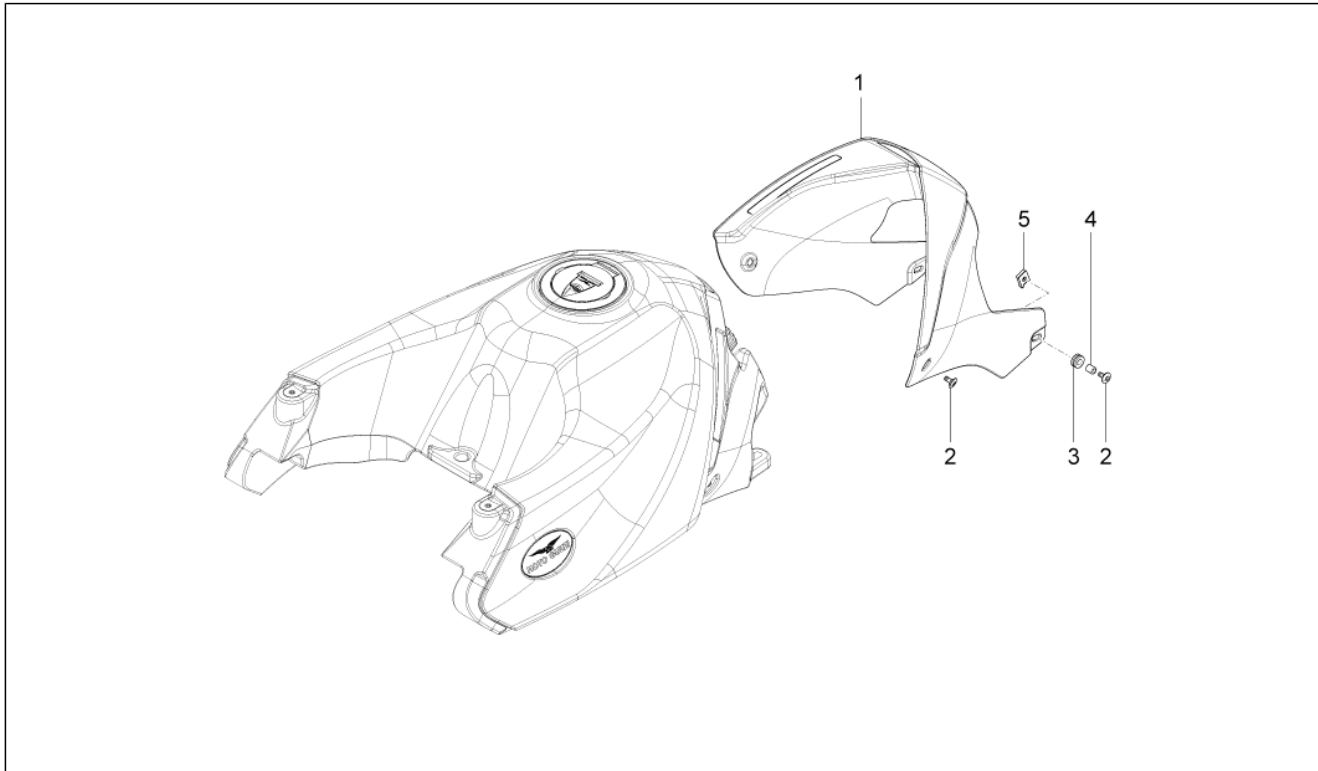
Pos.	Código	Descripción	Cant.	Variantes
5	886823	Rejilla deflector izq.	1	
6	886824	Rejilla deflector der.	1	
7	AP8150421	Torn. autorr. 2,9x12	4	
8	897639	Deflector der. en bruto	1	
8	89763900NI	Canaliz.der.negro	1	COLOR VEHÍCULO: Anaranjado cobre (f.t.886902)[ar], Negro Guzzi (f.t.886901)[blg], Blanco diamante (f.t.886900)[whd] Especificaciones técnicas: Versión Estándar[Std]
8	89763900NI	Canaliz.der.negro	1	COLOR VEHÍCULO: Anaranjado cobre (f.t.886902)[ar], Verde Raptor Opaco (f.t.B063041)[green] PAÍS: Estados Unidos de Norteamérica[USA] Especificaciones técnicas: Versión NTX[NTX]
8	89763900Y11	Canalización der. technogrey	1	COLOR VEHÍCULO: Negro competition (f.t.886899)[blc] Especificaciones técnicas: Versión NTX[NTX]
9	897640	Deflector izq. en bruto	1	
9	89764000NI	Canaliz.izq.negro	1	COLOR VEHÍCULO: Anaranjado cobre (f.t.886902)[ar], Negro Guzzi (f.t.886901)[blg], Blanco diamante (f.t.886900)[whd] Especificaciones técnicas: Versión Estándar[Std]
9	89764000NI	Canaliz.izq.negro	1	COLOR VEHÍCULO: Anaranjado cobre (f.t.886902)[ar], Verde Raptor Opaco (f.t.B063041)[green] PAÍS: Estados Unidos de Norteamérica[USA] Especificaciones técnicas: Versión NTX[NTX]
9	89764000Y11	Canalización izq. technogrey	1	COLOR VEHÍCULO: Negro competition (f.t.886899)[blc] Especificaciones técnicas: Versión NTX[NTX]
10	AP8152339	Tornillo con reborde M5x9	1	
11	248419	Placa elastica m5	4	
12	AP8102381	Clip M4	2	
13	AP8150450	Arandela para ejes D5	8	
14	AP8144065	Goma	8	
15	AP8152302	Tornillo con reborde M5x12	2	
16	88346700NI	Tapón der. negro	1	PAÍS: Canadá[CA], Estados Unidos de Norteamérica[USA]
16	88346700Y11	Tapón der. gris	1	PAÍS: Canadá[CA], Estados Unidos de Norteamérica[USA]

Grupo	BASTIDOR
Código	33.16
Descripción	Carrocería del. - Canalización
Revisión	1



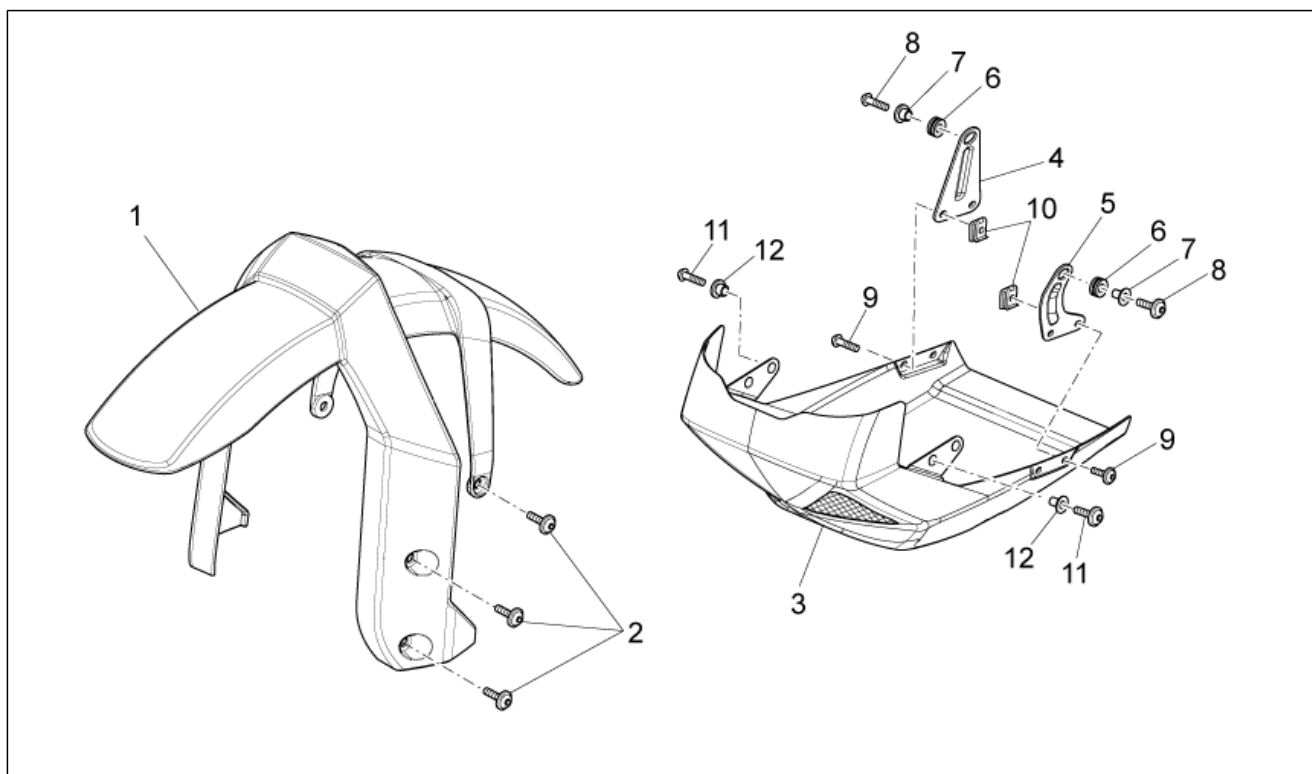
Pos.	Código	Descripción	Cant.	Variantes
17	88346800NI	Tapón izq. negro	1	PAÍS:Canadá[CA], Estados Unidos de Norteamérica[USA]
17	88346800Y11	Tapón izq. gris	1	PAÍS:Canadá[CA], Estados Unidos de Norteamérica[USA]
18	GU98370412	Tornillo M4x12	2	PAÍS:Canadá[CA], Estados Unidos de Norteamérica[USA]
19	AP8102381	Clip M4	2	PAÍS:Canadá[CA], Estados Unidos de Norteamérica[USA]

Grupo	BASTIDOR
Código	33.17
Descripción	Carrocería central
Revisión	1



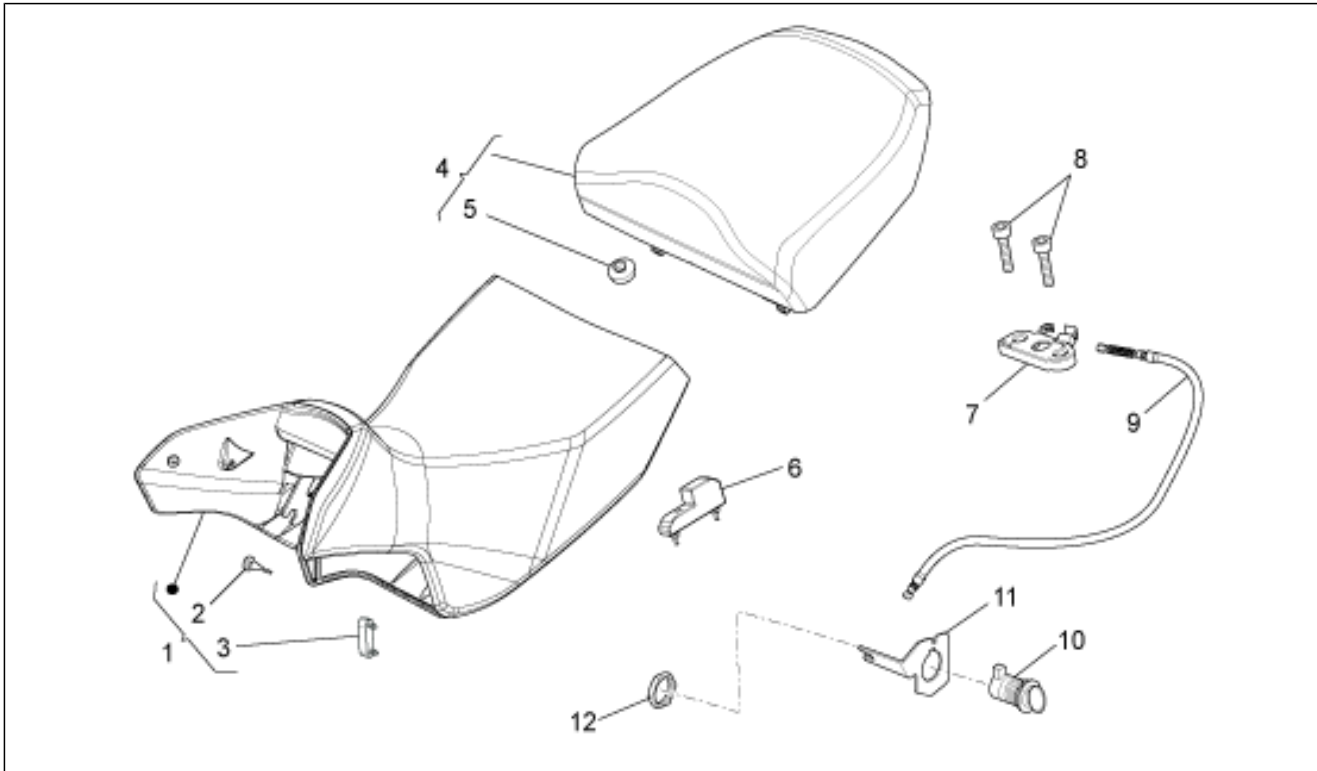
Pos.	Código	Descripción	Cant.	Variantes
1	898165	Cubierta del depósito en bruto	1	
1	89816500NI	Cubierta del depósito	1	
1	89816500YN2	Cubierta del depósito Black Alcyone	1	AÑO:2014[E] COLOR VEHÍCULO:Azul Midnight[bl]
2	AP8152339	Tornillo con reborde M5x9	4	
3	978152	Goma	2	
4	GU91180600	Distanciador 6,25x8x5	2	
5	248419	Placa elastica m5	2	

Grupo	BASTIDOR
Código	33.18
Descripción	Guardab. Delant.-Puntal
Revisión	1



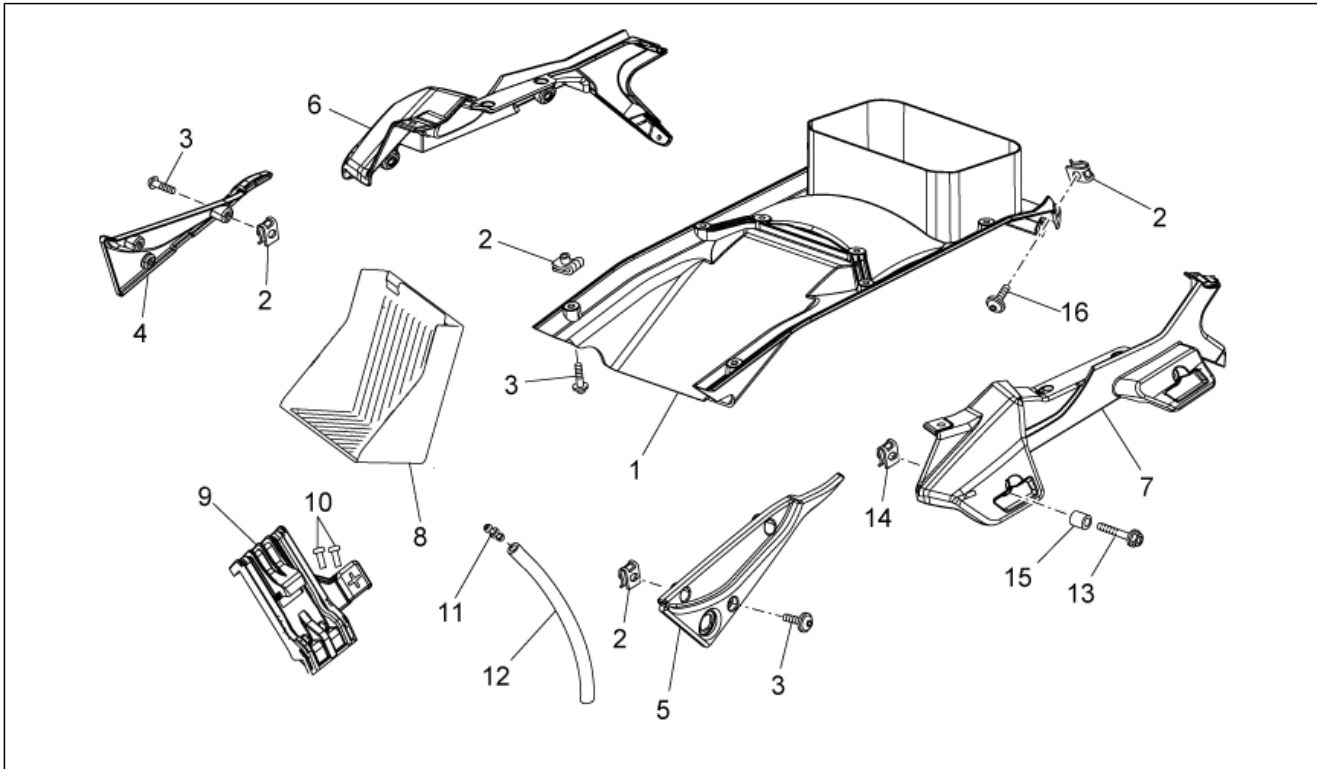
Pos.	Código	Descripción	Cant.	Variantes
1	88625400BM	Guardabarros del. blanco	1	COLOR VEHÍCULO: Blanco diamante (f.t.886900)[whd] Especificaciones técnicas: Versión Estándar[Std]
1	88625400DE	Guardab. del.p.azul	1	AÑO: 2014[E] COLOR VEHÍCULO: Azul Midnight[bl]
1	88625400NI	Guardab.del.negro	1	COLOR VEHÍCULO: Negro competition (f.t.886899)[blc] Especificaciones técnicas: Versión NTX[NTX]
1	88625400XV6	Guardabarros del. verde	1	COLOR VEHÍCULO: Verde Raptor Opaco (f.t.B063041)[green] Especificaciones técnicas: Versión NTX[NTX]
1	88625400Y02	Guardab.del.negro	1	COLOR VEHÍCULO: Negro Guzzi (f.t.886901)[blg] Especificaciones técnicas: Versión Estándar[Std]
1	88625400YA2	Guardab. del.naranja	1	COLOR VEHÍCULO: Anaranjado cobre (f.t.886902)[ar] PAÍS: Estados Unidos de Norteamérica[USA] Especificaciones técnicas: Versión NTX[NTX], Versión Estándar[Std]
1	978445	Guardab.delantero bas.	1	
2	AP8152302	Tornillo con reborde M5x12	6	
3	886329	Puntal del carenado, negro	1	Especificaciones técnicas: Versión Estándar[Std]
4	978777	Soporte derecho	1	
5	978776	Soporte izq.	1	
6	GU91551010	Goma	2	
7	AP8221128	Buje en 'T' 8,5x10,7x12	2	
8	GU98350425	Tornillo	2	
9	AP8152339	Tornillo con reborde M5x9	4	
10	248419	Placa elastica m5	4	
11	GU98350416	Tornillo M8x16	4	
12	AP8121096	Buje en 'T' 8,2x12x4	4	

Grupo	BASTIDOR
Código	33.19
Descripción	Sillín
Revisión	1



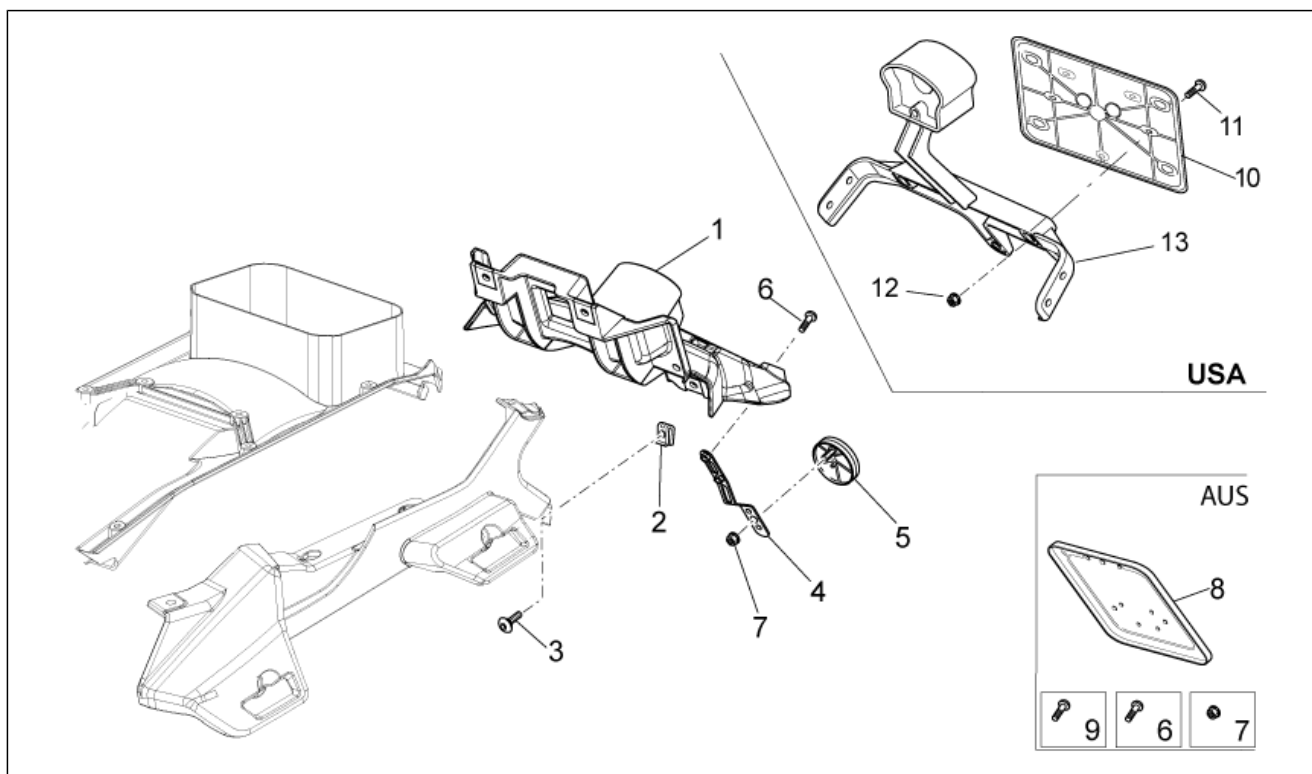
Pos.	Código	Descripción	Cant.	Variantes
1	88617600A2	Sillín piloto	1	
2	AP8120001	Goma	2	
3	AP8126701	Goma apoyo sillín	2	
4	88621100A2	Sillín pasajero	1	
5	GU32461610	Goma	5	
6	886175	Goma	4	
7	AP8102913	Placa fij.sil.pasaj.	1	
8	GU98370625	Tornillo	2	
9	883048	Cable cerradura sill.	1	
10	GU05466830	Cerradura sillín	1	
11	AP8134948	Placa	1	
12	AP8102523	Tuerca cerradura M22x1,5	1	

Grupo	BASTIDOR
Código	33.20
Descripción	Carroc.tras.l
Revisión	1



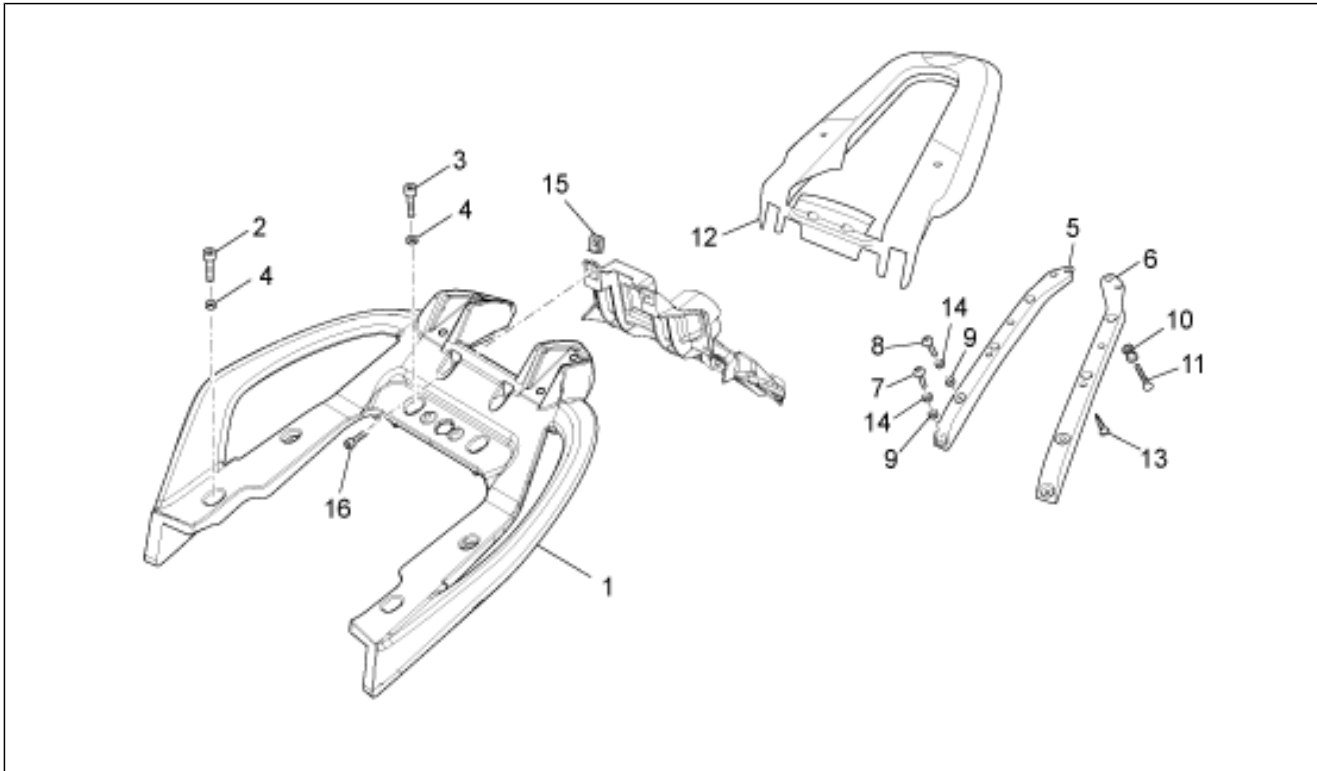
Pos.	Código	Descripción	Cant.	Variantes
1	886647	Parasalpicaaduras	1	
2	248419	Placa elastica m5	9	
3	AP8152339	Tornillo con reborde M5x9	10	
4	883024	Later.peq.der.p.	1	
5	883023	Later.peq.izq. p.	1	
6	886206	Soporte der.	1	
7	886207	Soporte izq.	1	
8	883617	Caja portabatería	1	
9	886205	Placa fijac. batería	1	
10	AP8152329	Torn. c.cruz reborde M5x20	2	
11	GU06704700	Empalme	1	
12	AP8220263	Tubo respiradero 4x8	1	
13	AP8152280	Torn. CH con reborde M6x25	4	
14	GU28576592	Tuerca de grapa M6	4	
15	883177	Buje 6,2x10x10,7	4	
16	AP8152302	Tornillo con reborde M5x12	2	

Grupo	BASTIDOR
Código	33.21
Descripción	Carroc.tras.II
Revisión	1



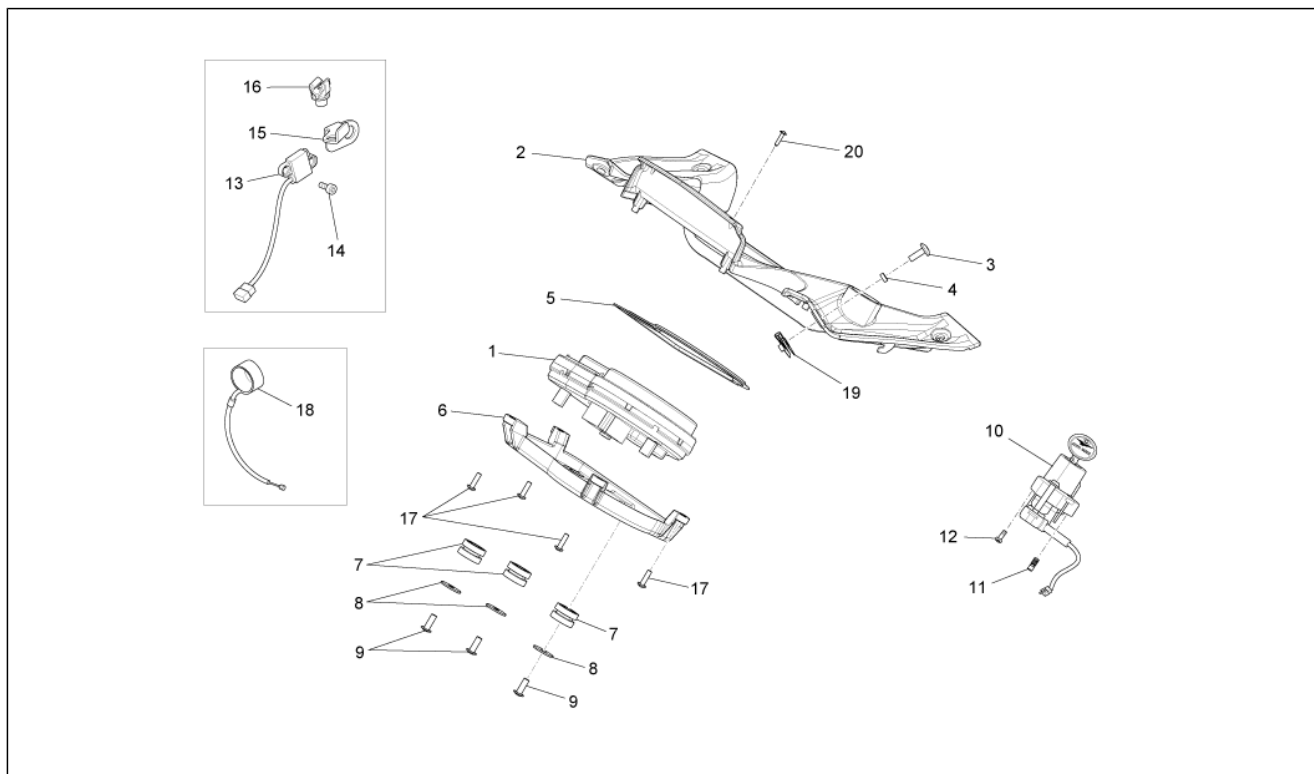
Pos.	Código	Descripción	Cant.	Variantes
1	978425	Portamatrícula	1	
2	248419	Placa elastica m5	2	
3	AP8152302	Tornillo con reborde M5x12	2	
4	AP8134448	Soporte catafaro	1	
5	AP8224164	Catafaro trasero rojo	1	
6	AP8152268	Tornillo M5x16	6	
7	AP8152306	Tuerca autobloqueante m5	4	
8	GU80438610	Portamatrícula	1	PAÍS:Australia[AUS]
9	AP8152339	Tornillo con reborde M5x9	4	PAÍS:Australia[AUS]
10	AP8149034	Soporte matrícula	1	PAÍS:Canadá[CA], Estados Unidos de Norteamérica[USA]
11	GU98223530	Tornillo	2	PAÍS:Canadá[CA], Estados Unidos de Norteamérica[USA]
12	GU92650035	Tuerca con reborde	2	PAÍS:Canadá[CA], Estados Unidos de Norteamérica[USA]
13	883214	Del.soporte catafaro	1	PAÍS:Canadá[CA], Estados Unidos de Norteamérica[USA]

Grupo	BASTIDOR
Código	33.22
Descripción	Asa - Transportín
Revisión	1



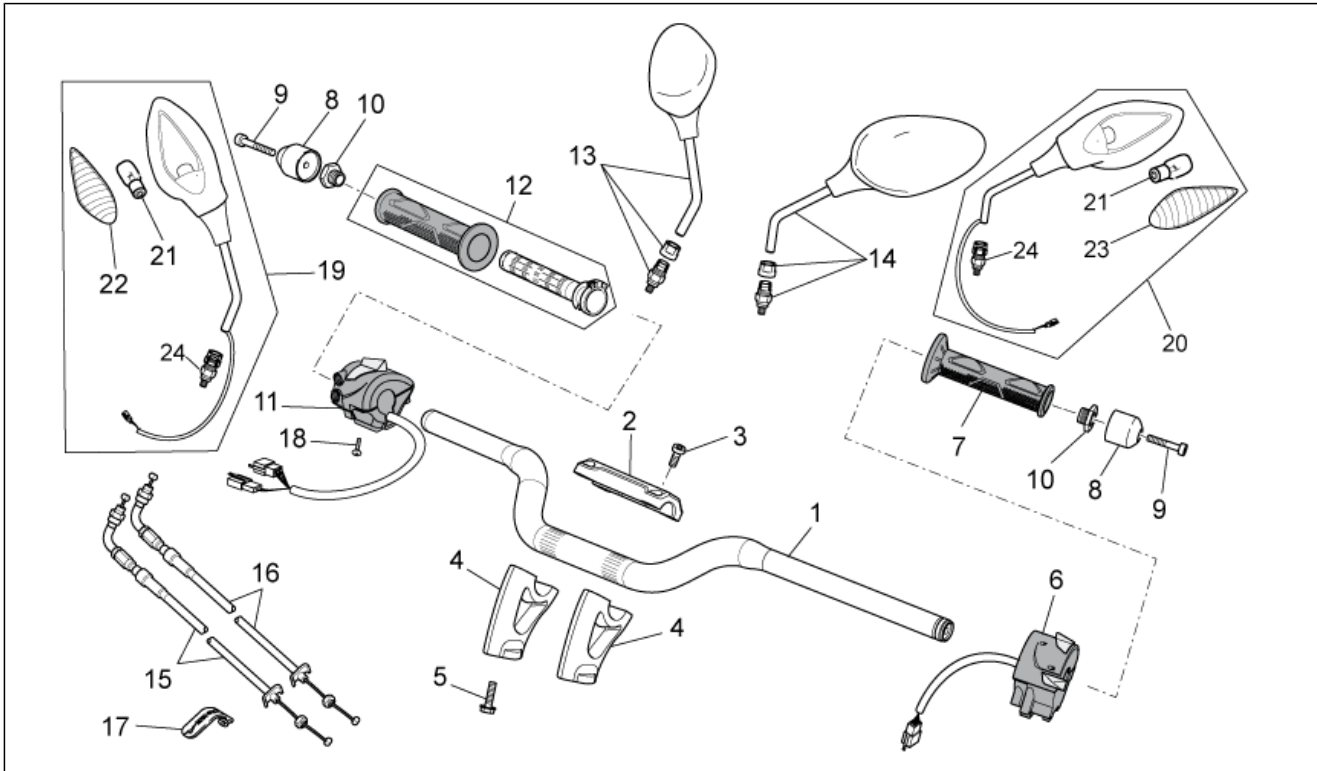
Pos.	Código	Descripción	Cant.	Variantes
1	97843900Y10	Asa pasaj.	1	
2	GU98682425	Tornillo Allen M8x25	4	
3	GU98682416	Tornillo Allen M8x16	2	
4	GU14615901	Arandela 8,4X13X0,8	6	
5	GU05466630	Soporte transportín der.	1	
6	GU05466631	Soporte transportín izq.	1	
7	GU98700430	Tornillo cab.h.hex. M8x30	2	
8	GU98700430	Tornillo cab.h.hex. M8x30	2	
9	AP8152154	Arandela 8,4x13*	4	
10	AP8121890	Buje	2	
11	GU98250635	Tornillo M6x35	2	
12	883047	Tapa transportín	1	
13	AP8150509	Torn. autorr. 5x14	4	
14	GU03013800	Arandela 6,4x12	4	
15	248419	Placa elastica m5	2	
16	AP8152302	Tornillo con reborde M5x12	2	

Grupo	BASTIDOR
Código	33.23
Descripción	Salpicadero
Revisión	1



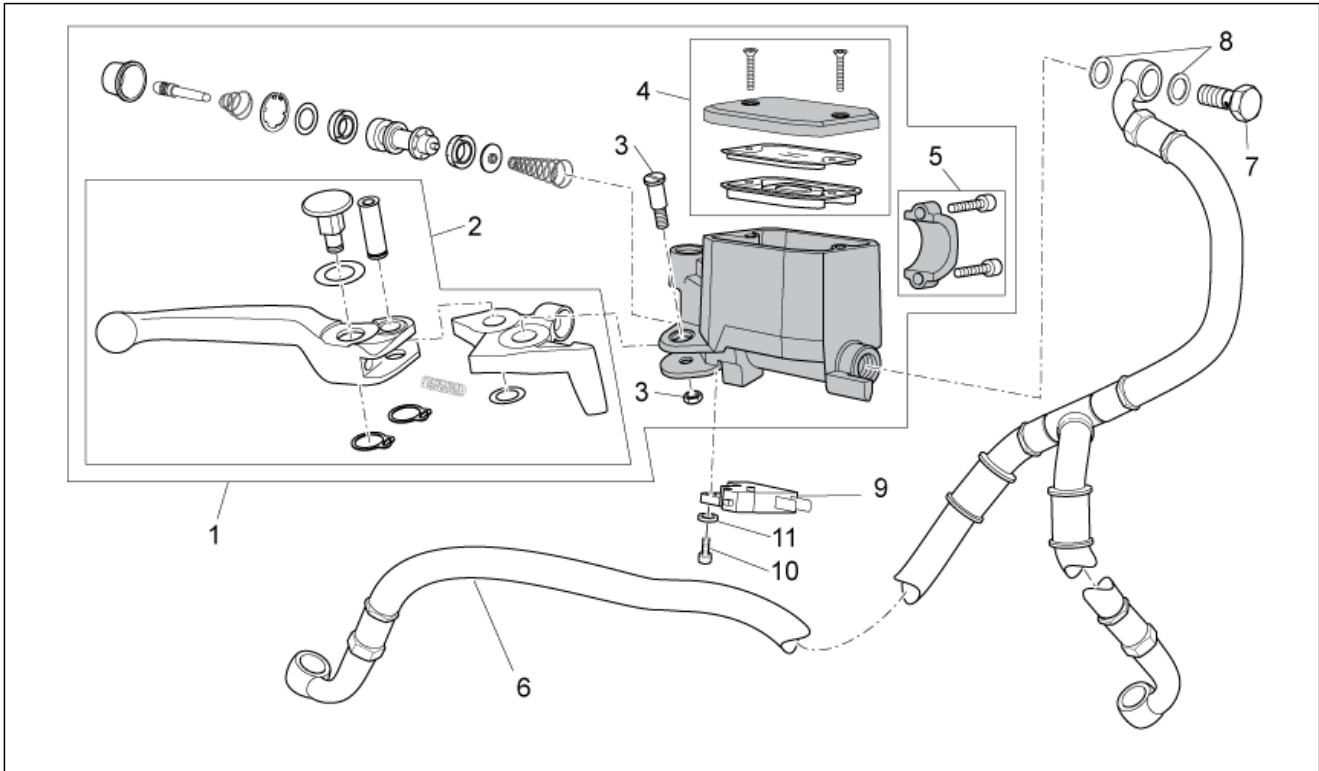
Pos.	Código	Descripción	Cant.	Variantes
1	897645	Salpicadero	1	
2	89816600NI	Tabl. salpic.p.basto	1	COLOR VEHÍCULO: Anaranjado cobre (f.t.886902)[ar], Verde Raptor Opaco (f.t.B063041)[green] PAÍS: Estados Unidos de Norteamérica[USA] Especificaciones técnicas: Versión NTX[NTX], Versión Estándar[Std]
2	89816600Y11	Tabl. salpic.p.basto	1	Especificaciones técnicas: Versión NTX[NTX]
2	89816600YN2	Tabl. salpic.p.basto Black Alcyone	1	AÑO: 2014[E] COLOR VEHÍCULO: Azul Midnight[bl]
3	976614	Tornillo M5X15	4	
4	GU91180601	Distanciador 6,2x8x3	2	
5	978449	Junta	1	
6	886819	Cuerpo tablero de instrumentos	1	
7	AP8144662	Goma	3	
8	AP8150255	Arandela 5x20x1,5	3	
9	AP8150509	Torn. autorr. 5x14	3	
10	GU05782530	Bloque arran.-bloq.	1	
11	AP8152238	Tornillo de tracción M8x28	1	
12	GU98682430	Tornillo Allen M8x30	1	
13	883768	Sensor de velocidad	1	Especificaciones técnicas: Versión sin ABS[No ABS]
14	AP8152043	Tornillo Allen M4x10	2	Especificaciones técnicas: Versión sin ABS[No ABS]
15	GU06765500	Pasacables	1	Especificaciones técnicas: Versión sin ABS[No ABS]
16	AP8121882	Guiacable	1	Especificaciones técnicas: Versión sin ABS[No ABS]
17	AP8150413	Torn. autorr. 3,9x14	2	
18	981087	Antena immobilizer	1	
19	248419	Placa elastica m5	4	
20	AP8150421	Torn. autorr. 2,9x12	2	

Grupo	BASTIDOR
Código	33.24
Descripción	Manillar - Mandos
Revisión	1



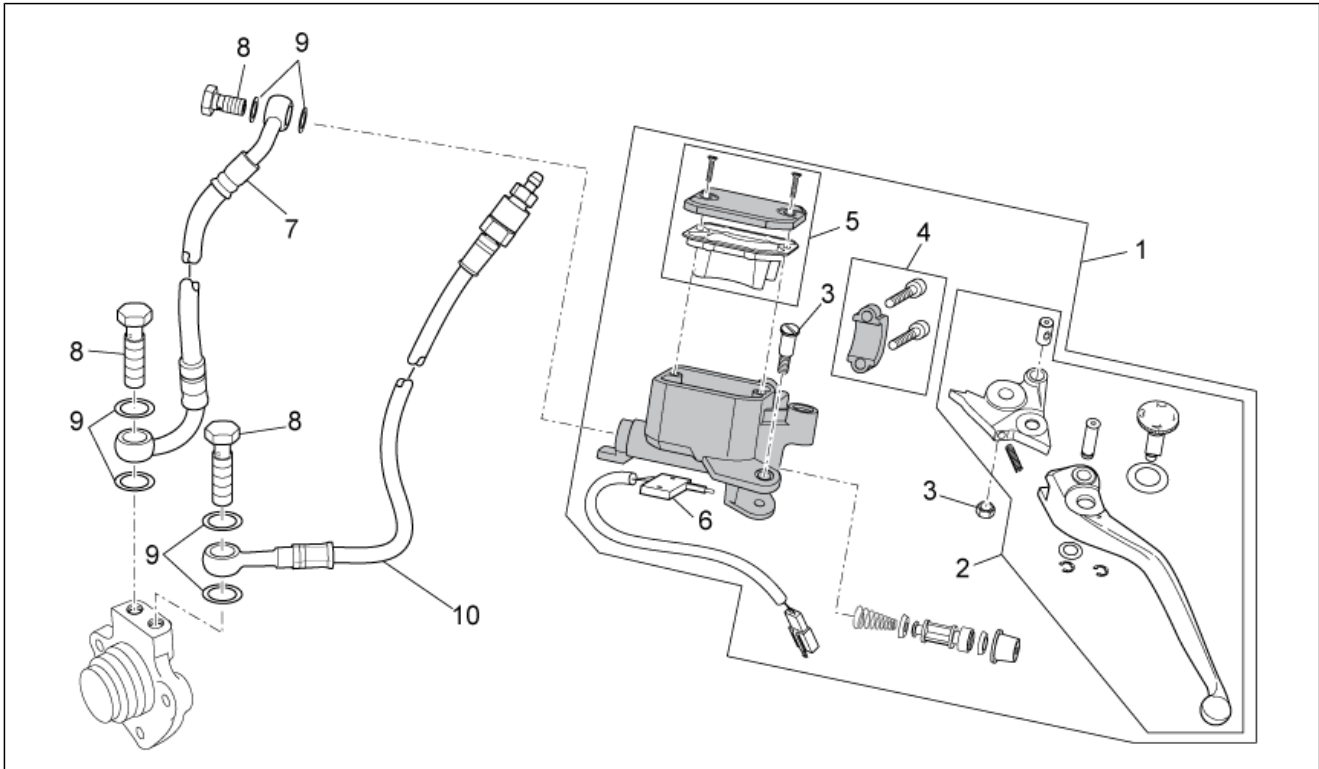
Pos.	Código	Descripción	Cant.	Variantes
1	978040	Manillar	1	
2	978821	Horquilla.	1	
3	GU98700430	Tornillo cab.h.hex. M8x30	4	
4	978042	Perno inferior	2	
5	AP8152325	Torn. CH con reborde	2	
6	886229	Conmut. luces izq.	1	
7	AP8118579	Puño izq.	1	
8	AP8104572	Peso antivib.p.negro	2	
9	AP8150342	Tornillo Allen M6x70	2	
10	886234	Termin.peso antivib.	2	
11	883543	Disp.motor par.-arr.	1	Especificaciones técnicas:Versión sin ABS[No ABS]
11	886159	Disp.motor par.-arr.	1	Especificaciones técnicas:
12	GU01603480	Puño der.	1	
13	AP8104921	Espejo retrovisor der.	1	
14	AP8104922	Espejo retrovisor izq.	1	
15	85222R	Cable apertura gas	1	
16	85223R	Cable cierre gas	1	
17	GU01609630	Abrazadera L46 mm	4	
18	978059	Torn. autorr.	1	
19	883460	Espejo retrovisor der.	1	PAÍS:Canadá[CA], Estados Unidos de Norteamérica[USA]
20	883461	Espejo retrovisor izq.	1	PAÍS:Canadá[CA], Estados Unidos de Norteamérica[USA]
21	981101	Lámpara 12V-15W	1	PAÍS:Canadá[CA], Estados Unidos de Norteamérica[USA]
22	981099	Cristal indic. dirección der.	1	PAÍS:Canadá[CA], Estados Unidos de Norteamérica[USA]
23	981100	Cristal indic. dirección izq.	1	PAÍS:Canadá[CA], Estados Unidos de Norteamérica[USA]
24	884312	Grapa fijación espejo	2	PAÍS:Canadá[CA], Estados Unidos de Norteamérica[USA]

Grupo	BASTIDOR
Código	33.25
Descripción	Bomba freno del.
Revisión	1



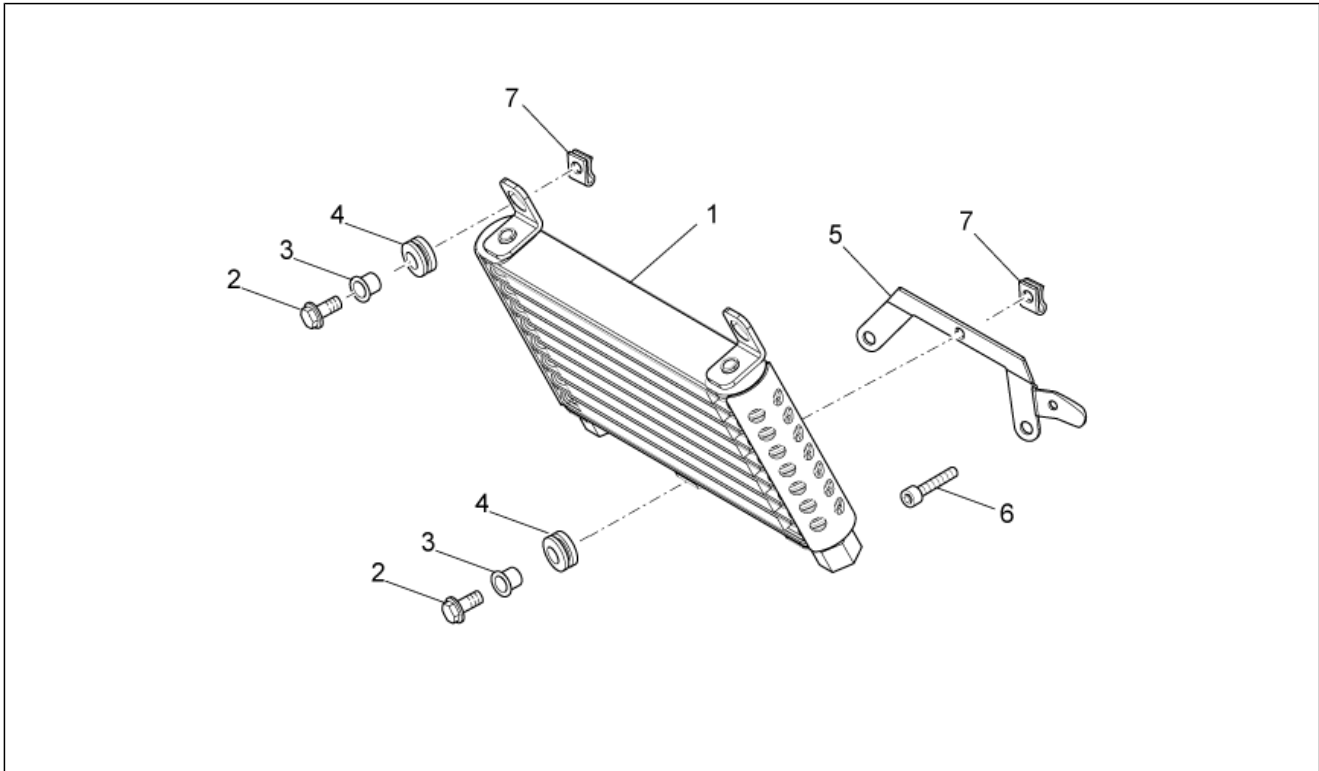
Pos.	Código	Descripción	Cant.	Variantes
1	978606	Bomba freno del.	1	
2	981050	Palanca freno del.	1	
3	AP8113995	Perno palanca	1	
4	GU05661130	Tapón depósito	1	
5	AP8113993	Perno U	1	
6	978784	Tubo freno del.	1	Especificaciones técnicas: Versión sin ABS [No ABS]
7	AP8133962	Tornillo tubo aceite *	1	Especificaciones técnicas: Versión sin ABS [No ABS]
8	GU25656100	Junta	2	
9	GU03749845	Interruptor de stop	1	
10	GU98370412	Tornillo M4x12	1	
11	GU95021104	Arandela 4,3x8x1,5	1	

Grupo	BASTIDOR
Código	33.26
Descripción	Mando embrague cpl.
Revisión	1



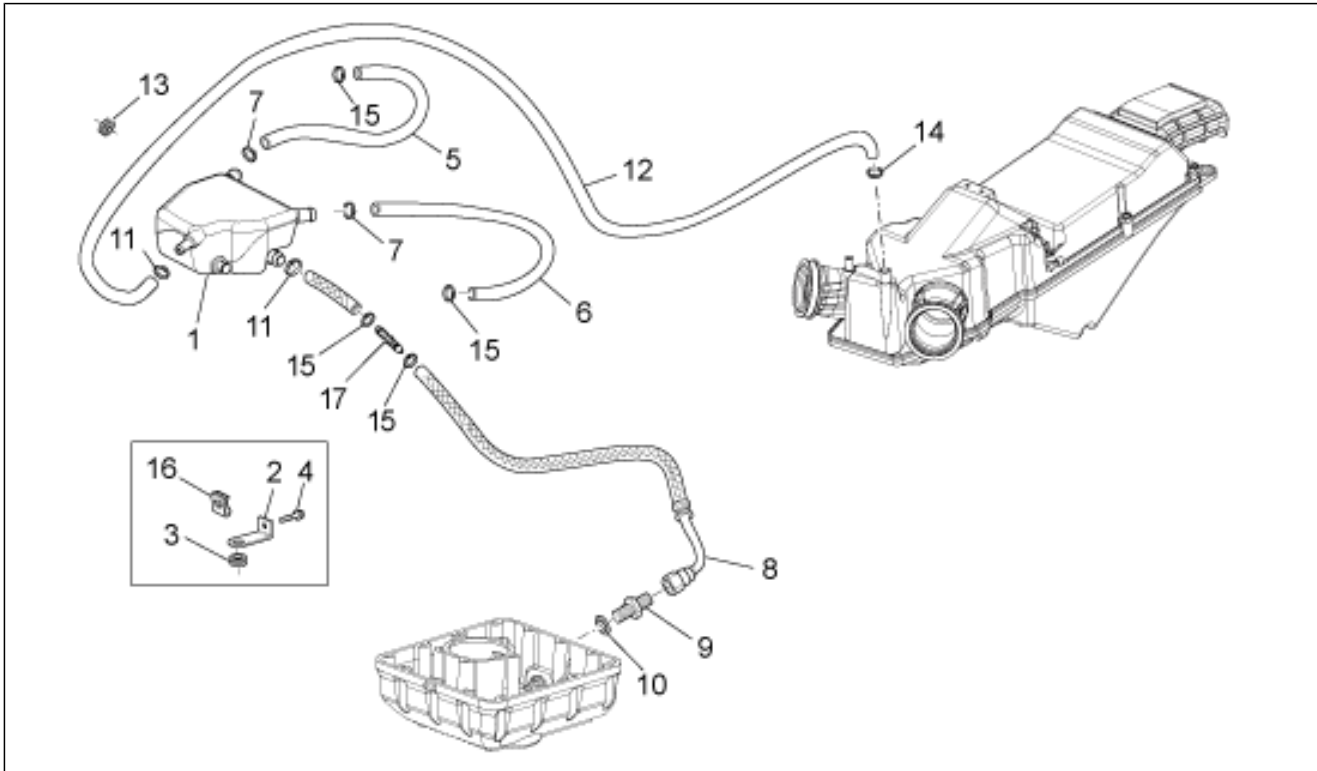
Pos.	Código	Descripción	Cant.	Variantes
1	978607	Bomba embrague	1	
2	981046	Palanca embrague	1	
3	GU03604845	Perno palanca	1	
4	AP8113993	Perno U	1	
5	AP8113997	Tapón depósito	1	
6	AP8113998	Microinterruptor	1	
7	978911	Tubo embrague	1	
8	AP8113003	Tornillo tubo aceite *	3	
9	AP8113004	Arandela 10x14x1,6*	6	
10	GU05606630	Tubo de embrague	1	

Grupo	BASTIDOR
Código	33.27
Descripción	Radiador aceite
Revisión	1



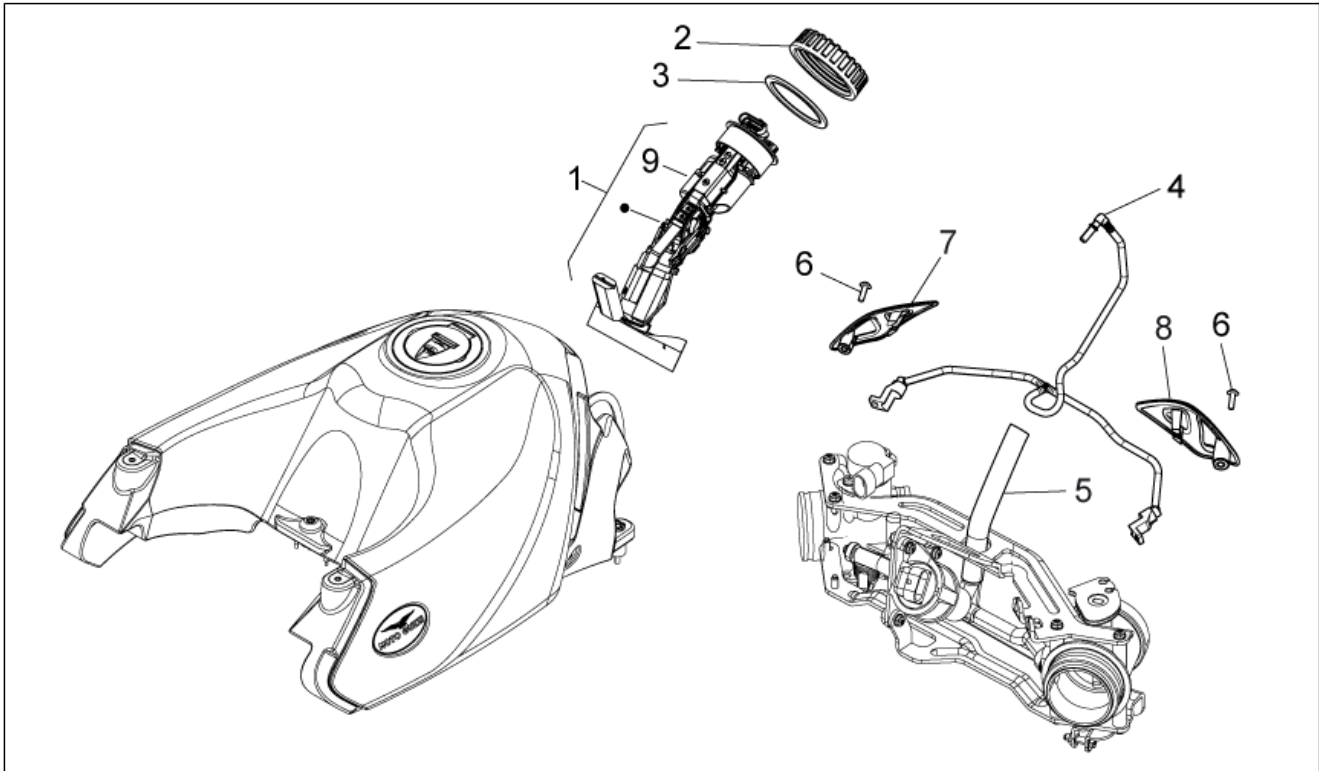
Pos.	Código	Descripción	Cant.	Variantes
1	886831	Radiador aceite cpl.	1	
1	978579	Radiador aceite cpl.	1	
2	AP8152280	Torn. CH con reborde M6x25	3	
3	AP8221023	Buje en 'T'	3	
4	AP8120030	Goma	3	
5	886858	Soporte radiador	1	
5	978846	Soporte radiador	1	
6	GU98680340	Tornillo Allen M6x40	2	
7	GU28576591	Clip M6	1	

Grupo	BASTIDOR
Código	33.28
Descripción	Instalación Blow-by
Revisión	1



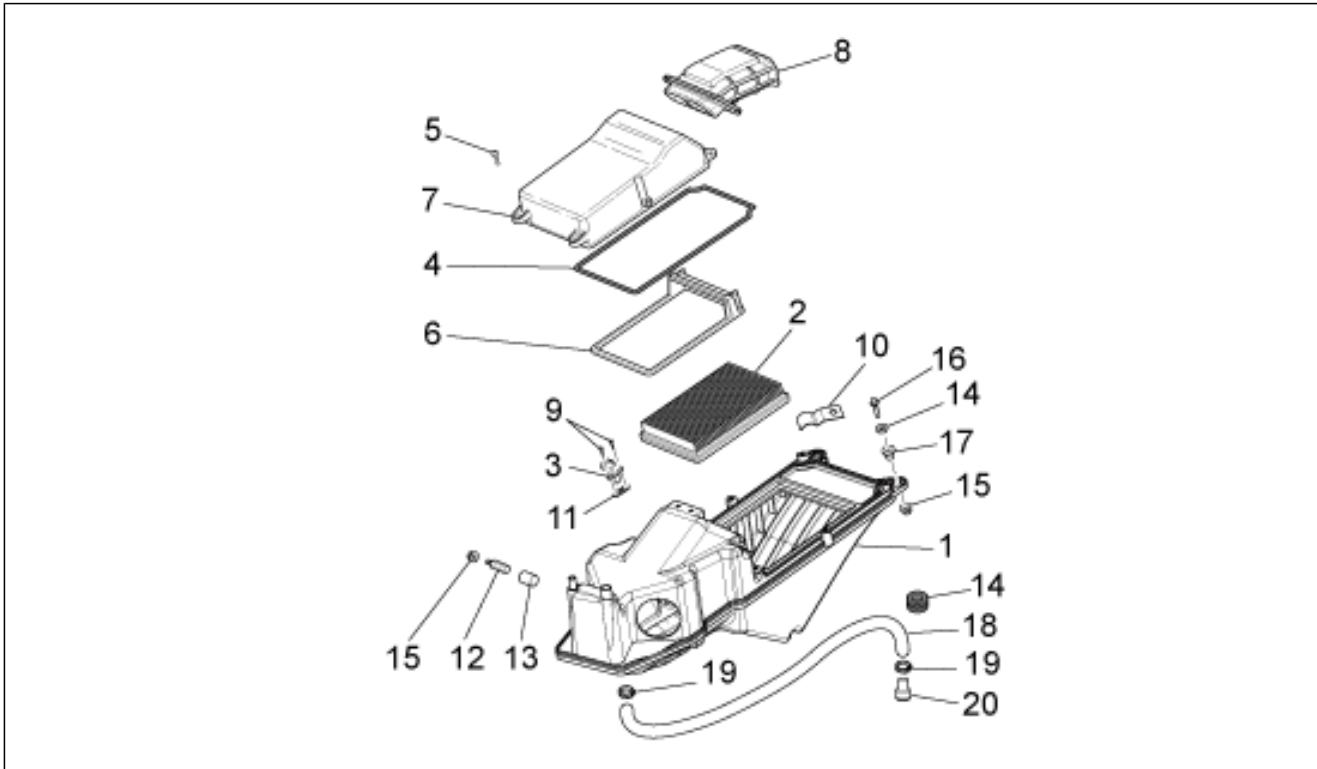
Pos.	Código	Descripción	Cant.	Variantes
1	886098	Caja expansión	1	
2	GU06412300	Placa	1	
3	AP8120030	Goma	1	
4	598839	Torn. CH con reborde	1	
5	883034	Tubo der.	1	
6	883035	Tubo izq.	1	
7	AP8102349	Abrazadera clic blanca D17,5x8	2	
8	883036	Tubos	1	
9	GU01161331	Reducción	1	
10	GU01154230	Junta	1	
11	AP8102765	Abrazadera clic blanca D.13,5x6	2	
12	GU00823955080	Tubo respiradero	1	
13	AP8220162	Goma	1	
14	AP8102764	Abrazadera clic blanca d.13x6	1	
15	AP8101586	Abrazadera clic D.15,5x6,6	4	
16	GU28576591	Clip M6	1	
17	886339	Empalme de dos vías	1	

Grupo	BASTIDOR
Código	33.29
Descripción	Alimentación
Revisión	1



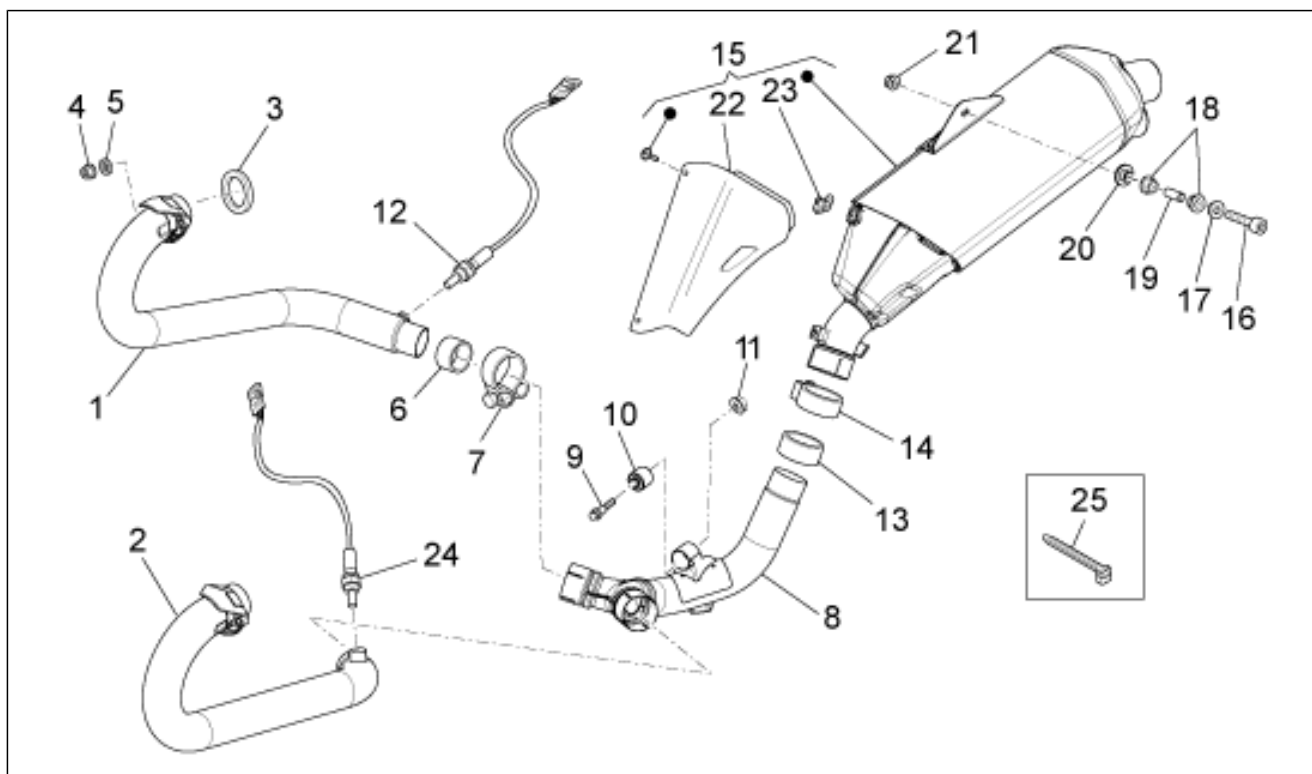
Pos.	Código	Descripción	Cant.	Variantes
1	897636	Bomba gasolina	1	
2	AP8158359	Virola	1	
3	854937	Junta	1	
4	897618	tubo gasolina	1	
5	883633	Tubo respiradero	1	
6	GU98680222	Tornillo Allen	2	
7	883092	Protec.der.	1	
8	883093	Protec.izq.	1	
9	641277	Filtro carburante	1	

Grupo	BASTIDOR
Código	33.30
Descripción	Caja del filtro
Revisión	1



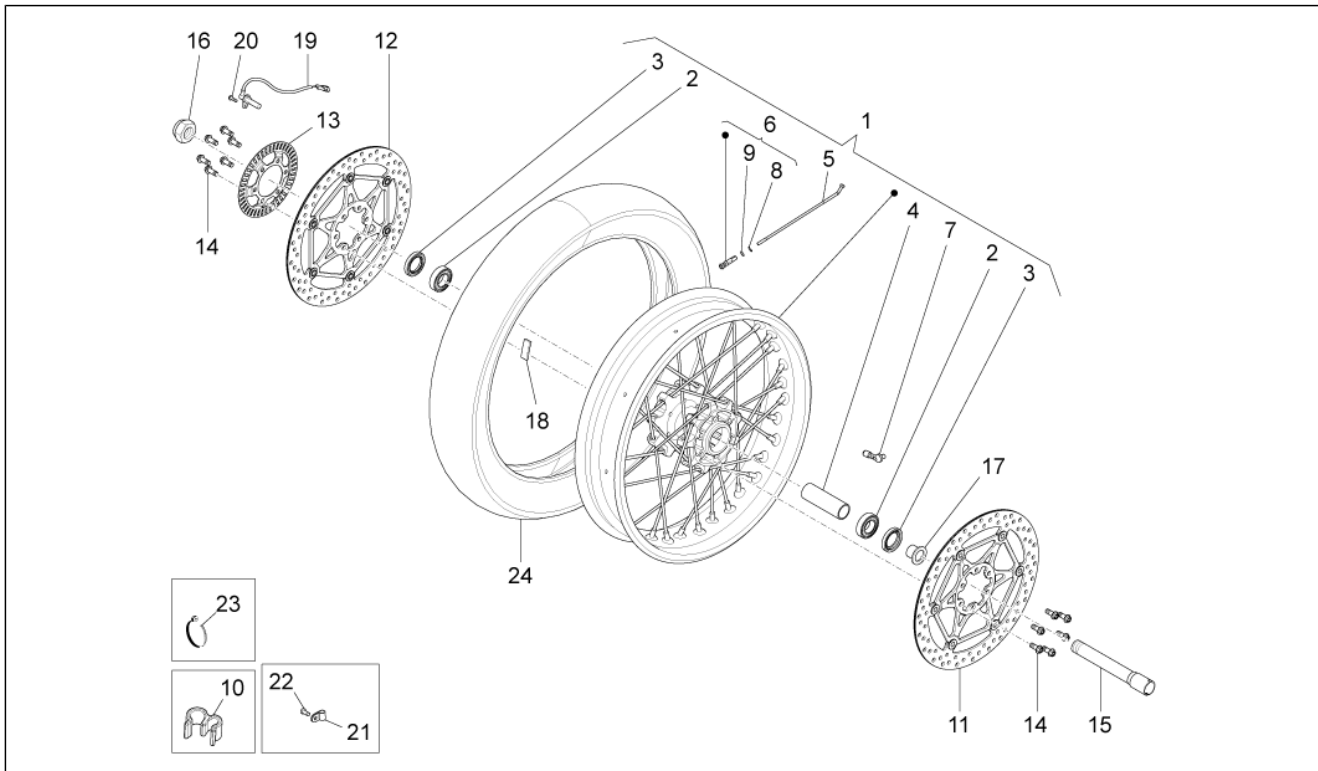
Pos.	Código	Descripción	Cant.	Variantes
1	877062	CAJA DEL FILTRO	1	
2	AP8104329	Filtro aire	1	
3	GU30729330	Sensor temp. aire	1	
4	890513	Junta D4	1	
5	AP8152329	Torn. c.cruz reborde M5x20	6	
6	GU06114200	Protection	1	
7	GU06113700	Tapa	1	
8	AP8144164	Manguito de admisión	1	
9	AP8150421	Torn. autorr. 2,9x12	2	
10	GU93301313	Perno U	1	
11	GU30027931	Junta	1	
12	883097	Perno sost.cja filt.	2	
13	AP8220526	Goma	2	
14	AP8120030	Goma	2	
15	GU92650036	Tuerca con reborde M6	2	
16	AP8152280	Torn. CH con reborde M6x25	2	
17	AP8221023	Buje en 'T'	2	
18	AP8144038	Tubo gasolina 6x10	2	
19	AP8101595	Abrazadera D10,1	4	
20	AP8120876	Tapón de cierre	2	

Grupo	BASTIDOR
Código	33.31
Descripción	Grupo de escape
Revisión	1



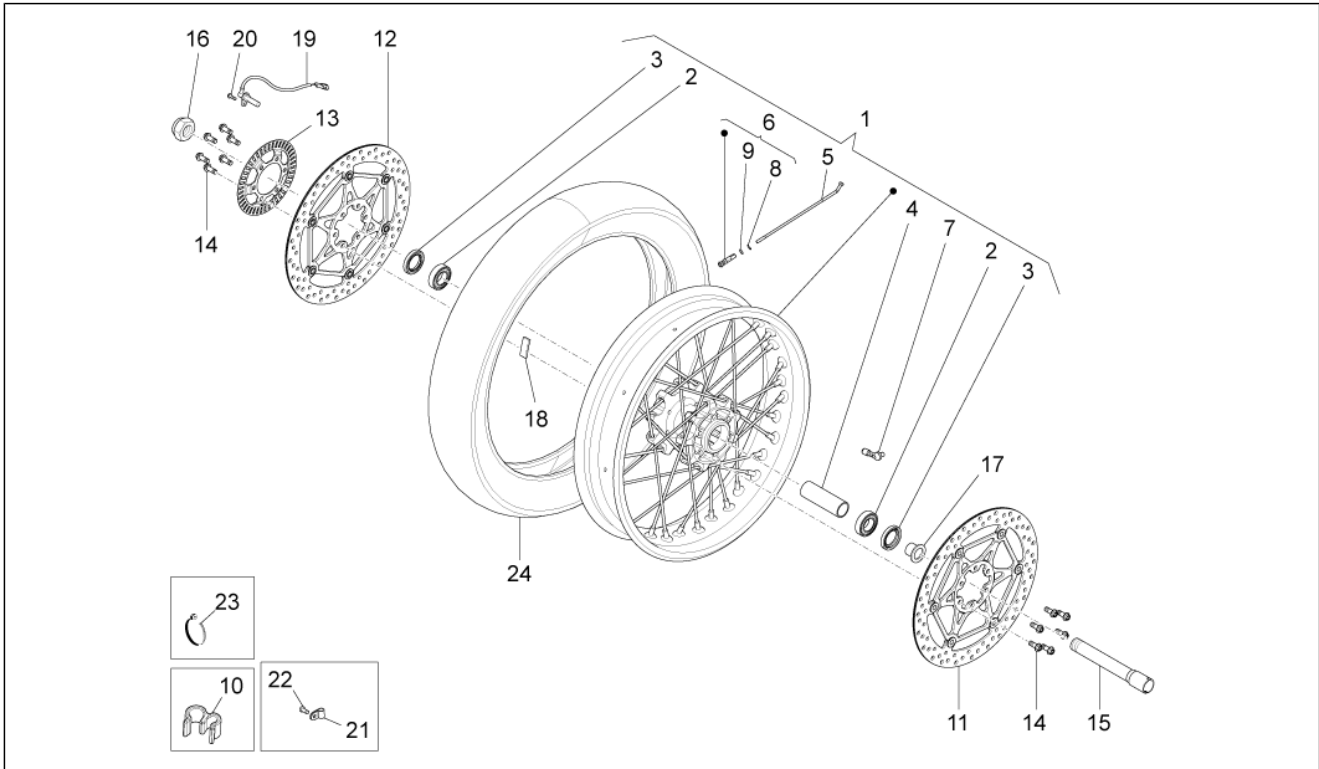
Pos.	Código	Descripción	Cant.	Variantes
1	897622	Tubo escape der.	1	
2	897623	Tubo escape izq.	1	
3	976376	Junta	2	
4	GU92660021	Tuerca con reborde M8	4	
5	GU14615901	Arandela 8,4X13X0,8	4	
6	GU06123500	Junta	2	
7	883094	Abrazadera	2	
8	897624	Tubo escape central	1	
9	AP8152410	Torn. CH con reborde M10x55	1	
10	AP8220346	Casquillo elástico	1	
11	AP8152301	Tuerca autobloqueante	1	
12	896110	Sonda lamda l.660 mm	1	
13	GU05128230	Junta	1	
14	976521	Abrazadera	1	
15	886307	Silenciador	1	
16	GU98680460	Tornillo Allen M8x60	1	
17	AP8134378	Buje fijación silenciador	1	
18	AP8144071	Goma silencioso	2	
19	AP8121072	Distanciador	1	
20	977582	Distanciador	1	
21	GU92650138	Tuerca M8x1,25	1	
22	978444	Protección	1	
23	GU28576591	Clip M6	2	
24	584344	Sonda lamda l. 325 mm	1	
25	GU93304390	Abrazadera 3,6x375	1	

Grupo	BASTIDOR
Código	33.33
Descripción	RUEDA DELANTERA
Revisión	1



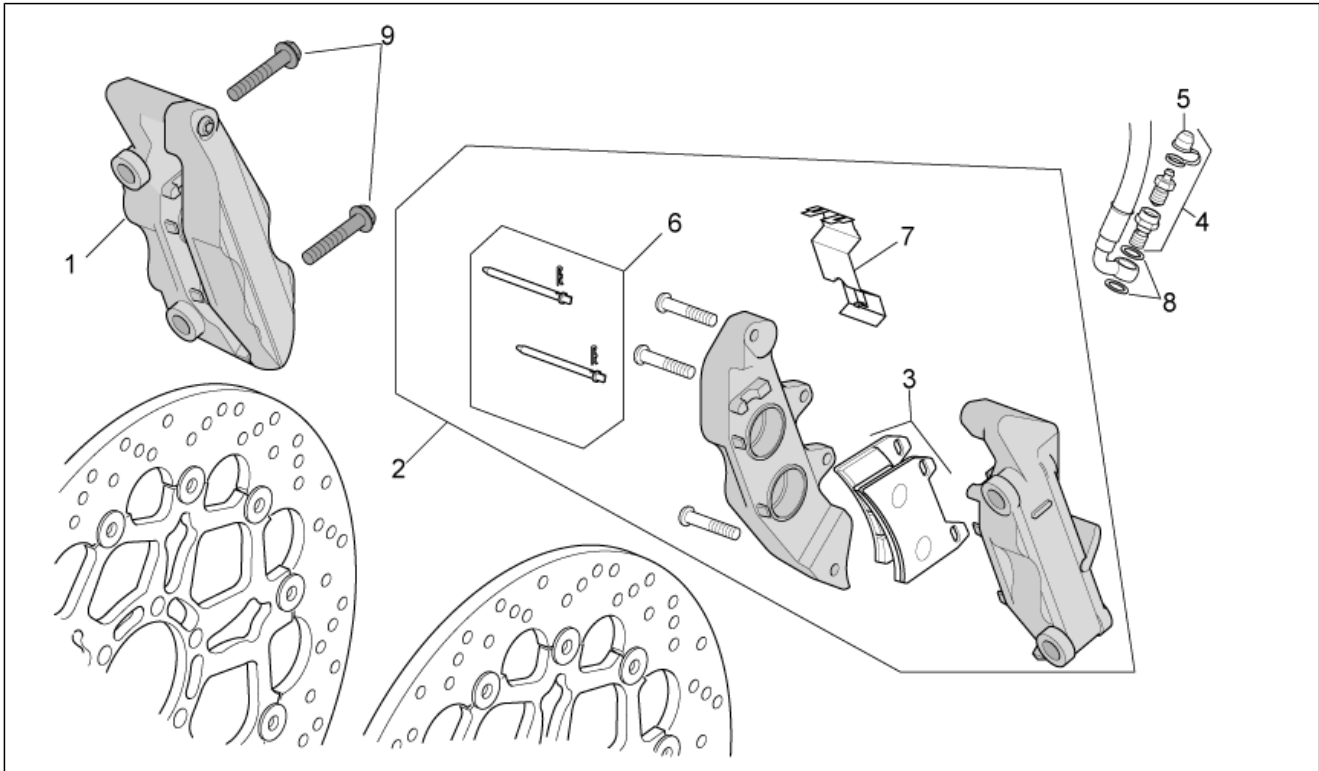
Pos.	Código	Descripción	Cant.	Variantes
1	883009	Rueda del. desn. 2,50x19"	1	Especificaciones técnicas: Rueda marca BEHR[RBE], Rueda con radios CR[RCR]
1	884093	Rueda del. desn. 2,50x19"	1	Especificaciones técnicas: Rueda marca BEHR[RBE], Rueda con radios ZN[RZN]
1	884168	Rueda del. desn. 2,50x19"	1	Especificaciones técnicas: Rueda marca GIANT[RG], Rueda con radios ZN[RZN]
2	AP8125777	Cojinete de bolas 25x47x12	2	
3	AP8125773	Gasket ring 30x47x7	2	
4	978516	Distanciador cojinetes	1	
5	887085	Radio	36	Especificaciones técnicas: Galvanizado[ZN]
5	978864	Radio	36	Especificaciones técnicas: Cromo Lucido[CR]
6	978810	Niple L=34	36	
7	AP8101744	Válvula neum. sin cámara	1	
8	978811	Anillo elástico	36	
9	GU90706061	Junta tórica OR2025	36	
10	894704	Pasacables	3	
11	896012	Disco freno delantero SX	1	
12	896011	Disco freno delantero DX	1	
13	AP8128189	Wheel speed sensor, LH front	1	
14	AP8152286	Torn. CH con reborde M8x20	12	
15	978030	Perno rueda del.	1	
16	GU01612190	Tuerca	1	
17	GU06616300	Distanciador	1	
18	GU14616150	Contrapeso	1	
19	859792	Sensor ABS	1	
20	AP8152273	Tornillo con reborde M5X15	1	
21	859777	Pasacables	3	
22	AP8201749	Tornillo M4x6	1	
23	GU49609601	Abrazadera 2,4x92	1	

Grupo	BASTIDOR
Código	33.33
Descripción	RUEDA DELANTERA
Revisión	1



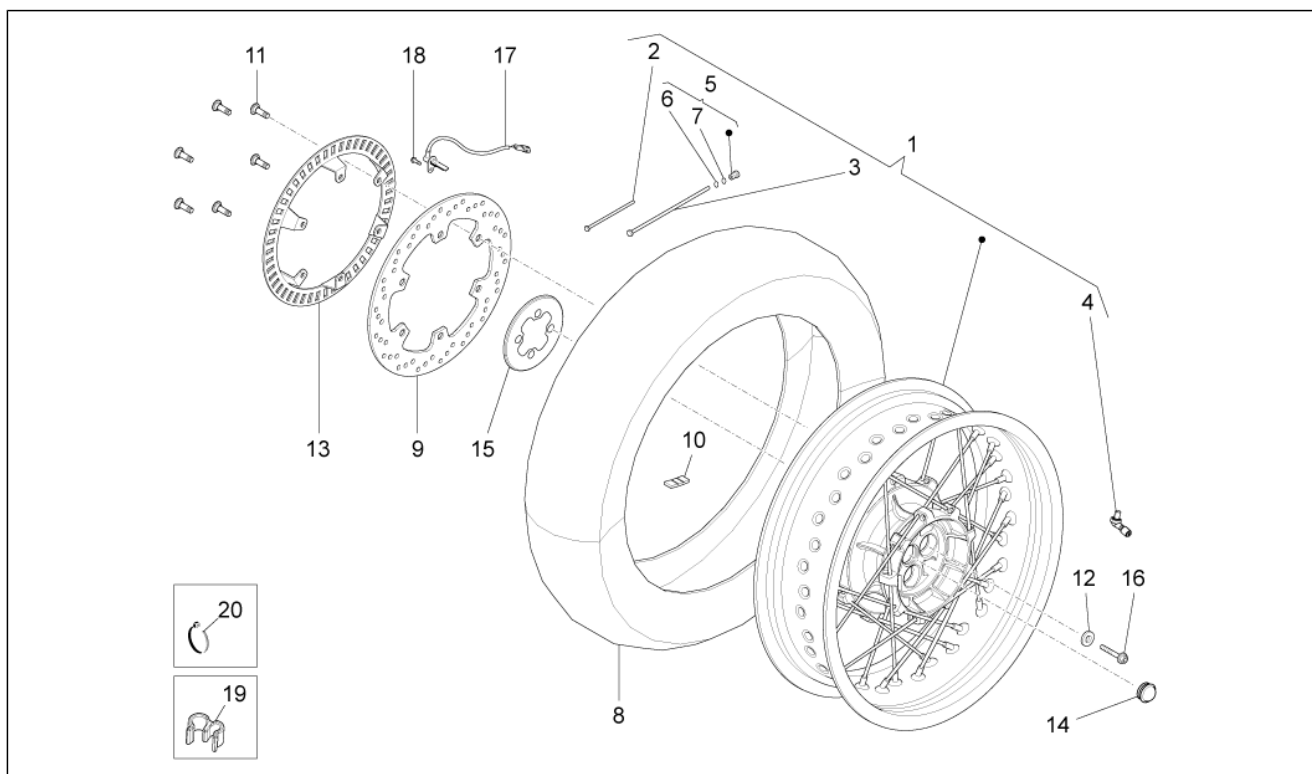
Pos.	Código	Descripción	Cant.	Variantes
24	886311	Neumático delantero 110/80 R19	1	

Grupo	BASTIDOR
Código	33.34
Descripción	Pinza freno delantero
Revisión	1



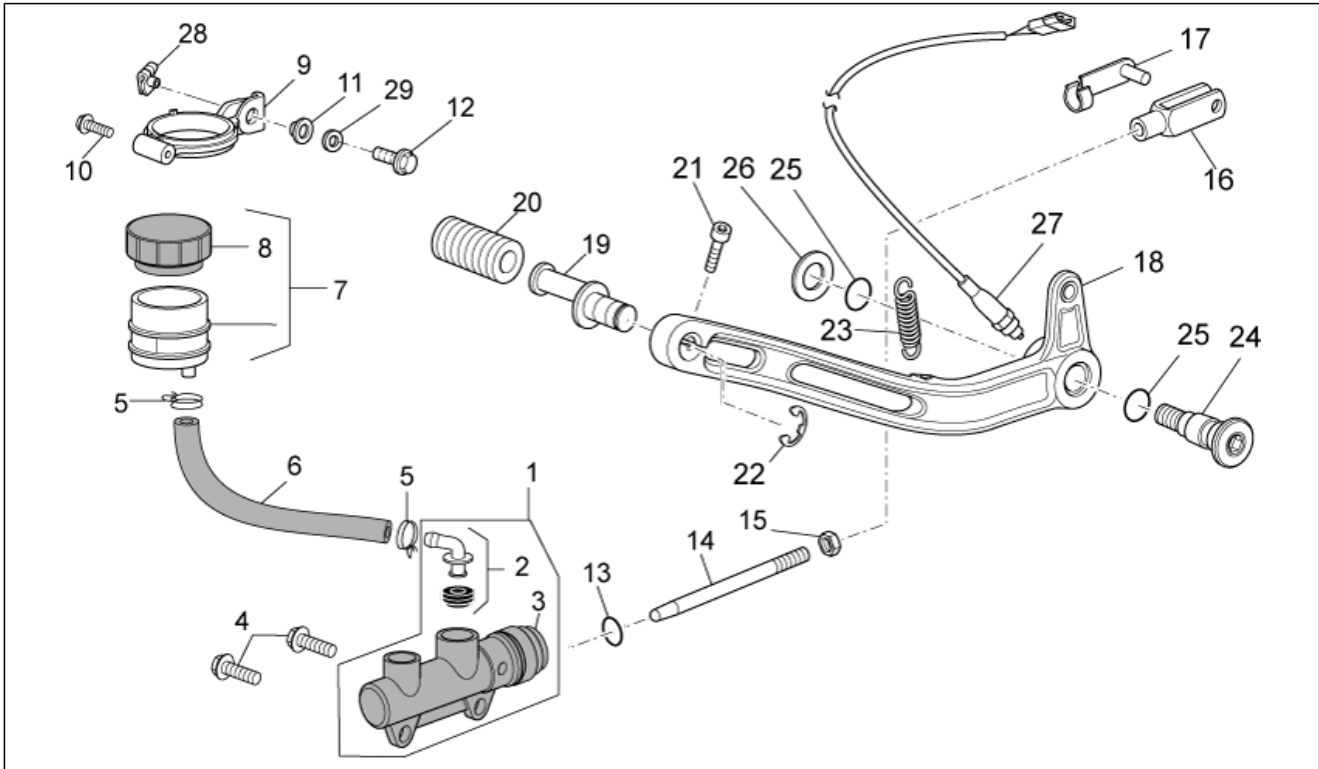
Pos.	Código	Descripción	Cant.	Variantes
1	887067	Pinza freno del.der.	1	Especificaciones técnicas:
2	887068	Pinza freno del.izq.	1	Especificaciones técnicas:
3	887070	Pastillas (par)	2	Especificaciones técnicas:
4	AP8133945	Kit purga	2	
5	AP8113070	Capuchón salida aire	2	
6	GU01659130	Pernos+muelles pinza	2	
7	GU01659131	Muelle	2	
8	GU25656100	Junta	4	
9	AP8152414	Torn. CH con reborde M10x55	4	

Grupo	BASTIDOR
Código	33.35
Descripción	Rueda trasera
Revisión	1



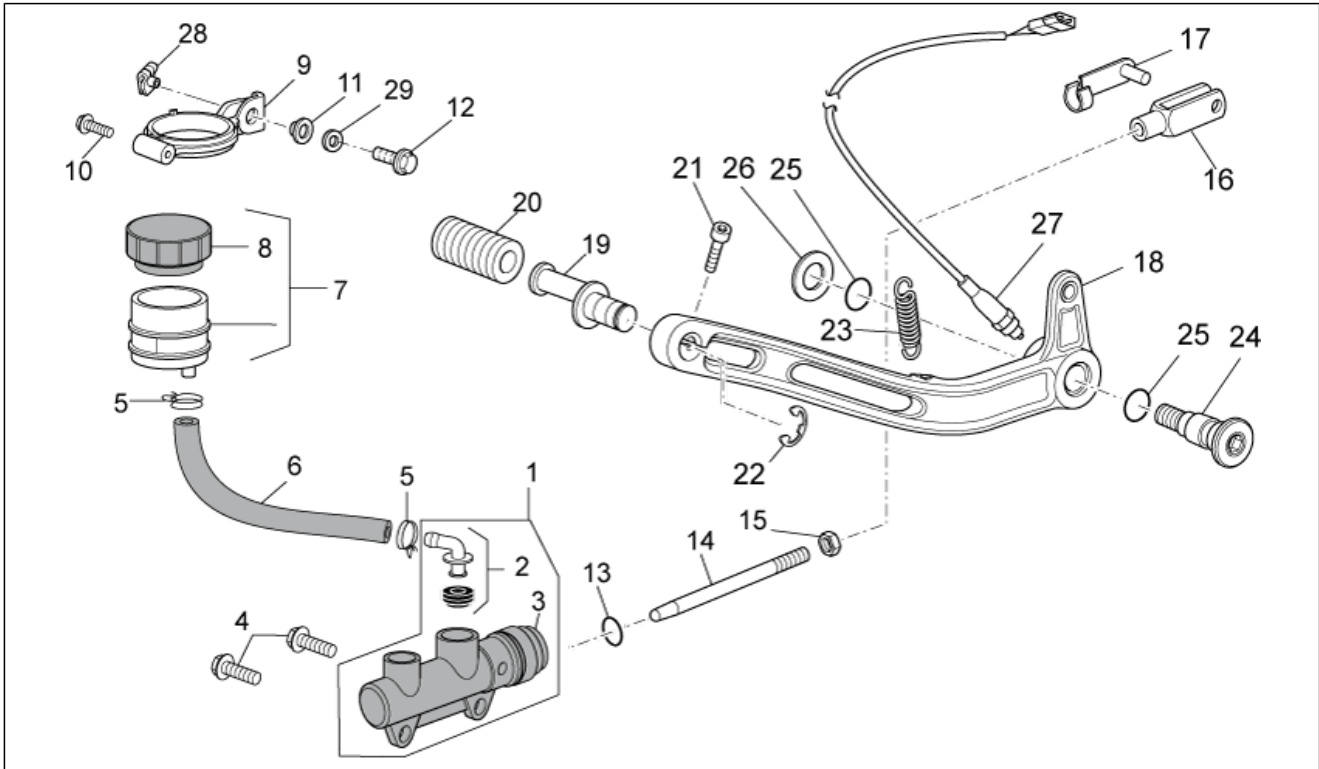
Pos.	Código	Descripción	Cant.	Variantes
1	883433	Rueda trasera 4,25X17"	1	Especificaciones técnicas: Rueda marca BEHR[RBE], Rueda con radios CR[RCR]
1	884094	Rueda trasera 4,25X17"	1	Especificaciones técnicas: Rueda marca BEHR[RBE], Rueda con radios ZN[RZN]
1	884166	Rueda trasera 4,25X17"	1	Especificaciones técnicas: Rueda marca GIANT[RG], Rueda con radios ZN[RZN]
2	887082	Radio corto L=147,4mm	18	Especificaciones técnicas: Galvanizado[ZN]
2	978815	Radio corto	18	Especificaciones técnicas: Cromo Lucido[CR]
3	887083	Radio largo L=154,9mm	18	Especificaciones técnicas: Galvanizado[ZN]
3	978816	Radio largo	18	Especificaciones técnicas: Cromo Lucido[CR]
4	978814	Válvula neum. sin cámara	1	
4	AP8101744	Válvula neum. sin cámara	1	
5	978810	Niple L=34	36	
6	978811	Anillo elástico	36	
7	GU90706061	Junta tórica OR2025	36	
8	886312	Neumático trasero 150/70 R17	1	
9	GU05635730	Disco freno trasero	1	
10	GU14616150	Contrapeso	1	
11	AP8152272	Torn. CH con reborde M5x12	6	
12	GU05632730	Buje cónica	4	
13	GU05681530	Wheel speed sensor, LH front	1	
14	978301	Tapón	1	
15	977056	Anillo guardapolvo	1	
16	GU97202665	Torn. CH con reborde M12x65	4	
17	GU05683730	Sensor	1	
18	598839	Torn. CH con reborde	1	
19	894704	Pasacables	4	
20	GU49609601	Abrazadera 2,4x92	1	

Grupo	BASTIDOR
Código	33.36
Descripción	Bomba freno tras.
Revisión	1



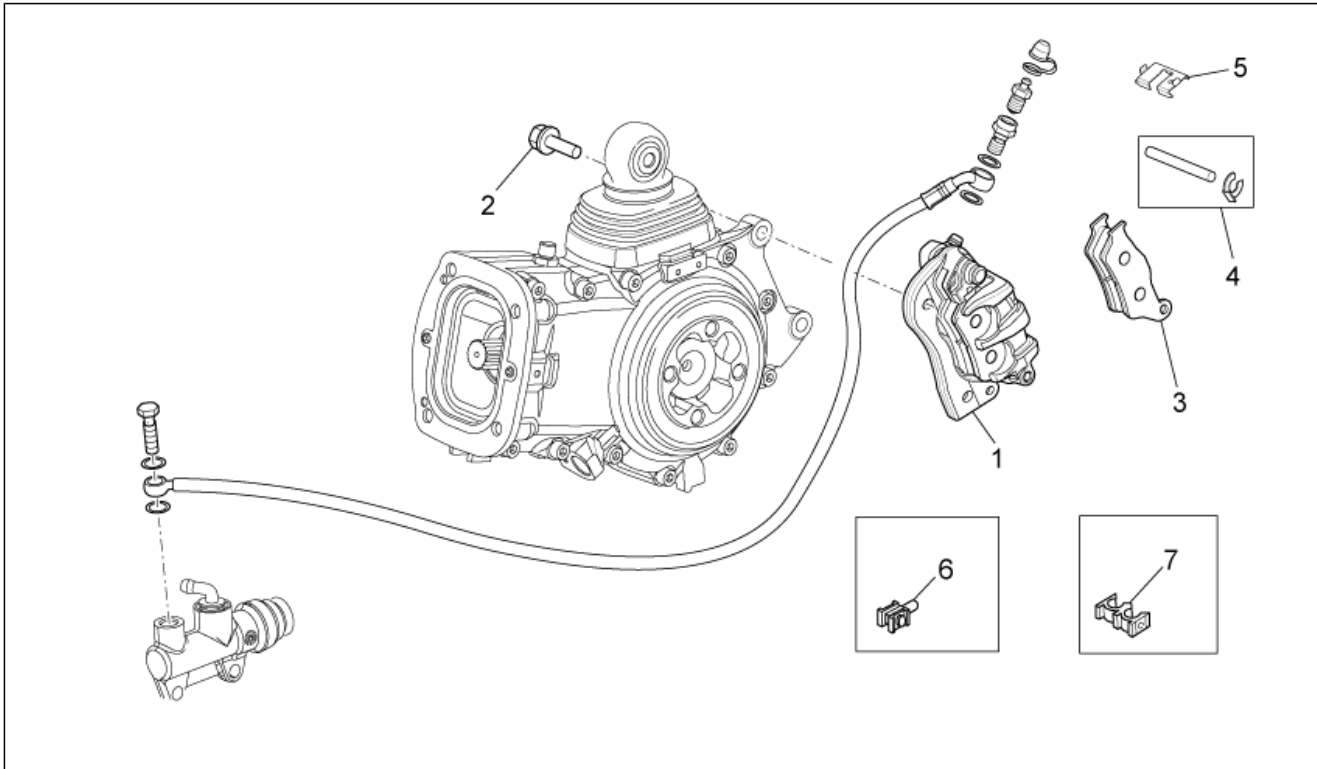
Pos.	Código	Descripción	Cant.	Variantes
1	GU0566930	Bomba freno tras.	1	
2	AP8113594	Empalme bomba trasera	1	
3	AP8113288	Fuelle de goma	1	
4	AP8152279	Torn. CH con reborde M6x20	2	
5	AP8101595	Abrazadera D10,1	2	
6	AP8133779	Tubo freno trasero	1	
7	GU05663530	Depós.aceite fr.cnj.	1	
8	GU17661052	Tapón depósito	1	
9	GU05666030	Soporte depósito	1	
10	AP8152329	Torn. c.cruz reborde M5x20	1	
11	AP8221145	Buje en 'T' *	1	
12	598839	Torn. CH con reborde	1	
13	AP8120178	Junta tórica OR112	1	
14	977041	Varilla bomba freno	1	
15	GU92606206	Tuerca	1	
16	AP8113081	Horquilla	1	
17	AP8113082	Clips para horquilla cambio	1	
18	GU06677000	Palanca freno tras.	1	
19	AP8121221	Barra palanca freno	1	
20	AP8120912	Goma para palanca	1	
21	GU98682316	Tornillo Allen M6x16	1	
22	AP8150462	Anillo de retención d9	1	
23	GU30434000	Muelle interior	1	
24	884033	Perno pal. freno tr.	1	
25	AP8144007	Junta tórica 11,11x1,78	2	
26	GU95008310	Arandela 10,5x22x2,5	1	
27	AP8112996	Micrinterruptor	1	
28	GU28576592	Tuerca de grapa M6	1	

Grupo	BASTIDOR
Código	33.36
Descripción	Bomba freno tras.
Revisión	1



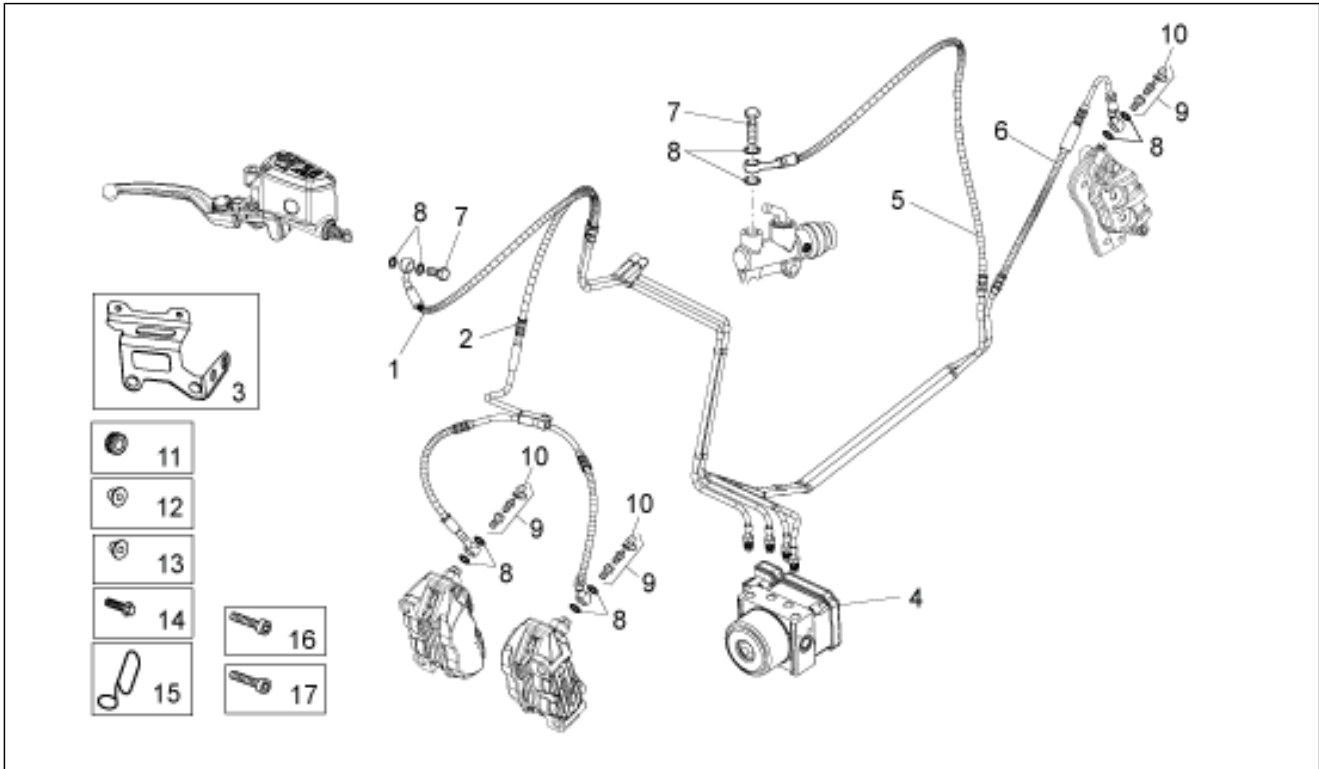
Pos.	Código	Descripción	Cant.	Variantes
29	GU95021206	Arandela	1	

Grupo	BASTIDOR
Código	33.37
Descripción	Pinza freno tras.
Revisión	1



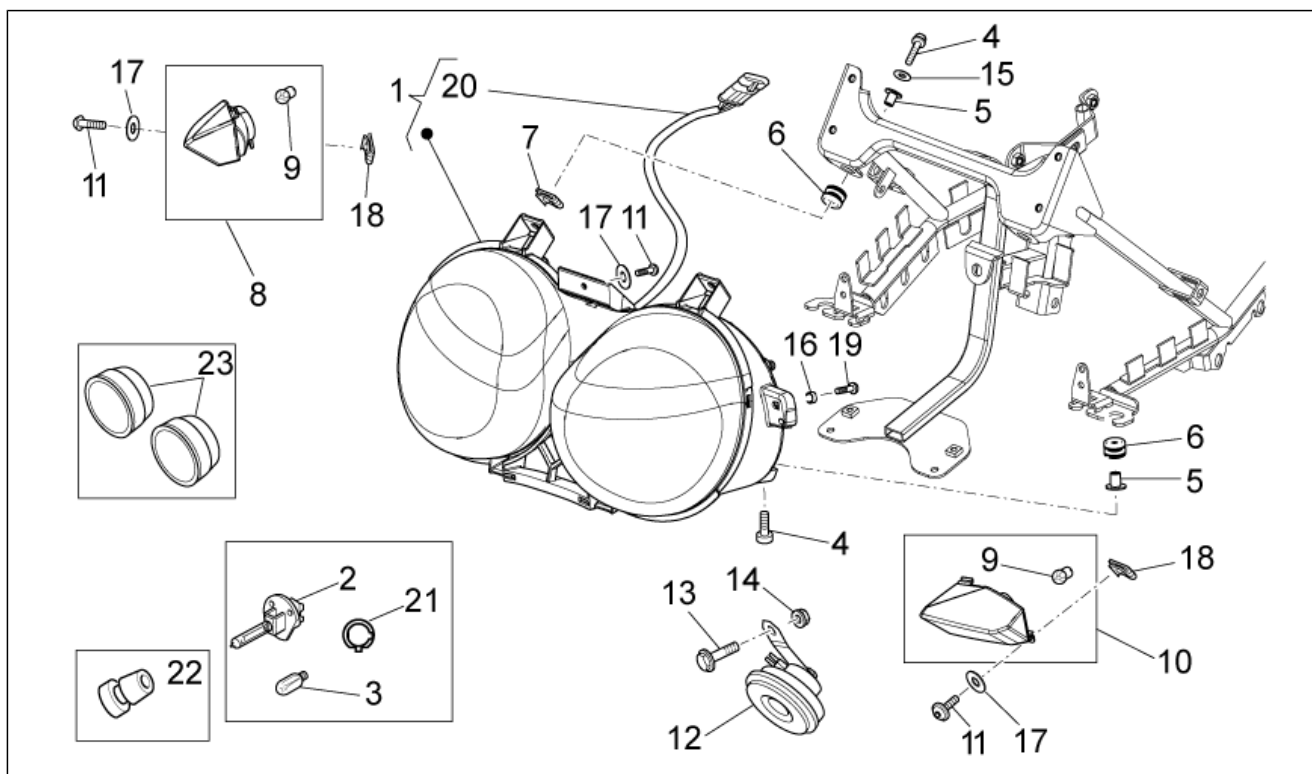
Pos.	Código	Descripción	Cant.	Variantes
1	978414	Pinza freno tr.negra	1	
2	AP8152320	Torn. CH con reborde	2	
3	GU05654630	Pastillas-par	1	
4	GU05659130	Perno+Clavija pinza	1	
5	GU05659030	Muelle	1	
6	AP8202238	Anclaje guíacable	4	
7	AP8201808	Guíacable D8	5	

Grupo	BASTIDOR
Código	33.39
Descripción	Eq.freno ABS 2010
Revisión	1



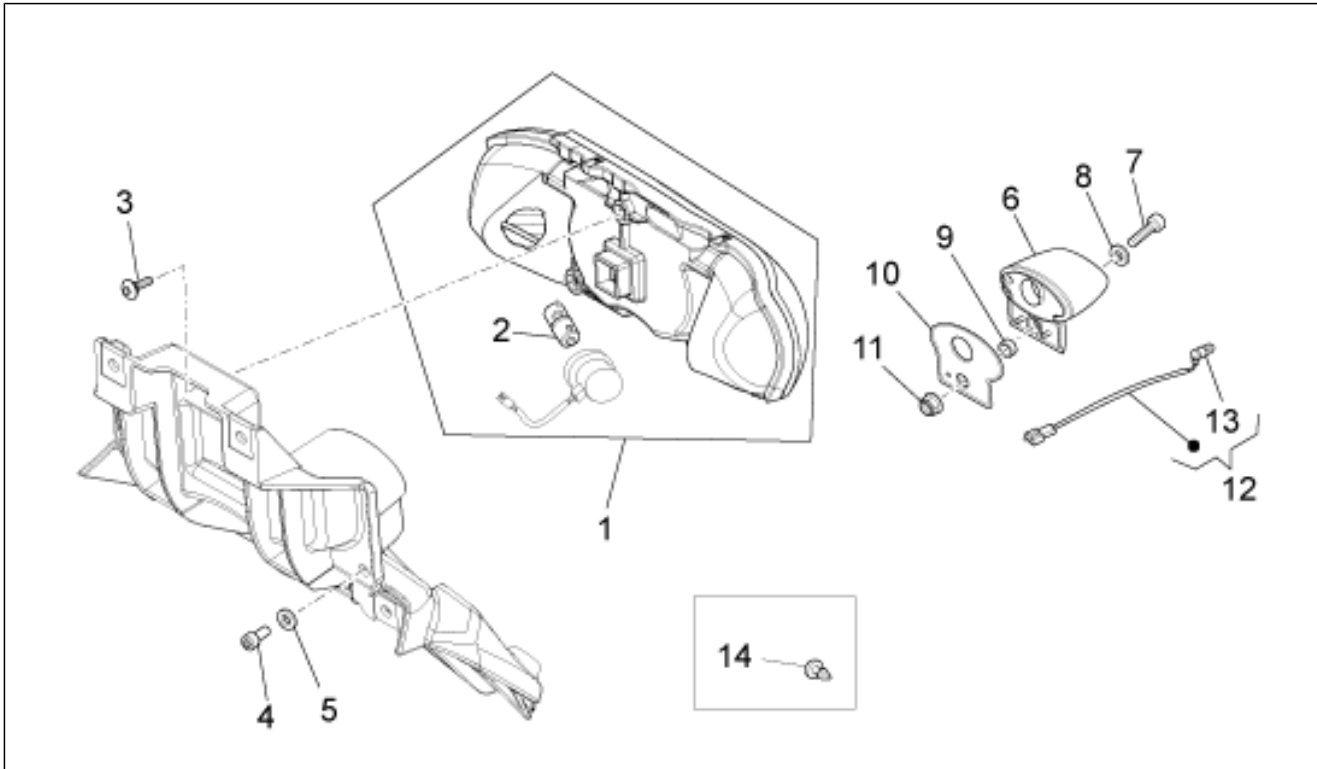
Pos.	Código	Descripción	Cant.	Variantes
1	886162	Tubo aceite freno del.	1	Especificaciones técnicas:
2	886164	Tubo aceite freno del.	1	Especificaciones técnicas:
3	886149	Soporte	1	Especificaciones técnicas:
4	895351	Centralita ABS	1	Especificaciones técnicas:
5	886163	Tubo aceite freno tras.	1	Especificaciones técnicas:
6	886165	Tubo aceite freno tras.	1	Especificaciones técnicas:
7	AP8113003	Tornillo tubo aceite *	2	Especificaciones técnicas:
8	AP8113004	Arandela 10x14x1,6*	10	Especificaciones técnicas:
9	AP8133945	Kit purga	3	Especificaciones técnicas:
10	AP8113070	Capuchón salida aire	3	Especificaciones técnicas:
11	AP8120030	Goma	3	Especificaciones técnicas:
12	AP8221023	Buje en 'T'	3	Especificaciones técnicas:
13	AP8121032	Buje	1	Especificaciones técnicas:
14	AP8152277	Torn. CH con reborde M6x12	2	Especificaciones técnicas:
15	AP8201417	Guíacable	1	Especificaciones técnicas:
16	GU98230625	Tornillo M6x25	1	
17	GU98350320	Tornillo M6x20	2	

Grupo	BASTIDOR
Código	33.40
Descripción	Faro del./Claxon
Revisión	1



Pos.	Código	Descripción	Cant.	Variantes
1	887029	Faro del. cpl.	1	
1	887820	Faro del. cpl.	1	PAÍS:Australia[AUS], Gran Bretaña[GB]
2	292723	Lámpara H4 60/55W 12V	2	
3	292022	Lámpara 12V-5W	2	
4	GU98680225	Tornillo Allen M5x25	2	
5	AP8221023	Buje en 'T'	4	
6	AP8120030	Goma	4	
7	248419	Placa elastica m5	4	
8	978428	Indic. dir. del.der.	1	
9	584332	Lámpara 12V-10W	2	
10	978427	Indicador direc. del. izq.	1	
11	GU98682116	Tornillo	3	
12	886325	Claxon	1	
13	AP8152279	Torn. CH con reborde M6x20	1	
14	AP8152299	Tuerca autobloqueante M6	1	
15	GU95129100	Arandela elástica 5,3X10X0,5	2	
16	GU91120507	Buje	2	
17	GU95008205	Arandela 5,3x10x0,8	3	
18	AP8102381	Clip M4	2	
19	GU98680125	Tornillo M4x25	2	
20	899522	Cabl. faro delantero	1	
21	887821	Obturador para proyector	1	PAÍS:Australia[AUS], Gran Bretaña[GB]
22	2R000006	Porta-lámp.	2	
23	2R000007	Capuchón faro delantero	2	

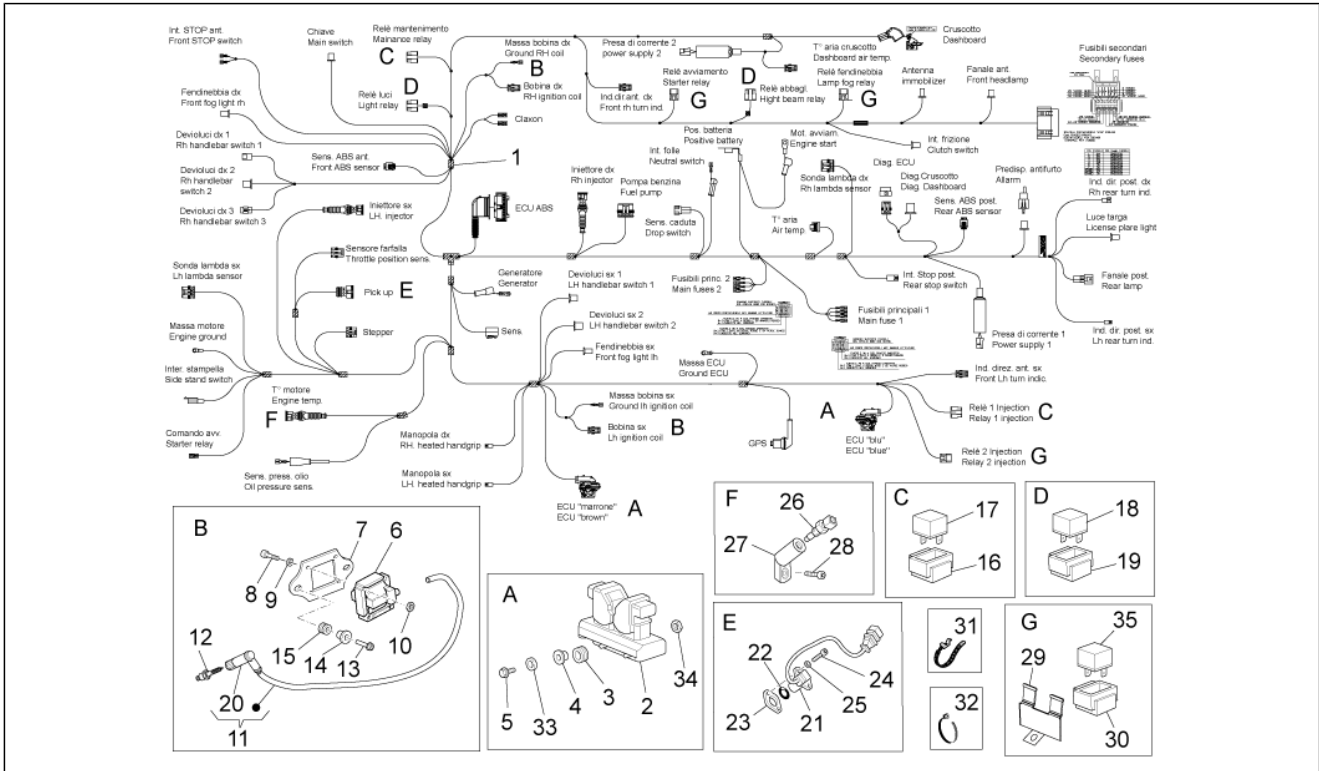
Grupo	BASTIDOR
Código	33.41
Descripción	Faro trasero
Revisión	1



Pos.	Código	Descripción	Cant.	Variantes
1	897886	Piloto trasero	1	
2	584332	Lámpara 12V-10W	2	
3	AP8152302	Tornillo con reborde M5x12	1	
4	GU98692210	Tornillo Allen	2	
5	GU95100059	Arandela 5,25x14x1,5	2	
6	AP8127098	Faro matrícula	1	
7	GU98680225	Tornillo Allen M5x25	1	
8	GU95008205	Arandela 5,3x10x0,8	1	
9	GU91120507	Buje	1	
10	GU32474710	Goma	1	
11	AP8152306	Tuerca autobloqueante m5	1	
12	977795	Cableado luz matríc.	1	
13	292022	Lámpara 12V-5W	1	
14	GU93180072	Goma	2	



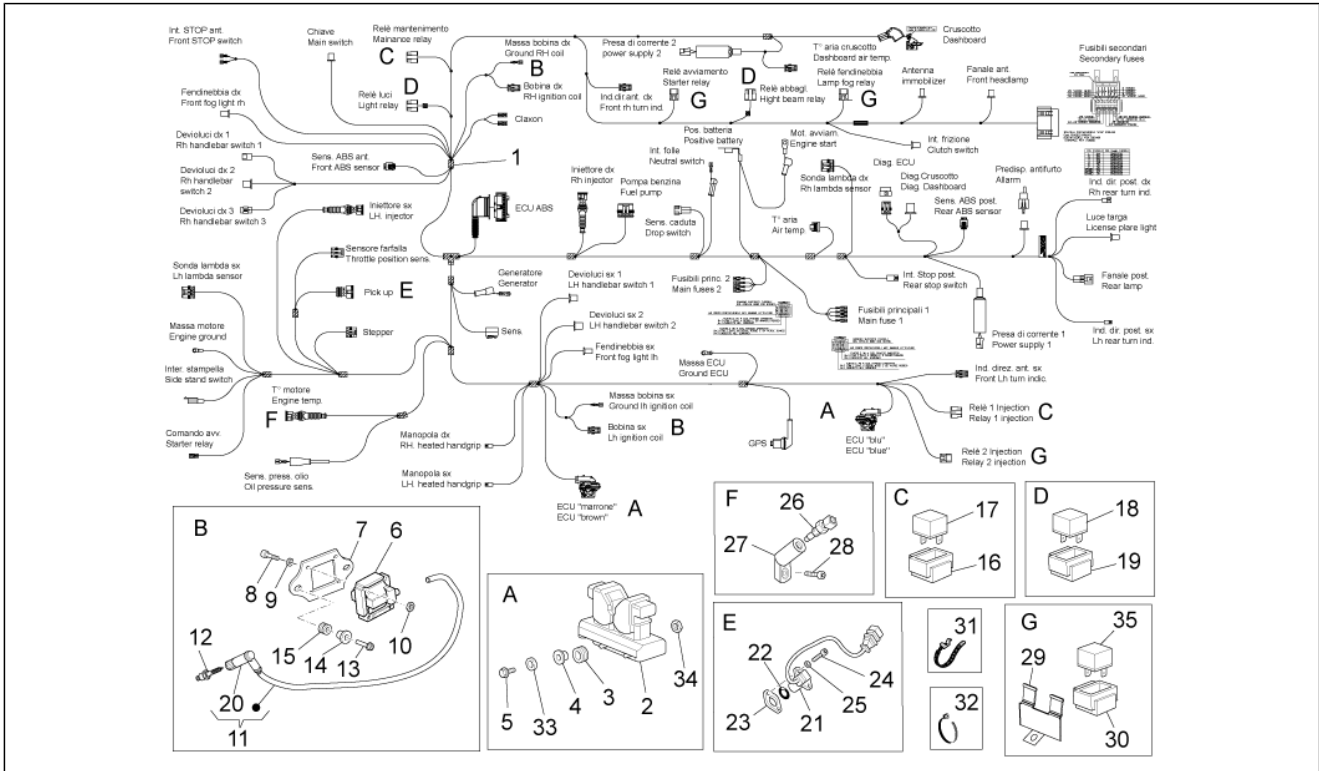
Grupo	BASTIDOR
Código	33.42
Descripción	Instalación eléctrica I
Revisión	1



Pos.	Código	Descripción	Cant.	Variantes
1	899505	Cableado principal	1	Especificaciones técnicas:
2	897634	Centralita electrónica	1	Especificaciones técnicas:
3	978152	Goma	2	
4	AP8121795	Buje en 'T'	2	
5	GU98690245	Tornillo Allen M5x45	2	
6	GU30716500	Bobina A.T.	2	
7	GU05716730	Soporte bobina	2	
8	GU98682125	Tornillo Allen	8	
9	GU95008204	Arandela 4,3x8x0,5	8	
10	GU92630104	Tuerca M4x0,7	8	
11	642233	Cable A.T.	2	
12	639687	Bujía CR8EKB	2	
13	AP8152279	Torn. CH con reborde M6x20	6	
14	AP8120030	Goma	6	
15	AP8221023	Buje en 'T'	6	
16	AP8220546	Goma soporte relé	2	
17	895481	Relé inyección 12V 40W	2	
18	GU29732550	Relé 5 pin	2	
19	896715	Goma soporte relé	2	
20	642221	Capuchón bujía	2	
21	GU01721600	Sensor	1	
22	847180	Junta tórica	1	
23	GU01722700	Junta 0,3mm	1	
23	GU01722701	Junta 0,4 mm	1	
23	GU01722702	Junta 0,6mm	1	
23	GU01722703	Junta	1	
23	GU01722704	Junta 1mm	1	
23	GU01722705	Junta 1,5mm	1	



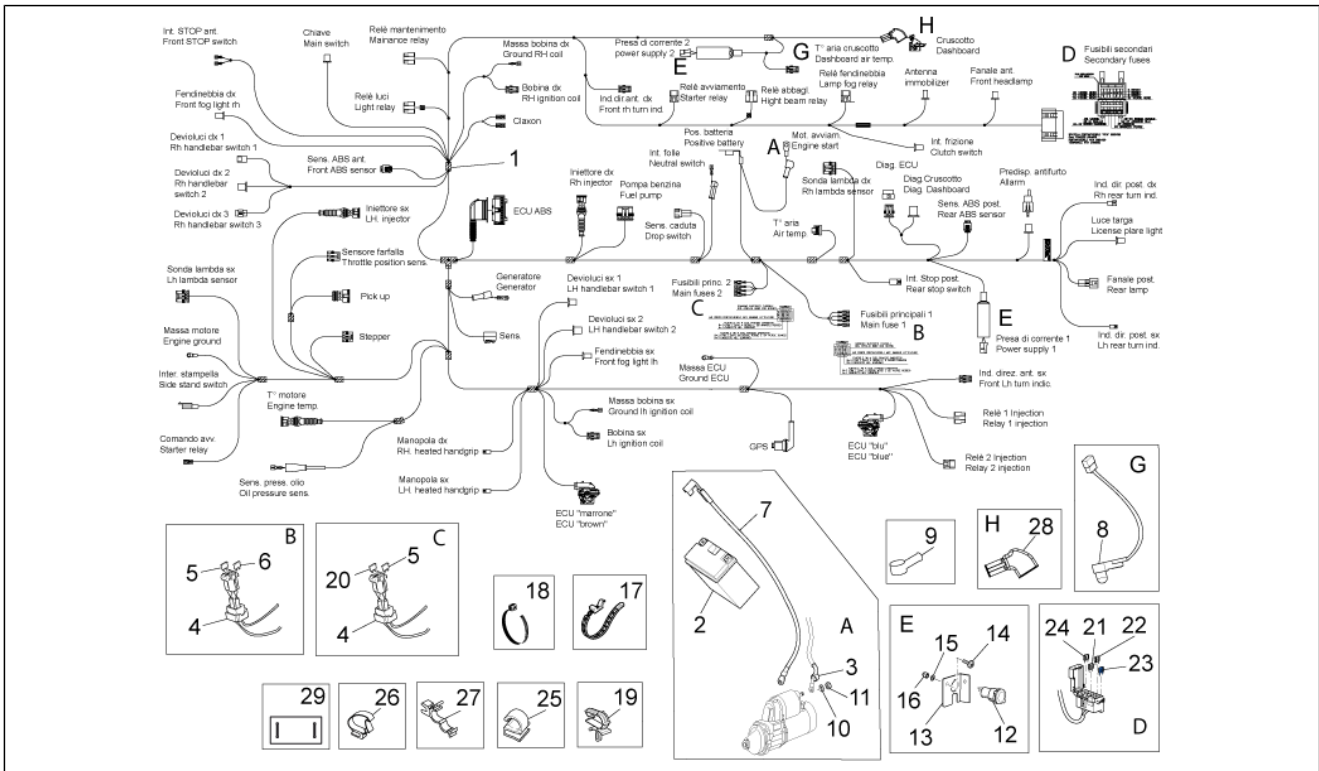
Grupo	BASTIDOR
Código	33.42
Descripción	Instalación eléctrica I
Revisión	1



Pos.	Código	Descripción	Cant.	Variantes
23	GU29722760	Junta 0,5 mm	1	
24	GU98682212	Tornillo Allen M5x12	2	
25	GU95008205	Arandela 5,3x10x0,8	2	
26	GU29729461	Sensor	1	
27	976556	Soporte sensor	1	
28	GU98683520	Tornillo Allen M10x20	1	
29	883148	Placa	1	
30	AP8220283	Goma *	3	
31	GU06609600	Abrazadera	9	
32	GU14609650	Abrazadera 3,6x20,6	23	
32	GU49609601	Abrazadera 2,4x92	5	
32	GU93304360	Abrazadera 7,6x380	2	
32	GU93304390	Abrazadera 3,6x375	2	
33	GU95100059	Arandela 5,25x14x1,5	2	
34	AP8152306	Tuerca autobloqueante m5	2	
35	AP8224462	Relé 12V/30A	3	

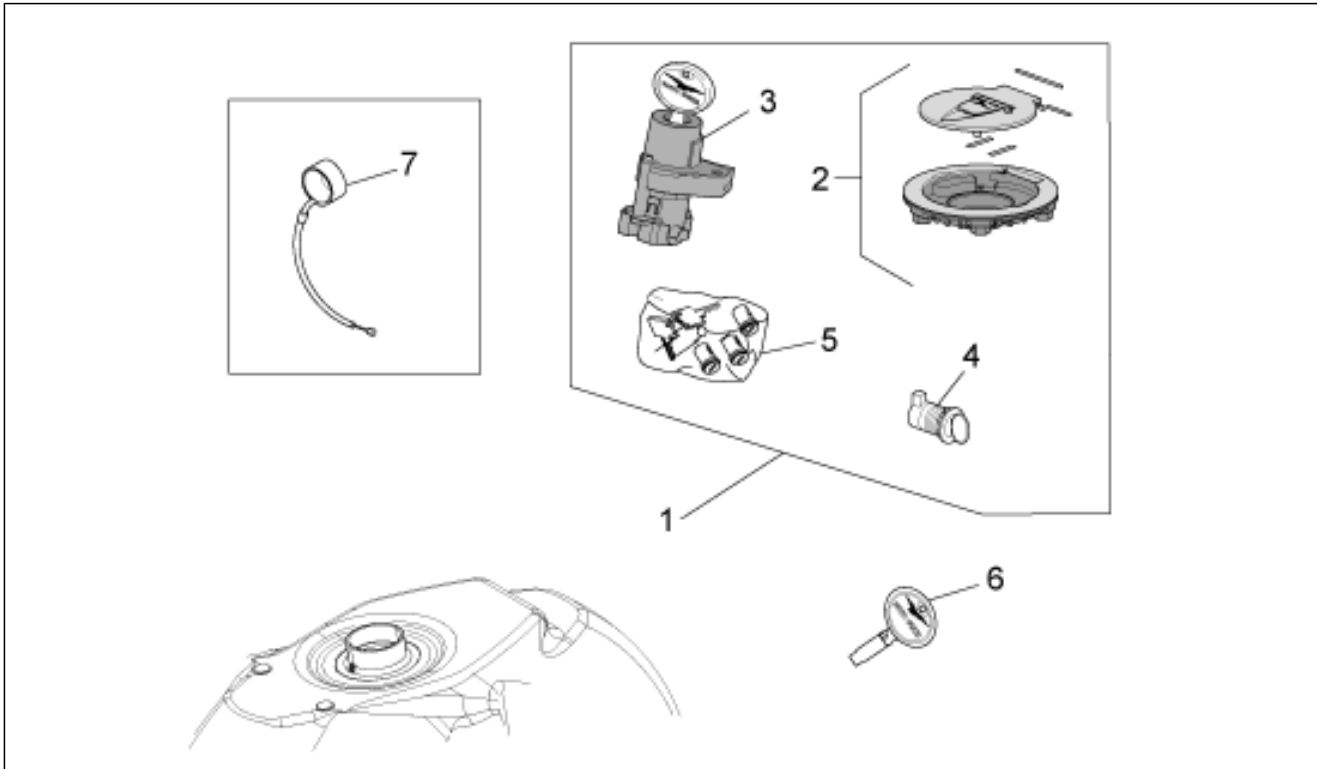


Grupo	BASTIDOR
Código	33.43
Descripción	Instalación eléctrica II
Revisión	1



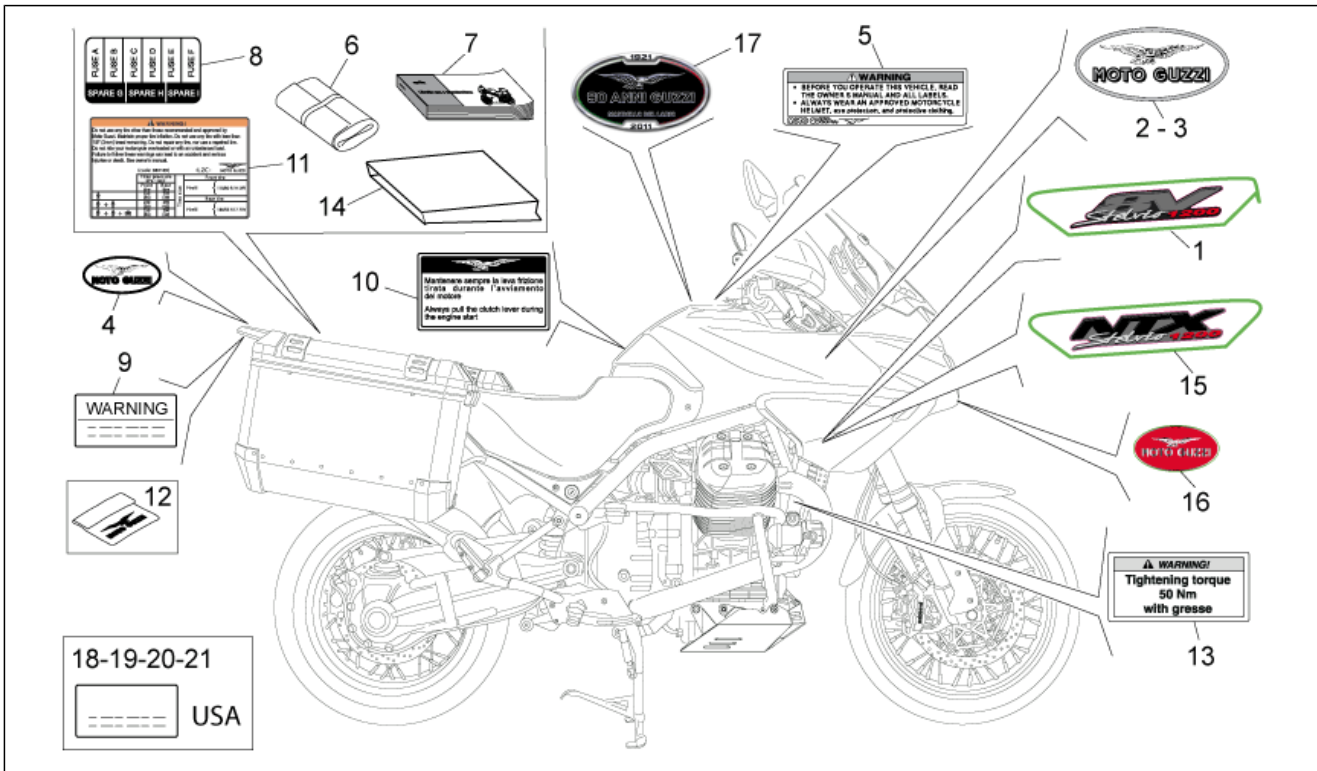
Pos.	Código	Descripción	Cant.	Variantes
1	899505	Cableado principal	1	Especificaciones técnicas:
2	GU05704531	Batería 12V-20Ah	1	
3	977916	Capuchón aislante	1	
4	AP8112811	Goma portafusibles	2	
5	CM225730	Fusible 30A	2	
6	CM225740	Fusible 40A	2	
7	GU06747900	Cableado masa-batería	1	
8	AP8124936	Sensor temp. aire	1	
9	581061	Capuchón	1	
10	GU95129131	Arandela 8,4x15x1,7	1	
11	GU92609408	Tuerca M8x1,25	1	
12	AP8124768	Toma corriente cpl.	2	
13	886911	Placa de soporte	1	
14	GU98350210	Tornillo	2	
15	GU95008205	Arandela 5,3x10x0,8	2	
16	GU92787205	Tuerca ciega	2	
17	GU06609600	Abrazadera	9	
18	640879	Abrazadera 2,7x132	2	
18	GU14609650	Abrazadera 3,6x20,6	23	
18	GU49609601	Abrazadera 2,4x92	5	
18	GU93304390	Abrazadera 3,6x375	2	
19	AP8221310	Guíacable	4	
20	CM225720	Fusible 20A	2	
21	CM225610	Fusible 10A	4	
22	CM225615	Fusible 15A	3	
23	CM225603	Fusible 3A	2	
24	CM225605	Fusible 5A	2	
25	AP8201727	Retención cables negro	1	

Grupo	BASTIDOR
Código	33.44
Descripción	Juego cerraduras
Revisión	1



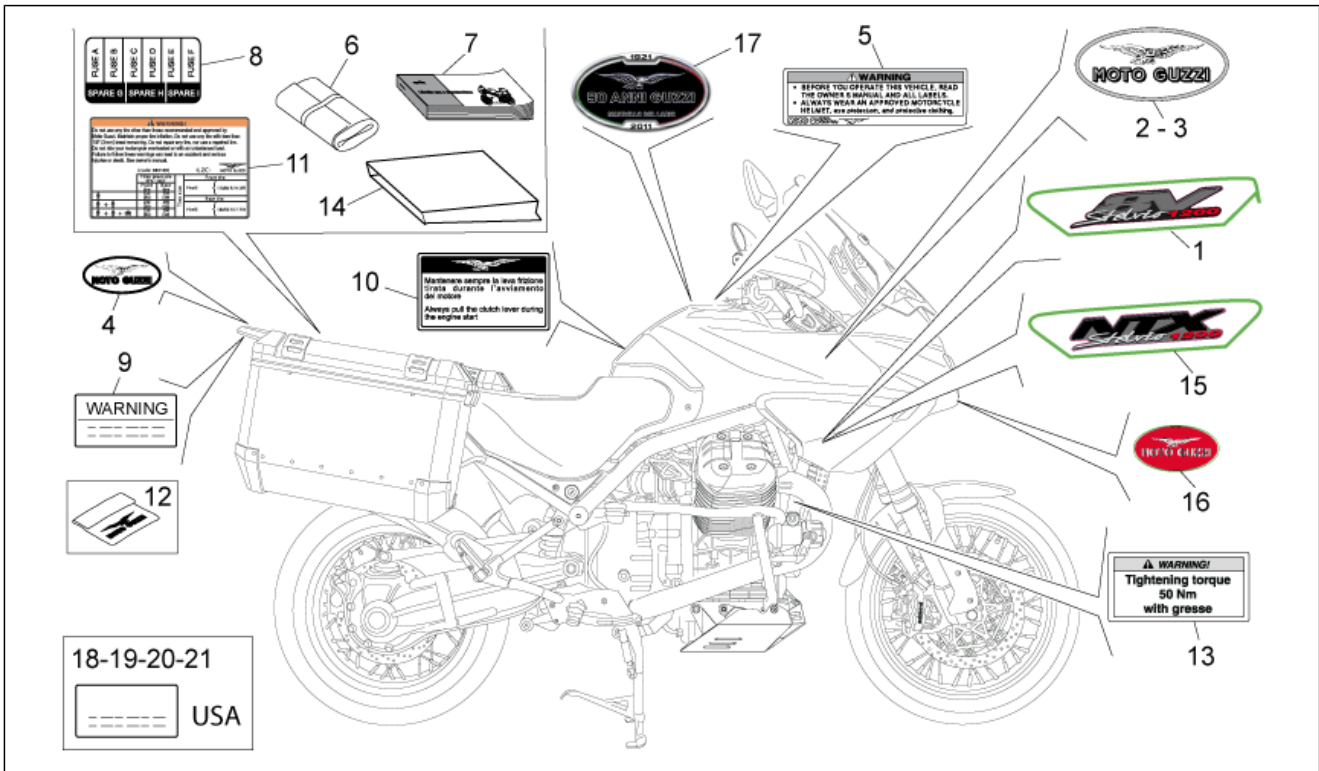
Pos.	Código	Descripción	Cant.	Variantes
1	977666	Kit cerraduras	1	PAÍS:Australia[AUS], Canadá[CA], Europe[EU], Gran Bretaña[GB]
1	B063858	Kit cerraduras	1	PAÍS:Estados Unidos de Norteamérica[USA]
2	GU05103930	Tapón depósito	1	
3	B063859	Bloque arran.-bloq.	1	PAÍS:Estados Unidos de Norteamérica[USA]
3	GU05782530	Bloque arran.-bloq.	1	PAÍS:Australia[AUS], Canadá[CA], Europe[EU], Gran Bretaña[GB]
4	GU05466830	Cerradura sillín	1	
5	978220	Kit rotor con llave	1	
6	977918	Llave liscia bas.	1	
7	981087	Antena immobilizer	1	

Grupo	BASTIDOR
Código	33.45
Descripción	PLACAS-CALCOMANÍAS
Revisión	1



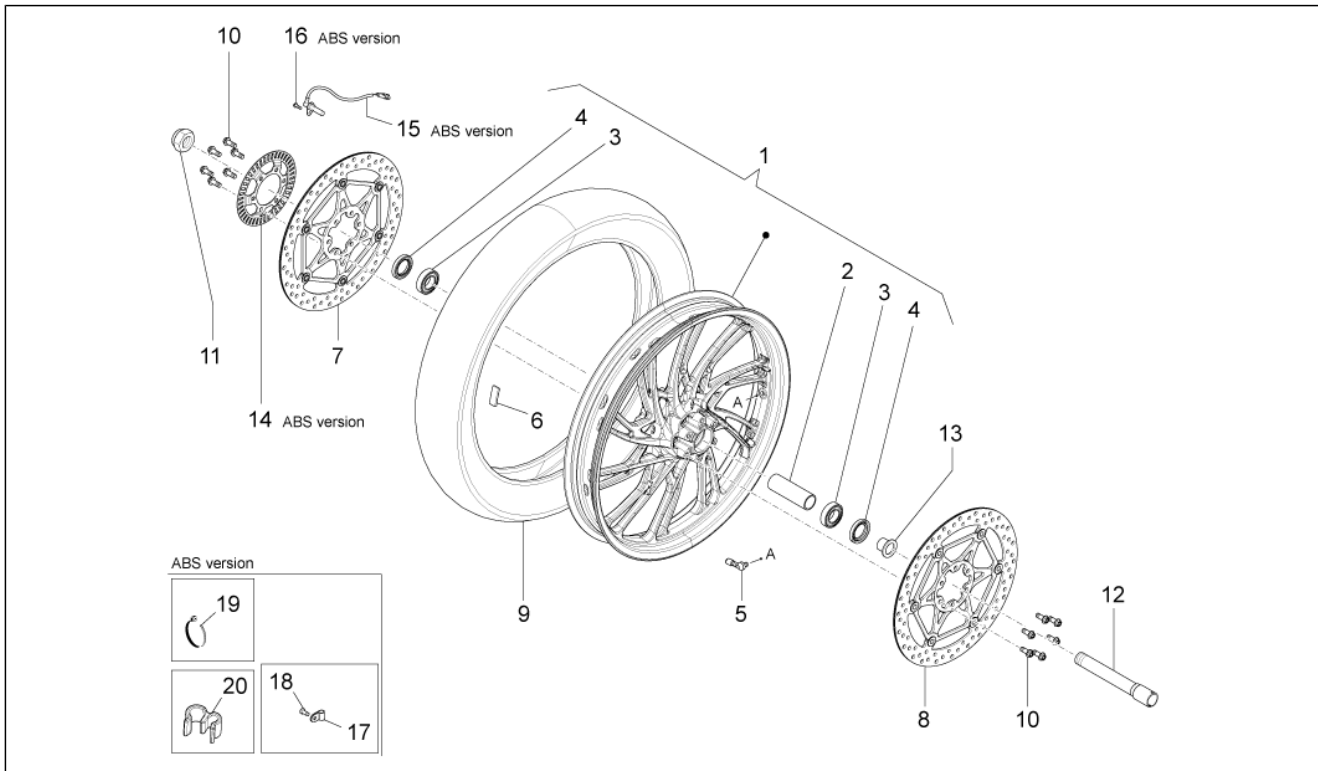
Pos.	Código	Descripción	Cant.	Variantes
1	886907	Calco "Stelvio 1200 8V"	2	Especificaciones técnicas:Versión Estándar[Std]
2	GU06917400	Placa Izq.roja/oro AL	1	
3	GU06917300	Placa Der.roja/oro AL	1	
4	977303	Placa "Moto Guzzi"	1	
5	GU30944300	Calco "Attention"	1	
6	978882	Juego de herramientas	1	
7	897241	Manual uso/mant. I-F-D-E-NL-UK	1	
7	B043198	Manual uso y manten.	1	PAÍS:Canadá[CA], Estados Unidos de Norteamérica[USA]
8	978647	Calcom."schema fusible"	1	
9	AP8157631	Placa	1	
10	GU05944930	Calco Engine Start	1	
11	883776	Calcom. presión neumáticos	1	
12	GU30970200	Funda para la moto	1	
13	GU05944530	Calco Warning	1	
14	GU05900130	Bolsita para documentos	1	
15	886906	Calco "Stelvio 1200 NTX"	2	Especificaciones técnicas:Versión NTX[NTX]
15	B063045	Calco "Stelvio 1200 NTX"	2	COLOR VEHÍCULO:Verde Raptor Opaco (f.t.B063041)[green] PAÍS:Estados Unidos de Norteamérica[USA] Especificaciones técnicas:Versión NTX[NTX]
15	B063314	Calco "Stelvio 1200 NTX"	2	COLOR VEHÍCULO:Anaranjado cobre (f.t.886902)[ar] PAÍS:Estados Unidos de Norteamérica[USA] Especificaciones técnicas:Versión NTX[NTX]
16	886905	Placa "Moto Guzzi"	1	
17	886944	Calco "90 Anni Guzzi"	1	
18	2G000045	Emission control sticker	1	AÑO:2015[F] PAÍS:Canadá[CA], Estados Unidos de Norteamérica[USA]
18	2L000172	Emission control sticker	1	AÑO:2014[E] PAÍS:Canadá[CA], Estados Unidos de Norteamérica[USA]
18	884319	Emission control sticker	1	AÑO:2013[D] PAÍS:Canadá[CA], Estados Unidos de Norteamérica[USA]

Grupo	BASTIDOR
Código	33.45
Descripción	PLACAS-CALCOMANÍAS
Revisión	1



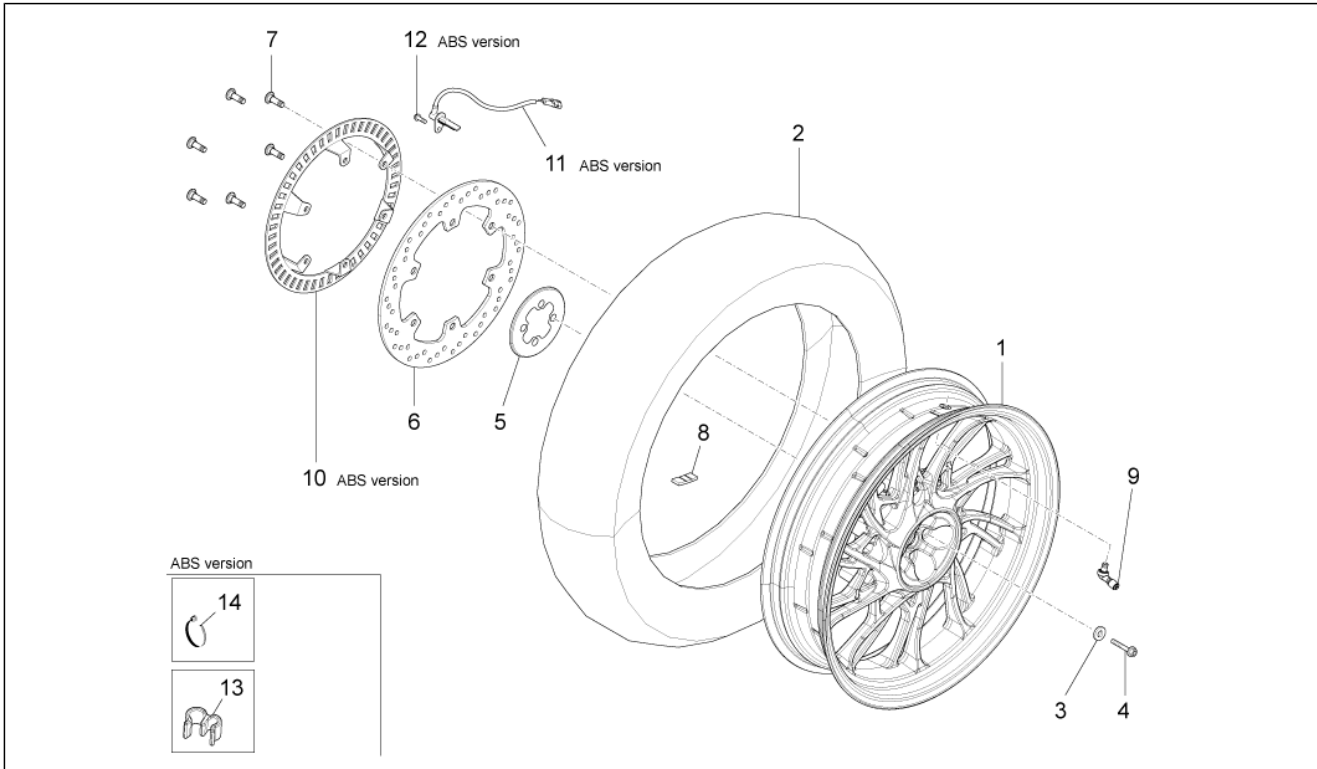
Pos.	Código	Descripción	Cant.	Variantes
18	887450	Emission control sticker	1	AÑO:2011[B], 2012[C] PAÍS:Canadá[CA], Estados Unidos de Norteamérica[USA]
19	2G000046	Calco shed	1	AÑO:2015[F] PAÍS:Canadá[CA], Estados Unidos de Norteamérica[USA]
19	2L000173	Calco shed	1	AÑO:2014[E] PAÍS:Canadá[CA], Estados Unidos de Norteamérica[USA]
19	884320	Calco shed	1	AÑO:2013[D] PAÍS:Canadá[CA], Estados Unidos de Norteamérica[USA]
19	887451	Calco shed	1	AÑO:2011[B], 2012[C] PAÍS:Canadá[CA], Estados Unidos de Norteamérica[USA]
20	2G000044	Calco emisiones sonoras	1	AÑO:2015[F] PAÍS:Canadá[CA], Estados Unidos de Norteamérica[USA]
20	2L000171	Calco emisiones sonoras	1	AÑO:2014[E] PAÍS:Canadá[CA], Estados Unidos de Norteamérica[USA]
20	884318	Calco emisiones sonoras	1	AÑO:2013[D] PAÍS:Canadá[CA], Estados Unidos de Norteamérica[USA]
20	887452	Calco emisiones sonoras	1	AÑO:2011[B], 2012[C] PAÍS:Canadá[CA], Estados Unidos de Norteamérica[USA]
21	B063226	Calcom. presión neumáticos	1	PAÍS:Canadá[CA], Estados Unidos de Norteamérica[USA]

Grupo	BASTIDOR
Código	33.46
Descripción	RUEDA DELANTERA II
Revisión	1



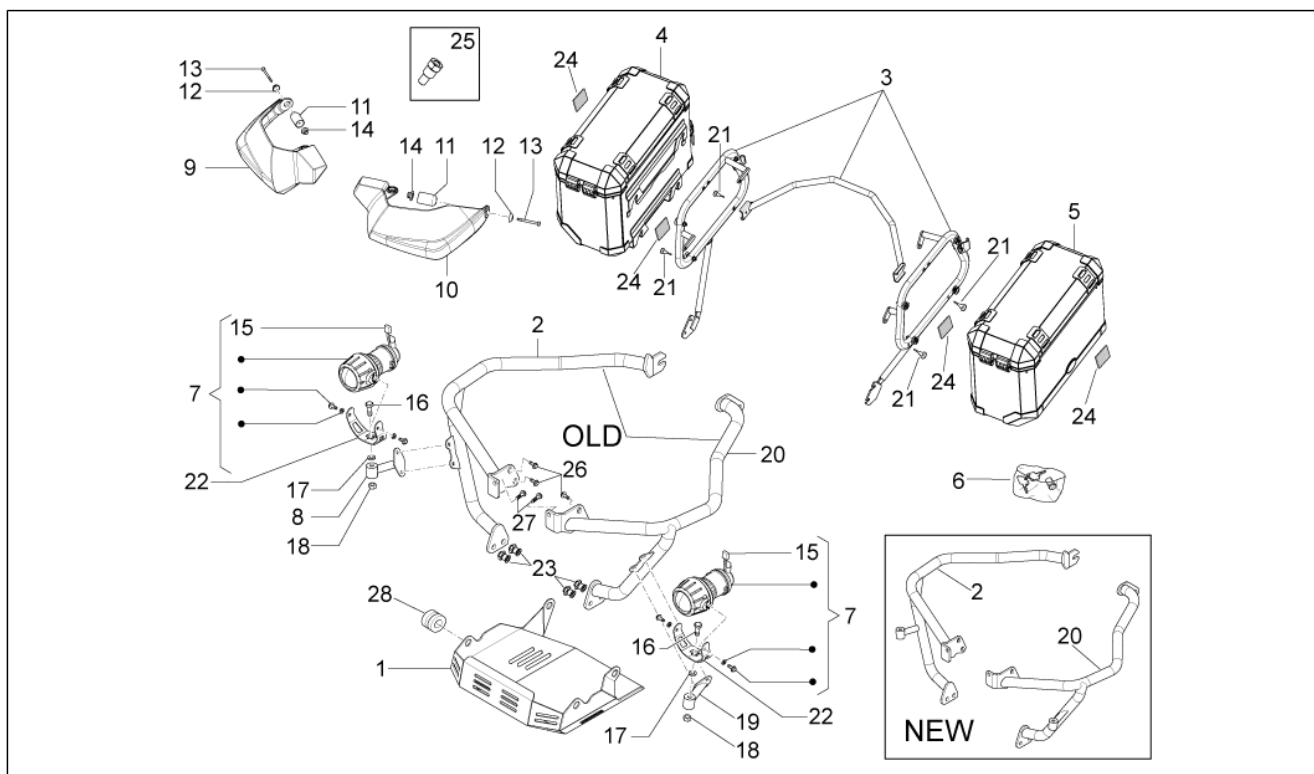
Pos.	Código	Descripción	Cant.	Variantes
1	897629	Rueda	1	
2	978516	Distanciador cojinetes	1	
3	AP8125777	Cojinete de bolas 25x47x12	2	
4	AP8125773	Gasket ring 30x47x7	2	
5	GU03617710	Válvula neum. sin cámara	1	
6	GU14616150	Contrapeso	1	
7	896011	Disco freno delantero DX	1	
8	896012	Disco freno delantero SX	1	
9	886311	Neumático delantero 110/80 R19	1	
10	AP8152286	Torn. CH con reborde M8x20	12	
11	GU01612190	Tuerca	1	
12	978030	Perno rueda del.	1	
13	GU06616300	Distanciador	1	
14	AP8128189	Wheel speed sensor, LH front	1	Especificaciones técnicas:
15	859792	Sensor ABS	1	Especificaciones técnicas:
16	AP8152273	Tornillo con reborde M5X15	1	Especificaciones técnicas:
17	859777	Pasacables	1	Especificaciones técnicas:
18	AP8201749	Tornillo M4x6	1	Especificaciones técnicas:
19	GU49609601	Abrazadera 2,4x92	1	Especificaciones técnicas:
20	894704	Pasacables	3	Especificaciones técnicas:

Grupo	BASTIDOR
Código	33.47
Descripción	Rueda trasera II
Revisión	1



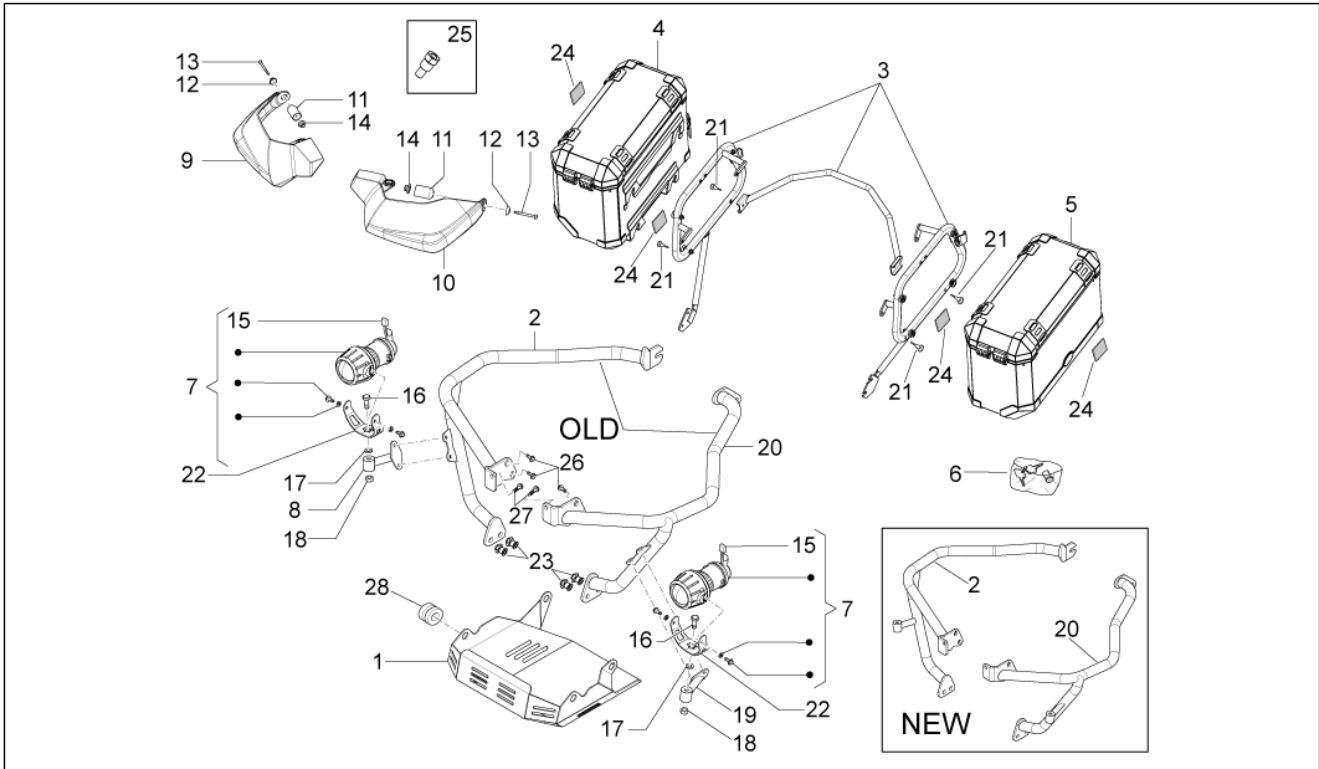
Pos.	Código	Descripción	Cant.	Variantes
1	897631	Llanta rueda	1	
2	886312	Neumático trasero 150/70 R17	1	
3	GU05632730	Buje cónica	4	
4	GU97202665	Torn. CH con reborde M12x65	4	
5	977056	Anillo guardapolvo	1	
6	GU05635730	Disco freno trasero	1	
7	AP8152272	Torn. CH con reborde M5x12	6	Especificaciones técnicas:
8	GU14616150	Contrapeso	1	
9	GU03617710	Válvula neum. sin cámara	1	
10	GU05681530	Wheel speed sensor, LH front	1	Especificaciones técnicas:
11	GU05683730	Sensor	1	Especificaciones técnicas:
12	598839	Torn. CH con reborde	1	Especificaciones técnicas:
13	894704	Pasacables	4	Especificaciones técnicas:
14	GU49609601	Abrazadera 2,4x92	1	Especificaciones técnicas:

Grupo	BASTIDOR
Código	33.66
Descripción	Special parts
Revisión	1



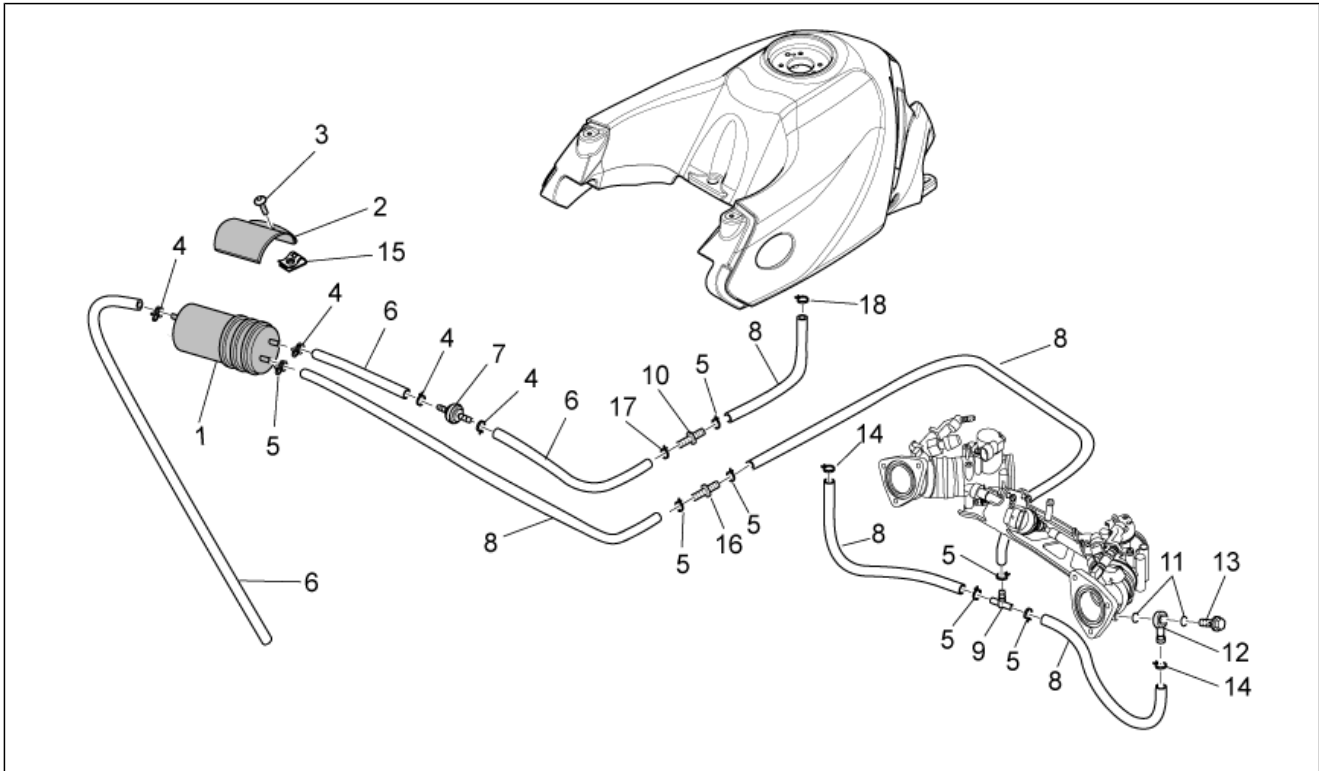
Pos.	Código	Descripción	Cant.	Variantes
1	883969	Protección cárter	1	Especificaciones técnicas:
2	886740	Protección cilindros der. Old	1	Especificaciones técnicas:
2	887458	Protección cilindros der. New	1	Especificaciones técnicas: Versión NTX[NTX]
3	981073	Kit fijación maleta	1	Especificaciones técnicas:
4	886929	RH suitcase	1	Especificaciones técnicas:
5	886930	LH suitcase	1	Especificaciones técnicas:
6	B064021	Kit serratura valigie coppia chiavi unificate	1	Especificaciones técnicas:
7	883657	Faro	2	Especificaciones técnicas:
8	886738	Soporte del faro der.	1	Especificaciones técnicas:
9	883254	Guardamanos der.	1	Especificaciones técnicas:
10	883253	Guardamanos izq.	1	Especificaciones técnicas:
11	AP8104627	Peso antivib.p.negro	2	Especificaciones técnicas:
12	AP8121819	Arandela 6,5x12,5*	2	Especificaciones técnicas:
13	AP8150342	Tornillo Allen M6x70	2	Especificaciones técnicas:
14	883134	Terminal	2	Especificaciones técnicas:
15	883655	Cabl. faro delantero	1	Especificaciones técnicas: Versión NTX[NTX]
16	GU98692420	Tornillo Allen M8x20	1	Especificaciones técnicas: Versión NTX[NTX]
17	GU95005308	Arandela 8,4x14,57x1,6	1	Especificaciones técnicas: Versión NTX[NTX]
18	GU92630708	Tuerca	1	Especificaciones técnicas: Versión NTX[NTX]
19	886739	Soporte del faro izq.	1	Especificaciones técnicas: Versión NTX[NTX]
20	886741	Protección cilindros izq. Old	1	Especificaciones técnicas: Versión NTX[NTX]
20	887459	Protección cilindros izq. New	1	Especificaciones técnicas: Versión NTX[NTX]
21	AP8120001	Goma	4	Especificaciones técnicas:
22	883991	Estribo fijación faro antiniebla	2	Especificaciones técnicas:
23	887313	Distanciador	4	Especificaciones técnicas:
24	293556	Catafaros lateral	4	PAÍS: Australia[AUS] Especificaciones técnicas: Versión NTX[NTX]
24	AP8706314	Catafaro	4	PAÍS: Canadá[CA], Estados Unidos de Norteamérica[USA] Especificaciones técnicas: Versión NTX[NTX]

Grupo	BASTIDOR
Código	33.66
Descripción	Special parts
Revisión	1



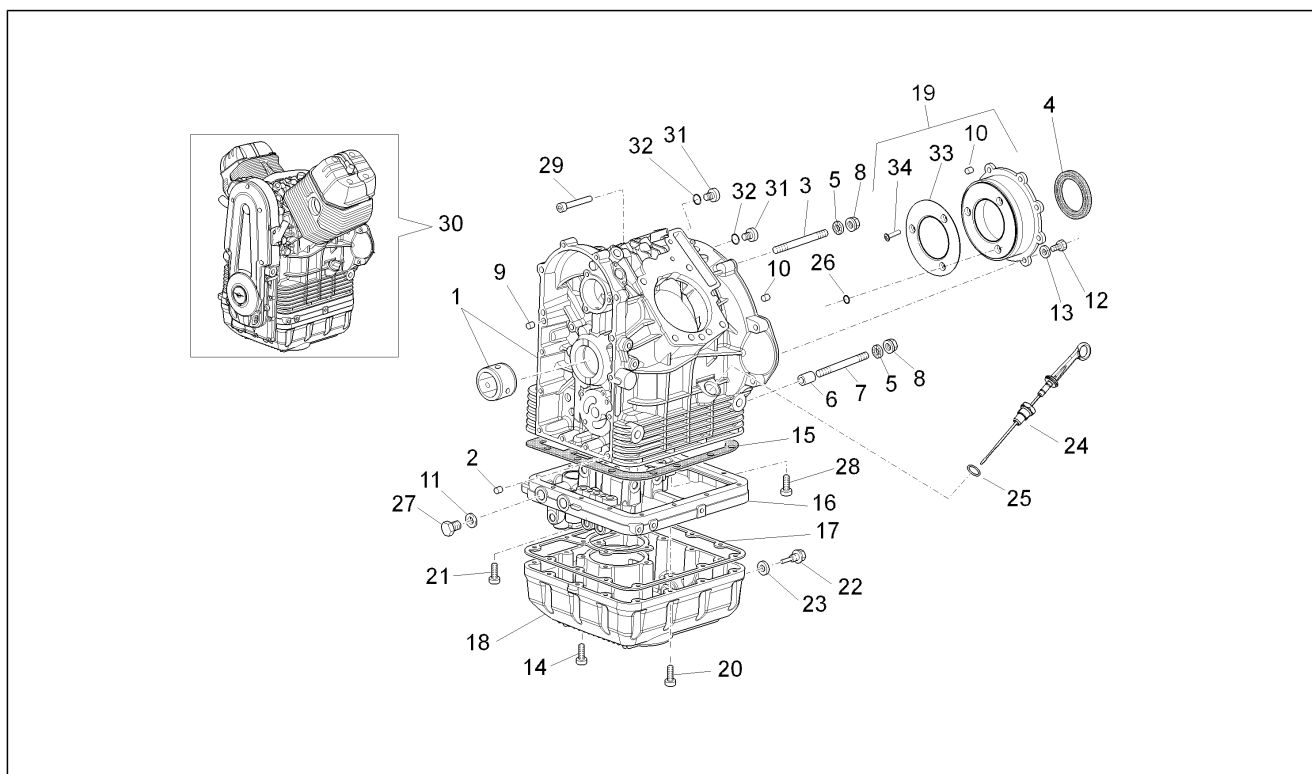
Pos.	Código	Descripción	Cant.	Variantes
25	884312	Grapa fijación espejo	2	PAÍS:Estados Unidos de Norteamérica[USA] Especificaciones técnicas:Versión NTX[NTX]
26	GU98692525	Tornillo Allen M10x25	4	Especificaciones técnicas:Versión NTX[NTX]
27	GU98682416	Tornillo Allen M8x16	2	Especificaciones técnicas:Versión NTX[NTX]
28	GU91551132	Goma	4	Especificaciones técnicas:Versión NTX[NTX]

Grupo	BASTIDOR
Código	33.69
Descripción	Eq.rec. vapores gas.
Revisión	1



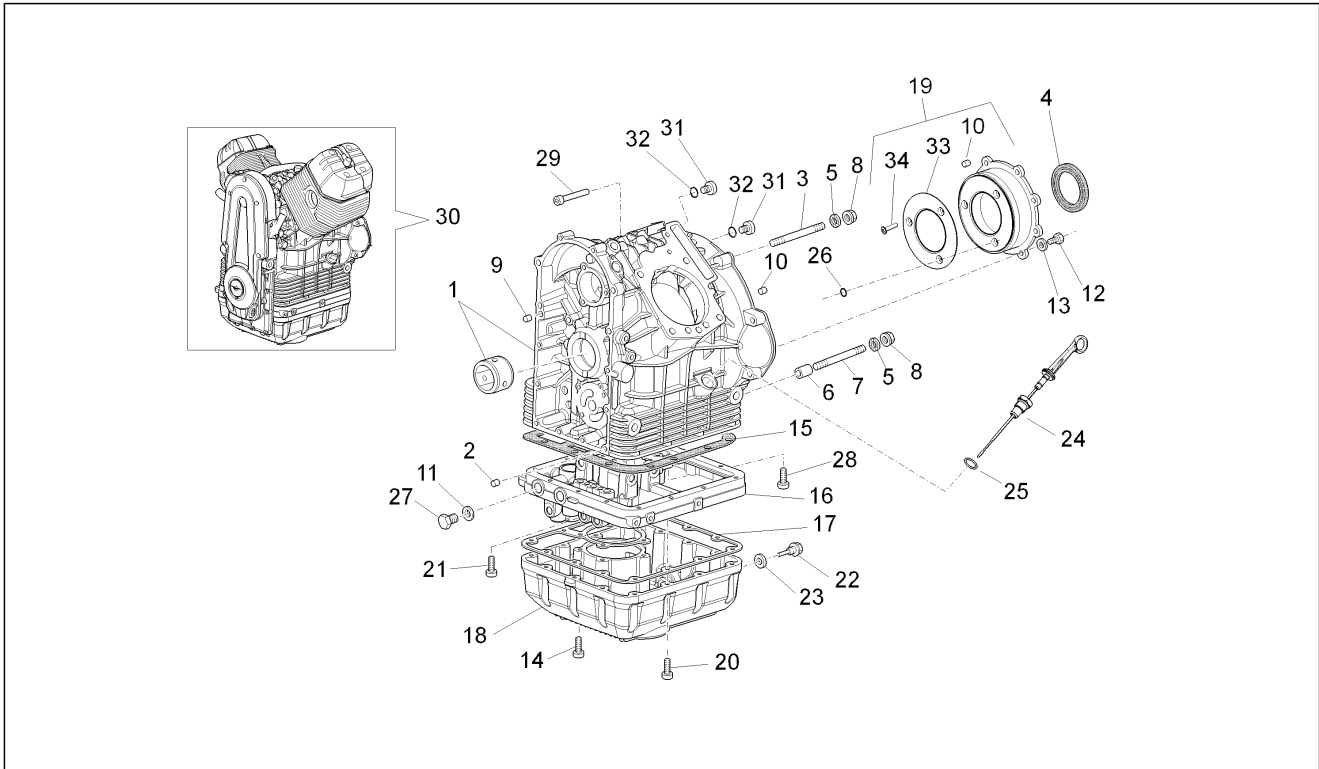
Pos.	Código	Descripción	Cant.	Variantes
1	AP8102678	Filtro de carbón	1	PAÍS:Canadá[CA], Estados Unidos de Norteamérica[USA]
2	AP8134884	Placa soporte canister	1	PAÍS:Canadá[CA], Estados Unidos de Norteamérica[USA]
3	AP8152277	Torn. CH con reborde M6x12	1	PAÍS:Canadá[CA], Estados Unidos de Norteamérica[USA]
4	AP8102239	Abrazadera 12,5x8	6	PAÍS:Canadá[CA], Estados Unidos de Norteamérica[USA]
5	AP8102738	Faja stringitubo	6	PAÍS:Canadá[CA], Estados Unidos de Norteamérica[USA]
6	856063	Tubo SAE 30 d.12,7x6,35	4	PAÍS:Canadá[CA], Estados Unidos de Norteamérica[USA]
7	860138	Válvula	1	PAÍS:Canadá[CA], Estados Unidos de Norteamérica[USA]
8	856062	Tubo SAE 30 d.11,11x4,8	3	PAÍS:Canadá[CA], Estados Unidos de Norteamérica[USA]
9	AP8144303	Empalme de 3 vías	1	PAÍS:Canadá[CA], Estados Unidos de Norteamérica[USA]
10	856330	Empalme	1	PAÍS:Canadá[CA], Estados Unidos de Norteamérica[USA]
11	GU90706009	Junta tórica 6x1	4	PAÍS:Canadá[CA], Estados Unidos de Norteamérica[USA]
12	GU95963062	Empalme	2	PAÍS:Canadá[CA], Estados Unidos de Norteamérica[USA]
13	GU95990023	Tornillo perforado	2	PAÍS:Canadá[CA], Estados Unidos de Norteamérica[USA]
14	AP8102378	Abrazadera D11,3	2	PAÍS:Canadá[CA], Estados Unidos de Norteamérica[USA]
15	GU28576592	Tuerca de grapa M6	1	PAÍS:Canadá[CA], Estados Unidos de Norteamérica[USA]
16	AP8121267	Extremidad de estrangulación	1	PAÍS:Canadá[CA], Estados Unidos de Norteamérica[USA]
17	AP8102159	Abrazadera	1	PAÍS:Canadá[CA], Estados Unidos de Norteamérica[USA]
18	AP8120446	Abrazadera clic, verde D11x6,6x1	1	PAÍS:Canadá[CA], Estados Unidos de Norteamérica[USA]

Grupo	MOTOR
Código	34.46
Descripción	Cárter I
Revisión	1



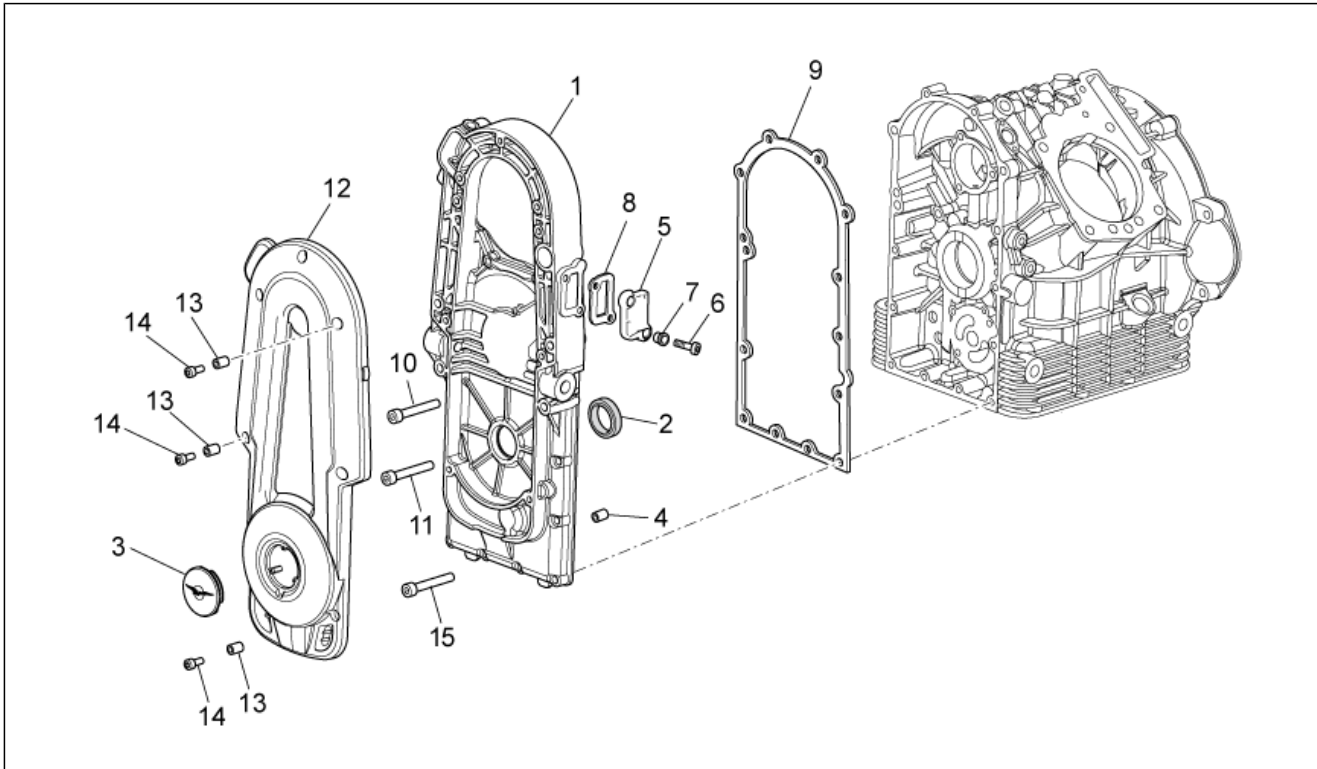
Pos.	Código	Descripción	Cant.	Variantes
1	880398	Cárter	1	
2	411209	Clavija	2	
3	GU96508066	Prisionero M8X66	3	
4	GU90405367	Gasket ring	1	
5	GU14615901	Arandela 8,4X13X0,8	5	
6	GU12018900	Casquillo	2	
7	GU96508075	Prisionero M8x75	2	
8	GU92660021	Tuerca con reborde M8	5	
9	GU95512081	Clavija	2	
10	560110	Clavija	2	
11	GU01154230	Junta	2	
12	GU98084425	Tornillo c. hex. M8x25	8	
13	GU61270300	Arandela elástica 8x15x0,3	8	
14	GU98620335	Tornillo M6x35	4	
15	GU01003651	Junta Der.	1	
16	879872	Brida	1	
17	GU05003630	Junta	1	
18	879874	Carter aceite	1	
19	976703	Brida completa	1	
20	AP4ADN000007	Tornillo Allen	14	
21	GU98680360	Tornillo Allen M6x60	2	
22	GU31003766	Tapón descarg.aceite M10x1	1	
23	GU01528930	Junta 10x18x1,5	1	
24	883144	Varilla nivel aceite cpl	1	
25	GU90706178	Junta tórica 17,86X2,62	1	
26	874980	Junta tórica 7,5X2	1	
27	GU95980216	Tapón	2	
28	GU98680340	Tornillo Allen M6x40	2	

Grupo	MOTOR
Código	34.46
Descripción	Cárter I
Revisión	1



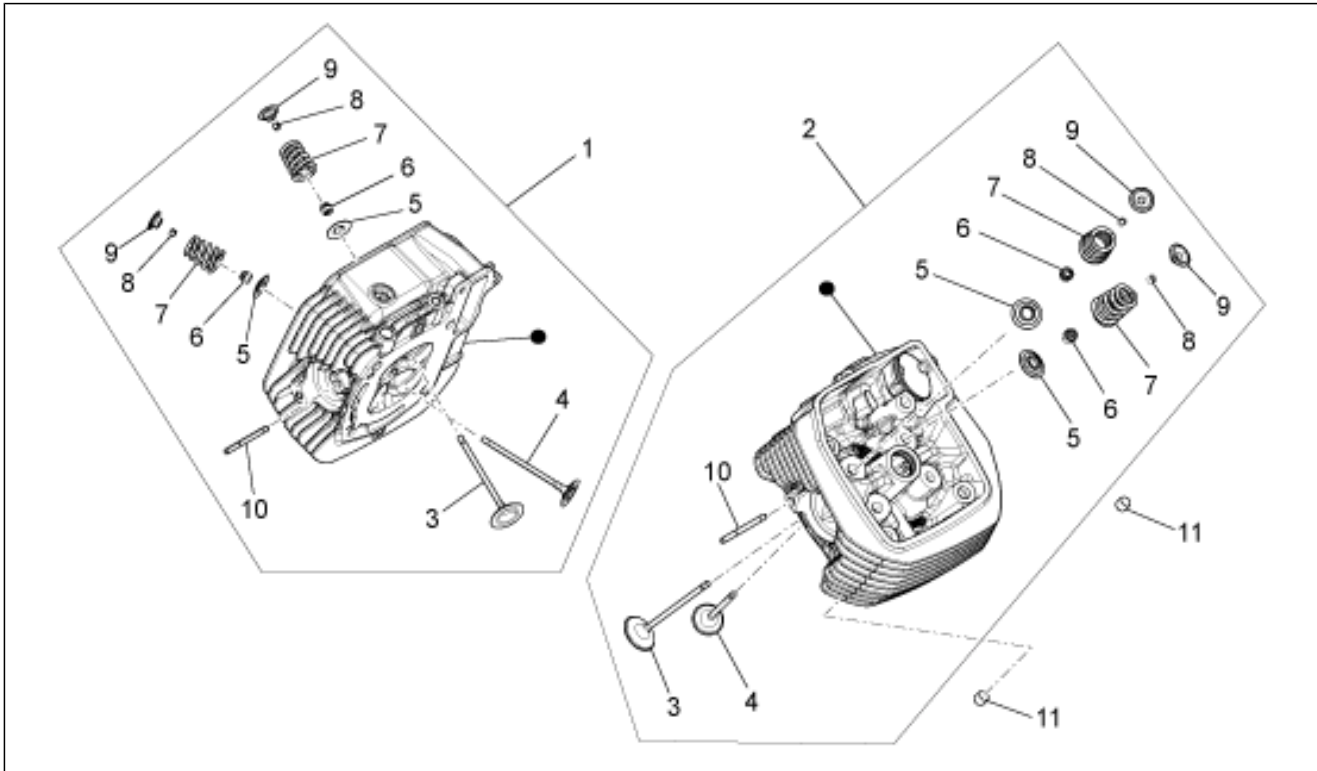
Pos.	Código	Descripción	Cant.	Variantes
29	AP8152291	Torn. CH con reborde	1	
30	9769795	Motor cpl.	1	Especificaciones técnicas: Distribución vieja[VD]
30	9769865	Motor cpl.	1	Especificaciones técnicas: Nueva distribución de rodillos[ND]
31	GU12022600	Tapón aceite	2	
32	GU90706203	Junta tórica 20,24X2,62	2	
33	874134	Disco recuperación aceite	1	
34	015935	Tornillo TBCIC M5x12	3	

Grupo	MOTOR
Código	34.47
Descripción	Cárter II
Revisión	1



Pos.	Código	Descripción	Cant.	Variantes
1	879876	Tapa distribución	1	
2	GU90412237	Gasket ring 22x35x7viton	1	
3	GU05002130	Tapón	1	
4	825597	Clavija 11,8X10	2	
5	976554	Tapón	1	
6	GU98682320	Tornillo Allen M6x20	2	
7	GU91120607	Buje 6,4x8,4x10,5	2	
8	GU90706347	Junta tórica 34,65x1,78viton	1	
9	976478	Junta tapa	1	
10	AP8150046	Tornillo Allen M8x55	4	
11	GU98682330	Tornillo Allen M6x20	9	
12	GU05001630	Tapa gener.gris	1	
13	GU91120606	Buje 6,8x8,8x5,8	6	
14	GU98682316	Tornillo Allen M6x16	5	
15	GU98620335	Tornillo M6x35	1	

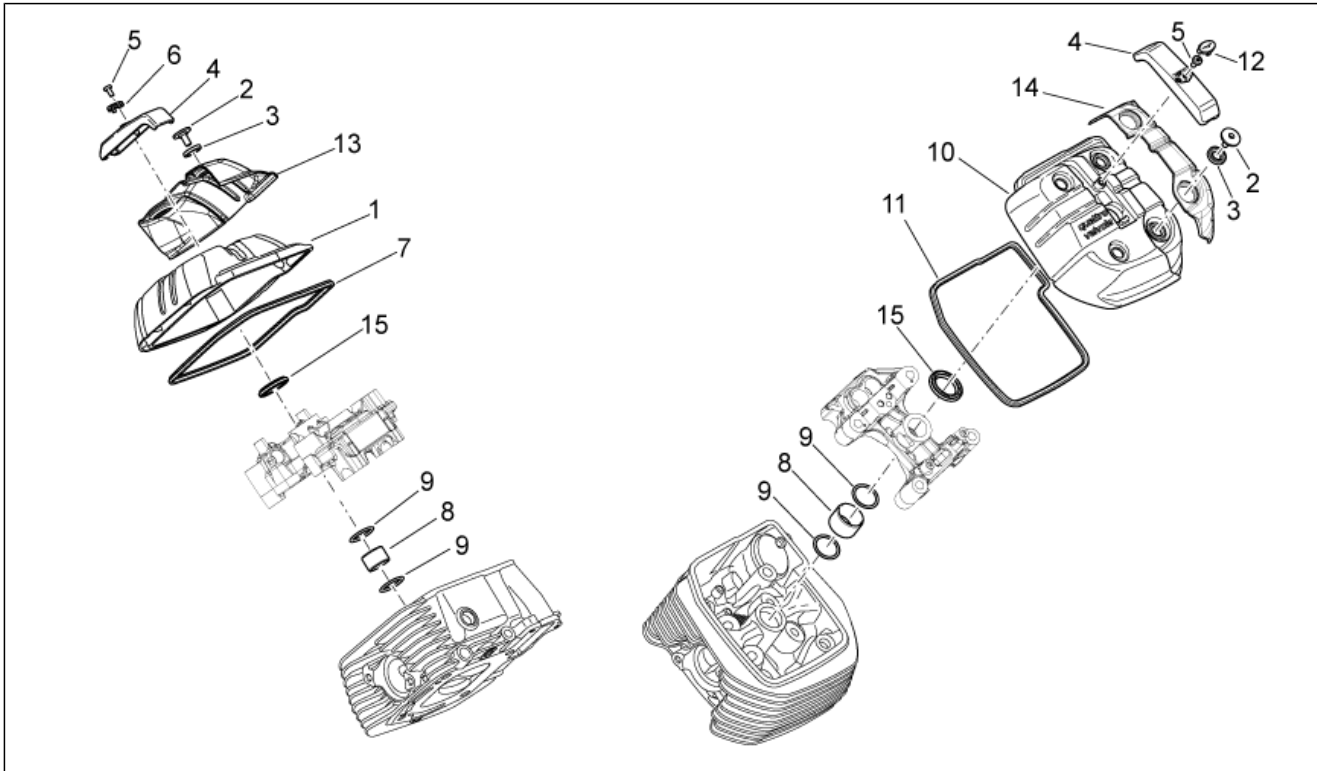
Grupo	MOTOR
Código	34.48
Descripción	Culata - válvulas
Revisión	1



Pos.	Código	Descripción	Cant.	Variantes
1	B013808	Culata der.	1	
2	B013807	Culata izq.	1	
3	872695	Válvula de admisión	4	
4	872696	Válvula de escape	4	
5	874127	Cubeta inf.	8	
6	436438	Anillo de ret.válvula	8	
7	B013517	Muelle para válvula	8	
8	285846	Semicono válvula	8	
9	874126	Cubeta sup.	8	
10	827018	Prisionero silencioso M8X3X46	4	
11	825597	Clavija 11,8X10	8	

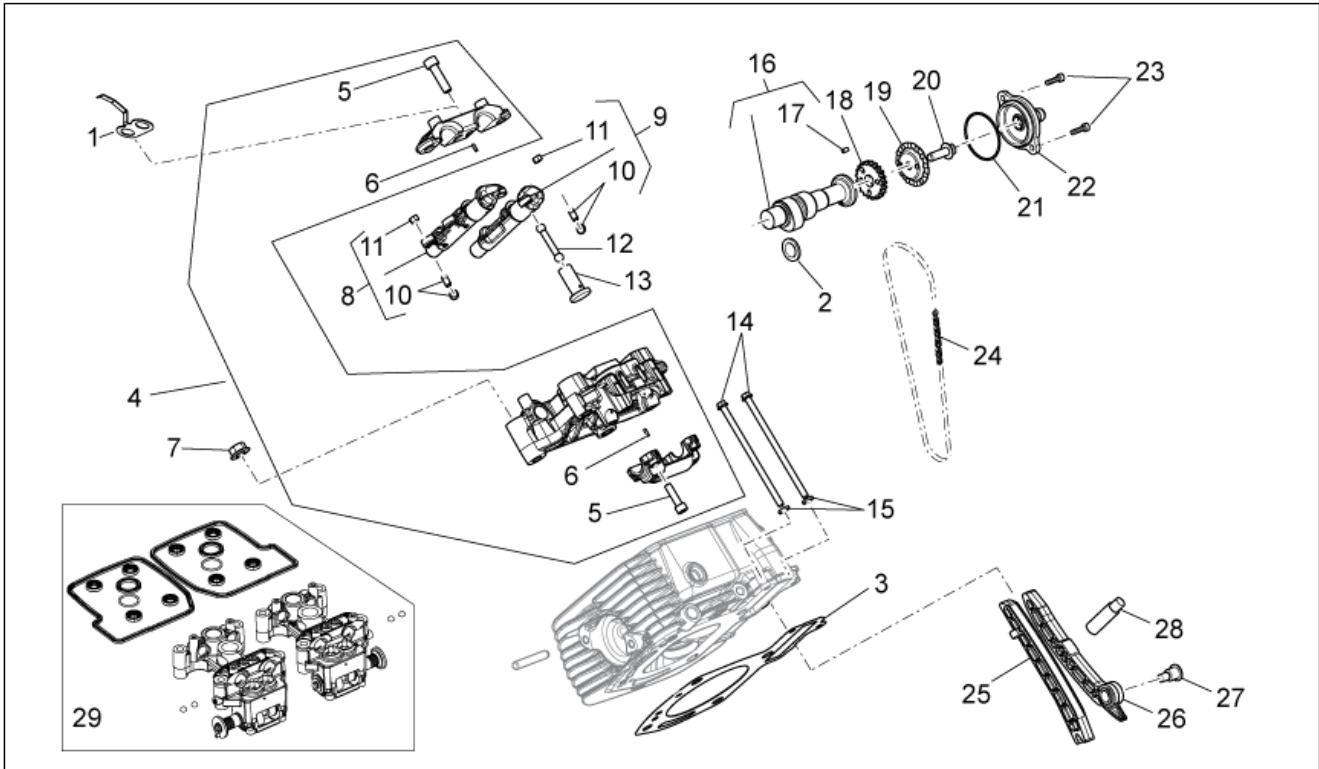


Grupo	MOTOR
Código	34.49
Descripción	Tapa culata
Revisión	1



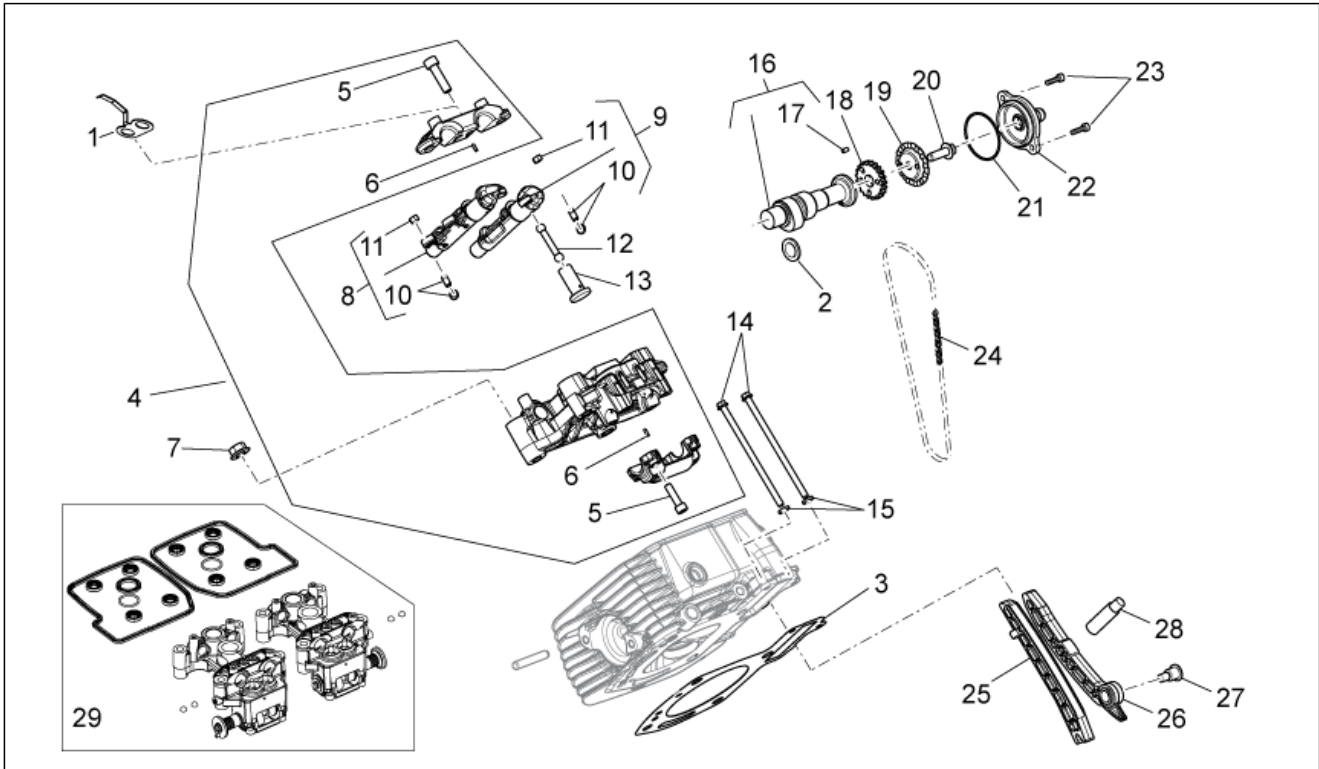
Pos.	Código	Descripción	Cant.	Variantes
1	880124	Tapa culata der.	1	
2	976591	Tornillo especial	8	
3	879975	Taco	8	
4	883493	Tapa bujía	2	
5	GU98230510	Tornillo	2	
6	976560	Placa Der. "Moto Guzzi"	1	
7	872742	Junta der.	1	
8	879987	Tubo bujía	2	
9	873626	Junta tórica 26X2,5	4	
10	880123	Tapa culata izq.	1	
11	872741	Junta izq.	1	
12	976559	Placa Izq. "Moto Guzzi"	1	
13	873654	Tapa der.	1	
14	872740	Tapa izq.	1	
15	880127	Junta	2	

Grupo	MOTOR
Código	34.50
Descripción	Distribución cilindro der. (bowl)
Revisión	1



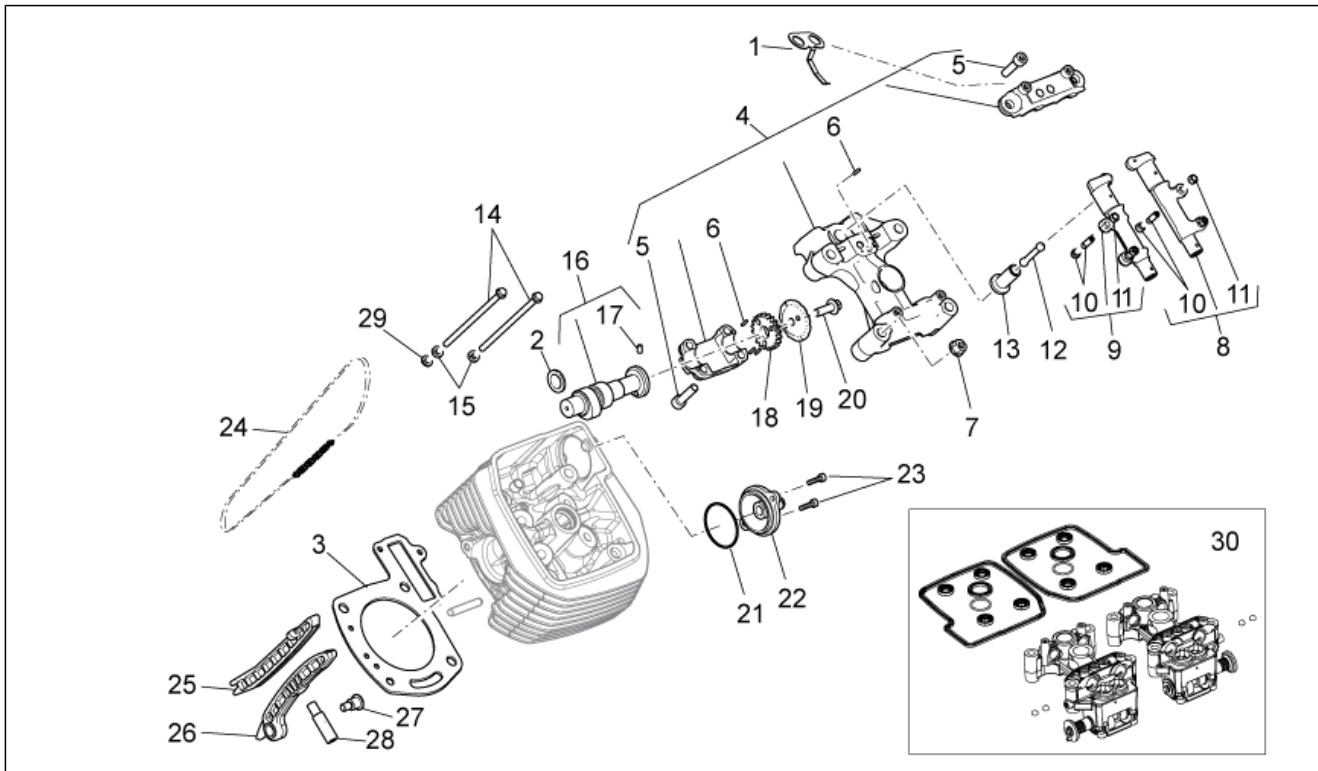
Pos.	Código	Descripción	Cant.	Variantes
1	B013661	Placa	1	
2	CM162701	Distanciador 1,06	1	
2	CM162702	Distanciador 1,08	1	
2	CM162703	Distanciador 1,10	1	
2	CM162704	Distanciador 1,12	1	
2	CM162705	Distanciador 1,14	1	
3	874621	Junta culata 0,65 mm	2	
3	874622	Junta culata 0,85 mm	2	
3	976311	Junta culata 1,05 mm	2	
4	880879	Soporte der.	1	
5	015792	Tornillo M8x30	6	
6	872759	Clavija D. 2,5	4	
7	833520	Tuerca M10X1,25 6H	4	
8	976359	Balancín	1	Especificaciones técnicas: Varilla de mando balancín old[OLD]
8	B013603	Balancín admisión izq. escape der.	1	Especificaciones técnicas: Varilla de mando balancín new[NEW]
9	976360	Balancín	1	Especificaciones técnicas: Varilla de mando balancín old[OLD]
9	B013605	Balancín admisión der. escape izq.	1	Especificaciones técnicas: Varilla de mando balancín new[NEW]
10	873850	Tornillo embrague	4	Especificaciones técnicas: Varilla de mando balancín old[OLD]
10	879707	Tornillo regulación	4	Especificaciones técnicas: Varilla de mando balancín new[NEW]
11	484819	Tuerca	4	Especificaciones técnicas: Varilla de mando balancín old[OLD]
11	879916	Tuerca regulación balancín	4	Especificaciones técnicas: Varilla de mando balancín new[NEW]

Grupo	MOTOR
Código	34.50
Descripción	Distribución cilindro der. (bowl)
Revisión	1



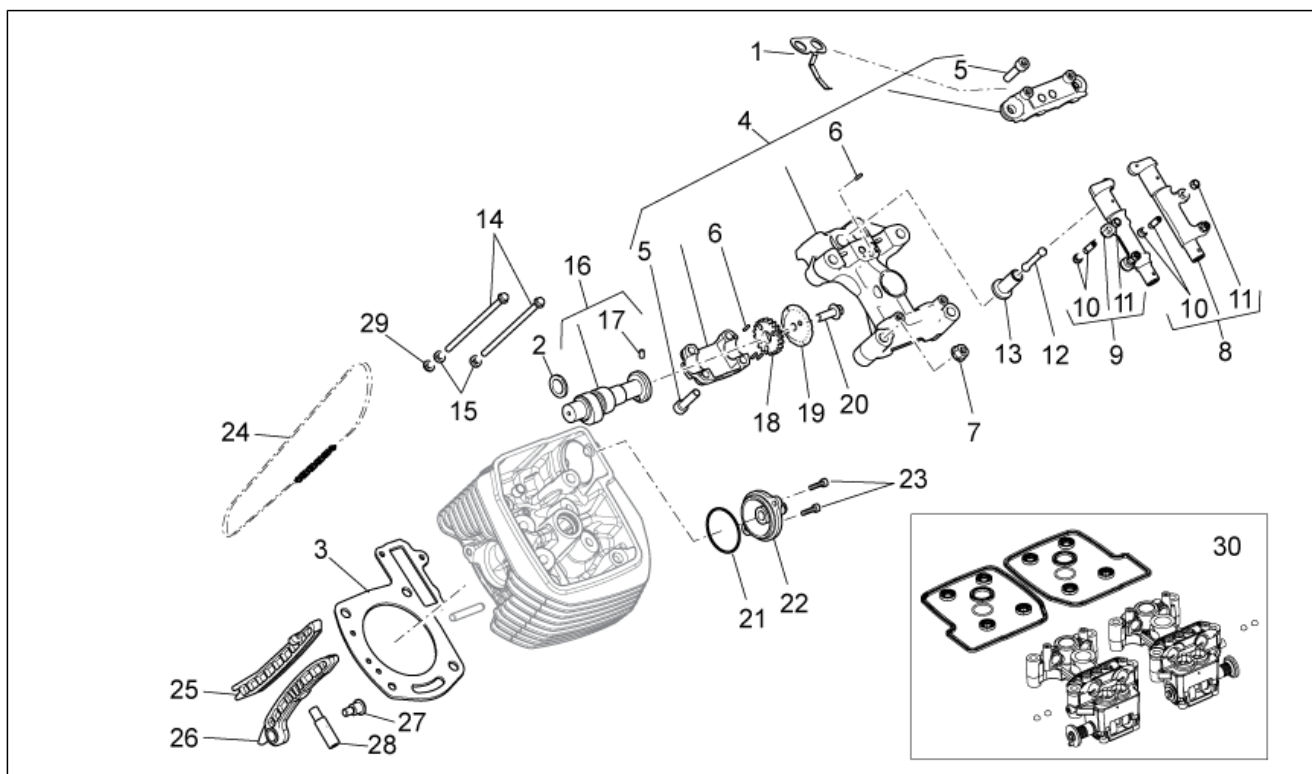
Pos.	Código	Descripción	Cant.	Variantes
12	873631	Varilla balancín	2	Especificaciones técnicas: Varilla de mando balancín old[OLD]
12	8015681	Varilla balancín	2	Especificaciones técnicas: Varilla de mando balancín new[NEW]
13	878751	Campana	2	
14	487444	Tornillo con reborde M6x120	2	
15	976674	Arandela plana 12x6,1x2	2	
16	8792724	Árbol de levas	1	
17	976589	Clavija	1	
18	976350	Engranaje distribución	1	
19	874601	respirad. del aceite de la hoja	1	
20	843060	Tornillo con reborde	1	
21	880965	Gasket ring 2,62x46,52	1	
22	8013479	Tapa respirad. cpl.	1	
23	875173	Tornillo de cabeza curva torx	2	
24	976341	Cadena distribución	1	
25	976338	Patín guía cadena	1	
26	976337	Patín tensor de cadena	1	
27	878868	Tornillo espaciador M8	1	
28	873689	Tensor de cadena der.	1	
29	1A002060	kit trasformazione distribuzione "A"	1	AÑO: 2011[B], 2012[C]

Grupo	MOTOR
Código	34.51
Descripción	Distribución cilindro izq. I
Revisión	1



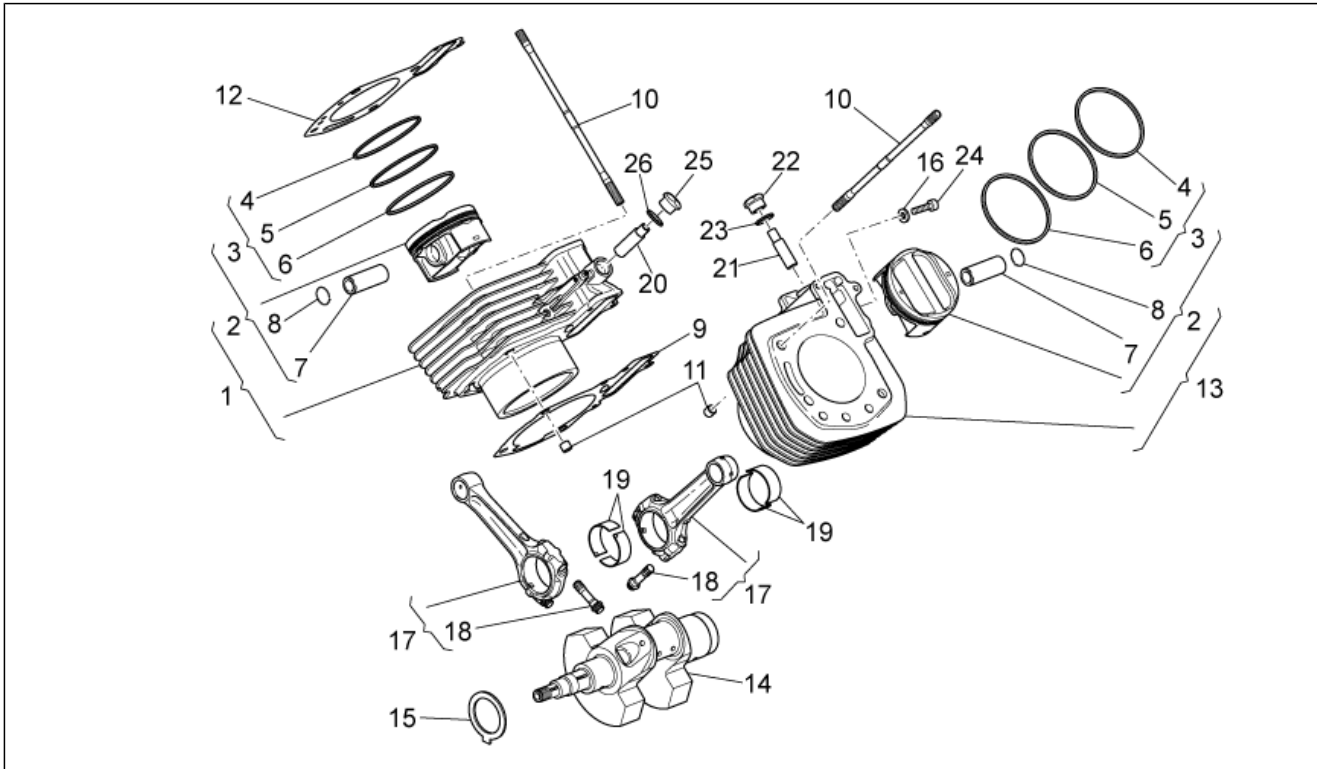
Pos.	Código	Descripción	Cant.	Variantes
1	B013661	Placa	1	
2	CM162701	Distanciador 1,06	1	
2	CM162702	Distanciador 1,08	1	
2	CM162703	Distanciador 1,10	1	
2	CM162704	Distanciador 1,12	1	
2	CM162705	Distanciador 1,14	1	
3	874621	Junta culata 0,65 mm	2	
3	874622	Junta culata 0,85 mm	2	
3	976311	Junta culata 1,05 mm	2	
4	880881	SopORTE izq.	1	
5	015792	Tornillo M8x30	6	
6	872759	Clavija D. 2,5	4	
7	833520	Tuerca M10X1,25 6H	4	
8	976359	Balancín	1	Especificaciones técnicas: Varilla de mando balancín old[OLD]
8	B013603	Balancín admisión izq. escape der.	1	Especificaciones técnicas: Varilla de mando balancín new[NEW]
9	976360	Balancín	1	Especificaciones técnicas: Varilla de mando balancín old[OLD]
9	B013605	Balancín admisión der. escape izq.	1	Especificaciones técnicas: Varilla de mando balancín new[NEW]
10	873850	Tornillo embrague	4	Especificaciones técnicas: Varilla de mando balancín old[OLD]
10	879707	Tornillo regulación	4	Especificaciones técnicas: Varilla de mando balancín new[NEW]
11	484819	Tuerca	4	Especificaciones técnicas: Varilla de mando balancín old[OLD]
11	879916	Tuerca regulación balancín	4	Especificaciones técnicas: Varilla de mando balancín new[NEW]

Grupo	MOTOR
Código	34.51
Descripción	Distribución cilindro izq. I
Revisión	1



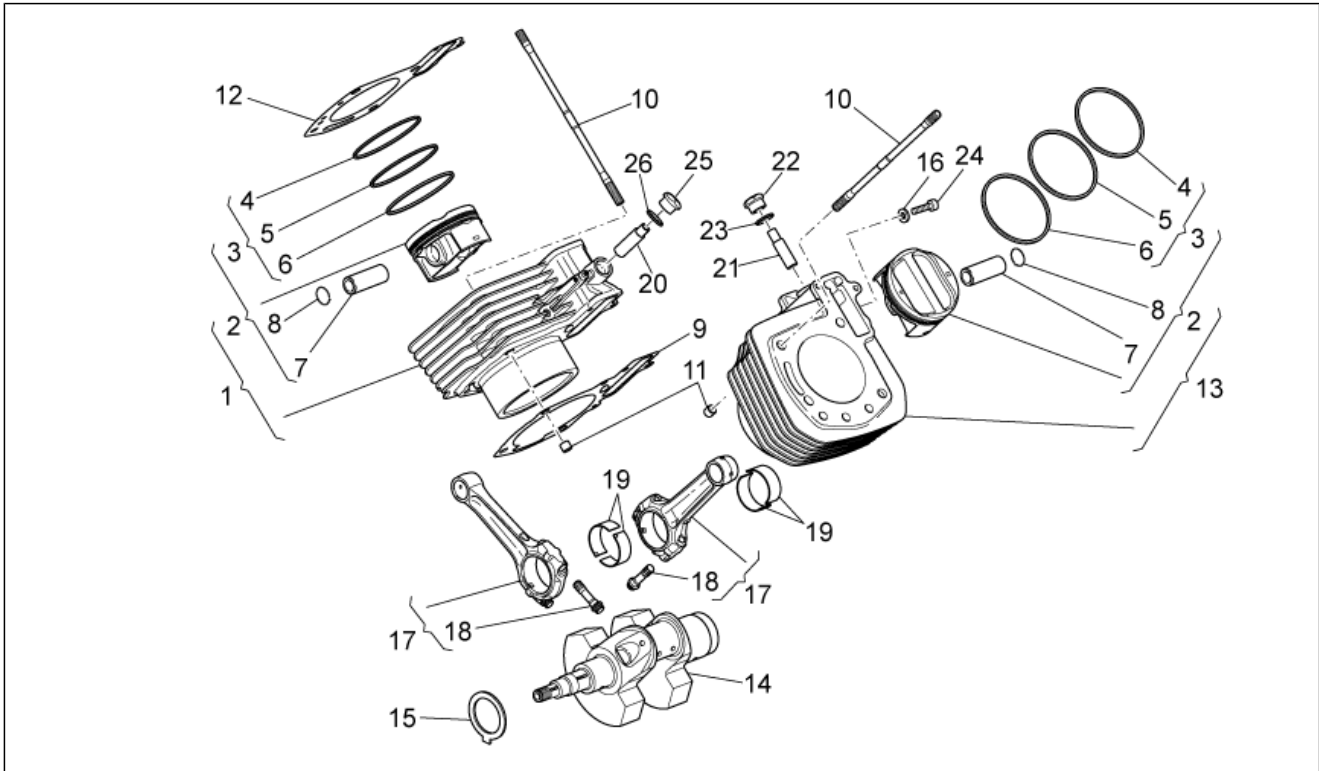
Pos.	Código	Descripción	Cant.	Variantes
12	873631	Varilla balancín	2	Especificaciones técnicas: Varilla de mando balancín old[OLD]
12	B015681	Varilla balancín	1	Especificaciones técnicas: Varilla de mando balancín new[NEW]
13	878751	Campana	2	
14	487444	Tornillo con reborde M6x120	2	
15	976674	Arandela plana 12x6,1x2	2	
16	B014223	Árbol de levas con P.I.	1	
17	976589	Clavija	1	
18	976350	Engranaje distribución	1	
19	874601	respirad. del aceite de la hoja	1	
20	843060	Tornillo con reborde	1	
21	880965	Gasket ring 2,62x46,52	1	
22	B013479	Tapa respirad. cpl.	1	
23	875173	Tornillo de cabeza curva torx	1	
24	976341	Cadena distribución	1	
25	976338	Patín guía cadena	1	
26	976337	Patín tensor de cadena	1	
27	878868	Tornillo espaciador M8	1	
28	873690	Tensor de cadena izq.	1	
29	244585	Distanciador	1	
30	1A002060	kit trasformazione distribuzione "A"	1	AÑO: 2011[B], 2012[C]

Grupo	MOTOR
Código	34.52
Descripción	CIGÜEÑAL - Cilindro
Revisión	1



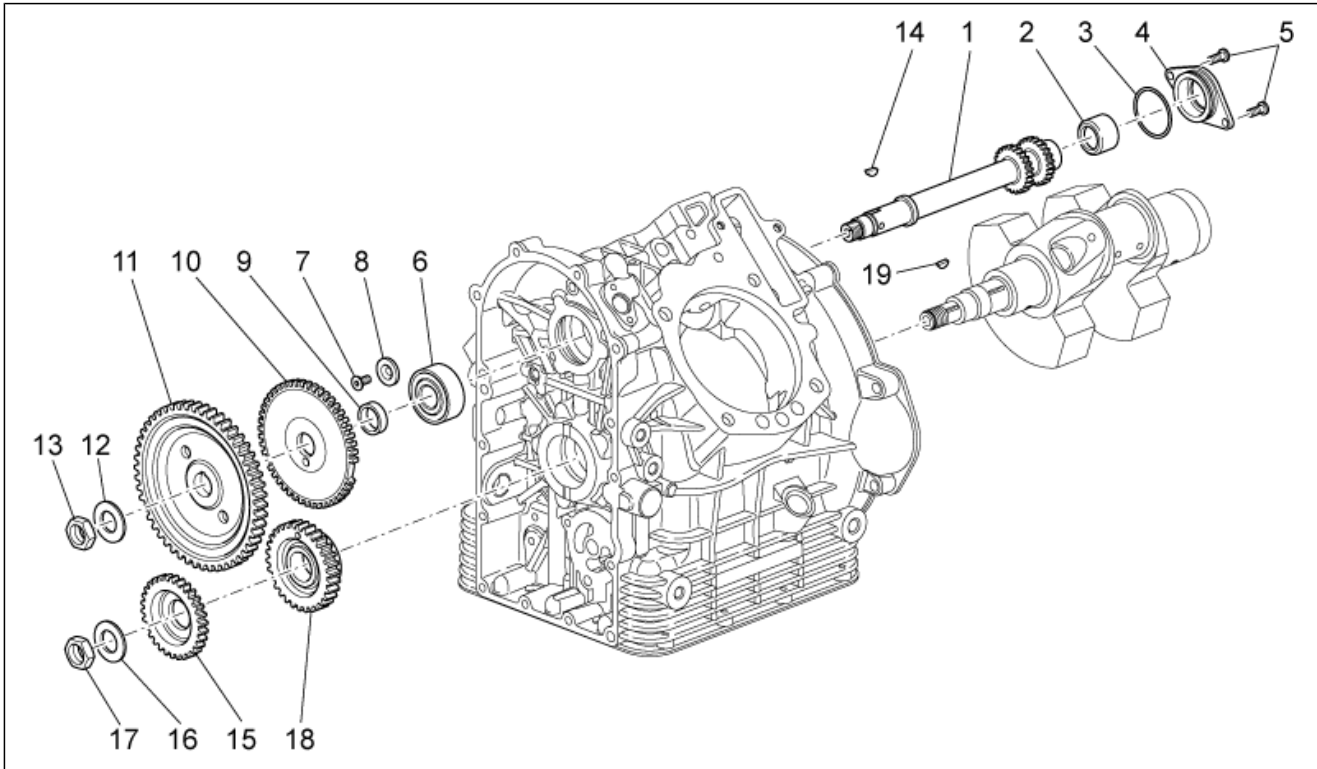
Pos.	Código	Descripción	Cant.	Variantes
1	981008	Cilindro con pistón cpl. der.	1	
2	873667	Pistón D95 cpl	2	
3	981009	Kit segmentos	2	
4	874287	Fascia elástica sup.	2	
5	874288	Fascia elástica int.	2	
6	874289	Fascia elástica raspador	2	
7	874286	Pasador	2	
8	874567	Anillo de tope	4	
9	976312	Junta base cilindro	2	
10	878275	Prisionero	8	
11	825597	Clavija 11,8X10	4	
12	874621	Junta culata 0,65 mm	2	
12	874622	Junta culata 0,85 mm	2	
12	976311	Junta culata 1,05 mm	2	
13	981007	Cilindro con pistón cpl. izq.	1	
14	B0133785001	Conjunto eje	1	Especificaciones técnicas:Color selección marrón[C1]
14	B0133785002	Conjunto eje	1	Especificaciones técnicas:Color selección verde[C2]
14	B0133785003	Conjunto eje	1	Especificaciones técnicas:Color selección Negro[C3]
15	874293	Arand.de resorte	1	
16	GU95100116	Arandela 6,25x10x1,5	1	
17	8783390001	Biela cpl.	2	Especificaciones técnicas:Color selección marrón[C1]
17	8783390002	Biela cpl.	2	Especificaciones técnicas:Color selección verde[C2]
17	8783390003	Biela cpl.	2	Especificaciones técnicas:Color selección Negro[C3]
18	849131	Tornillo biela	4	
19	875243	Semienvol. chumacera 1,535-1,540	4	Especificaciones técnicas:Marca roja[RS]
19	875244	Semienvol. chumacera 1,539-1,544	4	Especificaciones técnicas:Marca azul[BS]
20	873689	Tensor de cadena der.	1	
21	873690	Tensor de cadena izq.	1	

Grupo	MOTOR
Código	34.52
Descripción	CIGÜEÑAL - Cilindro
Revisión	1



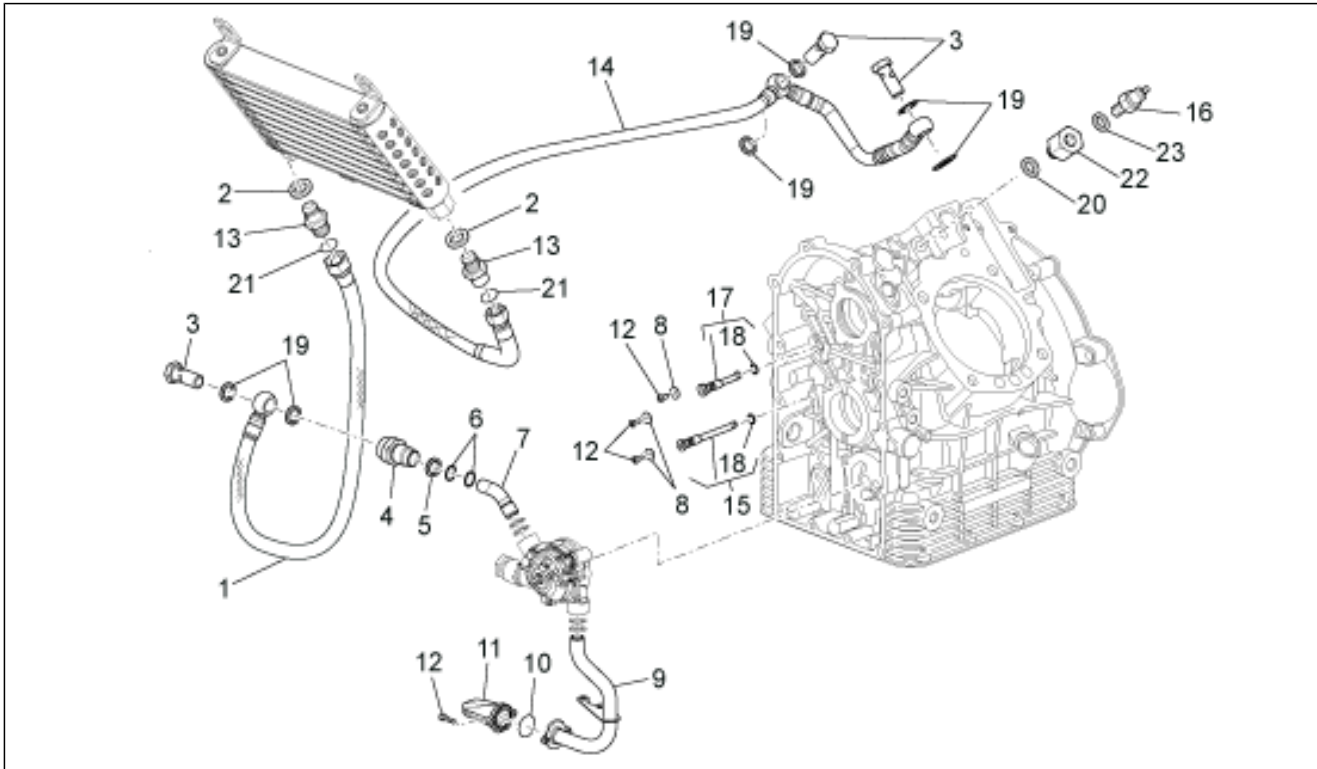
Pos.	Código	Descripción	Cant.	Variantes
22	976342	Tapón tensor cadena	2	
23	849866	Arandela	2	
24	GU98350310	Tornillo M6x20	1	
25	879404	Tapón tensor cadena	2	
26	879405	Arandela	1	

Grupo	MOTOR
Código	34.53
Descripción	Distribución
Revisión	1



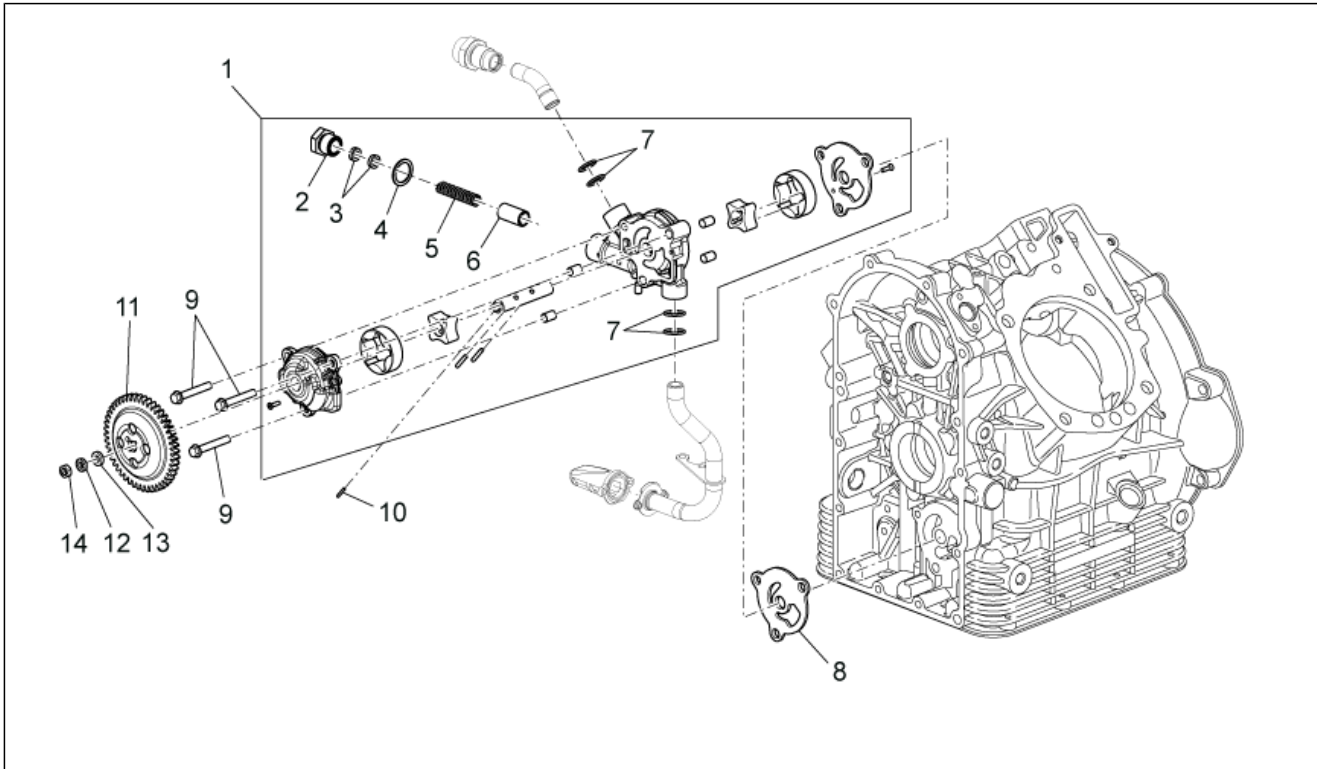
Pos.	Código	Descripción	Cant.	Variantes
1	976330	Distribución	1	
2	976381	Jaula de agujas 25x32x12	1	
3	976488	Junta tórica 37,82x1,78	1	
4	976331	Brida	1	
5	GU98350315	Tornillo M6x14	2	
6	976355	Cojinete de bolas 20x47x18	1	
7	AP8152166	Tornillo M6x16	1	
8	873928	Arandela	1	
9	976334	Distanciador	1	
10	976538	Wheel speed sensor, LH front	1	
11	874281	Engran. distribución	1	
12	GU14433400	Arandela elástica 19x34x1,5	1	
13	829232	Tuerca M18x1,5	1	
14	GU91600450	Chaveta	1	
15	8787074	Engr.conduct.bom.ac.	1	
16	976665	Muelle de taza	1	
17	976649	Tuerca M25x1,5	1	
18	874280	Engranaje conductor	1	
19	GU91600365	Chaveta 3x6,5	1	

Grupo	MOTOR
Código	34.54
Descripción	Lubricación
Revisión	1



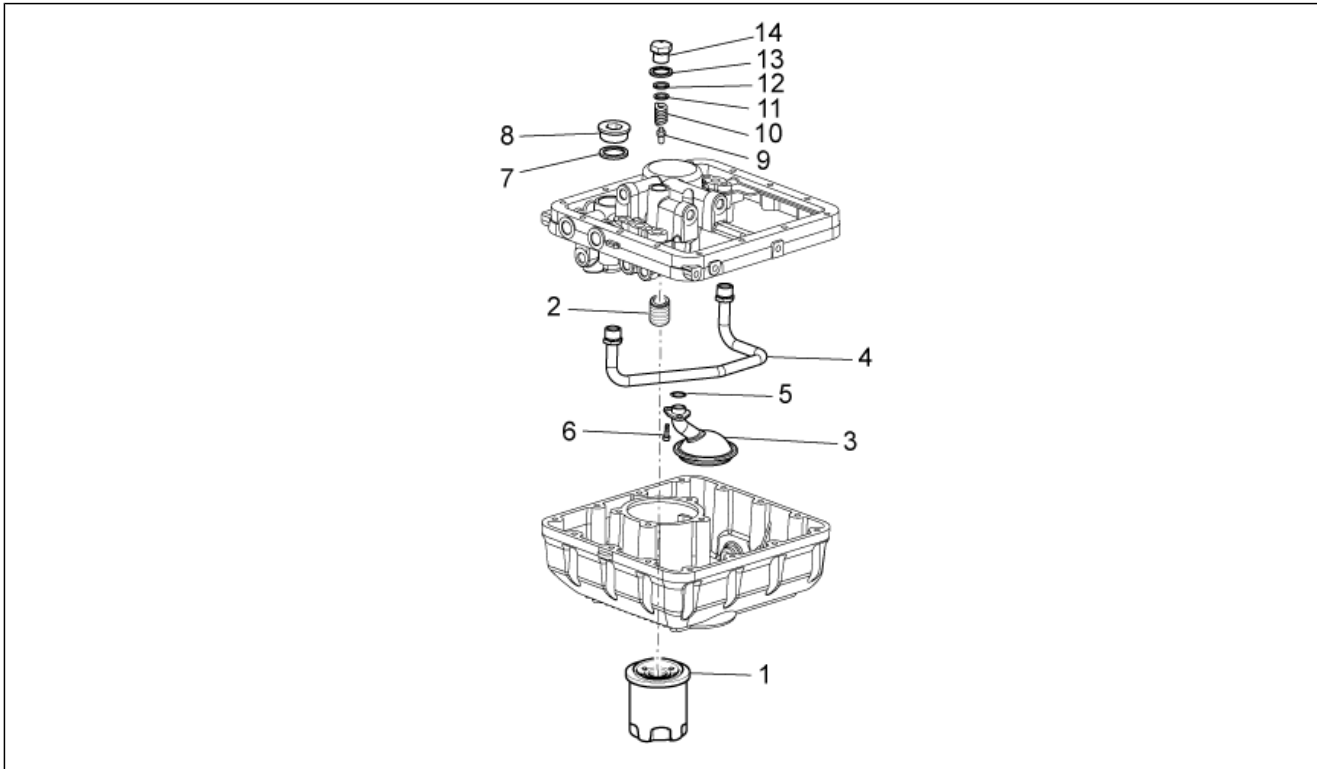
Pos.	Código	Descripción	Cant.	Variantes
1	978895	Tubos	1	
2	GU01154230	Junta	2	
3	874223	Tornillo perforado	3	
4	874669	Niple	1	
5	976592	Junta	1	
6	434947	Junta tórica 12,42x1	2	
7	874646	Tubo aceite	1	
8	013763	Arandela plana 4,2x12x1	3	
9	874645	Tubo aspiración	1	
10	969323	Junta tórica	1	
11	874655	Filtro aceite admisión	1	
12	581957	Tornillo	5	
13	GU01161331	Reducción	2	
14	976625	Tubos	1	
15	976680	Surtidor izq.	1	
16	641541	Sensor de presión de aceite	1	
17	976681	Surtidor der.	1	
18	874238	Junta tórica	4	
19	976597	Junta de cobre	6	
20	GU12006400	Junta 12,25	1	
21	899064	Junta tórica	4	
22	887123	Empalme M12x1,5	1	
23	AP9150472	Arandela 10,5x17x1,5	1	

Grupo	MOTOR
Código	34.55
Descripción	Bomba aceite
Revisión	1



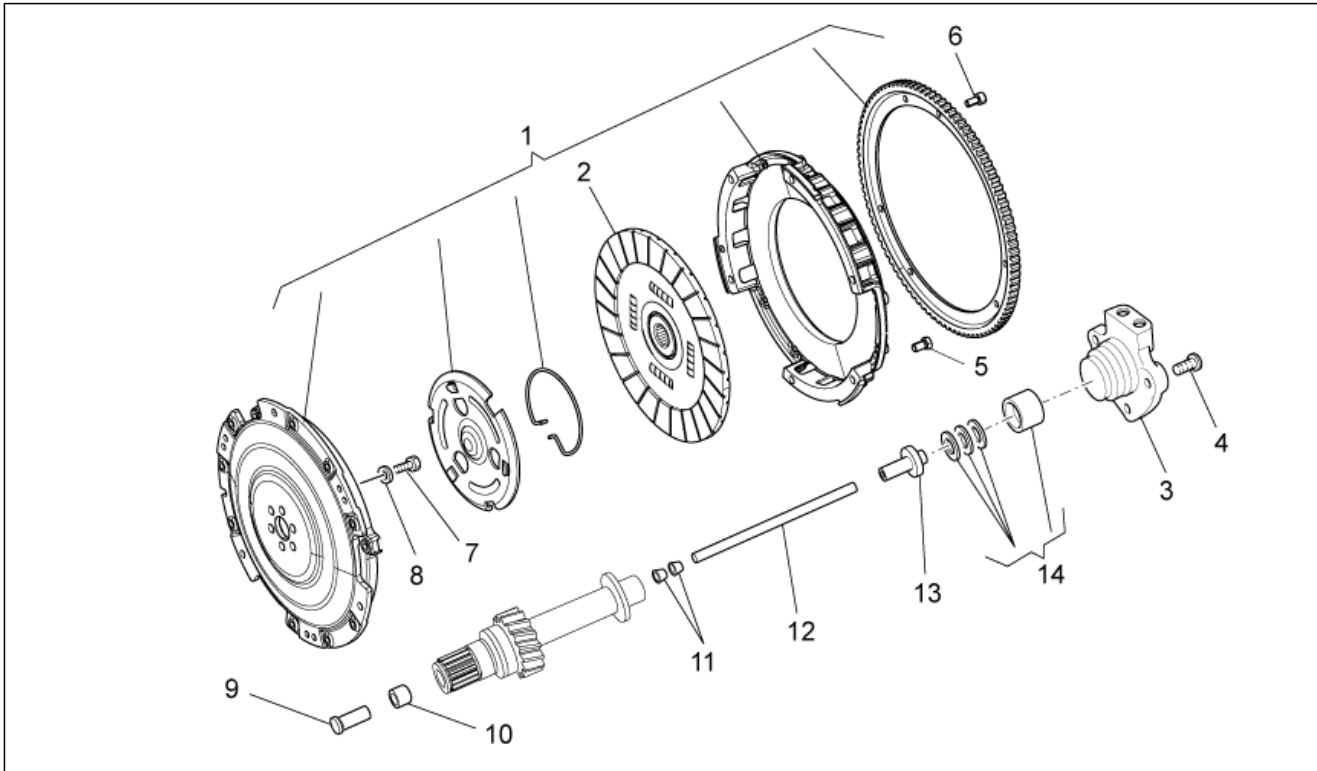
Pos.	Código	Descripción	Cant.	Variantes
1	8746505	Cnj. bomba de aceite	1	
2	GU31159050	Tapón	1	
3	GU30158900	Arandela	2	
4	GU18144350	Arandela 18,25x24x1	1	
5	829486	Muelle	1	
6	829661	Oil pressure valve	1	
7	237553	Junta tórica	4	
8	874482	Junta	1	
9	414835	Tornillo	3	
10	874801	Clavija 2x13,8	1	
11	877101	Engran. bomba aceite	1	
12	GU03013800	Arandela 6,4x12	1	
13	GU95005306	Arandela 6,4x13x1,5	1	
14	873906	Tuerca baja	1	

Grupo	MOTOR
Código	34.56
Descripción	Filtro aceite
Revisión	1



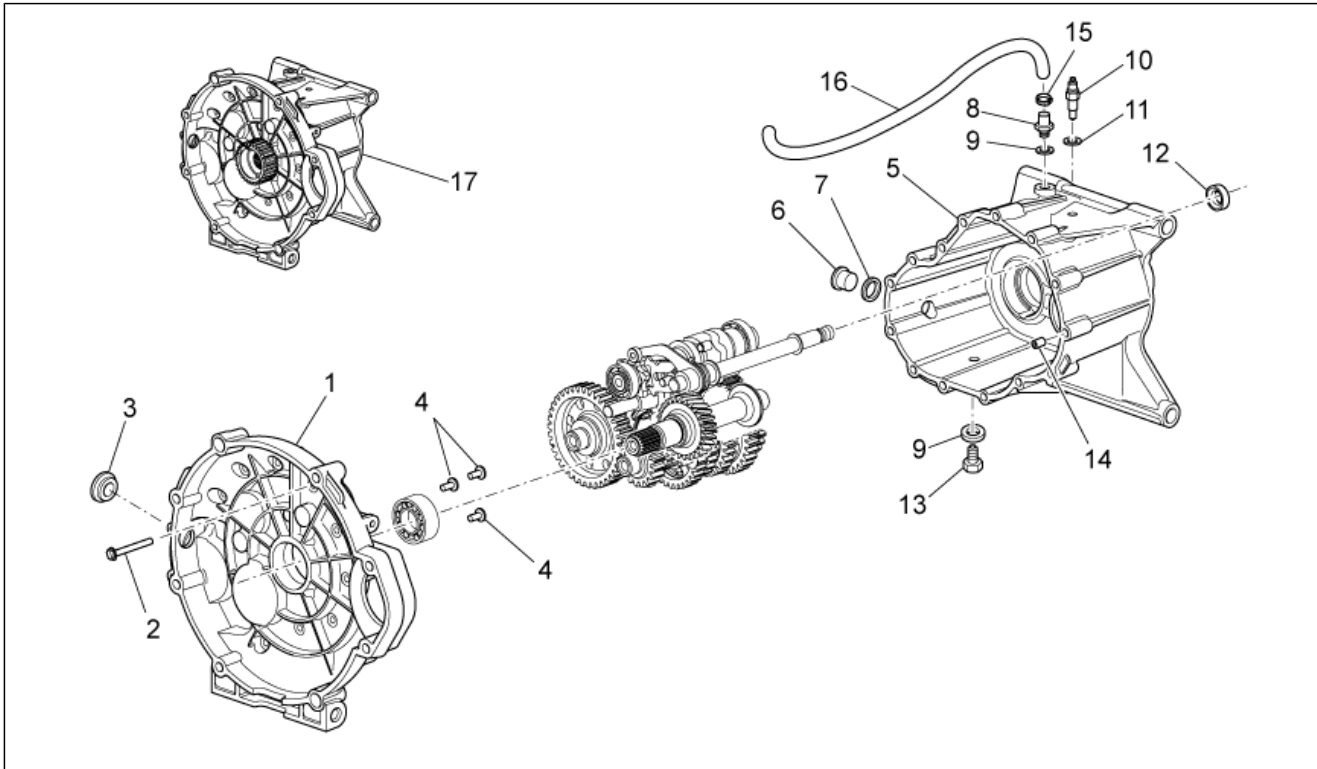
Pos.	Código	Descripción	Cant.	Variantes
1	GU30153000	Filtro aceite	1	
2	829122	Empalme filtro aceite	1	
3	GU05152230	Filtro aceite	1	
4	GU05005730	Tubo	1	
5	GU90706151	Junta tórica 15,08x2,62viton	1	
6	877820	Tornillo Allen M6x18	2	
7	976636	Junta de cobre	1	
8	976635	Tapón	1	
9	GU30150900	Émbolo	1	
10	GU94321077	Muelle	1	
11	GU95008206	Arandela 6,15x11x0,8	2	
12	GU30158900	Arandela	1	
13	GU18144350	Arandela 18,25x24x1	1	
14	GU31159050	Tapón	1	

Grupo	MOTOR
Código	34.57
Descripción	Embrague
Revisión	1



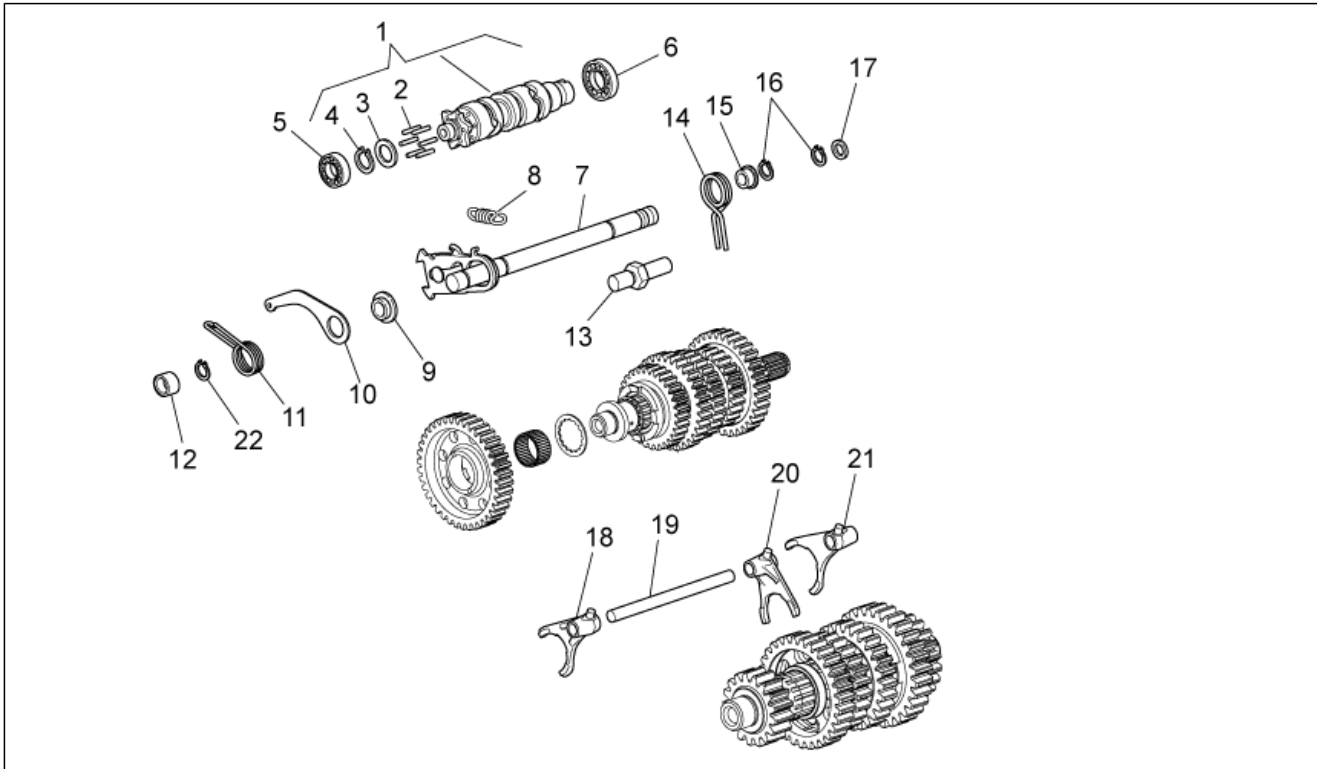
Pos.	Código	Descripción	Cant.	Variantes
1	976695	Embrague cpl.	1	
2	976053	Disco embrague	1	
3	978739	Cilindro mando embr.	1	
4	598839	Torn. CH con reborde	3	
5	976535	Tornillo Allen M7x16	6	
6	GU98230612	Tornillo	6	
7	976481	Torn. CH con reborde M8x25	6	
8	976484	Arand. elást. cónica 8,2X15	6	
9	B013036	Mando embrague	1	
10	976564	Buje	1	
11	GU14085900	Buje	2	
12	976593	Varilla L=mm183	1	Especificaciones técnicas:
12	976594	Varilla L=mm184,5	1	Especificaciones técnicas:
12	976595	Varilla L=mm186	1	Especificaciones técnicas:
12	976596	Varilla L=mm187,5	1	Especificaciones técnicas:
12	B0630111	Varilla L=1 185 mm	1	Especificaciones técnicas: Cinque tagli di identificazione[5T]
12	B063012	Varilla L=185,5 mm	1	Especificaciones técnicas: Sei tagli di identificazione[6T]
13	GU14086000	Cuerpo int.	1	
14	976696	Kit cojinete	1	

Grupo	MOTOR
Código	34.58
Descripción	Cambio
Revisión	1



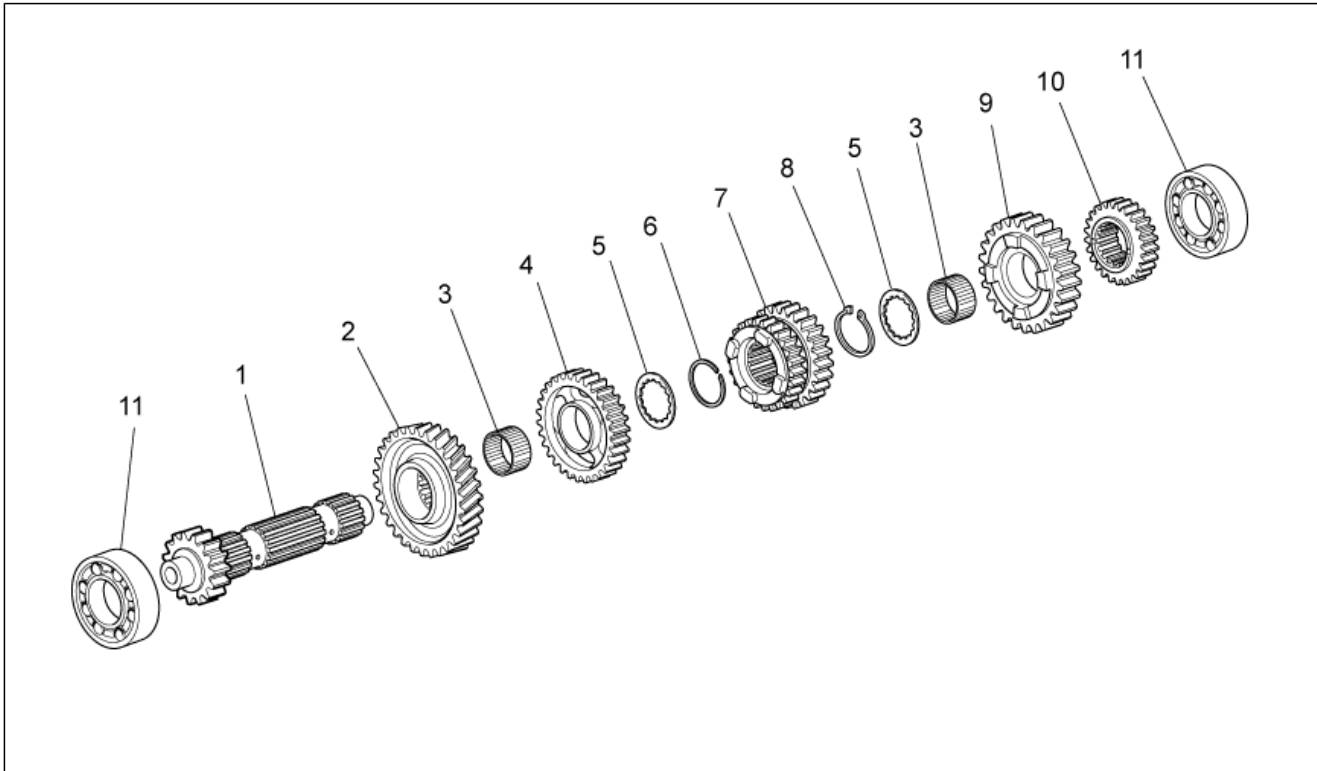
Pos.	Código	Descripción	Cant.	Variantes
1	879871	Campana embrague	1	
2	GU97202355	Torn. CH con reborde M6x55	14	
3	GU93180220	Tapón	1	
4	GU98370616	Tornillo M6x16 inox	3	
5	879869	Cambio	1	
6	GU95980319	Tapón aceite M18x1,5	1	
7	GU18144350	Arandela 18,25x24x1	1	
8	GU05204930	Tapón respiradero	1	
9	GU01528930	Junta 10x18x1,5	2	
10	GU19207220	Sensor	1	
11	B063025	Junta 8,7x14,2x1,3	1	
12	GU90401424	Gasket ring 14x24x7	1	
13	GU31003766	Tapón descarg.aceite M10x1	1	
14	GU19002020	Buje 6,6x9x13	2	
15	AP8101595	Abrazadera D10,1	1	
16	AP8120952	Tubo gasolina 5,5x10	1	
17	976985	Cambio completo	1	

Grupo	MOTOR
Código	34.59
Descripción	Selector cambio
Revisión	1



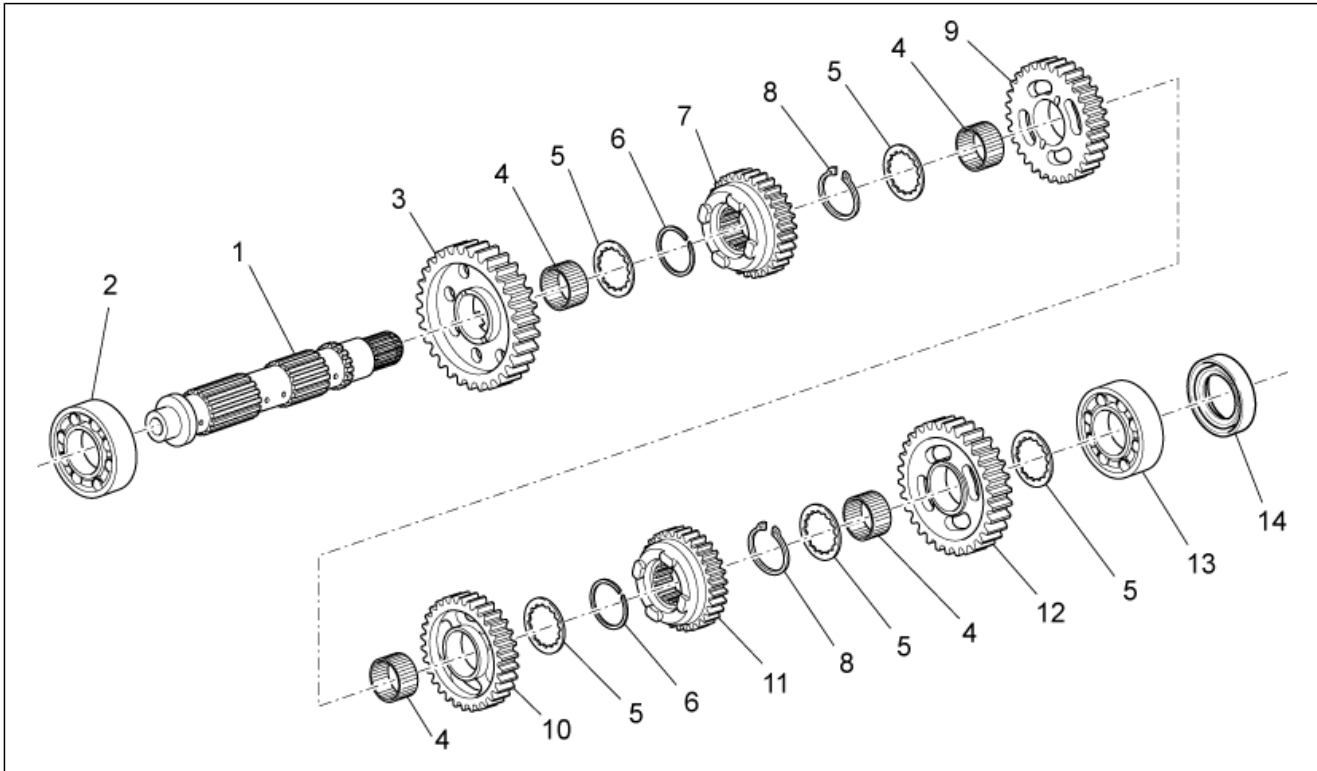
Pos.	Código	Descripción	Cant.	Variantes
1	GU05234431	Leva del cambio cpl.	1	
2	GU05234631	Barra	6	
3	GU05235531	Suplemento espesor	1	
4	GU90271022	Anillo de retención	1	
5	GU92201117	Cojinete de bolas 17x35x10	1	
6	GU92201025	Cojinete de bolas 25x42x9	1	
7	GU05236231	Pre-selector completo	1	
8	GU05238231	Muelle	1	
9	GU05238431	Buje	1	
10	GU05234731	Palanca Index	1	
11	GU05234130	Muelle	1	
12	GU05234230	Distanciador	1	
13	GU05234931	Perno enganche	1	
14	GU05238331	Muelle	1	
15	GU05238131	Distanciador	1	
16	GU90271014	Anillo de retención	2	
17	GU05239330	Rangua	1	
18	GU05230531	Horquilla 1a-3a	1	
19	GU05232431	Eje horquilla	1	
20	GU05232631	Horquilla 5a-6a	1	
21	GU05230831	Horquilla 2a-4a	1	
22	GU90353014	Anillo de retención	1	

Grupo	MOTOR
Código	34.60
Descripción	EJE PRIMARIO CAMBIO
Revisión	1



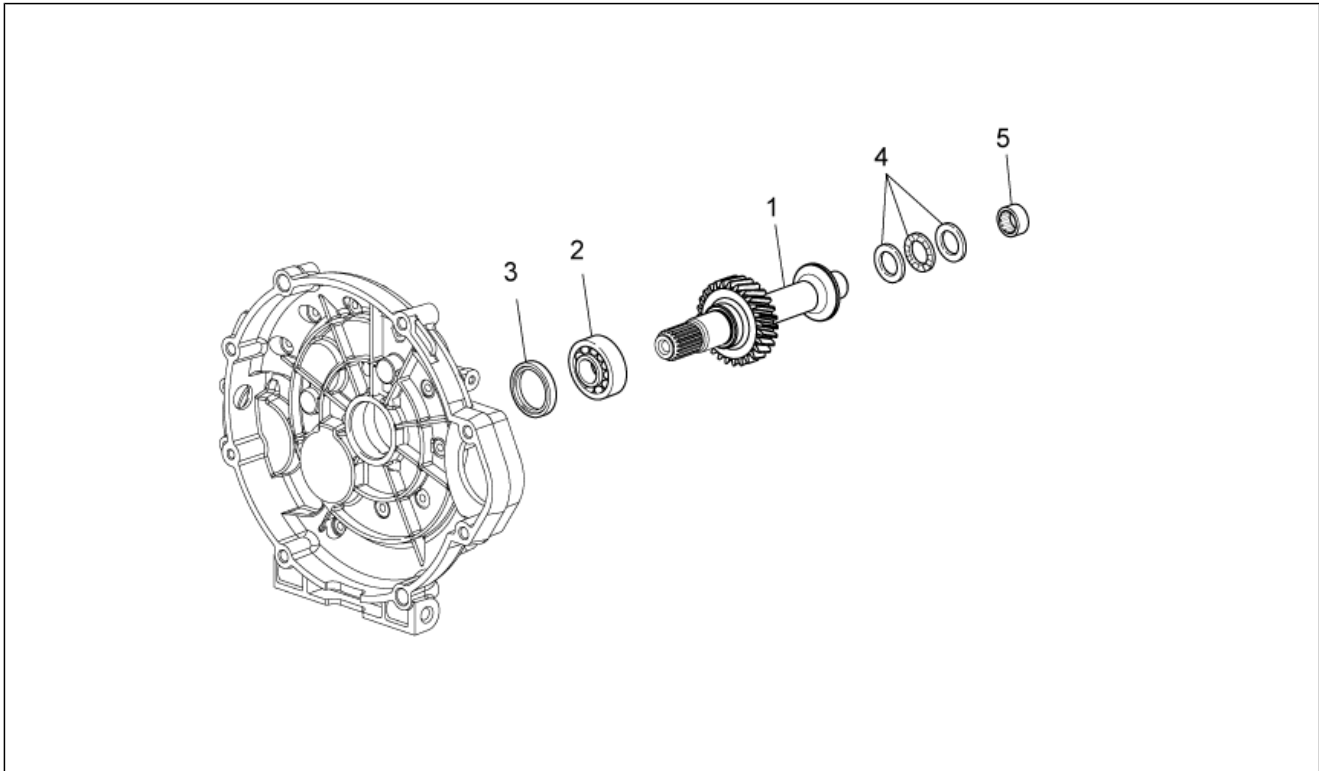
Pos.	Código	Descripción	Cant.	Variantes
1	GU05210631	Eje primario Z=17	1	
2	GU05215631	Engranaje transm.primaria Z=35	1	
3	GU92252029	Jaula de agujas 26x30x15,6	2	
4	GU05212031	Engranaje 5a Z=31	1	
5	GU05214630	Arand. sop. lateral	2	
6	GU90271230	Anillo elástico 30x1,2SW	1	
7	GU05211431	Engranaje 3a-4a Z=23-26	1	
8	GU90271030	Anillo elástico 30x27,9	1	
9	GU05212631	Engranaje 6a Z=29	1	
10	GU05211331	Engranaje 2a Z=20	1	
11	GU92201822	Cojinete de bolas 20x52x15	2	

Grupo	MOTOR
Código	34.61
Descripción	Eje secundario
Revisión	1



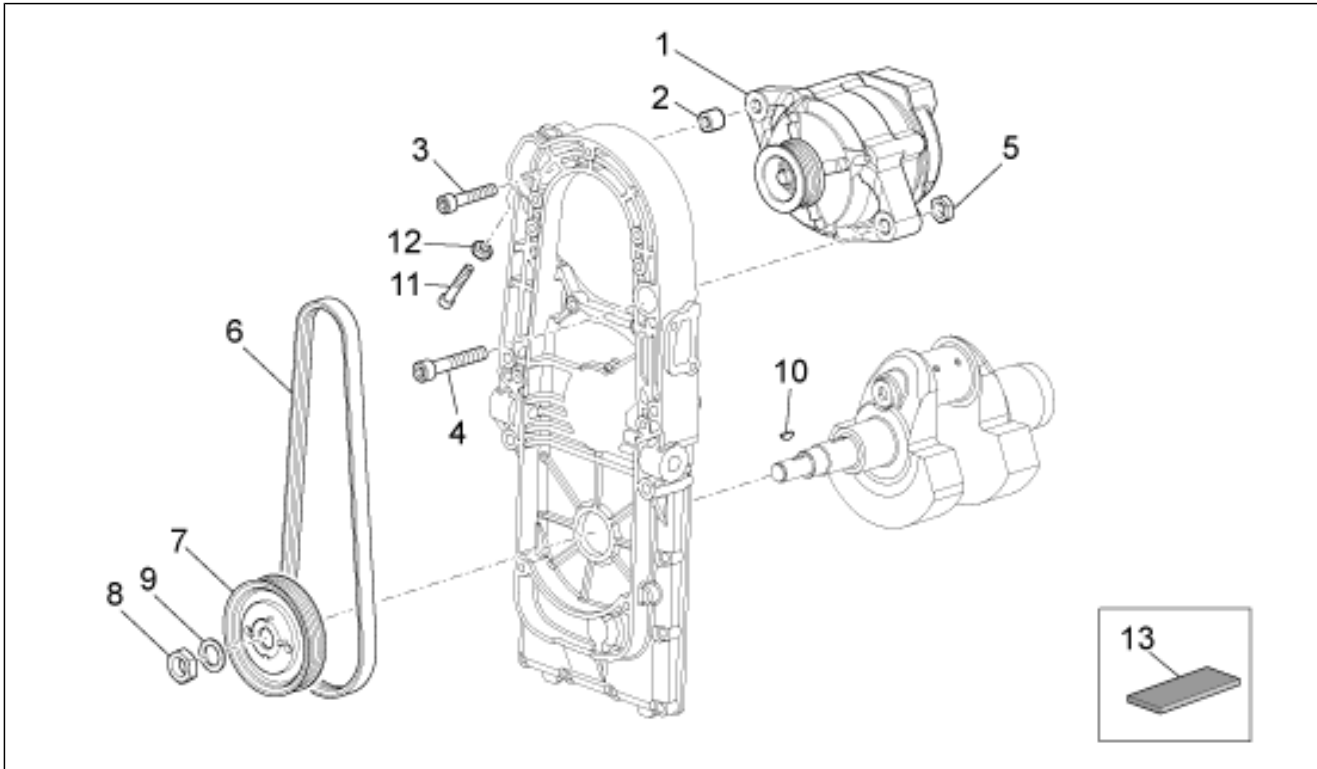
Pos.	Código	Descripción	Cant.	Variantes
1	GU05213631	Eje secundario	1	
2	GU92201822	Cojinete de bolas 20x52x15	1	
3	GU05214231	Engranaje 1a Z=38	1	
4	GU92252029	Jaula de agujas 26x30x15,6	4	
5	GU05214630	Arand. sop. lateral	5	
6	GU90271230	Anillo elástico 30x1,2SW	2	
7	GU05214031	Engranaje 5a Z=30	1	
8	GU90271030	Anillo elástico 30x27,9	2	
9	GU05214731	Engranaje 3a Z=31	1	
10	GU05215031	Engranaje 4a Z=29	1	
11	GU05220531	Engranaje 6a Z=25	1	
12	GU05214431	Engranaje 2a Z=34	1	
13	GU92201226	Cojinete de bolas 25x52x15	1	
14	GU90412541	Gasket ring 25X40X7	1	

Grupo	MOTOR
Código	34.62
Descripción	Eje embrague
Revisión	1



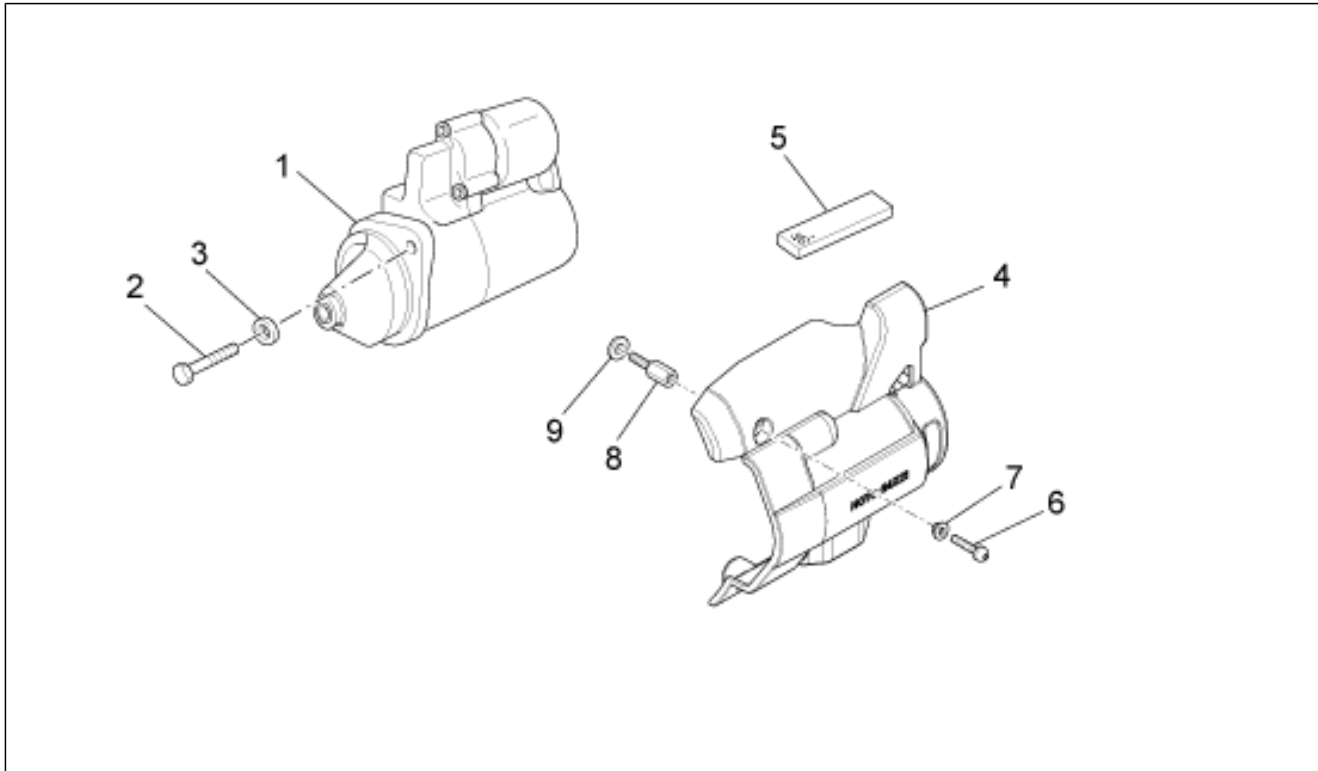
Pos.	Código	Descripción	Cant.	Variantes
1	976351	Eje embrague Z=26	1	
2	GU92201226	Cojinete de bolas 25x52x15	1	
3	976533	Gasket ring 25x47x7	1	
4	976532	Cojinete de tope	1	
5	GU92232028	Cojinete de rodillos 20x28x13	1	

Grupo	MOTOR
Código	34.63
Descripción	Generador de corriente
Revisión	1



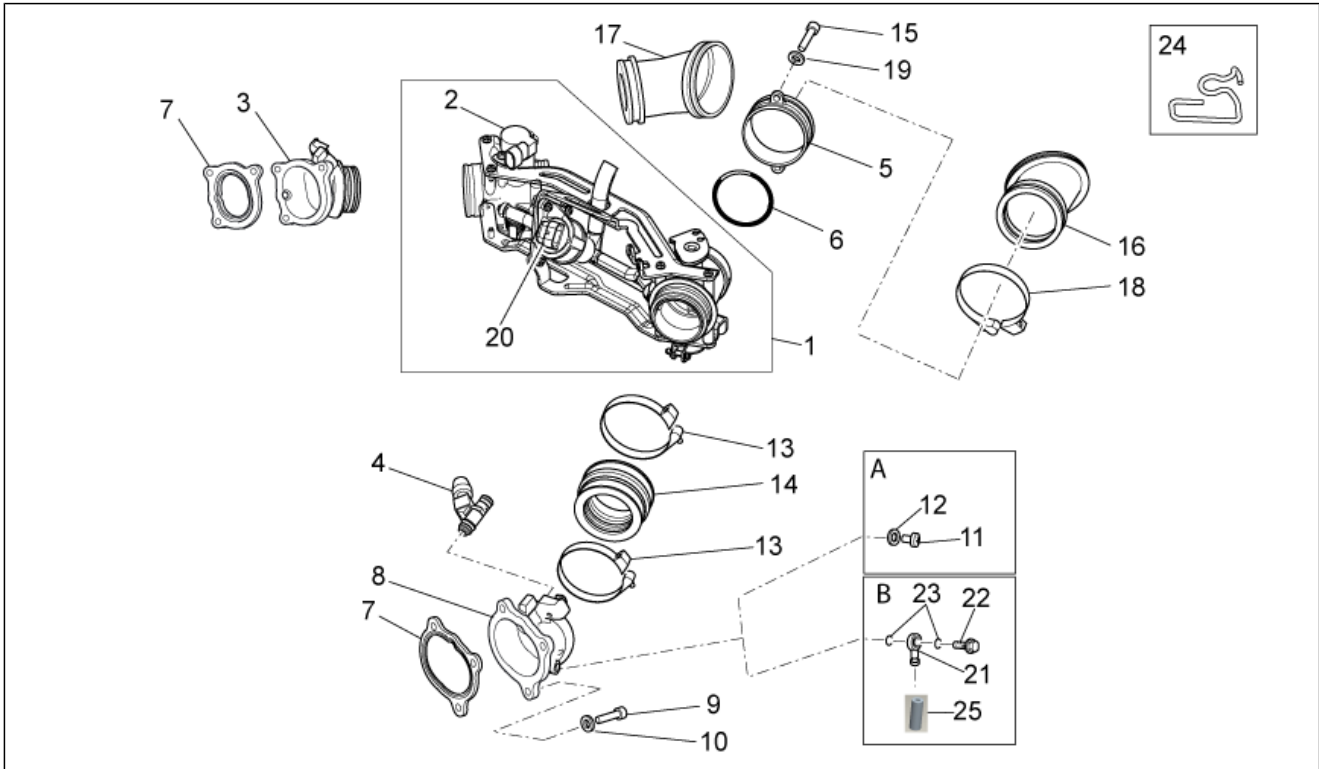
Pos.	Código	Descripción	Cant.	Variantes
1	886255	Alternador	1	
2	GU91180823	Distanciador 8,5x17x13	1	
3	GU98620445	Tornillo Allen M8x45	1	
4	GU98620560	Tornillo Allen M10x60	1	
5	GU92660012	Tuerca M10X1,5	1	
6	GU05702530	Correa	1	
7	GU05701430	Polea mdo alternador	1	
8	GU92606516	Tuerca M16	1	
9	GU30714201	Arandela 16,25x24,5x5	1	
10	GU4FAN000030	Leng. vol. magneto	1	
11	GU98230850	Tornillo M8x50	1	
12	GU92605408	Tuerca M8x1,25	1	
13	883127	Goma 5mm	1	

Grupo	MOTOR
Código	34.64
Descripción	Motor arranque
Revisión	1



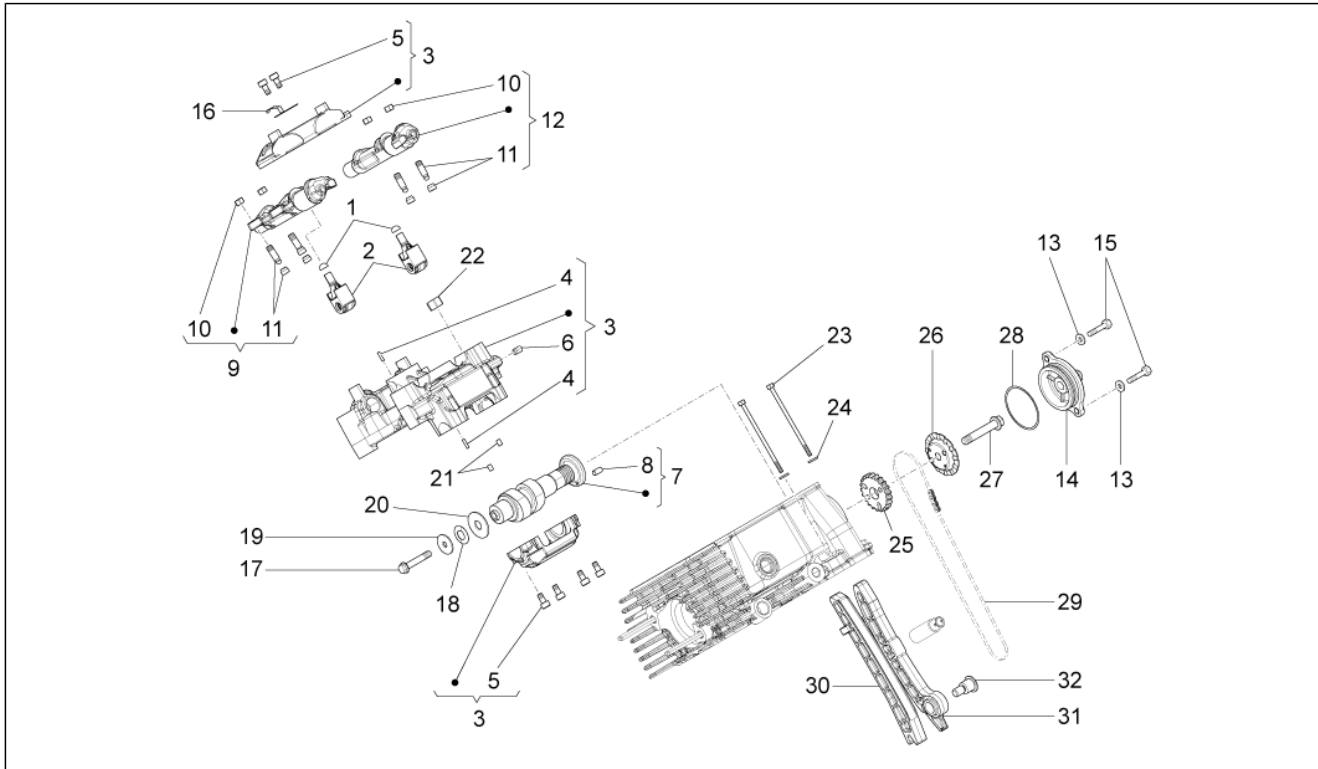
Pos.	Código	Descripción	Cant.	Variantes
1	GU05730730	Motor arranque Bosch	1	
2	GU98082475	Tornillo c. hex. M8x75	2	
3	GU95008208	Arandela 8,4X15X1,5	2	
4	886857	Tapa motor	1	
5	AP8117200	Esponja adhesiva	1	
6	GU98370609	Tornillo M6x10	2	
7	AP8121032	Buje	2	
8	GU03469201	Esp#rrago	2	
9	GU03013800	Arandela 6,4x12	1	

Grupo	MOTOR
Código	34.65
Descripción	Cuerpo válv.estrangulamiento
Revisión	1



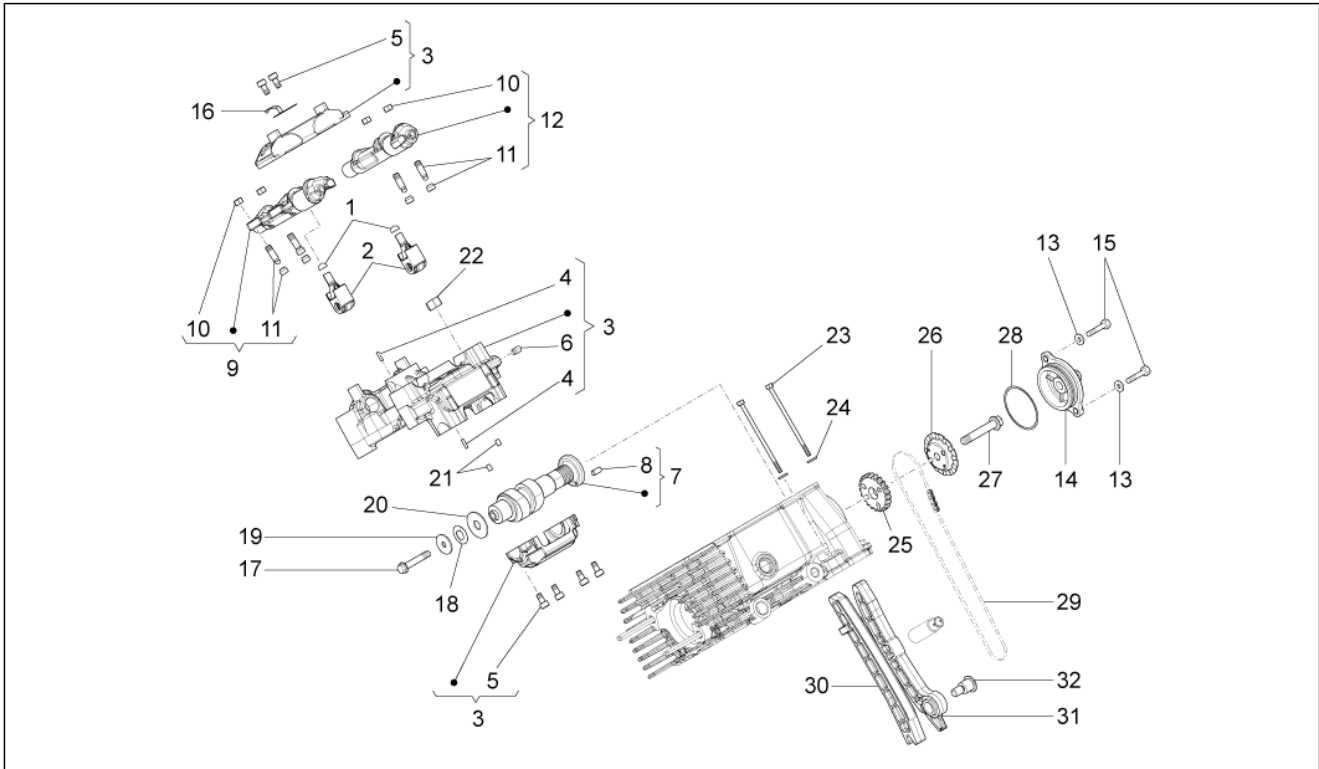
Pos.	Código	Descripción	Cant.	Variantes
1	880270	Cuerpo válv.estrangulamiento	1	
2	981010	Potenciómetro	1	
3	879878	Capuchón admisión izq.	1	
4	CM074706	Inyector cpl.	2	
5	976498	Brida	2	
6	976566	Junta tórica 53,7x1,78	2	
7	873879	Junta colector	2	
8	879877	Capuchón admisión izq.	1	
9	GU98882325	Tornillo Allen rebajado M6x25 M6x25	6	
10	GU95008206	Arandela 6,15x11x0,8	6	
11	GU98350310	Tornillo M6x20	2	
12	GU95100116	Arandela 6,25x10x1,5	2	
13	GU93305061	Abrazadera 61/65,5	4	
14	873861	Manguito	2	
15	GU98682212	Tornillo Allen M5x12	2	
16	877057	Manguito aspir. der.	1	
17	877056	Manguito aspir. izq.	1	
18	GU93306050	Abrazadera 50x90x9	2	
19	GU95008305	Arandela 5,3X10X1	2	
20	896540	Motor reg. ralentí	1	
21	GU95963062	Empalme	2	
22	GU95990023	Tornillo perforado	2	
23	GU90706009	Junta tórica 6x1	4	
24	887209	Pasacables	1	
25	487567	Tapón	1	

Grupo	MOTOR
Código	34.66
Descripción	Distribución cilindro der. (roller)
Revisión	1



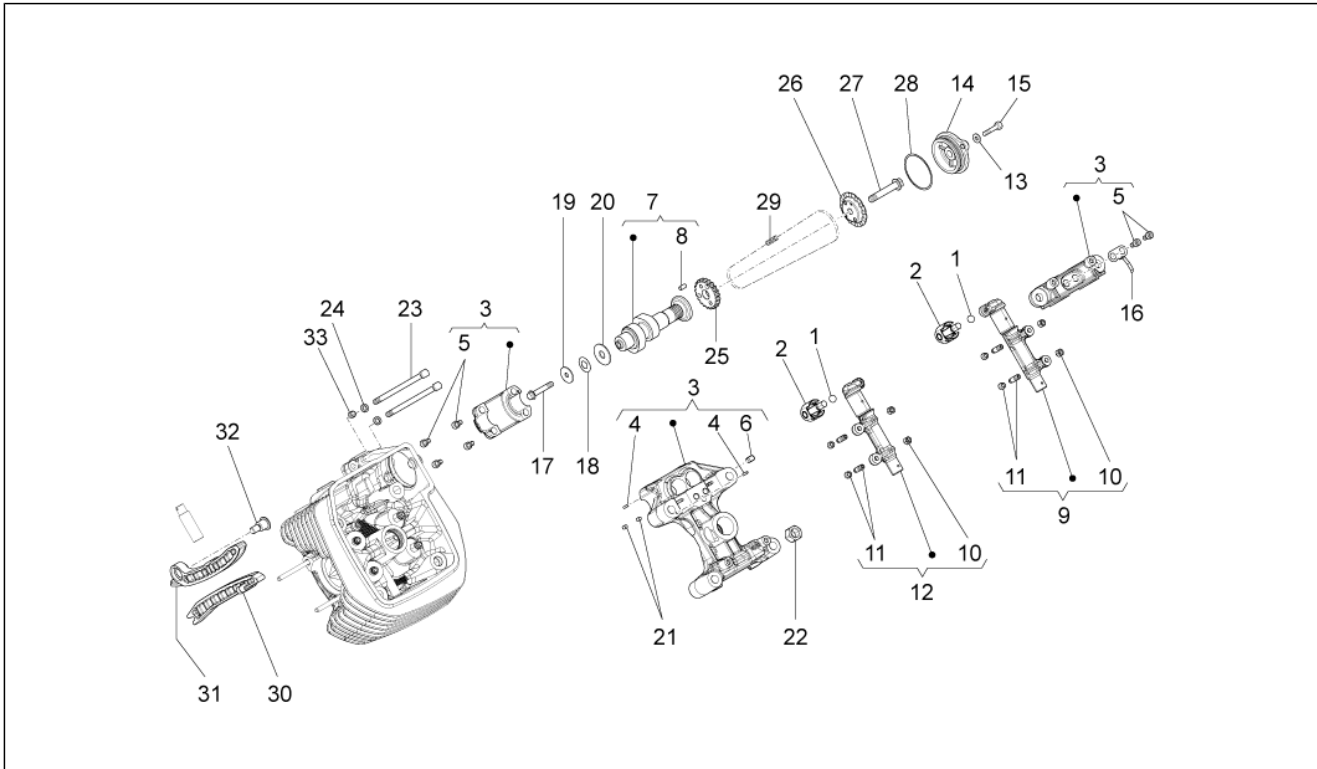
Pos.	Código	Descripción	Cant.	Variantes
1	878574	Pastilla	2	
2	B016785	Balancion	2	
3	B017029	Soporte eje balancines DX	1	
4	872759	Clavija D. 2,5	4	
5	015792	Tornillo M8x30	6	
6	842360	Tapón M6x10	1	
7	B014576	Eje de levas	1	
8	976589	Clavija	1	
9	B0136034	Balancín admisión izq. escape der.	1	
10	879916	Tuerca regulación balancín	4	
11	879707	Tornillo regulación	4	
12	B0136054	Balancín admisión der. escape izq.	1	
13	GU95129100	Arandela elástica 5,3X10X0,5	2	
14	B013479	Tapa respirad. cpl.	1	
15	GU98622214	Tornillo	2	
16	B013661	Placa	1	
17	414837	Torn. CH con reborde M6x25	1	
18	879938	Muelle de taza	1	
19	879936	Arandela de compensación	1	
20	879937	Arandela de compensación	1	
21	B013552	Rodillo	2	
22	833520	Tuerca M10X1,25 6H	8	
23	487444	Tornillo con reborde M6x120	2	
24	976674	Arandela plana 12x6,1x2	2	
25	976350	Engranaje distribución	1	
26	874601	respirad. del aceite de la hoja	1	
27	843060	Tornillo con reborde	1	
28	880965	Gasket ring 2,62x46,52	0	

Grupo	MOTOR
Código	34.66
Descripción	Distribución cilindro der. (roller)
Revisión	1



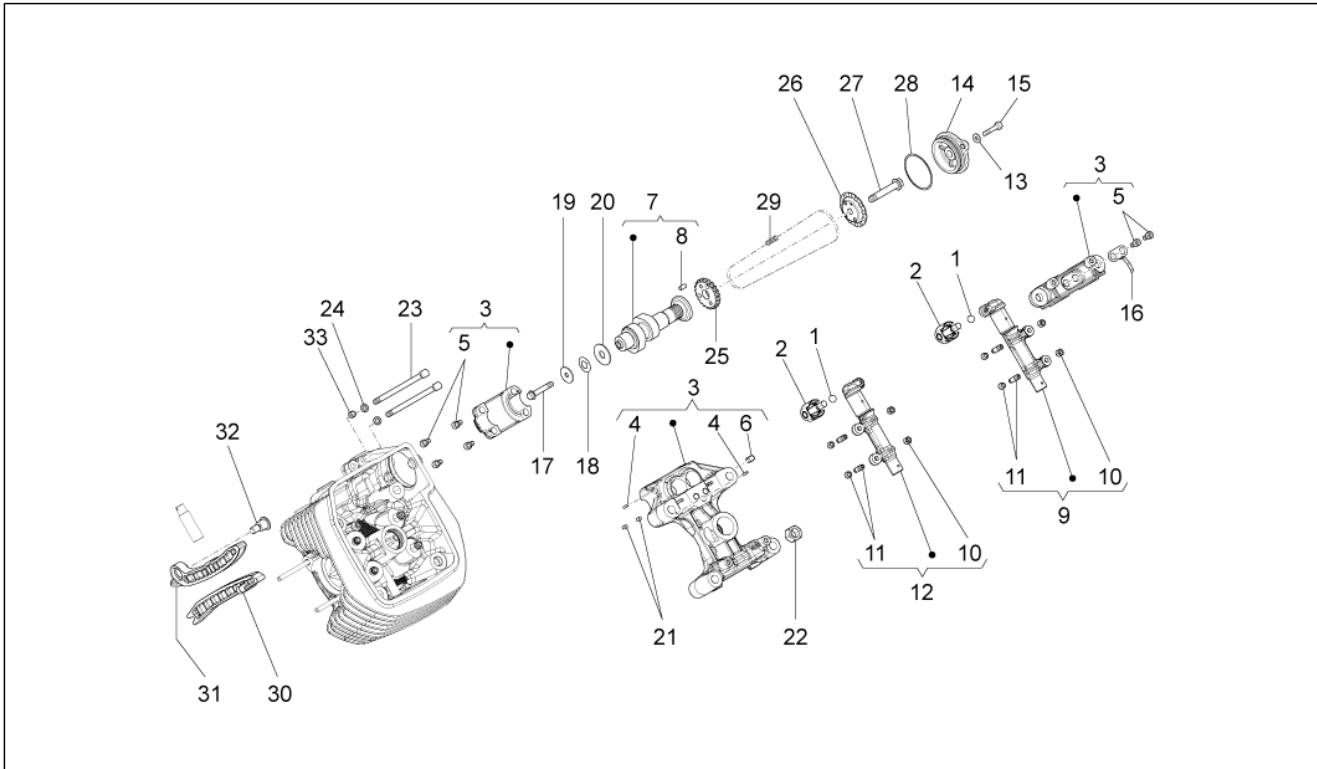
Pos.	Código	Descripción	Cant.	Variantes
29	976341	Cadena distribución	1	
30	976338	Patín guía cadena	1	
31	976337	Patín tensor de cadena	1	
32	878868	Tornillo espaciador M8	1	

Grupo	MOTOR
Código	34.67
Descripción	Distribución cilindro izq. (roller)
Revisión	1



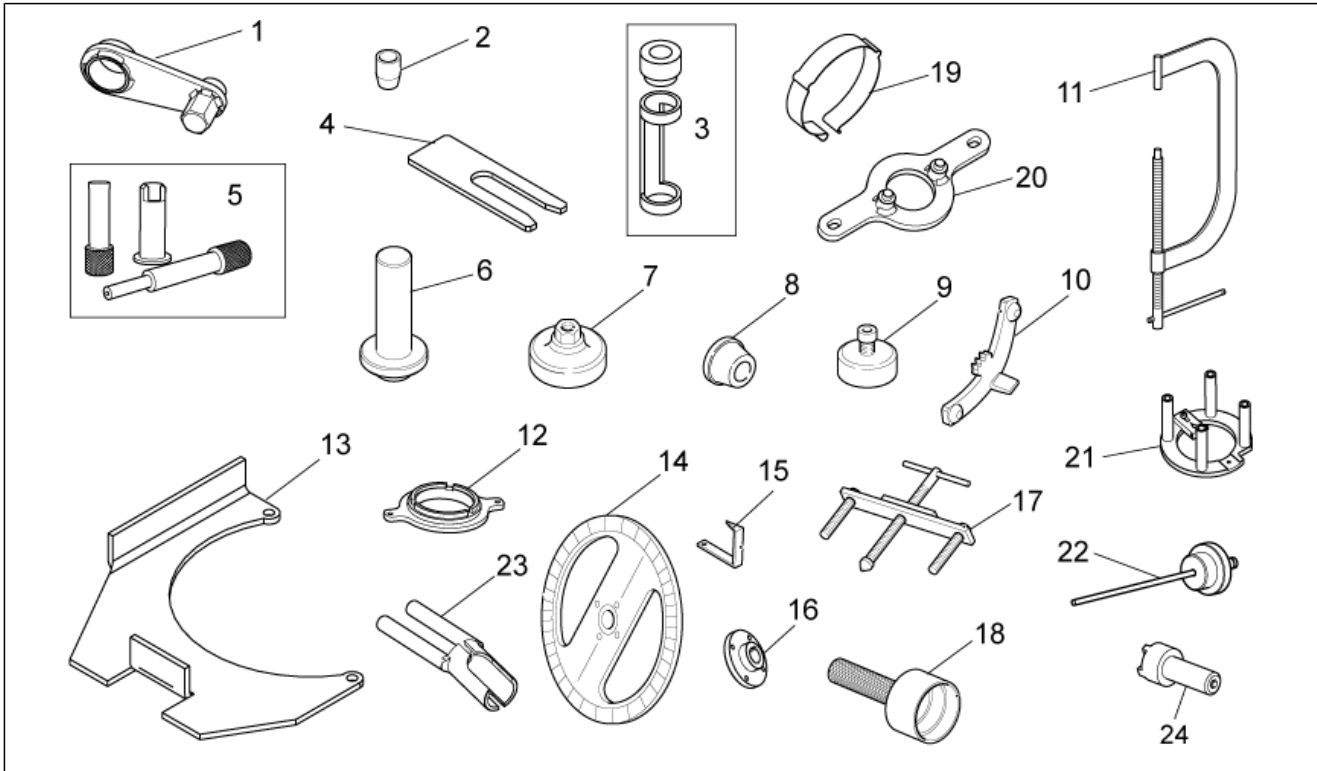
Pos.	Código	Descripción	Cant.	Variantes
1	878574	Pastilla	2	
2	B016785	Balancion	2	
3	B017026	Soporte eje balancines SX	1	
4	872759	Clavija D. 2,5	4	
5	015792	Tornillo M8x30	6	
6	842360	Tapón M6x10	1	
7	B014576	Eje de levas	1	
8	976589	Clavija	1	
9	B0136034	Balancín admisión izq. escape der.	1	
10	879916	Tuerca regulación balancín	4	
11	879707	Tornillo regulación	4	
12	B0136054	Balancín admisión der. escape izq.	1	
13	GU95129100	Arandela elástica 5,3X10X0,5	2	
14	B013479	Tapa respirad. cpl.	1	
15	GU98622214	Tornillo	2	
16	B013661	Placa	1	
17	414837	Torn. CH con reborde M6x25	1	
18	879938	Muelle de taza	1	
19	879936	Arandela de compensación	1	
20	879937	Arandela de compensación	1	
21	B013552	Rodillo	2	
22	833520	Tuerca M10X1,25 6H	4	
23	487444	Tornillo con reborde M6x120	2	
24	976674	Arandela plana 12x6,1x2	2	
25	976350	Engranaje distribución	1	
26	874601	respirad. del aceite de la hoja	1	
27	843060	Tornillo con reborde	1	
28	880965	Gasket ring 2,62x46,52	1	

Grupo	MOTOR
Código	34.67
Descripción	Distribución cilindro izq. (roller)
Revisión	1



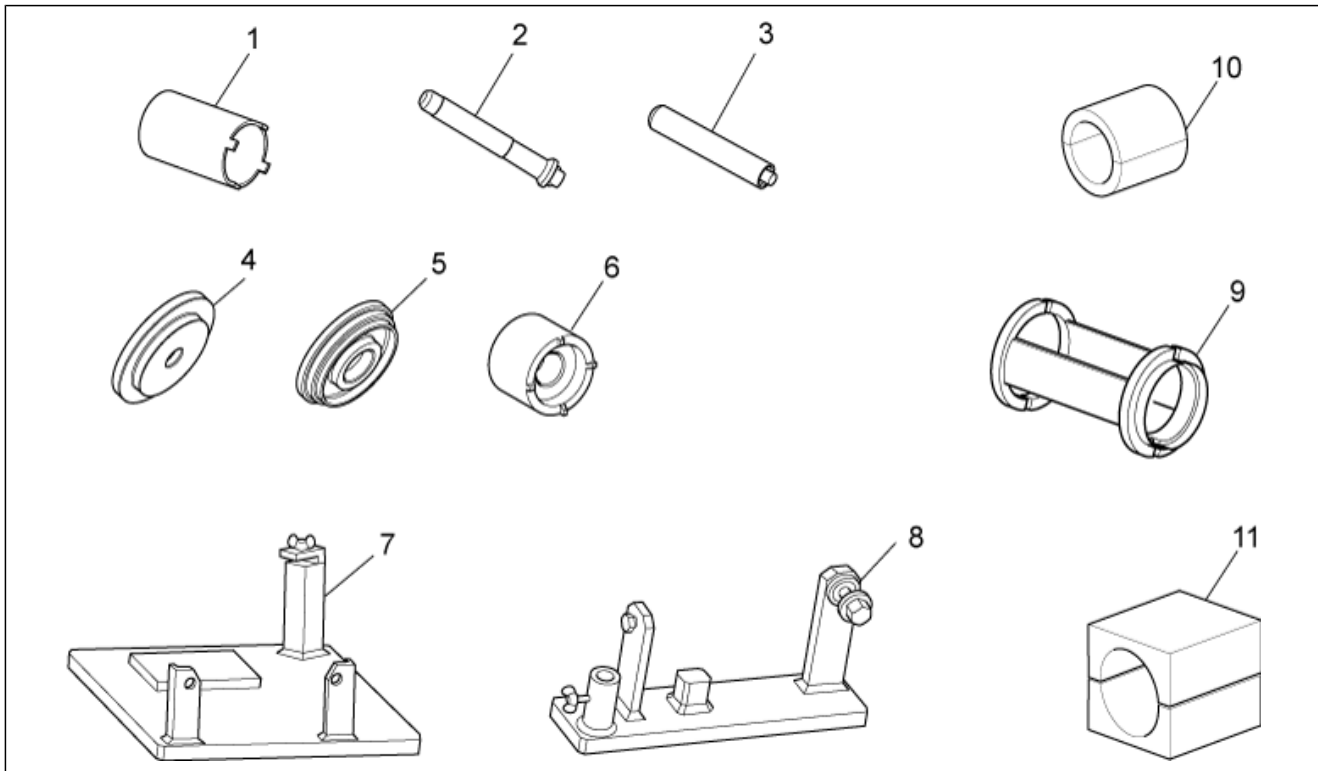
Pos.	Código	Descripción	Cant.	Variantes
29	976341	Cadena distribución	1	
30	976338	Patín guía cadena	1	
31	976337	Patín tensor de cadena	1	
32	878868	Tornillo espaciador M8	1	
33	244585	Distanciador	1	

Grupo	HERRAMIENTAS ESPECIALES
Código	36.67
Descripción	Herramientas específicas I
Revisión	1



Pos.	Código	Descripción	Cant.	Variantes
1	020677Y	Herramienta tensado correa	1	
2	GU05911730	Cono introducción tapa del.	1	
3	AP9100838	Adapt.prensa-válvulas	1	
4	020716Y	Util bloqueo biela	1	
5	020470Y	Herr. montaje bloqueos clav.	1	
6	GU05927230	Punzón anillo tapa distribuc.	1	
7	GU01929100	Tapa	1	
8	GU12912000	Brida su cigüeñal	1	
9	GU14927100	Retén reborde	1	
10	GU12911801	Bloque volante/corona arranque	1	
11	AP8140179	Arco desmont/mont.válvulas	1	
12	020672Y	Adapt.prensa-embrague	1	
13	GU05902530	Soporte cambio	1	
14	GU19929600	Disco distribución/encendido	1	
15	GU17947560	Arrow tim.set.ignition control	1	
16	020673Y	Cubo	1	
17	GU12913600	Desm./mont.reborde	1	
18	GU19927100	Gasket ring	1	
19	020674Y	Fiador aro de pistón	1	
20	020675Y	Seguro engr.eje de servicio	1	
21	020676Y	Sop.comprador pos.pistón	1	
22	020678Y	Herram.cont.varilla embrague	1	
23	020689Y	Extractor Capuchón bujía	1	
24	GU14912603	Llave	1	

Grupo	HERRAMIENTAS ESPECIALES
Código	36.68
Descripción	Herramientas específicas II
Revisión	1



Pos.	Código	Descripción	Cant.	Variantes
1	AP8140190	Llave almenada tuerca dir	1	
2	GU05902732	Asa útiles mont.Retenes	1	
3	GU05902733	Tampón estanq. artic. Esferica	1	
4	GU05902731	Tampón retén aceite caja tr. 85	1	
5	GU05902735	Tampón retén aceite piñon 45x58	1	
6	GU05902734	Llave para virola piñon	1	
7	GU05902730	Soporte caja transmisión	1	
8	GU05902736	Soporte par conico	1	
9	AP8140758	Util montaje retén	1	
10	AP8140146	Maza útil AP8140189	1	
11	AP8140149	Protector barra horquilla	1	