



PIAGGIO & C.s.p.a.



## CATÁLOGO DE PIEZAS DE REPUESTO



### V7 Racer 750 2014

Prefijo chasis: ZGULWV01

Prefijo motor:



## Índice

Productos terminados.....	4
Índice alfanumérico.....	5
<b>BASTIDOR.....</b>	<b>10</b>
Tabla 33.01 - Bastidor I.....	10
Tabla 33.02 - Bastidor II.....	11
Tabla 33.03 - Caballete lateral.....	12
Tabla 33.06 - Palanca cambio.....	13
Tabla 33.07 - HORQUILLA DELANTERA I.....	14
Tabla 33.08 - HORQUILLA DELANTERA II.....	15
Tabla 33.11 - Tras.Amortiguador.....	17
Tabla 33.12 - Depósito gasolina.....	18
Tabla 33.13 - Carrocería del. - Guardab. Delantero.....	19
Tabla 33.14 - Sillín-Carrocería cent.....	20
Tabla 33.15 - Car.tr. I- Gdab.....	21
Tabla 33.16 - Carroc.tras.II - Portamatrícula.....	22
Tabla 33.17 - Salpicadero.....	23
Tabla 33.18 - Manillar - Mandos.....	24
Tabla 33.19 - Eq.freno delantero.....	25
Tabla 33.21 - Bomba gasolina.....	26
Tabla 33.23 - Grupo de escape.....	27
Tabla 33.24 - RUEDA DELANTERA.....	29
Tabla 33.25 - Rueda trasera.....	30
Tabla 33.26 - Bomba freno tras.....	31
Tabla 33.27 - Pinza freno tras.....	33
Tabla 33.28 - Faros delanteros.....	34
Tabla 33.29 - Faros traseros.....	35
Tabla 33.30 - Instalación eléctrica I.....	36
Tabla 33.31 - Instalación eléctrica II.....	37
Tabla 33.32 - Juego cerraduras.....	39
Tabla 33.33 - Calcomanías y placas.....	40
Tabla 33.51 - Eq.rec. vapores gas.....	41
Tabla 33.52 - CAJA DEL FILTRO II.....	42
<b>MOTOR.....</b>	<b>44</b>
Tabla 34.09 - Transmisión cpl. I.....	44
Tabla 34.10 - Transmisión cpl. II.....	45
Tabla 34.34 - Cártel.....	48
Tabla 34.35 - Tapa distribución.....	49
Tabla 34.36 - Cabeza cil.....	50
Tabla 34.37 - Cigüeñal cpl.....	51
Tabla 34.38 - Distribución.....	52
Tabla 34.39 - Bomba aceite.....	54
Tabla 34.40 - Embrague I.....	55
Tabla 34.41 - Embrague II.....	56



---

Tabla 34.42 - Cambio.....	57
Tabla 34.43 - Cambio.....	58
Tabla 34.44 - Selector cambio.....	60
Tabla 34.45 - Alternador - Regulador.....	61
Tabla 34.46 - Motor arranque.....	62
Tabla 34.47 - Cuerpo válv.estrangulamiento.....	63



## Productos terminados

Código	Validez
GU9032112AUE00	
GU9032112AUE01	
GU9032112EUE00	
GU9032112EUE01	
GU9032112GBE00	
GU9032112GBE01	
GU9032112JPE00	
GU9032112JPE01	
GU9032112JPF00	
GU9032112JPF01	
GU9032112ZCE00	
GU9032112ZCE01	



Código	Nº Tabla	Pos.	Código	Nº Tabla	Pos.	Código	Nº Tabla	Pos.
080341	33.30	6	880260	34.47	4	887280	33.06	17
248419	33.26	19	883127	33.52	6	887431	33.27	3
254485	33.14	16	883161	33.31	11	887443	33.33	4
254485	33.28	20	883192	33.27	7	887448	33.25	12
254485	33.52	14	883266	33.13	2	887449	33.27	1
254485	34.45	10	883295	33.14	5	887481	33.30	12
292022	33.28	9	883303	33.19	13	887483	34.36	25
292723	33.28	10	883349	33.25	8	887523	34.36	9
2A000085	34.35	1	883350	33.25	7	887528	34.38	27
2A000097	34.42	2	883417	33.28	24	887787	33.21	5
2A000098	34.42	1	883470	33.16	12	887812	34.47	14
2A0000995	34.37	1	883476	33.32	3	887815	33.52	13
2A000106	34.40	8	883477	33.32	1	887825	33.30	1
2A000115	34.45	6	883480	33.16	15	887825	33.31	1
2A000129	34.45	7	883502	33.12	5	887826	33.28	4
2A000146	34.38	1	883552	33.08	24	887826	33.29	4
2A000147	34.38	2	883581	33.19	2	887827	33.28	5
2A0002355	34.34	1	883602	33.08	32	887827	33.29	5
2B000045	33.52	36	883688	33.24	10	8878421	33.52	1
2B000178	33.23	11	883826	34.34	18	887843	33.52	2
2B000179	33.23	10	883940	33.18	3	887844	33.52	11
2B000560	33.07	1	884031	34.42	6	887845	33.52	12
2B000838	33.14	10	884311	34.47	13	887846	33.23	1
2B000839	33.14	9	886141	33.33	10	887847	33.23	2
2B000841	33.14	20	886364	34.42	3	887873	33.32	1
2B000842	33.14	21	886365	34.34	10	887874	33.32	3
2B000843	33.01	17	886368	33.14	12	887877	33.29	1
2B000844	33.01	18	886629	34.40	20	887878	33.08	1
2B000970	33.21	2	886630	33.11	3	887879	33.08	2
2B001048	33.18	27	886645	33.01	11	887880	33.08	3
2B001049	33.18	10	886665	33.06	13	887882	33.08	5
2D000006	33.32	10	886665	33.26	1	887883	33.08	6
2D000024	34.45	1	886666	33.26	9	887884	33.08	7
2D000043	34.45	2	886668	33.06	16	887885	33.08	8
2G000013	33.33	14	886670	34.37	11	887886	33.08	9
2H000419	33.12	1	886675	33.11	1	887887	33.08	10
2H000420	33.12	1	886676	34.09	11	887888	33.08	11
2H000421000Y02	33.13	7	886678	33.33	3	887889	33.08	12
2H000423	33.33	13	886679	33.24	18	887890	33.08	13
2H000424	33.33	12	886680	33.25	20	887891	33.08	14
2H000425	33.33	1	886681	33.24	2	887892	33.08	15
2H000426	33.33	7	886706	33.14	15	887893	33.08	16
2H000427	33.33	9	886711	33.25	2	887894	33.08	17
2H000428	33.33	8	886712	33.16	9	887895	33.08	18
2H000429	33.33	16	886713	33.16	10	887896	33.08	19
2H000430	33.33	17	886724	33.13	10	887899	33.08	25
2L0001895	34.34	28	886727	33.14	19	887900	33.08	23
2Q000043	33.33	5	88673000Y02	33.13	1	887905	33.08	28
2Q000045	33.33	5	886820	33.14	22	887916	33.08	22
2Q000054	33.33	5	886841	33.14	14	887944	33.12	1
2R000109	33.08	29	886842	33.08	21	887948	33.30	13
2R000110	33.08	4	887002	34.36	10	887971	33.33	11
584211	33.31	10	887003	34.35	2	890760	33.52	16
584332	33.29	7	887004	34.34	13	890979	33.28	16
638733	33.31	6	887005	34.42	10	893570	33.31	19
640598	33.28	11	887006	34.42	15	894505	33.25	13
641040	33.30	8	887093	34.39	9	894704	33.31	26
641541	34.39	8	887194	33.17	1	896110	33.23	21
641725	33.30	7	887196	34.44	8	897478	34.45	3
641901	33.30	4	887207	33.12	1	898086	33.07	7
642034	33.30	3	887235	34.42	17	898174	33.33	2
856063	33.51	14	8872690001	34.37	10	89817800A3	33.14	1
856796	33.06	20	8872690002	34.37	10	898179	33.13	7
857206	34.45	4	8872690003	34.37	10	898180	33.13	8
860138	33.51	7	8872724	34.36	1	898280	33.16	6
860651	34.09	19	8872754	34.36	2	898281	33.06	7
874567	34.37	14	887279	34.36	24	898281	33.26	27



Código	Nº Tabla	Pos.	Código	Nº Tabla	Pos.	Código	Nº Tabla	Pos.
898282	33.06	1	AP8120912	33.06	2	AP8152299	33.51	5
898283	33.06	3	AP8120912	33.26	2	AP8152300	33.02	14
898284	33.06	9	AP8121014	33.03	3	AP8152300	33.27	13
898285	33.26	30	AP8121032	33.15	13	AP8152306	33.16	5
898286	33.26	17	AP8121032	33.17	7	AP8152320	33.06	6
898287	33.26	12	AP8121072	33.23	22	AP8152320	33.26	33
898288	33.26	4	AP8121267	33.51	10	AP8152329	33.15	11
898611	33.06	12	AP8121307	33.07	4	AP8152329	33.52	18
898612	33.26	28	AP8121367	33.02	10	AP8152329	33.52	27
967356	33.03	6	AP8121375	33.03	2	AP8152339	33.16	8
969973	34.36	26	AP8121420	33.14	6	AP8152385	33.19	16
976604	34.34	12	AP8121420	33.32	8	AP8181140	33.31	24
976608	34.10	1	AP8121673	33.12	12	AP8201358	33.51	13
976614	33.14	13	AP8121927	33.26	3	AP8201358	33.52	3
976685	34.34	16	AP8121929	33.16	7	AP8201358	33.52	34
976898	34.36	20	AP8124718	33.16	13	AP8210007	33.06	18
976941	34.09	1	AP8124936	33.30	2	AP8213028	33.18	23
976992	34.42	21	AP8127856	33.03	8	AP8213057	33.26	15
977527	33.14	8	AP8133643	33.26	14	AP8220283	33.31	22
977527	33.32	4	AP8133798	33.27	2	AP8220460	33.07	6
978311	33.28	2	AP8133873	33.26	22	AP8220590	33.01	20
978323	33.19	15	AP8134378	33.23	18	AP8221023	33.52	26
978385	33.23	12	AP8134448	33.16	2	AP8221114	33.51	16
978386	33.23	15	AP8134640	33.26	35	AP8221172	33.01	16
978387	33.23	4	AP8144071	33.23	16	AP8221172	33.18	18
978415	33.14	7	AP8144071	34.36	23	AP8221197	33.03	5
978415	33.32	9	AP8144081	33.07	5	AP8221277	33.06	10
978662	33.28	2	AP8144146	33.07	3	AP8224164	33.16	3
97894600Y02	33.15	1	AP8144538	33.52	15	AP8224462	33.31	21
978947	33.15	2	AP8144553	33.52	7	AP9100477	33.06	15
978949	33.16	1	AP8144606	33.01	15	AP9100477	33.26	31
978970	33.26	13	AP8144729	33.52	17	B016796	34.47	5
981149	33.28	12	AP8149034	33.16	17	B043850	33.31	23
AP8101594	33.26	20	AP8150026	33.06	19	B063016	34.37	13
AP8101595	33.12	15	AP8150044	33.06	14	B063022	33.23	3
AP8102159	33.51	6	AP8150044	33.26	25	B063049	34.47	2
AP8102375	33.31	14	AP8150115	33.06	5	B063077	33.24	5
AP8102524	33.03	4	AP8150137	33.06	4	B063078	33.25	11
AP8102678	33.51	1	AP8150248	33.16	19	B063086	33.03	1
AP8102688	33.51	2	AP8150285	34.42	27	B063099	34.36	19
AP8102765	33.52	29	AP8150349	33.32	6	B063111	34.36	6
AP8102766	33.52	23	AP8150377	33.31	20	B063135	33.18	6
AP8102913	33.14	3	AP8150413	33.13	6	B063144	33.24	3
AP8104525	33.52	5	AP8150416	33.12	8	B06315100Y02	33.16	6
AP8104924	33.52	4	AP8150436	33.02	12	B063152	33.12	19
AP8104996	33.52	28	AP8150468	33.26	29	B063154	33.12	18
AP8110053	33.06	22	AP8150509	33.52	19	B063167	33.15	12
AP8113003	33.27	20	AP8152138	33.06	21	B063213	33.52	30
AP8113004	33.19	14	AP8152220	33.02	11	B063214	33.52	21
AP8113004	33.27	8	AP8152220	34.39	18	B063233	33.31	5
AP8113288	33.26	16	AP8152268	33.16	18	B063247	33.18	4
AP8113553	33.26	23	AP8152273	33.16	11	B063248	33.18	5
AP8118490	33.18	24	AP8152273	33.21	4	B063249	33.02	1
AP8120246	34.09	10	AP8152277	33.19	3	B063250	33.02	2
AP8120416	33.30	18	AP8152278	33.15	3	B063251	33.01	1
AP8120416	33.31	27	AP8152278	33.28	13	B063265	33.24	1
AP8120416	33.51	11	AP8152279	33.15	9	B063267	33.25	1
AP8120446	33.51	9	AP8152281	34.45	9	B063269	34.42	11
AP8120455	33.52	9	AP8152286	33.24	11	B063287	33.01	4
AP8120531	33.14	18	AP8152287	33.02	13	B063317	33.18	1
AP8120557	33.12	11	AP8152288	33.02	15	B063326	33.18	8
AP8120615	33.52	10	AP8152288	33.27	9	B063342	34.42	20
AP8120772	33.52	20	AP8152298	33.26	18	B063429	33.14	23
AP8120772	33.52	24	AP8152298	34.47	6	B063431	33.14	24
AP8120772	33.52	35	AP8152299	33.15	15	B063465	34.37	15
AP8120870	33.23	20	AP8152299	33.27	10	B063466	34.37	16
AP8120876	33.52	8	AP8152299	33.30	5	B063735	33.28	14



Código	Nº Tabla	Pos.	Código	Nº Tabla	Pos.	Código	Nº Tabla	Pos.
B063735	33.29	6	GU05900130	33.33	6	GU19206501	34.10	10
B063750	33.27	6	GU06740400	33.28	17	GU19212900	34.43	15
B063752	33.21	1	GU10054100	34.43	12	GU19213720	34.43	17
B063854	33.23	1	GU10214300	34.43	27	GU19213760	34.41	15
B063855	33.23	2	GU10214301	34.43	27	GU19214660	34.43	11
B063975	33.18	15	GU10214302	34.43	27	GU19215460	34.43	3
CM001928	33.07	9	GU10214303	34.43	27	GU19234600	34.44	2
CM001929	33.07	8	GU10214304	34.43	27	GU19237800	34.42	13
CM0074C9	33.30	10	GU10214305	34.43	27	GU19327601	34.09	5
CM0074D0	33.30	9	GU10528900	34.34	15	GU19328801	34.09	3
CM013202	33.31	25	GU10528900	34.40	13	GU19350700	34.10	22
CM225705	33.31	15	GU10528900	34.42	23	GU19351100	34.10	4
CM225710	33.31	16	GU12003702	34.34	20	GU19351900	34.10	2
CM225715	33.31	17	GU12022600	34.10	6	GU19352300	34.10	23
CM225730	33.31	18	GU12022600	34.42	24	GU19353500	34.10	24
CM228303	34.47	1	GU12087001	34.41	9	GU19355200	34.10	35
CM228304	34.47	1	GU12154200	34.34	23	GU19355202	34.10	36
GU00823923140	33.03	7	GU12154200	34.42	12	GU19355300	34.10	33
GU00823923140	33.51	12	GU13021900	34.34	26	GU19355301	34.10	33
GU00823923140	33.52	32	GU13021900	34.36	12	GU19355302	34.10	33
GU00823931055	33.28	19	GU14086000	34.41	10	GU19355303	34.10	33
GU00823931070	33.12	2	GU14086100	34.41	7	GU19355304	34.10	33
GU00823944050	33.12	16	GU14090201	34.41	1	GU19355305	34.10	33
GU00823950050	33.26	21	GU14090400	34.41	2	GU19355306	34.10	33
GU01103860	33.01	13	GU14217901	34.40	6	GU19355307	34.10	33
GU01528930	34.10	9	GU14217901	34.42	7	GU19355308	34.10	33
GU01609630	33.18	14	GU14217901	34.44	17	GU19355309	34.10	33
GU01654630	33.19	17	GU14609650	33.30	20	GU19355320	34.10	27
GU01659130	33.19	11	GU14609650	33.31	27	GU19355321	34.10	27
GU01659131	33.19	12	GU14615901	33.13	5	GU19355322	34.10	27
GU01665410	33.26	6	GU14615901	34.09	20	GU19355323	34.10	27
GU01721600	33.30	14	GU14615901	34.37	5	GU19355324	34.10	27
GU01744200	33.28	18	GU14616150	33.24	15	GU19355325	34.10	27
GU02717450	33.30	11	GU14616150	33.25	10	GU19355326	34.10	27
GU03013800	33.23	8	GU18144350	34.39	16	GU19355327	34.10	27
GU03013800	34.47	10	GU18161150	34.39	21	GU19355328	34.10	27
GU03067730	34.10	19	GU18257551	33.26	8	GU19355329	34.10	27
GU03101600	33.12	7	GU19002020	34.35	5	GU19355400	34.10	21
GU03101720	33.12	5	GU19002020	34.42	16	GU19355402	34.10	21
GU03101900	33.12	3	GU19003800	34.34	8	GU19355404	34.10	21
GU03102200	33.12	6	GU19007700	34.45	8	GU19355406	34.10	21
GU03102400	33.12	10	GU19015020	34.34	5	GU19355408	34.10	21
GU03103200	33.12	17	GU19017000	33.02	4	GU19355410	34.10	21
GU03103500	33.12	4	GU19018920	34.39	10	GU19355411	34.10	21
GU03163330	33.31	3	GU19021360	34.36	18	GU19355412	34.10	21
GU03270300	33.26	34	GU19021920	34.36	7	GU19355413	34.10	21
GU03468100	33.01	21	GU19025280	33.23	5	GU19356700	34.10	30
GU03604845	33.19	8	GU19025460	33.23	6	GU19356760	34.41	16
GU03605645	33.19	9	GU19027500	34.38	15	GU19356801	34.10	28
GU03609600	33.18	14	GU19030500	34.38	7	GU19357660	34.10	25
GU03612040	33.24	16	GU19032080	34.38	10	GU19547000	34.09	12
GU03631250	33.24	4	GU19032980	34.36	17	GU20085720	34.41	13
GU03631250	33.25	9	GU19032980	34.38	14	GU20147710	34.39	17
GU03658201	33.27	16	GU19034000	34.38	8	GU20147810	34.39	3
GU03658330	33.27	17	GU19037820	34.36	8	GU20148410	34.39	4
GU03658430	33.27	14	GU19045861	34.38	25	GU20148610	34.39	5
GU03660145	33.19	1	GU19055700	34.38	23	GU20208520	34.44	9
GU03661145	33.19	6	GU19058021	34.38	19	GU20352421	34.10	31
GU03664045	33.19	7	GU19058220	34.38	20	GU20355121	34.10	34
GU03740930	33.29	2	GU19062261	34.37	4	GU23204471	34.40	21
GU03749845	33.19	5	GU19065400	34.37	2	GU23204571	34.40	22
GU03922280	34.09	23	GU19067700	34.37	18	GU23211372	34.43	8
GU03995730	33.33	15	GU19083462	34.40	2	GU23217800	34.38	3
GU05107430	33.21	3	GU19146422	34.39	1	GU23328081	34.09	7
GU05659230	33.19	10	GU19152200	34.39	11	GU23442210	33.06	11
GU05730730	34.46	1	GU19202320	34.42	9	GU23442210	33.26	11
GU05781630	33.16	20	GU19203460	34.40	11	GU23548080	34.09	8



Código	Nº Tabla	Pos.	Código	Nº Tabla	Pos.	Código	Nº Tabla	Pos.
GU23548180	34.09	9	GU32208210	34.42	8	GU61270300	34.40	17
GU23943410	33.08	31	GU32210510	34.43	1	GU66103415	33.01	14
GU27037521	34.38	4	GU32211110	34.43	9	GU90271018	34.38	12
GU27061585	34.37	3	GU32211410	34.43	6	GU90271117	34.43	29
GU27061885	34.37	17	GU32211810	34.43	5	GU90271121	34.43	19
GU27062060	34.37	6	GU32212011	34.43	2	GU90271124	34.43	4
GU27065660	34.37	7	GU32213610	34.43	14	GU90272023	34.09	4
GU27066460	34.37	9	GU32213810	34.42	5	GU90272075	34.40	3
GU27066560	34.37	8	GU32214010	34.43	24	GU90274026	34.44	3
GU27152885	34.34	22	GU32214510	34.43	20	GU90353009	34.36	4
GU27153085	34.39	14	GU32214810	34.43	21	GU90353029	34.38	24
GU27210760	34.41	12	GU32215010	34.43	22	GU90353030	34.10	17
GU27633910	33.25	4	GU32215210	34.43	23	GU90400616	34.41	11
GU28157950	33.51	8	GU32231010	34.44	5	GU90402538	33.25	6
GU28157950	33.52	37	GU32231210	34.44	4	GU90402642	33.24	8
GU28252060	33.02	8	GU32233010	34.44	6	GU90403251	34.10	38
GU28576591	33.12	13	GU32234110	34.44	13	GU90403549	34.10	3
GU28576591	33.15	4	GU32234410	34.44	1	GU90407591	34.10	15
GU28612033	33.25	18	GU32234710	34.44	11	GU90706076	34.34	9
GU29729461	33.31	2	GU32234810	34.44	12	GU90706111	34.39	22
GU29759150	33.18	17	GU32234910	34.44	16	GU90706140	34.42	4
GU30109330	33.23	24	GU32235710	34.44	14	GU90706141	33.30	17
GU30577800	33.29	13	GU32238210	34.44	10	GU90706170	34.41	8
GU30601060	33.18	25	GU32251610	33.06	8	GU90706188	34.10	29
GU30602500	33.18	22	GU32350410	34.10	13	GU90706188	34.43	18
GU30630430	33.25	19	GU32351410	34.10	16	GU90706203	34.10	7
GU31003766	34.10	8	GU32354610	34.10	18	GU90706203	34.42	25
GU31003766	34.34	14	GU32431310	33.02	9	GU90706235	34.41	14
GU31003766	34.40	19	GU32439260	33.51	3	GU90706281	34.34	19
GU31003766	34.42	26	GU32461610	33.14	2	GU90706444	34.34	17
GU31016050	34.39	20	GU32506360	33.28	1	GU90706584	34.10	37
GU31037015	34.38	13	GU32517710	33.31	8	GU90714082	33.52	31
GU31038015	34.38	5	GU32555210	33.11	4	GU91113826	33.23	29
GU31045015	34.38	26	GU32555211	33.11	5	GU91120806	33.15	6
GU31112965	33.52	33	GU32602860	33.18	12	GU91180601	33.15	10
GU31121880	33.23	9	GU32603010	33.18	16	GU91181003	33.18	11
GU31150950	34.39	26	GU32603310	33.18	7	GU91181003	33.19	18
GU31159050	34.39	15	GU32605510	33.18	2	GU91551010	33.52	25
GU31327783	34.09	2	GU32615660	33.24	14	GU91551086	33.14	11
GU31439565	33.13	4	GU32632510	33.25	17	GU92201070	34.10	14
GU31513480	33.08	20	GU32633360	33.25	14	GU92201220	34.43	16
GU31544181	34.09	15	GU32633560	34.10	11	GU92201225	34.40	10
GU31547882	34.09	14	GU32634160	33.27	5	GU92204217	33.25	5
GU31610160	33.24	17	GU32636160	33.25	21	GU92204218	33.25	3
GU31614183	33.24	9	GU32735510	33.32	5	GU92204221	33.24	7
GU31615260	33.24	6	GU32735511	33.32	5	GU92218417	34.43	10
GU31616384	33.24	12	GU32747910	33.31	9	GU92230320	34.43	13
GU31634281	33.27	4	GU32753410	33.28	3	GU92234716	34.43	26
GU31634481	33.25	15	GU32753410	33.29	8	GU92249220	34.10	32
GU31659181	33.27	11	GU32781910	33.16	16	GU92249225	33.07	2
GU31659281	33.27	12	GU32782510	33.32	2	GU92249227	34.10	20
GU32032310	34.38	11	GU32944310	33.33	18	GU92251028	34.43	7
GU32053410	34.38	16	GU32999010	34.34	25	GU92252210	34.39	2
GU32054510	34.38	17	GU32999510	34.34	24	GU92252235	34.10	5
GU32067910	34.40	5	GU35214300	34.09	13	GU92296723	34.39	6
GU32080310	34.40	1	GU39238100	34.43	25	GU92602406	34.38	9
GU32084410	34.40	4	GU49609601	33.30	19	GU92602510	34.39	19
GU32115010	34.47	3	GU49609601	33.31	27	GU92603010	34.36	11
GU32115011	34.47	8	GU53429500	33.02	3	GU92606206	33.17	6
GU32115510	34.47	7	GU61027200	34.37	12	GU92606208	34.34	7
GU32121010	33.23	7	GU61036801	34.36	3	GU92606208	34.40	18
GU32121910	33.23	25	GU61038100	34.38	6	GU92606210	33.01	9
GU32121911	33.23	26	GU61054900	34.38	18	GU92606210	33.02	5
GU32128610	33.23	13	GU61270300	33.27	22	GU92606210	33.11	7
GU32129010	33.23	14	GU61270300	34.10	26	GU92606210	34.09	18
GU32202010	34.43	28	GU61270300	34.34	6	GU92606316	33.25	16
GU32206510	34.42	22	GU61270300	34.36	21	GU92606508	34.41	3



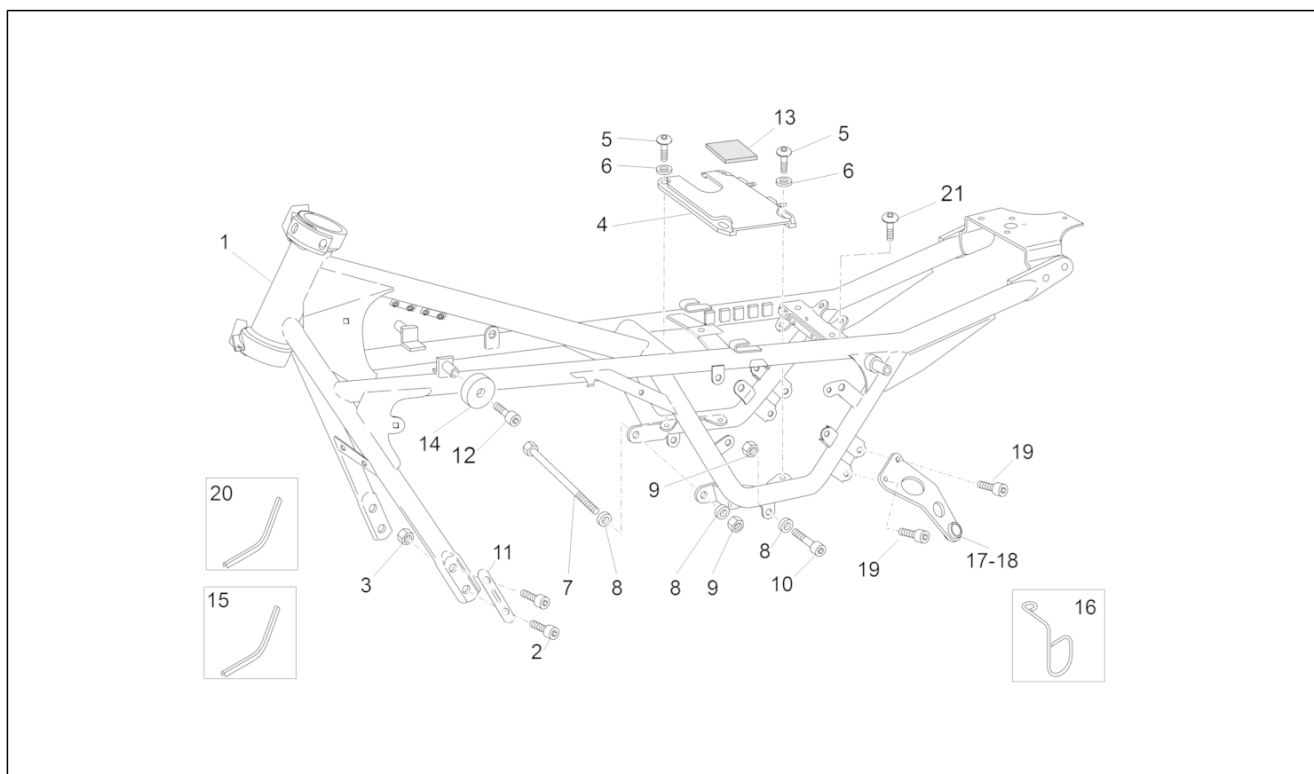


Código	Nº Tabla	Pos.
GU92606512	34.42	14
GU92630104	33.27	19
GU92630106	33.08	27
GU92630108	33.15	5
GU92630204	33.16	14
GU92630206	33.26	26
GU92630206	33.26	5
GU92630510	33.01	3
GU92640508	33.23	19
GU92787006	33.28	6
GU92787006	33.29	11
GU93180105	34.09	21
GU93180111	33.24	13
GU93180220	34.40	9
GU93180245	34.36	22
GU93222023	33.17	4
GU93231605	33.29	14
GU93301313	33.51	15
GU93305061	33.52	22
GU93305061	34.47	15
GU93450126	33.28	15
GU93450224	33.29	3
GU94321079	34.39	24
GU94321099	34.09	6
GU94321105	34.41	4
GU95004210	33.31	4
GU95005306	33.17	3
GU95005306	33.23	28
GU95005308	33.28	23
GU95005308	34.09	22
GU95005310	33.15	7
GU95005311	33.51	4
GU95005330	33.08	26
GU95008205	33.30	16
GU95008206	34.39	23
GU95008208	33.01	6
GU95008208	34.46	3
GU95008210	33.01	8
GU95008210	33.02	6
GU95008210	34.09	17
GU95008305	33.18	20
GU95008306	33.19	20
GU95008306	33.27	21
GU95020105	33.03	10
GU95021104	33.19	19
GU95021105	33.18	21
GU95021206	33.17	5
GU95021206	33.28	8
GU95021206	33.29	10
GU95100059	33.26	24
GU95100059	33.31	13
GU95100116	34.47	12
GU95100125	34.45	11
GU95100141	33.12	14
GU95100141	33.15	14
GU95100244	34.38	29
GU95100309	34.39	27
GU95100602	34.39	25
GU95100709	34.34	21
GU95129115	34.38	22
GU95129180	34.34	27
GU95129180	34.36	13
GU95129181	33.11	6
GU95187006	34.39	13
GU95401215	33.26	10
GU95500222	34.41	6
GU95780271	34.41	5

Código	Nº Tabla	Pos.
GU96451316	33.27	15
GU96451430	34.34	3
GU96451560	34.34	2
GU96506042	34.36	5
GU96508055	34.10	12
GU96508055	34.34	4
GU96510181	34.36	15
GU96510214	34.36	14
GU97202325	33.18	26
GU98054422	34.38	28
GU98082435	34.46	2
GU98082565	33.02	7
GU98084314	34.39	12
GU98084314	34.40	12
GU98084316	34.40	7
GU98110007	33.23	23
GU98110199	33.01	7
GU98230510	33.16	4
GU98230510	33.18	19
GU98230612	34.44	7
GU98252420	33.06	23
GU98252420	33.26	32
GU98257410	33.27	18
GU98257618	34.44	15
GU98310609	34.47	11
GU98350215	33.29	12
GU98350416	33.01	5
GU98370412	33.19	4
GU98370515	33.14	17
GU98370609	33.17	2
GU98370609	33.23	27
GU98370616	33.12	20
GU98370616	33.13	9
GU98370616	33.31	7
GU98370625	33.14	4
GU98370625	33.26	7
GU98370655	33.28	7
GU98370655	33.29	9
GU98370835	33.15	8
GU98370845	33.13	3
GU98612216	33.03	9
GU98620335	34.39	7
GU98622322	34.47	9
GU98680350	33.08	30
GU98680435	34.40	15
GU98680435	34.42	19
GU98680450	34.40	16
GU98680545	34.09	16
GU98680555	33.01	10
GU98682212	33.30	15
GU98682212	33.31	12
GU98682212	34.45	5
GU98682325	34.34	11
GU98682325	34.35	3
GU98682330	34.35	4
GU98682330	34.40	14
GU98682330	34.42	18
GU98682414	33.01	12
GU98682416	33.32	7
GU98682430	33.12	9
GU98682530	33.01	2
GU98690335	33.18	13
GU98690440	33.23	17
GU98692318	33.11	2
GU98692325	33.18	9
GU98692325	34.36	16
GU98692420	33.01	19

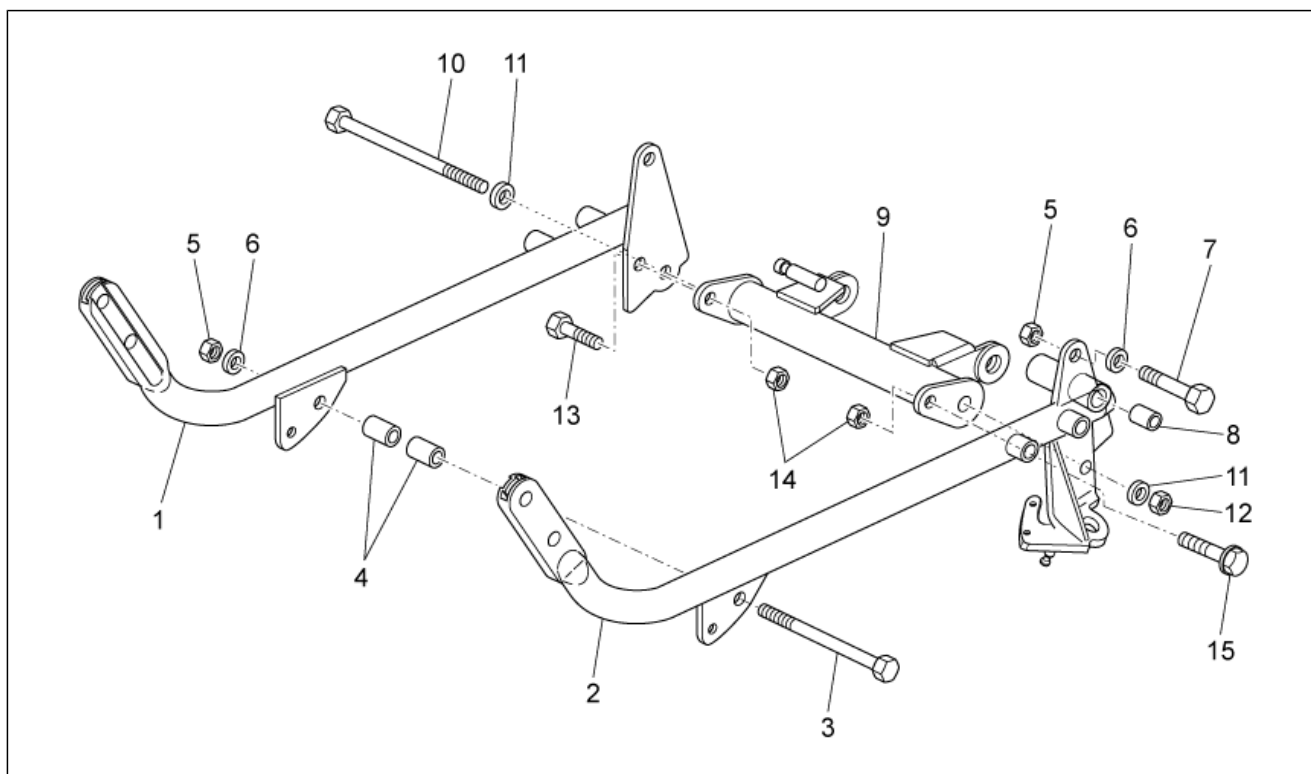
Código	Nº Tabla	Pos.
GU98692420	33.28	22
GU98880540	33.28	21
GU98882316	34.38	21

<b>Grupo</b>	BASTIDOR
<b>Código</b>	33.01
<b>Descripción</b>	Bastidor I
<b>Revisión</b>	1



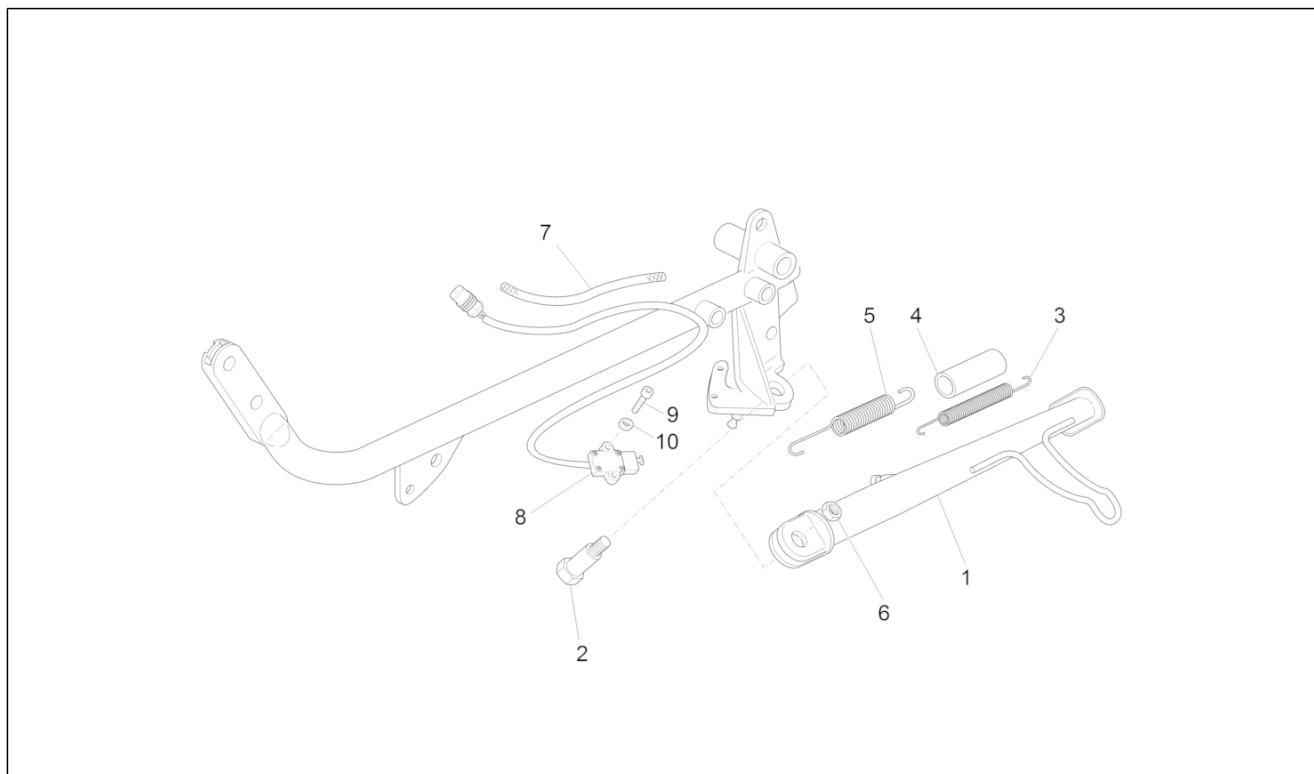
Pos.	Código	Descripción	Cant.	Variantes
1	B063251	Bastidor pint. rojo	1	
2	GU98682530	Tornillo Allen M10x30	4	
3	GU92630510	Tuerca M10x1,5	4	
4	B063287	Placa de unión chasis	1	
5	GU98350416	Tornillo M8x16	4	
6	GU95008208	Arandela 8,4X15X1,5	4	
7	GU98110199	Perno M10x205	1	
8	GU95008210	Arandela 10,2X18X2	11	
9	GU92606210	Tuerca M10x1,5	2	
10	GU98680555	Tornillo M10x55	2	
11	886645	Placa	2	
12	GU98682414	Tornillo Allen	2	
13	GU01103860	Esponja	1	
14	GU66103415	Goma	2	
15	AP8144606	Junta 10X5	1	
16	AP8221172	Guíacable	1	
17	2B000843	Soporte DX	1	
18	2B000844	Soporte SX	1	
19	GU98692420	Tornillo Allen M8x20	4	
20	AP8220590	Junta	1	
21	GU03468100	Tornillo	1	

<b>Grupo</b>	BASTIDOR
<b>Código</b>	33.02
<b>Descripción</b>	Bastidor II
<b>Revisión</b>	1



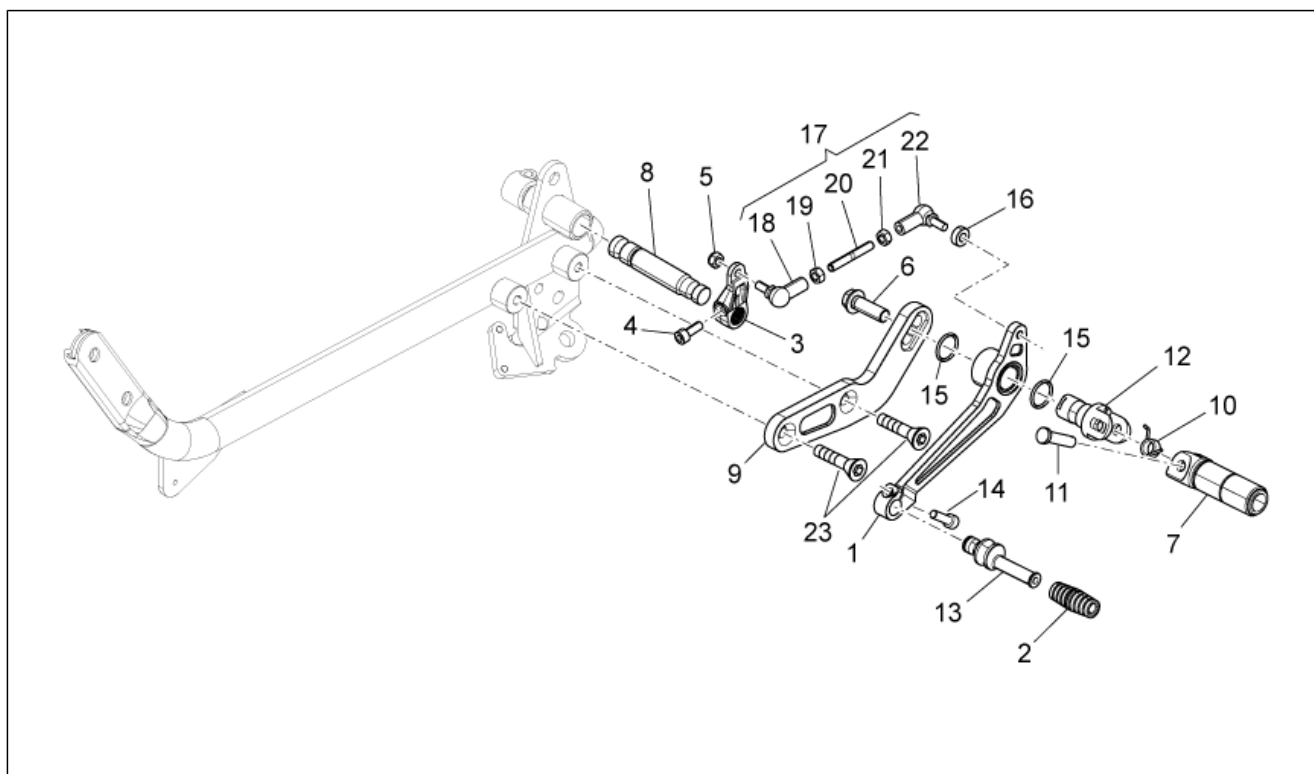
Pos.	Código	Descripción	Cant.	Variantes
1	B063249	Cuna der.	1	
2	B063250	Cuna izq.	1	
3	GU53429500	Perno M10x250	1	
4	GU19017000	Buje	2	
5	GU92606210	Tuerca M10x1,5	3	
6	GU95008210	Arandela 10,2X18X2	3	
7	GU98082565	Tornillo M10x65	2	
8	GU28252060	Buje 18 mm est.	2	
9	GU32431310	Placa cuna	1	
10	AP8121367	Perno M10x260	1	
11	AP8152220	Arandela	2	
12	AP8150436	Tuerca autobloq.baja	1	
13	AP8152287	Torn. CH con reborde M8x25	1	
14	AP8152300	Tuerca autobloqueante M8	1	
15	AP8152288	Torn. CH con reborde	1	

<b>Grupo</b>	BASTIDOR
<b>Código</b>	33.03
<b>Descripción</b>	Caballote lateral
<b>Revisión</b>	1



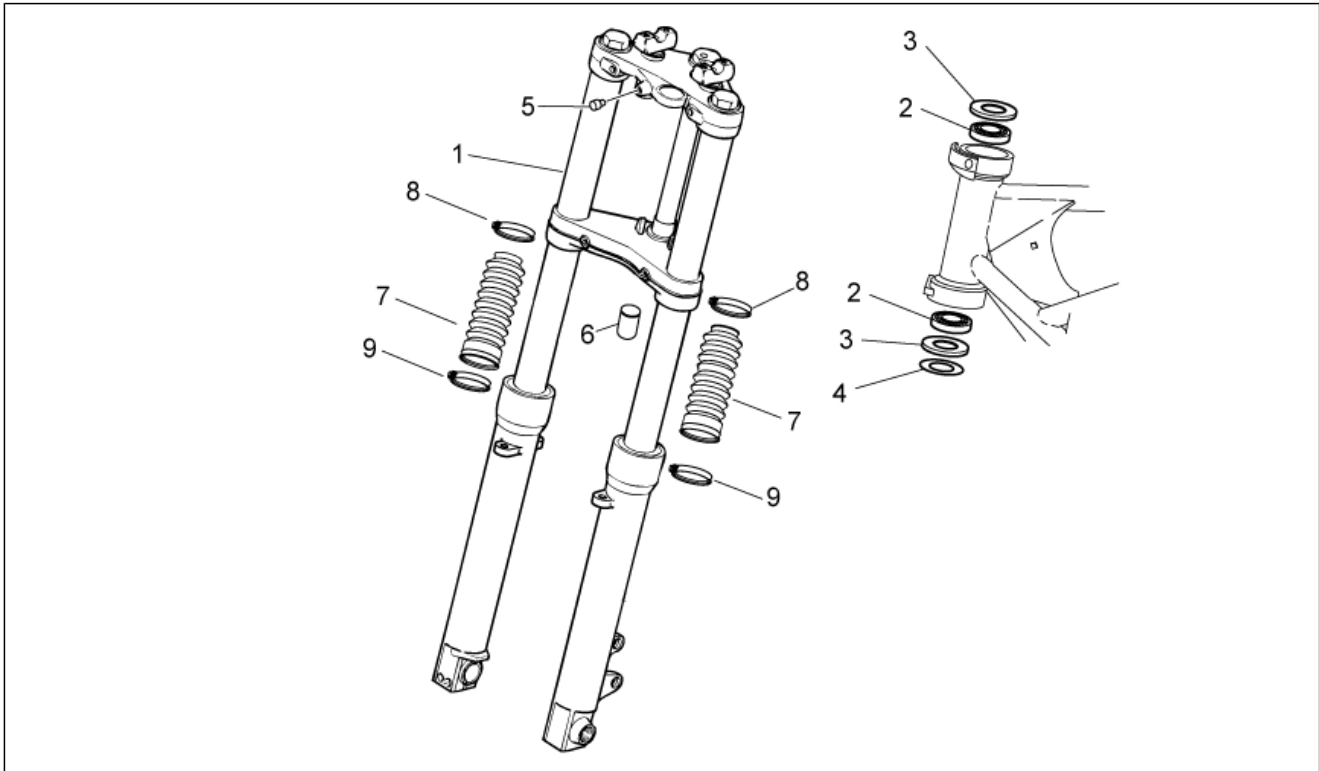
Pos.	Código	Descripción	Cant.	Variantes
1	B063086	Caballote lateral	1	
2	AP8121375	Tornillo fij. caballote	1	
3	AP8121014	Muelle hél.cil.trac. *	1	
4	AP8102524	Prot.muelle caball.	1	
5	AP8221197	Mlle retorno caball.	1	
6	967356	Tuerca con reborde M10x1,25	1	
7	GU00823923140	Kit motor arr.	1	
8	AP8127856	Interrupt. caballote	1	
9	GU98612216	Tornillo Allen	2	
10	GU95020105	Arandela 5,3x8,9x2,4	2	

<b>Grupo</b>	BASTIDOR
<b>Código</b>	33.06
<b>Descripción</b>	Palanca cambio
<b>Revisión</b>	1



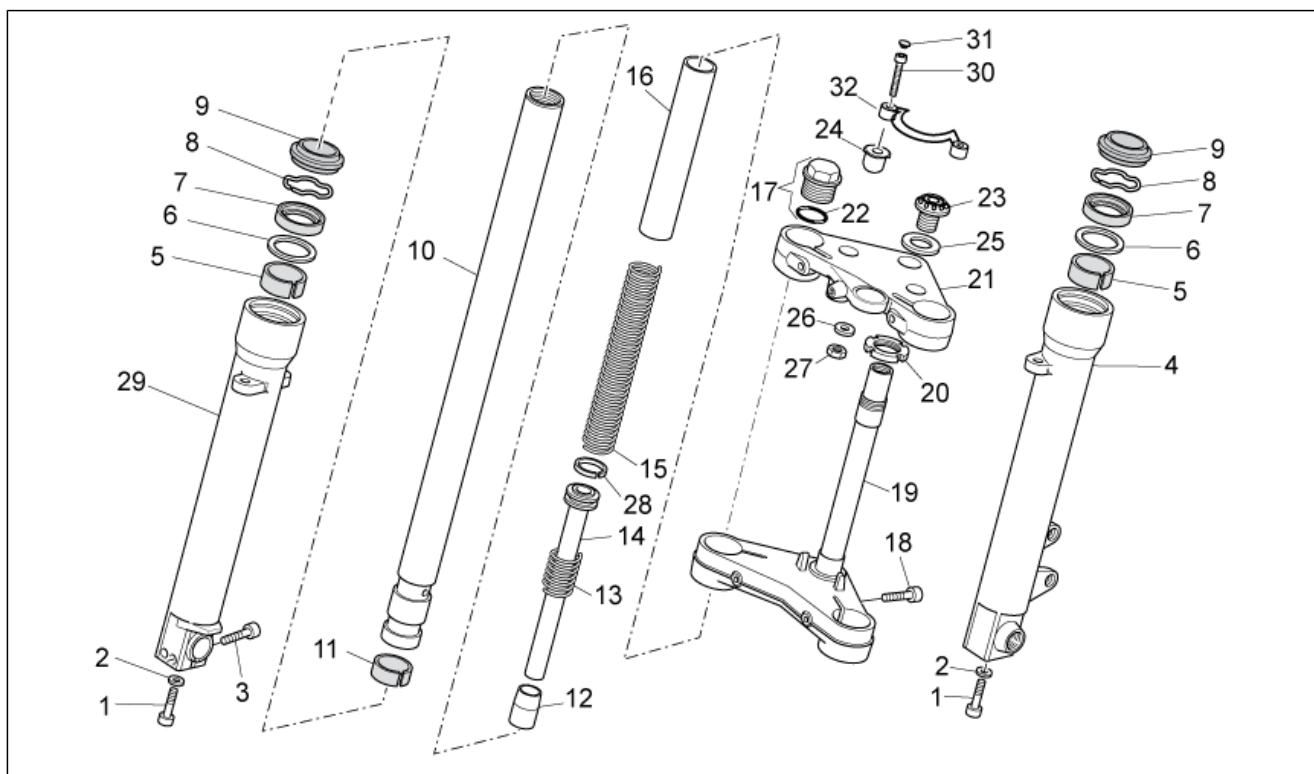
Pos.	Código	Descripción	Cant.	Variantes
1	898282	Palanca cambio	1	
2	AP8120912	Goma para palanca	1	
3	898283	Leva pre-selector	1	
4	AP8150137	Tornillo Allen	1	
5	AP8150115	Tuerca autobloq.baja M6	1	
6	AP8152320	Torn. CH con reborde	1	
7	898281	Estribo piloto der.	1	
8	GU32251610	Perno palanca	1	
9	898284	Placa del estribo del conductor	1	
10	AP8221277	Muelle retorno estribo	1	
11	GU23442210	Perno	1	
12	898611	Soporte estribo piloto izq.	1	
13	886665	Barra	1	
14	AP8150044	Tornillo Allen M6x20	1	
15	AP9100477	Junta tórica 18x2	2	
16	886668	Distanciador	1	
17	887280	Tirante del mando del cambio	1	
18	AP8210007	Artic. esférica der. M6	1	
19	AP8150026	Tuerca M6	1	
20	856796	Varilla transmisión cambio	1	
21	AP8152138	Tuerca	1	
22	AP8110053	Artic. esférica izq. M6	1	
23	GU98252420	Tornillo M8x20	2	

<b>Grupo</b>	BASTIDOR
<b>Código</b>	33.07
<b>Descripción</b>	HORQUILLA DELANTERA I
<b>Revisión</b>	1



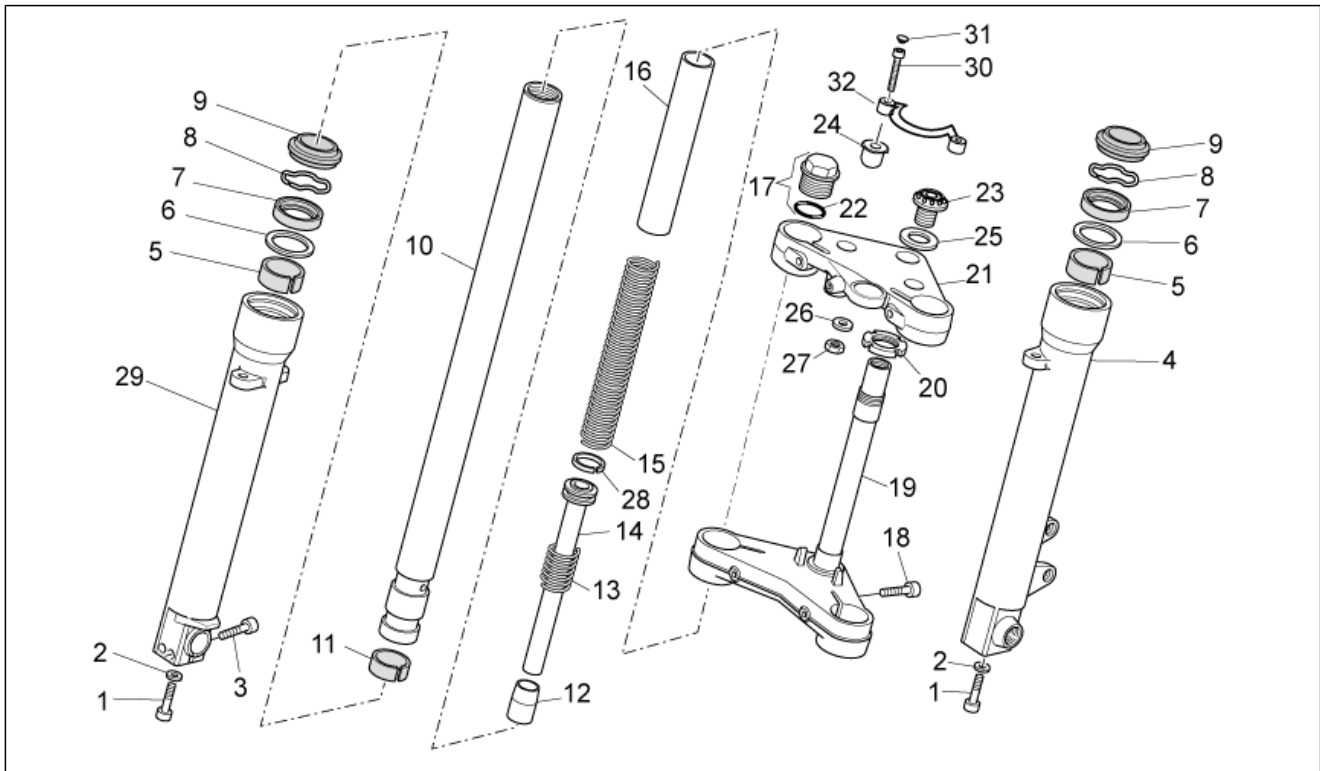
Pos.	Código	Descripción	Cant.	Variantes
1	2B000560	Horquilla completa	1	
2	GU92249225	Coj. rodillos cónicos	2	
3	AP8144146	Gasket ring	1	
4	AP8121307	Arandela	1	
5	AP8144081	Goma	1	
6	AP8220460	Cubeta de goma	1	
7	898086	Fuelle horquilla	7	
8	CM001929	Fascetta stringitubo 63.5	2	
9	CM001928	Faja stringitubo 44	2	

<b>Grupo</b>	BASTIDOR
<b>Código</b>	33.08
<b>Descripción</b>	HORQUILLA DELANTERA II
<b>Revisión</b>	1



Pos.	Código	Descripción	Cant.	Variantes
1	887878	Tornillo M10x30	2	
2	887879	Arandela	2	
3	887880	Tornillo	2	
4	2R000110	Funda izq.	1	
5	887882	Casquillo superior	2	
6	887883	Arandela	2	
7	887884	Gasket ring	2	
8	887885	Anillo de tope	2	
9	887886	Guardapolvo	2	
10	887887	Funda	2	
11	887888	Buje	2	
12	887889	Taco	2	
13	887890	Contramuelle	2	
14	887891	Hidráulico cpl.	2	
15	887892	Muelle	2	
16	887893	Tubo	2	
17	887894	Gr. tapón cpl.	2	
18	887895	Tornillo	2	
19	887896	Base con manguito	1	
20	GU31513480	Virola M25X1	1	
21	886842	Placa sup. horquilla	1	
22	887916	Junta tórica 4118	2	
23	887900	Tuerca	1	
24	883552	Buje	2	
25	887899	Arandela	1	
26	GU95005330	Arandela 6,4x30x1,5	2	
27	GU92630106	Tuerca M6x1	2	
28	887905	Segmento	2	

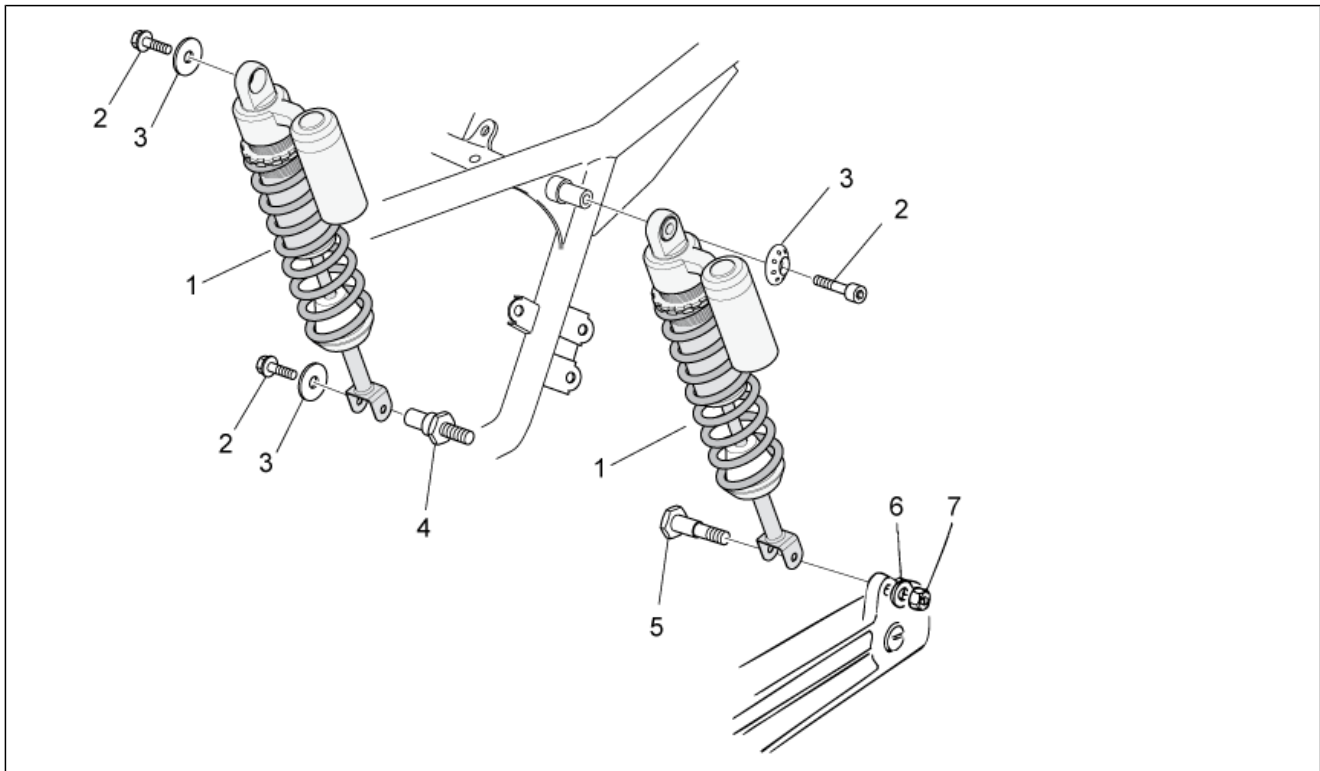
<b>Grupo</b>	BASTIDOR
<b>Código</b>	33.08
<b>Descripción</b>	HORQUILLA DELANTERA II
<b>Revisión</b>	1



Pos.	Código	Descripción	Cant.	Variantes
29	2R000109	Funda der.	1	
30	GU98680350	Tornillo Allen M6x50	2	
31	GU23943410	Tapón cromado	8	
32	883602	Tubo	1	

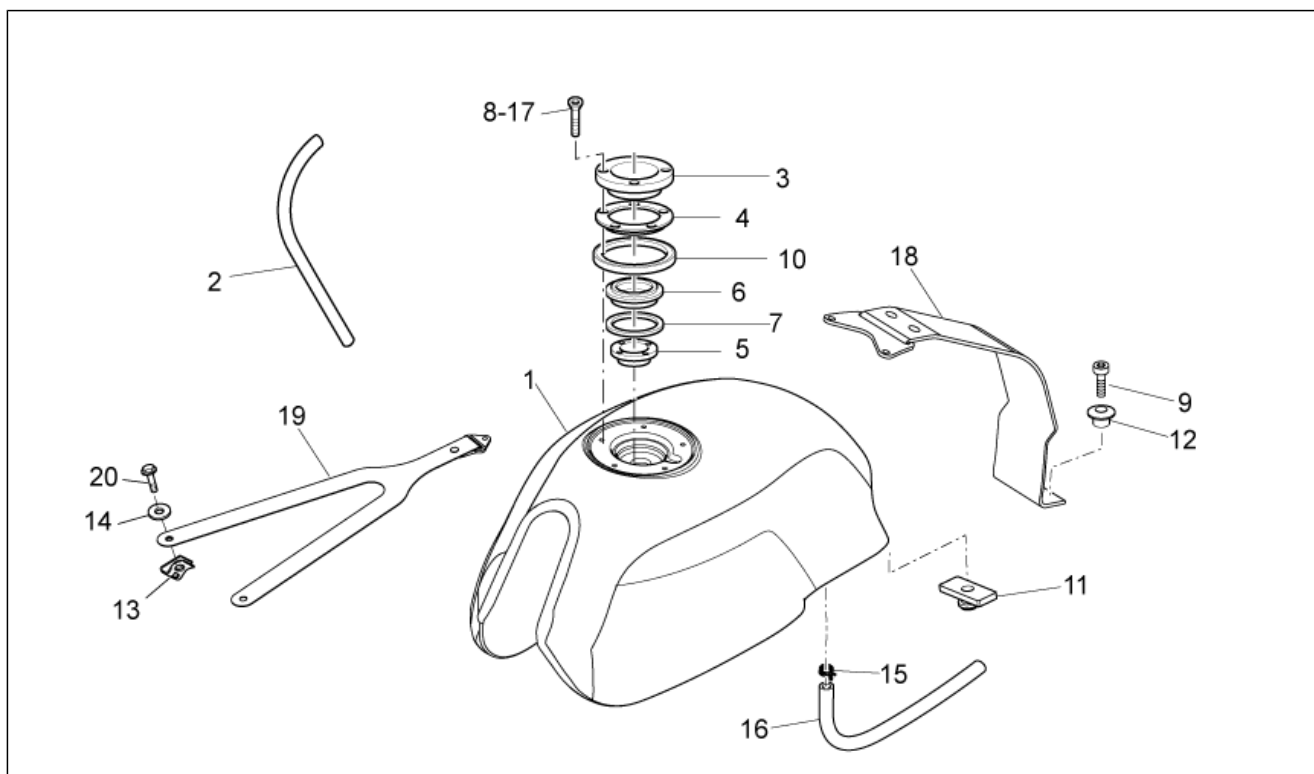


<b>Grupo</b>	BASTIDOR
<b>Código</b>	33.11
<b>Descripción</b>	Tras.Amortiguador
<b>Revisión</b>	1



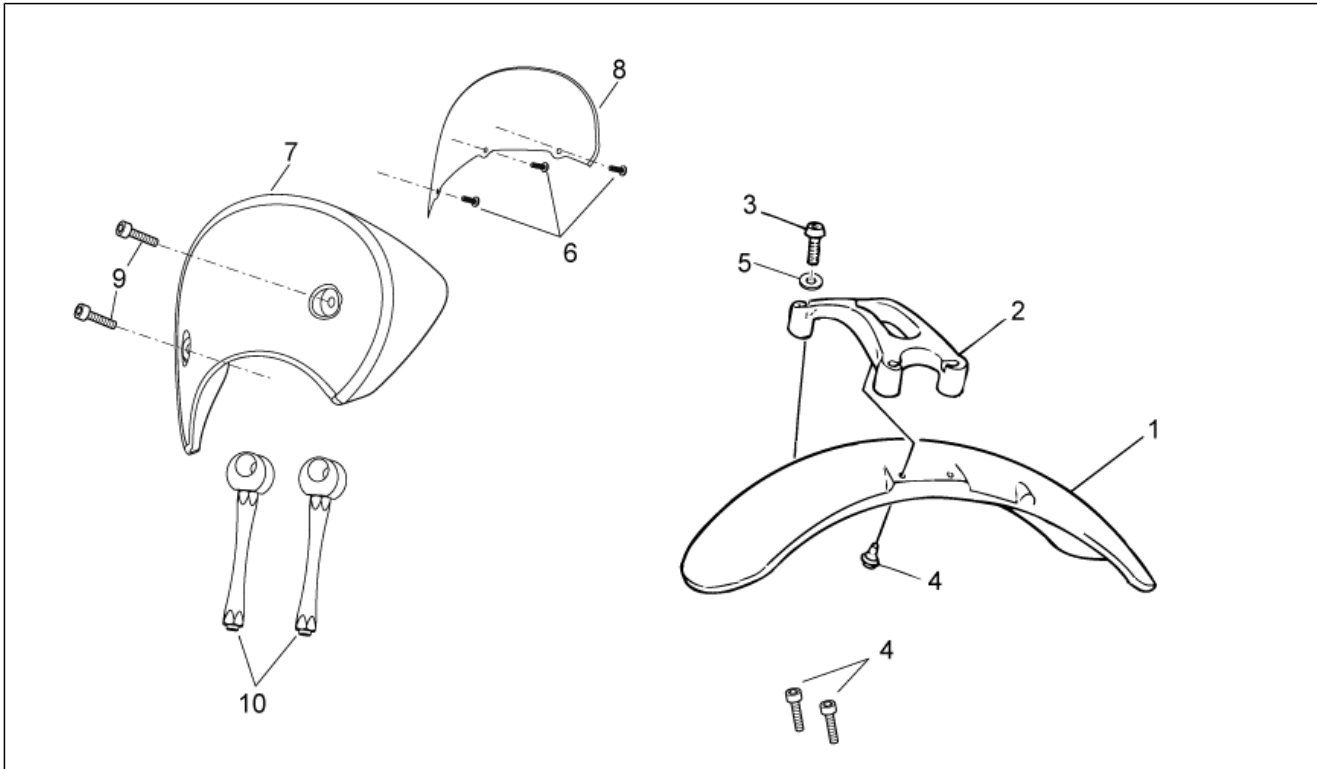
Pos.	Código	Descripción	Cant.	Variantes
1	886675	Amortiguador trasero	2	
2	GU98692318	Tornillo Allen	3	
3	886630	Buje	3	
4	GU32555210	Perno	1	
5	GU32555211	Perno	1	
6	GU95129181	Arandela	1	
7	GU92606210	Tuerca M10x1,5	1	

<b>Grupo</b>	BASTIDOR
<b>Código</b>	33.12
<b>Descripción</b>	Depósito gasolina
<b>Revisión</b>	1



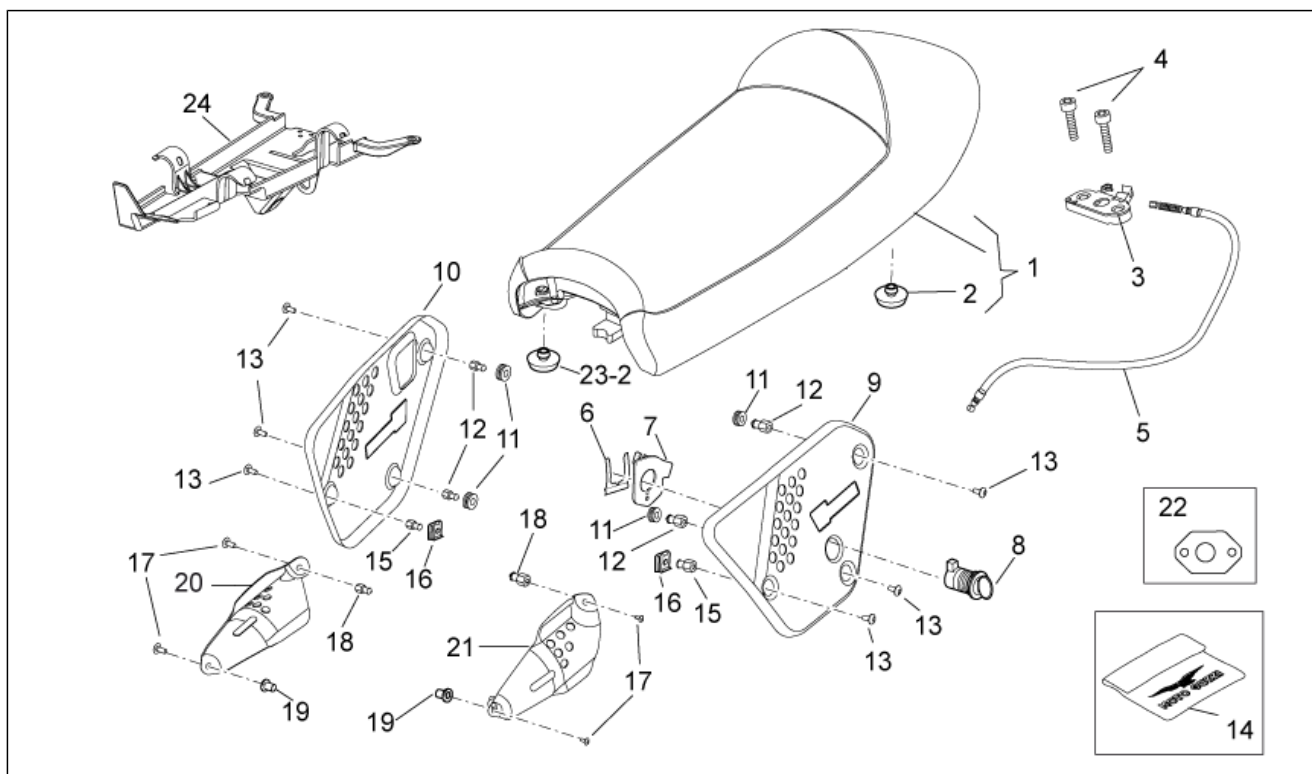
Pos.	Código	Descripción	Cant.	Variantes
1	2H000419	Depósito gasolina cromado	1	Especificación técnica:Decal[D]
1	2H000420	Depósito gasolina cromado	1	PAÍS:China[CN] Especificación técnica:Decal[D]
1	887207	Depósito gasolina en bruto	1	COLOR VEHÍCULO:En bruto[GR]
1	887944	Depósito gasolina bas.	1	PAÍS:China[CN]
2	GU00823931070	Junta	1	
3	GU03101900	Brida	1	
4	GU03103500	Anillo	1	
5	883502	Reducción 24 mm	1	PAÍS:China[CN]
5	GU03101720	Reducción 38 mm	1	
6	GU03102200	Tuerca para tapon	1	
7	GU03101600	Junta	2	
8	AP8150416	Tornillo Allen	3	
9	GU98682430	Tornillo Allen M8x30	1	
10	GU03102400	Junta Der.	1	
11	AP8120557	Goma depósito	1	
12	AP8121673	Buje en 'T' *	1	
13	GU28576591	Clip M6	2	
14	GU95100141	Arandela 6,4x12x1,2	2	
15	AP8101595	Abrazadera D10,1	1	
16	GU00823944050	Tubo 5X9	1	
17	GU03103200	Tornillo	2	
18	B063154	Correa trasera	1	
19	B063152	Correa delantera	1	
20	GU98370616	Tornillo M6x16 inox	2	

<b>Grupo</b>	BASTIDOR
<b>Código</b>	33.13
<b>Descripción</b>	Carrocería del. - Guardab. Delantero
<b>Revisión</b>	1



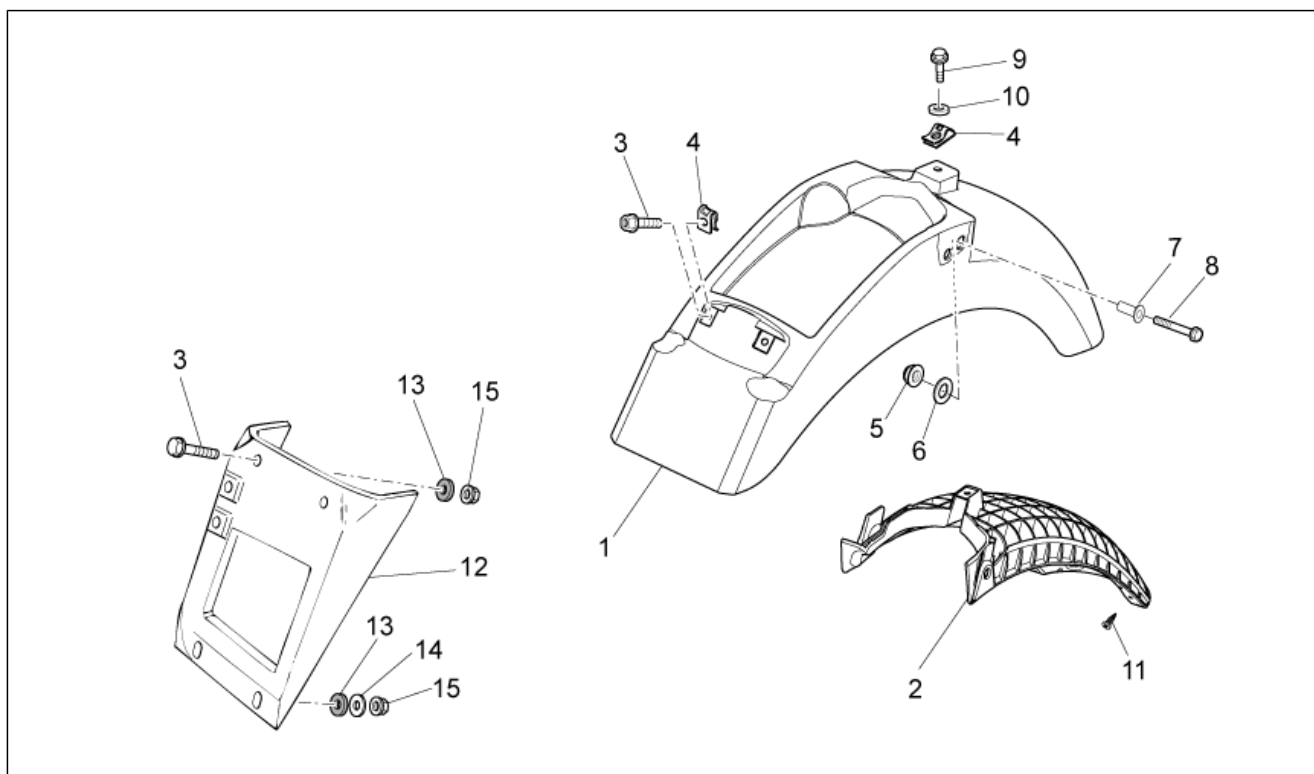
Pos.	Código	Descripción	Cant.	Variantes
1	88673000Y02	Guardab.del.negro	1	
2	883266	Lamina	1	
3	GU98370845	Tornillo	4	
4	GU31439565	Tornillo especial	4	
5	GU14615901	Arandela 8,4X13X0,8	4	
6	AP8150413	Torn. autorr. 3,9x14	3	
7	2H000421000Y02	Cúpula negra	1	Especificación técnica:Decal[D]
7	898179	Cúpula bas.	1	
8	898180	Cristal cúpula	1	
9	GU98370616	Tornillo M6x16 inox	2	
10	886724	Soporte cúpula	2	

<b>Grupo</b>	BASTIDOR
<b>Código</b>	33.14
<b>Descripción</b>	Sillín-Carrocería cent.
<b>Revisión</b>	1



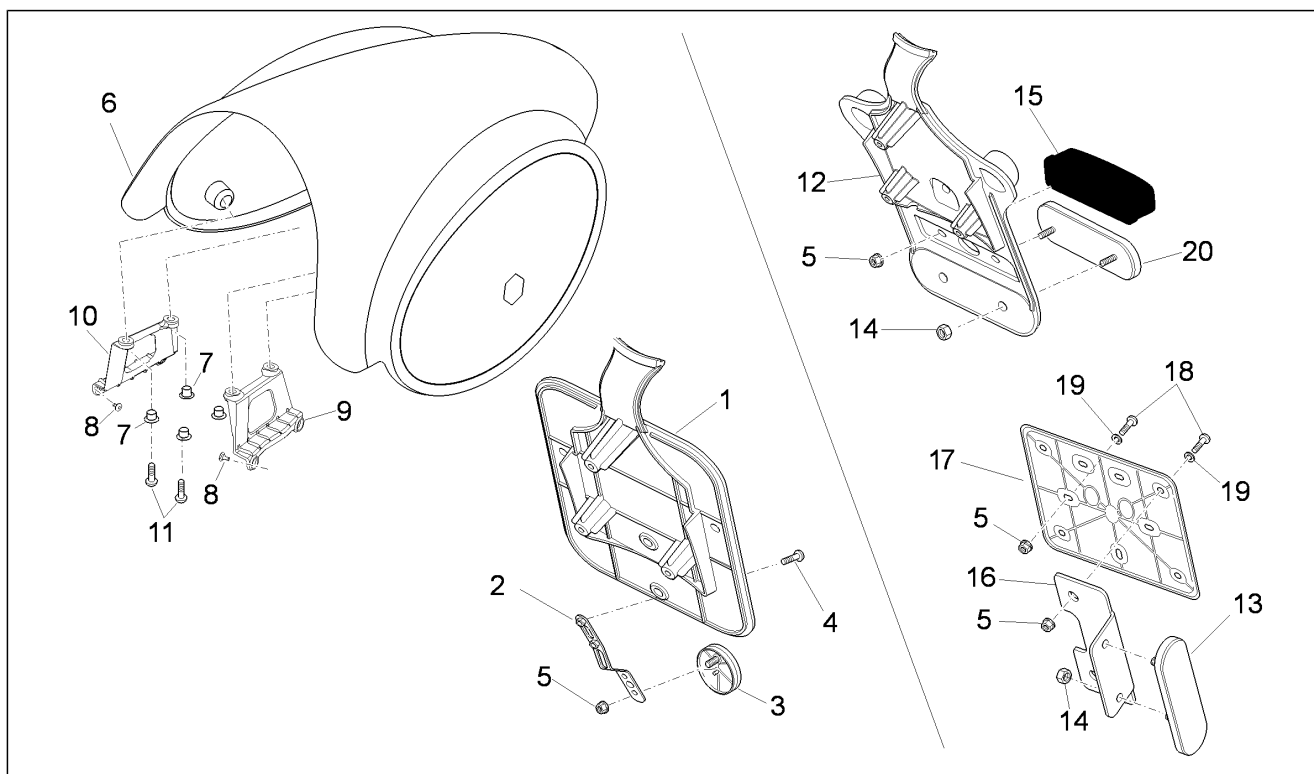
Pos.	Código	Descripción	Cant.	Variantes
1	89817800A3	Sillín marrón	1	
2	GU32461610	Goma	8	
3	AP8102913	Placa fij.sil.pasaj.	1	
4	GU98370625	Tornillo	2	
5	883295	Cable cerradura sill.	1	
6	AP8121420	Muelle de horquilla	1	
7	978415	Placa soporte cable	1	
8	977527	Cerradura con llaves incluidas	1	
9	2B000839	Later.peq.izq. p.	1	Especificación técnica:No decals[ND]
10	2B000838	Later.peq.der.p.	1	Especificación técnica:No decals[ND]
11	GU91551086	Goma	4	
12	886368	Barra fijación	4	
13	976614	Tornillo M5X15	6	
14	886841	bolsa protección del asiento	1	
15	886706	Barra fijación	2	
16	254485	Placa elastica M6	2	
17	GU98370515	Tornillo	4	
18	AP8120531	Goma con refuerzo	2	
19	886727	Barra fijación	2	
20	2B000841	cubremariposa der.	1	
21	2B000842	cubremariposa izq.	1	
22	886820	Placa cerrad. sillín	1	
23	B063429	Goma	2	
24	B063431	Protection	0	

<b>Grupo</b>	BASTIDOR
<b>Código</b>	33.15
<b>Descripción</b>	Car.tr. I- Gdab
<b>Revisión</b>	1



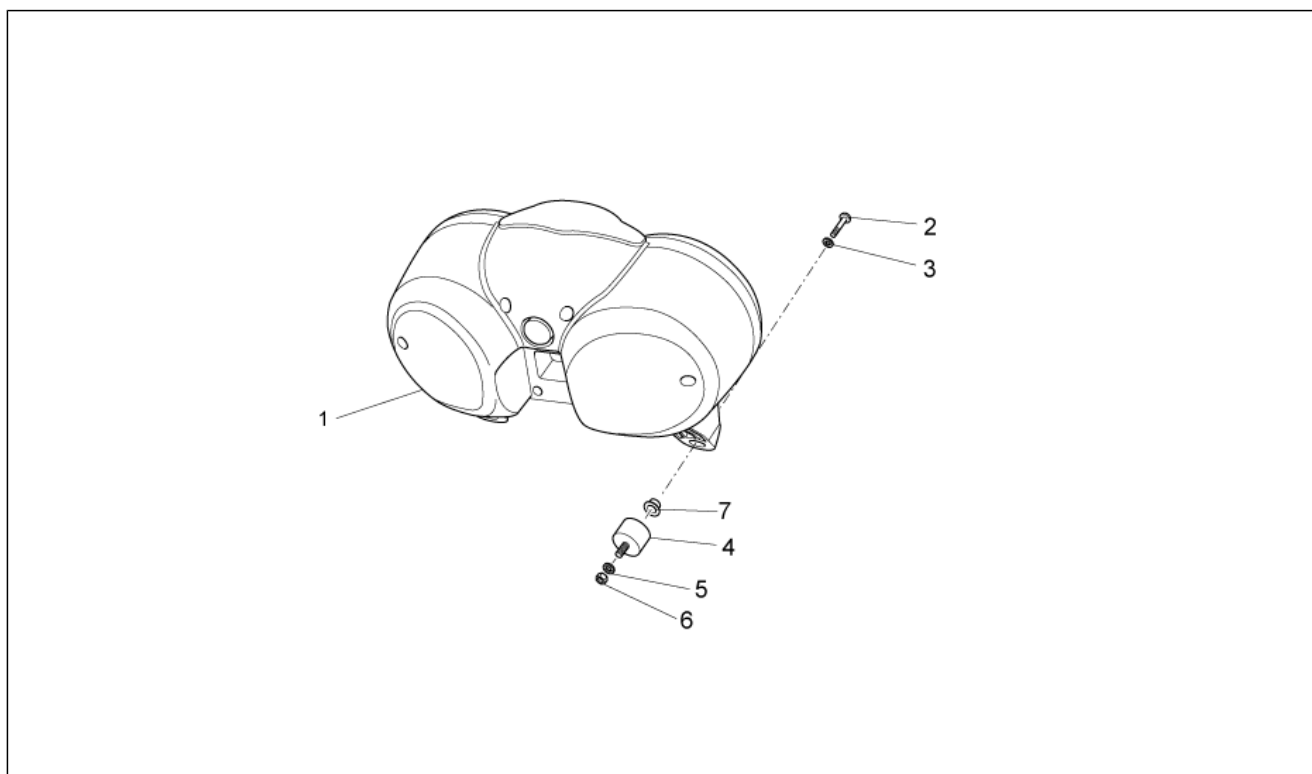
Pos.	Código	Descripción	Cant.	Variantes
1	97894600Y02	Guardabarros tras. negro	1	
2	978947	Soporte	1	
3	AP8152278	Torn. CH con reborde M6x16	4	
4	GU28576591	Clip M6	3	
5	GU92630108	Tuerca	2	
6	GU91120806	Distanciador	2	
7	GU95005310	Arandela 8,4x18x2	2	
8	GU98370835	Tornillo	2	
9	AP8152279	Torn. CH con reborde M6x20	2	
10	GU91180601	Distanciador 6,2x8x3	2	
11	AP8152329	Torn. c.cruz reborde M5x20	3	
12	B063167	Parasalpicaduras	1	
13	AP8121032	Buje	4	
14	GU95100141	Arandela 6,4x12x1,2	2	
15	AP8152299	Tuerca autobloqueante M6	4	

<b>Grupo</b>	BASTIDOR
<b>Código</b>	33.16
<b>Descripción</b>	Carroc.tras.II - Portamatrícula
<b>Revisión</b>	1



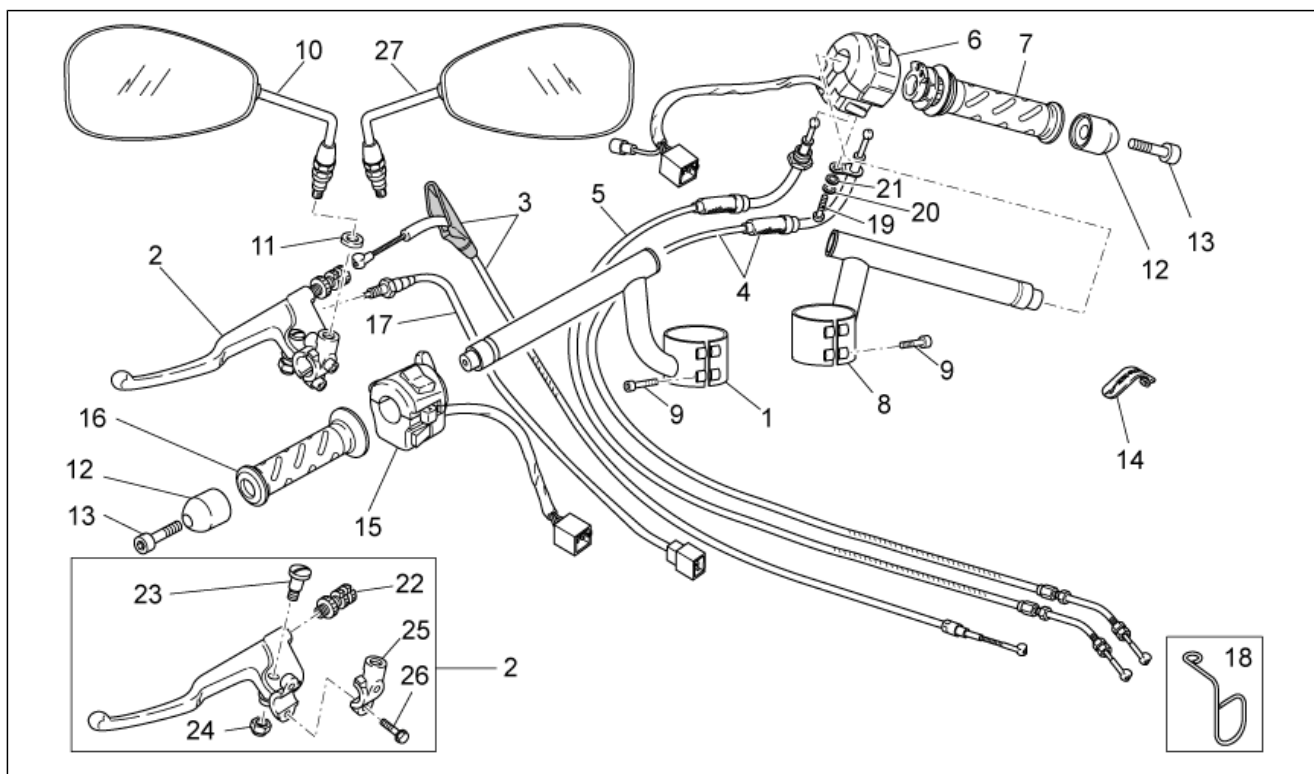
Pos.	Código	Descripción	Cant.	Variantes
1	978949	Portamatrícula	1	PAÍS:Australia[AA], Europa[EU], Gran Bretaña[UK]
2	AP8134448	Soporte catafaro	1	
3	AP8224164	Catafaro trasero rojo	1	
4	GU98230510	Tornillo	2	
5	AP8152306	Tuerca autobloqueante m5	1	
6	898280	Cola basto	1	
6	B06315100Y02	Cola pint. negro	1	
7	AP8121929	Buje en 'T' 6,5x8,6x9	4	
8	AP8152339	Tornillo con reborde M5x9	4	
9	886712	Soporte izq.	1	
10	886713	Soporte derecho	1	
11	AP8152273	Tornillo con reborde M5X15	4	
12	883470	Portamatrícula	1	PAÍS:China[CN]
13	AP8124718	Catafaro trasero rojo	2	PAÍS:China[CN]
14	GU92630204	Tuerca	6	PAÍS:China[CN]
15	883480	Faro matrícula	1	PAÍS:China[CN]
16	GU32781910	Soporte catafaro	2	PAÍS:China[CN]
17	AP8149034	Soporte matrícula	1	PAÍS:China[CN]
18	AP8152268	Tornillo M5x16	2	PAÍS:China[CN]
19	AP8150248	Arandela 5,5x15x1,6	2	PAÍS:China[CN]
20	GU05781630	Catafaro ámbar	1	PAÍS:China[CN]

<b>Grupo</b>	BASTIDOR
<b>Código</b>	33.17
<b>Descripción</b>	Salpicadero
<b>Revisión</b>	1



Pos.	Código	Descripción	Cant.	Variantes
1	887194	Salpicadero completo km/h	1	
2	GU98370609	Tornillo M6x10	3	
3	GU95005306	Arandela 6,4x13x1,5	3	
4	GU93222023	Casquillo elástico	3	
5	GU95021206	Arandela	3	
6	GU92606206	Tuerca	3	
7	AP8121032	Buje	3	

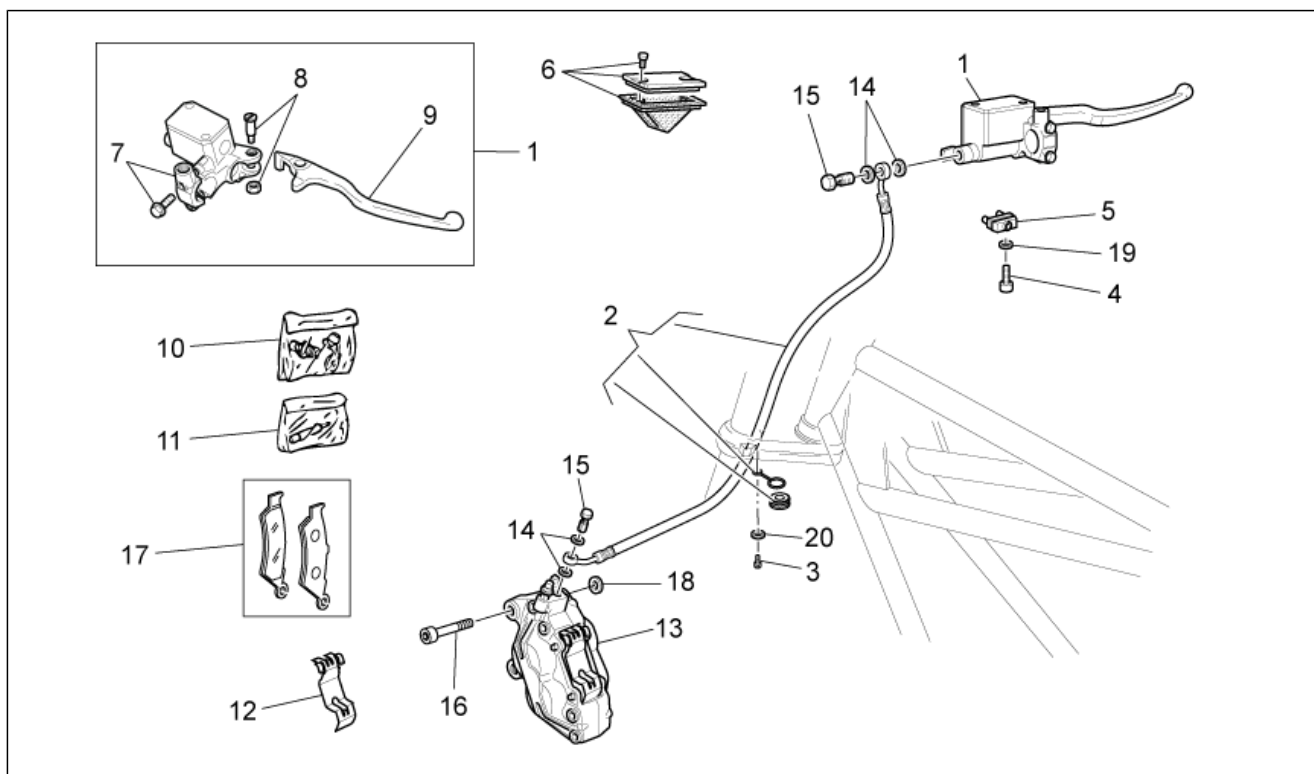
<b>Grupo</b>	BASTIDOR
<b>Código</b>	33.18
<b>Descripción</b>	Manillar - Mandos
<b>Revisión</b>	1



Pos.	Código	Descripción	Cant.	Variantes
1	B063317	Semimanillar izq.	1	
2	GU32605510	Palanca embrague	1	
3	883940	Cable embrague	1	
4	B063247	Cable apertura gas	1	
5	B063248	Cable cierre gas	1	
6	B063135	Conmut. luces der.	1	
7	GU32603310	Puño der.	1	
8	B063326	Semimanillar der.	1	
9	GU98692325	Tornillo Allen M6x25	4	
10	2B001049	Espejo retrovisor izq.	1	
11	GU91181003	Distanciador 10,25X20X4	2	
12	GU32602860	Peso antivib. p.chr.	2	
13	GU98690335	Tornillo Allen	2	
14	GU01609630	Abrazadera L46 mm	2	
14	GU03609600	Abrazadera L36 mm	1	
15	B063975	Conmut. luces izq.	1	
16	GU32603010	Puño izq.	1	
17	GU29759150	Interrupt. caballete	1	
18	AP8221172	Guíacable	1	
19	GU98230510	Tornillo	1	
20	GU95008305	Arandela 5,3X10X1	1	
21	GU95021105	Arand. Dentada	1	
22	GU30602500	Registro	1	
23	AP8213028	Tornillo	1	
24	AP8118490	Tuerca	1	
25	GU30601060	Grapa	1	
26	GU97202325	Torn. CH con reborde neg. M6x25	2	
27	2B001048	Espejo retrovisor der.	1	

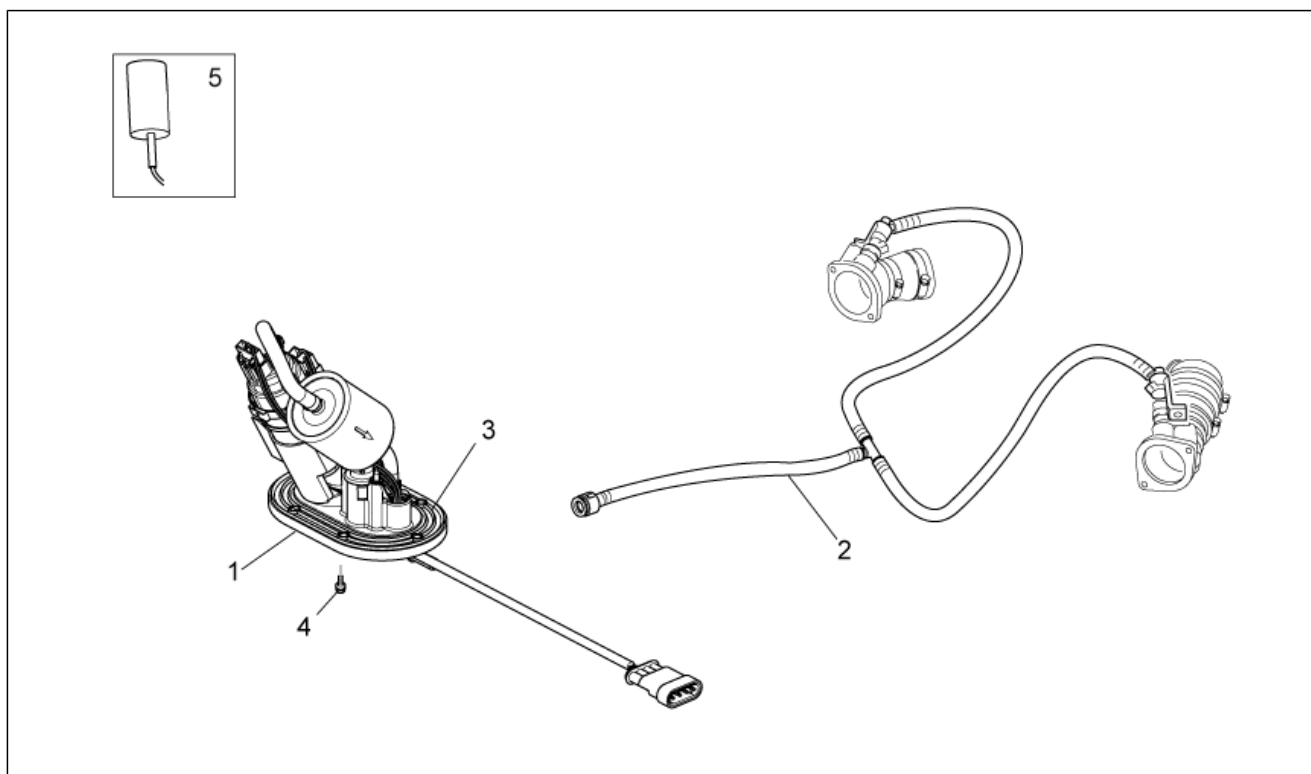


<b>Grupo</b>	BASTIDOR
<b>Código</b>	33.19
<b>Descripción</b>	Eq.freno delantero
<b>Revisión</b>	1



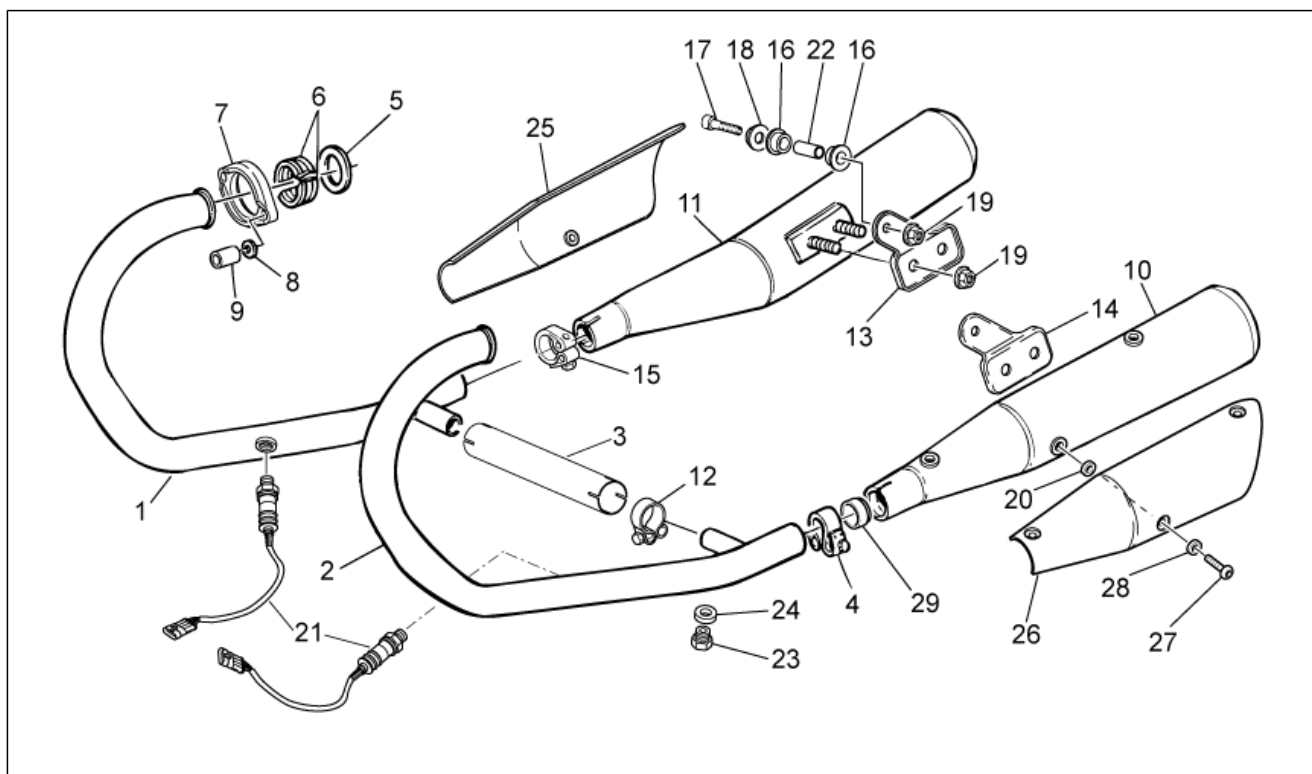
Pos.	Código	Descripción	Cant.	Variantes
1	GU03660145	Bomba freno del.	1	
2	883581	Tubo freno	1	
3	AP8152277	Torn. CH con reborde M6x12	1	
4	GU98370412	Tornillo M4x12	1	
5	GU03749845	Interruptor de stop	1	
6	GU03661145	Tapa bomba	1	
7	GU03664045	Perno U	1	
8	GU03604845	Perno palanca	1	
9	GU03605645	Palanca de freno	1	
10	GU05659230	Purga + capuchón	1	
11	GU01659130	Pernos+muelles pinza	1	
12	GU01659131	Muelle	1	
13	883303	Pinza freno del.izq.negro	1	
14	AP8113004	Arandela 10x14x1,6*	4	
15	978323	Tornillo tubo aceite *	2	
16	AP8152385	Tornillo Allen M10x1,25	2	
17	GU01654630	Pastillas-par	1	
18	GU91181003	Distanciador 10,25X20X4	2	
19	GU95021104	Arandela 4,3x8x1,5	1	
20	GU95008306	Arandela 6,4x12x1,2	1	

<b>Grupo</b>	BASTIDOR
<b>Código</b>	33.21
<b>Descripción</b>	Bomba gasolina
<b>Revisión</b>	1



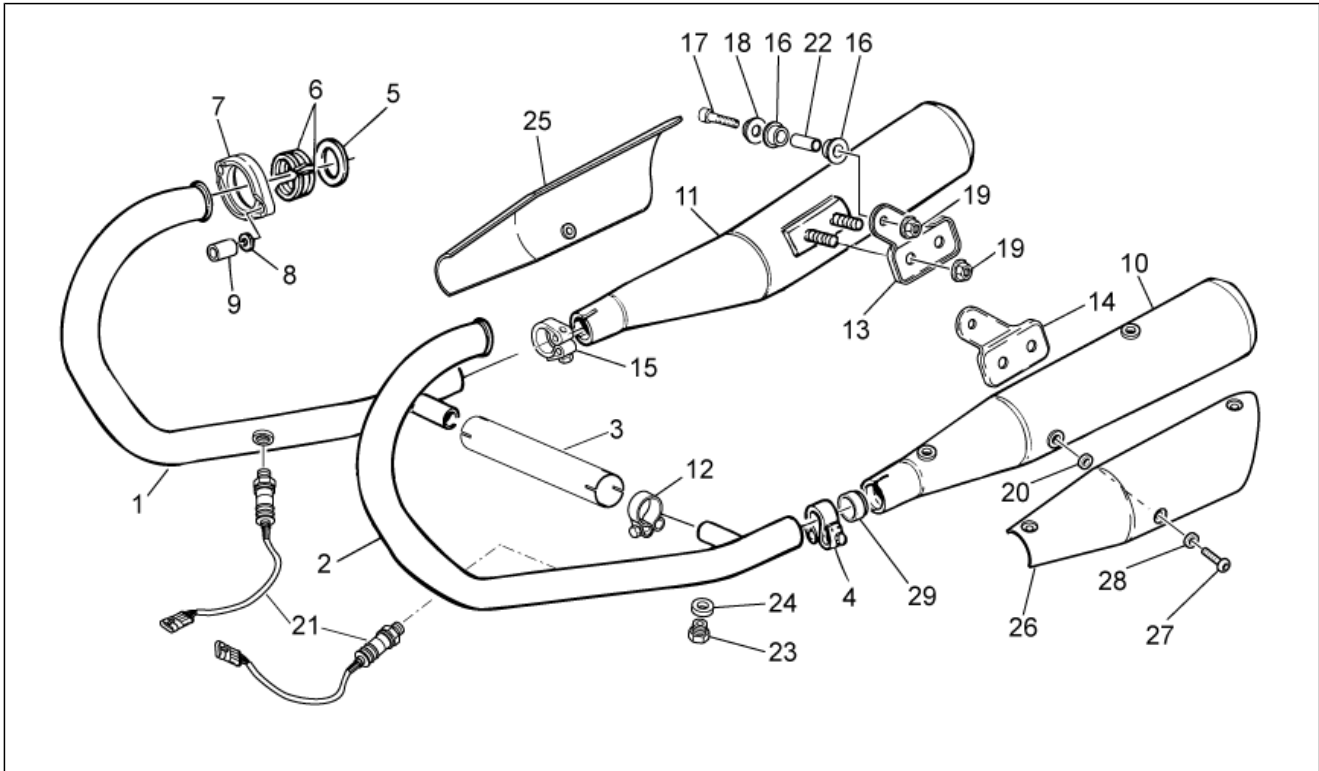
Pos.	Código	Descripción	Cant.	Variantes
1	B063752	Bomba carburante	1	
2	2B000970	Tubo gasolina	1	
3	GU05107430	Junta Der.	1	
4	AP8152273	Tornillo con reborde M5X15	6	
5	887787	Sensor nivel gasol.	1	

<b>Grupo</b>	BASTIDOR
<b>Código</b>	33.23
<b>Descripción</b>	Grupo de escape
<b>Revisión</b>	1



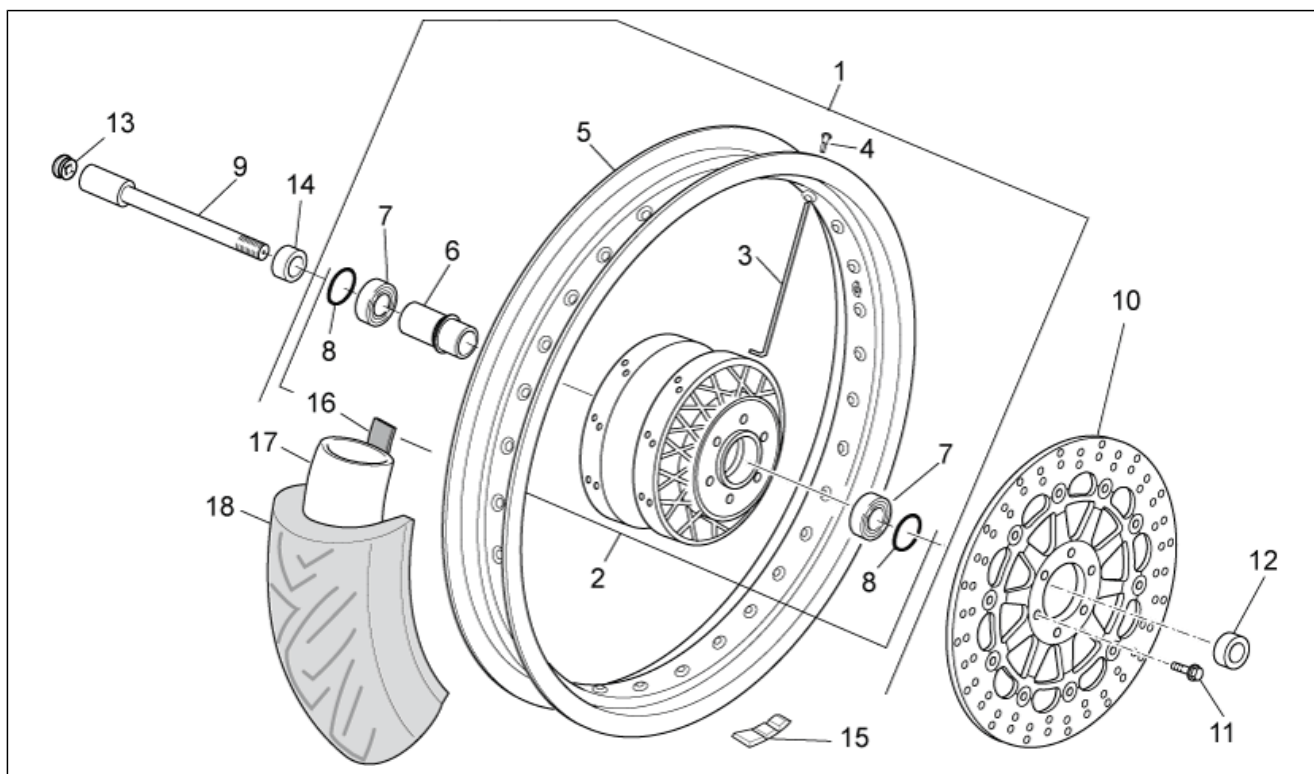
Pos.	Código	Descripción	Cant.	Variantes
1	887846	Tubo escape der.	1	PAÍS:Australia[AA], China[CN], Europa[EU], Japón[J], Gran Bretaña[UK]
1	B063854	Tubo escape der.	1	PAÍS:Japón[J]
2	887847	Tubo escape izq.	1	PAÍS:Australia[AA], China[CN], Europa[EU], Japón[J], Gran Bretaña[UK]
2	B063855	Tubo escape izq.	1	PAÍS:Japón[J]
3	B063022	Empalme colectores escape	1	
4	978387	Abrazadera silenciador izq.	1	
5	GU19025280	Junta	2	
6	GU19025460	Distanciador	4	
7	GU32121010	Virola	2	
8	GU03013800	Arandela 6,4x12	4	
9	GU31121880	Tuerca	4	
10	2B000179	Silenciador izq.	1	
11	2B000178	Silenciador der.	1	
12	978385	Abrazadera	2	
13	GU32128610	Placa der.	1	
14	GU32129010	Placa izq.	1	
15	978386	Abrazadera silenciador der.	1	
16	AP8144071	Goma silencioso	4	
17	GU98690440	Tornillo TCEI M8x40	2	
18	AP8134378	Buje fijación silenciador	2	
19	GU92640508	Tuerca M8	6	
20	AP8120870	Arandela aislante	6	
21	896110	Sonda lamda l.660 mm	2	
22	AP8121072	Distanciador	2	
23	GU98110007	Tapón	2	
24	GU30109330	Junta	2	

<b>Grupo</b>	BASTIDOR
<b>Código</b>	33.23
<b>Descripción</b>	Grupo de escape
<b>Revisión</b>	1



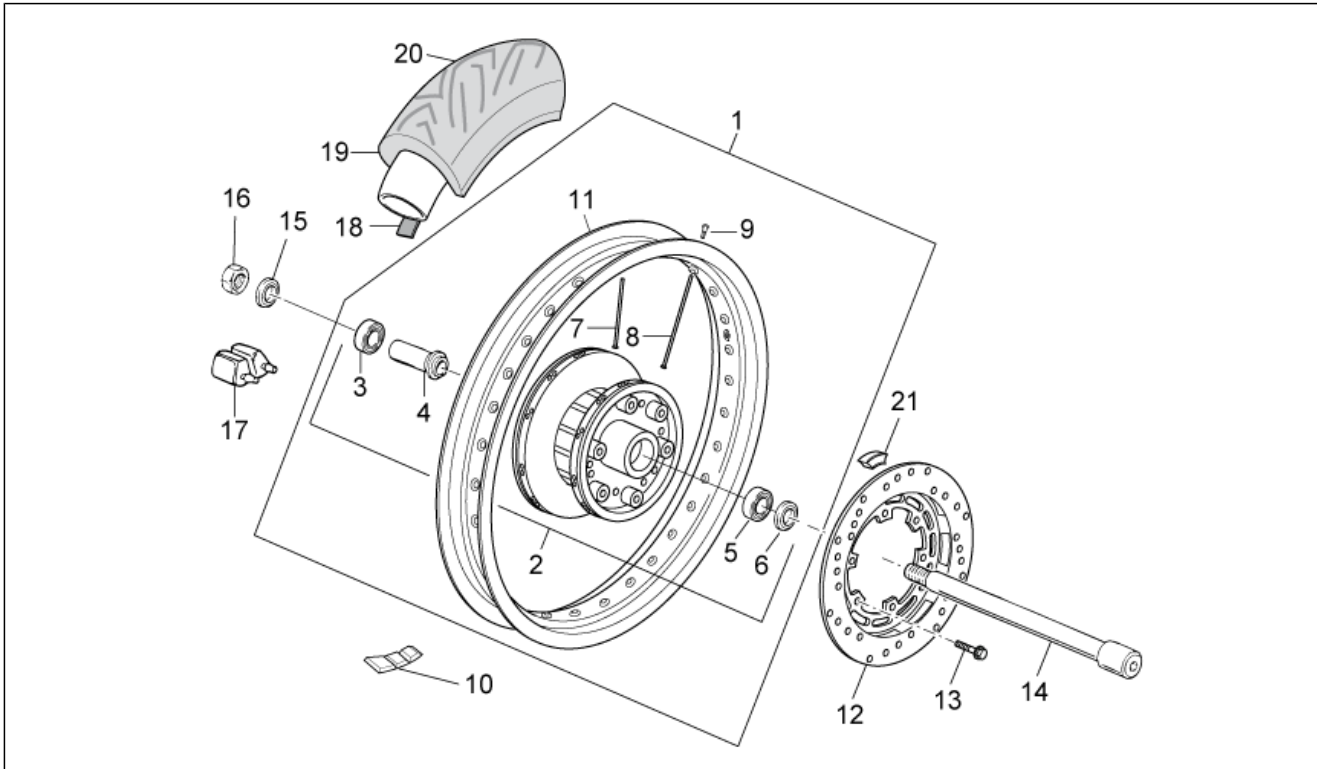
Pos.	Código	Descripción	Cant.	Variantes
25	GU32121910	Protec.der.	1	
26	GU32121911	Protec.izq.	1	
27	GU98370609	Tornillo M6x10	6	
28	GU95005306	Arandela 6,4x13x1,5	6	
29	GU91113826	Buje	2	

<b>Grupo</b>	BASTIDOR
<b>Código</b>	33.24
<b>Descripción</b>	RUEDA DELANTERA
<b>Revisión</b>	1



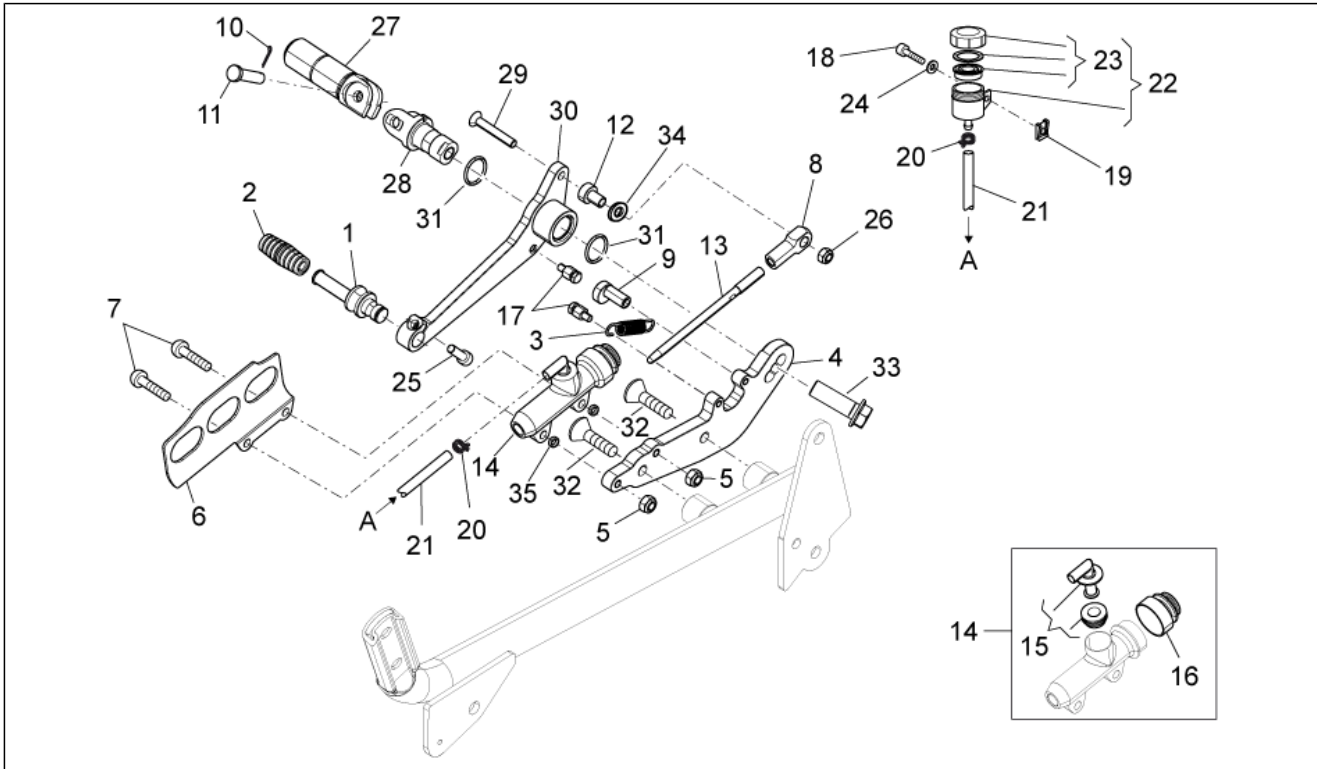
Pos.	Código	Descripción	Cant.	Variantes
1	B063265	Rueda del. desn.	1	
2	886681	Cubo delantero	1	
3	B063144	Radio rueda del.	36	
4	GU03631250	Niple	36	
5	B063077	Llanta delantera negra 2.5X18"	1	
6	GU31615260	Distanciador cojinetes	1	
7	GU92204221	Cojinete	2	
8	GU90402642	Gasket ring	1	
9	GU31614183	Perno rueda del.	1	
10	883688	Disco freno delantero 320	1	
11	AP8152286	Torn. CH con reborde M8x20	6	
12	GU31616384	Distanciador izq.	1	
13	GU93180111	Tapón 15 mm	1	
14	GU32615660	Distanciador der.	1	
15	GU14616150	Contrapeso	1	
16	GU03612040	Corbata	1	
17	GU31610160	Cámara de aire MB 18	1	
18	886679	Nuemático 100/90 18	1	

<b>Grupo</b>	BASTIDOR
<b>Código</b>	33.25
<b>Descripción</b>	Rueda trasera
<b>Revisión</b>	1



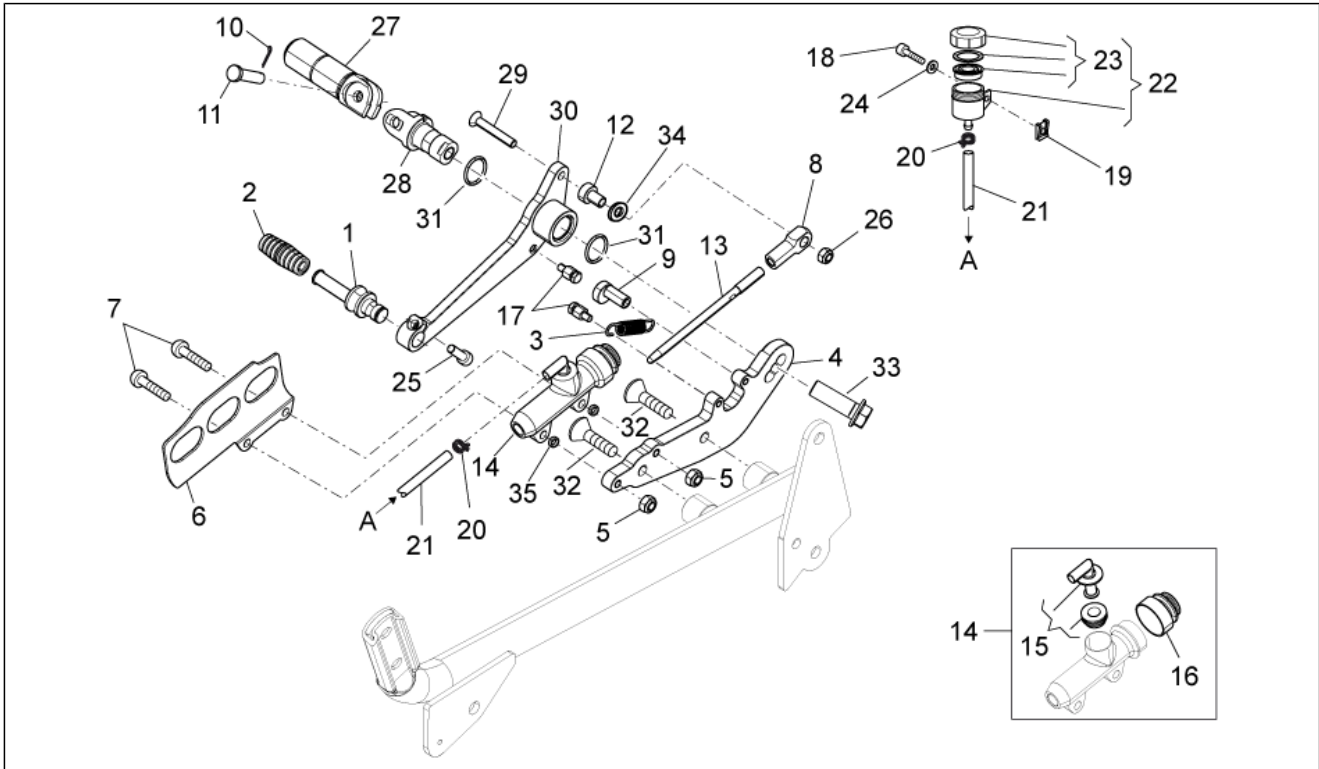
Pos.	Código	Descripción	Cant.	Variantes
1	B063267	Rueda trasera 3,5"x17"	1	
2	886711	Cubo trasero	1	
3	GU92204218	Cojinete	1	
4	GU27633910	Distanciador	1	
5	GU92204217	Cojinete	1	
6	GU90402538	Gasket ring 25x40x7	1	
7	883350	Radio corto	18	
8	883349	Radio largo mm 158	18	
9	GU03631250	Niple	36	
10	GU14616150	Contrapeso	1	
11	B063078	Llanta tras. 3,5"x17" Black	1	
12	887448	Disco freno	1	
13	894505	Torn. CH con reborde M8x18	6	
14	GU32633360	Perno rueda tras.	1	
15	GU31634481	Arandela	1	
16	GU92606316	Tuerca M16x1,5	1	
17	GU32632510	Acoplamiento elástico	6	
18	GU28612033	Corbata	1	
19	GU30630430	Cámara de aire MD 17	1	
20	886680	Nuemático 130/80 17	1	
21	GU32636160	Goma	1	

<b>Grupo</b>	BASTIDOR
<b>Código</b>	33.26
<b>Descripción</b>	Bomba freno tras.
<b>Revisión</b>	1



Pos.	Código	Descripción	Cant.	Variantes
1	886665	Barra	1	
2	AP8120912	Goma para palanca	1	
3	AP8121927	Muelle pal.freno tr.	1	
4	898288	Placa del estribo del conductor	1	
5	GU92630206	Tuerca M6x1	2	
6	GU01665410	Protección bomba freno negro	1	
7	GU98370625	Tornillo	2	
8	GU18257551	Bloquecillo	1	
9	886666	Buje excéntrico	1	
10	GU95401215	Clavija	1	
11	GU23442210	Perno	1	
12	898287	Perno palanca	1	
13	978970	Varilla bomba freno	1	
14	AP8133643	Bomba freno tras.	1	
15	AP8213057	Empalme bomba trasera	1	
16	AP8113288	Fuelle de goma	1	
17	898286	Perno engche muelles	2	
18	AP8152298	Tornillo con reborde M5x16	1	
19	248419	Placa elastica m5	1	
20	AP8101594	Abrazadera D10,1*	2	
21	GU00823950050	Tubo aceite	1	
22	AP8133873	Depós.aceite fr.cnj.	1	
23	AP8113553	Tapón depósito	1	
24	GU95100059	Arandela 5,25x14x1,5	1	
25	AP8150044	Tornillo Allen M6x20	1	
26	GU92630206	Tuerca M6x1	1	
27	898281	Estribo piloto der.	1	
28	898612	Soporte estribo piloto der.	1	

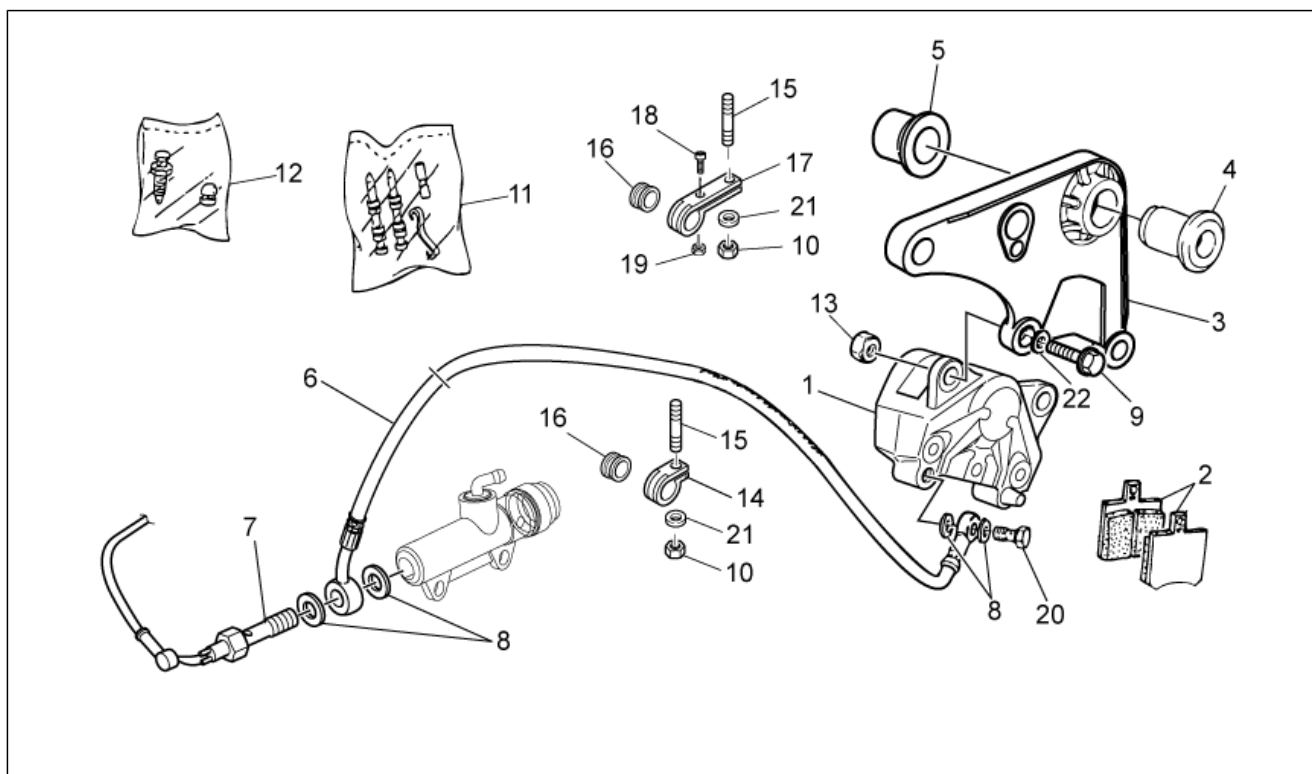
<b>Grupo</b>	BASTIDOR
<b>Código</b>	33.26
<b>Descripción</b>	Bomba freno tras.
<b>Revisión</b>	1



Pos.	Código	Descripción	Cant.	Variantes
29	AP8150468	Tornillo M6x40	1	
30	898285	Palanca de freno	1	
31	AP9100477	Junta tórica 18x2	2	
32	GU98252420	Tornillo M8x20	2	
33	AP8152320	Torn. CH con reborde	1	
34	GU03270300	Arandela 8,4x15	1	
35	AP8134640	Distanciador caja filtro	2	

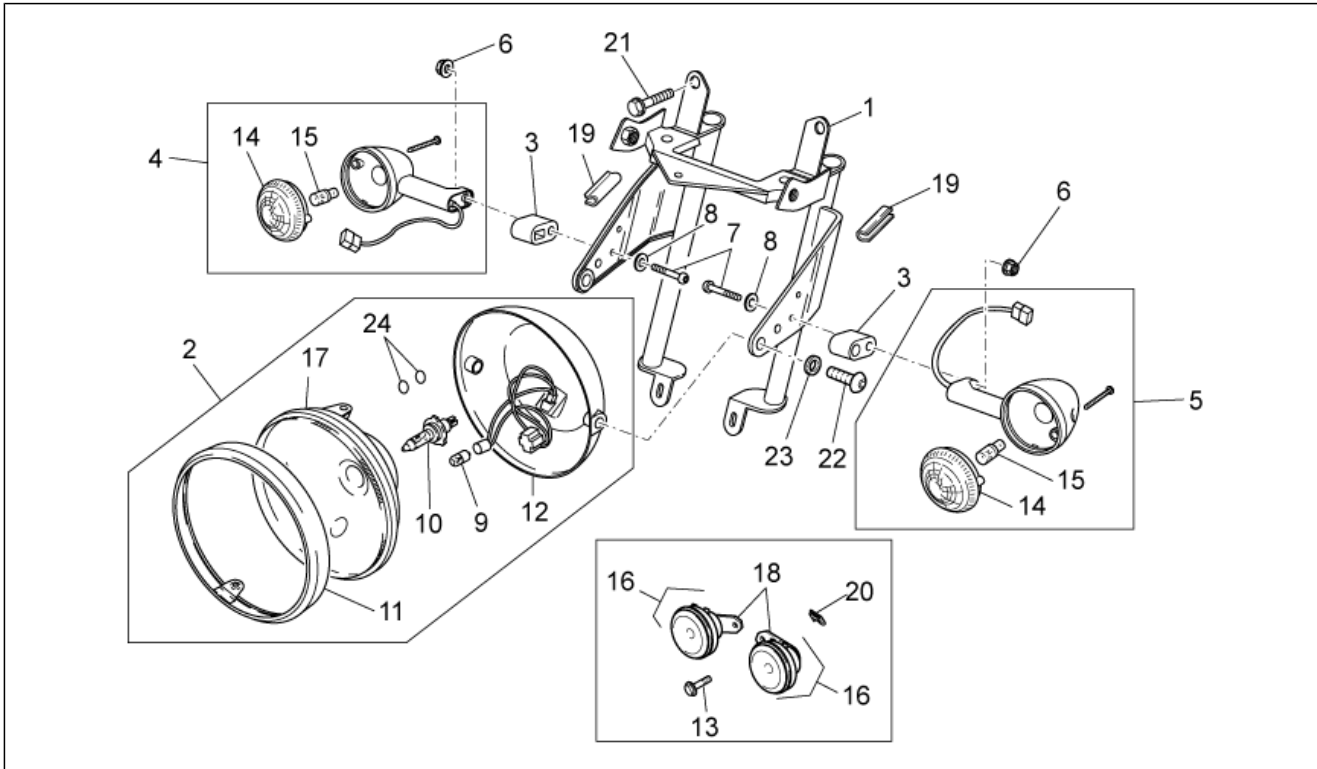


<b>Grupo</b>	BASTIDOR
<b>Código</b>	33.27
<b>Descripción</b>	Pinza freno tras.
<b>Revisión</b>	1



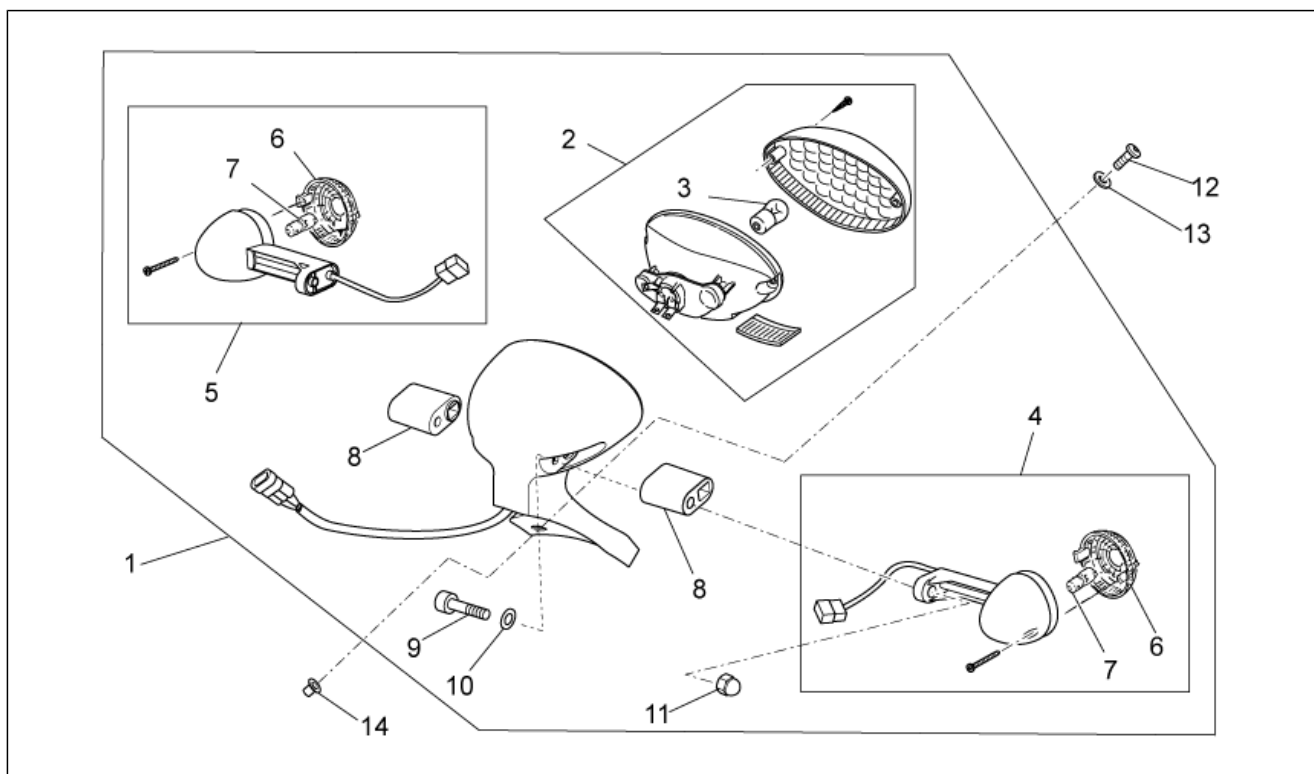
Pos.	Código	Descripción	Cant.	Variantes
1	887449	Pinza freno trasero	1	
2	AP8133798	Pastillas-par	1	
3	887431	Placa soporte pinza freno	1	
4	GU31634281	Buje	1	
5	GU32634160	Distanciadore	1	
6	B063750	Tubo de goma del freno trasero	1	
7	883192	Interruptor	1	
8	AP8113004	Arandela 10x14x1,6*	4	
9	AP8152288	Torn. CH con reborde	2	
10	AP8152299	Tuerca autobloqueante M6	2	
11	GU31659181	Kit Pernos + muelle	1	
12	GU31659281	Purga + capuchón	1	
13	AP8152300	Tuerca autobloqueante M8	2	
14	GU03658430	Abrazadera	1	
15	GU96451316	Prisionero	1	
16	GU03658201	Anillo	2	
17	GU03658330	Abrazadera	1	
18	GU98257410	Tornillo	1	
19	GU92630104	Tuerca M4x0,7	1	
20	AP8113003	Tornillo tubo aceite *	1	
21	GU95008306	Arandela 6,4x12x1,2	2	
22	GU61270300	Arandela elástica 8x15x0,3	1	

<b>Grupo</b>	BASTIDOR
<b>Código</b>	33.28
<b>Descripción</b>	Faros delanteros
<b>Revisión</b>	1



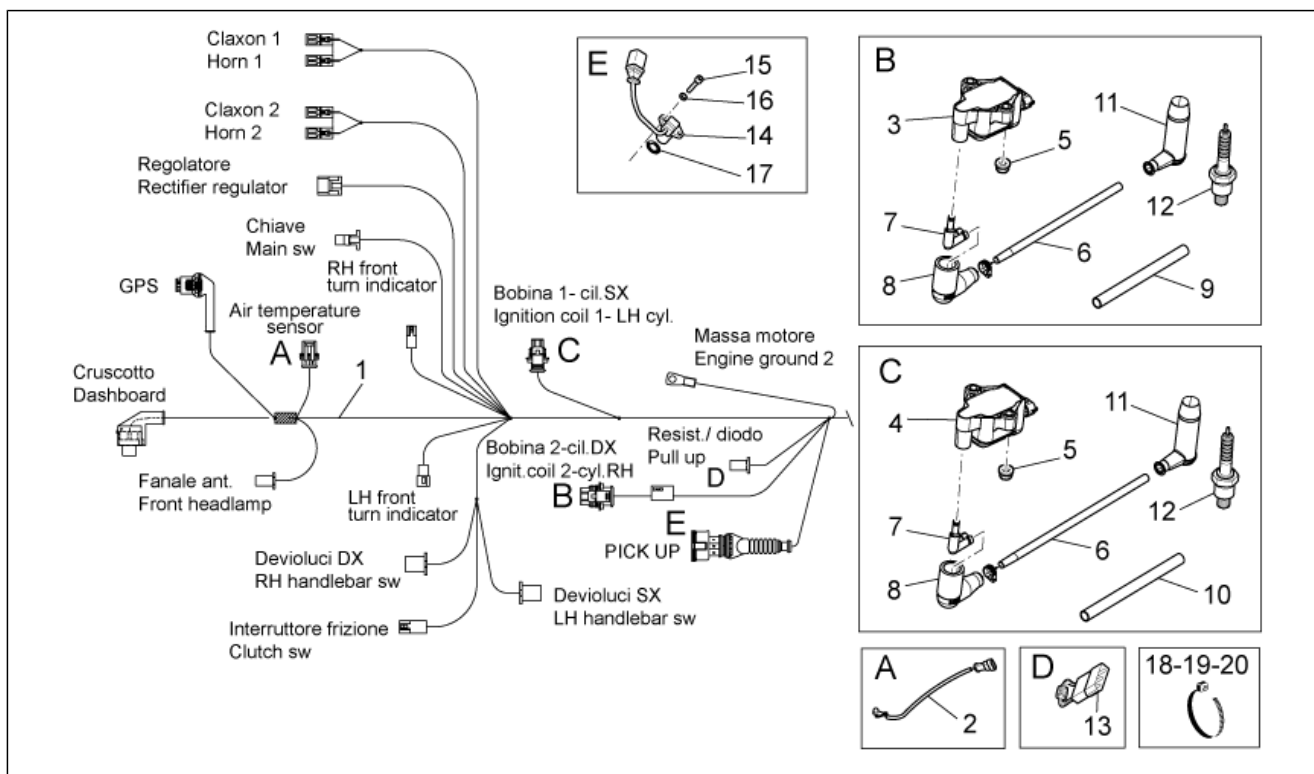
Pos.	Código	Descripción	Cant.	Variantes
1	GU32506360	Soporte faro	1	
2	978311	Faro delantero	1	
2	978662	Faro delantero	1	PAÍS:Australia[AA], Japón[J]
3	GU32753410	Distanciador	2	
4	887826	Indic.dir.ec.del.der/tras.izq	1	
5	887827	Indic.dir.ec.del.izq/tras.der	1	
6	GU92787006	Tuerca ciega M6x1	2	
7	GU98370655	Tornillo	2	
8	GU95021206	Arandela	2	
9	292022	Lámpara 12V-5W	1	
10	292723	Lámpara H4 60/55W 12V	1	
11	640598	Virola cromada	1	
12	981149	Casquete, negra	1	
13	AP8152278	Torn. CH con reborde M6x16	2	
14	B063735	Cristal indicador dirección	2	
15	GU93450126	Lámpara naranja	2	
16	890979	Claxon	2	
17	GU06740400	Grupo óptico	1	
18	GU01744200	Estribo	6	
19	GU00823931055	Junta	1	
20	254485	Placa elastica M6	2	
21	GU98880540	Tornillo M10x40	2	
22	GU98692420	Tornillo Allen M8x20	2	
23	GU95005308	Arandela 8,4x14,57x1,6	2	
24	883417	Junta tórica	2	

<b>Grupo</b>	BASTIDOR
<b>Código</b>	33.29
<b>Descripción</b>	Faros traseros
<b>Revisión</b>	1



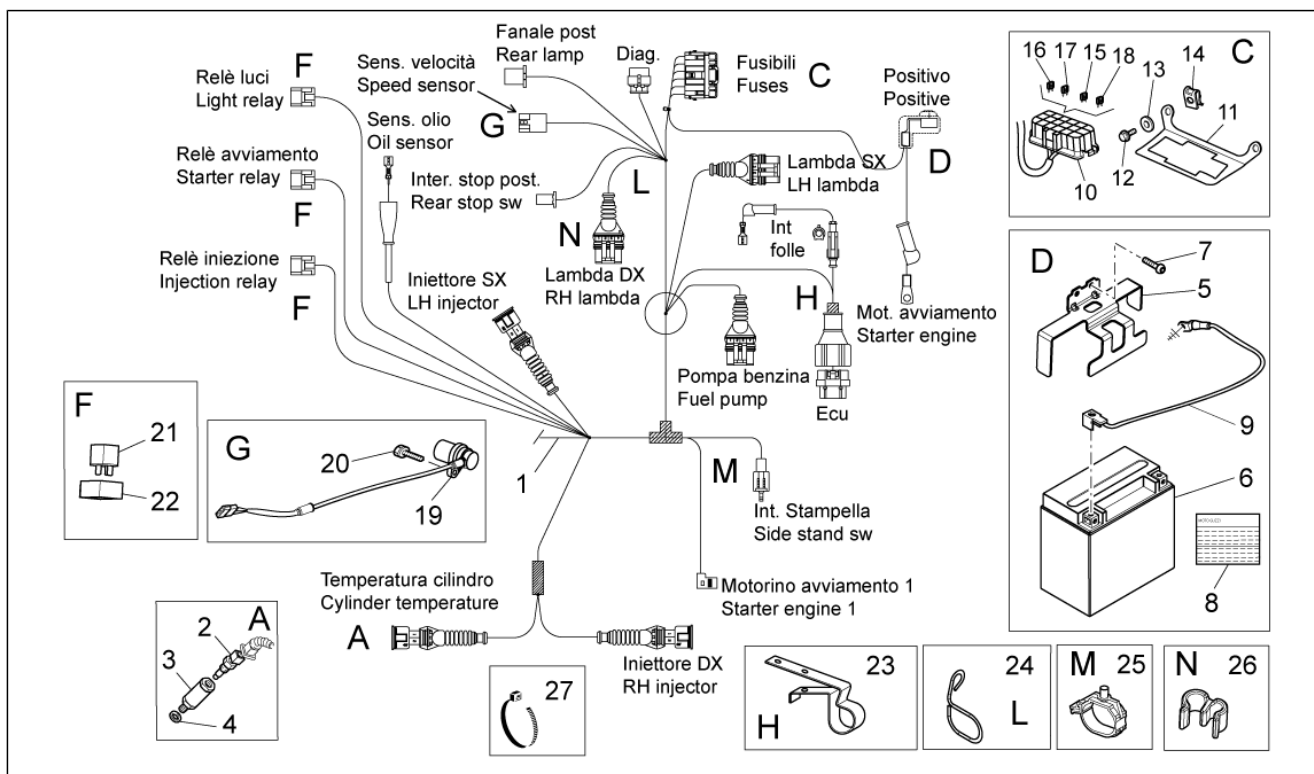
Pos.	Código	Descripción	Cant.	Variantes
1	887877	Faro tras. cpl.	1	
2	GU03740930	Faro trasero	1	
3	GU93450224	Lámpara	1	
4	887826	Indic.direc.del.der/tras.izq	1	
5	887827	Indic.direc.del.izq/tras.der	1	
6	B063735	Cristal indicador dirección	1	
7	584332	Lámpara 12V-10W	2	
8	GU32753410	Distanciador	2	
9	GU98370655	Tornillo	2	
10	GU95021206	Arandela	2	
11	GU92787006	Tuerca ciega M6x1	2	
12	GU98350215	Tornillo	3	
13	GU30577800	Arandela en nylon 5,5X12X1	3	
14	GU93231605	Casquillo	3	

<b>Grupo</b>	BASTIDOR
<b>Código</b>	33.30
<b>Descripción</b>	Instalación eléctrica I
<b>Revisión</b>	1



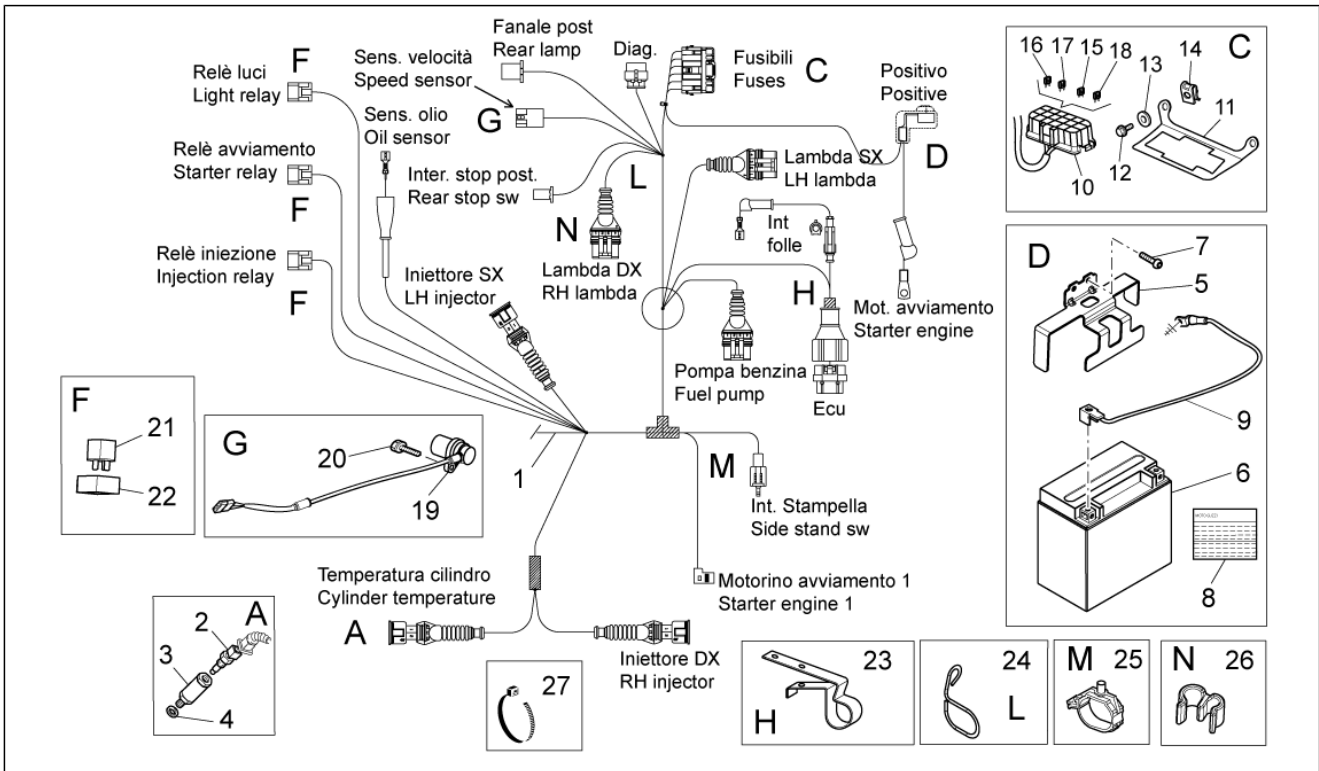
Pos.	Código	Descripción	Cant.	Variantes
1	887825	Cableado principal	1	
2	AP8124936	Sensor temp. aire	1	
3	642034	Bobina A.T. DX	1	
4	641901	Bobina A.T.	1	
5	AP8152299	Tuerca autobloqueante M6	4	
6	080341	Cable base A.T.	2	
7	641725	Terminal A.T.	2	
8	641040	Capuchón aislante	2	
9	CM0074D0	Forro D.8-S.0,5-L.370	1	
10	CM0074C9	Funda gris del cable D.8-S.0,5-L.435	1	
11	GU02717450	Capuchón bujía NGK	2	
12	887481	Bujía NGK CPR8EB-9	2	
13	887948	Diodo	1	
14	GU01721600	Sensor	1	
15	GU98682212	Tornillo Allen M5x12	2	
16	GU95008205	Arandela 5,3x10x0,8	2	
17	GU90706141	Junta tórica	1	
18	AP8120416	Abrazadera negra 178x4	1	
19	GU49609601	Abrazadera 2,4x92	1	
20	GU14609650	Abrazadera 3,6x20,6	31	

<b>Grupo</b>	BASTIDOR
<b>Código</b>	33.31
<b>Descripción</b>	Instalación eléctrica II
<b>Revisión</b>	1



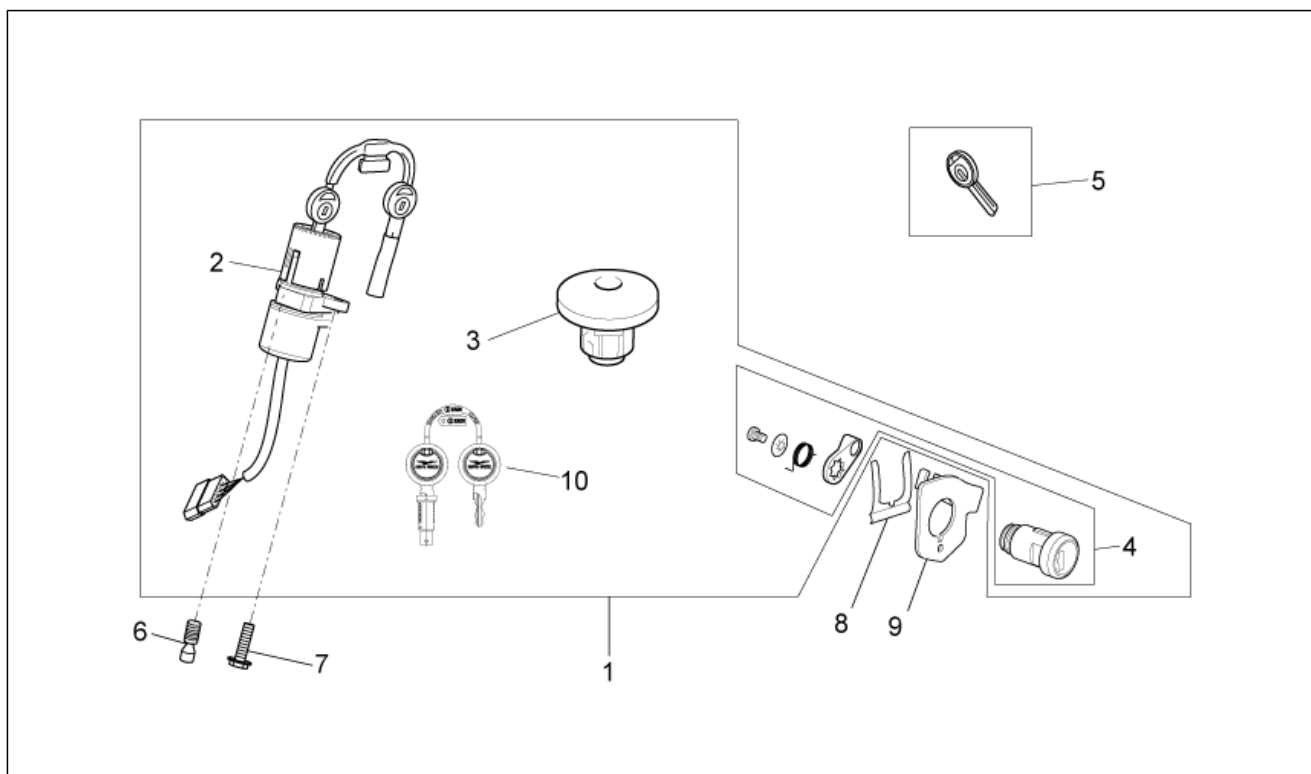
Pos.	Código	Descripción	Cant.	Variantes
1	887825	Cableado principal	1	
2	GU29729461	Sensor	1	
3	GU03163330	Soporte sensor	1	
4	GU95004210	Arandela 10,2x18x2	1	
5	B063233	Soporte batería	1	
6	638733	Batería Yuasa 12V-12Ah (150x85x145)	1	
7	GU98370616	Tornillo M6x16 inox	2	
8	GU32517710	Calco "Battery service"	1	
9	GU32747910	Cableado masa-batería	1	
10	584211	Caja portafusibles	1	
11	883161	Sop. portafusibles	1	
12	GU98682212	Tornillo Allen M5x12	2	
13	GU95100059	Arandela 5,25x14x1,5	2	
14	AP8102375	Clip m5	2	
15	CM225705	Fusible 5A	2	
16	CM225710	Fusible 10A	1	
17	CM225715	Fusible 15A	2	
18	CM225730	Fusible 30A	1	
19	893570	Sensor cuentakm.cpl.	1	
20	AP8150377	Tornillo	1	
21	AP8224462	Relé 12V/30A	3	
22	AP8220283	Goma *	3	
23	B043850	Abrazadera	1	
24	AP8181140	Pasacables	1	
25	CM013202	Clip de retención tubos/cables	1	
26	894704	Pasacables	1	
27	AP8120416	Abrazadera negra 178x4	1	
27	GU14609650	Abrazadera 3,6x20,6	21	

<b>Grupo</b>	BASTIDOR
<b>Código</b>	33.31
<b>Descripción</b>	Instalación eléctrica II
<b>Revisión</b>	1



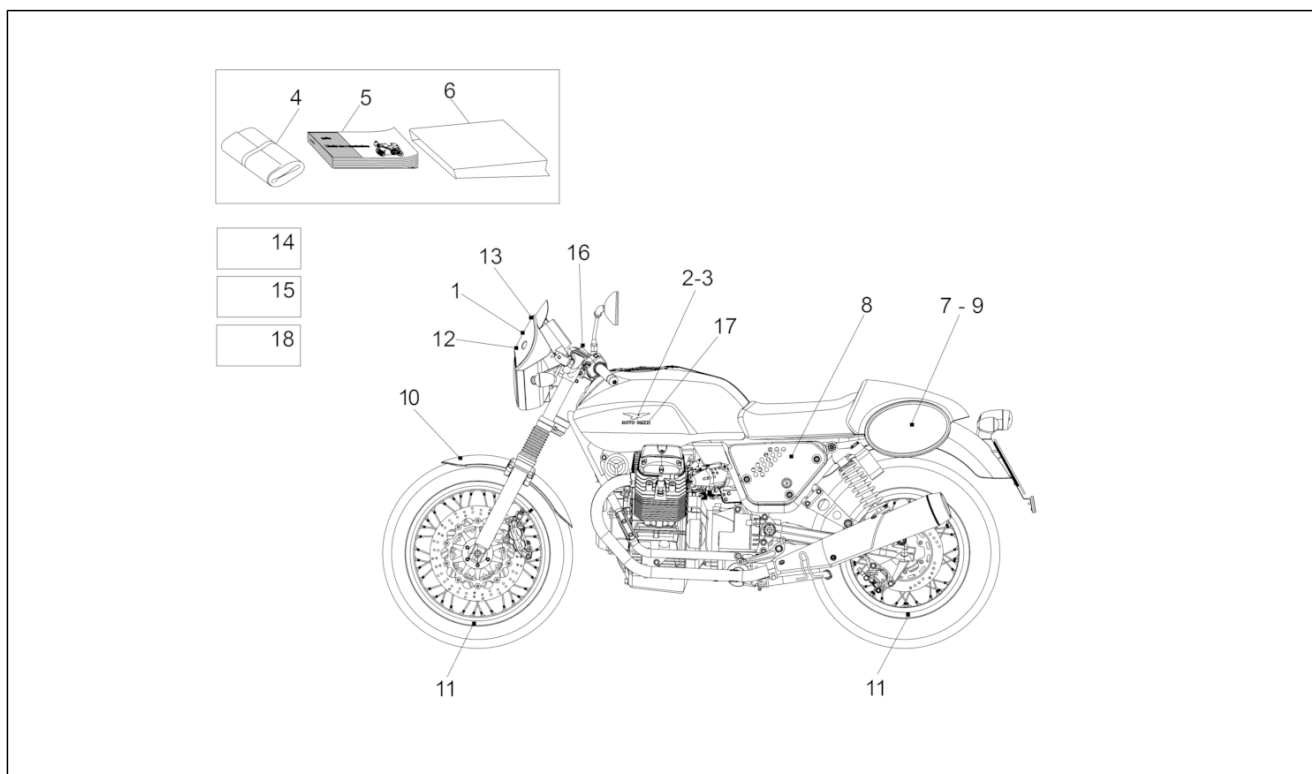
Pos.	Código	Descripción	Cant.	Variantes
27	GU49609601	Abrazadera 2,4x92	1	

<b>Grupo</b>	BASTIDOR
<b>Código</b>	33.32
<b>Descripción</b>	Juego cerraduras
<b>Revisión</b>	1



Pos.	Código	Descripción	Cant.	Variantes
1	883477	Kit cerraduras	1	PAÍS:China[CN]
1	887873	Kit cerraduras	1	
2	GU32782510	Bloque arran.-bloq.	1	
3	883476	Tapón depósito	1	PAÍS:China[CN]
3	887874	Tapón depósito	1	
4	977527	Cerradura con llaves incluidas	1	
5	GU32735510	Llave liscia bas.protec.go	1	
5	GU32735511	Llave liscia bas.protec.cr	1	
6	AP8150349	Tornillo especial M8x15	1	
7	GU98682416	Tornillo Allen M8x16	1	
8	AP8121420	Muelle de horquilla	1	
9	978415	Placa soporte cable	1	
10	2D000006	Cilindro de la cerradura con llave para tapón de gasolina	1	

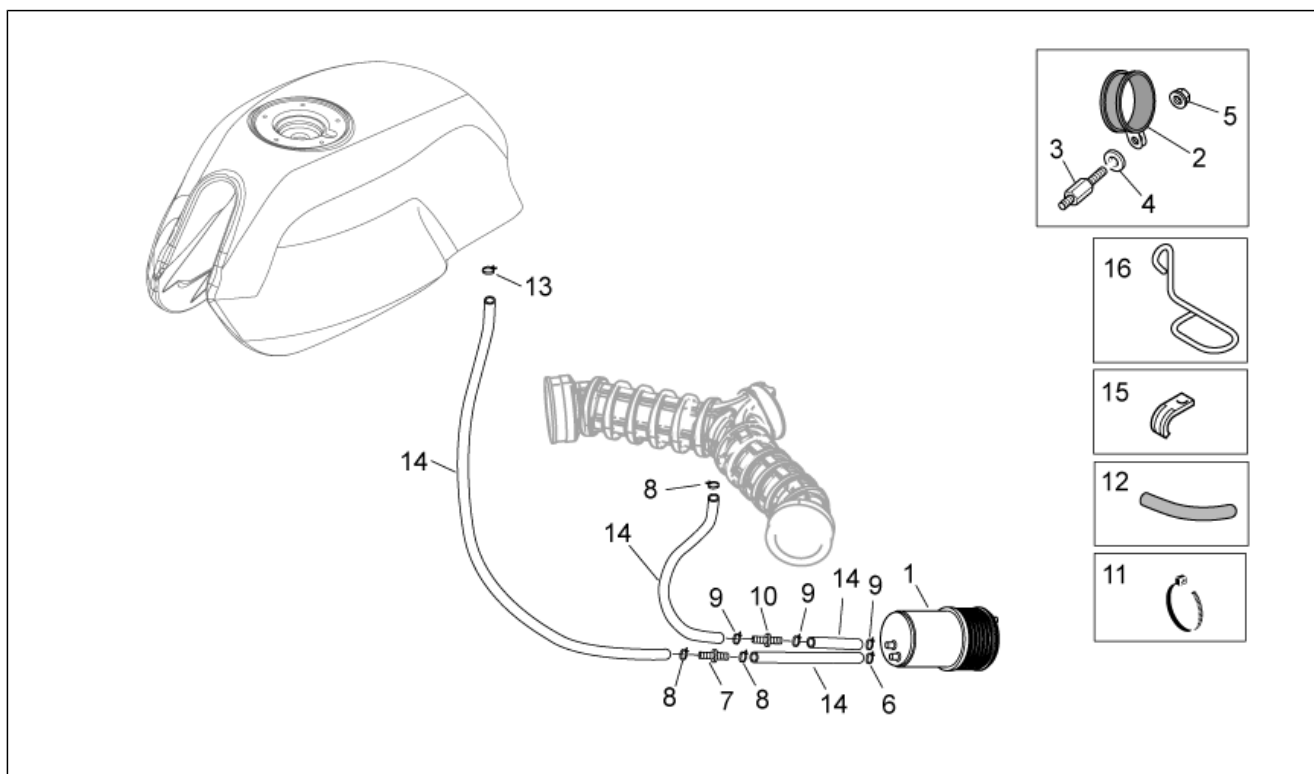
<b>Grupo</b>	BASTIDOR
<b>Código</b>	33.33
<b>Descripción</b>	Calcomanías y placas
<b>Revisión</b>	1



Pos.	Código	Descripción	Cant.	Variantes
1	2H000425	Calcom.cúpula	1	
2	898174	Calcom.der. "Aquila"	1	
3	886678	Calcom.izq. "Aquila"	1	
4	887443	Juego de herramientas	1	
5	2Q000043	Manual uso y manten. I-F-D-NL-E-UK	1	
5	2Q000045	Libretto uso e manutenzione JP-EN	1	PAÍS:Japón[J]
5	2Q000054	Libretto uso e manutenzione ZN-EN-IT-DE	1	PAÍS:China[CN]
6	GU05900130	Bolsita para documentos	1	
7	2H000426	Calco, negra dx-sx	1	
8	2H000428	Calco "V7 Racer" dx-sx	2	
9	2H000427	Calco colín der-izq.	2	
10	886141	Calco "Aquila"	1	
11	887971	Calco "Moto Guzzi"	4	
12	2H000424	Decalco filetto inferiore	1	
13	2H000423	Decalco filetto superiore	1	
14	2G000013	Calco shed	1	PAÍS:China[CN]
15	GU03995730	Calco "Unleaded Fuelonly"	1	PAÍS:Australia[AA]
16	2H000429	Targhetta piastra manubrio	1	
17	2H000430	Targhetta dx-sx "Moto Guzzi"	2	
18	GU32944310	Calco protec.	2	

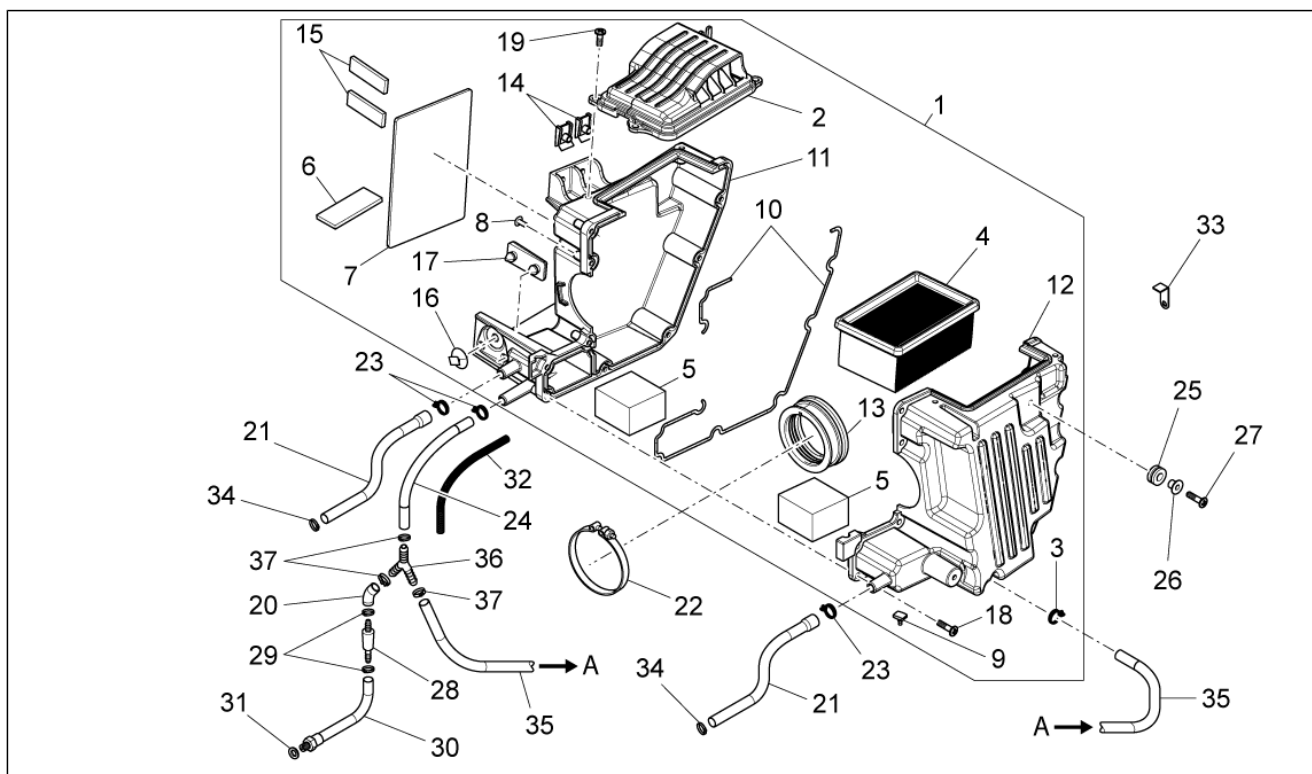


<b>Grupo</b>	BASTIDOR
<b>Código</b>	33.51
<b>Descripción</b>	Eq.rec. vapores gas.
<b>Revisión</b>	1



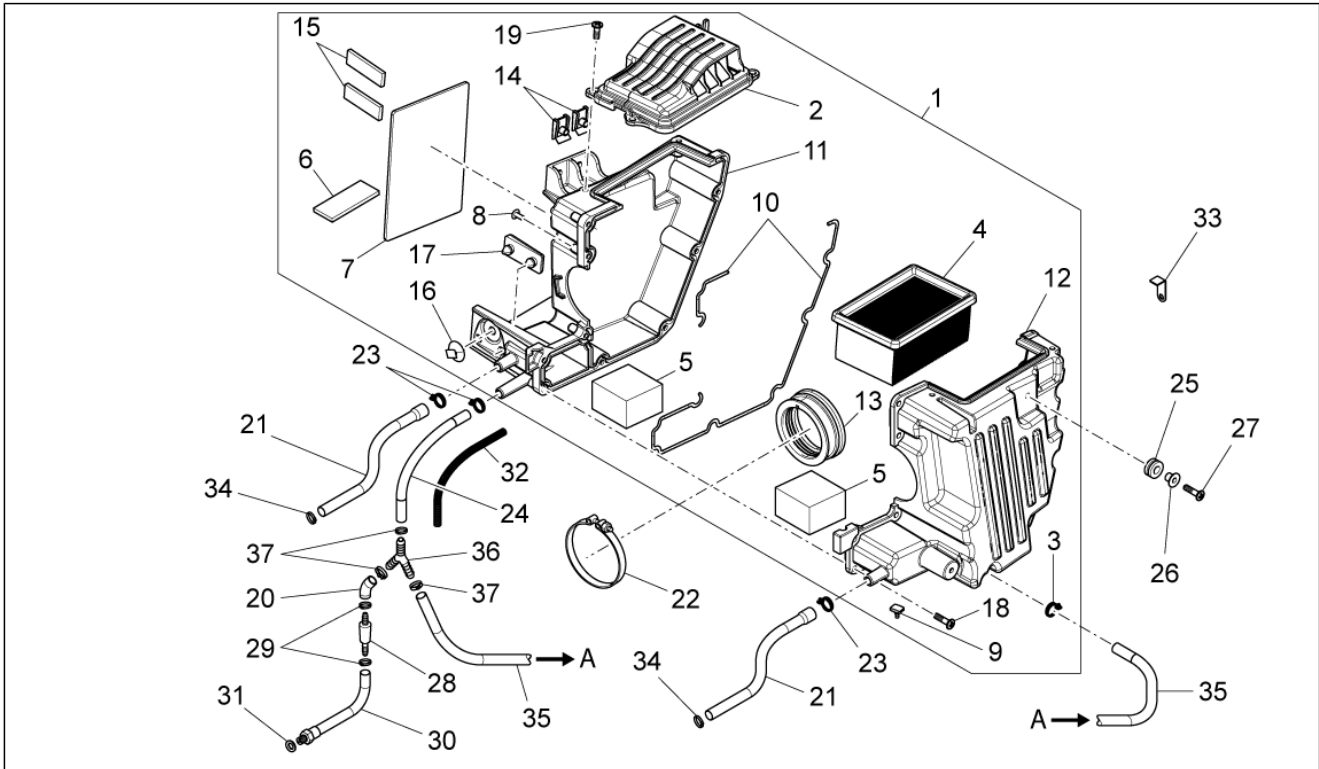
Pos.	Código	Descripción	Cant.	Variantes
1	AP8102678	Filtro de carbón	1	
2	AP8102688	Abrazadera d.76	1	
3	GU32439260	Placa sup.reg.ral. USA	1	
4	GU95005311	Arandela	1	
5	AP8152299	Tuerca autobloqueante M6	1	
6	AP8102159	Abrazadera	1	
7	860138	Válvula	1	
8	GU28157950	Abrazadera clic 12,5x8	4	
9	AP8120446	Abrazadera clic, verde D11x6,6x1	2	
10	AP8121267	Extremidad de estrangulación	1	
11	AP8120416	Abrazadera negra 178x4	1	
12	GU00823923140	Kit motor arr.	4	
13	AP8201358	Abrazadera D 11,9	1	
14	856063	Tubo SAE 30 d.12,7x6,35	3	
15	GU93301313	Perno U	1	
16	AP8221114	Guíacable	2	

<b>Grupo</b>	BASTIDOR
<b>Código</b>	33.52
<b>Descripción</b>	CAJA DEL FILTRO II
<b>Revisión</b>	1



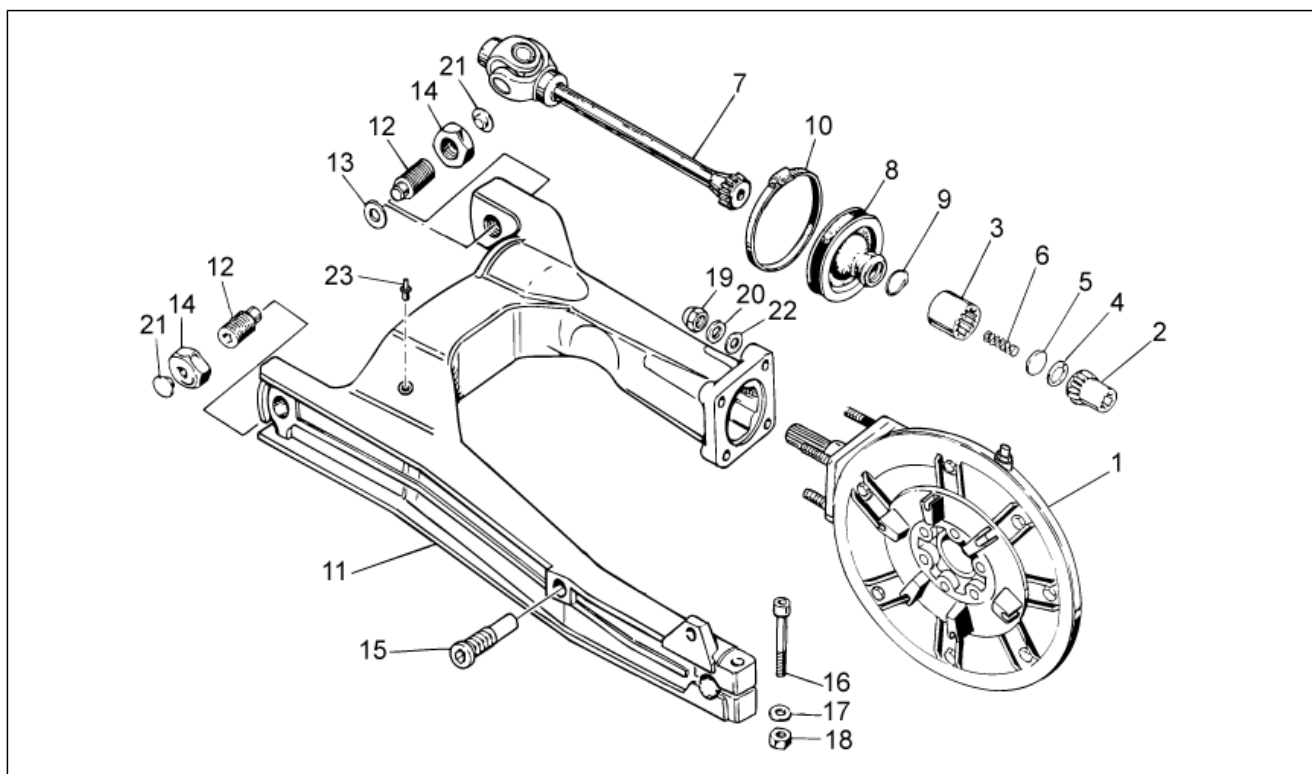
Pos.	Código	Descripción	Cant.	Variantes
1	8878421	Caja del filtro completa	1	
2	887843	Tapa filtro aire	1	
3	AP8201358	Abrazadera D 11,9	1	
4	AP8104924	Filtro aire	1	
5	AP8104525	Filtro blow-by	2	
6	883127	Goma 5mm	1	
7	AP8144553	Goma	1	
8	AP8120876	Tapón de cierre	2	
9	AP8120455	Goma	1	
10	AP8120615	Junta D3	2	
11	887844	Casco der. caja del filtro	1	
12	887845	Casco izq. caja del filtro	1	
13	887815	Manguito de admisión	1	
14	254485	Placa elastica M6	2	
15	AP8144538	Junta	2	
16	890760	Soporte instrumentos	1	
17	AP8144729	Taco fin de carrera caballete	1	
18	AP8152329	Torn. c.cruz reborde M5x20	9	
19	AP8150509	Torn. autorr. 5x14	4	
20	AP8120772	Tubo respiradero	1	
21	B063214	Tubos del blow-by	2	
22	GU93305061	Abrazadera 61/65,5	1	
23	AP8102766	Abrazadera	3	
24	AP8120772	Tubo respiradero	1	
25	GU91551010	Goma	2	
26	AP8221023	Buje en 'T'	2	
27	AP8152329	Torn. c.cruz reborde M5x20	2	
28	AP8104996	Válvula de retención	1	

<b>Grupo</b>	BASTIDOR
<b>Código</b>	33.52
<b>Descripción</b>	CAJA DEL FILTRO II
<b>Revisión</b>	1



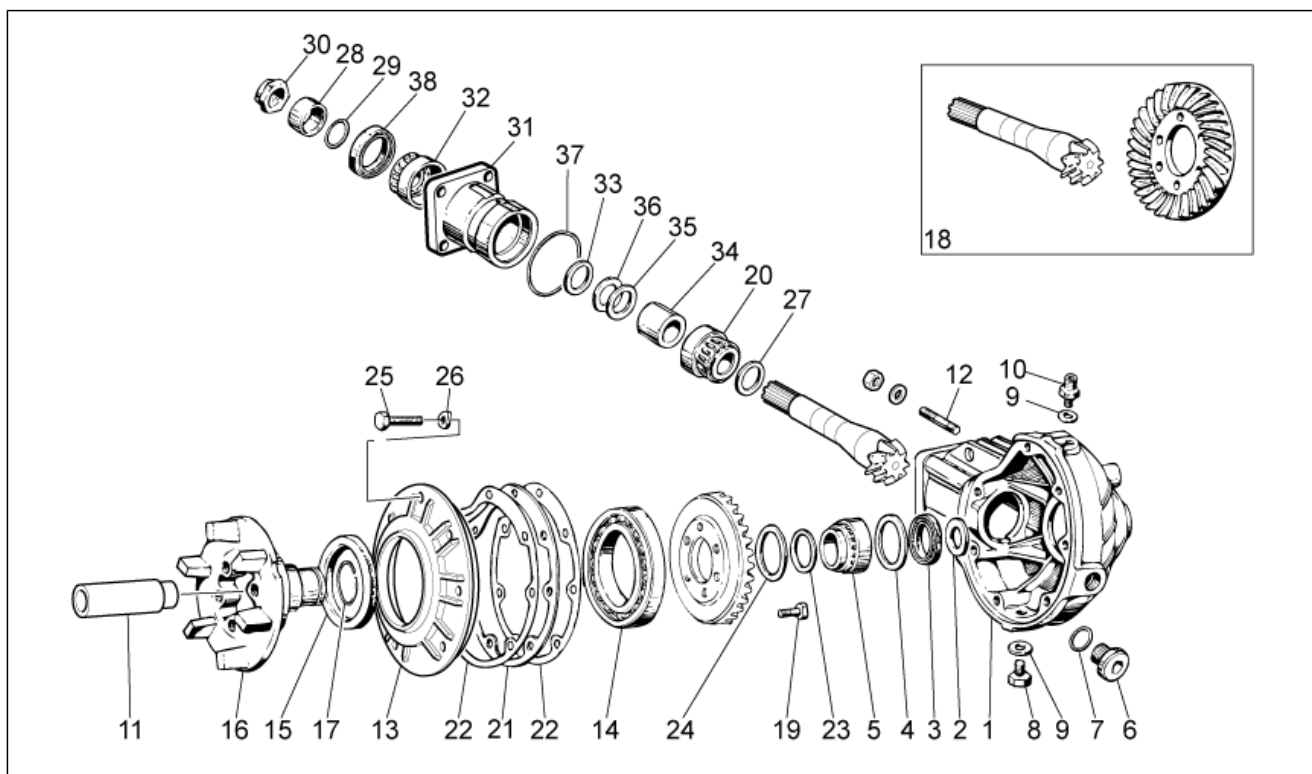
Pos.	Código	Descripción	Cant.	Variantes
29	AP8102765	Abrazadera clic blanca D.13,5x6	2	
30	B063213	Tubos	1	
31	GU90714082	Junta	1	
32	GU00823923140	Kit motor arr.	1	
33	GU31112965	Soporte	1	
34	AP8201358	Abrazadera D 11,9	2	
35	AP8120772	Tubo respiradero	1	
36	2B000045	Empalme de 3 vías	1	
37	GU28157950	Abrazadera clic 12,5x8	3	

<b>Grupo</b>	MOTOR
<b>Código</b>	34.09
<b>Descripción</b>	Transmisión cpl. I
<b>Revisión</b>	1



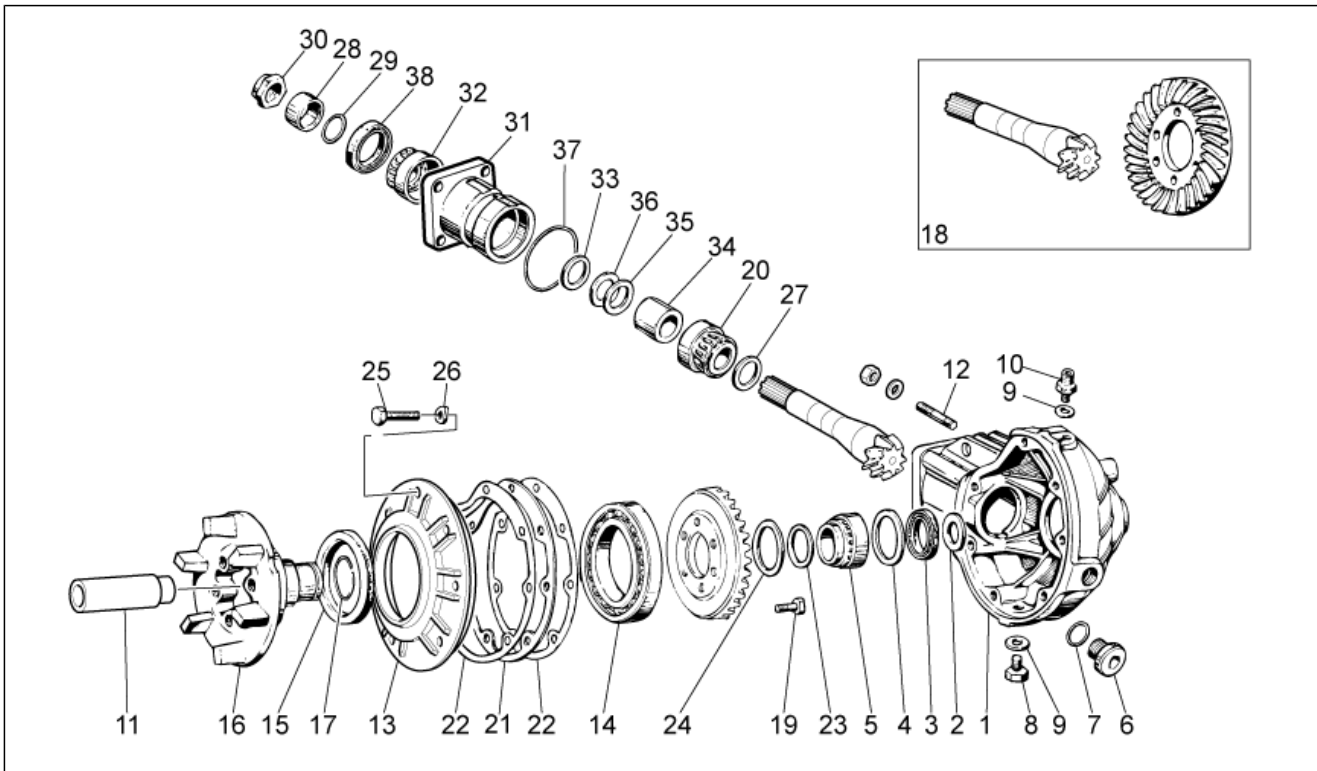
Pos.	Código	Descripción	Cant.	Variantes
1	976941	Caja transm. cpl.negro	1	
2	GU31327783	Manguito	1	
3	GU19328801	Manguito	1	
4	GU90272023	Anillo de retención	1	
5	GU19327601	Plato	1	
6	GU94321099	Muelle	1	
7	GU23328081	Junta	1	
8	GU23548080	Collar de protección	1	
9	GU23548180	Muelle	1	
10	AP8120246	Abrazadera D=60-80	1	
11	886676	Brazo osc. rojo	1	
12	GU19547000	Perno	2	
13	GU35214300	Suplemento espesor	1	
14	GU31547882	Tuerca	2	
15	GU31544181	Perno	1	
16	GU98680545	Tornillo M10x45	1	
17	GU95008210	Arandela 10,2X18X2	1	
18	GU92606210	Tuerca M10x1,5	1	
19	860651	Tuerca ciega M8x1,25	4	
20	GU14615901	Arandela 8,4X13X0,8	4	
21	GU93180105	Tapón	2	
22	GU95005308	Arandela 8,4x14,57x1,6	4	
23	GU03922280	Tapón 5x9	1	

<b>Grupo</b>	MOTOR
<b>Código</b>	34.10
<b>Descripción</b>	Transmisión cpl. II
<b>Revisión</b>	1



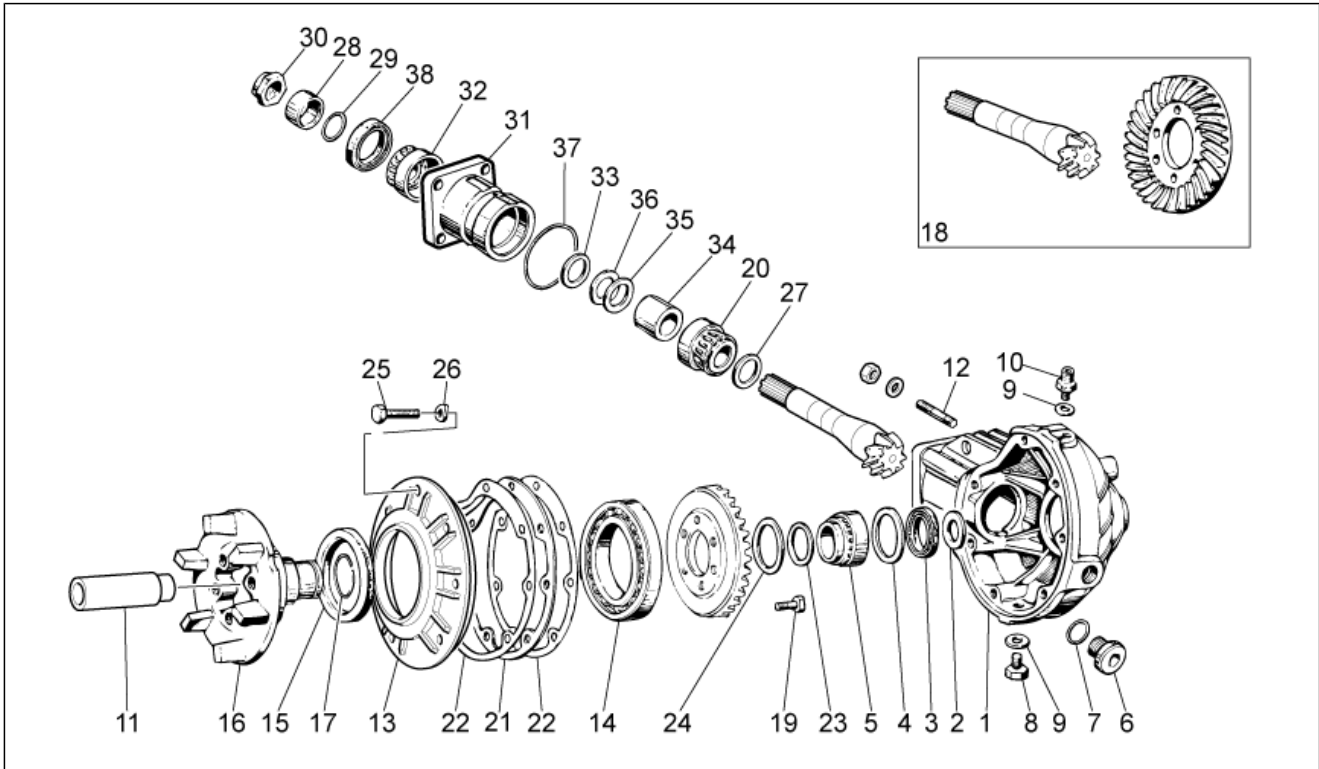
Pos.	Código	Descripción	Cant.	Variantes
1	976608	Caja trans.negro	1	
2	GU19351900	Arand. sop. lateral	1	
3	GU90403549	Gasket ring 35x47x7	1	
4	GU19351100	Arand. sop. lateral	1	
5	GU92252235	Cojinete de rodillos 35x50x17	1	
6	GU12022600	Tapón aceite	1	
7	GU90706203	Junta tórica 20,24X2,62	1	
8	GU31003766	Tapón descarg.aceite M10x1	1	
9	GU01528930	Junta 10x18x1,5	2	
10	GU19206501	Tapón respiradero	1	
11	GU32633560	Distanciador	1	
12	GU96508055	Prisionero	4	
13	GU32350410	Tapa	1	
14	GU92201070	Cojinete de bolas 70x110x13	1	
15	GU90407591	Gasket ring 75x95x10	1	
16	GU32351410	Perno	1	
17	GU90353030	Anillo de tope	1	
18	GU32354610	Par-cónica 8/33	1	
19	GU03067730	Tornillo M8x25	6	
20	GU92249227	Coj. rodillos cónicos 25x5	1	
21	GU19355400	Suplemento espesor 0,8 mm	1	
21	GU19355402	Suplemento espesor 0,9 mm	1	
21	GU19355404	Suplemento espesor 1 mm	1	
21	GU19355406	Suplemento espesor 1,1 mm	1	
21	GU19355408	Suplemento espesor 1,2 mm	1	
21	GU19355410	Suplemento espesor 1,3 mm	1	
21	GU19355411	Suplemento espesor 1,4 mm	1	
21	GU19355412	Suplemento espesor 1,5 mm	1	

<b>Grupo</b>	MOTOR
<b>Código</b>	34.10
<b>Descripción</b>	Transmisión cpl. II
<b>Revisión</b>	1



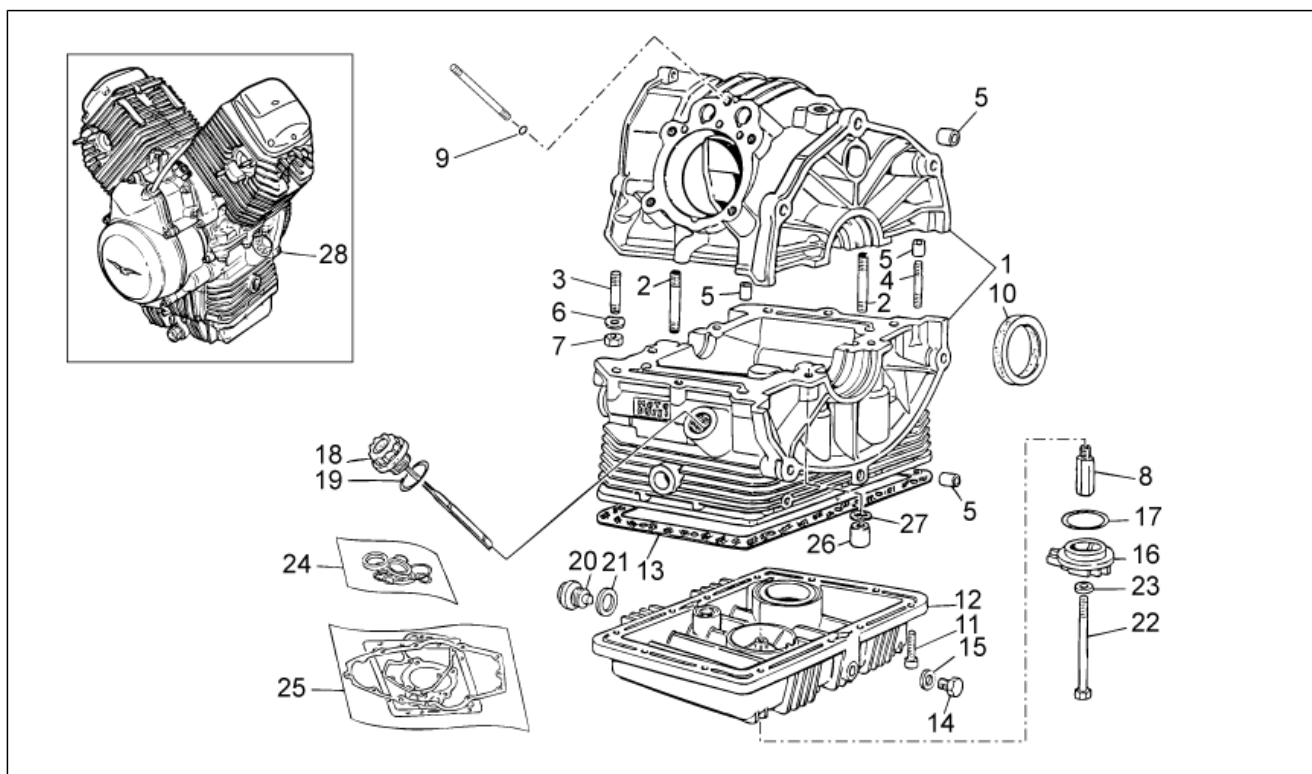
Pos.	Código	Descripción	Cant.	Variantes
21	GU19355413	Suplemento espesor 1,6 mm	1	
22	GU19350700	Junta	2	
23	GU19352300	Arand.de resorte	1	
24	GU19353500	Arand.de resorte	1	
25	GU19357660	Tornillo	7	
26	GU61270300	Arandela elástica 8x15x0,3	7	
27	GU19355320	Suplemento espesor 1 mm	1	
27	GU19355321	Suplemento espesor 1,1 mm	1	
27	GU19355322	Suplemento espesor 1,2 mm	1	
27	GU19355323	Suplemento espesor 1,3 mm	1	
27	GU19355324	Suplemento espesor 1,4 mm	1	
27	GU19355325	Suplemento espesor 1,5 mm	1	
27	GU19355326	Suplemento espesor 1,6 mm	1	
27	GU19355327	Suplemento espesor 1,7 mm	1	
27	GU19355328	Suplemento espesor 1,8 mm	1	
27	GU19355329	Suplemento espesor 1,9 mm	1	
28	GU19356801	Distanciador	1	
29	GU90706188	Gasket ring 18,77X1,78	1	
30	GU19356700	Tuerca	1	
31	GU20352421	Flange	1	
32	GU92249220	Cojinete de rodillos 20x47x14	1	
33	GU19355300	Suplemento espesor 1 mm	1	
33	GU19355301	Suplemento espesor 1,1 mm	1	
33	GU19355302	Suplemento espesor 1,2 mm	1	
33	GU19355303	Suplemento espesor 1,3 mm	1	
33	GU19355304	Suplemento espesor 1,4 mm	1	
33	GU19355305	Suplemento espesor 1,5 mm	1	
33	GU19355306	Suplemento espesor 1,6 mm	1	

<b>Grupo</b>	MOTOR
<b>Código</b>	34.10
<b>Descripción</b>	Transmisión cpl. II
<b>Revisión</b>	1



Pos.	Código	Descripción	Cant.	Variantes
33	GU19355307	Suplemento espesor 1,7 mm	1	
33	GU19355308	Suplemento espesor 1,8 mm	1	
33	GU19355309	Suplemento espesor 1,9 mm	1	
34	GU20355121	Distanciador	1	
35	GU19355200	Arandela 0,1 mm	1	
36	GU19355202	Arandela 0,15 mm	1	
37	GU90706584	Junta 58,42x2,62	1	
38	GU90403251	Gasket ring 32x47x10	1	

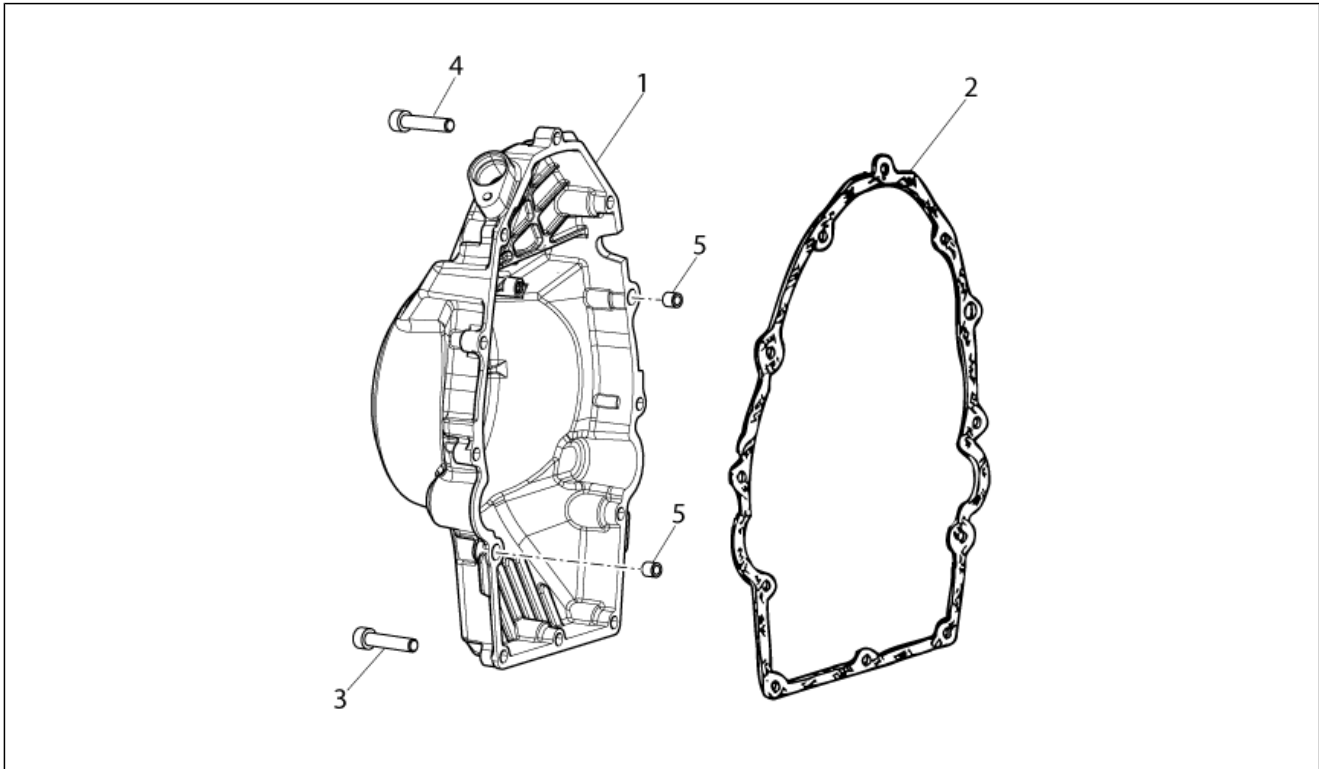
<b>Grupo</b>	MOTOR
<b>Código</b>	34.34
<b>Descripción</b>	Cárter
<b>Revisión</b>	1



Pos.	Código	Descripción	Cant.	Variantes
1	2A0002355	Carter	1	
2	GU96451560	Prisionero	4	
3	GU96451430	Prisionero	4	
4	GU96508055	Prisionero	2	
5	GU19015020	Buje	4	
6	GU61270300	Arandela elástica 8x15x0,3	6	
7	GU92606208	Tuerca M8x1,25	6	
8	GU19003800	Empalme	1	
9	GU90706076	Junta tórica	2	
10	886365	Gasket ring	1	
11	GU98682325	Tornillo Allen M6x25	12	
12	976604	Copa aceite motor negro	1	
13	887004	Junta cárter aceite	1	
14	GU31003766	Tapón descarg.aceite M10x1	1	
15	GU10528900	Junta	1	
16	976685	Tapa	1	
17	GU90706444	Junta tórica	1	
18	883826	Tapón carga aceite	1	
19	GU90706281	Junta tórica 28,24x2,62	1	
20	GU12003702	Tapón descarg.aceite	1	
21	GU95100709	Junta 20,1x28x2	1	
22	GU27152885	Perno	1	
23	GU12154200	Junta 8,25x15x1	1	
24	GU32999510	Retén aceite (lote)	1	
25	GU32999010	Lote de juntas	1	
26	GU13021900	Tuerca	4	
27	GU95129180	Arandela 10,5X18X0,8	4	
28	2L0001895	Motor	1	

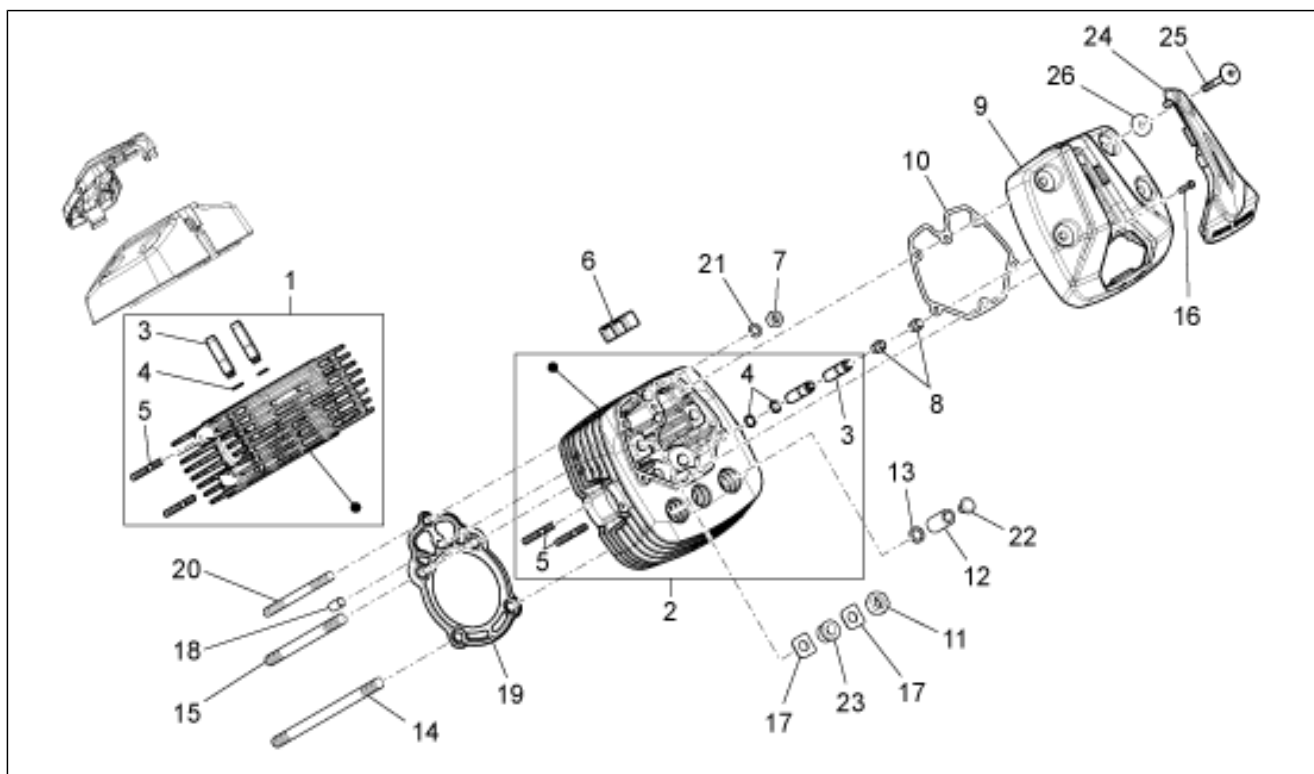


<b>Grupo</b>	MOTOR
<b>Código</b>	34.35
<b>Descripción</b>	Tapa distribución
<b>Revisión</b>	1



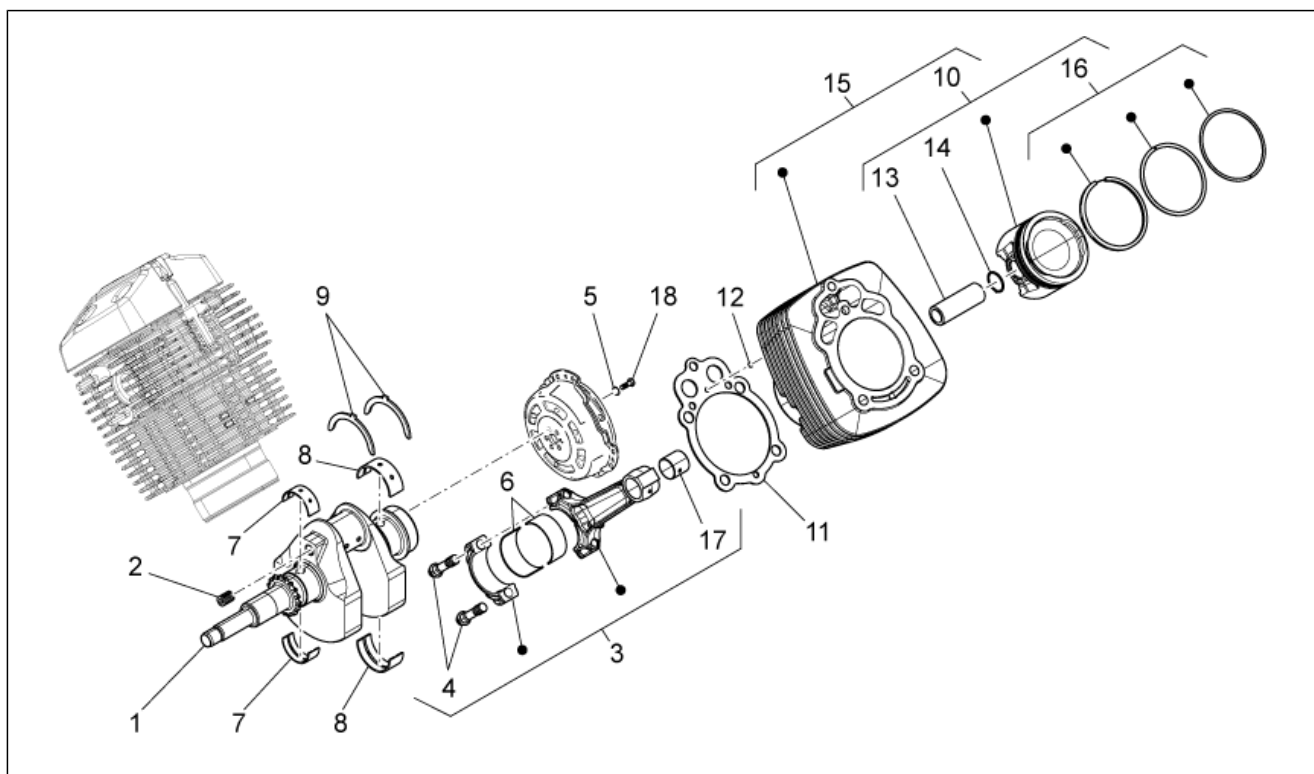
Pos.	Código	Descripción	Cant.	Variantes
1	2A000085	Tapa gener.	1	
2	887003	Junta tapa	1	
3	GU98682325	Tornillo Allen M6x25	10	
4	GU98682330	Tornillo Allen M6x20	2	
5	GU19002020	Buje 6,6x9x13	2	

<b>Grupo</b>	MOTOR
<b>Código</b>	34.36
<b>Descripción</b>	Cabeza cil.
<b>Revisión</b>	1



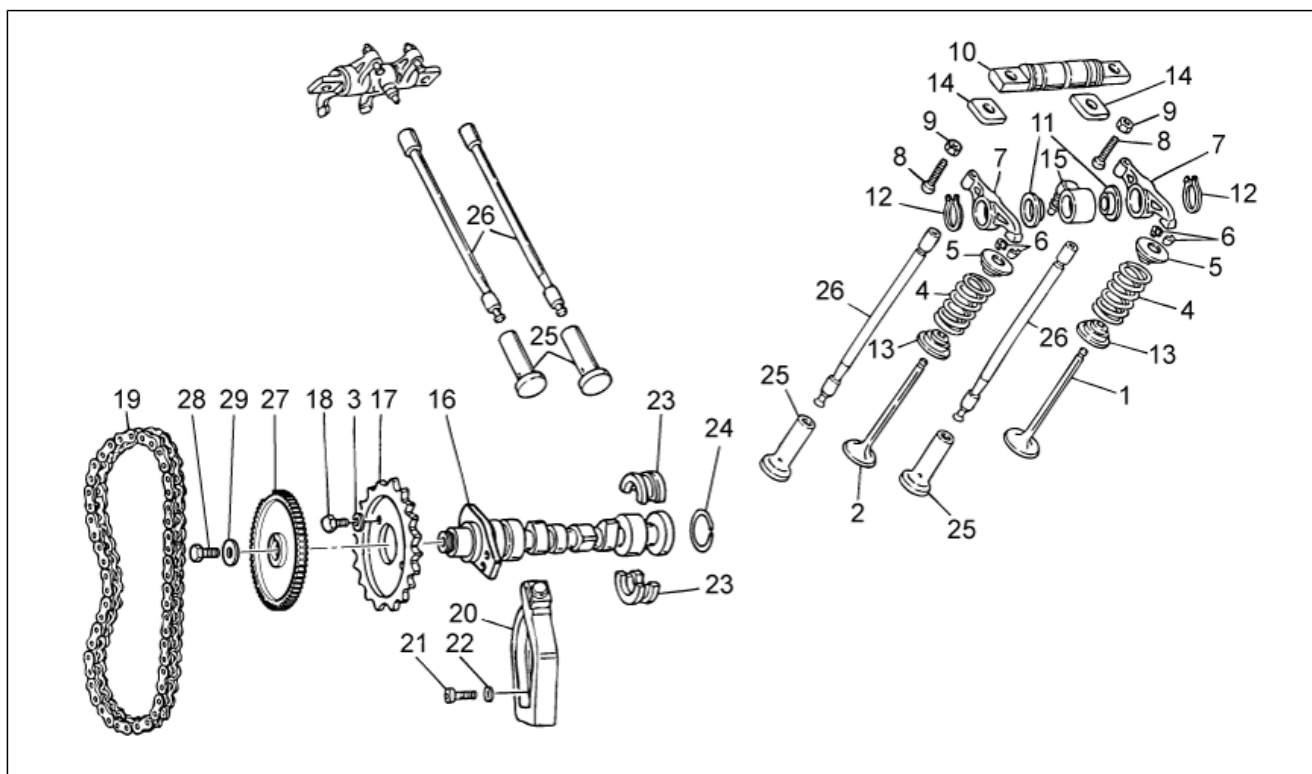
Pos.	Código	Descripción	Cant.	Variantes
1	8872724	Cabeza der.	1	
2	8872754	Cabeza izq.	1	
3	GU61036801	Guía de válvula	4	
4	GU90353009	Anillo elástico	4	
5	GU96506042	Prisionero	4	
6	B063111	Taco antivibrante	4	
7	GU19021920	Tuerca	2	
8	GU19037820	Retén aceite	4	
9	887523	Tapa culata	2	
10	887002	Junta tapa culata	2	
11	GU92603010	Tuerca M10X1,5	4	
12	GU13021900	Tuerca	4	
13	GU95129180	Arandela 10,5X18X0,8	4	
14	GU96510214	Prisionero M10x214	4	
15	GU96510181	Prisionero M10x182	4	
16	GU98692325	Tornillo Allen M6x25	4	
17	GU19032980	Suplemento espesor	8	
18	GU19021360	Buje	2	
19	B063099	Junta culata-cilindro	2	
20	976898	Prisionero M8x140	2	
21	GU61270300	Arandela elástica 8x15x0,3	2	
22	GU93180245	Tapón	4	
23	AP8144071	Goma silencioso	1	
24	887279	Tapa bujía	2	
25	887483	Tornillo de la tapa de culata M6x52.5	8	
26	969973	Arandela	8	

<b>Grupo</b>	MOTOR
<b>Código</b>	34.37
<b>Descripción</b>	Cigüeñal cpl.
<b>Revisión</b>	1



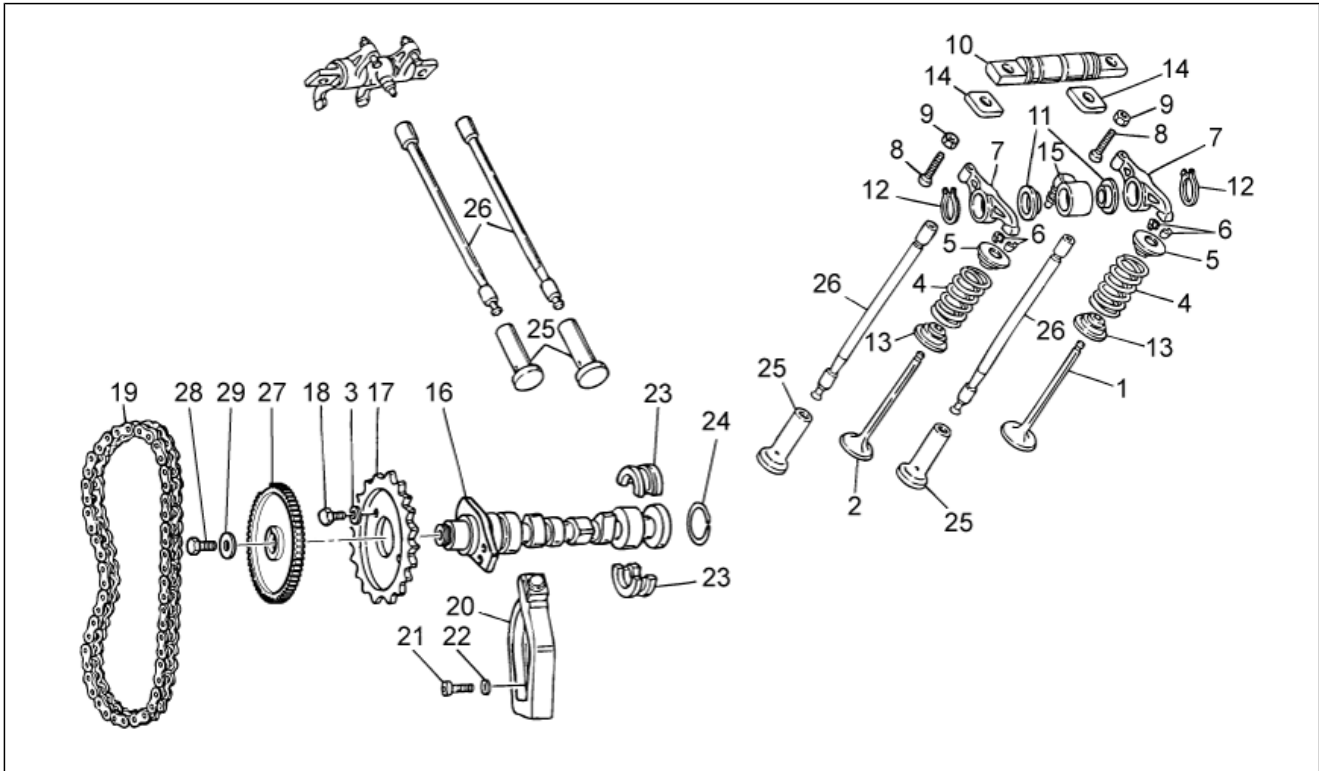
Pos.	Código	Descripción	Cant.	Variantes
1	2A0000995	CIGÜEÑAL	1	
2	GU19065400	Tapón	1	
3	GU27061585	Biela cpl.	2	
4	GU19062261	Tornillo	4	
5	GU14615901	Arandela 8,4X13X0,8	6	
6	GU27062060	Semienvol. chumacera	4	
7	GU27065660	Semienv.chumac.azul del.	2	
8	GU27066560	Semienv.chumac.azul tras.	2	
9	GU27066460	Arandela	2	
10	8872690001	Pistón completo d.80 Cat. D	1	
10	8872690002	Pistón completo d.80 Cat. E	1	
10	8872690003	Pistón completo d.80 Cat. F	1	
11	886670	Junta cilindro	2	
12	GU61027200	Junta tórica	2	
13	B063016	Pasador	2	
14	874567	Anillo de tope	4	
15	B063465	Cilindro con pistón cpl.	2	
16	B063466	Kit segmentos	2	
17	GU27061885	Buje	2	
18	GU19067700	Tornillo	6	

<b>Grupo</b>	MOTOR
<b>Código</b>	34.38
<b>Descripción</b>	Distribución
<b>Revisión</b>	1



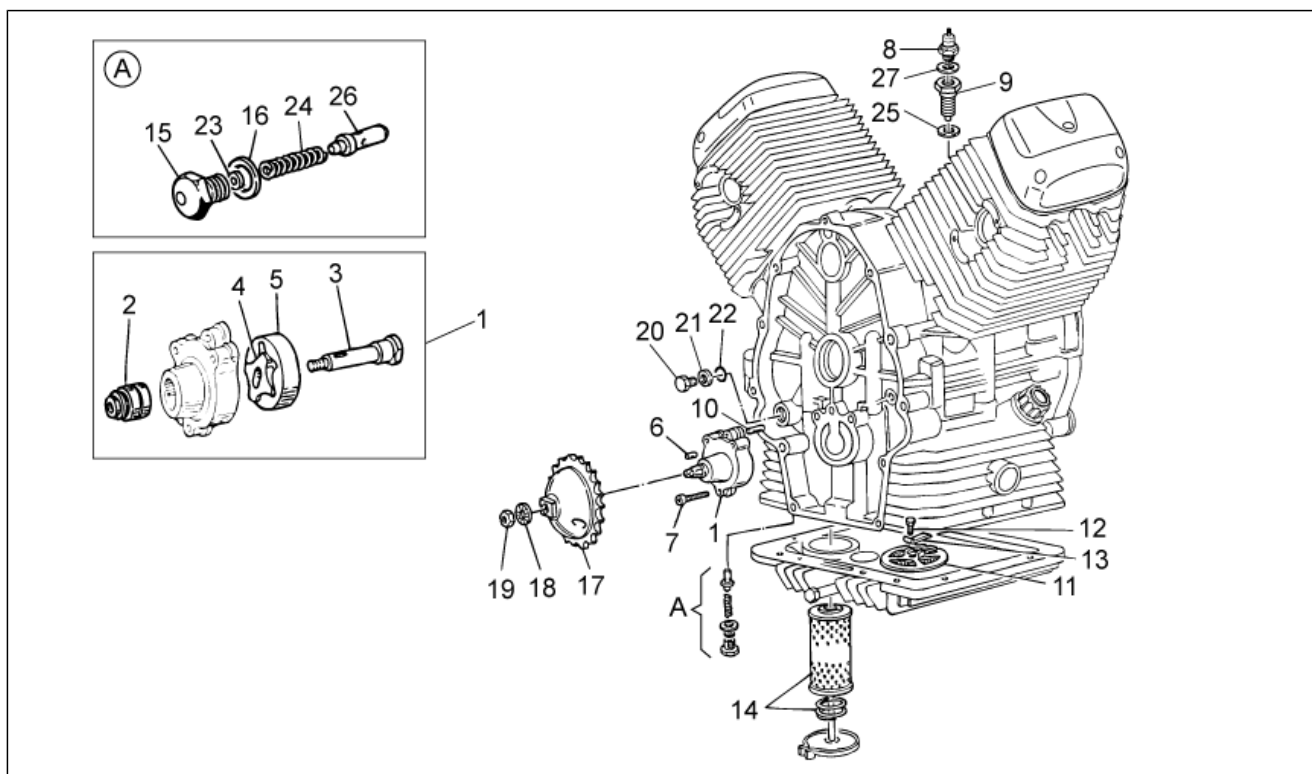
Pos.	Código	Descripción	Cant.	Variantes
1	2A000146	Valvula de admision	2	
2	2A000147	Valvula de descarga	2	
3	GU23217800	Arandela	2	
4	GU27037521	Muelle	4	
5	GU31038015	Platillo sup.	4	
6	GU61038100	Semicono	8	
7	GU19030500	Balancín	4	
8	GU19034000	Tornillo	4	
9	GU92602406	Tuerca M6x1	4	
10	GU19032080	Eje balan.	2	
11	GU32032310	Arand.de resorte	4	
12	GU90271018	Anillo de retención	4	
13	GU31037015	Platillo inf.	4	
14	GU19032980	Suplemento espesor	4	
15	GU19027500	Manguito	2	
16	GU32053410	Árbol de levas	1	
17	GU32054510	Engran. distribución	1	
18	GU61054900	Perno	2	
19	GU19058021	Cadena distribución	1	
20	GU19058220	Tensor de cadena	1	
21	GU98882316	Tornillo	1	
22	GU95129115	Arandela	1	
23	GU19055700	Tope	2	
24	GU90353029	Anillo elástico	1	
25	GU19045861	Balancion	4	
26	GU31045015	Varilla balancín	4	
27	887528	Wheel speed sensor, LH front	1	
28	GU98054422	Tornillo M8x22	1	

<b>Grupo</b>	MOTOR
<b>Código</b>	34.38
<b>Descripción</b>	Distribución
<b>Revisión</b>	1



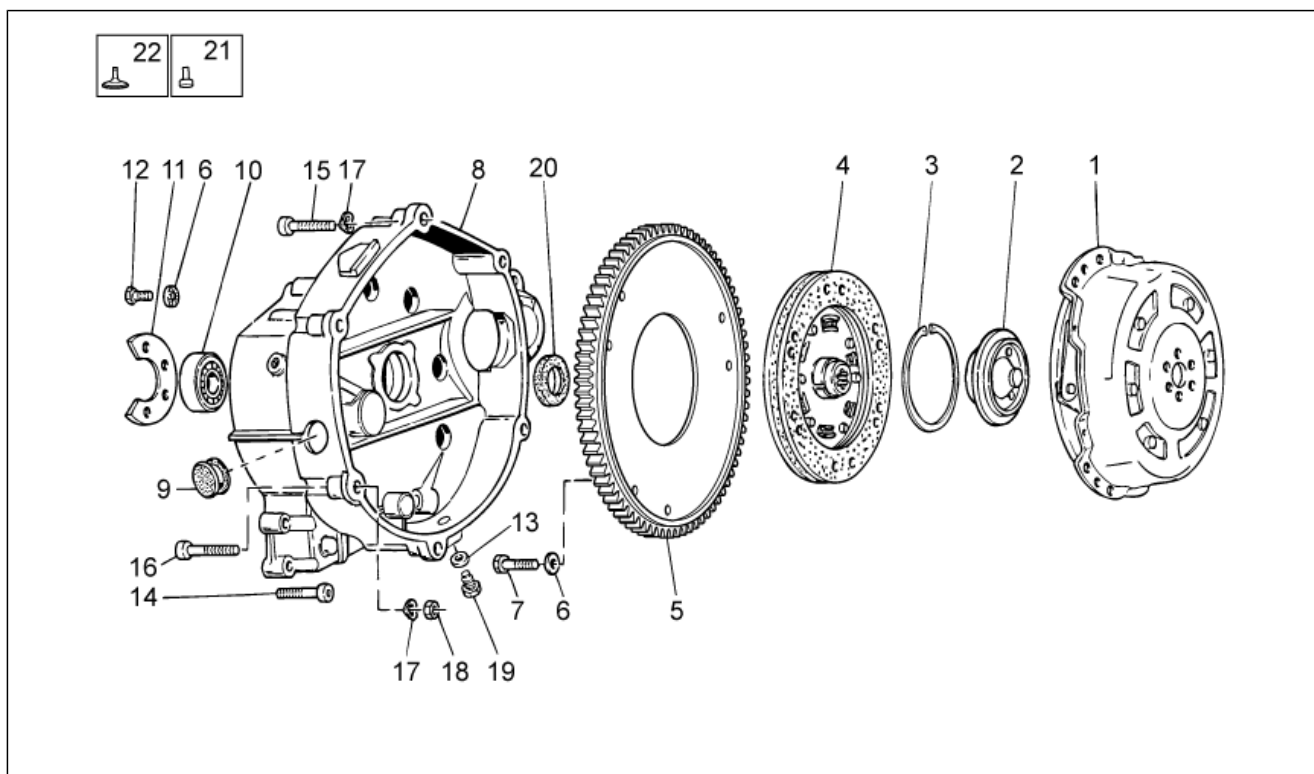
Pos.	Código	Descripción	Cant.	Variantes
29	GU95100244	Arandela	1	

<b>Grupo</b>	MOTOR
<b>Código</b>	34.39
<b>Descripción</b>	Bomba aceite
<b>Revisión</b>	1



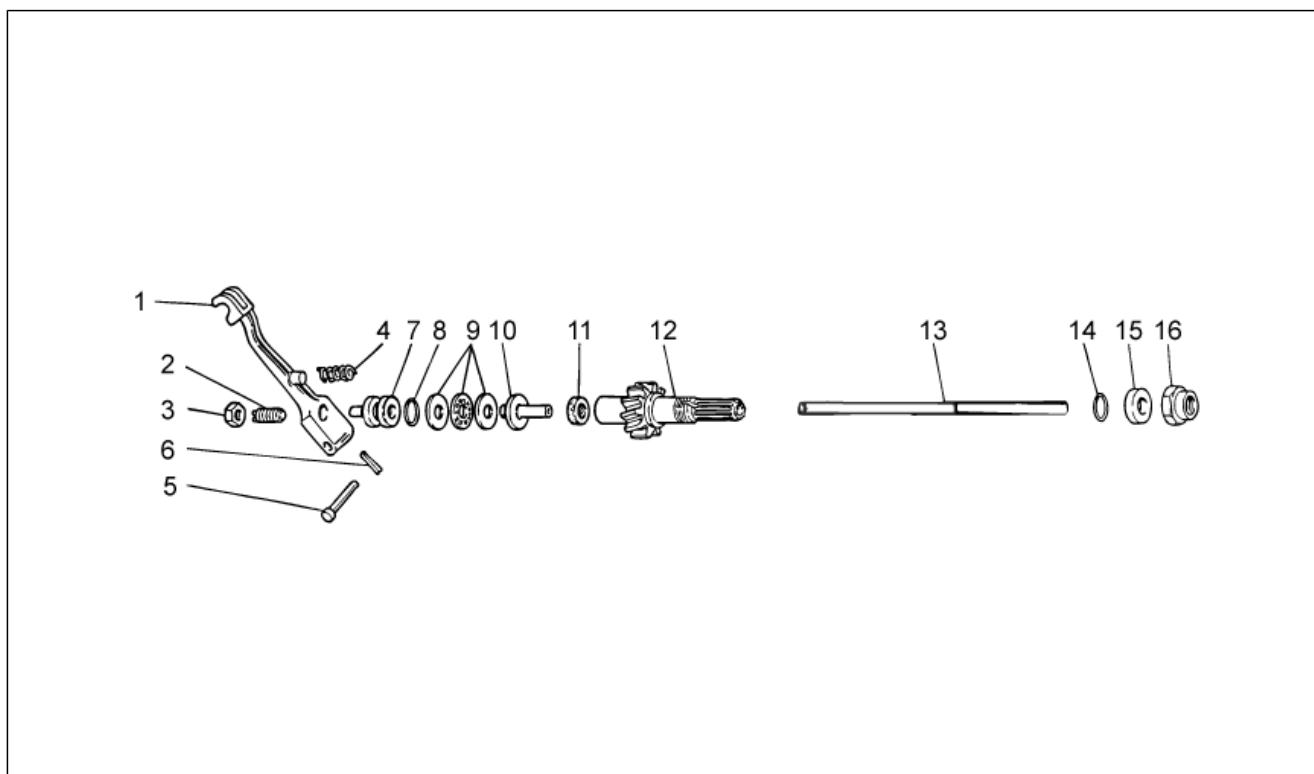
Pos.	Código	Descripción	Cant.	Variantes
1	GU19146422	Bomba aceite	1	
2	GU92252210	Cojinete de rodillos 10x22x20	1	
3	GU20147810	Eje bomba aceite	1	
4	GU20148410	Rotor int.	1	
5	GU20148610	Rotor ext.	1	
6	GU92296723	Rodillo	1	
7	GU98620335	Tornillo M6x35	3	
8	641541	Sensor de presión de aceite	1	
9	887093	Empalme	1	
10	GU19018920	Clavija	2	
11	GU19152200	Filtro aceite	1	
12	GU98084314	Tornillo c. hex. M6x14	1	
13	GU95187006	Placa	1	
14	GU27153085	Filtro aceite	1	
15	GU31159050	Tapón	1	
16	GU18144350	Arandela 18,25x24x1	3	
17	GU20147710	Engranaje bomba	1	
18	AP8152220	Arandela	1	
19	GU92602510	Tuerca M10x1,25	1	
20	GU31016050	Tapón	1	
21	GU18161150	Junta 14,25	1	
22	GU90706111	Junta tórica	1	
23	GU95008206	Arandela 6,15x11x0,8	3	
24	GU94321079	Muelle	1	
25	GU95100602	Junta	1	
26	GU31159050	Émbolo	1	
27	GU95100309	Arandela	1	

<b>Grupo</b>	MOTOR
<b>Código</b>	34.40
<b>Descripción</b>	Embrague I
<b>Revisión</b>	1



Pos.	Código	Descripción	Cant.	Variantes
1	GU32080310	Embrague	1	
2	GU19083462	Cubeta embrague	1	
3	GU90272075	Anillo elástico	1	
4	GU32084410	Disco embrague conducido	1	
5	GU32067910	Corona	1	
6	GU14217901	Arandela 6,4x10x0,7	9	
7	GU98084316	Tornillo c. hex.	6	
8	2A000106	Campana embrague	1	
9	GU93180220	Tapón	1	
10	GU92201225	Cojinete 25x52x15	1	
11	GU19203460	Placa fijac.cojinete	1	
12	GU98084314	Tornillo c. hex. M6x14	3	
13	GU10528900	Junta	1	
14	GU98682330	Tornillo Allen M6x20	11	
15	GU98680435	Tornillo Allen M8x35	5	
16	GU98680450	Tornillo Allen M8x50	1	
17	GU61270300	Arandela elástica 8x15x0,3	6	
18	GU92606208	Tuerca M8x1,25	1	
19	GU31003766	Tapón descarg.aceite M10x1	1	
20	886629	Gasket ring	1	
21	GU23204471	Boquilla	1	
22	GU23204571	Pulverizador para a.p.	1	

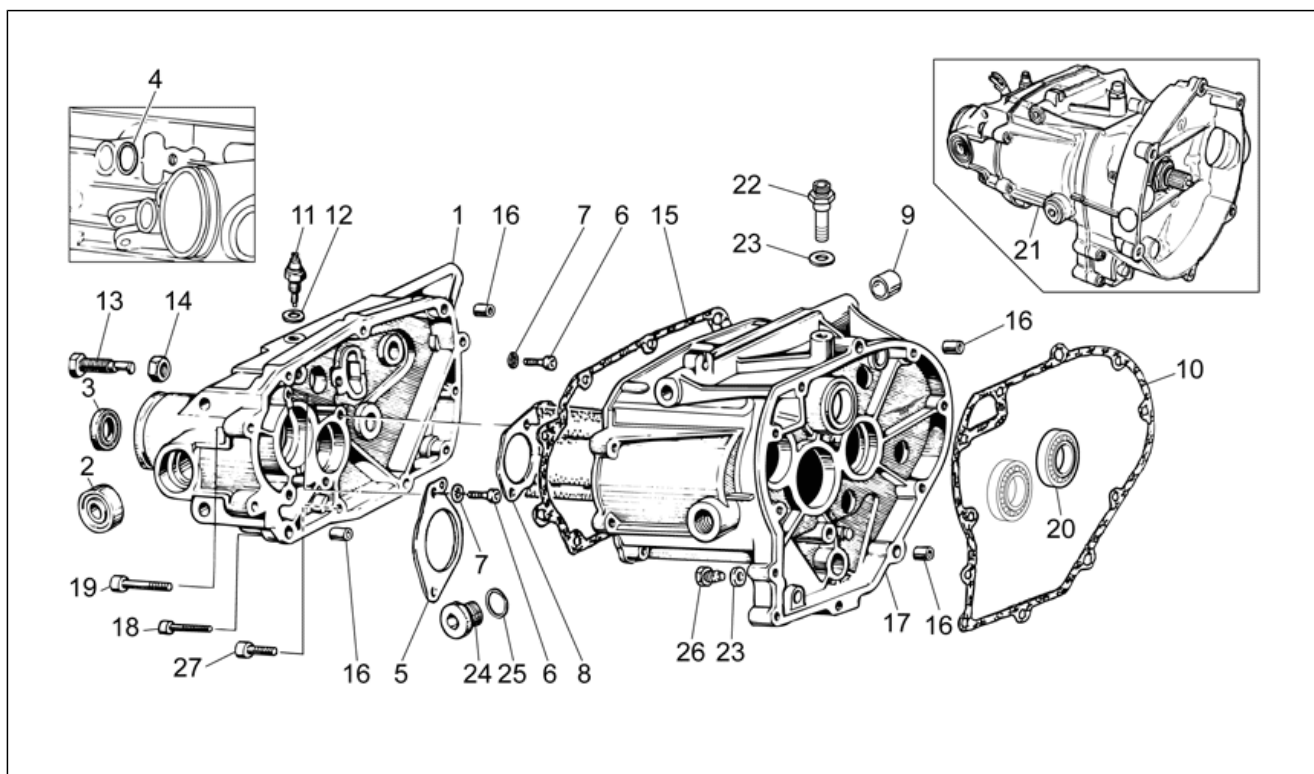
<b>Grupo</b>	MOTOR
<b>Código</b>	34.41
<b>Descripción</b>	Embrague II
<b>Revisión</b>	1



Pos.	Código	Descripción	Cant.	Variantes
1	GU14090201	Palanca embrague	1	
2	GU14090400	Tornillo embrague	1	
3	GU92606508	Tuerca	1	
4	GU94321105	Muelle retorno palanca	1	
5	GU95780271	Clavija 7x39	1	
6	GU95500222	Clavija	1	
7	GU14086100	Cuerpo ext.	1	
8	GU90706170	Junta tórica 17,13x2,62	1	
9	GU12087001	Cojinete de tope	1	
10	GU14086000	Cuerpo int.	1	
11	GU90400616	Gasket ring 6x16x7	1	
12	GU27210760	Eje transmisión Z=16	1	
13	GU20085720	Varilla	1	
14	GU90706235	Junta tórica 23,52x1,78	1	
15	GU19213760	Distanciadore	1	
16	GU19356760	Tuerca	1	

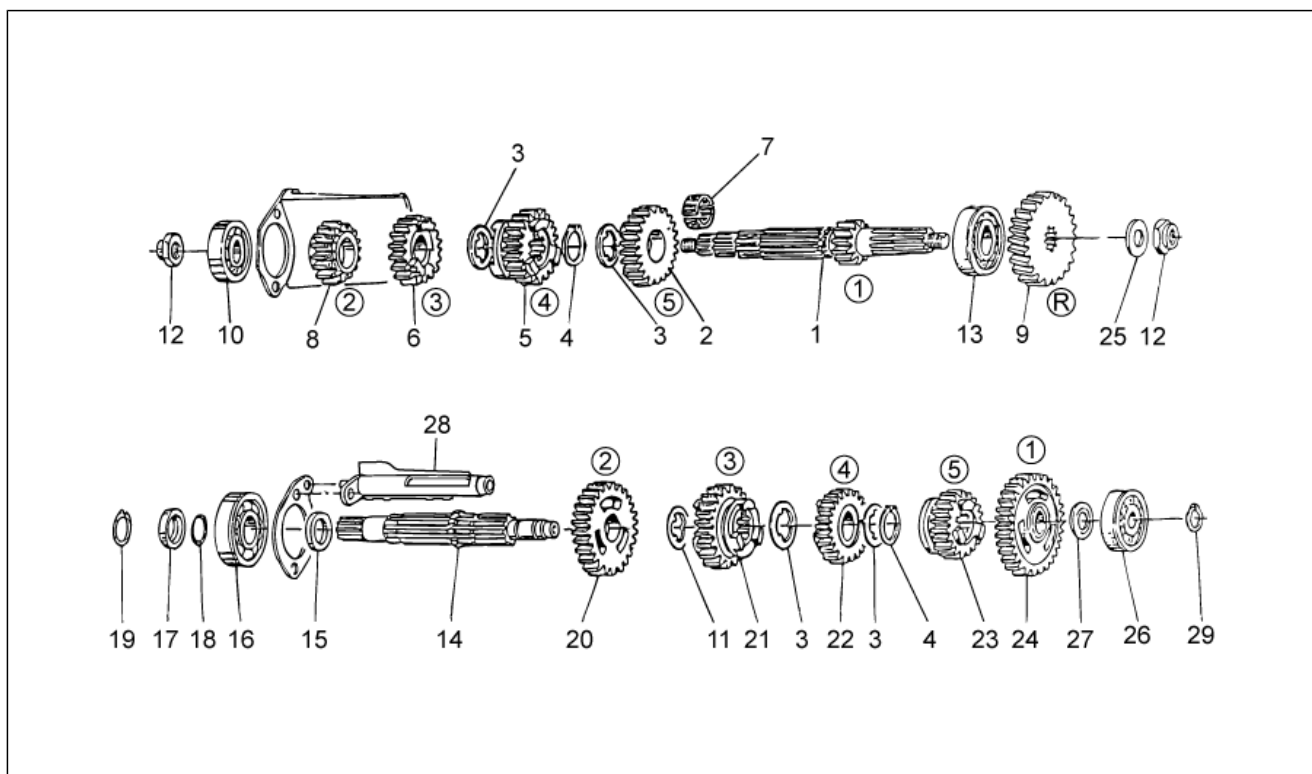


<b>Grupo</b>	MOTOR
<b>Código</b>	34.42
<b>Descripción</b>	Cambio
<b>Revisión</b>	1



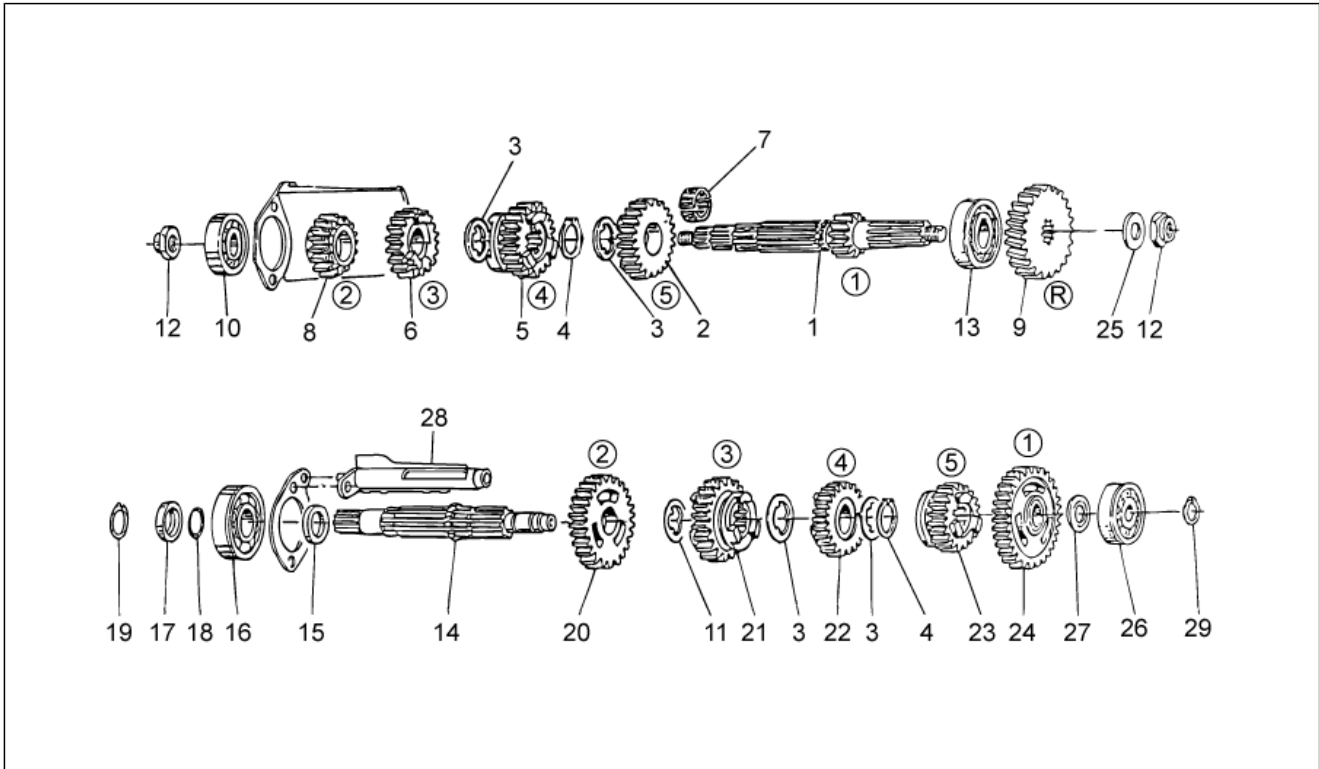
Pos.	Código	Descripción	Cant.	Variantes
1	2A000098	Tapa caja cambio	1	
2	2A000097	Cojinete de bolas 6202-2RSH/C3 LHT23	2	
3	886364	Gasket ring 28x40x7	1	
4	GU90706140	Junta tórica 13,95x2,92	1	
5	GU32213810	Soprote	1	
6	884031	Tornillo Allen M6x14	4	
7	GU14217901	Arandela 6,4x10x0,7	4	
8	GU32208210	Mamparo aceite	1	
9	GU19202320	Buje 10,25x15,7x8	2	
10	887005	Junta	1	
11	B063269	Sensor	1	
12	GU12154200	Junta 8,25x15x1	1	
13	GU19237800	Tornillo M12x1,25	1	
14	GU92606512	Tuerca baja M12x1,25	1	
15	887006	Junta	1	
16	GU19002020	Buje 6,6x9x13	4	
17	887235	Cambio	1	
18	GU98682330	Tornillo Allen M6x20	5	
19	GU98680435	Tornillo Allen M8x35	4	
20	B063342	Cojinete de bolas 6004/C3	1	
21	976992	Cambio completo	1	
22	GU32206510	Tapón respiradero	1	
23	GU10528900	Junta	2	
24	GU12022600	Tapón aceite	1	
25	GU90706203	Junta tórica 20,24X2,62	1	
26	GU31003766	Tapón descarg.aceite M10x1	1	
27	AP8150285	Tornillo Allen M6x35	2	

<b>Grupo</b>	MOTOR
<b>Código</b>	34.43
<b>Descripción</b>	Cambio
<b>Revisión</b>	1



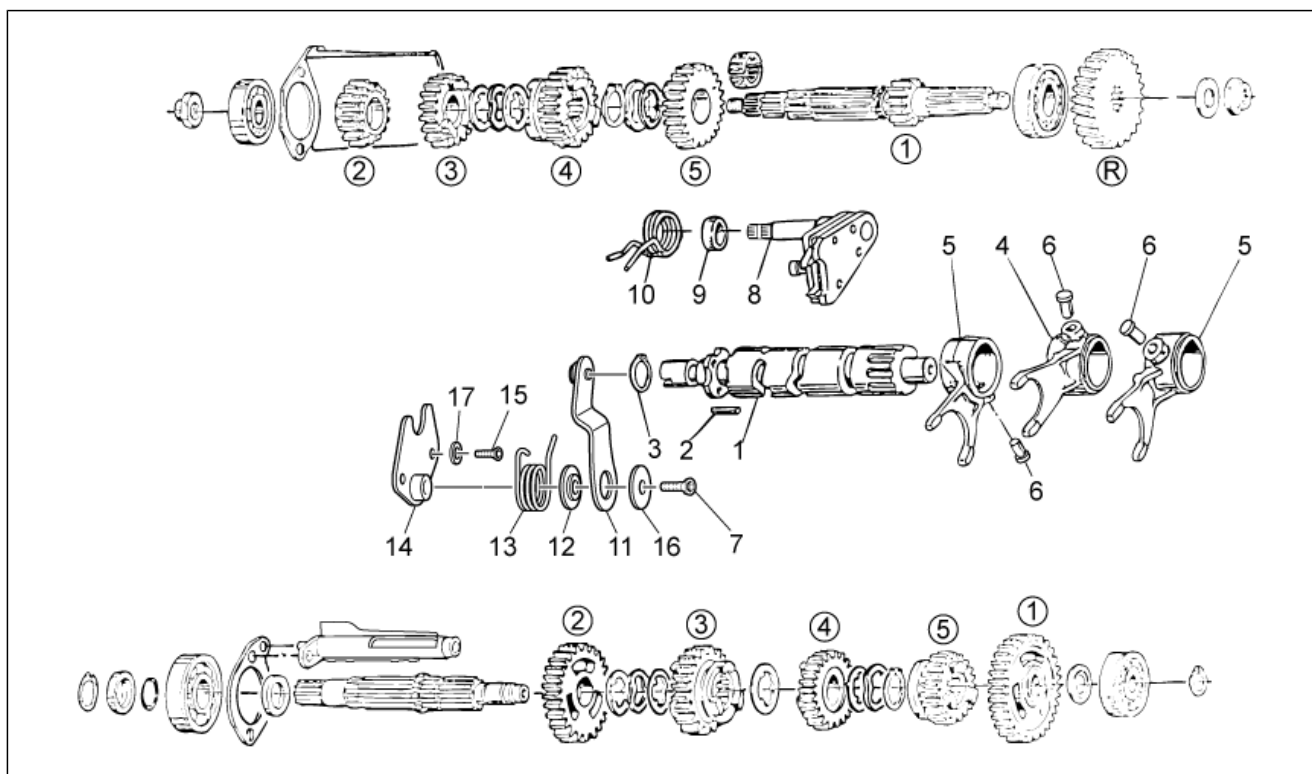
Pos.	Código	Descripción	Cant.	Variantes
1	GU32210510	Eje primario Z=11	1	
2	GU32212011	Engranaje 5a AP Z=25	1	
3	GU19215460	Arand.de resorte	3	
4	GU90271124	Anillo de retención	2	
5	GU32211810	Engranaje 4a AP Z=18	1	
6	GU32211410	Engranaje 3a AP Z=18	1	
7	GU92251028	Jaula de agujas	1	
8	GU23211372	Engranaje 2a AP Z=14	1	
9	GU32211110	Engran.transm. AP Z=21	1	
10	GU92218417	Cojinete AP 17x40x17,5	1	
11	GU19214660	Arand. sop. lateral	2	
12	GU10054100	Tuerca	2	
13	GU92230320	Cojinete AP 20x37x17	1	
14	GU32213610	Eje secundario	1	
15	GU19212900	Distanciadador	1	
16	GU92201220	Cojinete 20X47X14	1	
17	GU19213720	Distanciadador	1	
18	GU90706188	Gasket ring 18,77X1,78	1	
19	GU90271121	Anillo de retención	1	
20	GU32214510	Engranaje 2a AS Z=23	1	
21	GU32214810	Engranaje 3a AS Z=23	1	
22	GU32215010	Engranaje 4a AS Z=19	1	
23	GU32215210	Engranaje 5a AS Z=22	1	
24	GU32214010	Engranaje 1a AS Z=26	1	
25	GU39238100	Arand. sop. lateral	1	
26	GU92234716	Cojinete	1	
27	GU10214300	Suplemento espesor 1,5 mm	1	
27	GU10214301	Suplemento espesor 1,7 mm	1	

<b>Grupo</b>	MOTOR
<b>Código</b>	34.43
<b>Descripción</b>	Cambio
<b>Revisión</b>	1



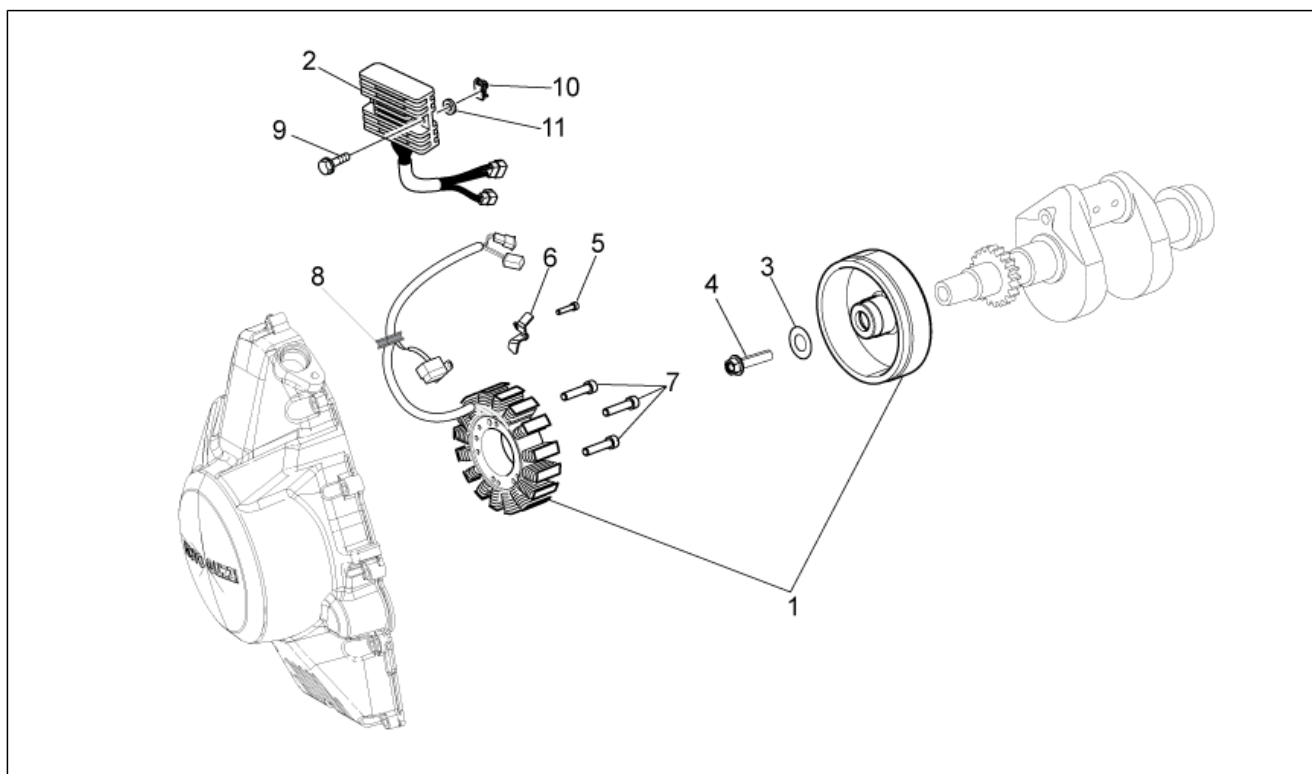
Pos.	Código	Descripción	Cant.	Variantes
27	GU10214302	Suplemento espesor 1,8 mm	1	
27	GU10214303	Suplemento espesor 1,9 mm	1	
27	GU10214304	Arandela 2 mm	1	
27	GU10214305	Suplemento espesor 2,1 mm	1	
28	GU32202010	Gutter	1	
29	GU90271117	Anillo de retención	1	

<b>Grupo</b>	MOTOR
<b>Código</b>	34.44
<b>Descripción</b>	Selector cambio
<b>Revisión</b>	1



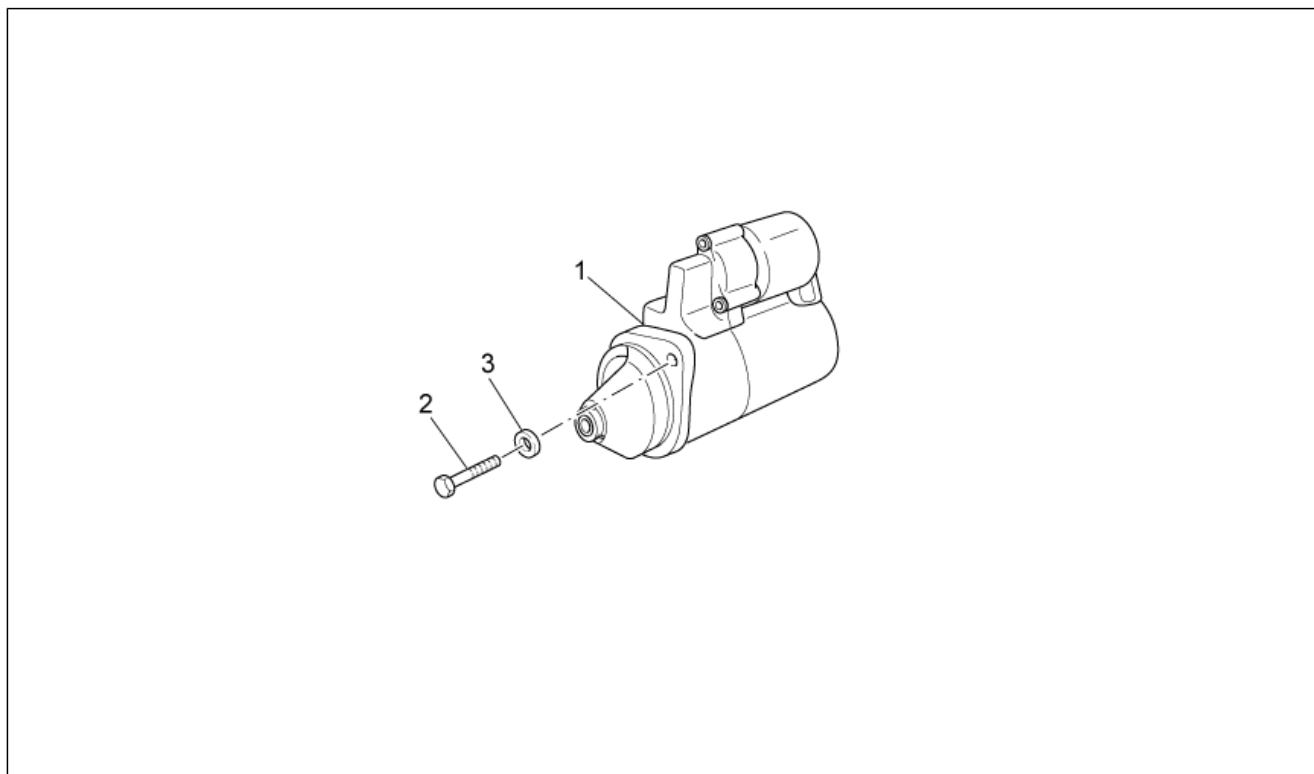
Pos.	Código	Descripción	Cant.	Variantes
1	GU32234410	Leva del cambio	1	
2	GU19234600	Barra	4	
3	GU90274026	Anillo elástico	1	
4	GU32231210	Horquilla AP	1	
5	GU32231010	Horquilla AS	2	
6	GU32233010	Rodillo	3	
7	GU98230612	Tornillo	1	
8	887196	Pre-selector completo	1	
9	GU20208520	Distanciador	1	
10	GU32238210	Muelle	1	
11	GU32234710	Palanca	1	
12	GU32234810	Arandela	1	
13	GU32234110	Muelle	1	
14	GU32235710	Placa	1	
15	GU98257618	Tornillo M6x18	2	
16	GU32234910	Arandela 6,4x20x1	1	
17	GU14217901	Arandela 6,4x10x0,7	2	

<b>Grupo</b>	MOTOR
<b>Código</b>	34.45
<b>Descripción</b>	Alternador - Regulador
<b>Revisión</b>	1



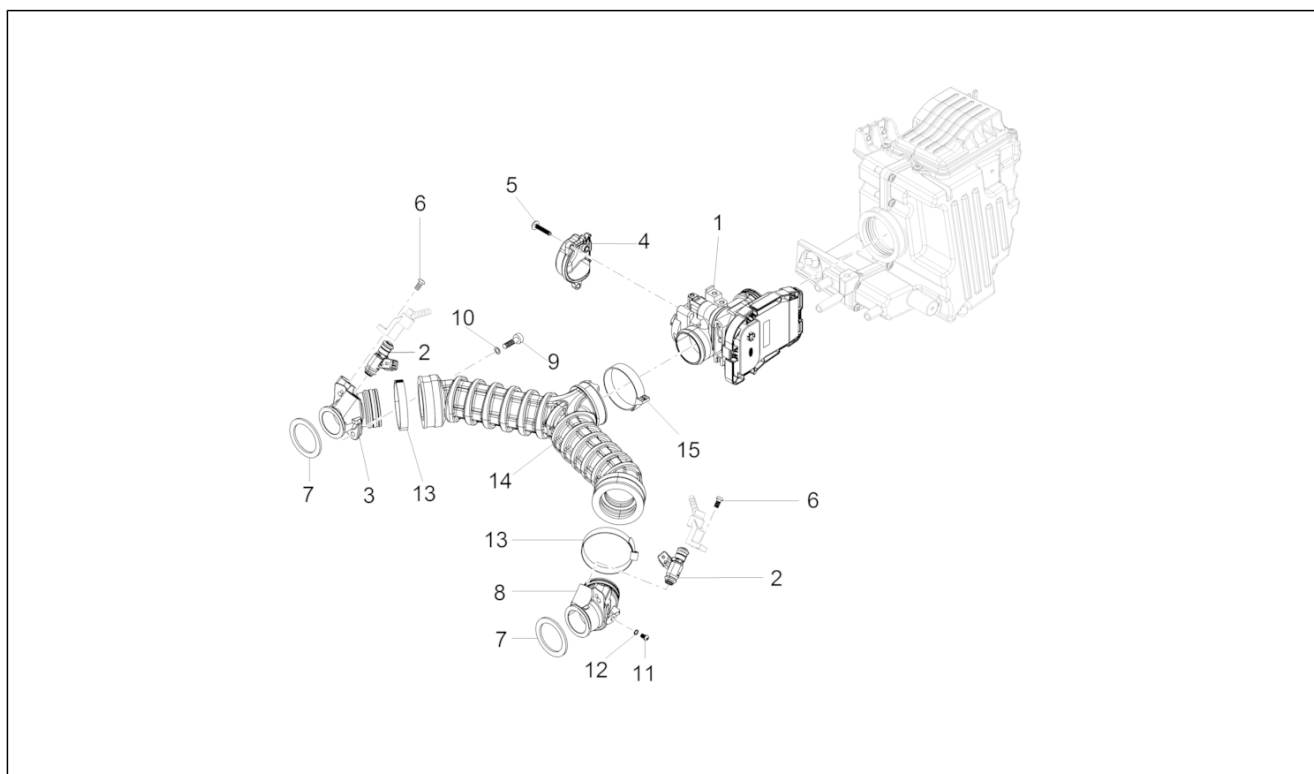
Pos.	Código	Descripción	Cant.	Variantes
1	2D000024	Volante magneto cpl	1	
2	2D000043	Regulador de tensión	1	
3	897478	Arandela 12x26.5x3	1	
4	857206	Torn. CH con reborde M12X1,25X50	1	
5	GU98682212	Tornillo Allen M5x12	1	
6	2A000115	Placa	1	
7	2A000129	Tornillo Allen rebajado M6x35	3	
8	GU19007700	Goma	1	
9	AP8152281	Torn. CH con reborde M6x30	2	
10	254485	Placa elastica M6	2	
11	GU95100125	Arandela	2	

<b>Grupo</b>	MOTOR
<b>Código</b>	34.46
<b>Descripción</b>	Motor arranque
<b>Revisión</b>	1



Pos.	Código	Descripción	Cant.	Variantes
1	GU05730730	Motor arranque Bosch	1	
2	GU98082435	Tornillo c. hex. M8x35	2	
3	GU95008208	Arandela 8,4X15X1,5	2	

<b>Grupo</b>	MOTOR
<b>Código</b>	34.47
<b>Descripción</b>	Cuerpo válv.estrangulamiento
<b>Revisión</b>	1



Pos.	Código	Descripción	Cant.	Variantes
1	CM228303	Centralita electrónica para inyección	1	PAÍS:Japón[J]
1	CM228304	Centralita electrónica para inyección	1	
2	B063049	Inyector	2	
3	GU32115010	Capuchón admisión izq.	1	
4	880260	Protección Cuerpo válv.estrang.	1	
5	B016796	Tornillo de cabeza curva torx	3	
6	AP8152298	Tornillo con reborde M5x16	2	
7	GU32115510	Junta	2	
8	GU32115011	Capuchón admisión izq.	1	
9	GU98622322	Tornillo	4	
10	GU03013800	Arandela 6,4x12	4	
11	GU98310609	Tornillo M6x10	2	
12	GU95100116	Arandela 6,25x10x1,5	2	
13	884311	Abrazadera D.61	2	
14	887812	Manguito cpo estran.	1	
15	GU93305061	Abrazadera 61/65,5	1	