



PIAGGIO & C.s.p.a.



CATÁLOGO DE PIEZAS DE REPUESTO



V7 Special 750 2014

Prefijo chasis: ZGULWT01

Prefijo motor:



Índice

Productos terminados.....	4
Índice alfanumérico.....	5
BASTIDOR.....	10
Tabla 33.01 - Bastidor I.....	10
Tabla 33.02 - Bastidor II.....	11
Tabla 33.03 - Caballete lateral.....	12
Tabla 33.04 - Estribos piloto.....	13
Tabla 33.05 - Estribos pas.....	14
Tabla 33.06 - Palanca cambio.....	15
Tabla 33.07 - HORQUILLA DELANTERA I.....	16
Tabla 33.08 - HORQUILLA DELANTERA II.....	17
Tabla 33.11 - Tras.Amortiguador.....	19
Tabla 33.12 - Depósito gasolina.....	20
Tabla 33.13 - Carrocería del. - Guardab. Delantero.....	21
Tabla 33.14 - Sillín-Carrocería cent.....	22
Tabla 33.15 - Car.tr. I- Gdab.....	23
Tabla 33.16 - Carroc.tras.II - Portamatrícula.....	24
Tabla 33.17 - Salpicadero.....	25
Tabla 33.18 - Manillar - Mandos.....	26
Tabla 33.19 - Eq.freno delantero.....	27
Tabla 33.21 - Bomba gasolina.....	28
Tabla 33.22 - CAJA DEL FILTRO.....	29
Tabla 33.23 - Grupo de escape.....	31
Tabla 33.24 - RUEDA DELANTERA I.....	33
Tabla 33.25 - Rueda trasera I.....	34
Tabla 33.26 - Bomba freno tras.....	35
Tabla 33.27 - Pinza freno tras.....	36
Tabla 33.28 - Faros delanteros.....	37
Tabla 33.29 - Faros traseros.....	38
Tabla 33.30 - Instalación eléctrica I.....	39
Tabla 33.31 - Instalación eléctrica II.....	40
Tabla 33.32 - Juego cerraduras.....	42
Tabla 33.33 - Calcomanías y placas.....	43
Tabla 33.48 - Eq.rec. vapores gas.....	44
MOTOR.....	45
Tabla 34.09 - Transmisión cpl. I.....	45
Tabla 34.10 - Transmisión cpl. II.....	46
Tabla 34.34 - Cáster.....	49
Tabla 34.35 - Tapa distribución.....	50
Tabla 34.36 - Cabeza cil.....	51
Tabla 34.37 - Cigüeñal cpl.....	52
Tabla 34.38 - Distribución.....	53
Tabla 34.39 - Bomba aceite.....	55



Tabla 34.40 - Embrague I.....	56
Tabla 34.41 - Embrague II.....	57
Tabla 34.42 - Cambio.....	58
Tabla 34.43 - Cambio.....	59
Tabla 34.44 - Selector cambio.....	61
Tabla 34.45 - Alternador - Regulador.....	62
Tabla 34.46 - Motor arranque.....	63
Tabla 34.47 - Cuerpo válv.estrangulamiento.....	64



Productos terminados

Código	Validez
GU9032110AUE00	
GU9032110AUE03	
GU9032110AUE04	
GU9032110EUE00	
GU9032110EUE03	
GU9032110EUE04	
GU9032110GBE00	
GU9032110GBE04	
GU9032110JPE00	
GU9032110JPE03	
GU9032110JPE04	
GU9032110JPF00	
GU9032110JPF03	
GU9032110JPF04	
GU9032110ZCE00	
GU9032110ZCE03	



Código	Nº Tabla	Pos.	Código	Nº Tabla	Pos.	Código	Nº Tabla	Pos.
080341	33.30	6	856063	33.48	14	8872754	34.36	2
248419	33.26	19	857206	34.45	4	887279	34.36	24
254485	33.15	4	860138	33.48	7	887431	33.27	3
254485	33.22	14	860651	34.09	19	887443	33.33	9
254485	33.23	20	874567	34.37	14	887448	33.25	12
254485	33.28	20	880260	34.47	4	887449	33.27	1
254485	34.45	10	883011	34.09	11	887481	33.30	12
2A000085	34.35	1	883015	33.05	13	887483	34.36	25
2A000097	34.42	2	883019	33.05	12	887523	34.36	9
2A000098	34.42	1	883051	33.04	1	887528	34.38	27
2A0000995	34.37	1	883052	33.04	2	887787	33.21	5
2A000106	34.40	8	883127	33.22	6	887812	34.47	14
2A000115	34.45	6	883161	33.31	11	887815	33.22	13
2A000129	34.45	7	883192	33.27	7	887825	33.30	1
2A000146	34.38	1	883266	33.13	2	887825	33.31	1
2A000147	34.38	2	883293	33.23	15	887826	33.28	4
2A0002355	34.34	1	883294	33.23	4	887826	33.29	4
2B000045	33.22	27	883295	33.14	5	887827	33.28	5
2B000176	33.23	11	883297	33.23	13	887827	33.29	5
2B000177	33.23	10	883298	33.23	14	887837	33.01	1
2B000348	33.05	13	883303	33.19	13	8878421	33.22	1
2B000349	33.05	12	883349	33.25	8	887843	33.22	2
2B000559	33.07	1	883350	33.25	7	887844	33.22	11
2B000840	33.14	16	883417	33.28	18	887845	33.22	12
2B000878	33.14	9	883470	33.16	6	887846	33.23	1
2B000970	33.21	2	883476	33.32	3	887847	33.23	2
2B000971	34.47	19	883477	33.32	1	887851	33.06	1
2B000972	34.47	20	883480	33.16	9	887852	33.18	4
2D000006	33.32	10	883502	33.12	5	887853	33.18	5
2D000024	34.45	1	883569	33.17	11	887873	33.32	1
2D000043	34.45	2	883598	33.33	7	887874	33.32	3
2G000013	33.33	16	883688	33.24	10	887877	33.29	1
2H000019000XN2	33.12	1	883704	33.23	25	887878	33.08	1
2H000020000XN2	33.12	1	883802	33.18	10	887879	33.08	2
2H000021000XN2	33.14	10	883826	34.34	18	887880	33.08	3
2H000022000XN2	33.14	17	884029	34.47	11	887882	33.08	5
2H000023	33.33	14	884031	34.42	6	887883	33.08	6
2H000024	33.33	13	884032	34.40	14	887884	33.08	7
2H000025	33.33	4	884035	33.11	1	887885	33.08	8
2H000026	33.33	12	884038	34.40	7	887886	33.08	9
2H000027	33.33	5	884039	34.39	7	887887	33.08	10
2H000028	33.33	6	884310	34.47	15	887888	33.08	11
2H000076000YE5	33.12	1	884311	34.47	13	887889	33.08	12
2H000077000YE5	33.12	1	886141	33.33	15	887890	33.08	13
2H000078000YE5	33.14	10	886340	33.33	1	887891	33.08	14
2H000079000YE5	33.14	17	88635200XN2	33.13	1	887892	33.08	15
2H000080	33.33	14	886364	34.42	3	887893	33.08	16
2H000081	33.33	13	886365	34.34	10	887894	33.08	17
2H000082	33.33	4	886629	34.40	20	887895	33.08	18
2H000083	33.33	12	886670	34.37	11	887896	33.08	19
2H000084	33.33	5	886679	33.24	18	887898	33.08	21
2H000085	33.33	6	886680	33.25	20	887899	33.08	22
2L0001895	34.34	28	887002	34.36	10	887900	33.08	23
2Q000043	33.33	10	887003	34.35	2	887901	33.08	24
2Q000045	33.33	10	887004	34.34	13	887902	33.08	25
2Q000054	33.33	10	887005	34.42	10	887903	33.08	26
2R000109	33.08	29	887006	34.42	15	887904	33.08	27
2R000110	33.08	4	887093	34.39	9	887905	33.08	28
584211	33.31	10	887194	33.17	1	887908	33.26	26
638733	33.31	6	887195	33.17	1	887910	33.26	1
641040	33.30	8	887196	34.44	8	887911	33.26	24
641541	34.39	8	887207	33.12	1	887912	33.08	30
641725	33.30	7	887235	34.42	17	887913	33.08	31
641901	33.30	4	8872690001	34.37	10	887914	33.08	32
642034	33.30	3	8872690002	34.37	10	887915	33.08	33
658837	33.26	11	8872690003	34.37	10	887916	33.08	34
832029	33.30	14	8872724	34.36	1	887930	33.33	2



Código	Nº Tabla	Pos.	Código	Nº Tabla	Pos.	Código	Nº Tabla	Pos.
887931	33.33	3	AP8120446	33.48	9	AP8152281	34.45	9
88793900A1	33.14	1	AP8120455	33.22	9	AP8152286	33.24	11
887944	33.12	1	AP8120557	33.12	11	AP8152287	33.02	13
887948	33.30	13	AP8120615	33.22	10	AP8152288	33.02	15
887952	33.26	27	AP8120772	33.22	20	AP8152288	33.27	9
890760	33.22	16	AP8120870	33.23	24	AP8152298	33.26	18
890979	33.28	16	AP8120876	33.22	8	AP8152298	34.47	6
893570	33.31	19	AP8120912	33.06	2	AP8152299	33.15	14
894505	33.25	13	AP8120912	33.26	2	AP8152299	33.27	22
894704	33.31	26	AP8121014	33.03	3	AP8152299	33.30	5
895839	33.33	8	AP8121032	33.15	13	AP8152299	33.48	5
896110	33.23	21	AP8121032	33.17	7	AP8152300	33.02	14
897478	34.45	3	AP8121072	33.23	22	AP8152300	33.27	13
898164	33.11	3	AP8121133	33.05	6	AP8152306	33.16	5
967356	33.03	6	AP8121267	33.48	10	AP8152329	33.15	11
969973	34.36	26	AP8121307	33.07	4	AP8152329	33.22	18
976604	34.34	12	AP8121367	33.02	10	AP8152339	33.14	14
976608	34.10	1	AP8121375	33.03	2	AP8152385	33.19	16
976685	34.34	16	AP8121420	33.14	7	AP8152409	33.04	9
976898	34.36	20	AP8121420	33.32	8	AP8152409	33.05	9
976941	34.09	1	AP8121566	33.04	8	AP8181140	33.31	24
976992	34.42	21	AP8121566	33.05	4	AP8201358	33.22	3
977527	33.14	6	AP8121673	33.12	12	AP8201358	33.22	34
977527	33.32	4	AP8121915	33.19	14	AP8201358	33.48	13
978311	33.28	2	AP8121915	33.27	8	AP8213028	33.18	23
978323	33.19	15	AP8124718	33.16	7	AP8213057	33.26	15
978385	33.23	12	AP8124936	33.30	2	AP8213388	33.18	18
978415	33.14	8	AP8127856	33.03	8	AP8213575	33.27	23
978415	33.32	9	AP8133643	33.26	14	AP8220283	33.31	22
978570	33.18	10	AP8133798	33.27	2	AP8220460	33.07	6
978662	33.28	2	AP8133799	33.27	11	AP8221023	33.22	26
978940	33.14	10	AP8133800	33.27	12	AP8221114	33.48	16
978943	33.14	17	AP8134378	33.23	18	AP8221197	33.03	5
978946	33.15	1	AP8134448	33.16	2	AP8221277	33.04	6
97894600XN2	33.15	1	AP8134451	33.05	5	AP8224164	33.16	3
978947	33.15	2	AP8144007	33.26	4	AP8224462	33.31	21
978949	33.16	1	AP8144071	33.23	16	B016796	34.47	5
978951	33.01	12	AP8144071	34.36	23	B043850	33.31	23
978952	33.01	16	AP8144081	33.07	5	B063016	34.37	13
978960	33.18	1	AP8144146	33.07	3	B063022	33.23	3
978969	33.26	3	AP8144538	33.22	15	B063049	34.47	2
978970	33.26	13	AP8144553	33.22	7	B063077	33.24	5
981149	33.28	12	AP8144729	33.22	17	B063078	33.25	11
AP8101594	33.26	20	AP8145034	33.04	3	B063086	33.03	1
AP8101595	33.12	10	AP8145035	33.04	10	B063099	34.36	19
AP8101861	33.05	7	AP8149034	33.16	11	B063111	34.36	6
AP8102159	33.48	6	AP8150204	33.27	19	B063132	33.04	13
AP8102375	33.14	15	AP8150248	33.16	13	B063135	33.18	6
AP8102375	33.31	14	AP8150285	34.42	27	B063144	33.24	3
AP8102524	33.03	4	AP8150349	33.17	10	B063167	33.15	12
AP8102678	33.48	1	AP8150349	33.32	6	B063197	33.02	1
AP8102688	33.48	2	AP8150377	33.28	13	B063198	33.02	2
AP8102765	33.22	24	AP8150377	33.31	20	B063213	33.22	30
AP8102766	33.22	23	AP8150436	33.02	12	B063214	33.22	21
AP8102913	33.14	3	AP8150450	33.14	12	B063233	33.31	5
AP8104525	33.22	5	AP8150509	33.22	19	B063269	34.42	11
AP8104924	33.22	4	AP8152043	33.27	18	B063287	33.01	4
AP8104996	33.22	28	AP8152220	33.02	11	B063342	34.42	20
AP8113003	33.27	20	AP8152220	34.39	18	B063427	33.18	3
AP8113241	33.26	22	AP8152268	33.16	12	B063431	33.14	11
AP8113288	33.26	16	AP8152273	33.21	4	B063443	33.26	28
AP8113553	33.26	23	AP8152277	33.04	7	B063465	34.37	15
AP8120246	34.09	10	AP8152277	33.05	8	B063466	34.37	16
AP8120311	33.01	13	AP8152277	33.19	3	B063702	33.24	1
AP8120416	33.30	18	AP8152278	33.11	2	B063704	33.25	1
AP8120416	33.31	27	AP8152278	33.15	3	B063735	33.28	14
AP8120416	33.48	11	AP8152279	33.15	9	B063735	33.29	6



Código	Nº Tabla	Pos.	Código	Nº Tabla	Pos.	Código	Nº Tabla	Pos.
B063749	33.11	1	GU10214302	34.43	27	GU19214660	34.43	11
B063750	33.27	6	GU10214303	34.43	27	GU19215460	34.43	3
B063752	33.21	1	GU10214304	34.43	27	GU19234600	34.44	2
B063854	33.23	1	GU10214305	34.43	27	GU19237800	34.42	13
B063855	33.23	2	GU10528900	34.34	15	GU19327601	34.09	5
B063975	33.18	15	GU10528900	34.40	13	GU19328801	34.09	3
CM0074C9	33.30	10	GU10528900	34.42	23	GU19350700	34.10	22
CM0074D0	33.30	9	GU12003702	34.34	20	GU19351100	34.10	4
CM013202	33.31	25	GU12022600	34.10	6	GU19351900	34.10	2
CM225705	33.31	15	GU12022600	34.42	24	GU19352300	34.10	23
CM225710	33.31	16	GU12087001	34.41	9	GU19353500	34.10	24
CM225715	33.31	17	GU12154200	34.34	23	GU19355200	34.10	35
CM225730	33.31	18	GU12154200	34.42	12	GU19355202	34.10	36
CM228303	34.47	1	GU13021900	34.34	26	GU19355300	34.10	33
CM228304	34.47	1	GU13021900	34.36	12	GU19355301	34.10	33
GU00823923140	33.03	7	GU14086000	34.41	10	GU19355302	34.10	33
GU00823923140	33.22	32	GU14086100	34.41	7	GU19355303	34.10	33
GU00823923140	33.48	12	GU14090201	34.41	1	GU19355304	34.10	33
GU00823931055	33.28	19	GU14090400	34.41	2	GU19355305	34.10	33
GU00823931070	33.12	14	GU14217901	34.40	6	GU19355306	34.10	33
GU00823944050	33.12	13	GU14217901	34.42	7	GU19355307	34.10	33
GU00823950050	33.26	21	GU14217901	34.44	17	GU19355308	34.10	33
GU01528930	34.10	9	GU14609650	33.30	18	GU19355309	34.10	33
GU01609630	33.18	14	GU14609650	33.31	27	GU19355320	34.10	27
GU01654630	33.19	17	GU14615901	33.05	15	GU19355321	34.10	27
GU01659130	33.19	11	GU14615901	33.13	5	GU19355322	34.10	27
GU01659131	33.19	12	GU14615901	34.09	20	GU19355323	34.10	27
GU01665410	33.26	25	GU14615901	34.37	5	GU19355324	34.10	27
GU02717450	33.30	11	GU14616150	33.24	15	GU19355325	34.10	27
GU03013800	33.06	7	GU14616150	33.25	10	GU19355326	34.10	27
GU03013800	33.23	8	GU18144350	34.39	16	GU19355327	34.10	27
GU03013800	34.47	10	GU18161150	34.39	21	GU19355328	34.10	27
GU03067730	34.10	19	GU18257551	33.26	8	GU19355329	34.10	27
GU03101600	33.12	7	GU19002020	34.35	5	GU19355400	34.10	21
GU03101720	33.12	5	GU19002020	34.42	16	GU19355402	34.10	21
GU03101900	33.12	3	GU19003800	34.34	8	GU19355404	34.10	21
GU03102200	33.12	6	GU19007700	34.45	8	GU19355406	34.10	21
GU03102400	33.12	2	GU19015020	34.34	5	GU19355408	34.10	21
GU03103200	33.12	8	GU19017000	33.02	4	GU19355410	34.10	21
GU03103500	33.12	4	GU19018920	34.39	10	GU19355411	34.10	21
GU03163330	33.31	3	GU19021360	34.36	18	GU19355412	34.10	21
GU03270300	33.27	10	GU19021920	34.36	7	GU19355413	34.10	21
GU03604845	33.19	8	GU19025280	33.23	5	GU19356700	34.10	30
GU03605645	33.19	9	GU19025460	33.23	6	GU19356760	34.41	16
GU03609600	33.18	14	GU19027500	34.38	15	GU19356801	34.10	28
GU03612040	33.24	16	GU19030500	34.38	7	GU19357660	34.10	25
GU03631250	33.24	4	GU19032080	34.38	10	GU19547000	34.09	12
GU03631250	33.25	9	GU19032980	34.36	17	GU20085720	34.41	13
GU03658201	33.27	16	GU19032980	34.38	14	GU20147710	34.39	17
GU03658330	33.27	17	GU19034000	34.38	8	GU20147810	34.39	3
GU03658430	33.27	14	GU19037820	34.36	8	GU20148410	34.39	4
GU03660145	33.19	1	GU19045861	34.38	25	GU20148610	34.39	5
GU03661145	33.19	6	GU19055700	34.38	23	GU20208520	34.44	9
GU03664045	33.19	7	GU19058021	34.38	19	GU20258221	33.06	9
GU03740930	33.29	2	GU19058220	34.38	20	GU20352421	34.10	31
GU03749845	33.19	5	GU19062261	34.37	4	GU20355121	34.10	34
GU03922280	34.09	23	GU19065400	34.37	2	GU23204471	34.40	21
GU03995730	33.33	16	GU19067700	34.37	18	GU23204571	34.40	22
GU05107430	33.21	3	GU19083462	34.40	2	GU23211372	34.43	8
GU05659230	33.19	10	GU19146422	34.39	1	GU23217800	34.38	3
GU05730730	34.46	1	GU19152200	34.39	11	GU23328081	34.09	7
GU05781630	33.16	14	GU19202320	34.42	9	GU23548080	34.09	8
GU05900130	33.33	11	GU19203460	34.40	11	GU23548180	34.09	9
GU06740400	33.28	17	GU19206501	34.10	10	GU23922210	33.17	12
GU10054100	34.43	12	GU19212900	34.43	15	GU23943410	33.08	35
GU10214300	34.43	27	GU19213720	34.43	17	GU27037521	34.38	4
GU10214301	34.43	27	GU19213760	34.41	15	GU27061585	34.37	3

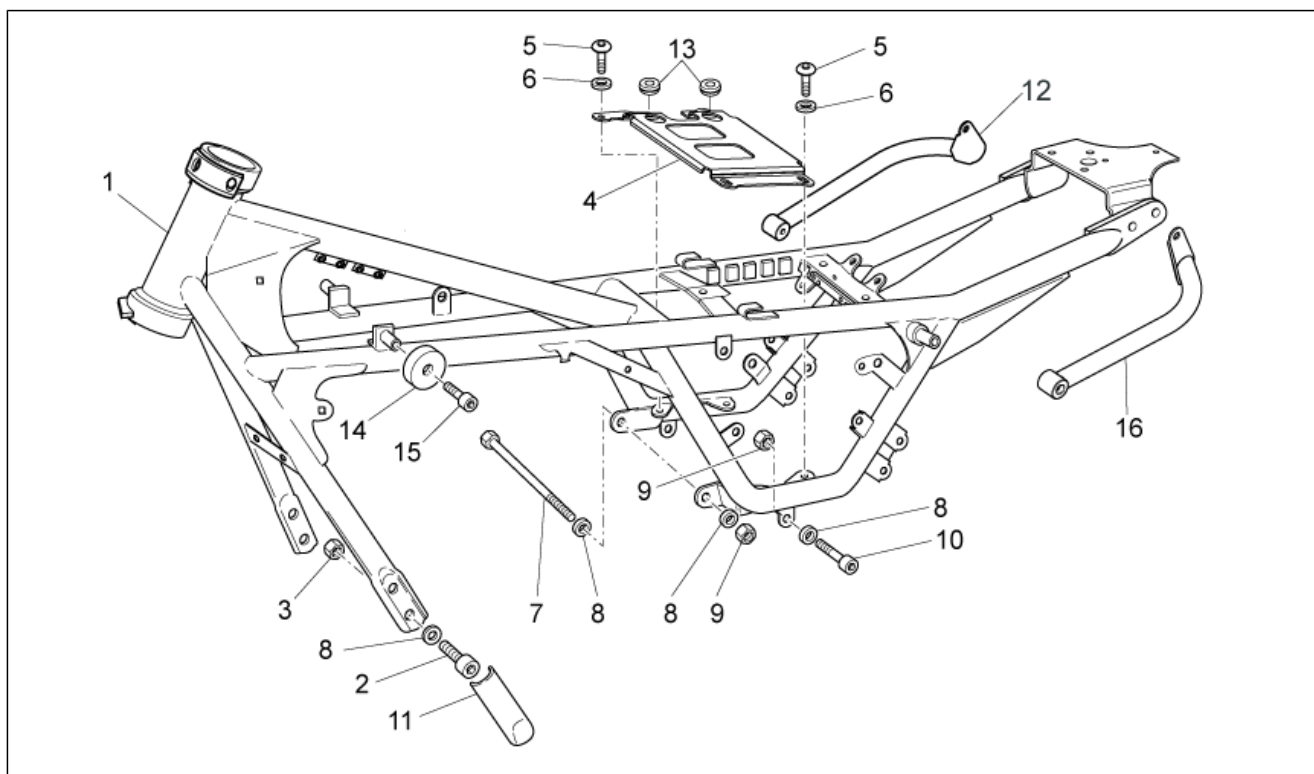


Código	Nº Tabla	Pos.	Código	Nº Tabla	Pos.	Código	Nº Tabla	Pos.
GU27061885	34.37	17	GU32215010	34.43	22	GU61270300	34.10	26
GU27062060	34.37	6	GU32215210	34.43	23	GU61270300	34.34	6
GU27065660	34.37	7	GU32231010	34.44	5	GU61270300	34.36	21
GU27066460	34.37	9	GU32231210	34.44	4	GU61270300	34.40	17
GU27066560	34.37	8	GU32233010	34.44	6	GU66103415	33.01	14
GU27152885	34.34	22	GU32234110	34.44	13	GU90271018	34.38	12
GU27153085	34.39	14	GU32234410	34.44	1	GU90271117	34.43	29
GU27210760	34.41	12	GU32234710	34.44	11	GU90271121	34.43	19
GU27633910	33.25	4	GU32234810	34.44	12	GU90271124	34.43	4
GU28157950	33.22	29	GU32234910	34.44	16	GU90272023	34.09	4
GU28157950	33.48	8	GU32235710	34.44	14	GU90272075	34.40	3
GU28252060	33.02	8	GU32238210	34.44	10	GU90274026	34.44	3
GU28612033	33.25	18	GU32256910	33.06	4	GU90353009	34.36	4
GU29729461	33.31	2	GU32257810	33.06	8	GU90353029	34.38	24
GU29759150	33.18	17	GU32350410	34.10	13	GU90353030	34.10	17
GU30577800	33.29	13	GU32351410	34.10	16	GU90400616	34.41	11
GU30577800	34.47	17	GU32354610	34.10	18	GU90402538	33.25	6
GU30601060	33.18	13	GU32431310	33.02	9	GU90402642	33.24	8
GU30602500	33.18	22	GU32434460	33.13	1	GU90403251	34.10	38
GU30630430	33.25	19	GU32439260	33.48	3	GU90403549	34.10	3
GU31003766	34.10	8	GU32441210	33.04	5	GU90407591	34.10	15
GU31003766	34.34	14	GU32441210	33.05	3	GU90706076	34.34	9
GU31003766	34.40	19	GU32442310	33.05	1	GU90706111	34.39	22
GU31003766	34.42	26	GU32442710	33.05	10	GU90706140	34.42	4
GU31016050	34.39	20	GU32443210	33.04	4	GU90706141	33.30	17
GU31037015	34.38	13	GU32443210	33.05	2	GU90706170	34.41	8
GU31038015	34.38	5	GU32443211	33.04	11	GU90706188	34.10	29
GU31045015	34.38	26	GU32443211	33.05	11	GU90706188	34.43	18
GU31112965	33.22	33	GU32457810	33.01	11	GU90706203	34.10	7
GU31121880	33.23	9	GU32461610	33.14	2	GU90706203	34.42	25
GU31150950	34.39	26	GU32504210	33.08	36	GU90706235	34.41	14
GU31159050	34.39	15	GU32506360	33.28	1	GU90706281	34.34	19
GU31327783	34.09	2	GU32517710	33.31	8	GU90706444	34.34	17
GU31439565	33.13	4	GU32555210	33.11	4	GU90706584	34.10	37
GU31513480	33.08	20	GU32555211	33.11	5	GU90714082	33.22	31
GU31544181	34.09	15	GU32602860	33.18	9	GU91113826	33.23	23
GU31547882	34.09	14	GU32603010	33.18	16	GU91120806	33.15	6
GU31610160	33.24	17	GU32603310	33.18	7	GU91180601	33.15	10
GU31614183	33.24	9	GU32605510	33.18	2	GU91181003	33.18	11
GU31615283	33.24	6	GU32613160	33.24	2	GU91181003	33.19	18
GU31616384	33.24	12	GU32615660	33.24	14	GU91551010	33.22	25
GU31634281	33.27	4	GU32632510	33.25	17	GU91551086	33.14	13
GU31634481	33.25	15	GU32633360	33.25	14	GU92201070	34.10	14
GU31740383	33.28	11	GU32633560	34.10	11	GU92201220	34.43	16
GU32032310	34.38	11	GU32634160	33.27	5	GU92201225	34.40	10
GU32053410	34.38	16	GU32636160	33.25	21	GU92204217	33.25	5
GU32054510	34.38	17	GU32657110	33.19	2	GU92204218	33.25	3
GU32067910	34.40	5	GU32692260	33.25	2	GU92204221	33.24	7
GU32080310	34.40	1	GU32735510	33.32	5	GU92218417	34.43	10
GU32084410	34.40	4	GU32747910	33.31	9	GU92230320	34.43	13
GU32115010	34.47	3	GU32753410	33.28	3	GU92234716	34.43	26
GU32115011	34.47	8	GU32753410	33.29	8	GU92249220	34.10	32
GU32115510	34.47	7	GU32781910	33.16	10	GU92249225	33.07	2
GU32121010	33.23	7	GU32782510	33.17	8	GU92249227	34.10	20
GU32202010	34.43	28	GU32782510	33.32	2	GU92251028	34.43	7
GU32206510	34.42	22	GU32944310	33.33	17	GU92252210	34.39	2
GU32208210	34.42	8	GU32999010	34.34	25	GU92252235	34.10	5
GU32210510	34.43	1	GU32999510	34.34	24	GU92296723	34.39	6
GU32211110	34.43	9	GU35214300	34.09	13	GU92602406	34.38	9
GU32211410	34.43	6	GU39238100	34.43	25	GU92602510	34.39	19
GU32211810	34.43	5	GU49609601	33.30	18	GU92603010	34.36	11
GU32212011	34.43	2	GU49609601	33.31	27	GU92606206	33.17	6
GU32213610	34.43	14	GU53429500	33.02	3	GU92606208	34.34	7
GU32213810	34.42	5	GU61027200	34.37	12	GU92606208	34.40	18
GU32214010	34.43	24	GU61036801	34.36	3	GU92606210	33.01	9
GU32214510	34.43	20	GU61038100	34.38	6	GU92606210	33.02	5
GU32214810	34.43	21	GU61054900	34.38	18	GU92606210	33.11	7



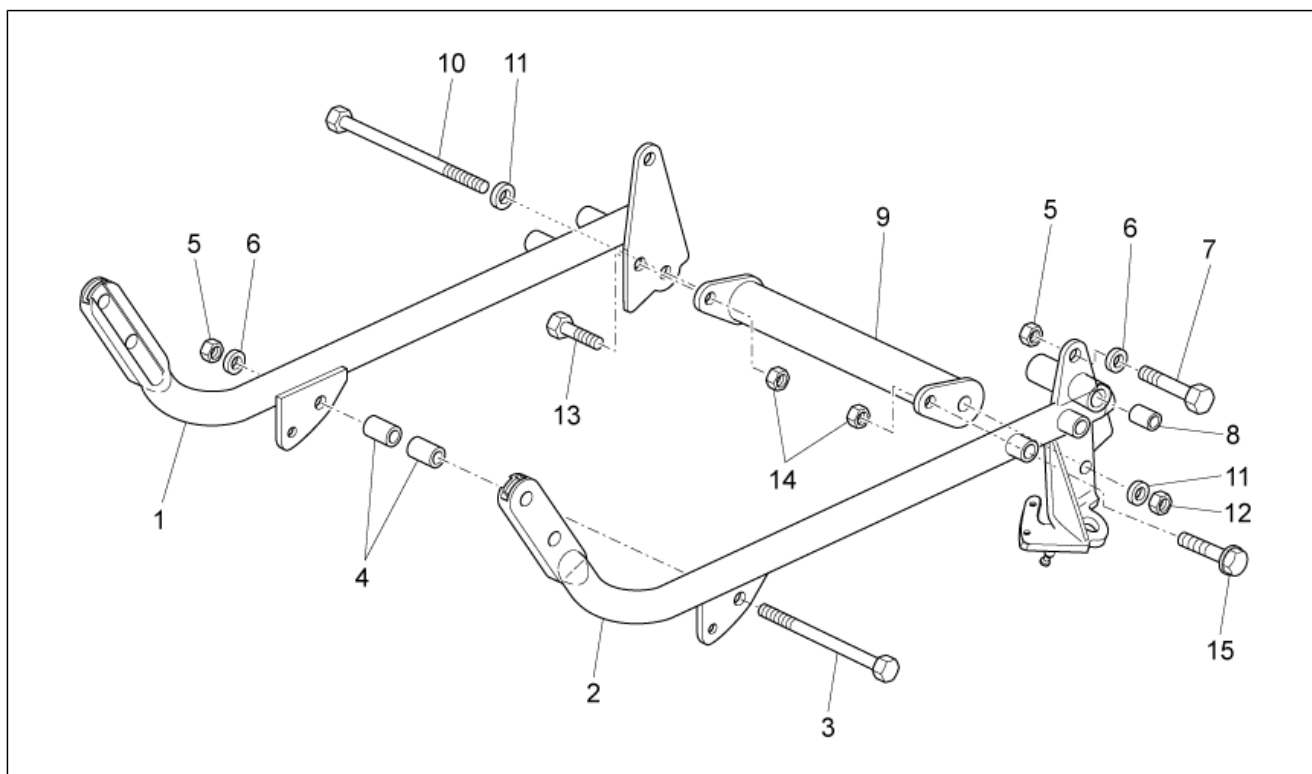
Código	Nº Tabla	Pos.	Código	Nº Tabla	Pos.
GU92606210	34.09	18	GU95129260	33.06	3
GU92606316	33.25	16	GU95187006	34.39	13
GU92606508	34.41	3	GU95500221	33.26	10
GU92606512	34.42	14	GU95500222	34.41	6
GU92609007	33.26	12	GU95780271	34.41	5
GU92630108	33.15	8	GU96451316	33.27	15
GU92630204	33.16	8	GU96451430	34.34	3
GU92630206	33.26	6	GU96451560	34.34	2
GU92630510	33.01	3	GU96506042	34.36	5
GU92630707	33.06	5	GU96508055	34.10	12
GU92640508	33.23	19	GU96508055	34.34	4
GU92660021	33.26	7	GU96510181	34.36	15
GU92787006	33.28	6	GU96510214	34.36	14
GU92787006	33.29	11	GU97202325	33.18	12
GU93180105	34.09	21	GU98054422	34.38	28
GU93180111	33.24	13	GU98082565	33.02	7
GU93180220	34.40	9	GU98084314	34.39	12
GU93180245	34.36	22	GU98084314	34.40	12
GU93222023	33.17	4	GU98110199	33.01	7
GU93231605	33.29	14	GU98210612	33.23	27
GU93231605	34.47	16	GU98230510	33.16	4
GU93301175	33.23	26	GU98230510	33.18	19
GU93301313	33.48	15	GU98230612	34.44	7
GU93305061	33.22	22	GU98257618	34.44	15
GU93450105	33.28	9	GU98350215	33.29	12
GU93450126	33.28	15	GU98350416	33.01	5
GU93450126	33.29	7	GU98370412	33.19	4
GU93450224	33.29	3	GU98370515	34.47	18
GU93450232	33.28	10	GU98370609	33.17	2
GU94321079	34.39	24	GU98370616	33.31	7
GU94321099	34.09	6	GU98370625	33.14	4
GU94321105	34.41	4	GU98370625	33.26	17
GU95004210	33.31	4	GU98370655	33.28	7
GU95005306	33.17	3	GU98370655	33.29	9
GU95005308	33.26	9	GU98370831	33.15	5
GU95005308	33.28	23	GU98370845	33.13	3
GU95005308	33.48	4	GU98612216	33.03	9
GU95005308	34.09	22	GU98622322	34.47	9
GU95005310	33.15	7	GU98632322	33.06	6
GU95005310	33.26	5	GU98680435	34.40	15
GU95008205	33.30	16	GU98680435	34.42	19
GU95008206	34.39	23	GU98680450	34.40	16
GU95008208	33.01	6	GU98680545	34.09	16
GU95008208	34.46	3	GU98680555	33.01	10
GU95008210	33.01	8	GU98682212	33.30	15
GU95008210	33.02	6	GU98682212	33.31	12
GU95008210	34.09	17	GU98682212	34.45	5
GU95008305	33.18	20	GU98682325	34.34	11
GU95008306	33.19	20	GU98682325	34.35	3
GU95008306	33.27	21	GU98682330	34.35	4
GU95020105	33.03	10	GU98682330	34.42	18
GU95021104	33.19	19	GU98682414	33.01	15
GU95021105	33.18	21	GU98682416	33.04	12
GU95021206	33.17	5	GU98682416	33.05	14
GU95021206	33.28	8	GU98682416	33.17	9
GU95021206	33.29	10	GU98682416	33.32	7
GU95100059	33.31	13	GU98682430	33.12	9
GU95100116	34.47	12	GU98682435	34.46	2
GU95100125	34.45	11	GU98682530	33.01	2
GU95100244	34.38	29	GU98690335	33.11	8
GU95100309	34.39	27	GU98690335	33.18	8
GU95100602	34.39	25	GU98690440	33.23	17
GU95100709	34.34	21	GU98692325	34.36	16
GU95129115	34.38	22	GU98692420	33.28	22
GU95129180	34.34	27	GU98880540	33.28	21
GU95129180	34.36	13	GU98882316	34.38	21
GU95129181	33.11	6			

Grupo	BASTIDOR
Código	33.01
Descripción	Bastidor I
Revisión	1



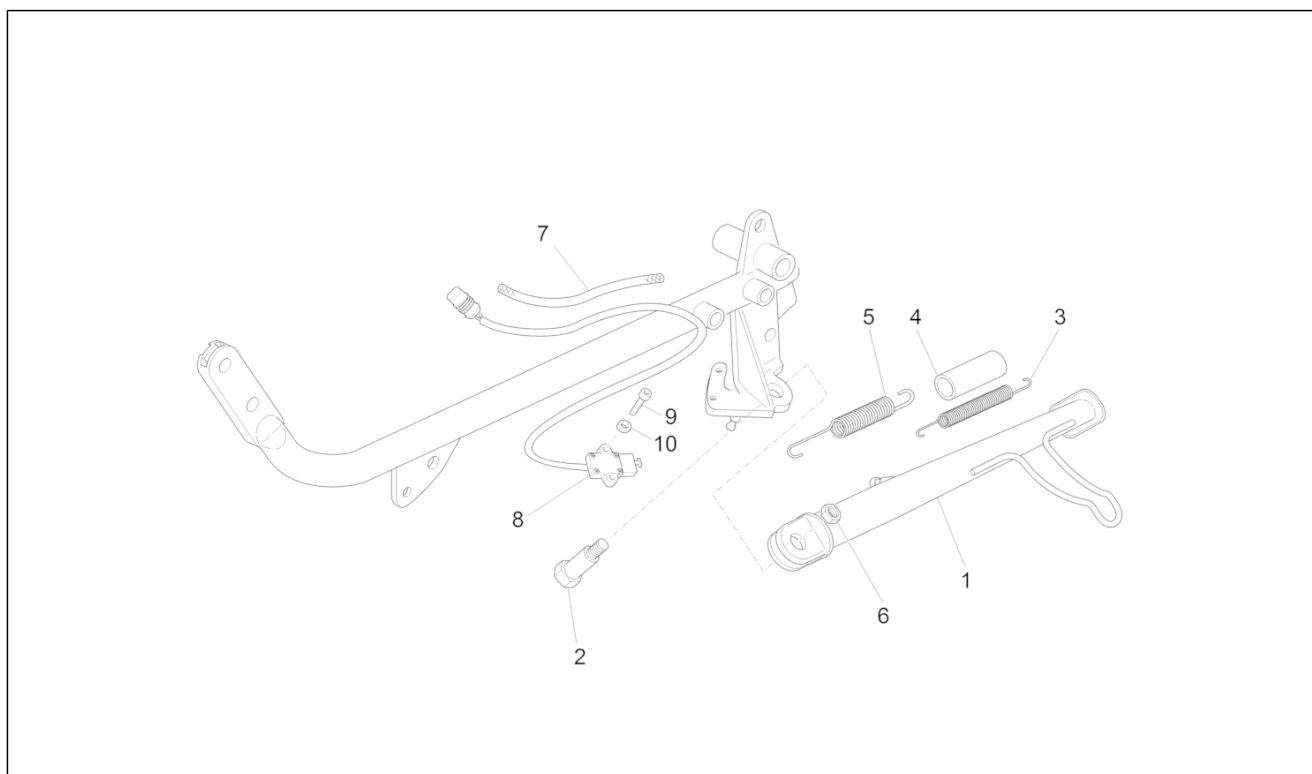
Pos.	Código	Descripción	Cant.	Variantes
1	887837	Bastidor p.	1	
2	GU98682530	Tornillo Allen M10x30	4	
3	GU92630510	Tuerca M10x1,5	4	
4	B063287	Placa de unión chasis	1	
5	GU98350416	Tornillo M8x16	4	
6	GU95008208	Arandela 8,4X15X1,5	4	
7	GU98110199	Perno M10x205	1	
8	GU95008210	Arandela 10,2X18X2	11	
9	GU92606210	Tuerca M10x1,5	3	
10	GU98680555	Tornillo M10x55	2	
11	GU32457810	Protección	2	
12	978951	Asa der.	1	
13	AP8120311	Goma *	2	
14	GU66103415	Goma	2	
15	GU98682414	Tornillo Allen	2	
16	978952	Asa izquierda	1	

Grupo	BASTIDOR
Código	33.02
Descripción	Bastidor II
Revisión	1



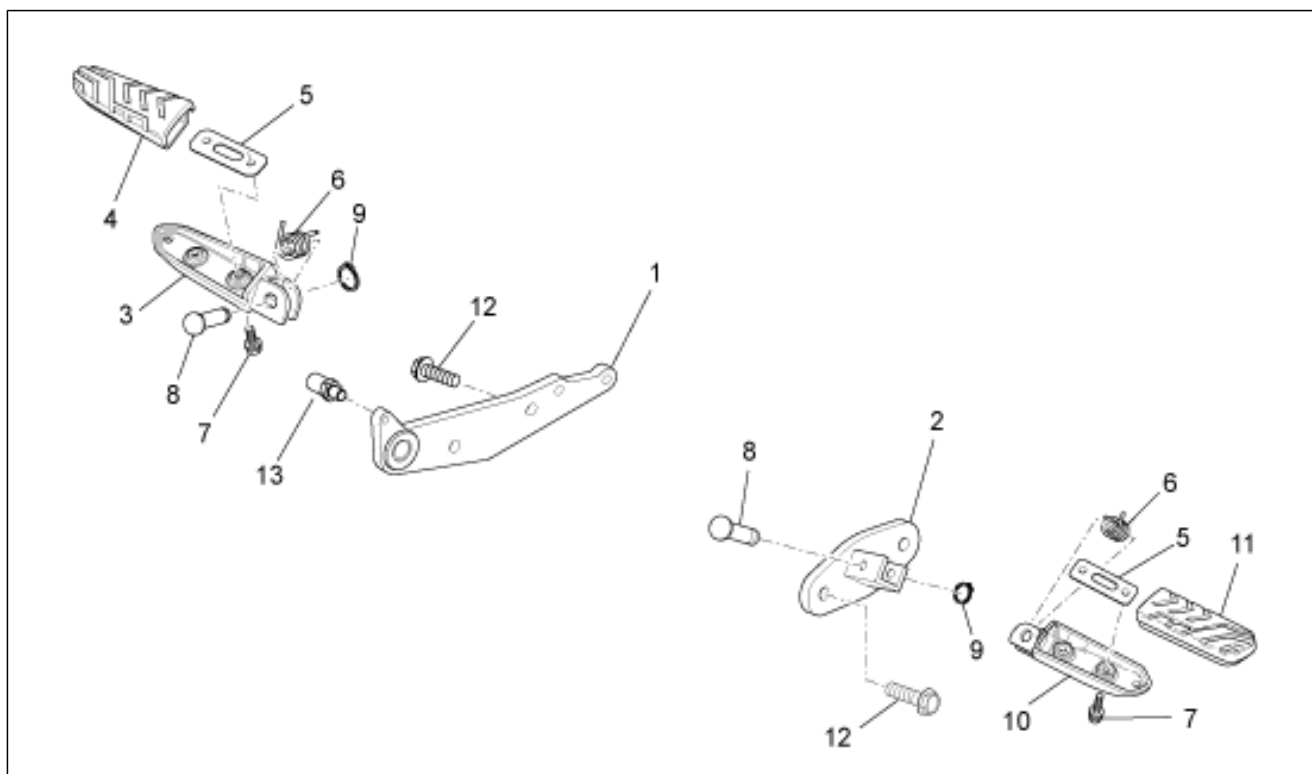
Pos.	Código	Descripción	Cant.	Variantes
1	B063197	Cuna der.	1	
2	B063198	Cuna izq.	1	
3	GU53429500	Perno M10x250	1	
4	GU19017000	Buje	2	
5	GU92606210	Tuerca M10x1,5	3	
6	GU95008210	Arandela 10,2X18X2	3	
7	GU98082565	Tornillo M10x65	2	
8	GU28252060	Buje 18 mm est.	2	
9	GU32431310	Placa cuna	1	
10	AP8121367	Perno M10x260	1	
11	AP8152220	Arandela	2	
12	AP8150436	Tuerca autobloq.baja	1	
13	AP8152287	Torn. CH con reborde M8x25	1	
14	AP8152300	Tuerca autobloqueante M8	1	
15	AP8152288	Torn. CH con reborde	1	

Grupo	BASTIDOR
Código	33.03
Descripción	Caballote lateral
Revisión	1



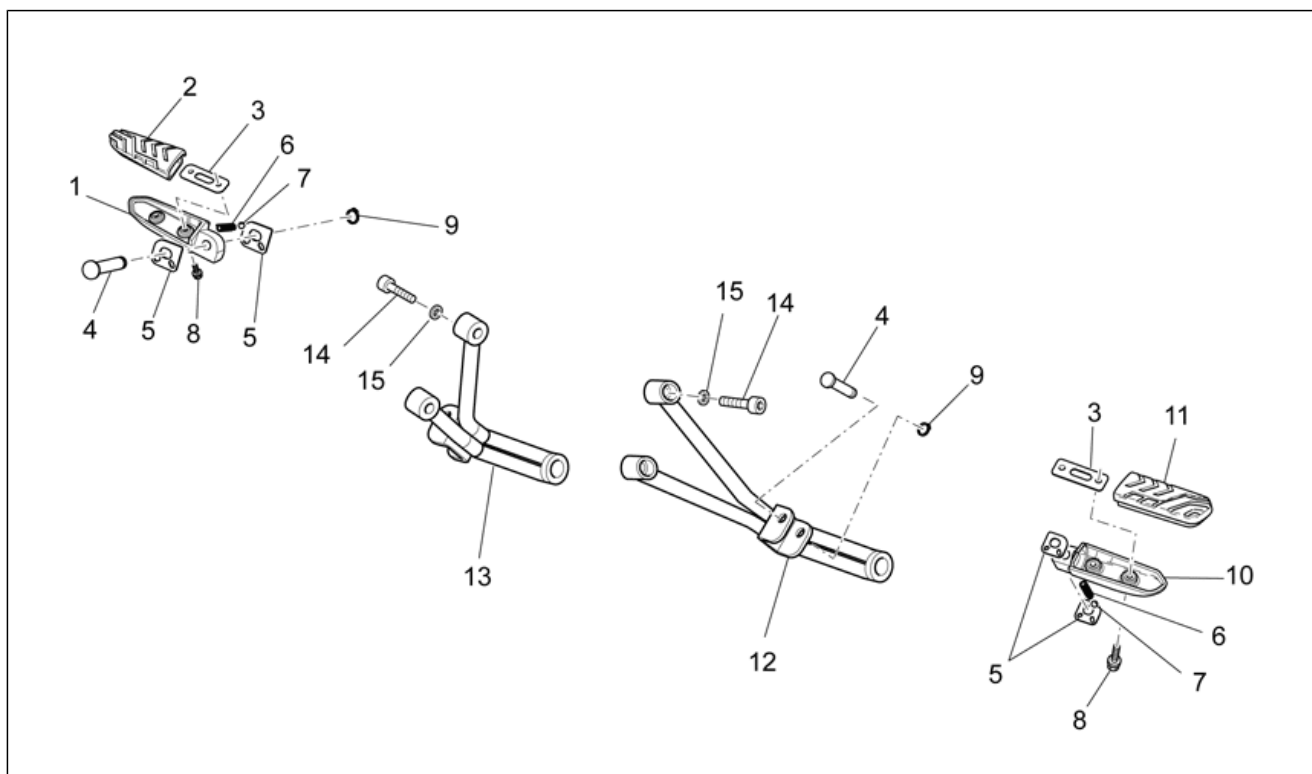
Pos.	Código	Descripción	Cant.	Variantes
1	B063086	Caballote lateral	1	
2	AP8121375	Tornillo fij. caballote	1	
3	AP8121014	Muelle hél.cil.trac. *	1	
4	AP8102524	Prot.muelle caball.	1	
5	AP8221197	Mlle retorno caball.	1	
6	967356	Tuerca con reborde M10x1,25	1	
7	GU00823923140	Kit motor arr.	1	
8	AP8127856	Interrupt. caballote	1	
9	GU98612216	Tornillo Allen	2	
10	GU95020105	Arandela 5,3x8,9x2,4	2	

Grupo	BASTIDOR
Código	33.04
Descripción	Estribos piloto
Revisión	1



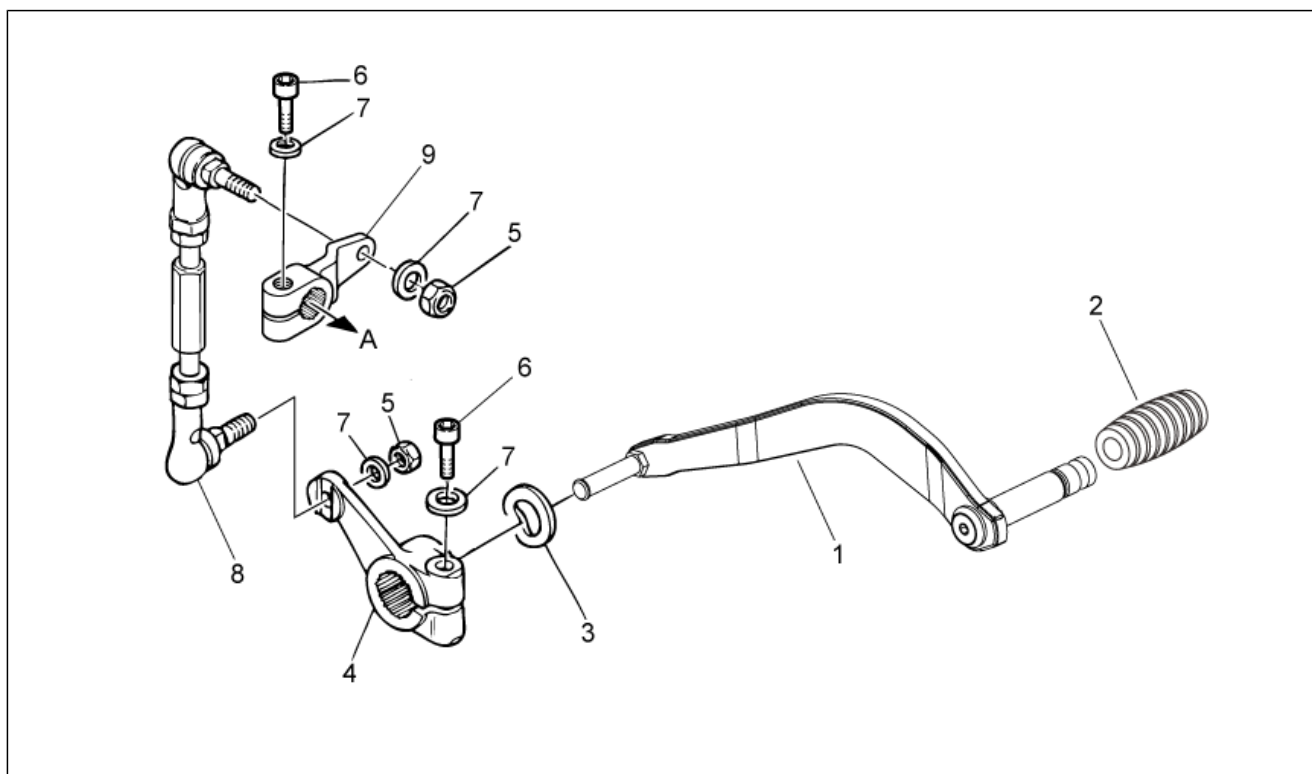
Pos.	Código	Descripción	Cant.	Variantes
1	883051	Soporte estribo dcho	1	
2	883052	Sop.estr.izq.	1	
3	AP8145034	Estribo piloto der.	1	
4	GU32443210	Goma	1	
5	GU32441210	Placa	2	
6	AP8221277	Muelle retorno estribo	2	
7	AP8152277	Torn. CH con reborde M6x12	4	
8	AP8121566	Perno estribo	2	
9	AP8152409	Anillo de tope radial	2	
10	AP8145035	Estribo piloto izq.	1	
11	GU32443211	Goma	1	
12	GU98682416	Tornillo Allen M8x16	4	
13	B063132	Utée	1	

Grupo	BASTIDOR
Código	33.05
Descripción	Estribos pas.
Revisión	1



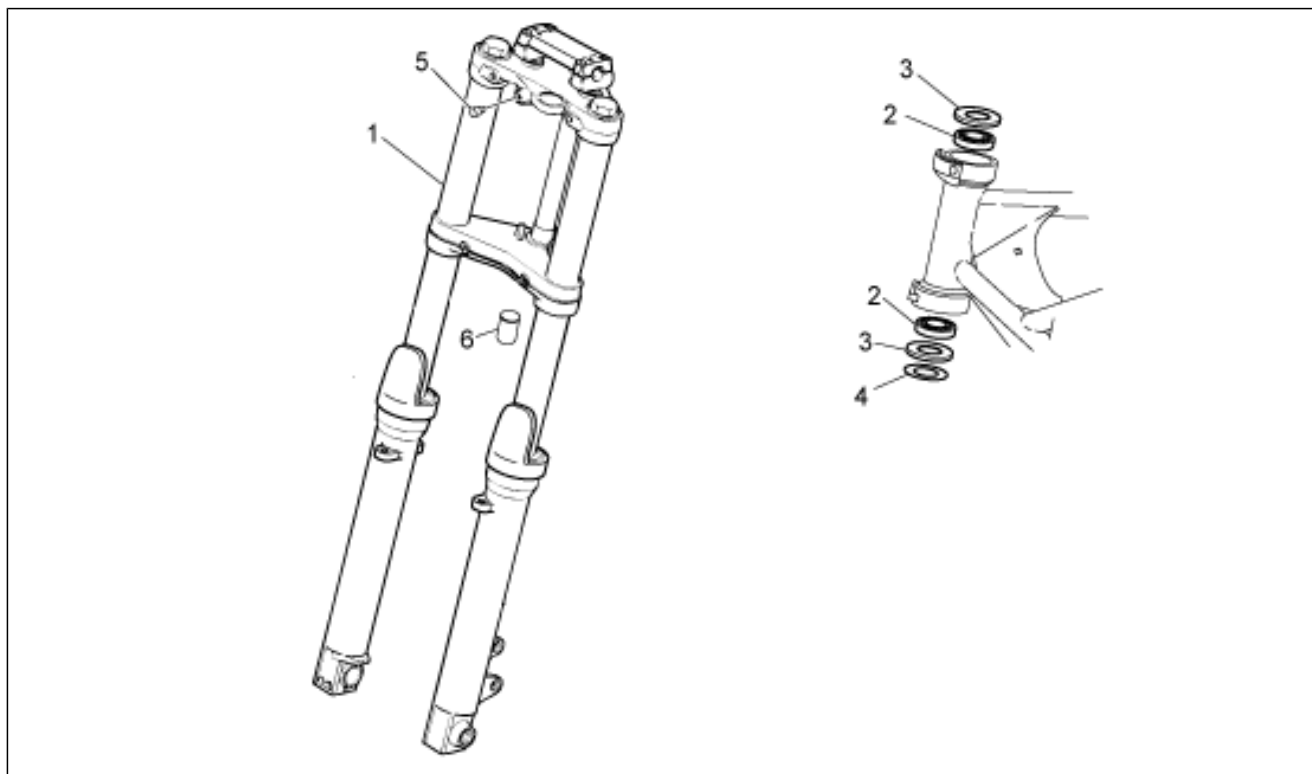
Pos.	Código	Descripción	Cant.	Variantes
1	GU32442310	Estribo pasaj .der.	1	
2	GU32443210	Goma	1	
3	GU32441210	Placa	2	
4	AP8121566	Perno estribo	2	
5	AP8134451	Placa fin carr.estr.	4	
6	AP8121133	Mlle hél.cil.compr.	2	
7	AP8101861	Bola D6,35	2	
8	AP8152277	Torn. CH con reborde M6x12	4	
9	AP8152409	Anillo de tope radial	2	
10	GU32442710	Estribo pasaj .izq.	1	
11	GU32443211	Goma	1	
12	2B000349	Supporto pedane passeggero sx con Pi	1	
12	883019	Sop.estr.izq.	1	
13	2B000348	Supporto pedane passeggero dx con PI	1	
13	883015	Soporte estribo dcho	1	
14	GU98682416	Tornillo Allen M8x16	4	
15	GU14615901	Arandela 8,4X13X0,8	4	

Grupo	BASTIDOR
Código	33.06
Descripción	Palanca cambio
Revisión	1



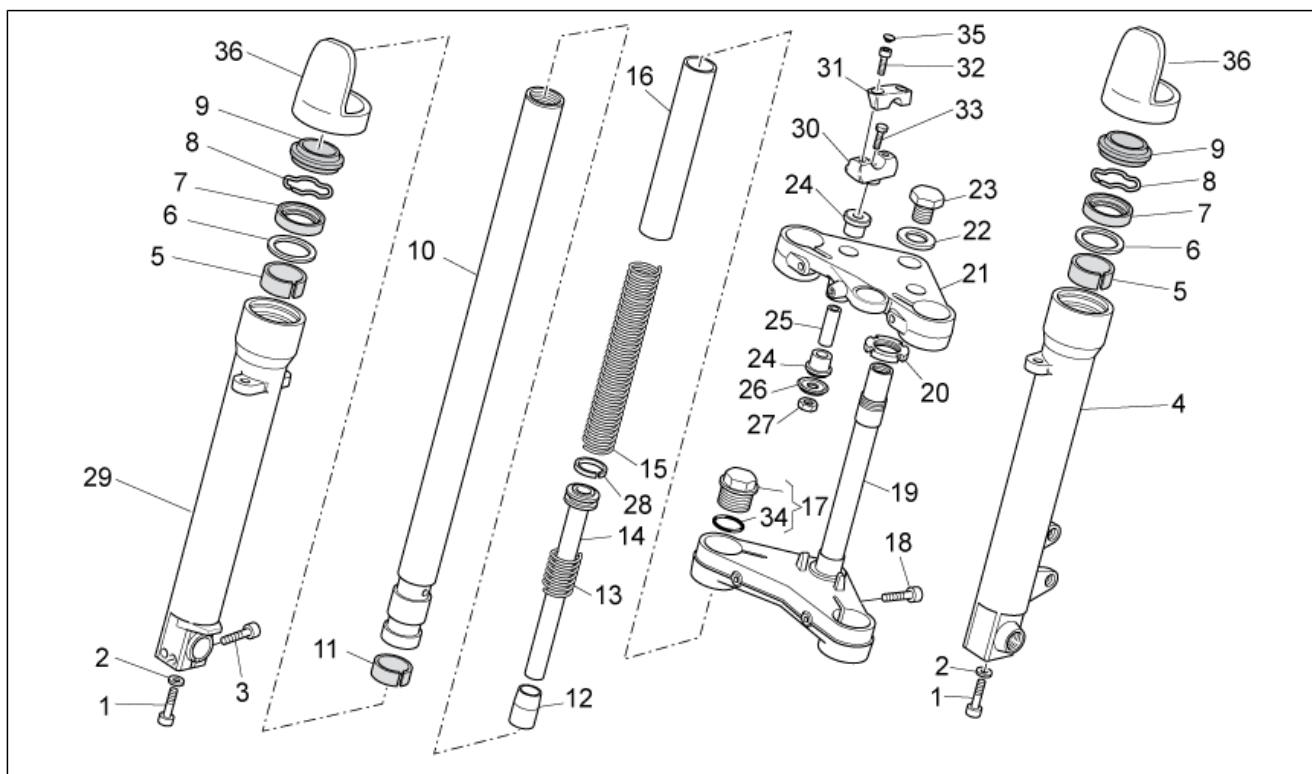
Pos.	Código	Descripción	Cant.	Variantes
1	887851	Palanca cambio	1	
2	AP8120912	Goma para palanca	1	
3	GU95129260	Arandela elástica	2	
4	GU32256910	Leva ret.	1	
5	GU92630707	Tuerca	2	
6	GU98632322	Tornillo	2	
7	GU03013800	Arandela 6,4x12	3	
8	GU32257810	Renvio	1	
9	GU20258221	Leva pre-selector	1	

Grupo	BASTIDOR
Código	33.07
Descripción	HORQUILLA DELANTERA I
Revisión	1



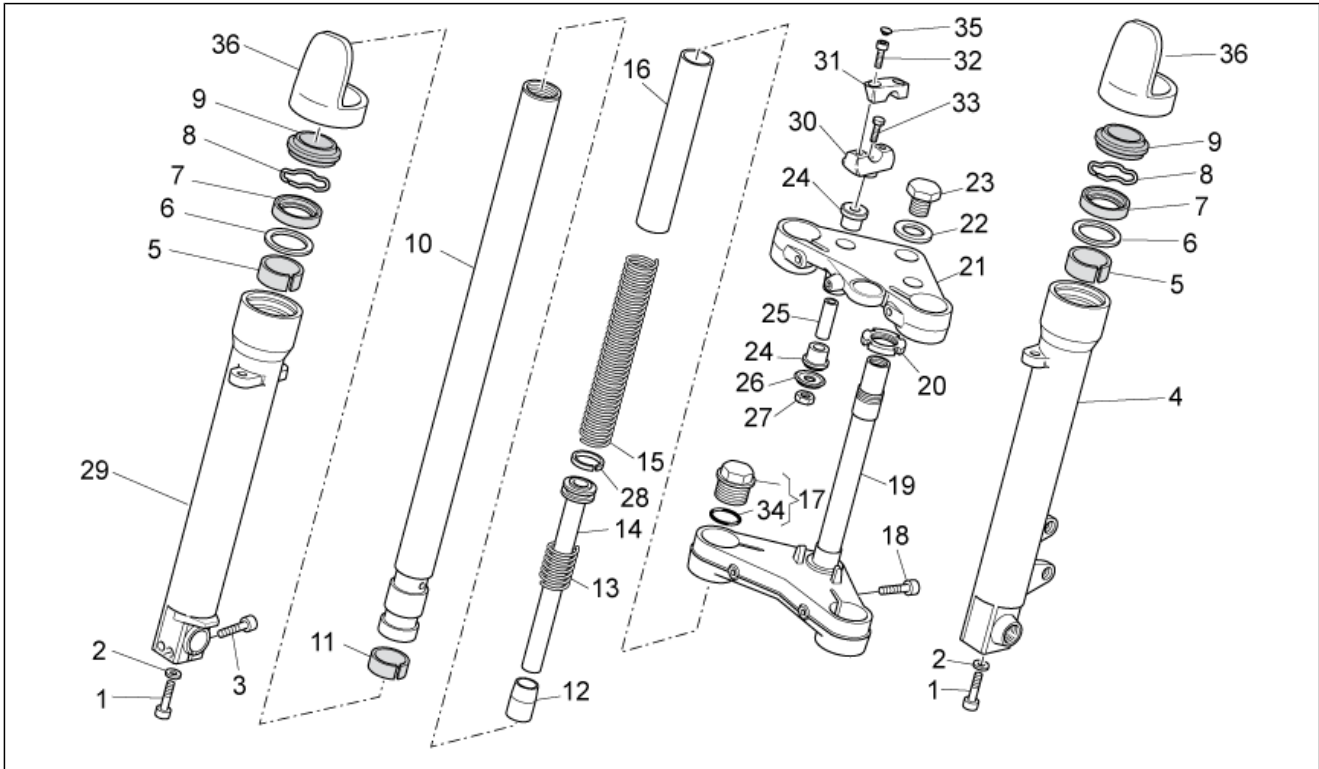
Pos.	Código	Descripción	Cant.	Variantes
1	2B000559	Horquilla completa	1	
2	GU92249225	Coj. rodillos cónicos	2	
3	AP8144146	Gasket ring	1	
4	AP8121307	Arandela	1	
5	AP8144081	Goma	1	
6	AP8220460	Cubeta de goma	1	

Grupo	BASTIDOR
Código	33.08
Descripción	HORQUILLA DELANTERA II
Revisión	1



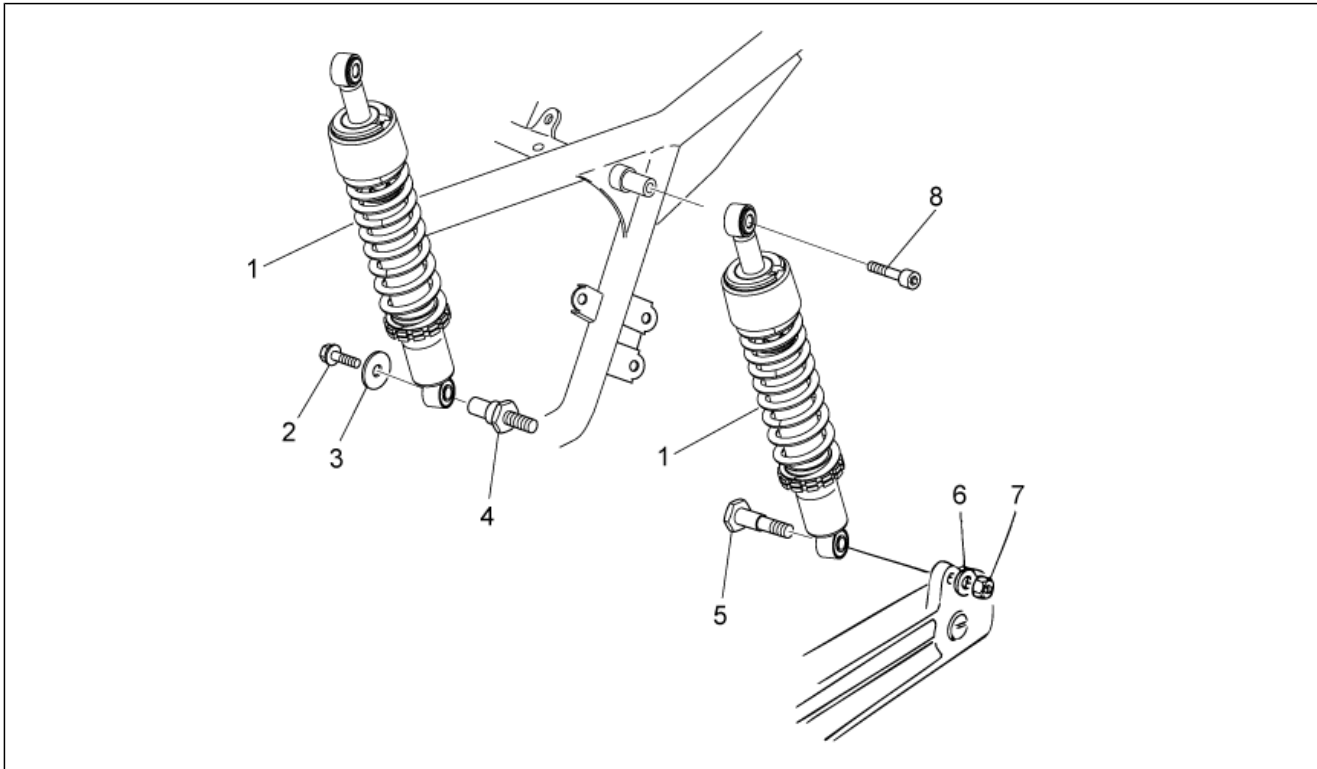
Pos.	Código	Descripción	Cant.	Variantes
1	887878	Tornillo M10x30	2	
2	887879	Arandela	2	
3	887880	Tornillo	2	
4	2R000110	Funda izq.	1	
5	887882	Casquillo superior	2	
6	887883	Arandela	2	
7	887884	Gasket ring	2	
8	887885	Anillo de tope	2	
9	887886	Guardapolvo	2	
10	887887	Funda	2	
11	887888	Buje	2	
12	887889	Taco	2	
13	887890	Contramuelle	2	
14	887891	Hidráulico cpl.	2	
15	887892	Muelle	2	
16	887893	Tubo	2	
17	887894	Gr. tapón cpl.	2	
18	887895	Tornillo	2	
19	887896	Base con manguito	1	
20	GU31513480	Virola M25X1	1	
21	887898	Chapa superior	1	
22	887899	Arandela	1	
23	887900	Tuerca	1	
24	887901	Goma	4	
25	887902	Distanciador	2	
26	887903	Cubeta	2	
27	887904	Tuerca	2	
28	887905	Segmento	2	

Grupo	BASTIDOR
Código	33.08
Descripción	HORQUILLA DELANTERA II
Revisión	1



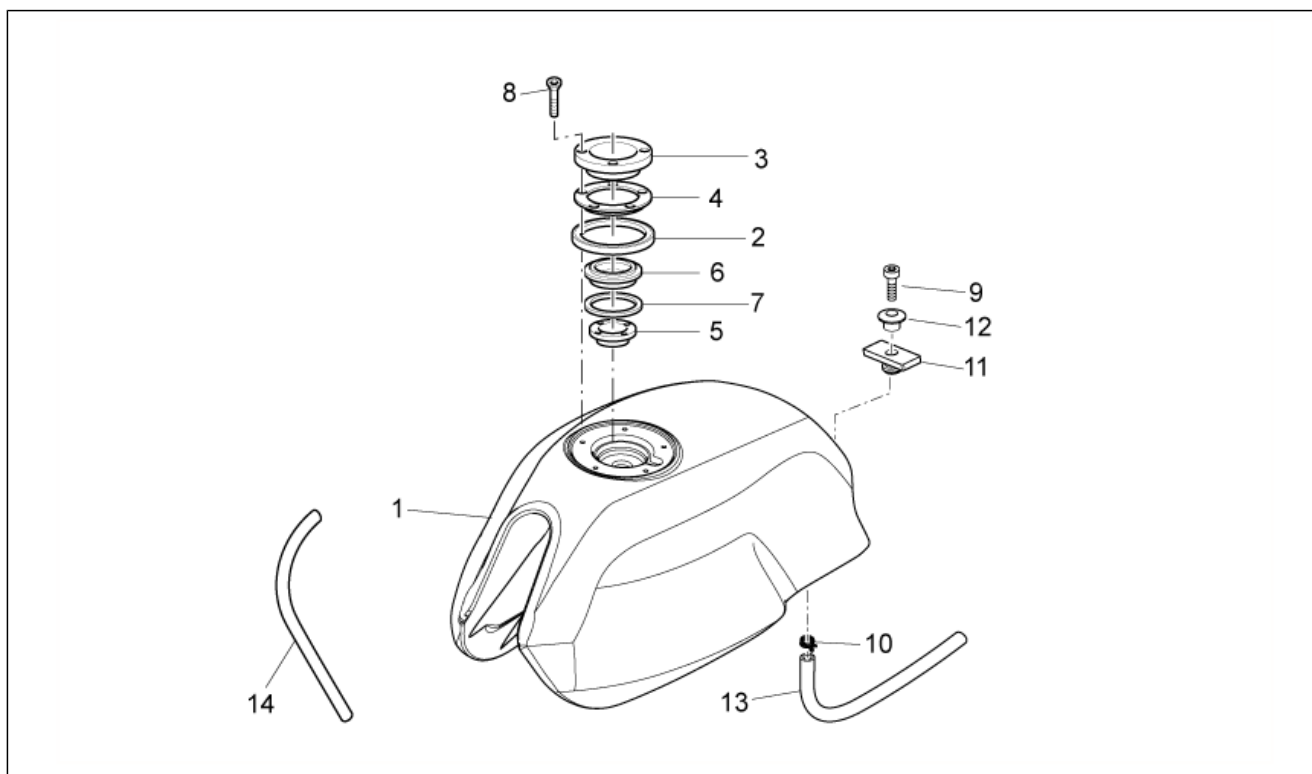
Pos.	Código	Descripción	Cant.	Variantes
29	2R000109	Funda der.	1	
30	887912	Perno inferior	2	
31	887913	Horquilla.	2	
32	887914	Tornillo M8x30	4	
33	887915	Tornillo M10x60	2	
34	887916	Junta tórica 4118	2	
35	GU23943410	Tapón cromado	4	
36	GU32504210	Prot. vást.	2	

Grupo	BASTIDOR
Código	33.11
Descripción	Tras.Amortiguador
Revisión	1



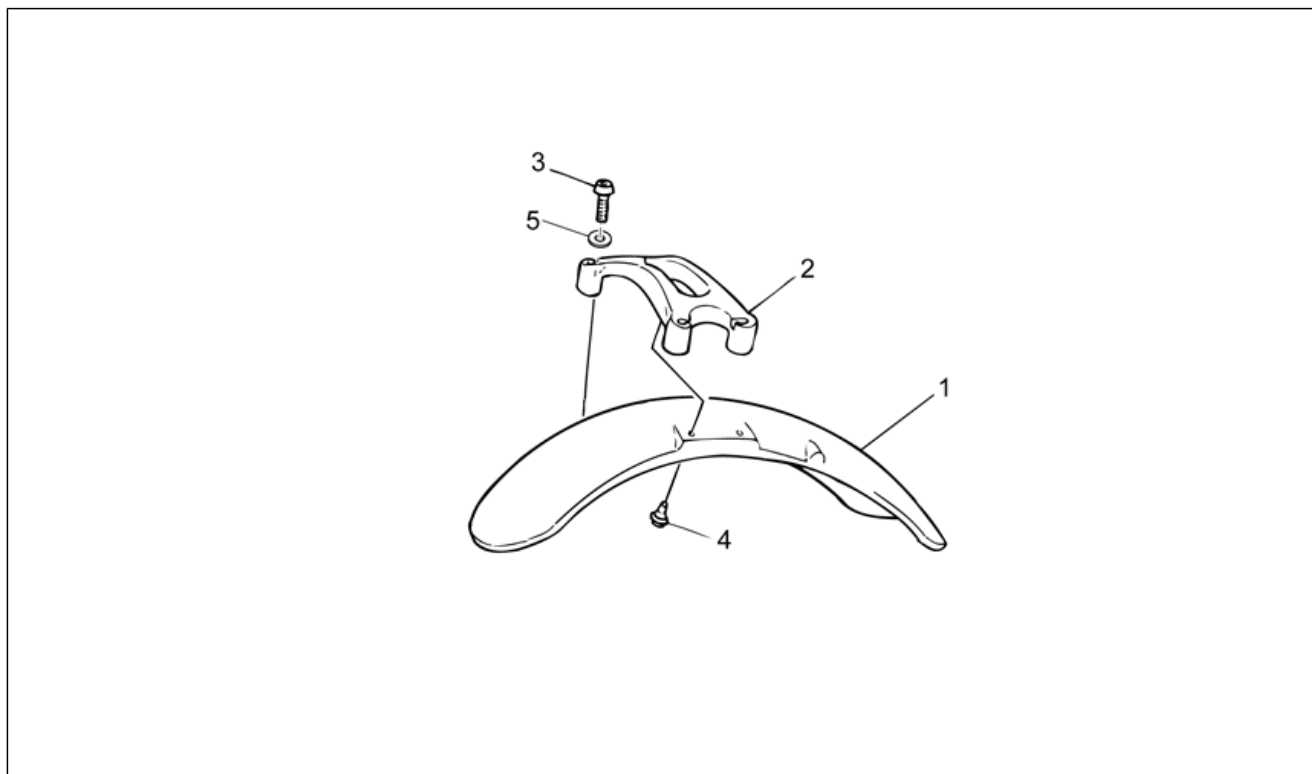
Pos.	Código	Descripción	Cant.	Variantes
1	884035	Amortiguador trasero	2	Especificaciones técnicas:
1	B063749	Amortiguador trasero	2	Especificaciones técnicas: Olle Amortigors SL[O]
2	AP8152278	Torn. CH con reborde M6x16	1	
3	898164	Distanc. amortig.	1	
4	GU32555210	Perno	1	
5	GU32555211	Perno	1	
6	GU95129181	Arandela	1	
7	GU92606210	Tuerca M10x1,5	1	
8	GU98690335	Tornillo Allen	2	

Grupo	BASTIDOR
Código	33.12
Descripción	Depósito gasolina
Revisión	1



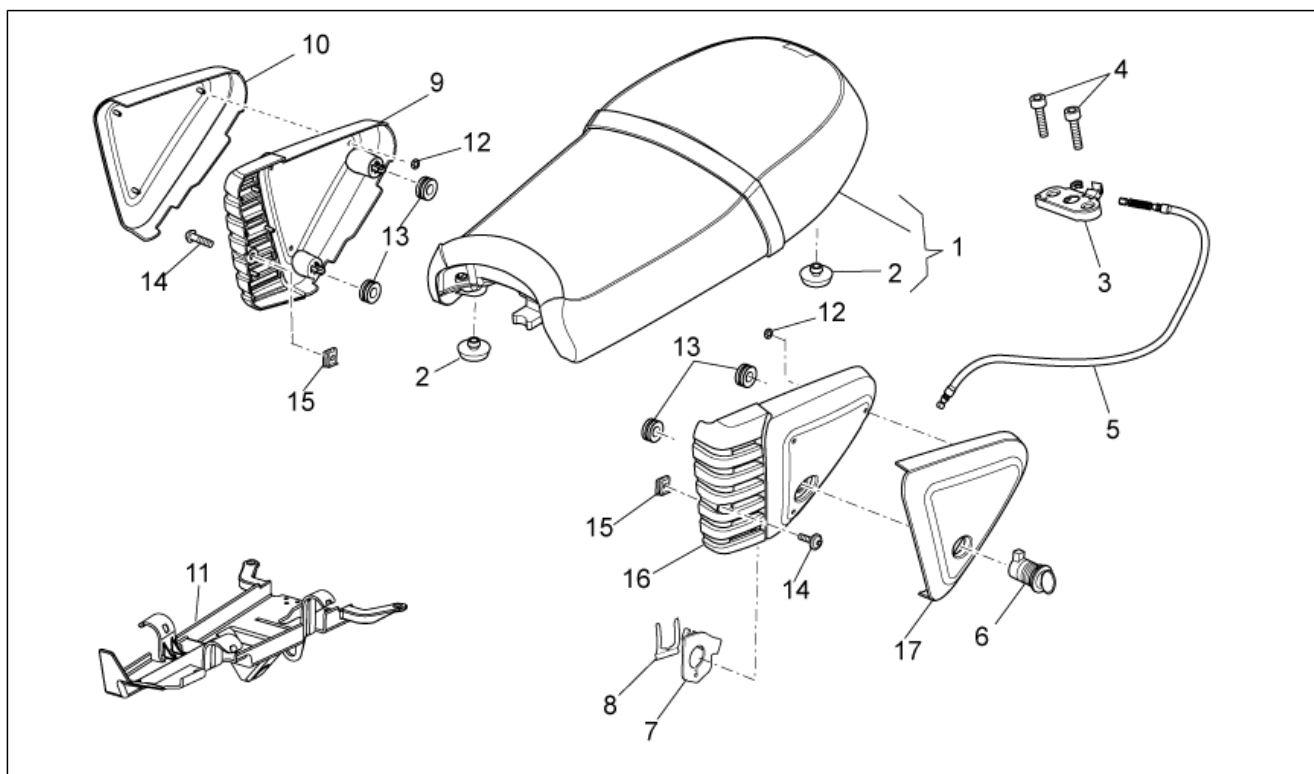
Pos.	Código	Descripción	Cant.	Variantes
1	2H000019000XN2	Depós. gas. p. negro	1	COLOR VEHÍCULO: Negro Competition[nc] Especificaciones técnicas: Con calco[D]
1	2H000020000XN2	Depós. gas. p. negro	1	COLOR VEHÍCULO: Negro Competition[nc] PAÍS: China[CN] Especificaciones técnicas: Con calco[D]
1	2H000076000YE5	Depós.gasol. gris m.	1	COLOR VEHÍCULO: Gris Metal[gm] Especificaciones técnicas: Con calco[D]
1	2H000077000YE5	Depósito gasolina pint. gris	1	COLOR VEHÍCULO: Gris Metal[gm] PAÍS: China[CN] Especificaciones técnicas: Con calco[D]
1	887207	Depósito gasolina en bruto	1	COLOR VEHÍCULO: En bruto[gr]
1	887944	Depósito gasolina bas.	1	COLOR VEHÍCULO: En bruto[gr] PAÍS: China[CN]
2	GU03102400	Junta Der.	1	
3	GU03101900	Brida	1	
4	GU03103500	Anillo	1	
5	883502	Reducción 24 mm	1	PAÍS: China[CN]
5	GU03101720	Reducción 38 mm	1	
6	GU03102200	Tuerca para tapon	1	
7	GU03101600	Junta	2	
8	GU03103200	Tornillo	5	
9	GU98682430	Tornillo Allen M8x30	1	
10	AP8101595	Abrazadera D10,1	1	
11	AP8120557	Goma depósito	1	
12	AP8121673	Buje en 'T' *	1	
13	GU00823944050	tubo 5X9	1	
14	GU00823931070	Junta	1	

Grupo	BASTIDOR
Código	33.13
Descripción	Carrocería del. - Guardab. Delantero
Revisión	1



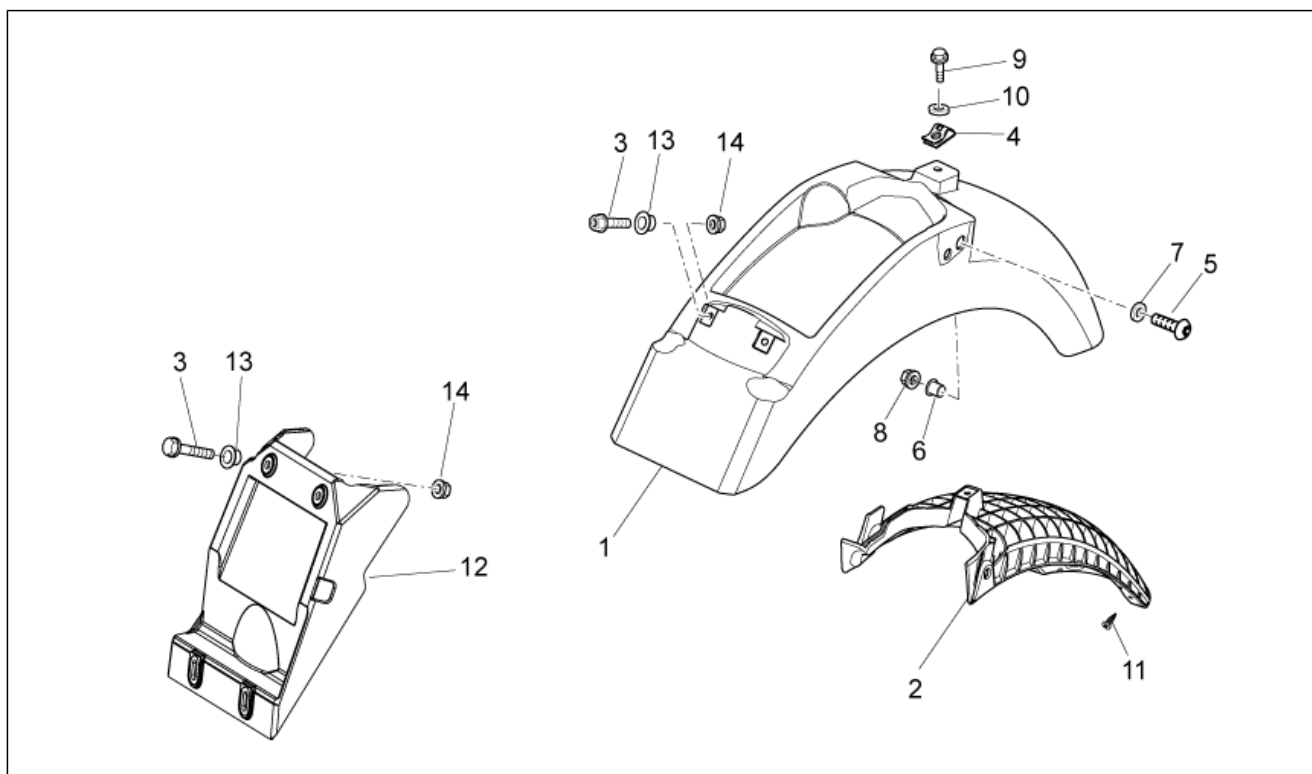
Pos.	Código	Descripción	Cant.	Variantes
1	88635200XN2	Guardab.del.negro	1	COLOR VEHÍCULO: Gris Metal[gm], Negro Competition[nc] Especificaciones técnicas:
1	GU32434460	Guardab.delantero bas.	1	COLOR VEHÍCULO: En bruto[gr]
2	883266	Lamina	1	
3	GU98370845	Tornillo	4	
4	GU31439565	Tornillo especial	4	
5	GU14615901	Arandela 8,4X13X0,8	4	

Grupo	BASTIDOR
Código	33.14
Descripción	Sillín-Carrocería cent.
Revisión	1



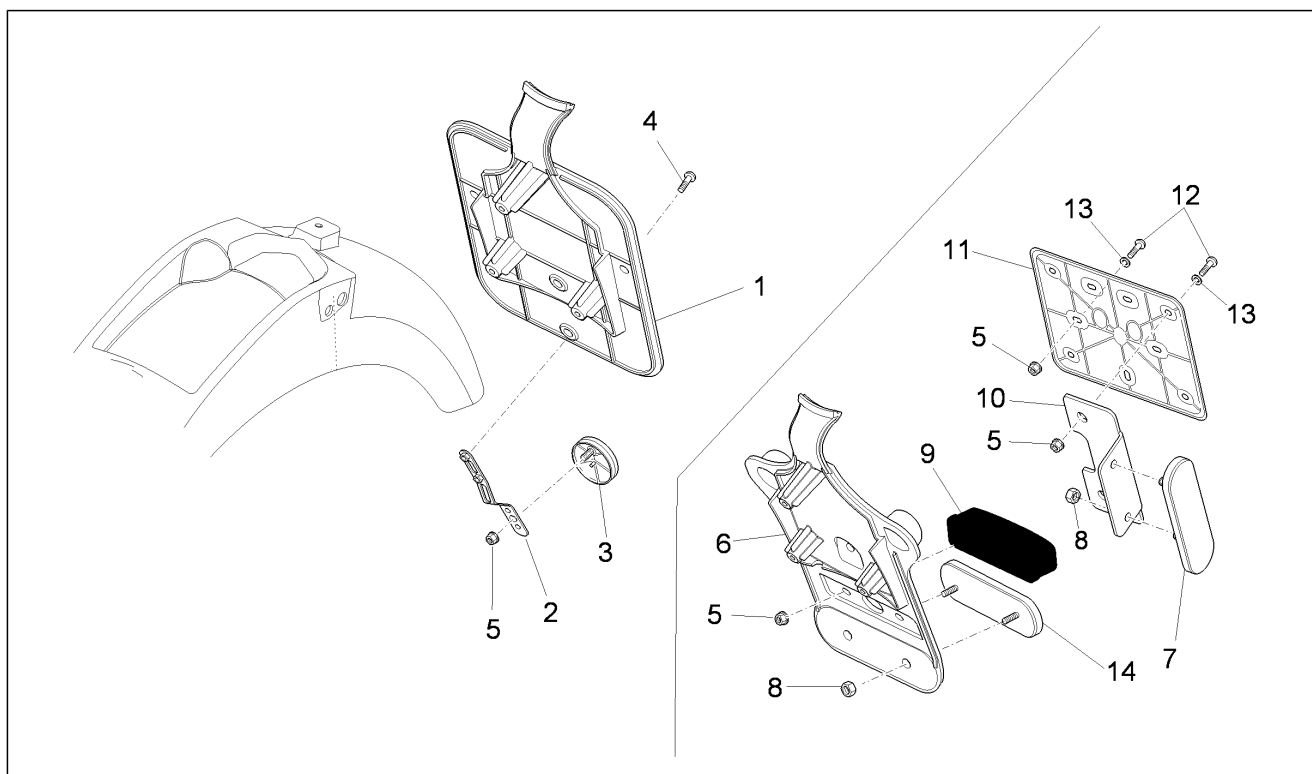
Pos.	Código	Descripción	Cant.	Variantes
1	88793900A1	Sillin	1	
2	GU32461610	Goma	8	
3	AP8102913	Placa fij.sil.pasaj.	1	
4	GU98370625	Tornillo	2	
5	883295	Cable cerradura sill.	1	
6	977527	Cerradura con llaves incluidas	1	
7	AP8121420	Muelle de horquilla	1	
8	978415	Placa soporte cable	1	
9	2B000878	Later.peq.der.p.	1	
10	2H000021000XN2	Lat. peq. der.p.negro	1	COLOR VEHÍCULO: Negro Competition[nc] Especificaciones técnicas: Con calco[D]
10	2H000078000YE5	Lat.peq. der. pint.gris	1	COLOR VEHÍCULO: Gris Metal[gm] Especificaciones técnicas: Con calco[D]
10	978940	Later.peq.der.p.gris	1	COLOR VEHÍCULO: En bruto[gr]
11	B063431	Protection	1	
12	AP8150450	Arandela para ejes D5	1	
13	GU91551086	Goma	4	
14	AP8152339	Tornillo con reborde M5x9	2	
15	AP8102375	Clip m5	2	
16	2B000840	Later.peq.izq. p.	1	
17	2H000022000XN2	Lat. peq. izq.p.negro	1	COLOR VEHÍCULO: Negro Competition[nc] Especificaciones técnicas: Con calco[D]
17	2H000079000YE5	Lat.peq.izq.p.gris	1	COLOR VEHÍCULO: Gris Metal[gm] Especificaciones técnicas: Con calco[D]
17	978943	Later.peq.izq. p.gris	1	COLOR VEHÍCULO: En bruto[gr]

Grupo	BASTIDOR
Código	33.15
Descripción	Car.tr. I- Gdab
Revisión	1



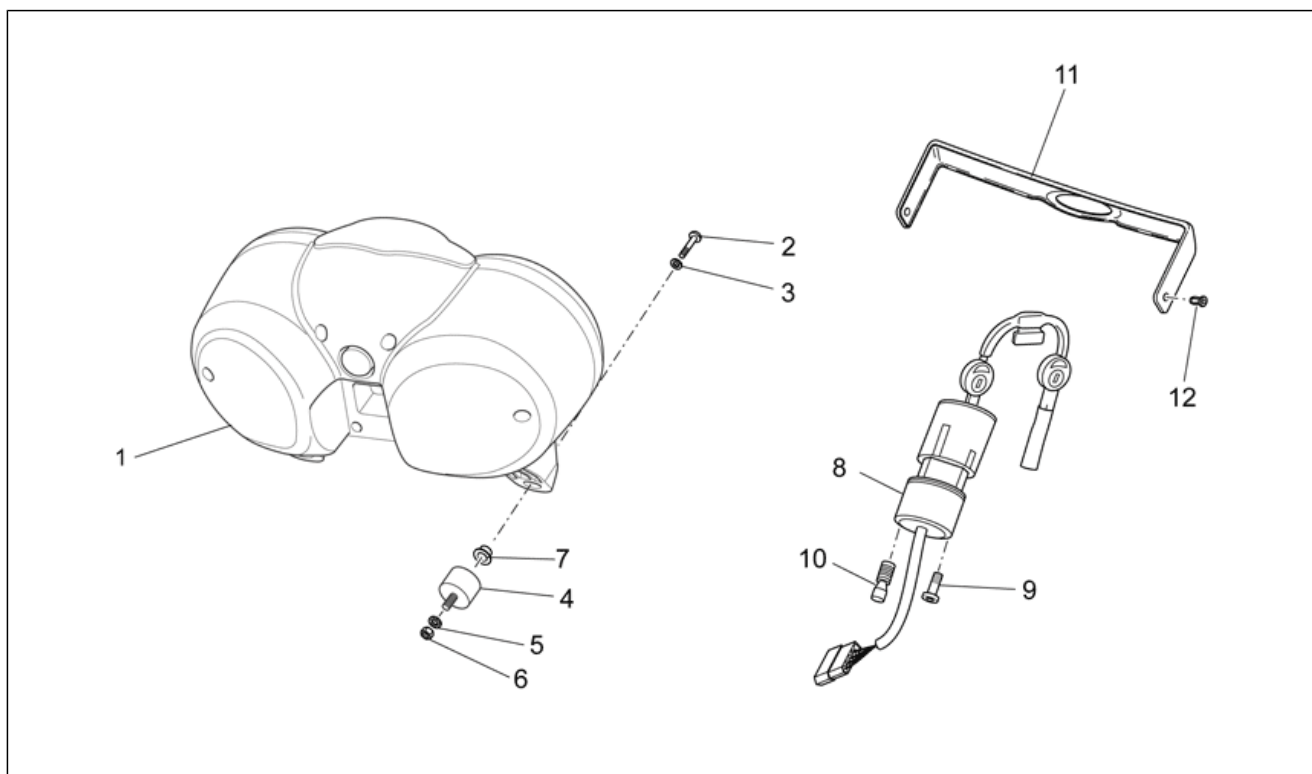
Pos.	Código	Descripción	Cant.	Variantes
1	978946	Guardabarros tras.bas.	1	COLOR VEHÍCULO: En bruto[gr]
1	97894600XN2	Guardabarros tras. negro	1	COLOR VEHÍCULO: Gris Metal[gm], Negro Competition[nc]
2	978947	Soporte	1	
3	AP8152278	Torn. CH con reborde M6x16	4	
4	254485	Placa elastica M6	1	
5	GU98370831	Tornillo M8x30	2	
6	GU91120806	Distanciador	2	
7	GU95005310	Arandela 8,4x18x2	2	
8	GU92630108	Tuerca	2	
9	AP8152279	Torn. CH con reborde M6x20	2	
10	GU91180601	Distanciador 6,2x8x3	2	
11	AP8152329	Torn. c.cruz reborde M5x20	3	
12	B063167	Parasalpicaduras	1	
13	AP8121032	Buje	6	
14	AP8152299	Tuerca autobloqueante M6	6	

Grupo	BASTIDOR
Código	33.16
Descripción	Carroc.tras.II - Portamatrícula
Revisión	1



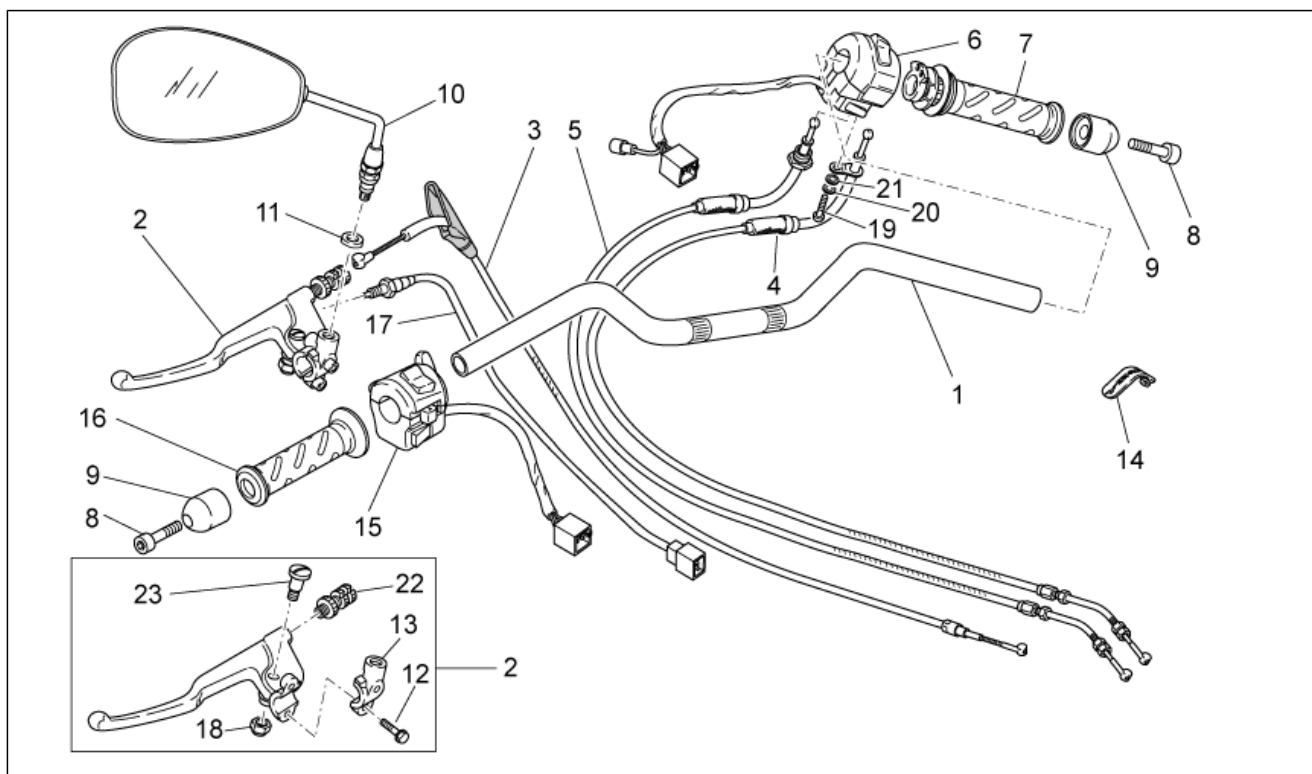
Pos.	Código	Descripción	Cant.	Variantes
1	978949	Portamatrícula	1	
2	AP8134448	Soporte catafaro	1	
3	AP8224164	Catafaro trasero rojo	1	
4	GU98230510	Tornillo	1	
5	AP8152306	Tuerca autobloqueante m5	1	
6	883470	Portamatrícula	1	PAÍS:China[CN]
7	AP8124718	Catafaro trasero rojo	2	PAÍS:China[CN]
8	GU92630204	Tuerca	6	PAÍS:China[CN]
9	883480	Faro matrícula	1	PAÍS:China[CN]
10	GU32781910	Soporte catafaro	2	PAÍS:China[CN]
11	AP8149034	Soporte matrícula	1	PAÍS:China[CN]
12	AP8152268	Tornillo M5x16	7	PAÍS:China[CN]
13	AP8150248	Arandela 5,5x15x1,6	7	PAÍS:China[CN]
14	GU05781630	Catafaro ámbar	1	PAÍS:China[CN]

Grupo	BASTIDOR
Código	33.17
Descripción	Salpicadero
Revisión	1



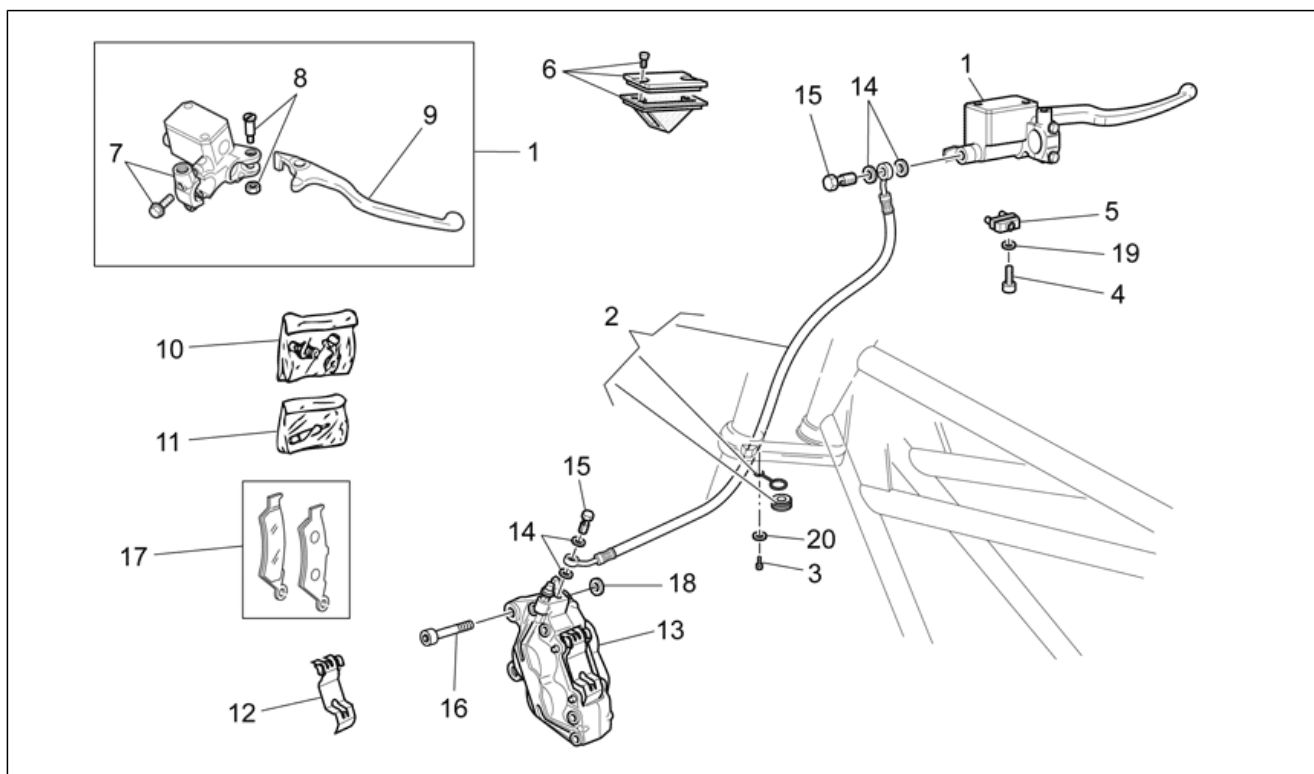
Pos.	Código	Descripción	Cant.	Variantes
1	887194	Salpicadero completo km/h	1	PAÍS:Australia[AUS], Europa[EU]
1	887195	Salpicadero completo MPH	1	PAÍS:Gran Bretaña[UK]
2	GU98370609	Tornillo M6x10	3	
3	GU95005306	Arandela 6,4x13x1,5	3	
4	GU93222023	Casquillo elástico	3	
5	GU95021206	Arandela	3	
6	GU92606206	Tuerca	3	
7	AP8121032	Buje	3	
8	GU32782510	Bloque arran.-bloq.	1	
9	GU98682416	Tornillo Allen M8x16	1	
10	AP8150349	Tornillo especial M8x15	1	
11	883569	Tapa	1	
12	GU23922210	Perno	2	

Grupo	BASTIDOR
Código	33.18
Descripción	Manillar - Mandos
Revisión	1



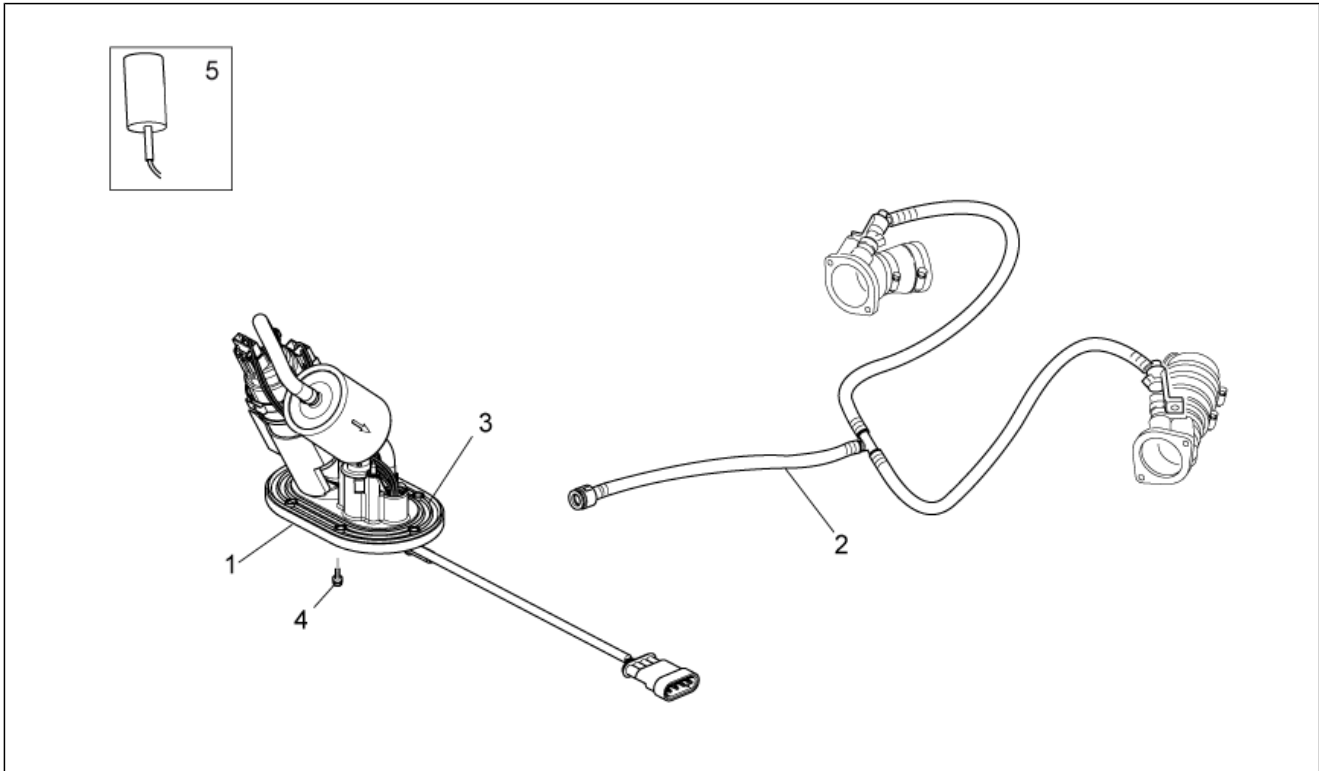
Pos.	Código	Descripción	Cant.	Variantes
1	978960	Manillar	1	
2	GU32605510	Palanca embrague	1	
3	B063427	Cable embrague	1	
4	887852	Cable apertura gas	1	
5	887853	Cable cierre gas	1	
6	B063135	Conmut. luces der.	1	
7	GU32603310	Puño der.	1	
8	GU98690335	Tornillo Allen	2	
9	GU32602860	Peso antivib. p.chr.	2	
10	883802	Espejo retrovisor der./izq.	2	Especificaciones técnicas:"Marcado ""FU E11 81R-001047""[FU]
10	978570	Espejo retrovisor der./izq.	2	Especificaciones técnicas:"marcado ""FAR""[FAR]
11	GU91181003	Distanciador 10,25X20X4	2	
12	GU97202325	Torn. CH con reborde neg. M6x25	2	
13	GU30601060	Grapa	1	
14	GU01609630	Abrazadera L46 mm	2	
14	GU03609600	Abrazadera L36 mm	1	
15	B063975	Conmut. luces izq.	1	
16	GU32603010	Puño izq.	1	
17	GU29759150	Interrupt. caballete	1	
18	AP8213388	Tuerca autobloqueante	1	
19	GU98230510	Tornillo	1	
20	GU95008305	Arandela 5,3X10X1	1	
21	GU95021105	Arand. Dentada	1	
22	GU30602500	Registro	1	
23	AP8213028	Tornillo	1	

Grupo	BASTIDOR
Código	33.19
Descripción	Eq.freno delantero
Revisión	1



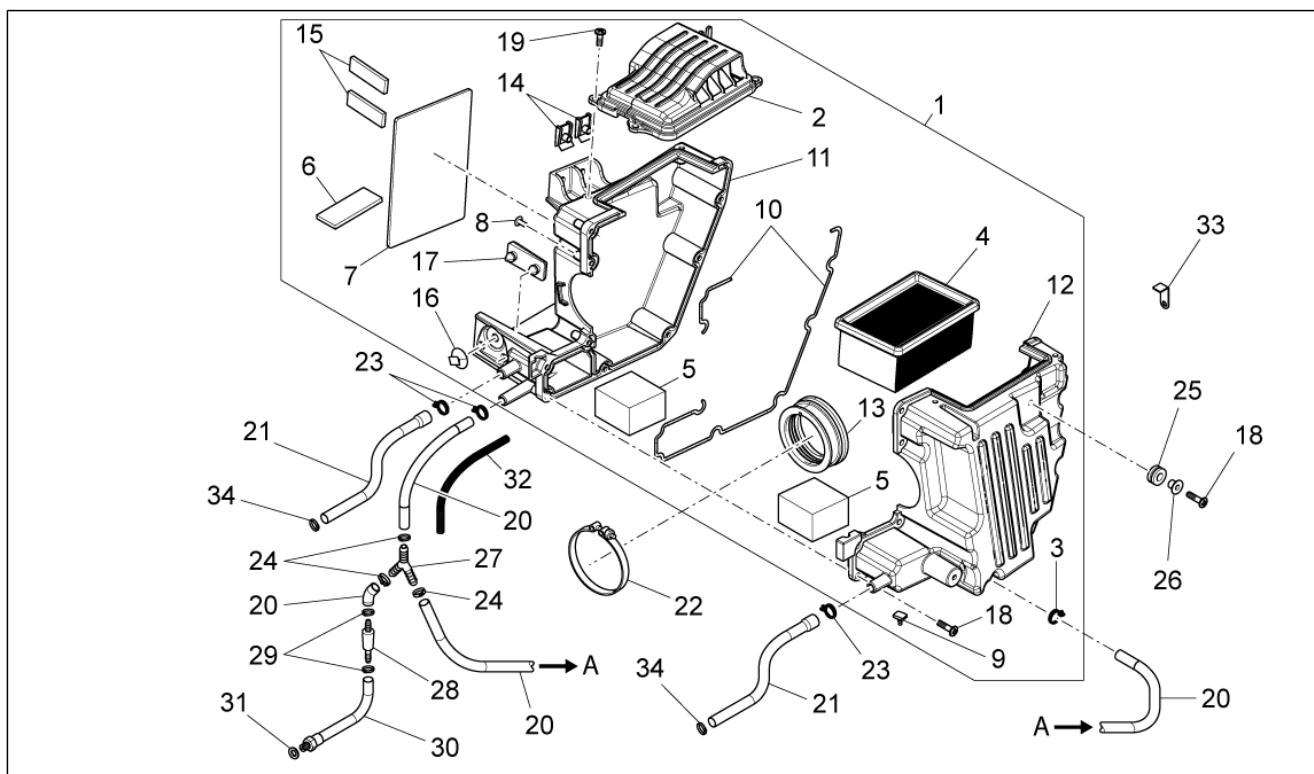
Pos.	Código	Descripción	Cant.	Variantes
1	GU03660145	Bomba freno del.	1	
2	GU32657110	Tubo freno	1	
3	AP8152277	Torn. CH con reborde M6x12	1	
4	GU98370412	Tornillo M4x12	1	
5	GU03749845	Interruptor de stop	1	
6	GU03661145	Tapa bomba	1	
7	GU03664045	Perno U	1	
8	GU03604845	Perno palanca	1	
9	GU03605645	Palanca de freno	1	
10	GU05659230	Purga + capuchón	1	
11	GU01659130	Pernos+muelles pinza	1	
12	GU01659131	Muelle	1	
13	883303	Pinza freno del.izq.negro	1	
14	AP8121915	Junta	4	
15	978323	Tornillo tubo aceite *	2	
16	AP8152385	Tornillo Allen M10x1,25	2	
17	GU01654630	Pastillas-par	1	
18	GU91181003	Distanciador 10,25X20X4	2	
19	GU95021104	Arandela 4,3x8x1,5	1	
20	GU95008306	Arandela 6,4x12x1,2	1	

Grupo	BASTIDOR
Código	33.21
Descripción	Bomba gasolina
Revisión	1



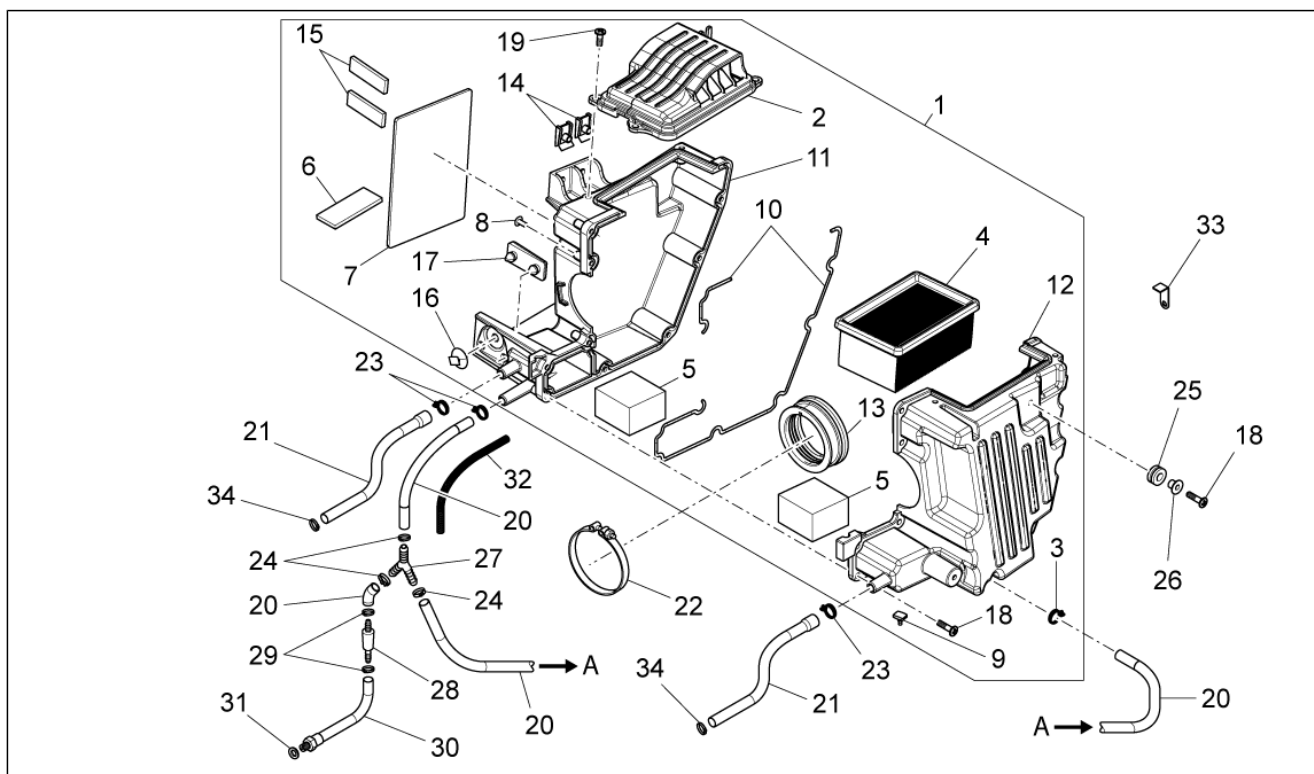
Pos.	Código	Descripción	Cant.	Variantes
1	B063752	Bomba carburante	1	
2	2B000970	Tubo gasolina	1	
3	GU05107430	Junta Der.	1	
4	AP8152273	Tornillo con reborde M5X15	6	
5	887787	Sensor nivel gasol.	1	

Grupo	BASTIDOR
Código	33.22
Descripción	CAJA DEL FILTRO
Revisión	1



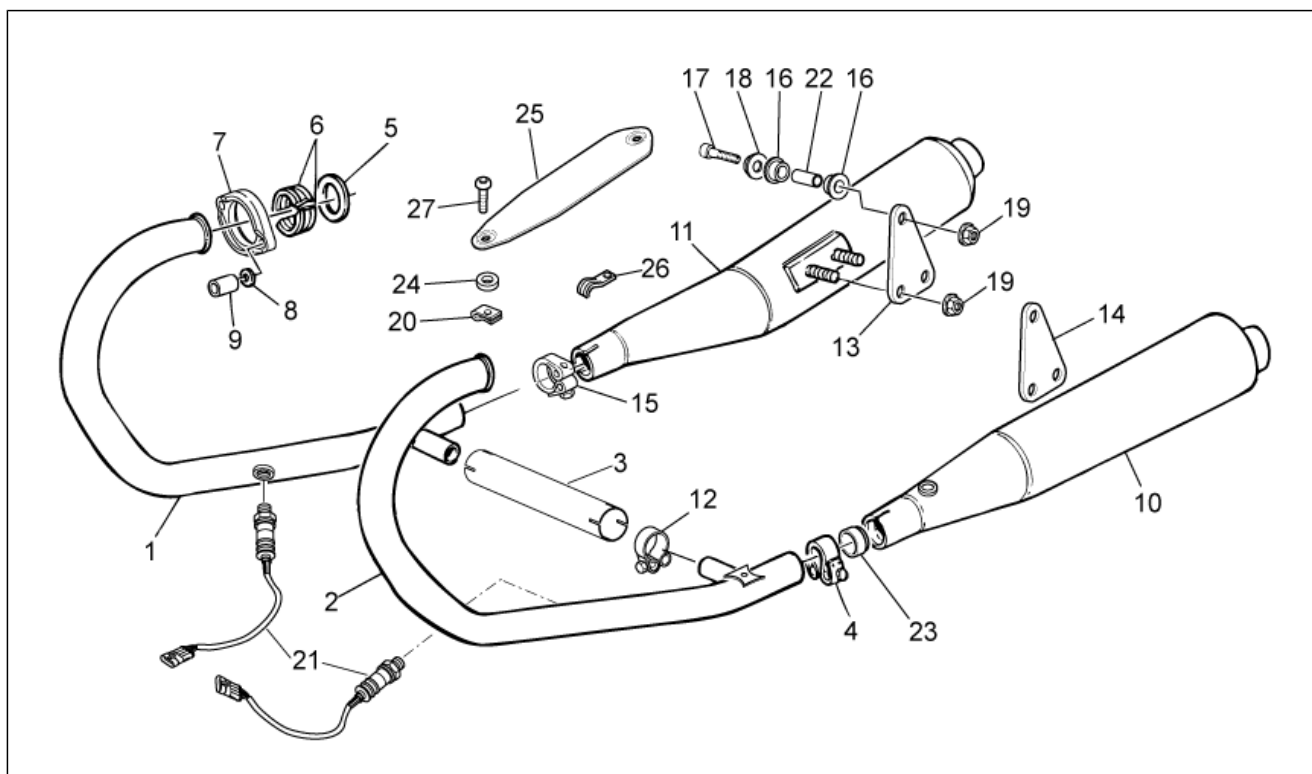
Pos.	Código	Descripción	Cant.	Variantes
1	8878421	Caja del filtro completa	1	
2	887843	Tapa filtro aire	1	
3	AP8201358	Abrazadera D 11,9	1	
4	AP8104924	Filtro aire	1	
5	AP8104525	Filtro blow-by	2	
6	883127	Goma 5mm	1	
7	AP8144553	Goma	1	
8	AP8120876	Tapón de cierre	2	
9	AP8120455	Goma	1	
10	AP8120615	Junta D3	2	
11	887844	Casco der. caja del filtro	1	
12	887845	Casco izq. caja del filtro	1	
13	887815	Manguito de admisión	1	
14	254485	Placa elastica M6	2	
15	AP8144538	Junta	2	
16	890760	Soporte instrumentos	1	
17	AP8144729	Taco fin de carrera caballete	1	
18	AP8152329	Torn. c.cruz reborde M5x20	11	
19	AP8150509	Torn. autorr. 5x14	4	
20	AP8120772	Tubo respiradero	3	
21	B063214	Tubos del blow-by	2	
22	GU93305061	Abrazadera 61/65,5	1	
23	AP8102766	Abrazadera	3	
24	AP8102765	Abrazadera clic blanca D.13,5x6	3	
25	GU91551010	Goma	2	
26	AP8221023	Buje en 'T'	2	
27	2B000045	Empalme de 3 vías	1	
28	AP8104996	Válvula de retención	1	

Grupo	BASTIDOR
Código	33.22
Descripción	CAJA DEL FILTRO
Revisión	1



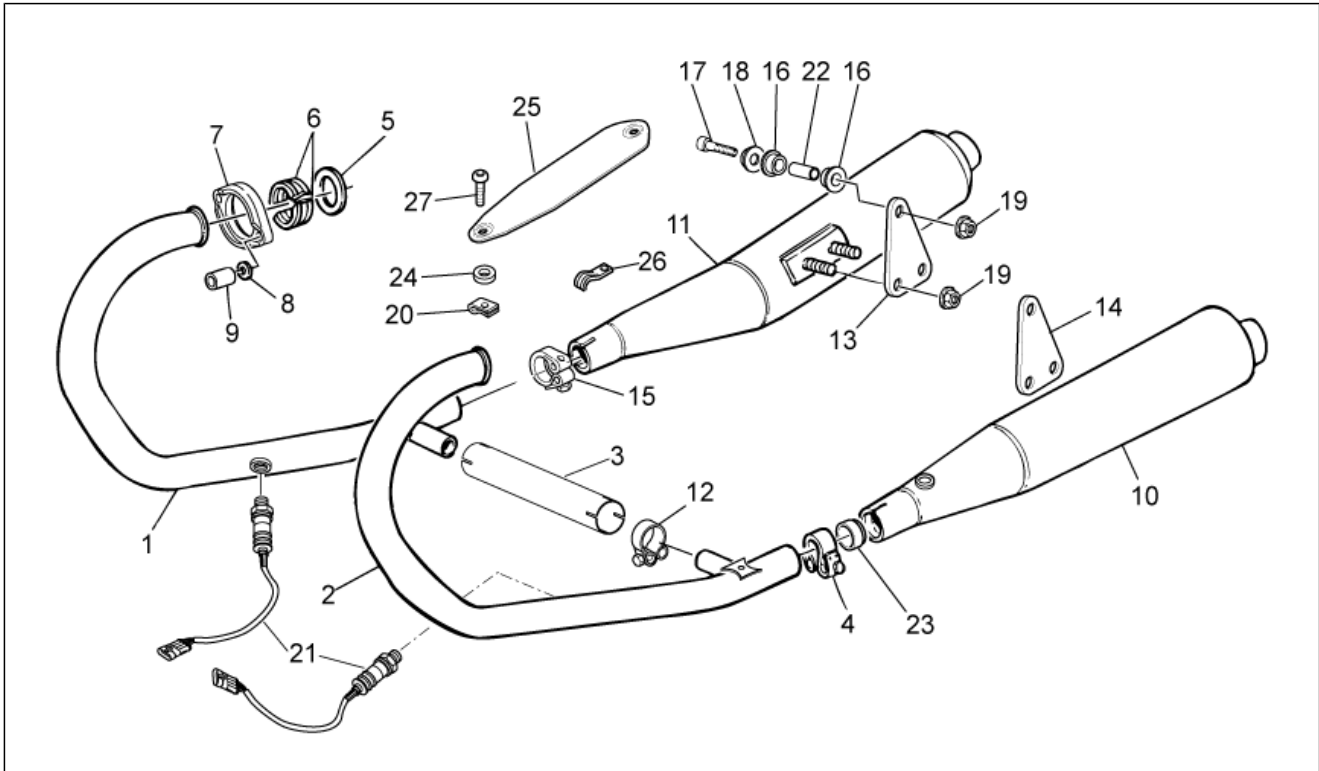
Pos.	Código	Descripción	Cant.	Variantes
29	GU28157950	Abrazadera clic 12,5x8	2	
30	B063213	Tubos	1	
31	GU90714082	Junta	1	
32	GU00823923140	Kit motor arr.	1	
33	GU31112965	Soporte	1	
34	AP8201358	Abrazadera D 11,9	2	

Grupo	BASTIDOR
Código	33.23
Descripción	Grupo de escape
Revisión	1



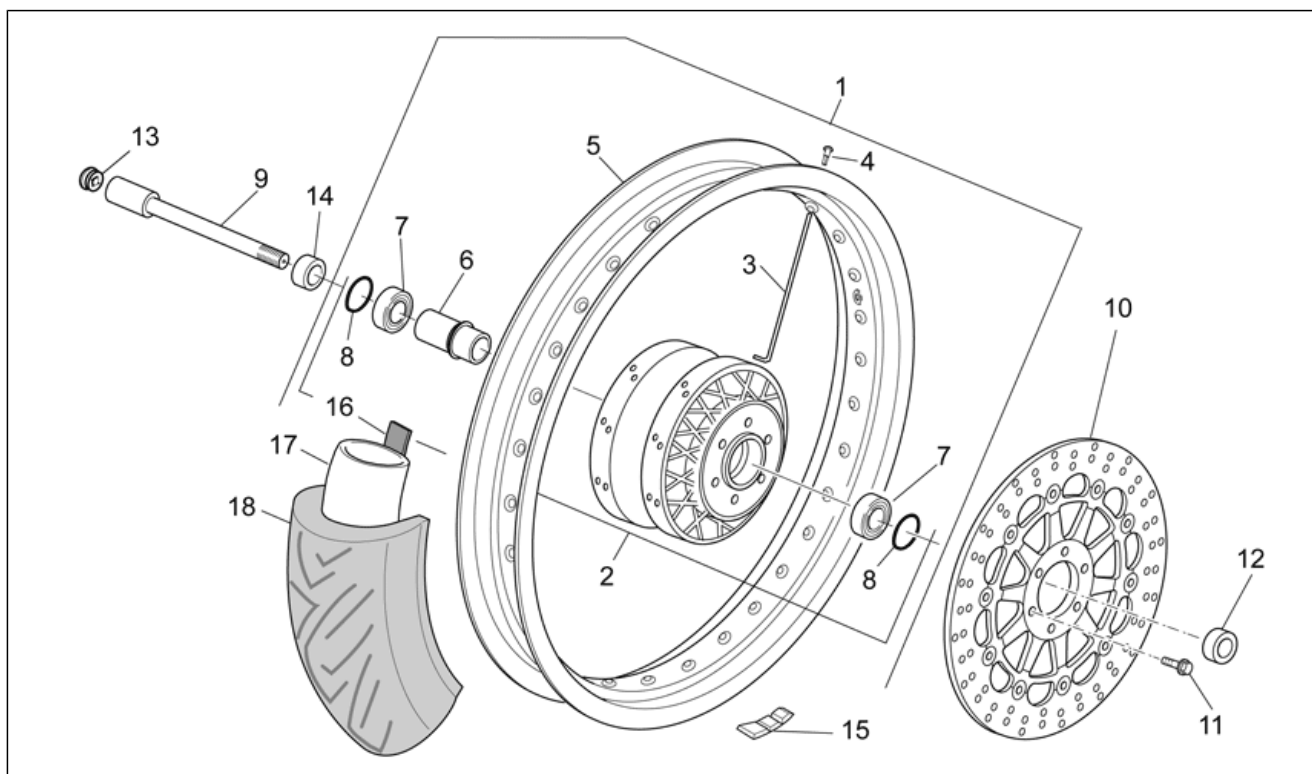
Pos.	Código	Descripción	Cant.	Variantes
1	887846	Tubo escape der.	1	PAÍS:Australia[AUS], Europa[EU], Gran Bretaña[UK]
1	B063854	Tubo escape der.	1	PAÍS:Japón[J]
2	887847	Tubo escape izq.	1	PAÍS:Australia[AUS], China[CN], Europa[EU], Japón[J], Gran Bretaña[UK]
2	B063855	Tubo escape izq.	1	PAÍS:Japón[J]
3	B063022	Empalme colectores escape	1	
4	883294	Abrazadera silenciador izq.	1	
5	GU19025280	Junta	2	
6	GU19025460	Distanciador	4	
7	GU32121010	Virola	2	
8	GU03013800	Arandela 6,4x12	4	
9	GU31121880	Tuerca	4	
10	2B000177	Silenciador izq.	1	
11	2B000176	Silenciador der.	1	
12	978385	Abrazadera	2	
13	883297	Placa der.	1	
14	883298	Placa izq.	1	
15	883293	Abrazadera silenciador der.	1	
16	AP8144071	Goma silencioso	4	
17	GU98690440	Tornillo TCEI M8x40	2	
18	AP8134378	Buje fijación silenciador	2	
19	GU92640508	Tuerca M8	6	
20	254485	Placa elastica M6	2	
21	896110	Sonda lamda l.660 mm	2	
22	AP8121072	Distanciador	2	
23	GU91113826	Buje	2	
24	AP8120870	Arandela aislante	4	
25	883704	Protec.atérm.silncso	2	

Grupo	BASTIDOR
Código	33.23
Descripción	Grupo de escape
Revisión	1



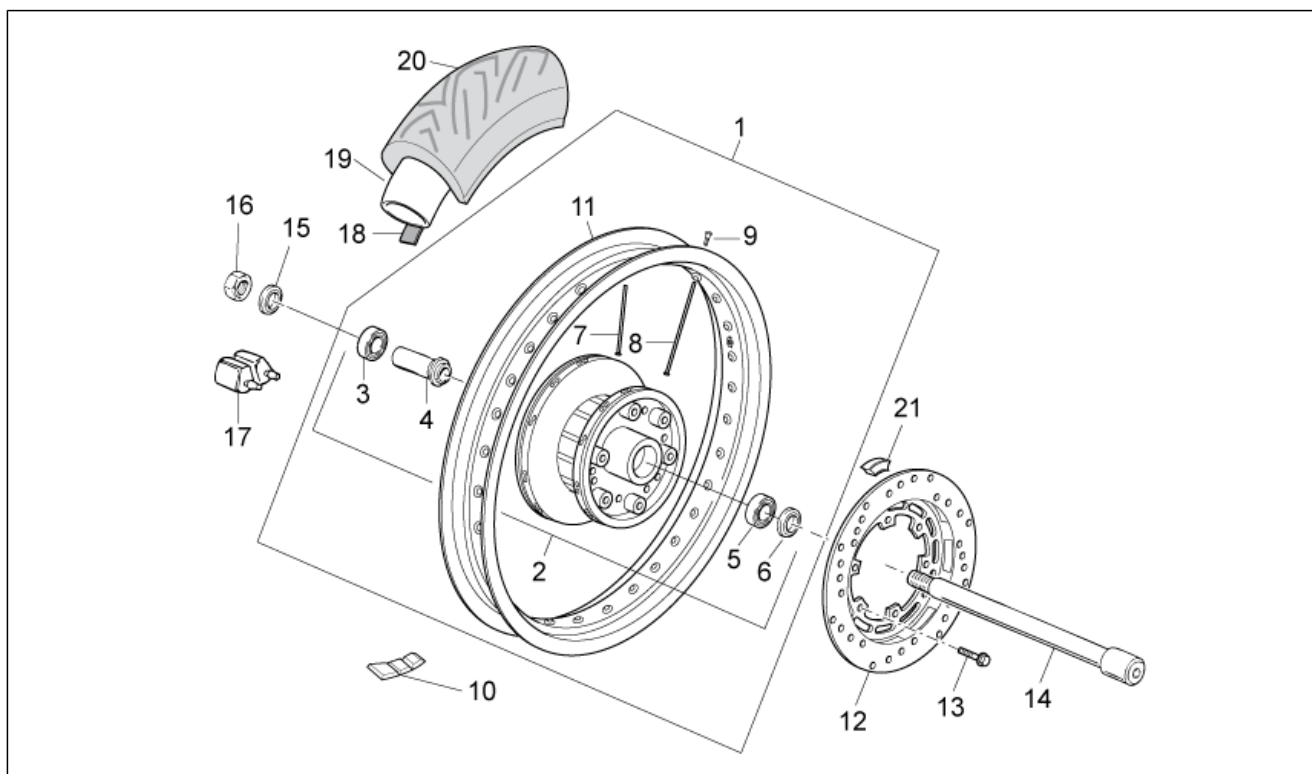
Pos.	Código	Descripción	Cant.	Variantes
26	GU93301175	Perno U	1	
27	GU98210612	Tornillo con reborde M6x12	4	

Grupo	BASTIDOR
Código	33.24
Descripción	RUEDA DELANTERA I
Revisión	1



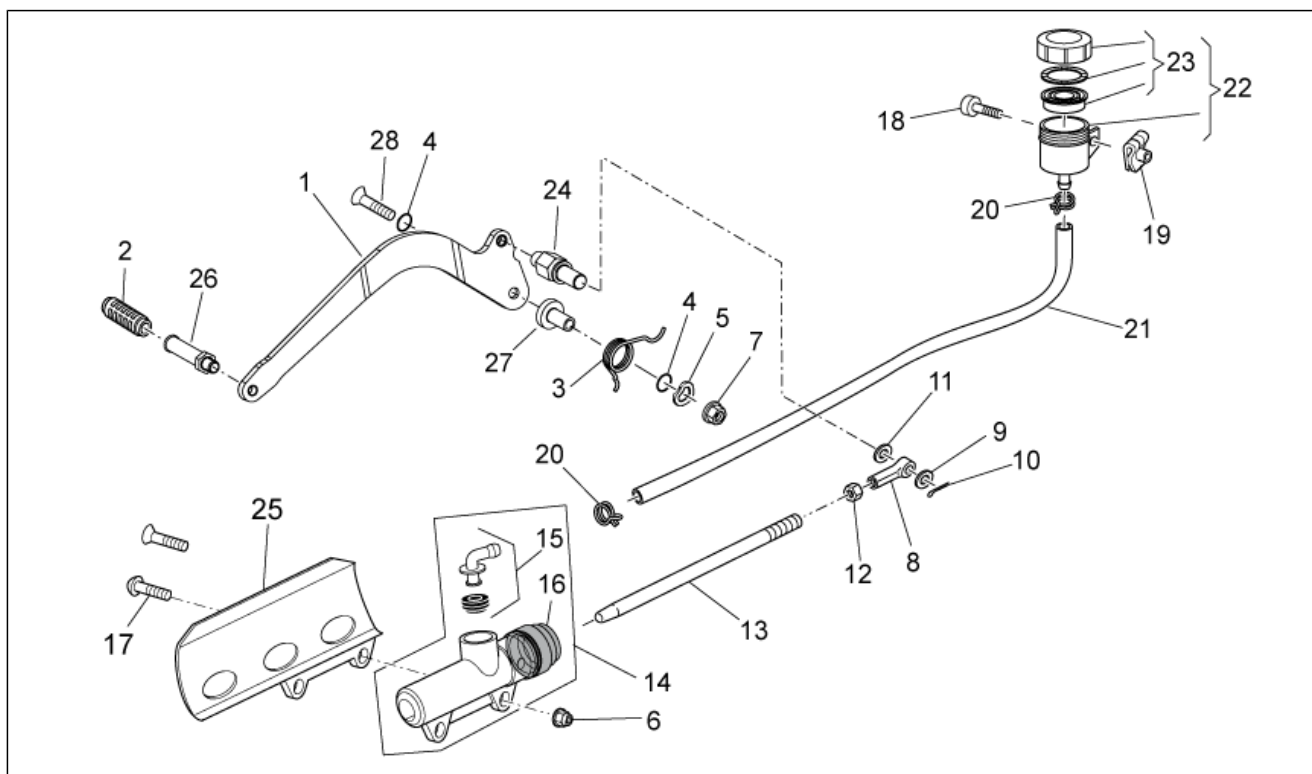
Pos.	Código	Descripción	Cant.	Variantes
1	B063702	Rueda delantera 2,5x18" Black	1	
2	GU32613160	Cubo delantero	1	
3	B063144	Radio rueda del.	36	
4	GU03631250	Niple	36	
5	B063077	Llanta delantera negra 2.5X18"	1	
6	GU31615283	Distanciador cojinetes	1	
7	GU92204221	Cojinete	2	
8	GU90402642	Gasket ring	1	
9	GU31614183	Perno rueda del.	1	
10	883688	Disco freno delantero 320	1	
11	AP8152286	Torn. CH con reborde M8x20	6	
12	GU31616384	Distanciador izq.	1	
13	GU93180111	Tapón 15 mm	1	
14	GU32615660	Distanciador der.	1	
15	GU14616150	Contrapeso	1	
16	GU03612040	Corbata	1	
17	GU31610160	Cámara de aire MB 18	1	
18	886679	Nuemático 100/90 18	1	

Grupo	BASTIDOR
Código	33.25
Descripción	Rueda trasera I
Revisión	1



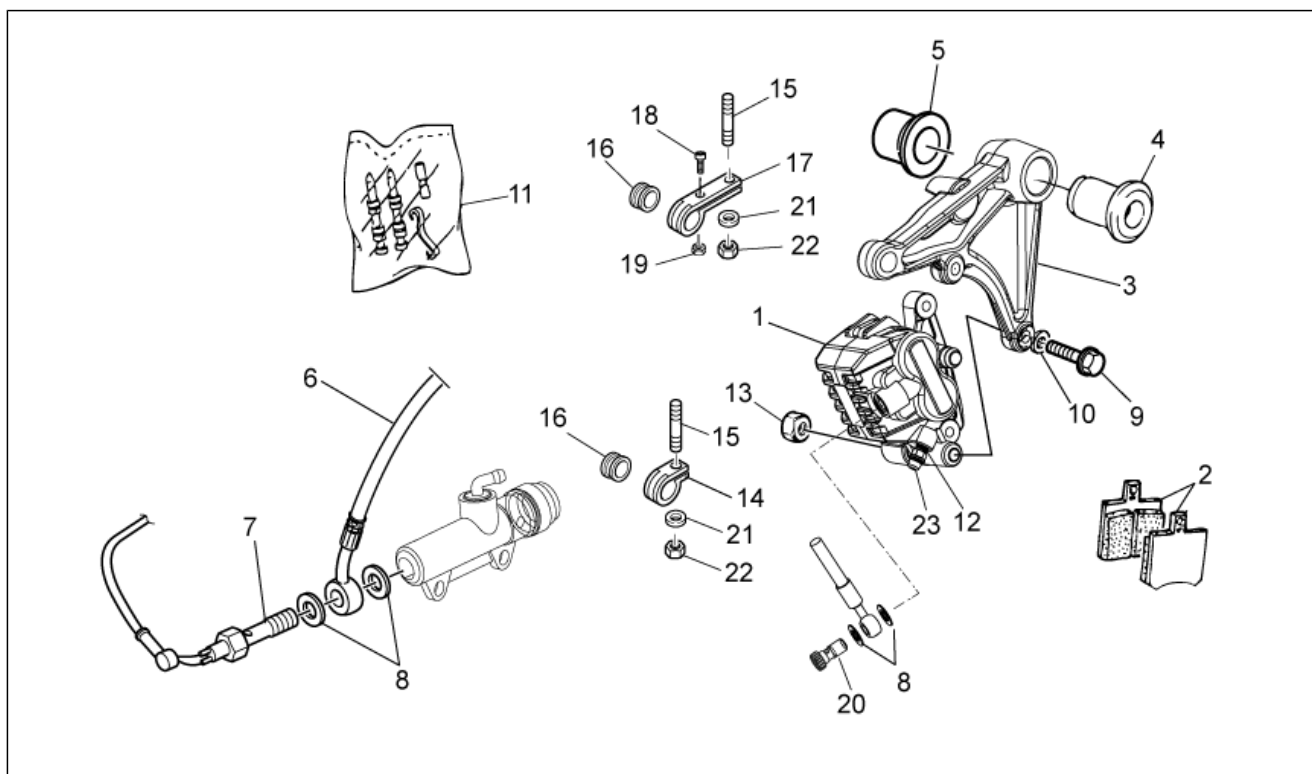
Pos.	Código	Descripción	Cant.	Variantes
1	B063704	Rueda trasera cpl. 3,5x17" Black	1	
2	GU32692260	Cubo	1	
3	GU92204218	Cojinete	1	
4	GU27633910	Distanciador	1	
5	GU92204217	Cojinete	1	
6	GU90402538	Gasket ring 25x40x7	1	
7	883350	Radio corto	18	
8	883349	Radio largo mm 158	18	
9	GU03631250	Niple	36	
10	GU14616150	Contrapeso	1	
11	B063078	Llanta tras. 3,5"x17" Black	1	
12	887448	Disco freno	1	
13	894505	Torn. CH con reborde M8x18	6	
14	GU32633360	Perno rueda tras.	1	
15	GU31634481	Arandela	1	
16	GU92606316	Tuerca M16x1,5	1	
17	GU32632510	Acoplamiento elástico	6	
18	GU28612033	Corbata	1	
19	GU30630430	Cámara de aire MD 17	1	
20	886680	Nuemático 130/80 17	1	
21	GU32636160	Goma	1	

Grupo	BASTIDOR
Código	33.26
Descripción	Bomba freno tras.
Revisión	1



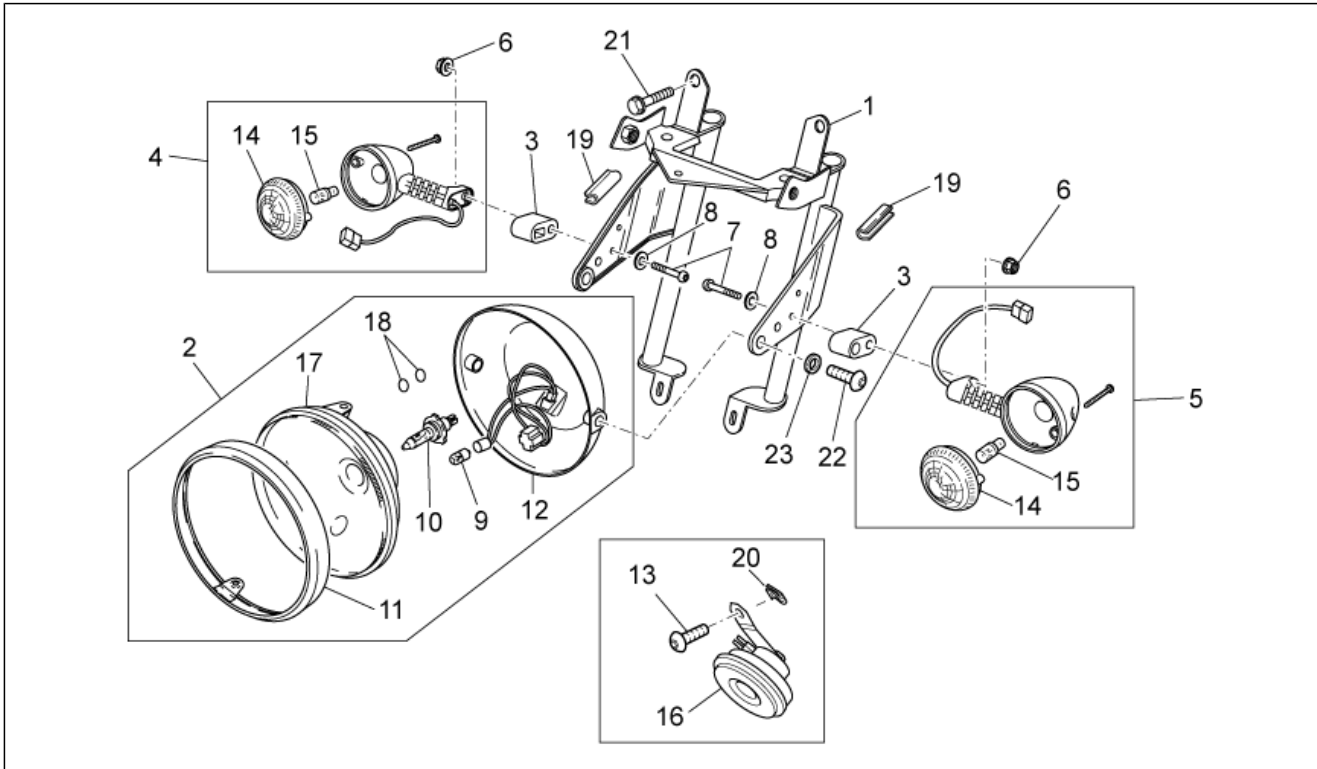
Pos.	Código	Descripción	Cant.	Variantes
1	887910	Palanca de freno	1	
2	AP8120912	Goma para palanca	1	
3	978969	Muelle	1	
4	AP8144007	Junta tórica 11,11x1,78	2	
5	GU95005310	Arandela 8,4x18x2	1	
6	GU92630206	Tuerca M6x1	2	
7	GU92660021	Tuerca con reborde M8	1	
8	GU18257551	Bloquecillo	1	
9	GU95005308	Arandela 8,4x14,57x1,6	1	
10	GU95500221	Clavija	1	
11	658837	Arandela elástica ondulada D15 F8,4 S1,5 - INOX	1	
12	GU92609007	Tuerca	1	
13	978970	Varilla bomba freno	1	
14	AP8133643	Bomba freno tras.	1	
15	AP8213057	Empalme bomba trasera	1	
16	AP8113288	Fuelle de goma	1	
17	GU98370625	Tornillo	2	
18	AP8152298	Tornillo con reborde M5x16	1	
19	248419	Placa elastica m5	1	
20	AP8101594	Abrazadera D10,1*	2	
21	GU00823950050	Tubo aceite	1	
22	AP8113241	Depós.aceite fr.cnj.	1	
23	AP8113553	Tapón depósito	1	
24	887911	Perno palanca freno	1	
25	GU01665410	Protección bomba freno negro	1	
26	887908	Pedales	1	
27	887952	Buje pal.freno tras.	1	
28	B063443	Tornillo M8x50	1	

Grupo	BASTIDOR
Código	33.27
Descripción	Pinza freno tras.
Revisión	1



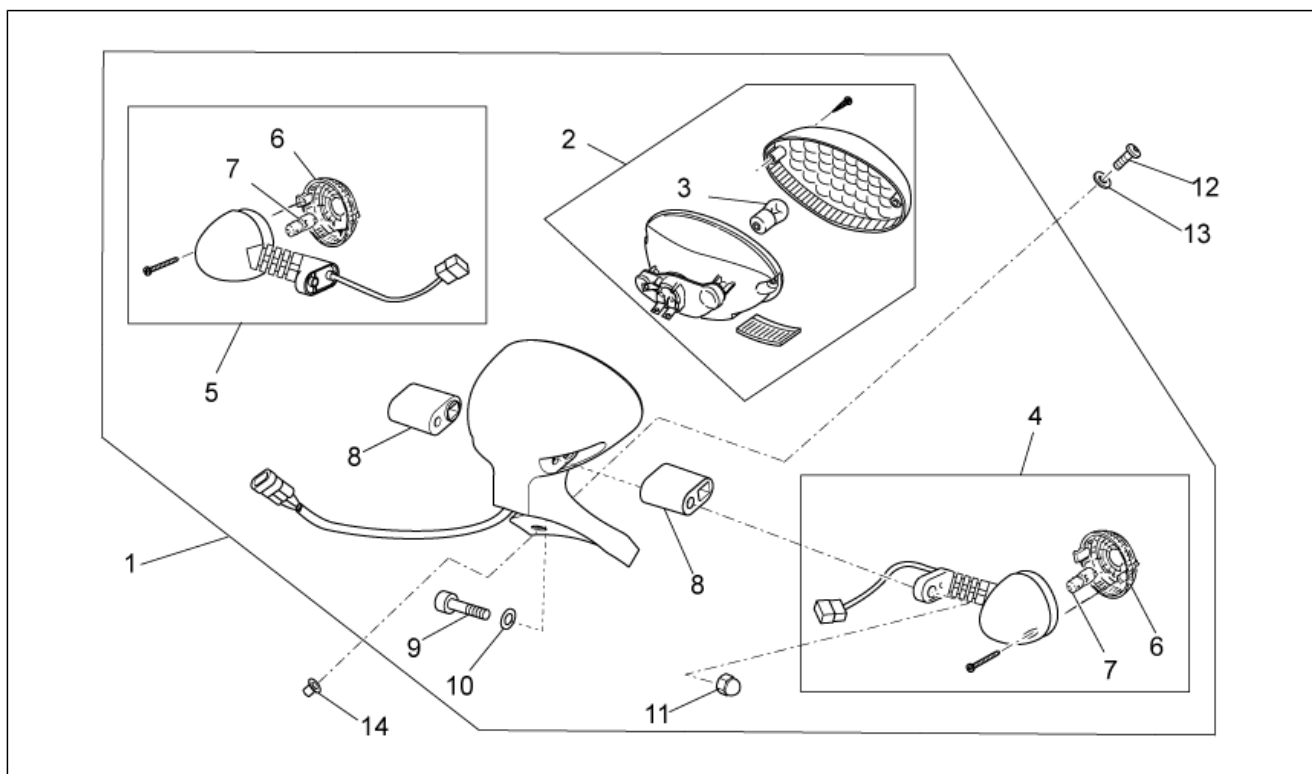
Pos.	Código	Descripción	Cant.	Variantes
1	887449	Pinza freno trasero	1	
2	AP8133798	Pastillas-par	1	
3	887431	Placa soporte pinza freno	1	
4	GU31634281	Buje	1	
5	GU32634160	Distanciadore	1	
6	B063750	Tubo de goma del freno trasero	1	
7	883192	Interruptor	1	
8	AP8121915	Junta	4	
9	AP8152288	Torn. CH con reborde	2	
10	GU03270300	Arandela 8,4x15	2	
11	AP8133799	Pernos+muelles pinza	1	
12	AP8133800	Respiradero	1	
13	AP8152300	Tuerca autobloqueante M8	2	
14	GU03658430	Abrazadera	1	
15	GU96451316	Prisionero	1	
16	GU03658201	Anillo	2	
17	GU03658330	Abrazadera	1	
18	AP8152043	Tornillo Allen M4x10	1	
19	AP8150204	Tuerca M4	1	
20	AP8113003	Tornillo tubo aceite *	1	
21	GU95008306	Arandela 6,4x12x1,2	2	
22	AP8152299	Tuerca autobloqueante M6	2	
23	AP8213575	Capuchón salida aire	1	

Grupo	BASTIDOR
Código	33.28
Descripción	Faros delanteros
Revisión	1



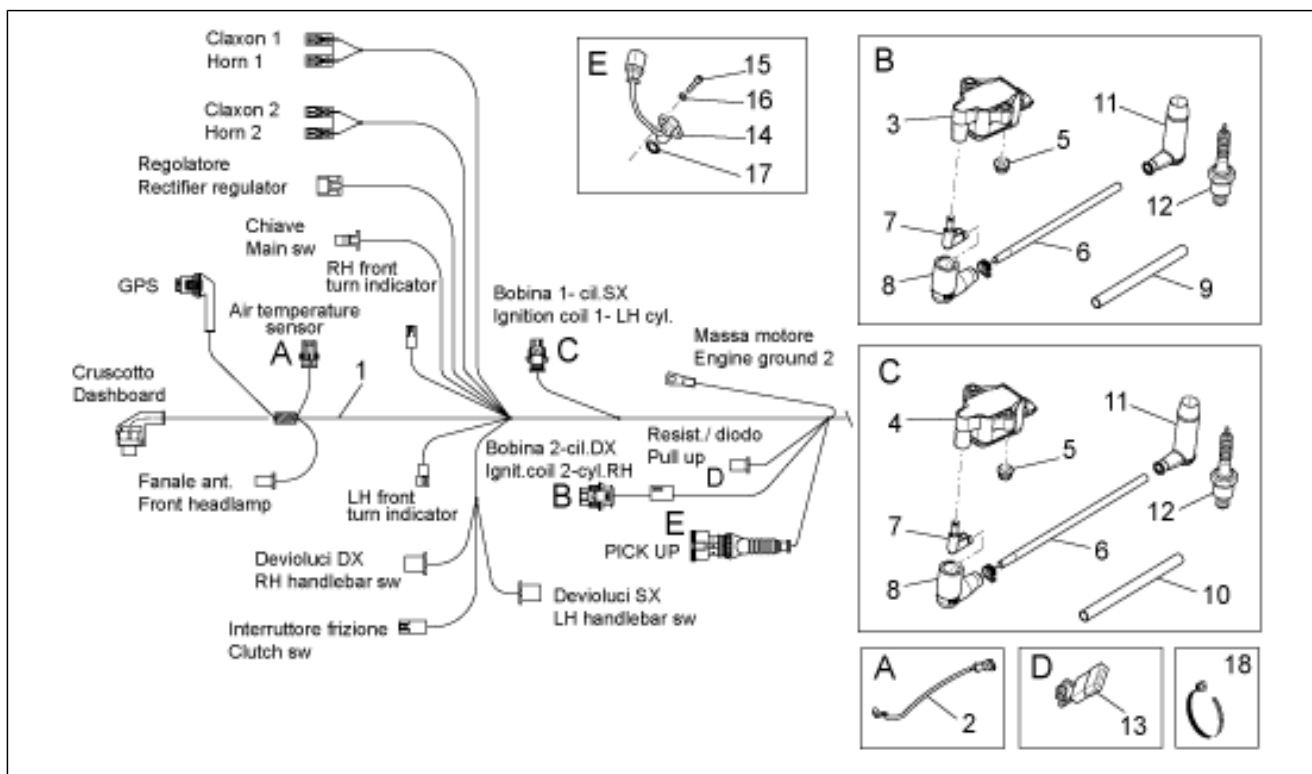
Pos.	Código	Descripción	Cant.	Variantes
1	GU32506360	Soporte faro	1	
2	978311	Faro delantero	1	
2	978662	Faro delantero	1	PAÍS:Australia[AUS], Japón[J]
3	GU32753410	Distanciador	2	
4	887826	Indic.dirrec.del.der/tras.izq	1	
5	887827	Indic.dirrec.del.izq/tras.der	1	
6	GU92787006	Tuerca ciega M6x1	2	
7	GU98370655	Tornillo	2	
8	GU95021206	Arandela	2	
9	GU93450105	Lámpara	1	
10	GU93450232	Lámpara 12V-55/60W	1	
11	GU31740383	Virola cromada	1	
12	981149	Casquete, negra	1	
13	AP8150377	Tornillo	2	
14	B063735	Cristal indicador dirección	2	
15	GU93450126	Lámpara naranja	2	
16	890979	Claxon	1	
17	GU06740400	Grupo óptico	1	
18	883417	Junta tórica	2	
19	GU00823931055	Junta	1	
20	254485	Placa elastica M6	2	
21	GU98880540	Tornillo M10x40	2	
22	GU98692420	Tornillo Allen M8x20	2	
23	GU95005308	Arandela 8,4x14,57x1,6	2	

Grupo	BASTIDOR
Código	33.29
Descripción	Faros traseros
Revisión	1



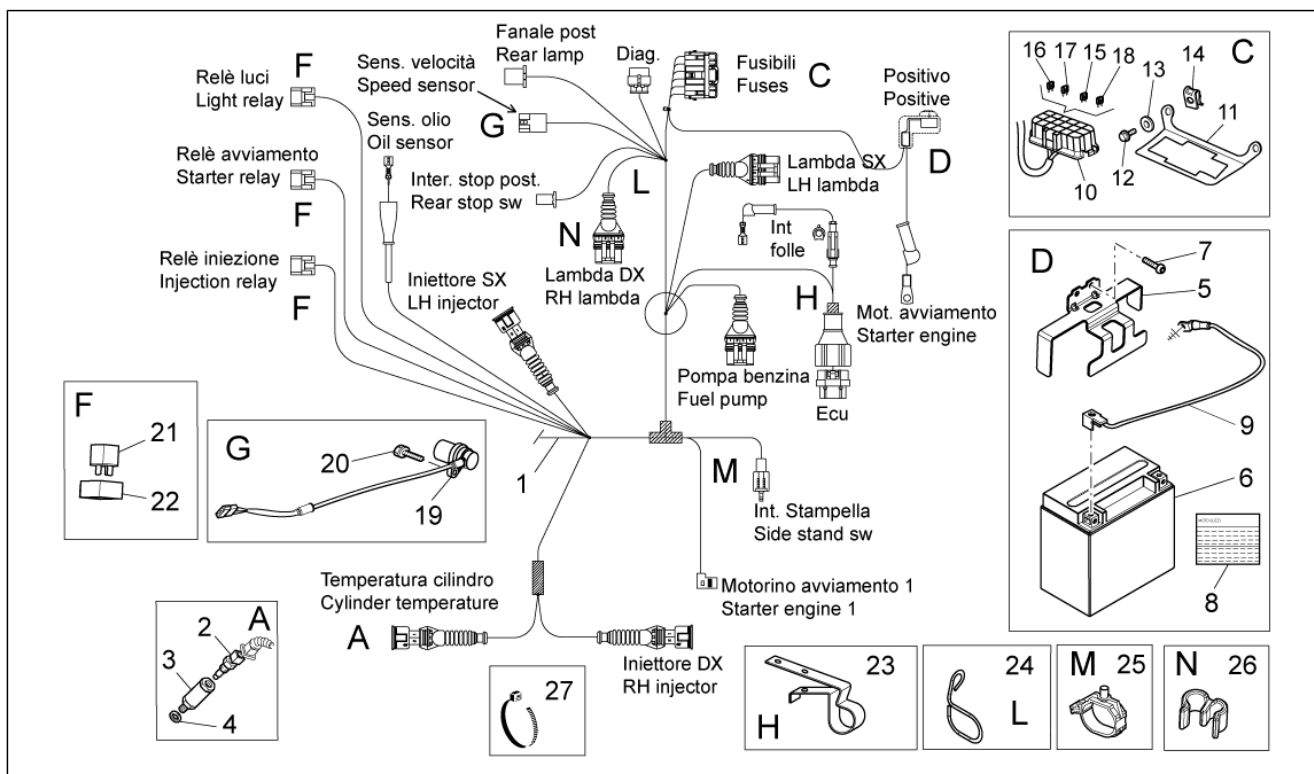
Pos.	Código	Descripción	Cant.	Variantes
1	887877	Faro tras. cpl.	1	
2	GU03740930	Faro trasero	1	
3	GU93450224	Lámpara	1	
4	887826	Indic.direc.del.der/tras.izq	1	
5	887827	Indic.direc.del.izq/tras.der	1	
6	B063735	Cristal indicador dirección	2	
7	GU93450126	Lámpara naranja	2	
8	GU32753410	Distanciador	2	
9	GU98370655	Tornillo	2	
10	GU95021206	Arandela	2	
11	GU92787006	Tuerca ciega M6x1	2	
12	GU98350215	Tornillo	3	
13	GU30577800	Arandela en nylon 5,5X12X1	3	
14	GU93231605	Casquillo	3	

Grupo	BASTIDOR
Código	33.30
Descripción	Instalación eléctrica I
Revisión	1



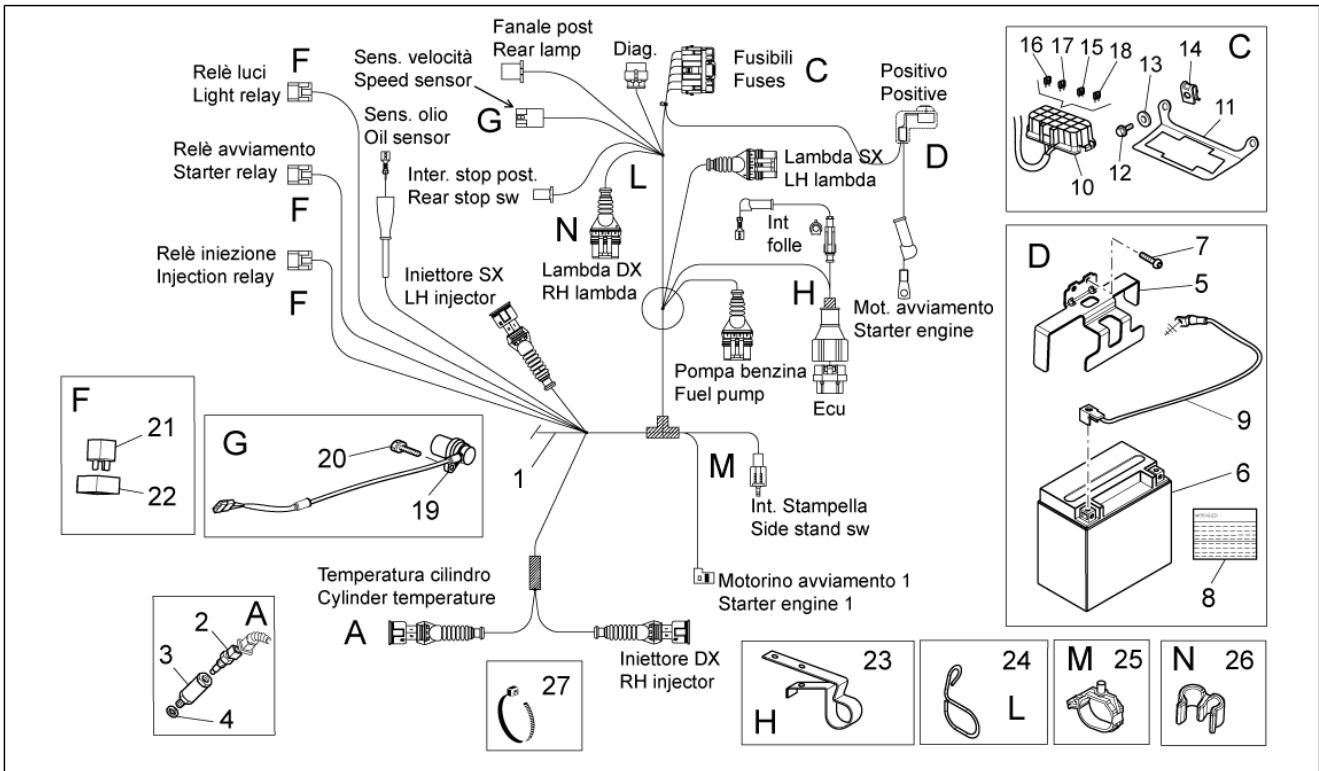
Pos.	Código	Descripción	Cant.	Variantes
1	887825	Cableado principal	1	
2	AP8124936	Sensor temp. aire	1	
3	642034	Bobina A.T. DX	1	
4	641901	Bobina A.T.	1	
5	AP8152299	Tuerca autobloqueante M6	4	
6	080341	Cable base A.T.	2	
7	641725	Terminal A.T.	2	
8	641040	Capuchón aislante	2	
9	CM0074D0	Forro D.8-S.0,5-L.370	1	
10	CM0074C9	Funda gris del cable D.8-S.0,5-L.435	1	
11	GU02717450	Capuchón bujía NGK	2	
12	887481	Bujía NGK CPR8EB-9	2	
13	887948	Diodo	1	
14	832029	Sensor encoder	1	
15	GU98682212	Tornillo Allen M5x12	2	
16	GU95008205	Arandela 5,3x10x0,8	2	
17	GU90706141	Junta tórica	1	
18	AP8120416	Abrazadera negra 178x4	1	
18	GU14609650	Abrazadera 3,6x20,6	31	
18	GU49609601	Abrazadera 2,4x92	1	

Grupo	BASTIDOR
Código	33.31
Descripción	Instalación eléctrica II
Revisión	1



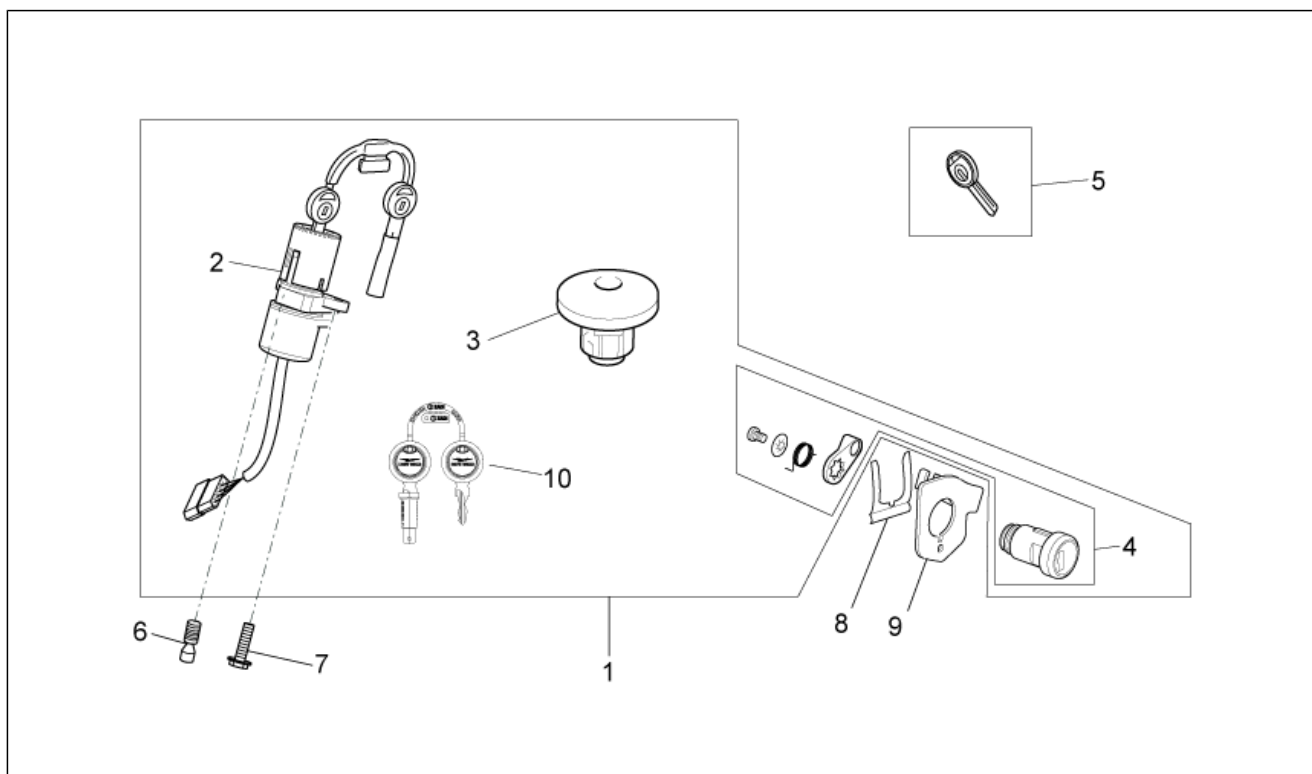
Pos.	Código	Descripción	Cant.	Variantes
1	887825	Cableado principal	1	
2	GU29729461	Sensor	1	
3	GU03163330	Soporte sensor	1	
4	GU95004210	Arandela 10,2x18x2	1	
5	B063233	Soporte batería	1	
6	638733	Batería Yuasa 12V-12Ah (150x85x145)	1	
7	GU98370616	Tornillo M6x16 inox	2	
8	GU32517710	Calco "Battery service"	1	
9	GU32747910	Cableado masa-batería	1	
10	584211	Caja portafusibles	1	
11	883161	Sop. portafusibles	1	
12	GU98682212	Tornillo Allen M5x12	2	
13	GU95100059	Arandela 5,25x14x1,5	2	
14	AP8102375	Clip m5	2	
15	CM225705	Fusible 5A	2	
16	CM225710	Fusible 10A	1	
17	CM225715	Fusible 15A	2	
18	CM225730	Fusible 30A	1	
19	893570	Sensor cuentakm.cpl.	1	
20	AP8150377	Tornillo	1	
21	AP8224462	Relé 12V/30A	3	
22	AP8220283	Goma *	3	
23	B043850	Abrazadera	1	
24	AP8181140	Pasacables	1	
25	CM013202	Clip de retención tubos/cables	1	
26	894704	Pasacables	1	
27	AP8120416	Abrazadera negra 178x4	1	
27	GU14609650	Abrazadera 3,6x20,6	21	

Grupo	BASTIDOR
Código	33.31
Descripción	Instalación eléctrica II
Revisión	1



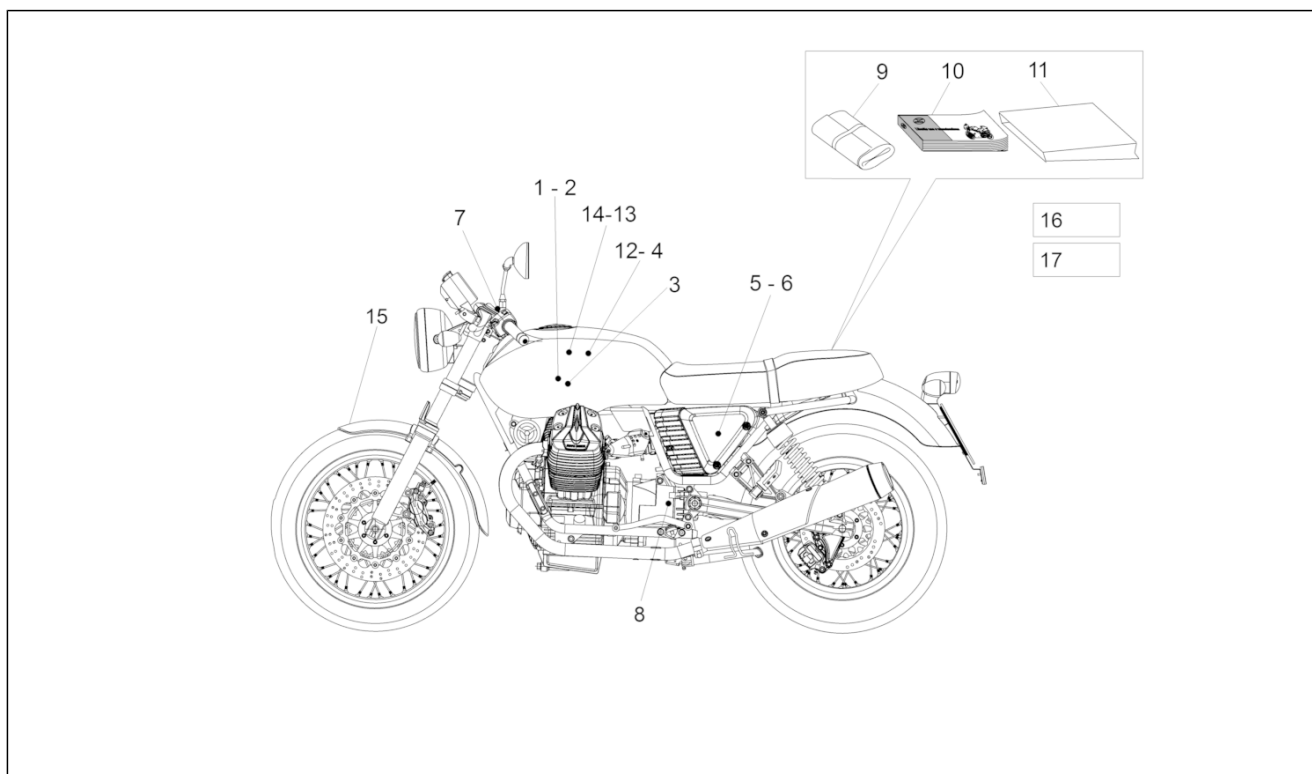
Pos.	Código	Descripción	Cant.	Variantes
27	GU49609601	Abrazadera 2,4x92	1	

Grupo	BASTIDOR
Código	33.32
Descripción	Juego cerraduras
Revisión	1



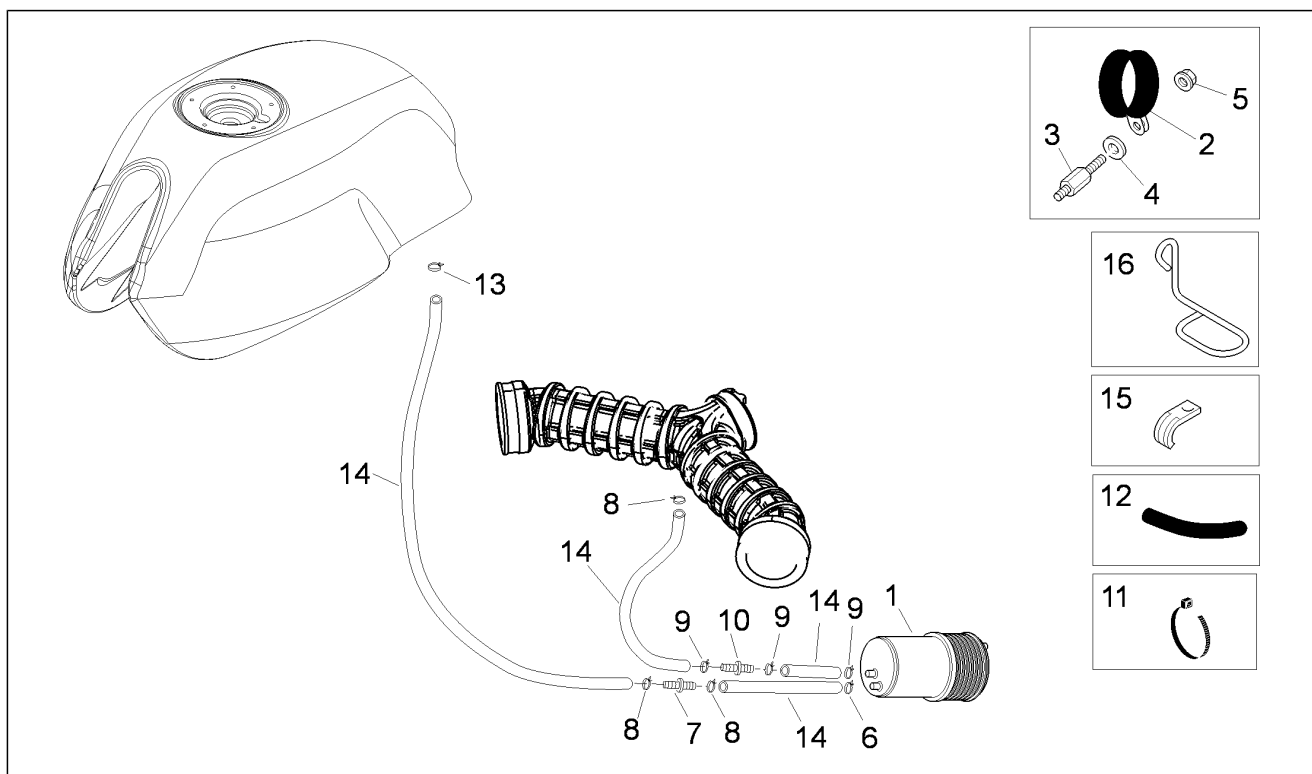
Pos.	Código	Descripción	Cant.	Variantes
1	883477	Kit cerraduras	1	PAÍS:China[CN]
1	887873	Kit cerraduras	1	
2	GU32782510	Bloque arran.-bloq.	1	
3	883476	Tapón depósito	1	PAÍS:China[CN]
3	887874	Tapón depósito	1	
4	977527	Cerradura con llaves incluidas	1	
5	GU32735510	Llave liscia bas.protec.go	1	
6	AP8150349	Tornillo especial M8x15	1	
7	GU98682416	Tornillo Allen M8x16	1	
8	AP8121420	Muelle de horquilla	1	
9	978415	Placa soporte cable	1	
10	2D000006	Cilindro de la cerradura con llave para tapón de gasolina	1	

Grupo	BASTIDOR
Código	33.33
Descripción	Calcomanías y placas
Revisión	1



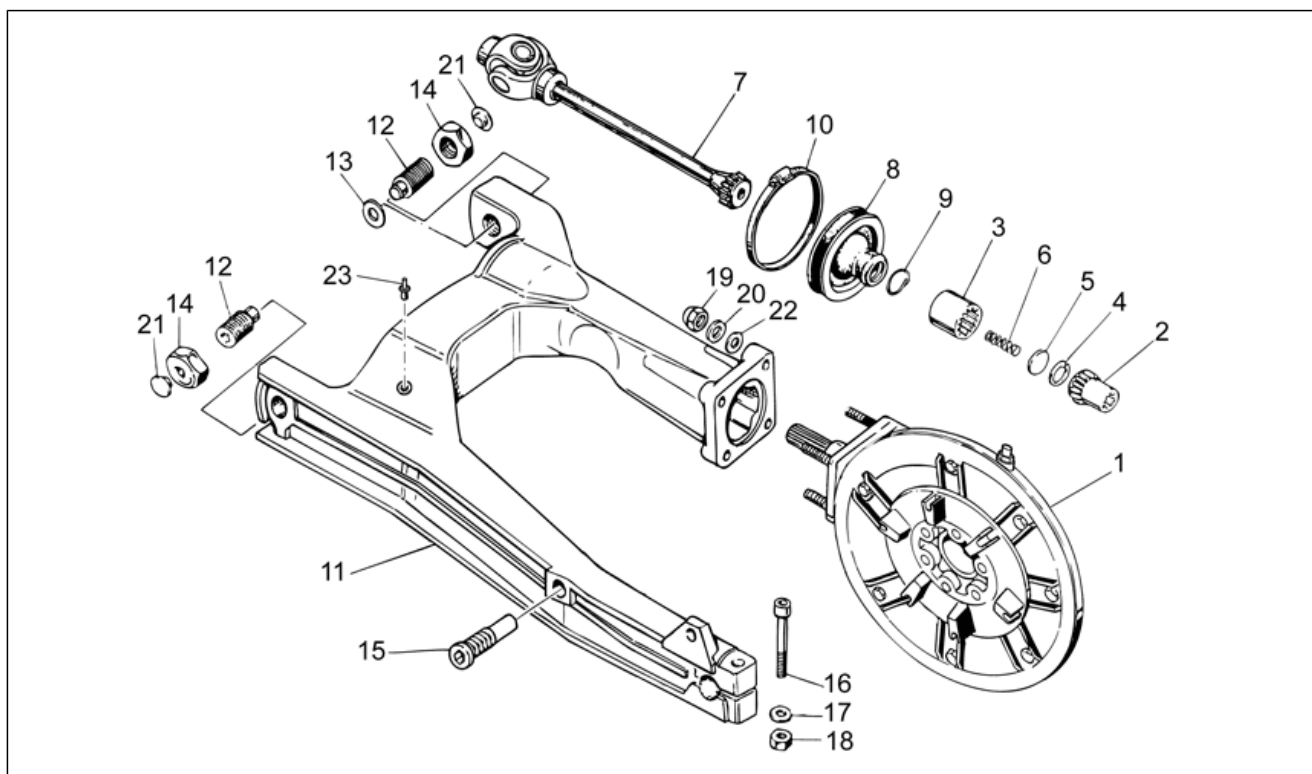
Pos.	Código	Descripción	Cant.	Variantes
1	886340	Placa Aquila	1	
2	887930	Placa Izq. Aquila	1	
3	887931	Placa "Moto Guzzi"	2	
4	2H000025	Calco franja trasera der. del depósito	1	COLOR VEHÍCULO:Negro Competition[nc]
4	2H000082	Calco franja trasera der. del depósito	1	COLOR VEHÍCULO:Gris Metal[gm]
5	2H000027	Calcom. lat. peq. der.	1	COLOR VEHÍCULO:Negro Competition[nc]
5	2H000084	Calcom. lat. peq. der.	1	COLOR VEHÍCULO:Gris Metal[gm]
6	2H000028	Calcom. lat. peq. izq.	1	COLOR VEHÍCULO:Negro Competition[nc]
6	2H000085	Calcom. lat. peq. izq.	1	COLOR VEHÍCULO:Gris Metal[gm]
7	883598	Calcom. "Aquila"	1	
8	895839	"Placa ""Eni"""	2	
9	887443	Juego de herramientas	1	
10	2Q000043	Manual uso y manten. I-F-D-NL-E-UK	1	
10	2Q000045	Libretto uso e manutenzione JP-EN	1	PAÍS:Japón[J], Gran Bretaña[UK]
10	2Q000054	Libretto uso e manutenzione ZN-EN-IT-DE	1	PAÍS:China[CN]
11	GU05900130	Bolsita para documentos	2	
12	2H000026	Calco franja izq.trasera del depósito	1	COLOR VEHÍCULO:Negro Competition[nc]
12	2H000083	Calco franja izq.trasera del depósito	1	COLOR VEHÍCULO:Gris Metal[gm]
13	2H000024	Calco franja delantera izq. del depósito	1	COLOR VEHÍCULO:Negro Competition[nc]
13	2H000081	Calco franja delantera izq. del depósito	1	COLOR VEHÍCULO:Gris Metal[gm]
14	2H000023	Calco franja delantera der. del depósito	1	COLOR VEHÍCULO:Negro Competition[nc]
14	2H000080	Calco franja delantera der. del depósito	1	COLOR VEHÍCULO:Gris Metal[gm]
15	886141	Calco "Aquila"	1	
16	2G000013	Calco shed	1	PAÍS:China[CN]
16	GU03995730	Calco "Unleaded Fuelonly"	1	PAÍS:Australia[AUS]
17	GU32944310	Calco protec.	2	

Grupo	BASTIDOR
Código	33.48
Descripción	Eq.rec. vapores gas.
Revisión	1



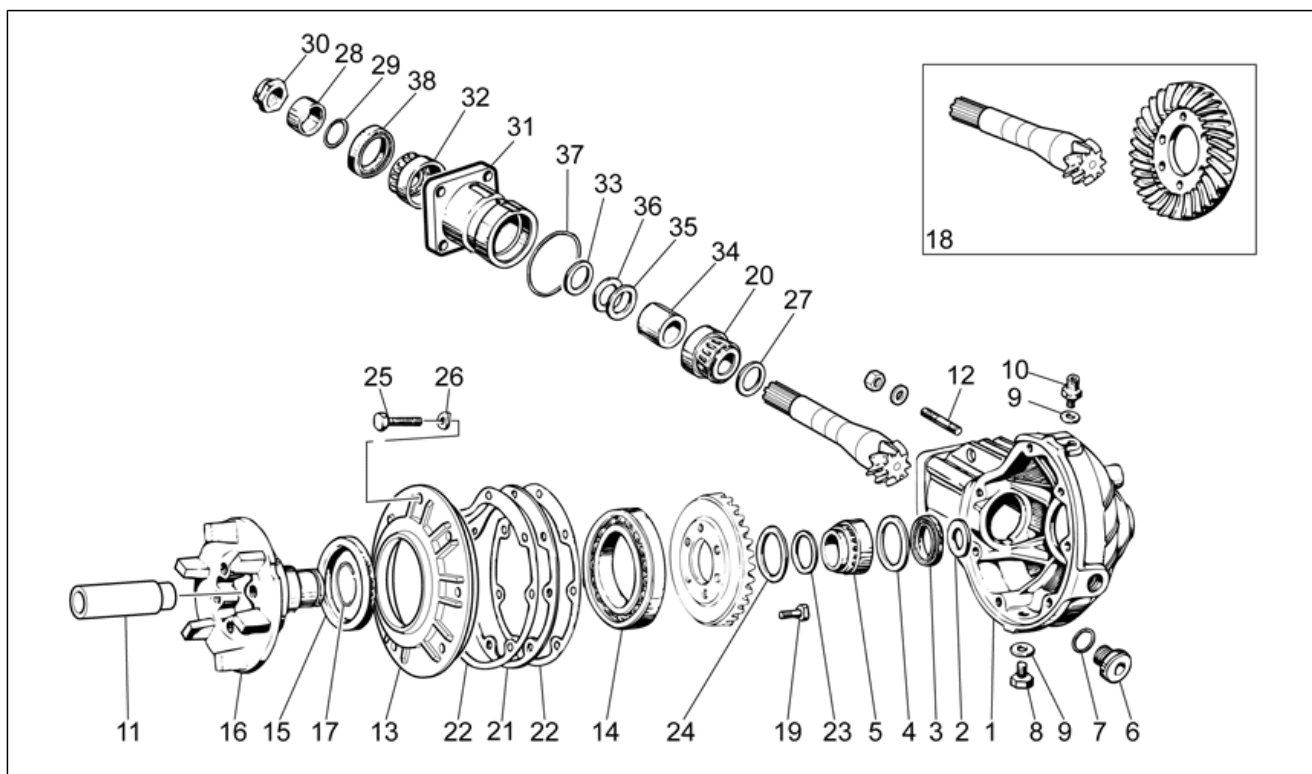
Pos.	Código	Descripción	Cant.	Variantes
1	AP8102678	Filtro de carbón	1	
2	AP8102688	Abrazadera d.76	1	
3	GU32439260	Placa sup.reg.ral. USA	1	
4	GU95005308	Arandela 8,4x14,57x1,6	1	
5	AP8152299	Tuerca autobloqueante M6	1	
6	AP8102159	Abrazadera	1	
7	860138	Válvula	1	
8	GU28157950	Abrazadera clic 12,5x8	4	
9	AP8120446	Abrazadera clic, verde D11x6,6x1	2	
10	AP8121267	Extremidad de estrangulación	1	
11	AP8120416	Abrazadera negra 178x4	1	
12	GU00823923140	Kit motor arr.	4	
13	AP8201358	Abrazadera D 11,9	1	
14	856063	Tubo SAE 30 d.12,7x6,35	3	
15	GU93301313	Perno U	1	
16	AP8221114	Guíacable	2	

Grupo	MOTOR
Código	34.09
Descripción	Transmisión cpl. I
Revisión	1



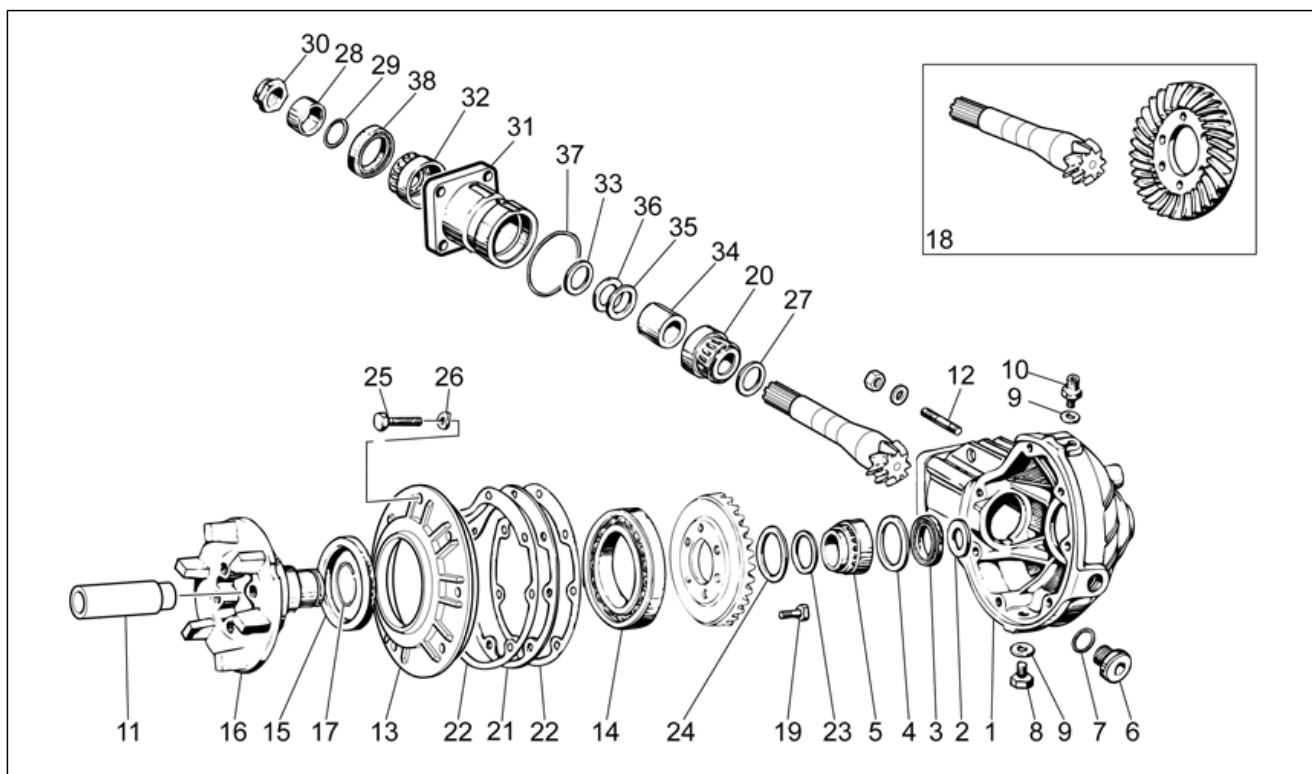
Pos.	Código	Descripción	Cant.	Variantes
1	976941	Caja transm. cpl.negro	1	
2	GU31327783	Manguito	1	
3	GU19328801	Manguito	1	
4	GU90272023	Anillo de retención	1	
5	GU19327601	Plato	1	
6	GU94321099	Muelle	1	
7	GU23328081	Junta	1	
8	GU23548080	Collar de protección	1	
9	GU23548180	Muelle	1	
10	AP8120246	Abrazadera D=60-80	1	
11	883011	Brazo osc. negro	1	
12	GU19547000	Perno	2	
13	GU35214300	Suplemento espesor	1	
14	GU31547882	Tuerca	2	
15	GU31544181	Perno	1	
16	GU98680545	Tornillo M10x45	1	
17	GU95008210	Arandela 10,2X18X2	1	
18	GU92606210	Tuerca M10x1,5	1	
19	860651	Tuerca ciega M8x1,25	4	
20	GU14615901	Arandela 8,4X13X0,8	4	
21	GU93180105	Tapón	2	
22	GU95005308	Arandela 8,4x14,57x1,6	4	
23	GU03922280	Tapón 5x9	1	

Grupo	MOTOR
Código	34.10
Descripción	Transmisión cpl. II
Revisión	1



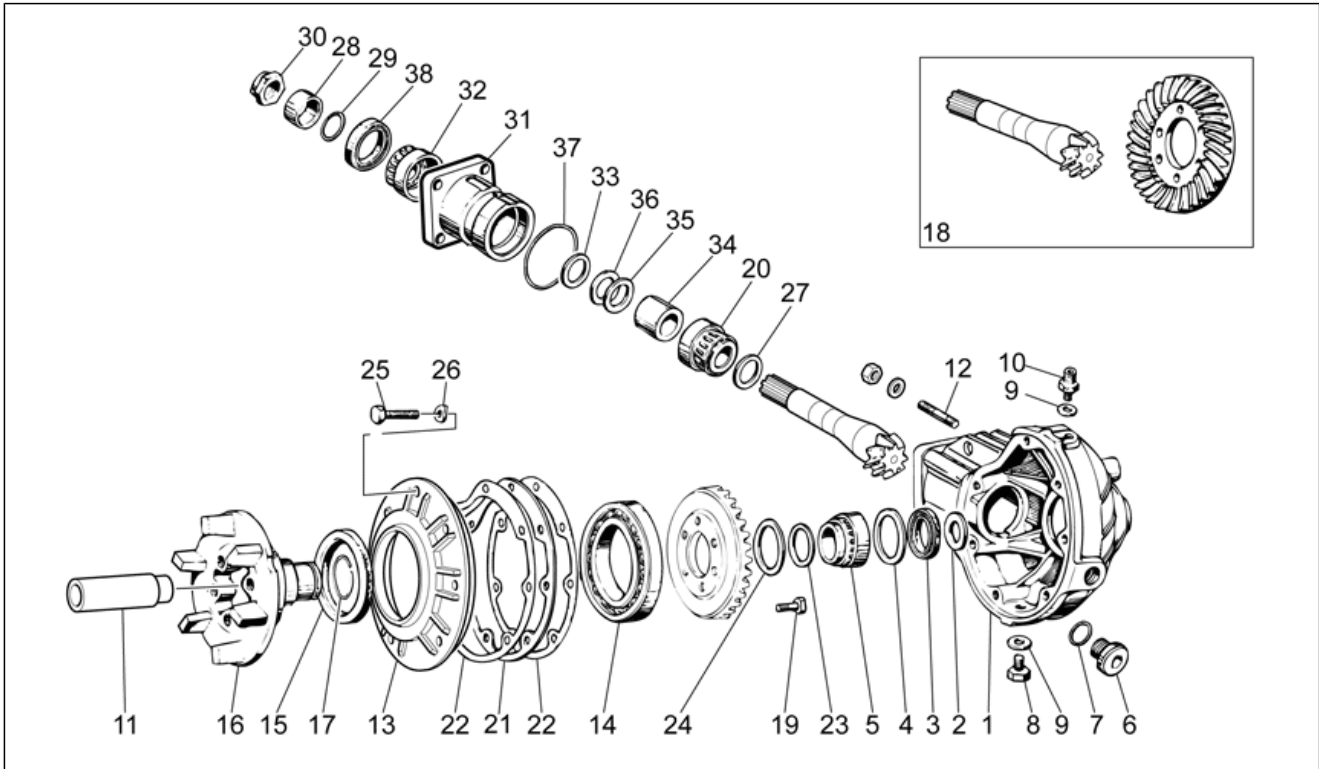
Pos.	Código	Descripción	Cant.	Variantes
1	976608	Caja trans.negro	1	
2	GU19351900	Arand. sop. lateral	1	
3	GU90403549	Gasket ring 35x47x7	1	
4	GU19351100	Arand. sop. lateral	1	
5	GU92252235	Cojinete de rodillos 35x50x17	1	
6	GU12022600	Tapón aceite	1	
7	GU90706203	Junta tórica 20,24X2,62	1	
8	GU31003766	Tapón descarg.aceite M10x1	1	
9	GU01528930	Junta 10x18x1,5	2	
10	GU19206501	Tapón respiradero	1	
11	GU32633560	Distanciador	1	
12	GU96508055	Prisionero	4	
13	GU32350410	Tapa	1	
14	GU92201070	Cojinete de bolas 70x110x13	1	
15	GU90407591	Gasket ring 75x95x10	1	
16	GU32351410	Perno	1	
17	GU90353030	Anillo de tope	1	
18	GU32354610	Par-cónica 8/33	1	
19	GU03067730	Tornillo M8x25	6	
20	GU92249227	Coj. rodillos cónicos 25x5	1	
21	GU19355400	Suplemento espesor 0,8 mm	1	
21	GU19355402	Suplemento espesor 0,9 mm	1	
21	GU19355404	Suplemento espesor 1 mm	1	
21	GU19355406	Suplemento espesor 1,1 mm	1	
21	GU19355408	Suplemento espesor 1,2 mm	1	
21	GU19355410	Suplemento espesor 1,3 mm	1	
21	GU19355411	Suplemento espesor 1,4 mm	1	
21	GU19355412	Suplemento espesor 1,5 mm	1	

Grupo	MOTOR
Código	34.10
Descripción	Transmisión cpl. II
Revisión	1



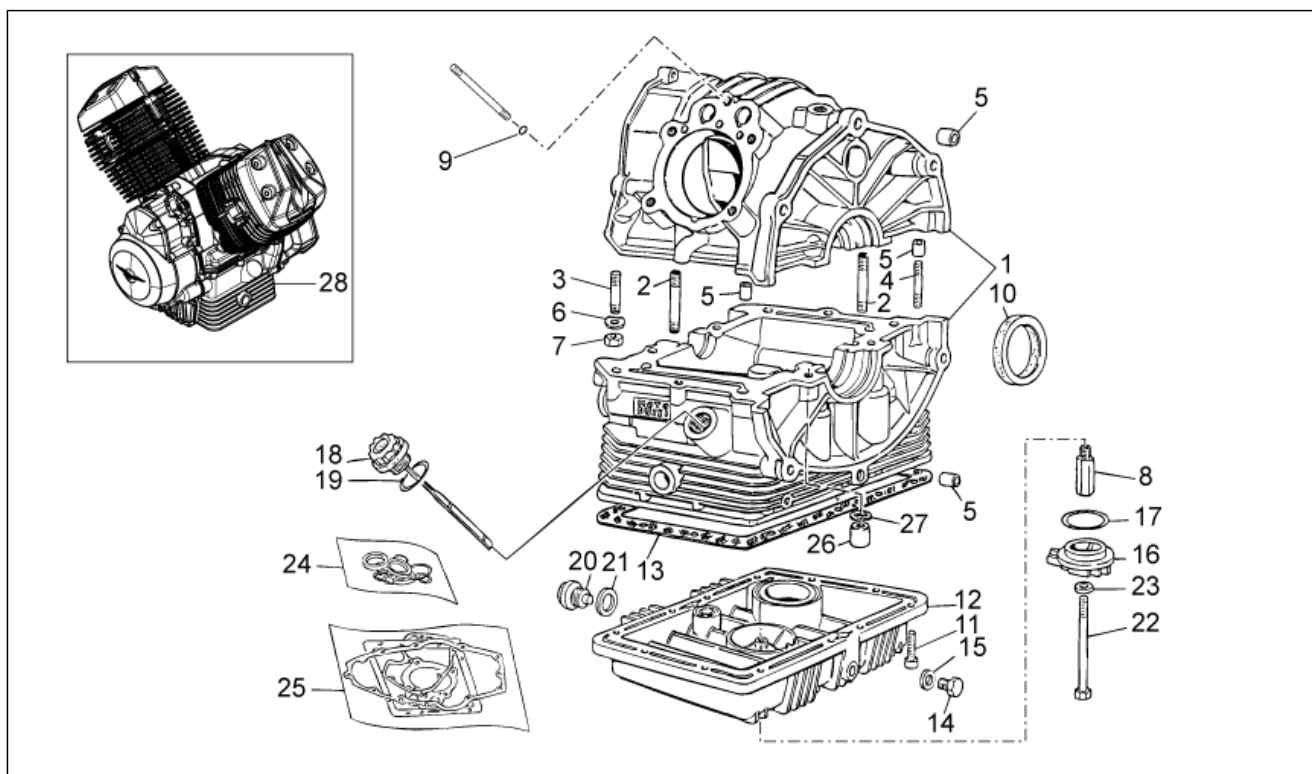
Pos.	Código	Descripción	Cant.	Variantes
21	GU19355413	Suplemento espesor 1,6 mm	1	
22	GU19350700	Junta	2	
23	GU19352300	Arand.de resorte	1	
24	GU19353500	Arand.de resorte	1	
25	GU19357660	Tornillo	7	
26	GU61270300	Arandela elástica 8x15x0,3	7	
27	GU19355320	Suplemento espesor 1 mm	1	
27	GU19355321	Suplemento espesor 1,1 mm	1	
27	GU19355322	Suplemento espesor 1,2 mm	1	
27	GU19355323	Suplemento espesor 1,3 mm	1	
27	GU19355324	Suplemento espesor 1,4 mm	1	
27	GU19355325	Suplemento espesor 1,5 mm	1	
27	GU19355326	Suplemento espesor 1,6 mm	1	
27	GU19355327	Suplemento espesor 1,7 mm	1	
27	GU19355328	Suplemento espesor 1,8 mm	1	
27	GU19355329	Suplemento espesor 1,9 mm	1	
28	GU19356801	Distanciador	1	
29	GU90706188	Gasket ring 18,77X1,78	1	
30	GU19356700	Tuerca	1	
31	GU20352421	Flange	1	
32	GU92249220	Cojinete de rodillos 20x47x14	1	
33	GU19355300	Suplemento espesor 1 mm	1	
33	GU19355301	Suplemento espesor 1,1 mm	1	
33	GU19355302	Suplemento espesor 1,2 mm	1	
33	GU19355303	Suplemento espesor 1,3 mm	1	
33	GU19355304	Suplemento espesor 1,4 mm	1	
33	GU19355305	Suplemento espesor 1,5 mm	1	
33	GU19355306	Suplemento espesor 1,6 mm	1	

Grupo	MOTOR
Código	34.10
Descripción	Transmisión cpl. II
Revisión	1



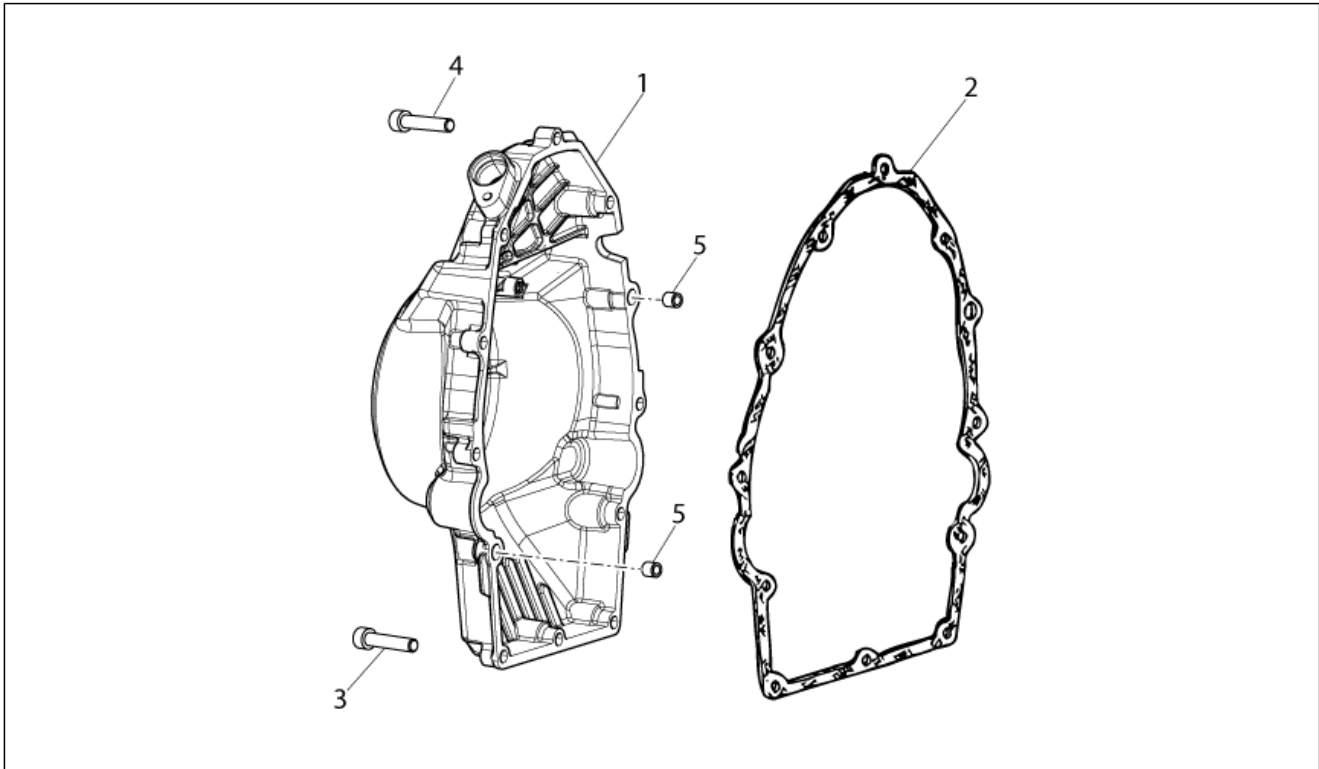
Pos.	Código	Descripción	Cant.	Variantes
33	GU19355307	Suplemento espesor 1,7 mm	1	
33	GU19355308	Suplemento espesor 1,8 mm	1	
33	GU19355309	Suplemento espesor 1,9 mm	1	
34	GU20355121	Distanciador	1	
35	GU19355200	Arandela 0,1 mm	1	
36	GU19355202	Arandela 0,15 mm	1	
37	GU90706584	Junta 58,42x2,62	1	
38	GU90403251	Gasket ring 32x47x10	1	

Grupo	MOTOR
Código	34.34
Descripción	Cárter
Revisión	1



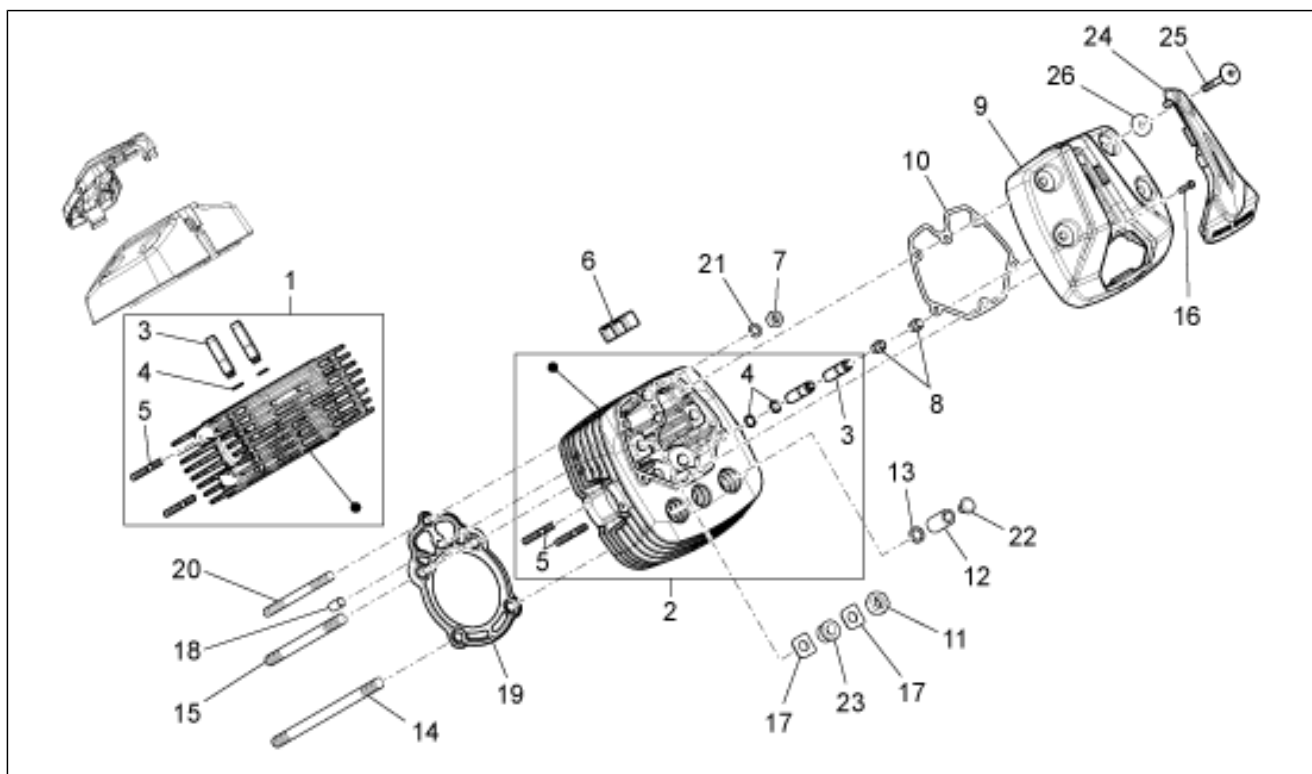
Pos.	Código	Descripción	Cant.	Variantes
1	2A0002355	Carter	1	
2	GU96451560	Prisionero	4	
3	GU96451430	Prisionero	4	
4	GU96508055	Prisionero	2	
5	GU19015020	Buje	4	
6	GU61270300	Arandela elástica 8x15x0,3	6	
7	GU92606208	Tuerca M8x1,25	6	
8	GU19003800	Empalme	1	
9	GU90706076	Junta tórica	2	
10	886365	Gasket ring	1	
11	GU98682325	Tornillo Allen M6x25	12	
12	976604	Copa aceite motor negro	1	
13	887004	Junta cárter aceite	1	
14	GU31003766	Tapón descarg.aceite M10x1	1	
15	GU10528900	Junta	1	
16	976685	Tapa	1	
17	GU90706444	Junta tórica	1	
18	883826	Tapón carga aceite	1	
19	GU90706281	Junta tórica 28,24x2,62	1	
20	GU12003702	Tapón descarg.aceite	1	
21	GU95100709	Junta 20,1x28x2	1	
22	GU27152885	Perno	1	
23	GU12154200	Junta 8,25x15x1	1	
24	GU32999510	Retén aceite (lote)	1	
25	GU32999010	Lote de juntas	1	
26	GU13021900	Tuerca	4	
27	GU95129180	Arandela 10,5X18X0,8	4	
28	2L0001895	Motor	1	

Grupo	MOTOR
Código	34.35
Descripción	Tapa distribución
Revisión	1



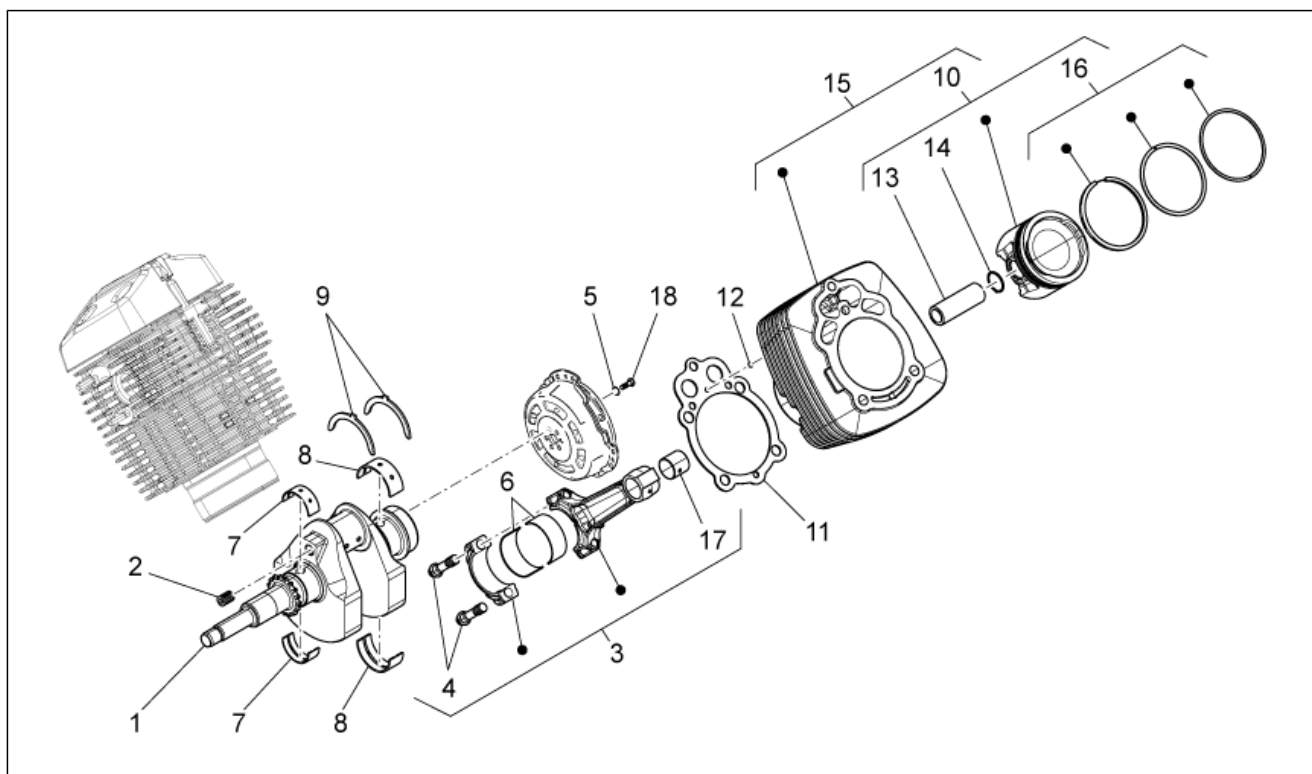
Pos.	Código	Descripción	Cant.	Variantes
1	2A000085	Tapa gener.	1	
2	887003	Junta tapa	1	
3	GU98682325	Tornillo Allen M6x25	10	
4	GU98682330	Tornillo Allen M6x20	2	
5	GU19002020	Buje 6,6x9x13	2	

Grupo	MOTOR
Código	34.36
Descripción	Cabeza cil.
Revisión	1



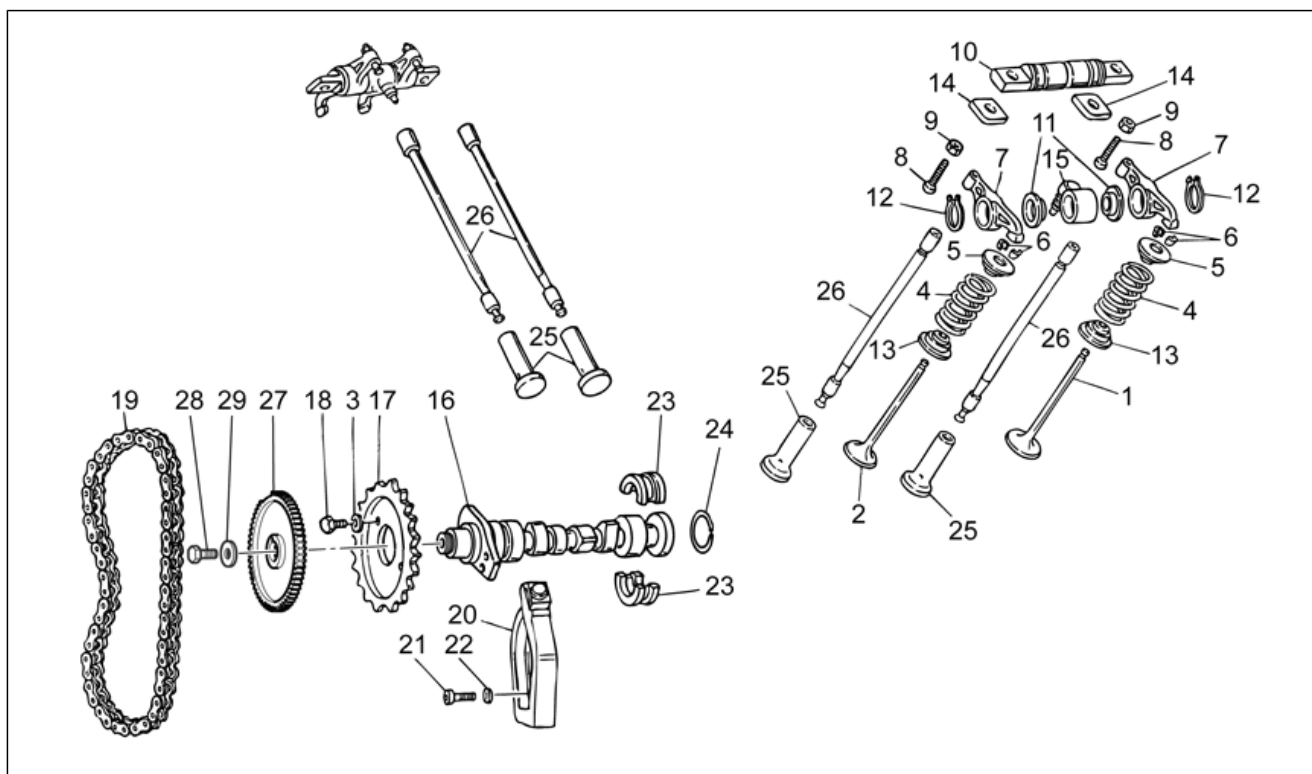
Pos.	Código	Descripción	Cant.	Variantes
1	8872724	Cabeza der.	1	
2	8872754	Cabeza izq.	1	
3	GU61036801	Guía de válvula	4	
4	GU90353009	Anillo elástico	4	
5	GU96506042	Prisionero	4	
6	B063111	Taco antivibrante	4	
7	GU19021920	Tuerca	2	
8	GU19037820	Retén aceite	4	
9	887523	Tapa culata	2	
10	887002	Junta tapa culata	2	
11	GU92603010	Tuerca M10X1,5	4	
12	GU13021900	Tuerca	4	
13	GU95129180	Arandela 10,5X18X0,8	4	
14	GU96510214	Prisionero M10x214	4	
15	GU96510181	Prisionero M10x182	4	
16	GU98692325	Tornillo Allen M6x25	4	
17	GU19032980	Suplemento espesor	8	
18	GU19021360	Buje	2	
19	B063099	Junta culata-cilindro	2	
20	976898	Prisionero M8x140	2	
21	GU61270300	Arandela elástica 8x15x0,3	2	
22	GU93180245	Tapón	4	
23	AP8144071	Goma silencioso	1	
24	887279	Tapa bujía	2	
25	887483	Tornillo de la tapa de culata M6x52,5	8	
26	969973	Arandela	8	

Grupo	MOTOR
Código	34.37
Descripción	Cigüeñal cpl.
Revisión	1



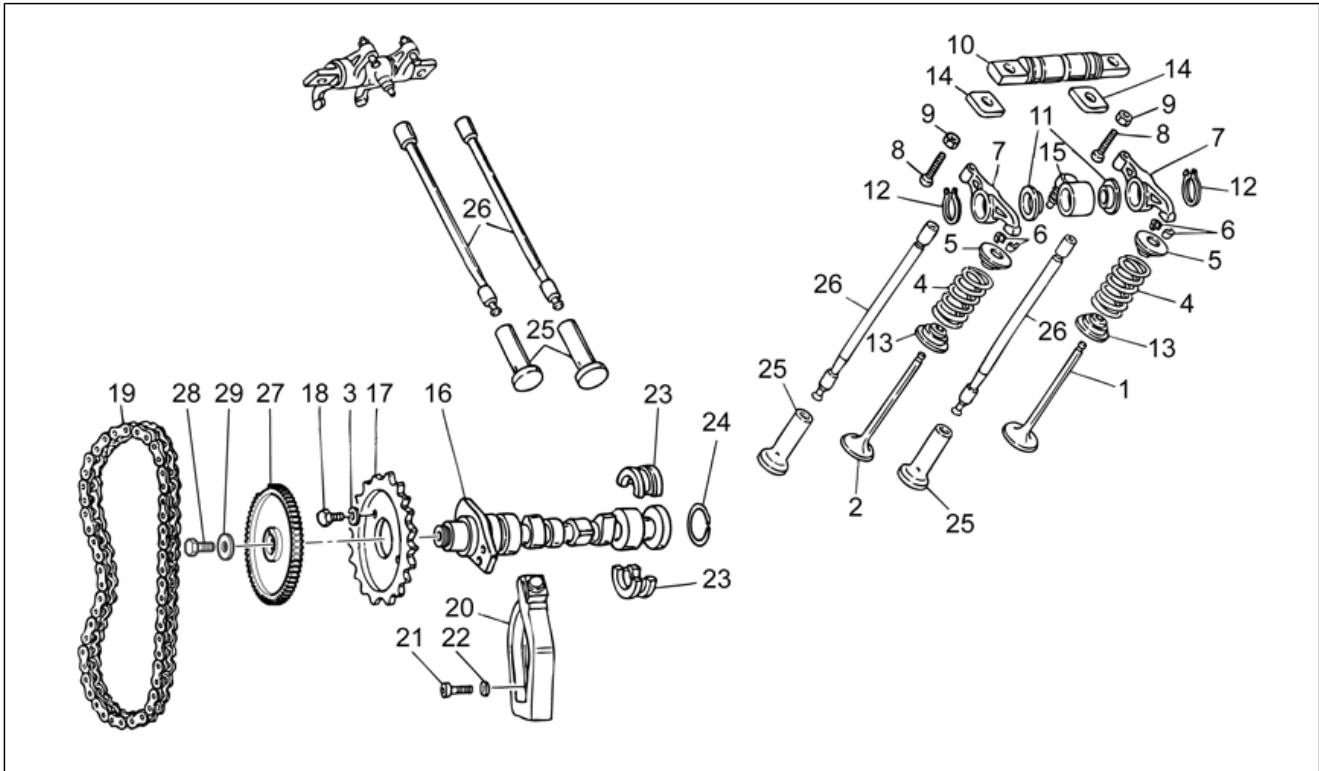
Pos.	Código	Descripción	Cant.	Variantes
1	2A0000995	CIGÜEÑAL	1	
2	GU19065400	Tapón	1	
3	GU27061585	Biela cpl.	2	
4	GU19062261	Tornillo	4	
5	GU14615901	Arandela 8,4X13X0,8	6	
6	GU27062060	Semienvol. chumacera	4	
7	GU27065660	Semienv.chumac.azul del.	2	
8	GU27066560	Semienv.chumac.azul tras.	2	
9	GU27066460	Arandela	2	
10	8872690001	Pistón completo d.80 Cat. D	1	
10	8872690002	Pistón completo d.80 Cat. E	1	
10	8872690003	Pistón completo d.80 Cat. F	1	
11	886670	Junta cilindro	2	
12	GU61027200	Junta tórica	2	
13	B063016	Pasador	2	
14	874567	Anillo de tope	4	
15	B063465	Cilindro con pistón cpl.	2	
16	B063466	Kit segmentos	2	
17	GU27061885	Buje	2	
18	GU19067700	Tornillo	6	

Grupo	MOTOR
Código	34.38
Descripción	Distribución
Revisión	1



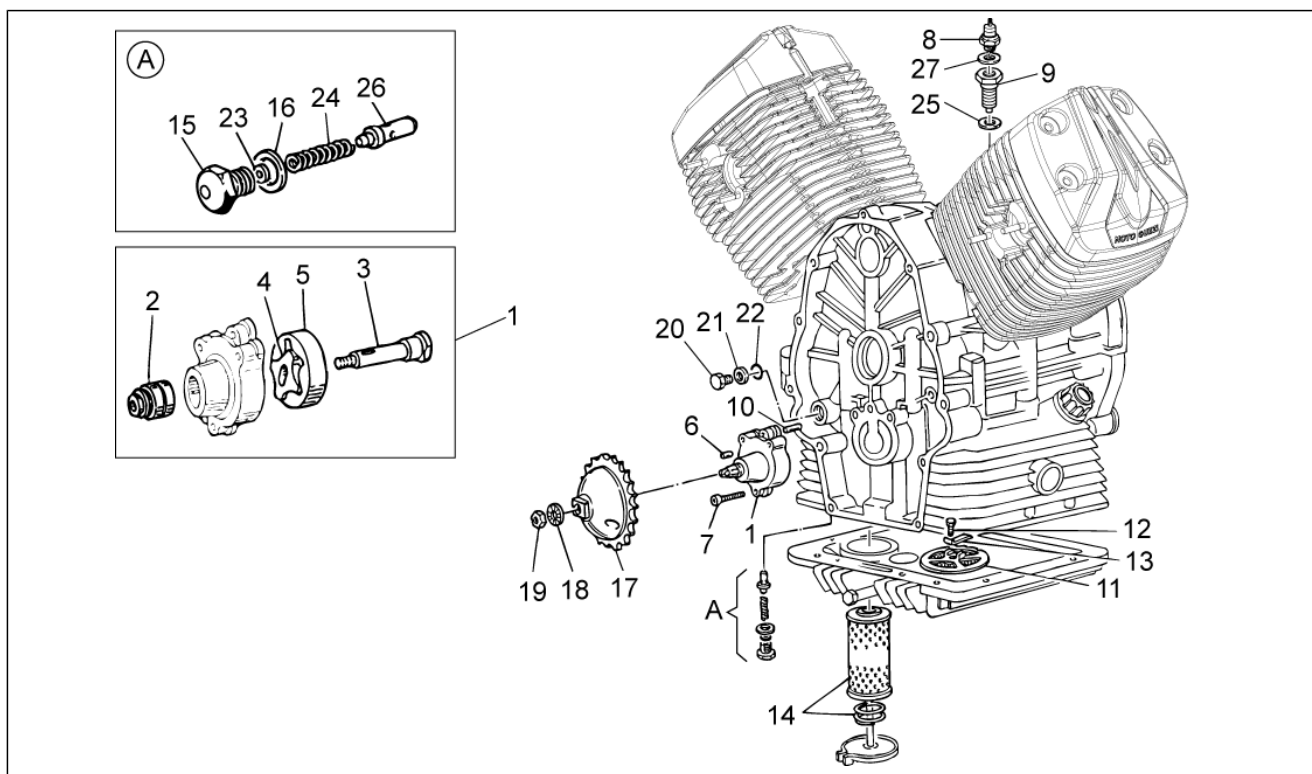
Pos.	Código	Descripción	Cant.	Variantes
1	2A000146	Valvula de admision	2	
2	2A000147	Valvula de descarga	2	
3	GU23217800	Arandela	2	
4	GU27037521	Muelle	4	
5	GU31038015	Platillo sup.	4	
6	GU61038100	Semicono	8	
7	GU19030500	Balancín	4	
8	GU19034000	Tornillo	4	
9	GU92602406	Tuerca M6x1	4	
10	GU19032080	Eje balan.	2	
11	GU32032310	Arand.de resorte	4	
12	GU90271018	Anillo de retención	4	
13	GU31037015	Platillo inf.	4	
14	GU19032980	Suplemento espesor	4	
15	GU19027500	Manguito	2	
16	GU32053410	Árbol de levas	1	
17	GU32054510	Engran. distribución	1	
18	GU61054900	Perno	2	
19	GU19058021	Cadena distribución	1	
20	GU19058220	Tensor de cadena	1	
21	GU98882316	Tornillo	1	
22	GU95129115	Arandela	1	
23	GU19055700	Tope	2	
24	GU90353029	Anillo elástico	1	
25	GU19045861	Balancion	4	
26	GU31045015	Varilla balancín	4	
27	887528	Wheel speed sensor, LH front	1	
28	GU98054422	Tornillo M8x22	1	

Grupo	MOTOR
Código	34.38
Descripción	Distribución
Revisión	1



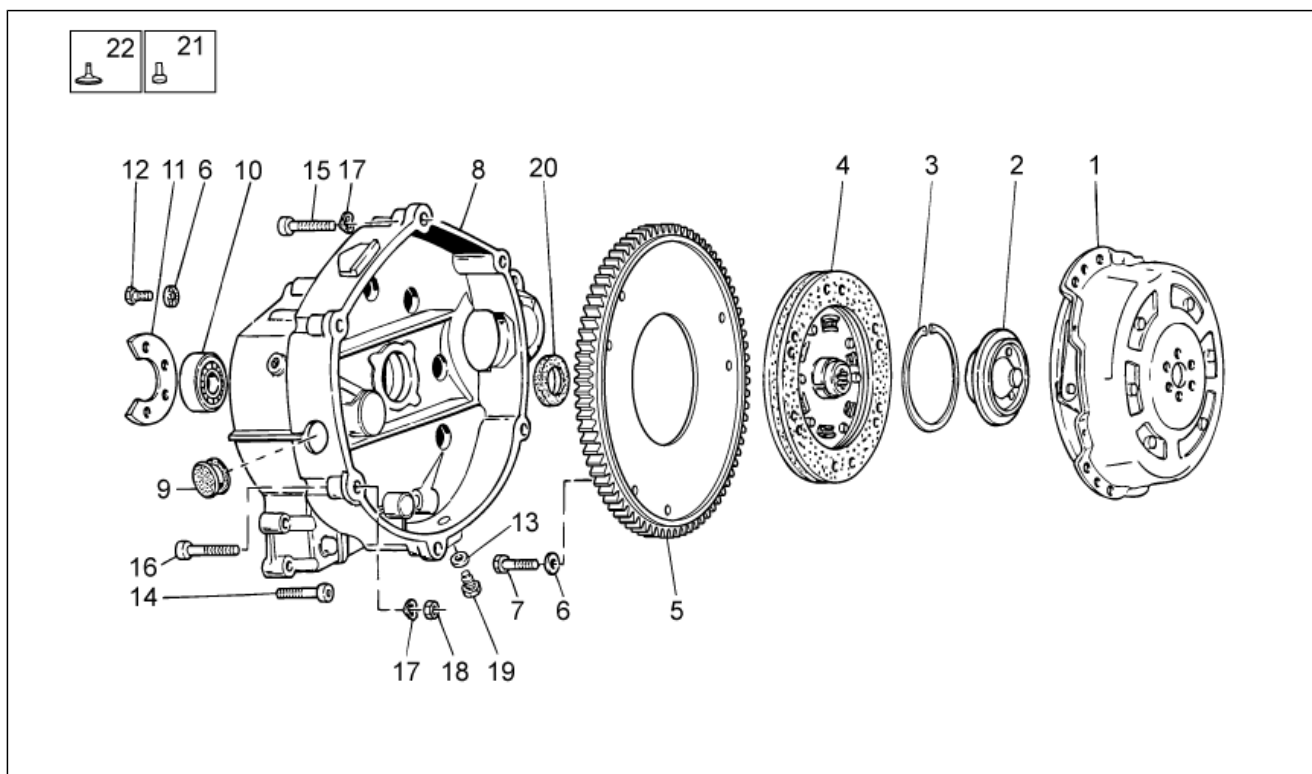
Pos.	Código	Descripción	Cant.	Variantes
29	GU95100244	Arandela	1	

Grupo	MOTOR
Código	34.39
Descripción	Bomba aceite
Revisión	1



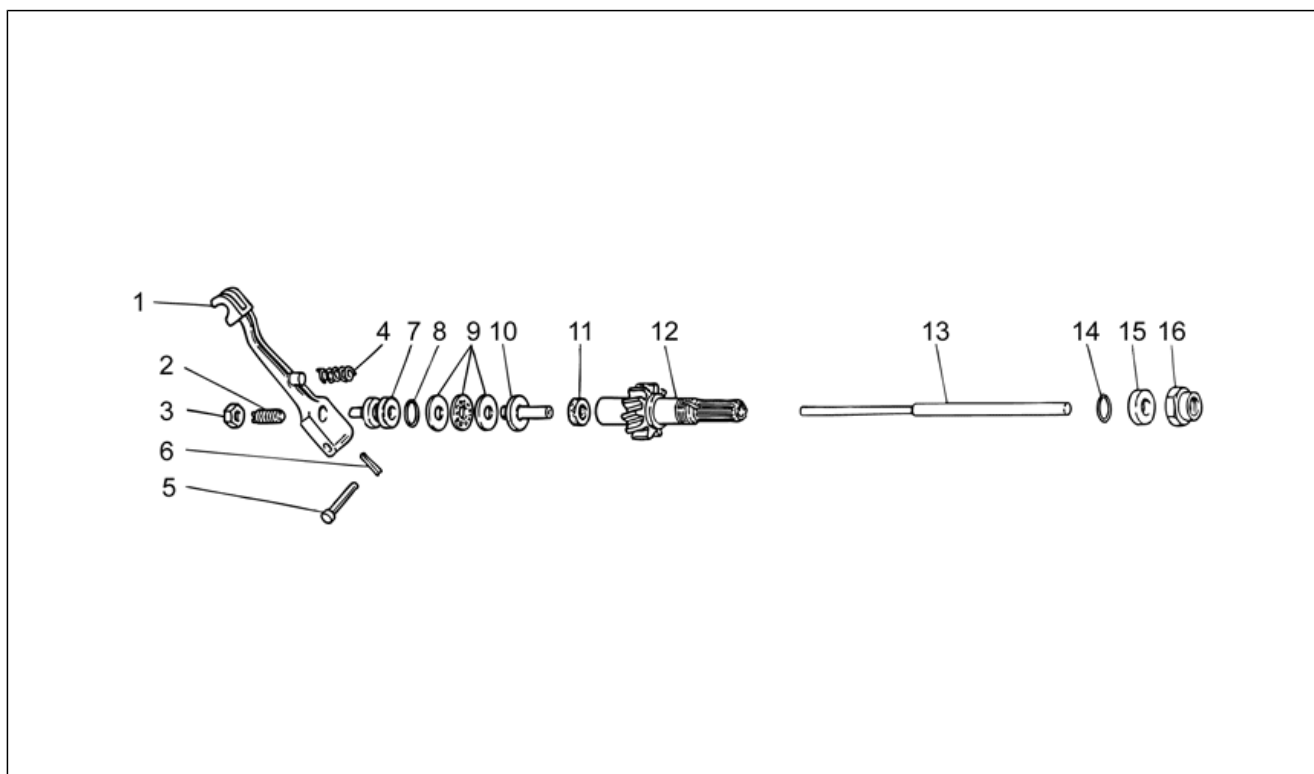
Pos.	Código	Descripción	Cant.	Variantes
1	GU19146422	Bomba aceite	1	
2	GU92252210	Cojinete de rodillos 10x22x20	1	
3	GU20147810	Eje bomba aceite	1	
4	GU20148410	Rotor int.	1	
5	GU20148610	Rotor ext.	1	
6	GU92296723	Rodillo	1	
7	884039	Tornillo Allen M6x35	3	
8	641541	Sensor de presión de aceite	1	
9	887093	Empalme	1	
10	GU19018920	Clavija	2	
11	GU19152200	Filtro aceite	1	
12	GU98084314	Tornillo c. hex. M6x14	1	
13	GU95187006	Placa	1	
14	GU27153085	Filtro aceite	1	
15	GU31159050	Tapón	1	
16	GU18144350	Arandela 18,25x24x1	3	
17	GU20147710	Engranaje bomba	1	
18	AP8152220	Arandela	1	
19	GU92602510	Tuerca M10x1,25	1	
20	GU31016050	Tapón	1	
21	GU18161150	Junta 14,25	1	
22	GU90706111	Junta tórica	1	
23	GU95008206	Arandela 6,15x11x0,8	3	
24	GU94321079	Muelle	1	
25	GU95100602	Junta	1	
26	GU31159050	Émbolo	1	
27	GU95100309	Arandela	1	

Grupo	MOTOR
Código	34.40
Descripción	Embrague I
Revisión	1



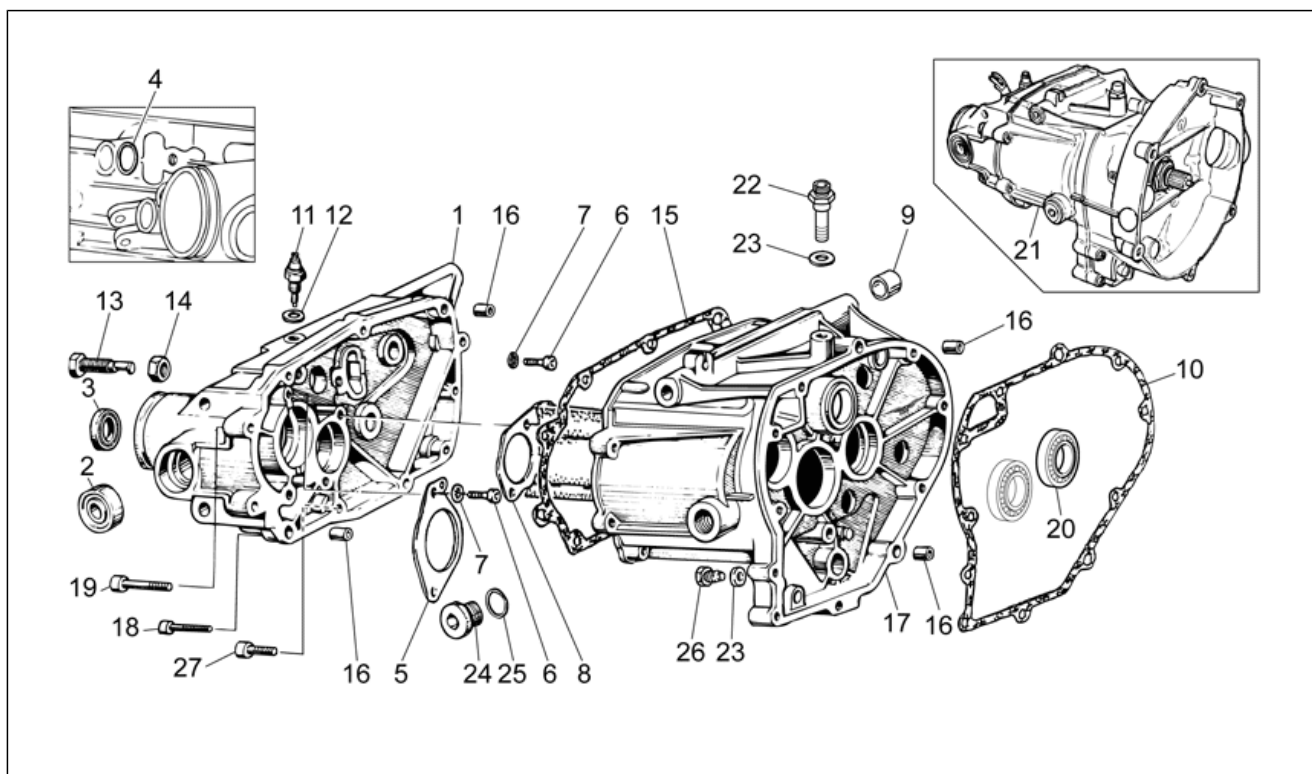
Pos.	Código	Descripción	Cant.	Variantes
1	GU32080310	Embrague	1	
2	GU19083462	Cubeta embrague	1	
3	GU90272075	Anillo elástico	1	
4	GU32084410	Disco embrague conducido	1	
5	GU32067910	Corona	1	
6	GU14217901	Arandela 6,4x10x0,7	9	
7	884038	Tornillo c. hex. M6x16	6	
8	2A000106	Campana embrague	1	
9	GU93180220	Tapón	1	
10	GU92201225	Cojinete 25x52x15	1	
11	GU19203460	Placa fijac.cojinete	1	
12	GU98084314	Tornillo c. hex. M6x14	3	
13	GU10528900	Junta	1	
14	884032	Tornillo Allen M6x30	11	
15	GU98680435	Tornillo Allen M8x35	5	
16	GU98680450	Tornillo Allen M8x50	1	
17	GU61270300	Arandela elástica 8x15x0,3	6	
18	GU92606208	Tuerca M8x1,25	1	
19	GU31003766	Tapón descarg.aceite M10x1	1	
20	886629	Gasket ring	1	
21	GU23204471	Boquilla	1	
22	GU23204571	Pulverizador para a.p.	1	

Grupo	MOTOR
Código	34.41
Descripción	Embrague II
Revisión	1



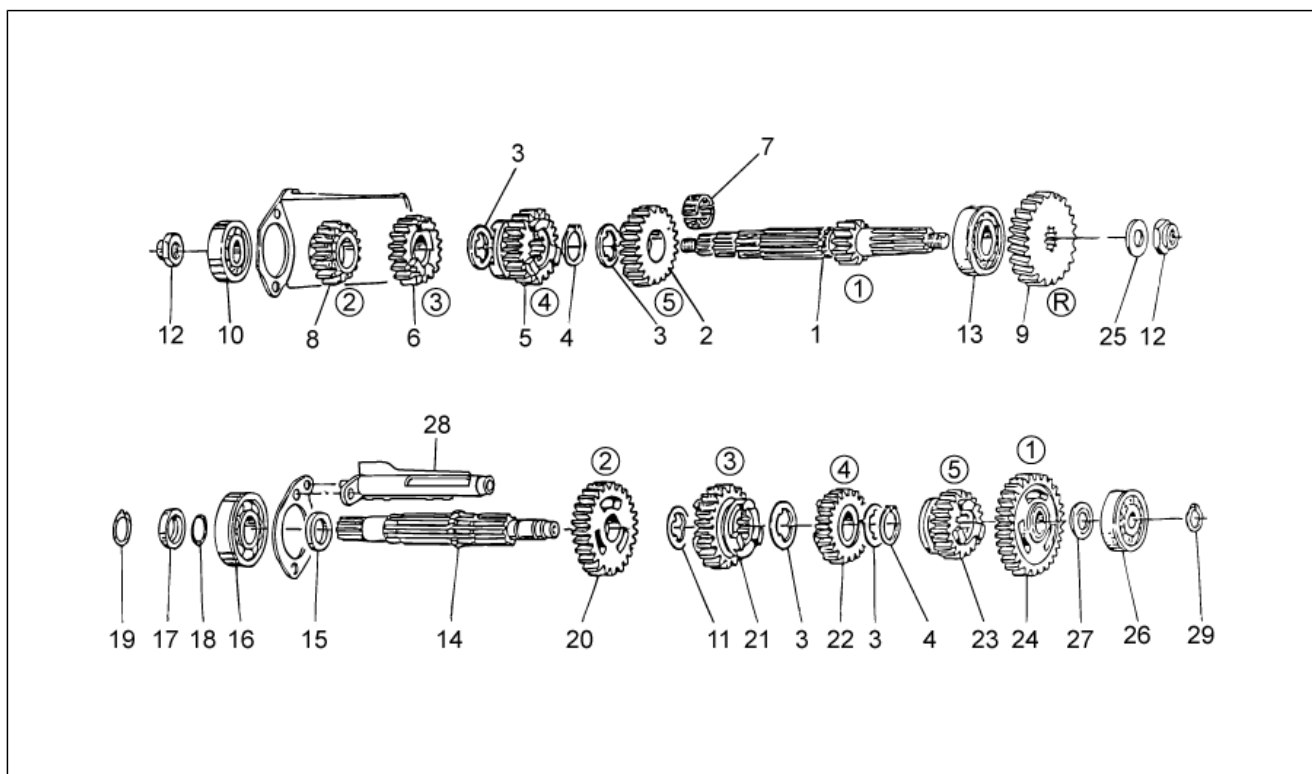
Pos.	Código	Descripción	Cant.	Variantes
1	GU14090201	Palanca embrague	1	
2	GU14090400	Tornillo embrague	1	
3	GU92606508	Tuerca	1	
4	GU94321105	Muelle retorno palanca	1	
5	GU95780271	Clavija 7x39	1	
6	GU95500222	Clavija	1	
7	GU14086100	Cuerpo ext.	1	
8	GU90706170	Junta tórica 17,13x2,62	1	
9	GU12087001	Cojinete de tope	1	
10	GU14086000	Cuerpo int.	1	
11	GU90400616	Gasket ring 6x16x7	1	
12	GU27210760	Eje transmisión Z=16	1	
13	GU20085720	Varilla	1	
14	GU90706235	Junta tórica 23,52x1,78	1	
15	GU19213760	Distanciadore	1	
16	GU19356760	Tuerca	1	

Grupo	MOTOR
Código	34.42
Descripción	Cambio
Revisión	1



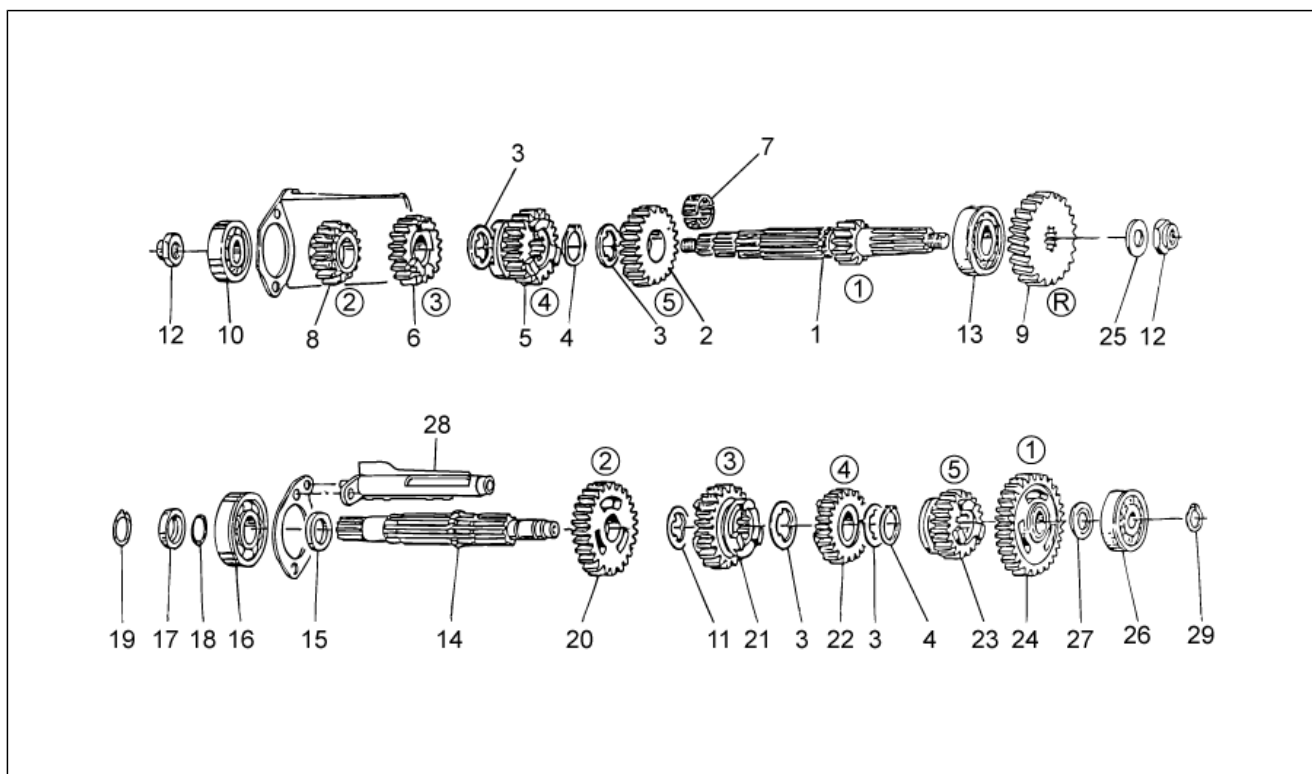
Pos.	Código	Descripción	Cant.	Variantes
1	2A000098	Tapa caja cambio	1	
2	2A000097	Cojinete de bolas 6202-2RSH/C3 LHT23	2	
3	886364	Gasket ring 28x40x7	1	
4	GU90706140	Junta tórica 13,95x2,92	1	
5	GU32213810	Soprote	1	
6	884031	Tornillo Allen M6x14	4	
7	GU14217901	Arandela 6,4x10x0,7	4	
8	GU32208210	Mamparo aceite	1	
9	GU19202320	Buje 10,25x15,7x8	2	
10	887005	Junta	1	
11	B063269	Sensor	1	
12	GU12154200	Junta 8,25x15x1	1	
13	GU19237800	Tornillo M12x1,25	1	
14	GU92606512	Tuerca baja M12x1,25	1	
15	887006	Junta	1	
16	GU19002020	Buje 6,6x9x13	4	
17	887235	Cambio	1	
18	GU98682330	Tornillo Allen M6x20	5	
19	GU98680435	Tornillo Allen M8x35	4	
20	B063342	Cojinete de bolas 6004/C3	1	
21	976992	Cambio completo	1	
22	GU32206510	Tapón respiradero	1	
23	GU10528900	Junta	2	
24	GU12022600	Tapón aceite	1	
25	GU90706203	Junta tórica 20,24X2,62	1	
26	GU31003766	Tapón descarg.aceite M10x1	1	
27	AP8150285	Tornillo Allen M6x35	2	

Grupo	MOTOR
Código	34.43
Descripción	Cambio
Revisión	1



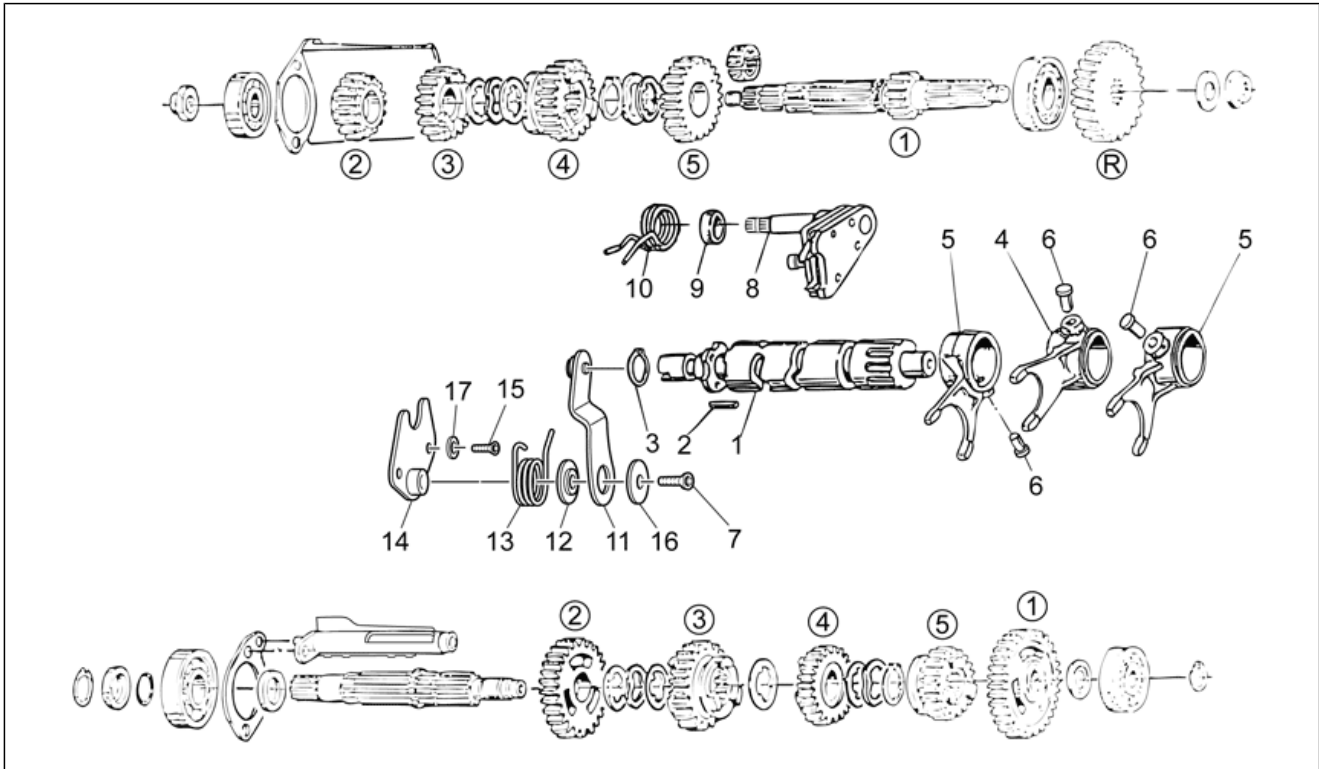
Pos.	Código	Descripción	Cant.	Variantes
1	GU32210510	Eje primario Z=11	1	
2	GU32212011	Engranaje 5a AP Z=25	1	
3	GU19215460	Arand.de resorte	3	
4	GU90271124	Anillo de retención	2	
5	GU32211810	Engranaje 4a AP Z=18	1	
6	GU32211410	Engranaje 3a AP Z=18	1	
7	GU92251028	Jaula de agujas	1	
8	GU23211372	Engranaje 2a AP Z=14	1	
9	GU32211110	Engran.transm. AP Z=21	1	
10	GU92218417	Cojinete AP 17x40x17,5	1	
11	GU19214660	Arand. sop. lateral	2	
12	GU10054100	Tuerca	2	
13	GU92230320	Cojinete AP 20x37x17	1	
14	GU32213610	Eje secundario	1	
15	GU19212900	Distanciadador	1	
16	GU92201220	Cojinete 20X47X14	1	
17	GU19213720	Distanciadador	1	
18	GU90706188	Gasket ring 18,77X1,78	1	
19	GU90271121	Anillo de retención	1	
20	GU32214510	Engranaje 2a AS Z=23	1	
21	GU32214810	Engranaje 3a AS Z=23	1	
22	GU32215010	Engranaje 4a AS Z=19	1	
23	GU32215210	Engranaje 5a AS Z=22	1	
24	GU32214010	Engranaje 1a AS Z=26	1	
25	GU39238100	Arand. sop. lateral	1	
26	GU92234716	Cojinete	1	
27	GU10214300	Suplemento espesor 1,5 mm	1	
27	GU10214301	Suplemento espesor 1,7 mm	1	

Grupo	MOTOR
Código	34.43
Descripción	Cambio
Revisión	1



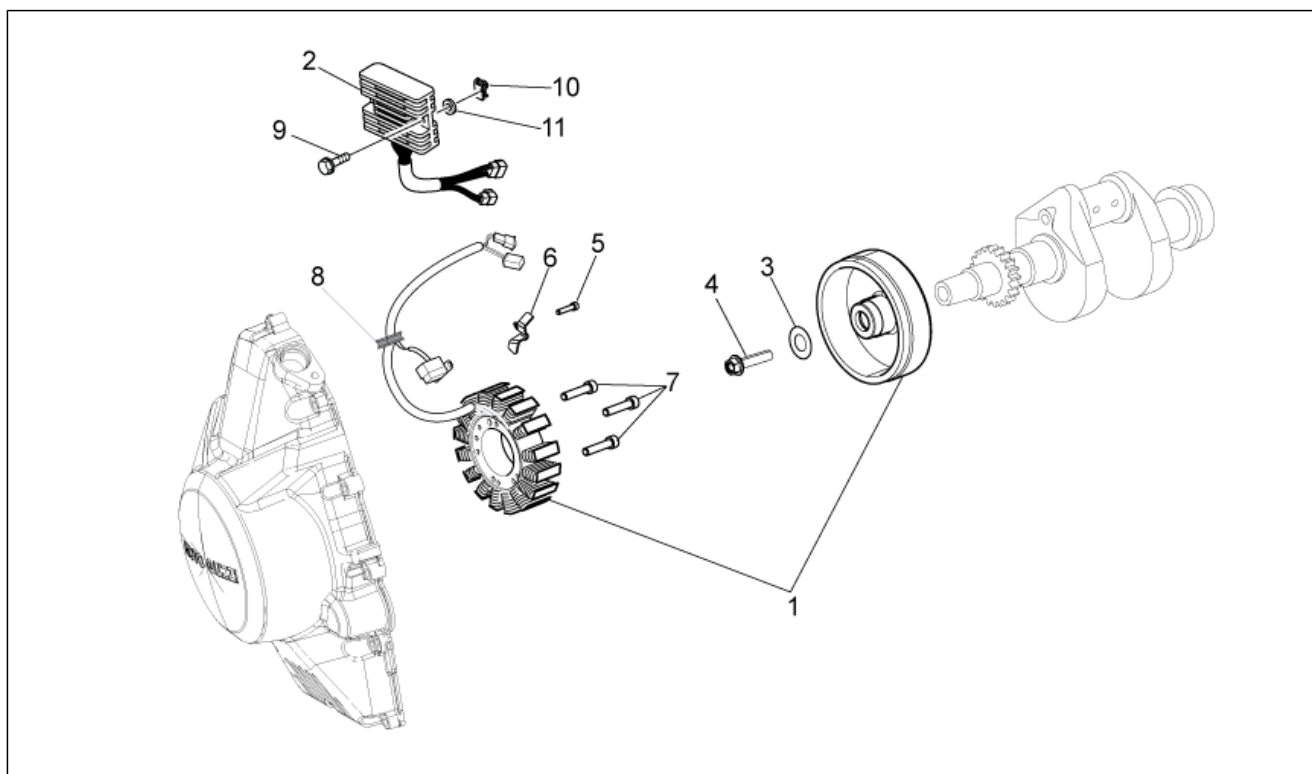
Pos.	Código	Descripción	Cant.	Variantes
27	GU10214302	Suplemento espesor 1,8 mm	1	
27	GU10214303	Suplemento espesor 1,9 mm	1	
27	GU10214304	Arandela 2 mm	1	
27	GU10214305	Suplemento espesor 2,1 mm	1	
28	GU32202010	Gutter	1	
29	GU90271117	Anillo de retención	1	

Grupo	MOTOR
Código	34.44
Descripción	Selector cambio
Revisión	1



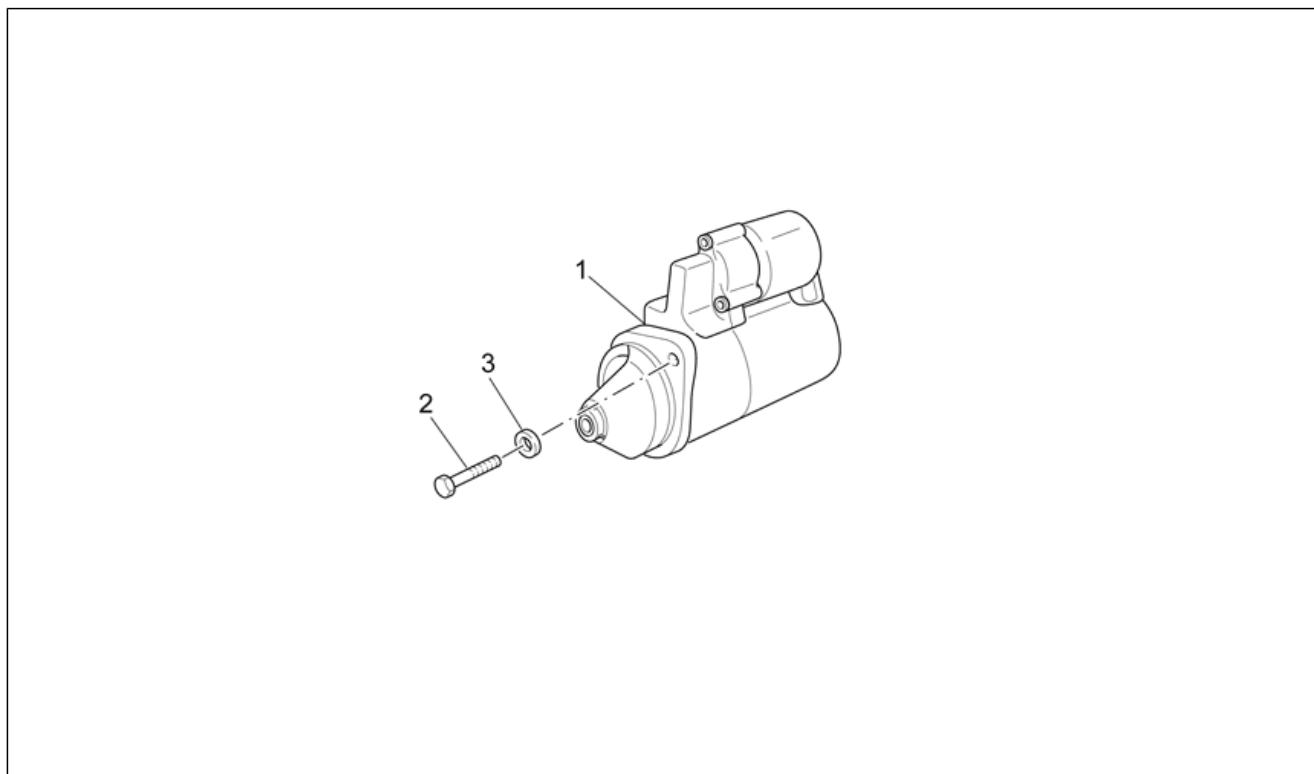
Pos.	Código	Descripción	Cant.	Variantes
1	GU32234410	Leva del cambio	1	
2	GU19234600	Barra	4	
3	GU90274026	Anillo elástico	1	
4	GU32231210	Horquilla AP	1	
5	GU32231010	Horquilla AS	2	
6	GU32233010	Rodillo	3	
7	GU98230612	Tornillo	1	
8	887196	Pre-selector completo	1	
9	GU20208520	Distanciador	1	
10	GU32238210	Muelle	1	
11	GU32234710	Palanca	1	
12	GU32234810	Arandela	1	
13	GU32234110	Muelle	1	
14	GU32235710	Placa	1	
15	GU98257618	Tornillo M6x18	2	
16	GU32234910	Arandela 6,4x20x1	1	
17	GU14217901	Arandela 6,4x10x0,7	2	

Grupo	MOTOR
Código	34.45
Descripción	Alternador - Regulador
Revisión	1



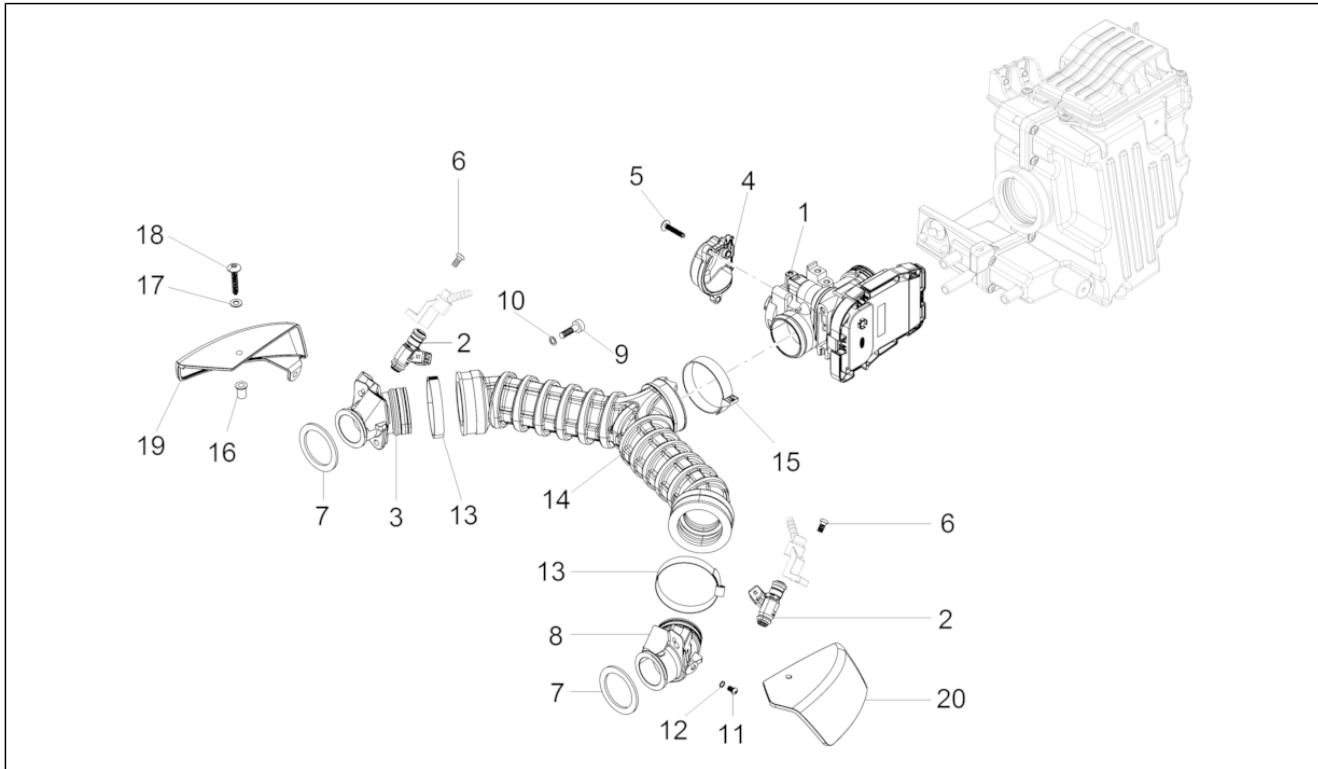
Pos.	Código	Descripción	Cant.	Variantes
1	2D000024	Volante magneto cpl	1	
2	2D000043	Regulador de tensión	1	
3	897478	Arandela 12x26.5x3	1	
4	857206	Torn. CH con reborde M12X1,25X50	1	
5	GU98682212	Tornillo Allen M5x12	1	
6	2A000115	Placa	1	
7	2A000129	Tornillo Allen rebajado M6x35	3	
8	GU19007700	Goma	1	
9	AP8152281	Torn. CH con reborde M6x30	2	
10	254485	Placa elastica M6	2	
11	GU95100125	Arandela	2	

Grupo	MOTOR
Código	34.46
Descripción	Motor arranque
Revisión	1



Pos.	Código	Descripción	Cant.	Variantes
1	GU05730730	Motor arranque Bosch	1	
2	GU98682435	Tornillo Allen	2	
3	GU95008208	Arandela 8,4X15X1,5	2	

Grupo	MOTOR
Código	34.47
Descripción	Cuerpo válv.estrangulamiento
Revisión	1



Pos.	Código	Descripción	Cant.	Variantes
1	CM228303	Centralita electrónica para inyección	1	PAÍS:Japón[J]
1	CM228304	Centralita electrónica para inyección	1	
2	B063049	Inyector	2	
3	GU32115010	Capuchón admisión izq.	1	
4	880260	Protección Cuerpo válv.estrang.	1	
5	B016796	Tornillo de cabeza curva torx	3	
6	AP8152298	Tornillo con reborde M5x16	2	
7	GU32115510	Junta	2	
8	GU32115011	Capuchón admisión izq.	1	
9	GU98622322	Tornillo	4	
10	GU03013800	Arandela 6,4x12	4	
11	884029	Tornillo M6x10	2	
12	GU95100116	Arandela 6,25x10x1,5	2	
13	884311	Abrazadera D.61	2	
14	887812	Manguito cpo estran.	1	
15	884310	Abrazadera D.55	1	
16	GU93231605	Casquillo	4	
17	GU30577800	Arandela en nylon 5,5X12X1	4	
18	GU98370515	Tornillo	4	
19	2B000971	Tapa der.	1	
20	2B000972	Tapa izq.	1	