



PIAGGIO & C.s.p.a.



## CATÁLOGO DE PIEZAS DE REPUESTO

### V7 II RACER ABS 750 2015

Prefijo chasis:

Prefijo motor:



## Índice

|                                                         |           |
|---------------------------------------------------------|-----------|
| Productos terminados.....                               | 4         |
| Índice alfanumérico.....                                | 5         |
| <b>BASTIDOR.....</b>                                    | <b>10</b> |
| Tabla 33.01 - Bastidor I.....                           | 10        |
| Tabla 33.02 - Bastidor II.....                          | 11        |
| Tabla 33.03 - Caballete lateral.....                    | 12        |
| Tabla 33.06 - Palanca cambio.....                       | 13        |
| Tabla 33.07 - HORQUILLA DELANTERA I.....                | 14        |
| Tabla 33.08 - HORQUILLA DELANTERA II.....               | 15        |
| Tabla 33.11 - Tras.Amortiguador.....                    | 17        |
| Tabla 33.12 - Depósito gasolina.....                    | 18        |
| Tabla 33.13 - Carrocería del. - Guardab. Delantero..... | 19        |
| Tabla 33.14 - Sillín-Carrocería cent.....               | 20        |
| Tabla 33.15 - Car.tr. I- Gdab.....                      | 21        |
| Tabla 33.16 - Carroc.tras.II - Portamatrícula.....      | 22        |
| Tabla 33.17 - Salpicadero.....                          | 23        |
| Tabla 33.18 - Manillar - Mandos.....                    | 24        |
| Tabla 33.19 - Eq.freno delantero.....                   | 26        |
| Tabla 33.21 - Bomba gasolina.....                       | 27        |
| Tabla 33.23 - Grupo de escape.....                      | 28        |
| Tabla 33.24 - RUEDA DELANTERA.....                      | 30        |
| Tabla 33.25 - Rueda trasera.....                        | 31        |
| Tabla 33.26 - Bomba freno tras.....                     | 32        |
| Tabla 33.27 - Pinza freno tras.....                     | 34        |
| Tabla 33.28 - Faros delanteros.....                     | 35        |
| Tabla 33.29 - Faros traseros.....                       | 36        |
| Tabla 33.30 - Instalación eléctrica I.....              | 37        |
| Tabla 33.31 - Instalación eléctrica II.....             | 38        |
| Tabla 33.32 - Juego cerraduras.....                     | 39        |
| Tabla 33.33 - Calcomanías y placas.....                 | 40        |
| Tabla 33.52 - CAJA DEL FILTRO II.....                   | 41        |
| Tabla 33.53 - Eq.freno ABS.....                         | 42        |
| <b>MOTOR.....</b>                                       | <b>43</b> |
| Tabla 34.09 - Transmisión cpl. I.....                   | 43        |
| Tabla 34.10 - Transmisión cpl. II.....                  | 44        |
| Tabla 34.34 - Cáster.....                               | 47        |
| Tabla 34.35 - Tapa distribución.....                    | 49        |
| Tabla 34.36 - Cabeza cil.....                           | 50        |
| Tabla 34.37 - Cigüeñal cpl.....                         | 51        |
| Tabla 34.38 - Distribución.....                         | 52        |
| Tabla 34.39 - Bomba aceite.....                         | 54        |
| Tabla 34.40 - Embrague I.....                           | 55        |
| Tabla 34.41 - Embrague II.....                          | 56        |



---

|                                                 |    |
|-------------------------------------------------|----|
| Tabla 34.42 - Cambio.....                       | 57 |
| Tabla 34.43 - Cambio.....                       | 58 |
| Tabla 34.44 - Selector cambio.....              | 59 |
| Tabla 34.45 - Alternador - Regulador.....       | 60 |
| Tabla 34.46 - Motor arranque.....               | 61 |
| Tabla 34.47 - Cuerpo válv.estrangulamiento..... | 62 |



V 7  
GU119 - V7 II RACER ABS 750 2015

Prefijo chasis:  
Prefijo motor:

## Productos terminados

| Código         | Validez |
|----------------|---------|
| GU9032115EUE00 |         |
| GU9032115EUE01 |         |



| Código    | Nº Tabla | Pos. | Código         | Nº Tabla | Pos. | Código   | Nº Tabla | Pos. |
|-----------|----------|------|----------------|----------|------|----------|----------|------|
| 080341    | 33.30    | 6    | 2B000842       | 33.14    | 21   | 2H000430 | 33.33    | 15   |
| 1A000360  | 34.43    | 5    | 2B000843       | 33.01    | 17   | 2H000726 | 33.33    | 8    |
| 1A000361  | 34.43    | 11   | 2B000844       | 33.01    | 18   | 2H000727 | 33.33    | 14   |
| 1A000365  | 34.43    | 14   | 2B000970       | 33.21    | 2    | 2L000240 | 34.34    | 28   |
| 1A000366  | 34.43    | 16   | 2B000995       | 33.23    | 1    | 2Q000056 | 33.33    | 5    |
| 1A000367  | 34.43    | 20   | 2B000996       | 33.23    | 2    | 2R000109 | 33.08    | 29   |
| 1A000368  | 34.43    | 21   | 2B001004       | 33.02    | 9    | 2R000110 | 33.08    | 4    |
| 1A000369  | 34.43    | 22   | 2B001008       | 33.02    | 8    | 2R000243 | 33.08    | 15   |
| 1A000370  | 34.43    | 18   | 2B001009       | 33.06    | 8    | 584211   | 33.31    | 10   |
| 1A000436  | 34.43    | 8    | 2B001016       | 33.53    | 13   | 584332   | 33.29    | 7    |
| 1A000566  | 34.43    | 2    | 2B001031       | 34.47    | 14   | 638733   | 33.31    | 6    |
| 1A002604  | 34.43    | 7    | 2B001033       | 33.03    | 1    | 640598   | 33.28    | 11   |
| 1D0001275 | 33.24    | 20   | 2B001035       | 33.01    | 10   | 641040   | 33.30    | 8    |
| 1D0001275 | 33.25    | 19   | 2B001048       | 33.18    | 27   | 641541   | 34.39    | 8    |
| 248419    | 33.26    | 19   | 2B001049       | 33.18    | 10   | 641725   | 33.30    | 7    |
| 254485    | 33.14    | 16   | 2B001101       | 33.17    | 8    | 641901   | 33.30    | 4    |
| 254485    | 33.15    | 4    | 2B001197       | 33.19    | 13   | 642034   | 33.30    | 3    |
| 254485    | 33.28    | 20   | 2B001199       | 33.19    | 1    | 832029   | 33.30    | 14   |
| 254485    | 33.52    | 14   | 2B001201       | 33.18    | 3    | 834764   | 34.40    | 9    |
| 254485    | 34.45    | 10   | 2B001204       | 34.36    | 28   | 848650   | 34.40    | 3    |
| 285536    | 34.40    | 14   | 2B001230       | 33.02    | 10   | 849308   | 34.43    | 4    |
| 292022    | 33.28    | 9    | 2B001255       | 33.01    | 1    | 849309   | 34.43    | 17   |
| 292723    | 33.28    | 10   | 2B001256       | 33.02    | 2    | 849310   | 34.43    | 19   |
| 2A000085  | 34.35    | 1    | 2B001257       | 33.02    | 1    | 849396   | 34.43    | 12   |
| 2A000097  | 34.42    | 4    | 2B001258       | 33.53    | 2    | 849424   | 34.43    | 6    |
| 2A0000995 | 34.37    | 1    | 2B001282       | 33.27    | 7    | 854973   | 33.53    | 8    |
| 2A000115  | 34.45    | 6    | 2B001300       | 33.18    | 2    | 856796   | 33.06    | 20   |
| 2A000129  | 34.45    | 7    | 2B001342       | 33.21    | 2    | 857206   | 34.45    | 4    |
| 2A000146  | 34.38    | 1    | 2B001429       | 33.07    | 1    | 857250   | 34.42    | 10   |
| 2A000147  | 34.38    | 2    | 2B001556       | 33.53    | 4    | 860651   | 34.09    | 19   |
| 2A000196  | 34.42    | 16   | 2B001558       | 33.53    | 3    | 862560   | 34.44    | 22   |
| 2A000199  | 34.43    | 23   | 2B001561       | 33.24    | 22   | 873905   | 34.40    | 8    |
| 2A000202  | 34.43    | 24   | 2B001564       | 33.53    | 14   | 873928   | 34.40    | 6    |
| 2A000203  | 34.43    | 15   | 2B001570       | 33.53    | 21   | 873928   | 34.42    | 8    |
| 2A000204  | 34.41    | 12   | 2B001591       | 33.08    | 10   | 874567   | 34.37    | 14   |
| 2A000210  | 34.42    | 1    | 2B001597       | 33.26    | 13   | 880260   | 34.47    | 4    |
| 2A000216  | 34.41    | 13   | 2B001612       | 33.01    | 7    | 883127   | 33.52    | 6    |
| 2A000219  | 34.44    | 5    | 2B001613       | 33.02    | 3    | 883161   | 33.31    | 11   |
| 2A000222  | 34.44    | 12   | 2B001614       | 33.53    | 15   | 883266   | 33.13    | 2    |
| 2A000224  | 34.44    | 16   | 2B001620       | 33.53    | 5    | 883295   | 33.14    | 5    |
| 2A000225  | 34.44    | 19   | 2B001681       | 33.23    | 11   | 883349   | 33.25    | 8    |
| 2A000226  | 34.44    | 17   | 2B001683       | 33.23    | 10   | 883350   | 33.25    | 7    |
| 2A000227  | 34.44    | 18   | 2B001701       | 33.29    | 1    | 883417   | 33.28    | 24   |
| 2A000230  | 34.43    | 1    | 2B001708       | 33.24    | 21   | 883552   | 33.08    | 24   |
| 2A0002355 | 34.34    | 1    | 2B001926       | 33.19    | 9    | 883602   | 33.08    | 32   |
| 2A000241  | 34.40    | 17   | 2B001927       | 33.19    | 8    | 883673   | 33.19    | 17   |
| 2A000241  | 34.42    | 6    | 2B001928       | 33.19    | 6    | 883688   | 33.24    | 10   |
| 2A000306  | 34.42    | 5    | 2B001929       | 33.19    | 7    | 883826   | 34.34    | 18   |
| 2A000375  | 34.42    | 11   | 2B001941       | 33.06    | 27   | 884038   | 34.40    | 24   |
| 2A000376  | 34.41    | 20   | 2B001960       | 34.09    | 11   | 884043   | 33.23    | 27   |
| 2A000378  | 34.41    | 24   | 2B001988       | 33.14    | 25   | 884311   | 34.47    | 13   |
| 2A0003794 | 34.40    | 1    | 2B001998       | 33.18    | 28   | 886141   | 33.33    | 10   |
| 2A000383  | 34.41    | 1    | 2D000006       | 33.32    | 10   | 886365   | 34.34    | 10   |
| 2A000384  | 34.41    | 5    | 2D000021       | 33.17    | 10   | 886368   | 33.14    | 12   |
| 2A000385  | 34.41    | 6    | 2D000022       | 33.17    | 9    | 886629   | 34.40    | 2    |
| 2A000416  | 34.44    | 20   | 2D000024       | 34.45    | 1    | 886630   | 33.11    | 3    |
| 2A000438  | 34.42    | 17   | 2D000043       | 34.45    | 2    | 886645   | 33.01    | 11   |
| 2B000225  | 33.25    | 22   | 2D000102       | 33.53    | 1    | 886665   | 33.06    | 13   |
| 2B000229  | 33.27    | 1    | 2D000108       | 33.30    | 1    | 886665   | 33.26    | 1    |
| 2B000276  | 33.53    | 22   | 2D000108       | 33.31    | 1    | 886666   | 33.26    | 9    |
| 2B000377  | 33.25    | 23   | 2H000419       | 33.12    | 1    | 886668   | 33.06    | 16   |
| 2B000508  | 33.26    | 14   | 2H000421000Y02 | 33.13    | 7    | 886670   | 34.37    | 11   |
| 2B000525  | 33.27    | 6    | 2H000423       | 33.33    | 13   | 886675   | 33.11    | 1    |
| 2B000579  | 34.38    | 15   | 2H000424       | 33.33    | 12   | 886678   | 33.33    | 3    |
| 2B000838  | 33.14    | 10   | 2H000425       | 33.33    | 1    | 886681   | 33.24    | 2    |
| 2B000839  | 33.14    | 9    | 2H000426       | 33.33    | 7    | 886706   | 33.14    | 15   |
| 2B000841  | 33.14    | 20   | 2H000427       | 33.33    | 9    | 886711   | 33.25    | 2    |



| Código      | Nº Tabla | Pos. | Código     | Nº Tabla | Pos. | Código    | Nº Tabla | Pos. |
|-------------|----------|------|------------|----------|------|-----------|----------|------|
| 886712      | 33.16    | 9    | 896110     | 33.23    | 21   | AP8120531 | 33.14    | 18   |
| 886713      | 33.16    | 10   | 897478     | 34.45    | 3    | AP8120557 | 33.12    | 11   |
| 886724      | 33.13    | 10   | 898086     | 33.07    | 7    | AP8120615 | 33.52    | 10   |
| 886727      | 33.14    | 19   | 898174     | 33.33    | 2    | AP8120772 | 33.52    | 20   |
| 88673000Y02 | 33.13    | 1    | 89817800A3 | 33.14    | 1    | AP8120772 | 34.34    | 29   |
| 886820      | 33.14    | 22   | 898179     | 33.13    | 7    | AP8120870 | 33.23    | 20   |
| 886841      | 33.14    | 14   | 898180     | 33.13    | 8    | AP8120876 | 33.52    | 8    |
| 886842      | 33.08    | 21   | 898280     | 33.16    | 6    | AP8120912 | 33.06    | 2    |
| 887002      | 34.36    | 10   | 898281     | 33.06    | 22   | AP8120912 | 33.26    | 2    |
| 887003      | 34.35    | 2    | 898281     | 33.26    | 27   | AP8121014 | 33.03    | 3    |
| 887004      | 34.34    | 13   | 898282     | 33.06    | 1    | AP8121032 | 33.15    | 13   |
| 887093      | 34.39    | 9    | 898283     | 33.06    | 3    | AP8121032 | 33.17    | 7    |
| 887194      | 33.17    | 1    | 898284     | 33.06    | 9    | AP8121072 | 33.23    | 22   |
| 887207      | 33.12    | 1    | 898285     | 33.26    | 30   | AP8121307 | 33.07    | 4    |
| 8872690001  | 34.37    | 10   | 898286     | 33.26    | 17   | AP8121375 | 33.03    | 2    |
| 8872690002  | 34.37    | 10   | 898287     | 33.26    | 12   | AP8121420 | 33.14    | 6    |
| 8872690003  | 34.37    | 10   | 898288     | 33.26    | 4    | AP8121420 | 33.32    | 8    |
| 8872724     | 34.36    | 1    | 898611     | 33.06    | 12   | AP8121673 | 33.12    | 12   |
| 8872754     | 34.36    | 2    | 898612     | 33.06    | 23   | AP8121927 | 33.26    | 3    |
| 887279      | 34.36    | 24   | 898612     | 33.26    | 28   | AP8121929 | 33.16    | 7    |
| 887280      | 33.06    | 17   | 959559     | 33.53    | 16   | AP8124936 | 33.30    | 2    |
| 887443      | 33.33    | 4    | 967356     | 33.03    | 6    | AP8127856 | 33.03    | 8    |
| 887448      | 33.25    | 12   | 969973     | 34.36    | 26   | AP8133873 | 33.26    | 22   |
| 887481      | 33.30    | 12   | 974162     | 34.43    | 10   | AP8134378 | 33.23    | 18   |
| 887483      | 34.36    | 25   | 974165     | 34.43    | 13   | AP8134448 | 33.16    | 2    |
| 887523      | 34.36    | 9    | 976604     | 34.34    | 12   | AP8134640 | 33.26    | 35   |
| 887528      | 34.38    | 27   | 976608     | 34.10    | 1    | AP8144071 | 33.23    | 16   |
| 887762      | 33.24    | 11   | 976614     | 33.14    | 13   | AP8144071 | 34.36    | 23   |
| 887787      | 33.21    | 5    | 976685     | 34.34    | 16   | AP8144081 | 33.07    | 5    |
| 887815      | 33.52    | 13   | 976898     | 34.36    | 20   | AP8144146 | 33.07    | 3    |
| 887826      | 33.28    | 4    | 976941     | 34.09    | 1    | AP8144538 | 33.52    | 15   |
| 887826      | 33.29    | 4    | 97729R     | 34.46    | 1    | AP8144553 | 33.52    | 7    |
| 887827      | 33.28    | 5    | 977527     | 33.14    | 8    | AP8144606 | 33.01    | 15   |
| 887827      | 33.29    | 5    | 977527     | 33.32    | 4    | AP8144729 | 33.52    | 17   |
| 8878421     | 33.52    | 1    | 978311     | 33.28    | 2    | AP8150015 | 33.53    | 12   |
| 887843      | 33.52    | 2    | 978385     | 33.23    | 12   | AP8150026 | 33.06    | 19   |
| 887844      | 33.52    | 11   | 978386     | 33.23    | 15   | AP8150044 | 33.06    | 14   |
| 887845      | 33.52    | 12   | 978387     | 33.23    | 4    | AP8150044 | 33.26    | 25   |
| 887873      | 33.32    | 1    | 978415     | 33.14    | 7    | AP8150045 | 34.40    | 11   |
| 887874      | 33.32    | 3    | 978415     | 33.32    | 9    | AP8150115 | 33.06    | 5    |
| 887875      | 33.24    | 19   | 978947     | 33.15    | 2    | AP8150137 | 33.06    | 4    |
| 887878      | 33.08    | 1    | 978949     | 33.16    | 1    | AP8150178 | 33.24    | 17   |
| 887879      | 33.08    | 2    | 981149     | 33.28    | 12   | AP8150349 | 33.32    | 6    |
| 887880      | 33.08    | 3    | AP8101594  | 33.26    | 20   | AP8150413 | 33.13    | 6    |
| 887882      | 33.08    | 5    | AP8101595  | 33.12    | 15   | AP8150416 | 33.12    | 8    |
| 887883      | 33.08    | 6    | AP8101928  | 33.06    | 21   | AP8150436 | 33.02    | 12   |
| 887884      | 33.08    | 7    | AP8102375  | 33.31    | 14   | AP8150451 | 33.53    | 19   |
| 887885      | 33.08    | 8    | AP8102520  | 34.34    | 30   | AP8150462 | 33.06    | 7    |
| 887886      | 33.08    | 9    | AP8102524  | 33.03    | 4    | AP8150468 | 33.26    | 29   |
| 887888      | 33.08    | 11   | AP8102766  | 33.52    | 23   | AP8150509 | 33.52    | 19   |
| 887889      | 33.08    | 12   | AP8102913  | 33.14    | 3    | AP8152043 | 33.19    | 4    |
| 887890      | 33.08    | 13   | AP8104525  | 33.52    | 5    | AP8152220 | 33.02    | 11   |
| 887891      | 33.08    | 14   | AP8104924  | 33.52    | 4    | AP8152220 | 34.39    | 18   |
| 887893      | 33.08    | 16   | AP8110053  | 33.06    | 11   | AP8152273 | 33.16    | 11   |
| 887894      | 33.08    | 17   | AP8113003  | 33.19    | 15   | AP8152273 | 33.21    | 4    |
| 887895      | 33.08    | 18   | AP8113003  | 33.53    | 7    | AP8152278 | 33.15    | 3    |
| 887896      | 33.08    | 19   | AP8113004  | 33.19    | 14   | AP8152278 | 33.28    | 13   |
| 887899      | 33.08    | 25   | AP8113004  | 33.53    | 6    | AP8152279 | 33.15    | 9    |
| 887900      | 33.08    | 23   | AP8113288  | 33.26    | 16   | AP8152279 | 33.53    | 11   |
| 887905      | 33.08    | 28   | AP8113553  | 33.26    | 23   | AP8152281 | 34.45    | 9    |
| 887916      | 33.08    | 22   | AP8118490  | 33.18    | 24   | AP8152282 | 33.31    | 7    |
| 887948      | 33.30    | 13   | AP8120030  | 33.53    | 10   | AP8152286 | 33.25    | 13   |
| 887971      | 33.33    | 11   | AP8120246  | 34.09    | 10   | AP8152288 | 33.27    | 4    |
| 890760      | 33.52    | 16   | AP8120416  | 33.30    | 18   | AP8152298 | 33.26    | 18   |
| 890979      | 33.28    | 16   | AP8120416  | 33.31    | 19   | AP8152298 | 34.47    | 6    |
| 894704      | 33.31    | 26   | AP8120455  | 33.52    | 9    | AP8152299 | 33.15    | 15   |
| 895709      | 33.53    | 18   |            |          |      | AP8152299 | 33.30    | 5    |



| Código       | Nº Tabla | Pos. | Código        | Nº Tabla | Pos. | Código     | Nº Tabla | Pos. |
|--------------|----------|------|---------------|----------|------|------------|----------|------|
| AP8152306    | 33.16    | 5    | B063735       | 33.28    | 14   | GU12003702 | 34.34    | 20   |
| AP8152320    | 33.06    | 6    | B063735       | 33.29    | 6    | GU12022600 | 34.10    | 6    |
| AP8152320    | 33.26    | 33   | B063752       | 33.21    | 1    | GU12022600 | 34.40    | 10   |
| AP8152329    | 33.15    | 11   | B063956       | 34.44    | 4    | GU12154200 | 34.34    | 23   |
| AP8152329    | 33.52    | 18   | B063975       | 33.18    | 15   | GU13021900 | 34.34    | 26   |
| AP8152329    | 33.52    | 24   | B064112       | 34.44    | 8    | GU13021900 | 34.36    | 12   |
| AP8152339    | 33.16    | 8    | B064113       | 34.44    | 11   | GU14085900 | 34.41    | 17   |
| AP8152385    | 33.19    | 16   | CM001928      | 33.07    | 9    | GU14086100 | 34.41    | 7    |
| AP8181140    | 33.31    | 24   | CM001929      | 33.07    | 8    | GU14090400 | 34.41    | 2    |
| AP8201358    | 33.52    | 3    | CM0074C9      | 33.30    | 10   | GU14217901 | 34.40    | 25   |
| AP8201358    | 34.36    | 27   | CM0074D0      | 33.30    | 9    | GU14609650 | 33.30    | 20   |
| AP8210007    | 33.06    | 18   | CM013202      | 33.31    | 25   | GU14609650 | 33.31    | 19   |
| AP8213028    | 33.18    | 23   | CM225705      | 33.31    | 15   | GU14615901 | 33.13    | 5    |
| AP8213057    | 33.26    | 15   | CM225710      | 33.31    | 16   | GU14615901 | 34.09    | 20   |
| AP8220283    | 33.31    | 22   | CM225715      | 33.31    | 17   | GU14615901 | 34.37    | 5    |
| AP8220460    | 33.07    | 6    | CM225720      | 33.31    | 20   | GU14616150 | 33.24    | 15   |
| AP8220590    | 33.01    | 20   | CM225730      | 33.31    | 18   | GU14616150 | 33.25    | 10   |
| AP8221023    | 33.52    | 25   | CM228306      | 34.47    | 1    | GU18144350 | 34.39    | 16   |
| AP8221023    | 33.53    | 9    | GU00823923140 | 33.03    | 7    | GU18161150 | 34.39    | 21   |
| AP8221172    | 33.01    | 16   | GU00823931055 | 33.28    | 19   | GU18257551 | 33.26    | 8    |
| AP8221172    | 33.18    | 18   | GU00823931070 | 33.12    | 2    | GU19002020 | 34.35    | 5    |
| AP8221197    | 33.03    | 5    | GU00823944050 | 33.12    | 16   | GU19002020 | 34.42    | 2    |
| AP8221277    | 33.06    | 10   | GU00823950050 | 33.26    | 21   | GU19003800 | 34.34    | 8    |
| AP8221277    | 33.06    | 25   | GU01103860    | 33.01    | 13   | GU19007700 | 34.45    | 8    |
| AP8224164    | 33.16    | 3    | GU01528930    | 34.10    | 9    | GU19015020 | 34.34    | 5    |
| AP8224462    | 33.31    | 21   | GU01528930    | 34.42    | 18   | GU19017000 | 33.02    | 4    |
| AP9100477    | 33.06    | 15   | GU01609630    | 33.18    | 14   | GU19018920 | 34.39    | 10   |
| AP9100477    | 33.26    | 31   | GU01659130    | 33.19    | 11   | GU19021360 | 34.36    | 18   |
| B013037      | 34.41    | 10   | GU01659131    | 33.19    | 12   | GU19021920 | 34.36    | 7    |
| B013608      | 34.40    | 5    | GU01665410    | 33.26    | 6    | GU19025280 | 33.23    | 5    |
| B013608      | 34.42    | 9    | GU01744200    | 33.28    | 18   | GU19025460 | 33.23    | 6    |
| B015040      | 34.43    | 9    | GU02717450    | 33.30    | 11   | GU19030500 | 34.38    | 7    |
| B015598      | 34.40    | 15   | GU03013800    | 33.23    | 8    | GU19032080 | 34.38    | 10   |
| B016796      | 34.47    | 5    | GU03013800    | 34.47    | 10   | GU19032980 | 34.36    | 17   |
| B017406      | 34.40    | 12   | GU03067730    | 34.10    | 19   | GU19032980 | 34.38    | 14   |
| B017470      | 34.43    | 3    | GU03101600    | 33.12    | 7    | GU19034000 | 34.38    | 8    |
| B018020      | 34.40    | 13   | GU03101720    | 33.12    | 5    | GU19037820 | 34.36    | 8    |
| B018448      | 34.40    | 16   | GU03101900    | 33.12    | 3    | GU19045861 | 34.38    | 25   |
| B043850      | 33.31    | 23   | GU03102200    | 33.12    | 6    | GU19055700 | 34.38    | 23   |
| B063016      | 34.37    | 13   | GU03102400    | 33.12    | 10   | GU19058021 | 34.38    | 19   |
| B063022      | 33.23    | 3    | GU03103200    | 33.12    | 17   | GU19058220 | 34.38    | 20   |
| B063025      | 34.42    | 15   | GU03103500    | 33.12    | 4    | GU19062261 | 34.37    | 4    |
| B063025      | 34.44    | 21   | GU03163330    | 33.31    | 3    | GU19065400 | 34.37    | 2    |
| B063049      | 34.47    | 2    | GU03270300    | 33.26    | 34   | GU19067700 | 34.37    | 18   |
| B063077      | 33.24    | 5    | GU03468100    | 33.01    | 21   | GU19083462 | 34.40    | 22   |
| B063078      | 33.25    | 11   | GU03609600    | 33.18    | 14   | GU19146422 | 34.39    | 1    |
| B063099      | 34.36    | 19   | GU03612040    | 33.24    | 16   | GU19152200 | 34.39    | 11   |
| B063111      | 34.36    | 6    | GU03631250    | 33.24    | 4    | GU19206501 | 34.10    | 10   |
| B063135      | 33.18    | 6    | GU03631250    | 33.25    | 9    | GU19213760 | 34.41    | 15   |
| B063144      | 33.24    | 3    | GU03658201    | 33.53    | 20   | GU19327601 | 34.09    | 5    |
| B06315100Y02 | 33.16    | 6    | GU03658330    | 33.53    | 17   | GU19328801 | 34.09    | 3    |
| B063152      | 33.12    | 19   | GU03740930    | 33.29    | 2    | GU19350700 | 34.10    | 22   |
| B063154      | 33.12    | 18   | GU03749845    | 33.19    | 5    | GU19351100 | 34.10    | 4    |
| B063167      | 33.15    | 12   | GU03922280    | 34.09    | 23   | GU19351900 | 34.10    | 2    |
| B063233      | 33.31    | 5    | GU05107430    | 33.21    | 3    | GU19352300 | 34.10    | 23   |
| B063247      | 33.18    | 4    | GU05217630    | 34.41    | 18   | GU19353500 | 34.10    | 24   |
| B063248      | 33.18    | 5    | GU05234230    | 34.44    | 9    | GU19355200 | 34.10    | 35   |
| B063265      | 33.24    | 1    | GU05234631    | 34.44    | 13   | GU19355202 | 34.10    | 36   |
| B063267      | 33.25    | 1    | GU05235531    | 34.44    | 14   | GU19355300 | 34.10    | 33   |
| B063269      | 34.42    | 3    | GU05238131    | 34.44    | 3    | GU19355301 | 34.10    | 33   |
| B063287      | 33.01    | 4    | GU05238231    | 34.44    | 6    | GU19355302 | 34.10    | 33   |
| B063317      | 33.18    | 1    | GU05238431    | 34.44    | 7    | GU19355303 | 34.10    | 33   |
| B063326      | 33.18    | 8    | GU05239330    | 34.44    | 1    | GU19355304 | 34.10    | 33   |
| B063429      | 33.14    | 23   | GU05659230    | 33.19    | 10   | GU19355305 | 34.10    | 33   |
| B063431      | 33.14    | 26   | GU05900130    | 33.33    | 6    | GU19355306 | 34.10    | 33   |
| B063465      | 34.37    | 15   | GU06740400    | 33.28    | 17   | GU19355307 | 34.10    | 33   |
| B063466      | 34.37    | 16   | GU10528900    | 34.34    | 15   | GU19355308 | 34.10    | 33   |



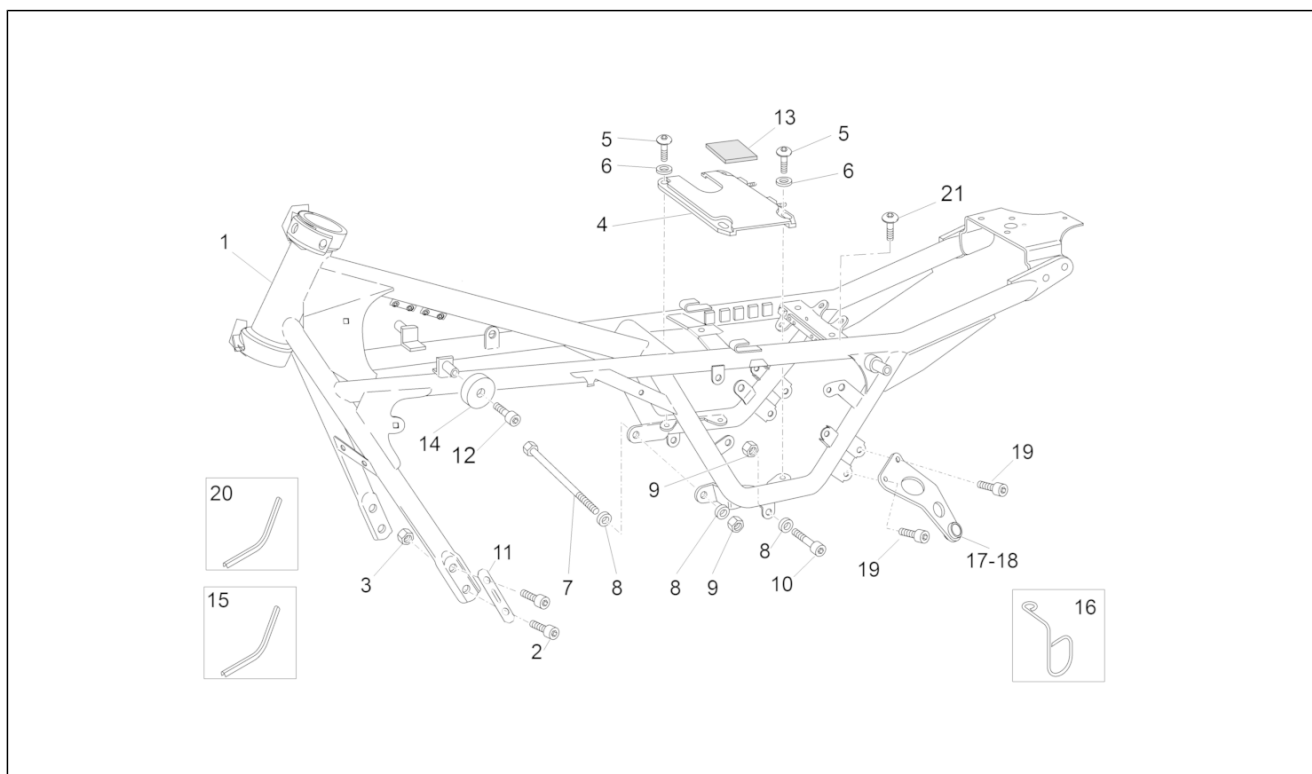
| Código     | Nº Tabla | Pos. | Código     | Nº Tabla | Pos. | Código     | Nº Tabla | Pos. |
|------------|----------|------|------------|----------|------|------------|----------|------|
| GU19355309 | 34.10    | 33   | GU31439565 | 33.13    | 4    | GU90353009 | 34.36    | 4    |
| GU19355320 | 34.10    | 27   | GU31513480 | 33.08    | 20   | GU90353014 | 34.44    | 10   |
| GU19355321 | 34.10    | 27   | GU31544181 | 33.27    | 3    | GU90353029 | 34.38    | 24   |
| GU19355322 | 34.10    | 27   | GU31544181 | 34.09    | 15   | GU90353030 | 34.10    | 17   |
| GU19355323 | 34.10    | 27   | GU31547882 | 34.09    | 14   | GU90401424 | 34.42    | 14   |
| GU19355324 | 34.10    | 27   | GU31614183 | 33.24    | 9    | GU90402538 | 33.25    | 6    |
| GU19355325 | 34.10    | 27   | GU31615260 | 33.24    | 6    | GU90402642 | 33.24    | 8    |
| GU19355326 | 34.10    | 27   | GU31616384 | 33.24    | 12   | GU90403251 | 34.10    | 38   |
| GU19355327 | 34.10    | 27   | GU31634281 | 33.27    | 2    | GU90403549 | 34.10    | 3    |
| GU19355328 | 34.10    | 27   | GU31634481 | 33.25    | 15   | GU90407591 | 34.10    | 15   |
| GU19355329 | 34.10    | 27   | GU31659181 | 33.27    | 9    | GU90412541 | 34.42    | 13   |
| GU19355400 | 34.10    | 21   | GU31659281 | 33.27    | 8    | GU90706076 | 34.34    | 9    |
| GU19355402 | 34.10    | 21   | GU32032310 | 34.38    | 11   | GU90706111 | 34.39    | 22   |
| GU19355404 | 34.10    | 21   | GU32053410 | 34.38    | 16   | GU90706141 | 33.30    | 17   |
| GU19355406 | 34.10    | 21   | GU32054510 | 34.38    | 17   | GU90706170 | 34.41    | 19   |
| GU19355408 | 34.10    | 21   | GU32067910 | 34.40    | 19   | GU90706188 | 34.10    | 29   |
| GU19355410 | 34.10    | 21   | GU32080310 | 34.40    | 23   | GU90706203 | 34.10    | 7    |
| GU19355411 | 34.10    | 21   | GU32084410 | 34.40    | 20   | GU90706203 | 34.40    | 26   |
| GU19355412 | 34.10    | 21   | GU32115010 | 34.47    | 3    | GU90706235 | 34.41    | 14   |
| GU19355413 | 34.10    | 21   | GU32115011 | 34.47    | 8    | GU90706281 | 34.34    | 19   |
| GU19356700 | 34.10    | 30   | GU32115510 | 34.47    | 7    | GU90706444 | 34.34    | 17   |
| GU19356760 | 34.41    | 16   | GU32121010 | 33.23    | 7    | GU90706584 | 34.10    | 37   |
| GU19356801 | 34.10    | 28   | GU32121910 | 33.23    | 25   | GU91113826 | 33.23    | 29   |
| GU19357660 | 34.10    | 25   | GU32121911 | 33.23    | 26   | GU91120806 | 33.15    | 6    |
| GU19547000 | 34.09    | 12   | GU32128610 | 33.23    | 13   | GU91180601 | 33.15    | 10   |
| GU20147710 | 34.39    | 17   | GU32129010 | 33.23    | 14   | GU91181003 | 33.18    | 11   |
| GU20147810 | 34.39    | 3    | GU32256910 | 33.06    | 28   | GU91181003 | 33.19    | 3    |
| GU20148410 | 34.39    | 4    | GU32350410 | 34.10    | 13   | GU91551010 | 33.52    | 21   |
| GU20148610 | 34.39    | 5    | GU32351410 | 34.10    | 16   | GU91551086 | 33.14    | 11   |
| GU20352421 | 34.10    | 31   | GU32354610 | 34.10    | 18   | GU92201070 | 34.10    | 14   |
| GU20355121 | 34.10    | 34   | GU32461610 | 33.14    | 2    | GU92201226 | 34.40    | 4    |
| GU23217800 | 34.38    | 3    | GU32506360 | 33.28    | 1    | GU92201226 | 34.42    | 7    |
| GU23328081 | 34.09    | 7    | GU32517710 | 33.31    | 8    | GU92201822 | 34.40    | 7    |
| GU23442210 | 33.06    | 24   | GU32555210 | 33.11    | 4    | GU92201822 | 34.42    | 12   |
| GU23442210 | 33.26    | 11   | GU32555211 | 33.11    | 5    | GU92204217 | 33.25    | 5    |
| GU23548080 | 34.09    | 8    | GU32602860 | 33.18    | 12   | GU92204218 | 33.25    | 3    |
| GU23548180 | 34.09    | 9    | GU32603010 | 33.18    | 16   | GU92204221 | 33.24    | 7    |
| GU23922210 | 33.17    | 11   | GU32603310 | 33.18    | 7    | GU92249220 | 34.10    | 32   |
| GU23943410 | 33.08    | 31   | GU32615660 | 33.24    | 14   | GU92249225 | 33.07    | 2    |
| GU27037521 | 34.38    | 4    | GU32632510 | 33.25    | 17   | GU92249227 | 34.10    | 20   |
| GU27061585 | 34.37    | 3    | GU32633360 | 33.25    | 14   | GU92252210 | 34.39    | 2    |
| GU27061885 | 34.37    | 17   | GU32633560 | 34.10    | 11   | GU92252235 | 34.10    | 5    |
| GU27062060 | 34.37    | 6    | GU32634160 | 33.27    | 5    | GU92296723 | 34.39    | 6    |
| GU27065660 | 34.37    | 7    | GU32636160 | 33.25    | 21   | GU92602406 | 34.38    | 9    |
| GU27066460 | 34.37    | 9    | GU32735510 | 33.32    | 5    | GU92602510 | 34.39    | 19   |
| GU27066560 | 34.37    | 8    | GU32747910 | 33.31    | 9    | GU92603010 | 34.36    | 11   |
| GU27152885 | 34.34    | 22   | GU32753410 | 33.28    | 3    | GU92606206 | 33.17    | 6    |
| GU27153085 | 34.39    | 14   | GU32753410 | 33.29    | 8    | GU92606208 | 34.34    | 7    |
| GU27633910 | 33.25    | 4    | GU32782510 | 33.32    | 2    | GU92606210 | 33.01    | 9    |
| GU28576591 | 33.12    | 13   | GU32999010 | 34.34    | 25   | GU92606210 | 33.02    | 5    |
| GU28612033 | 33.25    | 18   | GU32999510 | 34.34    | 24   | GU92606210 | 34.09    | 18   |
| GU29729461 | 33.31    | 2    | GU35214300 | 34.09    | 13   | GU92606316 | 33.25    | 16   |
| GU29759150 | 33.18    | 17   | GU49609601 | 33.30    | 19   | GU92606508 | 34.41    | 21   |
| GU30109330 | 33.23    | 24   | GU49609601 | 33.31    | 19   | GU92609408 | 34.46    | 2    |
| GU30577800 | 33.29    | 13   | GU61027200 | 34.37    | 12   | GU92630106 | 33.08    | 27   |
| GU30601060 | 33.18    | 25   | GU61036801 | 34.36    | 3    | GU92630108 | 33.15    | 5    |
| GU30602500 | 33.18    | 22   | GU61038100 | 34.38    | 6    | GU92630206 | 33.26    | 26   |
| GU31003766 | 34.10    | 8    | GU61054900 | 34.38    | 18   | GU92630206 | 33.26    | 5    |
| GU31003766 | 34.34    | 14   | GU61270300 | 34.10    | 26   | GU92630207 | 33.24    | 18   |
| GU31016050 | 34.39    | 20   | GU61270300 | 34.34    | 6    | GU92630510 | 33.01    | 3    |
| GU31037015 | 34.38    | 13   | GU61270300 | 34.36    | 21   | GU92630510 | 33.11    | 7    |
| GU31038015 | 34.38    | 5    | GU66103415 | 33.01    | 14   | GU92640508 | 33.23    | 19   |
| GU31045015 | 34.38    | 26   | GU90271014 | 34.44    | 2    | GU92787006 | 33.28    | 6    |
| GU31121880 | 33.23    | 9    | GU90271018 | 34.38    | 12   | GU92787006 | 33.29    | 11   |
| GU31150950 | 34.39    | 26   | GU90271022 | 34.44    | 15   | GU93180105 | 34.09    | 21   |
| GU31159050 | 34.39    | 15   | GU90272023 | 34.09    | 4    | GU93180111 | 33.24    | 13   |
| GU31327783 | 34.09    | 2    | GU90272075 | 34.40    | 21   | GU93180245 | 34.36    | 22   |





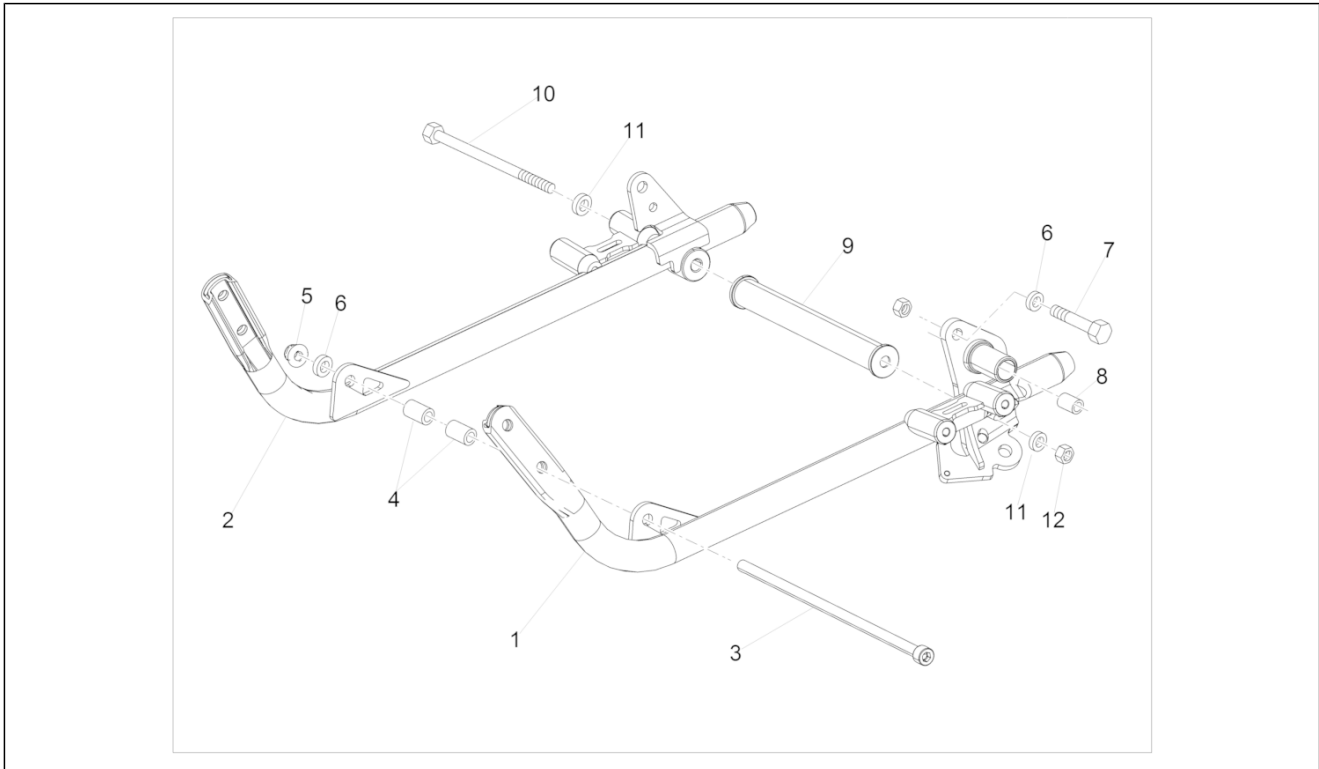
| Código     | Nº Tabla | Pos. | Código     | Nº Tabla | Pos. |
|------------|----------|------|------------|----------|------|
| GU93222023 | 33.17    | 4    | GU98350416 | 33.01    | 5    |
| GU93231605 | 33.29    | 14   | GU98370515 | 33.14    | 17   |
| GU93305061 | 33.52    | 22   | GU98370609 | 33.17    | 2    |
| GU93305061 | 34.47    | 15   | GU98370616 | 33.12    | 20   |
| GU93450126 | 33.28    | 15   | GU98370616 | 33.13    | 9    |
| GU93450224 | 33.29    | 3    | GU98370625 | 33.14    | 4    |
| GU94321079 | 34.39    | 24   | GU98370625 | 33.26    | 7    |
| GU94321099 | 34.09    | 6    | GU98370655 | 33.28    | 7    |
| GU94321105 | 34.41    | 23   | GU98370655 | 33.29    | 9    |
| GU95005306 | 33.17    | 3    | GU98370835 | 33.15    | 8    |
| GU95005306 | 33.23    | 28   | GU98370845 | 33.13    | 3    |
| GU95005308 | 33.06    | 26   | GU98612216 | 33.03    | 9    |
| GU95005308 | 33.28    | 23   | GU98612216 | 33.25    | 20   |
| GU95005308 | 34.09    | 22   | GU98620335 | 34.39    | 7    |
| GU95005310 | 33.15    | 7    | GU98622322 | 34.47    | 9    |
| GU95005330 | 33.08    | 26   | GU98680350 | 33.08    | 30   |
| GU95008205 | 33.30    | 16   | GU98680545 | 34.09    | 16   |
| GU95008206 | 34.39    | 23   | GU98682212 | 33.30    | 15   |
| GU95008208 | 33.01    | 6    | GU98682212 | 33.31    | 12   |
| GU95008208 | 34.46    | 3    | GU98682212 | 34.45    | 5    |
| GU95008210 | 33.01    | 8    | GU98682312 | 33.25    | 24   |
| GU95008210 | 33.02    | 6    | GU98682325 | 34.34    | 11   |
| GU95008210 | 33.31    | 4    | GU98682325 | 34.35    | 3    |
| GU95008210 | 34.09    | 17   | GU98682330 | 34.35    | 4    |
| GU95008305 | 33.18    | 20   | GU98682414 | 33.01    | 12   |
| GU95008306 | 34.40    | 18   | GU98682416 | 33.32    | 7    |
| GU95020105 | 33.03    | 10   | GU98682430 | 33.12    | 9    |
| GU95021104 | 33.19    | 2    | GU98682530 | 33.01    | 2    |
| GU95021105 | 33.18    | 21   | GU98690335 | 33.18    | 13   |
| GU95021206 | 33.17    | 5    | GU98690440 | 33.23    | 17   |
| GU95021206 | 33.28    | 8    | GU98692313 | 33.14    | 24   |
| GU95021206 | 33.29    | 10   | GU98692318 | 33.11    | 2    |
| GU95100059 | 33.26    | 24   | GU98692325 | 33.18    | 9    |
| GU95100059 | 33.31    | 13   | GU98692325 | 34.36    | 16   |
| GU95100116 | 34.47    | 12   | GU98692420 | 33.01    | 19   |
| GU95100125 | 34.45    | 11   | GU98692420 | 33.28    | 22   |
| GU95100141 | 33.12    | 14   | GU98880540 | 33.28    | 21   |
| GU95100141 | 33.15    | 14   | GU98882316 | 34.38    | 21   |
| GU95100244 | 34.38    | 29   |            |          |      |
| GU95100309 | 34.39    | 27   |            |          |      |
| GU95100602 | 34.39    | 25   |            |          |      |
| GU95100709 | 34.34    | 21   |            |          |      |
| GU95129115 | 34.38    | 22   |            |          |      |
| GU95129180 | 34.34    | 27   |            |          |      |
| GU95129180 | 34.36    | 13   |            |          |      |
| GU95129181 | 33.11    | 6    |            |          |      |
| GU95187006 | 34.39    | 13   |            |          |      |
| GU95401215 | 33.26    | 10   |            |          |      |
| GU95500222 | 34.41    | 22   |            |          |      |
| GU96451430 | 34.34    | 3    |            |          |      |
| GU96451560 | 34.34    | 2    |            |          |      |
| GU96506042 | 34.36    | 5    |            |          |      |
| GU96508055 | 34.10    | 12   |            |          |      |
| GU96508055 | 34.34    | 4    |            |          |      |
| GU96510181 | 34.36    | 15   |            |          |      |
| GU96510214 | 34.36    | 14   |            |          |      |
| GU97202325 | 33.18    | 26   |            |          |      |
| GU98054422 | 34.38    | 28   |            |          |      |
| GU98082565 | 33.02    | 7    |            |          |      |
| GU98084314 | 34.39    | 12   |            |          |      |
| GU98110007 | 33.23    | 23   |            |          |      |
| GU98110199 | 33.01    | 12   |            |          |      |
| GU98230510 | 33.16    | 4    |            |          |      |
| GU98230510 | 33.18    | 19   |            |          |      |
| GU98252420 | 33.26    | 32   |            |          |      |
| GU98310609 | 34.47    | 11   |            |          |      |
| GU98350215 | 33.29    | 12   |            |          |      |

|                    |            |
|--------------------|------------|
| <b>Grupo</b>       | BASTIDOR   |
| <b>Código</b>      | 33.01      |
| <b>Descripción</b> | Bastidor I |
| <b>Revisión</b>    | 1          |



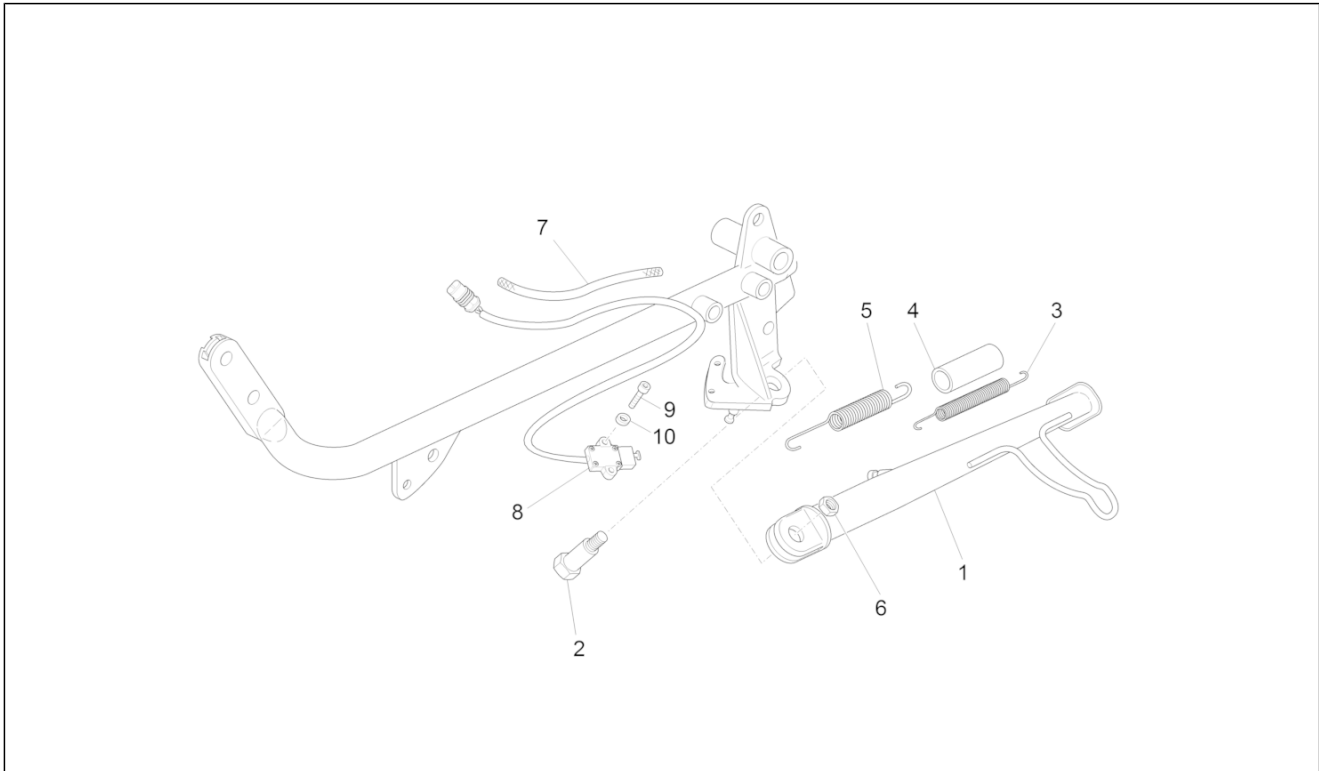
| Pos. | Código     | Descripción           | Cant. | Variantes |
|------|------------|-----------------------|-------|-----------|
| 1    | 2B001255   | BASTIDOR              | 1     |           |
| 2    | GU98682530 | Tornillo Allen M10x30 | 4     |           |
| 3    | GU92630510 | Tuerca M10x1,5        | 4     |           |
| 4    | B063287    | Placa de unión chasis | 1     |           |
| 5    | GU98350416 | Tornillo M8x16        | 4     |           |
| 6    | GU95008208 | Arandela 8,4X15X1,5   | 4     |           |
| 7    | 2B001612   | Perno M10X199         | 1     |           |
| 8    | GU95008210 | Arandela 10,2X18X2    | 11    |           |
| 9    | GU92606210 | Tuerca M10x1,5        | 2     |           |
| 10   | 2B001035   | Perno 234X10          | 1     |           |
| 11   | 886645     | Placa                 | 2     |           |
| 12   | GU98110199 | Perno M10x205         | 1     |           |
| 12   | GU98682414 | Tornillo Allen        | 2     |           |
| 13   | GU01103860 | Esponja               | 1     |           |
| 14   | GU66103415 | Goma                  | 2     |           |
| 15   | AP8144606  | Junta 10X5            | 1     |           |
| 16   | AP8221172  | Guíacable             | 1     |           |
| 17   | 2B000843   | Soporte DX            | 1     |           |
| 18   | 2B000844   | Soporte SX            | 1     |           |
| 19   | GU98692420 | Tornillo Allen M8x20  | 4     |           |
| 20   | AP8220590  | Junta                 | 1     |           |
| 21   | GU03468100 | Tornillo              | 1     |           |

|                    |             |
|--------------------|-------------|
| <b>Grupo</b>       | BASTIDOR    |
| <b>Código</b>      | 33.02       |
| <b>Descripción</b> | Bastidor II |
| <b>Revisión</b>    | 1           |



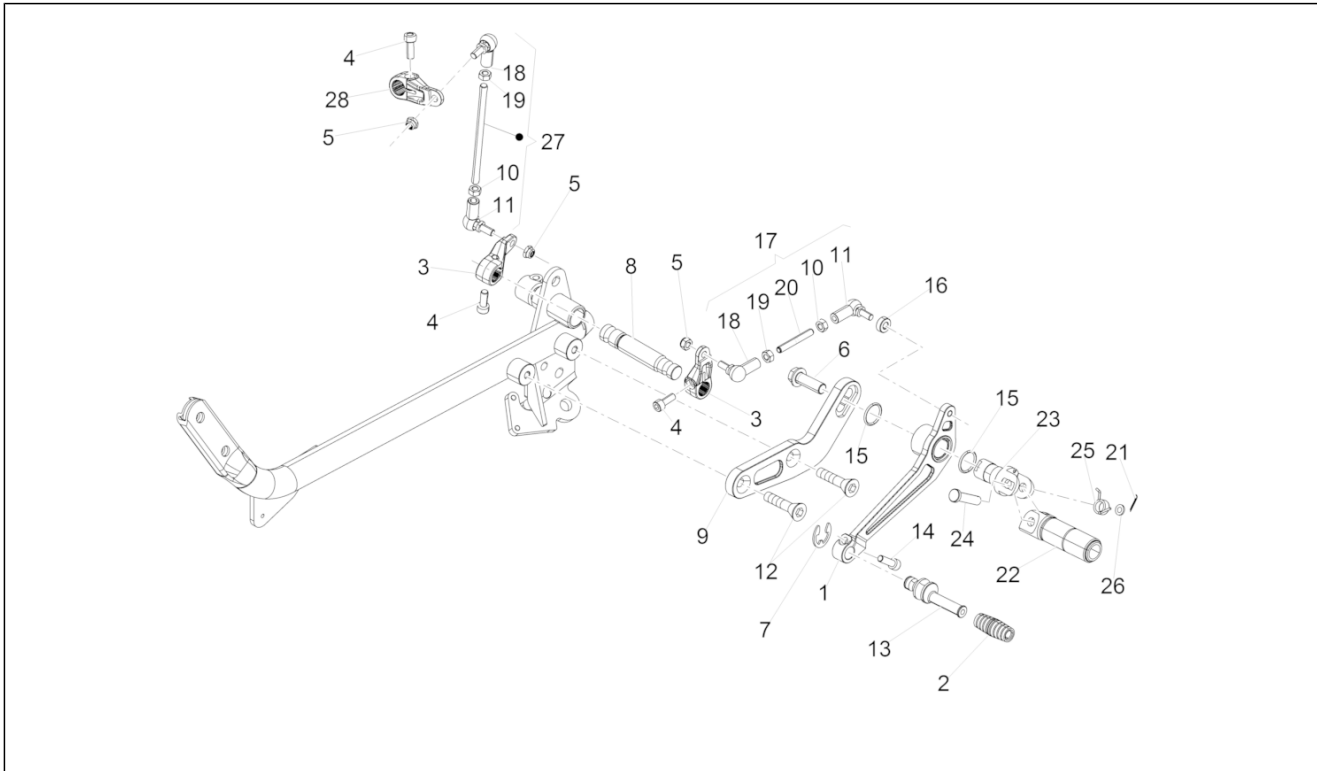
| Pos. | Código     | Descripción          | Cant. | Variantes |
|------|------------|----------------------|-------|-----------|
| 1    | 2B001257   | Cuna izq.            | 1     |           |
| 2    | 2B001256   | Cuna der.            | 1     |           |
| 3    | 2B001613   | Perno M10x250        | 1     |           |
| 4    | GU19017000 | Buje                 | 2     |           |
| 5    | GU92606210 | Tuerca M10x1,5       | 3     |           |
| 6    | GU95008210 | Arandela 10,2X18X2   | 3     |           |
| 7    | GU98082565 | Tornillo M10x65      | 2     |           |
| 8    | 2B001008   | Buje                 | 1     |           |
| 9    | 2B001004   | Placa unión          | 1     |           |
| 10   | 2B001230   | Perno 278X10         | 1     |           |
| 11   | AP8152220  | Arandela             | 2     |           |
| 12   | AP8150436  | Tuerca autobloq.baja | 1     |           |

|                    |                   |
|--------------------|-------------------|
| <b>Grupo</b>       | BASTIDOR          |
| <b>Código</b>      | 33.03             |
| <b>Descripción</b> | Caballote lateral |
| <b>Revisión</b>    | 1                 |



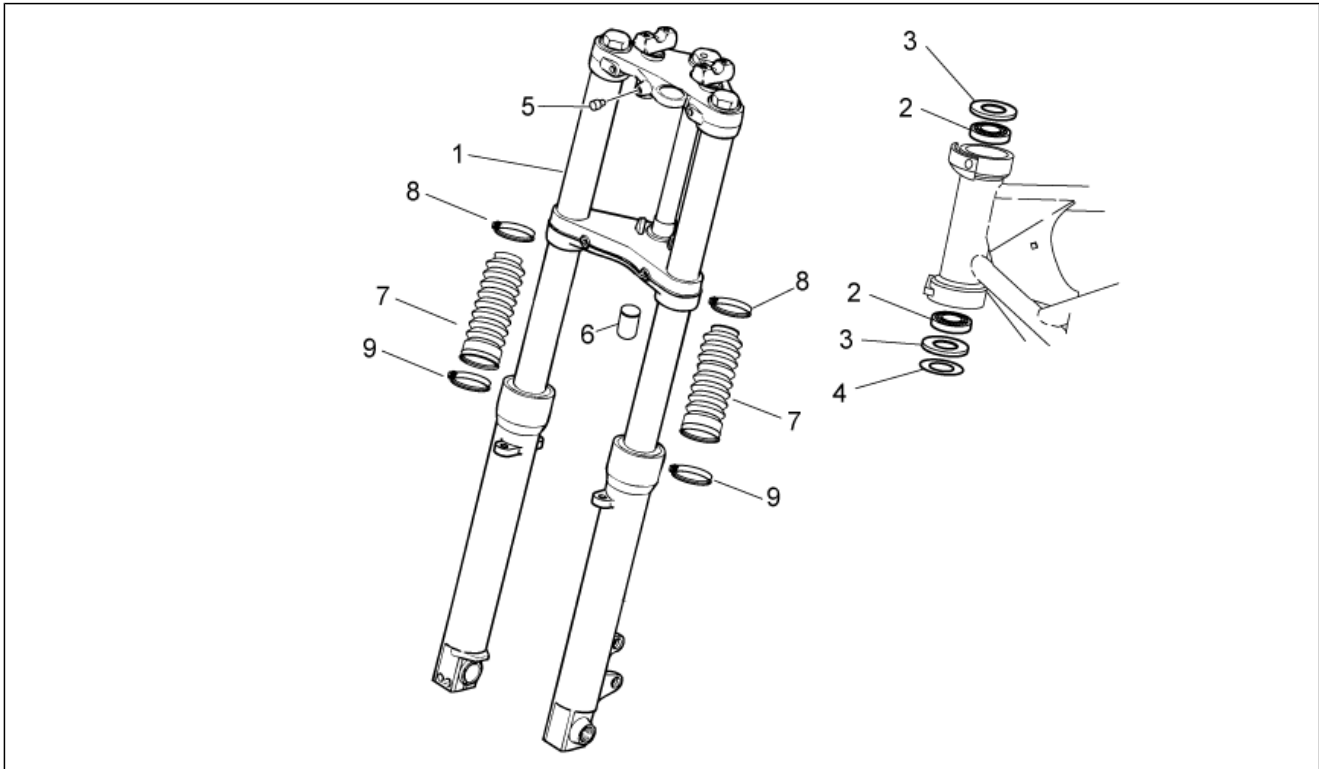
| Pos. | Código        | Descripción                 | Cant. | Variantes |
|------|---------------|-----------------------------|-------|-----------|
| 1    | 2B001033      | Caballote lateral           | 1     |           |
| 2    | AP8121375     | Tornillo fij. caballote     | 1     |           |
| 3    | AP8121014     | Muelle hél.cil.trac. *      | 1     |           |
| 4    | AP8102524     | Prot.muelle caball.         | 1     |           |
| 5    | AP8221197     | Mlle retorno caball.        | 1     |           |
| 6    | 967356        | Tuerca con reborde M10x1,25 | 1     |           |
| 7    | GU00823923140 | Kit motor arr.              | 1     |           |
| 8    | AP8127856     | Interrupt. caballote        | 1     |           |
| 9    | GU98612216    | Tornillo Allen              | 2     |           |
| 10   | GU95020105    | Arandela 5,3x8,9x2,4        | 2     |           |

|                    |                |
|--------------------|----------------|
| <b>Grupo</b>       | BASTIDOR       |
| <b>Código</b>      | 33.06          |
| <b>Descripción</b> | Palanca cambio |
| <b>Revisión</b>    | 1              |



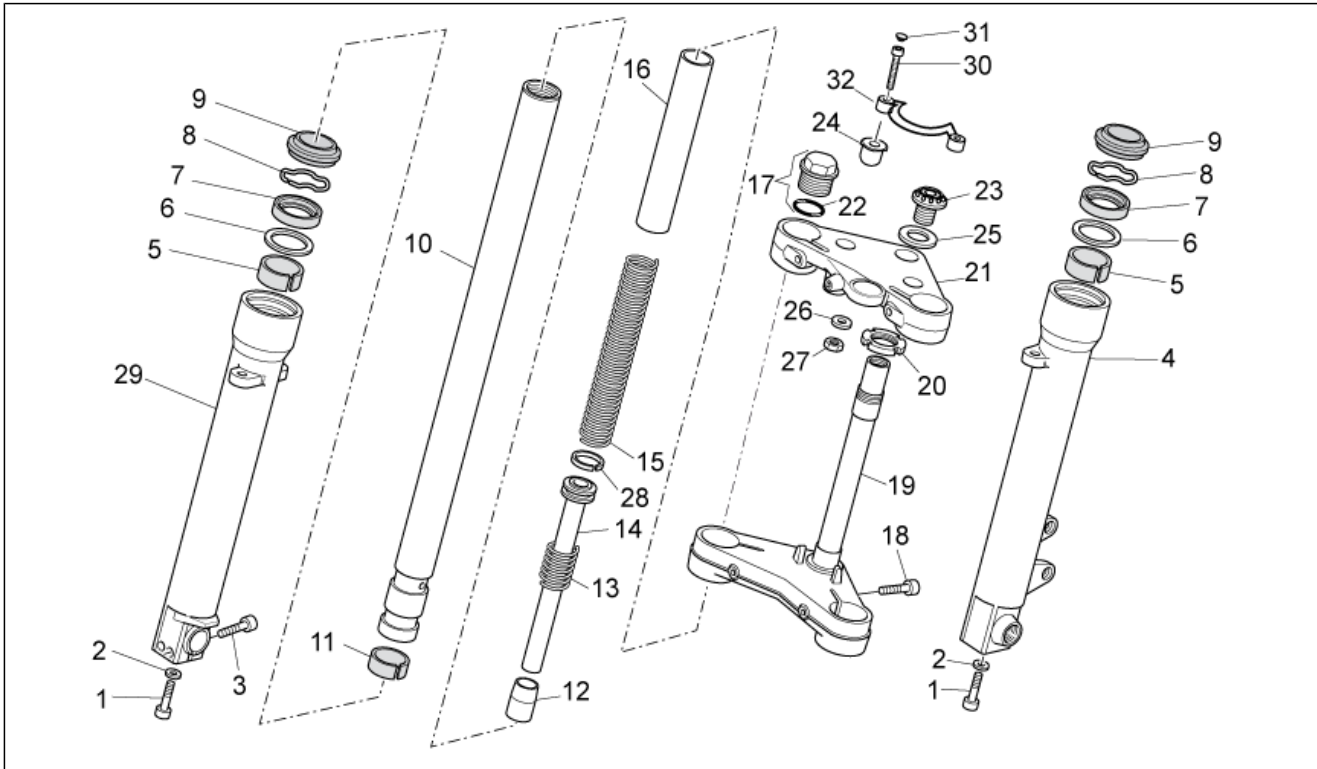
| Pos. | Código     | Descripción                     | Cant. | Variantes |
|------|------------|---------------------------------|-------|-----------|
| 1    | 898282     | Palanca cambio                  | 1     |           |
| 2    | AP8120912  | Goma para palanca               | 1     |           |
| 3    | 898283     | Palanca cambio                  | 1     |           |
| 4    | AP8150137  | Tornillo Allen M6x16            | 1     |           |
| 5    | AP8150115  | Tuerca autobloq.baja M6         | 1     |           |
| 6    | AP8152320  | Torn. CH con reborde            | 1     |           |
| 7    | AP8150462  | Anillo de retención d9          | 1     |           |
| 8    | 2B001009   | Perno palanca                   | 1     |           |
| 9    | 898284     | Placa del estribo del conductor | 1     |           |
| 10   | AP8221277  | Muelle retorno estribo          | 1     |           |
| 11   | AP8110053  | Artic. esférica izq. M6         | 1     |           |
| 12   | 898611     | Soporte estribo piloto izq.     | 1     |           |
| 13   | 886665     | Barra                           | 1     |           |
| 14   | AP8150044  | Tornillo Allen M6x20            | 1     |           |
| 15   | AP9100477  | Junta tórica 18x2               | 2     |           |
| 16   | 886668     | Distanciadador                  | 1     |           |
| 17   | 887280     | Tirante del mando del cambio    | 1     |           |
| 18   | AP8210007  | Artic. esférica der. M6         | 1     |           |
| 19   | AP8150026  | Tuerca M6                       | 1     |           |
| 20   | 856796     | Varilla transmisión cambio      | 1     |           |
| 21   | AP8101928  | Clavija                         | 1     |           |
| 22   | 898281     | Pedana pilota                   | 1     |           |
| 23   | 898612     | Soporte estribo piloto der.     | 1     |           |
| 24   | GU23442210 | Perno                           | 1     |           |
| 25   | AP8221277  | Muelle retorno estribo          | 1     |           |
| 26   | GU95005308 | Arandela 8,4x14,57x1,6          | 1     |           |
| 27   | 2B001941   | Tirante del mando del cambio    | 1     |           |
| 28   | GU32256910 | Leva ret.                       | 1     |           |

|                    |                       |
|--------------------|-----------------------|
| <b>Grupo</b>       | BASTIDOR              |
| <b>Código</b>      | 33.07                 |
| <b>Descripción</b> | HORQUILLA DELANTERA I |
| <b>Revisión</b>    | 1                     |



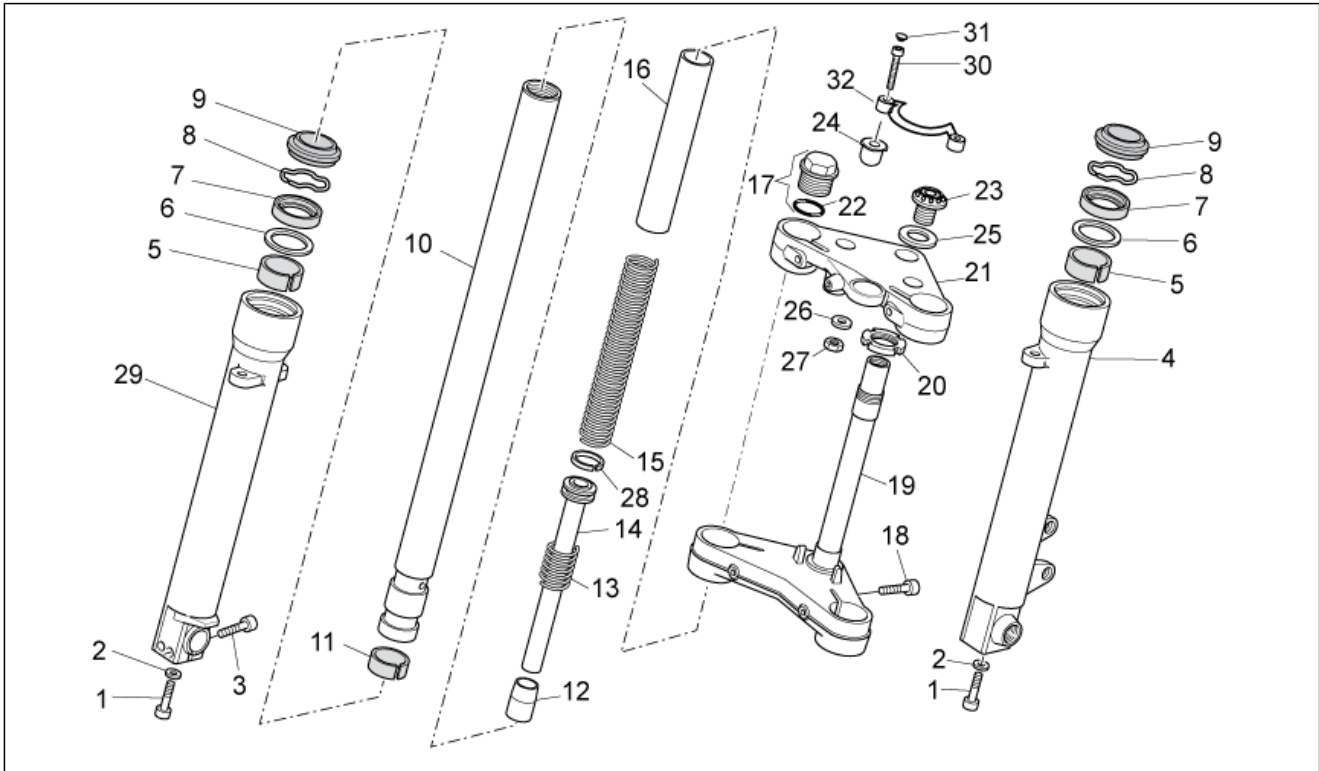
| Pos. | Código     | Descripción               | Cant. | Variantes |
|------|------------|---------------------------|-------|-----------|
| 1    | 2B001429   | Horquilla completa        | 1     |           |
| 2    | GU92249225 | Coj. rodillos cónicos     | 2     |           |
| 3    | AP8144146  | Gasket ring               | 1     |           |
| 4    | AP8121307  | Arandela                  | 1     |           |
| 5    | AP8144081  | Goma                      | 1     |           |
| 6    | AP8220460  | Cubeta de goma            | 1     |           |
| 7    | 898086     | Fuelle horquilla          | 7     |           |
| 8    | CM001929   | Fascetta stringitubo 63.5 | 2     |           |
| 9    | CM001928   | Faja stringitubo 44       | 2     |           |

|                    |                        |
|--------------------|------------------------|
| <b>Grupo</b>       | BASTIDOR               |
| <b>Código</b>      | 33.08                  |
| <b>Descripción</b> | HORQUILLA DELANTERA II |
| <b>Revisión</b>    | 1                      |



| Pos. | Código     | Descripción          | Cant. | Variantes |
|------|------------|----------------------|-------|-----------|
| 1    | 887878     | Tornillo M10x30      | 2     |           |
| 2    | 887879     | Arandela             | 2     |           |
| 3    | 887880     | Tornillo             | 2     |           |
| 4    | 2R000110   | Funda izq.           | 1     |           |
| 5    | 887882     | Casquillo superior   | 2     |           |
| 6    | 887883     | Arandela             | 2     |           |
| 7    | 887884     | Gasket ring          | 2     |           |
| 8    | 887885     | Anillo de tope       | 2     |           |
| 9    | 887886     | Guardapolvo          | 2     |           |
| 10   | 2B001591   | Funda                | 2     |           |
| 11   | 887888     | Buje                 | 2     |           |
| 12   | 887889     | Taco                 | 2     |           |
| 13   | 887890     | Contramuelle         | 2     |           |
| 14   | 887891     | Hidráulico cpl.      | 2     |           |
| 15   | 2R000243   | Muelle               | 2     |           |
| 16   | 887893     | Tubo                 | 2     |           |
| 17   | 887894     | Gr. tapón cpl.       | 2     |           |
| 18   | 887895     | Tornillo             | 2     |           |
| 19   | 887896     | Base con manguito    | 1     |           |
| 20   | GU31513480 | Virola M25X1         | 1     |           |
| 21   | 886842     | Placa sup. horquilla | 1     |           |
| 22   | 887916     | Junta tórica 4118    | 2     |           |
| 23   | 887900     | Tuerca               | 1     |           |
| 24   | 883552     | Buje                 | 2     |           |
| 25   | 887899     | Arandela             | 1     |           |
| 26   | GU95005330 | Arandela 6,4x30x1,5  | 2     |           |
| 27   | GU92630106 | Tuerca M6x1          | 2     |           |
| 28   | 887905     | Segmento             | 2     |           |

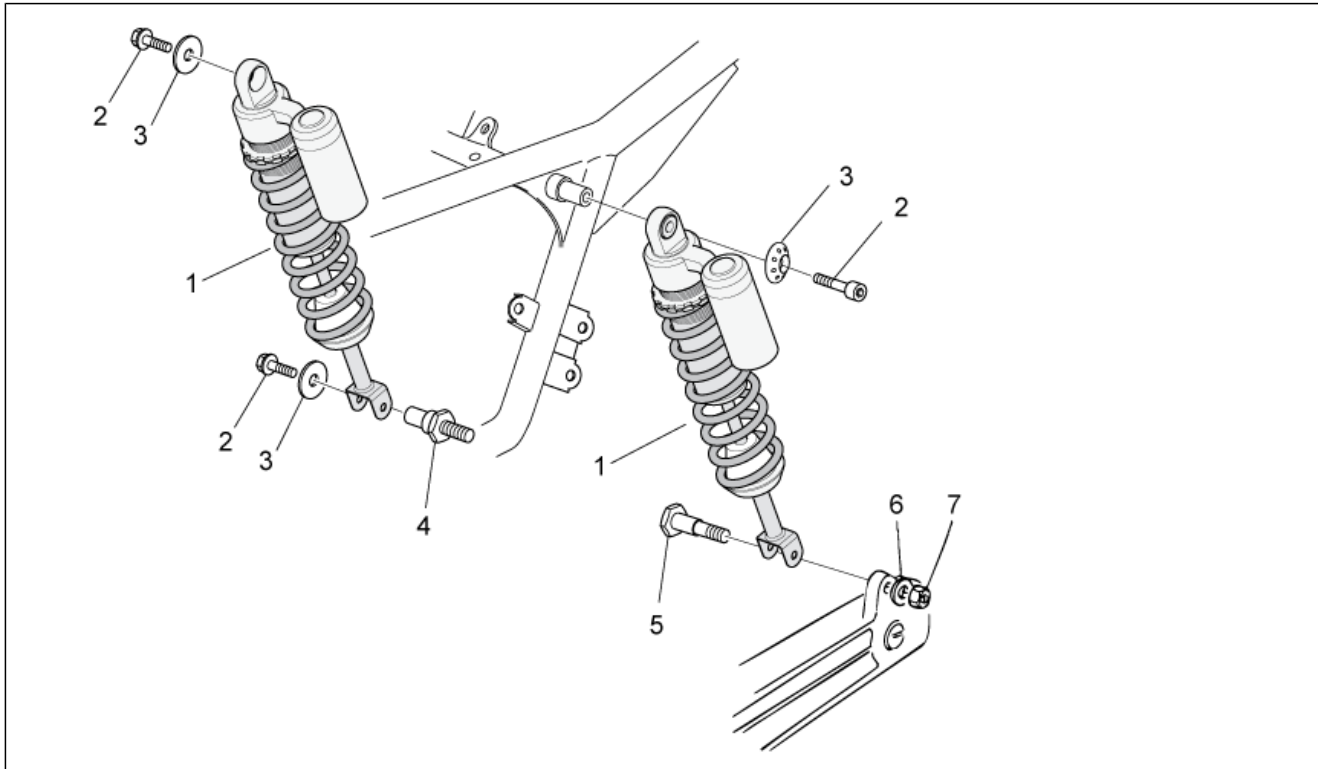
|                    |                        |
|--------------------|------------------------|
| <b>Grupo</b>       | BASTIDOR               |
| <b>Código</b>      | 33.08                  |
| <b>Descripción</b> | HORQUILLA DELANTERA II |
| <b>Revisión</b>    | 1                      |



| Pos. | Código     | Descripción          | Cant. | Variantes |
|------|------------|----------------------|-------|-----------|
| 29   | 2R000109   | Funda der.           | 1     |           |
| 30   | GU98680350 | Tornillo Allen M6x50 | 2     |           |
| 31   | GU23943410 | Tapón cromado        | 8     |           |
| 32   | 883602     | Tubo                 | 1     |           |

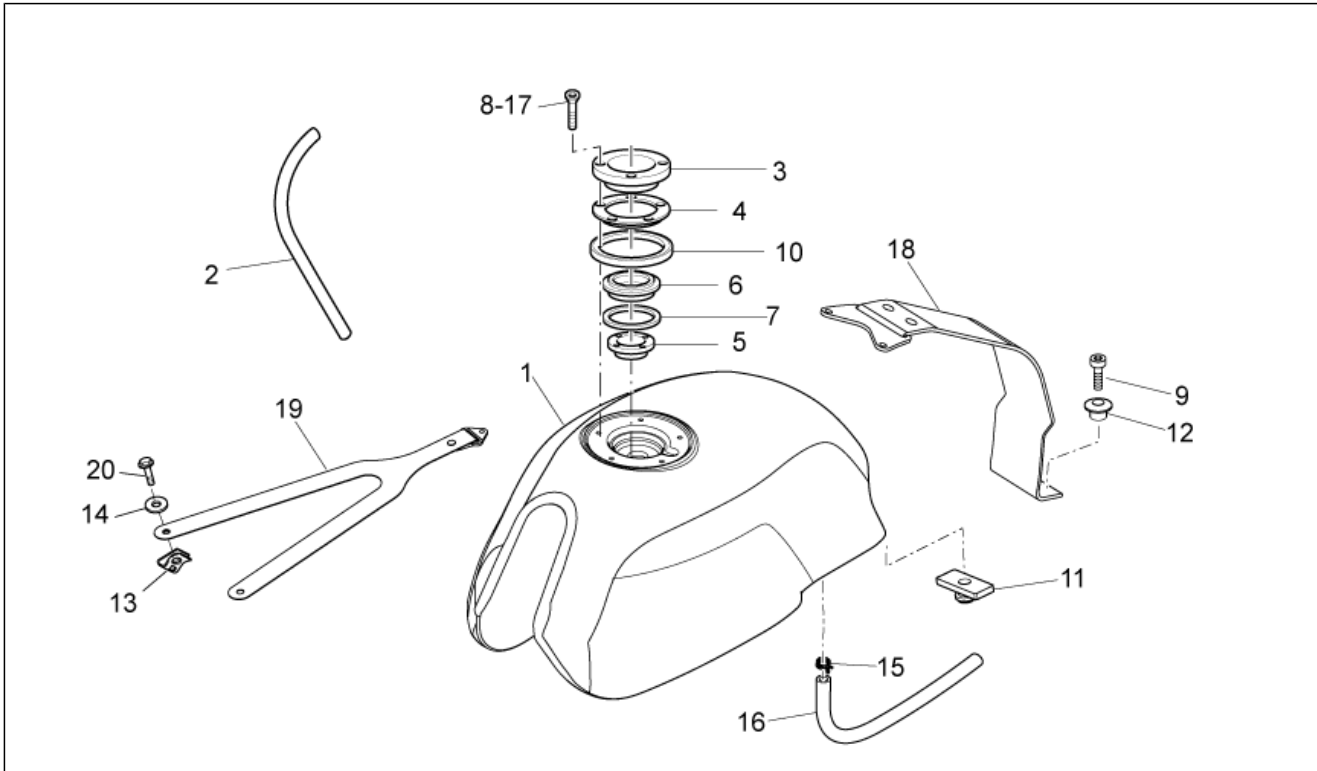


|                    |                   |
|--------------------|-------------------|
| <b>Grupo</b>       | BASTIDOR          |
| <b>Código</b>      | 33.11             |
| <b>Descripción</b> | Tras.Amortiguador |
| <b>Revisión</b>    | 1                 |



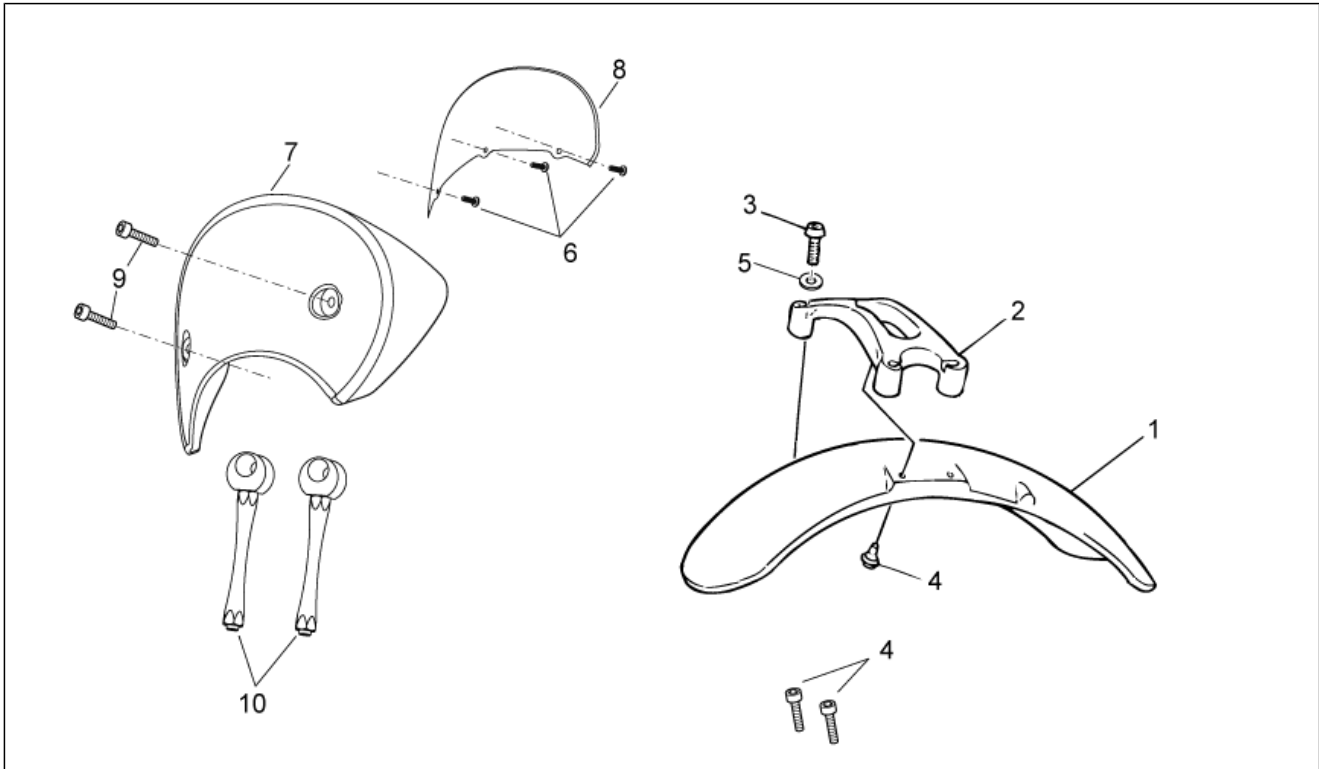
| Pos. | Código     | Descripción          | Cant. | Variantes |
|------|------------|----------------------|-------|-----------|
| 1    | 886675     | Amortiguador trasero | 2     |           |
| 2    | GU98692318 | Tornillo Allen       | 3     |           |
| 3    | 886630     | Buje                 | 3     |           |
| 4    | GU32555210 | Perno                | 1     |           |
| 5    | GU32555211 | Perno                | 1     |           |
| 6    | GU95129181 | Arandela             | 1     |           |
| 7    | GU92630510 | Tuerca M10x1,5       | 1     |           |

|                    |                   |
|--------------------|-------------------|
| <b>Grupo</b>       | BASTIDOR          |
| <b>Código</b>      | 33.12             |
| <b>Descripción</b> | Depósito gasolina |
| <b>Revisión</b>    | 1                 |



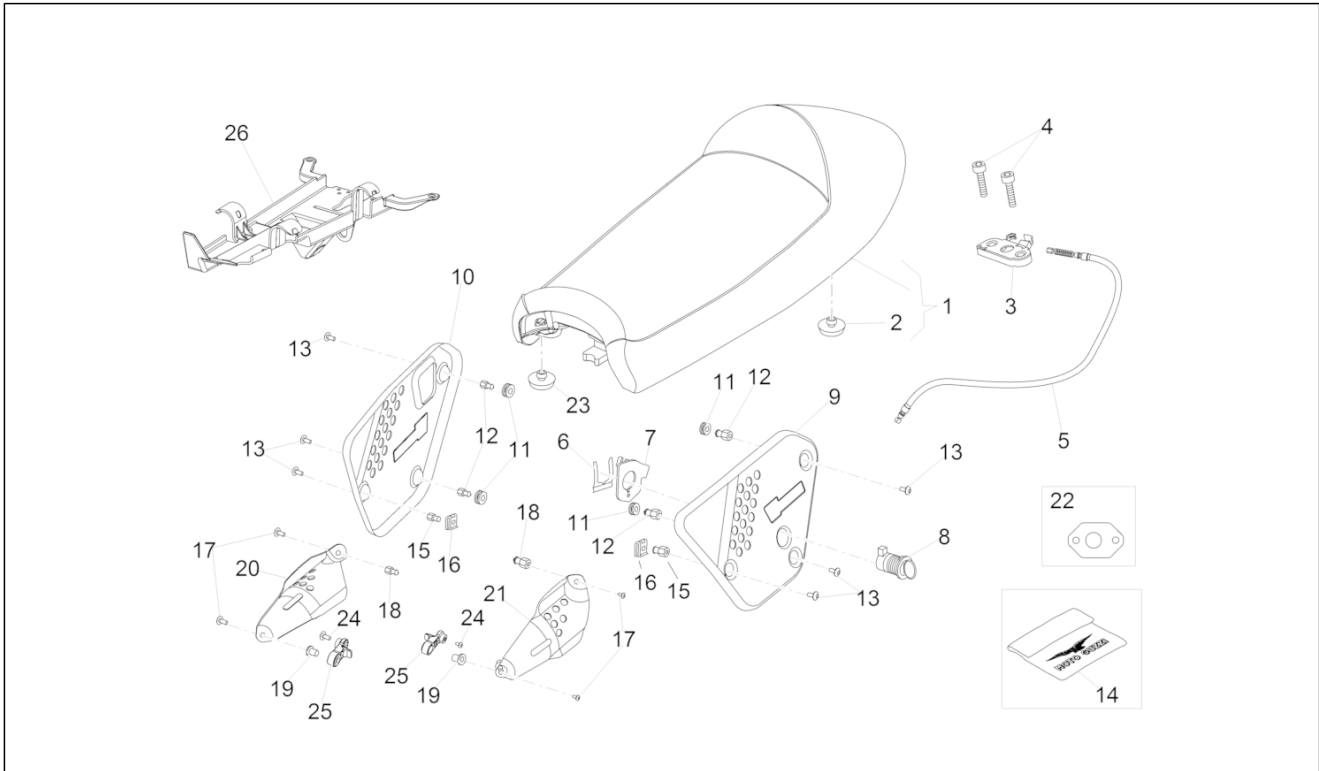
| Pos. | Código        | Descripción                | Cant. | Variantes                       |
|------|---------------|----------------------------|-------|---------------------------------|
| 1    | 2H000419      | Depósito gasolina cromado  | 1     | Especificación técnica:Decal[D] |
| 1    | 887207        | Depósito gasolina en bruto | 1     | COLOR VEHÍCULO:En bruto[GR]     |
| 2    | GU00823931070 | Junta                      | 1     |                                 |
| 3    | GU03101900    | Brida                      | 1     |                                 |
| 4    | GU03103500    | Anillo                     | 1     |                                 |
| 5    | GU03101720    | Reducción 38 mm            | 1     |                                 |
| 6    | GU03102200    | Tuerca para tapon          | 1     |                                 |
| 7    | GU03101600    | Junta                      | 2     |                                 |
| 8    | AP8150416     | Tornillo Allen             | 3     |                                 |
| 9    | GU98682430    | Tornillo Allen M8x30       | 1     |                                 |
| 10   | GU03102400    | Junta Der.                 | 1     |                                 |
| 11   | AP8120557     | Goma depósito              | 1     |                                 |
| 12   | AP8121673     | Buje en 'T' *              | 1     |                                 |
| 13   | GU28576591    | Clip M6                    | 2     |                                 |
| 14   | GU95100141    | Arandela 6,4x12x1,2        | 2     |                                 |
| 15   | AP8101595     | Abrazadera D10,1           | 1     |                                 |
| 16   | GU00823944050 | Tubo 5X9                   | 1     |                                 |
| 17   | GU03103200    | Tornillo                   | 2     |                                 |
| 18   | B063154       | Correa trasera             | 1     |                                 |
| 19   | B063152       | Correa delantera           | 1     |                                 |
| 20   | GU98370616    | Tornillo M6x16 inox        | 2     |                                 |

|                    |                                      |
|--------------------|--------------------------------------|
| <b>Grupo</b>       | BASTIDOR                             |
| <b>Código</b>      | 33.13                                |
| <b>Descripción</b> | Carrocería del. - Guardab. Delantero |
| <b>Revisión</b>    | 1                                    |



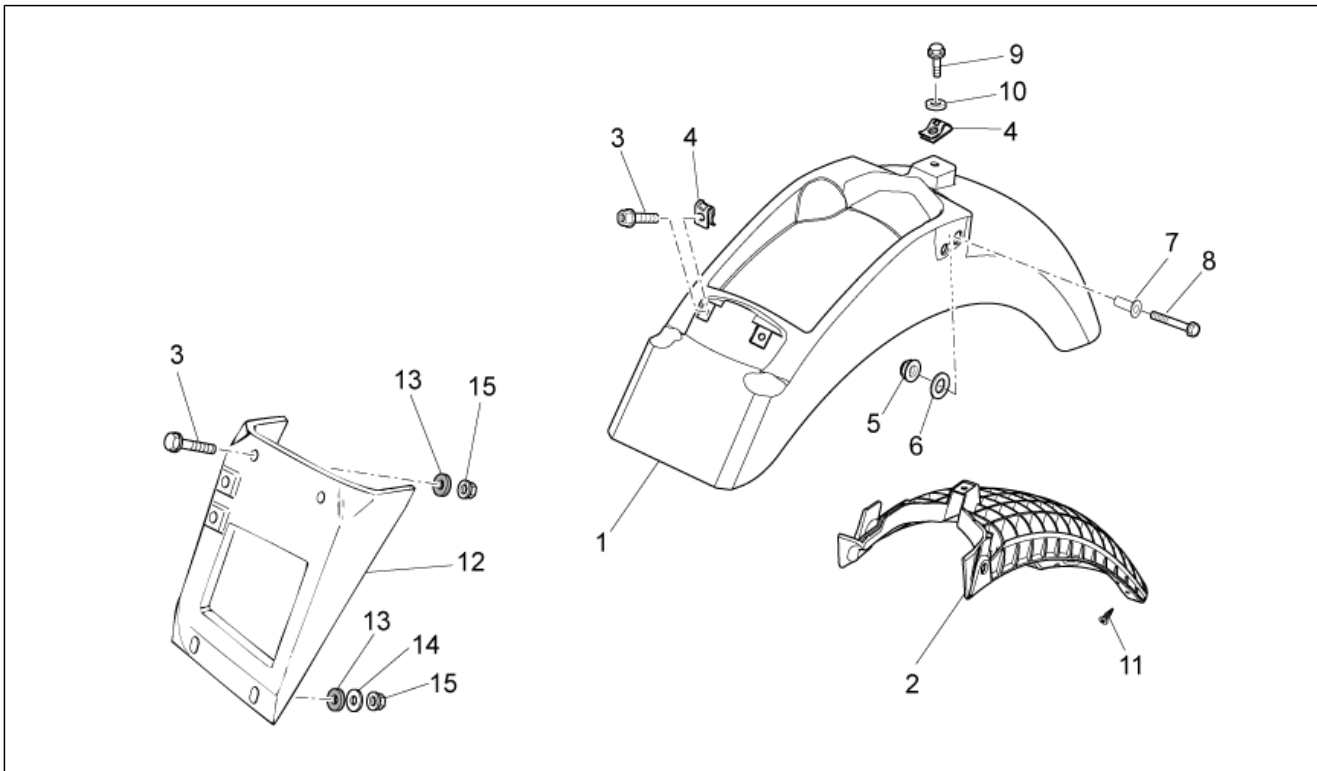
| Pos. | Código         | Descripción          | Cant. | Variantes                       |
|------|----------------|----------------------|-------|---------------------------------|
| 1    | 88673000Y02    | Guardab.del.negro    | 1     |                                 |
| 2    | 883266         | Lamina               | 1     |                                 |
| 3    | GU98370845     | Tornillo             | 4     |                                 |
| 4    | GU31439565     | Tornillo especial    | 4     |                                 |
| 5    | GU14615901     | Arandela 8,4X13X0,8  | 4     |                                 |
| 6    | AP8150413      | Torn. autorr. 3,9x14 | 3     |                                 |
| 7    | 2H000421000Y02 | Cúpula negra         | 1     | Especificación técnica:Decal[D] |
| 7    | 898179         | Cúpula bas.          | 1     |                                 |
| 8    | 898180         | Cristal cúpula       | 1     |                                 |
| 9    | GU98370616     | Tornillo M6x16 inox  | 2     |                                 |
| 10   | 886724         | Soporte cúpula       | 2     |                                 |

|                    |                         |
|--------------------|-------------------------|
| <b>Grupo</b>       | BASTIDOR                |
| <b>Código</b>      | 33.14                   |
| <b>Descripción</b> | Sillín-Carrocería cent. |
| <b>Revisión</b>    | 1                       |



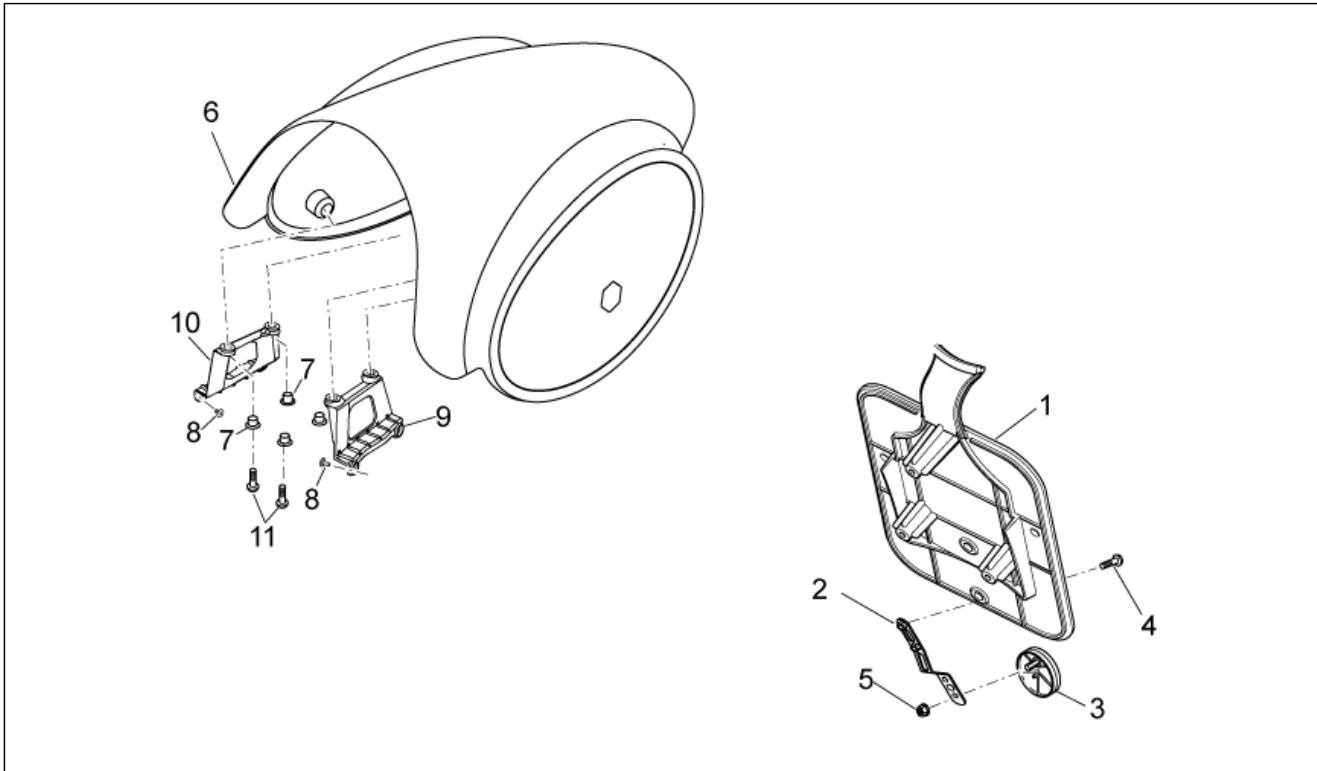
| Pos. | Código     | Descripción                    | Cant. | Variantes                            |
|------|------------|--------------------------------|-------|--------------------------------------|
| 1    | 89817800A3 | Sillín marrón                  | 1     |                                      |
| 2    | GU32461610 | Goma                           | 8     |                                      |
| 3    | AP8102913  | Placa fij.sil.pasaj.           | 1     |                                      |
| 4    | GU98370625 | Tornillo                       | 2     |                                      |
| 5    | 883295     | Cable cerradura sill.          | 1     |                                      |
| 6    | AP8121420  | Muelle de horquilla            | 1     |                                      |
| 7    | 978415     | Placa soporte cable            | 1     |                                      |
| 8    | 977527     | Cerradura con llaves incluidas | 1     |                                      |
| 9    | 2B000839   | Later.peq.izq. p.              | 1     | Especificación técnica:No decals[ND] |
| 10   | 2B000838   | Later.peq.der.p.               | 1     | Especificación técnica:No decals[ND] |
| 11   | GU91551086 | Goma                           | 4     |                                      |
| 12   | 886368     | Barra fijación                 | 4     |                                      |
| 13   | 976614     | Tornillo M5X15                 | 6     |                                      |
| 14   | 886841     | bolsa protección del asiento   | 1     |                                      |
| 15   | 886706     | Barra fijación                 | 2     |                                      |
| 16   | 254485     | Placa elastica M6              | 2     |                                      |
| 17   | GU98370515 | Tornillo                       | 4     |                                      |
| 18   | AP8120531  | Goma con refuerzo              | 2     |                                      |
| 19   | 886727     | Barra fijación                 | 2     |                                      |
| 20   | 2B000841   | cubremariposa der.             | 1     |                                      |
| 21   | 2B000842   | cubremariposa izq.             | 1     |                                      |
| 22   | 886820     | Placa cerrad. sillín           | 1     |                                      |
| 23   | B063429    | Goma                           | 2     |                                      |
| 24   | GU98692313 | Tornillo Allen M6x12           | 2     |                                      |
| 25   | 2B001988   | ***Soporte                     | 2     |                                      |
| 26   | B063431    | Protection                     | 1     |                                      |

|                    |                 |
|--------------------|-----------------|
| <b>Grupo</b>       | BASTIDOR        |
| <b>Código</b>      | 33.15           |
| <b>Descripción</b> | Car.tr. I- Gdab |
| <b>Revisión</b>    | 1               |



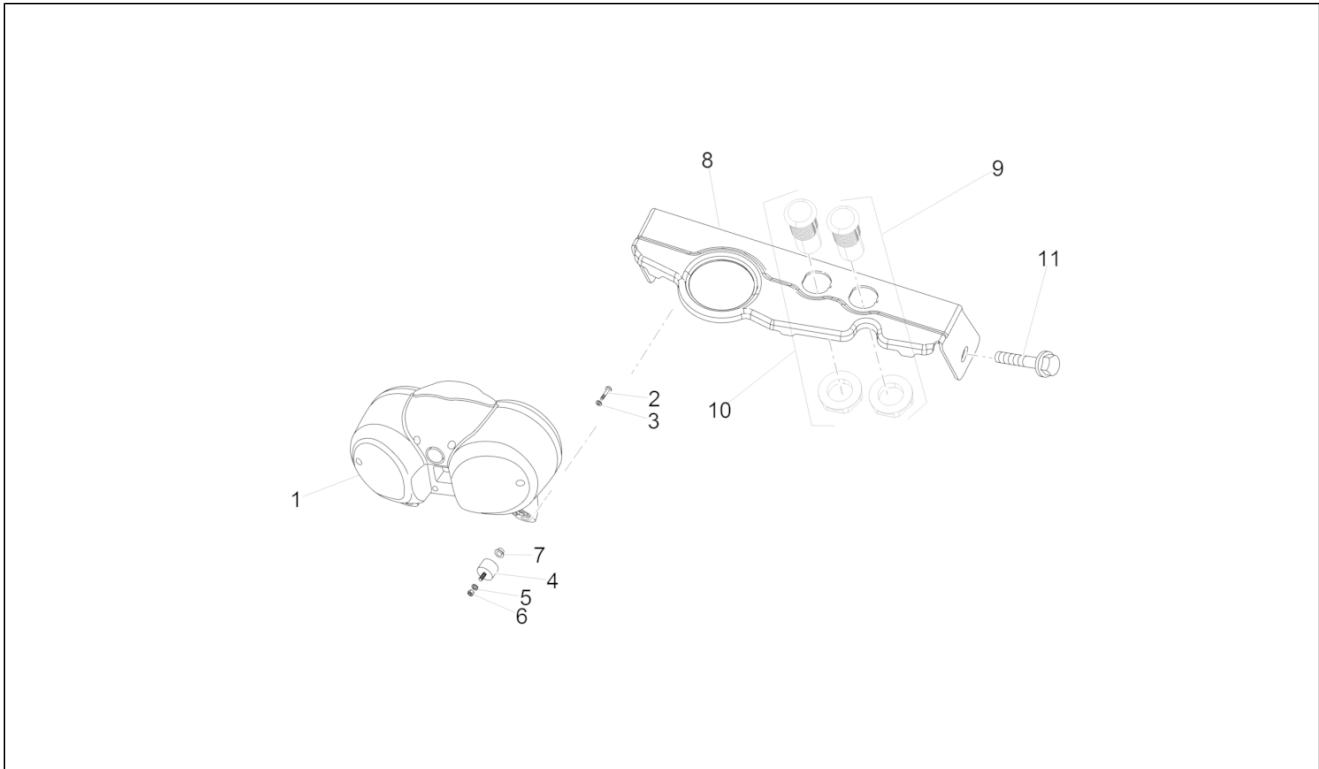
| Pos. | Código      | Descripción                | Cant. | Variantes |
|------|-------------|----------------------------|-------|-----------|
| 1    | 97894600Y02 | Guardabarros tras. negro   | 1     |           |
| 2    | 978947      | Soporte                    | 1     |           |
| 3    | AP8152278   | Torn. CH con reborde M6x16 | 4     |           |
| 4    | 254485      | Placa elastica M6          | 2     |           |
| 5    | GU92630108  | Tuerca                     | 2     |           |
| 6    | GU91120806  | Distanciador               | 2     |           |
| 7    | GU95005310  | Arandela 8,4x18x2          | 2     |           |
| 8    | GU98370835  | Tornillo                   | 2     |           |
| 9    | AP8152279   | Torn. CH con reborde M6x20 | 2     |           |
| 10   | GU91180601  | Distanciador 6,2x8x3       | 2     |           |
| 11   | AP8152329   | Torn. c.cruz reborde M5x20 | 3     |           |
| 12   | B063167     | Parasalpicaduras           | 1     |           |
| 13   | AP8121032   | Buje                       | 4     |           |
| 14   | GU95100141  | Arandela 6,4x12x1,2        | 2     |           |
| 15   | AP8152299   | Tuerca autobloqueante M6   | 4     |           |

|                    |                                 |
|--------------------|---------------------------------|
| <b>Grupo</b>       | BASTIDOR                        |
| <b>Código</b>      | 33.16                           |
| <b>Descripción</b> | Carroc.tras.II - Portamatrícula |
| <b>Revisión</b>    | 1                               |



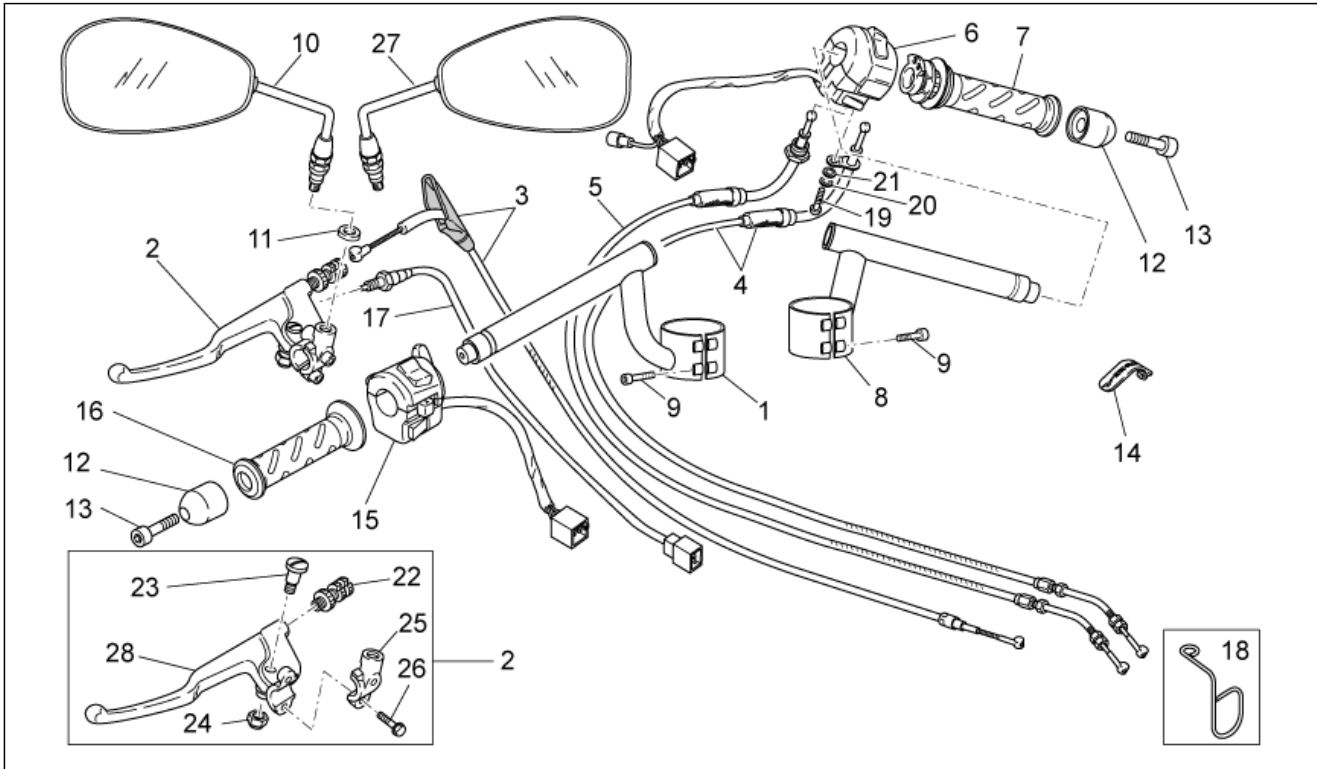
| Pos. | Código       | Descripción                | Cant. | Variantes |
|------|--------------|----------------------------|-------|-----------|
| 1    | 978949       | Portamatrícula             | 1     |           |
| 2    | AP8134448    | Soporte catafaro           | 1     |           |
| 3    | AP8224164    | Catafaro trasero rojo      | 1     |           |
| 4    | GU98230510   | Tornillo                   | 2     |           |
| 5    | AP8152306    | Tuerca autobloqueante m5   | 1     |           |
| 6    | 898280       | Cola basto                 | 1     |           |
| 6    | B06315100Y02 | Cola pint. negro           | 1     |           |
| 7    | AP8121929    | Buje en 'T' 6,5x8,6x9      | 4     |           |
| 8    | AP8152339    | Tornillo con reborde M5x9  | 4     |           |
| 9    | 886712       | Soporte izq.               | 1     |           |
| 10   | 886713       | Soporte derecho            | 1     |           |
| 11   | AP8152273    | Tornillo con reborde M5X15 | 4     |           |

|                    |             |
|--------------------|-------------|
| <b>Grupo</b>       | BASTIDOR    |
| <b>Código</b>      | 33.17       |
| <b>Descripción</b> | Salpicadero |
| <b>Revisión</b>    | 1           |



| Pos. | Código     | Descripción               | Cant. | Variantes |
|------|------------|---------------------------|-------|-----------|
| 1    | 887194     | Salpicadero completo km/h | 1     |           |
| 2    | GU98370609 | Tornillo M6x10            | 3     |           |
| 3    | GU95005306 | Arandela 6,4x13x1,5       | 3     |           |
| 4    | GU93222023 | Casquillo elástico        | 3     |           |
| 5    | GU95021206 | Arandela                  | 3     |           |
| 6    | GU92606206 | Tuerca                    | 3     |           |
| 7    | AP8121032  | Buje                      | 3     |           |
| 8    | 2B001101   | Marco instrumento         | 1     |           |
| 9    | 2D000022   | Testigos MGCT             | 1     |           |
| 10   | 2D000021   | Testigos ABS              | 1     |           |
| 11   | GU23922210 | Perno                     | 2     |           |

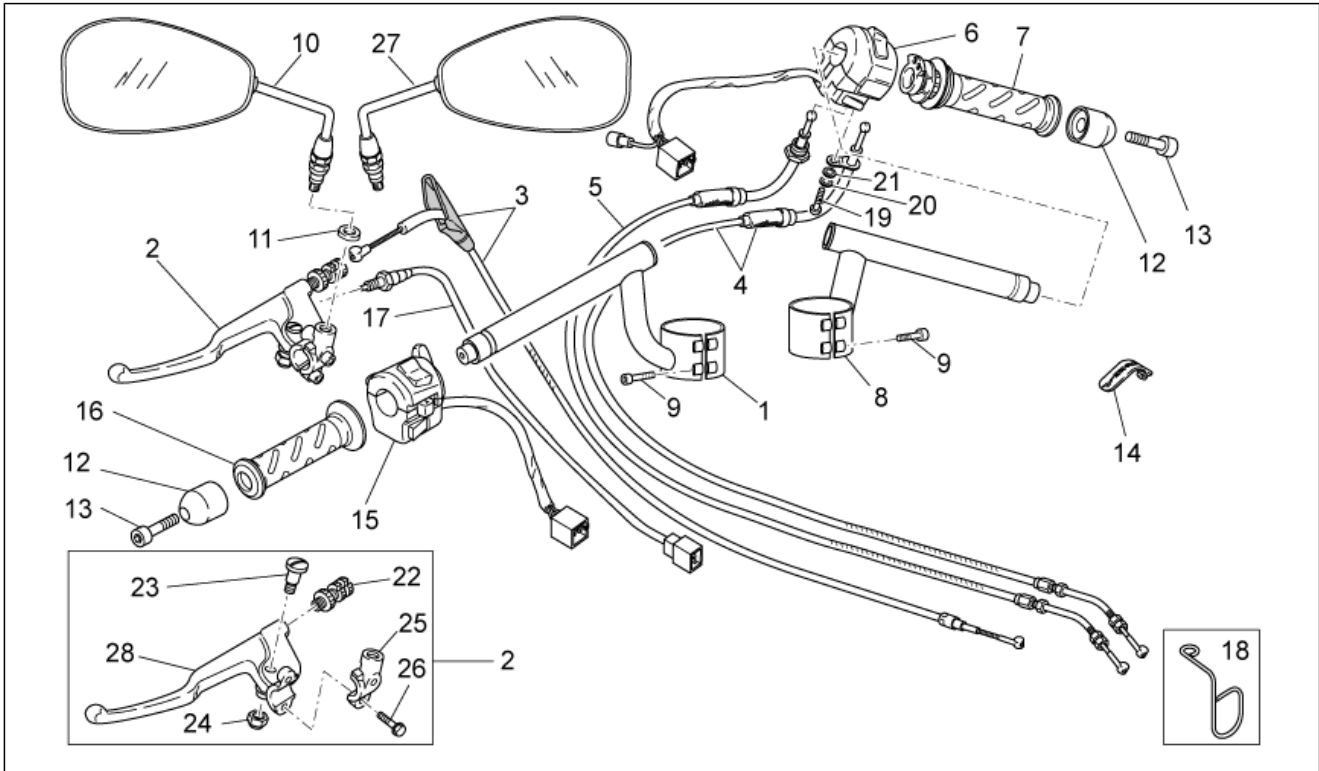
|                    |                   |
|--------------------|-------------------|
| <b>Grupo</b>       | BASTIDOR          |
| <b>Código</b>      | 33.18             |
| <b>Descripción</b> | Manillar - Mandos |
| <b>Revisión</b>    | 1                 |



| Pos. | Código     | Descripción                     | Cant. | Variantes |
|------|------------|---------------------------------|-------|-----------|
| 1    | B063317    | Semimanillar izq.               | 1     |           |
| 2    | 2B001300   | Palanca embrague completa       | 1     |           |
| 3    | 2B001201   | Cable embrague                  | 1     |           |
| 4    | B063247    | Cable apertura gas              | 1     |           |
| 5    | B063248    | Cable cierre gas                | 1     |           |
| 6    | B063135    | Conmut. luces der.              | 1     |           |
| 7    | GU32603310 | Puño der.                       | 1     |           |
| 8    | B063326    | Semimanillar der.               | 1     |           |
| 9    | GU98692325 | Tornillo Allen M6x25            | 4     |           |
| 10   | 2B001049   | Espejo retrovisor izq.          | 1     |           |
| 11   | GU91181003 | Distanciador 10,25X20X4         | 2     |           |
| 12   | GU32602860 | Peso antivib. p.chr.            | 2     |           |
| 13   | GU98690335 | Tornillo Allen                  | 2     |           |
| 14   | GU01609630 | Abrazadera L46 mm               | 2     |           |
| 14   | GU03609600 | Abrazadera L36 mm               | 1     |           |
| 15   | B063975    | Conmut. luces izq.              | 1     |           |
| 16   | GU32603010 | Puño izq.                       | 1     |           |
| 17   | GU29759150 | Interrupt. caballete            | 1     |           |
| 18   | AP8221172  | Guíacable                       | 1     |           |
| 19   | GU98230510 | Tornillo                        | 1     |           |
| 20   | GU95008305 | Arandela 5,3X10X1               | 1     |           |
| 21   | GU95021105 | Arand. Dentada                  | 1     |           |
| 22   | GU30602500 | Registro                        | 1     |           |
| 23   | AP8213028  | Tornillo                        | 1     |           |
| 24   | AP8118490  | Tuerca                          | 1     |           |
| 25   | GU30601060 | Grapa                           | 1     |           |
| 26   | GU97202325 | Torn. CH con reborde neg. M6x25 | 2     |           |
| 27   | 2B001048   | Espejo retrovisor der.          | 1     |           |

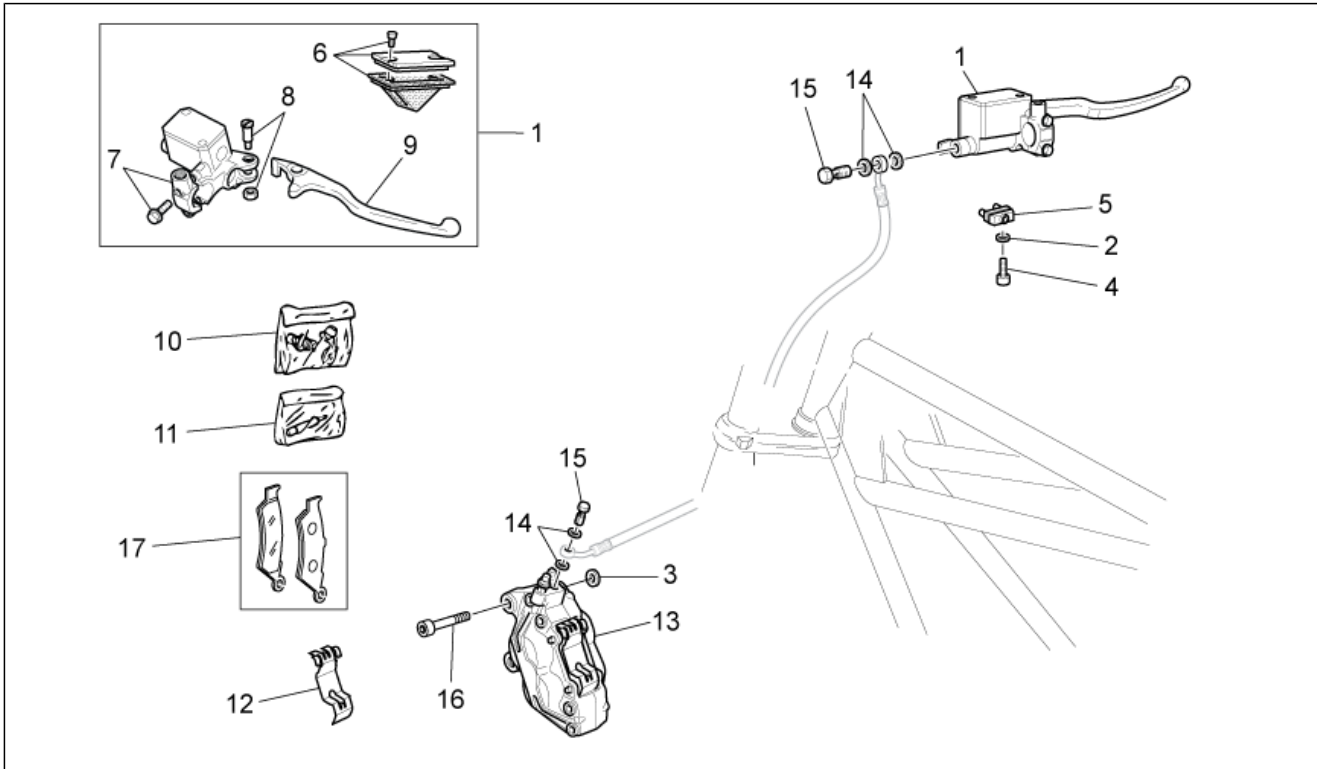


|                    |                   |
|--------------------|-------------------|
| <b>Grupo</b>       | BASTIDOR          |
| <b>Código</b>      | 33.18             |
| <b>Descripción</b> | Manillar - Mandos |
| <b>Revisión</b>    | 1                 |



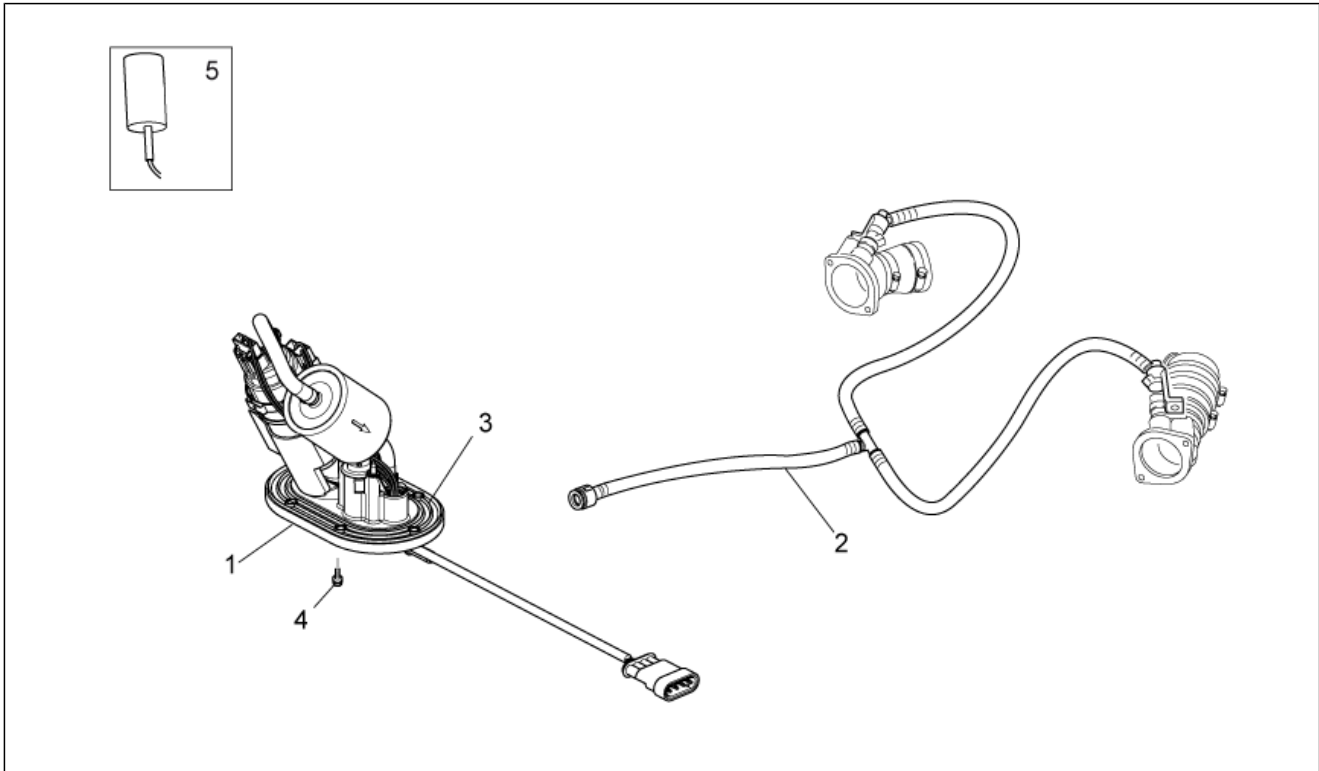
| Pos. | Código   | Descripción            | Cant. | Variantes |
|------|----------|------------------------|-------|-----------|
| 28   | 2B001998 | Palanca mando embrague | 1     |           |

|                    |                    |
|--------------------|--------------------|
| <b>Grupo</b>       | BASTIDOR           |
| <b>Código</b>      | 33.19              |
| <b>Descripción</b> | Eq.freno delantero |
| <b>Revisión</b>    | 1                  |



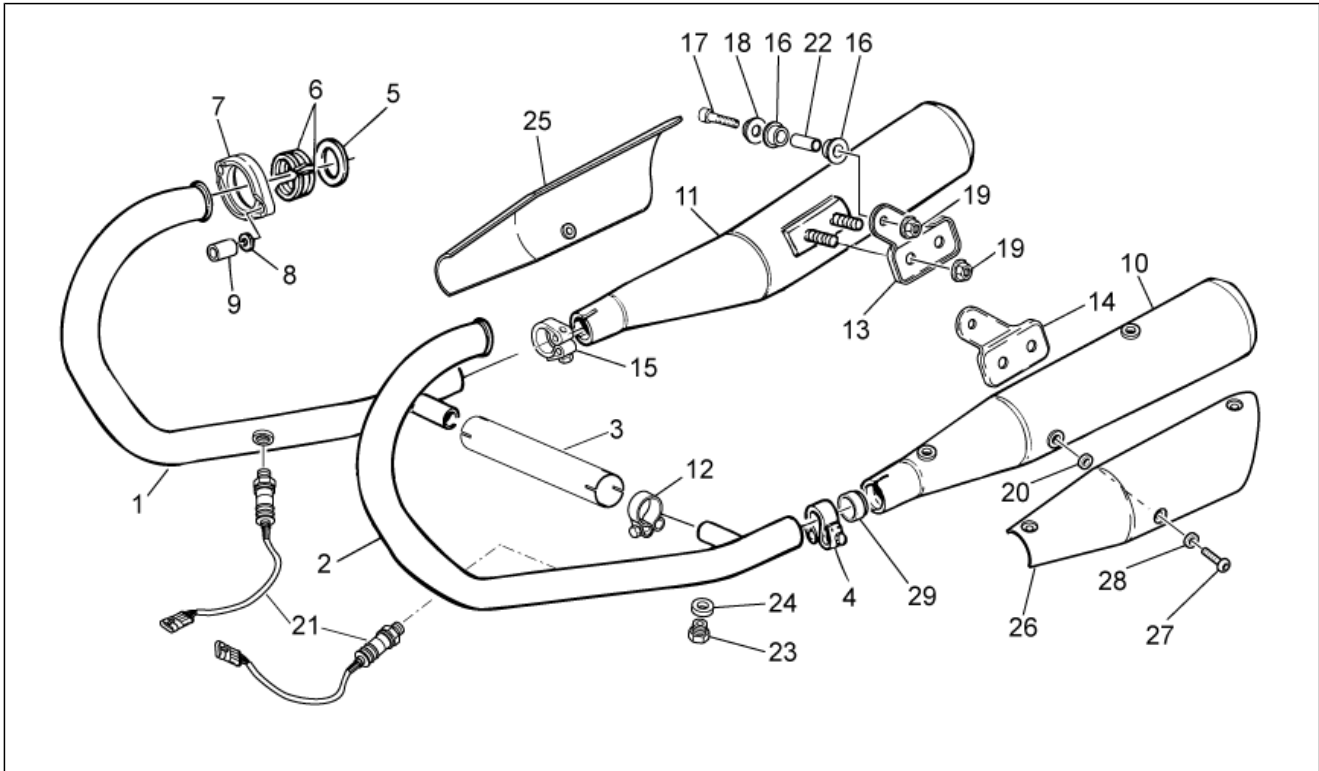
| Pos. | Código     | Descripción             | Cant. | Variantes |
|------|------------|-------------------------|-------|-----------|
| 1    | 2B001199   | Bomba freno del.        | 1     |           |
| 2    | GU95021104 | Arandela 4,3x8x1,5      | 1     |           |
| 3    | GU91181003 | Distanciador 10,25X20X4 | 2     |           |
| 4    | AP8152043  | Tornillo Allen M4x10    | 1     |           |
| 5    | GU03749845 | Interruptor de stop     | 1     |           |
| 6    | 2B001928   | Tapa bomba              | 1     |           |
| 7    | 2B001929   | Perno de U              | 1     |           |
| 8    | 2B001927   | Perno palanca cpl.      | 1     |           |
| 9    | 2B001926   | Palanca de freno        | 1     |           |
| 10   | GU05659230 | Purga + capuchón        | 1     |           |
| 11   | GU01659130 | Pernos+muelles pinza    | 1     |           |
| 12   | GU01659131 | Muelle                  | 1     |           |
| 13   | 2B001197   | Pinza freno del. izq.   | 1     |           |
| 14   | AP8113004  | Arandela 10x14x1,6*     | 4     |           |
| 15   | AP8113003  | Tornillo tubo aceite *  | 2     |           |
| 16   | AP8152385  | Tornillo Allen M10x1,25 | 2     |           |
| 17   | 883673     | Pastillas-par           | 1     |           |

|                    |                |
|--------------------|----------------|
| <b>Grupo</b>       | BASTIDOR       |
| <b>Código</b>      | 33.21          |
| <b>Descripción</b> | Bomba gasolina |
| <b>Revisión</b>    | 1              |



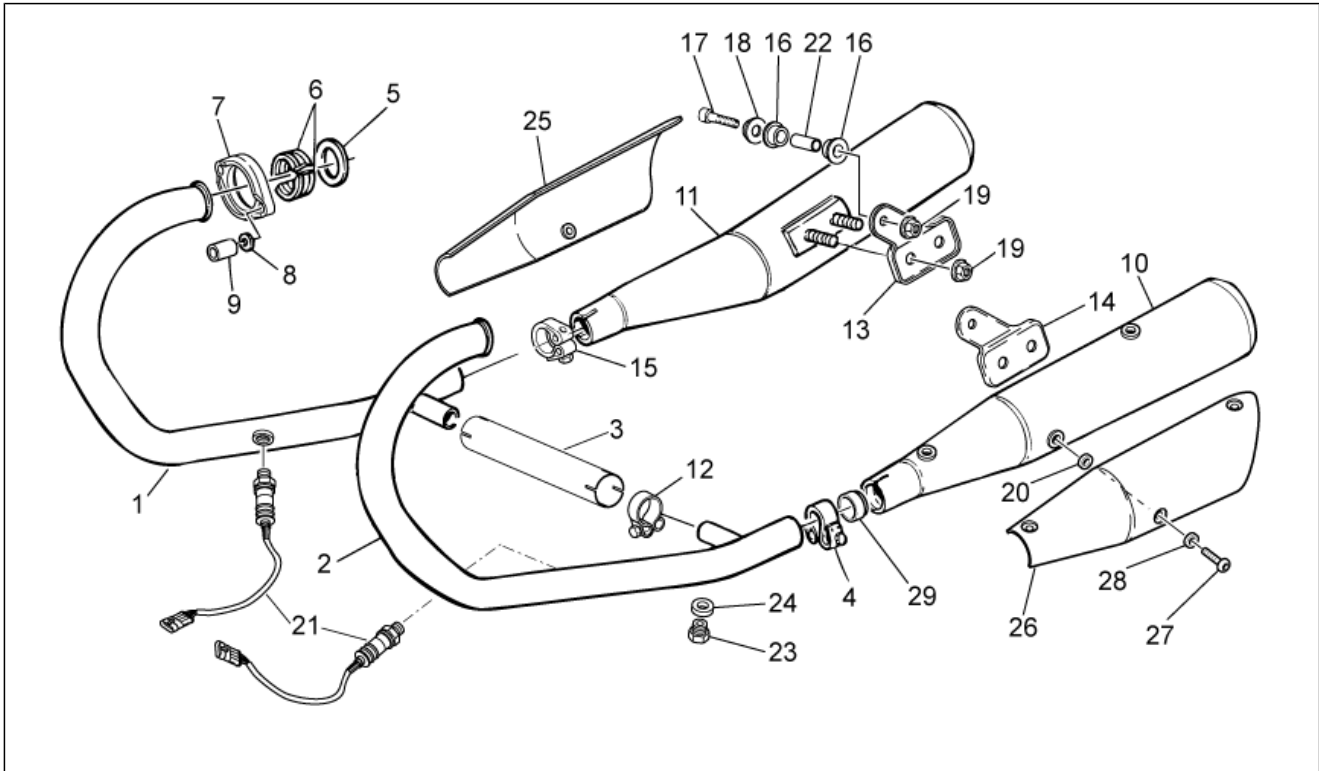
| Pos. | Código     | Descripción                | Cant. | Variantes |
|------|------------|----------------------------|-------|-----------|
| 1    | B063752    | Bomba carburante           | 1     |           |
| 2    | 2B000970   | Tubo gasolina              | 1     |           |
| 2    | 2B001342   | Tubo gasolina              | 1     |           |
| 3    | GU05107430 | Junta Der.                 | 1     |           |
| 4    | AP8152273  | Tornillo con reborde M5X15 | 6     |           |
| 5    | 887787     | Sensor nivel gasol.        | 1     |           |

|                    |                 |
|--------------------|-----------------|
| <b>Grupo</b>       | BASTIDOR        |
| <b>Código</b>      | 33.23           |
| <b>Descripción</b> | Grupo de escape |
| <b>Revisión</b>    | 1               |



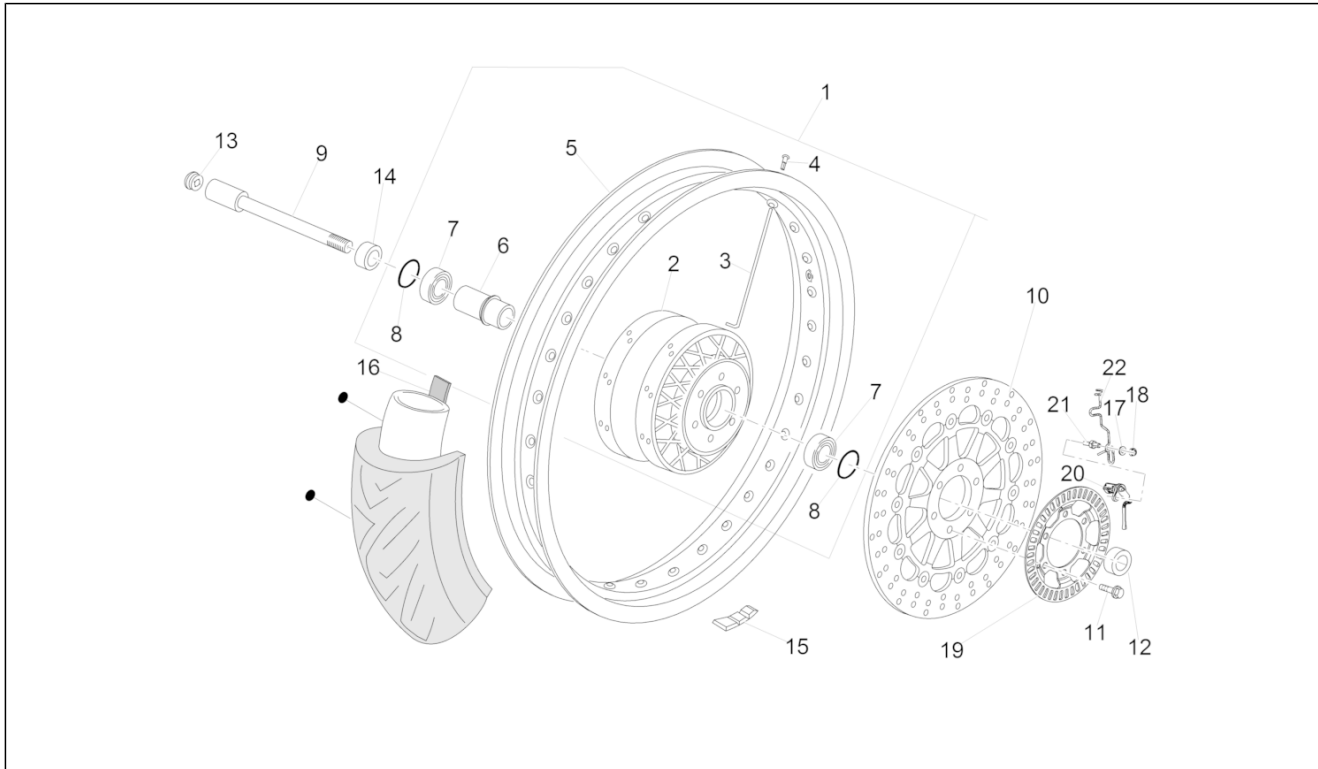
| Pos. | Código     | Descripción                 | Cant. | Variantes |
|------|------------|-----------------------------|-------|-----------|
| 1    | 2B000995   | Colector escape der.        | 1     |           |
| 2    | 2B000996   | Colector escape izq.        | 1     |           |
| 3    | B063022    | Empalme colectores escape   | 1     |           |
| 4    | 978387     | Abrazadera silenciador izq. | 1     |           |
| 5    | GU19025280 | Junta                       | 2     |           |
| 6    | GU19025460 | Distanciadore               | 4     |           |
| 7    | GU32121010 | Virola                      | 2     |           |
| 8    | GU03013800 | Arandela 6,4x12             | 4     |           |
| 9    | GU31121880 | Tuerca                      | 4     |           |
| 10   | 2B001683   | Silenciador der.            | 1     |           |
| 11   | 2B001681   | Silenciador der.            | 1     |           |
| 12   | 978385     | Abrazadera                  | 2     |           |
| 13   | GU32128610 | Placa der.                  | 1     |           |
| 14   | GU32129010 | Placa izq.                  | 1     |           |
| 15   | 978386     | Abrazadera silenciador der. | 1     |           |
| 16   | AP8144071  | Goma silencioso             | 4     |           |
| 17   | GU98690440 | Tornillo TCEI M8x40         | 2     |           |
| 18   | AP8134378  | Buje fijación silenciador   | 2     |           |
| 19   | GU92640508 | Tuerca M8                   | 6     |           |
| 20   | AP8120870  | Arandela aislante           | 6     |           |
| 21   | 896110     | Sonda lamda l.660 mm        | 2     |           |
| 22   | AP8121072  | Distanciadore               | 2     |           |
| 23   | GU98110007 | Tapón                       | 2     |           |
| 24   | GU30109330 | Junta                       | 2     |           |
| 25   | GU32121910 | Protec.der.                 | 1     |           |
| 26   | GU32121911 | Protec.izq.                 | 1     |           |
| 27   | 884043     | Tornillo con reborde M6x12  | 6     |           |
| 28   | GU95005306 | Arandela 6,4x13x1,5         | 6     |           |

|                    |                 |
|--------------------|-----------------|
| <b>Grupo</b>       | BASTIDOR        |
| <b>Código</b>      | 33.23           |
| <b>Descripción</b> | Grupo de escape |
| <b>Revisión</b>    | 1               |



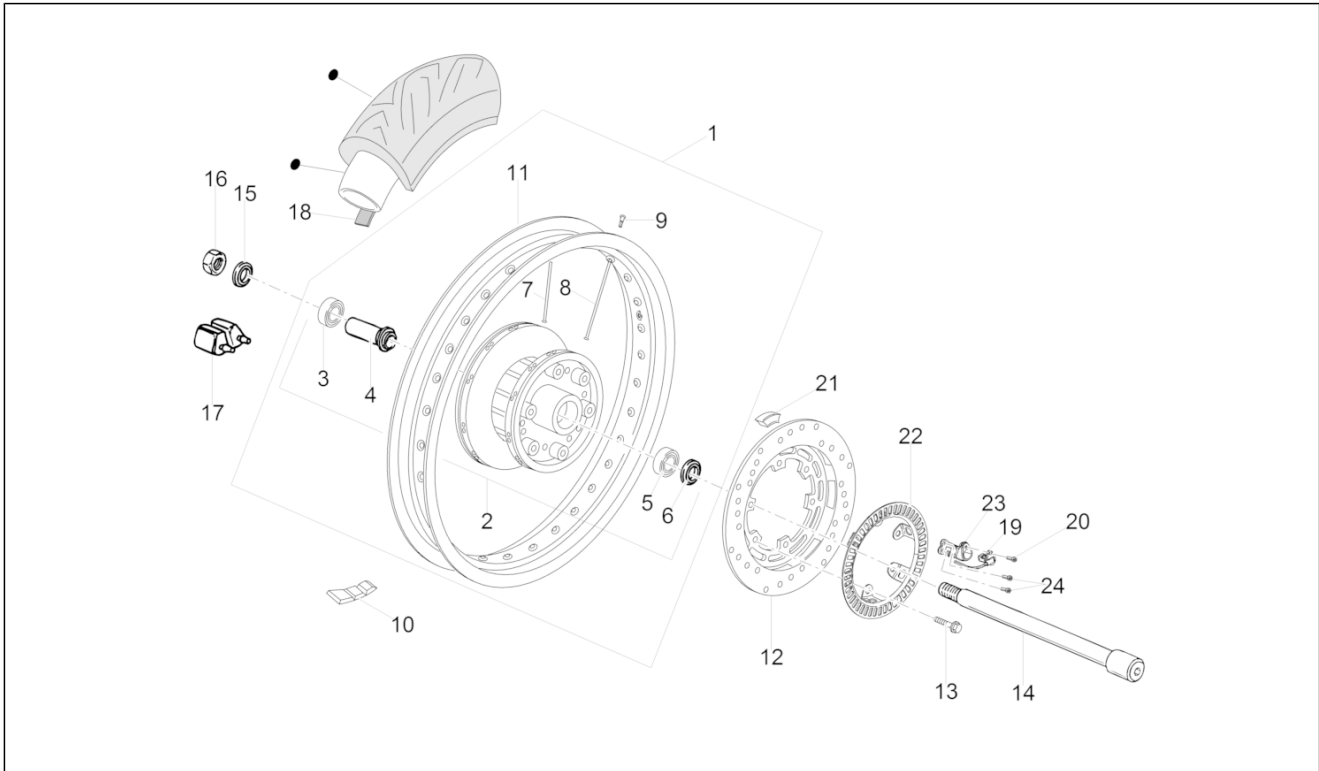
| Pos. | Código     | Descripción | Cant. | Variantes |
|------|------------|-------------|-------|-----------|
| 29   | GU91113826 | Buje        | 2     |           |

|                    |                 |
|--------------------|-----------------|
| <b>Grupo</b>       | BASTIDOR        |
| <b>Código</b>      | 33.24           |
| <b>Descripción</b> | RUEDA DELANTERA |
| <b>Revisión</b>    | 1               |



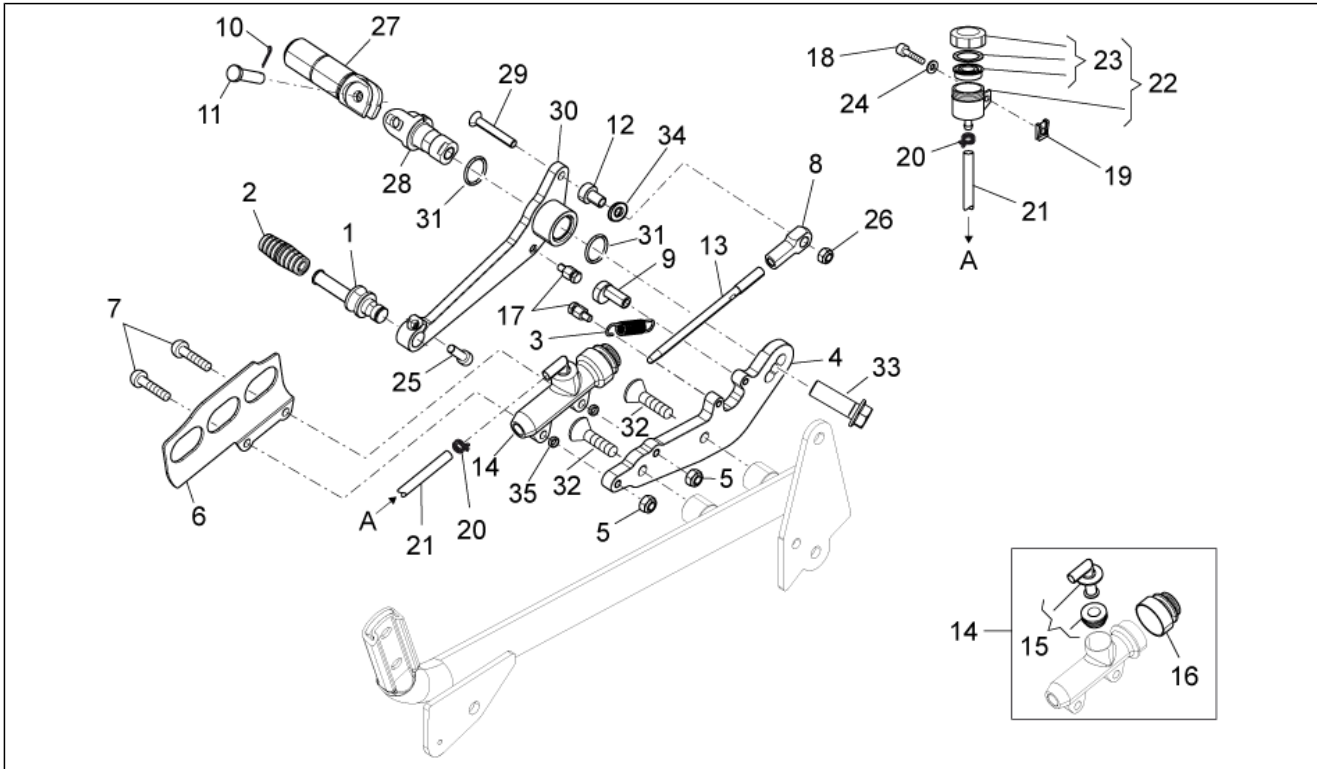
| Pos. | Código     | Descripción                    | Cant. | Variantes |
|------|------------|--------------------------------|-------|-----------|
| 1    | B063265    | Rueda del. desn.               | 1     |           |
| 2    | 886681     | Cubo delantero                 | 1     |           |
| 3    | B063144    | Radio rueda del.               | 36    |           |
| 4    | GU03631250 | Niple                          | 36    |           |
| 5    | B063077    | Llanta delantera negra 2.5X18" | 1     |           |
| 6    | GU31615260 | Distanciador cojinetes         | 1     |           |
| 7    | GU92204221 | Cojinete                       | 2     |           |
| 8    | GU90402642 | Gasket ring                    | 1     |           |
| 9    | GU31614183 | Perno rueda del.               | 1     |           |
| 10   | 883688     | Disco freno delantero 320      | 1     |           |
| 11   | 887762     | Tornillo TE con reborde M8x22  | 6     |           |
| 12   | GU31616384 | Distanciador izq.              | 1     |           |
| 13   | GU93180111 | Tapón 15 mm                    | 1     |           |
| 14   | GU32615660 | Distanciador der.              | 1     |           |
| 15   | GU14616150 | Contrapeso                     | 1     |           |
| 16   | GU03612040 | Corbata                        | 1     |           |
| 17   | AP8150178  | Arandela 6,4x12,5*             | 1     |           |
| 18   | GU92630207 | Tuerca                         | 1     |           |
| 19   | 887875     | Wheel speed sensor, LH front   | 1     |           |
| 20   | 1D0001275  | Sensor delantero ABS           | 2     |           |
| 21   | 2B001708   | Distanciador                   | 1     |           |
| 22   | 2B001561   | Pasacables                     | 1     |           |

|                    |               |
|--------------------|---------------|
| <b>Grupo</b>       | BASTIDOR      |
| <b>Código</b>      | 33.25         |
| <b>Descripción</b> | Rueda trasera |
| <b>Revisión</b>    | 1             |



| Pos. | Código     | Descripción                  | Cant. | Variantes |
|------|------------|------------------------------|-------|-----------|
| 1    | B063267    | Rueda trasera 3,5"x17"       | 1     |           |
| 2    | 886711     | Cubo trasero                 | 1     |           |
| 3    | GU92204218 | Cojinete                     | 1     |           |
| 4    | GU27633910 | Distanciadador               | 1     |           |
| 5    | GU92204217 | Cojinete                     | 1     |           |
| 6    | GU90402538 | Gasket ring 25x40x7          | 1     |           |
| 7    | 883350     | Radio corto                  | 18    |           |
| 8    | 883349     | Radio largo mm 158           | 18    |           |
| 9    | GU03631250 | Niple                        | 36    |           |
| 10   | GU14616150 | Contrapeso                   | 1     |           |
| 11   | B063078    | Llanta tras. 3,5"x17" Black  | 1     |           |
| 12   | 887448     | Disco freno                  | 1     |           |
| 13   | AP8152286  | Torn. CH con reborde M8x20   | 6     |           |
| 14   | GU32633360 | Perno rueda tras.            | 1     |           |
| 15   | GU31634481 | Arandela                     | 1     |           |
| 16   | GU92606316 | Tuerca M16x1,5               | 1     |           |
| 17   | GU32632510 | Acoplamiento elástico        | 6     |           |
| 18   | GU28612033 | Corbata                      | 1     |           |
| 19   | 1D0001275  | Sensor delantero ABS         | 2     |           |
| 20   | GU98612216 | Tornillo Allen               | 1     |           |
| 21   | GU32636160 | Goma                         | 1     |           |
| 22   | 2B000225   | Wheel speed sensor, LH front | 1     |           |
| 23   | 2B000377   | Soporte Sensor ABS           | 1     |           |
| 24   | GU98682312 | Tornillo Allen M6x12         | 2     |           |

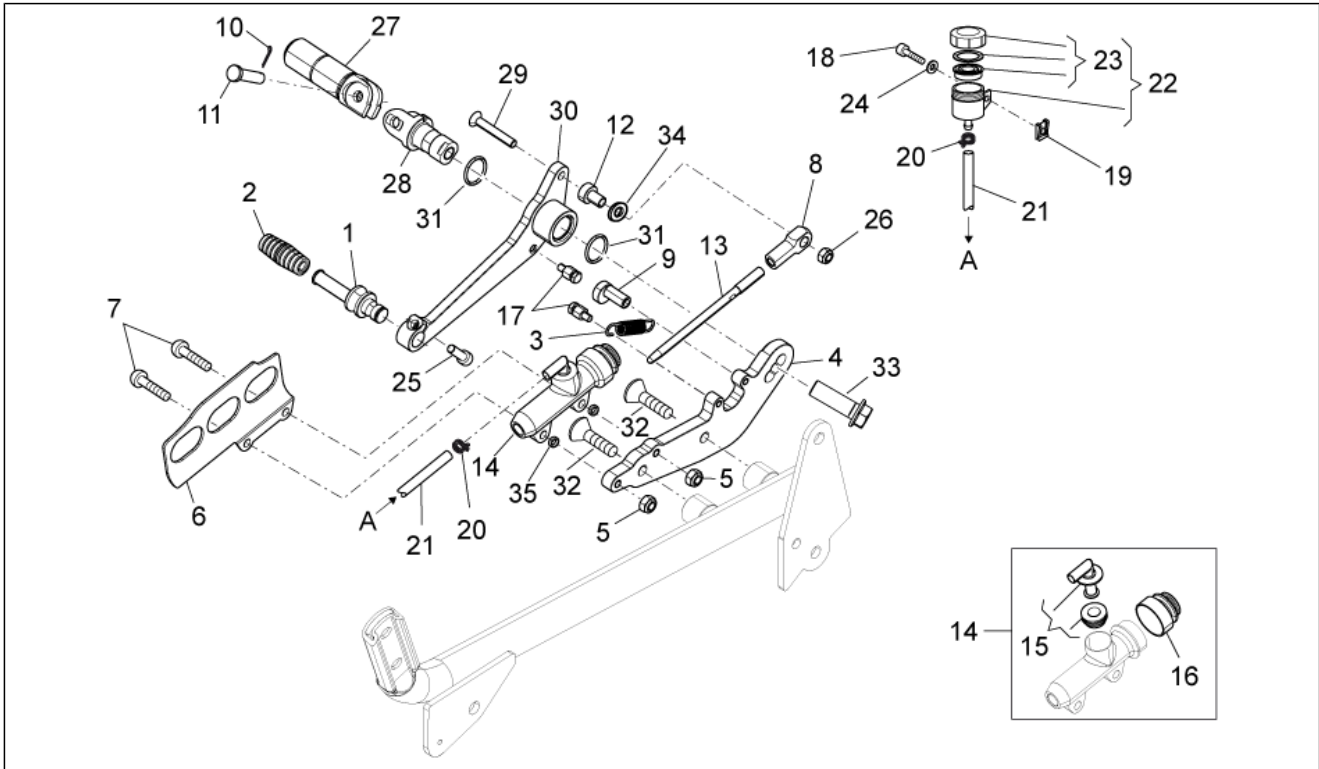
|                    |                   |
|--------------------|-------------------|
| <b>Grupo</b>       | BASTIDOR          |
| <b>Código</b>      | 33.26             |
| <b>Descripción</b> | Bomba freno tras. |
| <b>Revisión</b>    | 1                 |



| Pos. | Código        | Descripción                     | Cant. | Variantes |
|------|---------------|---------------------------------|-------|-----------|
| 1    | 886665        | Barra                           | 1     |           |
| 2    | AP8120912     | Goma para palanca               | 1     |           |
| 3    | AP8121927     | Muelle pal.freno tr.            | 1     |           |
| 4    | 898288        | Placa del estribo del conductor | 1     |           |
| 5    | GU92630206    | Tuerca M6x1                     | 2     |           |
| 6    | GU01665410    | Protección bomba freno negro    | 1     |           |
| 7    | GU98370625    | Tornillo                        | 2     |           |
| 8    | GU18257551    | Bloquecillo                     | 1     |           |
| 9    | 886666        | Buje excéntrico                 | 1     |           |
| 10   | GU95401215    | Clavija                         | 1     |           |
| 11   | GU23442210    | Perno                           | 1     |           |
| 12   | 898287        | Perno palanca                   | 1     |           |
| 13   | 2B001597      | Varilla bomba freno             | 1     |           |
| 14   | 2B000508      | Bomba freno tras.               | 1     |           |
| 15   | AP8213057     | Empalme bomba trasera           | 1     |           |
| 16   | AP8113288     | Fuelle de goma                  | 1     |           |
| 17   | 898286        | Perno engche muelles            | 2     |           |
| 18   | AP8152298     | Tornillo con reborde M5x16      | 1     |           |
| 19   | 248419        | Placa elastica m5               | 1     |           |
| 20   | AP8101594     | Abrazadera D10,1*               | 2     |           |
| 21   | GU00823950050 | Tubo aceite                     | 1     |           |
| 22   | AP8133873     | Depós.aceite fr.cnj.            | 1     |           |
| 23   | AP8113553     | Tapón depósito                  | 1     |           |
| 24   | GU95100059    | Arandela 5,25x14x1,5            | 1     |           |
| 25   | AP8150044     | Tornillo Allen M6x20            | 1     |           |
| 26   | GU92630206    | Tuerca M6x1                     | 1     |           |
| 27   | 898281        | Pedana pilota                   | 1     |           |
| 28   | 898612        | Soporte estribo piloto der.     | 1     |           |



|                    |                   |
|--------------------|-------------------|
| <b>Grupo</b>       | BASTIDOR          |
| <b>Código</b>      | 33.26             |
| <b>Descripción</b> | Bomba freno tras. |
| <b>Revisión</b>    | 1                 |



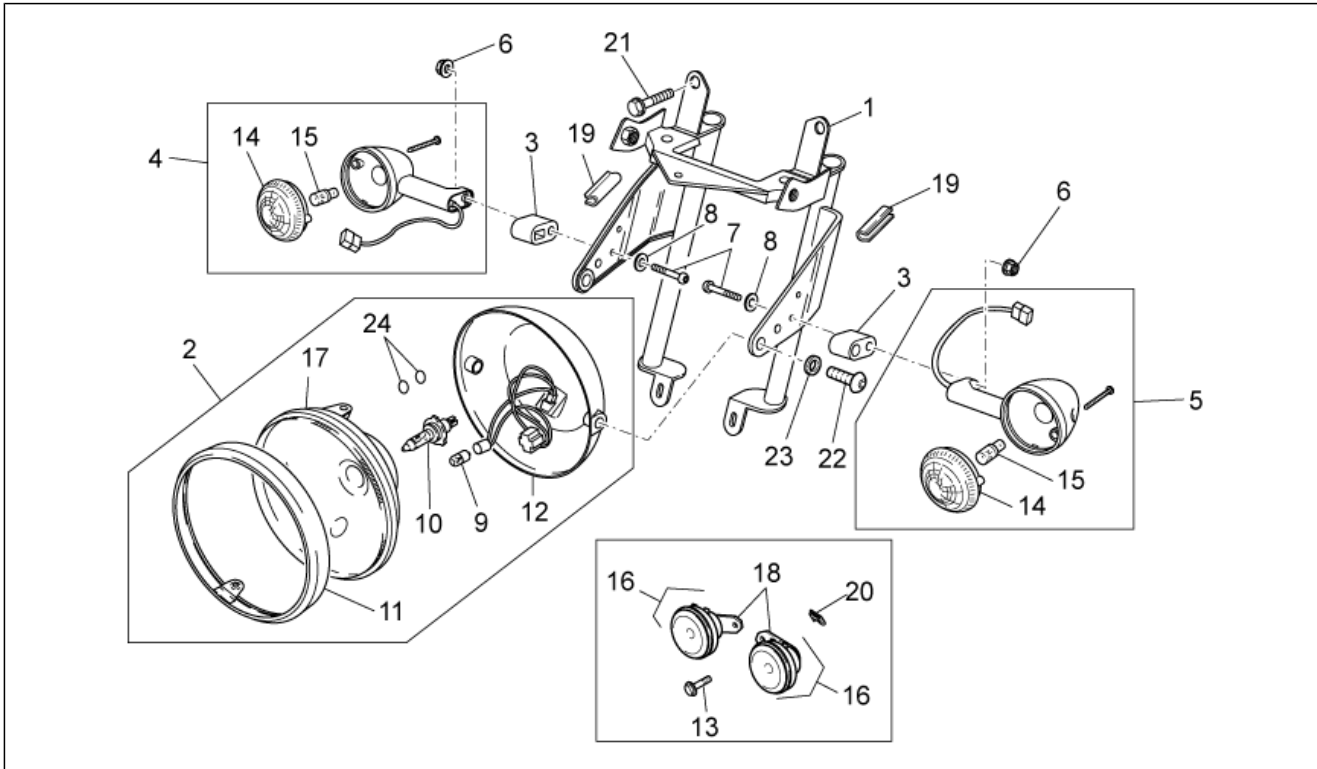
| Pos. | Código     | Descripción              | Cant. | Variantes |
|------|------------|--------------------------|-------|-----------|
| 29   | AP8150468  | Tornillo M6x40           | 1     |           |
| 30   | 898285     | Palanca de freno         | 1     |           |
| 31   | AP9100477  | Junta tórica 18x2        | 2     |           |
| 32   | GU98252420 | Tornillo M8x20           | 2     |           |
| 33   | AP8152320  | Torn. CH con reborde     | 1     |           |
| 34   | GU03270300 | Arandela 8,4x15          | 1     |           |
| 35   | AP8134640  | Distanciador caja filtro | 2     |           |

|                    |                   |
|--------------------|-------------------|
| <b>Grupo</b>       | BASTIDOR          |
| <b>Código</b>      | 33.27             |
| <b>Descripción</b> | Pinza freno tras. |
| <b>Revisión</b>    | 1                 |



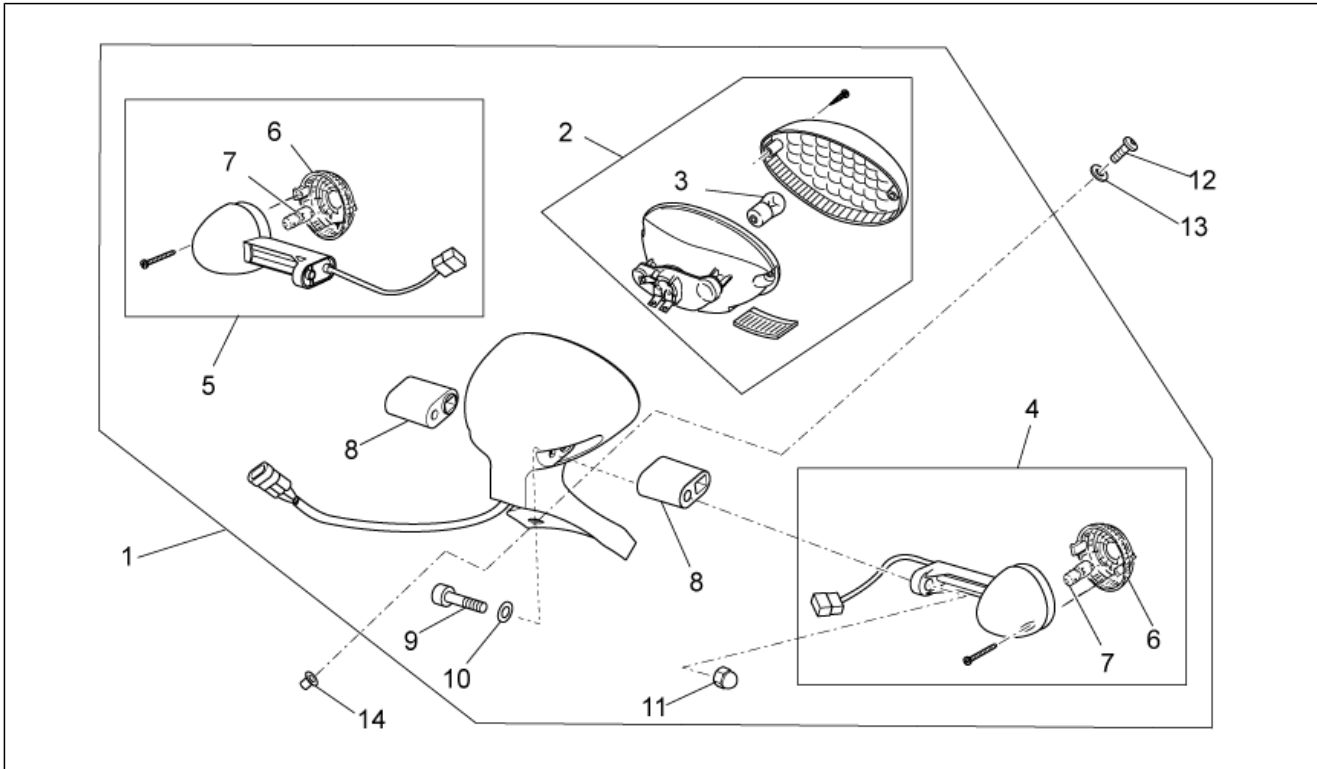
| Pos. | Código     | Descripción               | Cant. | Variantes |
|------|------------|---------------------------|-------|-----------|
| 1    | 2B000229   | Placa soporte pinza freno | 1     |           |
| 2    | GU31634281 | Buje                      | 1     |           |
| 3    | GU31544181 | Perno                     | 1     |           |
| 4    | AP8152288  | Torn. CH con reborde      | 2     |           |
| 5    | GU32634160 | Distanciador              | 1     |           |
| 6    | 2B000525   | Pinza freno trasero       | 1     |           |
| 7    | 2B001282   | Pastilla freno            | 1     |           |
| 8    | GU31659281 | Purga + capuchón          | 1     |           |
| 9    | GU31659181 | Kit Pernos + muelle       | 1     |           |

|                    |                  |
|--------------------|------------------|
| <b>Grupo</b>       | BASTIDOR         |
| <b>Código</b>      | 33.28            |
| <b>Descripción</b> | Faros delanteros |
| <b>Revisión</b>    | 1                |



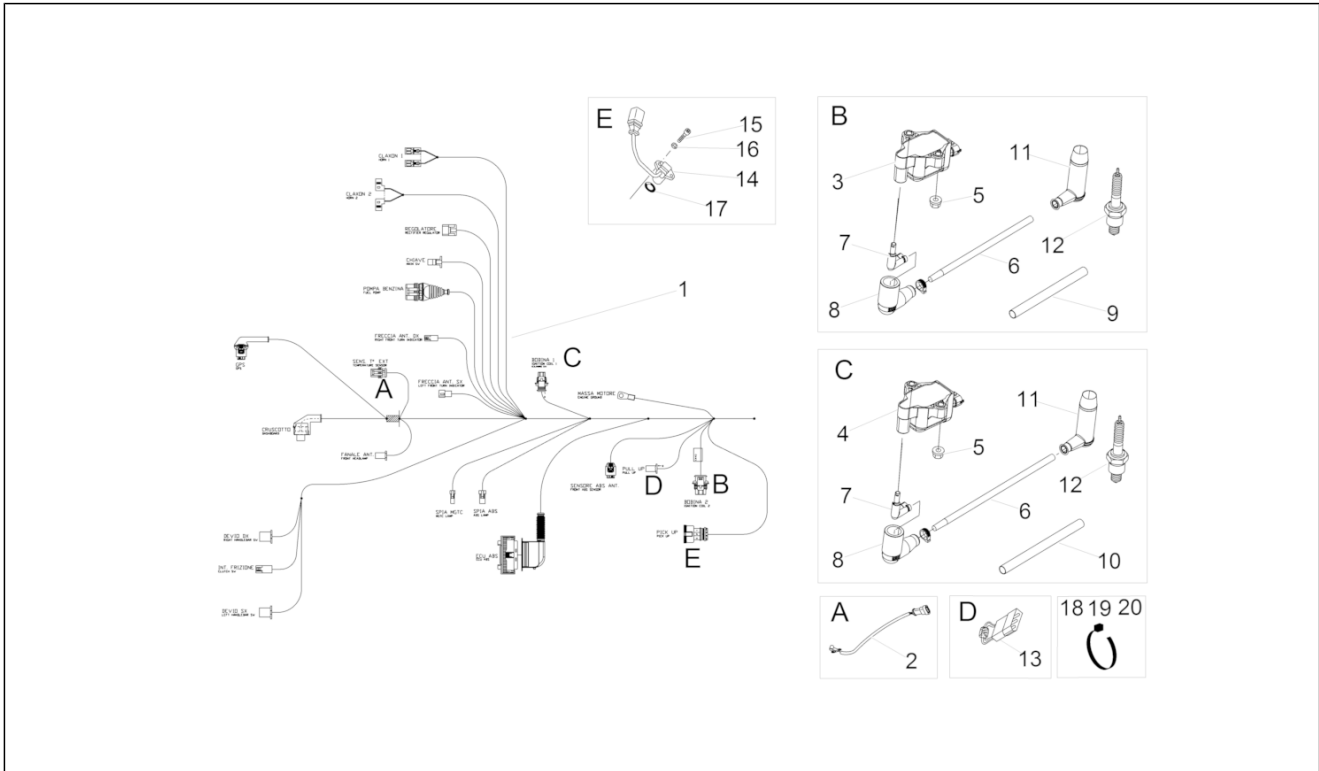
| Pos. | Código        | Descripción                  | Cant. | Variantes |
|------|---------------|------------------------------|-------|-----------|
| 1    | GU32506360    | Soporte faro                 | 1     |           |
| 2    | 978311        | Faro delantero               | 1     |           |
| 3    | GU32753410    | Distanciador                 | 2     |           |
| 4    | 887826        | Indic.direc.del.der/tras.izq | 1     |           |
| 5    | 887827        | Indic.direc.del.izq/tras.der | 1     |           |
| 6    | GU92787006    | Tuerca ciega M6x1            | 2     |           |
| 7    | GU98370655    | Tornillo                     | 2     |           |
| 8    | GU95021206    | Arandela                     | 2     |           |
| 9    | 292022        | Lámpara 12V-5W               | 1     |           |
| 10   | 292723        | Lámpara H4 60/55W 12V        | 1     |           |
| 11   | 640598        | Virola cromada               | 1     |           |
| 12   | 981149        | Casquete,negra               | 1     |           |
| 13   | AP8152278     | Torn. CH con reborde M6x16   | 2     |           |
| 14   | B063735       | Cristal indicador dirección  | 2     |           |
| 15   | GU93450126    | Lámpara naranja              | 2     |           |
| 16   | 890979        | Claxon                       | 2     |           |
| 17   | GU06740400    | Grupo óptico                 | 1     |           |
| 18   | GU01744200    | Estribo                      | 6     |           |
| 19   | GU00823931055 | Junta                        | 1     |           |
| 20   | 254485        | Placa elastica M6            | 2     |           |
| 21   | GU98880540    | Tornillo M10x40              | 2     |           |
| 22   | GU98692420    | Tornillo Allen M8x20         | 2     |           |
| 23   | GU95005308    | Arandela 8,4x14,57x1,6       | 2     |           |
| 24   | 883417        | Junta tórica                 | 2     |           |

|                    |                |
|--------------------|----------------|
| <b>Grupo</b>       | BASTIDOR       |
| <b>Código</b>      | 33.29          |
| <b>Descripción</b> | Faros traseros |
| <b>Revisión</b>    | 1              |



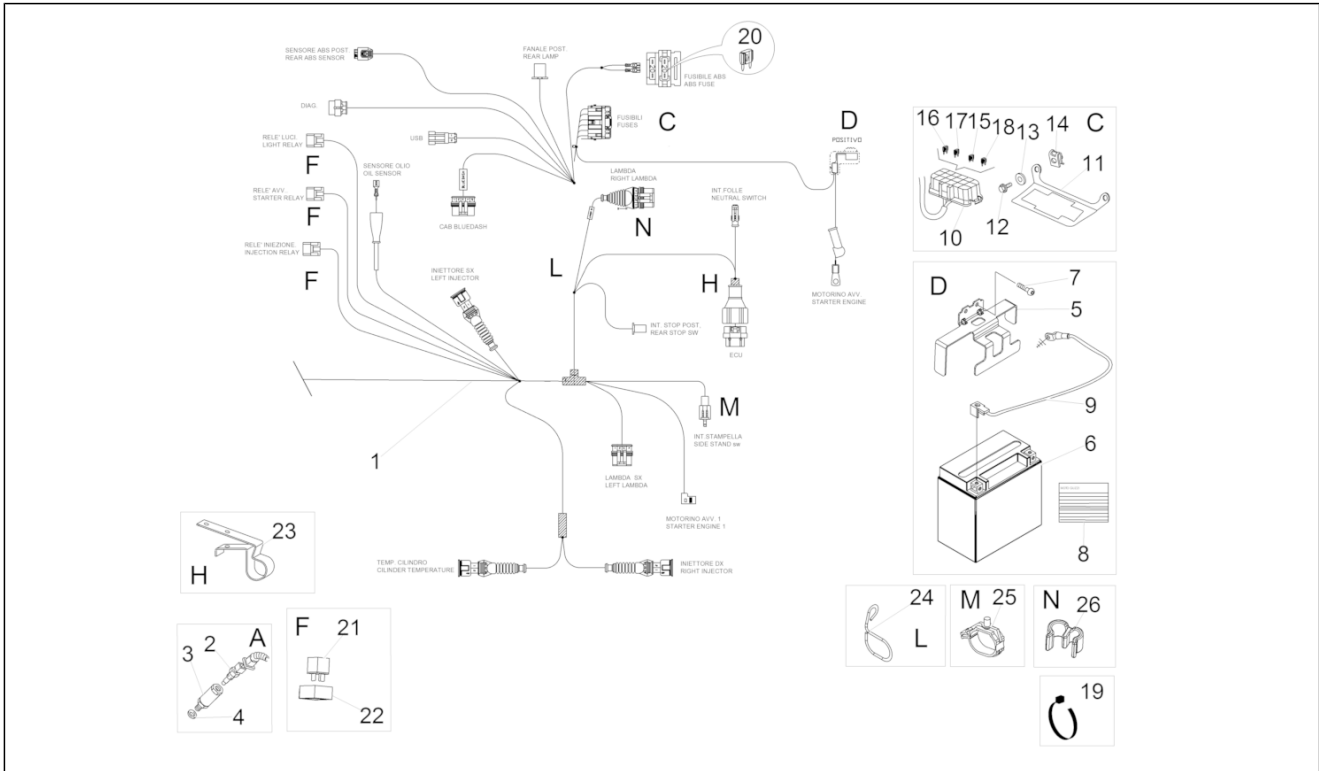
| Pos. | Código     | Descripción                  | Cant. | Variantes |
|------|------------|------------------------------|-------|-----------|
| 1    | 2B001701   | Piloto trasero               | 1     |           |
| 2    | GU03740930 | Faro trasero                 | 1     |           |
| 3    | GU93450224 | Lámpara                      | 1     |           |
| 4    | 887826     | Indic.direc.del.der/tras.izq | 1     |           |
| 5    | 887827     | Indic.direc.del.izq/tras.der | 1     |           |
| 6    | B063735    | Cristal indicador dirección  | 1     |           |
| 7    | 584332     | Lámpara 12V-10W              | 2     |           |
| 8    | GU32753410 | Distanciador                 | 2     |           |
| 9    | GU98370655 | Tornillo                     | 2     |           |
| 10   | GU95021206 | Arandela                     | 2     |           |
| 11   | GU92787006 | Tuerca ciega M6x1            | 2     |           |
| 12   | GU98350215 | Tornillo                     | 3     |           |
| 13   | GU30577800 | Arandela en nylon 5,5X12X1   | 3     |           |
| 14   | GU93231605 | Casquillo                    | 3     |           |

|                    |                         |
|--------------------|-------------------------|
| <b>Grupo</b>       | BASTIDOR                |
| <b>Código</b>      | 33.30                   |
| <b>Descripción</b> | Instalación eléctrica I |
| <b>Revisión</b>    | 1                       |



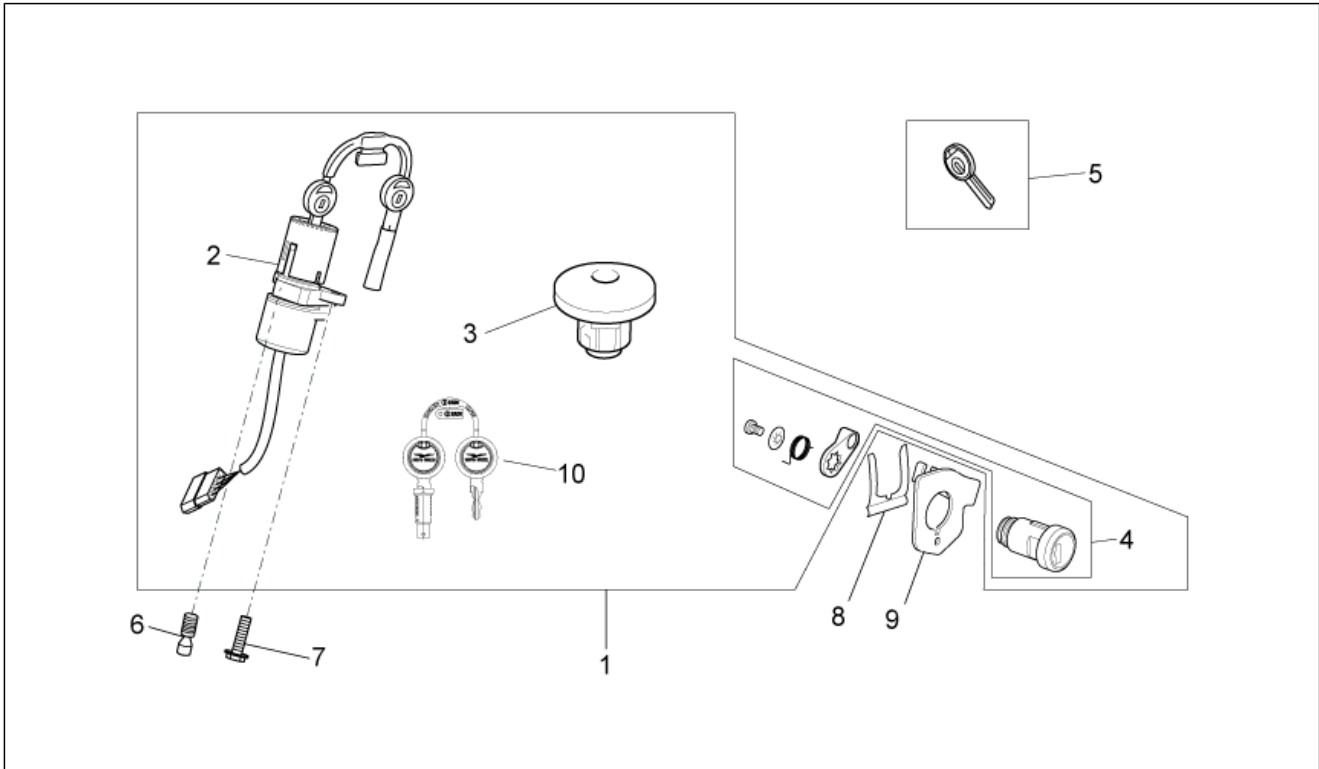
| Pos. | Código     | Descripción                          | Cant. | Variantes |
|------|------------|--------------------------------------|-------|-----------|
| 1    | 2D000108   | Cableado principal                   | 1     |           |
| 2    | AP8124936  | Sensor temp. aire                    | 1     |           |
| 3    | 642034     | Bobina A.T. DX                       | 1     |           |
| 4    | 641901     | Bobina A.T.                          | 1     |           |
| 5    | AP8152299  | Tuerca autobloqueante M6             | 4     |           |
| 6    | 080341     | Cable base A.T.                      | 2     |           |
| 7    | 641725     | Terminal A.T.                        | 2     |           |
| 8    | 641040     | Capuchón aislante                    | 2     |           |
| 9    | CM0074D0   | Forro D.8-S.0,5-L.370                | 1     |           |
| 10   | CM0074C9   | Funda gris del cable D.8-S.0,5-L.435 | 1     |           |
| 11   | GU02717450 | Capuchón bujía NGK                   | 2     |           |
| 12   | 887481     | Bujía NGK CPR8EB-9                   | 2     |           |
| 13   | 887948     | Diodo                                | 1     |           |
| 14   | 832029     | Sensor encoder                       | 1     |           |
| 15   | GU98682212 | Tornillo Allen M5x12                 | 2     |           |
| 16   | GU95008205 | Arandela 5,3x10x0,8                  | 2     |           |
| 17   | GU90706141 | Junta tórica                         | 1     |           |
| 18   | AP8120416  | Abrazadera negra 178x4               | 1     |           |
| 19   | GU49609601 | Abrazadera 2,4x92                    | 1     |           |
| 20   | GU14609650 | Abrazadera 3,6x20,6                  | 31    |           |

|                    |                          |
|--------------------|--------------------------|
| <b>Grupo</b>       | BASTIDOR                 |
| <b>Código</b>      | 33.31                    |
| <b>Descripción</b> | Instalación eléctrica II |
| <b>Revisión</b>    | 1                        |



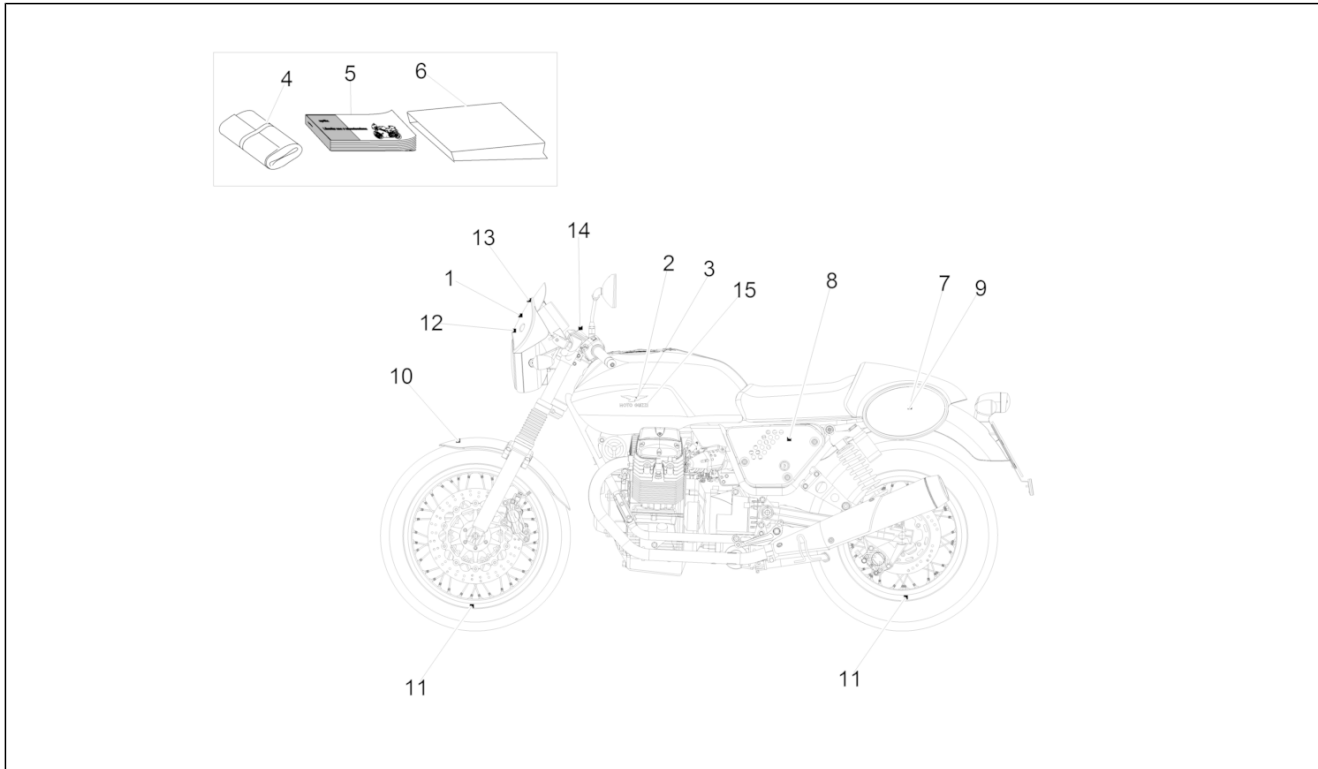
| Pos. | Código     | Descripción                         | Cant. | Variantes |
|------|------------|-------------------------------------|-------|-----------|
| 1    | 2D000108   | Cableado principal                  | 1     |           |
| 2    | GU29729461 | Sensor                              | 1     |           |
| 3    | GU03163330 | Soporte sensor                      | 1     |           |
| 4    | GU95008210 | Arandela 10,2X18X2                  | 4     |           |
| 5    | B063233    | Soporte batería                     | 1     |           |
| 6    | 638733     | Batería Yuasa 12V-12Ah (150x85x145) | 1     |           |
| 7    | AP8152282  | Torn. CH con reborde M6x35          | 2     |           |
| 8    | GU32517710 | Calco "Battery service"             | 1     |           |
| 9    | GU32747910 | Cableado masa-batería               | 1     |           |
| 10   | 584211     | Caja portafusibles                  | 1     |           |
| 11   | 883161     | Sop. portafusibles                  | 1     |           |
| 12   | GU98682212 | Tornillo Allen M5x12                | 2     |           |
| 13   | GU95100059 | Arandela 5,25x14x1,5                | 2     |           |
| 14   | AP8102375  | Clip m5                             | 2     |           |
| 15   | CM225705   | Fusible 5A                          | 2     |           |
| 16   | CM225710   | Fusible 10A                         | 1     |           |
| 17   | CM225715   | Fusible 15A                         | 2     |           |
| 18   | CM225730   | Fusible 30A                         | 1     |           |
| 19   | AP8120416  | Abrazadera negra 178x4              | 1     |           |
| 19   | GU14609650 | Abrazadera 3,6x20,6                 | 21    |           |
| 19   | GU49609601 | Abrazadera 2,4x92                   | 1     |           |
| 20   | CM225720   | Fusible 20A                         | 1     |           |
| 21   | AP8224462  | Relé 12V/30A                        | 3     |           |
| 22   | AP8220283  | Goma *                              | 3     |           |
| 23   | B043850    | Abrazadera                          | 1     |           |
| 24   | AP8181140  | Pasacables                          | 1     |           |
| 25   | CM013202   | Clip de retención tubos/cables      | 1     |           |
| 26   | 894704     | Pasacables                          | 1     |           |

|                    |                  |
|--------------------|------------------|
| <b>Grupo</b>       | BASTIDOR         |
| <b>Código</b>      | 33.32            |
| <b>Descripción</b> | Juego cerraduras |
| <b>Revisión</b>    | 1                |



| Pos. | Código     | Descripción                                               | Cant. | Variantes |
|------|------------|-----------------------------------------------------------|-------|-----------|
| 1    | 887873     | Kit cerraduras                                            | 1     |           |
| 2    | GU32782510 | Bloque arran.-bloq.                                       | 1     |           |
| 3    | 887874     | Tappo serbatoio senza chiavi                              | 1     |           |
| 4    | 977527     | Cerradura con llaves incluidas                            | 1     |           |
| 5    | GU32735510 | Llave liscia bas.protec.go                                | 1     |           |
| 6    | AP8150349  | Tornillo especial M8x15                                   | 1     |           |
| 7    | GU98682416 | Tornillo Allen M8x16                                      | 1     |           |
| 8    | AP8121420  | Muelle de horquilla                                       | 1     |           |
| 9    | 978415     | Placa soporte cable                                       | 1     |           |
| 10   | 2D000006   | Cilindro de la cerradura con llave para tapón de gasolina | 1     |           |

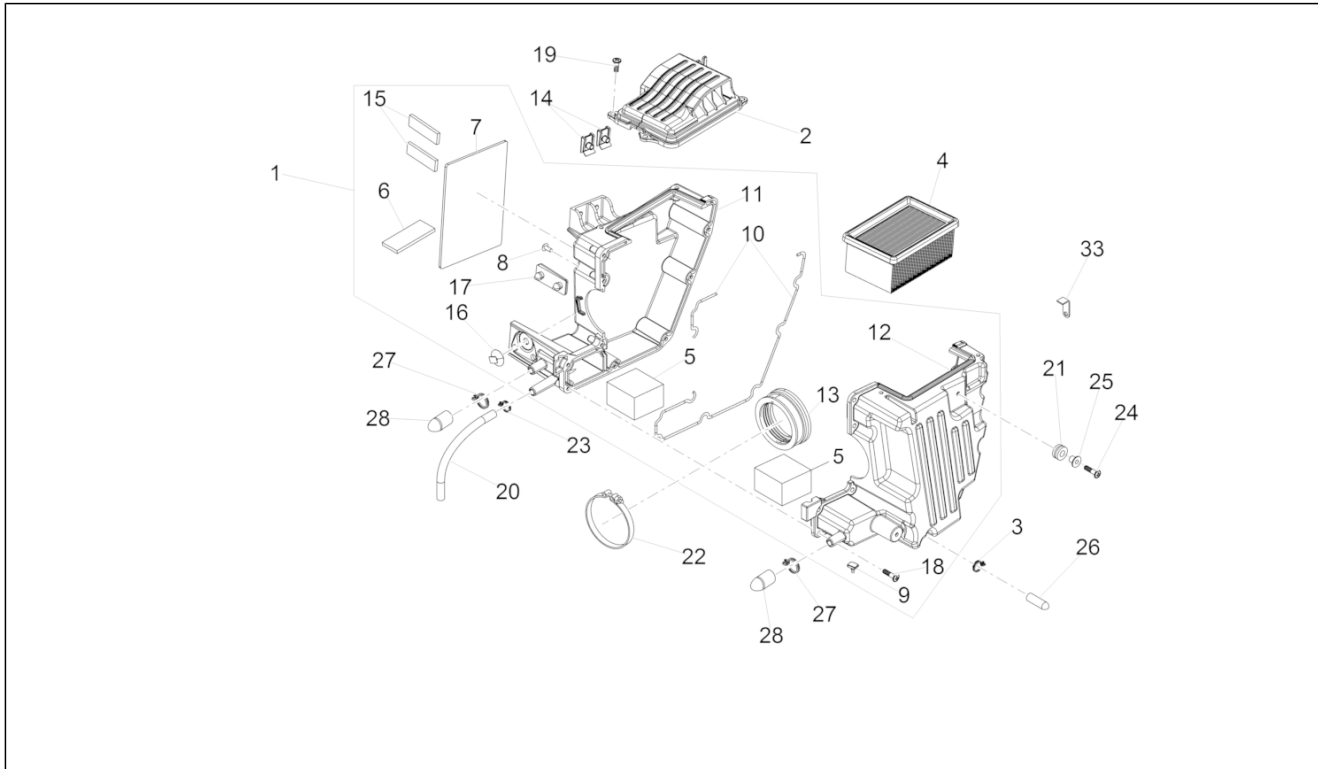
|                    |                      |
|--------------------|----------------------|
| <b>Grupo</b>       | BASTIDOR             |
| <b>Código</b>      | 33.33                |
| <b>Descripción</b> | Calcomanías y placas |
| <b>Revisión</b>    | 1                    |



| Pos. | Código     | Descripción                                  | Cant. | Variantes |
|------|------------|----------------------------------------------|-------|-----------|
| 1    | 2H000425   | Calcom.cúpula                                | 1     |           |
| 2    | 898174     | Calcom.der. "Aquila"                         | 1     |           |
| 3    | 886678     | Calcom.izq. "Aquila"                         | 1     |           |
| 4    | 887443     | Juego de herramientas                        | 1     |           |
| 5    | 2Q000056   | Man. uso/mant.I-D-F-E-UK-NL I-F-D-E-NL-ES-EN | 1     |           |
| 6    | GU05900130 | Bolsita para documentos                      | 1     |           |
| 7    | 2H000426   | Calco, negra dx-sx                           | 1     |           |
| 8    | 2H000726   | Calco V7 II Racer                            | 2     |           |
| 9    | 2H000427   | Calco colín der-izq.                         | 2     |           |
| 10   | 886141     | Calco "Aquila"                               | 1     |           |
| 11   | 887971     | Calco "Moto Guzzi"                           | 4     |           |
| 12   | 2H000424   | Decalco filetto inferiore                    | 1     |           |
| 13   | 2H000423   | Decalco filetto superiore                    | 1     |           |
| 14   | 2H000727   | Targhetta piastra manubrio                   | 1     |           |
| 15   | 2H000430   | Targhetta dx-sx "Moto Guzzi"                 | 2     |           |

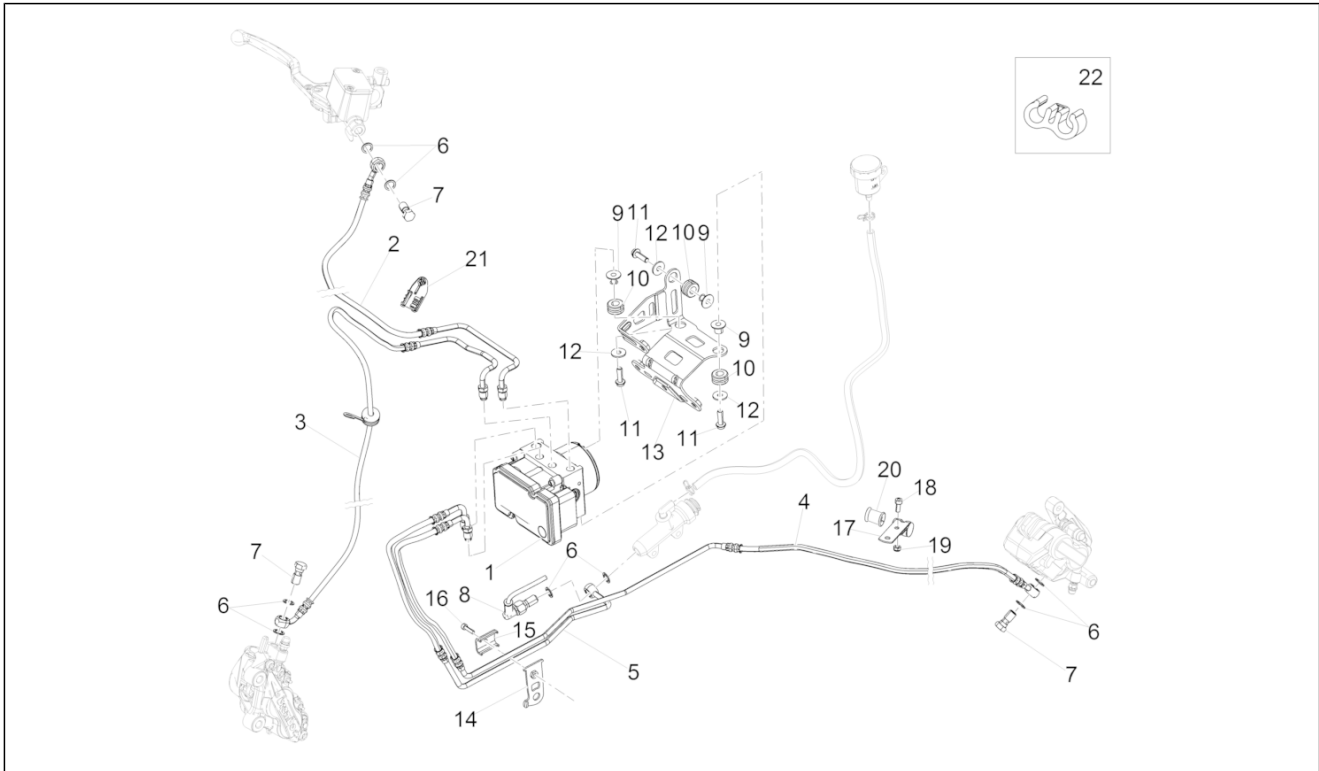


|                    |                    |
|--------------------|--------------------|
| <b>Grupo</b>       | BASTIDOR           |
| <b>Código</b>      | 33.52              |
| <b>Descripción</b> | CAJA DEL FILTRO II |
| <b>Revisión</b>    | 1                  |



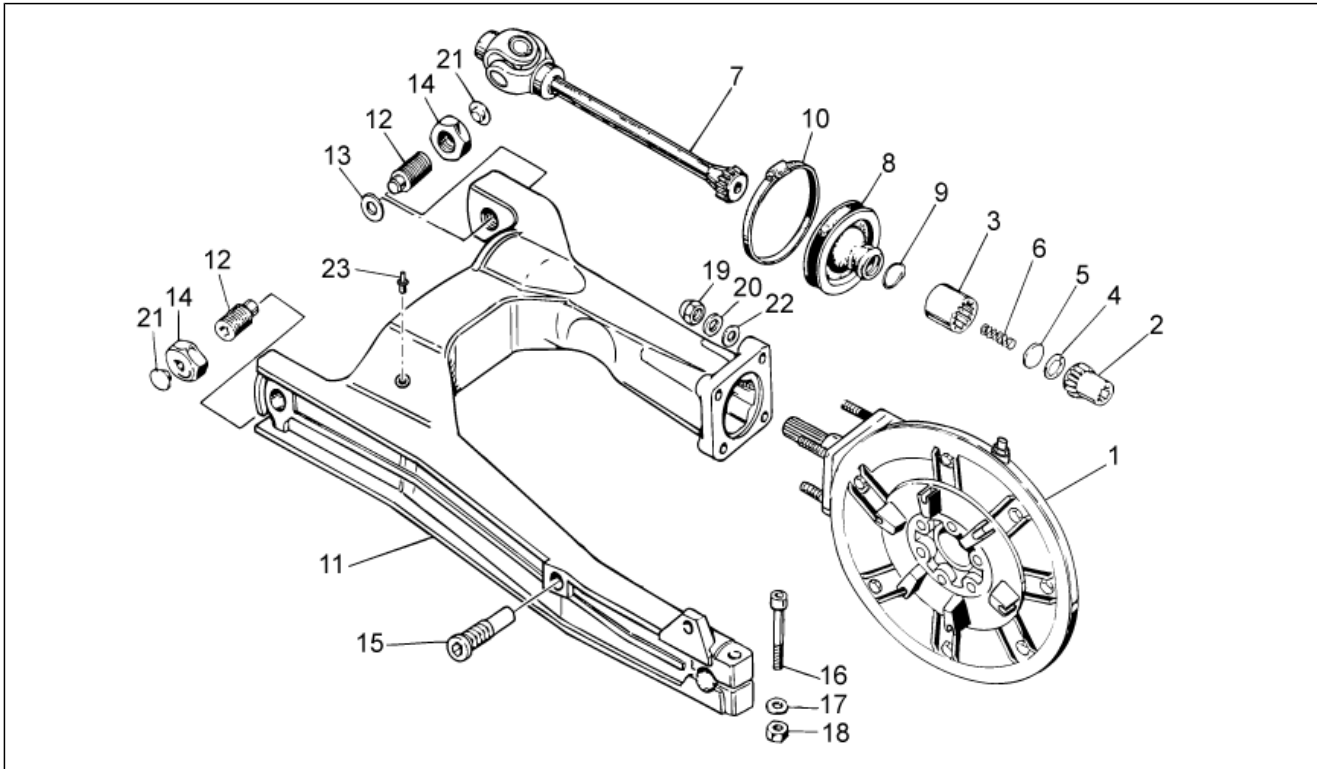
| Pos. | Código     | Descripción                   | Cant. | Variantes |
|------|------------|-------------------------------|-------|-----------|
| 1    | 8878421    | Caja del filtro completa      | 1     |           |
| 2    | 887843     | Tapa filtro aire              | 1     |           |
| 3    | AP8201358  | Abrazadera D 11,9             | 1     |           |
| 4    | AP8104924  | Filtro aire                   | 1     |           |
| 5    | AP8104525  | Filtro blow-by                | 2     |           |
| 6    | 883127     | Goma 5mm                      | 1     |           |
| 7    | AP8144553  | Goma                          | 1     |           |
| 8    | AP8120876  | Tapón de cierre               | 2     |           |
| 9    | AP8120455  | Goma                          | 1     |           |
| 10   | AP8120615  | Junta D3                      | 2     |           |
| 11   | 887844     | Casco der. caja del filtro    | 1     |           |
| 12   | 887845     | Casco izq. caja del filtro    | 1     |           |
| 13   | 887815     | Manguito de admisión          | 1     |           |
| 14   | 254485     | Placa elastica M6             | 2     |           |
| 15   | AP8144538  | Junta                         | 2     |           |
| 16   | 890760     | Soporte instrumentos          | 1     |           |
| 17   | AP8144729  | Taco fin de carrera caballete | 1     |           |
| 18   | AP8152329  | Torn. c.cruz reborde M5x20    | 9     |           |
| 19   | AP8150509  | Torn. autorr. 5x14            | 4     |           |
| 20   | AP8120772  | Tubo respiradero              | 1     |           |
| 21   | GU91551010 | Goma                          | 2     |           |
| 22   | GU93305061 | Abrazadera 61/65,5            | 1     |           |
| 23   | AP8102766  | Abrazadera                    | 3     |           |
| 24   | AP8152329  | Torn. c.cruz reborde M5x20    | 2     |           |
| 25   | AP8221023  | Buje en 'T'                   | 2     |           |

|                    |              |
|--------------------|--------------|
| <b>Grupo</b>       | BASTIDOR     |
| <b>Código</b>      | 33.53        |
| <b>Descripción</b> | Eq.freno ABS |
| <b>Revisión</b>    | 1            |



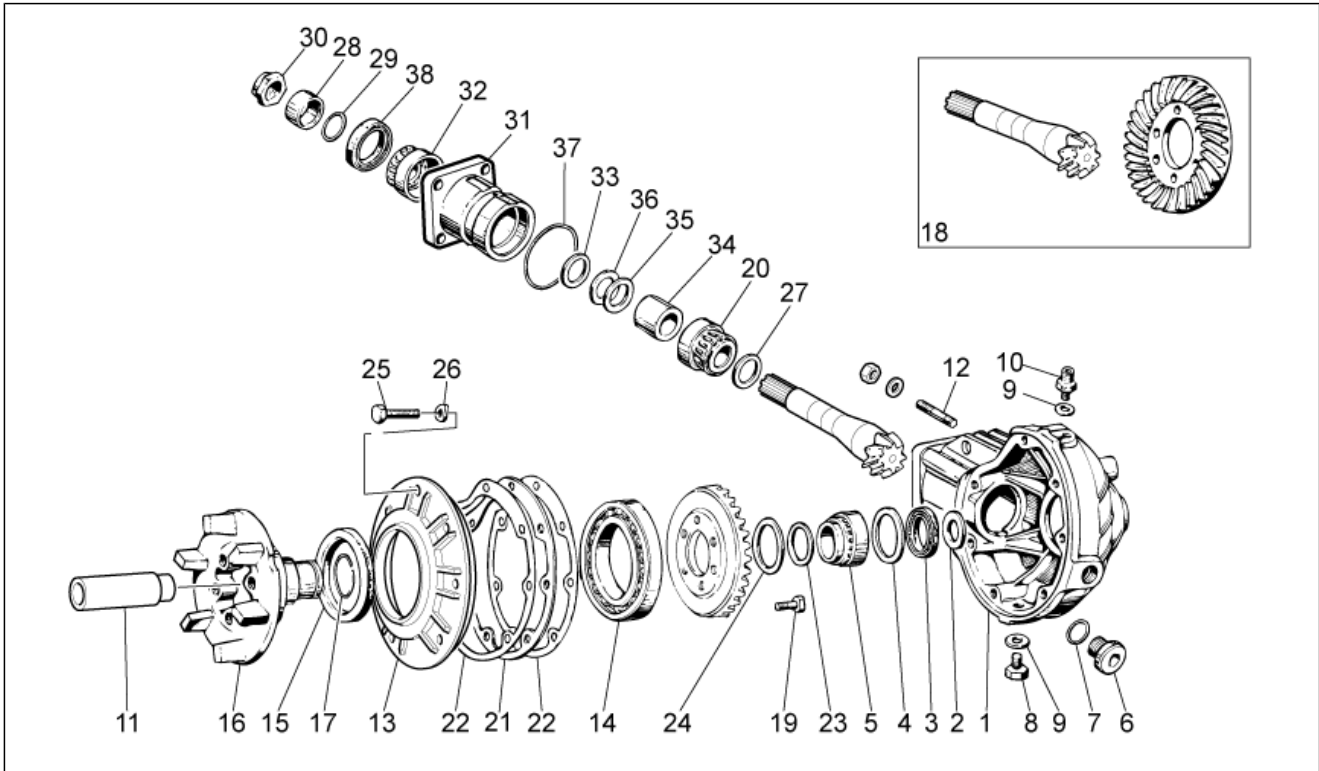
| Pos. | Código     | Descripción                                  | Cant. | Variantes |
|------|------------|----------------------------------------------|-------|-----------|
| 1    | 2D000102   | Centralita ABS                               | 1     |           |
| 2    | 2B001258   | Tubo del freno delantero bomba-Hecu ABS      | 1     |           |
| 3    | 2B001558   | Tubo de las pinzas delanteras centralita ABS | 1     |           |
| 4    | 2B001556   | Tubo de la pinza trasera centralita ABS      | 1     |           |
| 5    | 2B001620   | Tubo de la bomba tras. centralita ABS        | 1     |           |
| 6    | AP8113004  | Arandela 10x14x1,6*                          | 8     |           |
| 7    | AP8113003  | Tornillo tubo aceite *                       | 4     |           |
| 8    | 854973     | Interruptor de stop                          | 1     |           |
| 9    | AP8221023  | Buje en 'T'                                  | 3     |           |
| 10   | AP8120030  | Goma                                         | 3     |           |
| 11   | AP8152279  | Torn. CH con reborde M6x20                   | 3     |           |
| 12   | AP8150015  | Arandela 6,6x18x1,6*                         | 3     |           |
| 13   | 2B001016   | Soporte centralita ABS                       | 1     |           |
| 14   | 2B001564   | Placa soporte tubo freno                     | 1     |           |
| 15   | 2B001614   | Placa fijación tubos                         | 1     |           |
| 16   | 959559     | Tornillo Allen M4x16                         | 1     |           |
| 17   | GU03658330 | Abrazadera                                   | 1     |           |
| 18   | 895709     | Tornillo Allen M5x12                         | 1     |           |
| 19   | AP8150451  | Tuerca autobloq.baja                         | 1     |           |
| 20   | GU03658201 | Anillo                                       | 1     |           |
| 21   | 2B001570   | Placa soporte tubo freno                     | 1     |           |
| 22   | 2B000276   | Grapa                                        | 2     |           |

|                    |                    |
|--------------------|--------------------|
| <b>Grupo</b>       | MOTOR              |
| <b>Código</b>      | 34.09              |
| <b>Descripción</b> | Transmisión cpl. I |
| <b>Revisión</b>    | 1                  |



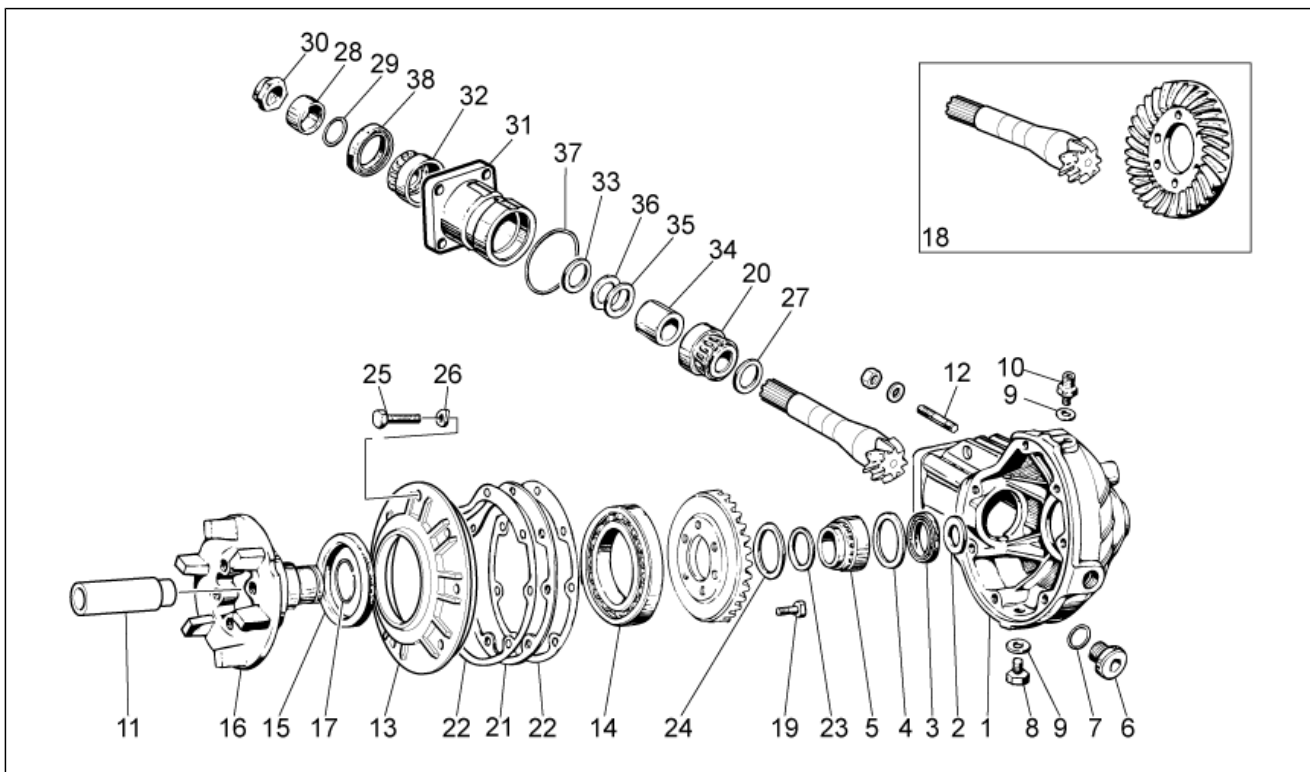
| Pos. | Código     | Descripción            | Cant. | Variantes |
|------|------------|------------------------|-------|-----------|
| 1    | 976941     | Caja transm. cpl.negro | 1     |           |
| 2    | GU31327783 | Manguito               | 1     |           |
| 3    | GU19328801 | Manguito               | 1     |           |
| 4    | GU90272023 | Anillo de retención    | 1     |           |
| 5    | GU19327601 | Plato                  | 1     |           |
| 6    | GU94321099 | Muelle                 | 1     |           |
| 7    | GU23328081 | Junta                  | 1     |           |
| 8    | GU23548080 | Collar de protección   | 1     |           |
| 9    | GU23548180 | Muelle                 | 1     |           |
| 10   | AP8120246  | Abrazadera D=60-80     | 1     |           |
| 11   | 2B001960   | Brazo osc. rojo        | 1     |           |
| 12   | GU19547000 | Perno                  | 2     |           |
| 13   | GU35214300 | Suplemento espesor     | 1     |           |
| 14   | GU31547882 | Tuerca                 | 2     |           |
| 15   | GU31544181 | Perno                  | 1     |           |
| 16   | GU98680545 | Tornillo M10x45        | 1     |           |
| 17   | GU95008210 | Arandela 10,2X18X2     | 1     |           |
| 18   | GU92606210 | Tuerca M10x1,5         | 1     |           |
| 19   | 860651     | Tuerca ciega M8x1,25   | 4     |           |
| 20   | GU14615901 | Arandela 8,4X13X0,8    | 4     |           |
| 21   | GU93180105 | Tapón                  | 2     |           |
| 22   | GU95005308 | Arandela 8,4x14,57x1,6 | 4     |           |
| 23   | GU03922280 | Tapón 5x9              | 1     |           |

|                    |                     |
|--------------------|---------------------|
| <b>Grupo</b>       | MOTOR               |
| <b>Código</b>      | 34.10               |
| <b>Descripción</b> | Transmisión cpl. II |
| <b>Revisión</b>    | 1                   |



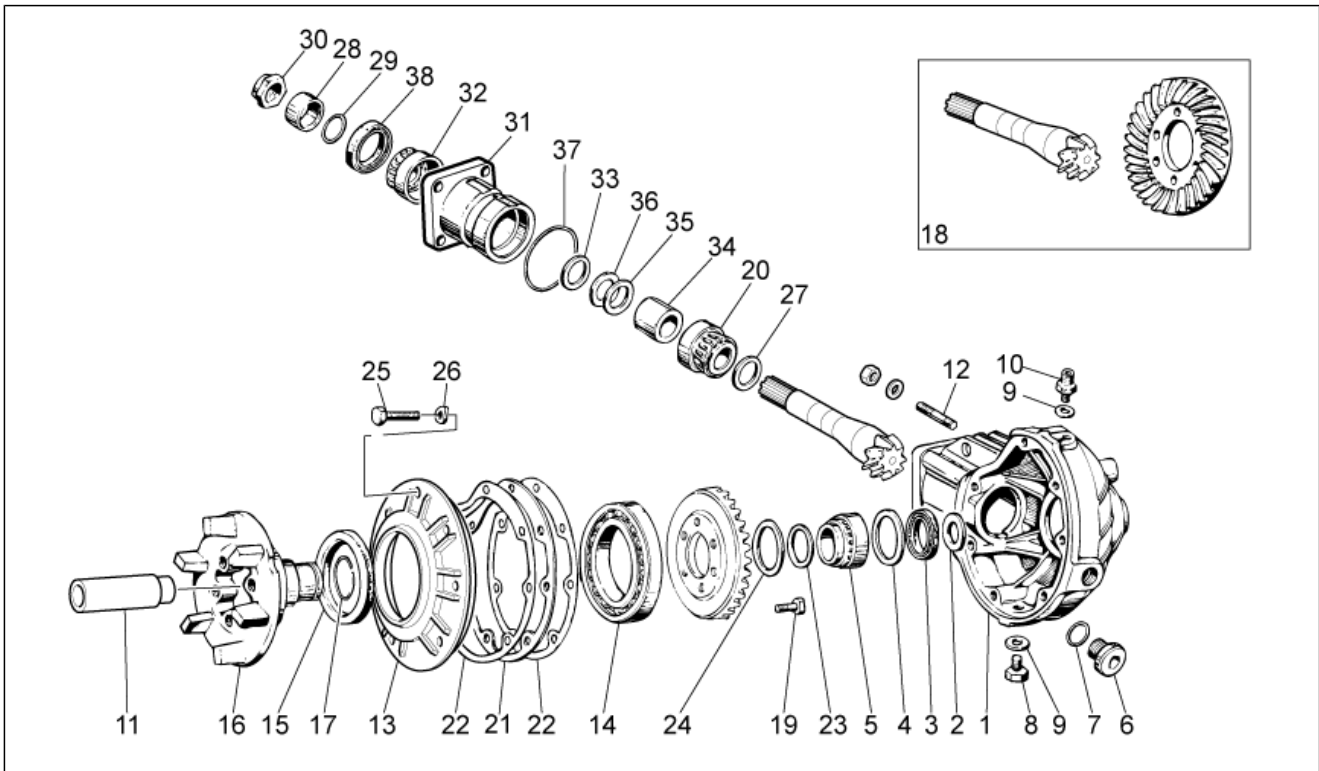
| Pos. | Código     | Descripción                   | Cant. | Variantes |
|------|------------|-------------------------------|-------|-----------|
| 1    | 976608     | Caja trans.negro              | 1     |           |
| 2    | GU19351900 | Arand. sop. lateral           | 1     |           |
| 3    | GU90403549 | Gasket ring 35x47x7           | 1     |           |
| 4    | GU19351100 | Arand. sop. lateral           | 1     |           |
| 5    | GU92252235 | Cojinete de rodillos 35x50x17 | 1     |           |
| 6    | GU12022600 | Tapón aceite                  | 1     |           |
| 7    | GU90706203 | Junta tórica 20,24X2,62       | 1     |           |
| 8    | GU31003766 | Tapón descarg.aceite M10x1    | 1     |           |
| 9    | GU01528930 | Junta 10x18x1,5               | 2     |           |
| 10   | GU19206501 | Tapón respiradero             | 1     |           |
| 11   | GU32633560 | Distanciador                  | 1     |           |
| 12   | GU96508055 | Prisionero                    | 4     |           |
| 13   | GU32350410 | Tapa                          | 1     |           |
| 14   | GU92201070 | Cojinete de bolas 70x110x13   | 1     |           |
| 15   | GU90407591 | Gasket ring 75x95x10          | 1     |           |
| 16   | GU32351410 | Perno                         | 1     |           |
| 17   | GU90353030 | Anillo de tope                | 1     |           |
| 18   | GU32354610 | Par-cónica 8/33               | 1     |           |
| 19   | GU03067730 | Tornillo M8x25                | 6     |           |
| 20   | GU92249227 | Coj. rodillos cónicos 25x5    | 1     |           |
| 21   | GU19355400 | Suplemento espesor 0,8 mm     | 1     |           |
| 21   | GU19355402 | Suplemento espesor 0,9 mm     | 1     |           |
| 21   | GU19355404 | Suplemento espesor 1 mm       | 1     |           |
| 21   | GU19355406 | Suplemento espesor 1,1 mm     | 1     |           |
| 21   | GU19355408 | Suplemento espesor 1,2 mm     | 1     |           |
| 21   | GU19355410 | Suplemento espesor 1,3 mm     | 1     |           |
| 21   | GU19355411 | Suplemento espesor 1,4 mm     | 1     |           |
| 21   | GU19355412 | Suplemento espesor 1,5 mm     | 1     |           |

|                    |                     |
|--------------------|---------------------|
| <b>Grupo</b>       | MOTOR               |
| <b>Código</b>      | 34.10               |
| <b>Descripción</b> | Transmisión cpl. II |
| <b>Revisión</b>    | 1                   |



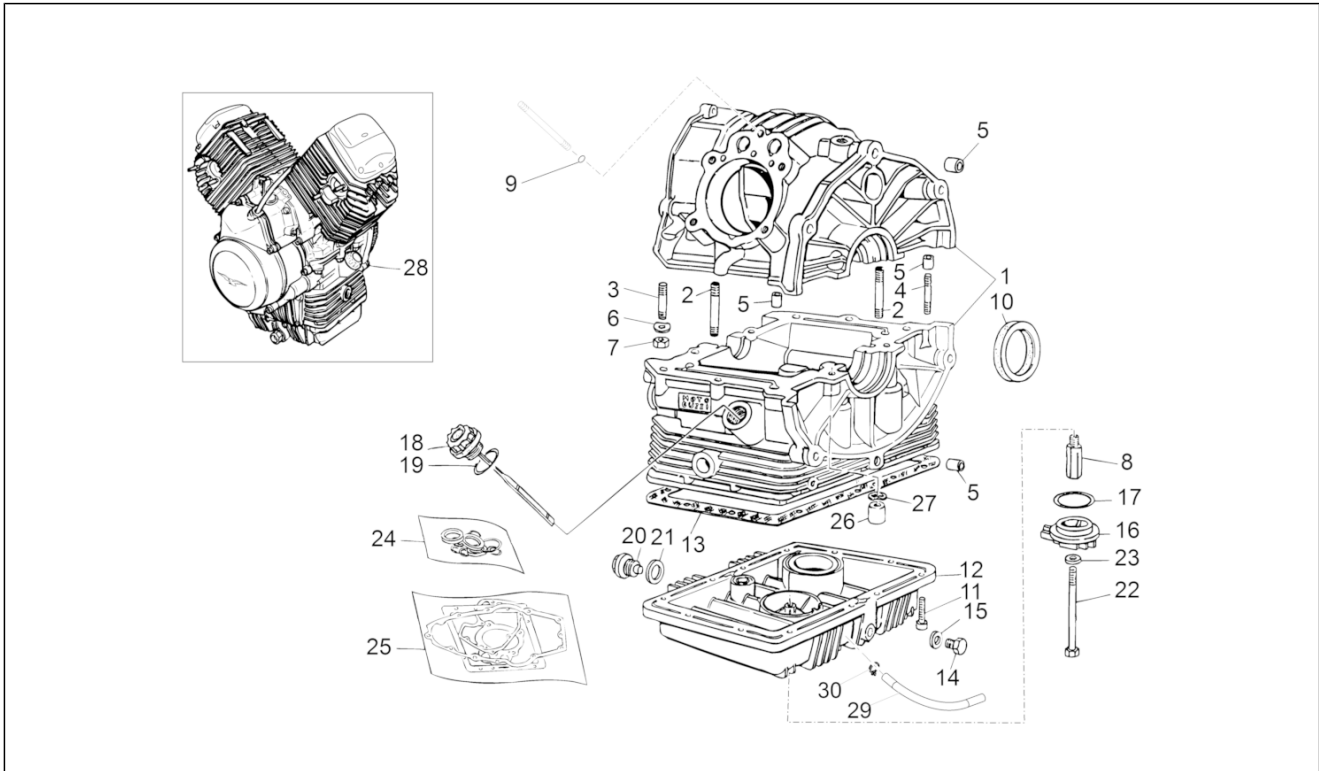
| Pos. | Código     | Descripción                   | Cant. | Variantes |
|------|------------|-------------------------------|-------|-----------|
| 21   | GU19355413 | Suplemento espesor 1,6 mm     | 1     |           |
| 22   | GU19350700 | Junta                         | 2     |           |
| 23   | GU19352300 | Arand.de resorte              | 1     |           |
| 24   | GU19353500 | Arand.de resorte              | 1     |           |
| 25   | GU19357660 | Tornillo                      | 7     |           |
| 26   | GU61270300 | Arandela elástica 8x15x0,3    | 7     |           |
| 27   | GU19355320 | Suplemento espesor 1 mm       | 1     |           |
| 27   | GU19355321 | Suplemento espesor 1,1 mm     | 1     |           |
| 27   | GU19355322 | Suplemento espesor 1,2 mm     | 1     |           |
| 27   | GU19355323 | Suplemento espesor 1,3 mm     | 1     |           |
| 27   | GU19355324 | Suplemento espesor 1,4 mm     | 1     |           |
| 27   | GU19355325 | Suplemento espesor 1,5 mm     | 1     |           |
| 27   | GU19355326 | Suplemento espesor 1,6 mm     | 1     |           |
| 27   | GU19355327 | Suplemento espesor 1,7 mm     | 1     |           |
| 27   | GU19355328 | Suplemento espesor 1,8 mm     | 1     |           |
| 27   | GU19355329 | Suplemento espesor 1,9 mm     | 1     |           |
| 28   | GU19356801 | Distanciador                  | 1     |           |
| 29   | GU90706188 | Gasket ring 18,77X1,78        | 1     |           |
| 30   | GU19356700 | Tuerca                        | 1     |           |
| 31   | GU20352421 | Flange                        | 1     |           |
| 32   | GU92249220 | Cojinete de rodillos 20x47x14 | 1     |           |
| 33   | GU19355300 | Suplemento espesor 1 mm       | 1     |           |
| 33   | GU19355301 | Suplemento espesor 1,1 mm     | 1     |           |
| 33   | GU19355302 | Suplemento espesor 1,2 mm     | 1     |           |
| 33   | GU19355303 | Suplemento espesor 1,3 mm     | 1     |           |
| 33   | GU19355304 | Suplemento espesor 1,4 mm     | 1     |           |
| 33   | GU19355305 | Suplemento espesor 1,5 mm     | 1     |           |
| 33   | GU19355306 | Suplemento espesor 1,6 mm     | 1     |           |

|                    |                     |
|--------------------|---------------------|
| <b>Grupo</b>       | MOTOR               |
| <b>Código</b>      | 34.10               |
| <b>Descripción</b> | Transmisión cpl. II |
| <b>Revisión</b>    | 1                   |



| Pos. | Código     | Descripción               | Cant. | Variantes |
|------|------------|---------------------------|-------|-----------|
| 33   | GU19355307 | Suplemento espesor 1,7 mm | 1     |           |
| 33   | GU19355308 | Suplemento espesor 1,8 mm | 1     |           |
| 33   | GU19355309 | Suplemento espesor 1,9 mm | 1     |           |
| 34   | GU20355121 | Distanciador              | 1     |           |
| 35   | GU19355200 | Arandela 0,1 mm           | 1     |           |
| 36   | GU19355202 | Arandela 0,15 mm          | 1     |           |
| 37   | GU90706584 | Junta 58,42x2,62          | 1     |           |
| 38   | GU90403251 | Gasket ring 32x47x10      | 1     |           |

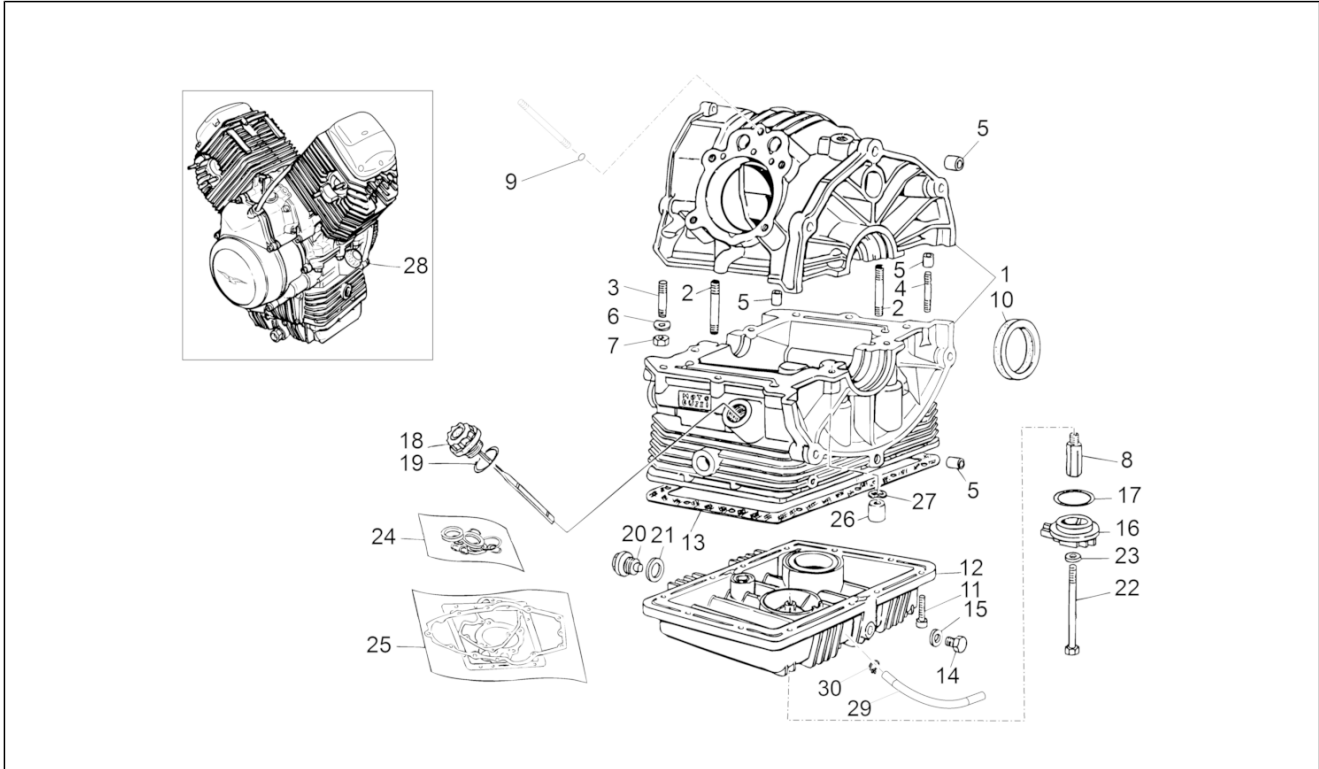
|                    |        |
|--------------------|--------|
| <b>Grupo</b>       | MOTOR  |
| <b>Código</b>      | 34.34  |
| <b>Descripción</b> | Cárter |
| <b>Revisión</b>    | 1      |



| Pos. | Código     | Descripción                | Cant. | Variantes |
|------|------------|----------------------------|-------|-----------|
| 1    | 2A0002355  | Cárter                     | 1     |           |
| 2    | GU96451560 | Prisionero                 | 4     |           |
| 3    | GU96451430 | Prisionero                 | 4     |           |
| 4    | GU96508055 | Prisionero                 | 2     |           |
| 5    | GU19015020 | Buje                       | 4     |           |
| 6    | GU61270300 | Arandela elástica 8x15x0,3 | 6     |           |
| 7    | GU92606208 | Tuerca M8x1,25             | 6     |           |
| 8    | GU19003800 | Empalme                    | 1     |           |
| 9    | GU90706076 | Junta tórica               | 2     |           |
| 10   | 886365     | Gasket ring                | 1     |           |
| 11   | GU98682325 | Tornillo Allen M6x25       | 12    |           |
| 12   | 976604     | Copa aceite motor negro    | 1     |           |
| 13   | 887004     | Junta cárter aceite        | 1     |           |
| 14   | GU31003766 | Tapón descarg.aceite M10x1 | 1     |           |
| 15   | GU10528900 | Junta                      | 1     |           |
| 16   | 976685     | Tapa                       | 1     |           |
| 17   | GU90706444 | Junta tórica               | 1     |           |
| 18   | 883826     | Tapón carga aceite         | 1     |           |
| 19   | GU90706281 | Junta tórica 28,24x2,62    | 1     |           |
| 20   | GU12003702 | Tapón descarg.aceite       | 1     |           |
| 21   | GU95100709 | Junta 20,1x28x2            | 1     |           |
| 22   | GU27152885 | Perno                      | 1     |           |
| 23   | GU12154200 | Junta 8,25x15x1            | 1     |           |
| 24   | GU32999510 | Retén aceite (lote)        | 1     |           |
| 25   | GU32999010 | Lote de juntas             | 1     |           |
| 26   | GU13021900 | Tuerca                     | 4     |           |
| 27   | GU95129180 | Arandela 10,5X18X0,8       | 4     |           |
| 28   | 2L000240   | Motor                      | 1     |           |



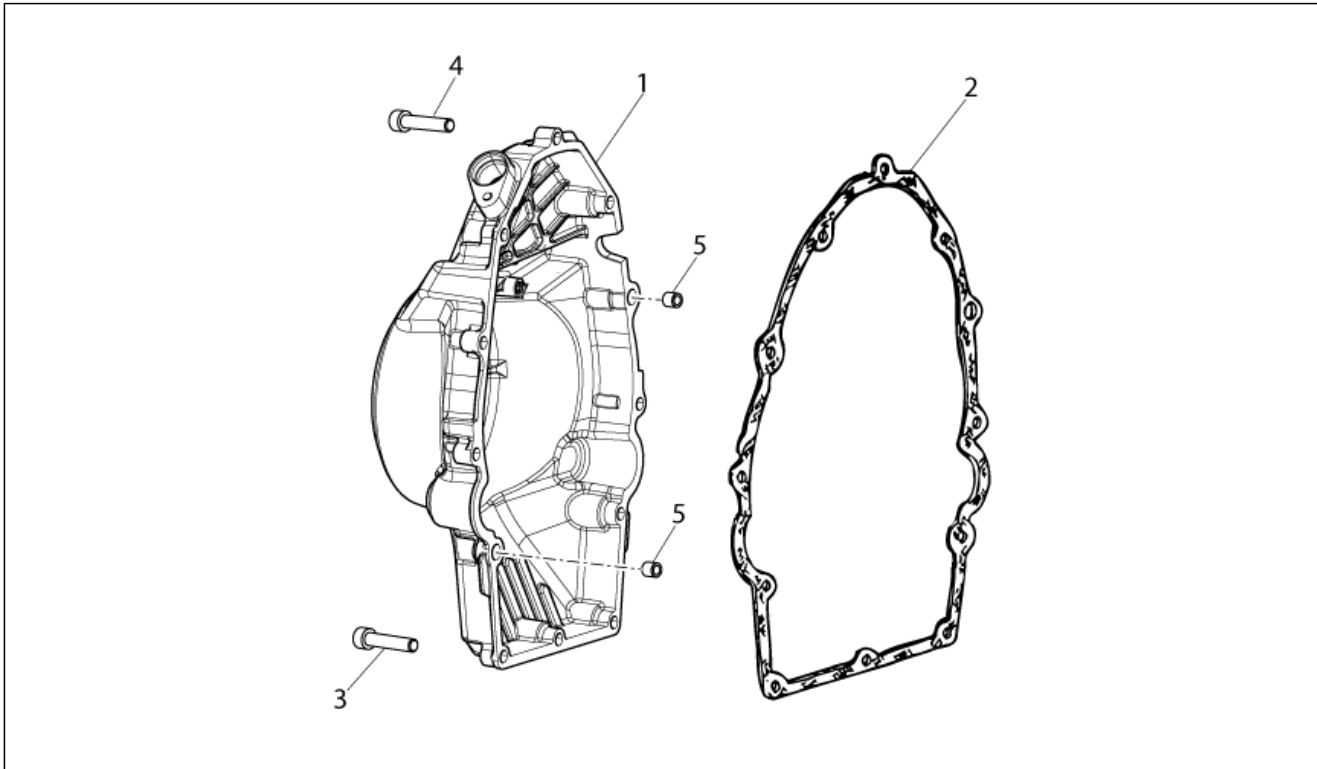
|                    |        |
|--------------------|--------|
| <b>Grupo</b>       | MOTOR  |
| <b>Código</b>      | 34.34  |
| <b>Descripción</b> | Cárter |
| <b>Revisión</b>    | 1      |



| Pos. | Código    | Descripción      | Cant. | Variantes |
|------|-----------|------------------|-------|-----------|
| 29   | AP8120772 | Tubo respiradero | 0,22  |           |
| 30   | AP8102520 | Faja stringitubo | 2     |           |

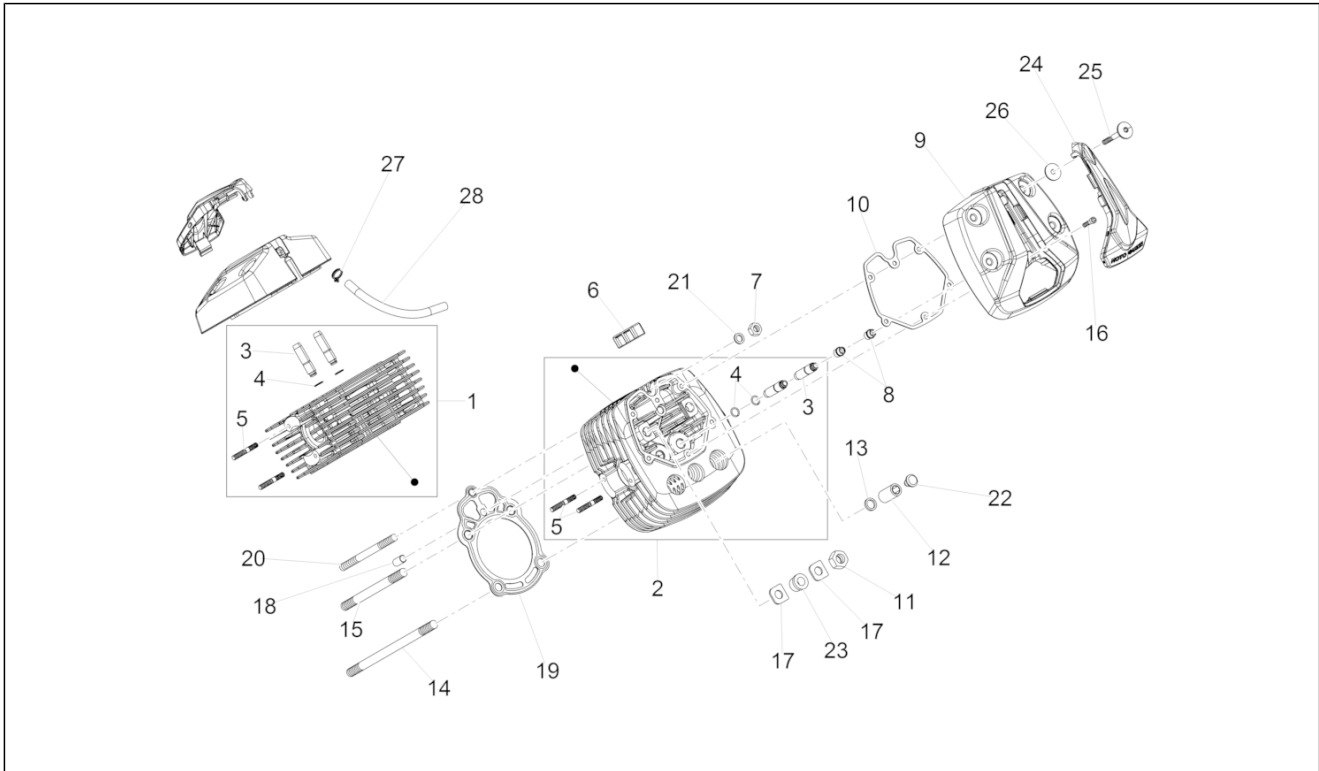


|                    |                   |
|--------------------|-------------------|
| <b>Grupo</b>       | MOTOR             |
| <b>Código</b>      | 34.35             |
| <b>Descripción</b> | Tapa distribución |
| <b>Revisión</b>    | 1                 |



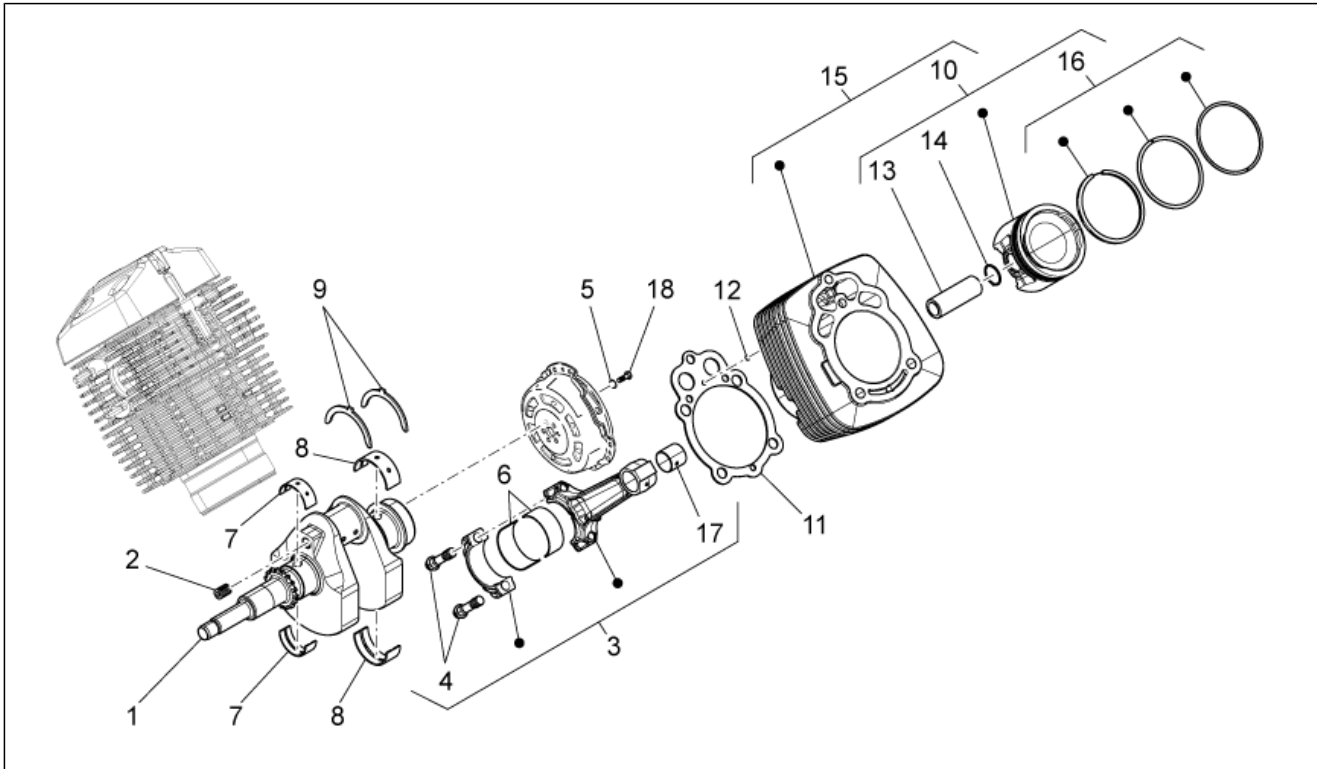
| Pos. | Código     | Descripción          | Cant. | Variantes |
|------|------------|----------------------|-------|-----------|
| 1    | 2A000085   | Tapa gener.          | 1     |           |
| 2    | 887003     | Junta tapa           | 1     |           |
| 3    | GU98682325 | Tornillo Allen M6x25 | 10    |           |
| 4    | GU98682330 | Tornillo Allen M6x20 | 2     |           |
| 5    | GU19002020 | Buje 6,6x9x13        | 2     |           |

|                    |             |
|--------------------|-------------|
| <b>Grupo</b>       | MOTOR       |
| <b>Código</b>      | 34.36       |
| <b>Descripción</b> | Cabeza cil. |
| <b>Revisión</b>    | 1           |



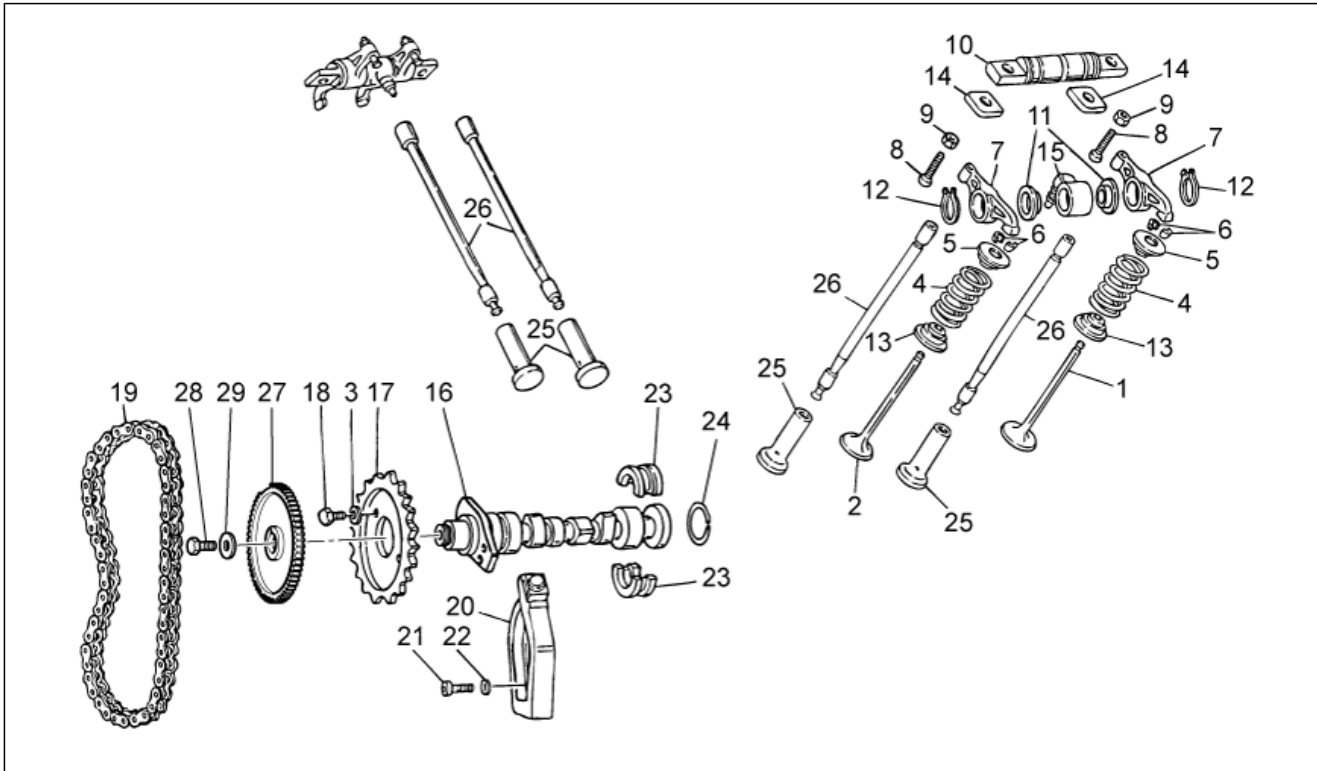
| Pos. | Código     | Descripción                           | Cant. | Variantes |
|------|------------|---------------------------------------|-------|-----------|
| 1    | 8872724    | Cabeza der.                           | 1     |           |
| 2    | 8872754    | Cabeza izq.                           | 1     |           |
| 3    | GU61036801 | Guía de válvula                       | 4     |           |
| 4    | GU90353009 | Anillo elástico                       | 4     |           |
| 5    | GU96506042 | Prisionero                            | 4     |           |
| 6    | B063111    | Taco antivibrante                     | 4     |           |
| 7    | GU19021920 | Tuerca                                | 2     |           |
| 8    | GU19037820 | Retén aceite                          | 4     |           |
| 9    | 887523     | Tapa culata                           | 2     |           |
| 10   | 887002     | Junta tapa culata                     | 2     |           |
| 11   | GU92603010 | Tuerca M10X1,5                        | 4     |           |
| 12   | GU13021900 | Tuerca                                | 4     |           |
| 13   | GU95129180 | Arandela 10,5X18X0,8                  | 4     |           |
| 14   | GU96510214 | Prisionero M10x214                    | 4     |           |
| 15   | GU96510181 | Prisionero M10x182                    | 4     |           |
| 16   | GU98692325 | Tornillo Allen M6x25                  | 4     |           |
| 17   | GU19032980 | Suplemento espesor                    | 8     |           |
| 18   | GU19021360 | Buje                                  | 2     |           |
| 19   | B063099    | Junta culata-cilindro                 | 2     |           |
| 20   | 976898     | Prisionero M8x140                     | 2     |           |
| 21   | GU61270300 | Arandela elástica 8x15x0,3            | 2     |           |
| 22   | GU93180245 | Tapón                                 | 4     |           |
| 23   | AP8144071  | Goma silencioso                       | 1     |           |
| 24   | 887279     | Tapa bujía                            | 2     |           |
| 25   | 887483     | Tornillo de la tapa de culata M6x52.5 | 8     |           |
| 26   | 969973     | Arandela                              | 8     |           |
| 27   | AP8201358  | Abrazadera D 11,9                     | 1     |           |
| 28   | 2B001204   | tubo blow-by                          | 1     |           |

|                    |               |
|--------------------|---------------|
| <b>Grupo</b>       | MOTOR         |
| <b>Código</b>      | 34.37         |
| <b>Descripción</b> | Cigüeñal cpl. |
| <b>Revisión</b>    | 1             |



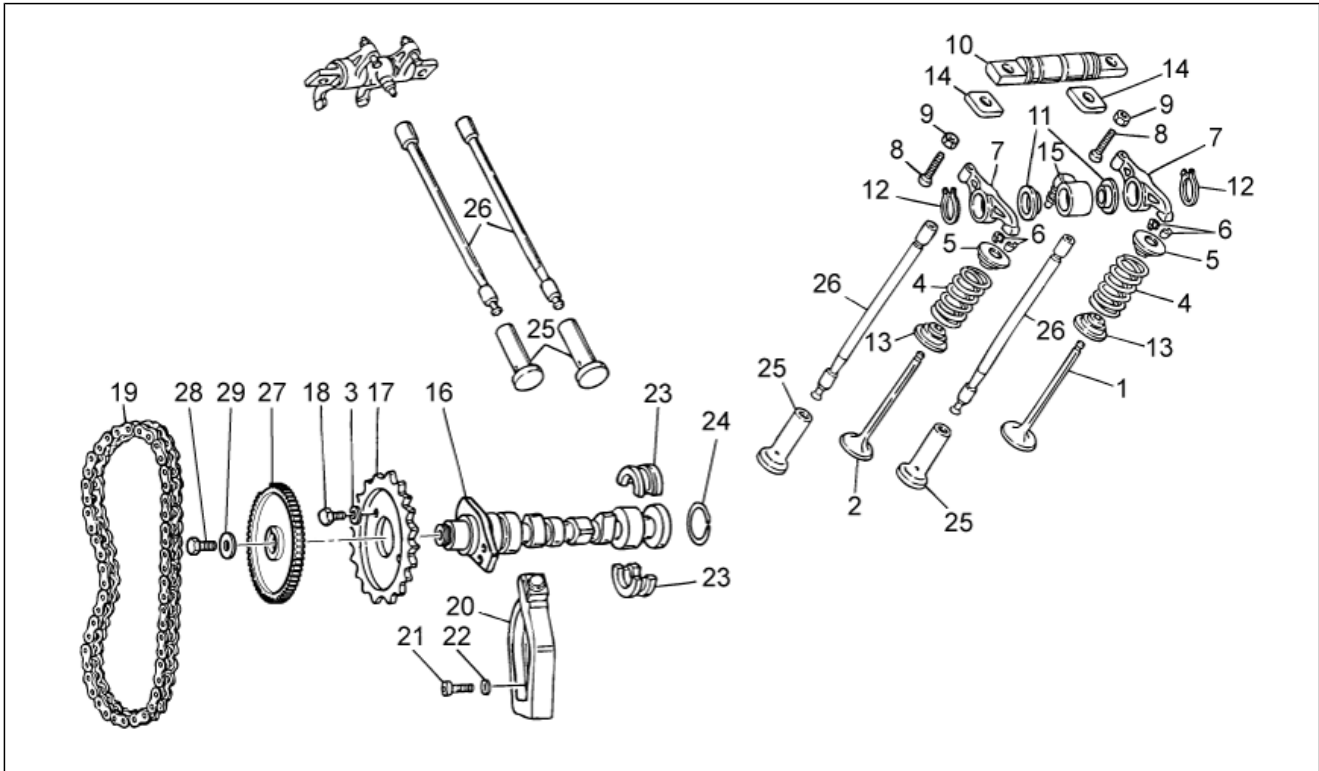
| Pos. | Código     | Descripción                 | Cant. | Variantes |
|------|------------|-----------------------------|-------|-----------|
| 1    | 2A0000995  | CIGÜEÑAL                    | 1     |           |
| 2    | GU19065400 | Tapón                       | 1     |           |
| 3    | GU27061585 | Bielra cpl.                 | 2     |           |
| 4    | GU19062261 | Tornillo                    | 4     |           |
| 5    | GU14615901 | Arandela 8,4X13X0,8         | 6     |           |
| 6    | GU27062060 | Semienvol. chumacera        | 4     |           |
| 7    | GU27065660 | Semienv.chumac.azul del.    | 2     |           |
| 8    | GU27066560 | Semienv.chumac.azul tras.   | 2     |           |
| 9    | GU27066460 | Arandela                    | 2     |           |
| 10   | 8872690001 | Pistón completo d.80 Cat. D | 1     |           |
| 10   | 8872690002 | Pistón completo d.80 Cat. E | 1     |           |
| 10   | 8872690003 | Pistón completo d.80 Cat. F | 1     |           |
| 11   | 886670     | Junta cilindro              | 2     |           |
| 12   | GU61027200 | Junta tórica                | 2     |           |
| 13   | B063016    | Pasador                     | 2     |           |
| 14   | 874567     | Anillo de tope              | 4     |           |
| 15   | B063465    | Cilindro con pistón cpl.    | 2     |           |
| 16   | B063466    | Kit segmentos               | 2     |           |
| 17   | GU27061885 | Buje                        | 2     |           |
| 18   | GU19067700 | Tornillo                    | 6     |           |

|                    |              |
|--------------------|--------------|
| <b>Grupo</b>       | MOTOR        |
| <b>Código</b>      | 34.38        |
| <b>Descripción</b> | Distribución |
| <b>Revisión</b>    | 1            |



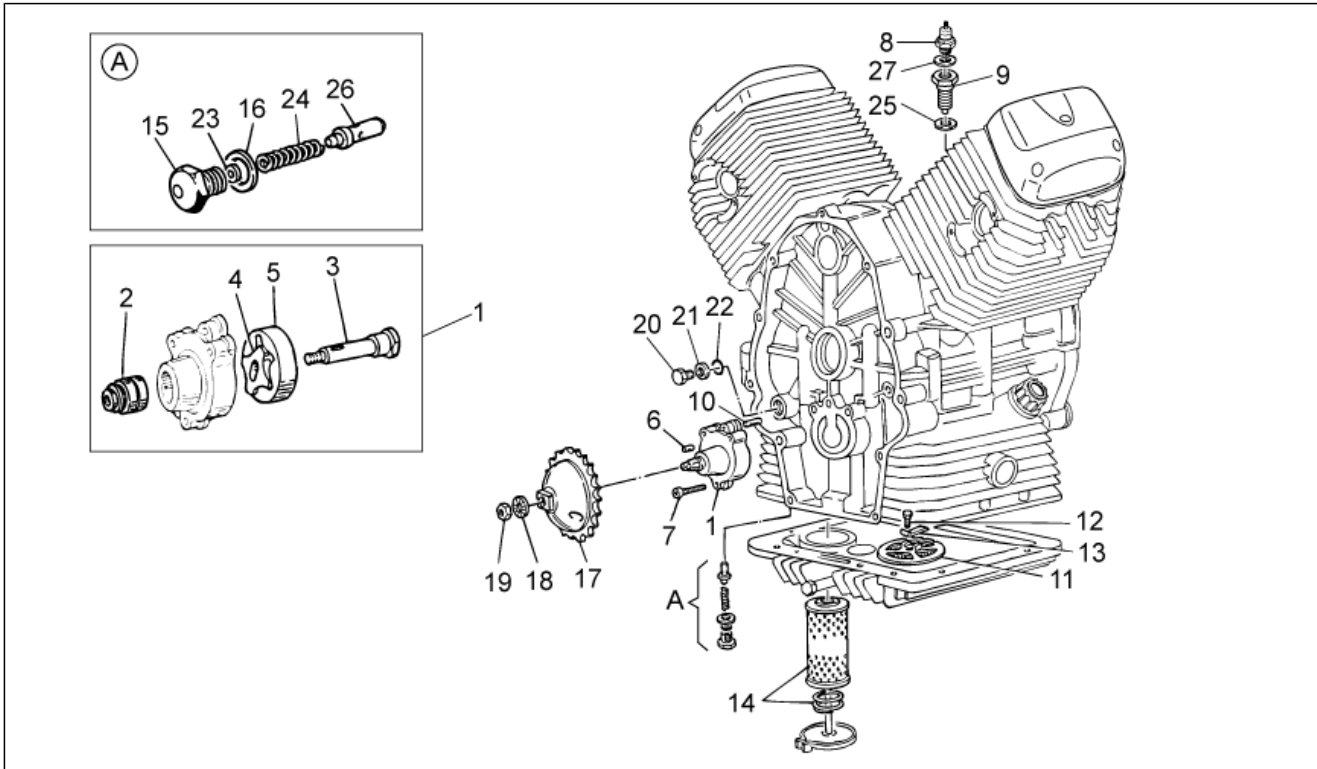
| Pos. | Código     | Descripción                  | Cant. | Variantes |
|------|------------|------------------------------|-------|-----------|
| 1    | 2A000146   | Valvula de admision          | 2     |           |
| 2    | 2A000147   | Valvula de descarga          | 2     |           |
| 3    | GU23217800 | Arandela                     | 2     |           |
| 4    | GU27037521 | Muelle                       | 4     |           |
| 5    | GU31038015 | Platillo sup.                | 4     |           |
| 6    | GU61038100 | Semicono                     | 8     |           |
| 7    | GU19030500 | Balancín                     | 4     |           |
| 8    | GU19034000 | Tornillo                     | 4     |           |
| 9    | GU92602406 | Tuerca M6x1                  | 4     |           |
| 10   | GU19032080 | Eje balan.                   | 2     |           |
| 11   | GU32032310 | Arand.de resorte             | 4     |           |
| 12   | GU90271018 | Anillo de retención          | 4     |           |
| 13   | GU31037015 | Platillo inf.                | 4     |           |
| 14   | GU19032980 | Suplemento espesor           | 4     |           |
| 15   | 2B000579   | Manguito                     | 2     |           |
| 16   | GU32053410 | Árbol de levas               | 1     |           |
| 17   | GU32054510 | Engran. distribución         | 1     |           |
| 18   | GU61054900 | Perno                        | 2     |           |
| 19   | GU19058021 | Cadena distribución          | 1     |           |
| 20   | GU19058220 | Tensor de cadena             | 1     |           |
| 21   | GU98882316 | Tornillo                     | 1     |           |
| 22   | GU95129115 | Arandela                     | 1     |           |
| 23   | GU19055700 | Tope                         | 2     |           |
| 24   | GU90353029 | Anillo elástico              | 1     |           |
| 25   | GU19045861 | Balancion                    | 4     |           |
| 26   | GU31045015 | Varilla balancín             | 4     |           |
| 27   | 887528     | Wheel speed sensor, LH front | 1     |           |
| 28   | GU98054422 | Tornillo M8x22               | 1     |           |

|                    |              |
|--------------------|--------------|
| <b>Grupo</b>       | MOTOR        |
| <b>Código</b>      | 34.38        |
| <b>Descripción</b> | Distribución |
| <b>Revisión</b>    | 1            |



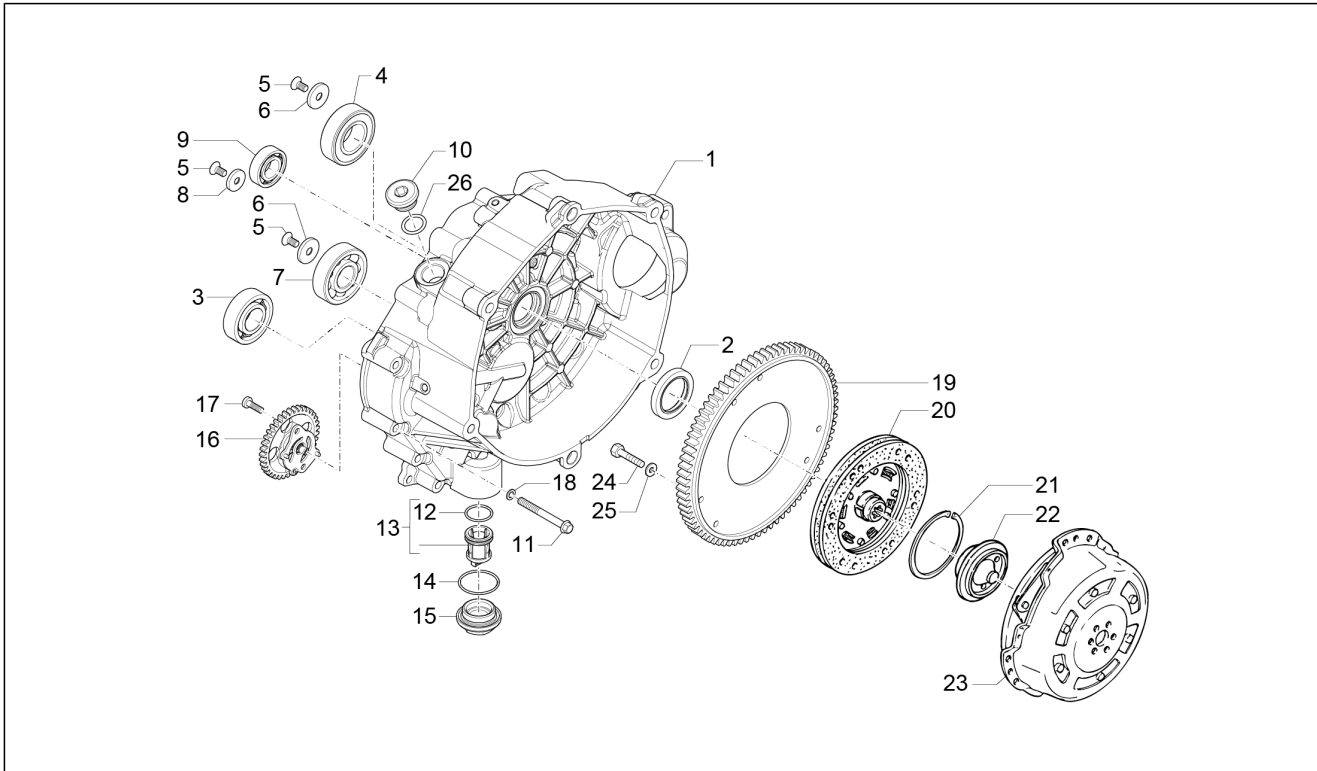
| Pos. | Código     | Descripción | Cant. | Variantes |
|------|------------|-------------|-------|-----------|
| 29   | GU95100244 | Arandela    | 1     |           |

|                    |              |
|--------------------|--------------|
| <b>Grupo</b>       | MOTOR        |
| <b>Código</b>      | 34.39        |
| <b>Descripción</b> | Bomba aceite |
| <b>Revisión</b>    | 1            |



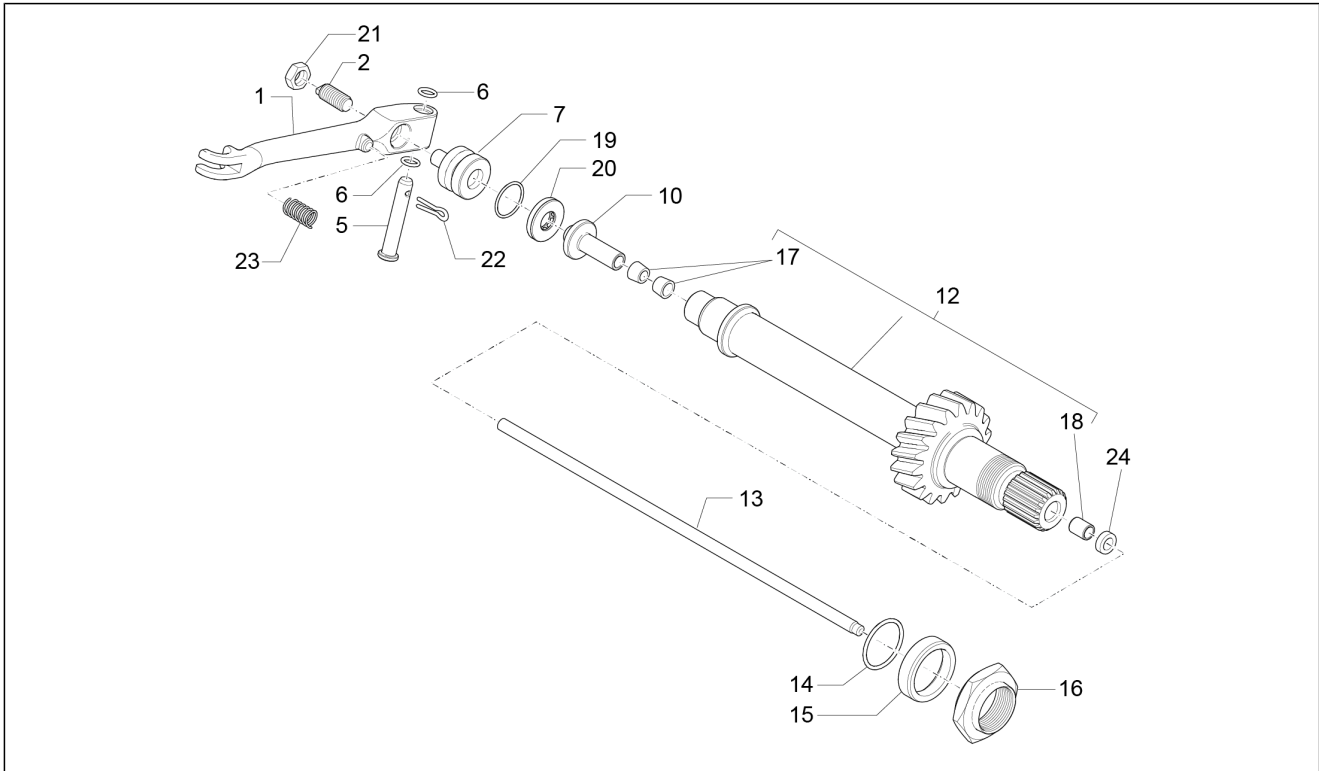
| Pos. | Código     | Descripción                   | Cant. | Variantes |
|------|------------|-------------------------------|-------|-----------|
| 1    | GU19146422 | Bomba aceite                  | 1     |           |
| 2    | GU92252210 | Cojinete de rodillos 10x22x20 | 1     |           |
| 3    | GU20147810 | Eje bomba aceite              | 1     |           |
| 4    | GU20148410 | Rotor int.                    | 1     |           |
| 5    | GU20148610 | Rotor ext.                    | 1     |           |
| 6    | GU92296723 | Rodillo                       | 1     |           |
| 7    | GU98620335 | Tornillo M6x35                | 3     |           |
| 8    | 641541     | Sensor de presión de aceite   | 1     |           |
| 9    | 887093     | Empalme                       | 1     |           |
| 10   | GU19018920 | Clavija                       | 2     |           |
| 11   | GU19152200 | Filtro aceite                 | 1     |           |
| 12   | GU98084314 | Tornillo c. hex. M6x14        | 1     |           |
| 13   | GU95187006 | Placa                         | 1     |           |
| 14   | GU27153085 | Filtro aceite                 | 1     |           |
| 15   | GU31159050 | Tapón                         | 1     |           |
| 16   | GU18144350 | Arandela 18,25x24x1           | 3     |           |
| 17   | GU20147710 | Engranaje bomba               | 1     |           |
| 18   | AP8152220  | Arandela                      | 1     |           |
| 19   | GU92602510 | Tuerca M10x1,25               | 1     |           |
| 20   | GU31016050 | Tapón                         | 1     |           |
| 21   | GU18161150 | Junta 14,25                   | 1     |           |
| 22   | GU90706111 | Junta tórica                  | 1     |           |
| 23   | GU95008206 | Arandela 6,15x11x0,8          | 3     |           |
| 24   | GU94321079 | Muelle                        | 1     |           |
| 25   | GU95100602 | Junta                         | 1     |           |
| 26   | GU31150950 | Émbolo                        | 1     |           |
| 27   | GU95100309 | Arandela                      | 1     |           |

|                    |            |
|--------------------|------------|
| <b>Grupo</b>       | MOTOR      |
| <b>Código</b>      | 34.40      |
| <b>Descripción</b> | Embrague I |
| <b>Revisión</b>    | 1          |



| Pos. | Código     | Descripción                | Cant. | Variantes |
|------|------------|----------------------------|-------|-----------|
| 1    | 2A0003794  | Campana embrague           | 1     |           |
| 2    | 886629     | Gasket ring                | 1     |           |
| 3    | 848650     | Cojinete de bolas 20x47x14 | 1     |           |
| 4    | GU92201226 | Cojinete de bolas 25x52x15 | 1     |           |
| 5    | B013608    | Tornillo                   | 4     |           |
| 6    | 873928     | Arandela                   | 3     |           |
| 7    | GU92201822 | Cojinete de bolas 20x52x15 | 1     |           |
| 8    | 873905     | Arandela                   | 1     |           |
| 9    | 834764     | Cojinete                   | 1     |           |
| 10   | GU12022600 | Tapón aceite               | 1     |           |
| 11   | AP8150045  | Tornillo Allen M6x55       | 14    |           |
| 12   | B017406    | Junta tórica 20.35x1.78    | 1     |           |
| 13   | B018020    | Filtro aceite cpl.         | 1     |           |
| 14   | 285536     | Junta tórica 31,47x1,78    | 1     |           |
| 15   | B015598    | Tapón filtro aceite        | 1     |           |
| 16   | B018448    | Cnj. bomba de aceite       | 1     |           |
| 17   | 2A000241   | Tornilla M5x16             | 2     |           |
| 18   | GU95008306 | Arandela 6,4x12x1,2        | 14    |           |
| 19   | GU32067910 | Corona                     | 1     |           |
| 20   | GU32084410 | Disco embrague conducido   | 1     |           |
| 21   | GU90272075 | Anillo elástico            | 1     |           |
| 22   | GU19083462 | Cubeta embrague            | 1     |           |
| 23   | GU32080310 | Embrague                   | 1     |           |
| 24   | 884038     | Tornillo c. hex. M6x16     | 6     |           |
| 25   | GU14217901 | Arandela 6,4x10x0,7        | 6     |           |
| 26   | GU90706203 | Junta tórica 20,24X2,62    | 1     |           |

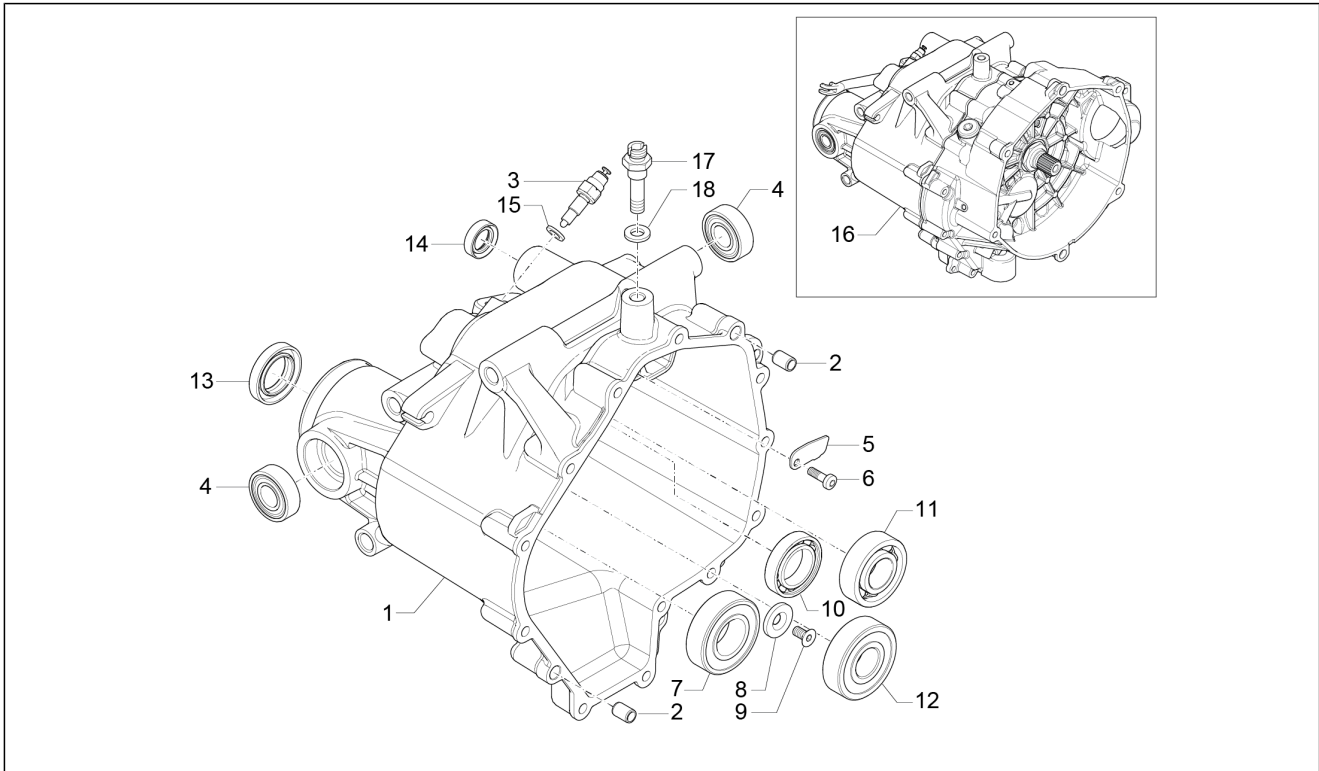
|                    |             |
|--------------------|-------------|
| <b>Grupo</b>       | MOTOR       |
| <b>Código</b>      | 34.41       |
| <b>Descripción</b> | Embrague II |
| <b>Revisión</b>    | 1           |



| Pos. | Código     | Descripción             | Cant. | Variantes |
|------|------------|-------------------------|-------|-----------|
| 1    | 2A000383   | Palanca embrague        | 1     |           |
| 2    | GU14090400 | Tornillo embrague       | 1     |           |
| 5    | 2A000384   | Perno palanca           | 1     |           |
| 6    | 2A000385   | Junta tórica 6.5x1.5    | 2     |           |
| 7    | GU14086100 | Cuerpo ext.             | 1     |           |
| 10   | B013037    | Cuerpo int.emb.         | 1     |           |
| 12   | 2A000204   | Eje embrague Z=18       | 1     |           |
| 13   | 2A000216   | palanca mando           | 1     |           |
| 14   | GU90706235 | Junta tórica 23,52x1,78 | 1     |           |
| 15   | GU19213760 | Distanciadador          | 1     |           |
| 16   | GU19356760 | Tuerca                  | 1     |           |
| 17   | GU14085900 | Buje                    | 2     |           |
| 18   | GU05217630 | Buje                    | 1     |           |
| 19   | GU90706170 | Junta tórica 17,13x2,62 | 1     |           |
| 20   | 2A000376   | Cojinete de tope        | 1     |           |
| 21   | GU92606508 | Tuerca                  | 1     |           |
| 22   | GU95500222 | Clavija                 | 1     |           |
| 23   | GU94321105 | Muelle retorno palanca  | 1     |           |
| 24   | 2A000378   | Gasket ring             | 1     |           |

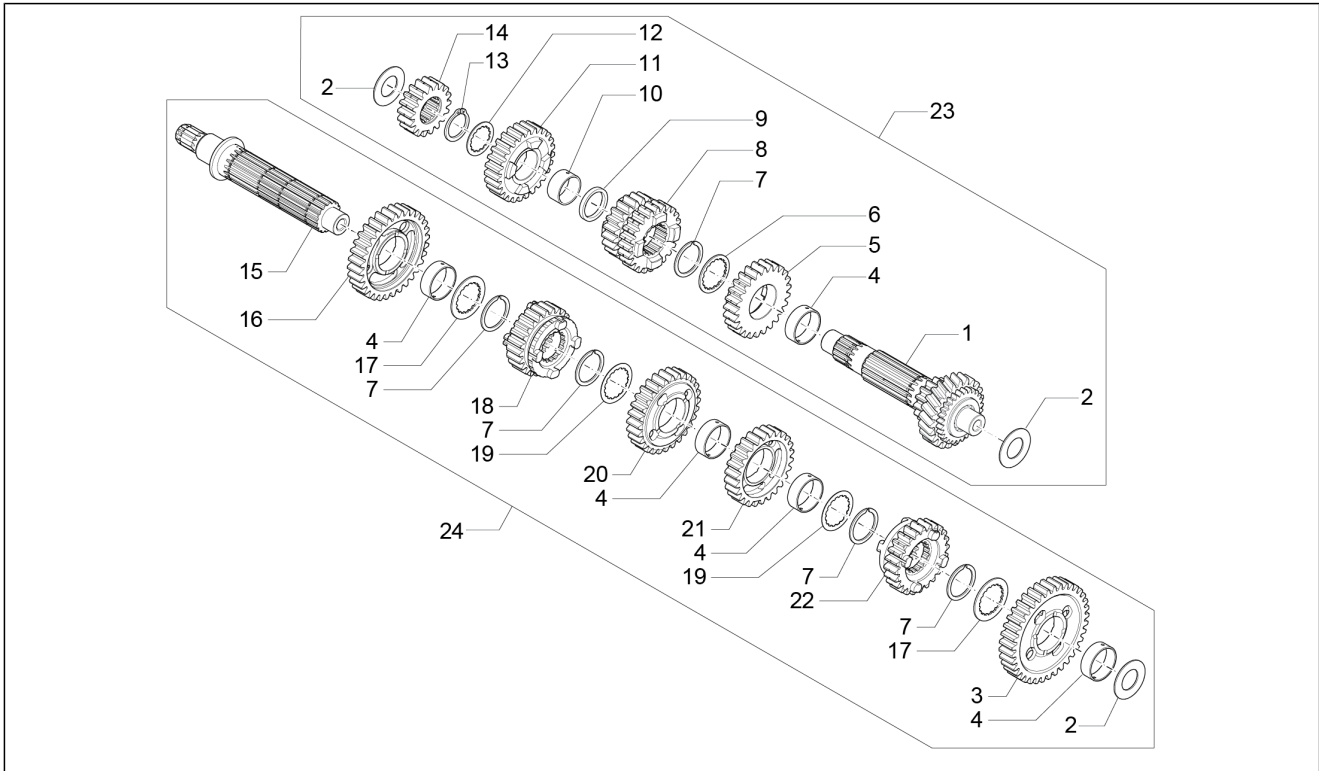


|                    |        |
|--------------------|--------|
| <b>Grupo</b>       | MOTOR  |
| <b>Código</b>      | 34.42  |
| <b>Descripción</b> | Cambio |
| <b>Revisión</b>    | 1      |



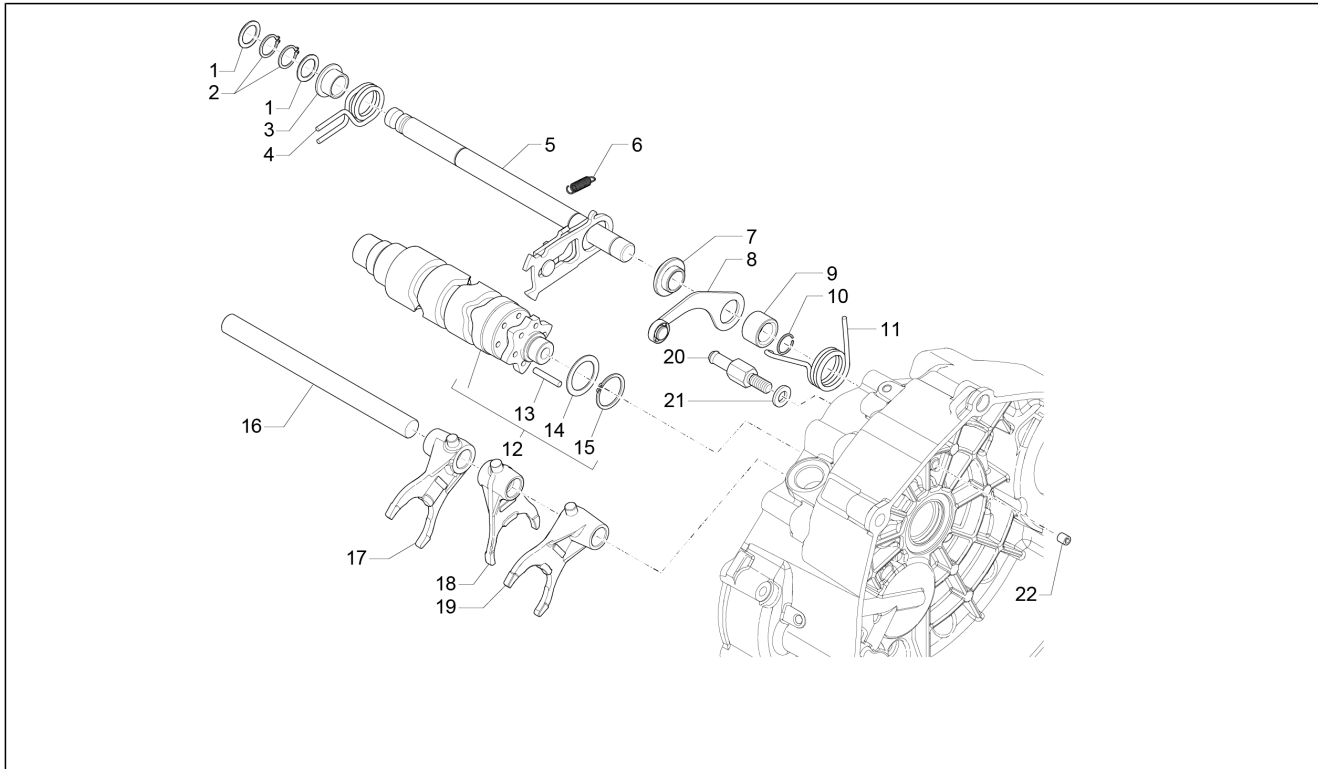
| Pos. | Código     | Descripción                          | Cant. | Variantes |
|------|------------|--------------------------------------|-------|-----------|
| 1    | 2A000210   | Cambio                               | 1     |           |
| 2    | GU19002020 | Buje 6,6x9x13                        | 2     |           |
| 3    | B063269    | Sensor                               | 1     |           |
| 4    | 2A000097   | Cojinete de bolas 6202-2RSH/C3 LHT23 | 2     |           |
| 5    | 2A000306   | Placa de tope                        | 1     |           |
| 6    | 2A000241   | Tornilla M5x16                       | 1     |           |
| 7    | GU92201226 | Cojinete de bolas 25x52x15           | 1     |           |
| 8    | 873928     | Arandela                             | 1     |           |
| 9    | B013608    | Tornillo                             | 1     |           |
| 10   | 857250     | Cojinete de bolas 25x42x9            | 1     |           |
| 11   | 2A000375   | Cojinete de bolas                    | 1     |           |
| 12   | GU92201822 | Cojinete de bolas 20x52x15           | 1     |           |
| 13   | GU90412541 | Gasket ring 25X40X7                  | 1     |           |
| 14   | GU90401424 | Gasket ring 14x24x7                  | 1     |           |
| 15   | B063025    | Junta 8,7x14,2x1,3                   | 1     |           |
| 16   | 2A000196   | Cambio completo                      | 1     |           |
| 17   | 2A000438   | Tapón respiradero                    | 1     |           |
| 18   | GU01528930 | Junta 10x18x1,5                      | 1     |           |

|                    |        |
|--------------------|--------|
| <b>Grupo</b>       | MOTOR  |
| <b>Código</b>      | 34.43  |
| <b>Descripción</b> | Cambio |
| <b>Revisión</b>    | 1      |



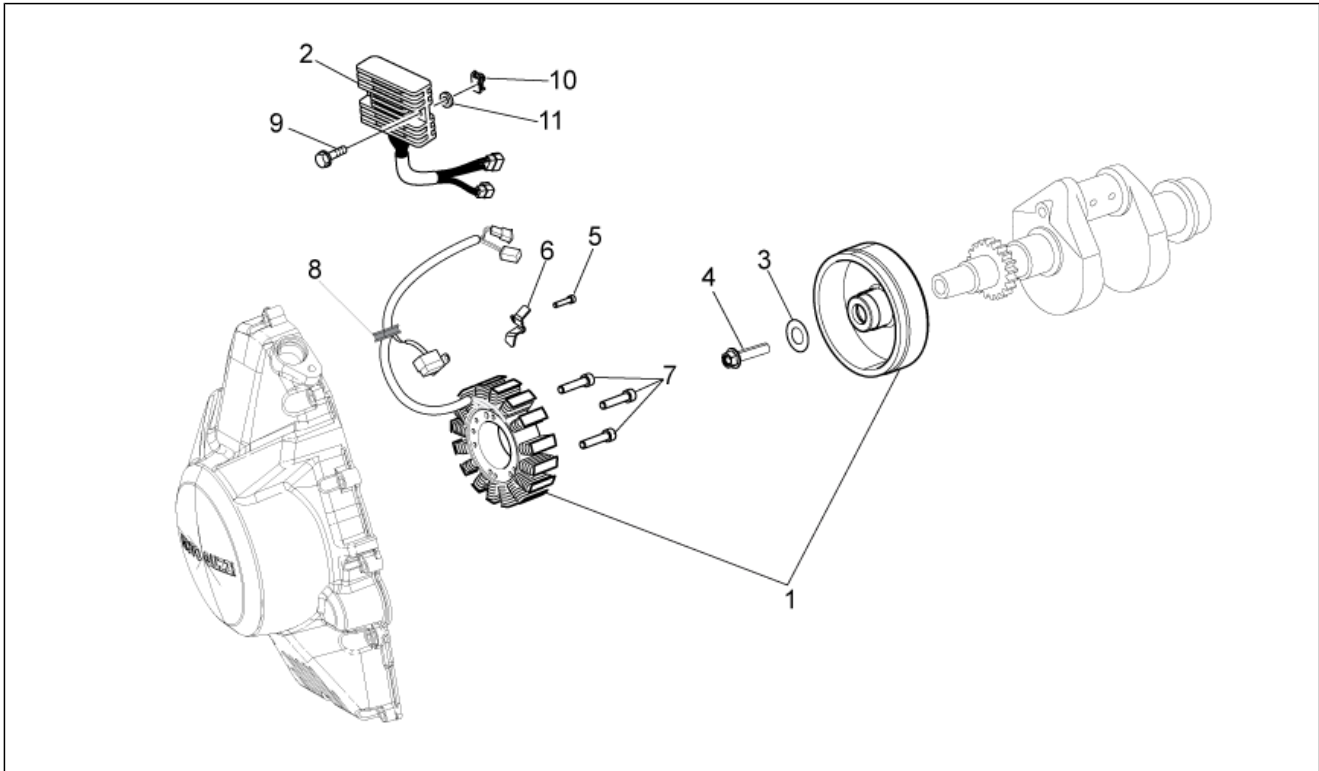
| Pos. | Código   | Descripción                       | Cant. | Variantes |
|------|----------|-----------------------------------|-------|-----------|
| 1    | 2A000230 | Eje primario                      | 1     |           |
| 2    | 1A000566 | Rondella di spallamento           | 3     |           |
| 3    | B017470  | Engranaje 1.a vel.                | 1     |           |
| 4    | 849308   | Buje deslizante                   | 5     |           |
| 5    | 1A000360 | Engranaje 5a velocidad            | 1     |           |
| 6    | 849424   | Arand. sop. lateral               | 1     |           |
| 7    | 1A002604 | An. elást. para ejes              | 5     |           |
| 8    | 1A000436 | Engranaje deslizante 3a - 4a vel. | 1     |           |
| 9    | B015040  | Rondella di spallamento           | 1     |           |
| 10   | 974162   | Buje deslizante                   | 1     |           |
| 11   | 1A000361 | Engran. 6a en prim.               | 1     |           |
| 12   | 849396   | Arand. sop. lateral               | 1     |           |
| 13   | 974165   | Anillo elástico                   | 1     |           |
| 14   | 1A000365 | engran. 2a en prim.               | 1     |           |
| 15   | 2A000203 | Albero cambio secundario          | 1     |           |
| 16   | 1A000366 | Engranaje 2a velocidad Z=32       | 1     |           |
| 17   | 849309   | Arand. sop. lateral               | 2     |           |
| 18   | 1A000370 | Engranaje 6a Z=24                 | 1     |           |
| 19   | 849310   | Arand. sop. lateral               | 2     |           |
| 20   | 1A000367 | Engranaje 3a velocidad Z=28       | 1     |           |
| 21   | 1A000368 | Engranaje 4a velocidad Z=26       | 1     |           |
| 22   | 1A000369 | Engranaje 5a velocidad Z=24       | 1     |           |
| 23   | 2A000199 | Arbol prim. comp.                 | 1     |           |
| 24   | 2A000202 | Eje sec. comp.                    | 1     |           |

|                    |                 |
|--------------------|-----------------|
| <b>Grupo</b>       | MOTOR           |
| <b>Código</b>      | 34.44           |
| <b>Descripción</b> | Selector cambio |
| <b>Revisión</b>    | 1               |



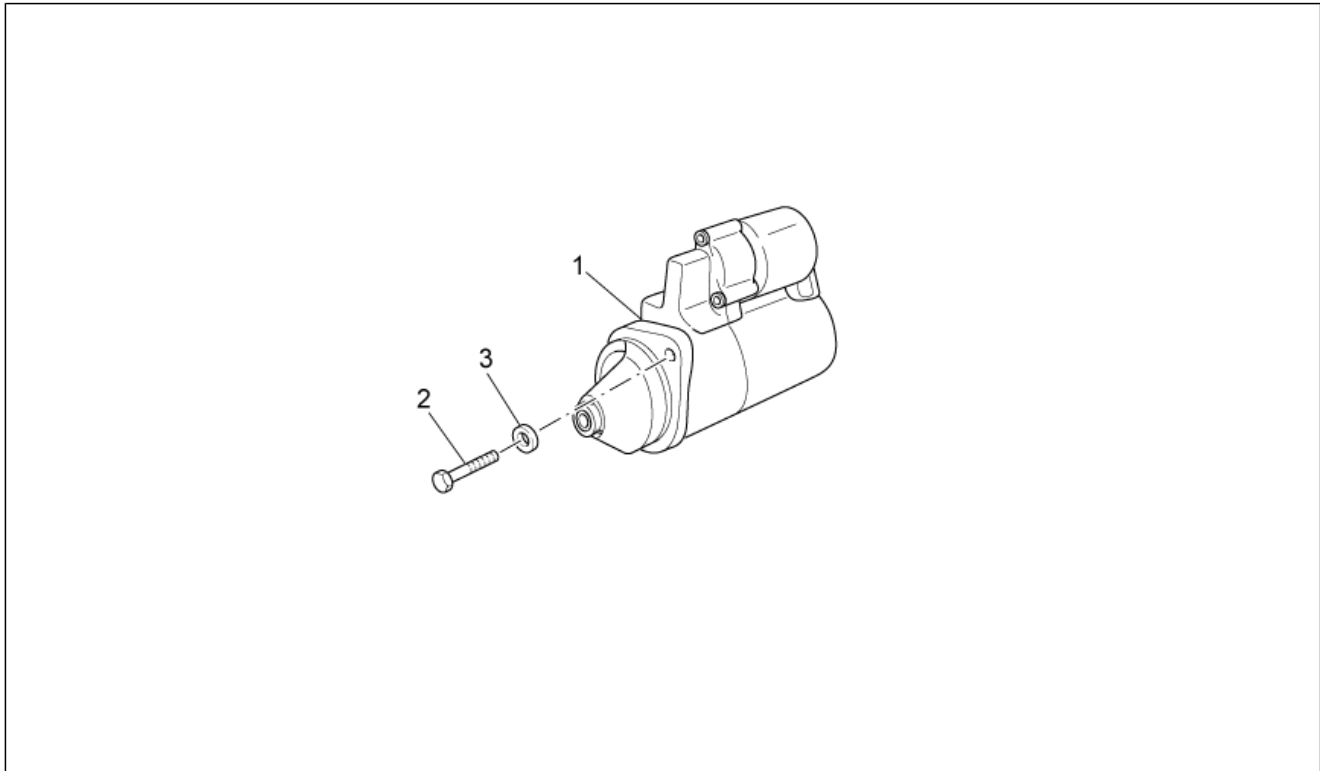
| Pos. | Código     | Descripción                     | Cant. | Variantes |
|------|------------|---------------------------------|-------|-----------|
| 1    | GU05239330 | Rangua                          | 2     |           |
| 2    | GU90271014 | Anillo de retención             | 2     |           |
| 3    | GU05238131 | Distanciador                    | 1     |           |
| 4    | B063956    | Muelle                          | 1     |           |
| 5    | 2A000219   | Pre-selector completo           | 1     |           |
| 6    | GU05238231 | Muelle                          | 1     |           |
| 7    | GU05238431 | Buje                            | 1     |           |
| 8    | B064112    | Pal. index completa             | 1     |           |
| 9    | GU05234230 | Distanciador                    | 1     |           |
| 10   | GU90353014 | Anillo de retención             | 1     |           |
| 11   | B064113    | Muelle index                    | 1     |           |
| 12   | 2A000222   | Leva del cambio cpl.            | 1     |           |
| 13   | GU05234631 | Barra                           | 6     |           |
| 14   | GU05235531 | Suplemento espesor              | 1     |           |
| 15   | GU90271022 | Anillo de retención             | 1     |           |
| 16   | 2A000224   | Varilla                         | 1     |           |
| 17   | 2A000226   | Horquilla 2-3 marchas           | 2     |           |
| 18   | 2A000227   | Forchetta 5-6 v.tà              | 1     |           |
| 19   | 2A000225   | Forchetta per albero secondario | 1     |           |
| 20   | 2A000416   | Vite di fermo                   | 1     |           |
| 21   | B063025    | Junta 8,7x14,2x1,3              | 1     |           |
| 22   | 862560     | Tuerca especial                 | 1     |           |

|                    |                        |
|--------------------|------------------------|
| <b>Grupo</b>       | MOTOR                  |
| <b>Código</b>      | 34.45                  |
| <b>Descripción</b> | Alternador - Regulador |
| <b>Revisión</b>    | 1                      |



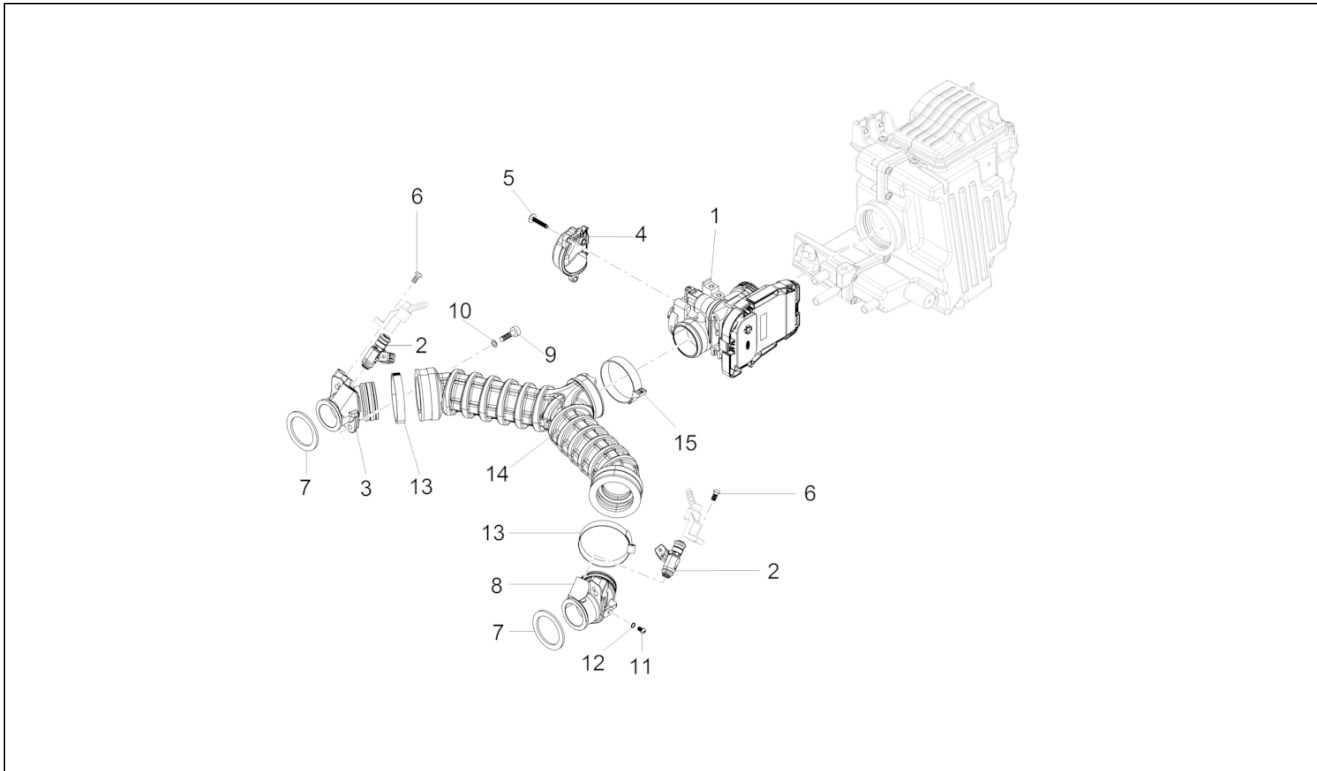
| Pos. | Código     | Descripción                      | Cant. | Variantes |
|------|------------|----------------------------------|-------|-----------|
| 1    | 2D000024   | Volante magneto cpl              | 1     |           |
| 2    | 2D000043   | Regulador de tensión             | 1     |           |
| 3    | 897478     | Arandela 12x26.5x3               | 1     |           |
| 4    | 857206     | Torn. CH con reborde M12X1,25X50 | 1     |           |
| 5    | GU98682212 | Tornillo Allen M5x12             | 1     |           |
| 6    | 2A000115   | Placa                            | 1     |           |
| 7    | 2A000129   | Tornillo Allen rebajado M6x35    | 3     |           |
| 8    | GU19007700 | Goma                             | 1     |           |
| 9    | AP8152281  | Torn. CH con reborde M6x30       | 2     |           |
| 10   | 254485     | Placa elastica M6                | 2     |           |
| 11   | GU95100125 | Arandela                         | 2     |           |

|                    |                |
|--------------------|----------------|
| <b>Grupo</b>       | MOTOR          |
| <b>Código</b>      | 34.46          |
| <b>Descripción</b> | Motor arranque |
| <b>Revisión</b>    | 1              |



| Pos. | Código     | Descripción         | Cant. | Variantes |
|------|------------|---------------------|-------|-----------|
| 1    | 97729R     | Motor arranque      | 1     |           |
| 2    | GU92609408 | Tuerca M8x1,25      | 1     |           |
| 3    | GU95008208 | Arandela 8,4X15X1,5 | 2     |           |

|                    |                              |
|--------------------|------------------------------|
| <b>Grupo</b>       | MOTOR                        |
| <b>Código</b>      | 34.47                        |
| <b>Descripción</b> | Cuerpo válv.estrangulamiento |
| <b>Revisión</b>    | 1                            |



| Pos. | Código     | Descripción                           | Cant. | Variantes |
|------|------------|---------------------------------------|-------|-----------|
| 1    | CM228306   | Centralita electrónica para inyección | 1     |           |
| 2    | B063049    | Inyector                              | 2     |           |
| 3    | GU32115010 | Capuchón admisión izq.                | 1     |           |
| 4    | 880260     | Protección Cuerpo válv.estrang.       | 1     |           |
| 5    | B016796    | Tornillo de cabeza curva torx         | 3     |           |
| 6    | AP8152298  | Tornillo con reborde M5x16            | 2     |           |
| 7    | GU32115510 | Junta                                 | 2     |           |
| 8    | GU32115011 | Capuchón admisión izq.                | 1     |           |
| 9    | GU98622322 | Tornillo                              | 4     |           |
| 10   | GU03013800 | Arandela 6,4x12                       | 4     |           |
| 11   | GU98310609 | Tornillo M6x10                        | 2     |           |
| 12   | GU95100116 | Arandela 6,25x10x1,5                  | 2     |           |
| 13   | 884311     | Abrazadera D.61                       | 2     |           |
| 14   | 2B001031   | Manguito cpo estrang.                 | 1     |           |
| 15   | GU93305061 | Abrazadera 61/65,5                    | 1     |           |