



PIAGGIO & C.s.p.a.



CATÁLOGO DE PIEZAS DE REPUESTO



V7 II STONE ABS 750 2015

Prefijo chasis: ZGULW100

Prefijo motor:

V7

GU120



Índice

Productos terminados.....	4
Índice alfanumérico.....	5
BASTIDOR.....	10
Tabla 33.01 - Bastidor I.....	10
Tabla 33.02 - Bastidor II.....	11
Tabla 33.03 - Caballete lateral.....	12
Tabla 33.04 - Estribos piloto.....	13
Tabla 33.05 - Estribos pas.....	14
Tabla 33.06 - Palanca cambio.....	15
Tabla 33.07 - HORQUILLA DELANTERA I.....	16
Tabla 33.08 - HORQUILLA DELANTERA II.....	17
Tabla 33.11 - Tras.Amortiguador.....	19
Tabla 33.12 - Depósito gasolina.....	20
Tabla 33.13 - Carrocería del. - Guardab. Delantero.....	21
Tabla 33.14 - Sillín-Carrocería cent.....	22
Tabla 33.15 - Car.tr. I- Gdab.....	23
Tabla 33.16 - Carroc.tras.II - Portamatrícula.....	24
Tabla 33.17 - Salpicadero.....	25
Tabla 33.18 - Manillar - Mandos.....	26
Tabla 33.19 - Eq.freno delantero.....	27
Tabla 33.21 - Bomba gasolina.....	28
Tabla 33.22 - CAJA DEL FILTRO.....	29
Tabla 33.23 - Grupo de escape.....	30
Tabla 33.26 - Bomba freno tras.....	31
Tabla 33.27 - Pinza freno tras.....	32
Tabla 33.28 - Faros delanteros.....	33
Tabla 33.29 - Faros traseros.....	34
Tabla 33.30 - Instalación eléctrica I.....	35
Tabla 33.31 - Instalación eléctrica II.....	36
Tabla 33.32 - Juego cerraduras.....	37
Tabla 33.33 - Calcomanías y placas.....	38
Tabla 33.34 - RUEDA DELANTERA II.....	39
Tabla 33.35 - Rueda trasera II.....	40
Tabla 33.36 - Eq.freno ABS.....	41
MOTOR.....	42
Tabla 34.09 - Transmisión cpl. I.....	42
Tabla 34.10 - Transmisión cpl. II.....	43
Tabla 34.34 - Cáster.....	46
Tabla 34.35 - Tapa distribución.....	47
Tabla 34.36 - Cabeza cil.....	48
Tabla 34.37 - Cigüeñal cpl.....	49
Tabla 34.38 - Distribución.....	50
Tabla 34.39 - Bomba aceite.....	52



Tabla 34.40 - Embrague I.....	53
Tabla 34.41 - Embrague II.....	54
Tabla 34.42 - Cambio.....	55
Tabla 34.43 - Cambio.....	56
Tabla 34.44 - Selector cambio.....	57
Tabla 34.45 - Alternador - Regulador.....	58
Tabla 34.46 - Motor arranque.....	59
Tabla 34.47 - Cuerpo válv.estrangulamiento.....	60



Productos terminados

Código	Validez
GU9032113AUE00	
GU9032113AUE01	
GU9032113EUE00	
GU9032113EUE01	
GU9032113EUE02	
GU9032113EUE03	
GU9032113EUE04	
GU9032113GBE00	
GU9032113GBE01	
GU9032113GBE02	
GU9032113GBE03	
GU9032113GBE04	
GU9032113JPE01	



Código	Nº Tabla	Pos.	Código	Nº Tabla	Pos.	Código	Nº Tabla	Pos.
	33.27	7	2B000880	33.14	1	2Q000056	33.33	7
080341	33.30	6	2B000899	33.11	1	2R000109	33.08	29
1A000360	34.43	5	2B000909	33.12	14	2R000110	33.08	4
1A000361	34.43	11	2B000971	34.47	19	2R000243	33.08	15
1A000365	34.43	14	2B000972	34.47	20	584211	33.31	10
1A000366	34.43	16	2B000975	33.01	1	638733	33.31	6
1A000367	34.43	20	2B000980	33.02	1	641040	33.30	8
1A000368	34.43	21	2B000988	33.02	2	641541	34.39	8
1A000369	34.43	22	2B000995	33.23	1	641725	33.30	7
1A000370	34.43	18	2B000996	33.23	2	641901	33.30	4
1A000436	34.43	8	2B001004	33.02	9	642034	33.30	3
1A000566	34.43	2	2B001008	33.02	8	658837	33.26	11
1A002604	34.43	7	2B001016	33.36	13	832029	33.30	14
248419	33.26	19	2B001031	34.47	14	834764	34.40	9
254485	33.15	4	2B001033	33.03	1	848650	34.40	3
254485	33.22	14	2B001035	33.01	10	849308	34.43	4
254485	33.23	20	2B001048	33.18	10	849309	34.43	17
254485	33.28	20	2B001049	33.18	24	849310	34.43	19
254485	34.45	10	2B001096	33.06	1	849396	34.43	12
285536	34.40	14	2B001101	33.17	8	849424	34.43	6
2A000085	34.35	1	2B001138	33.18	25	854973	33.36	8
2A000097	34.42	4	2B001197	33.19	13	857206	34.45	4
2A0000995	34.37	1	2B001199	33.19	1	857250	34.42	10
2A000115	34.45	6	2B001202	33.18	3	859792	33.34	14
2A000129	34.45	7	2B001230	33.02	10	859792	33.35	18
2A000146	34.38	1	2B001300	33.18	2	860651	34.09	19
2A000147	34.38	2	2B001342	33.21	2	862560	34.44	22
2A000196	34.42	16	2B001425	33.07	1	873905	34.40	8
2A000199	34.43	23	2B001555	33.36	5	873928	34.40	6
2A000202	34.43	24	2B001556	33.36	4	873928	34.42	8
2A000203	34.43	15	2B001557	33.36	2	874567	34.37	14
2A000204	34.41	12	2B001558	33.36	3	880260	34.47	4
2A000210	34.42	1	2B001561	33.34	16	883051	33.04	1
2A000216	34.41	13	2B001564	33.36	14	883052	33.04	2
2A000219	34.44	5	2B001570	33.36	21	883127	33.22	6
2A000222	34.44	12	2B001591	33.08	10	883161	33.31	11
2A000224	34.44	16	2B001597	33.26	13	883266	33.13	2
2A000225	34.44	19	2B001612	33.02	3	883293	33.23	15
2A000226	34.44	17	2B001614	33.36	15	883294	33.23	4
2A000227	34.44	18	2B001701	33.29	1	883295	33.14	5
2A000230	34.43	1	2B001708	33.34	15	883297	33.23	13
2A0002355	34.34	1	2B001783	33.15	12	883298	33.23	14
2A000241	34.40	17	2B001926	33.19	9	883417	33.28	18
2A000241	34.42	6	2B001927	33.19	8	883673	33.19	17
2A000306	34.42	5	2B001928	33.19	6	883688	33.34	10
2A000375	34.42	11	2B001929	33.19	7	883704	33.23	25
2A000376	34.41	20	2B001941	33.06	8	883826	34.34	18
2A000378	34.41	24	2B001959	34.09	11	884029	34.47	11
2A0003794	34.40	1	2B001998	33.18	26	884038	34.40	24
2A000383	34.41	1	2D000005	33.30	11	884039	34.39	7
2A000384	34.41	5	2D000006	33.32	10	884310	34.47	15
2A000385	34.41	6	2D000021	33.17	10	884311	34.47	13
2A000416	34.44	20	2D000022	33.17	9	886141	33.33	5
2A000438	34.42	17	2D000024	34.45	1	886340	33.33	1
2B000176	33.23	11	2D000043	34.45	2	88635200XN6	33.13	1
2B000177	33.23	10	2D000102	33.36	1	886365	34.34	10
2B000225	33.35	16	2D000108	33.30	1	886629	34.40	2
2B000229	33.27	1	2D000108	33.31	1	886670	34.37	11
2B000276	33.36	22	2H000413	33.33	3	887002	34.36	10
2B000348	33.05	13	2H000414000XN6	33.12	1	887003	34.35	2
2B000349	33.05	12	2H000414000YE6	33.12	1	887004	34.34	13
2B000377	33.35	17	2H000414000YG4	33.12	1	887093	34.39	9
2B000508	33.26	14	2H000414000YR2	33.12	1	887194	33.17	1
2B000525	33.27	6	2H000722000XN6	33.14	10	887207	33.12	1
2B000579	34.38	15	2H000723000XN6	33.14	17	8872690001	34.37	10
2B000840	33.14	16	2H000724	33.33	4	8872690002	34.37	10
2B000878	33.14	9	2L0002405	34.34	28	8872690003	34.37	10



Código	Nº Tabla	Pos.	Código	Nº Tabla	Pos.	Código	Nº Tabla	Pos.
8872724	34.36	1	896110	33.23	21	AP8121032	33.17	7
8872754	34.36	2	897478	34.45	3	AP8121072	33.23	22
887279	34.36	24	898086	33.07	7	AP8121133	33.05	6
887443	33.33	9	898164	33.11	3	AP8121307	33.07	4
887448	33.35	12	898283	33.06	4	AP8121375	33.03	2
887481	33.30	12	959559	33.36	16	AP8121420	33.14	7
887483	34.36	25	967356	33.03	6	AP8121420	33.32	8
887523	34.36	9	969973	34.36	26	AP8121673	33.12	12
887528	34.38	27	974162	34.43	10	AP8124936	33.30	2
887571	33.34	1	974165	34.43	13	AP8127856	33.03	8
887573	33.35	1	976604	34.34	12	AP8134378	33.23	18
887787	33.21	5	976608	34.10	1	AP8134448	33.16	2
887815	33.22	13	976685	34.34	16	AP8134451	33.05	5
887826	33.28	4	976898	34.36	20	AP8144007	33.26	4
887826	33.29	4	976941	34.09	1	AP8144071	33.23	16
887827	33.28	5	977527	33.14	6	AP8144071	34.36	23
887827	33.29	5	977527	33.32	4	AP8144081	33.07	5
8878421	33.22	1	978311	33.28	2	AP8144146	33.07	3
887843	33.22	2	978385	33.23	12	AP8144553	33.22	7
887844	33.22	11	978415	33.14	8	AP8144729	33.22	17
887845	33.22	12	978415	33.32	9	AP8145034	33.04	3
887852	33.18	4	978940	33.14	10	AP8145035	33.04	10
887853	33.18	5	978943	33.14	17	AP8150015	33.36	12
887873	33.32	1	978946	33.15	1	AP8150045	34.40	11
887874	33.32	3	97894600XN6	33.15	1	AP8150178	33.34	17
887875	33.34	6	978947	33.15	2	AP8150349	33.32	6
887878	33.08	1	978949	33.16	1	AP8150377	33.28	13
887879	33.08	2	978960	33.18	1	AP8150436	33.02	12
887880	33.08	3	978969	33.26	3	AP8150450	33.14	12
887882	33.08	5	981149	33.28	12	AP8150451	33.36	19
887883	33.08	6	AP8101594	33.26	20	AP8150509	33.22	19
887884	33.08	7	AP8101595	33.12	10	AP8152043	33.19	4
887885	33.08	8	AP8101861	33.05	7	AP8152220	33.02	11
887886	33.08	9	AP8102375	33.14	15	AP8152220	34.39	18
887888	33.08	11	AP8102375	33.31	14	AP8152273	33.21	4
887889	33.08	12	AP8102520	33.22	27	AP8152277	33.04	7
887890	33.08	13	AP8102524	33.03	4	AP8152277	33.05	8
887891	33.08	14	AP8102766	33.22	23	AP8152278	33.11	2
887893	33.08	16	AP8102913	33.14	3	AP8152278	33.15	3
887894	33.08	17	AP8104509	33.18	9	AP8152279	33.15	9
887895	33.08	18	AP8104525	33.22	5	AP8152279	33.36	11
887896	33.08	19	AP8104924	33.22	4	AP8152281	34.45	9
887898	33.08	21	AP8113003	33.19	15	AP8152282	33.31	7
887899	33.08	22	AP8113003	33.36	7	AP8152286	33.34	11
887900	33.08	23	AP8113004	33.19	14	AP8152288	33.27	4
887901	33.08	24	AP8113004	33.36	6	AP8152298	33.26	18
887902	33.08	25	AP8113241	33.26	22	AP8152298	34.47	6
887903	33.08	26	AP8113288	33.26	16	AP8152299	33.15	14
887904	33.08	27	AP8113553	33.26	23	AP8152299	33.30	5
887905	33.08	28	AP8120030	33.36	10	AP8152306	33.16	5
887908	33.26	26	AP8120246	34.09	10	AP8152329	33.15	11
887910	33.26	1	AP8120311	33.01	13	AP8152329	33.22	18
887911	33.26	24	AP8120416	33.30	18	AP8152329	33.22	24
887912	33.08	30	AP8120416	33.31	19	AP8152339	33.14	14
887913	33.08	31	AP8120455	33.22	9	AP8152385	33.19	16
887914	33.08	32	AP8120557	33.12	11	AP8161054	33.22	15
887915	33.08	33	AP8120573	33.04	9	AP8181140	33.31	24
887916	33.08	34	AP8120573	33.05	9	AP8201358	33.22	3
887930	33.33	2	AP8120615	33.22	10	AP8213028	33.18	23
887948	33.30	13	AP8120772	33.22	20	AP8213057	33.26	15
887952	33.26	27	AP8120870	33.23	24	AP8213388	33.18	18
890760	33.22	16	AP8120876	33.22	8	AP8220283	33.31	22
890979	33.28	16	AP8120912	33.06	2	AP8220460	33.07	6
894505	33.35	13	AP8120912	33.26	2	AP8221023	33.22	25
894704	33.31	26	AP8121014	33.03	3	AP8221023	33.36	9
895709	33.36	18	AP8121032	33.15	10	AP8221197	33.03	5
895839	33.33	8	AP8121032	33.15	13	AP8221277	33.04	6



Código	Nº Tabla	Pos.	Código	Nº Tabla	Pos.	Código	Nº Tabla	Pos.
AP8224164	33.16	3	GU03102200	33.12	6	GU19058021	34.38	19
AP8224462	33.31	21	GU03102400	33.12	2	GU19058220	34.38	20
B013037	34.41	10	GU03103200	33.12	8	GU19062261	34.37	4
B013608	34.40	5	GU03103500	33.12	4	GU19065400	34.37	2
B013608	34.42	9	GU03163330	33.31	3	GU19067700	34.37	18
B015040	34.43	9	GU03609600	33.18	14	GU19083462	34.40	22
B015598	34.40	15	GU03617710	33.34	5	GU19146422	34.39	1
B016796	34.47	5	GU03617710	33.35	6	GU19152200	34.39	11
B017406	34.40	12	GU03658201	33.36	20	GU19206501	34.10	10
B017470	34.43	3	GU03658330	33.36	17	GU19213760	34.41	15
B018020	34.40	13	GU03740930	33.29	2	GU19327601	34.09	5
B018448	34.40	16	GU03749845	33.19	5	GU19328801	34.09	3
B043850	33.31	23	GU03922280	34.09	23	GU19350700	34.10	22
B063016	34.37	13	GU05107430	33.21	3	GU19351100	34.10	4
B063022	33.23	3	GU05217630	34.41	18	GU19351900	34.10	2
B063025	34.42	15	GU05234230	34.44	9	GU19352300	34.10	23
B063025	34.44	21	GU05234631	34.44	13	GU19353500	34.10	24
B063049	34.47	2	GU05235531	34.44	14	GU19355200	34.10	35
B063099	34.36	19	GU05238131	34.44	3	GU19355202	34.10	36
B063111	34.36	6	GU05238231	34.44	6	GU19355300	34.10	33
B063132	33.04	13	GU05238431	34.44	7	GU19355301	34.10	33
B063135	33.18	6	GU05239330	34.44	1	GU19355302	34.10	33
B063233	33.31	5	GU05659230	33.19	10	GU19355303	34.10	33
B063269	34.42	3	GU05730730	34.46	1	GU19355304	34.10	33
B063287	33.01	4	GU05900130	33.33	6	GU19355305	34.10	33
B063431	33.14	11	GU06740400	33.28	17	GU19355306	34.10	33
B063443	33.26	28	GU10528900	34.34	15	GU19355307	34.10	33
B063465	34.37	15	GU12003702	34.34	20	GU19355308	34.10	33
B063466	34.37	16	GU12022600	34.10	6	GU19355309	34.10	33
B063735	33.28	14	GU12022600	34.40	10	GU19355320	34.10	27
B063735	33.29	6	GU12154200	34.34	23	GU19355321	34.10	27
B063752	33.21	1	GU13021900	34.34	26	GU19355322	34.10	27
B063956	34.44	4	GU13021900	34.36	12	GU19355323	34.10	27
B063975	33.18	15	GU14085900	34.41	17	GU19355324	34.10	27
B064112	34.44	8	GU14086100	34.41	7	GU19355325	34.10	27
B064113	34.44	11	GU14090400	34.41	2	GU19355326	34.10	27
CM001928	33.07	8	GU14217901	34.40	25	GU19355327	34.10	27
CM001929	33.07	9	GU14609650	33.30	20	GU19355328	34.10	27
CM0074C9	33.30	10	GU14609650	33.31	19	GU19355329	34.10	27
CM0074D0	33.30	9	GU14615901	33.05	15	GU19355400	34.10	21
CM013202	33.31	25	GU14615901	33.13	5	GU19355402	34.10	21
CM225705	33.31	15	GU14615901	34.09	20	GU19355404	34.10	21
CM225710	33.31	16	GU14615901	34.37	5	GU19355406	34.10	21
CM225715	33.31	17	GU14616150	33.34	7	GU19355408	34.10	21
CM225720	33.31	20	GU14616150	33.35	10	GU19355410	34.10	21
CM225730	33.31	18	GU18144350	34.39	16	GU19355411	34.10	21
CM228306	34.47	1	GU18161150	34.39	21	GU19355412	34.10	21
CM228401	33.04	8	GU18257551	33.26	8	GU19355413	34.10	21
CM228401	33.05	4	GU19002020	34.35	5	GU19356700	34.10	30
CM258303	33.22	22	GU19002020	34.42	2	GU19356760	34.41	16
GU00823923140	33.03	7	GU19003800	34.34	8	GU19356801	34.10	28
GU00823931055	33.28	19	GU19007700	34.45	8	GU19357660	34.10	25
GU00823944050	33.12	13	GU19015020	34.34	5	GU19547000	34.09	12
GU00823950050	33.26	21	GU19017000	33.02	4	GU20147710	34.39	17
GU01528930	34.10	9	GU19018920	34.39	10	GU20147810	34.39	3
GU01528930	34.42	18	GU19021360	34.36	18	GU20148410	34.39	4
GU01609630	33.18	14	GU19021920	34.36	7	GU20148610	34.39	5
GU01659130	33.19	11	GU19025280	33.23	5	GU20258221	33.06	9
GU01659131	33.19	12	GU19025460	33.23	6	GU20352421	34.10	31
GU01665410	33.26	25	GU19030500	34.38	7	GU20355121	34.10	34
GU03013800	33.06	7	GU19032080	34.38	10	GU23217800	34.38	3
GU03013800	33.23	8	GU19032980	34.36	17	GU23328081	34.09	7
GU03013800	34.47	10	GU19032980	34.38	14	GU23548080	34.09	8
GU03067730	34.10	19	GU19034000	34.38	8	GU23548180	34.09	9
GU03101600	33.12	7	GU19037820	34.36	8	GU23943410	33.08	35
GU03101720	33.12	5	GU19045861	34.38	25	GU27037521	34.38	4
GU03101900	33.12	3	GU19055700	34.38	23	GU27061585	34.37	3

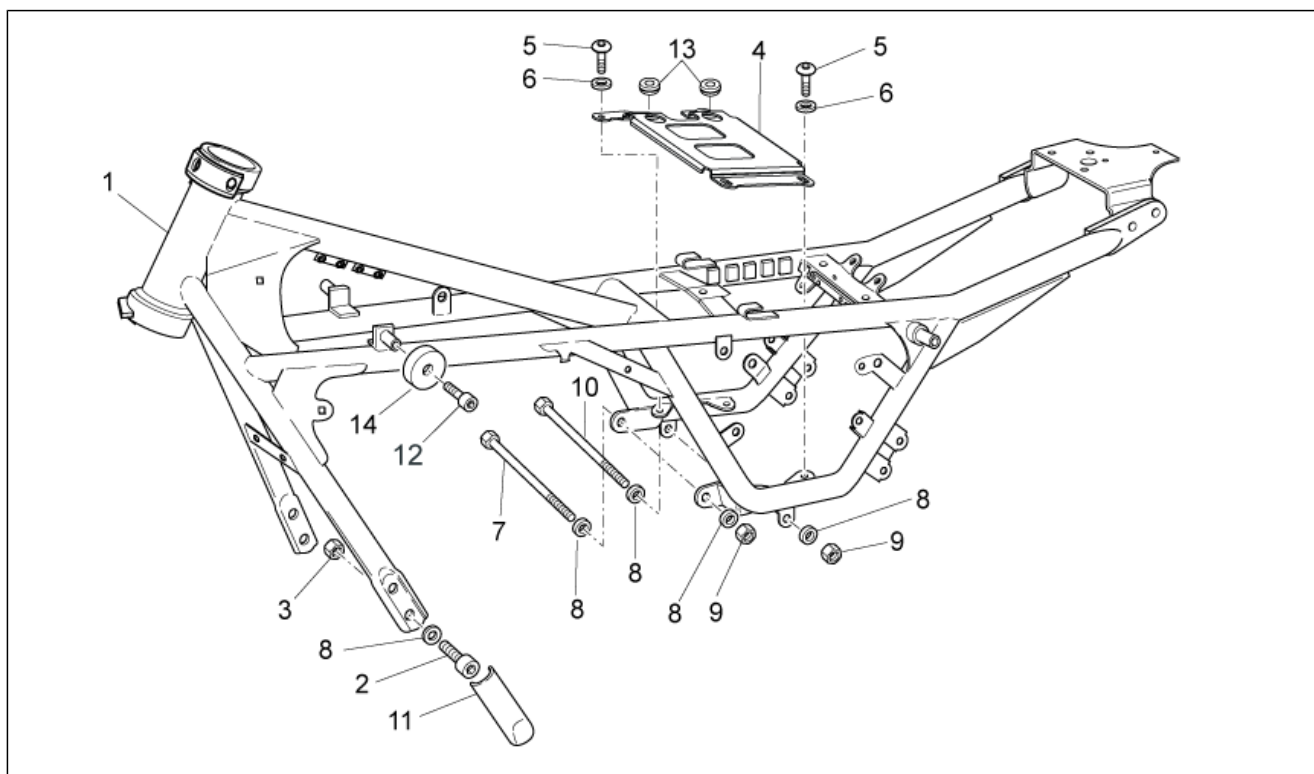


Código	Nº Tabla	Pos.	Código	Nº Tabla	Pos.	Código	Nº Tabla	Pos.
GU27061885	34.37	17	GU32603310	33.18	7	GU92249225	33.07	2
GU27062060	34.37	6	GU32615660	33.34	8	GU92249227	34.10	20
GU27065660	34.37	7	GU32632510	33.35	9	GU92252210	34.39	2
GU27066460	34.37	9	GU32633360	33.35	14	GU92252235	34.10	5
GU27066560	34.37	8	GU32633560	34.10	11	GU92296723	34.39	6
GU27152885	34.34	22	GU32634160	33.27	5	GU92602406	34.38	9
GU27153085	34.39	14	GU32636160	33.35	7	GU92602510	34.39	19
GU27633910	33.35	4	GU32735510	33.32	5	GU92603010	34.36	11
GU29729461	33.31	2	GU32747910	33.31	9	GU92606206	33.17	6
GU29759150	33.18	17	GU32753410	33.28	3	GU92606208	34.34	7
GU30577800	33.29	13	GU32753410	33.29	8	GU92606210	33.01	9
GU30577800	34.47	17	GU32782510	33.32	2	GU92606210	33.02	5
GU30601060	33.18	13	GU32999010	34.34	25	GU92606210	33.11	7
GU30602500	33.18	22	GU32999510	34.34	24	GU92606210	34.09	18
GU31003766	34.10	8	GU35214300	34.09	13	GU92606316	33.35	11
GU31003766	34.34	14	GU49609601	33.30	19	GU92606508	34.41	21
GU31016050	34.39	20	GU49609601	33.31	19	GU92609007	33.26	12
GU31037015	34.38	13	GU61027200	34.37	12	GU92630108	33.15	8
GU31038015	34.38	5	GU61036801	34.36	3	GU92630206	33.26	6
GU31045015	34.38	26	GU61038100	34.38	6	GU92630207	33.34	18
GU31112965	33.22	26	GU61054900	34.38	18	GU92630510	33.01	3
GU31121880	33.23	9	GU61270300	34.10	26	GU92630707	33.06	5
GU31150950	34.39	26	GU61270300	34.34	6	GU92640508	33.23	19
GU31159050	34.39	15	GU61270300	34.36	21	GU92660021	33.26	7
GU31327783	34.09	2	GU66103415	33.01	14	GU92787006	33.28	6
GU31439565	33.13	4	GU90271014	34.44	2	GU92787006	33.29	11
GU31513480	33.08	20	GU90271018	34.38	12	GU93180105	34.09	21
GU31544181	33.27	3	GU90271022	34.44	15	GU93180111	33.34	13
GU31544181	34.09	15	GU90272023	34.09	4	GU93180245	34.36	22
GU31547882	34.09	14	GU90272075	34.40	21	GU93222023	33.17	4
GU31614183	33.34	9	GU90353009	34.36	4	GU93231605	33.29	14
GU31615283	33.34	2	GU90353014	34.44	10	GU93231605	34.47	16
GU31616384	33.34	12	GU90353029	34.38	24	GU93301175	33.23	26
GU31634281	33.27	2	GU90353030	34.10	17	GU93450105	33.28	9
GU31634481	33.35	15	GU90401424	34.42	14	GU93450126	33.28	15
GU31659181	33.27	9	GU90402538	33.35	2	GU93450126	33.29	7
GU31659281	33.27	8	GU90402642	33.34	4	GU93450224	33.29	3
GU31740383	33.28	11	GU90403251	34.10	38	GU93450232	33.28	10
GU32032310	34.38	11	GU90403549	34.10	3	GU94321079	34.39	24
GU32053410	34.38	16	GU90407591	34.10	15	GU94321099	34.09	6
GU32054510	34.38	17	GU90412541	34.42	13	GU94321105	34.41	23
GU32067910	34.40	19	GU90706076	34.34	9	GU95005306	33.17	3
GU32080310	34.40	23	GU90706111	34.39	22	GU95005308	33.26	9
GU32084410	34.40	20	GU90706141	33.30	17	GU95005308	33.28	23
GU32115010	34.47	3	GU90706170	34.41	19	GU95005308	34.09	22
GU32115011	34.47	8	GU90706188	34.10	29	GU95005310	33.15	7
GU32115510	34.47	7	GU90706203	34.10	7	GU95005310	33.26	5
GU32121010	33.23	7	GU90706203	34.40	26	GU95008205	33.30	16
GU32350410	34.10	13	GU90706235	34.41	14	GU95008206	34.39	23
GU32351410	34.10	16	GU90706281	34.34	19	GU95008208	33.01	6
GU32354610	34.10	18	GU90706444	34.34	17	GU95008208	34.46	3
GU32434460	33.13	1	GU90706584	34.10	37	GU95008210	33.01	8
GU32441210	33.04	5	GU91113826	33.23	23	GU95008210	33.02	6
GU32441210	33.05	3	GU91120806	33.15	6	GU95008210	33.31	4
GU32442310	33.05	1	GU91181003	33.18	11	GU95008210	34.09	17
GU32442710	33.05	10	GU91181003	33.19	3	GU95008305	33.18	20
GU32443210	33.04	4	GU91551010	33.22	21	GU95008306	34.40	18
GU32443210	33.05	2	GU91551086	33.14	13	GU95020105	33.03	10
GU32443211	33.04	11	GU92201070	34.10	14	GU95021104	33.19	2
GU32443211	33.05	11	GU92201226	34.40	4	GU95021105	33.18	21
GU32457810	33.01	11	GU92201226	34.42	7	GU95021206	33.17	5
GU32461610	33.14	2	GU92201822	34.40	7	GU95021206	33.28	8
GU32506360	33.28	1	GU92201822	34.42	12	GU95021206	33.29	10
GU32517710	33.31	8	GU92204217	33.35	5	GU95100059	33.31	13
GU32555210	33.11	4	GU92204218	33.35	3	GU95100116	34.47	12
GU32555211	33.11	5	GU92204221	33.34	3	GU95100125	34.45	11
GU32603010	33.18	16	GU92249220	34.10	32	GU95100244	34.38	29



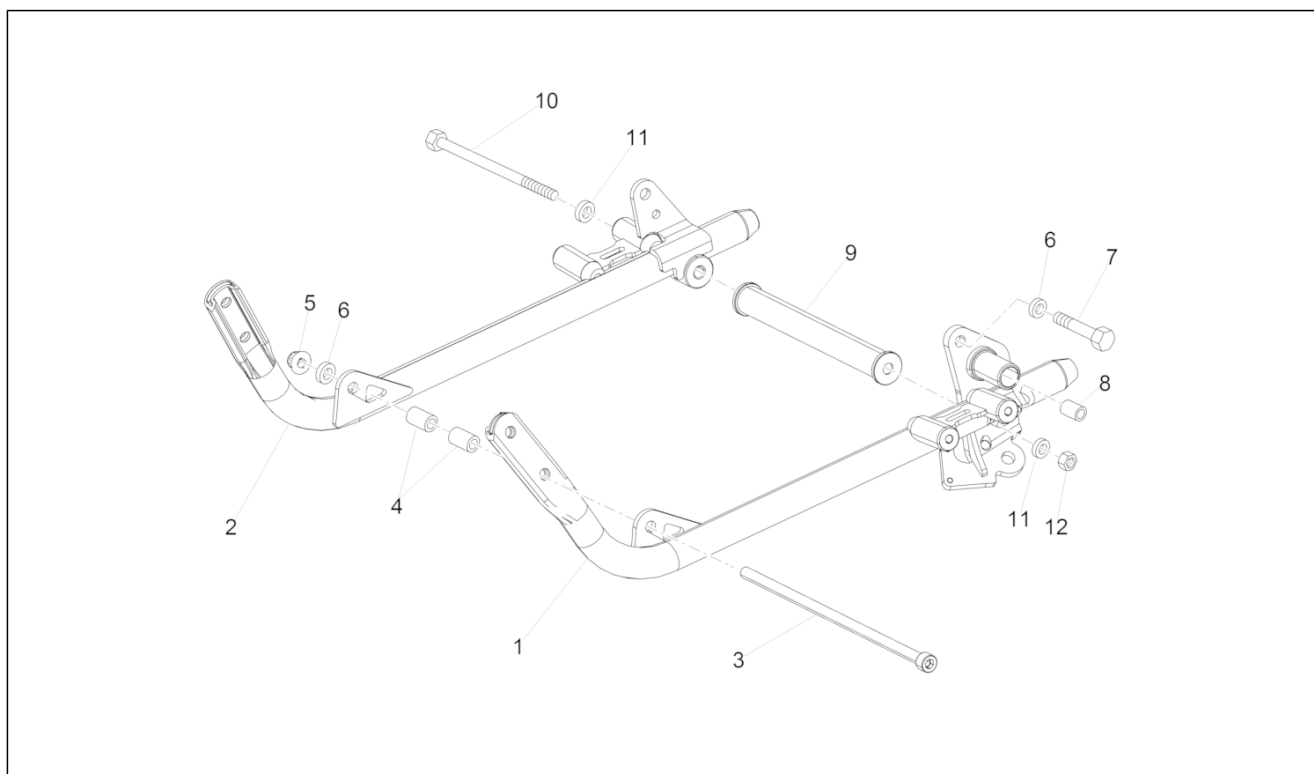
Código	Nº Tabla	Pos.
GU95100309	34.39	27
GU95100602	34.39	25
GU95100709	34.34	21
GU95129115	34.38	22
GU95129180	34.34	27
GU95129180	34.36	13
GU95129181	33.11	6
GU95129260	33.06	3
GU95187006	34.39	13
GU95500221	33.26	10
GU95500222	34.41	22
GU96451430	34.34	3
GU96451560	34.34	2
GU96506042	34.36	5
GU96508055	34.10	12
GU96508055	34.34	4
GU96510181	34.36	15
GU96510214	34.36	14
GU97202325	33.18	12
GU98054422	34.38	28
GU98082565	33.02	7
GU98084314	34.39	12
GU98110199	33.01	7
GU98210612	33.23	27
GU98230510	33.16	4
GU98230510	33.18	19
GU98350215	33.29	12
GU98350416	33.01	5
GU98370515	34.47	18
GU98370609	33.17	2
GU98370625	33.14	4
GU98370625	33.26	17
GU98370655	33.28	7
GU98370655	33.29	9
GU98370845	33.13	3
GU98612216	33.03	9
GU98612216	33.35	8
GU98622322	34.47	9
GU98632322	33.06	6
GU98680545	34.09	16
GU98682212	33.30	15
GU98682212	33.31	12
GU98682212	34.45	5
GU98682312	33.35	19
GU98682325	34.34	11
GU98682325	34.35	3
GU98682330	34.35	4
GU98682414	33.01	12
GU98682416	33.04	12
GU98682416	33.05	14
GU98682416	33.32	7
GU98682430	33.12	9
GU98682435	34.46	2
GU98682530	33.01	2
GU98690335	33.11	8
GU98690335	33.18	8
GU98690435	33.15	5
GU98690440	33.23	17
GU98692325	34.36	16
GU98692414	33.17	11
GU98692420	33.28	22
GU98880540	33.28	21
GU98882316	34.38	21

Grupo	BASTIDOR
Código	33.01
Descripción	Bastidor I
Revisión	1



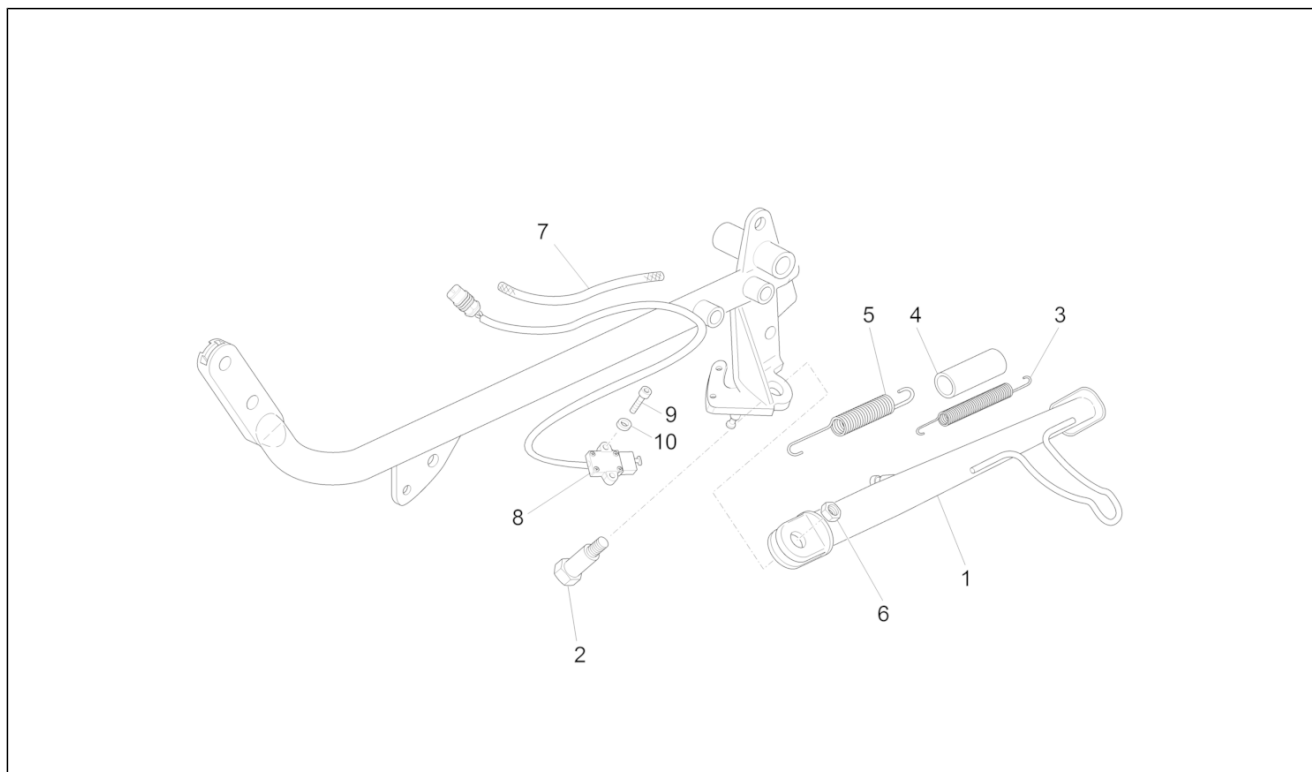
Pos.	Código	Descripción	Cant.	Variantes
1	2B000975	Bastidor pint. negro	1	
2	GU98682530	Tornillo Allen M10x30	4	
3	GU92630510	Tuerca M10x1,5	4	
4	B063287	Placa de unión chasis	1	
5	GU98350416	Tornillo M8x16	4	
6	GU95008208	Arandela 8,4X15X1,5	4	
7	GU98110199	Perno M10x205	1	
8	GU95008210	Arandela 10,2X18X2	11	
9	GU92606210	Tuerca M10x1,5	3	
10	2B001035	Perno 234X10	2	
11	GU32457810	Protección	2	
12	GU98682414	Tornillo Allen	2	
13	AP8120311	Goma *	2	
14	GU66103415	Goma	2	

Grupo	BASTIDOR
Código	33.02
Descripción	Bastidor II
Revisión	1



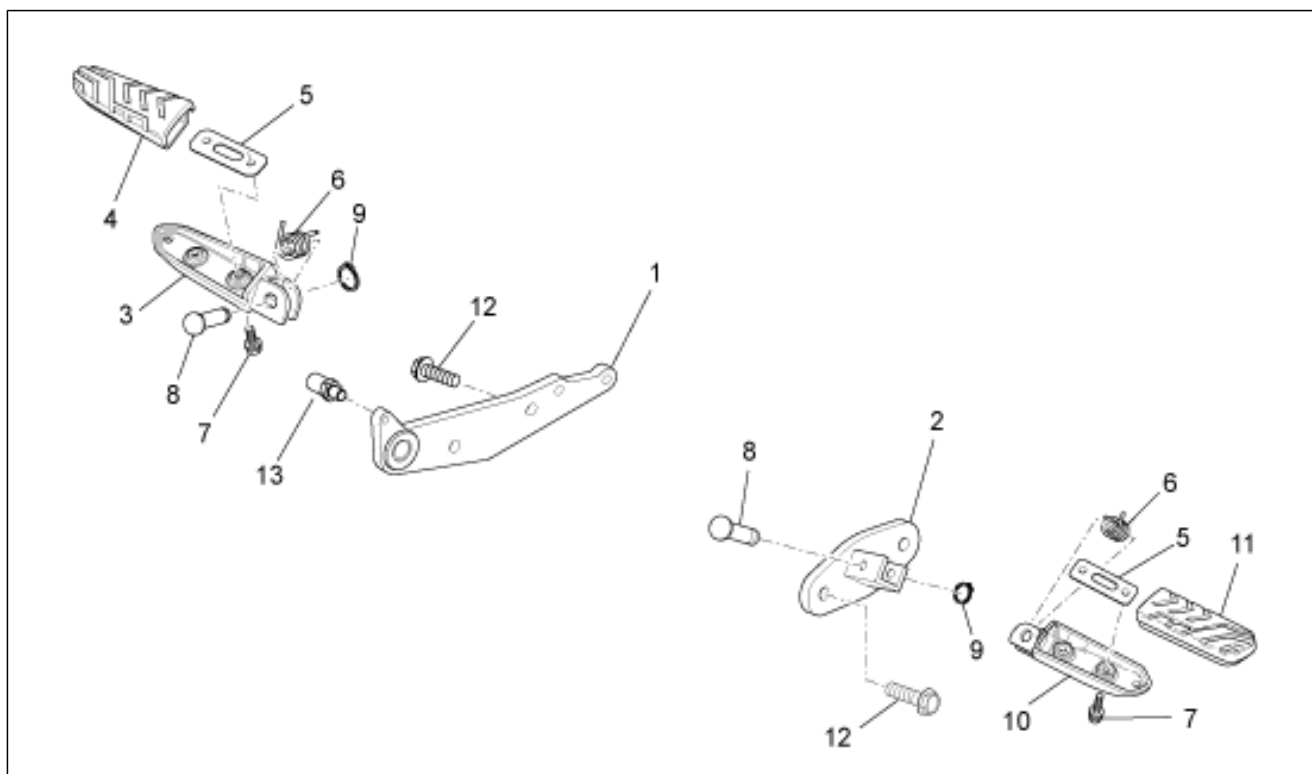
Pos.	Código	Descripción	Cant.	Variantes
1	2B000980	Braccio culla SX	1	
2	2B000988	Braccio culla DX	1	
3	2B001612	Perno M10X199	1	
4	GU19017000	Buje	2	
5	GU92606210	Tuerca M10x1,5	3	
6	GU95008210	Arandela 10,2X18X2	3	
7	GU98082565	Tornillo M10x65	2	
8	2B001008	Buje	1	
9	2B001004	Placa unión	1	
10	2B001230	Perno 278X10	1	
11	AP8152220	Arandela	2	
12	AP8150436	Tuerca autobloq.baja	1	

Grupo	BASTIDOR
Código	33.03
Descripción	Caballote lateral
Revisión	1



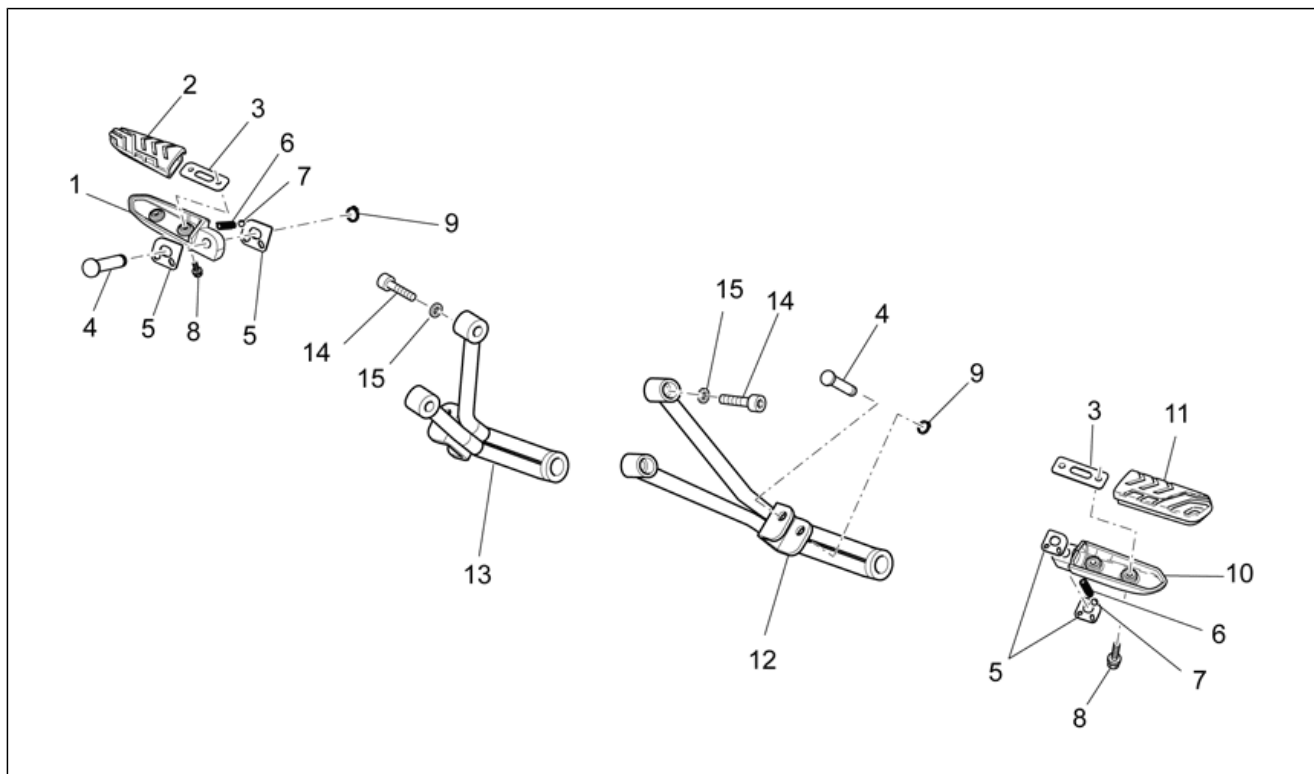
Pos.	Código	Descripción	Cant.	Variantes
1	2B001033	Caballote lateral	1	
2	AP8121375	Tornillo fij. caballote	1	
3	AP8121014	Muelle hél.cil.trac. *	1	
4	AP8102524	Prot.mueller caball.	1	
5	AP8221197	Mlle retorno caball.	1	
6	967356	Tuerca con reborde M10x1,25	1	
7	GU00823923140	Kit motor arr.	1	
8	AP8127856	Interrupt. caballote	1	
9	GU98612216	Tornillo Allen	2	
10	GU95020105	Arandela 5,3x8,9x2,4	2	

Grupo	BASTIDOR
Código	33.04
Descripción	Estribos piloto
Revisión	1



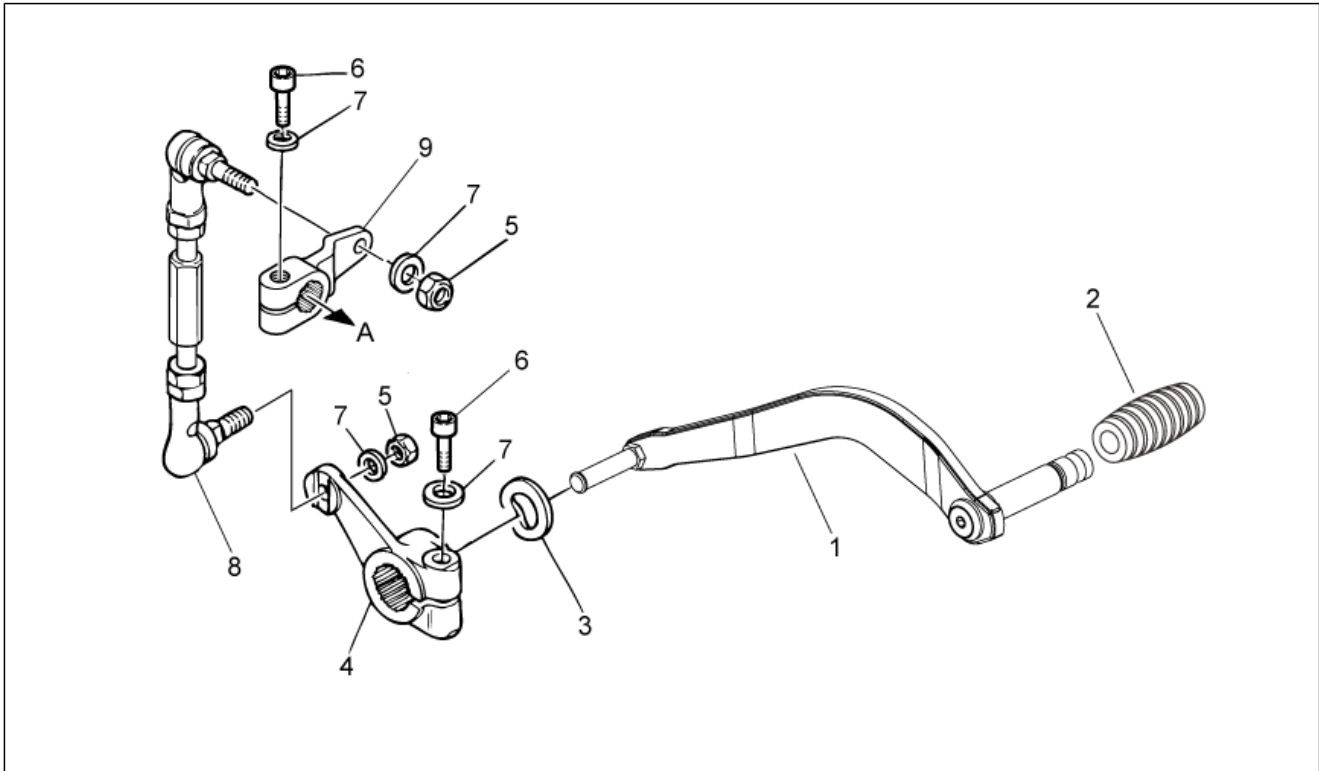
Pos.	Código	Descripción	Cant.	Variantes
1	883051	SopORTE estribo dcho	1	
2	883052	Sop.estr.izq.	1	
3	AP8145034	Estribo piloto der.	1	
4	GU32443210	Goma	1	
5	GU32441210	Placa	2	
6	AP8221277	Muelle retorno estribo	2	
7	AP8152277	Torn. CH con reborde M6x12	4	
8	CM228401	Perno estribo	2	
9	AP8120573	Anillo de tope radial	2	
10	AP8145035	Estribo piloto izq.	1	
11	GU32443211	Goma	1	
12	GU98682416	Tornillo Allen M8x16	4	
13	B063132	Utée	1	

Grupo	BASTIDOR
Código	33.05
Descripción	Estribos pas.
Revisión	1



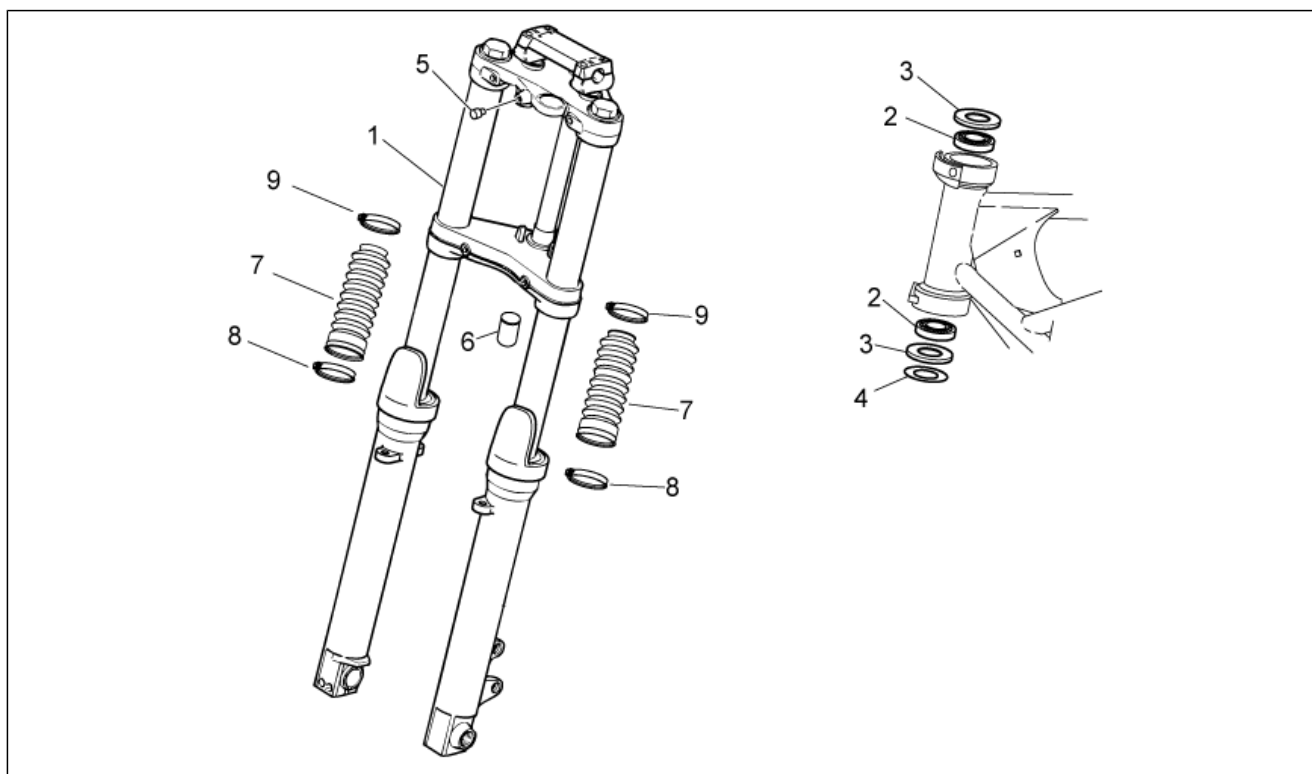
Pos.	Código	Descripción	Cant.	Variantes
1	GU32442310	Estribo pasaj .der.	1	
2	GU32443210	Goma	1	
3	GU32441210	Placa	2	
4	CM228401	Perno estribo	2	
5	AP8134451	Placa fin carr.estr.	4	
6	AP8121133	Mlle hél.cil.compr.	2	
7	AP8101861	Bola D6,35	2	
8	AP8152277	Torn. CH con reborde M6x12	4	
9	AP8120573	Anillo de tope radial	2	
10	GU32442710	Estribo pasaj .izq.	1	
11	GU32443211	Goma	1	
12	2B000349	Supporto pedane passeggero sx con Pi	1	
13	2B000348	Supporto pedane passeggero dx con PI	1	
14	GU98682416	Tornillo Allen M8x16	4	
15	GU14615901	Arandela 8,4X13X0,8	4	

Grupo	BASTIDOR
Código	33.06
Descripción	Palanca cambio
Revisión	1



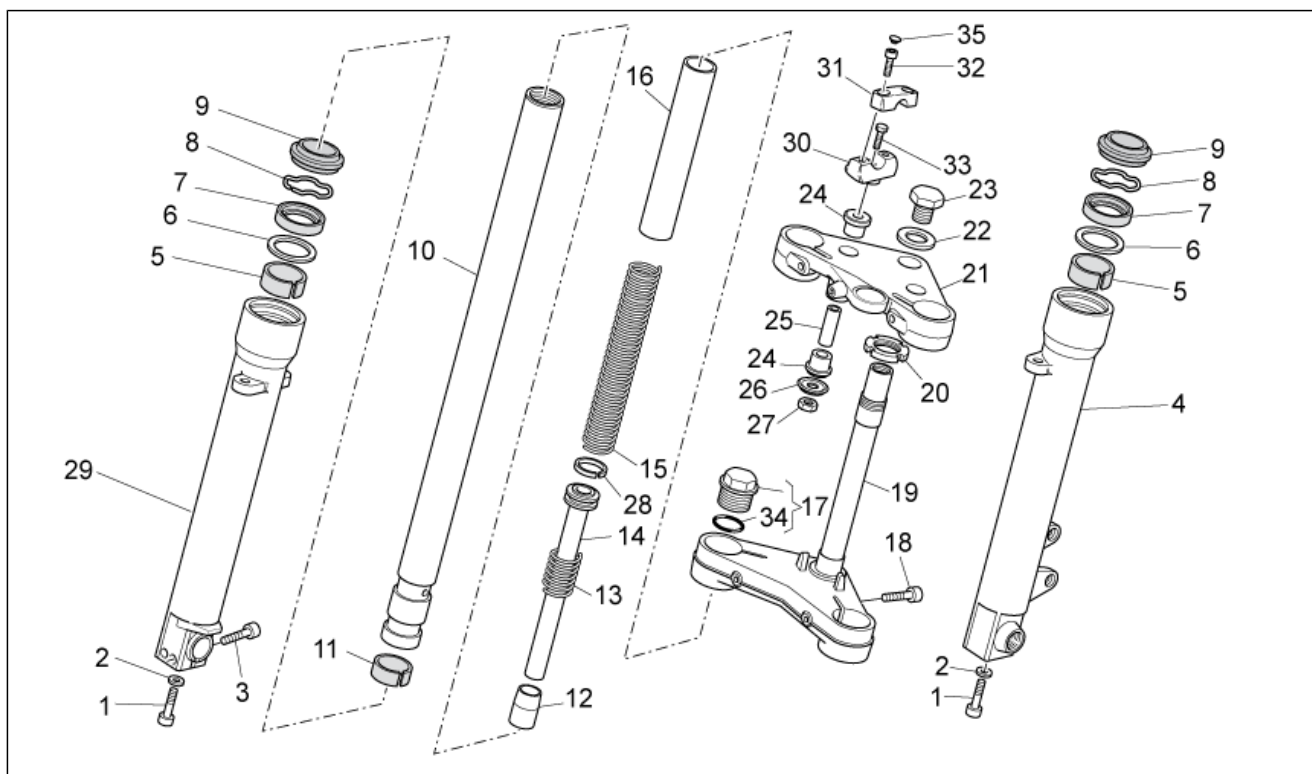
Pos.	Código	Descripción	Cant.	Variantes
1	2B001096	Palanca cambio	1	
2	AP8120912	Goma para palanca	1	
3	GU95129260	Arandela elástica	2	
4	898283	Palanca cambio	1	
5	GU92630707	Tuerca	2	
6	GU98632322	Tornillo	2	
7	GU03013800	Arandela 6,4x12	3	
8	2B001941	Tirante del mando del cambio	1	
9	GU20258221	Leva pre-selector	1	

Grupo	BASTIDOR
Código	33.07
Descripción	HORQUILLA DELANTERA I
Revisión	1



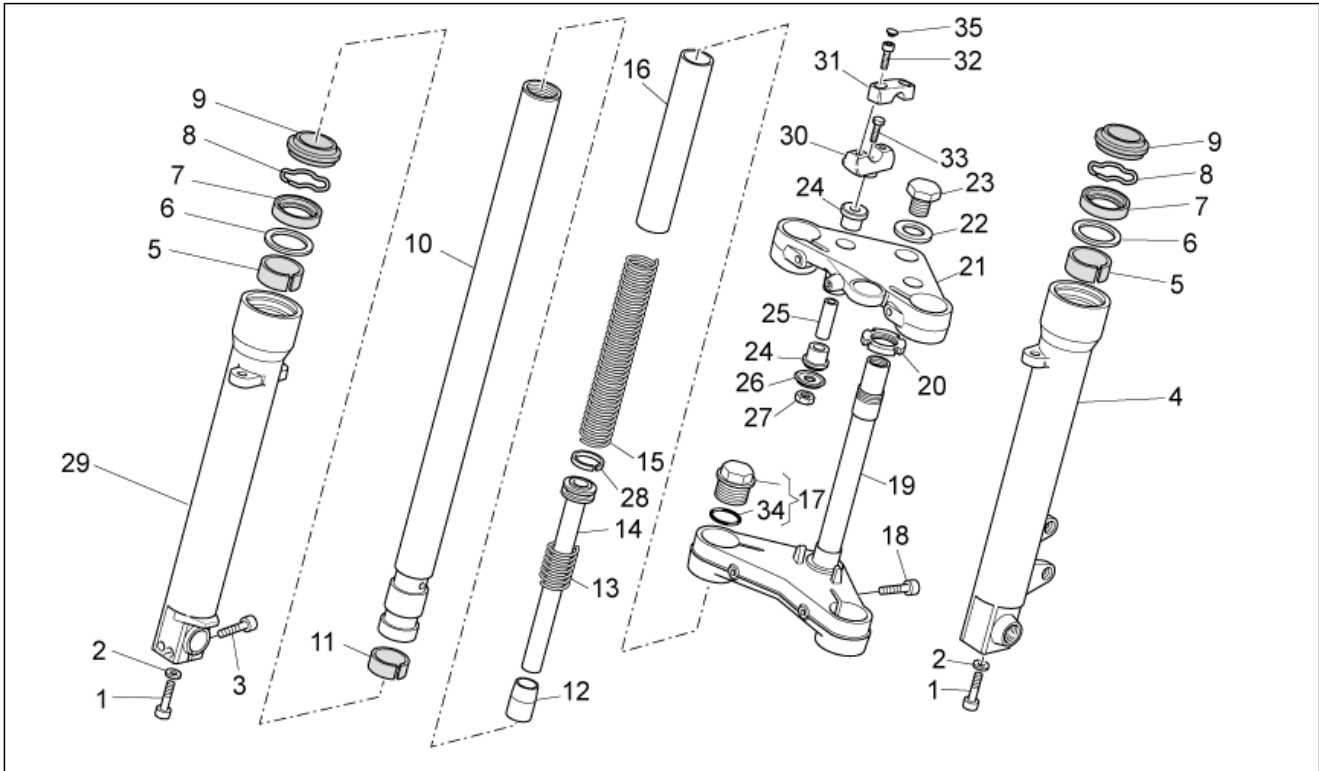
Pos.	Código	Descripción	Cant.	Variantes
1	2B001425	Horquilla completa	1	
2	GU92249225	Coj. rodillos cónicos	2	
3	AP8144146	Gasket ring	1	
4	AP8121307	Arandela	1	
5	AP8144081	Goma	1	
6	AP8220460	Cubeta de goma	1	
7	898086	Fuelle horquilla	2	
8	CM001928	Faja stringitubo 44	2	
9	CM001929	Fascetta stringitubo 63.5	2	

Grupo	BASTIDOR
Código	33.08
Descripción	HORQUILLA DELANTERA II
Revisión	1



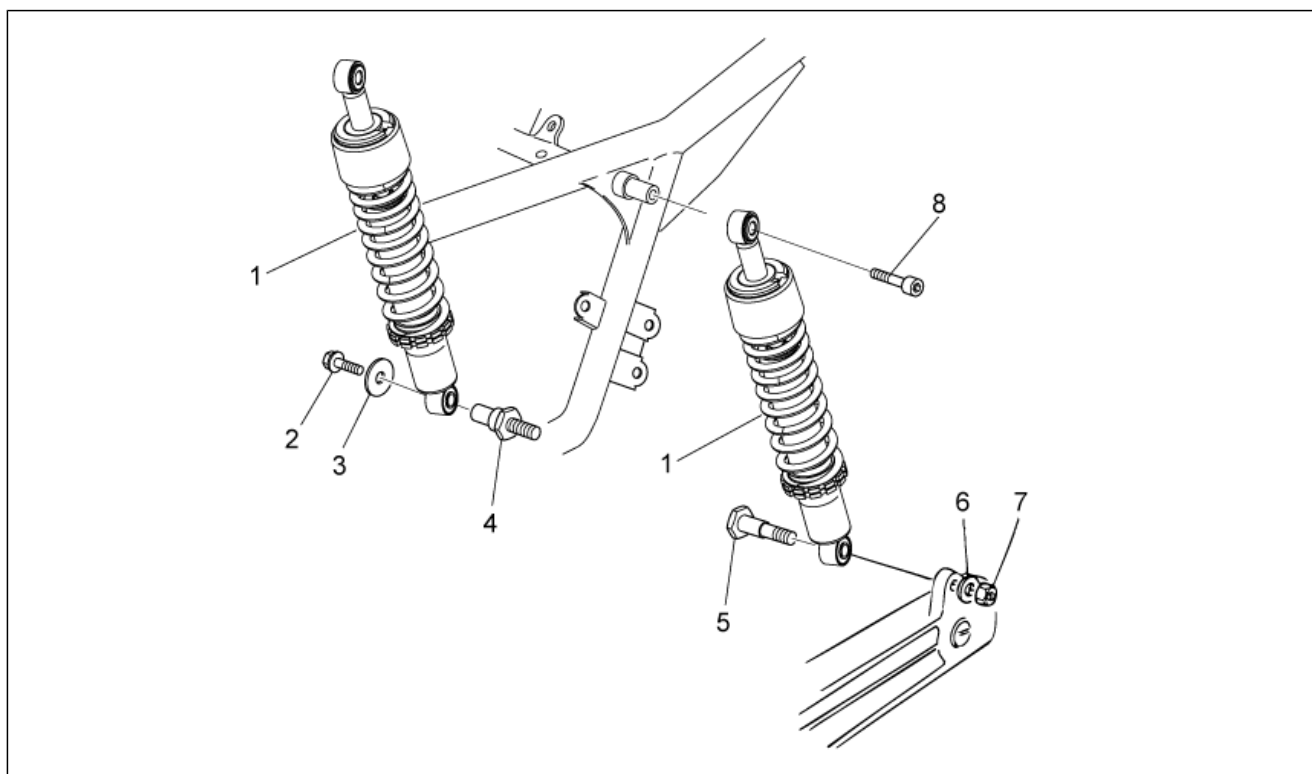
Pos.	Código	Descripción	Cant.	Variantes
1	887878	Tornillo M10x30	2	
2	887879	Arandela	2	
3	887880	Tornillo	2	
4	2R000110	Funda izq.	1	
5	887882	Casquillo superior	2	
6	887883	Arandela	2	
7	887884	Gasket ring	2	
8	887885	Anillo de tope	2	
9	887886	Guardapolvo	2	
10	2B001591	Funda	2	
11	887888	Buje	2	
12	887889	Taco	2	
13	887890	Contramuelle	2	
14	887891	Hidráulico cpl.	2	
15	2R000243	Muelle	2	
16	887893	Tubo	2	
17	887894	Gr. tapón cpl.	2	
18	887895	Tornillo	2	
19	887896	Base con manguito	1	
20	GU31513480	Virola M25X1	1	
21	887898	Chapa superior	1	
22	887899	Arandela	1	
23	887900	Tuerca	1	
24	887901	Goma	4	
25	887902	Distanciadore	2	
26	887903	Cubeta	2	
27	887904	Tuerca	2	
28	887905	Segmento	2	

Grupo	BASTIDOR
Código	33.08
Descripción	HORQUILLA DELANTERA II
Revisión	1



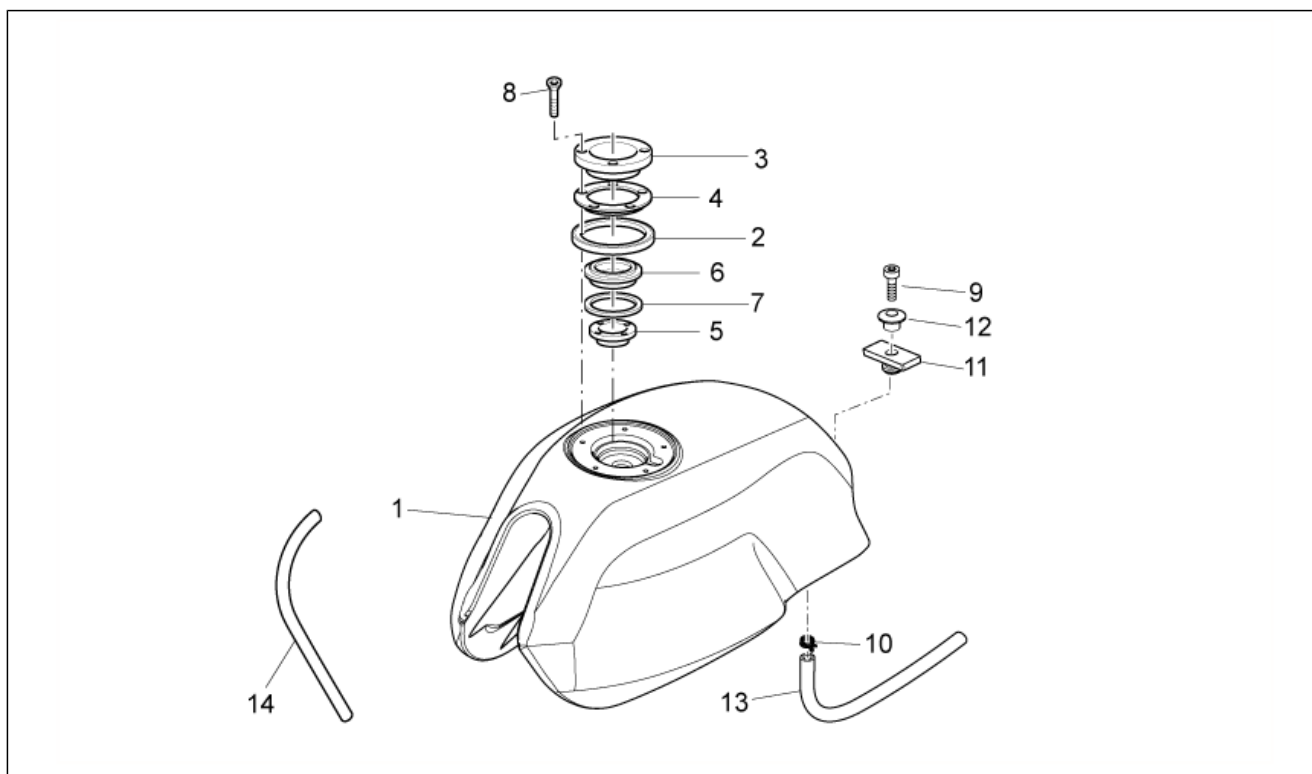
Pos.	Código	Descripción	Cant.	Variantes
29	2R000109	Funda der.	1	
30	887912	Perno inferior	2	
31	887913	Horquilla.	2	
32	887914	Tornillo M8x30	4	
33	887915	Tornillo M10x60	2	
34	887916	Junta tórica 4118	2	
35	GU23943410	Tapón cromado	4	

Grupo	BASTIDOR
Código	33.11
Descripción	Tras.Amortiguador
Revisión	1



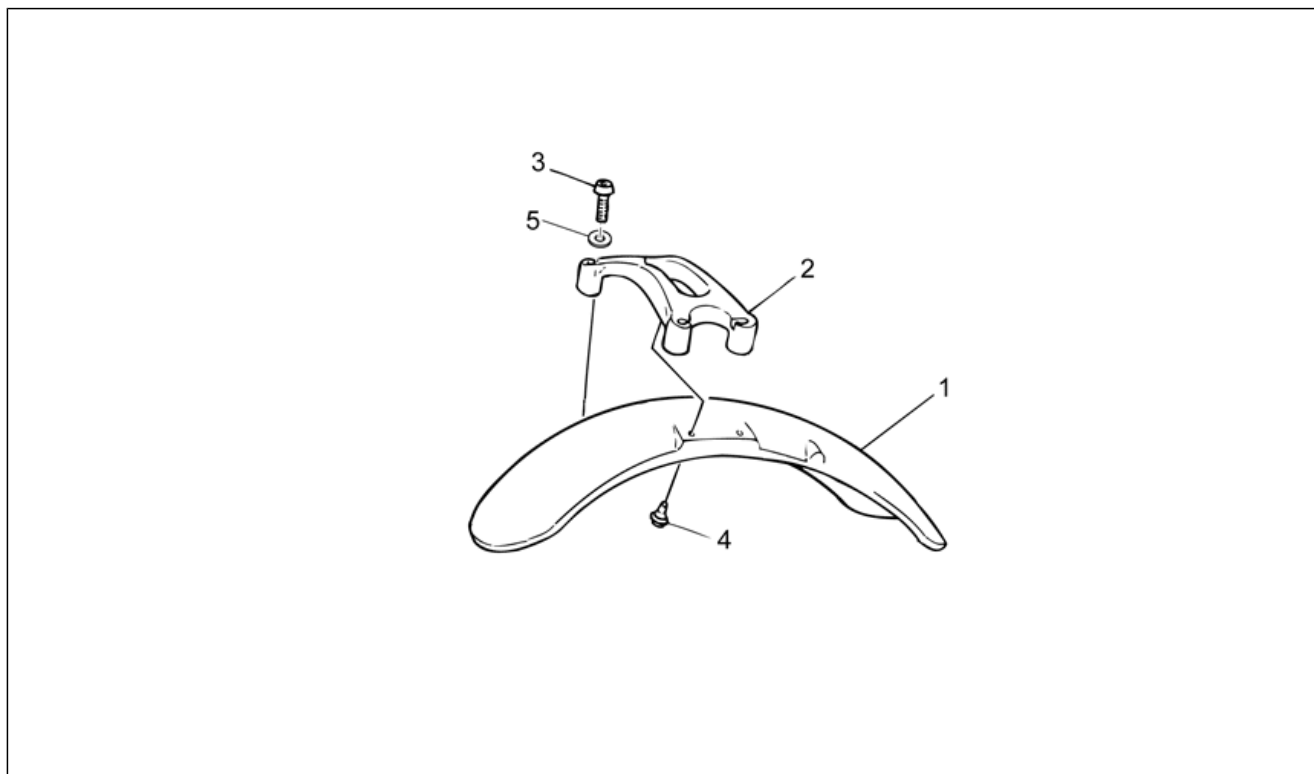
Pos.	Código	Descripción	Cant.	Variantes
1	2B000899	Amortiguador trasero	2	
2	AP8152278	Torn. CH con reborde M6x16	1	
3	898164	Distanc. amortig.	1	
4	GU32555210	Perno	1	
5	GU32555211	Perno	1	
6	GU95129181	Arandela	1	
7	GU92606210	Tuerca M10x1,5	1	
8	GU98690335	Tornillo Allen	2	

Grupo	BASTIDOR
Código	33.12
Descripción	Depósito gasolina
Revisión	1



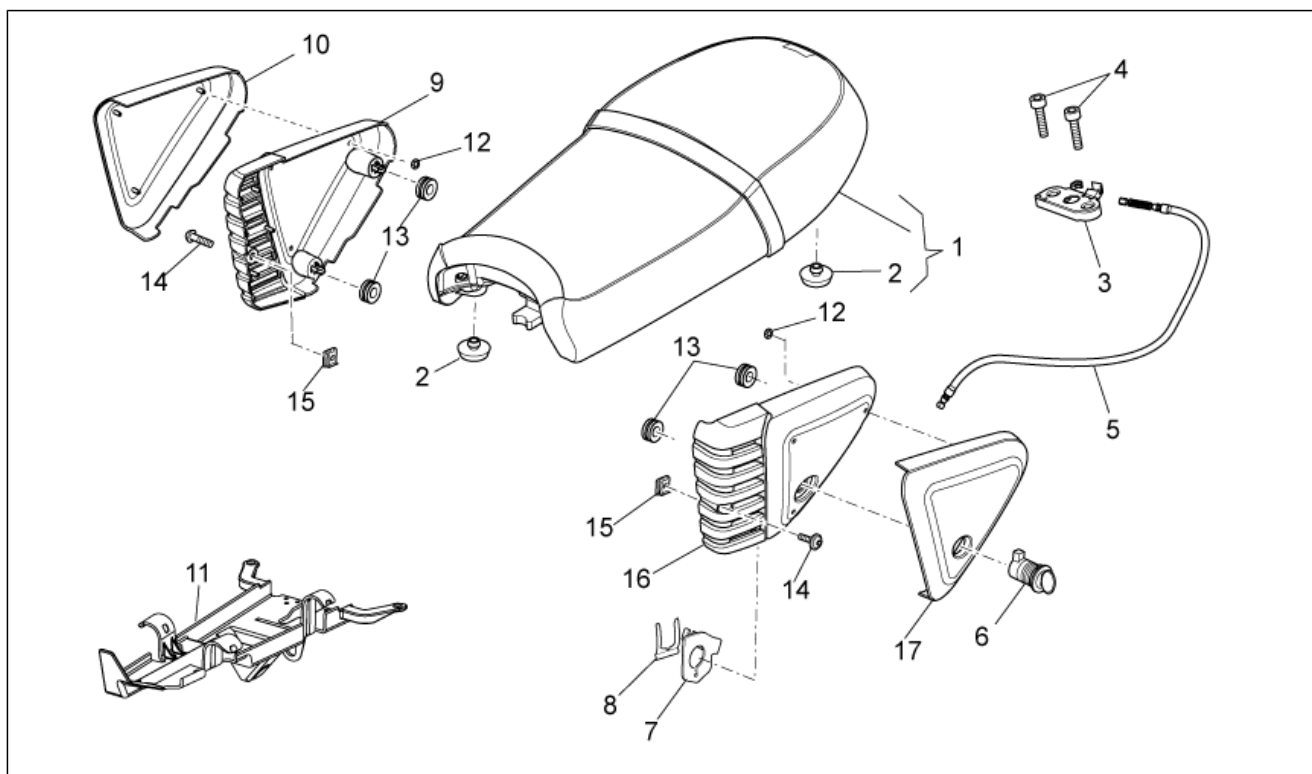
Pos.	Código	Descripción	Cant.	Variantes
1	2H000414000XN6	Depós. gas. p. negro	1	COLOR VEHÍCULO: Negro Diablo[ND] Especificaciones técnicas: Con calco[D]
1	2H000414000YE6	Depósito gasolina pint. gris	1	COLOR VEHÍCULO: Grigio York[Gy] Especificaciones técnicas: Con calco[D]
1	2H000414000YG4	Cub. dep.gas. p.amarillo	1	COLOR VEHÍCULO: Giallo Melon[GM] Especificaciones técnicas: Con calco[D]
1	2H000414000YR2	Depósito gasolina pint. rojo	1	COLOR VEHÍCULO: Rojo Ibis[RI] Especificaciones técnicas: Con calco[D]
1	887207	Depósito gasolina en bruto	1	COLOR VEHÍCULO:
2	GU03102400	Junta Der.	1	
3	GU03101900	Brida	1	
4	GU03103500	Anillo	1	
5	GU03101720	Reducción 38 mm	1	
6	GU03102200	Tuerca para tapon	1	
7	GU03101600	Junta	2	
8	GU03103200	Tornillo	5	
9	GU98682430	Tornillo Allen M8x30	1	
10	AP8101595	Abrazadera D10,1	1	
11	AP8120557	Goma depósito	1	
12	AP8121673	Buje en 'T' *	1	
13	GU00823944050	Tubo 5X9	1	
14	2B000909	Junta	1	

Grupo	BASTIDOR
Código	33.13
Descripción	Carrocería del. - Guardab. Delantero
Revisión	1



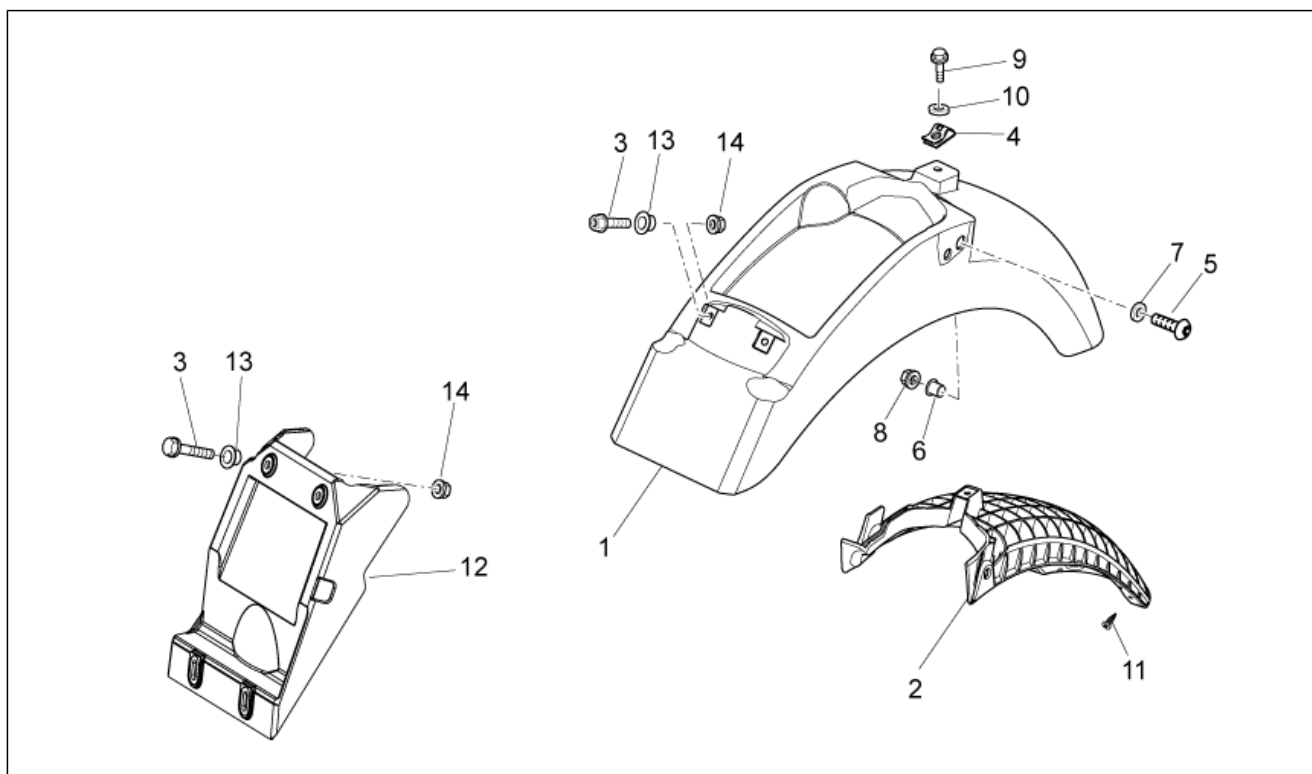
Pos.	Código	Descripción	Cant.	Variantes
1	88635200XN6	Guardab.del.negro	1	
1	GU32434460	Guardab.delantero bas.	1	COLOR VEHÍCULO:En bruto[GR]
2	883266	Lamina	1	
3	GU98370845	Tornillo	4	
4	GU31439565	Tornillo especial	4	
5	GU14615901	Arandela 8,4X13X0,8	4	

Grupo	BASTIDOR
Código	33.14
Descripción	Sillín-Carrocería cent.
Revisión	1



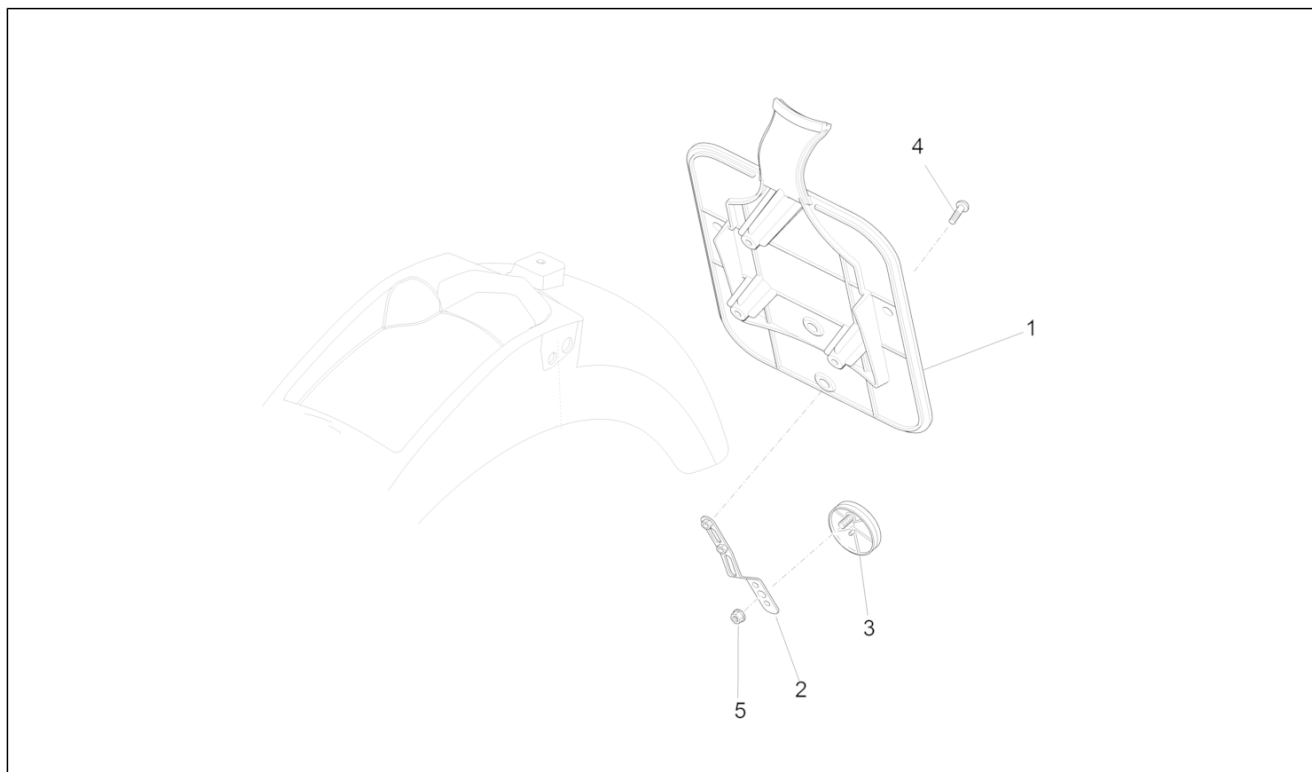
Pos.	Código	Descripción	Cant.	Variantes
1	2B000880	Sillin	1	
2	GU32461610	Goma	8	
3	AP8102913	Placa fij.sil.pasaj.	1	
4	GU98370625	Tornillo	2	
5	883295	Cable cerradura sill.	1	
6	977527	Cerradura con llaves incluidas	1	
7	AP8121420	Muelle de horquilla	1	
8	978415	Placa soporte cable	1	
9	2B000878	Later.peq.der.p.	1	
10	2H000722000XN6	Lat. peq. der.p.negro	1	Especificaciones técnicas:Con calco[D]
10	978940	Later.peq.der.p.gris	1	COLOR VEHÍCULO:En bruto[GR]
11	B063431	Protection	1	
12	AP8150450	Arandela para ejes D5	1	
13	GU91551086	Goma	4	
14	AP8152339	Tornillo con reborde M5x9	2	
15	AP8102375	Clip m5	2	
16	2B000840	Later.peq.izq. p.	1	
17	2H000723000XN6	Lat. peq. izq.p.negro	1	Especificaciones técnicas:Con calco[D]
17	978943	Later.peq.izq. p.gris	1	COLOR VEHÍCULO:En bruto[GR]

Grupo	BASTIDOR
Código	33.15
Descripción	Car.tr. I- Gdab
Revisión	1



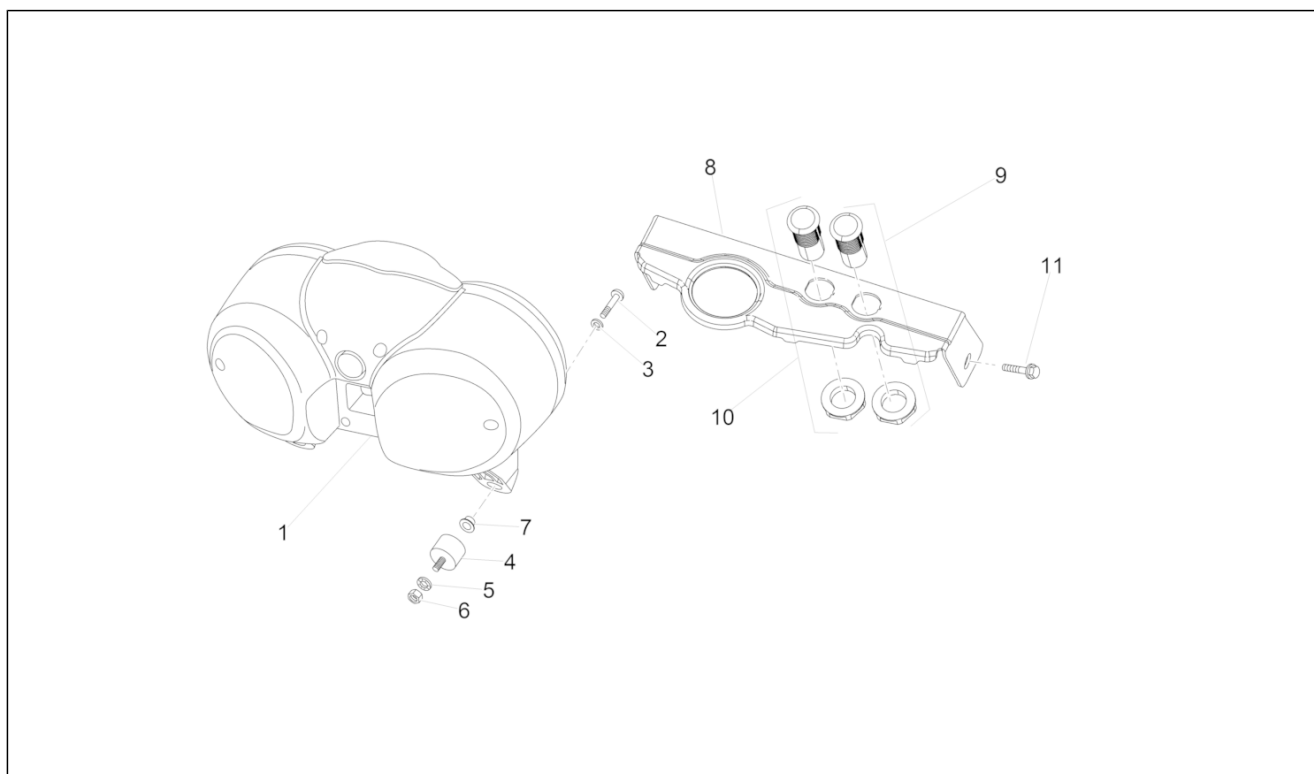
Pos.	Código	Descripción	Cant.	Variantes
1	978946	Guardabarros tras.bas.	1	
1	97894600XN6	Guardabarros tras. negro	1	AÑO: COLOR VEHÍCULO: Negro Diablo[ND]
2	978947	Soporte	1	
3	AP8152278	Torn. CH con reborde M6x16	4	
4	254485	Placa elastica M6	1	
5	GU98690435	Tornillo Allen M8x35	2	
6	GU91120806	Distanciador	2	
7	GU95005310	Arandela 8,4x18x2	2	
8	GU92630108	Tuerca	2	
9	AP8152279	Torn. CH con reborde M6x20	2	
10	AP8121032	Buje	2	
11	AP8152329	Torn. c.cruz reborde M5x20	3	
12	2B001783	Parasalp. trasero	1	
13	AP8121032	Buje	6	
14	AP8152299	Tuerca autobloqueante M6	6	

Grupo	BASTIDOR
Código	33.16
Descripción	Carroc.tras.II - Portamatrícula
Revisión	1



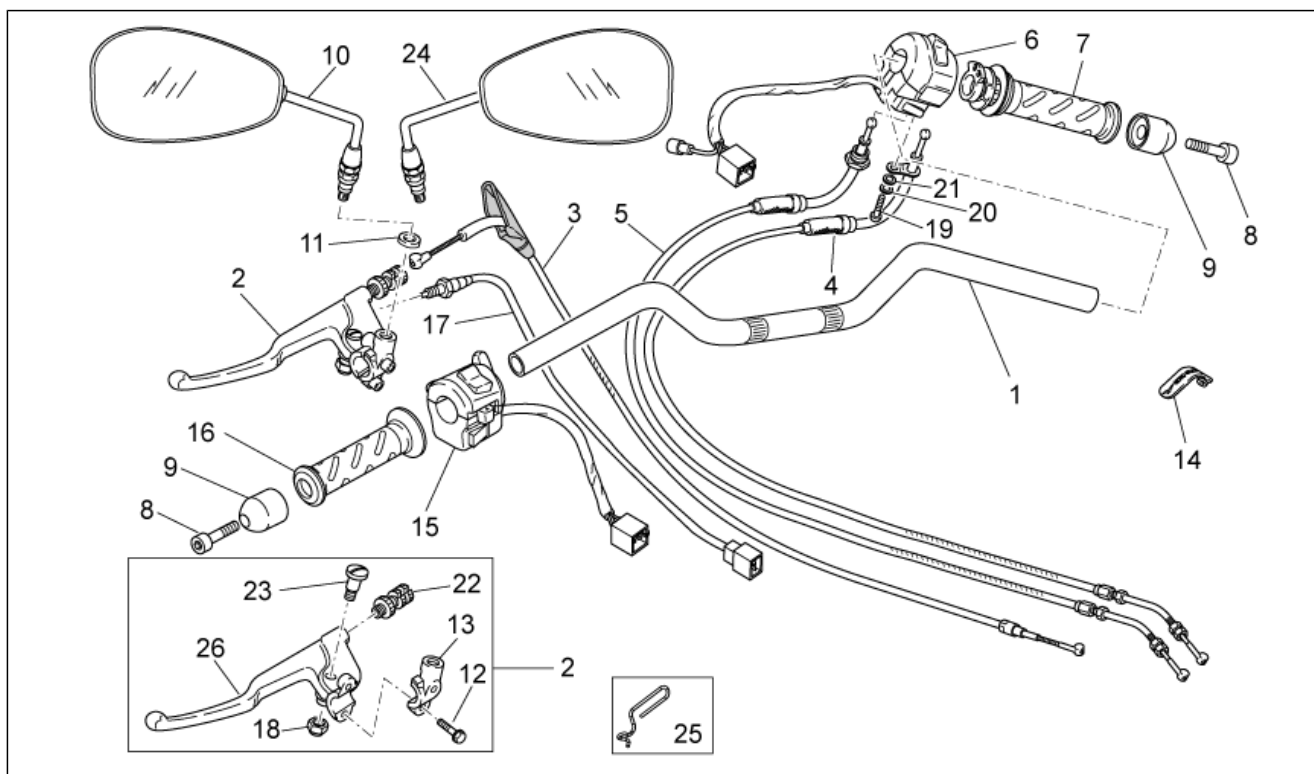
Pos.	Código	Descripción	Cant.	Variantes
1	978949	Portamatrícula	1	
2	AP8134448	Soporte catafaro	1	
3	AP8224164	Catafaro trasero rojo	1	
4	GU98230510	Tornillo	1	
5	AP8152306	Tuerca autobloqueante m5	1	

Grupo	BASTIDOR
Código	33.17
Descripción	Salpicadero
Revisión	1



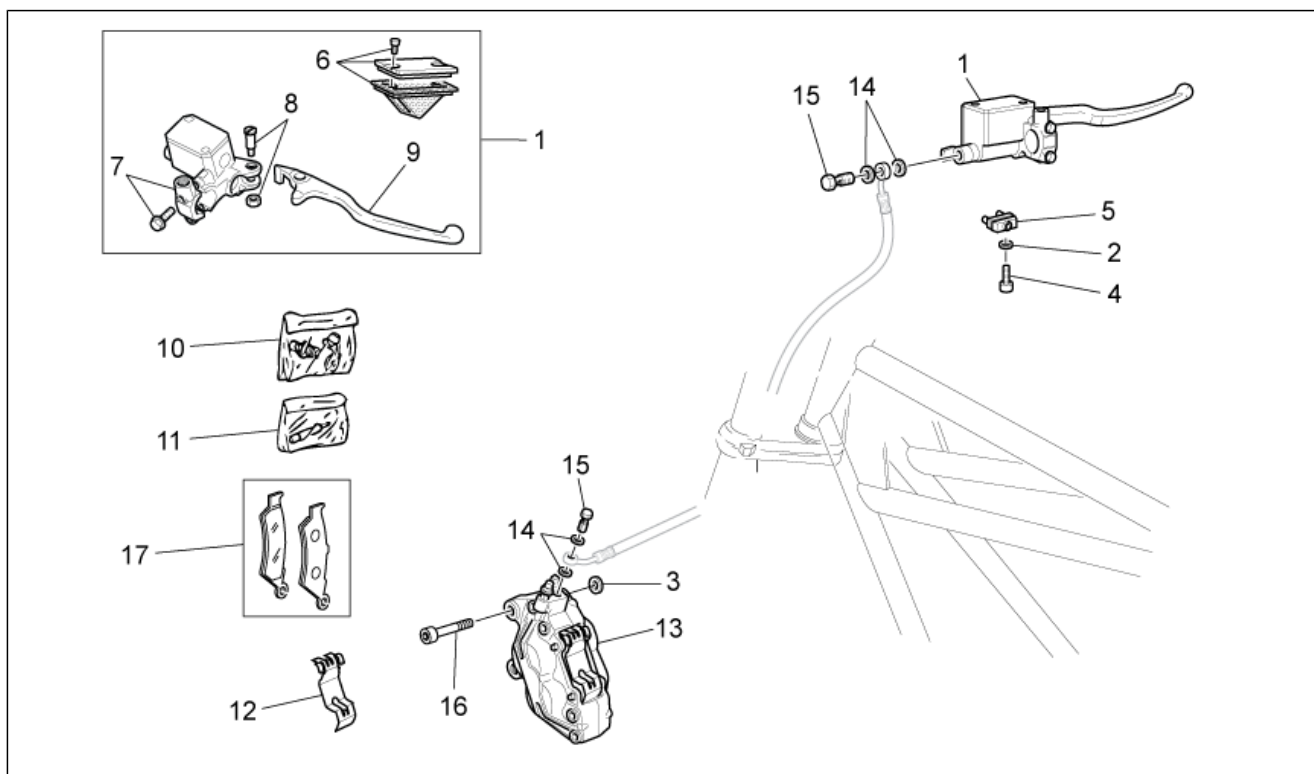
Pos.	Código	Descripción	Cant.	Variantes
1	887194	Salpicadero completo km/h	1	
2	GU98370609	Tornillo M6x10	3	
3	GU95005306	Arandela 6,4x13x1,5	3	
4	GU93222023	Casquillo elástico	3	
5	GU95021206	Arandela	3	
6	GU92606206	Tuerca	3	
7	AP8121032	Buje	3	
8	2B001101	Marco instrumento	1	
9	2D000022	Testigos MGCT	1	
10	2D000021	Testigos ABS	1	
11	GU98692414	Tornillo M8x14	2	

Grupo	BASTIDOR
Código	33.18
Descripción	Manillar - Mandos
Revisión	1



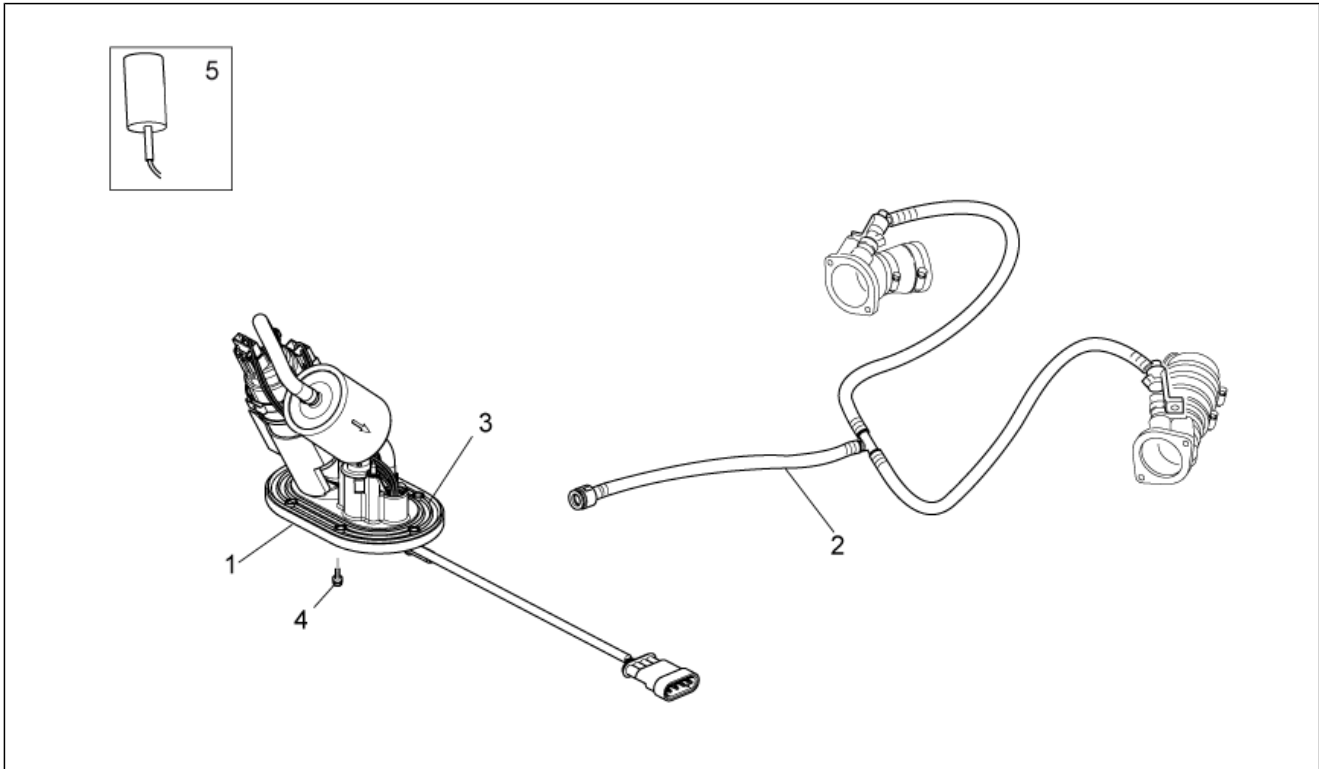
Pos.	Código	Descripción	Cant.	Variantes
1	978960	Manillar	1	
2	2B001300	Palanca embrague completa	1	
3	2B001202	Cable embrague	1	
4	887852	Cable apertura gas	1	
5	887853	Cable cierre gas	1	
6	B063135	Conmut. luces der.	1	
7	GU32603310	Puño der.	1	
8	GU98690335	Tornillo Allen	2	
9	AP8104509	Peso antivib.p.negro	2	
10	2B001048	Espejo retrovisor der.	2	
11	GU91181003	Distanciador 10,25X20X4	2	
12	GU97202325	Torn. CH con reborde neg. M6x25	2	
13	GU30601060	Grapa	1	
14	GU01609630	Abrazadera L46 mm	2	
14	GU03609600	Abrazadera L36 mm	1	
15	B063975	Conmut. luces izq.	1	
16	GU32603010	Puño izq.	1	
17	GU29759150	Interrupt. caballete	1	
18	AP8213388	Tuerca autobloqueante	1	
19	GU98230510	Tornillo	1	
20	GU95008305	Arandela 5,3X10X1	1	
21	GU95021105	Arand. Dentada	1	
22	GU30602500	Registro	1	
23	AP8213028	Tornillo	1	
24	2B001049	Espejo retrovisor izq.	1	
25	2B001138	Pasacables	1	
26	2B001998	Palanca mando embrague	1	

Grupo	BASTIDOR
Código	33.19
Descripción	Eq.freno delantero
Revisión	1



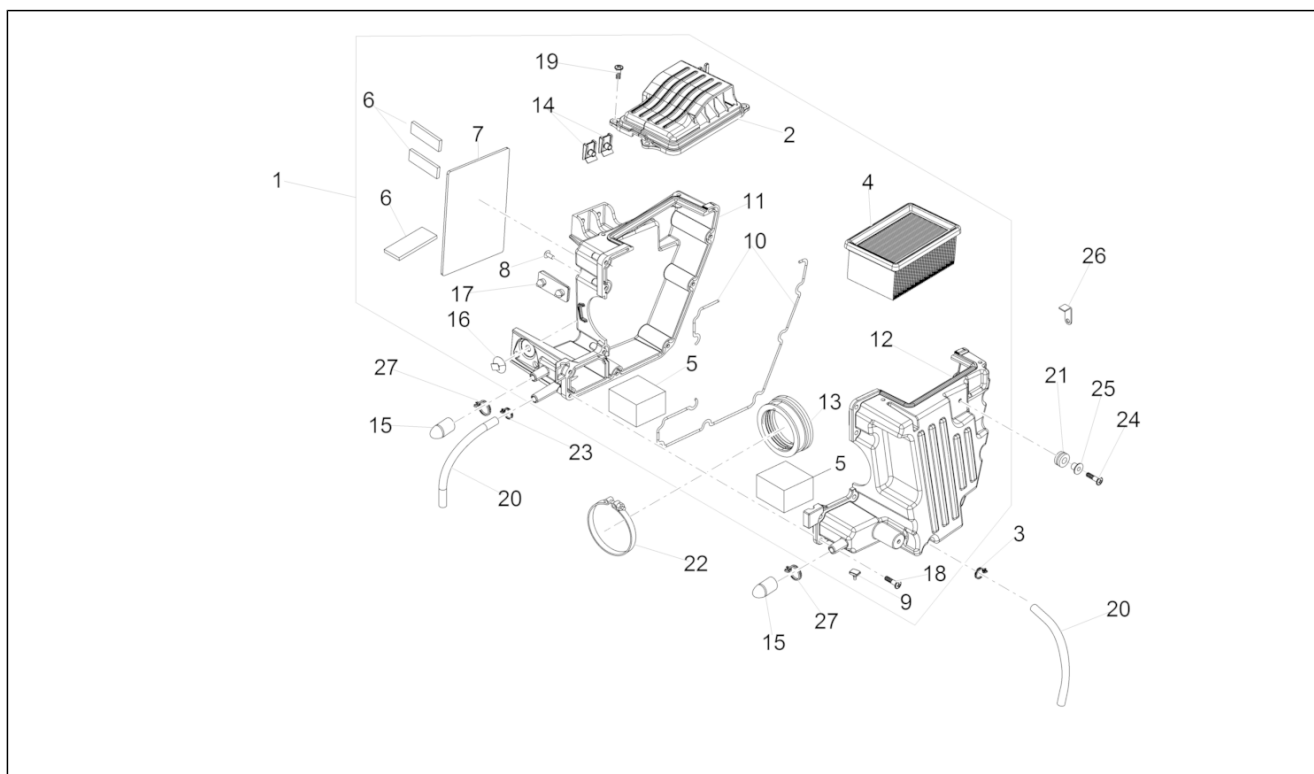
Pos.	Código	Descripción	Cant.	Variantes
1	2B001199	Bomba freno del.	1	
2	GU95021104	Arandela 4,3x8x1,5	1	
3	GU91181003	Distanciador 10,25X20X4	2	
4	AP8152043	Tornillo Allen M4x10	1	
5	GU03749845	Interruptor de stop	1	
6	2B001928	Tapa bomba	1	
7	2B001929	Perno de U	1	
8	2B001927	Perno palanca cpl.	1	
9	2B001926	Palanca de freno	1	
10	GU05659230	Purga + capuchón	1	
11	GU01659130	Pernos+muelles pinza	1	
12	GU01659131	Muelle	1	
13	2B001197	Pinza freno del. izq.	1	
14	AP8113004	Arandela 10x14x1,6*	4	
15	AP8113003	Tornillo tubo aceite *	2	
16	AP8152385	Tornillo Allen M10x1,25	2	
17	883673	Pastillas-par	1	

Grupo	BASTIDOR
Código	33.21
Descripción	Bomba gasolina
Revisión	1



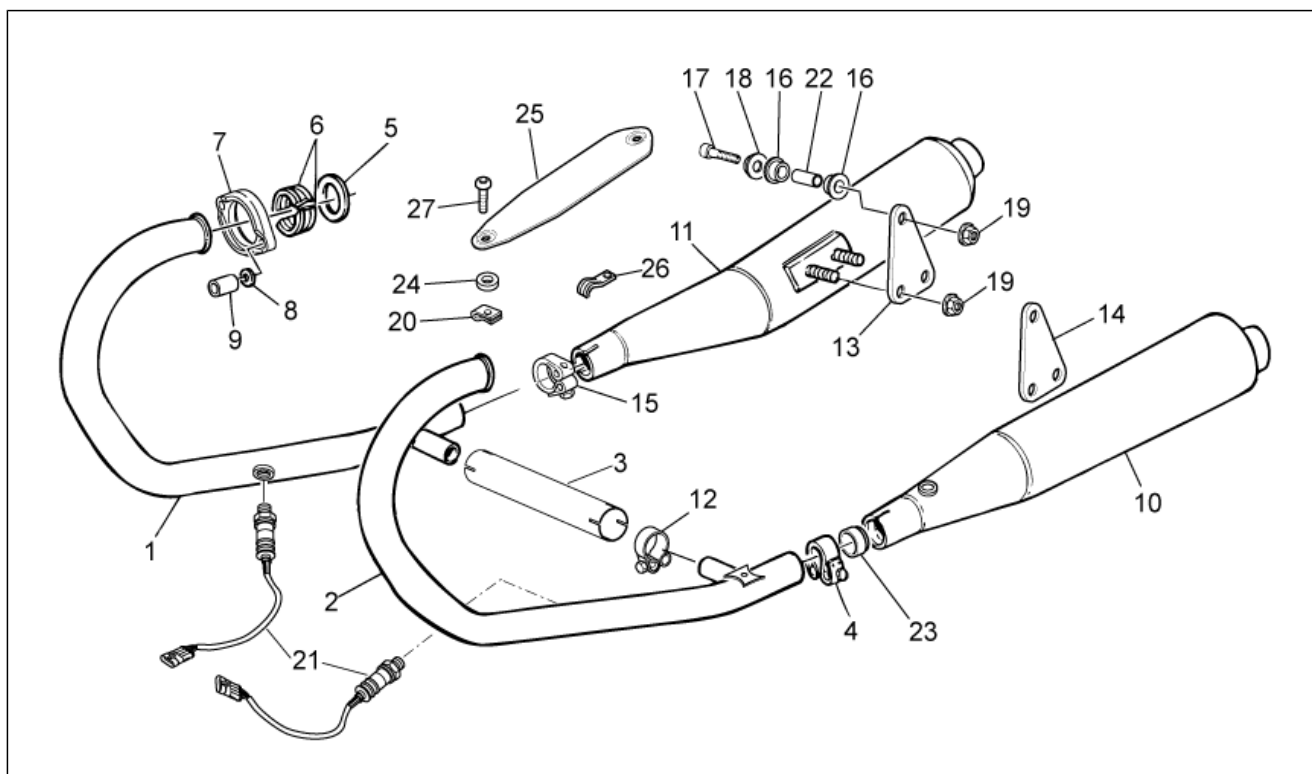
Pos.	Código	Descripción	Cant.	Variantes
1	B063752	Bomba carburante	1	
2	2B001342	Tubo gasolina	1	
3	GU05107430	Junta Der.	1	
4	AP8152273	Tornillo con reborde M5X15	6	
5	887787	Sensor nivel gasol.	1	

Grupo	BASTIDOR
Código	33.22
Descripción	CAJA DEL FILTRO
Revisión	1



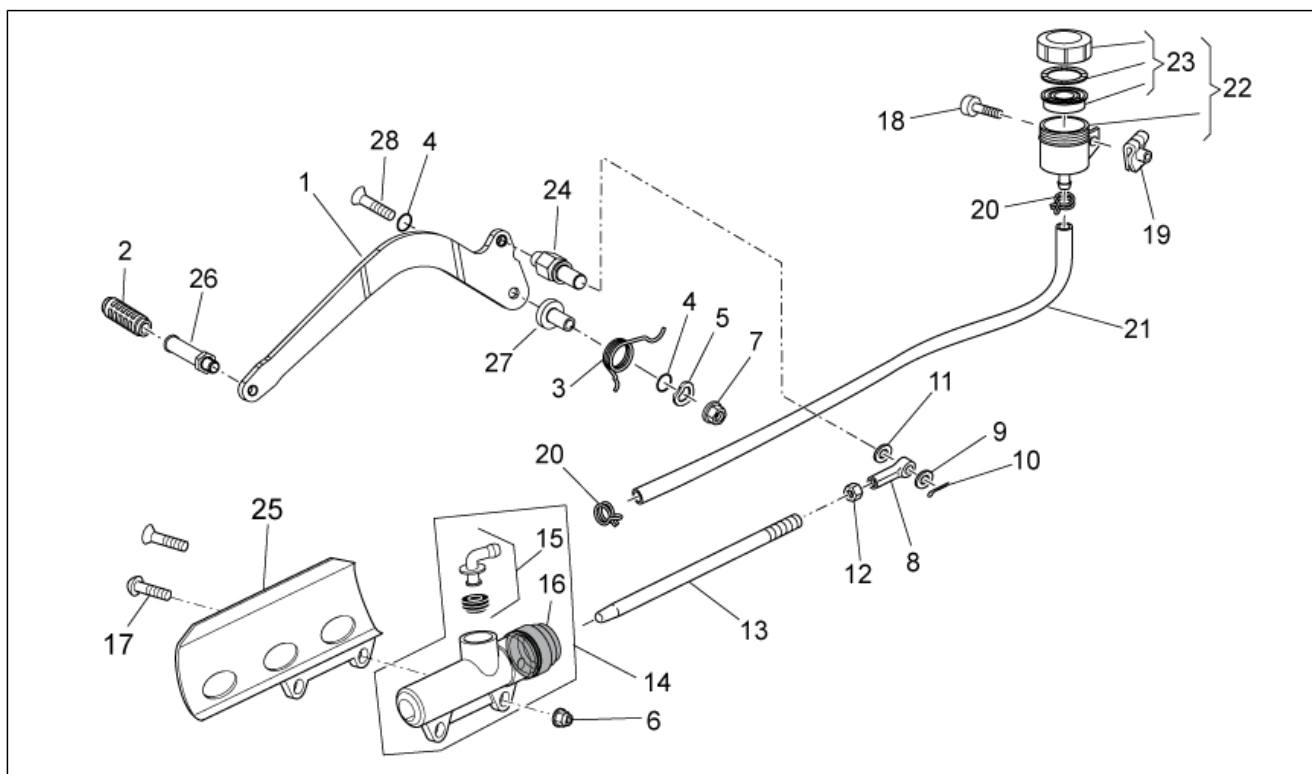
Pos.	Código	Descripción	Cant.	Variantes
1	8878421	Caja del filtro completa	1	
2	887843	Tapa filtro aire	1	
3	AP8201358	Abrazadera D 11,9	1	
4	AP8104924	Filtro aire	1	
5	AP8104525	Filtro blow-by	2	
6	883127	Goma 5mm	1	
7	AP8144553	Goma	1	
8	AP8120876	Tapón de cierre	2	
9	AP8120455	Goma	1	
10	AP8120615	Junta D3	2	
11	887844	Casco der. caja del filtro	1	
12	887845	Casco izq. caja del filtro	1	
13	887815	Manguito de admisión	1	
14	254485	Placa elastica M6	2	
15	AP8161054	Capuchón	2	
16	890760	Soporte instrumentos	1	
17	AP8144729	Taco fin de carrera caballete	1	
18	AP8152329	Torn. c.cruz reborde M5x20	9	
19	AP8150509	Torn. autorr. 5x14	4	
20	AP8120772	Tubo respiradero	1	
21	GU91551010	Goma	2	
22	CM258303	Abrazadera 63	1	
23	AP8102766	Abrazadera	3	
24	AP8152329	Torn. c.cruz reborde M5x20	2	
25	AP8221023	Buje en 'I'	2	
26	GU31112965	Soporte	1	
27	AP8102520	Faja stringitubo	2	

Grupo	BASTIDOR
Código	33.23
Descripción	Grupo de escape
Revisión	1



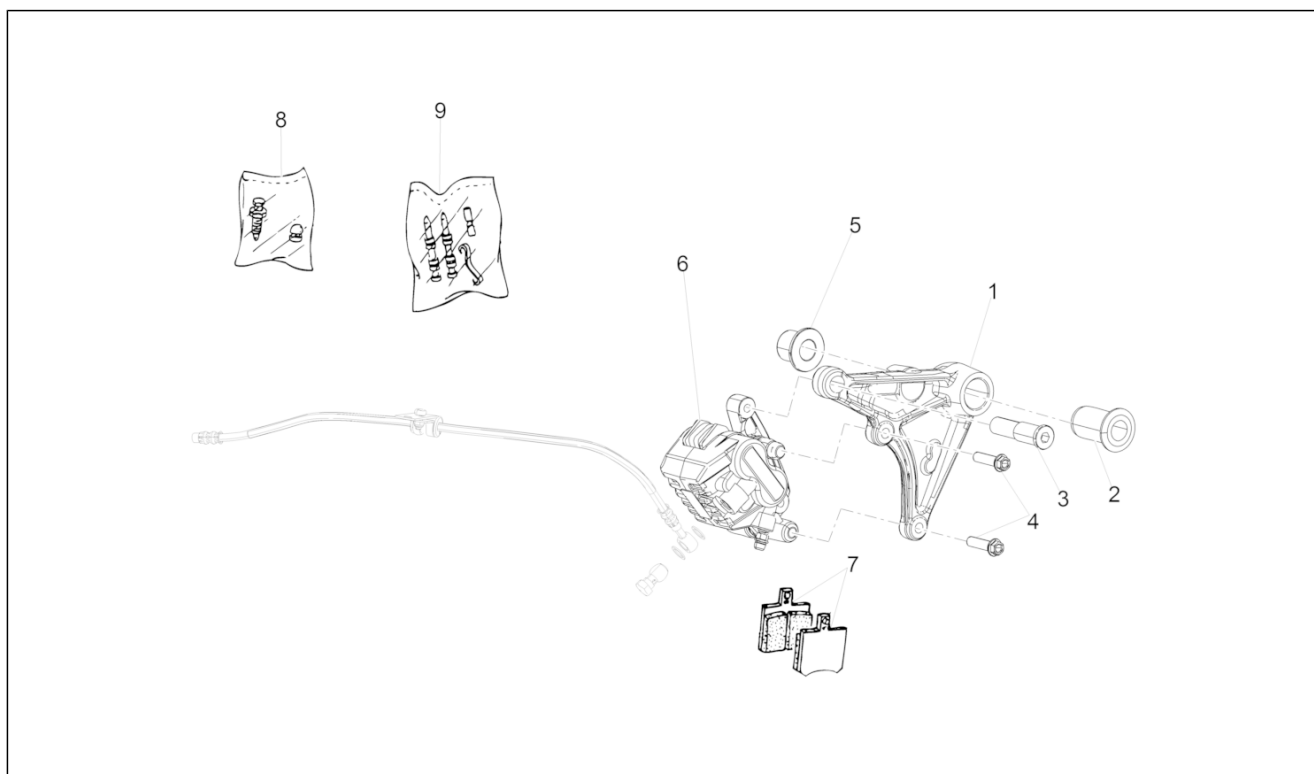
Pos.	Código	Descripción	Cant.	Variantes
1	2B000995	Colector escape der.	1	
2	2B000996	Colector escape izq.	1	
3	B063022	Empalme colectores escape	1	
4	883294	Abrazadera silenciador izq.	1	
5	GU19025280	Junta	2	
6	GU19025460	Distanciadore	4	
7	GU32121010	Virola	2	
8	GU03013800	Arandela 6,4x12	4	
9	GU31121880	Tuerca	4	
10	2B000177	Silenciador izq.	1	
11	2B000176	Silenciador der.	1	
12	978385	Abrazadera	2	
13	883297	Placa der.	1	
14	883298	Placa izq.	1	
15	883293	Abrazadera silenciador der.	1	
16	AP8144071	Goma silencioso	4	
17	GU98690440	Tornillo TCEI M8x40	2	
18	AP8134378	Buje fijación silenciador	2	
19	GU92640508	Tuerca M8	6	
20	254485	Placa elastica M6	2	
21	896110	Sonda lamda l.660 mm	2	
22	AP8121072	Distanciadore	2	
23	GU91113826	Buje	2	
24	AP8120870	Arandela aislante	4	
25	883704	Protec.atérm.silncso	2	
26	GU93301175	Perno U	1	
27	GU98210612	Tornillo con reborde M6x12	4	

Grupo	BASTIDOR
Código	33.26
Descripción	Bomba freno tras.
Revisión	1



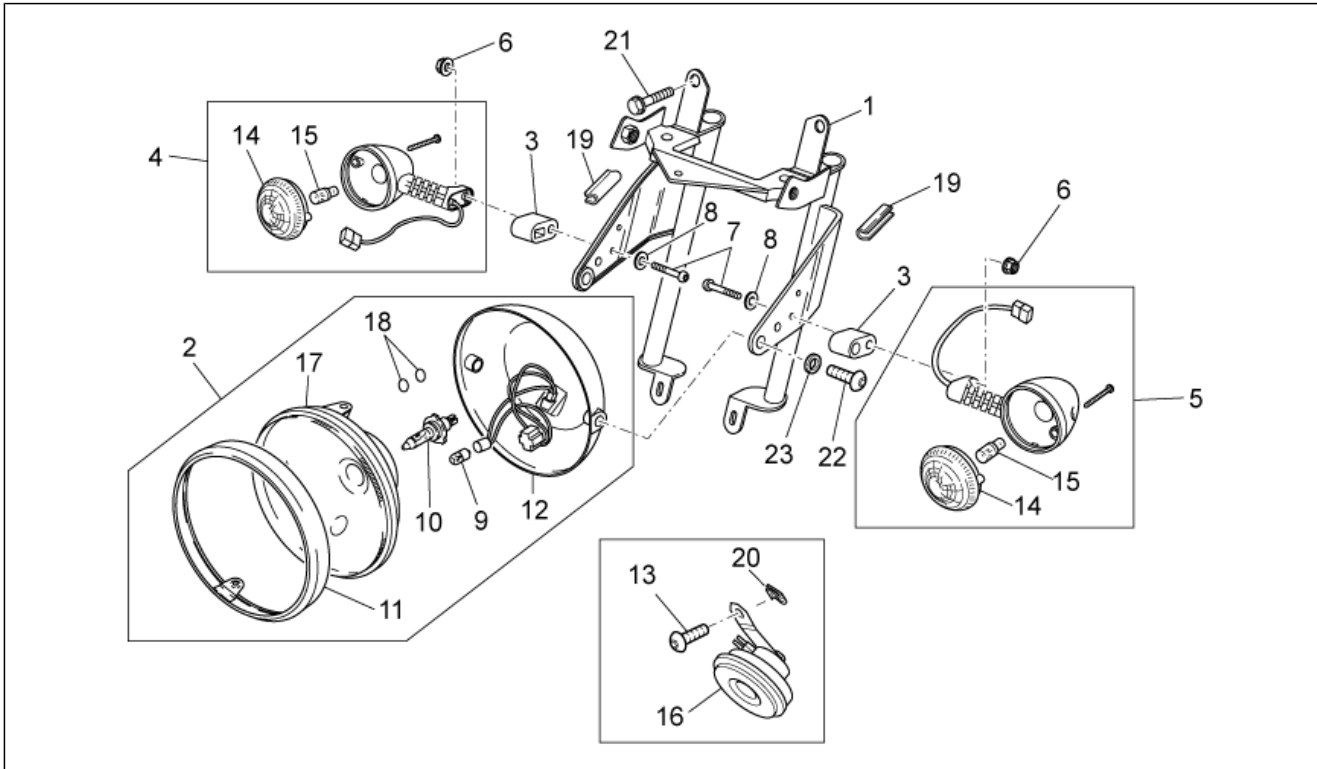
Pos.	Código	Descripción	Cant.	Variantes
1	887910	Palanca de freno	1	
2	AP8120912	Goma para palanca	1	
3	978969	Muelle	1	
4	AP8144007	Junta tórica 11,11x1,78	2	
5	GU95005310	Arandela 8,4x18x2	1	
6	GU92630206	Tuerca M6x1	2	
7	GU92660021	Tuerca con reborde M8	1	
8	GU18257551	Bloquecillo	1	
9	GU95005308	Arandela 8,4x14,57x1,6	1	
10	GU95500221	Clavija	1	
11	658837	Arandela elástica ondulada D15 F8,4 S1,5 - INOX	1	
12	GU92609007	Tuerca	1	
13	2B001597	Varilla bomba freno	1	
14	2B000508	Bomba freno tras.	1	
15	AP8213057	Empalme bomba trasera	1	
16	AP8113288	Fuelle de goma	1	
17	GU98370625	Tornillo	2	
18	AP8152298	Tornillo con reborde M5x16	1	
19	248419	Placa elastica m5	1	
20	AP8101594	Abrazadera D10,1*	2	
21	GU00823950050	Tubo aceite	1	
22	AP8113241	Depós.aceite fr.cnj.	1	
23	AP8113553	Tapón depósito	1	
24	887911	Perno palanca freno	1	
25	GU01665410	Protección bomba freno negro	1	
26	887908	Pedales	1	
27	887952	Buje pal.freno tras.	1	
28	B063443	Tornillo M8x50	1	

Grupo	BASTIDOR
Código	33.27
Descripción	Pinza freno tras.
Revisión	1



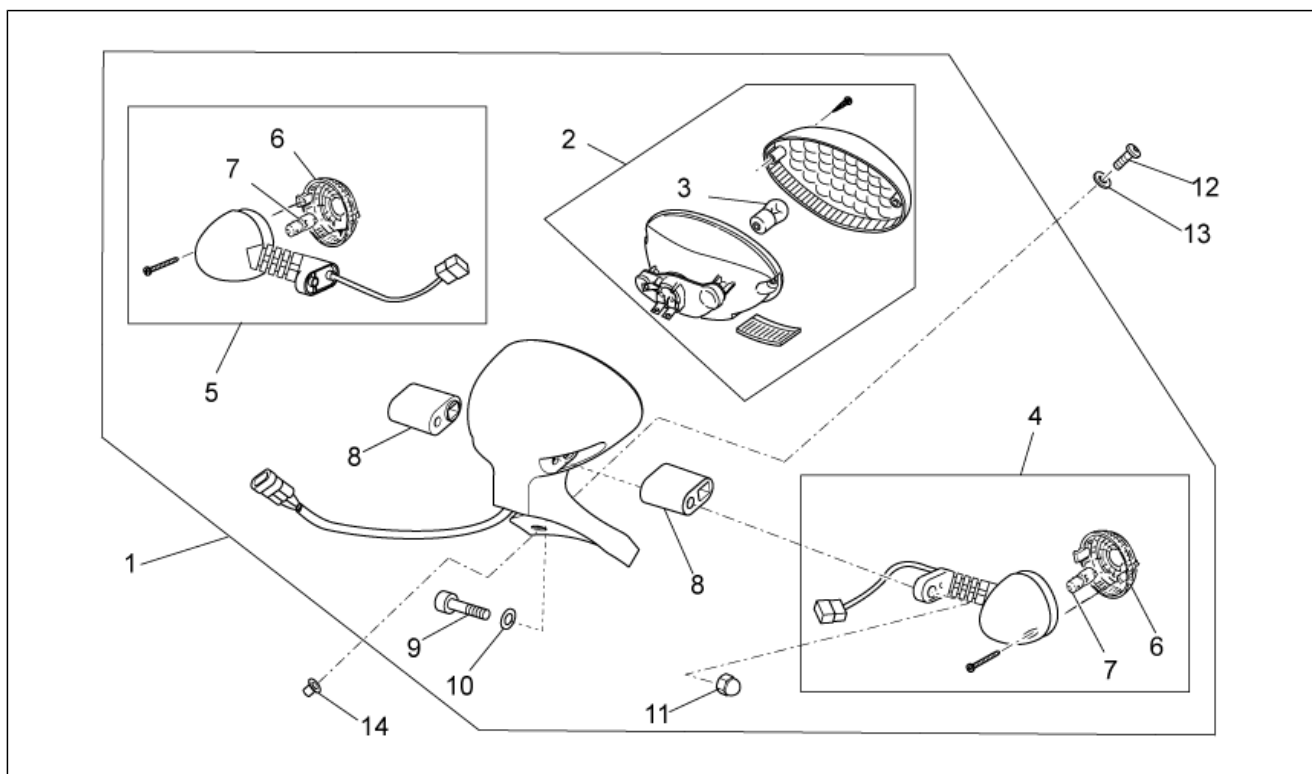
Pos.	Código	Descripción	Cant.	Variantes
1	2B000229	Placa soporte pinza freno	1	
2	GU31634281	Buje	1	
3	GU31544181	Perno	1	
4	AP8152288	Torn. CH con reborde	1	
5	GU32634160	Distanciador	4	
6	2B000525	Pinza freno trasero	1	
7			1	
8	GU31659281	Purga + capuchón	1	
9	GU31659181	Kit Pernos + muelle	1	

Grupo	BASTIDOR
Código	33.28
Descripción	Faros delanteros
Revisión	1



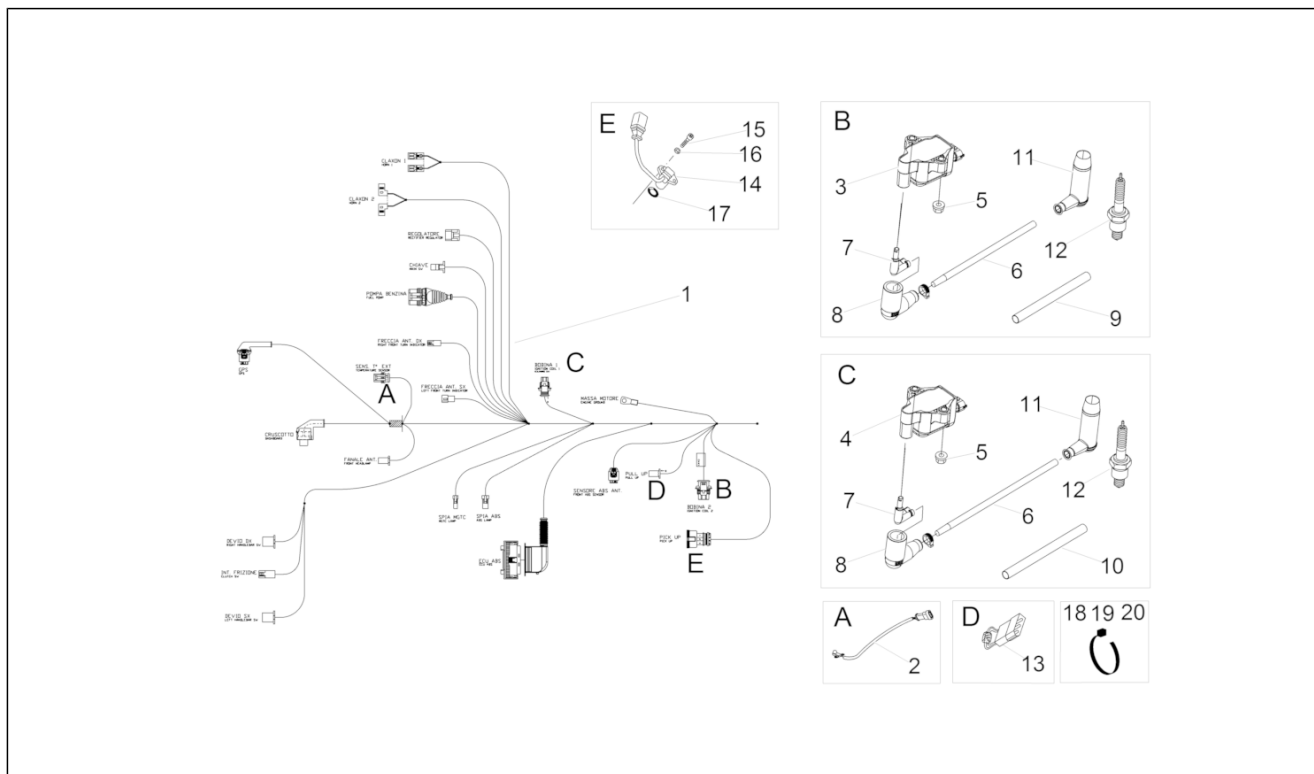
Pos.	Código	Descripción	Cant.	Variantes
1	GU32506360	Soporte faro	1	
2	978311	Faro delantero	1	
3	GU32753410	Distanciador	2	
4	887826	Indic.direc.del.der/tras.izq	1	
5	887827	Indic.direc.del.izq/tras.der	1	
6	GU92787006	Tuerca ciega M6x1	2	
7	GU98370655	Tornillo	2	
8	GU95021206	Arandela	2	
9	GU93450105	Lámpara	1	
10	GU93450232	Lámpara 12V-55/60W	1	
11	GU31740383	Virola cromada	1	
12	981149	Casquete,negra	1	
13	AP8150377	Tornillo	2	
14	B063735	Cristal indicador dirección	2	
15	GU93450126	Lámpara naranja	2	
16	890979	Claxon	1	
17	GU06740400	Grupo óptico	1	
18	883417	Junta tórica	2	
19	GU00823931055	Junta	1	
20	254485	Placa elastica M6	2	
21	GU98880540	Tornillo M10x40	2	
22	GU98692420	Tornillo Allen M8x20	2	
23	GU95005308	Arandela 8,4x14,57x1,6	2	

Grupo	BASTIDOR
Código	33.29
Descripción	Faros traseros
Revisión	1



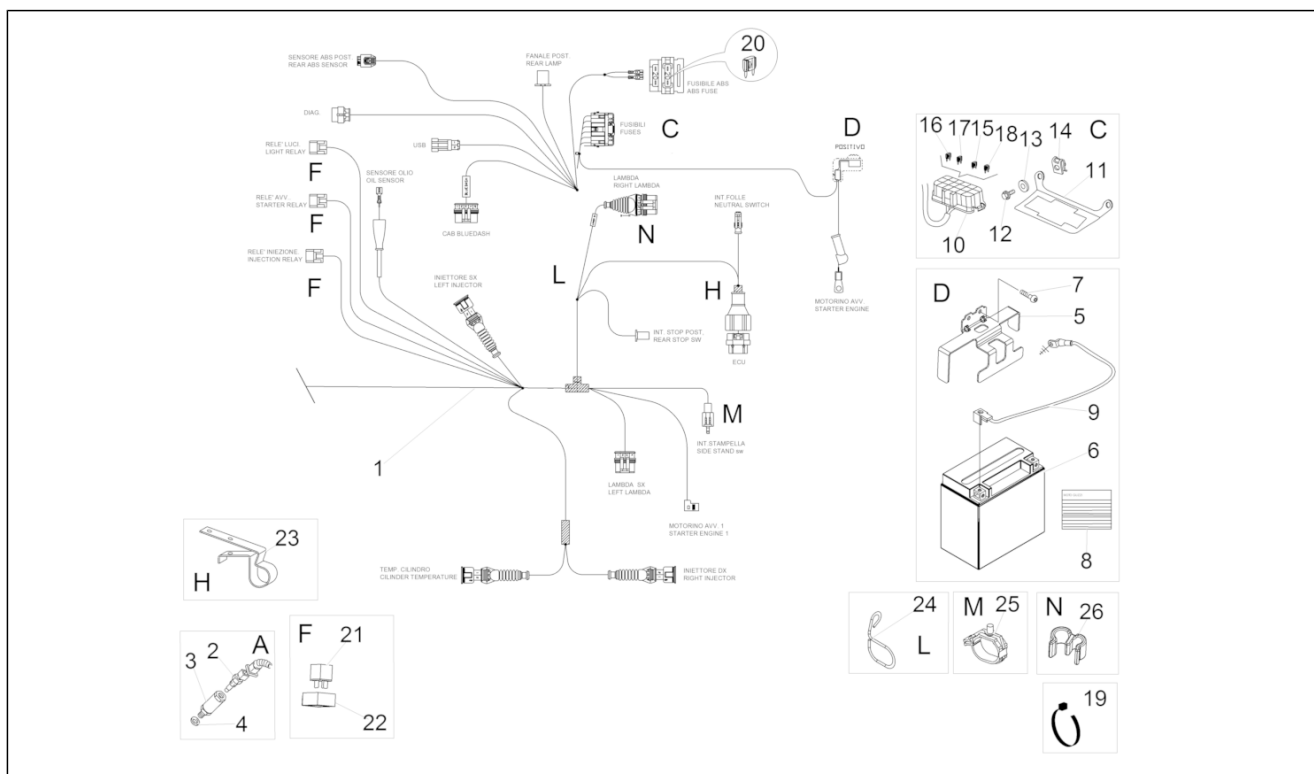
Pos.	Código	Descripción	Cant.	Variantes
1	2B001701	Piloto trasero	1	
2	GU03740930	Faro trasero	1	
3	GU93450224	Lámpara	1	
4	887826	Indic.direc.del.der/tras.izq	1	
5	887827	Indic.direc.del.izq/tras.der	1	
6	B063735	Cristal indicador dirección	2	
7	GU93450126	Lámpara naranja	2	
8	GU32753410	Distanciador	2	
9	GU98370655	Tornillo	2	
10	GU95021206	Arandela	2	
11	GU92787006	Tuerca ciega M6x1	2	
12	GU98350215	Tornillo	3	
13	GU30577800	Arandela en nylon 5,5X12X1	3	
14	GU93231605	Casquillo	3	

Grupo	BASTIDOR
Código	33.30
Descripción	Instalación eléctrica I
Revisión	1



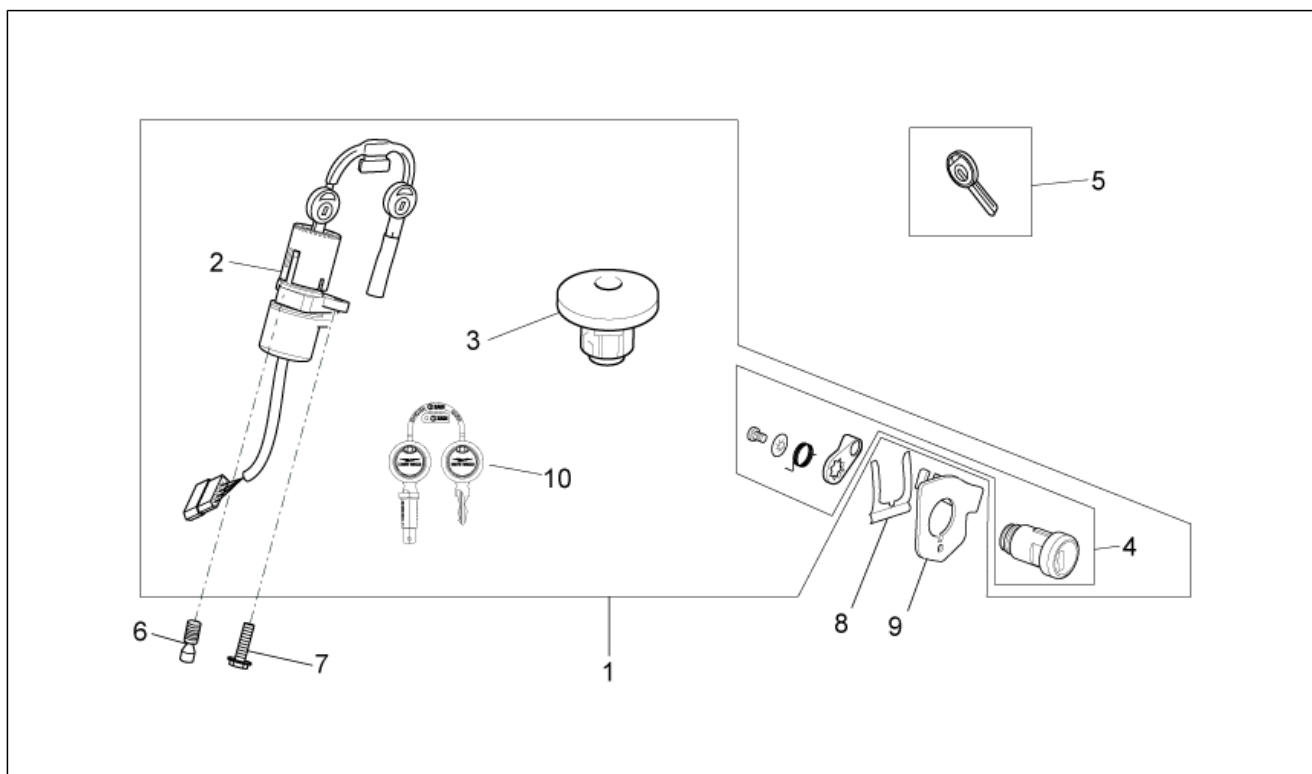
Pos.	Código	Descripción	Cant.	Variantes
1	2D000108	Cableado principal	1	
2	AP8124936	Sensor temp. aire	1	
3	642034	Bobina A.T. DX	1	
4	641901	Bobina A.T.	1	
5	AP8152299	Tuerca autobloqueante M6	4	
6	080341	Cable base A.T.	2	
7	641725	Terminal A.T.	2	
8	641040	Capuchón aislante	2	
9	CM0074D0	Forro D.8-S.0,5-L.370	1	
10	CM0074C9	Funda gris del cable D.8-S.0,5-L.435	1	
11	2D000005	Capuchón bujía	2	
12	887481	Bujía NGK CPR8EB-9	2	
13	887948	Diodo	1	
14	832029	Sensor encoder	1	
15	GU98682212	Tornillo Allen M5x12	2	
16	GU95008205	Arandela 5,3x10x0,8	2	
17	GU90706141	Junta tórica	1	
18	AP8120416	Abrazadera negra 178x4	1	
19	GU49609601	Abrazadera 2,4x92	1	
20	GU14609650	Abrazadera 3,6x20,6	31	

Grupo	BASTIDOR
Código	33.31
Descripción	Instalación eléctrica II
Revisión	1



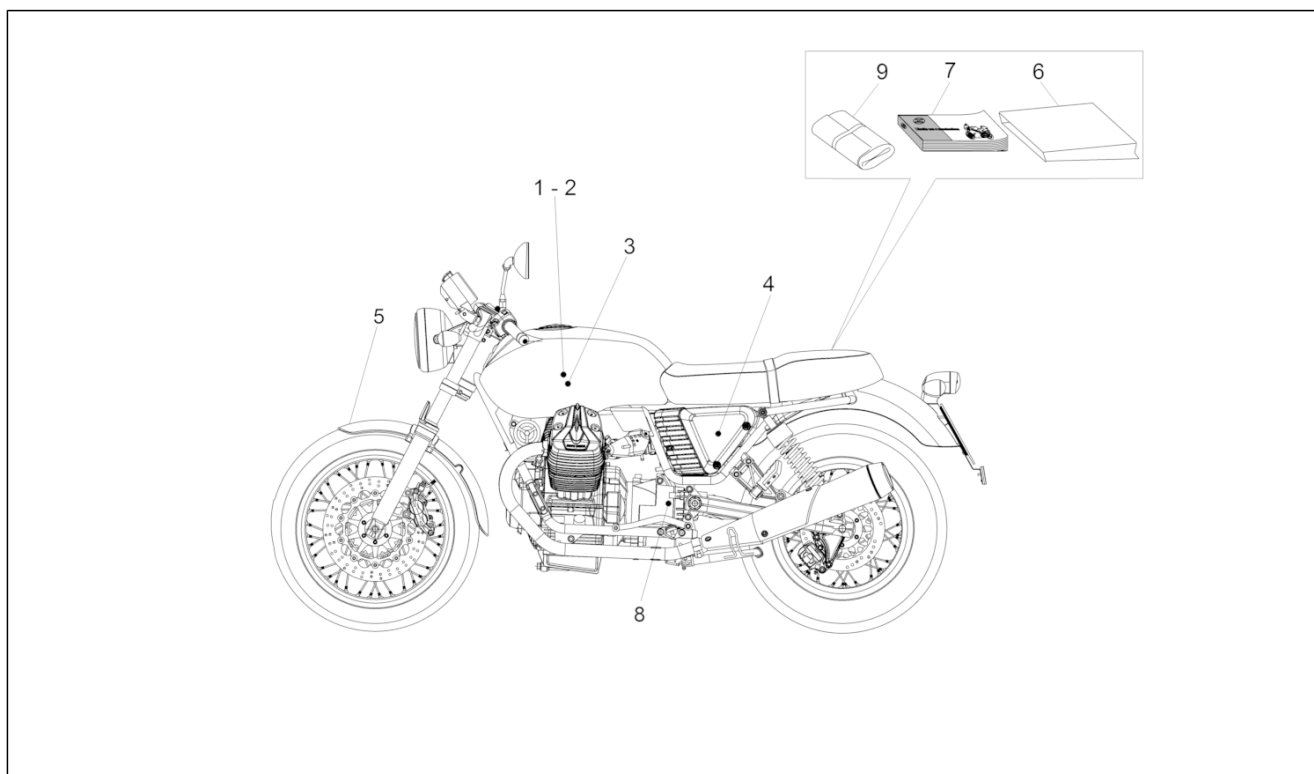
Pos.	Código	Descripción	Cant.	Variantes
1	2D000108	Cableado principal	1	
2	GU29729461	Sensor	1	
3	GU03163330	Soporte sensor	1	
4	GU95008210	Arandela 10,2X18X2	4	
5	B063233	Soporte batería	1	
6	638733	Batería Yuasa 12V-12Ah (150x85x145)	1	
7	AP8152282	Torn. CH con reborde M6x35	2	
8	GU32517710	Calco "Battery service"	1	
9	GU32747910	Cableado masa-batería	1	
10	584211	Caja portafusibles	1	
11	883161	Sop. portafusibles	1	
12	GU98682212	Tornillo Allen M5x12	2	
13	GU95100059	Arandela 5,25x14x1,5	2	
14	AP8102375	Clip m5	2	
15	CM225705	Fusible 5A	2	
16	CM225710	Fusible 10A	1	
17	CM225715	Fusible 15A	2	
18	CM225730	Fusible 30A	1	
19	AP8120416	Abrazadera negra 178x4	1	
19	GU14609650	Abrazadera 3,6x20,6	21	
19	GU49609601	Abrazadera 2,4x92	1	
20	CM225720	Fusible 20A	1	
21	AP8224462	Relé 12V/30A	3	
22	AP8220283	Goma *	3	
23	B043850	Abrazadera	1	
24	AP8181140	Pasacables	1	
25	CM013202	Clip de retención tubos/cables	1	
26	894704	Pasacables	1	

Grupo	BASTIDOR
Código	33.32
Descripción	Juego cerraduras
Revisión	1



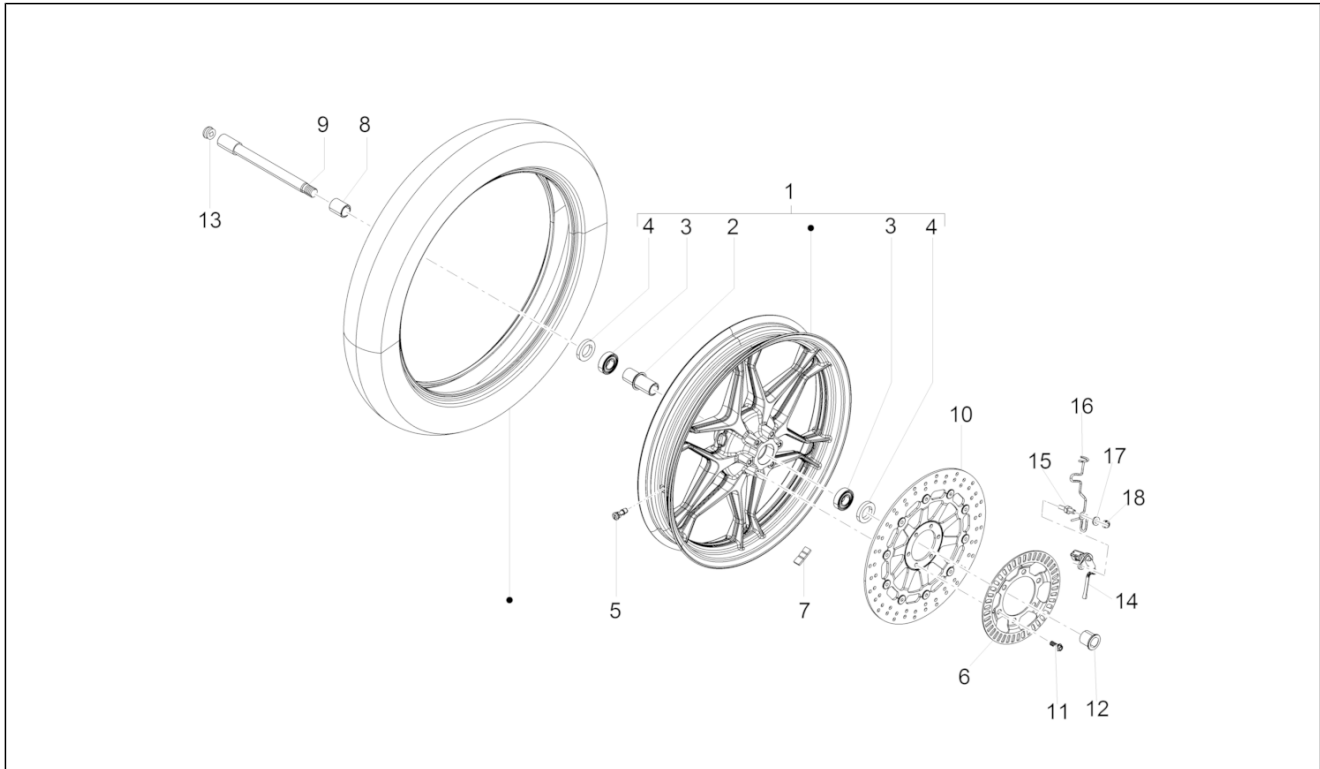
Pos.	Código	Descripción	Cant.	Variantes
1	887873	Kit cerraduras	1	
2	GU32782510	Bloque arran.-bloq.	1	
3	887874	Tappo serbatoio senza chiavi	1	
4	977527	Cerradura con llaves incluidas	1	
5	GU32735510	Llave liscia bas.protec.go	1	
6	AP8150349	Tornillo especial M8x15	1	
7	GU98682416	Tornillo Allen M8x16	1	
8	AP8121420	Muelle de horquilla	1	
9	978415	Placa soporte cable	1	
10	2D000006	Cilindro de la cerradura con llave para tapón de gasolina	1	

Grupo	BASTIDOR
Código	33.33
Descripción	Calcomanías y placas
Revisión	1



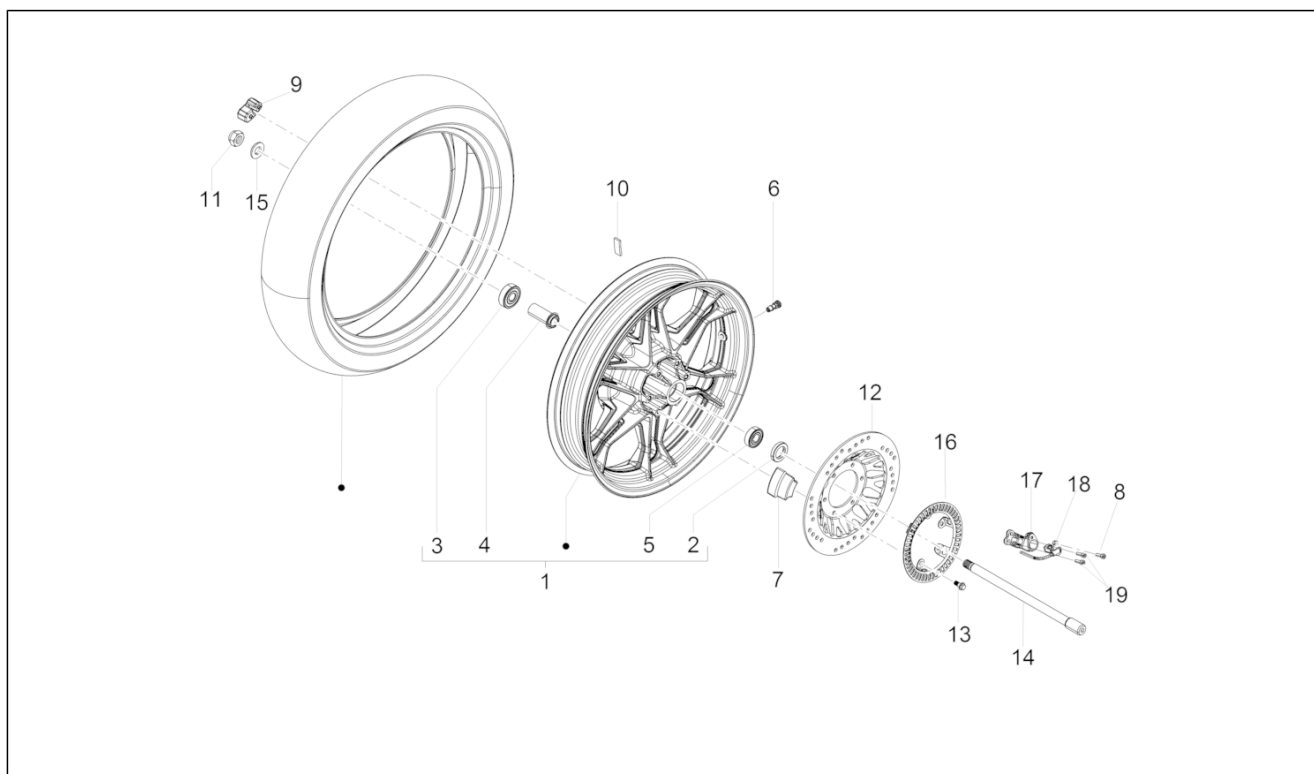
Pos.	Código	Descripción	Cant.	Variantes
1	886340	Placa Aquila	1	
2	887930	Placa Izq. Aquila	1	
3	2H000413	Calco Moto Guzzi dx-sx	2	
4	2H000724	Targhetta dx-sx "V7 II"	2	
5	886141	Calco "Aquila"	1	
6	GU05900130	Bolsita para documentos	2	
7	2Q000056	Man. uso/mant.I-D-F-E-UK-NL I-F-D-E-NL-ES-EN	1	
8	895839	"Placa ""Eni"""	2	
9	887443	Juego de herramientas	1	

Grupo	BASTIDOR
Código	33.34
Descripción	RUEDA DELANTERA II
Revisión	1



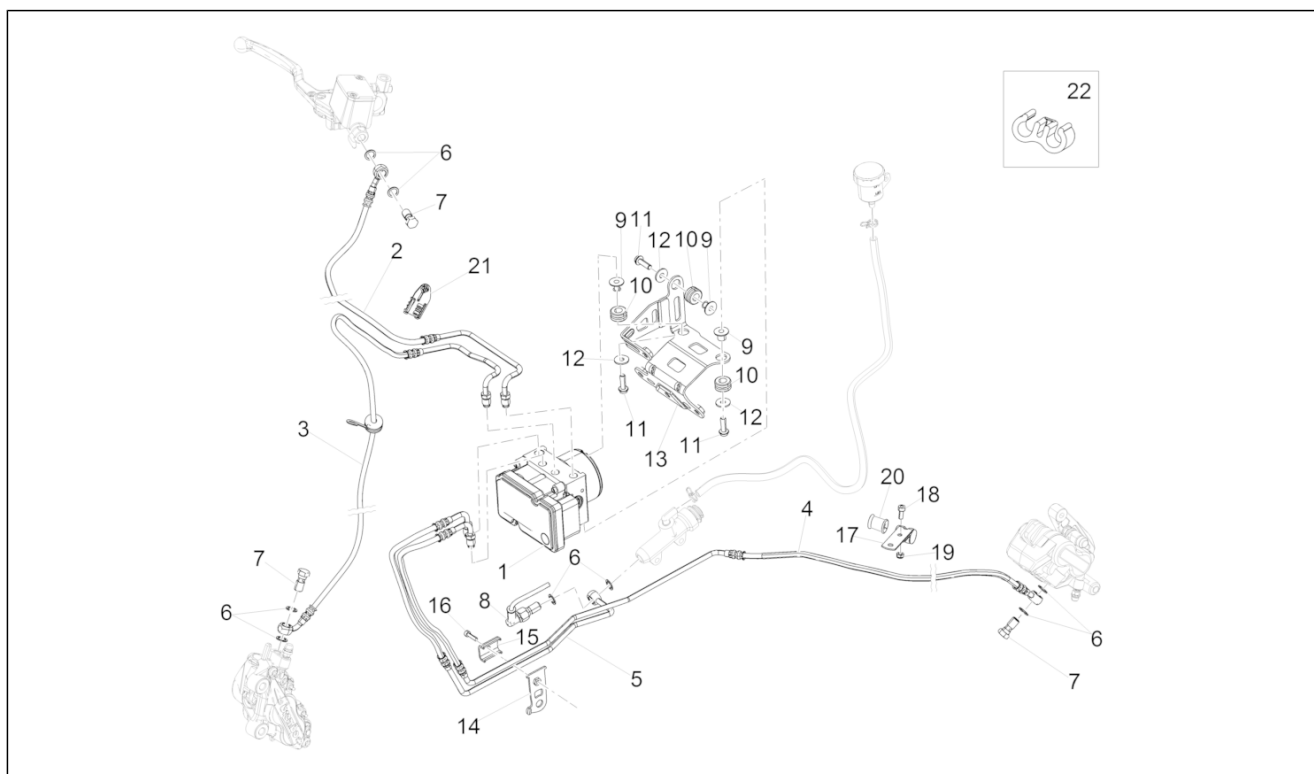
Pos.	Código	Descripción	Cant.	Variantes
1	887571	Rueda 2.5X18"	1	
2	GU31615283	Distanciador cojinetes	1	
3	GU92204221	Cojinete	2	
4	GU90402642	Gasket ring	2	
5	GU03617710	Válvula neum. sin cámara	1	
6	887875	Wheel speed sensor, LH front	1	
7	GU14616150	Contrapeso	1	
8	GU32615660	Distanciador der.	1	
9	GU31614183	Perno rueda del.	1	
10	883688	Disco freno delantero 320	1	
11	AP8152286	Torn. CH con reborde M8x20	6	
12	GU31616384	Distanciador izq.	1	
13	GU93180111	Tapón 15 mm	1	
14	859792	Sensor ABS	1	
15	2B001708	Distanciador	1	
16	2B001561	Pasacables	1	
17	AP8150178	Arandela 6,4x12,5*	1	
18	GU92630207	Tuerca	1	

Grupo	BASTIDOR
Código	33.35
Descripción	Rueda trasera II
Revisión	1



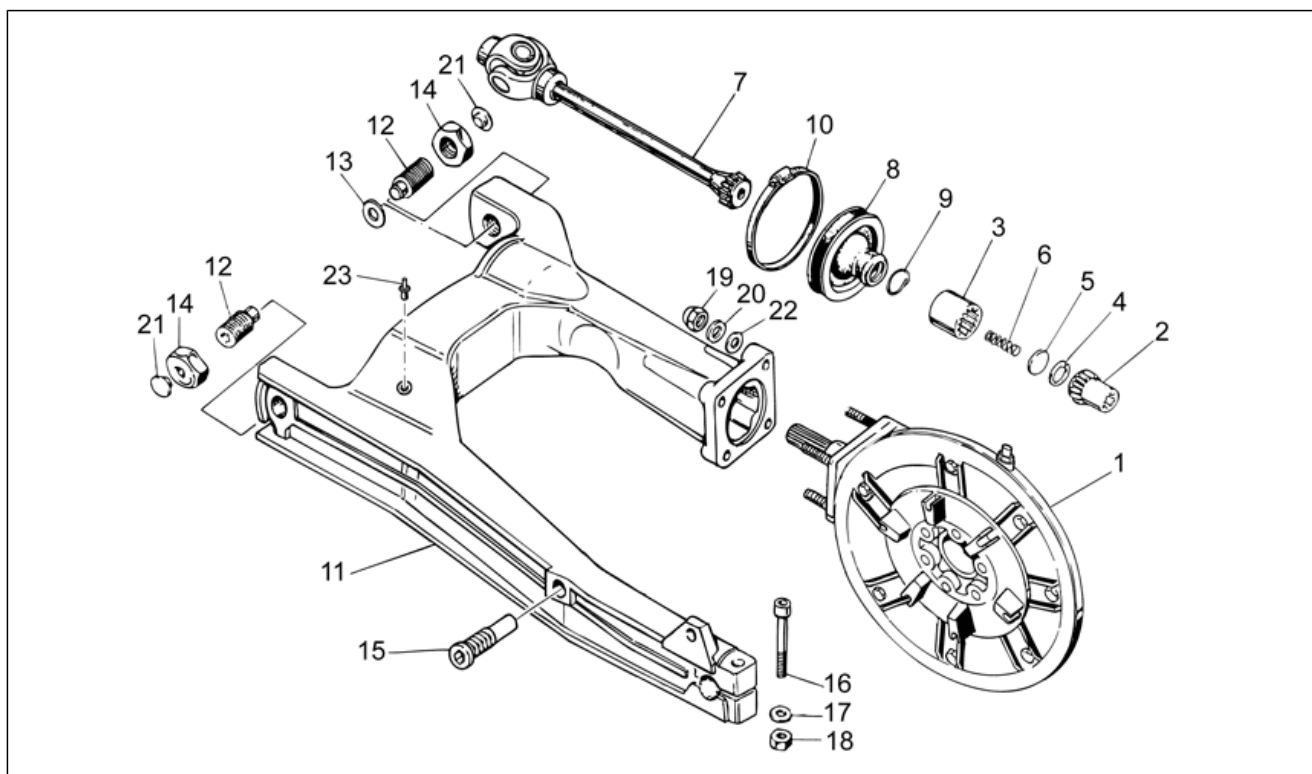
Pos.	Código	Descripción	Cant.	Variantes
1	887573	Llanta rueda 3.5x17"	1	
2	GU90402538	Gasket ring 25x40x7	1	
3	GU92204218	Cojinete	1	
4	GU27633910	Distanciadore	1	
5	GU92204217	Cojinete	1	
6	GU03617710	Válvula neum. sin cámara	1	
7	GU32636160	Goma	1	
8	GU98612216	Tornillo Allen	1	
9	GU32632510	Acoplamiento elástico	6	
10	GU14616150	Contrapeso	1	
11	GU92606316	Tuerca M16x1,5	1	
12	887448	Disco freno	1	
13	894505	Torn. CH con reborde M8x18	6	
14	GU32633360	Perno rueda tras.	1	
15	GU31634481	Arandela	1	
16	2B000225	Wheel speed sensor, LH front	1	
17	2B000377	Soporte Sensor ABS	1	
18	859792	Sensor ABS	1	
19	GU98682312	Tornillo Allen M6x12	2	

Grupo	BASTIDOR
Código	33.36
Descripción	Eq.freno ABS
Revisión	1



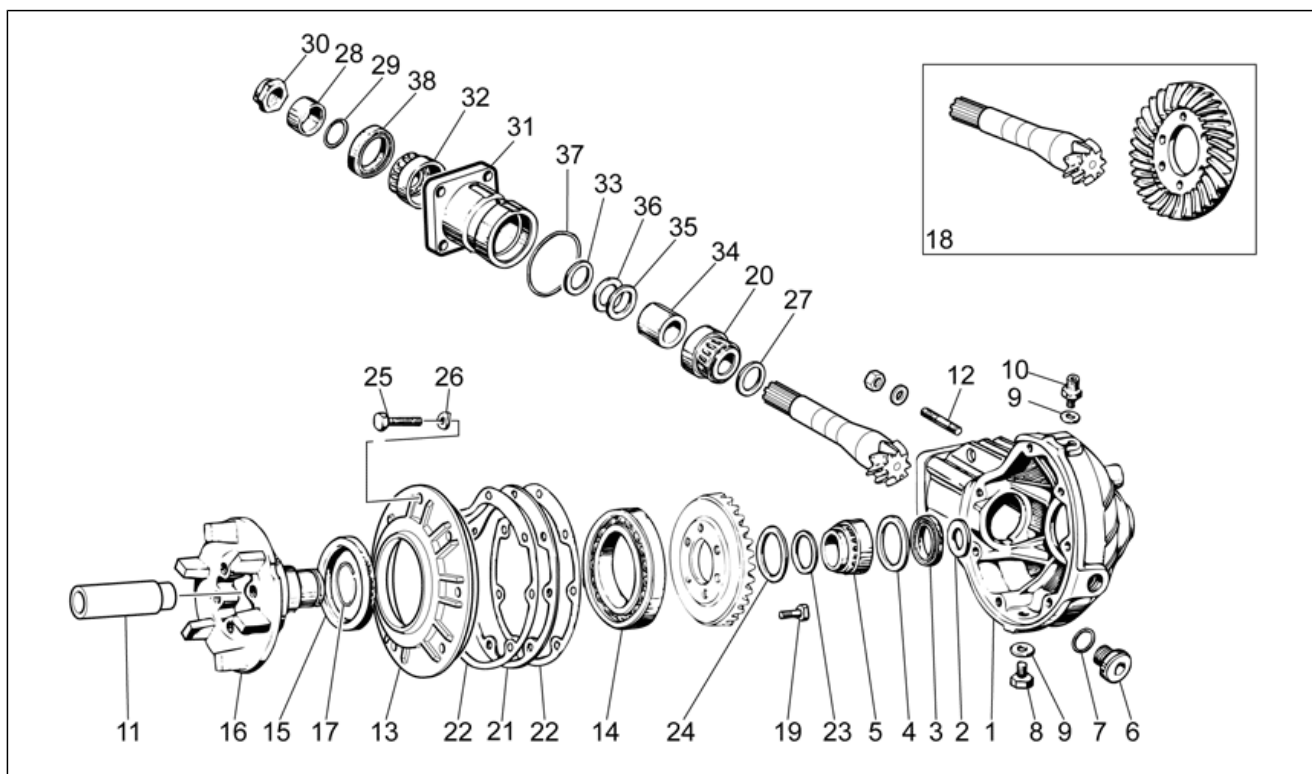
Pos.	Código	Descripción	Cant.	Variantes
1	2D000102	Centralita ABS	1	
2	2B001557	Tubo de la bomba del. centralita ABS	1	
3	2B001558	Tubo de las pinzas delanteras centralita ABS	1	
4	2B001556	Tubo de la pinza trasera centralita ABS	1	
5	2B001555	Tubo de la bomba tras. centralita ABS	1	
6	AP8113004	Arandela 10x14x1,6*	8	
7	AP8113003	Tornillo tubo aceite *	4	
8	854973	Interruptor de stop	1	
9	AP8221023	Buje en 'T'	3	
10	AP8120030	Goma	3	
11	AP8152279	Torn. CH con reborde M6x20	3	
12	AP8150015	Arandela 6,6x18x1,6*	3	
13	2B001016	Soporte centralita ABS	1	
14	2B001564	Placa soporte tubo freno	1	
15	2B001614	Placa fijación tubos	1	
16	959559	Tornillo Allen M4x16	1	
17	GU03658330	Abrazadera	1	
18	895709	Tornillo Allen M5x12	1	
19	AP8150451	Tuerca autobloq.baja	1	
20	GU03658201	Anillo	1	
21	2B001570	Placa soporte tubo freno	1	
22	2B000276	Grapa	2	

Grupo	MOTOR
Código	34.09
Descripción	Transmisión cpl. I
Revisión	1



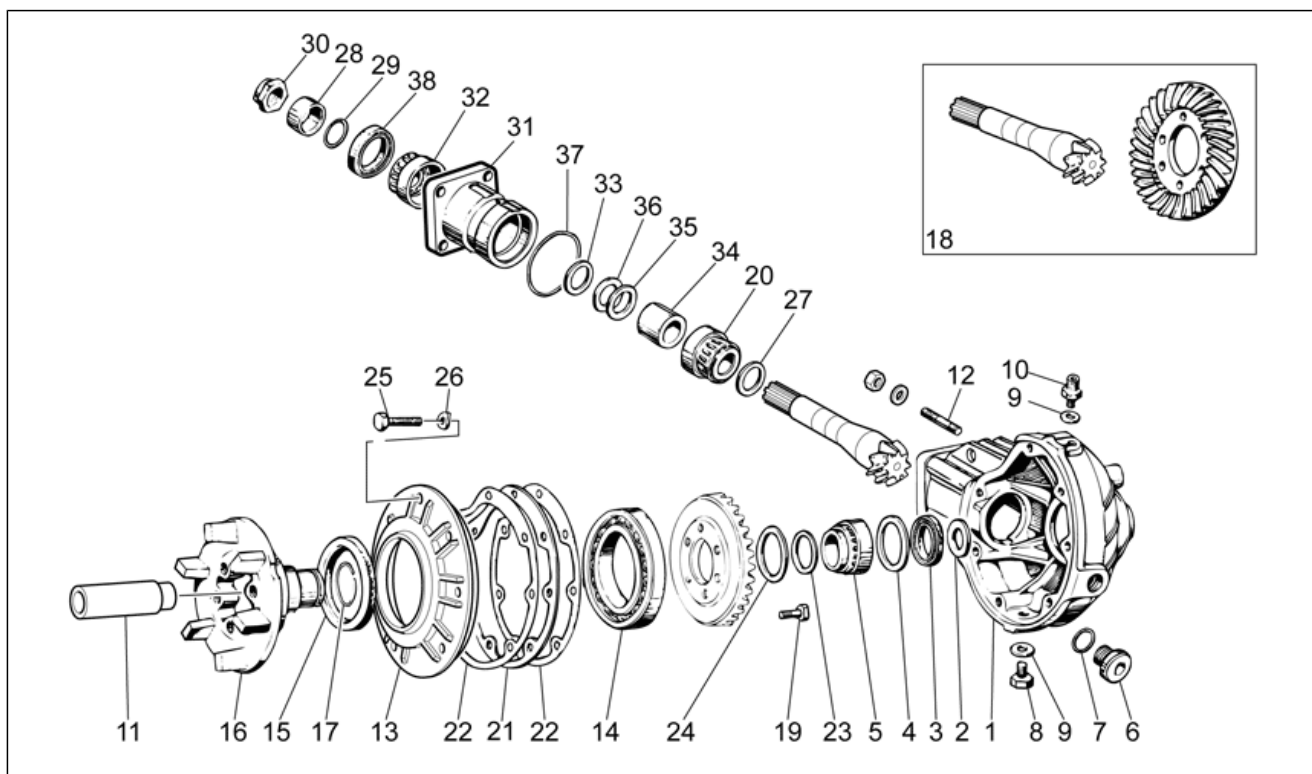
Pos.	Código	Descripción	Cant.	Variantes
1	976941	Caja transm. cpl.negro	1	
2	GU31327783	Manguito	1	
3	GU19328801	Manguito	1	
4	GU90272023	Anillo de retención	1	
5	GU19327601	Plato	1	
6	GU94321099	Muelle	1	
7	GU23328081	Junta	1	
8	GU23548080	Collar de protección	1	
9	GU23548180	Muelle	1	
10	AP8120246	Abrazadera D=60-80	1	
11	2B001959	Brazo osc. negro	1	
12	GU19547000	Perno	2	
13	GU35214300	Suplemento espesor	1	
14	GU31547882	Tuerca	2	
15	GU31544181	Perno	1	
16	GU98680545	Tornillo M10x45	1	
17	GU95008210	Arandela 10,2X18X2	1	
18	GU92606210	Tuerca M10x1,5	1	
19	860651	Tuerca ciega M8x1,25	4	
20	GU14615901	Arandela 8,4X13X0,8	4	
21	GU93180105	Tapón	2	
22	GU95005308	Arandela 8,4x14,57x1,6	4	
23	GU03922280	Tapón 5x9	1	

Grupo	MOTOR
Código	34.10
Descripción	Transmisión cpl. II
Revisión	1



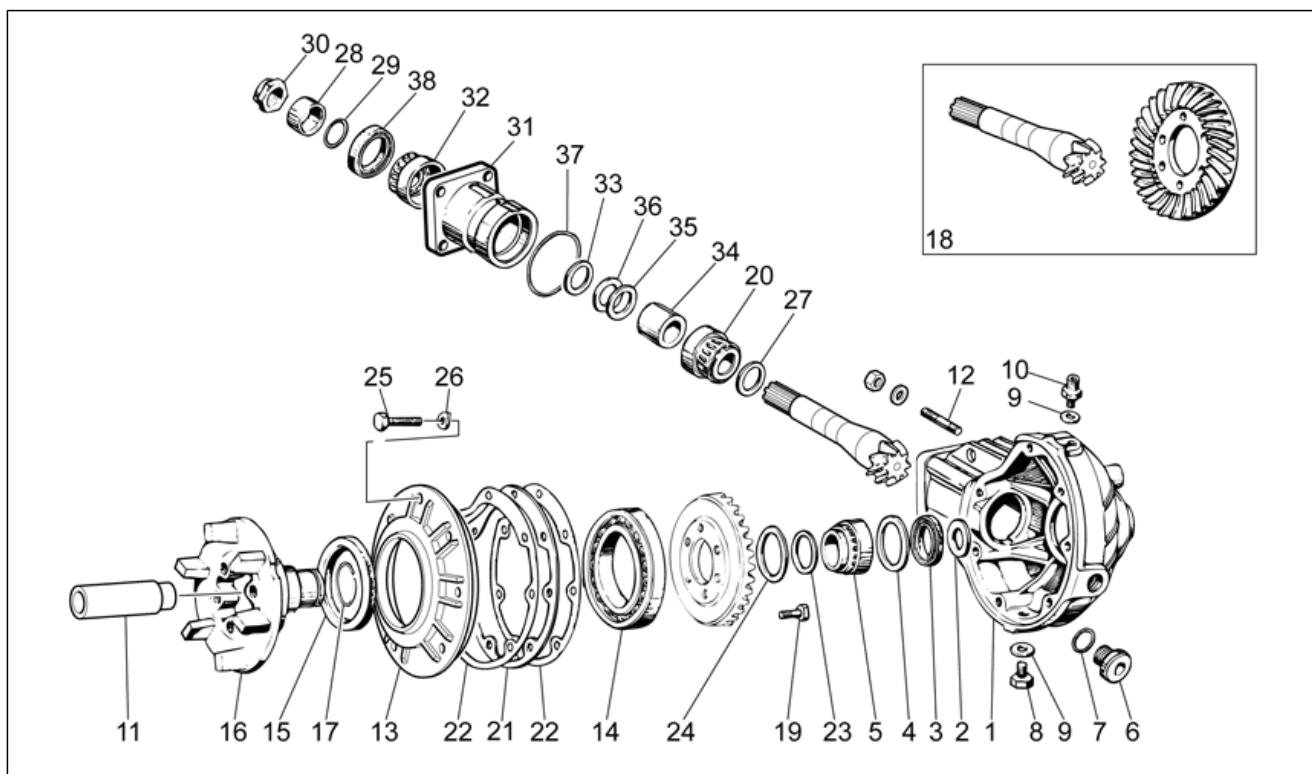
Pos.	Código	Descripción	Cant.	Variantes
1	976608	Caja trans.negro	1	
2	GU19351900	Arand. sop. lateral	1	
3	GU90403549	Gasket ring 35x47x7	1	
4	GU19351100	Arand. sop. lateral	1	
5	GU92252235	Cojinete de rodillos 35x50x17	1	
6	GU12022600	Tapón aceite	1	
7	GU90706203	Junta tórica 20,24X2,62	1	
8	GU31003766	Tapón descarg.aceite M10x1	1	
9	GU01528930	Junta 10x18x1,5	2	
10	GU19206501	Tapón respiradero	1	
11	GU32633560	Distanciador	1	
12	GU96508055	Prisionero	4	
13	GU32350410	Tapa	1	
14	GU92201070	Cojinete de bolas 70x110x13	1	
15	GU90407591	Gasket ring 75x95x10	1	
16	GU32351410	Perno	1	
17	GU90353030	Anillo de tope	1	
18	GU32354610	Par-cónica 8/33	1	
19	GU03067730	Tornillo M8x25	6	
20	GU92249227	Coj. rodillos cónicos 25x5	1	
21	GU19355400	Suplemento espesor 0,8 mm	1	
21	GU19355402	Suplemento espesor 0,9 mm	1	
21	GU19355404	Suplemento espesor 1 mm	1	
21	GU19355406	Suplemento espesor 1,1 mm	1	
21	GU19355408	Suplemento espesor 1,2 mm	1	
21	GU19355410	Suplemento espesor 1,3 mm	1	
21	GU19355411	Suplemento espesor 1,4 mm	1	
21	GU19355412	Suplemento espesor 1,5 mm	1	

Grupo	MOTOR
Código	34.10
Descripción	Transmisión cpl. II
Revisión	1



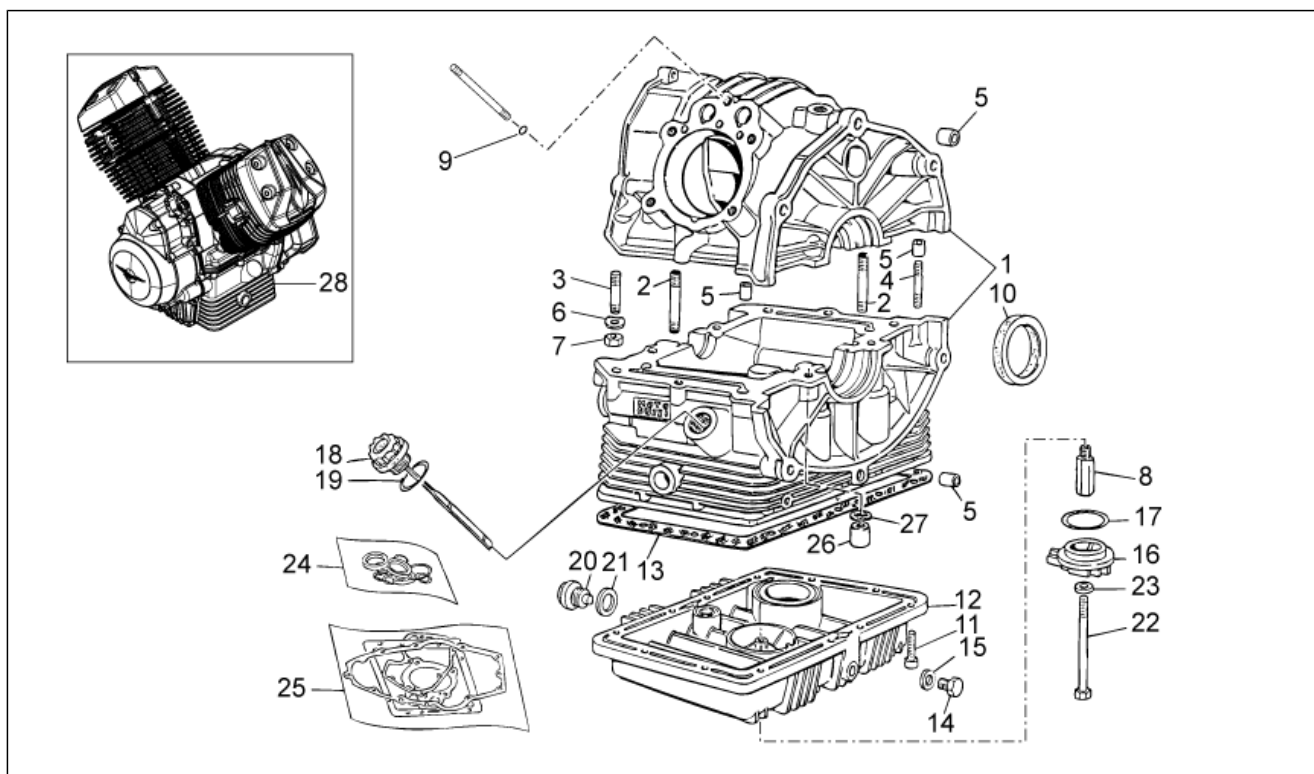
Pos.	Código	Descripción	Cant.	Variantes
21	GU19355413	Suplemento espesor 1,6 mm	1	
22	GU19350700	Junta	2	
23	GU19352300	Arand.de resorte	1	
24	GU19353500	Arand.de resorte	1	
25	GU19357660	Tornillo	7	
26	GU61270300	Arandela elástica 8x15x0,3	7	
27	GU19355320	Suplemento espesor 1 mm	1	
27	GU19355321	Suplemento espesor 1,1 mm	1	
27	GU19355322	Suplemento espesor 1,2 mm	1	
27	GU19355323	Suplemento espesor 1,3 mm	1	
27	GU19355324	Suplemento espesor 1,4 mm	1	
27	GU19355325	Suplemento espesor 1,5 mm	1	
27	GU19355326	Suplemento espesor 1,6 mm	1	
27	GU19355327	Suplemento espesor 1,7 mm	1	
27	GU19355328	Suplemento espesor 1,8 mm	1	
27	GU19355329	Suplemento espesor 1,9 mm	1	
28	GU19356801	Distanciador	1	
29	GU90706188	Gasket ring 18,77X1,78	1	
30	GU19356700	Tuerca	1	
31	GU20352421	Flange	1	
32	GU92249220	Cojinete de rodillos 20x47x14	1	
33	GU19355300	Suplemento espesor 1 mm	1	
33	GU19355301	Suplemento espesor 1,1 mm	1	
33	GU19355302	Suplemento espesor 1,2 mm	1	
33	GU19355303	Suplemento espesor 1,3 mm	1	
33	GU19355304	Suplemento espesor 1,4 mm	1	
33	GU19355305	Suplemento espesor 1,5 mm	1	
33	GU19355306	Suplemento espesor 1,6 mm	1	

Grupo	MOTOR
Código	34.10
Descripción	Transmisión cpl. II
Revisión	1



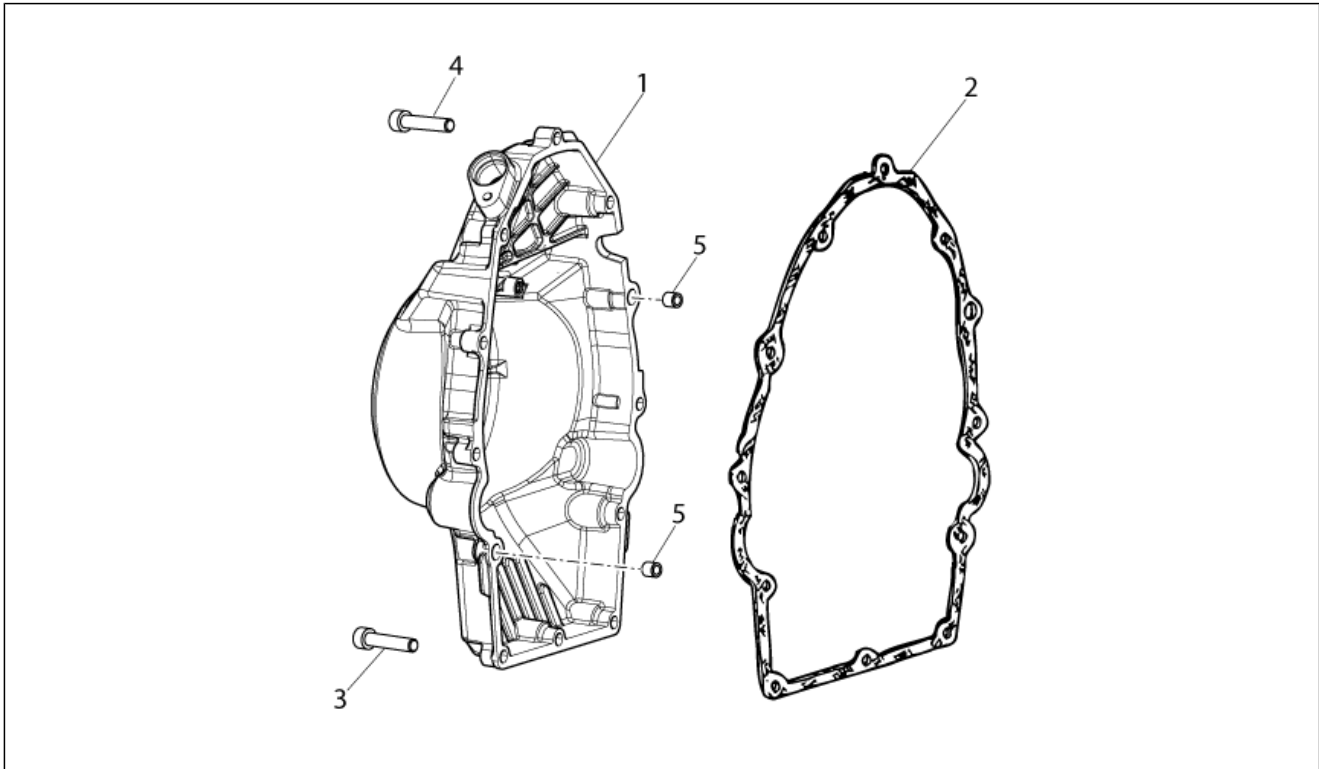
Pos.	Código	Descripción	Cant.	Variantes
33	GU19355307	Suplemento espesor 1,7 mm	1	
33	GU19355308	Suplemento espesor 1,8 mm	1	
33	GU19355309	Suplemento espesor 1,9 mm	1	
34	GU20355121	Distanciador	1	
35	GU19355200	Arandela 0,1 mm	1	
36	GU19355202	Arandela 0,15 mm	1	
37	GU90706584	Junta 58,42x2,62	1	
38	GU90403251	Gasket ring 32x47x10	1	

Grupo	MOTOR
Código	34.34
Descripción	Cárter
Revisión	1



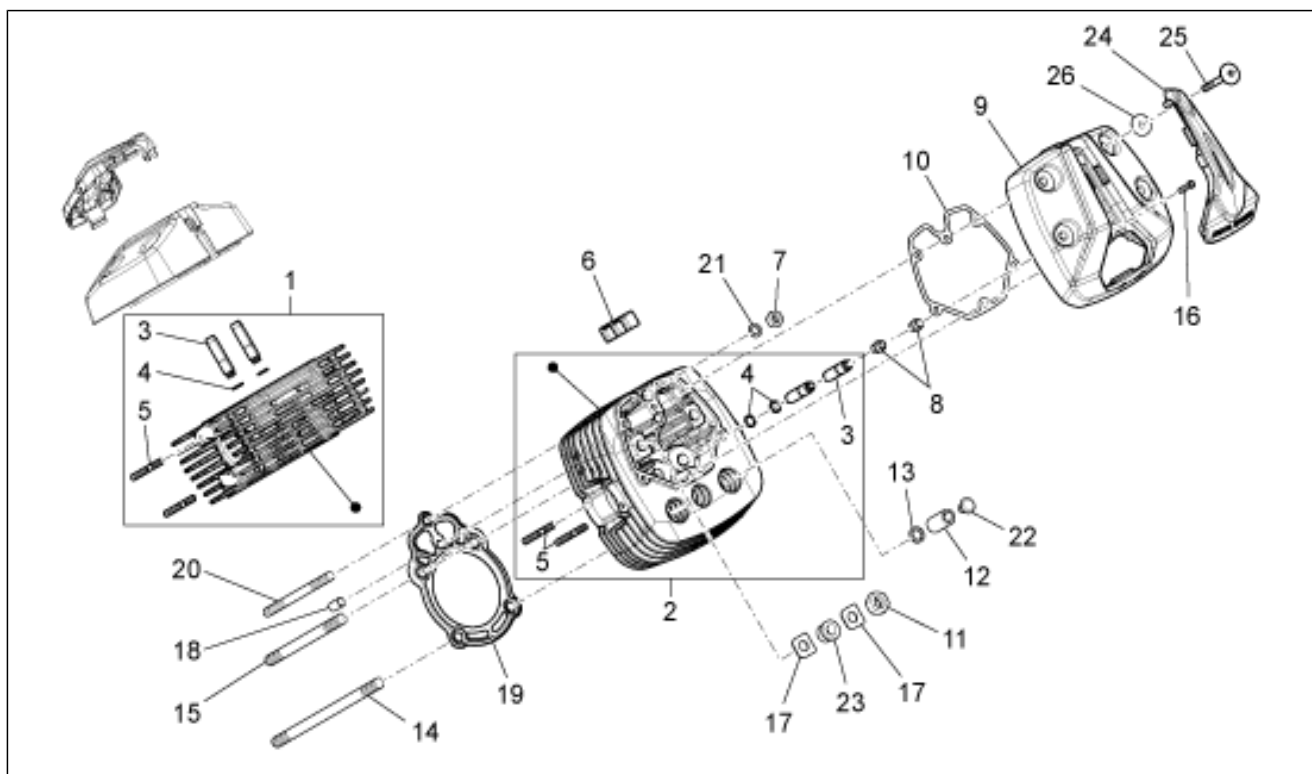
Pos.	Código	Descripción	Cant.	Variantes
1	2A0002355	Carter	1	
2	GU96451560	Prisionero	4	
3	GU96451430	Prisionero	4	
4	GU96508055	Prisionero	2	
5	GU19015020	Buje	4	
6	GU61270300	Arandela elástica 8x15x0,3	6	
7	GU92606208	Tuerca M8x1,25	6	
8	GU19003800	Empalme	1	
9	GU90706076	Junta tórica	2	
10	886365	Gasket ring	1	
11	GU98682325	Tornillo Allen M6x25	12	
12	976604	Copa aceite motor negro	1	
13	887004	Junta cárter aceite	1	
14	GU31003766	Tapón descarg.aceite M10x1	1	
15	GU10528900	Junta	1	
16	976685	Tapa	1	
17	GU90706444	Junta tórica	1	
18	883826	Tapón carga aceite	1	
19	GU90706281	Junta tórica 28,24x2,62	1	
20	GU12003702	Tapón descarg.aceite	1	
21	GU95100709	Junta 20,1x28x2	1	
22	GU27152885	Perno	1	
23	GU12154200	Junta 8,25x15x1	1	
24	GU32999510	Retén aceite (lote)	1	
25	GU32999010	Lote de juntas	1	
26	GU13021900	Tuerca	4	
27	GU95129180	Arandela 10,5X18X0,8	4	
28	2L0002405	Motor	1	

Grupo	MOTOR
Código	34.35
Descripción	Tapa distribución
Revisión	1



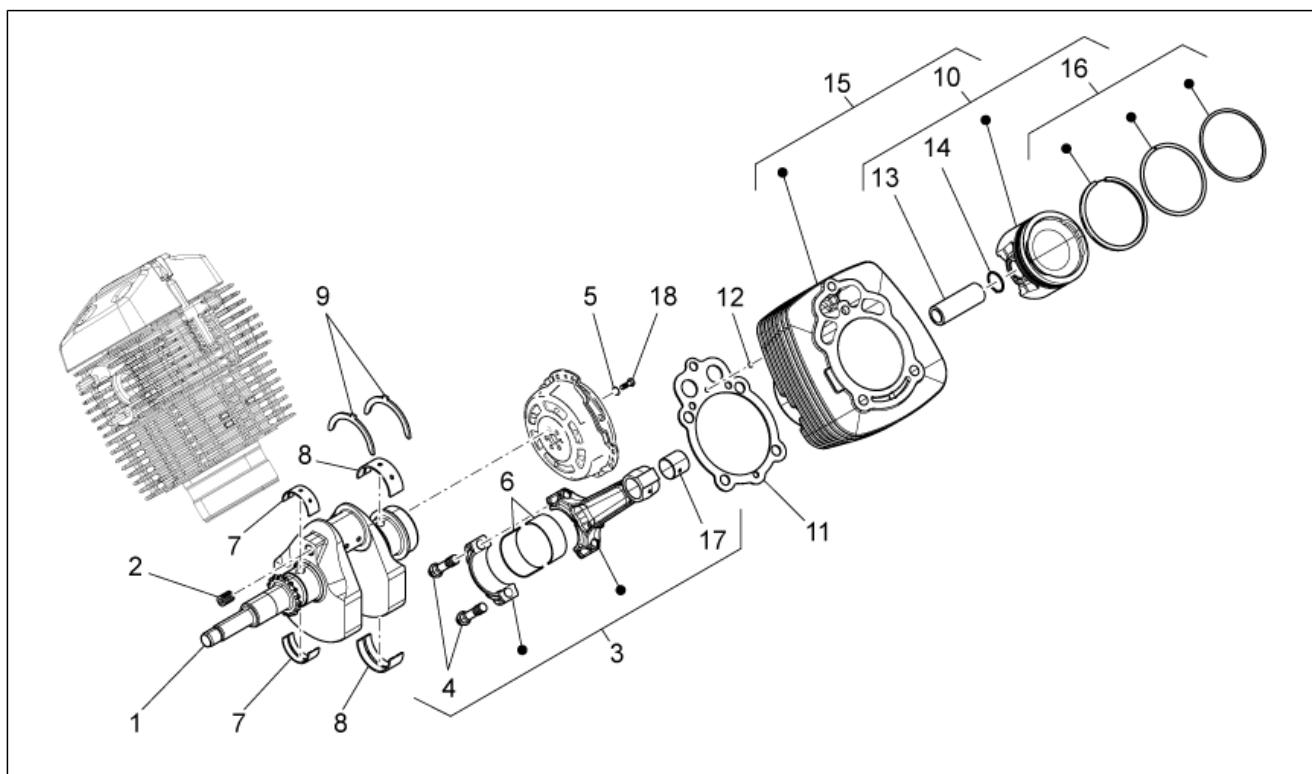
Pos.	Código	Descripción	Cant.	Variantes
1	2A000085	Tapa gener.	1	
2	887003	Junta tapa	1	
3	GU98682325	Tornillo Allen M6x25	10	
4	GU98682330	Tornillo Allen M6x20	2	
5	GU19002020	Buje 6,6x9x13	2	

Grupo	MOTOR
Código	34.36
Descripción	Cabeza cil.
Revisión	1



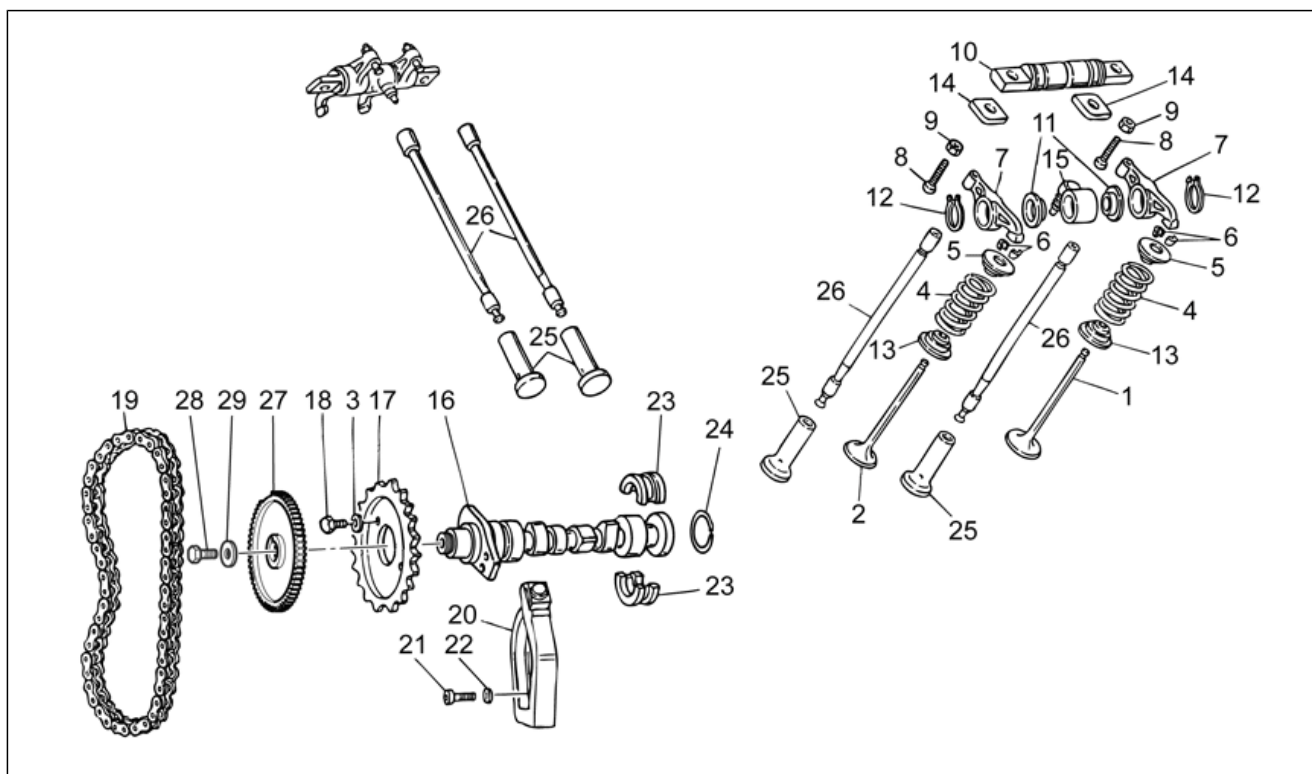
Pos.	Código	Descripción	Cant.	Variantes
1	8872724	Cabeza der.	1	
2	8872754	Cabeza izq.	1	
3	GU61036801	Guía de válvula	4	
4	GU90353009	Anillo elástico	4	
5	GU96506042	Prisionero	4	
6	B063111	Taco antivibrante	4	
7	GU19021920	Tuerca	2	
8	GU19037820	Retén aceite	4	
9	887523	Tapa culata	2	
10	887002	Junta tapa culata	2	
11	GU92603010	Tuerca M10X1,5	4	
12	GU13021900	Tuerca	4	
13	GU95129180	Arandela 10,5X18X0,8	4	
14	GU96510214	Prisionero M10x214	4	
15	GU96510181	Prisionero M10x182	4	
16	GU98692325	Tornillo Allen M6x25	4	
17	GU19032980	Suplemento espesor	8	
18	GU19021360	Buje	2	
19	B063099	Junta culata-cilindro	2	
20	976898	Prisionero M8x140	2	
21	GU61270300	Arandela elástica 8x15x0,3	2	
22	GU93180245	Tapón	4	
23	AP8144071	Goma silencioso	1	
24	887279	Tapa bujía	2	
25	887483	Tornillo de la tapa de culata M6x52.5	8	
26	969973	Arandela	8	

Grupo	MOTOR
Código	34.37
Descripción	Cigüeñal cpl.
Revisión	1



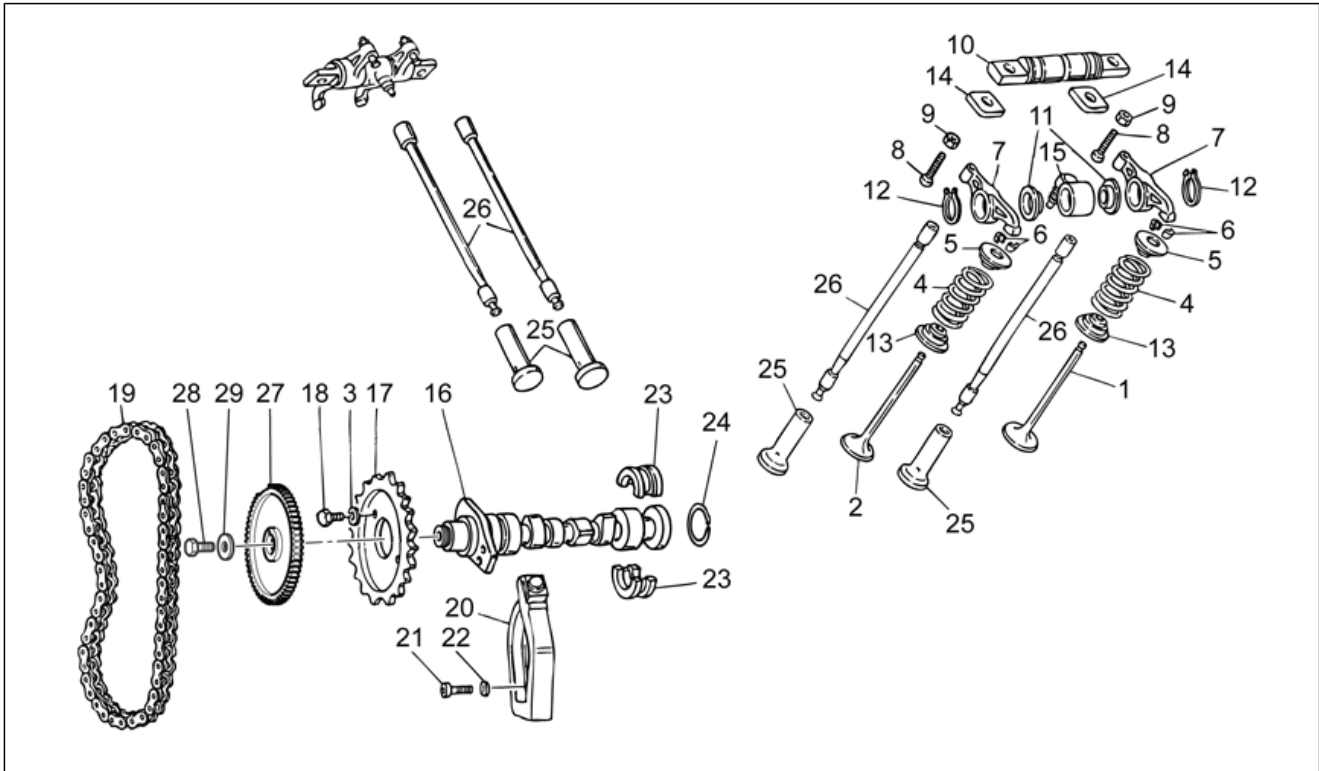
Pos.	Código	Descripción	Cant.	Variantes
1	2A0000995	CIGÜEÑAL	1	
2	GU19065400	Tapón	1	
3	GU27061585	Biela cpl.	2	
4	GU19062261	Tornillo	4	
5	GU14615901	Arandela 8,4X13X0,8	6	
6	GU27062060	Semienvol. chumacera	4	
7	GU27065660	Semienv.chumac.azul del.	2	
8	GU27066560	Semienv.chumac.azul tras.	2	
9	GU27066460	Arandela	2	
10	8872690001	Pistón completo d.80 Cat. D	1	
10	8872690002	Pistón completo d.80 Cat. E	1	
10	8872690003	Pistón completo d.80 Cat. F	1	
11	886670	Junta cilindro	2	
12	GU61027200	Junta tórica	2	
13	B063016	Pasador	2	
14	874567	Anillo de tope	4	
15	B063465	Cilindro con pistón cpl.	2	
16	B063466	Kit segmentos	2	
17	GU27061885	Buje	2	
18	GU19067700	Tornillo	6	

Grupo	MOTOR
Código	34.38
Descripción	Distribución
Revisión	1



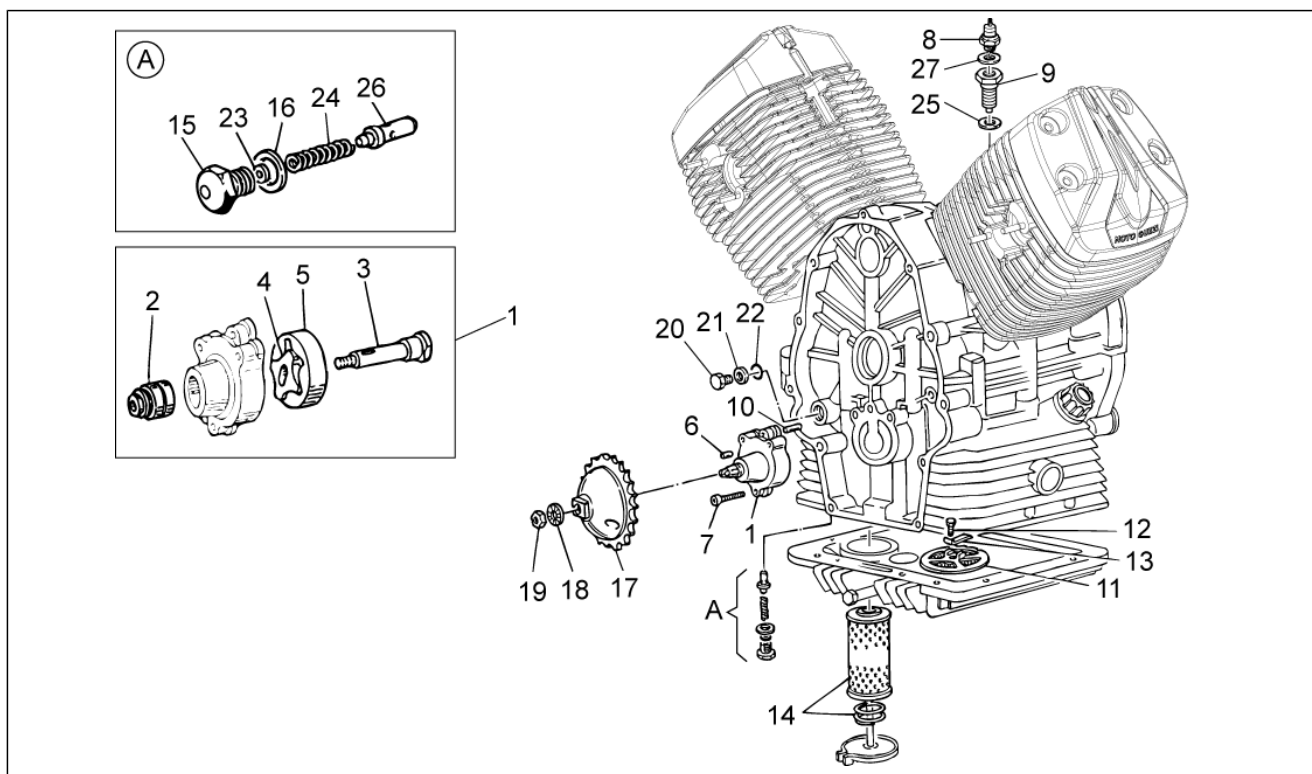
Pos.	Código	Descripción	Cant.	Variantes
1	2A000146	Valvula de admision	2	
2	2A000147	Valvula de descarga	2	
3	GU23217800	Arandela	2	
4	GU27037521	Muelle	4	
5	GU31038015	Platillo sup.	4	
6	GU61038100	Semicono	8	
7	GU19030500	Balancín	4	
8	GU19034000	Tornillo	4	
9	GU92602406	Tuerca M6x1	4	
10	GU19032080	Eje balan.	2	
11	GU32032310	Arand.de resorte	4	
12	GU90271018	Anillo de retención	4	
13	GU31037015	Platillo inf.	4	
14	GU19032980	Suplemento espesor	4	
15	2B000579	Manguito	2	
16	GU32053410	Árbol de levas	1	
17	GU32054510	Engran. distribución	1	
18	GU61054900	Perno	2	
19	GU19058021	Cadena distribución	1	
20	GU19058220	Tensor de cadena	1	
21	GU98882316	Tornillo	1	
22	GU95129115	Arandela	1	
23	GU19055700	Tope	2	
24	GU90353029	Anillo elástico	1	
25	GU19045861	Balancion	4	
26	GU31045015	Varilla balancín	4	
27	887528	Wheel speed sensor, LH front	1	
28	GU98054422	Tornillo M8x22	1	

Grupo	MOTOR
Código	34.38
Descripción	Distribución
Revisión	1



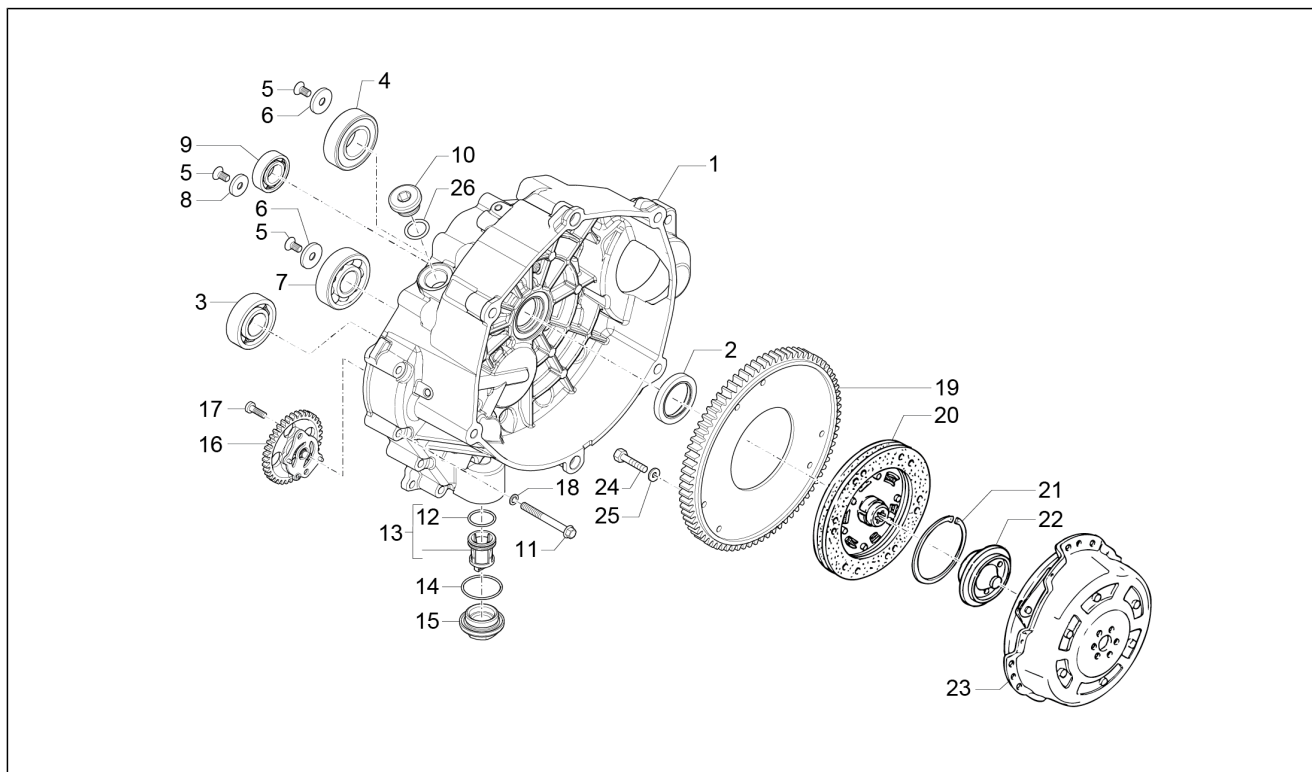
Pos.	Código	Descripción	Cant.	Variantes
29	GU95100244	Arandela	1	

Grupo	MOTOR
Código	34.39
Descripción	Bomba aceite
Revisión	1



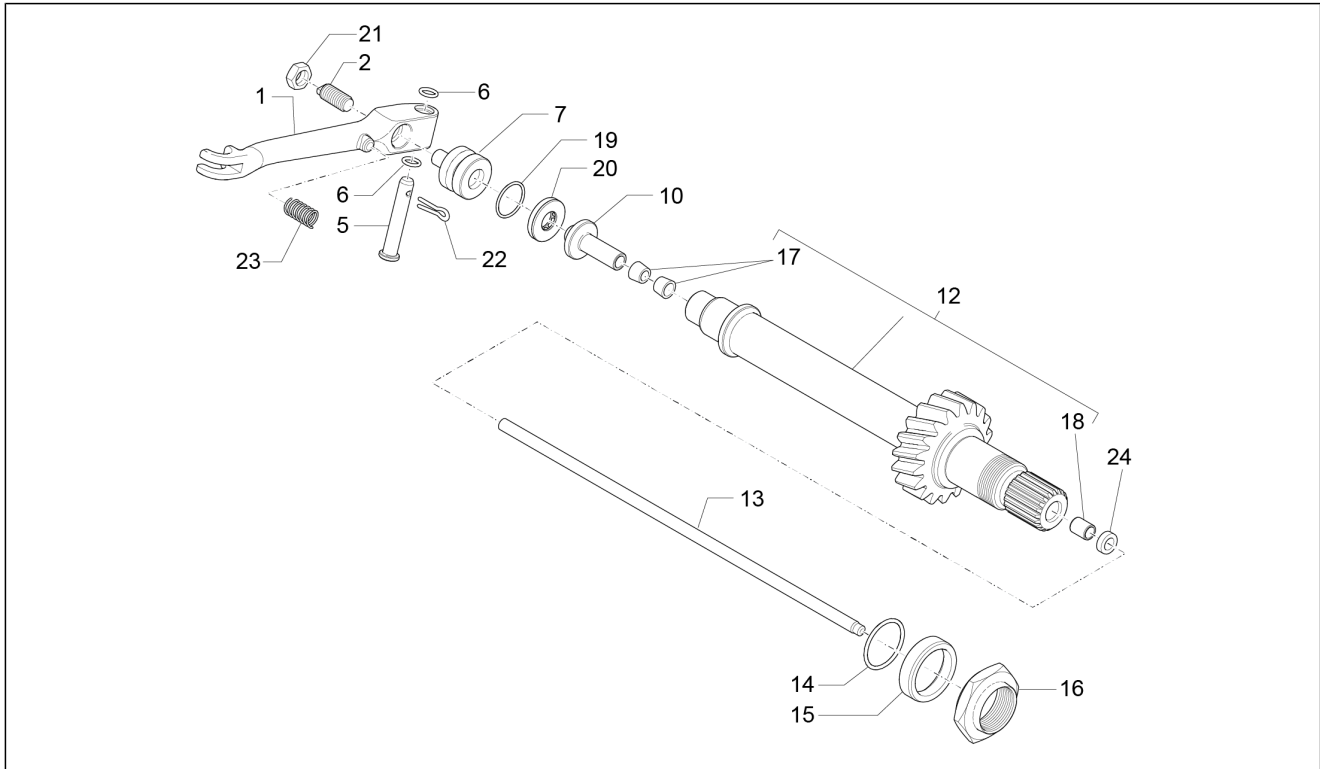
Pos.	Código	Descripción	Cant.	Variantes
1	GU19146422	Bomba aceite	1	
2	GU92252210	Cojinete de rodillos 10x22x20	1	
3	GU20147810	Eje bomba aceite	1	
4	GU20148410	Rotor int.	1	
5	GU20148610	Rotor ext.	1	
6	GU92296723	Rodillo	1	
7	884039	Tornillo Allen M6x35	3	
8	641541	Sensor de presión de aceite	1	
9	887093	Empalme	1	
10	GU19018920	Clavija	2	
11	GU19152200	Filtro aceite	1	
12	GU98084314	Tornillo c. hex. M6x14	1	
13	GU95187006	Placa	1	
14	GU27153085	Filtro aceite	1	
15	GU31159050	Tapón	1	
16	GU18144350	Arandela 18,25x24x1	3	
17	GU20147710	Engranaje bomba	1	
18	AP8152220	Arandela	1	
19	GU92602510	Tuerca M10x1,25	1	
20	GU31016050	Tapón	1	
21	GU18161150	Junta 14,25	1	
22	GU90706111	Junta tórica	1	
23	GU95008206	Arandela 6,15x11x0,8	3	
24	GU94321079	Muelle	1	
25	GU95100602	Junta	1	
26	GU31159050	Émbolo	1	
27	GU95100309	Arandela	1	

Grupo	MOTOR
Código	34.40
Descripción	Embrague I
Revisión	1



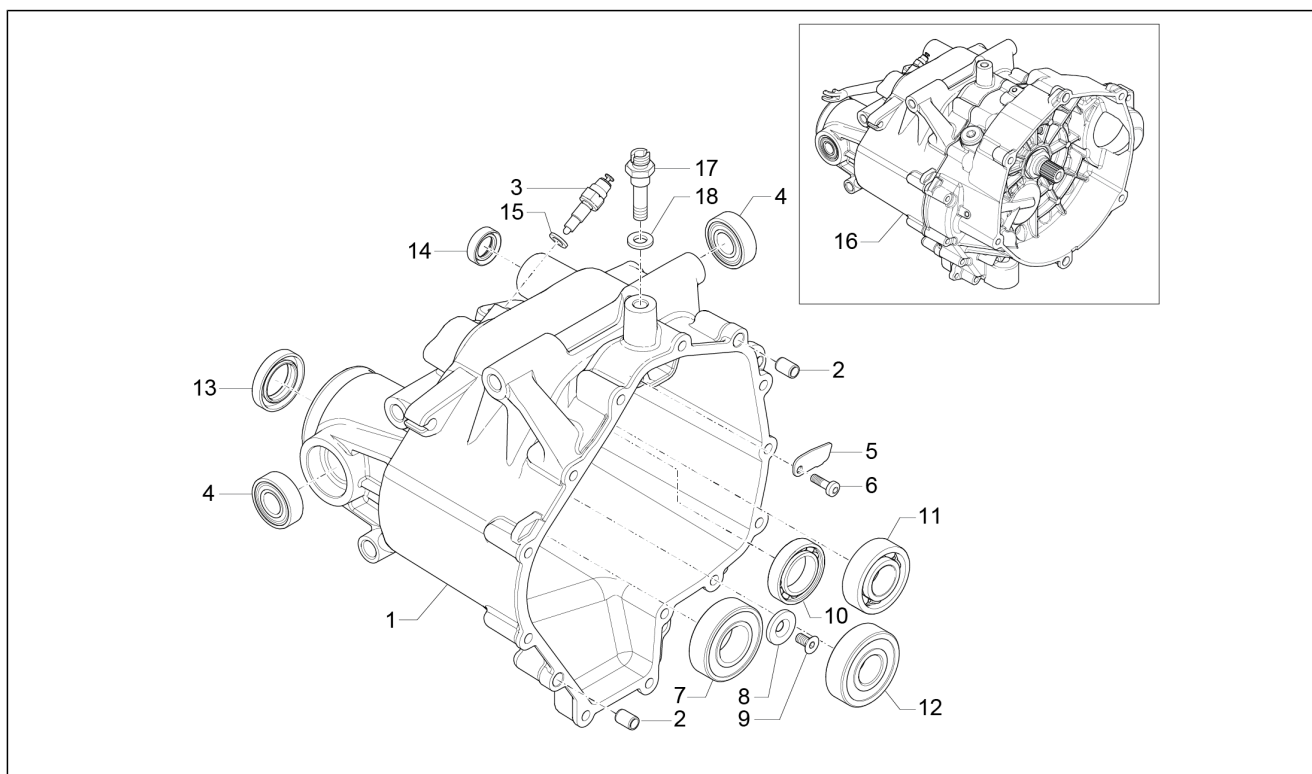
Pos.	Código	Descripción	Cant.	Variantes
1	2A0003794	Campana embrague	1	
2	886629	Gasket ring	1	
3	848650	Cojinete de bolas 20x47x14	1	
4	GU92201226	Cojinete de bolas 25x52x15	1	
5	B013608	Tornillo	4	
6	873928	Arandela	3	
7	GU92201822	Cojinete de bolas 20x52x15	1	
8	873905	Arandela	1	
9	834764	Cojinete	1	
10	GU12022600	Tapón aceite	1	
11	AP8150045	Tornillo Allen M6x55	14	
12	B017406	Junta tórica 20.35x1.78	1	
13	B018020	Filtro aceite cpl.	1	
14	285536	Junta tórica 31,47x1,78	1	
15	B015598	Tapón filtro aceite	1	
16	B018448	Cnj. bomba de aceite	1	
17	2A000241	Tornilla M5x16	2	
18	GU95008306	Arandela 6,4x12x1,2	14	
19	GU32067910	Corona	1	
20	GU32084410	Disco embrague conducido	1	
21	GU90272075	Anillo elástico	1	
22	GU19083462	Cubeta embrague	1	
23	GU32080310	Embrague	1	
24	884038	Tornillo c. hex. M6x16	6	
25	GU14217901	Arandela 6,4x10x0,7	6	
26	GU90706203	Junta tórica 20,24X2,62	1	

Grupo	MOTOR
Código	34.41
Descripción	Embrague II
Revisión	1



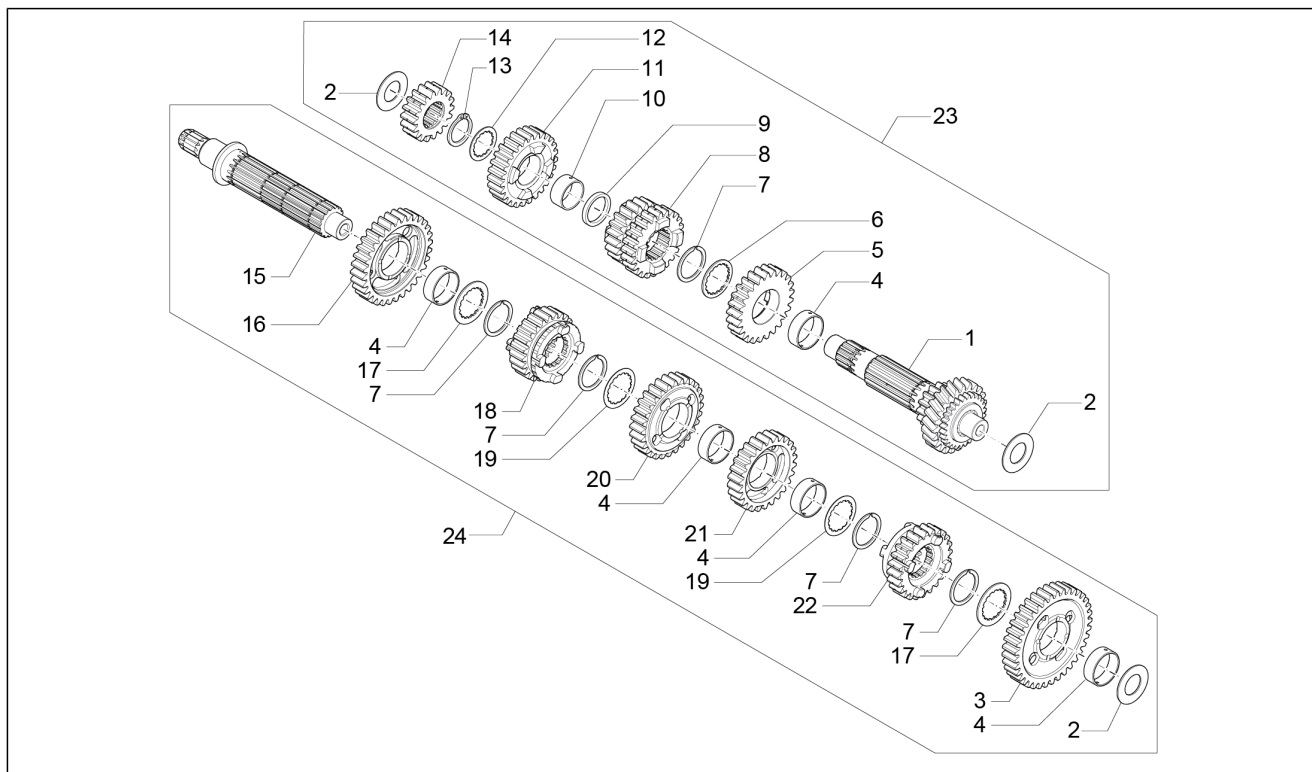
Pos.	Código	Descripción	Cant.	Variantes
1	2A000383	Palanca embrague	1	
2	GU14090400	Tornillo embrague	1	
5	2A000384	Perno palanca	1	
6	2A000385	Junta tórica 6.5x1.5	2	
7	GU14086100	Cuerpo ext.	1	
10	B013037	Cuerpo int.emb.	1	
12	2A000204	Eje embrague Z=18	1	
13	2A000216	palanca mando	1	
14	GU90706235	Junta tórica 23,52x1,78	1	
15	GU19213760	Distanciador	1	
16	GU19356760	Tuerca	1	
17	GU14085900	Buje	2	
18	GU05217630	Buje	1	
19	GU90706170	Junta tórica 17,13x2,62	1	
20	2A000376	Cojinete de tope	1	
21	GU92606508	Tuerca	1	
22	GU95500222	Clavija	1	
23	GU94321105	Muelle retorno palanca	1	
24	2A000378	Gasket ring	1	

Grupo	MOTOR
Código	34.42
Descripción	Cambio
Revisión	1



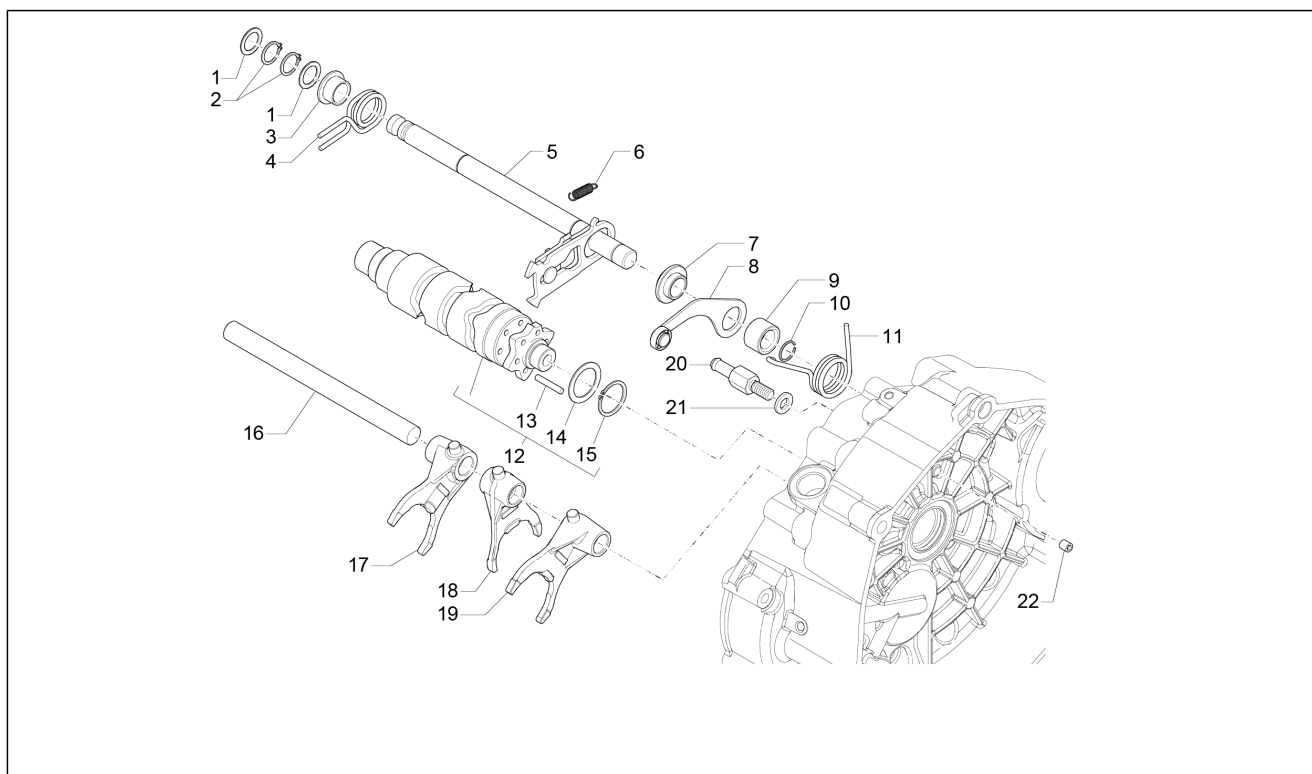
Pos.	Código	Descripción	Cant.	Variantes
1	2A000210	Cambio	1	
2	GU19002020	Buje 6,6x9x13	2	
3	B063269	Sensor	1	
4	2A000097	Cojinete de bolas 6202-2RSH/C3 LHT23	2	
5	2A000306	Placa de tope	1	
6	2A000241	Tornilla M5x16	1	
7	GU92201226	Cojinete de bolas 25x52x15	1	
8	873928	Arandela	1	
9	B013608	Tornillo	1	
10	857250	Cojinete de bolas 25x42x9	1	
11	2A000375	Cojinete de bolas	1	
12	GU92201822	Cojinete de bolas 20x52x15	1	
13	GU90412541	Gasket ring 25X40X7	1	
14	GU90401424	Gasket ring 14x24x7	1	
15	B063025	Junta 8,7x14,2x1,3	1	
16	2A000196	Cambio completo	1	
17	2A000438	Tapón respiradero	1	
18	GU01528930	Junta 10x18x1,5	1	

Grupo	MOTOR
Código	34.43
Descripción	Cambio
Revisión	1



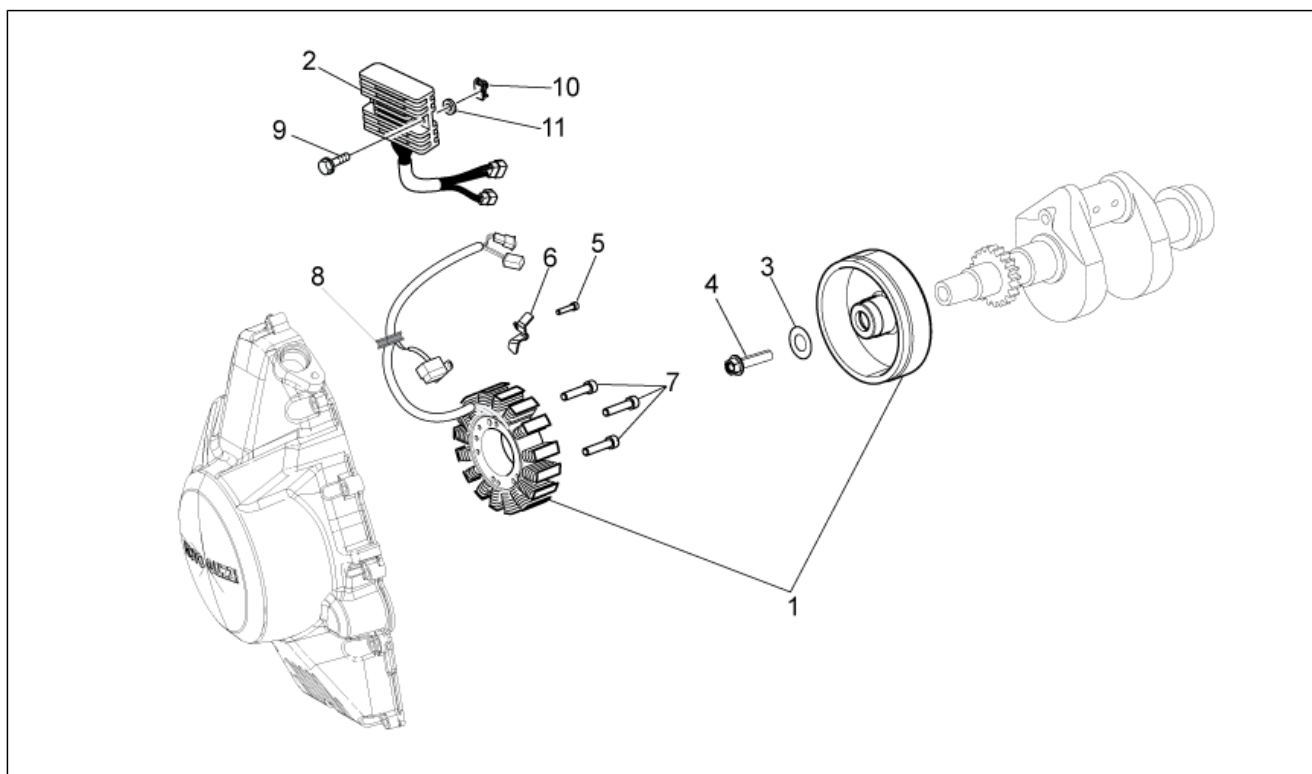
Pos.	Código	Descripción	Cant.	Variantes
1	2A000230	Eje primario	1	
2	1A000566	Rondella di spallamento	3	
3	B017470	Engranaje 1.a vel.	1	
4	849308	Buje deslizante	5	
5	1A000360	Engranaje 5a velocidad	1	
6	849424	Arand. sop. lateral	1	
7	1A002604	An. elást. para ejes	5	
8	1A000436	Engranaje deslizante 3a - 4a vel.	1	
9	B015040	Rondella di spallamento	1	
10	974162	Buje deslizante	1	
11	1A000361	Engran. 6a en prim.	1	
12	849396	Arand. sop. lateral	1	
13	974165	Anillo elástico	1	
14	1A000365	engran. 2a en prim.	1	
15	2A000203	Albero cambio secundario	1	
16	1A000366	Engranaje 2a velocidad Z=32	1	
17	849309	Arand. sop. lateral	2	
18	1A000370	Engranaje 6a Z=24	1	
19	849310	Arand. sop. lateral	2	
20	1A000367	Engranaje 3a velocidad Z=28	1	
21	1A000368	Engranaje 4a velocidad Z=26	1	
22	1A000369	Engranaje 5a velocidad Z=24	1	
23	2A000199	Arbol prim. comp.	1	
24	2A000202	Eje sec. comp.	1	

Grupo	MOTOR
Código	34.44
Descripción	Selector cambio
Revisión	1



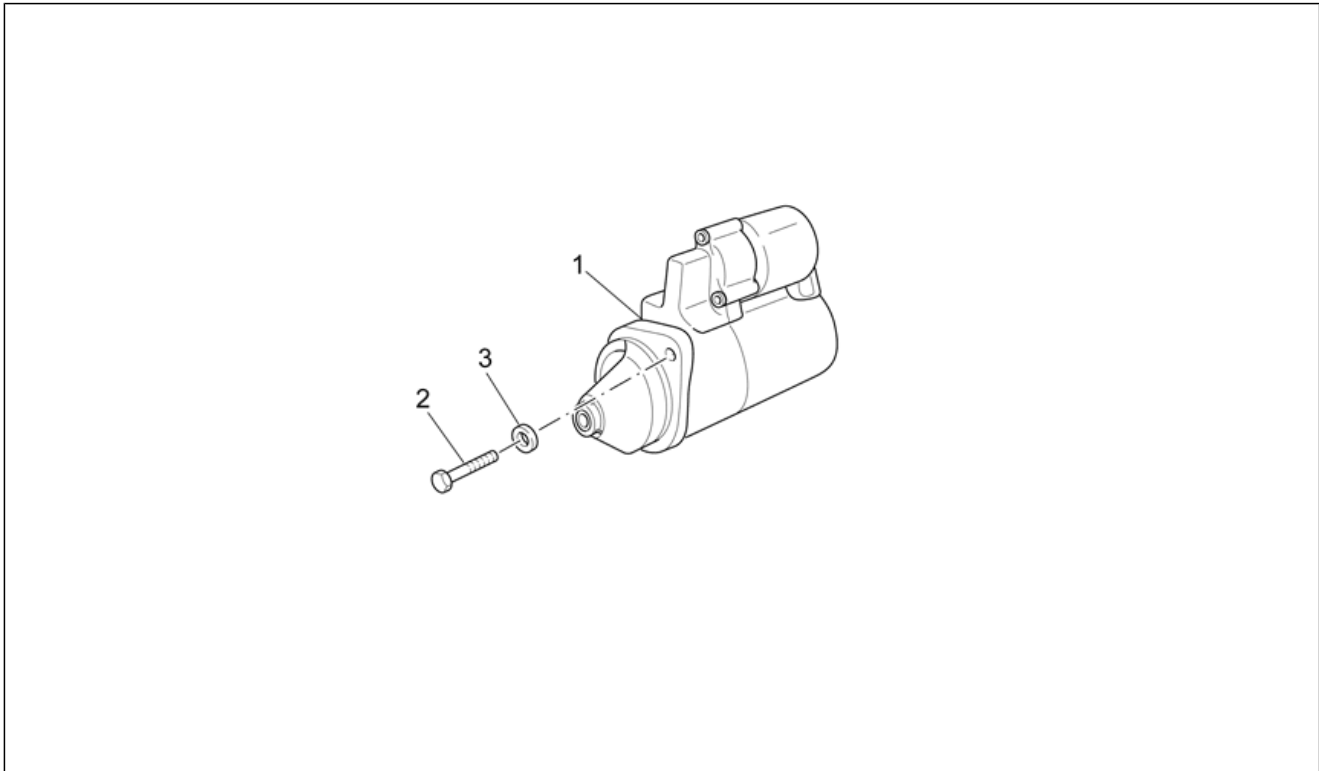
Pos.	Código	Descripción	Cant.	Variantes
1	GU05239330	Rangua	2	
2	GU90271014	Anillo de retención	2	
3	GU05238131	Distanciador	1	
4	B063956	Muelle	1	
5	2A000219	Pre-selector completo	1	
6	GU05238231	Muelle	1	
7	GU05238431	Buje	1	
8	B064112	Pal. index completa	1	
9	GU05234230	Distanciador	1	
10	GU90353014	Anillo de retención	1	
11	B064113	Muelle index	1	
12	2A000222	Leva del cambio cpl.	1	
13	GU05234631	Barra	6	
14	GU05235531	Suplemento espesor	1	
15	GU90271022	Anillo de retención	1	
16	2A000224	Varilla	1	
17	2A000226	Horquilla 2-3 marchas	2	
18	2A000227	Forchetta 5-6 v.tà	1	
19	2A000225	Forchetta per albero secondario	1	
20	2A000416	Vite di fermo	1	
21	B063025	Junta 8,7x14,2x1,3	1	
22	862560	Tuerca especial	1	

Grupo	MOTOR
Código	34.45
Descripción	Alternador - Regulador
Revisión	1



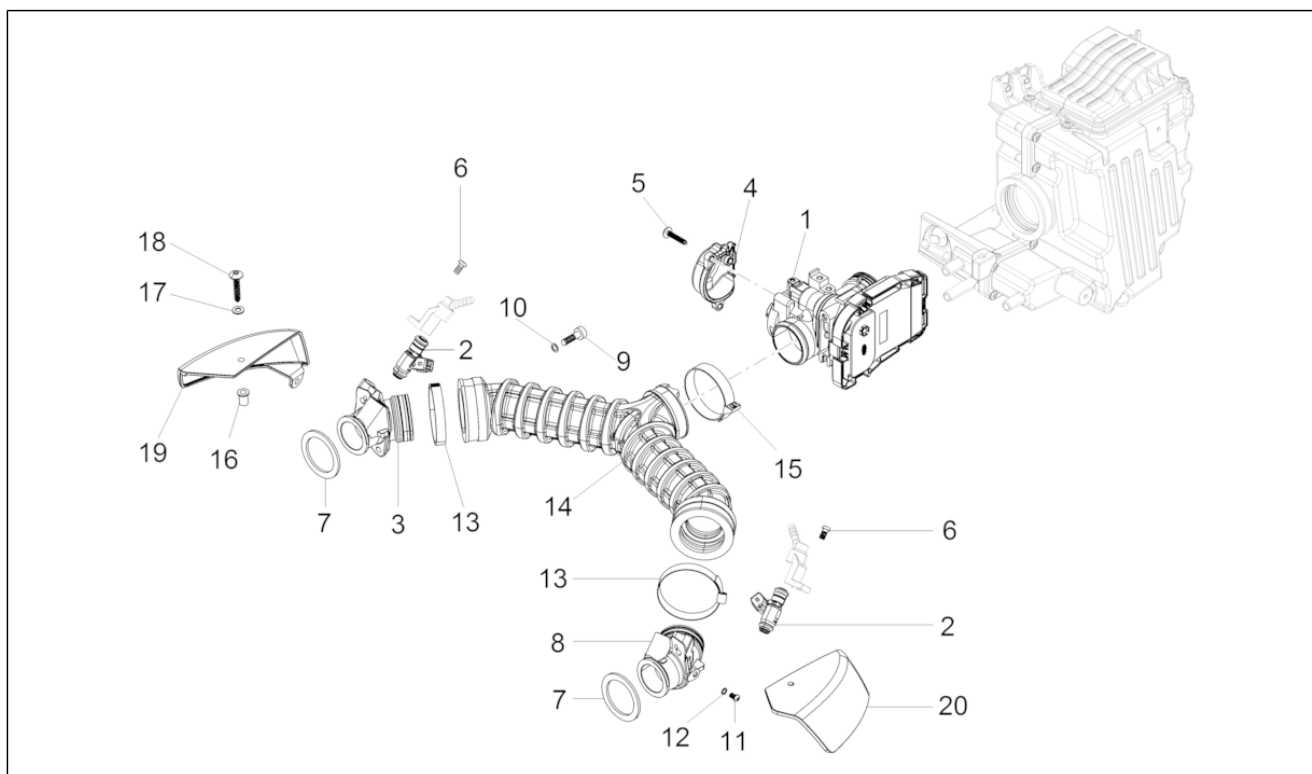
Pos.	Código	Descripción	Cant.	Variantes
1	2D000024	Volante magneto cpl	1	
2	2D000043	Regulador de tensión	1	
3	897478	Arandela 12x26.5x3	1	
4	857206	Torn. CH con reborde M12X1,25X50	1	
5	GU98682212	Tornillo Allen M5x12	1	
6	2A000115	Placa	1	
7	2A000129	Tornillo Allen rebajado M6x35	3	
8	GU19007700	Goma	1	
9	AP8152281	Torn. CH con reborde M6x30	2	
10	254485	Placa elastica M6	2	
11	GU95100125	Arandela	2	

Grupo	MOTOR
Código	34.46
Descripción	Motor arranque
Revisión	1



Pos.	Código	Descripción	Cant.	Variantes
1	GU05730730	Motor arranque Bosch	1	
2	GU98682435	Tornillo Allen	2	
3	GU95008208	Arandela 8,4X15X1,5	2	

Grupo	MOTOR
Código	34.47
Descripción	Cuerpo válv.estrangulamiento
Revisión	1



Pos.	Código	Descripción	Cant.	Variantes
1	CM228306	Centralita electrónica para inyección	1	
2	B063049	Inyector	2	
3	GU32115010	Capuchón admisión izq.	1	
4	880260	Protección Cuerpo válv.estrang.	1	
5	B016796	Tornillo de cabeza curva torx	3	
6	AP8152298	Tornillo con reboron M5x16	2	
7	GU32115510	Junta	2	
8	GU32115011	Capuchón admisión izq.	1	
9	GU98622322	Tornillo	4	
10	GU03013800	Arandela 6,4x12	4	
11	884029	Tornillo M6x10	2	
12	GU95100116	Arandela 6,25x10x1,5	2	
13	884311	Abrazadera D.61	2	
14	2B001031	Manguito cpo estran.	1	
15	884310	Abrazadera D.55	1	
16	GU93231605	Casquillo	4	
17	GU30577800	Arandela en nylon 5,5X12X1	4	
18	GU98370515	Tornillo	4	
19	2B000971	Tapa der.	1	
20	2B000972	Tapa izq.	1	