



part# MG977484

USA

BREVA
V750 IE



USE+MAINTENANCE BOOK

First edition: March 2006

Reprinted: May 2006

Produced and printed by:
VALLEY FORGE DECA
Ravenna , Modena, Torino
DECA S.r.l.
Registered Main Office
Via Vincenzo Giardini, 11
48022 Lugo (RA) - Italy
Tel. +39 - 0545 216611
Fax +39 - 0545 216610
E-mail: deca@vftis.spx.com
www.vftis.com

on behalf of:
Moto Guzzi S.p.A.
via E. V. Parodi, 57
23826 Mandello del Lario (LECCO) - Italy
Phone +39 - 0341 70 91 11
Fax +39 - 0341 70 92 20
www. motoguzzi.it

FOREWORD

NOTES This manual is an important and integral part of your vehicle. Keep it with your vehicle at all times, even if your vehicle is resold.

Moto Guzzi has prepared this manual to supply you, the user, with correct and current information. However, since **Moto Guzzi** constantly improves the design of its vehicles, there may be slight discrepancies between your vehicle and the material given in this manual. If you have any questions about your vehicle, contact your Local **Moto Guzzi** Dealer, as he will have the very latest technical information available from the factory.

For tests and repairs not expressly described in this manual, to purchase **Moto Guzzi** genuine spare parts, accessories, and other products, and for help with specific problems, please contact your Local **Moto Guzzi** Dealer or service center. These professionals will be able to assist you promptly and accurately.

Thank you for choosing **Moto Guzzi**. Have a great ride!

This manual is copyrighted in all countries, and reproduction thereof in full or in part by any print or electronic means is strictly prohibited.

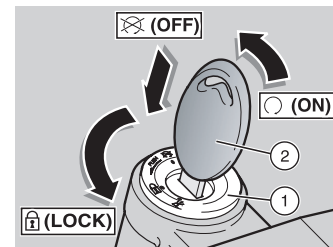
INTRODUCTION

This manual is divided by subject into sections, chapters and paragraphs. The procedures described are laid out step by step, and each operation is indicated by a ♦.

The numbered parts shown in the figures are identified in the text with the number in parentheses, or the symbol representing them.

Example (the following text is generic and does not refer to this specific vehicle:

section → **MAIN INDEPENDENT CONTROLS**



chapter → **STEERING LOCK**

safety warning → **⚠ WARNING**

Never attempt to place the ignition switch in the locked “**Ⓛ**” (LOCK) position while the vehicle is moving.

paragraph → **OPERATION**

To lock the steering:
♦ Turn the handlebar completely to the left or to the right.

position (2) → ♦ Turn the key (2) to position “**Ⓛ**”.

symbol “**Ⓛ**” → ♦ Press the key and turn it to position “**Ⓛ**”.

♦ Remove the key.

SAFETY WARNINGS

The following precautionary warnings are used throughout this manual to convey the following messages:

⚠ Safety Warning: When you see this symbol on the vehicle or in the manual, pay particular attention to the potential risk of personal injury or death. Failure to comply with the instructions given in the warning messages preceded by this symbol may result in grave risk for your own safety and that of others, as well as for the vehicle.

⚠ WARNING

Indicates a potential hazard which may result in serious injury or even death.

⚠ CAUTION

Indicates a potential hazard which may result in personal injury or damage to the vehicle or other property.

NOTE The word “NOTE” in this manual precedes important information or instructions.

GENERAL SAFETY RULES

CARBON MONOXIDE

If it is necessary to run the engine in order to carry out a given maintenance operation, make sure that the area in which you are operating is properly ventilated. Never run the engine in enclosed spaces. If it is necessary to work indoors, use an exhaust evacuation system.

⚠ WARNING

The exhaust fumes contain carbon monoxide, a poisonous gas that can cause loss of consciousness and even death.

⚠ WARNING

Carbon monoxide is both colorless and odorless, and cannot be detected by smell, vision, or any other sense. Avoid breathing exhaust fumes under any circumstances.

GASOLINE

Keep gasoline away from children. Gasoline is also poisonous. Never attempt to siphon gasoline using your mouth. Never allow gasoline to contact your skin. If you should accidentally spill gasoline on yourself, change your clothes immediately and thoroughly wash the area upon which the gasoline was splashed with hot water and soap. Should you accidentally swallow gasoline, do not induce vomiting. Drink abundant cool water or milk and seek professional medical assistance

immediately. Should you accidentally get gasoline get your eyes, flush with abundant cool, clear water and seek professional medical assistance immediately.

⚠ WARNING

Gasoline is extremely flammable and becomes explosive under certain conditions.

KEEP GASOLINE AWAY FROM CHILDREN.

HOT COMPONENTS

⚠ WARNING

The engine and all parts of the exhaust system, as well as the braking system, become very hot and remain hot for some time after the vehicle and the engine are stopped. Before handling any component of your vehicle after riding, make sure that it has cooled sufficiently to be safe to handle.

USED ENGINE OIL

⚠ WARNING

Use latex gloves for those maintenance operations that require contact with used oil. Used engine oil may cause skin cancer if repeatedly left in contact with the skin for prolonged periods. Although this is unlikely unless you handle used oil on a daily basis, it is advisable to thoroughly wash your hands with soap and water after handling used oil.

KEEP OIL AWAY FROM CHILDREN.

BRAKE FLUID

CAUTION

Brake fluid is extremely poisonous. Do not ever allow brake fluid to be ingested or swallowed. Should brake fluid accidentally be swallowed, drink abundant milk or clear water and seek professional medical assistance immediately. Brake fluid is highly destructive of skin and eye tissue. Should you accidentally spill brake fluid on yourself, remove the contaminated clothing, wash your body with soap and warm water immediately and seek professional medical assistance immediately. Should you accidentally splash brake fluid into your eyes, flush with abundant cool, clear water and seek professional medical assistance immediately.

KEEP BRAKE FLUID AWAY FROM CHILDREN.

CLUTCH FLUID

CAUTION

Clutch fluid is extremely poisonous. Do not ever allow clutch fluid to be ingested or swallowed. Should clutch fluid accidentally be swallowed, drink large quantities of milk or clear water and seek professional medical assistance immediately. Clutch fluid is highly destructive of skin and eye tissue. Should you accidentally spill clutch fluid on yourself, immediately remove the

contaminated clothing, wash your body with soap and warm water and seek professional medical assistance immediately. Should you accidentally splash clutch fluid into your eyes, flush with abundant cool, clear water and seek professional medical assistance immediately.

KEEP CLUTCH FLUID AWAY FROM CHILDREN.

COOLANT

In certain conditions, the ethylene glycol contained in the engine coolant is flammable: its flame is invisible, but you can be burned anyway.

WARNING

Avoid spilling the engine coolant on the exhaust system or engine components. They may be hot enough to cause the coolant to ignite and burn without a visible flame. The coolant (ethylene glycol) can cause skin irritation and is poisonous if swallowed.

Coolant and coolant/water mixtures are sweet to the taste and brightly colored, and therefore are highly attractive to pets and children. Take extra precautions to keep new and used coolant out of reach of children and animals.

KEEP COOLANT AWAY FROM CHILDREN.

Risk of burns.

Do not remove the radiator cap when the engine is hot. Wait until the engine has

completely cooled down. The coolant is under pressure and may splash out and cause burns.

BATTERY HYDROGEN GAS AND ELECTROLYTE

WARNING

The battery gives off noxious and explosive gases; keep cigarettes, flames and sparks away from the battery. Provide adequate ventilation when operating or recharging the battery.

During recharging and use, make sure that the room is properly ventilated and avoid inhaling the gases released during recharging.

The battery contains sulphuric acid (electrolyte). Contact with the skin or eyes may cause serious burns. Always wear protective clothing, rubber gloves, and tight fitting goggles or a face shield when working around the battery, especially when filling the battery with either water or electrolyte.

In case of contact with the skin, flush immediately with plenty of water. In case of contact with the eyes, flush with plenty of water for at least 15 minutes. Immediately consult a health professional.

The electrolyte is poisonous. If the electrolyte is accidentally swallowed, drink abundant quantities of water or milk, followed by milk of magnesia or vegetable oil. Immediately consult a health professional.

KEEP BATTERIES AND ELECTROLYTE AWAY FROM CHILDREN.

WARNINGS - PRECAUTIONS - GENERAL ADVICE

Before starting the engine, carefully read this manual and in particular the chapters "WARNINGS - PRECAUTIONS - GENERAL ADVICE" and "SAFE DRIVE" see p. 17.

Your safety and that of those around you depends not only on your skill as a rider, but also your knowledge of your vehicle and about riding safely. Therefore it is essential that you not operate your vehicle on public streets or highways until you have received instructions from a qualified safety organization such as the Motorcycle Safety Foundation, and are properly trained and licensed.

REPORTING DEFECTS THAT AFFECT SAFETY

If you believe that your vehicle has a defect which could cause a crash or could cause injury or death, you should immediately inform the National Highway Traffic Safety Administration (NHTSA) in addition to notifying Moto Guzzi. If NHTSA receives similar complaints, it may open an investigation, and if it finds that a safety defect exists in a group of vehicles, it may order a recall and remedy campaign. However, NHTSA cannot become involved in individual problems between you, your dealer, or **Moto Guzzi**. To contact NHTSA, you may either call the **Auto Safety Hotline** toll free at 1-800-424-9393 (or 366-0123 in the Washington, D.C. area) or write to: NHTSA, U.S. Department of Transportation, Washington, D.C. 20590.

You can also obtain other information about motor vehicle safety from the Hotline.

ROAD REGULATIONS AND USING THE VEHICLE

Rules of the road vary from country to country. It is essential that you understand in advance the rules of the road of the country in which your vehicle will be used.

WARNING

This vehicle has been designed and built for use only on paved roads. It is not designed to be used on even smooth graded dirt roads, or trails. It is not designed for off road competition, or for cross country riding. Do not use this vehicle on rough or unimproved surfaces, or in other off road areas. Failure to heed this warning could lead to an upset with subsequent injury and even death.

NOISE EMISSION WARRANTY

Moto Guzzi s.p.a. warrants that this exhaust system, at the time of sale, meets all applicable U.S. **EPA** Federal noise standards. This warranty extends to the first person who buys this exhaust system for purposes other than resale, and to all subsequent buyers.

Warranty claims should be directed to:

Moto Guzzi USA

140 East 45th Street, 17th Floor
New York, NY 10017

Tel: 877. 277.4552 (877.Aprilia)

Fax: 001.212.380.4459

INFORMATION ON THE NOISE AND EXHAUST GAS EMISSION CONTROL SYSTEM

ORIGIN OF THE EMISSIONS

The combustion process produces carbon monoxide and hydrocarbons. The control of hydrocarbons is very important, because under certain conditions they react to exposure to sunlight and produce photochemical smog.

Carbon monoxide does not react in the same way, but it is toxic and poisonous. **Moto Guzzi** utilizes "lean" carburetor settings and other systems to reduce the production of carbon monoxide and hydrocarbons.

TAMPERING WARNING

Tampering with the noise control system is prohibited. Federal law prohibits the following acts or causing thereof:

- a) The removal or rendering inoperative by any person other than for purposes of maintenance, repair, or replacement, of any device or element of design incorporated into any new vehicle for the purpose of noise control prior to its sale or delivery to the ultimate purchaser or while it is in use, or
- b) Use of the vehicle after such device or element of design has been removed or rendered inoperative by any person.

Among those acts presumed to constitute tampering are the acts listed below:

- a) Removal or puncturing of the muffler, baffles, header pipes or any other component which conducts exhaust gases.
- b) Removal or puncturing of any part of the intake system.
- c) Lack of proper maintenance.
- d) Replacing any moving part of the vehicle, or parts of the exhaust or intake system, with parts other than those specified by the manufacturer.

⚠ CAUTION

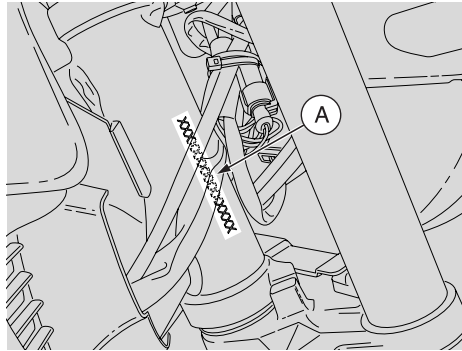
This product should be checked for repair or replacement if the vehicle noise has increased significantly through use. Otherwise, the owner may become subject to penalties under state and local ordinances.

PROBLEMS THAT MAY AFFECT VEHICLE EMISSIONS

If any of the following symptoms are observed, have your vehicle immediately inspected and repaired by your Local **Moto Guzzi** Dealer

Symptoms:

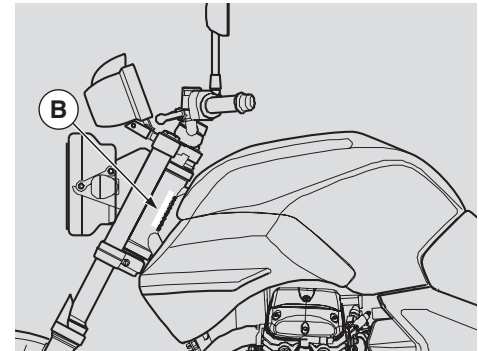
- Difficult starting or stalling after starting.
- Irregular idle.
- Misfiring or backfiring during acceleration.
- After-burning (backfiring).
- Poor engine performance, degraded handling, or poor fuel economy.



VEHICLE IDENTIFICATION NUMBER (V.I.N.) (FRAME NUMBER)

Every vehicle produced by **Moto Guzzi** receives a vehicle identification number (V.I.N.) stamped:

- on the steering head of the frame (A), as shown above;
- and also:
- on the identification plate (B) which is located on the front portion near the steering head of the frame.



INFORMATION CONTAINED IN THE VEHICLE IDENTIFICATION NUMBER

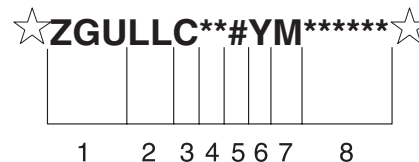
Description of the vehicle identification number (V.I.N.), stamped on the steering head of the frame (A) and on the identification plate (B).



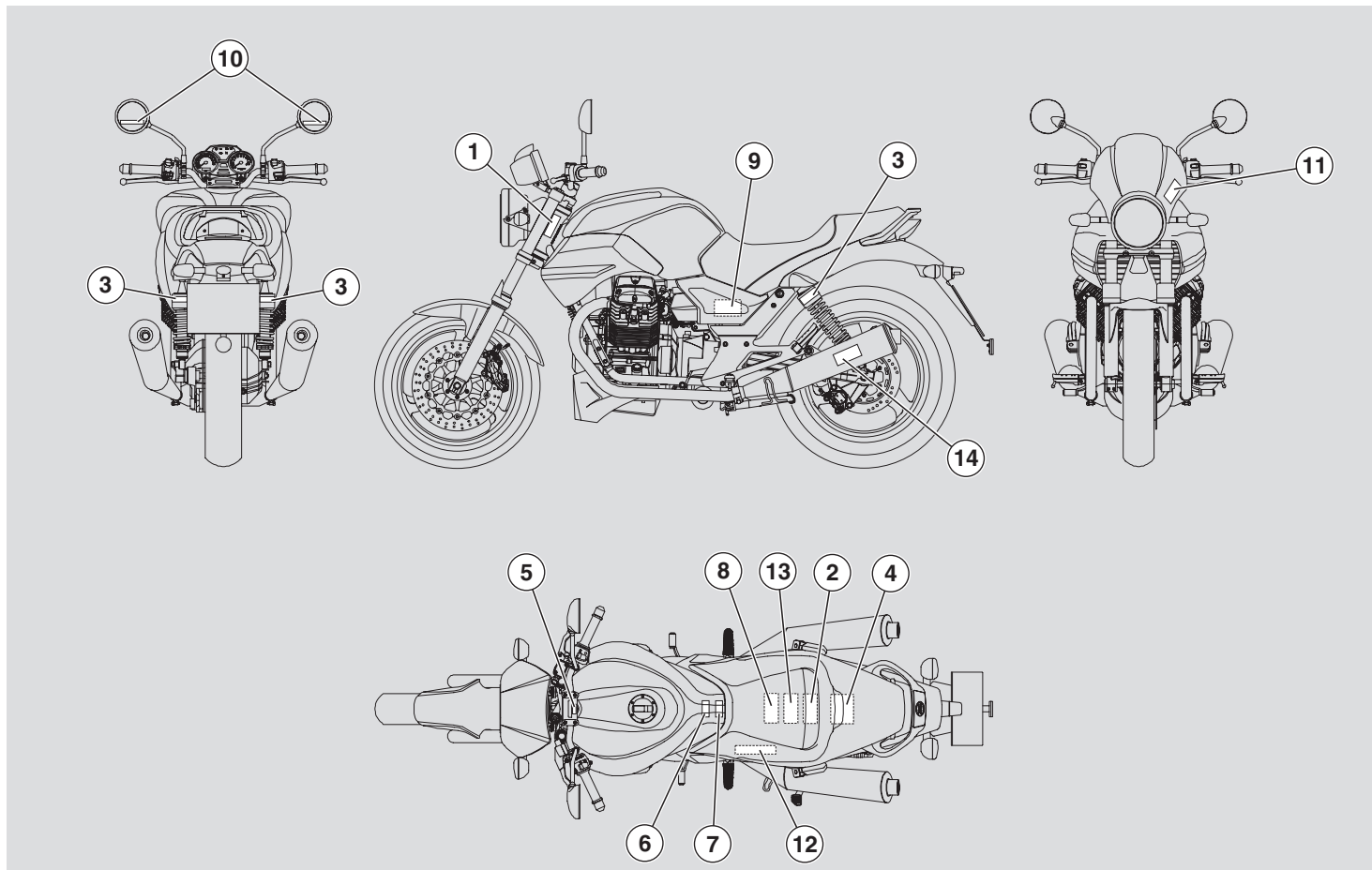
| | | |
|--|--|---|
| ○ MFD BY Moto Guzzi S.p.A. Italy ○ | ○ GVWR 891 lb GAWR F302 lb WITH 110/70 - 17 54H TIRE AND E17 x 3.00 DOT RIM AT 36.3 psi COLD | ○ |
| <input type="text"/> | | |
| THIS VEHICLE CONFORMS TO ALL APPLICABLE FEDERAL MOTOR VEHICLE SAFETY STANDARDS IN EFFECT ON THE DATE OF MANUFACTURE SHOWN ABOVE | ○ GAWR 589 lb WITH 130/80 - 17 65H TIRES AND E17 x 3.50 DOT RIMS AT 39.2 psi COLD | |
| VIN: <input type="text"/> | | |

DIGIT MEANING

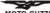
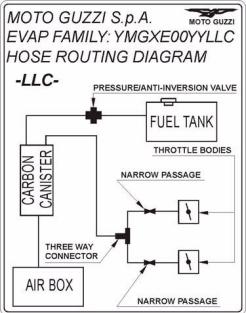
- 1) Manufacturer's identification alphanumeric code.
- 2) Vehicle type.
- 3) Model.
- 4) Country for which the vehicle is intended.
- 5) # = Check digit number.
- 6) Model year (Y).
- 7) Assembling factory designation (M = MANDELLO).
- 8) Sequential serial number




POSITION OF THE WARNING ADHESIVE LABELS





WARNING ADHESIVE LABELS CHART

| Ref. | Description |
|------|--|
| 1 | <p>○ MFD BY Moto Guzzi S.p.A. Italy ○</p> <p>GVWR 891 lb GAWR F302 lb WITH 110/70 - 17 54H TIRE AND E17 x 3.00 DOT RIM AT 36.3 psi COLD GAWR 589 lb WITH 130/80 - 17 65H TIRES AND E17 x 3.50 DOT RIMS AT 39.2 psi COLD</p> <p>THIS VEHICLE CONFORMS TO ALL APPLICABLE FEDERAL MOTOR VEHICLE SAFETY STANDARDS IN EFFECT ON THE DATE OF MANUFACTURE SHOWN ABOVE</p> <p>VIN: _____</p> |
| 2 | <p>MOTO GUZZI S.p.A. </p> <p>EVAP FAMILY: YMGXE00YLLC</p> <p>HOSE ROUTING DIAGRAM</p> <p>-LLC-</p>  |
| 3 | <p>⚠ WARNING!</p> <ul style="list-style-type: none"> ● CONTAINS HIGH PRESSURE NITROGEN GAS. ● SEE WORKSHOP MANUAL FOR DISPOSAL AND ADJUSTING UNIT. ● DO NOT OPEN. DO NOT INCINERATE. INCINERATION, PUNCTURE OR DISASSEMBLY MAY CAUSE THIS UNIT TO EXPLODE. |

| Ref. | Description | | | | | | | | | | | | | |
|--------------------------|---|-------------------------------------|--|-----------|------------|-----------|------------|------------|-------------------------------------|------------|------------|------------|------------|-------------------------------------|
| 4 | <p>⚠ WARNING!</p> <p>Do not use any tire other than those recommended and approved by Moto Guzzi. Maintain proper tire inflation. Do not use any tire with less than 1/8" (3mm) tread remaining. Do not repair any tire, nor use a repaired tire. Do not ride your motorcycle overloaded or with an unbalanced load. Failure to follow these warnings can lead to an accident and serious injuries or death.</p> <p>-LLC- </p> <table border="1"> <thead> <tr> <th colspan="2">Tires pressure bar (psi)</th> <th rowspan="2">Tire size</th> </tr> <tr> <th>Front tire</th> <th>Rear tire</th> </tr> </thead> <tbody> <tr> <td>2.2 (31.9)</td> <td>2.4 (34.8)</td> <td rowspan="2">Pirelli Bridgestone { 110/70 17 54H</td> </tr> <tr> <td>2.5 (36.3)</td> <td>2.7 (39.2)</td> </tr> <tr> <td>2.5 (36.3)</td> <td>2.7 (39.2)</td> <td>Pirelli Bridgestone { 130/80 17 65H</td> </tr> </tbody> </table> | Tires pressure bar (psi) | | Tire size | Front tire | Rear tire | 2.2 (31.9) | 2.4 (34.8) | Pirelli Bridgestone { 110/70 17 54H | 2.5 (36.3) | 2.7 (39.2) | 2.5 (36.3) | 2.7 (39.2) | Pirelli Bridgestone { 130/80 17 65H |
| Tires pressure bar (psi) | | Tire size | | | | | | | | | | | | |
| Front tire | Rear tire | | | | | | | | | | | | | |
| 2.2 (31.9) | 2.4 (34.8) | Pirelli Bridgestone { 110/70 17 54H | | | | | | | | | | | | |
| 2.5 (36.3) | 2.7 (39.2) | | | | | | | | | | | | | |
| 2.5 (36.3) | 2.7 (39.2) | Pirelli Bridgestone { 130/80 17 65H | | | | | | | | | | | | |
| 5 | <p>⚠ WARNING!</p> <p>DO NOT ALLOW KEY CHAIN AND ANY OTHER ITEM TO FALL BETWEEN THE STEERING HEAD AND THE BODY OF MOTORCYCLE. THIS CAN CAUSE LOSS OF CONTROL.</p> | | | | | | | | | | | | | |
| 6 | <p>⚠ WARNING!</p> <ul style="list-style-type: none"> • Wear a helmet, eye protection, and bright protective clothing. • Don't ride after consuming alcohol or other drugs. • Slow down on slippery surface, unfamiliar terrain or when visibility is reduced. • Read owner's manual carefully • Failure to follow these warnings can lead to an accident and serious injuries or death. • USE UNLEADED FUEL MINIMUM OCTANE RATING (R + M) / 2 METHOD 90. • See owner's manual for the correct running in and maintenance of the vehicle. | | | | | | | | | | | | | |
| 7 | <p>⚠ WARNING!</p> <p>Never install accessories or replacement parts not approved by Aprilia as original equipment. This can degrade the handling and safety of your motorcycle, and can cause an upset with subsequent accident and serious injury or even death. The stability and safety of any motorcycle is adversely affected by the addition of any load carrying accessory. See owner's manual.</p> | | | | | | | | | | | | | |

Follow ▶

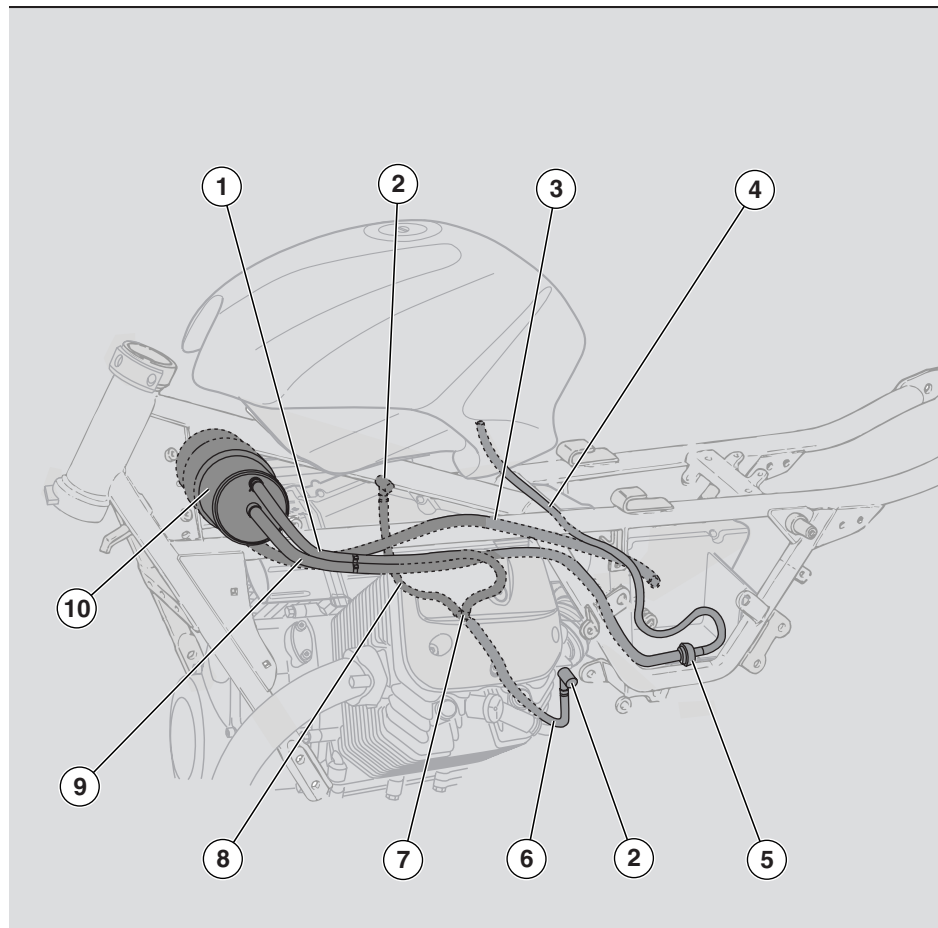
| Ref. | Description |
|------|---|
| 8 | <div style="border: 1px solid black; padding: 5px;"> <p>MOTO GUZZI NORME DI MANUTENZIONE BATTERY SERVICE</p> <p>Mantenere il livello tra le due tacche di riferimento rabboccando solo con acqua distillata. Mantenere sempre la batteria carica. A motore in moto non distaccare i morsetti della batteria o del regolatore. Attenzione : collegare sempre lo sfilato batteria per evitare che i vapori di acido solforico possano corrodere l'impianto elettrico.</p> <p>Keep the battery fluid level between the two level marks. Fill up only with distilled water. Always keep the battery charged. Never disconnect the battery or regulator clamps while the engine is running. Warning : always connect the battery breather, in order to avoid electrical system being corroded by sulphuric acid steams.</p> </div> |
| 9 | <div style="border: 1px solid black; padding: 5px;"> <p>⚠ WARNING!</p> <p>Contain sulfuric acid which can cause severe injuries. Avoid contact with skin, eyes or clothing. Antidote: EXTERNAL - Flush with water. INTERNAL - Drink large quantities of water or milk. Follow with milk of magnesia, beaten egg or veg. oil. Call physician immediately. Eyes: Flush with water for 15 minutes and get prompt medical attention. KEEP OUT OF REACH OF CHILDREN.</p> <p>Batteries produce explosive gases. Keep sparks, flames, cigarettes away. Charge only in well-ventilated space. Always wear protective goggles when working around batteries. Always connect the battery vent tube. Failure to heed this warning will cause corrosion of the electrical system.</p> </div> |
| 10 | <div style="border: 1px solid black; padding: 5px; text-align: center;"> <p>OBJECTS IN MIRROR ARE CLOSER THAN THEY APPEAR.</p> </div> |
| 11 | <div style="border: 1px solid black; padding: 5px;"> <p>⚠ WARNING!</p> <ul style="list-style-type: none"> • Keep windshield clean at all times. • Clean only with a soft cloth and warm water with a mild detergent. • Replace windshield if becomes scratched or discoloured so as to interfere with view. • Do not allow any alkaline or strong acid cleaner, gasoline, brake fluid or any other solvent to contact the windshield. • When replacing windshield, use only Aprilia original replacement windshield. </div> |
| 12 | <div style="border: 1px solid black; padding: 5px;"> <p>MOTORCYCLE NOISE EMISSION CONTROL INFORMATION THIS 20Y GUZZL C0744 MOTORCYCLE, C-1028 MEETS EPA NOISE EMISSION REQUIREMENTS OF 80 dBA AT 3140 closing r.p.m. BY FEDERAL TEST PROCEDURE. MODIFICATIONS WHICH CAUSE THIS MOTORCYCLE TO EXCEED FEDERAL NOISE STANDARDS ARE PROHIBITED BY FEDERAL LAW. SEE OWNER'S MANUAL.</p> <p style="text-align: right;">-LLC-  MOTO GUZZI</p> </div> |

| Ref. | Description |
|------|--|
| 13 | <div style="border: 1px solid black; padding: 5px;"> <p>VEHICLE EMISSION CONTROL INFORMATION -LLC- ENGINE DISPLACEMENT: 744 cc ENGINE FAMILY: YMGXC0.74LLC THIS VEHICLE CONFORMS TO U.S. EPA AND CALIFORNIA REGULATIONS APPLICABLE TO 20YY MODEL YEAR NEW MOTORCYCLES AND IS CERTIFIED TO 1.4 HC+NOx G/KM ENGINE FAMILY EXHAUST EMISSION STANDARD IN CALIFORNIA. ENGINE EXHAUST CONTROL SYSTEM: HO2S - 20C</p> <p>ENGINE TUNE UP SPECIFICATIONS IGNITION TIMING: 24° ± 2° AT 2700 RPM IDLE SPEED: 1100 ± 100 RPM IN NEUTRAL VALVE CLEARANCE: INLET 0.005-0.006 inch (0.13-0.17 mm) OUTLET 0.007-0.008 inch (0.18-0.22 mm)</p> <p>SPARK PLUG: NGK R BR8ES FUEL: MINIMUM OCTANE RATING (M+R)2 METHOD 90 OIL: ENGINE OIL VISCOSITY SAE 10W-60</p> <p>MOTO GUZZI S.p.A. Via E. Parodi 57 23826 Mandello del Lario (I.C) ITALY</p> <p style="text-align: right;"> MOTO GUZZI</p> </div> |
| 14 | Muffler stamping. |

EVAPORATIVE EMISSION SYSTEM

The system consist of:

- 1) Canister - "T"-fitting pipe
- 2) Canister vacuum fitting
- 3) Canister - Airbox pipe
- 4) Tank - pressure valve pipe
- 5) Pressure valve
- 6) "T"-fitting - Lt. Throttle pipe
- 7) "T"-fitting
- 8) "T"-fitting - Rt. throttle pipe
- 9) Pressure valve - Canister pipe
- 10) Carbon canister



NOTES In the event of a fuel system malfunction, contact your Local **Moto Guzzi** Dealer

Moto Guzzi S.p.A. - EMISSION CONTROL SYSTEM WARRANTY STATEMENT

YOUR WARRANTY RIGHTS AND OBLIGATIONS

The California Air Resources Board and **Moto Guzzi S.p.A.** (hereinafter "**Moto Guzzi**") are pleased to explain the emission control system warranty on your 1999 and later motorcycle. In California, new motor vehicles must be designed, built and equipped to meet the State's stringent anti-smog standards. **Moto Guzzi** must warrant the emission control system on your motorcycle for the periods of time listed below provided there has been no abuse, neglect or improper maintenance of your motorcycle.

Your emission control system may include parts such as the carburetor or fuel injection system, ignition system, catalytic converter and engine computer. Also included may be hoses, belts, connectors and other emission-related assemblies.

Where a warrantable condition exists, **Moto Guzzi** will repair your motorcycle at no cost to you, including diagnosis, parts and labor.



MANUFACTURER'S EMISSIONS SYSTEM WARRANTY COVERAGE

Class I motorcycles (50 - 169 cm³): for a period of use of five (5) years or 7,456 miles (12,000 kilometers), whichever first occurs.

Class II motorcycles (170 - 279 cm³): for a period of use of five (5) years or 11,185 miles (18,000 kilometers), whichever first occurs.

Class III motorcycles (280 cm³ and larger): for a period of use of five (5) years or 18,641 miles (30,000 kilometers), whichever first occurs.

If an emission-related part on your motorcycle is defective, the part will be repaired or replaced by **Moto Guzzi**. This is your emission control system DEFECTS WARRANTY.

OWNER'S WARRANTY RESPONSIBILITIES

- As the motorcycle owner, you are responsible for the performance of the required maintenance listed in your owner's manual. **Moto Guzzi** recommends that you retain all receipts covering maintenance on your motorcycle, but **Moto Guzzi** cannot deny warranty solely for the lack of receipts or for your failure to ensure the performance of all scheduled maintenance.
- You are responsible for presenting your motorcycle to an **Moto Guzzi** dealer as soon as a problem exists. The warranty repairs should be completed in a reasonable amount of time, not to exceed 30 days.
- As the motorcycle owner, you should be aware that **Moto Guzzi** may deny your warranty coverage if your motorcycle or a part has failed due to abuse, neglect, improper maintenance or unapproved modifications.

If you have any questions regarding your warranty rights and responsibilities, you should contact

Moto Guzzi USA

140 East 45th Street, 17th Floor
New York, NY 10017

Tel: 877.277.4552 (877.Aprilia)

Fax: 001.212.380.4459

Moto Guzzi S.p.A. - LIMITED WARRANTY ON EMISSION CONTROL SYSTEM

Moto Guzzi S.p.A., Via E. V. Parodi, 57 23826 Mandella del Lario (LECCO) Italy (hereinafter "**Moto Guzzi**") warrants that each new 1999 and later **Moto Guzzi** motorcycle, which includes as standard equipment a headlight, taillight and stoplight, and is street legal:

- A) is designed, built and equipped so as to conform at the time of initial retail purchase with all applicable regulations of the United States Environmental Protection Agency, and the California Air Resources Board; and
- B) is free from defects in material and workmanship which may cause such motorcycle to fail to conform with applicable regulations of the United States Environmental Protection Agency or the California Air Resources Board for a period of use, depending on the engine displacement, of 12,000 kilometers (7,456 miles), if the motorcycle's engine displacement is less than 170 cubic centimeters; of 18,000 kilometers (11,185 miles), if the motorcycle's engine displacement is equal to or greater than 170 cubic centimeters but less than 280 cubic centimeters; or of 30,000 kilometers (18,641 miles), if the motorcycle's engine displacement is 280 cubic centimeters or greater; or 5 (five) years from the date of initial retail delivery, whichever first occurs.

- I. **COVERAGE.** Warranty defects shall be remedied during customary business hours at any authorized **Moto Guzzi** motorcycle dealer located within the United States of America in compliance with the Clean Air Act and applicable regulations of the United States Environmental Protection Agency and the California Air Resources Board. Any part or parts replaced under this warranty shall become the property of **Moto Guzzi**.

In the State of California only, emission related warranted parts are specifically defined by the state's Emission Warranty Parts List. These warranted parts are: carburetor and internal parts; intake manifold; fuel tank; fuel injection system; spark advance mechanism; crankcase breather; air cutoff valves; fuel tank cap for evaporative emission controlled vehicles; oil filler cap; pressure control valve; fuel/vapor separator; canister; igniters; breaker governors; ignition coils; ignition wires; ignition points; condensers, and spark plugs if failure occurs prior to the first scheduled replacement; and hoses, clamps, fittings and tubing used directly in these parts. Since emission related parts may vary from model to model, certain models may not contain all of these parts and certain models may contain functionally equivalent parts.

In the State of California only, Emission Control System emergency repairs, as provided for in the California

Administrative Code, may be performed by other than an authorized **Moto Guzzi** dealer. An emergency situation occurs when an authorized **Moto Guzzi** dealer is not reasonably available, a part is not available within 30 days, or a repair is not complete within 30 days. Any replacement part can be used in an emergency repair. **Moto Guzzi** will reimburse the owner for the expenses, including diagnosis, not to exceed **Moto Guzzi's** suggested retail price for all warranted parts replaced and labor charges based on **Moto Guzzi's** recommended time allowance for the warranty repair and the geographically appropriate hourly labor rate. The owner may be required to keep receipts and failed parts in order to receive compensation.

II. **LIMITATIONS.** This Emission Control System warranty shall not cover any of the following:

- A) Repair or replacement required as a result of
 - (1) accident,
 - (2) misuse,
 - (3) repairs improperly performed or replacements improperly installed,,
 - (4) use of replacement parts or accessories not conforming to **Moto Guzzi** specifications which adversely affect performance and/or
 - (5) use in competitive racing or related events.
- B) Inspections, replacement of parts and other services and adjustments required for required maintenance.
- C) Any motorcycle on which the odometer mileage has been changed so that actual mileage cannot be readily determined.

III. LIMITED LIABILITY

A) The liability of **Moto Guzzi** under this Emission Control System Warranty is limited solely to the remedying of defects in material or workmanship by an authorized **Moto Guzzi** motorcycle dealer at its place of business during customary business hours. This warranty does not cover inconvenience or loss of use of the motorcycle or transportation of the motorcycle to or from the **Moto Guzzi** dealer. **Moto Guzzi** SHALL NOT BE LIABLE FOR ANY OTHER EXPENSES, LOSS OR DAMAGE, WHETHER DIRECT, INCIDENTAL, CONSEQUENTIAL OR EXEMPLARY ARISING IN CONNECTION WITH THE SALE OR USE OF OR INABILITY TO USE THE **Moto Guzzi** MOTORCYCLE FOR ANY PURPOSE. SOME STATES DO NOT ALLOW THE EXCLUSION OR LIMITATION OF ANY INCIDENTAL OR CONSEQUENTIAL DAMAGES, SO THE ABOVE LIMITATIONS MAY NOT APPLY TO YOU.

B) NO EXPRESS EMISSION CONTROL SYSTEM WARRANTY IS GIVEN BY **Moto Guzzi** EXCEPT AS SPECIFICALLY SET FORTH HEREIN. ANY EMISSION CONTROL SYSTEM WARRANTY IMPLIED BY LAW, INCLUDING ANY WARRANTY OF MERCHANTABILITY OR FITNESS FOR A PARTICULAR PURPOSE, IS LIMITED TO THE EXPRESS EMISSION CONTROL SYSTEM WARRANTY TERMS STATED IN THIS WARRANTY. THE FOREGOING STATEMENTS OF WARRANTY ARE EXCLUSIVE AND IN LIEU OF ALL OTHER REMEDIES. SOME STATES DO NOT ALLOW LIMITATIONS ON HOW LONG AN IMPLIED WARRANTY LASTS SO THE ABOVE LIMITATIONS MAY NOT APPLY TO YOU.

C) No dealer is authorized to modify this **Moto Guzzi** Limited Emission Control System Warranty.

IV. **LEGAL RIGHTS.** THIS WARRANTY GIVES YOU SPECIFIC LEGAL RIGHTS, AND YOU MAY ALSO HAVE OTHER RIGHTS WHICH VARY FROM STATE TO STATE.

V. THIS WARRANTY IS IN ADDITION TO THE **Moto Guzzi** LIMITED MOTORCYCLE WARRANTY.

VI. ADDITIONAL INFORMATION. Any replacement part that is equivalent in performance and durability may be used in the performance of any maintenance or repairs. However, **Moto Guzzi** is not liable for these parts. The owner is responsible for the performance of all required maintenance. Such maintenance may be performed at a service establishment or by any individual. The warranty period begins on the date the motorcycle is delivered to an ultimate purchaser.

Moto Guzzi

Via E. V. Parodi, 57
23826 Mandello del Lario (LECCO) Italy

Moto Guzzi USA

140 East 45th Street, 17th Floor
New York, NY 10017

PART 575.6, CONSUMER INFORMATION

aprilia World Service USA, Inc.
140 E 45th Street, 17C, New York, NY 10012

Reporting Safety Defects

If you believe that your vehicle has a defect which could cause a crash or could cause injury or death, you should immediately inform the National Highway Traffic Safety Administration (NHTSA) in addition to notifying **aprilia World Service USA, Inc.**

If NHTSA receives similar complaints, it may open an investigation, and if it finds that a safety defect exists in a group of vehicles, it may order a recall and remedy campaign. However, NHTSA cannot become involved in any individual problems between you, your dealer, or **aprilia World Service USA, Inc.**

To contact NHTSA you may either call the Auto Safety Hotline toll-free at 1-888-327-4236 or write to:

NHTSA
U.S. DEPARTMENT of TRANSPORTATION
400 7th Street SW, (NVS-223) Washington, DC 20590

You can also obtain other information about motor vehicle safety from the Hotline.

GENERAL INSTRUCTIONS

★ The operations preceded by this symbol must also be repeated on the opposite side of the vehicle.

If not expressly indicated otherwise, to reassemble the units repeat the disassembly operations in reverse order.

The terms "right" and "left" refer to the rider seated on the vehicle in the normal riding position.

These data indicate:

- year of manufacture (Y, 1, 2, ...);
- modification code (A, B, C, ...);
- country of homologation (I, UK, A, ...).

and are to be supplied to the Local **Moto Guzzi** Dealer as reference data for the purchase of spare parts or specific accessories of the model you have acquired.

In this manual the various versions are indicated by the following symbols:

OPT optional

***** supplied as standard, if provided

VERSION:

| | |
|--------------------------|-------------------------------------|
| I Italy | SGP Singapore |
| UK United Kingdom | SLO Slovenia |
| A Austria | IL Israel |
| P Portugal | ROK South Korea |
| SF Finland | MAL Malaysia |
| B Belgium | RCH Chile |
| D Germany | HR Croatia |
| F France | AUS Australia |
| E Spain | USA United States of America |
| GR Greece | BR Brazil |
| NL Holland | RSA South Africa |
| CH Switzerland | NZ New Zealand |
| DK Denmark | CDN Canada |
| J Japan | |

TABLE OF CONTENTS

| | | | | | |
|--|-----------|---|-----------|--|-----------|
| FOREWORD | 2 | LOCATIONS OF CONTROLS/ INSTRUMENTS | 30 | BREAKING-IN..... | 66 |
| INTRODUCTION | 2 | INSTRUMENTS AND INDICATORS | 30 | STOPPING | 67 |
| SAFETY WARNINGS | 3 | TABLE OF INSTRUMENTS AND INDICATORS..... | 31 | PARKING | 67 |
| GENERAL SAFETY RULES | 3 | MULTIFUNCTION DIGITAL DISPLAY | 32 | POSITIONING THE VEHICLE ON THE SIDE STAND | 68 |
| CARBON MONOXIDE..... | 3 | MAIN INDIVIDUAL CONTROLS | 34 | SUGGESTIONS TO PREVENT THEFT | 70 |
| GASOLINE | 3 | CONTROLS ON THE LEFT SIDE OF THE HANDLEBAR | 34 | MAINTENANCE | 70 |
| HOT COMPONENTS | 3 | CONTROLS ON THE RIGHT SIDE OF THE HANDLEBAR..... | 35 | SCHEDULED MAINTENANCE CHART | 72 |
| USED ENGINE OIL | 3 | IGNITION SWITCH..... | 36 | MAINTENANCE RECORD | 75 |
| BRAKE FLUID | 4 | STEERING LOCK..... | 36 | IDENTIFYING INFORMATION | 79 |
| CLUTCH FLUID..... | 4 | AUXILIARY EQUIPMENT | 37 | JOINTS WITH SCREW CLAMPS | 79 |
| COOLANT | 4 | LOCKING/RELEASING THE SADDLE | 37 | CHECKING AND TOPPING UP THE ENGINE OIL LEVEL..... | 79 |
| BATTERY HYDROGEN GAS AND ELECTROLYTE | 4 | GLOVE/TOOL KIT COMPARTMENTS | 37 | FRONT WHEEL..... | 82 |
| WARNINGS - PRECAUTIONS - GENERAL ADVICE | 5 | LUGGAGE RACK FASTENER | 38 | REAR WHEEL | 82 |
| REPORTING DEFECTS THAT AFFECT SAFETY | 5 | WHERE PROVIDED (OR AS AN ACCESSORY) | 39 | FRONT BRAKE CALIPER | 83 |
| ROAD REGULATIONS AND USING THE VEHICLE | 5 | ADDITIONAL ACCESSORIES | 39 | CHECKING THE CARDAN SHAFT OIL LEVEL..... | 85 |
| NOISE EMISSION WARRANTY | 5 | INSTRUCTIONS FOR INSTALLING SOFT BAGS AND TOP CASE | 40 | REMOVING THE SIDE PANELS..... | 85 |
| INFORMATION ON THE NOISE AND EXHAUST GAS EMISSION CONTROL SYSTEM..... | 5 | SEAT BAG..... | 42 | REMOVING THE REARVIEW MIRRORS | 86 |
| TAMPERING WARNING..... | 5 | MAIN COMPONENTS | 43 | REMOVING THE FRONT FAIRING | 86 |
| VEHICLE IDENTIFICATION NUMBER (V.I.N.) (FRAME NUMBER) | 6 | FUEL..... | 43 | INSPECTING THE FRONT AND REAR SUSPENSIONS..... | 87 |
| INFORMATION CONTAINED IN THE VEHICLE IDENTIFICATION NUMBER | 6 | LUBRICANTS | 45 | FRONT SUSPENSION | 87 |
| DIGIT MEANING | 7 | ENGINE OIL | 45 | REAR SUSPENSION | 87 |
| EVAPORATIVE EMISSION SYSTEM..... | 11 | DISK BRAKES | 46 | CHECKING THE BRAKE PAD WEAR | 88 |
| MOTO GUZZI S.P.A. - EMISSION CONTROL SYSTEM WARRANTY STATEMENT | 12 | FRONT BRAKE | 49 | ADJUSTING THE THROTTLE CONTROL..... | 89 |
| MOTO GUZZI S.P.A. - LIMITED WARRANTY ON EMISSION CONTROL SYSTEM..... | 13 | REAR BRAKE..... | 50 | SPARK PLUGS..... | 91 |
| GENERAL INSTRUCTIONS | 16 | TOPPING UP | 50 | CHECKING THE SIDE STAND | 93 |
| INDICE GENERALE | 17 | TIRES | 51 | BATTERY | 94 |
| BASIC SAFETY RULES | 20 | ENGINE OIL | 52 | EXTENDED BATTERY STORAGE | 95 |
| CLOTHING | 25 | ADJUSTING THE REAR BRAKE LEVER CLEARANCE | 53 | CHECKING AND CLEANING THE TERMINALS | 95 |
| ACCESSORIES..... | 26 | MUFFLER/EXHAUST SILENCER..... | 53 | REMOVING THE BATTERY..... | 96 |
| LOAD | 26 | INSTRUCTIONS | 54 | CHECKING THE LEVEL OF BATTERY ELECTROLYTE..... | 97 |
| LOCATIONS OF MAIN PARTS - LEGEND | 28 | GETTING ON AND OFF THE VEHICLE | 54 | BATTERY RECHARGING | 98 |
| | | PRELIMINARY CHECKS | 56 | BATTERY INSTALLATION..... | 98 |
| | | TABLE OF PRELIMINARY CHECKS | 58 | CHECKING THE SWITCHES..... | 99 |
| | | STARTING..... | 59 | CHANGING FUSES..... | 100 |
| | | TAKE-OFF AND RIDING | 62 | ADJUSTING THE HEADLIGHT BEAM..... | 102 |
| | | | | BULBS | 103 |
| | | | | CHANGING HEADLIGHT BULBS | 104 |
| | | | | CHANGING THE FRONT AND REAR DIRECTION INDICATOR LAMPS | 105 |

| | |
|---|------------|
| CHANGING THE TAILLIGHT BULB | 106 |
| CHANGING THE LICENSE PLATE BULB..... | 107 |
| TRANSPORT | 108 |
| DRAINING THE FUEL TANK..... | 108 |
| CLEANING | 109 |
| PERIODS OF EXTENDED STORAGE | 111 |
| TECHNICAL SPECIFICATIONS..... | 112 |
| LUBRICANT CHART..... | 115 |
| AUTHORIZED DEALERS AND SERVICE CENTERS | 116 |



SAFE DRIVE

BASIC SAFETY RULES

The instructions given below cover normal operation of your vehicle and must be carefully observed. By following these rules you will enhance your own safety and the safety of those around you. You will also maximize the life and utility of your vehicle.

Two-wheeled vehicles obviously do not provide some of the protection provided by automobiles, therefore it is essential that you wear appropriate protective clothing. Especially, never operate your vehicle without wearing your helmet, gloves, eye protection, a heavy jacket, sturdy footwear, and sturdy full length pants.

However, do not assume that even the best clothing and helmet will protect you in the event of an upset or a crash with another vehicle. At best, this gear provides some protection from scrapes and scratches, but very little, if any, impact protection.

Be sure that you meet all the requirements prescribed by local law, including driver's license, minimum age, training, insurance, taxes, vehicle registration, license plate, etc.

When you first receive your vehicle, practice by riding in areas where there is little traffic. Do not attempt to ride in heavy traffic until you are thoroughly experienced and riding your vehicle has become second nature to you.



Although this vehicle is legal for operation on freeways and expressways, it is advisable to not ride on these high speed highways until you are thoroughly familiar with your vehicle, and have attained a high degree of skill in its operation.

A new vehicle must be carefully broken in, see p. 66 (BREAKING-IN).

Before starting the engine, make sure that the brakes, clutch, transmission and throttle controls function properly and that the fuel and oil supply is adequate.

The exhaust system, brakes, and some other parts of the vehicle become very hot during operation. Do not touch any of these parts.

Some medicines or drugs, illegal or prescription, and alcohol significantly increase the risk of accidents. Do not ride while you are under the influence of alcohol or drugs, be they illicit or prescription. Make sure you are in good



physical condition and not ill before riding your vehicle. Do not ride your vehicle when you are particularly tired or fatigued. Alcohol, drugs and fatigue are leading causes of vehicle accidents.

Many accidents are caused by the rider's inexperience and lack of training. Do not ride your vehicle until you have received training from a recognized training organization such as the Motorcycle Safety Foundation. Remember that riding a two-wheeled vehicle, though easy and fun, is quite different from driving a car. Do not assume that you can operate your vehicle safely just because you are a competent automobile driver.

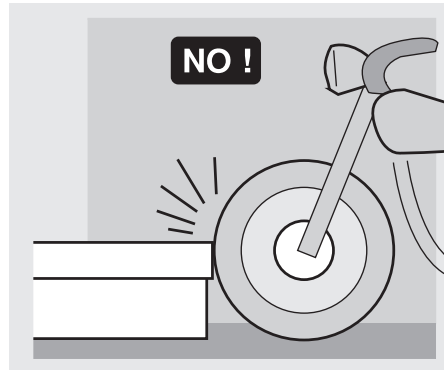
Never lend your vehicle to others unless you are sure that they are competent and properly licensed vehicle operators.



Observe all rules of the road. Pay particular attention to all warning, regulatory and informational signs.

Avoid showing off (i.e., popping wheelies). Especially observe speed limits; remember that road conditions change with the weather and wet and icy pavements are particularly dangerous for vehicles, especially if you are riding too fast. Remember that automobile drivers have a hard time seeing two wheeled vehicles, so always give the automobile the right of way, even if it is legally yours.

Before changing lanes, look over your shoulder to make sure that the way is clear. Do not rely exclusively on the rear-view mirror: you may miscalculate the distance and speed of a vehicle, or you may even not see it at all.

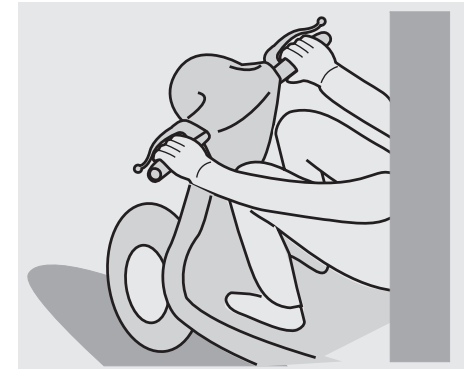


Avoid obstacles that could damage the vehicle or make you lose control.

Do not tailgate, do not attempt to increase your gas mileage by following in the slip stream of cars or trucks in front of you.

In case of accident motorcycles, scooters and mopeds do not provide the same degree of protection ensured by automobiles. The legs, in particular, are exposed to the risk of being injured. However, the additional installation of leg guards may actually increase the risk of injuries and their seriousness in case of accident.

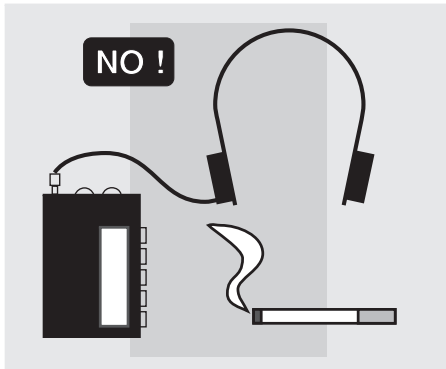
Do not install leg guards available on the market as spare parts and accessories. Failure to comply with these instructions may result in serious injuries or even death.



Always ride with both hands on the handlebars and feet on the footrests.

Never shift gear without using the clutch, if the vehicle is so equipped. Do not operate the shift lever or other controls suddenly or abruptly. Such misuse can damage the internal components of the vehicle and consequently cause seizure, loss of control, accidents and serious injuries or even death.

Remain in the seat when you are riding. Do not stand up or attempt to stretch while you are riding your vehicle. If you need to rest, pull over to the side of the road when it can be safely done.



It is very important to your safety that you give full attention to the riding task. Watch what you are doing, do not allow yourself to be distracted by other cars, people or things on the roadside, etc. Never smoke, eat, drink, read, etc. while riding your vehicle. If you must consult a map, pull over when it can be done safely.

Use only the specific fuels and lubricants for the vehicle indicated in the "LUBRICANT CHART"; check the oil, fuel and coolant levels regularly.

If the throttle sticks open, it may cause a collision with another vehicle, or an upset.

If the throttle sticks, kill the engine with the engine stop switch located on the right handlebar.

Do not attempt to restart the engine until the throttle has been repaired and works perfectly. Failure to obey this warning can lead to a runaway with seriously injuries or even death.



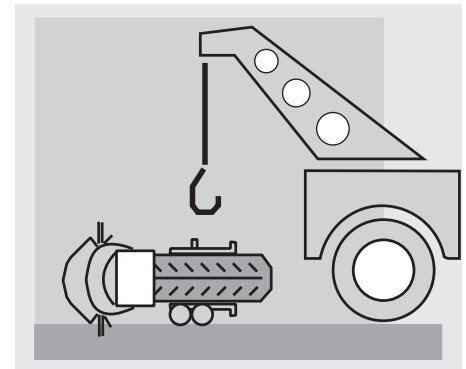
Your vehicle is equipped with a double cable throttle. One cable opens the throttle when you rotate the throttle grip toward you; the other closes the throttle when you rotate the grip away from you. It is essential, when you release the throttle grip, that it automatically return to the idle position.

This double cable arrangement enhances safety by providing for positive closing of the throttle.

⚠ WARNING

In the event of a throttle sticking emergency, always kill the engine using the engine stop switch located near the throttle grip on the right handlebar. Never use your vehicle if the throttle does not automatically fully return to the idle position when the throttle grip is released.

Contact your Local Moto Guzzi Dealer

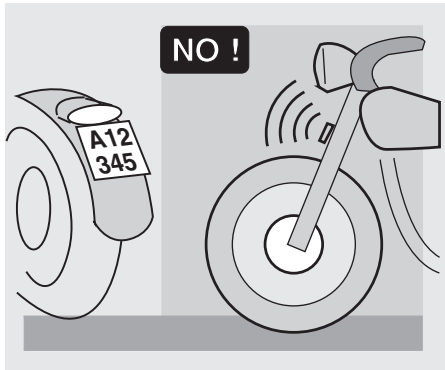


for repairs. Failure to heed this warning can lead to a serious accident and subsequent injury or even death.

If you and your vehicle are involved in an accident, make sure there has been no damage to the control levers, tubes, wires, braking system and other vital parts. If your vehicle is involved in an accident, take it immediately to your Local **Moto Guzzi Dealer** who has the equipment and knowledge to check for accidental damage which may compromise your safety.

Your **Moto Guzzi** dealer is ready and able to help you with any safety problems that you might have, but of course it is necessary for you to report any malfunctions to your mechanic in order for him to help you.

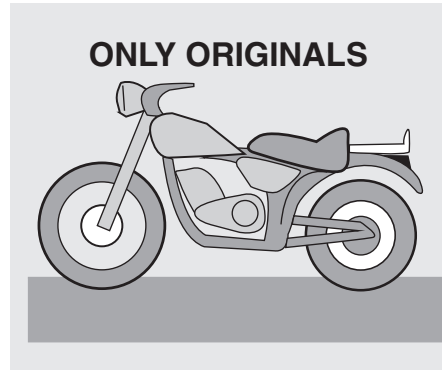
Do not use your vehicle if it is damaged. A damaged vehicle may become unstable or present other problems which can increase the risk of accident, and therefore of serious injury or even death.



Do not attempt to modify the position, angle or color of your license plate. Do not cover it even with a clear plastic covering. Do not modify any of the safety equipment of your vehicle, especially such safety related items as directional indicators, rear view mirrors, lights or horns.

Any modification to your vehicle will invalidate the warranty.

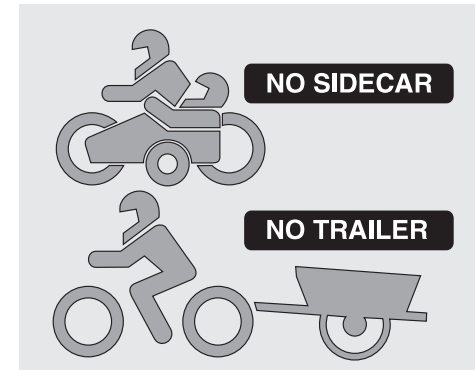
Do not modify your engine in an attempt to increase the horsepower. This can result in irreparable damage to the engine, as well as degradation of the performance and handling of the vehicle which could lead to an upset, and serious injury or even death.



Have your vehicle repaired only with original parts, and use only original **Moto Guzzi** or **Moto Guzzi** approved accessories. The use of aftermarket accessories and parts can seriously compromise the safety of your vehicle as well as its performance and serviceability. Any modification which affects performance or safety voids your warranty completely.

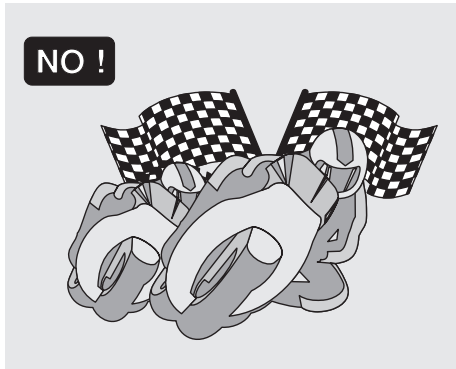
Tampering with the emissions or noise control systems on your vehicle is against the law, and can be punished by large fines.

In some jurisdictions, it can even lead to the confiscation of your vehicle.



This vehicle was not designed to be equipped with a sidecar or to be used to tow trailers or other vehicles.

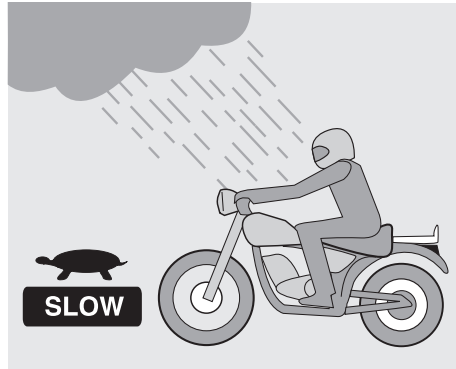
Moto Guzzi does not manufacture sidecars or trailers and therefore cannot predict the effects of such accessories on the maneuverability or stability of the vehicle: it can only warn that such effects may be negative and that any damage to the vehicle components caused by the use of such accessories will not be covered by the warranty.



Never race other vehicles with your vehicle.

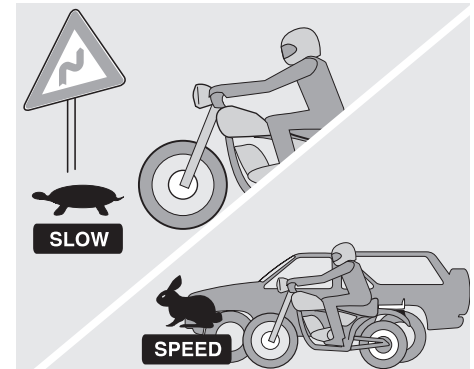
Brake with both the front and rear brakes. The use of one brake only for sudden braking may cause the vehicle to skid or make the rider lose control of the vehicle itself.

When riding down a steep hill, use the engine as a brake by selecting the same gear, or a lower gear, than you would use to climb the hill. Use front and rear brakes sparingly.



Always ride at the appropriate speed and avoid unnecessary hard acceleration. This not only is safer, but also reduces fuel consumption and increases the life of the vehicle.

If you must ride your vehicle in rainy weather, or on loose surfaces, remember that traction is greatly reduced. Under these conditions, the vehicle must always be handled gradually and smoothly. Sudden acceleration, braking or turning may make you lose control of your vehicle. When traction is reduced, accelerate and slow using your vehicle's engine braking insofar as possible. Avoid rapid, harsh application of the brakes.



Gradually open and close the throttle, to avoid spinning or skidding the rear wheel.

On rough road surfaces, slow down and ride with particular care.

Try to avoid wide open throttle accelerations, unless they are necessary for such things as passing.

Don't allow your engine to "lug," that is, run at too low an rpm. Shift down to a lower gear. Also, don't over-rev the engine. Observe the redline on the tachometer.

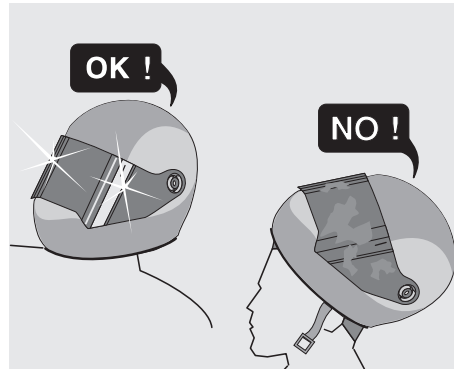
Remember that excessively aggressive cornering can cause your vehicle's tires to lose sideways traction, which can result in an upset and serious injury or even death.



Always observe posted and statutory speed limits, but do not assume that you can ride as fast as the speed limit under all road conditions. Slowing down a little can greatly increase your safety under all road conditions.

Do not ride your vehicle off road.

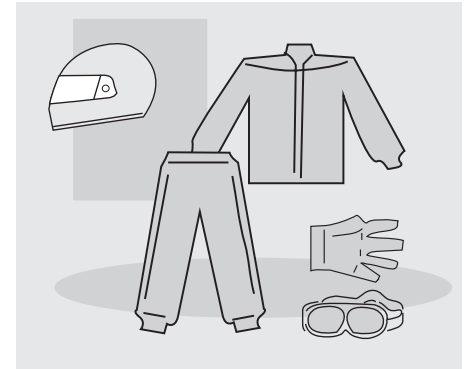
Do not tamper with the muffler system or the emissions control system of your vehicle. This is not only bad for the environment, it can subject you to serious fines.



CLOTHING

Before riding your vehicle, ensure that your riding gear is in good condition. To be effective, your helmet must fit properly, and the visor or other eye protection must be clean.

Both research and experience have shown that drivers of other vehicles often do not see vehicles or riders. In order to make yourself more conspicuous to these drivers, wear bright reflective clothing, such as a reflective vest, or clothing with reflective sections sewn into the jacket, pants and gloves. Be particularly aware of approaching automobiles and trucks that might be trying to turn left in front of you. Many vehicle accidents are caused by an opposing automobile driver making a left turn without warning in front of the vehicle.

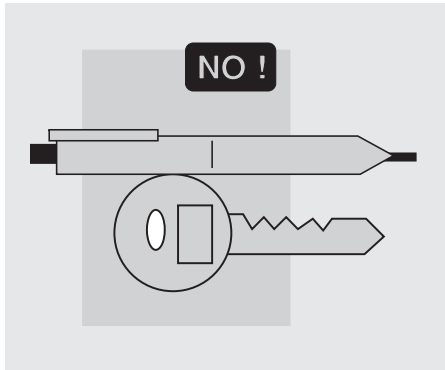


Inevitably, the driver will look right at you, and yet swear that they did not see you before they turned directly into your path. Ride alert!

Wear protective clothing, preferably in light and/or reflecting colors. In this way you will make yourself more visible to the other drivers, thus notably reducing the risk of being knocked down, and you will be more protected in case of fall.

Always wear your crash helmet. Many accidents are fatal because of injuries to the head.

This clothing should be very tight-fitting and fastened at the wrists and ankles. Strings, belts and ties should not be hanging loose; prevent these and other objects from interfering with driving by getting entangled with moving parts or driving mechanisms.

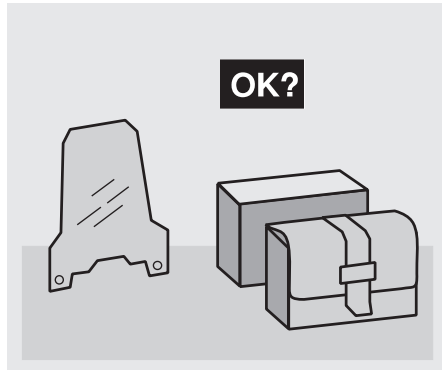


Do not carry sharp objects in your pockets that could be dangerous in case of an upset, for example, pens or mechanical pencils, etc. Also, make sure that your passengers follow this recommendation.

ACCESSORIES

The owner of the vehicle is responsible for the choice, installation and use of any accessory.

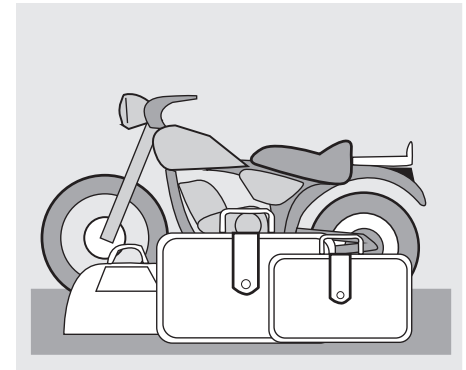
Installing inappropriate accessories or overloading the vehicle may result in the instability of the vehicle itself and cause accidents, with consequent risk of serious injuries or even death. Windshields could be particularly dangerous, as they can break and injure or cut the rider in case of accident. In case of doubts with regard to any accessory you would like to install or any load you would like to carry, first consult your Local **Moto Guzzi** Dealer.



Avoid installing accessories that cover horns or lights or that could impair their functions, limit the suspension stroke and steering angle, hamper operation of the controls and reduce the distance from the ground and the angle of inclination in turns.

Avoid using accessories that hamper access to the controls, since this can prolong reaction times during an emergency.

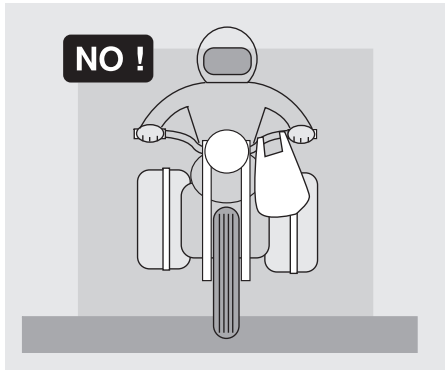
Fairings and windshields installed on the vehicle may produce aerodynamic forces that will affect the stability of the vehicle during use, especially at high speeds.



Make sure that anything you carry on your vehicle is securely attached, and cannot come loose and jam the wheels, forks, etc. Do not install any electrical accessories, and do not modify the electrical system of your vehicle. Anything that could cause an electrical overload or other fault could cause the vehicle to suddenly stop, the lights to dim or quit, or the horn and other safety accessories not to work. Use only genuine **Moto Guzzi** accessories.

LOAD

Do not overload your vehicle. Attach luggage or packages as close as possible to the center of your vehicle, and distribute the load from side to side as evenly as possible, to keep imbalance to a minimum. Remember that loads tend to loosen with riding, so frequently check the security of your load.

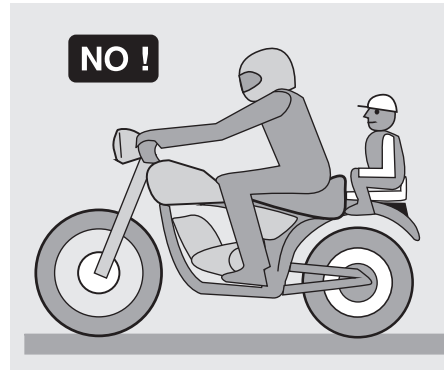


Do not hang anything from your vehicle handlebars, fenders, or forks, because this will upset the handling of your vehicle, and could prevent you from avoiding an accident. Failure to heed this warning can lead to an upset with subsequent serious injury or even death.

Do not ride with your crash helmet hung from the strap because it could easily foul the wheels, fenders, or forks, causing an upset and subsequent serious injury or even death.

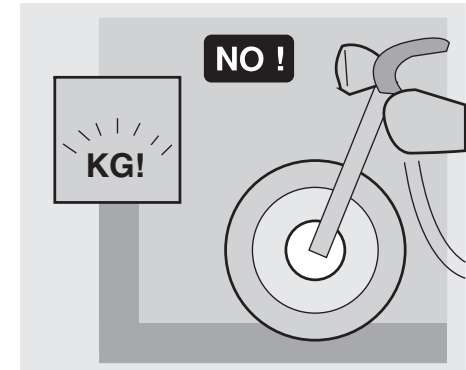
Carry a passenger only if your vehicle is equipped with passenger footrests, handgrips for the passenger to hold on to, and a passenger saddle.

When carrying a passenger, remember that your vehicle's handling is degraded, that the brakes are less efficient, and the center of gravity is higher and further to the rear.



This makes it more likely that the front wheel will come up off the ground, especially on acceleration. Therefore, you should avoid hard acceleration and hard braking. Many accidents are caused by inexperienced riders carrying passengers. Remember that allowance must be made for the extra weight of the passenger for all driving maneuvers.

Avoid abrupt and excessive acceleration. Always slow down in time and calculate longer stopping and maneuvering distances. Failure to comply with these instructions may lead to overturning the vehicle or to other accidents, with consequent serious injuries or even death.



Never carry loosely packaged items; make sure that everything you carry on your vehicle is carefully secured.

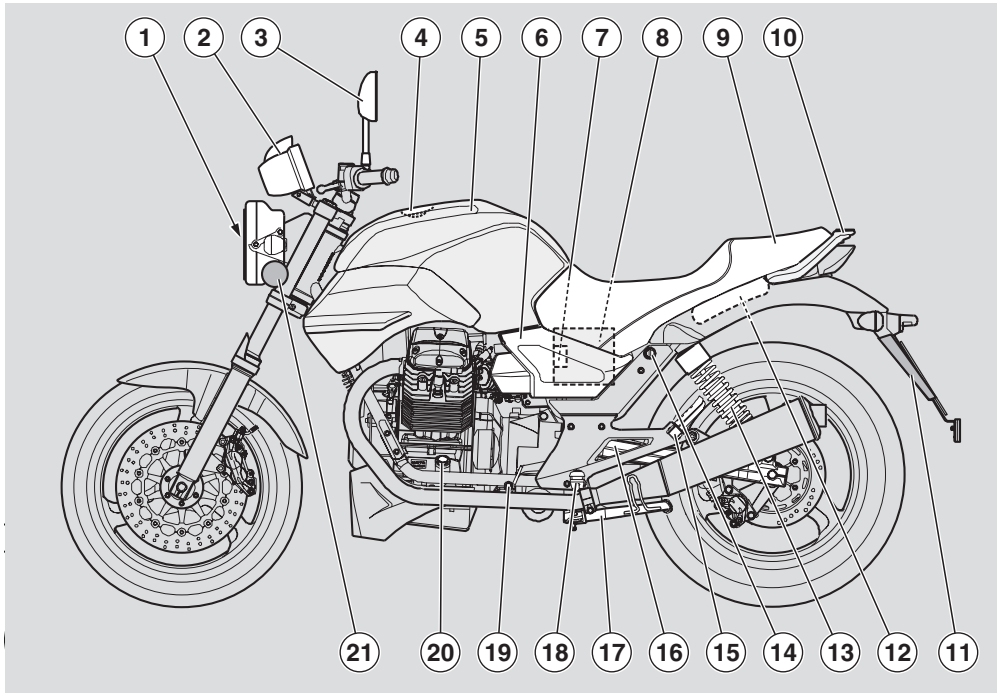
Do not carry packages that protrude from the luggage rack or that cover any of the signal lights, the headlight, or the horn.

Never carry animals or children on the glove compartment or luggage rack.

Never exceed the labeled maximum load for each saddlebag.

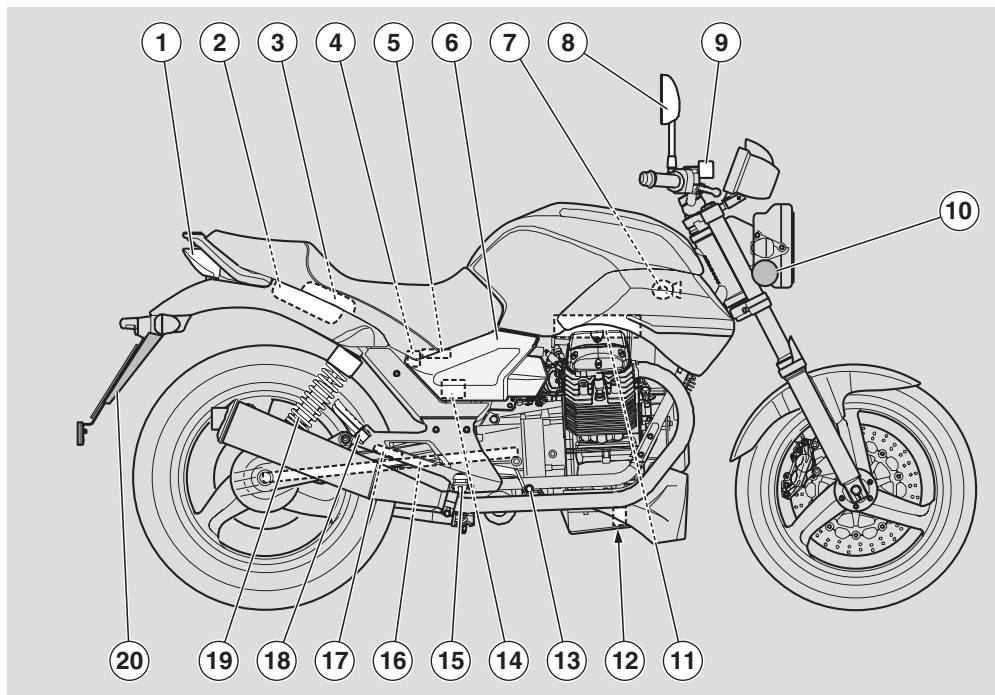
Overloading your vehicle seriously reduces its stability and maneuverability and can lead to an upset with subsequent serious injury or death.

LOCATIONS OF MAIN PARTS - LEGEND



LEGEND

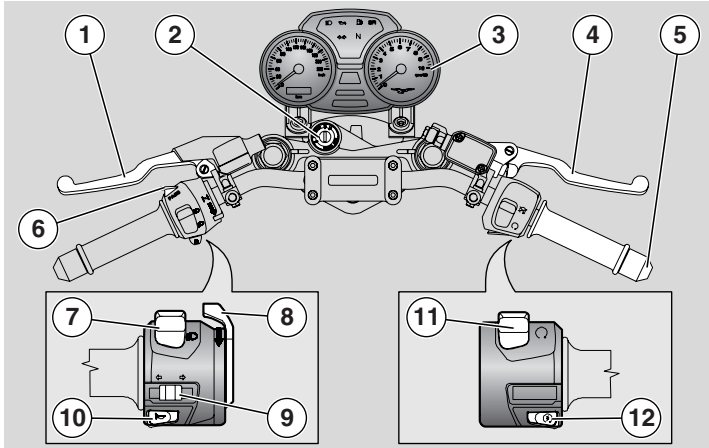
- | | | |
|---------------------------|------------------------------|-----------------------------|
| 1) Headlight | 8) Battery | 15) Left passenger footrest |
| 2) Instrument panel | 9) Rider/passenger saddle | 16) Swinging arm |
| 3) Left rearview mirror | 10) Passenger grab handle | 17) Side stand |
| 4) Fuel tank cap | 11) Left rear reflector | 18) Left rider footrest |
| 5) Fuel tank | 12) Tool compartment | 19) Gearshift lever |
| 6) Left side panel | 13) Rear left shock absorber | 20) Engine oil dipstick |
| 7) Main fuse holder (30A) | 14) Saddle lock | 21) Left front reflector |



LEGEND

- | | | |
|---|---|--------------------------------|
| 1) Taillight | 8) Right rearview mirror | 15) Electronic control unit |
| 2) Glove compartment | 9) Front brake fluid reservoir | 16) Right rider footrest |
| 3) Rim lock compartment (rim lock OPT) | 10) Carbon canister (for state of California only) | 17) Cardan shaft |
| 4) Rear brake fluid reservoir | 11) Right front reflector | 18) Rear brake master cylinder |
| 5) Auxiliary fuse box | 12) Air filter | 19) Right passenger footrest |
| 6) Right side panel | 13) Engine oil filter | 20) Right rear shock absorber |
| 7) Horn | 14) Rear brake lever | 21) Right rear reflector |

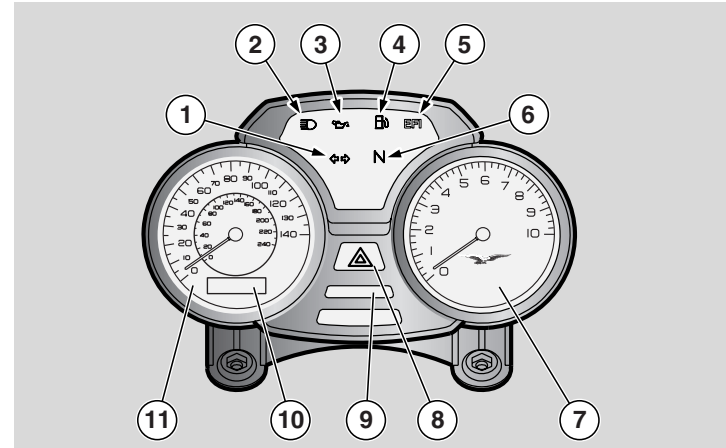
LOCATIONS OF CONTROLS/INSTRUMENTS



LOCATIONS OF CONTROLS/INSTRUMENTS - LEGEND

- 1) Clutch lever
- 2) Ignition switch/steering lock (⊙-⊗-⊚)
- 3) Instruments and indicators
- 4) Front brake lever
- 5) Throttle handgrip
- 6) High beam flasher button(≡⊙)
- 7) Light dimmer (≡⊙-≡⊙)
- 8) Cold start lever (|↘|)
- 9) Directional indicator switch (↔↔)
- 10)Horn button (⊚)
- 11)Engine stop switch (⊙-⊗)
- 12)Start button (⊚)

INSTRUMENTS AND INDICATORS



LOCATIONS OF CONTROLS/INSTRUMENTS - LEGEND

- 1) Green direction indicator LED (↔↔)
- 2) Blue high beam LED (≡⊙)
- 3) Red engine oil pressure LED (⊚)
- 4) Amber fuel reserve warning LED (⊚)
- 5) Red "EFI" LED
- 6) Green neutral indicator LED (N)
- 7) Tachometer
- 8) Red emergency flashers button(△)
- 9) TRIP button (multifunction display)
- 10)Multifunction digital display
- 11)Speedometer

TABLE OF INSTRUMENTS AND INDICATORS

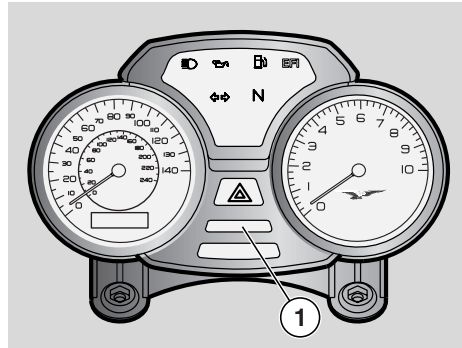
| Description | | Function | |
|---|-------------------------------|--|---|
| Direction indicator LED (↔) | | Flashes when the turn signal is on.. | |
| High beam LED (≡D) | | Lights when the high beam bulb of the headlight is activated, or when the high beams are flashed. | |
| Engine oil pressure LED (🛢) | | Lights whenever the ignition switch is set to "○" and the engine is not running, thus performing a functional test of the LED If the light does not come on in this phase, contact a Moto Guzzi Authorized Dealer. ⚠ CAUTION If the engine oil pressure LED (🛢) remains on after starting or comes on while the engine is running normally, this means that the engine oil pressure in the circuit is too low. In this case stop the engine immediately and contact a Moto Guzzi Authorized Dealer. | |
| Fuel reserve LED (🛢) | | Comes on when approximately 1.32 US gal. of fuel are left in the tank. When this occurs, refuel as soon as possible, see page 43 (FUEL). | |
| Electronic fuel injection control LED (EFI) | | Comes on for approximately three seconds whenever the ignition switch is set to "○" and the engine is not running, thus performing a functional test of the injection system. The LED must shut off three seconds after the engine starts. ⚠ CAUTION If the LED lights while the engine is running normally, this means that a problem has occurred in the electronic fuel injection system. In this case stop the engine immediately and contact a Moto Guzzi Authorized Dealer. | |
| Neutral indicator LED (N) | | Lights when the gear is in neutral. | |
| Tachometer (rpm) | | Indicates the engine rpm. ⚠ CAUTION Do not exceed the maximum rpm (redline) for the engine, see page 66 (BREAKING-IN). | |
| Emergency indicator button (⚠) | | Flashes when the emergency button is pressed. It indicates that all direction indicators have been activated simultaneousl | |
| Multifunction digital display | Odometer/trip meter (km - mi) | Displays the partial or total number of kilometers or miles traveled | To toggle between displays, see page 32 (MULTIFUNCTION DIGITAL DISPLAY) |
| | Clock | Displays the hour and minutes based on the setting.. | |
| | External temperature | Displays the external temperature. | |
| Speedometer | | Indicates the driving speed | |



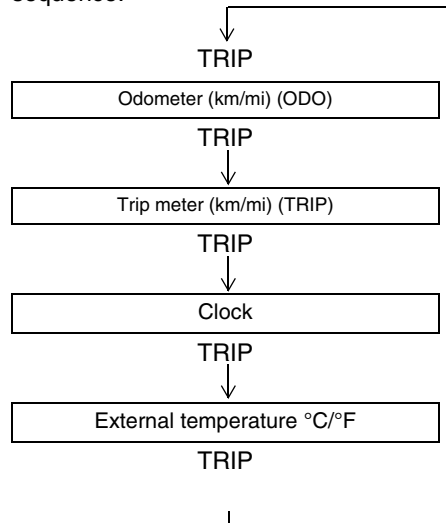
MULTIFUNCTION DIGITAL DISPLAY

When you turn the ignition key to "ⓐ", the following dashboard lights will come on:

- (Red) engine oil pressure LED (⚠️), which will remain lit until you start the engine.
- all segments of the multifunction digital display light for approximately 2 seconds for testing purposes. The LCD then switches to show the total km (ODO).
- The lights of both multifunction display instruments and the hazard button come on.
- The EFI LED lights for approximately 3 seconds if the switch is set to "ⓐ".
- The pointers of both instruments go to full scale, then return to zero.



Press the TRIP button (1) repeatedly to display the following information, in sequence:



Odometer (km/mi) (ODO)

Displays the total distance traveled.

This figure will be stored for at least five years, even if the battery is removed.

Each time the key is turned to ON, the total kilometers traveled (ODO) are displayed, regardless of which function was previously selected.

Trip meter (km/mi) (TRIP)

Displays the distance traveled since the last time the counter was reset.

To reset the trip meter, proceed as follows: press the TRIP button (1) to enter "TRIP" mode: the parameters listed in the table will be displayed in rotation.

Hold down the TRIP key (1) for more than 3 seconds.

Clock

Set the clock as follows:

press the TRIP button (1) to enter "clock" mode: the parameters listed in the table will be displayed in rotation.

Hold down the TRIP key (1) for more than 3 seconds.

When you enter the hours setting mode, the hour digits will flash. The hours will by 1 hour for every second the "TRIP" button is held down. The hours will stop flashing 3 seconds after the "TRIP" button has been released. When the hours setting is confirmed you will automatically enter minutes setting mode. The minutes digits will flash. The minutes will increase by 1 minute for every second the "TRIP" button is held down. The minutes will stop flashing 3 seconds after the "TRIP" button has been released, and the new setting is confirmed.

NOTE The clock setting mode will only work when the motorcycle is at a standstill and with the engine off.

External temperature (°C / °F)

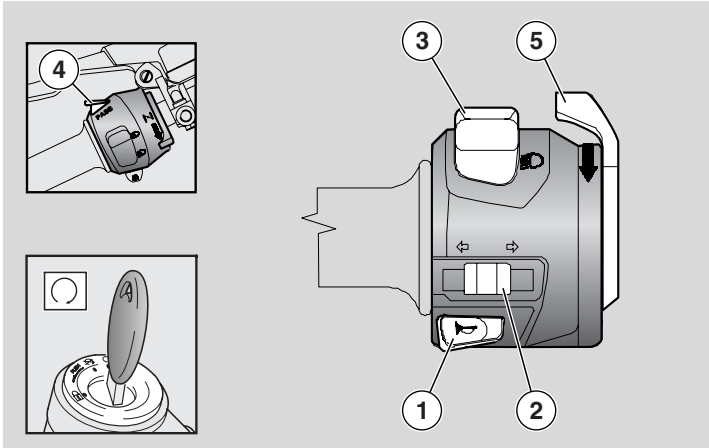
Indicates the external temperature reading. When the external temperature is below 37.4°F, the LCD switches to ICE mode to warn against the possibility of icy roads. This display mode flashes the air temperature regardless of the function displayed. ICE mode remains active for 10 seconds, then the LCD returns to the previously displayed function. If the external temperature remains below 37.4°F, the ICE procedure is repeated up to 3 times at 5-minute intervals.

In the event of an error in the air temperature sensor (faulty or disconnected sensor), two flashing horizontal lines will appear on the display.

HAZARD button operation

Pressing the hazard button turns on all four direction indicators at the same time, while the key itself flashes. The HAZARD blinker stays on even when the key is removed from the ignition, but cannot be turned off. In order to switch off the hazard blinker, you must first set the ignition switch to "○", then press the HAZARD button.

MAIN INDIVIDUAL CONTROLS



CONTROLS ON THE LEFT SIDE OF THE HANDLEBAR

NOTE The electrical components only work with the ignition switch set to “○”.

- 1) **HORN BUTTON** (📣)
When pressed, it activates the horn.
- 2) **DIRECTIONAL INDICATOR SWITCH** (↔)
Move the switch to the left to indicate a left turn; move the switch to the right to indicate a right turn. Press the switch to turn off the directional indicator.

NOTE If the turn signal LED is flashing rapidly, this means that one or both of the turn signal bulbs are burnt out. See page 105 (CHANGING THE FRONT AND REAR DIRECTION INDICATOR LAMPS) for instructions on how to replace them.

- 3) **LIGHT DIMMER** (☰-☷)
Set to “☰” to enable the high beam; set to “☷” to enable the lowbeam headlight.
- 4) **HIGH BEAM FLASHER BUTTON** (☷)
This allows you to flash the high beam in case of danger or emergency.
NOTE Release the button to stop flashing the high beam.
- 5) **COLD START LEVER** (|↘|)
Turn the lever (|↘|) downward to activate the starter for cold starting the engine.
To shut off the starter, return the lever (|↘|) to its original position.

CONTROLS ON THE RIGHT SIDE OF THE HANDLEBAR

NOTE The electrical components only work with the ignition switch set to "○".

6) ENGINE STOP SWITCH (○-⊗).

Use the engine stop switch to stop the engine only in case of emergency. It is essential that you be very familiar with this control so that you will automatically stop the engine in the event of a stuck throttle or other engine runaway.

⚠ WARNING

If the throttle sticks open, it may cause a collision with another vehicle, or an upset.

If the throttle sticks, kill the engine with the engine stop switch located on the right handlebar.

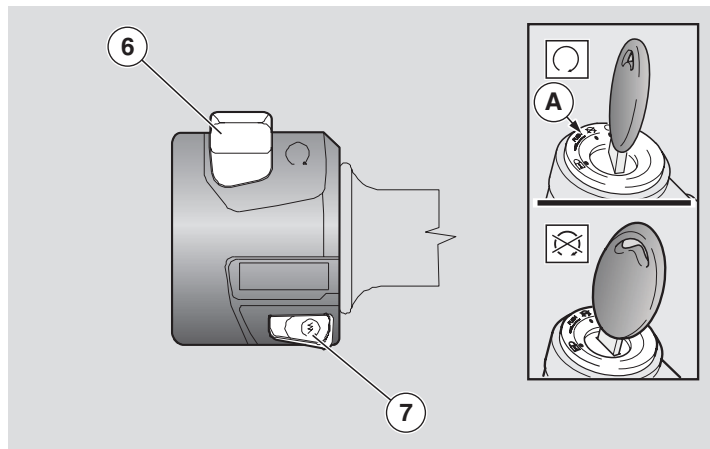
Do not attempt to restart the engine until the throttle has been repaired and works perfectly. Failure to obey this warning can lead to a runaway with seriously injuries or even death.

⚠ WARNING

In the event of a throttle sticking emergency, always kill the engine using the engine stop switch located near the throttle grip on the right handlebar. Never use your vehicle if the throttle does not automatically fully return to the idle position when the throttle grip is released. Contact your Local Moto Guzzi Dealer for repairs. Failure to heed this warning can lead to a serious accident and subsequent injury or even death.

⚠ WARNING

Do not use the engine stop switch to stop the engine while the vehicle is moving.



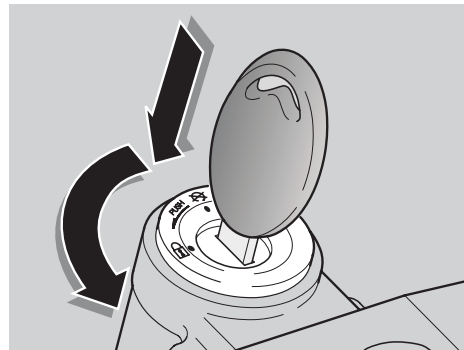
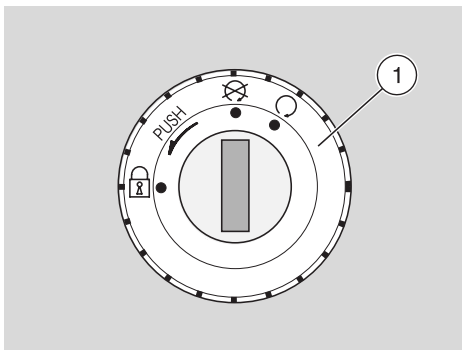
With the switch (6) in the "○"(ON) position it is possible to start the engine. The engine can be stopped by moving the switch (6) to the ⊗ (OFF) position.

⚠ CAUTION

Use only the ignition switch (A) to stop the vehicle. Leave the engine stop switch (6) in the "○" (ON) position, and use it only in case of emergency. Do not leave the ignition on if you have stopped the engine for emergency by setting the engine stop switch to "⊗" (OFF), as this will discharge the battery. When the vehicle has come to a complete stop after stopping the engine for an emergency using the engine stop switch, turn the ignition switch (A) to "⊗" (OFF).

7) START BUTTON (⚡)

When the button "⚡" is pressed, the starter motor turns over the engine. For the starting procedure, read page 59 (STARTING).



IGNITION SWITCH

The ignition switch (1) is located on the fork head of the steering shaft.

NOTE The key operates the ignition switch/steering lock, fuel reservoir cap lock and saddle lock.

Two keys (including one spare) are delivered with the vehicle.

NOTE Store the spare key separately from the vehicle.

STEERING LOCK




⚠ WARNING

Never turn the key to "🔒" while running, to avoid losing control of the vehicle.

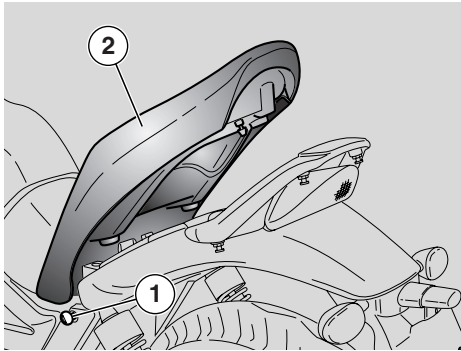
OPERATION

To lock the steering:

- ◆ Turn the handlebar all the way to the left.
- ◆ Turn the key to "🔒".
- ◆ Press the key and turn it to the position (🔑)
- ◆ Remove the key.

| Position | Function | Key removal |
|--|--|-----------------------------|
|  Steering lock | The steering is locked. It is possible neither to start the engine nor operate the lights | The key may be removed. |
|  | Neither the engine nor lights can be switched on. | The key may be removed. |
|  | The engine and lights may be switched on. | The key may not be removed. |

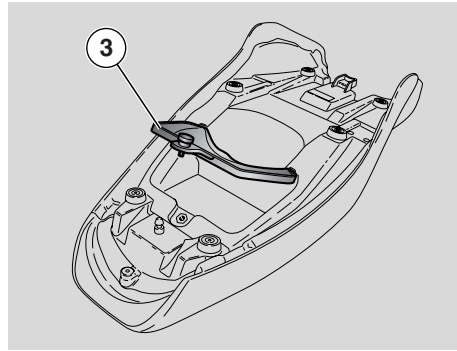
AUXILIARY EQUIPMENT



LOCKING/RELEASING THE SADDLE

- ◆ Place the vehicle on the stand, see page 68 (POSITIONING THE VEHICLE ON THE SIDE STAND).
- ◆ Insert the key (1) in the seat lock.
- ◆ Turn the key (1) counter-clockwise, lift and pull the seat (2) out from behind.

NOTE Before lowering and locking the seat (2), make sure you have not accidentally left the key in the glove/tool kit compartments.



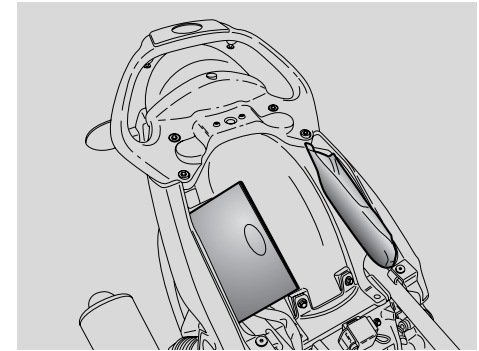
To lock the saddle (2):

- ◆ Place the front part of the saddle in its housing and lower the rear.
- ◆ Press on the rear end until the lock snaps into place.

⚠ WARNING

Before riding, make sure that the seat (2) is properly locked.

Below the saddle is a handy rim lock compartment (disc lock **OPT**) compartment. Simply release and remove the door (3) to access it.



GLOVE/TOOL KIT COMPARTMENTS

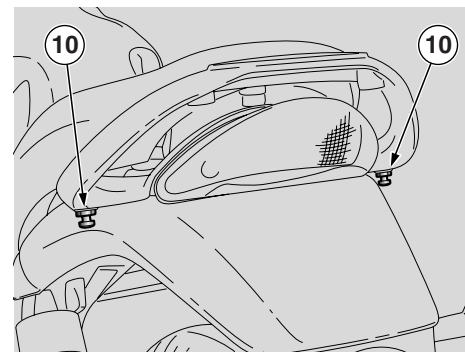
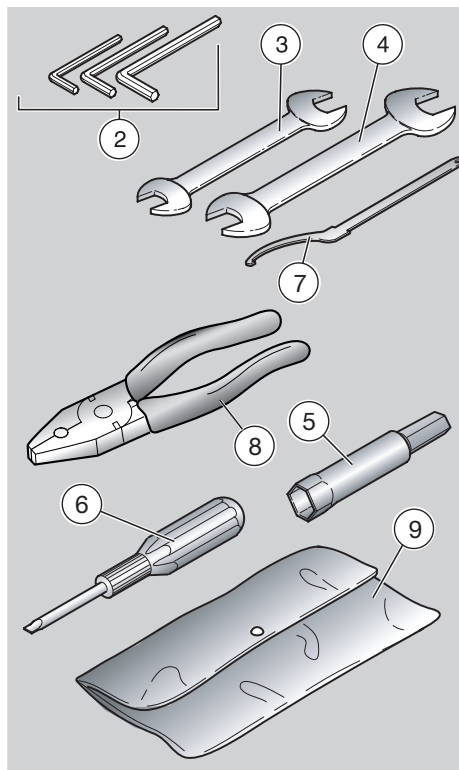
To access the glove/tool kit compartments:

- ◆ Remove the passenger saddle, see page 37 (LOCKING/RELEASING THE SADDLE).

The tools supplied include:

- 5, 6, 8 mm bent male hex wrenches (2);
- 13 - 14 mm double open-end wrench (3);
- 22 - 27 mm double open-end wrench (4);
- 22 mm pipe wrench for spark plug (5);
- dual-tipped Philips/blade screwdriver (6);
- shock absorber preload adjustment wrench (7);
- pliers (8);
- 14 mm hex adapter;
- two tool bags (9).

Maximum allowed weight: 11 lbs (5 kg) inside the glove compartment + 11 lbs (5 kg) inside the tool kit compartment.



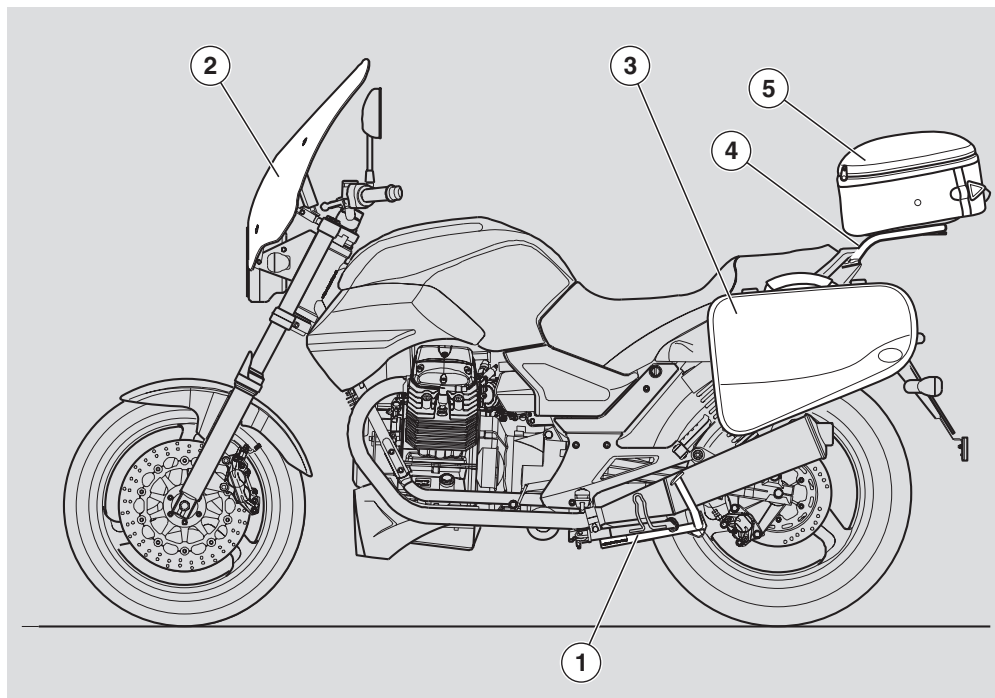
LUGGAGE RACK FASTENER

Small luggage rack may be fastened above the back of the saddle, using elastic bands hooked to the two fasteners (10).

Maximum allowed weight: 11 lbs (5 Kg)

⚠ WARNING

The luggage must be compact in size and firmly anchored in place.



WHERE PROVIDED (or as an accessory)

The following are available:

- center stand (1),
- headlight fairing (2)
- soft side bags (3)
- luggage rack (4)
- soft top case (5)

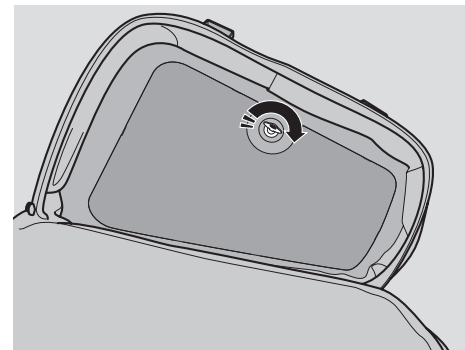
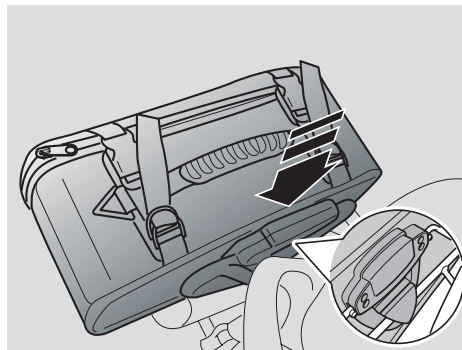
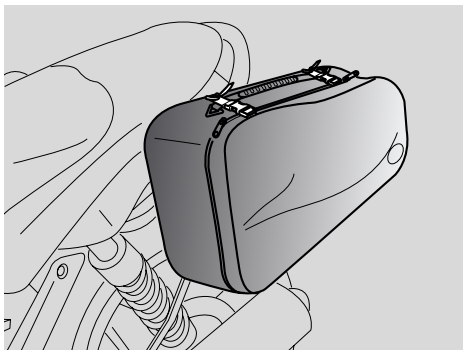
ADDITIONAL ACCESSORIES

The following are available:

- disk lock
- large windshield
- 30/40 l. side panniers

Please visit our web site for further details:

www.motoguzzi.it - Accessories



INSTRUCTIONS FOR INSTALLING SOFT BAGS AND TOP CASE

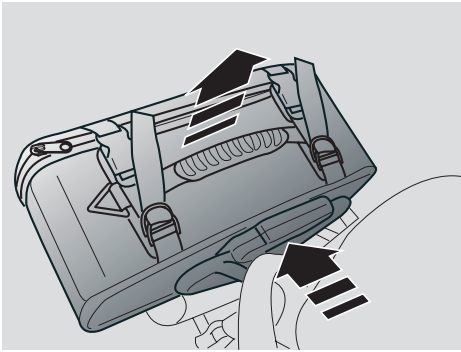
Carefully follow instructions for correct installation and correct distribution/fastening of any load when installing the bags and top case. This is important to avoid vehicle handling from being compromised, which could result in a fall, serious accident, or even death.

Fastening the bag and top case

- ◆ Move the bag close to the fastener
- ◆ Center the bag fastener onto the bag support small tube section, and move the bag downward until it clicks in place.

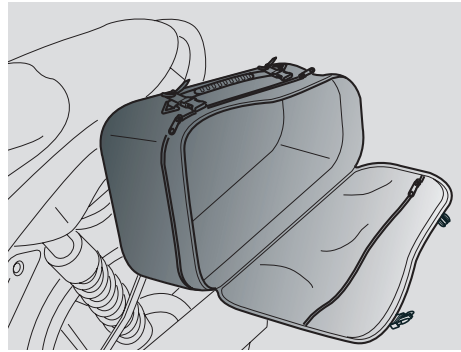
Ensure that the support is properly in place in the fastener lower/upper seats.

To lock the bag onto the fastener, turn the key inside the bag clockwise by 90°

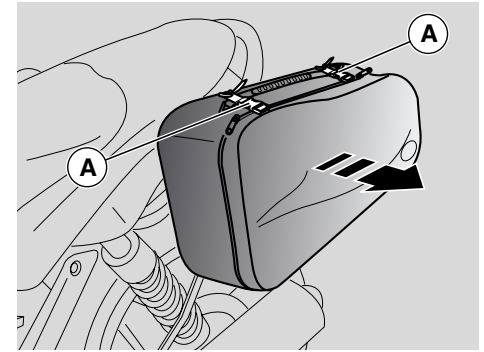


Removing the bag and top case

- ◆ Work the top lever as shown and lift the bag off the support.



Note: use the first zip to open the bag, use the second one to increase bag capacity by opening the bellow.



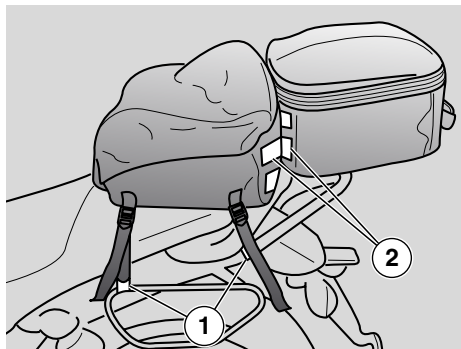
Retainers of the two side buckles must always be secured to bag body fasteners A, no matter if bellow is open or closed.

Use the suitable protection in case of rain.

SEAT BAG

Seat bag is supplied together with the top case and can be installed on the passenger seat. It is therefore impossible to ride with a passenger when bag is fitted.

Carefully follow instructions for correct installation and correct distribution/fastening of any load when installing the bags and top case. This is important to avoid vehicle handling from being compromised, which could result in a fall, serious accident, or even death.



Fastening the bag

- ◆ Position the bag on the passenger seat.
- ◆ Fasten the four straps 1 (two on each side) to the side bag support frame, and tension them so as to center the load onto the seat.

If fitted together with top case, ensure that the Velcro fastener 2 on both parts is properly jointed in the contact area.

MAIN COMPONENTS

FUEL

⚠ WARNING

Gasoline is extremely flammable and can become explosive in some conditions.

Therefore, it is necessary to refuel and carry out maintenance operations involving the fuel system in a well-ventilated area with the engine off.

Do not refuel or do any maintenance on the fuel system with the engine running.

Do not smoke while refueling or near fuel vapors.

Never allow any portion of the fuel system to come into contact with open flames, sparks or other heat sources. Be careful to avoid spilling fuel when you are refueling. Spilled fuel could ignite when it contacts hot engine or exhaust system surfaces. If you accidentally spill some fuel, make sure that it is wiped up or completely evaporated before starting the vehicle.

Since gasoline expands in the fuel tank when the vehicle is sitting in the open sun, never fill the tank completely to the brim. Leave at least one inch of expansion space.

Avoid any contact between the fuel and your skin, and avoid inhaling fuel vapors. Never attempt to siphon fuel from one container to another using your mouth as suction for a siphon hose.

⚠ WARNING

Gasoline is poisonous and carcinogenic and contains chemical substances that cause birth defects and other reproductive problems. If gasoline should be accidentally spilled on the skin or clothes, immediately wash it off with soap and water and change clothes.

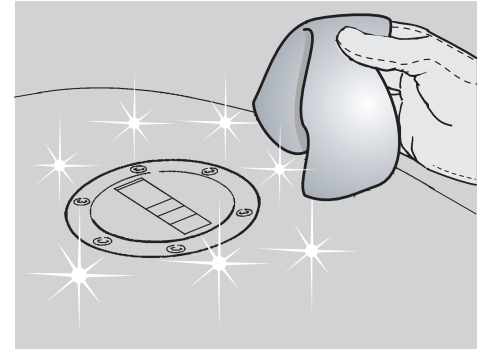
Should you accidentally spill gasoline in your eyes, flush with abundant water and contact a health professional immediately. Should you accidentally get gasoline into your mouth, do not induce vomiting. Drink a large quantity of milk or clear water and contact a health professional immediately.

Never try to siphon gasoline by sucking it with your mouth. Use a manual pump or similar system.

If your vehicle overturns it will leak gasoline, which is extremely flammable. Flames or sparks may ignite this, which will not only destroy the vehicle but also could seriously damage surrounding property and cause serious injuries or even death.

ALWAYS KEEP GASOLINE AWAY FROM CHILDREN.

DISPOSE OF UNWANTED GASOLINE PROPERLY, DO NOT DUMP IT INTO STORM SEWERS OR INTO A SINK OR TOILET.



Use only premium unleaded gasoline with a minimum octane rating of (M+R)/2 method 90.

FUEL TANK CAPACITY

(including reserve): 4.75 US gal (18 ℓ).

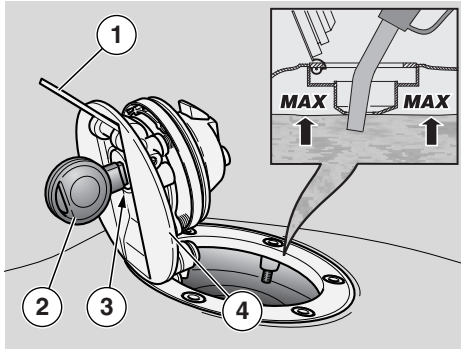
RESERVE TANK: 1.32 US gal (5 ℓ).

REFUELING

To refuel, proceed as follows:

Place the vehicle on the stand, see p. 68 (POSITIONING THE VEHICLE ON THE SIDE STAND).

If dirt has accumulated on or around the fuel filler cap, wipe the cap and the surrounding area with a clean cloth. Prevent any foreign material from getting into the fuel tank, as this could lead to serious engine damage.



- ◆ Lift the small cover (1).
- ◆ Insert the key (2) in the cap lock (3).
- ◆ Turn the key (2) clockwise, and pull it to open the fuel filler cap (4).

⚠ CAUTION

If you use a container or funnel for refueling, make sure that it is perfectly clean.

Any foreign matter getting into the fuel tank may lead to severe damage.

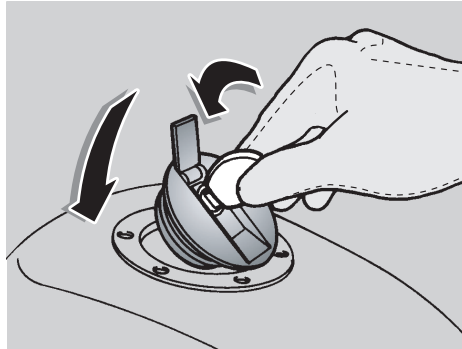
⚠ WARNING

Do not add any additives or other substances to the gasoline.

⚠ WARNING

Do not fill the tank completely. The fuel should never be higher than the bottom rim of the filler neck.

- ◆ Refuel.



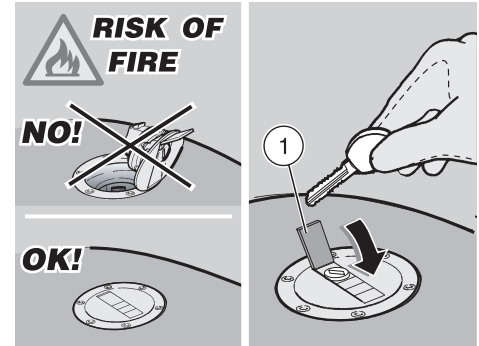
When you have finished refueling:

⚠ WARNING

After refueling, replace the fuel filler cap (4) correctly.

NOTE The fuel filler cap cannot be closed without the key.

- ◆ With the key (2) inserted in the lock (3), close the fuel filler cap (4), turn the key counterclockwise and push it in.
- ◆ Release the key (2); the fuel filler cap (4) is now closed.



⚠ WARNING

Make sure that the fuel filler cap (4) is properly closed.

- ◆ Remove the key (2).
- ◆ Close the small cover (1).

LUBRICANTS

⚠ WARNING

Proper vehicle lubrication is critical to safe operation. Failure to maintain proper lubricant levels or to use the proper type of clean, new lubricant, can lead to an engine or transmission seizure with subsequent accident, serious injury or death.

⚠ WARNING

Use latex gloves for the maintenance operations that require contact with used oil. Used engine oil may cause skin cancer if repeatedly left in contact with the skin for prolonged periods. Although this is unlikely unless you handle used oil on a daily basis, it is advisable to thoroughly wash your hands with soap and water after handling used oil.

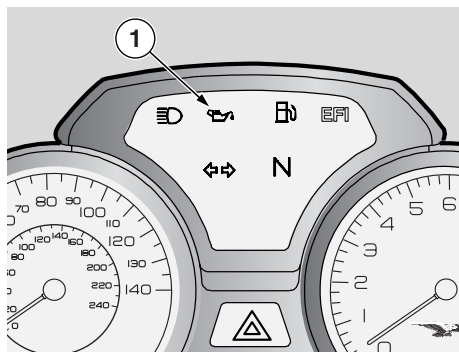
**KEEP OIL AWAY FROM CHILDREN.
DISPOSE OF OIL PROPERLY.**

⚠ CAUTION

Be very careful to avoid spills when putting oil in your vehicle. Clean up any spilled oil immediately, because oil can damage the finish of your vehicle. Also, oil on the tires creates an extremely slippery and therefore dangerous situation.


⚠ CAUTION

In case of oil leakage do not ride your vehicle. Before using the vehicle, have it repaired by your **Local Moto Guzzi Dealer**.



ENGINE OIL

⚠ WARNING

If the engine oil pressure warning light LED "  " (1) remains on after the engine has started, or if it comes on while you are riding your vehicle, this means that the oil system is not developing sufficient pressure. In this case, stop the engine immediately and contact your **Local Moto Guzzi Dealer**. Failure to heed this warning can lead to engine seizure, upset, and serious injury or even death.



⚠ CAUTION

Perform these maintenance operations at double the specified intervals if your vehicle is often used in rainy or very dusty conditions, on unpaved roads, or in any kind of competition.

Check the engine oil level every 300 mi (500 km), see p. 79 (CHECKING AND TOPPING UP THE ENGINE OIL LEVEL).

⚠ CAUTION

Have your **Local Moto Guzzi Dealer** change the engine oil after the first 600 mi (1,000 km), and every 6213 mi (10000 km) thereafter.

NOTE Use high-quality 5W - 40 oil, see p. 115 (LUBRICANT CHART).

BRAKES

⚠ WARNING

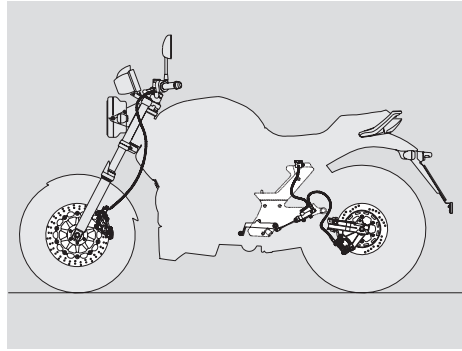
Do not ride your vehicle with worn or malfunctioning brakes! The brakes are the most important safety system on your vehicle, and using the bike with brakes that are anything less than perfect is very likely to lead to a collision or upset, with consequent risk of serious injury or death.

Check the brake pad wear, as shown on p. 88 (CHECKING THE BRAKE PAD WEAR). Have your brakes serviced by your Local Moto Guzzi Dealer

⚠ WARNING

Wet conditions seriously degrade the performance of your brakes. When the road is wet from rain, you should plan to use double normal stopping distances since both the brakes themselves and the traction of the tires on the road are reduced by the presence of water.

Water on the brakes from washing your vehicle, or splashed up from wet roads, or crossing puddles or ditches, can wet the brakes sufficiently to greatly reduce their effectiveness. Failure to heed these warnings may lead to a serious accident with consequent risk of serious injury or even death.



NOTE This vehicle is equipped with front and rear disk brakes, with separate hydraulic circuits.

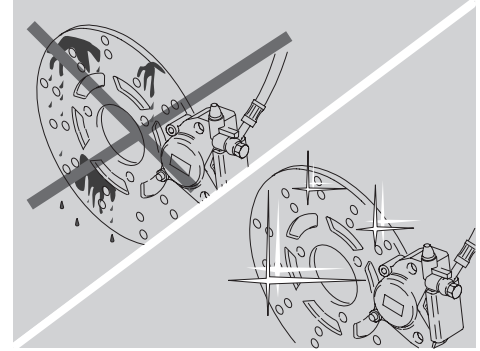
The following information refers to a single brake system, but is applicable to both.

⚠ WARNING

The brakes are extremely important to your safety. Do not use the vehicle if the brakes do not work perfectly. Always check the brake efficiency before riding.

⚠ WARNING

Sudden changes in clearance or elastic resistance on the brake lever are due to problems with the hydraulic system. Contact a **Moto Guzzi** Authorized Dealer, should you be in doubt as to whether your braking system is working perfectly, and if you are unable to carry out normal checks.



⚠ WARNING

Take special care to ensure that brake disks are not greasy or oily, especially after performing maintenance operations or checks.

Make sure that the brake lines are not twisted or worn.

Take care to prevent water and dust from accidentally entering the system.

We recommend that you wear latex gloves when servicing the hydraulic system.

The brake fluid may cause irritation in contact with the skin or eyes.

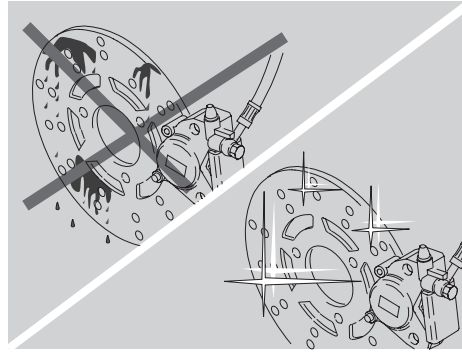


⚠ WARNING

Carefully wash any parts of the body that have come into contact with the fluid. In case of contact with the eyes, see an eye doctor or other physician. **DISPOSE OF THE FLUID IN COMPLIANCE WITH ENVIRONMENTAL REGULATIONS. KEEP OUT OF REACH OF CHILDREN.**

⚠ CAUTION

When using brake fluid, be careful not to spill it onto the plastic and painted parts, as it will damage them.



DISK BRAKES

⚠ WARNING

The brakes are the parts that most ensure your safety, and for this reason they must always be kept in perfect working order. Check them before every trip.

A dirty disk soils the pads, reducing braking effectiveness.

Dirty pads must be replaced, while the dirty disk must be cleaned using a high quality solvent.

The brake fluid must be changed every two years by a **Moto Guzzi** Authorized Dealer.

Use the type of brake fluid specified in the lubricant chart, see page 115 (LUBRICANT CHART).

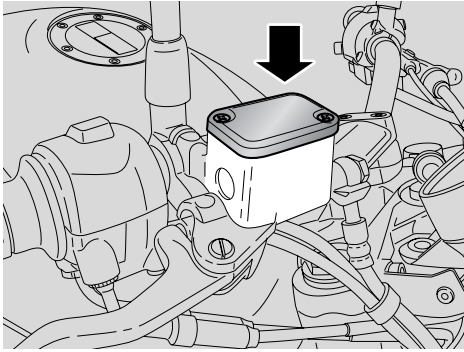
NOTE This vehicle is equipped with two front and rear disk braking systems, with separate hydraulic circuits.

The front brake system is single disk (left side).

The rear brake system is single disk (left side).

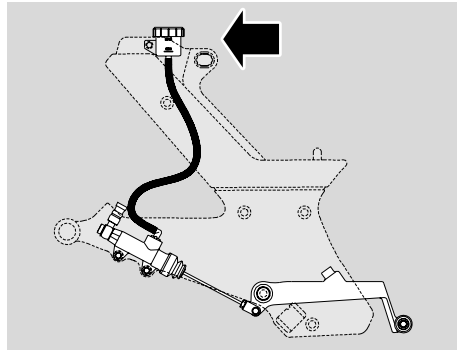
The following information refers to a single brake system, but is applicable to both.

When the disk pads wear out, the fluid level decreases to automatically compensate for their wear.



The front brake fluid reservoir is located on the right handlebar, near the front brake lever connection.

The rear brake fluid reservoir is located behind the footrest support bracket, on the right side of the vehicle.



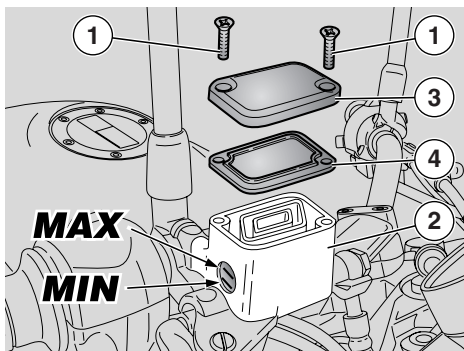
NOTE Perform maintenance operations at double the prescribed frequency if the vehicle is often used in rainy or very dusty conditions, on unpaved roads, or in any kind of competition.

Have the brake disks checked by a **Moto Guzzi** Authorized Dealer after the first 930 mi (1500 km) and every 2000 km (1243 mi) thereafter.

Before departure, check the brake fluid level in the reservoirs, see page 49 (FRONT BRAKE), page 50 (REAR BRAKE), as well as the wear of the pads, see page 88 (CHECKING THE BRAKE PAD WEAR). Have the brake fluid changed every 20000 km (12427 mi) or every 2 years by a **Moto Guzzi** Authorized Dealer.

⚠ WARNING

Never use the vehicle if you notice any fluid leaking from the brake system.



FRONT BRAKE CHECKING

NOTE Carry out these checks only on a firm, flat surface such as a concrete garage floor.

- ◆ Place the vehicle on the stand, see page 68 (POSITIONING THE VEHICLE ON THE SIDE STAND).
- ◆ Turn the handlebar all the way to the right.
- ◆ Make sure that the fluid in the tank is above the reference mark "MIN".

MIN= minimum level

MAX= maximum level

If the fluid does not at least reach the "MIN" reference mark:

⚠ CAUTION

The fluid level gradually decreases as the pads become worn.

- ◆ Check the brake pad wear, see page 88 (CHECKING THE BRAKE PAD WEAR)

and the disk.

If the pads and/or disk are not to be replaced, top up.

TOPPING UP

Carefully read page 46 (BRAKES).

⚠ CAUTION

Danger of brake fluid leaking. Do not operate the front brake lever with the screws (1) loosened or, especially, with the brake fluid reservoir cover removed.

- ◆ Use a short Philips screwdriver to unscrew the two screws (1) of the brake fluid reservoir (2).

⚠ WARNING

Avoid prolonged exposure of the brake fluid to open air.

The brake fluid is hygroscopic and absorbs moisture in contact with air.

Leave the brake fluid reservoir open **ONLY** as long as necessary for topping up.

- ◆ Raise and remove the cover (3) including the screws (1).
- ◆ Remove the gasket (4).

⚠ CAUTION

To avoid spilling brake fluid while topping up, make sure to avoid rocking the vehicle.

Do not add additives or other substances to the fluid.

If using a funnel or other tool, make sure it is perfectly clean.

- ◆ Top up the tank (2) with brake fluid, see page 115 (LUBRICANT CHART), until the proper level is reached, between the two reference marks "MIN" and "MAX".

⚠ CAUTION

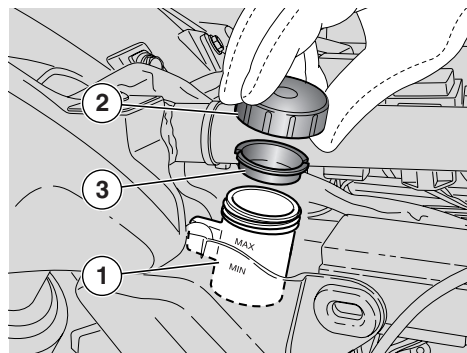
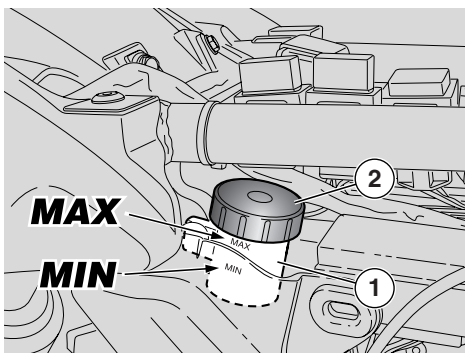
Never top up past the "MAX" level.

Top up to "MAX" only when new pads are installed.

Do not top up to the "MAX" level with worn brake pads, since this will cause fluid to leak out when the pads are changed.

Check the braking efficiency.

In case of excessive brake lever stroke or reduced efficiency of the braking system, contact a **Moto Guzzi** Authorized Dealer, as it may be necessary to bleed the system.



REAR BRAKE CHECKING

NOTES Carry out these checks only on a firm, flat surface such as a concrete garage floor.

- ◆ Keep the vehicle in an upright position so that the fluid in the reservoir (1) is parallel to the cap (2).
- ◆ Make sure that the fluid in the tank is above the reference mark "MIN".

MIN= minimum level

MAX= maximum level

If the fluid does not at least reach the "MIN" reference mark:

⚠ CAUTION

The fluid level gradually decreases as the pads become worn.

- ◆ Check the wear of the brake pads, page 88 (CHECKING THE BRAKE PAD WEAR) and the disk.

If the pads and/or disk are not to be replaced, top up.

TOPPING UP

Carefully read page 46 (BRAKES).

⚠ CAUTION

Danger of brake fluid leaking. Do not operate the rear brake lever with the brake fluid reservoir cap loosened or removed.

⚠ WARNING

Avoid prolonged exposure of the brake fluid to open air.

The brake fluid is hygroscopic and absorbs moisture in contact with air.

Leave the brake fluid reservoir open ONLY as long as necessary for topping up.

- ◆ Unscrew and remove the cap (2).

⚠ CAUTION

To avoid spilling the brake fluid while topping up, keep the fluid in the reservoir parallel to the tank rim (in horizontal position).

Do not add additives or other substances to the fluid.

If using a funnel or other tool, make sure it is perfectly clean.

- ◆ Remove the gasket (3).
- ◆ Top up the tank (1) with brake fluid, see page 115 (LUBRICANT CHART), until the proper level is reached between the two reference marks "MIN" and "MAX".

⚠ CAUTION

Top up to "MAX" only when new pads are installed. Do not top up to the "MAX" level with worn brake pads, since this will cause fluid to leak out when the pads are changed.

Check the braking efficiency.

In case of excessive brake lever stroke or reduced efficiency of the braking system, contact a **Moto Guzzi** Authorized Dealer, as it may be necessary to bleed the system.

TIRES

This vehicle is equipped with tubeless tires.

NOTE Perform maintenance operations at double the prescribed frequency if the vehicle is often used in rainy or very dusty conditions, on unpaved roads, or in any kind of competition.

WARNING

Check the inflation pressure every two weeks at ambient temperature.

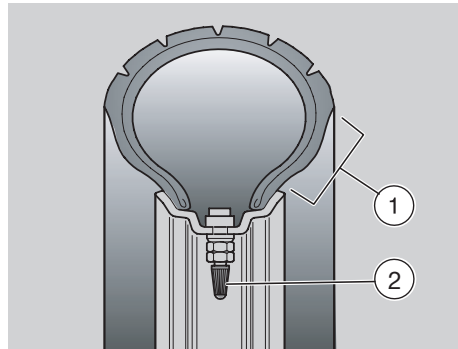
Check the condition of the tires and their inflation pressure at ambient temperature after the first 930 mi (1500 km) and every 6213 mi (10000 km) thereafter, see page 112 (TECHNICAL SPECIFICATIONS).

If the tires are warm, the measurement will not be correct.

Always measure before and after any long trips.

If the inflation pressure is too high, the shocks of rough terrain are not absorbed and are transmitted to the handlebars, making for an uncomfortable ride and also diminishing the vehicle's ability to adhere to curves.

If, on the contrary, the inflation pressure is too low, the sidewalls (1) are under greater stress and the tire may slip on the rim or become loose, leading to loss of control over the vehicle.



In case of sudden braking the tires could even come off the rims entirely. Finally, the vehicle may skid on curves.

WARNING

Check the surface and wear of the tires, since tires in poor condition do not adhere properly to the road and adversely affect vehicle handling.

Some types of tires, approved for use on this vehicle, come equipped with wear indicators.

Various kinds of wear indicators are available. Ask your local dealer for instructions on how to check for wear.

Visually inspect the tire condition and have them replaced if they are worn.

Have the tire replaced if worn or if the tread area contains any puncture larger than 5 mm across.

After repairing a tire, have the wheels balanced.

WARNING

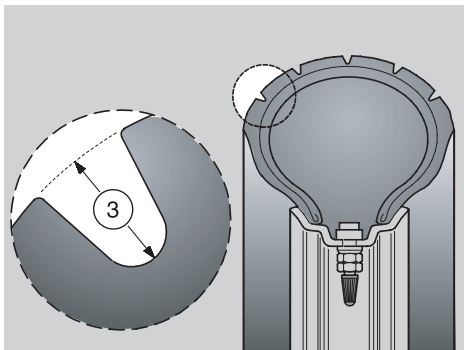
Tires must be replaced with others of the type and model recommended by the manufacturer, see page 112 (TECHNICAL SPECIFICATIONS); using tires other than those prescribed may adversely affect the driving ease of the vehicle.

Do not install tires with inner tube on rims for tubeless tires and vice-versa.

Make sure the inflation valves (2) are always capped, to prevent the tires from deflating suddenly.

Change, repair, maintenance and balancing operations are very important and must therefore be performed by qualified technicians using appropriate tools.

For this reason, it is advisable to have the above operations carried out by a **Moto Guzzi** Authorized Dealer or qualified tire specialist.



If the tires are new, they may be covered with a slippery coating: drive carefully for the first few miles. Do not grease the tires with inappropriate substances. If the tires are old, even if they are not completely worn out, they may harden and be unable to ensure good adherence.

In this case replace the tires.

MINIMUM TREAD DEPTH LIMIT (3):

front and rear 0.12 inc, (3mm), and in any case not less than prescribed by current regulations in the country where the vehicle is used.

ENGINE OIL

⚠ WARNING

Engine oil can seriously damage skin through repeated and prolonged exposure.

Always wash your hands thoroughly after handling it.


KEEP OUT OF REACH OF CHILDREN.

ALWAYS DISPOSE OF OIL IN COMPLIANCE WITH ENVIRONMENTAL REGULATIONS.

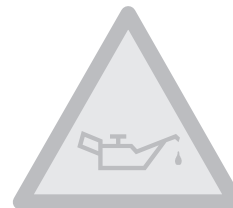
Put it in a sealed container and take it to the filling station where you usually buy it, or to an oil salvage center.

We recommend that you wear latex gloves while performing maintenance operations.

⚠ CAUTION

If the engine oil pressure LED "  " lights while the engine is running normally, this means that the engine oil pressure in the circuit is too low.

In this case check the engine oil level, see page 79 (CHECKING AND TOPPING UP THE ENGINE OIL LEVEL); if the level is not correct, stop the engine immediately and contact a **Moto Guzzi** Authorized Dealer.



⚠ CAUTION

Proceed with care.

Do not spill any oil!

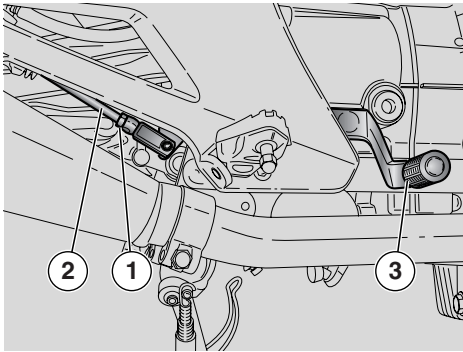
Be careful not to spill oil on any components, the work area and the surrounding area. If necessary, thoroughly clean any traces of oil.

In case of leaks or malfunctions, contact a **Moto Guzzi** Authorized Dealer.

Periodically check the engine oil level, see page 79 (CHECKING AND TOPPING UP THE ENGINE OIL LEVEL).

To change the engine oil contact a **Moto Guzzi** Authorized Dealer, see page 72 (SCHEDULED MAINTENANCE CHART).

NOTE Use good quality oil, see page 115 (LUBRICANT CHART).



ADJUSTING THE REAR BRAKE LEVER CLEARANCE

The brake lever is ergonomically positioned during vehicle assembly.

The brake lever clearance may be adjusted if necessary:

- ◆ Loosen the lock nut (1).
- ◆ Unscrew the master cylinder push rod (2) to ensure a minimum clearance of **0.02-0.04 inch (0.5-1 mm)** between it and the master cylinder piston.

⚠ CAUTION

Make sure there is enough idle stroke on the lever (3). If not, the brake will remain slightly applied, causing the brake components to wear out prematurely.

Lever (3) idle stroke: **0.16 inch (4 mm)** (measured at the end of the lever).

- ◆ Lock the master cylinder push rod (2) using the lock nut (1).

⚠ CAUTION

After completing the adjustment, make sure that the wheel turns freely when the brake is released.

Check the braking efficiency.

If necessary, contact a **Moto Guzzi** Authorized Dealer.

MUFFLER/EXHAUST SILENCER

⚠ WARNING

It is prohibited to tamper with the noise control system.

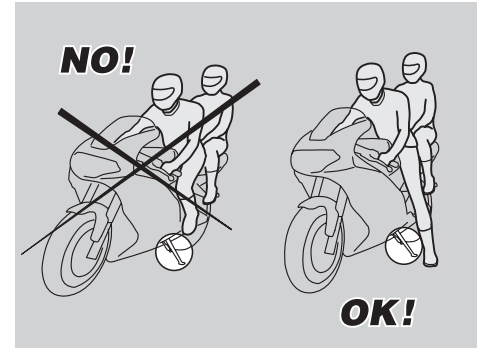
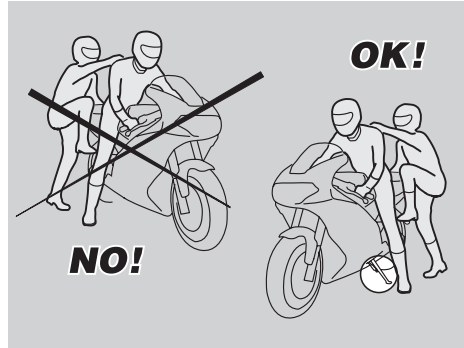
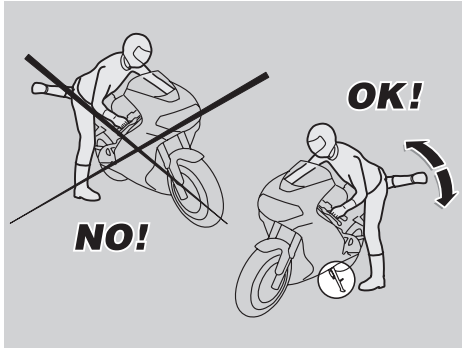
The vehicle owner is hereby warned that the law may prohibit the following:

- the removal and any action, performed by any person unless for maintenance, repair or replacement purposes, aimed at rendering inoperative any device or element built into a new vehicle for the purpose of controlling noise emissions before said vehicle is sold or delivered to the final purchaser, or while the vehicle is in use;
- the use of the vehicle after said device or element has been removed or rendered inoperative.

Check the muffler/exhaust silencer and muffler lines, making sure there are no signs of rust or holes and that the exhaust system is in good working order.

If which the noise produced by the exhaust system increases, contact a **Moto Guzzi** Authorized Dealer immediately.

INSTRUCTIONS



GETTING ON AND OFF THE VEHICLE

The instructions below must be followed with the maximum care in order to avoid any injury to persons and damage to property and to the vehicle, caused by the falling of the rider or the passenger from the vehicle and/or the falling or overturning of the vehicle itself.

⚠ WARNING

Risk of falling and overturning. Proceed with care.

The operations and movements required to get on and off the vehicle must be performed with complete freedom of movement and with the hands free from obstruction caused by holding objects, the helmet, gloves or glasses. Get on and off the vehicle only from the left side and always with extended side stand.

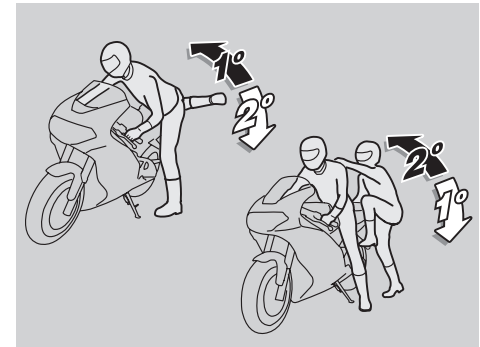
⚠ CAUTION

Do not apply the load of your weight or of the passenger's weight onto the side stand.

The stand has been designed to support the weight of the vehicle and a minimum load, without the rider and the passenger.

Getting on the vehicle into the riding position with extended side stand is permitted only for the purpose of preventing the vehicle from falling or overturning and does not envision the loading of the weight of the rider and passenger onto the side stand.

While getting on and off, the weight of the vehicle may cause an unbalance and the consequent loss of equilibrium, and the vehicle may fall or overturn.



NOTE The rider must always be the first person to get on the vehicle and the last to get off and it is the rider who controls the balance and stability of the vehicle when the passenger gets on and off.



When getting on and off the vehicle, the passenger must make careful movements, in order to maintain the balance of the vehicle and the rider.

NOTE The rider is responsible for instructing the passenger how to safely get on and off the vehicle.

The vehicle is equipped with special passenger footpegs to make it easier to get on and off the vehicle. The passenger must always use the left footpeg to get on and off the vehicle.

Neither get off, nor try to get off the vehicle by jumping or stretching your leg down to the ground. In both cases this would compromise the stability and balance of the vehicle.

NOTE Bags or objects strapped to the rear of the vehicle can represent an obstacle while getting on and off.

NOTE In any case, perform a controlled

movement with your right leg, which must avoid striking and safely pass the rear part of the fairing or the luggage without creating unbalance.

GETTING ON THE VEHICLE

- ◆ Grasp the handlebar correctly and get on the vehicle without loading your weight onto the side stand.

NOTE If it is impossible for you to place both feet on the ground, place the right foot on the ground (in case of unbalance, the left side of the vehicle is prevented from falling over by the side stand) and keep the left foot ready to rest on the ground.

- ◆ Place both feet on the ground and straighten the vehicle into riding position while keeping it in balance.

NOTE The rider must not extract or attempt to extract the passenger footrest while seated astride the vehicle, because this might compromise the stability and balance of the vehicle.

- ◆ Have the passenger extract the two passenger footpegs.
- ◆ Instruct the passenger how to safely get on the vehicle.
- ◆ Kick the side stand completely back using your left foot.

GETTING OFF THE VEHICLE

- ◆ Choose the parking area, see p. p. 67 (To park the vehicle:).
- ◆ Stop the vehicle, see p. p. 67 (STOPPING).

⚠ WARNING

Make sure that the parking surface is free from obstacles, firm and flat.

- ◆ With the left shoe heel, extend the side stand completely by acting on the appropriate lever.

NOTE If it is impossible for you to place both feet on the ground, place the right foot on the ground (in case of unbalance, the left side of the vehicle is prevented from falling over by the side stand) and keep the left foot ready to rest on the ground.

- ◆ Place both feet on the ground, keeping the vehicle in balance in riding position.
- ◆ Instruct the passenger how to safely get off the vehicle.

⚠ CAUTION

Risk of falling and overturning. Make sure that the passenger has got off the vehicle. Do not load your weight onto the side stand.

- ◆ Incline the vehicle until the stand rests on the ground.
- ◆ Grasp the handlebar correctly and get off the vehicle.
- ◆ Rotate the handlebar completely leftwards.
- ◆ Lift the passenger footpegs.

⚠ CAUTION

Make sure that the vehicle is stable.



PRELIMINARY CHECKS

⚠ WARNING

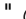
Before departure, always perform a preliminary inspection of the vehicle to make sure it functions correctly and safely, see page 58 (TABLE OF PRELIMINARY CHECKS).

Failure to perform these operations may lead to serious personal injury or damage to the vehicle.

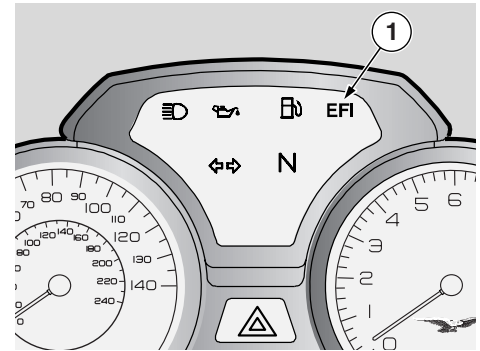
Do not hesitate to contact a **Moto Guzzi** Authorized Dealer if there is anything you do not understand about how some controls work, or if you suspect or encounter any malfunctions.

This inspection takes very little time, but makes riding a great deal safer.

NOTE This vehicle is designed so that any serious malfunction stored in the electronic control unit can be identified in real time.

Whenever the ignition switch is set to "  ", the message " *EFI* " (1) will appear on the right side of the multifunction display, for approximately three seconds.

The LED " *EFI* " (1) also remains lit for the first 3 seconds after the motorcycle is started, to make sure the injection system is working properly.



⚠ CAUTION

If the message " *EFI* " (1) appears while the engine is running normally, it means that the electronic control unit has detected an error.

In many cases the engine continues to run, with limited performance; contact a **Moto Guzzi Authorized Dealer immediately.**

CAUTION

If the throttle sticks open, it may cause a collision with another vehicle, or an upset.

If the throttle sticks, kill the engine with the engine stop switch located on the right handlebar.

Do not attempt to restart the engine until the throttle has been repaired and works perfectly. Failure to obey this warning can lead to a runaway with seriously injuries or even death.

CAUTION

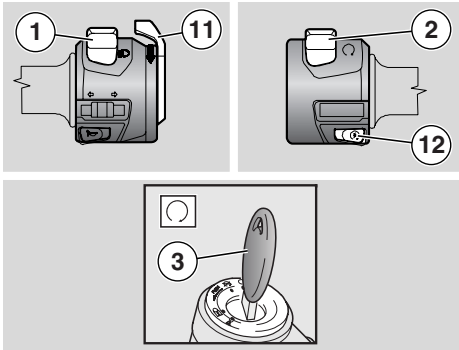
In the event of a throttle sticking emergency, always kill the engine using the engine stop switch located near the throttle grip on the right handlebar. Never use your vehicle if the throttle does not automatically fully return to the idle position when the throttle grip is released. Contact your **Local Moto Guzzi Dealer** for repairs. Failure to heed this warning can lead to a serious accident and subsequent injury or even death.

If any fastener is loose, the rider may lose control of the vehicle and risk an accident.

Both situations may cause serious injuries or even death.

TABLE OF PRELIMINARY CHECKS

| Part | Check | Page |
|---|---|--------------------|
| Front and rear disk brake | Check the operation, the idle stroke of the control levers, the fluid level, and make sure there are no leaks. Check the wear of the pads. Top up the fluid reservoir if necessary. | 46, 47, 49, 50, 88 |
| Throttle | Make sure that it works smoothly and that it can be opened and closed completely, in all steering positions. Adjust and/or lubricate if necessary. | 89 |
| Engine oil | Check and/or top up if necessary. | 45, 79 |
| Wheels/Tires | Check the surface condition of the tires, the inflation pressure, wear and for any damage. Remove any foreign matter that may be stuck in the tread grooves. | 51 |
| Brake levers | Make sure they work smoothly. Lubricate the joints if necessary (rear brake control). | - |
| Clutch | Check the operation and idle stroke of the control lever (with the engine cold, the clearance should be less than 1 mm). The clutch must operate without jerking and/or slipping. | - |
| Steering | Make sure that the steering rotates smoothly and evenly, with no clearance or slack. | - |
| Side stand | Make sure that it works properly. Make sure that there is no friction when the stand is raised or lowered, and that the spring tension returns it to its normal position. Lubricate couplings and joints if necessary. | 93, 99 |
| Fasteners | Make sure that the fasteners are not loose. Adjust or tighten if necessary. | - |
| Fuel tank | Check the fuel level and top up if necessary. Check for any leaks from the circuit. Make sure the fuel reservoir cap is properly closed. | 43 |
| Engine stop switch (○-⊗) | Make sure it is in good working order. | 35 |
| Lights, warning lights, horn, brake light switches and electrical devices | Make sure the acoustic and visual warning devices are in good working order. Replace the bulbs or repair any faults. | 103, 104, 105, 106 |
| Transmission fluid | Check. If it needs to be topped up, contact a Moto Guzzi Authorized Mechanic. | 85 |



STARTING

⚠ WARNING

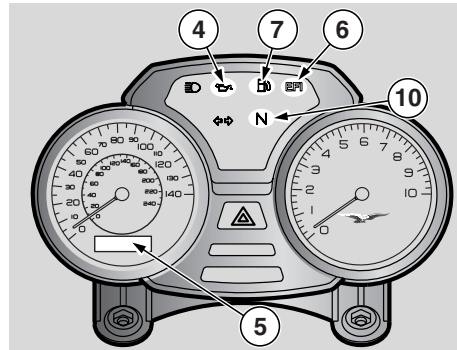
This vehicle is quite powerful and must be used gradually and with the greatest care.

Do not place any items inside the front fairing (between the handlebar and instrument panel), in order to not hinder rotation of the handlebar and visibility of the instrument panel

NOTES Before starting the engine, carefully read the chapter "safe riding", see page 5 (SAFE RIDING).

⚠ WARNING

Exhaust fumes contain carbon monoxide, a substance that is extremely toxic if inhaled.



Avoid starting the engine in enclosed or poorly ventilated spaces.

Failure to observe this recommendation could cause you to lose consciousness or even lead to death by asphyxiation.

NOTES With the side stand down, the engine may be started only if the gears are in neutral; in this case, the engine will shut off if you attempt to engage the gears.

With the side stand retracted, the engine may be started in neutral or with the gears engaged and the clutch lever pulled.

- ◆ Straddle the vehicle as though to ride it, see page 54 (GETTING ON AND OFF THE VEHICLE).
- ◆ Make sure that the stand is completely retracted.

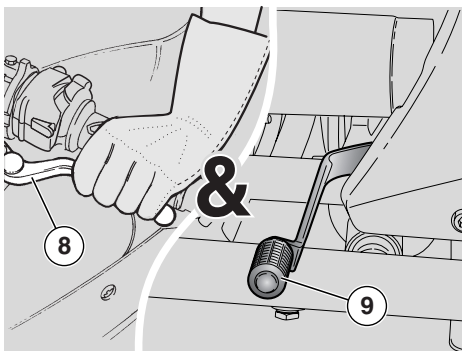
- ◆ Make sure that the light dimmer (1) is set to "☰".
- ◆ Set the engine stop switch (2) to "○".
- ◆ Turn the key (3) and set the ignition switch to "○".

At this point:

- the indicators of the two instruments go to base scale, then return to zero.
- the (red) engine oil pressure LED "🛢" (4) on the instrument panel lights, and remains lit until the engine is started;
- the multifunction digital display (5) tests the digits, activating them all at once for approximately two seconds, then switches to display the total km (ODO);
- whenever the ignition switch is set to "○", the LED "EFI" (6) lights for approximately three seconds;
- the fuel pump will pressurize the fuel supply circuit, making a buzzing noise for approximately three seconds.

⚠ CAUTION

If the fuel reserve LED "🛢" (7) on the instrument panel lights, this means that there is still 1.32 US gal (5 ℓ) of fuel available. Top up the fuel level as soon as possible, see page 43 (FUEL).



- ◆ Lock at least one wheel by pulling a brake lever.
- ◆ Pull the clutch lever (8) completely and set the gearshift lever (9) to neutral [green LED "N" (10) on].
- ◆ If the vehicle is being started from a cold engine, turn the cold start lever "I" (11) down.

NOTES If the ambient temperature is very cold [below 0 °C (32 °F)], see p. 61 (STARTING FROM A COLD ENGINE).

⚠ CAUTION

To avoid excessive battery consumption, do not keep the starter button " " pressed for more than fifteen seconds.

If the engine does not start within this time frame, wait ten seconds and press the start button " " again.

- ◆ Press the start button " " (12) without accelerating, and release it as soon as the engine starts.

⚠ CAUTION

Avoid pressing the start button " " (12) with the engine running, as it could damage the starter motor.

⚠ WARNING

If the throttle sticks open, it may cause a collision with another vehicle, or an upset.

If the throttle sticks, kill the engine with the engine stop switch located on the right handlebar.

Do not attempt to restart the engine until the throttle has been repaired and works perfectly. Failure to obey this warning can lead to a runaway with seriously injuries or even death.

⚠ WARNING

In the event of a throttle sticking emergency, always kill the engine using the engine stop switch located near the throttle grip on the right handlebar. Never use your vehicle if the throttle does not automatically fully return to the idle position when the throttle grip is released. Contact your Local **Moto Guzzi Dealer** for repairs.

Failure to heed this warning can lead to a serious accident and subsequent injury or even death.

If the engine oil pressure LED " " (4) remains on, or comes on while the engine is running normally, it means that the oil pressure in the circuit is too low.

In this case stop the engine immediately and contact a **Moto Guzzi Authorized Dealer**.

- ◆ Keep at least one brake lever pulled and do not accelerate until you are ready to go.

⚠ CAUTION

Do not take off suddenly when the engine is cold.

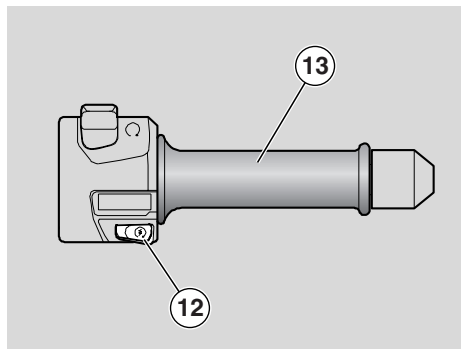
To limit emissions of air pollutants as well as fuel consumption, warm up the engine by riding at low speed for the first few miles.

- ◆ Turn the cold start lever "↖" (11) up once the engine has warmed up.

⚠ CAUTION

If the LED "EFI" (6) in the instrument panel comes on while the engine is running normally, it means that the electronic control unit has detected an error.

In many cases the engine continues to run, with limited performance; contact a **Moto Guzzi** Authorized Dealer immediately.



STARTING FROM A COLD ENGINE

If the ambient temperature is low (around or below 0°C/32°F) it may be difficult to start the engine at first.

In this case:

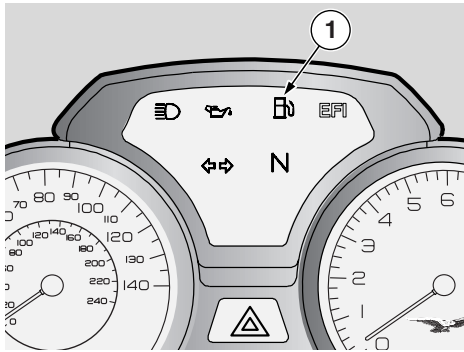
- ◆ Turn the cold start lever "↖" (11) downward.
- ◆ Insist for at least ten seconds with the start button "⚡" (12) pressed, and at the same time turn the throttle handgrip (13) moderately.

If the engine starts:

- ◆ Release the start button "⚡" (12) and the throttle handgrip (13).
- ◆ Turn the cold start lever "↖" (11) upwards.
- ◆ If idling is unstable, twist the throttle handgrip (13) slightly and frequently to even out the engine speed.

If the engine does not start:

Wait a few seconds and repeat the procedure for (STARTING FROM A COLD ENGINE).



TAKE-OFF AND RIDING

⚠ WARNING

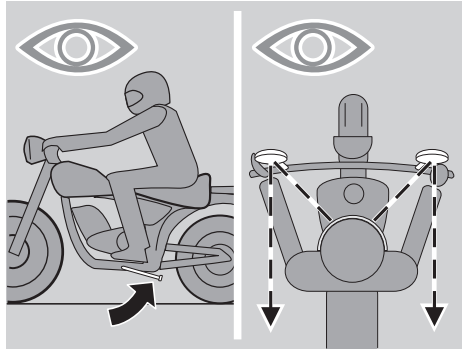
This vehicle is quite powerful and must be used gradually and with the greatest care.

Do not place any items inside the front fairing (between the handlebar and instrument panel), in order to not hinder rotation of the handlebar and visibility of the instrument panel

NOTES Before departure, carefully read the chapter "safe riding", see page 5 (SAFE RIDING).

⚠ CAUTION

If the LED fuel reserve "⛽" (1) on the instrument panel lights while you are riding, it means that 1.32 US gal (5 ♂) of fuel is still available.



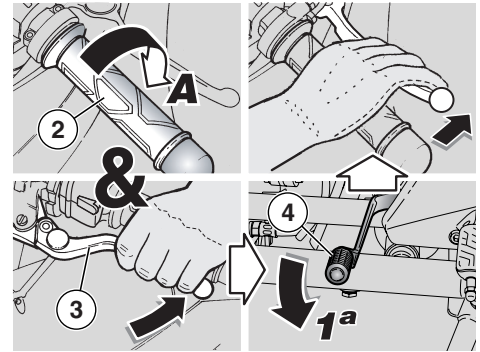
Top up the fuel level as soon as possible, see page 43 (FUEL).

⚠ WARNING

When traveling without a passenger, make sure that the passenger footrests are closed.

Keep your hands firmly on the grips and your feet on the footrests while riding.

NEVER RIDE IN ANY OTHER POSITION.

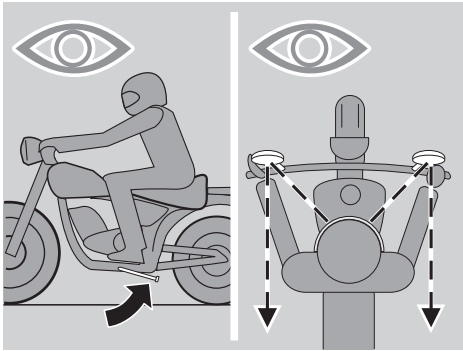


⚠ WARNING

If you carry a passenger, instruct him/her not to move around unduly, and to keep his/her body aligned with yours during turns. Failure to do this could upset the stability of the vehicle.

Before departure, make sure that the stand is completely retracted.

NOTE Before riding away, be sure that the rear view mirrors are correctly adjusted.

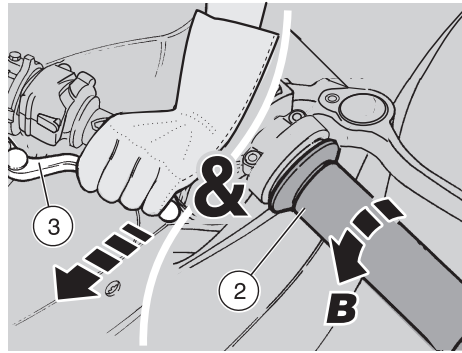


⚠ CAUTION

When the vehicle is new to you, practice looking in the rear view mirrors. Reflecting surfaces are convex, therefore objects seem to be farther away than they actually are. The mirrors provide a wide angle view, and only experience will allow you to correctly determine how far behind you following vehicles are.

To start:

- ◆ Start the engine, see page 59 (STARTING).
- ◆ Properly adjust the angle of the rearview mirrors.
- ◆ With the throttle handgrip (2) released (Pos. A) and the engine idling, pull the clutch lever (3) completely.
- ◆ Engage the first gear by pushing the gearshift lever down (4).
- ◆ Release the brake lever (pulled during starting).

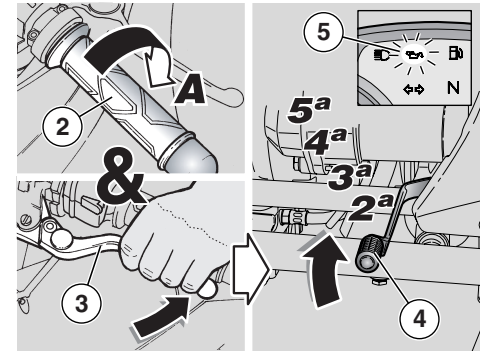


⚠ WARNING

If you release the clutch lever too abruptly when starting out, it may cause the engine to cut out or the vehicle to jerk forward.

Never accelerate abruptly or excessively when releasing the clutch lever, so as to prevent the clutch from slipping (released too slowly) or the front wheel from rearing up (released too quickly).

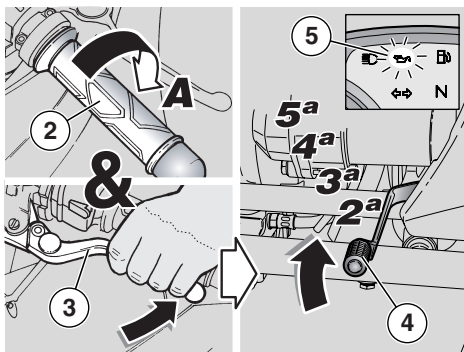
- ◆ Slowly release the clutch lever (3) and simultaneously accelerate, turning the throttle handgrip (2) moderately (Pos. B).
The vehicle will begin to move forward.
- ◆ For the first miles, ride at moderate speed to allow the engine to warm up.



⚠ CAUTION

Do not exceed the recommended rpm, see page 66 (BREAKING-IN).

- ◆ Increase the speed by gradually turning the throttle handgrip (2) (Pos. B), without exceeding the recommended rpm, see page 66 (BREAKING-IN).



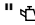
To engage the second gear:

⚠ CAUTION

Shift gears fairly quickly but without great force. Develop a "feel" for shifting with your left toe. Never lug the engine, that is, running it at too low an rpm which can damage the vehicle's engine, and causes rough and shuddering acceleration.

- ◆ Release the throttle handgrip (2) (Pos. A), operate the clutch lever (3), raise the gearshift lever (4), release the clutch lever (3) and accelerate.
- ◆ Repeat the last two operations and switch to a higher gear.

⚠ CAUTION

If the engine oil pressure LED "  " (5) lights while the engine is running normally, it means that the oil pressure engine in the circuit is too low.

In this case stop the engine immediately and contact a **Moto Guzzi** Authorized Dealer.

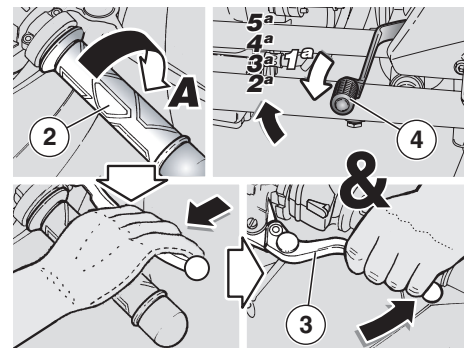
Shifting from a higher to a lower gear, known as "downshifting", should be carried out in the following situations:

- ◆ When riding downhill or braking, to increase the braking action using the engine compression.
- ◆ When riding uphill, if the gear engaged is not suited to the speed (high gear, moderate speed) and the engine rpm decreases.

⚠ CAUTION

Shift down one gear at a time; downshifting by several gears may make you exceed the maximum rpm (redline).

Before and while downshifting, release the throttle and decelerate to avoid redlining.



To downshift":

- ◆ Release the throttle handgrip (2) (Pos. A).
- ◆ If necessary, pull the brake levers moderately and decrease the vehicle speed.
- ◆ Pull the clutch lever (3) and lower the gearshift lever (4) to engage the lower gear.
- ◆ Release the brake levers if pulled.
- ◆ Release the clutch lever and accelerate moderately.

⚠ CAUTION

If the message " *EFI* " appears on the instrument panel while the engine is running normally, it means that the electronic control unit has detected an error.

In many cases the engine continues to run, with limited performance; contact a **Moto Guzzi** Authorized Dealer immediately.

To avoid overheating the clutch, keep the engine running with the vehicle at rest, engaged gears and pulled clutch lever as little as possible.

WARNING

Do not open and close the throttle repeatedly and continually, as this could cause you to inadvertently lose control of the vehicle. When braking, decelerate and pull both brakes to ensure even deceleration, exerting the appropriate pressure on the braking devices.

Pulling only the front or rear brake considerably reduces the braking force, and runs the risk of locking a wheel and thus losing grip on the road surface.

When stopping uphill, decelerate completely and use only the brakes to keep the vehicle steady.

Using the engine to keep the vehicle steady may cause the clutch to overheat.

Before braking on curves, reduce speed or brake while continuing to ride at the same constant or slightly accelerating moderate speed; avoid slamming on the brakes: this greatly increases your likelihood of skidding.

If you repeatedly use the brakes on downhill stretches, the friction gaskets could overheat, leading to reduced braking effectiveness. Take advantage of engine compression by downshifting using both brakes intermittently.

Never ride downhill with the engine shut off.

On wet or slippery roads (snow, ice, mud, etc.), drive at moderate speed, avoid braking abruptly or turning the steering column sharply; this could cause you to lose adherence to the road and fall.

WARNING

Be attentive to any obstacle or change in the road surface.

Rough roads, train or trolley tracks, manhole covers, indications painted on the road surface, the metal plates of work sites, all become slippery in the rain. Use the utmost caution, avoiding sharp turns and tilting the vehicle as little as possible.

Always use the direction indicators to signal lane or direction changes in time, avoiding abrupt and dangerous movements.

Turn off the indicators immediately after changing lane or direction.

Exercise extremely caution when passing or being passed by other vehicles.

In case of rain, the water splashes caused by large vehicles can significantly reduce visibility; the air wave may cause you to lose control of the vehicle.

BREAKING-IN

The engine must be properly broken in to ensure a long life and dependable operation.

If possible, while breaking in your vehicle, ride on hilly roads and/or roads with many curves so that the engine and transmission undergo lots of speed changes.

Vary your speed often while breaking in the vehicle.

This allows you to "charge" the components to work, as well as "discharge" them and cool the engine parts.

Although it is important to work the engine components during the breaking-in period, be very careful not to go overboard.

NOTE The vehicle does not achieve its top performance until after the first 1243 mi (2000 km).

Obey the following rules:

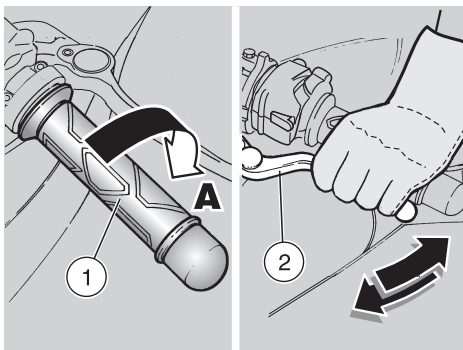
- ◆ Do not open the throttle fully when the engine speed is low, either during or after breaking-in.
- ◆ Use the brakes cautiously during the first 62 mi (100 km), avoiding sharp and prolonged braking. This ensures that the pad friction material will settle properly around the brake disks.
- ◆ Never exceed 5000 rpm during the first 930 mi (1500 km) traveled.

WARNING

After the first 930 mi (1500 km), have a Moto Guzzi Authorized Dealer perform the checks listed in the "end of breaking-in" column of the scheduled maintenance chart, see page 72 (SCHEDULED MAINTENANCE CHART), to avoid hurting yourself or other people and/or damaging the vehicle.

- ◆ Between the first 930 mi (1500 km) and 1243 mi (2000 km), use a livelier riding style, varying speed and opening the throttle to maximum acceleration only briefly, to ensure better coupling of the components; never exceed 7,500 rpm (see table).
- ◆ After the first 1243 mi (2000 km) you can expect better engine performance, without however exceeding the maximum allowed [7600 rpm].

| Maximum recommended engine rpm | |
|--------------------------------|-------|
| Mileage mi (km) | (rpm) |
| 0 – 930 (0 – 1500) | 5000 |
| 930 – 1243 (1500 – 2000) | 6000 |
| over 1243 (2000) | 7600 |



STOPPING

⚠ WARNING

Whenever possible, avoid stopping or slowing the vehicle abruptly, and slamming the brakes.

⚠ WARNING

Failure to comply with these instructions may cause an accident with consequent risk of serious injuries or even death.

- ◆ Release the throttle handgrip (1) (Pos. A), pull the brakes gradually and, at the same time, downshift to decelerate, see page 62 (TAKE-OFF AND RIDING).

Once the speed has decreased, but before the vehicle has come to a complete stop:

- ◆ Operate the clutch lever (2) to prevent the engine from stalling.

When the vehicle has come to a complete stop:

- ◆ Set the gearshift lever to neutral (green LED "N" on).
- ◆ Release the clutch lever (2).
- ◆ When stopping only briefly, keep at least one brake activated at all times.

PARKING

It is very important to choose a suitable parking area, in observance of road signs and the indications given below.

⚠ WARNING

Park the vehicle on a flat, hard surface to keep it from falling over.

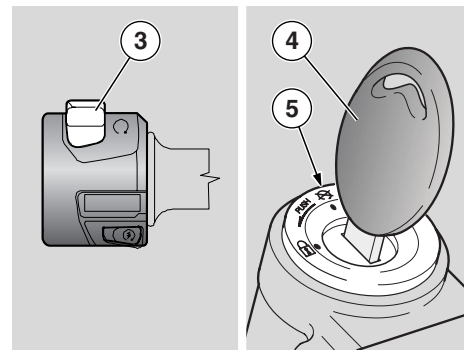
Do not lean the vehicle against a wall or lay it on the ground.

Make sure that the vehicle, especially its hottest parts, do not represent a hazard to people, including children. Do not leave the vehicle unattended with the engine running or with the key inserted in the ignition.

⚠ WARNING

If the vehicle falls or inclines too far, fuel may spill out of the tank.

Gasoline is extremely flammable and in some conditions can become explosive.



⚠ CAUTION

Do not apply the load of your weight or the passenger's weight to the side stand.

To park the vehicle:

- ◆ Choose the parking area.
- ◆ Stop the vehicle, see page 67 (STOPPING).
- ◆ Set the engine stop switch (3) to "OFF".
- ◆ Turn the key (4) and set the ignition switch (5) to "LOCK".



⚠ WARNING

Carefully follow the directions for getting on and off the vehicle, see page 54 (GETTING ON AND OFF THE VEHICLE).

- ◆ Following the instructions given, wait until your passenger (if present) has gotten off before alighting from the vehicle yourself.
- ◆ Lock the steering, see page 36 (STEERING LOCK) and remove the key (4).

⚠ WARNING

Make sure the vehicle is stable.

POSITIONING THE VEHICLE ON THE SIDE STAND

SIDE STAND

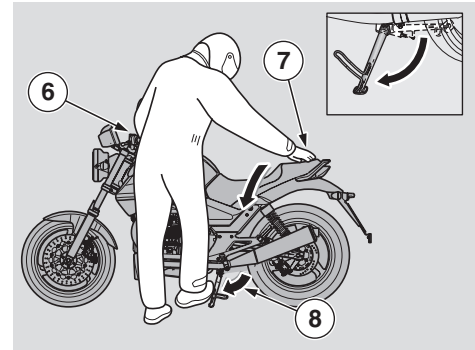
To rest the vehicle on the side stand while seated astride the vehicle, see page 54 (GETTING ON AND OFF THE VEHICLE).

During any operation (such as moving the vehicle) that requires retracting the stand, proceed as follows to replace the vehicle on the stand:

⚠ WARNING

Make sure that the parking area surface is free from obstacles, firm and flat.

- ◆ Choose the parking area, see page 67 (PARKING).
- ◆ Grasp the left handgrip (6) and rest your right hand on the upper rear of the vehicle (7).

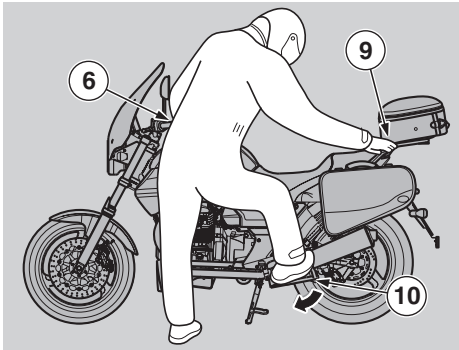


- ◆ Push the side stand with your right foot, extending it completely (8).
- ◆ Tilt the vehicle until the stand is resting on the ground.
- ◆ Twist the handlebar all the way to the left.

⚠ WARNING

Make sure the vehicle is stable when parked. If it falls down, it will certainly be damaged and could injure others as well.

⚠ WARNING



CENTER STAND

⚠ WARNING

It is forbidden to position the vehicle on the center stand while seated astride the vehicle in riding position.

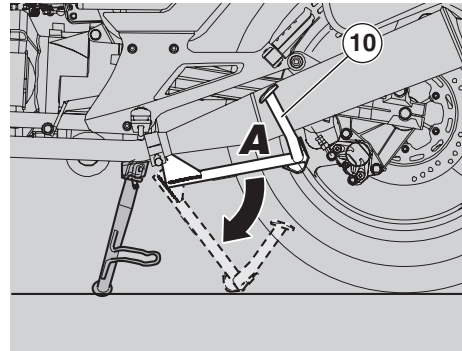
⚠ WARNING

Make sure that the parking surface is free of obstacles, stable and level.

- ◆ Choose a suitable parking area, see page 67 (PARKING).
- ◆ Grasp the left grip (6) and the passenger grab rail (9).

⚠ CAUTION

For safety reasons, the lowering of the side stand is suggested, in order to prevent the vehicle from falling or overturning in case of unbalance.



NOTE Do not let the side stand touch the ground. Keep the vehicle in vertical position.

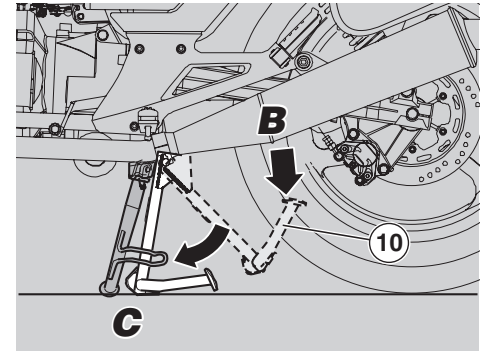
- ◆ Press the side stand with your right foot and extend it completely (8).
- ◆ Push onto center stand lever (10) (Pos. A) and rest it onto the ground.

⚠ CAUTION

Proceed with care.

The positioning of the vehicle on the center stand may be difficult, since the vehicle is very heavy. Release the handgrip (6) and handle (9) only when the vehicle is steady on the stand.

- ◆ Load your weight on the lever (10) (Pos.B) of the center stand and at the same time move your center of gravity towards the rear part of the vehicle (Pos.C).

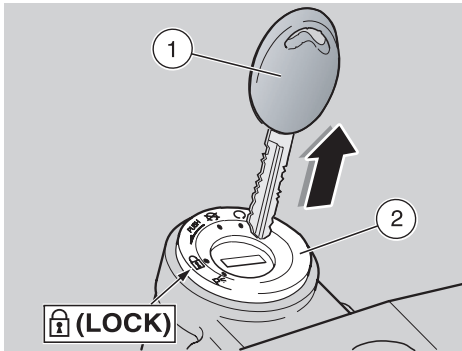


⚠ WARNING

Make sure that the vehicle is stable.

⚠ WARNING

Let the side stand up.



SUGGESTIONS TO PREVENT THEFT

⚠ CAUTION

Do not use any "brake lock" devices. Failure to heed this warning can seriously damage the braking system and lead to an accident thus provoking serious injuries or death.

NEVER leave the key (1) in the ignition switch (2), always use the steering lock "🔒" (LOCK).

Try to park your vehicle in a safe place, if at all possible, in a garage or other protected place.

Lock your vehicle up using a chain and padlock around the rear wheel. Chain the rear wheel to the swinging arm.

Make sure that all legal requirements: registration, license plates, insurance, etc. are in order.



Write down your name, address and telephone number and the vehicle identification number in the space below, to facilitate finding the owner in case your vehicle is recovered after theft.

SURNAME:

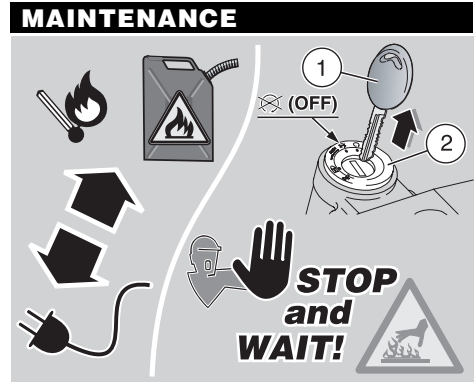
NAME:

ADDRESS:

.....

TELEPHONE NO.:

NOTE Very often stolen vehicles are identified thanks to the data written in the use/maintenance manual.



Carefully read page 2 (FOREWORD) and (INTRODUCTION), p. 3 (SAFETY WARNINGS) and (GENERAL SAFETY RULES), p. 5 (WARNINGS - PRECAUTIONS - GENERAL ADVICE).

⚠ WARNING

Risk of fire.

Keep fuel and other flammable substances away from the electrical components.

Before beginning any maintenance operation or vehicle inspection, stop the engine, remove the key (1) from the ignition switch (2), wait until the engine and the exhaust system have cooled down and if possible lift the vehicle by means of the proper equipment, on firm and flat ground.

Before proceeding, make sure that the room in which you are working is properly ventilated.

Be careful to avoid hot parts of the engine and exhaust system. They are hot enough to cause serious burns.

Avoid the temptation to hold any part of the vehicle in your mouth. The coatings, platings and components used are not edible and, in some cases, are noxious or even toxic.

CAUTION

In general, reassembly is performed in reverse order of the disassembly instructions given here.

For some maintenance operations, especially those in which your hands are likely to come in contact with coolant, engine oil, gasoline, or brake fluid, it is advisable to use thin disposable gloves, such as those made of latex, rubber or nitrile.

The routine maintenance operations described in this manual can usually be performed by the user. However, in some cases, specific tools and technical expertise may be required.

Do not hesitate to contact your Local **Moto Guzzi** Dealer for repairs who has all the latest factory information and tools to properly service your vehicle.

Remember that many service operations, if done improperly, can be very hazardous. If you have any questions about your ability to carry out the operations described here, contact your Local **Moto Guzzi** Dealer.

In all cases, personally carry out the "preliminary checking operations" after any maintenance, see p. 56 (PRELIMINARY CHECKS).

WARNING

Remember that tightening torques of all fasteners on the wheels, brakes, axles, suspension are extremely important to ensure safety, and must be maintained at the prescribed values.

Regularly check the tightening torques of the fasteners, and always use a torque wrench when installing them.

Failure to adhere to this warning could cause critical fasteners to loosen and be subsequently lost, which could cause a wheel to lock or other handling problems with consequent overturning, and the risk of serious injury or even death.

WARNING

Fasteners must be neither overtightened or undertightened. If they are overtightened, the threads may be damaged and the fasteners will be destroyed, whereas if they are undertightened, they can vibrate and become lost. Obviously, under these circumstances, a serious accident with resultant serious injury or death could ensue.

NOTES This vehicle is designed so that any serious malfunction stored in the control unit can be identified in real time.

Whenever the ignition switch is set to "O", the message "EFI" appears lit on the instrument panel for approximately three seconds.

CAUTION

If the message "EFI" (1) appears while the engine is running normally, it means that the electronic control unit has detected an error.

In many cases the engine continues to run, with limited performance; contact a **Moto Guzzi** Authorized Dealer immediately.

SCHEDULED MAINTENANCE CHART

OPERATIONS TO BE CARRIED OUT BY THE **Moto Guzzi** Authorized Dealer (WHICH MAY ALSO BE CARRIED OUT BY THE USER).

| Components | End of breaking-in[625 mi (1000 km)] | Every 4660 mi (7500 km) or 12 months | Every 9320 mi (15000 km) or 24 months |
|------------------------------|--------------------------------------|--|---------------------------------------|
| Spark plugs (*) | | every 4660 mi/7500 km: ③ | |
| Engine oil filter (*) | ③ | ③ | |
| Fork | ① | | ① |
| Light operation/direction | | ① | |
| Light system | ① | ① | |
| Safety switches | | | |
| Brake fluid | | ① | |
| Engine oil | ③ | ③ | |
| Tires | ① | ① | |
| Tire pressure (**) | ④ | ④ | |
| Engine idle rpm | ④ | ④ | |
| Tightening battery terminals | ① | | |
| Tightening head bolts | ④ | | |
| Engine oil pressure LED | at every start-up: ① | | |
| Brake pad wear | ① | before every trip and every 1243 mi (2000 km): ① | |

① = check and clean, adjust, lubricate or replace if necessary. ② = clean; ③ = replace; ④ = adjust.

Perform the maintenance operations more frequently than indicated if the vehicle is used in rainy or dusty areas, on unpaved roads, or for competitive riding.

(*) = For competitive use, replace every 2330 mi (3750 km).

(**) = Check every two weeks or at the intervals indicated.

OPERATIONS TO BE CARRIED OUT BY THE **Moto Guzzi** Authorized Dealer

| Components | End of breaking-in[625 mi (1000 km)] | Every 4660 mi (7500 km) or 12 months | Every 9320 mi (15000 km) or 24 months |
|--|---|--------------------------------------|---------------------------------------|
| Idle mixture (CO) | | ① | |
| Transmission cables and controls | ① | ① | |
| Steering bearings and clearance | ① | ① | |
| Wheel bearings | | ① | |
| Brake disks | ① | ① | |
| Engine oil filter (*) | ③ | ③ | |
| Air filter | | ① | ③ |
| General vehicle operation | ① | ① | |
| Brake systems | ① | ① | |
| Brake fluid | every 2 years: ③ or 12427 mi (20000 km) | | |
| Gearbox oil | ③ | ③ | |
| Fork oil | after the first 4660 mi (7500 km) and every 14000 mi (22500 km) thereafter: ③ | | |
| Engine oil | ③ | ③ | |
| Fork oil seals | after the first 18640 mi (30000 km) and every 14000 mi (22500 km) thereafter: ③ | | |
| Brake pads | every 1243 mi/2000 km: ① - if worn: ③ | | |
| Valve clearance adjustment | ④ | ④ | |
| Wheels/Tires | ① | ① | |
| Tighten nuts and bolts | | | |
| ① = check and clean, adjust, lubricate or replace if necessary (as specified in the Service Manual). ② = clean; ③ = replace; ④ = adjust. Perform maintenance operations at double the prescribed frequency if the vehicle is often used in rainy or very dusty conditions, on unpaved roads, or in any kind of competition. (*) = For competitive use, check every 2330 mi (3750 km). | | | |

| Components | End of breaking-in[625 mi (1000 km)] | Every 4660 mi (7500 km) or 12 months | Every 9320 mi (15000 km) or 24 months |
|---|--------------------------------------|--------------------------------------|---------------------------------------|
| Tightening battery terminals | ① | | |
| Cylinder synchronization | ① | ① | |
| Suspensions and riding position | ① | | ① |
| Final transmission fluid | ③ | ③ | |
| Fuel lines | | ① | every 4 years: ③ |
| Brake lines | | ① | every 4 years: ③ |
| Clutch wear (*) | | ① | |
| <p>① = check and clean, adjust, lubricate or replace if necessary (as specified in the Service Manual). ② = clean; ③ = replace; ④ = adjust. Perform maintenance operations at double the prescribed frequency if the vehicle is often used in rainy or very dusty conditions, on unpaved roads, or in any kind of competition. (*) = For competitive use, check every 2330 mi (3750 km).</p> | | | |

MAINTENANCE RECORD

| | |
|--|--|
| Owner Name | |
| Owner Address | |
| Owner Telephone Number | |
| Vehicle Identification Number (V.I.N.) (frame number) see p. 79 (IDENTIFYING INFORMATION) | |
| Engine Number see p. 79 (IDENTIFYING INFORMATION) | |
| Local Moto Guzzi Dealer Name | |
| Local Moto Guzzi Dealer Address | |
| Local Moto Guzzi Dealer Telephone Number | |
| Warranty Activation Date (from Retail Purchase Warranty Activation Form) | |

The following is to help you keep an accurate record of maintenance work. proof that maintenance has been carried out. for parts you purchase.

Information recorded is not considered as Keep copies of work orders and/or receipts

| Date | Odometer reading | Maintenance Performed | Dealer Stamp |
|------|------------------|-----------------------|--------------|
| | | | |
| | | | |

Follow ►

Follow ►

| Date | Odometer reading | Maintenance Performed | Dealer Stamp |
|------|------------------|-----------------------|--------------|
| | | | |
| | | | |
| | | | |
| | | | |
| | | | |
| | | | |
| | | | |
| | | | |
| | | | |

Follow ►

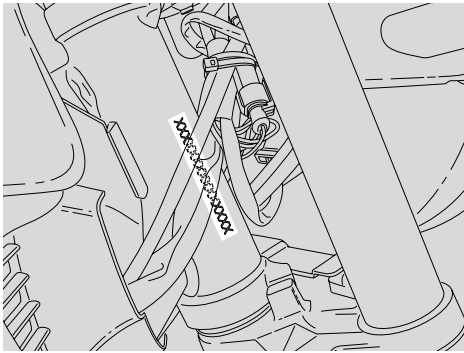
Follow ►

| Date | Odometer reading | Maintenance Performed | Dealer Stamp |
|------|------------------|-----------------------|--------------|
| | | | |
| | | | |
| | | | |
| | | | |
| | | | |
| | | | |
| | | | |
| | | | |
| | | | |

Follow ►

Follow ►

| Date | Odometer reading | Maintenance Performed | Dealer Stamp |
|------|------------------|-----------------------|--------------|
| | | | |
| | | | |
| | | | |
| | | | |
| | | | |
| | | | |
| | | | |
| | | | |
| | | | |



IDENTIFYING INFORMATION

It is highly recommended to note the frame and engine numbers in the spaces provided in this booklet.

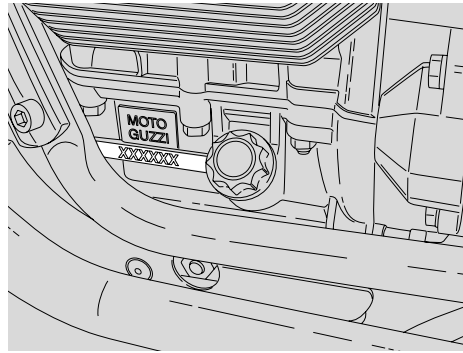
The frame number may be used to purchase spare parts.

NOTE Tampering with the serial numbers is subject to serious sanctions under criminal and civil law. Altering the frame number will void the warranty effective immediately.

FRAME NUMBER

The frame number (1) is stamped on the right side of the steering column.

Frame n° _____



ENGINE NUMBER

The engine number (2) is stamped on the left-hand side of the vehicle, near the engine oil level filler cap.

Engine n° _____

JOINTS WITH SCREW CLAMPS

⚠ CAUTION

Remove **ONLY** the clamps indicated in the servicing procedures.

This text is not to be construed as authorization to arbitrarily remove the clamps present on the vehicle.

⚠ WARNING

Before removing a clamp, make sure that its removal will not cause any fluid leaks; if so, take the necessary steps to prevent said leaks and protect the parts around the joint accordingly.

SCREW CLAMPS

A simple screwdriver is sufficient for removing and mounting these clamps.

⚠ CAUTION

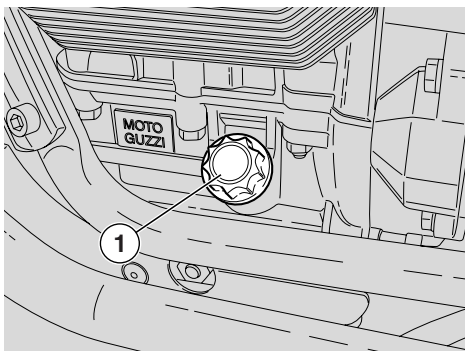
Check the condition of the clamp and replace it if necessary with another of the same type and size, purchased from a **Moto Guzzi Authorized Dealer**.

When fastening the clamp, make sure the joint is firmly sealed.

CHECKING AND TOPPING UP THE ENGINE OIL LEVEL

Carefully read page 45 (ENGINE OIL) and page 70 (MAINTENANCE).

NOTES Perform maintenance operations at double the prescribed frequency if the vehicle is often used in rainy or very dusty conditions, or on unpaved roads.



Periodically check the engine oil level, see page 79 (CHECKING AND TOPPING UP THE ENGINE OIL LEVEL).

To change the engine oil contact a **Moto Guzzi** Authorized Dealer, see page 72 (SCHEDULED MAINTENANCE CHART).

⚠ WARNING

It is critical to the safe operation of your vehicle that the proper lubricants, maintained at the proper levels, be used.

Failure to heed this warning can lead to an engine seizure with subsequent accident, serious injury or death.


To check:

NOTE Place the vehicle on firm and flat ground.

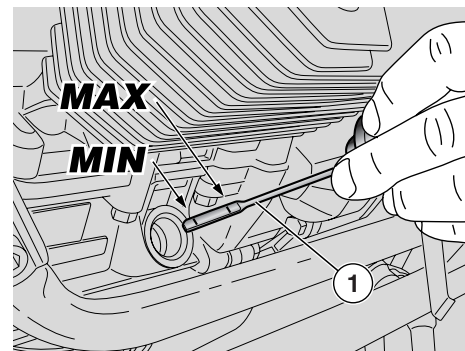
⚠ CAUTION

The engine oil level must be checked while the engine is warm and with the dipstick (1) fully inserted.

If you check the engine oil level when the engine is cold, the oil might temporarily fall below the "MIN" level.

This is not a problem as long as the engine oil pressure LED "  " does not light, see page 31 (TABLE OF INSTRUMENTS AND INDICATORS).

NOTES To heat the engine and bring the engine oil up to running temperature, do not let the engine idle with the vehicle stopped. To follow the correct procedure, check the oil after traveling the equivalent of at least 10 mi (15 km) on country roads (this should be enough to bring the engine oil to temperature).



⚠ WARNING

Exhaust gases contain carbon monoxide, which is extremely poisonous if inhaled.

Do not start the engine in closed or badly-ventilated rooms.

Failure to observe this warning may cause loss of consciousness or even lead to death by asphyxia.

- ◆ Stop the engine, see page 67 (STOPPING).
- ◆ Keep the vehicle upright with both wheels resting on the ground.

WARNING

Should your vehicle overturn, it will leak gasoline, which is extremely flammable. Flames or sparks may cause a fire, which could destroy not only the vehicle, but also the building in which it is located, and cause serious injuries or even death.

- ◆ Unscrew the filler cap/engine oil dipstick (1).
- ◆ Use the dipstick (1) to check the engine oil level.

MAX = maximum level.

MIN = minimum level.

The difference between "**MAX**" and "**MIN**" is approximately 400 cm³.

- ◆ The level is correct if it reaches approximately the "**MAX**" level.

CAUTION

Do not go above the "MAX" marking or below the "MIN" marking, as this could seriously damage the engine.

Top up the engine oil level if necessary:

- ◆ Unscrew and remove the filler cap (1).

WARNING

When warmed up, the engine contains hot oil and the engine oil tank (4) is warm; therefore, be especially careful when carrying out the operations described here below, in order to avoid burns.

CAUTION

Use thick gloves to prevent burns.

CAUTION

Before unscrewing and removing the filler cap (1), clean it and the surrounding area of the tank with a clean cloth. Prevent any foreign matter from falling into the oil tank, as this could cause serious engine damage.

Do not use any flammable solvents such as alcohol or gasoline when wiping the oil tank. The oil tank is hot enough to cause flammable solvents to ignite.

Use only a natural fiber cloth, i.e. cotton. Man made fabrics such as polyester, etc. could ignite.

CAUTION

Do not add additives or other substances to the oil.

If using a funnel or other tool, make sure it is perfectly clean.

NOTES Use good quality premium oils graded 15W - 50, see page 115 (LUBRICANT CHART).

Top up to restore the correct level, see page 115 (LUBRICANT CHART).

WARNING

Never ride your vehicle with low engine oil, with contaminated oil, or with unapproved oil. Any of these will greatly accelerate wear of your engine, and cause irreparable damage.

FRONT WHEEL

CAUTION

Unskilled operators may find disassembly and reassembly of the front wheel rather challenging.

Contact a **Moto Guzzi** Authorized Dealer.

WARNING

Riding with damaged rims will compromise your safety as well as that of others and of the vehicle itself.

Check the condition of the wheel rim, and have it replaced if damaged.

REAR WHEEL

CAUTION

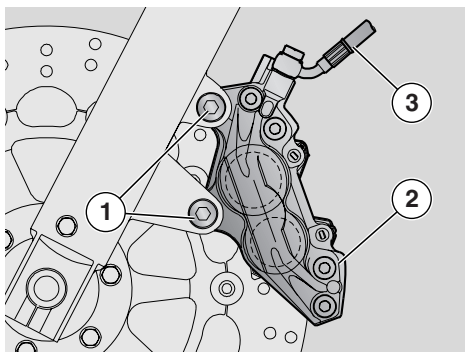
Unskilled operators may find disassembly and reassembly of the rear wheel rather challenging and complex.

Contact a **Moto Guzzi** Authorized Dealer.

WARNING

Riding with damaged rims will compromise your safety as well as that of others and of the vehicle itself.

Check the condition of the wheel rim, and have it replaced if damaged.



FRONT BRAKE CALIPER

Carefully read page 70 (MAINTENANCE).

⚠ WARNING

The disassembly and reassembly of the front brake calipers can be difficult for those unfamiliar with vehicle maintenance. You may wish to have your Local **Moto Guzzi Dealer** carry out these operations.

If you wish to perform these operations yourself, carefully read page 70 (MAINTENANCE).

⚠ WARNING

A dirty disk soils the pads, reducing braking effectiveness. Dirty pads must be replaced, while the dirty disk must be cleaned using a high quality solvent.

⚠ CAUTION

While disassembling and reassembling the wheel, be careful not to damage the brake lines, disks and pads.

NOTES To remove the front brake caliper you must keep the vehicle securely in a stable, upright position, keeping the front wheel raised.

DISASSEMBLY

⚠ CAUTION

Make sure the vehicle is stable.

- ◆ Manually turn the wheel so that the space between two spokes of the rim is aligned with the brake caliper.
- ◆ Have someone hold the handlebars steady, in riding position, so that the steering is locked.

Tightening torque for brake caliper screws (1): 36.16 FtLb (50 Nm).

- ◆ Unscrew and remove the two brake caliper screws (1).

⚠ CAUTION

Do not operate the brake lever after removing the brake caliper, otherwise the pistons could leave their housings, causing brake fluid to leak out.

If this should occur, contact an Authorized **Moto Guzzi Dealer** who will perform the necessary maintenance operations.

- ◆ Extract the brake caliper (2) from the disk, leaving it attached to the pipe (3).

REASSEMBLY

CAUTION

Be very careful to avoid damaging the brake pads.

WARNING

Keep your fingers clear, do not allow them to become crushed between the wheel, the caliper or the fork. Do not attempt to align the holes in the caliper using your fingers. Failure to obey this warning can cause serious injury.

- ◆ Slip the brake caliper (2) onto the disk, and position it so that the fastener holes are aligned with the holes on the support.

WARNING

When reassembling the brake caliper, replace the brake caliper holding screws (1) with two new screws of the same type.

- ◆ Screw and tighten the two brake caliper fastener screws (1).

Tightening torque for brake caliper screws: 36.16 ft-Lb (50 Nm).

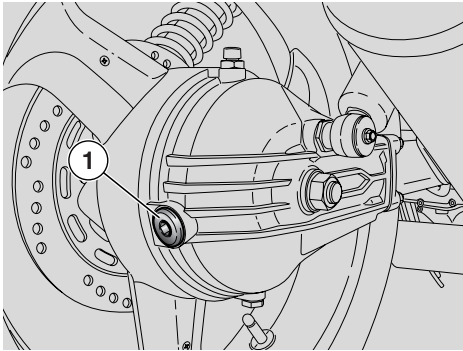
- ◆ Carefully remove the support.

WARNING

After servicing the brakes, always make sure they function properly. If the stroke of the lever or pedal is excessive, or if you detect that the braking effectiveness

is reduced in any way, have your vehicle serviced by your Local **Moto Guzzi** Dealer. It may be necessary to have your dealer bleed the system, or there may be some other problem with the brake system.

Never ride your vehicle in traffic immediately after servicing the brakes. Always apply the brake pedal or lever several times before riding your vehicle. Then, try your vehicle in a parking lot or other safe area with little traffic to ensure that the brakes are working properly. Failure to observe this warning can lead to a serious accident with subsequent serious injury or death.



CHECKING THE CARDAN SHAFT OIL LEVEL

NOTE Perform maintenance operations at double the prescribed frequency if the vehicle is often used in rainy or dusty conditions, or on unpaved roads.

Check the cardan shaft oil level at regular intervals. Change after the first 930 mi (1500 km) and every 6213 mi (10000 km) thereafter.

To check:

- ◆ Keep the vehicle upright with both wheels resting on the ground.
- ◆ Unscrew and remove the dip stick cap (1).
- ◆ Make sure that the oil skims the hole for the dip stick cap (1). Top up if the oil is below the prescribed level.

You must contact an Authorized Moto Guzzi Dealer to top up or change the cardan shaft oil.

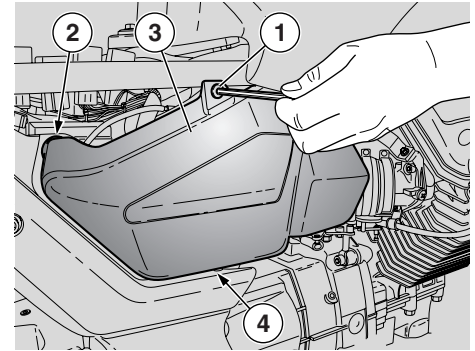
REMOVING THE SIDE PANELS

⚠ WARNING

Before carrying out the following operations, let the engine and the exhaust silencer cool down until they reach room temperature.

Failure to observe this warning can lead to serious burns.

- ◆ Remove the rider saddle, see page 37 (LOCKING/RELEASING THE SADDLE).
- ◆ Unscrew and remove the screw (1).



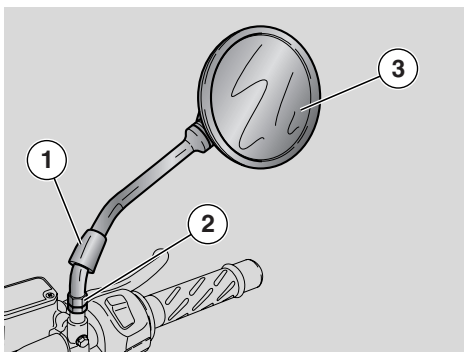
⚠ CAUTION

Handle all plastic and painted components with care to avoid scraping or scratching them.

- ◆ Gently release the pin (2) from its rubber fastener.
- ◆ Remove the side panel (3).

NOTES When reassembling, make sure the reference pin (4) is positioned correctly.

Repeat the steps to remove the other side panel.



REMOVING THE REARVIEW MIRRORS

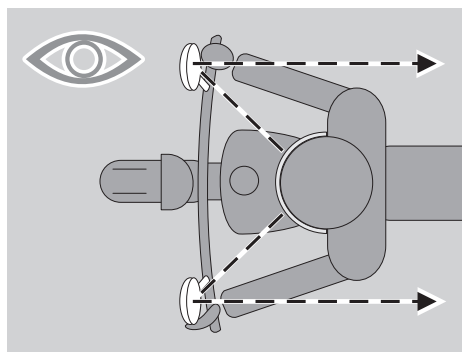
- ◆ Place the vehicle on the stand, see page 68 (POSITIONING THE VEHICLE ON THE SIDE STAND).
- ◆ Raise the protection rubber (1) and turn the lock nut (2).

⚠ CAUTION

Handle all plastic and painted components with care to avoid scraping or scratching them.

- ◆ Remove the rearview mirror (3).

NOTES Repeat the steps to remove the other rearview mirror.

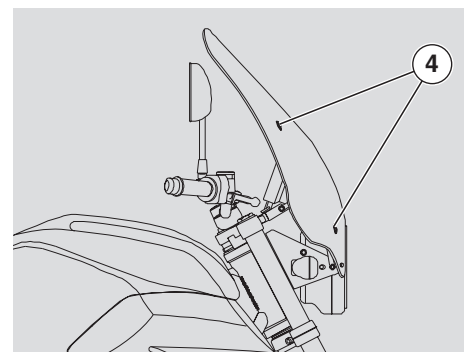


⚠ CAUTION

After reassembly, adjust the rearview mirrors properly and tighten the nuts to ensure their stability.

After reassembly:

- ◆ Replace the protection rubber (1) correctly.



REMOVING THE FRONT FAIRING

- ◆ Place the vehicle on the stand, see page 68 (POSITIONING THE VEHICLE ON THE SIDE STAND).
- ◆ Unscrew and remove the two lower screws (4).

⚠ CAUTION

When reassembling tighten the screws (4) only moderately, since they fasten to plastic.

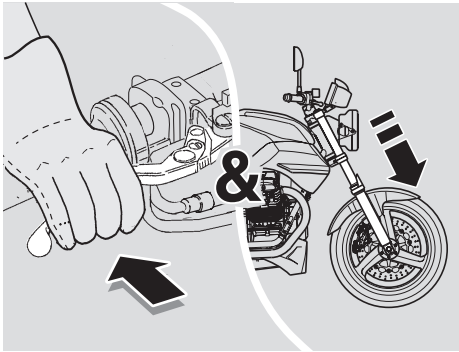
⚠ CAUTION

Handle plastic and painted components with care; do not scrape or scratch them.

- ◆ Remove the front fairing completely.

After reassembly:

- ◆ Make sure the front fairing is securely fastened to the vehicle.



INSPECTING THE FRONT AND REAR SUSPENSIONS

Carefully read page 70 (MAINTENANCE).

NOTES Have an Authorized **Moto Guzzi** Dealer change the front fork oil, to ensure prompt and accurate service.

NOTES Perform maintenance operations at double the prescribed frequency if the vehicle is often used in rainy or very dusty conditions, on unpaved roads, or in any kind of competition.

Have the front fork oil changed after the first 6213 mi (10000 km), and every 14000 mi (22500 km) thereafter.

Carry out the following checks after the first 930 mi (1500 km), and every 9375 mi (15000 km) thereafter:

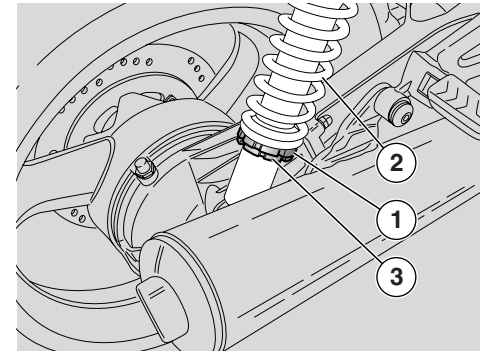
- ◆ With the front brake lever pulled, press repeatedly on the handlebar to thrust the fork downward. The fork must slide smoothly and evenly, and there must be no traces of oil on the fork tubes.
- ◆ Make sure all components of the front and rear suspensions are securely fastened and that all joints work properly.

⚠ CAUTION

Should you notice any irregularities or require the assistance of a qualified technician, contact an Authorized **Moto Guzzi Dealer**.

FRONT SUSPENSION

- ◆ Have a **Moto Guzzi** Authorized Dealer replace the fork oil seals after the first 30000 km (18750 mi), and every 14000 mi (22500 km) thereafter.



REAR SUSPENSION

To adjust the setting, the shock absorber is provided with a ring-nut adjuster (1) to vary the spring preload (2), and a lock ring (3).

NOTES It is possible to adjust the height of the back of the vehicle to customize its riding position and based on conditions of use.

ADJUSTING THE REAR SHOCK ABSORBERS

NOTES Perform maintenance operations at double the prescribed frequency if the vehicle is often used in rainy or very dusty conditions, on unpaved roads, or in any kind of competition.

Check and if necessary adjust the rear shock absorber every 9375 mi (15000 km).

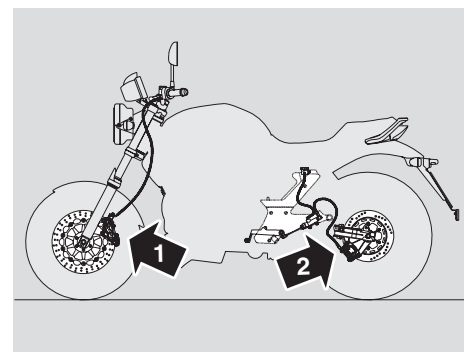
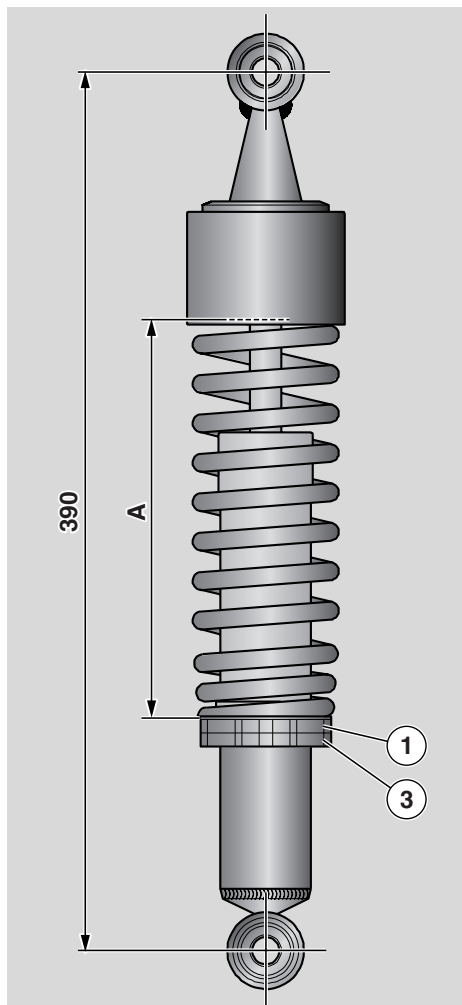
CAUTION

Do not force rotation of the adjuster (1) beyond the end of stroke in both directions, to avoid damaging it.

- ◆ Use the wrench provided to unscrew the lock ring (3).
- ◆ Use the appropriate pin wrench in the tool bag to turn the ring-nut (1), to adjust the preload of spring (A).
- ◆ Tighten to increase the preload; on the contrary, loosen to reduce the preload.
- ◆ After the adjustment, tighten the ring-nut (3).

CAUTION

To ensure vehicle stability, it is always a good idea to make sure that both shock absorbers are adjusted to the same position. If necessary, contact an Authorized Moto Guzzi Dealer.



CHECKING THE BRAKE PAD WEAR

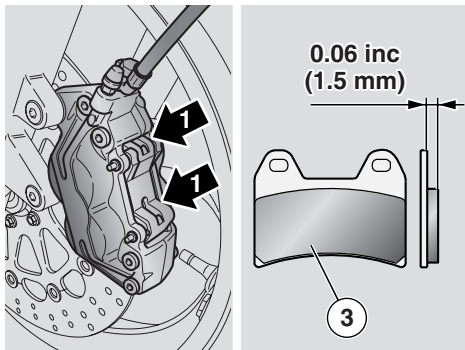
Carefully read page 46 (BRAKES), page 47 (DISK BRAKES) and page 70 (MAINTENANCE).

NOTES The following information refers to a single braking system, but is applicable to both.

NOTES Perform maintenance operations at double the prescribed frequency if the vehicle is often used in rainy or very dusty conditions, on unpaved roads, or in any kind of competition.

Check the brake pad wear after the first 930 mi (1500 km) and every 1250 mi (2000 km) thereafter, and before every trip.

Disk brake pad wear depends on use, riding style and road conditions.

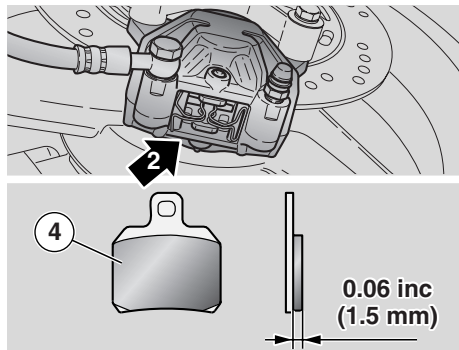


⚠ WARNING

Be especially careful to check the brake pad wear before every trip.

To quickly check the wear on the pads:

- ◆ Place the vehicle on the stand, see page 68 (POSITIONING THE VEHICLE ON THE SIDE STAND).
- ◆ Visually inspect between the disk and the pads, proceeding:
 - from the top rear for the front brake caliper (1);
 - from the bottom rear for the rear brake caliper (2).



⚠ WARNING

Excessive wear of the friction material would cause the pad metal support to come into contact with the disk, thereby causing metallic noise and producing sparks from the caliper; the braking effectiveness, safety and integrity of the disk would thus be compromised.

Have all of the brake caliper pads replaced if the thickness of the pad friction material [even of a single front (3) or rear (4) pad] is reduced to approximately **0.06 inch (1.5 mm)** (or if even just one of the wear indicators is no longer visible).

⚠ WARNING

To change, contact an Authorized **Moto Guzzi Dealer**.

ADJUSTING THE THROTTLE CONTROL

Carefully read page 70 (MAINTENANCE).

⚠ WARNING

If the throttle sticks open, it may cause a collision with another vehicle, or an upset.

If the throttle sticks, kill the engine with the engine stop switch located on the right handlebar.

Do not attempt to restart the engine until the throttle has been repaired and works perfectly. Failure to obey this warning can lead to a runaway with seriously injuries or even death.

If any fastener in the throttle system becomes loose, likewise you will lose control of your vehicle.

Either situation can lead to an upset or collision with subsequent serious injury or death.

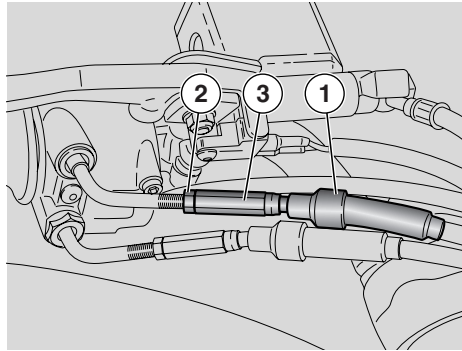
⚠ WARNING

In the event of a throttle sticking emergency, always kill the engine using the engine stop switch located near the throttle grip on the right handlebar. Never use your vehicle if the throttle does not automatically fully return to the idle position when the throttle grip is released. Contact your Local Moto Guzzi Dealer for repairs. Failure to heed this warning can lead to a serious accident and subsequent injury or even death.

NOTE Perform maintenance operations at double the prescribed frequency if the vehicle is often used in rainy or very dusty conditions, on unpaved roads, or in any kind of competition.

Have the throttle control cables checked by a **Moto Guzzi** Authorized Dealer after the first 930 mi (1500 km), and every 6213 mi (10000 km) thereafter.

The idle stroke of the throttle adjuster must be **0.08-0.12 inch (2-3 mm)**, measured at the edge of the grip itself.



If not:

- ◆ Place the vehicle on the stand, see page 68 (POSITIONING THE VEHICLE ON THE SIDE STAND).
- ◆ Pull back the rubber boot (1).
- ◆ Loosen the lock nut (2).
- ◆ Rotate the adjuster (3) so as to restore the prescribed clearance.
- ◆ After completing the adjustment, tighten the lock nut (2) and double-check the idle stroke.
- ◆ Replace the rubber boot (1).

⚠ WARNING

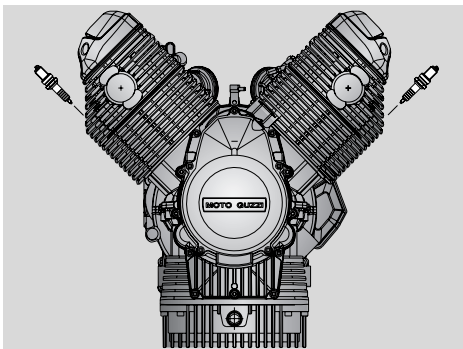
Exhaust gases contain carbon monoxide, which is extremely poisonous if inhaled.

Do not start the engine in closed or badly-ventilated rooms.

Failure to observe this warning may cause loss of consciousness or even lead to death by asphyxia.

⚠ CAUTION

After completing the adjustment, make sure that turning the handlebar does not alter the engine idle speed, and that when the throttle is released it returns gently and automatically to its original position.



SPARK PLUGS

Carefully read page 70 (MAINTENANCE).

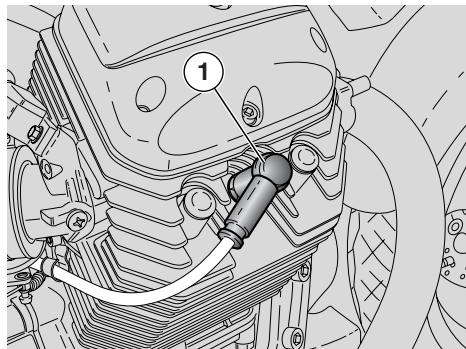
NOTE Perform maintenance operations at double the prescribed frequency if the vehicle is often used in rainy or very dusty conditions, on unpaved roads, or in any kind of competition.

CAUTION

Check, clean or replace the spark plugs one by one.

Replace the spark plugs every 6214 mi (10000 km).

Periodically remove the spark plugs, clean them to remove any carbon deposits, and replace if necessary.



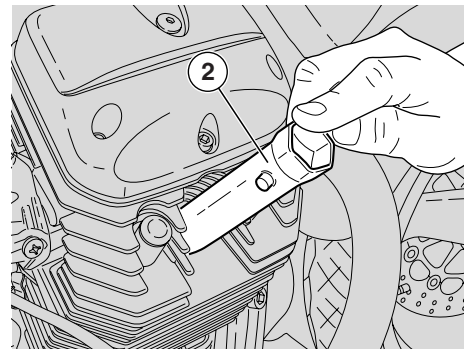
CAUTION

Always replace all of the spark plugs together, even if only one needs replacing.

WARNING

Let the engine and muffler cool to ambient temperature before carrying out the following operations, to avoid burns.

The following operations refer to a single cylinder, but are applicable to both cylinders.



To remove, proceed as follows:

CAUTION

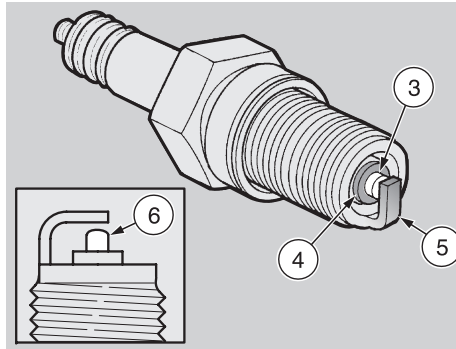
Never disconnect the spark plug cap with the engine running, since you may get an electric shock from the ignition system.

Do not reverse the position of the two spark plug caps.
Do not remove the two spark plug caps at the same time.

⚠ WARNING

During this operation, always wear goggles that provide your eyes with 360° protection. Be very careful when using compressed air jets, as they can cause serious personal injury if directed towards your body.

- ◆ Remove the cap (1) of the spark plug.
- ◆ Remove all traces of dirt from the base of the spark plug.
- ◆ Fit the special wrench supplied in the tool kit onto the spark plug.
- ◆ Insert the wrench (2) with its handle provided in the tool kit on the hexagonal seat of the spark plug spanner .
- ◆ Unscrew the spark plug and remove it from its seat, being careful not to let any dust or other substances into the cylinder.



To check and clean the spark plugs, proceed as follows:

⚠ CAUTION

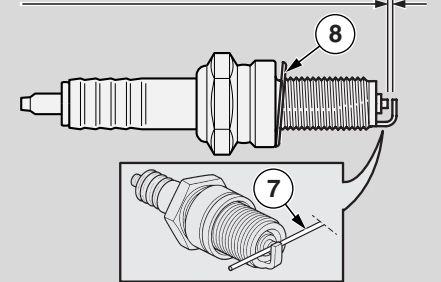
This vehicle is fitted with spark plugs featuring platinum-type electrodes. Never use metal brushes and/or abrasive products for cleaning, but compressed air only.

Legend:

- center electrode (3);
- insulation (4);
- side electrode (5).
- ◆ Make sure that there are no carbon deposits or signs of corrosion on the spark plug electrodes and insulation; clean with pressurized air if needed.

If the spark plug shows cracks in the insulation, corroded electrodes, excessive deposits, or if the tip of the center electrode (3) is rounded (6), it must be replaced.

0.024 - 0.028 inc (0,6 - 0,7 mm)



⚠ CAUTION

When replacing a spark plug, always check the pitch and length of the thread.

If the threaded portion is too short, carbon deposits can build up on the internal thread of the head; this may damage to the engine when the appropriate kind is then installed.

Use only the recommended type of spark plugs, see page 112 (TECHNICAL SPECIFICATIONS) otherwise you may compromise the performance and life-span of the engine.

Use a wire thickness gauge (7) to check the spark plug gap, to avoid damaging the platinum coating.

- ◆ Check the spark plug gap using a wire thickness gauge (7).

⚠ CAUTION

Do not try to restore the size of the spark plug gap in any way.

The spark plug gap must be **0.024-0.028 inch (0.6-0.7 mm)**; if not, replace the spark plug.

- ◆ Make sure that the washer (8) is in good condition.

To install:

- ◆ With the washer (8) mounted, screw in the spark plug by hand to avoid damaging the threads.
- ◆ Fully tighten using the wrench provided in the tool kit, turning each spark plug 1/2 a turn to compress the gasket.

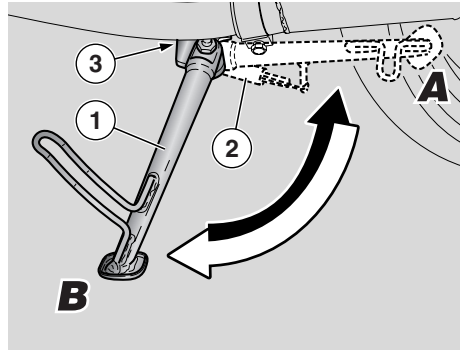
Tightening torque for spark plug: 14.47 ft-lb (20 Nm).

⚠ CAUTION

The spark plug must be well tightened, otherwise the engine may overheat and be seriously damaged.

- ◆ Position the cap (1) of the spark plug (2) properly so that it will not come off due to the engine vibrations.

NOTE Repeat the steps described on the spark plug of the other cylinder.



CHECKING THE SIDE STAND

Carefully read page 70 (MAINTENANCE) and page 99 (CHECKING THE SWITCHES).

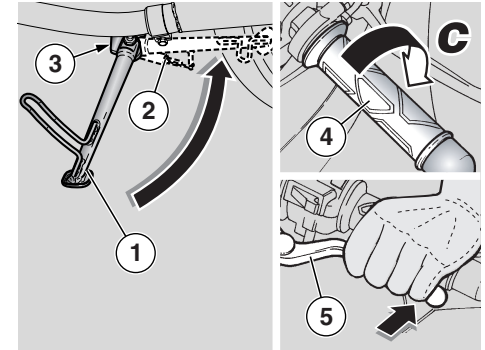
The side stand (1) has two positions:

- normal, or retracted (resting) (Pos. A);
- extended (working) (Pos. B).

Only the rider should extend and retract the stand.

The side stand (1) must be able to rotate freely, without binding.

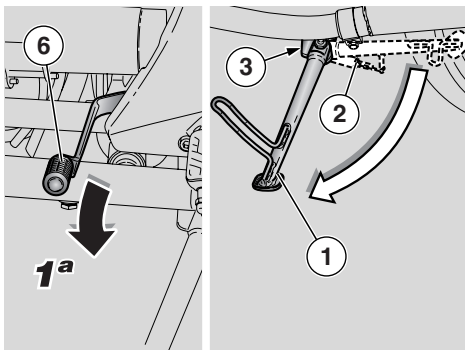
The springs (2) keep the stand in the desired position (extended or retracted).



Carry out the following checks:

- ◆ The springs (2) must not be damaged, worn, rusty or weakened.
- ◆ Make sure that the stand has no slack in either position (extended or retracted).
- ◆ Lower the stand from its retracted position, making sure that the springs extend it completely.
- ◆ Move the stand for let it return to its retracted position, and release it halfway to make sure that the springs make it retract completely.
- ◆ The stand must move freely; grease the joint if necessary, see page 115 (LUBRICANT CHART).

A safety switch (3) is installed on the side stand (1) to prevent or stop the engine from running with the engine in any gear except neutral, with the side stand (1) down.



- ◆ Start the engine, see page 59 (STARTING).
- ◆ With the throttle handgrip (4) released (Pos. C) and the engine idling, pull the clutch lever (5) completely
- ◆ Engage the first gear by pushing the gearshift lever (6) down.
- ◆ Lower the side stand (1), which will activate the safety switch (3).

At this point:

- the engine should stop;

If the engine does not stop, contact an Authorized Moto Guzzi Dealer.

To check the side stand safety switch (3):

- ◆ Straddle the vehicle as though you were riding.
- ◆ Retract the side stand (1).

⚠ WARNING

Exhaust gases contain carbon monoxide, which is extremely poisonous if inhaled.

Do not start the engine in closed or badly-ventilated rooms.

Failure to observe this warning may cause loss of consciousness or even lead to death by asphyxia.

BATTERY

Carefully read page 70 (MAINTENANCE).

After the first 930 mi (1500 km) and every 3750 mi (6000 km) thereafter, check the electrolyte level and make sure the terminals are firmly tightened.

⚠ WARNING

Danger of fire.

Fuel and other flammable substances must be kept away from electrical components.

Battery electrolyte is toxic, caustic and may burn in contact with the skin, since it contains sulfuric acid. Wear protective clothing, a face mask and/or safety goggles when performing maintenance. If any electrolyte fluid comes into contact with the skin, rinse thoroughly with cool running water.

Should it accidentally contact your eyes, flush immediately with running water for fifteen minutes, then immediately seek professional medical attention.

Should you accidentally swallow battery electrolyte, drink large amounts of milk or water, then continue with milk of magnesia or vegetable oil. See a physician immediately.

Since the battery gives off explosive hydrogen gas, keep away from open flames, sparks or cigarettes, or any other source of heat.

Make sure the area is adequately ventilated during recharging or while running the engine; avoid inhaling the fumes emitted while recharging the battery.

KEEP OUT OF REACH OF CHILDREN.

Be careful not to tilt the vehicle too far, to avoid hazardous battery fluid leaks.

WARNING

Never reverse the battery cable connections.

Make sure the ignition switch is set to "⊗" before connecting and disconnecting the battery, otherwise some components may be damaged. First connect the positive cable (+), then the negative (-) cable. Disconnect in reverse order.

The battery fluid is corrosive.

Do not spill or spatter it, especially on plastic parts.

If you are installing a "MAINTENANCE-FREE" battery, recharge using a specifically designed battery charger (with constant voltage/amperage or constant voltage).

Using a conventional battery charger could damage the battery.

EXTENDED BATTERY STORAGE

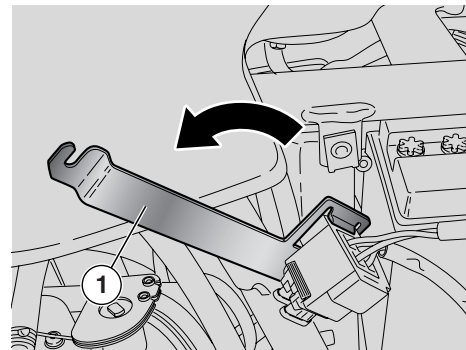
If the vehicle is not used for more than two weeks, you must recharge the battery to avoid sulphation, see page 98 (BATTERY RECHARGING):

◆ Remove the battery, see page 96 (REMOVING THE BATTERY) and store it in a cool, dry place.

Over the winter, or whenever the vehicle remains unused, periodically check the battery charge (once a month or so), to prevent it from deteriorating.

◆ Recharge it completely with a normal charge, see page 98 (BATTERY RECHARGING).

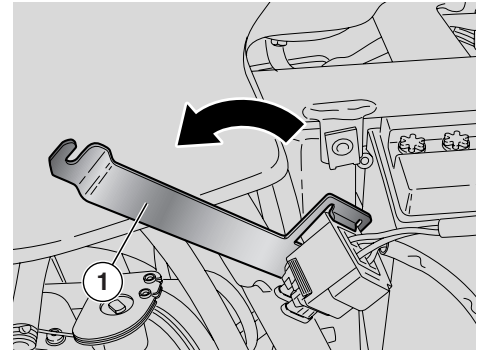
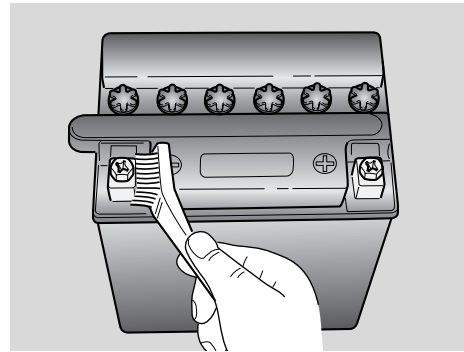
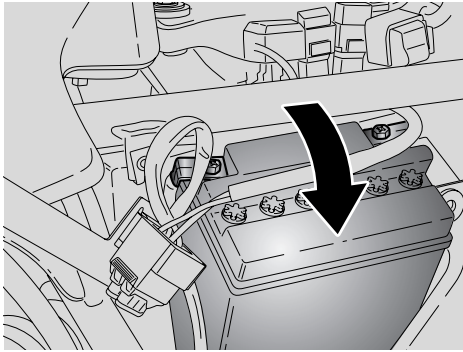
If the battery remains on the vehicle, disconnect the cables from the terminals.



CHECKING AND CLEANING THE TERMINALS

Carefully read page 91 (BATTERY).

- ◆ Make sure that the ignition switch is set to "⊗".
- ◆ Remove the rider saddle, see page 37 (LOCKING/RELEASING THE SADDLE).
- ◆ Remove the left side panel, see page 82 (Handle plastic and painted components with care, do not drag or damage them.).
- ◆ Raise the battery fastening bracket (1), taking care not to scratch the tank. (Use soft material for protection if necessary.)



- ◆ Partially remove the battery from its compartment.
- ◆ Make sure that the battery cables and terminals are:
 - in good condition (not corroded or encrusted with deposits);
 - covered with neutral grease or Vaseline.

If necessary:

- ◆ Remove the battery, see page 96 (REMOVING THE BATTERY).
- ◆ Brush the cable terminals and battery terminals with a wire brush to remove all traces of corrosion.
- ◆ Install the battery, see page 98 (BATTERY INSTALLATION).

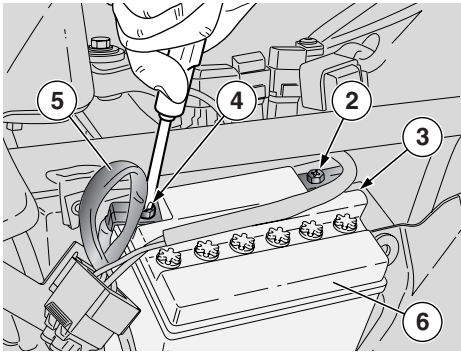
REMOVING THE BATTERY

⚠ CAUTION

Removing the battery resets the digital clock function to zero. For reset this function, see page 17 (MULTIFUNCTION DIGITAL DISPLAY).

Carefully read page 91 (BATTERY).

- ◆ Make sure that the ignition switch is set to "⊗".
- ◆ Remove the rider saddle, see page 37 (LOCKING/RELEASING THE SADDLE).
- ◆ Remove the left side panel, see page 85 (Handle all plastic and painted components with care to avoid scraping or scratching them.).
- ◆ Raise the battery fastening bracket (1), taking care not to scratch the tank. (Use soft material for protection if necessary.)

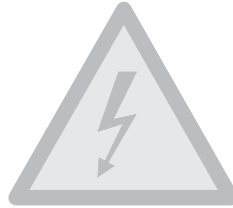


- ◆ Unscrew and remove the screw (2) from the negative terminal (-).
- ◆ Move the negative cable (3) to one side.
- ◆ Unscrew and remove the screw (4) from the positive terminal (+).
- ◆ Move the positive cable (5) to one side.
- ◆ Disconnect the battery breather hose.
- ◆ Firmly grasp the battery (6) and lift it out of its compartment.

⚠ WARNING

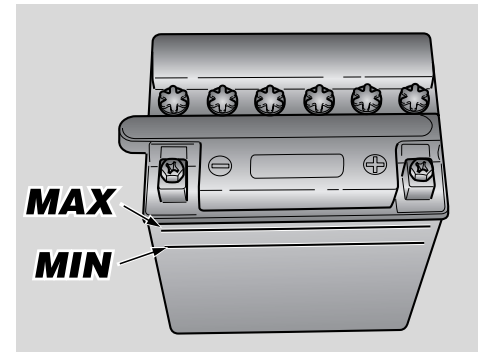
The removed battery must be stored in a safe place and out of the reach of children.

- ◆ Store the battery on a flat surface and in a cool, dry place.



- ◆ Lower the holding bracket (1).
- ◆ Refit the left side panel, see page 82 (Handle plastic and painted components with care, do not drag or damage them.).
- ◆ Return the rider saddle to its position, see page 37 (LOCKING/RELEASING THE SADDLE).

NOTE For instructions on installing the battery, see page 98 (BATTERY INSTALLATION).



CHECKING THE LEVEL OF BATTERY ELECTROLYTE

To check the electrolyte level:

- ◆ Make sure that the battery fluid level is between the "MIN" and "MAX" notches on the side of the battery.
- Otherwise:
- ◆ Remove the plugs from the elements.

⚠ CAUTION

Use only distilled water to top up the electrolyte fluid. Do not exceed the "MAX" notch, since the level rises when charging the battery.

- ◆ Restore the fluid level by adding distilled water.

BATTERY RECHARGING

- ◆ Remove the battery, see page 96 (REMOVING THE BATTERY).

⚠ WARNING

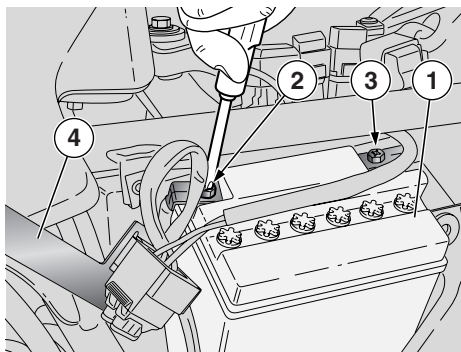
The battery gives off noxious and explosive gases; keep it away from flames, sparks, cigarettes and any other source of heat.

During recharging or use, make sure that the room is properly ventilated and avoid inhaling the gases released during the recharging.

- ◆ Remove the plugs from the elements.
- ◆ Check the battery fluid level, see page 97 (CHECKING THE LEVEL OF BATTERY ELECTROLYTE) alongside.
- ◆ Connect the battery to a battery charger.
- ◆ The recommended charging amperage is 1/10 of battery capacity.
- ◆ After charging the battery, check the fluid level again and top up if needed with distilled water.
- ◆ Replace the plugs on the elements.

⚠ WARNING

Wait 5-10 minutes after shutting off the charging device before mounting the battery, since it will continue to produce gas for a short time.

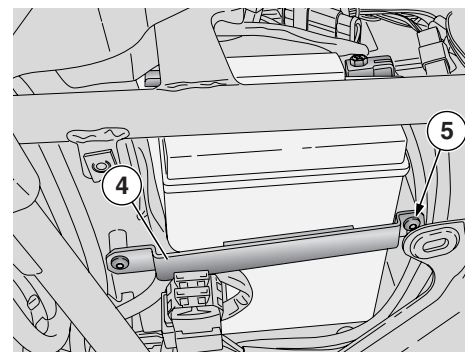


BATTERY INSTALLATION

Carefully read page 91 (BATTERY).

- ◆ Make sure that the ignition switch is set to "OFF".
- ◆ Remove the rider saddle, see page 37 (LOCKING/RELEASING THE SADDLE).
- ◆ Remove the left side panel, see page 85 (Handle all plastic and painted components with care to avoid scraping or scratching them.)
- ◆ Raise the battery fastening bracket (4), taking care not to scratch the tank. (Use soft material for protection if necessary.)

NOTE The battery (1) must be positioned in its compartment with the terminals facing the rear of the vehicle.



- ◆ Partially insert the battery (1) in its compartment.
- ◆ Connect the battery breather hose.

⚠ WARNING

When reassembling, first connect the cable to the positive terminal (+), then the negative (-).

- ◆ Connect the positive terminal (+) by means of the screw (2).
- ◆ Connect the negative terminal (-) by means of the screw (3).
- ◆ Coat the terminals with neutral grease or Vaseline.
- ◆ Position the battery properly by inserting it fully into its seat.

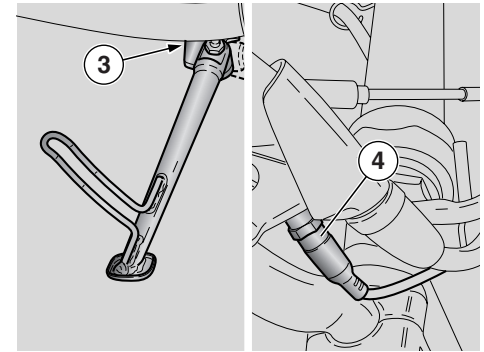
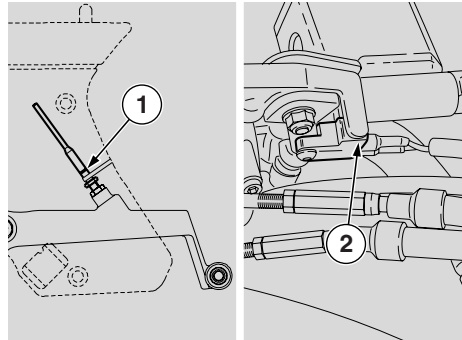
⚠ CAUTION

Return the rider saddle to its position, see page 37 (LOCKING/RELEASING THE SADDLE).

- ◆ Lower the battery fastening bracket (4), attaching it to the reference pin (5).
- ◆ Refit the left side panel, see page 85 (Handle all plastic and painted components with care to avoid scraping or scratching them.).

⚠ CAUTION

Removing the battery resets the digital clock function to zero. To restore this function, see page 32 (MULTIFUNCTION DIGITAL DISPLAY).



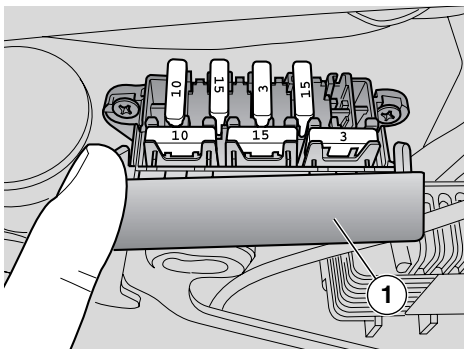
CHECKING THE SWITCHES

Carefully read page 70 (MAINTENANCE).

The vehicle has four switches:

- 1) Brake light switch on the rear brake lever;
- 2) Brake light switch on the front brake lever;
- 3) Safety switch on the side stand;
- 4) Switch on the clutch lever.

- ◆ Make sure there is not dirt or mud on the switch; the pin must be able to move without impediment and return automatically to its original position.
- ◆ Make sure that the cables are connected correctly.



CHANGING FUSES

Carefully read page 70 (MAINTENANCE).

⚠ WARNING

Risk of fire.

Keep fuel and other flammable substances away from the electrical components.

⚠ CAUTION

Do not attempt to repair faulty fuses.

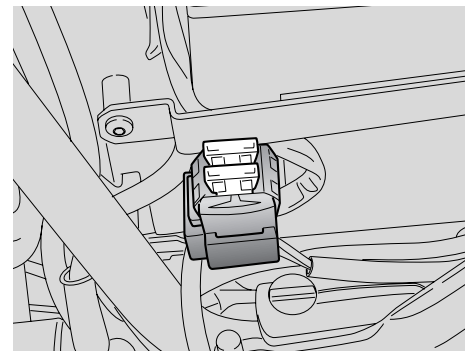
Never use any fuses other those specified.

This could damage the electrical system or even cause a fire in the event of a short-circuit.

NOTE If a fuse blows frequently, there is probably a short-circuit or overload in the electrical system.

In this case you should consult a **Moto Guzzi** Authorized Dealer.

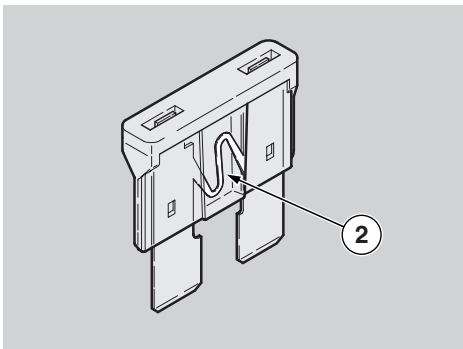
If any electrical component does not work or works irregularly, or if the vehicle fails to start, check the fuses.



First check the secondary fuses, then the main fuses.

To check:

- ◆ Set the ignition switch to " ⓧ " to avoid an accidental short-circuit.
- ◆ Remove the rider saddle, see page 37 (LOCKING/RELEASING THE SADDLE).
- ◆ Remove the side panels, see page 82 (Handle plastic and painted components with care, do not drag or damage them.).
- ◆ Open the cover of the secondary fuse box (1).
- ◆ Remove the fuses one by one, and check to see whether the filament (2) is blown.
- ◆ Before replacing the fuse troubleshoot, if possible, to determine the cause of the problem.
- ◆ Replace the fuse, if damaged, with another of the same amperage.

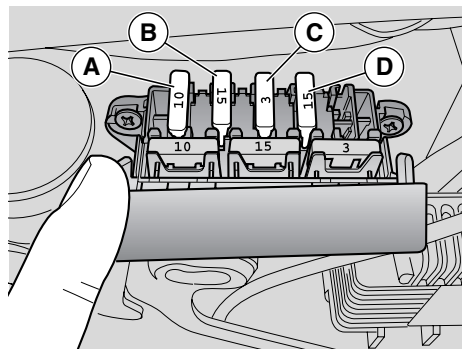


NOTE If one of the backup fuses is used, be sure to put another identical one in its place.

- ◆ Perform the steps described above for the secondary fuses for the main fuses as well.

NOTE Removing the 30A fuses resets the digital clock function to zero.

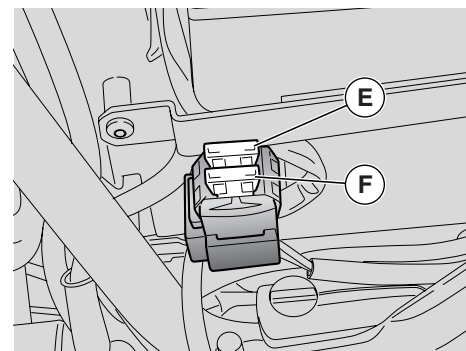
For reset this function, see page 32 (MULTIFUNCTION DIGITAL DISPLAY).



SECONDARY FUSE LAYOUT

- From key to safety/starting logic (10 A).
- From key to lights, brake lights, horn, direction indicators (15 A).
- From battery to permanent injection supply (3 A).
- From battery to injection (15 A).
- Not used.

NOTE Three fuses are backups (3, 10, 15 A).



MAIN FUSE LAYOUT

- From battery to voltage regulator (30 A).
- From battery to key and C and D fuses (30 A).

NOTE One fuse is for backup.

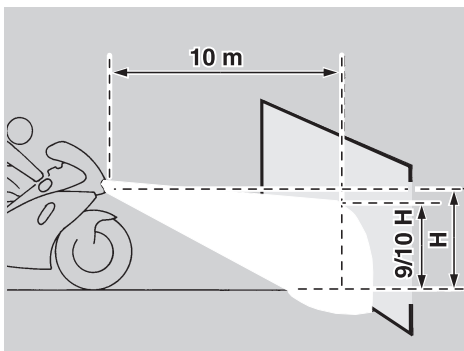
⚠ CAUTION

Extract the fuses one by one, in such a way as to avoid replacing them incorrectly during reassembly.

⚠ WARNING

If you replace the fuse and it blows again immediately, there is a serious problem with the electrical system of your vehicle. Do not attempt to continue using your vehicle. Take it to your Local **Moto Guzzi** Dealer for repair and service.

NOTE If you use the spare fuse, replace it as soon as convenient.



NOTE The procedure described here is in compliance with the Italian standard that establishes the maximum height of the headlight beam.

For vehicles used in other countries, you must conform with local regulations.

To quickly make sure the beam is correctly adjusted, place the vehicle on flat ground, **32.81 ft (10 m)** away from a wall.

Turn on the low beam, sit on the vehicle and make sure that the beam projected on the wall is slightly below the horizontal line of the headlight (about 9/10th of the total height).

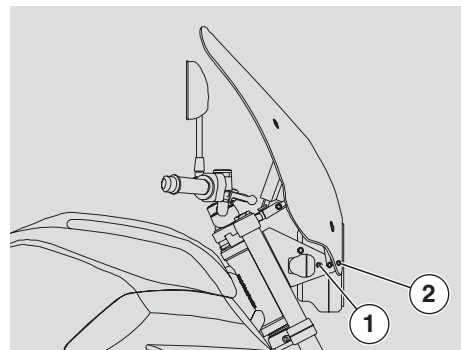
ADJUSTING THE HEADLIGHT BEAM

⚠ WARNING

Do not use the vehicle if the lights are not functioning properly.

Do not use the vehicle if the headlight is adjusted incorrectly. This could temporarily blind oncoming cars, and also reduce the rider's ability to see any obstacle along the road while riding at night.

It is always advisable to reduce speed when riding at night, so as to be able to avoid obstacles in time and to adapt to the poorer visibility that inevitably results from darkness. Failure to observe this warning can cause you to collide with another object, with consequent risk of serious injury or even death.



TO VERTICALLY ADJUST THE HEADLIGHT BEAM:

- ◆ Place the vehicle in an upright position.
- ◆ Slightly loosen the screws (1) fastening the front fairing to the headlights, and manually adjust the headlight beam to the desired position.
- ◆ When you are satisfied with the adjustment, tighten the screws (1).

⚠ CAUTION

When reassembling, tighten the screws (1) only moderately, since they fasten to plastic.

After completing the adjustment:

⚠ WARNING

Make sure the headlight beam is properly adjusted vertically.

TO HORIZONTALLY ADJUST THE HEADLIGHT BEAM:

WARNING

Do not use the vehicle if the lights are not functioning properly.

Do not use the vehicle if the headlight is adjusted incorrectly. This could temporarily blind oncoming cars, and also reduce the rider's ability to see any obstacle along the road while riding at night.

It is always advisable to reduce speed when riding at night, so as to be able to avoid obstacles in time and to adapt to the poorer visibility that inevitably results from darkness. Failure to observe this warning can cause you to collide with another object, with consequent risk of serious injury or even death.

NOTE The terms "right" and "left" refer to the rider seated on the vehicle in the normal riding position.

- ◆ Place the vehicle on the stand, see page 68 (POSITIONING THE VEHICLE ON THE SIDE STAND).
- ◆ Using a screwdriver, adjust the screw (2) until the headlight beam is in the desired position.

After completing the adjustment:

WARNING

Make sure that the horizontal adjustment of the headlight beam is correct. Different jurisdictions have different requirements for horizontal headlight aiming. Make sure that you conform with the rules of the jurisdictions in which your vehicle is being used.

BULBS

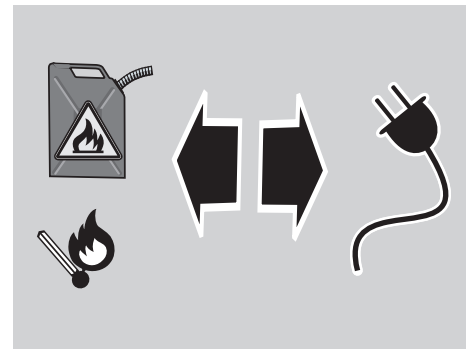
Carefully read page 70 (MAINTENANCE).

WARNING

Do not use the vehicle if the lights are not functioning properly.

Do not use the vehicle if the headlight is adjusted incorrectly. This could temporarily blind oncoming cars, and also reduce the rider's ability to see any obstacle along the road while riding at night.

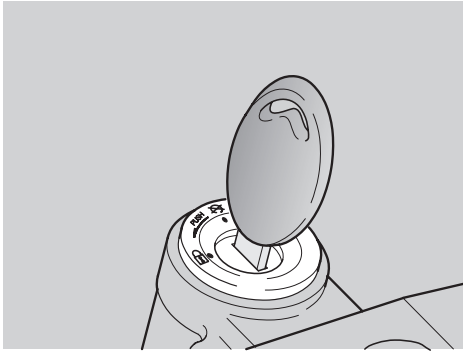
It is always advisable to reduce speed when riding at night, so as to be able to avoid obstacles in time and to adapt to the poorer visibility that inevitably results from darkness. Failure to observe this warning can cause you to collide with another object, with consequent risk of serious injury or even death.



WARNING

Risk of fire.

Fuel and other flammable substances must not be placed near electrical components.



⚠ CAUTION

Before replacing a bulb, set the ignition switch to "1" and wait a few minutes to allow it to cool.

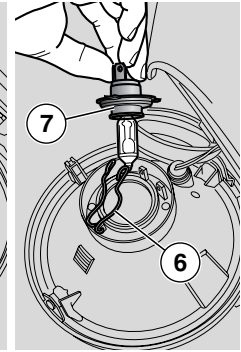
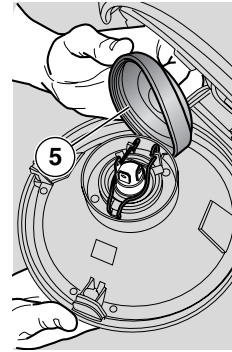
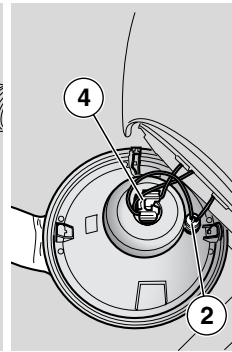
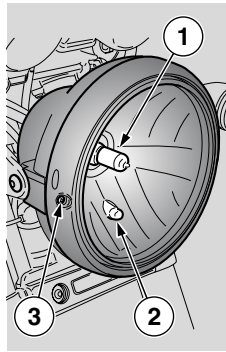
Wear clean gloves or use a clean, dry cloth when replacing the bulb.

Do not leave fingerprints on the bulb, since they could cause it to overheat and break.

If you touch the bulb with your bare hands, clean it with alcohol to remove any fingerprints, to avoid any damage.

DO NOT FORCE THE ELECTRICAL CABLES.

NOTE Before replacing a bulb check the fuses, see page 100 (CHANGING FUSES).



CHANGING HEADLIGHT BULBS

Carefully read page 103 (Risk of fire. Fuel and other flammable substances must not be placed near electrical components.).

The headlight houses:

- one low/high beam bulb (1) (upper).
- one parking light bulb (2) (lower);

To replace:

- ◆ Place the vehicle on the stand, see page 68 (POSITIONING THE VEHICLE ON THE SIDE STAND).
- ◆ Remove the complete reflector from the headlight body by unscrewing the screw (3).

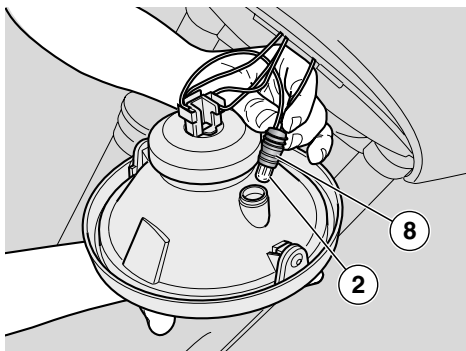
LOWBEAM/HIGHBEAM BULB

– Do not pull on the electrical wires to remove the bulb socket.

- ◆ Grasp the bulb socket (4), pull it and disconnect it from the bulb.
- ◆ Pull back the boot (5) with your fingers.
- ◆ Release the two ends of the retainer spring (6) located on the bulb socket (7).
- ◆ Remove the bulb from its seat.

NOTE Insert the bulb in the bulb socket, lining up the positioning notches provided.

- ◆ Correctly install a new bulb of the same type.



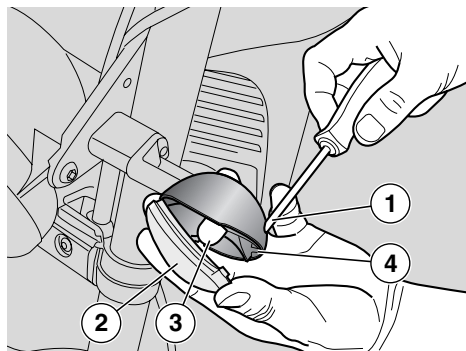
PARKING LIGHT BULB

⚠ CAUTION

To remove the bulb socket do not pull the electrical cables.

- ◆ Grasp the parking light socket (8), pull it and disconnect it from its seat.
- ◆ Remove the bulb (2) and replace it with another of the same type.

NOTE Make sure the bulb is correctly inserted in the bulb socket.



CHANGING THE FRONT AND REAR DIRECTION INDICATOR LAMPS

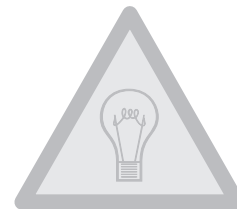
Carefully read page 103 (Risk of fire. Fuel and other flammable substances must not be placed near electrical components.).

- ◆ Place the vehicle on the stand, see page 68 (POSITIONING THE VEHICLE ON THE SIDE STAND).
- ◆ Unscrew and remove the screw (1).

⚠ CAUTION

While removing the lens, be extra careful not to break the tab.

- ◆ Remove the lens (2).



⚠ CAUTION

During reassembly, correctly position the lens in its corresponding seat. Tighten the screw (1) gently and carefully to avoid damaging the lens.

- ◆ Push the bulb (2) in slightly and rotate it counter-clockwise.
- ◆ Remove the bulb (1) from its seat.

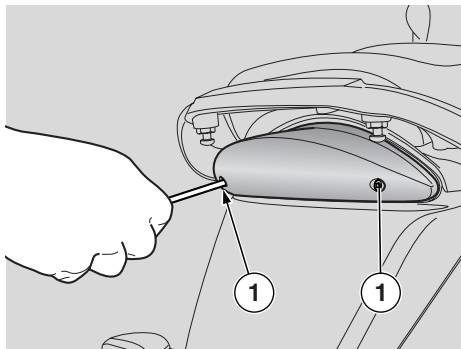
⚠ CAUTION

Insert the bulb in the bulb socket, carefully aligning the two bulb pins with their guides in the socket.

- ◆ Correctly install a new bulb of the same type.

⚠ CAUTION

If the bulb socket (4) leaves its seat, reinsert it correctly, lining up the radial opening of the bulb socket with the seat of the screw.



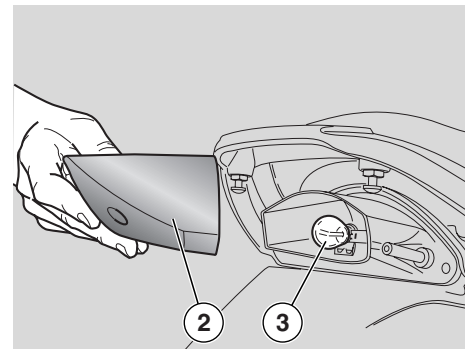
CHANGING THE TAILLIGHT BULB

Carefully read page page 103 (Risk of fire. Fuel and other flammable substances must not be placed near electrical components.).

⚠ WARNING

Do not ride your vehicle if the taillight and brake light are not working properly. The brake light is particularly important to prevent other vehicles from rearending you. Obviously, failure to comply with these instructions could lead to a serious accident with subsequent injuries or even death.

Before replacing the bulb, check the efficiency of the brake light switches, see page 99 (CHECKING THE SWITCHES).



- ◆ Place the vehicle on the stand, see page 68 (POSITIONING THE VEHICLE ON THE SIDE STAND).
- ◆ Unscrew and remove the two screws (1).
- ◆ Remove the lens (2).
- ◆ Push the bulb (2) in slightly and rotate it counter-clockwise.
- ◆ Remove the bulb (1) from its seat.



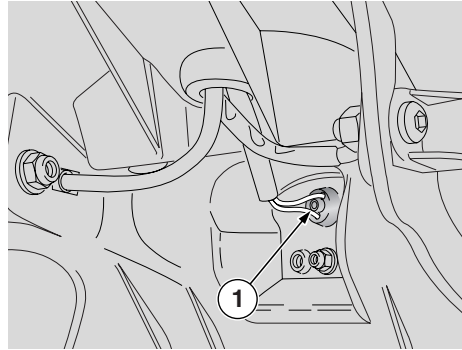
⚠ CAUTION

Insert the bulb in the socket, lining up the two bulb pins with the corresponding guides on the socket.

Correctly install a new bulb of the same type.

NOTE Upon reassembly, place the lens correctly in its seat.

Use caution and moderation when tightening the screws (2), to avoid damaging the lens.



CHANGING THE LICENSE PLATE BULB

Carefully read page 103 (Risk of fire. Fuel and other flammable substances must not be placed near electrical components.).

- ◆ Place the vehicle on the stand, see page 68 (POSITIONING THE VEHICLE ON THE SIDE STAND).

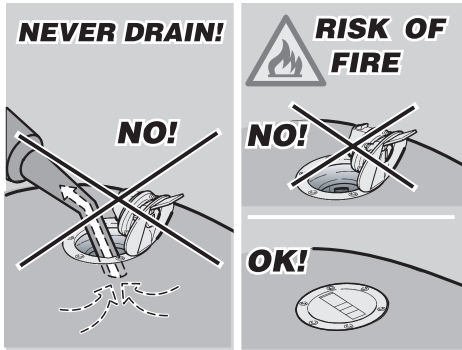
⚠ CAUTION

To remove the bulb socket do not pull the electrical cables.

- ◆ Grasp the parking light socket (8), pull it and remove it from its seat.
- ◆ Remove the bulb and replace it with another of the same type.

NOTE Make sure the bulb is correctly inserted in the bulb socket.

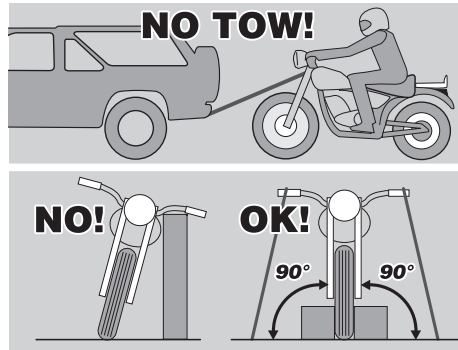
TRANSPORT



⚠ WARNING

Never drain the fuel tank, either partially or completely. This may cause damage to the inner components of the fuel tank, or to other parts of the fuel system.

Always ensure that the fuel filler cap is correctly closed.



⚠ WARNING

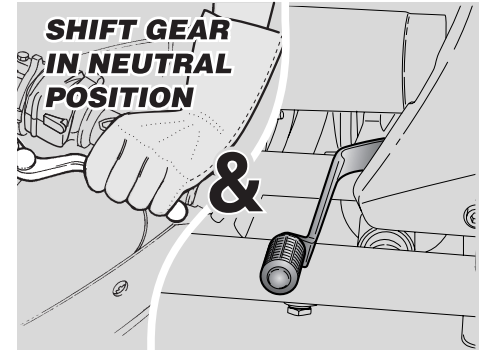
Never attempt to tow your vehicle with another vehicle.

⚠ WARNING

While your vehicle is being transported, it must be kept in a vertical position, firmly tied down, and with the wheels blocked.

Transport your vehicle in neutral gear only.

Failure to heed this warning could cause serious damage to the transmission due to vibration of the transport truck.



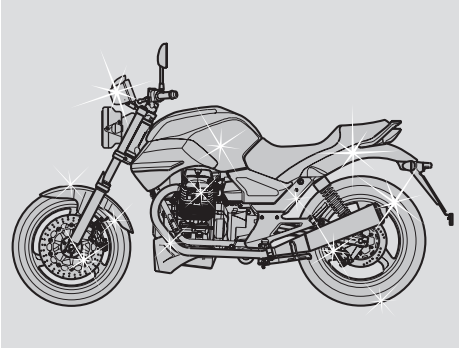
DRAINING THE FUEL TANK

⚠ CAUTION

Never drain the fuel tank, either partially or completely. This may cause damage to the inner components of the fuel tank, or to other parts of the fuel system.

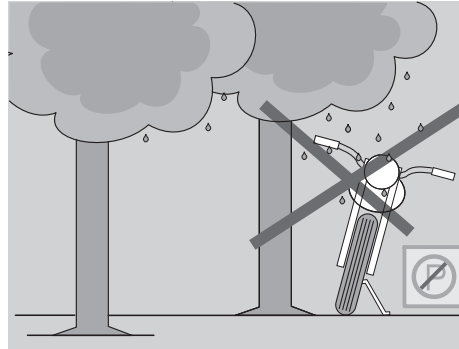
Always ensure that the fuel filler cap is correctly closed.

CLEANING



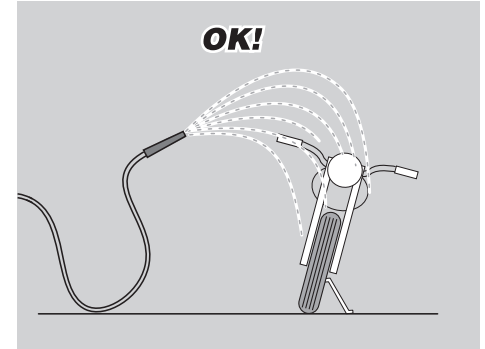
Clean the vehicle frequently if it is used in particular areas or conditions, such as:

- ◆ Polluted areas (cities and industrial areas)
- ◆ High saline and moisture content in the air (seaside, warm and damp climates).
- ◆ Special environmental/seasonal conditions (use of salt and deicing chemicals on roads in the winter).
- ◆ Special care must be taken to prevent residue from industrial powders and pollutants, tar spots, dead insects, bird droppings, etc. from remaining on the body for any length of time.
- ◆ Avoid parking the vehicle under trees; in some seasons, trees may produce residues, sap, fruit or leaves containing chemicals that can damage the paint job.



⚠ WARNING

After the vehicle has been washed, its braking efficiency could be momentarily impaired due to the presence of water on the grip surfaces of the braking system. Calculate long braking distances to avoid accidents. Pump the brakes repeatedly to restore normal conditions. Carry out the preliminary checks, see page 58 (TABLE OF PRELIMINARY CHECKS).



To remove dirt and mud from the painted surfaces, use a low-pressure water jet. Carefully wet the dirty parts, remove mud and dirt with a soft car sponge soaked with plenty of water and shampoo (2-4% shampoo in water).

Then rinse with abundant running water and dry with a chamois.

Use a non-flammable solvent, brushes and rags to clean the exterior of the engine.



⚠ CAUTION

Rules for washing the vehicle

- 1) Remove all the items from the glove, tool kit and saddle compartments; remove the mat from inside the saddle compartment.
- 2) Make sure to close all compartments securely;

⚠ CAUTION

Use only a neutral cleanser to wash the vehicle, rinsing with running water not under pressure (see page 109 (CLEANING) of this booklet).

⚠ CAUTION

To clean the lights, use a sponge soaked with neutral cleansers and water, gently rubbing it over the surfaces and rinsing frequently with plenty of water.

Remember that silicone wax may be used to polish the vehicle only after it has been thoroughly washed.

Do not use abrasive polishing pastes on matte paints.

Do not wash the vehicle under the sun, especially during the summer, when the body is still warm, since the shampoo may dry before it has been rinsed and damage the paint job.

Do not use liquids at a temperature above 104 °F (40 °C) to clean the plastic components of the vehicle.

⚠ CAUTION

Never aim jets of water, pressurized air or steam at the following parts: wheel hubs, controls on the right and left side of the handlebar, bearings, brake master cylinders, instruments and indicators, exhaust pipes, glove/tool kit compartment, ignition switch/steering lock.

Such cleaning machinery will force water into critical portions of your vehicle, which could damage your vehicle through corrosion or short circuiting.

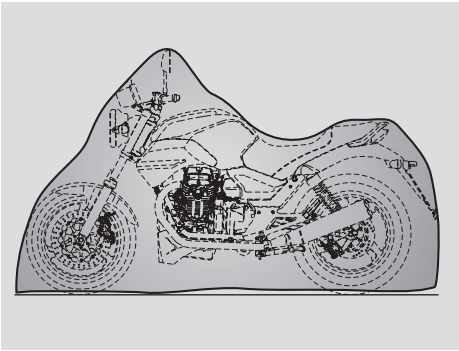
Use only water and neutral soap to clean all rubber and plastic parts. Never use alcohol, gasoline or other solvents.

Do not use solvents or oil-derived fluids (such as acetone, trichloroethylene, turpentine, fuel, thinners) to clean the seat. You can use detergents with surface-active agents up to 5% (mild soap, degreasing agents) or alcohol.

Carefully dry the seat after cleaning.

⚠ WARNING

Do not use protective waxes on the seat, as they may make it too slippery.



PERIODS OF EXTENDED STORAGE

⚠ CAUTION

If the vehicle remains unused for more than three weeks, disconnect the 30A fuses to prevent the battery from deteriorating.

NOTE Removing the 30A fuses resets the digital clock function to zero. For reset this function, see page 32 (MULTIFUNCTION DIGITAL DISPLAY).

After a long period of inactivity, some precautions are necessary to avoid any problems with the vehicle.

In addition, make sure to carry out all repairs and perform an overall check before putting the vehicle away, since otherwise you may forget to do them later.

Proceed as follows:

- ◆ Remove the battery, see page 96 (REMOVING THE BATTERY) and page 95 (EXTENDED BATTERY STORAGE).
- ◆ Wash and dry the vehicle, see page 109 (CLEANING).
- ◆ Spread wax over the painted surfaces.
- ◆ Inflate the tires, see page 51 (TIRES).
- ◆ Place the vehicle in an unheated, dry room, away from sunlight and exposed to minimal temperature variations.

⚠ WARNING

Before carrying out the following operations, let the engine and the exhaust silencer cool down until they reach room temperature.

Failure to observe this warning can lead to serious burns.

- ◆ Cover the exhaust pipe and muffler with a plastic bag and tie it in place, to keep moisture out.

NOTE It is best to place the vehicle on stable supports that keep both tires raised off the ground.

- ◆ Cover the vehicle, avoiding the use of plastic or waterproof materials.

AFTER EXTENDED STORAGE

NOTE Remove the plastic bags from the exhaust pipe and muffler.

- ◆ Uncover and clean the vehicle, see page 109 (CLEANING).
- ◆ Check the battery charge status, see page 98 (BATTERY RECHARGING) and install it, see page 98 (BATTERY INSTALLATION).
- ◆ Fill the fuel tank, see page 43 (FUEL).
- ◆ Carry out the preliminary checks, see page 58 (TABLE OF PRELIMINARY CHECKS).

⚠ WARNING

Ride a few miles at moderate speed to test the vehicle, away from traffic.


TECHNICAL SPECIFICATIONS

| | | |
|---------------------|--------------------------|--|
| DIMENSIONS | Max. length | 86.22 inch (2190 mm) |
| | Max. width | 28.74 inch (730 mm) |
| | Max. height | 46.85 inch (1190 mm) |
| | Saddle height | 31.10 inch (790 mm) |
| | Wheelbase | 57.05 inch (1449 mm) |
| | Minimum ground clearance | 6.93 inch (176 mm) |
| | Dry weight | 410.31 lb (182 kg) |
| ENGINE | Model | Breva V 750 ie |
| | Type | 90° longitudinal two-cylinder V-type, 4-stroke |
| | Number of cylinders | 2 |
| | Displacement | 45.38 cu in (744 cm ³) |
| | Bore/stroke | 3.15x2.91 inch (80x74 mm) |
| | Compression ratio | 9.6:1 |
| | Starting | electric |
| | Engine idling rpm | 1100 ± 100 rpm |
| | Clutch | single disc, dry, with flexible couplings |
| | Lubrication system | pressure system, valve adjustment, lobe pump |
| Air filter | dry, cartridge | |
| Cooling | air-cooled | |
| TRANSMISSION | Type | 5-speed mechanical with foot control on the left-hand side of the engine |
| CAPACITY | Fuel (including reserve) | 4.75 US gal (18 ℓ) |
| | Fuel reserve | 1.32 US gal (5 ℓ) |
| | Engine oil | oil and oil filter change 1800 cc |
| | Fork oil | 24.4 ± 0.15 cu in (400 ± 2.5 cm ³) (per leg) |
| | Seats | 2 |
| | Max. vehicle load | 396.90 lb (180 kg) (rider + passenger + luggage) |


| | | | | |
|----------------------------|----------------------------|-------------------|--|----------------------------|
| GEAR RATIOS | Ratio | Primary | Secondary | Final ratio |
| | 1st | gear-type | 11/26 = 1: 2,3636 | cardan-type 8/33= 1: 4,825 |
| | 2 ^a | 16/21 = 1: 1,3125 | 14/23 = 1: 1,6429 | |
| | 3 ^a | | 18/23 = 1: 1,2778 | |
| | 4 ^a | | 18/19 = 1: 1,0556 | |
| | 5 ^a | | 22/25 = 1: 0,9 | |
| FUEL SUPPLY SYSTEMS | Type | | electronic injection (Weber - Marelli) | |
| | Choke | | Ø 1.42 inch (36 mm) | |
| FUEL SUPPLY | Fuel | | unleaded gasoline, minimum octane rating of 95 (RON) or 85 (MON). | |
| FRAME | Type | | tube frame with two modular cradles of high-resistance steel | |
| | Steering inclination angle | | 27.5° | |
| | Trail | | 4.29 inch (109 mm) | |
| SUSPENSIONS | Front | | Marzocchi hydraulic telescopic adjustable fork Ø 40 mm | |
| | Stroke | | 5.12 inch (130 mm) | |
| | Rear | | die-cast swingarm in light alloy with 2 shock absorbers featuring spring preload adjustment. | |
| | Wheel stroke | | 4.65 inch (118 mm) | |
| BRAKES | Front | | stainless steel floating disc Ø 12.60 inch (320 mm), calipers with 4 separate opposed pistons | |
| | Rear | | stainless steel disc brake Ø 10.24 inch (260 mm) | |
| WHEEL RIMS | Type | | 3-spoke, die-cast aluminum alloy | |
| | Front | | 3" x 17" | |
| | Rear | | 3.50" x 17" | |
| TIRES | Type | | BRIDGESTONE BATLAX or, alternatively, PIRELLI SPORT DAEMON | |
| | Front | | Size: 110/70 - ZR 17 Inflation pressure: 32.36 psi (220 kpa) Inflation pressure with passenger: 32.36+4.47 psi (220+30 kpa) | |
| | Rear | | Size: 130/80 - ZR 17 Inflation pressure: 35.30 psi (240 kpa) Inflation pressure with passenger: 35.30+4.47. psi (240+30 kpa) | |

| | | |
|--------------------------|------------------------------------|-----------------------------------|
| SPARK PLUGS | Standard | NGK BR8ES |
| | Spark plug gap | 0.024-0.028 inch (0.6 - 0.7 mm) |
| | Resistance | 5 kΩ |
| ELECTRICAL SYSTEM | Battery | 12 V - 14 Amp/h |
| | Main fuses | 30 A |
| | Secondary fuses | 3A - 10 A - 15 A |
| | Alternator (with permanent magnet) | 12 V - 330 W |
| BULBS | Low beam/high beam (halogen) | 12 V - 55/60 W H4 |
| | Front parking light | 12 V - 5 W |
| | Direction indicators | 12 V - 10 W (RY 10 W orange bulb) |
| | Rear parking/brake lights | 12 V - 5/21 W |
| | Instrument lighting | LED |
| | EFI | LED |
| LEDS | License plate lamp | 12V - 5W |
| | Gearshift in neutral | LED |
| | Direction indicators | LED |
| | Fuel reserve | LED |
| | High beam | LED |
| | Engine oil pressure | LED |

LUBRICANT CHART


Engine oil (recommended) (1800 cc):  Agip RACING 4T 10 W 60.

As an alternative to the recommended oils, premium brand oils that meet or exceed CCMC G-4 A.P.I. specifications may be used SG.

Transmission oil (recommended) (170 cc):  Agip TRUCK GEAR 85 W 140.

Transmission oil (recommended) (1000 cc):  Agip ROTRA MP/S 80 W 90.

Fork oil (recommended):  Agip FORK 5W or  Agip FORK 20W-

Bearings and other lubrication points (recommended):  Agip GREASE SM2.

As an alternative to the recommended product, use brand-name grease for rolling bearings, with a working temperature range of -30 °C ... +140 °C, drip point 150 °C ...230 °C, offering high protection against corrosion, good resistance to water and oxidation.

Battery lead protection: Neutral grease, or Vaseline.

WARNING

Use only fresh brake fluid. Do not mix different brands or types of oil without making sure the bases are compatible.

Brake fluid (recommended): the system is filled with  Agip BRAKE 5.1 DOT 4 (the brake system is also compatible with DOT 5).

As an alternative to the recommended fluid, those with performance ratings that meet or exceed SAE J1703, NHTSA 116 DOT 4, ISO 4925 synthetic fluid specifications may be used.



AUTHORIZED DEALERS AND SERVICE CENTERS

THE VALUE OF SERVICE



Thanks to ongoing technical progress and product-specific technical training, only **Moto Guzzi** Authorized Network mechanics are wholly familiar with every detail of this motorcycle, and have the special equipment needed for correct maintenance and repairs.

The reliability of the vehicle also depends on its mechanical condition. Pre-ride checks, proper maintenance at the recommended intervals and using genuine **Moto Guzzi** spare parts are other key factors!

For information about the Authorized Dealer and/or Service Center nearest you, check the Yellow Pages or look directly on the map at our Official Web Site:

www.motoguzzi.it

Only by requesting Original **Moto Guzzi** spare parts can you be assured of buying a product that has been developed and tested while the vehicle was being engineered. Original **Moto Guzzi** spare parts are systematically subjected to quality control procedures, to ensure their full reliability and life-span.

NOTES



USE GENUINE SPARE PARTS ONLY

NOTES



USE GENUINE SPARE PARTS ONLY

NOTES



USE GENUINE SPARE PARTS ONLY

Moto Guzzi S.p.A. thanks you, as a customer, for choosing this vehicle, and offers the following suggestions:

- Do not dispose of oil, fuel, or polluting substances and components in the environment.
- Do not keep the engine running when not necessary.
- Avoid unnecessary loud noise.
- Respect the environment.