



PIAGGIO & C.s.p.a.



SPARE PARTS CATALOGUE



V 35 C - V 50 C 350 1982-1986

Chassis prefix: ZGUPL, ZGUPM

Engine prefix:

V 35

GU067



Index

Products.....	3
Part reference.....	4
TELAIO.....	9
Drawing 33.02 - Carrozzeria.....	9
Drawing 33.03 - Coppia conica post.....	11
Drawing 33.04 - Dispositivi Elettrici.....	15
Drawing 33.05 - Fanali.....	17
Drawing 33.06 - Forcella anteriore.....	19
Drawing 33.07 - Forcellone.....	21
Drawing 33.08 - Impianto elettrico.....	22
Drawing 33.09 - Impianto freno ant.dx.....	23
Drawing 33.10 - Impianto freno ant.sx/post.....	25
Drawing 33.11 - Manubrio.....	28
Drawing 33.12 - Pedane - cavalletto.....	30
Drawing 33.13 - Ruote.....	32
Drawing 33.14 - Sospensioni ant./post.....	33
Drawing 33.15 - Telaio.....	34
Drawing 33.17 - Gruppo scarico-aspirazione.....	35
MOTORE.....	38
Drawing 34.16 - Albero motore.....	38
Drawing 34.18 - Cambio.....	40
Drawing 34.19 - Carburatori V35C.....	43
Drawing 34.20 - Carburatori V50C.....	45
Drawing 34.21 - Carter motore.....	47
Drawing 34.22 - Testa cilindro.....	49
Drawing 34.23 - Distribuzione.....	51
Drawing 34.24 - Frizione.....	53
Drawing 34.25 - Pompa olio-filtro.....	55
Drawing 34.26 - Scatola cambio.....	57
ACCESSORI.....	58
Drawing 35.01 - Accessori.....	58



V 35
GU067 - V 35 C - V 50 C 350 1982-1986

Chassis prefix: ZGUPL, ZGUPM
Engine prefix:

Products

Code	Validity
no products	



Code	Drawing Nr.	Pos.	Code	Drawing Nr.	Pos.	Code	Drawing Nr.	Pos.
GU00823942090	33.17	12	GU14251001	33.10	34	GU18257551	33.10	41
GU00823947090	33.10	28	GU14251001	34.18	55	GU18257950	34.18	44
GU10054100	34.18	12	GU14516600	33.06	10	GU18258101	34.18	62
GU10054100	34.18	60	GU14524500	33.06	18	GU18526660	33.06	24
GU10158201	34.25	17	GU14527800	33.06	21	GU18527960	33.06	23
GU10158701	34.25	18	GU14527900	33.06	25	GU18577850	33.11	16
GU10474600	33.05	13	GU14547800	33.07	14	GU18578451	35.01	8
GU10475900	33.05	20	GU14551655	33.14	15	GU18657140	33.09	8
GU10528900	33.03	11	GU14605650	33.09	2	GU18753501	33.05	14
GU10528900	33.03	9	GU14605750	33.11	5	GU19000120	34.21	1
GU10528900	33.06	41	GU14609650	33.04	36	GU19001200	34.21	15
GU10528900	34.21	22	GU14609650	33.05	28	GU19001420	34.21	14
GU10528900	34.26	23	GU14609650	33.10	30	GU19002020	34.21	9
GU10933700	34.19	41	GU14609650	33.15	26	GU19002020	34.26	16
GU10933700	34.20	44	GU14611255	33.13	27	GU19003400	34.21	26
GU10934400	34.19	38	GU14615901	33.03	29	GU19003502	34.21	19
GU10934900	34.19	34	GU14615901	33.07	20	GU19003602	34.21	20
GU10934900	34.20	38	GU14615901	34.16	19	GU19003800	34.21	8
GU12003702	34.21	30	GU14616150	33.13	13	GU19004920	34.21	28
GU12022600	33.03	6	GU14634400	33.13	22	GU19007700	33.04	33
GU12022600	34.26	24	GU14656800	33.09	26	GU19015020	34.21	5
GU12087001	34.24	10	GU14657050	33.10	16	GU19016320	34.21	10
GU12150700	34.25	21	GU14705350	33.04	3	GU19017000	33.12	31
GU12150900	34.25	19	GU14707000	33.04	2	GU19018920	34.25	12
GU12154200	34.21	33	GU14712459	33.04	32	GU19020820	34.22	24
GU12154200	34.25	33	GU14717400	33.04	39	GU19021320	34.22	18
GU12154200	34.26	12	GU14717600	33.04	5	GU19021920	34.22	33
GU12159000	34.25	23	GU14730570	33.04	46	GU19022082	34.22	19
GU12434001	33.12	11	GU14753750	33.05	23	GU19022120	34.22	1
GU12626800	34.18	45	GU14768650	33.11	30	GU19022180	34.22	1
GU12735100	33.09	9	GU14769200	33.11	22	GU19022220	34.22	2
GU12735100	33.10	51	GU14917300	33.02	13	GU19022280	34.22	2
GU12937200	34.19	20	GU14931650	34.20	32	GU19023520	34.22	9
GU12937200	34.20	10	GU14934650	34.20	11	GU19023700	34.22	10
GU12937300	34.19	6	GU17093850	33.11	47	GU19025280	33.17	36
GU12937300	34.20	20	GU17113450	33.17	18	GU19025300	34.22	6
GU13021900	34.22	12	GU17113651	33.17	19	GU19027500	34.23	15
GU13432640	33.12	10	GU17114050	33.17	20	GU19030500	34.23	7
GU13932800	34.19	16	GU17114650	33.17	11	GU19032000	34.23	10
GU13932900	34.19	17	GU17492700	33.06	31	GU19032080	34.23	10
GU13933100	34.19	36	GU17500200	33.06	35	GU19032300	34.23	11
GU13933100	34.20	42	GU17517700	33.06	2	GU19032380	34.23	11
GU13934600	34.19	32	GU17530260	35.01	25	GU19032900	34.23	14
GU13934600	34.20	36	GU17658550	33.10	15	GU19032980	34.23	14
GU13934700	34.20	37	GU17658860	33.10	31	GU19034000	34.23	8
GU13936200	34.19	12	GU17659350	33.10	2	GU19036021	34.23	1
GU13936200	34.20	26	GU17659352	33.09	18	GU19036082	34.23	1
GU13936300	34.19	13	GU17659450	33.09	5	GU19036183	34.23	2
GU13936300	34.20	27	GU17659650	33.10	27	GU19037820	34.22	8
GU13936600	34.19	14	GU17661052	33.09	30	GU19045020	34.23	26
GU13936600	34.20	30	GU17661052	33.10	48	GU19045861	34.23	25
GU13936700	34.19	15	GU17661152	33.10	54	GU19054520	34.23	17
GU13936700	34.20	31	GU17704300	33.04	11	GU19054520	34.23	17
GU13937800	34.19	11	GU17712400	33.04	41	GU19054521	34.23	17
GU13937800	34.20	25	GU17712454	33.04	44	GU19054521	34.23	17
GU13937900	34.19	7	GU17740405	33.05	7	GU19055700	34.23	23
GU13937900	34.20	21	GU17742550	33.08	10	GU19058020	34.23	19
GU14018400	33.05	21	GU17750520	33.08	12	GU19058020	34.23	19
GU14086000	34.24	9	GU17751200	33.08	13	GU19058021	34.23	19
GU14086100	34.24	11	GU17756060	33.11	8	GU19058021	34.23	19
GU14090201	34.24	13	GU17756160	33.11	7	GU19058220	34.23	20
GU14090400	34.24	14	GU17762200	33.11	24	GU19060121	34.22	17
GU14105100	33.02	14	GU17767260	33.11	21	GU19060181	34.22	17
GU14107100	33.15	25	GU17768360	33.11	49	GU19060421	34.16	10
GU14217901	34.16	24	GU17937450	34.19	8	GU19060481	34.16	10
GU14217901	34.24	31	GU17937450	34.20	22	GU19060600	34.16	16
GU14217901	34.26	7	GU18252050	33.12	4	GU19060650	34.16	16



Code	Drawing Nr.	Pos.	Code	Drawing Nr.	Pos.	Code	Drawing Nr.	Pos.
GU19060700	34.16	11	GU19152200	34.25	13	GU19355121	33.03	34
GU19060750	34.16	11	GU19153000	34.25	16	GU19355200	33.03	35
GU19061000	34.16	12	GU19156001	33.17	17	GU19355202	33.03	36
GU19061050	34.16	12	GU19156701	33.17	15	GU19355300	33.03	33
GU19061220	34.16	13	GU19156900	33.17	16	GU19355300	34.18	32
GU19061280	34.16	13	GU19157800	33.10	29	GU19355301	33.03	33
GU19061320	34.16	14	GU19159300	34.25	32	GU19355302	33.03	33
GU19061521	34.16	3	GU19159320	34.25	32	GU19355303	33.03	33
GU19061821	34.16	23	GU19159600	34.25	29	GU19355304	33.03	33
GU19062022	34.16	6	GU19200222	34.26	17	GU19355305	33.03	33
GU19062220	34.16	4	GU19200320	34.26	10	GU19355306	33.03	33
GU19062220	34.16	4	GU19200422	34.24	26	GU19355307	33.03	33
GU19062221	34.16	4	GU19200821	34.26	1	GU19355308	33.03	33
GU19062221	34.16	4	GU19201120	34.26	15	GU19355309	33.03	33
GU19064120	34.16	1	GU19203420	34.24	29	GU19355320	33.03	44
GU19064121	34.16	1	GU19206501	33.03	10	GU19355321	33.03	44
GU19064181	34.16	1	GU19206501	34.26	22	GU19355322	33.03	44
GU19064280	34.16	1	GU19207220	34.26	11	GU19355323	33.03	44
GU19065400	34.16	2	GU19208220	34.26	27	GU19355324	33.03	44
GU19065623	34.16	7	GU19210520	34.18	1	GU19355325	33.03	44
GU19066522	34.16	8	GU19210720	34.24	20	GU19355326	33.03	44
GU19067700	34.16	18	GU19210740	34.24	20	GU19355327	33.03	44
GU19067900	34.16	20	GU19211120	34.18	57	GU19355328	33.03	44
GU19080161	34.24	36	GU19211140	34.18	57	GU19355329	33.03	44
GU19080300	34.24	25	GU19211320	34.18	8	GU19355400	33.03	21
GU19082501	34.24	2	GU19211420	34.18	6	GU19355402	33.03	21
GU19083462	34.24	35	GU19211820	34.18	5	GU19355404	33.03	21
GU19084100	34.24	1	GU19212020	34.18	2	GU19355406	33.03	21
GU19084100	34.24	1	GU19212800	34.18	9	GU19355408	33.03	21
GU19102750	33.02	5	GU19212900	34.18	15	GU19355410	33.03	21
GU19112680	33.17	1	GU19213620	34.18	14	GU19355411	33.03	21
GU19112681	33.17	2	GU19213720	34.18	17	GU19355412	33.03	21
GU19113900	33.17	45	GU19213720	34.24	22	GU19355413	33.03	21
GU19114100	33.17	21	GU19213820	34.26	5	GU19356320	33.03	19
GU19114300	33.17	9	GU19214001	34.18	24	GU19356700	33.03	39
GU19114320	33.17	3	GU19214320	34.18	63	GU19356700	34.24	24
GU19114360	33.17	3	GU19214501	34.18	20	GU19356801	33.03	37
GU19114400	33.17	5	GU19214620	34.18	7	GU19357660	33.03	25
GU19114480	33.17	5	GU19214820	34.18	21	GU19430305	33.12	9
GU19114680	33.17	6	GU19215121	34.18	22	GU19432060	33.12	17
GU19115035	34.22	26	GU19215220	34.18	23	GU19433000	33.12	18
GU19115036	34.22	27	GU19215420	34.18	3	GU19434000	33.12	20
GU19115080	34.22	26	GU19231020	34.18	35	GU19436500	33.15	27
GU19115081	34.22	27	GU19231220	34.18	34	GU19478550	33.02	23
GU19115520	34.22	25	GU19234420	34.18	30	GU19490365	33.14	1
GU19115580	34.22	25	GU19234600	34.18	31	GU19498060	33.09	27
GU19117545	33.11	35	GU19235800	34.26	8	GU19501500	33.11	12
GU19117595	33.11	35	GU19237800	34.26	13	GU19526460	33.06	19
GU19120735	33.17	34	GU19250900	34.18	54	GU19526960	33.06	22
GU19120736	33.17	35	GU19256920	34.18	51	GU19527460	33.06	28
GU19121050	33.17	38	GU19258220	34.18	41	GU19529660	33.06	42
GU19121135	33.17	44	GU19266720	34.18	58	GU19547000	33.07	12
GU19122936	33.17	41	GU19327601	33.07	5	GU19556160	33.14	8
GU19123036	33.17	42	GU19327701	33.07	2	GU19605501	33.11	4
GU19123435	33.17	46	GU19328801	33.07	3	GU19615335	33.13	4
GU19128660	33.17	50	GU19350421	33.03	13	GU19632501	33.13	24
GU19128760	33.17	52	GU19350700	33.03	22	GU19632502	33.13	16
GU19133500	33.17	32	GU19351100	33.03	4	GU19633935	33.13	19
GU19134000	33.17	33	GU19351401	33.03	16	GU19634100	33.13	20
GU19146422	34.25	1	GU19351900	33.03	2	GU19635736	33.03	28
GU19147720	34.25	8	GU19352300	33.03	23	GU19636400	33.13	18
GU19147720	34.25	8	GU19352401	33.03	31	GU19652700	33.09	6
GU19147721	34.25	8	GU19352401	33.03	31	GU19654900	33.10	50
GU19147721	34.25	8	GU19352460	33.03	31	GU19658735	33.10	26
GU19147820	34.25	4	GU19352460	33.03	31	GU19659500	33.10	4
GU19148420	34.25	5	GU19353500	33.03	24	GU19659600	33.10	3
GU19149800	34.25	9	GU19355100	33.03	34	GU19667500	33.10	5



Code	Drawing Nr.	Pos.	Code	Drawing Nr.	Pos.	Code	Drawing Nr.	Pos.
GU19667600	33.10	6	GU23121180	33.17	44	GU28556350	33.06	43
GU19668000	33.10	12	GU23133100	33.17	31	GU28556350	33.14	11
GU19675000	33.10	39	GU23217800	34.23	28	GU28556450	33.06	45
GU19677000	33.10	33	GU23328081	33.07	7	GU28556450	33.14	10
GU19704800	33.04	4	GU23400180	33.15	1	GU28556552	33.14	8
GU19705900	33.15	10	GU23418280	33.15	7	GU28660178	33.09	1
GU19707100	33.04	35	GU23420380	33.12	5	GU28740533	33.05	1
GU19708480	33.04	31	GU23422180	33.12	6	GU28929940	33.11	37
GU19708620	33.04	30	GU23437080	33.02	25	GU29600351	33.11	11
GU19708720	33.04	51	GU23438780	33.02	31	GU29703800	33.04	18
GU19709620	33.04	27	GU23438980	33.02	26	GU30103960	33.02	11
GU19718000	34.22	31	GU23450261	35.01	12	GU30717010	33.04	40
GU19719820	33.04	52	GU23460580	33.02	15	GU30730711	33.04	45
GU19725820	33.08	22	GU23461680	33.02	12	GU31066480	34.16	9
GU19726380	33.08	15	GU23462980	33.02	22	GU31350380	33.03	1
GU19732500	33.08	11	GU23464380	33.02	16	GU31540281	33.07	11
GU19733350	33.04	37	GU23468780	33.02	21	GU31540281	33.07	11
GU19740404	33.05	18	GU23474580	33.05	42	GU31613380	33.13	5
GU19740454	33.05	16	GU234760801	33.02	37	GU31652265	33.10	32
GU19740455	33.05	15	GU234761801	33.02	38	GU31652365	33.09	12
GU19740458	33.05	17	GU23485080	35.01	19	GU31654665	33.09	16
GU19741336	33.04	6	GU23486580	35.01	20	GU31654665	33.10	21
GU19742050	33.05	8	GU23506860	35.01	1	GU31654765	33.09	17
GU19743000	33.08	9	GU23522520	33.06	11	GU31654765	33.10	22
GU19747105	33.08	16	GU23522620	33.06	12	GU31659165	33.09	20
GU19747120	33.08	5	GU23531860	35.01	29	GU31659165	33.10	19
GU19747281	33.08	1	GU23548080	33.07	8	GU31659265	33.09	19
GU19748000	33.04	34	GU23548180	33.07	9	GU31659265	33.10	20
GU19748400	33.04	49	GU23555280	33.14	20	GU31666990	33.10	1
GU19750435	33.08	8	GU23555281	33.03	42	GU31716560	33.04	7
GU19760480	33.11	19	GU23577260	35.01	7	GU31735360	33.04	23
GU19761500	33.11	18	GU23610380	33.13	2	GU31999240	33.14	6
GU19762810	33.11	40	GU23614120	33.13	9	GU31999565	34.21	34
GU19767200	33.11	21	GU23616320	33.13	25	GU31999581	34.25	24
GU19768180	33.11	23	GU23630680	33.13	15	GU35108450	33.17	51
GU19768680	33.11	26	GU23633380	33.13	21	GU35214300	33.07	13
GU19782520	33.15	4	GU23653011	33.10	17	GU35214300	34.18	26
GU19923480	33.14	3	GU23738001	33.11	32	GU35214300	34.18	28
GU19934480	34.20	41	GU23747380	33.08	6	GU35755780	33.11	34
GU19934600	34.19	30	GU23750680	33.05	41	GU39103400	33.15	24
GU19934600	34.20	7	GU23922020	33.02	39	GU39238100	34.18	11
GU19934880	34.20	1	GU23923380	33.02	2	GU39238100	34.18	59
GU19934980	34.20	2	GU23923381	33.02	2	GU39239300	34.18	28
GU19935080	34.20	12	GU23923382	33.02	2	GU39440700	33.12	21
GU19935500	34.19	27	GU23999270	33.14	6	GU39441800	33.12	22
GU19935580	34.20	3	GU23999570	33.10	57	GU39443200	33.12	25
GU19935701	34.19	40	GU23999570	33.11	50	GU39515000	33.15	23
GU19935780	34.20	4	GU25656100	33.09	10	GU39654700	33.09	17
GU19935900	34.19	28	GU25656100	33.10	14	GU39654700	33.10	22
GU19936000	34.19	25	GU25657001	33.09	4	GU39659000	33.09	21
GU19936000	34.20	6	GU27001136	34.21	25	GU39659000	33.10	18
GU19937180	34.20	13	GU27001636	34.21	24	GU39659100	33.09	20
GU19938580	34.20	14	GU27022020	34.22	19	GU39659100	33.10	19
GU19938880	34.19	4	GU27053362	34.23	16	GU39663801	33.09	23
GU19938880	34.20	18	GU27084420	34.24	34	GU39922200	33.14	5
GU19939980	34.20	45	GU27084420	34.24	7	GU39937600	34.19	10
GU19991080	34.21	37	GU27436920	33.02	7	GU39937600	34.20	24
GU19999020	34.21	35	GU27493135	33.06	7	GU39939900	34.19	1
GU19999080	34.21	35	GU27654610	33.09	16	GU43934000	34.19	31
GU20085720	34.24	8	GU27654610	33.10	21	GU43934000	34.20	35
GU20208520	34.18	40	GU27708520001	33.04	26	GU45212400	33.11	38
GU20350220	33.07	1	GU27761510001	33.11	18	GU49938900	34.19	5
GU20354621	33.03	18	GU27934315	34.20	8	GU49938900	34.20	19
GU20999520	34.18	38	GU28157850	34.25	31	GU53429500	33.12	30
GU23036100	34.23	2	GU28238261	34.18	39	GU53935000	34.19	18
GU23093080	33.11	48	GU28556250	33.06	44	GU53937100	34.19	21
GU231002801	33.02	1	GU28556250	33.14	9	GU53937200	34.19	3

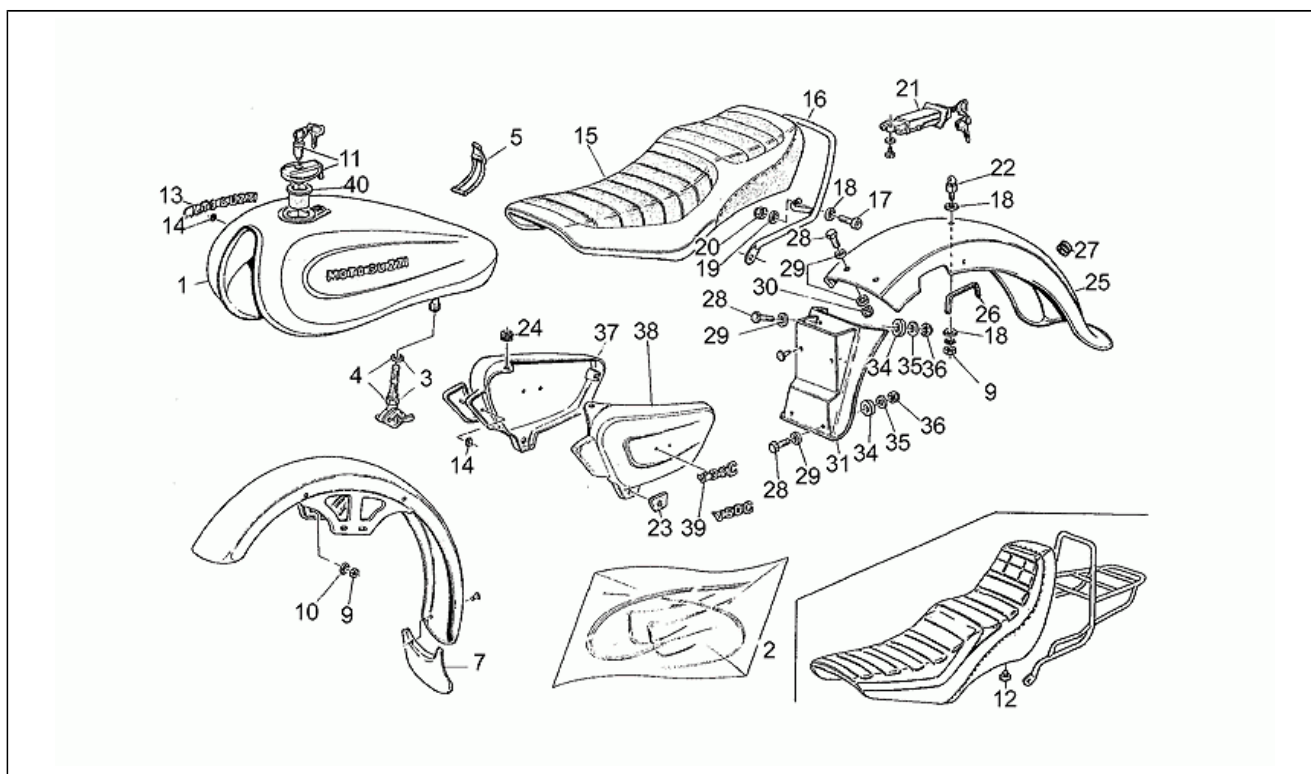


Code	Drawing Nr.	Pos.	Code	Drawing Nr.	Pos.	Code	Drawing Nr.	Pos.
GU53937200	34.20	17	GU66935910	34.20	5	GU92249223	33.03	20
GU55234700	34.26	20	GU90271008	33.10	42	GU92249225	33.03	20
GU61013800	33.04	20	GU90271014	33.06	26	GU92249225	33.03	20
GU61013800	33.09	29	GU90271018	34.23	12	GU92252210	34.25	3
GU61013800	33.17	39	GU90271020	34.18	33	GU92252235	33.03	5
GU61013800	34.18	52	GU90271115	34.18	29	GU92295704	33.06	40
GU61013800	34.22	30	GU90271121	34.18	19	GU92296726	34.25	7
GU61025200	33.17	36	GU90271220	34.18	4	GU92297909	34.18	36
GU61025400	33.17	37	GU90272023	33.07	4	GU92601208	35.01	11
GU61027200	34.22	23	GU90272075	34.24	37	GU92601208	35.01	13
GU61036801	34.22	3	GU90353009	34.22	4	GU92602205	33.04	17
GU61037000	34.23	13	GU90353029	34.23	24	GU92602205	33.08	3
GU61037500	34.23	4	GU90353030	33.03	17	GU92602205	33.12	7
GU61037600	34.23	3	GU90400616	34.24	21	GU92602206	33.02	30
GU61038000	34.23	5	GU90401530	34.21	11	GU92602206	33.04	19
GU61038100	34.23	6	GU90402840	34.21	18	GU92602206	33.05	34
GU61054900	34.23	18	GU90402841	34.24	19	GU92602206	33.10	11
GU61062401	34.16	5	GU90402841	34.26	3	GU92602206	34.18	46
GU61108400	33.17	29	GU90403247	33.03	41	GU92602208	33.02	9
GU61108400	34.25	30	GU90403449	33.06	13	GU92602208	33.03	43
GU61108500	33.17	30	GU90403547	33.03	3	GU92602208	33.04	48
GU61126920	33.17	43	GU90405367	34.21	13	GU92602208	33.08	21
GU61127220	33.17	56	GU90407590	33.03	15	GU92602208	33.12	24
GU61127520	33.17	47	GU90706140	34.26	4	GU92602208	33.15	31
GU61238200	34.18	39	GU90706170	34.24	12	GU92602208	33.17	48
GU61270300	33.02	10	GU90706188	33.03	38	GU92602208	34.21	7
GU61270300	33.02	19	GU90706188	34.18	18	GU92602208	34.24	40
GU61270300	33.03	26	GU90706188	34.24	23	GU92602210	33.07	18
GU61270300	33.09	13	GU90706203	33.03	7	GU92602210	33.12	3
GU61270300	33.10	24	GU90706203	34.26	25	GU92602210	33.15	3
GU61270300	33.17	49	GU90706266	33.06	27	GU92602210	35.01	16
GU61270300	34.21	6	GU90706282	34.21	29	GU92602316	33.13	23
GU61270300	34.22	21	GU90706315	33.17	6	GU92602406	34.23	9
GU61270300	34.24	39	GU90706444	34.21	27	GU92602410	33.12	29
GU61442300	33.12	26	GU90706552	33.03	40	GU92602410	33.14	18
GU61514940	33.06	38	GU90706552	33.17	13	GU92602410	33.17	55
GU61515240	33.06	39	GU91180618	35.01	31	GU92602411	33.05	24
GU61704200	33.04	12	GU91180627	33.04	15	GU92602508	34.24	15
GU61740551	33.11	33	GU91180721	33.04	9	GU92602510	34.25	10
GU61743700	33.08	14	GU91180721	33.11	39	GU92602512	34.26	14
GU61762530	33.11	20	GU91181016	33.06	5	GU92602516	33.13	11
GU61934300	34.19	35	GU91181016	33.08	19	GU92630105	33.05	33
GU61934800	34.19	24	GU91181016	33.15	33	GU92630105	33.17	27
GU62100600	33.02	40	GU91181016	35.01	32	GU92630105	34.24	5
GU62493200	33.06	6	GU91181112	35.01	3	GU92630106	33.02	36
GU62494021	33.06	1	GU91181114	33.12	13	GU92630106	33.05	25
GU62496121	33.06	33	GU91181407	33.14	13	GU92630106	33.05	27
GU62496221	33.06	34	GU91182010	34.18	40	GU92630106	33.11	45
GU62497820	33.14	2	GU91551085	33.02	24	GU92630106	34.16	22
GU625225201	33.06	11	GU91551085	33.17	26	GU92630106	34.18	61
GU625226201	33.06	12	GU91551102	33.02	27	GU92630106	35.01	28
GU62525421	33.06	17	GU92201070	33.03	14	GU92630508	33.02	20
GU62614120	33.13	9	GU92201120	34.26	28	GU92630510	33.12	16
GU62616320	33.13	25	GU92201220	34.18	13	GU92660010	34.21	36
GU63500520001	33.06	46	GU92201220	34.18	16	GU92660010	34.22	11
GU63657121	33.09	7	GU92201220	34.24	28	GU92670305	33.17	23
GU65105400	33.02	3	GU92201415	34.18	10	GU92690073	33.10	40
GU65105401	33.02	4	GU92201415	34.18	27	GU92701062	33.17	40
GU65603000	33.11	10	GU92204215	34.26	2	GU92730082	33.13	7
GU65603500	33.11	9	GU92204217	33.13	3	GU92781081	33.07	19
GU65659200	33.09	19	GU92204218	33.13	17	GU92781100	33.06	30
GU65659200	33.10	20	GU92249220	33.03	20	GU93110060	33.02	34
GU65663500	33.10	53	GU92249220	33.03	20	GU93110060	33.05	38
GU65933600	34.20	15	GU92249220	33.03	32	GU93110352	33.06	32
GU65933700	34.20	28	GU92249221	33.03	20	GU93180105	33.07	21
GU66659031	33.09	21	GU92249221	33.03	20	GU93180110	33.05	26
GU66659031	33.10	18	GU92249223	33.03	20	GU93180220	34.24	27



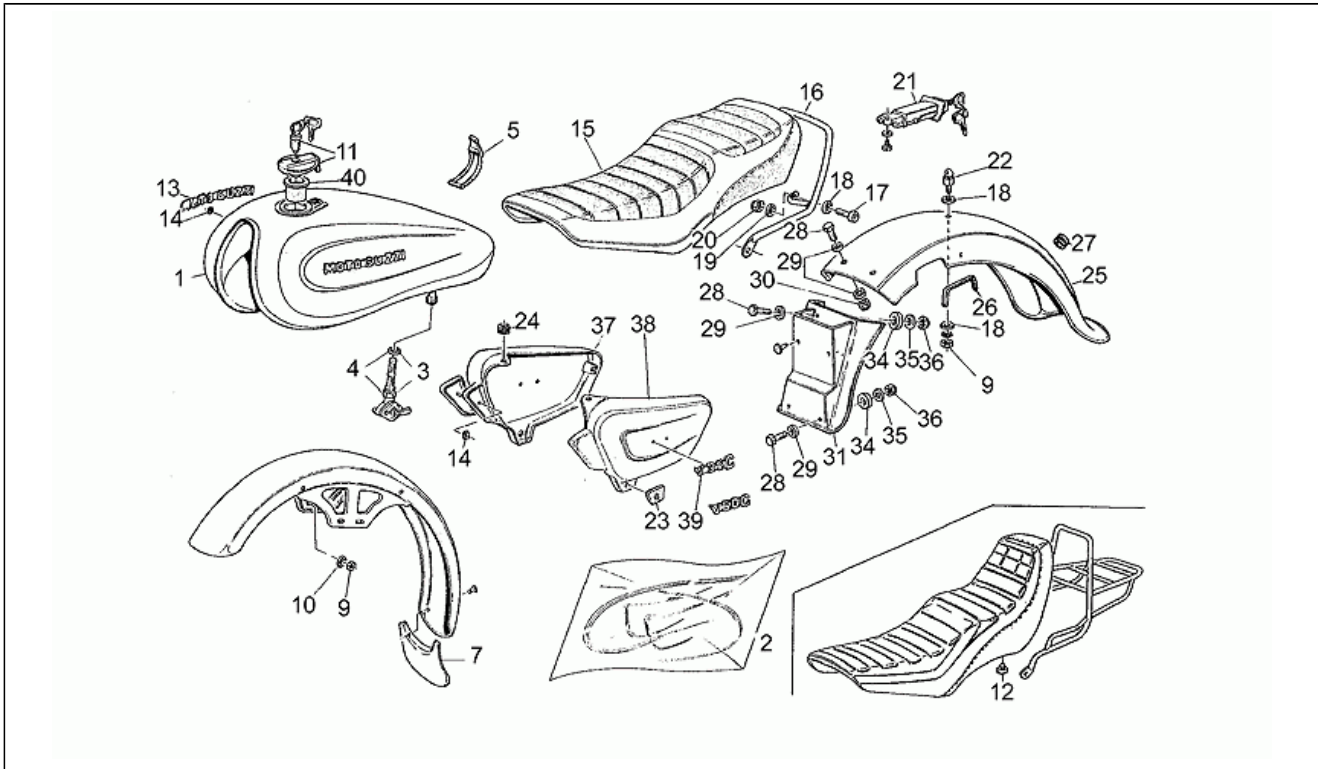
Code	Drawing Nr.	Pos.	Code	Drawing Nr.	Pos.	Code	Drawing Nr.	Pos.
GU93180245	34.22	32	GU95100250	33.09	14	GU98054316	34.16	21
GU93301315	33.05	30	GU95100250	33.10	25	GU98054318	34.16	21
GU93305032	33.17	4	GU95100251	33.09	14	GU98054320	33.02	28
GU93305074	33.07	10	GU95100251	33.10	25	GU98054320	33.09	28
GU93305092	33.17	10	GU95100256	33.14	14	GU98054322	33.12	8
GU93450119	33.05	2	GU95100317	35.01	6	GU98054325	33.05	32
GU93450120	33.11	31	GU95100523	34.25	22	GU98054418	33.03	30
GU93450129	33.05	22	GU95100709	34.21	31	GU98054418	33.15	8
GU93450140	33.11	27	GU95120105	33.15	6	GU98054522	33.12	27
GU93450224	33.05	10	GU95120105	35.01	17	GU98054530	33.12	12
GU93450231	33.05	3	GU95129100	33.04	16	GU98054535	33.17	53
GU94321067	34.26	21	GU95129100	33.17	22	GU98072555	33.06	3
GU94321072	34.25	20	GU95129110	33.10	44	GU98072570	35.01	33
GU94321099	33.07	6	GU95129110	34.18	47	GU98074425	35.01	9
GU94321105	34.24	16	GU95129115	34.23	22	GU98110199	33.15	20
GU94322215	33.12	14	GU95129180	34.22	13	GU98200408	33.04	50
GU95000205	33.04	25	GU95129260	33.10	35	GU98270641	33.11	17
GU95000205	33.05	36	GU95129260	34.18	56	GU98290512	33.04	24
GU95000205	33.17	8	GU95187006	34.25	15	GU98310610	34.22	28
GU95000206	33.02	29	GU95500222	33.10	45	GU98326014	33.14	4
GU95000206	33.04	10	GU95500222	34.18	49	GU98620245	33.04	42
GU95000206	33.05	29	GU95500222	34.24	18	GU98620245	33.04	8
GU95000206	33.10	9	GU95500227	33.10	37	GU98620330	34.21	17
GU95000206	33.11	44	GU95510308	33.06	29	GU98620330	34.24	32
GU95000206	35.01	27	GU95510311	33.09	24	GU98620330	34.26	18
GU95000208	33.02	18	GU95512035	34.23	27	GU98620335	34.21	23
GU95000208	33.08	18	GU95520316	34.18	37	GU98620335	34.25	11
GU95000208	33.13	8	GU95770265	33.10	43	GU98620340	35.01	30
GU95000208	33.15	29	GU95770265	34.18	50	GU98620345	35.01	26
GU95000210	33.12	15	GU95780271	34.24	17	GU98620435	33.06	37
GU95004205	34.24	4	GU95980214	33.03	8	GU98620435	34.24	33
GU95004206	33.10	7	GU95980214	34.21	21	GU98620435	34.26	19
GU95004208	33.04	47	GU95980214	34.26	26	GU98620440	34.24	41
GU95004208	33.06	36	GU95990028	33.09	11	GU98620450	34.24	38
GU95004208	33.14	17	GU95990028	33.10	13	GU98620540	33.06	8
GU95004208	33.15	9	GU95990034	33.09	25	GU98620545	35.01	18
GU95004208	35.01	14	GU96451430	34.21	3	GU98620555	35.01	4
GU95004210	33.07	17	GU96451560	34.21	2	GU98620560	33.06	47
GU95004210	33.12	2	GU96506042	34.22	5	GU98622220	33.08	7
GU95004210	33.14	19	GU96508021	33.06	14	GU98622312	33.06	15
GU95004210	33.15	2	GU96508045	33.03	12	GU98622314	34.26	6
GU95004210	33.15	21	GU96508045	33.03	12	GU98622314	34.26	9
GU95004210	35.01	5	GU96508055	33.03	12	GU98622325	34.21	16
GU95004215	33.10	36	GU96508055	33.03	12	GU98622325	34.22	16
GU95004217	33.13	10	GU96508055	34.21	4	GU98622422	33.09	15
GU95007210	33.06	4	GU96508107	34.22	20	GU98622422	33.10	23
GU95020111	33.05	4	GU96510125	34.22	15	GU98622525	33.15	5
GU95021105	33.04	43	GU96510182	34.22	14	GU98622535	33.06	9
GU95021105	33.11	29	GU98052220	33.10	46	GU98820430	33.12	23
GU95021106	33.10	10	GU98052222	33.17	24	GU98820545	33.07	16
GU95021106	34.18	43	GU98052245	33.04	13	GU98822316	34.23	21
GU95021108	33.08	20	GU98052325	34.18	42	GU98822325	34.22	7
GU95021108	33.15	30	GU98052326	33.10	8	GU98822416	33.14	12
GU95021108	35.01	10	GU98052435	33.04	38	GU98822416	35.01	15
GU95021110	33.12	28	GU98052490	33.13	6	GU98822420	33.02	17
GU95021110	33.17	54	GU98052490	34.21	32	GU98822425	33.14	16
GU95090142	33.11	15	GU98052555	33.15	35	GU98822440	33.08	17
GU95100059	33.05	37	GU98052565	33.12	1	GU98822520	33.05	5
GU95100059	33.08	4	GU98054212	33.08	2	GU98830225	33.11	28
GU95100059	33.10	47	GU98054214	33.17	7	GU98830430	33.15	28
GU95100059	33.17	25	GU98054214	34.24	3	GU99105129	33.12	19
GU95100116	33.06	16	GU98054220	33.05	35			
GU95100116	34.22	29	GU98054312	33.04	21			
GU95100126	33.04	29	GU98054314	33.04	28			
GU95100141	33.02	35	GU98054314	34.24	30			
GU95100141	33.04	14	GU98054314	34.25	14			
GU95100141	33.05	39	GU98054316	33.05	31			

Assembly	TELAIO
Code	33.02
Description	Carrozzeria
Revision	1



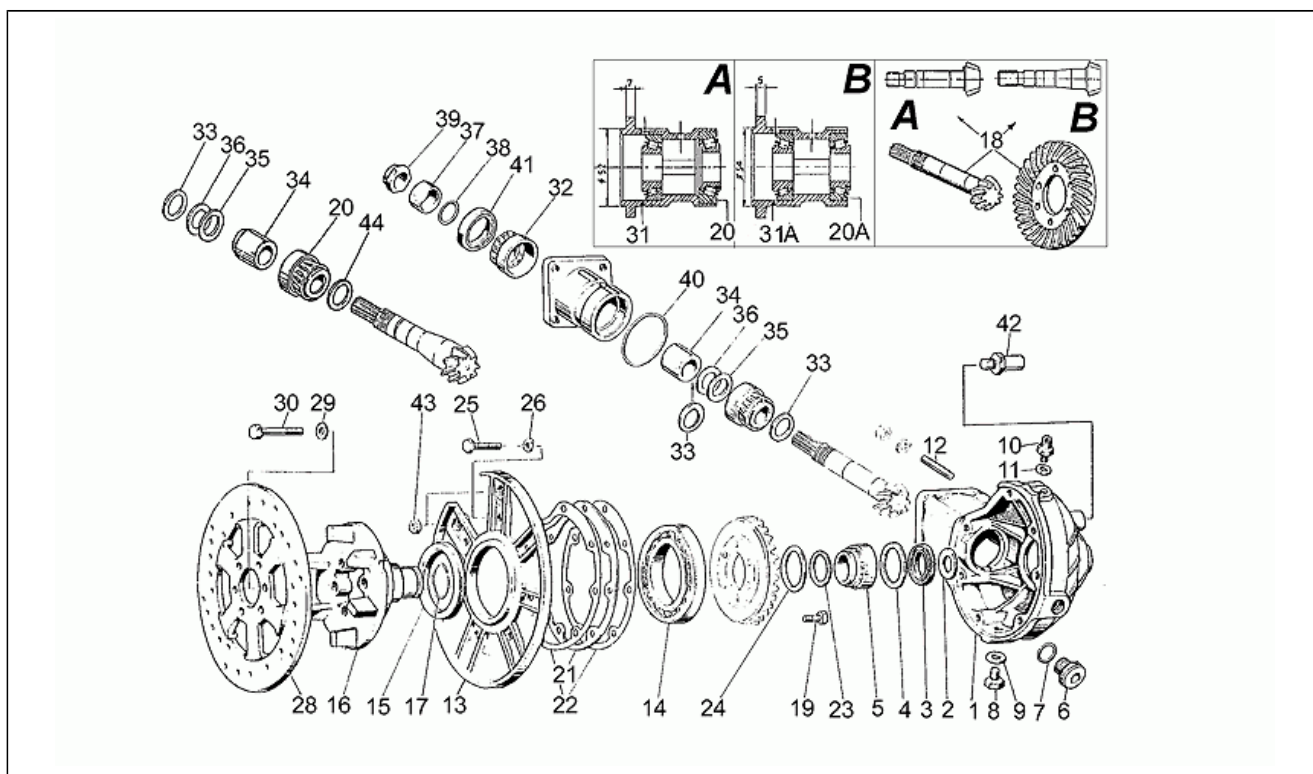
Pos.	Code	Description	Q.ty	Variants
1	GU231002801	Serbatoio carburante	1	
2	GU23923380	Decalco-serie	1	Specifiche Tecniche:Decalco oro/marrone[D2]
2	GU23923381	Decalco-serie	1	Specifiche Tecniche:Decalco blu/azzurro[D1]
2	GU23923382	Decalco-serie	1	Specifiche Tecniche:Decalco oro/rosso[D3]
3	GU65105400	Rubinetto benz.dx	1	
4	GU65105401	Rubinetto benz.sx	1	
5	GU19102750	Tirante	1	
7	GU27436920	Paraspruzzi	1	
9	GU92602208	Dado M8X1,25	5	
10	GU61270300	Rosetta elastica 8x15x0,3	4	
11	GU30103960	Tappo serbatoio benz.	1	
12	GU23461680	Tampone	4	Specifiche Tecniche:Seconda serie[2a]
13	GU14917300	Decalco "Moto Guzzi"	2	
14	GU14105100	Fermaglio	6	
15	GU23460580	Sella	1	Specifiche Tecniche:Prima serie[1a]
16	GU23464380	Maniglione pass.	1	Specifiche Tecniche:Prima serie[1a]
17	GU98822420	Vite	2	
18	GU95000208	Rosetta	4	
19	GU61270300	Rosetta elastica 8x15x0,3	2	
20	GU92630508	Dado	2	
21	GU23468780	Serratura sella	1	
22	GU23462980	Perno serratura sella	1	
23	GU19478550	Gommino	2	
24	GU91551085	Gommino	2	
25	GU23437080	Parafango posteriore	1	
26	GU23438980	Guarnizione	2	
27	GU91551102	Passacavo	1	
28	GU98054320	Vite TE	6	

Assembly	TELAIO
Code	33.02
Description	Carrozzeria
Revision	1



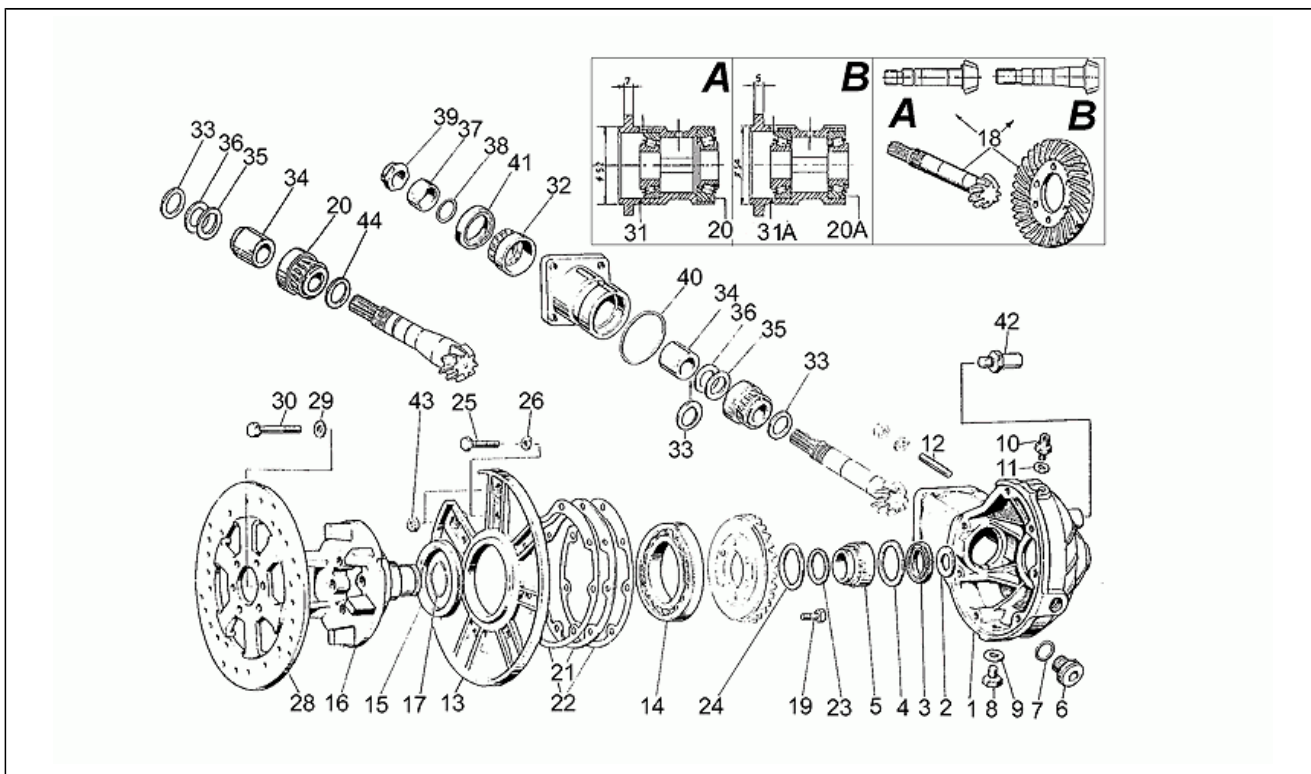
Pos.	Code	Description	Q.ty	Variants
29	GU95000206	Rosetta	8	
30	GU92602206	Dado	2	
31	GU23438780	Paraspruzzi	1	
34	GU93110060	Gommino	4	
35	GU95100141	Rosetta 6,4x12x1,2	4	
36	GU92630106	Dado M6x1	4	
37	GU234760801	Fiancatina dx	1	Colore:Grezzo[gz]
38	GU234761801	Fiancatina sx	1	Colore:Grezzo[gz]
39	GU23922020	Targhetta "V35C"	2	
40	GU62100600	Bocchettone	1	

Assembly	TELAIO
Code	33.03
Description	Coppia conica post.
Revision	1



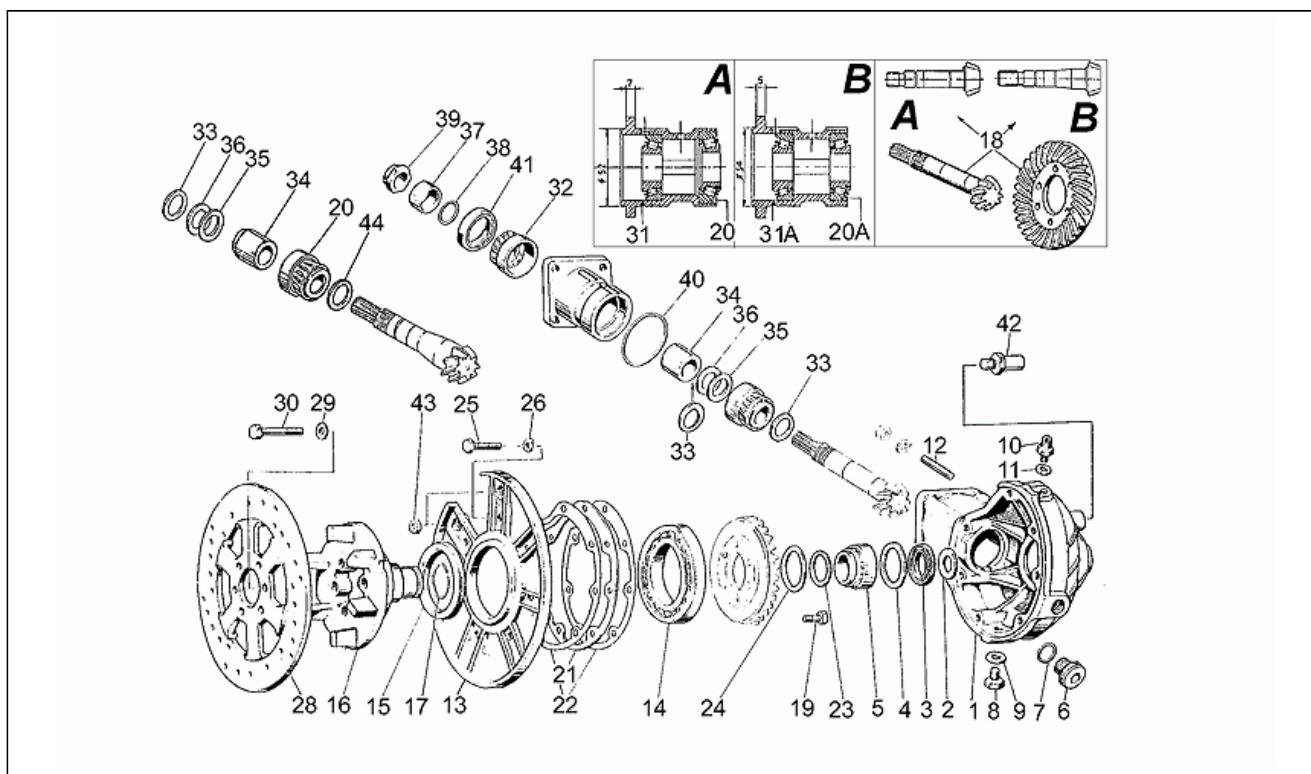
Pos.	Code	Description	Q.ty	Variants
1	GU31350380	Scatola trasmis.grigio	1	
2	GU19351900	Rosetta di spallamento	1	
3	GU90403547	Anello di tenuta 35x47x7	1	
4	GU19351100	Rosetta di spallamento	1	
5	GU92252235	Cuscinetto a rulli 35x50x17	1	
6	GU12022600	Tappo olio	1	
7	GU90706203	Anello OR 20,24x2,62	1	
8	GU95980214	Tappo livello olio	1	
9	GU10528900	Guarnizione in alluminio	1	
10	GU19206501	Tappo sfiato	1	
11	GU10528900	Guarnizione in alluminio	1	
12	GU96508045	Prigioniero 8x46	4	Specifiche Tecniche: Fino a telaio PL12366[T1], Versione V35C[V35C]
12	GU96508045	Prigioniero 8x46	4	Specifiche Tecniche: Fino a telaio PM11845[T2], Versione V50C[V50C]
12	GU96508055	Prigioniero	4	Specifiche Tecniche: Da telaio PL12367[T3], Versione V35C[V35C]
12	GU96508055	Prigioniero	4	Specifiche Tecniche: Da telaio PM11846[T4], Versione V50C[V50C]
13	GU19350421	Coperchio	1	
14	GU92201070	Cuscinetto a sfere 70x110x13	1	
15	GU90407590	Anello di tenuta 75x90x8	1	
16	GU19351401	Perno	1	
17	GU90353030	Anello di fermo	1	
18	GU20354621	Coppia conica Z=8/31	1	
19	GU19356320	Vite	6	
20	GU92249220	Cuscinetto a rulli 20x47x14	1	Specifiche Tecniche: Da telaio PL12367[T3], Versione V35C[V35C]

Assembly	TELAIO
Code	33.03
Description	Coppia conica post.
Revision	1



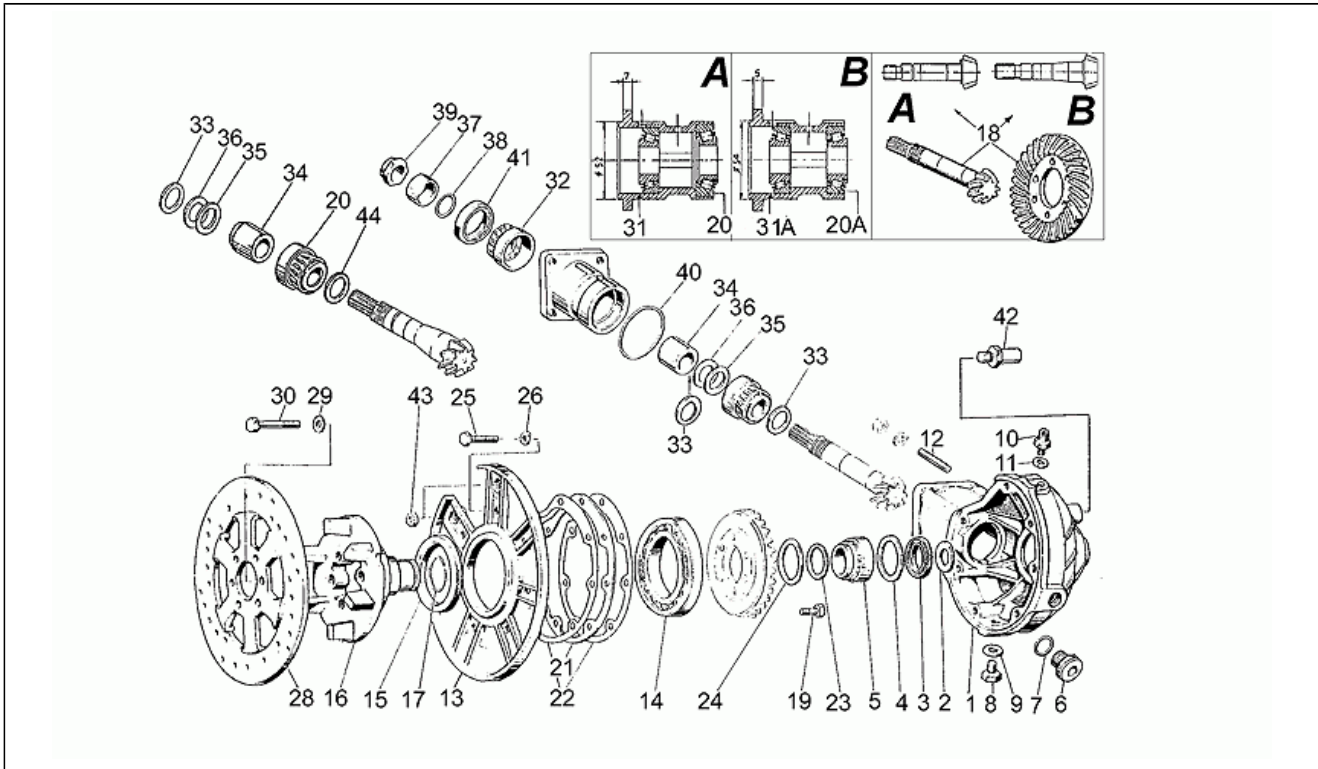
Pos.	Code	Description	Q.ty	Variants
20	GU92249220	Cuscinetto a rulli 20x47x14	1	Specifiche Tecniche: Da telaio PM11846[T4], Versione V50C[V50C]
20	GU92249221	Cuscinetto a rulli conici	1	Specifiche Tecniche: Fino a telaio PM11845[T2], Versione V50C[V50C]
20	GU92249221	Cuscinetto a rulli conici	1	Specifiche Tecniche: Fino a telaio PL12366[T1], Versione V35C[V35C]
20	GU92249223	Cuscinetto a rulli conici	1	Specifiche Tecniche: Da telaio PL12367[T3], Versione V35C[V35C]
20	GU92249223	Cuscinetto a rulli conici	1	Specifiche Tecniche: Da telaio PM11846[T4], Versione V50C[V50C]
20	GU92249225	Cuscinetto a rulli conici	1	Specifiche Tecniche: Fino a telaio PM11845[T2], Versione V50C[V50C]
20	GU92249225	Cuscinetto a rulli conici	1	Specifiche Tecniche: Fino a telaio PL12366[T1], Versione V35C[V35C]
21	GU19355400	Spessore 0,8 mm	1	
21	GU19355402	Spessore 0,9 mm	1	
21	GU19355404	Spessore 1 mm	1	
21	GU19355406	Spessore 1,1 mm	1	
21	GU19355408	Spessore 1,2 mm	1	
21	GU19355410	Spessore 1,3 mm	1	
21	GU19355411	Spessore 1,4 mm	1	
21	GU19355412	Spessore 1,5 mm	1	
21	GU19355413	Spessore 1,6 mm	1	
22	GU19350700	Guarnizione	2	
23	GU19352300	Rosetta di rasamento	1	
24	GU19353500	Rosetta di rasamento	1	
25	GU19357660	Vite M8X25	7	
26	GU61270300	Rosetta elastica 8x15x0,3	7	
28	GU19635736	Disco freno post.	1	
29	GU14615901	Rosetta 8,4X13X0,8	6	

Assembly	TELAIO
Code	33.03
Description	Coppia conica post.
Revision	1



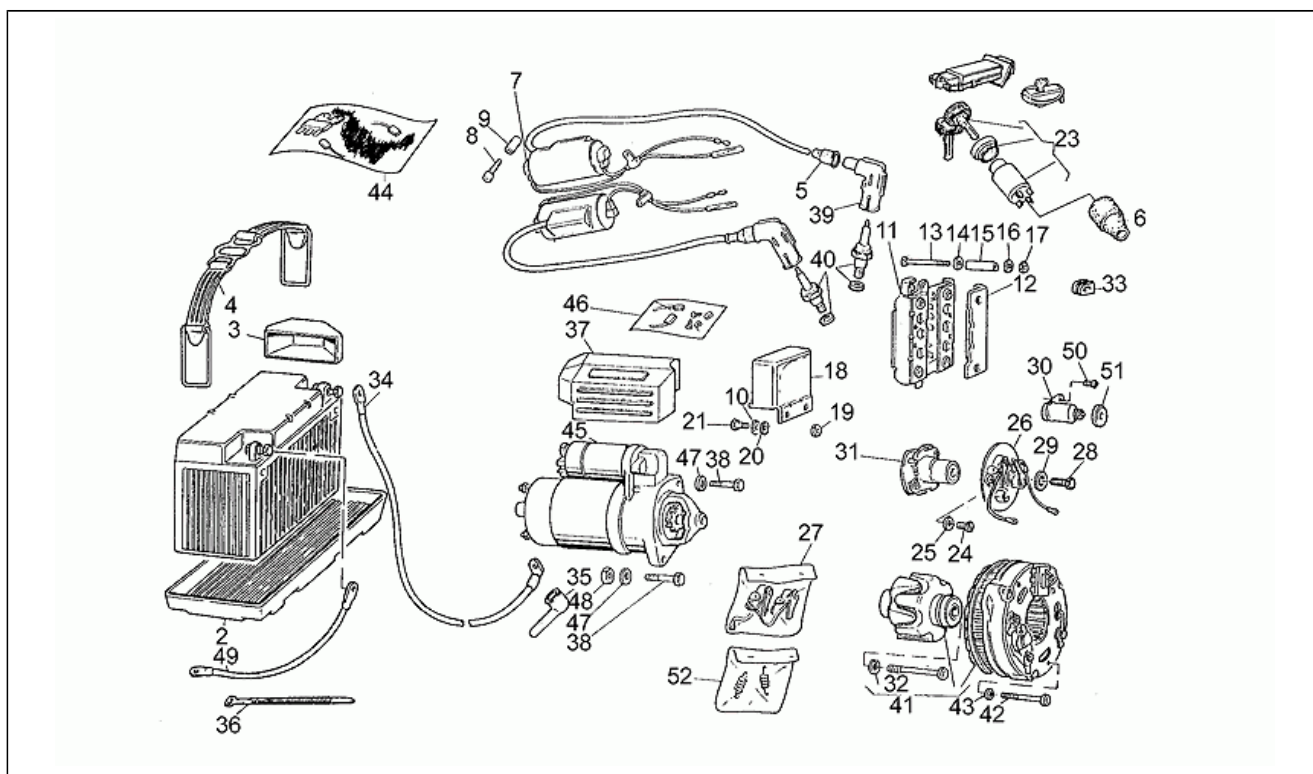
Pos.	Code	Description	Q.ty	Variants
30	GU98054418	Vite	6	
31	GU19352401	Custodia cuscinetto	1	Specifiche Tecniche: Fino a telaio PL12366[T1], Versione V35C[V35C]
31	GU19352401	Custodia cuscinetto	1	Specifiche Tecniche: Fino a telaio PM11845[T2], Versione V50C[V50C]
31	GU19352460	Custodia cuscinetto	1	Specifiche Tecniche: Da telaio PM11846[T4], Versione V50C[V50C]
31	GU19352460	Custodia cuscinetto	1	Specifiche Tecniche: Da telaio PL12367[T3], Versione V35C[V35C]
32	GU92249220	Cuscinetto a rulli 20x47x14	1	
33	GU19355300	Spessore 1 mm	4	
33	GU19355301	Spessore 1,1 mm	4	
33	GU19355302	Spessore 1,2 mm	4	
33	GU19355303	Spessore 1,3 mm	4	
33	GU19355304	Spessore 1,4 mm	4	
33	GU19355305	Spessore 1,5 mm	4	
33	GU19355306	Spessore 1,6 mm	4	
33	GU19355307	Spessore 1,7 mm	4	
33	GU19355308	Spessore 1,8 mm	4	
33	GU19355309	Spessore 1,9 mm	4	
34	GU19355100	Distanziale	1	Specifiche Tecniche: Lettera A in disegno[A]
34	GU19355121	Distanziale	1	Specifiche Tecniche: Lettera B in disegno[B]
35	GU19355200	Rosetta regolaz. 0,1 mm	2	
36	GU19355202	Rosetta regolaz. 0,15 mm	11	
37	GU19356801	Distanziale	1	
38	GU90706188	Anello di tenuta 18,77X1,78	1	
39	GU19356700	Dado	1	
40	GU90706552	Anello di tenuta	1	
41	GU90403247	Anello di tenuta	1	

Assembly	TELAIO
Code	33.03
Description	Coppia conica post.
Revision	1



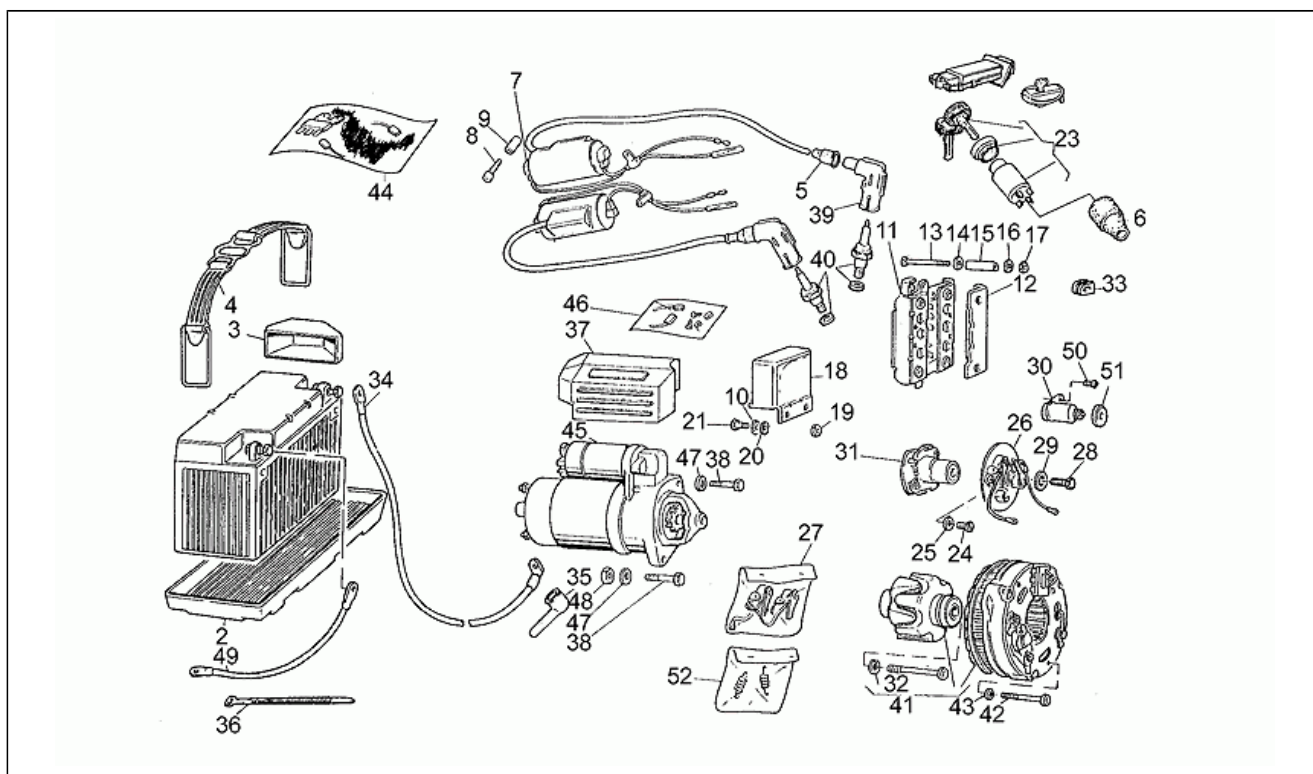
Pos.	Code	Description	Q.ty	Variants
42	GU23555281	Perno	1	
43	GU92602208	Dado M8X1,25	2	
44	GU19355320	Spessore 1 mm	2	
44	GU19355321	Spessore 1,1 mm	2	
44	GU19355322	Spessore 1,2 mm	2	
44	GU19355323	Spessore 1,3 mm	2	
44	GU19355324	Spessore 1,4 mm	2	
44	GU19355325	Spessore 1,5 mm	2	
44	GU19355326	Spessore 1,6 mm	2	
44	GU19355327	Spessore 1,7 mm	2	
44	GU19355328	Spessore 1,8 mm	2	
44	GU19355329	Spessore 1,9 mm	2	

Assembly	TELAIO
Code	33.04
Description	Dispositivi Elettrici
Revision	1



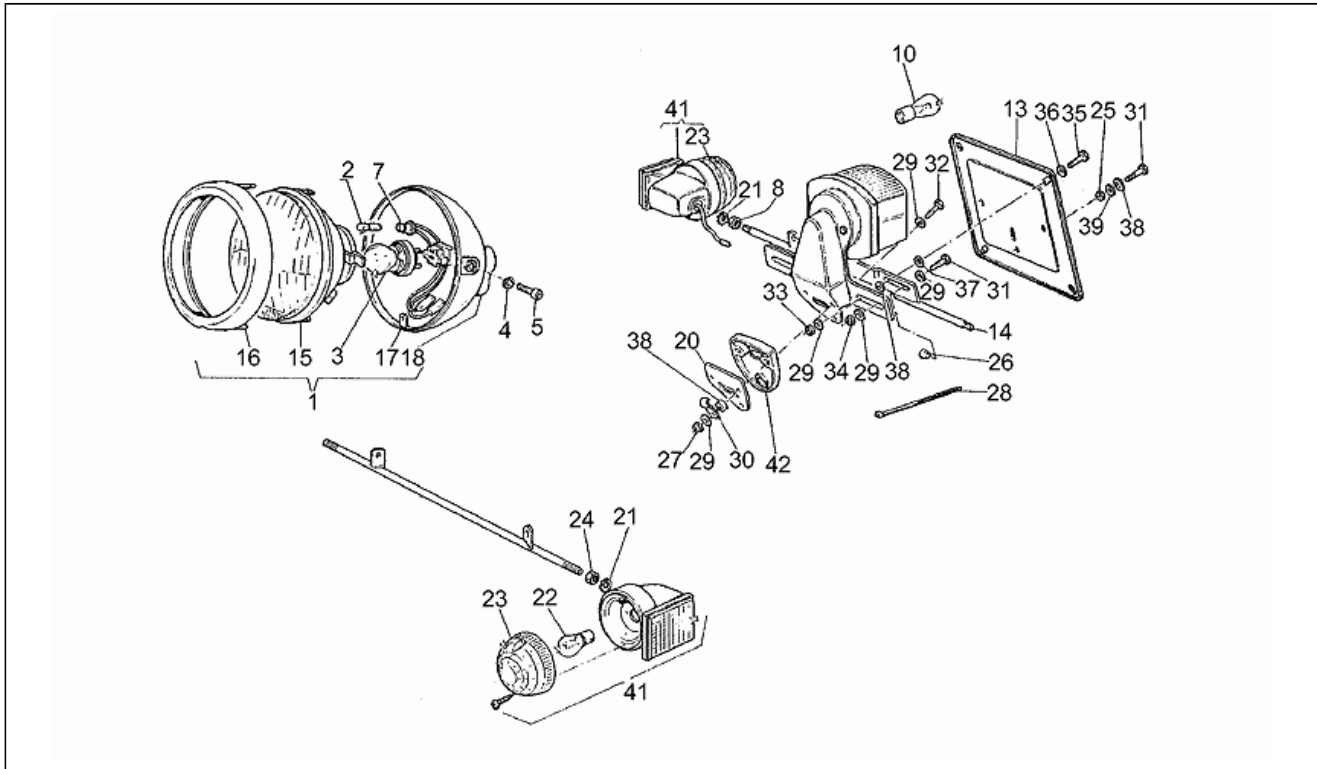
Pos.	Code	Description	Q.ty	Variants
2	GU14707000	Vaschetta	1	
3	GU14705350	Cuneo ancoraggio accumulatore	1	
4	GU19704800	Staffa	1	
5	GU14717600	Cappuccio	2	
6	GU19741336	Ghiera	1	
7	GU31716560	Bobina A.T.	2	
8	GU98620245	Vite TCEI M5X45	4	
9	GU91180721	Distanziale	4	
10	GU95000206	Rosetta	2	
11	GU17704300	Raddrizzatore Bosch	1	
12	GU61704200	Coperchio	1	
13	GU98052245	Vite	4	
14	GU95100141	Rosetta 6,4x12x1,2	2	
15	GU91180627	Distanziale	4	
16	GU95129100	Rosetta elastica 5,3X10X0,5	4	
17	GU92602205	Dado	4	
18	GU29703800	Regolatore di tensione BOSCH	1	
19	GU92602206	Dado	2	
20	GU61013800	Rosetta speciale	2	
21	GU98054312	Vite	2	
23	GU31735360	Blocchetto avviamento	1	
24	GU98290512	Vite	2	
25	GU95000205	Rosetta	2	
26	GU27708520001	Piastra	1	Specifiche Tecniche:Vedi notiziario ricambi n.003 del 1999[00399N]
27	GU19709620	Kit rev.contatti	1	
28	GU98054314	Vite	1	
29	GU95100126	Rosetta 6.3X17X1.5	1	

Assembly	TELAIO
Code	33.04
Description	Dispositivi Elettrici
Revision	1



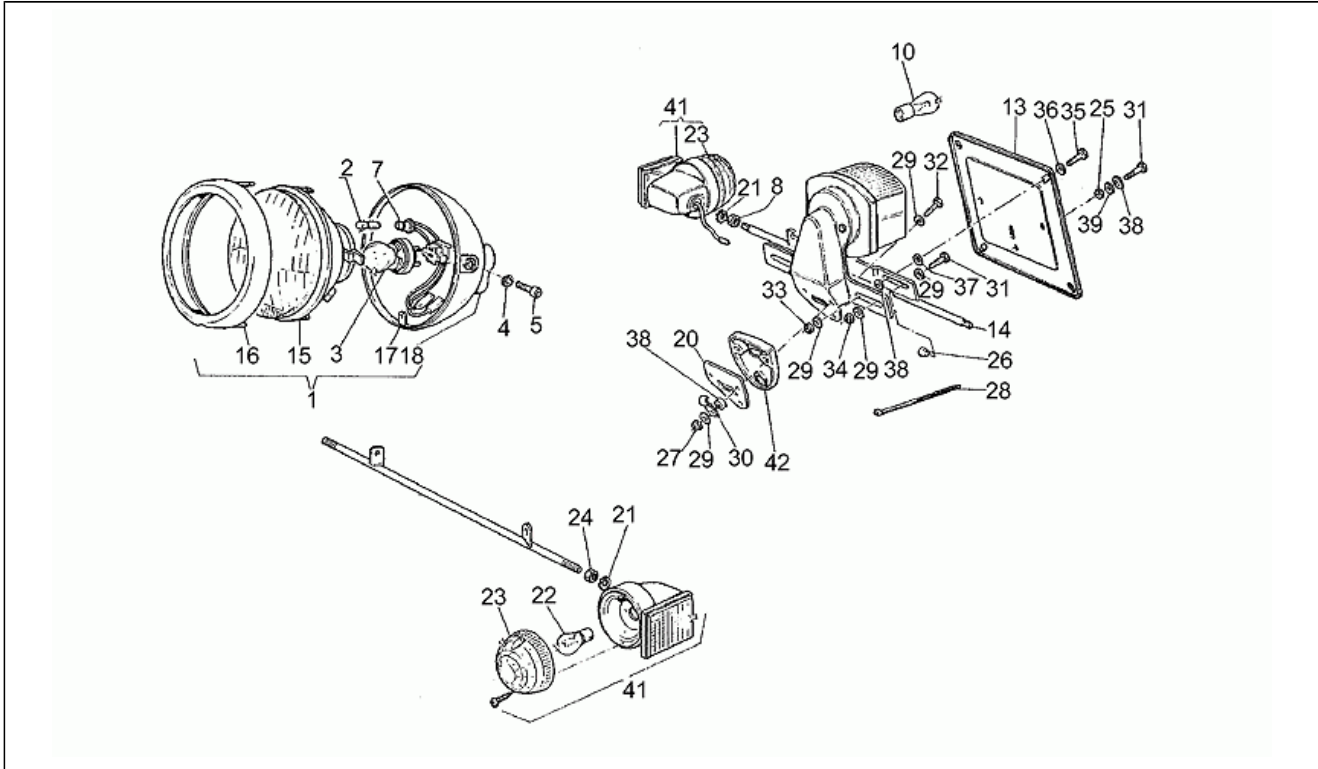
Pos.	Code	Description	Q.ty	Variants
30	GU19708620	Condensatore	2	
31	GU19708480	Anticipo	1	
32	GU14712459	Vite	1	
33	GU19007700	Gommino	1	
34	GU19748000	Cablaggio batteria-mot.avv.	1	
35	GU19707100	Cappuccio	2	
36	GU14609650	Fascetta 3,6x20,6	20	
37	GU19733350	Protezione	1	
38	GU98052435	Vite TE M8X35	2	
39	GU14717400	Pipetta candela	2	
40	GU30717010	Candela NGK BP6ES	2	
41	GU17712400	Alternatore Bosch	1	
42	GU98620245	Vite TCEI M5X45	3	
43	GU95021105	Rosetta dentellata	3	
44	GU17712454	kit riparazione	1	
45	GU30730711	Motorino avviamento Valeo	1	
46	GU14730570	Kit revisione motorino avv.	1	Specifiche Tecniche: Lettera B in disegno[B]
47	GU95004208	Rosetta	2	
48	GU92602208	Dado M8X1,25	1	
49	GU19748400	Cablaggio massa-batteria	1	
50	GU98200408	Vite	2	
51	GU19708720	Cappuccio	2	
52	GU19719820	Kit molle	1	

Assembly	TELAIO
Code	33.05
Description	Fanali
Revision	1



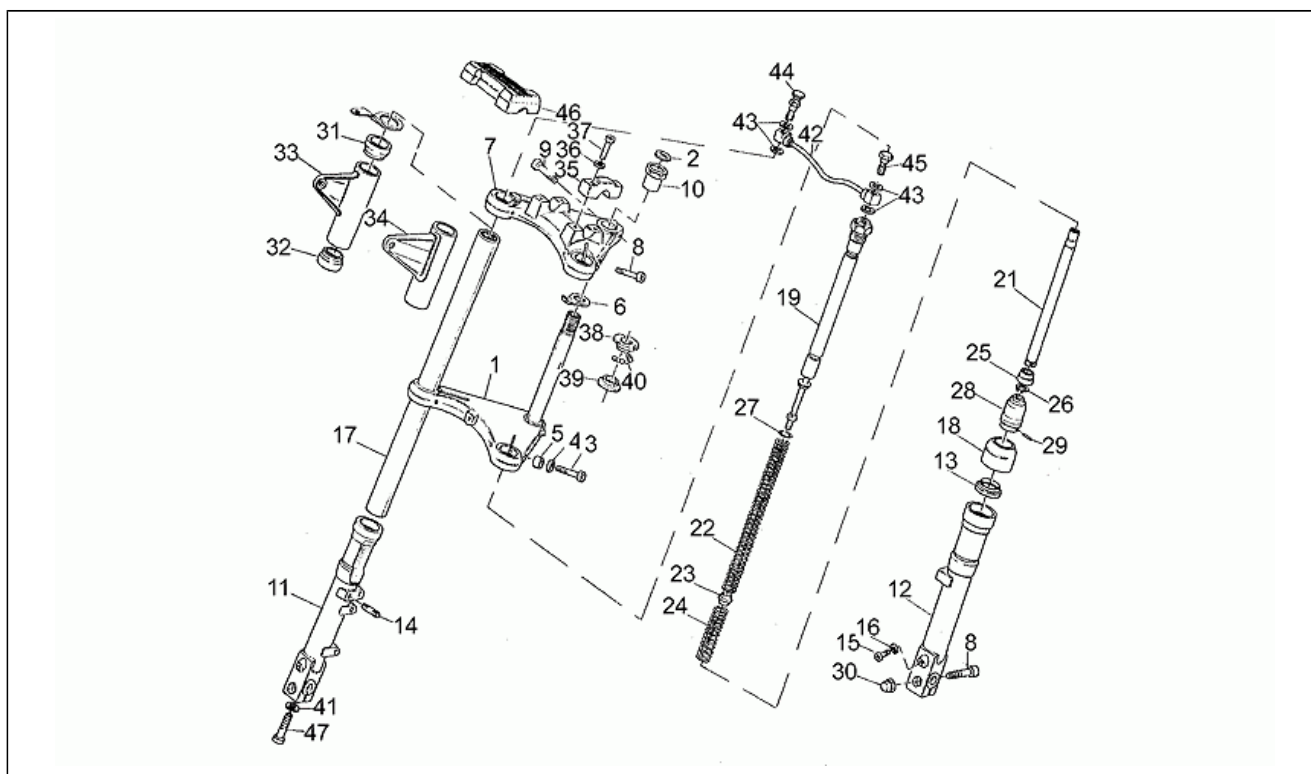
Pos.	Code	Description	Q.ty	Variants
1	GU28740533	Fanale anteriore	1	
2	GU93450119	Lampada 12V-4W	1	
3	GU93450231	Lampada 12V 45/40W	1	
4	GU95020111	Rosetta	2	
5	GU98822520	Vite	2	
7	GU17740405	Portalampada	1	
8	GU19742050	Dado	2	
10	GU93450224	Lampada 12V/5-21W	1	
13	GU10474600	Piastra portatarga	1	
14	GU18753501	Supporto	1	
15	GU19740455	Gruppo ottico	1	
16	GU19740454	Cornice fanale	1	
17	GU19740458	Calotta	1	
18	GU19740404	Tappo calotta post.	1	
20	GU10475900	Protezione in gomma	1	
21	GU14018400	Rosetta 10,5X21X1	4	
22	GU93450129	Lampada 12V-10W	4	
23	GU14753750	Vetro indicatore dire.	4	
24	GU92602411	Dado	2	
25	GU92630106	Dado M6x1	1	
26	GU93180110	Tappo	2	
27	GU92630106	Dado M6x1	3	
28	GU14609650	Fascetta 3,6x20,6	10	
29	GU95000206	Rosetta	6	
30	GU93301315	Cavallotto	2	
31	GU98054316	Vite TE	3	
32	GU98054325	Vite	3	
33	GU92630105	Dado	2	

Assembly	TELAIO
Code	33.05
Description	Fanali
Revision	1



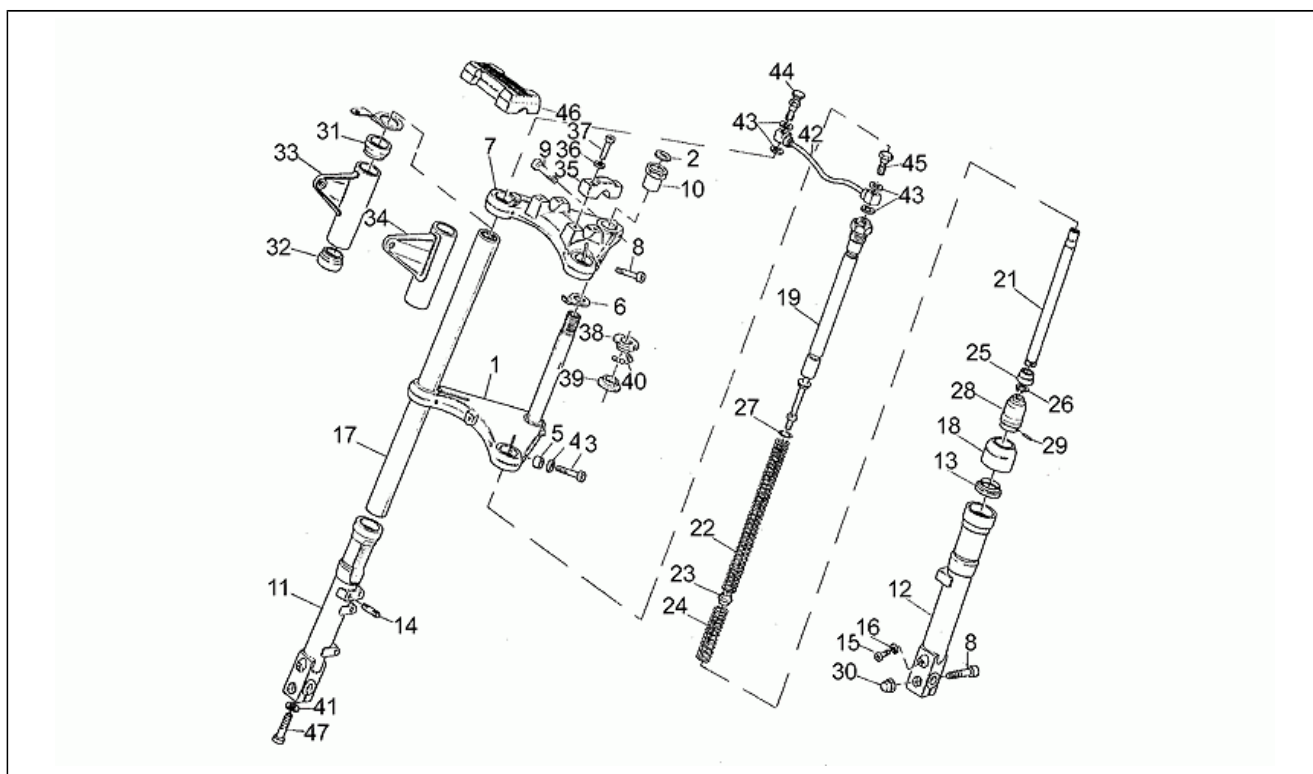
Pos.	Code	Description	Q.ty	Variants
34	GU92602206	Dado	2	
35	GU98054220	Vite	2	
36	GU95000205	Rosetta	2	
37	GU95100059	Rosetta 5,25x14x1,5	4	
38	GU93110060	Gommino	9	
39	GU95100141	Rosetta 6,4x12x1,2	2	
41	GU23750680	Indicatore dire.ant.	1	
42	GU23474580	Distanziale	1	

Assembly	TELAIO
Code	33.06
Description	Forcella anteriore
Revision	1



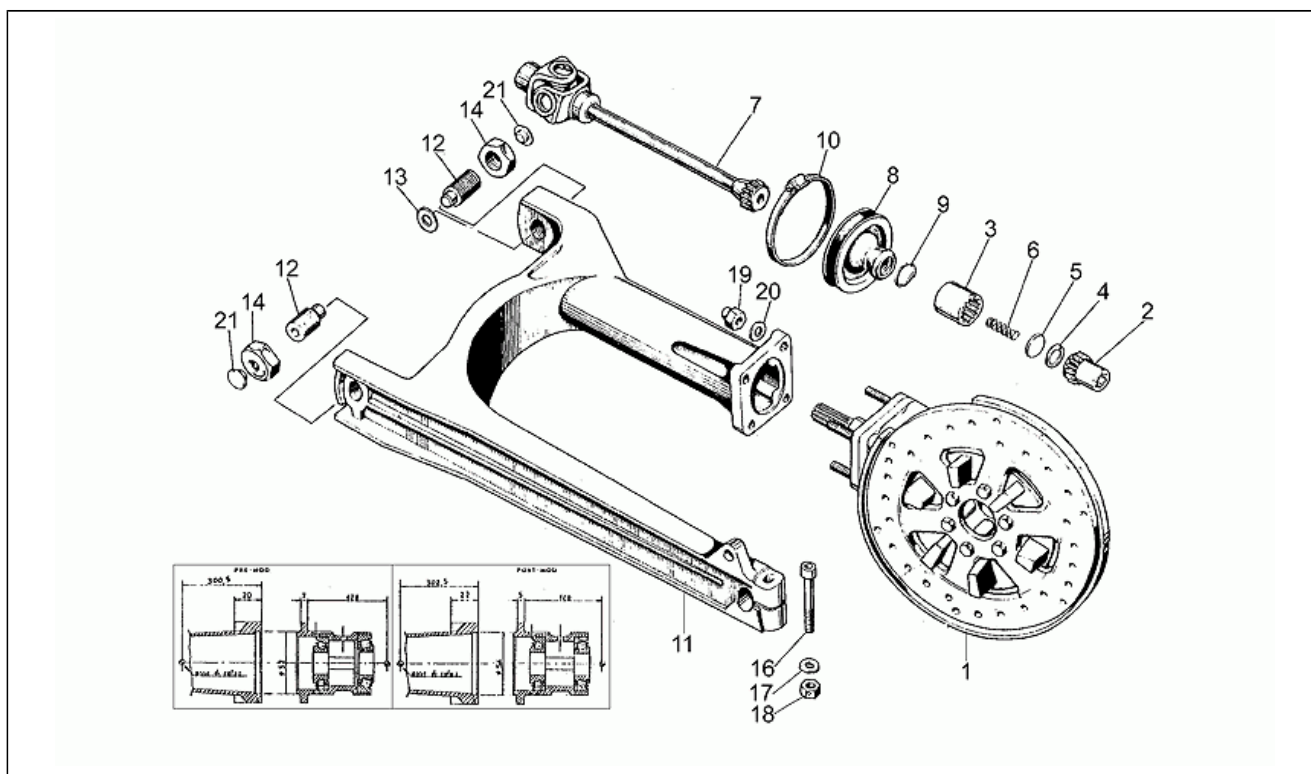
Pos.	Code	Description	Q.ty	Variants
1	GU62494021	Piastra inf.	1	
2	GU17517700	Coperchietto	1	
3	GU98072555	Vite TE	2	
4	GU95007210	Rosetta	2	
5	GU91181016	Distanziale	2	
6	GU62493200	Rosetta	1	
7	GU27493135	Piastra sup.	1	
8	GU98620540	Vite	2	
9	GU98622535	Vite	1	
10	GU14516600	Bussola	1	
11	GU23522520	Fodero DX	1	Specifiche Tecniche: Da telaio PL11783 a telaio PL12983[T5], Versione V35C[V35C]
11	GU625225201	Fodero DX	1	
12	GU23522620	Fodero SX	1	Specifiche Tecniche: Da telaio PL11783 a telaio PL12983[T5], Versione V35C[V35C]
12	GU625226201	Fodero SX	1	
13	GU90403449	Paraolio	2	
14	GU96508021	Prigioniero	4	
15	GU98622312	Vite	2	
16	GU95100116	Rosetta 6,25x10x1,5	2	
17	GU62525421	Stelo	2	
18	GU14524500	Parapolvere	2	
19	GU19526460	Ammortizzatore	2	
21	GU14527800	Tube	2	
22	GU19526960	Molla	2	
23	GU18527960	Distanziale	2	
24	GU18526660	Contromolla	2	
25	GU14527900	Segmento pompante forcella	2	

Assembly	TELAIO
Code	33.06
Description	Forcella anteriore
Revision	1



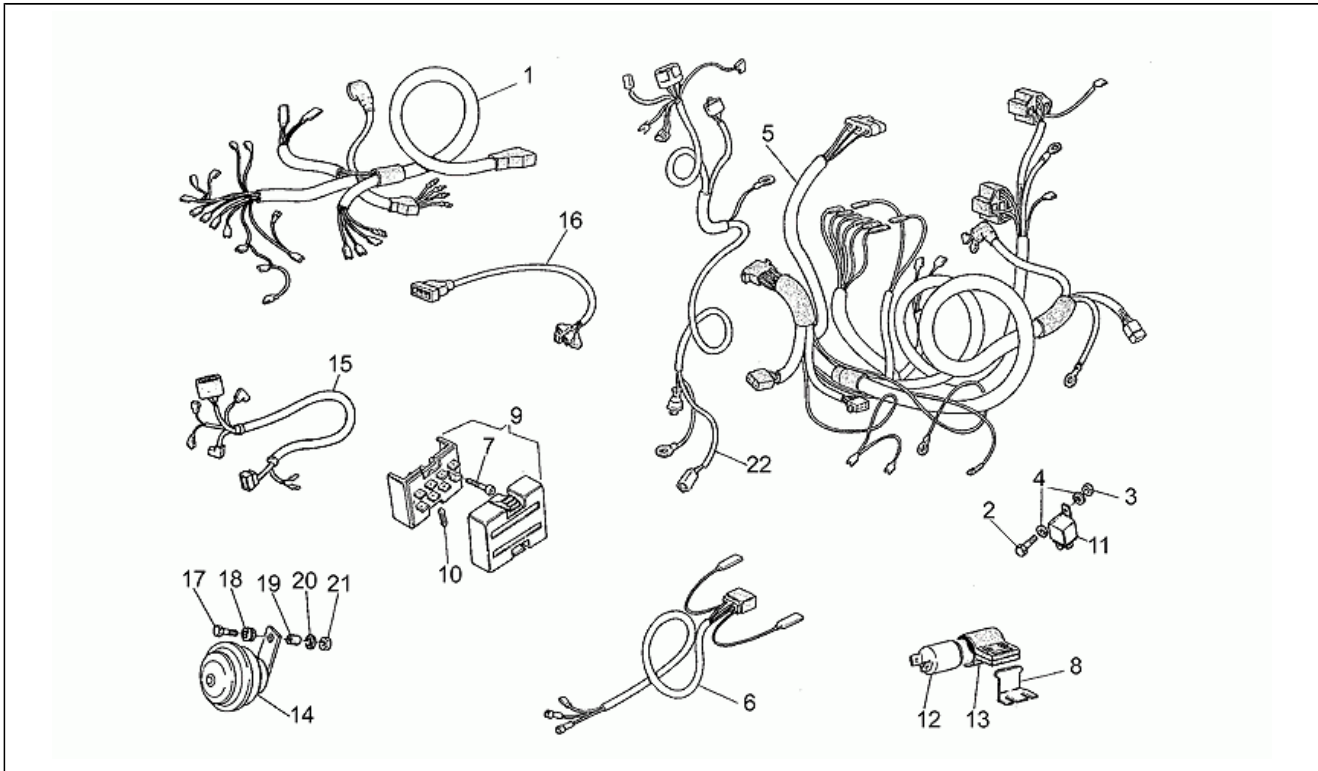
Pos.	Code	Description	Q.ty	Variants
26	GU90271014	Anello Seeger	2	
27	GU90706266	Anello di tenuta	2	
28	GU19527460	Scodellino	2	
29	GU95510308	Grano	2	
30	GU92781100	Dado	2	
31	GU17492700	Anello	4	
32	GU93110352	Anello	2	
33	GU62496121	Supporto fanale ant.dx	1	
34	GU62496221	Supporto fanale ant.sx	1	
35	GU17500200	Collare manubrio	2	
36	GU95004208	Rosetta	4	
37	GU98620435	Vite M8X35	4	
38	GU61514940	Tappo	1	
39	GU61515240	Pista sterzo	1	Specifiche Tecniche: Vedi notiziario ricambi n.002 del 2001[00201N]
40	GU92295704	Sfera	44	
41	GU10528900	Guarnizione in alluminio	2	
42	GU19529660	Tubo ammortizzatore ant.	1	
43	GU28556350	Rosetta in rame	4	
44	GU28556250	Valvola aria	1	
45	GU28556450	Vite forata	1	
46	GU63500520001	Coperchio	1	
47	GU98620560	Vite TCEI M10x60	2	

Assembly	TELAIO
Code	33.07
Description	Forcellone
Revision	1



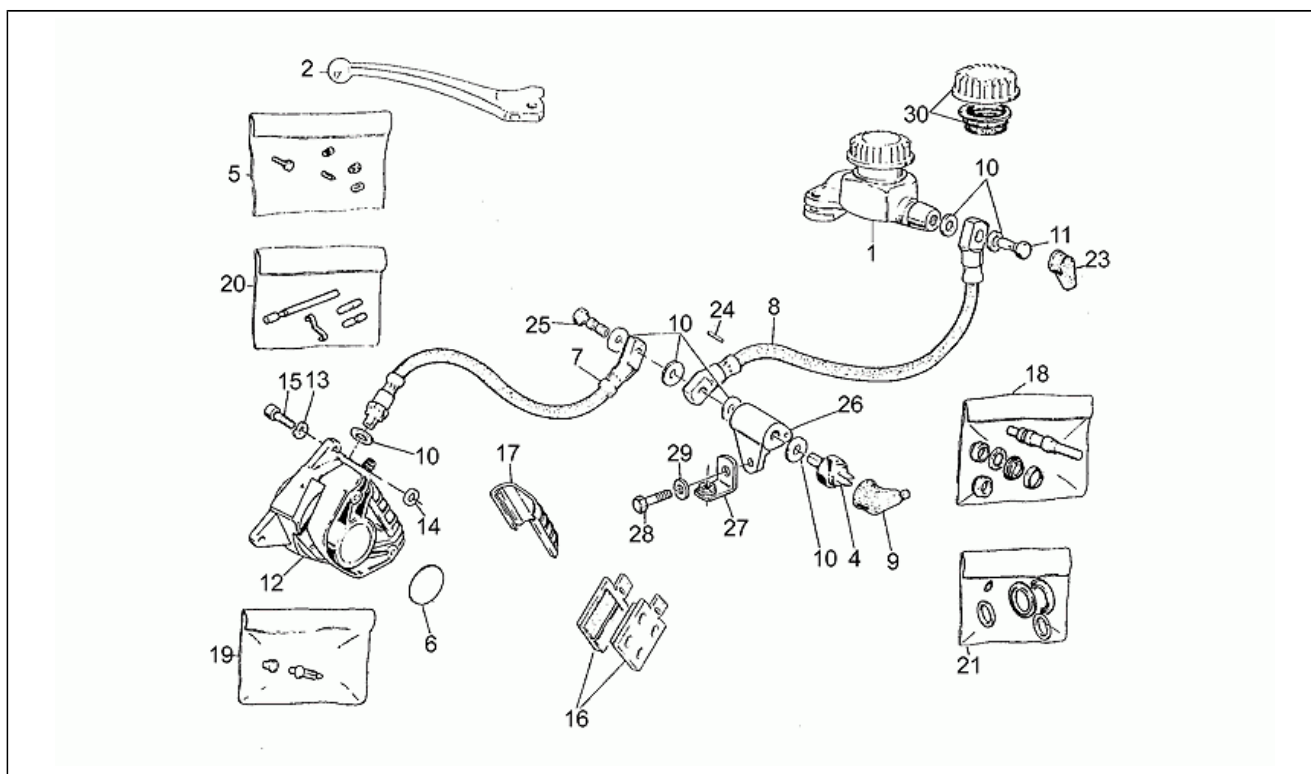
Pos.	Code	Description	Q.ty	Variants
1	GU20350220	Scatola trasm.cpl.grigio	1	
2	GU19327701	Manicotto	1	
3	GU19328801	Manicotto	1	
4	GU90272023	Anello Seeger	1	
5	GU19327601	Piattello	1	
6	GU94321099	Molla	1	
7	GU23328081	Giunto cardanico	1	
8	GU23548080	Collare di protezione	1	
9	GU23548180	Molla	1	
10	GU93305074	Fascetta	1	
11	GU31540281	Forcellone grigio	1	Specifiche Tecniche: Da telaio PL12367[T3], Versione V35C[V35C]
11	GU31540281	Forcellone grigio	1	Specifiche Tecniche: Da telaio PM11846[T4], Versione V50C[V50C]
12	GU19547000	Perno	2	
13	GU35214300	Spessore	1	
14	GU14547800	Dado	2	
16	GU98820545	Vite	1	
17	GU95004210	Rosetta 10,2x18x2	1	
18	GU92602210	Dado	1	
19	GU92781081	Dado	4	
20	GU14615901	Rosetta 8,4X13X0,8	4	
21	GU93180105	Tappo	2	

Assembly	TELAIO
Code	33.08
Description	Impianto elettrico
Revision	1



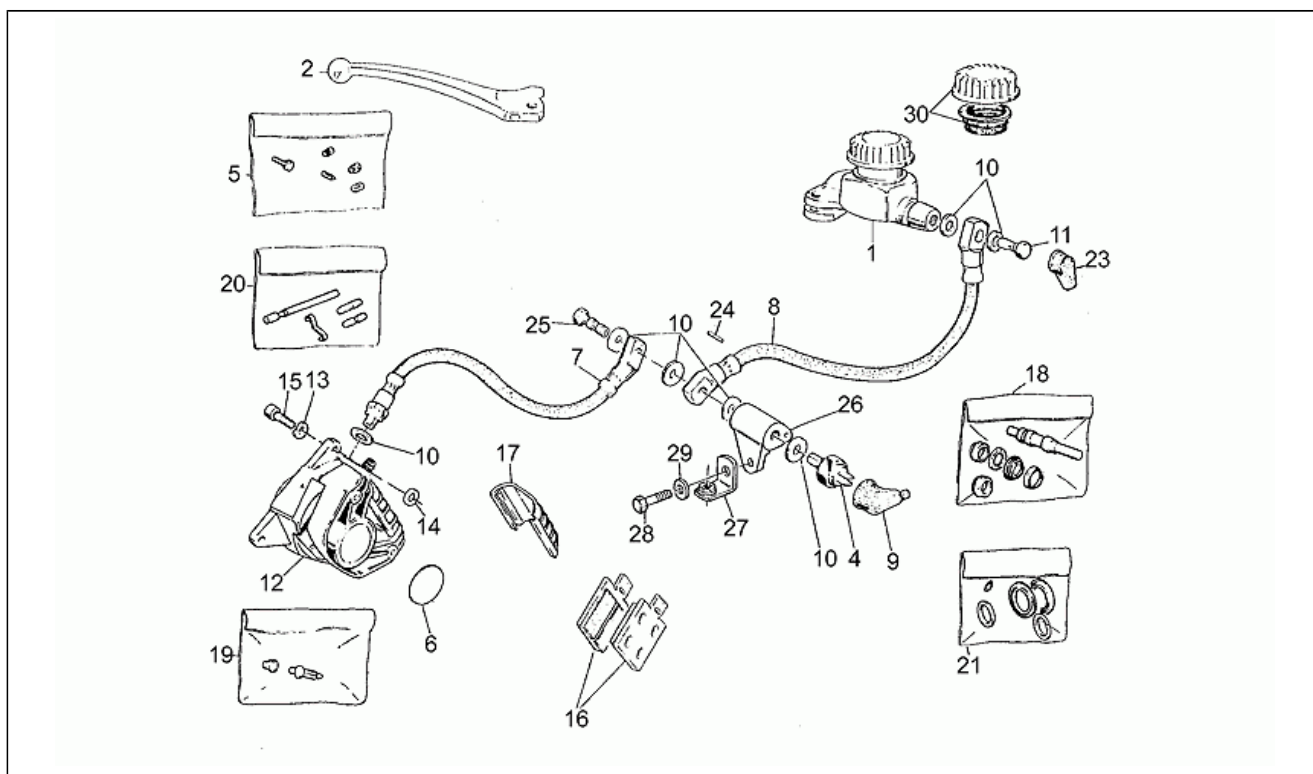
Pos.	Code	Description	Q.ty	Variants
1	GU19747281	Cablaggio faro/cruscotto	1	
2	GU98054212	Vite	2	
3	GU92602205	Dado	2	
4	GU95100059	Rosetta 5,25x14x1,5	4	
5	GU19747120	Impianto elettrico	1	
6	GU23747380	Cablaggio fanale post.	1	
7	GU98622220	Vite	2	
8	GU19750435	Piastra	1	
9	GU19743000	Scatola portafusibili	1	
10	GU17742550	Fusibile 16A	4	
11	GU19732500	Rele' avviamento	2	
12	GU17750520	Intermittenza	1	
13	GU17751200	Supporto antivibrante	1	
14	GU61743700	Claxon	1	
15	GU19726380	Cablaggio	1	
16	GU19747105	Cavo	1	
17	GU98822440	Vite	1	
18	GU95000208	Rosetta	1	
19	GU91181016	Distanziale	1	
20	GU95021108	Rosetta elastica	1	
21	GU92602208	Dado M8X1,25	1	
22	GU19725820	Cablaggio alternat.-regolatore	1	

Assembly	TELAIO
Code	33.09
Description	Impianto freno ant.dx
Revision	1



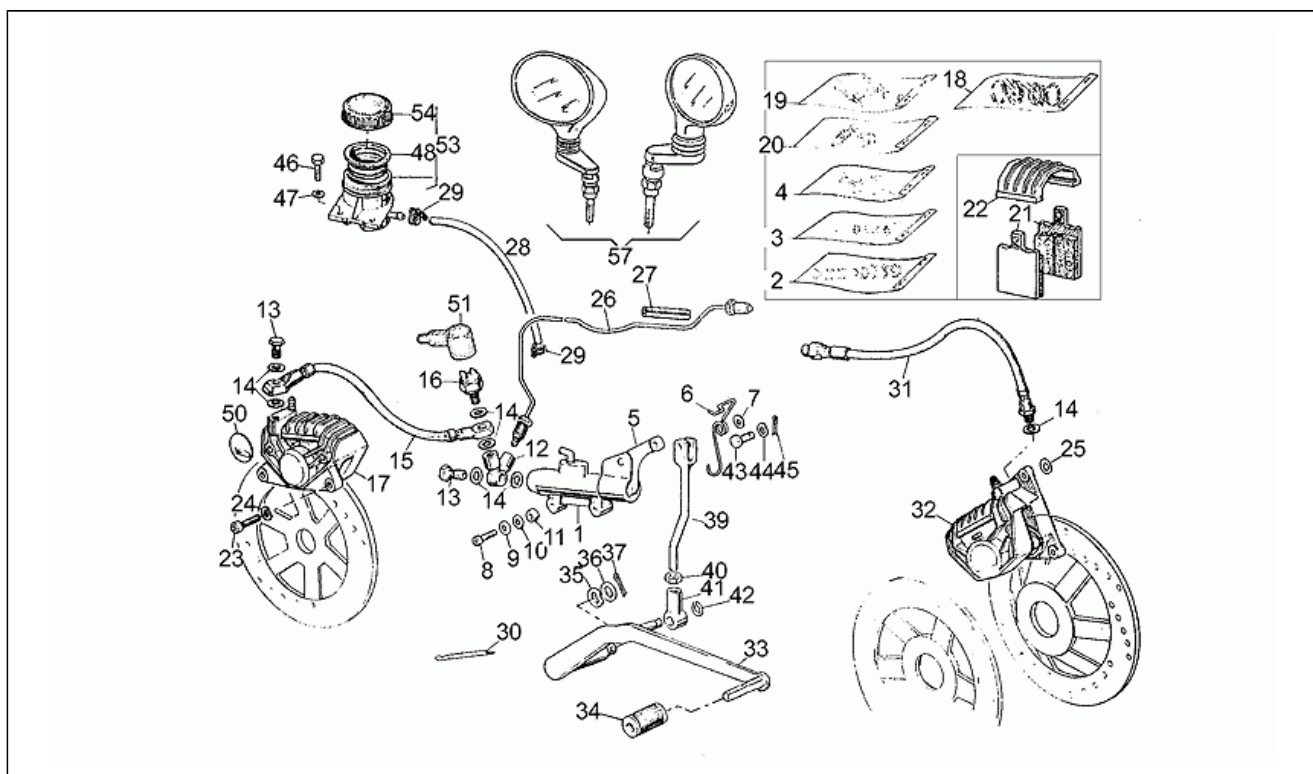
Pos.	Code	Description	Q.ty	Variants
1	GU28660178	Pompa freno ant.	1	
2	GU14605650	Leva freno ant.	1	
4	GU25657001	Interruttore stop	1	
5	GU17659450	Kit revisione leva	1	
6	GU19652700	Decalco pinza	1	
7	GU63657121	Tubo olio freno	1	
8	GU18657140	Tubo	1	
9	GU12735100	Cappuccio	1	
10	GU25656100	Guarnizione in alluminio	7	
11	GU95990028	Vite tubo olio *	1	
12	GU31652365	Pinza freno ant.sx Grimeca	1	Specifiche Tecniche: Vedi circolare tecnica n.298 del 1995[29895C]
13	GU61270300	Rosetta elastica 8x15x0,3	2	
14	GU95100250	Rosetta 8,5X18X0,5	2	
14	GU95100251	Rosetta 8,5X18X0,8	2	
15	GU98622422	Vite	2	
16	GU27654610	Pastiglie-coppia BREMBO	1	
16	GU31654665	Pastiglie-coppia GRIMECA	2	Specifiche Tecniche: Vedi circolare tecnica n.298 del 1995[29895C]
17	GU31654765	Coperchio pinza freno GRIMECA	1	Specifiche Tecniche: Vedi circolare tecnica n.298 del 1995[29895C]
17	GU39654700	Coperchio pinza freno BREMBO	1	
18	GU17659352	Kit revisione pompa post.	1	
19	GU31659265	Spurgo+cappuccio GRIMECA	1	Specifiche Tecniche: Vedi circolare tecnica n.298 del 1995[29895C]
19	GU65659200	Spurgo+cappuccio BREMBO D.6	1	
20	GU31659165	Perni+molla GRIMECA	2	Specifiche Tecniche: Vedi circolare tecnica n.298 del 1995[29895C]
20	GU39659100	Perni+molla BREMBO	1	

Assembly	TELAIO
Code	33.09
Description	Impianto freno ant.dx
Revision	1



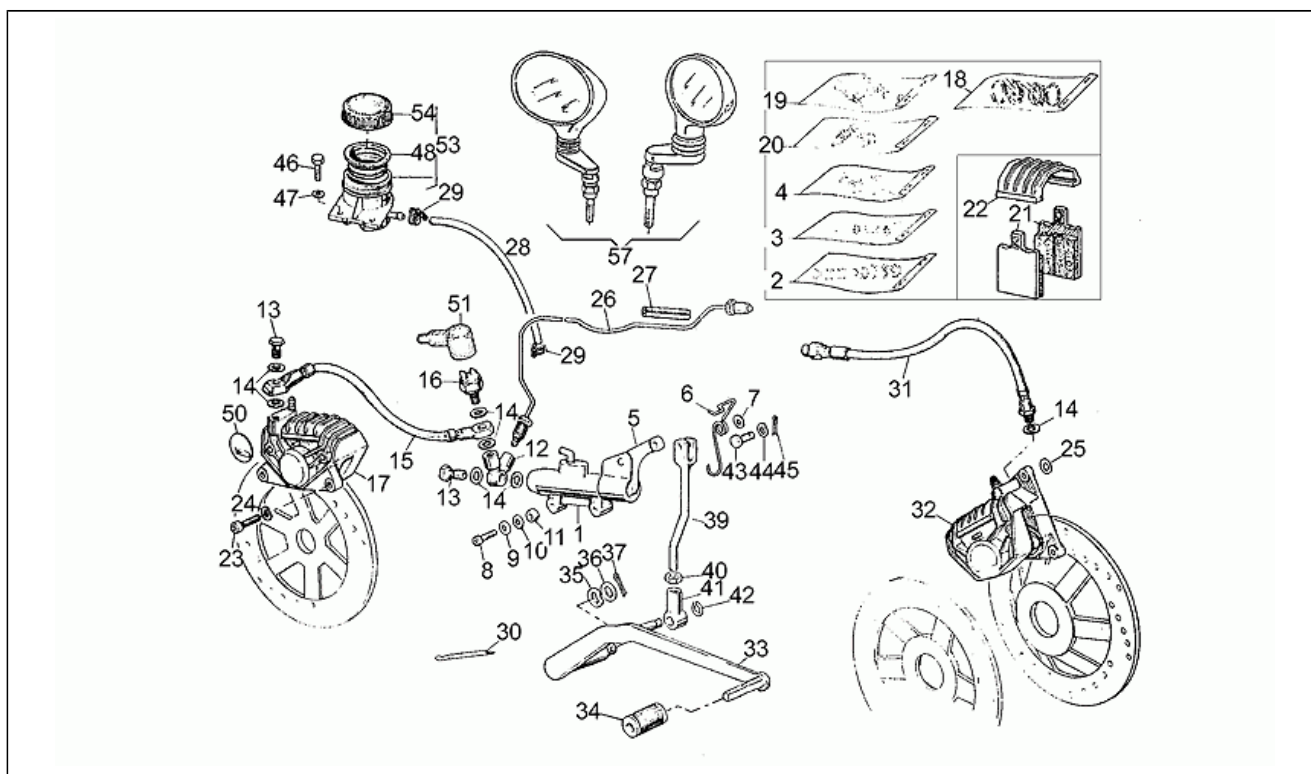
Pos.	Code	Description	Q.ty	Variants
21	GU39659000	Kit revisione pinza BREMBO	1	
21	GU66659031	Kit revisione pinza GRIMECA	1	Specifiche Tecniche: Vedi circolare tecnica n.298 del 1995[29895C]
23	GU39663801	Cappuccio	1	
24	GU95510311	Spina	1	
25	GU95990034	Vite raccordo tubo olio	1	
26	GU14656800	Ripartitore	1	
27	GU19498060	Piastra	1	
28	GU98054320	Vite TE	1	
29	GU61013800	Rosetta speciale	1	
30	GU17661052	Tappo serbatoio	1	

Assembly	TELAIO
Code	33.10
Description	Impianto freno ant.sx/post.
Revision	1



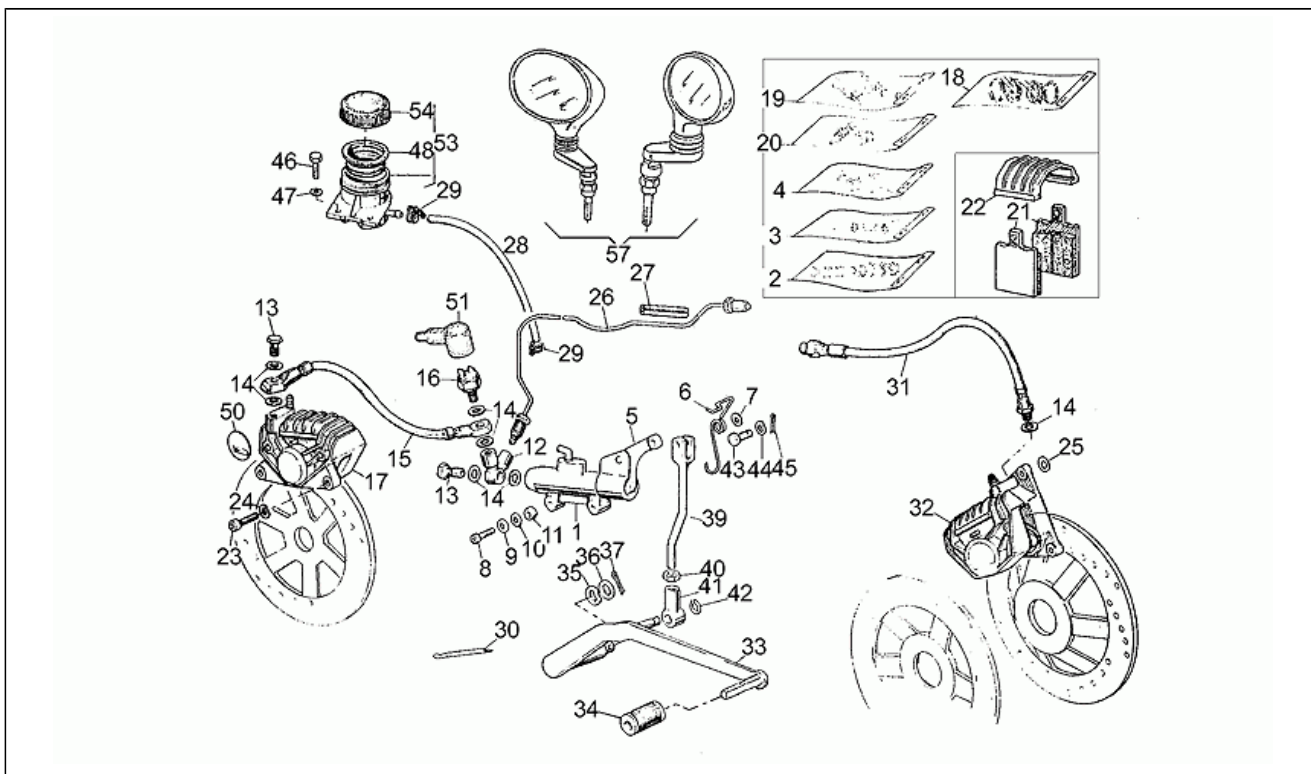
Pos.	Code	Description	Q.ty	Variants
1	GU31666990	Pompa freno post.	1	
2	GU17659350	Kit revisione pompa	1	
3	GU19659600	Kit revisione leva	1	
4	GU19659500	Kit raccordo pompa	1	
5	GU19667500	Leva freno post.	1	
6	GU19667600	Molla leva freno post.	1	
7	GU95004206	Rosetta 6,15x11x0,8	1	
8	GU98052326	Vite	2	
9	GU95000206	Rosetta	2	
10	GU95021106	Rosetta dentellata	2	
11	GU92602206	Dado	2	
12	GU19668000	Raccordo tubo	1	
13	GU95990028	Vite tubo olio *	2	
14	GU25656100	Guarnizione in alluminio	7	
15	GU17658550	Tubo	1	
16	GU14657050	Interruttore stop	1	
17	GU23653011	Pinza freno posteriore	1	
18	GU39659000	Kit revisione pinza BREMBO	2	
18	GU66659031	Kit revisione pinza GRIMECA	1	Specifiche Tecniche: Vedi circolare tecnica n.298 del 1995[29895C]
19	GU31659165	Perni+molla GRIMECA	2	Specifiche Tecniche: Vedi circolare tecnica n.298 del 1995[29895C]
19	GU39659100	Perni+molla BREMBO	2	
20	GU31659265	Spurgo+cappuccio GRIMECA	1	Specifiche Tecniche: Vedi circolare tecnica n.298 del 1995[29895C]
20	GU65659200	Spurgo+cappuccio BREMBO D.6	2	
21	GU27654610	Pastiglie-coppia BREMBO	1	
21	GU31654665	Pastiglie-coppia GRIMECA	2	Specifiche Tecniche: Vedi circolare tecnica n.298 del 1995[29895C]

Assembly	TELAIO
Code	33.10
Description	Impianto freno ant.sx/post.
Revision	1



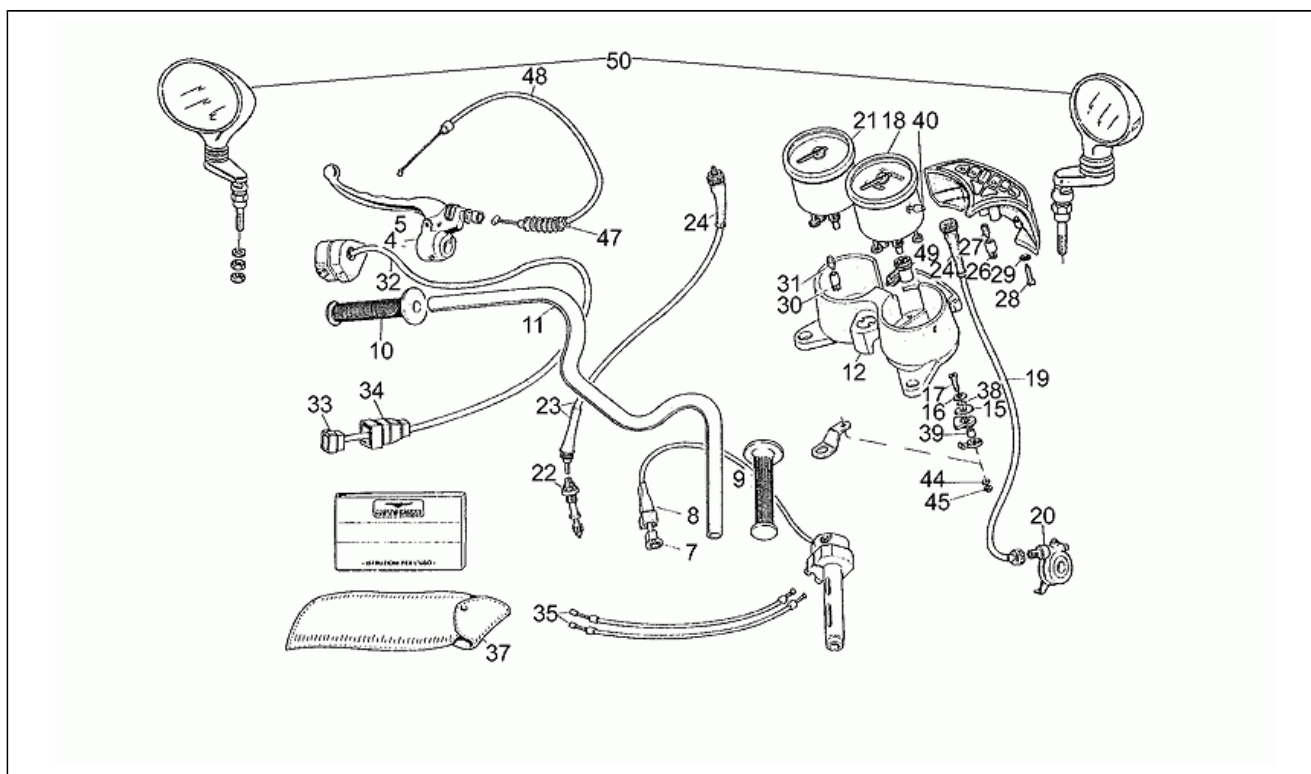
Pos.	Code	Description	Q.ty	Variants
22	GU31654765	Coperchio pinza freno GRIMECA	1	Specifiche Tecniche: Vedi circolare tecnica n.298 del 1995[29895C]
22	GU39654700	Coperchio pinza freno BREMBO	2	
23	GU98622422	Vite	4	
24	GU61270300	Rosetta elastica 8x15x0,3	4	
25	GU95100250	Rosetta 8,5X18X0,5	2	
25	GU95100251	Rosetta 8,5X18X0,8	2	
26	GU19658735	Tubo rigido	1	
27	GU17659650	Fascia elastica	3	
28	GU00823947090	Tubo	1	
29	GU19157800	Fascetta	2	
30	GU14609650	Fascetta 3,6x20,6	2	
31	GU17658860	Tubo freno	1	
32	GU31652265	Pinza freno ant.dx Grimeca	1	Specifiche Tecniche: Vedi circolare tecnica n.298 del 1995[29895C]
33	GU19677000	Leva freno post.	1	
34	GU14251001	Gommino	1	
35	GU95129260	Rosetta elastica	1	
36	GU95004215	Rondella piana	1	
37	GU95500227	Copiglia	1	
39	GU19675000	Tirante cpl.	1	
40	GU92690073	Dado	1	
41	GU18257551	Blocchetto	1	
42	GU90271008	Anello Seeger	1	
43	GU95770265	Spina	1	
44	GU95129110	Rosetta antivibrante	1	
45	GU95500222	Copiglia	1	
46	GU98052220	Vite	2	

Assembly	TELAIO
Code	33.10
Description	Impianto freno ant.sx/post.
Revision	1



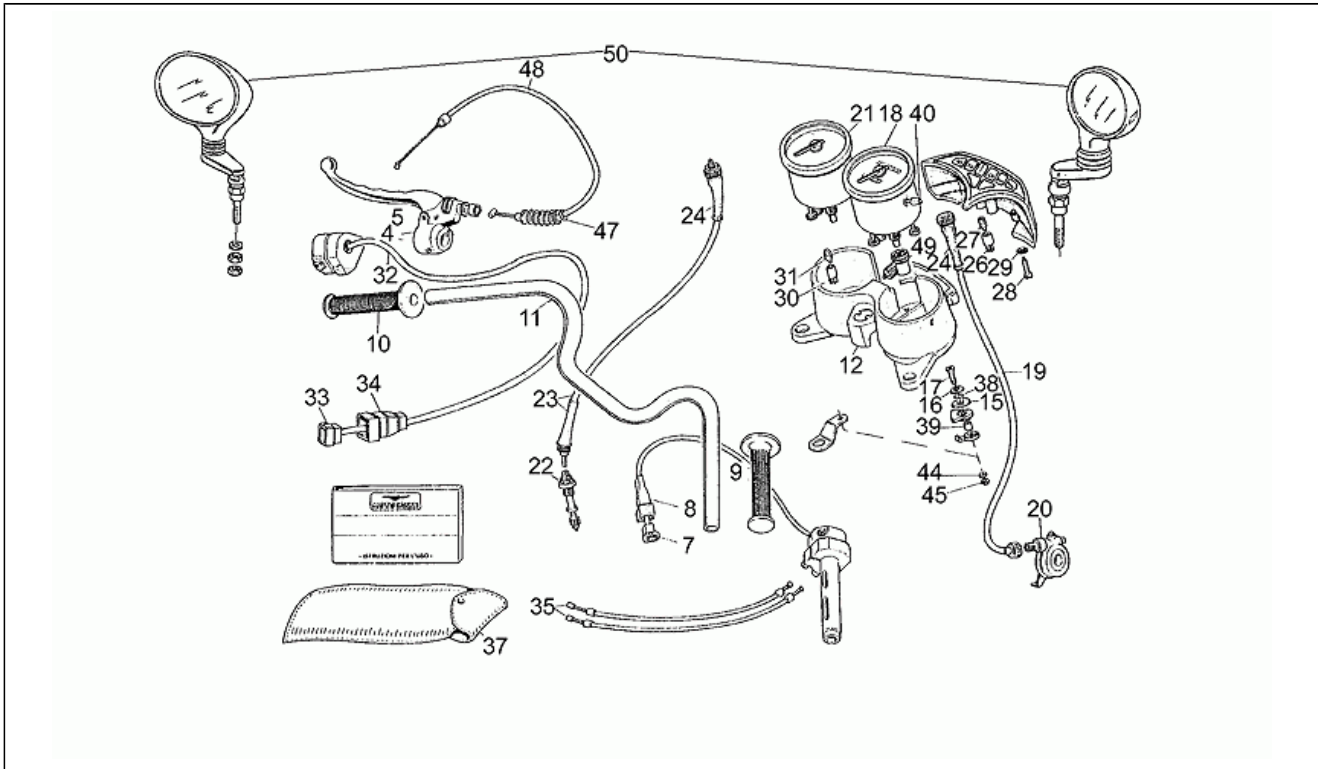
Pos.	Code	Description	Q.ty	Variants
47	GU95100059	Rosetta 5,25x14x1,5	2	
48	GU17661052	Tappo serbatoio	1	
50	GU19654900	Decalco pinza post.	1	
51	GU12735100	Cappuccio	1	
53	GU65663500	Serbatoio olio freni	1	
54	GU17661152	Coperchio pompa	1	
57	GU23999570	Specchi-coppia	1	

Assembly	TELAIO
Code	33.11
Description	Manubrio
Revision	1



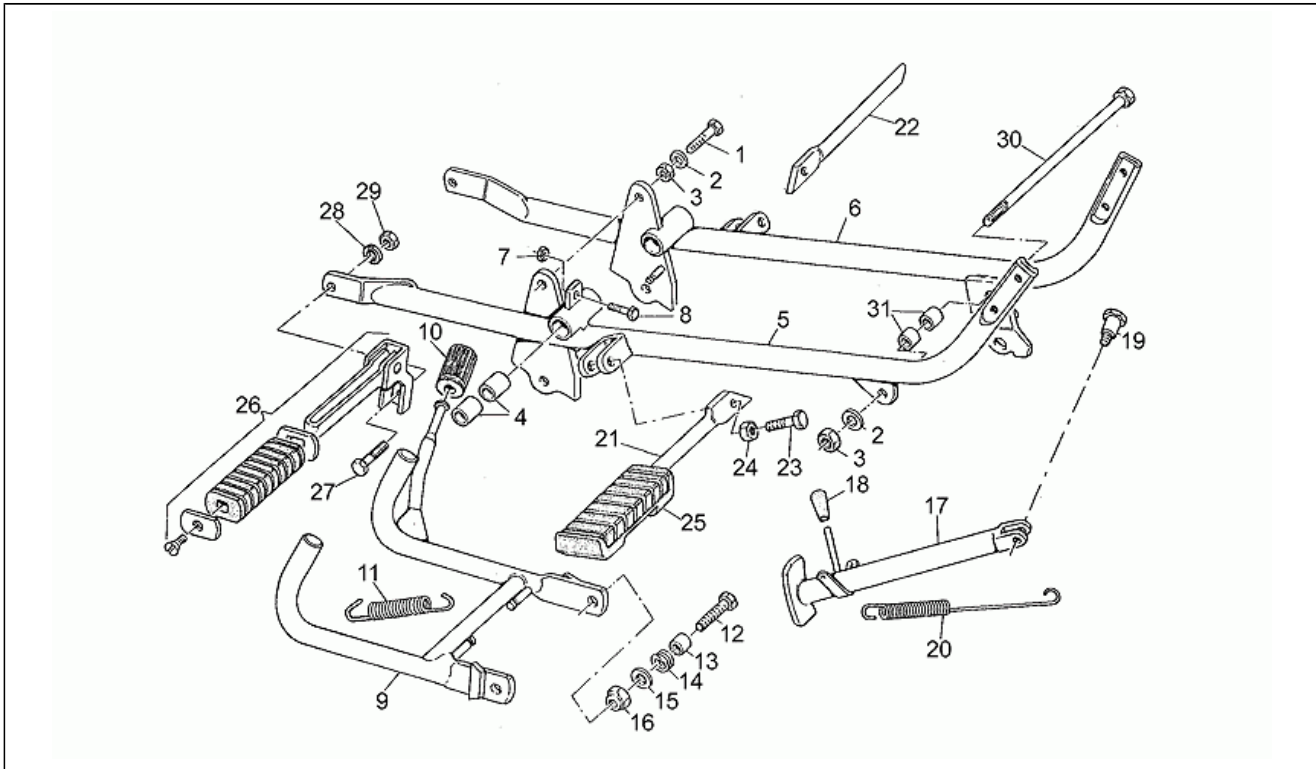
Pos.	Code	Description	Q.ty	Variants
4	GU19605501	Comando leva frizione	1	
5	GU14605750	Leva frizione	1	
7	GU17756160	Connettore 4 vie	1	
8	GU17756060	Cappuccio	1	
9	GU65603500	Manopola dx	1	
10	GU65603000	Manopola sx	1	
11	GU29600351	Manubrio	1	
12	GU19501500	Supporto strumenti	1	
15	GU95090142	Rosetta	2	
16	GU18577850	Rosetta sagomata	2	
17	GU98270641	Vite	2	
18	GU19761500	Tachimetro	1	Specifiche Tecniche: Versione V35C[V35C]
18	GU27761510001	Tachimetro	1	Specifiche Tecniche: Versione V50C[V50C]
19	GU19760480	Trasmissione	1	
20	GU61762530	Rinvio tachimetro Z=20/10	1	
21	GU17767260	Contagiri	1	Specifiche Tecniche: Versione V50C[V50C]
21	GU19767200	Contagiri	1	Specifiche Tecniche: Versione V35C[V35C]
22	GU14769200	Rinvio Z=14	1	
23	GU19768180	Trasmissione contagiri	1	
24	GU17762200	Guaina	2	
26	GU19768680	Portalampada	8	
27	GU93450140	Lampada 12V-1,2W	8	
28	GU98830225	Vite	2	
29	GU95021105	Rosetta dentellata	2	
30	GU14768650	Portalampada	2	
31	GU93450120	Lampada 12v-3w	2	
32	GU23738001	Devioluci sx	1	
33	GU61740551	Connettore	1	

Assembly	TELAIO
Code	33.11
Description	Manubrio
Revision	1



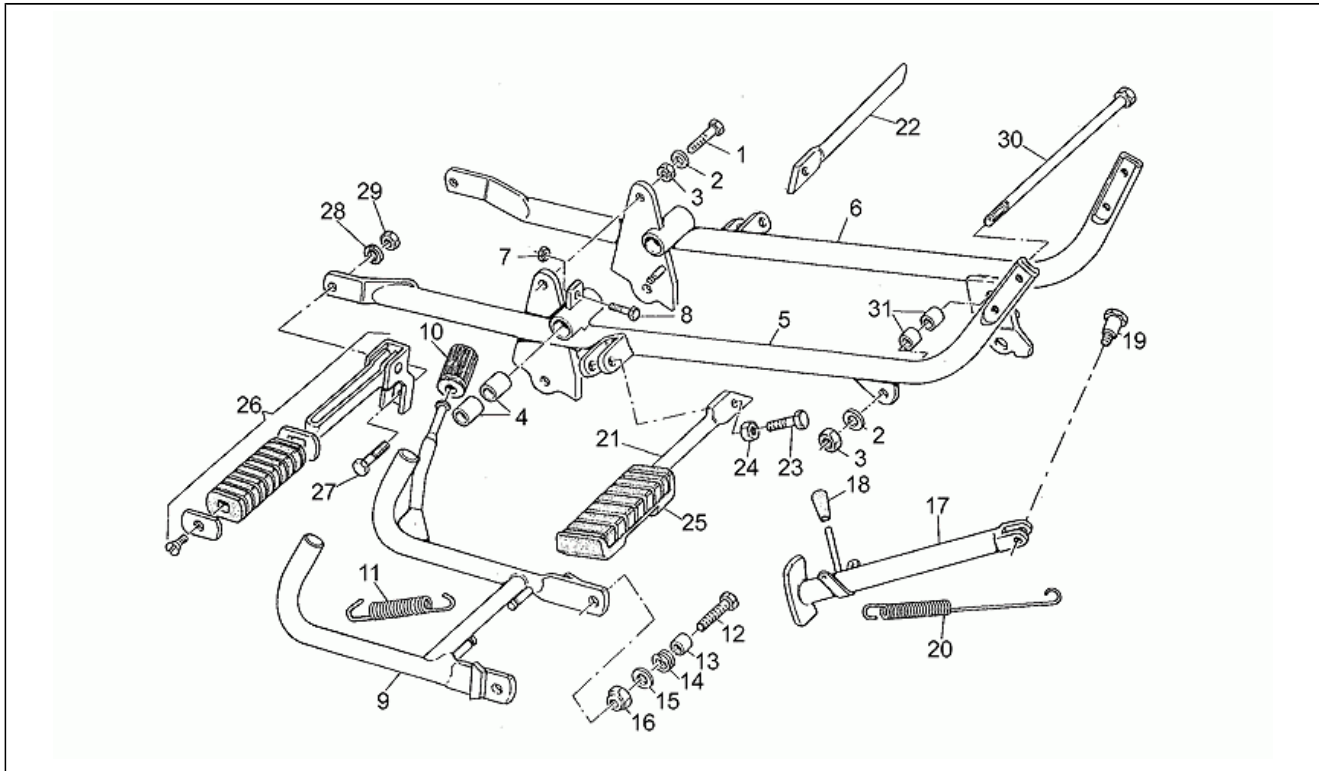
Pos.	Code	Description	Q.ty	Variants
34	GU35755780	Protezione in gomma	1	
35	GU19117545	Cavo gas	2	Specifiche Tecniche: Versione V35C[V35C]
35	GU19117595	Cavo gas	2	Specifiche Tecniche: Versione V50C[V50C]
37	GU28929940	Trousse attrezzi	1	
38	GU45212400	O-ring	2	
39	GU91180721	Distanziale	2	
40	GU19762810	Pulsante azzeratore	1	
44	GU95000206	Rosetta	1	
45	GU92630106	Dado M6x1	2	
47	GU17093850	Cappuccio	1	
48	GU23093080	Trasmissione	1	
49	GU17768360	Rinvio 90°	2	
50	GU23999570	Specchi-coppia	1	

Assembly	TELAIO
Code	33.12
Description	Pedane - cavalletto
Revision	1



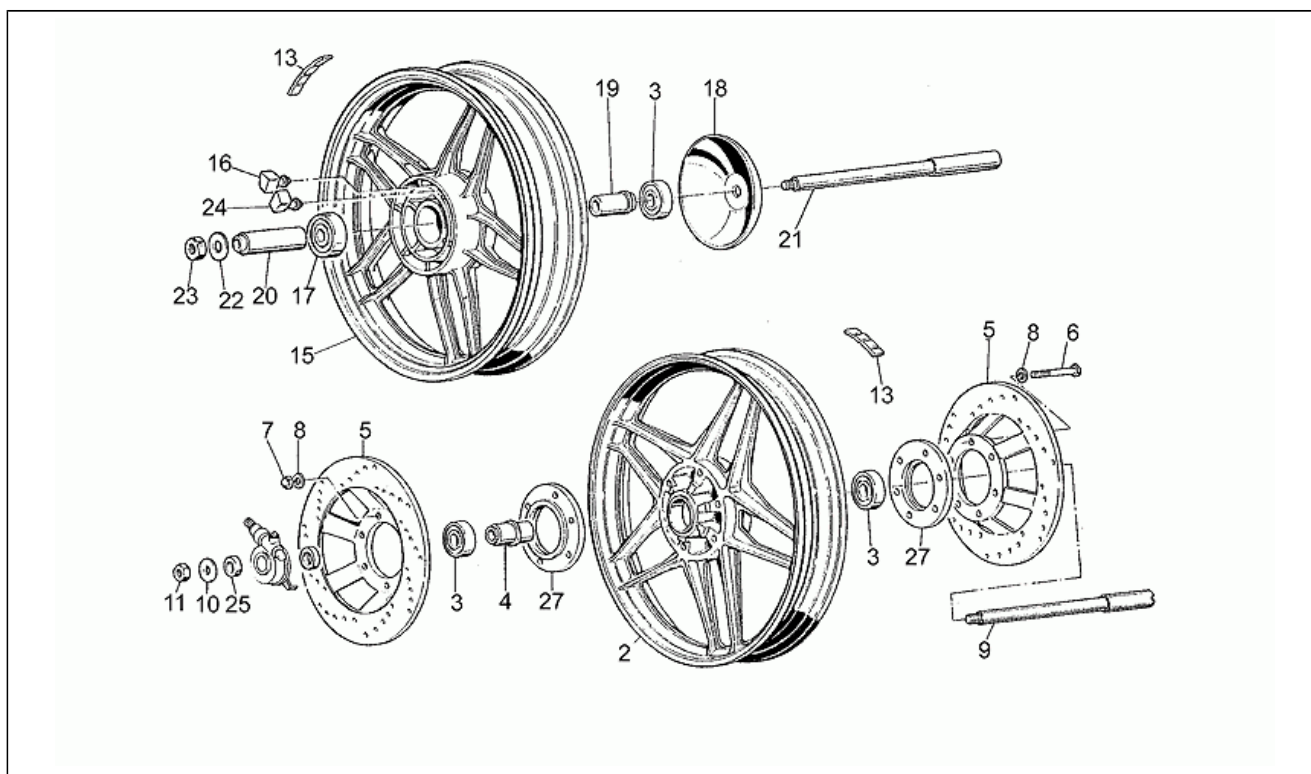
Pos.	Code	Description	Q.ty	Variants
1	GU98052565	Vite	2	
2	GU95004210	Rosetta 10,2x18x2	4	
3	GU92602210	Dado	4	
4	GU18252050	Boccola 19 mm	4	
5	GU23420380	Culla dx	1	
6	GU23422180	Culla sx	1	
7	GU92602205	Dado	1	
8	GU98054322	Vite TE	1	
9	GU19430305	Cavalletto centrale	1	
10	GU13432640	Pedalino	1	
11	GU12434001	Molla ritorno cavalletto	2	
12	GU98054530	Vite	2	
13	GU91181114	Distanziale	2	
14	GU94322215	Molla	1	
15	GU95000210	Rosetta	2	
16	GU92630510	Dado M10x1,5	2	
17	GU19432060	Braccio lat.	1	
18	GU19433000	Gommino di chiusura	1	
19	GU99105129	Perno	1	
20	GU19434000	Molla	2	
21	GU39440700	Tubo dx	1	
22	GU39441800	Tubo sx	1	
23	GU98820430	Vite	2	
24	GU92602208	Dado M8X1,25	2	
25	GU39443200	Pedana ant.	2	
26	GU61442300	Pedana post.	2	
27	GU98054522	Vite TE M10X22	2	
28	GU95021110	Rosetta dentellata	2	

Assembly	TELAIO
Code	33.12
Description	Pedane - cavalletto
Revision	1



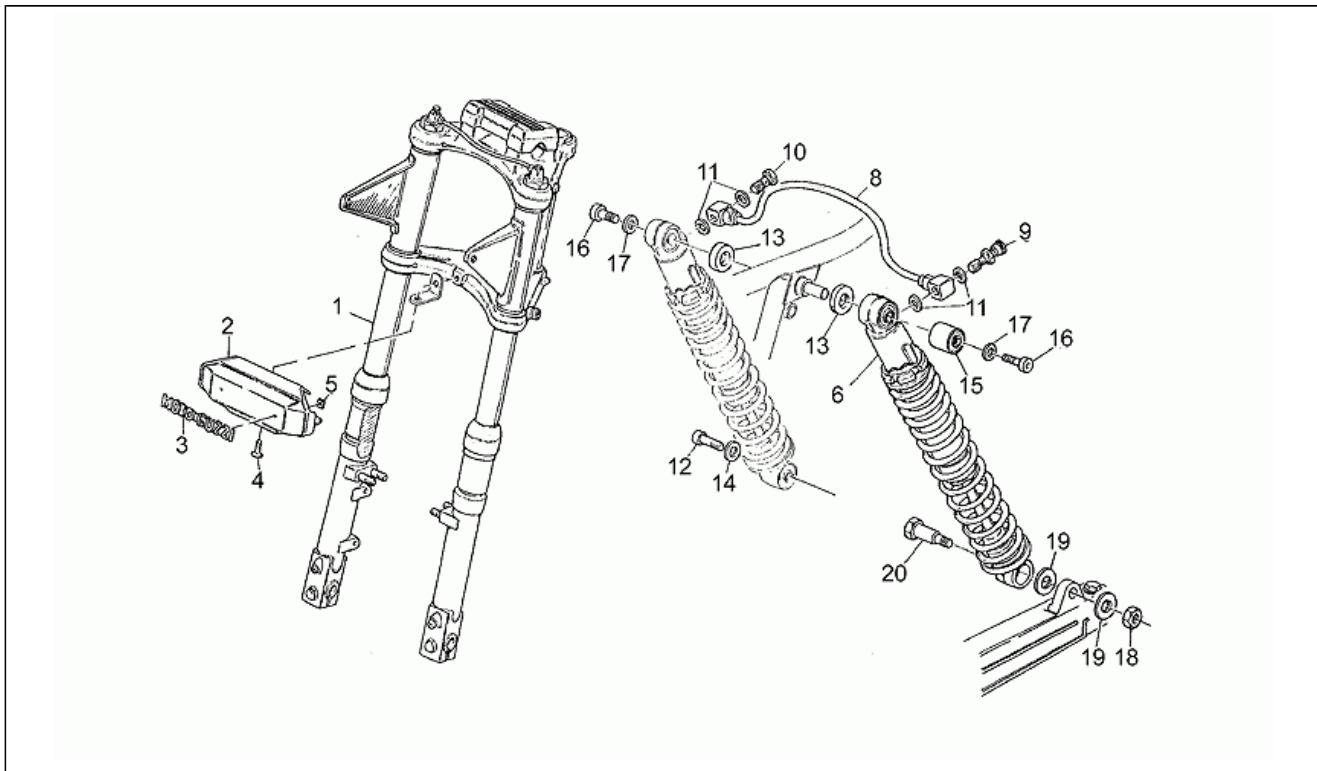
Pos.	Code	Description	Q.ty	Variants
29	GU92602410	Dado	2	
30	GU53429500	Perno M10x250	1	
31	GU19017000	Boccola	2	

Assembly	TELAIO
Code	33.13
Description	Ruote
Revision	1



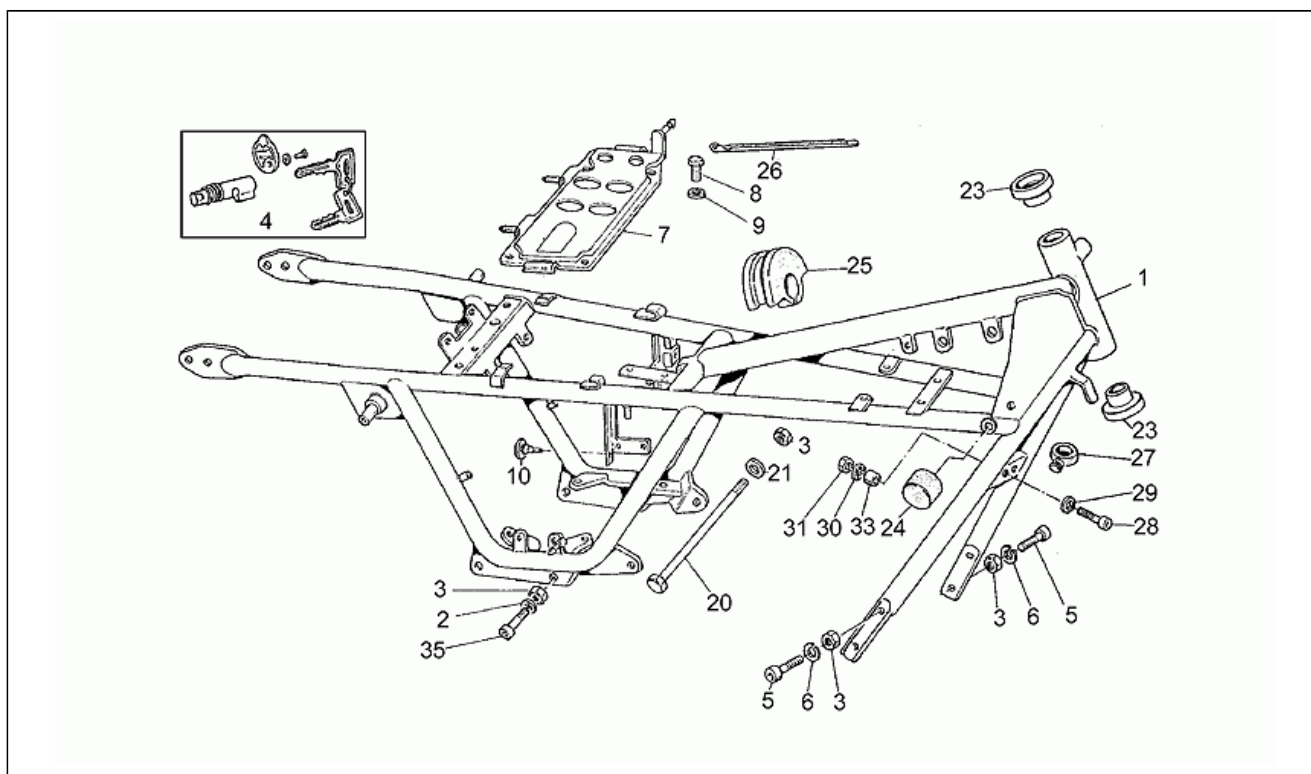
Pos.	Code	Description	Q.ty	Variants
2	GU23610380	Ruota anteriore 2,15x18	1	
3	GU92204217	Cuscinetto	3	
4	GU19615335	Distanziale	1	
5	GU31613380	Disco freno	2	
6	GU98052490	Vite m8x90	6	
7	GU92730082	Dado cieco	6	
8	GU95000208	Rosetta	12	
9	GU23614120	Perno ruota ant.	1	
9	GU62614120	Perno ruota ant.	1	Specifiche Tecniche: Fino a telaio PL11782 e da telaio PL 12964[T6], Versione V35C[V35C]
10	GU95004217	Rosetta 17X27X2	1	
11	GU92602516	Dado M16X1,5	1	
13	GU14616150	Contrappeso	4	
15	GU23630680	Ruota posteriore 2,50x16"	1	
16	GU19632502	Elemento parastrappi sx	6	
17	GU92204218	Cuscinetto	1	
18	GU19636400	Protezione	1	
19	GU19633935	Distanziale int.cuscinetti	1	
20	GU19634100	Distanziale	1	
21	GU23633380	Perno ruota post.	1	
22	GU14634400	Rosetta	1	
23	GU92602316	Dado M6x1,5	1	
24	GU19632501	Elemento parastrappi dx	6	
25	GU23616320	Distanziale	1	
25	GU62616320	Distanziale	1	Specifiche Tecniche: Fino a telaio PL11782 e da telaio PL 12964[T6], Versione V35C[V35C]
27	GU14611255	Flangia	2	

Assembly	TELAIO
Code	33.14
Description	Sospensioni ant./post.
Revision	1



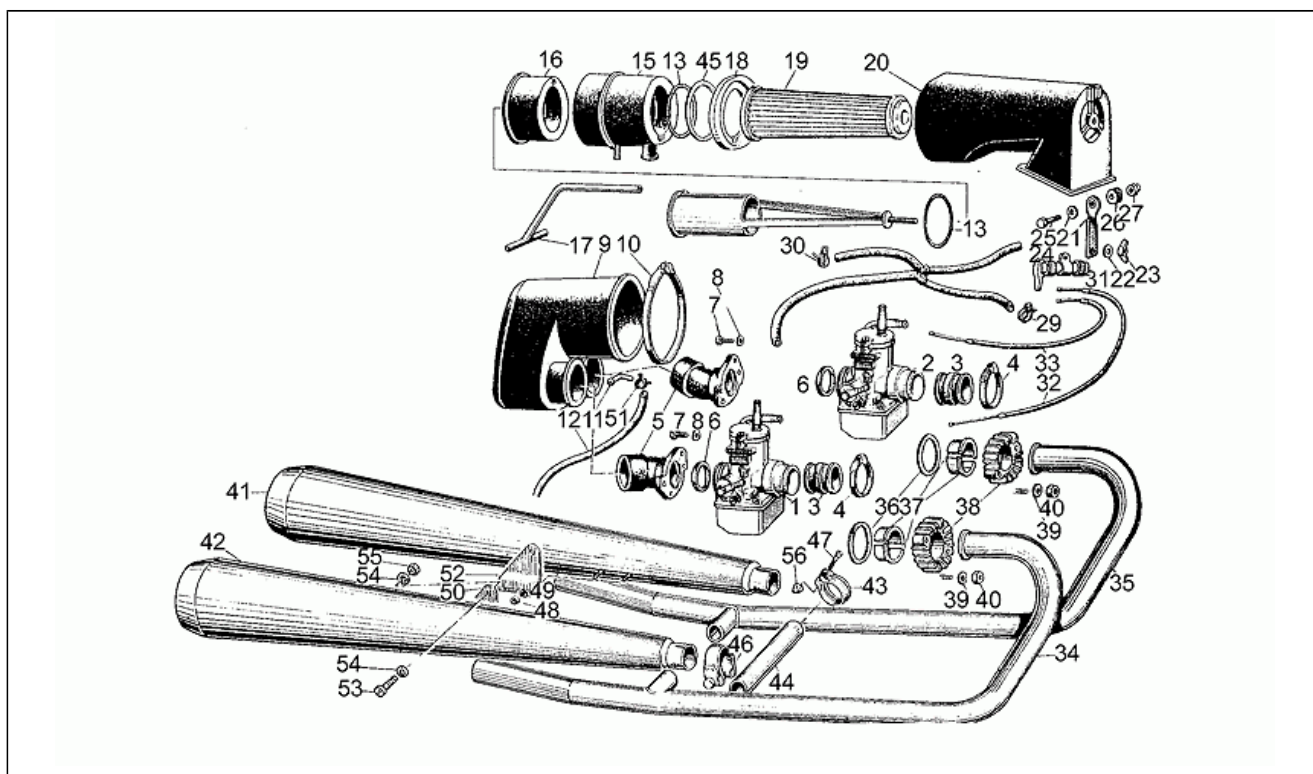
Pos.	Code	Description	Q.ty	Variants
1	GU19490365	Forcella anteriore	1	
2	GU62497820	Mascherina	1	
3	GU19923480	Targhetta Moto Guzzi	1	
4	GU98326014	Vite	1	
5	GU39922200	Piastrina	2	
6	GU23999270	Ammortizzatore-coppia	1	Specifiche Tecniche:Koeni[K]
6	GU31999240	Ammortizzatore post.	1	Specifiche Tecniche:Koeni[K]
8	GU19556160	Tube	1	Specifiche Tecniche:Paioli[P]
8	GU28556552	Tube	1	Specifiche Tecniche:Sebac[S]
9	GU28556250	Valvola aria	1	
10	GU28556450	Vite forata	1	
11	GU28556350	Rosetta in rame	4	
12	GU98822416	Vite	4	
13	GU91181407	Distanziale	3	
14	GU95100256	Rosetta	4	
15	GU14551655	Silent-block	4	
16	GU98822425	Vite	2	
17	GU95004208	Rosetta	2	
18	GU92602410	Dado	1	
19	GU95004210	Rosetta 10,2x18x2	2	
20	GU23555280	Perno	1	

Assembly	TELAIO
Code	33.15
Description	Telaio
Revision	1



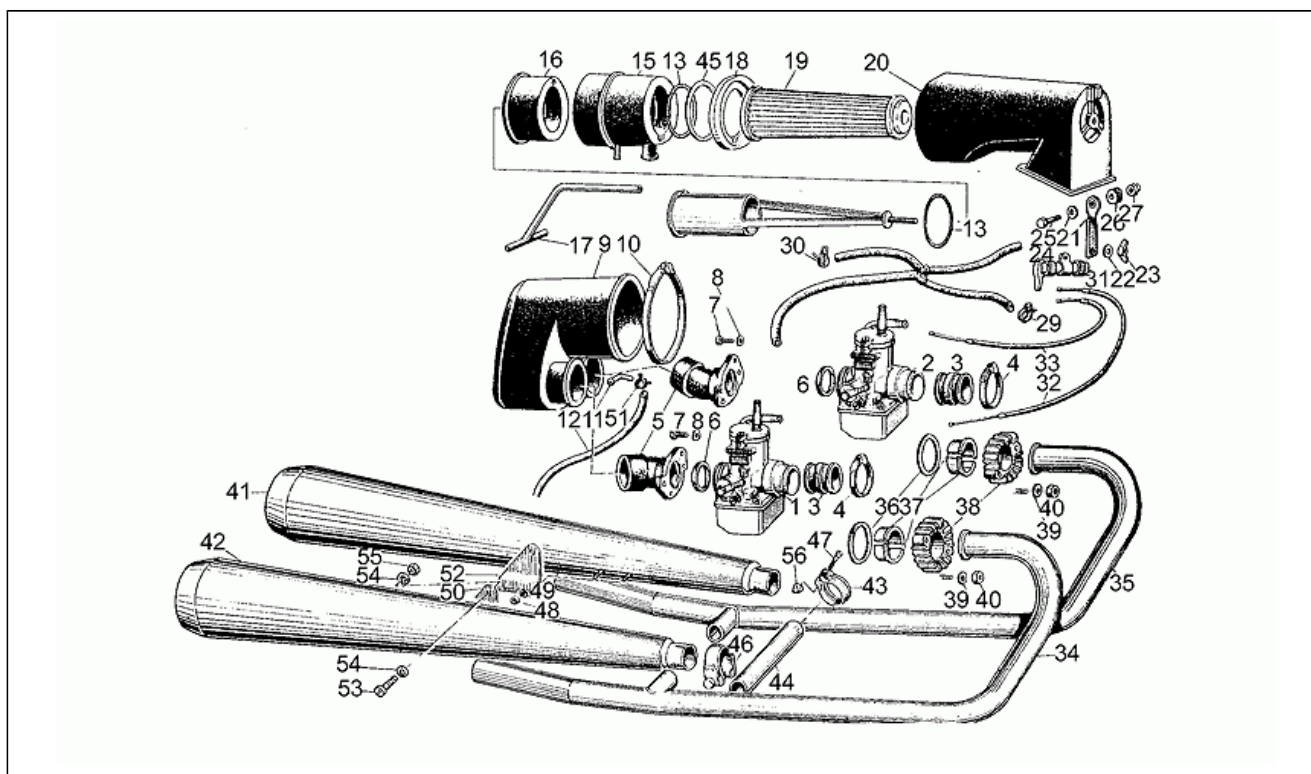
Pos.	Code	Description	Q.ty	Variants
1	GU23400180	Telaio	1	
2	GU95004210	Rosetta 10,2x18x2	2	
3	GU92602210	Dado	7	
4	GU19782520	Serratura	1	
5	GU98622525	Vite 25 mm	4	
6	GU95120105	Rosetta	4	
7	GU23418280	Piastra porta batteria	1	
8	GU98054418	Vite	4	
9	GU95004208	Rosetta	4	
10	GU19705900	Tampone	3	
20	GU98110199	Perno M10x205	1	
21	GU95004210	Rosetta 10,2x18x2	3	
23	GU39515000	Tappo	2	
24	GU39103400	Tampone	2	
25	GU14107100	Tampone	1	
26	GU14609650	Fascetta 3,6x20,6	1	
27	GU19436500	Occhiello	1	
28	GU98830430	Vite	1	
29	GU95000208	Rosetta	1	
30	GU95021108	Rosetta elastica	1	
31	GU92602208	Dado M8X1,25	1	
33	GU91181016	Distanziale	1	
35	GU98052555	Vite	2	

Assembly	TELAIO
Code	33.17
Description	Gruppo scarico-aspirazione
Revision	1



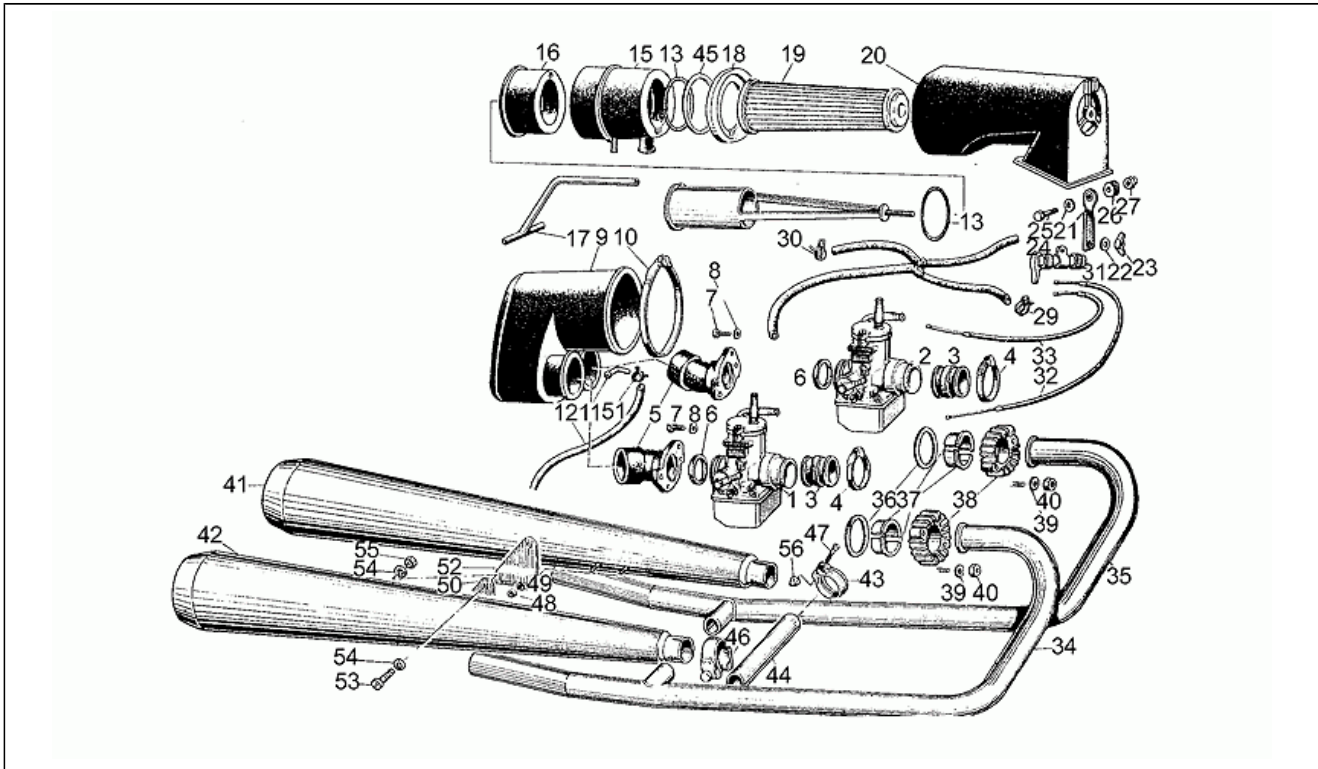
Pos.	Code	Description	Q.ty	Variants
1	GU19112680	Carburatore dx PHBH 28 BD	1	Specifiche Tecniche:Versione V50C[V50C]
2	GU19112681	Carburatore sx PHBH 28 BS	1	Specifiche Tecniche:Versione V50C[V50C]
3	GU19114320	Manicotto	2	Specifiche Tecniche:Versione V35C[V35C]
3	GU19114360	Manicotto	2	Specifiche Tecniche:Versione V50C[V50C]
4	GU93305032	Fascetta 32X52X8	4	
5	GU19114400	Collettore	2	Specifiche Tecniche:Versione V35C[V35C]
5	GU19114480	Collettore	2	Specifiche Tecniche:Versione V50C[V50C]
6	GU19114680	Anello di tenuta	2	Specifiche Tecniche:Versione V50C[V50C]
6	GU90706315	Anello di tenuta	2	Specifiche Tecniche:Versione V35C[V35C]
7	GU98054214	Vite	4	
8	GU95000205	Rosetta	4	
9	GU19114300	Collettore aspirazione	1	
10	GU93305092	Fascetta	1	
11	GU17114650	Tubetto	1	
12	GU00823942090	Tubo sfiato	1	
13	GU90706552	Anello di tenuta	2	
15	GU19156701	Manicotto ant.	1	
16	GU19156900	Manicotto post.	1	
17	GU19156001	Tubo sfiato	1	
18	GU17113450	Anello	1	
19	GU17113651	Filtro aria	1	
20	GU17114050	Coperchio filtro	1	
21	GU19114100	Piastrina	1	
22	GU95129100	Rosetta elastica 5,3X10X0,5	1	
23	GU92670305	Dado ad alette	1	
24	GU98052222	Vite	1	
25	GU95100059	Rosetta 5,25x14x1,5	2	
26	GU91551085	Gommino	1	

Assembly	TELAIO
Code	33.17
Description	Gruppo scarico-aspirazione
Revision	1



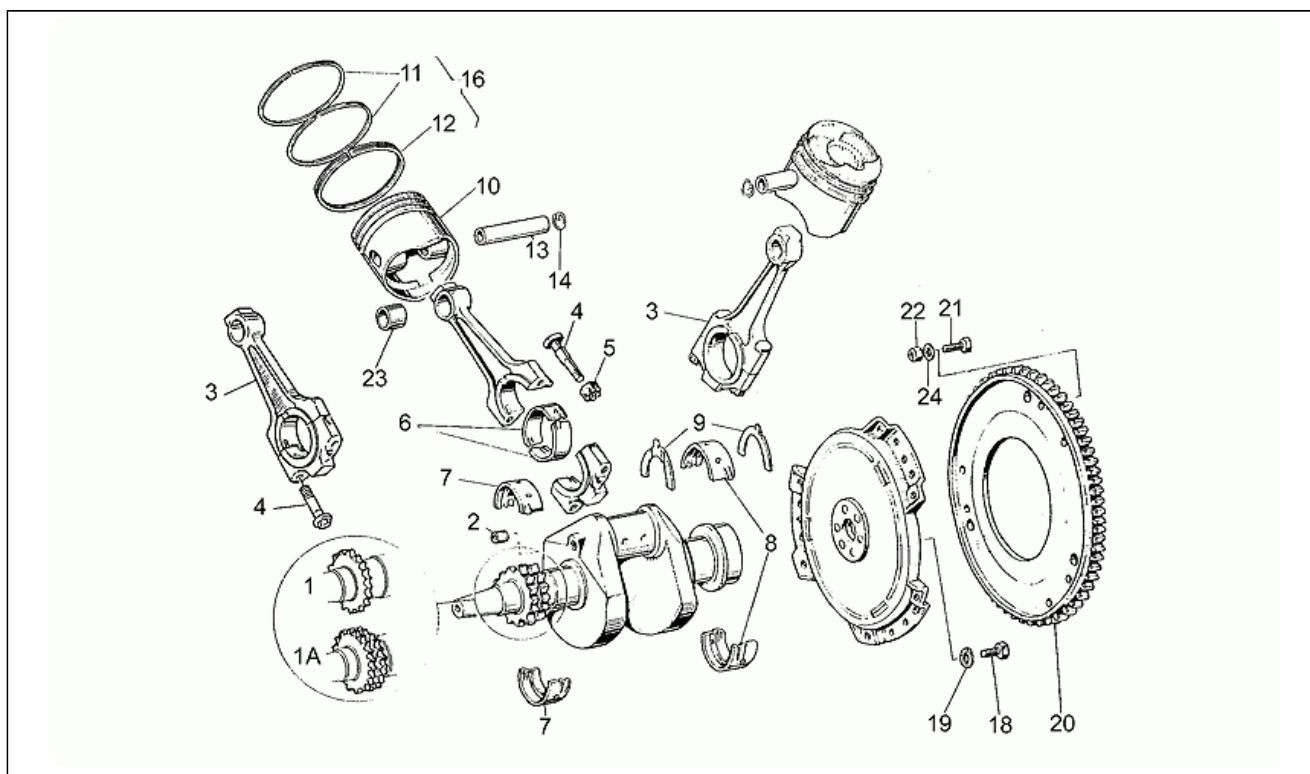
Pos.	Code	Description	Q.ty	Variants
27	GU92630105	Dado	1	
29	GU61108400	Fascetta	2	
30	GU61108500	Fascetta D9	2	
31	GU23133100	Starter	1	
32	GU19133500	Cavo starter	1	
33	GU19134000	Cavo starter carb.sx	1	
34	GU19120735	Tubo scarico dx	1	
35	GU19120736	Tubo scarico sx	1	
36	GU19025280	Guarnizione	2	Specifiche Tecniche:Versione V50C[V50C]
36	GU61025200	Guarnizione scarico	2	Specifiche Tecniche:Versione V35C[V35C]
37	GU61025400	Distanziale	4	
38	GU19121050	Ghiera scarico	2	
39	GU61013800	Rosetta speciale	4	
40	GU92701062	Dado	4	
41	GU19122936	Silenziatore sx	1	
42	GU19123036	Silenziatore dx	1	
43	GU61126920	Fascetta	2	
44	GU19121135	Tubo scarico	1	
44	GU23121180	Tubo	1	Paese:Germania[D]
45	GU19113900	Guarnizione	1	
46	GU19123435	Fascetta	2	
47	GU61127520	Vite	2	
48	GU92602208	Dado M8X1,25	4	
49	GU61270300	Rosetta elastica 8x15x0,3	4	
50	GU19128660	Piastra dx	1	
51	GU35108450	Fascetta	2	
52	GU19128760	Piastra sx	1	
53	GU98054535	Vite TE	2	

Assembly	TELAIO
Code	33.17
Description	Gruppo scarico-aspirazione
Revision	1



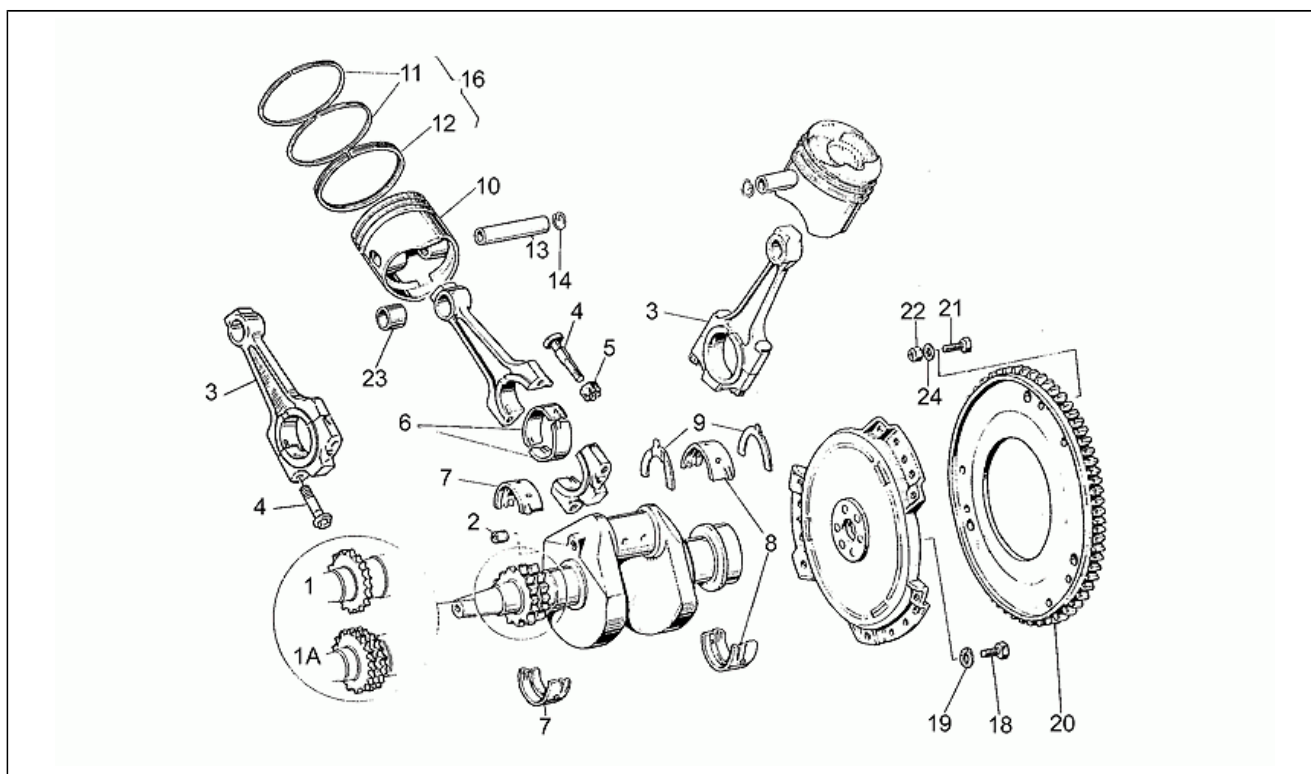
Pos.	Code	Description	Q.ty	Variants
54	GU95021110	Rosetta dentellata	4	
55	GU92602410	Dado	2	
56	GU61127220	Ghiera	2	

Assembly	MOTORE
Code	34.16
Description	Albero motore
Revision	1



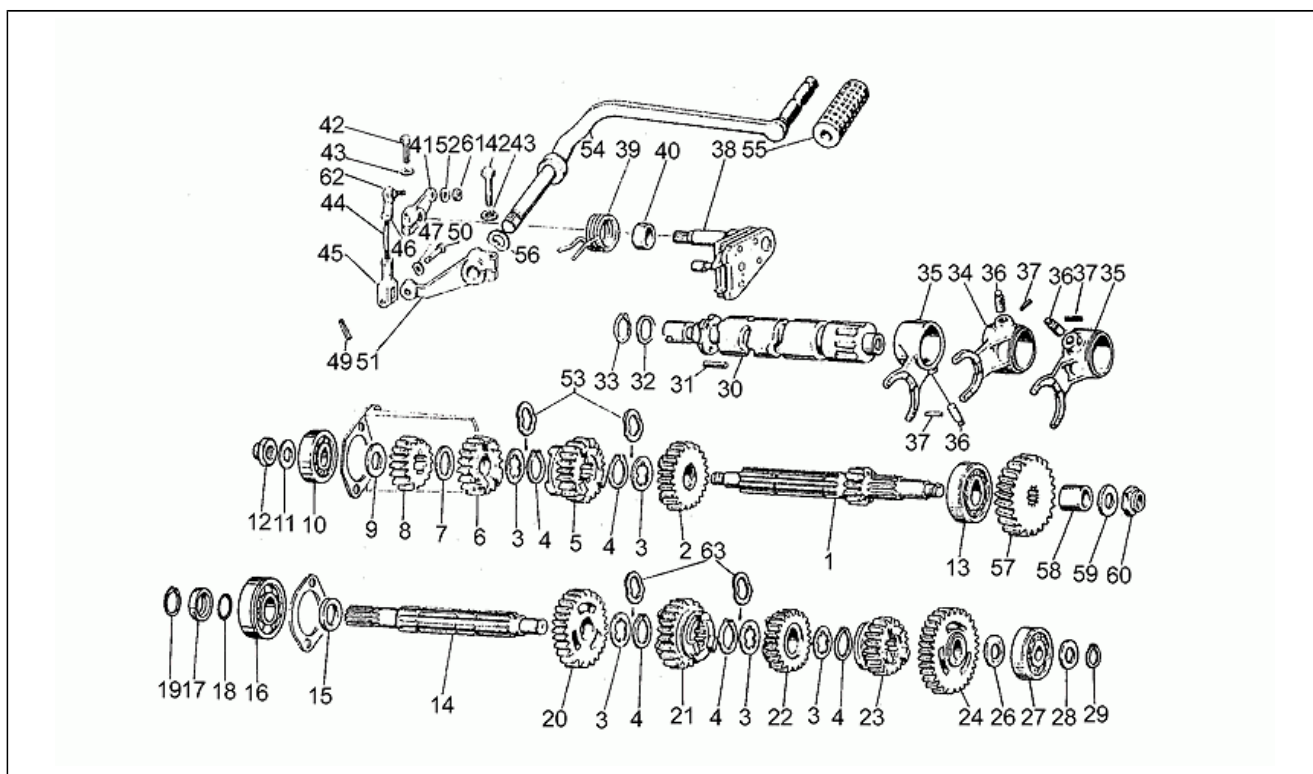
Pos.	Code	Description	Q.ty	Variants
1	GU19064120	Albero motore	1	Specifiche Tecniche: Fino a motore 29134[M2], Versione V35C[V35C]
1	GU19064121	Albero motore cpl.	1	Specifiche Tecniche: Da motore 29135[M1], Versione V35C[V35C]
1	GU19064181	Albero motore con tappo	1	Specifiche Tecniche: Da motore 31344[M3], Versione V50C[V50C]
1	GU19064280	Albero motore	1	Specifiche Tecniche: Fino a motore 31343[M4], Versione V50C[V50C]
2	GU19065400	Tappo	1	
3	GU19061521	Biella	2	
4	GU19062220	Vite biella	4	Specifiche Tecniche: Fino a motore 41030[M5], Versione V35C[V35C]
4	GU19062220	Vite biella	4	Specifiche Tecniche: Fino a motore 32759[M6], Versione V50C[V50C]
4	GU19062221	Vite	4	Specifiche Tecniche: Da motore 41031[M7], Versione V35C[V35C]
4	GU19062221	Vite	4	Specifiche Tecniche: Da motore 32760[M8], Versione V50C[V50C]
5	GU61062401	Dado	4	
6	GU19062022	Semiguscio bronzina	4	
7	GU19065623	Semiguscio bronzina ant.	2	
8	GU19066522	Semiguscio bronzina post.	2	
9	GU31066480	Spallamento	2	
10	GU19060421	Pistone	2	Specifiche Tecniche: Versione V35C[V35C]
10	GU19060481	Pistone	2	Specifiche Tecniche: Versione V50C[V50C]
11	GU19060700	Fascia elastica	4	Specifiche Tecniche: Versione V35C[V35C]
11	GU19060750	Segmento	4	Specifiche Tecniche: Versione V50C[V50C]
12	GU19061000	Fascia elastica raschiaolio	2	Specifiche Tecniche: Versione V35C[V35C]
12	GU19061050	Segmento raschiaolio	2	Specifiche Tecniche: Versione V50C[V50C]
13	GU19061220	Spinotto	2	Specifiche Tecniche: Versione V35C[V35C]

Assembly	MOTORE
Code	34.16
Description	Albero motore
Revision	1



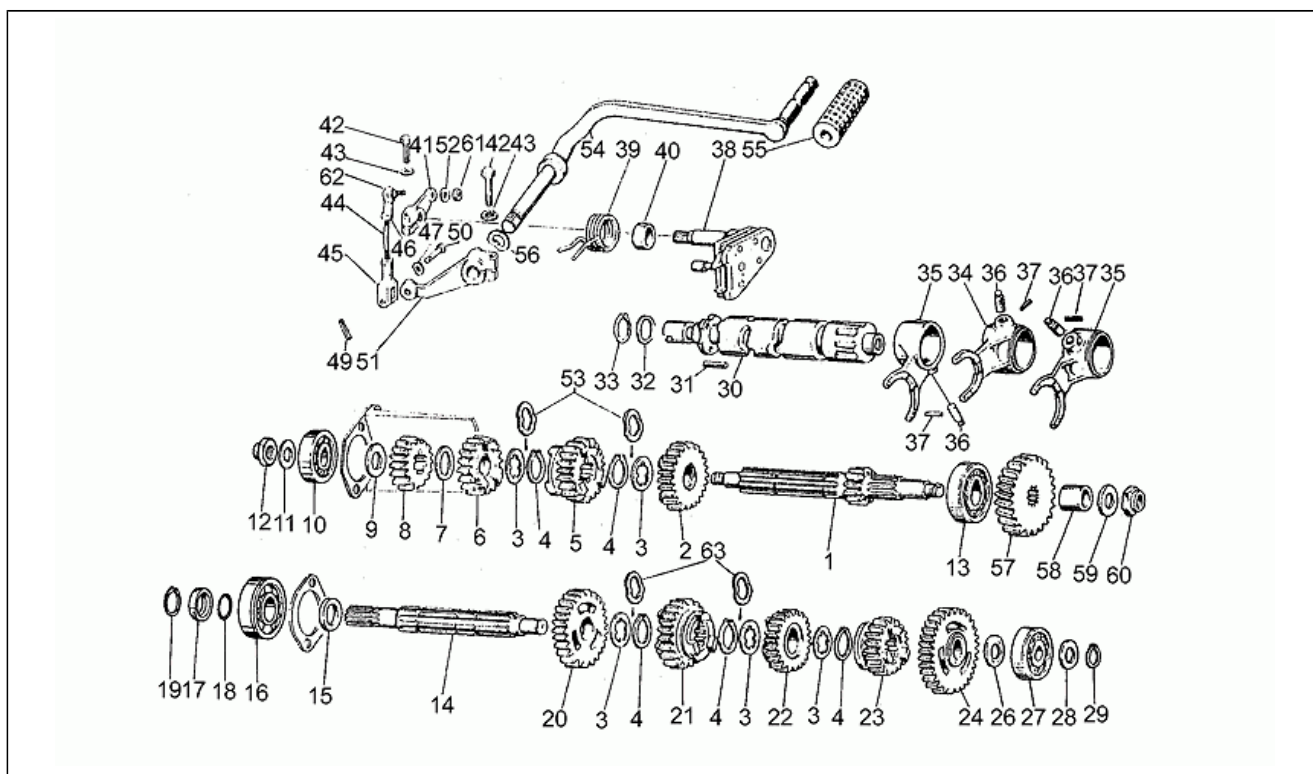
Pos.	Code	Description	Q.ty	Variants
13	GU19061280	Spinotto	2	Specifiche Tecniche: Versione V50C[V50C]
14	GU19061320	Anello di fermo	4	
16	GU19060600	Kit fasce elastiche	2	Specifiche Tecniche: Versione V35C[V35C]
16	GU19060650	Serie segmenti	2	Specifiche Tecniche: Versione V50C[V50C]
18	GU19067700	Vite	6	
19	GU14615901	Rosetta 8,4X13X0,8	6	
20	GU19067900	Corona MOTOPLAT	1	
21	GU98054316	Vite TE	6	
21	GU98054318	Vite	6	
22	GU92630106	Dado M6x1	6	
23	GU19061821	Boccola	2	
24	GU14217901	Rosetta zigrinata 6,4x10x0,7	6	

Assembly	MOTORE
Code	34.18
Description	Cambio
Revision	1



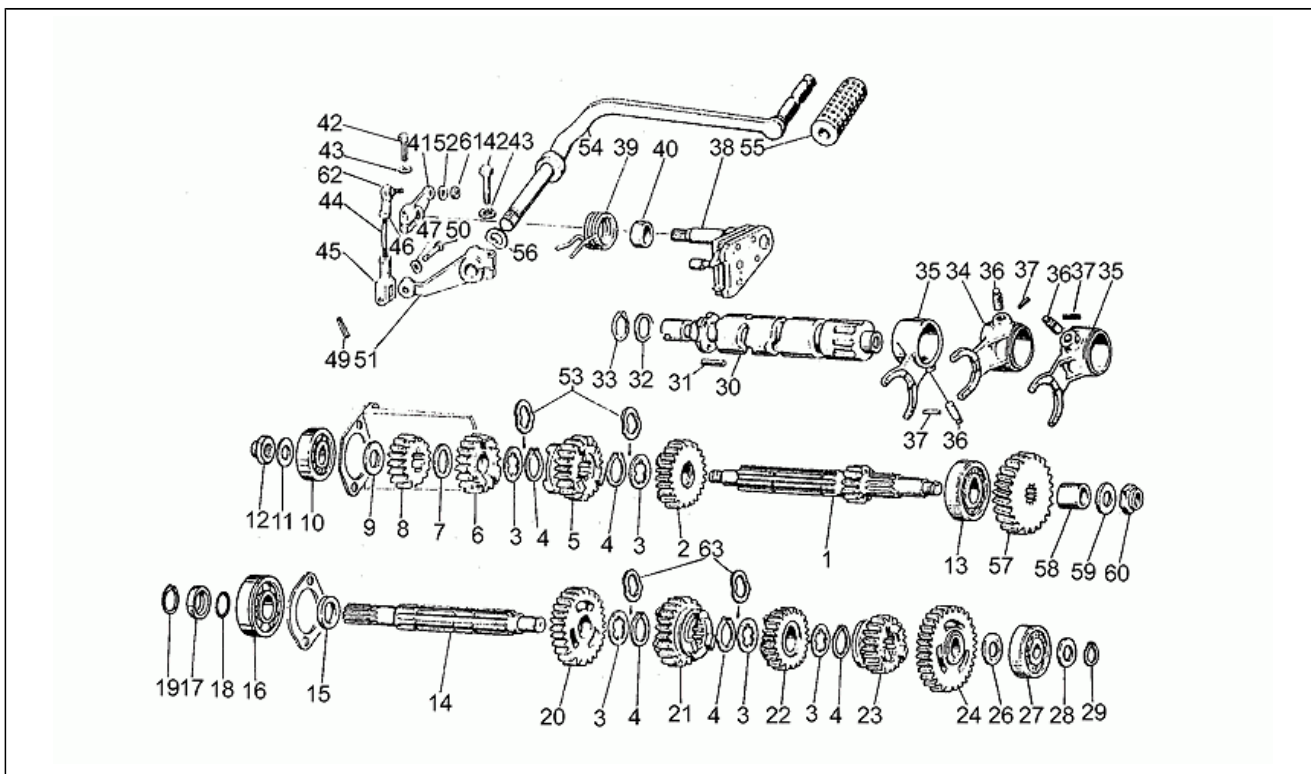
Pos.	Code	Description	Q.ty	Variants
1	GU19210520	Albero primario Z=11	1	
2	GU19212020	Ingranaggio 5a AS Z=22	1	
3	GU19215420	Rosetta di rasamento mm1	5	
4	GU90271220	Anello Seeger	5	
5	GU19211820	Ingranaggio 4a AS Z=22	1	
6	GU19211420	Ingranaggio 3a AS Z=18	1	
7	GU19214620	Rosetta di rasamento	1	
8	GU19211320	Ingranaggio	1	
9	GU19212800	Rosetta	1	
10	GU92201415	Cuscinetto a sfere	1	
11	GU39238100	Rosetta di spallamento	1	
12	GU10054100	Dado di sicurezza	1	
13	GU92201220	Cuscinetto 20X47X14	1	
14	GU19213620	Albero secondario	1	
15	GU19212900	Distanziale	1	
16	GU92201220	Cuscinetto 20X47X14	1	
17	GU19213720	Distanziale	1	
18	GU90706188	Anello di tenuta 18,77X1,78	1	
19	GU90271121	Anello Seeger	1	
20	GU19214501	Ingranaggio	1	
21	GU19214820	Ingranaggio	1	
22	GU19215121	Ingranaggio	1	
23	GU19215220	Ingranaggio	1	
24	GU19214001	Ingranaggio	1	
26	GU35214300	Spessore	1	
27	GU92201415	Cuscinetto a sfere	1	
28	GU35214300	Spessore	1	
28	GU39239300	Rosetta di rasamento	1	

Assembly	MOTORE
Code	34.18
Description	Cambio
Revision	1



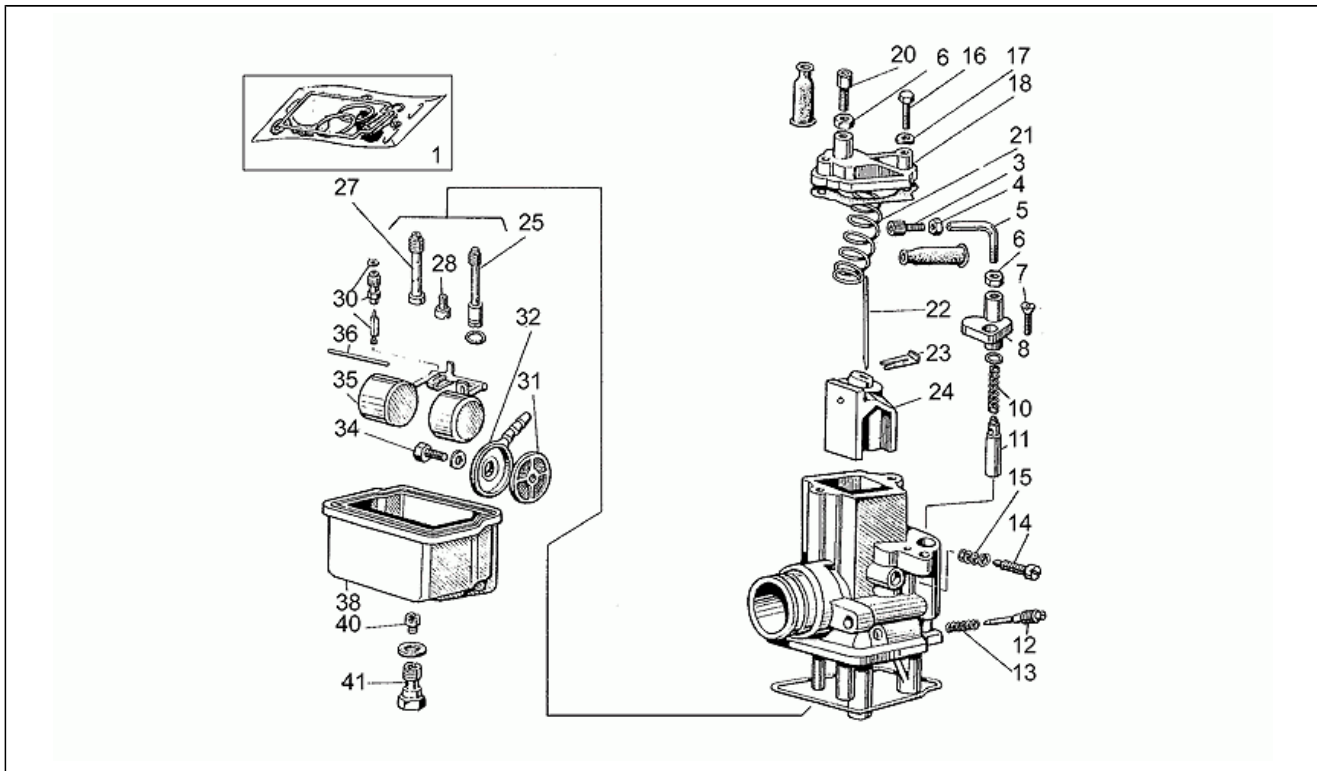
Pos.	Code	Description	Q.ty	Variants
29	GU90271115	Anello Seeger	1	
30	GU19234420	Desmodromico	1	
31	GU19234600	Piolo	4	
32	GU19355300	Spessore 1 mm	1	
33	GU90271020	Anello elastico	1	
34	GU19231220	Forchetta AP	1	
35	GU19231020	Forchetta AS	2	
36	GU92297909	Rullo	3	
37	GU95520316	Spina	3	
38	GU20999520	Kit preselettore	1	Specifiche Tecniche: Vedi notiziario ricambi n.013 del 1997[01397N]
39	GU28238261	Molla richiamo selettore	1	Specifiche Tecniche: Vedi notiziario ricambi n.013 del 1997[01397N]
39	GU61238200	Molla richiamo selettore	1	
40	GU20208520	Distanziale	1	Specifiche Tecniche: Vedi notiziario ricambi n.013 del 1997[01397N]
40	GU91182010	Boccola	1	
41	GU19258220	Leva preselettore	1	
42	GU98052325	Vite	2	
43	GU95021106	Rosetta dentellata	2	
44	GU18257950	Tirante	1	
45	GU12626800	Forchetta	1	
46	GU92602206	Dado	2	
47	GU95129110	Rosetta antivibrante	1	
49	GU95500222	Copiglia	1	
50	GU95770265	Spina	1	
51	GU19256920	Leva rinvio	1	
52	GU61013800	Rosetta speciale	1	
54	GU19250900	Leva cambio cpl.	1	

Assembly	MOTORE
Code	34.18
Description	Cambio
Revision	1



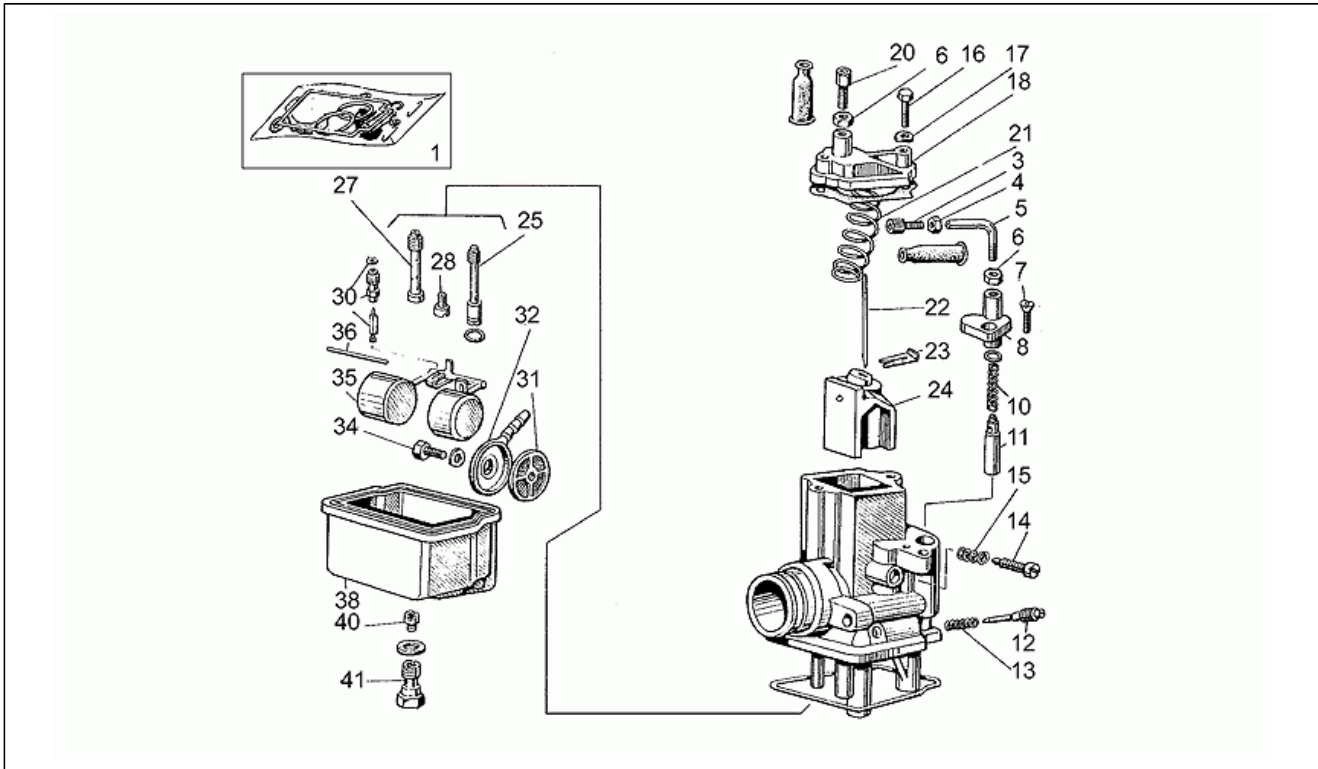
Pos.	Code	Description	Q.ty	Variants
55	GU14251001	Gommino	1	
56	GU95129260	Rosetta elastica	1	
57	GU19211120	Ingranaggio Z=24	1	Specifiche Tecniche: Versione V35C[V35C]
58	GU19211140	Ingran.rinvio Z=23	1	Specifiche Tecniche: Versione V50C[V50C]
59	GU19266720	Boccola	1	
59	GU39238100	Rosetta di spallamento	1	
60	GU10054100	Dado di sicurezza	1	
61	GU92630106	Dado M6x1	1	
62	GU18258101	Snodo sferico	1	
63	GU19214320	Rosetta ondulata	4	

Assembly	MOTORE
Code	34.19
Description	Carburatori V35C
Revision	1



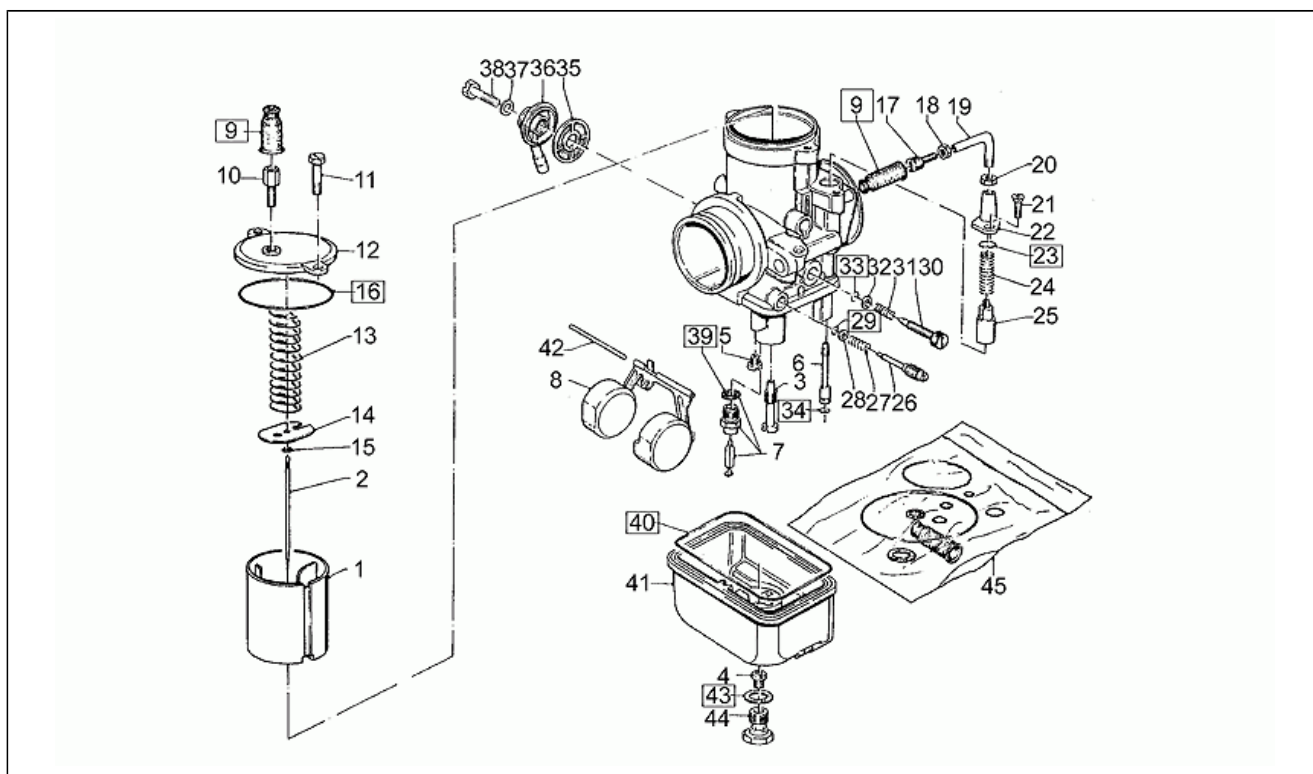
Pos.	Code	Description	Q.ty	Variants
1	GU39939900	Busta guarnizioni	2	
3	GU53937200	Vite tendifilo	2	
4	GU19938880	Dado	2	
5	GU49938900	Tubo	2	
6	GU12937300	Dado	4	
7	GU13937900	Vite	2	
8	GU17937450	Coperchio avviamento	2	
10	GU39937600	Molla valvola	2	
11	GU13937800	Valvola avviamento	2	
12	GU13936200	Vite regolazione minimo	2	
13	GU13936300	Molla	2	
14	GU13936600	Vite regolaz.valvola gas	2	
15	GU13936700	Molla	2	
16	GU13932800	Vite	4	
17	GU13932900	Rosetta	4	
18	GU53935000	Coperchio valvola	2	
20	GU12937200	Vite tendifilo	2	
21	GU53937100	Molla richiamo valvola gas	2	
24	GU61934800	Valvola gas 40	2	
25	GU19936000	Getto avviamento 60	2	
27	GU19935500	Polverizzatore 260AH	2	
28	GU19935900	Getto minimo 40	2	
30	GU19934600	Valvola a spillo	2	
31	GU43934000	Filtro benzina	2	
32	GU13934600	Pipetta raccordo tubo benzina	2	
34	GU10934900	Vite fissaggio pipetta	2	
35	GU61934300	Galleggiante	2	
36	GU13933100	Perno galleggiante	2	

Assembly	MOTORE
Code	34.19
Description	Carburatori V35C
Revision	1



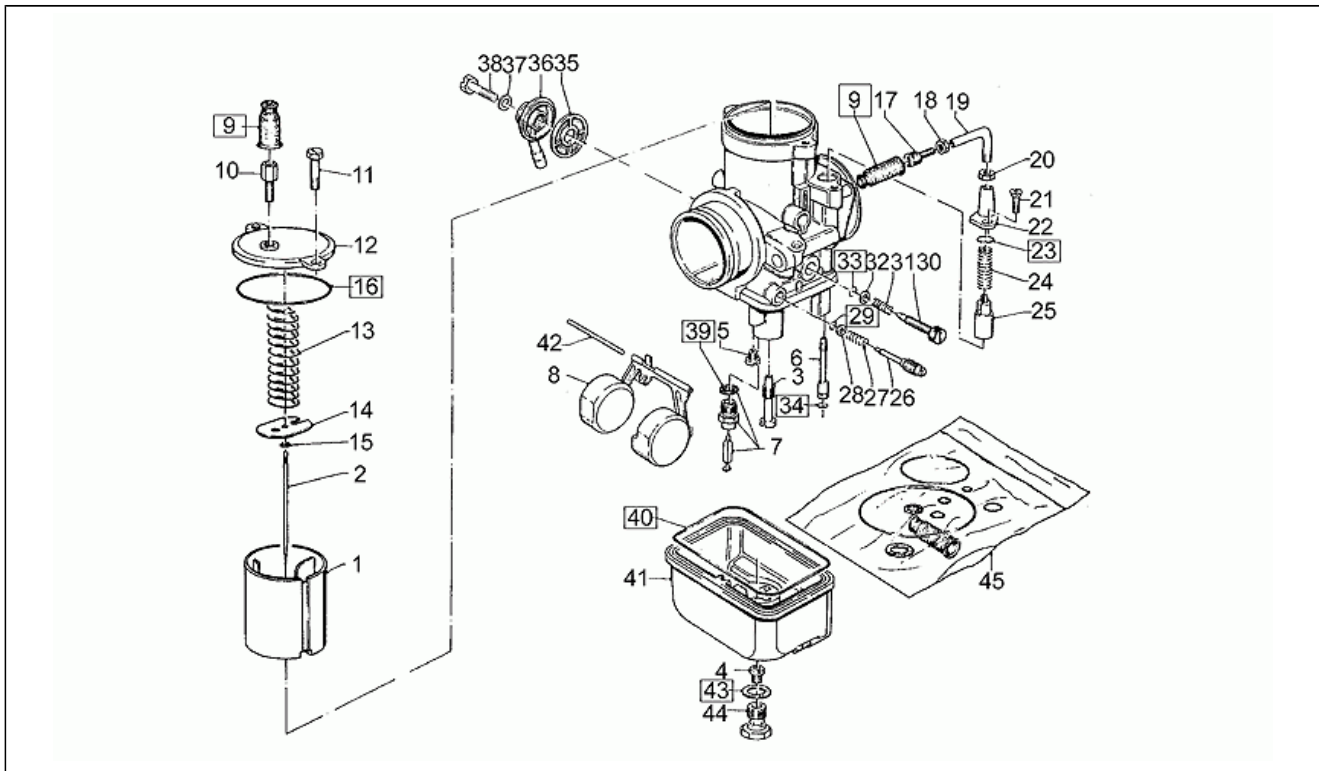
Pos.	Code	Description	Q.ty	Variants
38	GU10934400	Vaschetta	2	
40	GU19935701	Getto massimo 108	2	
41	GU10933700	Tappo con OR	2	

Assembly	MOTORE
Code	34.20
Description	Carburatori V50C
Revision	1



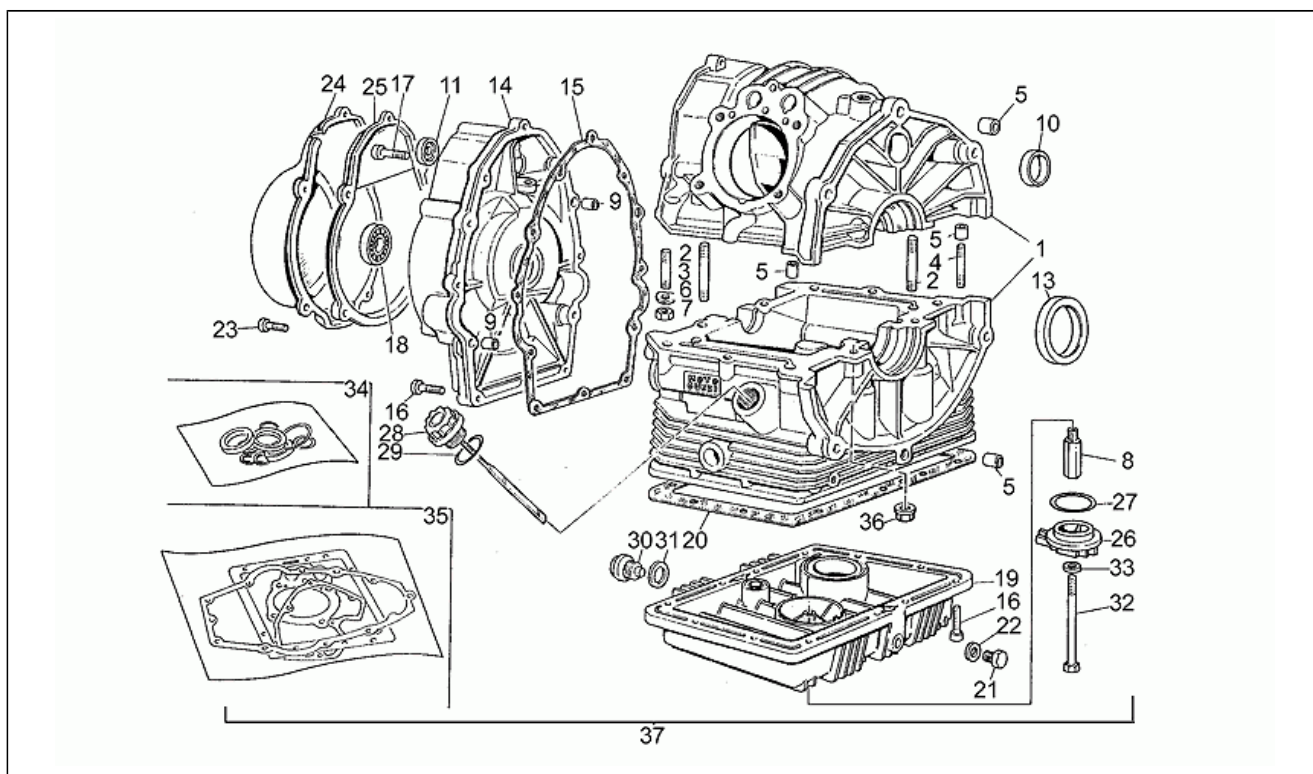
Pos.	Code	Description	Q.ty	Variants
1	GU19934880	Valvola gas 50	2	
2	GU19934980	Spillo conico 6	2	
3	GU19935580	Polverizzatore 268T	2	
4	GU19935780	Getto massimo 118	2	
5	GU66935910	Getto minimo 50	2	
6	GU19936000	Getto avviamento 60	2	
7	GU19934600	Valvola a spillo	2	
8	GU27934315	Galleggiante gr.9,5	2	
10	GU12937200	Vite tendifilo	2	
11	GU14934650	Vite	2	
12	GU19935080	Coperchio	2	
13	GU19937180	Molla richiamo valvola gas	2	
14	GU19938580	Piastrina	2	
15	GU65933600	Fermaglio spillo conico	2	
17	GU53937200	Vite tendifilo	2	
18	GU19938880	Dado	2	
19	GU49938900	Tubo	2	
20	GU12937300	Dado	4	
21	GU13937900	Vite	2	
22	GU17937450	Coperchio avviamento	2	
24	GU39937600	Molla valvola	2	
25	GU13937800	Valvola avviamento	2	
26	GU13936200	Vite regolazione minimo	2	
27	GU13936300	Molla	2	
28	GU65933700	Rondella piana	2	
30	GU13936600	Vite regolaz.valvola gas	2	
31	GU13936700	Molla	2	
32	GU14931650	Rondella piana	2	

Assembly	MOTORE
Code	34.20
Description	Carburatori V50C
Revision	1



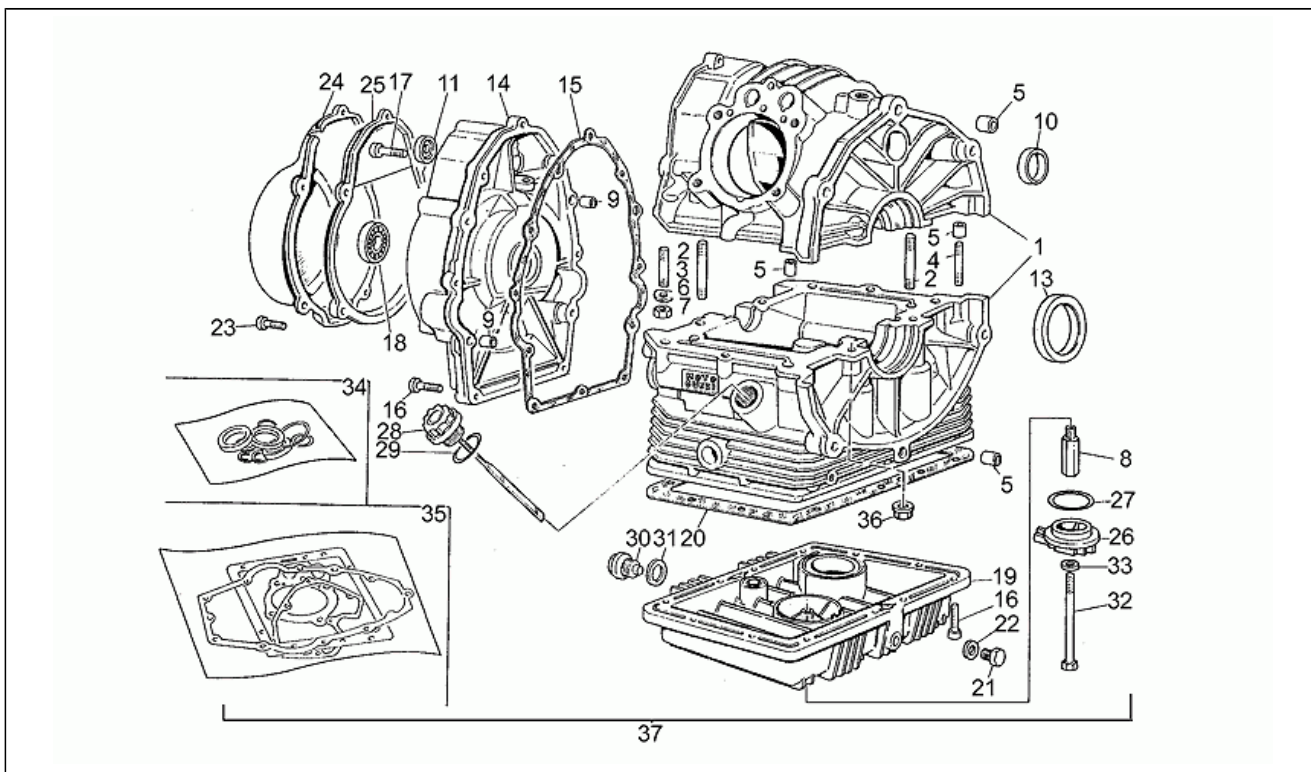
Pos.	Code	Description	Q.ty	Variants
35	GU43934000	Filtro benzina	2	
36	GU13934600	Pipetta raccordo tubo benzina	2	
37	GU13934700	Guarnizione vite	2	
38	GU10934900	Vite fissaggio pipetta	2	
41	GU19934480	Vaschetta alluminio	2	
42	GU13933100	Perno galleggiante	2	
44	GU10933700	Tappo con OR	2	
45	GU19939980	Kit guarnizioni	1	

Assembly	MOTORE
Code	34.21
Description	Carter motore
Revision	1



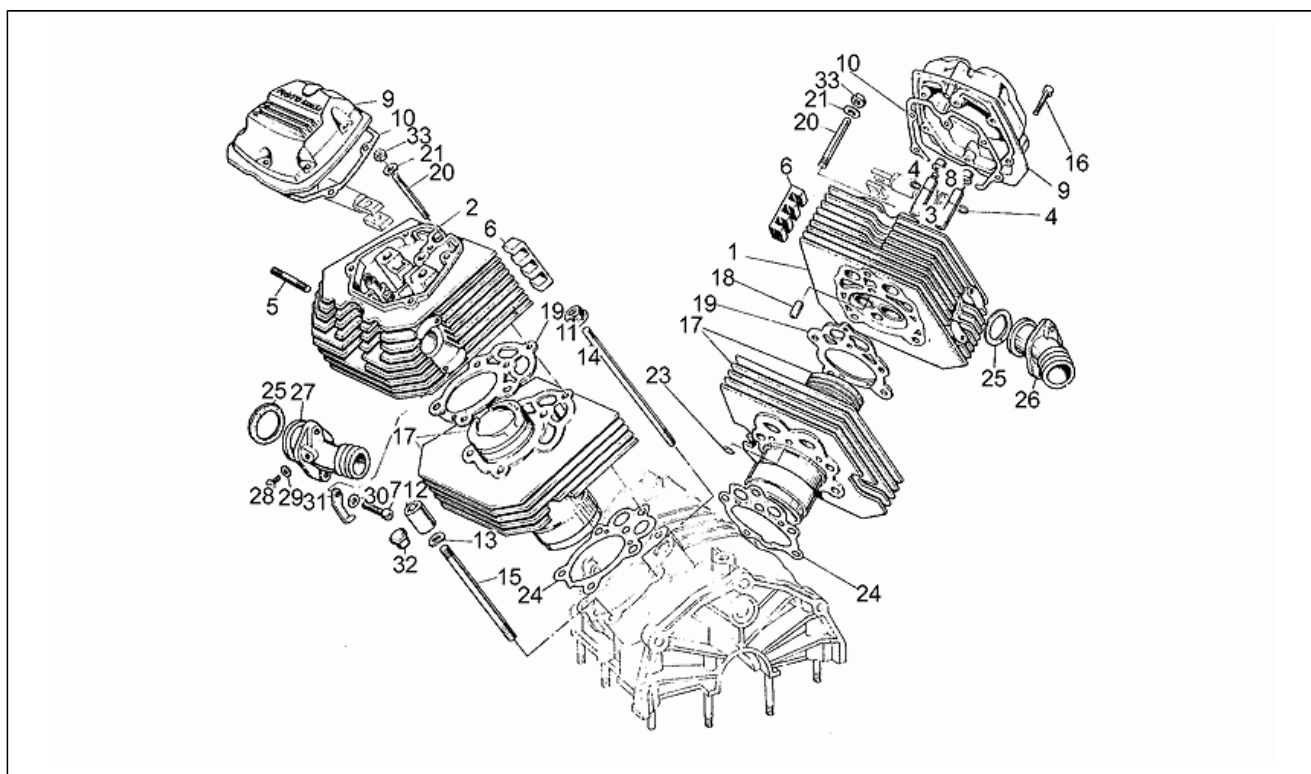
Pos.	Code	Description	Q.ty	Variants
1	GU19000120	Carter motore grezzo	1	
2	GU96451560	Prigioniero	4	
3	GU96451430	Prigioniero	4	
4	GU96508055	Prigioniero	2	
5	GU19015020	Boccola	2	
6	GU61270300	Rosetta elastica 8x15x0,3	6	
7	GU92602208	Dado M8X1,25	6	
8	GU19003800	Raccordo	1	
9	GU19002020	Boccola 6,6x9x13	2	
10	GU19016320	Tappo	1	
11	GU90401530	Anello di tenuta	1	
13	GU90405367	Anello di tenuta	1	
14	GU19001420	Coperchio distribuzione grezzo	1	
15	GU19001200	Guarnizione	1	
16	GU98622325	Vite TCEI	22	
17	GU98620330	Vite	2	
18	GU90402840	Anello di tenuta 28x38x7	1	
19	GU19003502	Coppa olio motore	1	
20	GU19003602	Guarnizione	1	
21	GU95980214	Tappo livello olio	1	
22	GU10528900	Guarnizione in alluminio	1	
23	GU98620335	Vite	5	
24	GU27001636	Coperchio generatore	1	
25	GU27001136	Flangia coperchio alternatore	1	
26	GU19003400	Coperchio grezzo	1	
27	GU90706444	Anello OR	1	
28	GU19004920	Tappo alimentazione olio	1	
29	GU90706282	Anello di tenuta	1	

Assembly	MOTORE
Code	34.21
Description	Carter motore
Revision	1



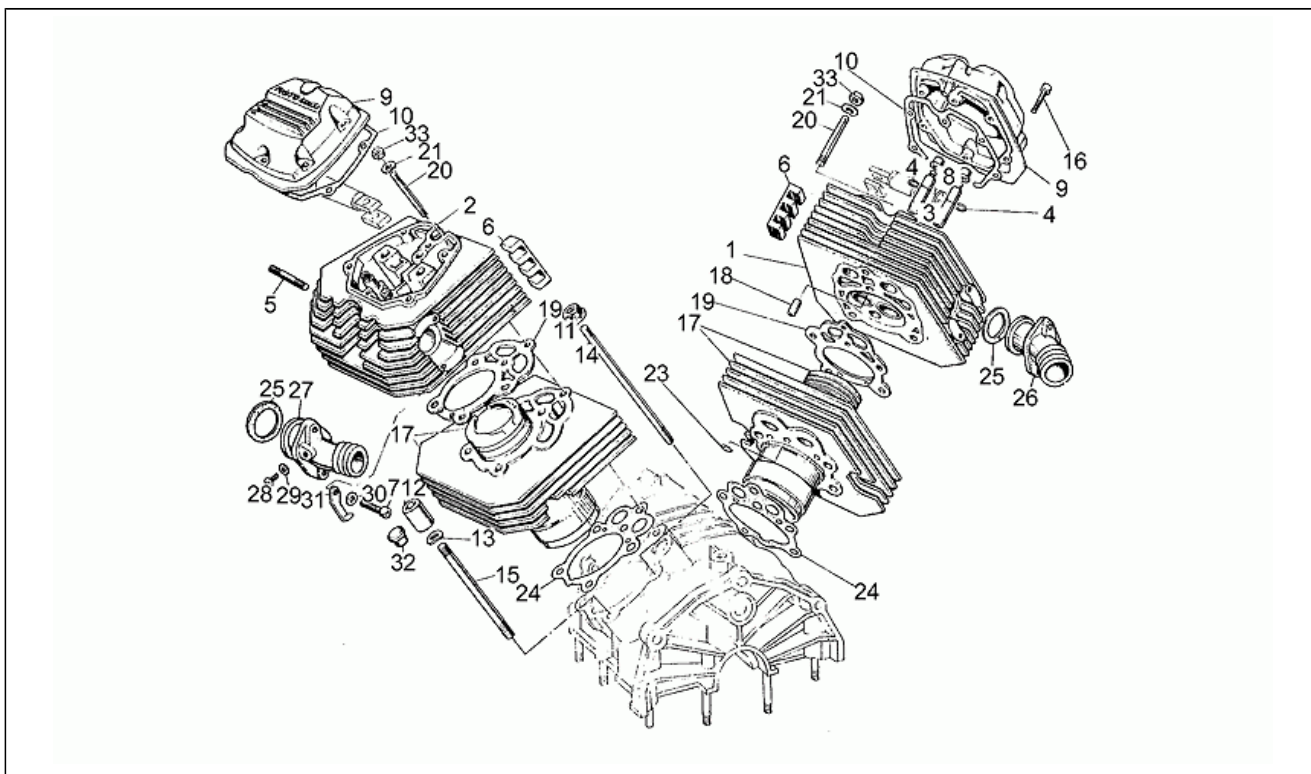
Pos.	Code	Description	Q.ty	Variants
30	GU12003702	Tappo scarico olio	1	
31	GU95100709	Guarnizione 20,1x28x2	1	
32	GU98052490	Vite m8x90	1	
33	GU12154200	Guarnizione 8,25x15x1	1	
34	GU31999565	Paraoli-serie	1	
35	GU19999020	Serie guarnizioni motore	1	Specifiche Tecniche: Versione V35C[V35C]
35	GU19999080	Serie guarnizioni motore	1	Specifiche Tecniche: Versione V50C[V50C]
36	GU92660010	Dado a colonna	4	
37	GU19991080	Motore	1	Specifiche Tecniche: Versione V50C[V50C]

Assembly	MOTORE
Code	34.22
Description	Testa cilindro
Revision	1



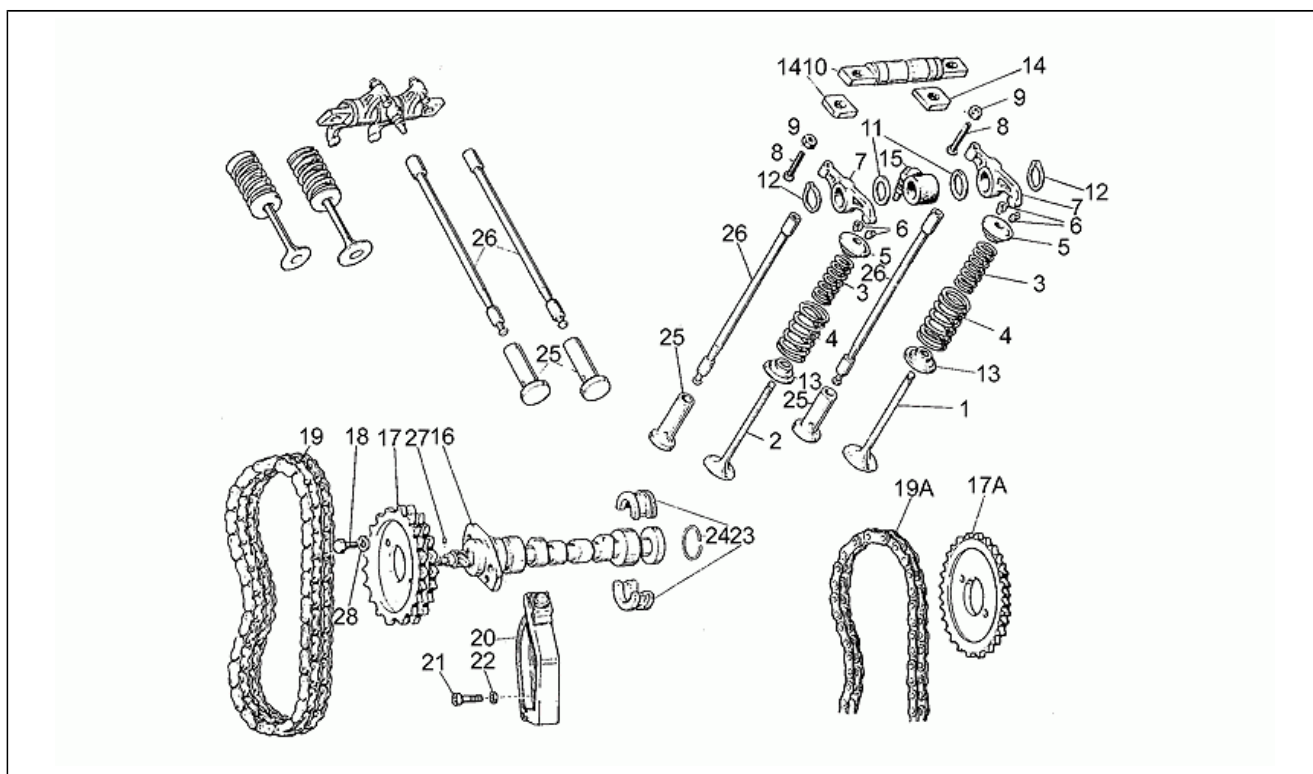
Pos.	Code	Description	Q.ty	Variants
1	GU19022120	Testa dx	1	Specifiche Tecniche: Versione V35C[V35C]
1	GU19022180	Testa dx	1	Specifiche Tecniche: Versione V50C[V50C]
2	GU19022220	Testa sx	1	Specifiche Tecniche: Versione V35C[V35C]
2	GU19022280	Testa sx	1	Specifiche Tecniche: Versione V50C[V50C]
3	GU61036801	Guidavalvola	4	
4	GU90353009	Anello elastico	4	
5	GU96506042	Prigioniero	4	
6	GU19025300	Piastra antivibrante	4	
7	GU98822325	Vite	4	
8	GU19037820	Paraolio	4	
9	GU19023520	Coperchio valvole	2	
10	GU19023700	Guarnizione	2	
11	GU92660010	Dado a colonna	4	
12	GU13021900	Dado a colonna	4	
13	GU95129180	Rosetta 10,5X18X0,8	4	
14	GU96510182	Prigioniero	4	
15	GU96510125	Prigioniero 125 mm	4	
16	GU98622325	Vite TCEI	12	
17	GU19060121	Cilindro con pistone	2	Specifiche Tecniche: Versione V35C[V35C]
17	GU19060181	Cilindro con pistone grezzo	2	Specifiche Tecniche: Versione V50C[V50C]
18	GU19021320	Boccola	2	
19	GU19022082	Guarnizione	2	Specifiche Tecniche: Versione V50C[V50C]
19	GU27022020	Guarnizione testa	2	Specifiche Tecniche: Versione V35C[V35C]
20	GU96508107	Prigioniero	2	
21	GU61270300	Rosetta elastica 8x15x0,3	2	
23	GU61027200	Anello OR	2	
24	GU19020820	Guarnizione	2	
25	GU19115520	Guarnizione	2	Specifiche Tecniche: Versione V35C[V35C]

Assembly	MOTORE
Code	34.22
Description	Testa cilindro
Revision	1



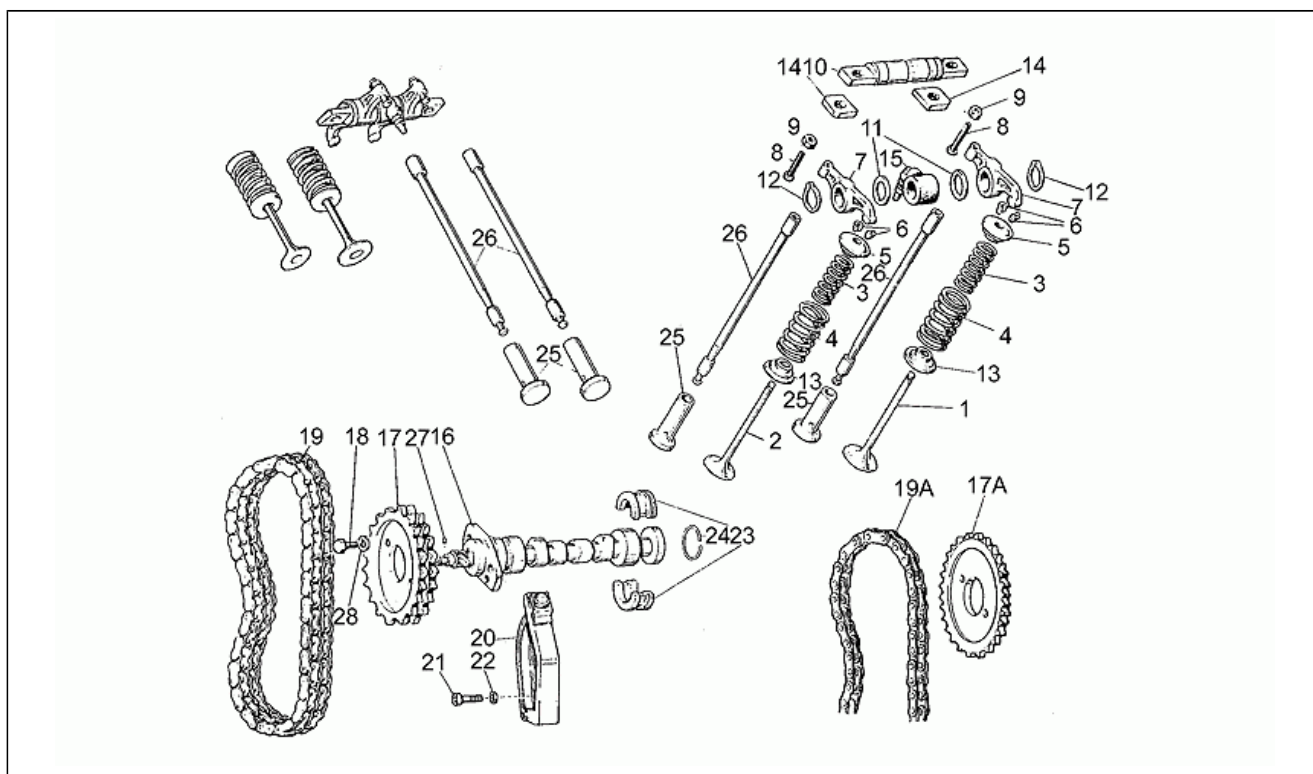
Pos.	Code	Description	Q.ty	Variants
25	GU19115580	Guarnizione	2	Specifiche Tecniche: Versione V50C[V50C]
26	GU19115035	Pipa aspirazione dx	1	Specifiche Tecniche: Versione V35C[V35C]
26	GU19115080	Collettore dx grezzo MOTOPLAT	1	Specifiche Tecniche: Versione V50C[V50C]
27	GU19115036	Pipa aspirazione sx	1	Specifiche Tecniche: Versione V35C[V35C]
27	GU19115081	Collettore sx grezzo MOTOPLAT	1	Specifiche Tecniche: Versione V50C[V50C]
28	GU98310610	Vite	2	
29	GU95100116	Rosetta 6,25x10x1,5	2	
30	GU61013800	Rosetta speciale	2	
31	GU19718000	Fascetta	2	
32	GU93180245	Tappo	4	
33	GU19021920	Dado	2	

Assembly	MOTORE
Code	34.23
Description	Distribuzione
Revision	1



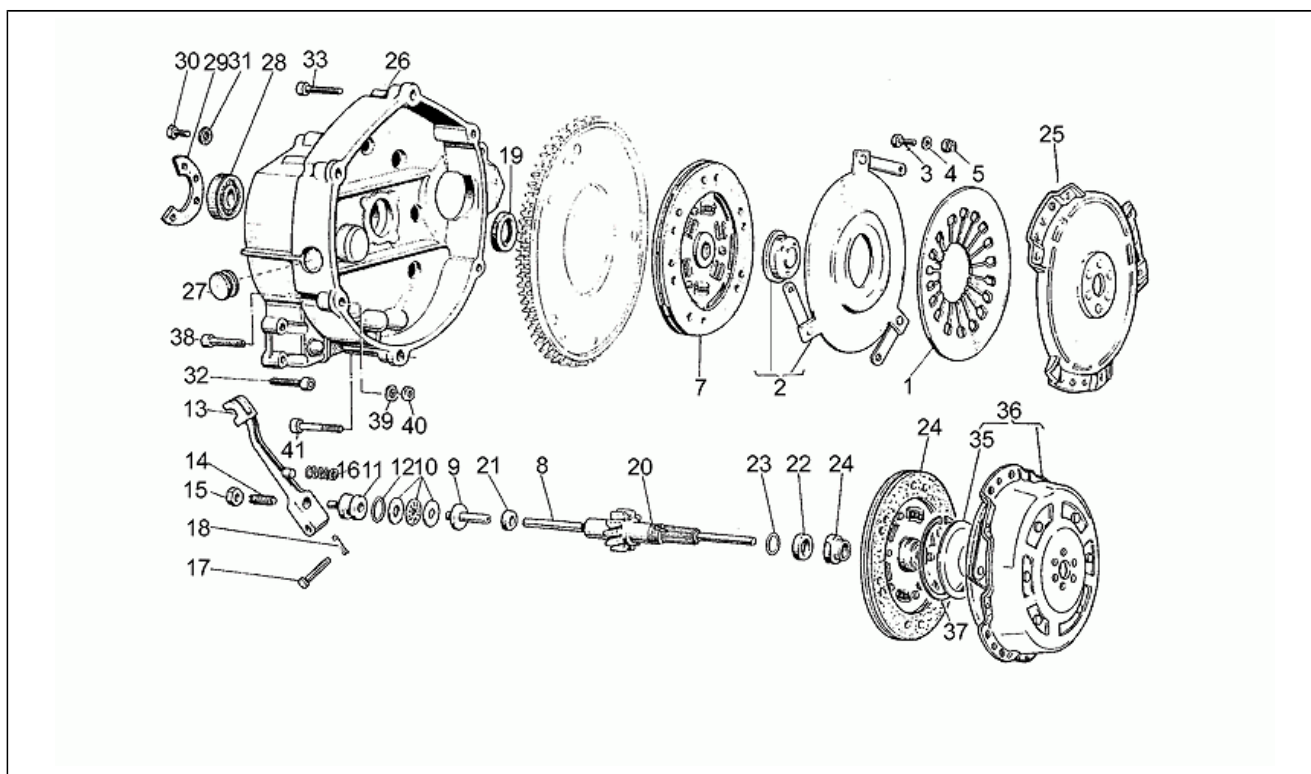
Pos.	Code	Description	Q.ty	Variants
1	GU19036021	Valvola aspirazione	2	Specifiche Tecniche: Versione V35C[V35C]
1	GU19036082	Valvola aspirazione	2	Specifiche Tecniche: Versione V50C[V50C]
2	GU19036183	Valvola scarico	2	Specifiche Tecniche: Versione V50C[V50C]
2	GU23036100	Valvola scarico	2	Specifiche Tecniche: Versione V35C[V35C]
3	GU61037600	Molla	4	
4	GU61037500	Molla	4	
5	GU61038000	Piattello sup.	4	
6	GU61038100	Semicono	8	
7	GU19030500	Bilanciere	4	
8	GU19034000	Vite	4	
9	GU92602406	Dado M6x1	4	
10	GU19032000	Perno bilanciere	2	Specifiche Tecniche: Versione V35C[V35C]
10	GU19032080	Perno bilanciere	2	Specifiche Tecniche: Versione V50C[V50C]
11	GU19032300	Rosetta di spallamento	4	Specifiche Tecniche: Versione V35C[V35C]
11	GU19032380	Rosetta di rasamento	4	Specifiche Tecniche: Versione V50C[V50C]
12	GU90271018	Anello Seeger	4	
13	GU61037000	Piattello inf.	4	
14	GU19032900	Distanziale	4	Specifiche Tecniche: Versione V35C[V35C]
14	GU19032980	Spessore	4	Specifiche Tecniche: Versione V50C[V50C]
15	GU19027500	Manicotto	2	
16	GU27053362	Albero a camme	1	
17	GU19054520	Ingran.distribuz.	1	Specifiche Tecniche: Fino a motore 29134[M2], Versione V35C[V35C]
17	GU19054520	Ingran.distribuz.	1	Specifiche Tecniche: Fino a motore 31343[M4], Versione V50C[V50C]
17	GU19054521	Ingran.distribuz.	1	Specifiche Tecniche: Da motore 29135[M1], Versione V35C[V35C]
17	GU19054521	Ingran.distribuz.	1	Specifiche Tecniche: Da motore 31344[M3], Versione V35C[V35C]

Assembly	MOTORE
Code	34.23
Description	Distribuzione
Revision	1



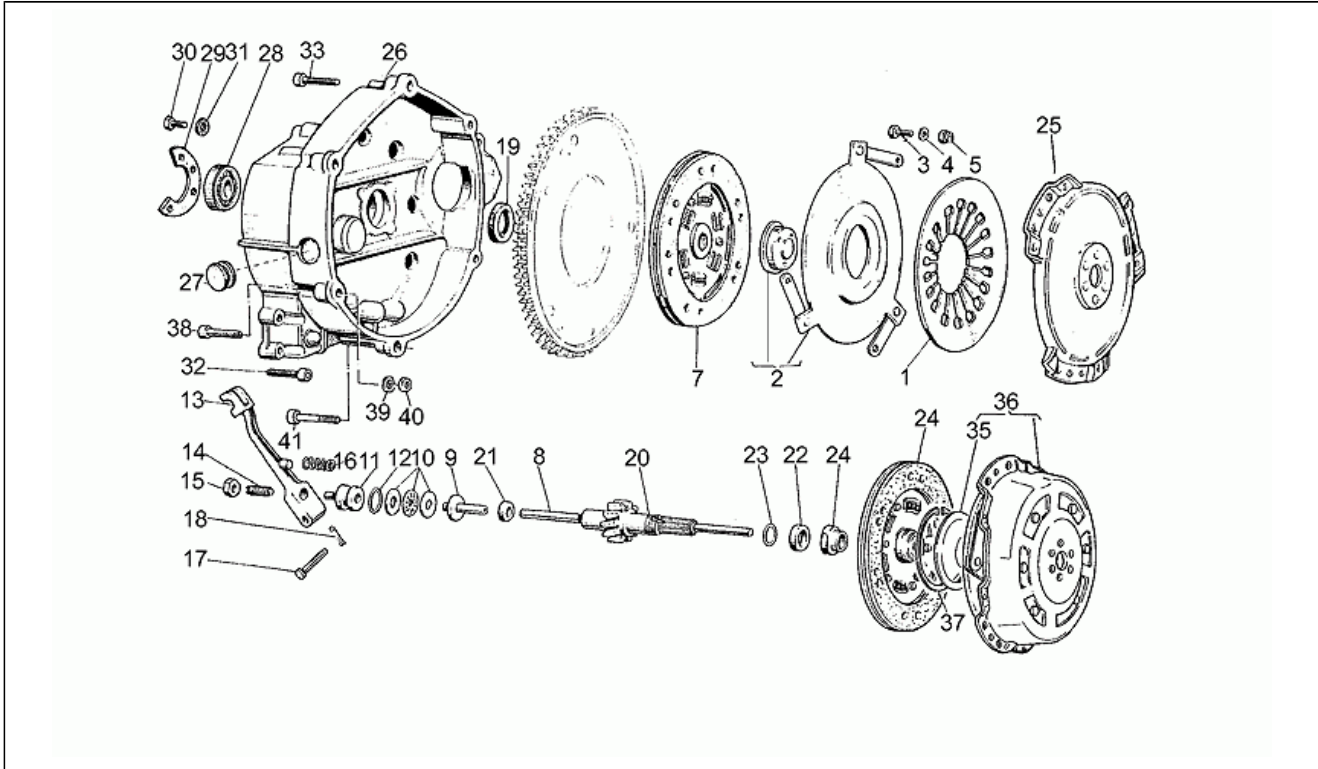
Pos.	Code	Description	Q.ty	Variants
18	GU61054900	Bullone	2	
19	GU19058020	Catena distribuzione	1	Specifiche Tecniche: Fino a motore 29134[M2], Versione V35C[V35C]
19	GU19058020	Catena distribuzione	1	Specifiche Tecniche: Fino a motore 31343[M4], Versione V50C[V50C]
19	GU19058021	Catena distribuzione	1	Specifiche Tecniche: Da motore 29135[M1], Versione V35C[V35C]
19	GU19058021	Catena distribuzione	1	Specifiche Tecniche: Da motore 31344[M3], Versione V35C[V35C]
20	GU19058220	Tendicatena distribuzione	1	
21	GU98822316	Vite	1	
22	GU95129115	Rosetta	1	
23	GU19055700	Settore fermo	2	
24	GU90353029	Anello elastico	1	
25	GU19045861	Punteria	4	
26	GU19045020	Asta bilanciere	4	
27	GU95512035	Rullo	1	
28	GU23217800	Rosetta di sicurezza	2	

Assembly	MOTORE
Code	34.24
Description	Frizione
Revision	1



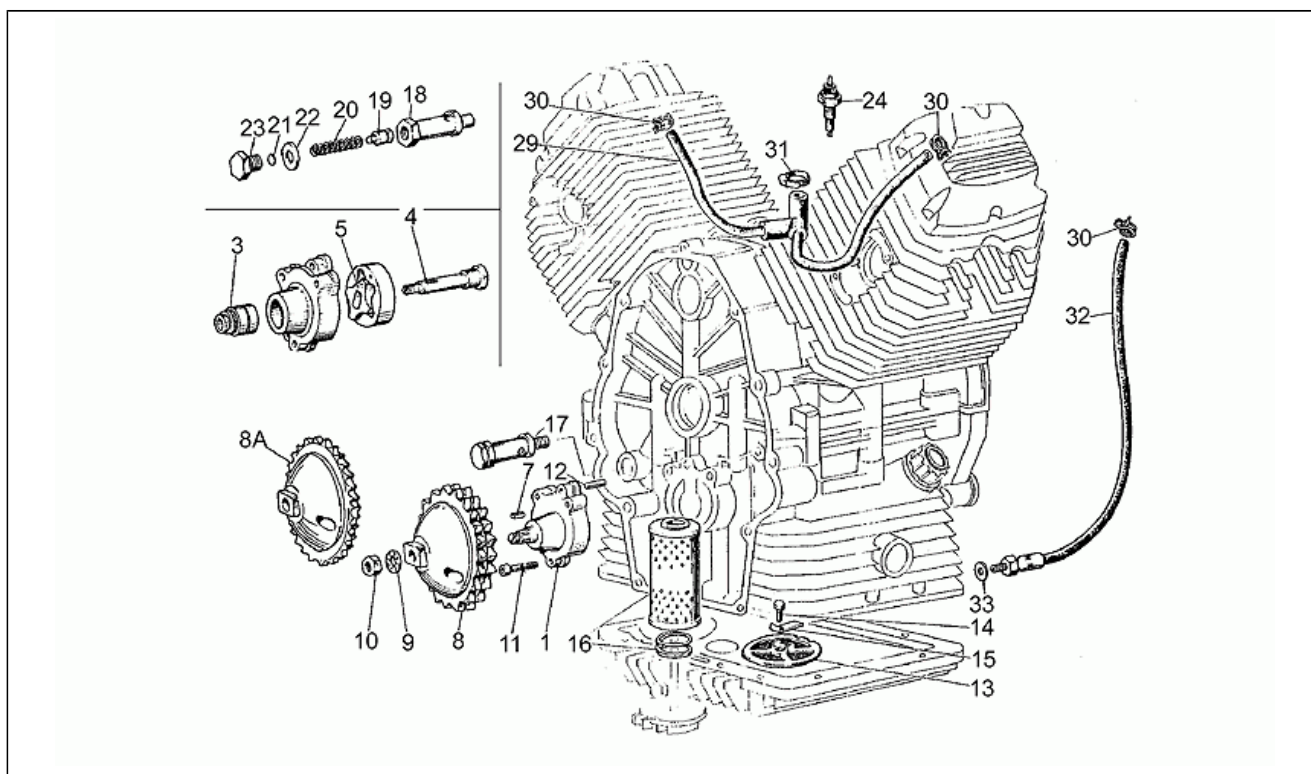
Pos.	Code	Description	Q.ty	Variants
1	GU19084100	Molla a tazza	1	Specifiche Tecniche:Versione V50C[V50C]
1	GU19084100	Molla a tazza	1	Specifiche Tecniche:Versione V35C[V35C]
2	GU19082501	Spingidisco	1	
3	GU98054214	Vite	3	
4	GU95004205	Rosetta	3	
5	GU92630105	Dado	3	
7	GU27084420	Disco frizione condotto	1	
8	GU20085720	Asta spingipiatello	1	
9	GU14086000	Corpo intermedio	1	
10	GU12087001	Cuscinetto reggispinta	1	
11	GU14086100	Corpo esterno	1	
12	GU90706170	O-ring 17,13x2,62	1	
13	GU14090201	Leva disinnesto frizione	1	
14	GU14090400	Vite registro	1	
15	GU92602508	Dado M8X1	1	
16	GU94321105	Molla ritorno leva	1	
17	GU95780271	Spina 7x39	1	
18	GU95500222	Copiglia	1	
19	GU90402841	Anello di tenuta 28x40x7	1	
20	GU19210720	Albero rinvio Z=13	1	Specifiche Tecniche:Versione V35C[V35C]
20	GU19210740	Albero di rinvio Z=14	1	Specifiche Tecniche:Versione V50C[V50C]
21	GU90400616	Anello di tenuta 6x16x7	1	
22	GU19213720	Distanziale	1	
23	GU90706188	Anello di tenuta 18,77X1,78	1	
24	GU19356700	Dado	1	
25	GU19080300	Campana frizione	1	
26	GU19200422	Campana frizione	1	
27	GU93180220	Tappo	1	

Assembly	MOTORE
Code	34.24
Description	Frizione
Revision	1



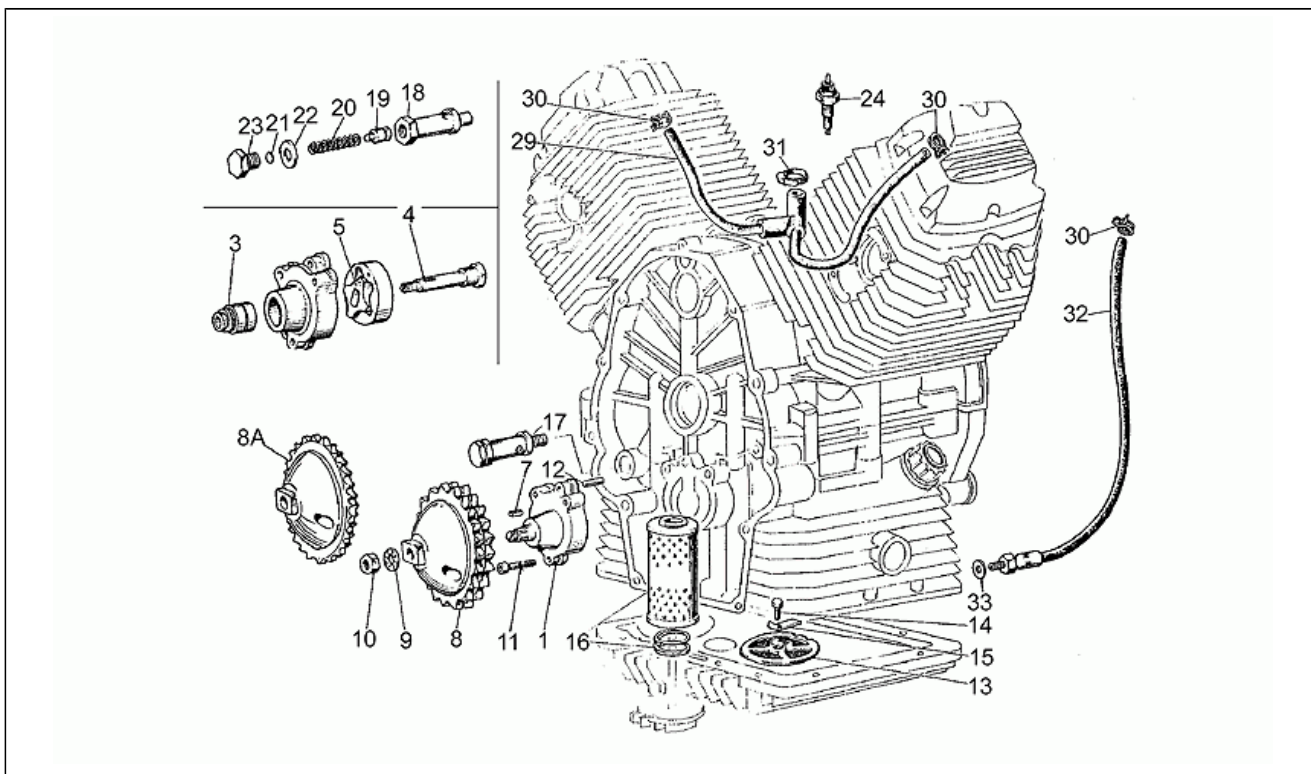
Pos.	Code	Description	Q.ty	Variants
28	GU92201220	Cuscinetto 20X47X14	1	
29	GU19203420	Piastra fissaggio cuscinetto	1	
30	GU98054314	Vite	3	
31	GU14217901	Rosetta zigrinata 6,4x10x0,7	3	
32	GU98620330	Vite	11	
33	GU98620435	Vite M8X35	3	
34	GU27084420	Disco frizione condotto	1	
35	GU19083462	Scodellino frizione	1	
36	GU19080161	Comando frizione	1	
37	GU90272075	Anello elastico	1	
38	GU98620450	Vite	1	
39	GU61270300	Rosetta elastica 8x15x0,3	6	
40	GU92602208	Dado M8X1,25	1	
41	GU98620440	Vite M8X40	2	

Assembly	MOTORE
Code	34.25
Description	Pompa olio-filtro
Revision	1



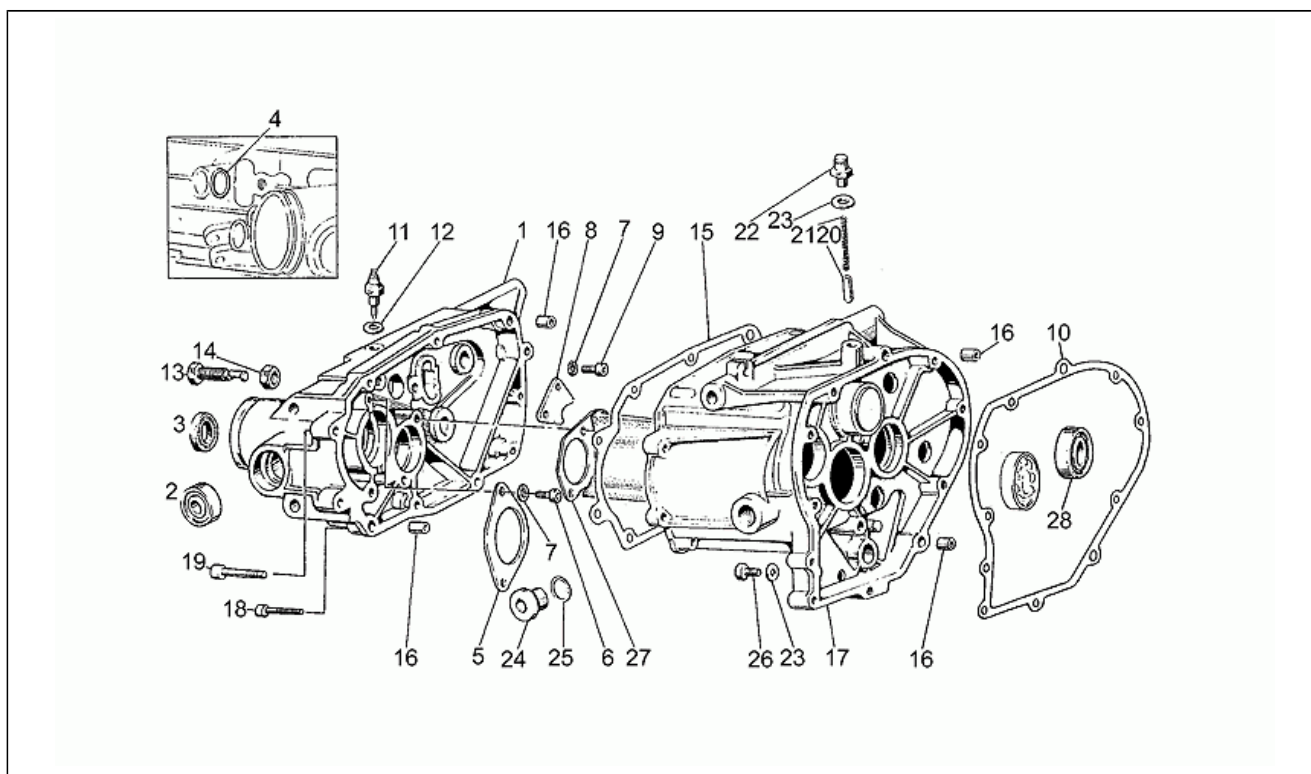
Pos.	Code	Description	Q.ty	Variants
1	GU19146422	Pompa olio	1	
3	GU92252210	Cuscinetto a rulli 10x22x20	1	
4	GU19147820	Albero pompa olio	1	
5	GU19148420	Rotore int.	1	
7	GU92296726	Rullino di guida	1	
8	GU19147720	Ingranaggio conduttore	1	Specifiche Tecniche: Fino a motore 29134[M2], Versione V35C[V35C]
8	GU19147720	Ingranaggio conduttore	1	Specifiche Tecniche: Fino a motore 31343[M4], Versione V50C[V50C]
8	GU19147721	Ingranaggio pompa olio	1	Specifiche Tecniche: Da motore 29135[M1], Versione V35C[V35C]
8	GU19147721	Ingranaggio pompa olio	1	Specifiche Tecniche: Da motore 31344[M3], Versione V35C[V35C]
9	GU19149800	Rosetta 10,5x16x1	1	
10	GU92602510	Dado M10x1,25	1	
11	GU98620335	Vite	3	
12	GU19018920	Spina	2	
13	GU19152200	Filtro olio	1	
14	GU98054314	Vite	1	
15	GU95187006	Piastrina	1	
16	GU19153000	Filtro olio	1	
17	GU10158201	Valvola press.olio cpl.	1	
18	GU10158701	Corpo valvola	1	
19	GU12150900	Pistoncino	1	
20	GU94321072	Molla valvola	1	
21	GU12150700	Fondello tampone	1	
22	GU95100523	Rosetta 14,5X20X1	3	
23	GU12159000	Tappo	1	

Assembly	MOTORE
Code	34.25
Description	Pompa olio-filtro
Revision	1



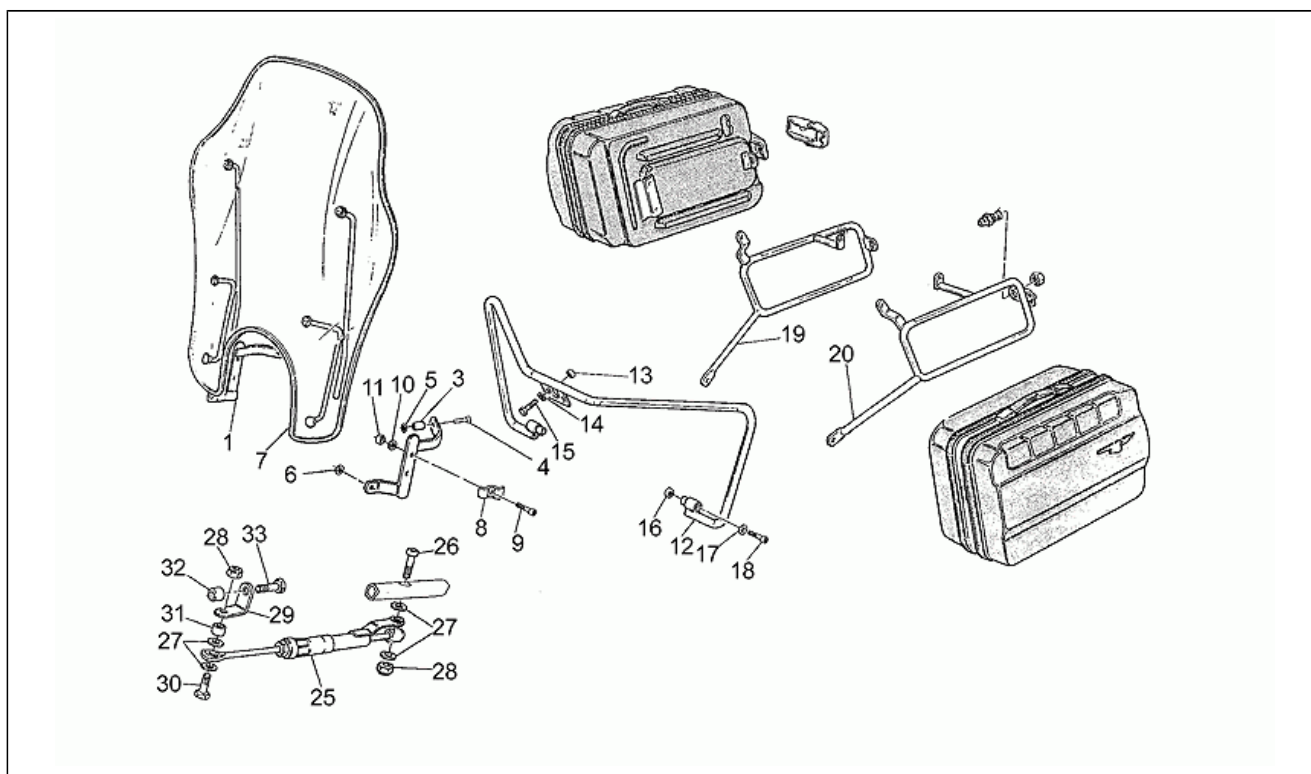
Pos.	Code	Description	Q.ty	Variants
24	GU31999581	Sensore press.olio	1	Specifiche Tecniche: Vedi notiziario ricambi n.022 del 2001[02201N]
29	GU19159600	Tubo sfiato	1	
30	GU61108400	Fascetta	3	
31	GU28157850	Fascetta	1	
32	GU19159300	Tubo recupero olio	1	
32	GU19159320	Tubo recupero olio	1	
33	GU12154200	Guarnizione 8,25x15x1	1	

Assembly	MOTORE
Code	34.26
Description	Scatola cambio
Revision	1



Pos.	Code	Description	Q.ty	Variants
1	GU19200821	Coperchio scatola	1	
2	GU92204215	Cuscinetto 15x35x11	2	
3	GU90402841	Anello di tenuta 28x40x7	1	
4	GU90706140	O-ring 13,95x2,92	1	
5	GU19213820	Piastra	1	
6	GU98622314	Vite	4	
7	GU14217901	Rosetta zigrinata 6,4x10x0,7	6	
8	GU19235800	Piastra fissaggio albero	1	
9	GU98622314	Vite	2	
10	GU19200320	Guarnizione	1	
11	GU19207220	Sensore folle	1	
12	GU12154200	Guarnizione 8,25x15x1	1	
13	GU19237800	Vite con eccentrico M12x1,25	1	
14	GU92602512	Dado basso M12x1,25	1	
15	GU19201120	Guarnizione	1	
16	GU19002020	Boccola 6,6x9x13	4	
17	GU19200222	Scatola cambio	1	
18	GU98620330	Vite	7	
19	GU98620435	Vite M8x35	4	
20	GU55234700	Nottolino	1	
21	GU94321067	Molla ritorno leva	1	
22	GU19206501	Tappo sfiato	1	
23	GU10528900	Guarnizione in alluminio	2	
24	GU12022600	Tappo olio	1	
25	GU90706203	Anello OR 20,24x2,62	1	
26	GU95980214	Tappo livello olio	1	
27	GU19208220	Paratia olio	1	
28	GU92201120	Cuscinetto a sfere 20x42x12	1	

Assembly	ACCESSORI
Code	35.01
Description	Accessori
Revision	1



Pos.	Code	Description	Q.ty	Variants
1	GU23506860	Staffa dx	1	
3	GU91181112	Distanziale	2	
4	GU98620555	Vite	2	
5	GU95004210	Rosetta 10,2x18x2	2	
6	GU95100317	Rosetta	2	
7	GU23577260	Parabrezza	1	
8	GU18578451	Staffa	4	
9	GU98074425	Vite	4	
10	GU95021108	Rosetta elastica	4	
11	GU92601208	Dado	4	
12	GU23450261	paraurti ant.	1	
13	GU92601208	Dado	2	
14	GU95004208	Rosetta	2	
15	GU98822416	Vite	2	
16	GU92602210	Dado	2	
17	GU95120105	Rosetta	4	
18	GU98620545	Vite	2	
19	GU23485080	Supporto dx	1	
20	GU23486580	Supporto sx	1	
25	GU17530260	Ammortizzatore di sterzo	1	
26	GU98620345	Vite	1	
27	GU95000206	Rosetta	4	
28	GU92630106	Dado M6x1	2	
29	GU23531860	Staffa	1	
30	GU98620340	Vite	1	
31	GU91180618	Distanziale	1	
32	GU91181016	Distanziale	1	
33	GU98072570	Vite	1	