



STELVIO 1200 - NTX - ABS 1200
2009-2010

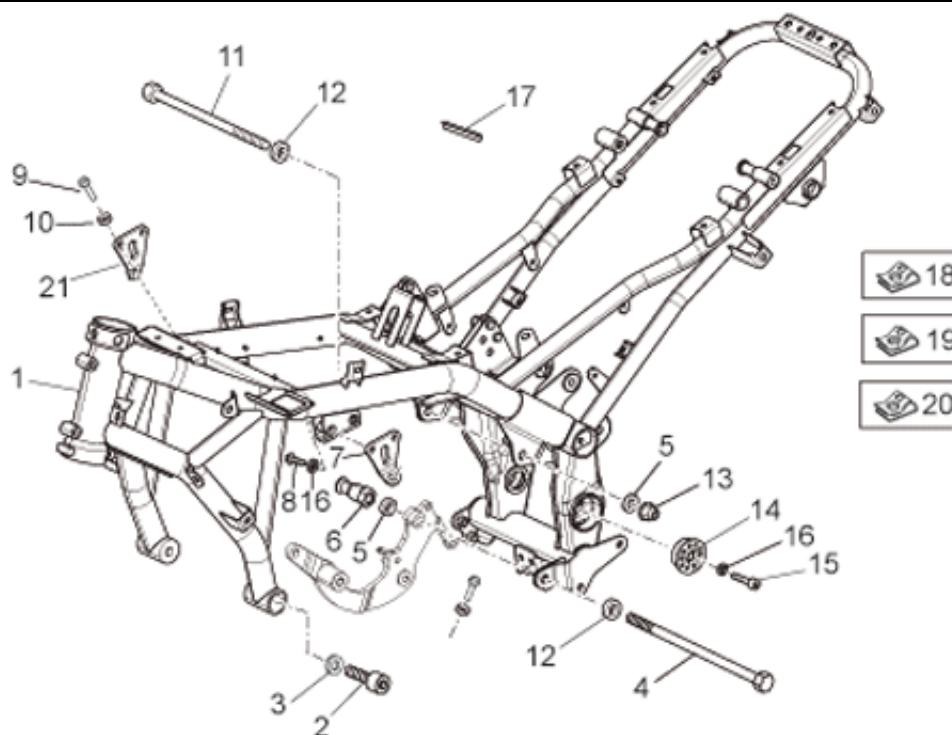
GU095

00

TAB N.

01

FRAME



Pos.	Description	Year	I_M_	Country	Version	Code	Q.ty	P.Cod.
1	Frame	A	-	-	-	88604600YE2	1	BA009
2	Hex socket screw M12x50	-	-	-	-	GU98682650	2	-
3	Washer 13x18x1,7	-	-	-	-	GU30217900	2	-
4	Pin M12x260	-	-	-	-	978841	1	BA329
5	Washer 13x24x2,5	-	-	-	-	GU95008313	2	-
6	Bush	-	-	-	-	978874	1	-
7	LH plate	-	-	-	-	978984	1	BA19B
8	Screw w/ flange M8x30*	-	-	-	-	AP8152288	4	-
9	Screw	-	-	-	-	GU98054520	2	-
10	Washer 10,5x16x1	-	-	-	-	GU19149800	2	-
11	Pin M12	-	-	-	-	AP8221307	1	BA329
12	Washer	-	-	-	-	GU95129240	2	-
13	Low self-locking nut M12*	-	-	-	-	AP8150432	2	-
14	Plug	-	-	-	-	978526	2	-
15	Screw M8x14	-	-	-	-	GU98692414	2	-
16	Washer 8,4X13X0,8	-	-	-	-	GU14615901	6	-
17	Gasket	-	-	-	-	GU06409800	1	-
18	Clip M6	-	-	-	-	GU28576591	6	-
19	Nut with clip M6	-	-	-	-	GU28576592	6	-
20	Clip M5	-	-	-	-	AP8102375	12	-
21	RH plate	-	-	-	-	883101	1	BA19A



STELVIO 1200 - NTX - ABS 1200
2009-2010

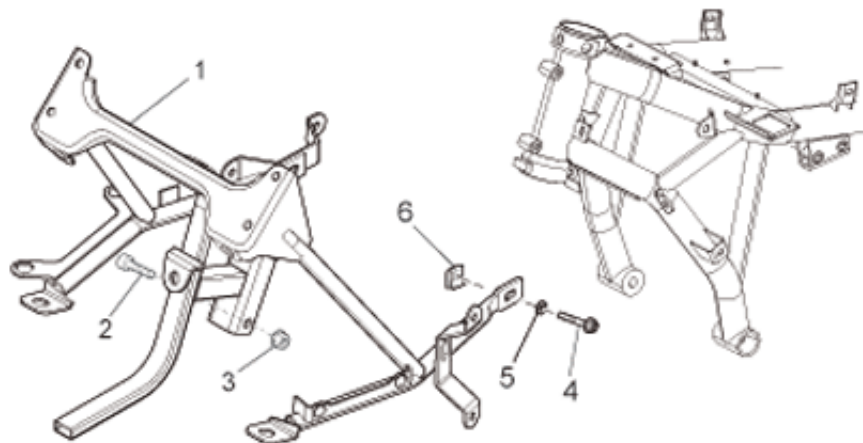
GU095

00

TAB N.

02

FRAME II



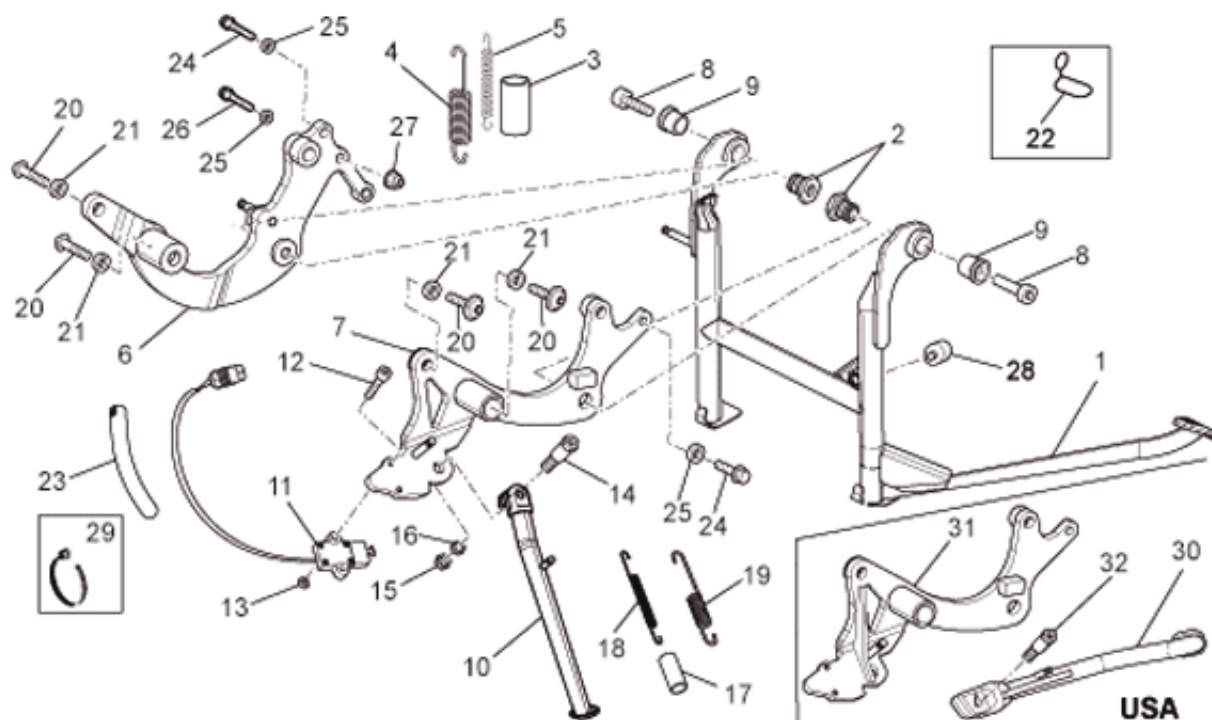
Pos.	Description	Year	I_M_	Country	Version	Code	Q.ty	P.Cod.
1	Front frame	A	-	-	-	886221	1	BA079
2	Hex socket screw M8x40	-	-	-	-	GU98680440	2	-
3	Self-locking nut M8*	-	-	-	-	AP8152300	2	-
4	Screw w/ flange M6x20	-	-	-	-	AP8152279	2	-
5	Washer 6,4x12x1,2	-	-	-	-	GU95100141	2	-
6	Nut with clip M6	-	-	-	-	GU28576592	2	-


STELVIO 1200 - NTX - ABS 1200
2009-2010

GU095

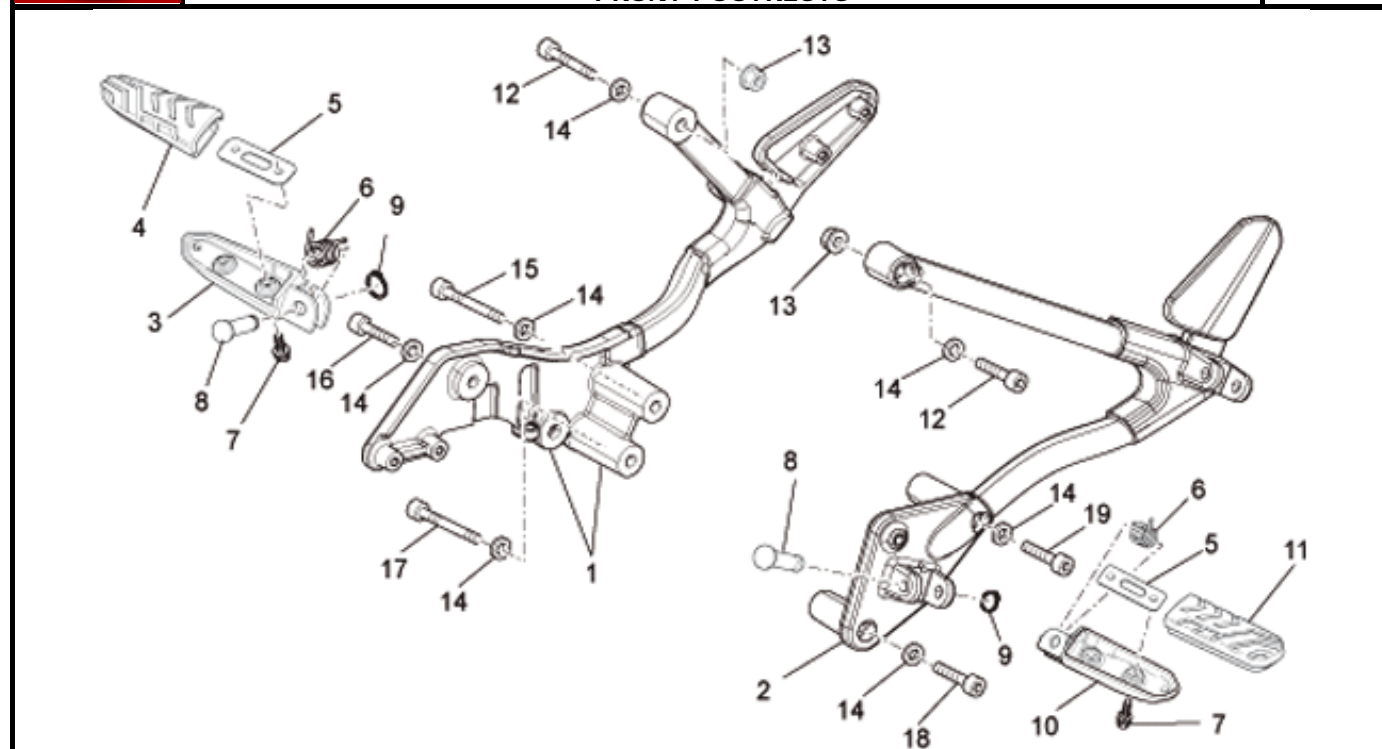
00

TAB N.

03**STANDS**

Pos.	Description	Year	I_M_	Country	Version	Code	Q.ty	P.Cod.
1	Central stand	-	-	-	-	883656	1	BG009
2	Support	-	-	-	-	AP8121467	2	BG019
3	Stand spring protection	-	-	-	-	AP8178918	1	-
4	Lateral stand spring	-	-	-	-	AP8221317	1	BG02K
5	Internal lateral stand spring	-	-	-	-	AP8221318	1	BG02J
6	RH plate	-	-	-	-	883664	1	BG079
7	LH plate	-	-	-	-	978002	1	BG079
8	Hex socket screw M10x30	-	-	-	-	GU98682530	2	-
9	Bush	-	-	-	-	GU05429630	2	-
10	Lateral stand	-	-	-	-	978012	1	BG049
11	Lateral stand switch	-	-	-	-	639542	1	CD149
12	Hex socket screw M5x16	-	-	-	-	GU98612216	2	-
13	Washer 5,3x8,9x2,4	-	-	-	-	GU95020105	2	-
14	Central stand fixing screw	-	-	-	-	AP8121994	1	BG019
15	Low nut M10x1,25*	-	-	-	-	AP8152001	1	-
16	Curved spring washer *	-	-	-	-	AP8150292	1	-
17	Stand spring protection	-	-	-	-	AP8102524	1	-
18	Lateral stand spring	-	-	-	-	AP8221204	1	BG02K
19	Internal lateral stand spring	-	-	-	-	AP8221211	1	BG02J
20	Hex socket screw M12x35	-	-	-	-	GU98231235	4	-
21	Washer 13x18x1,7	-	-	-	-	GU30217900	2	-
22	Cable-guide	-	-	-	-	AP8120428	1	-
23	Thermal sheath	-	-	-	-	GU00823923140	1	-
24	Screw w/ flange M8x25*	-	-	-	-	AP8152287	1	-
25	Washer 8,4X13X0,8	-	-	-	-	GU14615901	2	-
26	Screw	-	-	-	-	GU97202435	1	-
27	Self-locking nut M8*	-	-	-	-	AP8152300	1	-
28	Drift	-	-	-	-	GU93242015	1	BG039
29	Hose clamp 3,6x20,6	-	-	-	-	GU14609650	2	-
30	LH plate	-	-	CA-USA	-	883413	1	BG079
31	Lateral stand	-	-	CA-USA	-	883208	1	BG049
32	Central stand fixing screw	-	-	CA-USA	-	AP8121607	1	BG019

	STELVIO 1200 - NTX - ABS 1200 2009-2010	GU095	00	TAB N.	04
	FRONT FOOTRESTS				



Pos.	Description	Year	I_M_	Country	Version	Code	Q.ty	P.Cod.
1	RH foot rest support	-	-	-	-	883102	1	BA17A
2	LH footrest support	-	-	-	-	883103	1	BA17B
3	RH Foot rests	A	-	-	-	886184	1	BA05A
4	Footrest rubber	A	-	-	-	AP8120831	1	BA24A
5	Plate	A	-	-	-	AP8134276	2	-
6	Footrest return spring	-	-	-	-	AP8221277	2	BA08*
7	Screw w/ flange M6x12*	-	-	-	-	AP8152277	4	-
8	Pin	-	-	-	-	AP8121567	2	-
9	Stop ring	-	-	-	-	AP8152409	2	-
10	LH Foot rests	A	-	-	-	886185	1	BA05B
11	Footrest rubber	A	-	-	-	AP8120831	1	BA24B
12	Hex socket screw M8x35	-	-	-	-	GU98680435	2	-
13	Self-locking nut M8*	-	-	-	-	AP8152300	2	-
14	Washer 8,4X13X0,8	-	-	-	-	GU14615901	7	-
15	Screw	-	-	-	-	GU98680480	1	-
16	Hex socket screw M8x25	-	-	-	-	GU98682425	1	-
17	Screw	-	-	-	-	GU98680465	1	-
18	Hex socket screw M8x60	-	-	-	-	GU98680460	1	-
19	Screw	-	-	-	-	GU98620485	1	-



STELVIO 1200 - NTX - ABS 1200
2009-2010

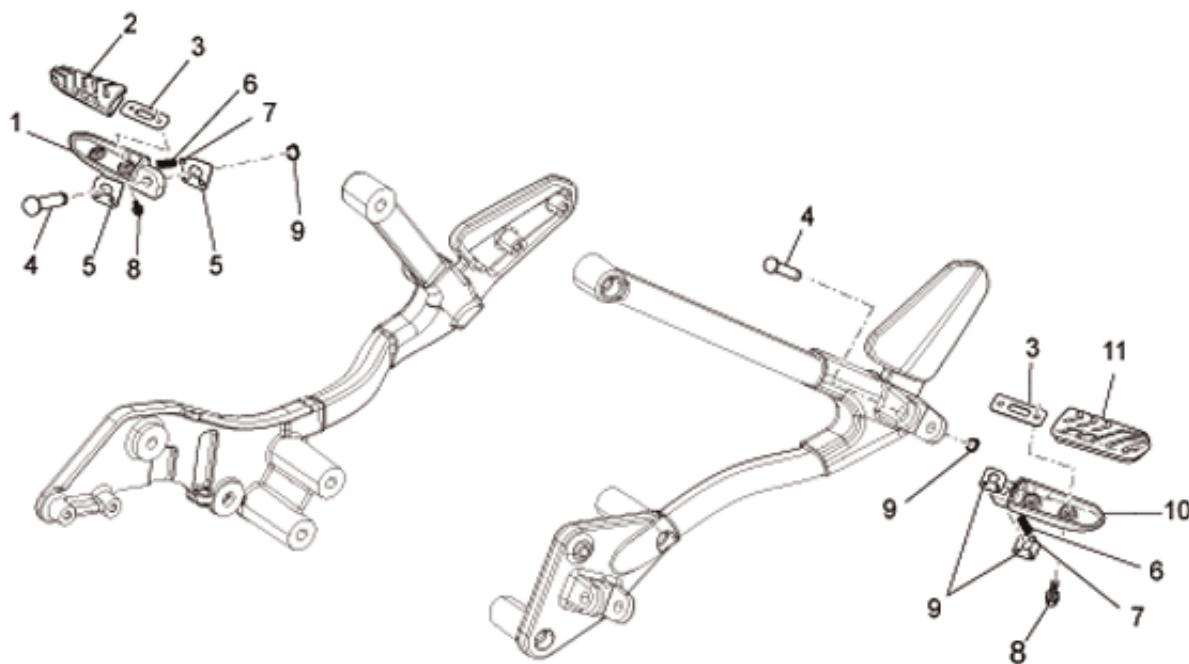
GU095

00

TAB N.

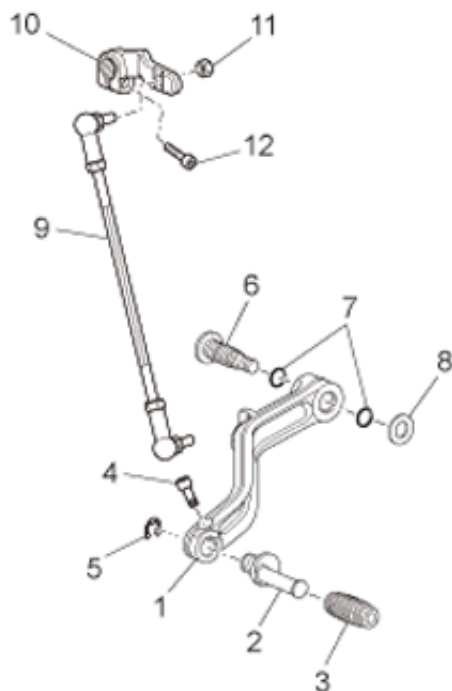
05

REAR FOOTRESTS



Pos.	Description	Year	I_M_	Country	Version	Code	Q.ty	P.Cod.
1	Rear footrest, RH	-	-	-	-	GU32442310	1	BA15A
2	Support rubber part	-	-	-	-	GU32443210	1	BA24A
3	Plate	-	-	-	-	GU32441210	2	-
4	Pin	-	-	-	-	AP8121567	2	-
5	Footrest plate	-	-	-	-	AP8134451	4	-
6	Coil compress. spring *	-	-	-	-	AP8121133	2	-
7	Ball D6,35	-	-	-	-	AP8101861	2	-
8	Screw w/ flange M6x12*	-	-	-	-	AP8152277	4	-
9	Stop ring	-	-	-	-	AP8152409	2	-
10	Rear footrest, LH	-	-	-	-	GU32442710	1	BA15B
11	Support rubber part	-	-	-	-	GU32443211	1	BA24B

	STELVIO 1200 - NTX - ABS 1200 2009-2010	GU095	00	TAB N.	06
	GEAR LEVER				



Pos.	Description	Year	I_M_	Country	Version	Code	Q.ty	P.Cod.
1	Gear lever	-	-	-	-	GU06250900	1	BA109
2	Brake lever pin	-	-	-	-	AP8121221	1	-
3	Lever rubber	-	-	-	-	AP8120912	1	BA149
4	Hex socket screw M6x16	-	-	-	-	GU98682316	1	-
5	Circlip d9	-	-	-	-	AP8150462	1	-
6	Rear brake lever pin	-	-	-	-	AP8121223	1	-
7	O-ring 11,11x1,78	-	-	-	-	AP8144007	2	-
8	Washer 10,2X18X2	-	-	-	-	GU95008210	1	-
9	Change gear tie rod compl.	-	-	-	-	883044	1	BA129
10	Lever	-	-	-	-	GU05256930	1	BA119
11	Nut M6X1	-	-	-	-	GU92630707	2	-
12	Hex socket screw M6x20	-	-	-	-	GU98682320	1	-



STELVIO 1200 - NTX - ABS 1200
2009-2010

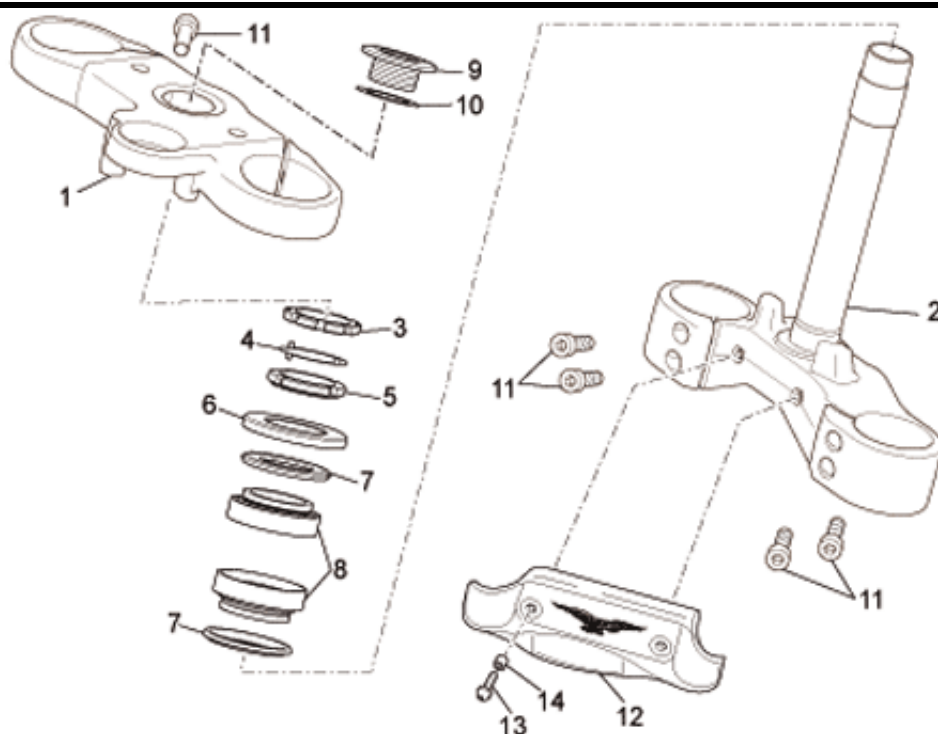
GU095

00

TAB N.

07

STEERING



Pos.	Description	Year	I_M_	Country	Version	Code	Q.ty	P.Cod.
1	Fork upper plate D45	A	-	-	-	886199	1	BD119
2	Stem base D45	A	-	-	-	886202	1	BD019
3	Return ring nut	-	-	-	-	AP8123643	1	BA049
4	Steering security plate	-	-	-	-	AP8121207	1	-
5	Ring nut	-	-	-	-	AP8123642	1	BA049
6	Dust cover ring	-	-	-	-	AP8123644	1	-
7	Dust cover ring	-	-	-	-	AP8123641	2	-
8	Axial ball bearing	-	-	-	-	AP8110077	2	BA039
9	Upper plate fixing bush	-	-	-	-	AP8121205	1	-
10	Stem plug washer	-	-	-	-	AP8152384	1	-
11	Hex socket screw M8x30	-	-	-	-	GU98682430	6	-
12	Brake hose fixing plate	-	-	-	-	GU05658431	1	BD329
13	Screw w/ flange M5x16	-	-	-	-	AP8152298	2	-
14	Bush 5,3x8x7,1	-	-	-	-	AP8221036	2	-



STELVIO 1200 - NTX - ABS 1200
2009-2010

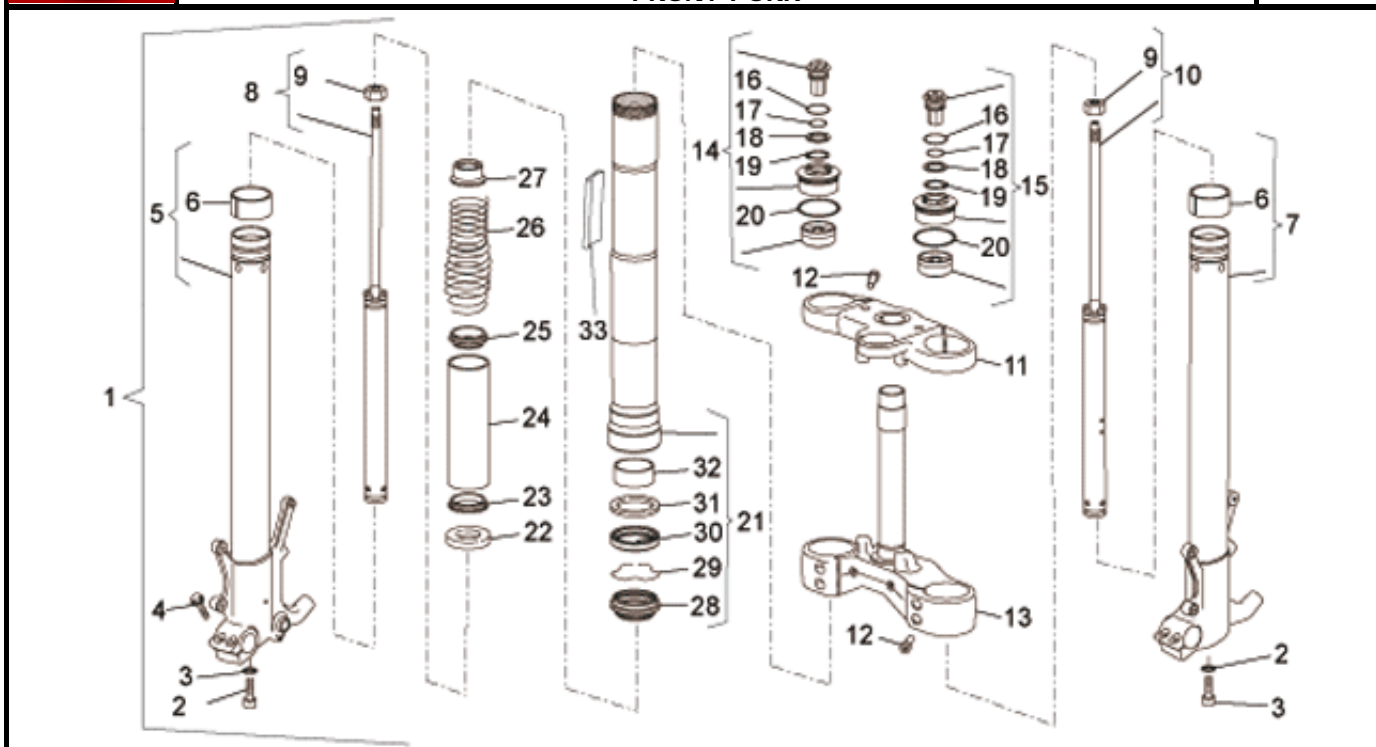
GU095

00

TAB N.

08

FRONT FORK



Pos.	Description	Year	I_M_	Country	Version	Code	Q.ty	P.Cod.
1	R.H. sleeve assy D45	A	-	-	-	886191	1	-
2	Screw	-	-	-	-	GU01530588	2	-
3	Seal washer	-	-	-	-	AP8123206	2	-
4	Hex socket screw M6x30*	-	-	-	-	AP8150220	4	-
5	Hub+RH fork leg	A	-	-	-	886315	1	BD03A
6	Lower bush 45x20	A	-	-	-	AP9100856	2	BD10*
7	Hub+LH fork leg	A	-	-	-	886317	1	BD03B
8	RH plunger, complete	A	-	-	-	886319	1	BD06*
9	Nut	A	-	-	-	886321	2	-
10	LH plunger, complete	A	-	-	-	886320	1	BD06*
11	Fork upper plate D45	A	-	-	-	886199	1	BD119
12	Hex socket screw M8x30	-	-	-	-	GU98682430	6	-
13	Stem base D45	A	-	-	-	886202	1	BD019
14	RH sleeve plug	A	-	-	-	886324	1	BD15*
15	LH sleeve plug	A	-	-	-	886316	1	BD15*
16	O-ring	-	-	-	-	981024	2	BD15*
17	O-ring	-	-	-	-	981025	2	BD15*
18	Washer	-	-	-	-	981026	2	BD15*
19	Stop ring	-	-	-	-	981027	2	BD15*
20	O-ring	A	-	-	-	886318	2	BD15*
21	Sleeve cpl.	A	-	-	-	886323	2	BD09*
22	Spring seat	-	-	-	-	981033	2	-
24	Preload tube	A	-	-	-	AP8161254	2	BD33*
26	Spring	A	-	-	-	886322	2	BD07*
28	Dust cover D.45	A	-	-	-	AP8163097	2	BD05*
29	Stop ring D.63	A	-	-	-	AP8163096	2	-
30	Gasket ring 45x58x11	A	-	-	-	AP8163095	2	BD04*
31	Cup 58x46x3	A	-	-	-	AP8163094	2	-
32	Upper bush 45x15	A	-	-	-	AP9100855	2	BD10*
33	Reflector, amber	-	-	CA-USA	-	GU05781630	2	CB08E
34	L.H. sleeve assy D45	A	-	-	-	886192	1	-



STELVIO 1200 - NTX - ABS 1200
2009-2010

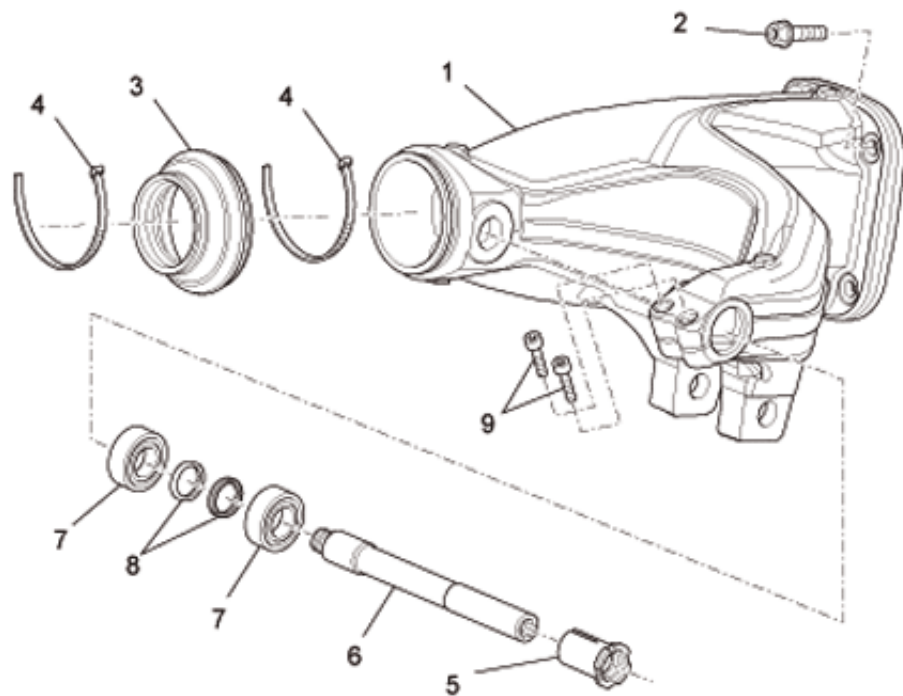
GU095

00

TAB N.

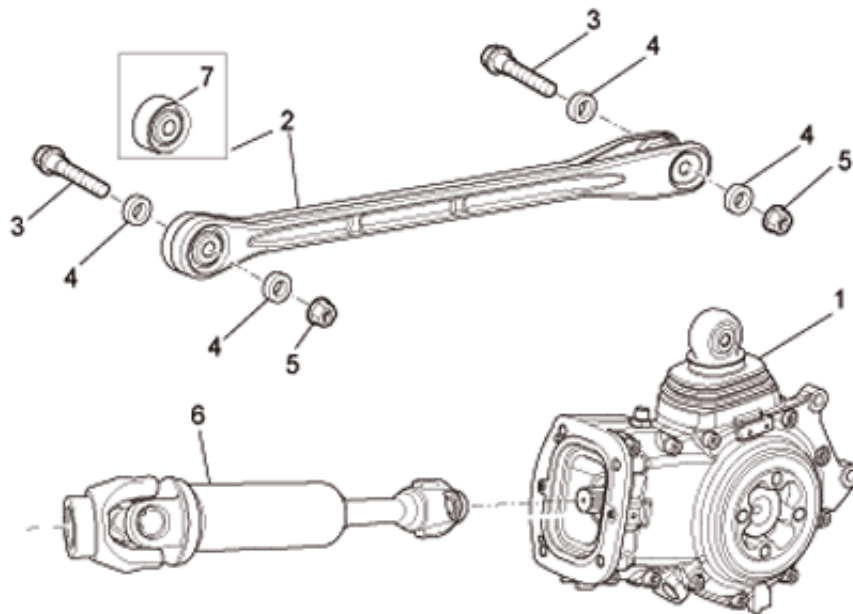
09

SWING ARM



Pos.	Description	Year	I_M_	Country	Version	Code	Q.ty	P.Cod.
1	Swing arm, black	-	-	-	-	978350	1	BE009
2	Screw w/ flange M10x35	-	-	-	-	AP8152318	4	-
3	Rubber bellows	-	-	-	-	GU05548030	1	AH289
4	Hose clamp 3,6x375	-	-	-	-	GU93304390	2	-
5	Bush	-	-	-	-	GU05547130	1	BE079
6	Pin	-	-	-	-	GU05547030	1	BE019
7	Roller bearing 25x47x17	-	-	-	-	GU92249224	2	BE069
8	Gasket ring	-	-	-	-	GU05547930	2	-
9	Hex socket screw M6x25	-	-	-	-	GU98682325	2	-

	STELVIO 1200 - NTX - ABS 1200 2009-2010	GU095	00	TAB N.	10
	TRANSMISSION COMPLETE				



Pos.	Description	Year	I_M_	Country	Version	Code	Q.ty	P.Cod.
1	Transmission complete black	-	-	-	-	976570	1	AG219
2	Reaction rod assy.	-	-	-	-	883046	1	AG239
3	Screw w/ flange M10x55	-	-	-	-	AP8152410	2	AG379
4	Spacer 10,2x20x4	-	-	-	-	AP8121218	3	-
5	Nut M10	-	-	-	-	AP8152242	2	-
6	Drive shaft	-	-	-	-	GU05326330	1	AG199
7	Silent-block	-	-	-	-	883045	1	-



STELVIO 1200 - NTX - ABS 1200
2009-2010

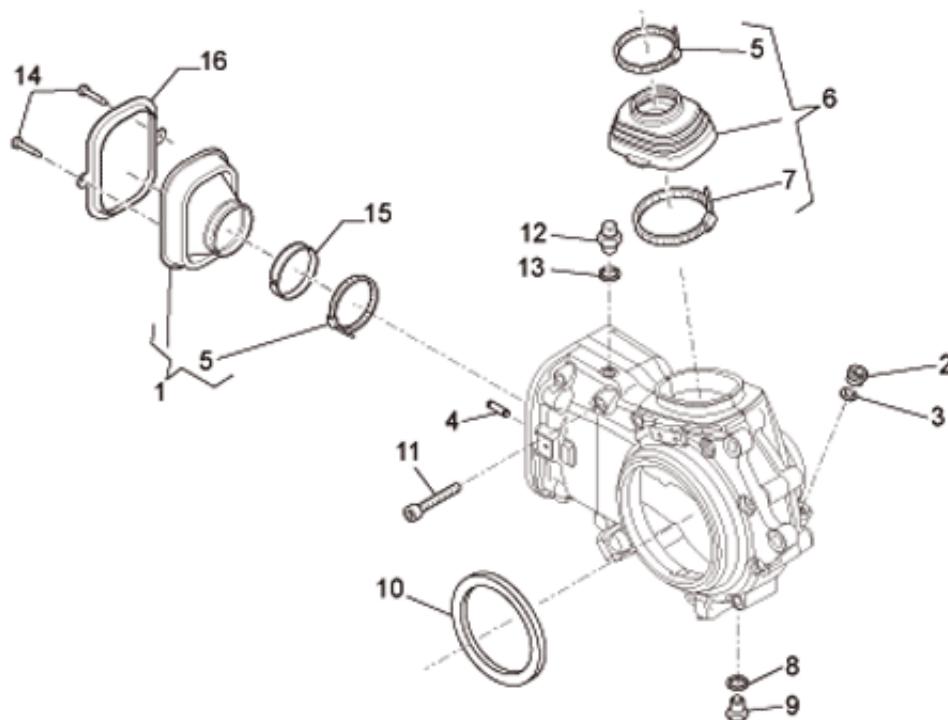
GU095

00

TAB N.

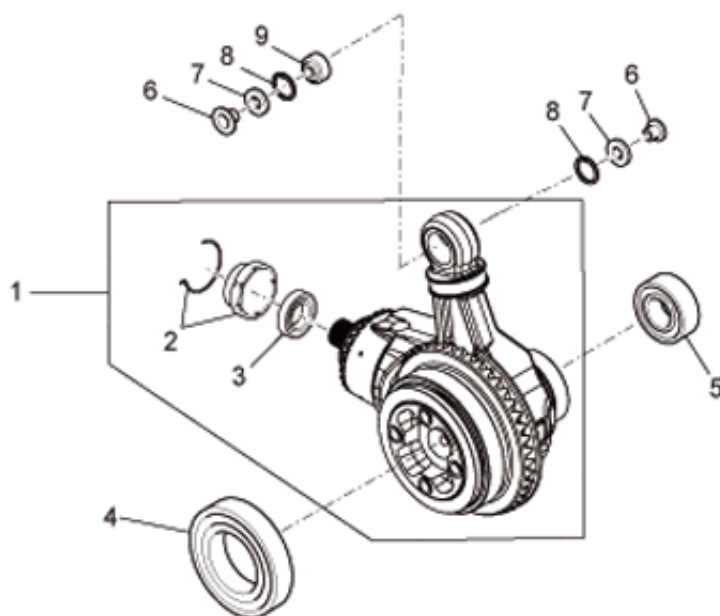
11

TRANS.CPL.-CAGE



Pos.	Description	Year	I_M_	Country	Version	Code	Q.ty	P.Cod.
1	Upper dust cover	-	-	-	-	GU05358330	1	AG399
2	Oil plug M12x1,5	-	-	-	-	GU05351230	1	AH119
3	Washer	-	-	-	-	GU90718120	1	-
4	Pin 6x20	-	-	-	-	GU95510620	2	-
5	Hose clamp	-	-	-	-	GU05358130	2	-
6	Upper dust cover	-	-	-	-	GU05358030	1	AG399
7	Hose clamp	-	-	-	-	GU05358230	1	-
8	Gasket 10x18x1,5	-	-	-	-	GU01528930	1	-
9	Oil unload plug M10X1	-	-	-	-	GU31003766	1	-
10	Gasket ring 85x110x8BASL	-	-	-	-	GU90408511	1	AO369
11	Hex socket screw M8x50	-	-	-	-	GU98680450	11	-
12	Breather plug	-	-	-	-	GU05206530	1	-
13	Gasket	-	-	-	-	GU10528900	1	-
14	Screw M3,9x6,5	-	-	-	-	GU99210406	2	-
15	Ring	-	-	-	-	GU05358530	1	-
16	Gasket	-	-	-	-	GU05358630	1	AO439

	STELVIO 1200 - NTX - ABS 1200 2009-2010	GU095	00	TAB N.	12
	TRANS.CPL.-BEVEL GEAR				



Pos.	Description	Year	I_M_	Country	Version	Code	Q.ty	P.Cod.
1	Bevel gear kit 12/44	-	-	-	-	976581	1	AG189
2	Ring nut	-	-	-	-	GU05352430	1	-
3	Gasket ring 45x58x7	-	-	-	-	GU90404558	1	AO389
4	Ball bearing 85x120x18	-	-	-	-	GU92208518	1	AI269
5	Ball bearing 30x62x16	-	-	-	-	GU92204230	1	AI269
6	Bush	-	-	-	-	AP8121098	2	AG379
7	Gasket ring	-	-	-	-	AP8120485	2	AG379
8	Circlip	-	-	-	-	GU90273026	2	AG379
9	Ball joint	-	-	-	-	GU05638130	1	AG379



STELVIO 1200 - NTX - ABS 1200
2009-2010

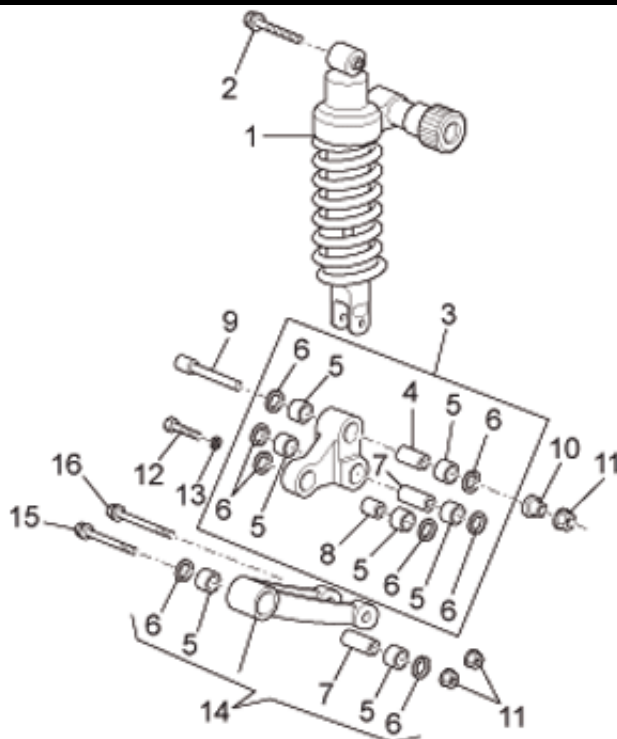
GU095

00

TAB N.

13

CONNECTING ROD - REAR SHOCK ABS.



Pos.	Description	Year	I_M_	Country	Version	Code	Q.ty	P.Cod.
1	Shock absorber	-	-	-	-	978006	1	BF009
2	Screw w/ flange M10x80	-	-	-	-	AP8152398	1	-
3	Double conrod	-	-	-	-	GU05560330	1	BF099
4	Double connecting rod pin L40	-	-	-	-	AP8135924	1	BF109
5	Needle bearing	-	-	-	-	AP8110066	7	BF119
6	Oil seal D18x24x3	-	-	-	-	AP8110068	8	-
7	Double connecting rod pin L47	-	-	-	-	GU05562030	2	BF109
8	Double connecting rod pin L25	-	-	-	-	AP8135608	1	BF109
9	Hex socket screw M10x82	-	-	-	-	AP8152397	1	-
10	T bush *	-	-	-	-	AP8121155	1	-
11	Self-locking nut M10*	-	-	-	-	AP8152301	3	-
12	Hex screw M10x47	-	-	-	-	AP8152147	1	BF029
13	Curved spring washer *	-	-	-	-	AP8150292	1	-
14	Single conrod comp.	-	-	-	-	GU05562430	1	BF089
15	Screw w/ flange M10x85	-	-	-	-	AP8152482	1	-
16	Screw w/ flange M10x95	-	-	-	-	AP8152396	1	-



STELVIO 1200 - NTX - ABS 1200
2009-2010

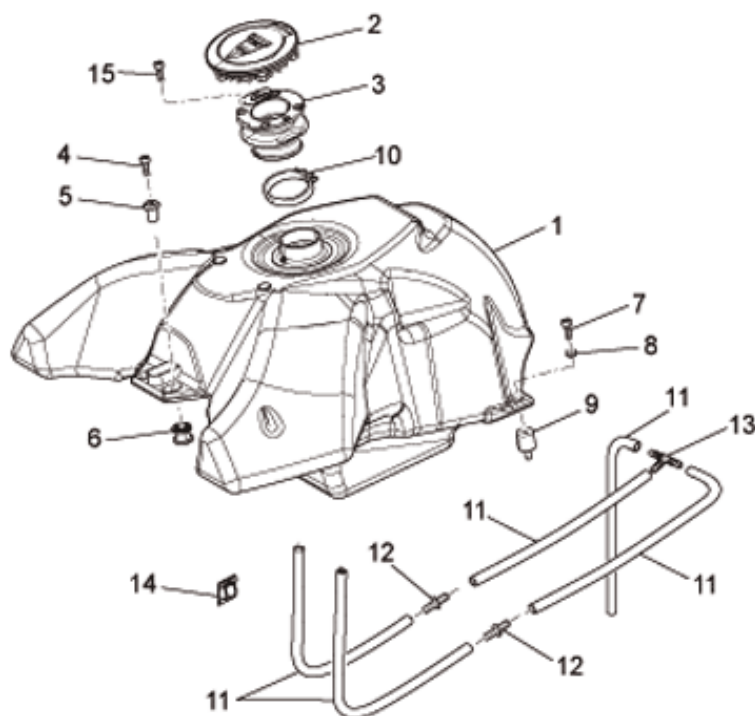
GU095

00

TAB N.

14

FUEL TANK



Pos.	Description	Year	I_M_	Country	Version	Code	Q.ty	P.Cod.
1	Fuel tank	A	-	-	-	886233	1	DA009
	Fuel tank	-	-	CA-USA	-	883393	1	DA009
2	Tank cap	-	-	-	-	GU05103930	1	DA029
3	Bellows	-	-	-	-	978642	1	DA169
4	Hex socket screw M6X40	-	-	-	-	GU98680340	2	-
5	Fuel tank bush	-	-	-	-	GU06107100	2	-
6	Rubber spacer	-	-	-	-	AP8144328	2	-
7	Screw w/ flange M6x20	-	-	-	-	AP8152279	3	-
8	Washer 6,4x12x1,2	-	-	-	-	GU95100141	2	-
9	Silent-block	-	-	-	-	GU93222023	2	-
10	Hose clamp 33x53x8	-	-	-	-	GU93306020	1	-
11	Breather pipe 4x8	-	-	-	-	AP8220263	5	GA239
12	Union	-	-	-	-	GU06704700	2	-
13	3-way union	-	-	-	-	AP8104666	1	DA319
14	Cable-guide	-	-	-	-	AP8120708	8	-
15	Hex socket screw M5x16	-	-	-	-	GU98692216	4	-
16	Plate	-	-	-	-	883791	1	-
17	Washer	-	-	-	-	GU95100125	1	-



STELVIO 1200 - NTX - ABS 1200
2009-2010

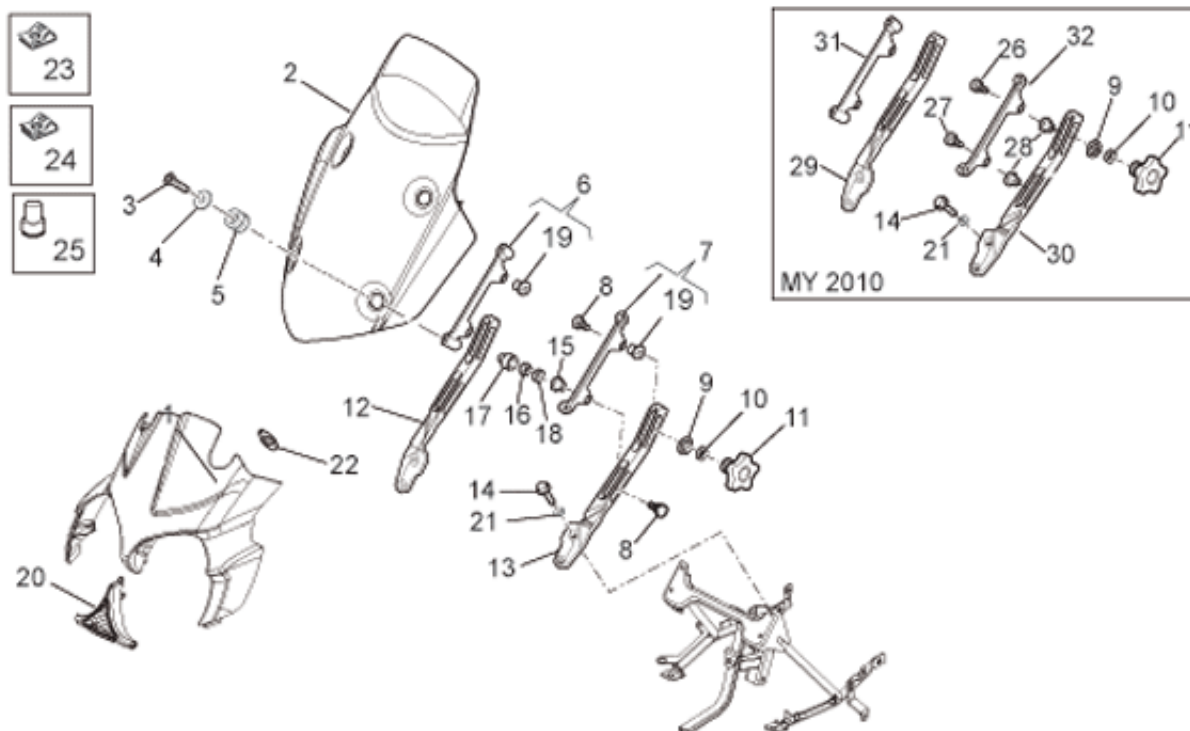
GU095

00

TAB N.

15

FRONT BODY - FRONT FAIRING



Pos.	Description	Year	I_M_	Country	Version	Code	Q.ty	P.Cod.
1	Windshield, grey	-	-	-	-	97841800Y11	1	DD149
	Headlight windshield blank	-	-	-	-	978418	1	DD149
2	Windscreen	-	-	-	-	978423	1	DD139
3	Screw TSPEI M6X18	-	-	-	-	GU98257618	4	-
4	Special washer	-	-	-	-	269787	4	-
5	Rubber spacer	-	-	-	-	560173	4	-
9	Washer 8,4x18x2	-	-	-	-	GU95005310	2	-
10	Washer 8,4X13X0,8	-	-	-	-	GU14615901	2	-
11	Knob	-	-	-	-	977681	2	-
14	Screw w/ flange M6x16*	-	-	-	-	598839	4	-
20	Light frame, black	-	-	-	-	883069	1	-
21	Washer 6,4x10x0,7	-	-	-	-	GU14217901	4	-
22	Rubber spacer	-	-	-	-	463195	2	-
23	Clip M5	-	-	-	-	AP8102375	2	-
24	Clip M4	-	-	-	-	AP8102381	5	-
25	Plug	-	-	-	-	AP8120876	1	-
26	Threaded pin	A	-	-	-	886078	2	-
27	Threaded pin	A	-	-	-	886079	2	-
28	T bush	A	-	-	-	886236	4	-
29	RH clamp	A	-	-	-	886197	1	DD139
30	LH clamp	A	-	-	-	886198	1	DD139
31	RH support	A	-	-	-	886195	1	DD139
32	LH support	A	-	-	-	886196	1	DD139



STELVIO 1200 - NTX - ABS 1200
2009-2010

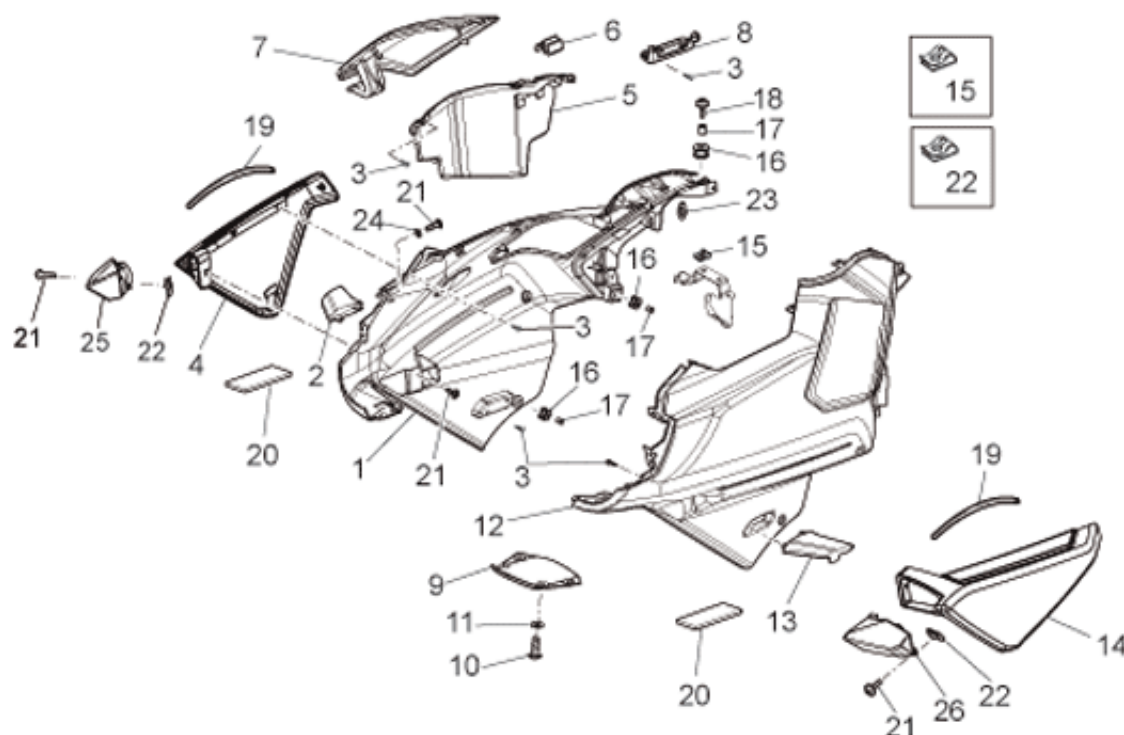
GU095

00

TAB N.

16

FRONT BODY - DUCT



Pos.	Description	Year	I_M_	Country	Version	Code	Q.ty	P.Cod.
1	RH lat.fairing, grey	-	-	-	-	sc 88307000YE1	1	DD15A
2	RH baffle	-	-	-	-	978687	1	DD42A
3	Self-tap screw 3,9x14	-	-	-	-	AP8150413	10	-
5	Glove compartment	-	-	-	-	978431	1	DD489
6	Gasket	-	-	-	-	883140	1	-
7	RH side cover Technogr	-	-	-	-	sc 88307800Y11	1	DD499
8	Plate	-	-	-	-	978641	1	-
9	Low.fairing, black	-	-	-	-	978640	1	DD439
10	Screw M5x15	-	-	-	-	GU98710215	4	-
11	Nylon washer	-	-	-	-	GU01577830	4	-
12	LH lat.fairing, grey	-	-	-	-	sc 88307100YE1	1	DD15B
13	LH baffle	-	-	-	-	978688	1	DD42B
15	Clip M5	-	-	-	-	AP8102375	10	-
16	Rubber spacer	-	-	-	-	978152	8	-
17	Spacer 6,25x8x5	-	-	-	-	GU91180600	8	-
18	Screw w/ flange M5x12	-	-	-	-	AP8152302	6	-
19	Gasket	-	-	-	-	GU00823931055	2	-
20	Adhesive sponge	-	-	-	-	AP8117200	2	-
21	Hex socket screw M4x12	-	-	-	-	GU98370412	6	-
22	Clip M4	-	-	-	-	AP8102381	12	-
23	Rubber spacer	-	-	-	-	463195	2	-
24	Nylon washer	-	-	-	-	AP8144565	10	-
25	RH plug	-	-	AUS-CA-USA	-	88346700Y11	1	-
26	LH plug	-	-	AUS-CA-USA	-	88346800Y11	1	-



STELVIO 1200 - NTX - ABS 1200
2009-2010

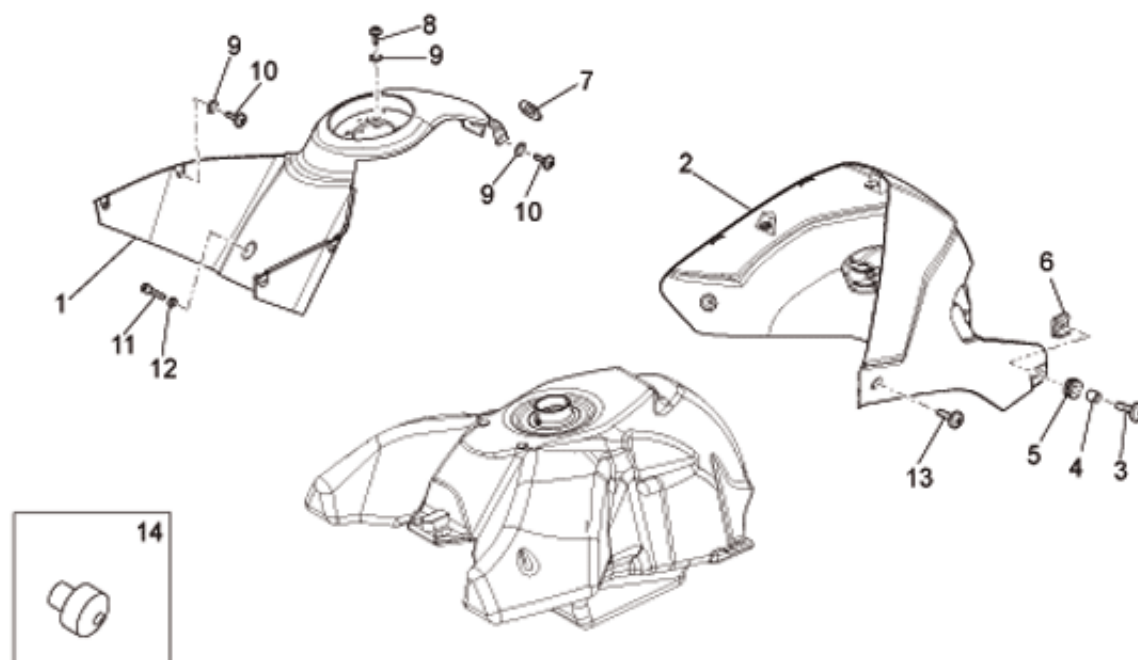
GU095

00

TAB N.

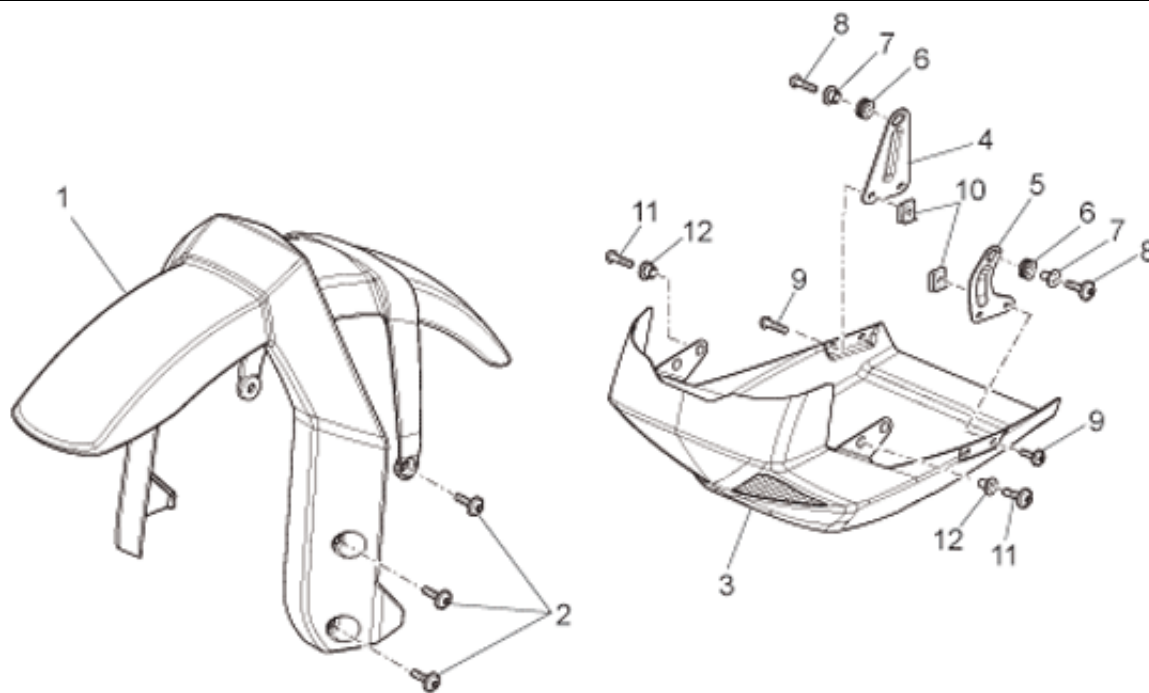
17

CENTRAL BODY



Pos.	Description	Year	I_M_	Country	Version	Code	Q.ty	P.Cod.
1	Cover stopper tank grey	-	-	-	-	sc 97841900YE1	1	DD189
	Cover stopper tank blank	-	-	-	-	978419	1	DD189
2	Cover tank grey	-	-	-	-	97863400Y11	1	DD189
3	Screw w/ flange M5x12	-	-	-	-	AP8152302	2	-
4	Spacer 6,25x8x5	-	-	-	-	GU91180600	2	-
5	Rubber spacer	-	-	-	-	978152	2	-
6	Clip M5	-	-	-	-	AP8102375	2	-
7	Rubber spacer	-	-	-	-	463195	1	-
8	Hex socket screw M4x16	-	-	-	-	AP8150493	4	-
9	Nylon washer	-	-	-	-	AP8144565	10	-
10	Hex socket screw M4x12	-	-	-	-	GU98370412	6	-
11	Hex socket screw M5x12	-	-	-	-	GU98682212	1	-
12	Washer 5,3x10x0,8	-	-	-	-	GU95008205	1	-
13	Screw w/ flange M5x9	-	-	-	-	AP8152339	4	-
14	Rubber spacer	-	-	-	-	AP8144081	1	-

	STELVIO 1200 - NTX - ABS 1200 2009-2010	GU095	00	TAB N.	18
	FRONT MUD.-PILLAR				



Pos.	Description	Year	I_M_	Country	Version	Code	Q.ty	P.Cod.
1	Front mudguard, grey	9-A	-	-	-	sc 97844500YE1	1	DD049
	Front mudguard blank	-	-	-	-	978445	1	DD049
2	Screw w/ flange M5x9	-	-	-	-	AP8152339	6	-
3	Pillar, black	A	-	-	-	886329	1	DD169
4	RH clamp	-	-	-	-	978777	1	DD169
5	LH clamp	-	-	-	-	978776	1	DD169
6	Rubber spacer	-	-	-	-	GU91551010	2	-
7	T bush 8,5x10,7x12	-	-	-	-	AP8221128	2	-
8	Hex socket screw M8X25	-	-	-	-	GU98350425	2	-
9	Screw w/ flange M5x9	-	-	-	-	AP8152339	4	-
10	Clip M5	-	-	-	-	AP8102375	4	-
11	Hex socket screw M8x16	-	-	-	-	GU98350416	4	-
12	T bush 8,2x12x4	-	-	-	-	AP8121096	4	-



STELVIO 1200 - NTX - ABS 1200
2009-2010

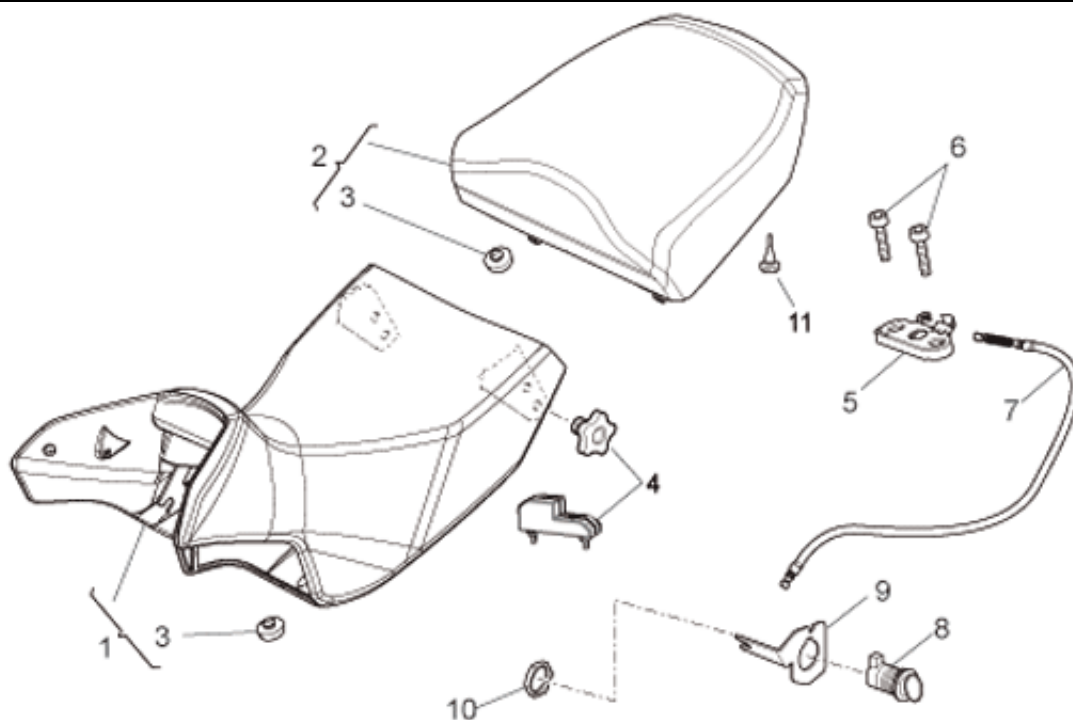
GU095

00

TAB N.

19

SADDLE



Pos.	Description	Year	I_M_	Country	Version	Code	Q.ty	P.Cod.
1	Driver saddle	A	-	-	-	88617600A1	1	DG009
2	Rear saddle	A	-	-	-	88621100A1	1	DG009
3	Rubber spacer	A	-	-	-	GU32461610	5	-
4	Rubber spacer	A	-	-	-	886175	4	-
5	Pass.saddle connecting plate	-	-	-	-	AP8102913	1	DG019
6	Hex socket screw M6X25	-	-	-	-	GU98370625	2	-
7	Saddle release cable	-	-	-	-	883048	1	HA069
8	Saddle lock	-	-	-	-	GU05466830	1	DH039
9	Plate	-	-	-	-	AP8134948	1	-
10	Lock nut	-	-	-	-	AP8102523	1	-
11	Drift	-	-	-	-	GU19705900	2	-



STELVIO 1200 - NTX - ABS 1200
2009-2010

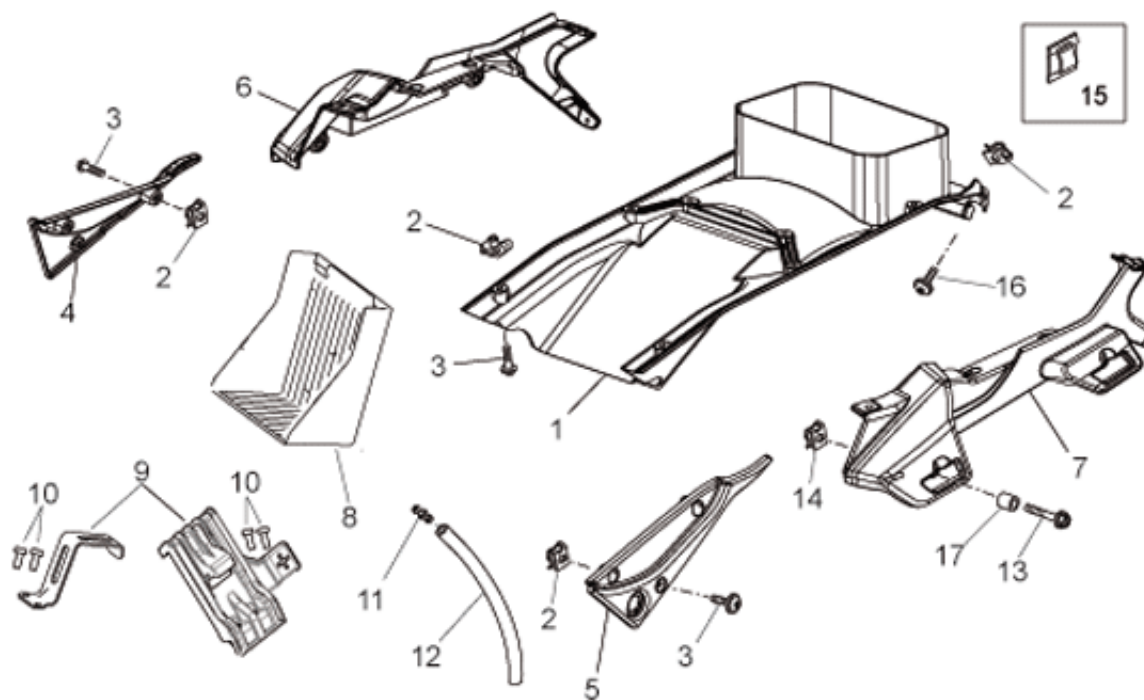
GU095

00

TAB N.

20

REAR BODY I



Pos.	Description	Year	I_M_	Country	Version	Code	Q.ty	P.Cod.
1	Splash guard	-	-	-	-	978446	1	DD459
2	Clip M5	-	-	-	-	AP8102375	12	-
3	Screw w/ flange M5x9	-	-	-	-	AP8152339	10	-
4	RH side panel	-	-	-	-	883024	1	DD17A
5	LH side panel	-	-	-	-	883023	1	DD17B
6	RH support	A	-	-	-	886206	1	DG20A
7	LH support	A	-	-	-	886207	1	DG20B
8	Battery holder	-	-	-	-	883617	1	DD249
9	Battery fixing plate	A	-	-	-	886205	1	CC069
10	Phillips screw, SWP M5X20	A	-	-	-	AP8152329	2	-
11	Union	-	-	-	-	GU06704700	1	-
12	Breather pipe 4x8	-	-	-	-	AP8220263	1	CC029
13	Screw w/ flange M6X25	-	-	-	-	AP8152280	4	-
14	Clip M6	-	-	-	-	GU28576591	4	-
15	Cable-guide	-	-	-	-	AP8120708	1	-
16	Screw M5x15	-	-	-	-	GU98710215	2	-
17	Bush 6,2x10x10,7	-	-	-	-	883177	4	-



STELVIO 1200 - NTX - ABS 1200
2009-2010

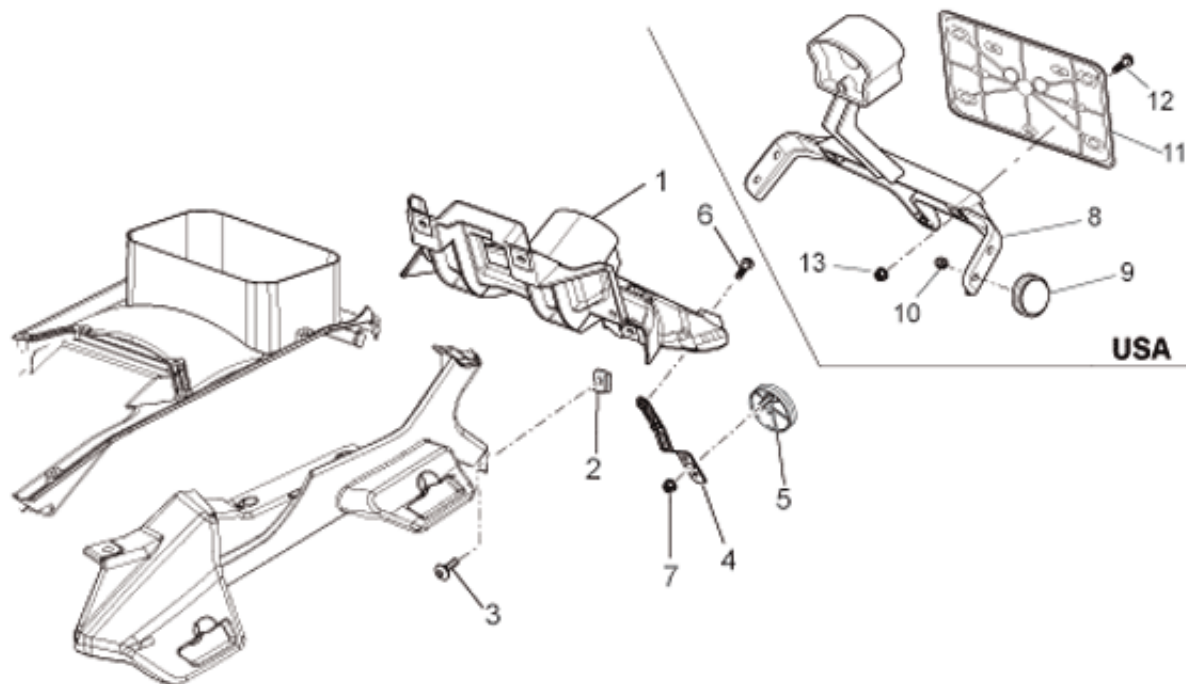
GU095

00

TAB N.

21

REAR BODY II



Pos.	Description	Year	I_M_	Country	Version	Code	Q.ty	P.Cod.
1	Number plate holder	-	-	-	-	978425	1	DD069
2	Clip M5	-	-	-	-	AP8102375	2	-
3	Screw w/ flange M5x12	-	-	-	-	AP8152302	2	-
4	Reflector support	-	-	-	-	AP8134448	1	CB21F
5	Rear reflector, red	-	-	-	-	AP8224164	1	CB08F
6	Hex socket screw M5x16*	-	-	-	-	AP8152268	2	-
7	Self-locking nut M5*	-	-	-	-	AP8152306	1	-
8	Rear reflector support	-	-	CA-USA	-	883214	1	-
9	Rear reflector, red	-	-	CA-USA	-	AP8224164	2	CB08F
10	Self-locking nut M5*	-	-	CA-USA	-	AP8152306	2	-
11	Number plate support	-	-	CA-USA	-	AP8149034	1	DC149
12	Screw	-	-	CA-USA	-	GU98223530	2	-
13	Flanged nut M5	-	-	CA-USA	-	GU92650035	2	-



STELVIO 1200 - NTX - ABS 1200
2009-2010

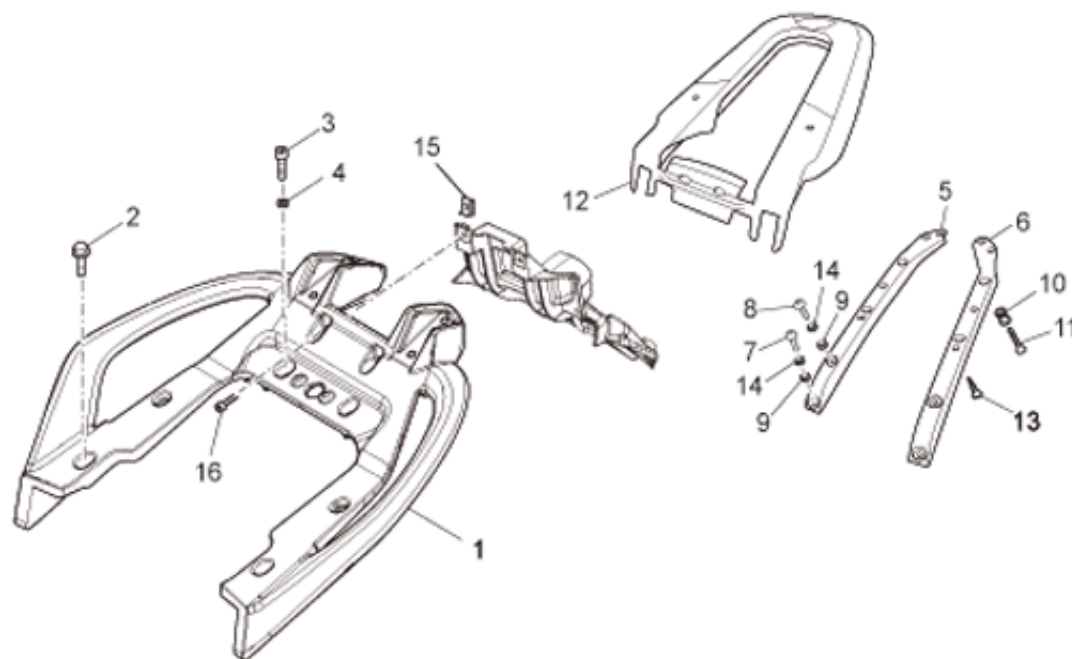
GU095

00

TAB N.

22

REAR HANDLE - LUGGAGE RACK



Pos.	Description	Year	I_M_	Country	Version	Code	Q.ty	P.Cod.
1	Passenger handle	-	-	-	-	97843900Y10	1	DD269
2	Screw w/ flange M6X25	-	-	-	-	AP8152280	4	-
3	Hex socket screw M8X16	-	-	-	-	GU98682416	2	-
4	Washer 8,4X13X0,8	-	-	-	-	GU14615901	2	-
5	RH lugg.rack support	-	-	-	-	GU05466630	1	DG179
6	LH lugg.rack support	-	-	-	-	GU05466631	1	DG179
7	Hex socket screw M8x20	-	-	-	-	GU98230820	2	-
8	Hex socket screw M8x30	-	-	-	-	GU98350430	2	-
9	Washer 8,4x13*	-	-	-	-	AP8152154	4	-
10	Rear stand bush	-	-	-	-	AP8121890	2	-
11	Screw M6x35	-	-	-	-	GU98250635	2	-
12	Luggage rack cover	-	-	-	-	883047	1	DG029
13	Self-tap screw 5x14	-	-	-	-	AP8150509	4	-
14	Washer 6,4x12	-	-	-	-	GU03013800	4	-
15	Clip M5	-	-	-	-	AP8102375	2	-
16	Screw M5x15	-	-	-	-	GU98710215	2	-



STELVIO 1200 - NTX - ABS 1200
2009-2010

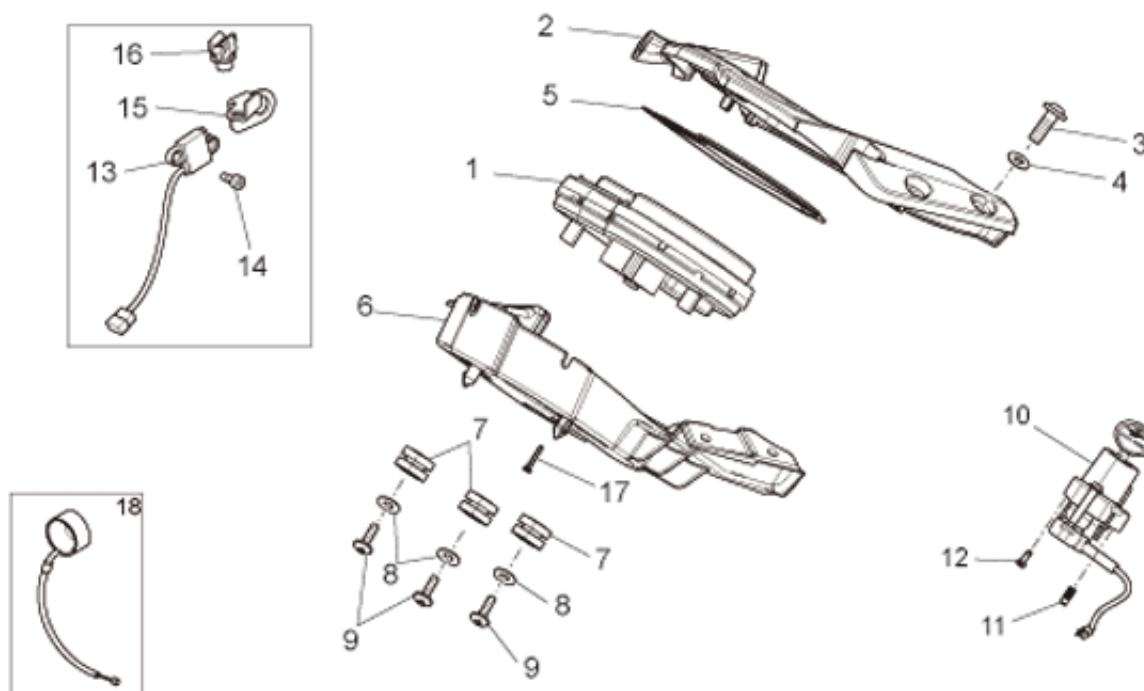
GU095

00

TAB N.

23

DASHBOARD



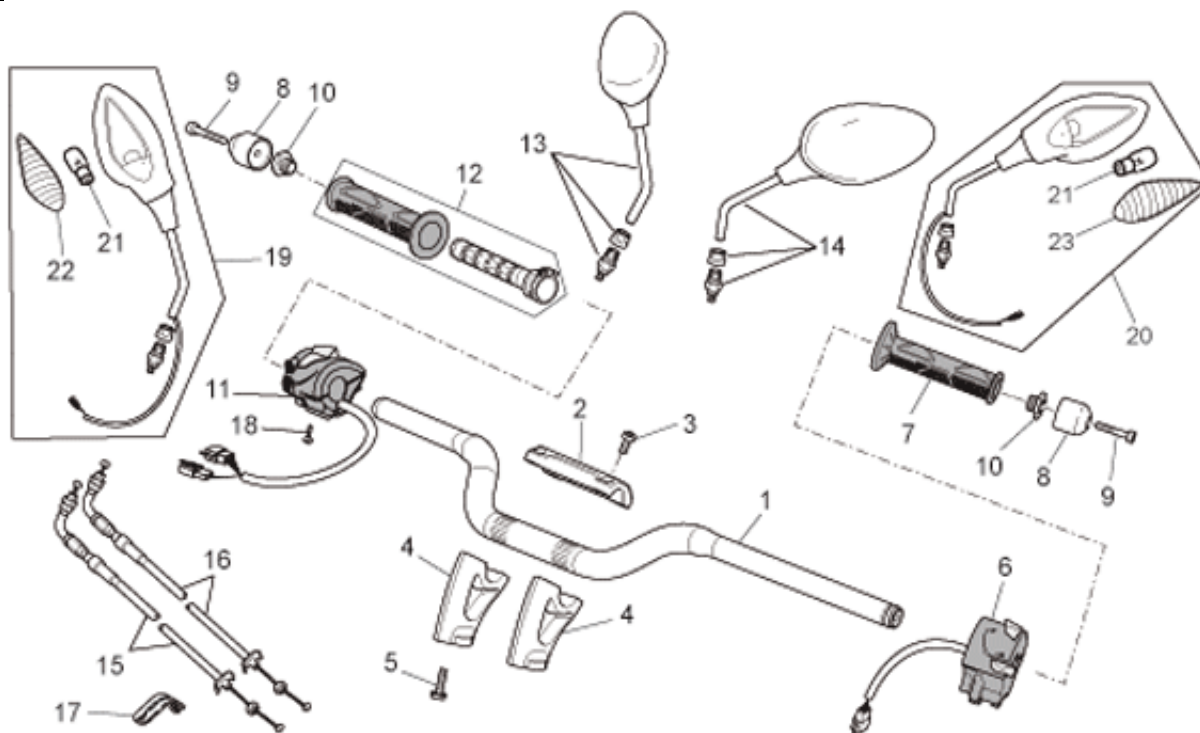
Pos.	Description	Year	I_M_	Country	Version	Code	Q.ty	P.Cod.
1	Dashboard complete	-	-	-	-	883341	1	JA009
2	Instrument frame	-	-	-	-	97842400Y11	1	JB029
3	Screw M5x15	-	-	-	-	976614	4	-
4	Nylon washer	-	-	-	-	GU01577830	4	-
5	Gasket	-	-	-	-	978449	1	-
6	Socket support	-	-	-	-	978633	1	JB099
7	Rubber spacer *	-	-	-	-	AP8220150	3	-
8	Washer 5x20x1,5	-	-	-	-	AP8150255	3	-
9	Self-tap screw 5x14	-	-	-	-	AP8150509	3	-
10	Main switch - steering lock	-	-	-	-	GU05782530	1	DH029
11	Shear rivet M8x28	-	-	-	-	AP8152238	1	-
12	Hex socket screw M8x30	-	-	-	-	GU98682430	1	-
14	Hex socket screw M4x10	-	-	-	-	AP8152043	2	-
15	Fairlead	-	-	-	-	GU06765500	1	-
16	Cable-guide	-	-	-	-	AP8121882	1	-
17	Self-tap screw 3,9x14	-	-	-	-	AP8150413	2	-
18	Immobilizer antenna	-	-	-	-	981087	1	-


**STELVIO 1200 - NTX - ABS 1200
2009-2010**

GU095

00

TAB N.

24**HANDLEBAR - CONTROLS**

Pos.	Description	Year	I_M_	Country	Version	Code	Q.ty	P.Cod.
1	Handlebar	-	-	-	-	978040	1	BC009
2	Upper U-bolt	-	-	-	-	978821	1	BD149
3	Screw M8x30	-	-	-	-	GU98700430	4	-
4	Lower U-bolt	-	-	-	-	978042	2	BD149
5	Screw w/ flange M10x40*	-	-	-	-	AP8152325	2	-
6	LH lights selector	A	-	-	-	896108	1	CD10B
7	LH hand grip	-	-	-	-	AP8118579	1	BC039
8	Anti.v weight, black	A	-	-	-	AP8104572	2	BC06*
9	Hex socket screw M6X40	-	-	-	-	GU98680340	2	-
10	Anti vib.weight trailing	A	-	-	-	886234	2	BC06*
11	Engine stop-start device	A	-	-	abs	886159	1	CD139
12	RH hand grip	-	-	-	-	GU01603480	1	BC039
13	RH rearview mirror	-	-	-	-	AP8104921	1	DF10A
14	LH rearview mirror	-	-	-	-	AP8104922	1	DF10B
15	Gas trasmission delivery	-	-	-	-	883001	1	HA029
16	Gas trasmission return	-	-	-	-	883002	1	HA029
17	Hose clamp L46 mm	-	-	-	-	GU01609630	4	-
18	Self-tap screw	-	-	-	-	978059	1	-
19	RH rearview mirror	-	-	AUS-CA-USA	-	883460	1	DF10A
20	LH rearview mirror	-	-	AUS-CA-USA	-	883461	1	DF10B
21	Lamp 12V-15W	-	-	AUS-CA-USA	-	981101	2	CB149
22	RH.turn indicator lens	-	-	AUS-CA-USA	-	981099	1	CB01*
23	Turn indicator lens	-	-	AUS-CA-USA	-	981100	1	CB01*



STELVIO 1200 - NTX - ABS 1200
2009-2010

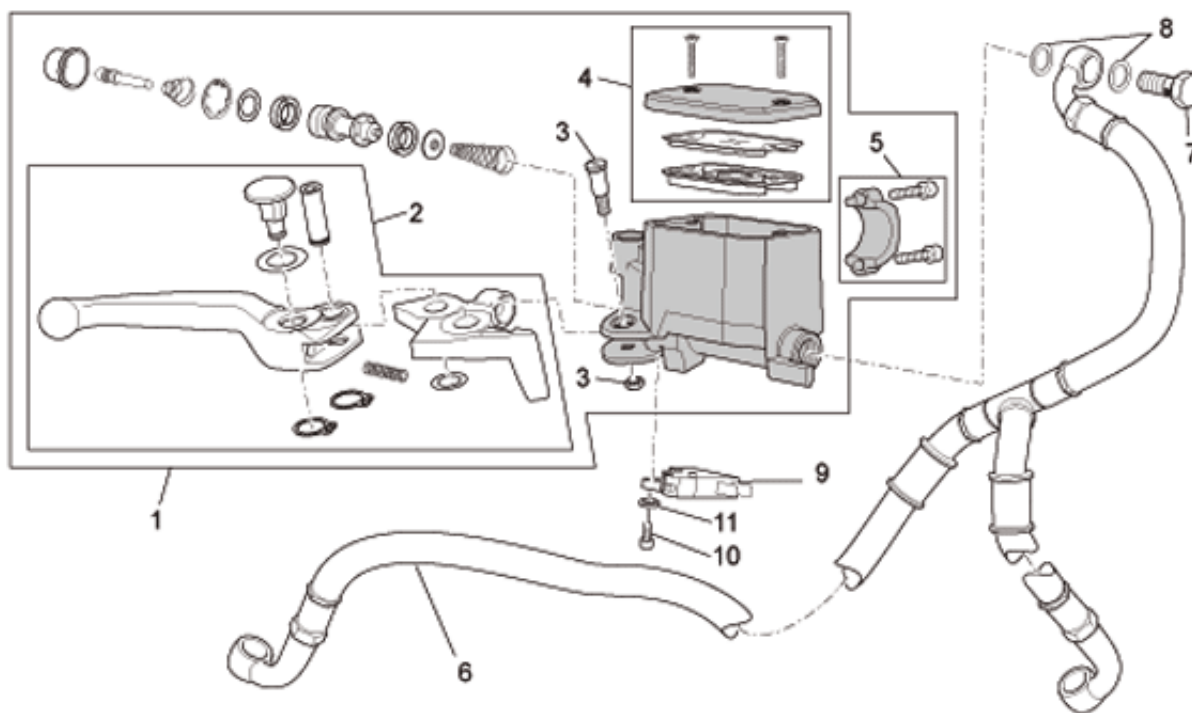
GU095

00

TAB N.

25

FRONT MASTER CILINDER



Pos.	Description	Year	I_M_	Country	Version	Code	Q.ty	P.Cod.
1	Front master cilinder	-	-	-	-	978606	1	IA00E
2	Front brake lever	-	-	-	-	981050	1	IA01E
3	Lever pin	-	-	-	-	AP8113995	1	IA01E
4	Tank cap	-	-	-	-	GU05661130	1	IA03A
5	U-bolt	-	-	-	-	AP8113993	1	IA029
7	Oil pipe screw *	-	-	-	-	AP8133962	1	-
8	Gasket	-	-	-	-	GU25656100	2	-
9	Brake light switch	-	-	-	-	GU03749845	1	CD00E
10	Hex socket screw M4x12	-	-	-	-	GU98370412	1	-
11	Washer 4,3x8x1,5	-	-	-	-	GU95021104	1	-



STELVIO 1200 - NTX - ABS 1200
2009-2010

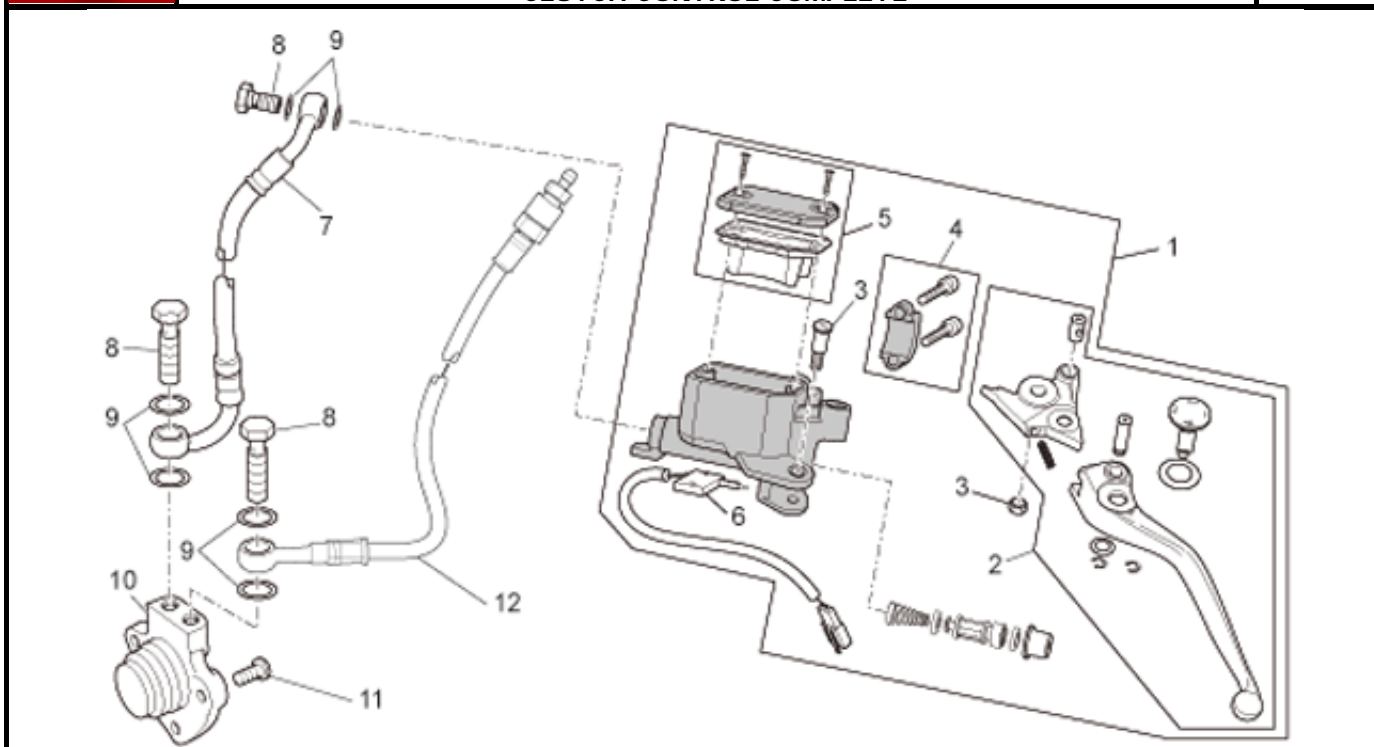
GU095

00

TAB N.

26

CLUTCH CONTROL COMPLETE



Pos.	Description	Year	I_M_	Country	Version	Code	Q.ty	P.Cod.
1	Clutch pump	-	-	-	-	978607	1	BC099
2	Clutch lever	-	-	-	-	981046	1	BC059
3	Lever pin	-	-	-	-	GU03604845	1	-
4	U-bolt	-	-	-	-	AP8113993	1	-
5	Tank cap	-	-	-	-	AP8113997	1	BC249
6	Microswitch	-	-	-	-	AP8113998	1	CD159
7	Clutch pipe	-	-	-	-	978911	1	BC169
8	Oil pipe screw *	A	-	-	-	AP8113003	3	IA15E
9	Washer 10x14x1,6*	-	-	-	-	AP8113004	6	-
10	Clutch command cylinder	-	-	-	-	978739	1	BC139
11	Screw w/ flange M6x16*	-	-	-	-	598839	3	-
12	Float chambe clutch pipe	-	-	-	-	GU05606630	1	BC169



STELVIO 1200 - NTX - ABS 1200
2009-2010

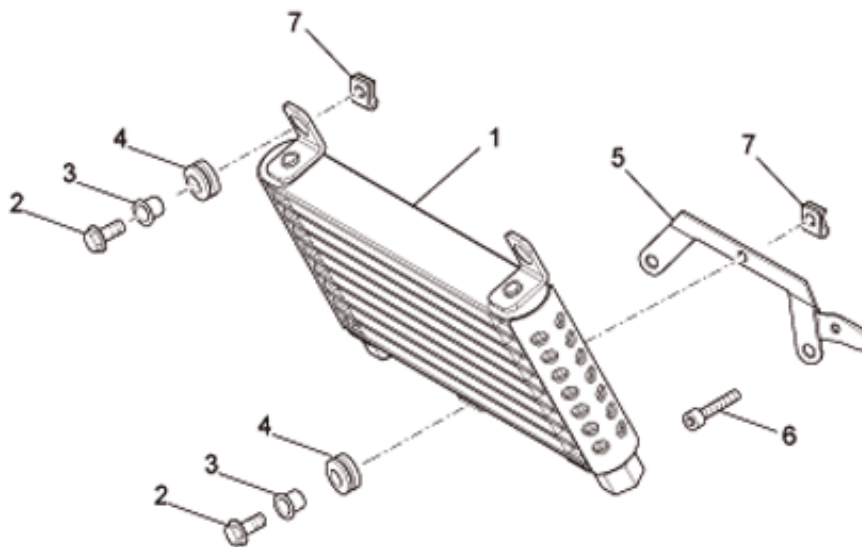
GU095

00

TAB N.

27

OIL COOLER



Pos.	Description	Year	I_M_L	Country	Version	Code	Q.ty	P.Cod.
1	Oil cooler cpl.	-	-	-	-	978579	1	GD009
2	Screw w/ flange M6X25	-	-	-	-	AP8152280	3	-
3	T bush *	-	-	-	-	AP8221023	3	-
4	Rubber spacer *	-	-	-	-	AP8120030	3	-
5	Water cooler support	-	-	-	-	978846	1	GD049
6	Hex socket screw M6X40	-	-	-	-	GU98680340	2	-
7	Clip M6	-	-	-	-	GU28576591	1	-



STELVIO 1200 - NTX - ABS 1200
2009-2010

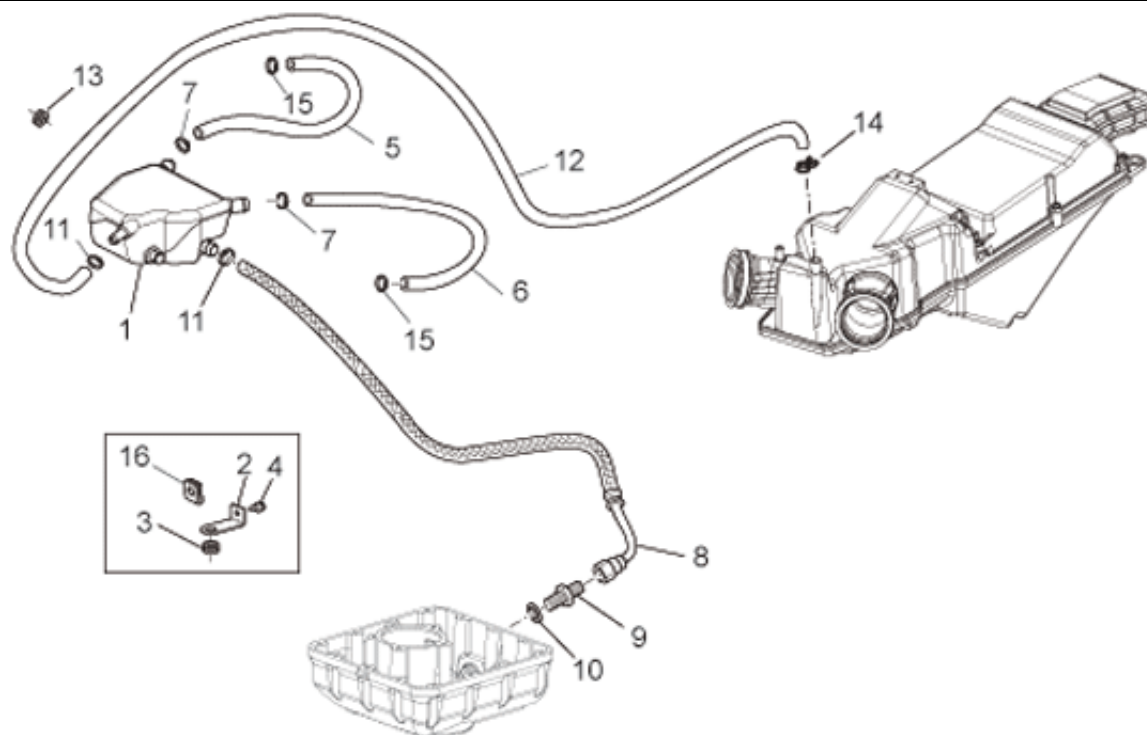
GU095

00

TAB N.

28

BLOW-BY SYSTEM



Pos.	Description	Year	I_M_	Country	Version	Code	Q.ty	P.Cod.
1	Housing	A	-	-	-	886098	1	GD059
2	Plate	-	-	-	-	GU06412300	1	-
3	Rubber spacer *	-	-	-	-	AP8120030	1	-
4	Screw w/ flange M6x16*	-	-	-	-	598839	1	-
5	RH pipe	-	-	-	-	883034	1	GD069
6	LH pipe	-	-	-	-	883035	1	GD069
7	Hose clamp	-	-	-	-	GU93306017	4	-
8	Pipe	-	-	-	-	883036	1	GD069
9	Reduction	-	-	-	-	GU01161331	1	-
10	Gasket	-	-	-	-	GU01154230	1	-
11	White hose clip D.13,5x6	-	-	-	-	AP8102765	2	-
12	Breather pipe	-	-	-	-	GU00823955080	1	GD069
13	Rubber spacer	-	-	-	-	AP8220162	1	-
14	Hose clamp	-	-	-	-	AP8102520	1	-
15	Hose clip D.15,5x6,6	-	-	-	-	AP8101586	2	-
16	Clip M6	-	-	-	-	GU28576591	1	-



STELVIO 1200 - NTX - ABS 1200
2009-2010

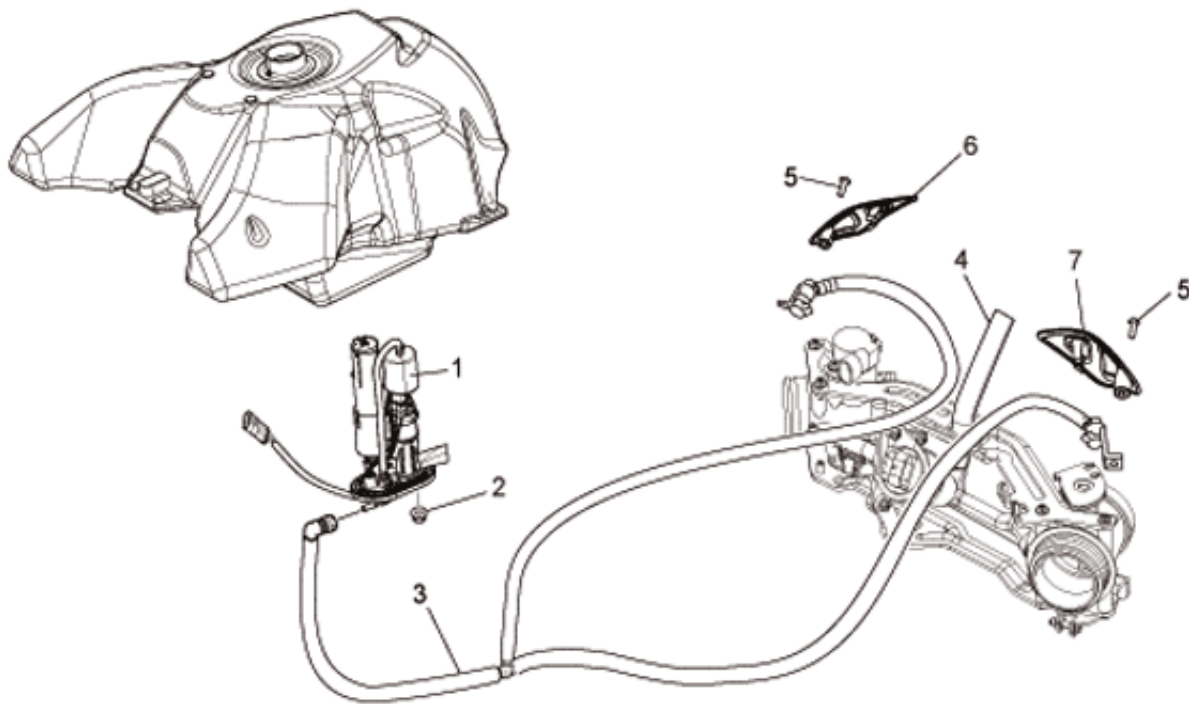
GU095

00


TAB N.

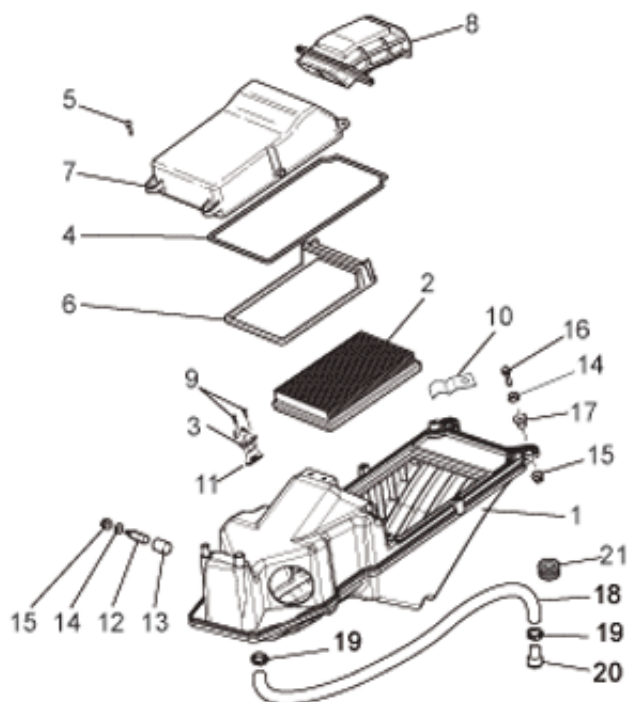
29

FUEL SUPPLY



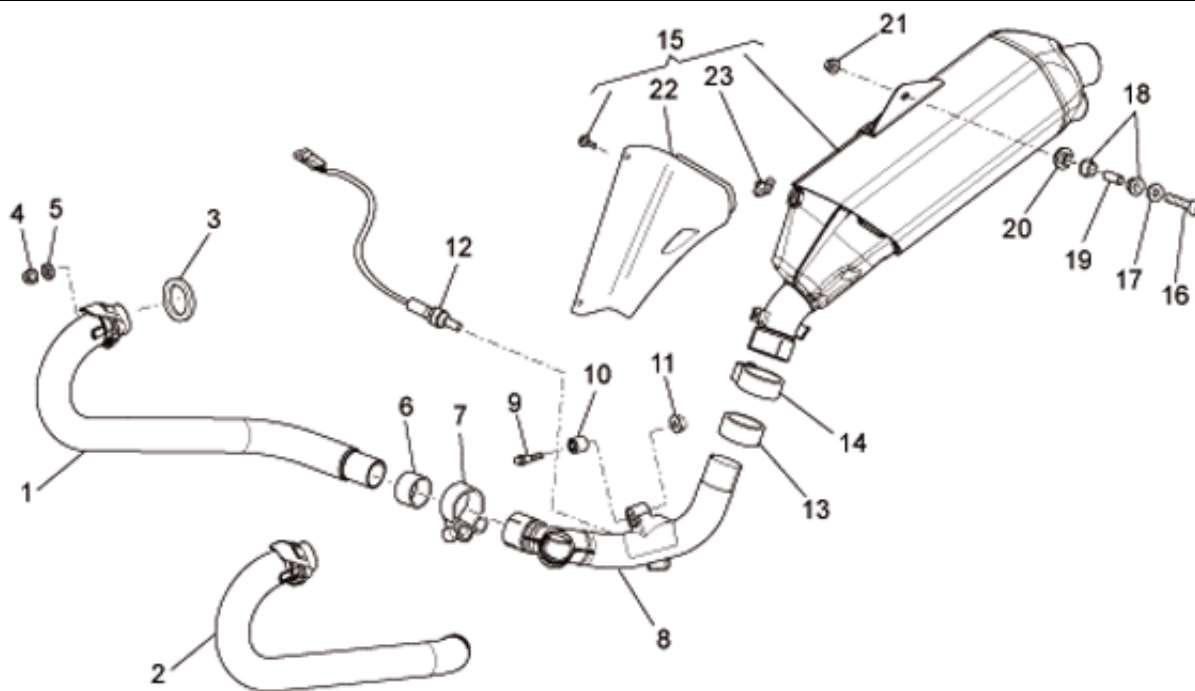
Pos.	Description	Year	I_M_	Country	Version	Code	Q.ty	P.Cod.
1	Fuel pump cpl.	-	-	-	-	978138	1	DA139
2	Self-locking nut M5*	-	-	-	-	AP8152306	6	-
3	Fuel pipe, cpl.	-	-	-	-	883043	1	DA399
4	Breather pipe	-	-	-	-	883633	1	-
5	Hex socket screw M5x22	-	-	-	-	GU98680222	2	-
6	RH protection	-	-	-	-	883092	1	DD319
7	LH protection	-	-	-	-	883093	1	DD319

	STELVIO 1200 - NTX - ABS 1200 2009-2010	GU095	00	TAB N.	30
	AIR BOX				



Pos.	Description	Year	I_M_	Country	Version	Code	Q.ty	P.Cod.
1	Air box	-	-	-	-	877062	1	EB019
2	Air filter	-	-	-	-	AP8104329	1	EB029
3	Air temp. Sensor	-	-	-	-	GU30729330	1	AN059
4	Gasket D4	-	-	-	-	890513	1	EB129
5	Phillips screw, SWP M5X20	-	-	-	-	AP8152329	6	-
6	Protection	-	-	-	-	GU06114200	1	EB209
7	Cover	-	-	-	-	GU06113700	1	EB009
8	Intake hose	-	-	-	-	AP8144164	1	EB059
9	Self-tap screw 2,9x12	-	-	-	-	AP8150421	2	-
10	U-bolt	-	-	-	-	GU93301313	1	-
11	Gasket	-	-	-	-	GU30027931	1	-
12	Filter housing support spindle	-	-	-	-	883097	2	-
13	Rubber spacer	-	-	-	-	AP8220526	2	-
14	Washer 6,15x11x0,8	-	-	-	-	GU95008206	2	-
15	Self-locking nut M6*	-	-	-	-	AP8152299	2	-
16	Screw w/ flange M6X25	-	-	-	-	AP8152280	2	-
17	T bush *	-	-	-	-	AP8221023	2	-
18	Fuel pipe 6x10	-	-	-	-	AP8144038	2	-
19	Hose clamp D10,1*	-	-	-	-	AP8101595	4	-
20	Plug	-	-	-	-	AP8120876	2	-
21	Rubber spacer *	-	-	-	-	AP8120030	2	-

	STELVIO 1200 - NTX - ABS 1200 2009-2010	GU095	00	TAB N.	31
	EXHAUST UNIT				



Pos.	Description	Year	I_M_	Country	Version	Code	Q.ty	P.Cod.
1	RH exhaust pipe	A	-	-	-	976705	1	FA00A
2	LH exhaust pipe	A	-	-	-	976704	1	FA00B
3	Gasket	-	-	-	-	976376	2	AO03*
4	Flanged nut M8	-	-	-	-	GU92660021	4	-
5	Washer 8,4X13X0,8	-	-	-	-	GU14615901	4	-
6	Gasket	-	-	-	-	GU06123500	2	-
7	Hose clamp	-	-	-	-	883094	2	-
8	Central exhaust pipe	-	-	-	-	978635	1	FA069
9	Screw w/ flange M10x55	-	-	-	-	AP8152410	1	-
10	Silent-block	-	-	-	-	AP8220346	1	-
11	Self-locking nut M10*	-	-	-	-	AP8152301	1	-
12	Lamda sensor	-	-	-	-	GU32727010	1	AN079
13	Gasket	-	-	-	-	GU05128230	1	FC019
14	Hose clamp	-	-	-	-	976521	1	FC029
15	Silencer	A	-	-	-	886307	1	FC009
16	Hex socket screw M8x60	-	-	-	-	GU98680460	1	-
17	Silencer fixing bush	-	-	-	-	AP8134378	1	-
18	Rubber exhaust	-	-	-	-	AP8144071	2	-
19	Spacer	-	-	-	-	AP8121072	1	-
20	Spacer	-	-	-	-	977582	1	-
21	Nut M8x1,25	-	-	-	-	GU92650138	1	-
22	Protection	-	-	-	-	978444	1	-
23	Clip M6	-	-	-	-	GU28576591	2	-



STELVIO 1200 - NTX - ABS 1200
2009-2010

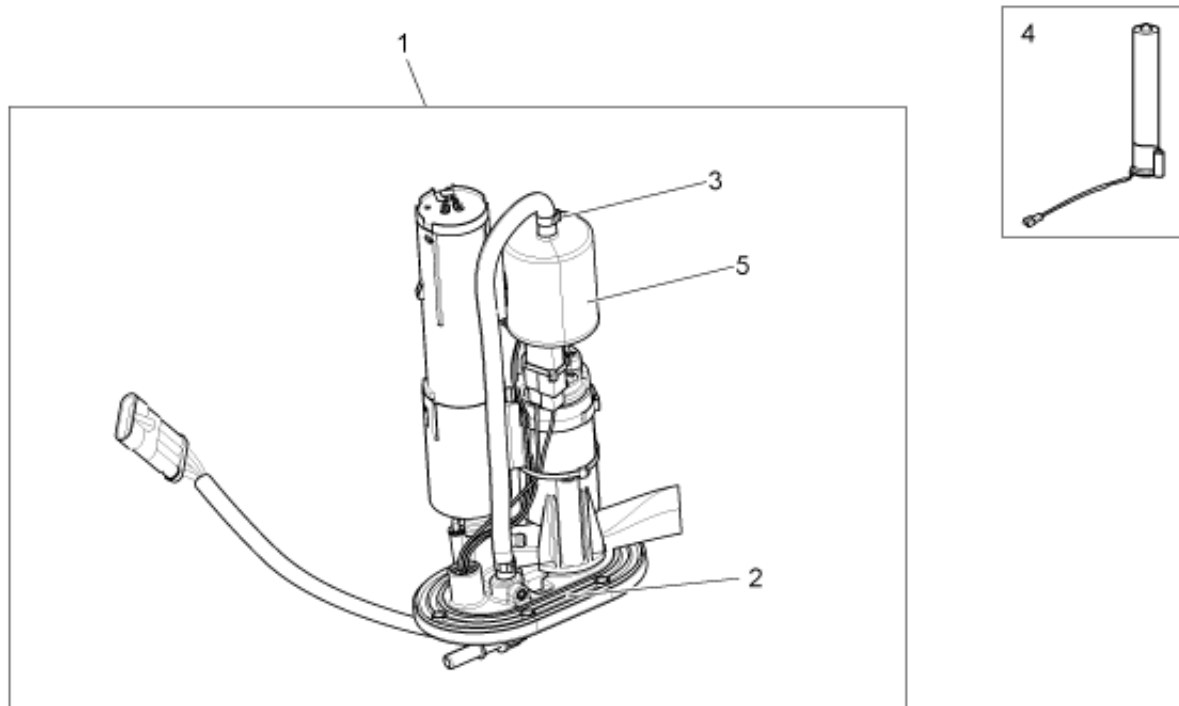
GU095

00

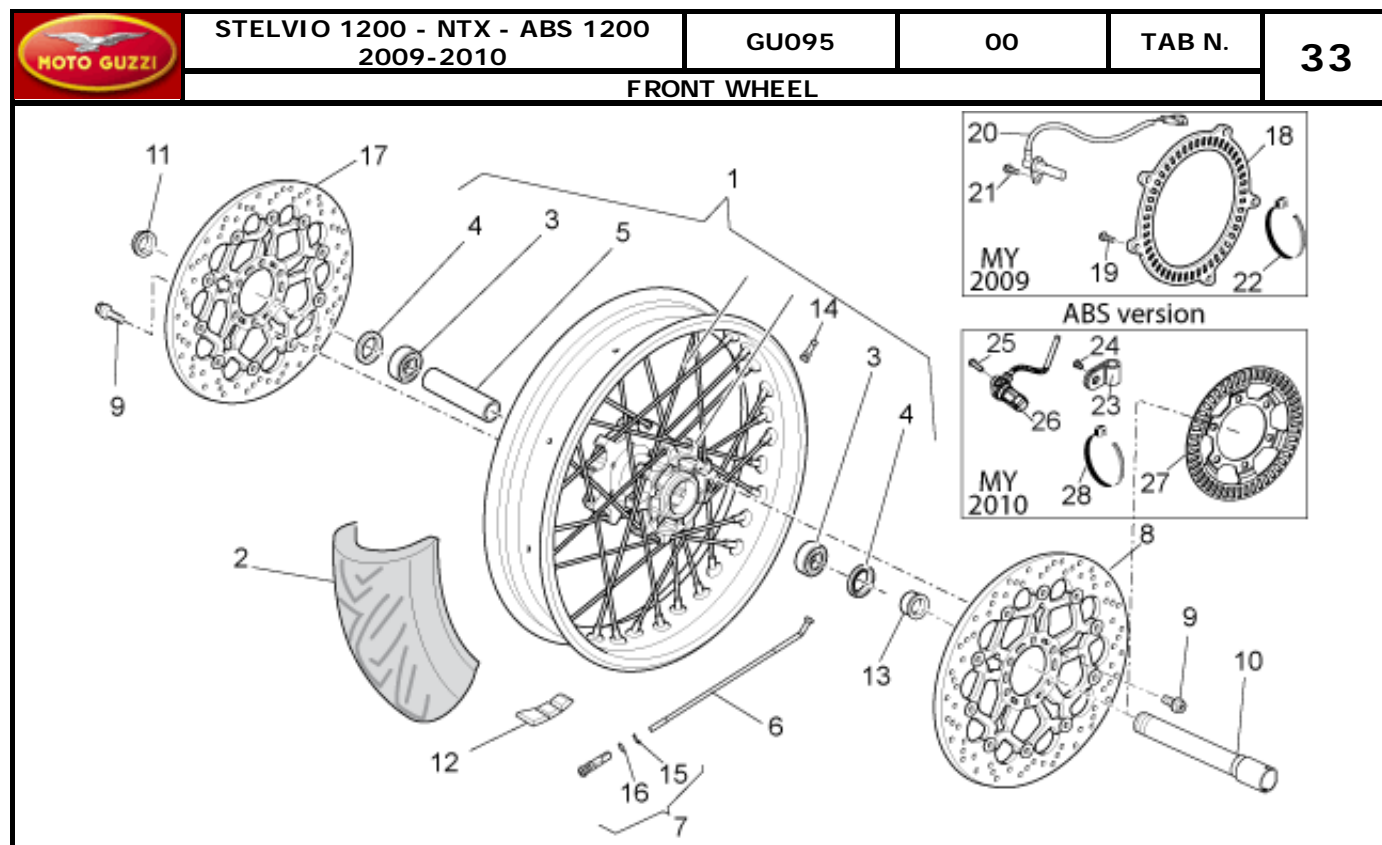
TAB N.

32

INTERNAL FUEL PUMP



Pos.	Description	Year	I_M_	Country	Version	Code	Q.ty	P.Cod.
1	Fuel pump cpl.	-	-	-	-	978138	1	DA139
2	Gasket	-	-	-	-	GU05107430	1	DA429
3	Hose clamp 11,3	-	-	-	-	GU01108490	4	-
4	Fuel level sensor	-	-	-	-	AP8127817	1	CD099
5	Fuel filter	-	-	-	-	GU01106090	1	-



Pos.	Description	Year	I_M	Country	Version	Code	Q.ty	P.Cod.
1	RH front brake caliper	-	-	-	abs	883385	1	-
	Front wheel 3,50x19"	-	-	-	-	883009	1	BB23E
2	Front/rear tyre	-	-	-	-	0000000	1	BB01E
3	Ball bearing 25x47x12	-	-	-	-	AP8125777	2	-
4	Gasket ring 30x47x7	-	-	-	-	AP8125773	2	BB32E
5	Spacer	-	-	-	-	978516	1	BB12E
6	Spoke	-	-	-	-	978864	36	BB13E
7	Nipples	-	-	-	-	978810	36	IA08E
8	Front brake disc	A	-	-	-	896012	1	IA09*
9	Screw M8x16	-	-	-	-	GU05611430	12	BB03E
10	Front wheel spindle	-	-	-	-	978030	1	BB24E
11	Nut	-	-	-	-	GU01612190	1	BB29F
12	Counterweight	-	-	-	-	GU14616150	1	-
13	Spacer	-	-	-	-	GU06616300	1	BB07E
14	Tubeless tyre valve	A	-	-	-	AP8101744	1	BB07E
15	Snap ring	-	-	-	-	978811	36	-
16	O-ring OR2025	-	-	-	-	GU90706061	36	IA08E
17	Front brake disc	A	-	-	-	896011	1	IC03E
18	Wheel speed sensor, left front	A	-	-	abs	AP8128189	1	-
19	Screw M5x10	-	-	-	abs	GU98250510	5	IC04E
20	Sensor ABS	A	-	-	abs	859792	1	-
21	Screw w/ flange M6x16*	-	-	-	abs	598839	1	-
22	Hose clamp 2,4x92	-	-	-	abs	GU49609601	1	-
23	Fairlead	A	-	-	abs	859777	1	-
24	Screw M4x6	A	-	-	abs	AP8201749	1	-
25	Screw w/ flange M5x16	A	-	-	abs	AP8152273	1	IC04E
26	Sensor ABS	A	-	-	abs	859792	1	IC03E
27	Wheel speed sensor, left front	A	-	-	abs	AP8128189	1	-
28	Fairlead	A	-	-	abs	894704	4	IA06U



STELVIO 1200 - NTX - ABS 1200
2009-2010

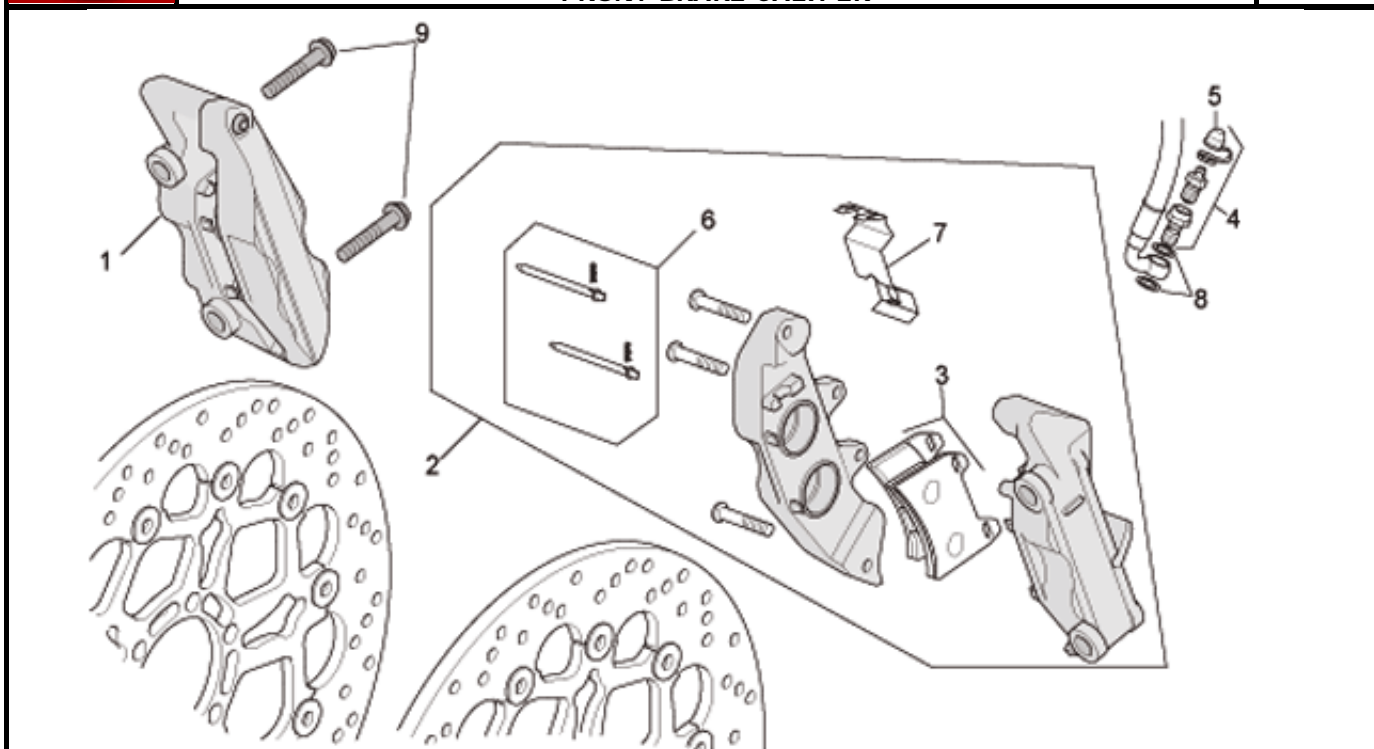
GU095

00

TAB N.

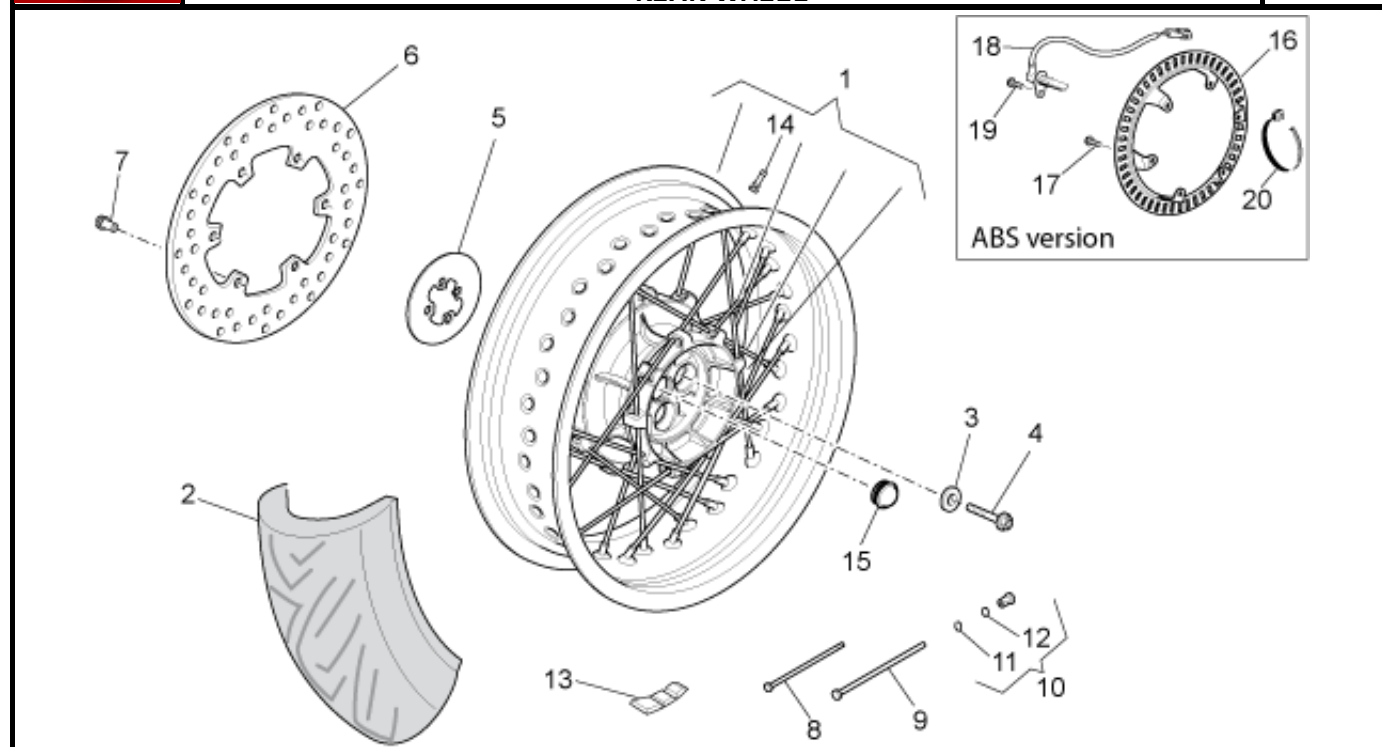
34

FRONT BRAKE CALIPER



Pos.	Description	Year	I_M_	Country	Version	Code	Q.ty	P.Cod.
2	LH front brake caliper	-	-	-	abs	883384	1	IA06T
3	Pads pair	-	-	-	abs	883673	2	IA07*
4	Bleeder kit	A	-	-	-	AP8133945	2	-
5	Bleed valve cap	A	-	-	-	AP8113070	2	-
6	Pins+Caliper springs	-	-	-	-	GU01659130	2	IA11E
7	Spring	-	-	-	-	GU01659131	2	IA11E
8	Gasket	-	-	-	-	GU25656100	4	-
9	Screw w/ flange M10x55	-	-	-	-	AP8152414	4	IA30*

	STELVIO 1200 - NTX - ABS 1200 2009-2010	GU095	00	TAB N.	35
	REAR WHEEL				



Pos.	Description	Year	I_M_	Country	Version	Code	Q.ty	P.Cod.
3	Conical bush	-	-	-	-	GU05632730	4	BB06F
4	Screw w/ flange M12x65	-	-	-	-	GU97202665	4	BB06F
5	Dust cover ring	-	-	-	-	977056	1	-
6	Rear brake disc	-	-	-	-	GU05635730	1	IA08F
7	Screw	-	-	-	-	GU30611460	6	IA09F
8	Short spoke	-	-	-	-	978815	36	BB12F
9	Long spoke	-	-	-	-	978816	36	BB12F
10	Nipples	-	-	-	-	978810	36	BB13F
11	Snap ring	-	-	-	-	978811	36	-
12	O-ring OR2025	-	-	-	-	GU90706061	36	-
13	Counterweight	-	-	-	-	GU14616150	1	BB29F
14	Tubeless tyre valve	A	-	-	-	AP8101744	1	BB07E
15	Plug	-	-	-	-	978301	1	-
16	Wheel speed sensor, left front	-	-	-	abs	GU05681530	1	IC03F
17	Screw w/ flange M5x12	-	-	-	abs	AP8152272	6	-
18	Sensor	-	-	-	abs	GU05683730	1	IC04F
19	Screw w/ flange M6x16*	-	-	-	abs	598839	1	-
20	Fairlead	A	-	-	abs	894704	4	-
	Hose clamp 2,4x92	-	-	-	abs	GU49609601	1	-



STELVIO 1200 - NTX - ABS 1200
2009-2010

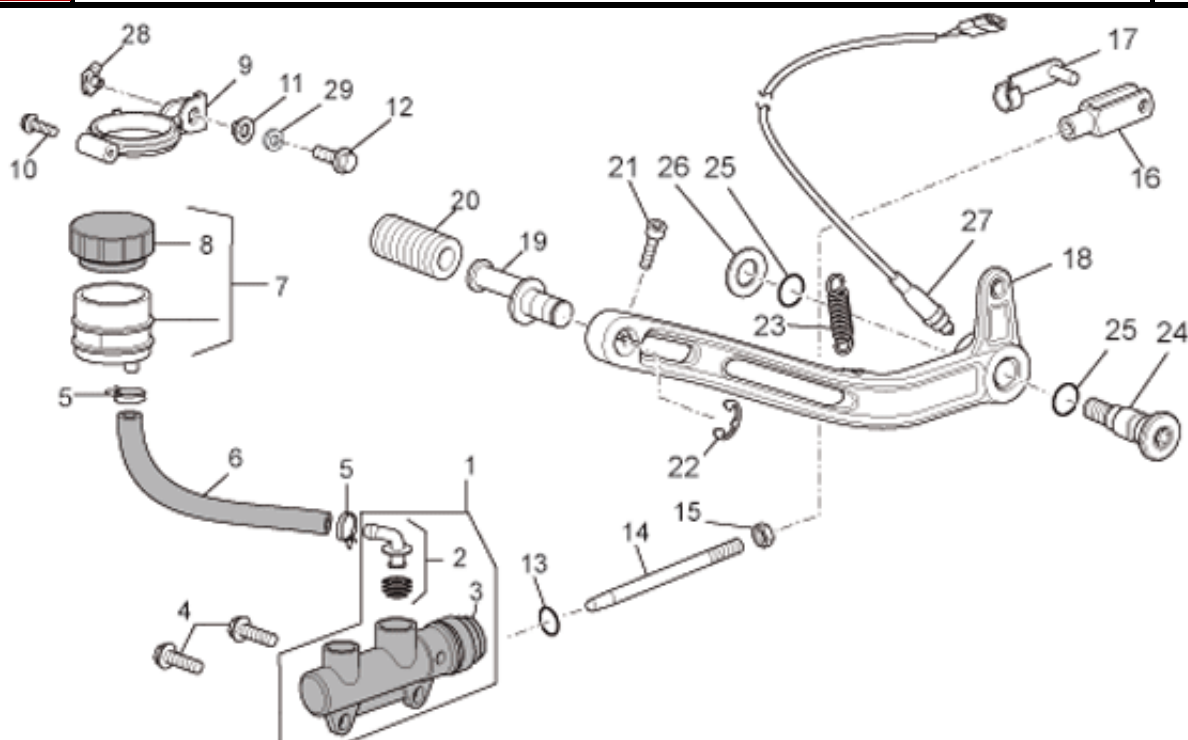
GU095

00

TAB N.

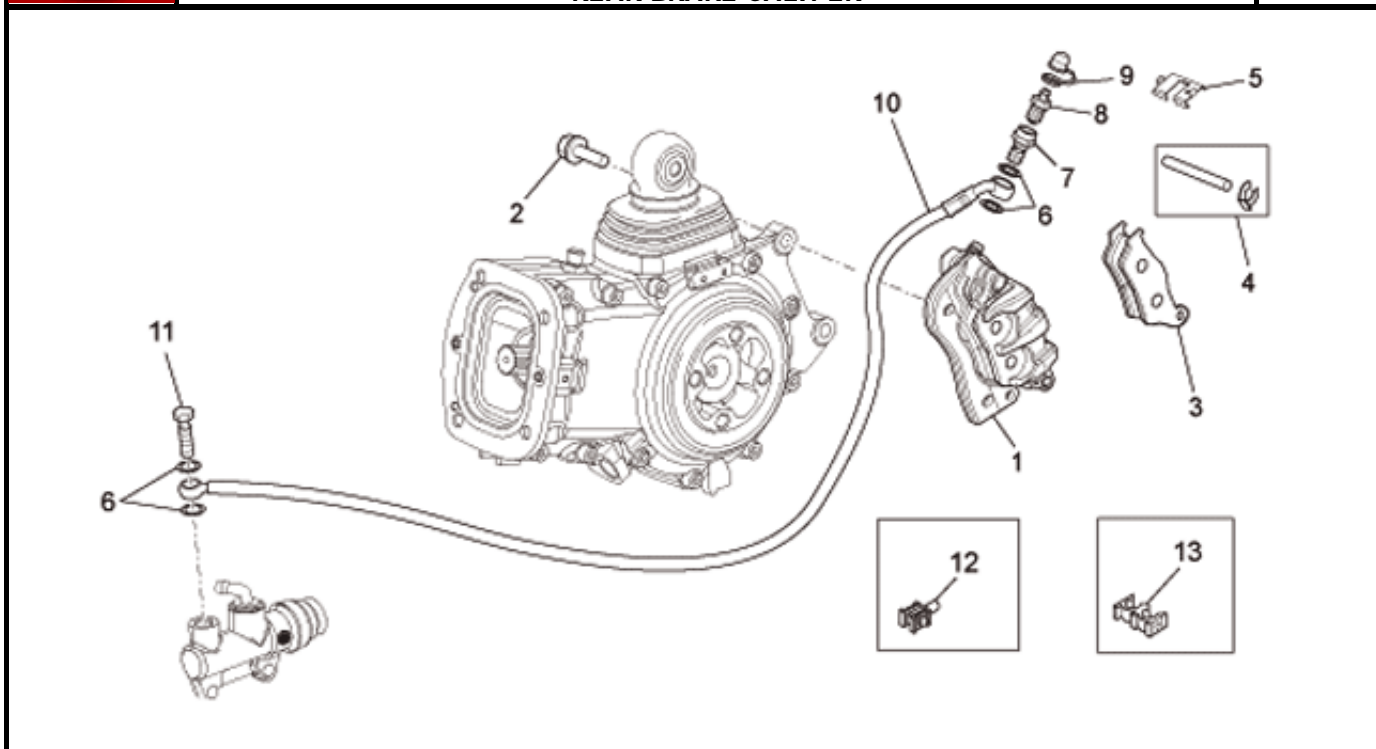
36

REAR MASTER CYLINDER



Pos.	Description	Year	I_M	Country	Version	Code	Q.ty	P.Cod.
1	Rear master cylinder	-	-	-	-	GU05666930	1	IA00F
2	Rear brake pump union	-	-	-	-	AP8113594	1	-
3	Rubber bellows	-	-	-	-	AP8113288	1	-
4	Screw w/ flange M6x20	-	-	-	-	AP8152279	2	-
5	Hose clamp D10,1*	-	-	-	-	AP8101595	2	-
6	Rear brake hose	-	-	-	-	AP8133779	1	IA05F
7	Brake oil tank complete	-	-	-	-	GU056663530	1	IA12F
8	Tank cap	-	-	-	-	GU17661052	1	IA329
9	Tank support	-	-	-	-	GU05666030	1	-
10	Phillips screw, SWP M5X20	-	-	-	-	AP8152329	1	-
11	T bush *	-	-	-	-	AP8221145	1	-
12	Screw w/ flange M6x16*	-	-	-	-	598839	1	-
13	O-ring OR112	-	-	-	-	AP8120178	1	-
14	Master cylinder rod	-	-	-	-	977041	1	IA199
15	Nut M6*	-	-	-	-	GU92606206	1	-
16	Fork	-	-	-	-	AP8113081	1	IA209
17	Gear selector fork clips	-	-	-	-	AP8113082	1	-
18	Rear brake lever	-	-	-	-	GU06677000	1	IA01F
19	Brake lever pin	-	-	-	-	AP8121221	1	-
20	Lever rubber	-	-	-	-	AP8120912	1	IA169
21	Hex socket screw M6x16	-	-	-	-	GU98682316	1	-
22	Circlip d9	-	-	-	-	AP8150462	1	-
23	Inner spring	-	-	-	-	GU30434000	1	IA229
24	Rear brake lever pin	-	-	-	-	AP8121223	1	IA179
25	O-ring 11,11x1,78	-	-	-	-	AP8144007	2	-
26	Washer 10,5x22x2,5	-	-	-	-	GU95008310	1	-
27	Brake light switch	-	-	-	-	AP8112996	1	CD00F
28	Nut with clip M6	-	-	-	-	GU28576592	1	-
29	Washer	-	-	-	-	GU95021206	1	-

	STELVIO 1200 - NTX - ABS 1200 2009-2010	GU095	00	TAB N.	37
	REAR BRAKE CALIPER				



Pos.	Description	Year	I_M_	Country	Version	Code	Q.ty	P.Cod.
1	Rear brake caliper, black	-	-	-	-	978414	1	IA06F
2	Screw w/ flange M10x30*	-	-	-	-	AP8152320	2	IA30F
3	Pads pair	-	-	-	-	GU05654630	1	IA07F
4	Pin+split pin	-	-	-	-	GU05659130	1	IA11F
5	Spring	-	-	-	-	GU05659030	1	IA11F
6	Washer 10x14x1,6*	-	-	-	-	AP8113004	4	-
7	Screw	-	-	-	-	AP8133597	1	-
8	Air bleed valve	-	-	-	-	AP8133595	1	IA11F
9	Bleed valve cap	-	-	-	-	AP8113070	1	IA11F
11	Oil pipe screw *	-	-	-	-	AP8133962	1	-
12	Cable-guide hook	-	-	-	-	AP8202238	4	-
13	Cable-guide D8	-	-	-	-	AP8201808	5	-



STELVIO 1200 - NTX - ABS 1200
2009-2010

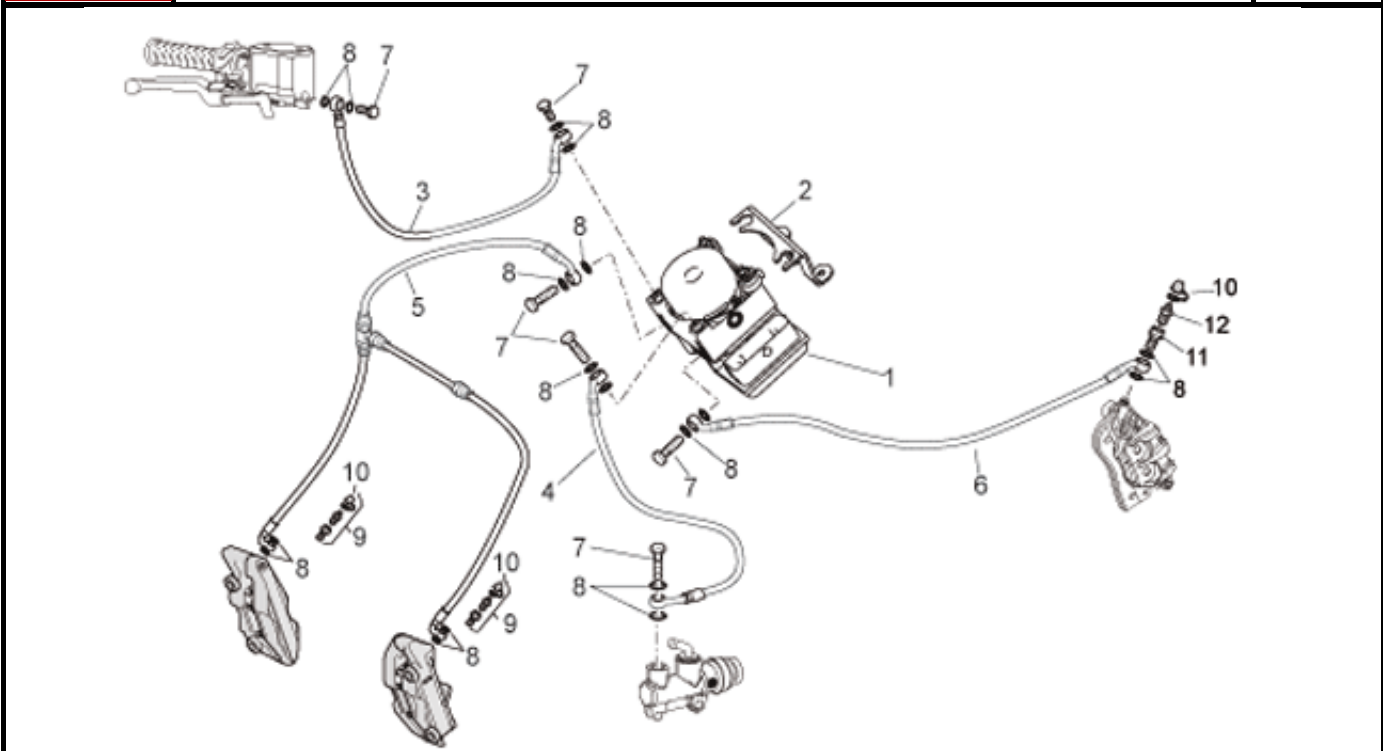
GU095

00

TAB N.

38

ABS BRAKE SYSTEM 2009



Pos.	Description	Year	I_M_	Country	Version	Code	Q.ty	P.Cod.
------	-------------	------	------	---------	---------	------	------	--------



STELVIO 1200 - NTX - ABS 1200
2009-2010

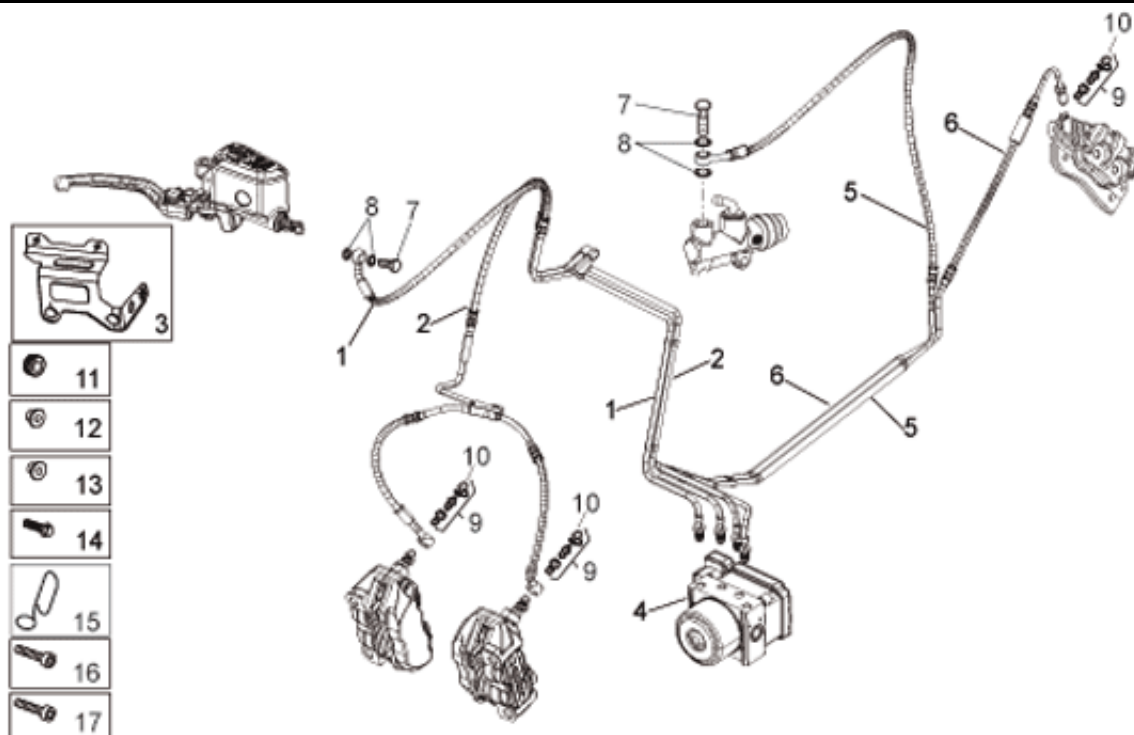
GU095

00

TAB N.

39

ABS BRAKE SYSTEM 2010



Pos.	Description	Year	I_M_	Country	Version	Code	Q.ty	P.Cod.
1	Front brake line	A	-	-	abs	886162	1	IA05E
2	Front brake line	A	-	-	abs	886164	1	IA05E
3	Support	A	-	-	abs	886149	1	-
4	ECU/Pump	A	-	-	abs	895350	1	IC009
5	Rear brake line	A	-	-	abs	886163	1	IA05F
6	Rear brake line	A	-	-	abs	886165	1	IA05F
7	Oil pipe screw *	A	-	-	abs	AP8133962	4	-
8	Gasket	A	-	-	abs	GU25656100	18	-
9	Bleeder kit	A	-	-	abs	AP8133945	3	-
10	Bleed valve cap	A	-	-	abs	AP8113070	3	-
11	Rubber spacer *	A	-	-	abs	AP8120030	3	-
12	T bush *	A	-	-	abs	AP8221023	3	-
13	Bush	A	-	-	abs	AP8121032	1	-
14	Screw w/ flange M6x12*	A	-	-	abs	AP8152277	2	-
15	Cable-guide	A	-	-	abs	AP8201417	1	-
16	Hex socket screw M6x25*	A	-	-	abs	AP8152117	1	-
17	Hex socket screw M6X20	A	-	-	abs	GU98350320	2	-

Pos.	Description	Year	I_M_	Country	Version	Code	Q.ty	P.Cod.
2	Lamp H4 60/55W 12V	-	-	-	-	292723	2	CB149
3	Lamp WY5W	-	-	-	-	292022	2	CB149
4	Hex socket screw M5X25	-	-	-	-	GU98680225	2	-
5	T bush *	-	-	-	-	AP8221023	4	-
6	Rubber spacer *	-	-	-	-	AP8120030	4	-
7	Clip M5	-	-	-	-	AP8102375	4	-
8	RH front turn indicator	-	-	-	-	978428	1	CB09T
9	Lamp, orange 12V-10W	-	-	-	-	584332	2	-
10	LH front turn indicator	-	-	-	-	978427	1	CB09U
11	Screw	-	-	-	-	GU98682116	3	-
12	Horn	A	-	-	-	886178	1	CB069
13	Screw w/ flange M6x20	-	-	-	-	AP8152279	1	-
14	Self-locking nut M6*	-	-	-	-	AP8152299	1	-
15	Spring washer 5,3X10X0,5	-	-	-	-	GU95129100	2	-
16	Notched washer	-	-	-	-	GU95021105	2	-
17	Flanged nut M5	-	-	-	-	GU92650035	2	-
18	Clip M4	-	-	-	-	AP8102381	2	-
19	Screw M4x25	-	-	-	-	GU98680125	2	-
20	Bush	-	-	-	-	GU91120507	2	-
21	Washer 5,3x10x0,8	-	-	-	-	GU95008205	3	-



STELVIO 1200 - NTX - ABS 1200
2009-2010

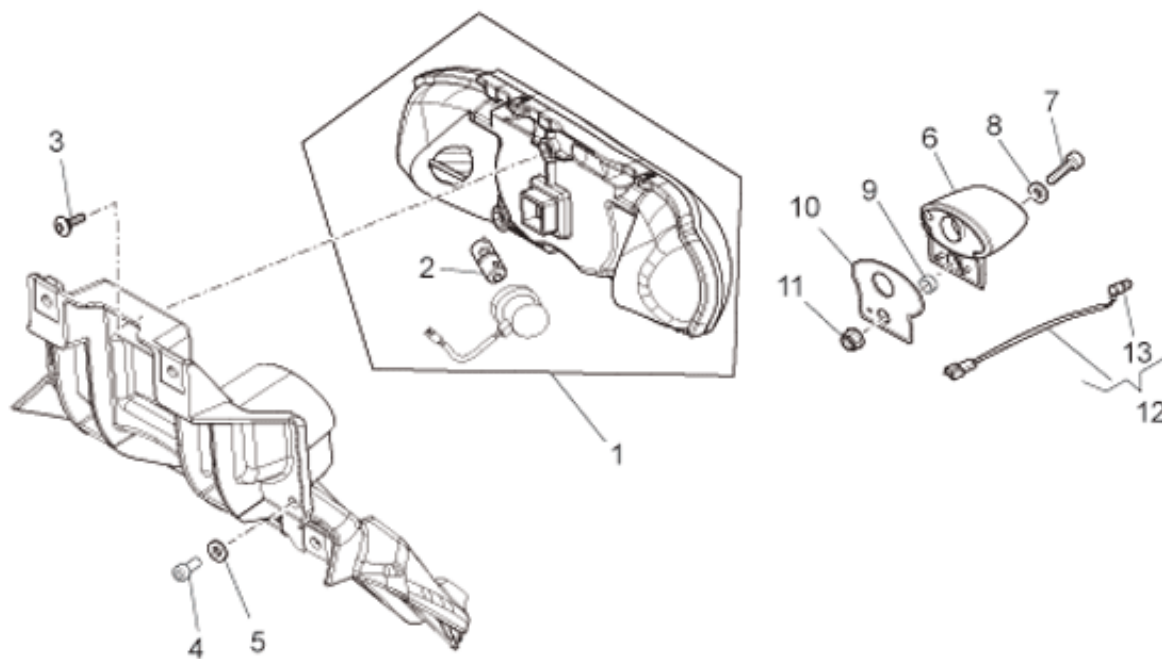
GU095

00

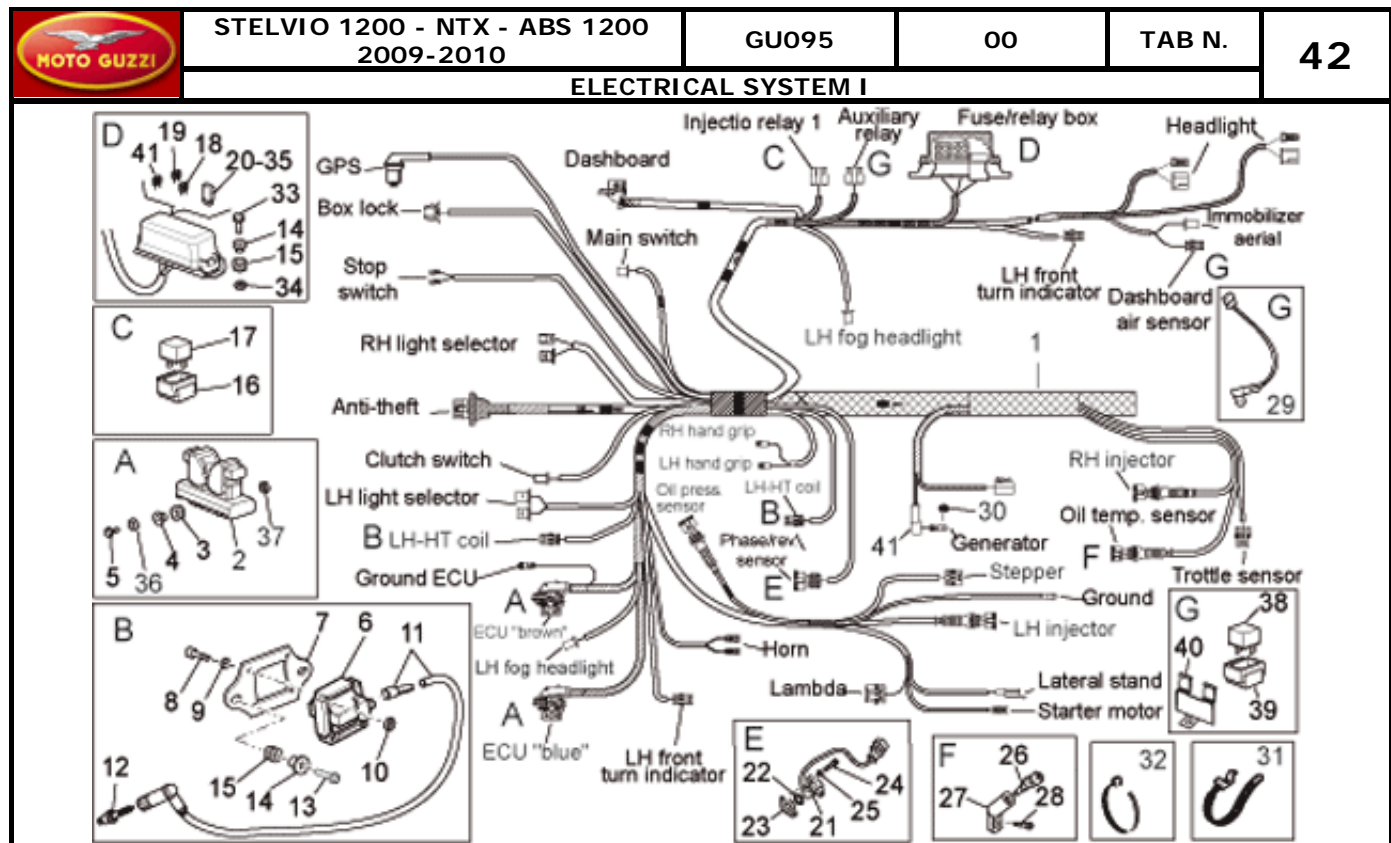
TAB N.

41

TAILLIGHT



Pos.	Description	Year	I_M_	Country	Version	Code	Q.ty	P.Cod.
1	Taillight	-	-	-	-	978451	1	CB049
2	Lamp, orange 12V-10W	-	-	-	-	584332	2	-
3	Screw w/ flange M5x12	-	-	-	-	AP8152302	1	-
4	Hex socket screw M5X10	-	-	-	-	GU98692210	2	-
5	Washer 5,25x14x1,5	-	-	-	-	GU95100059	2	-
6	Number-plate light	-	-	-	-	AP8127098	1	CB009
7	Hex socket screw M5X25	-	-	-	-	GU98680225	1	-
8	Washer 5,3x10x0,8	-	-	-	-	GU95008205	1	-
9	Bush	-	-	-	-	GU91120507	1	-
10	Support rubber part	-	-	-	-	GU32474710	1	-
11	Self-locking nut M5*	-	-	-	-	AP8152306	1	-
12	Plate light wiring	-	-	-	-	977795	1	CA179
13	Lamp WY5W	-	-	-	-	292022	1	-



Pos.	Description	Year	I_M	Country	Version	Code	Q.ty	P.Cod.
1	Main wiring harness	A	-	-	abs	886161	1	CA009
2	ECU	A	-	-	-	883653	1	AM049
3	Rubber spacer	-	-	-	-	978152	2	-
4	T bush *	-	-	-	-	AP8121795	2	-
5	Hex socket screw IX M5X45	-	-	-	-	GU98690245	2	-
6	HT coil	-	-	-	-	GU30716500	2	AM019
7	Coil holder	-	-	-	-	GU05716730	2	BA26E
8	Hex socket screw M4X25	-	-	-	-	GU98682125	8	-
9	Washer 4,3x8x0,5	-	-	-	-	GU95008204	8	-
10	Nut M4x0,7	-	-	-	-	GU92630104	8	-
11	HT wire	-	-	-	-	883028	2	CA38E
12	Spark plug CR8EKB	A	-	-	-	639687	2	AM03*
13	Screw w/ flange M6x20	-	-	-	-	AP8152279	6	-
14	Rubber spacer *	-	-	-	-	AP8120030	6	-
15	T bush *	-	-	-	-	AP8221023	6	-
16	Relay rubber	-	-	-	-	AP8220546	2	-
17	Injection relay	A	-	-	-	895481	2	CD189
18	Fuse	A	-	-	-	CM225603	2	CA349
19	Fuse 15A	A	-	-	-	CM225615	5	CA349
20	Relay shunt va.siem. A1001A403	-	-	-	-	GU01731760	1	CD189
21	Phase/revolution sensor	-	-	-	-	GU01721600	1	AN049
22	O-ring	-	-	-	-	847180	1	-
23	Gasket 0,6mm	-	-	-	-	GU01722702	1	AO349
	Gasket 0,3mm	-	-	-	-	GU01722700	1	AO349
	Gasket 0,8mm	-	-	-	-	GU01722703	1	AO349
	Gasket 1mm	-	-	-	-	GU01722704	1	AO349
	Gasket 1,5mm	-	-	-	-	GU01722705	1	AO349
	Gasket 0,5 mm	-	-	-	-	GU29722760	1	AO349
	Gasket 0,4mm	-	-	-	-	GU01722701	1	AO349
24	Hex socket screw M5x12	-	-	-	-	GU98682212	2	-
25	Washer 5,3x10x0,8	-	-	-	-	GU95008205	2	-
26	Oil temperature sensor	-	-	-	-	GU29729461	1	AN099
27	Sensor support	-	-	-	-	976556	1	-

28	Hex socket screw M10x20	-	-	-	-	-	GU98683520	1	-
29	Air temp. Sensor	-	-	-	-	-	AP8124936	1	AN059
30	Self-locking nut M6*	-	-	-	-	-	AP8152299	3	-
31	Hose clamp	-	-	-	-	-	GU06609600	9	-
32	Hose clamp 3,6x375	-	-	-	-	-	GU93304390	2	-
	Hose clamp 7,6x380	-	-	-	-	-	GU93304360	2	-
	Hose clamp 3,6x20,6	-	-	-	-	-	GU14609650	23	-
	Hose clamp 2,4x92	-	-	-	-	-	GU49609601	5	-
33	Screw w/ flange M6X25	-	-	-	-	-	AP8152280	2	-
34	Self-locking nut M6*	-	-	-	-	-	AP8152299	2	-
35	Mini-relay A1001A402	-	-	-	-	-	GU01732560	3	CD189
36	Washer 5,25x14x1,5	-	-	-	-	-	GU95100059	2	-
37	Self-locking nut M5*	-	-	-	-	-	AP8152306	2	-
38	Relay 12V/30A	-	-	-	-	-	AP8224462	1	-
39	Rubber spacer *	-	-	-	-	-	AP8220283	1	-
40	Plate	-	-	-	-	-	883148	1	-
41	Fuse 10A	A	-	-	-	-	CM225610	1	CA349

MOTO GUZZI		STELVIO 1200 - NTX - ABS 1200 2009-2010	GU095	00	TAB N.	43		
ELECTRICAL SYSTEM II								
Pos.	Description	Year	I_M_	Country	Version	Code	Q.ty	P.Cod.
1	Main wiring harness	A	-	-	abs	886161	1	CA009
2	Battery 12V-20Ah	-	-	-	-	GU05704531	1	CC009
4	Rubber fuse box	-	-	-	-	AP8112811	1	CA069
5	Fuse 30a	A	-	-	-	CM225730	2	CA349
6	Fuse	A	-	-	-	CM225740	2	CA349
7	Ground-battery lead	A	-	-	abs	886190	1	CA039
8	Security sensor	-	-	-	-	584509	1	CA369
9	Rubber sensor support	-	-	-	-	AP8144046	1	-
10	Washer 8,4x15x1,7	-	-	-	-	GU95129131	1	-
11	Nut M8x1,25	-	-	-	-	GU92609408	1	-
12	Socket	-	-	-	-	AP8124768	1	CA369
13	Support plate	-	-	-	-	883063	1	-
14	Hex socket screw M5X10	-	-	-	-	GU98350210	2	-
15	Washer 5,3x10x0,8	-	-	-	-	GU95008205	2	-
16	Cap nut M5x0,8	-	-	-	-	GU92787205	2	-
17	Hose clamp	-	-	-	-	GU06609600	9	-
18	Hose clamp 3,6x20,6	-	-	-	-	GU14609650	23	-
	Hose clamp 2,4x92	-	-	-	-	GU49609601	5	-
	Hose clamp 3,6x375	-	-	-	-	GU93304390	2	-
19	Insulating cap	-	-	-	-	977916	1	-
20	Fuse 20A	A	-	-	-	CM225720	4	-



STELVIO 1200 - NTX - ABS 1200
2009-2010

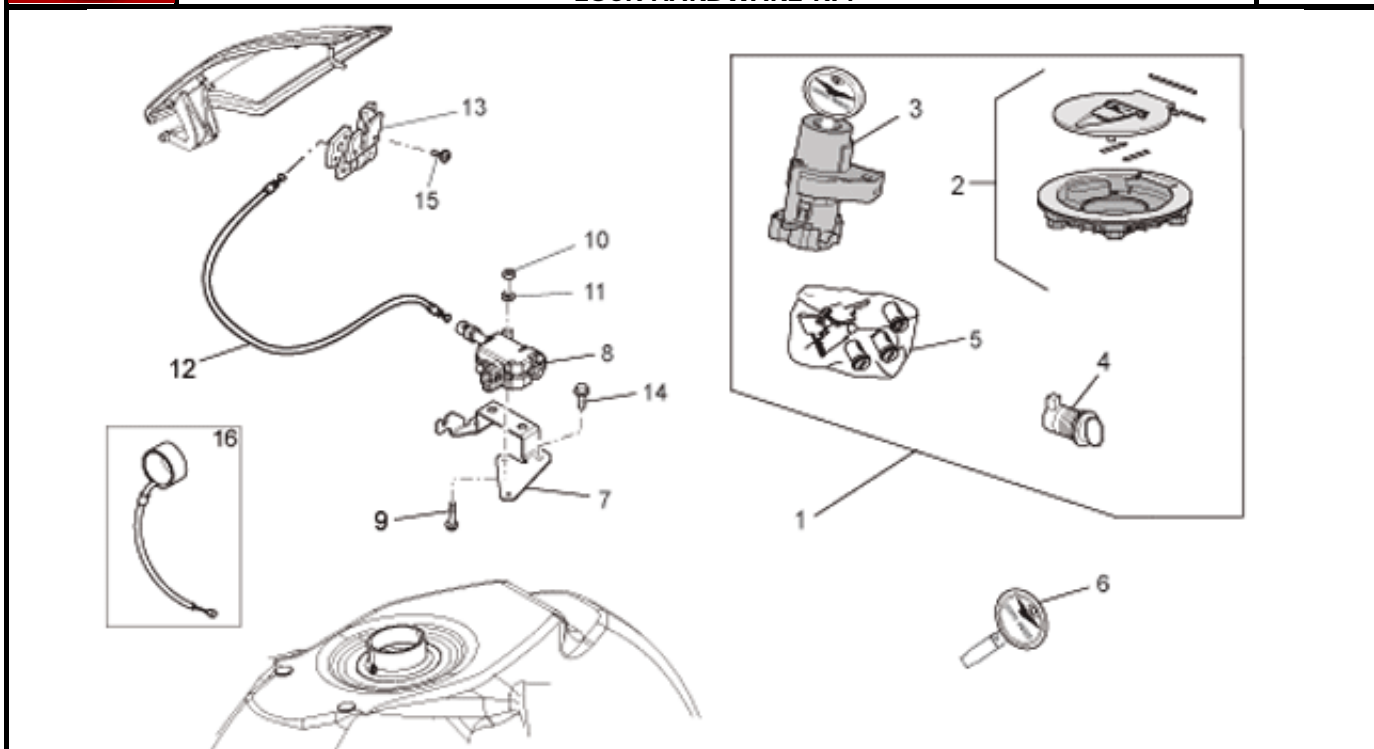
GU095

00

TAB N.

44

LOCK HARDWARE KIT



Pos.	Description	Year	I_M_	Country	Version	Code	Q.ty	P.Cod.
1	Lock hardware kit	-	-	-	-	977666	1	DH009
2	Tank cap	-	-	-	-	GU05103930	1	DA029
3	Main switch - steering lock	-	-	-	-	GU05782530	1	DH029
4	Saddle lock	-	-	-	-	GU05466830	1	DH039
5	Rotor kit with key	-	-	-	-	978220	1	DH099
6	Non indented key blank	-	-	-	-	977918	1	DH099
7	Support plate	-	-	-	-	883038	1	-
8	Front box lock	-	-	-	-	AP8127650	1	CE519
9	Screw M4x35	-	-	-	-	883042	2	-
10	Nut	-	-	-	-	GU92630204	2	-
11	Washer	-	-	-	-	GU95021204	2	-
12	Lock cable	-	-	-	-	883080	1	HA209
13	Box lock	-	-	-	-	CM023705	1	DH089
14	Screw w/ flange M5x12	-	-	-	-	AP8152272	2	-
15	Screw w/ flange M5x9	-	-	-	-	AP8152339	2	-
16	Immobilizer antenna	-	-	-	-	981087	1	-

Pos.	Description	Year	I_M	Country	Version	Code	Q.ty	P.Cod.
3	RH Name plate,red/gold AL	-	-	-	-	GU06917300	1	DI079
4	"Moto Guzzi" dataplate	-	-	-	-	977303	1	DI109
5	Name plate WARNING	-	-	-	-	AP8157631	1	DI079
6	Toolkit	-	-	-	-	978882	1	DG099
7	Operator's handbook	-	-	AUS-CA-USA	-	883380	1	DG109
8	Sticker "schema fusibili"	-	-	-	-	978647	1	DI049
9	Name plate WARNING	-	-	-	-	AP8157631	1	DI109
10	Decal Engine Start	-	-	-	-	GU05944930	1	DI049
11	Tyre pressure decal	-	-	-	-	883776	1	DI049
12	Bike cover	-	-	-	-	GU30970200	1	-
13	Decal Warning	-	-	-	-	GU05944530	1	DI079
14	Bag for document	-	-	-	-	GU05900130	1	-
16	Noise emission sticker	-	-	CA-USA	-	883772	1	-
17	Carbon filter sticker	-	-	CA-USA	-	883771	1	-
18	Emission control sticker	-	-	CA-USA	-	883770	1	-
19	Decal Shock Adsorber	-	-	-	-	AP8157100	1	-
20	Mirror decal	-	-	-	-	AP8257609	2	-
21	Battery decal	-	-	-	-	AP8257794	1	-
22	Keys warning decal	-	-	-	-	AP8257742	1	-



STELVIO 1200 - NTX - ABS 1200
2009-2010

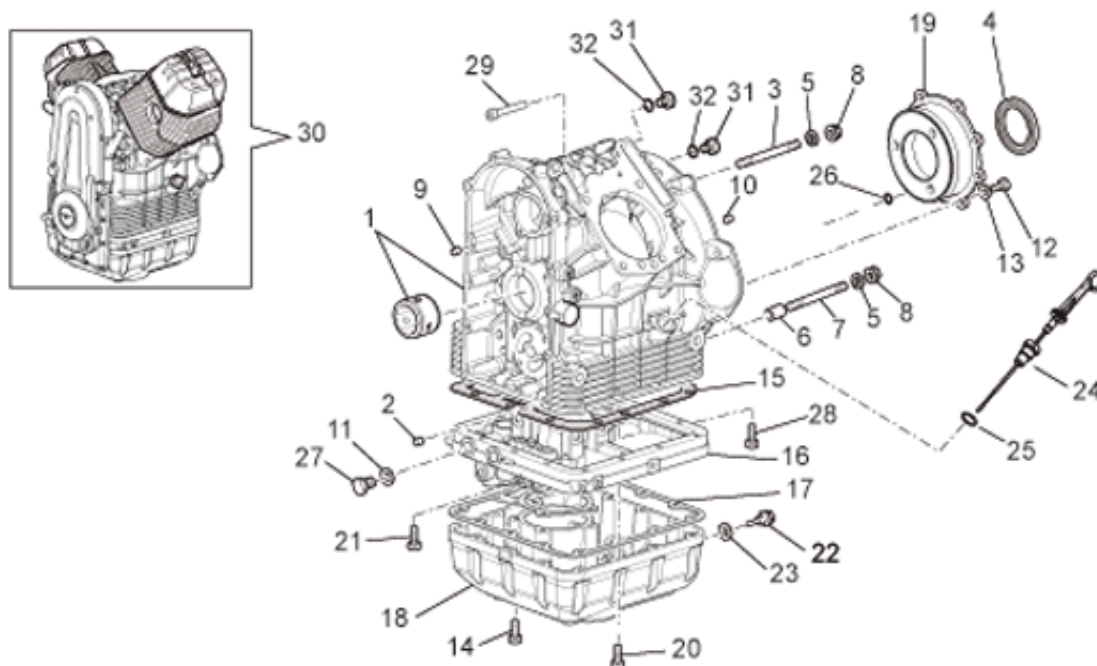
GU95

00

TAB N.

46

CRANK-CASE I



Pos.	Description	Year	I_M_	Country	Version	Code	Q.ty	P.Cod.
1	Crankcase black	-	-	-	-	976539	1	AH009
2	Pin	-	-	-	-	411209	2	-
3	Stud bolt M8X66	-	-	-	-	GU96508066	3	AH199
4	Gasket ring	-	-	-	-	GU90405367	1	AO15F
5	Washer 8,4X13X0,8	-	-	-	-	GU14615901	5	-
6	Coupling bush	-	-	-	-	GU12018900	2	-
7	Stud bolt M8x75	-	-	-	-	GU96508075	2	AH199
8	Flanged nut M8	-	-	-	-	GU92660021	5	-
9	Pin	-	-	-	-	GU95512081	2	-
10	Pin	-	-	-	-	560110	1	-
11	Gasket	-	-	-	-	GU01154230	2	-
12	Hex screw M8x25	-	-	-	-	GU98084425	8	-
13	Spring washer 8x15x0,3	-	-	-	-	GU61270300	8	-
14	Hex socket screw M6X30	-	-	-	-	GU98682330	4	-
15	Gasket	-	-	-	-	GU01003651	1	AO329
16	Flange black	-	-	-	-	976502	1	AH369
17	Gasket	-	-	-	-	GU05003630	1	AO459
18	Oil sump black	-	-	-	-	976486	1	AH269
19	Complete flange	-	-	-	-	976703	1	AI009
20	Hex socket screw m6x55	-	-	-	-	AP4ADN000007	14	-
21	Hex socket screw M6x60	-	-	-	-	GU98680360	2	-
22	Oil unload plug M10X1	-	-	-	-	GU31003766	1	AH109
23	Gasket 10x18x1,5	-	-	-	-	GU01528930	1	-
24	Oil level rod cpl.	-	-	-	-	883144	1	AH119
25	O-ring 17,86X2,62	-	-	-	-	GU90706178	1	-
26	O-ring 7,5X2	-	-	-	-	874980	1	AO15F
27	Plug	-	-	-	-	GU95980216	2	-
28	Hex socket screw M6X40	-	-	-	-	GU98680340	2	-
29	Screw w/ flange M8x45*	-	-	-	-	AP8152291	1	-
30	Engine cpl.	-	-	-	-	976966	1	A9989
31	Oil plug	-	-	-	-	GU12022600	2	-
32	O-ring 20,24X2,62	-	-	-	-	GU90706203	2	-



STELVIO 1200 - NTX - ABS 1200
2009-2010

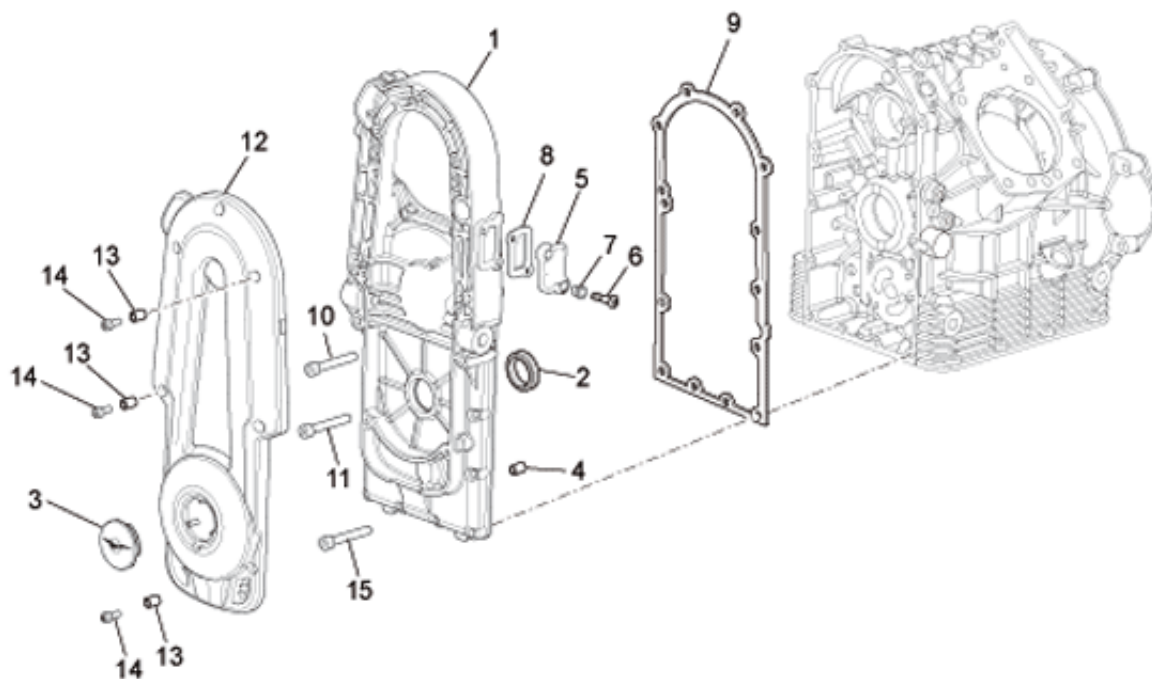
GU095

00

TAB N.

47

CRANK-CASE II



Pos.	Description	Year	I_M_	Country	Version	Code	Q.ty	P.Cod.
1	Timing cover black	-	-	-	-	976480	1	AH359
2	Gasket ring 22x35x7viton	-	-	-	-	GU90412237	1	AO15E
3	Plug	-	-	-	-	GU05002130	1	-
4	Pin 11,8X10	-	-	-	-	825597	2	-
5	Plug	-	-	-	-	976554	1	-
6	Hex socket screw M6x20	-	-	-	-	GU98682320	2	-
7	Bush 6,4x8,4x10,5	-	-	-	-	GU91120607	2	-
8	O-ring 34,65x1,78viton	-	-	-	-	GU90706347	1	-
9	Cover gasket	-	-	-	-	976478	1	AO449
10	Hex socket screw M8x55	-	-	-	-	AP8150046	4	-
11	Hex socket screw M6X30	-	-	-	-	GU98682330	9	-
12	Alternator cover grey	-	-	-	-	GU05001630	1	AH039
13	Bush 6,8x8,8x5,8	-	-	-	-	GU91120606	6	-
14	Hex socket screw M6x16	-	-	-	-	GU98682316	5	-
15	Hex socket screw M6x35	-	-	-	-	GU98680335	1	-



STELVIO 1200 - NTX - ABS 1200
2009-2010

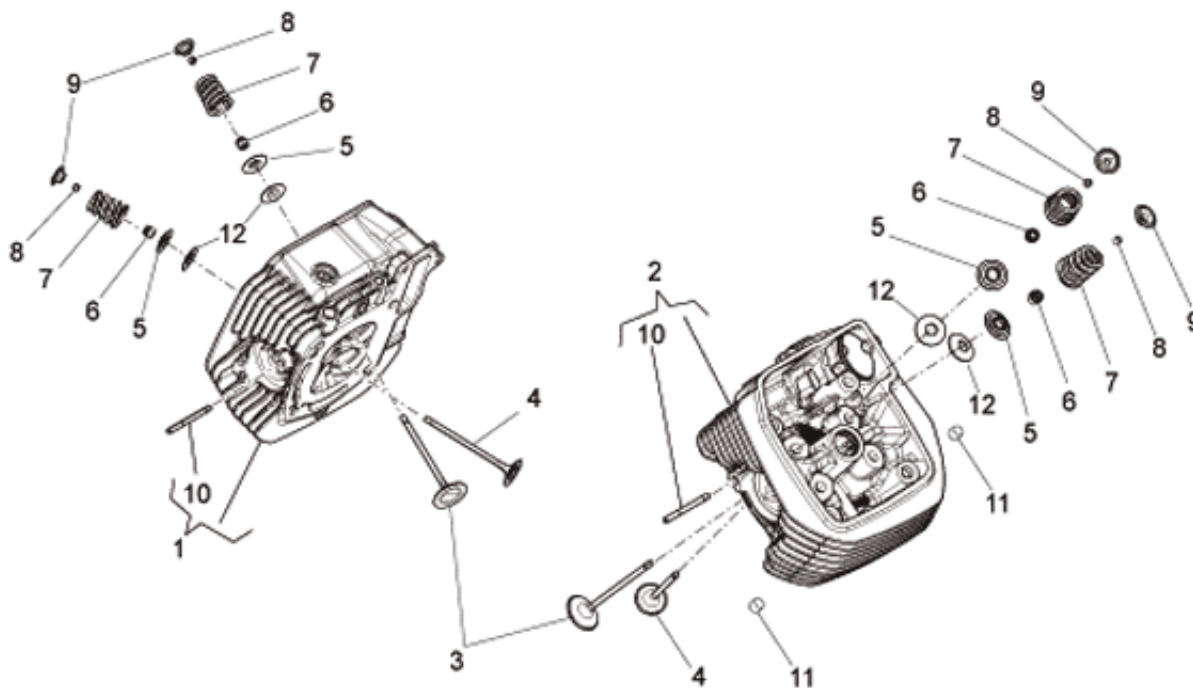
GU095

00

TAB N.

48

CYLINDER HEAD - VALVES



Pos.	Description	Year	I_M_	Country	Version	Code	Q.ty	P.Cod.
1	RH cylinder head	-	-	-	-	877859	1	AA00A
2	LH cylinder head	-	-	-	-	877849	1	AA00B
3	Intake valve	-	-	-	-	872695	4	AA01N
4	Exhaust valve	-	-	-	-	872696	4	AA01O
5	Lower cup	-	-	-	-	874127	8	-
6	Valve gasket ring	-	-	-	-	436438	8	AO20*
7	Valve spring	-	-	-	-	874335	8	AA02*
8	Valve half-cone	-	-	-	-	285846	8	AA03*
9	Upper cup	-	-	-	-	874126	8	-
10	Stud bolt M8X3X46	-	-	-	-	827018	4	AA15*
11	Pin 11,8X10	-	-	-	-	825597	8	-
12	Washer	-	-	-	-	877847	8	-



STELVIO 1200 - NTX - ABS 1200
2009-2010

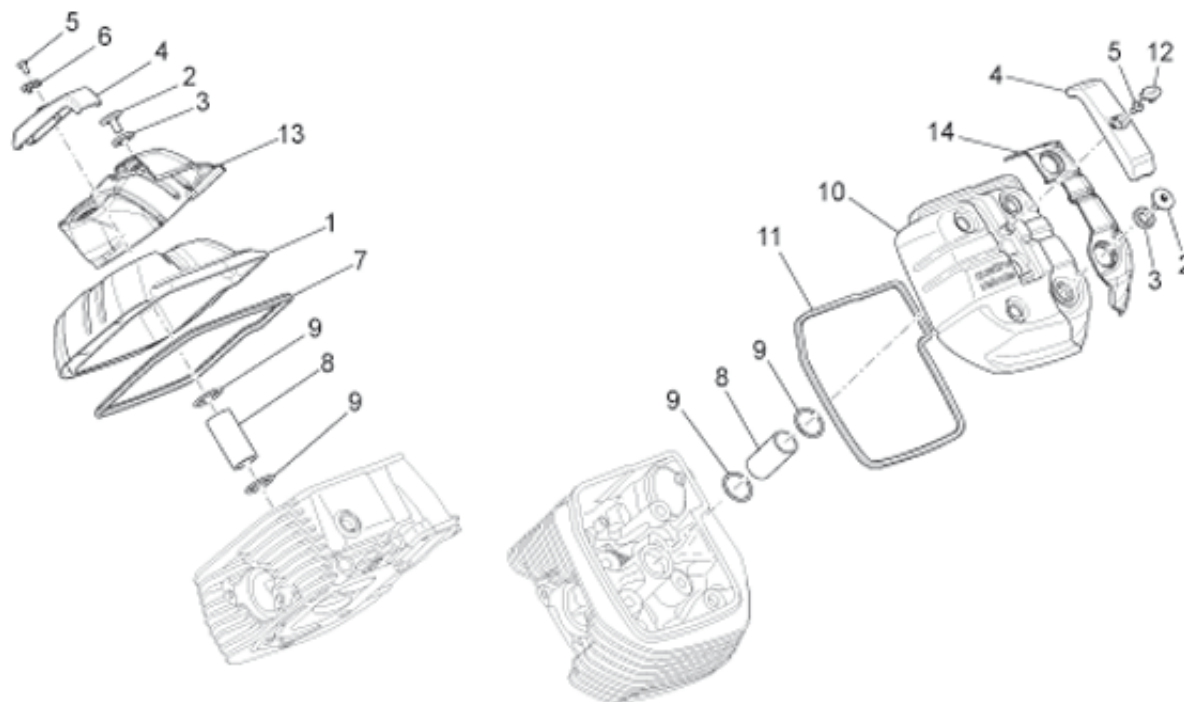
GU095

00

TAB N.

49

HEAD COVER



Pos.	Description	Year	I_M_	Country	Version	Code	Q.ty	P.Cod.
1	RH Head cover	-	-	-	-	872607	1	AH07*
2	Special screw	-	-	-	-	976591	8	-
3	Damper drift	-	-	-	-	830249	8	-
4	Spark plug cover	-	-	-	-	883493	2	AH07*
5	Hex socket screw M5x10	-	-	-	-	GU98230510	2	-
6	RH Name plate "Moto Guzzi"	-	-	-	-	976560	1	-
7	RH gasket	-	-	-	-	872742	1	AO14*
8	Spark plug pipe	-	-	-	-	873668	2	AO14*
9	O-ring 26X2,5	-	-	-	-	873626	4	-
10	LH Head cover	-	-	-	-	872606	1	AH07*
11	LH gasket	-	-	-	-	872741	1	AO14*
12	LH Name plate "Moto Guzzi"	-	-	-	-	976559	1	-
13	RH cover	-	-	-	-	873654	1	AH07*
14	LH cover	-	-	-	-	872740	1	AH07*



STELVIO 1200 - NTX - ABS 1200
2009-2010

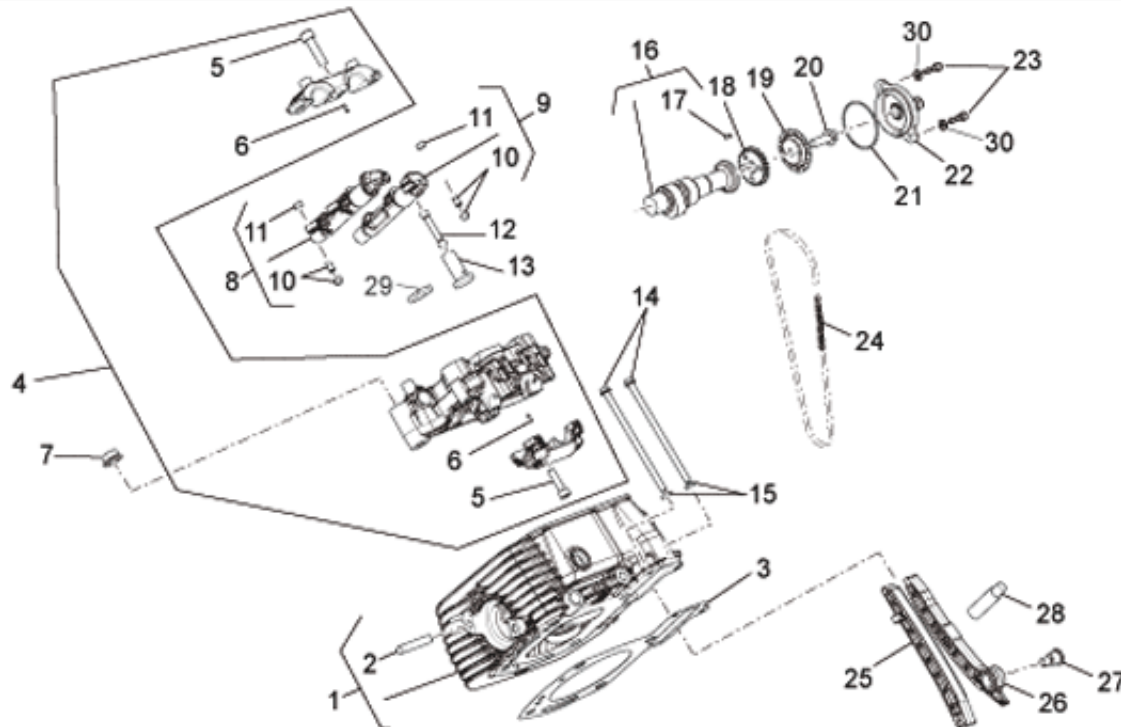
GU095

00

TAB N.

50

RH CYLINDER TIMING SYSTEM



Pos.	Description	Year	I_M_	Country	Version	Code	Q.ty	P.Cod.
1	RH cylinder head	-	-	-	-	877859	1	AA00A
2	Stud bolt M8X3X46	-	-	-	-	827018	4	AA15*
3	Cylinder head gasket 0,65 mm	-	-	-	-	874621	2	AO00*
	Cylinder head gasket 0,85 mm	-	-	-	-	874622	2	AO00*
	Cylinder head gasket 1,05 mm	-	-	-	-	976311	2	AO00*
4	RH.Rocker arm support	-	-	-	-	873426	1	AC38A
5	Screw	-	-	-	-	015792	6	-
6	Pin D. 2,5	-	-	-	-	872759	4	-
7	Nut M10X1,25 6H	-	-	-	-	833520	8	-
8	Rocker arm assy.	-	-	-	-	976359	1	AC08*
9	Rocker arm assy.	-	-	-	-	976360	1	AC08*
10	Adjuster screw	-	-	-	-	873850	4	AC099
11	Nut	-	-	-	-	484819	4	-
12	Rocker arm rod	-	-	-	-	873631	4	AC319
14	Screw w/ flange M6x120	-	-	-	-	487444	2	-
15	Plain washer 12x6,1x2	-	-	-	-	976674	2	-
16	Camshaft	-	-	-	-	8776384	1	AC059
17	Pin	-	-	-	-	976589	1	-
18	Timing gear	-	-	-	-	976350	1	AC139
19	sheet oil breather	-	-	-	-	874601	1	-
20	Screw w/ flange	-	-	-	-	843060	1	-
21	O-ring 44.17X1.78	-	-	-	-	976584	1	-
22	Breather cover cpl.	-	-	-	-	976690	1	-
23	Screw	-	-	-	-	GU98622214	2	-
24	Camshaft chain	-	-	-	-	976341	1	AC149
25	Chain guide plate	-	-	-	-	976338	1	AC169
26	Chain tensioner sliding block	-	-	-	-	976337	1	AC159
27	Spacer screw	-	-	-	-	974228	1	-
28	RH chain tensioner	-	-	-	-	873689	1	AC279
29	Plate	-	-	-	-	874805	1	-
30	Spring washer 5,3X10X0,5	-	-	-	-	GU95129100	2	-
31	Spacer 1,14	-	-	-	-	CM162705	1	-

Spacer 1,02	-	-	-	-	-	CM162701	1	-
Spacer 1,05	-	-	-	-	-	CM162702	1	-
Spacer 1,08	-	-	-	-	-	CM162703	1	-
Spacer 1,11	-	-	-	-	-	CM162704	1	-



STELVIO 1200 - NTX - ABS 1200
2009-2010

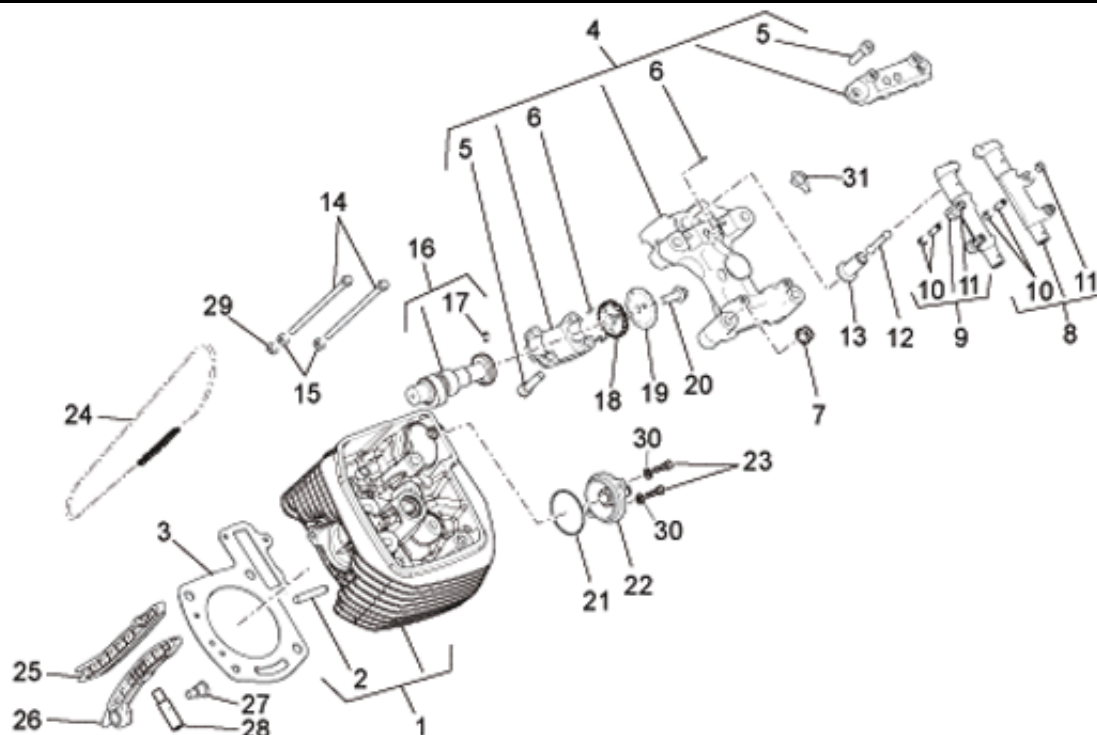
GU095

00

TAB N.

51

LH CYLINDER TIMING SYSTEM



Pos.	Description	Year	I_M_	Country	Version	Code	Q.ty	P.Cod.
1	LH cylinder head	-	-	-	-	877849	1	AA00B
2	Stud bolt M8X3X46	-	-	-	-	827018	4	AA15*
3	Cylinder head gasket 0,65 mm	-	-	-	-	874621	2	AO01*
	Cylinder head gasket 0,85 mm	-	-	-	-	874622	2	AO01*
	Cylinder head gasket 1,05 mm	-	-	-	-	976311	2	AO01*
4	LH.Rocker arm support	-	-	-	-	873425	1	AC38B
5	Screw	-	-	-	-	015792	6	-
6	Pin D. 2,5	-	-	-	-	872759	4	-
7	Nut M10X1,25 6H	-	-	-	-	833520	8	-
8	Rocker arm assy.	-	-	-	-	976359	1	AC08*
9	Rocker arm assy.	-	-	-	-	976360	1	AC08*
10	Adjuster screw	-	-	-	-	873850	4	AC099
11	Nut	-	-	-	-	484819	4	-
12	Rocker arm rod	-	-	-	-	873631	4	AC319
14	Screw w/ flange M6x120	-	-	-	-	487444	2	-
15	Plain washer 12x6,1x2	-	-	-	-	976674	2	-
16	Camshaft	-	-	-	-	8776384	1	AC059
17	Pin	-	-	-	-	976589	1	-
18	Timing gear	-	-	-	-	976350	1	AC139
19	sheet oil breather	-	-	-	-	874601	1	-
20	Screw w/ flange	-	-	-	-	843060	1	-
21	O-ring 44.17X1.78	-	-	-	-	976584	1	-
22	Breather cover cpl.	-	-	-	-	976690	1	-
23	Screw	-	-	-	-	GU98622214	2	-
24	Camshaft chain	-	-	-	-	976341	1	AC149
25	Chain guide plate	-	-	-	-	976338	1	AC169
26	Chain tensioner sliding block	-	-	-	-	976337	1	AC159
27	Spacer screw	-	-	-	-	974228	1	-
28	LH chain tensioner	-	-	-	-	873690	1	AC279
29	Spacer	-	-	-	-	244585	1	-
30	Spring washer 5,3X10X0,5	-	-	-	-	GU95129100	2	-
31	Plate	-	-	-	-	874805	1	-

32	Spacer 1,14	-	-	-	-	-	CM162705	1	-
	Spacer 1,02	-	-	-	-	-	CM162701	1	-
	Spacer 1,05	-	-	-	-	-	CM162702	1	-
	Spacer 1,08	-	-	-	-	-	CM162703	1	-
	Spacer 1,11	-	-	-	-	-	CM162704	1	-



STELVIO 1200 - NTX - ABS 1200
2009-2010

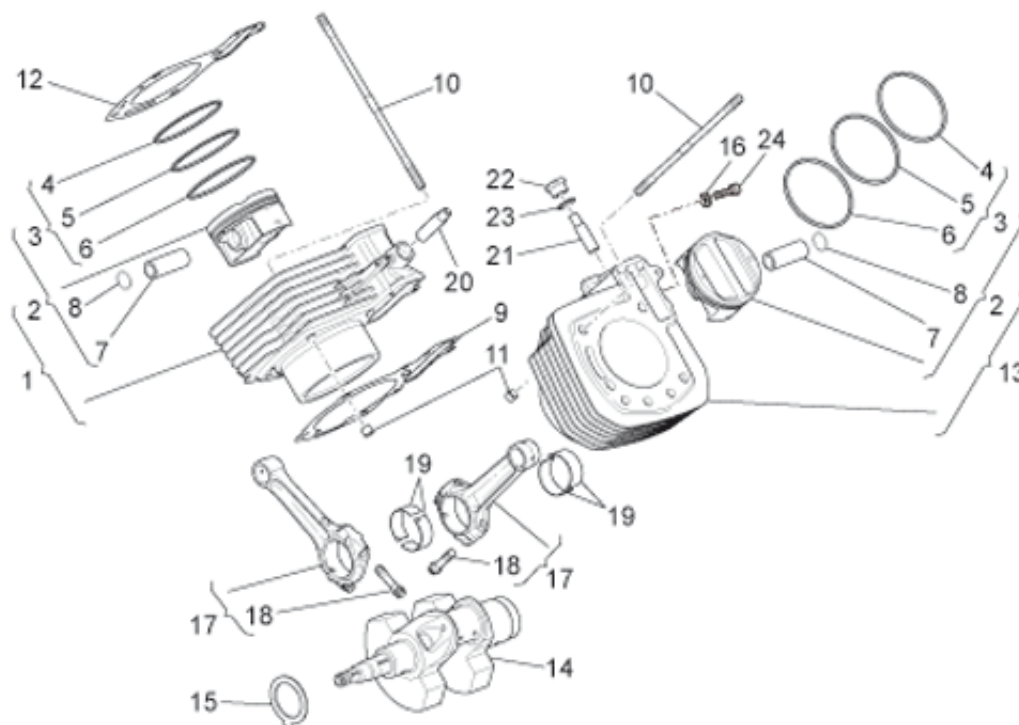
GU95

00

TAB N.

52

DRIVE SHAFT - CYLINDER



Pos.	Description	Year	I_M_	Country	Version	Code	Q.ty	P.Cod.
1	Cylinder with piston assy., RH	-	-	-	-	981008	1	AB00*
2	Piston D95 cpl	-	-	-	-	873667	2	AB01*
3	Pistonring set	-	-	-	-	981009	2	AB02*
4	Piston ring	-	-	-	-	874287	2	AB02*
5	Piston ring	-	-	-	-	874288	2	AB02*
6	Piston ring	-	-	-	-	874289	2	AB02*
7	Piston pin	-	-	-	-	874286	2	AD02*
8	Stop ring	-	-	-	-	874567	4	AD03*
9	Cylinder base gasket	-	-	-	-	976312	2	AO01*
10	Stud bolt	-	-	-	-	878275	8	AB04*
11	Pin 11,8X10	-	-	-	-	825597	4	-
12	Cylinder head gasket 1,05 mm	-	-	-	-	976311	2	AO01*
	Cylinder head gasket 0,85 mm	-	-	-	-	874622	2	AO01*
	Cylinder head gasket 0,65 mm	-	-	-	-	874621	2	AO01*
13	Cylinder with piston assy., LH	-	-	-	-	981007	1	AB00*
14	Crankshaft cpl.	-	-	-	-	8762874	1	AD009
15	Thrust washer	-	-	-	-	874293	1	-
16	Washer 6,25x10x1,5	-	-	-	-	GU95100116	1	-
17	Connecting rod cpl.	-	-	-	-	976006	2	AD01*
18	Connecting rod screw	-	-	-	-	849131	4	-
20	RH chain tensioner	-	-	-	-	873689	1	AC27A
21	LH chain tensioner	-	-	-	-	873690	1	AC27B
22	Chain tension.plug	-	-	-	-	976342	2	-
23	Washer	-	-	-	-	849866	2	-
24	Hex socket screw M6x20	-	-	-	-	GU98350310	1	-



STELVIO 1200 - NTX - ABS 1200
2009-2010

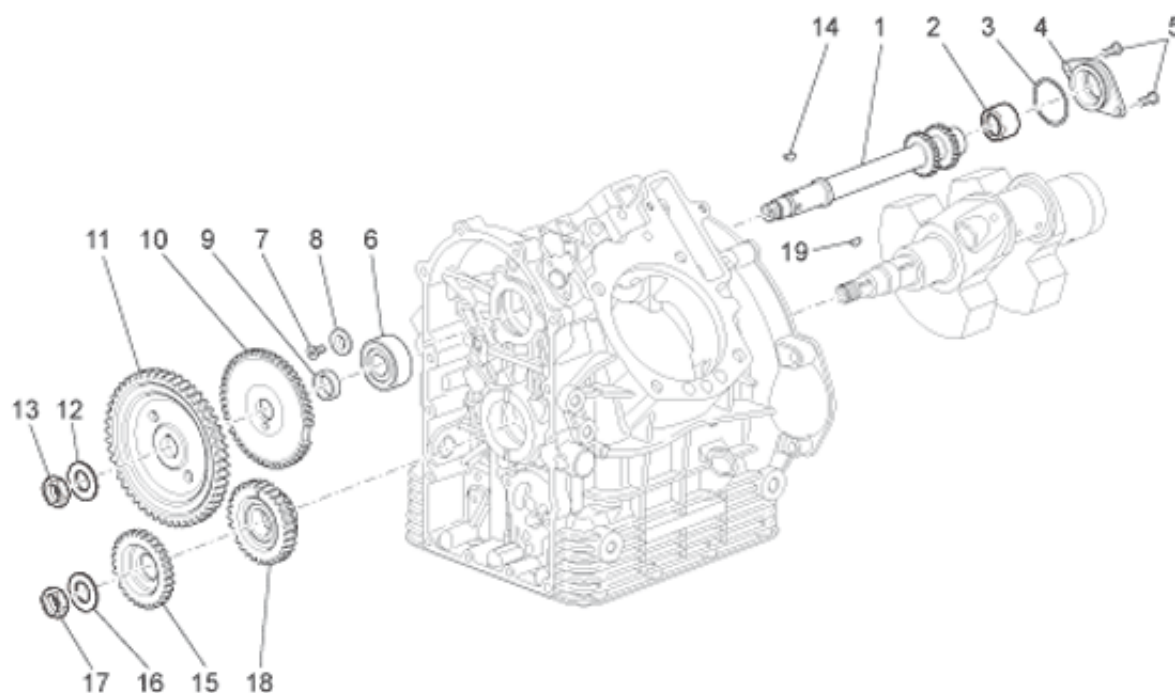
GU095

00

TAB N.

53

TIMING SYSTEM



Pos.	Description	Year	I_M_	Country	Version	Code	Q.ty	P.Cod.
1	Timing system	-	-	-	-	976330	1	-
2	Roller cage 25x32x12	-	-	-	-	976381	1	-
3	O-ring 37,82x1,78	-	-	-	-	976488	1	-
4	Flange	-	-	-	-	976331	1	AC349
5	Hex socket screw M6X14	-	-	-	-	GU98350315	2	-
6	Ball bearing 20x47x18	-	-	-	-	976355	1	-
7	Screw M6x16	-	-	-	-	AP8152166	1	-
8	Washer	-	-	-	-	873928	1	-
9	Spacer	-	-	-	-	976334	1	-
10	Wheel speed sensor, left front	-	-	-	-	976538	1	AC379
11	Timing system gear	-	-	-	-	874281	1	AC13E
12	Spring washer 19x34x1,5	-	-	-	-	GU14433400	1	-
13	Nut	-	-	-	-	829232	1	-
14	Transmission key	-	-	-	-	GU91600450	1	AD099
15	Drive gear	-	-	-	-	874799	1	AJ079
16	Belleville spring	-	-	-	-	976665	1	-
17	Nut M25x1,5	-	-	-	-	976649	1	-
18	Drive gear	-	-	-	-	874280	1	AJ079
19	Transmission key 3x6,5	-	-	-	-	GU91600365	1	AD099



STELVIO 1200 - NTX - ABS 1200
2009-2010

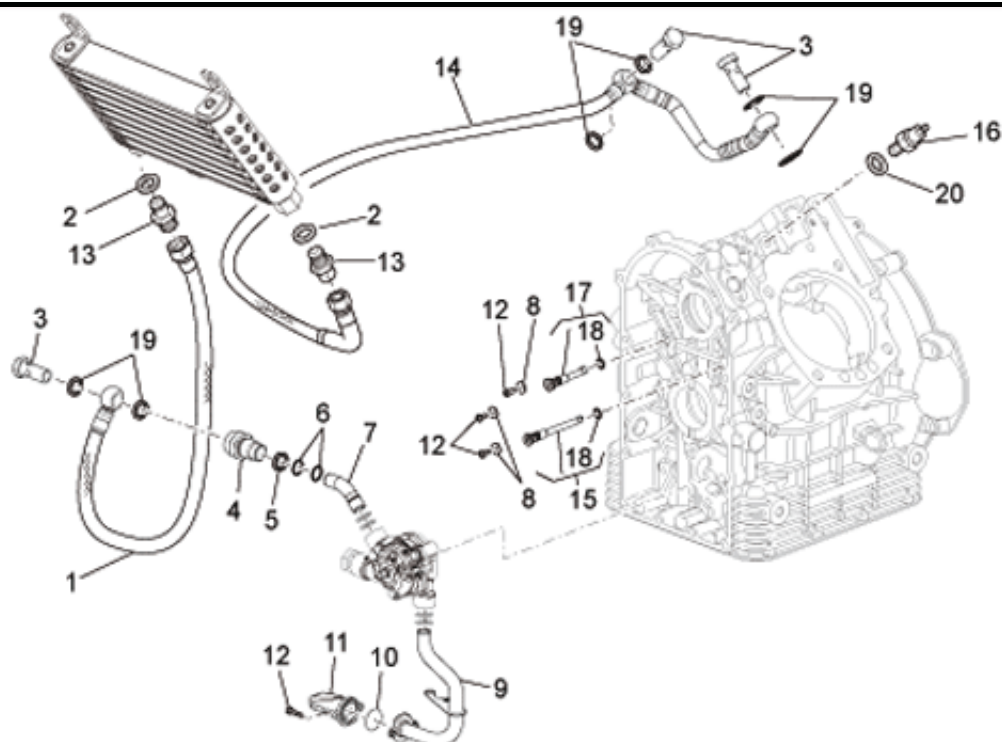
GU095

00

TAB N.

54

LUBRICATION



Pos.	Description	Year	I_M_	Country	Version	Code	Q.ty	P.Cod.
1	Pipe	-	-	-	-	978895	1	GD019
2	Gasket	-	-	-	-	GU01154230	2	-
3	Bored screw	-	-	-	-	874223	3	-
4	Nipple	-	-	-	-	874669	1	-
5	Gasket	-	-	-	-	976569	1	-
6	O-ring 12,42x1	-	-	-	-	434947	2	-
7	Oil pipe	-	-	-	-	874646	1	AJ219
8	Washer	-	-	-	-	013763	3	-
9	Intake pipe	-	-	-	-	874645	1	AJ229
10	O-ring	-	-	-	-	969323	1	-
11	Intake oil filter	-	-	-	-	874655	1	AO239
12	Screw	-	-	-	-	581957	5	-
13	Reduction	-	-	-	-	GU01161331	2	-
14	Pipe	-	-	-	-	976625	1	AJ319
15	LH Nozzle	-	-	-	-	976680	1	-
16	Pressure sensor	-	-	-	-	978854	1	AN039
17	RH Nozzle	-	-	-	-	976681	1	-
18	O-ring	-	-	-	-	874238	4	-
19	Copper gasket	-	-	-	-	168077	6	-
20	Gasket 12,25	-	-	-	-	GU12006400	1	-



STELVIO 1200 - NTX - ABS 1200
2009-2010

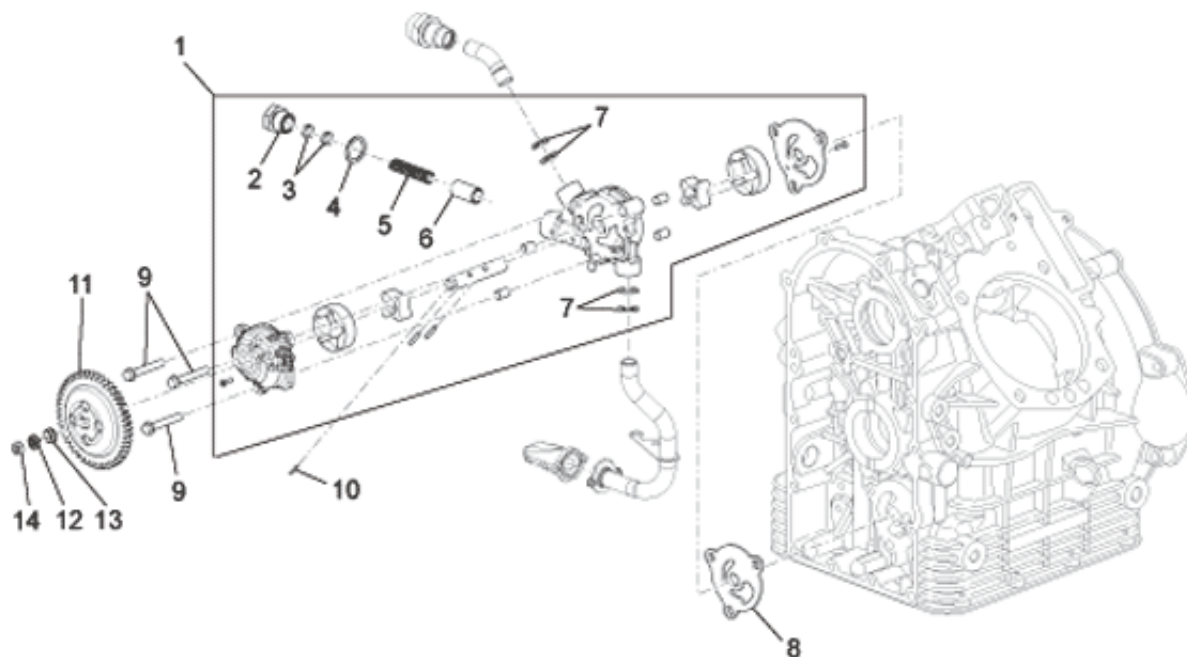
GU095

00

TAB N.

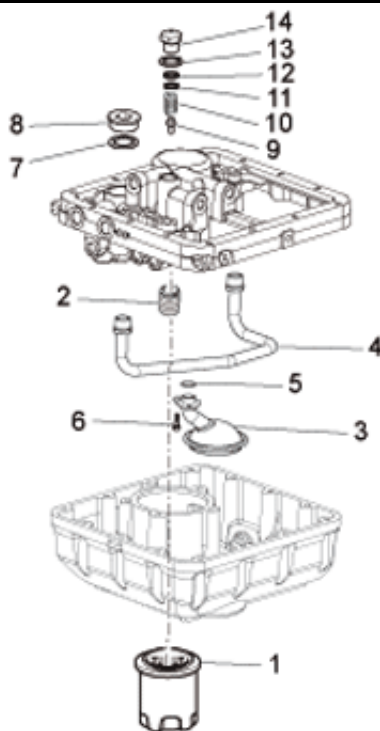
55

OIL PUMP



Pos.	Description	Year	I_M_	Country	Version	Code	Q.ty	P.Cod.
1	Oil pump assy.	-	-	-	-	874650	1	AJ059
2	Plug	-	-	-	-	GU31159050	1	AJ129
3	Washer	-	-	-	-	GU30158900	2	AJ129
4	Washer 18,25x24x1	-	-	-	-	GU18144350	1	AJ129
5	Spring	-	-	-	-	829486	1	AJ129
6	Oil pressure valve	-	-	-	-	829661	1	AJ119
7	O-ring	-	-	-	-	237553	4	AO139
8	Gasket	-	-	-	-	874482	1	AO139
9	Screw M6X45	-	-	-	-	414835	3	-
10	Pin 2x13,8	-	-	-	-	874801	1	-
11	Oil pump gear	-	-	-	-	874616	1	AJ079
12	Washer 6,4x12	-	-	-	-	GU03013800	1	-
13	Washer 6,4x13x1,5	-	-	-	-	GU95005306	1	-
14	Low nut	-	-	-	-	873906	1	-

	STELVIO 1200 - NTX - ABS 1200 2009-2010	GU095	00	TAB N.	56
	OIL FILTERS				



Pos.	Description	Year	I_M_	Country	Version	Code	Q.ty	P.Cod.
1	Oil filter	-	-	-	-	GU30153000	1	AO229
2	Oil filter union	-	-	-	-	829122	1	-
3	Oil filter	-	-	-	-	GU05152230	1	AO239
4	Pipe	-	-	-	-	GU05005730	1	AJ219
5	O-ring 15,08x2,62viton	-	-	-	-	GU90706151	1	-
6	Hex socket screw M6x18	-	-	-	-	GU98682318	2	-
7	Copper gasket	-	-	-	-	976636	1	AJ139
8	Plug	-	-	-	-	976635	1	AJ139
9	Piston	-	-	-	-	GU30150900	1	AJ129
10	Spring	-	-	-	-	GU94321077	1	AJ129
11	Washer 6,15x11x0,8	-	-	-	-	GU95008206	2	AJ129
12	Washer	-	-	-	-	GU30158900	1	AJ129
13	Washer 18,25x24x1	-	-	-	-	GU18144350	1	AJ129
14	Plug	-	-	-	-	GU31159050	1	AJ129



STELVIO 1200 - NTX - ABS 1200
2009-2010

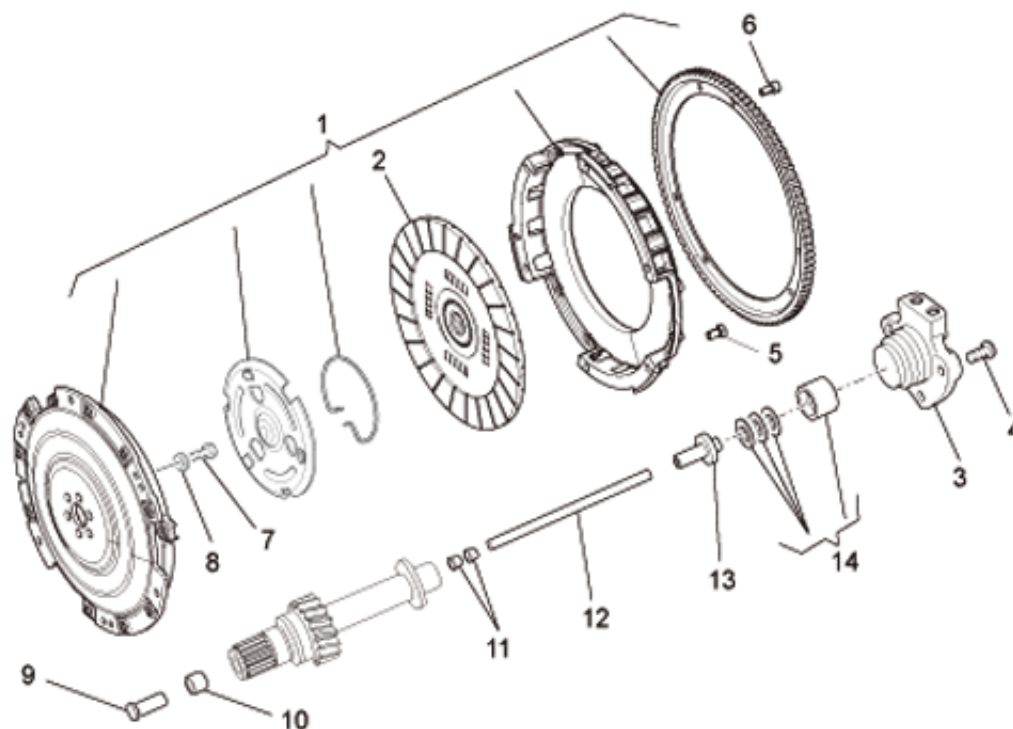
GU095

00

TAB N.

57

CLUTCH



Pos.	Description	Year	I_M_	Country	Version	Code	Q.ty	P.Cod.
1	Clutch cpl.	-	-	-	-	976695	1	AF***
2	Clutch disc	-	-	-	-	976053	1	AF209
3	Clutch command cylinder	-	-	-	-	978739	1	BC139
4	Screw w/ flange M6x16*	-	-	-	-	598839	3	-
5	Hex socket screw M7x16	-	-	-	-	976535	6	-
6	Screw	-	-	-	-	GU98230612	6	-
7	Screw w/ flange M8X25	-	-	-	-	976481	6	-
8	Conical spring washer 8,2X15	-	-	-	-	976484	6	-
9	Clutch drive tapped	-	-	-	-	976563	1	-
10	Bush	-	-	-	-	976564	1	-
11	Bush	-	-	-	-	GU14085900	2	-
13	Inner body	-	-	-	-	GU14086000	1	-
14	Engine bearing set	-	-	-	-	976696	1	AI169



STELVIO 1200 - NTX - ABS 1200
2009-2010

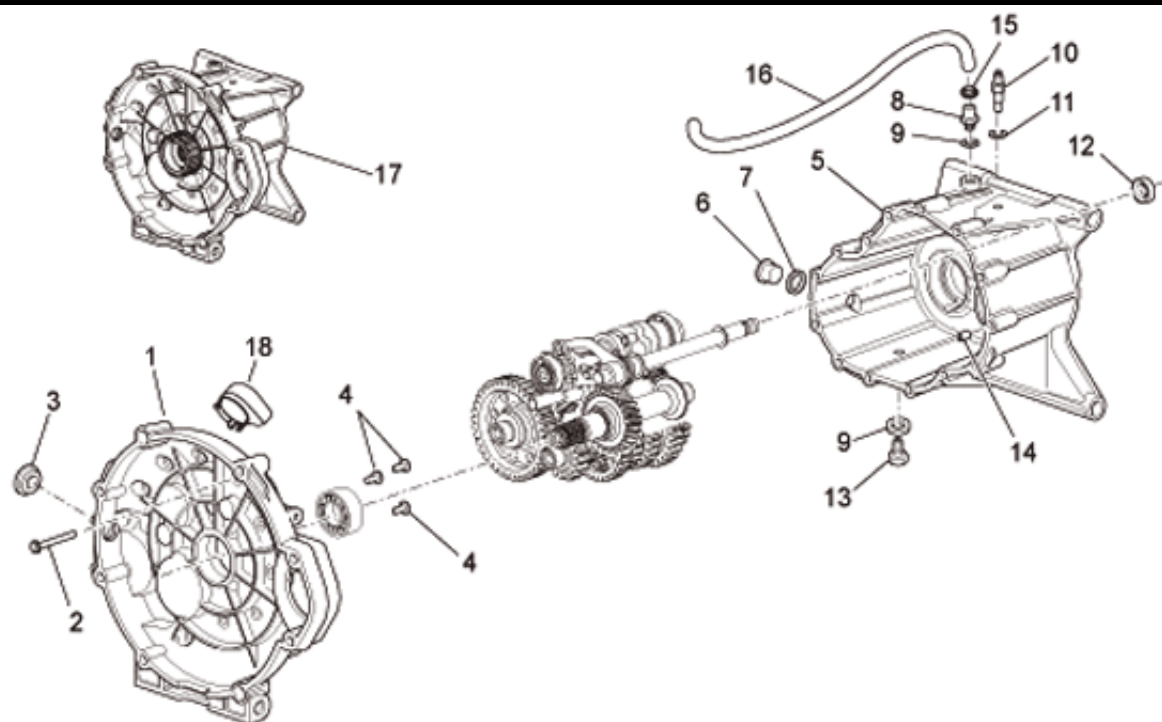
GU095

00

TAB N.

58

TRANSMISSION CAGE



Pos.	Description	Year	I_M_	Country	Version	Code	Q.ty	P.Cod.
1	Clutch drum nero	-	-	-	-	976453	1	AH049
2	Screw w/ flange M6x55	-	-	-	-	GU97202355	14	-
3	Plug	-	-	-	-	GU93180220	1	-
4	Hex socket screw M6X16	-	-	-	-	GU98370616	3	-
5	Gearbox black	-	-	-	-	976565	1	AH299
6	Oil plug M18x1,5	-	-	-	-	GU95980319	1	AH119
7	Washer 18,25x24x1	-	-	-	-	GU18144350	1	-
8	Breather plug	-	-	-	-	GU05204930	1	AJ329
9	Gasket 10x18x1,5	-	-	-	-	GU01528930	2	-
10	Sensor	-	-	-	-	GU19207220	1	AN029
11	Gasket 8,25x15x1	-	-	-	-	GU12154200	1	-
12	Gasket ring 14x24x7	-	-	-	-	GU90401424	1	AO169
13	Oil unload plug M10X1	-	-	-	-	GU31003766	1	AH109
14	Bush 6,6x9x13	-	-	-	-	GU19002020	2	-
15	Hose clamp D10,1*	-	-	-	-	AP8101595	1	-
16	Fuel pipe 5,5x10	-	-	-	-	AP8120952	1	-
17	Gear box assy	-	-	-	-	976934	1	AG099
18	Cooling pipes	-	-	-	-	976687	1	-



STELVIO 1200 - NTX - ABS 1200
2009-2010

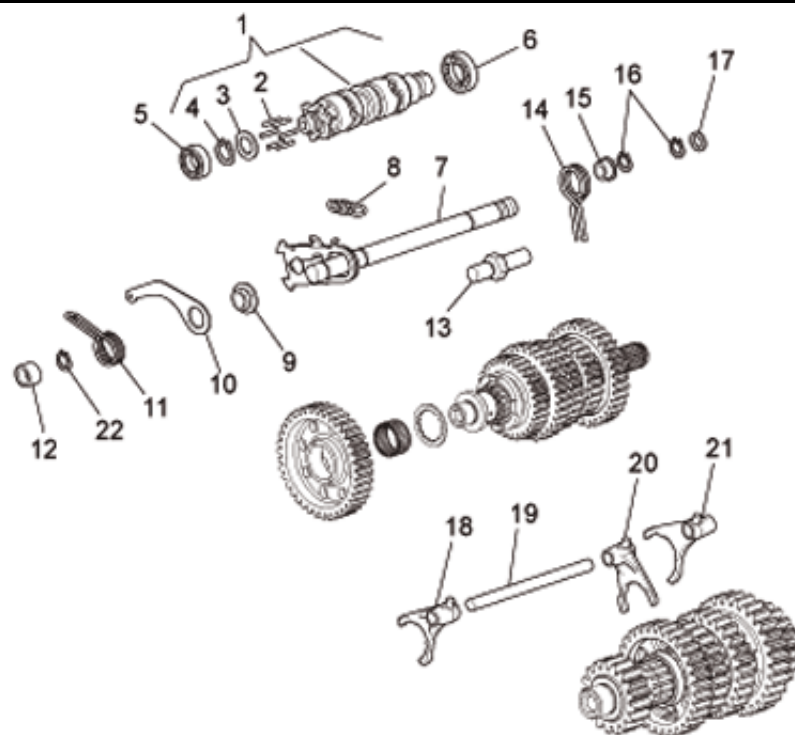
GU095

00

TAB N.

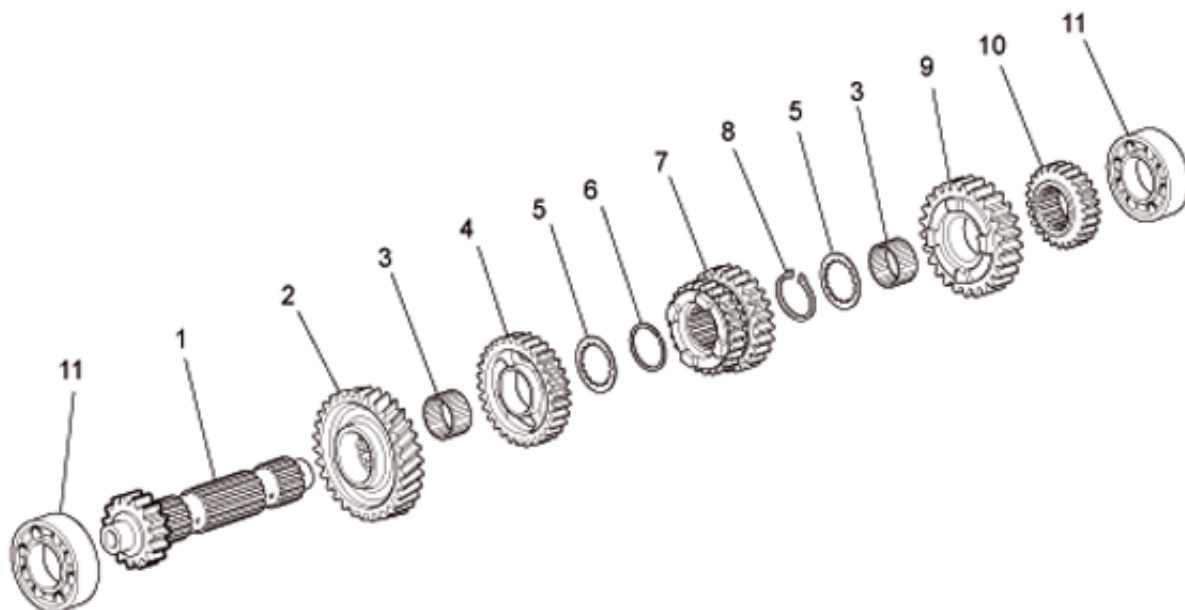
59

GEAR BOX SELECTOR



Pos.	Description	Year	I_M_	Country	Version	Code	Q.ty	P.Cod.
1	Shift cam cpl.	-	-	-	-	GU05234431	1	AG039
2	Pin	-	-	-	-	GU05234631	6	-
3	Spacer	-	-	-	-	GU05235531	1	-
4	Circlip	-	-	-	-	GU90271022	1	-
5	Ball bearing 17x35x10	-	-	-	-	GU92201117	1	AI139
6	Ball bearing 25x42x9	-	-	-	-	GU92201025	1	AI139
7	Preselection complete	-	-	-	-	GU05236231	1	AG119
8	Spring	-	-	-	-	GU05238231	1	AG139
9	Bush	-	-	-	-	GU05238431	1	-
10	Lever Index	-	-	-	-	GU05234731	1	AG129
11	Spring	-	-	-	-	GU05234130	1	AG139
12	Spacer	-	-	-	-	GU05234230	1	-
13	Fixing pin	-	-	-	-	GU05234931	1	-
14	Spring	-	-	-	-	GU05238331	1	AG109
15	Spacer	-	-	-	-	GU05238131	1	-
16	Circlip	-	-	-	-	GU90271014	2	-
17	Fifth wheel	-	-	-	-	GU05239330	1	-
18	Fork 1a-3a	-	-	-	-	GU05230531	1	AG059
19	Fork shaft	-	-	-	-	GU05232431	1	AG069
20	Fork 5a-6a	-	-	-	-	GU05232631	1	AG059
21	Fork 2a-4a	-	-	-	-	GU05230831	1	AG059
22	Circlip	-	-	-	-	GU90353014	1	-

	STELVIO 1200 - NTX - ABS 1200 2009-2010	GU095	00	TAB N.	60
	PRIMARY GEAR SHAFT				



Pos.	Description	Year	I_M_	Country	Version	Code	Q.ty	P.Cod.
1	Primary gear shaft Z=17	-	-	-	-	GU05210631	1	AG00X
2	Drive gears Z=35	-	-	-	-	GU05215631	1	AG019
3	Roller cage 26x30x15,6	-	-	-	-	GU92252029	2	AI119
4	Gear 5a Z=31	-	-	-	-	GU05212031	1	AG045
5	Clearance washer	-	-	-	-	GU05214630	2	-
6	Snap ring 30x1,2SW	-	-	-	-	GU90271230	1	-
7	Gear 3a-4a Z=23-26	-	-	-	-	GU05211431	1	AG043
8	Snap ring 30x27,9	-	-	-	-	GU90271030	1	-
9	Gear 6a Z=29	-	-	-	-	GU05212631	1	AG046
10	Gear 2a Z=20	-	-	-	-	GU05211331	1	AG042
11	Ball bearing 20x52x15	-	-	-	-	GU92201822	2	AI059



STELVIO 1200 - NTX - ABS 1200
2009-2010

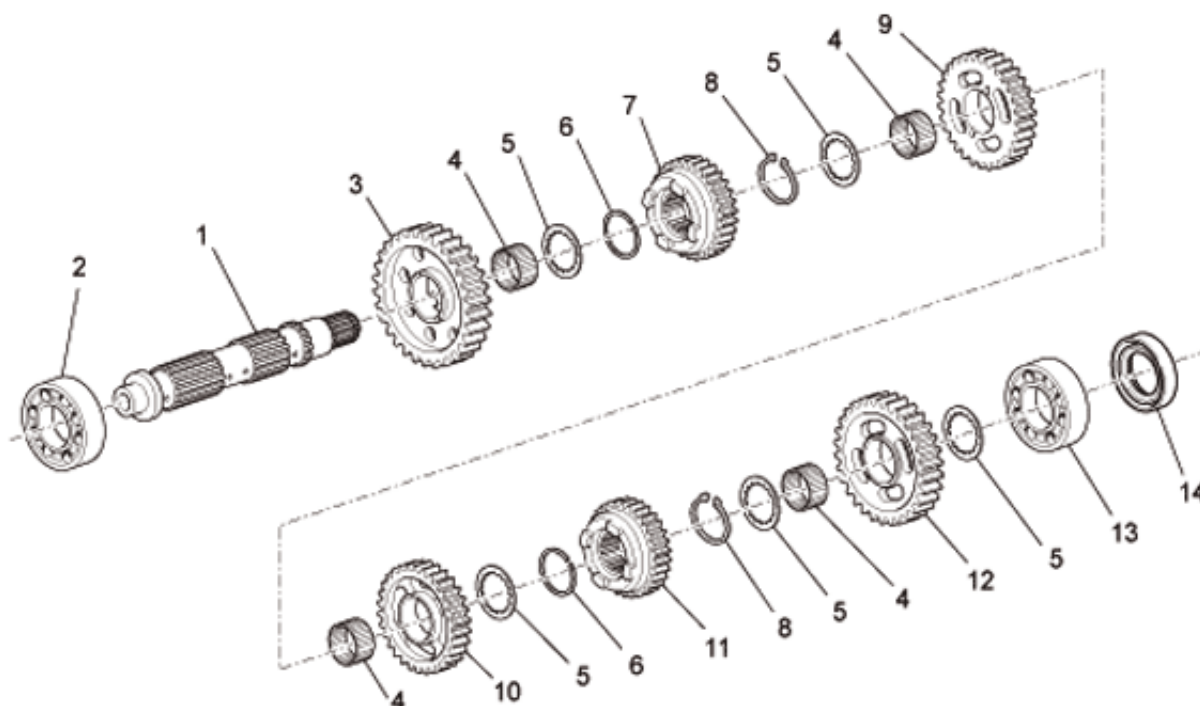
GU095

00

TAB N.

61

DRIVEN SHAFT



Pos.	Description	Year	I_M_	Country	Version	Code	Q.ty	P.Cod.
1	Driven shaft	-	-	-	-	GU05213631	1	AG00Y
2	Ball bearing 20x52x15	-	-	-	-	GU92201822	1	AI069
3	Gear 1a Z=38	-	-	-	-	GU05214231	1	AG041
4	Roller cage 26x30x15,6	-	-	-	-	GU92252029	4	AI119
5	Clearance washer	-	-	-	-	GU05214630	5	-
6	Snap ring 30x1,2SW	-	-	-	-	GU90271230	2	-
7	Gear 5a Z=30	-	-	-	-	GU05214031	1	AG045
8	Snap ring 30x27,9	-	-	-	-	GU90271030	2	-
9	Gear 3a Z=31	-	-	-	-	GU05214731	1	AG043
10	Gear 4a Z=29	-	-	-	-	GU05215031	1	AG044
11	Gear 6a Z=25	-	-	-	-	GU05220531	1	AG046
12	Gear 2a Z=34	-	-	-	-	GU05214431	1	AG042
13	Ball bearing 25x52x15	-	-	-	-	GU92201226	1	AI069
14	Gasket ring 25X40X7	-	-	-	-	GU90412541	1	AO169



STELVIO 1200 - NTX - ABS 1200
2009-2010

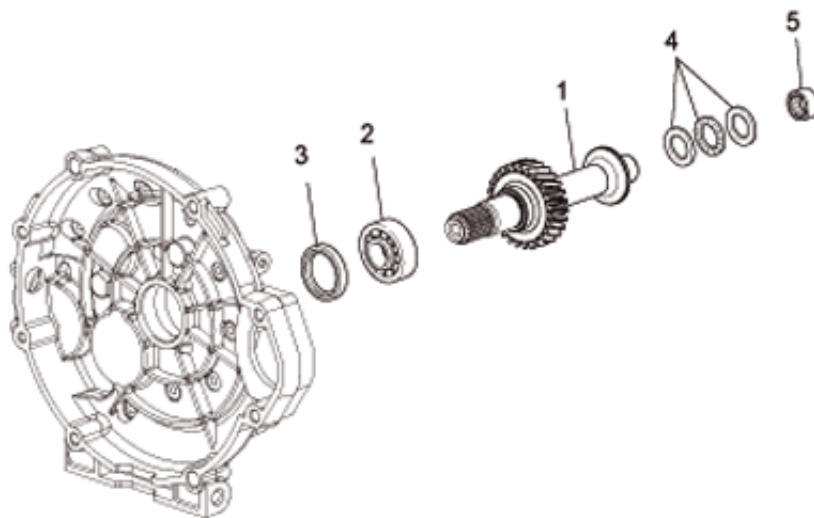
GU095

00

TAB N.

62

CLUTCH SHAFT



Pos.	Description	Year	I_M_	Country	Version	Code	Q.ty	P.Cod.
1	Clutch shaft Z=26	-	-	-	-	976351	1	AG259
2	Ball bearing 25x52x15	-	-	-	-	GU92201226	1	AI209
3	Gasket ring 25x47x7	-	-	-	-	976533	1	AO199
4	Thrust bearing	-	-	-	-	976532	1	AI169
5	Roller bearing 20x28x13	-	-	-	-	GU92232028	1	AI209



STELVIO 1200 - NTX - ABS 1200
2009-2010

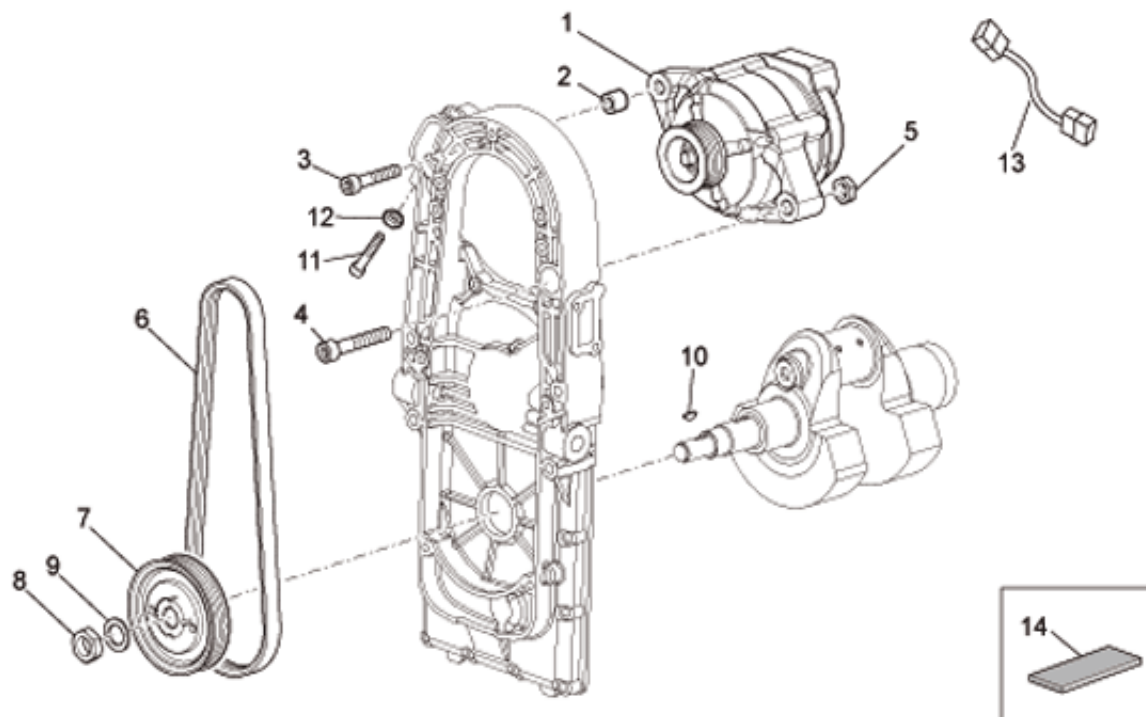
GU095

00

TAB N.

63

CURRENT GENERATOR



Pos.	Description	Year	I_M_	Country	Version	Code	Q.ty	P.Cod.
1	Generator	-	-	-	-	976678	1	AM129
2	Spacer 8,5x17x13	-	-	-	-	GU91180823	1	-
3	Hex socket screw M8X45	-	-	-	-	GU98620445	1	-
4	Hex socket screw M10x60	-	-	-	-	GU98620560	1	-
5	Nut M10X1,5	-	-	-	-	GU92660012	1	-
6	Belt	-	-	-	-	GU05702530	1	AM159
7	Generator lever pulley	-	-	-	-	GU05701430	1	AM149
8	Nut M16	-	-	-	-	GU92606516	1	-
9	Washer 16,25x24,5x5	-	-	-	-	GU30714201	1	-
10	Flywheel magneto key	-	-	-	-	GU4FAN000030	1	AD089
11	Hex socket screw M8x50	-	-	-	-	GU98230850	1	-
12	Nut M8x1,25	-	-	-	-	GU92605408	1	-
13	Adaptor	-	-	-	-	883220	1	-
14	Support rubber part 5mm	-	-	-	-	883127	1	-



STELVIO 1200 - NTX - ABS 1200
2009-2010

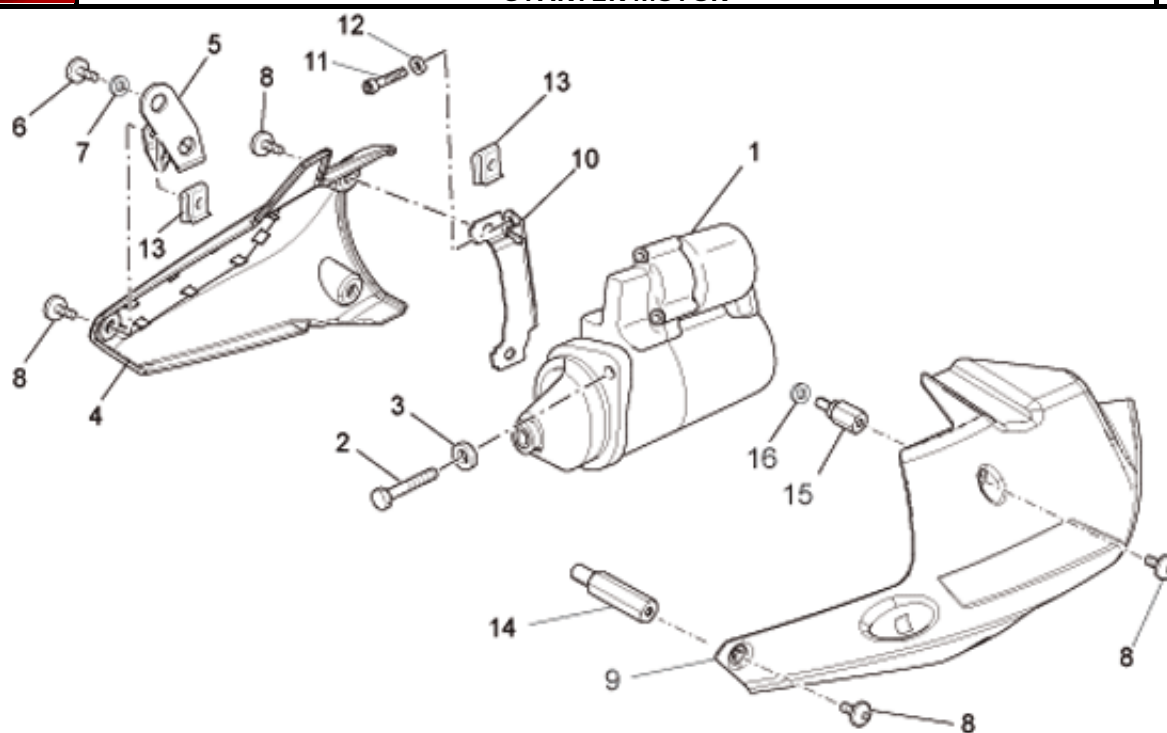
GU095

00

TAB N.

64

STARTER MOTOR



Pos.	Description	Year	I_M_	Country	Version	Code	Q.ty	P.Cod.
1	Starter motor Bosch	-	-	-	-	GU05730730	1	AK009
2	Screw M8X75	-	-	-	-	GU98082475	2	-
3	Washer 8,4X15X1,5	-	-	-	-	GU95008208	2	-
4	RH engine cover	-	-	-	-	978852	1	DD51A
5	RH support	-	-	-	-	978616	1	-
6	Hex socket screw M10X20	-	-	-	-	GU98371020	2	-
7	Washer 10,5x16x1	-	-	-	-	GU19149800	2	-
8	Screw w/ flange M5x9	-	-	-	-	AP8152339	6	-
9	LH engine cover	-	-	-	-	883141	1	DD51B
10	Rear support	-	-	-	-	978618	1	-
11	Screw w/ flange M6x55	-	-	-	-	GU97202355	2	-
12	Washer 6,4x13x1,5	-	-	-	-	GU95005306	2	-
13	Clip M5	-	-	-	-	AP8102375	2	-
14	Stud bolt	-	-	-	-	978880	1	-
15	Stud bolt	-	-	-	-	978619	2	-
16	Washer 6,4x12	-	-	-	-	GU03013800	1	-

MOTO GUZZI		STELVIO 1200 - NTX - ABS 1200 2009-2010	GU095	00	TAB N.	65				
THROTTLE BODY										
Pos.	Description	Year	I_M_	Country	Version	Code	Q.ty	P.Cod.		
1	Throttle assy	-	-	-	-	976697	1	EC***		
2	Potentiometer	-	-	-	-	981010	1	EC059		
3	RH manifold	-	-	-	-	873490	1	AC00A		
4	Injector kit complete	-	-	-	-	CM074706	2	EC129		
5	Flange	-	-	-	-	976498	2	-		
6	O-ring 53,7x1,78	-	-	-	-	976566	2	-		
7	Gasket	-	-	-	-	873879	2	AO04*		
8	LH manifold	-	-	-	-	873491	1	AC00B		
9	Low head socket screw M6x25 M6x25	-	-	-	-	GU98882325	6	AC369		
10	Washer 6,15x11x0,8	-	-	-	-	GU95008206	6	-		
11	Hex socket screw M6x20	-	-	-	-	GU98350310	2	-		
12	Washer 6,25x10x1,5	-	-	-	-	GU95100116	2	-		
13	Hose clamp 61/65,5	-	-	-	-	GU93305061	4	AC029		
14	Hose	-	-	-	-	873861	2	AC04*		
15	Hex socket screw M5x12	-	-	-	-	GU98682212	2	-		
16	Intake hose RH	-	-	-	-	877057	1	EB04V		
17	Intake hose LH	-	-	-	-	877056	1	EB04W		
18	Clamp 50x90x9	-	-	-	-	GU93306050	2	AC029		
19	Washer 5,3X10X1	-	-	-	-	GU95008305	2	-		
20	Min.regulation engine	-	-	-	-	981011	1	CE509		



STELVIO 1200 - NTX - ABS 1200
2009-2010

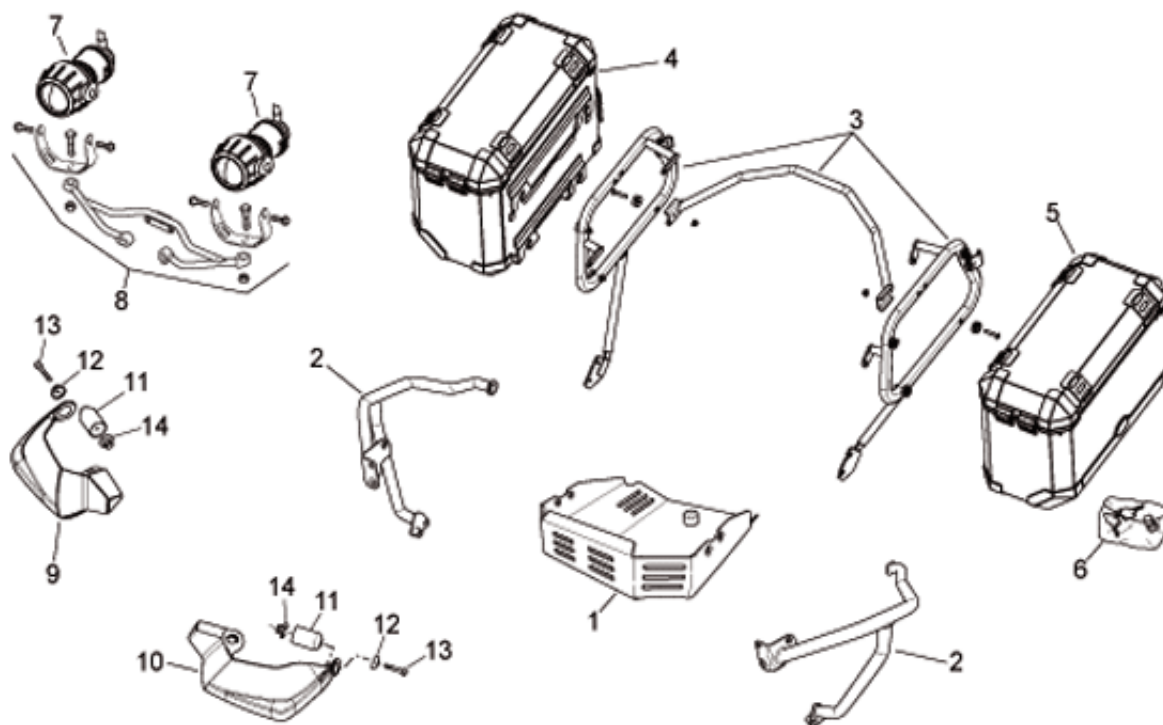
GU095

00


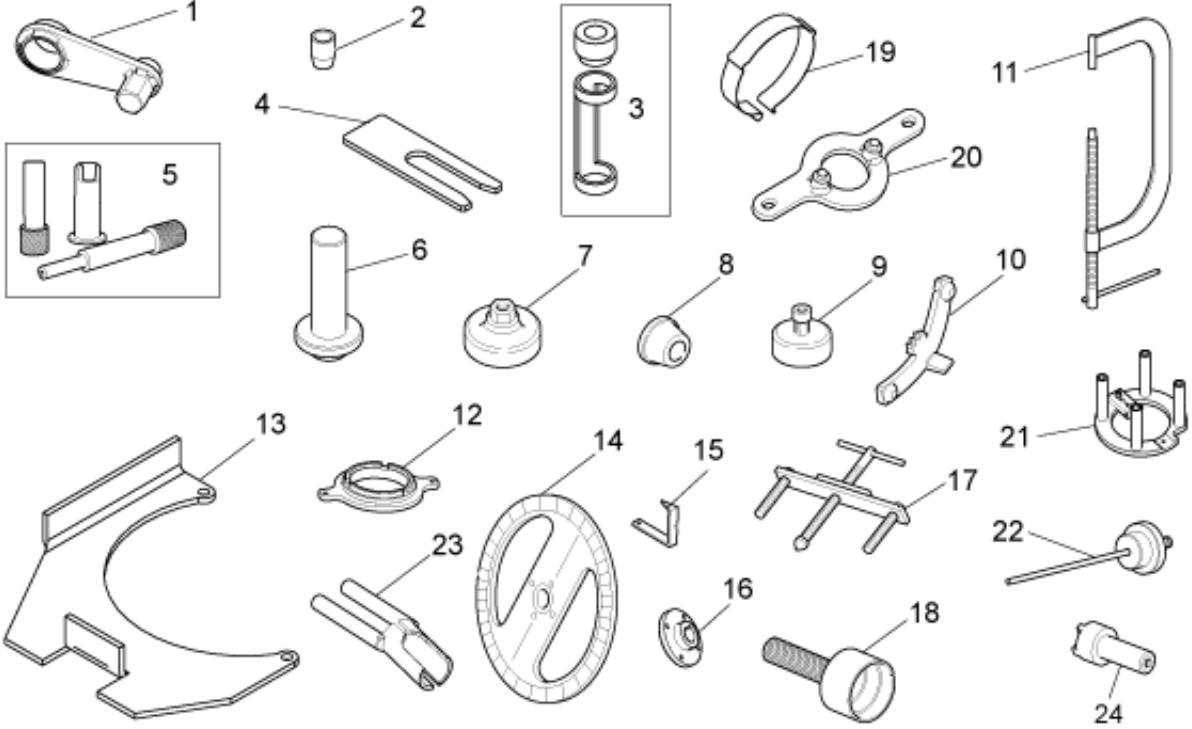
TAB N.

66

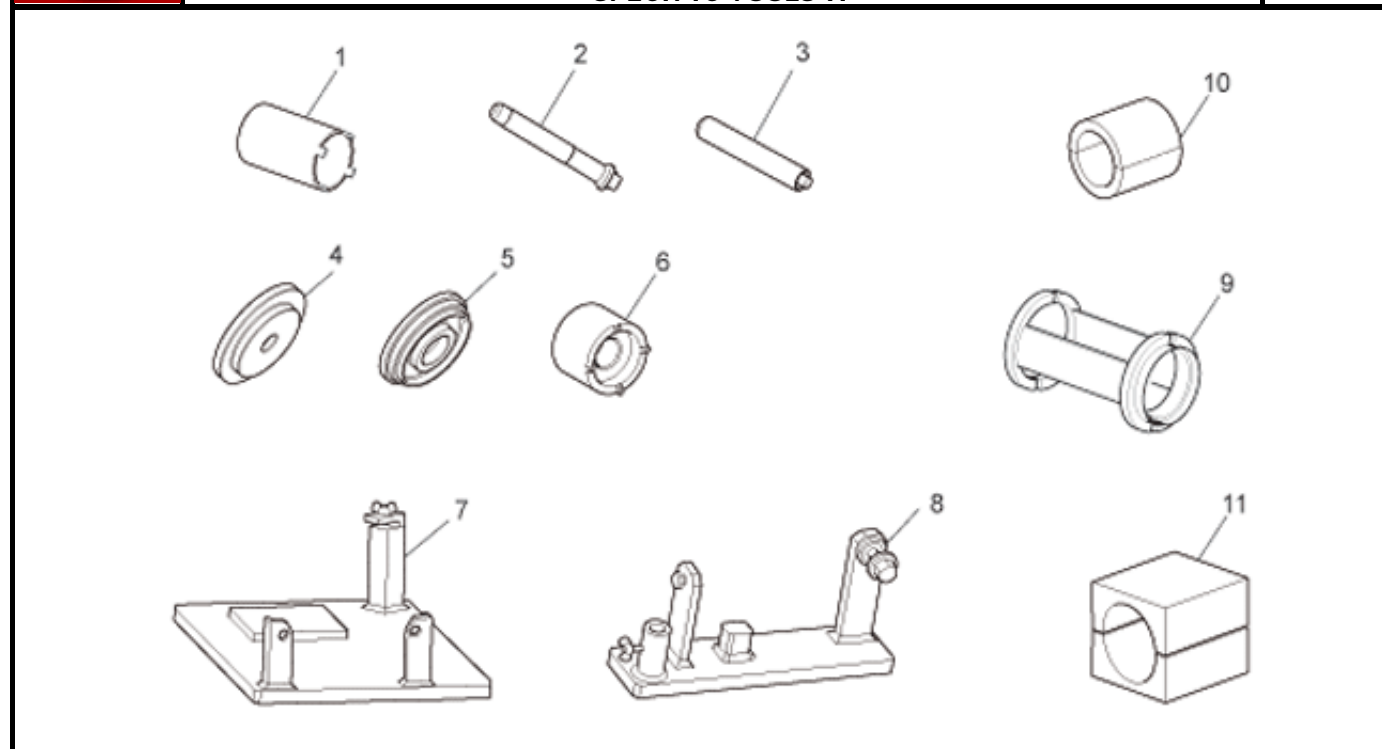
SPECIAL PARTS



Pos.	Description	Year	I_M_	Country	Version	Code	Q.ty	P.Cod.
1	Protection	-	-	-	ntx	983153	1	-
2	Protection	-	-	-	ntx	983152	1	-
3	suitcase connect. Kit	-	-	-	ntx	981073	1	-
4	RH suitcase	-	-	-	ntx	981071	1	-
5	LH suitcase	-	-	-	ntx	981072	1	-
6	Saddlebags lock hardw.kit	-	-	-	ntx	981074	1	-
7	Fog headlight	-	-	-	ntx	883657	2	-
8	Additional light kit	-	-	-	ntx	983161	1	-
9	RH handguard	-	-	-	ntx	883254	1	-
10	LH handguard	-	-	-	ntx	883253	1	-
11	Anti.v weight, black	-	-	-	ntx	AP8104627	2	-
12	Washer 6,5x12,5*	-	-	-	ntx	AP8121819	2	-
13	Hex socket screw M6x70	-	-	-	ntx	AP8150342	2	-
14	Terminal	-	-	-	ntx	883134	2	-
15	Wiring	-	-	-	ntx	883655	2	-
16	Screw	-	-	-	ntx	GU98692420	4	-
17	Washer 8,4x14,57x1,6	-	-	-	ntx	GU95005308	2	-
18	Nut	-	-	-	ntx	GU92630708	2	-
19	Light support plate	-	-	-	ntx	883685	1	-
20	Light support plate	-	-	-	ntx	883686	1	-
21	Screw M8x20	-	-	-	ntx	GU98690460	2	-

		STELVIO 1200 - NTX - ABS 1200 2009-2010		GU095	00	TAB N.	67	
SPECIFIC TOOLS I								
								
Pos.	Description	Year	I_M_	Country	Version	Code	Q.ty	P.Cod.
1	Belt tensioning tool	-	-	-	-	020677Y	1	-
2	Front cover installation cone	-	-	-	-	GU05911730	1	-
3	Valve spring comp insert	-	-	-	-	AP9100838	1	-
4	Connecting rod stopper	-	-	-	-	020716Y	1	-
5	Tool for piston pin catch ass.	-	-	-	-	020470Y	1	-
6	Timing cover seal drift	-	-	-	-	GU05927230	1	-
7	Wrench remov.cover sump/filter	-	-	-	-	GU01929100	1	-
8	Flange flywheel side	-	-	-	-	GU12912000	1	-
9	Seal ring onto flange fly.side	-	-	-	-	GU14927100	1	-
10	Lock flywh.starter motor gear	-	-	-	-	GU12911801	1	-
11	Bow for valve assy&disassy	-	-	-	-	AP8140179	1	-
12	Clutch spring comp insert	-	-	-	-	020672Y	1	-
13	Gearbox housing support	-	-	-	-	GU05902530	1	-
14	Index plate tim.sett./ign.cont	-	-	-	-	GU19929600	1	-
15	Arrow tim.set.ignition control	-	-	-	-	GU17947560	1	-
16	Index plate hub	-	-	-	-	020673Y	1	-
17	Flange removal flywheel side	-	-	-	-	GU12913600	1	-
18	Seal ring flange flywheel side	-	-	-	-	GU19927100	1	-
19	Piston ring spanner	-	-	-	-	020674Y	1	-
20	Service shaft gear ret.	-	-	-	-	020675Y	1	-
21	Piston pos.dial gauge supp.	-	-	-	-	020676Y	1	-
22	Clutch rod inspection tool	-	-	-	-	020678Y	1	-
23	Extractor spark plug cap	-	-	-	-	020689Y	1	-
24	Key	-	-	-	-	GU14912603	1	-

	STELVIO 1200 - NTX - ABS 1200 2009-2010	GU095	00	TAB N.	68
	SPECIFIC TOOLS II				



Pos.	Description	Year	I_M_	Country	Version	Code	Q.ty	P.Cod.
1	Steering lock tool	-	-	-	-	AP8140190	1	-
2	Handle for drifts	-	-	-	-	GU05902732	1	-
3	Ball joint seal drift	-	-	-	-	GU05902733	1	-
4	Transmis.box oil seal drift 85	-	-	-	-	GU05902731	1	-
5	Sprocket oil seal drift 45x58	-	-	-	-	GU05902735	1	-
6	Wrench for sprocket ring nut	-	-	-	-	GU05902734	1	-
7	Transmission box support	-	-	-	-	GU05902730	1	-
8	Bevel gears support	-	-	-	-	GU05902736	1	-
9	Tool oil seal assy	-	-	-	-	AP8140758	1	-
10	Weight for AP8140189	-	-	-	-	AP8140146	1	-
11	Protection for disassembly op	-	-	-	-	AP8140149	1	-



STELVIO 1200 - NTX - ABS 1200
2009-2010

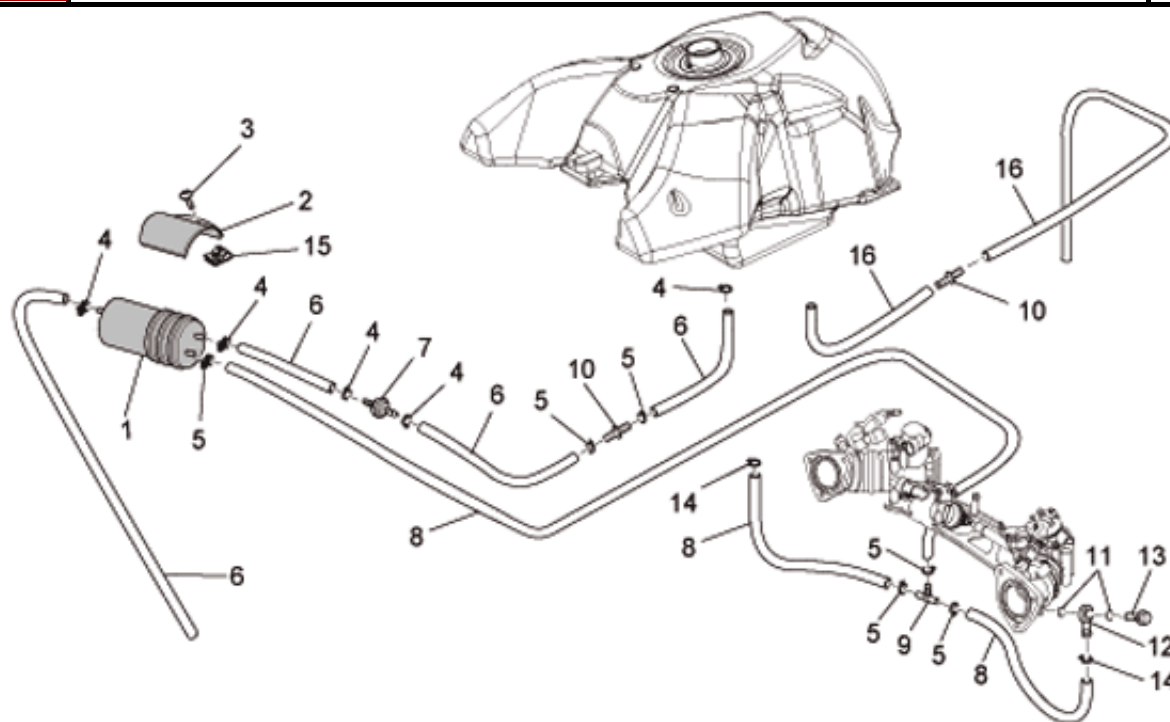
GU095

00

TAB N.

69

FUEL VAPOUR RECOVER SYSTEM



Pos.	Description	Year	I_M_	Country	Version	Code	Q.ty	P.Cod.
1	Carbon filter	-	-	CA-USA	-	AP8102678	1	DA449
2	Canister support plate	-	-	CA-USA	-	AP8134884	1	-
3	Screw w/ flange M6x12*	-	-	CA-USA	-	AP8152277	1	-
4	Hose clip 12,5x8	-	-	CA-USA	-	GU28157950	5	-
5	Hose clip 11,5x6	-	-	CA-USA	-	GU29108550	6	-
6	Pipe SAE 30 d.12,7x6,35	-	-	CA-USA	-	856063	4	DA499
7	Pressure valve	-	-	CA-USA	-	AP8104614	1	-
8	Pipe SAE 30 d.11,11x4,8	-	-	CA-USA	-	856062	3	DA499
9	3-way union	-	-	CA-USA	-	AP8144303	1	-
11	O-ring 6x1	-	-	CA-USA	-	GU90706009	4	-
12	Union	-	-	CA-USA	-	GU95963062	2	-
13	Bored screw M6X1	-	-	CA-USA	-	GU95990023	2	-
14	Hose clamp D11,3	-	-	CA-USA	-	AP8102378	2	-
15	Nut with clip M6	-	-	CA-USA	-	GU28576592	1	-