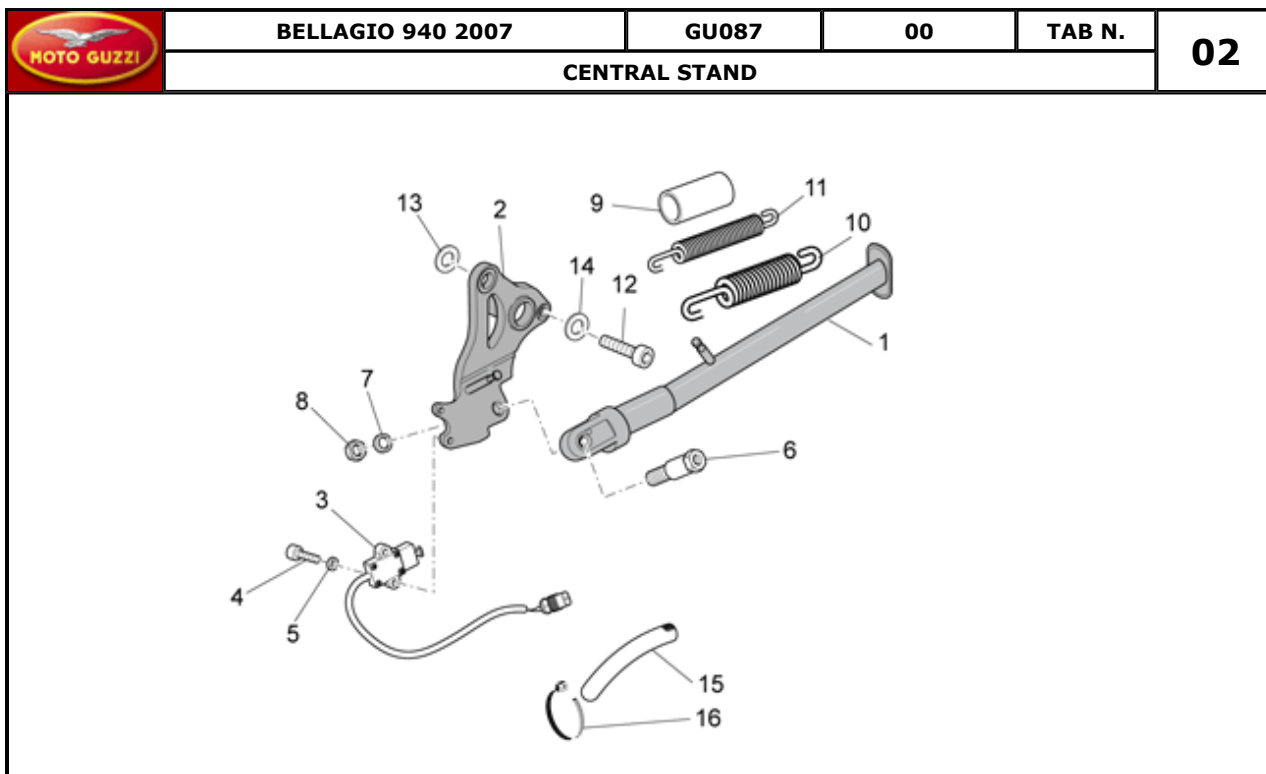

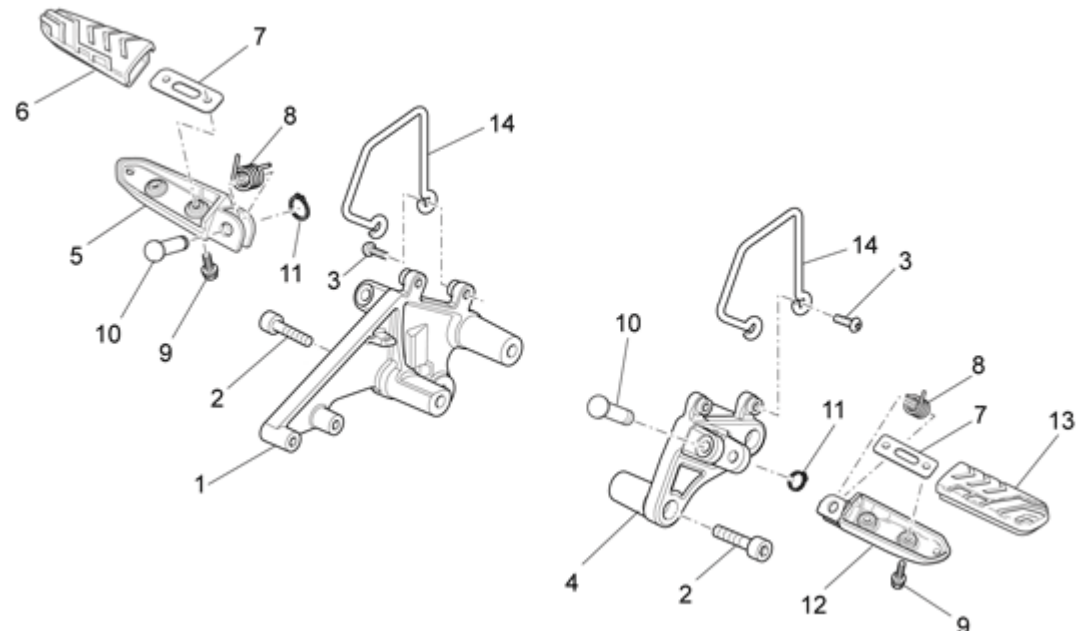
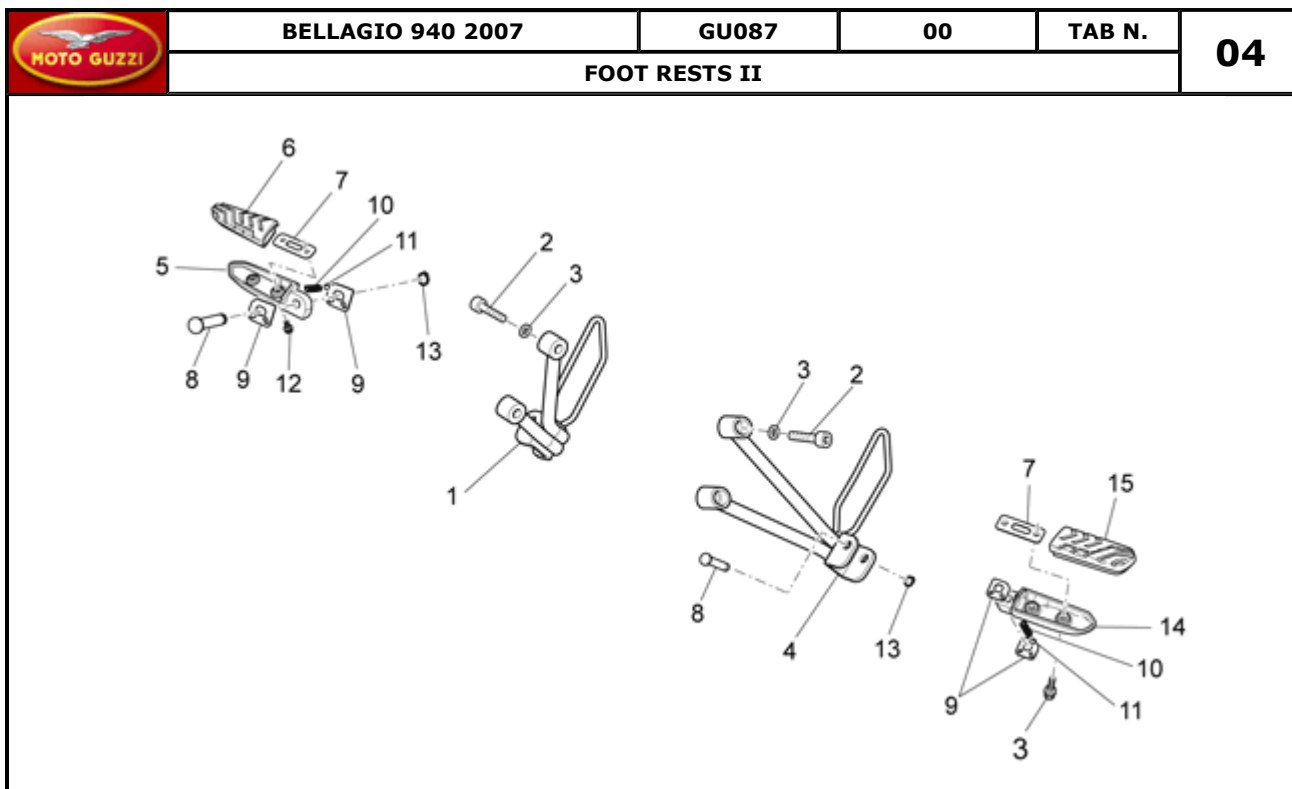


Pos.	Description	Year	I_M	Country	Version	Code	Q.ty	P.Cod.
1	Frame	-	-	-	-	977790	1	
2	RH plate	-	-	-	-	GU05421430	1	
3	LH plate	-	-	-	-	GU05421530	1	
4	Hex socket screw M12x50	-	-	-	-	GU98682650	2	
5	Washer 13x18x1,7	-	-	-	-	GU30217900	2	
6	Spacer 12x35x14	-	-	-	-	GU91181215	2	
7	Stud bolt M10x38	-	-	-	-	977809	4	
8	Self-locking nut M10*	-	-	-	-	AP8152301	4	
9	Pin M12	-	-	-	-	AP8221307	1	
10	Washer 13x24x2,5	-	-	-	-	GU95008313	4	
11	Low self-locking nut M12*	-	-	-	-	AP8150432	2	
12	Pin M12	-	-	-	-	AP8221160	1	
13	Stud bolt	-	-	-	-	GU03469200	2	
14	Captive nut	-	-	-	-	GU92660601	2	
15	RH plate	-	-	-	-	GU05425530	1	
16	Screw w/ flange M8x20	-	-	-	-	AP8152286	2	
17	Screw	-	-	-	-	GU98682418	2	
18	T bush 8,2x10,2x4	-	-	-	-	977699	2	
19	Rubber spacer *	-	-	-	-	AP8201124	2	
20	Nut with clip M8x1,25	-	-	-	-	GU01576530	2	
21	Gasket	-	-	-	-	GU06409800	1	
22	Protection	-	-	-	-	978632	1	
23	Plate	-	-	-	-	GU30461360	1	
24	Hex socket screw M8x16	-	-	-	-	GU98350416	2	
25	Washer 8,4x15	-	-	-	-	GU03270300	2	
26	Gasket	-	-	-	-	AP8144707	5	
27	Plug	-	-	-	-	978526	2	
28	Rubber spacer	-	-	-	-	AP8220162	2	
29	Screw M8x14	-	-	-	-	GU98692414	2	
30	Washer 8,4X13X0,8	-	-	-	-	GU14615901	2	


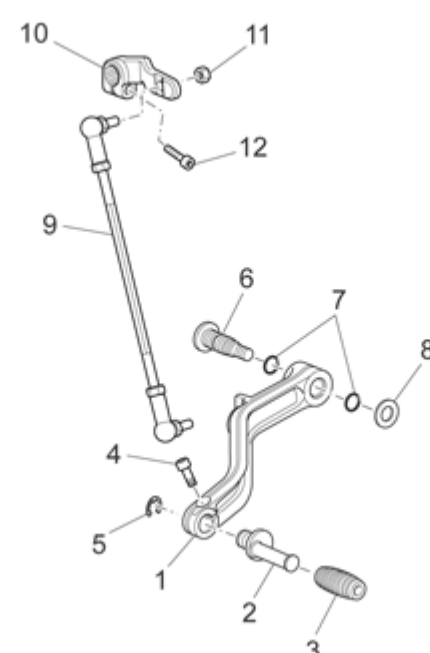



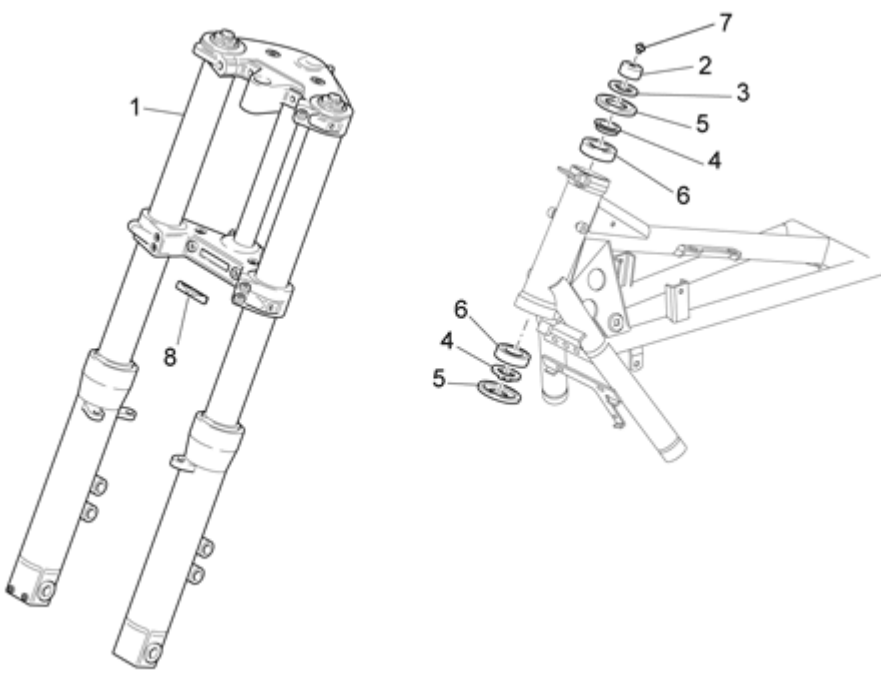
Pos.	Description	Year	I_M_	Country	Version	Code	Q.ty	P.Cod.
1	Lateral stand	-	-	-	-	978358	1	
2	Stand plate	-	-	-	-	977080	1	
3	Lateral stand switch	-	-	-	-	639542	1	
4	Hex socket screw M5x16	-	-	-	-	GU98612216	2	
5	Washer 5,3x8,9x2,4	-	-	-	-	GU95020105	2	
6	Central stand fixing screw	-	-	-	-	AP8121994	1	
7	Curved spring washer *	-	-	-	-	AP8150292	1	
8	Low nut M10x1,25*	-	-	-	-	AP8152001	1	
9	Stand spring protection	-	-	-	-	AP8102524	1	
10	Lateral stand spring	-	-	-	-	AP8221204	1	
11	Internal lateral stand spring	-	-	-	-	AP8221211	1	
12	Hex socket screw M12x35	-	-	-	-	GU98231235	2	
13	Washer 13x24x2,5	-	-	-	-	GU95008313	2	
14	Washer 13x18x1,7	-	-	-	-	GU30217900	2	
15	Thermal sheath	-	-	-	-	GU00823923140	1	
16	Hose clamp 3,6x20,6	-	-	-	-	GU14609650	2	

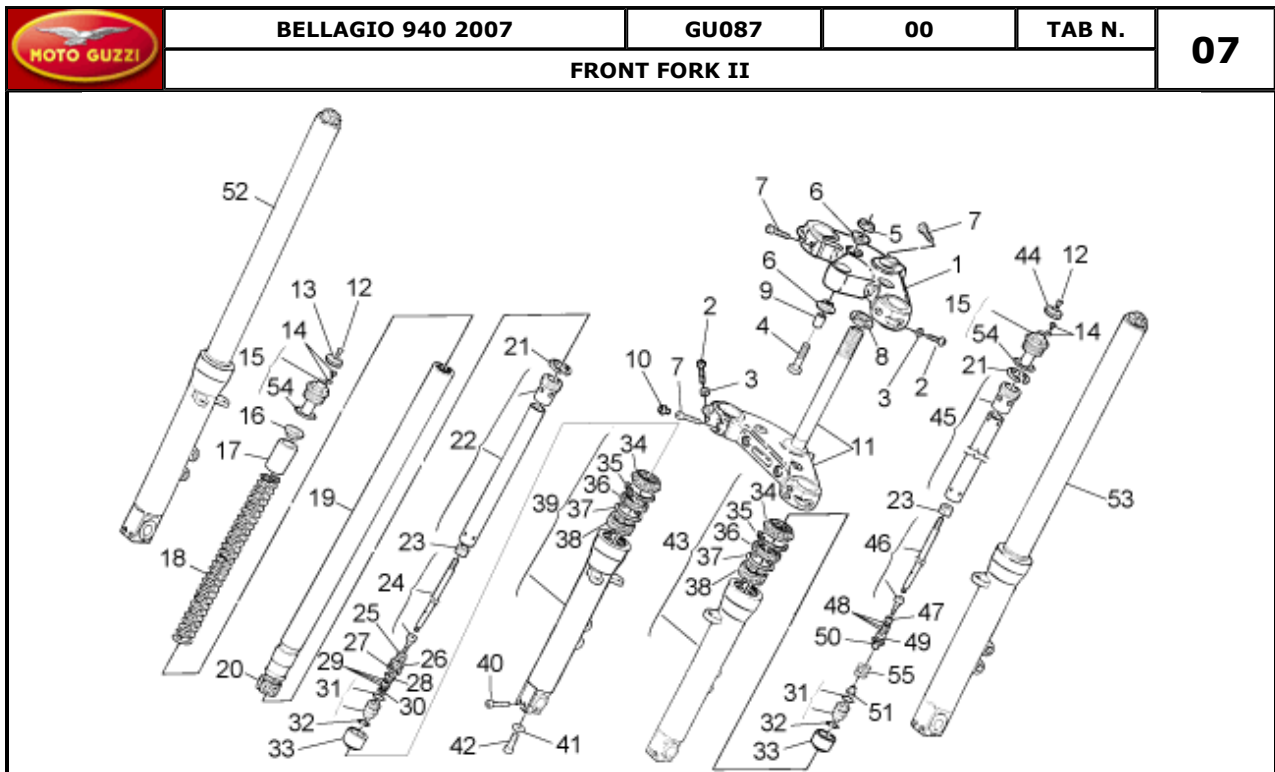
		BELLAGIO 940 2007	GU087	00	TAB N.	03		
FOOT RESTS I								
								
Pos.	Description	Year	I_M_	Country	Version	Code	Q.ty	P.Cod.
1	RH front footrest bracket	-	-	-	-	978224	1	
2	Screw	-	-	-	-	GU98680465	4	
3	Screw M5x15	-	-	-	-	GU98710215	4	
4	LH front footrest bracket	-	-	-	-	978225	1	
5	RH Foot rests	-	-	-	-	AP8145034	1	
6	Support rubber part	-	-	-	-	GU32443210	1	
7	Plate	-	-	-	-	GU32441210	2	
8	Footrest return spring	-	-	-	-	AP8221277	1	
9	Screw w/ flange M6x12*	-	-	-	-	AP8152277	4	
10	Pin	-	-	-	-	AP8121567	2	
11	Stop ring	-	-	-	-	AP8152409	2	
12	LH Foot rests	-	-	-	-	AP8145035	1	
13	Support rubber part	-	-	-	-	GU32443211	1	
14	Protection	-	-	-	-	978472	2	



Pos.	Description	Year	I_M_	Country	Version	Code	Q.ty	P.Cod.
1	RH footrest support	-	-	-	-	978467	1	
2	Hex socket screw M8x25	-	-	-	-	GU98682425	4	
3	Washer 8,4X13X0,8	-	-	-	-	GU14615901	4	
4	LH footrest support	-	-	-	-	978473	1	
5	Rear footrest, RH	-	-	-	-	GU32442310	1	
6	Support rubber part	-	-	-	-	GU32443210	1	
7	Plate	-	-	-	-	GU32441210	2	
8	Footrest pin	-	-	-	-	AP8134829	2	
9	Footrest plate	-	-	-	-	AP8134451	4	
10	Coil compress. spring *	-	-	-	-	AP8121133	2	
11	Ball D6,35	-	-	-	-	AP8101861	2	
12	Screw w/ flange M6x12*	-	-	-	-	AP8152277	4	
13	Stop ring	-	-	-	-	AP8152409	2	
14	Rear footrest, LH	-	-	-	-	GU32442710	1	
15	Support rubber part	-	-	-	-	GU32443211	1	

		BELLAGIO 940 2007		GU087	00	TAB N.	05	
		GEAR LEVER						
								
Pos.	Description	Year	I_M_	Country	Version	Code	Q.ty	P.Cod.
1	Gear lever	-	-	-	-	GU06250900	1	
2	Brake lever pin	-	-	-	-	AP8121221	1	
3	Lever rubber	-	-	-	-	AP8120912	1	
4	Hex socket screw M6x16	-	-	-	-	GU98682316	1	
5	Circlip d9	-	-	-	-	AP8150462	1	
6	Rear brake lever pin	-	-	-	-	AP8121223	1	
7	O-ring 11,11x1,78	-	-	-	-	AP8144007	2	
8	Washer 10,2X18X2	-	-	-	-	GU95008210	1	
9	Change gear tie rod compl.	-	-	-	-	978568	1	
10	Lever	-	-	-	-	GU05256930	1	
11	Nut M6X1	-	-	-	-	GU92630707	2	
12	Hex socket screw M6x20	-	-	-	-	GU98682320	1	

		BELLAGIO 940 2007		GU087	00	TAB N.	06	
FRONT FORK I								
								
Pos.	Description	Year	I_M_	Country	Version	Code	Q.ty	P.Cod.
1	Front fork	-	-	-	-	GU03490270	1	
2	Head fixing nut	-	-	-	-	GU30513401	1	
3	Washer	-	-	-	-	GU30516500	1	
4	Clearance washer	-	-	-	-	GU14516700	2	
5	Dust cover	-	-	-	-	GU14517000	2	
6	Tap.roller bearing	-	-	-	-	GU92249225	2	
7	Plug	-	-	-	-	GU23943510	1	
8	Decal "Aquila"	-	-	-	-	GU01517700	1	

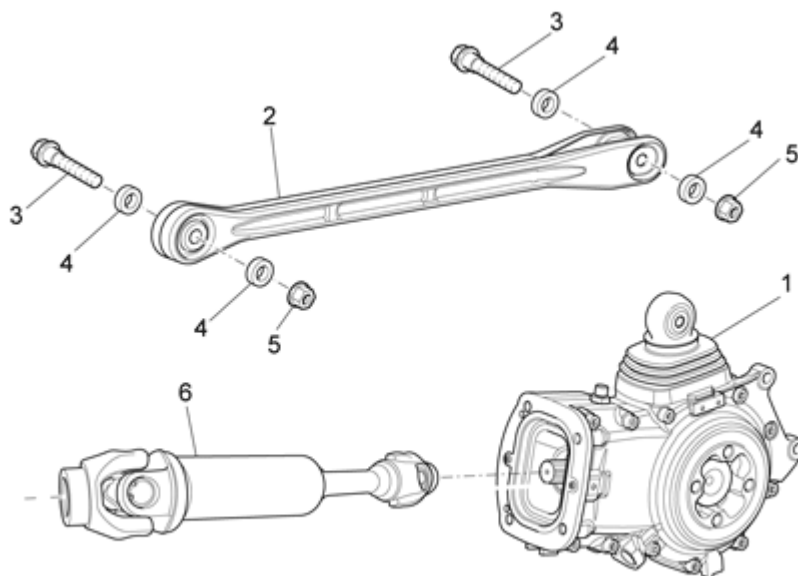


Pos.	Description	Year	I_M_	Country	Version	Code	Q.ty	P.Cod.
1	Fork upper plate	-	-	-	-	GU03493100	1	
2	Hex socket screw M6x18	-	-	-	-	GU98370619	6	
3	Washer 6,4x13x1,5	-	-	-	-	GU95005306	6	
4	Screw M10x60	-	-	-	-	GU98052560	2	
5	Cup	-	-	-	-	GU27530505	4	
6	Rubber spacer	-	-	-	-	AP8144222	4	
7	Screw M8X30	-	-	-	-	GU98622430	7	
8	Ring nut	-	-	-	-	GU03498100	1	
9	Spacer	-	-	-	-	GU91181039	2	
10	Plug	-	-	-	-	GU23943410	4	
11	Stem base	-	-	-	-	GU03494000	1	
12	Screw	-	-	-	-	GU03530504	2	
13	RH adjustment knob rebound	-	-	-	-	GU03530505	1	
14	Screw with OR	-	-	-	-	GU03530506	2	
15	Plug cpl.	-	-	-	-	GU03530507	2	
16	Cup	-	-	-	-	GU03530508	2	
17	Preload tube	-	-	-	-	GU03530509	2	
18	Spring	-	-	-	-	GU03526600	2	
19	Sleeve	-	-	-	-	GU03525400	2	
20	Lower bush	-	-	-	-	GU03530510	2	
21	Ring	-	-	-	-	GU03530511	2	
22	RH hub	-	-	-	-	GU03530512	1	
23	Return nut	-	-	-	-	GU03530513	2	
24	RH shock absorber	-	-	-	-	GU03530514	1	
25	Return spring	-	-	-	-	GU03530515	1	
26	RH piston rebound	-	-	-	-	GU03530516	1	
27	RH piston segmentrebound	-	-	-	-	GU03530517	1	
28	RH needle rebound	-	-	-	-	GU03530518	1	
29	Calibration blade	-	-	-	-	GU03530519	5	
30	Nut	-	-	-	-	GU03530520	1	
31	Stroke limit stop	-	-	-	-	GU03530521	2	
32	O-ring	-	-	-	-	GU03530522	2	
33	Adaptor	-	-	-	-	GU03530523	2	
34	Dust cover	-	-	-	-	GU03530524	2	


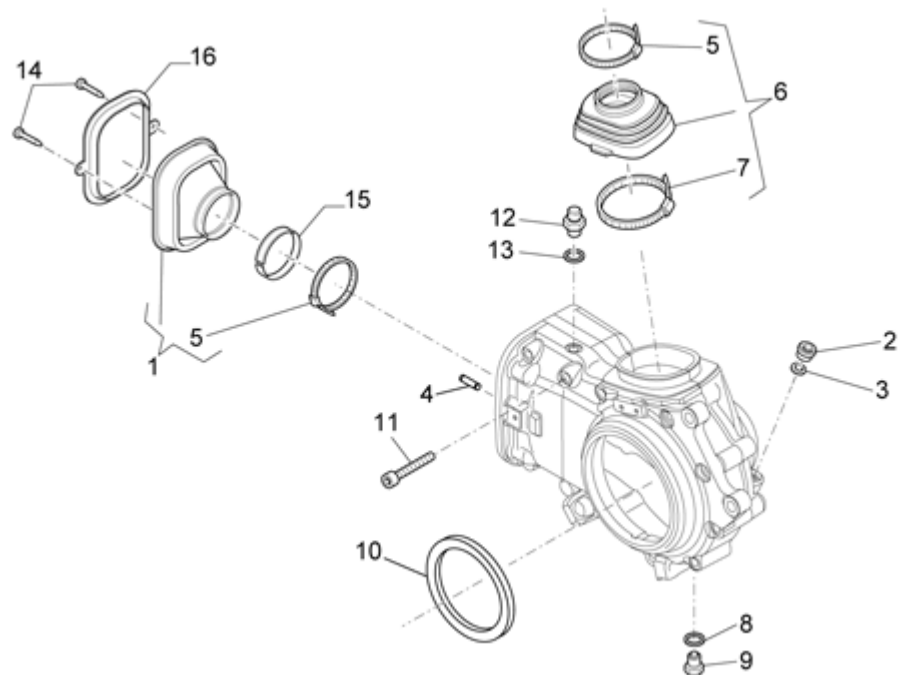
35	Stop ring	-	-	-	-	-	GU03530525	2
36	Gasket ring	-	-	-	-	-	GU03530526	2
37	Cup	-	-	-	-	-	GU03530527	2
38	Upper bush	-	-	-	-	-	GU03530528	2
39	RH sleeve	-	-	-	-	-	GU03522501001	1
40	Screw	-	-	-	-	-	GU98620340	4
41	Washer	-	-	-	-	-	GU03530529	2
42	Screw M10x30	-	-	-	-	-	GU03530530	2
43	LH sleeve	-	-	-	-	-	GU03522601001	1
44	LH adjustment knob comp.	-	-	-	-	-	GU03530531	1
45	LH hub	-	-	-	-	-	GU03530532	1
46	LH shock absorber	-	-	-	-	-	GU03530533	1
47	Cup	-	-	-	-	-	GU03530534	1
48	Calibration blade 12 mm	-	-	-	-	-	GU03530535	1
	Calibration blade 15 mm	-	-	-	-	-	GU03530536	1
	Calibration blade 17 mm	-	-	-	-	-	GU03530537	1
49	LH needle compression	-	-	-	-	-	GU03530538	1
50	LH piston compression	-	-	-	-	-	GU03530539	1
51	Nut	-	-	-	-	-	GU03530540	1
52	RH hub cpl.	-	-	-	-	-	GU03490611	1
53	LH hub cpl.	-	-	-	-	-	GU03490711	1
54	O-ring	-	-	-	-	-	GU03530541	2
55	Spring	-	-	-	-	-	GU03526601	1

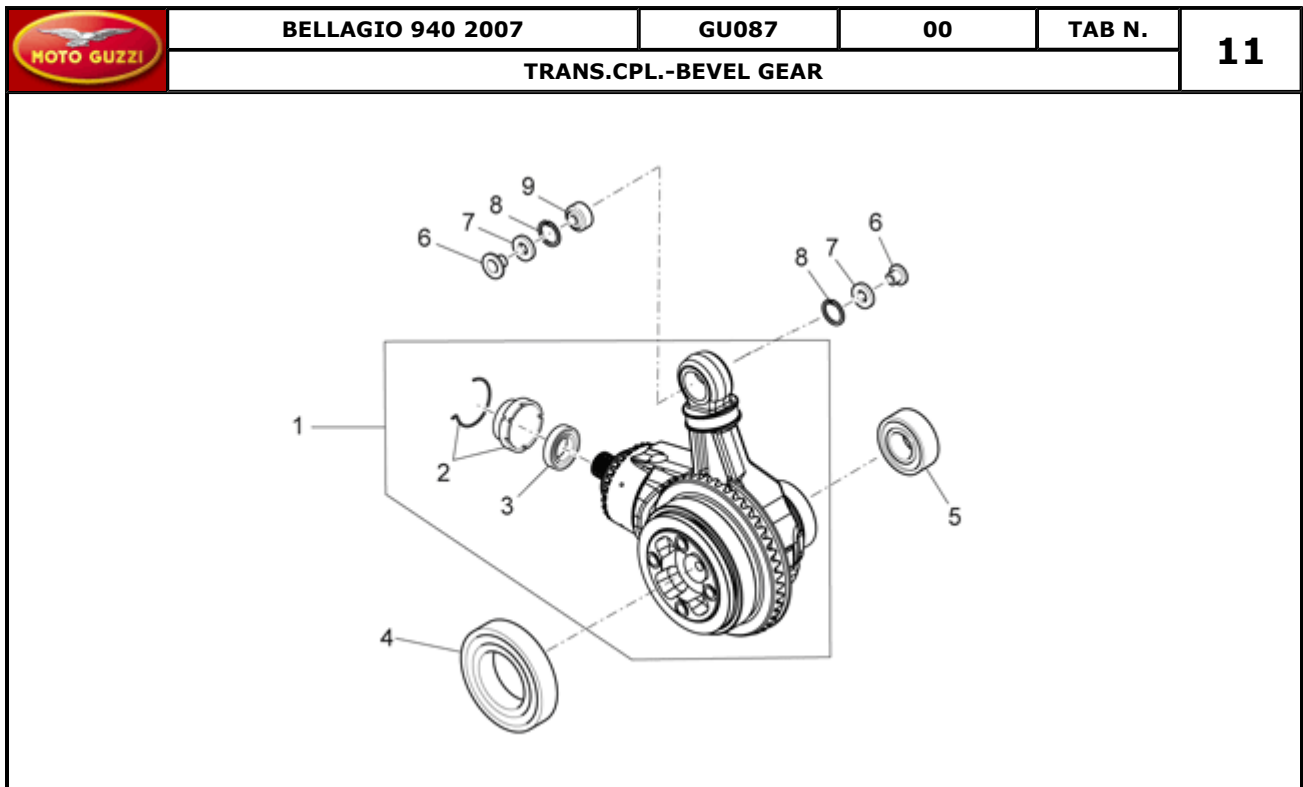
BELLAGIO 940 2007		GU087		00		TAB N.		08	
SWING ARM									
Pos.	Description	Year	I_M	Country	Version	Code	Q.ty	P.Cod.	
1	Swing arm, black	-	-	-	-	978350	1		
2	Screw w/ flange M10x35	-	-	-	-	AP8152318	4		
3	Rubber bellows	-	-	-	-	GU05548030	1		
4	Hose clamp 3,6x375	-	-	-	-	GU93304390	2		
5	Bush	-	-	-	-	GU05547130	1		
6	Pin	-	-	-	-	GU05547030	1		
7	Roller bearing 25x47x17	-	-	-	-	GU92249224	2		
8	Gasket ring	-	-	-	-	GU05547930	2		
9	Hex socket screw M6x25	-	-	-	-	GU98682325	2		

	BELLAGIO 940 2007	GU087	00	TAB N.	09
	TRANSMISSION COMPLETE				

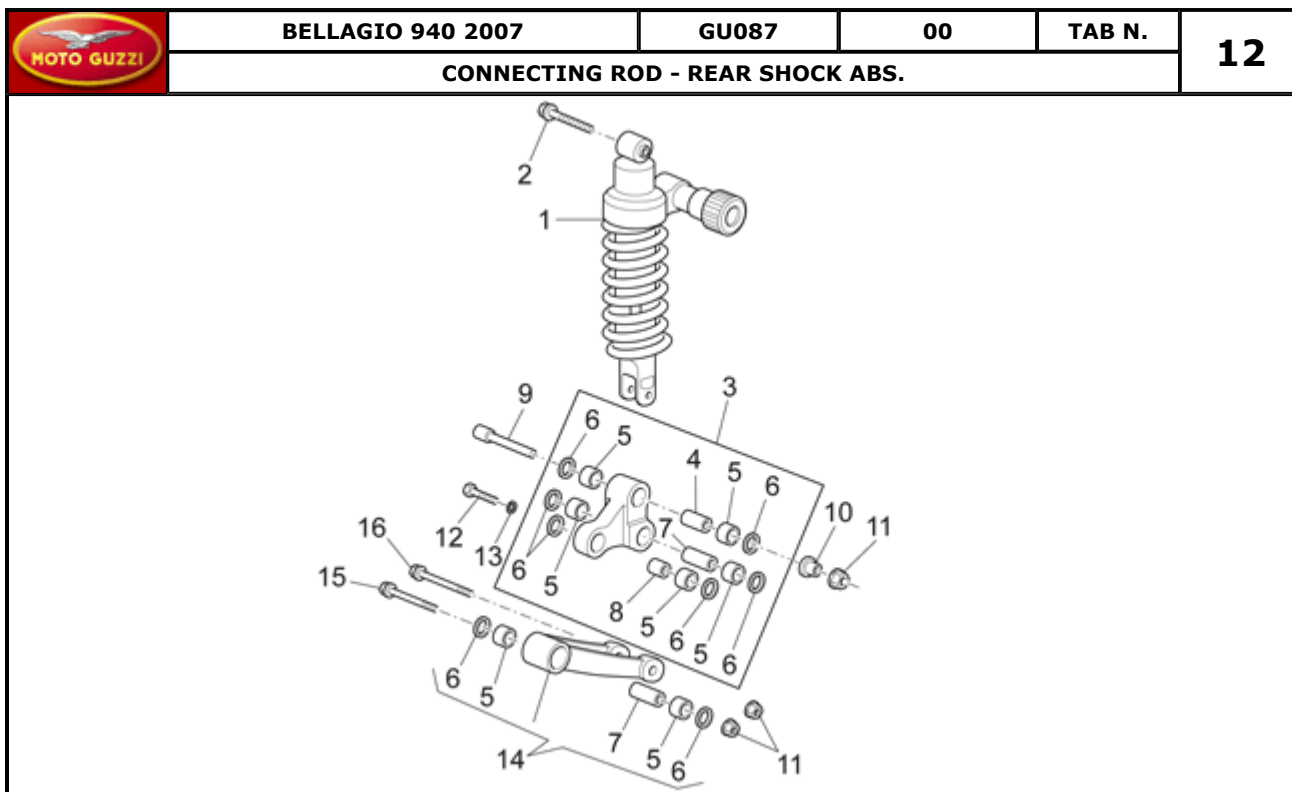


Pos.	Description	Year	I_M_	Country	Version	Code	Q.ty	P.Cod.
1	Transmission complete black	-	-	-	-	978348	1	
2	Reaction rod assy.	-	-	-	-	978347	1	
3	Screw w/ flange M10x55	-	-	-	-	AP8152410	2	
4	Spacer 10,2x20x4	-	-	-	-	AP8121218	4	
5	Nut M10	-	-	-	-	AP8152242	2	
6	Drive shaft	-	-	-	-	GU05326330	1	

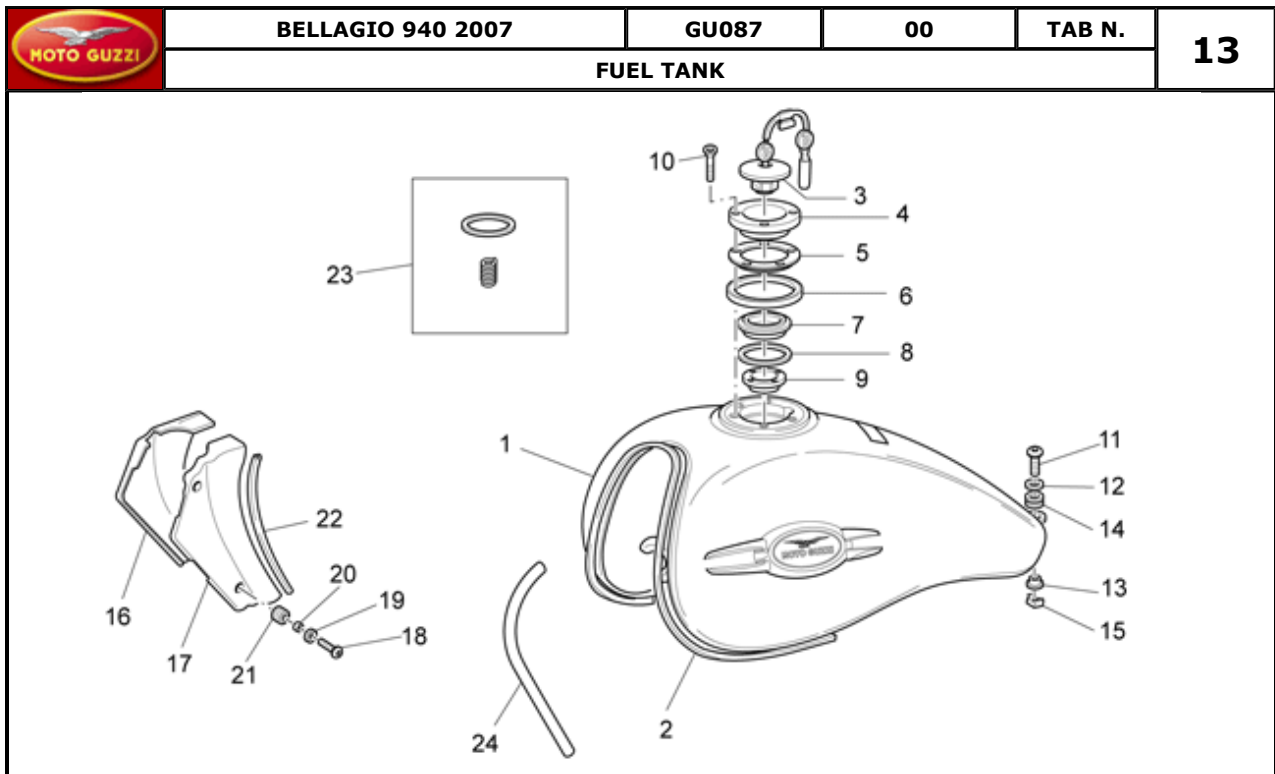
		BELLAGIO 940 2007		GU087	00	TAB N.	10	
TRANS.CPL.-CAGE								
								
Pos.	Description	Year	I_M_	Country	Version	Code	Q.ty	P.Cod.
1	Upper dust cover	-	-	-	-	GU05358330	1	
2	Oil plug M12x1,5	-	-	-	-	GU05351230	1	
3	Washer	-	-	-	-	GU90718120	1	
4	Pin 6x20	-	-	-	-	GU95510620	2	
5	Hose clamp	-	-	-	-	GU05358130	2	
6	Upper dust cover	-	-	-	-	GU05358030	1	
7	Hose clamp	-	-	-	-	GU05358230	1	
8	Gasket 10x18x1,5	-	-	-	-	GU01528930	1	
9	Oil unload plug M10X1	-	-	-	-	GU31003766	1	
10	Gasket ring 85x110x8BASL	-	-	-	-	GU90408511	1	
11	Hex socket screw M8x50	-	-	-	-	GU98680450	11	
12	Breather plug	-	-	-	-	GU05206530	1	
13	Gasket 10x18x1,5	-	-	-	-	GU01528930	1	
14	Screw M3,9x6,5	-	-	-	-	GU99210406	2	
15	Ring	-	-	-	-	GU05358530	1	
16	Gasket	-	-	-	-	GU05358630	1	



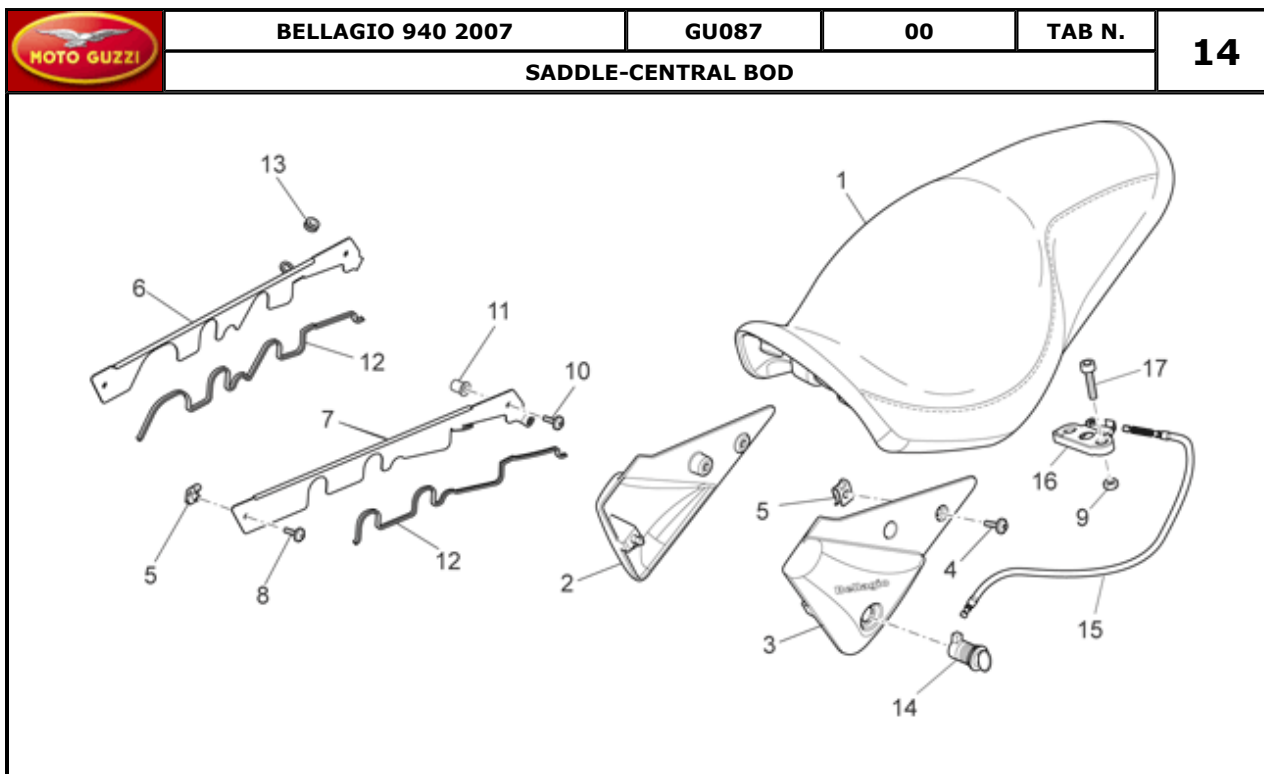
Pos.	Description	Year	I_M	Country	Version	Code	Q.ty	P.Cod.
1	Bevel gear kit 12/44	-	-	-	-	GU05354230	1	
2	Ring nut	-	-	-	-	GU05352430	1	
3	Gasket ring 45x58x7	-	-	-	-	GU90404558	1	
4	Ball bearing 85x120x18	-	-	-	-	GU92208518	1	
5	Ball bearing 30x62x16	-	-	-	-	GU92204230	1	
6	Bush	-	-	-	-	AP8121098	2	
7	Gasket ring	-	-	-	-	AP8120485	2	
8	Circlip	-	-	-	-	GU90273026	2	
9	Ball joint	-	-	-	-	GU05638130	1	



Pos.	Description	Year	I_M	Country	Version	Code	Q.ty	P.Cod.
1	Shock absorber	-	-	-	-	977872	1	
2	Screw w/ flange M10x80	-	-	-	-	AP8152398	1	
3	Double conrod	-	-	-	-	GU05560330	1	
4	Double connecting rod pin L40	-	-	-	-	AP8135924	1	
5	Needle bearing	-	-	-	-	AP8110066	7	
6	Oil seal D18x24x3	-	-	-	-	AP8110068	8	
7	Double connecting rod pin L47	-	-	-	-	GU05562030	2	
8	Double connecting rod pin L25	-	-	-	-	AP8135608	1	
9	Hex socket screw M10x82	-	-	-	-	AP8152397	1	
10	T bush *	-	-	-	-	AP8121155	1	
11	Self-locking nut M10*	-	-	-	-	AP8152301	3	
12	Hex screw M10x47	-	-	-	-	AP8152147	1	
13	Curved spring washer *	-	-	-	-	AP8150292	1	
14	Single conrod comp.	-	-	-	-	GU05562430	1	
15	Screw w/ flange M10x85	-	-	-	-	AP8152482	1	
16	Screw w/ flange M10x95	-	-	-	-	AP8152396	1	

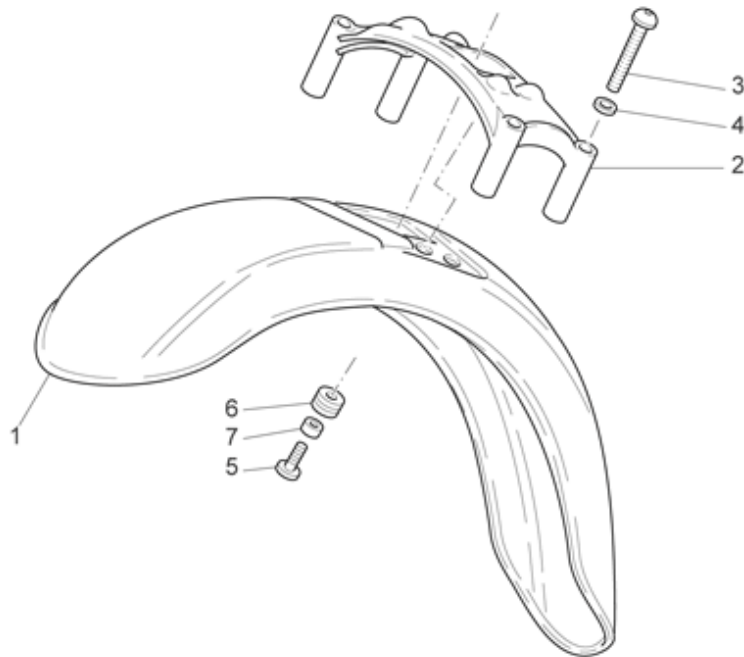


Pos.	Description	Year	I_M_	Country	Version	Code	Q.ty	P.Cod.
1	Fuel tank, black	-	-	AUS-EU-J-UK	-	black GU03100270NG	1	
	Fuel tank blank	-	-	AUS-EU-J-UK	-	- GU03100270	1	
2	Gasket	-	-	-	-	- GU03106400	1	
3	Tank cap	-	-	AUS-EU-J-UK	-	- GU32103960	1	
4	Flange	-	-	-	-	- GU03101900	1	
5	Ring	-	-	-	-	- GU03103500	1	
6	Gasket	-	-	-	-	- GU03102400	1	
7	Plug ring nut	-	-	-	-	- GU03102200	1	
8	Gasket	-	-	-	-	- GU03101600	1	
9	Reduction 38 mm	-	-	-	-	- GU03101720	1	
10	Screw	-	-	-	-	- GU03103200	5	
11	Hex socket screw M8x30	-	-	-	-	- GU98350430	1	
12	Washer	-	-	-	-	- GU95100239	1	
13	Spacer	-	-	-	-	- GU31103565	1	
14	Rubber spacer	-	-	-	-	- GU91551131	1	
15	Captive nut	-	-	-	-	- GU92660801	1	
16	RH front protect black	-	-	-	-	- GU03472460	1	
17	LH front protect black	-	-	-	-	- GU03472960	1	
18	Hex socket screw M6x18	-	-	-	-	- GU98370619	4	
19	Washer	-	-	-	-	- GU03462801	4	
20	Spacer 6,25x8x5	-	-	-	-	- GU91180600	4	
21	Rubber spacer 8x15	-	-	-	-	- GU91551081	4	
22	Gasket	-	-	-	-	- GU00823931055	1	
23	Tank cap ring and spring kit	-	-	AUS-EU-J-UK	-	- GU03104370	1	
24	Pipe 5X9	-	-	-	-	- GU00823944050	1	

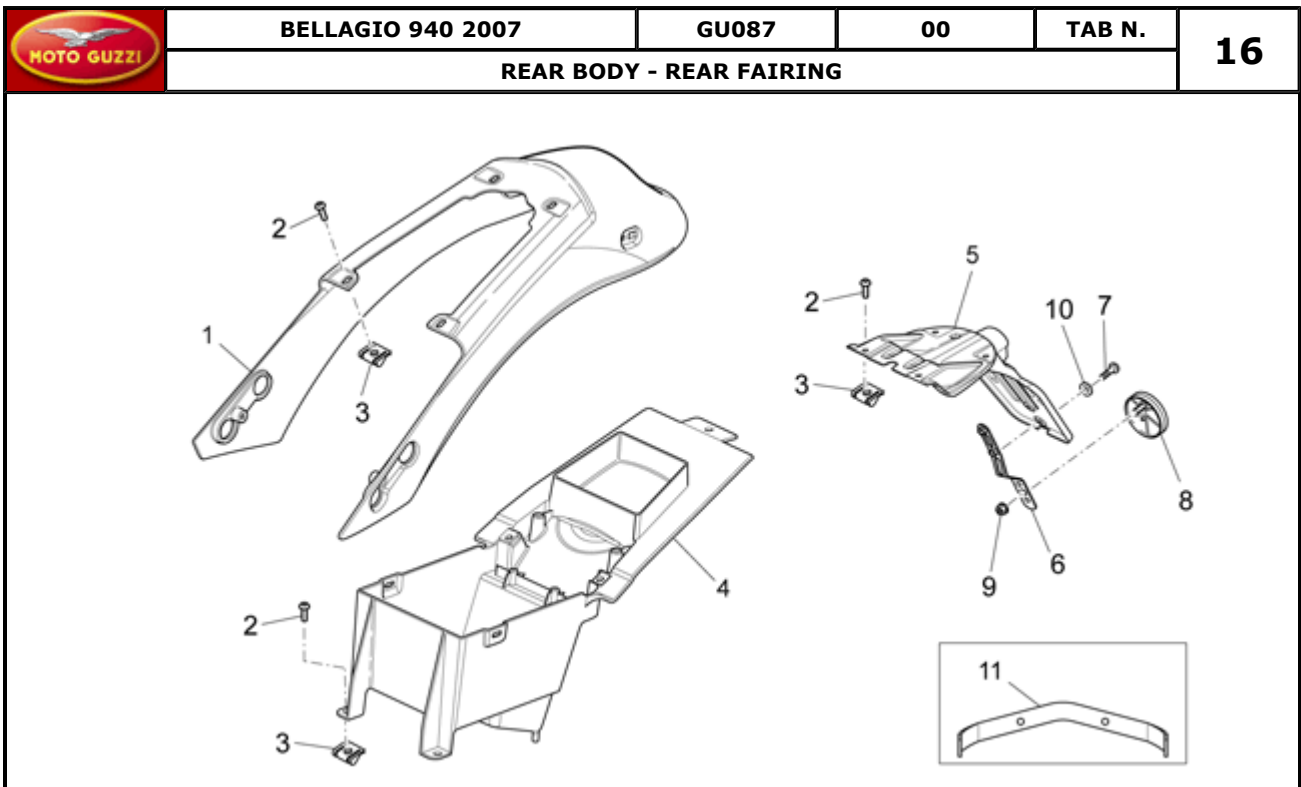


Pos.	Description	Year	I_M_	Country	Version	Code	Q.ty	P.Cod.
1	Saddle	-	-	-	-	978295	1	
2	RH side panel, blank	-	-	-	-	978337	1	
	RH side panel, black	-	-	-	black	978337NG	1	
3	LH side panel, blank	-	-	-	-	978338	1	
	LH side panel, black	-	-	-	black	978338NG	1	
4	Screw w/ flange M5x9	-	-	-	-	AP8152339	4	
5	Clip M5	-	-	-	-	AP8102375	6	
6	RH plate	-	-	-	-	978250	1	
7	LH plate	-	-	-	-	978251	1	
8	Hex socket screw M5X12	-	-	-	-	GU98230512	2	
9	Self-locking nut M6*	-	-	-	-	AP8152299	2	
10	Hex socket screw M5x20	-	-	-	-	GU98370520	2	
11	Rubber spacer	-	-	-	-	GU93232005	2	
12	Gasket	-	-	-	-	GU00823931070	1	
13	Rubber spacer *	-	-	-	-	AP8120405	2	
14	Saddle lock	-	-	-	-	977527	1	
15	Saddle fastener	-	-	-	-	AP8114487	1	
16	Pass.saddle connecting plate	-	-	-	-	AP8102913	1	
17	Hex socket screw M6X25	-	-	-	-	GU98370625	2	

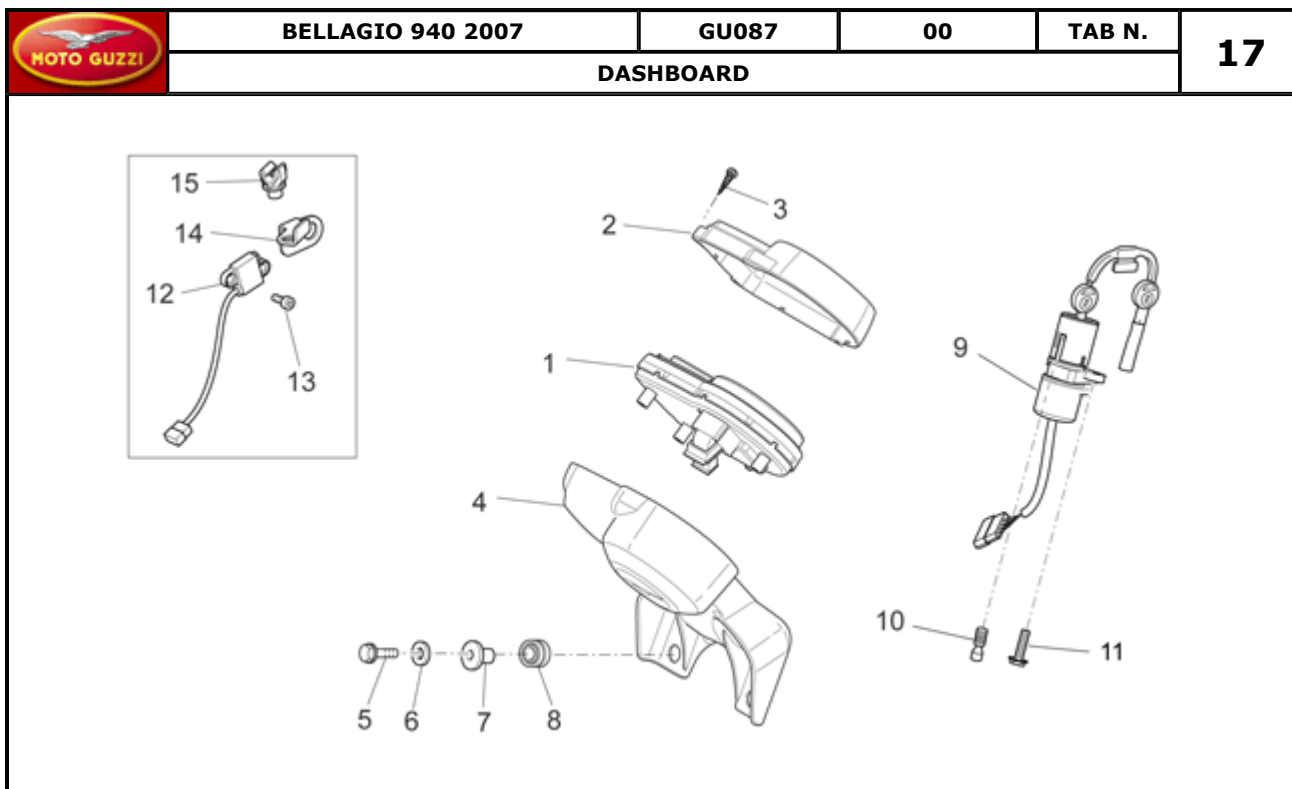
	BELLAGIO 940 2007	GU087	00	TAB N.	15
	FRONT MUDGUARD				




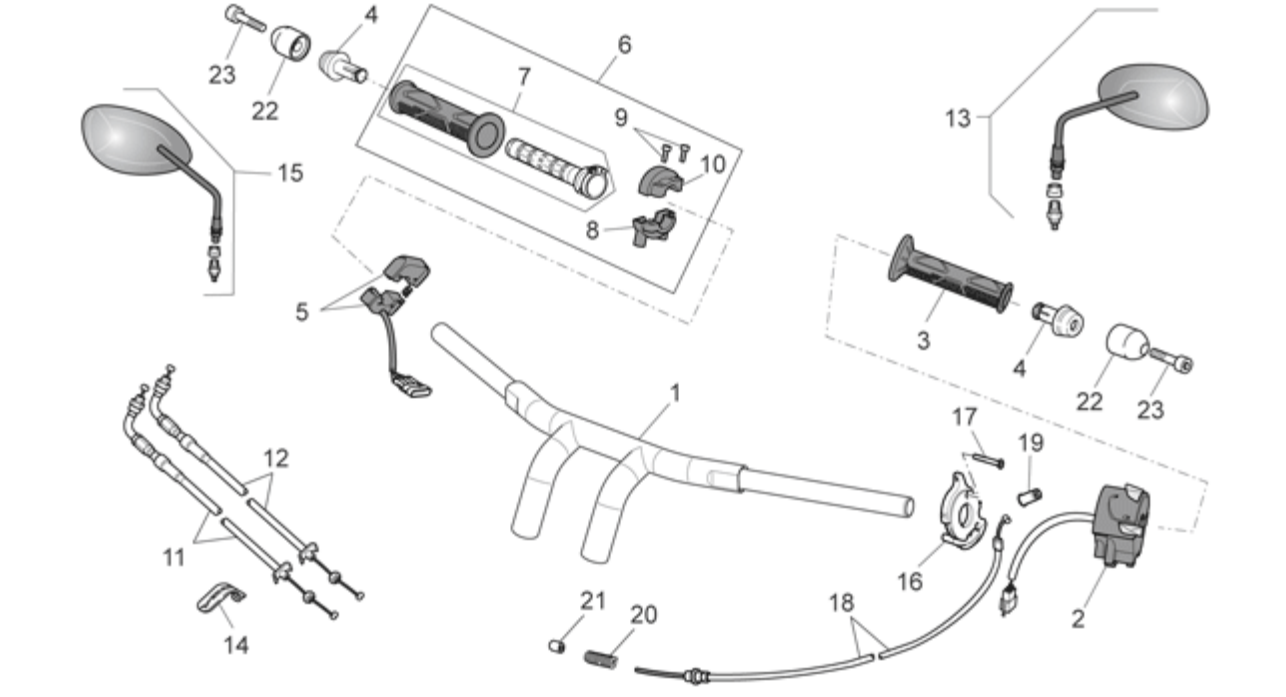
Pos.	Description	Year	I_M_	Country	Version	Code	Q.ty	P.Cod.
1	Front mudguard, black	-	-	-	-	black GU03434365NG	1	
2	Stabilization plate	-	-	-	-	978309	1	
3	Screw	-	-	-	-	GU98370835	4	
4	Washer 8,4x14,57x1,6	-	-	-	-	GU95005308	4	
5	Hex socket screw M6X22	-	-	-	-	GU98370622	4	
6	Rubber spacer	-	-	-	-	GU91551010	4	
7	Spacer	-	-	-	-	GU91180709	4	

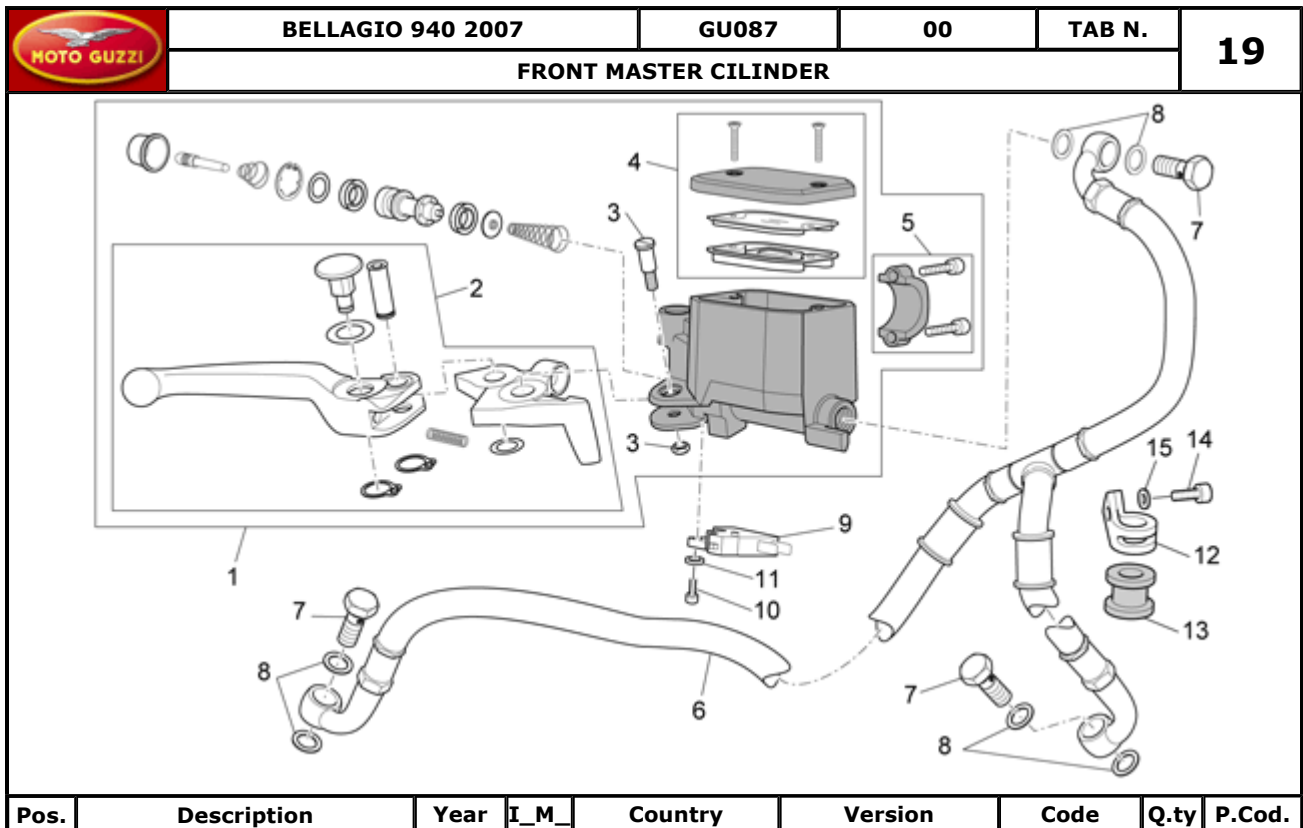


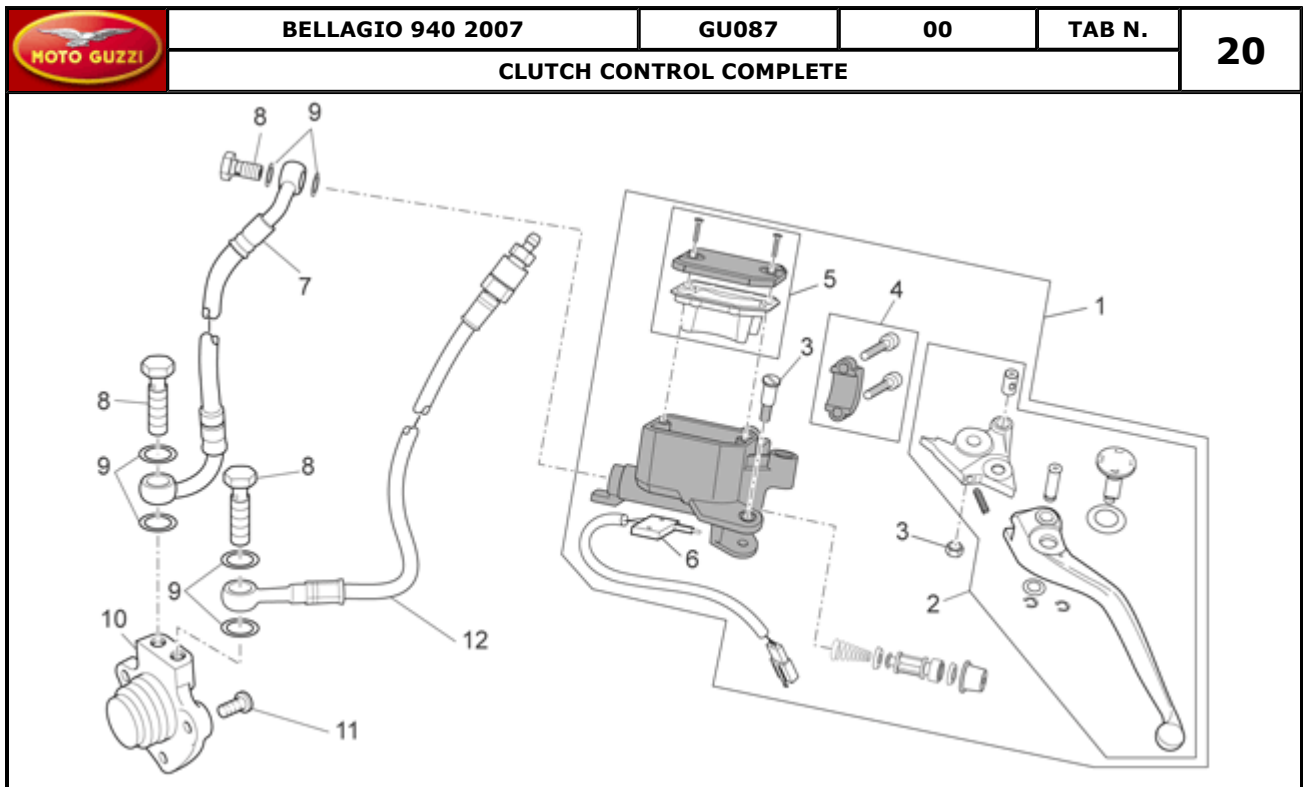
Pos.	Description	Year	I_M_	Country	Version	Code	Q.ty	P.Cod.
1	Rear tail black	-	-	-	-	black 978340NG	1	
	Rear tail blank	-	-	-	-	978340	1	
2	Screw w/ flange M5x9	-	-	-	-	AP8152339	12	
3	Clip M5	-	-	-	-	AP8102375	8	
4	Splash guard	-	-	-	-	978336	1	
5	Number plate holder	-	-	-	-	978335	1	
6	Reflector support	-	-	-	-	AP8134448	1	
7	Hex socket screw M5x12*	-	-	-	-	AP8152267	2	
8	Rear reflector, red	-	-	-	-	AP8224164	1	
9	Self-locking nut M5*	-	-	-	-	AP8152306	1	
10	Washer 5,5x15x1,6	-	-	-	-	AP8150248	2	
11	Reinforcement Plate	-	-	-	-	978580	1	




Pos.	Description	Year	I_M_	Country	Version	Code	Q.ty	P.Cod.
1	Dashboard complete	-	-	-	-	978324	1	
2	Instrum.frame, chrom.	-	-	-	-	978376	1	
3	Spec. self-tap screw 3,5x20	-	-	-	-	AP8221242	4	
4	Socket support	-	-	-	-	978377	1	
5	Screw w/ flange M6x20	-	-	-	-	AP8152279	4	
6	Washer 6,4x10x0,7	-	-	-	-	GU14217901	8	
7	T bush *	-	-	-	-	AP8221023	4	
8	Rubber spacer *	-	-	-	-	AP8120030	2	
9	Main switch - steering lock	-	-	-	-	977528	1	
10	Special screw M8x15	-	-	-	-	GU97260415	1	
11	Hex socket screw M8X16	-	-	-	-	GU98682416	1	
12	Speedometer sensor cpl.	-	-	-	-	GU06765400	1	
13	Hex socket screw M4x10	-	-	-	-	AP8152043	2	
14	Fairlead	-	-	-	-	GU06765500	1	
15	Cable-guide	-	-	-	-	AP8121882	1	

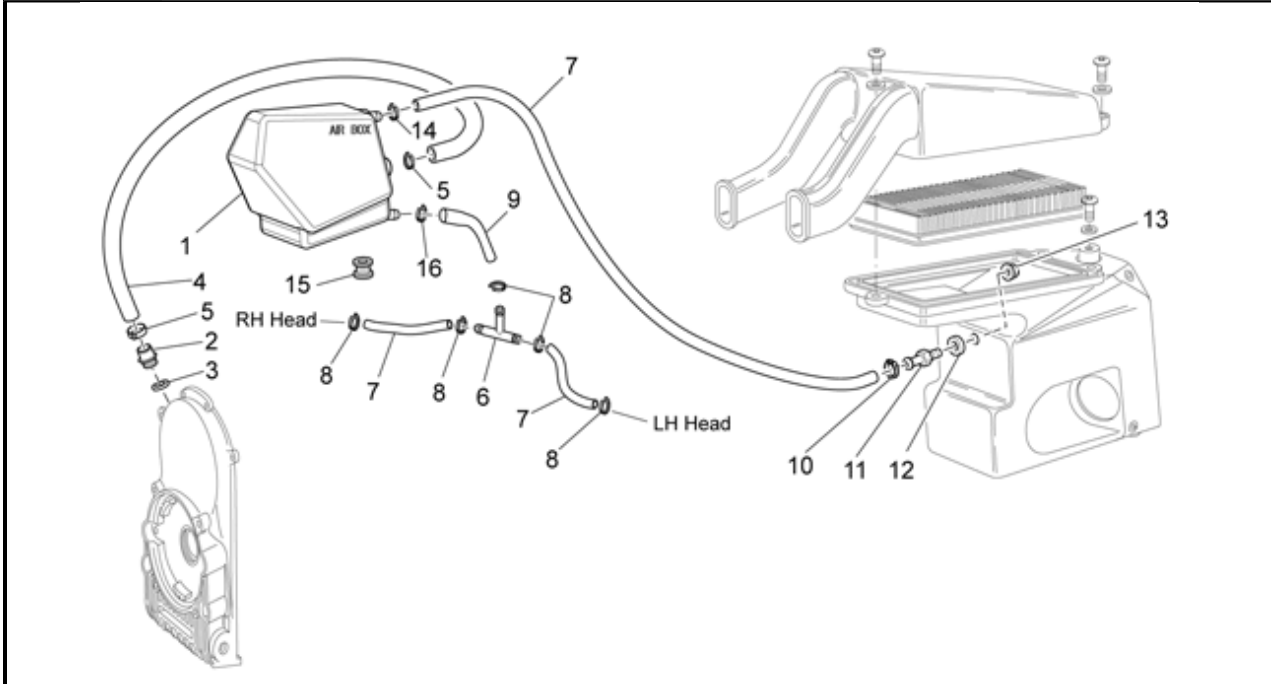
		BELLAGIO 940 2007	GU087	00	TAB N.	18		
HANDLEBAR - CONTROLS								
								
Pos.	Description	Year	I_M_	Country	Version	Code	Q.ty	P.Cod.
1	Handlebar	-	-	-	-	978310	1	
2	LH lights selector	-	-	-	-	AP8127703	1	
3	LH hand grip	-	-	-	-	AP8118579	1	
4	Balancing	-	-	-	1A	GU03602760	2	
5	Engine stop-start device	-	-	-	-	851998	1	
6	Throttle cpl.	-	-	-	-	GU05603331	1	
7	RH hand grip	-	-	-	-	GU01603480	1	
8	Front gas lever U-bolt	-	-	-	-	AP8118502	1	
9	Cap screw	-	-	-	-	AP8118492	2	
10	Rear gas lever U-bolt	-	-	-	-	AP8118503	1	
11	Gas fastener	-	-	-	-	978381	1	
12	Gas fastener	-	-	-	-	978382	1	
13	LH rearview mirror	-	-	-	-	GU32769860	1	
14	Hose clamp L46 mm	-	-	-	-	GU01609630	1	
	Hose clamp L36 mm	-	-	-	-	GU03609600	4	
15	RH rearview mirror	-	-	-	-	GU32769460	1	
16	Choke control	-	-	-	-	GU01132330	1	
17	Screw	-	-	-	-	GU98257320	2	
18	Choke cable	-	-	-	-	GU01132830	1	
19	Rubber spacer	-	-	-	-	GU29132750	1	
20	Spring 7x1,1x25	-	-	-	-	GU94321074	1	
21	Plug	-	-	-	-	GU39094200	1	
22	Anti.v weight, chr.	-	-	-	2A	GU32602860	2	
23	Hex socket screw M6X35	-	-	-	2A	GU98690335	2	






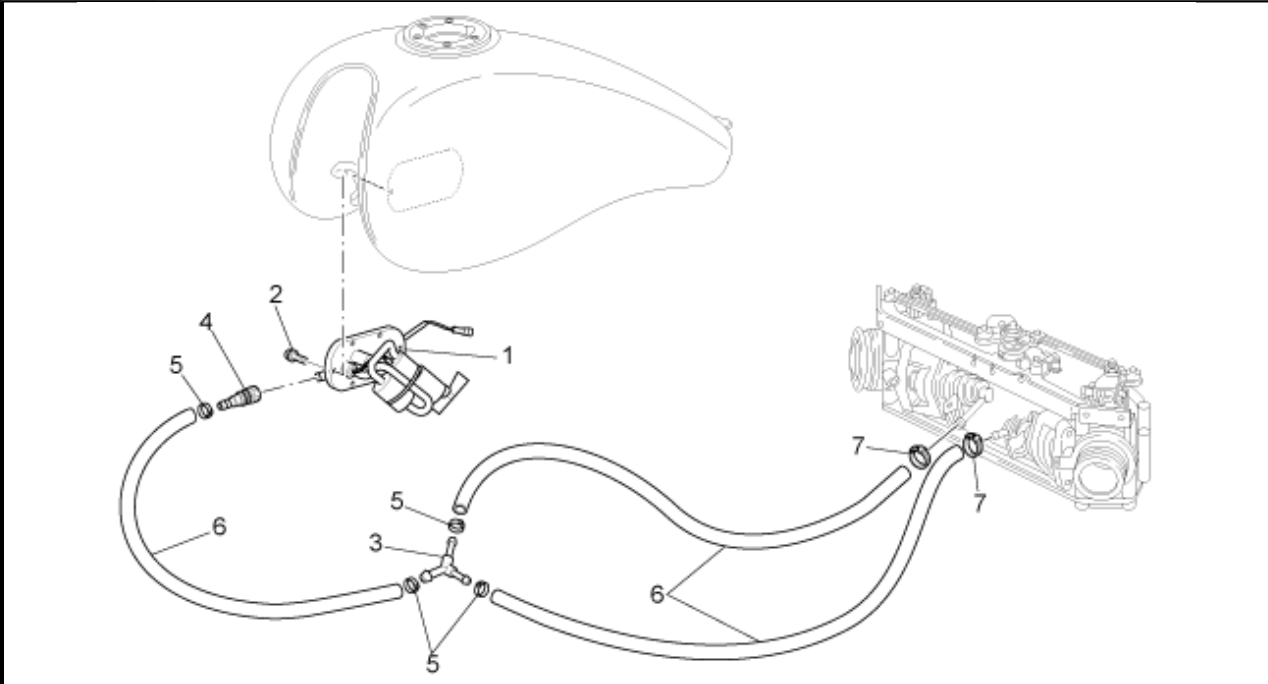
Pos.	Description	Year	I_M_	Country	Version	Code	Q.ty	P.Cod.
1	Clutch pump	-	-	-	-	AP8106713	1	
2	Clutch lever	-	-	-	-	AP8118659	1	
3	Lever pin	-	-	-	-	GU03604845	1	
4	U-bolt	-	-	-	-	AP8113993	1	
5	Tank cap	-	-	-	-	AP8113997	1	
6	Microswitch	-	-	-	-	AP8113998	1	
7	Clutch pipe	-	-	-	-	GU05606530	1	
8	Oil pipe screw	-	-	-	-	AP8133594	3	
9	Gasket	-	-	-	-	AP8121915	6	
10	Clutch command cylinder	-	-	-	-	GU05086330	1	
11	Screw w/ flange M6x16*	-	-	-	-	AP8152278	3	
12	Float chambe clutch pipe	-	-	-	-	GU05606630	1	

	BELLAGIO 940 2007	GU087	00	TAB N.	21
	BLOW-BY SYSTEM				



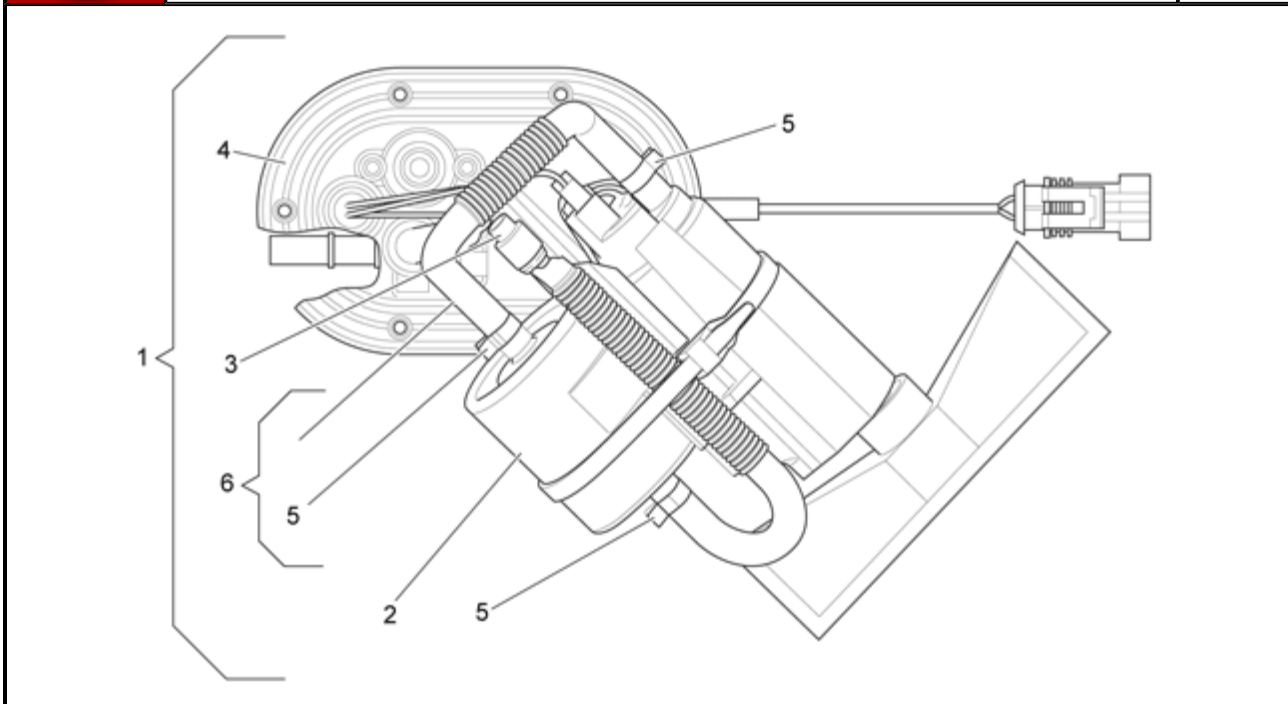
Pos.	Description	Year	I_M_	Country	Version	Code	Q.ty	P.Cod.
1	Housing	-	-	-	-	978320	1	
2	Union	-	-	-	-	GU03007260	1	
3	Washer 18,25x24x1	-	-	-	-	GU18144350	3	
4	Breather pipe	-	-	-	-	978461	1	
5	Hose clamp 17X29X8	-	-	-	-	GU93306018	2	
6	3-way union	-	-	-	-	GU95960609	1	
7	Rubber pipe 12,5X7,8 5/16"	-	-	-	-	GU00823956080	3	
8	Hose clamp D 11,9	-	-	-	-	AP8201358	5	
9	Breather pipe	-	-	-	-	978588	1	
10	Hose clamp 3,6x20,6	-	-	-	-	GU14609650	1	
11	Union	-	-	-	-	GU29116960	1	
12	Gasket	-	-	-	-	GU90714082	1	
13	Nut	-	-	-	-	GU92660208	1	
14	Hose clamp	-	-	-	-	GU93306017	1	
15	Rubber spacer	-	-	-	-	GU91551010	1	
16	Hose clip D.15,5x6,6	-	-	-	-	AP8101586	1	

	BELLAGIO 940 2007	GU087	00	TAB N.	22
	FUEL SUPPLY				


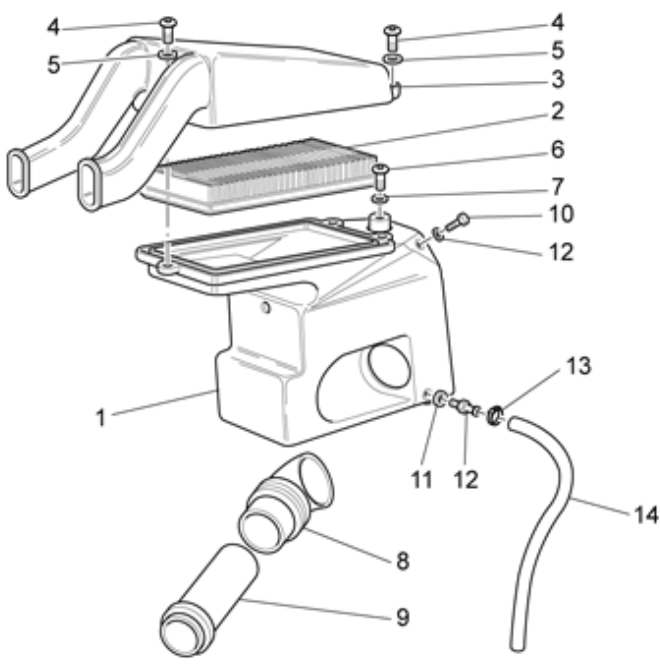


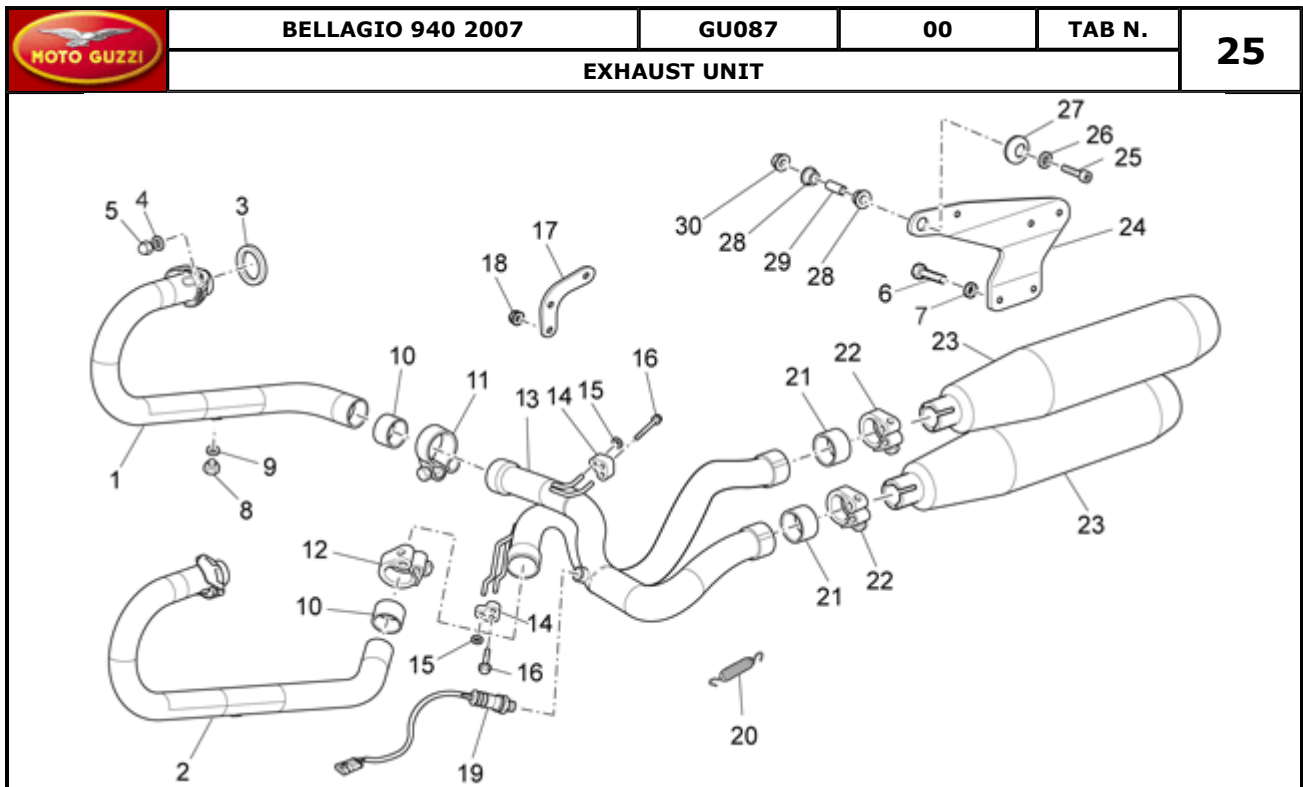
Pos.	Description	Year	I_M_	Country	Version	Code	Q.ty	P.Cod.
1	Fuel pump cpl.	-	-	-	-	GU03107270	1	
2	Screw w/ flange M5x16	-	-	-	-	AP8152273	6	
3	3-way union	-	-	-	-	GU29106860	1	
4	Union	-	-	-	-	GU01106692	1	
5	Hose clamp	-	-	-	-	GU28157950	4	
6	Fuel pipe SAEJ30R9	-	-	-	-	GU00823952080	1	
7	Hose clamp	-	-	-	-	GU93306017	2	

	BELLAGIO 940 2007	GU087	00	TAB N.	23
	INTERNAL FUEL PUMP				

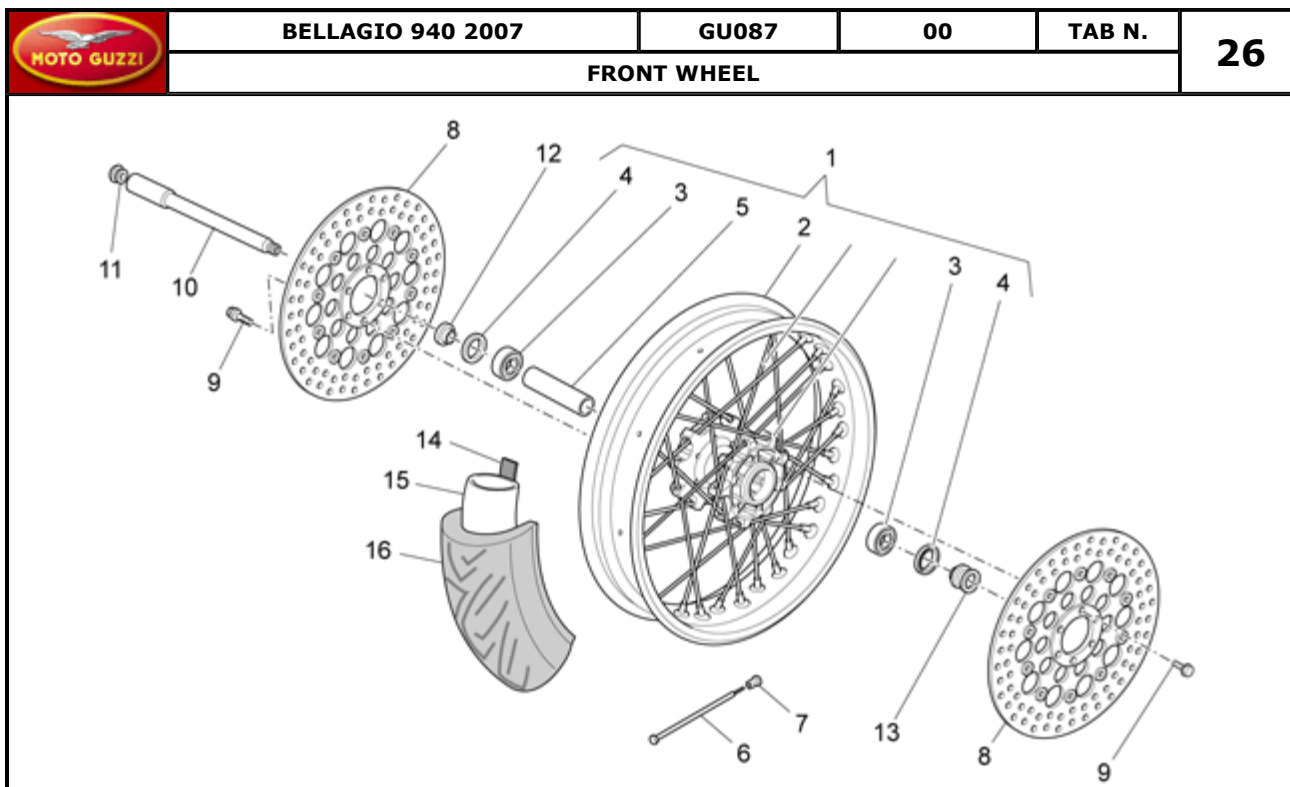


Pos.	Description	Year	I_M_	Country	Version	Code	Q.ty	P.Cod.
1	Fuel pump cpl.	-	-	-	-	GU03107270	1	
2	Fuel filter	-	-	-	-	GU01106090	1	
3	Thermistor	-	-	-	-	GU03103070	1	
4	Gasket	-	-	-	-	GU01107490	1	
5	Hose clamp 11,3	-	-	-	-	GU01108490	4	
6	Fuel pipe	-	-	-	-	GU03106170	1	

		BELLAGIO 940 2007	GU087	00	TAB N.	24		
AIR BOX								
								
Pos.	Description	Year	I_M_	Country	Version	Code	Q.ty	P.Cod.
1	Air box	-	-	-	-	978312	1	
2	Air filter	-	-	-	-	GU30113600	1	
3	Filter cover	-	-	-	-	GU30113460	1	
4	Hex socket screw M5X30	-	-	-	-	GU98680230	3	
5	Washer 5,25x14x1,5	-	-	-	-	GU95100059	3	
6	Hex socket screw M6x12	-	-	-	-	GU98350312	1	
7	Washer 6,4x12	-	-	-	-	GU03013800	2	
8	Union	-	-	-	-	GU30114660	2	
9	Hand cone-type	-	-	-	-	GU30114560	2	
10	Hex socket screw M5X10	-	-	-	-	GU98350210	1	
11	Gasket	-	-	-	-	GU90714053	2	
12	Union	-	-	-	-	GU29115860	1	
13	Hose clamp	-	-	-	-	GU28157950	1	
14	Pipe 5X9	-	-	-	-	GU00823944050	1	


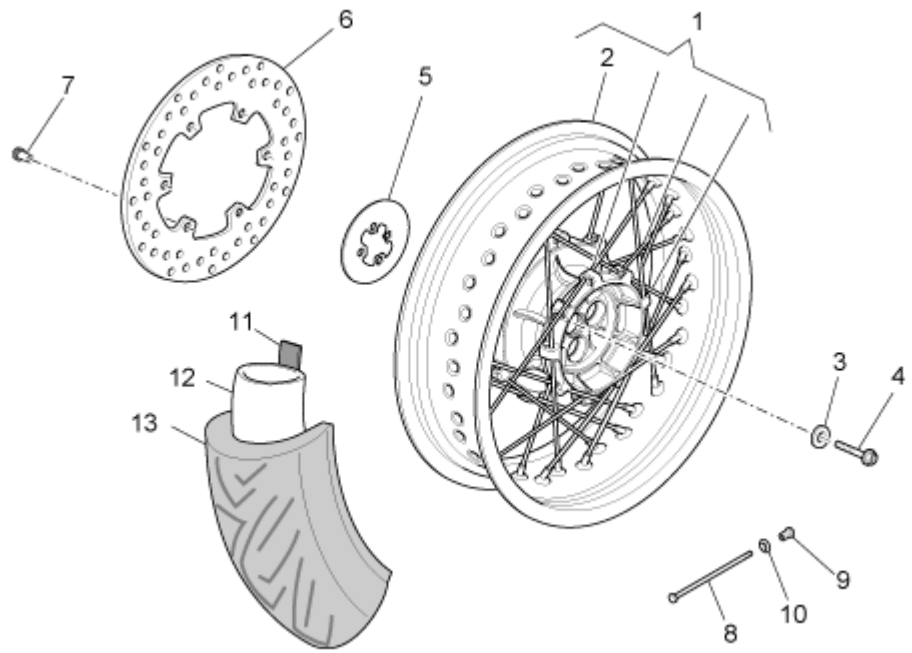



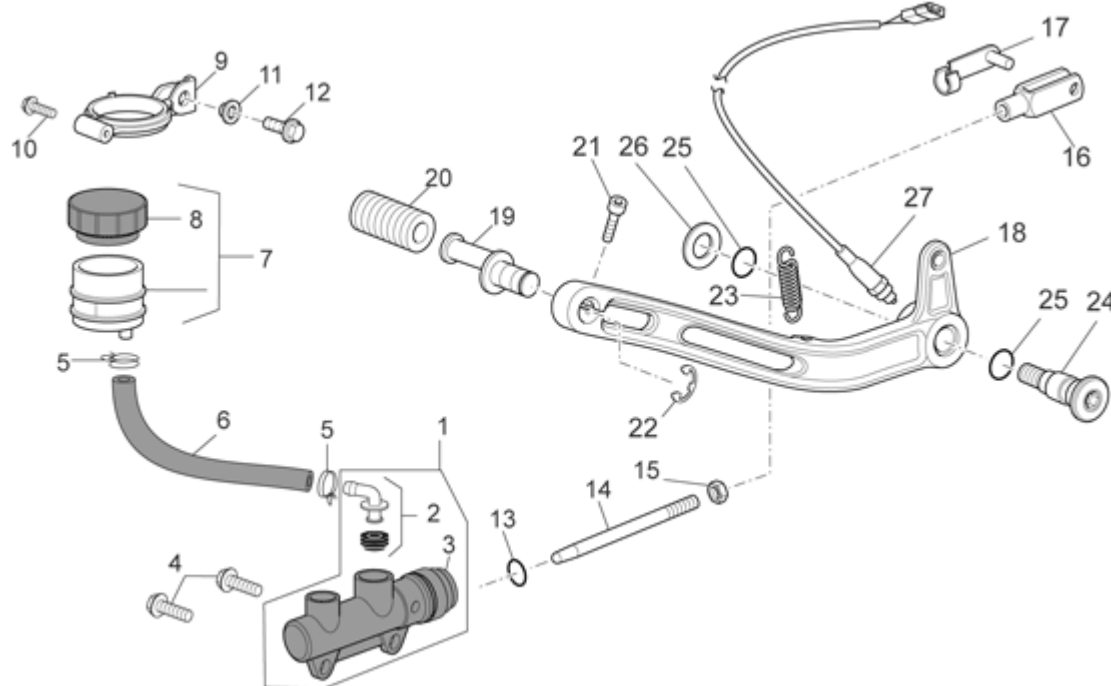
Pos.	Description	Year	I_M	Country	Version	Code	Q.ty	P.Cod.
1	RH exhaust pipe	-	-	-	-	977662	1	
2	LH exhaust pipe	-	-	-	-	977663	1	
3	Gasket	-	-	-	-	GU90718370	2	
4	Washer 8,4X13X0,8	-	-	-	-	GU14615901	4	
5	Flanged nut M8	-	-	-	-	GU92660021	4	
6	Hex screw M8x25	-	-	-	-	GU98084425	4	
7	Washer 8,4x15	-	-	-	-	GU03270300	4	
8	Plug	-	-	-	-	GU98110007	2	
9	Gasket	-	-	-	-	GU30109330	2	
10	Gasket	-	-	-	-	GU05121630	2	
11	RH hose clamp	-	-	-	-	GU05123430	1	
12	LH hose clamp	-	-	-	-	GU05123431	1	
13	Central exhaust pipe	-	-	-	-	978369	1	
14	Rubber spacer	-	-	-	-	GU05124230	2	
15	Washer for shafts D8	-	-	-	-	GU90274008	4	
16	Screw	-	-	-	-	GU05124330	2	
17	RH plate	-	-	-	-	978540	1	
18	Self-locking nut M10*	-	-	-	-	AP8152301	1	
19	Lamda sensor	-	-	-	-	GU32727010	1	
20	Spring	-	-	-	-	AP8121170	1	
21	Gasket	-	-	-	-	GU05128230	1	
22	Hose clamp	-	-	-	-	GU05126930	1	
23	Silencer	-	-	-	-	978370	2	
24	Silencer supp. plate	-	-	-	-	978506	1	
25	Hex socket screw M8X45	-	-	-	-	GU98680445	1	
26	Washer 8,5x24x2	-	-	-	-	GU95005312	1	
27	Silencer fixing bush	-	-	-	-	AP8134378	1	
28	Rubber exhaust	-	-	-	-	AP8144071	2	
29	Spacer	-	-	-	-	AP8121072	1	
30	Nut M8x1,25	-	-	-	-	GU92650138	1	




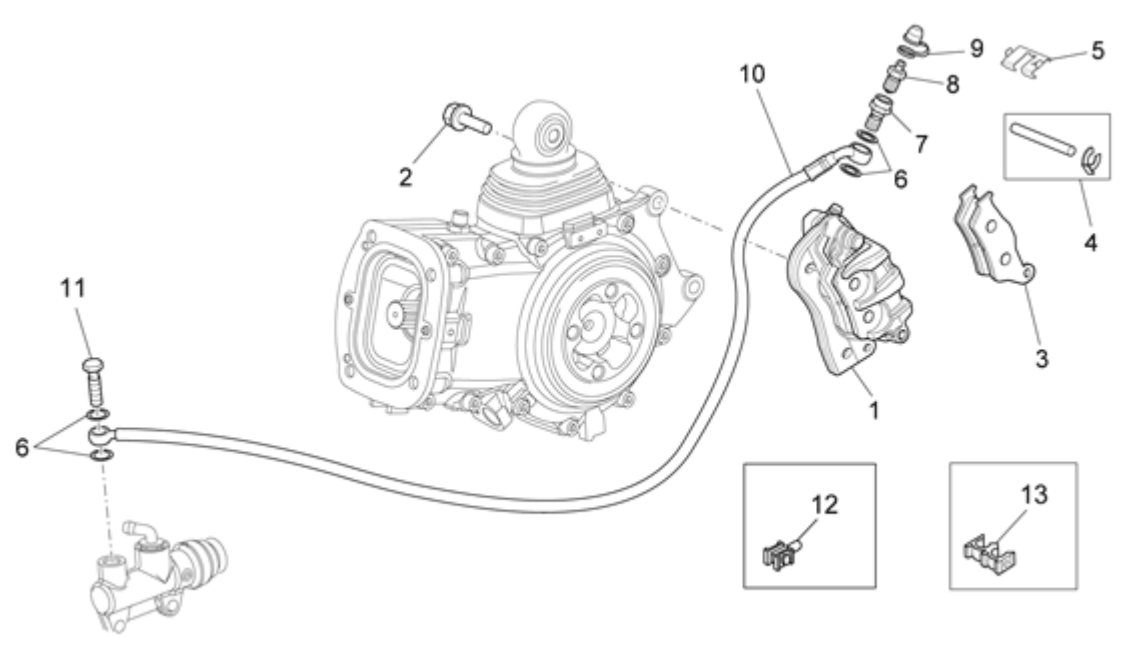
Pos.	Description	Year	I_M_	Country	Version	Code	Q.ty	P.Cod.
1	Front wheel 3,50x18"	-	-	-	-	978308	1	
2	Front wheel 3,50x18"	-	-	-	-	978305	1	
3	Ball bearing 25x47x12	-	-	-	-	AP8125777	2	
4	Gasket ring 35x47x7	-	-	-	-	GU90403549	2	
5	Spacer	-	-	-	-	978516	1	
6	Spoke	-	-	-	-	978306	36	
7	Nipples	-	-	-	-	978307	36	
8	Front brake disc	-	-	-	-	977024	2	
9	Screw w/ flange M8x20	-	-	-	-	AP8152286	12	
10	Front wheel spindle	-	-	-	-	GU03614101	1	
11	Plug 15 mm	-	-	-	-	GU93180111	1	
12	RH spacer	-	-	-	-	978303	1	
13	LH spacer	-	-	-	-	978304	1	
14	Rear wheel flap	-	-	-	-	0000000	1	
15	Front inner tube 18"	-	-	-	-	0000000	1	
16	Front/rear tyre 120/70 R18	-	-	-	-	0000000	1	

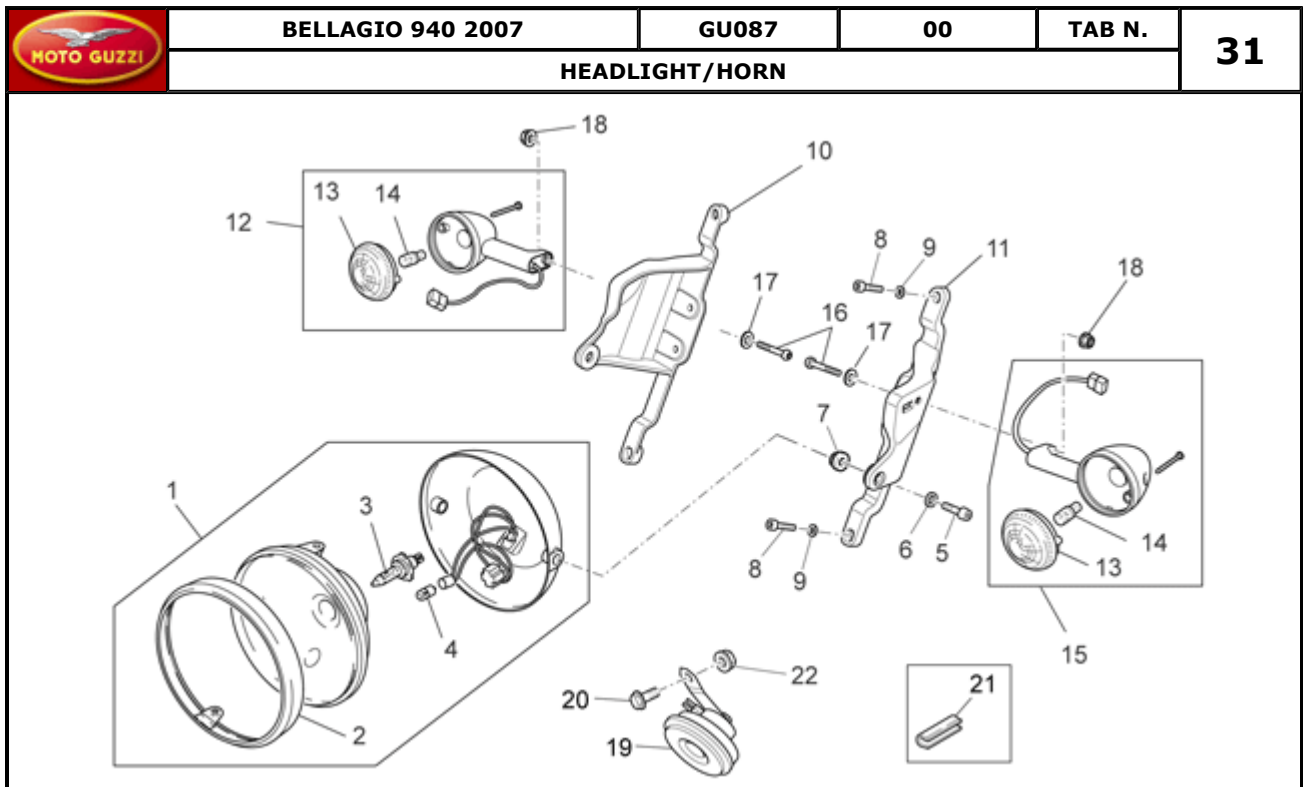
MOTO GUZZI		BELLAGIO 940 2007	GU087	00	TAB N.	27		
FRONT BRAKE CALIPER								
Pos.	Description	Year	I_M_	Country	Version	Code	Q.ty	P.Cod.
1	RH front brake caliper, black	-	-	-	-	978360	1	
2	LH front brake caliper, black	-	-	-	-	978361	1	
3	Pads pair	-	-	-	-	AP8113627	2	
4	Air bleed valve	-	-	-	-	AP8133502	2	
5	Pin+split pin DX	-	-	-	-	981004	2	
6	Pin+split pin SX	-	-	-	-	981003	2	
7	Spring pinza	-	-	-	-	AP8133908	2	
8	Screw M10x30	-	-	-	-	GU98683530	4	
9	Washer 10,5x16x1	-	-	-	-	GU19149800	4	
10	Spacer 10,25X20X4	-	-	-	-	GU91181003	4	

		BELLAGIO 940 2007	GU087	00	TAB N.	28		
REAR WHEEL								
								
Pos.	Description	Year	I_M_	Country	Version	Code	Q.ty	P.Cod.
1	Rear wheel 5,5x17"	-	-	-	-	978609	1	
2	Rear wheel 5,5x17"	-	-	-	-	978610	1	
3	Conical bush	-	-	-	-	GU05632730	4	
4	Screw w/ flange M12x65	-	-	-	-	GU97202665	4	
5	Dust cover ring	-	-	-	-	977056	1	
6	Rear brake disc	-	-	-	-	GU05635730	1	
7	Screw	-	-	-	-	GU30611460	6	
8	Short spoke	-	-	-	-	978611	36	
9	Nipples	-	-	-	-	978356	36	
10	Special washer	-	-	-	-	978697	36	
11	Rear wheel flap	-	-	-	-	978683	2	
12	Front inner tube 17"	-	-	-	-	0000000	1	
13	Front/rear tyre 185/55 R17	-	-	-	-	0000000	1	


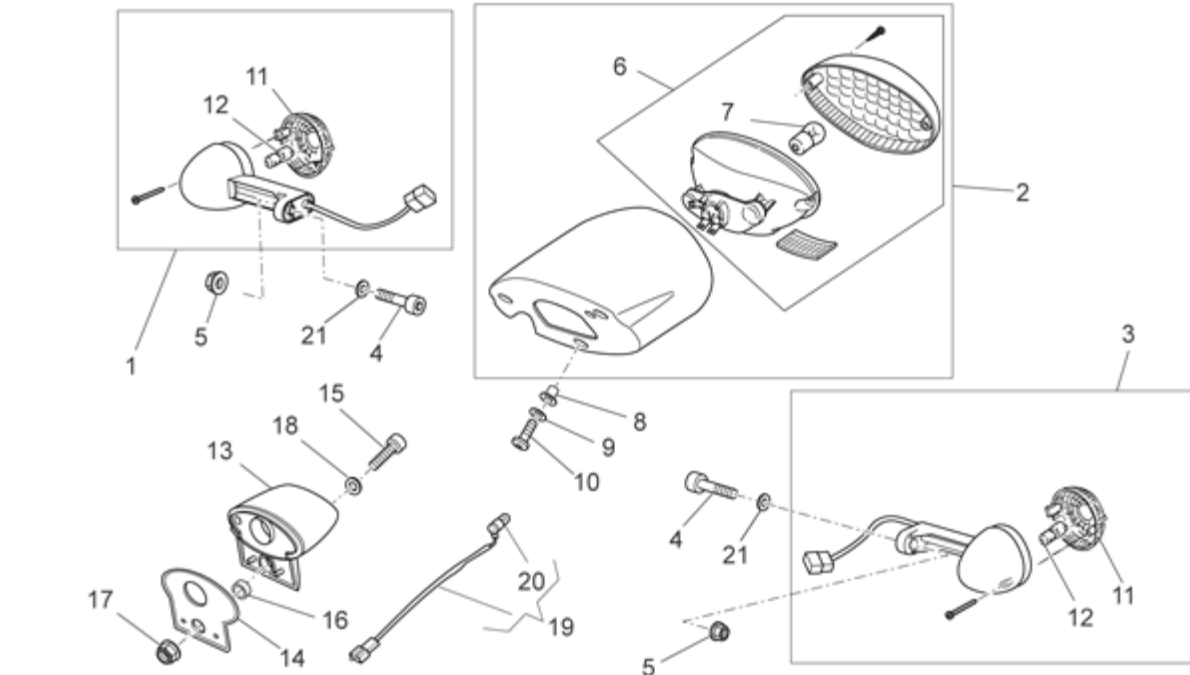
		BELLAGIO 940 2007	GU087	00	TAB N.	29		
REAR MASTER CYLINDER								
								
Pos.	Description	Year	I_M	Country	Version	Code	Q.ty	P.Cod.

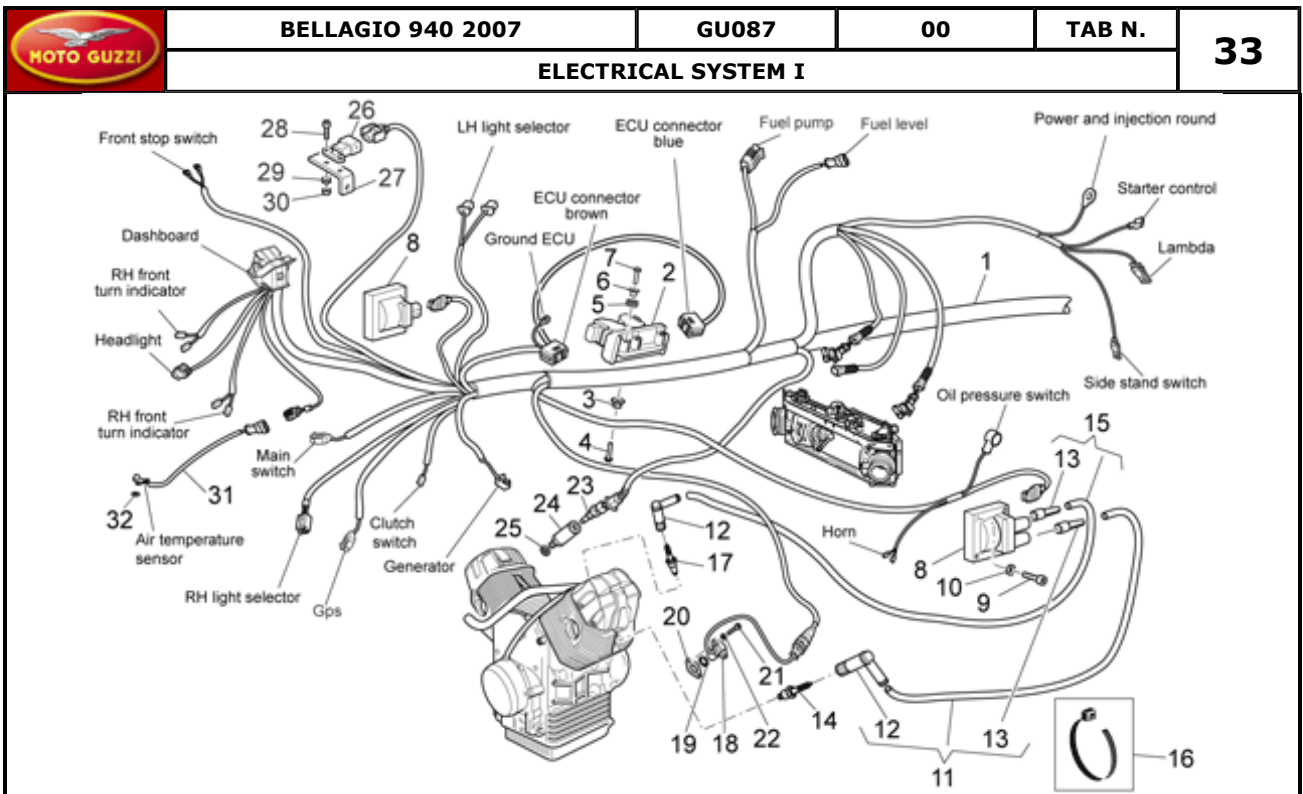
1	Rear master cylinder	-	-	-	-	978434	1	
2	Pump connection overhaul unit	-	-	-	-	GU19659500	1	
3	Rubber bellows	-	-	-	-	AP8113288	1	
4	Screw w/ flange M6x20	-	-	-	-	AP8152279	2	
5	Hose clamp D10,1*	-	-	-	-	AP8101595	2	
6	Rear brake hose	-	-	-	-	978435	1	
7	Brake oil tank complete	-	-	-	-	GU05663530	1	
8	Tank cap	-	-	-	-	GU17661052	1	
9	Tank support	-	-	-	-	GU05666030	1	
10	Phillips screw, SWP M5X20	-	-	-	-	AP8152329	1	
11	T bush *	-	-	-	-	AP8221145	1	
12	Screw w/ flange M6x16*	-	-	-	-	AP8152278	1	
13	O-ring OR112	-	-	-	-	AP8120178	1	
14	Master cylinder rod	-	-	-	-	977041	1	
15	Nut M6*	-	-	-	-	GU92606206	1	
16	Fork	-	-	-	-	AP8113081	1	
17	Gear selector fork clips	-	-	-	-	AP8113082	1	
18	Rear brake lever	-	-	-	-	GU06677000	1	
19	Brake lever pin	-	-	-	-	AP8121221	1	
20	Lever rubber	-	-	-	-	AP8120912	1	
21	Hex socket screw M6x16	-	-	-	-	GU98682316	1	
22	Circlip d9	-	-	-	-	AP8150462	1	
23	Rear brake lever spring	-	-	-	-	AP8121927	1	
24	Rear brake lever pin	-	-	-	-	AP8121223	1	
25	O-ring 11,11x1,78	-	-	-	-	AP8144007	2	
26	Washer 10,5x22x2,5	-	-	-	-	GU95008310	1	
27	Brake light switch	-	-	-	-	AP8112996	1	

		BELLAGIO 940 2007	GU087	00	TAB N.	30		
REAR BRAKE CALIPER								
								
Pos.	Description	Year	I_M_	Country	Version	Code	Q.ty	P.Cod.
1	Rear brake caliper, black	-	-	-	-	978414	1	
2	Screw w/ flange M10x30*	-	-	-	-	AP8152320	2	
3	Pads pair	-	-	-	-	GU05654630	1	
4	Pin+split pin	-	-	-	-	GU05659130	1	
5	Spring	-	-	-	-	GU05659030	1	
6	Gasket	-	-	-	-	AP8121915	4	
7	Screw	-	-	-	-	AP8133597	1	
8	Air bleed valve	-	-	-	-	AP8133595	1	
9	Bleed valve cap 20 pc.	-	-	-	-	AP8133596	1	
10	Rear brake hose	-	-	-	-	978364	1	
11	Oil pipe screw *	-	-	-	-	AP8133962	1	
12	Cable-guide hook	-	-	-	-	AP8202238	4	
13	Cable-guide D8	-	-	-	-	AP8201808	5	



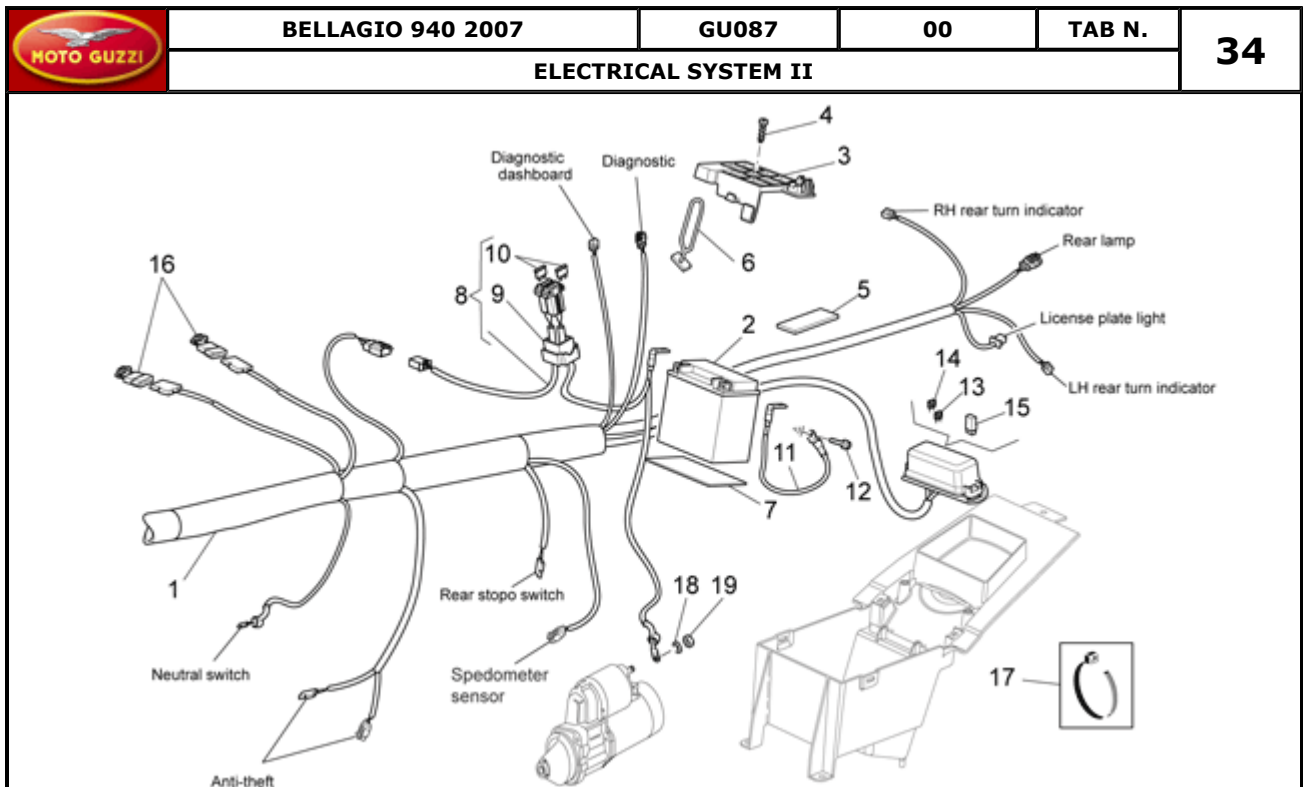
Pos.	Description	Year	I_M_	Country	Version	Code	Q.ty	P.Cod.
1	Cpl headlightsteering headligh	-	-	UK	-	978662	1	
	Headlight	-	-	EU	-	978311	1	
2	Chromed ring nut	-	-	-	-	GU31740383	1	
3	Lamp 12V-55/60W	-	-	-	-	GU93450232	1	
4	Lamp 12V-5W	-	-	-	-	GU93450105	1	
5	Hex socket screw M8x30	-	-	-	-	GU98370831	2	
6	Washer 8,4x14,57x1,6	-	-	-	-	GU95005308	2	
7	Spacer	-	-	-	-	GU14439800	2	
8	Hex socket screw M6x18	-	-	-	-	GU98682318	4	
9	Washer 6,4x10x0,7	-	-	-	-	GU14217901	4	
10	RH headlight support	-	-	-	-	978373	1	
11	LH headlight support	-	-	-	-	978374	1	
12	RH front/LH rear turn indic.	-	-	-	-	GU32750660	1	
13	Turn indicator lens	-	-	-	-	GU32753760	2	
14	Lamp 12V-10W	-	-	-	-	GU93450127	2	
15	LH front/RH rear turn indic.	-	-	-	-	GU06751600	1	
16	Hex socket screw M6x18	-	-	-	-	GU98692318	2	
17	Washer	-	-	-	-	GU95021206	2	
18	Cap nut M6x1	-	-	-	-	GU92787006	2	
19	Electric hom L	-	-	-	-	GU01743791	1	
20	Screw w/ flange M6x20	-	-	-	-	AP8152279	1	
21	Gasket	-	-	-	-	AP8144707	1	
22	Self-locking nut M6*	-	-	-	-	AP8152299	1	

		BELLAGIO 940 2007	GU087	00	TAB N.	32		
TAILLIGHT								
								
Pos.	Description	Year	I_M	Country	Version	Code	Q.ty	P.Cod.
1	LH front/RH rear turn indic.	-	-	AUS-EU-J-UK	-	GU06751600	1	
2	Taillight	-	-	-	-	GU32740960	1	
3	RH front/LH rear turn indic.	-	-	AUS-EU-J-UK	-	GU32750660	1	
4	Hex socket screw M6x18	-	-	-	-	GU98692318	2	
5	Cap nut M6x1	-	-	-	-	GU92787006	2	
6	Taillight	-	-	-	-	GU03740930	1	
7	Lamp 12V/5-21W	-	-	-	-	GU93450224	1	
8	Antivibration bush	-	-	-	-	GU93231605	3	
9	Washer	-	-	-	-	GU95100064	3	
10	Hex socket screw M5x18	-	-	-	-	GU98350218	3	
11	Turn indicator lens	-	-	AUS-EU-J-UK	-	GU32753760	2	
12	Lamp, orange 12V-10W	-	-	AUS-EU-J-UK	-	GU93450126	2	
13	Number-plate light	-	-	-	-	AP8127098	1	
14	Support rubber part	-	-	-	-	GU32474710	1	
15	Hex socket screw M5x22	-	-	-	-	GU98680222	1	
16	Bush	-	-	-	-	GU91120507	1	
17	Self-locking nut M5*	-	-	-	-	AP8152306	1	
18	Washer 5,3x10x0,8	-	-	-	-	GU95008205	1	
19	Plate light wiring	-	-	-	-	AP8124976	1	
20	Lamp 12V-5W	-	-	-	-	GU93450105	1	
21	Washer	-	-	-	-	GU95021206	2	

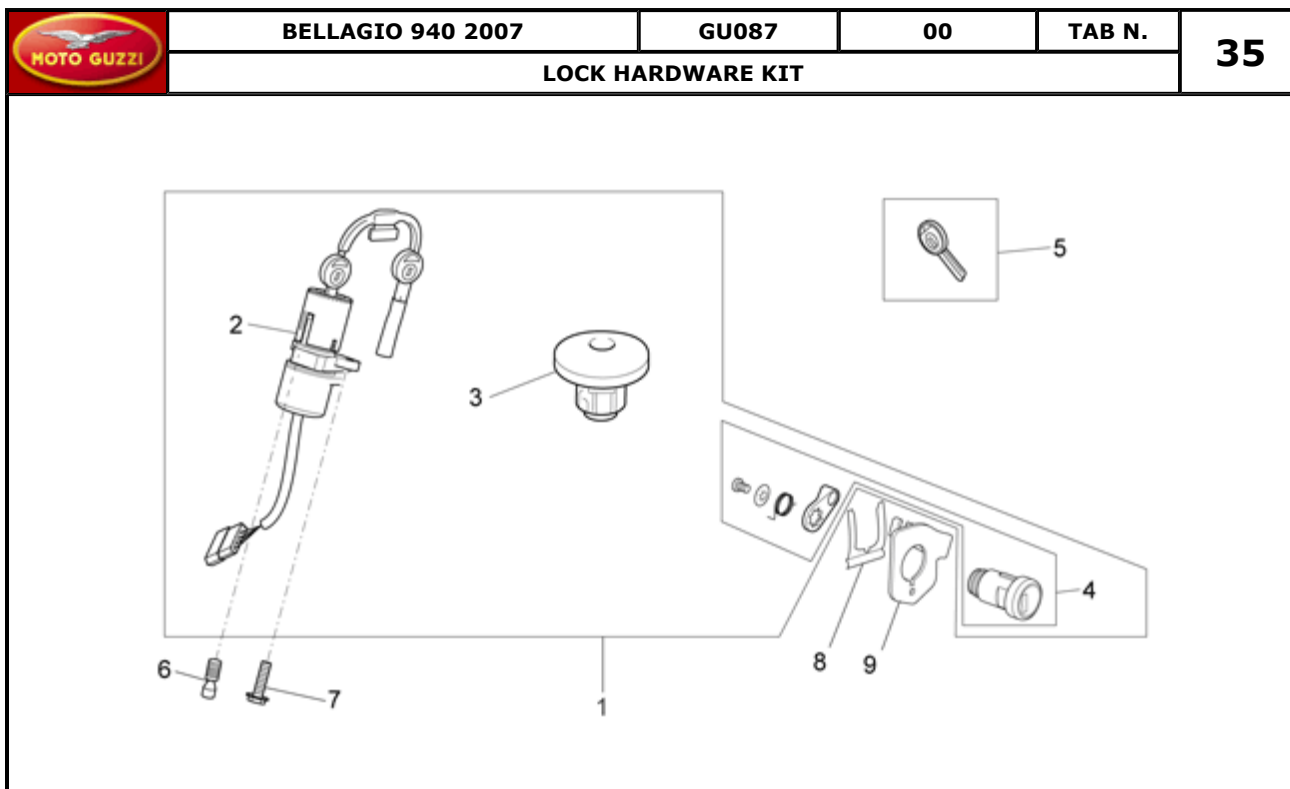


Pos.	Description	Year	I_M	Country	Version	Code	Q.ty	P.Cod.
1	Main wiring harness	-	-	-	-	978366	1	
2	ECU	-	-	-	-	978368	1	
3	Bush	-	-	-	-	GU05729230	2	
4	Screw w/ flange M6x20	-	-	-	-	AP8152279	2	
5	Rubber spacer *	-	-	-	-	AP8120030	2	
6	T bush *	-	-	-	-	AP8221023	2	
7	Screw w/ flange M6x35	-	-	-	-	AP8152282	2	
8	HT coil	-	-	-	-	GU05716530	2	
9	Hex socket screw M4X25	-	-	-	-	GU98682125	4	
10	Washer	-	-	-	-	GU95021204	4	
11	HT wire	-	-	-	-	978554	2	
12	Sparkplug cap	-	-	-	-	GU06717400	4	
13	Cap	-	-	-	-	GU14717600	4	
14	Spark plug NGK BPR6ES	-	-	-	-	GU30717061	2	
15	HT wire	-	-	-	-	977388	2	
16	Hose clamp 3,6x20,6	-	-	-	-	GU14609650	23	
	Hose clamp 7,6x380	-	-	-	-	GU93304360	2	
	Hose clamp 2,4x92	-	-	-	-	GU49609601	5	
17	Spark plug NGK PNR8B	-	-	-	-	GU05717030	2	
18	Phase/revolution sensor	-	-	-	-	GU01721600	1	
19	O-ring	-	-	-	-	GU90706141	1	
20	Gasket 0,3mm	-	-	-	-	GU01722700	1	
	Gasket 0,4mm	-	-	-	-	GU01722701	1	
	Gasket 0,6mm	-	-	-	-	GU01722702	1	
	Gasket 0,8mm	-	-	-	-	GU01722703	1	
	Gasket 1mm	-	-	-	-	GU01722704	1	
	Gasket 1,5mm	-	-	-	-	GU01722705	1	
	Gasket 0,5 mm	-	-	-	-	GU29722760	1	
21	Hex socket screw M5x12	-	-	-	-	GU98682212	2	
22	Washer 5,3x10x0,8	-	-	-	-	GU95008205	2	
23	Oil temperature sensor	-	-	-	-	GU29729461	1	
24	Sensor support	-	-	-	-	GU03163330	1	
25	Washer 10,2X18X2	-	-	-	-	GU95008210	1	

26	Air temp. Sensor	-	-	-	-	-	GU30729330	1
27	Sensor support	-	-	-	-	-	GU30728230	1
28	Hex socket screw M3x10	-	-	-	-	-	GU98680110	2
29	Washer 3,2x5,8x0,8	-	-	-	-	-	GU95120033	2
30	Nut M3	-	-	-	-	-	GU92606003	2
31	Air temp. Sensor	-	-	-	-	-	AP8124936	1
32	Washer for shafts	-	-	-	-	-	GU90274002	2


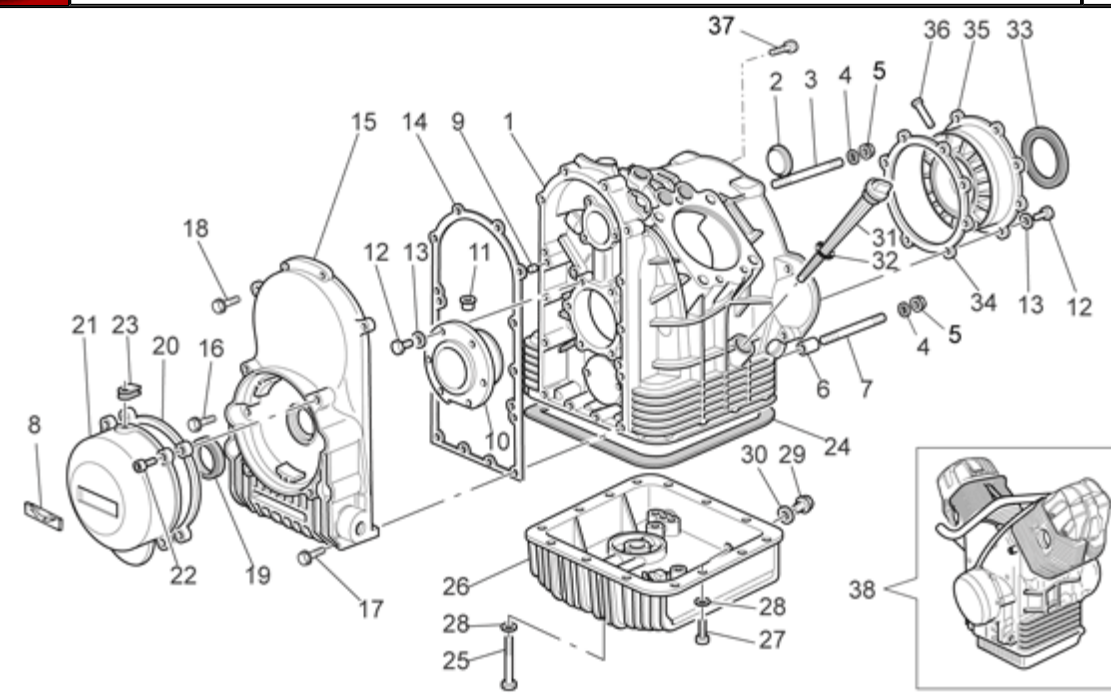


Pos.	Description	Year	I_M_	Country	Version	Code	Q.ty	P.Cod.
1	Main wiring harness	-	-	-	-	978366	1	
2	Battery 12V-20Ah	-	-	-	-	GU05704531	1	
3	Battery cover	-	-	-	-	GU05704630	1	
4	Phillips screw, SWP M5X20	-	-	-	-	AP8152329	2	
5	Adhesive sponge	-	-	-	-	AP8117200	1	
6	Headlight supp.snap	-	-	-	-	AP8120177	2	
7	Support rubber part	-	-	-	-	AP8144553	2	
8	Wiring	-	-	-	-	GU05747830	1	
9	Rubber fuse box	-	-	-	-	AP8112811	1	
10	Fuse 30A	-	-	-	-	GU28742562	3	
11	Ground-battery lead	-	-	-	-	978505	1	
12	Screw w/ flange M6x12*	-	-	-	-	AP8152277	1	
13	Fuse 3A	-	-	-	-	977769	3	
14	Fuse 15A	-	-	-	-	977772	5	
15	Relay shunt va.siem. A1001A403	-	-	-	-	GU01731760	4	
16	Diode	-	-	-	-	AP8212588	2	
17	Hose clamp 3,6x20,6	-	-	-	-	GU14609650	23	
	Hose clamp 7,6x380	-	-	-	-	GU93304360	2	
	Hose clamp 2,4x92	-	-	-	-	GU49609601	5	
18	Washer 8,4x15x1,7	-	-	-	-	GU95129131	1	
19	Nut M8x1,25	-	-	-	-	GU92609408	1	

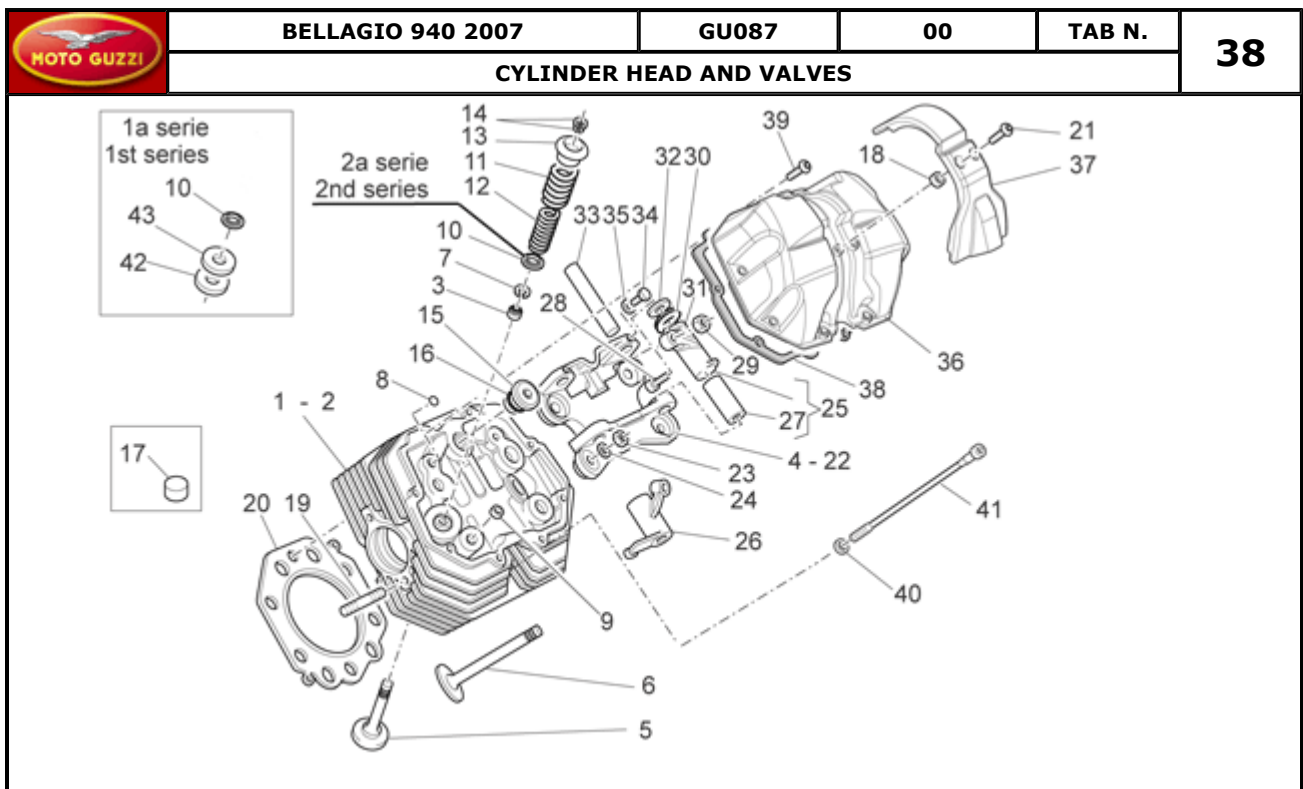


Pos.	Description	Year	I_M_	Country	Version	Code	Q.ty	P.Cod.
1	Lock hardware kit	-	-	-	-	977389	1	
2	Main switch - steering lock	-	-	-	-	977528	1	
3	Tank cap	-	-	-	-	GU32103960	1	
4	Saddle lock	-	-	-	-	977527	1	
5	Non indent.key blank-shell cr	-	-	-	-	GU32735511	1	
	Non indent.key blank-shell go	-	-	-	-	GU32735510	1	
6	Special screw M8x15	-	-	-	-	GU97260415	1	
7	Hex socket screw M8X16	-	-	-	-	GU98682416	1	
8	Fork spring	-	-	-	-	AP8121420	1	
9	Cable fixing plate	-	-	-	-	978415	1	

BELLAGIO 940 2007		GU087		00		TAB N.		36	
PLATE SET-DECAL-OP.HANDBOOKS									
Pos.	Description	Year	I_M	Country	Version	Code	Q.ty	P.Cod.	
1	Black decal Bellagio	-	-	-	-	978552	2		
2	LH Name plate,red/gold AL	-	-	-	-	GU06917400	1		
3	RH Name plate,red/gold AL	-	-	-	-	GU06917300	1		
4	Sticker RH	-	-	-	-	978508	1		
5	Sticker LH	-	-	-	-	978509	1		
6	"Aquila" decal	-	-	-	-	978551	1		
7	Decal "Italian Story"	-	-	-	-	GU05917530	1		
8	Decal "Attention"	-	-	-	-	GU30944300	1		
9	Decal Engine Start	-	-	-	-	GU05944930	1		
10	Toolkit	-	-	-	-	GU05909930	1		
11	Operator's handbook I-F-D-NL	-	-	AUS-EU-J-UK	-	978346	1		
12	Bag for document	-	-	-	-	GU05900130	1		
13	Sticker "schema fusibili"	-	-	-	-	978520	1		
14	Tyre pressure decal	-	-	AUS-EU-J-UK	-	GU05926030	1		
15	Bike cover	-	-	-	-	GU30970200	1		
16	Decal Warning	-	-	-	-	GU05944530	1		

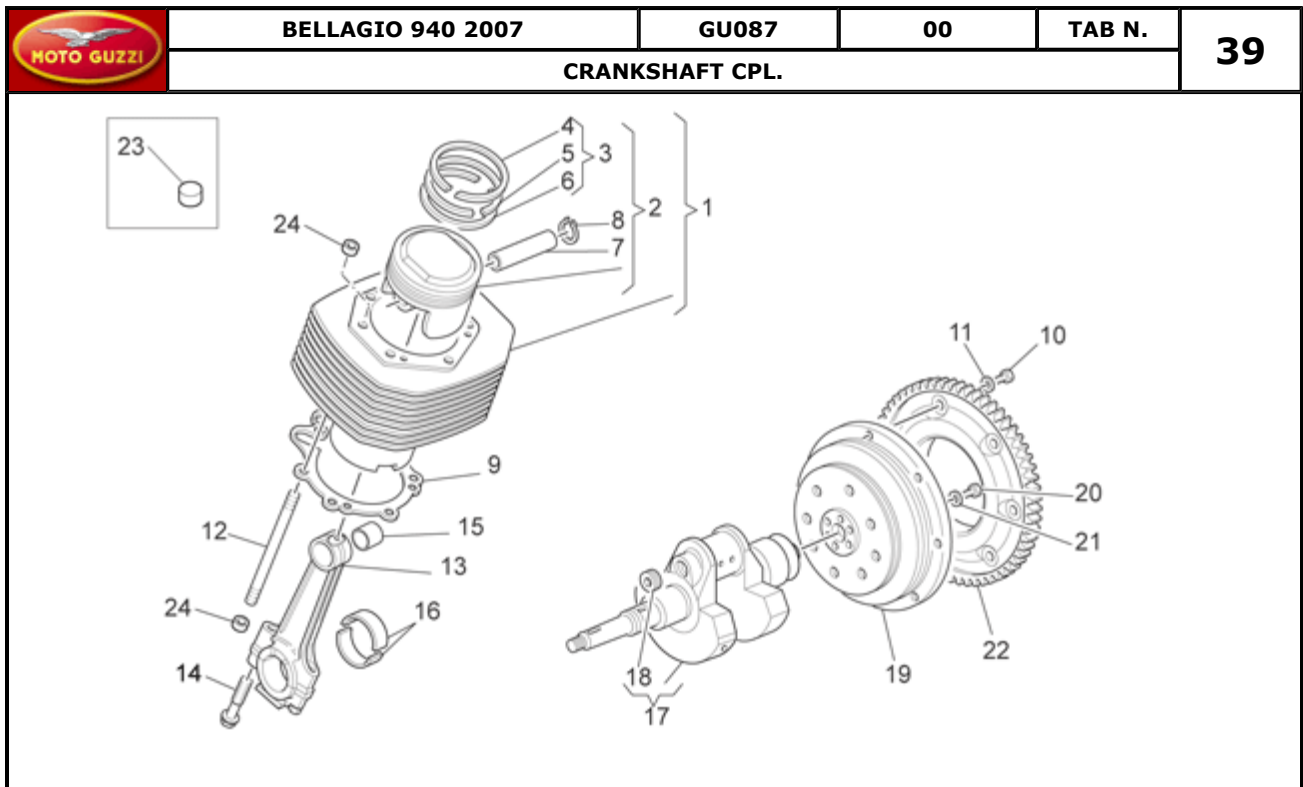
		BELLAGIO 940 2007	GU087	00	TAB N.	37		
CRANK-CASE								
								
Pos.	Description	Year	I_M	Country	Version	Code	Q.ty	P.Cod.
1	Crankcase black	-	-	-	-	976449	1	
2	Disc	-	-	-	-	GU12003900	1	
3	Stud bolt M8X66	-	-	-	-	GU96508066	3	
4	Washer 8,4X13X0,8	-	-	-	-	GU14615901	5	
5	Flanged nut M8	-	-	-	-	GU92660021	5	
6	Coupling bush	-	-	-	-	GU12018900	2	
7	Stud bolt M8x75	-	-	-	-	GU96508075	2	
8	Adhesive label	-	-	-	-	GU02517700	1	
9	Pin	-	-	-	-	GU95512081	2	
10	Complete flange	-	-	-	-	GU14011900	1	
	Flange min.0,2 mm	-	-	-	-	GU14011901	1	
11	Pin	-	-	-	-	GU12012200	1	
12	Hex screw M8x25	-	-	-	-	GU98084425	14	
13	Spring washer 8x15x0,3	-	-	-	-	GU61270300	14	
14	Cover gasket	-	-	-	-	GU05001230	1	
15	Timing cover black	-	-	-	-	976450	1	
16	Screw w/ flange M6X25	-	-	-	-	AP8152280	4	
17	Screw w/ flange M6x35	-	-	-	-	AP8152282	6	
18	Screw w/ flange M8x25*	-	-	-	-	AP8152287	4	
19	Gasket ring 28x38x7	-	-	-	-	GU90402840	1	
20	Flange	-	-	-	-	GU18001150	1	
21	Generator cover chrom.plated	-	-	-	-	GU03001600	1	
22	Screw	-	-	-	-	GU98310631	4	
23	Rubber spacer	-	-	-	-	GU19007700	1	
24	Sump gasket	-	-	-	-	GU14003600	1	
25	Screw	-	-	-	-	GU98082390	4	
26	Oil sump black	-	-	-	-	976451	1	
27	Hex socket screw M6x25	-	-	-	-	GU98682325	14	
28	Washer 6,15x11x0,8	-	-	-	-	GU95008206	18	
29	Oil unload plug	-	-	-	-	GU12003702	1	
30	Gasket 20,1x28x2	-	-	-	-	GU95100709	1	
31	Oil plug	-	-	-	-	GU30004910	1	
32	O-ring 17,86X2,62	-	-	-	-	GU90706178	1	

33	Gasket ring	-	-	-	-	-	GU90405367	1
34	Gasket	-	-	-	-	-	GU05011830	1
35	Complete flange	-	-	-	-	-	GU12011400	1
	Flange min.0,2 mm	-	-	-	-	-	GU12011401	1
	Flange min.0,4 mm	-	-	-	-	-	GU12011402	1
	Flange min.0,6 mm	-	-	-	-	-	GU12011403	1
36	Pin	-	-	-	-	-	GU12011700	1
37	Screw w/ flange M8x45*	-	-	-	-	-	AP8152291	1
38	Engine black	-	-	-	-	-	976923	1

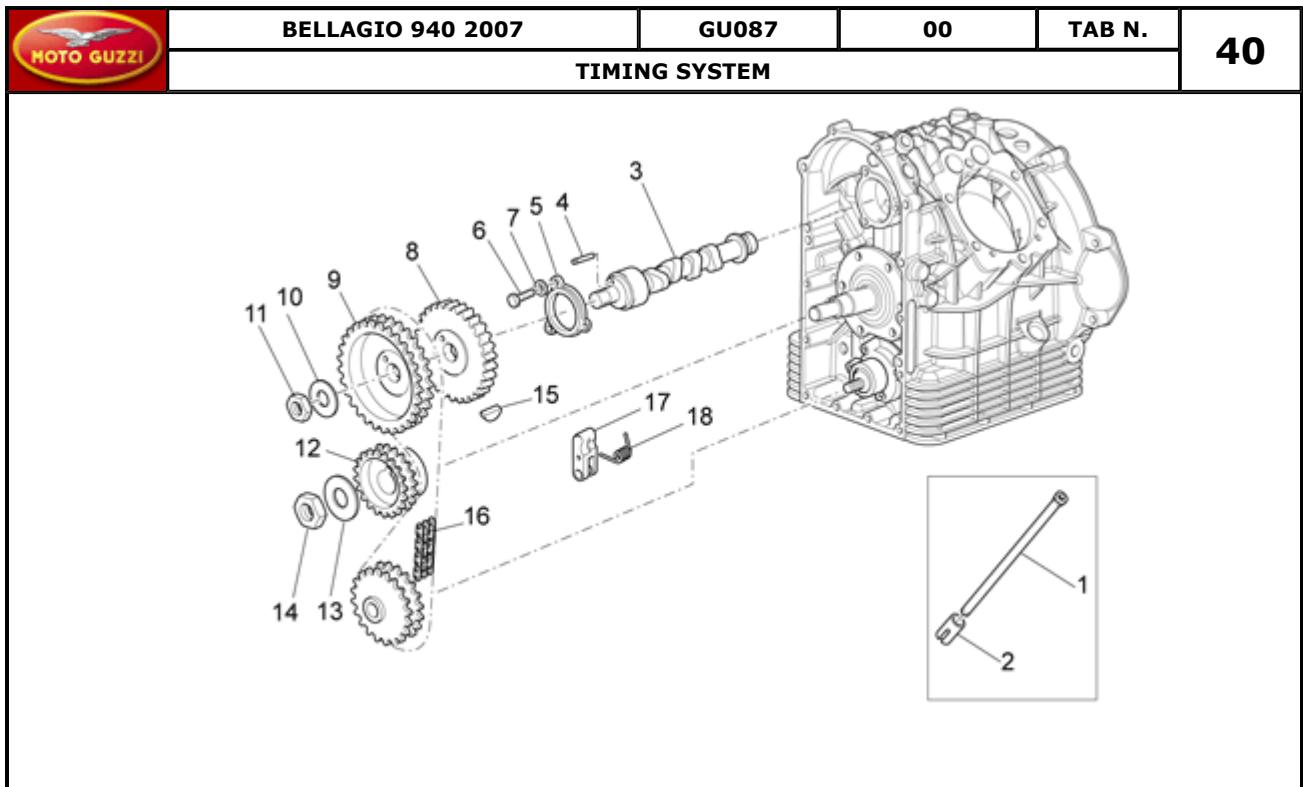


Pos.	Description	Year	I_M	Country	Version	Code	Q.ty	P.Cod.
1	RH head assy w/h valve grey	-	-	-	-	976079	1	
2	LH head assy with valve grey	-	-	-	-	976080	1	
3	Valve stem seal D8	-	-	-	-	976107	4	
4	RH.Rocker arm support	-	-	-	-	976152	1	
5	Exhaust valve	-	-	-	-	GU05036131	2	
6	Intake valve	-	-	-	-	GU05036030	2	
7	Snap ring	-	-	-	-	GU90353016	4	
8	O-ring 8,73x1,78-viton	-	-	-	-	224202	4	
9	Pin 11,8X10	-	-	-	-	825597	4	
10	Lower cup 14,2x32x7	-	-	-	2A	976181	4	
	Lower cup 14,2x32x5	-	-	-	1A	GU01037030	4	
11	Outer spring	-	-	-	-	GU37037405	4	
12	Inner spring	-	-	-	-	GU37037605	4	
13	Upper cup	-	-	-	-	GU01038060	4	
14	Valve half-cone	-	-	-	-	GU01038160	8	
15	Oil plug	-	-	-	-	GU12022600	2	
16	O-ring 20,24X2,62	-	-	-	-	GU90706203	2	
17	Rubber spacer	-	-	-	-	GU05025331	18	
18	Bush 6,8x8,8x9,8	-	-	-	-	GU32116810	4	
19	Stud bolt	-	-	-	-	GU96508040	4	
20	Gasket	-	-	-	-	976052	2	
21	Screw w/ flange M5x16	-	-	-	-	AP8152298	4	
22	LH.Rocker arm support	-	-	-	-	976153	1	
23	Nut M10X1,5	-	-	-	-	GU92603010	10	
24	Washer 10,5X21X1	-	-	-	-	GU14018400	10	
25	RH rocker arm assy	-	-	-	-	GU14030201	2	
26	LH rocker arm assy	-	-	-	-	GU14030401	2	
27	Bush 15x18x43	-	-	-	-	GU91111511	4	
28	Adjuster screw	-	-	-	-	GU17034050	4	
29	Nut	-	-	-	-	GU10034100	4	
30	Spring	-	-	-	-	GU94322215	4	
31	Washer 15,2x26x1	-	-	-	-	GU90118152	8	
32	Washer 15,2x26x0,5	-	-	-	-	GU10032700	4	

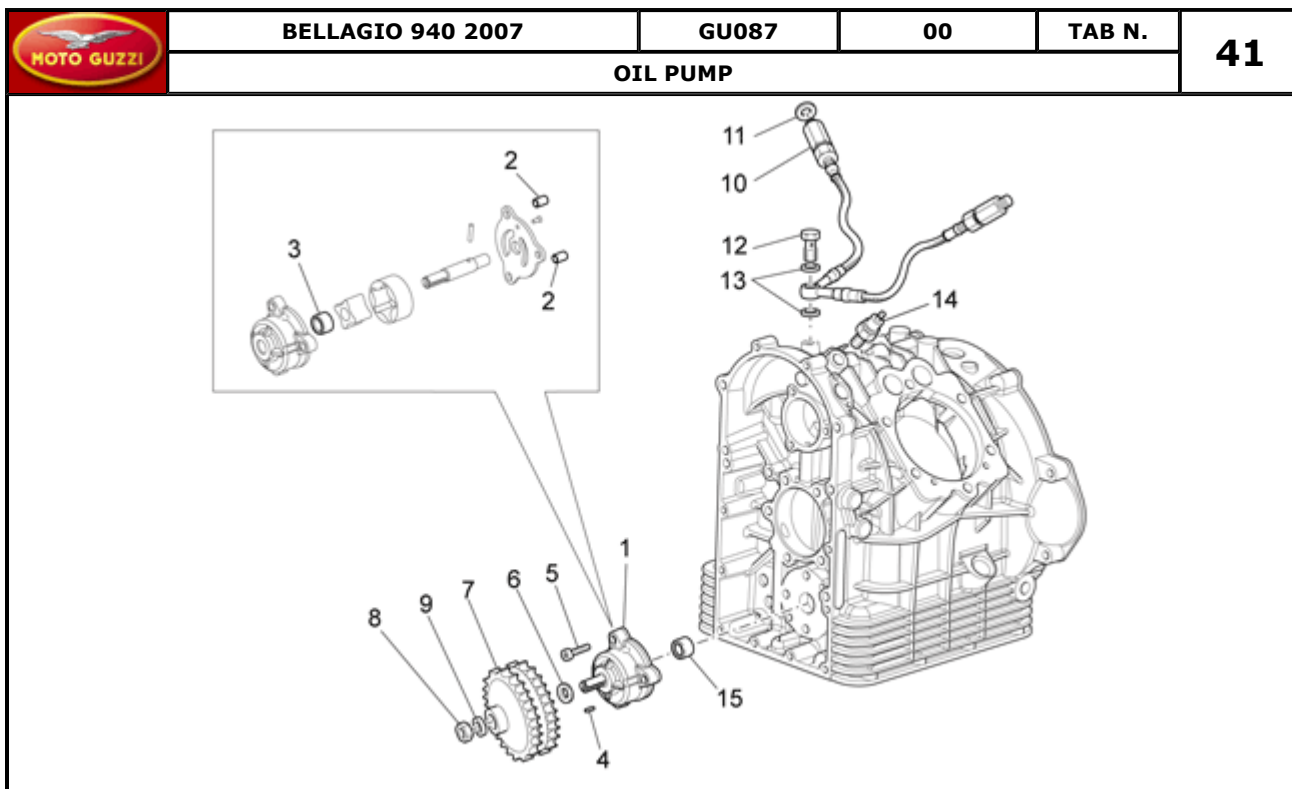
33	Rocker shaft	-	-	-	-	-	GU12031800	4
34	Hex screw M6X16	-	-	-	-	-	GU98084316	4
35	Washer 6,5x11x2	-	-	-	-	-	GU95120065	4
36	RH/LH head cover grey	-	-	-	-	-	976095	2
37	Insert	-	-	-	-	-	GU05023430	2
38	Cover gasket	-	-	-	-	-	976139	2
39	Screw M6x25	-	-	-	-	-	GU05025930	16
40	Washer 10,5X18X0,8	-	-	-	-	-	GU95129180	4
41	Screw	-	-	-	-	-	976144	4
42	Washer 14,2x31x1	-	-	-	1A	-	GU13037200	4
43	Washer 14,2x31x0,3	-	-	-	1A	-	GU14037300	10



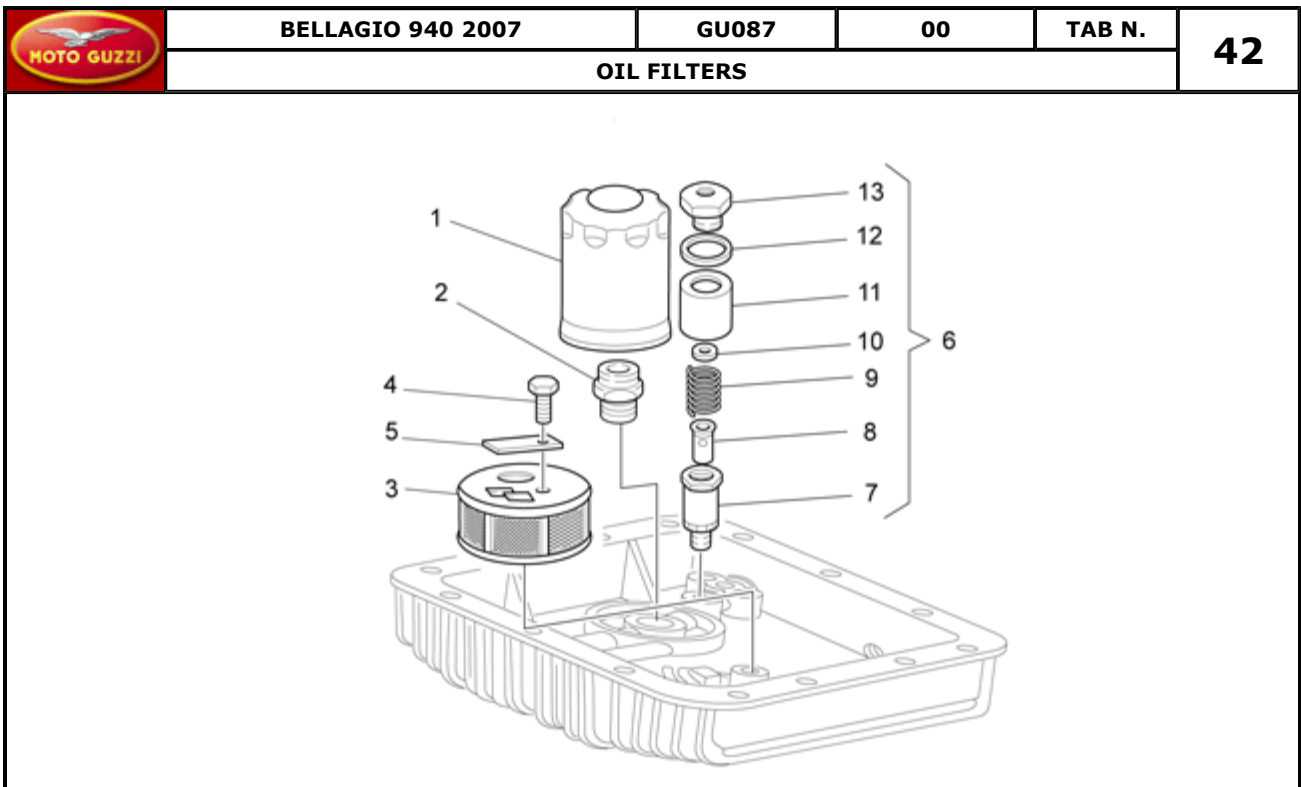
Pos.	Description	Year	I_M_	Country	Version	Code	Q.ty	P.Cod.
1	Cylinder with piston	-	-	-	-	981002	2	
2	Piston assy D.95	-	-	-	-	976371	2	
3	Pistonring set	-	-	-	-	976183	2	
4	Piston ring	-	-	-	-	976070	2	
5	Piston ring	-	-	-	-	976071	2	
6	Piston ring	-	-	-	-	976072	2	
7	Piston pin	-	-	-	-	GU30061241	2	
8	Stop ring	-	-	-	-	GU90351039	4	
9	Gasket	-	-	-	-	976064	2	
10	Screw TCEI M6x12	-	-	-	-	GU37067705	8	
11	Washer 6,4x10x0,7	-	-	-	-	GU14217901	8	
12	Stud bolt	-	-	-	-	976031	8	
13	Connecting rod cpl.	-	-	-	-	976006	2	
14	Connecting rod screw	-	-	-	-	849131	4	
16	Bearing half-shell 1,535-1,540	-	-	-	RS	976171	4	
	Bearing half-shell 1,539-1,544	-	-	-	BS	976172	4	
17	Crankshaft cpl.	-	-	-	-	976425	1	
18	Plug	-	-	-	-	976020	1	
19	Flywheel cpl.	-	-	-	-	GU04067000	1	
20	Screw w/ flange M8X25	-	-	-	-	976481	6	
21	Conical spring washer 8,2X15	-	-	-	-	976484	6	
22	Chain ring	-	-	-	-	GU01067930	1	
23	Rubber spacer	-	-	-	-	GU05025330	54	
24	Pin 11,8X10	-	-	-	-	825597	6	



Pos.	Description	Year	I_M_	Country	Version	Code	Q.ty	P.Cod.
1	Rocker arm rod	-	-	-	-	GU37045006	4	
2	Tappet	-	-	-	-	GU17045860	4	
3	Camshaft	-	-	-	-	GU05053331	1	
4	Pin	-	-	-	-	GU14234600	1	
5	Flange	-	-	-	-	GU01054001	1	
6	Hex screw M6x20	-	-	-	-	GU98084320	3	
7	Washer 6,5x11x2	-	-	-	-	GU95120065	3	
8	Wheel speed sensor, left front	-	-	-	-	GU01051730	1	
9	Timing system gear	-	-	-	-	GU05054532	1	
10	Spring washer 19x34x1,5	-	-	-	-	GU14433400	1	
11	Nut M18	-	-	-	-	GU92750180	1	
12	Pinion	-	-	-	-	GU14072001	1	
13	Washer 25,5x35x2	-	-	-	-	GU95100837	1	
14	Nut M25	-	-	-	-	GU92602525	1	
15	Transmission key	-	-	-	-	GU91702355	1	
16	Chain	-	-	-	-	GU05058030	1	
17	Chain guide plate	-	-	-	-	GU30058310	1	
18	Spring	-	-	-	-	GU30059211	1	


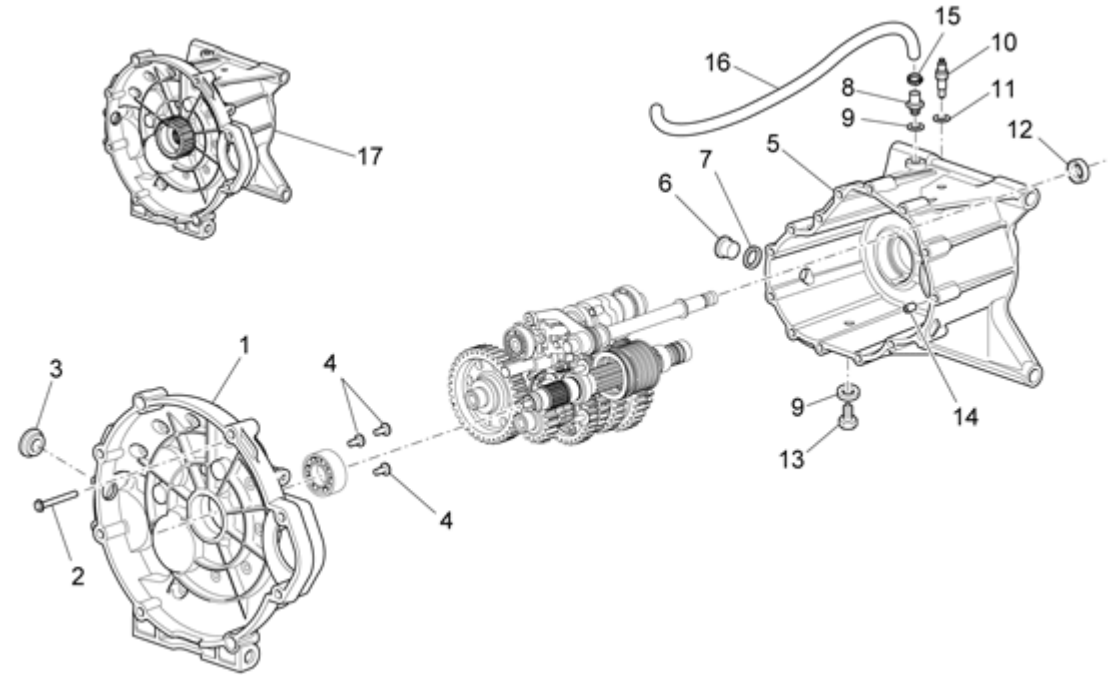



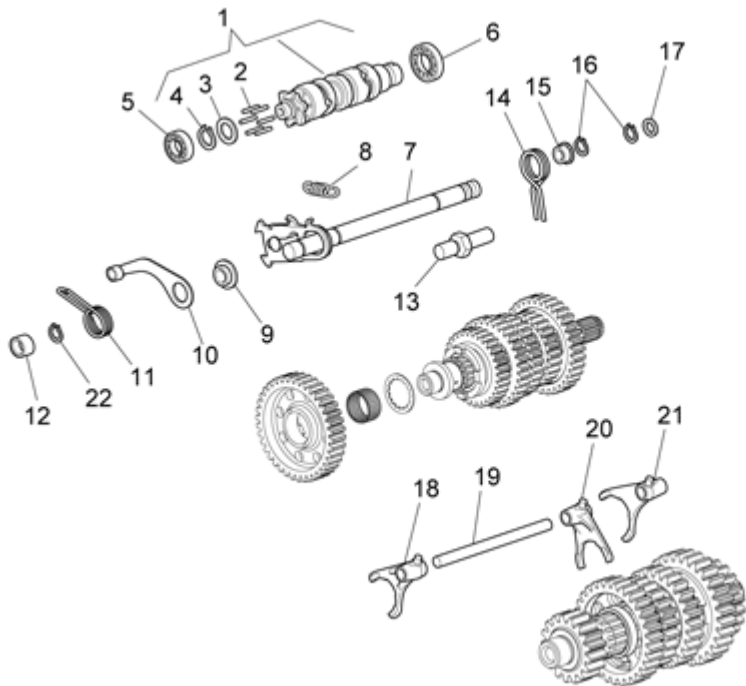
Pos.	Description	Year	I_M_	Country	Version	Code	Q.ty	P.Cod.
1	Oil pump	-	-	-	-	976134	1	
2	Locating dowel	-	-	-	-	277916	2	
3	Needle bearing 12x18x12	-	-	-	-	976165	1	
4	Transmission key	-	-	-	-	GU13148300	1	
5	Hex socket screw M6x30	-	-	-	-	GU98350330	3	
6	Fifth wheel	-	-	-	-	976448	1	
7	Oil pump gear	-	-	-	-	GU30147700	1	
8	Nut M10x1,25	-	-	-	-	GU92602510	1	
9	Washer 10,5x16x1	-	-	-	-	GU19149800	1	
10	Pipe	-	-	-	-	GU05153630	1	
11	Gasket	-	-	-	-	GU25656102	2	
12	Screw	-	-	-	-	GU95990037	1	
13	Gasket 8,25x15x1	-	-	-	-	GU12154200	2	
14	Pressure sensor	-	-	-	-	GU31768780	1	
15	Needle bearing 10x14x12	-	-	-	-	976168	1	


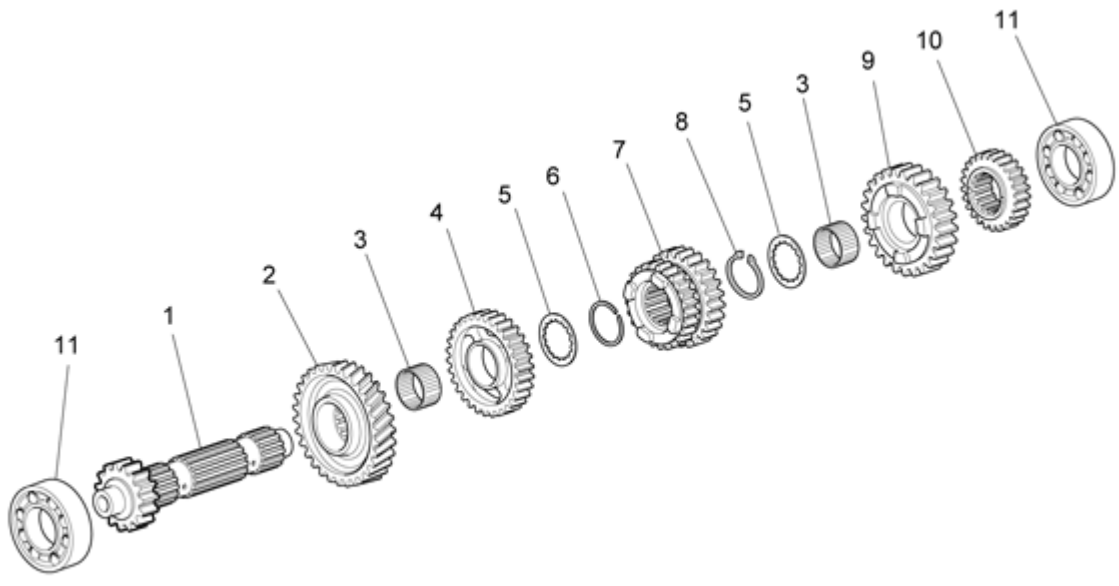



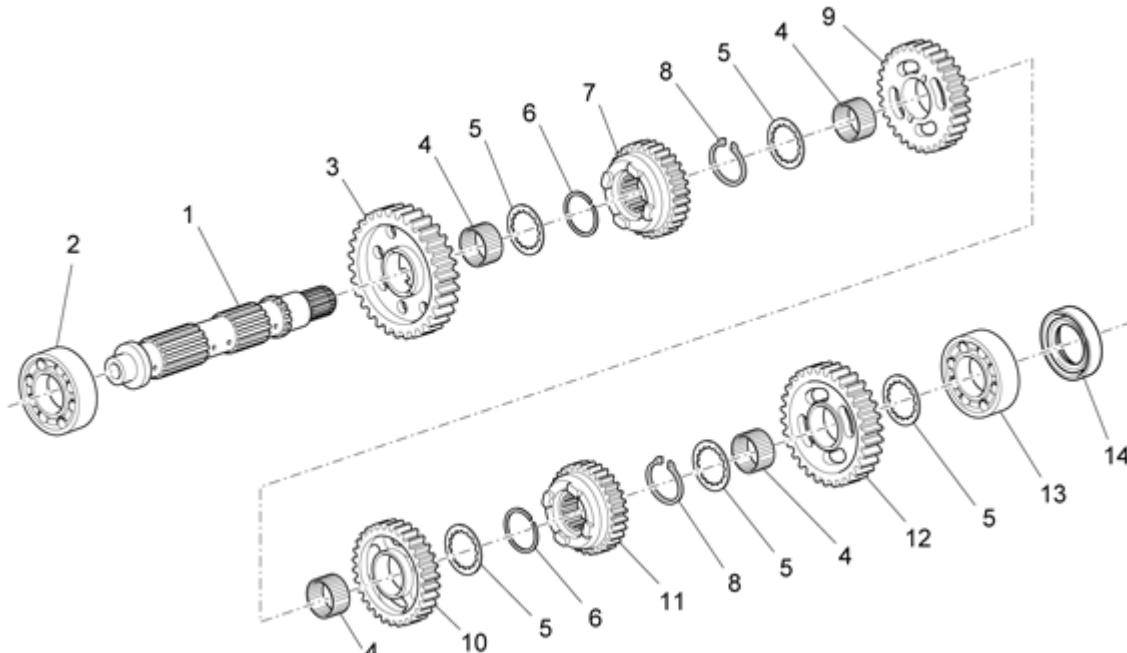
Pos.	Description	Year	I_M_	Country	Version	Code	Q.ty	P.Cod.
1	Oil filter	-	-	-	-	GU30153000	1	
2	Union	-	-	-	-	GU30003800	1	
3	Oil filter	-	-	-	-	GU14152200	1	
4	Hex screw M6X16	-	-	-	-	GU98084316	1	
5	Plate	-	-	-	-	GU95187006	1	
6	Oil valve cpl.	-	-	-	-	GU03158200	1	
7	Valve body	-	-	-	-	GU30158701	1	
8	Piston	-	-	-	-	GU30150900	1	
9	Spring	-	-	-	-	GU94321079	1	
10	Washer	-	-	-	-	GU30158900	1	
11	Cup	-	-	-	-	GU30158800	1	
12	Washer 18,25x24x1	-	-	-	-	GU18144350	1	
13	Plug	-	-	-	-	GU30159000	1	

BELLAGIO 940 2007		GU087		00		TAB N.		43	
CLUTCH									
Pos.	Description	Year	I_M_	Country	Version	Code	Q.ty	P.Cod.	
1	Clutch spring	-	-	-	RS	GU13084100	5		
	Clutch spring	-	-	-	-	GU04084100	5		
2	Disc	-	-	-	-	GU30082900	1		
3	Clutch plate complete	-	-	-	-	GU05084430	2		
4	Intermediate plate	-	-	-	-	GU12082300	1		
5	Cup	-	-	-	-	GU04082800	1		
6	Rod	-	-	-	-	GU05085730	1		
7	Bush	-	-	-	-	GU14085900	2		
8	Inner body	-	-	-	-	GU14086000	1		
9	Thrust bearing	-	-	-	-	GU12087001	1		
10	Clutch control cylinder	-	-	-	-	GU04086100	1		
11	O-ring 17,13x2,62	-	-	-	-	GU90706170	1		
12	Bush	-	-	-	-	GU05217630	1		
13	Clutch command cylinder	-	-	-	-	GU05086330	1		
14	Screw w/ flange M6x16*	-	-	-	-	AP8152278	3		

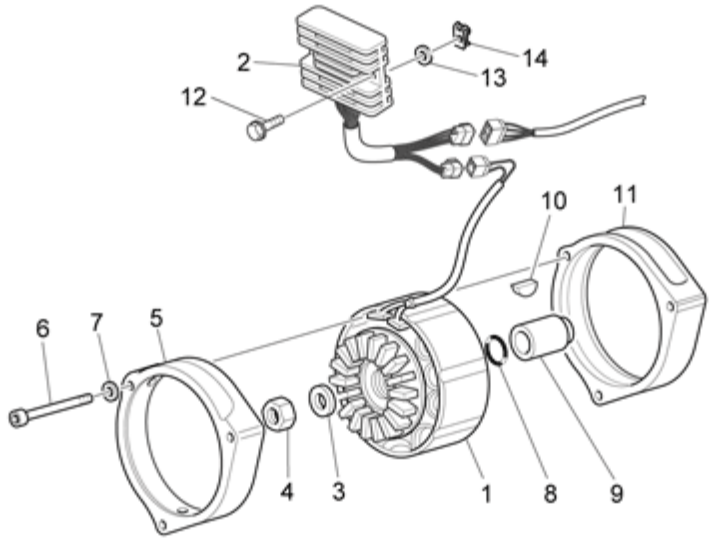
		BELLAGIO 940 2007	GU087	00	TAB N.	44			
TRANSMISSION CAGE									
									
Pos.	Description	Year	I_M_	Country	Version	Code	Q.ty	P.Cod.	
1	Clutch drum nero	-	-	-	-	976453	1		
2	Screw w/ flange M6x55	-	-	-	-	GU97202355	14		
3	Plug	-	-	-	-	GU93180220	1		
4	Hex socket screw M6X16	-	-	-	-	GU98370616	3		
5	Gearbox black	-	-	-	-	976452	1		
6	Oil plug M18x1,5	-	-	-	-	GU95980319	1		
7	Washer 18,25x24x1	-	-	-	-	GU18144350	1		
8	Breather plug	-	-	-	-	GU05204930	1		
9	Gasket 10x18x1,5	-	-	-	-	GU01528930	2		
10	Sensor	-	-	-	-	GU19207220	1		
11	Gasket 8,25x15x1	-	-	-	-	GU12154200	1		
12	Gasket ring 14x24x7	-	-	-	-	GU90401424	1		
13	Oil unload plug M10X1	-	-	-	-	GU31003766	1		
14	Bush 6,6x9x13	-	-	-	-	GU19002020	2		
15	Hose clamp D10,1*	-	-	-	-	AP8101595	1		
16	Fuel pipe 5,5x10	-	-	-	-	AP8120952	1		
17	Gear box assy	-	-	-	-	976926	1		

		BELLAGIO 940 2007	GU087	00	TAB N.	45		
GEAR BOX SELECTOR								
								
Pos.	Description	Year	I_M_	Country	Version	Code	Q.ty	P.Cod.
1	Shift cam cpl.	-	-	-	-	GU05234431	1	
2	Pin	-	-	-	-	GU05234631	6	
3	Spacer	-	-	-	-	GU05235531	1	
4	Circlip	-	-	-	-	GU90271022	1	
5	Ball bearing 17x35x10	-	-	-	-	GU92201117	1	
6	Ball bearing 25x42x9	-	-	-	-	GU92201025	1	
7	Preselection complete	-	-	-	-	GU05236231	1	
8	Spring	-	-	-	-	GU05238231	1	
9	Bush	-	-	-	-	GU05238431	1	
10	Lever Index	-	-	-	-	GU05234731	1	
11	Spring	-	-	-	-	GU05234130	1	
12	Spacer	-	-	-	-	GU05234230	1	
13	Fixing pin	-	-	-	-	GU05234931	1	
14	Spring	-	-	-	-	GU05238331	1	
15	Spacer	-	-	-	-	GU05238131	1	
16	Circlip	-	-	-	-	GU90271014	2	
17	Fifth wheel	-	-	-	-	GU05239330	1	
18	Fork 1a-3a	-	-	-	-	GU05230531	1	
19	Fork shaft	-	-	-	-	GU05232431	1	
20	Fork 5a-6a	-	-	-	-	GU05232631	1	
21	Fork 2a-4a	-	-	-	-	GU05230831	1	
22	Circlip	-	-	-	-	GU90353014	1	

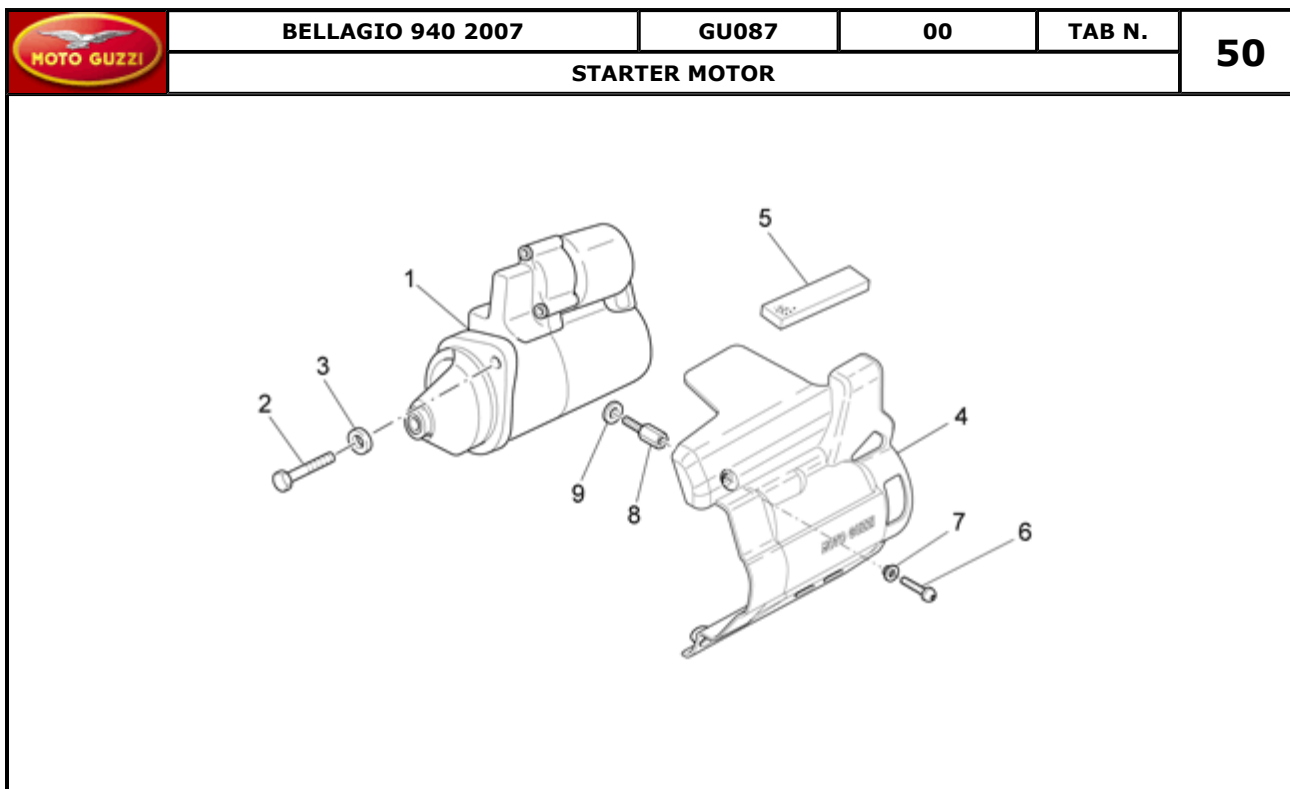
		BELLAGIO 940 2007	GU087	00	TAB N.	46				
PRIMARY GEAR SHAFT										
										
Pos.	Description	Year	I_M_	Country	Version	Code	Q.ty	P.Cod.		
1	Primary gear shaft Z=17	-	-	-	-	GU05210631	1			
2	Drive gears Z=35	-	-	-	-	GU06215600	1			
3	Roller cage 26x30x15,6	-	-	-	-	GU92252029	2			
4	Gear 5a Z=31	-	-	-	-	GU05212031	1			
5	Clearance washer	-	-	-	-	GU05214630	2			
6	Snap ring 30x1,2SW	-	-	-	-	GU90271230	1			
7	Gear 3a-4a Z=23-26	-	-	-	-	GU05211431	1			
8	Snap ring 30x27,9	-	-	-	-	GU90271030	1			
9	Gear 6a Z=29	-	-	-	-	GU05212631	1			
10	Gear 2a Z=20	-	-	-	-	GU05211331	1			
11	Ball bearing 20x52x15	-	-	-	-	GU92201822	2			

		BELLAGIO 940 2007	GU087	00	TAB N.	47		
DRIVEN SHAFT								
								
Pos.	Description	Year	I_M_	Country	Version	Code	Q.ty	P.Cod.
1	Driven shaft	-	-	-	-	GU05213631	1	
2	Ball bearing 20x52x15	-	-	-	-	GU92201822	1	
3	Gear 1a Z=38	-	-	-	-	GU05214231	1	
4	Roller cage 26x30x15,6	-	-	-	-	GU92252029	4	
5	Clearance washer	-	-	-	-	GU05214630	5	
6	Snap ring 30x1,2SW	-	-	-	-	GU90271230	2	
7	Gear 5a Z=30	-	-	-	-	GU05214031	1	
8	Snap ring 30x27,9	-	-	-	-	GU90271030	2	
9	Gear 3a Z=31	-	-	-	-	GU05214731	1	
10	Gear 4a Z=29	-	-	-	-	GU05215031	1	
11	Gear 6a Z=25	-	-	-	-	GU05220531	1	
12	Gear 2a Z=34	-	-	-	-	GU05214431	1	
13	Ball bearing 25x52x15	-	-	-	-	GU92201226	1	
14	Gasket ring 25X40X7	-	-	-	-	GU90412541	1	


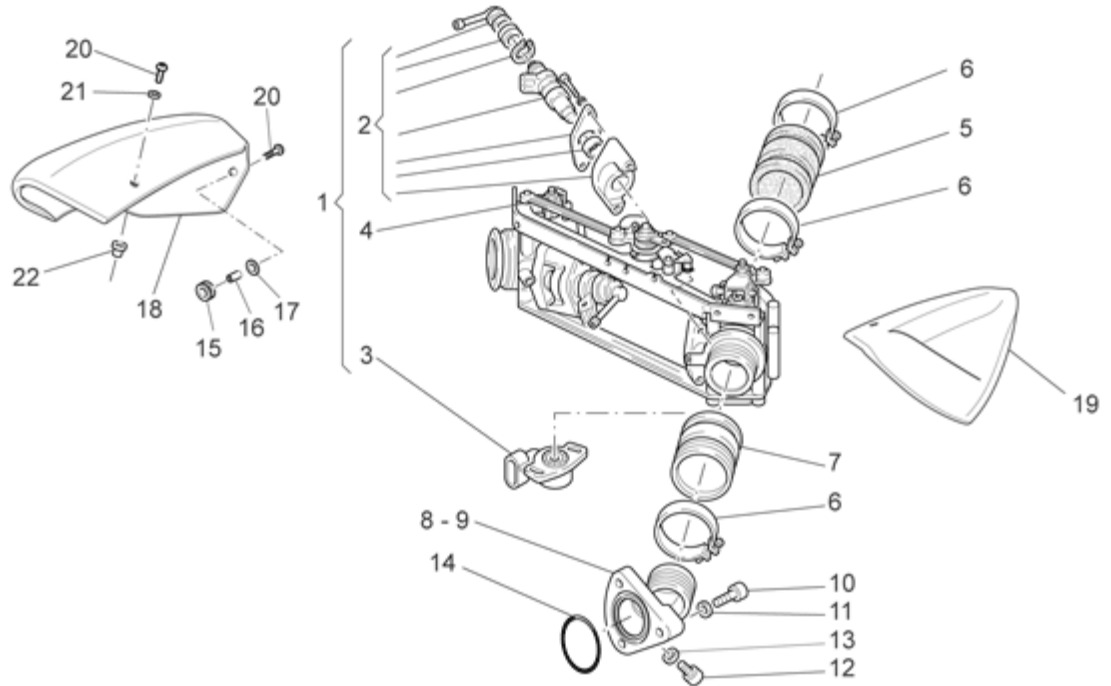
BELLAGIO 940 2007		GU087		00		TAB N.		48	
CLUTCH SHAFT									
Pos.	Description	Year	I_M_	Country	Version	Code	Q.ty	P.Cod.	
1	Clutch shaft	-	-	-	-	GU05210731	1		
2	O-ring 20,24X2,62	-	-	-	-	GU90706203	1		
3	Ball bearing 25x52x15	-	-	-	-	GU92201226	1		
4	Gasket ring 35x47x7	-	-	-	-	GU90403549	1		
5	Clutch gear	-	-	-	-	GU05081830	1		
6	Washer 22x20x3,9	-	-	-	-	GU95028022	1		
7	Ring nut	-	-	-	-	GU93601022	1		
8	Idle gear Z=24	-	-	-	-	GU06211100	1		
9	Snap ring 25x2	-	-	-	-	GU90271125	1		
10	Hose	-	-	-	-	GU05211231	1		
11	Washer	-	-	-	-	GU95129340	3		
12	Disc	-	-	-	-	GU05211030	1		
13	Belleville spring	-	-	-	-	GU05211530	8		
14	Disc	-	-	-	-	GU05211630	1		
15	Half ring	-	-	-	-	GU12211700	2		
16	Roller bearing 20x28x13	-	-	-	-	GU92232028	1		
17	Snap ring 28x30,1	-	-	-	-	GU90272028	1		


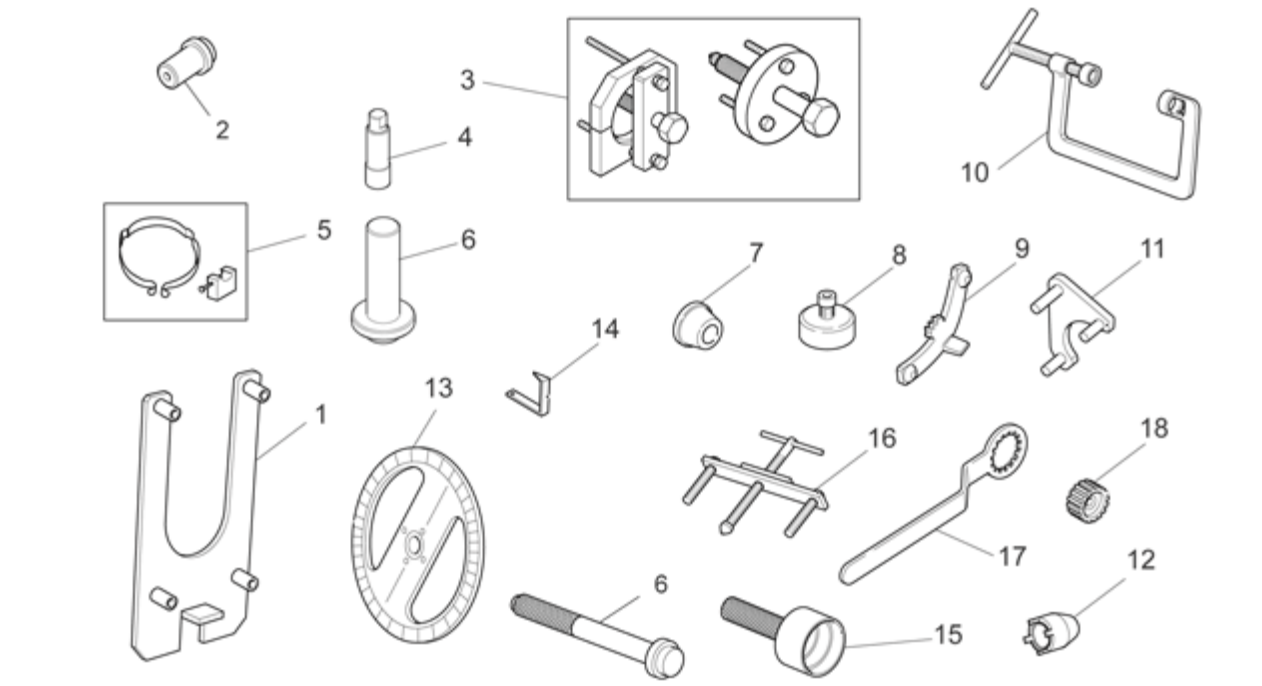
BELLAGIO 940 2007		GU087		00		TAB N.		49	
CURRENT GENERATOR									
									
Pos.	Description	Year	I_M_	Country	Version	Code	Q.ty	P.Cod.	

1	Ducati generator	-	-	-	-	GU32712411	1		
2	DUCATI regulator	-	-	-	-	GU32703810	1		
3	Washer 16,25x24,5x5	-	-	-	-	GU30714201	1		
4	Nut M16	-	-	-	-	GU92606516	1		
5	Front calotte	-	-	-	-	GU29711460	1		
6	Hex socket screw M5x65	-	-	-	-	GU98680265	3		
7	Washer 5,9X3X0,8	-	-	-	-	GU29217960	3		
8	O-ring 17,86X2,62	-	-	-	-	GU90706178	1		
9	Spacer	-	-	-	-	GU37712306	1		
10	Transmission key	-	-	-	-	GU91600450	1		
11	Rear cap	-	-	-	-	GU29711960	1		
12	Screw w/ flange M6x35	-	-	-	-	AP8152282	2		
13	Washer 6,4x12x1,2	-	-	-	-	GU95100141	2		
14	Clip M6	-	-	-	-	GU28576591	2		



Pos.	Description	Year	I_M_	Country	Version	Code	Q.ty	P.Cod.
1	Starter motor Bosch	-	-	-	-	GU05730730	1	
2	Screw M8X75	-	-	-	-	GU98082475	2	
3	Washer 8,4X15X1,5	-	-	-	-	GU95008208	2	
4	Cover chrime grey	-	-	-	-	GU05733330	1	
5	Adhesive sponge	-	-	-	-	AP8117200	1	
6	Hex socket screw M6x10	-	-	-	-	GU98370609	2	
7	Bush	-	-	-	-	AP8121032	2	
8	Stud bolt	-	-	-	-	GU03469201	1	
9	Washer 6,4x12	-	-	-	-	GU03013800	1	

		BELLAGIO 940 2007		GU087	00	TAB N.	51		
THROTTLE BODY									
									
Pos.	Description	Year	I_M_	Country	Version	Code	Q.ty	P.Cod.	
1	Throttle assy	-	-	-	-	GU03112560	1		
2	Injector kit complete	-	-	-	-	GU01530504	2		
3	Potentiometer	-	-	-	-	GU01530500	1		
4	Tie rod	-	-	-	-	GU29530562	2		
5	Hose	-	-	-	-	GU30114470	2		
6	Hose clamp 61/65,5	-	-	-	-	GU93305061	8		
7	Hose	-	-	-	-	GU03114370	2		
8	RH manifold	-	-	-	-	976026	1		
9	LH manifold	-	-	-	-	976049	1		
10	Hex socket screw M6x25	-	-	-	-	GU98682325	6		
11	Washer 6,4x10x0,7	-	-	-	-	GU14217901	6		
12	Screw M6x10	-	-	-	-	GU98310609	2		
13	Washer 6,25x10x1,5	-	-	-	-	GU95100116	2		
14	O-ring 46,04x3,53	-	-	-	-	GU90706461	2		
15	Rubber spacer *	-	-	-	-	AP8120405	2		
16	Pin	-	-	-	-	977476	2		
17	Spring washer 5,3X10X0,5	-	-	-	-	GU95129100	2		
18	RH cover black	-	-	-	-	978390	1		
19	LH cover black	-	-	-	-	978391	1		
20	Hex socket screw M5x20	-	-	-	-	GU98370520	4		
21	Nylon washer 5,5X12X1	-	-	-	-	GU30577800	4		
22	Rubber spacer	-	-	-	-	GU93232005	2		

		BELLAGIO 940 2007	GU087	00	TAB N.	52		
SPECIFIC TOOLS I								
								
Pos.	Description	Year	I_M_	Country	Version	Code	Q.ty	P.Cod.
1	Gearbox housing support	-	-	-	-	GU05902530	1	
2	Seal ring onto tim.syst.cover	-	-	-	-	GU14927200	1	
3	Gearbox opening tool	-	-	-	-	GU05912530	1	
4	Spark plug key	-	-	-	-	GU05901930	1	
5	Piston ring clamp	-	-	-	-	GU05928030	1	
6	Punch seal front fork sleeve	-	-	-	-	GU14929100	1	
7	Flange flywheel side	-	-	-	-	GU12912000	1	
8	Seal ring onto flange fly.side	-	-	-	-	GU14927100	1	
9	Lock flywh.starter motor gear	-	-	-	-	GU12911801	1	
10	Valve removaland fitting	-	-	-	-	GU10907200	1	
11	Clamping the camshaftgearing	-	-	-	-	GU14927300	1	
12	Clutch hub ring nut wrench	-	-	-	-	GU05912630	1	
13	Index plate tim.sett./ign.cont	-	-	-	-	GU19929600	1	
14	Arrow tim.set.ignition control	-	-	-	-	GU17947560	1	
15	Seal ring flange flywheel side	-	-	-	-	GU19927100	1	
16	Flange removal flywheel side	-	-	-	-	GU12913600	1	
17	Locking clutchinternal body	-	-	-	-	GU30912810	1	
18	Tool for clutch assembly	-	-	-	-	GU30906510	1	

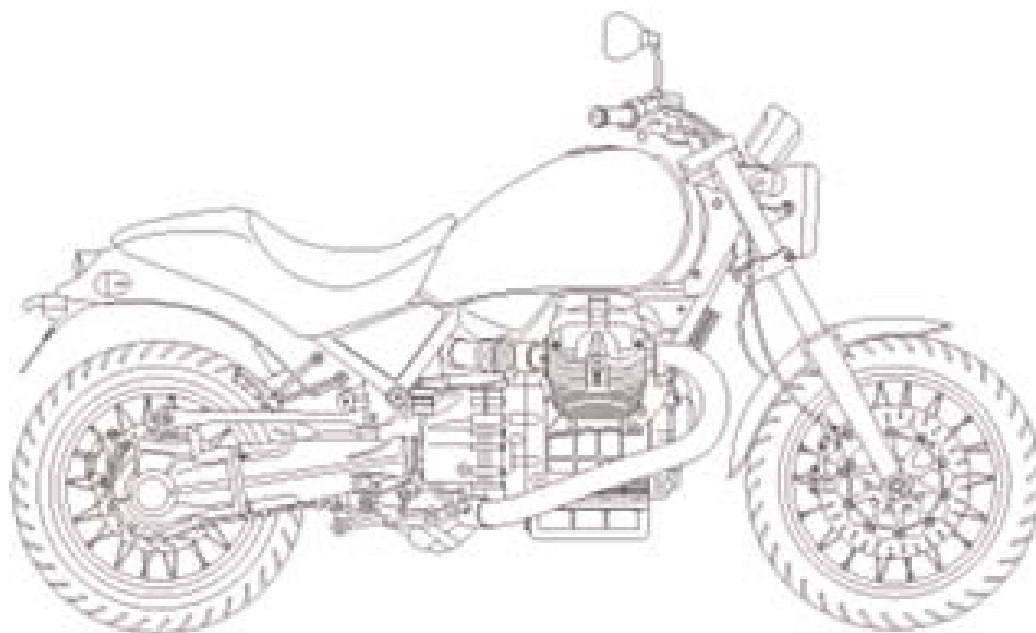
MOTO GUZZI		BELLAGIO 940 2007		GU087		00		TAB N.		53
SPECIFIC TOOLS II										
Pos.	Description	Year	I_M_	Country	Version	Code	Q.ty	P.Cod.		
1	Transmission box support	-	-	-	-	GU05902730	1			
2	Bevel gears support	-	-	-	-	GU05902736	1			
3	Handle for drifts	-	-	-	-	GU05902732	1			
4	Ball joint seal drift	-	-	-	-	GU05902733	1			
5	Transmis.box oil seal drift 85	-	-	-	-	GU05902731	1			
6	Sprocket oil seal drift 45x58	-	-	-	-	GU05902735	1			
7	Wrench for sprocket ring nut	-	-	-	-	GU05902734	1			



PIAGGIO & C.s.p.a.



CATALOGUE DE PIÈCES DE RECHANGE



Bellagio 940 2007-2009

Préfixe du cadre: ZGULY000, ZGULYA00

Préfixe du moteur:

BELLAGIO

GU087



Index

Produits finis.....	4
Index alphanumérique.....	5
CHASSIS.....	11
Tableau 33.01 - Chassis.....	11
Tableau 33.02 - Béquille.....	13
Tableau 33.03 - Repose-Pieds I.....	14
Tableau 33.04 - Repose-Pieds II.....	15
Tableau 33.05 - Levier boîte de vitesses.....	16
Tableau 33.06 - Fourche Av. I.....	17
Tableau 33.07 - Fourche Av. II.....	18
Tableau 33.08 - Fourche arriere.....	21
Tableau 33.09 - Transmission cpl.....	22
Tableau 33.10 - Trans.cpl.-Vitesses.....	23
Tableau 33.11 - Trans.cpl.-Couple conique.....	24
Tableau 33.12 - Bielle et der. Amortisseur.....	25
Tableau 33.13 - Réservoir essence.....	26
Tableau 33.14 - Selle-Carosserie cent.....	28
Tableau 33.15 - Garde-boue Av.....	30
Tableau 33.16 - Carr. Arrière - Qu.Car.....	31
Tableau 33.17 - Tableau de bord.....	32
Tableau 33.18 - Guidon - Commandes.....	33
Tableau 33.19 - Maît. cyl. frein AV.....	34
Tableau 33.20 - Commande embrayage cpl.....	35
Tableau 33.21 - Installation Blow-by.....	36
Tableau 33.22 - Alimentation.....	37
Tableau 33.23 - Pompe ess. interne.....	38
Tableau 33.24 - Corps filtre.....	39
Tableau 33.25 - Groupe echappement.....	40
Tableau 33.26 - Roue Av. I.....	42
Tableau 33.27 - Pince frein avant.....	43
Tableau 33.28 - Roue arrière I.....	44
Tableau 33.29 - Maît.cyl. frein AR.....	45
Tableau 33.30 - Pince frein AR.....	46
Tableau 33.31 - Feu AV/Klaxon.....	47
Tableau 33.32 - Feu arrière.....	48
Tableau 33.33 - Circuit électrique I.....	49
Tableau 33.34 - Circuit électrique II.....	51
Tableau 33.35 - Kit serrure.....	52
Tableau 33.36 - Plaquettes-decal.....	53
Tableau 33.55 - Roue arrière II.....	55
MOTEUR.....	56
Tableau 34.37 - Carter.....	56
Tableau 34.38 - Culasse et soupapes.....	58



Tableau 34.39 - Arbre moteur cpl.....	60
Tableau 34.40 - Distribution.....	61
Tableau 34.41 - Pompe huile.....	62
Tableau 34.42 - Filtres à huile.....	63
Tableau 34.43 - Embrayage.....	64
Tableau 34.44 - Carter de boîte vitesses.....	65
Tableau 34.45 - Selecteur boîte de vitesses.....	66
Tableau 34.46 - ARBRE PRIMAIRE BOITE DE VITESSES.....	67
Tableau 34.47 - Arbre secondaire.....	68
Tableau 34.48 - Arbre embrayage.....	69
Tableau 34.49 - Générateur de courant.....	70
Tableau 34.50 - Démarreur.....	71
Tableau 34.51 - Corps à papillon.....	72
OUTILLAGE SPECIAL.....	74
Tableau 36.52 - Specific tools I.....	74
Tableau 36.53 - Specific tools II.....	75



BELLAGIO
GU087 - Bellagio 940 2007-2009

Préfixe du cadre: ZGULY000, ZGULYA00
Préfixe du moteur:

Produits finis

Code	Validité
GU9032588AU801	
GU9032588EU801	
GU9032588GB801	



Code	N° de tableau	Pos.	Code	N° de tableau	Pos.	Code	N° de tableau	Pos.
0000000	33.26	14	976449	34.37	1	97834000YR1	33.16	1
0000000	33.26	15	976450	34.37	15	978340NG	33.16	1
0000000	33.26	16	976451	34.37	26	978340NG	33.16	1
0000000	33.28	12	976452	34.44	5	978346	33.36	11
0000000	33.28	13	976453	34.44	1	978348	33.09	1
0000000	33.55	2	976481	34.39	20	978350	33.08	1
224202	34.38	8	976484	34.39	21	978356	33.28	9
277916	34.41	2	976521	33.25	22	978358	33.02	1
639542	33.02	3	976522	33.25	11	978360	33.27	1
825597	34.38	9	976523	33.25	12	978361	33.27	2
825597	34.39	24	976688	34.41	17	978362	33.19	6
849131	34.39	14	976923	34.37	38	978364	33.30	10
851998	33.18	5	976926	34.44	17	978366	33.33	1
883045	33.09	7	977004	33.06	1	978366	33.34	1
883046	33.09	2	977024	33.26	8	978368	33.33	2
883114	33.12	1	977041	33.29	14	978369	33.25	13
883114	33.12	1	977056	33.28	5	978370	33.25	23
883255	33.13	17	977056	33.55	5	978373	33.31	10
883255	33.13	17	977080	33.02	2	978374	33.31	11
883256	33.13	16	977180	34.51	18	978376	33.17	2
883256	33.13	16	977181	34.51	19	978377	33.17	4
883269	33.36	17	977388	33.33	15	978381	33.18	11
883271	33.36	19	977389	33.35	1	978382	33.18	12
883272	33.36	18	977476	34.51	16	978390	34.51	18
883688	33.26	8	977527	33.14	14	978390	34.51	18
883802	33.18	13	977527	33.35	4	978391	34.51	19
883802	33.18	15	977528	33.17	9	978391	34.51	19
884081	33.26	1	977528	33.35	2	978414	33.30	1
884082	33.55	1	977662	33.25	1	978415	33.35	9
886141	33.36	20	977663	33.25	2	978434	33.29	1
886142	33.36	21	977699	33.01	18	978435	33.29	6
886143	33.36	22	977769	33.34	13	978461	33.21	4
886144	33.36	23	977772	33.34	14	978467	33.04	1
88615300NG	33.13	1	977790	33.01	1	978472	33.03	14
88615500NG	33.15	1	977809	33.01	7	978473	33.04	4
886944	33.36	24	977872	33.12	1	978505	33.34	11
887081	33.26	6	978224	33.03	1	978506	33.25	24
887082	33.55	8	978225	33.03	4	978508	33.36	4
887083	33.55	9	978250	33.14	6	978509	33.36	5
976006	34.39	13	978251	33.14	7	978516	33.26	5
976020	34.39	18	978295	33.14	1	978520	33.36	13
976026	34.51	8	978303	33.26	12	978526	33.01	27
976031	34.39	12	978304	33.26	13	978540	33.25	17
976049	34.51	9	978305	33.26	2	978551	33.36	6
976052	34.38	20	978306	33.26	6	978552	33.36	1
976064	34.39	9	978307	33.26	7	978554	33.33	11
976070	34.39	4	978308	33.26	1	978568	33.05	9
976071	34.39	5	978309	33.15	2	978580	33.16	11
976072	34.39	6	978310	33.18	1	978588	33.21	9
976079	34.38	1	978311	33.31	1	978606	33.19	1
976080	34.38	2	978312	33.24	1	978607	33.20	1
976095	34.38	36	978320	33.21	1	978609	33.28	1
976107	34.38	3	978324	33.17	1	978610	33.28	2
976134	34.41	1	978335	33.16	5	978611	33.28	8
976139	34.38	38	978336	33.16	4	978632	33.01	22
976144	34.38	41	978337	33.14	2	978662	33.31	1
976152	34.38	4	97833700EE	33.14	2	978683	33.28	11
976153	34.38	22	97833700YR1	33.14	2	978697	33.28	10
976165	34.41	3	978337NG	33.14	2	978810	33.55	10
976168	34.41	15	978337NG	33.14	2	978811	33.55	11
976171	34.39	16	978338	33.14	3	978814	33.55	14
976172	34.39	16	97833800EE	33.14	3	978815	33.55	8
976181	34.38	10	97833800YR1	33.14	3	978816	33.55	9
976183	34.39	3	978338NG	33.14	3	978818	33.55	1
976371	34.39	2	978338NG	33.14	3	981002	34.39	1
976425	34.39	17	978340	33.16	1	981003	33.27	6
976448	34.41	6	97834000EE	33.16	1	981004	33.27	5



Code	N° de tableau	Pos.	Code	N° de tableau	Pos.	Code	N° de tableau	Pos.
981046	33.20	2	AP8127703	33.18	2	AP8152339	33.16	2
981050	33.19	2	AP8133502	33.27	4	AP8152396	33.12	16
981115	34.42	14	AP8133594	33.20	8	AP8152397	33.12	9
983036	33.14	1	AP8133595	33.30	8	AP8152398	33.12	2
983036	33.14	1	AP8133596	33.30	9	AP8152409	33.03	11
AP8101586	33.21	16	AP8133597	33.30	7	AP8152409	33.04	13
AP8101595	33.29	5	AP8133908	33.27	7	AP8152410	33.09	3
AP8101595	34.44	15	AP8133962	33.19	7	AP8152482	33.12	15
AP8101744	33.55	14	AP8133962	33.30	11	AP8201124	33.01	19
AP8101861	33.04	11	AP8134378	33.25	27	AP8201358	33.21	8
AP8102375	33.14	5	AP8134448	33.16	6	AP8201808	33.30	13
AP8102375	33.16	3	AP8134451	33.04	9	AP8202238	33.30	12
AP8102524	33.02	9	AP8134829	33.04	8	AP8212588	33.34	16
AP8102913	33.14	16	AP8135608	33.12	8	AP8220162	33.01	28
AP8110066	33.12	5	AP8135924	33.12	4	AP8221023	33.17	7
AP8110068	33.12	6	AP8144007	33.05	7	AP8221023	33.33	6
AP8112811	33.34	9	AP8144007	33.29	25	AP8221145	33.29	11
AP8112996	33.29	27	AP8144071	33.25	28	AP8221160	33.01	12
AP8113081	33.29	16	AP8144222	33.07	6	AP8221204	33.02	10
AP8113082	33.29	17	AP8144553	33.34	7	AP8221211	33.02	11
AP8113288	33.29	3	AP8144707	33.01	26	AP8221242	33.17	3
AP8113627	33.27	3	AP8144707	33.31	21	AP8221277	33.03	8
AP8113993	33.19	5	AP8145034	33.03	5	AP8221307	33.01	9
AP8113993	33.20	4	AP8145035	33.03	12	AP8224164	33.16	8
AP8113995	33.19	3	AP8150248	33.16	10	GU00823923140	33.02	15
AP8113997	33.20	5	AP8150292	33.02	7	GU00823931055	33.13	22
AP8113998	33.20	6	AP8150292	33.12	13	GU00823931070	33.14	12
AP8114487	33.14	15	AP8150432	33.01	11	GU00823944050	33.13	24
AP8117200	33.34	5	AP8150462	33.05	5	GU00823944050	33.24	14
AP8117200	34.50	5	AP8150462	33.29	22	GU00823952080	33.22	6
AP8118492	33.18	9	AP8152001	33.02	8	GU00823956080	33.21	7
AP8118502	33.18	8	AP8152043	33.17	13	GU01037030	34.38	10
AP8118503	33.18	10	AP8152147	33.12	12	GU01038060	34.38	13
AP8118579	33.18	3	AP8152242	33.09	5	GU01038160	34.38	14
AP8120030	33.17	8	AP8152267	33.16	7	GU01051730	34.40	8
AP8120030	33.33	5	AP8152273	33.22	2	GU01054001	34.40	5
AP8120177	33.34	6	AP8152277	33.03	9	GU01067930	34.39	22
AP8120178	33.29	13	AP8152277	33.04	12	GU01106090	33.23	2
AP8120405	33.14	13	AP8152277	33.34	12	GU01106692	33.22	4
AP8120405	34.51	15	AP8152278	33.20	11	GU01107490	33.23	4
AP8120485	33.11	7	AP8152278	33.29	12	GU01108490	33.23	5
AP8120912	33.05	3	AP8152278	34.43	14	GU01132330	33.18	16
AP8120912	33.29	20	AP8152279	33.17	5	GU01132830	33.18	18
AP8120952	34.44	16	AP8152279	33.29	4	GU01517700	33.06	8
AP8121032	34.50	7	AP8152279	33.31	20	GU01528930	33.10	13
AP8121072	33.25	29	AP8152279	33.33	4	GU01528930	33.10	8
AP8121098	33.11	6	AP8152280	34.37	16	GU01528930	34.44	9
AP8121133	33.04	10	AP8152282	33.33	7	GU01530500	34.51	3
AP8121155	33.12	10	AP8152282	34.37	17	GU01530504	34.51	2
AP8121170	33.25	20	AP8152282	34.49	12	GU01576530	33.01	20
AP8121218	33.09	4	AP8152286	33.01	16	GU01603480	33.18	7
AP8121221	33.05	2	AP8152286	33.26	9	GU01609630	33.18	14
AP8121221	33.29	19	AP8152287	34.37	18	GU01721600	33.33	18
AP8121223	33.05	6	AP8152291	34.37	37	GU01722700	33.33	20
AP8121223	33.29	24	AP8152298	34.38	21	GU01722701	33.33	20
AP8121420	33.35	8	AP8152299	33.14	9	GU01722702	33.33	20
AP8121567	33.03	10	AP8152299	33.31	22	GU01722703	33.33	20
AP8121882	33.17	15	AP8152301	33.01	8	GU01722704	33.33	20
AP8121915	33.19	8	AP8152301	33.12	11	GU01722705	33.33	20
AP8121915	33.20	9	AP8152301	33.25	18	GU01731760	33.34	15
AP8121915	33.30	6	AP8152306	33.16	9	GU01743791	33.31	19
AP8121927	33.29	23	AP8152306	33.32	17	GU02517700	34.37	8
AP8121994	33.02	6	AP8152318	33.08	2	GU03001600	34.37	21
AP8124936	33.33	31	AP8152320	33.30	2	GU03007260	33.21	2
AP8124976	33.32	19	AP8152329	33.29	10	GU03013800	33.24	7
AP8125777	33.26	3	AP8152329	33.34	4	GU03013800	34.50	9
AP8127098	33.32	13	AP8152339	33.14	4	GU03100270	33.13	1



Code	N° de tableau	Pos.	Code	N° de tableau	Pos.	Code	N° de tableau	Pos.
GU0310027000EE	33.13	1	GU03530528	33.07	38	GU05217630	34.43	12
GU0310027000YR1	33.13	1	GU03530529	33.07	41	GU05220531	34.47	11
GU03100270NG	33.13	1	GU03530530	33.07	42	GU05230531	34.45	18
GU03101600	33.13	8	GU03530531	33.07	44	GU05230831	34.45	21
GU03101720	33.13	9	GU03530532	33.07	45	GU05232431	34.45	19
GU03101900	33.13	4	GU03530533	33.07	46	GU05232631	34.45	20
GU03102200	33.13	7	GU03530534	33.07	47	GU05234130	34.45	11
GU03102400	33.13	6	GU03530535	33.07	48	GU05234230	34.45	12
GU03103070	33.23	3	GU03530536	33.07	48	GU05234431	34.45	1
GU03103200	33.13	10	GU03530537	33.07	48	GU05234631	34.45	2
GU03103500	33.13	5	GU03530538	33.07	49	GU05234731	34.45	10
GU03104370	33.13	23	GU03530539	33.07	50	GU05234931	34.45	13
GU03106170	33.23	6	GU03530540	33.07	51	GU05235531	34.45	3
GU03106400	33.13	2	GU03530541	33.07	54	GU05236231	34.45	7
GU03107270	33.22	1	GU03602760	33.18	4	GU05238131	34.45	15
GU03107270	33.23	1	GU03604845	33.20	3	GU05238231	34.45	8
GU03112560	34.51	1	GU03609600	33.18	14	GU05238331	34.45	14
GU03114370	34.51	7	GU03614101	33.26	10	GU05238431	34.45	9
GU03158200	34.42	6	GU03658201	33.19	13	GU05239330	34.45	17
GU03163330	33.33	24	GU03658430	33.19	12	GU05256930	33.05	10
GU03270300	33.01	25	GU03740930	33.32	6	GU05326330	33.09	6
GU03270300	33.25	7	GU03749845	33.19	9	GU05351230	33.10	2
GU0343436500EE	33.15	1	GU04067000	34.39	19	GU05352430	33.11	2
GU0343436500YR1	33.15	1	GU04082800	34.43	5	GU05354230	33.11	1
GU03434365NG	33.15	1	GU04084100	34.43	1	GU05358030	33.10	6
GU03462801	33.13	19	GU04086100	34.43	10	GU05358130	33.10	5
GU03469200	33.01	13	GU05001230	34.37	14	GU05358230	33.10	7
GU03469201	34.50	8	GU05011830	34.37	34	GU05358330	33.10	1
GU03472460	33.13	16	GU05023430	34.38	37	GU05358530	33.10	15
GU03472960	33.13	17	GU05025330	34.39	23	GU05358630	33.10	16
GU03490270	33.06	1	GU05025331	34.38	17	GU05421430	33.01	2
GU03490611	33.07	52	GU05025930	34.38	39	GU05421530	33.01	3
GU03490711	33.07	53	GU05036030	34.38	6	GU05425530	33.01	15
GU03493100	33.07	1	GU05036131	34.38	5	GU05547030	33.08	6
GU03493145	33.07	1	GU05053331	34.40	3	GU05547130	33.08	5
GU03494000	33.07	11	GU05054532	34.40	9	GU05547930	33.08	8
GU03494045	33.07	11	GU05058030	34.40	16	GU05548030	33.08	3
GU03498100	33.07	8	GU05081830	34.48	5	GU05560330	33.12	3
GU03522501001	33.07	39	GU05084430	34.43	3	GU05562030	33.12	7
GU03522601001	33.07	43	GU05085730	34.43	6	GU05562430	33.12	14
GU03525400	33.07	19	GU05086330	33.20	10	GU05603331	33.18	6
GU03526600	33.07	18	GU05086330	34.43	13	GU05606530	33.20	7
GU03526601	33.07	55	GU05121630	33.25	10	GU05606630	33.20	12
GU03530504	33.07	12	GU05124230	33.25	14	GU05632730	33.28	3
GU03530505	33.07	13	GU05124330	33.25	16	GU05632730	33.55	3
GU03530506	33.07	14	GU05128230	33.25	21	GU05635730	33.28	6
GU03530507	33.07	15	GU05153630	34.41	10	GU05635730	33.55	6
GU03530508	33.07	16	GU05204930	34.44	8	GU05638130	33.11	9
GU03530509	33.07	17	GU05206530	33.10	12	GU05654630	33.30	3
GU03530510	33.07	20	GU05210631	34.46	1	GU05659030	33.30	5
GU03530511	33.07	21	GU05210731	34.48	1	GU05659130	33.30	4
GU03530512	33.07	22	GU05211030	34.48	12	GU05661130	33.19	4
GU03530513	33.07	23	GU05211231	34.48	10	GU05663530	33.29	7
GU03530514	33.07	24	GU05211331	34.46	10	GU05666030	33.29	9
GU03530515	33.07	25	GU05211431	34.46	7	GU05704531	33.34	2
GU03530516	33.07	26	GU05211530	34.48	13	GU05704630	33.34	3
GU03530517	33.07	27	GU05211630	34.48	14	GU05716530	33.33	8
GU03530518	33.07	28	GU05212031	34.46	4	GU05717030	33.33	17
GU03530519	33.07	29	GU05212631	34.46	9	GU05729230	33.33	3
GU03530520	33.07	30	GU05213631	34.47	1	GU05730730	34.50	1
GU03530521	33.07	31	GU05214031	34.47	7	GU05733330	34.50	4
GU03530522	33.07	32	GU05214231	34.47	3	GU05747830	33.34	8
GU03530523	33.07	33	GU05214431	34.47	12	GU05900130	33.36	12
GU03530524	33.07	34	GU05214630	34.46	5	GU05901930	36.52	4
GU03530525	33.07	35	GU05214630	34.47	5	GU05902530	36.52	1
GU03530526	33.07	36	GU05214731	34.47	9	GU05902730	36.53	1
GU03530527	33.07	37	GU05215031	34.47	10	GU05902731	36.53	5



Code	N° de tableau	Pos.	Code	N° de tableau	Pos.	Code	N° de tableau	Pos.
GU05902732	36.53	3	GU14433400	34.40	10	GU30153000	34.42	1
GU05902733	36.53	4	GU14439800	33.31	7	GU30158701	34.42	7
GU05902734	36.53	7	GU14516700	33.06	4	GU30158800	34.42	11
GU05902735	36.53	6	GU14517000	33.06	5	GU30158900	34.42	10
GU05902736	36.53	2	GU14609650	33.02	16	GU30159000	34.42	13
GU05909930	33.36	10	GU14609650	33.21	10	GU30217900	33.01	5
GU05912530	36.52	3	GU14609650	33.33	16	GU30217900	33.02	14
GU05917530	33.36	7	GU14609650	33.34	17	GU30461360	33.01	23
GU05926030	33.36	14	GU14615901	33.01	30	GU30513401	33.06	2
GU05928030	36.52	5	GU14615901	33.04	3	GU30516500	33.06	3
GU05944530	33.36	16	GU14615901	33.25	4	GU30577800	34.51	21
GU05944930	33.36	9	GU14615901	34.37	4	GU30611460	33.28	7
GU06211100	34.48	8	GU14616150	33.55	13	GU30611460	33.55	7
GU06215600	34.46	2	GU14717600	33.33	13	GU30714201	34.49	3
GU06250900	33.05	1	GU14912603	36.52	18	GU30717061	33.33	14
GU06409800	33.01	21	GU14927100	36.52	8	GU30728230	33.33	27
GU06677000	33.29	18	GU14927200	36.52	2	GU30729330	33.33	26
GU06717400	33.33	12	GU14927300	36.52	11	GU30906510	36.52	12
GU06751600	33.31	15	GU14929100	36.52	6	GU30912810	36.52	17
GU06751600	33.32	1	GU17034050	34.38	28	GU30944300	33.36	8
GU06765400	33.17	12	GU17045860	34.40	2	GU30970200	33.36	15
GU06765500	33.17	14	GU17661052	33.29	8	GU31003766	33.10	9
GU06917300	33.36	3	GU17947560	36.52	14	GU31003766	34.44	13
GU06917400	33.36	2	GU18001150	34.37	20	GU31103565	33.13	13
GU10032700	34.38	32	GU18144350	33.21	3	GU31740383	33.31	2
GU10034100	34.38	29	GU18144350	34.42	12	GU31768780	34.41	14
GU10907200	36.52	10	GU18144350	34.44	7	GU32023910	34.38	44
GU12003702	34.37	29	GU19002020	34.44	14	GU32103960	33.13	3
GU12003900	34.37	2	GU19007700	34.37	23	GU32103960	33.35	3
GU12006400	34.41	16	GU19149800	33.27	9	GU32116810	34.38	18
GU12011400	34.37	35	GU19149800	34.41	9	GU32441210	33.03	7
GU12011401	34.37	35	GU19207220	34.44	10	GU32441210	33.04	7
GU12011402	34.37	35	GU19659500	33.29	2	GU32442310	33.04	5
GU12011403	34.37	35	GU19927100	36.52	15	GU32442710	33.04	14
GU12011700	34.37	36	GU19929600	36.52	13	GU32443210	33.03	6
GU12012200	34.37	11	GU23943410	33.07	10	GU32443210	33.04	6
GU12018900	34.37	6	GU23943510	33.06	7	GU32443211	33.03	13
GU12022600	34.38	15	GU25656102	34.41	11	GU32443211	33.04	15
GU12031800	34.38	33	GU27530505	33.07	5	GU32474710	33.32	14
GU12082300	34.43	4	GU28157950	33.22	5	GU32602860	33.18	22
GU12087001	34.43	9	GU28157950	33.24	13	GU32703810	34.49	2
GU12154200	34.41	13	GU28576591	34.49	14	GU32712411	34.49	1
GU12154200	34.44	11	GU28742562	33.34	10	GU32727010	33.25	19
GU12211700	34.48	15	GU29106860	33.22	3	GU32735510	33.35	5
GU12911801	36.52	9	GU29115860	33.24	12	GU32735511	33.35	5
GU12912000	36.52	7	GU29116960	33.21	11	GU32740960	33.32	2
GU12913600	36.52	16	GU29132750	33.18	19	GU32750660	33.31	12
GU13037200	34.38	42	GU29217960	34.49	7	GU32750660	33.32	3
GU13084100	34.43	1	GU29530562	34.51	4	GU32753760	33.31	13
GU13148300	34.41	4	GU29711460	34.49	5	GU32753760	33.32	11
GU14003600	34.37	24	GU29711960	34.49	11	GU32769460	33.18	15
GU14011900	34.37	10	GU29722760	33.33	20	GU32769860	33.18	13
GU14011901	34.37	10	GU29729461	33.33	23	GU37037405	34.38	11
GU14018400	33.09	8	GU30003800	34.42	2	GU37037605	34.38	12
GU14018400	34.38	24	GU30004910	34.37	31	GU37045006	34.40	1
GU14030201	34.38	25	GU30058310	34.40	17	GU37067705	34.39	10
GU14030401	34.38	26	GU30059211	34.40	18	GU37712306	34.49	9
GU14037300	34.38	43	GU30061241	34.39	7	GU39094200	33.18	21
GU14072001	34.40	12	GU30082900	34.43	2	GU49609601	33.33	16
GU14085900	34.43	7	GU30109330	33.25	9	GU49609601	33.34	17
GU14086000	34.43	8	GU30113460	33.24	3	GU61270300	34.37	13
GU14152200	34.42	3	GU30113600	33.24	2	GU90118152	34.38	31
GU14217901	33.17	6	GU30114470	34.51	5	GU90271014	34.45	16
GU14217901	33.31	9	GU30114560	33.24	9	GU90271022	34.45	4
GU14217901	34.39	11	GU30114660	33.24	8	GU90271030	34.46	8
GU14217901	34.51	11	GU30147700	34.41	7	GU90271030	34.47	8
GU14234600	34.40	4	GU30150900	34.42	8	GU90271125	34.48	9



Code	N° de tableau	Pos.	Code	N° de tableau	Pos.	Code	N° de tableau	Pos.
GU90271230	34.46	6	GU92660601	33.01	14	GU96508040	34.38	19
GU90271230	34.47	6	GU92660801	33.13	15	GU96508066	34.37	3
GU90272028	34.48	17	GU92750180	34.40	11	GU96508075	34.37	7
GU90273026	33.11	8	GU92787006	33.31	18	GU97202355	34.44	2
GU90274002	33.33	32	GU92787006	33.32	5	GU97202665	33.28	4
GU90274008	33.25	15	GU93180111	33.26	11	GU97202665	33.55	4
GU90351039	34.39	8	GU93180220	34.44	3	GU97260415	33.17	10
GU90353014	34.45	22	GU93231605	33.32	8	GU97260415	33.35	6
GU90353016	34.38	7	GU93232005	33.14	11	GU98052560	33.07	4
GU90401424	34.44	12	GU93232005	34.51	22	GU98082390	34.37	25
GU90402549	33.26	4	GU93304360	33.33	16	GU98082475	34.50	2
GU90402840	34.37	19	GU93304360	33.34	17	GU98084316	34.38	34
GU90403549	34.48	4	GU93304390	33.08	4	GU98084316	34.42	4
GU90404558	33.11	3	GU93305061	34.51	6	GU98084320	34.40	6
GU90405367	34.37	33	GU93306017	33.21	14	GU98084425	33.25	6
GU90408511	33.10	10	GU93306017	33.22	7	GU98084425	34.37	12
GU90412541	34.47	14	GU93306018	33.21	5	GU98110007	33.25	8
GU90706061	33.55	12	GU93450105	33.31	4	GU98230512	33.14	8
GU90706141	33.33	19	GU93450105	33.32	20	GU98231235	33.02	12
GU90706170	34.43	11	GU93450126	33.32	12	GU98257320	33.18	17
GU90706178	34.37	32	GU93450127	33.31	14	GU98310609	34.51	12
GU90706178	34.49	8	GU93450224	33.32	7	GU98310631	34.37	22
GU90706203	34.38	16	GU93450232	33.31	3	GU98350210	33.24	10
GU90706203	34.48	2	GU93601022	34.48	7	GU98350218	33.32	10
GU90706461	34.51	14	GU94321070	33.18	20	GU98350312	33.24	6
GU90714053	33.24	11	GU94321079	34.42	9	GU98350330	34.41	5
GU90714082	33.21	12	GU94322215	34.38	30	GU98350416	33.01	24
GU90718120	33.10	3	GU95005306	33.07	3	GU98350430	33.13	11
GU90718370	33.25	3	GU95005307	33.19	15	GU98370412	33.19	10
GU91111511	34.38	27	GU95005308	33.15	4	GU98370520	33.14	10
GU91120507	33.32	16	GU95005308	33.31	6	GU98370520	34.51	20
GU91180600	33.13	20	GU95005312	33.25	26	GU98370609	34.50	6
GU91180709	33.15	7	GU95008205	33.32	18	GU98370616	34.44	4
GU91181003	33.27	10	GU95008205	33.33	22	GU98370619	33.07	2
GU91181039	33.07	9	GU95008206	34.37	28	GU98370619	33.13	18
GU91181215	33.01	6	GU95008208	34.50	3	GU98370619	33.19	14
GU91551010	33.15	6	GU95008210	33.05	8	GU98370622	33.15	5
GU91551010	33.21	15	GU95008210	33.33	25	GU98370625	33.14	17
GU91551081	33.13	21	GU95008310	33.29	26	GU98370831	33.31	5
GU91551131	33.13	14	GU95008313	33.01	10	GU98370835	33.15	3
GU91600450	34.49	10	GU95008313	33.02	13	GU98612216	33.02	4
GU91702355	34.40	15	GU95020105	33.02	5	GU98620340	33.07	40
GU92201025	34.45	6	GU95021104	33.19	11	GU98622430	33.07	7
GU92201117	34.45	5	GU95021204	33.33	10	GU98680110	33.33	28
GU92201226	34.47	13	GU95021206	33.31	17	GU98680222	33.32	15
GU92201226	34.48	3	GU95021206	33.32	21	GU98680230	33.24	4
GU92201822	34.46	11	GU95028022	34.48	6	GU98680265	34.49	6
GU92201822	34.47	2	GU95100059	33.24	5	GU98680445	33.25	25
GU92204230	33.11	5	GU95100064	33.32	9	GU98680450	33.10	11
GU92208518	33.11	4	GU95100116	34.51	13	GU98680465	33.03	2
GU92232028	34.48	16	GU95100141	34.49	13	GU98682125	33.33	9
GU92249224	33.08	7	GU95100239	33.13	12	GU98682212	33.33	21
GU92249225	33.06	6	GU95100709	34.37	30	GU98682316	33.05	4
GU92252029	34.46	3	GU95100837	34.40	13	GU98682316	33.29	21
GU92252029	34.47	4	GU95120033	33.33	29	GU98682318	33.31	8
GU92602510	34.41	8	GU95120065	34.38	35	GU98682320	33.05	12
GU92602525	34.40	14	GU95120065	34.40	7	GU98682325	33.08	9
GU92603010	34.38	23	GU95129100	34.51	17	GU98682325	34.37	27
GU92606003	33.33	30	GU95129131	33.34	18	GU98682325	34.51	10
GU92606206	33.29	15	GU95129180	34.38	40	GU98682416	33.17	11
GU92606516	34.49	4	GU95129340	34.48	11	GU98682416	33.35	7
GU92609408	33.34	19	GU95187006	34.42	5	GU98682418	33.01	17
GU92630707	33.05	11	GU95510620	33.10	4	GU98682425	33.04	2
GU92650138	33.25	30	GU95512081	34.37	9	GU98682650	33.01	4
GU92660021	33.25	5	GU95960609	33.21	6	GU98683530	33.27	8
GU92660021	34.37	5	GU95980319	34.44	6	GU98690335	33.18	23
GU92660208	33.21	13	GU95990037	34.41	12	GU98692318	33.31	16

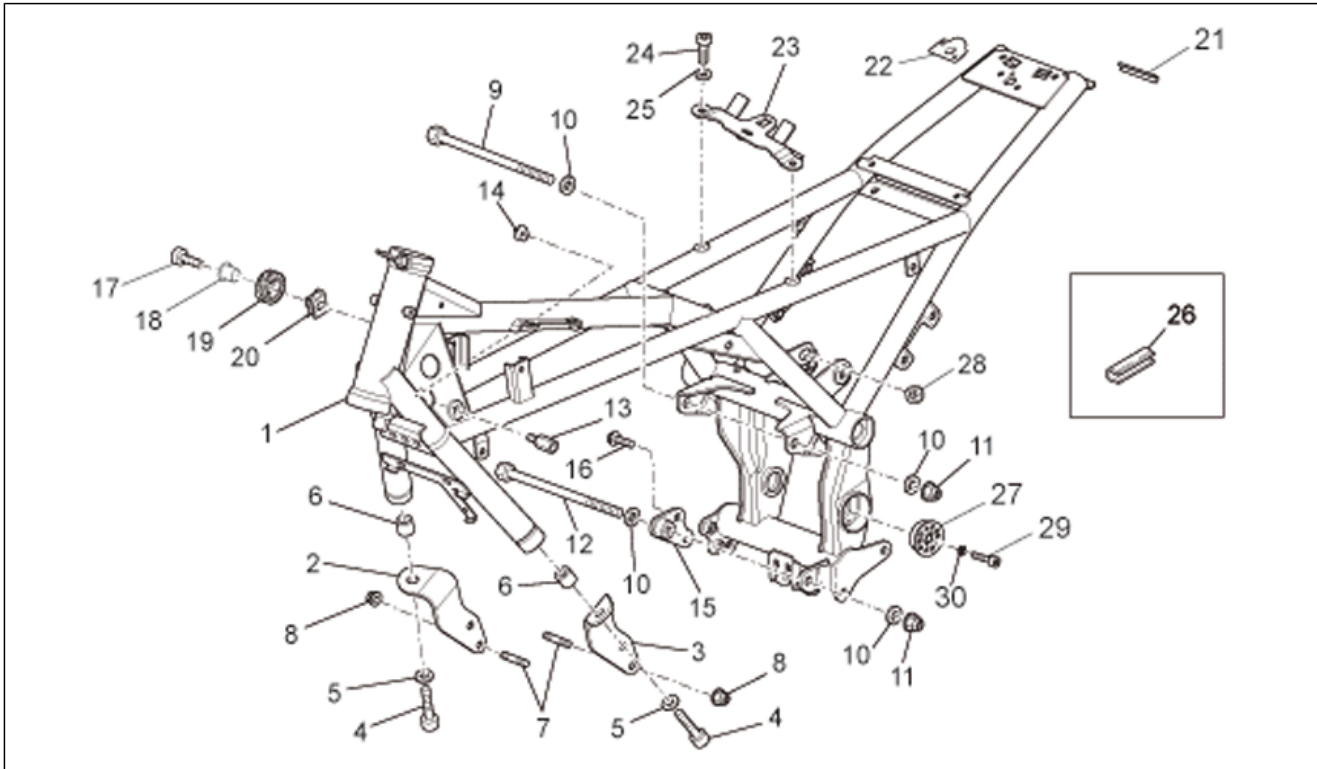


BELLAGIO
GU087 - Bellagio 940 2007-2009

Préfixe du cadre: ZGULY000, ZGULYA00
Préfixe du moteur:

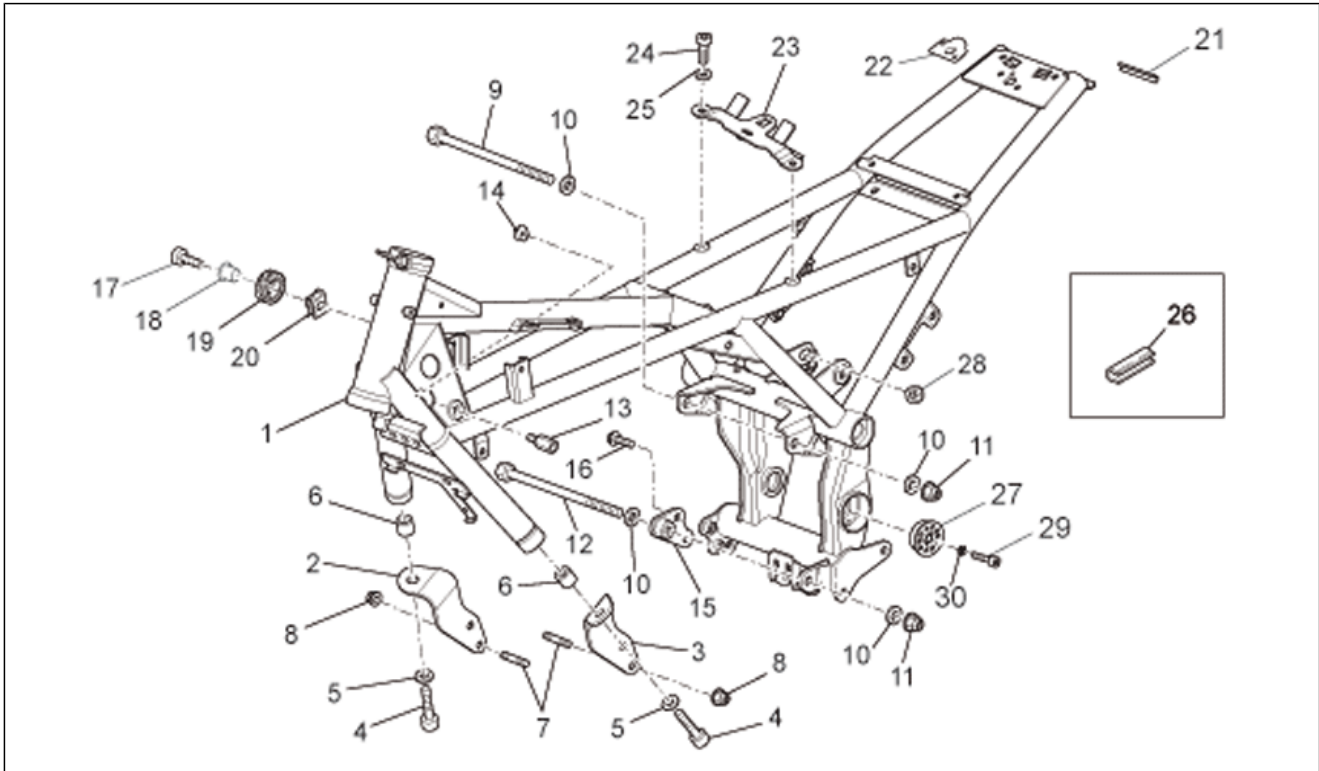
Code	N° de tableau	Pos.
GU98692318	33.32	4
GU98692414	33.01	29
GU98710215	33.03	3
GU99210406	33.10	14

Groupe	CHASSIS
Code	33.01
Description	Chassis
Révision	1



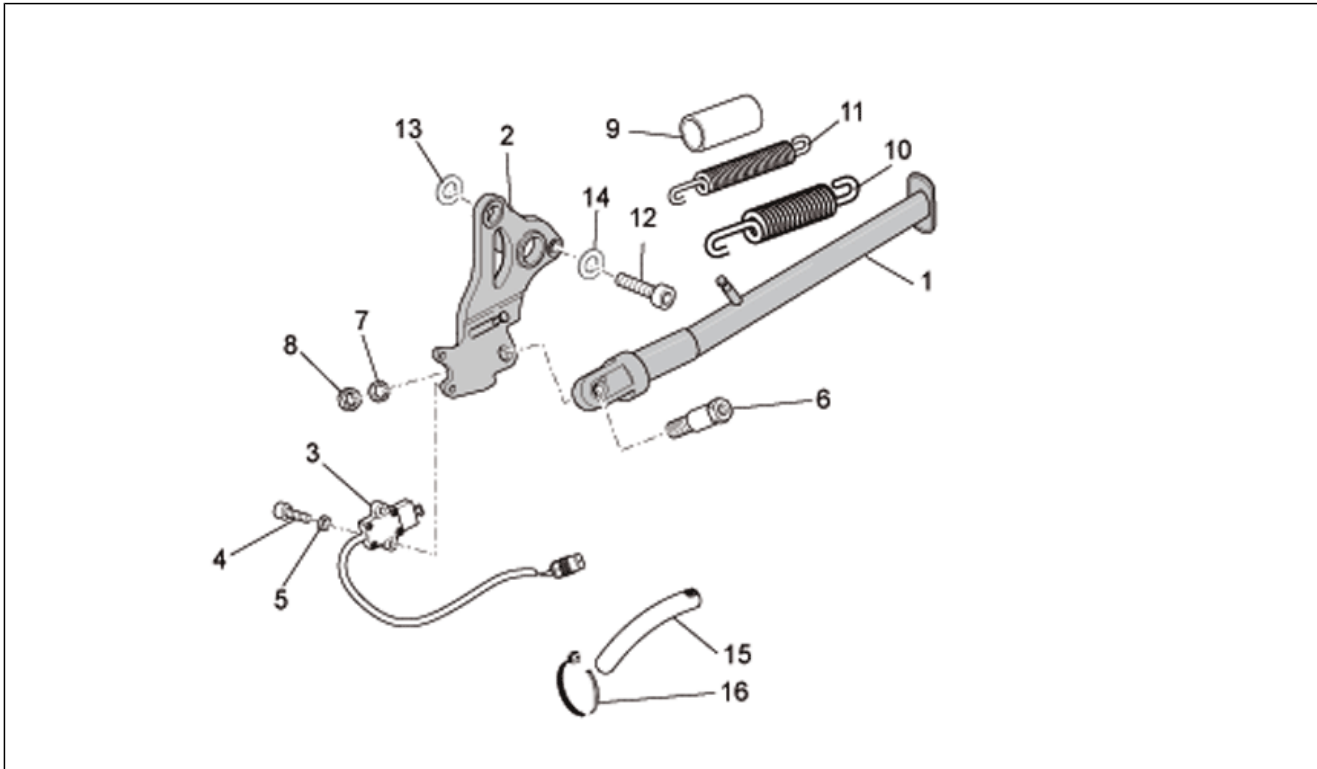
Pos.	Code	Description	Quant	Variants
1	977790	Chassis	1	
2	GU05421430	Plaque d.	1	
3	GU05421530	Plaque g.	1	
4	GU98682650	Vis M12x50	2	
5	GU30217900	Rondelle 13x18x1,7	2	
6	GU91181215	Entretoise 12x35x14	2	
7	977809	Vis sans tête M10x38	4	
8	AP8152301	Ecrou autobloqu.	4	
9	AP8221307	Pivot M12	1	
10	GU95008313	Rondelle 13x24x2,5	4	
11	AP8150432	Ecrou autofr. bas M12*	2	
12	AP8221160	Pivot M12	1	
13	GU03469200	Goujon	2	
14	GU92660601	Ecrou en cage	2	
15	GU05425530	Plaque d.	1	
16	AP8152286	Vis bride M8x20	2	
17	GU98682418	Vis	2	
18	977699	Douille en "T" 8,2x10,2x4	2	
19	AP8201124	Caoutchouc *	2	
20	GU01576530	Ecrou collier M8x1,25	2	
21	GU06409800	Joint	1	
22	978632	Protection	1	
23	GU30461360	Plaque	1	
24	GU98350416	Vis	2	
25	GU03270300	Rondelle 8,4x15	2	
26	AP8144707	Joint	5	
27	978526	Bouchon	2	
28	AP8220162	Caoutchouc	2	

Groupe	CHASSIS
Code	33.01
Description	Chassis
Révision	1



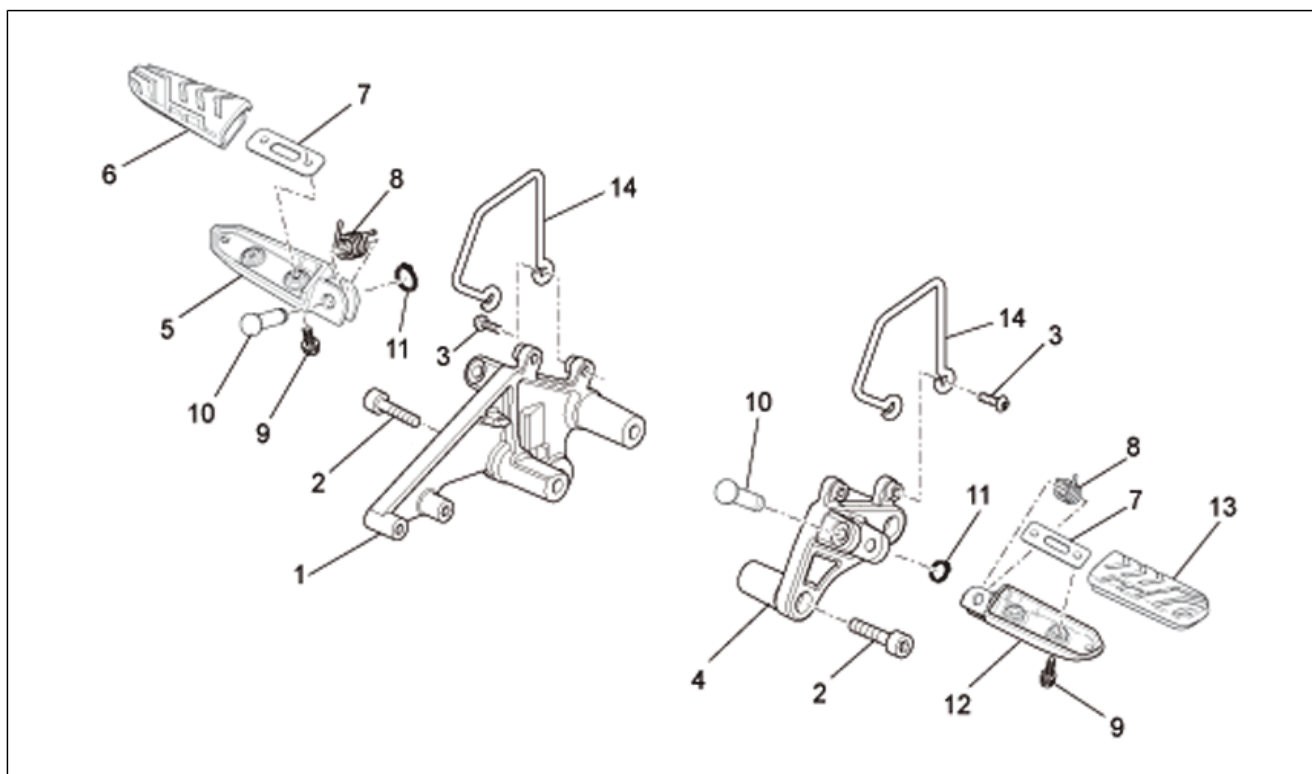
Pos.	Code	Description	Quant	Variants
29	GU98692414	Vis M8x14	2	
30	GU14615901	Rondelle 8,4X13X0,8	2	

Groupe	CHASSIS
Code	33.02
Description	Béquille
Révision	1



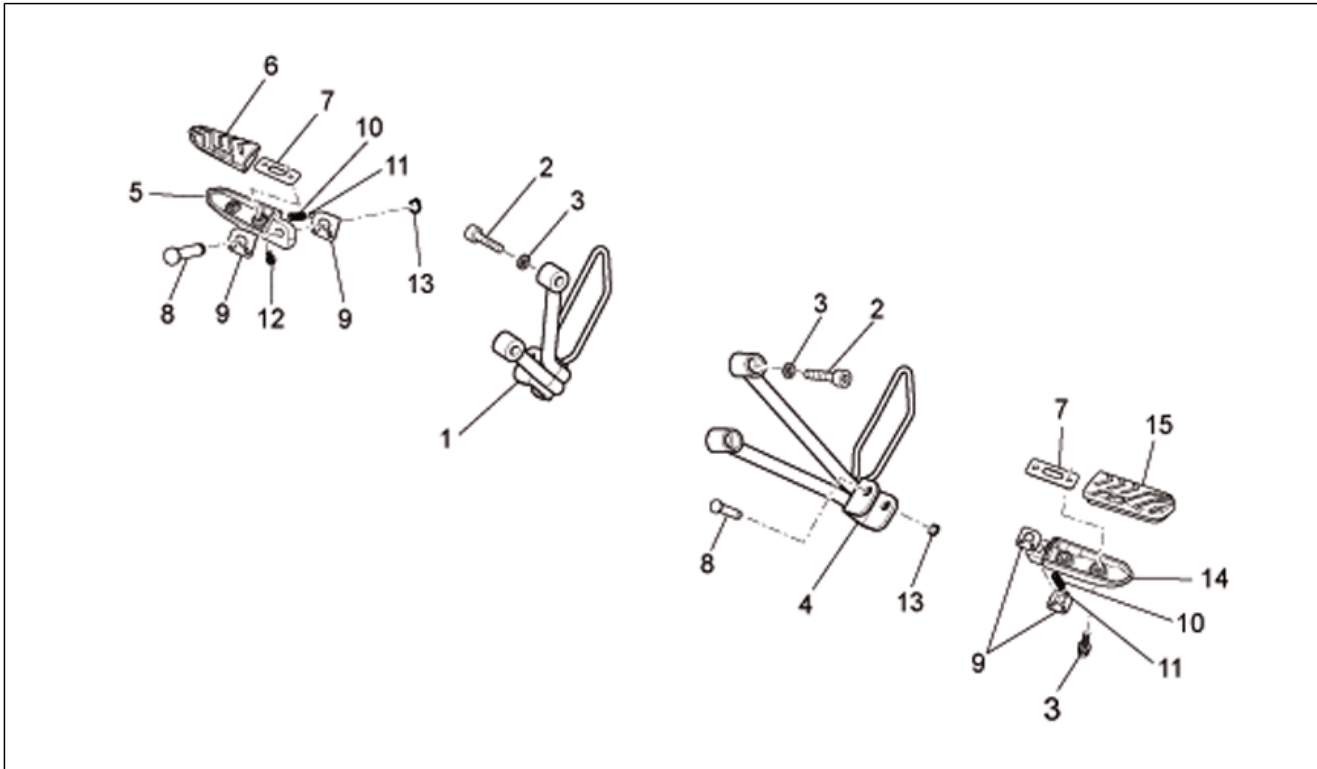
Pos.	Code	Description	Quant	Variants
1	978358	Béquille latérale	1	
2	977080	Plaque béquille	1	
3	639542	Button for the side stand	1	
4	GU98612216	Vis	2	
5	GU95020105	Rondelle 5,3x8,9x2,4	2	
6	AP8121994	Vis fix. béquille	1	
7	AP8150292	Rondelle élastique courbe *	1	
8	AP8152001	Ecrou bas M10x1,25	1	
9	AP8102524	Protec.ress.béquille	1	
10	AP8221204	Ressort rappel béq.	1	
11	AP8221211	Ress.retour béq.int.	1	
12	GU98231235	Vis M12x35	2	
13	GU95008313	Rondelle 13x24x2,5	2	
14	GU30217900	Rondelle 13x18x1,7	2	
15	GU00823923140	Gaine thermique	1	
16	GU14609650	Collier 3,6x20,6	2	

Groupe	CHASSIS
Code	33.03
Description	Repose-Pieds I
Révision	1



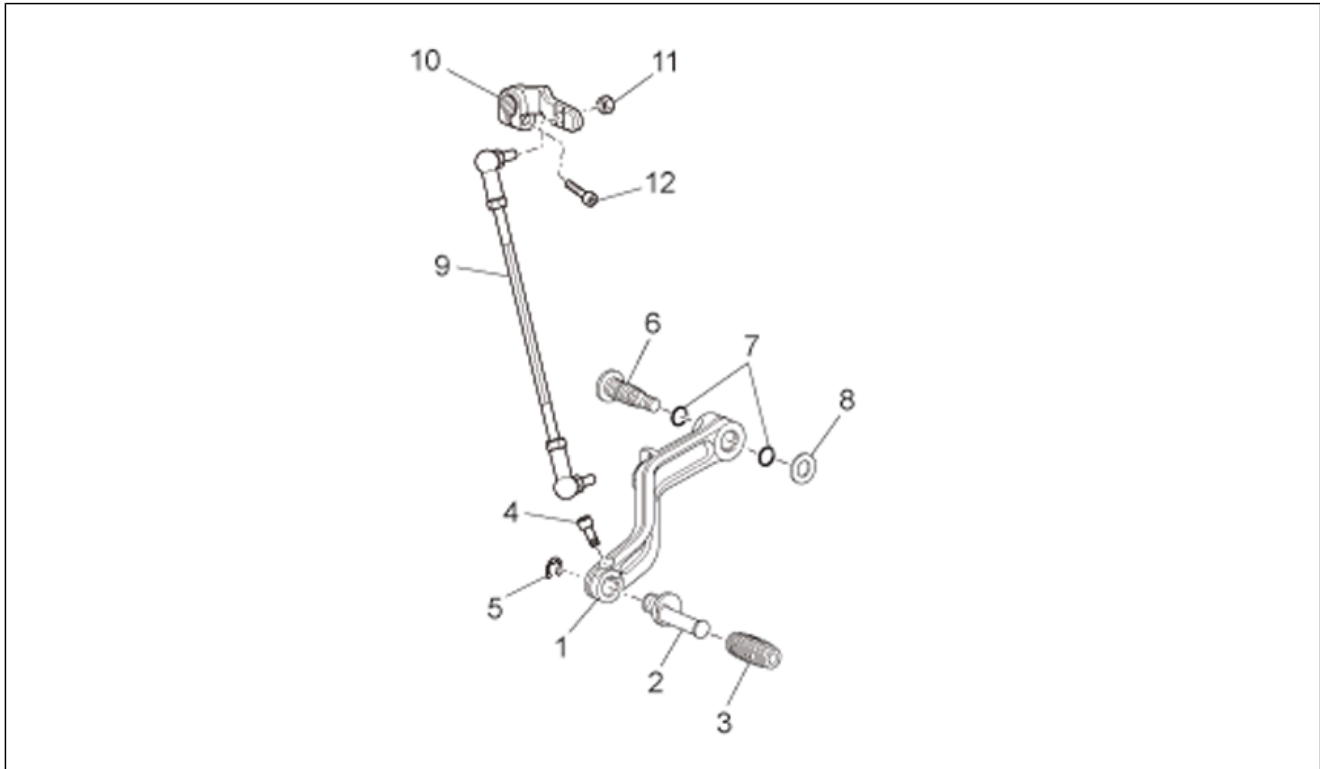
Pos.	Code	Description	Quant	Variants
1	978224	Sup.pl.pilote dte	1	
2	GU98680465	Vis	4	
3	GU98710215	Vis	4	
4	978225	Sup.pl.pilote gche	1	
5	AP8145034	R-pied pilote D	1	
6	GU32443210	Coautchouc pour support	1	
7	GU32441210	Plaquette	2	
8	AP8221277	Ressort retour repose-pieds	1	
9	AP8152277	Vis bride M6x12	4	
10	AP8121567	Pivot	2	
11	AP8152409	Anneau d'arrêt rad.	2	
12	AP8145035	R-pied pilote G	1	
13	GU32443211	Coautchouc pour support	1	
14	978472	Protection	2	

Groupe	CHASSIS
Code	33.04
Description	Repose-Pieds II
Révision	1



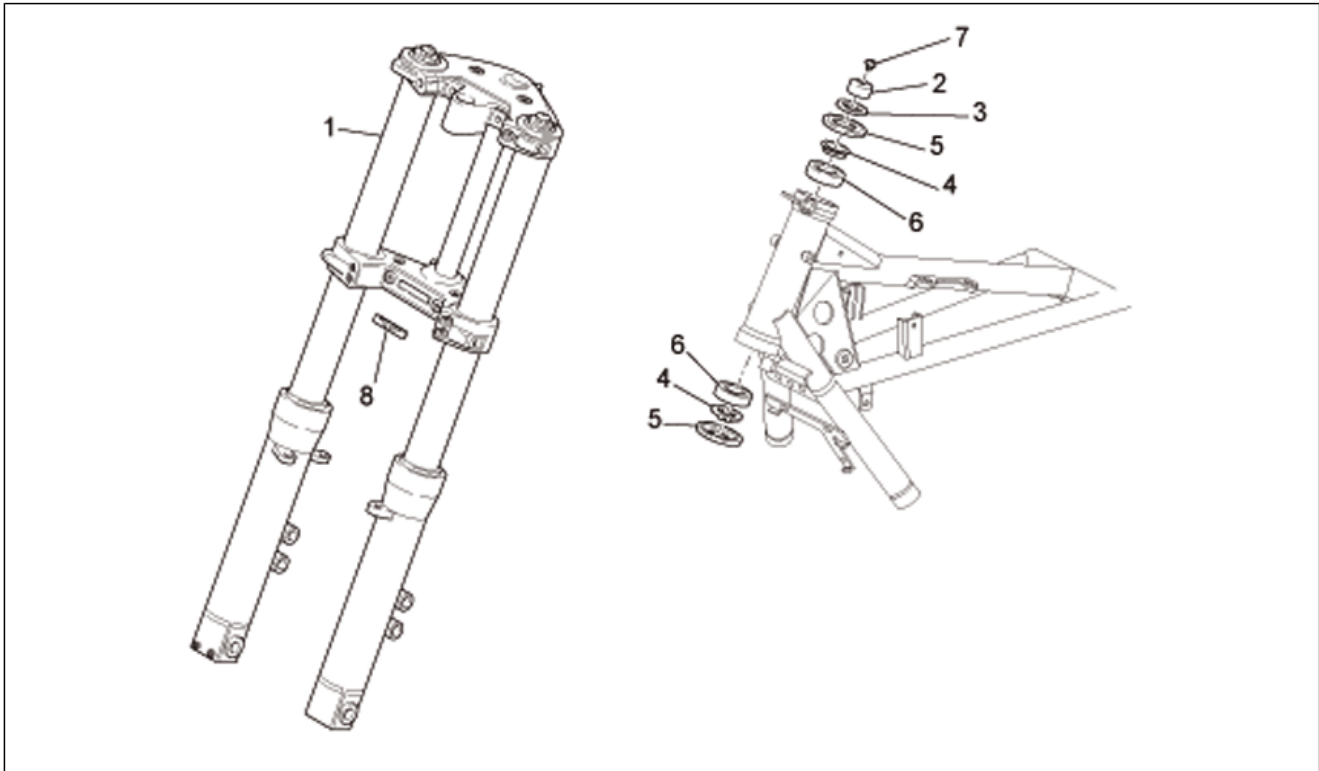
Pos.	Code	Description	Quant	Variants
1	978467	Support r-p. pass.dr.	1	
2	GU98682425	Vis M8x25	4	
3	GU14615901	Rondelle 8,4X13X0,8	4	
4	978473	Support r-p. G pass.	1	
5	GU32442310	Rep-pieds pass.dte	1	
6	GU32443210	Coatoucou pour support	1	
7	GU32441210	Plaquette	2	
8	AP8134829	Pivot repose-pieds	2	
9	AP8134451	Plaque fdc r-pied	4	
10	AP8121133	Res. hélic. compr	2	
11	AP8101861	Bille D6,35	2	
12	AP8152277	Vis bride M6x12	4	
13	AP8152409	Anneau d'arrêt rad.	2	
14	GU32442710	Rep-p. pass.gche	1	
15	GU32443211	Coatoucou pour support	1	

Groupe	CHASSIS
Code	33.05
Description	Levier boîte de vitesses
Révision	1



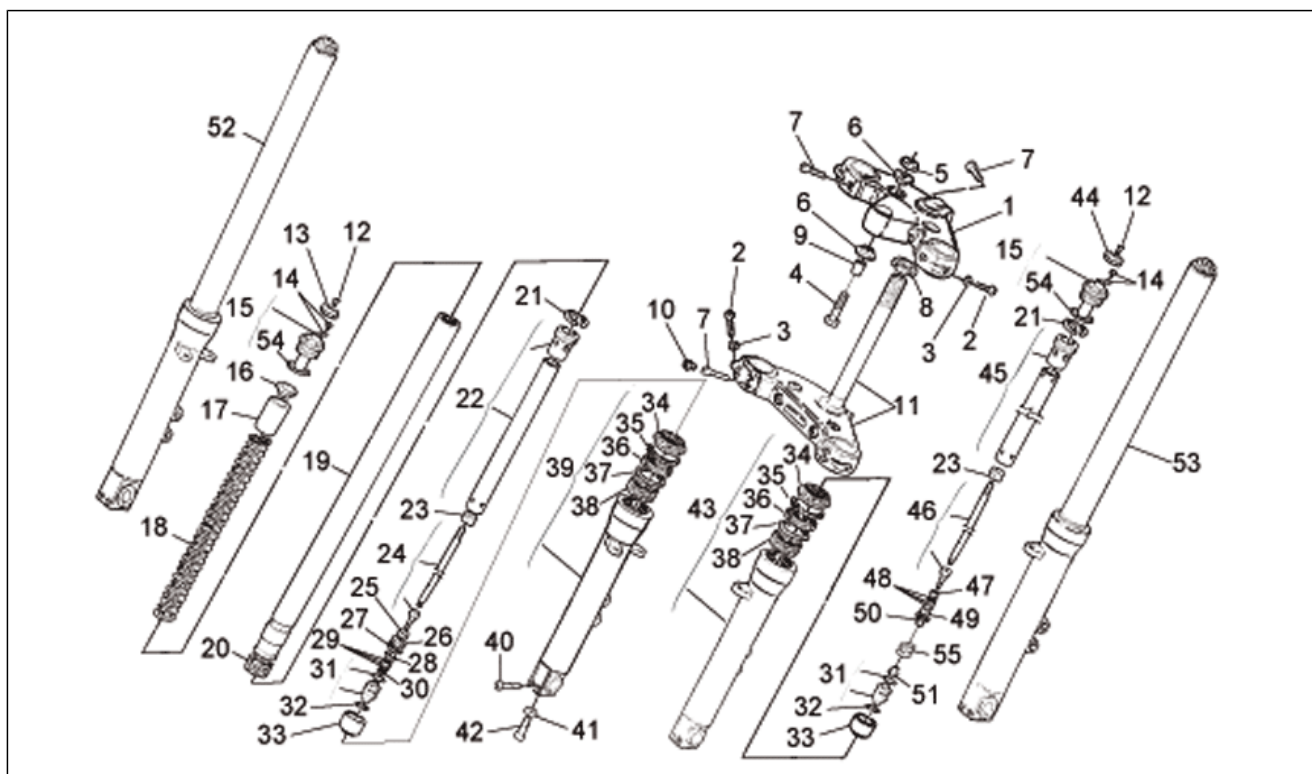
Pos.	Code	Description	Quant	Variants
1	GU06250900	Levier boîte de vitesses	1	
2	AP8121221	Tige manette frein	1	
3	AP8120912	Caoutchouc pour levier	1	
4	GU98682316	Vis M6x16	1	
5	AP8150462	Bague seeger d9	1	
6	AP8121223	Pivot man.frein arr.	1	
7	AP8144007	Joint torique 11,11x1,78	2	
8	GU95008210	Rondelle 10,2X18X2	1	
9	978568	Tirant pour boîte vitesse cpl.	1	
10	GU05256930	Levier	1	
11	GU92630707	Ecrou	2	
12	GU98682320	Vis M6x20	1	

Groupe	CHASSIS
Code	33.06
Description	Fourche Av. I
Révision	1



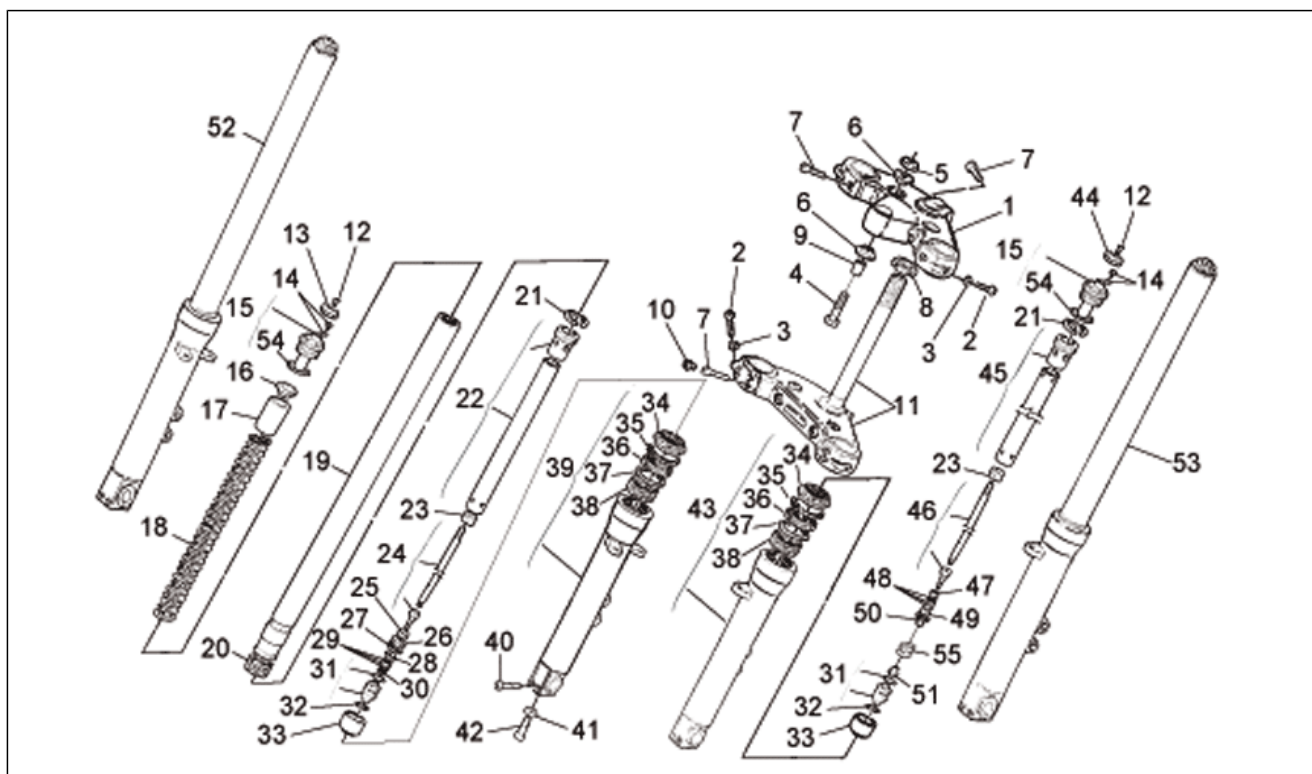
Pos.	Code	Description	Quant	Variants
1	977004	Fourche Av.	1	
1	GU03490270	Fourche Av.	1	
2	GU30513401	Ecrou fixation tête	1	
3	GU30516500	Rondelle	1	
4	GU14516700	Rondelle d'appui	2	
5	GU14517000	Pare-poussière	2	
6	GU92249225	Roulement roul.con.	2	
7	GU23943510	Bouchon	1	
8	GU01517700	Décalco "Aquila"	1	

Groupe	CHASSIS
Code	33.07
Description	Fourche Av. II
Révision	1



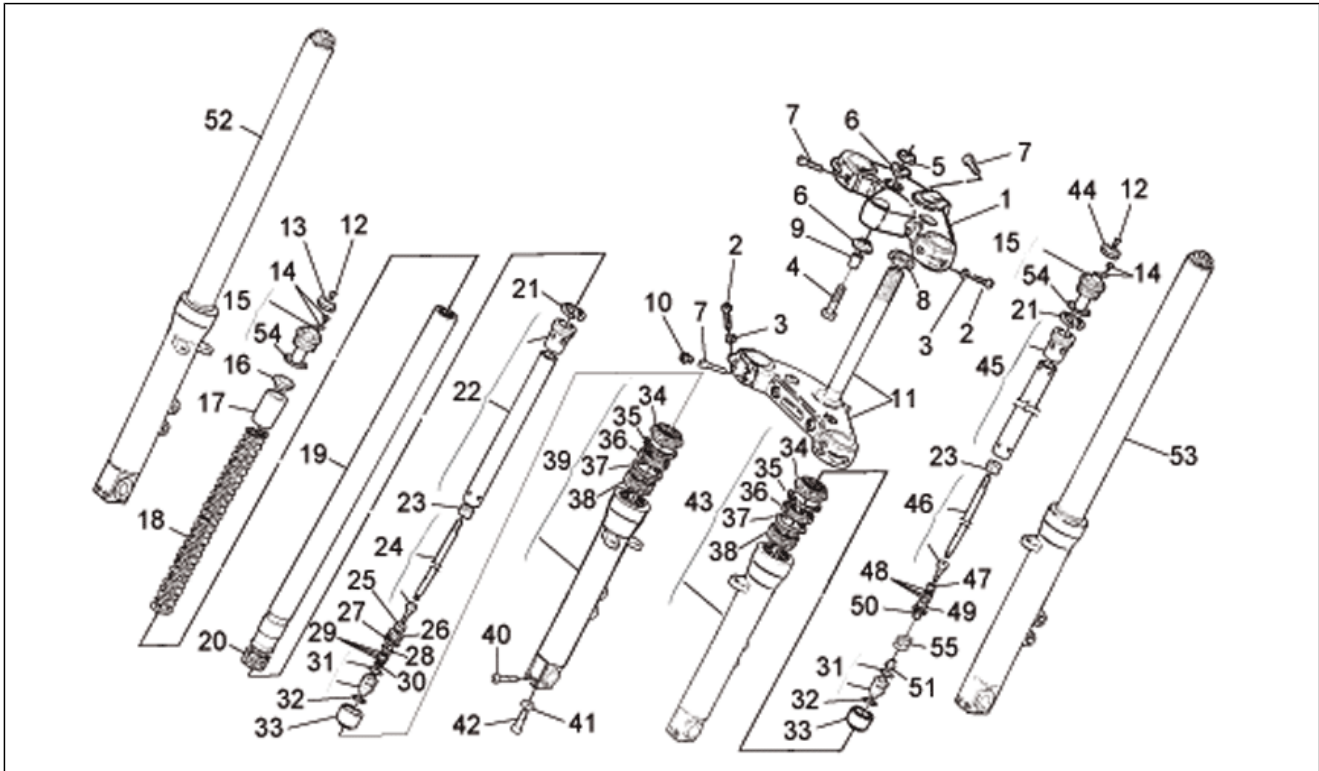
Pos.	Code	Description	Quant.	Variants
1	GU03493100	Plaque sup. fourche	1	
1	GU03493145	Tête fourche noir	1	
2	GU98370619	Vis	6	
3	GU95005306	Rondelle 6,4x13x1,5	6	
4	GU98052560	Vis M10x60	2	
5	GU27530505	Rondelle	4	
6	AP8144222	Caoutchouc	4	
7	GU98622430	Vis	7	
8	GU03498100	Bague	1	
9	GU91181039	Entretoise	2	
10	GU23943410	Bouchon	4	
11	GU03494000	Base avec tube	1	
11	GU03494045	Base fourche noir	1	
12	GU03530504	Vis	2	
13	GU03530505	Pommeau de réglage d.extension	1	
14	GU03530506	Vis avec OR	2	
15	GU03530507	Gr. bouchon cpl.	2	
16	GU03530508	Rondelle	2	
17	GU03530509	Tuyau précharge	2	
18	GU03526600	Ressort	2	
19	GU03525400	Tige	2	
20	GU03530510	Douille inférieure	2	
21	GU03530511	Segment	2	
22	GU03530512	Tige droite	1	
23	GU03530513	Contre-écrou	2	
24	GU03530514	Tige de pompage D	1	
25	GU03530515	Contre-ressort	1	
26	GU03530516	Piston d.extension	1	

Groupe	CHASSIS
Code	33.07
Description	Fourche Av. II
Révision	1



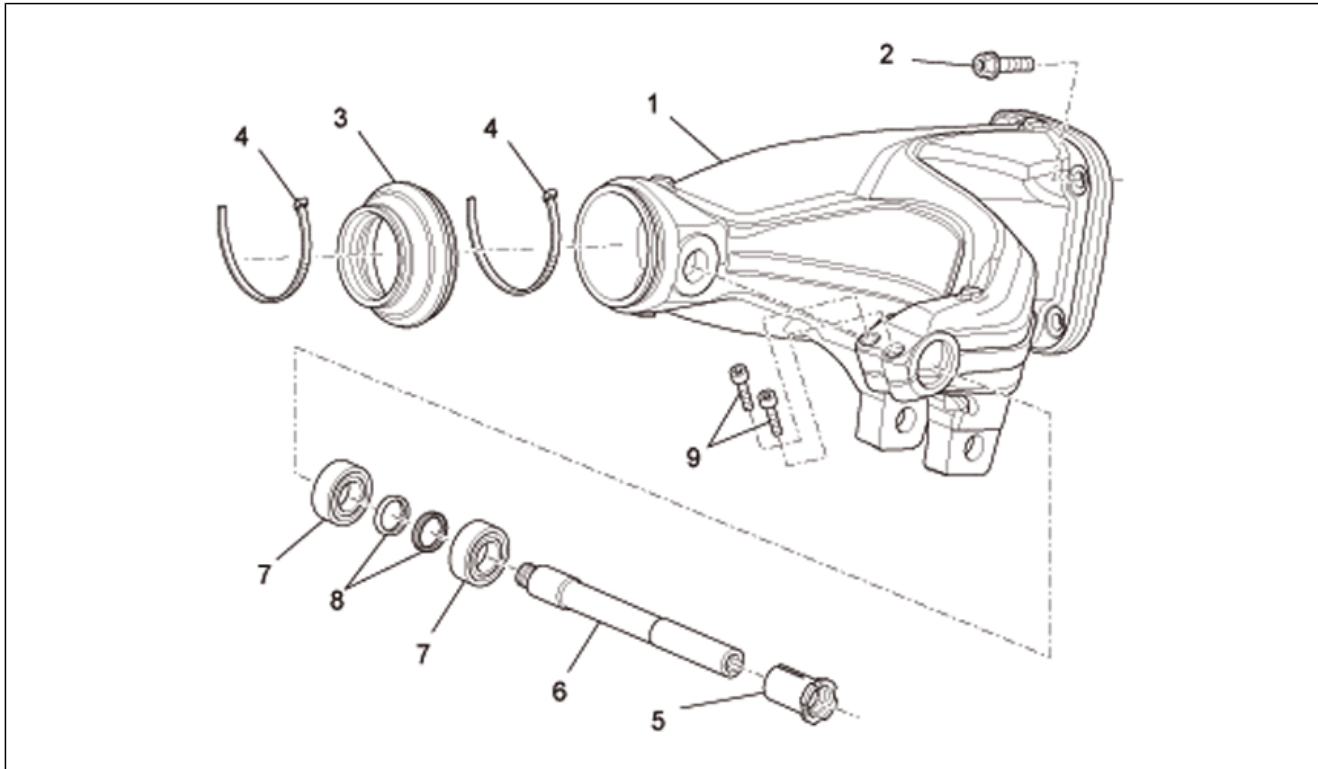
Pos.	Code	Description	Quant	Variants
27	GU03530517	Segment d. du piston extens.	1	
28	GU03530518	Pointeau d. extension	1	
29	GU03530519	Lame d'étallonnage	5	
30	GU03530520	Ecrou	1	
31	GU03530521	Tampon de fond	2	
32	GU03530522	Joint torique	2	
33	GU03530523	Adaptateur	2	
34	GU03530524	Pare-poussière	2	
35	GU03530525	Bague de butée	2	
36	GU03530526	Bague d'étanchéité	2	
37	GU03530527	Rondelle	2	
38	GU03530528	Douille supérieure	2	
39	GU03522501001	Fourreau D	1	
40	GU98620340	Vis	4	
41	GU03530529	Rondelle	2	
42	GU03530530	Vis M10x30	2	
43	GU03522601001	Fourreau G	1	
44	GU03530531	Pommeau de réglage g. compres.	1	
45	GU03530532	Tige gauche	1	
46	GU03530533	Tige de pompage G	1	
47	GU03530534	Rondelle	1	
48	GU03530535	Lame d'étallonnage 12 mm	1	
48	GU03530536	Lame d'étallonnage 15 mm	1	
48	GU03530537	Lame d'étallonnage 17 mm	1	
49	GU03530538	Pointeau g. compression	1	
50	GU03530539	Piston g. compression	1	
51	GU03530540	Ecrou	1	
52	GU03490611	Tige droite cpl.	1	

Groupe	CHASSIS
Code	33.07
Description	Fourche Av. II
Révision	1



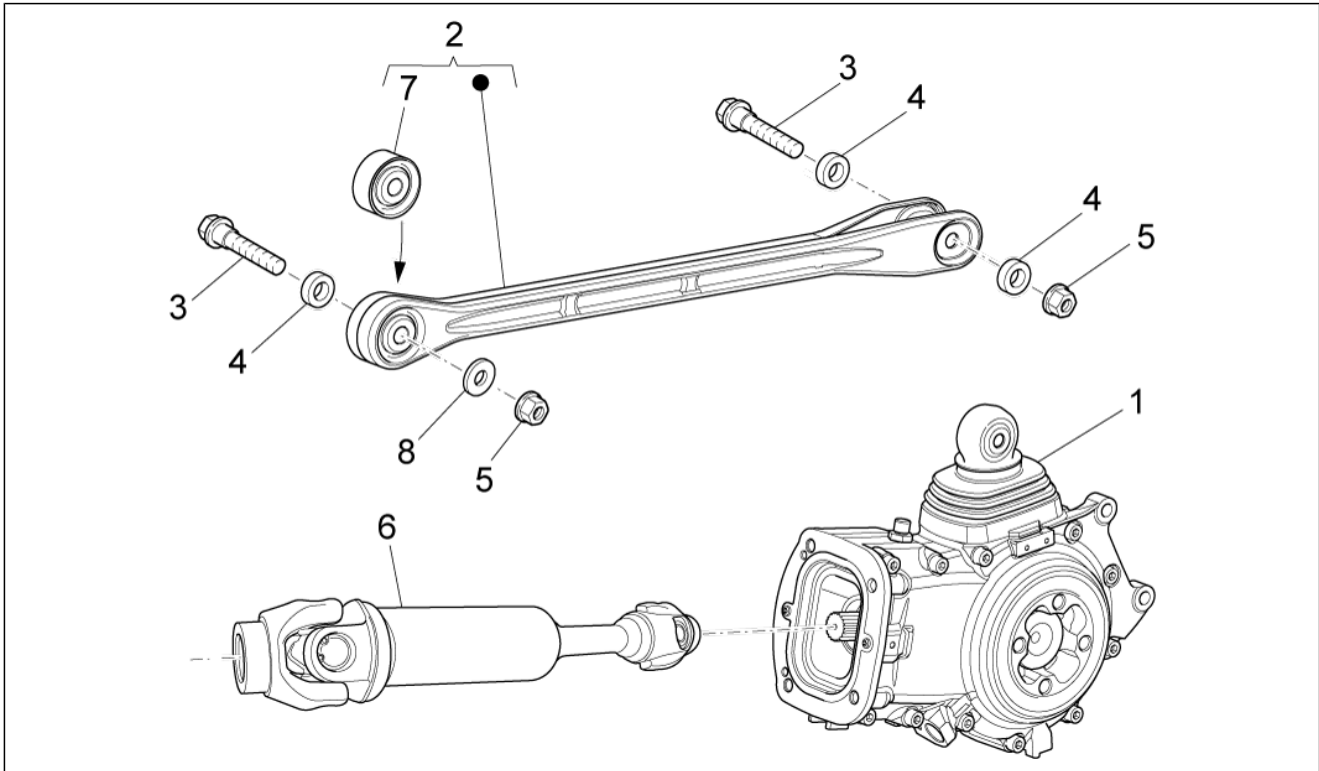
Pos.	Code	Description	Quant	Variants
53	GU03490711	Tige gauche cpl.	1	
54	GU03530541	Joint torique	2	
55	GU03526601	Ressort	1	

Groupe	CHASSIS
Code	33.08
Description	Fourche arriere
Révision	1



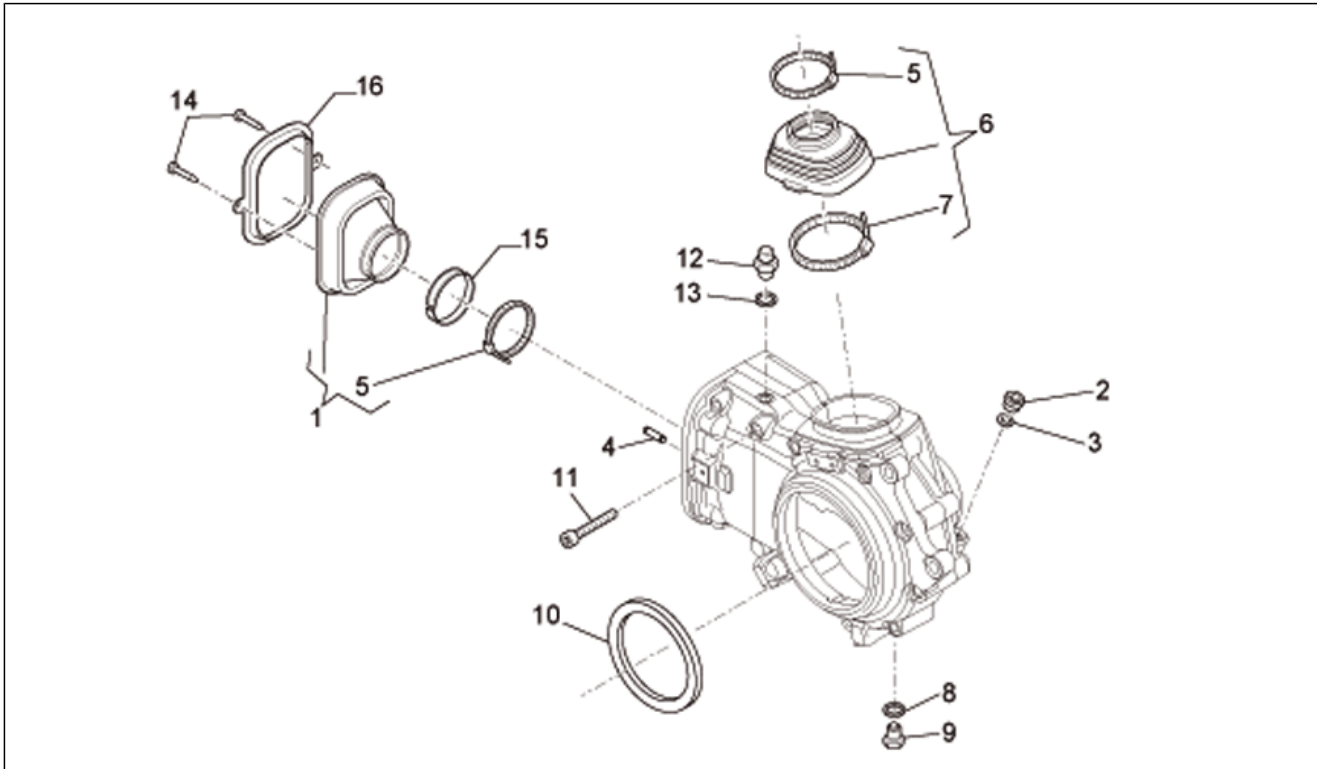
Pos.	Code	Description	Quant	Variants
1	978350	Fourche ar., noir	1	
2	AP8152318	Vis bride M10x35	4	
3	GU05548030	Soufflet en caoutchouc	1	
4	GU93304390	Collier 3,6x375	2	
5	GU05547130	Douille	1	
6	GU05547030	Pivot	1	
7	GU92249224	Roulement à rouleaux 25x47x17	2	
8	GU05547930	Bague d'étanchéité	2	
9	GU98682325	Vis M6x25	2	

Groupe	CHASSIS
Code	33.09
Description	Transmission cpl.
Révision	1



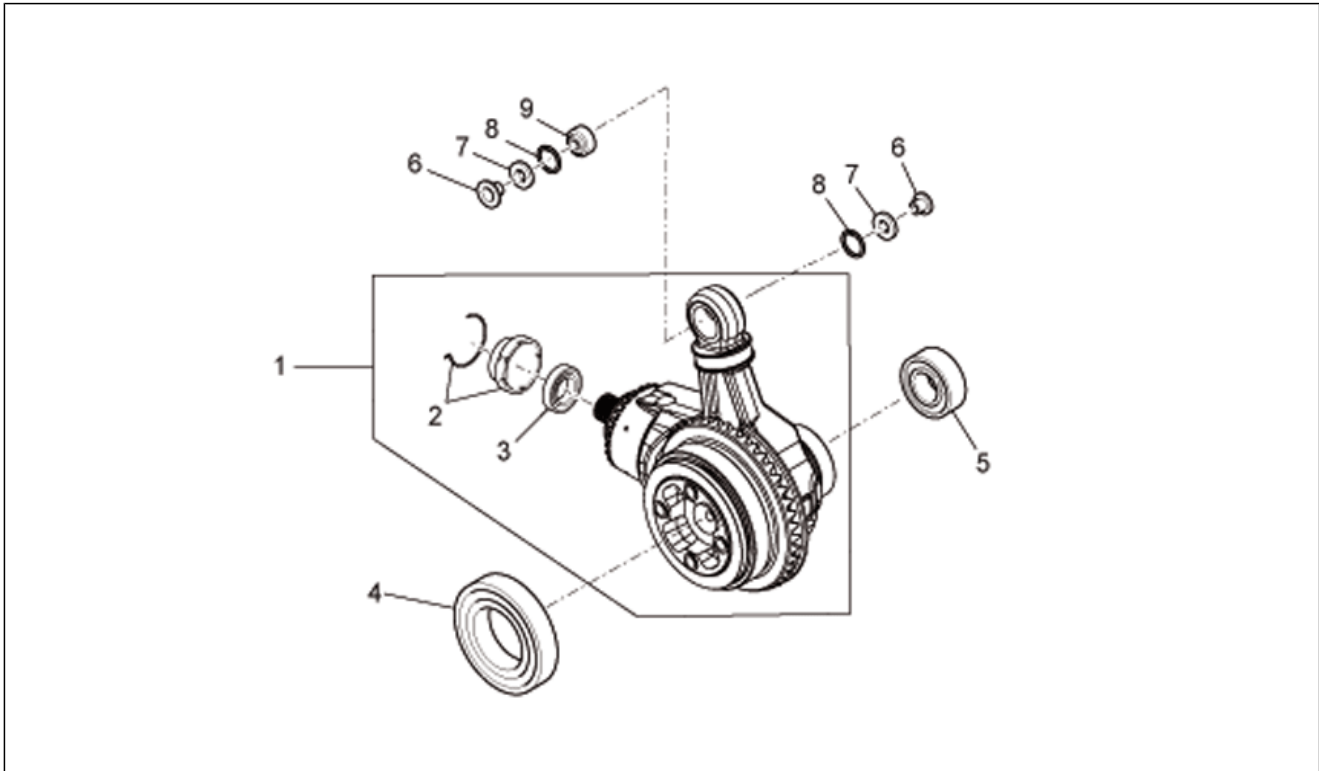
Pos.	Code	Description	Quant.	Variants
1	978348	Carter de transmission noir	1	
2	883046	Barre de réaction cpl.	1	
3	AP8152410	Vis bride M10x55	2	
4	AP8121218	Entretoise 10,2x20x4	3	
5	AP8152242	Ecrou	2	
6	GU05326330	Arbre de transmission	1	
7	883045	Silent block	1	
8	GU14018400	Rondelle 10,5X21X1	1	

Groupe	CHASSIS
Code	33.10
Description	Trans.cpl.-Vitesses
Révision	1



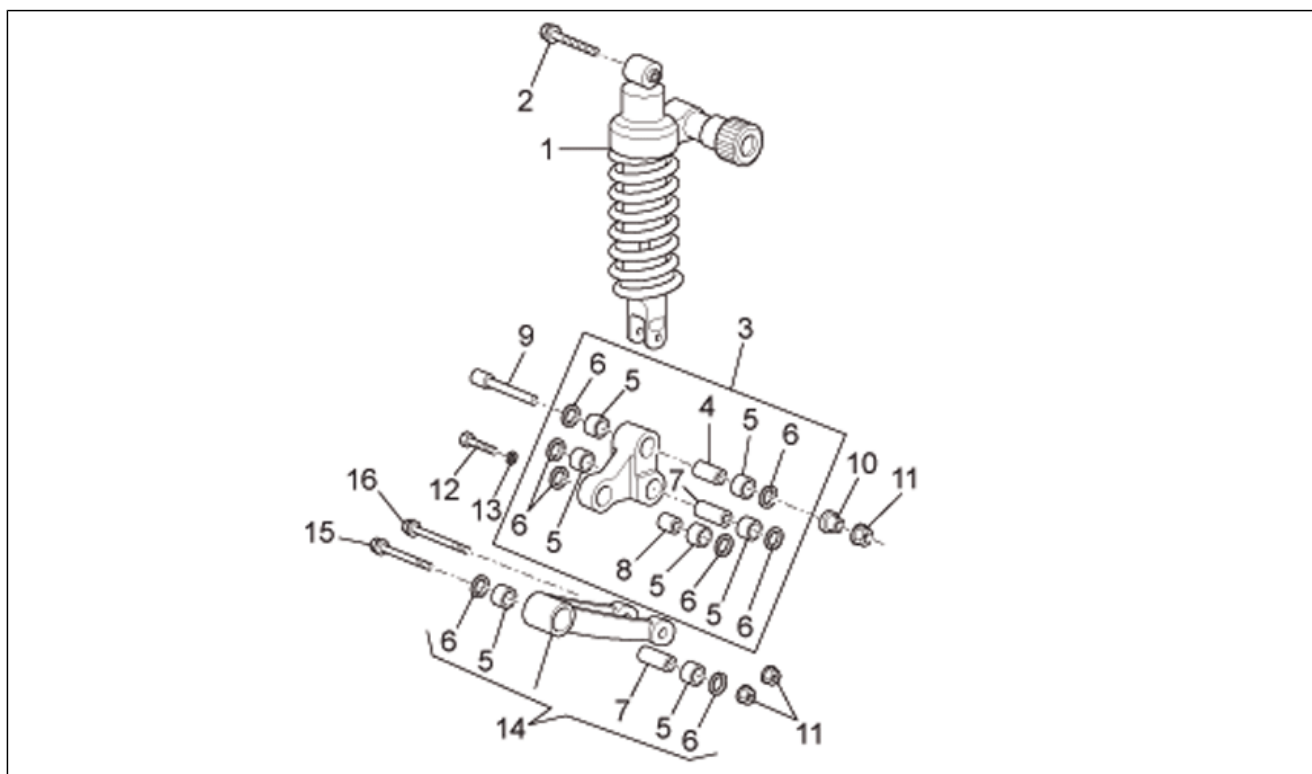
Pos.	Code	Description	Quant	Variants
1	GU05358330	Coiffe cache-poussière	1	
2	GU05351230	Bouchon huile M12x1,5	1	
3	GU90718120	Rondelle	1	
4	GU95510620	Goupille 6x20	2	
5	GU05358130	Collier	2	
6	GU05358030	Coiffe cache-poussière	1	
7	GU05358230	Collier	1	
8	GU01528930	Joint 10x18x1,5	1	
9	GU31003766	Bouchon vid.huile M10x1	1	
10	GU90408511	Bague d'étanchéité 85x110x8BASL	1	
11	GU98680450	Vis M8x50	11	
12	GU05206530	Bouchon purge	1	
13	GU01528930	Joint 10x18x1,5	1	
14	GU99210406	Vis M3,9x6,5	2	
15	GU05358530	Bague	1	
16	GU05358630	Joint	1	

Groupe	CHASSIS
Code	33.11
Description	Trans.cpl.-Couple conique
Révision	1



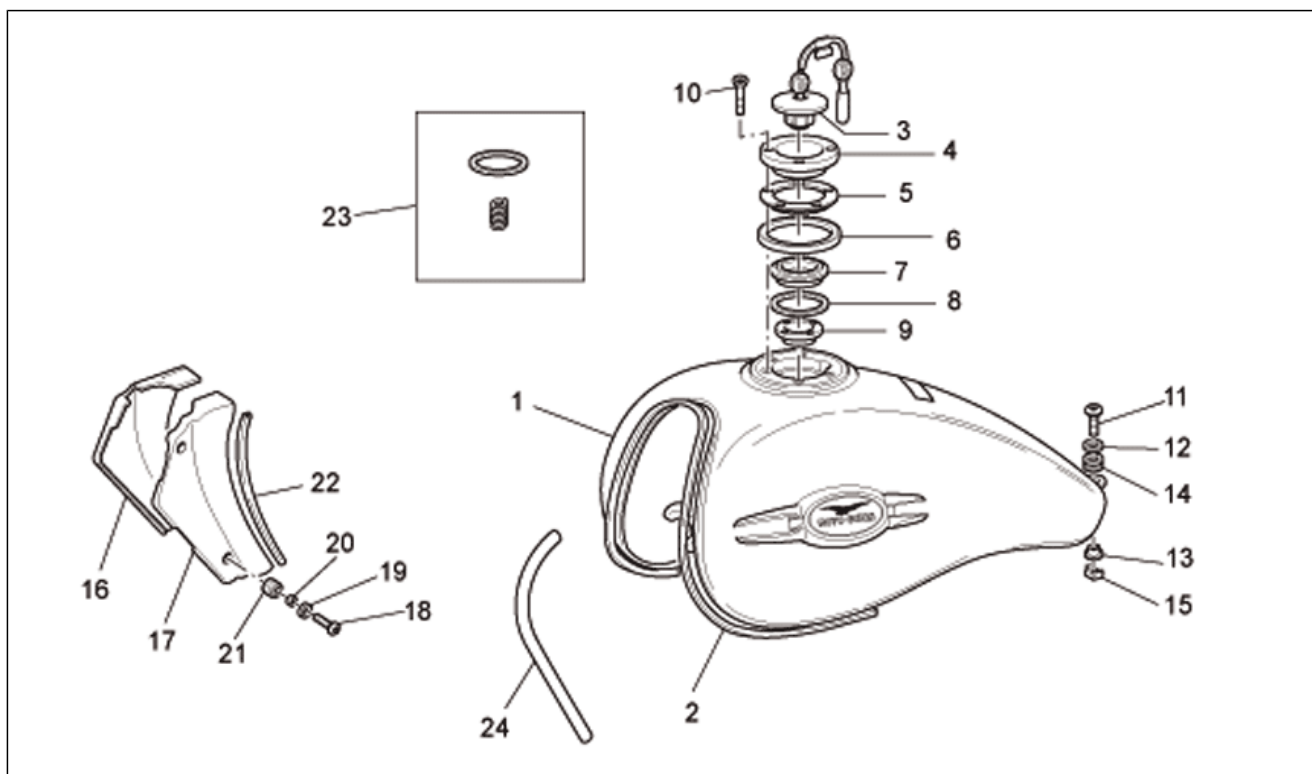
Pos.	Code	Description	Quant	Variants
1	GU05354230	Kit couple conique 12/44	1	
2	GU05352430	Bague	1	
3	GU90404558	Bague d'étanchéité 45x58x7	1	
4	GU92208518	Roulement à billes 85x120x18	1	
5	GU92204230	Roulement à billes 30x62x16	1	
6	AP8121098	Douille	2	
7	AP8120485	Bague d'étanchéité	2	
8	GU90273026	Bague seeger	2	
9	GU05638130	Rotule	1	

Groupe	CHASSIS
Code	33.12
Description	Biellette et der. Amortisseur
Révision	1



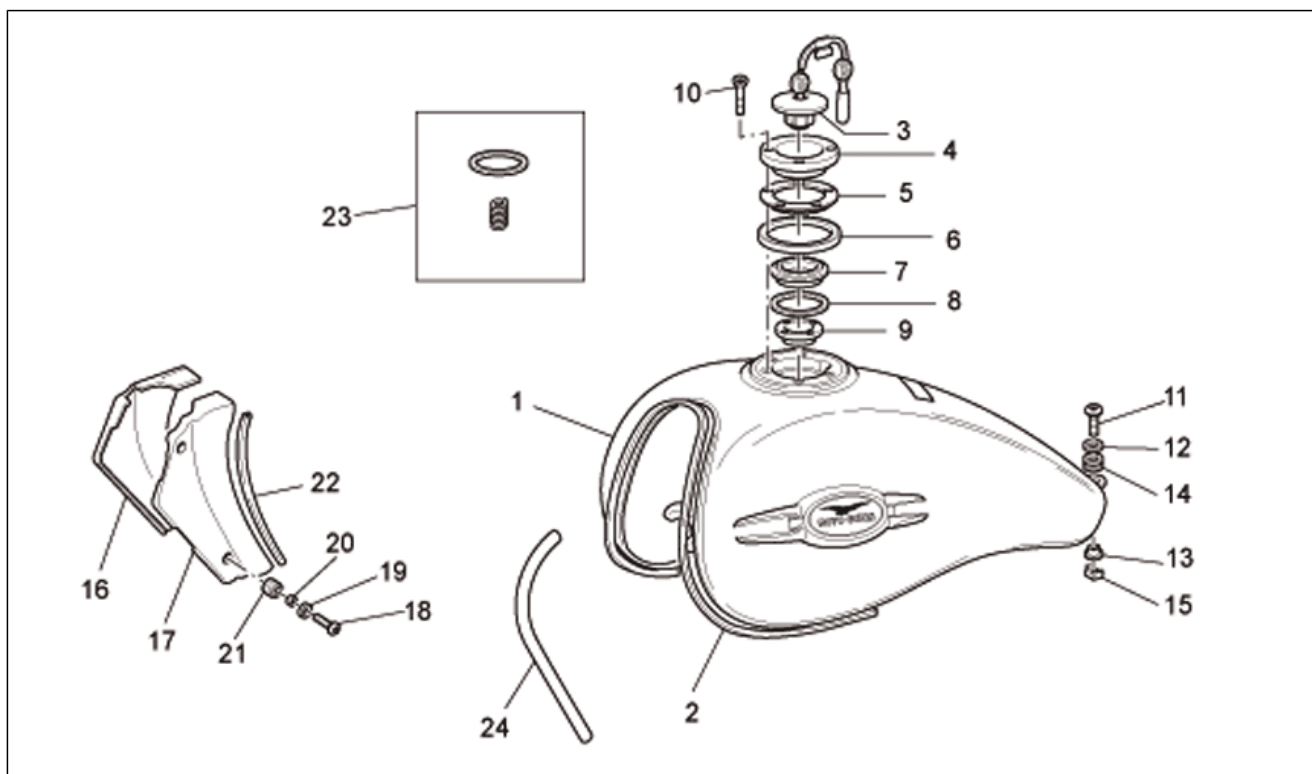
Pos.	Code	Description	Quant	Variants
1	883114	Amortisseur mm 287	1	Année:2008[8] Couleur véhicule:Grey/white 2008[gr/wh], red/white 2008[r/wh] Spécifications techniques:Luxury version[LUX]
1	883114	Amortisseur mm 287	1	Année:2009[9] Couleur véhicule:Black Eagle 2009[b.eagle]
1	977872	Amortisseur	1	Année:2007[7], 2008[8] Couleur véhicule:Black 2007-2008[black] Spécifications techniques:Basic version[BASE]
2	AP8152398	Vis bride M10x80	1	
3	GU05560330	Double biellette	1	
4	AP8135924	Axe bielle double L40	1	
5	AP8110066	Cage à rouleaux	7	
6	AP8110068	Joint spi D18x24x3	8	
7	GU05562030	Axe bielle double L47	2	
8	AP8135608	Axe bielle double L25	1	
9	AP8152397	Vis M10x82	1	
10	AP8121155	Douille en "T" *	1	
11	AP8152301	Ecrou autobloqu.	3	
12	AP8152147	Vis M10x47	1	
13	AP8150292	Rondelle élastique courbe *	1	
14	GU05562430	Bielle simple complète	1	
15	AP8152482	Vis bride M10x85	1	
16	AP8152396	Vis bride M10x95	1	

Groupe	CHASSIS
Code	33.13
Description	Réservoir essence
Révision	1



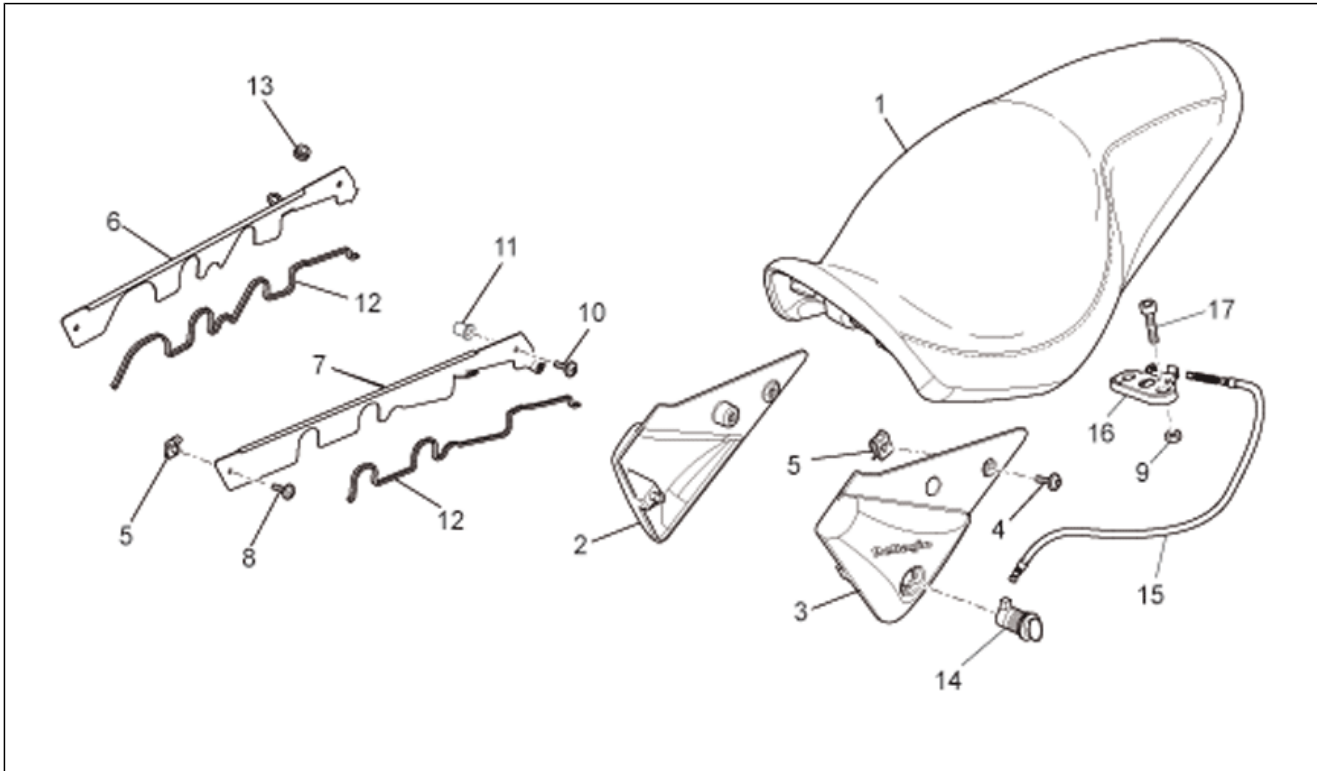
Pos.	Code	Description	Quant	Variants
1	88615300NG	Réservoir noir	1	Année: 2009[9] Couleur véhicule: Black Eagle 2009[b.eagle] Pays: Australie[AUS], Other country[EU], Japon[J], Angleterre[UK]
1	GU03100270	Réservoir brut	1	Pays: Australie[AUS], Other country[EU], Japon[J], Angleterre[UK]
1	GU0310027000EE	Réservoir carburant gris/blanc	1	Année: 2008[8] Couleur véhicule: Grey/white 2008[gr/wh] Pays: Australie[AUS], Other country[EU], Japon[J], Angleterre[UK] Spécifications techniques: Luxury version[LUX]
1	GU0310027000YR1	Réservoir ess. Gris/rouge	1	Année: 2008[8] Couleur véhicule: red/white 2008[r/wh] Pays: Australie[AUS], Other country[EU], Japon[J], Angleterre[UK] Spécifications techniques: Luxury version[LUX]
1	GU03100270NG	Réservoir noir	1	Année: 2007[7], 2008[8] Couleur véhicule: Black 2007-2008[black] Pays: Australie[AUS], Other country[EU], Japon[J], Angleterre[UK] Spécifications techniques: Basic version[BASE]
2	GU03106400	Joint	1	
3	GU32103960	Bouchon réservoir	1	Pays: Australie[AUS], Other country[EU], Japon[J], Angleterre[UK]
4	GU03101900	Bride	1	
5	GU03103500	Bague	1	
6	GU03102400	Joint	1	
7	GU03102200	Embout pour bouchon	1	
8	GU03101600	Joint	1	
9	GU03101720	Reduction 38 mm	1	
10	GU03103200	Vis	5	
11	GU98350430	Vis M8x30	1	

Groupe	CHASSIS
Code	33.13
Description	Réservoir essence
Révision	1



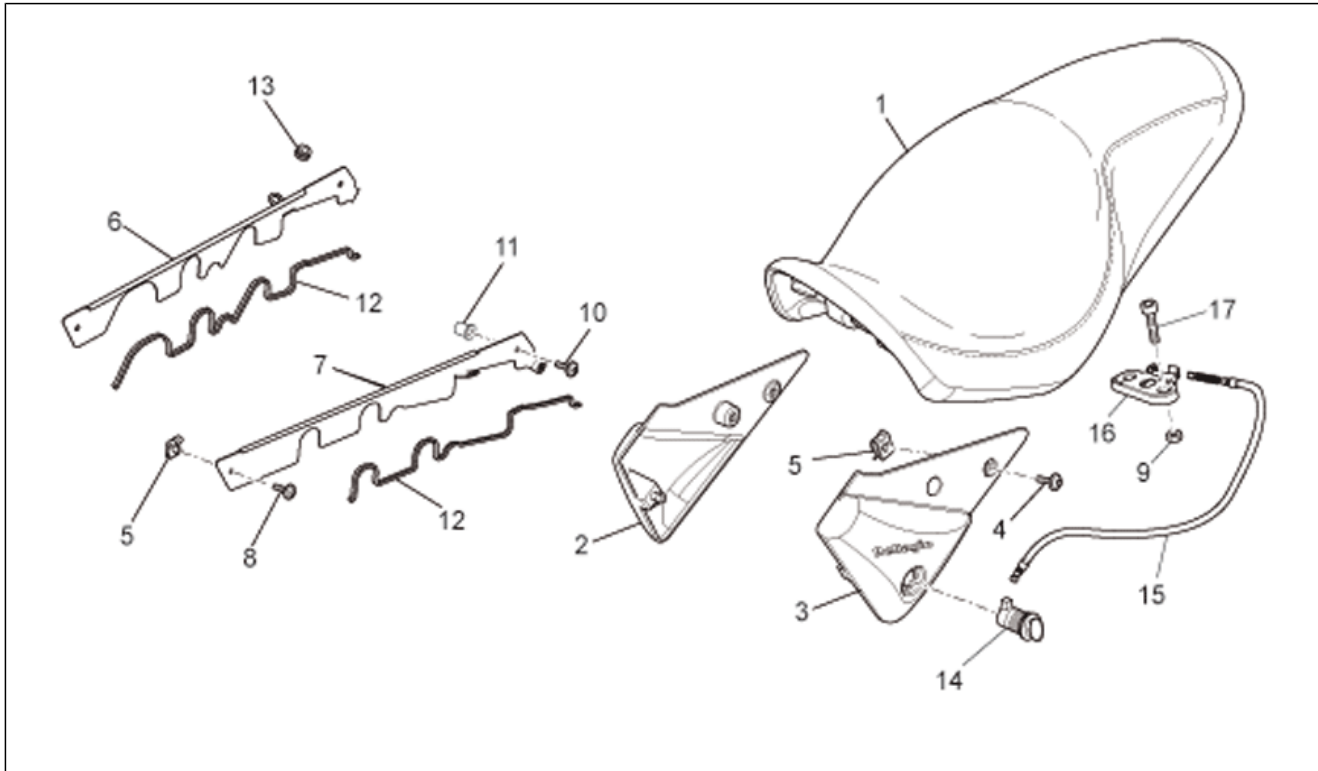
Pos.	Code	Description	Quant	Variants
12	GU95100239	Rondelle	1	
13	GU31103565	Entretoise	1	
14	GU91551131	Caoutchouc	1	
15	GU92660801	Ecrou en cage	1	
16	883256	Cloison avant d.noir	1	Année:2009[9] Couleur véhicule:Black Eagle 2009[b.eagle]
16	883256	Cloison avant d.noir	1	Année:2008[8] Couleur véhicule:Grey/white 2008[gr/wh], red/white 2008[r/wh] Spécifications techniques:Luxury version[LUX]
16	GU03472460	Cloison avant d.noir	1	Année:2007[7], 2008[8] Couleur véhicule:Black 2007-2008[black] Spécifications techniques:Basic version[BASE]
17	883255	Cloison avant g.noir	1	Année:2009[9] Couleur véhicule:Black Eagle 2009[b.eagle]
17	883255	Cloison avant g.noir	1	Année:2008[8] Couleur véhicule:Grey/white 2008[gr/wh], red/white 2008[r/wh] Spécifications techniques:Luxury version[LUX]
17	GU03472960	Cloison avant g.noir	1	Année:2007[7], 2008[8] Couleur véhicule:Black 2007-2008[black] Spécifications techniques:Basic version[BASE]
18	GU98370619	Vis	4	
19	GU03462801	Rondelle	4	
20	GU91180600	Entretoise 6,25x8x5	4	
21	GU91551081	Caoutchouc 8x15	4	
22	GU00823931055	Joint	1	
23	GU03104370	Kit bague/ressort bouchon rés.	1	Pays:Australie[AUS], Other country[EU], Japon[J], Angleterre[UK]
24	GU00823944050	Tuyau 5X9	1	

Groupe	CHASSIS
Code	33.14
Description	Selle-Carosserie cent.
Révision	1



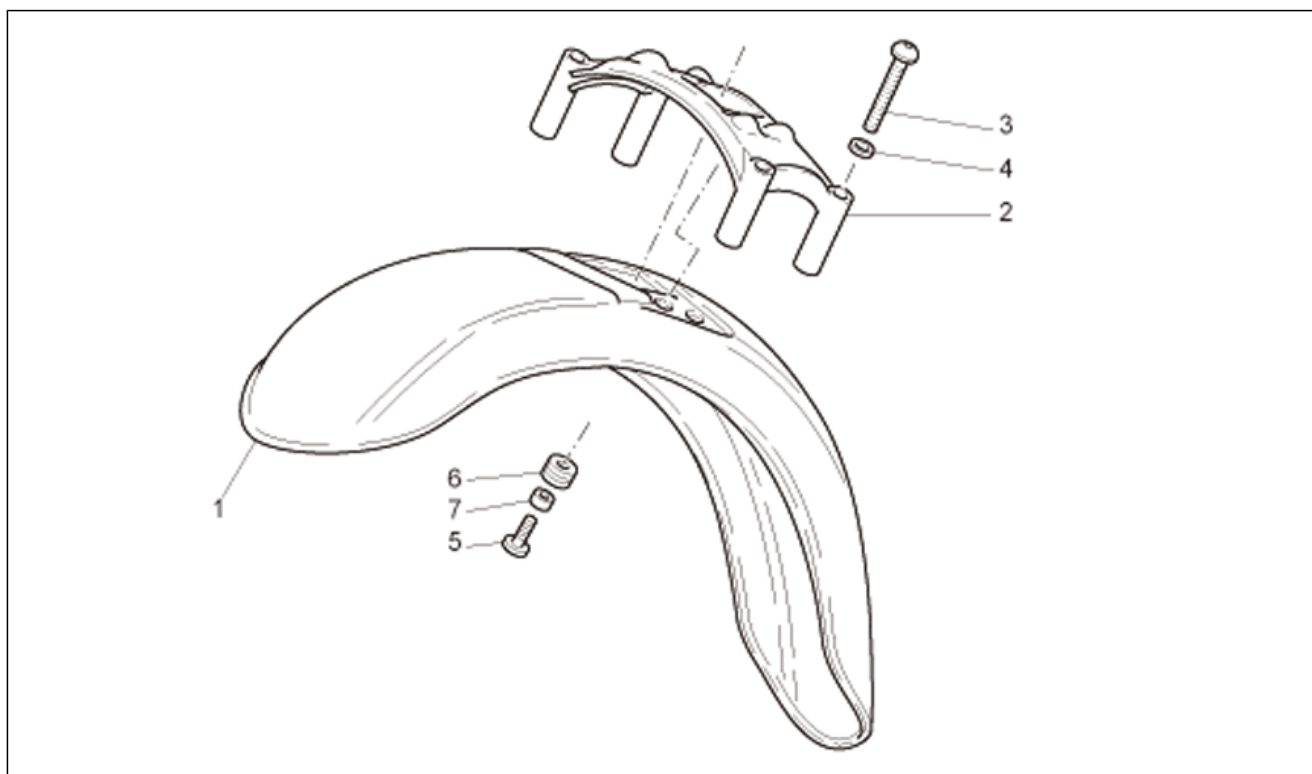
Pos.	Code	Description	Quant	Variants
1	978295	Selle	1	Année:2007[7], 2008[8] Couleur véhicule:Black 2007-2008[black] Spécifications techniques:Basic version[BASE]
1	983036	Selle	1	Année:2008[8] Couleur véhicule:Grey/white 2008[gr/wh], red/white 2008[r/wh] Spécifications techniques:Luxury version[LUX]
1	983036	Selle	1	Année:2009[9] Couleur véhicule:Black Eagle 2009[b.eagle]
2	978337	Flanc D, brute	1	
2	97833700EE	Flanc D, grise	1	Année:2008[8] Couleur véhicule:Grey/white 2008[gr/wh] Spécifications techniques:Luxury version[LUX]
2	97833700YR1	Flanc D, rouge	1	Année:2008[8] Couleur véhicule:red/white 2008[r/wh] Spécifications techniques:Luxury version[LUX]
2	978337NG	Flanc D, noir	1	Année:2009[9] Couleur véhicule:Black Eagle 2009[b.eagle]
2	978337NG	Flanc D, noir	1	Année:2007[7], 2008[8] Couleur véhicule:Black 2007-2008[black] Spécifications techniques:Basic version[BASE]
3	978338	Flanc G, brute	1	
3	97833800EE	Flanc g. grise	1	Année:2008[8] Couleur véhicule:Grey/white 2008[gr/wh] Spécifications techniques:Luxury version[LUX]
3	97833800YR1	Flanc G, rouge	1	Année:2008[8] Couleur véhicule:red/white 2008[r/wh] Spécifications techniques:Luxury version[LUX]
3	978338NG	Flanc G, noir	1	Année:2009[9] Couleur véhicule:Black Eagle 2009[b.eagle]
3	978338NG	Flanc G, noir	1	Année:2007[7], 2008[8] Couleur véhicule:Black 2007-2008[black] Spécifications techniques:Basic version[BASE]

Groupe	CHASSIS
Code	33.14
Description	Selle-Carosserie cent.
Révision	1



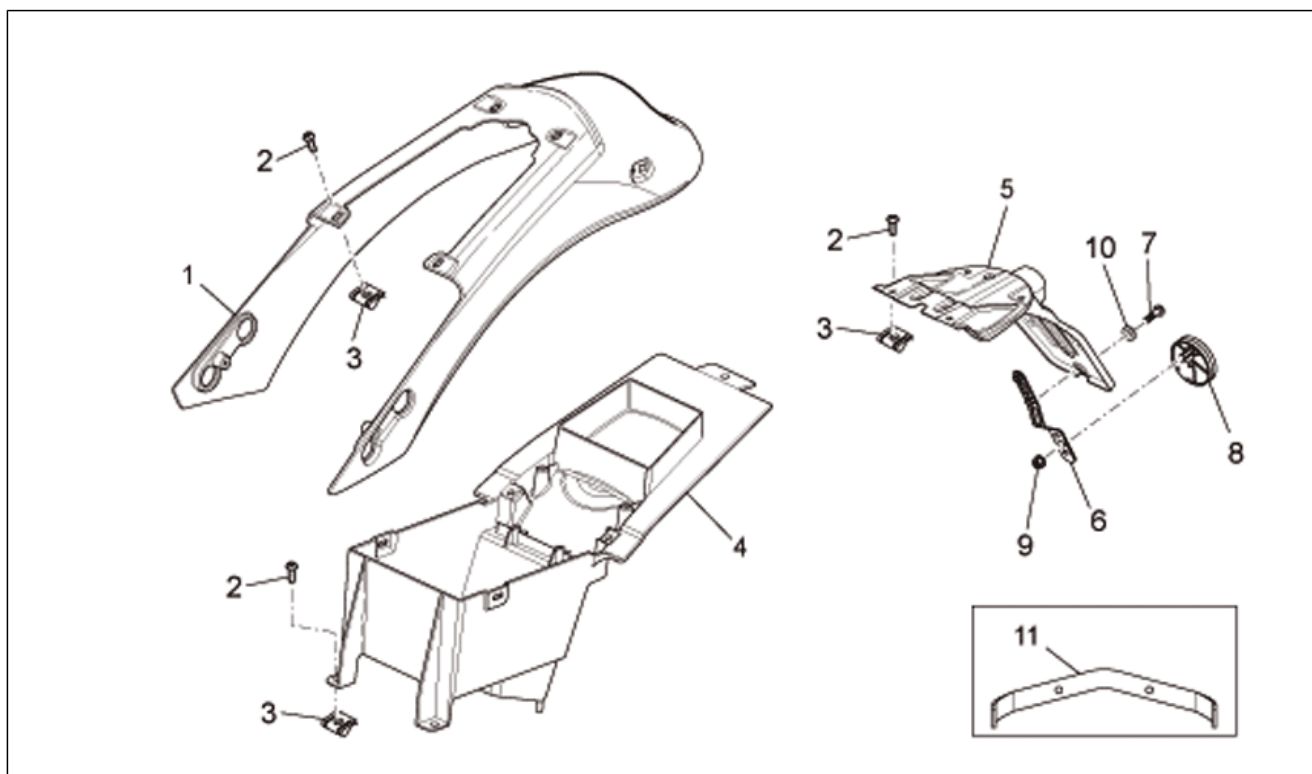
Pos.	Code	Description	Quant	Variants
4	AP8152339	Vis bride M5x9	4	
5	AP8102375	Clip m5	6	
6	978250	Plaque d.	1	
7	978251	Plaque g.	1	
8	GU98230512	Vis	2	
9	AP8152299	Ecrou autobloqu. M6	2	
10	GU98370520	Vis	2	
11	GU93232005	Caoutchouc	2	
12	GU00823931070	Joint	1	
13	AP8120405	Caoutchouc *	2	
14	977527	Serrure selle	1	
15	AP8114487	Câble ouverture selle	1	
16	AP8102913	Pl.fix.selle pass.	1	
17	GU98370625	Vis	2	

Groupe	CHASSIS
Code	33.15
Description	Garde-boue Av.
Révision	1



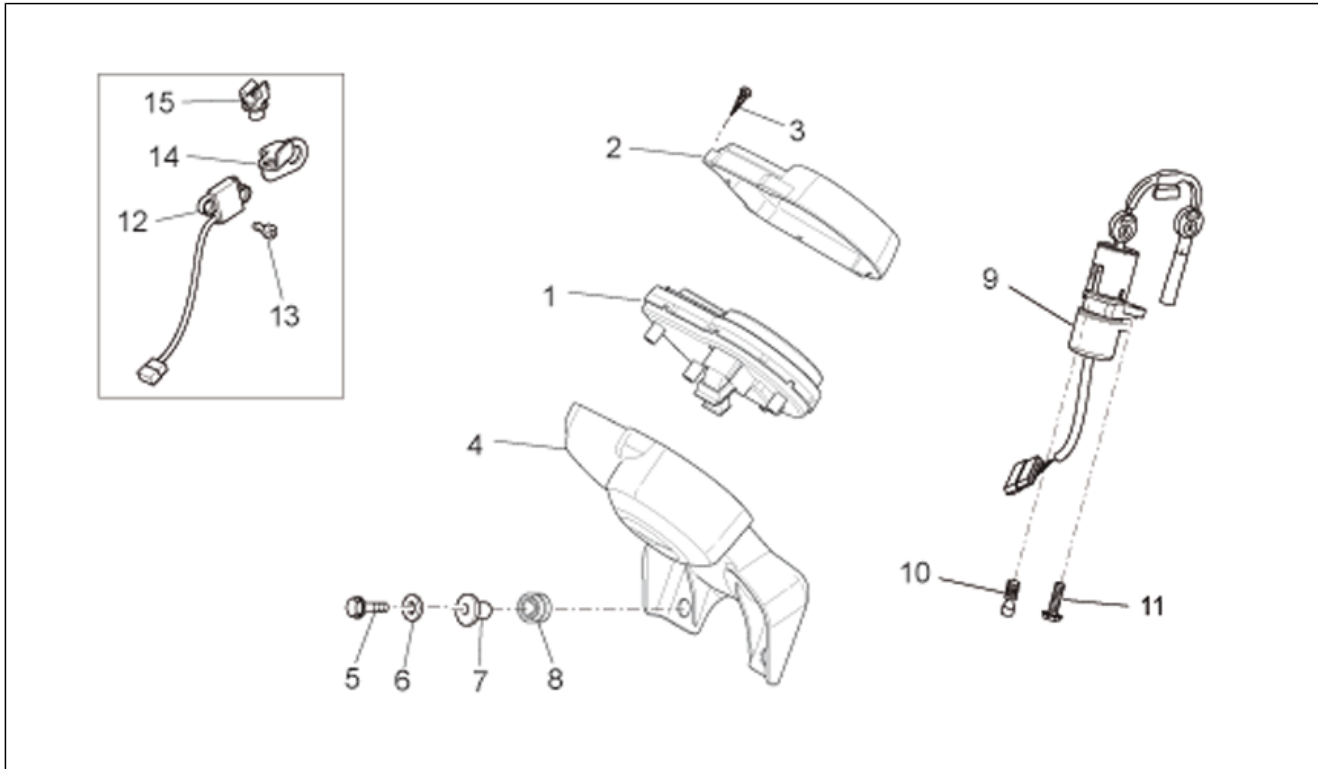
Pos.	Code	Description	Quant	Variants
1	88615500NG	Garde-boue AV noir	1	Année: 2009[9] Couleur véhicule: Black Eagle 2009[b.eagle]
1	GU0343436500EE	Garde-boue avant peint gris	1	Année: 2008[8] Couleur véhicule: Grey/white 2008[gr/wh] Spécifications techniques: Luxury version[LUX]
1	GU0343436500YR1	Garde-boue avant peint rouge	1	Année: 2008[8] Couleur véhicule: red/white 2008[r/wh] Spécifications techniques: Luxury version[LUX]
1	GU03434365NG	Garde-boue AV noir	1	Année: 2007[7], 2008[8] Couleur véhicule: Black 2007-2008[black] Spécifications techniques: Basic version[BASE]
2	978309	Plaque de stabilisation	1	
3	GU98370835	Vis	4	
4	GU95005308	Rondelle 8,4x14,57x1,6	4	
5	GU98370622	Vis	4	
6	GU91551010	Caoutchouc	4	
7	GU91180709	Entretoise	4	

Groupe	CHASSIS
Code	33.16
Description	Carr. Arrière - Qu.Car
Révision	1



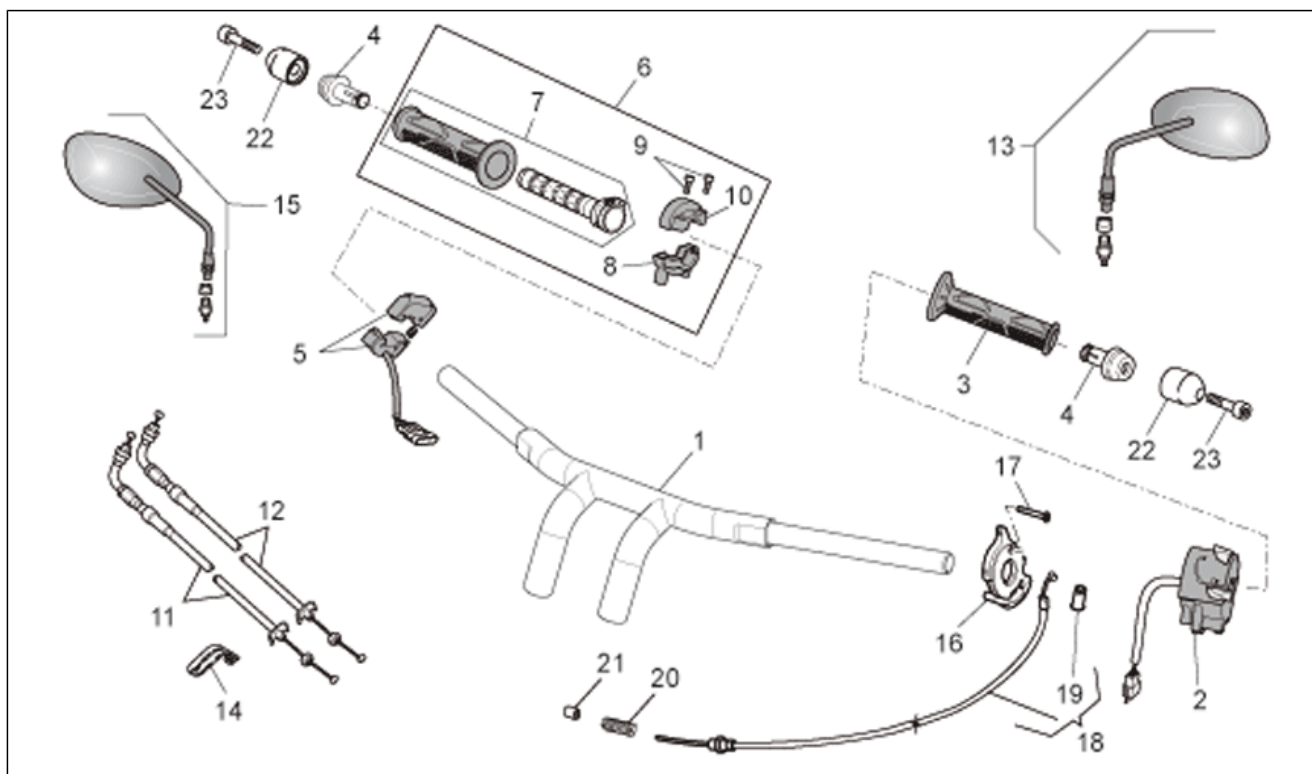
Pos.	Code	Description	Quant	Variants
1	978340	Carénage ar.brut	1	
1	97834000EE	Queue AR. Grise/blanc	1	Année:2008[8] Couleur véhicule:Grey/white 2008[gr/wh] Spécifications techniques:Luxury version[LUX]
1	97834000YR1	Carénage ar.rouge/blanc	1	Année:2008[8] Couleur véhicule:red/white 2008[r/wh] Spécifications techniques:Luxury version[LUX]
1	978340NG	Carénage ar. Noir	1	Année:2007[7], 2008[8] Couleur véhicule:Black 2007-2008[black] Spécifications techniques:Basic version[BASE]
1	978340NG	Carénage ar. Noir	1	Année:2009[9] Couleur véhicule:Black Eagle 2009[b.eagle]
2	AP8152339	Vis bride M5x9	12	
3	AP8102375	Clip m5	8	
4	978336	Bavette anti-éclaboussures	1	
5	978335	Porte-plaque	1	
6	AP8134448	Support catadioptré	1	
7	AP8152267	Vis	2	
8	AP8224164	Catadioptré arrière, rouge	1	
9	AP8152306	Ecrou autobloqu. m5	1	
10	AP8150248	Rondelle 5,5x15x1,6	2	
11	978580	Plaque Renfort	1	

Groupe	CHASSIS
Code	33.17
Description	Tableau de bord
Révision	1



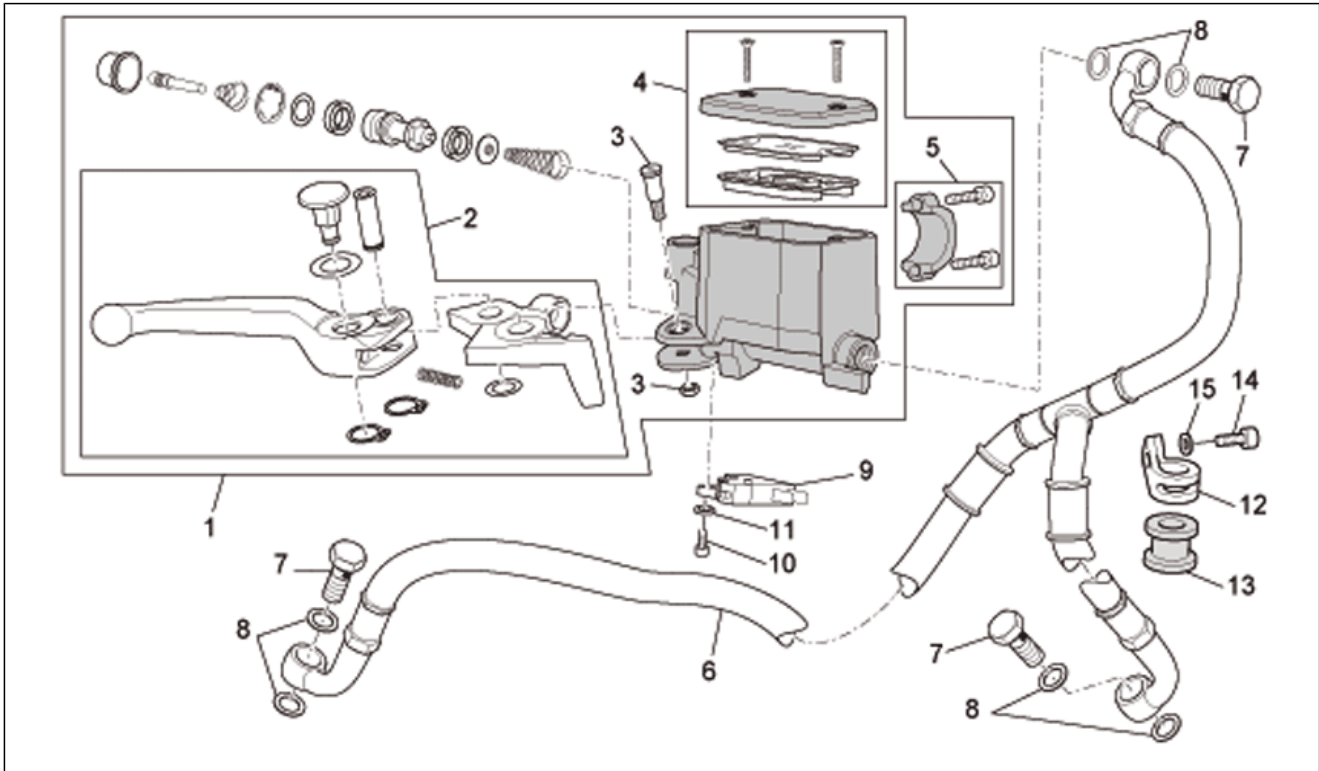
Pos.	Code	Description	Quant	Variants
1	978324	Tableau de bord	1	
2	978376	Cadre instrum. chr.	1	
3	AP8221242	Vis taraud spéciale 3,5x20	4	
4	978377	Support ampoule	1	
5	AP8152279	Vis bride M6x20	4	
6	GU14217901	Rondelle 6,4x10x0,7	8	
7	AP8221023	Douille en "T" *	4	
8	AP8120030	Caoutchouc *	2	
9	977528	Bloc démarreur-bloc	1	
10	GU97260415	Vis spéciale M8x15	1	
11	GU98682416	Vis	1	
12	GU06765400	Capteur tachym. cpl.	1	
13	AP8152043	Vis M4x10	2	
14	GU06765500	Passe-câble	1	
15	AP8121882	Guide-câble	1	

Groupe	CHASSIS
Code	33.18
Description	Guidon - Commandes
Révision	1



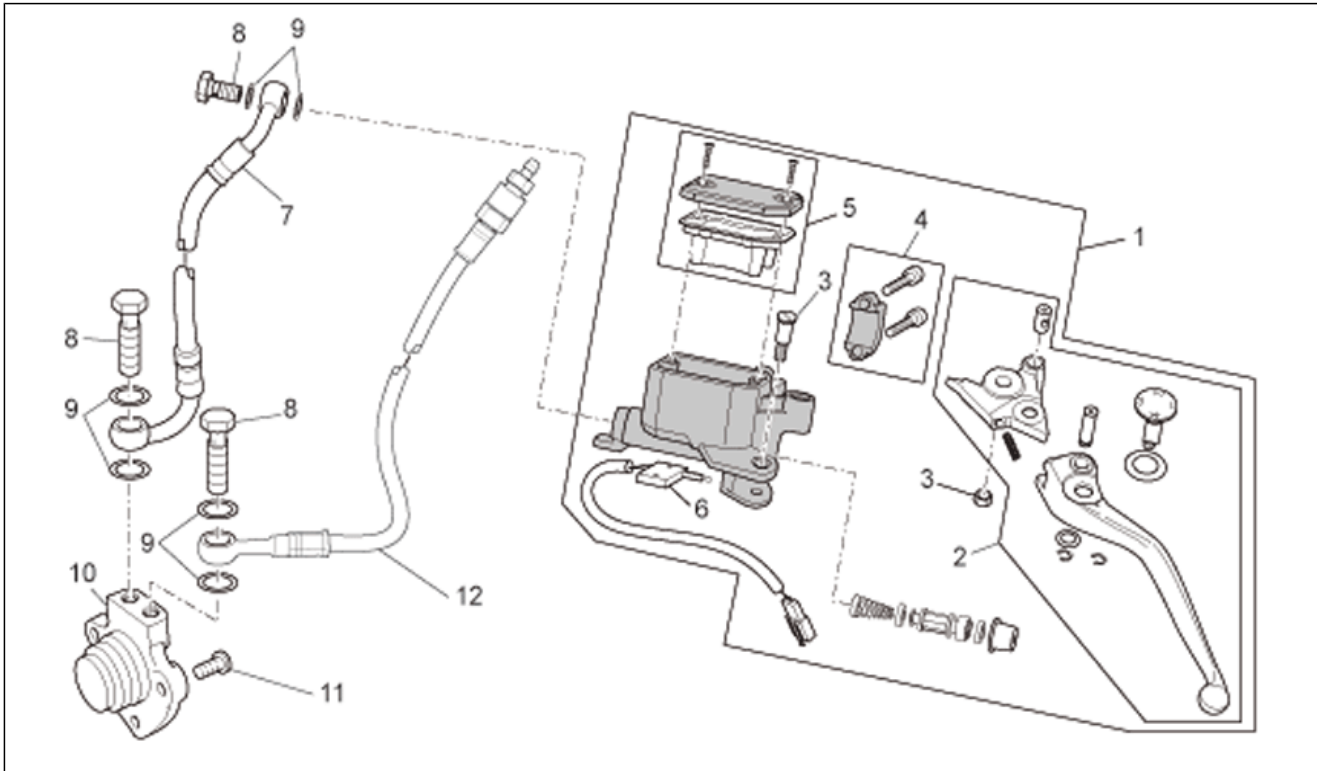
Pos.	Code	Description	Quant	Variants
1	978310	Guidon	1	
2	AP8127703	Déviateur feux gche	1	
3	AP8118579	Poignée gc.	1	
4	GU03602760	Equilibrage	2	Spécifications techniques:1st Serie[1A]
5	851998	Disp. engine stop-start	1	
6	GU05603331	Commande gaz cpl.	1	
7	GU01603480	Poignée dr.	1	
8	AP8118502	Cavalier AV. commande gaz	1	
9	AP8118492	Vis calotte	2	
10	AP8118503	Cavalier AR. commande gaz	1	
11	978381	Câble ouverture gaz	1	
12	978382	Câble fermeture gaz	1	
13	883802	Miroir rétroviseur d/g	1	Couleur véhicule:marked "FU E11 81R-001047"[B]
13	GU32769860	Miroir rétroviseur gche	1	Couleur véhicule:marked "FAR"[A]
14	GU01609630	Collier L46 mm	1	
14	GU03609600	Collier L36 mm	4	
15	883802	Miroir rétroviseur d/g	1	Couleur véhicule:marked "FU E11 81R-001047"[B]
15	GU32769460	Miroir rétroviseur dte	1	Couleur véhicule:marked "FAR"[A]
16	GU01132330	Commande starter	1	
17	GU98257320	Vis	2	
18	GU01132830	Câble starter	1	
19	GU29132750	Caoutchouc	1	
20	GU94321070	Ressort	1	
21	GU39094200	Bouchon	1	
22	GU32602860	Masse antivibratile chr.	2	Spécifications techniques:2nd Serie[2A]
23	GU98690335	Vis	2	Spécifications techniques:2nd Serie[2A]

Groupe	CHASSIS
Code	33.19
Description	Maît. cyl. frein AV
Révision	1



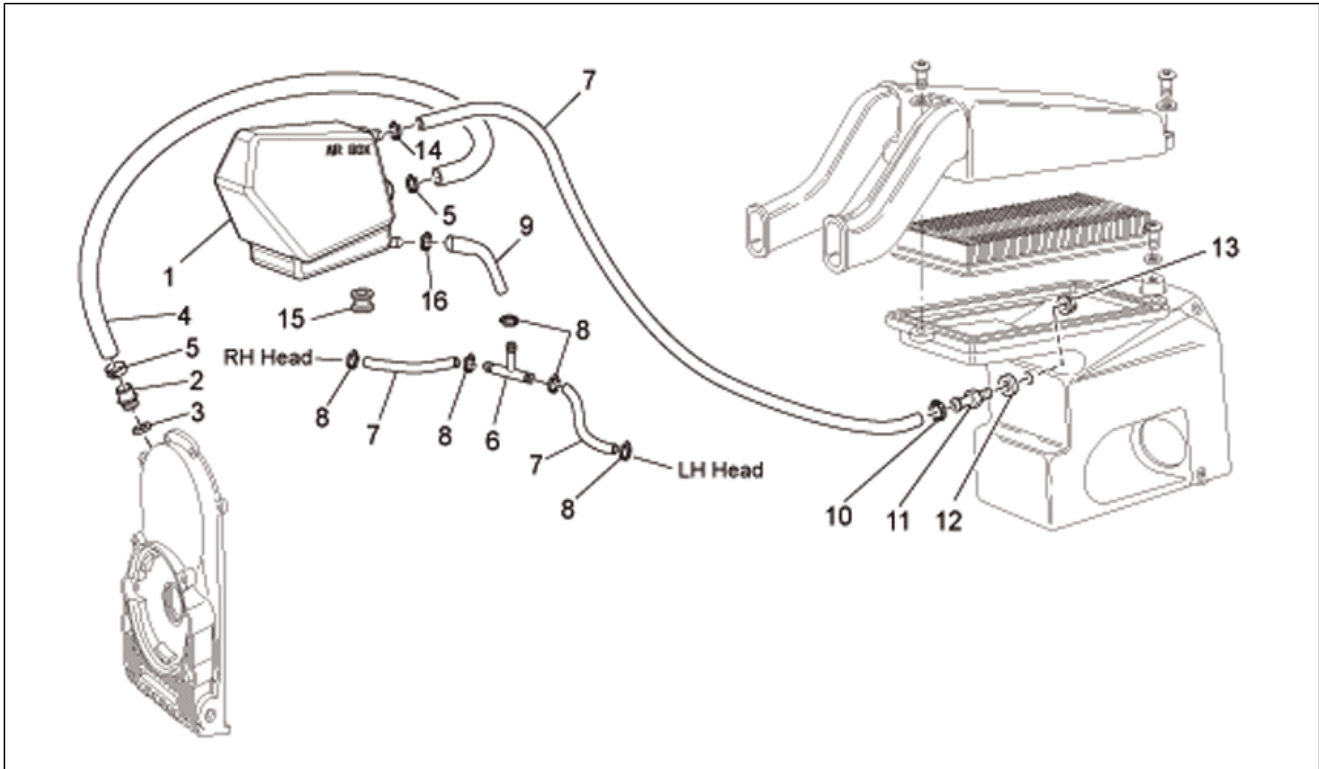
Pos.	Code	Description	Quant	Variants
1	978606	Maît. cyl. frein AV	1	
2	981050	Levier frein avant	1	
3	AP8113995	Goujon de levier	1	
4	GU05661130	Bouchon réservoir	1	
5	AP8113993	Cavalier	1	
6	978362	Tube frein AV	1	
7	AP8133962	Vis tuyau huile *	3	
8	AP8121915	Joint	6	
9	GU03749845	Interrupteur stop	1	
10	GU98370412	Vis M4x12	1	
11	GU95021104	Rondelle 4,3x8x1,5	1	
12	GU03658430	Collier	2	
13	GU03658201	Bague	2	
14	GU98370619	Vis	2	
15	GU95005307	Rondelle 6,4x11x0,8	2	

Groupe	CHASSIS
Code	33.20
Description	Commande embrayage cpl
Révision	1



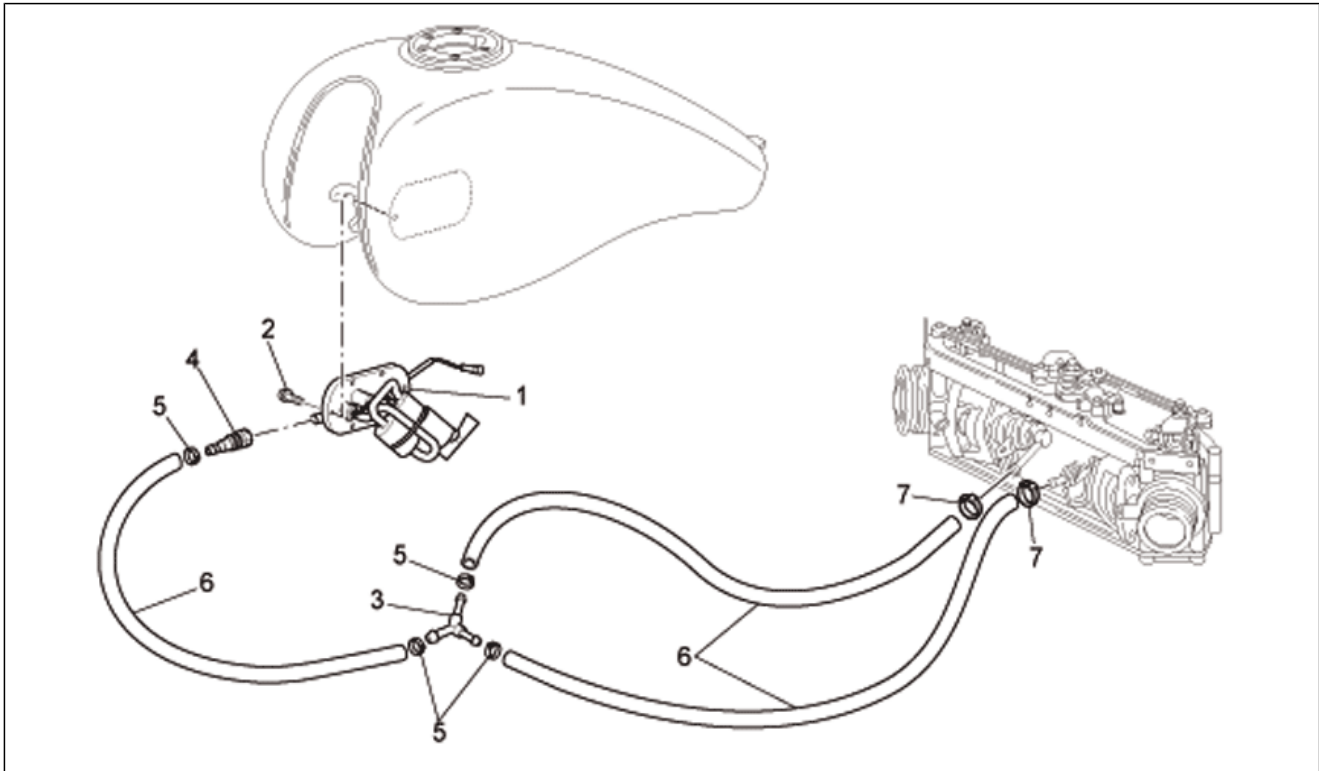
Pos.	Code	Description	Quant	Variants
1	978607	Pompe embrayage	1	
2	981046	Levier embrayage	1	
3	GU03604845	Goujon de levier	1	
4	AP8113993	Cavalier	1	
5	AP8113997	Bouchon réservoir	1	
6	AP8113998	Minirupteur	1	
7	GU05606530	Tuyau embrayage	1	
8	AP8133594	Vis tuyau huile	3	
9	AP8121915	Joint	6	
10	GU05086330	Cylindre comm. embr.	1	
11	AP8152278	Vis bride M6x16	3	
12	GU05606630	Tube vidange embrayage	1	

Groupe	CHASSIS
Code	33.21
Description	Installation Blow-by
Révision	1



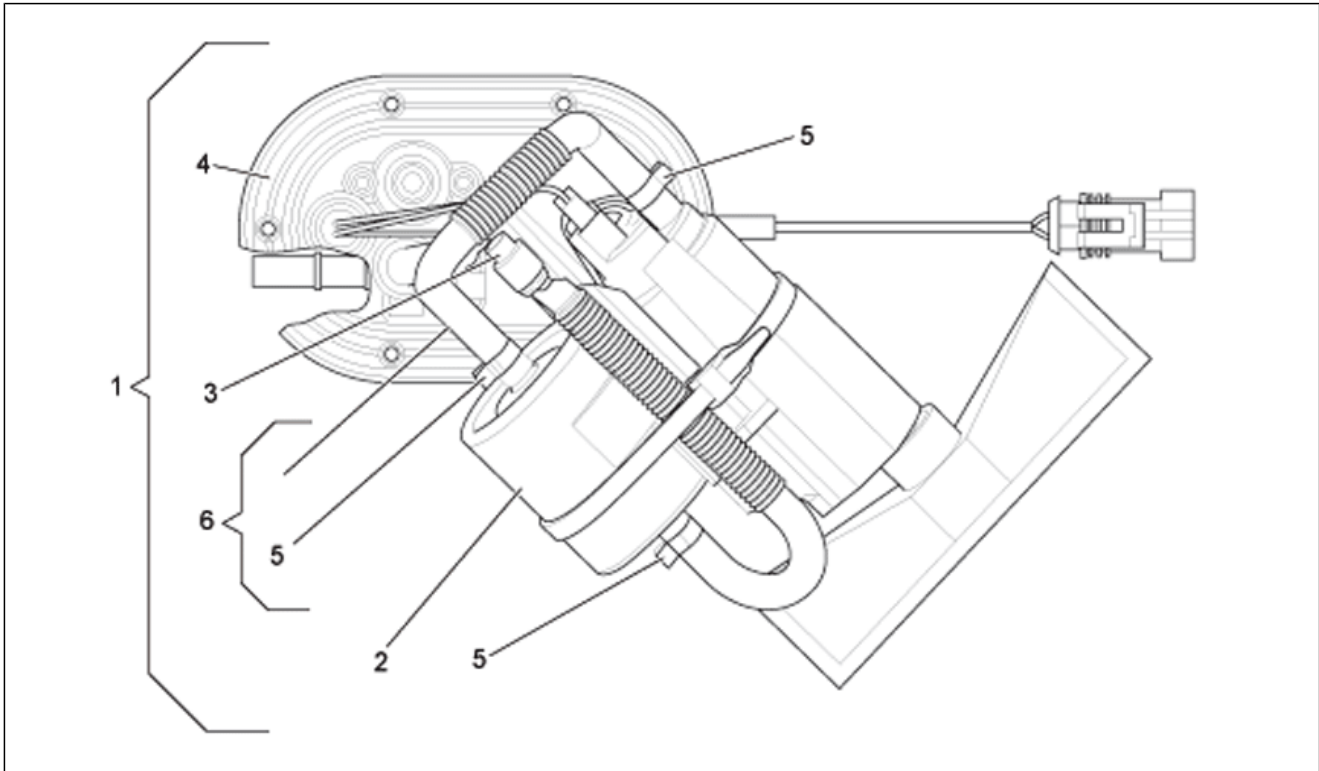
Pos.	Code	Description	Quant	Variants
1	978320	Corp	1	
2	GU03007260	Raccord	1	
3	GU18144350	Rondelle 18,25x24x1	3	
4	978461	Tuyau reniflard radiateur	1	
5	GU93306018	Collier 17X29X8	2	
6	GU95960609	Raccord 3 voies	1	
7	GU00823956080	Tuyau caoutchouc 12,5X7,8 5/16"	3	
8	AP8201358	Collier D 11,9	5	
9	978588	Tuyau reniflard radiateur	1	
10	GU14609650	Collier 3,6x20,6	1	
11	GU29116960	Raccord	1	
12	GU90714082	Joint	1	
13	GU92660208	Ecrou	1	
14	GU93306017	Collier	1	
15	GU91551010	Caoutchouc	1	
16	AP8101586	Collier clic D.15,5x6,6	1	

Groupe	CHASSIS
Code	33.22
Description	Alimentation
Révision	1



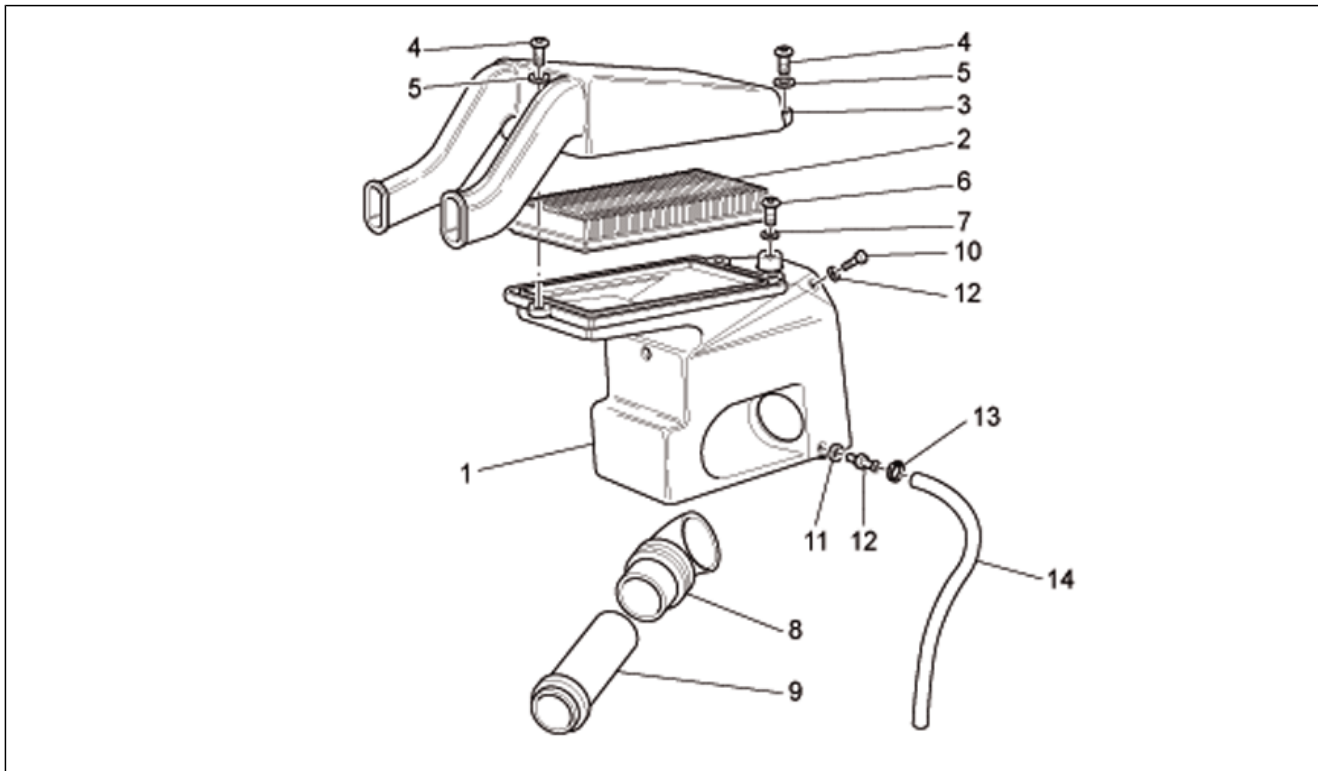
Pos.	Code	Description	Quant	Variants
1	GU03107270	Pompe essence cpl.	1	
2	AP8152273	Vis bride	6	
3	GU29106860	Raccord 3 voies	1	
4	GU01106692	Raccord	1	
5	GU28157950	Collier clic 12,5x8	4	
6	GU00823952080	Tuyau essence SAEJ30R9	1	
7	GU93306017	Collier	2	

Groupe	CHASSIS
Code	33.23
Description	Pompe ess. interne
Révision	1



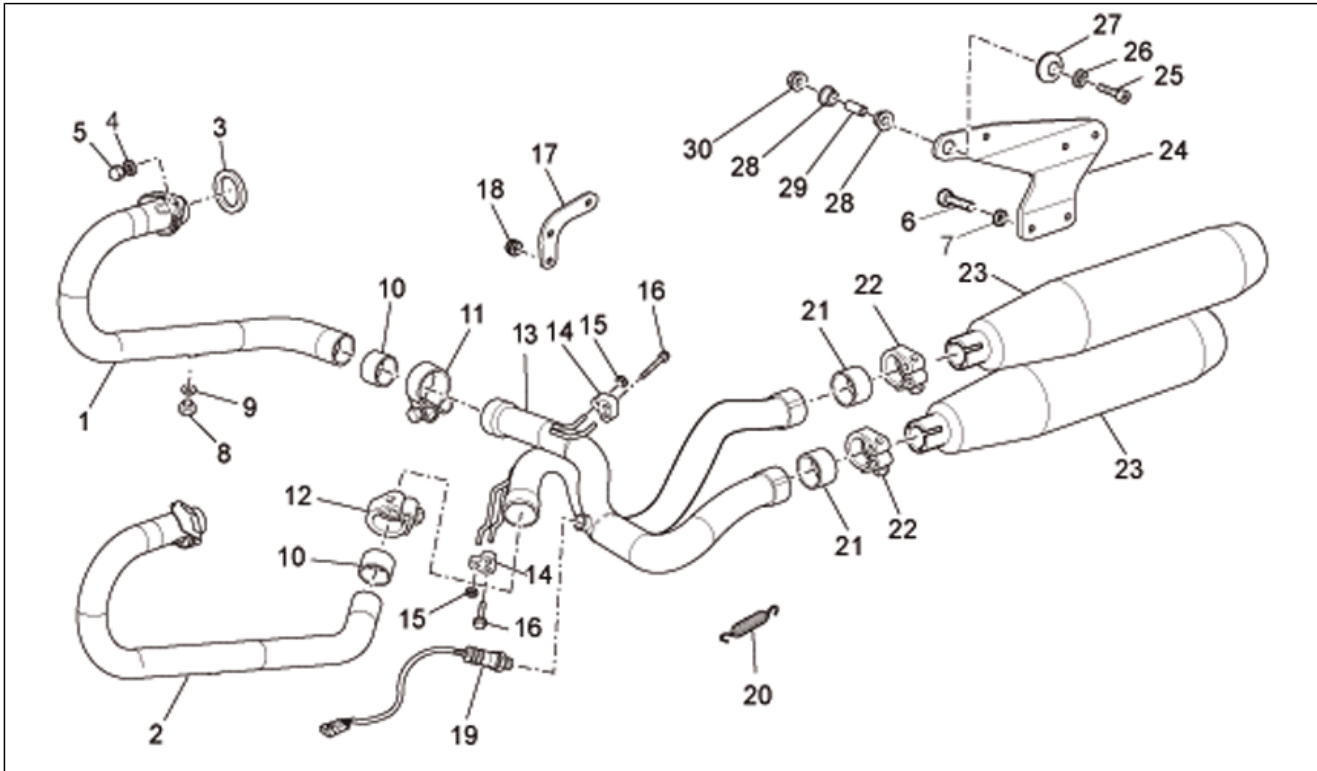
Pos.	Code	Description	Quant	Variants
1	GU03107270	Pompe essence cpl.	1	
2	GU01106090	Filtre essence	1	
3	GU03103070	Thermistor	1	
4	GU01107490	Joint	1	
5	GU01108490	Collier 11,3	4	
6	GU03106170	Tuyau essence	1	

Groupe	CHASSIS
Code	33.24
Description	Corps filtre
Révision	1



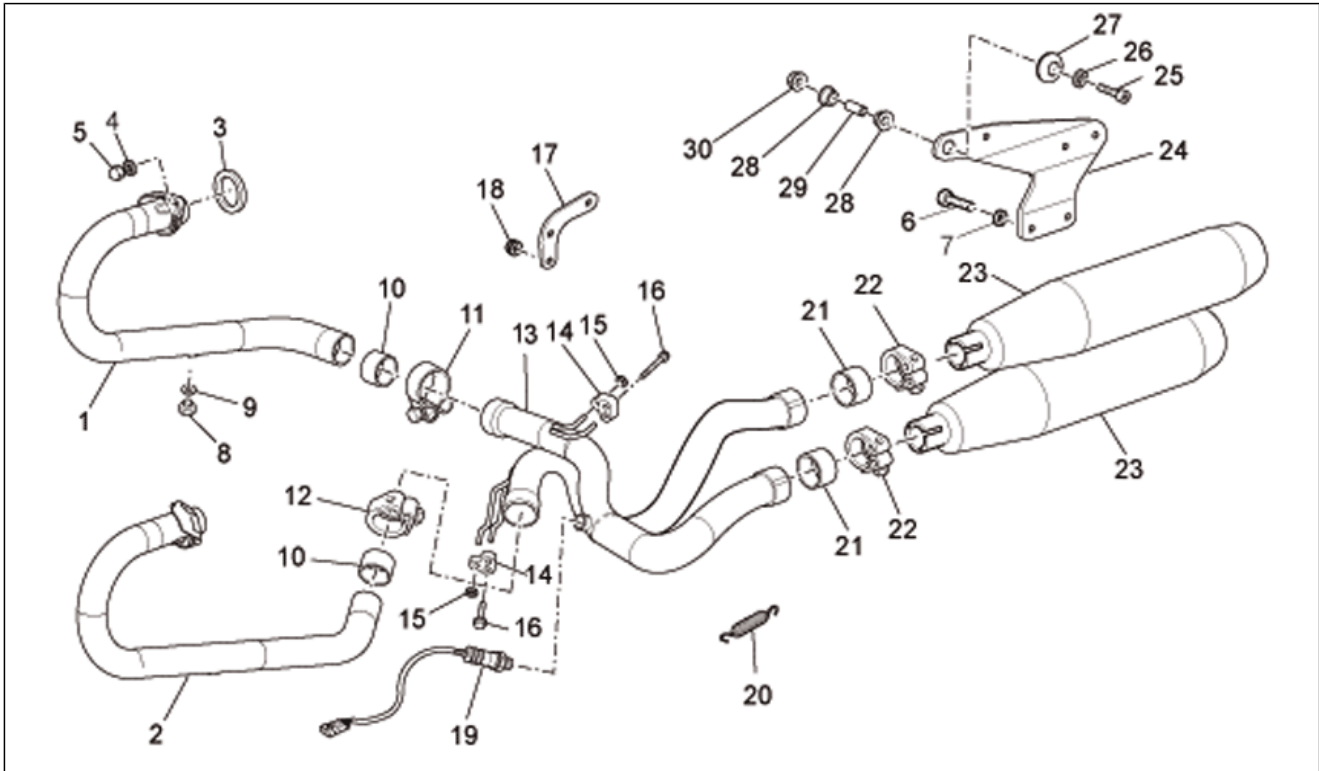
Pos.	Code	Description	Quant	Variants
1	978312	Corps filtre	1	
2	GU30113600	Filtre air	1	
3	GU30113460	Couvercle filtre	1	
4	GU98680230	Vis M5x30	3	
5	GU95100059	Rondelle 5,25x14x1,5	3	
6	GU98350312	Vis M6x12	1	
7	GU03013800	Rondelle 6,4x12	2	
8	GU30114660	Raccord	2	
9	GU30114560	Cornet	2	
10	GU98350210	Vis	1	
11	GU90714053	Joint	2	
12	GU29115860	Raccord	1	
13	GU28157950	Collier clic 12,5x8	1	
14	GU00823944050	Tuyau 5X9	1	

Groupe	CHASSIS
Code	33.25
Description	Groupe echappement
Révision	1



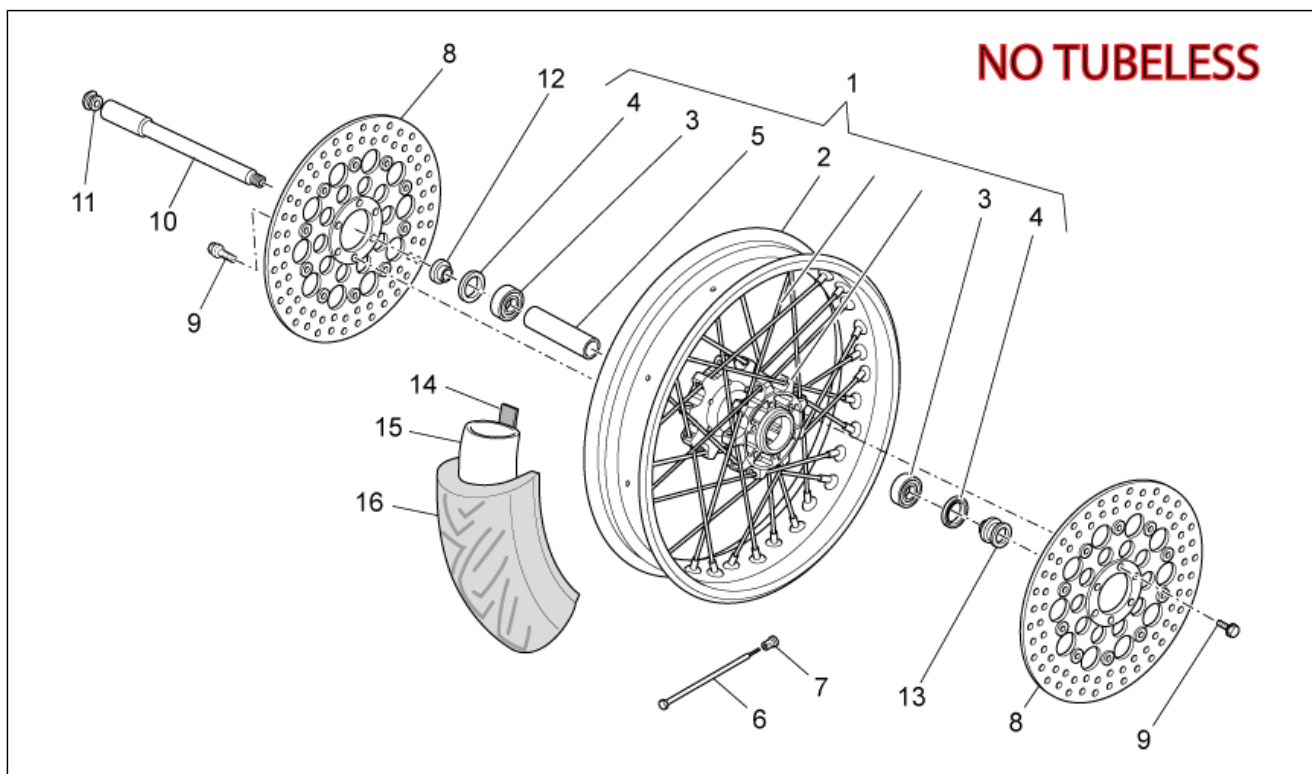
Pos.	Code	Description	Quant	Variants
1	977662	Tuyau échappement d.	1	
2	977663	Tuyau échappement gche	1	
3	GU90718370	Joint	2	
4	GU14615901	Rondelle 8,4X13X0,8	4	
5	GU92660021	Ecrou bridé M8	4	
6	GU98084425	Vis M8x25	4	
7	GU03270300	Rondelle 8,4x15	4	
8	GU98110007	Bouchon	2	
9	GU30109330	Joint	2	
10	GU05121630	Joint	2	
11	976522	Collier droit	1	
12	976523	Collier gauche	1	
13	978369	Tuyau échap. cent.	1	
14	GU05124230	Caoutchouc	2	
15	GU90274008	Rondelle pour arbres D8	4	
16	GU05124330	Vis	2	
17	978540	Plaque d.	1	
18	AP8152301	Ecrou autobloqu.	1	
19	GU32727010	Sonde lamda	1	
20	AP8121170	Ressort	1	
21	GU05128230	Joint	1	
22	976521	Collier	1	
23	978370	Silencieux	2	
24	978506	Pla.q.sup. silencieux	1	
25	GU98680445	Vis	1	
26	GU95005312	Rondelle 8,5x24x2	1	
27	AP8134378	Douille fixation silencieux	1	
28	AP8144071	Caoutchouc pot	2	

Groupe	CHASSIS
Code	33.25
Description	Groupe echappement
Révision	1



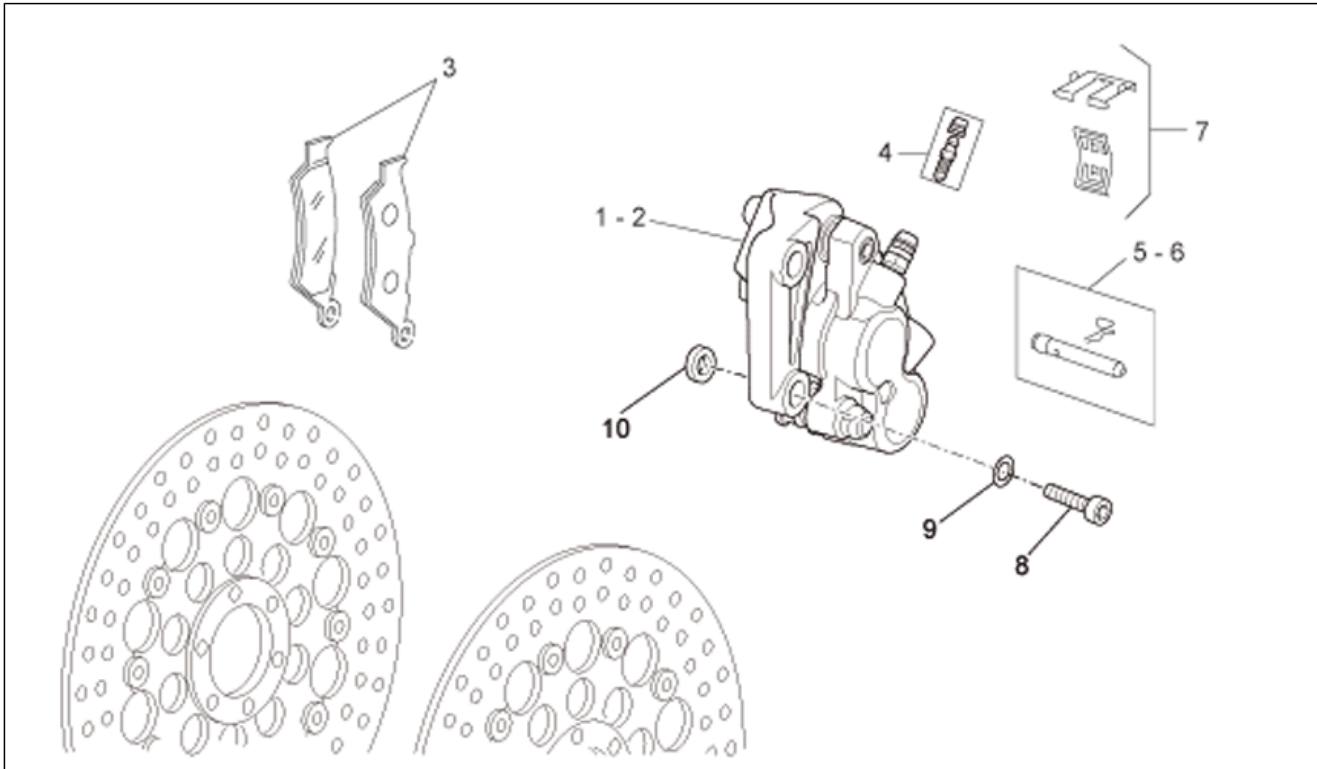
Pos.	Code	Description	Quant	Variants
29	AP8121072	Entretoise	1	
30	GU92650138	Ecrou M8x1,25	1	

Groupe	CHASSIS
Code	33.26
Description	Roue Av. I
Révision	1



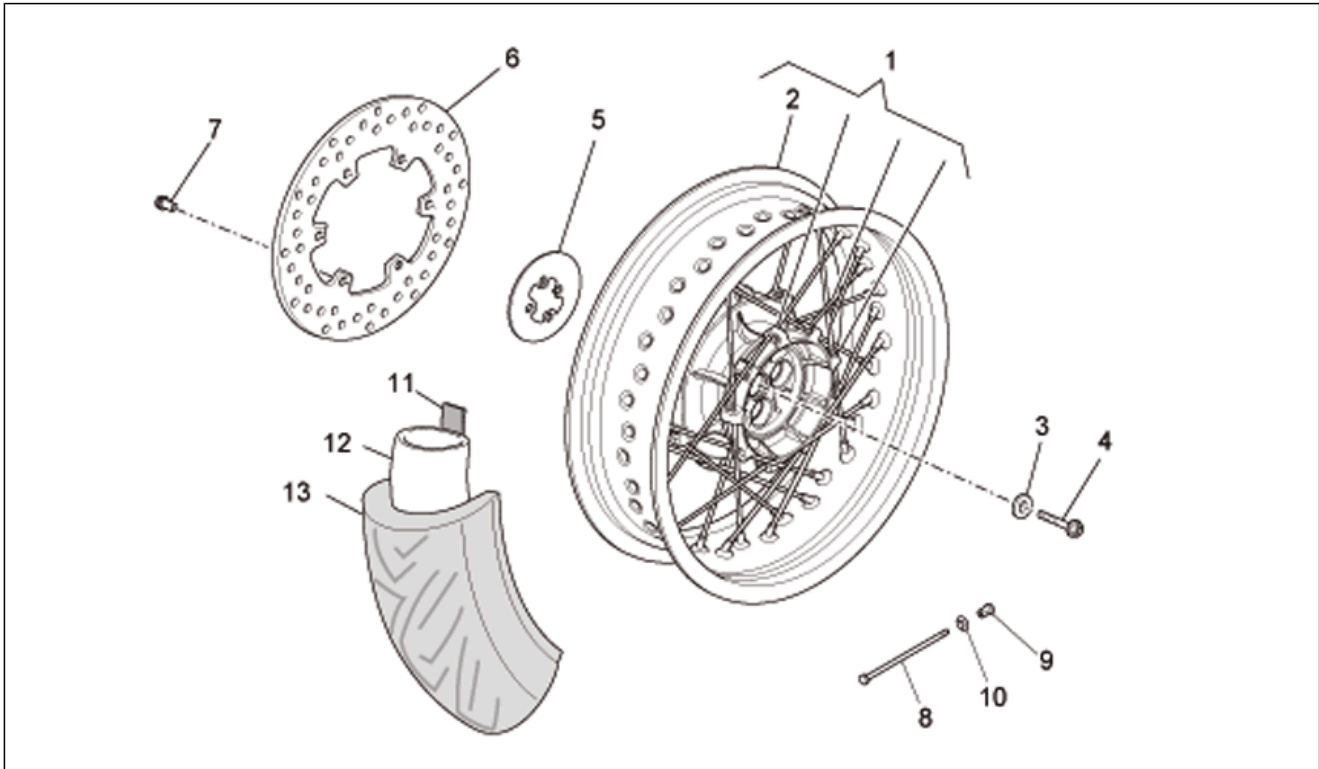
Pos.	Code	Description	Quant	Variants
1	884081	Roue AV nue 3,50x18"	0	Spécifications techniques:Ruota con raggi ZN[RZN]
1	978308	Roue AV nue 3,50x18"	1	Spécifications techniques:Ruota con raggi CR[RCR]
2	978305	Jante avant 3,50x18"	1	
3	AP8125777	Roulement à billes 25x47x12	2	
4	GU90402549	Bague d'étanchéité	2	
5	978516	Entretoise roulements	1	
6	887081	Rayon	36	Spécifications techniques:Galvanized[ZN]
6	978306	Rayon	36	Spécifications techniques:Cromo Lucido[CR]
7	978307	Nipples	36	
8	883688	Disque frein avant 320	1	Spécifications techniques:Marchio Sunstar[SU]
8	977024	Disque frein avant	2	Spécifications techniques:Marchio Brembo[BR]
9	AP8152286	Vis bride M8x20	12	
10	GU03614101	Axe de roue AV	1	
11	GU93180111	Bouchon 15 mm	1	
12	978303	Entretoise D	1	
13	978304	Entretoise G	1	
14	0000000	Pneu s. chambre	1	
15	0000000	Pneu s. chambre	1	
16	0000000	Pneu s. chambre	1	

Groupe	CHASSIS
Code	33.27
Description	Pince frein avant
Révision	1



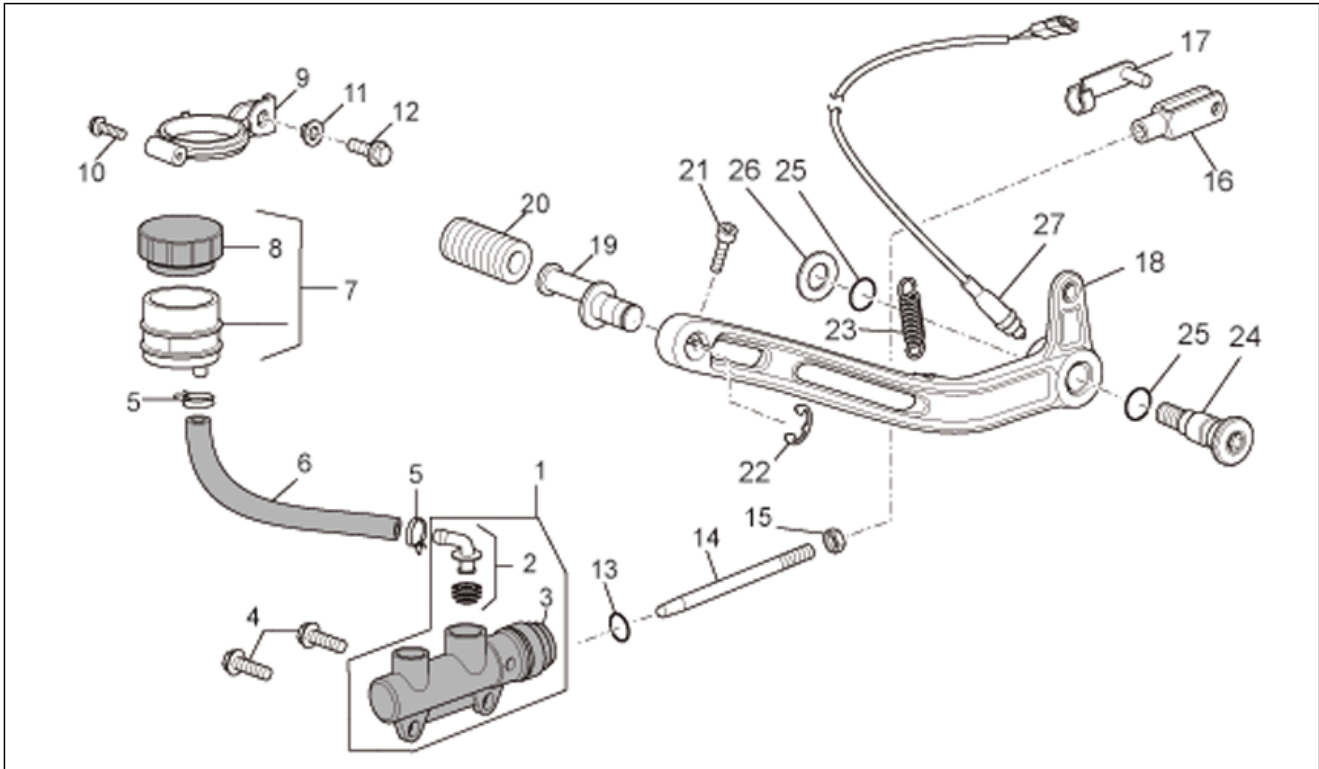
Pos.	Code	Description	Quant	Variants
1	978360	Etrier frein AV d.noir	1	
2	978361	Etrier frein AV g.noir	1	
3	AP8113627	Plaquettes-paire	2	
4	AP8133502	Purge air	2	
5	981004	Axe +goupille pince	2	
6	981003	Axe +goupille pince	2	
7	AP8133908	Ressort pinza	2	
8	GU98683530	Vis M10x30	4	
9	GU19149800	Rondelle 10,5x16x1	4	
10	GU91181003	Entretoise 10,25X20X4	4	

Groupe	CHASSIS
Code	33.28
Description	Roue arrière I
Révision	1



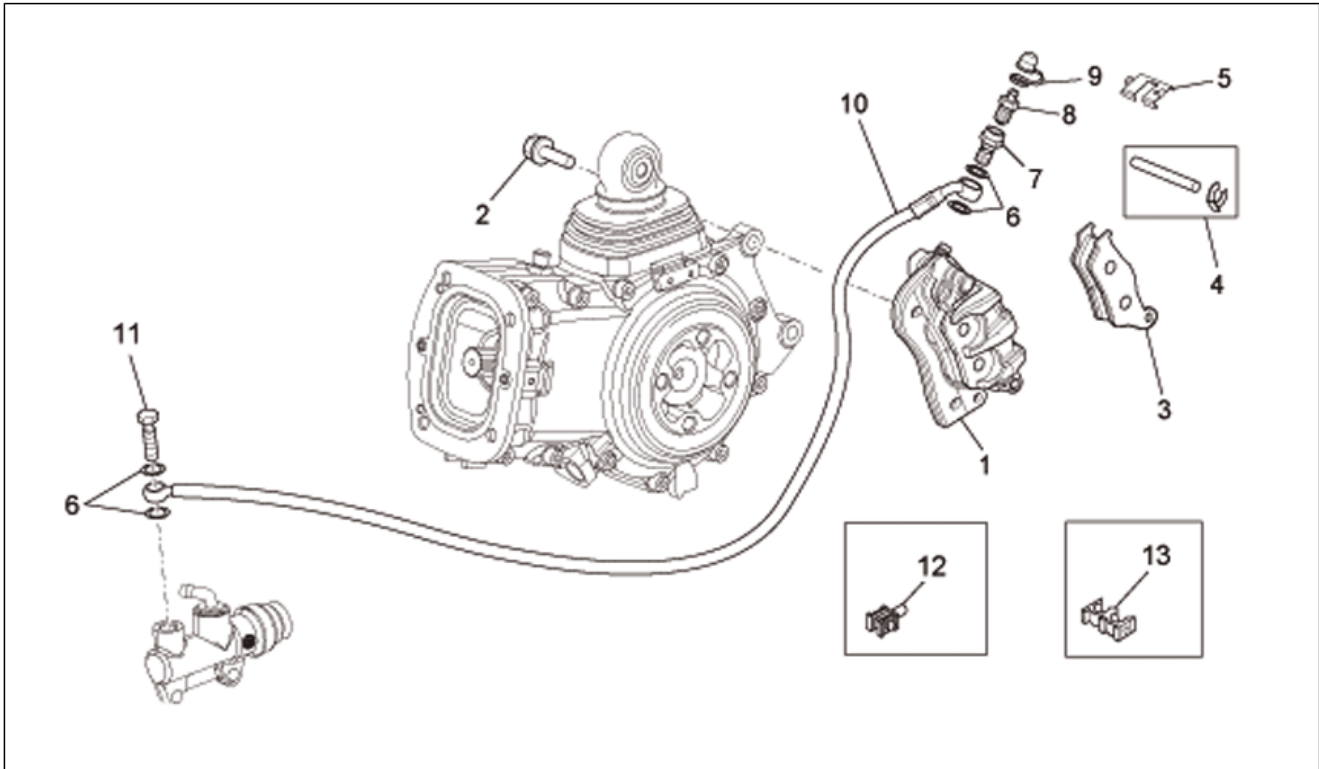
Pos.	Code	Description	Quant	Variants
1	978609	Roue arrière nue 5,5x17"	1	
2	978610	Jante arrière 5,5x17"	1	
3	GU05632730	Douille conique	4	
4	GU97202665	Vis bride M12x65	4	
5	977056	Anneau pare-pous.	1	
6	GU05635730	Disque frein arrière	1	
7	GU30611460	Vis	6	
8	978611	Rayon court	36	
9	978356	Nipples	36	
10	978697	Rondelle spéciale	36	
11	978683	Flap roue arrière	2	
12	0000000	Pneu s. chambre	1	
13	0000000	Pneu s. chambre	1	

Groupe	CHASSIS
Code	33.29
Description	Maît.cyl. frein AR
Révision	1



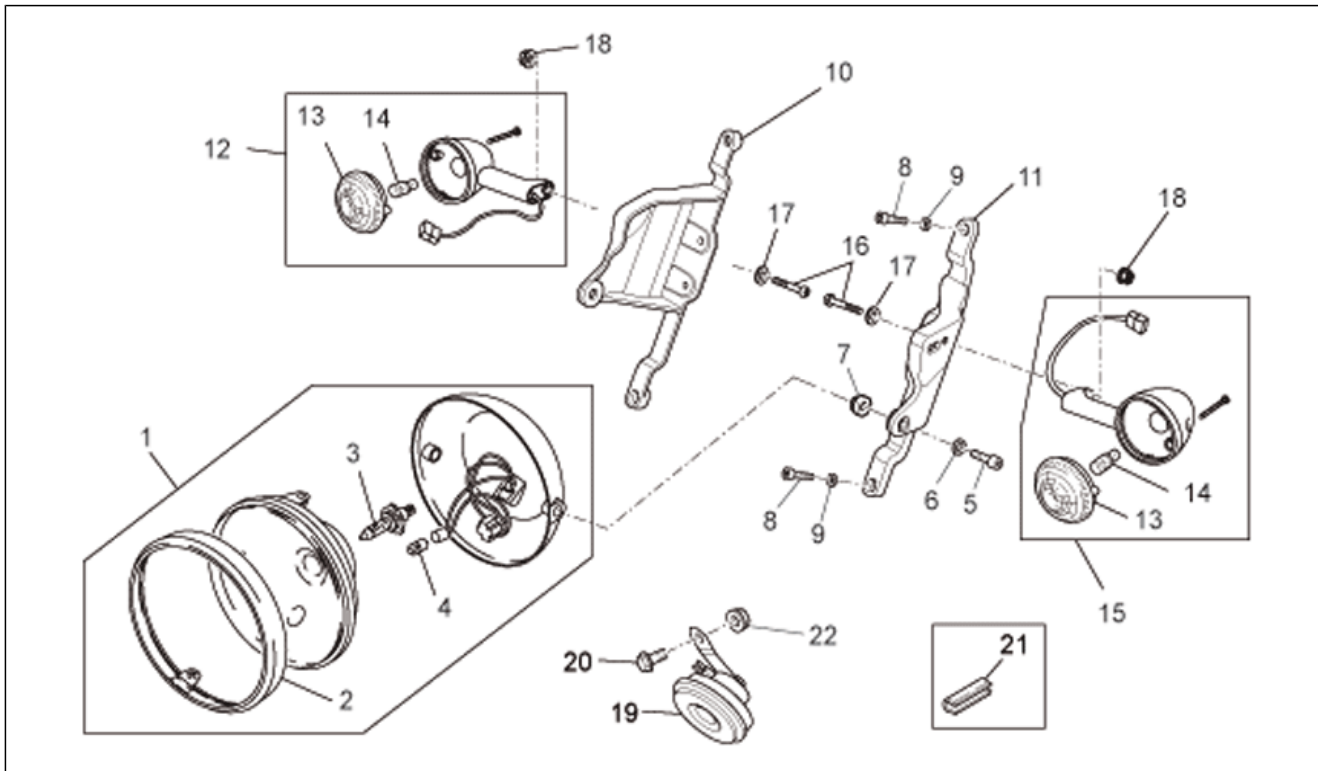
Pos.	Code	Description	Quant	Variants
1	978434	Maît.cyl. frein AR	1	
2	GU19659500	Gr.révision raccorde pomp	1	
3	AP8113288	Soufflet en caoutchouc	1	
4	AP8152279	Vis bride M6x20	2	
5	AP8101595	Collier D10,1*	2	
6	978435	Tuyau frein arrière	1	
7	GU05663530	Réserv.huile freins	1	
8	GU17661052	Bouchon réservoir	1	
9	GU05666030	Support réservoir	1	
10	AP8152329	Vis SWP crois. brid. M5x20	1	
11	AP8221145	Douille en "T" *	1	
12	AP8152278	Vis bride M6x16	1	
13	AP8120178	Joint torique OR112	1	
14	977041	Poussoir cde mai-cyl.	1	
15	GU92606206	Ecrou	1	
16	AP8113081	Fourchette	1	
17	AP8113082	Clip fourc.b.vitesses	1	
18	GU06677000	Levier de frein AR	1	
19	AP8121221	Tige manette frein	1	
20	AP8120912	Caoutchouc pour levier	1	
21	GU98682316	Vis M6x16	1	
22	AP8150462	Bague seeger d9	1	
23	AP8121927	Ressort man.ferin ar.	1	
24	AP8121223	Pivot man.frein arr.	1	
25	AP8144007	Joint torique 11,11x1,78	2	
26	GU95008310	Rondelle 10,5x22x2,5	1	
27	AP8112996	Interruttore frizione	1	

Groupe	CHASSIS
Code	33.30
Description	Pince frein AR
Révision	1



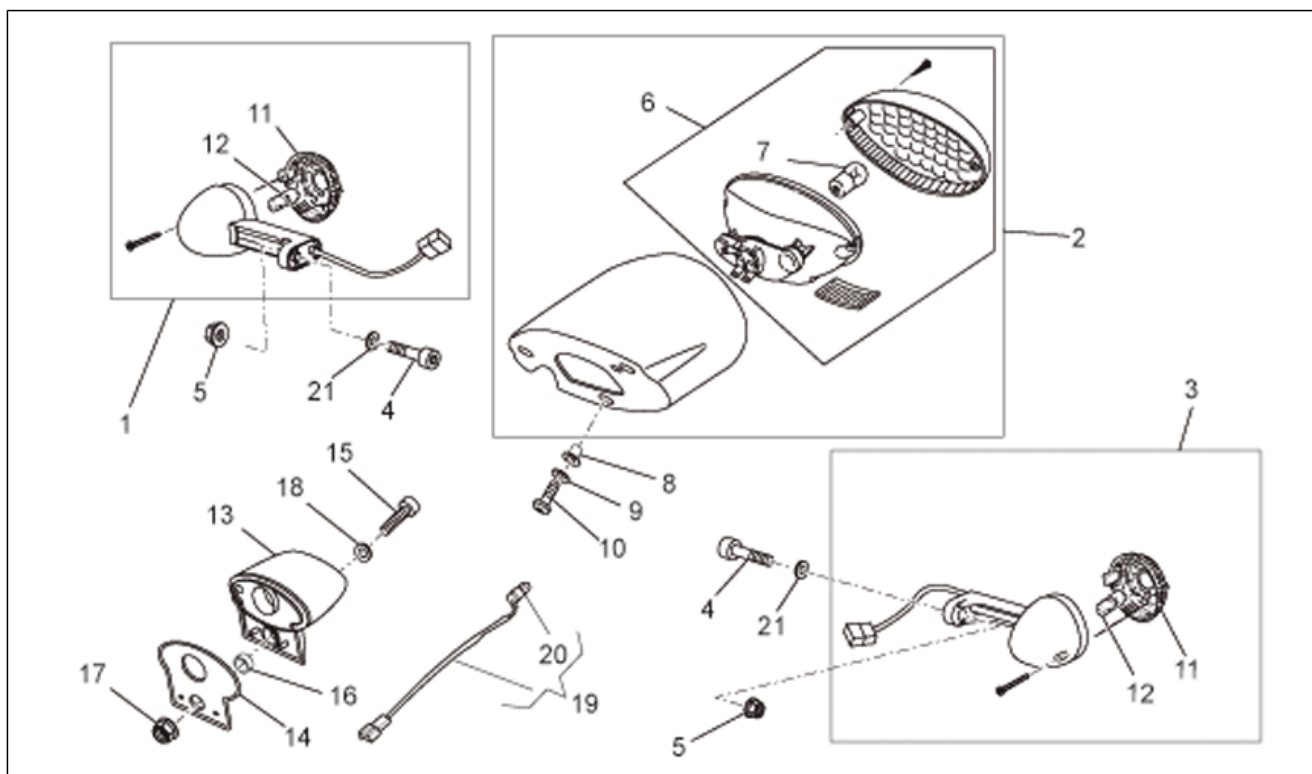
Pos.	Code	Description	Quant	Variants
1	978414	Pince frein AR noir	1	
2	AP8152320	Vis bride	2	
3	GU05654630	Plaquettes-paire	1	
4	GU05659130	Axe +goupille pince	1	
5	GU05659030	Ressort	1	
6	AP8121915	Joint	4	
7	AP8133597	Vis	1	
8	AP8133595	Purge air	1	
9	AP8133596	Capuchon reniflard 20 mrc.	1	
10	978364	Tuyau frein arrière	1	
11	AP8133962	Vis tuyau huile *	1	
12	AP8202238	Ancrage guide-câble	4	
13	AP8201808	Guide-câble D8	5	

Groupe	CHASSIS
Code	33.31
Description	Feu AV/Klaxon
Révision	1



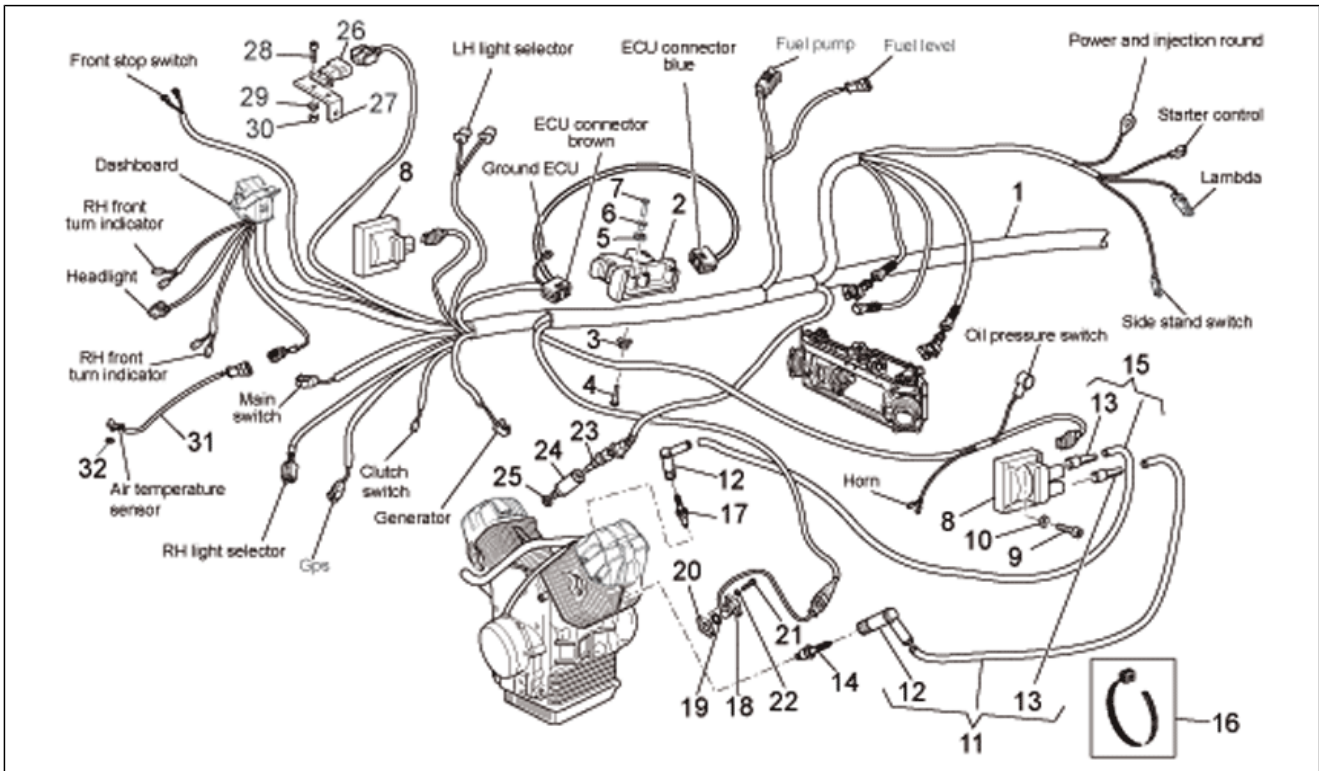
Pos.	Code	Description	Quant	Variants
1	978311	Phare avant	1	Pays:Other country[EU]
1	978662	Projecteur av.complet gauche	1	Pays:Australie[AUS], Japon[J], Angleterre[UK]
2	GU31740383	Bague chromée	1	
3	GU93450232	Lampe (ou Ampoule) 12V-55/60W	1	
4	GU93450105	Lampe (ou Ampoule)	1	
5	GU98370831	Vis M8x30	2	
6	GU95005308	Rondelle 8,4x14,57x1,6	2	
7	GU14439800	Entretoise	2	
8	GU98682318	Vis	4	
9	GU14217901	Rondelle 6,4x10x0,7	4	
10	978373	Support phare D	1	
11	978374	Support phare G	1	
12	GU32750660	Clignot.av.dr./arr.ga.	1	
13	GU32753760	Vitre clignotant	2	
14	GU93450127	Lampe (ou Ampoule)	2	
15	GU06751600	Clignot.av.ga./arr.dr.	1	
16	GU98692318	Vis	2	
17	GU95021206	Rondelle	2	
18	GU92787006	Ecrou borgne M6x1	2	
19	GU01743791	Klacson elect.ton aigu L	1	
20	AP8152279	Vis bride M6x20	1	
21	AP8144707	Joint	1	
22	AP8152299	Ecrou autobloqu. M6	1	

Groupe	CHASSIS
Code	33.32
Description	Feu arrière
Révision	1



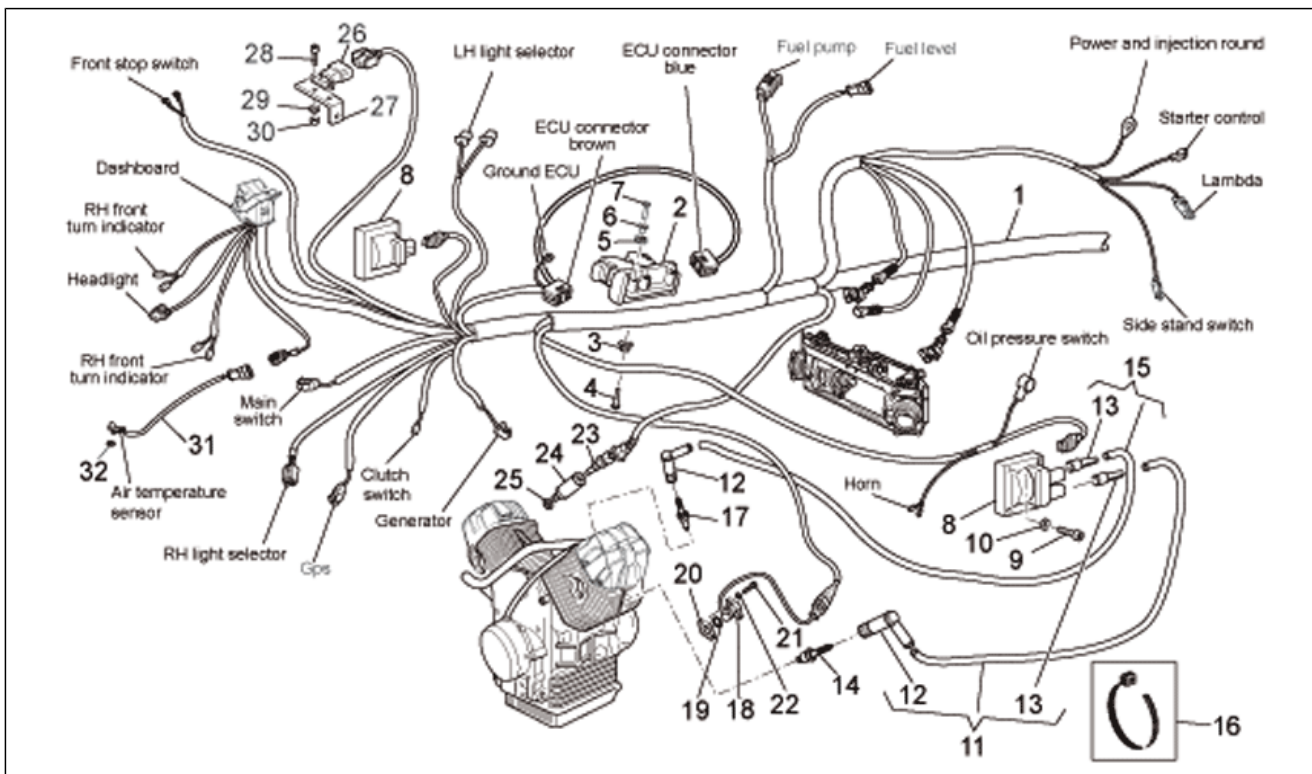
Pos.	Code	Description	Quant	Variants
1	GU06751600	Clignot.av.ga./arr.dr.	1	Pays:Australie[AUS], Other country[EU], Japon[J], Angleterre[UK]
2	GU32740960	Feu arrière	1	
3	GU32750660	Clignot.av.dr./arr.ga.	1	Pays:Australie[AUS], Other country[EU], Japon[J], Angleterre[UK]
4	GU98692318	Vis	2	
5	GU92787006	Ecrou borgne M6x1	2	
6	GU03740930	Feu arrière	1	
7	GU93450224	Lampe (ou Ampoule)	1	
8	GU93231605	Douille anti vibr.	3	
9	GU95100064	Rondelle	3	
10	GU98350218	Vis	3	
11	GU32753760	Vitre clignotant	2	Pays:Australie[AUS], Other country[EU], Japon[J], Angleterre[UK]
12	GU93450126	Lampe orange	2	Pays:Australie[AUS], Other country[EU], Japon[J], Angleterre[UK]
13	AP8127098	Feu de plaque	1	
14	GU32474710	Coautrouc pour support	1	
15	GU98680222	Vis	1	
16	GU91120507	Douille	1	
17	AP8152306	Ecrou autobloqu. m5	1	
18	GU95008205	Rondelle 5,3x10x0,8	1	
19	AP8124976	Câblage lumière plaque	1	
20	GU93450105	Lampe (ou Ampoule)	1	
21	GU95021206	Rondelle	2	

Groupe	CHASSIS
Code	33.33
Description	Circuit électrique I
Révision	1



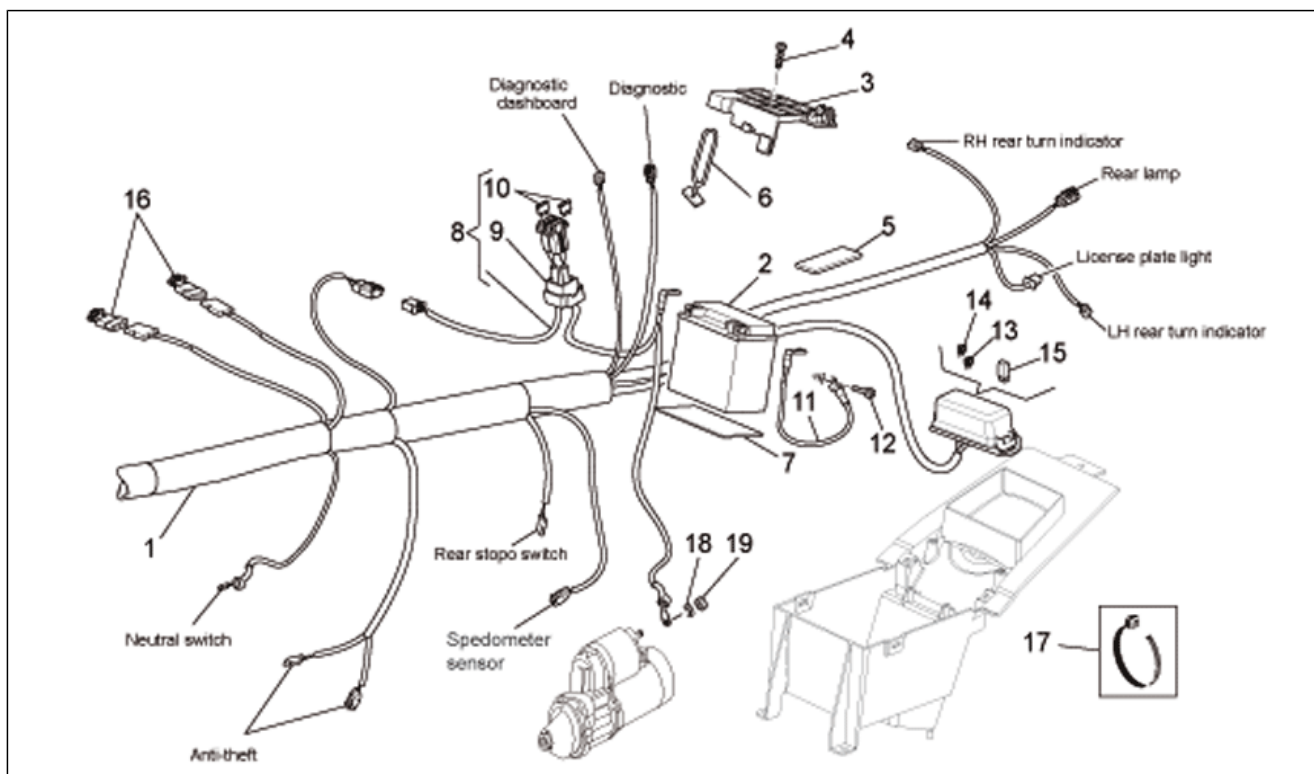
Pos.	Code	Description	Quant	Variants
1	978366	Câblage principal	1	
2	978368	Centrale	1	
3	GU05729230	Douille	2	
4	AP8152279	Vis bride M6x20	2	
5	AP8120030	Caoutchouc *	2	
6	AP8221023	Douille en "T" *	2	
7	AP8152282	Vis bride M6x35	2	
8	GU05716530	Bobine HT	2	
9	GU98682125	Vis	4	
10	GU95021204	Rondelle	4	
11	978554	Cable HT	2	
12	GU06717400	Pipe bougie	4	
13	GU14717600	Capuchon	4	
14	GU30717061	Bougie NGK BPR6ES	2	
15	977388	Cable HT	2	
16	GU14609650	Collier 3,6x20,6	23	
16	GU49609601	Collier 2,4x92	5	
16	GU93304360	Collier 7,6x380	2	
17	GU05717030	Bougie NGK PMR8B	2	
18	GU01721600	Capteur phase/tours	1	
19	GU90706141	Joint torique	1	
20	GU01722700	Joint 0,3mm	1	
20	GU01722701	Joint 0,4 mm	1	
20	GU01722702	Joint 0,6mm	1	
20	GU01722703	Joint	1	
20	GU01722704	Joint 1mm	1	
20	GU01722705	Joint 1,5mm	1	
20	GU29722760	Joint 0,5 mm	1	

Groupe	CHASSIS
Code	33.33
Description	Circuit électrique I
Révision	1



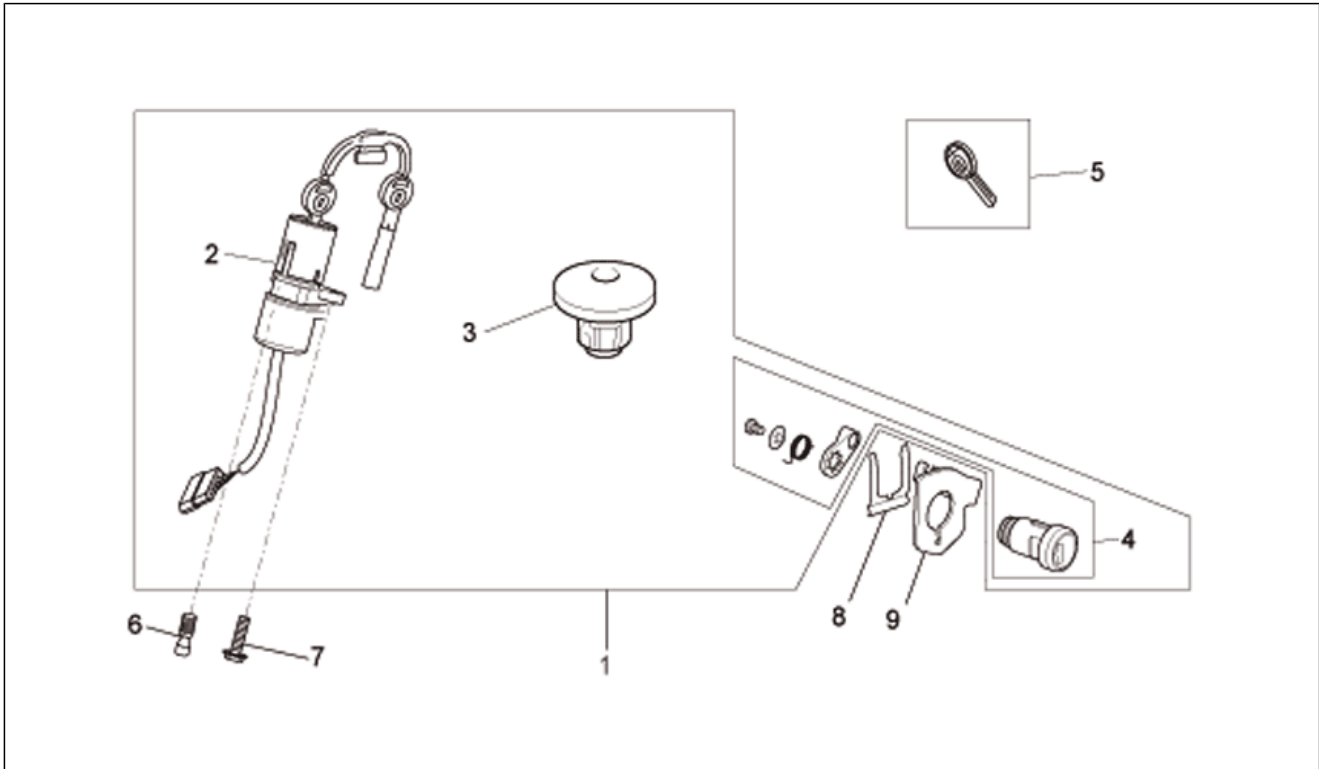
Pos.	Code	Description	Quant	Variants
21	GU98682212	Vis M5x12	2	
22	GU95008205	Rondelle 5,3x10x0,8	2	
23	GU29729461	Capteur température huile	1	
24	GU03163330	Support détecteur	1	
25	GU95008210	Rondelle 10,2X18X2	1	
26	GU30729330	Détec. temper. air	1	
27	GU30728230	Support détecteur	1	
28	GU98680110	Vis M3x10	2	
29	GU95120033	Rondelle 3,2x5,8x0,8	2	
30	GU92606003	Ecrou M3	2	
31	AP8124936	Détec. temper. air	1	
32	GU90274002	Rondelle pour arbres	2	

Groupe	CHASSIS
Code	33.34
Description	Circuit électrique II
Révision	1



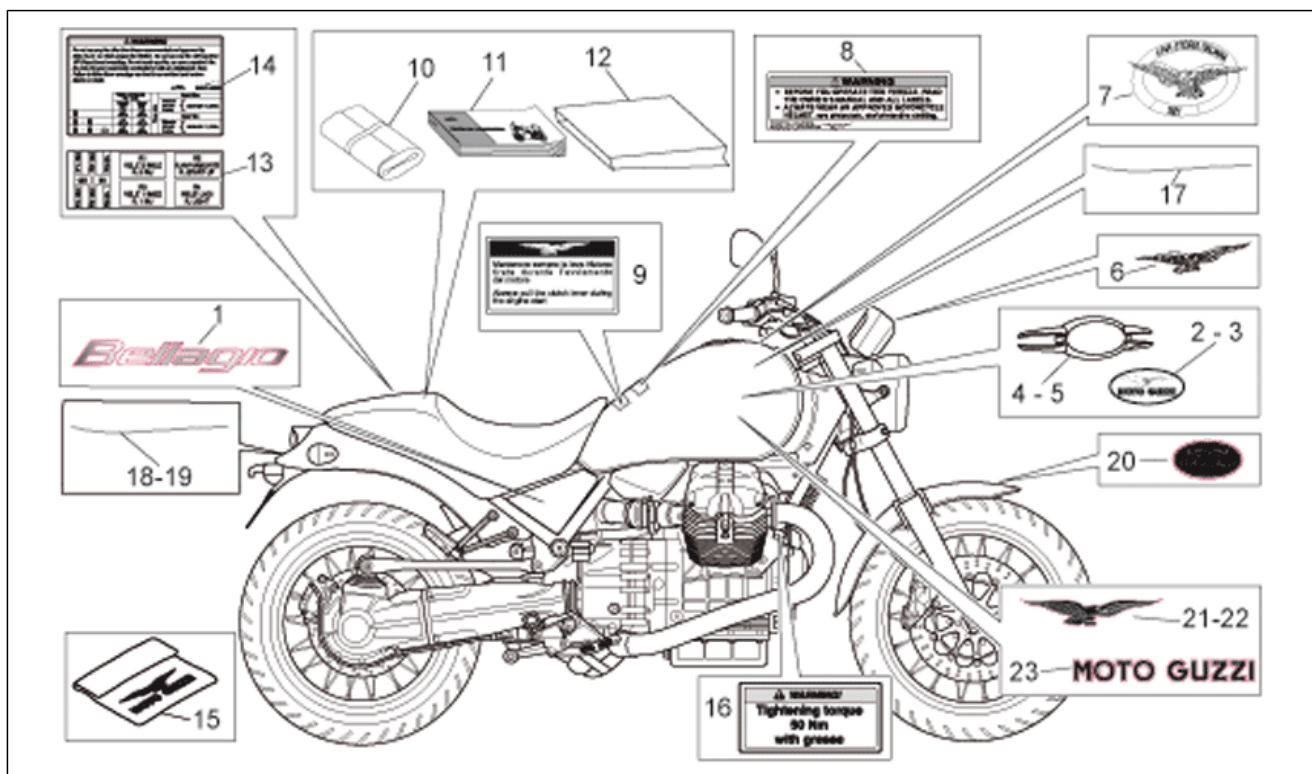
Pos.	Code	Description	Quant	Variants
1	978366	Câblage principal	1	
2	GU05704531	Batterie 12V-20Ah	1	
3	GU05704630	Couvercle batterie	1	
4	AP8152329	Vis SWP crois. brid. M5x20	2	
5	AP8117200	Eponge adhésive	1	
6	AP8120177	Elastique support feu	2	
7	AP8144553	Coautchouc pour support	2	
8	GU05747830	Cablage	1	
9	AP8112811	Caoutchouc p-fusibles	1	
10	GU28742562	Fusible 30A	3	
11	978505	Câblage masse-batterie	1	
12	AP8152277	Vis bride M6x12	1	
13	977769	Fusible 3A	3	
14	977772	Fusible 15A	5	
15	GU01731760	Relais déviat.siem. A1001A403	4	
16	AP8212588	Diode de sécurité	2	
17	GU14609650	Collier 3,6x20,6	23	
17	GU49609601	Collier 2,4x92	5	
17	GU93304360	Collier 7,6x380	2	
18	GU95129131	Rondelle 8,4x15x1,7	1	
19	GU92609408	Ecrou M8x1,25	1	

Groupe	CHASSIS
Code	33.35
Description	Kit serrure
Révision	1



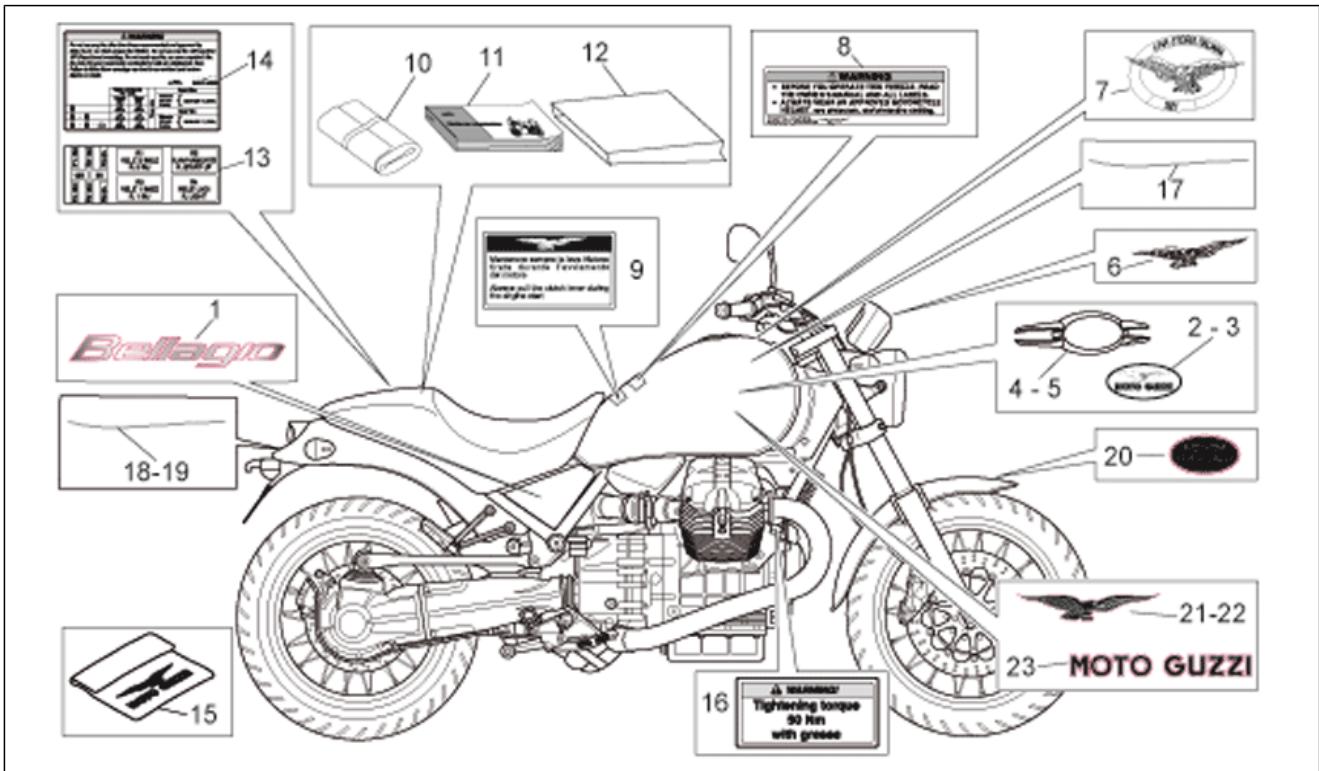
Pos.	Code	Description	Quant	Variants
1	977389	Kit serrure	1	
2	977528	Bloc démarreur-bloc	1	
3	GU32103960	Bouchon réservoir	1	
4	977527	Serrure selle	1	
5	GU32735510	Clé pas cantée brut-coque go	1	
5	GU32735511	Clé pas cantée brut-coque cr	1	
6	GU97260415	Vis spéciale M8x15	1	
7	GU98682416	Vis	1	
8	AP8121420	Ressort à fourche	1	
9	978415	Plaque support câble	1	

Groupe	CHASSIS
Code	33.36
Description	Plaquettes-decal.
Révision	1



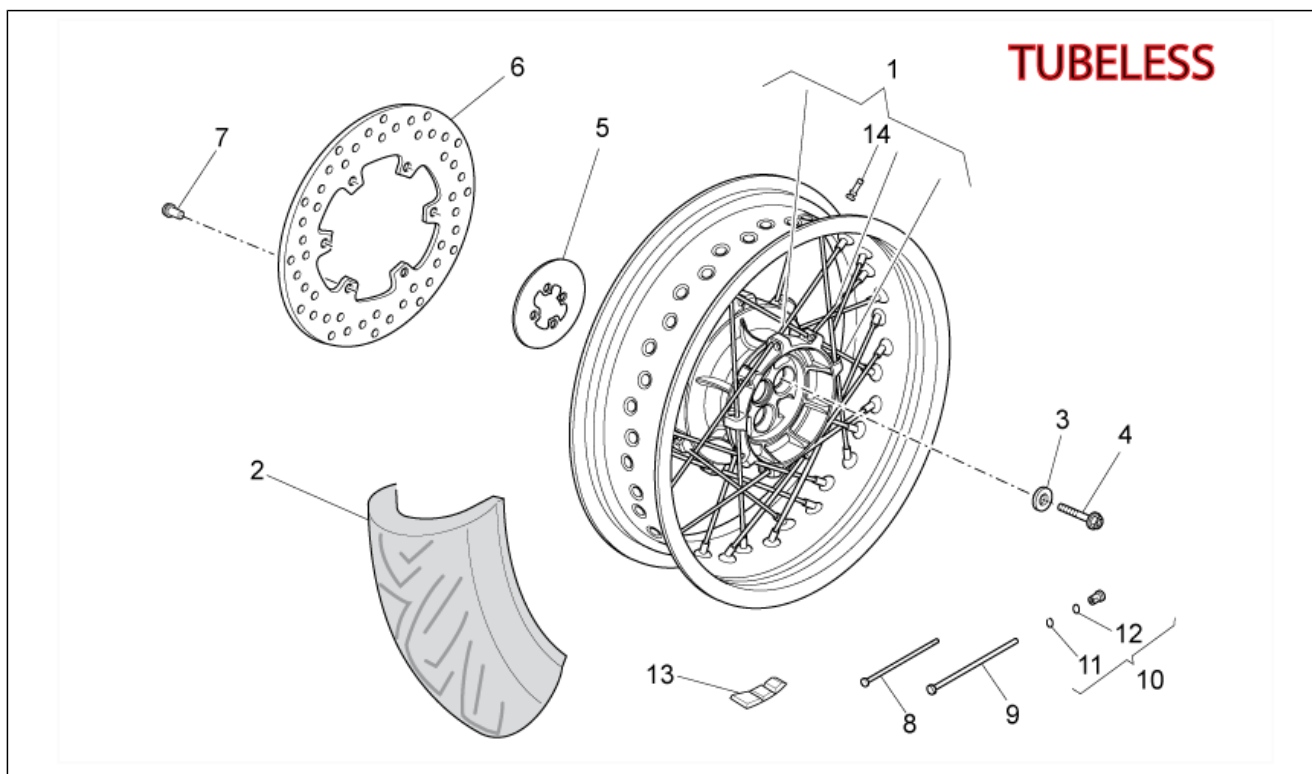
Pos.	Code	Description	Quant	Variants
1	978552	Décalco, noir Bellagio	2	
2	GU06917400	Plaque G.rouge/or AL	1	Année:2007[7], 2008[8]
3	GU06917300	Plaque D.rouge/or AL	1	Année:2007[7], 2008[8]
4	978508	Décalco D.	1	Année:2007[7], 2008[8]
5	978509	Décalco G.	1	Année:2007[7], 2008[8]
6	978551	Décalco "Aquila"	1	
7	GU05917530	Décalco "Italian Story"	1	
8	GU30944300	Décalco "Attention"	1	
9	GU05944930	Décalco Engine Start	1	
10	GU05909930	Trousse à outils	1	
11	978346	Livret d'util.et entret. I-F-D-NL	1	Pays:Australie[AUS], Other country[EU], Japon[J], Angleterre[UK]
12	GU05900130	Sachet pour documents	1	
13	978520	Décalcomanie "schema fusibili"	1	
14	GU05926030	Décalco pression pneus	1	Pays:Australie[AUS], Other country[EU], Japon[J], Angleterre[UK]
15	GU30970200	Housse protect. moto	1	
16	GU05944530	Décalco Warning	1	
17	883269	Silver decal	2	Année:2008[8] Couleur véhicule:Grey/white 2008[gr/wh], red/white 2008[r/wh] Spécifications techniques:Luxury version[LUX]
18	883272	Décalco G.silver	1	Année:2008[8] Couleur véhicule:Grey/white 2008[gr/wh], red/white 2008[r/wh] Spécifications techniques:Luxury version[LUX]
19	883271	Décalco d.silver	1	Année:2008[8] Couleur véhicule:Grey/white 2008[gr/wh], red/white 2008[r/wh] Spécifications techniques:Luxury version[LUX]
20	886141	Décalco "Aquila"	1	Année:2009[9]

Groupe	CHASSIS
Code	33.36
Description	Plaquettes-decal.
Révision	1



Pos.	Code	Description	Quant	Variants
				Couleur véhicule:Black Eagle 2009[b.eagle]
21	886142	Décalco D. "Aquila Nera"	1	Année:2009[9] Couleur véhicule:Black Eagle 2009[b.eagle]
22	886143	Décalco G. "Aquila Nera"	1	Année:2009[9] Couleur véhicule:Black Eagle 2009[b.eagle]
23	886144	Décalco, noir "Moto Guzzi"	2	Année:2009[9] Couleur véhicule:Black Eagle 2009[b.eagle]
24	886944	Décalco "90 Anni Guzzi"	1	

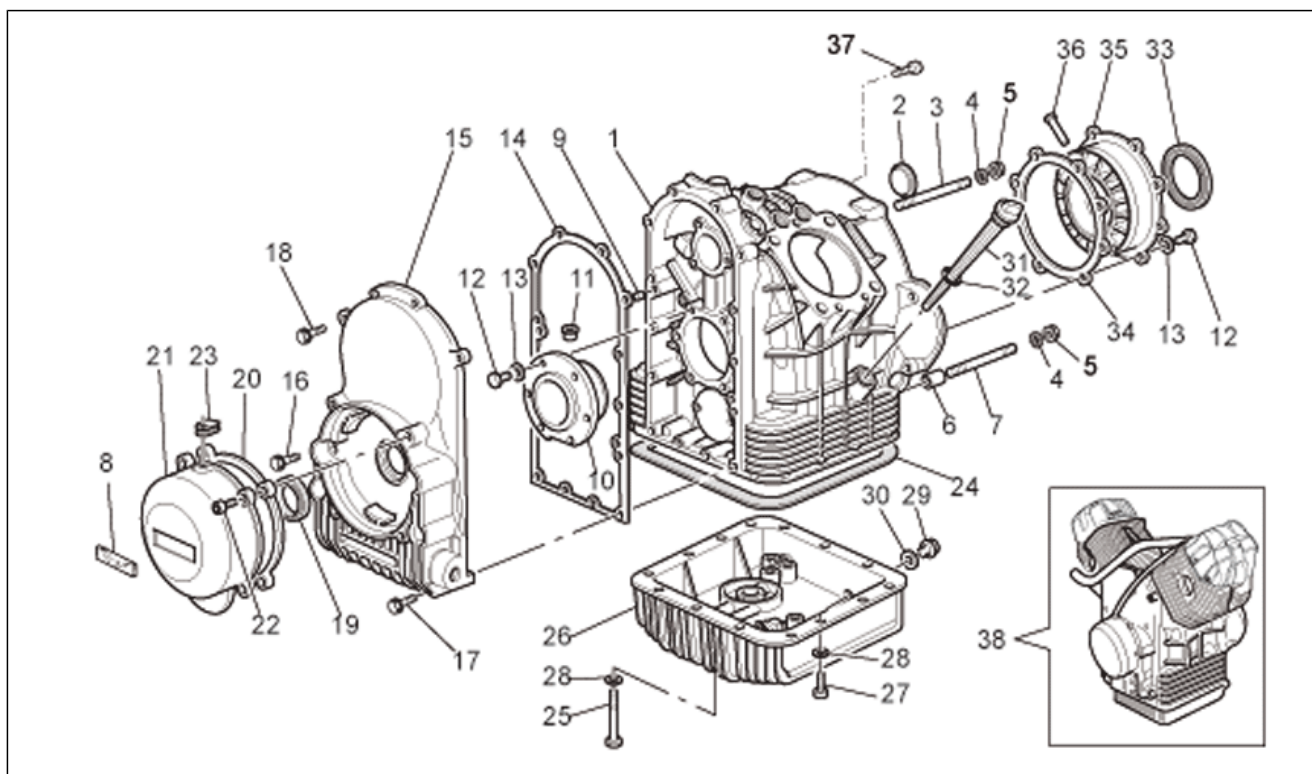
Groupe	CHASSIS
Code	33.55
Description	Roue arrière II
Révision	1



Pos.	Code	Description	Quant	Variants
1	884082	Roue AR rayons	1	Spécifications techniques: Ruota con raggi ZN[RZN], Tubeless[TB]
1	978818	Roue arrière nue 5,5X17"	1	Spécifications techniques: Ruota con raggi CR[RCR], Tubeless[TB]
2	0000000	Pneu s. chambre	0	
3	GU05632730	Douille conique	4	
4	GU97202665	Vis bride M12x65	4	
5	977056	Anneau pare-pouss.	1	
6	GU05635730	Disque frein arrière	1	
7	GU30611460	Vis	6	
8	887082	Rayon court L=147,4mm	18	Spécifications techniques: Cromo Lucido[CR]
8	978815	Rayon court	18	Spécifications techniques: Galvanized[ZN]
9	887083	Rayon long L=154,9mm	18	Spécifications techniques: Cromo Lucido[CR]
9	978816	Rayon long	18	Spécifications techniques: Galvanized[ZN]
10	978810	Nipples L=34	36	
11	978811	Anneau élastique	36	
12	GU90706061	Joint torique OR2025	36	
13	GU14616150	Contrepoids	1	
14	978814	Soupape tubeless	1	
14	AP8101744	Soupape tubeless	1	

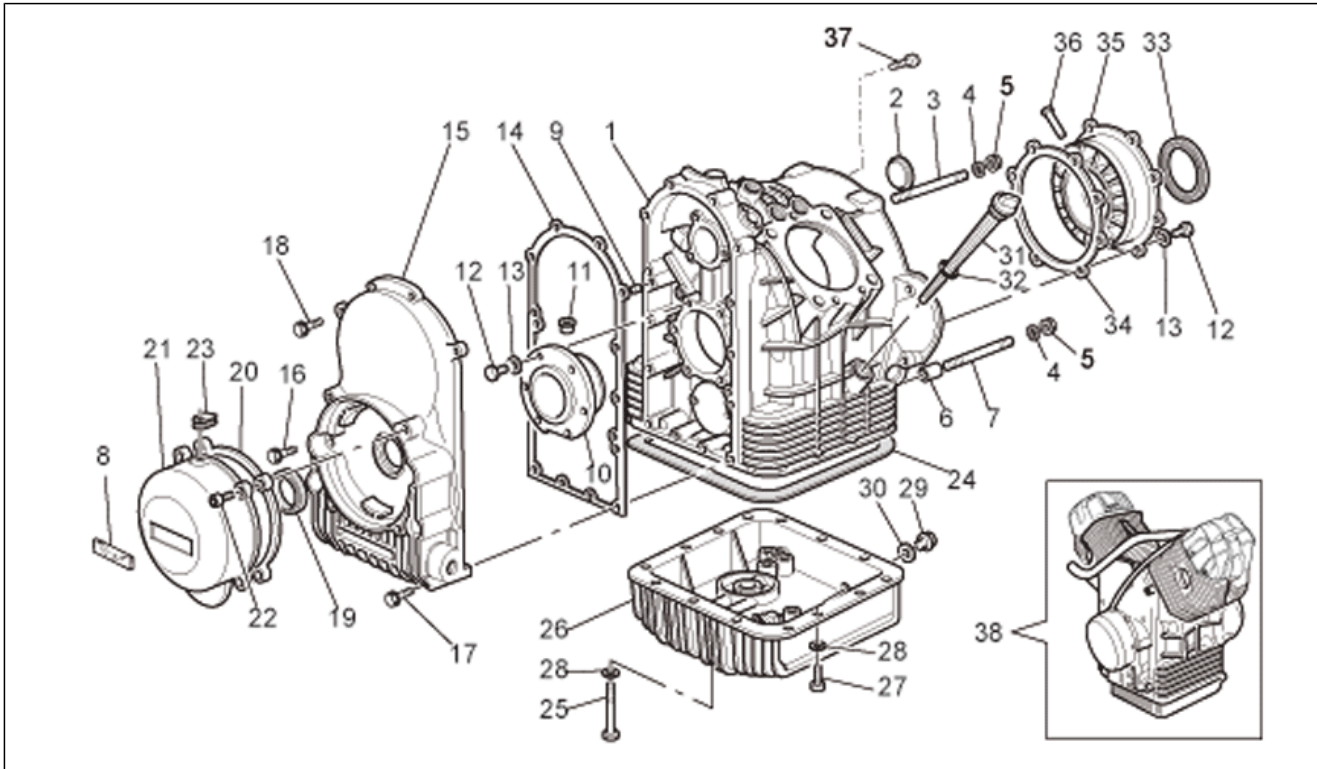


Groupe	MOTEUR
Code	34.37
Description	Carter
Révision	1



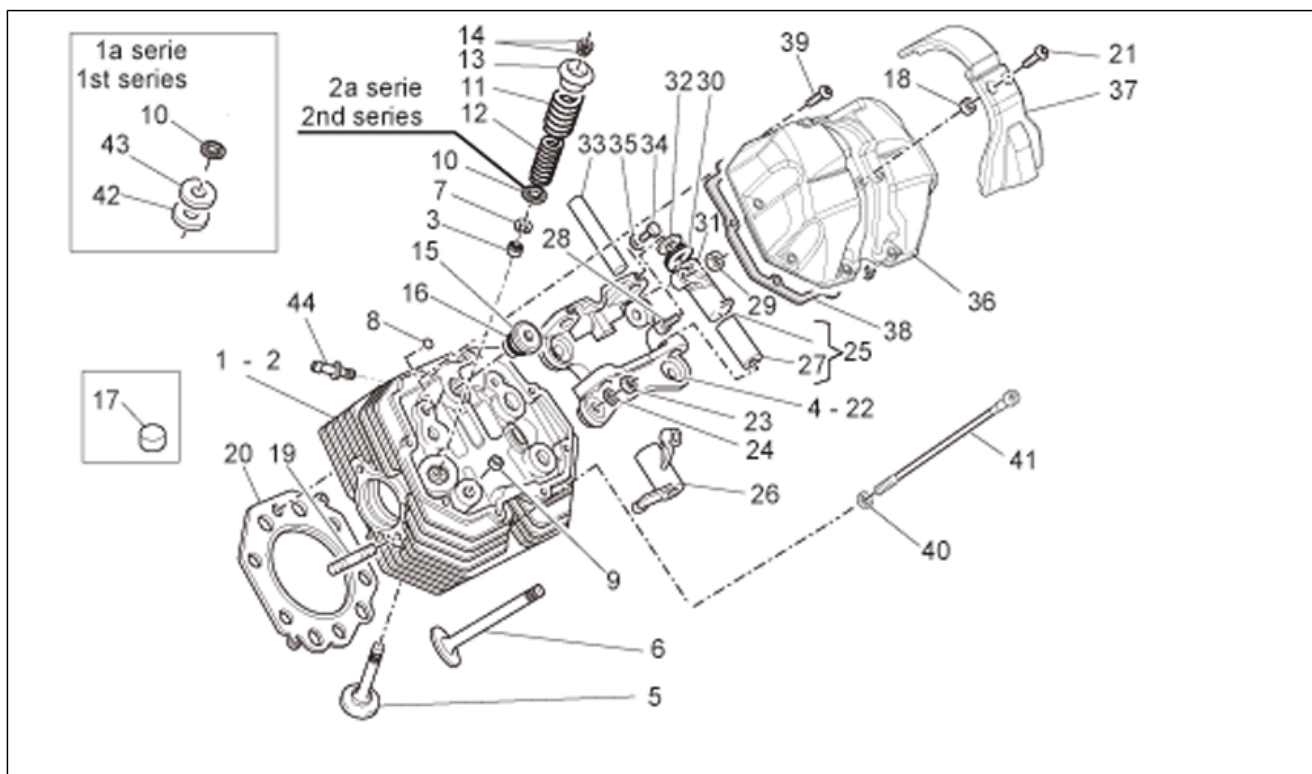
Pos.	Code	Description	Quant	Variants
1	976449	Carter moteur noir	1	
2	GU12003900	Disque	1	
3	GU96508066	Vis sans tête M8X66	3	
4	GU14615901	Rondelle 8,4X13X0,8	5	
5	GU92660021	Ecrou bridé M8	5	
6	GU12018900	Douille d'accouplement	2	
7	GU96508075	Vis sans tête M8x75	2	
8	GU02517700	Étiquette adhésive	1	
9	GU95512081	Goupille	2	
10	GU14011900	Bride complète	1	
10	GU14011901	Bride min.0,2 mm	1	
11	GU12012200	Goupille	1	
12	GU98084425	Vis M8x25	14	
13	GU61270300	Rondelle élastique 8x15x0,3	14	
14	GU05001230	Joint couvercle	1	
15	976450	Couvercle de distribution noir	1	
16	AP8152280	Vis bride M6x25	4	
17	AP8152282	Vis bride M6x35	6	
18	AP8152287	Vis bride	4	
19	GU90402840	Bague d'étanchéité 28x38x7	1	
20	GU18001150	Bride	1	
21	GU03001600	Couvercle alternateur pol.	1	
22	GU98310631	Vis	4	
23	GU19007700	Caoutchouc	1	
24	GU14003600	Garniture de enjoliveur	1	
25	GU98082390	Vis	4	
26	976451	Carter huile noir	1	
27	GU98682325	Vis M6x25	14	

Groupe	MOTEUR
Code	34.37
Description	Carter
Révision	1



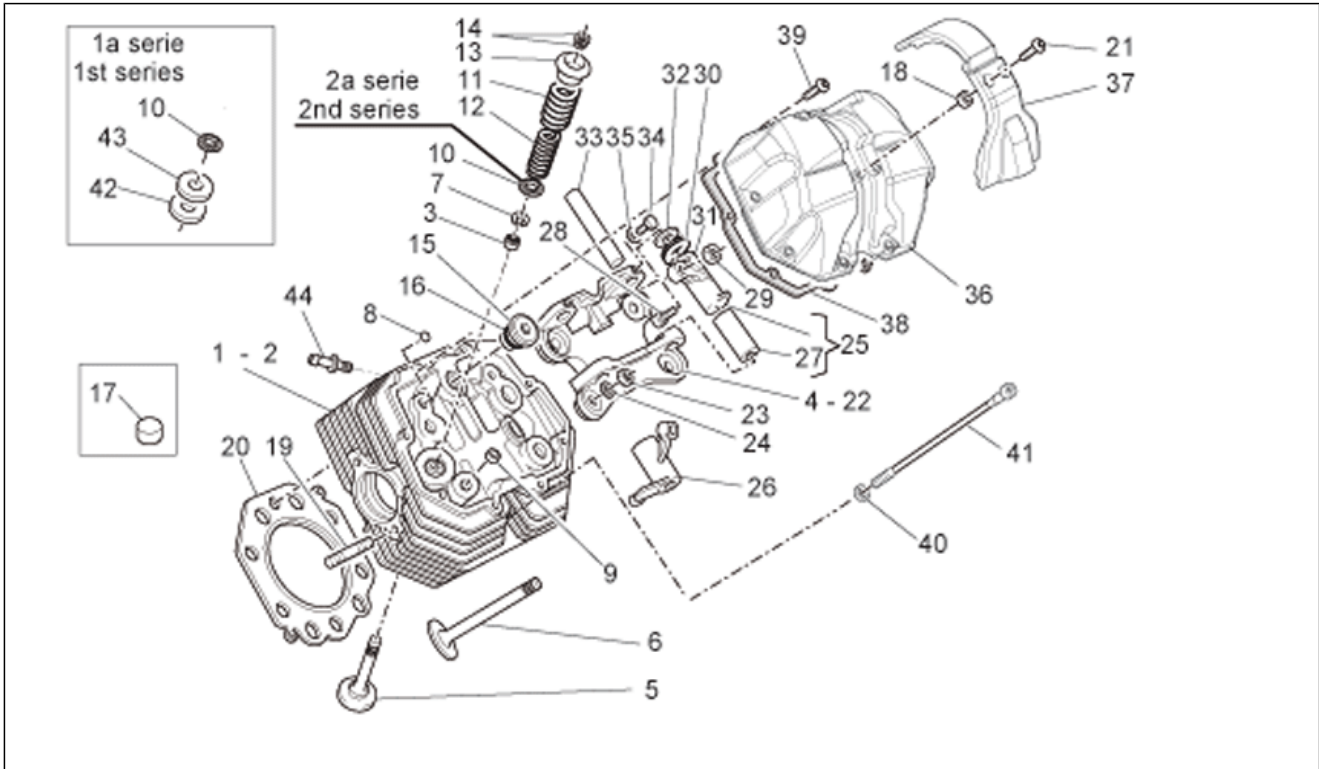
Pos.	Code	Description	Quant	Variants
28	GU95008206	Rondelle 6,15x11x0,8	18	
29	GU12003702	Bouchon vid.huile	1	
30	GU95100709	Joint 20,1x28x2	1	
31	GU30004910	Bouchon huile	1	
32	GU90706178	Joint torique 17,86X2,62	1	
33	GU90405367	Bague d'étanchéité	1	
34	GU05011830	Joint	1	
35	GU12011400	Bride complète	1	
35	GU12011401	Bride min.0,2 mm	1	
35	GU12011402	Bride min.0,4 mm	1	
35	GU12011403	Bride min.0,6 mm	1	
36	GU12011700	Goupille	1	
37	AP8152291	Vis bride	1	
38	976923	Moteur noir	1	

Groupe	MOTEUR
Code	34.38
Description	Culasse et soupapes
Révision	1



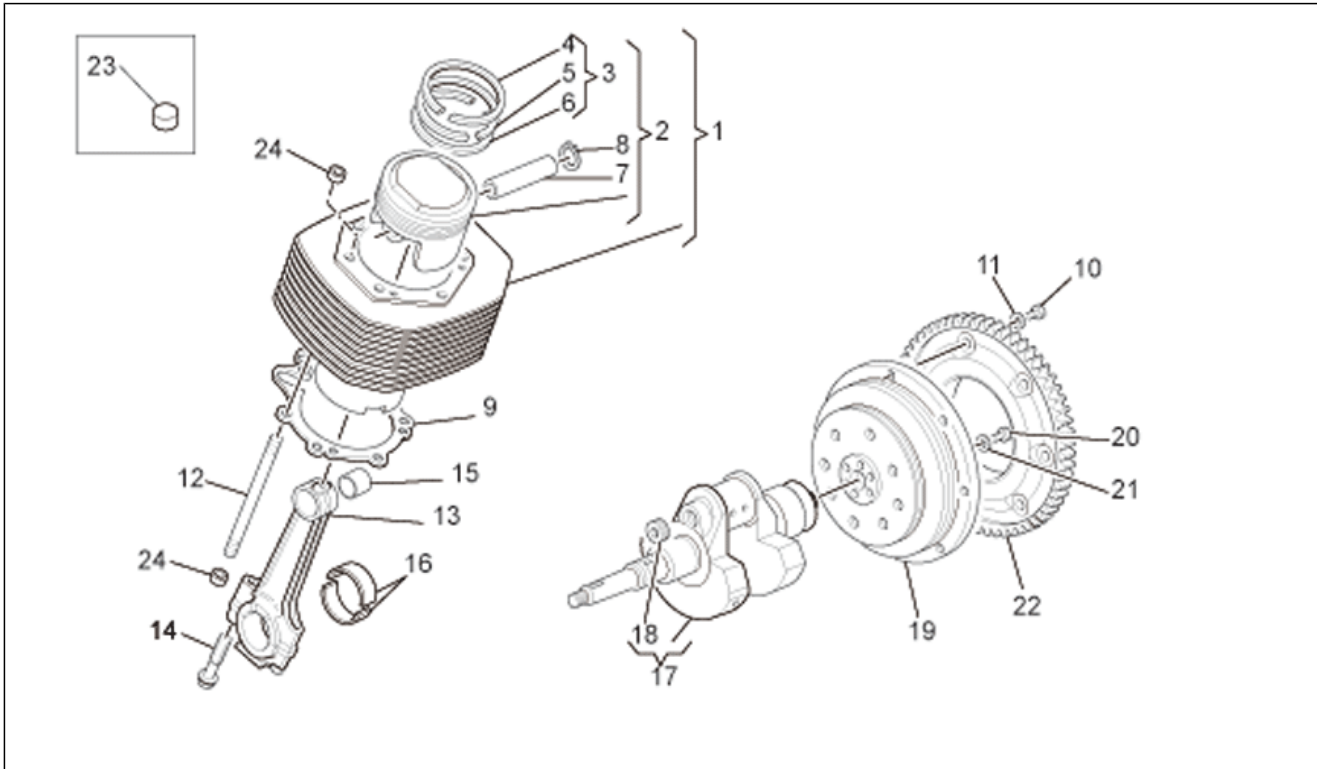
Pos.	Code	Description	Quant	Variants
1	976079	Tête d.guides soupapes gris	1	
2	976080	Tête g.guides soupapes gris	1	
3	976107	Joint spi guide-soupape D8	4	
4	976152	Support culbuteur D	1	
5	GU05036131	Soupape d'échappement	2	
6	GU05036030	Soupape d'admission	2	
7	GU90353016	Anneau élastique	4	
8	224202	Joint torique 8,73x1,78-viton	4	
9	825597	Goupille 11,8X10	4	
10	976181	Coupelle inférieure 14,2x32x7	4	Spécifications techniques:2nd Serie[2A]
10	GU01037030	Coupelle inférieure 14,2x32x5	4	Spécifications techniques:1st Serie[1A]
11	GU37037405	Ressort externe	4	
12	GU37037605	Ressort interne	4	
13	GU01038060	Coupelle supérieur	4	
14	GU01038160	Demi-clavette soupape	8	
15	GU12022600	Bouchon huile	2	
16	GU90706203	Joint torique 20,24X2,62	2	
17	GU05025331	Caoutchouc	18	
18	GU32116810	Bague 6,8x8,8x9,8	4	
19	GU96508040	Vis sans tête	4	
20	976052	Joint	2	
21	AP8152298	Vis bride M5x16	4	
22	976153	Support culbuteur G	1	
23	GU92603010	Ecrou M10X1,5	10	
24	GU14018400	Rondelle 10,5X21X1	10	
25	GU14030201	Culbuteur d.complet	2	
26	GU14030401	Culbuteur g.complet	2	
27	GU91111511	Bague 15x18x43	4	

Groupe	MOTEUR
Code	34.38
Description	Culasse et soupapes
Révision	1



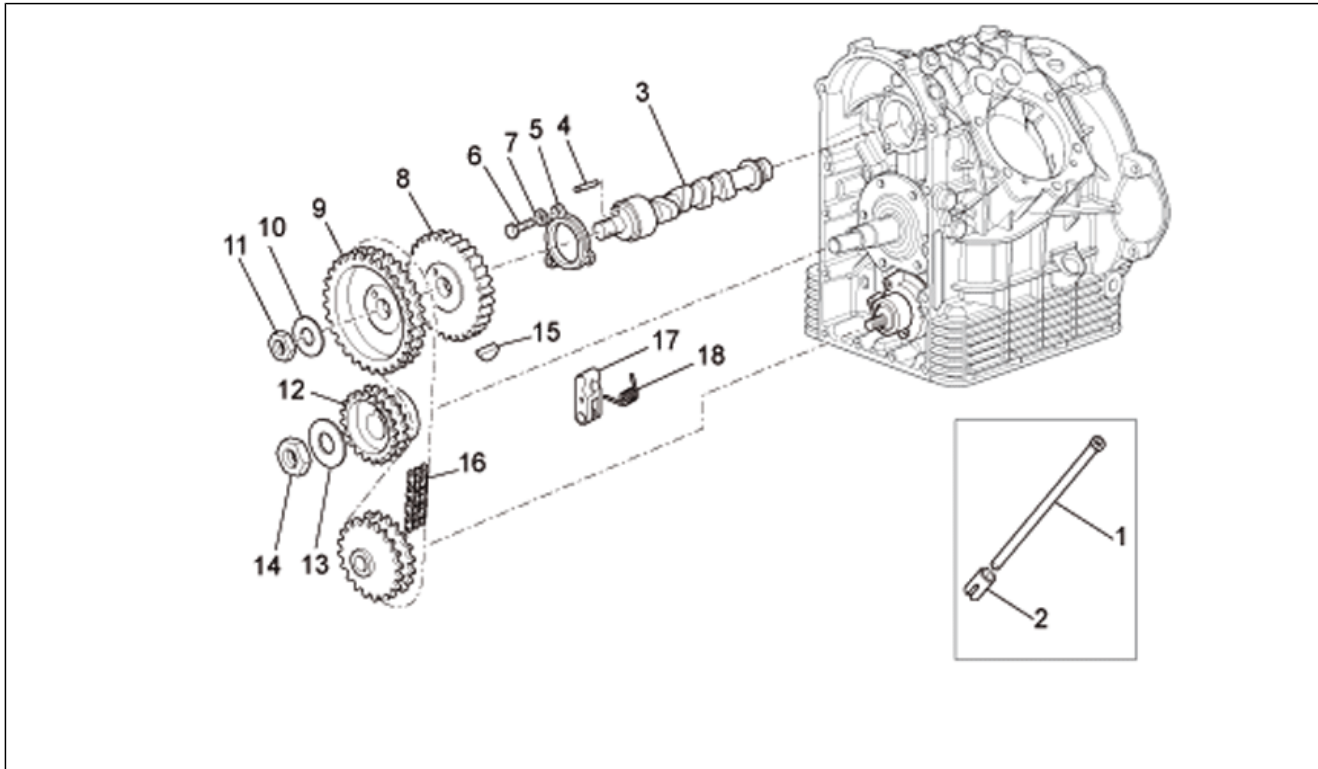
Pos.	Code	Description	Quant	Variants
28	GU17034050	Vis embrayage	4	
29	GU10034100	Ecrou	4	
30	GU94322215	Ressort	4	
31	GU90118152	Rondelle 15,2x26x1	8	
32	GU10032700	Rondelle 15,2x26x0,5	4	
33	GU12031800	Axe culbuteur	4	
34	GU98084316	Vis	4	
35	GU95120065	Rondelle 6,5x11x2	4	
36	976095	Couvercle tête droit/gauc.gris	2	
37	GU05023430	Insert	2	
38	976139	Joint couvercle	2	
39	GU05025930	Vis M6x25	16	
40	GU95129180	Rondelle 10,5X18X0,8	4	
41	976144	Vis	4	
42	GU13037200	Rondelle 14,2x31x1	4	Spécifications techniques:1st Serie[1A]
43	GU14037300	Rondelle 14,2x31x0,3	10	Spécifications techniques:1st Serie[1A]
44	GU32023910	Racc.renifl. culasse	2	

Groupe	MOTEUR
Code	34.39
Description	Arbre moteur cpl.
Révision	1



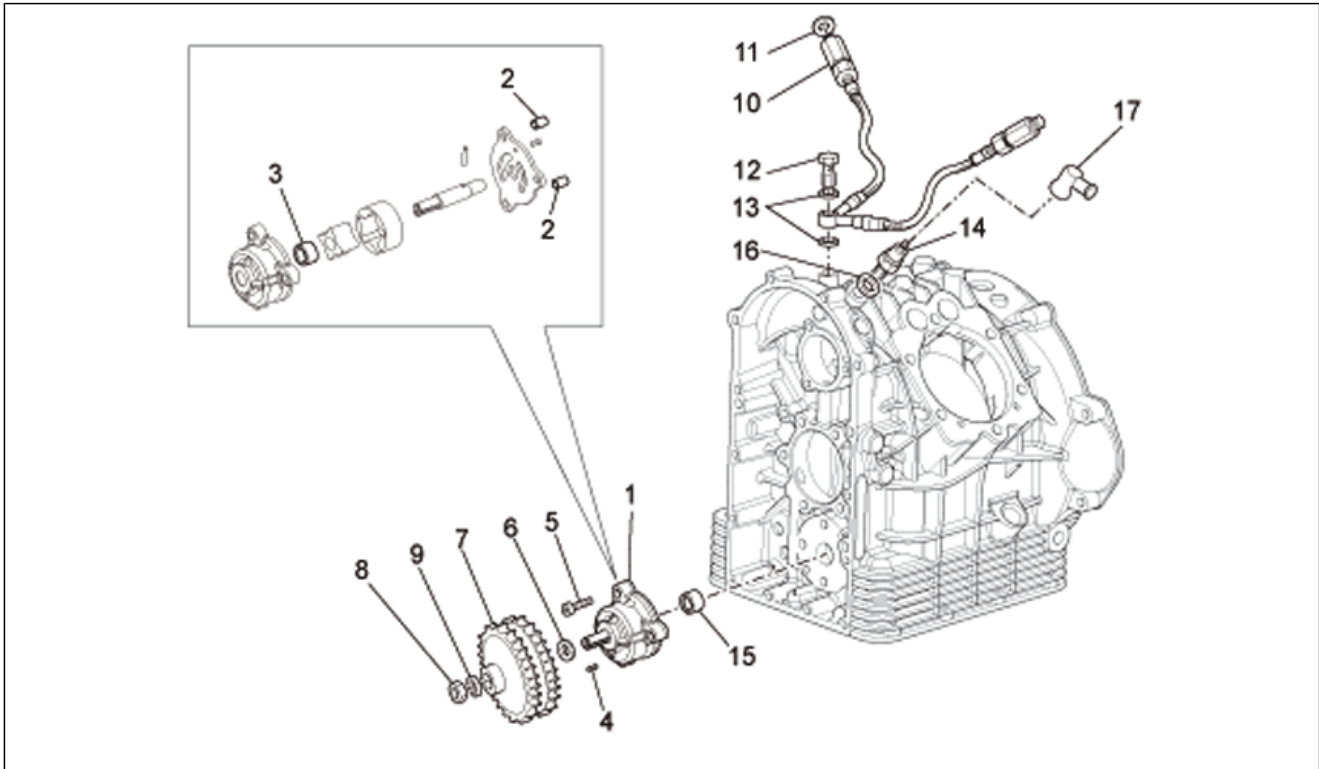
Pos.	Code	Description	Quant	Variants
1	981002	Cylindre av.piston cpl.	2	
2	976371	Piston cpl. D.95	2	
3	976183	Ensemble de segments	2	
4	976070	Segment d'étanchéité	2	
5	976071	Segment d'étanchéité	2	
6	976072	Segment d'étanchéité	2	
7	GU30061241	Axe	2	
8	GU90351039	Bague de butée	4	
9	976064	Joint	2	
10	GU37067705	Vis	8	
11	GU14217901	Rondelle 6,4x10x0,7	8	
12	976031	Vis sans tête	8	
13	976006	Bielle cpl.	2	
14	849131	Vis bielle	4	
16	976171	Demi-coussinet 1,535-1,540	4	Spécifications techniques:Segno rosso[RS]
16	976172	Demi-coussinet 1,539-1,544	4	Spécifications techniques:Segno blu[BS]
17	976425	Arbre moteur cpl.	1	
18	976020	Bouchon	1	
19	GU04067000	Volant cpl.	1	
20	976481	Vis bride	6	
21	976484	Rondelle élas.con. 8,2X15	6	
22	GU01067930	Couronne	1	
23	GU05025330	Caoutchouc	54	
24	825597	Goupille 11,8X10	6	

Groupe	MOTEUR
Code	34.40
Description	Distribution
Révision	1



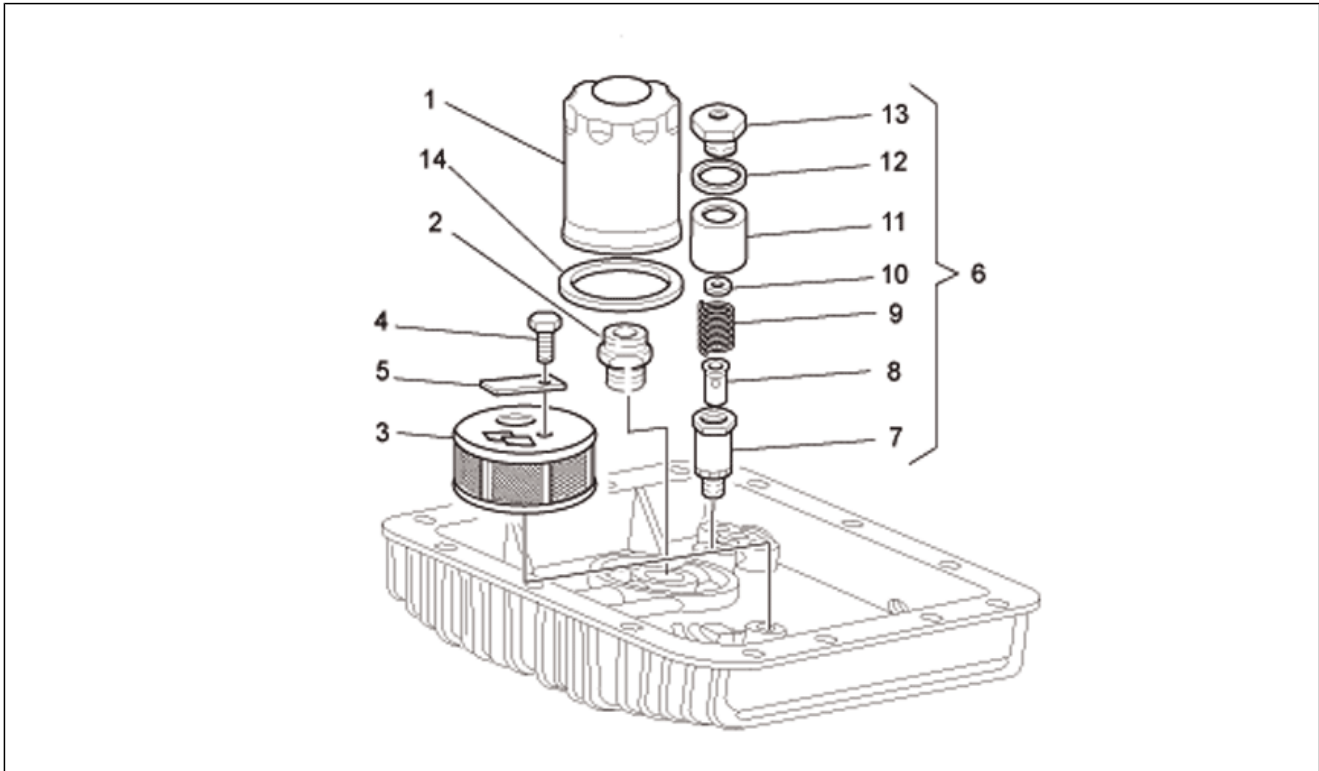
Pos.	Code	Description	Quant	Variants
1	GU37045006	Culbuteur tige	4	
2	GU17045860	Poussoir	4	
3	GU05053331	Arbre à cames	1	
4	GU14234600	Goupille	1	
5	GU01054001	Bride	1	
6	GU98084320	Vis M6x20	3	
7	GU95120065	Rondelle 6,5x11x2	3	
8	GU01051730	Wheel speed sensor, LH front	1	
9	GU05054532	Engrenage distribution	1	
10	GU14433400	Rondelle élastique 19x34x1,5	1	
11	GU92750180	Ecrou M18	1	
12	GU14072001	Pignon	1	
13	GU95100837	Rondelle 25,5x35x2	1	
14	GU92602525	Ecrou M25	1	
15	GU91702355	Clavette	1	
16	GU05058030	Chaîne	1	
17	GU30058310	Galet guide-chaîne	1	
18	GU30059211	Ressort	1	

Groupe	MOTEUR
Code	34.41
Description	Pompe huile
Révision	1



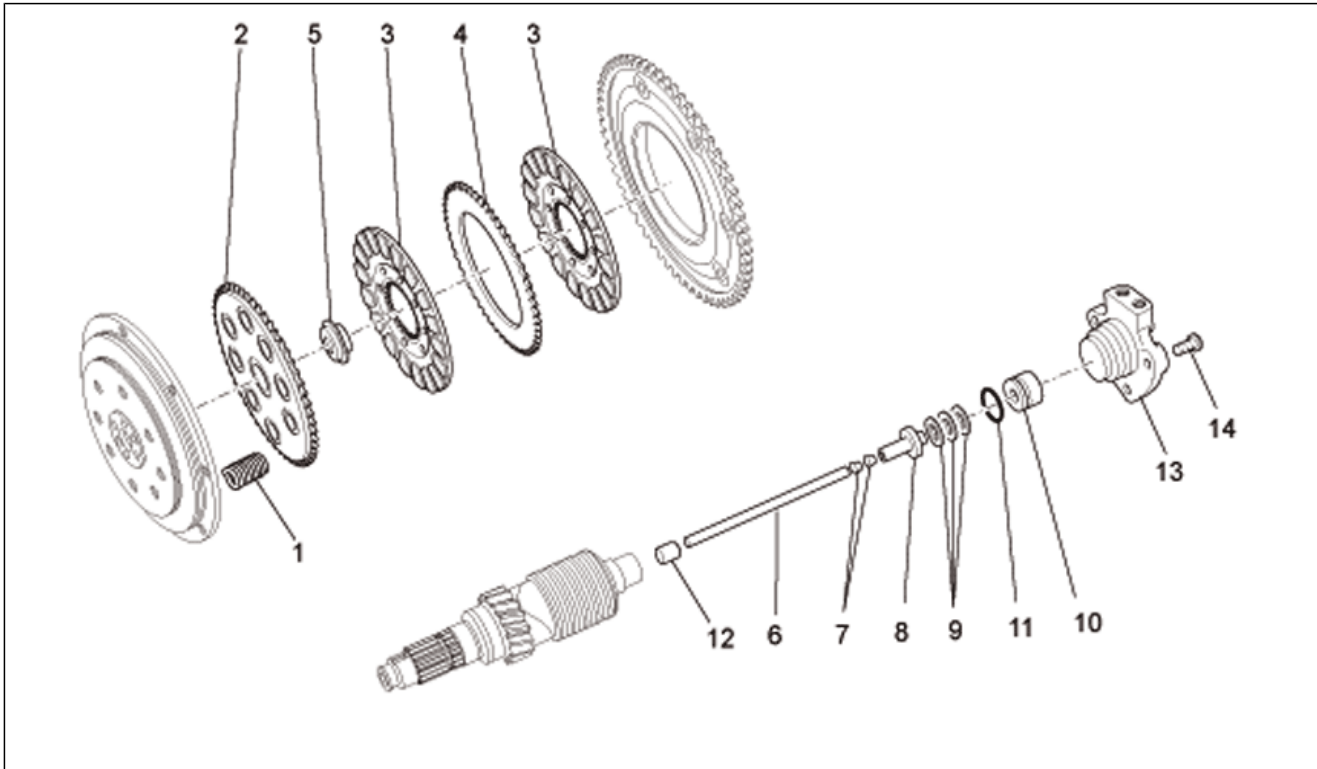
Pos.	Code	Description	Quant	Variants
1	976134	Pompe huile	1	
2	277916	Grain de référence	2	
3	976165	Cage à rouleaux 12x18x12	1	
4	GU13148300	Clavette	1	
5	GU98350330	Vis M6x30	3	
6	976448	Butée	1	
7	GU30147700	Engrenage pompe huile	1	
8	GU92602510	Ecrou M10x1,25	1	
9	GU19149800	Rondelle 10,5x16x1	1	
10	GU05153630	Tuyau	1	
11	GU25656102	Garniture	2	
12	GU95990037	Vis	1	
13	GU12154200	Joint 8,25x15x1	2	
14	GU31768780	Détecteur pression	1	
15	976168	Cage à rouleaux 10x14x12	1	
16	GU12006400	Garniture 12,25	1	
17	976688	Pressure oil sensor cap	1	

Groupe	MOTEUR
Code	34.42
Description	Filtres à huile
Révision	1



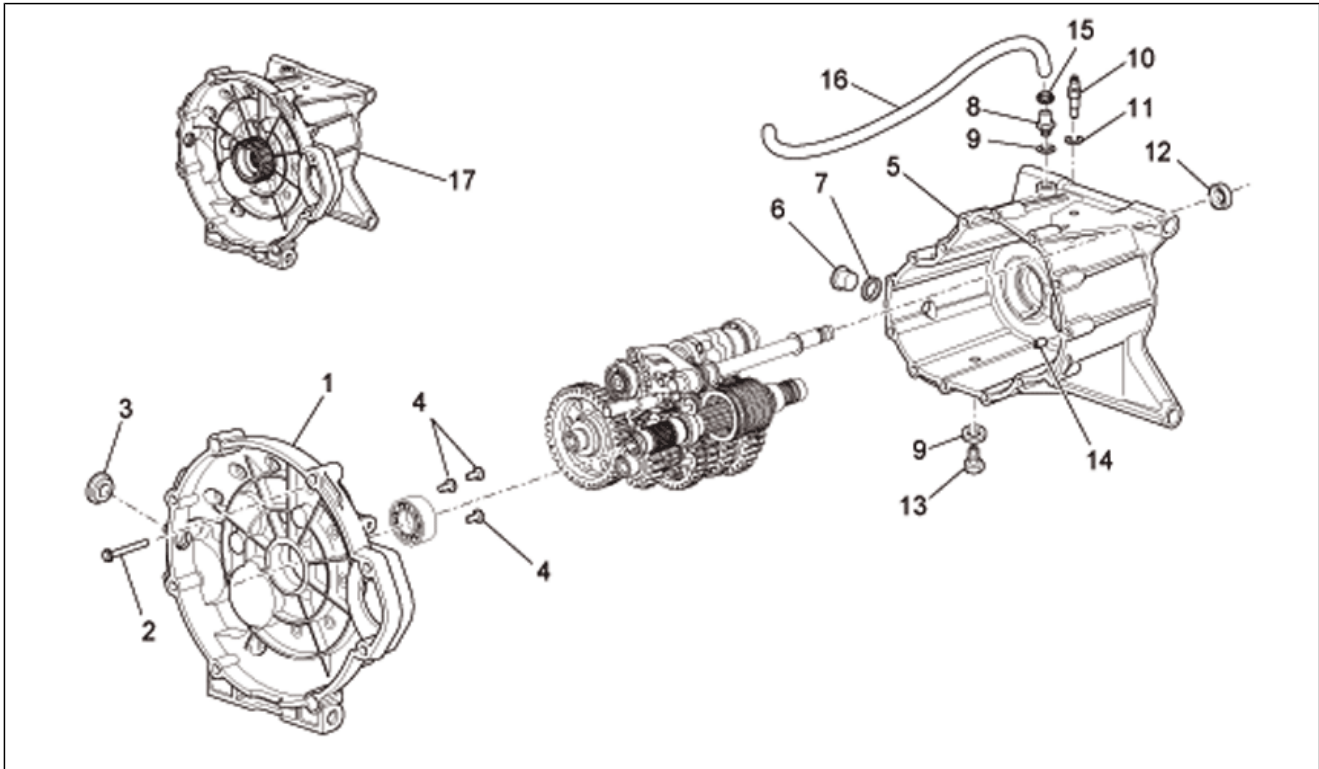
Pos.	Code	Description	Quant	Variants
1	GU30153000	Filtre à huile	1	
2	GU30003800	Raccord filtre huile	1	
3	GU14152200	Filtre à huile	1	
4	GU98084316	Vis	1	
5	GU95187006	Plaquette	1	
6	GU03158200	Soupape huile complète	1	
7	GU30158701	Corps de soupape	1	
8	GU30150900	Piston	1	
9	GU94321079	Ressort	1	
10	GU30158900	Rondelle	1	
11	GU30158800	Rondelle	1	
12	GU18144350	Rondelle 18,25x24x1	1	
13	GU30159000	Bouchon	1	
14	981115	Joint	1	Spécifications techniques: Rif. Comunicazione tecnica n°... [CT1]

Groupe	MOTEUR
Code	34.43
Description	Embrayage
Révision	1



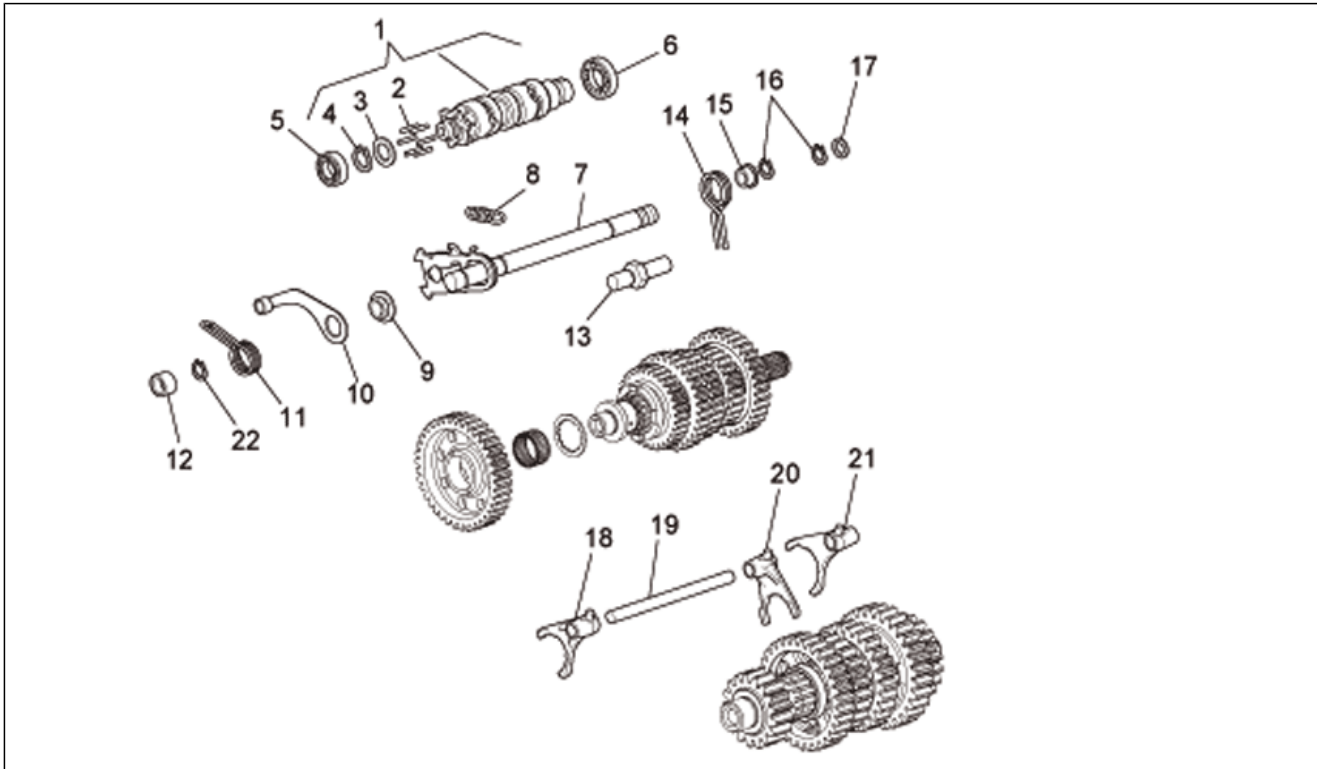
Pos.	Code	Description	Quant	Variants
1	GU04084100	Ressort embrayage	5	
1	GU13084100	Ressort embrayage	5	Spécifications techniques:Segno rosso[RS]
2	GU30082900	Disque	1	
3	GU05084430	Disque embr.compl.	2	
4	GU12082300	Disque interclaire	1	
5	GU04082800	Rondelle	1	
6	GU05085730	Tige	1	
7	GU14085900	Douille	2	
8	GU14086000	Corps intérieur	1	
9	GU12087001	Palier poussée	1	
10	GU04086100	Cylindre commande embrayage	1	
11	GU90706170	Joint torique 17,13x2,62	1	
12	GU05217630	Bague	1	
13	GU05086330	Cylindre comm. embr.	1	
14	AP8152278	Vis bride M6x16	3	

Groupe	MOTEUR
Code	34.44
Description	Cartier de boîte vitesses
Révision	1



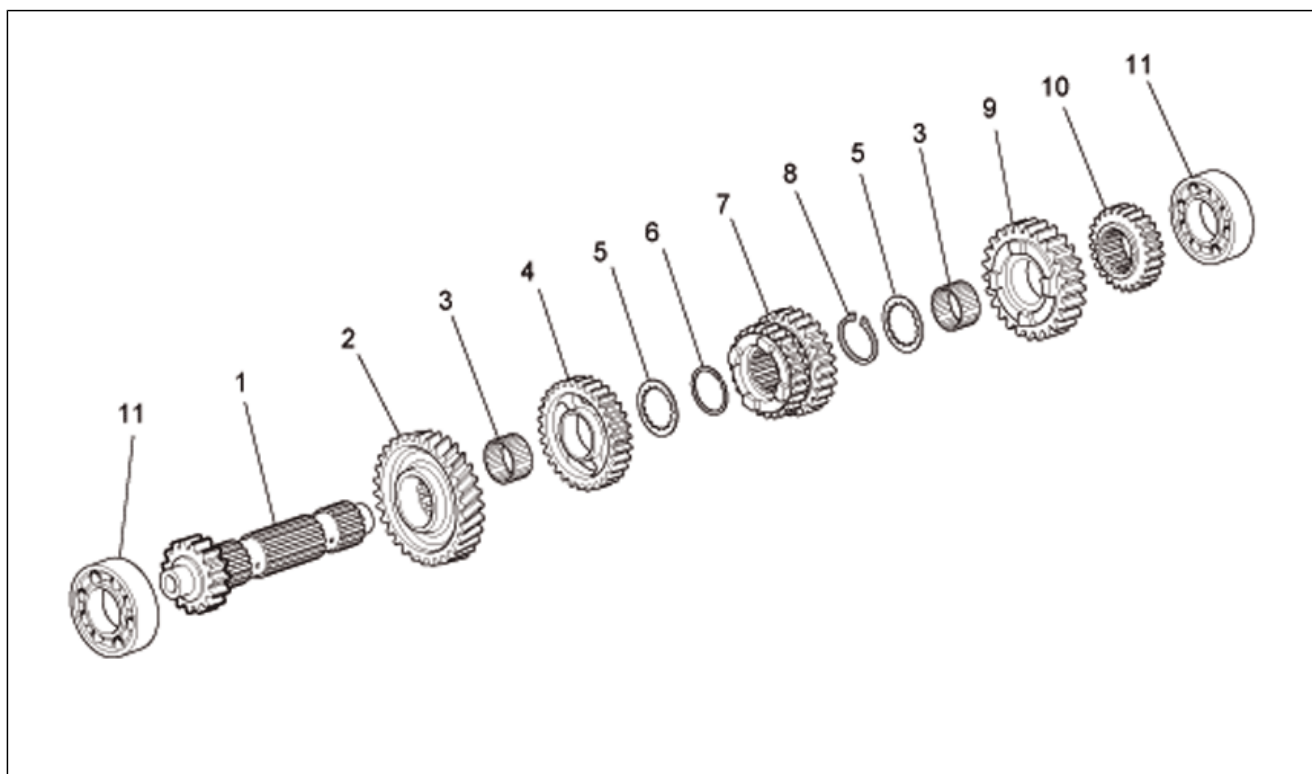
Pos.	Code	Description	Quant	Variants
1	976453	Cloche embrayage nero	1	
2	GU97202355	Vis bride M6x55	14	
3	GU93180220	Bouchon	1	
4	GU98370616	Vis	3	
5	976452	Boîte vitesses noir	1	
6	GU95980319	Bouchon huile M18x1,5	1	
7	GU18144350	Rondelle 18,25x24x1	1	
8	GU05204930	Bouchon purge	1	
9	GU01528930	Joint 10x18x1,5	2	
10	GU19207220	Capteur	1	
11	GU12154200	Joint 8,25x15x1	1	
12	GU90401424	Bague d'étanchéité 14x24x7	1	
13	GU31003766	Bouchon vid.huile M10x1	1	
14	GU19002020	Bague 6,6x9x13	2	
15	AP8101595	Collier D10,1*	1	
16	AP8120952	Tuyau essence 5,5x10	1	
17	976926	Boîte de vitesses cpl.	1	

Groupe	MOTEUR
Code	34.45
Description	Selecteur boîte de vitesses
Révision	1



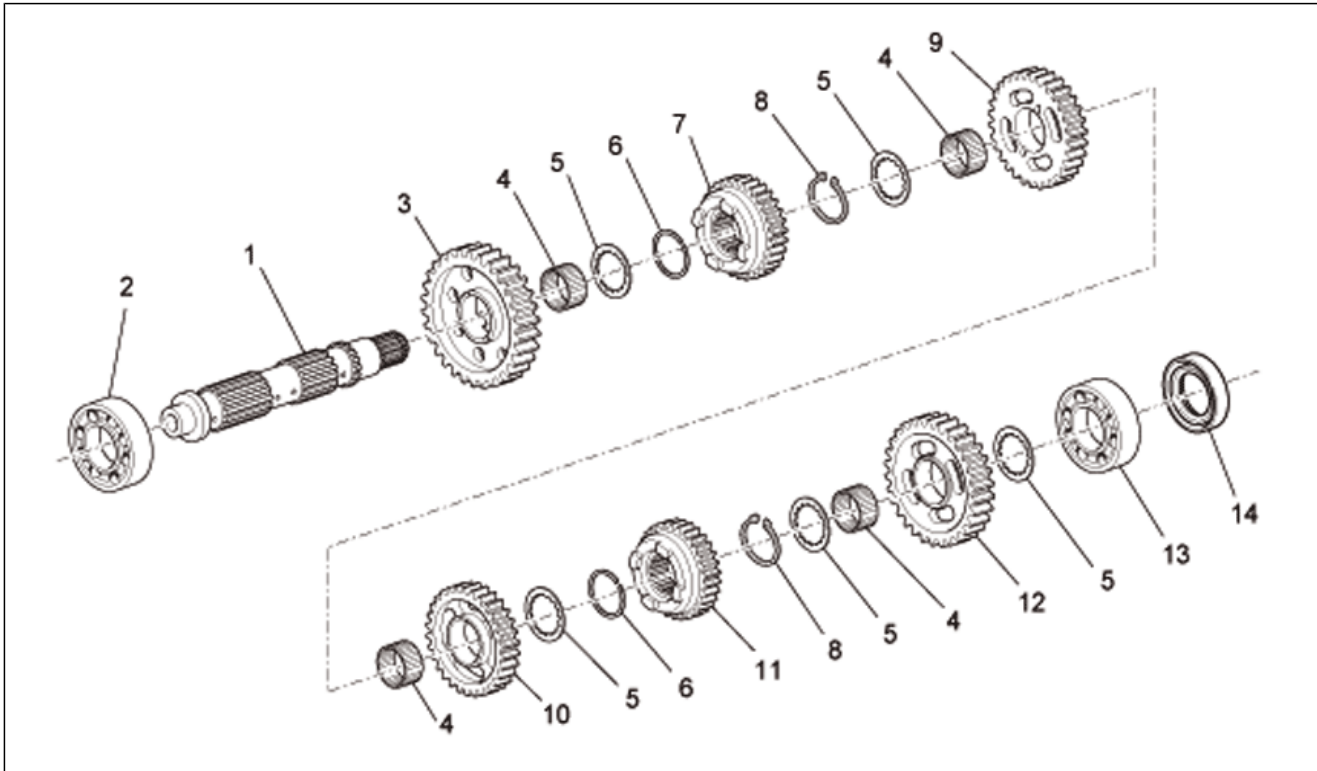
Pos.	Code	Description	Quant	Variants
1	GU05234431	Desmodromique cpl.	1	
2	GU05234631	Tige	6	
3	GU05235531	Cale	1	
4	GU90271022	Bague seeger	1	
5	GU92201117	Roulement à billes 17x35x10	1	
6	GU92201025	Roulement à billes 25x42x9	1	
7	GU05236231	Preselecteur complet	1	
8	GU05238231	Ressort	1	
9	GU05238431	Bague	1	
10	GU05234731	Levier Index	1	
11	GU05234130	Ressort	1	
12	GU05234230	Entretoise	1	
13	GU05234931	Pivot fixation	1	
14	GU05238331	Ressort	1	
15	GU05238131	Entretoise	1	
16	GU90271014	Bague seeger	2	
17	GU05239330	Butée	1	
18	GU05230531	Fourchette 1a-3a	1	
19	GU05232431	Axe de fourchette	1	
20	GU05232631	Fourchette 5a-6a	1	
21	GU05230831	Fourchette 2a-4a	1	
22	GU90353014	Bague seeger	1	

Groupe	MOTEUR
Code	34.46
Description	ARBRE PRIMAIRE BOITE DE VITESSES
Révision	1



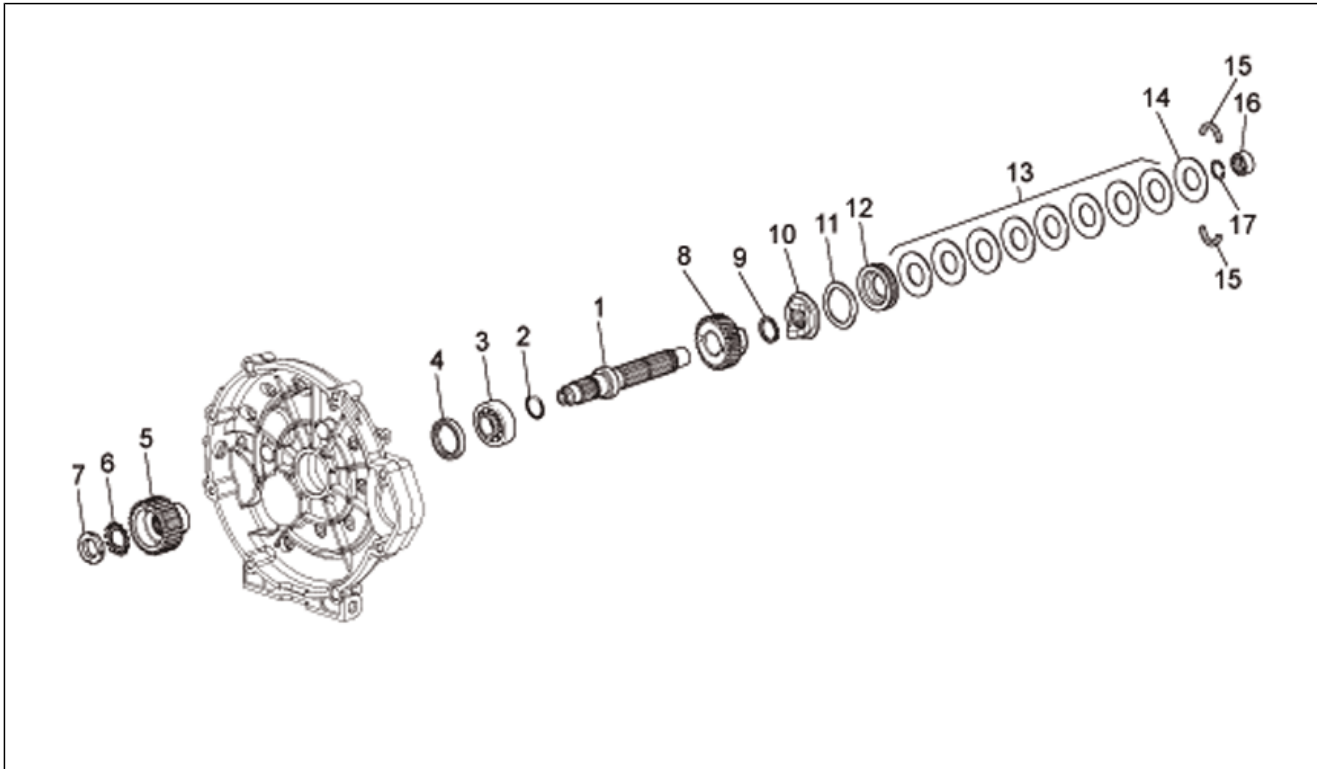
Pos.	Code	Description	Quant	Variants
1	GU05210631	Arbre primaire Z=17	1	
2	GU06215600	Engrenages transm. Z=35	1	
3	GU92252029	Cage à rouleaux 26x30x15,6	2	
4	GU05212031	Engrenage 5a Z=31	1	
5	GU05214630	Rondelle d'appui	2	
6	GU90271230	Anneau élastique 30x1,2SW	1	
7	GU05211431	Engrenage 3a-4a Z=23-26	1	
8	GU90271030	Anneau élastique 30x27,9	1	
9	GU05212631	Engrenage 6a Z=29	1	
10	GU05211331	Engrenage 2a Z=20	1	
11	GU92201822	Roulement à billes 20x52x15	2	

Groupe	MOTEUR
Code	34.47
Description	Arbre secondaire
Révision	1



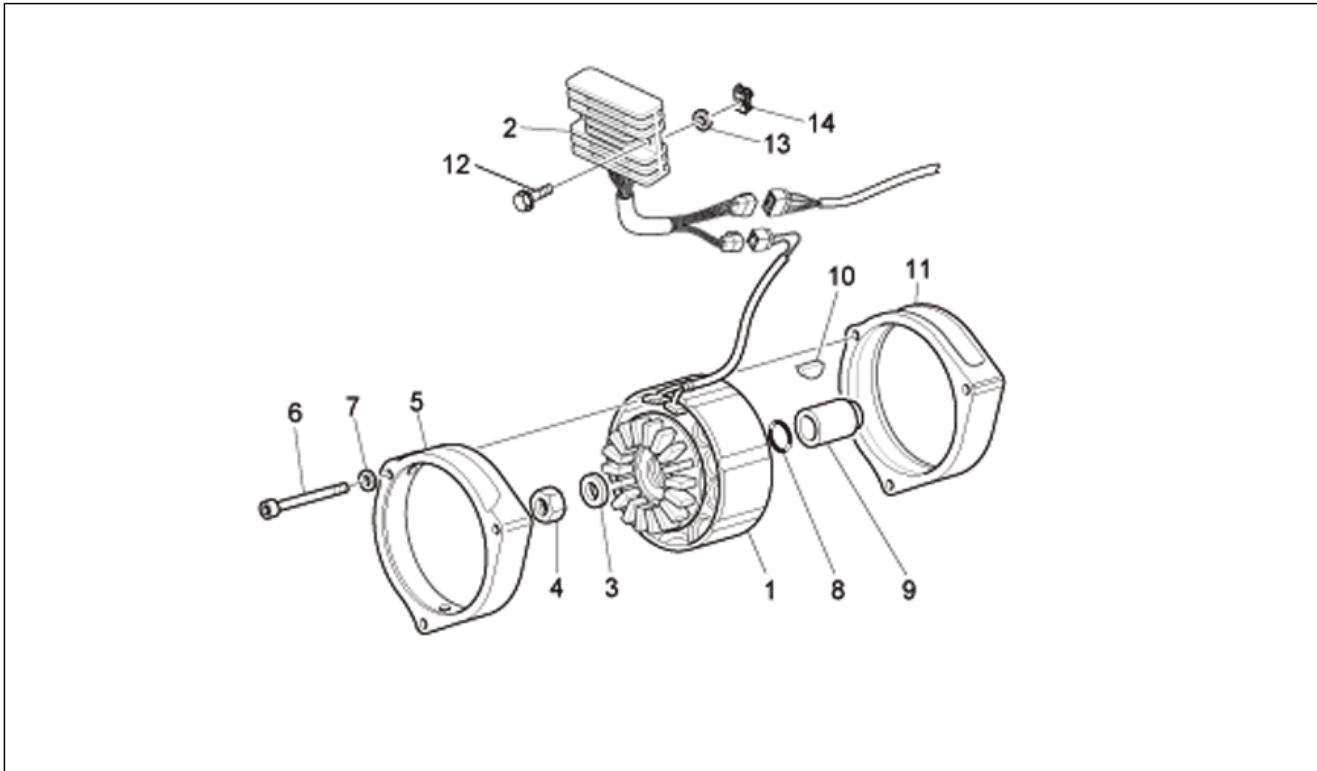
Pos.	Code	Description	Quant	Variants
1	GU05213631	Arbre secondaire	1	
2	GU92201822	Roulement à billes 20x52x15	1	
3	GU05214231	Engrenage 1a Z=38	1	
4	GU92252029	Cage à rouleaux 26x30x15,6	4	
5	GU05214630	Rondelle d'appui	5	
6	GU90271230	Anneau élastique 30x1,2SW	2	
7	GU05214031	Engrenage 5a Z=30	1	
8	GU90271030	Anneau élastique 30x27,9	2	
9	GU05214731	Engrenage 3a Z=31	1	
10	GU05215031	Engrenage 4a Z=29	1	
11	GU05220531	Engrenage 6a Z=25	1	
12	GU05214431	Engrenage 2a Z=34	1	
13	GU92201226	Roulement à billes 25x52x15	1	
14	GU90412541	Bague d'étanchéité 25X40X7	1	

Groupe	MOTEUR
Code	34.48
Description	Arbre embrayage
Révision	1



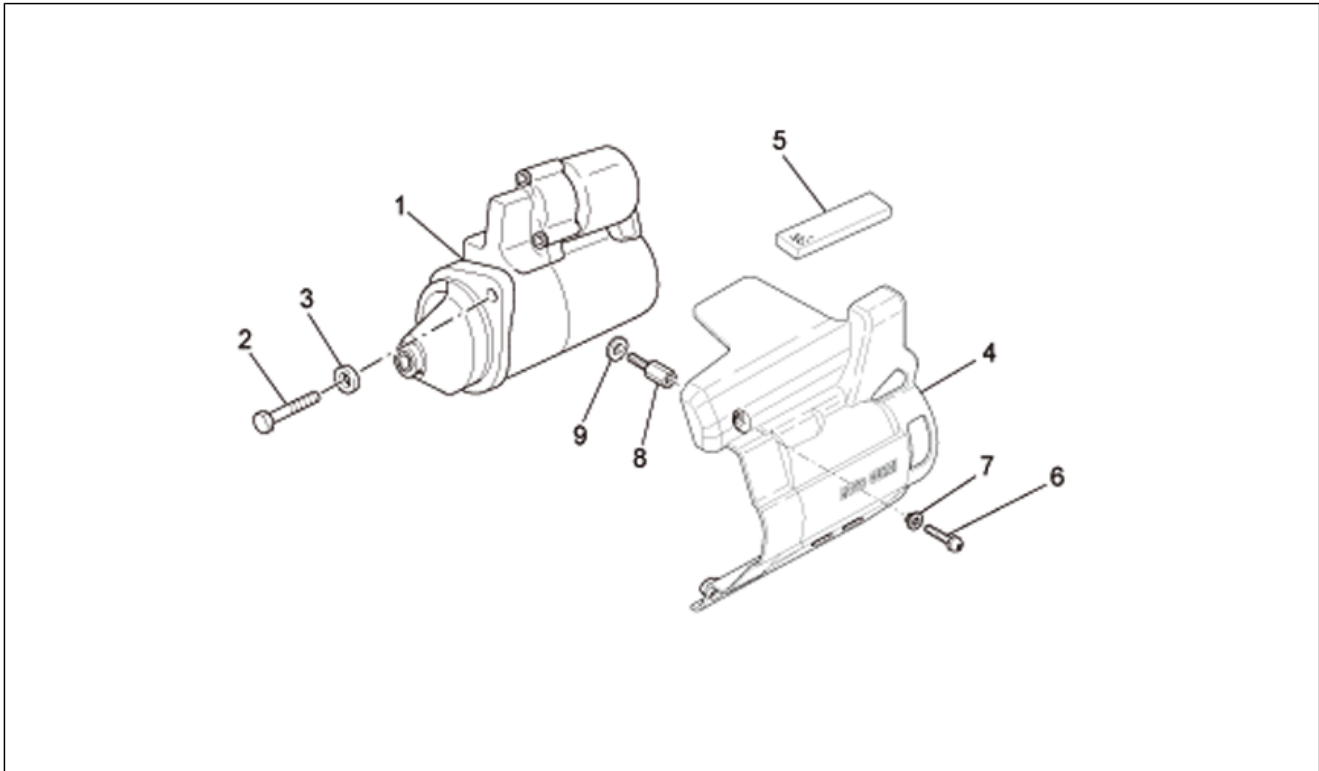
Pos.	Code	Description	Quant	Variants
1	GU05210731	Arbre embrayage	1	
2	GU90706203	Joint torique 20,24X2,62	1	
3	GU92201226	Roulement à billes 25x52x15	1	
4	GU90403549	Bague d'étanchéité 35x47x7	1	
5	GU05081830	Pignon embrayage	1	
6	GU95028022	Rondelle 22x20x3,9	1	
7	GU93601022	Bague	1	
8	GU06211100	Pignon interméd. Z=24	1	
9	GU90271125	Anneau élastique 25x2	1	
10	GU05211231	Manchon	1	
11	GU95129340	Rondelle	3	
12	GU05211030	Disque	1	
13	GU05211530	Ressort à godet	8	
14	GU05211630	Disque	1	
15	GU12211700	Demi-clavettes	2	
16	GU92232028	Roulement à rouleaux 20x28x13	1	
17	GU90272028	Anneau élastique 28x30,1	1	

Groupe	MOTEUR
Code	34.49
Description	Générateur de courant
Révision	1



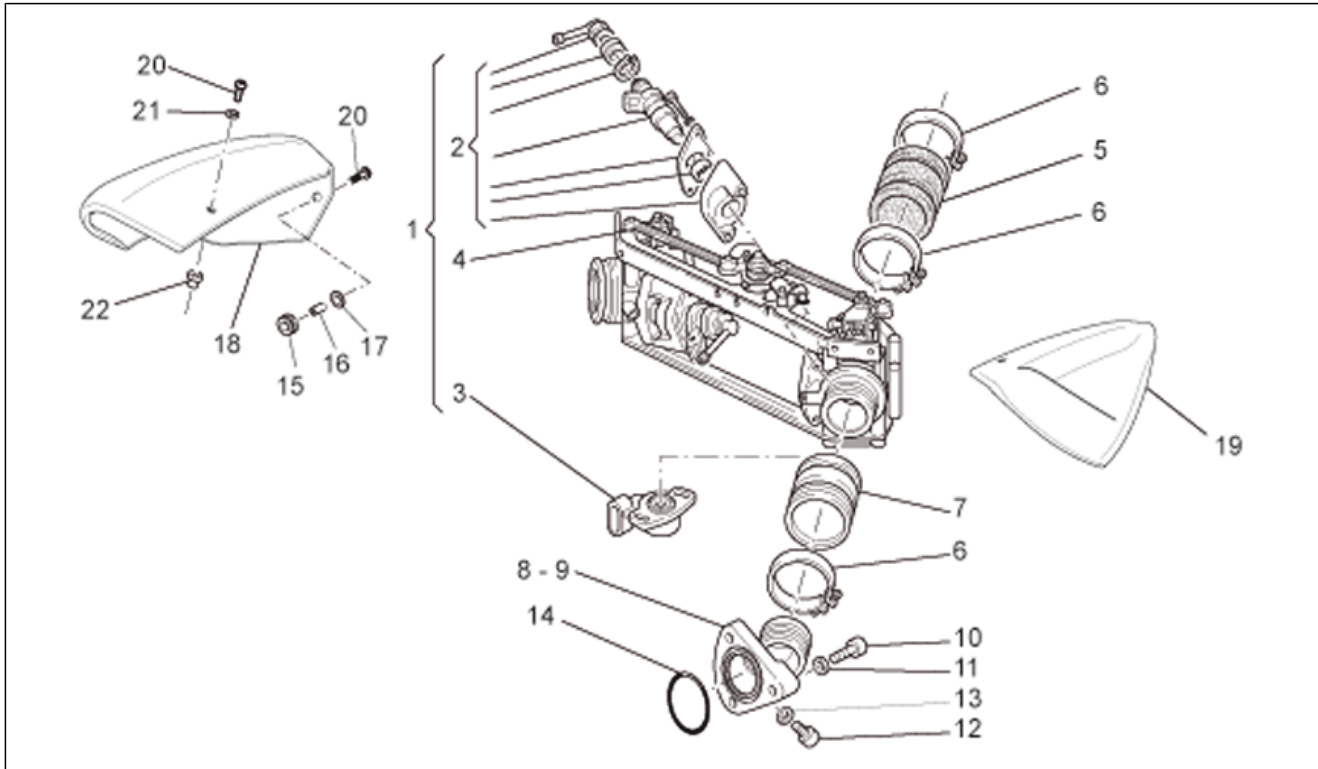
Pos.	Code	Description	Quant	Variants
1	GU32712411	Alternateur Ducati	1	
2	GU32703810	Régulateur DUCATI	1	
3	GU30714201	Rondelle 16,25x24,5x5	1	
4	GU92606516	Ecrou M16	1	
5	GU29711460	Calotte av.	1	
6	GU98680265	Vis	3	
7	GU29217960	Rondelle 5,9X3X0,8	3	
8	GU90706178	Joint torique 17,86X2,62	1	
9	GU37712306	Entretoise	1	
10	GU91600450	Clavette	1	
11	GU29711960	Calotte arriere chromée	1	
12	AP8152282	Vis bride M6x35	2	
13	GU95100141	Rondelle 6,4x12x1,2	2	
14	GU28576591	Clip M6	2	

Groupe	MOTEUR
Code	34.50
Description	Démarrreur
Révision	1



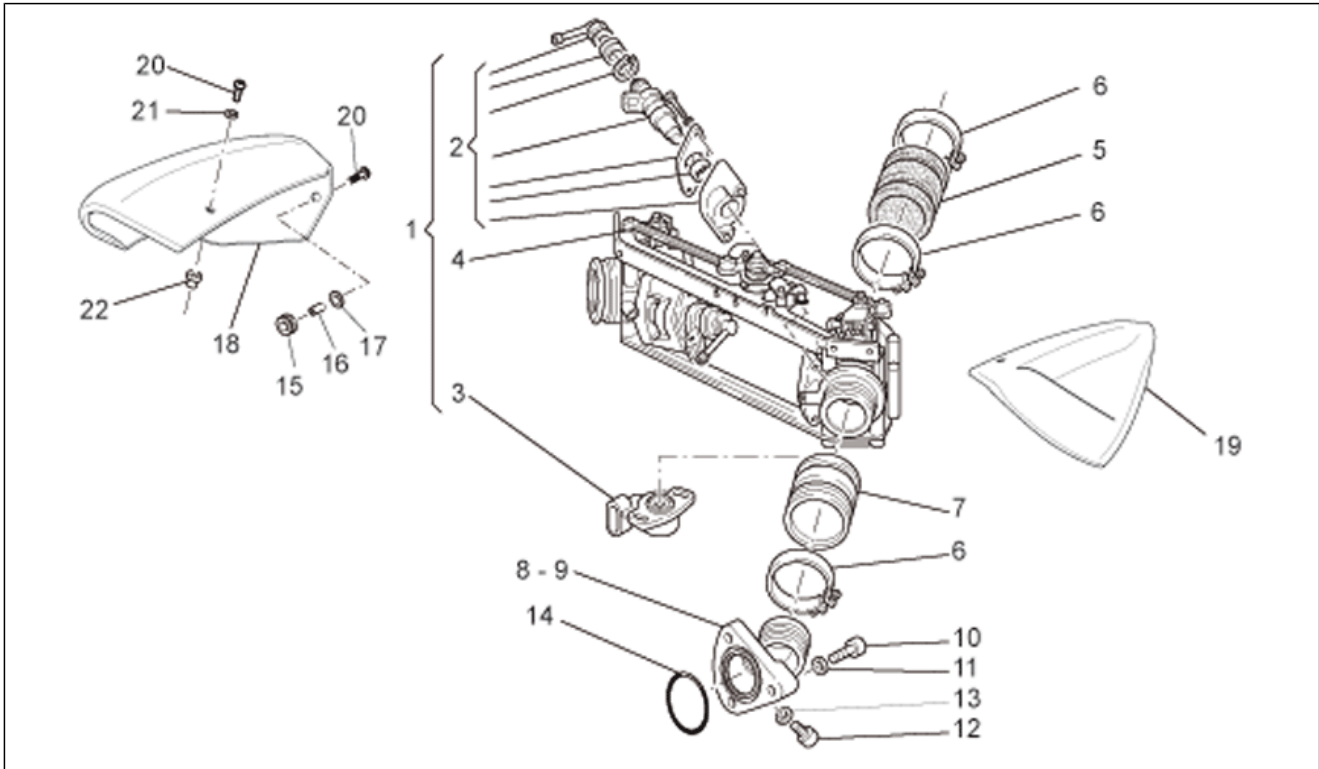
Pos.	Code	Description	Quant	Variants
1	GU05730730	Démarrreur Bosch	1	
2	GU98082475	Vis M8x75	2	
3	GU95008208	Rondelle 8,4X15X1,5	2	
4	GU05733330	Couvercle gris chrome	1	
5	AP8117200	Eponge adhésive	1	
6	GU98370609	Vis M6x10	2	
7	AP8121032	Douille	2	
8	GU03469201	Goujon	1	
9	GU03013800	Rondelle 6,4x12	1	

Groupe	MOTEUR
Code	34.51
Description	Corps à papillon
Révision	1



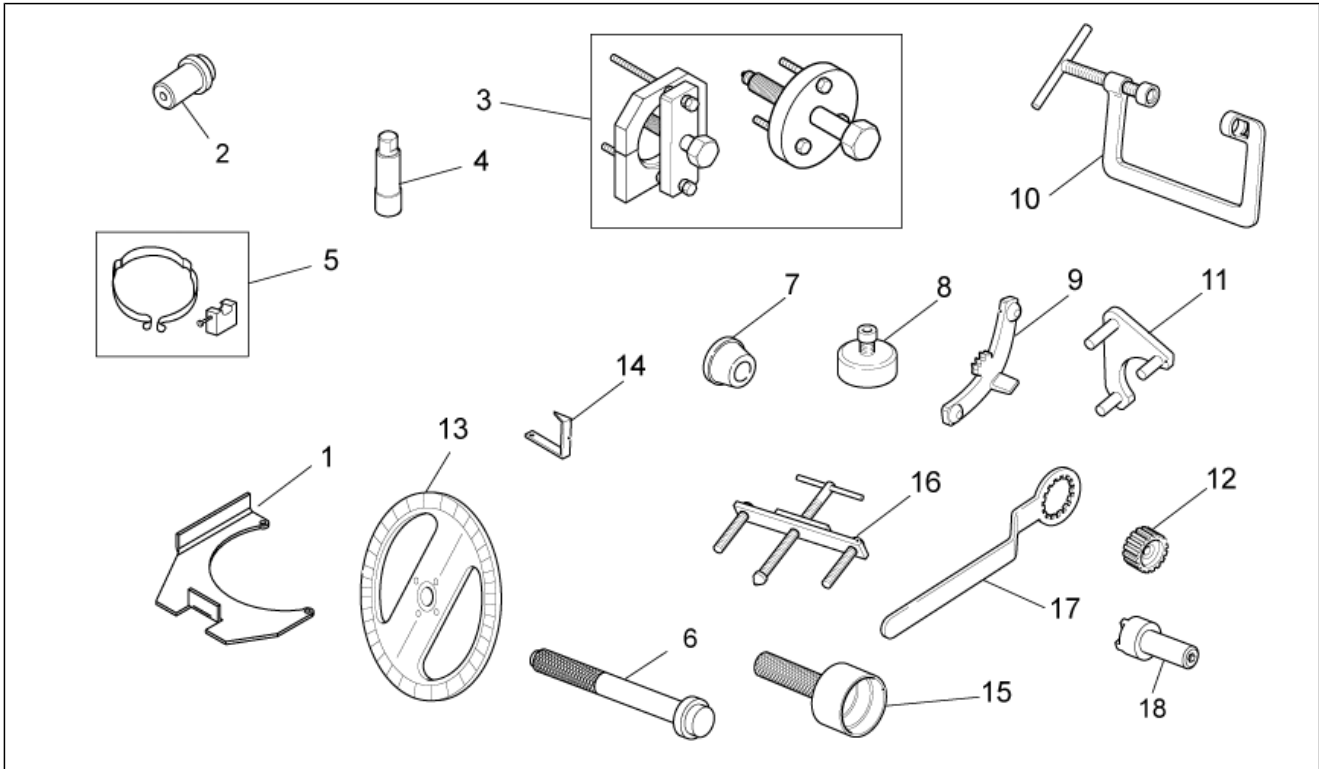
Pos.	Code	Description	Quant	Variants
1	GU03112560	Corpe papillon compl.	1	
2	GU01530504	Kit injecteur complet	2	
3	GU01530500	Potentiomètre	1	
4	GU29530562	Tirant	2	
5	GU30114470	Manchon	2	
6	GU93305061	Collier 61/65,5	8	
7	GU03114370	Manchon	2	
8	976026	Pipe d.	1	
9	976049	Pipe g.	1	
10	GU98682325	Vis M6x25	6	
11	GU14217901	Rondelle 6,4x10x0,7	6	
12	GU98310609	Vis M6x10	2	
13	GU95100116	Rondelle 6,25x10x1,5	2	
14	GU90706461	Joint torique 46,04x3,53	2	
15	AP8120405	Caoutchouc *	2	
16	977476	Pivot	2	
17	GU95129100	Rondelle élastique 5,3X10X0,5	2	
18	977180	Couvercle droit chromé	1	Année:2008[8] Couleur véhicule:Grey/white 2008[gr/wh], red/white 2008[r/wh] Spécifications techniques:Luxury version[LUX]
18	978390	Couvercle droit noir	1	Année:2009[9] Couleur véhicule:Black Eagle 2009[b.eagle]
18	978390	Couvercle droit noir	1	Année:2007[7], 2008[8] Couleur véhicule:Black 2007-2008[black] Spécifications techniques:Basic version[BASE]
19	977181	Couvercle gauche chromé	1	Année:2008[8] Couleur véhicule:Grey/white 2008[gr/wh], red/white 2008[r/wh] Spécifications techniques:Luxury version[LUX]

Groupe	MOTEUR
Code	34.51
Description	Corps à papillon
Révision	1



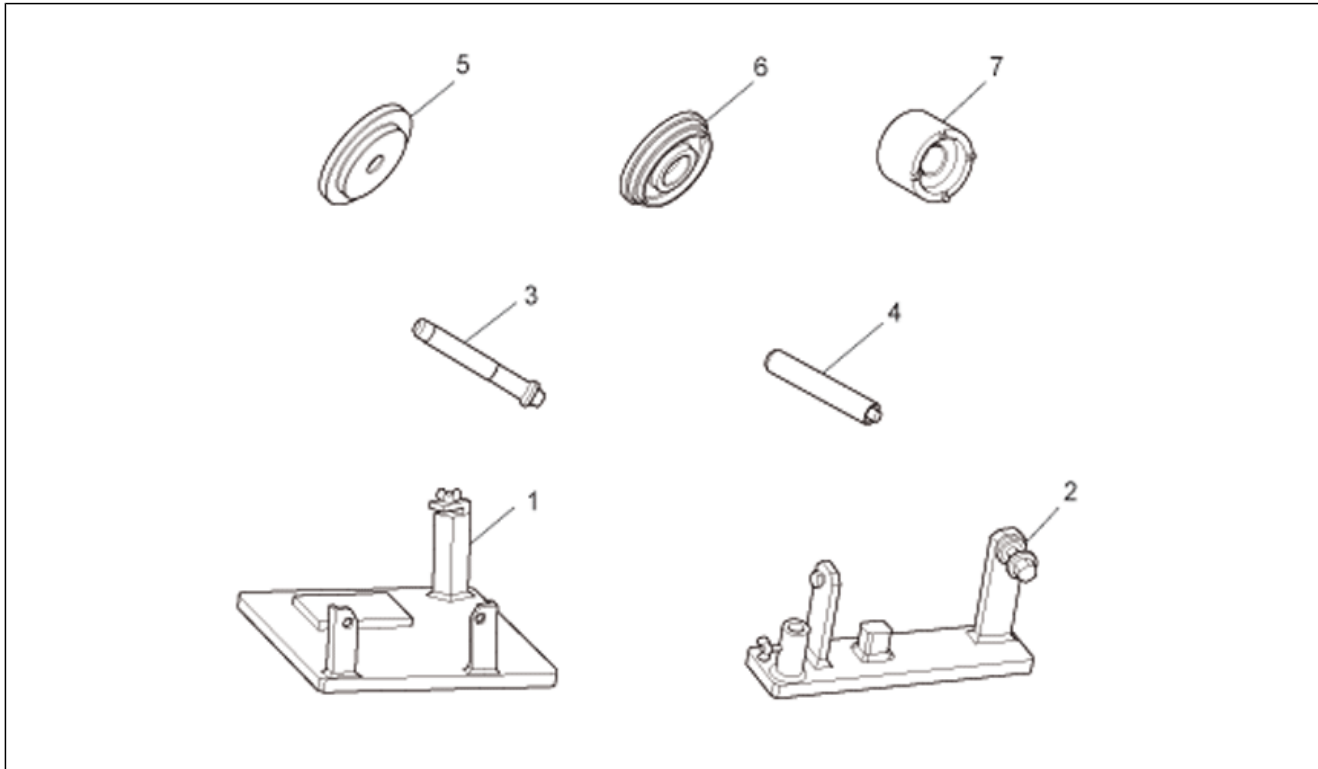
Pos.	Code	Description	Quant	Variants
19	978391	Couvercle gauche noir	1	Année:2007[7], 2008[8] Couleur véhicule:Black 2007-2008[black] Spécifications techniques:Basic version[BASE]
19	978391	Couvercle gauche noir	1	Année:2009[9] Couleur véhicule:Black Eagle 2009[b.eagle]
20	GU98370520	Vis	4	
21	GU30577800	Rondelle nylon 5,5X12X1	4	
22	GU93232005	Caoutchouc	2	

Groupe	OUTILLAGE SPECIAL
Code	36.52
Description	Specific tools I
Révision	1



Pos.	Code	Description	Quant	Variants
1	GU05902530	Support pour carter vitesses	1	
2	GU14927200	Out.mont.joint couver.distrib.	1	
3	GU05912530	Ouverture boîte de vitesses	1	
4	GU05901930	Clef bougie	1	
5	GU05928030	Collier de serrage piston	1	
6	GU14929100	Point.presser joint fourreau	1	
7	GU12912000	Out.mont.bride volant	1	
8	GU14927100	Out.mont.joint bride volant	1	
9	GU12911801	Out.blocage vol./cour.d'émar.	1	
10	GU10907200	Out.mont./dém.soupapes	1	
11	GU14927300	Out.main.engrenage arbre cames	1	
12	GU30906510	Outil de montage embrayage	1	
13	GU19929600	Disque contr.calage distr/allu	1	
14	GU17947560	Aiguille contr.cal.distr.allum	1	
15	GU19927100	Ut.mont.joint bride volant	1	
16	GU12913600	Out.mont.bride volant	1	
17	GU30912810	Out.blocage corp int.embrayage	1	
18	GU14912603	Clé	1	

Groupe	OUTILLAGE SPECIAL
Code	36.53
Description	Specific tools II
Révision	1



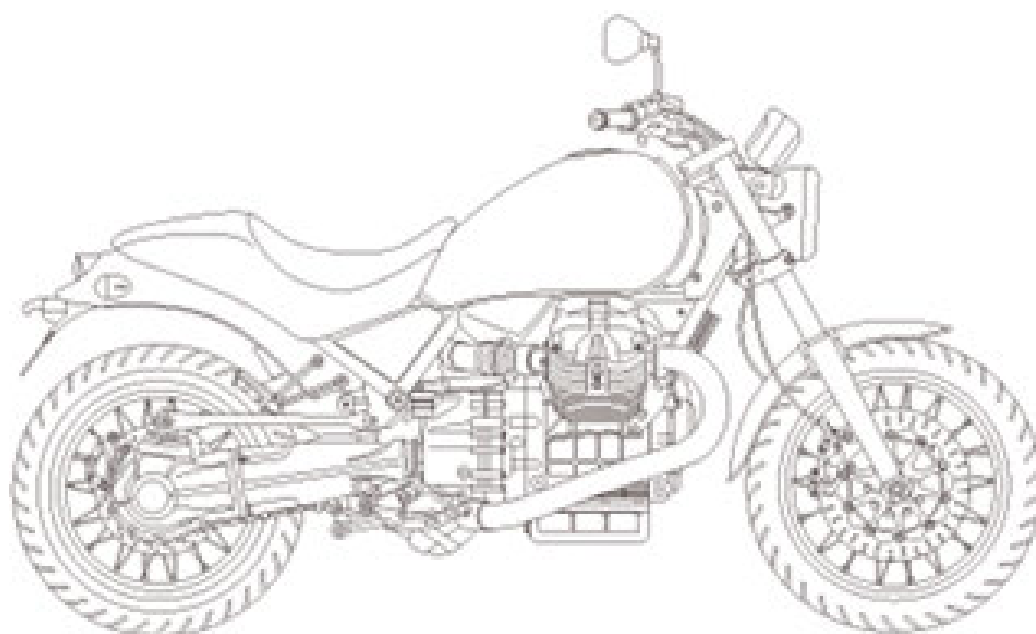
Pos.	Code	Description	Quant	Variants
1	GU05902730	Support boîte transmission	1	
2	GU05902736	Support couple conique	1	
3	GU05902732	Poignée pour tampons	1	
4	GU05902733	Jet mont.joint pour joint art.	1	
5	GU05902731	Jet mnt.joint étan.boîte tr. 85	1	
6	GU05902735	Jet mont.joint ét.Pignon 45x58	1	
7	GU05902734	Clé écrou anulaire pignon	1	



PIAGGIO & C.s.p.a.



CATALOGUE DE PIÈCES DE RECHANGE



Bellagio 940 2007-2013

Préfixe du cadre: ZGULY000, ZGULYA00

Préfixe du moteur:

BELLAGIO

GU087



Index

Produits finis.....	4
Index alphanumérique.....	5
CHASSIS.....	11
Tableau 33.01 - Chassis.....	11
Tableau 33.02 - Béquille.....	13
Tableau 33.03 - Repose-Pieds I.....	14
Tableau 33.04 - Repose-Pieds II.....	15
Tableau 33.05 - Levier boîte de vitesses.....	16
Tableau 33.06 - Fourche Av. I.....	17
Tableau 33.07 - Fourche Av. II.....	18
Tableau 33.08 - Fourche arriere.....	21
Tableau 33.09 - Transmission cpl.....	22
Tableau 33.10 - Trans.cpl.-Vitesses.....	23
Tableau 33.11 - Trans.cpl.-Couple conique.....	24
Tableau 33.12 - Bielle et der. Amortisseur.....	25
Tableau 33.13 - Réservoir essence.....	26
Tableau 33.14 - Selle-Carosserie cent.....	28
Tableau 33.15 - Garde-boue Av.....	30
Tableau 33.16 - Carr. Arrière - Qu.Car.....	31
Tableau 33.17 - Tableau de bord.....	32
Tableau 33.18 - Guidon - Commandes.....	33
Tableau 33.19 - Maît. cyl. frein AV.....	34
Tableau 33.20 - Commande embrayage cpl.....	35
Tableau 33.21 - Installation Blow-by.....	36
Tableau 33.22 - Alimentation.....	37
Tableau 33.23 - Pompe ess. interne.....	38
Tableau 33.24 - Corps filtre.....	39
Tableau 33.25 - Groupe echappement.....	40
Tableau 33.26 - Roue Av. I.....	42
Tableau 33.27 - Pince frein avant.....	43
Tableau 33.28 - Roue arrière I.....	44
Tableau 33.29 - Maît.cyl. frein AR.....	45
Tableau 33.30 - Pince frein AR.....	46
Tableau 33.31 - Feu AV/Klaxon.....	47
Tableau 33.32 - Feu arrière.....	48
Tableau 33.33 - Circuit électrique I.....	49
Tableau 33.34 - Circuit électrique II.....	51
Tableau 33.35 - Kit serrure.....	52
Tableau 33.36 - Plaquettes-decal.....	53
Tableau 33.55 - Roue arrière II.....	55
MOTEUR.....	56
Tableau 34.37 - Carter.....	56
Tableau 34.38 - Culasse et soupapes.....	58



Tableau 34.39 - Arbre moteur cpl.....	60
Tableau 34.40 - Distribution.....	61
Tableau 34.41 - Pompe huile.....	62
Tableau 34.42 - Filtres à huile.....	63
Tableau 34.43 - Embrayage.....	64
Tableau 34.44 - Carter de boîte vitesses.....	65
Tableau 34.45 - Selecteur boîte de vitesses.....	66
Tableau 34.46 - ARBRE PRIMAIRE BOITE DE VITESSES.....	67
Tableau 34.47 - Arbre secondaire.....	68
Tableau 34.48 - Arbre embrayage.....	69
Tableau 34.49 - Générateur de courant.....	70
Tableau 34.50 - Démarreur.....	71
Tableau 34.51 - Corps à papillon.....	72
OUTILLAGE SPECIAL.....	74
Tableau 36.52 - Specific tools I.....	74
Tableau 36.53 - Specific tools II.....	75



BELLAGIO
GU087 - Bellagio 940 2007-2013

Préfixe du cadre: ZGULY000, ZGULYA00
Préfixe du moteur:

Produits finis

Code	Validité
GU9032588AU800	
GU9032588AU801	
GU9032588EU800	
GU9032588EU801	
GU9032588GB800	
GU9032588GB801	



Code	N° de tableau	Pos.	Code	N° de tableau	Pos.	Code	N° de tableau	Pos.
0000000	33.26	14	976181	34.38	10	97833800YR1	33.14	3
0000000	33.26	15	976183	34.39	3	978338NG	33.14	3
0000000	33.26	16	976371	34.39	2	978338NG	33.14	3
0000000	33.28	12	976425	34.39	17	978340	33.16	1
0000000	33.28	13	976448	34.41	6	97834000EE	33.16	1
0000000	33.55	2	976449	34.37	1	97834000YR1	33.16	1
224202	34.38	8	976450	34.37	15	978340NG	33.16	1
277916	34.41	2	976451	34.37	26	978340NG	33.16	1
2D000006	33.35	10	976452	34.44	5	978346	33.36	11
639542	33.02	3	976453	34.44	1	978348	33.09	1
825597	34.38	9	976481	34.39	20	978350	33.08	1
825597	34.39	24	976484	34.39	21	978356	33.28	9
849131	34.39	14	976521	33.25	22	978358	33.02	1
883045	33.09	7	976522	33.25	11	978360	33.27	1
883046	33.09	2	976523	33.25	12	978361	33.27	2
883114	33.12	1	976688	34.41	17	978362	33.19	6
883114	33.12	1	976923	34.37	38	978364	33.30	10
883255	33.13	17	976926	34.44	17	978366	33.33	1
883255	33.13	17	977004	33.06	1	978366	33.34	1
883256	33.13	16	977024	33.26	8	978368	33.33	2
883256	33.13	16	977041	33.29	14	978369	33.25	13
883269	33.36	17	977056	33.28	5	978370	33.25	23
883271	33.36	19	977056	33.55	5	978373	33.31	10
883272	33.36	18	977080	33.02	2	978374	33.31	11
883688	33.26	8	977180	34.51	18	978376	33.17	2
883802	33.18	13	977181	34.51	19	978377	33.17	4
883802	33.18	15	977388	33.33	15	978381	33.18	11
884033	33.29	24	977389	33.35	1	978382	33.18	12
884081	33.26	1	977476	34.51	16	978390	34.51	18
884082	33.55	1	977527	33.14	14	978390	34.51	18
886141	33.36	20	977527	33.35	4	978391	34.51	19
886142	33.36	21	977528	33.17	9	978391	34.51	19
886143	33.36	22	977528	33.35	2	978414	33.30	1
886144	33.36	23	977662	33.25	1	978415	33.35	9
88615300NG	33.13	1	977663	33.25	2	978434	33.29	1
88615500NG	33.15	1	977699	33.01	18	978435	33.29	6
886944	33.36	24	977769	33.34	13	978461	33.21	4
887081	33.26	6	977772	33.34	14	978467	33.04	1
887082	33.55	8	977790	33.01	1	978472	33.03	14
887083	33.55	9	977809	33.01	7	978473	33.04	4
887826	33.31	12	977872	33.12	1	978505	33.34	11
887827	33.31	15	978224	33.03	1	978506	33.25	24
969973	34.38	46	978225	33.03	4	978508	33.36	4
976006	34.39	13	978250	33.14	6	978509	33.36	5
976020	34.39	18	978251	33.14	7	978516	33.26	5
976026	34.51	8	978295	33.14	1	978520	33.36	13
976031	34.39	12	978303	33.26	12	978526	33.01	27
976049	34.51	9	978304	33.26	13	978540	33.25	17
976052	34.38	20	978305	33.26	2	978551	33.36	6
976064	34.39	9	978306	33.26	6	978552	33.36	1
976068	34.38	45	978307	33.26	7	978554	33.33	11
976070	34.39	4	978308	33.26	1	978568	33.05	9
976071	34.39	5	978309	33.15	2	978580	33.16	11
976072	34.39	6	978310	33.18	1	978588	33.21	9
976079	34.38	1	978311	33.31	1	978606	33.19	1
976080	34.38	2	978312	33.24	1	978607	33.20	1
976095	34.38	36	978320	33.21	1	978609	33.28	1
976107	34.38	3	978324	33.17	1	978610	33.28	2
976134	34.41	1	978335	33.16	5	978611	33.28	8
976139	34.38	38	978336	33.16	4	978632	33.01	22
976144	34.38	41	978337	33.14	2	978662	33.31	1
976152	34.38	4	97833700EE	33.14	2	978683	33.28	11
976153	34.38	22	97833700YR1	33.14	2	978697	33.28	10
976165	34.41	3	978337NG	33.14	2	978810	33.55	10
976168	34.41	15	978337NG	33.14	2	978811	33.55	11
976171	34.39	16	978338	33.14	3	978814	33.55	14
976172	34.39	16	97833800EE	33.14	3	978815	33.55	8



Code	N° de tableau	Pos.	Code	N° de tableau	Pos.	Code	N° de tableau	Pos.
978816	33.55	9	AP8124936	33.33	31	AP8152320	33.30	2
978818	33.55	1	AP8124976	33.32	19	AP8152329	33.29	10
981002	34.39	1	AP8125777	33.26	3	AP8152329	33.34	4
981003	33.27	6	AP8127098	33.32	13	AP8152339	33.14	4
981004	33.27	5	AP8127703	33.18	2	AP8152339	33.16	2
981046	33.20	2	AP8133502	33.27	4	AP8152396	33.12	16
981050	33.19	2	AP8133594	33.20	8	AP8152397	33.12	9
981115	34.42	14	AP8133595	33.30	8	AP8152398	33.12	2
983036	33.14	1	AP8133596	33.30	9	AP8152409	33.03	11
983036	33.14	1	AP8133597	33.30	7	AP8152409	33.04	13
AP8101586	33.21	16	AP8133908	33.27	7	AP8152410	33.09	3
AP8101595	33.29	5	AP8133962	33.19	7	AP8152482	33.12	15
AP8101595	34.44	15	AP8133962	33.30	11	AP8201124	33.01	19
AP8101744	33.55	14	AP8134378	33.25	27	AP8201358	33.21	8
AP8101861	33.04	11	AP8134448	33.16	6	AP8201808	33.30	13
AP8102375	33.14	5	AP8134451	33.04	9	AP8202238	33.30	12
AP8102375	33.16	3	AP8134829	33.04	8	AP8212588	33.34	16
AP8102524	33.02	9	AP8135608	33.12	8	AP8220162	33.01	28
AP8102913	33.14	16	AP8135924	33.12	4	AP8221023	33.17	7
AP8110066	33.12	5	AP8144007	33.05	7	AP8221023	33.33	6
AP8110068	33.12	6	AP8144007	33.29	25	AP8221145	33.29	11
AP8112811	33.34	9	AP8144071	33.25	28	AP8221160	33.01	12
AP8112996	33.29	27	AP8144222	33.07	6	AP8221204	33.02	10
AP8113081	33.29	16	AP8144553	33.34	7	AP8221211	33.02	11
AP8113082	33.29	17	AP8144707	33.01	26	AP8221242	33.17	3
AP8113288	33.29	3	AP8144707	33.31	21	AP8221277	33.03	8
AP8113627	33.27	3	AP8145034	33.03	5	AP8221307	33.01	9
AP8113993	33.19	5	AP8145035	33.03	12	AP8224164	33.16	8
AP8113993	33.20	4	AP8150248	33.16	10	B045021	33.18	5
AP8113995	33.19	3	AP8150292	33.02	7	B063025	34.44	11
AP8113997	33.20	5	AP8150292	33.12	13	GU00823923140	33.02	15
AP8113998	33.20	6	AP8150432	33.01	11	GU00823931055	33.13	22
AP8114487	33.14	15	AP8150462	33.05	5	GU00823931070	33.14	12
AP8117200	33.34	5	AP8150462	33.29	22	GU00823944050	33.13	3
AP8117200	34.50	5	AP8152001	33.02	8	GU00823944050	33.24	14
AP8118492	33.18	9	AP8152043	33.17	13	GU00823952080	33.22	6
AP8118502	33.18	8	AP8152147	33.12	12	GU00823956080	33.21	7
AP8118503	33.18	10	AP8152242	33.09	5	GU01037030	34.38	10
AP8118579	33.18	3	AP8152267	33.16	7	GU01038060	34.38	13
AP8120030	33.17	8	AP8152273	33.22	2	GU01038160	34.38	14
AP8120030	33.33	5	AP8152277	33.03	9	GU01051730	34.40	8
AP8120177	33.34	6	AP8152277	33.04	12	GU01054001	34.40	5
AP8120178	33.29	13	AP8152277	33.34	12	GU01067930	34.39	22
AP8120405	33.14	13	AP8152278	33.20	11	GU01106090	33.23	2
AP8120405	34.51	15	AP8152278	33.29	12	GU01106692	33.22	4
AP8120485	33.11	7	AP8152278	34.43	14	GU01107490	33.23	4
AP8120912	33.05	3	AP8152279	33.17	5	GU01108490	33.23	5
AP8120912	33.29	20	AP8152279	33.29	4	GU01132330	33.18	16
AP8120952	34.44	16	AP8152279	33.31	20	GU01132830	33.18	18
AP8121032	34.50	7	AP8152279	33.33	4	GU01517700	33.06	8
AP8121072	33.25	29	AP8152280	34.37	16	GU01528930	33.10	13
AP8121098	33.11	6	AP8152282	33.33	7	GU01528930	33.10	8
AP8121133	33.04	10	AP8152282	34.37	17	GU01528930	34.44	9
AP8121155	33.12	10	AP8152282	34.49	12	GU01530500	34.51	3
AP8121170	33.25	20	AP8152286	33.01	16	GU01530504	34.51	2
AP8121218	33.09	4	AP8152286	33.26	9	GU01576530	33.01	20
AP8121221	33.05	2	AP8152287	34.37	18	GU01603480	33.18	7
AP8121221	33.29	19	AP8152291	34.37	37	GU01609630	33.18	14
AP8121223	33.05	6	AP8152298	34.38	21	GU01721600	33.33	18
AP8121420	33.35	8	AP8152299	33.14	9	GU01722700	33.33	20
AP8121567	33.03	10	AP8152299	33.31	22	GU01722701	33.33	20
AP8121882	33.17	15	AP8152301	33.01	8	GU01722702	33.33	20
AP8121915	33.19	8	AP8152301	33.12	11	GU01722703	33.33	20
AP8121915	33.20	9	AP8152301	33.25	18	GU01722704	33.33	20
AP8121915	33.30	6	AP8152306	33.16	9	GU01722705	33.33	20
AP8121927	33.29	23	AP8152306	33.32	17	GU01731760	33.34	15
AP8121994	33.02	6	AP8152318	33.08	2	GU01743791	33.31	19



Code	N° de tableau	Pos.	Code	N° de tableau	Pos.	Code	N° de tableau	Pos.
GU02517700	34.37	8	GU03530522	33.07	32	GU05214031	34.47	7
GU03001600	34.37	21	GU03530523	33.07	33	GU05214231	34.47	3
GU03007260	33.21	2	GU03530524	33.07	34	GU05214431	34.47	12
GU03013800	33.24	7	GU03530525	33.07	35	GU05214630	34.46	5
GU03013800	34.50	9	GU03530526	33.07	36	GU05214630	34.47	5
GU03100270	33.13	1	GU03530527	33.07	37	GU05214731	34.47	9
GU0310027000EE	33.13	1	GU03530528	33.07	38	GU05215031	34.47	10
GU0310027000YR1	33.13	1	GU03530529	33.07	41	GU05217630	34.43	12
GU03100270NG	33.13	1	GU03530530	33.07	42	GU05220531	34.47	11
GU03101600	33.13	8	GU03530531	33.07	44	GU05230531	34.45	18
GU03101720	33.13	9	GU03530532	33.07	45	GU05230831	34.45	21
GU03101900	33.13	4	GU03530533	33.07	46	GU05232431	34.45	19
GU03102200	33.13	7	GU03530534	33.07	47	GU05232631	34.45	20
GU03102400	33.13	6	GU03530535	33.07	48	GU05234130	34.45	11
GU03103070	33.23	3	GU03530536	33.07	48	GU05234230	34.45	12
GU03103200	33.13	10	GU03530537	33.07	48	GU05234431	34.45	1
GU03103500	33.13	5	GU03530538	33.07	49	GU05234631	34.45	2
GU03104370	33.13	23	GU03530539	33.07	50	GU05234731	34.45	10
GU03106170	33.23	6	GU03530540	33.07	51	GU05234931	34.45	13
GU03106400	33.13	2	GU03530541	33.07	54	GU05235531	34.45	3
GU03107270	33.22	1	GU03602760	33.18	4	GU05236231	34.45	7
GU03107270	33.23	1	GU03604845	33.20	3	GU05238131	34.45	15
GU03112560	34.51	1	GU03609600	33.18	14	GU05238231	34.45	8
GU03114370	34.51	7	GU03614101	33.26	10	GU05238331	34.45	14
GU03158200	34.42	6	GU03658201	33.19	13	GU05238431	34.45	9
GU03163330	33.33	24	GU03658430	33.19	12	GU05239330	34.45	17
GU03270300	33.01	25	GU03717450	33.33	12	GU05256930	33.05	10
GU03270300	33.25	7	GU03740930	33.32	6	GU05326330	33.09	6
GU0343436500EE	33.15	1	GU03749845	33.19	9	GU05351230	33.10	2
GU0343436500YR1	33.15	1	GU04067000	34.39	19	GU05352430	33.11	2
GU03434365NG	33.15	1	GU04082800	34.43	5	GU05354230	33.11	1
GU03462801	33.13	19	GU04084100	34.43	1	GU05358030	33.10	6
GU03469200	33.01	13	GU04086100	34.43	10	GU05358130	33.10	5
GU03469201	34.50	8	GU05001230	34.37	14	GU05358230	33.10	7
GU03472460	33.13	16	GU05011830	34.37	34	GU05358330	33.10	1
GU03472960	33.13	17	GU05023430	34.38	37	GU05358530	33.10	15
GU03490270	33.06	1	GU05025330	34.39	23	GU05358630	33.10	16
GU03490611	33.07	52	GU05025331	34.38	17	GU05421430	33.01	2
GU03490711	33.07	53	GU05025930	34.38	39	GU05421530	33.01	3
GU03493100	33.07	1	GU05036030	34.38	6	GU05425530	33.01	15
GU03493145	33.07	1	GU05036131	34.38	5	GU05547030	33.08	6
GU03494000	33.07	11	GU05053331	34.40	3	GU05547130	33.08	5
GU03494045	33.07	11	GU05054532	34.40	9	GU05547930	33.08	8
GU03498100	33.07	8	GU05058030	34.40	16	GU05548030	33.08	3
GU03522501001	33.07	39	GU05081830	34.48	5	GU05560330	33.12	3
GU03522601001	33.07	43	GU05084430	34.43	3	GU05562030	33.12	7
GU03525400	33.07	19	GU05085730	34.43	6	GU05562430	33.12	14
GU03526600	33.07	18	GU05086330	33.20	10	GU05603331	33.18	6
GU03526601	33.07	55	GU05086330	34.43	13	GU05606530	33.20	7
GU03530504	33.07	12	GU05121630	33.25	10	GU05606630	33.20	12
GU03530505	33.07	13	GU05124230	33.25	14	GU05632730	33.28	3
GU03530506	33.07	14	GU05124330	33.25	16	GU05632730	33.55	3
GU03530507	33.07	15	GU05128230	33.25	21	GU05635730	33.28	6
GU03530508	33.07	16	GU05153630	34.41	10	GU05635730	33.55	6
GU03530509	33.07	17	GU05204930	34.44	8	GU05638130	33.11	9
GU03530510	33.07	20	GU05206530	33.10	12	GU05654630	33.30	3
GU03530511	33.07	21	GU05210631	34.46	1	GU05659030	33.30	5
GU03530512	33.07	22	GU05210731	34.48	1	GU05659130	33.30	4
GU03530513	33.07	23	GU05211030	34.48	12	GU05661130	33.19	4
GU03530514	33.07	24	GU05211231	34.48	10	GU05663530	33.29	7
GU03530515	33.07	25	GU05211331	34.46	10	GU05666030	33.29	9
GU03530516	33.07	26	GU05211431	34.46	7	GU05704531	33.34	2
GU03530517	33.07	27	GU05211530	34.48	13	GU05704630	33.34	3
GU03530518	33.07	28	GU05211630	34.48	14	GU05716530	33.33	8
GU03530519	33.07	29	GU05212031	34.46	4	GU05717030	33.33	17
GU03530520	33.07	30	GU05212631	34.46	9	GU05729230	33.33	3
GU03530521	33.07	31	GU05213631	34.47	1	GU05730730	34.50	1



Code	N° de tableau	Pos.	Code	N° de tableau	Pos.	Code	N° de tableau	Pos.
GU05733330	34.50	4	GU14152200	34.42	3	GU30113600	33.24	2
GU05747830	33.34	8	GU14217901	33.17	6	GU30114470	34.51	5
GU05900130	33.36	12	GU14217901	33.31	9	GU30114560	33.24	9
GU05901930	36.52	4	GU14217901	34.39	11	GU30114660	33.24	8
GU05902530	36.52	1	GU14217901	34.51	11	GU30147700	34.41	7
GU05902730	36.53	1	GU14234600	34.40	4	GU30150900	34.42	8
GU05902731	36.53	5	GU14433400	34.40	10	GU30153000	34.42	1
GU05902732	36.53	3	GU14439800	33.31	7	GU30158701	34.42	7
GU05902733	36.53	4	GU14516700	33.06	4	GU30158800	34.42	11
GU05902734	36.53	7	GU14517000	33.06	5	GU30158900	34.42	10
GU05902735	36.53	6	GU14609650	33.02	16	GU30159000	34.42	13
GU05902736	36.53	2	GU14609650	33.21	10	GU30217900	33.01	5
GU05909930	33.36	10	GU14609650	33.33	16	GU30217900	33.02	14
GU05912530	36.52	3	GU14609650	33.34	17	GU30461360	33.01	23
GU05917530	33.36	7	GU14615901	33.01	30	GU30513401	33.06	2
GU05926030	33.36	14	GU14615901	33.04	3	GU30516500	33.06	3
GU05928030	36.52	5	GU14615901	33.25	4	GU30577800	34.51	21
GU05944530	33.36	16	GU14615901	34.37	4	GU30611460	33.28	7
GU05944930	33.36	9	GU14616150	33.55	13	GU30611460	33.55	7
GU06211100	34.48	8	GU14717600	33.33	13	GU30714201	34.49	3
GU06215600	34.46	2	GU14912603	36.52	18	GU30717061	33.33	14
GU06250900	33.05	1	GU14927100	36.52	8	GU30728230	33.33	27
GU06409800	33.01	21	GU14927200	36.52	2	GU30729330	33.33	26
GU06677000	33.29	18	GU14927300	36.52	11	GU30906510	36.52	12
GU06717400	33.33	12	GU14929100	36.52	6	GU30912810	36.52	17
GU06751600	33.31	15	GU17034050	34.38	28	GU30944300	33.36	8
GU06751600	33.32	1	GU17045860	34.40	2	GU30970200	33.36	15
GU06765400	33.17	12	GU17661052	33.29	8	GU31003766	33.10	9
GU06765500	33.17	14	GU17947560	36.52	14	GU31003766	34.44	13
GU06917300	33.36	3	GU18001150	34.37	20	GU31103565	33.13	13
GU06917400	33.36	2	GU18144350	33.21	3	GU31740383	33.31	2
GU10032700	34.38	32	GU18144350	34.42	12	GU31768780	34.41	14
GU10034100	34.38	29	GU18144350	34.44	7	GU32023910	34.38	44
GU10907200	36.52	10	GU19002020	34.44	14	GU32103960	33.35	3
GU12003702	34.37	29	GU19007700	34.37	23	GU32116810	34.38	18
GU12003900	34.37	2	GU19149800	33.27	9	GU32441210	33.03	7
GU12006400	34.41	16	GU19149800	34.41	9	GU32441210	33.04	7
GU12011400	34.37	35	GU19207220	34.44	10	GU32442310	33.04	5
GU12011401	34.37	35	GU19659500	33.29	2	GU32442710	33.04	14
GU12011402	34.37	35	GU19927100	36.52	15	GU32443210	33.03	6
GU12011403	34.37	35	GU19929600	36.52	13	GU32443210	33.04	6
GU12011700	34.37	36	GU23943410	33.07	10	GU32443211	33.03	13
GU12012200	34.37	11	GU23943510	33.06	7	GU32443211	33.04	15
GU12018900	34.37	6	GU25656102	34.41	11	GU32474710	33.32	14
GU12022600	34.38	15	GU27530505	33.07	5	GU32602860	33.18	22
GU12031800	34.38	33	GU28157950	33.22	5	GU32703810	34.49	2
GU12082300	34.43	4	GU28157950	33.24	13	GU32712411	34.49	1
GU12087001	34.43	9	GU28576591	34.49	14	GU32727010	33.25	19
GU12154200	34.41	13	GU28742562	33.34	10	GU32735510	33.35	5
GU12211700	34.48	15	GU29106860	33.22	3	GU32735511	33.35	5
GU12911801	36.52	9	GU29115860	33.24	12	GU32740960	33.32	2
GU12912000	36.52	7	GU29116960	33.21	11	GU32750660	33.31	12
GU12913600	36.52	16	GU29132750	33.18	19	GU32750660	33.32	3
GU13037200	34.38	42	GU29217960	34.49	7	GU32753760	33.31	13
GU13084100	34.43	1	GU29530562	34.51	4	GU32753760	33.32	11
GU13148300	34.41	4	GU29711460	34.49	5	GU32769460	33.18	15
GU14003600	34.37	24	GU29711960	34.49	11	GU32769860	33.18	13
GU14011900	34.37	10	GU29722760	33.33	20	GU37037405	34.38	11
GU14011901	34.37	10	GU29729461	33.33	23	GU37037605	34.38	12
GU14018400	33.09	8	GU30003800	34.42	2	GU37045006	34.40	1
GU14018400	34.38	24	GU30004910	34.37	31	GU37067705	34.39	10
GU14030201	34.38	25	GU30058310	34.40	17	GU37712306	34.49	9
GU14030401	34.38	26	GU30059211	34.40	18	GU39094200	33.18	21
GU14037300	34.38	43	GU30061241	34.39	7	GU49609601	33.33	16
GU14072001	34.40	12	GU30082900	34.43	2	GU49609601	33.34	17
GU14085900	34.43	7	GU30109330	33.25	9	GU61270300	34.37	13
GU14086000	34.43	8	GU30113460	33.24	3	GU90118152	34.38	31



Code	N° de tableau	Pos.	Code	N° de tableau	Pos.	Code	N° de tableau	Pos.
GU90271014	34.45	16	GU92630707	33.05	11	GU95510620	33.10	4
GU90271022	34.45	4	GU92650138	33.25	30	GU95512081	34.37	9
GU90271030	34.46	8	GU92660021	33.25	5	GU95960609	33.21	6
GU90271030	34.47	8	GU92660021	34.37	5	GU95980319	34.44	6
GU90271125	34.48	9	GU92660208	33.21	13	GU95990037	34.41	12
GU90271230	34.46	6	GU92660601	33.01	14	GU96508040	34.38	19
GU90271230	34.47	6	GU92660801	33.13	15	GU96508066	34.37	3
GU90272028	34.48	17	GU92750180	34.40	11	GU96508075	34.37	7
GU90273026	33.11	8	GU92787006	33.31	18	GU97202355	34.44	2
GU90274002	33.33	32	GU92787006	33.32	5	GU97202665	33.28	4
GU90274008	33.25	15	GU93180111	33.26	11	GU97202665	33.55	4
GU90351039	34.39	8	GU93180220	34.44	3	GU97260415	33.17	10
GU90353014	34.45	22	GU93231605	33.32	8	GU97260415	33.35	6
GU90353016	34.38	7	GU93232005	33.14	11	GU98052560	33.07	4
GU90401424	34.44	12	GU93232005	34.51	22	GU98082390	34.37	25
GU90402549	33.26	4	GU93304360	33.33	16	GU98082475	34.50	2
GU90402840	34.37	19	GU93304360	33.34	17	GU98084316	34.38	34
GU90403549	34.48	4	GU93304390	33.08	4	GU98084316	34.42	4
GU90404558	33.11	3	GU93305061	34.51	6	GU98084320	34.40	6
GU90405367	34.37	33	GU93306017	33.21	14	GU98084425	33.25	6
GU90408511	33.10	10	GU93306017	33.22	7	GU98084425	34.37	12
GU90412541	34.47	14	GU93306018	33.21	5	GU98110007	33.25	8
GU90706061	33.55	12	GU93450105	33.31	4	GU98230512	33.14	8
GU90706141	33.33	19	GU93450105	33.32	20	GU98231235	33.02	12
GU90706170	34.43	11	GU93450126	33.32	12	GU98257320	33.18	17
GU90706178	34.37	32	GU93450127	33.31	14	GU98310609	34.51	12
GU90706178	34.49	8	GU93450224	33.32	7	GU98310631	34.37	22
GU90706203	34.38	16	GU93450232	33.31	3	GU98350210	33.24	10
GU90706203	34.48	2	GU93601022	34.48	7	GU98350218	33.32	10
GU90706461	34.51	14	GU94321070	33.18	20	GU98350312	33.24	6
GU90714053	33.24	11	GU94321079	34.42	9	GU98350330	34.41	5
GU90714082	33.21	12	GU94322215	34.38	30	GU98350416	33.01	24
GU90718120	33.10	3	GU95005306	33.07	3	GU98350430	33.13	11
GU90718370	33.25	3	GU95005307	33.19	15	GU98370412	33.19	10
GU91111511	34.38	27	GU95005308	33.15	4	GU98370520	33.14	10
GU91120507	33.32	16	GU95005308	33.31	6	GU98370520	34.51	20
GU91180600	33.13	20	GU95005312	33.25	26	GU98370609	34.50	6
GU91180709	33.15	7	GU95008205	33.32	18	GU98370616	34.44	4
GU91181003	33.27	10	GU95008205	33.33	22	GU98370619	33.07	2
GU91181039	33.07	9	GU95008206	34.37	28	GU98370619	33.13	18
GU91181215	33.01	6	GU95008208	34.50	3	GU98370619	33.19	14
GU91551010	33.15	6	GU95008210	33.05	8	GU98370622	33.15	5
GU91551010	33.21	15	GU95008210	33.33	25	GU98370625	33.14	17
GU91551081	33.13	21	GU95008310	33.29	26	GU98370831	33.31	5
GU91551131	33.13	14	GU95008313	33.01	10	GU98370835	33.15	3
GU91600450	34.49	10	GU95008313	33.02	13	GU98612216	33.02	4
GU91702355	34.40	15	GU95020105	33.02	5	GU98620340	33.07	40
GU92201025	34.45	6	GU95021104	33.19	11	GU98622430	33.07	7
GU92201117	34.45	5	GU95021204	33.33	10	GU98680110	33.33	28
GU92201226	34.47	13	GU95021206	33.31	17	GU98680222	33.32	15
GU92201226	34.48	3	GU95021206	33.32	21	GU98680230	33.24	4
GU92201822	34.46	11	GU95028022	34.48	6	GU98680265	34.49	6
GU92201822	34.47	2	GU95100059	33.24	5	GU98680445	33.25	25
GU92204230	33.11	5	GU95100064	33.32	9	GU98680450	33.10	11
GU92208518	33.11	4	GU95100116	34.51	13	GU98680465	33.03	2
GU92232028	34.48	16	GU95100141	34.49	13	GU98682125	33.33	9
GU92249224	33.08	7	GU95100239	33.13	12	GU98682212	33.33	21
GU92249225	33.06	6	GU95100709	34.37	30	GU98682316	33.05	4
GU92252029	34.46	3	GU95100837	34.40	13	GU98682316	33.29	21
GU92252029	34.47	4	GU95120033	33.33	29	GU98682318	33.31	8
GU92602510	34.41	8	GU95120065	34.38	35	GU98682320	33.05	12
GU92602525	34.40	14	GU95120065	34.40	7	GU98682325	33.08	9
GU92603010	34.38	23	GU95129100	34.51	17	GU98682325	34.37	27
GU92606003	33.33	30	GU95129131	33.34	18	GU98682325	34.51	10
GU92606206	33.29	15	GU95129180	34.38	40	GU98682416	33.17	11
GU92606516	34.49	4	GU95129340	34.48	11	GU98682416	33.35	7
GU92609408	33.34	19	GU95187006	34.42	5	GU98682418	33.01	17

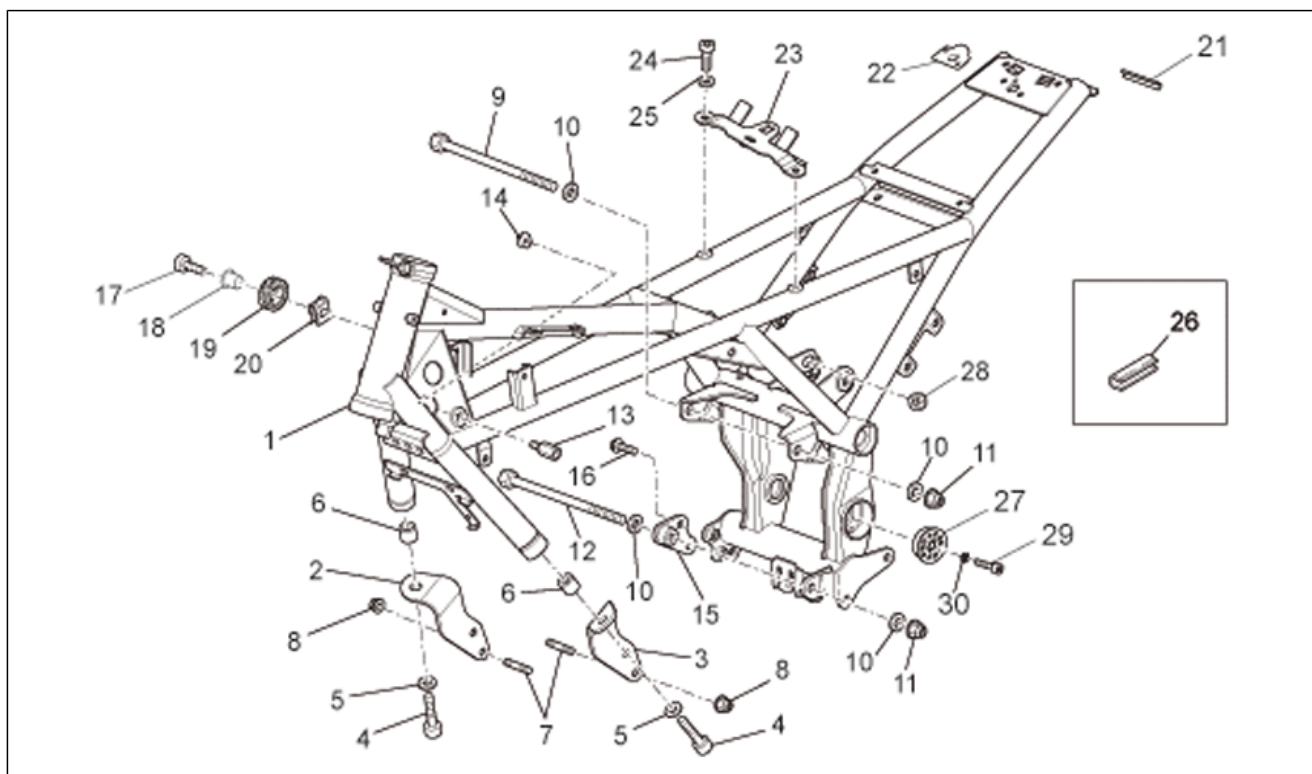


BELLAGIO
GU087 - Bellagio 940 2007-2013

Préfixe du cadre: ZGULY000, ZGULYA00
Préfixe du moteur:

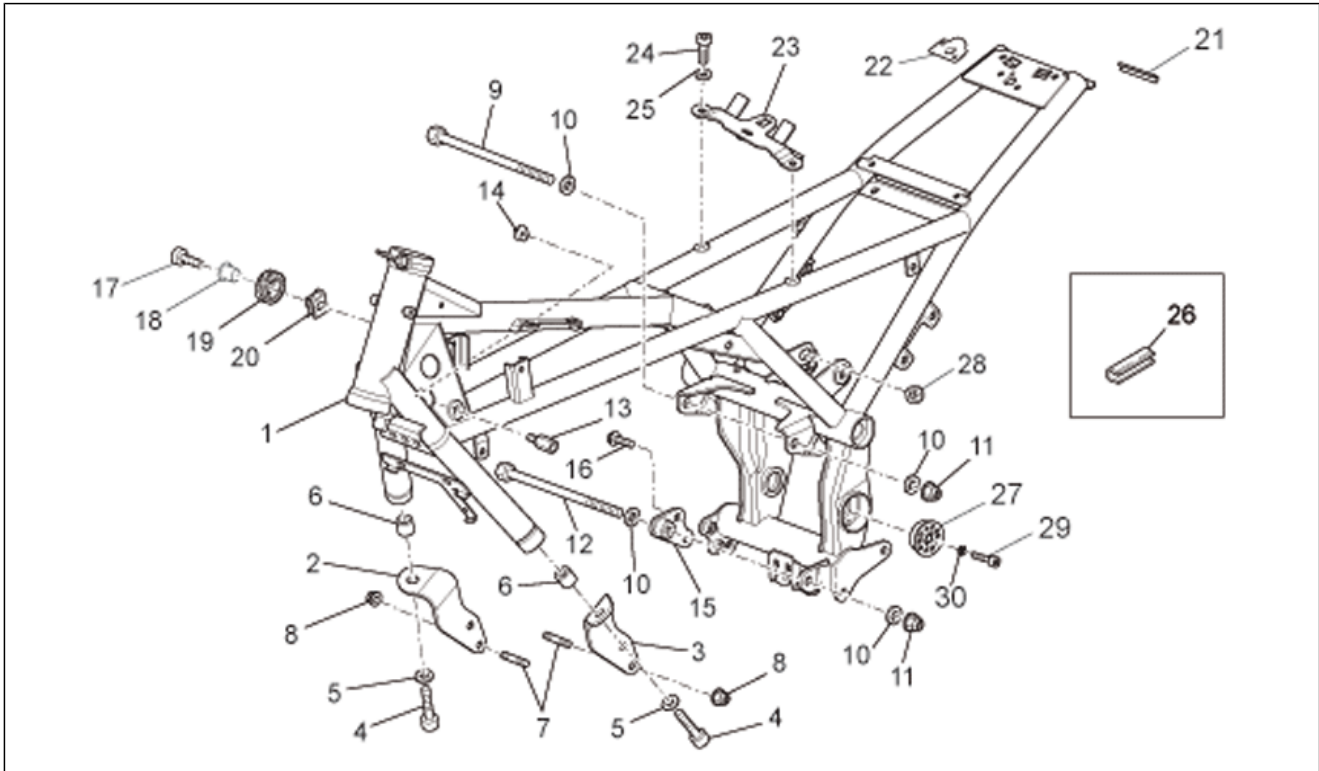
Code	N° de tableau	Pos.
GU98682425	33.04	2
GU98682650	33.01	4
GU98683530	33.27	8
GU98690335	33.18	23
GU98692318	33.31	16
GU98692318	33.32	4
GU98692414	33.01	29
GU98710215	33.03	3
GU99210406	33.10	14

Groupe	CHASSIS
Code	33.01
Description	Chassis
Révision	1



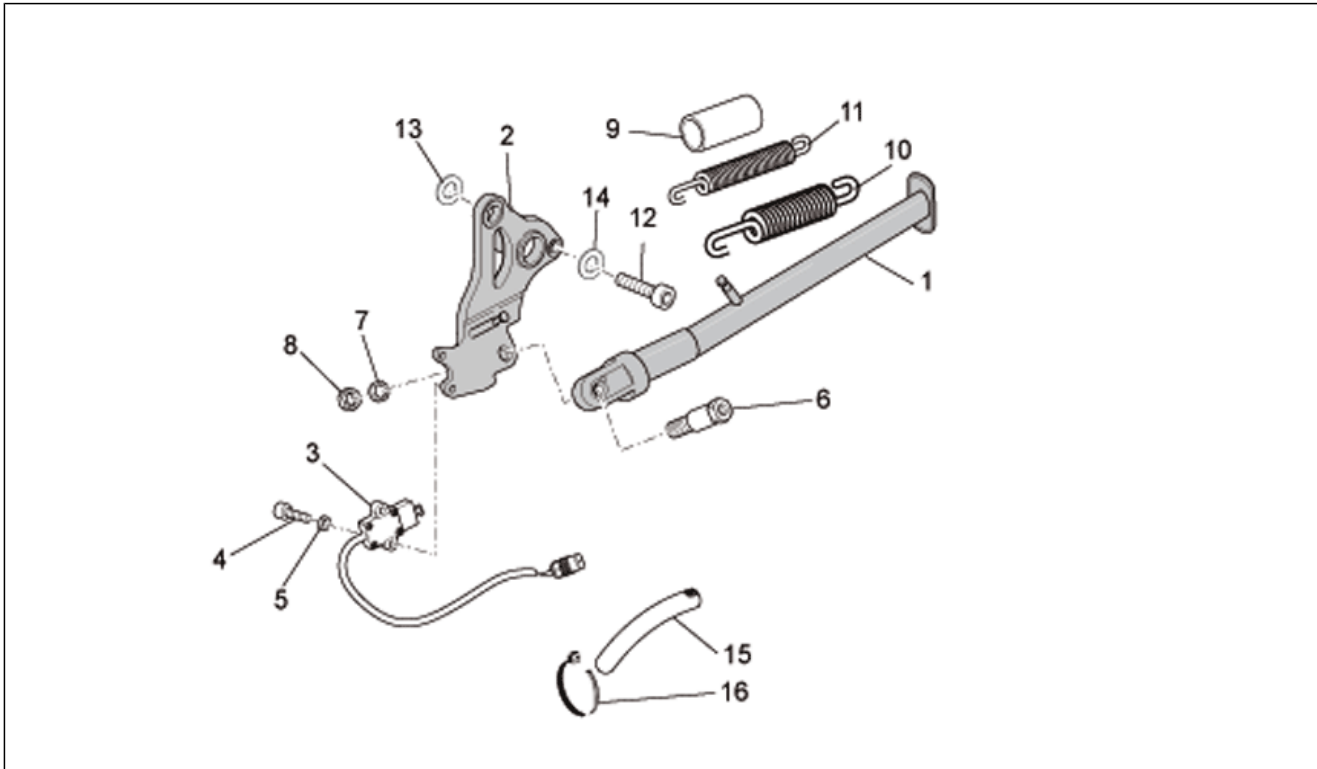
Pos.	Code	Description	Quant	Variants
1	977790	Chassis	1	
2	GU05421430	Plaque d.	1	
3	GU05421530	Plaque g.	1	
4	GU98682650	Vis M12x50	2	
5	GU30217900	Rondelle 13x18x1,7	2	
6	GU91181215	Entretoise 12x35x14	2	
7	977809	Vis sans tête M10x38	4	
8	AP8152301	Ecrou autobloqu.	4	
9	AP8221307	Pivot M12	1	
10	GU95008313	Rondelle 13x24x2,5	4	
11	AP8150432	Ecrou autofr. bas M12*	2	
12	AP8221160	Pivot M12	1	
13	GU03469200	Goujon	2	
14	GU92660601	Ecrou en cage	2	
15	GU05425530	Plaque d.	1	
16	AP8152286	Vis bride M8x20	2	
17	GU98682418	Vis	2	
18	977699	Douille en "T" 8,2x10,2x4	2	
19	AP8201124	Caoutchouc *	2	
20	GU01576530	Ecrou collier M8x1,25	2	
21	GU06409800	Joint	1	
22	978632	Protection	1	
23	GU30461360	Plaque	1	
24	GU98350416	Vis M8x16	2	
25	GU03270300	Rondelle 8,4x15	2	
26	AP8144707	Joint	5	
27	978526	Bouchon	2	
28	AP8220162	Caoutchouc	2	

Groupe	CHASSIS
Code	33.01
Description	Chassis
Révision	1



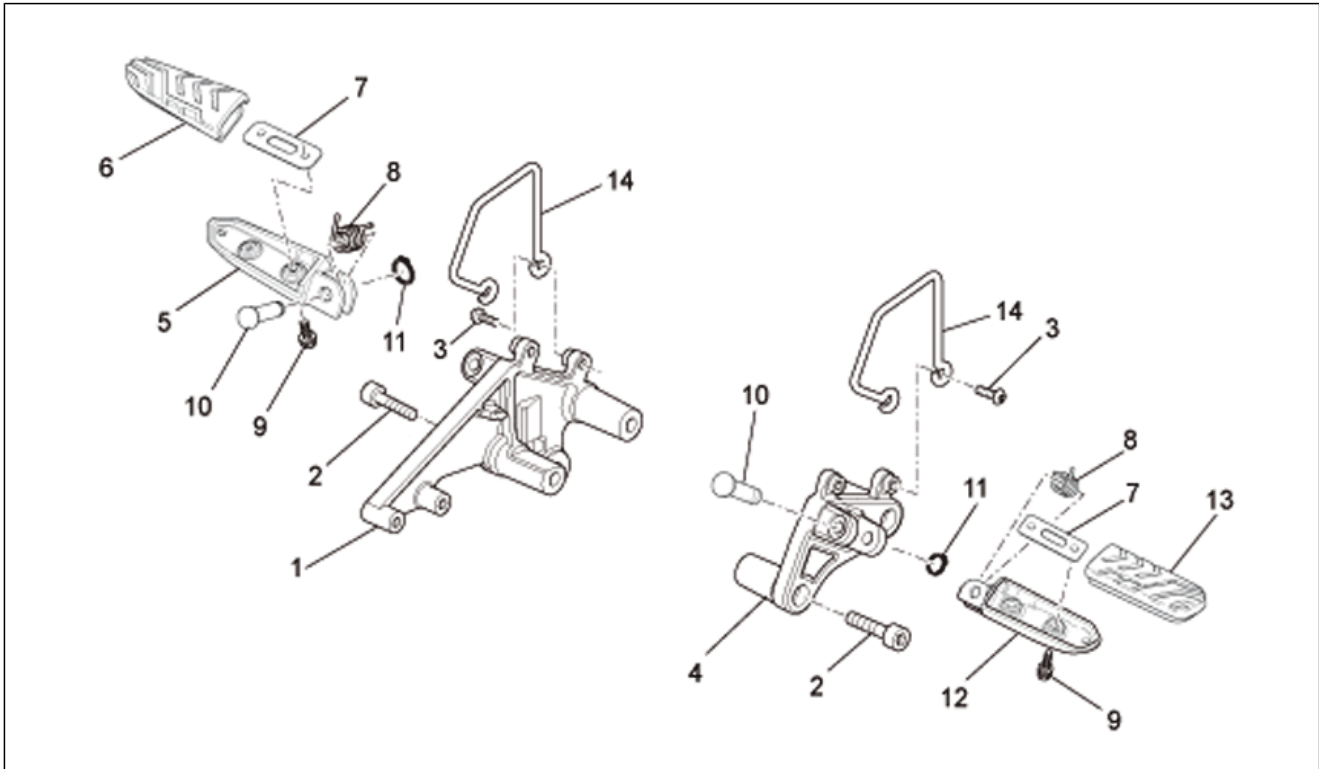
Pos.	Code	Description	Quant	Variants
29	GU98692414	Vis M8x14	2	
30	GU14615901	Rondelle 8,4X13X0,8	2	

Groupe	CHASSIS
Code	33.02
Description	Béquille
Révision	1



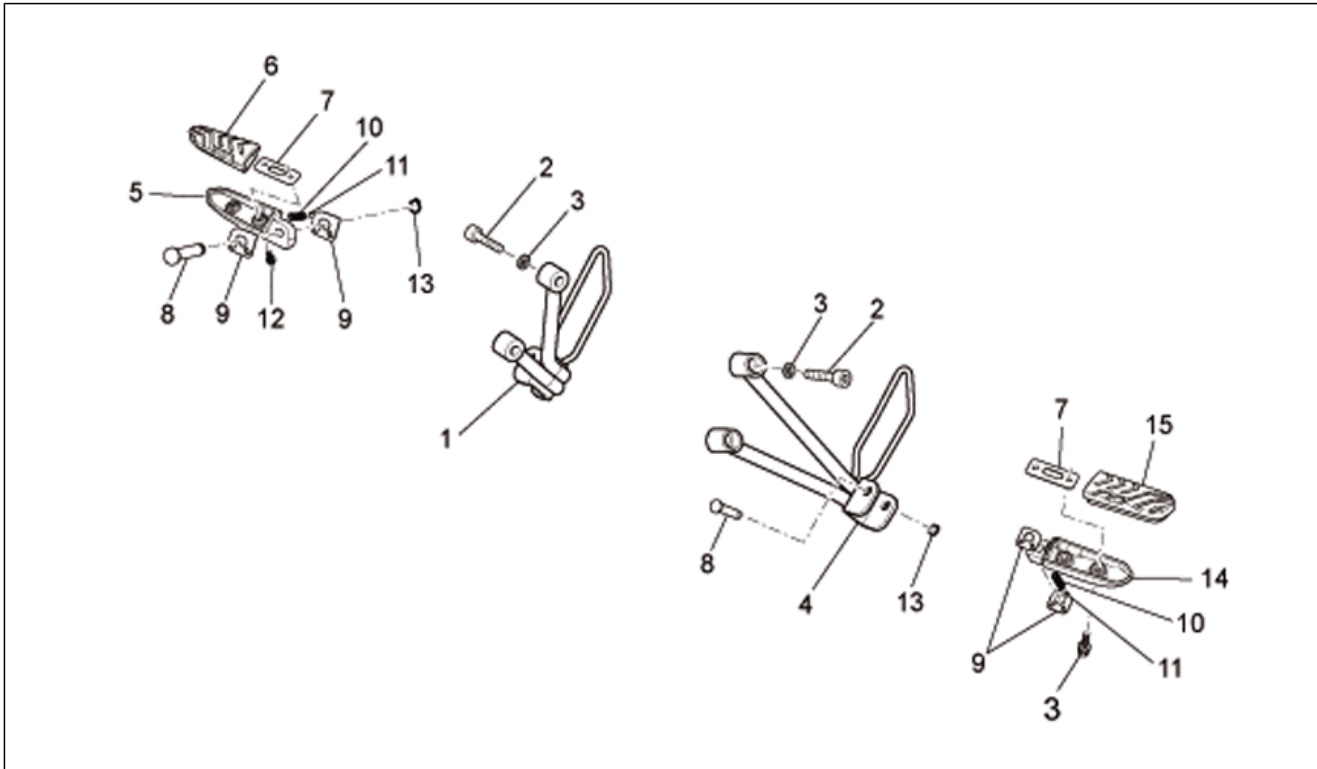
Pos.	Code	Description	Quant	Variants
1	978358	Béquille latérale	1	
2	977080	Plaque béquille	1	
3	639542	Button for the side stand	1	
4	GU98612216	Vis	2	
5	GU95020105	Rondelle 5,3x8,9x2,4	2	
6	AP8121994	Vis fix. béquille	1	
7	AP8150292	Rondelle élastique courbe *	1	
8	AP8152001	Ecrou bas M10x1,25	1	
9	AP8102524	Protec.ress.béquille	1	
10	AP8221204	Ressort rappel béq.	1	
11	AP8221211	Ress.retour béq.int.	1	
12	GU98231235	Vis M12x35	2	
13	GU95008313	Rondelle 13x24x2,5	2	
14	GU30217900	Rondelle 13x18x1,7	2	
15	GU00823923140	Gaine thermique	1	
16	GU14609650	Collier 3,6x20,6	2	

Groupe	CHASSIS
Code	33.03
Description	Repose-Pieds I
Révision	1



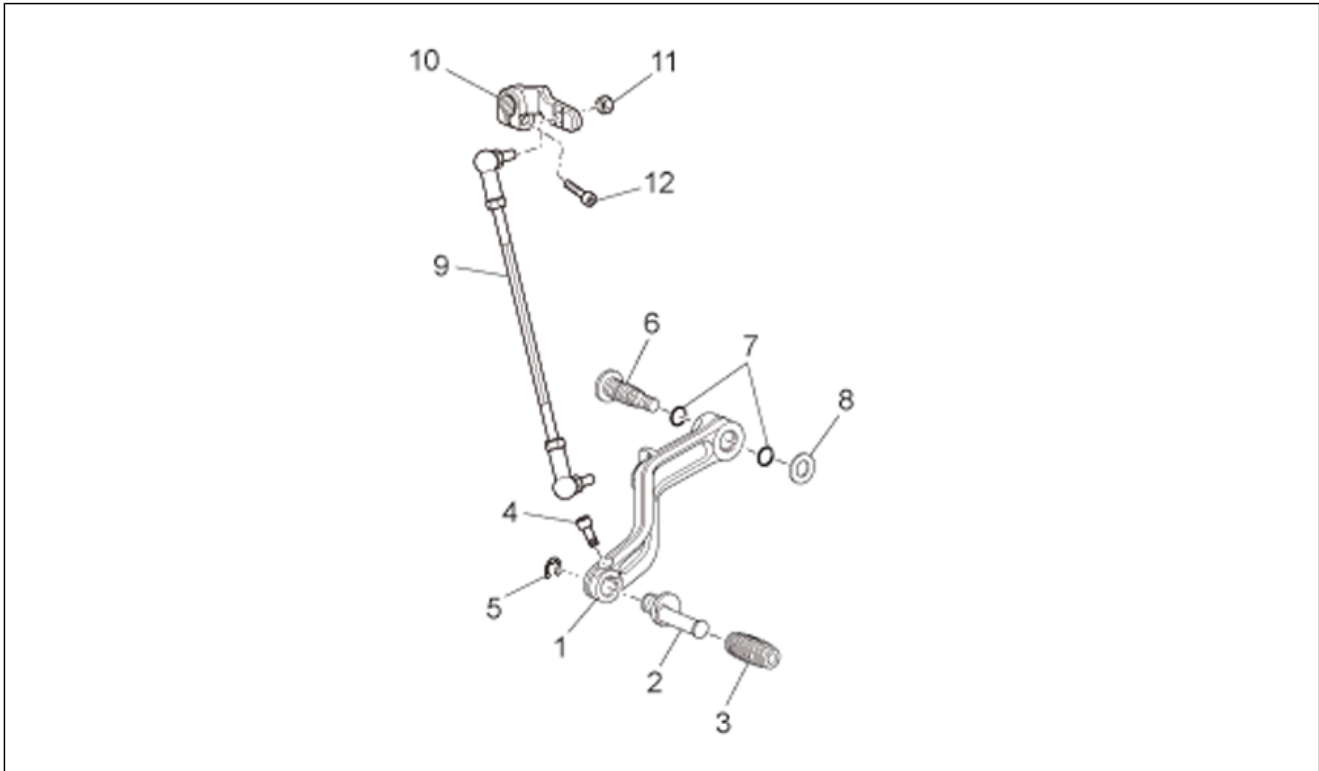
Pos.	Code	Description	Quant	Variants
1	978224	Sup.pl.pilote dte	1	
2	GU98680465	Vis	4	
3	GU98710215	Vis	4	
4	978225	Sup.pl.pilote gche	1	
5	AP8145034	R-pied pilote D	1	
6	GU32443210	Coautchouc pour support	1	
7	GU32441210	Plaquette	2	
8	AP8221277	Ressort retour repose-pieds	1	
9	AP8152277	Vis bride M6x12	4	
10	AP8121567	Pivot	2	
11	AP8152409	Anneau d'arrêt rad.	2	
12	AP8145035	R-pied pilote G	1	
13	GU32443211	Coautchouc pour support	1	
14	978472	Protection	2	

Groupe	CHASSIS
Code	33.04
Description	Repose-Pieds II
Révision	1



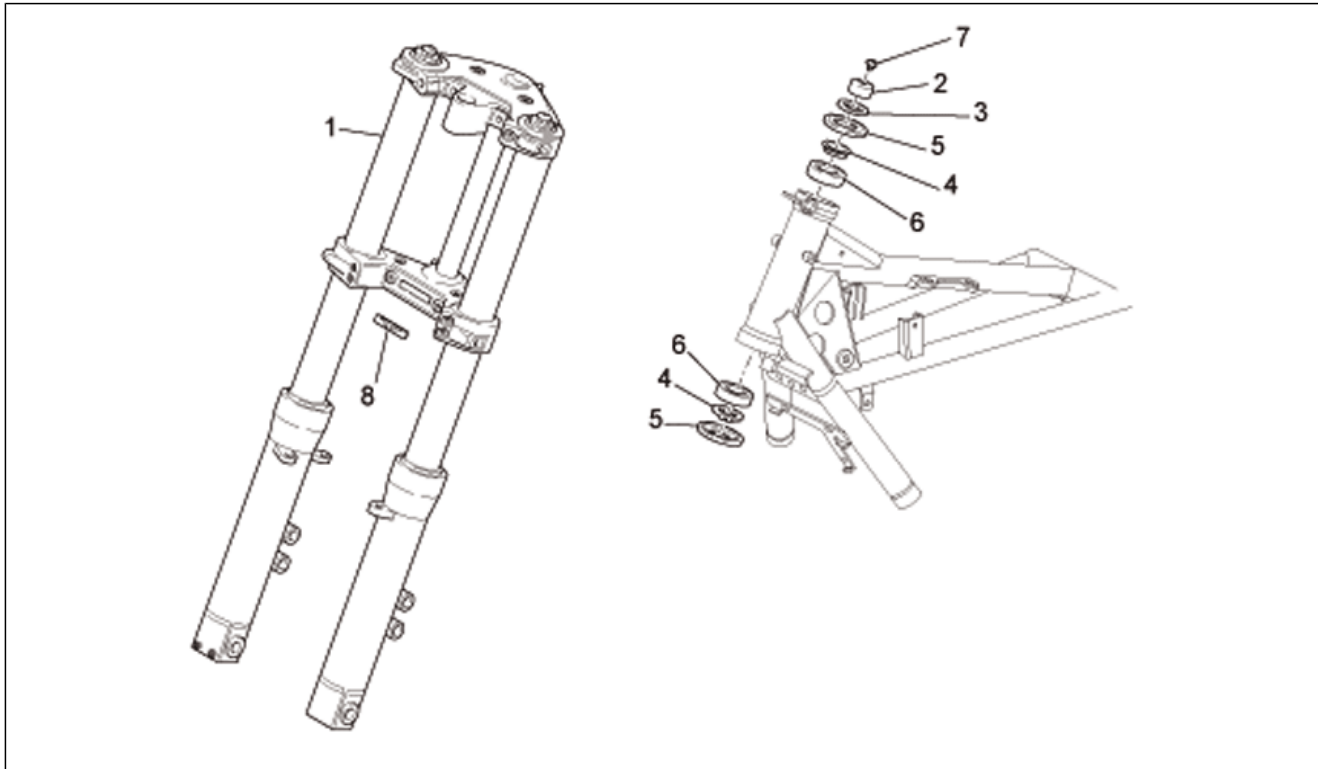
Pos.	Code	Description	Quant	Variants
1	978467	Support r-p. pass.dr.	1	
2	GU98682425	Vis M8x25	4	
3	GU14615901	Rondelle 8,4X13X0,8	4	
4	978473	Support r-p. G pass.	1	
5	GU32442310	Rep-pieds pass.dte	1	
6	GU32443210	Coatoucou pour support	1	
7	GU32441210	Plaquette	2	
8	AP8134829	Pivot repose-pieds	2	
9	AP8134451	Plaque fdc r-pied	4	
10	AP8121133	Res. hélic. compr	2	
11	AP8101861	Bille D6,35	2	
12	AP8152277	Vis bride M6x12	4	
13	AP8152409	Anneau d'arrêt rad.	2	
14	GU32442710	Rep-p. pass.gche	1	
15	GU32443211	Coatoucou pour support	1	

Groupe	CHASSIS
Code	33.05
Description	Levier boîte de vitesses
Révision	1



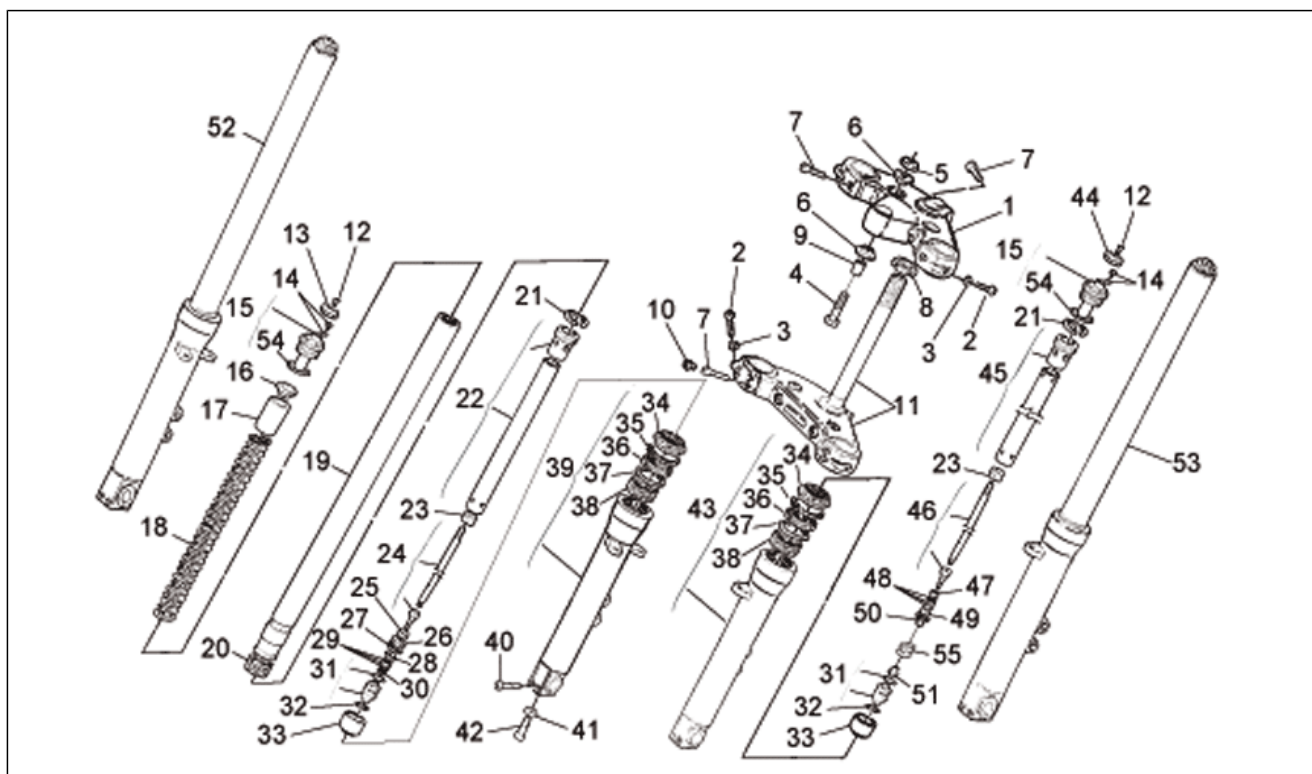
Pos.	Code	Description	Quant	Variants
1	GU06250900	Levier boîte de vitesses	1	
2	AP8121221	Tige manette frein	1	
3	AP8120912	Caoutchouc pour levier	1	
4	GU98682316	Vis M6x16	1	
5	AP8150462	Bague seeger d9	1	
6	AP8121223	Pivot man.frein arr.	1	
7	AP8144007	Joint torique 11,11x1,78	2	
8	GU95008210	Rondelle 10,2X18X2	1	
9	978568	Tirant pour boîte vitesse cpl.	1	
10	GU05256930	Levier	1	
11	GU92630707	Ecrou	2	
12	GU98682320	Vis M6x20	1	

Groupe	CHASSIS
Code	33.06
Description	Fourche Av. I
Révision	1



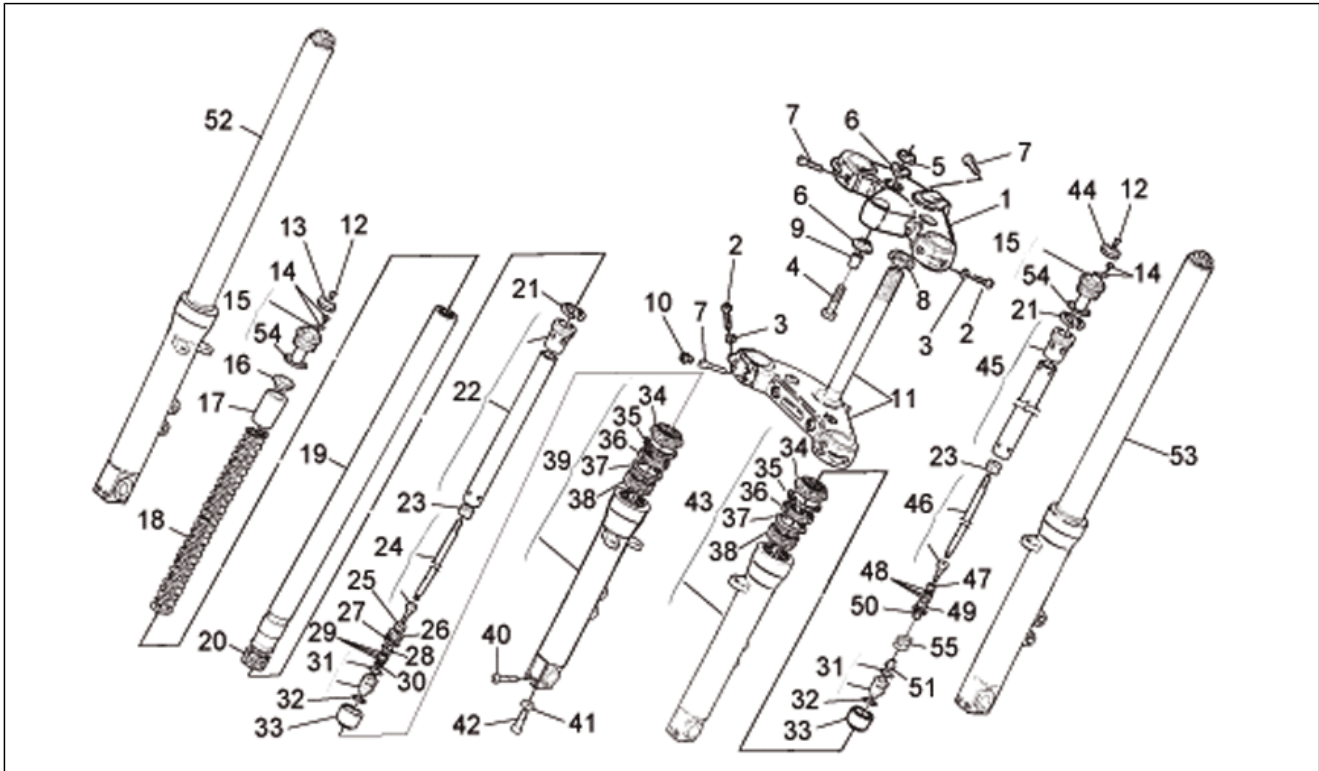
Pos.	Code	Description	Quant	Variants
1	977004	Fourche Av.	1	
1	GU03490270	Fourche Av.	1	
2	GU30513401	Ecrou fixation tête	1	
3	GU30516500	Rondelle	1	
4	GU14516700	Rondelle d'appui	2	
5	GU14517000	Pare-poussière	2	
6	GU92249225	Roulement roul.con.	2	
7	GU23943510	Bouchon	1	
8	GU01517700	Décalco "Aquila"	1	

Groupe	CHASSIS
Code	33.07
Description	Fourche Av. II
Révision	1



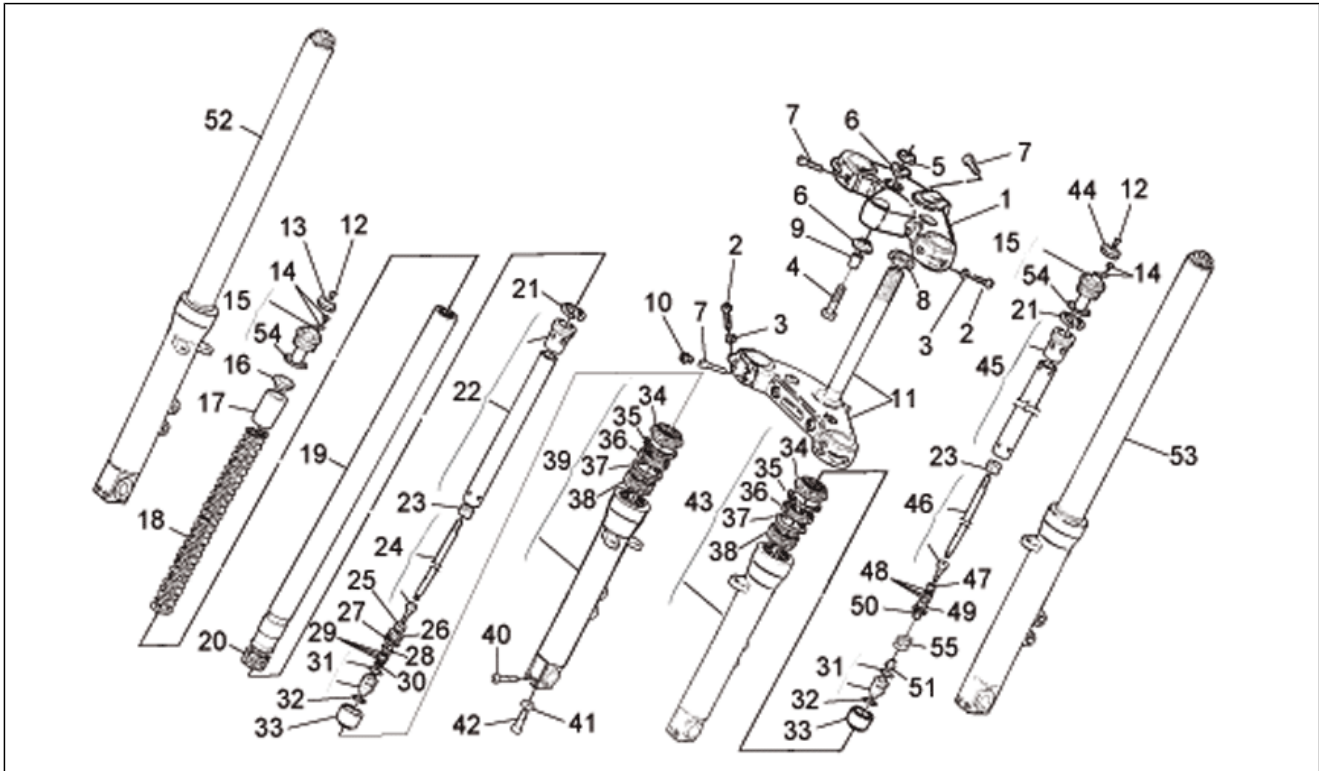
Pos.	Code	Description	Quant	Variants
1	GU03493100	Plaque sup. fourche	1	
1	GU03493145	Tête fourche noir	1	
2	GU98370619	Vis	6	
3	GU95005306	Rondelle 6,4x13x1,5	6	
4	GU98052560	Vis M10x60	2	
5	GU27530505	Rondelle	4	
6	AP8144222	Caoutchouc	4	
7	GU98622430	Vis	7	
8	GU03498100	Bague	1	
9	GU91181039	Entretoise	2	
10	GU23943410	Bouchon	4	
11	GU03494000	Base avec tube	1	
11	GU03494045	Base fourche noir	1	
12	GU03530504	Vis	2	
13	GU03530505	Pommeau de réglage d.extension	1	
14	GU03530506	Vis avec OR	2	
15	GU03530507	Gr. bouchon cpl.	2	
16	GU03530508	Rondelle	2	
17	GU03530509	Tuyau précharge	2	
18	GU03526600	Ressort	2	
19	GU03525400	Tige	2	
20	GU03530510	Douille inférieure	2	
21	GU03530511	Segment	2	
22	GU03530512	Tige droite	1	
23	GU03530513	Contre-écrou	2	
24	GU03530514	Tige de pompage D	1	
25	GU03530515	Contre-ressort	1	
26	GU03530516	Piston d.extension	1	

Groupe	CHASSIS
Code	33.07
Description	Fourche Av. II
Révision	1



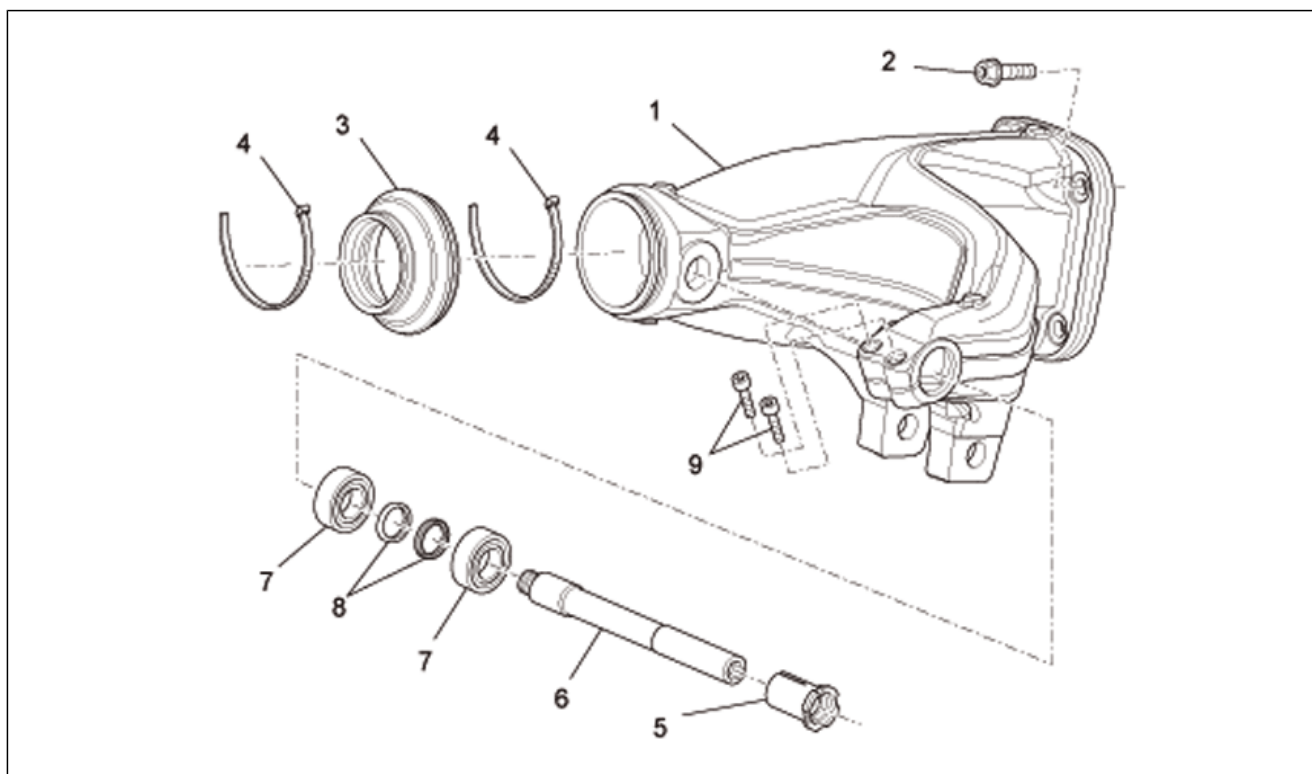
Pos.	Code	Description	Quant	Variants
27	GU03530517	Segment d. du piston extens.	1	
28	GU03530518	Pointeau d. extension	1	
29	GU03530519	Lame d'étallonnage	5	
30	GU03530520	Ecrou	1	
31	GU03530521	Tampon de fond	2	
32	GU03530522	Joint torique	2	
33	GU03530523	Adaptateur	2	
34	GU03530524	Pare-poussière	2	
35	GU03530525	Bague de butée	2	
36	GU03530526	Bague d'étanchéité	2	
37	GU03530527	Rondelle	2	
38	GU03530528	Douille supérieure	2	
39	GU03522501001	Fourreau D	1	
40	GU98620340	Vis	4	
41	GU03530529	Rondelle	2	
42	GU03530530	Vis M10x30	2	
43	GU03522601001	Fourreau G	1	
44	GU03530531	Pommeau de réglage g. compres.	1	
45	GU03530532	Tige gauche	1	
46	GU03530533	Tige de pompage G	1	
47	GU03530534	Rondelle	1	
48	GU03530535	Lame d'étallonnage 12 mm	1	
48	GU03530536	Lame d'étallonnage 15 mm	1	
48	GU03530537	Lame d'étallonnage 17 mm	1	
49	GU03530538	Pointeau g. compression	1	
50	GU03530539	Piston g. compression	1	
51	GU03530540	Ecrou	1	
52	GU03490611	Tige droite cpl.	1	

Groupe	CHASSIS
Code	33.07
Description	Fourche Av. II
Révision	1



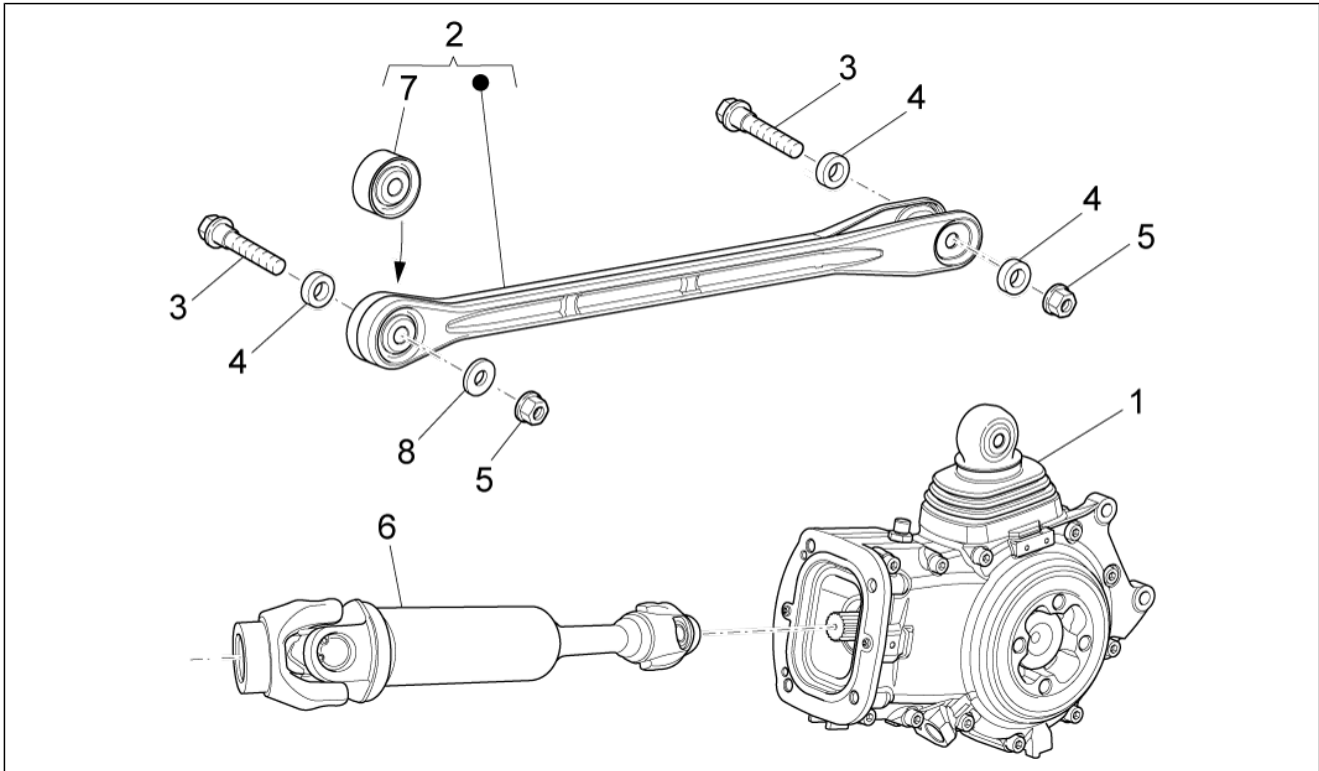
Pos.	Code	Description	Quant	Variants
53	GU03490711	Tige gauche cpl.	1	
54	GU03530541	Joint torique	2	
55	GU03526601	Ressort	1	

Groupe	CHASSIS
Code	33.08
Description	Fourche arriere
Révision	1



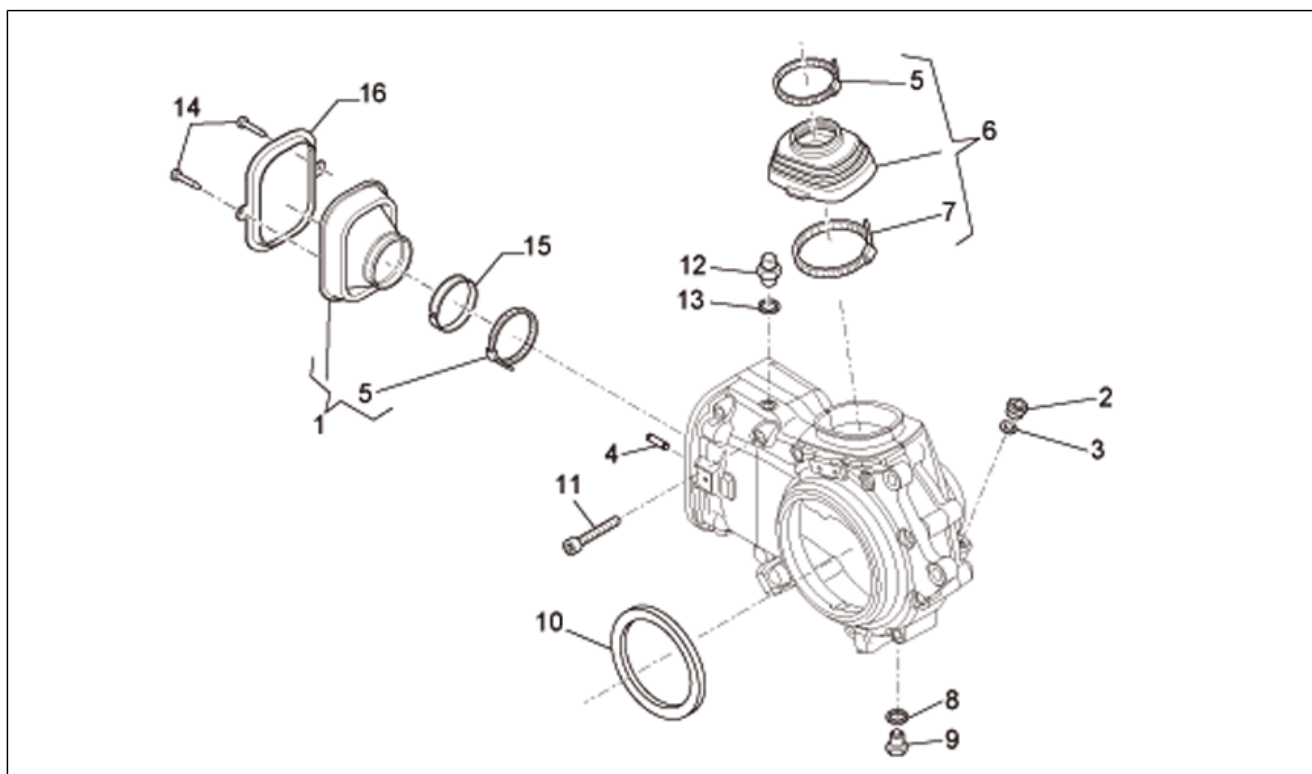
Pos.	Code	Description	Quant	Variants
1	978350	Fourche ar., noir	1	
2	AP8152318	Vis bride M10x35	4	
3	GU05548030	Soufflet en caoutchouc	1	
4	GU93304390	Collier 3,6x375	2	
5	GU05547130	Douille	1	
6	GU05547030	Pivot	1	
7	GU92249224	Roulement à rouleaux 25x47x17	2	
8	GU05547930	Bague d'étanchéité	2	
9	GU98682325	Vis M6x25	2	

Groupe	CHASSIS
Code	33.09
Description	Transmission cpl.
Révision	1



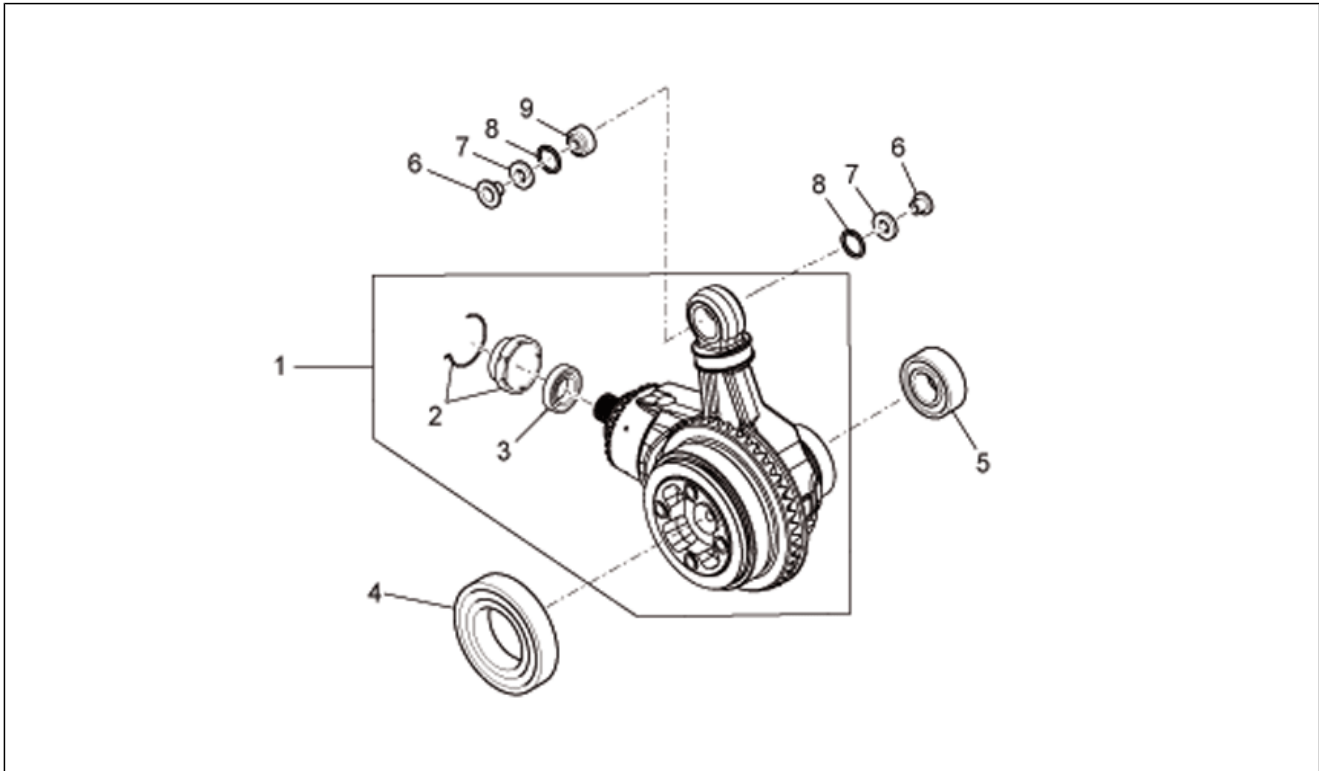
Pos.	Code	Description	Quant.	Variants
1	978348	Carter de transmission noir	1	
2	883046	Barre de réaction cpl.	1	
3	AP8152410	Vis bride M10x55	2	
4	AP8121218	Entretoise 10,2x20x4	3	
5	AP8152242	Ecrou	2	
6	GU05326330	Arbre de transmission	1	
7	883045	Silent block	1	
8	GU14018400	Rondelle 10,5X21X1	1	

Groupe	CHASSIS
Code	33.10
Description	Trans.cpl.-Vitesses
Révision	1



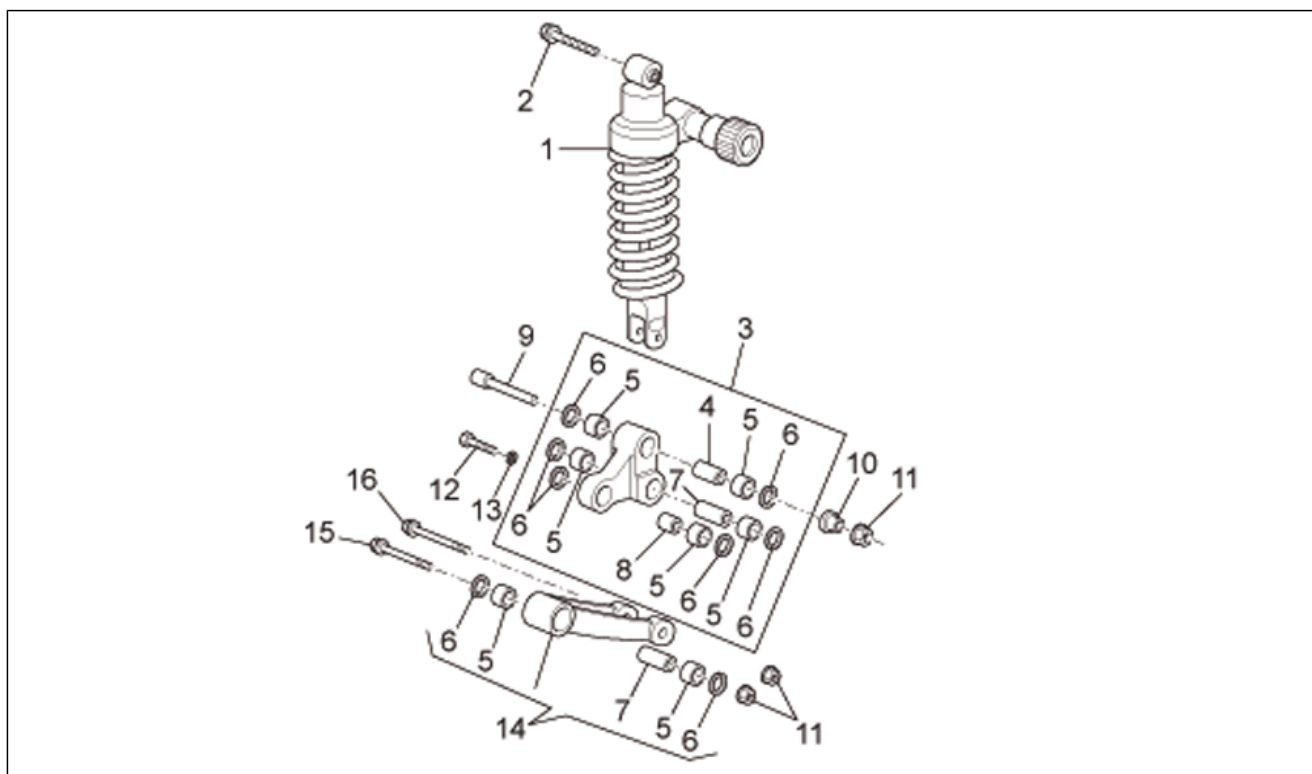
Pos.	Code	Description	Quant	Variants
1	GU05358330	Coiffe cache-poussière	1	
2	GU05351230	Bouchon huile M12x1,5	1	
3	GU90718120	Rondelle	1	
4	GU95510620	Goupille 6x20	2	
5	GU05358130	Collier	2	
6	GU05358030	Coiffe cache-poussière	1	
7	GU05358230	Collier	1	
8	GU01528930	Joint 10x18x1,5	1	
9	GU31003766	Bouchon vid.huile M10x1	1	
10	GU90408511	Bague d'étanchéité 85x110x8BASL	1	
11	GU98680450	Vis M8x50	11	
12	GU05206530	Bouchon purge	1	
13	GU01528930	Joint 10x18x1,5	1	
14	GU99210406	Vis M3,9x6,5	2	
15	GU05358530	Bague	1	
16	GU05358630	Joint	1	

Groupe	CHASSIS
Code	33.11
Description	Trans.cpl.-Couple conique
Révision	1



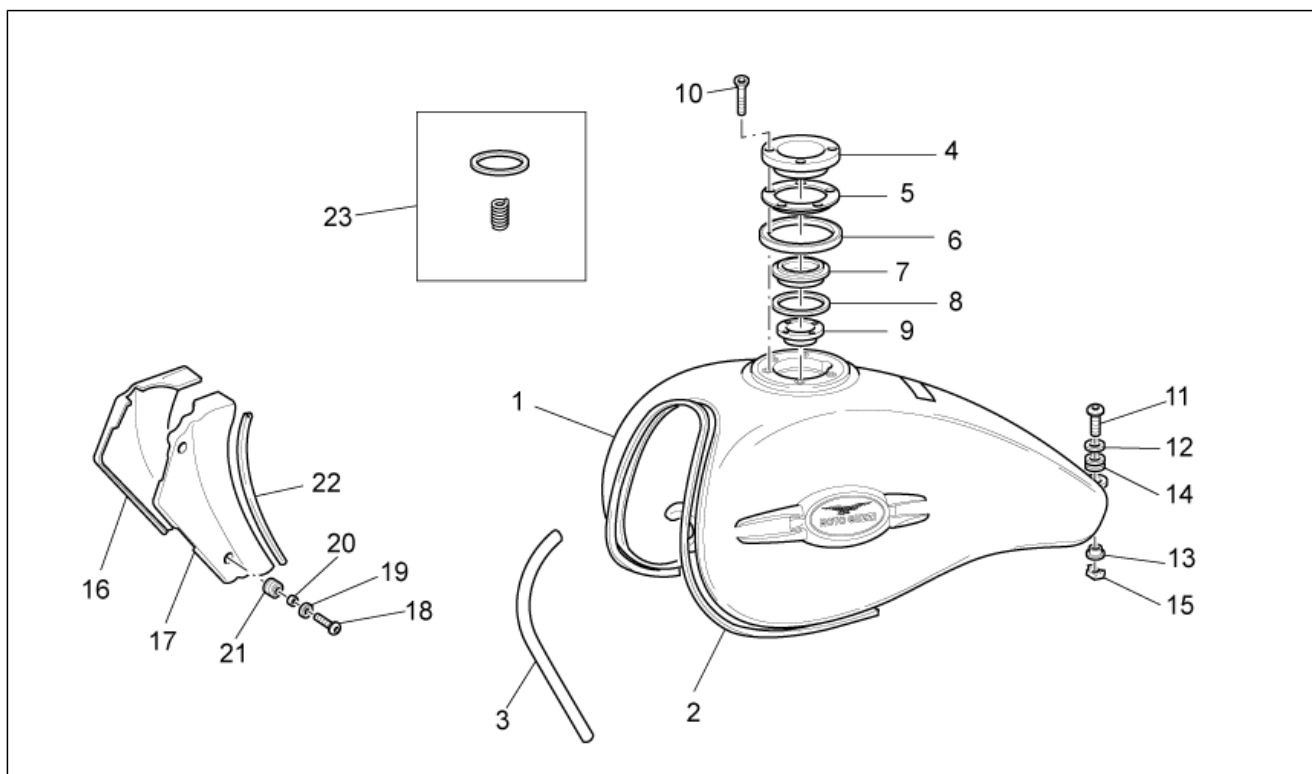
Pos.	Code	Description	Quant	Variants
1	GU05354230	Kit couple conique 12/44	1	
2	GU05352430	Bague	1	
3	GU90404558	Bague d'étanchéité 45x58x7	1	
4	GU92208518	Roulement à billes 85x120x18	1	
5	GU92204230	Roulement à billes 30x62x16	1	
6	AP8121098	Douille	2	
7	AP8120485	Bague d'étanchéité	2	
8	GU90273026	Bague seeger	2	
9	GU05638130	Rotule	1	

Groupe	CHASSIS
Code	33.12
Description	Biellette et der. Amortisseur
Révision	1



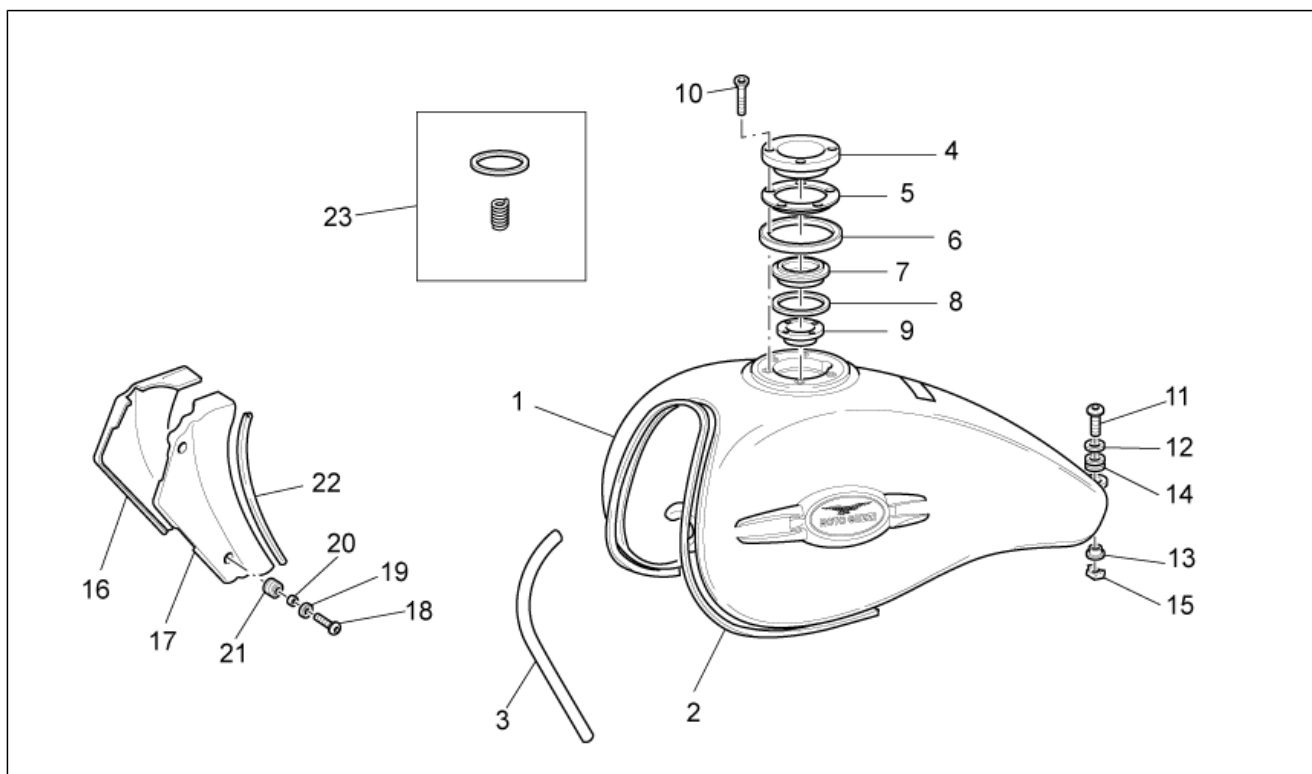
Pos.	Code	Description	Quant	Variants
1	883114	Amortisseur mm 287	1	Année:2008[8] Couleur véhicule:Grey/white 2008[gr/wh], red/white 2008[r/wh] Spécifications techniques:Luxury version[LUX]
1	883114	Amortisseur mm 287	1	Année:2009[9] Couleur véhicule:Black Eagle 2009[b.eagle]
1	977872	Amortisseur	1	Année:2007[7], 2008[8] Couleur véhicule:Black 2007-2008[black] Spécifications techniques:Basic version[BASE]
2	AP8152398	Vis bride M10x80	1	
3	GU05560330	Double biellette	1	
4	AP8135924	Axe bielle double L40	1	
5	AP8110066	Cage à rouleaux	7	
6	AP8110068	Joint spi D18x24x3	8	
7	GU05562030	Axe bielle double L47	2	
8	AP8135608	Axe bielle double L25	1	
9	AP8152397	Vis M10x82	1	
10	AP8121155	Douille en "T" *	1	
11	AP8152301	Ecrou autobloqu.	3	
12	AP8152147	Vis M10x47	1	
13	AP8150292	Rondelle élastique courbe *	1	
14	GU05562430	Bielle simple complète	1	
15	AP8152482	Vis bride M10x85	1	
16	AP8152396	Vis bride M10x95	1	

Groupe	CHASSIS
Code	33.13
Description	Réservoir essence
Révision	1



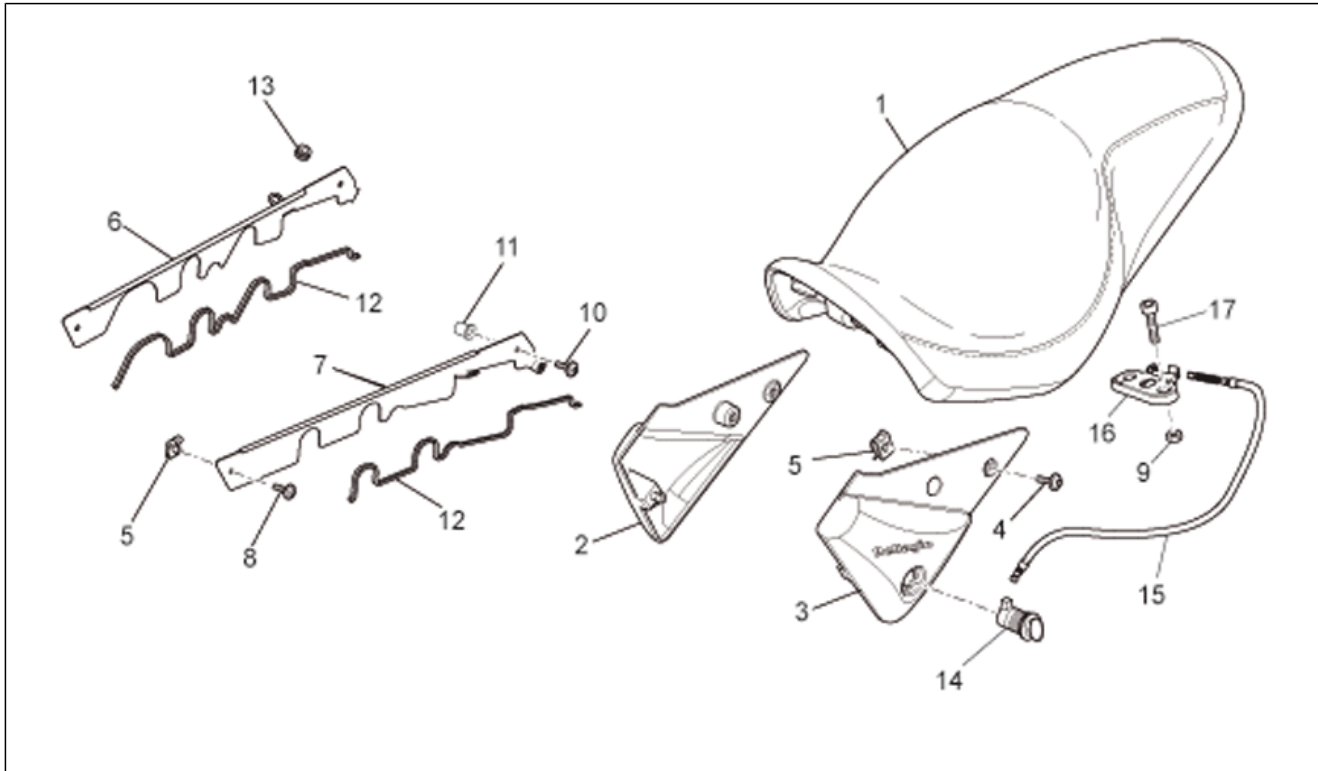
Pos.	Code	Description	Quant	Variants
1	88615300NG	Réservoir noir	1	Année: 2009[9] Couleur véhicule: Black Eagle 2009[b.eagle] Pays: Australie[AUS], Other country[EU], Japon[J], Angleterre[UK]
1	GU03100270	Réservoir brut	1	Pays: Australie[AUS], Other country[EU], Japon[J], Angleterre[UK]
1	GU0310027000EE	Réservoir carburant gris/blanc	1	Année: 2008[8] Couleur véhicule: Grey/white 2008[gr/wh] Pays: Australie[AUS], Other country[EU], Japon[J], Angleterre[UK] Spécifications techniques: Luxury version[LUX]
1	GU0310027000YR1	Réservoir ess. Gris/rouge	1	Année: 2008[8] Couleur véhicule: red/white 2008[r/wh] Pays: Australie[AUS], Other country[EU], Japon[J], Angleterre[UK] Spécifications techniques: Luxury version[LUX]
1	GU03100270NG	Réservoir noir	1	Année: 2007[7], 2008[8] Couleur véhicule: Black 2007-2008[black] Pays: Australie[AUS], Other country[EU], Japon[J], Angleterre[UK] Spécifications techniques: Basic version[BASE]
2	GU03106400	Joint	1	
3	GU00823944050	Tuyau 5X9	1	
4	GU03101900	Bride	1	
5	GU03103500	Bague	1	
6	GU03102400	Joint	1	
7	GU03102200	Embout pour bouchon	1	
8	GU03101600	Joint	1	
9	GU03101720	Reduction 38 mm	1	
10	GU03103200	Vis	5	
11	GU98350430	Vis M8x30	1	
12	GU95100239	Rondelle	1	

Groupe	CHASSIS
Code	33.13
Description	Réservoir essence
Révision	1



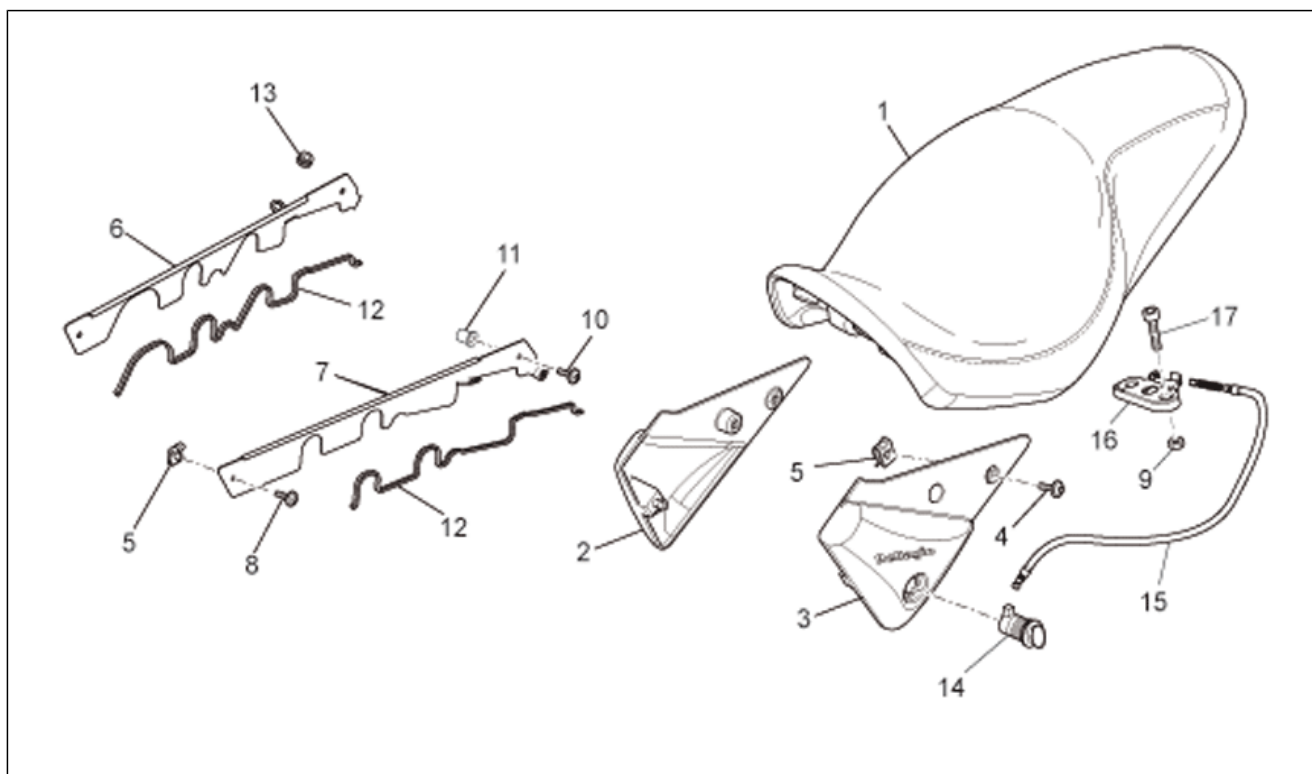
Pos.	Code	Description	Quant	Variants
13	GU31103565	Entretoise	1	
14	GU91551131	Caoutchouc	1	
15	GU92660801	Ecrou en cage	1	
16	883256	Cloison avant d.noir	1	Année:2009[9] Couleur véhicule:Black Eagle 2009[b.eagle]
16	883256	Cloison avant d.noir	1	Année:2008[8] Couleur véhicule:Grey/white 2008[gr/wh], red/white 2008[r/wh] Spécifications techniques:Luxury version[LUX]
16	GU03472460	Cloison avant d.noir	1	Année:2007[7], 2008[8] Couleur véhicule:Black 2007-2008[black] Spécifications techniques:Basic version[BASE]
17	883255	Cloison avant g.noir	1	Année:2009[9] Couleur véhicule:Black Eagle 2009[b.eagle]
17	883255	Cloison avant g.noir	1	Année:2008[8] Couleur véhicule:Grey/white 2008[gr/wh], red/white 2008[r/wh] Spécifications techniques:Luxury version[LUX]
17	GU03472960	Cloison avant g.noir	1	Année:2007[7], 2008[8] Couleur véhicule:Black 2007-2008[black] Spécifications techniques:Basic version[BASE]
18	GU98370619	Vis	4	
19	GU03462801	Rondelle	4	
20	GU91180600	Entretoise 6,25x8x5	4	
21	GU91551081	Caoutchouc 8x15	4	
22	GU00823931055	Joint	1	
23	GU03104370	Kit bague/ressort bouchon rés.	1	Pays:Australie[AUS], Other country[EU], Japon[J], Angleterre[UK]

Groupe	CHASSIS
Code	33.14
Description	Selle-Carosserie cent.
Révision	1



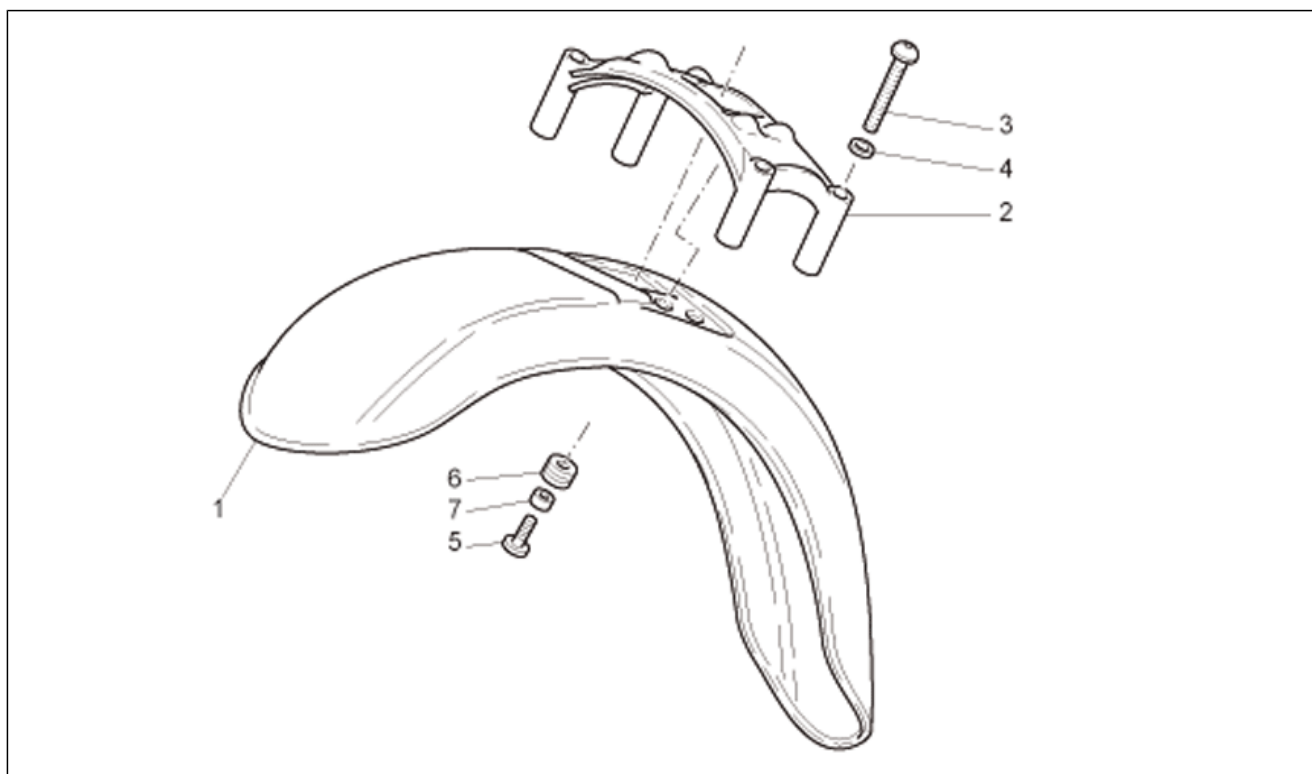
Pos.	Code	Description	Quant	Variants
1	978295	Selle	1	Année:2007[7], 2008[8] Couleur véhicule:Black 2007-2008[black] Spécifications techniques:Basic version[BASE]
1	983036	Selle	1	Année:2008[8] Couleur véhicule:Grey/white 2008[gr/wh], red/white 2008[r/wh] Spécifications techniques:Luxury version[LUX]
1	983036	Selle	1	Année:2009[9] Couleur véhicule:Black Eagle 2009[b.eagle]
2	978337	Flanc D, brute	1	
2	97833700EE	Flanc D, grise	1	Année:2008[8] Couleur véhicule:Grey/white 2008[gr/wh] Spécifications techniques:Luxury version[LUX]
2	97833700YR1	Flanc D, rouge	1	Année:2008[8] Couleur véhicule:red/white 2008[r/wh] Spécifications techniques:Luxury version[LUX]
2	978337NG	Flanc D, noir	1	Année:2009[9] Couleur véhicule:Black Eagle 2009[b.eagle]
2	978337NG	Flanc D, noir	1	Année:2007[7], 2008[8] Couleur véhicule:Black 2007-2008[black] Spécifications techniques:Basic version[BASE]
3	978338	Flanc G, brute	1	
3	97833800EE	Flanc g. grise	1	Année:2008[8] Couleur véhicule:Grey/white 2008[gr/wh] Spécifications techniques:Luxury version[LUX]
3	97833800YR1	Flanc G, rouge	1	Année:2008[8] Couleur véhicule:red/white 2008[r/wh] Spécifications techniques:Luxury version[LUX]
3	978338NG	Flanc G, noir	1	Année:2009[9] Couleur véhicule:Black Eagle 2009[b.eagle]
3	978338NG	Flanc G, noir	1	Année:2007[7], 2008[8] Couleur véhicule:Black 2007-2008[black] Spécifications techniques:Basic version[BASE]

Groupe	CHASSIS
Code	33.14
Description	Selle-Carrosserie cent.
Révision	1



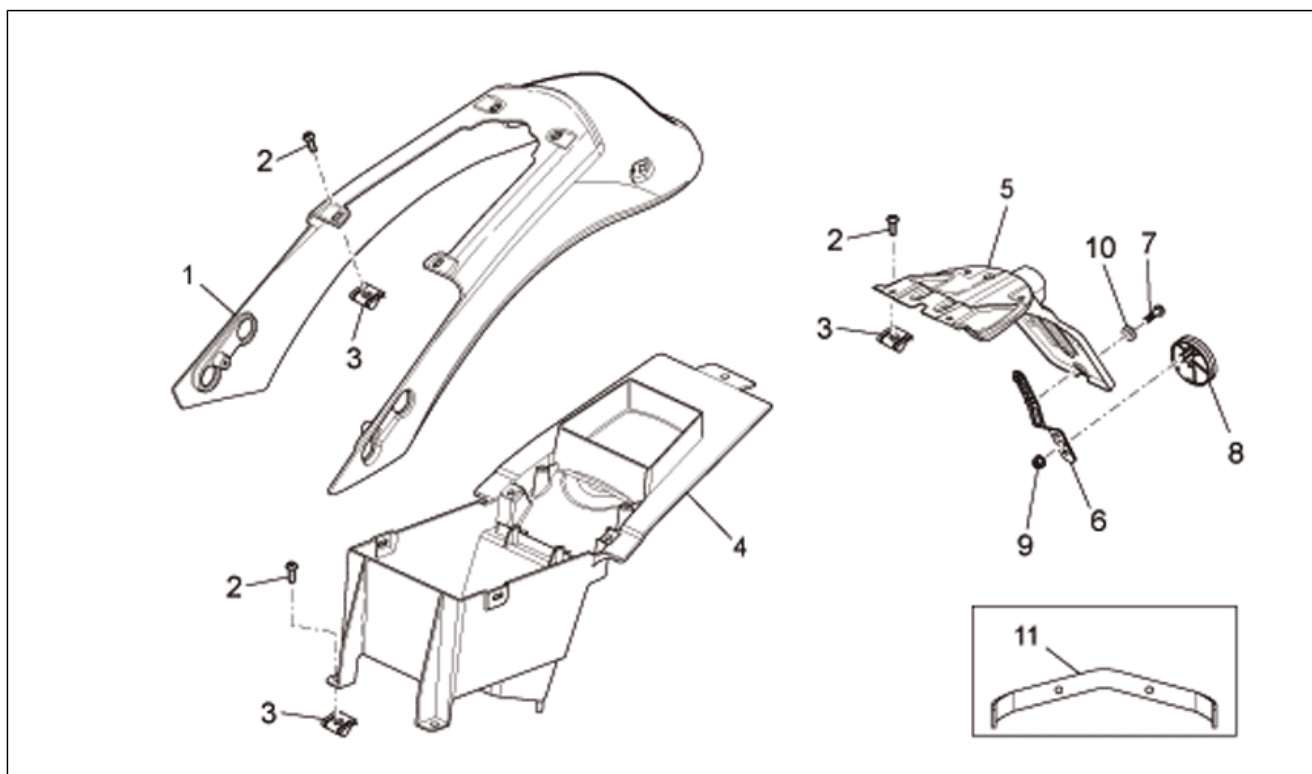
Pos.	Code	Description	Quant	Variants
4	AP8152339	Vis bride M5x9	4	
5	AP8102375	Clip m5	6	
6	978250	Plaque d.	1	
7	978251	Plaque g.	1	
8	GU98230512	Vis	2	
9	AP8152299	Ecrou autobloqu. M6	2	
10	GU98370520	Vis	2	
11	GU93232005	Caoutchouc	2	
12	GU00823931070	Joint	1	
13	AP8120405	Caoutchouc	2	
14	977527	Serratura completa di chiavi	1	
15	AP8114487	Câble ouverture selle	1	
16	AP8102913	Pl.fix.selle pass.	1	
17	GU98370625	Vis	2	

Groupe	CHASSIS
Code	33.15
Description	Garde-boue Av.
Révision	1



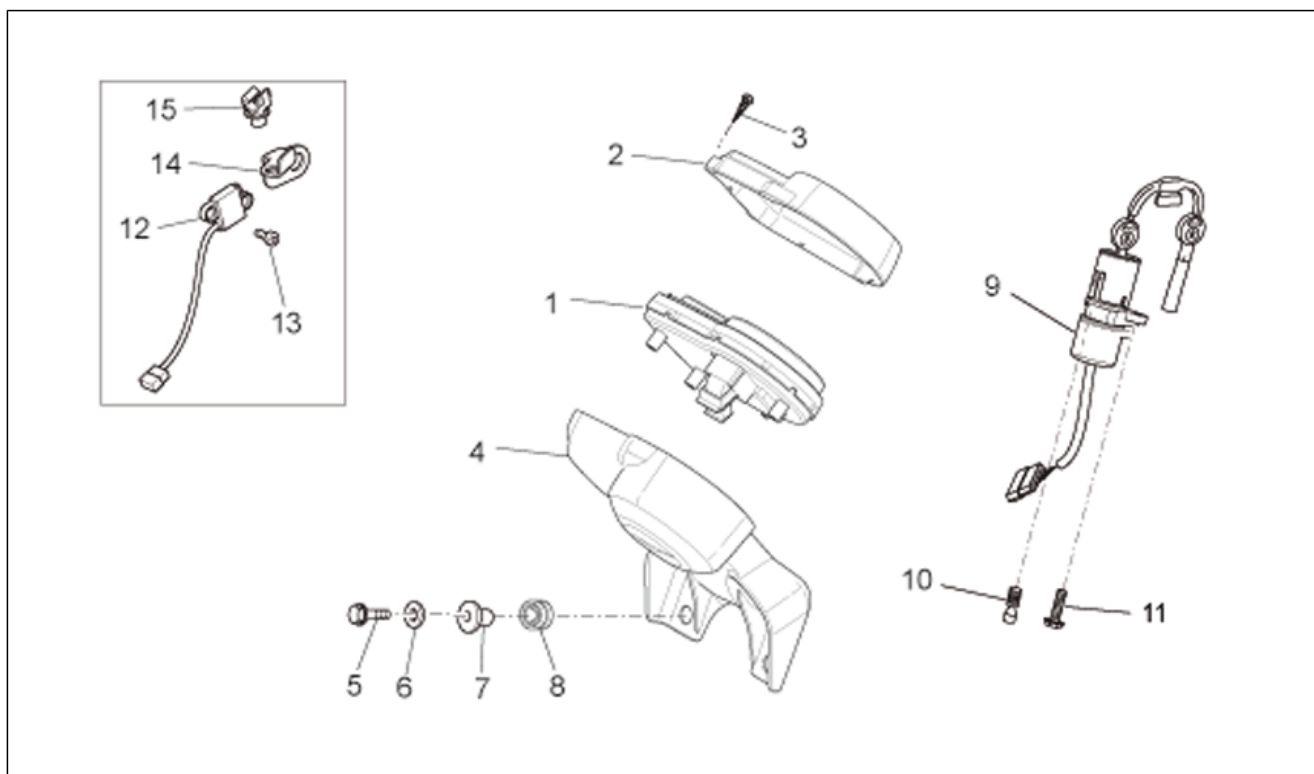
Pos.	Code	Description	Quant	Variants
1	88615500NG	Garde-boue AV noir	1	Année:2009[9] Couleur véhicule:Black Eagle 2009[b.eagle]
1	GU0343436500EE	Garde-boue avant peint gris	1	Année:2008[8] Couleur véhicule:Grey/white 2008[gr/wh] Spécifications techniques:Luxury version[LUX]
1	GU0343436500YR1	Garde-boue avant peint rouge	1	Année:2008[8] Couleur véhicule:red/white 2008[r/wh] Spécifications techniques:Luxury version[LUX]
1	GU03434365NG	Garde-boue AV noir	1	Année:2007[7], 2008[8] Couleur véhicule:Black 2007-2008[black] Spécifications techniques:Basic version[BASE]
2	978309	Plaque de stabilisation	1	
3	GU98370835	Vis	4	
4	GU95005308	Rondelle 8,4x14,57x1,6	4	
5	GU98370622	Vis	4	
6	GU91551010	Caoutchouc	4	
7	GU91180709	Entretoise	4	

Groupe	CHASSIS
Code	33.16
Description	Carr. Arrière - Qu.Car
Révision	1



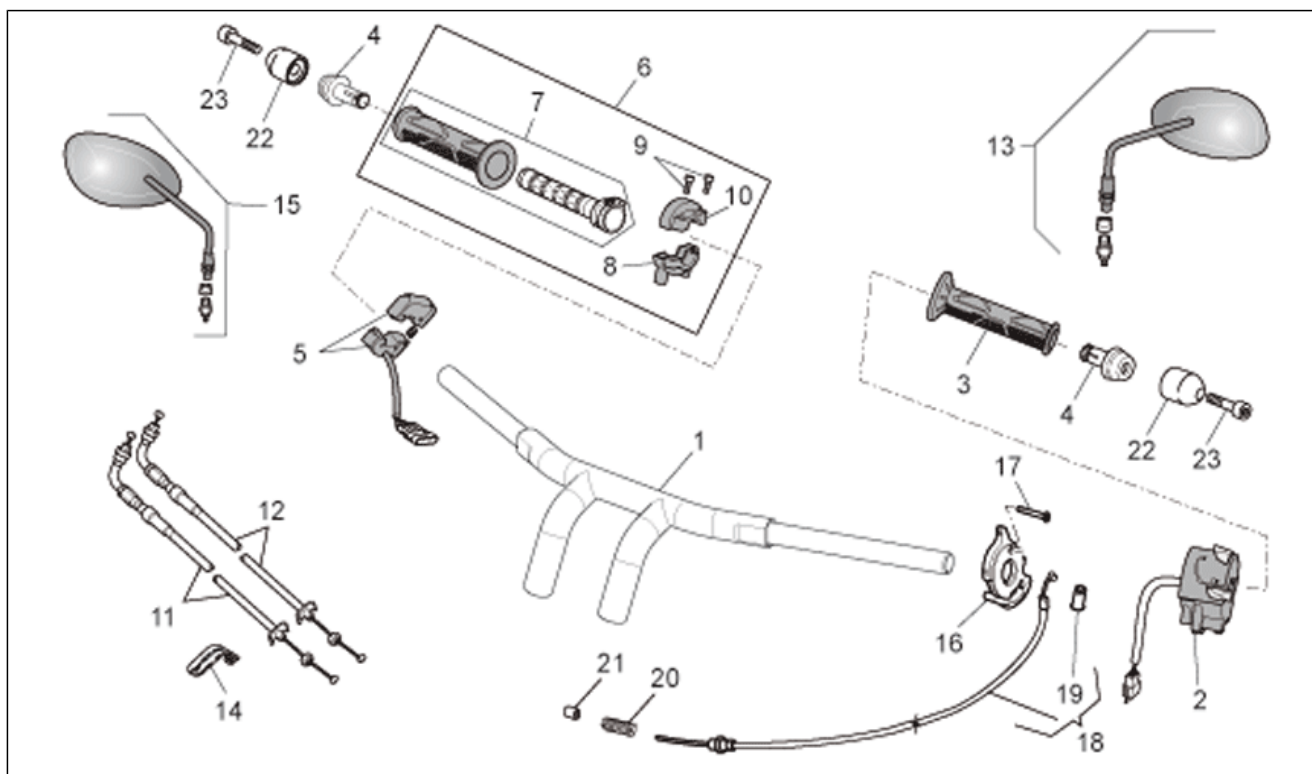
Pos.	Code	Description	Quant	Variants
1	978340	Carénage ar.brut	1	
1	97834000EE	Queue AR. Grise/blanc	1	Année:2008[8] Couleur véhicule:Grey/white 2008[gr/wh] Spécifications techniques:Luxury version[LUX]
1	97834000YR1	Carénage ar.rouge/blanc	1	Année:2008[8] Couleur véhicule:red/white 2008[r/wh] Spécifications techniques:Luxury version[LUX]
1	978340NG	Carénage ar. Noir	1	Année:2007[7], 2008[8] Couleur véhicule:Black 2007-2008[black] Spécifications techniques:Basic version[BASE]
1	978340NG	Carénage ar. Noir	1	Année:2009[9] Couleur véhicule:Black Eagle 2009[b.eagle]
2	AP8152339	Vis bride M5x9	12	
3	AP8102375	Clip m5	8	
4	978336	Bavette anti-éclaboussures	1	
5	978335	Porte-plaque	1	
6	AP8134448	Support catadioptre	1	
7	AP8152267	Vis M5x12	2	
8	AP8224164	Catadioptre arrière, rouge	1	
9	AP8152306	Ecrou autobloqu. m5	1	
10	AP8150248	Rondelle 5,5x15x1,6	2	
11	978580	Plaque Renfort	1	

Groupe	CHASSIS
Code	33.17
Description	Tableau de bord
Révision	1



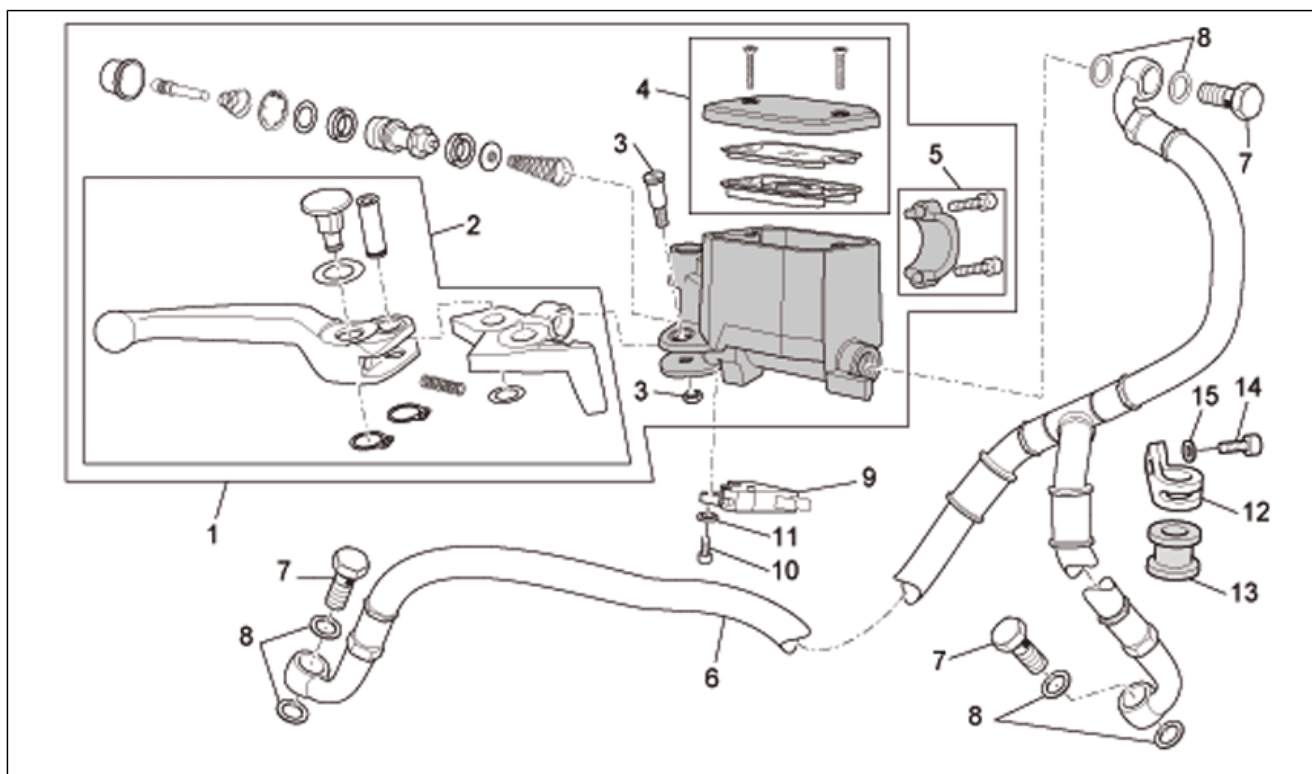
Pos.	Code	Description	Quant	Variants
1	978324	Tableau de bord	1	
2	978376	Cadre instrum. chr.	1	
3	AP8221242	Vis taraud spéciale 3,5x20	4	
4	978377	Support ampoule	1	
5	AP8152279	Vis bride M6x20	4	
6	GU14217901	Rondelle 6,4x10x0,7	8	
7	AP8221023	Douille en "T"	4	
8	AP8120030	Caoutchouc	2	
9	977528	Bloc démarreur-bloc	1	
10	GU97260415	Vis spéciale M8x15	1	
11	GU98682416	Vis M8x16	1	
12	GU06765400	Capteur tachym. cpl.	1	
13	AP8152043	Vis M4x10	2	
14	GU06765500	Passe-câble	1	
15	AP8121882	Guide-câble	1	

Groupe	CHASSIS
Code	33.18
Description	Guidon - Commandes
Révision	1



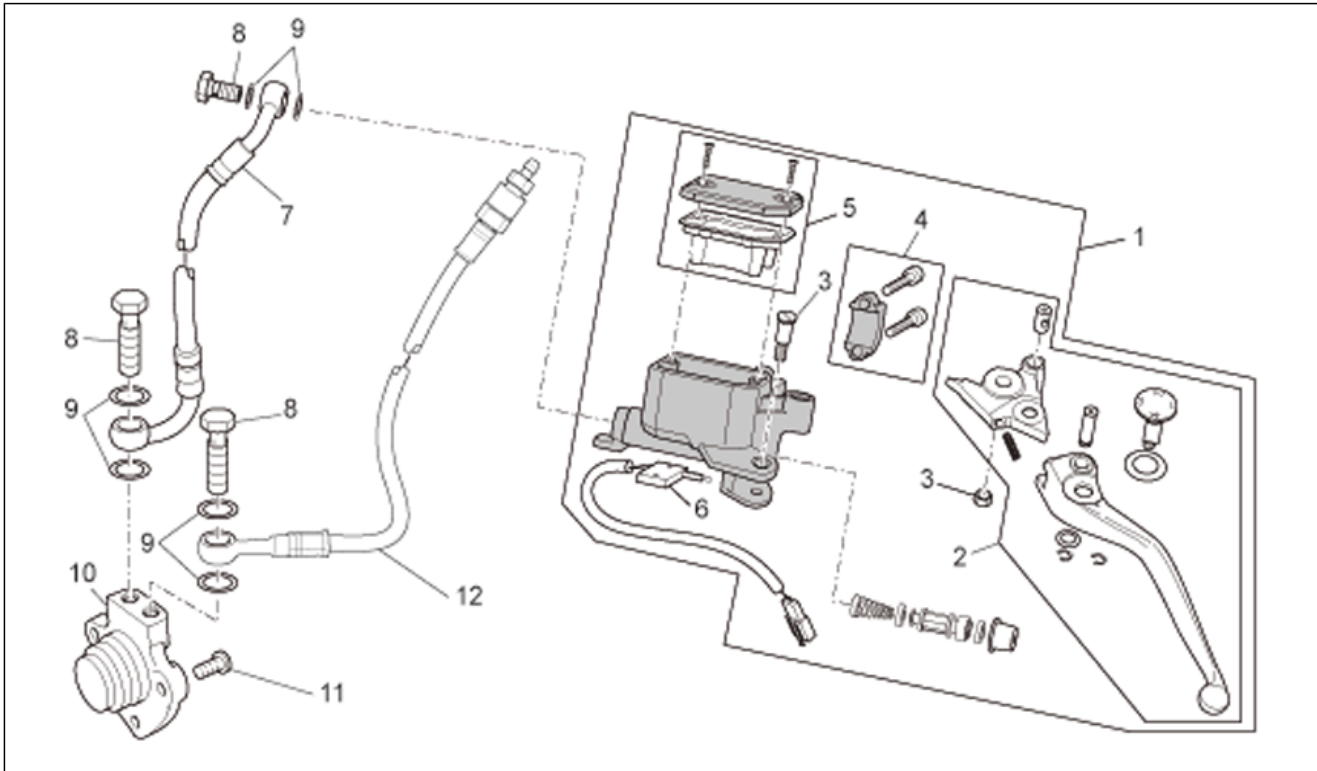
Pos.	Code	Description	Quant	Variants
1	978310	Guidon	1	
2	AP8127703	Déviateur feux gche	1	
3	AP8118579	Poignée gc.	1	
4	GU03602760	Equilibrage	2	Spécifications techniques:1st Serie[1A]
5	B045021	Déviateur feux dte	1	
6	GU05603331	Commande gaz cpl.	1	
7	GU01603480	Poignée dr.	1	
8	AP8118502	Cavalier AV. commande gaz	1	
9	AP8118492	Vis calotte	2	
10	AP8118503	Cavalier AR. commande gaz	1	
11	978381	Câble ouverture gaz	1	
12	978382	Câble fermeture gaz	1	
13	883802	Miroir rétroviseur d/g	1	Couleur véhicule:marked "FU E11 81R-001047"[B]
13	GU32769860	Miroir rétroviseur gche	1	Couleur véhicule:marked "FAR"[A]
14	GU01609630	Collier L46 mm	1	
14	GU03609600	Collier L36 mm	4	
15	883802	Miroir rétroviseur d/g	1	Couleur véhicule:marked "FU E11 81R-001047"[B]
15	GU32769460	Miroir rétroviseur dte	1	Couleur véhicule:marked "FAR"[A]
16	GU01132330	Commande starter	1	
17	GU98257320	Vis	2	
18	GU01132830	Câble starter	1	
19	GU29132750	Caoutchouc	1	
20	GU94321070	Ressort	1	
21	GU39094200	Bouchon	1	
22	GU32602860	Masse antivibratile chr.	2	Spécifications techniques:2nd Serie[2A]
23	GU98690335	Vis	2	Spécifications techniques:2nd Serie[2A]

Groupe	CHASSIS
Code	33.19
Description	Maît. cyl. frein AV
Révision	1



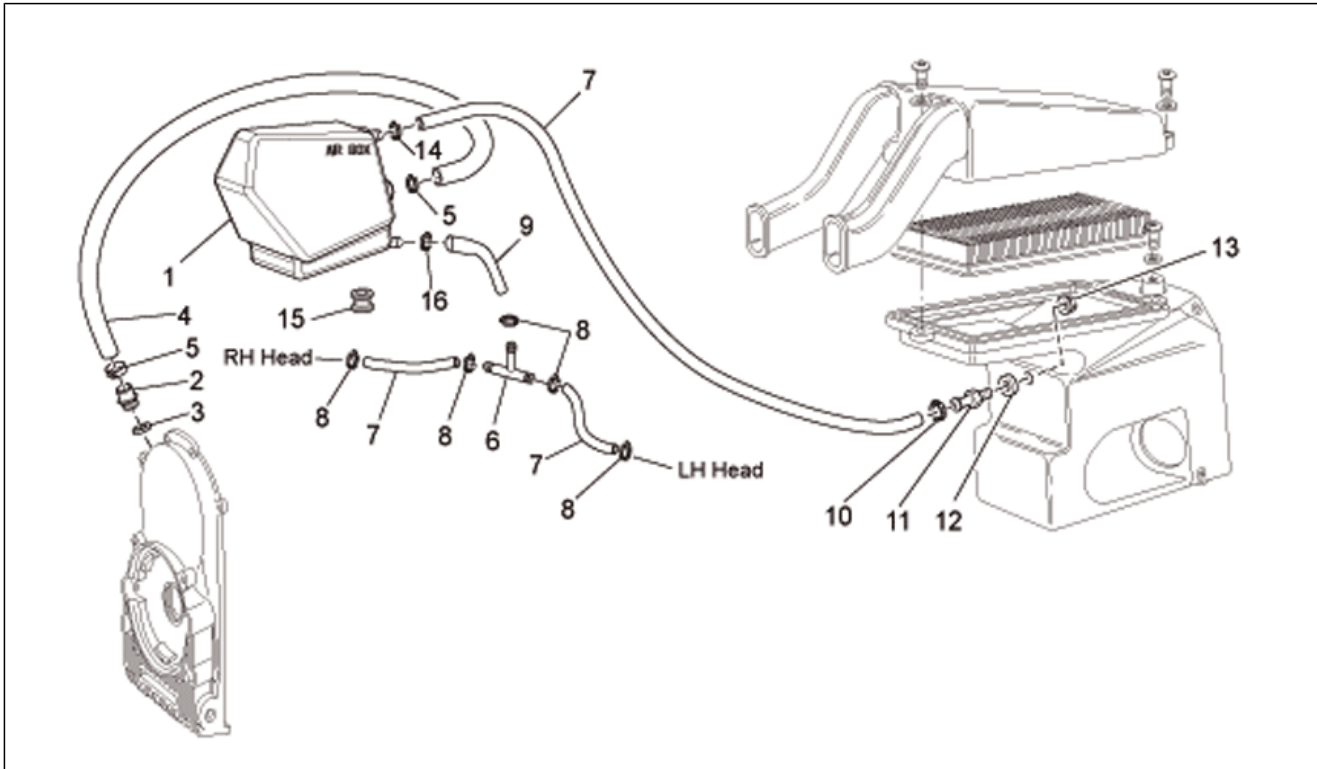
Pos.	Code	Description	Quant	Variants
1	978606	Maît. cyl. frein AV	1	
2	981050	Levier frein avant	1	
3	AP8113995	Goujon de levier	1	
4	GU05661130	Bouchon réservoir	1	
5	AP8113993	Cavalier	1	
6	978362	Tube frein AV	1	
7	AP8133962	Vis tuyau huile *	3	
8	AP8121915	Joint	6	
9	GU03749845	Contacteur de stop	1	
10	GU98370412	Vis M4x12	1	
11	GU95021104	Rondelle 4,3x8x1,5	1	
12	GU03658430	Collier	2	
13	GU03658201	Bague	2	
14	GU98370619	Vis	2	
15	GU95005307	Rondelle 6,4x11x0,8	2	

Groupe	CHASSIS
Code	33.20
Description	Commande embrayage cpl
Révision	1



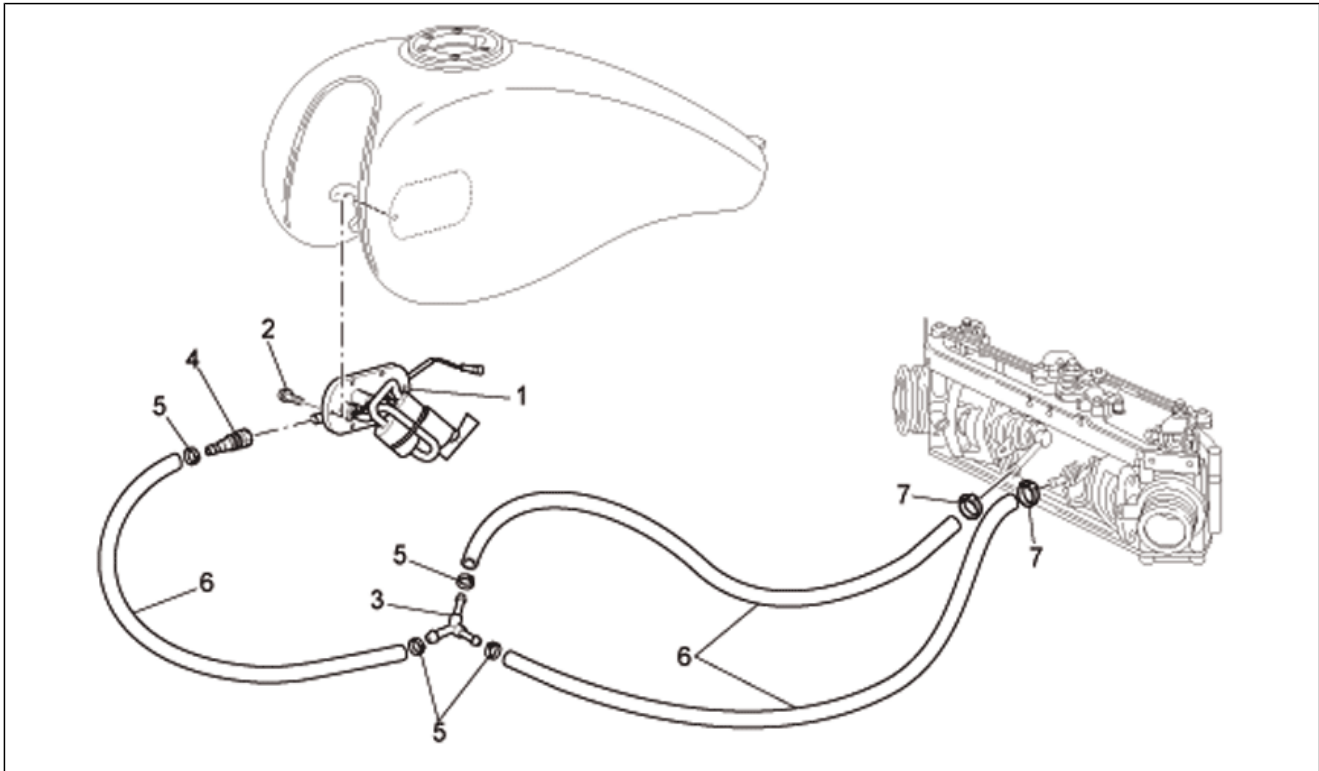
Pos.	Code	Description	Quant	Variants
1	978607	Pompe embrayage	1	
2	981046	Levier embrayage	1	
3	GU03604845	Goujon de levier	1	
4	AP8113993	Cavalier	1	
5	AP8113997	Bouchon réservoir	1	
6	AP8113998	Minirupteur	1	
7	GU05606530	Tuyau embrayage	1	
8	AP8133594	Vis tuyau huile	3	
9	AP8121915	Joint	6	
10	GU05086330	Cylindre comm. embr.	1	
11	AP8152278	Vis bride M6x16	3	
12	GU05606630	Tube vidange embrayage	1	

Groupe	CHASSIS
Code	33.21
Description	Installation Blow-by
Révision	1



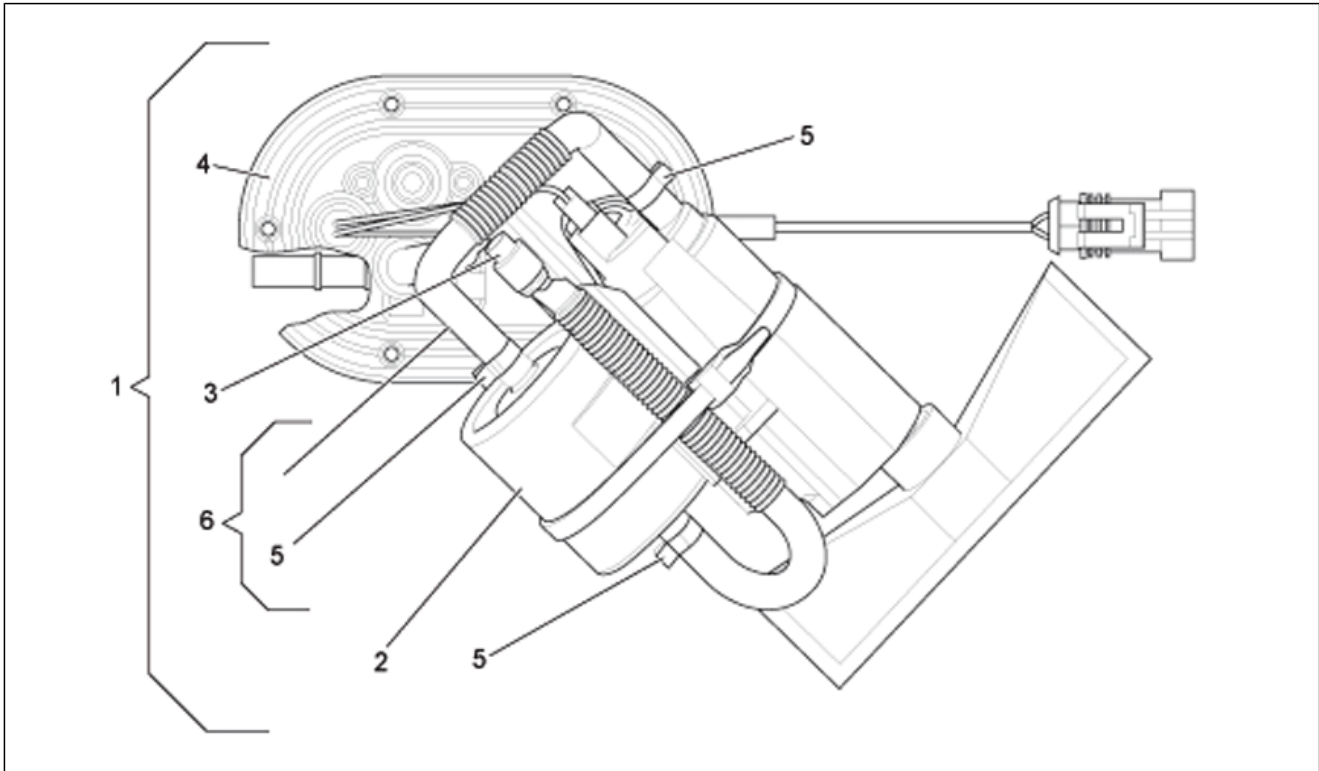
Pos.	Code	Description	Quant	Variants
1	978320	Corp	1	
2	GU03007260	Raccord	1	
3	GU18144350	Rondelle 18,25x24x1	3	
4	978461	Tuyau reniflard radiateur	1	
5	GU93306018	Collier 17X29X8	2	
6	GU95960609	Raccord 3 voies	1	
7	GU00823956080	Tuyau caoutchouc 12,5X7,8 5/16"	3	
8	AP8201358	Collier D 11,9	5	
9	978588	Tuyau reniflard radiateur	1	
10	GU14609650	Collier 3,6x20,6	1	
11	GU29116960	Raccord	1	
12	GU90714082	Joint	1	
13	GU92660208	Ecrou	1	
14	GU93306017	Collier	1	
15	GU91551010	Caoutchouc	1	
16	AP8101586	Collier clic D.15,5x6,6	1	

Groupe	CHASSIS
Code	33.22
Description	Alimentation
Révision	1



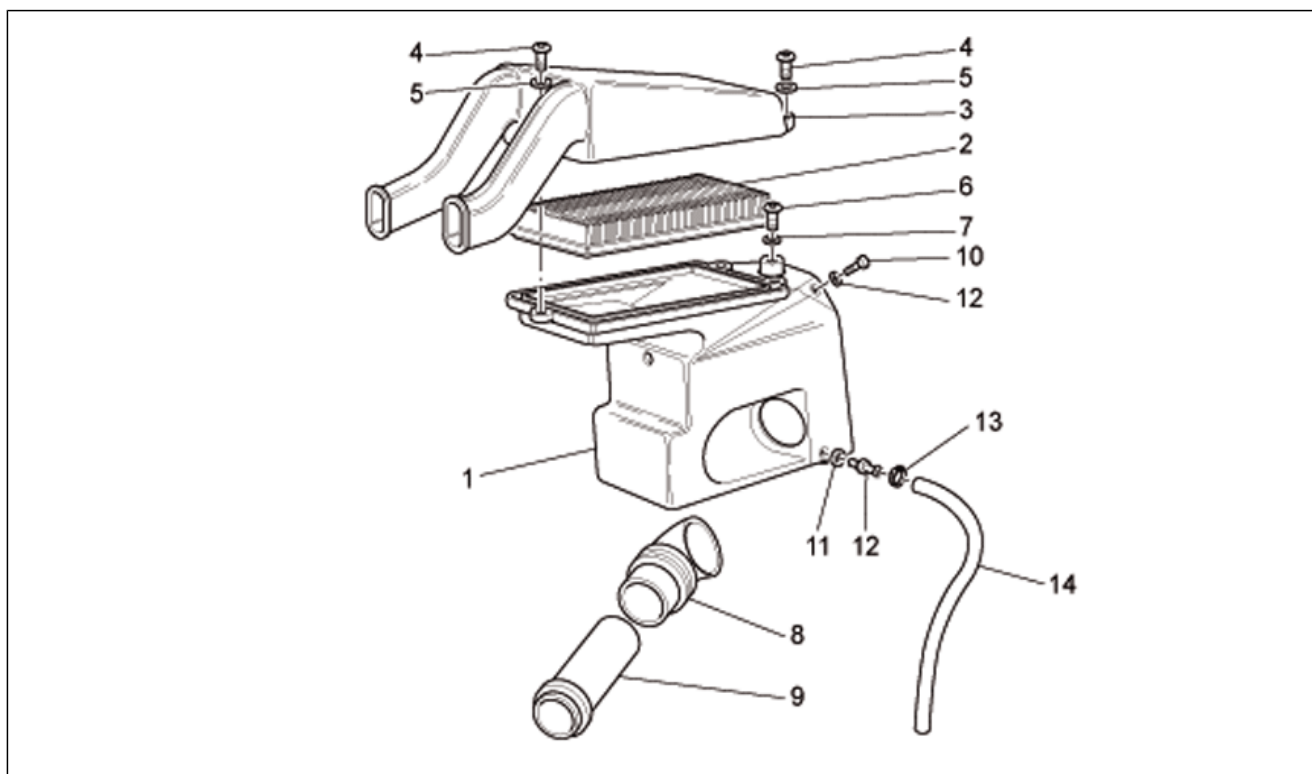
Pos.	Code	Description	Quant	Variants
1	GU03107270	Pompe essence cpl.	1	
2	AP8152273	Vis bride M5x16	6	
3	GU29106860	Raccord 3 voies	1	
4	GU01106692	Raccord	1	
5	GU28157950	Collier clic 12,5x8	4	
6	GU00823952080	Tuyau essence SAEJ30R9	1	
7	GU93306017	Collier	2	

Groupe	CHASSIS
Code	33.23
Description	Pompe ess. interne
Révision	1



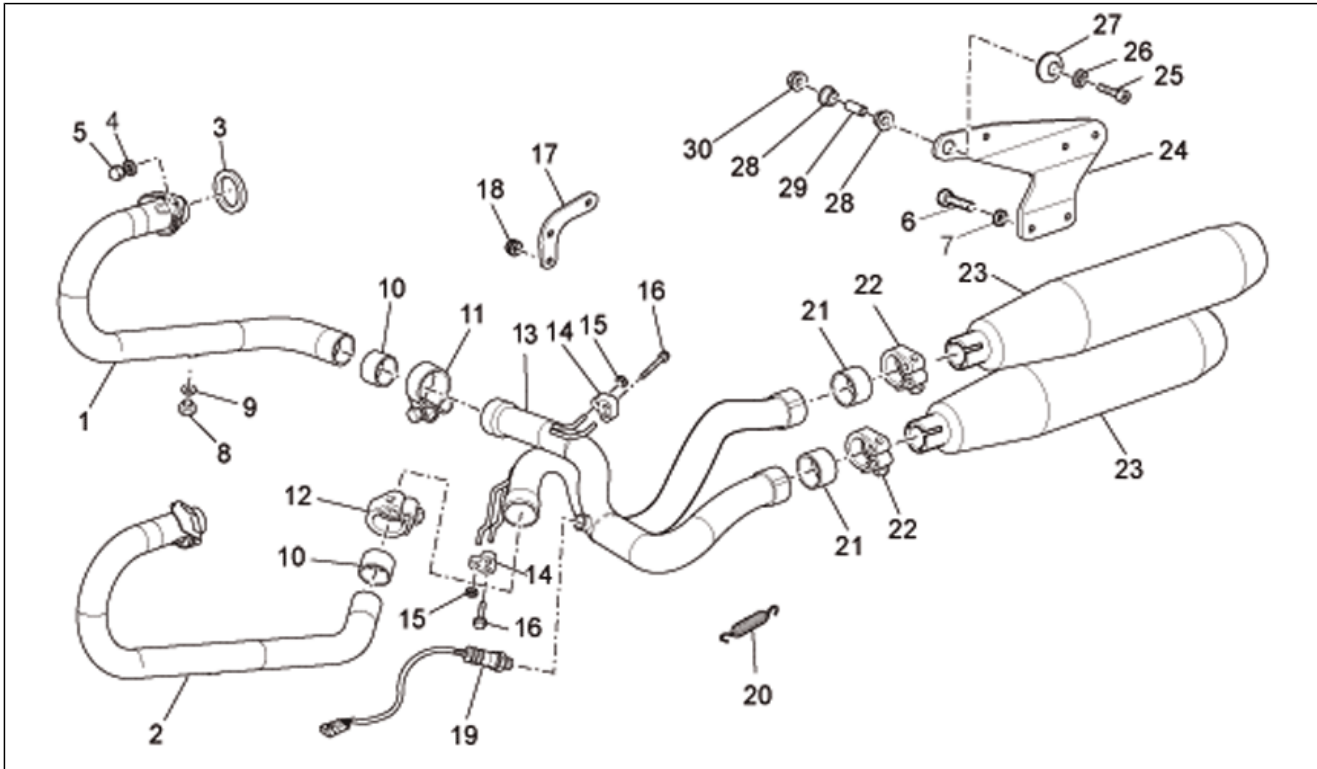
Pos.	Code	Description	Quant	Variants
1	GU03107270	Pompe essence cpl.	1	
2	GU01106090	Filtre essence	1	
3	GU03103070	Thermistor	1	
4	GU01107490	Joint	1	
5	GU01108490	Collier 11,3	4	
6	GU03106170	Tuyau essence	1	

Groupe	CHASSIS
Code	33.24
Description	Corps filtre
Révision	1



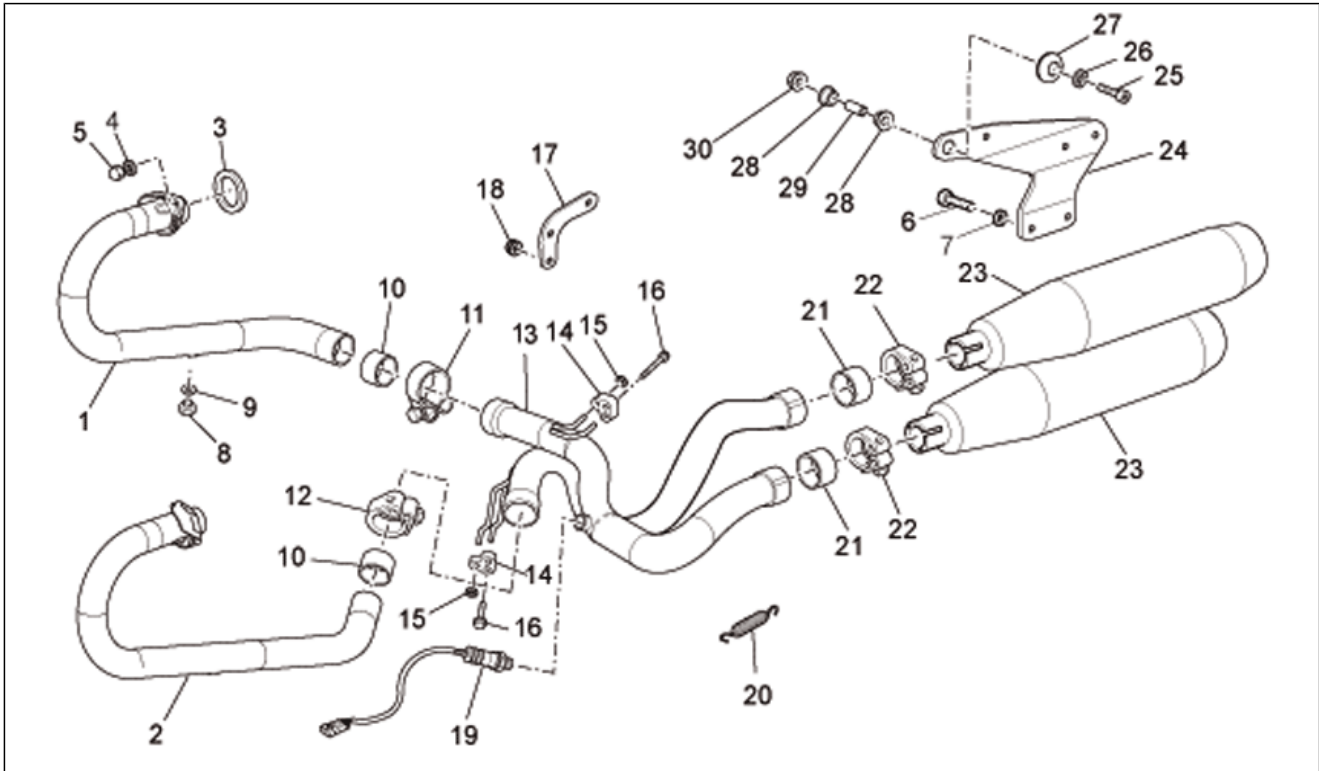
Pos.	Code	Description	Quant	Variants
1	978312	Corps filtre	1	
2	GU30113600	Filtre air	1	
3	GU30113460	Couvercle filtre	1	
4	GU98680230	Vis M5x30	3	
5	GU95100059	Rondelle 5,25x14x1,5	3	
6	GU98350312	Vis M6x12	1	
7	GU03013800	Rondelle 6,4x12	2	
8	GU30114660	Raccord	2	
9	GU30114560	Cornet	2	
10	GU98350210	Vis	1	
11	GU90714053	Joint	2	
12	GU29115860	Raccord	1	
13	GU28157950	Collier clic 12,5x8	1	
14	GU00823944050	Tuyau 5X9	1	

Groupe	CHASSIS
Code	33.25
Description	Groupe echappement
Révision	1



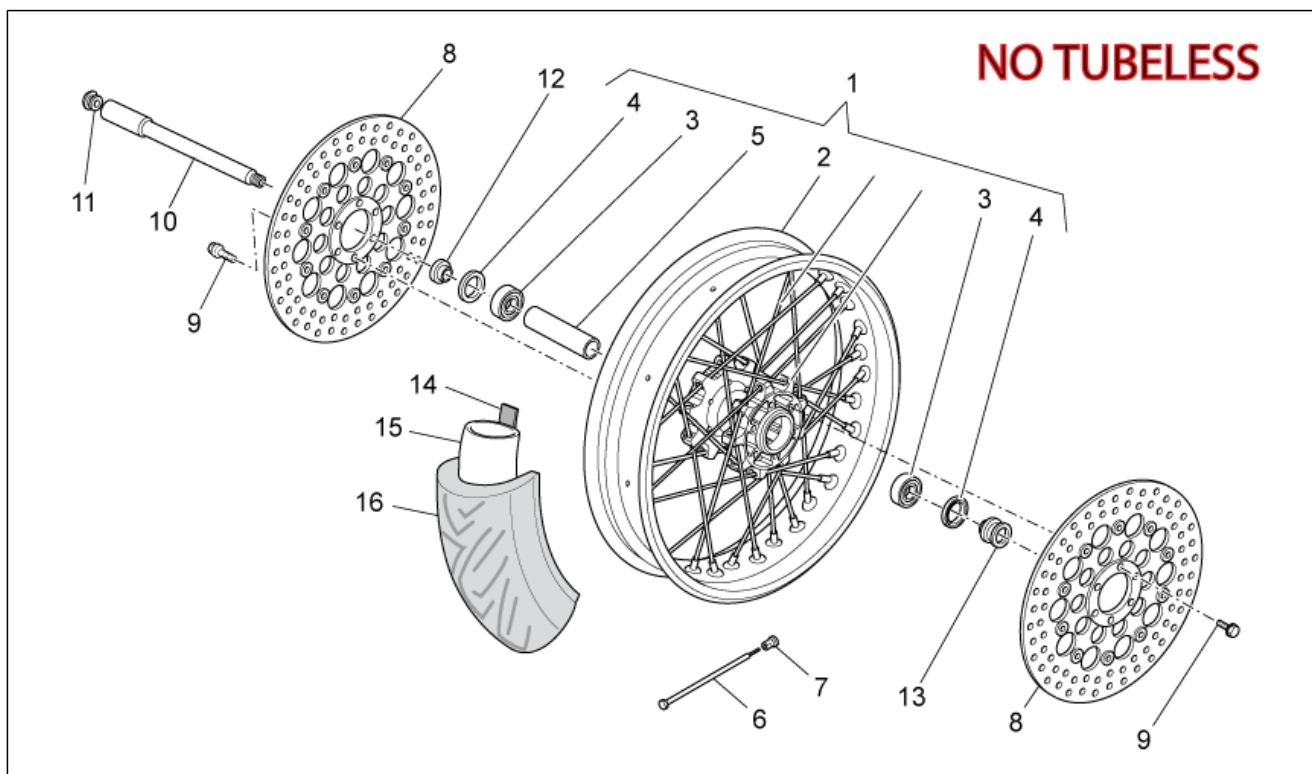
Pos.	Code	Description	Quant	Variants
1	977662	Tuyau échappement d.	1	
2	977663	Tuyau échappement gche	1	
3	GU90718370	Joint	2	
4	GU14615901	Rondelle 8,4X13X0,8	4	
5	GU92660021	Ecrou bridé M8	4	
6	GU98084425	Vis M8x25	4	
7	GU03270300	Rondelle 8,4x15	4	
8	GU98110007	Bouchon	2	
9	GU30109330	Joint	2	
10	GU05121630	Joint	2	
11	976522	Collier droit	1	
12	976523	Collier gauche	1	
13	978369	Tuyau échap. cent.	1	
14	GU05124230	Caoutchouc	2	
15	GU90274008	Rondelle pour arbres D8	4	
16	GU05124330	Vis	2	
17	978540	Plaque d.	1	
18	AP8152301	Ecrou autobloqu.	1	
19	GU32727010	Sonde lamda	1	
20	AP8121170	Ressort	1	
21	GU05128230	Joint	1	
22	976521	Collier	1	
23	978370	Silencieux	2	
24	978506	Pla.sup. silencieux	1	
25	GU98680445	Vis	1	
26	GU95005312	Rondelle 8,5x24x2	1	
27	AP8134378	Douille fixation silencieux	1	
28	AP8144071	Caoutchouc pot	2	

Groupe	CHASSIS
Code	33.25
Description	Groupe echappement
Révision	1



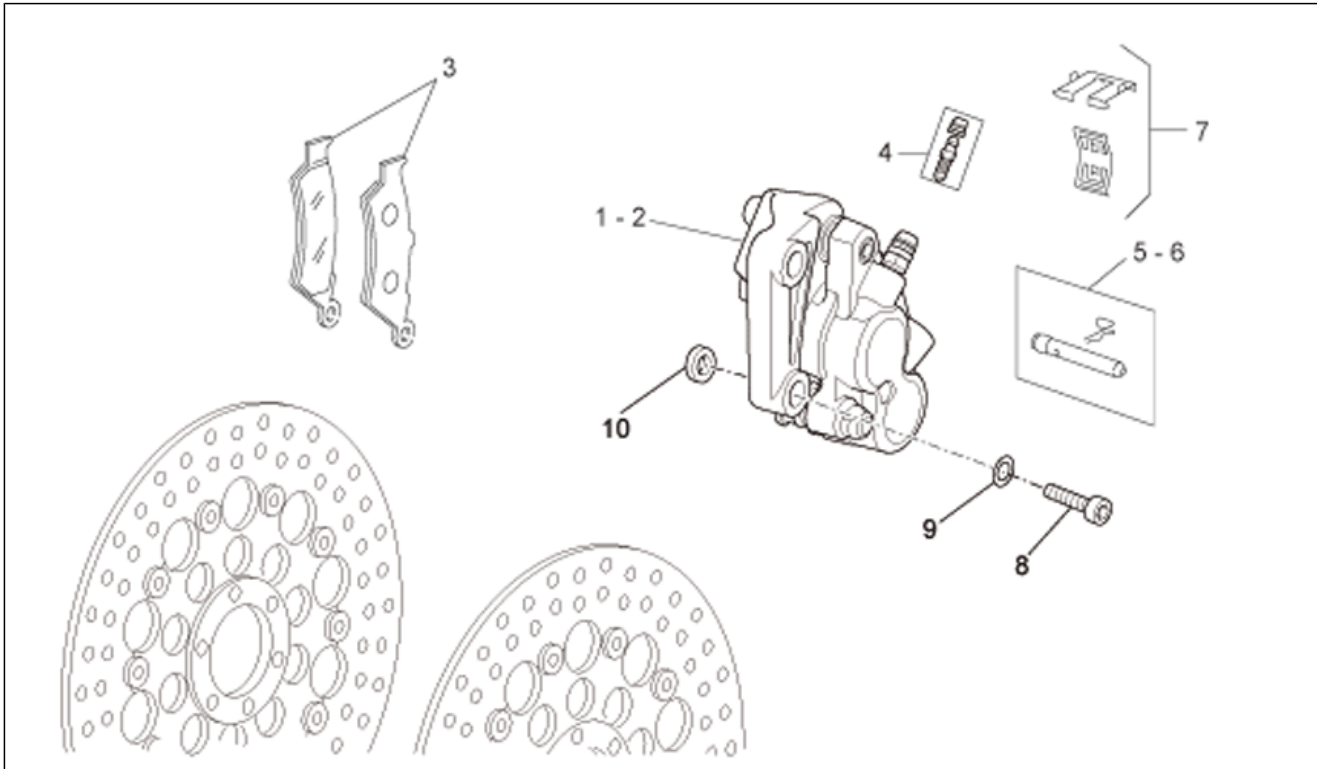
Pos.	Code	Description	Quant	Variants
29	AP8121072	Entretoise	1	
30	GU92650138	Ecrou M8x1,25	1	

Groupe	CHASSIS
Code	33.26
Description	Roue Av. I
Révision	1



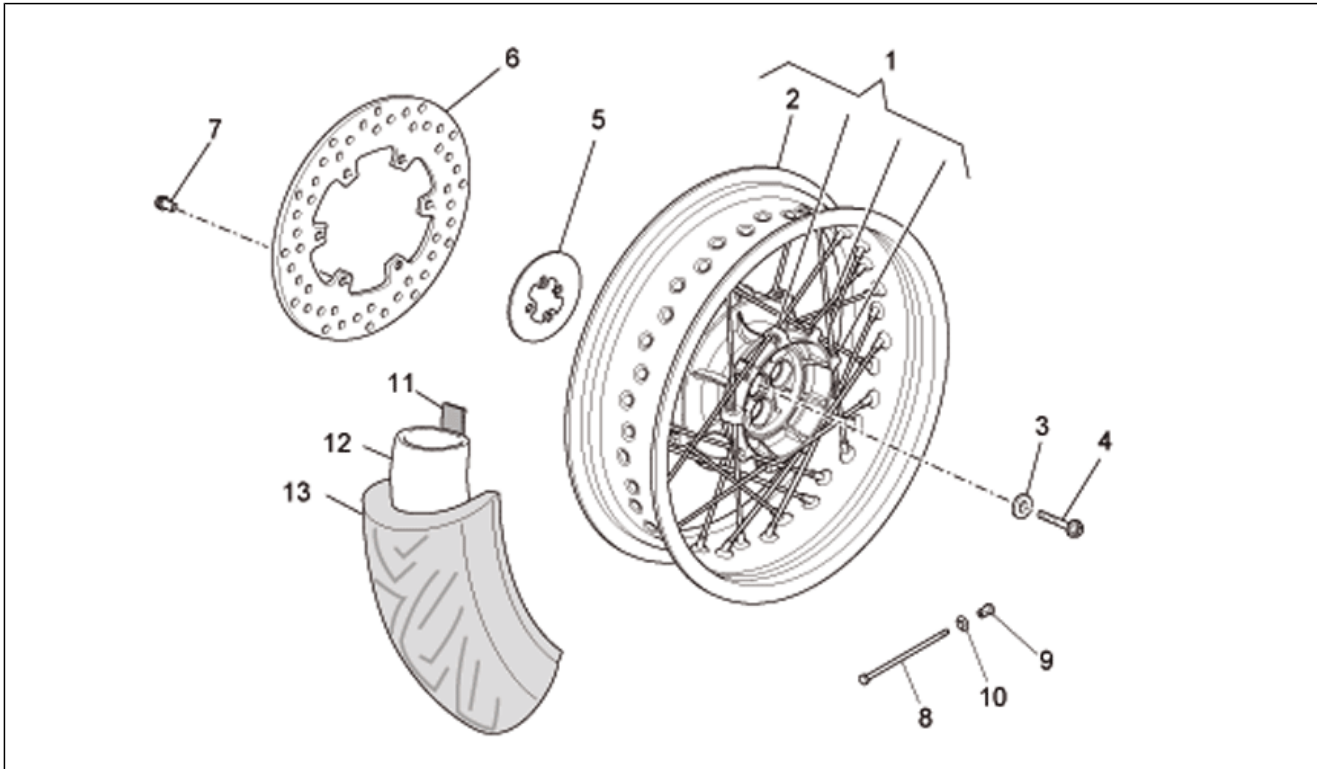
Pos.	Code	Description	Quant	Variants
1	884081	Roue AV nue 3,50x18"	0	Spécifications techniques: Ruota con raggi ZN[RZN]
1	978308	Roue AV nue 3,50x18"	1	Spécifications techniques: Ruota con raggi CR[RCR]
2	978305	Jante avant 3,50x18"	1	
3	AP8125777	Roulement à billes 25x47x12	2	
4	GU90402549	Bague d'étanchéité	2	
5	978516	Entretoise roulements	1	
6	887081	Rayon	36	Spécifications techniques: Galvanized[ZN]
6	978306	Rayon	36	Spécifications techniques: Cromo Lucido[CR]
7	978307	Nipples	36	
8	883688	Disque frein avant 320	1	Spécifications techniques: Marchio Sunstar[SU]
8	977024	Disque frein avant	2	Spécifications techniques: Marchio Brembo[BR]
9	AP8152286	Vis bride M8x20	12	
10	GU03614101	Axe de roue AV	1	
11	GU93180111	Bouchon 15 mm	1	
12	978303	Entretoise D	1	
13	978304	Entretoise G	1	
14	0000000	Pneu s. chambre	1	
15	0000000	Pneu s. chambre	1	
16	0000000	Pneu s. chambre	1	

Groupe	CHASSIS
Code	33.27
Description	Pince frein avant
Révision	1



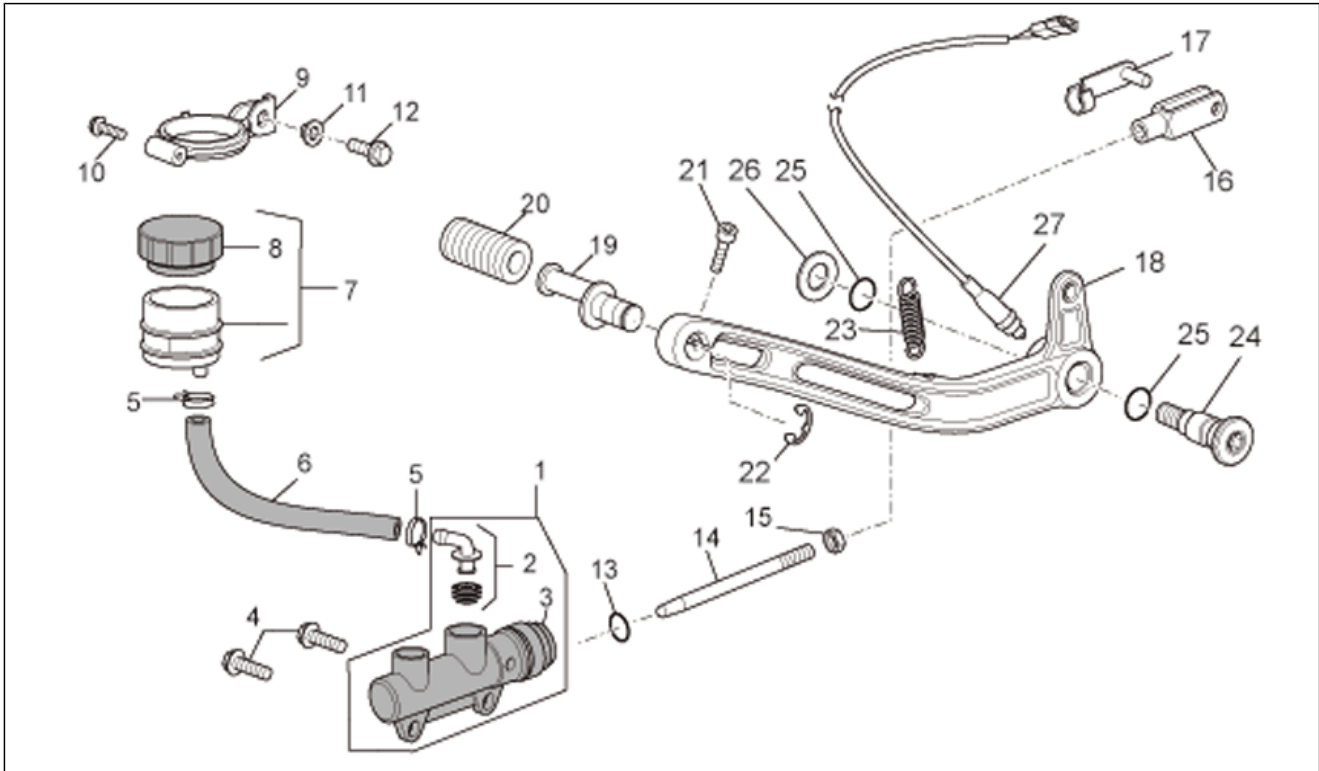
Pos.	Code	Description	Quant	Variants
1	978360	Etrier frein AV d.noir	1	
2	978361	Etrier frein AV g.noir	1	
3	AP8113627	Plaquettes-paire	2	
4	AP8133502	Purge air	2	
5	981004	Axe +goupille pince	2	
6	981003	Axe +goupille pince	2	
7	AP8133908	Ressort pinza	2	
8	GU98683530	Vis M10x30	4	
9	GU19149800	Rondelle 10,5x16x1	4	
10	GU91181003	Entretoise 10,25X20X4	4	

Groupe	CHASSIS
Code	33.28
Description	Roue arrière I
Révision	1



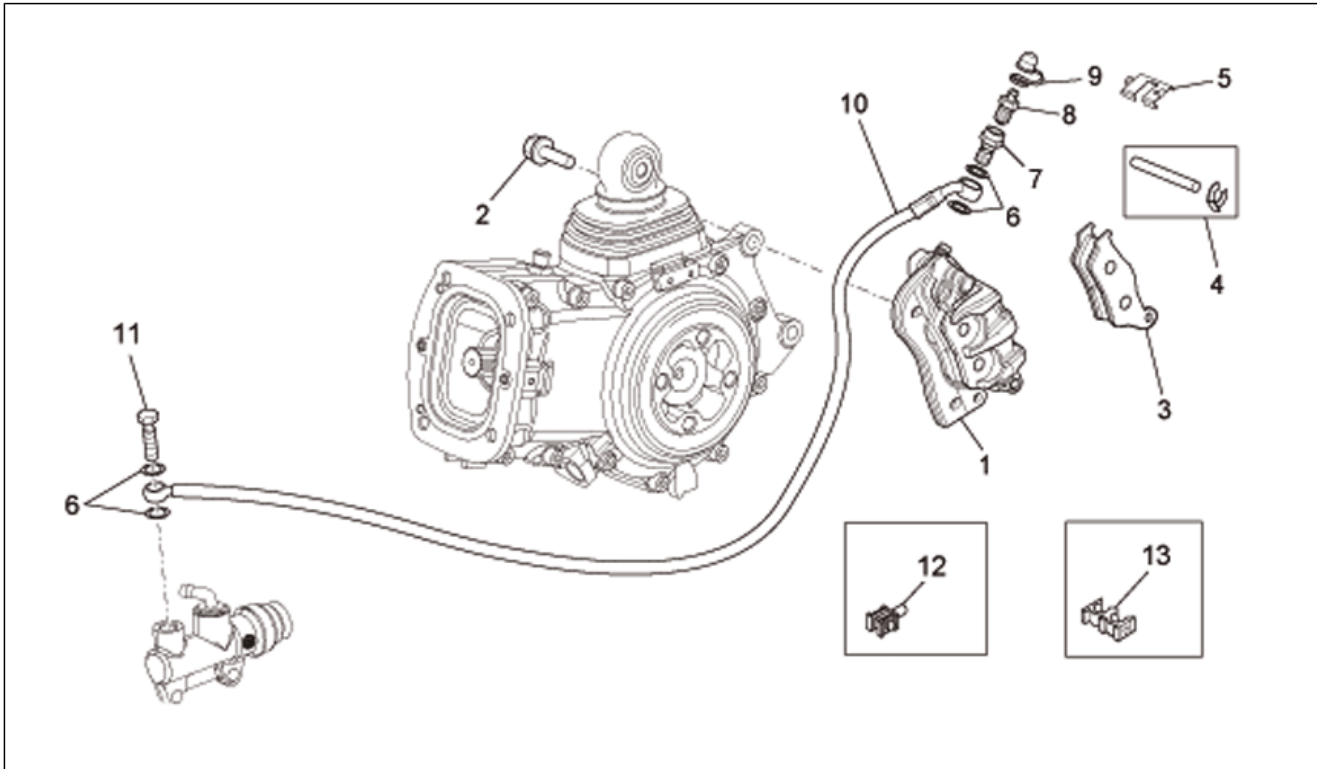
Pos.	Code	Description	Quant	Variants
1	978609	Roue arrière nue 5,5x17"	1	
2	978610	Jante arrière 5,5x17"	1	
3	GU05632730	Douille conique	4	
4	GU97202665	Vis bride M12x65	4	
5	977056	Anneau pare-pous.	1	
6	GU05635730	Disque frein arrière	1	
7	GU30611460	Vis	6	
8	978611	Rayon court	36	
9	978356	Nipples	36	
10	978697	Rondelle spéciale	36	
11	978683	Flap roue arrière	2	
12	0000000	Pneu s. chambre	1	
13	0000000	Pneu s. chambre	1	

Groupe	CHASSIS
Code	33.29
Description	Maît.cyl. frein AR
Révision	1



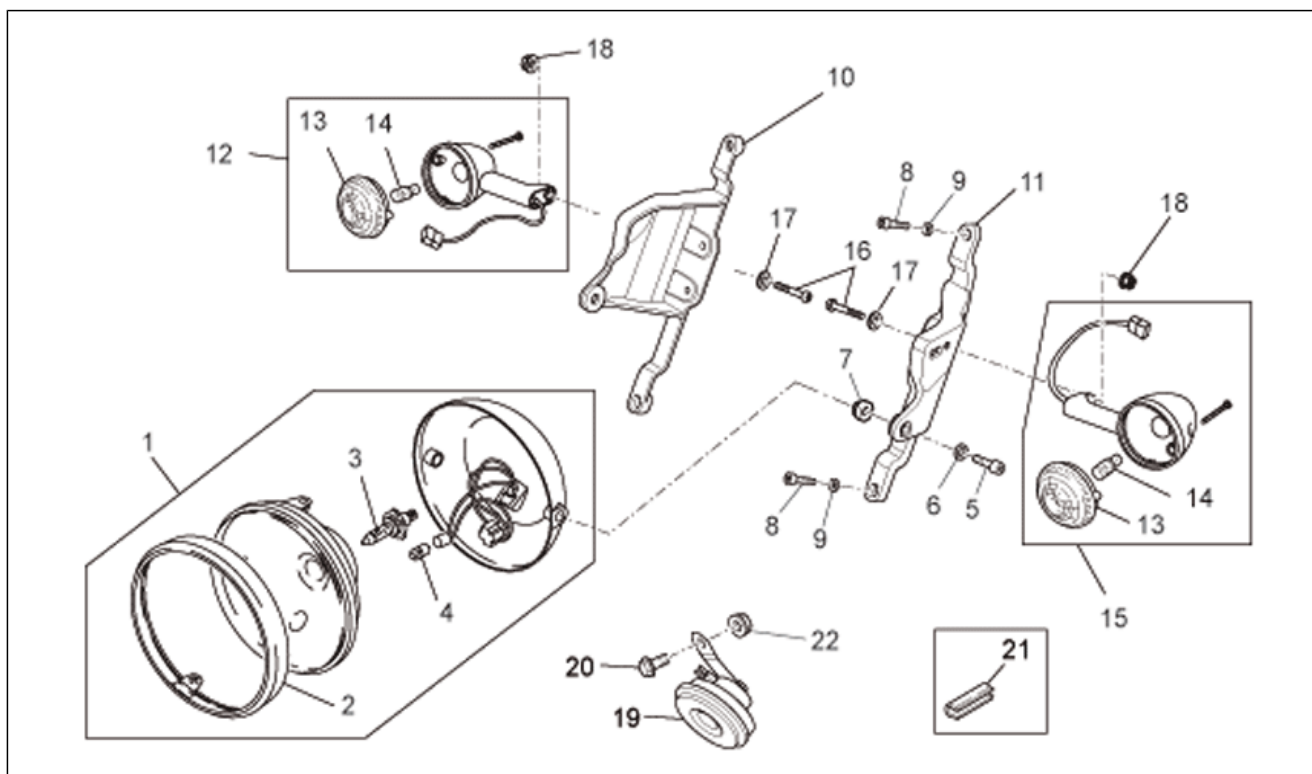
Pos.	Code	Description	Quant	Variants
1	978434	Maît.cyl. frein AR	1	
2	GU19659500	Gr.révision raccordde pomp	1	
3	AP8113288	Soufflet en caoutchouc	1	
4	AP8152279	Vis bride M6x20	2	
5	AP8101595	Collier D10,1	2	
6	978435	Tuyau frein arrière	1	
7	GU05663530	Réserv.huile freins	1	
8	GU17661052	Bouchon réservoir	1	
9	GU05666030	Support réservoir	1	
10	AP8152329	Vis SWP crois. brid. M5x20	1	
11	AP8221145	Douille en "T" *	1	
12	AP8152278	Vis bride M6x16	1	
13	AP8120178	Joint torique OR112	1	
14	977041	Poussoir cde mai-cyl.	1	
15	GU92606206	Ecrou	1	
16	AP8113081	Fourchette	1	
17	AP8113082	Clip fourc.b.vitesses	1	
18	GU06677000	Levier de frein AR	1	
19	AP8121221	Tige manette frein	1	
20	AP8120912	Caoutchouc pour levier	1	
21	GU98682316	Vis M6x16	1	
22	AP8150462	Bague seeger d9	1	
23	AP8121927	Ressort man.ferin ar.	1	
24	884033	Pivot man.frein arr.	1	
25	AP8144007	Joint torique 11,11x1,78	2	
26	GU95008310	Rondelle 10,5x22x2,5	1	
27	AP8112996	Interruttore frizione	1	

Groupe	CHASSIS
Code	33.30
Description	Pince frein AR
Révision	1



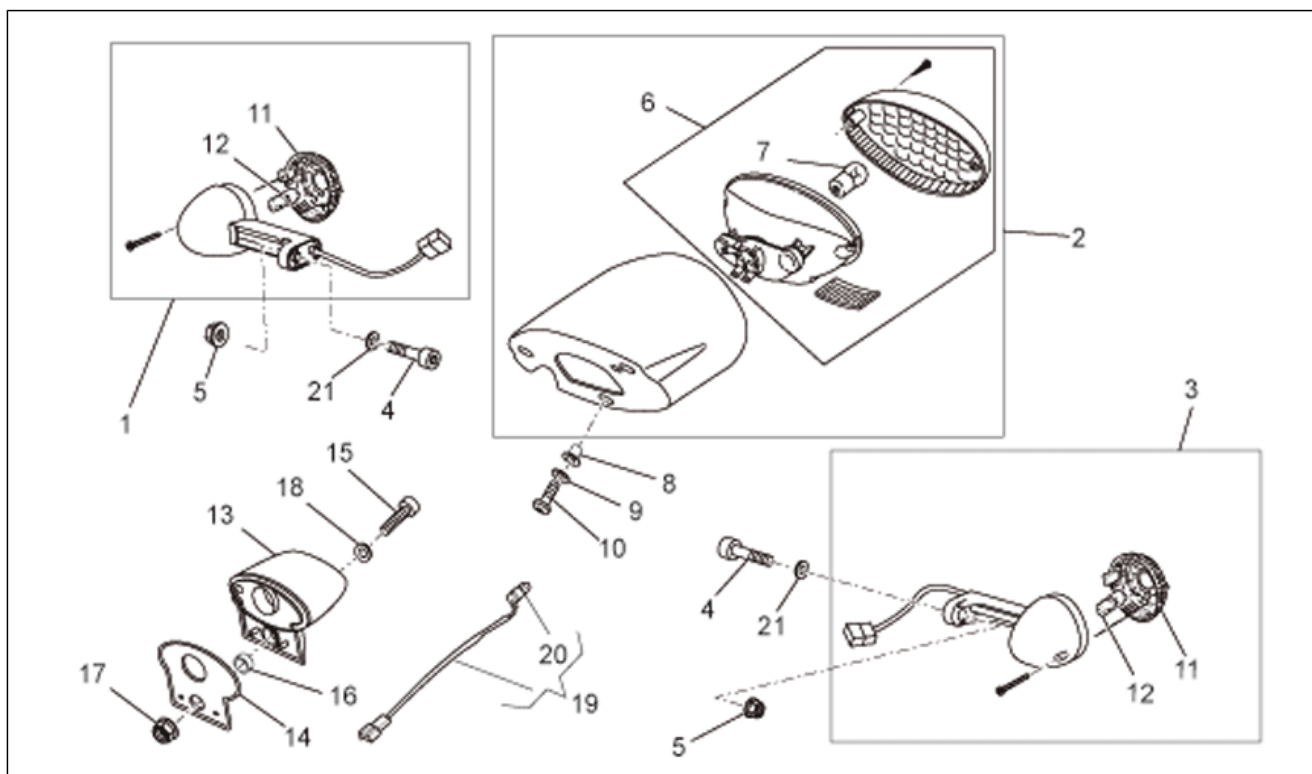
Pos.	Code	Description	Quant	Variants
1	978414	Pince frein AR noir	1	
2	AP8152320	Vis bride	2	
3	GU05654630	Plaquettes-paire	1	
4	GU05659130	Axe +goupille pince	1	
5	GU05659030	Ressort	1	
6	AP8121915	Joint	4	
7	AP8133597	Vis	1	
8	AP8133595	Purge air	1	
9	AP8133596	Capuchon reniflard 20 mrc.	1	
10	978364	Tuyau frein arrière	1	
11	AP8133962	Vis tuyau huile *	1	
12	AP8202238	Ancrage guide-câble	4	
13	AP8201808	Guide-câble D8	5	

Groupe	CHASSIS
Code	33.31
Description	Feu AV/Klaxon
Révision	1



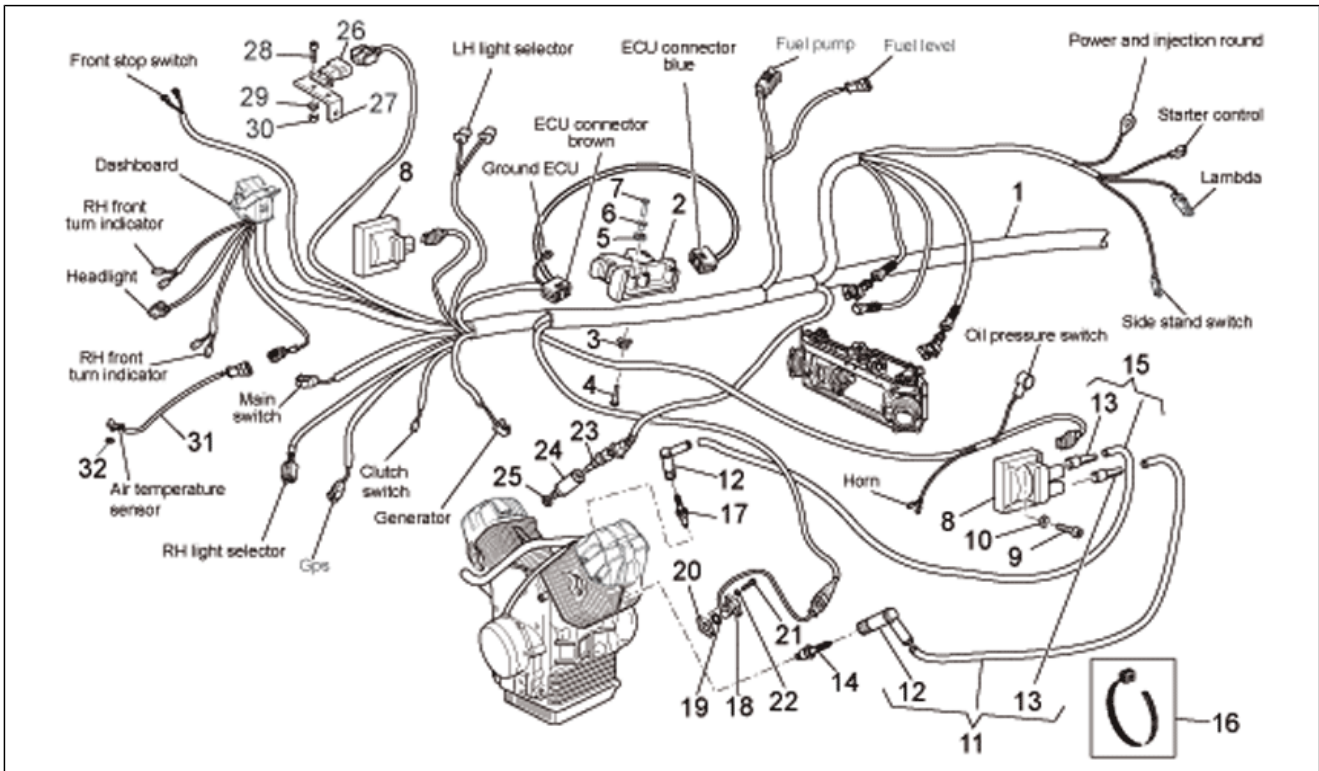
Pos.	Code	Description	Quant	Variants
1	978311	Phare avant	1	Pays:Other country[EU]
1	978662	Projecteur av.complet gauche	1	Pays:Australie[AUS], India[IN], Japon[J], Angleterre[UK]
2	GU31740383	Bague chromée	1	
3	GU93450232	Lampe (ou Ampoule) 12V-55/60W	1	
4	GU93450105	Lampe (ou Ampoule)	1	
5	GU98370831	Vis M8x30	2	
6	GU95005308	Rondelle 8,4x14,57x1,6	2	
7	GU14439800	Entretoise	2	
8	GU98682318	Vis	4	
9	GU14217901	Rondelle 6,4x10x0,7	4	
10	978373	Support phare D	1	
11	978374	Support phare G	1	
12	887826	Clignot.av.dr./arr.ga.	1	
12	GU32750660	Clignot.av.dr./arr.ga.	1	
13	GU32753760	Vitre clignotant	2	
14	GU93450127	Lampe (ou Ampoule)	2	
15	887827	Clignot.av.ga./arr.dr.	1	
15	GU06751600	Clignot.av.ga./arr.dr.	1	
16	GU98692318	Vis	2	
17	GU95021206	Rondelle	2	
18	GU92787006	Ecrou borgne M6x1	2	
19	GU01743791	Klaxon elect.ton aigu L	1	
20	AP8152279	Vis bride M6x20	1	
21	AP8144707	Joint	1	
22	AP8152299	Ecrou autobloqu. M6	1	

Groupe	CHASSIS
Code	33.32
Description	Feu arrière
Révision	1



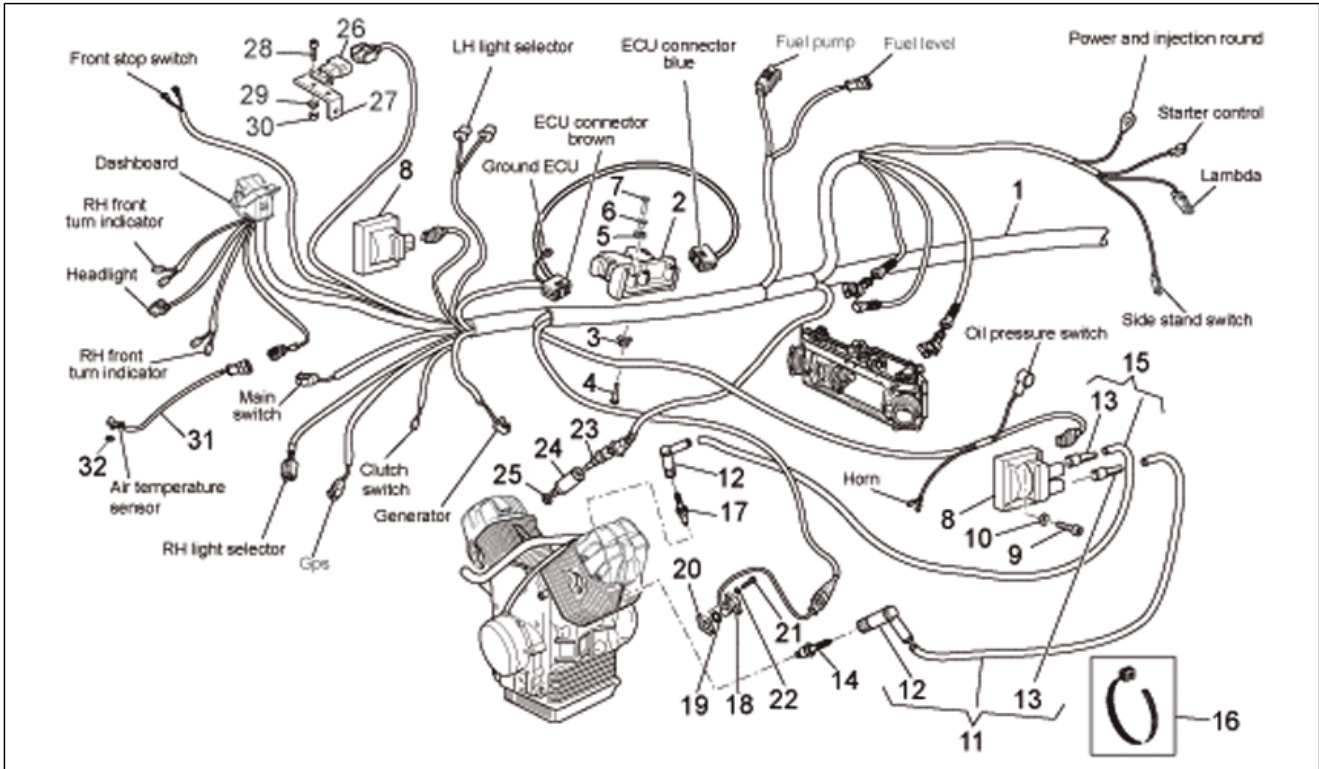
Pos.	Code	Description	Quant	Variants
1	GU06751600	Clignot.av.ga./arr.dr.	1	Pays:Australie[AUS], Other country[EU], Japon[J], Angleterre[UK]
2	GU32740960	Feu arrière	1	
3	GU32750660	Clignot.av.dr./arr.ga.	1	Pays:Australie[AUS], Other country[EU], Japon[J], Angleterre[UK]
4	GU98692318	Vis	2	
5	GU92787006	Ecrou borgne M6x1	2	
6	GU03740930	Feu arrière	1	
7	GU93450224	Lampe (ou Ampoule)	1	
8	GU93231605	Douille anti vibr.	3	
9	GU95100064	Rondelle	3	
10	GU98350218	Vis	3	
11	GU32753760	Vitre clignotant	2	Pays:Australie[AUS], Other country[EU], Japon[J], Angleterre[UK]
12	GU93450126	Lampe orange	2	Pays:Australie[AUS], Other country[EU], Japon[J], Angleterre[UK]
13	AP8127098	Feu de plaque	1	
14	GU32474710	Coautrouc pour support	1	
15	GU98680222	Vis	1	
16	GU91120507	Douille	1	
17	AP8152306	Ecrou autobloqu. m5	1	
18	GU95008205	Rondelle 5,3x10x0,8	1	
19	AP8124976	Câblage lumière plaque	1	
20	GU93450105	Lampe (ou Ampoule)	1	
21	GU95021206	Rondelle	2	

Groupe	CHASSIS
Code	33.33
Description	Circuit électrique I
Révision	1



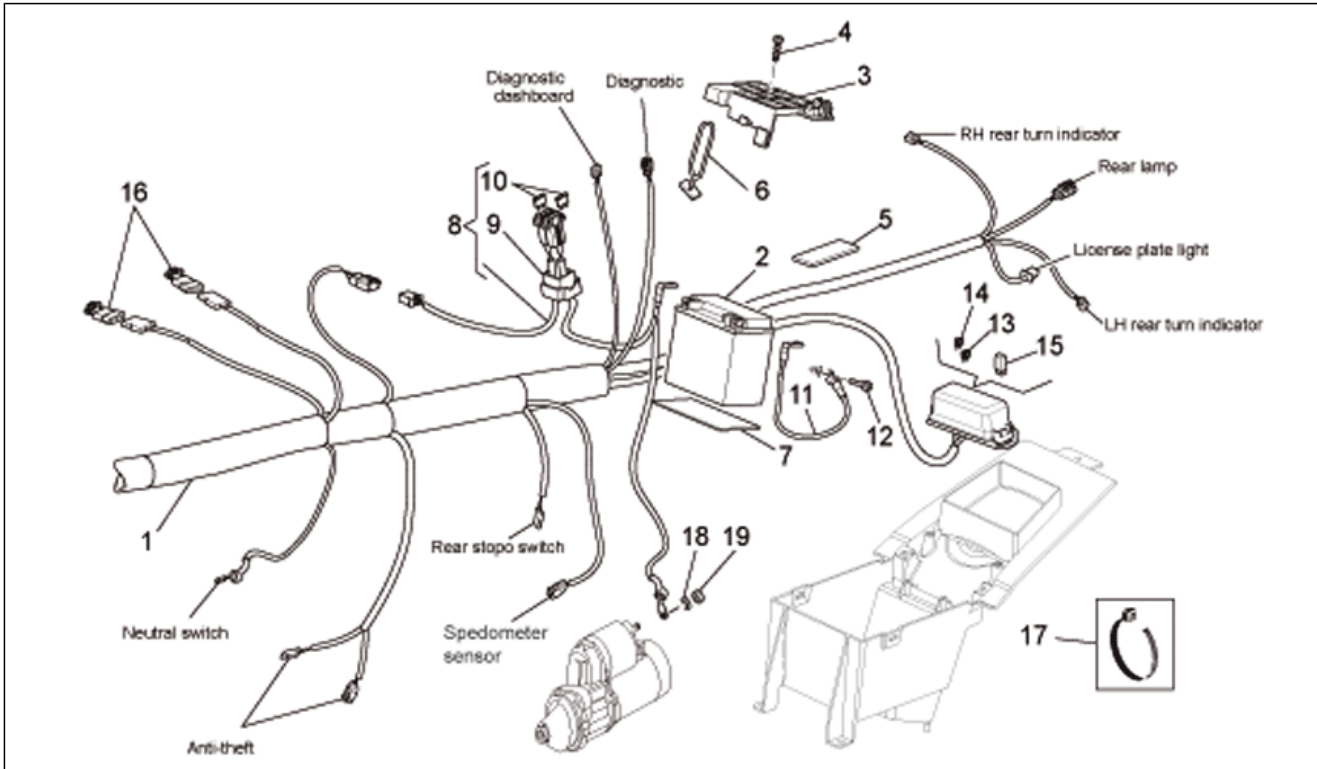
Pos.	Code	Description	Quant	Variants
1	978366	Câblage principal	1	
2	978368	Centrale	1	
3	GU05729230	Douille	2	
4	AP8152279	Vis bride M6x20	2	
5	AP8120030	Caoutchouc	2	
6	AP8221023	Douille en "T"	2	
7	AP8152282	Vis bride M6x35	2	
8	GU05716530	Bobine HT	2	
9	GU98682125	Vis	4	
10	GU95021204	Rondelle	4	
11	978554	Cable HT	2	
12	GU03717450	Pipe bougie	4	Spécifications techniques:Per candela diametro 12 mm[C2]
12	GU06717400	Pipe bougie	4	Spécifications techniques:Per cadela diametro 10mm[C1]
13	GU14717600	Capuchon	4	
14	GU30717061	Bougie NGK BPR6ES	2	
15	977388	Cable HT	2	
16	GU14609650	Collier 3,6x20,6	23	
16	GU49609601	Collier 2,4x92	5	
16	GU93304360	Collier 7,6x380	2	
17	GU05717030	Bougie NGK PMR8B	2	
18	GU01721600	Capteur phase/tours	1	
19	GU90706141	Joint torique	1	
20	GU01722700	Joint 0,3mm	1	
20	GU01722701	Joint 0,4 mm	1	
20	GU01722702	Joint 0,6mm	1	
20	GU01722703	Joint	1	
20	GU01722704	Joint 1mm	1	
20	GU01722705	Joint 1,5mm	1	

Groupe	CHASSIS
Code	33.33
Description	Circuit électrique I
Révision	1



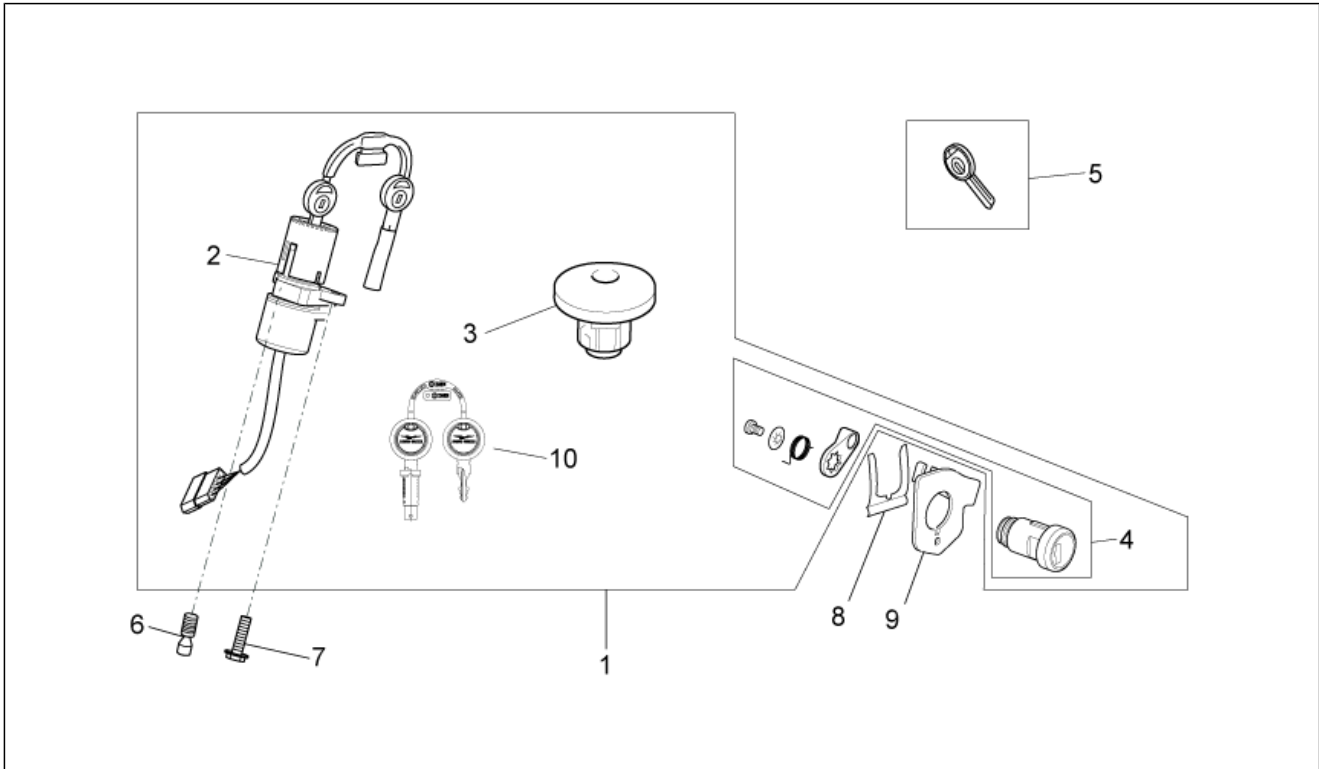
Pos.	Code	Description	Quant	Variants
20	GU29722760	Joint 0,5 mm	1	
21	GU98682212	Vis M5x12	2	
22	GU95008205	Rondelle 5,3x10x0,8	2	
23	GU29729461	Capteur température huile	1	
24	GU03163330	Support détecteur	1	
25	GU95008210	Rondelle 10,2X18X2	1	
26	GU30729330	Détec. temper. air	1	
27	GU30728230	Support détecteur	1	
28	GU98680110	Vis M3x10	2	
29	GU95120033	Rondelle 3,2x5,8x0,8	2	
30	GU92606003	Ecrou M3	2	
31	AP8124936	Détec. temper. air	1	
32	GU90274002	Rondelle pour arbres	2	

Groupe	CHASSIS
Code	33.34
Description	Circuit électrique II
Révision	1



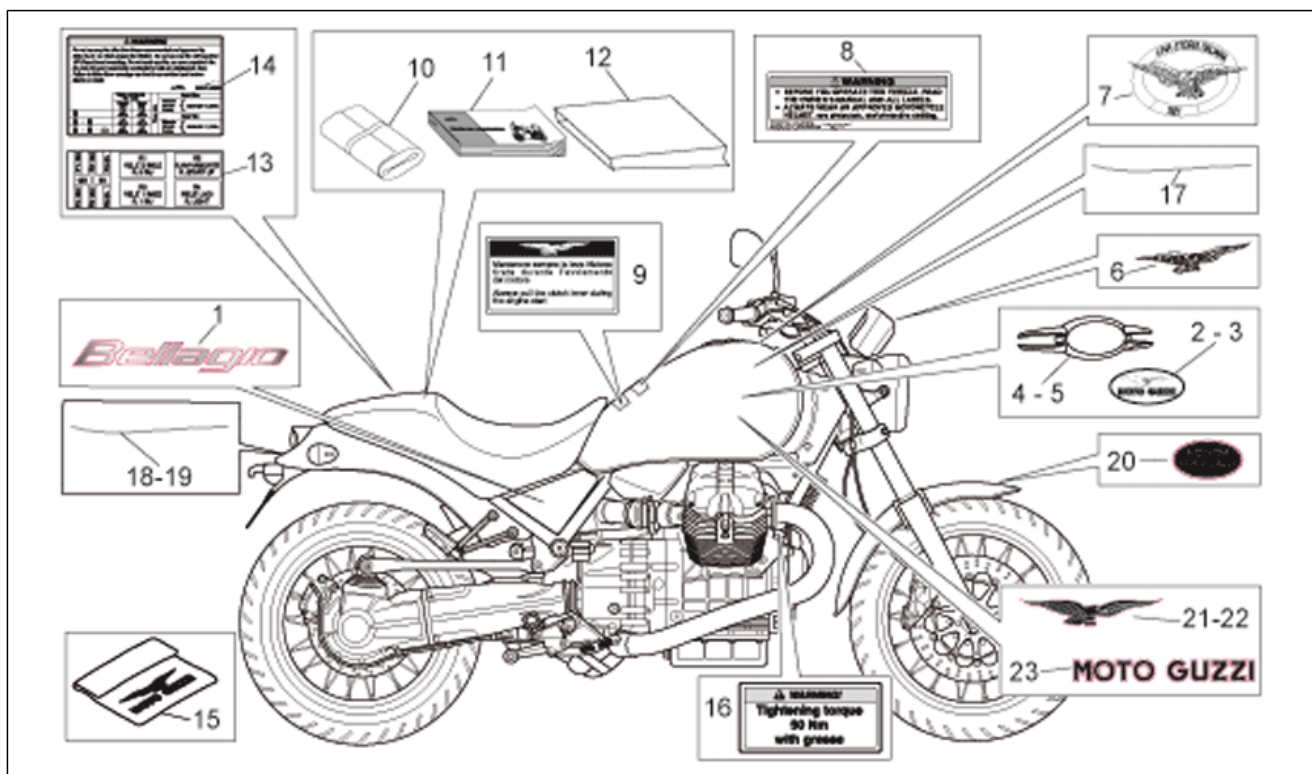
Pos.	Code	Description	Quant	Variants
1	978366	Câblage principal	1	
2	GU05704531	Batterie 12V-20Ah	1	
3	GU05704630	Couvercle batterie	1	
4	AP8152329	Vis SWP crois. brid. M5x20	2	
5	AP8117200	Eponge adhésive	1	
6	AP8120177	Elastique support feu	2	
7	AP8144553	Coautchouc pour support	2	
8	GU05747830	Cablage	1	
9	AP8112811	Caoutchouc p-fusibles	1	
10	GU28742562	Fusible 30A	3	
11	978505	Câblage masse-batterie	1	
12	AP8152277	Vis bride M6x12	1	
13	977769	Fusible 3A	3	
14	977772	Fusible 15A	5	
15	GU01731760	Relais déviat.siem. A1001A403	4	
16	AP8212588	Diode de sécurité	2	
17	GU14609650	Collier 3,6x20,6	23	
17	GU49609601	Collier 2,4x92	5	
17	GU93304360	Collier 7,6x380	2	
18	GU95129131	Rondelle 8,4x15x1,7	1	
19	GU92609408	Ecrou M8x1,25	1	

Groupe	CHASSIS
Code	33.35
Description	Kit serrure
Révision	1



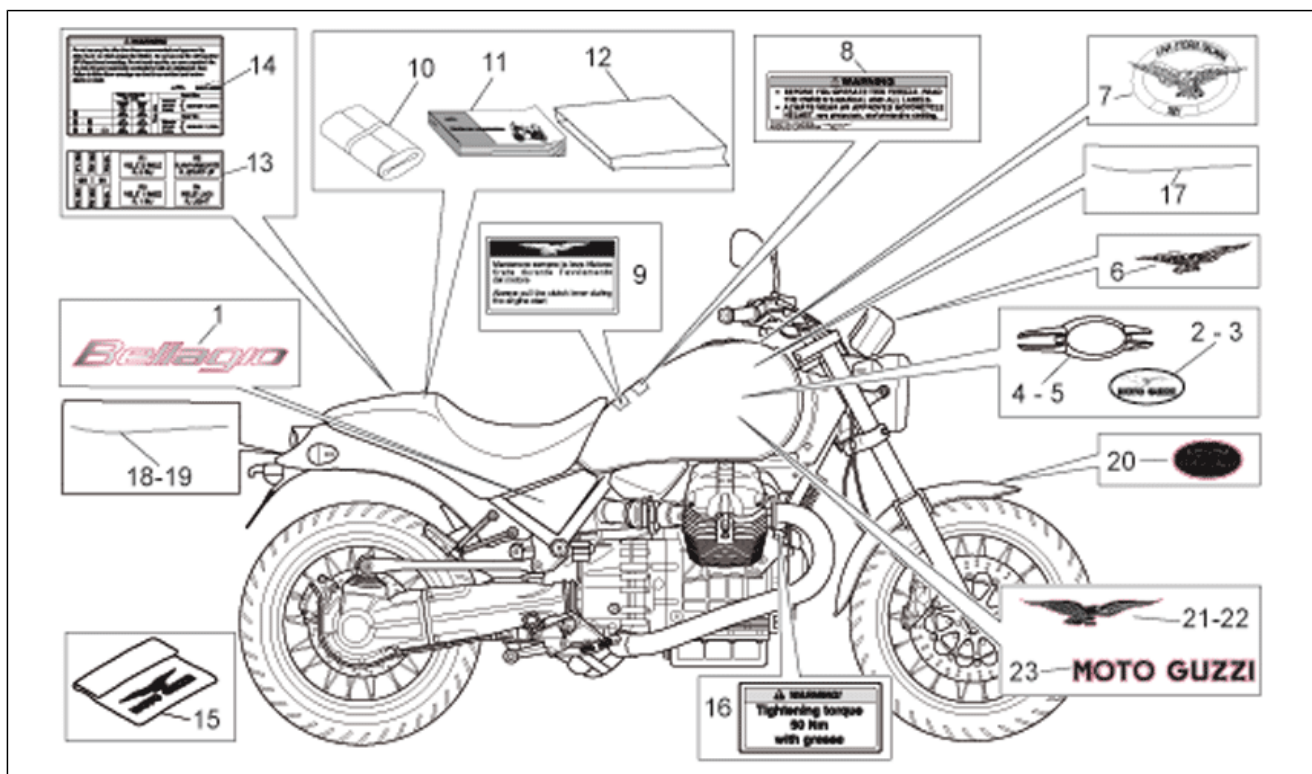
Pos.	Code	Description	Quant	Variants
1	977389	Kit serrures	1	
2	977528	Bloc démarreur-bloc	1	
3	GU32103960	Bouchon réservoir	1	
4	977527	Serratura completa di chiavi	1	
5	GU32735510	Clé pas cantée brut-coque go	1	
5	GU32735511	Clé pas cantée brut-coque cr	1	
6	GU97260415	Vis spéciale M8x15	1	
7	GU98682416	Vis M8x16	1	
8	AP8121420	Ressort à fourche	1	
9	978415	Plaque support câble	1	
10	2D000006	Cilindretto serratura con chiave per tappo benzina	1	

Groupe	CHASSIS
Code	33.36
Description	Plaquettes-decal.
Révision	1



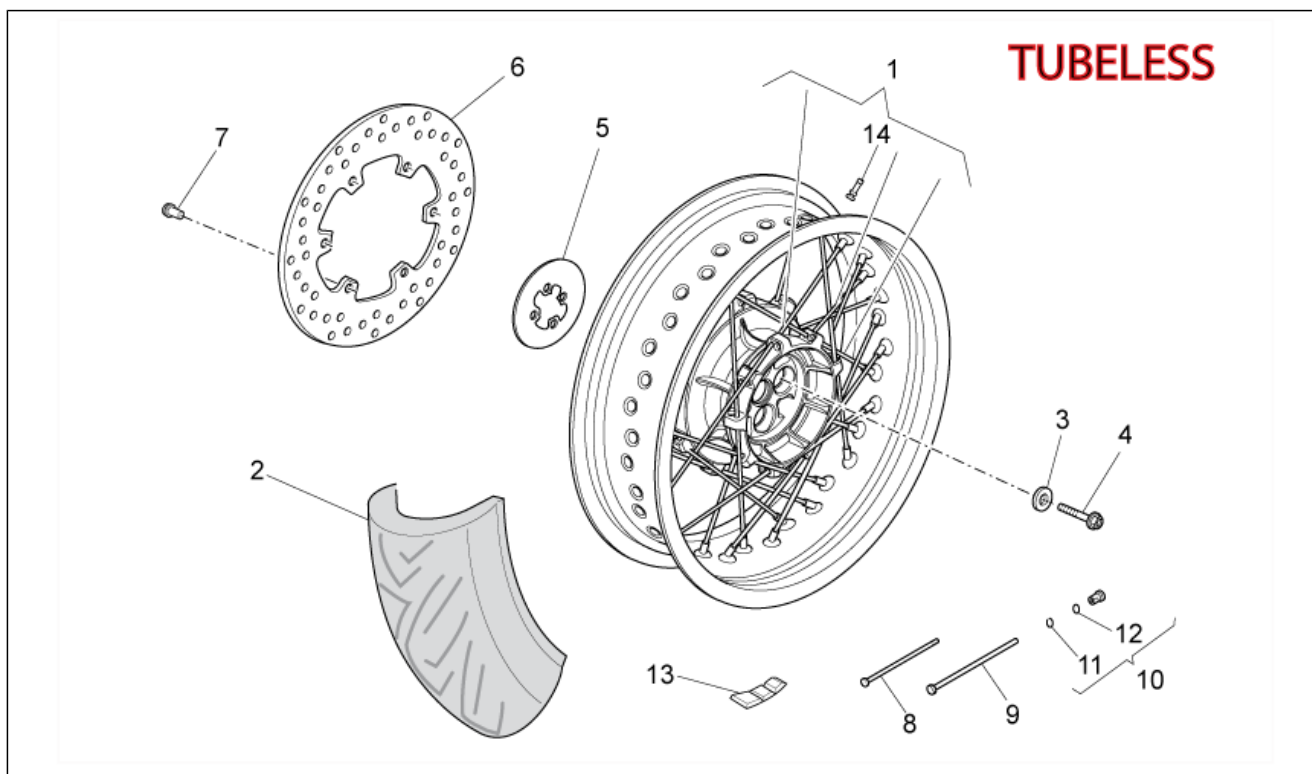
Pos.	Code	Description	Quant	Variants
1	978552	Décalco, noir Bellagio	2	
2	GU06917400	Plaque G.rouge/or AL	1	Année:2007[7], 2008[8]
3	GU06917300	Plaque D.rouge/or AL	1	Année:2007[7], 2008[8]
4	978508	Décalco D.	1	Année:2007[7], 2008[8]
5	978509	Décalco G.	1	Année:2007[7], 2008[8]
6	978551	Décalco "Aquila"	1	
7	GU05917530	Décalco "Italian Story"	1	
8	GU30944300	Décalco "Attention"	1	
9	GU05944930	Décalco Engine Start	1	
10	GU05909930	Trousse à outils	1	
11	978346	Livret d'util.et entret. I-F-D-NL	1	Pays:Australie[AUS], Other country[EU], Japon[J], Angleterre[UK]
12	GU05900130	Sachet pour documents	1	
13	978520	Décalcomanie "schema fusibili"	1	
14	GU05926030	Décalco pression pneus	1	Pays:Australie[AUS], Other country[EU], Japon[J], Angleterre[UK]
15	GU30970200	Housse protect. moto	1	
16	GU05944530	Décalco Warning	1	
17	883269	Silver decal	2	Année:2008[8] Couleur véhicule:Grey/white 2008[gr/wh], red/white 2008[r/wh] Spécifications techniques:Luxury version[LUX]
18	883272	Décalco G.silver	1	Année:2008[8] Couleur véhicule:Grey/white 2008[gr/wh], red/white 2008[r/wh] Spécifications techniques:Luxury version[LUX]
19	883271	Décalco d.silver	1	Année:2008[8] Couleur véhicule:Grey/white 2008[gr/wh], red/white 2008[r/wh] Spécifications techniques:Luxury version[LUX]
20	886141	Décalco "Aquila"	1	Année:2009[9]

Groupe	CHASSIS
Code	33.36
Description	Plaquettes-decal.
Révision	1



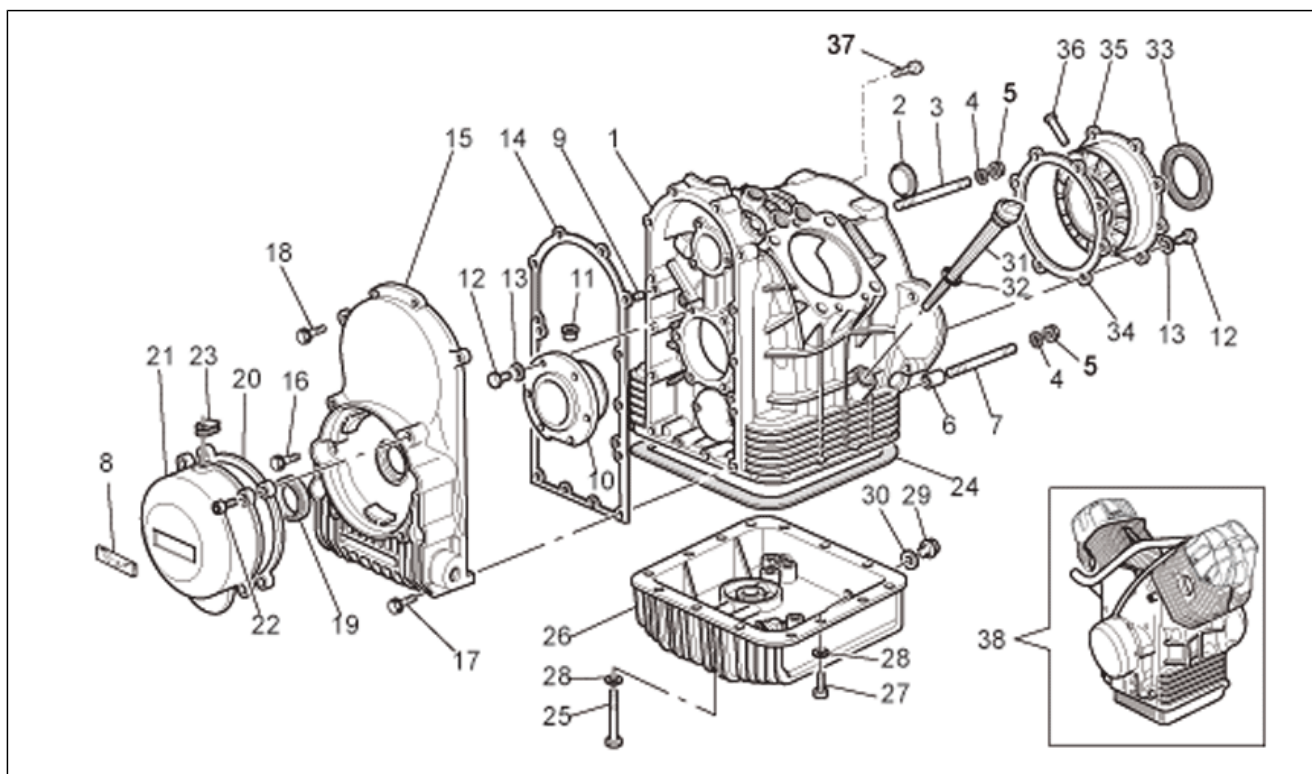
Pos.	Code	Description	Quant	Variants
				Couleur véhicule:Black Eagle 2009[b.eagle]
21	886142	Décalco D. "Aquila Nera"	1	Année:2009[9] Couleur véhicule:Black Eagle 2009[b.eagle]
22	886143	Décalco G. "Aquila Nera"	1	Année:2009[9] Couleur véhicule:Black Eagle 2009[b.eagle]
23	886144	Décalco, noir "Moto Guzzi"	2	Année:2009[9] Couleur véhicule:Black Eagle 2009[b.eagle]
24	886944	Décalco "90 Anni Guzzi"	1	

Groupe	CHASSIS
Code	33.55
Description	Roue arrière II
Révision	1



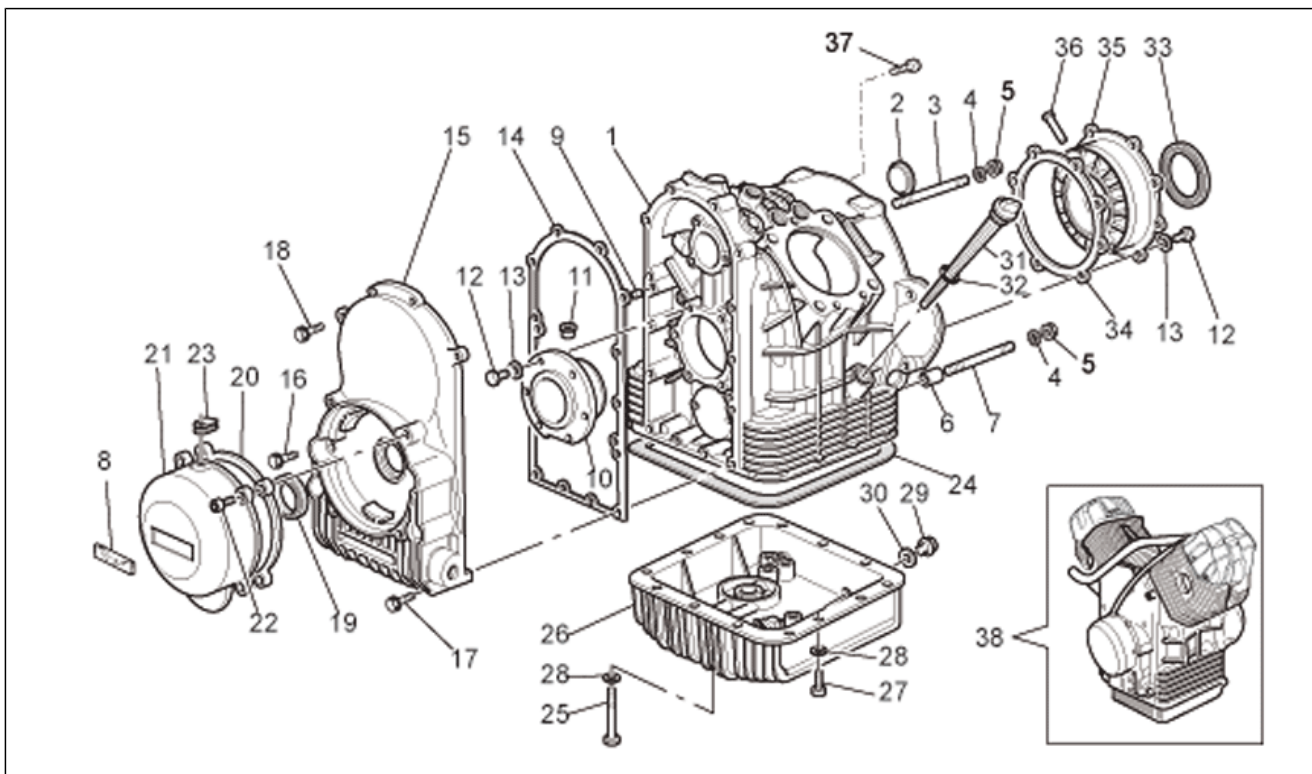
Pos.	Code	Description	Quant	Variants
1	884082	Roue AR rayons	1	Spécifications techniques: Ruota con raggi ZN[RZN], Tubeless[TB]
1	978818	Roue arrière nue 5,5X17"	1	Spécifications techniques: Ruota con raggi CR[RCR], Tubeless[TB]
2	0000000	Pneu s. chambre	0	
3	GU05632730	Douille conique	4	
4	GU97202665	Vis bride M12x65	4	
5	977056	Anneau pare-pouss.	1	
6	GU05635730	Disque frein arrière	1	
7	GU30611460	Vis	6	
8	887082	Rayon court L=147,4mm	18	Spécifications techniques: Cromo Lucido[CR]
8	978815	Rayon court	18	Spécifications techniques: Galvanized[ZN]
9	887083	Rayon long L=154,9mm	18	Spécifications techniques: Cromo Lucido[CR]
9	978816	Rayon long	18	Spécifications techniques: Galvanized[ZN]
10	978810	Nipples L=34	36	
11	978811	Anneau élastique	36	
12	GU90706061	Joint torique OR2025	36	
13	GU14616150	Contrepoids	1	
14	978814	Soupape tubeless	1	
14	AP8101744	Soupape tubeless	1	

Groupe	MOTEUR
Code	34.37
Description	Carter
Révision	1



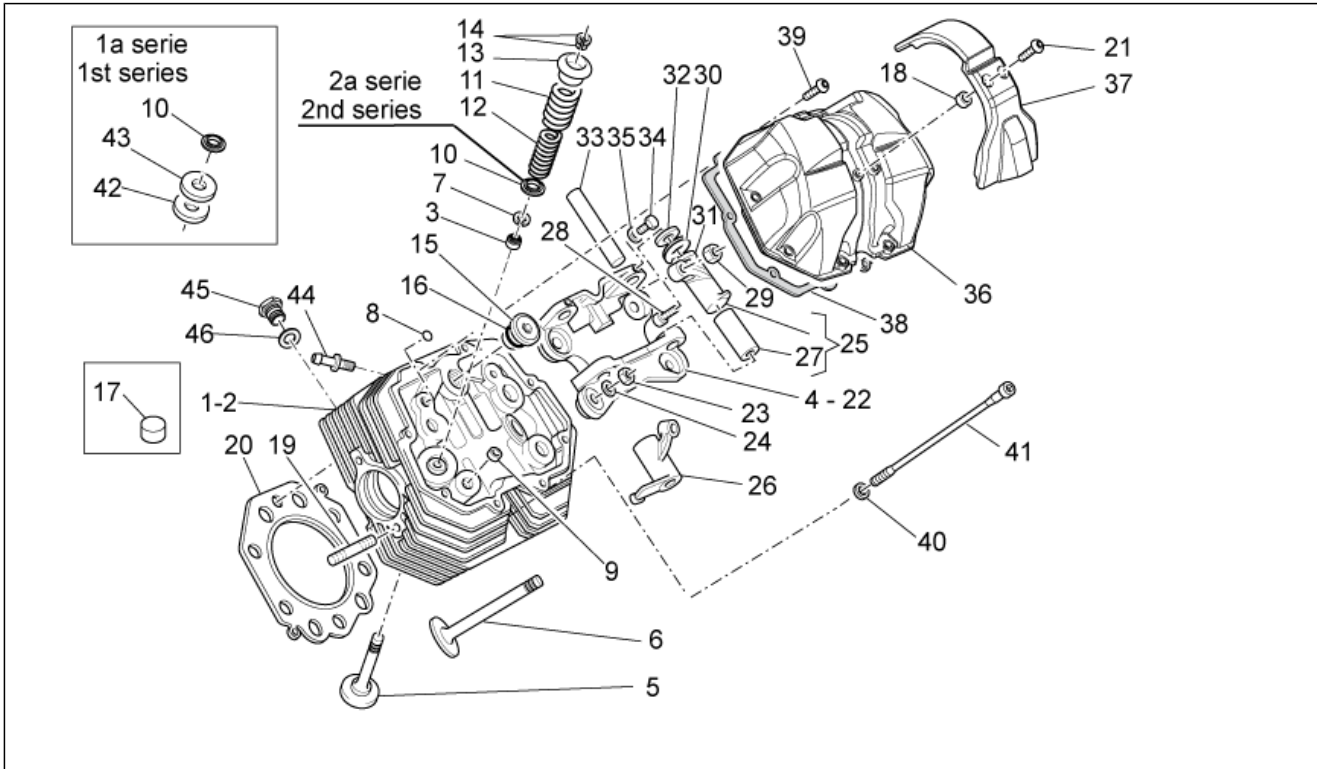
Pos.	Code	Description	Quant	Variants
1	976449	Carter moteur noir	1	
2	GU12003900	Disque	1	
3	GU96508066	Vis sans tête M8X66	3	
4	GU14615901	Rondelle 8,4X13X0,8	5	
5	GU92660021	Ecrou bridé M8	5	
6	GU12018900	Douille d'accouplement	2	
7	GU96508075	Vis sans tête M8x75	2	
8	GU02517700	Étiquette adhésive	1	
9	GU95512081	Goupille	2	
10	GU14011900	Bride complète	1	
10	GU14011901	Bride min.0,2 mm	1	
11	GU12012200	Goupille	1	
12	GU98084425	Vis M8x25	14	
13	GU61270300	Rondelle élastique 8x15x0,3	14	
14	GU05001230	Joint couvercle	1	
15	976450	Couvercle de distribution noir	1	
16	AP8152280	Vis bride M6x25	4	
17	AP8152282	Vis bride M6x35	6	
18	AP8152287	Vis bride M8x25	4	
19	GU90402840	Bague d'étanchéité 28x38x7	1	
20	GU18001150	Bride	1	
21	GU03001600	Couvercle alternateur pol.	1	
22	GU98310631	Vis	4	
23	GU19007700	Caoutchouc	1	
24	GU14003600	Garniture de enjoliveur	1	
25	GU98082390	Vis	4	
26	976451	Carter huile noir	1	
27	GU98682325	Vis M6x25	14	

Groupe	MOTEUR
Code	34.37
Description	Carter
Révision	1



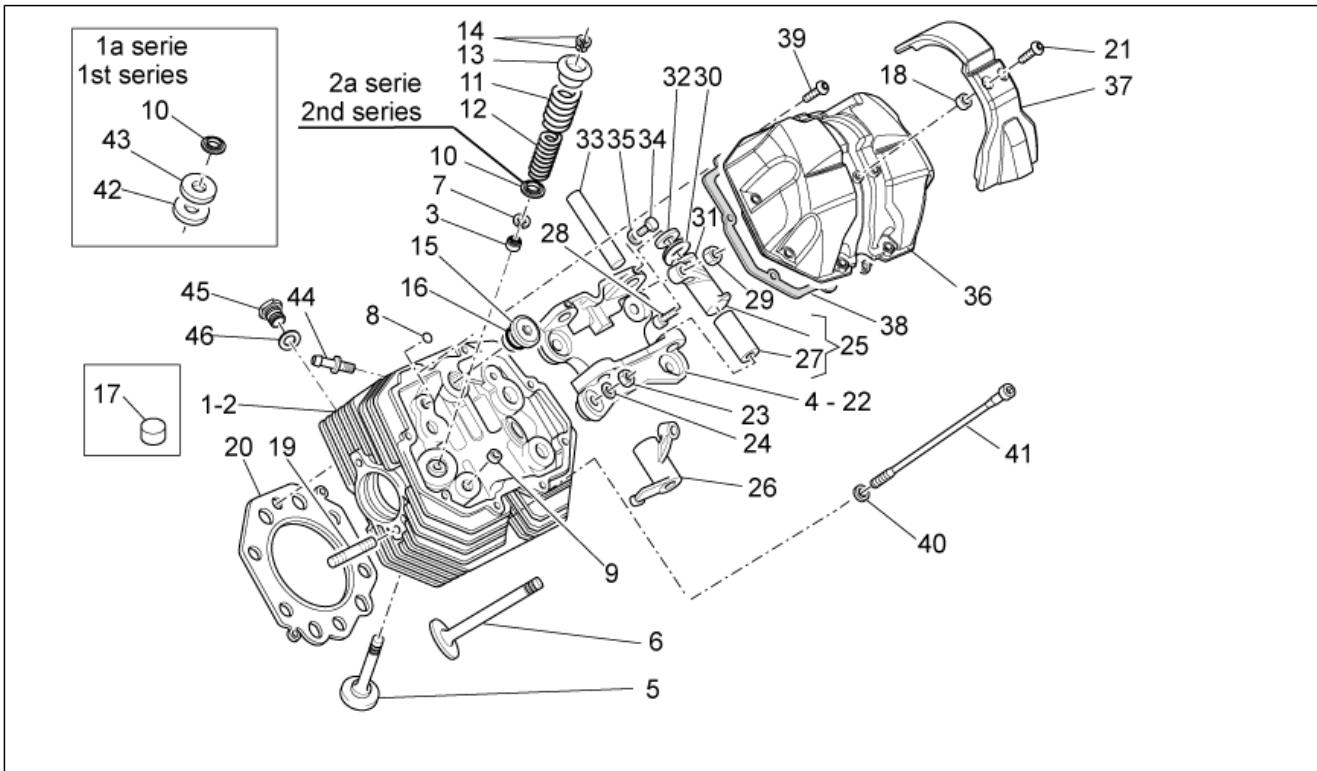
Pos.	Code	Description	Quant	Variants
28	GU95008206	Rondelle 6,15x11x0,8	18	
29	GU12003702	Bouchon vid.huile	1	
30	GU95100709	Joint 20,1x28x2	1	
31	GU30004910	Bouchon huile	1	
32	GU90706178	Joint torique 17,86X2,62	1	
33	GU90405367	Bague d'étanchéité	1	
34	GU05011830	Joint	1	
35	GU12011400	Bride complète	1	
35	GU12011401	Bride min.0,2 mm	1	
35	GU12011402	Bride min.0,4 mm	1	
35	GU12011403	Bride min.0,6 mm	1	
36	GU12011700	Goupille	1	
37	AP8152291	Vis bride	1	
38	976923	Moteur noir	1	

Groupe	MOTEUR
Code	34.38
Description	Culasse et soupapes
Révision	1



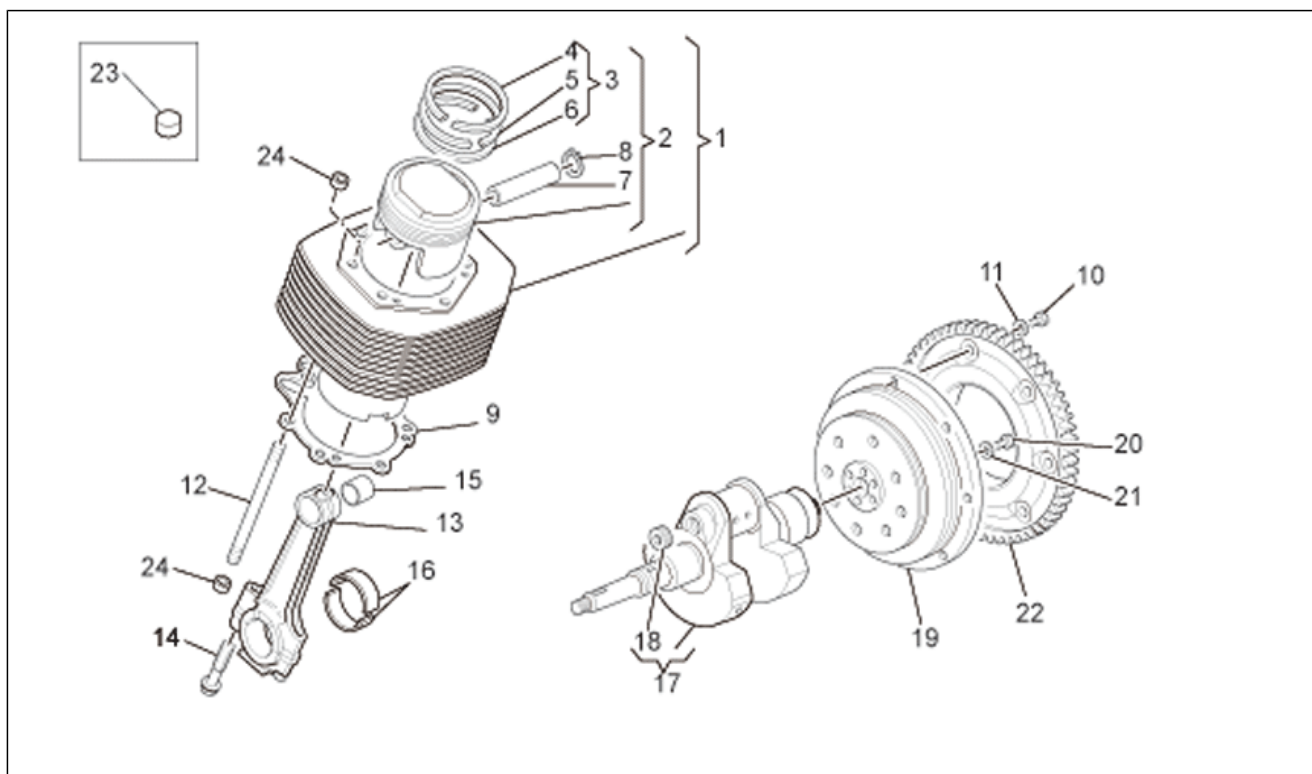
Pos.	Code	Description	Quant	Variants
1	976079	Tête d.guides soupapes gris	1	
2	976080	Tête g.guides soupapes gris	1	
3	976107	Joint spi guide-soupape D8	4	
4	976152	Support culbuteur D	1	
5	GU05036131	Soupape d'échappement	2	
6	GU05036030	Soupape d'admission	2	
7	GU90353016	Anneau élastique	4	
8	224202	Joint torique 8,73x1,78-viton	4	
9	825597	Goupille 11,8X10	4	
10	976181	Coupelle inférieure 14,2x32x7	4	Spécifications techniques:2nd Serie[2A]
10	GU01037030	Coupelle inférieure 14,2x32x5	4	Spécifications techniques:1st Serie[1A]
11	GU37037405	Ressort externe	4	
12	GU37037605	Ressort interne	4	
13	GU01038060	Coupelle supérieur	4	
14	GU01038160	Demi-clavette soupape	8	
15	GU12022600	Bouchon huile	2	
16	GU90706203	Joint torique 20,24X2,62	2	
17	GU05025331	Caoutchouc	18	
18	GU32116810	Douille 6,8x8,8x9,8	4	
19	GU96508040	Vis sans tête	4	
20	976052	Joint	2	
21	AP8152298	Vis bride M5x16	4	
22	976153	Support culbuteur G	1	
23	GU92603010	Ecrou M10X1,5	10	
24	GU14018400	Rondelle 10,5X21X1	10	
25	GU14030201	Culbuteur d.complet	2	
26	GU14030401	Culbuteur g.complet	2	
27	GU91111511	Douille 15x18x43	4	

Groupe	MOTEUR
Code	34.38
Description	Culasse et soupapes
Révision	1



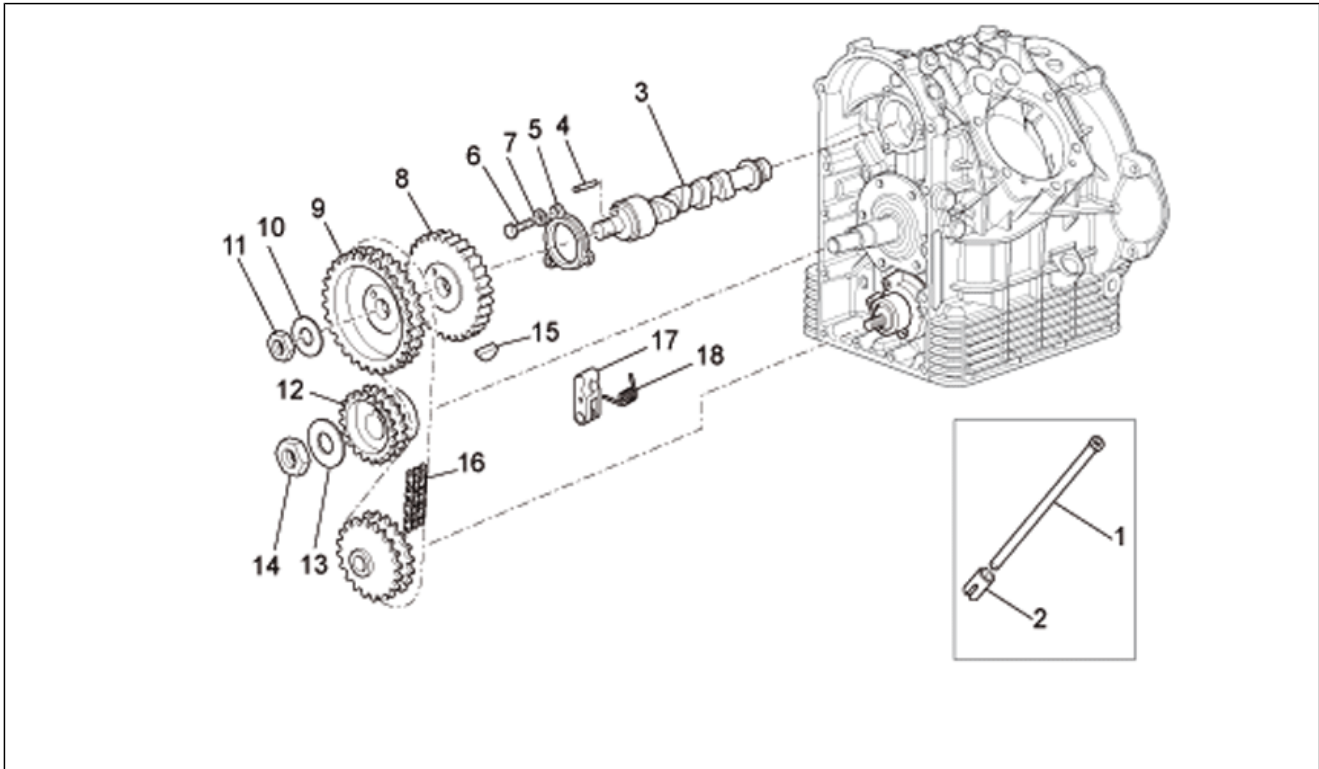
Pos.	Code	Description	Quant	Variants
28	GU17034050	Vis embrayage	4	
29	GU10034100	Ecrou	4	
30	GU94322215	Ressort	4	
31	GU90118152	Rondelle 15,2x26x1	8	
32	GU10032700	Rondelle 15,2x26x0,5	4	
33	GU12031800	Axe culbuteur	4	
34	GU98084316	Vis	4	
35	GU95120065	Rondelle 6,5x11x2	4	
36	976095	Couvercle tête droit/gauc.gris	2	
37	GU05023430	Insert	2	
38	976139	Joint couvercle	2	
39	GU05025930	Vis M6x25	16	
40	GU95129180	Rondelle 10,5X18X0,8	4	
41	976144	Vis	4	
42	GU13037200	Rondelle 14,2x31x1	4	Spécifications techniques:1st Serie[1A]
43	GU14037300	Rondelle 14,2x31x0,3	10	Spécifications techniques:1st Serie[1A]
44	GU32023910	Racc.renifl. culasse	2	
45	976068	Bouchon	2	
46	969973	Rondelle	2	

Groupe	MOTEUR
Code	34.39
Description	Arbre moteur cpl.
Révision	1



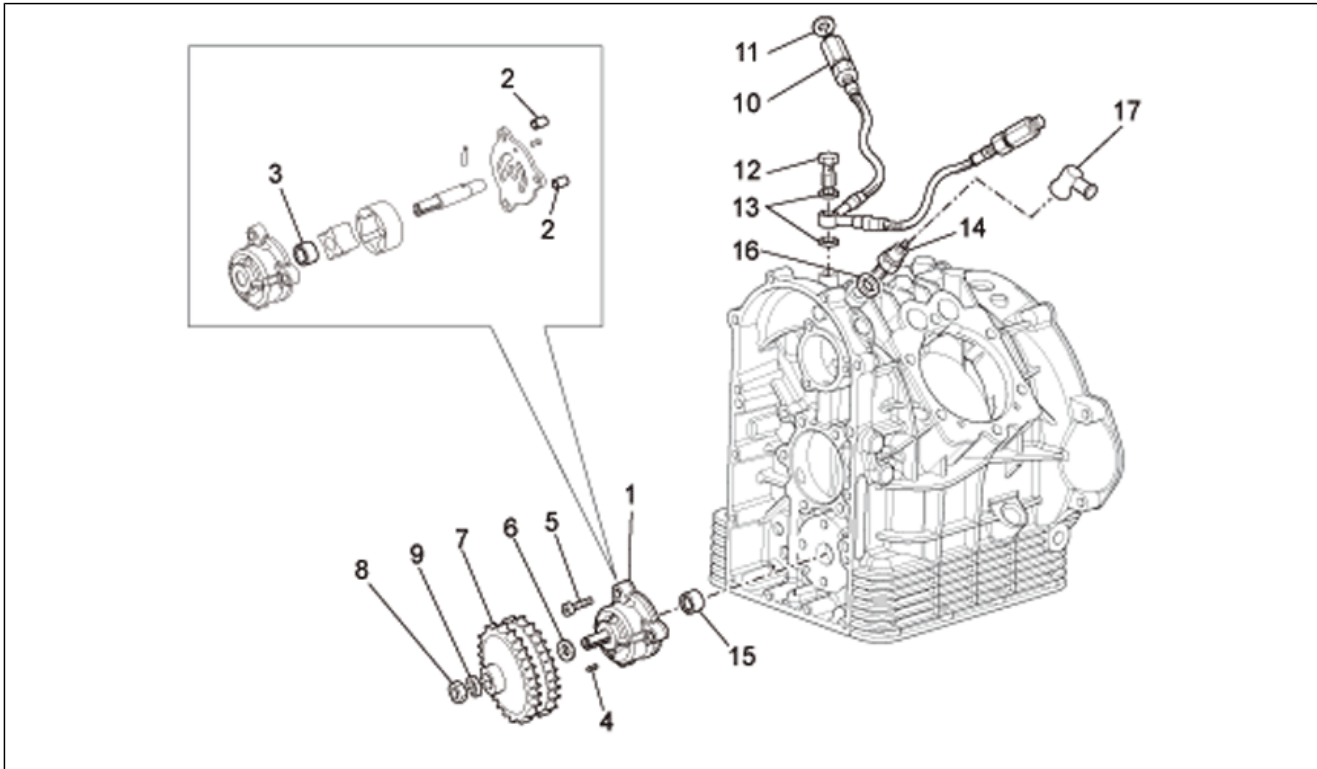
Pos.	Code	Description	Quant	Variants
1	981002	Cylindre av.piston cpl.	2	
2	976371	Piston cpl. D.95	2	
3	976183	Ensemble de segments	2	
4	976070	Segment d'étanchéité	2	
5	976071	Segment d'étanchéité	2	
6	976072	Segment d'étanchéité	2	
7	GU30061241	Axe	2	
8	GU90351039	Bague de butée	4	
9	976064	Joint	2	
10	GU37067705	Vis	8	
11	GU14217901	Rondelle 6,4x10x0,7	8	
12	976031	Vis sans tête	8	
13	976006	Bielle cpl.	2	
14	849131	Vis bielle	4	
16	976171	Demi-coussinet 1,539-1,544	4	Spécifications techniques:Segno blu[BS]
16	976172	Demi-coussinet 1,535-1,540	4	Spécifications techniques:Segno rosso[RS]
17	976425	Arbre moteur cpl.	1	
18	976020	Bouchon	1	
19	GU04067000	Volant cpl.	1	
20	976481	Vis bride M8x25	6	
21	976484	Rondelle élas.con. 8,2X15	6	
22	GU01067930	Couronne	1	
23	GU05025330	Caoutchouc	54	
24	825597	Goupille 11,8X10	6	

Groupe	MOTEUR
Code	34.40
Description	Distribution
Révision	1



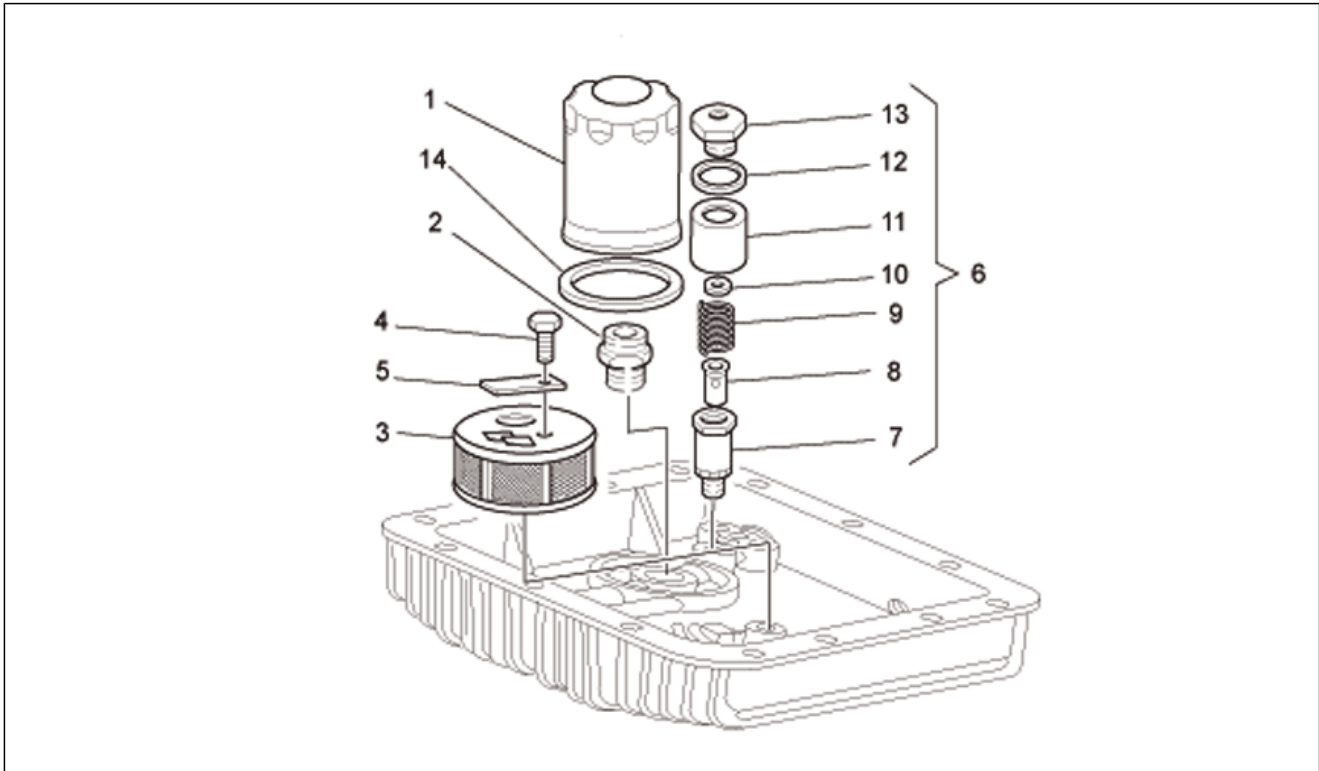
Pos.	Code	Description	Quant	Variants
1	GU37045006	Culbuteur tige	4	
2	GU17045860	Poussoir	4	
3	GU05053331	Arbre à cames	1	
4	GU14234600	Goupille	1	
5	GU01054001	Bride	1	
6	GU98084320	Vis M6x20	3	
7	GU95120065	Rondelle 6,5x11x2	3	
8	GU01051730	Wheel speed sensor, LH front	1	
9	GU05054532	Engrenage distribution	1	
10	GU14433400	Rondelle élastique 19x34x1,5	1	
11	GU92750180	Ecrou M18	1	
12	GU14072001	Pignon	1	
13	GU95100837	Rondelle 25,5x35x2	1	
14	GU92602525	Ecrou M25	1	
15	GU91702355	Clavette	1	
16	GU05058030	Chaîne	1	
17	GU30058310	Galet guide-chaîne	1	
18	GU30059211	Ressort	1	

Groupe	MOTEUR
Code	34.41
Description	Pompe huile
Révision	1



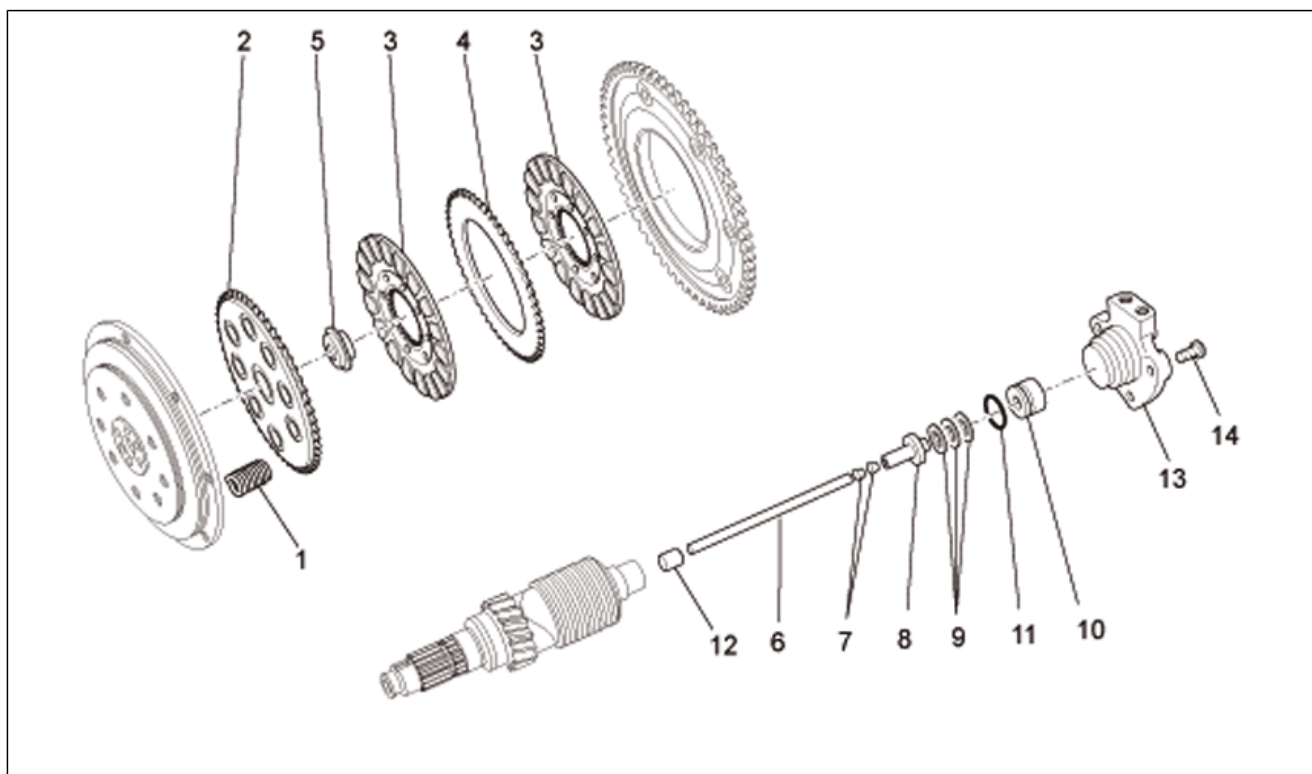
Pos.	Code	Description	Quant	Variants
1	976134	Pompe huile	1	
2	277916	Grain de référence	2	
3	976165	Cage à rouleaux 12x18x12	1	
4	GU13148300	Clavette	1	
5	GU98350330	Vis M6x30	3	
6	976448	Butée	1	
7	GU30147700	Engrenage pompe huile	1	
8	GU92602510	Ecrou M10x1,25	1	
9	GU19149800	Rondelle 10,5x16x1	1	
10	GU05153630	Tuyau	1	
11	GU25656102	Garniture	2	
12	GU95990037	Vis	1	
13	GU12154200	Joint 8,25x15x1	2	
14	GU31768780	Détecteur pression	1	
15	976168	Cage à rouleaux 10x14x12	1	
16	GU12006400	Garniture 12,25	1	
17	976688	Pressure oil sensor cap	1	

Groupe	MOTEUR
Code	34.42
Description	Filtres à huile
Révision	1



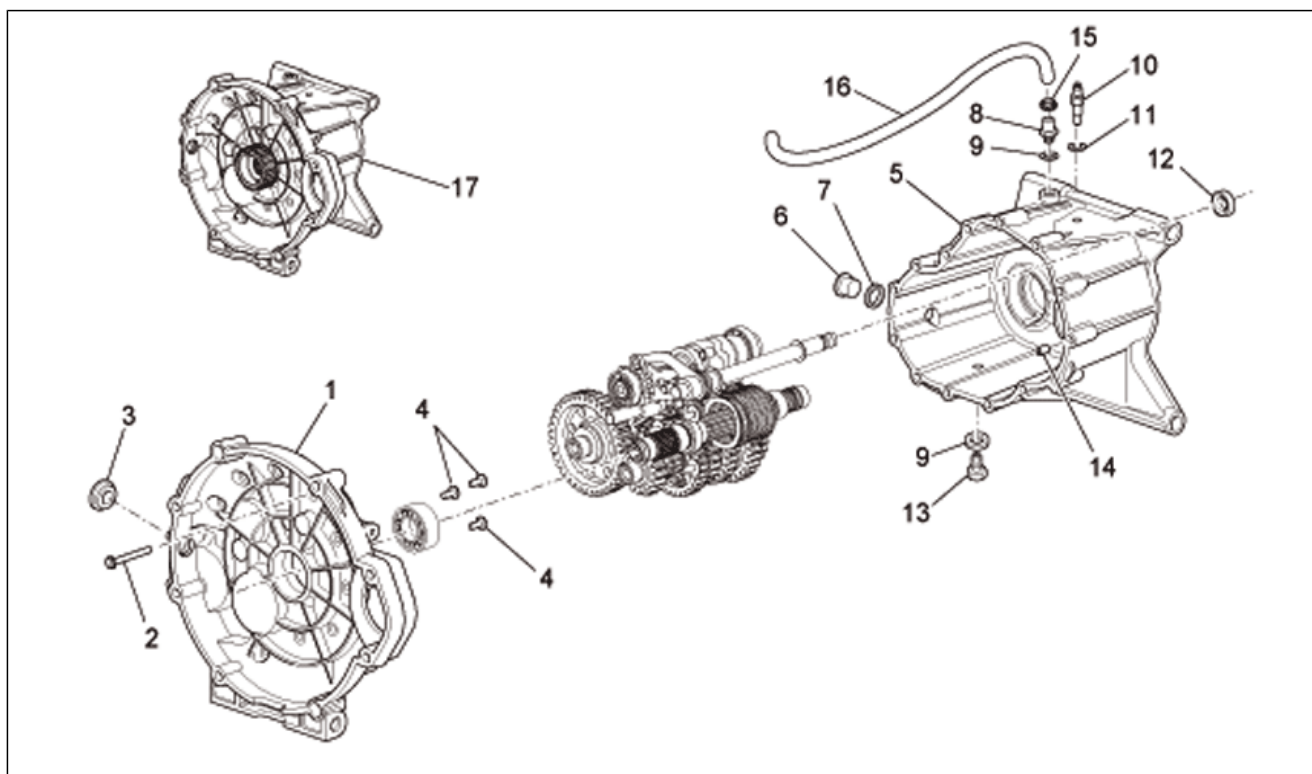
Pos.	Code	Description	Quant	Variants
1	GU30153000	Filtre à huile	1	
2	GU30003800	Raccord filtre huile	1	
3	GU14152200	Filtre à huile	1	
4	GU98084316	Vis	1	
5	GU95187006	Plaquette	1	
6	GU03158200	Soupape huile complète	1	
7	GU30158701	Corps de soupape	1	
8	GU30150900	Piston	1	
9	GU94321079	Ressort	1	
10	GU30158900	Rondelle	1	
11	GU30158800	Rondelle	1	
12	GU18144350	Rondelle 18,25x24x1	1	
13	GU30159000	Bouchon	1	
14	981115	Joint	1	Spécifications techniques: Rif. Comunicazione tecnica n°... [CT1]

Groupe	MOTEUR
Code	34.43
Description	Embrayage
Révision	1



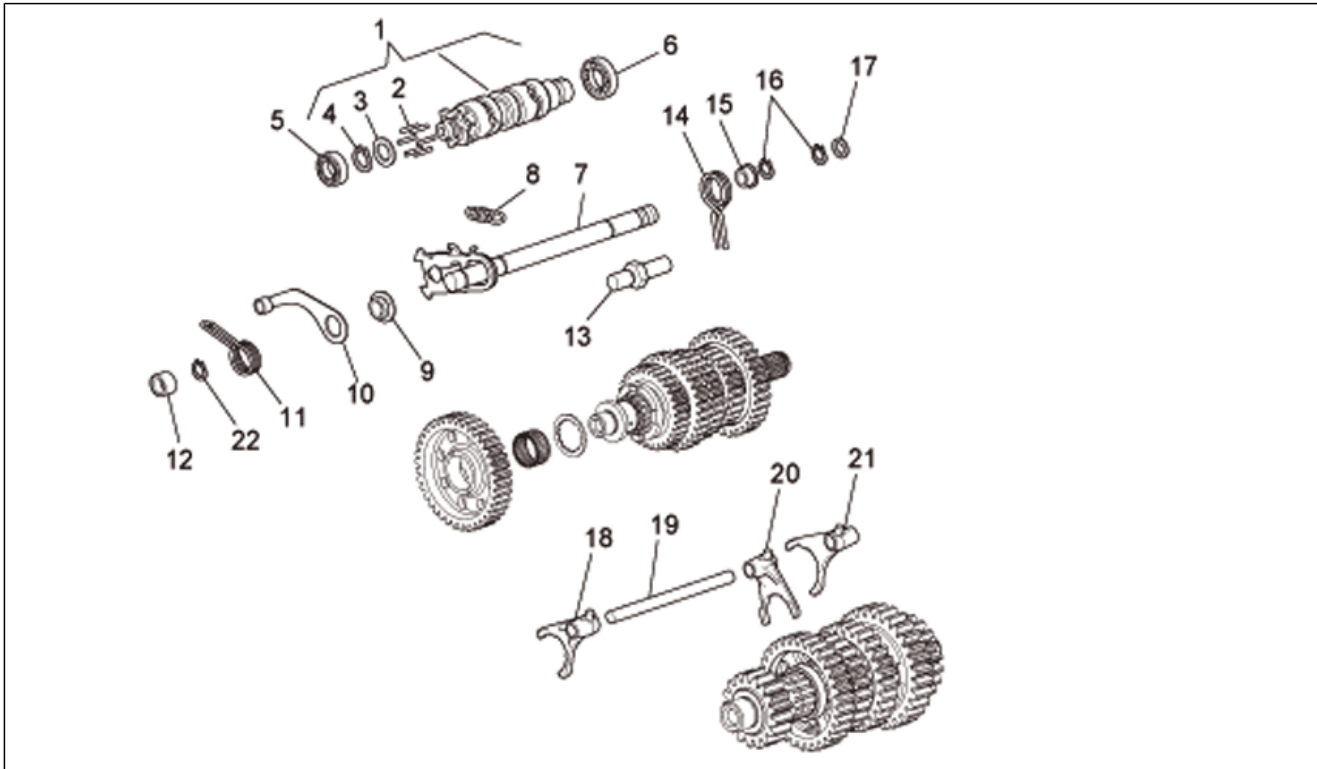
Pos.	Code	Description	Quant	Variants
1	GU04084100	Ressort embrayage	5	
1	GU13084100	Ressort embrayage	5	Spécifications techniques:Segno rosso[RS]
2	GU30082900	Disque	1	
3	GU05084430	Disque embr.compl.	2	
4	GU12082300	Disque interclaire	1	
5	GU04082800	Rondelle	1	
6	GU05085730	Tige	1	
7	GU14085900	Douille	2	
8	GU14086000	Corps intérieur	1	
9	GU12087001	Palier poussée	1	
10	GU04086100	Cylindre commande embrayage	1	
11	GU90706170	Joint torique 17,13x2,62	1	
12	GU05217630	Douille	1	
13	GU05086330	Cylindre comm. embr.	1	
14	AP8152278	Vis bride M6x16	3	

Groupe	MOTEUR
Code	34.44
Description	Cartier de boîte vitesses
Révision	1



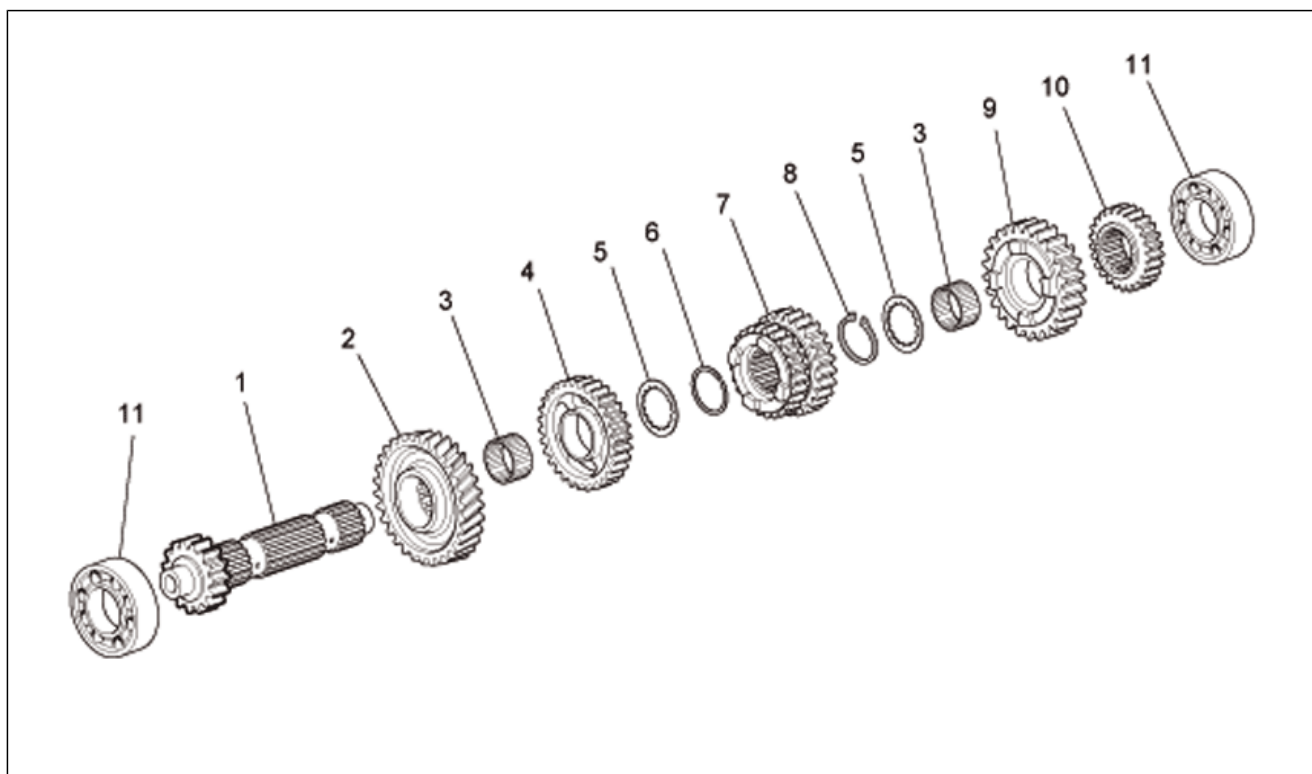
Pos.	Code	Description	Quant	Variants
1	976453	Cloche embrayage nero	1	
2	GU97202355	Vis bride M6x55	14	
3	GU93180220	Bouchon	1	
4	GU98370616	Vis M6x16 inox	3	
5	976452	Boîte vitesses noir	1	
6	GU95980319	Bouchon huile M18x1,5	1	
7	GU18144350	Rondelle 18,25x24x1	1	
8	GU05204930	Bouchon purge	1	
9	GU01528930	Joint 10x18x1,5	2	
10	GU19207220	Capteur	1	
11	B063025	Guarnizione 8,7x14,2x1,3	1	
12	GU90401424	Bague d'étanchéité 14x24x7	1	
13	GU31003766	Bouchon vid.huile M10x1	1	
14	GU19002020	Douille 6,6x9x13	2	
15	AP8101595	Collier D10,1	1	
16	AP8120952	Tuyau essence 5,5x10	1	
17	976926	Boîte de vitesses cpl.	1	

Groupe	MOTEUR
Code	34.45
Description	Selecteur boîte de vitesses
Révision	1



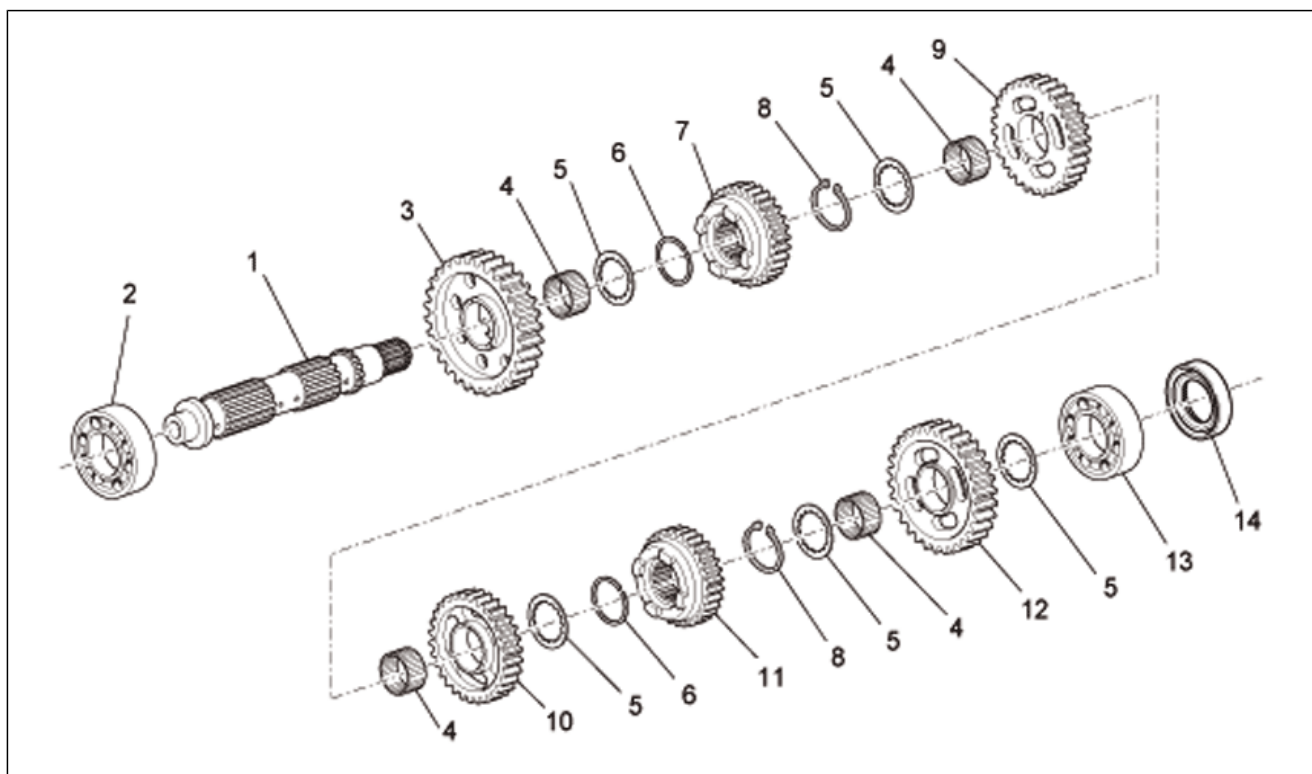
Pos.	Code	Description	Quant	Variants
1	GU05234431	Desmodromique cpl.	1	
2	GU05234631	Tige	6	
3	GU05235531	Cale	1	
4	GU90271022	Bague seeger	1	
5	GU92201117	Roulement à billes 17x35x10	1	
6	GU92201025	Roulement à billes 25x42x9	1	
7	GU05236231	Preselecteur complet	1	
8	GU05238231	Ressort	1	
9	GU05238431	Douille	1	
10	GU05234731	Levier Index	1	
11	GU05234130	Ressort	1	
12	GU05234230	Entretoise	1	
13	GU05234931	Pivot fixation	1	
14	GU05238331	Ressort	1	
15	GU05238131	Entretoise	1	
16	GU90271014	Bague seeger	2	
17	GU05239330	Butée	1	
18	GU05230531	Fourchette 1a-3a	1	
19	GU05232431	Axe de fourchette	1	
20	GU05232631	Fourchette 5a-6a	1	
21	GU05230831	Fourchette 2a-4a	1	
22	GU90353014	Bague seeger	1	

Groupe	MOTEUR
Code	34.46
Description	ARBRE PRIMAIRE BOITE DE VITESSES
Révision	1



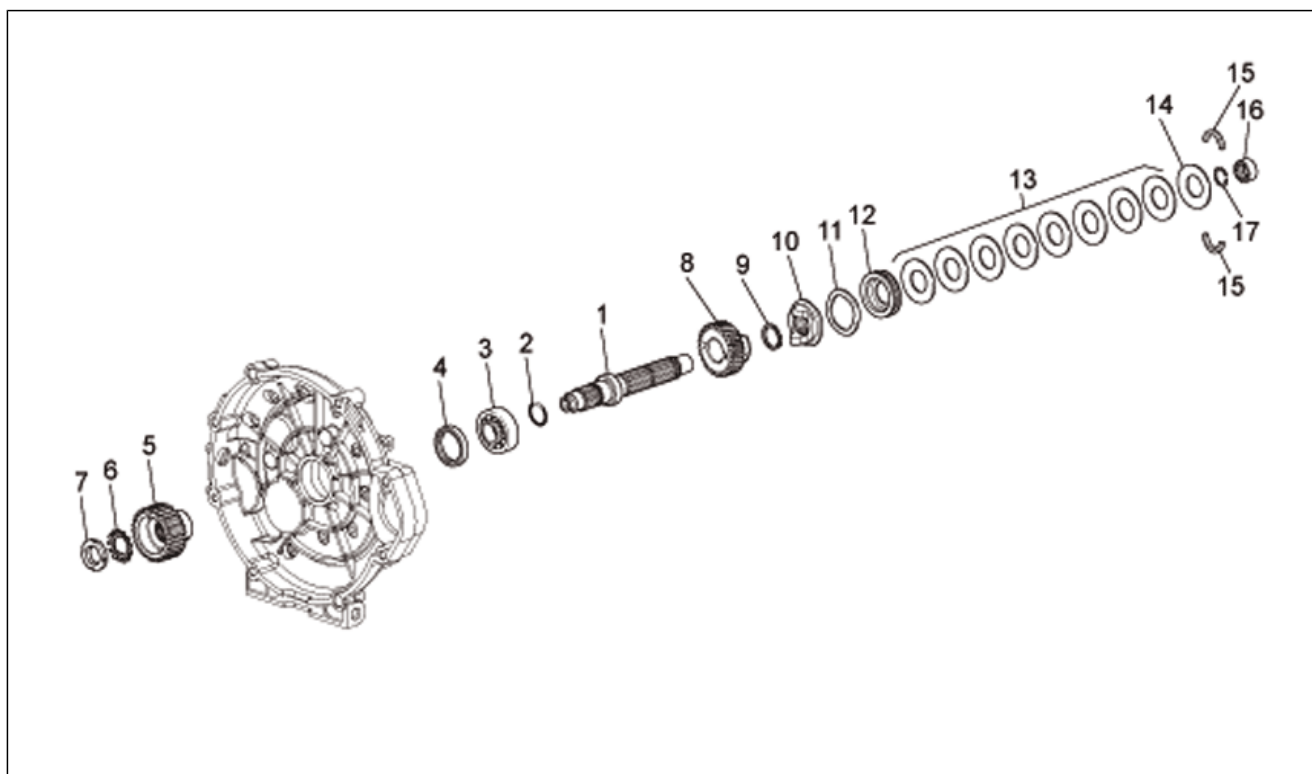
Pos.	Code	Description	Quant	Variants
1	GU05210631	Arbre primaire Z=17	1	
2	GU06215600	Engrenages transm. Z=35	1	
3	GU92252029	Cage à rouleaux 26x30x15,6	2	
4	GU05212031	Engrenage 5a Z=31	1	
5	GU05214630	Rondelle d'appui	2	
6	GU90271230	Anneau élastique 30x1,2SW	1	
7	GU05211431	Engrenage 3a-4a Z=23-26	1	
8	GU90271030	Anneau élastique 30x27,9	1	
9	GU05212631	Engrenage 6a Z=29	1	
10	GU05211331	Engrenage 2a Z=20	1	
11	GU92201822	Roulement à billes 20x52x15	2	

Groupe	MOTEUR
Code	34.47
Description	Arbre secondaire
Révision	1



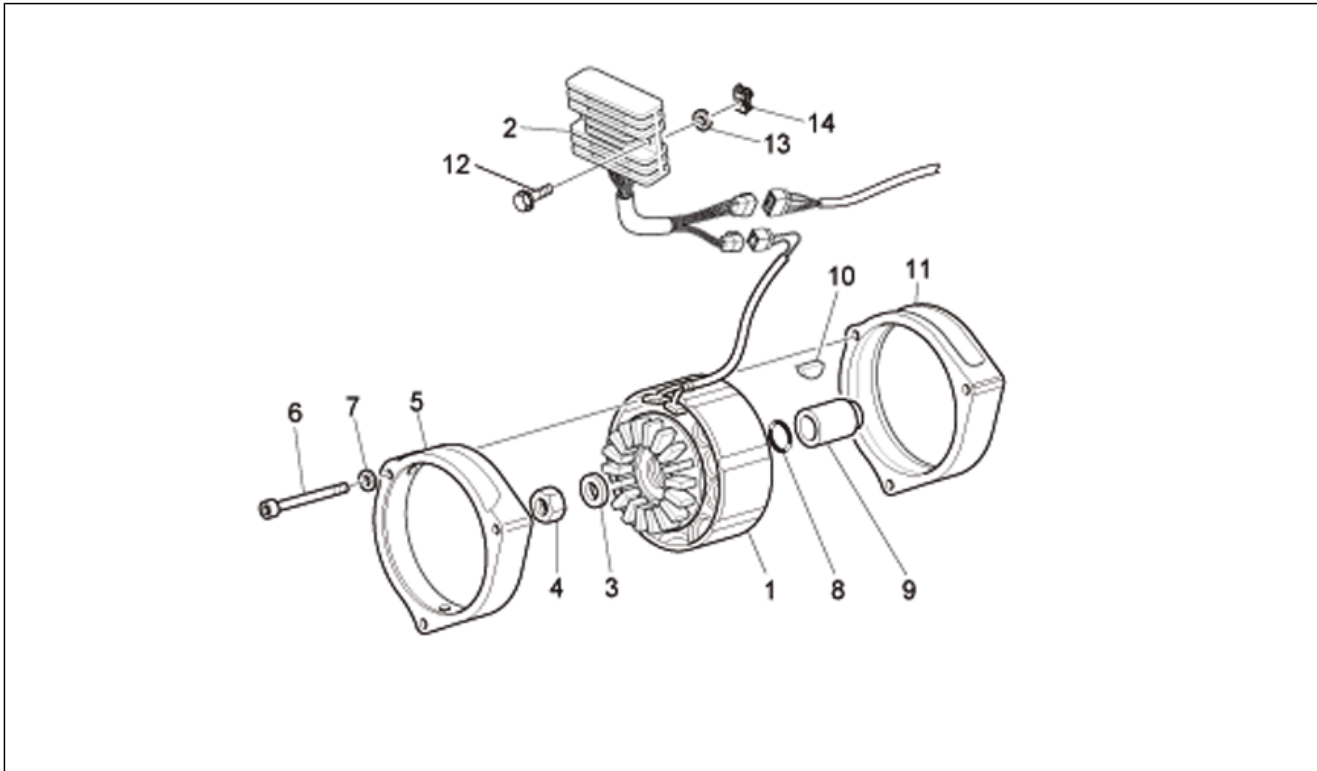
Pos.	Code	Description	Quant	Variants
1	GU05213631	Arbre secondaire	1	
2	GU92201822	Roulement à billes 20x52x15	1	
3	GU05214231	Engrenage 1a Z=38	1	
4	GU92252029	Cage à rouleaux 26x30x15,6	4	
5	GU05214630	Rondelle d'appui	5	
6	GU90271230	Anneau élastique 30x1,2SW	2	
7	GU05214031	Engrenage 5a Z=30	1	
8	GU90271030	Anneau élastique 30x27,9	2	
9	GU05214731	Engrenage 3a Z=31	1	
10	GU05215031	Engrenage 4a Z=29	1	
11	GU05220531	Engrenage 6a Z=25	1	
12	GU05214431	Engrenage 2a Z=34	1	
13	GU92201226	Roulement à billes 25x52x15	1	
14	GU90412541	Bague d'étanchéité 25X40X7	1	

Groupe	MOTEUR
Code	34.48
Description	Arbre embrayage
Révision	1



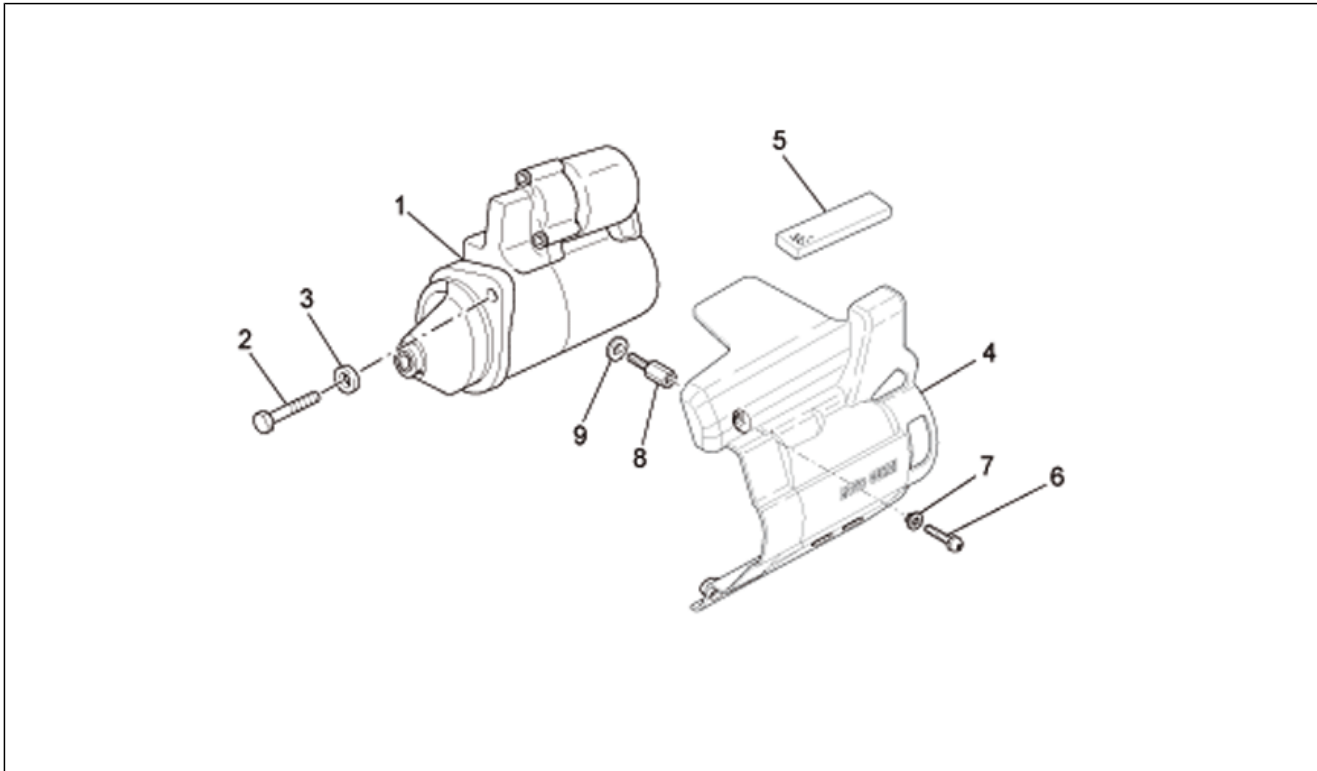
Pos.	Code	Description	Quant	Variants
1	GU05210731	Arbre embrayage	1	
2	GU90706203	Joint torique 20,24X2,62	1	
3	GU92201226	Roulement à billes 25x52x15	1	
4	GU90403549	Bague d'étanchéité 35x47x7	1	
5	GU05081830	Pignon embrayage	1	
6	GU95028022	Rondelle 22x20x3,9	1	
7	GU93601022	Bague	1	
8	GU06211100	Pignon interméd. Z=24	1	
9	GU90271125	Anneau élastique 25x2	1	
10	GU05211231	Manchon	1	
11	GU95129340	Rondelle	3	
12	GU05211030	Disque	1	
13	GU05211530	Ressort à godet	8	
14	GU05211630	Disque	1	
15	GU12211700	Demi-clavettes	2	
16	GU92232028	Roulement à rouleaux 20x28x13	1	
17	GU90272028	Anneau élastique 28x30,1	1	

Groupe	MOTEUR
Code	34.49
Description	Générateur de courant
Révision	1



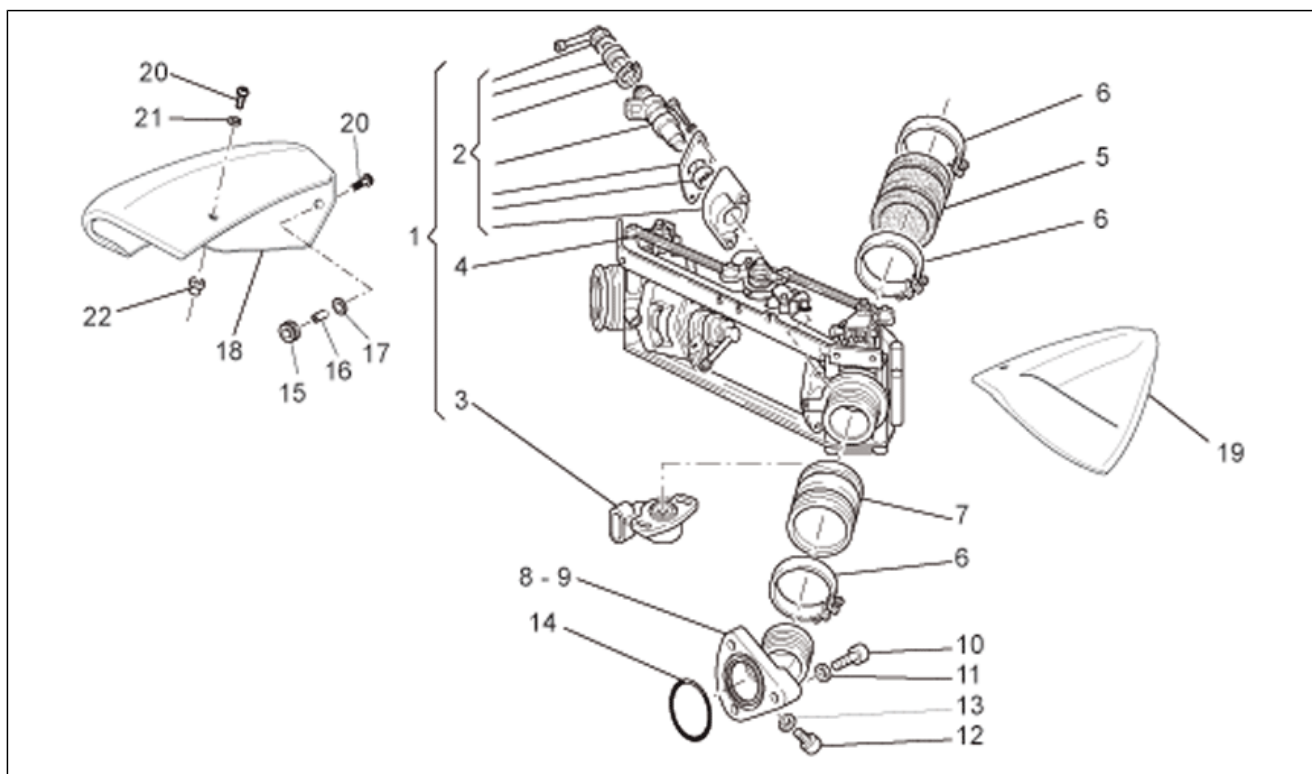
Pos.	Code	Description	Quant	Variants
1	GU32712411	Alternateur Ducati	1	
2	GU32703810	Régulateur DUCATI	1	
3	GU30714201	Rondelle 16,25x24,5x5	1	
4	GU92606516	Ecrou M16	1	
5	GU29711460	Calotte av.	1	
6	GU98680265	Vis	3	
7	GU29217960	Rondelle 5,9X3X0,8	3	
8	GU90706178	Joint torique 17,86X2,62	1	
9	GU37712306	Entretoise	1	
10	GU91600450	Clavette	1	
11	GU29711960	Calotte arriere chromée	1	
12	AP8152282	Vis bride M6x35	2	
13	GU95100141	Rondelle 6,4x12x1,2	2	
14	GU28576591	Clip M6	2	

Groupe	MOTEUR
Code	34.50
Description	Démarrreur
Révision	1



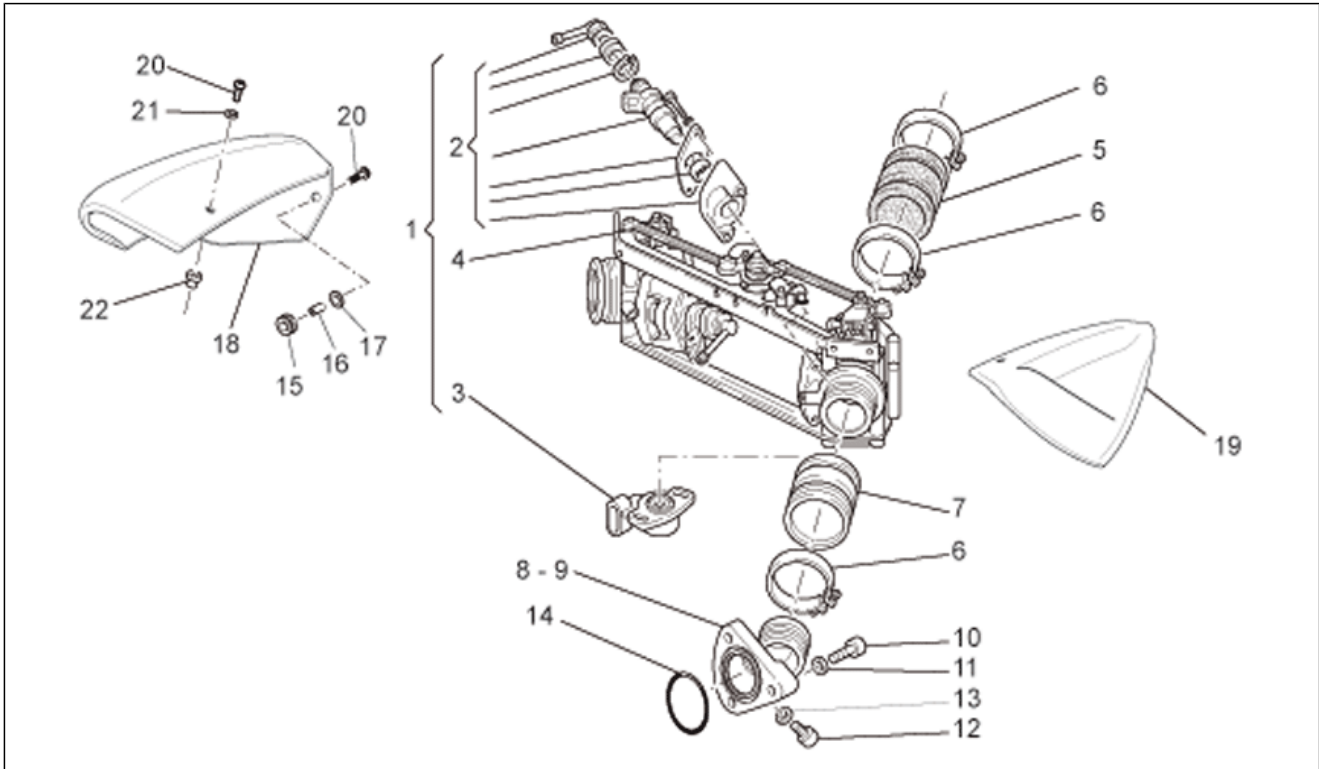
Pos.	Code	Description	Quant	Variants
1	GU05730730	Démarrreur Bosch	1	
2	GU98082475	Vis M8x75	2	
3	GU95008208	Rondelle 8,4X15X1,5	2	
4	GU05733330	Couvercle gris chrome	1	
5	AP8117200	Eponge adhésive	1	
6	GU98370609	Vis M6x10	2	
7	AP8121032	Douille	2	
8	GU03469201	Goujon	1	
9	GU03013800	Rondelle 6,4x12	1	

Groupe	MOTEUR
Code	34.51
Description	Corps à papillon
Révision	1



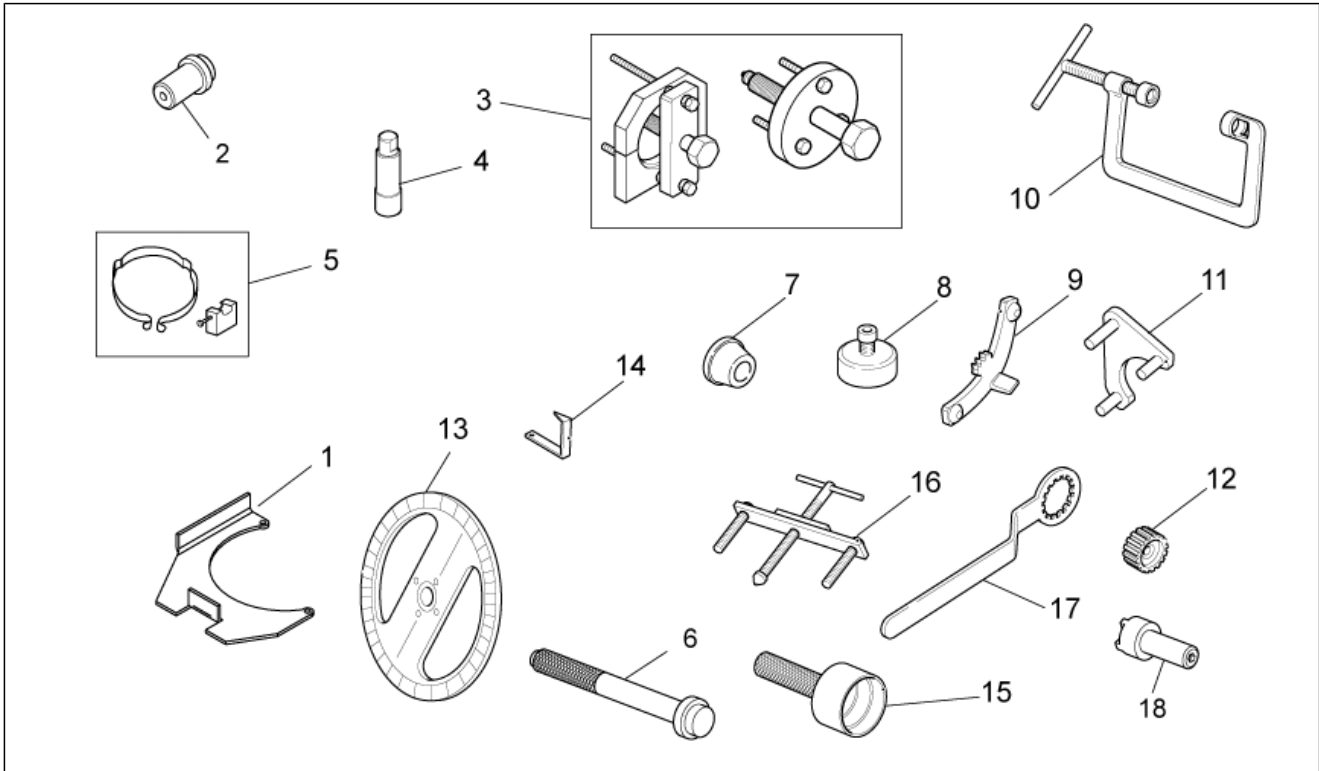
Pos.	Code	Description	Quant	Variants
1	GU03112560	Corpe papillon compl.	1	
2	GU01530504	Kit injecteur complet	2	
3	GU01530500	Potentiomètre	1	
4	GU29530562	Tirant	2	
5	GU30114470	Manchon	2	
6	GU93305061	Collier 61/65,5	8	
7	GU03114370	Manchon	2	
8	976026	Pipe d.	1	
9	976049	Pipe g.	1	
10	GU98682325	Vis M6x25	6	
11	GU14217901	Rondelle 6,4x10x0,7	6	
12	GU98310609	Vis M6x10	2	
13	GU95100116	Rondelle 6,25x10x1,5	2	
14	GU90706461	Joint torique 46,04x3,53	2	
15	AP8120405	Caoutchouc	2	
16	977476	Pivot	2	
17	GU95129100	Rondelle élastique 5,3X10X0,5	2	
18	977180	Couvercle droit chromé	1	Année:2008[8] Couleur véhicule:Grey/white 2008[gr/wh], red/white 2008[r/wh] Spécifications techniques:Luxury version[LUX]
18	978390	Couvercle droit noir	1	Année:2009[9] Couleur véhicule:Black Eagle 2009[b.eagle]
18	978390	Couvercle droit noir	1	Année:2007[7], 2008[8] Couleur véhicule:Black 2007-2008[black] Spécifications techniques:Basic version[BASE]
19	977181	Couvercle gauche chromé	1	Année:2008[8] Couleur véhicule:Grey/white 2008[gr/wh], red/white 2008[r/wh] Spécifications techniques:Luxury version[LUX]

Groupe	MOTEUR
Code	34.51
Description	Corps à papillon
Révision	1



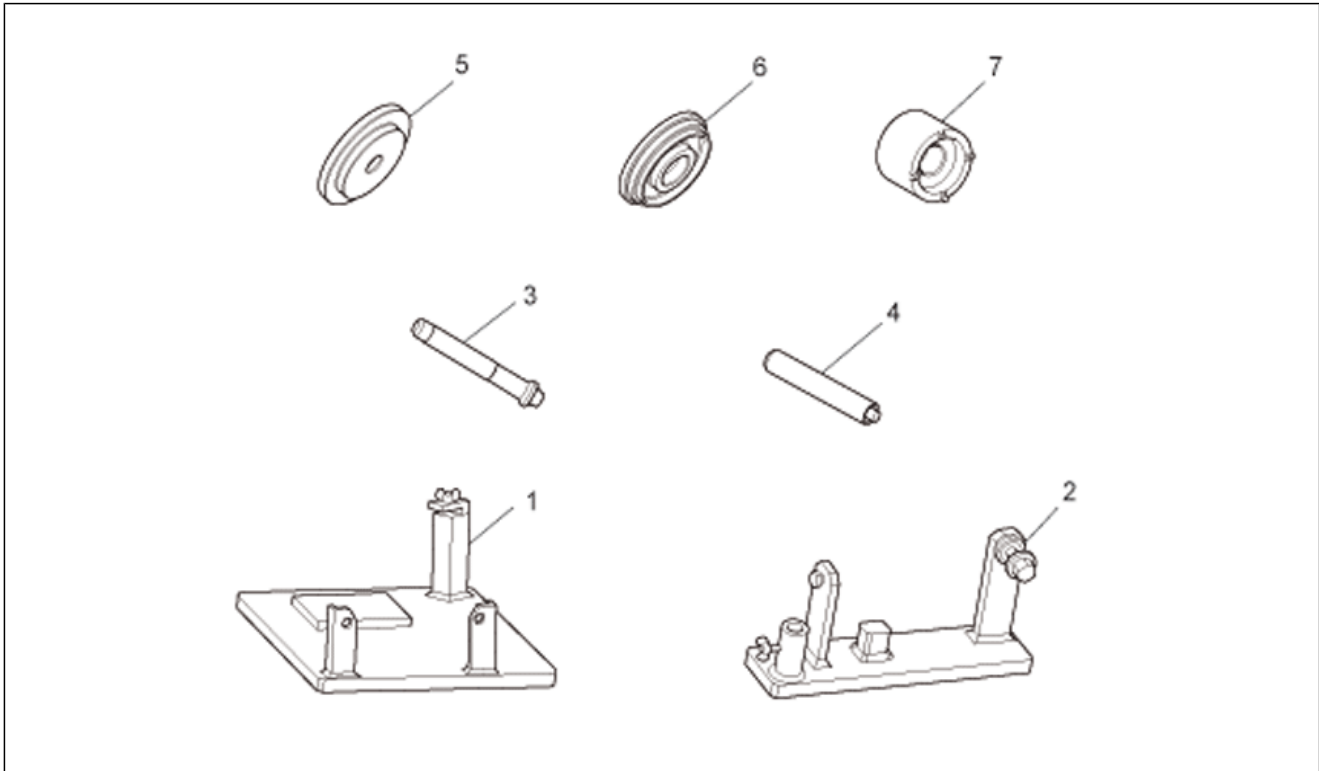
Pos.	Code	Description	Quant	Variants
19	978391	Couvercle gauche noir	1	Année:2007[7], 2008[8] Couleur véhicule:Black 2007-2008[black] Spécifications techniques:Basic version[BASE]
19	978391	Couvercle gauche noir	1	Année:2009[9] Couleur véhicule:Black Eagle 2009[b.eagle]
20	GU98370520	Vis	4	
21	GU30577800	Rondelle nylon 5,5X12X1	4	
22	GU93232005	Caoutchouc	2	

Groupe	OUTILLAGE SPECIAL
Code	36.52
Description	Specific tools I
Révision	1



Pos.	Code	Description	Quant	Variants
1	GU05902530	Support pour carter vitesses	1	
2	GU14927200	Out.mont.joint couver.distrib.	1	
3	GU05912530	Ouverture boîte de vitesses	1	
4	GU05901930	Clé bougie	1	
5	GU05928030	Collier de serrage piston	1	
6	GU14929100	Point.presser joint fourreau	1	
7	GU12912000	Out.mont.bride volant	1	
8	GU14927100	Out.mont.joint bride volant	1	
9	GU12911801	Out.blocage vol./cour.d'émar.	1	
10	GU10907200	Out.mont./dém.soupapes	1	
11	GU14927300	Out.main.engrenage arbre cames	1	
12	GU30906510	Outil de montage embrayage	1	
13	GU19929600	Disque contr.calage distr/allu	1	
14	GU17947560	Aiguille contr.cal.distr.allum	1	
15	GU19927100	Out.mont.joint bride volant	1	
16	GU12913600	Out.mont.bride volant	1	
17	GU30912810	Out.blocage corp int.embrayage	1	
18	GU14912603	Clé	1	

Groupe	OUTILLAGE SPECIAL
Code	36.53
Description	Specific tools II
Révision	1



Pos.	Code	Description	Quant	Variants
1	GU05902730	Support boîte transmission	1	
2	GU05902736	Support couple conique	1	
3	GU05902732	Poignée pour tampons	1	
4	GU05902733	Jet mont.joint pour joint art.	1	
5	GU05902731	Jet mnt.joint étan.boîte tr. 85	1	
6	GU05902735	Jet mont.joint ét.Pignon 45x58	1	
7	GU05902734	Clé écrou anulaire pignon	1	