



PIAGGIO & C.s.p.a.



## SPARE PARTS CATALOGUE



### Targa 750 1990-1992

Chassis prefix: ZGULT

Engine prefix:

**TARGA**

**GU046**



## Index

Products.....	3
Part reference.....	4
CHASSIS.....	9
Drawing 33.01 - Batterie.....	9
Drawing 33.02 - Carénage.....	10
Drawing 33.03 - Carrosserie.....	12
Drawing 33.04 - Couple conique.....	14
Drawing 33.05 - Tableau de bord.....	17
Drawing 33.06 - Phare avant-Klaxon.....	19
Drawing 33.07 - Feu arrière.....	20
Drawing 33.08 - Filtre air.....	21
Drawing 33.09 - Fourche Av.....	22
Drawing 33.10 - Fourche arriere.....	24
Drawing 33.11 - Circuit électrique.....	25
Drawing 33.12 - Guidon - Commandes.....	26
Drawing 33.13 - Garde-boue AV-AR.....	28
Drawing 33.14 - R.pieds - Béquilles.....	30
Drawing 33.15 - Pince frein.....	32
Drawing 33.16 - Maît. cyl. frein AV.....	34
Drawing 33.17 - Pompe frein arrière.....	36
Drawing 33.18 - Roue Av.....	38
Drawing 33.19 - Roue arrière.....	39
Drawing 33.20 - Suspension avant/arriere.....	40
Drawing 33.21 - Chassis.....	41
Drawing 33.23 - Alimentation.....	43
Drawing 33.29 - Groupe echappement.....	44
MOTEUR.....	45
Drawing 34.22 - Arbre moteur.....	45
Drawing 34.24 - Boîte de vitesses.....	46
Drawing 34.25 - Carburateurs.....	49
Drawing 34.26 - Carter moteur.....	51
Drawing 34.27 - Distribution.....	53
Drawing 34.28 - Embrayage.....	54
Drawing 34.30 - Démarreur.....	56
Drawing 34.31 - Pompe huile.....	57
Drawing 34.32 - Carter de boîte vitesses.....	58
Drawing 34.33 - Tête cylindre.....	60



TARGA  
GU046 - Targa 750 1990-1992

Chassis prefix: ZGULT  
Engine prefix:

---

## Products

Code	Validity
no products	



Code	Drawing Nr.	Pos.	Code	Drawing Nr.	Pos.	Code	Drawing Nr.	Pos.
0000000	33.01	1	GU14609650	33.11	14	GU19032380	34.27	11
0000000	34.25	16	GU14609650	33.15	15	GU19032980	34.27	14
0000000	34.25	23	GU14609650	33.21	29	GU19032980	34.33	26
0000000	34.25	29	GU14615901	33.04	29	GU19034000	34.27	8
0000000	34.25	33	GU14615901	33.10	20	GU19036082	34.27	1
0000000	34.25	34	GU14615901	34.22	19	GU19036183	34.27	2
0000000	34.25	39	GU14616150	33.18	10	GU19037820	34.33	8
0000000	34.25	40	GU14616150	33.19	11	GU19045861	34.27	25
0000000	34.25	9	GU14634400	33.19	8	GU19054521	34.27	17
0000000	34.30	5	GU14717400	33.01	30	GU19055700	34.27	23
0000000	34.30	6	GU14717600	33.01	4	GU19058021	34.27	19
0000000	34.30	7	GU14736856	33.03	5	GU19058220	34.27	20
0000000	34.30	8	GU14756255	33.06	6	GU19060763	34.22	11
GU00823932085	33.02	35	GU14768650	33.05	20	GU19061063	34.22	12
GU00823950050	33.17	24	GU14768650	33.05	27	GU19062261	34.22	4
GU10054100	34.24	12	GU14769200	33.05	24	GU19065400	34.22	2
GU10054100	34.24	42	GU14931650	34.25	32	GU19067700	34.22	18
GU10154200	34.26	40	GU14934650	34.25	11	GU19067900	34.28	5
GU10214301	34.24	27	GU17573860	33.15	14	GU19083462	34.28	2
GU10214302	34.24	27	GU17615360	33.18	3	GU19085701	34.28	8
GU10214303	34.24	27	GU17658260	33.16	15	GU19102750	33.03	15
GU10214304	34.24	27	GU17658360	33.16	14	GU19104336	33.03	4
GU10214305	34.24	27	GU17658860	33.15	16	GU19104950	33.03	7
GU10528900	33.04	11	GU17659350	33.17	30	GU19111060	33.08	5
GU10528900	33.04	9	GU17659650	33.15	27	GU19111160	33.08	6
GU10528900	34.26	22	GU17661052	33.17	23	GU19112960	33.08	3
GU10528900	34.32	23	GU17742550	33.11	13	GU19113460	33.08	9
GU10934900	34.25	38	GU17750520	33.11	15	GU19113760	33.08	7
GU12022600	33.04	6	GU17751200	33.11	16	GU19113960	33.08	4
GU12087001	34.28	10	GU17762150	33.05	26	GU19114060	33.08	1
GU12154200	34.26	33	GU17762200	33.05	13	GU19114360	33.23	10
GU12154200	34.32	12	GU17765560	33.05	8	GU19114460	33.23	13
GU12434001	33.14	5	GU17768360	33.05	29	GU19114680	33.23	12
GU12626800	34.24	49	GU17769861	33.02	14	GU19115580	33.23	5
GU12735100	33.15	11	GU17783960	33.05	9	GU19120765	33.29	1
GU12937200	34.25	10	GU17784960	33.05	3	GU19120766	33.29	2
GU13021900	34.26	36	GU17937450	34.25	22	GU19121050	33.29	7
GU13021900	34.33	12	GU18105001	33.03	6	GU19121135	33.29	3
GU13432640	33.14	4	GU18144350	34.31	16	GU19146420	34.31	1
GU13933100	34.25	42	GU18161150	34.31	21	GU19147721	34.31	17
GU13934600	34.25	36	GU18257551	33.17	7	GU19147820	34.31	4
GU13934700	34.25	37	GU18257950	34.24	48	GU19148420	34.31	5
GU13936200	34.25	26	GU18258101	34.24	52	GU19148620	34.31	6
GU13936300	34.25	27	GU18513460	33.09	6	GU19149800	34.31	18
GU13936600	34.25	30	GU18513560	33.09	2	GU19152200	34.31	11
GU13936700	34.25	31	GU18516660	33.09	10	GU19157800	33.17	25
GU13937800	34.25	25	GU19001200	34.26	15	GU19200462	34.28	26
GU13937900	34.25	21	GU19002020	34.26	9	GU19200861	34.32	1
GU14018400	33.14	28	GU19002020	34.32	16	GU19201120	34.32	15
GU14086000	34.28	9	GU19003400	34.26	26	GU19202320	34.32	29
GU14086100	34.28	11	GU19003602	34.26	20	GU19203460	34.28	29
GU14090201	34.28	13	GU19003800	34.26	8	GU19206501	33.04	10
GU14090400	34.28	14	GU19007700	33.01	24	GU19206501	34.32	22
GU14107100	33.21	28	GU19015020	34.26	5	GU19207220	34.32	11
GU14126900	33.29	12	GU19016320	34.26	10	GU19208220	34.32	27
GU14217901	34.28	31	GU19017000	33.14	31	GU19211361	34.24	8
GU14217901	34.28	6	GU19017120	34.26	17	GU19211460	34.24	6
GU14217901	34.32	7	GU19018920	34.31	10	GU19211861	34.24	5
GU14251001	33.17	2	GU19021360	34.33	18	GU19212900	34.24	15
GU14251001	34.24	59	GU19021920	34.33	7	GU19213661	34.24	14
GU14423800	33.08	23	GU19023700	34.33	10	GU19213720	34.24	17
GU14494600	33.20	3	GU19025280	33.29	5	GU19213760	34.28	22
GU14516700	33.20	4	GU19025300	34.33	6	GU19214660	34.24	11
GU14517000	33.20	5	GU19025460	33.29	6	GU19214860	34.24	21
GU14547800	33.10	14	GU19027500	34.27	15	GU19215161	34.24	22
GU14609650	33.01	27	GU19030500	34.27	7	GU19215460	34.24	3
GU14609650	33.05	28	GU19032080	34.27	10	GU19218061	34.24	25



Code	Drawing Nr.	Pos.	Code	Drawing Nr.	Pos.	Code	Drawing Nr.	Pos.
GU19218062	34.24	9	GU19436500	33.15	13	GU23526610	33.09	20
GU19231020	34.24	35	GU19438735	33.13	3	GU23526910	33.09	22
GU19231220	34.24	34	GU19529660	33.09	29	GU23527910	33.09	35
GU19234420	34.24	30	GU19547000	33.10	12	GU23548080	33.10	8
GU19234600	34.24	31	GU19632501	33.19	2	GU23548180	33.10	9
GU19235800	34.32	8	GU19632502	33.19	3	GU23555280	33.20	8
GU19237800	34.32	13	GU19633935	33.19	6	GU23555281	33.20	7
GU19250900	34.24	58	GU19634100	33.19	12	GU23633380	33.19	7
GU19256920	34.24	55	GU19635736	33.04	28	GU23653011	33.15	1
GU19257701	34.24	61	GU19636400	33.19	10	GU23657830	33.15	5
GU19258220	34.24	45	GU19658660	33.15	7	GU23658730	33.15	12
GU19327601	33.10	5	GU19659500	33.17	28	GU23721494	33.11	20
GU19327701	33.10	2	GU19659600	33.17	29	GU23753710	33.06	15
GU19328801	33.10	3	GU19667500	33.17	14	GU23753710	33.07	9
GU19350421	33.04	13	GU19667600	33.17	15	GU23934870	34.25	1
GU19350700	33.04	22	GU19675035	33.17	6	GU25656100	33.15	9
GU19351100	33.04	4	GU19677035	33.17	1	GU25656100	33.16	19
GU19351200	34.26	30	GU19705900	33.13	9	GU27001136	34.26	25
GU19351200	34.32	24	GU19705900	33.15	32	GU27001636	34.26	24
GU19351401	33.04	16	GU19705900	33.21	3	GU27003585	34.26	19
GU19351900	33.04	2	GU19718000	33.23	17	GU27004985	34.26	28
GU19352300	33.04	23	GU19724560	33.11	6	GU27020820	34.33	24
GU19352401	33.04	31	GU19732500	33.11	7	GU27022060	34.33	19
GU19353500	33.04	24	GU19741336	33.01	8	GU27037521	34.27	4
GU19354621	33.04	18	GU19743000	33.11	11	GU27045420	34.27	27
GU19355121	33.04	34	GU19747435	33.11	3	GU27053463	34.27	16
GU19355200	33.04	35	GU19750435	33.11	17	GU27060860	34.22	15
GU19355202	33.04	36	GU19768580	33.05	19	GU27061285	34.22	13
GU19355300	33.04	33	GU19768680	33.05	17	GU27061385	34.22	14
GU19355300	34.24	32	GU19782520	33.21	2	GU27061585	34.22	3
GU19355301	33.04	33	GU19934480	34.25	41	GU27061885	34.22	17
GU19355302	33.04	33	GU19934600	34.25	7	GU27062060	34.22	6
GU19355303	33.04	33	GU19934960	34.25	2	GU27064185	34.22	1
GU19355304	33.04	33	GU19935080	34.25	12	GU27065660	34.22	7
GU19355305	33.04	33	GU19936000	34.25	6	GU27066460	34.22	9
GU19355306	33.04	33	GU19937180	34.25	13	GU27066560	34.22	8
GU19355307	33.04	33	GU19938580	34.25	14	GU27080160	34.28	1
GU19355308	33.04	33	GU19939980	34.25	19	GU27084460	34.28	4
GU19355309	33.04	33	GU19999580	34.26	34	GU27093022	33.12	13
GU19355320	33.04	44	GU20000320	34.26	1	GU271002201	33.03	1
GU19355321	33.04	44	GU20022120	34.33	1	GU27111271	33.08	24
GU19355322	33.04	44	GU20022220	34.33	2	GU27115060	33.23	3
GU19355323	33.04	44	GU20060220	34.22	10	GU27115061	33.23	4
GU19355324	33.04	44	GU20208520	34.24	40	GU27117522	33.12	19
GU19355325	33.04	44	GU20236220	34.24	62	GU27117615	33.12	31
GU19355326	33.04	44	GU20350220	33.10	21	GU27122985	33.29	10
GU19355327	33.04	44	GU20527620	33.09	14	GU27123085	33.29	11
GU19355328	33.04	44	GU20999520	34.24	38	GU27128660	33.29	13
GU19355329	33.04	44	GU23159670	33.08	17	GU27128760	33.29	14
GU19355400	33.04	21	GU23200370	34.32	10	GU27132822	33.23	15
GU19355402	33.04	21	GU23202074	34.24	28	GU27133515	33.23	16
GU19355404	33.04	21	GU23210570	34.24	1	GU27152885	34.26	32
GU19355406	33.04	21	GU23212070	34.24	2	GU27153085	34.31	14
GU19355408	33.04	21	GU23213870	34.32	5	GU27153460	33.08	16
GU19355410	33.04	21	GU23214070	34.24	24	GU27157420	33.08	21
GU19355411	33.04	21	GU23214571	34.24	20	GU27159360	33.08	20
GU19355412	33.04	21	GU23215270	34.24	23	GU27210760	34.28	20
GU19355413	33.04	21	GU23217800	34.27	28	GU27211160	34.24	41
GU19356320	33.04	19	GU23328081	33.10	7	GU27418220	33.21	9
GU19356700	33.04	39	GU23430340	33.14	3	GU27432085	33.14	11
GU19356760	34.28	24	GU23438510	33.13	29	GU274344201	33.13	1
GU19356801	33.04	37	GU23439010	33.13	30	GU27436920	33.13	27
GU19357660	33.04	25	GU23439210	33.13	31	GU27439120	33.13	15
GU19429565	33.14	32	GU23494040	33.09	1	GU27442020	33.14	15
GU19433000	33.08	22	GU23525470	33.09	17	GU27442320	33.14	26
GU19433000	33.14	12	GU23526370	33.09	33	GU27447520	33.14	25
GU19434000	33.14	14	GU23526470	33.09	19	GU27460520	33.03	20



Code	Drawing Nr.	Pos.	Code	Drawing Nr.	Pos.	Code	Drawing Nr.	Pos.
GU27461820	33.03	25	GU28527540	33.09	21	GU31110815	33.08	10
GU27464320	33.21	20	GU28556250	33.09	26	GU31112615	33.23	1
GU27464321	33.21	31	GU28556350	33.09	28	GU31112616	33.23	2
GU27465520	33.21	23	GU28556450	33.09	25	GU31114165	33.08	11
GU27468720	33.21	17	GU285703921	33.02	2	GU31117715	33.12	22
GU274726201	33.03	28	GU28570394	33.02	2	GU31158250	34.31	15
GU27474320	33.03	34	GU285704921	33.02	3	GU31200280	34.32	17
GU27475461	33.13	28	GU28570494	33.02	3	GU31350380	33.04	1
GU27479620	33.03	40	GU28571292	33.02	4	GU31400115	33.21	1
GU27499120	33.09	31	GU285754921	33.02	1	GU31415615	33.15	18
GU275703201	33.03	16	GU28575494	33.02	1	GU31420315	33.14	1
GU275704861	33.03	17	GU28577278	33.02	8	GU31422115	33.14	2
GU27573820	33.03	29	GU28579478	33.02	16	GU31434315	33.13	1
GU27573821	33.03	30	GU28602790	33.12	30	GU31436415	33.13	25
GU275785201	33.02	36	GU28605678	33.16	2	GU31437015	33.13	10
GU27601015	33.12	5	GU28610378	33.18	1	GU31462015	33.21	12
GU27601215	33.12	6	GU28613300	33.18	4	GU31471915	33.03	27
GU27601815	33.12	9	GU28614100	33.18	7	GU31490215	33.20	1
GU27603020	33.12	12	GU28617760	33.18	12	GU31493115	33.09	7
GU27603120	33.12	24	GU28617760	33.19	13	GU31522515	33.09	11
GU27603400	33.12	15	GU28659378	33.16	11	GU31522615	33.09	12
GU27603520	33.12	11	GU28659740	33.13	24	GU31524550	33.09	18
GU27603620	33.12	23	GU28660278	33.16	1	GU31540280	33.10	1
GU27603715	33.12	21	GU28703800	33.01	12	GU31550240	33.20	6
GU27603815	33.12	18	GU28707050	33.01	2	GU31570315	33.03	16
GU27604415	33.12	17	GU28712400	33.01	7	GU31570415	33.03	17
GU27604515	33.12	10	GU28712459	33.01	28	GU31570815	33.02	22
GU27604815	33.16	5	GU28712500	33.01	9	GU31570816	33.02	23
GU27654610	33.15	26	GU28736861	33.01	15	GU31571715	33.02	30
GU27654610	33.16	18	GU28740530	33.06	1	GU31576215	33.02	31
GU27657120	33.16	13	GU28740560	33.06	1	GU31576315	33.02	32
GU27659415	33.12	3	GU28745761	33.12	32	GU31578515	33.02	36
GU27661115	33.16	10	GU28750678	33.06	13	GU31578615	33.02	10
GU27663615	33.16	6	GU28751678	33.07	7	GU31579115	33.14	29
GU27663815	33.12	8	GU28762451	33.05	1	GU31600615	33.12	25
GU27664075	33.16	3	GU28764050	33.05	4	GU31600715	33.12	26
GU27668561	33.15	6	GU28765250	33.05	22	GU31616315	33.18	6
GU27704820	33.01	3	GU28766250	33.05	14	GU31630615	33.19	1
GU27705520	33.01	6	GU28766950	33.05	16	GU31652265	33.15	17
GU27710435	33.11	19	GU28768150	33.05	12	GU31652365	33.16	16
GU27721063	33.01	21	GU28769550	33.05	15	GU31654665	33.15	26
GU27723835	33.11	21	GU28929940	33.02	37	GU31654665	33.16	26
GU27725820	33.11	18	GU29106500	33.03	12	GU31659165	33.15	23
GU27738015	33.12	1	GU29577860	33.02	34	GU31659165	33.16	24
GU27740920	33.07	1	GU29606970	33.12	34	GU31659265	33.15	24
GU27741720	33.07	6	GU29722270	33.01	19	GU31659265	33.16	23
GU27747122	33.11	1	GU30530510	34.30	3	GU31666990	33.17	13
GU27747222	33.11	2	GU30530511	34.30	4	GU31716560	33.01	5
GU27749815	33.16	7	GU30530512	34.30	9	GU31717060	33.01	31
GU27761560	33.05	1	GU30602500	33.12	7	GU31722140	33.11	22
GU27933720	34.25	18	GU30605530	33.12	2	GU31735360	33.01	16
GU27934315	34.25	8	GU30607910	33.12	20	GU31747315	33.11	4
GU27935775	34.25	4	GU30607910	33.23	14	GU31753015	33.11	5
GU27935960	34.25	5	GU30730710	34.30	1	GU31762561	33.05	25
GU27991560	34.32	30	GU31001480	34.26	14	GU31767215	33.05	2
GU27999060	34.26	35	GU31003766	33.04	8	GU31900015	33.02	38
GU27999560	33.03	19	GU31003766	34.26	21	GU31923315	33.03	23
GU28103946	33.03	3	GU31003766	34.32	26	GU31934460	34.25	41
GU28108410	33.03	13	GU31016050	34.31	20	GU31935515	34.25	3
GU28113650	33.08	2	GU31023500	34.33	9	GU31991015	34.26	41
GU28238261	34.24	39	GU31037015	34.27	13	GU31999240	33.20	6
GU28440710	33.14	18	GU31038015	34.27	5	GU31999581	34.31	8
GU28441810	33.14	19	GU31045015	34.27	26	GU35214300	33.10	13
GU28443201	33.14	24	GU31060116	34.33	17	GU39103400	33.21	5
GU28472661	33.03	28	GU31060616	34.22	16	GU39238100	34.24	43
GU284746001	33.13	19	GU31100215	33.03	1	GU39659000	33.15	22
GU28526540	33.09	36	GU31110715	33.08	8	GU39659000	33.16	25



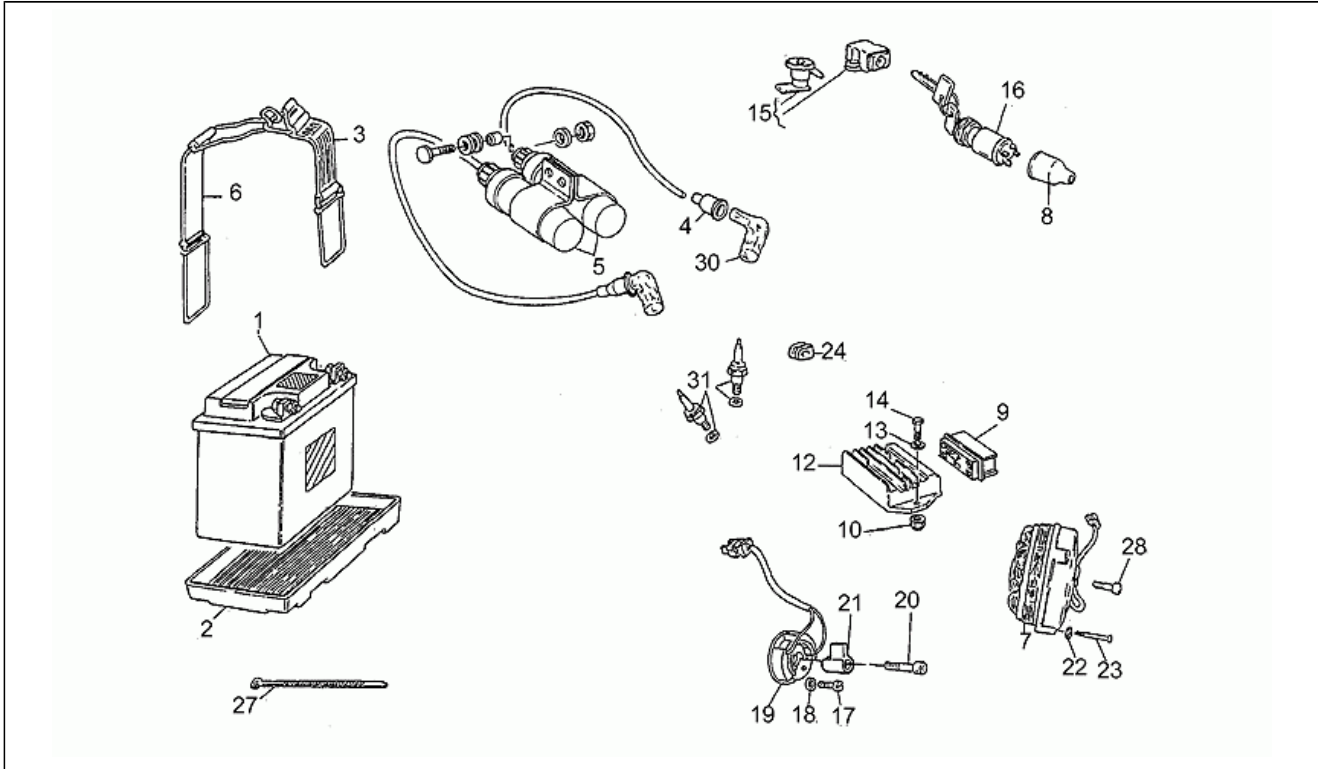
Code	Drawing Nr.	Pos.	Code	Drawing Nr.	Pos.	Code	Drawing Nr.	Pos.
GU39659100	33.15	23	GU90706076	34.33	25	GU92602208	34.26	7
GU39659100	33.16	24	GU90706092	33.13	26	GU92602208	34.28	25
GU39937600	34.25	24	GU90706094	33.09	32	GU92602208	34.30	12
GU43934000	34.25	35	GU90706111	34.31	22	GU92602210	33.10	18
GU49938800	34.25	20	GU90706140	34.32	4	GU92602210	33.14	34
GU50740600	33.03	18	GU90706170	34.28	12	GU92602210	33.14	37
GU55234700	34.32	20	GU90706188	33.04	38	GU92602210	33.21	26
GU61013800	33.15	29	GU90706188	34.24	18	GU92602210	33.21	8
GU61013800	33.23	9	GU90706203	33.04	7	GU92602308	33.09	34
GU61013800	33.29	8	GU90706203	34.26	31	GU92602316	33.19	9
GU61013800	34.24	56	GU90706203	34.32	25	GU92602406	34.27	9
GU61027200	34.33	23	GU90706235	34.28	23	GU92602410	33.06	10
GU61036801	34.33	3	GU90706282	33.09	27	GU92602410	33.20	13
GU61038100	34.27	6	GU90706282	34.26	29	GU92602410	33.29	19
GU61054900	34.27	18	GU90706444	34.26	27	GU92602508	34.28	15
GU611040601	33.03	2	GU90706552	33.04	40	GU92602510	34.31	19
GU61108400	33.08	19	GU91180607	33.02	25	GU92602512	33.07	11
GU61126920	33.29	4	GU91180607	33.03	38	GU92602512	34.32	14
GU61127220	33.29	21	GU91180706	33.15	31	GU92602516	33.18	9
GU61127520	33.29	20	GU91181016	33.09	5	GU92603010	34.33	11
GU61238200	34.24	39	GU91181114	33.14	7	GU92608202	33.16	26
GU61270300	33.04	26	GU91181407	33.20	9	GU92630104	33.13	23
GU61270300	33.14	30	GU91182010	34.24	63	GU92630104	33.16	28
GU61270300	33.15	20	GU91551062	33.03	26	GU92630105	33.01	10
GU61270300	33.15	3	GU91551085	33.02	24	GU92630106	33.03	39
GU61270300	33.16	21	GU91551085	33.03	37	GU92630106	33.12	29
GU61270300	33.29	15	GU91551092	33.21	4	GU92630106	33.13	14
GU61270300	34.26	6	GU92201070	33.04	14	GU92630106	33.13	8
GU61270300	34.28	35	GU92201120	34.32	28	GU92630106	34.24	57
GU61270300	34.33	21	GU92201220	34.24	16	GU92630206	33.02	20
GU61605230	33.12	33	GU92201225	34.28	28	GU92630206	33.02	7
GU61743700	33.06	7	GU92204215	34.32	2	GU92630510	33.14	10
GU62616800	33.18	11	GU92204217	33.19	5	GU92630510	33.14	16
GU63657000	33.15	10	GU92204218	33.19	4	GU92660601	33.02	11
GU63760420	33.05	11	GU92204221	33.18	2	GU92670305	33.08	15
GU65105400	33.03	10	GU92218417	34.24	10	GU92690073	33.17	8
GU65105401	33.03	11	GU92230320	34.24	13	GU92701062	33.29	9
GU65659200	33.15	24	GU92234716	34.24	26	GU92781040	33.02	13
GU65659200	33.16	23	GU92249220	33.04	32	GU92781081	33.05	7
GU65663500	33.17	21	GU92249223	33.04	20	GU92781081	33.10	19
GU65933600	34.25	15	GU92249225	33.20	2	GU92781100	33.09	30
GU65933700	34.25	28	GU92251023	34.24	7	GU93110060	33.02	21
GU66478610	33.02	6	GU92252210	34.31	3	GU93110060	33.13	5
GU66659031	33.15	22	GU92252235	33.04	5	GU93180080	33.12	14
GU66659031	33.16	25	GU92295708	33.16	9	GU93180080	33.16	4
GU90271008	33.17	9	GU92296726	34.31	7	GU93180105	33.10	11
GU90271018	34.27	12	GU92297909	34.24	36	GU93180220	34.28	27
GU90271020	34.24	33	GU92601206	33.02	28	GU93180245	34.33	22
GU90271117	34.24	29	GU92601208	33.14	40	GU93305018	33.08	18
GU90271121	34.24	19	GU92601210	33.14	23	GU93305032	33.23	11
GU90271127	34.24	4	GU92602205	33.06	5	GU93305074	33.10	10
GU90272023	33.10	4	GU92602205	33.11	10	GU93450119	33.06	3
GU90272075	34.28	3	GU92602205	33.21	19	GU93450120	33.05	21
GU90353009	34.33	4	GU92602206	33.03	33	GU93450127	33.06	14
GU90353029	34.27	24	GU92602206	33.07	5	GU93450127	33.07	8
GU90353030	33.04	17	GU92602206	33.13	33	GU93450140	33.05	18
GU90400616	34.28	21	GU92602206	33.14	39	GU93450224	33.07	2
GU90401530	34.26	11	GU92602206	33.15	30	GU93450232	33.06	2
GU90402840	34.26	18	GU92602206	33.17	20	GU94321067	34.32	21
GU90402841	34.32	3	GU92602206	34.24	50	GU94321099	33.10	6
GU90403245	34.28	19	GU92602208	33.04	43	GU94321105	34.28	16
GU90403247	33.04	41	GU92602208	33.06	12	GU94322215	33.14	8
GU90403547	33.04	3	GU92602208	33.13	18	GU95000204	33.13	21
GU90403857	33.09	13	GU92602208	33.15	4	GU95000205	33.01	13
GU90405367	34.26	13	GU92602208	33.21	16	GU95000205	33.01	18
GU90407590	33.04	15	GU92602208	33.21	22	GU95000205	33.08	14
GU90706040	34.24	44	GU92602208	33.29	16	GU95000206	33.02	18



Code	Drawing Nr.	Pos.	Code	Drawing Nr.	Pos.	Code	Drawing Nr.	Pos.
GU95000206	33.02	40	GU95500222	33.17	12	GU98326021	33.02	33
GU95000206	33.13	6	GU95500222	34.24	53	GU98610335	33.12	27
GU95000206	33.15	34	GU95500222	34.28	18	GU98610540	33.09	8
GU95000206	33.17	18	GU95500227	33.17	5	GU98612535	33.09	9
GU95000208	33.05	6	GU95520316	34.24	37	GU98620250	33.01	23
GU95000208	33.21	14	GU95770265	33.17	10	GU98620325	34.26	16
GU95000210	33.14	9	GU95770265	34.24	54	GU98620325	34.33	16
GU95001206	33.02	27	GU95780271	34.28	17	GU98620330	34.26	37
GU95001206	33.12	28	GU95980119	34.26	39	GU98620330	34.28	32
GU95004206	33.03	22	GU95990028	33.15	8	GU98620330	34.32	18
GU95004206	33.03	32	GU95990028	33.16	12	GU98620335	34.31	9
GU95004206	33.03	36	GU96451430	34.26	3	GU98620365	33.02	29
GU95004206	33.13	12	GU96451560	34.26	2	GU98620435	34.28	33
GU95004206	33.17	16	GU96506042	34.33	5	GU98620435	34.30	10
GU95004206	34.31	23	GU96508055	33.04	12	GU98620435	34.32	19
GU95004208	33.06	9	GU96508055	34.26	4	GU98620450	34.28	34
GU95004208	33.13	17	GU96508145	34.33	20	GU98622216	33.01	14
GU95004208	33.21	11	GU96510158	34.33	15	GU98622314	34.32	6
GU95004208	34.30	11	GU96510214	34.33	14	GU98622314	34.32	9
GU95004210	33.10	17	GU98052325	34.24	46	GU98622318	33.01	20
GU95004210	33.14	17	GU98052455	33.05	5	GU98622318	34.26	23
GU95004210	33.14	33	GU98052550	33.10	16	GU98622320	33.09	15
GU95004210	33.14	36	GU98052555	33.21	27	GU98622416	33.21	13
GU95004210	33.20	11	GU98052565	33.14	35	GU98622422	33.15	19
GU95004210	33.21	25	GU98054210	33.03	8	GU98622422	33.15	2
GU95004215	33.17	4	GU98054212	33.11	8	GU98622422	33.16	20
GU95004217	33.18	8	GU98054214	33.08	12	GU98622525	33.21	6
GU95007204	33.02	12	GU98054216	33.17	26	GU98622530	33.09	24
GU95007208	33.02	42	GU98054312	33.13	32	GU98622545	33.09	23
GU95007210	33.09	4	GU98054314	33.13	11	GU98822316	34.27	21
GU95021105	33.01	22	GU98054314	34.28	30	GU98822325	33.23	8
GU95021105	33.06	4	GU98054314	34.31	12	GU98822416	33.06	8
GU95021105	33.08	13	GU98054316	33.02	17	GU98822416	33.20	12
GU95021106	33.02	19	GU98054316	33.02	39	GU98822418	33.21	30
GU95021106	33.07	4	GU98054316	34.28	7	GU99105129	33.14	13
GU95021106	33.17	19	GU98054320	33.03	35			
GU95021106	34.24	47	GU98054320	33.13	4			
GU95021108	33.06	11	GU98054320	33.15	28			
GU95021108	33.21	15	GU98054322	33.14	38			
GU95021108	33.21	21	GU98054330	33.17	17			
GU95021110	33.06	16	GU98054340	33.15	33			
GU95021110	33.07	10	GU98054418	33.04	30			
GU95021110	33.29	18	GU98054418	33.13	16			
GU95100059	33.11	9	GU98054418	33.21	10			
GU95100059	33.17	27	GU98054522	33.29	17			
GU95100060	33.05	10	GU98054530	33.14	6			
GU95100116	33.09	16	GU98072555	33.09	3			
GU95100116	33.23	7	GU98074425	33.14	21			
GU95100118	33.13	13	GU98110199	33.21	24			
GU95100141	33.13	7	GU98200214	33.16	8			
GU95100250	33.15	21	GU98200410	33.13	20			
GU95100250	33.16	22	GU98202525	33.11	12			
GU95100251	33.15	21	GU98230620	33.02	26			
GU95100251	33.16	22	GU98230825	33.18	5			
GU95100256	33.20	10	GU98230840	33.13	2			
GU95120105	33.21	7	GU98231022	33.14	27			
GU95129080	33.13	22	GU98250616	33.03	31			
GU95129100	33.03	9	GU98260416	33.02	9			
GU95129110	33.17	11	GU98270621	33.05	23			
GU95129110	34.24	51	GU98280410	33.16	27			
GU95129115	33.14	20	GU98290511	33.21	18			
GU95129115	34.27	22	GU98290512	33.01	17			
GU95129180	34.26	38	GU98290516	33.03	21			
GU95129180	34.33	13	GU98290625	33.02	15			
GU95129260	33.17	3	GU98310610	33.23	6			
GU95129260	34.24	60	GU98326016	33.02	5			
GU95187006	34.31	13	GU98326016	33.14	22			

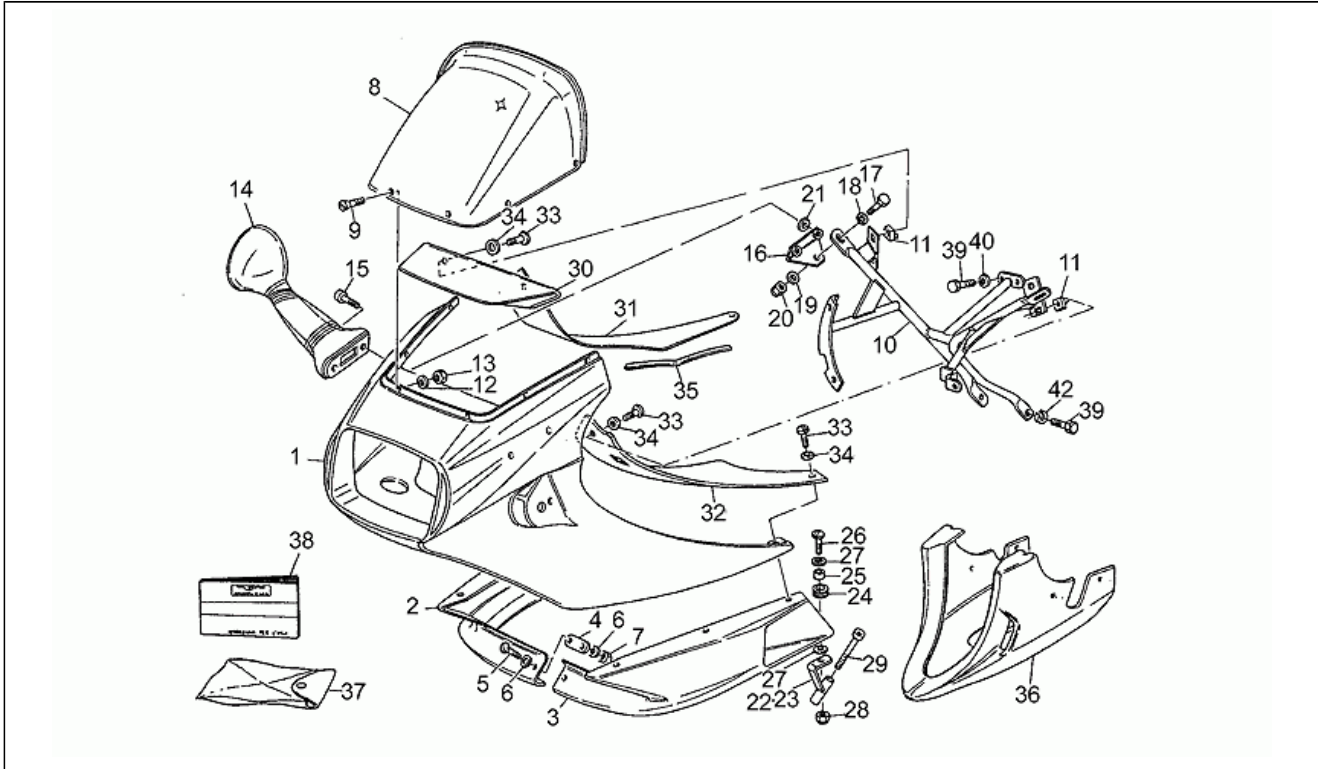


<b>Assembly</b>	CHASSIS
<b>Code</b>	33.01
<b>Description</b>	Batterie
<b>Revision</b>	1



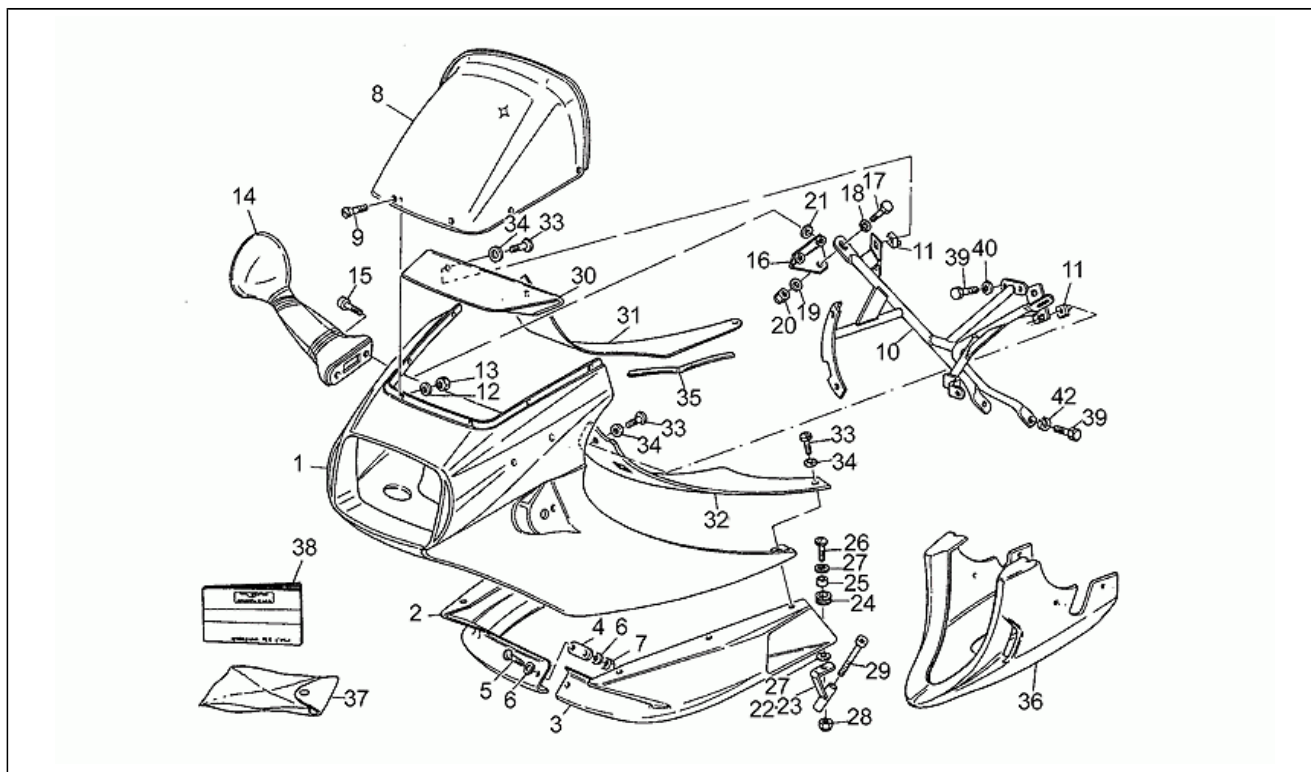
Pos.	Code	Description	Q.ty	Variants
1	0000000	Pneu s. chambre 110/90"	1	Spécifications techniques:Fiamm 61F3P 12V-20Ah[F]
2	GU28707050	Boîtier batterie	1	
3	GU27704820	Etrier fixation accum.	1	
4	GU14717600	Capuchon	2	
5	GU31716560	Bobine HT	2	
6	GU27705520	Etrier avec crochet	1	
7	GU28712400	Alternateur SAPRISA	1	
8	GU19741336	Bague	1	
9	GU28712500	Connecteur SAPRISA	1	
10	GU92630105	Ecrou	2	
12	GU28703800	Régulateur de tension SAPRISA	1	
13	GU95000205	Rondelle	4	
14	GU98622216	Vis	2	
15	GU28736861	Kit serrure	1	
16	GU31735360	Bloc démarreur	1	
17	GU98290512	Vis	2	
18	GU95000205	Rondelle	2	
19	GU29722270	Capteur phase/tours	1	
20	GU98622318	Vis M6X18	1	
21	GU27721063	Rotor	1	
22	GU95021105	Rondelle évent.	3	
23	GU98620250	Vis	3	
24	GU19007700	Caoutchouc	1	
27	GU14609650	Collier 3,6x20,6	20	
28	GU28712459	Vis	1	
30	GU14717400	Pipe bougie	2	
31	GU31717060	Bougie NGK B8ES	2	

<b>Assembly</b>	CHASSIS
<b>Code</b>	33.02
<b>Description</b>	Carénage
<b>Revision</b>	1



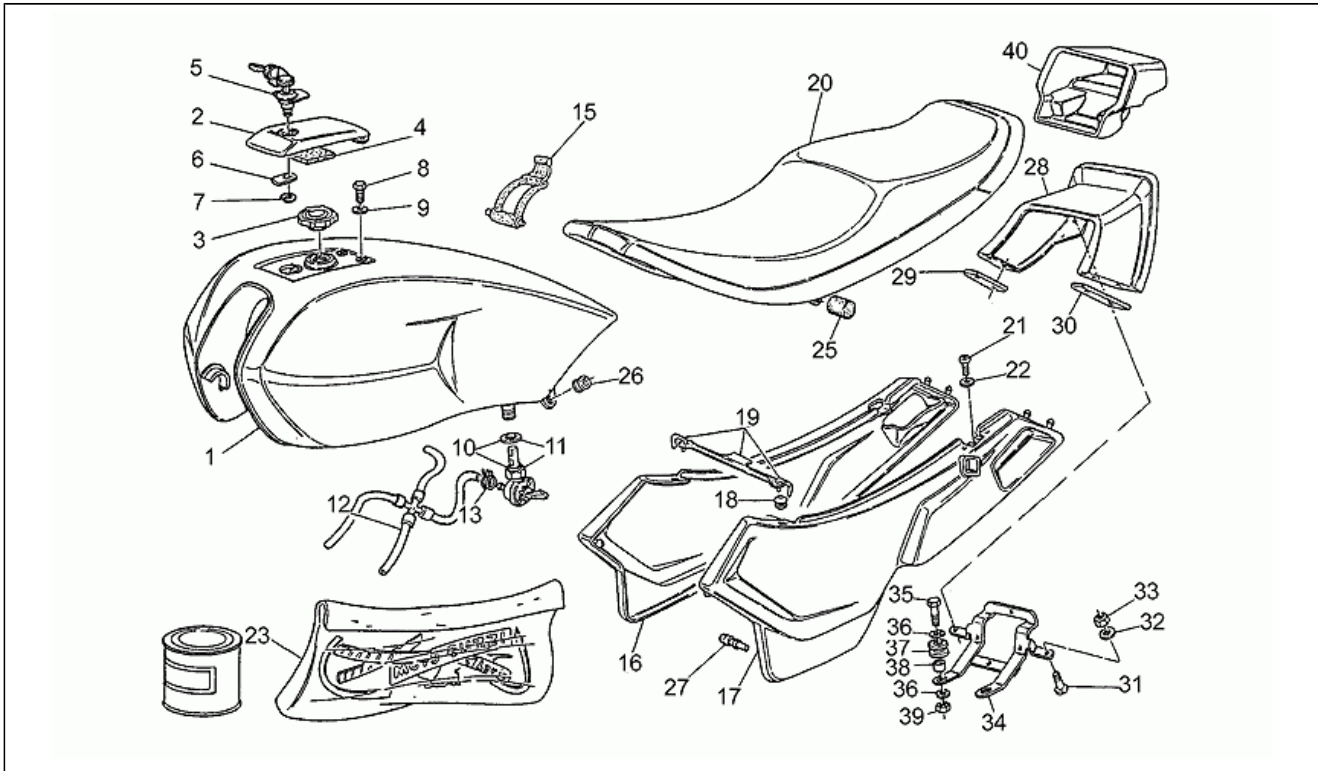
Pos.	Code	Description	Q.ty	Variants
1	GU285754921	Coupole	1	Couleur:Brut[gr]
1	GU28575494	Coupole	1	Couleur:Perdur red 100[r]
2	GU285703921	Semi-carène inf. D	1	Couleur:Brut[gr]
2	GU28570394	Semi-carène inf. D	1	Couleur:Perdur red 100[r]
3	GU285704921	Semi-carène ing. G	1	Couleur:Brut[gr]
3	GU28570494	Semi-carène ing. G	1	Couleur:Perdur red 100[r]
4	GU28571292	Plaque	1	
5	GU98326016	Vis	2	
6	GU66478610	Rondelle nylon 6X17X1	2	
7	GU92630206	Ecrou M6x1	2	
8	GU28577278	Pare-brise	1	
9	GU98260416	Vis	6	
10	GU31578615	Support carène	1	
11	GU92660601	Ecrou en cage	4	
12	GU95007204	Rondelle	6	
13	GU92781040	Ecrou	6	
14	GU17769861	Miroir rétroviseur	2	
15	GU98290625	Vis	4	
16	GU28579478	Plaque	2	
17	GU98054316	Vis M6X16	2	
18	GU95000206	Rondelle	4	
19	GU95021106	Rondelle évent.	2	
20	GU92630206	Ecrou M6x1	2	
21	GU93110060	Caoutchouc	4	
22	GU31570815	Support	1	
23	GU31570816	Support	1	
24	GU91551085	Caoutchouc	2	
25	GU91180607	Entretoise	2	

<b>Assembly</b>	CHASSIS
<b>Code</b>	33.02
<b>Description</b>	Carénage
<b>Revision</b>	1



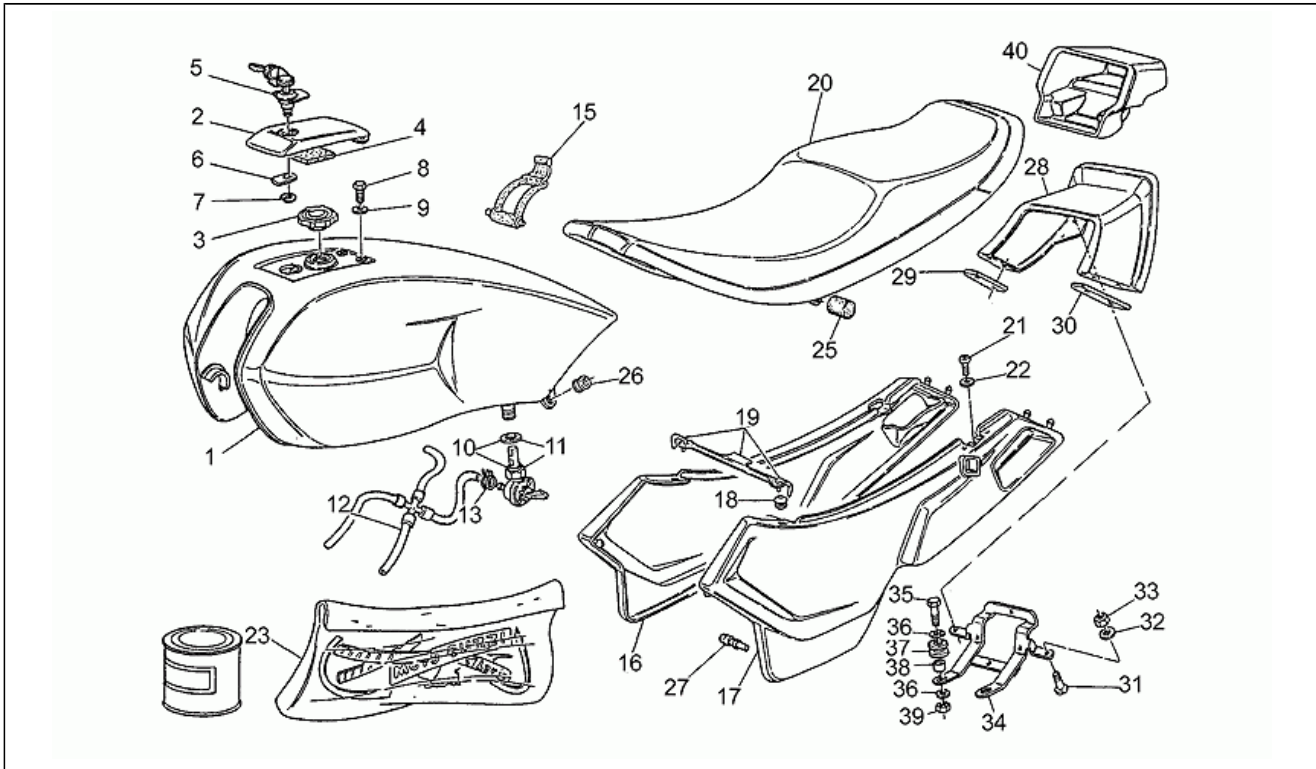
Pos.	Code	Description	Q.ty	Variants
26	GU98230620	Vis	2	
27	GU95001206	Rondelle	4	
28	GU92601206	Ecrou	2	
29	GU98620365	Vis	2	
30	GU31571715	Support tableau de bord	1	
31	GU31576215	T.de bord lat. D	1	
32	GU31576315	T.de bord lat. G	1	
33	GU98326021	Vis	6	
34	GU29577860	Rondelle	6	
35	GU00823932085	Joint	1	
36	GU275785201	Butée carénage	1	Couleur:Brut[gr]
36	GU31578515	Butée carénage	1	Couleur:Perdur red 100[r]
37	GU28929940	Trousse à outils	1	
38	GU31900015	Livret d'util.et entret.	1	Pays:Allemagne[D], France[F], Italie[I], Angleterre[UK]
39	GU98054316	Vis M6X16	4	
40	GU95000206	Rondelle	2	
42	GU95007208	Rondelle	2	

<b>Assembly</b>	CHASSIS
<b>Code</b>	33.03
<b>Description</b>	Carrosserie
<b>Revision</b>	1



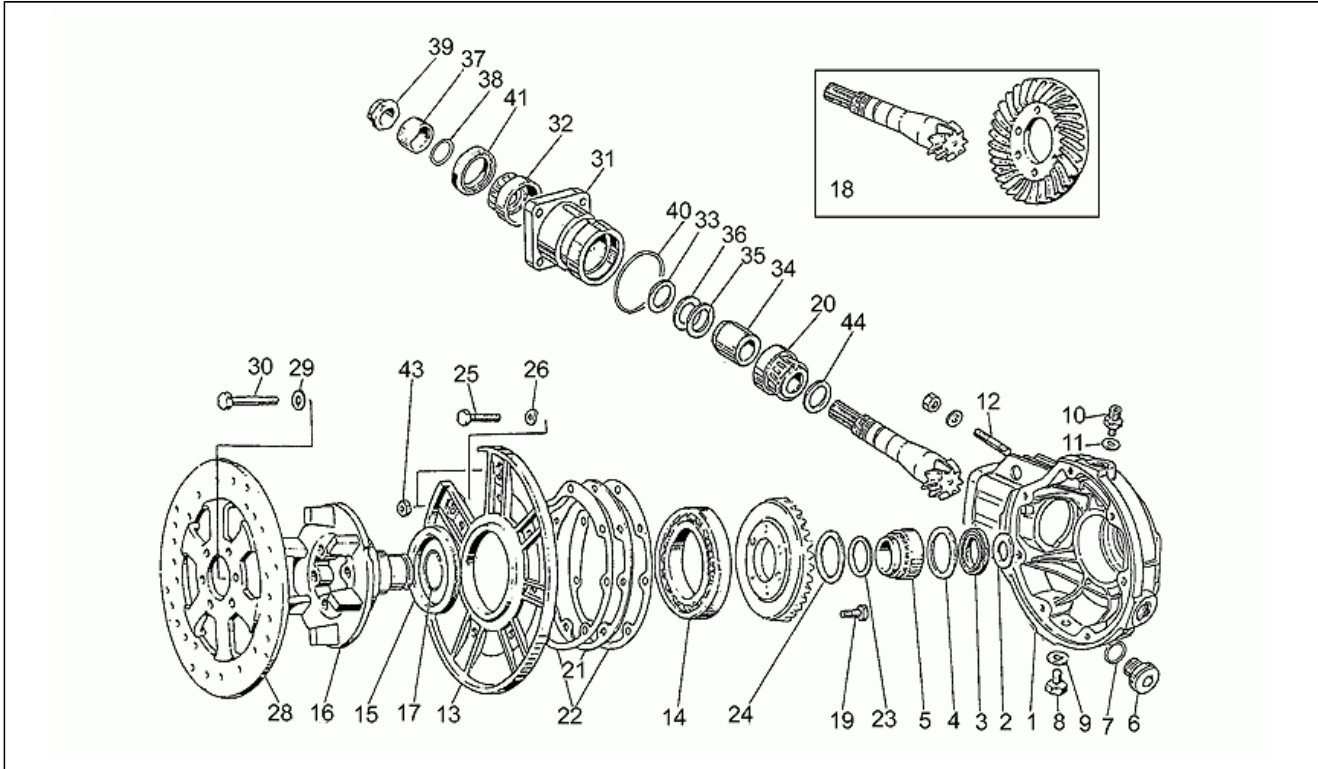
Pos.	Code	Description	Q.ty	Variants
1	GU271002201	Réservoir essence	1	Couleur:Brut[gr]
1	GU31100215	Réservoir essence	1	Couleur:Perdur red 100[r]
2	GU611040601	Couvercle bouchon ess.	1	Couleur:Brut[gr]
3	GU28103946	Bouchon réservoir	1	
4	GU19104336	Caoutchouc	1	
5	GU14736856	Serrures	1	
6	GU18105001	Languette	1	
7	GU19104950	Collier	1	
8	GU98054210	Vis	2	
9	GU95129100	Rondelle élastique 5,3X10X0,5	2	
10	GU65105400	Robinet ess. d.	1	
11	GU65105401	Robinet ess. g.	1	
12	GU29106500	Tuyau essence	1	
13	GU28108410	Collier	4	
15	GU19102750	Tirant	1	
16	GU275703201	Aile D	1	Couleur:Brut[gr]
16	GU31570315	Aile D	1	Couleur:Perdur red 100[r]
17	GU275704861	Aile G	1	Couleur:Brut[gr]
17	GU31570415	Aile G	1	Couleur:Perdur red 100[r]
18	GU50740600	Caoutchouc	2	
19	GU27999560	Cavalier	1	
20	GU27460520	Selle	1	
21	GU98290516	Vis	2	
22	GU95004206	Rondelle 6,15x11x0,8	2	
23	GU31923315	Décalco série	1	
25	GU27461820	Bouchon	2	
26	GU91551062	Caoutchouc	2	
27	GU31471915	Tige	4	

<b>Assembly</b>	CHASSIS
<b>Code</b>	33.03
<b>Description</b>	Carrosserie
<b>Revision</b>	1



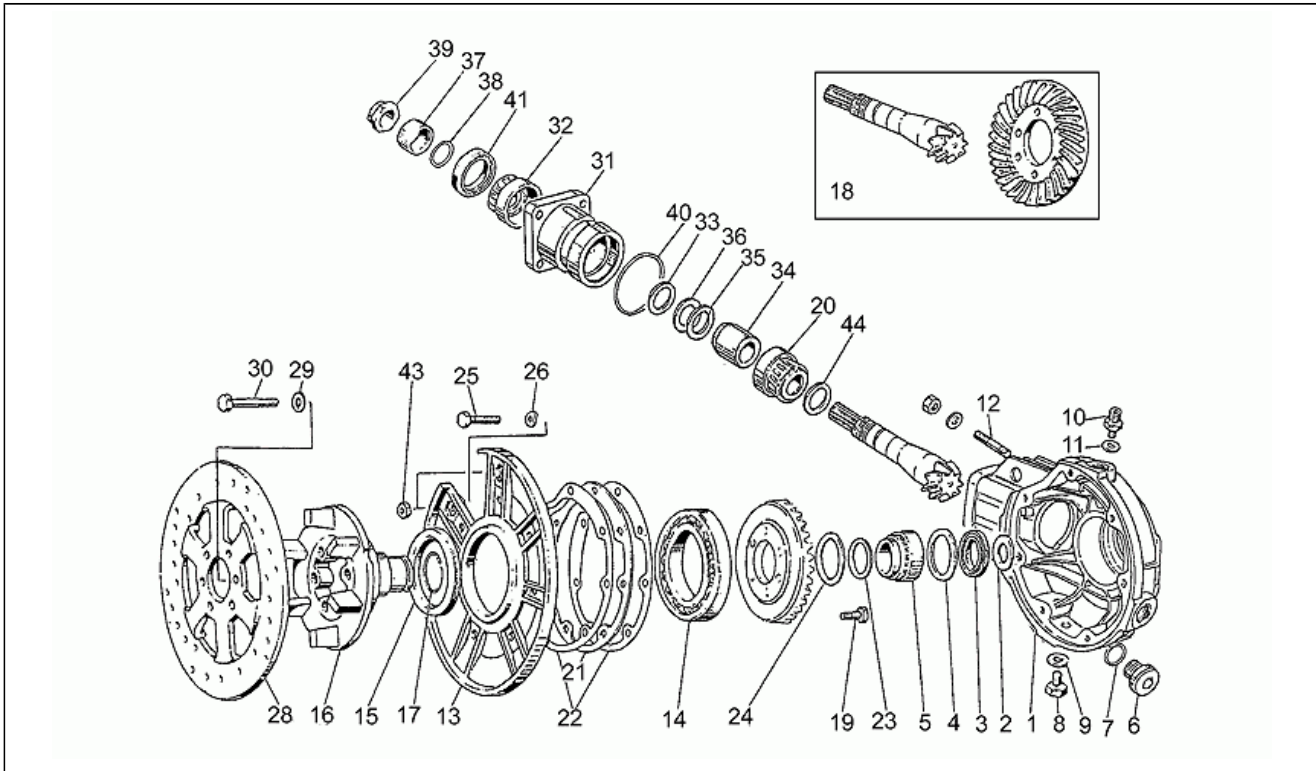
Pos.	Code	Description	Q.ty	Variants
28	GU274726201	Queue	1	Couleur:Brut[gr]
28	GU28472661	Queue	1	Couleur:Perdur red 100[r]
29	GU27573820	Cale	1	
30	GU27573821	Cale	1	
31	GU98250616	Vis	3	
32	GU95004206	Rondelle 6,15x11x0,8	3	
33	GU92602206	Ecrou	3	
34	GU27474320	Support	1	
35	GU98054320	Vis M6X20	2	
36	GU95004206	Rondelle 6,15x11x0,8	4	
37	GU91551085	Caoutchouc	2	
38	GU91180607	Entretoise	2	
39	GU92630106	Ecrou M6x1	2	
40	GU27479620	Boîte à outils	1	

<b>Assembly</b>	CHASSIS
<b>Code</b>	33.04
<b>Description</b>	Couple conique
<b>Revision</b>	1



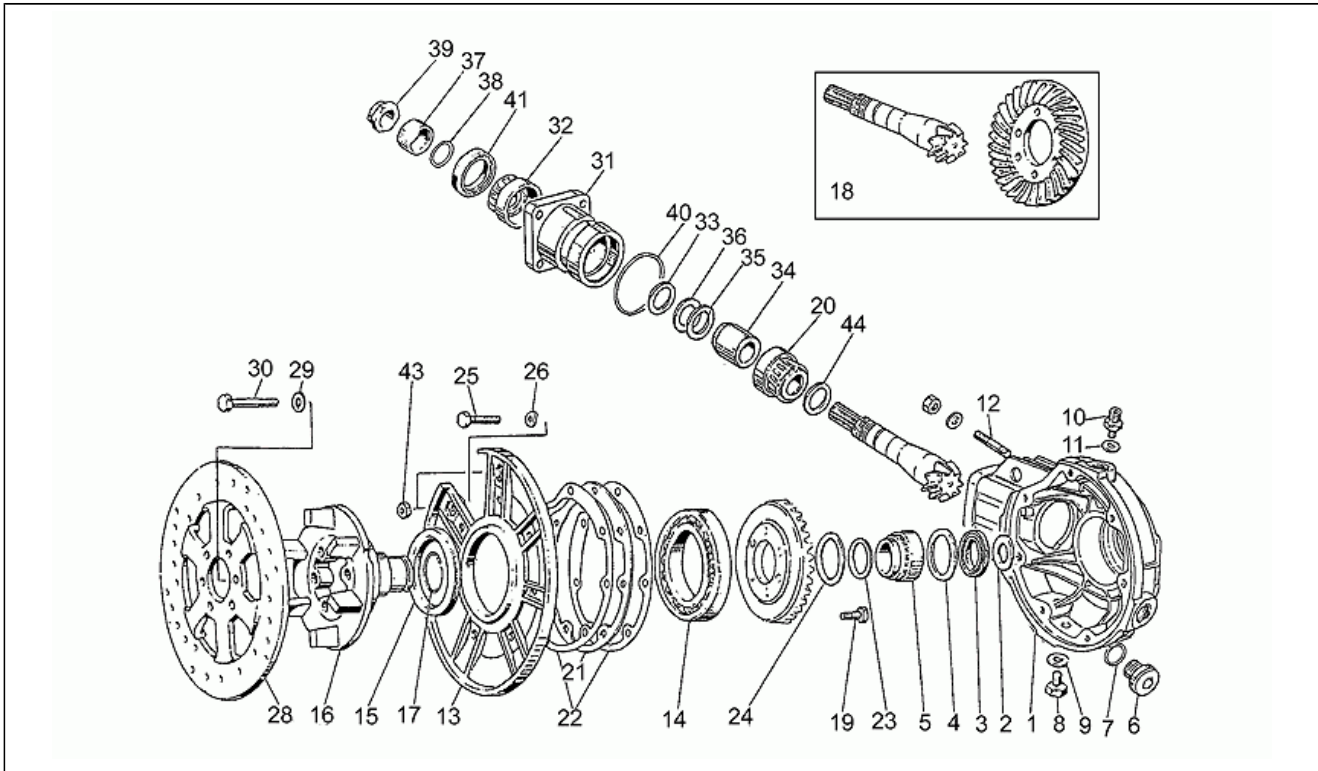
Pos.	Code	Description	Q.ty	Variants
1	GU31350380	Carter de transmission gris	1	
2	GU19351900	Rondelle d'appui	1	
3	GU90403547	Bague d'étanchéité 35x47x7	1	
4	GU19351100	Rondelle d'appui	1	
5	GU92252235	Roulement à rouleaux 35x50x17	1	
6	GU12022600	Bouchon huile	1	
7	GU90706203	Joint torique 20,24X2,62	1	
8	GU31003766	Bouchon vid.huile M10X1	1	
9	GU10528900	Garniture	1	
10	GU19206501	Bouchon purge	1	
11	GU10528900	Garniture	1	
12	GU96508055	Vis sans tête	4	
13	GU19350421	Couvercle	1	
14	GU92201070	Roulement à billes 70x110x13	1	
15	GU90407590	Bague d'étanchéité 75x90x8	1	
16	GU19351401	Pivot	1	
17	GU90353030	Bague de butée	1	
18	GU19354621	Couple conique Z=8/31	1	
19	GU19356320	Vis	6	
20	GU92249223	Roulement roul.con.	1	
21	GU19355400	Cale 0,8 mm	1	
21	GU19355402	Cale 0,9 mm	1	
21	GU19355404	Cale 1 mm	1	
21	GU19355406	Cale 1,1 mm	1	
21	GU19355408	Cale 1,2 mm	1	
21	GU19355410	Cale 1,3 mm	1	
21	GU19355411	Cale 1,4 mm	1	
21	GU19355412	Cale 1,5 mm	1	

<b>Assembly</b>	CHASSIS
<b>Code</b>	33.04
<b>Description</b>	Couple conique
<b>Revision</b>	1



Pos.	Code	Description	Q.ty	Variants
21	GU19355413	Cale 1,6 mm	1	
22	GU19350700	Joint	2	
23	GU19352300	Rondelle éventail	1	
24	GU19353500	Rondelle éventail	1	
25	GU19357660	Vis M8X25	7	
26	GU61270300	Rondelle élastique 8x15x0,3	7	
28	GU19635736	Disque frein arrière	1	
29	GU14615901	Rondelle 8,4X13X0,8	6	
30	GU98054418	Vis	6	
31	GU19352401	Habillage roulement	1	
32	GU92249220	Roulement à rouleaux 20x47x14	1	
33	GU19355300	Cale 1 mm	2	
33	GU19355301	Cale 1,1 mm	2	
33	GU19355302	Cale 1,2 mm	2	
33	GU19355303	Cale 1,3 mm	2	
33	GU19355304	Cale 1,4 mm	2	
33	GU19355305	Cale 1,5 mm	2	
33	GU19355306	Cale 1,6 mm	2	
33	GU19355307	Cale 1,7 mm	2	
33	GU19355308	Cale 1,8 mm	2	
33	GU19355309	Cale 1,9 mm	2	
34	GU19355121	Entretoise	1	
35	GU19355200	Rondelle ajustem. 0,1 mm	1	
36	GU19355202	Rondelle ajustem. 0,15 mm	1	
37	GU19356801	Entretoise	1	
38	GU90706188	Bague d'étanchéité 18,77X1,78	1	
39	GU19356700	Ecrou	1	
40	GU90706552	Bague d'étanchéité	1	

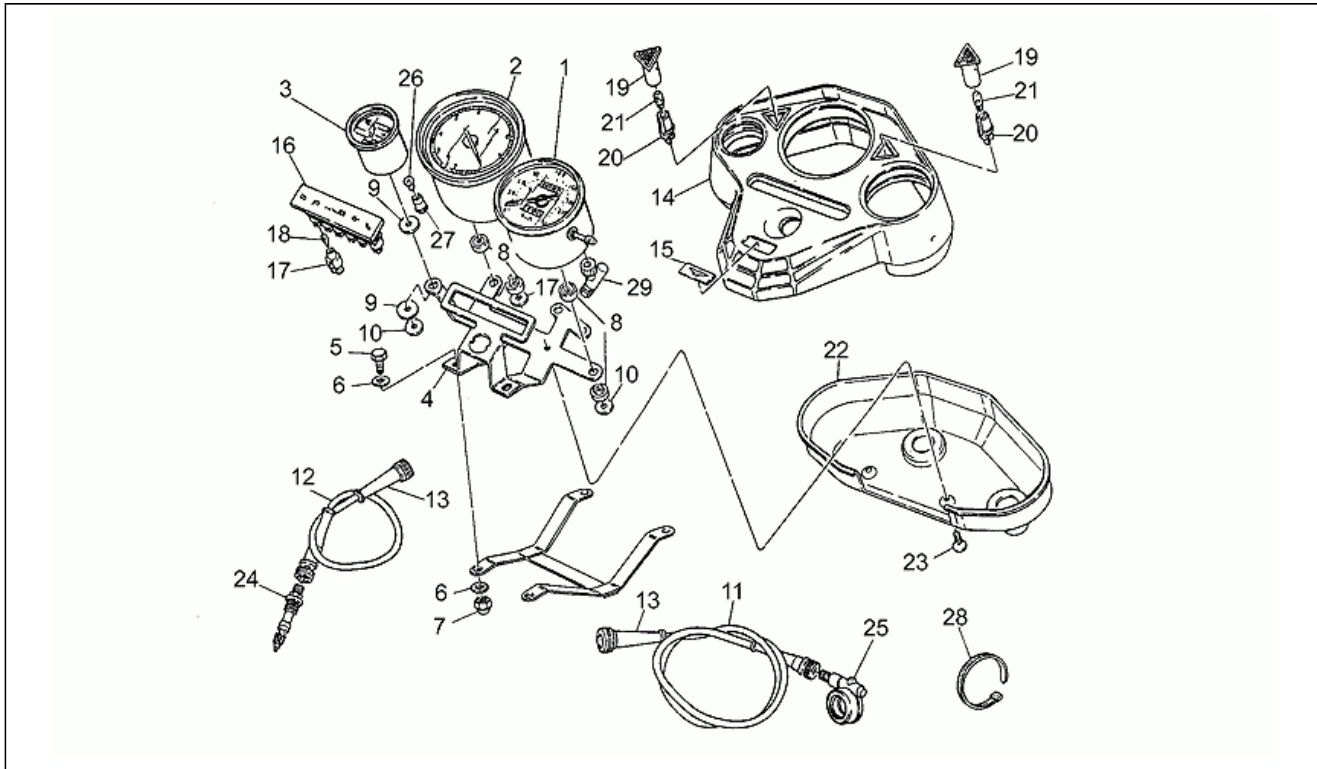
<b>Assembly</b>	CHASSIS
<b>Code</b>	33.04
<b>Description</b>	Couple conique
<b>Revision</b>	1



Pos.	Code	Description	Q.ty	Variants
41	GU90403247	Bague d'étanchéité	1	
43	GU92602208	Ecrou M8X1,25	2	
44	GU19355320	Cale 1 mm	1	
44	GU19355321	Cale 1,1 mm	1	
44	GU19355322	Cale 1,2 mm	1	
44	GU19355323	Cale 1,3 mm	1	
44	GU19355324	Cale 1,4 mm	1	
44	GU19355325	Cale 1,5 mm	1	
44	GU19355326	Cale 1,6 mm	1	
44	GU19355327	Cale 1,7 mm	1	
44	GU19355328	Cale 1,8 mm	1	
44	GU19355329	Cale 1,9 mm	1	

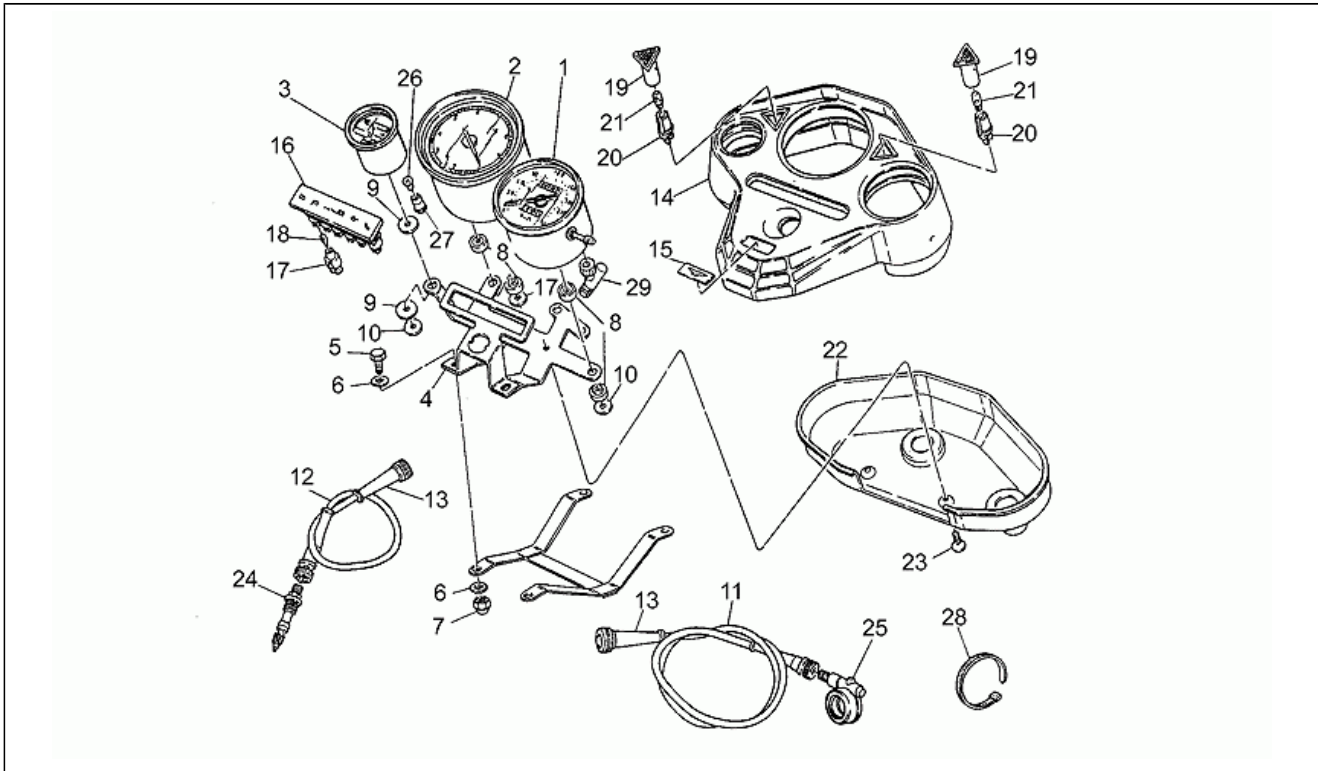


<b>Assembly</b>	CHASSIS
<b>Code</b>	33.05
<b>Description</b>	Tableau de bord
<b>Revision</b>	1



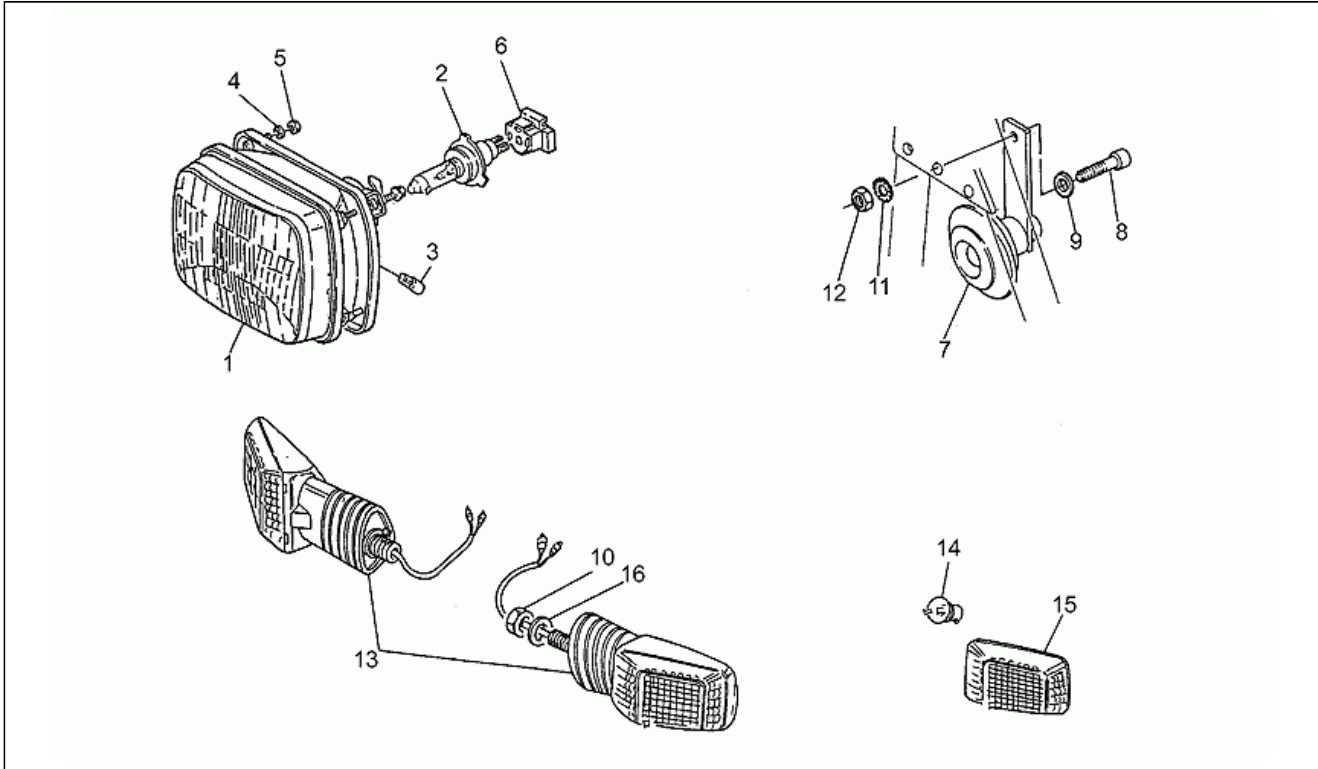
Pos.	Code	Description	Q.ty	Variants
1	GU27761560	Compteur kilométrique	1	
1	GU28762451	Compteur kilométrique Mhp	1	Pays:Angleterre[UK]
2	GU31767215	Compte-tours	1	
3	GU17784960	Voltmètre	1	
4	GU28764050	Plaque	1	
5	GU98052455	Vis	2	
6	GU95000208	Rondelle	4	
7	GU92781081	Ecrou	2	
8	GU17765560	Caoutchouc	5	
9	GU17783960	Caoutchouc	5	
10	GU95100060	Rondelle	5	
11	GU63760420	Transmission tachymètre	1	
12	GU28768150	Transmission compte-tours	1	
13	GU17762200	Gaine	2	
14	GU28766250	Tableau de bord	1	
15	GU28769550	Décalco "Aquila"	1	
16	GU28766950	Support tém.+câbl.	1	
17	GU19768680	Porte-ampoule	6	
18	GU93450140	Lampe (ou Ampoule) 12V-1,2W	6	
19	GU19768580	Porte-ampoule	19	
20	GU14768650	Porte-ampoule	2	
21	GU93450120	Lampe (ou Ampoule) 12v-3w	3	
22	GU28765250	Plaque	1	
23	GU98270621	Vis	2	
24	GU14769200	Renvoi Z=14	1	
25	GU31762561	Renvoi compteur km	1	
26	GU17762150	Lampe (ou Ampoule) 12V 3W	3	
27	GU14768650	Porte-ampoule	3	

<b>Assembly</b>	CHASSIS
<b>Code</b>	33.05
<b>Description</b>	Tableau de bord
<b>Revision</b>	1



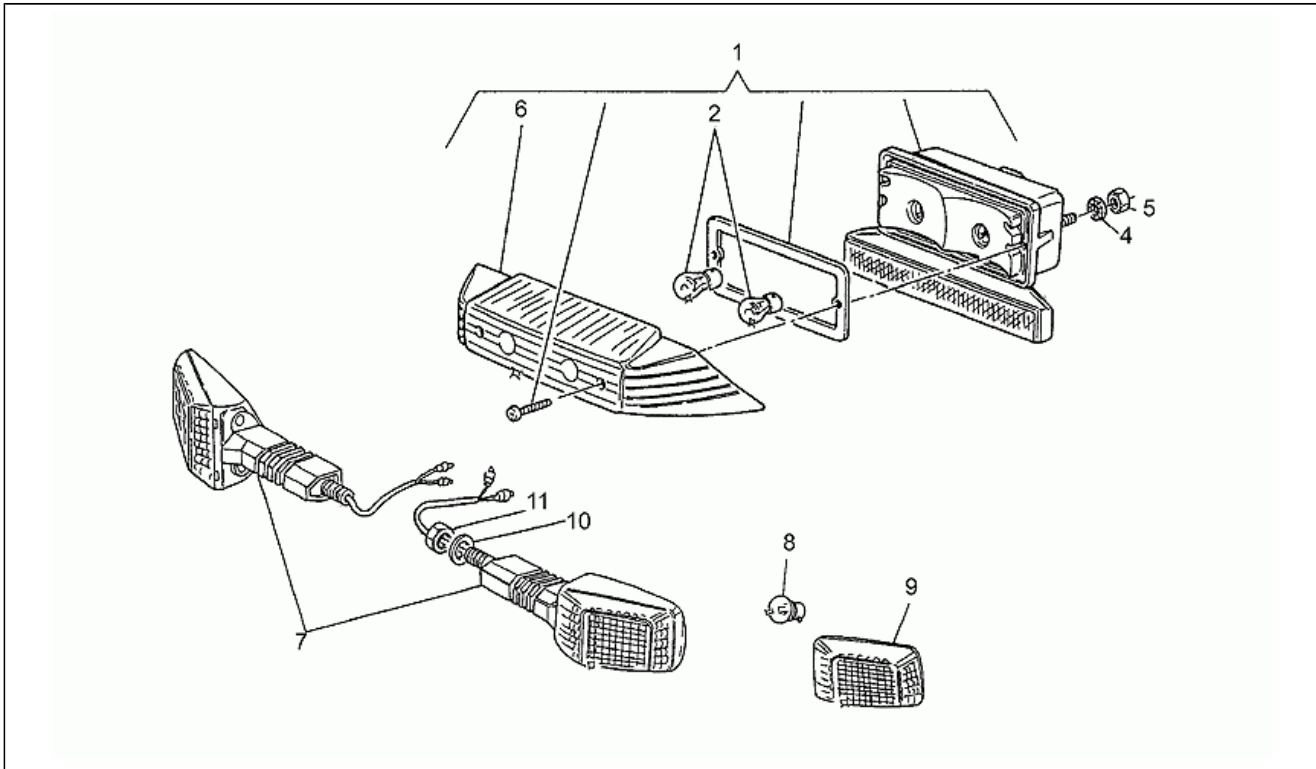
Pos.	Code	Description	Q.ty	Variants
28	GU14609650	Collier 3,6x20,6	2	
29	GU17768360	Renvoi 90°	1	

<b>Assembly</b>	CHASSIS
<b>Code</b>	33.06
<b>Description</b>	Phare avant-Klaxon
<b>Revision</b>	1



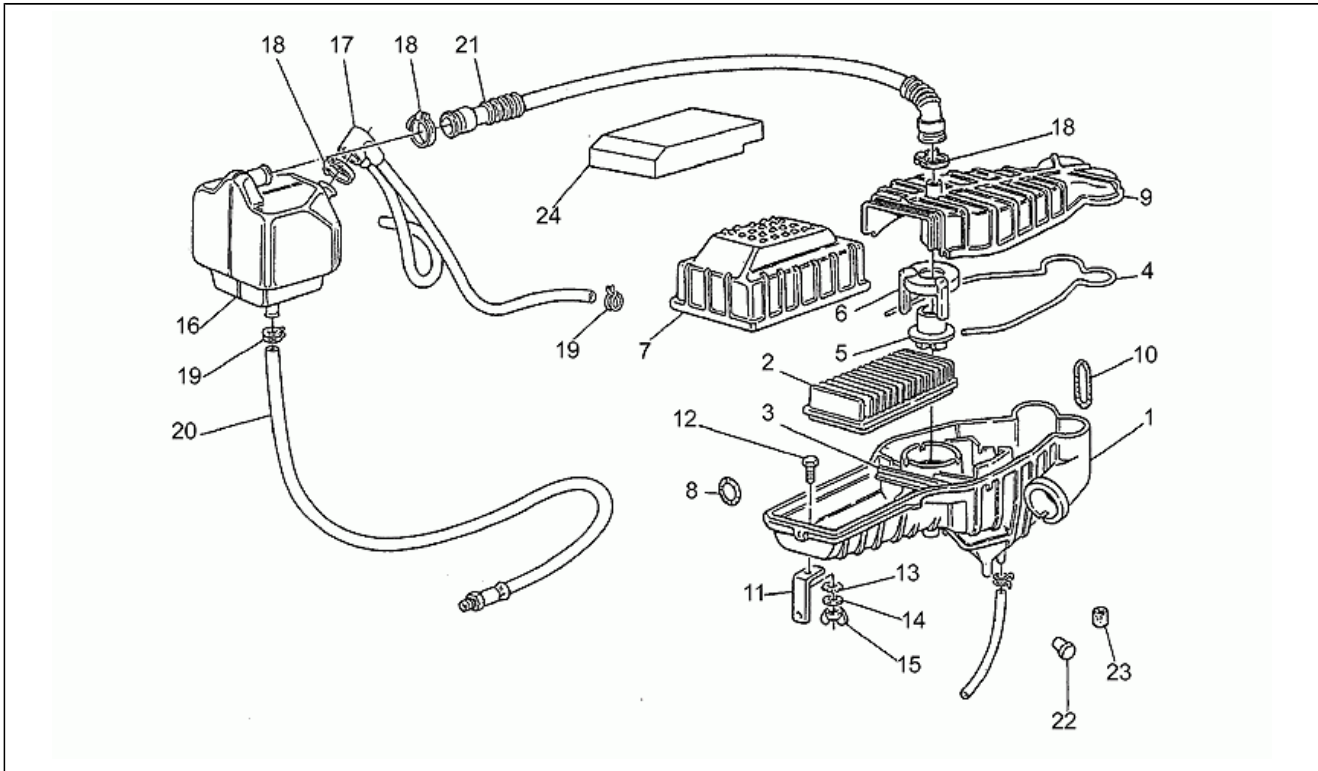
Pos.	Code	Description	Q.ty	Variants
1	GU28740530	Projecteur av.complet gauche	1	Pays:Angleterre[UK]
1	GU28740560	Feu avant	1	
2	GU93450232	Lampe (ou Ampoule) 12V-55/60W	1	
3	GU93450119	Lampe (ou Ampoule) 12V-4W	1	
4	GU95021105	Rondelle évent.	3	
5	GU92602205	Ecrou	4	
6	GU14756255	Porte-ampoule	1	
7	GU61743700	Klaxon	1	
8	GU98822416	Vis	1	
9	GU95004208	Rondelle	1	
10	GU92602410	Ecrou	2	
11	GU95021108	Rondelle élastique	1	
12	GU92602208	Ecrou M8X1,25	1	
13	GU28750678	Clignotant AV	2	
14	GU93450127	Lampe (ou Ampoule) 12V-10W	2	
15	GU23753710	Vitre clignotant	2	
16	GU95021110	Rondelle évent.	2	

<b>Assembly</b>	CHASSIS
<b>Code</b>	33.07
<b>Description</b>	Feu arrière
<b>Revision</b>	1



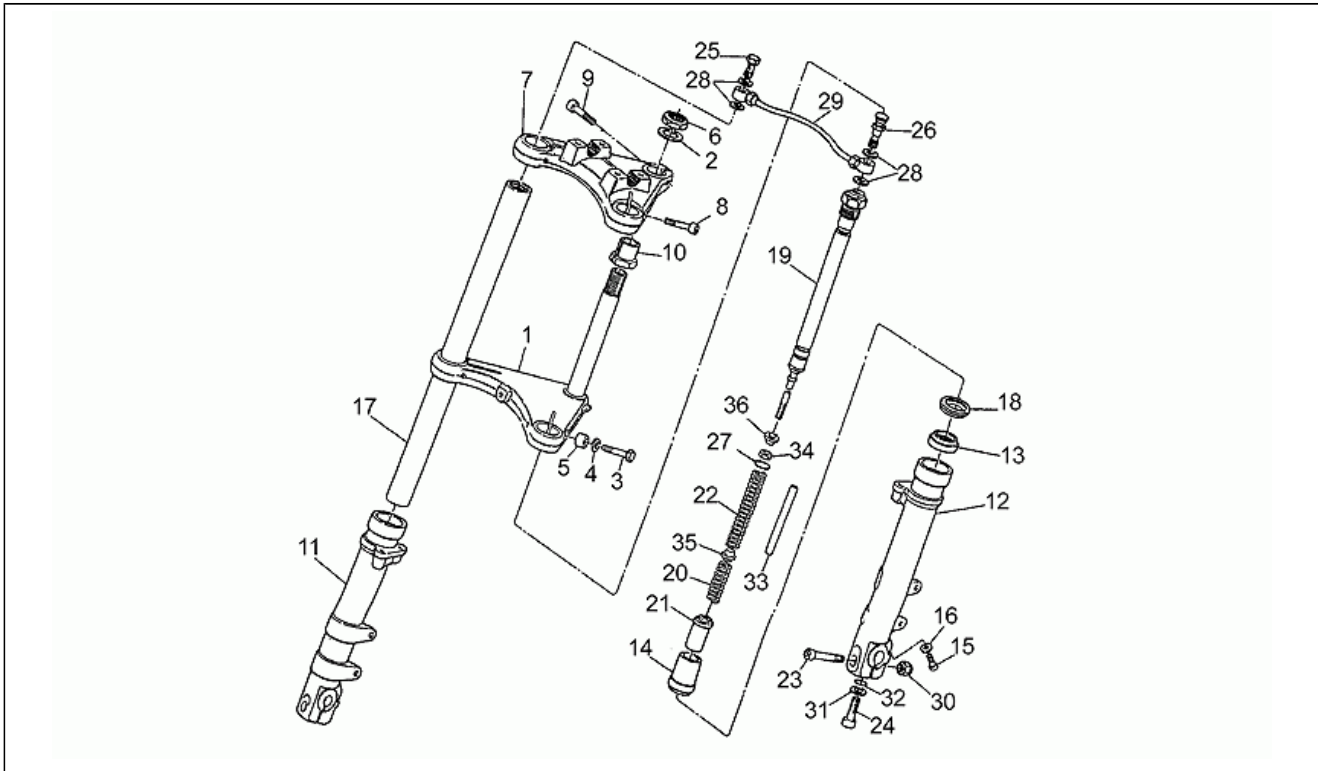
Pos.	Code	Description	Q.ty	Variants
1	GU27740920	Feu arrière	1	
2	GU93450224	Lampe (ou Ampoule) 12V/5-21W	2	
4	GU95021106	Rondelle évent.	2	
5	GU92602206	Ecrou	2	
6	GU27741720	Glace phare AR	1	
7	GU28751678	Appel de phare AR	2	
8	GU93450127	Lampe (ou Ampoule) 12V-10W	2	
9	GU23753710	Vitre clignotant	2	
10	GU95021110	Rondelle évent.	2	
11	GU92602512	Ecrou bas M12x1,25	2	

<b>Assembly</b>	CHASSIS
<b>Code</b>	33.08
<b>Description</b>	Filtre air
<b>Revision</b>	1



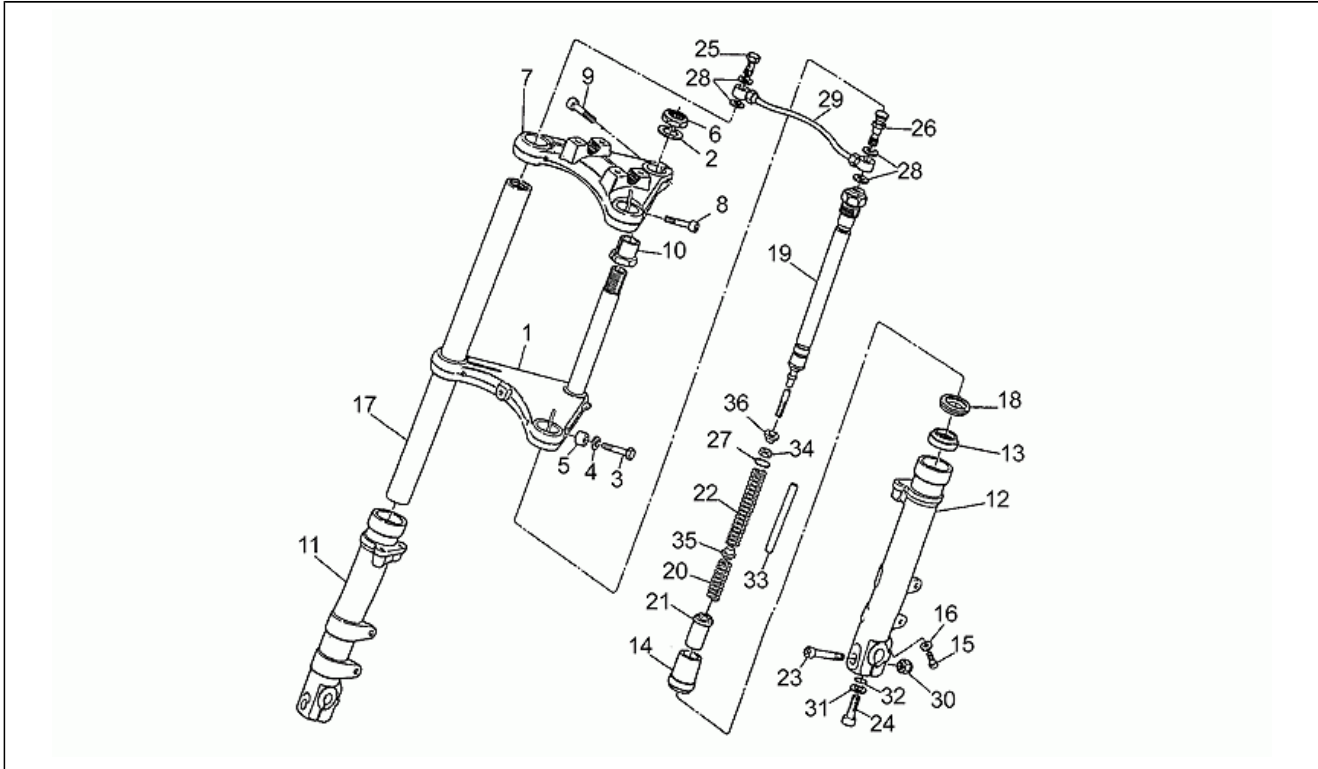
Pos.	Code	Description	Q.ty	Variants
1	GU19114060	Part.inf.cais.filtre	1	
2	GU28113650	Filtre air	1	
3	GU19112960	Etrier	1	
4	GU19113960	Joint	1	
5	GU19111060	Protection	1	
6	GU19111160	Couvercle	1	
7	GU19113760	Couvercle filtre	1	
8	GU31110715	Ressort court	3	
9	GU19113460	Part.sup.cais.filtre	1	
10	GU31110815	Ressort long	1	
11	GU31114165	Support filtre	1	
12	GU98054214	Vis	1	
13	GU95021105	Rondelle évent.	1	
14	GU95000205	Rondelle	1	
15	GU92670305	Ecrou	1	
16	GU27153460	Corp	1	
17	GU23159670	Reniflard	1	
18	GU93305018	Collier	3	
19	GU61108400	Collier	3	
20	GU27159360	Reniflard	1	
21	GU27157420	Tuyau	1	
22	GU19433000	Caoutchouc de ferm.	1	
23	GU14423800	Caoutchouc	1	
24	GU27111271	Coiffe	1	

<b>Assembly</b>	CHASSIS
<b>Code</b>	33.09
<b>Description</b>	Fourche Av.
<b>Revision</b>	1



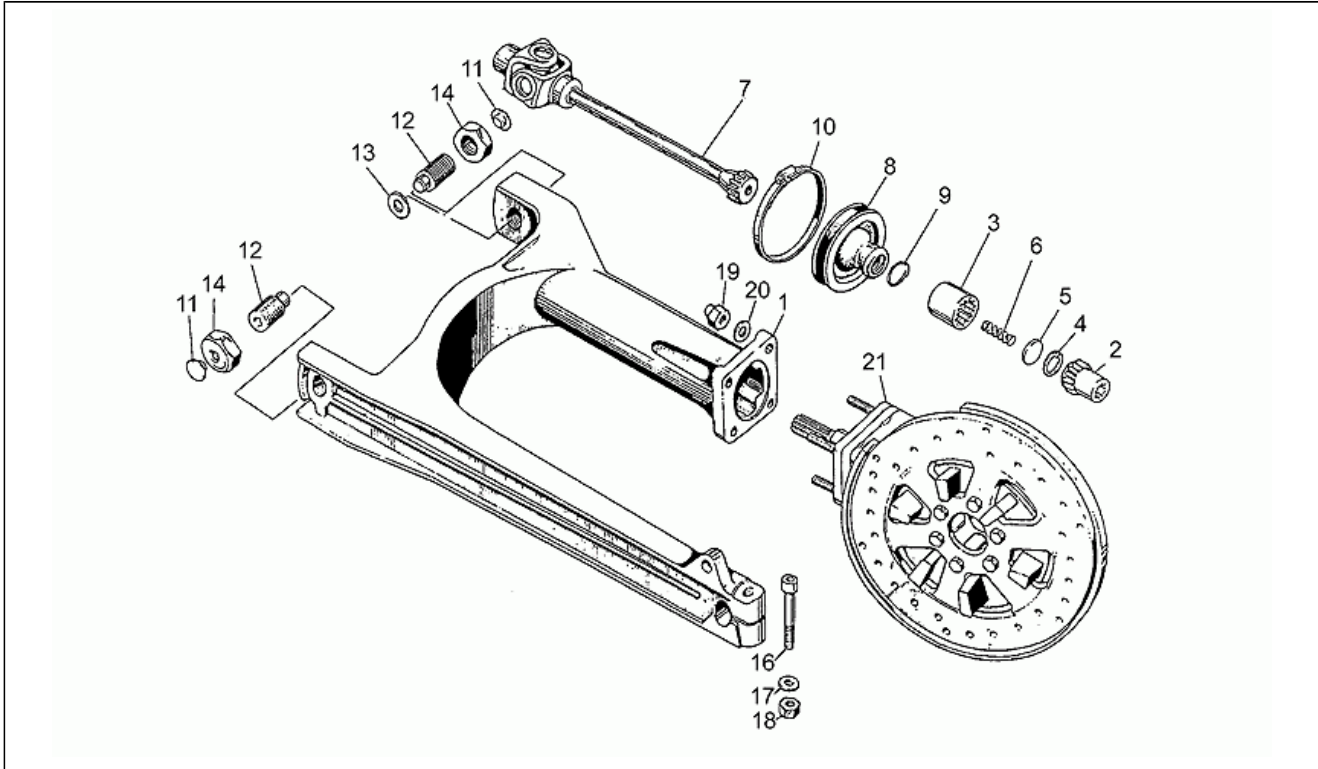
Pos.	Code	Description	Q.ty	Variants
1	GU23494040	Plaque inf.	1	
2	GU18513560	Rondelle bouchon fourreau	1	
3	GU98072555	Vis M10X55	2	
4	GU95007210	Rondelle	2	
5	GU91181016	Entretoise	2	
6	GU18513460	Bouchon tube	1	
7	GU31493115	Plaque sup.	1	
8	GU98610540	Vis	2	
9	GU98612535	Vis	1	
10	GU18516660	Douille bloc. direction	1	
11	GU31522515	Housse Dte-Gris-	1	
12	GU31522615	Housse Gche-Gris-	1	
13	GU90403857	Joint spi	2	
14	GU20527620	Douille	2	
15	GU98622320	Vis	2	
16	GU95100116	Rondelle 6,25x10x1,5	4	
17	GU23525470	Tige	2	
18	GU31524550	Pare-poussière	2	
19	GU23526470	Amortisseur	2	
20	GU23526610	Contre-ressort	2	
21	GU28527540	Tampon fin course	2	
22	GU23526910	Ressort	2	
23	GU98622545	Vis	2	
24	GU98622530	Vis	2	
25	GU28556450	Vis percée	1	
26	GU28556250	Soupape air	1	
27	GU90706282	Bague d'étanchéité	2	
28	GU28556350	Rondelle en cuivre	4	

<b>Assembly</b>	CHASSIS
<b>Code</b>	33.09
<b>Description</b>	Fourche Av.
<b>Revision</b>	1



Pos.	Code	Description	Q.ty	Variants
29	GU19529660	Tuyau amortisseur AV	1	
30	GU92781100	Ecrou	2	
31	GU27499120	Rondelle plate	2	
32	GU90706094	Joint torique 9x2	2	
33	GU23526370	Tube anti-frottement	2	
34	GU92602308	Ecrou	2	
35	GU23527910	Entretoise	2	
36	GU28526540	Rondelle	2	

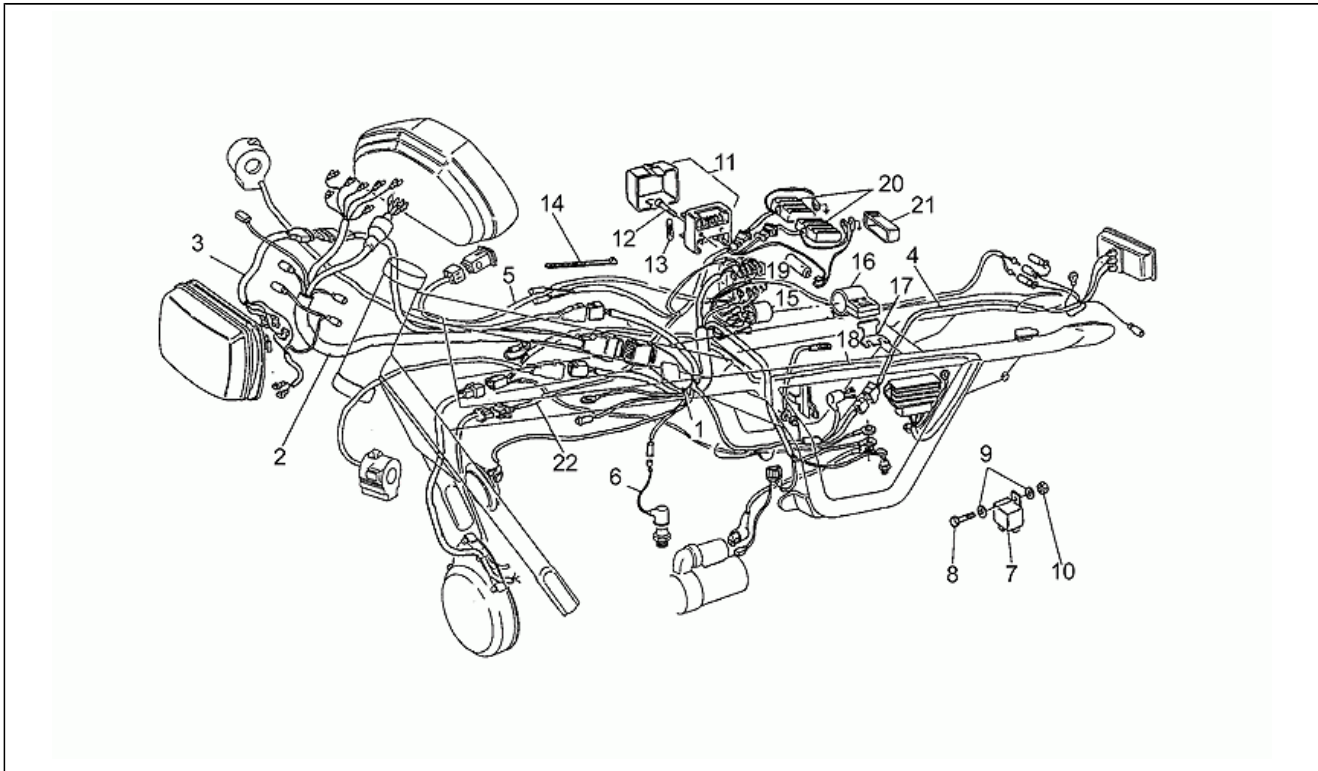
<b>Assembly</b>	CHASSIS
<b>Code</b>	33.10
<b>Description</b>	Fourche arriere
<b>Revision</b>	1



Pos.	Code	Description	Q.ty	Variants
1	GU31540280	Fourche ar.gris	1	
2	GU19327701	Manchon	1	
3	GU19328801	Manchon	1	
4	GU90272023	Bague seeger	1	
5	GU19327601	Disque	1	
6	GU94321099	Ressort	1	
7	GU23328081	Joint	1	
8	GU23548080	Collier de protection	1	
9	GU23548180	Ressort	1	
10	GU93305074	Collier	1	
11	GU93180105	Bouchon	2	
12	GU19547000	Pivot	2	
13	GU35214300	Cale	1	
14	GU14547800	Ecrou	2	
16	GU98052550	Vis	1	
17	GU95004210	Rondelle 10,2x18x2	1	
18	GU92602210	Ecrou	1	
19	GU92781081	Ecrou	4	
20	GU14615901	Rondelle 8,4X13X0,8	4	
21	GU20350220	Boîte transm.cpl.grise	1	

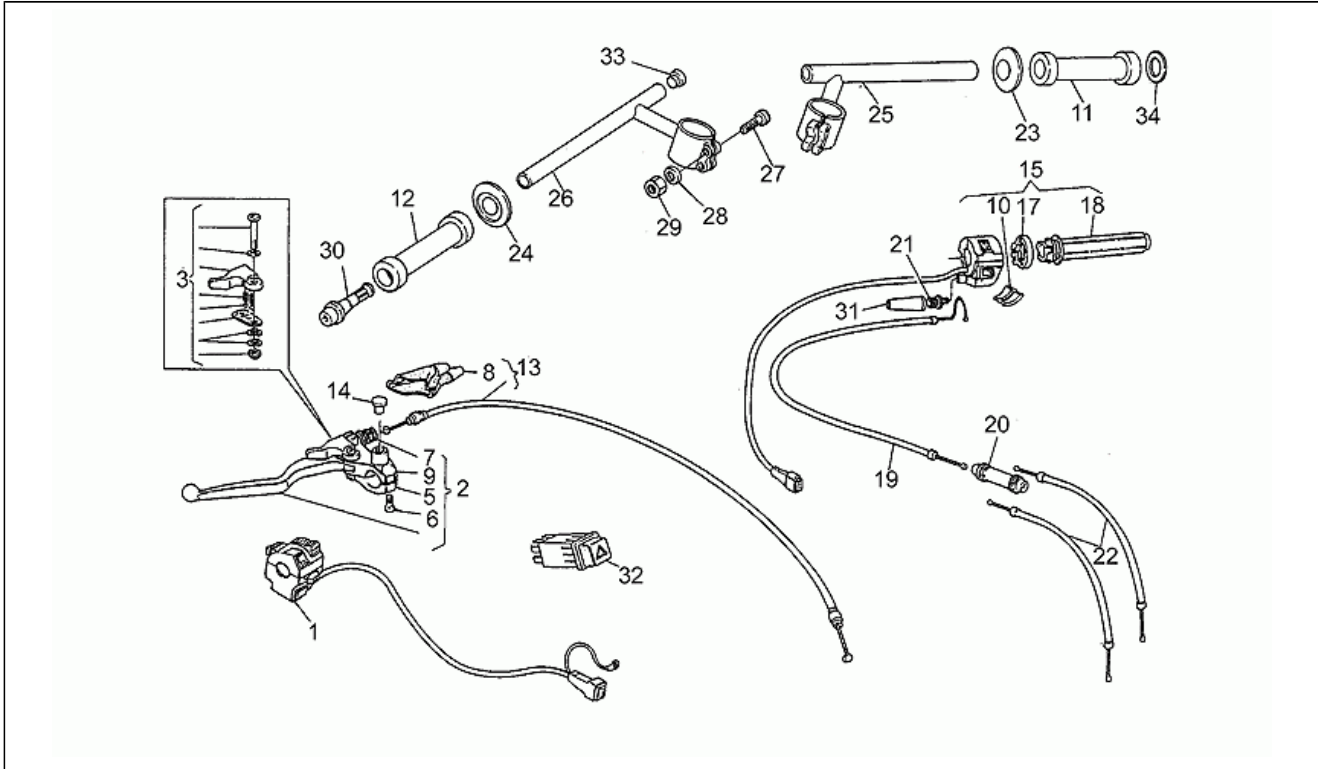


<b>Assembly</b>	CHASSIS
<b>Code</b>	33.11
<b>Description</b>	Circuit électrique
<b>Revision</b>	1



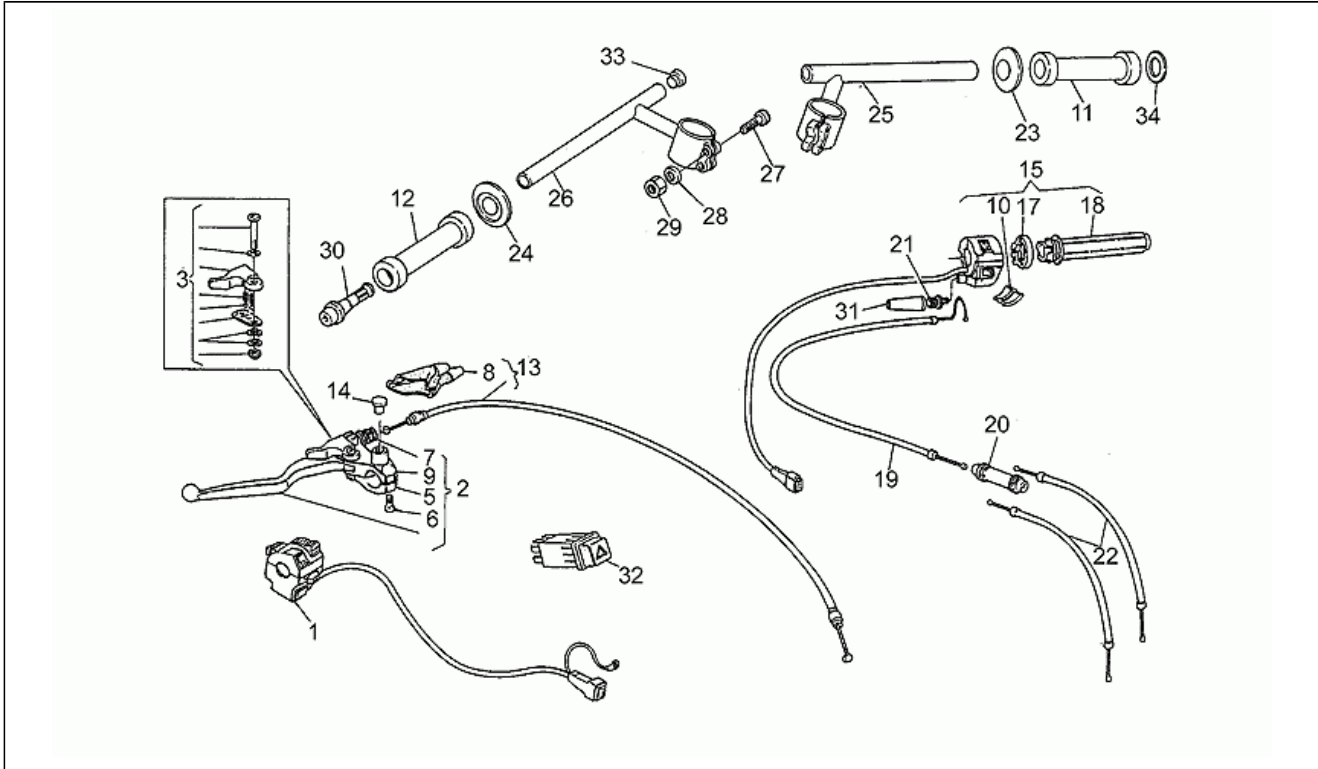
Pos.	Code	Description	Q.ty	Variants
1	GU27747122	Circuit électrique	1	
2	GU27747222	Câblage tableau de bord	1	
3	GU19747435	Câblage tableau de bord	1	
4	GU31747315	Câblage feu AR	1	
5	GU31753015	Câblage intermittences	1	
6	GU19724560	Rallonge témoin libre	1	
7	GU19732500	Relais démarrage	1	
8	GU98054212	Vis	2	
9	GU95100059	Rondelle 5,25x14x1,5	4	
10	GU92602205	Ecrou	2	
11	GU19743000	Boîte à fusibles	1	
12	GU98202525	Vis	2	
13	GU17742550	Fusible 16A	6	
14	GU14609650	Collier 3,6x20,6	10	
15	GU17750520	Clignotement	1	
16	GU17751200	Bloc	1	
17	GU19750435	Plaque	1	
18	GU27725820	Câblage alternat.-régulateur	1	
19	GU27710435	Condensateur	1	
20	GU23721494	Centrale électronique	2	
21	GU27723835	Support élastique	2	
22	GU31722140	Câblage HT	1	

<b>Assembly</b>	CHASSIS
<b>Code</b>	33.12
<b>Description</b>	Guidon - Commandes
<b>Revision</b>	1



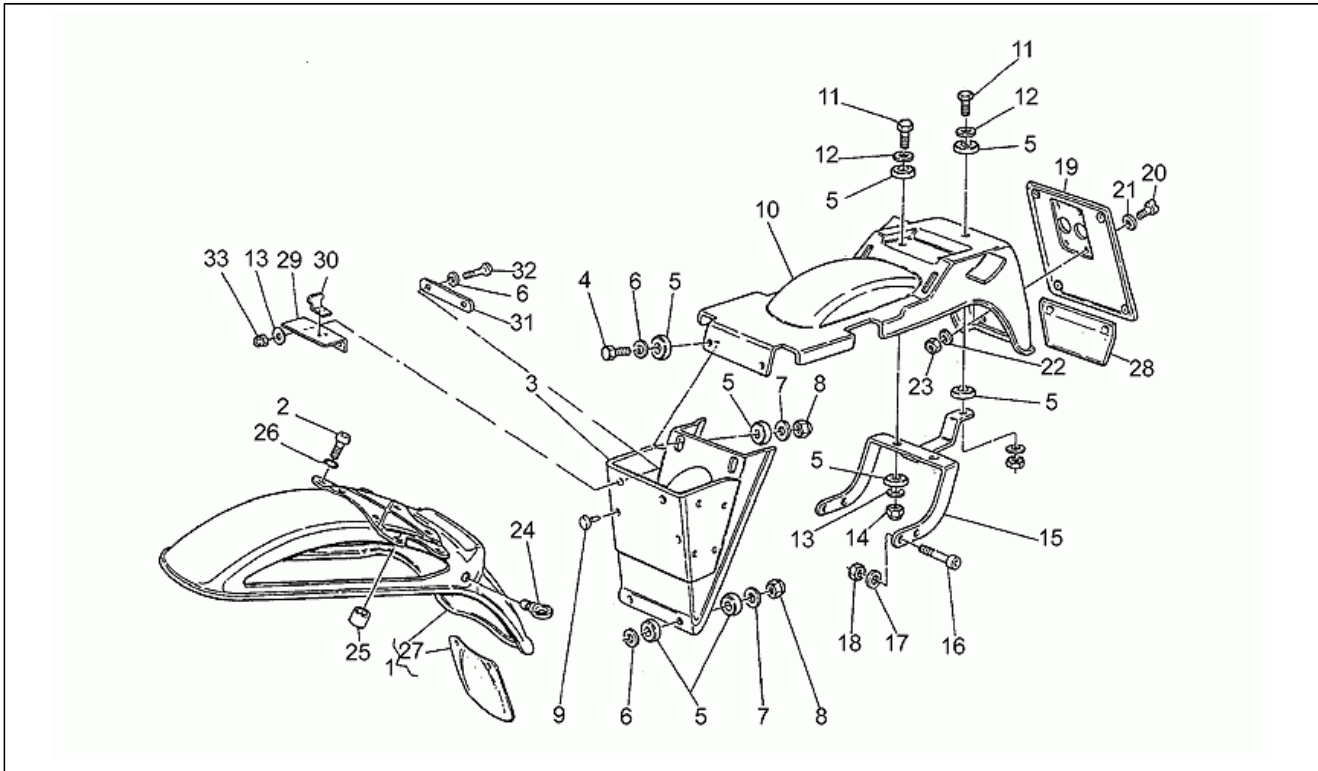
Pos.	Code	Description	Q.ty	Variants
1	GU27738015	Déviateur feux gche	1	
2	GU30605530	Levier embrayage complet	1	
3	GU27659415	Levier	1	
5	GU27601015	Cavalier	1	
6	GU27601215	Vis	2	
7	GU30602500	Réglage	1	
8	GU27663815	Protection	1	
9	GU27601815	Cavalier levier embr	1	
10	GU27604515	Guide-câble	1	
11	GU27603520	Poignée dr.	1	
12	GU27603020	Poignée gc.	1	
13	GU27093022	Câble embrayage	1	
14	GU93180080	Bouchon	2	
15	GU27603400	Commande gaz	1	
17	GU27604415	Bloc conduite	1	
18	GU27603815	Corps mobile	1	
19	GU27117522	Transm. commande gaz	1	
20	GU30607910	Dedoubleur	2	
21	GU27603715	Vis embrayage	1	
22	GU31117715	Câble gaz D	2	
23	GU27603620	Bague	1	
24	GU27603120	Bague	1	
25	GU31600615	Demi-guid.dte	1	
26	GU31600715	Demi-guidon G	1	
27	GU98610335	Vis M6x18	4	
28	GU95001206	Rondelle	4	
29	GU92630106	Ecrou M6x1	4	
30	GU28602790	Equilibrage cpl.	1	

<b>Assembly</b>	CHASSIS
<b>Code</b>	33.12
<b>Description</b>	Guidon - Commandes
<b>Revision</b>	1



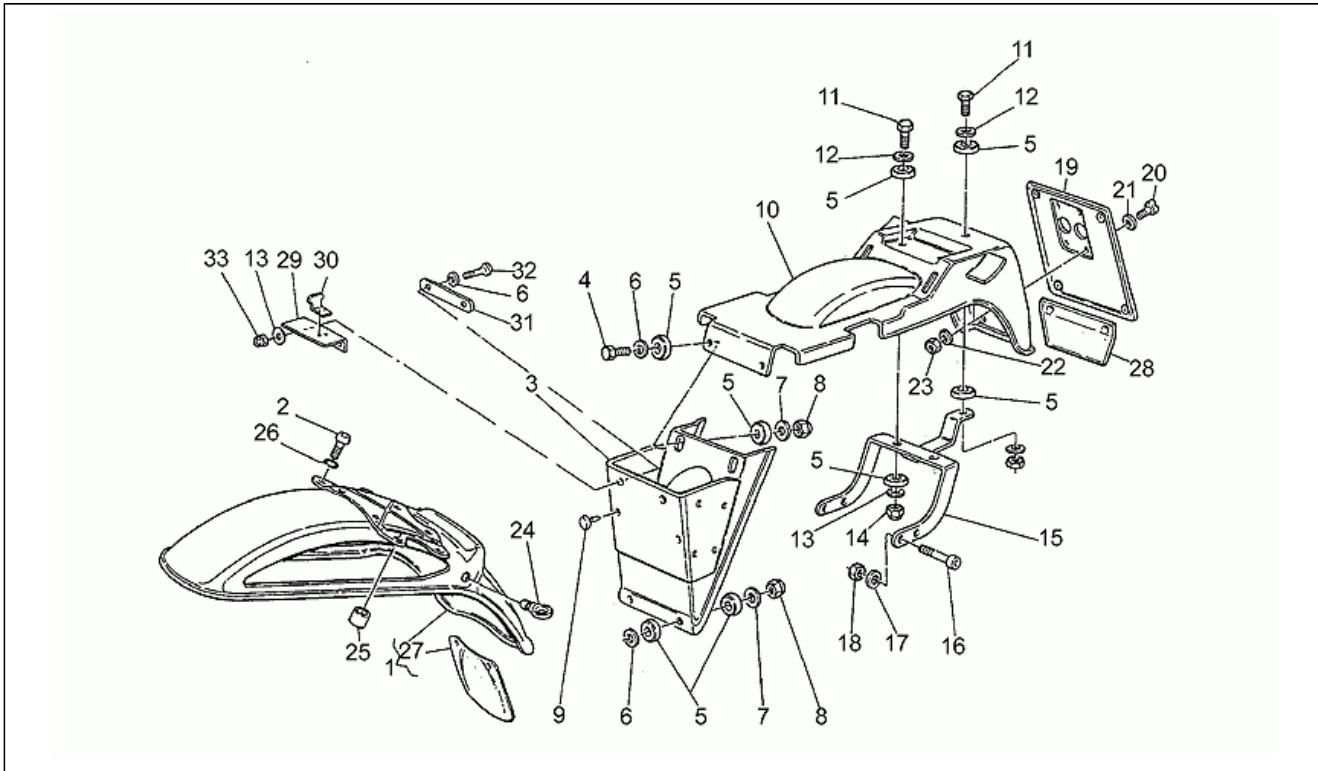
Pos.	Code	Description	Q.ty	Variants
31	GU27117615	Capuchon	1	
32	GU28745761	Turn indicator switch	1	
33	GU61605230	Bouchon	2	
34	GU29606970	Rondelle nylon	1	

<b>Assembly</b>	CHASSIS
<b>Code</b>	33.13
<b>Description</b>	Garde-boue AV-AR
<b>Revision</b>	1



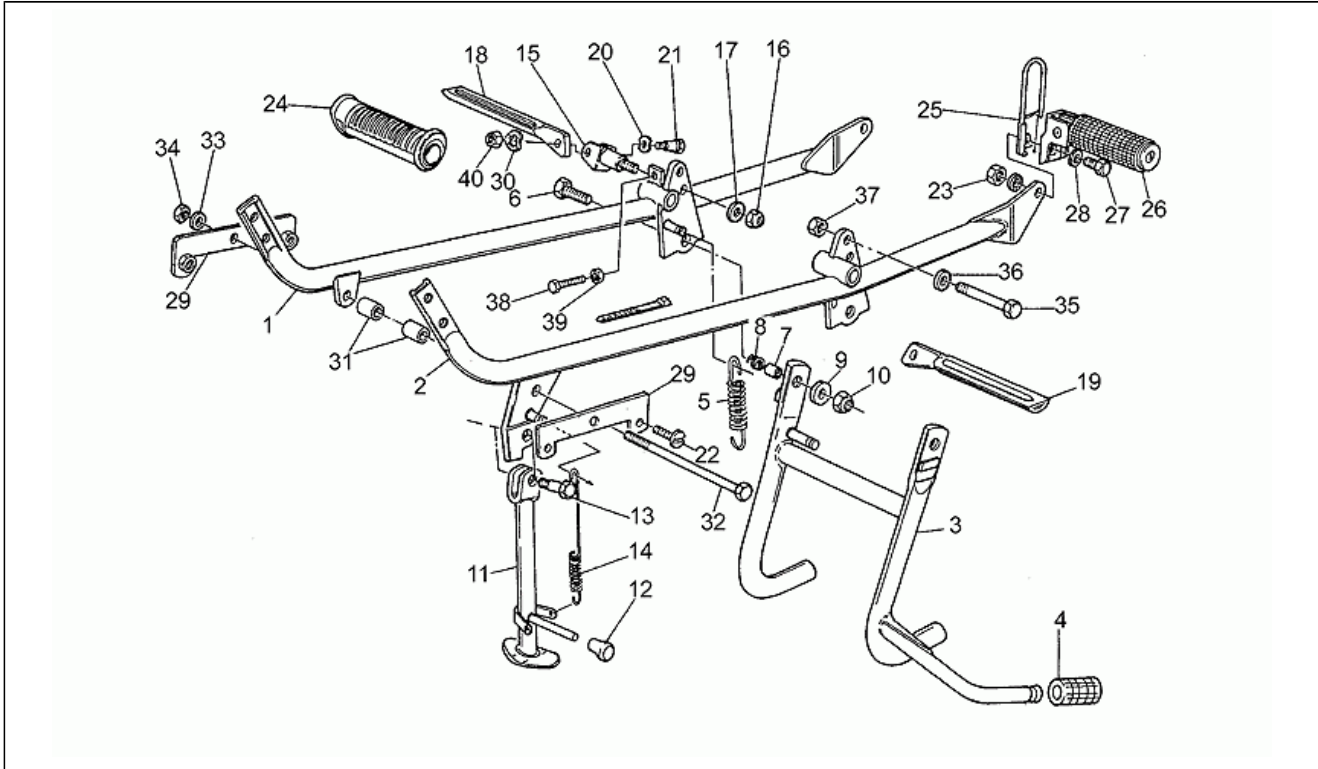
Pos.	Code	Description	Q.ty	Variants
1	GU274344201	Garde-boue av.brut	1	Couleur:Brut[gr]
1	GU31434315	Garde-boue AV	1	Couleur:Perdur red 100[r]
2	GU98230840	Vis	4	
3	GU19438735	Bavette anti-éclaboussures	1	
4	GU98054320	Vis M6X20	2	
5	GU93110060	Caoutchouc	10	
6	GU95000206	Rondelle	6	
7	GU95100141	Rondelle 6,4x12x1,2	4	
8	GU92630106	Ecrou M6x1	4	
9	GU19705900	Tampon	2	
10	GU31437015	Garde-boue arrière	1	
11	GU98054314	Vis	2	
12	GU95004206	Rondelle 6,15x11x0,8	2	
13	GU95100118	Rondelle 6,2X18X1	4	
14	GU92630106	Ecrou M6x1	2	
15	GU27439120	Support	1	
16	GU98054418	Vis	4	
17	GU95004208	Rondelle	4	
18	GU92602208	Ecrou M8X1,25	4	
19	GU284746001	Support porte-plaque	1	
20	GU98200410	Vis	4	
21	GU95000204	Rondelle	4	
22	GU95129080	Rondelle	4	
23	GU92630104	Ecrou M4x0,7	4	
24	GU28659740	Oeillet	2	
25	GU31436415	Entretoise	4	
26	GU90706092	Joint torique	8	
27	GU27436920	Bavette anti-éclaboussures	1	

<b>Assembly</b>	CHASSIS
<b>Code</b>	33.13
<b>Description</b>	Garde-boue AV-AR
<b>Revision</b>	1



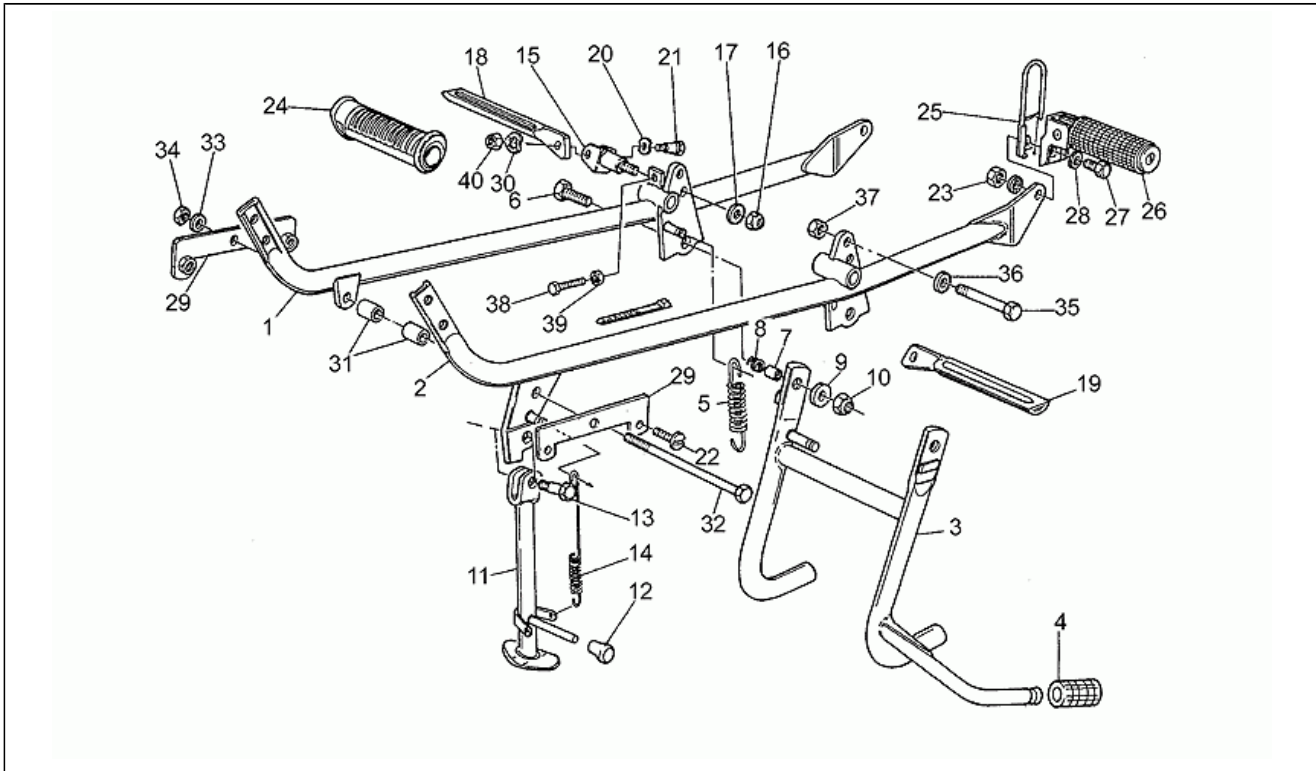
Pos.	Code	Description	Q.ty	Variants
28	GU27475461	Bavette anti-éclaboussures	1	
29	GU23438510	Support	2	
30	GU23439010	Plaque fix. Centrale	1	
31	GU23439210	Plaquette	1	
32	GU98054312	Vis	2	
33	GU92602206	Ecrou	2	

<b>Assembly</b>	CHASSIS
<b>Code</b>	33.14
<b>Description</b>	R.pieds - Béquilles
<b>Revision</b>	1



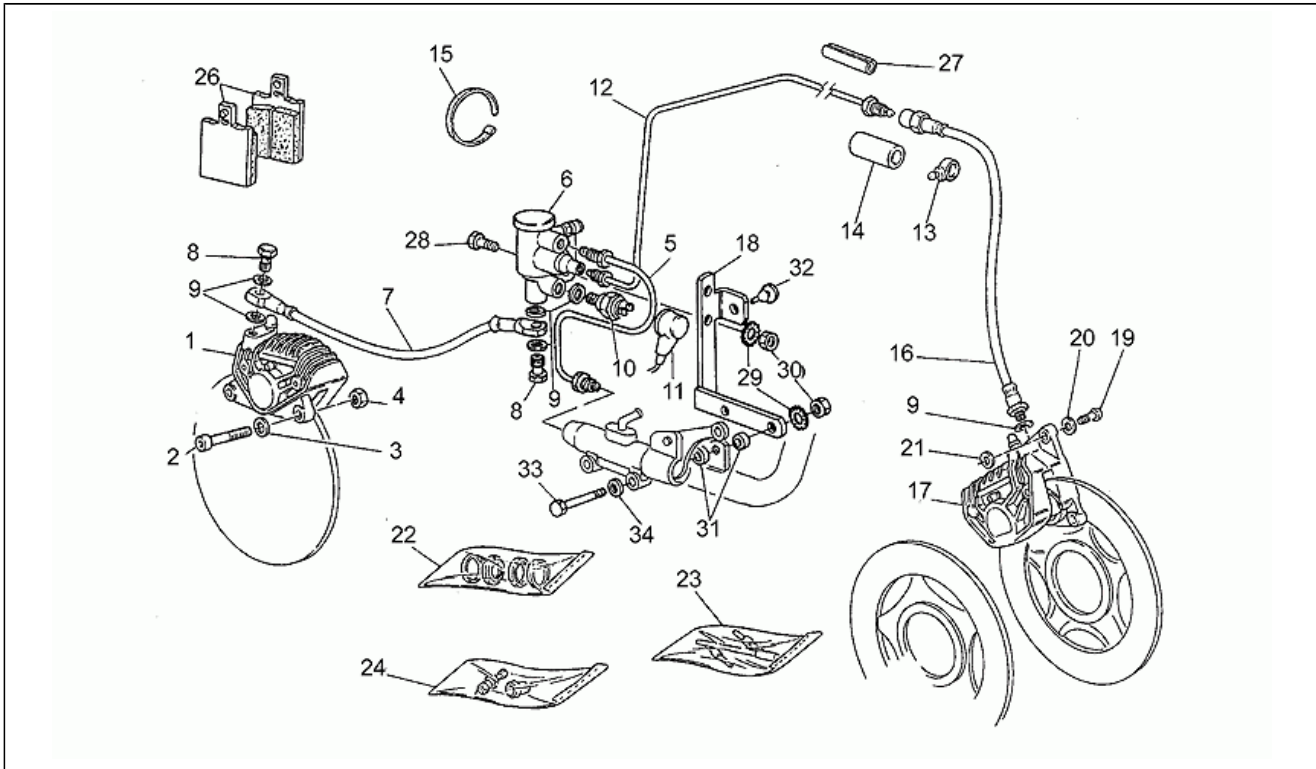
Pos.	Code	Description	Q.ty	Variants
1	GU31420315	Bras d.	1	
2	GU31422115	Bras g.	1	
3	GU23430340	Béquille centrale	1	
4	GU13432640	Pédale en caoutch.	1	
5	GU12434001	Ressort rappel béq.	2	
6	GU98054530	Vis	2	
7	GU91181114	Entretoise	2	
8	GU94322215	Ressort	2	
9	GU95000210	Rondelle	2	
10	GU92630510	Ecrou M10x1,5	2	
11	GU27432085	Béquille latérale	1	
12	GU19433000	Caoutchouc de ferm.	1	
13	GU99105129	Pivot	1	
14	GU19434000	Ressort	2	
15	GU27442020	Support	2	
16	GU92630510	Ecrou M10x1,5	2	
17	GU95004210	Rondelle 10,2x18x2	2	
18	GU28440710	R-pied AV D	1	
19	GU28441810	R-pied pilote G	1	
20	GU95129115	Rondelle	2	
21	GU98074425	Vis	2	
22	GU98326016	Vis	4	
23	GU92601210	Ecrou	2	
24	GU28443201	Pédale en caoutch.	2	
25	GU27447520	Protec.r-pied pil. G	2	
26	GU27442320	Repose-pieds passager	2	
27	GU98231022	Vis	2	
28	GU14018400	Rondelle 10,5X21X1	2	

<b>Assembly</b>	CHASSIS
<b>Code</b>	33.14
<b>Description</b>	R.pieds - Béquilles
<b>Revision</b>	1



Pos.	Code	Description	Q.ty	Variants
29	GU31579115	Bride	2	
30	GU61270300	Rondelle élastique 8x15x0,3	2	
31	GU19017000	Bague	2	
32	GU19429565	Tirant	1	
33	GU95004210	Rondelle 10,2x18x2	1	
34	GU92602210	Ecrou	1	
35	GU98052565	Vis	2	
36	GU95004210	Rondelle 10,2x18x2	2	
37	GU92602210	Ecrou	2	
38	GU98054322	Vis M6X22	1	
39	GU92602206	Ecrou	1	
40	GU92601208	Ecrou	2	

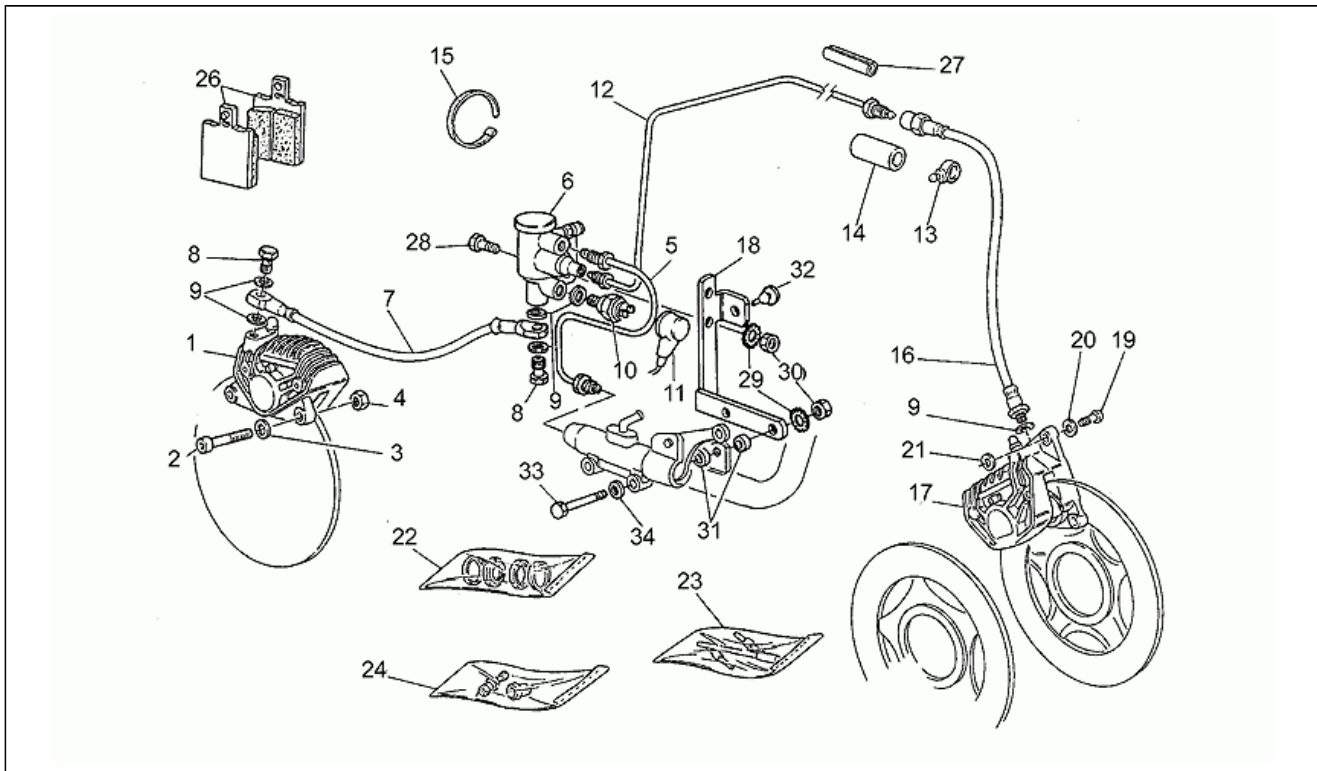
<b>Assembly</b>	CHASSIS
<b>Code</b>	33.15
<b>Description</b>	Pince frein
<b>Revision</b>	1



Pos.	Code	Description	Q.ty	Variants
1	GU23653011	Pince frein arrière	1	
2	GU98622422	Vis	2	
3	GU61270300	Rondelle élastique 8x15x0,3	2	
4	GU92602208	Ecrou M8X1,25	2	
5	GU23657830	Tuyau	1	
6	GU27668561	Soupape	1	
7	GU19658660	Tube frein	1	
8	GU95990028	Vis tuyau huile *	2	
9	GU25656100	Garniture	7	
10	GU63657000	Interrupteur	1	
11	GU12735100	Capuchon	1	
12	GU23658730	Tuyau	1	
13	GU19436500	Oeillet	1	
14	GU17573860	Protection	1	
15	GU14609650	Collier 3,6x20,6	3	
16	GU17658860	Tube frein	1	
17	GU31652265	Pince frein AV D Grimeca	1	<b>Spécifications techniques:</b> See technical comm.n.298 of 1995[29895C]
18	GU31415615	Plaque	1	
19	GU98622422	Vis	2	
20	GU61270300	Rondelle élastique 8x15x0,3	2	
21	GU95100250	Rondelle 8,5X18X0,5	1	
21	GU95100251	Rondelle 8,5X18X0,8	1	
22	GU39659000	Kit révision pince BREMBO	2	
22	GU66659031	Kit révision pince GRIMECA	1	<b>Spécifications techniques:</b> See technical comm.n.298 of 1995[29895C]
23	GU31659165	Axes+ressort GRIMECA	2	<b>Spécifications techniques:</b> See technical comm.n.298 of 1995[29895C]
23	GU39659100	Axes+ressort BREMBO	2	

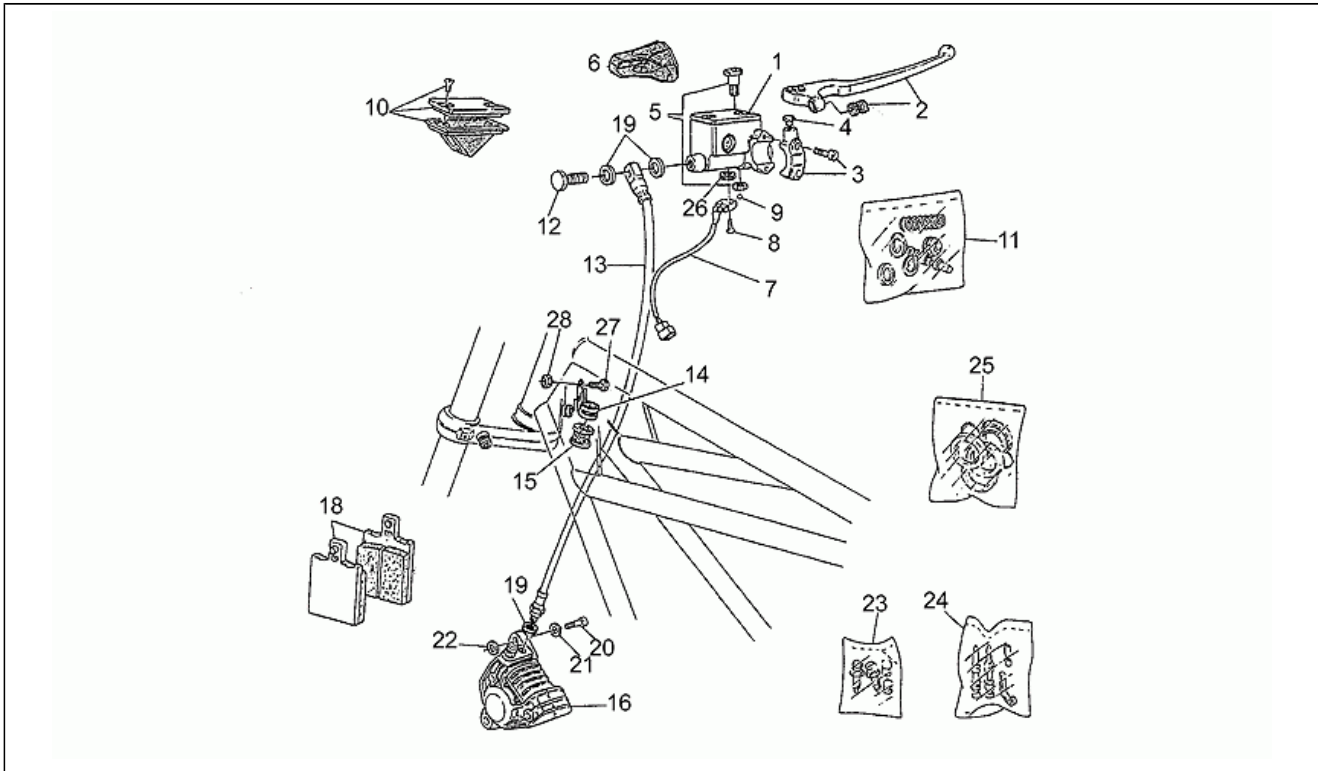


<b>Assembly</b>	CHASSIS
<b>Code</b>	33.15
<b>Description</b>	Pince frein
<b>Revision</b>	1



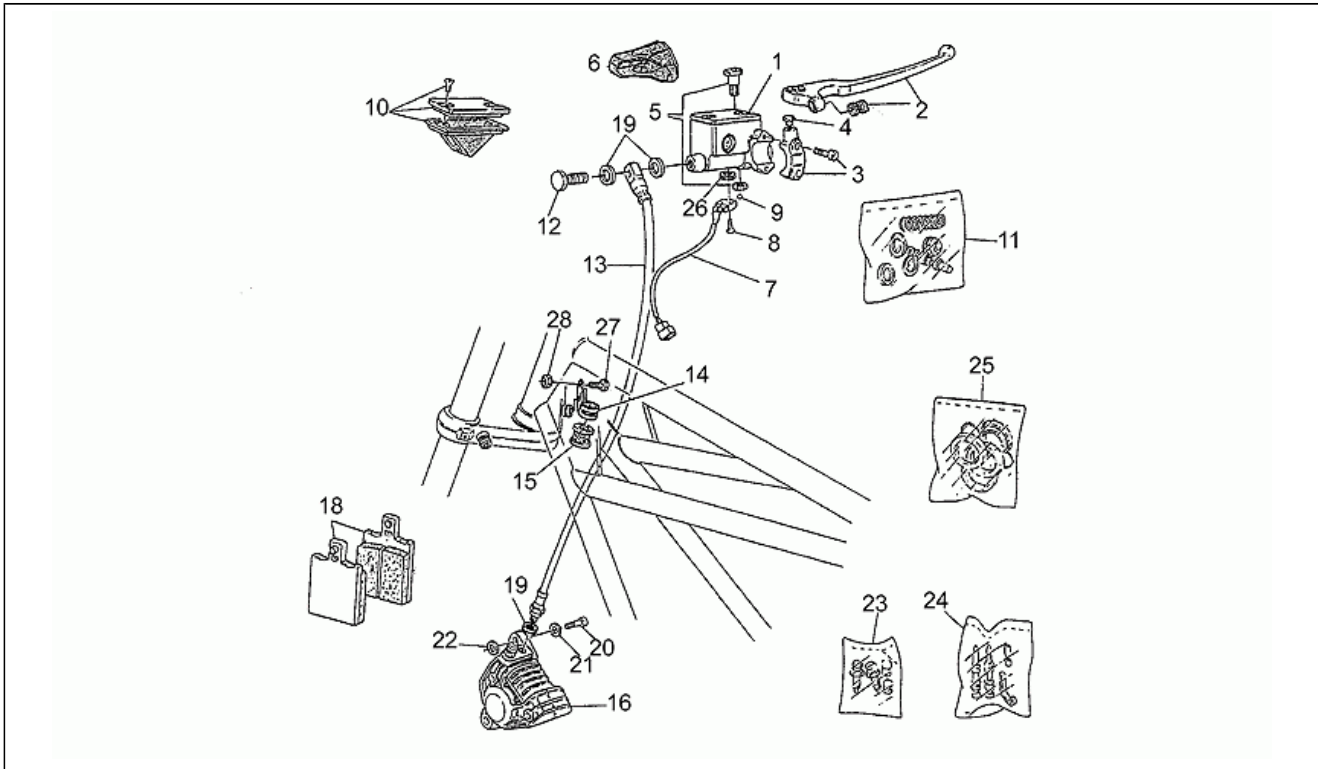
Pos.	Code	Description	Q.ty	Variants
24	GU31659265	Purge+capuchon GRIMECA	1	<b>Spécifications techniques:</b> See technical comm.n.298 of 1995[29895C]
24	GU65659200	Purge+capuchon BREMBO D.6	2	
26	GU27654610	Plaquettes-paire BREMBO	1	
26	GU31654665	Plaquettes-paire GRIMECA	2	<b>Spécifications techniques:</b> See technical comm.n.298 of 1995[29895C]
27	GU17659650	Segment d'étanchéité	2	
28	GU98054320	Vis M6X20	2	
29	GU61013800	Rondelle spéciale	4	
30	GU92602206	Ecrou	4	
31	GU91180706	Entretoise	2	
32	GU19705900	Tampon	1	
33	GU98054340	Vis	2	
34	GU95000206	Rondelle	2	

<b>Assembly</b>	CHASSIS
<b>Code</b>	33.16
<b>Description</b>	Maît. cyl. frein AV
<b>Revision</b>	1



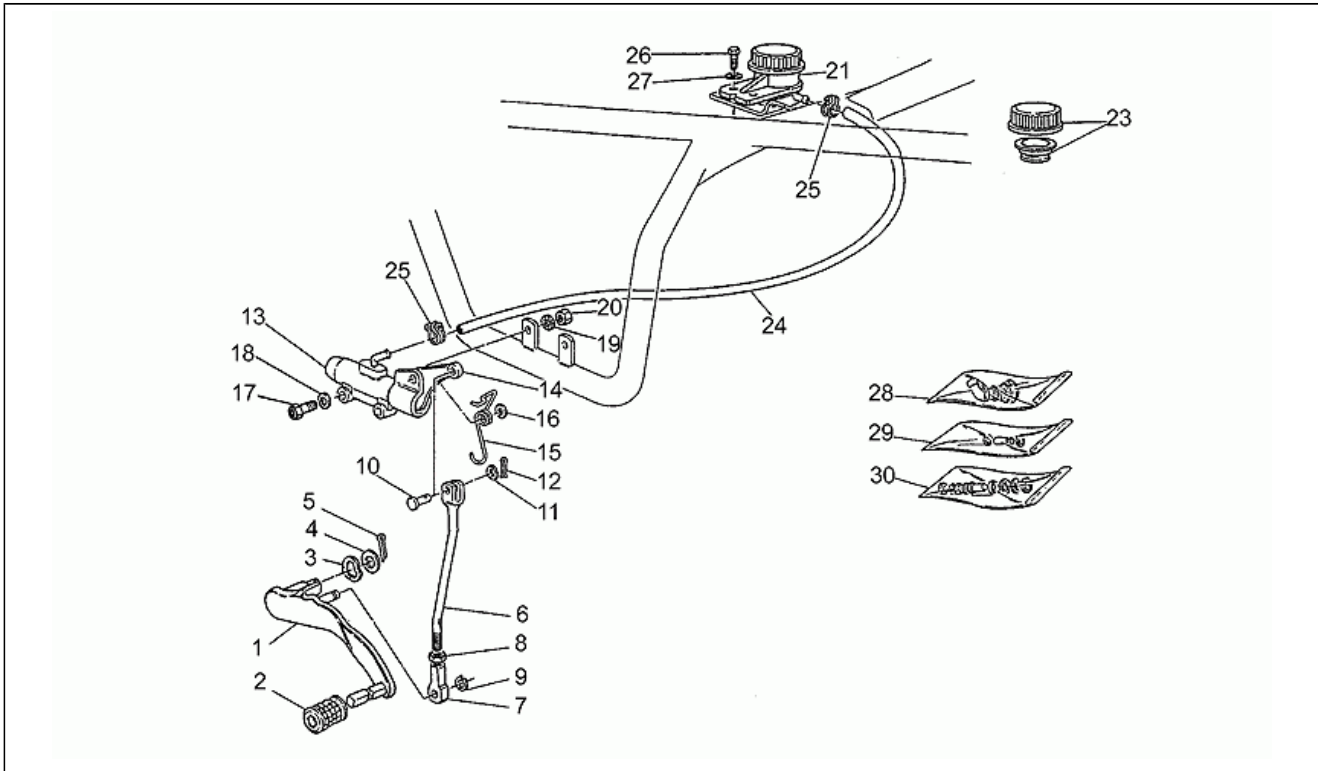
Pos.	Code	Description	Q.ty	Variants
1	GU28660278	Maît. cyl. frein AV	1	
2	GU28605678	Levier frein avant	1	
3	GU27664075	Cavalier	1	
4	GU93180080	Bouchon	2	
5	GU27604815	Pivot	1	
6	GU27663615	Capuchon	1	
7	GU27749815	Interrupteur stop	1	
8	GU98200214	Vis	2	
9	GU92295708	Bille	1	
10	GU27661115	Couvercle pompe	1	
11	GU28659378	Kit révision pompe	1	
12	GU95990028	Vis tuyau huile *	1	
13	GU27657120	Tuyau huile frein	1	
14	GU17658360	Collier	1	
15	GU17658260	Bague	1	
16	GU31652365	Pince frein AV G Grimeca	1	<b>Spécifications techniques:</b> See technical comm.n.298 of 1995[29895C]
18	GU27654610	Plaquettes-paire BREMBO	1	
19	GU25656100	Garniture	2	
20	GU98622422	Vis	2	
21	GU61270300	Rondelle élastique 8x15x0,3	2	
22	GU95100250	Rondelle 8,5X18X0,5	1	
22	GU95100251	Rondelle 8,5X18X0,8	1	
23	GU31659265	Purge+capuchon GRIMECA	1	<b>Spécifications techniques:</b> See technical comm.n.298 of 1995[29895C]
23	GU65659200	Purge+capuchon BREMBO D.6	1	
24	GU31659165	Axes+ressort GRIMECA	2	<b>Spécifications techniques:</b> See technical comm.n.298 of 1995[29895C]
24	GU39659100	Axes+ressort BREMBO	1	

<b>Assembly</b>	CHASSIS
<b>Code</b>	33.16
<b>Description</b>	Maît. cyl. frein AV
<b>Revision</b>	1



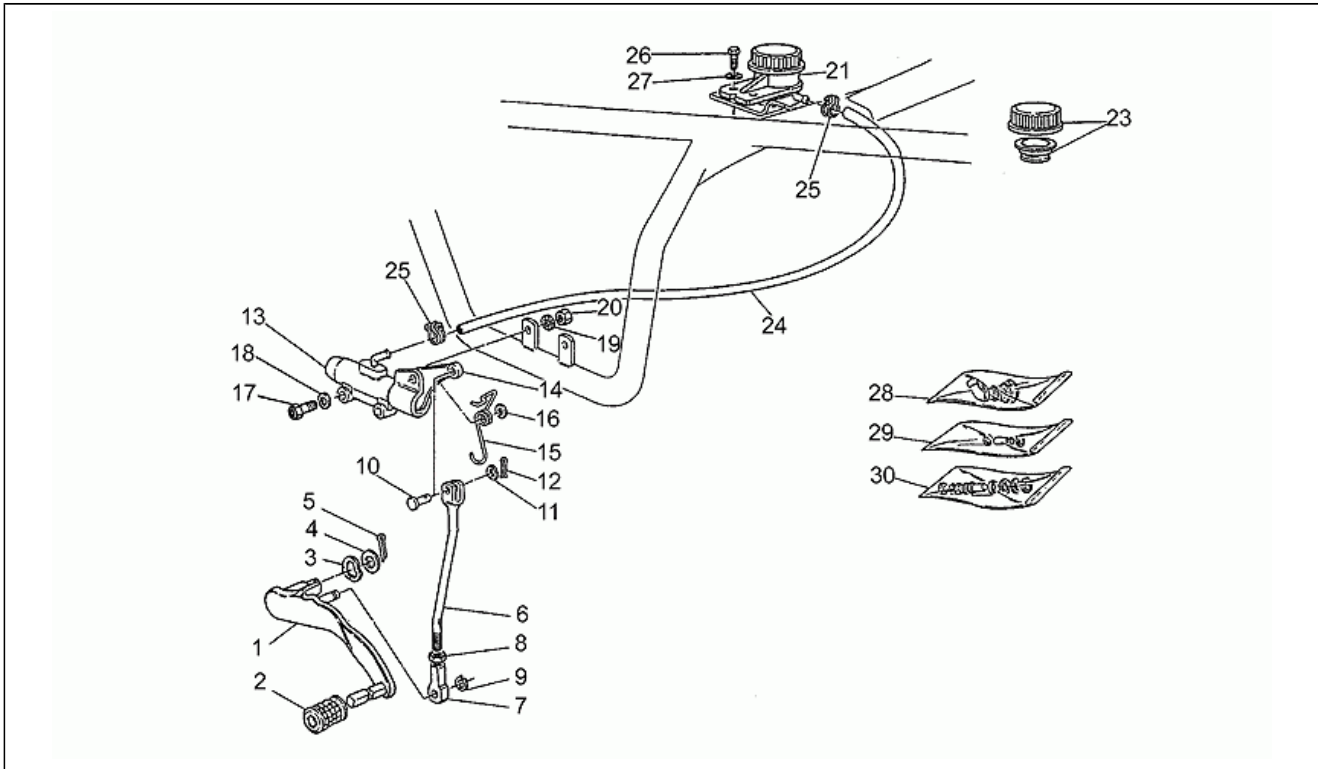
Pos.	Code	Description	Q.ty	Variants
25	GU39659000	Kit révision pince BREMBO	1	
25	GU66659031	Kit révision pince GRIMECA	1	<b>Spécifications techniques:</b> See technical comm.n.298 of 1995[29895C]
26	GU31654665	Plaquettes-paire GRIMECA	2	<b>Spécifications techniques:</b> See technical comm.n.298 of 1995[29895C]
26	GU92608202	Ecrou	2	
27	GU98280410	Vis	1	
28	GU92630104	Ecrou M4x0,7	1	

<b>Assembly</b>	CHASSIS
<b>Code</b>	33.17
<b>Description</b>	Pompe frein arri�re
<b>Revision</b>	1



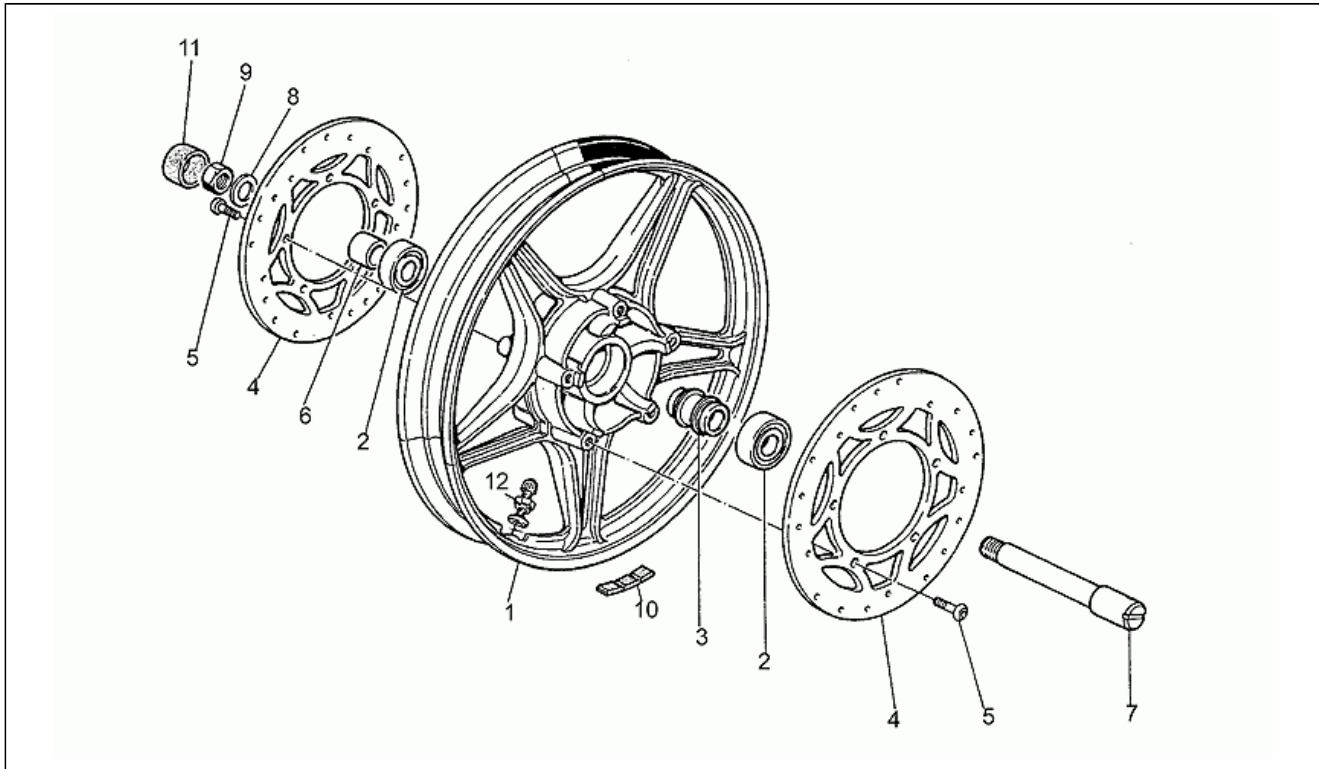
Pos.	Code	Description	Q.ty	Variants
1	GU19677035	Levier frein	1	
2	GU14251001	Caoutchouc	1	
3	GU95129260	Rondelle �lastique	1	
4	GU95004215	Rondelle plate	1	
5	GU95500227	Goupille	1	
6	GU19675035	Tirant	1	
7	GU18257551	Bloc	1	
8	GU92690073	Ecrou	1	
9	GU90271008	Bague seeger	1	
10	GU95770265	Goupille	1	
11	GU95129110	Rondelle	1	
12	GU95500222	Goupille	1	
13	GU31666990	Ma�t.cyl. frein AR	1	
14	GU19667500	Levier de frein AR	1	
15	GU19667600	Ressort man.ferin ar.	1	
16	GU95004206	Rondelle 6,15x11x0,8	1	
17	GU98054330	Vis	2	
18	GU95000206	Rondelle	2	
19	GU95021106	Rondelle �vent.	2	
20	GU92602206	Ecrou	2	
21	GU65663500	R�serv. huile freins	1	
23	GU17661052	Bouchon r�servoir	1	
24	GU00823950050	Tuyau huile	1	
25	GU19157800	Collier	2	
26	GU98054216	Vis	2	
27	GU95100059	Rondelle 5,25x14x1,5	2	
28	GU19659500	Gr.r�vision raccordde pomp	1	
29	GU19659600	Kit r�vision levier	1	

<b>Assembly</b>	CHASSIS
<b>Code</b>	33.17
<b>Description</b>	Pompe frein arri�re
<b>Revision</b>	1



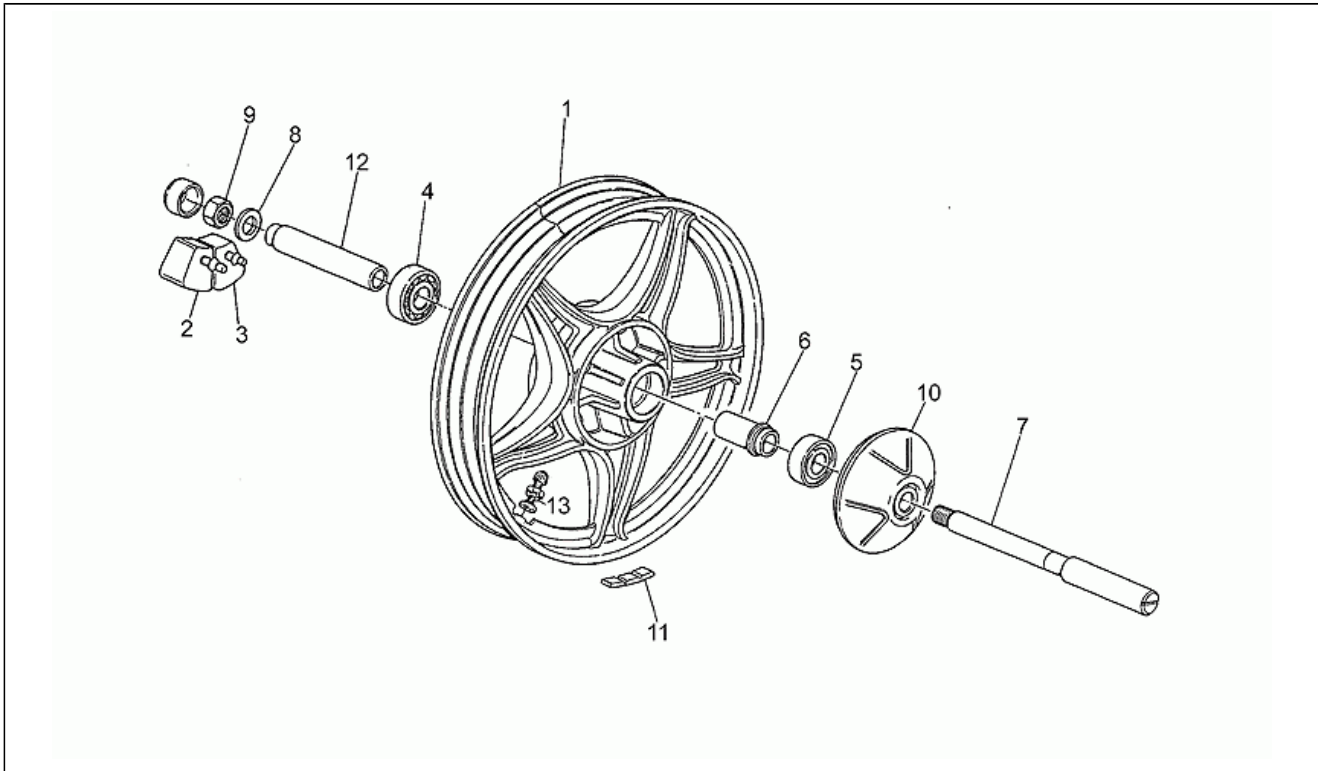
Pos.	Code	Description	Q.ty	Variants
30	GU17659350	Kit r�vision pompe	1	

<b>Assembly</b>	CHASSIS
<b>Code</b>	33.18
<b>Description</b>	Roue Av.
<b>Revision</b>	1



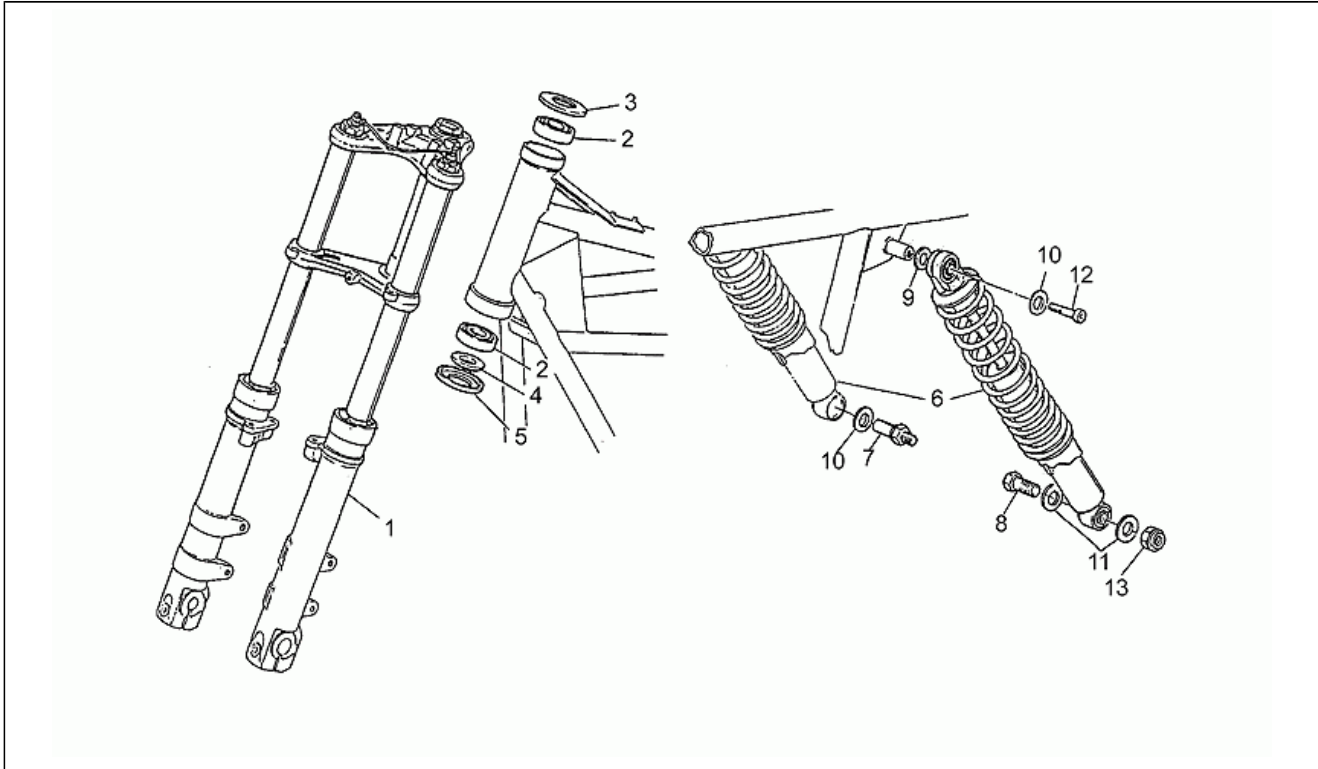
Pos.	Code	Description	Q.ty	Variants
1	GU28610378	Roue AV	1	
2	GU92204221	Roulement	2	
3	GU17615360	Entretoise interne roulements	1	
4	GU28613300	Disque frein	2	
5	GU98230825	Vis	10	
6	GU31616315	Entretoise	1	
7	GU28614100	Axe de roue AV	1	
8	GU95004217	Rondelle 17X27X2	1	
9	GU92602516	Ecrou M16X1,5	1	
10	GU14616150	Contrepoids	2	
11	GU62616800	Bouchon	2	
12	GU28617760	Soupape air	1	

<b>Assembly</b>	CHASSIS
<b>Code</b>	33.19
<b>Description</b>	Roue arrière
<b>Revision</b>	1



Pos.	Code	Description	Q.ty	Variants
1	GU31630615	Roue AR	1	
2	GU19632501	Joint en caoutchouc d.	6	
3	GU19632502	Joint en caoutchouc g.	6	
4	GU92204218	Roulement	1	
5	GU92204217	Roulement	1	
6	GU19633935	Entretoise interne roulements	1	
7	GU23633380	Axe de roue AR	1	
8	GU14634400	Rondelle	1	
9	GU92602316	Ecrou M6X1,5	1	
10	GU19636400	Protection	1	
11	GU14616150	Contrepoids	0	
12	GU19634100	Entretoise	1	
13	GU28617760	Soupape air	1	

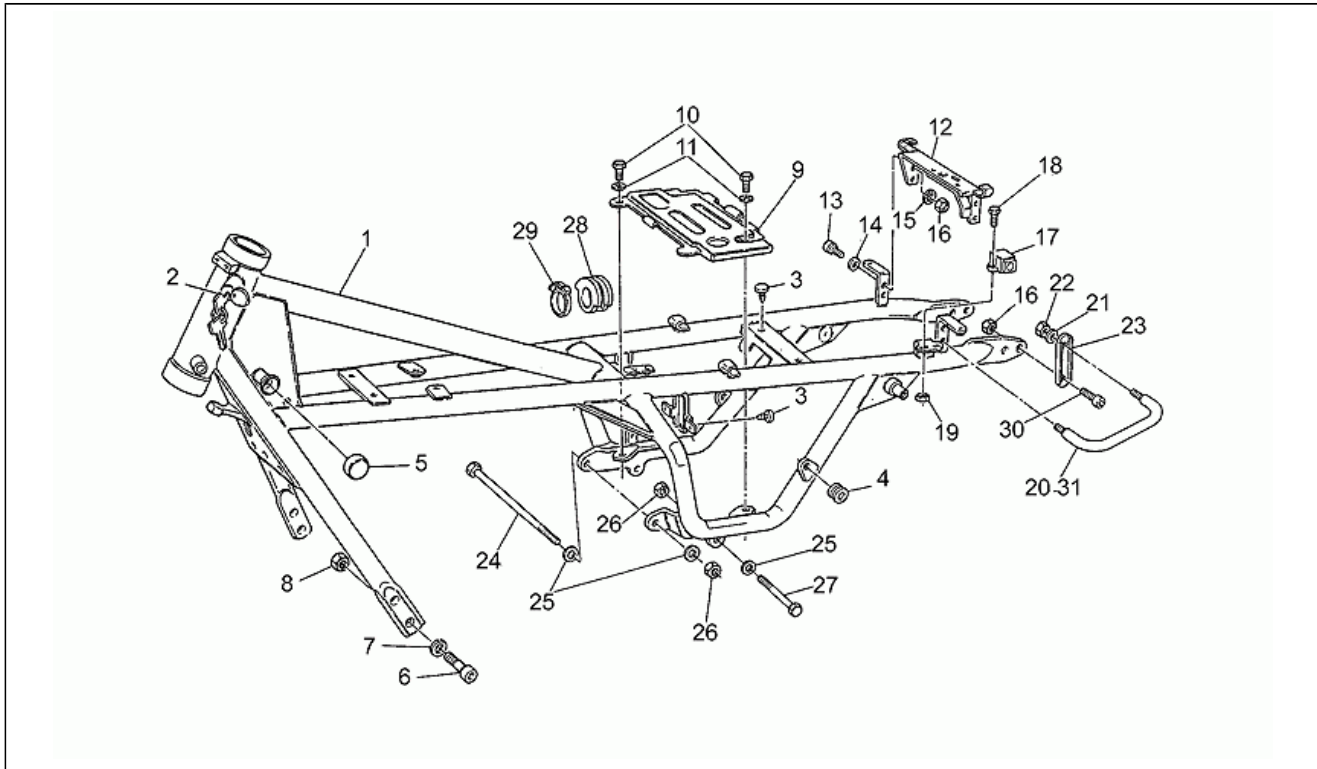
<b>Assembly</b>	CHASSIS
<b>Code</b>	33.20
<b>Description</b>	Suspension avant/arriere
<b>Revision</b>	1



Pos.	Code	Description	Q.ty	Variants
1	GU31490215	Fourche AV	1	
2	GU92249225	Roulement roul.con.	2	
3	GU14494600	Rondelle	1	
4	GU14516700	Rondelle d'appui	1	
5	GU14517000	Pare-poussière	1	
6	GU31550240	Amortisseur AR	2	Spécifications techniques:K ni[K]
6	GU31999240	Amortisseur AR	2	Spécifications techniques:Marzocchi[M]
7	GU23555281	Pivot	1	
8	GU23555280	Pivot	1	
9	GU91181407	Entretoise	2	
10	GU95100256	Rondelle	3	
11	GU95004210	Rondelle 10,2x18x2	1	
12	GU98822416	Vis	1	
13	GU92602410	Ecrou	1	

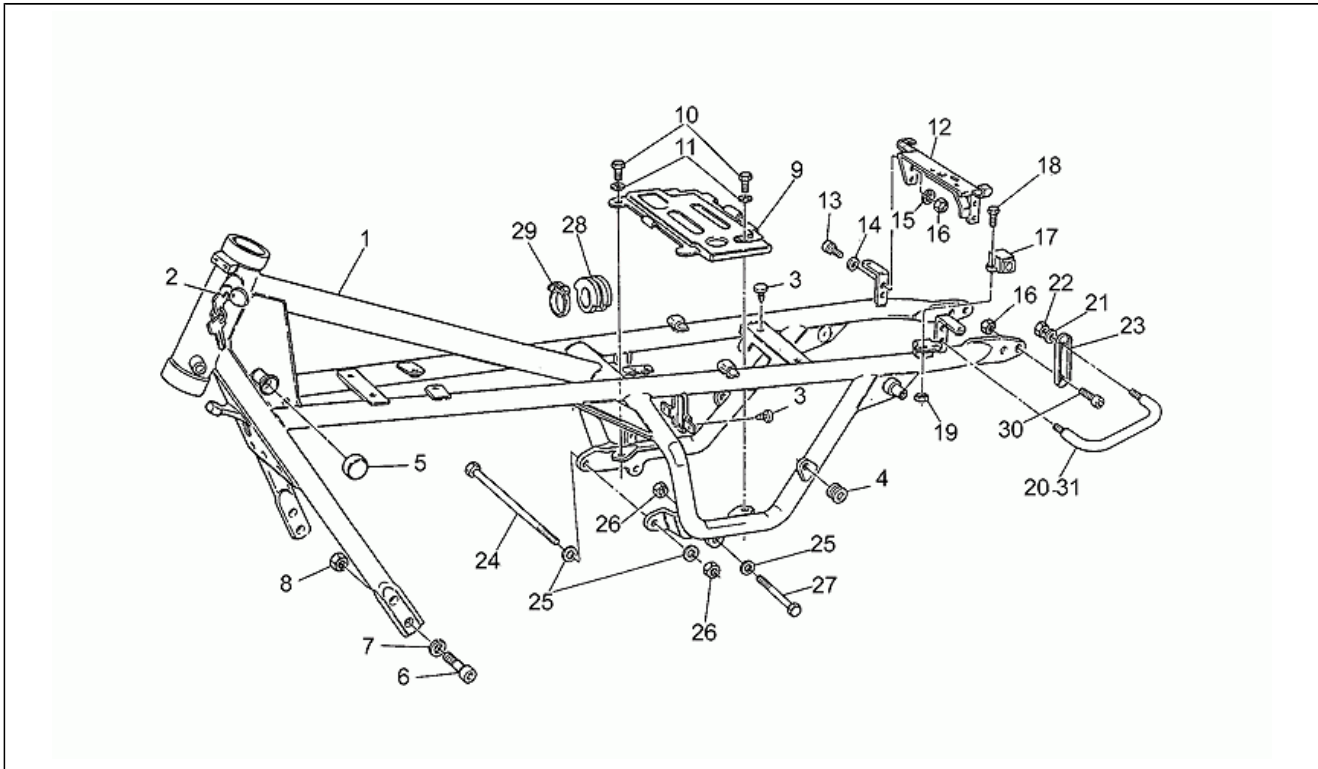


<b>Assembly</b>	CHASSIS
<b>Code</b>	33.21
<b>Description</b>	Chassis
<b>Revision</b>	1



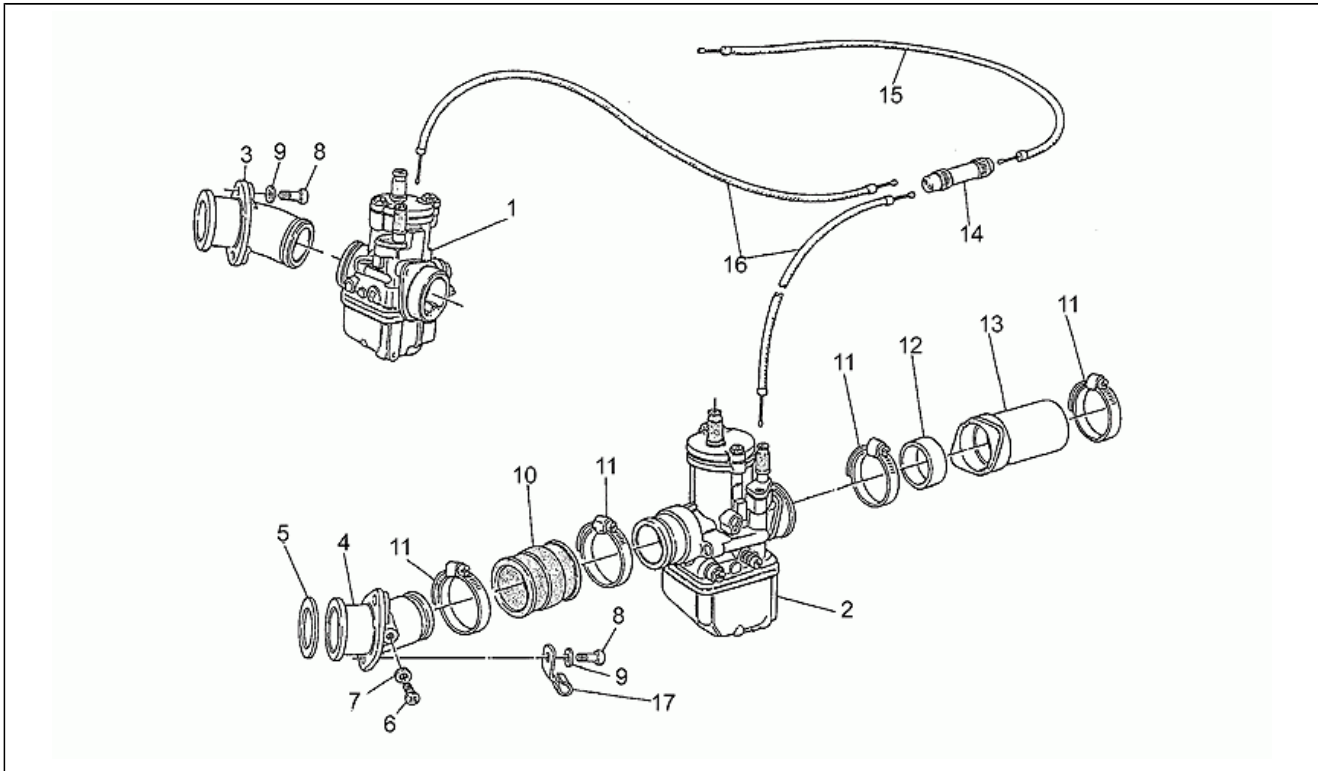
Pos.	Code	Description	Q.ty	Variants
1	GU31400115	Chassis	1	
2	GU19782520	Serrure	1	
3	GU19705900	Tampon	2	
4	GU91551092	Caoutchouc pass.câble	4	
5	GU39103400	Tampon	2	
6	GU98622525	Vis 25 mm	4	
7	GU95120105	Rondelle	4	
8	GU92602210	Ecrou	4	
9	GU27418220	Plaque	1	
10	GU98054418	Vis	4	
11	GU95004208	Rondelle	4	
12	GU31462015	Fermeture cpl.	1	
13	GU98622416	Vis	2	
14	GU95000208	Rondelle	2	
15	GU95021108	Rondelle élastique	2	
16	GU92602208	Ecrou M8X1,25	2	
17	GU27468720	Serrure	1	
18	GU98290511	Vis TC M5x10	2	
19	GU92602205	Ecrou	2	
20	GU27464320	Poignée D	1	
21	GU95021108	Rondelle élastique	4	
22	GU92602208	Ecrou M8X1,25	4	
23	GU27465520	Bride	2	
24	GU98110199	Pivot M10x205	1	
25	GU95004210	Rondelle 10,2x18x2	4	
26	GU92602210	Ecrou	3	
27	GU98052555	Vis	2	
28	GU14107100	Tampon	1	

<b>Assembly</b>	CHASSIS
<b>Code</b>	33.21
<b>Description</b>	Chassis
<b>Revision</b>	1



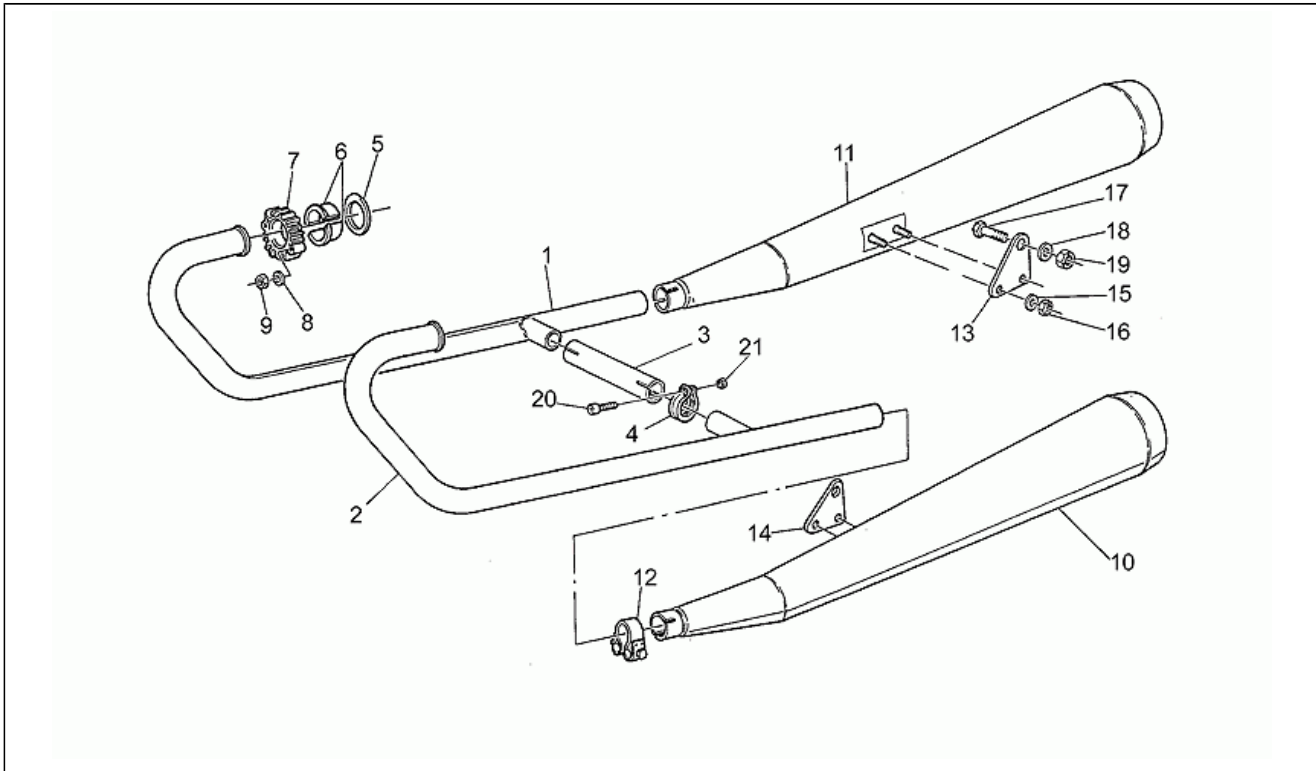
Pos.	Code	Description	Q.ty	Variants
29	GU14609650	Collier 3,6x20,6	1	
30	GU98822418	Vis	2	
31	GU27464321	Poignée g.	1	

<b>Assembly</b>	CHASSIS
<b>Code</b>	33.23
<b>Description</b>	Alimentation
<b>Revision</b>	1



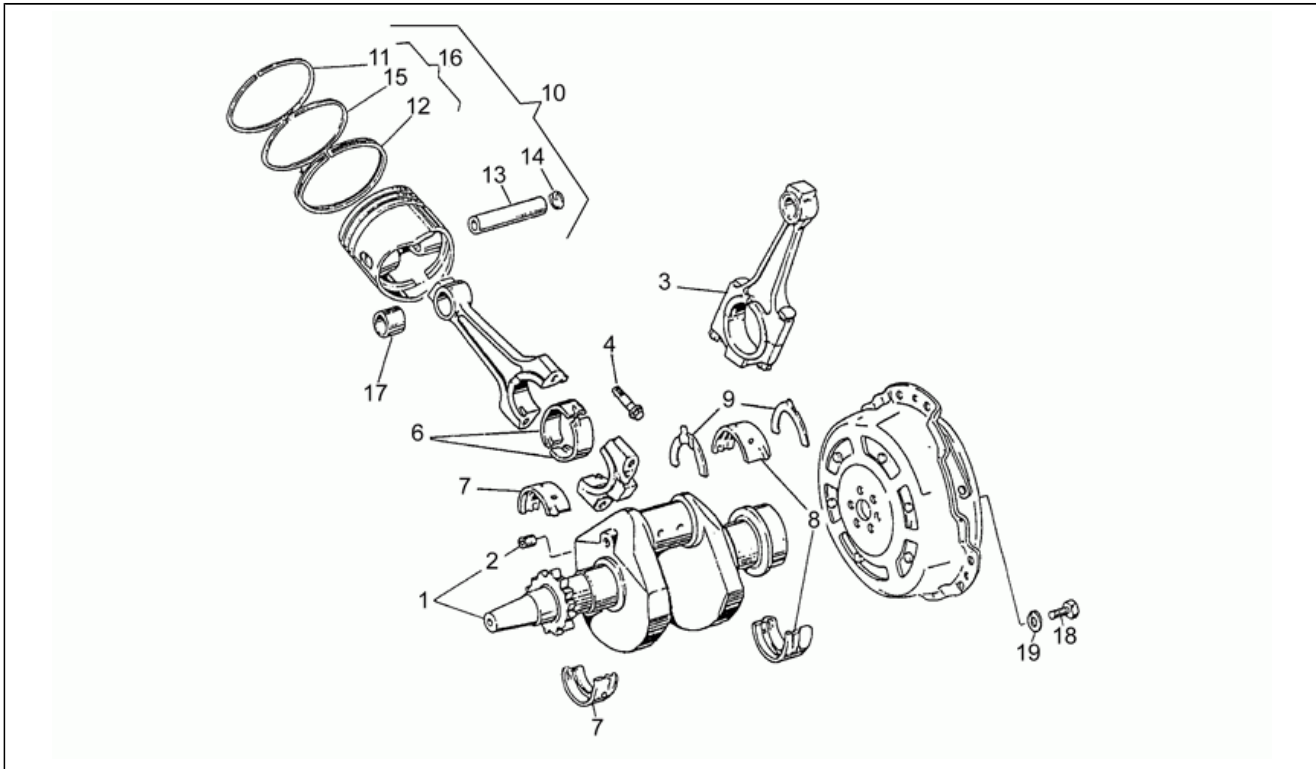
Pos.	Code	Description	Q.ty	Variants
1	GU31112615	Carburateur droit PHBH 30	1	
2	GU31112616	Carburateur gauche PHBH 30	1	
3	GU27115060	Collecteur aspiration dte	1	
4	GU27115061	Collecteur aspiration gche	1	
5	GU19115580	Joint	2	
6	GU98310610	Vis	2	
7	GU95100116	Rondelle 6,25x10x1,5	2	
8	GU98822325	Vis	4	
9	GU61013800	Rondelle spéciale	4	
10	GU19114360	Manchon	2	
11	GU93305032	Collier 32X52X8	8	
12	GU19114680	Bague d'étanchéité	2	
13	GU19114460	Manchon prise d'air	2	
14	GU30607910	Dedoublereur	2	
15	GU27132822	Câble starter	1	
16	GU27133515	Câble starter	2	
17	GU19718000	Collier	2	

<b>Assembly</b>	CHASSIS
<b>Code</b>	33.29
<b>Description</b>	Groupe echappement
<b>Revision</b>	1



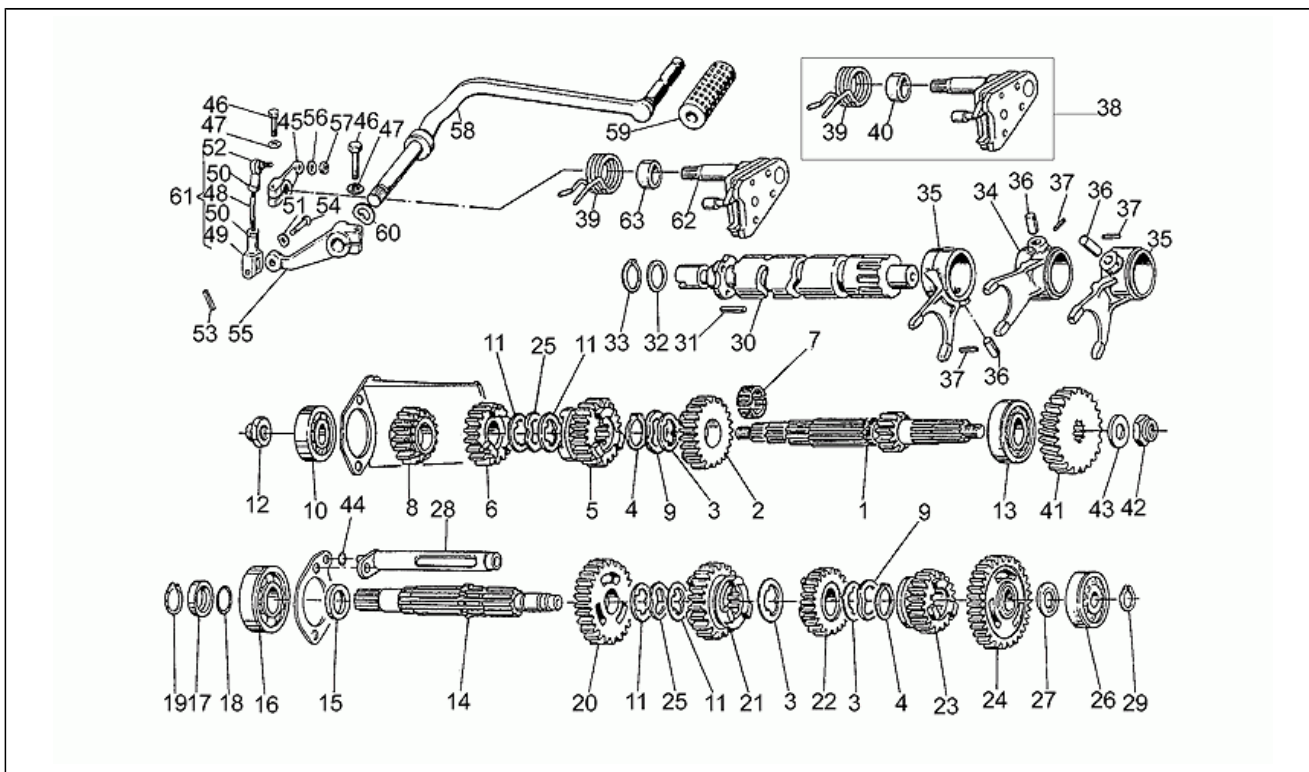
Pos.	Code	Description	Q.ty	Variants
1	GU19120765	Tuyau échappement d.	1	
2	GU19120766	Tuyau échappement gche	1	
3	GU19121135	Tuyau d'échappement	1	
4	GU61126920	Collier	2	
5	GU19025280	Joint	2	
6	GU19025460	Entretoise	4	
7	GU19121050	Bague échappement	2	
8	GU61013800	Rondelle spéciale	4	
9	GU92701062	Ecrou	4	
10	GU27122985	Silencieux G	1	
11	GU27123085	Silencieux D	1	
12	GU14126900	Collier	2	
13	GU27128660	Etrier silencieux d.	1	
14	GU27128760	Etrier silencieux g.	1	
15	GU61270300	Rondelle élastique 8x15x0,3	4	
16	GU92602208	Ecrou M8X1,25	4	
17	GU98054522	Vis M10X22	2	
18	GU95021110	Rondelle évent.	2	
19	GU92602410	Ecrou	2	
20	GU61127520	Vis	2	
21	GU61127220	Bague	2	

<b>Assembly</b>	MOTEUR
<b>Code</b>	34.22
<b>Description</b>	Arbre moteur
<b>Revision</b>	1



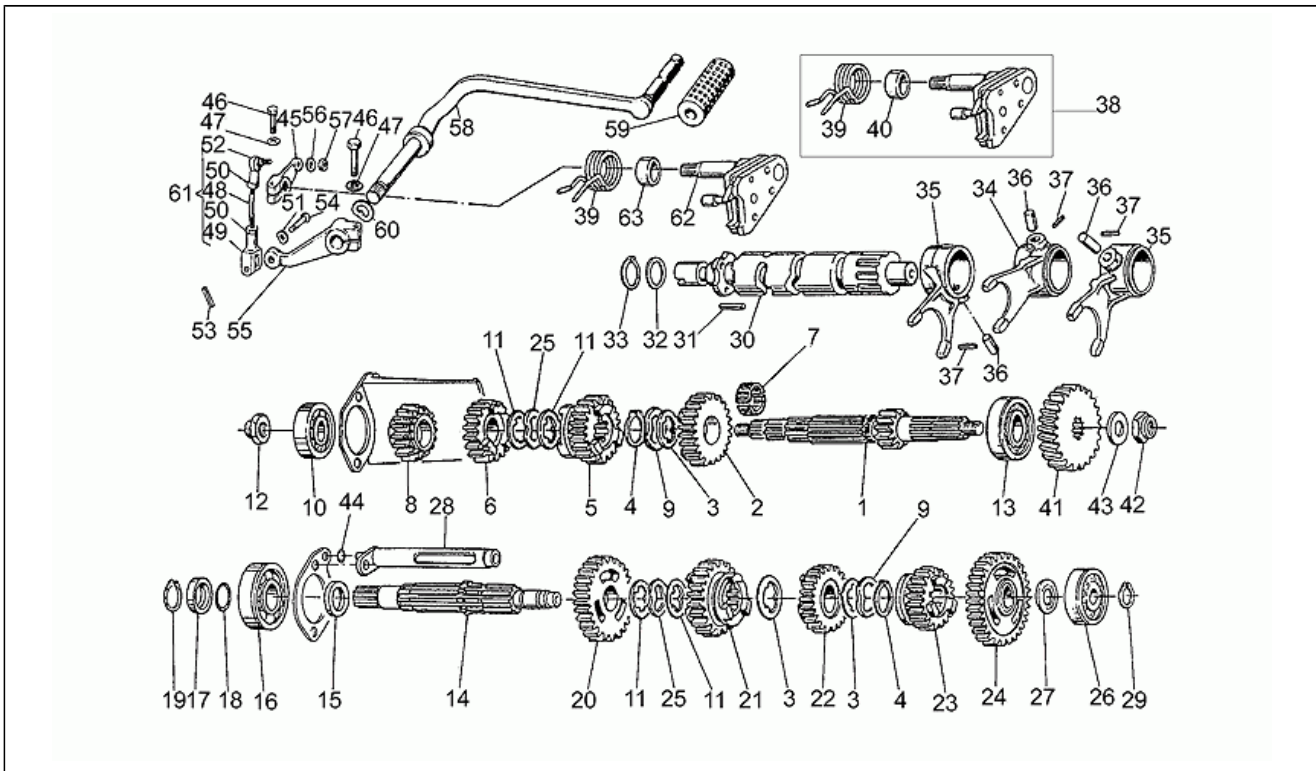
Pos.	Code	Description	Q.ty	Variants
1	GU27064185	Arbre moteur cpl.	1	
2	GU19065400	Bouchon	1	
3	GU27061585	Bielle cpl.	2	
4	GU19062261	Vis	4	
6	GU27062060	Demi-coussinet	4	
7	GU27065660	Demi-couss.de vilebr.av.	2	
8	GU27066560	Demi-couss.de vilebr.ar.	2	
9	GU27066460	Demi-etau	2	
10	GU20060220	Piston cpl.	2	<b>Spécifications techniques:</b> See spare parts comm.n.008 of 2000[00800N]
11	GU19060763	Segment d'étanchéité	2	
12	GU19061063	Segment raclear	2	
13	GU27061285	Axe	2	
14	GU27061385	Bague de butée	4	
15	GU27060860	Segment d'étanchéité	2	
16	GU31060616	Ensemble de segments	2	
17	GU27061885	Bague	2	
18	GU19067700	Vis	6	
19	GU14615901	Rondelle 8,4X13X0,8	6	

<b>Assembly</b>	MOTEUR
<b>Code</b>	34.24
<b>Description</b>	Boîte de vitesses
<b>Revision</b>	1



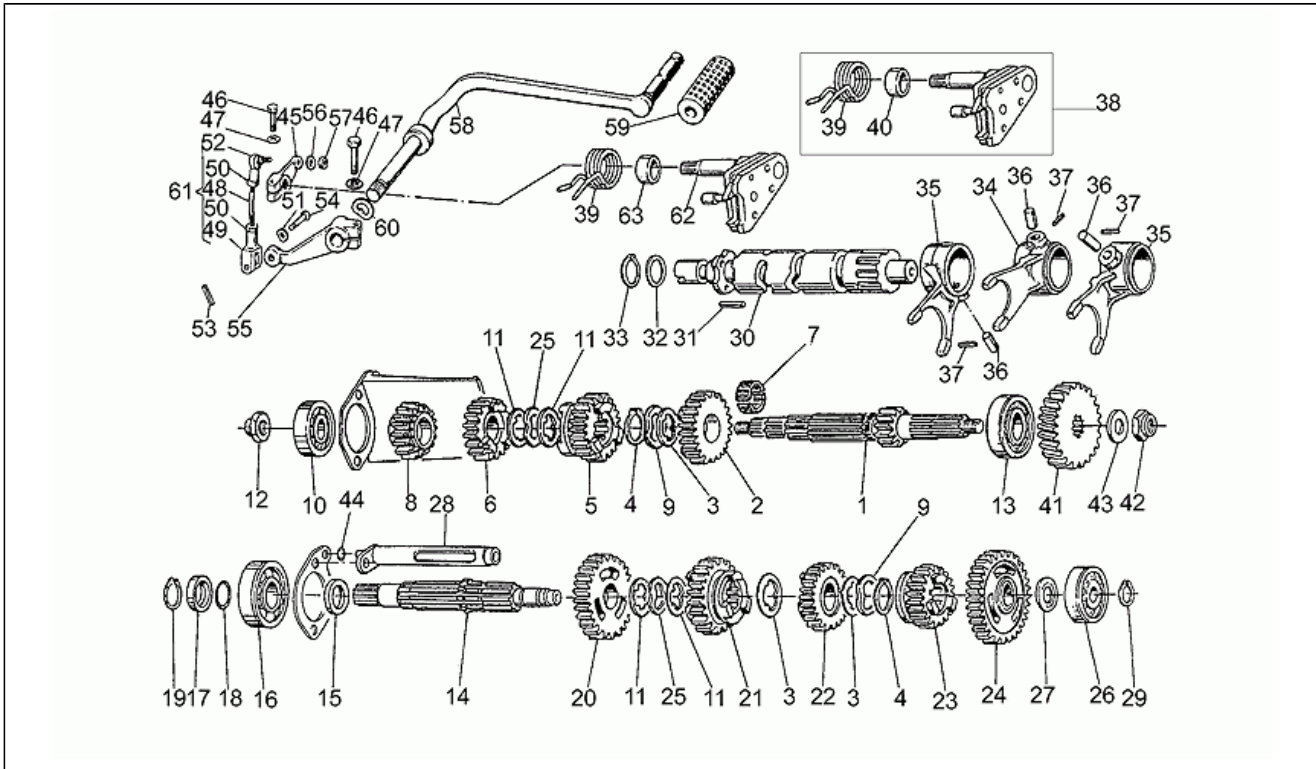
Pos.	Code	Description	Q.ty	Variants
1	GU23210570	Arbre primaire Z=11	1	
2	GU23212070	Engrenage 5a AP Z=20	1	
3	GU19215460	Rondelle éventail	3	
4	GU90271127	Bague seeger	2	
5	GU19211861	Engrenage 4a AP Z=18	1	
6	GU19211460	Engrenage 3a AP Z=18	1	
7	GU92251023	Cage à rouleaux	1	
8	GU19211361	Engrenage 2a AP Z=14	1	
9	GU19218062	Rondelle	2	
10	GU92218417	Roulement AP 17x40x17,5	1	
11	GU19214660	Rondelle d'appui	4	
12	GU10054100	Ecrou	1	
13	GU92230320	Roulement AP 20x37x17	1	
14	GU19213661	Arbre secondaire	1	
15	GU19212900	Entretoise	1	
16	GU92201220	Roulement 20X47X14	1	
17	GU19213720	Entretoise	1	
18	GU90706188	Bague d'étanchéité 18,77X1,78	1	
19	GU90271121	Bague seeger	1	
20	GU23214571	Engrenage 2a AS Z=23	1	
21	GU19214860	Engrenage 3a AS Z=23	1	
22	GU19215161	Engrenage 4a AS Z=19	1	
23	GU23215270	Engrenage 5a AS Z=18	1	
24	GU23214070	Engrenage mené 1A Z=26	1	
25	GU19218061	Rondelle	2	
26	GU92234716	Roulement	1	
27	GU10214301	Cale 1,7 mm	1	
27	GU10214302	Cale 1,8 mm	1	

<b>Assembly</b>	MOTEUR
<b>Code</b>	34.24
<b>Description</b>	Boîte de vitesses
<b>Revision</b>	1



Pos.	Code	Description	Q.ty	Variants
27	GU10214303	Cale 1,9 mm	1	
27	GU10214304	Rondelle 2 mm	1	
27	GU10214305	Cale 2,1 mm	1	
28	GU23202074	Egouttoir	1	
29	GU90271117	Bague seeger	1	
30	GU19234420	Desmodromique	1	
31	GU19234600	Tige	4	
32	GU19355300	Cale 1 mm	1	
33	GU90271020	Anneau élastique	1	
34	GU19231220	Fourchette AP	1	
35	GU19231020	Fourchette AS	2	
36	GU92297909	Rouleau	3	
37	GU95520316	Goupille	3	
38	GU20999520	Kit présélecteur	1	<b>Spécifications techniques:</b> See spare parts comm.n.013 of 1997[01397N]
39	GU28238261	Ressort	1	<b>Spécifications techniques:</b> See spare parts comm.n.013 of 1997[01397N]
39	GU61238200	Ressort	1	
40	GU20208520	Entretoise	1	<b>Spécifications techniques:</b> See spare parts comm.n.013 of 1997[01397N]
41	GU27211160	Pignon interméd.	1	
42	GU10054100	Ecrou	1	
43	GU39238100	Rondelle d'appui	1	
44	GU90706040	Joint torique	1	
45	GU19258220	Levier de commande	1	
46	GU98052325	Vis	2	
47	GU95021106	Rondelle évent.	2	
48	GU18257950	Tirant	1	
49	GU12626800	Fourchette	1	

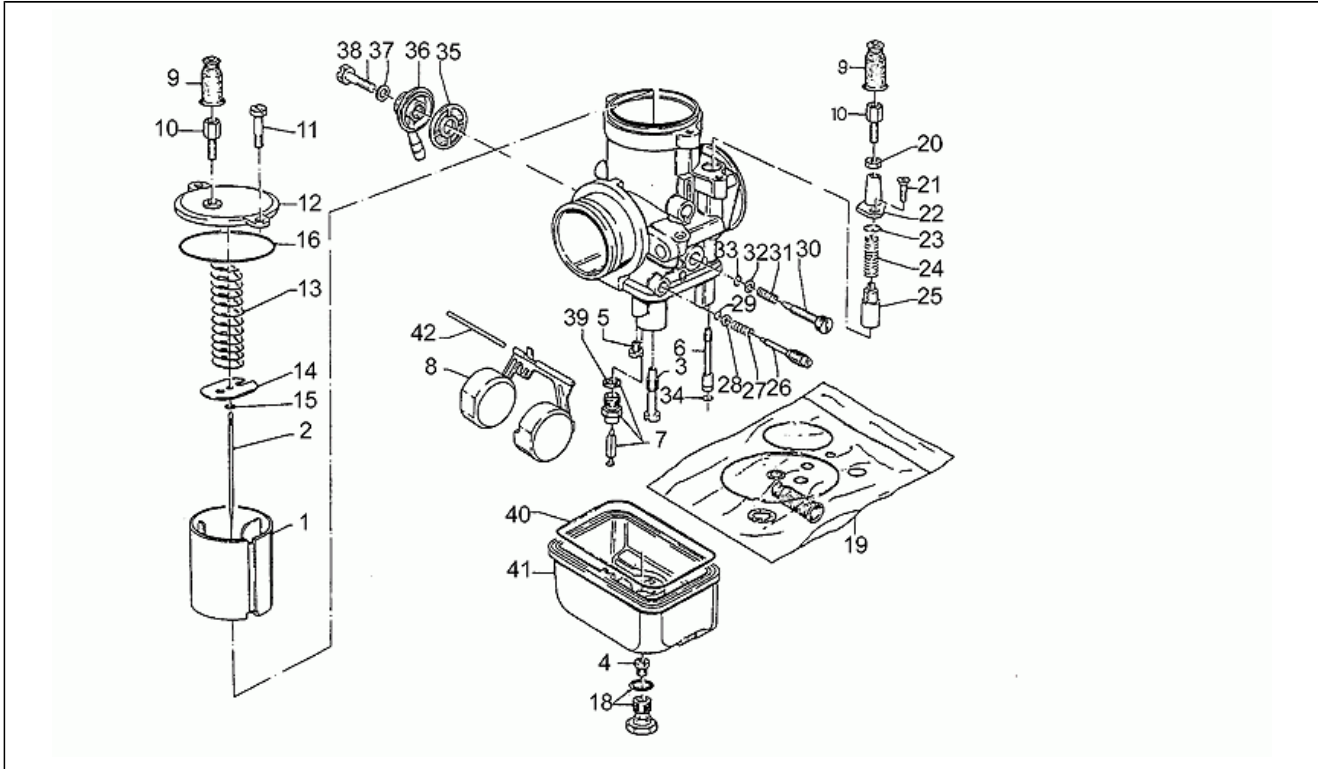
<b>Assembly</b>	MOTEUR
<b>Code</b>	34.24
<b>Description</b>	Boîte de vitesses
<b>Revision</b>	1



Pos.	Code	Description	Q.ty	Variants
50	GU92602206	Ecrou	2	
51	GU95129110	Rondelle	1	
52	GU18258101	Rotule	1	
53	GU95500222	Goupille	1	
54	GU95770265	Goupille	1	
55	GU19256920	Levier	1	
56	GU61013800	Rondelle spéciale	1	
57	GU92630106	Ecrou M6x1	1	
58	GU19250900	Levier commande vitesses cpl.	1	
59	GU14251001	Caoutchouc	1	
60	GU95129260	Rondelle élastique	1	
61	GU19257701	Tirant pour boîte vitesse cpl.	1	
62	GU20236220	Preselecteur complet	1	<b>Spécifications techniques:</b> See spare parts comm.n.013 of 1997[01397N]
63	GU91182010	Bague	1	

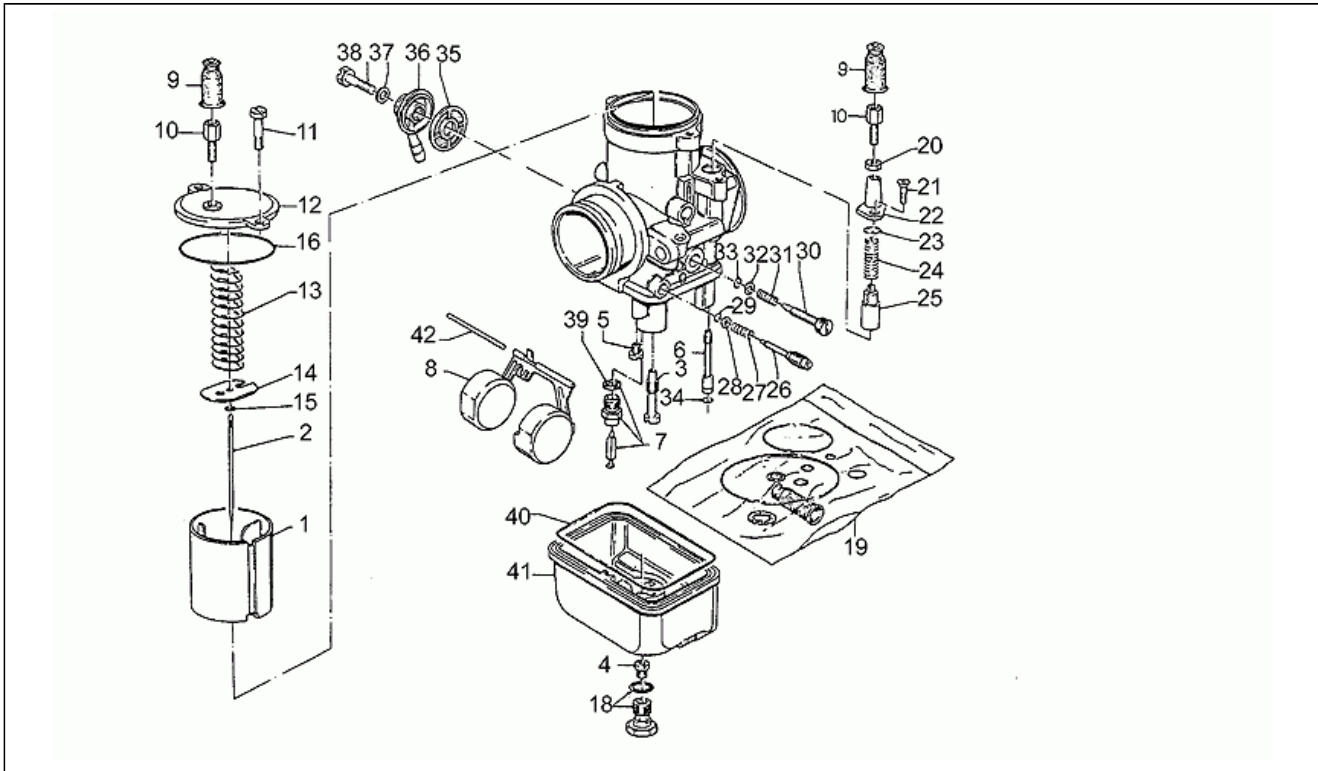


<b>Assembly</b>	MOTEUR
<b>Code</b>	34.25
<b>Description</b>	Carburateurs
<b>Revision</b>	1



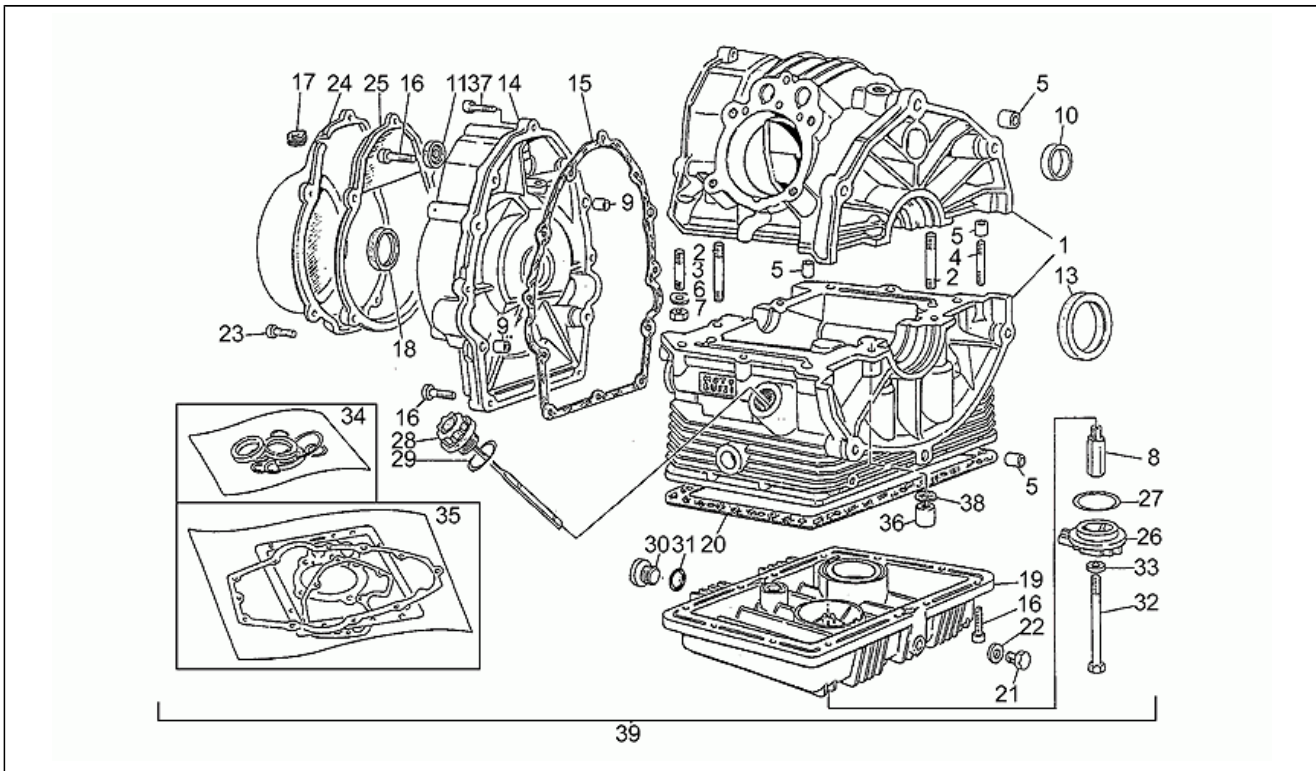
Pos.	Code	Description	Q.ty	Variants
1	GU23934870	Soupape gaz 45	2	
2	GU19934960	Pointeau conique 8	2	
3	GU31935515	Gicleur 266t	2	
4	GU27935775	Jet maximum 100	2	
5	GU27935960	Gicleur minimum 38	2	
6	GU19936000	Jet démarrage 60	2	
7	GU19934600	Vanne pointeau	2	
8	GU27934315	Flotteur gr.9,5	2	
9	0000000	Pneu s. chambre 110/90"	4	
10	GU12937200	Vis tendeur de fil	4	
11	GU14934650	Vis	2	
12	GU19935080	Couvercle	2	
13	GU19937180	Ressort rappel soup.gaz	2	
14	GU19938580	Plaquette	2	
15	GU65933600	Agrafe pointeau conique	2	
16	0000000	Pneu s. chambre 110/90"	2	
18	GU27933720	Bouchon fix.bac	2	
19	GU19939980	Jeu de joints	1	
20	GU49938800	Ecrou	4	
21	GU13937900	Vis	2	
22	GU17937450	Couvercle dispositif dém.	2	
23	0000000	Pneu s. chambre 110/90"	2	
24	GU39937600	Ressort de soupape	2	
25	GU13937800	Soupape de démarrage	2	
26	GU13936200	Vis réglage minimum	2	
27	GU13936300	Ressort	2	
28	GU65933700	Rondelle plate	2	
29	0000000	Pneu s. chambre 110/90"	2	

<b>Assembly</b>	MOTEUR
<b>Code</b>	34.25
<b>Description</b>	Carburateurs
<b>Revision</b>	1



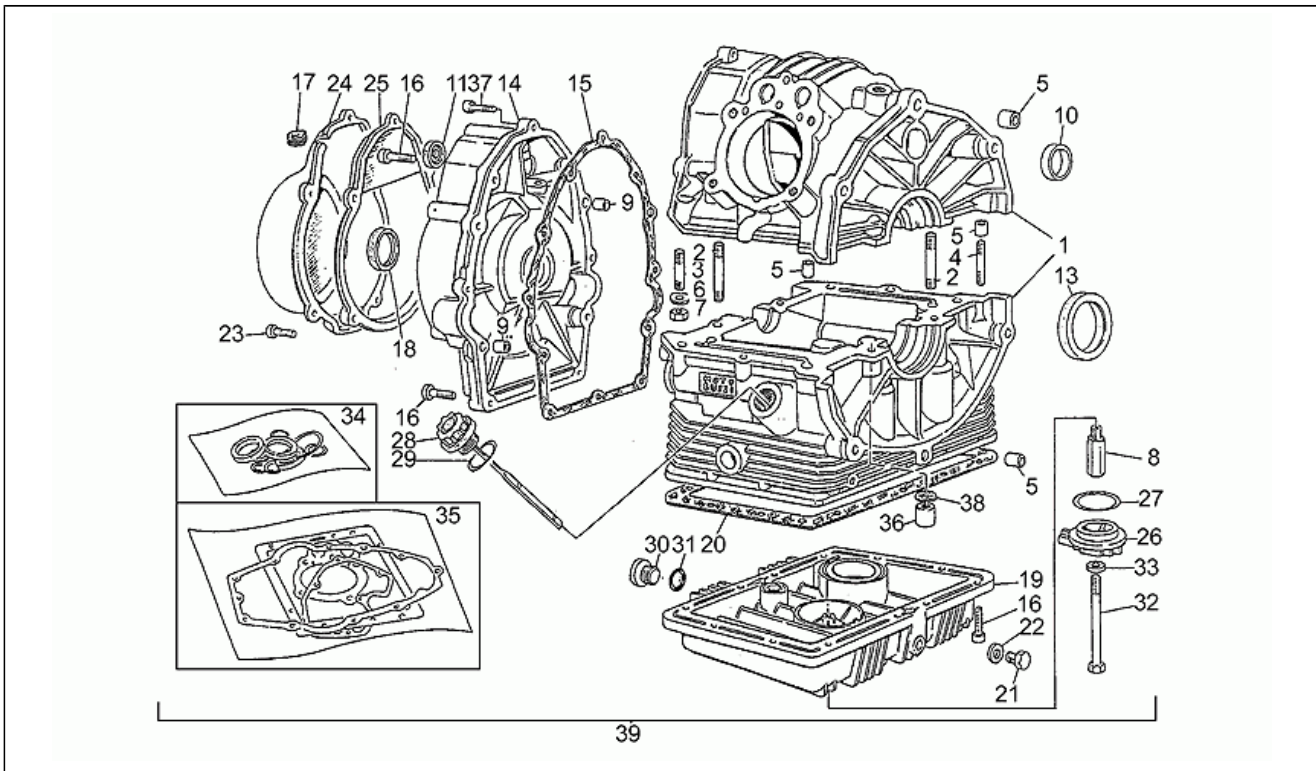
Pos.	Code	Description	Q.ty	Variants
30	GU13936600	Vis réglage soupape gaz	2	
31	GU13936700	Ressort	2	
32	GU14931650	Rondelle plate	2	
33	0000000	Pneu s. chambre 110/90"	2	
34	0000000	Pneu s. chambre 110/90"	2	
35	GU43934000	Filtre essence	2	
36	GU13934600	Pipette racc. tuyau essence	2	
37	GU13934700	Joint vis	2	
38	GU10934900	Vis fix.pipette	2	
39	0000000	Pneu s. chambre 110/90"	2	
40	0000000	Pneu s. chambre 110/90"	2	
41	GU19934480	Cuve aluminium	2	
41	GU31934460	Cuve plastica	2	<b>Spécifications techniques:</b> See spare parts comm.n.033 of 1999[03399N]
42	GU13933100	Axe flotteur	2	

<b>Assembly</b>	MOTEUR
<b>Code</b>	34.26
<b>Description</b>	Carter moteur
<b>Revision</b>	1



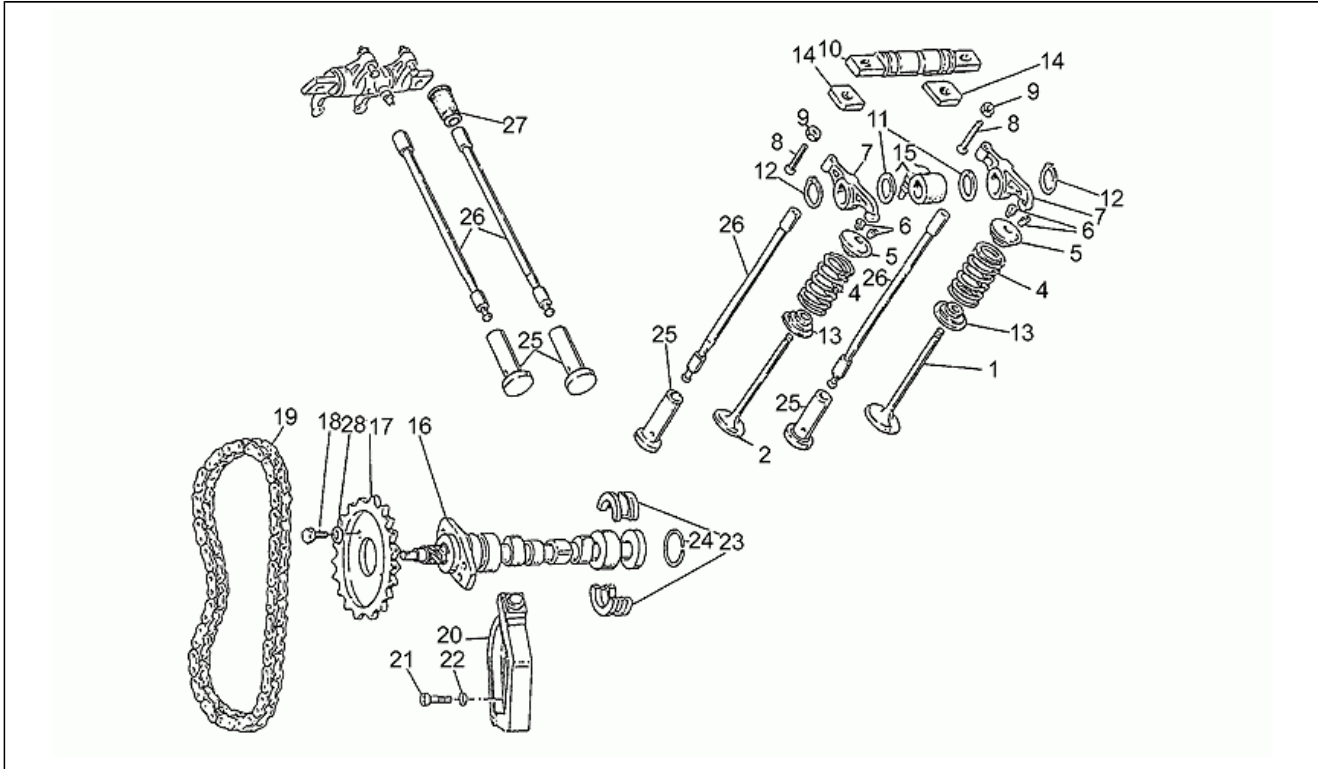
Pos.	Code	Description	Q.ty	Variants
1	GU20000320	Carter moteur grise	1	
2	GU96451560	Vis sans tête	4	
3	GU96451430	Vis sans tête	4	
4	GU96508055	Vis sans tête	2	
5	GU19015020	Bague	4	
6	GU61270300	Rondelle élastique 8x15x0,3	6	
7	GU92602208	Ecrou M8X1,25	6	
8	GU19003800	Raccord	1	
9	GU19002020	Bague 6,6x9x13	2	
10	GU19016320	Bouchon	1	
11	GU90401530	Bague d'étanchéité	1	
13	GU90405367	Bague d'étanchéité	1	
14	GU31001480	Couvercle gris	1	
15	GU19001200	Joint	1	
16	GU98620325	Vis	22	
17	GU19017120	Bouchon	1	
18	GU90402840	Bague d'étanchéité 28x38x7	1	
19	GU27003585	Carter huile moteur brut	1	
20	GU19003602	Joint	1	
21	GU31003766	Bouchon vid.huile M10X1	1	
22	GU10528900	Garniture	1	
23	GU98622318	Vis M6X18	5	
24	GU27001636	Couvercle	1	
25	GU27001136	Bride	1	
26	GU19003400	Couvercle brut	1	
27	GU90706444	Joint torique	1	
28	GU27004985	Bouchon rempl. huile	1	
29	GU90706282	Bague d'étanchéité	1	

<b>Assembly</b>	MOTEUR
<b>Code</b>	34.26
<b>Description</b>	Carter moteur
<b>Revision</b>	1



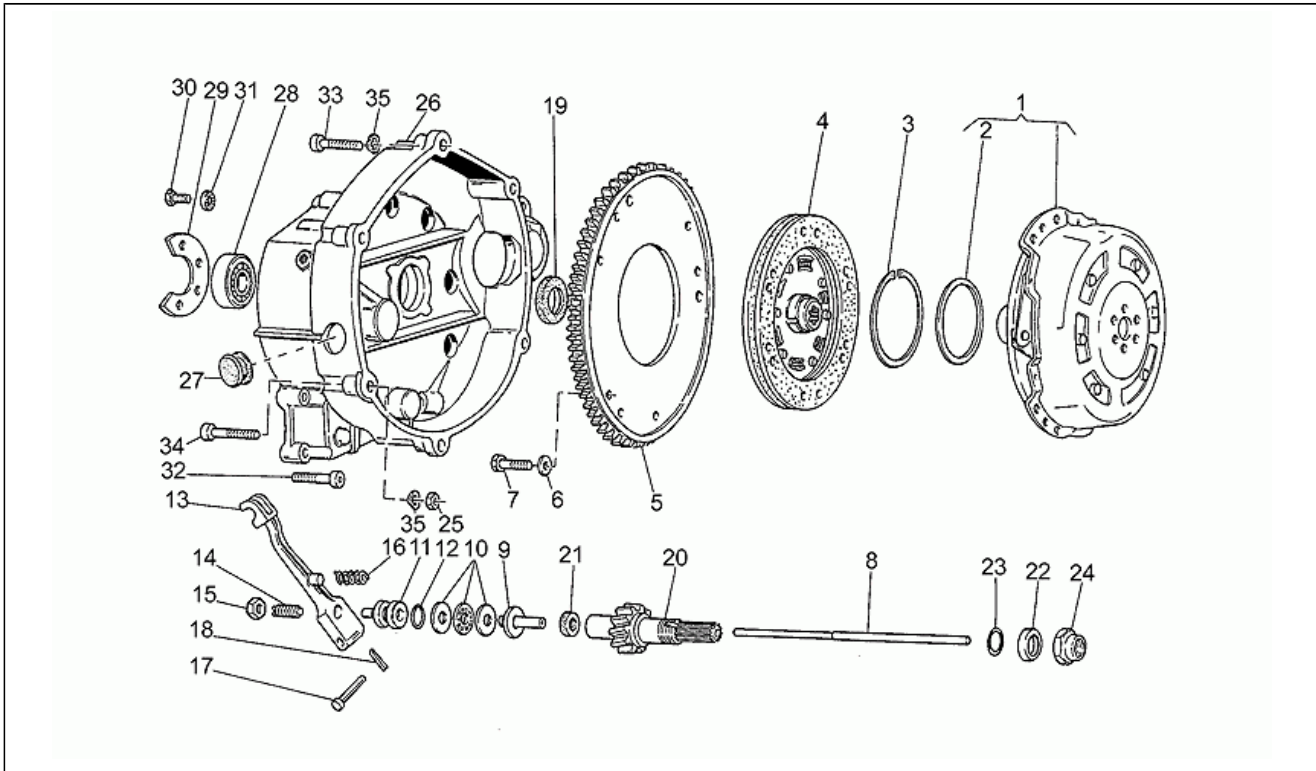
Pos.	Code	Description	Q.ty	Variants
30	GU19351200	Bouchon huile	1	
31	GU90706203	Joint torique 20,24X2,62	1	
32	GU27152885	Boulon	1	
33	GU12154200	Joint 8,25x15x1	1	
34	GU19999580	Joint spy-série	1	
35	GU27999060	Joints-jeu	1	
36	GU13021900	Ecrou colonne	4	
37	GU98620330	Vis M6X30	2	
38	GU95129180	Rondelle 10,5X18X0,8	4	
39	GU95980119	Bouchon	1	
40	GU10154200	Joint	1	
41	GU31991015	Moteur sans boîte de v.	1	

<b>Assembly</b>	MOTEUR
<b>Code</b>	34.27
<b>Description</b>	Distribution
<b>Revision</b>	1



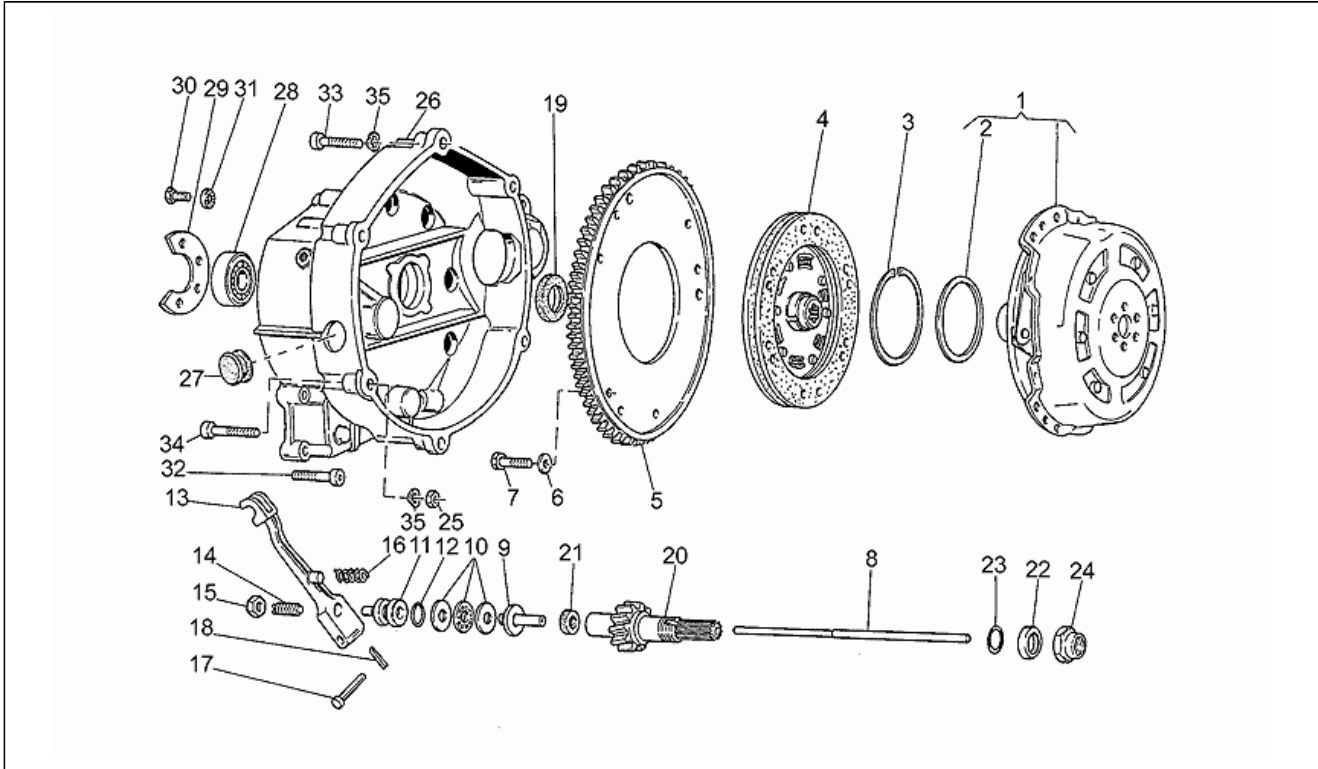
Pos.	Code	Description	Q.ty	Variants
1	GU19036082	Soupape d'admission	2	
2	GU19036183	Soupape d'échappement	2	
4	GU27037521	Ressort	4	
5	GU31038015	Coupelle supérieur	4	
6	GU61038100	Demi-clavette	8	
7	GU19030500	Culbuteur	4	
8	GU19034000	Vis	4	
9	GU92602406	Ecrou M6x1	4	
10	GU19032080	Axe culbuteur	2	
11	GU19032380	Rondelle éventail	4	
12	GU90271018	Bague seeger	4	
13	GU31037015	Coupelle inférieure	4	
14	GU19032980	Cale	4	
15	GU19027500	Manchon	2	
16	GU27053463	Arbre à cames	1	
17	GU19054521	Engrenage distribution	1	
18	GU61054900	Boulon	2	
19	GU19058021	Chaîne de distribution	1	
20	GU19058220	Tendeur de chaine	1	
21	GU98822316	Vis	1	
22	GU95129115	Rondelle	1	
23	GU19055700	Secteur	2	
24	GU90353029	Anneau élastique	1	
25	GU19045861	Poussoir	4	
26	GU31045015	Culbuteur tige	4	
27	GU27045420	Capuchon	4	
28	GU23217800	Rondelle de séreté	2	

<b>Assembly</b>	MOTEUR
<b>Code</b>	34.28
<b>Description</b>	Embrayage
<b>Revision</b>	1



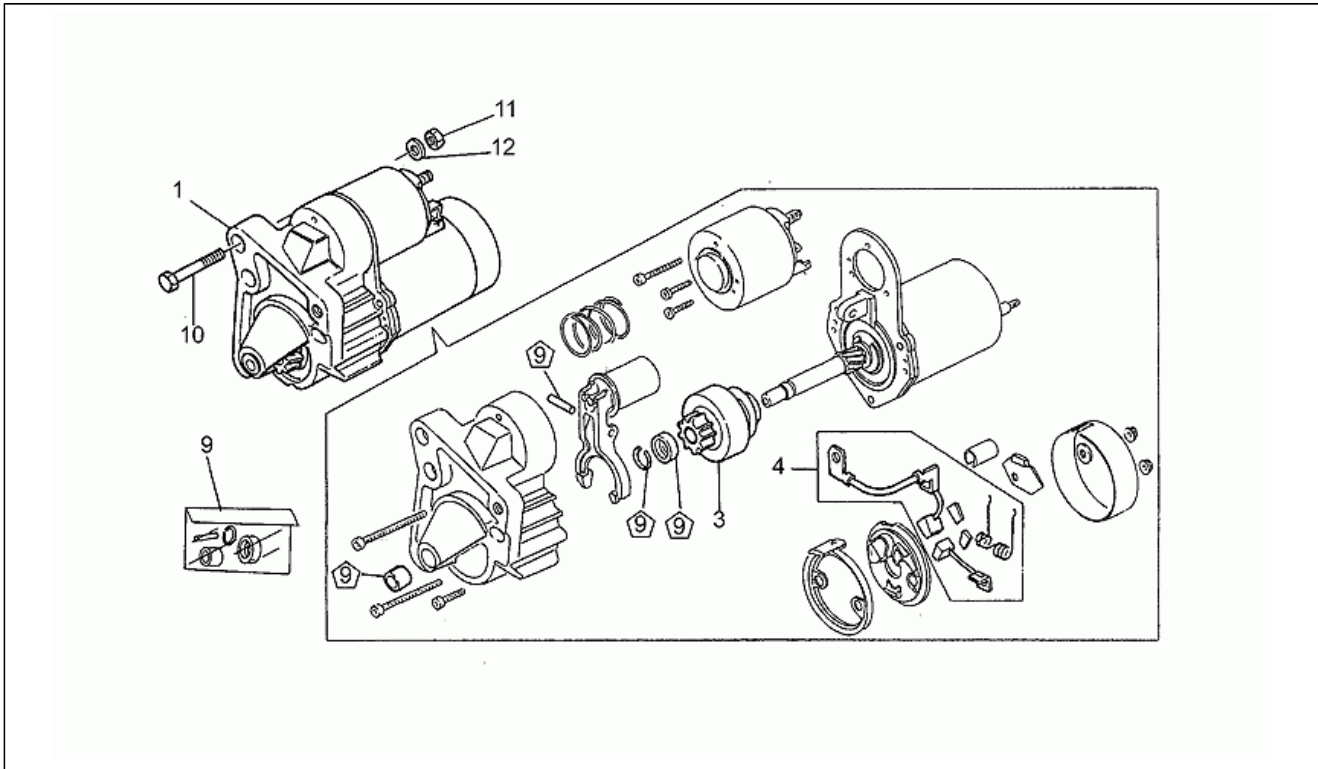
Pos.	Code	Description	Q.ty	Variants
1	GU27080160	Embrayage AP	1	
2	GU19083462	Cuvette	1	
3	GU90272075	Anneau élastique	1	
4	GU27084460	Disque embrayage mené	1	
5	GU19067900	Couronne MOTOPLAT	1	
6	GU14217901	Rondelle 6,4x10x0,7	6	
7	GU98054316	Vis M6X16	6	
8	GU19085701	Tige	1	
9	GU14086000	Corps intérieur	1	
10	GU12087001	Palier poussée	1	
11	GU14086100	Corps extérieur	1	
12	GU90706170	Joint torique 17,13x2,62	1	
13	GU14090201	Débrayage	1	
14	GU14090400	Vis embrayage	1	
15	GU92602508	Ecrou M8X1	1	
16	GU94321105	Retour levier démarrage	1	
17	GU95780271	Goupille 7x39	1	
18	GU95500222	Goupille	1	
19	GU90403245	Bague d'étanchéité	1	
20	GU27210760	Arbre trnsmission Z=16	1	
21	GU90400616	Bague d'étanchéité 6x16x7	1	
22	GU19213760	Entretoise	1	
23	GU90706235	Joint torique 23,52x1,78	1	
24	GU19356760	Ecrou	1	
25	GU92602208	Ecrou M8X1,25	1	
26	GU19200462	Cloche embrayage	1	
27	GU93180220	Bouchon	1	
28	GU92201225	Roulement 25x52x15	1	

<b>Assembly</b>	MOTEUR
<b>Code</b>	34.28
<b>Description</b>	Embrayage
<b>Revision</b>	1



Pos.	Code	Description	Q.ty	Variants
29	GU19203460	Plaque fixation palier	1	
30	GU98054314	Vis	3	
31	GU14217901	Rondelle 6,4x10x0,7	3	
32	GU98620330	Vis M6X30	1	
33	GU98620435	Vis M8X35	5	
34	GU98620450	Vis	1	
35	GU61270300	Rondelle élastique 8x15x0,3	6	

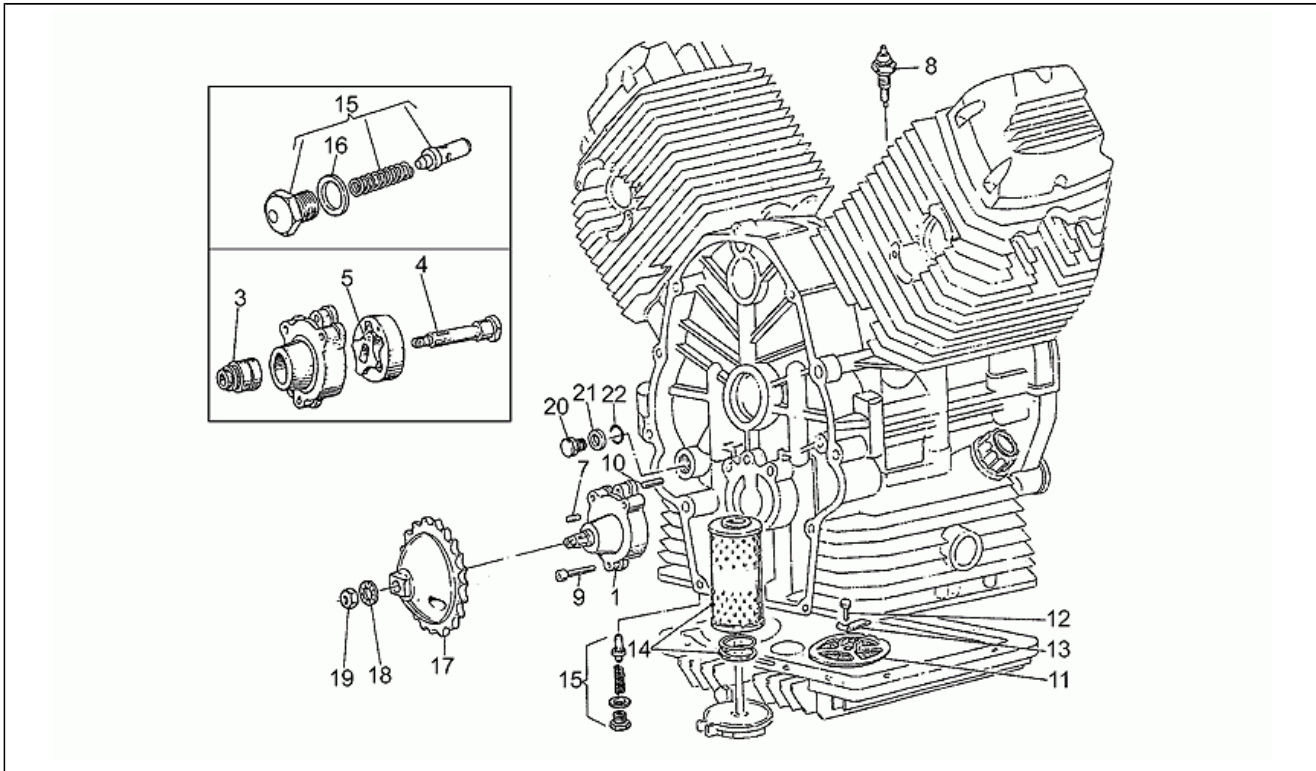
<b>Assembly</b>	MOTEUR
<b>Code</b>	34.30
<b>Description</b>	Démarrreur
<b>Revision</b>	1



Pos.	Code	Description	Q.ty	Variants
1	GU30730710	Démarrreur	1	
3	GU30530510	Pignon complète	1	
4	GU30530511	Kit de révision brosse	1	
5	0000000	Pneu s. chambre 110/90"	1	
6	0000000	Pneu s. chambre 110/90"	1	
7	0000000	Pneu s. chambre 110/90"	1	
8	0000000	Pneu s. chambre 110/90"	1	
9	GU30530512	Kit rév. démarrage	1	
10	GU98620435	Vis M8X35	2	
11	GU95004208	Rondelle	2	
12	GU92602208	Erou M8X1,25	2	

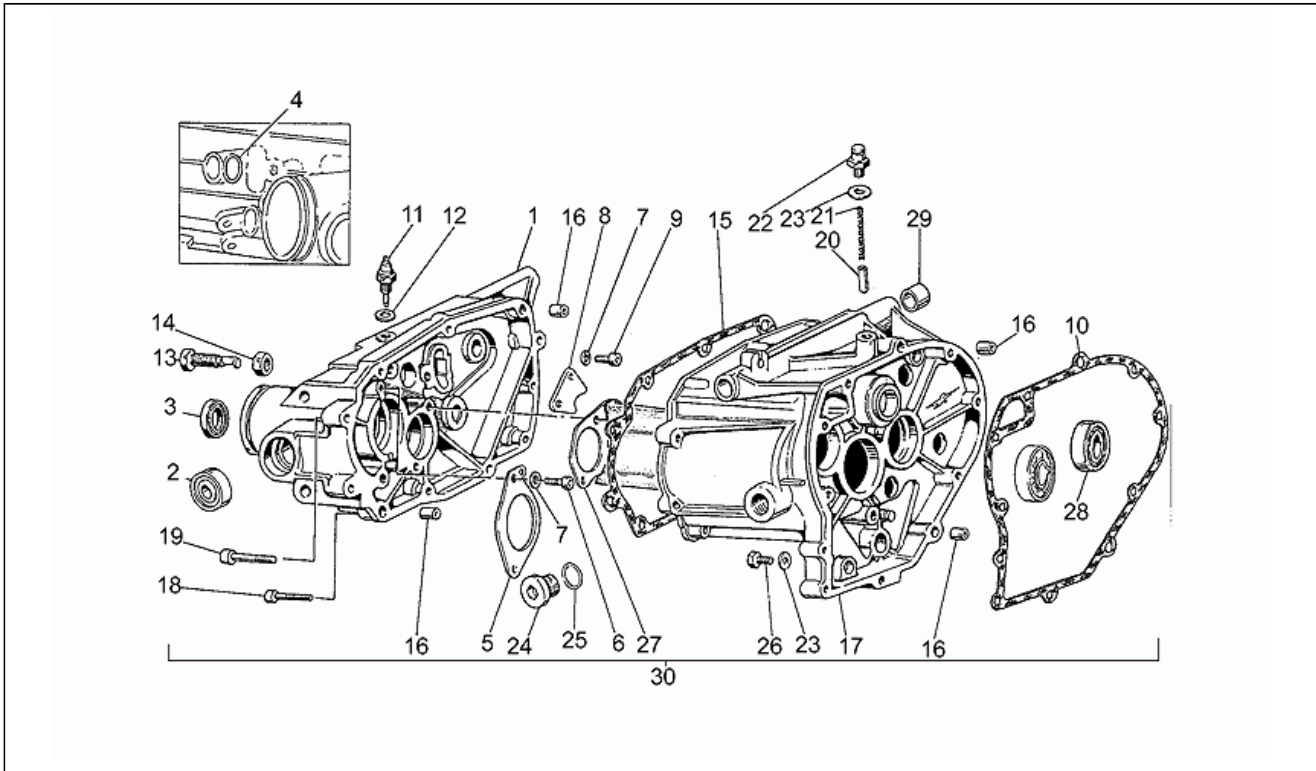


<b>Assembly</b>	MOTEUR
<b>Code</b>	34.31
<b>Description</b>	Pompe huile
<b>Revision</b>	1



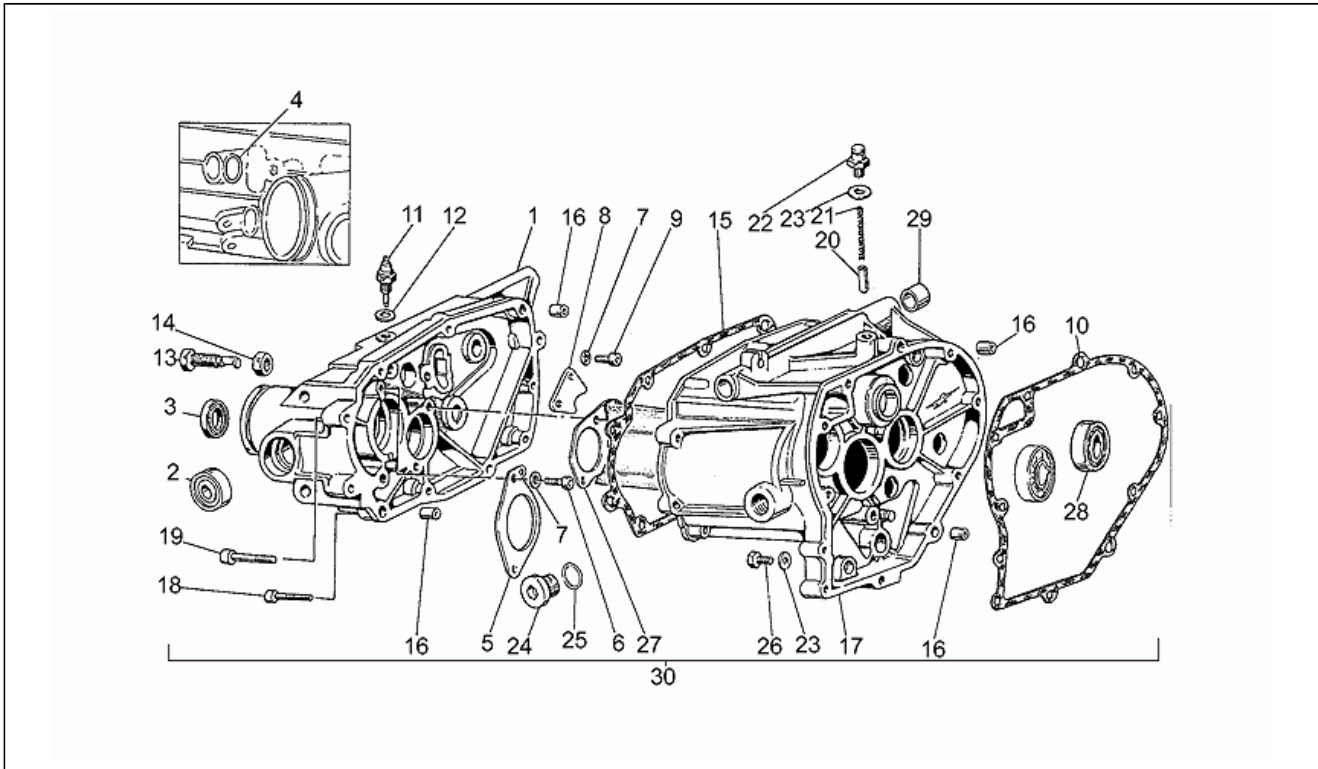
Pos.	Code	Description	Q.ty	Variants
1	GU19146420	Pompe huile	1	
3	GU92252210	Roulement à rouleaux 10x22x20	1	
4	GU19147820	Arbre pompe huile	1	
5	GU19148420	Rotor intérieur	1	
6	GU19148620	Rotor extérieur	1	
7	GU92296726	Rouleau guide	1	
8	GU31999581	Détecteur pression	1	<b>Spécifications techniques:</b> See spare parts comm.n.022 of 2001[02201N]
9	GU98620335	Vis M6X35	3	
10	GU19018920	Goupille	2	
11	GU19152200	Filtre à huile	1	
12	GU98054314	Vis	1	
13	GU95187006	Plaquette	1	
14	GU27153085	Filtre à huile	1	
15	GU31158250	Oil pressure valve	1	
16	GU18144350	Rondelle 18,25x24x1	3	
17	GU19147721	Engrenage pompe huile	1	
18	GU19149800	Rondelle 10,5x16x1	1	
19	GU92602510	Ecrou M10x1,25	1	
20	GU31016050	Bouchon	1	
21	GU18161150	Garniture 14,25	1	
22	GU90706111	Joint torique	1	
23	GU95004206	Rondelle 6,15x11x0,8	1	

<b>Assembly</b>	MOTEUR
<b>Code</b>	34.32
<b>Description</b>	Cartier de boîte vitesses
<b>Revision</b>	1



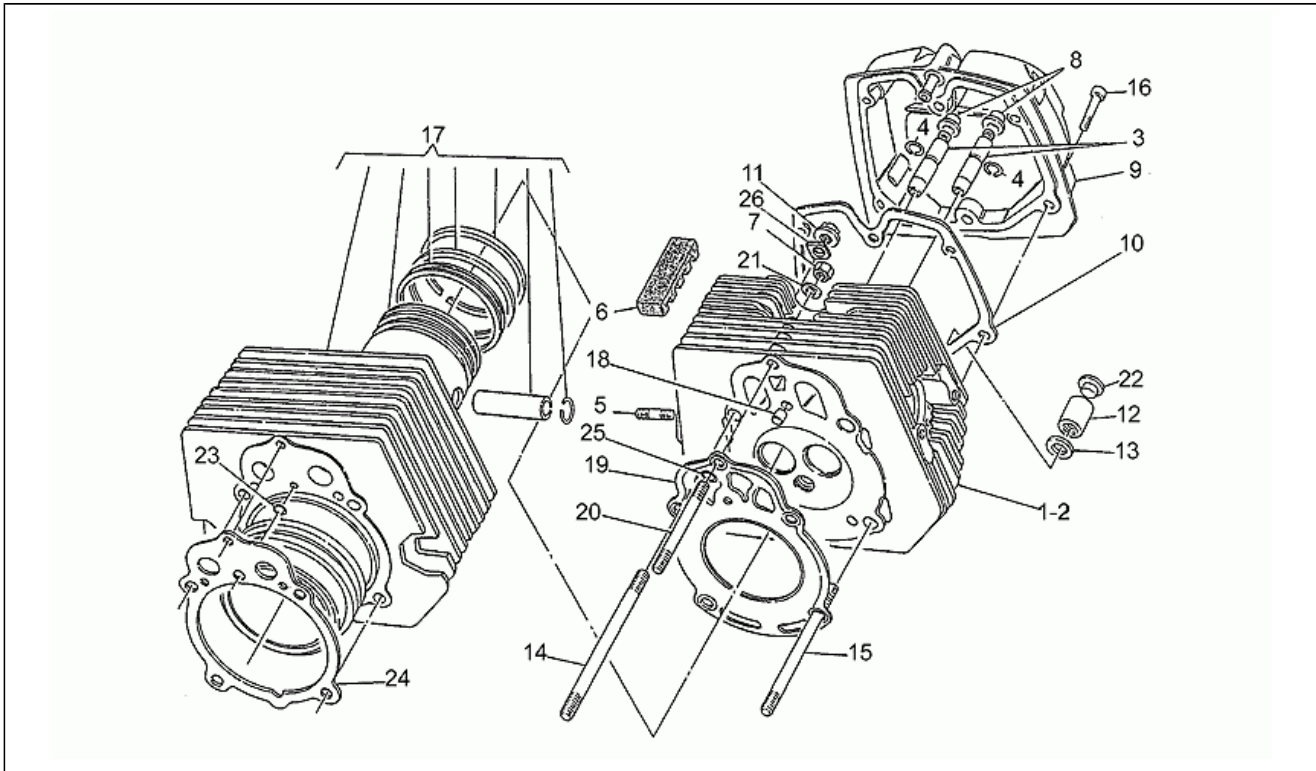
Pos.	Code	Description	Q.ty	Variants
1	GU19200861	Couvercle boîte gris	1	
2	GU92204215	Roulement 15x35x11	2	
3	GU90402841	Bague d'étanchéité 28x40x7	1	
4	GU90706140	Joint torique 13,95x2,92	1	
5	GU23213870	Plaque	1	
6	GU98622314	Vis	4	
7	GU14217901	Rondelle 6,4x10x0,7	6	
8	GU19235800	Plaque	1	
9	GU98622314	Vis	2	
10	GU23200370	Joint	1	
11	GU19207220	Capteur	1	
12	GU12154200	Joint 8,25x15x1	1	
13	GU19237800	Vis M12x1,25	1	
14	GU92602512	Ecrou bas M12x1,25	1	
15	GU19201120	Joint	1	
16	GU19002020	Bague 6,6x9x13	4	
17	GU31200280	Boîte de vitesses grise	1	
18	GU98620330	Vis M6X30	7	
19	GU98620435	Vis M8X35	4	
20	GU55234700	Encliquetage	1	
21	GU94321067	Retour levier démarrage	1	
22	GU19206501	Bouchon purge	1	
23	GU10528900	Garniture	2	
24	GU19351200	Bouchon huile	1	
25	GU90706203	Joint torique 20,24X2,62	1	
26	GU31003766	Bouchon vid.huile M10X1	1	
27	GU19208220	Huile cloison	1	
28	GU92201120	Roulement à billes 20x42x12	1	

<b>Assembly</b>	MOTEUR
<b>Code</b>	34.32
<b>Description</b>	Cartier de boîte vitesses
<b>Revision</b>	1



Pos.	Code	Description	Q.ty	Variants
29	GU19202320	Bague 10,25x15,7x8	2	
30	GU27991560	Boîte de vites.compl.et carter	1	

<b>Assembly</b>	MOTEUR
<b>Code</b>	34.33
<b>Description</b>	Tête cylindre
<b>Revision</b>	1



Pos.	Code	Description	Q.ty	Variants
1	GU20022120	Culasse d.gris	1	
2	GU20022220	Culasse g.gris	1	
3	GU61036801	Guide soupape	4	
4	GU90353009	Anneau élastique	4	
5	GU96506042	Vis sans tête	4	
6	GU19025300	Plaquette antivibratile	4	
7	GU19021920	Ecrou	2	
8	GU19037820	Joint spi	4	
9	GU31023500	Couvercle soupapes inox	2	
10	GU19023700	Joint	2	
11	GU92603010	Ecrou M10X1,5	4	
12	GU13021900	Ecrou colonne	4	
13	GU95129180	Rondelle 10,5X18X0,8	4	
14	GU96510214	Vis sans tête M10x214	4	
15	GU96510158	Tirant 162 mm	4	
16	GU98620325	Vis	10	
17	GU31060116	Cylindre av.piston cpl.	2	
18	GU19021360	Bague	2	
19	GU27022060	Joint	2	
20	GU96508145	Vis sans tête M8x143	2	
21	GU61270300	Rondelle élastique 8x15x0,3	2	
22	GU93180245	Bouchon	4	
23	GU61027200	Joint torique	2	
24	GU27020820	Joint	2	
25	GU90706076	Joint torique	2	
26	GU19032980	Cale	4	