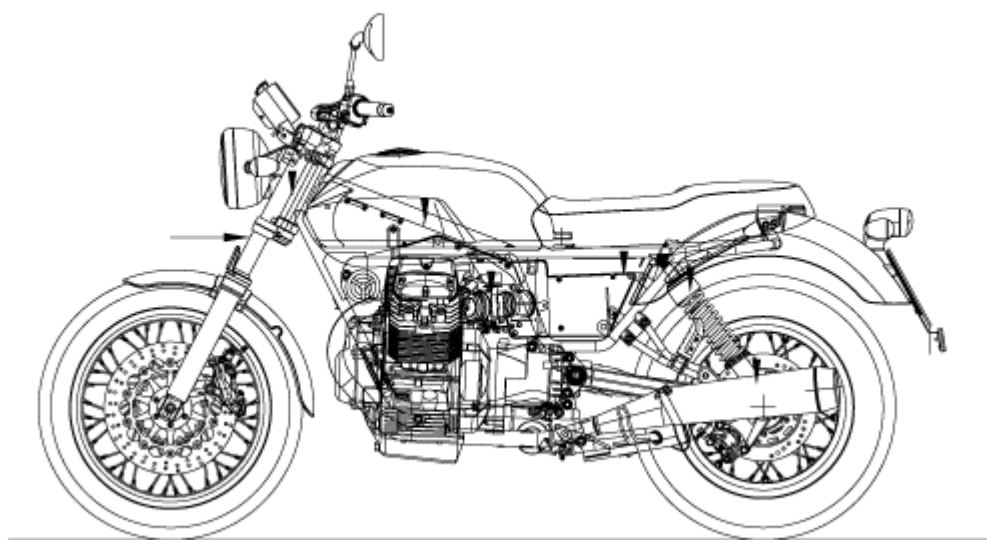

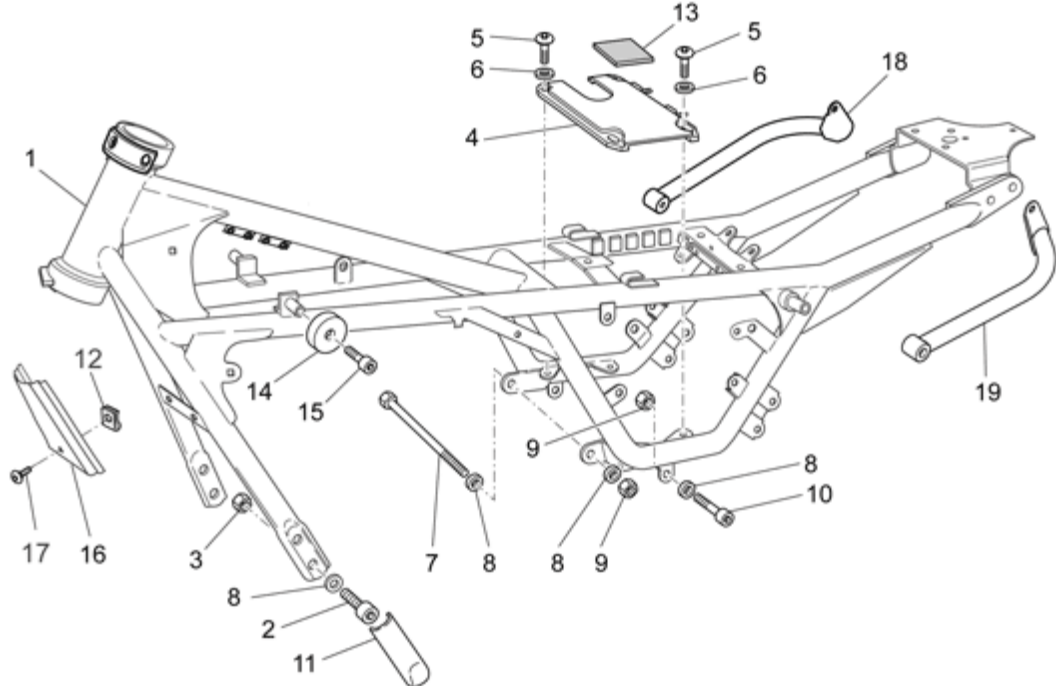



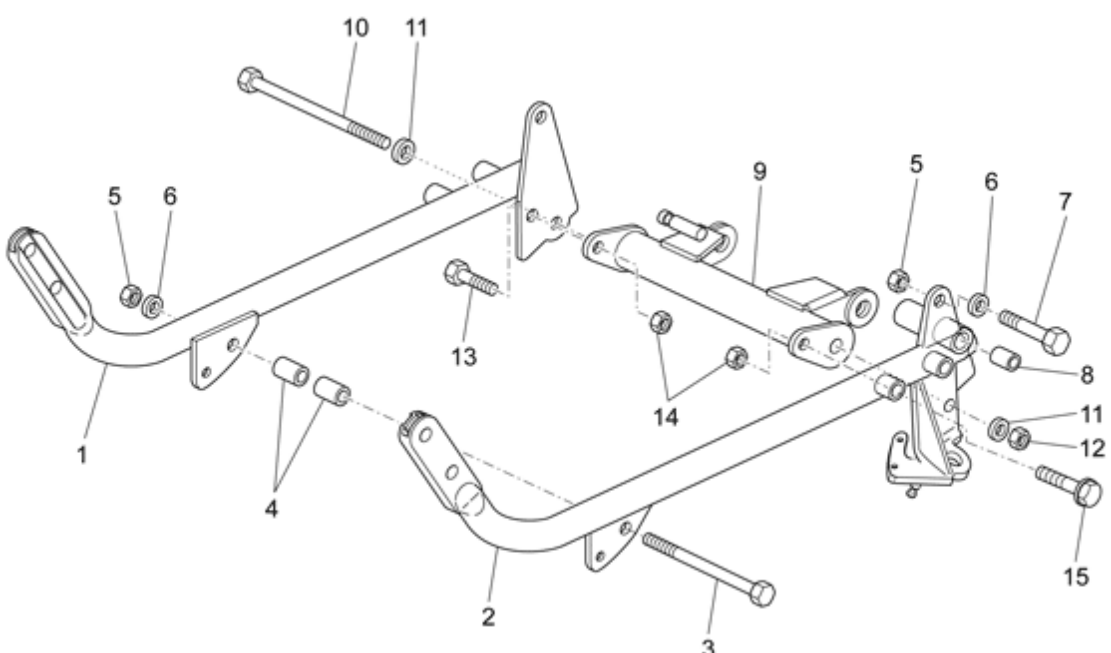


Cat. GU09100 V7 Classic 750 750 2008

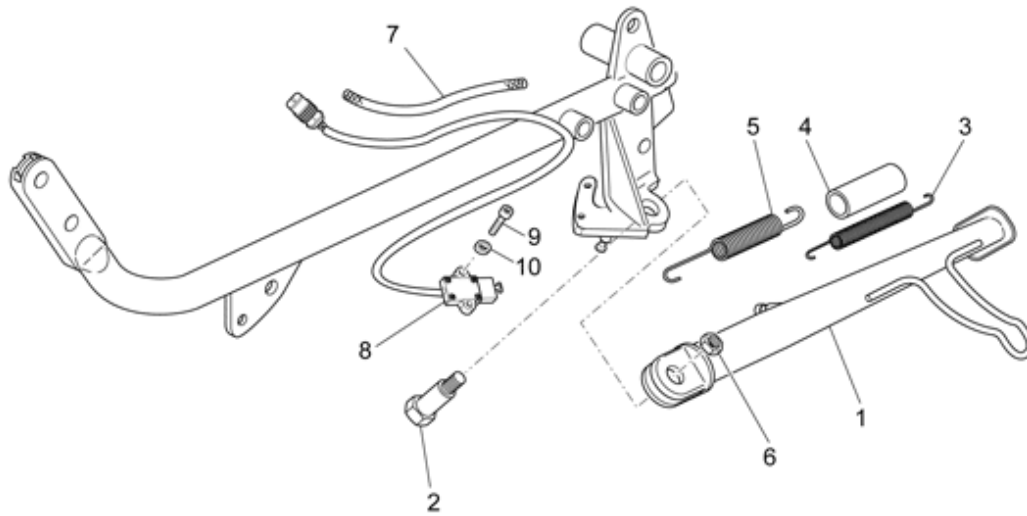





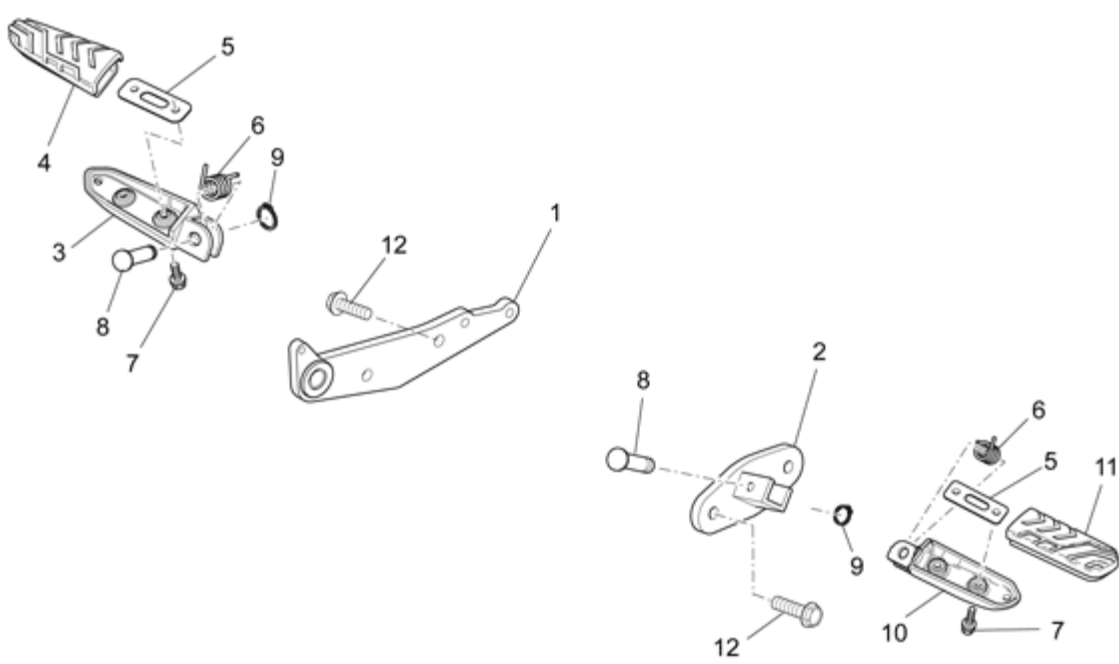
		V7 CLASSIC 750 750 2008		GU091	00	TAB N.	01		
FRAME I									
									
Pos.	Description	Year	I_M_	Country	Version	Code	Q.ty	P.Cod.	
1	Frame assy black	-	-	-	-	978750	1	BA009	
2	Hex socket screw M10x30	-	-	-	-	GU98682530	4	-	
3	Nut M10x1,5	-	-	-	-	GU92630510	4	-	
4	Plate	-	-	-	-	GU32418260	1	CC069	
5	Hex socket screw M8x16	-	-	-	-	GU98350416	4	-	
6	Washer 8,4X15X1,5	-	-	-	-	GU95008208	4	-	
7	Pin M10x205	-	-	-	-	GU98110199	1	BA329	
8	Washer 10,2X18X2	-	-	-	-	GU95008210	11	-	
9	Nut M10x1,5	-	-	-	-	GU92606210	3	-	
10	Screw M10x55	-	-	-	-	GU98680555	2	-	
11	Protection	-	-	-	-	GU32457810	2	-	
12	Clip M5	-	-	-	-	AP8102375	1	-	
13	Vibration-damping rubber	-	-	-	-	GU01103860	1	-	
14	Rubber spacer	-	-	-	-	GU66103415	2	-	
15	Hex socket screw M8X14	-	-	-	-	GU98682414	2	-	
16	Protection	-	-	-	-	GU32575960	1	-	
17	Screw w/ flange M5x12	-	-	-	-	AP8152302	1	-	
18	RH handle	-	-	-	-	978951	1	BA34A	
19	left handle	-	-	-	-	978952	1	BA34B	

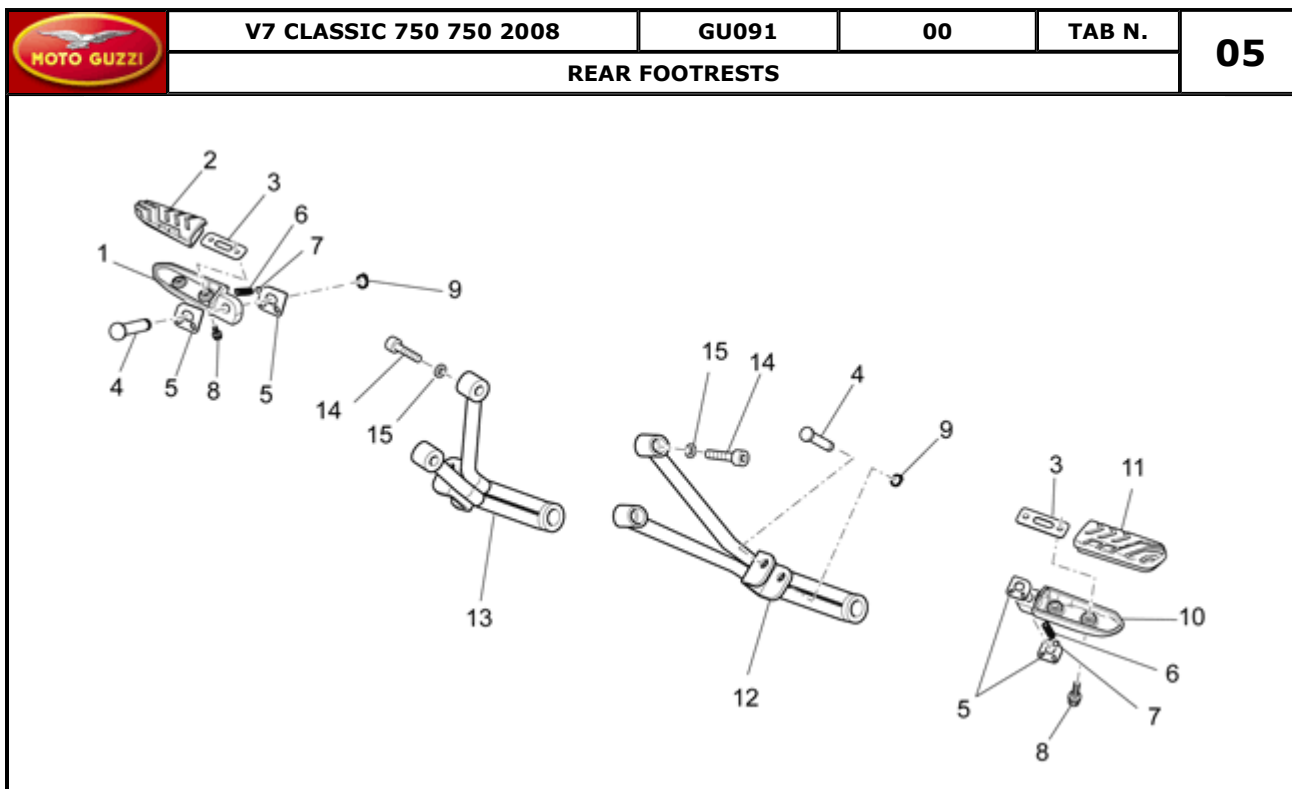
		V7 CLASSIC 750 750 2008	GU091	00	TAB N.	02			
FRAME II									
									
Pos.	Description	Year	I_M_	Country	Version	Code	Q.ty	P.Cod.	
1	RH arm polished black	-	-	-	-	978751	1	BA25A	
2	LH arm polished black	-	-	-	-	978752	1	BA25B	
3	Pin M10x250	-	-	-	-	GU53429500	1	BA309	
4	Bush	-	-	-	-	GU19017000	2	-	
5	Nut M10x1,5	-	-	-	-	GU92606210	3	-	
6	Washer 10,2X18X2	-	-	-	-	GU95008210	3	-	
7	Screw M10x65	-	-	-	-	GU98082565	2	-	
8	Bush 18 mm est.	-	-	-	-	GU28252060	2	-	
9	Cradle arms conn.crosspiece	-	-	-	-	GU32431310	1	BA279	
10	Pin M10x260	-	-	-	-	AP8121367	1	BA309	
11	Washer	-	-	-	-	AP8152220	2	-	
12	Low self-locking nut M10	-	-	-	-	AP8150436	1	-	
13	Screw w/ flange M8x25*	-	-	-	-	AP8152287	1	-	
14	Self-locking nut M8*	-	-	-	-	AP8152300	1	-	
15	Screw w/ flange M8x30*	-	-	-	-	AP8152288	1	-	

	V7 CLASSIC 750 750 2008	GU091	00	TAB N.	03
	LATERAL STAND				


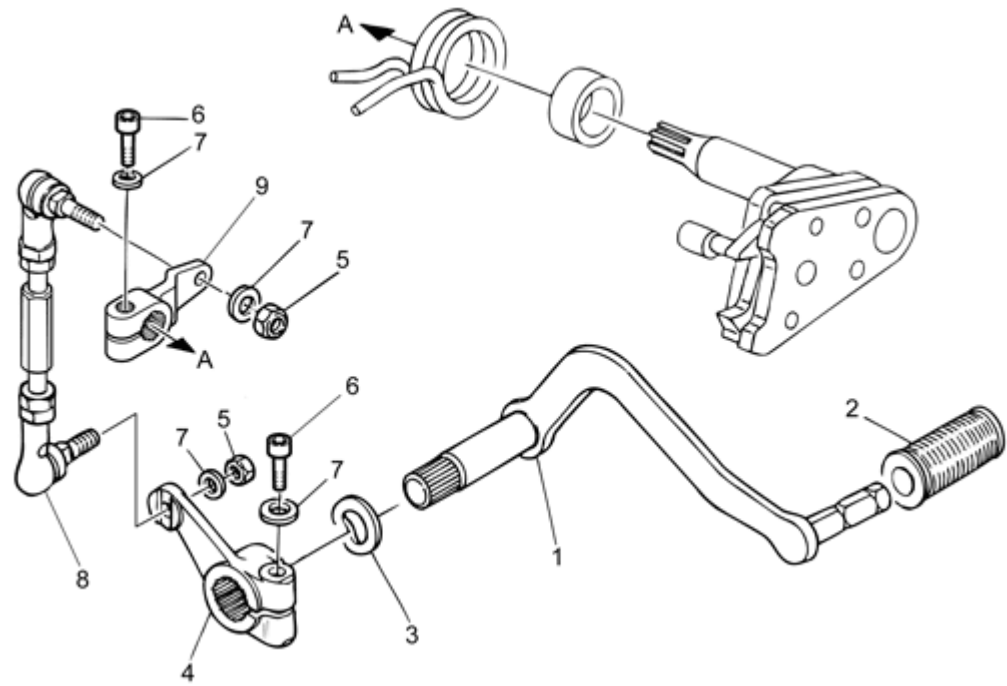



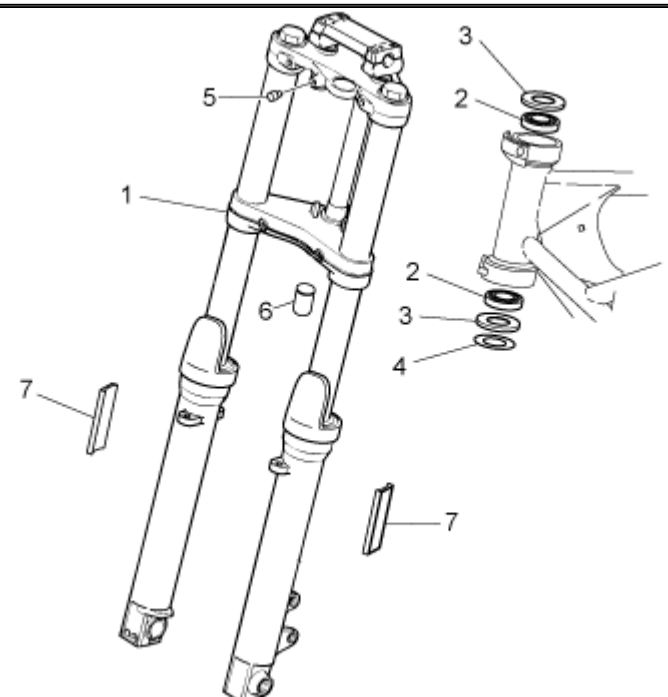
Pos.	Description	Year	I_M_	Country	Version	Code	Q.ty	P.Cod.
1	Side arm black	-	-	CA-USA	-	883471	1	BG049
	Side arm black	-	-	AUS-EU-J-UK	-	977088	1	BG049
2	Central stand fixing screw	-	-	CA-USA	-	AP8121607	1	BG019
	Central stand fixing screw	-	-	AUS-EU-J-UK	-	AP8121375	1	BG019
3	Coil pull spring *	-	-	-	-	AP8121014	1	BG02J
4	Stand spring protection	-	-	-	-	AP8102524	1	-
5	Lateral stand spring	-	-	-	-	AP8221197	1	BG02K
6	Nut M10	-	-	CA-USA	-	GU32433011	1	-
	Nut	-	-	AUS-EU-J-UK	-	GU92630310	1	-
7	Thermal sheath	-	-	-	-	GU00823923140	1	-
8	Lateral stand switch	-	-	-	-	639542	1	CD149
9	Hex socket screw M5x16	-	-	-	-	GU98612216	2	-
10	Washer 5,3x8,9x2,4	-	-	-	-	GU95020105	2	-
11	Plate	-	-	CA-USA	-	GU32432711	1	BG119


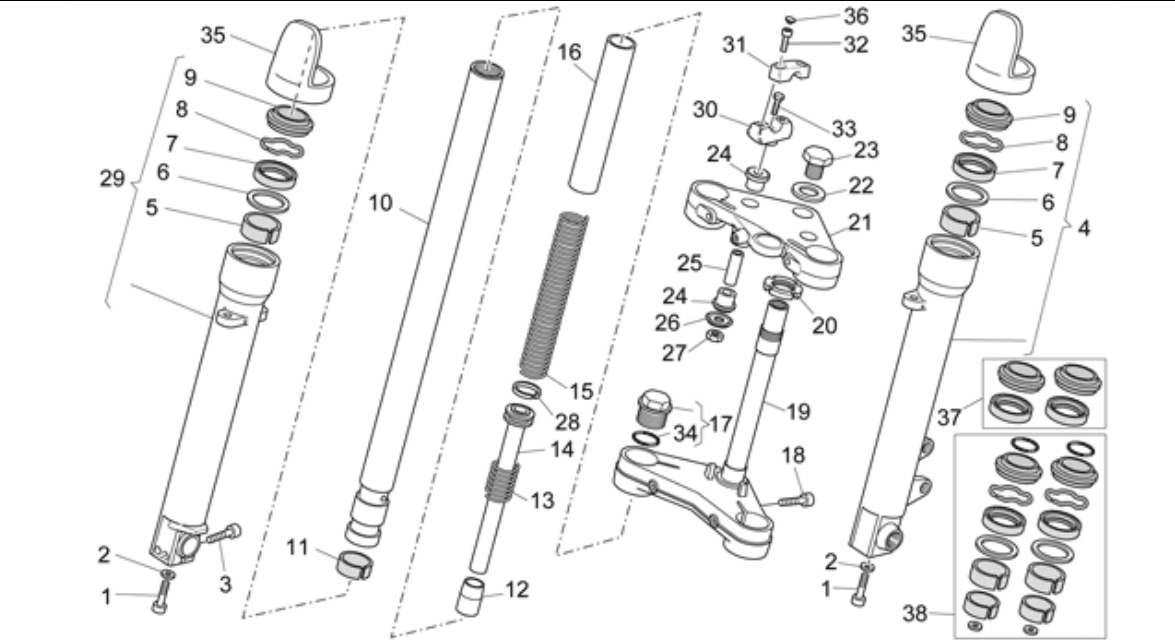
		V7 CLASSIC 750 750 2008		GU091	00	TAB N.	04		
		FRONT FOOTRESTS							
									
Pos.	Description	Year	I_M_	Country	Version	Code	Q.ty	P.Cod.	
1	RH foot rest support	-	-	-	-	883051	1	BA17A	
2	LH footrest support	-	-	-	-	883052	1	BA17B	
3	RH Foot rests	-	-	-	-	AP8145034	1	BA05A	
4	Support rubber part	-	-	-	-	GU32443210	1	BA24A	
5	Plate	-	-	-	-	GU32441210	2	-	
6	Footrest return spring	-	-	-	-	AP8221277	2	BA08*	
7	Screw w/ flange M6x12*	-	-	-	-	AP8152277	4	-	
8	Footrest pin	-	-	-	-	AP8134829	2	-	
9	Stop ring	-	-	-	-	AP8152409	2	-	
10	LH Foot rests	-	-	-	-	AP8145035	1	BA05B	
11	Support rubber part	-	-	-	-	GU32443211	1	BA24B	
12	Screw w/ flange M8x20	-	-	-	-	AP8152286	4	-	


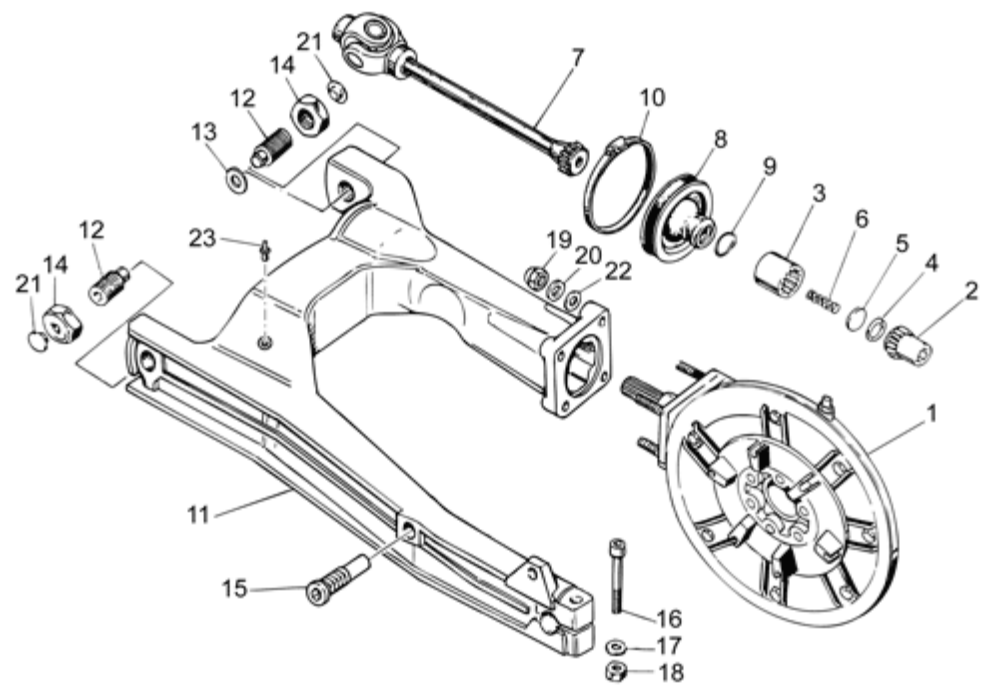



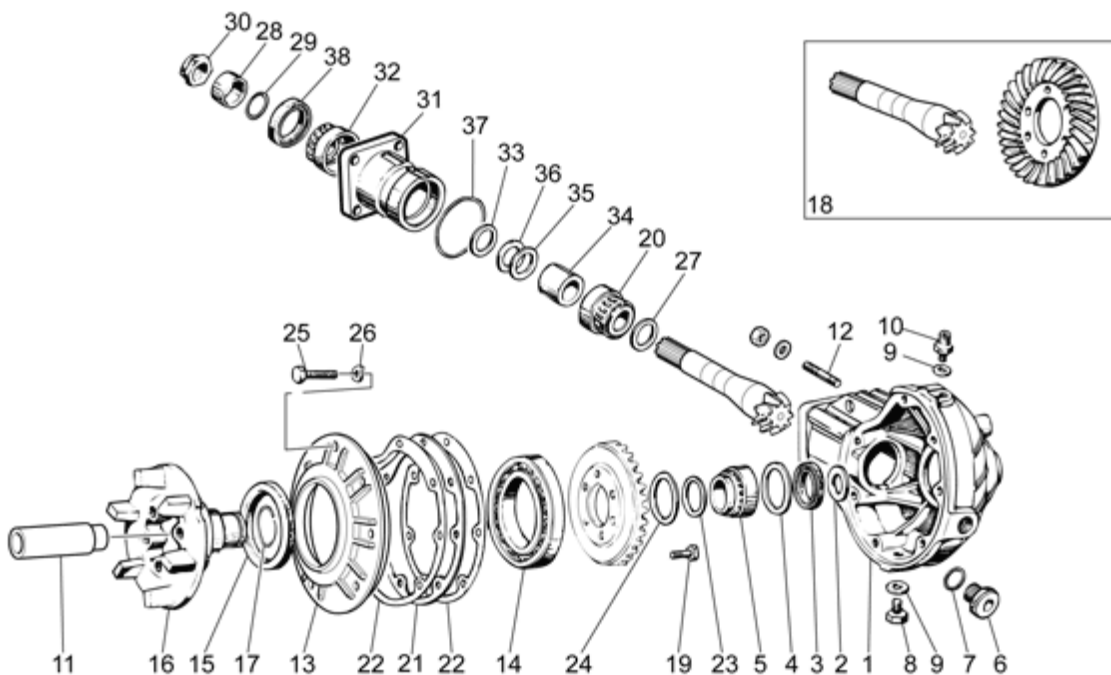
Pos.	Description	Year	I_M_	Country	Version	Code	Q.ty	P.Cod.
1	Rear footrest, RH	-	-	-	-	GU32442310	1	BA15A
2	Support rubber part	-	-	-	-	GU32443210	1	BA24A
3	Plate	-	-	-	-	GU32441210	2	-
4	Footrest pin	-	-	-	-	AP8134829	2	-
5	Footrest plate	-	-	-	-	AP8134451	4	-
6	Coil compress. spring *	-	-	-	-	AP8121133	2	-
7	Ball D6,35	-	-	-	-	AP8101861	2	-
8	Screw w/ flange M6x12*	-	-	-	-	AP8152277	4	-
9	Stop ring	-	-	-	-	AP8152409	2	-
10	Rear footrest, LH	-	-	-	-	GU32442710	1	BA15B
11	Support rubber part	-	-	-	-	GU32443211	1	BA24B
12	LH footrest support	-	-	-	-	883019	1	BA17B
13	RH foot rest support	-	-	-	-	883015	1	BA17A
14	Hex socket screw M8X16	-	-	-	-	GU98682416	4	-
15	Washer 8,4X13X0,8	-	-	-	-	GU14615901	4	-

		V7 CLASSIC 750 750 2008	GU091	00	TAB N.	06		
GEAR LEVER								
								
Pos.	Description	Year	I_M_	Country	Version	Code	Q.ty	P.Cod.
1	Gear lever	-	-	-	-	883039	1	BA109
2	Rubber spacer	-	-	-	-	GU14251001	1	BA149
3	Spring washer	-	-	-	-	GU95129260	2	-
4	Lever	-	-	-	-	GU32256910	1	BA119
5	Nut M6X1	-	-	-	-	GU92630707	2	-
6	Screw M6X22	-	-	-	-	GU98632322	2	-
7	Washer 6,4x12	-	-	-	-	GU03013800	3	-
8	Change gear tie rod compl.	-	-	-	-	GU32257810	1	BA129
9	Shift lever	-	-	-	-	GU20258221	1	BA139


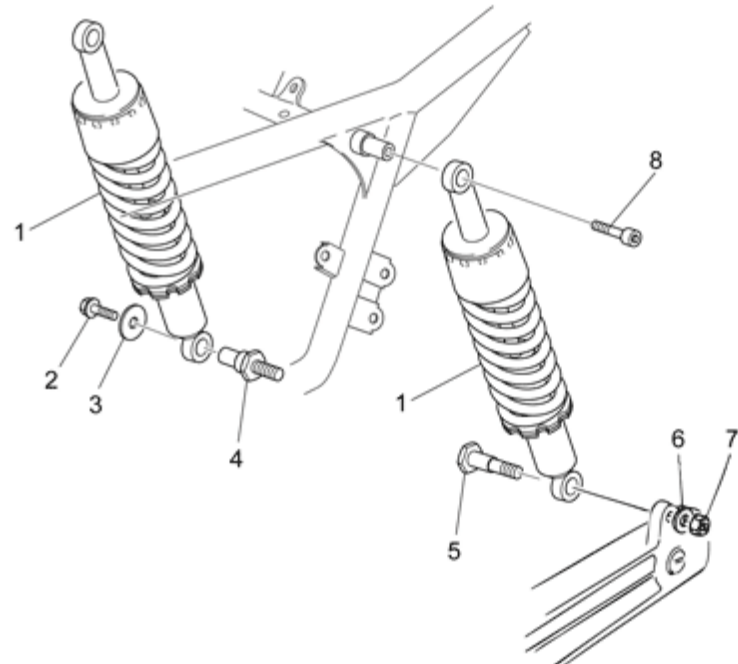
		V7 CLASSIC 750 750 2008	GU091	00	TAB N.	07		
FRONT FORK I								
								
Pos.	Description	Year	I_M_	Country	Version	Code	Q.ty	P.Cod.
1	Front fork	-	-	-	-	978979	1	BD009
2	Tap.roller bearing	-	-	-	-	GU92249225	2	BA039
3	Gasket ring	-	-	-	-	AP8144146	1	-
4	Washer	-	-	-	-	AP8121307	1	-
5	Rubber spacer	-	-	-	-	AP8144081	1	-
6	Rubber cup	-	-	-	-	AP8220460	1	-
7	Reflector, amber	-	-	CA-USA	-	GU05781630	2	CB08E

		V7 CLASSIC 750 750 2008	GU091	00	TAB N.	08		
FRONT FORK II								
								
Pos.	Description	Year	I_M	Country	Version	Code	Q.ty	P.Cod.
1	Screw M10x30	-	-	-	-	GU03530530	2	-
2	Washer	-	-	-	-	GU03530529	2	-
3	Screw M6X30	-	-	-	-	GU98620330	2	-
4	LH sleeve cpl. Black	-	-	-	-	978978	1	BD03B
5	Upper bush	-	-	-	-	GU30526761	2	BD10*
6	Washer	-	-	-	-	GU01530568	2	-
7	Gasket ring 40x52x9,5	-	-	-	-	GU27530584	2	BD04*
8	Stop ring	-	-	-	-	GU32530501	2	-
9	Dust cover	-	-	-	-	GU01530571	2	BD05*
10	Sleeve	-	-	-	-	GU32525410	2	BD13*
11	Lower bush	-	-	-	-	GU30525861	2	BD10*
12	Drift	-	-	-	-	GU03530551	2	BD08*
13	Return spring	-	-	-	-	GU32530502	2	BD16*
14	Plunger, complete	-	-	-	-	GU32530503	2	BD259
15	Spring	-	-	-	-	GU32526610	2	BD07*
16	Pipe	-	-	-	-	GU32526310	2	-
17	Plug cpl.	-	-	-	-	GU31504583	2	BD15*
18	Screw M10X40	-	-	-	-	GU98620540	2	-
19	Stem base Black	-	-	-	-	978974	1	BD019
20	Ring nut M25X1	-	-	-	-	GU31513480	1	BA049
21	Fork upper plate	-	-	-	-	978976	1	BD119
22	Washer	-	-	-	-	GU27530510	1	-
23	Nut M20x1,5	-	-	-	-	GU30512830	1	BA099
24	Rubber spacer	-	-	-	-	GU32530506	4	-
25	Spacer	-	-	-	-	GU91181039	2	-
26	Cup	-	-	-	-	GU27530505	2	-
27	Nut	-	-	-	-	GU27530506	2	-
28	Ring	-	-	-	-	GU32530504	2	-
29	RH sleeve cpl.	-	-	-	-	978977	1	BD03A
30	Lower U-bolt	-	-	-	-	978972	2	BD149
31	Upper U-bolt	-	-	-	-	978973	2	BD149
32	Screw M8x30	-	-	-	-	GU66530505	4	-
33	Screw M10x60	-	-	-	-	GU98052560	2	-
34	O-ring 4118	-	-	-	-	GU32530505	2	-
35	Sleeve protection	-	-	-	-	GU32504210	2	BD369
36	Plug	-	-	-	-	GU23943410	8	-
37	Gaskets set	-	-	-	-	GU32530610	1	BD***
38	Engine oil seal kit	-	-	-	-	GU32530611	1	BD***

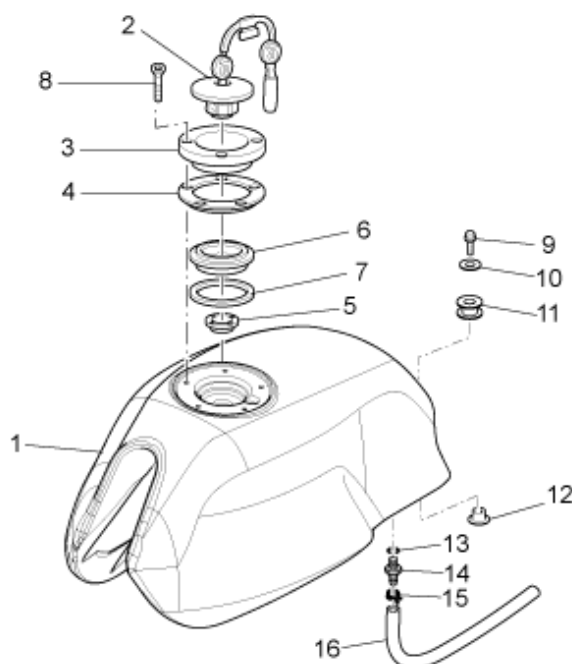
		V7 CLASSIC 750 750 2008	GU091	00	TAB N.	09		
TRANSMISSION COMPLETE I								
								
Pos.	Description	Year	I_M_	Country	Version	Code	Q.ty	P.Cod.
1	Transmission box assy., black	-	-	-	-	976941	1	AG219
2	Hose	-	-	-	-	GU31327783	1	AG209
3	Hose	-	-	-	-	GU19328801	1	AG209
4	Circlip	-	-	-	-	GU90272023	1	-
5	Disc	-	-	-	-	GU19327601	1	-
6	Spring	-	-	-	-	GU94321099	1	-
7	Coupling	-	-	-	-	GU23328081	1	AG199
8	Protection collar	-	-	-	-	GU23548080	1	AH289
9	Spring	-	-	-	-	GU23548180	1	-
10	Hose clamp D=60-80	-	-	-	-	AP8120246	1	-
11	Swing arm, black	-	-	-	-	883011	1	BE009
12	Pin	-	-	-	-	GU19547000	2	BE009
13	Spacer	-	-	-	-	GU35214300	1	BE009
14	Nut	-	-	-	-	GU31547882	2	BE019
15	Pin	-	-	-	-	GU31544181	1	-
16	Screw M10x45	-	-	-	-	GU98680545	1	BE159
17	Washer 10,2X18X2	-	-	-	-	GU95008210	1	-
18	Nut M10x1,5	-	-	-	-	GU92606210	1	-
19	Cap nut M8x1,25	-	-	-	-	GU92787008	4	-
20	Washer 8,4X13X0,8	-	-	-	-	GU14615901	4	-
21	Plug	-	-	-	-	GU93180105	2	-
22	Washer 8,4x14,57x1,6	-	-	-	-	GU95005308	4	-
23	Plug 5x9	-	-	-	-	GU03922280	1	-

		V7 CLASSIC 750 750 2008	GU091	00	TAB N.	10		
TRANSMISSION COMPLETE II								
								
Pos.	Description	Year	I_M_	Country	Version	Code	Q.ty	P.Cod.
1	Transmission housingblack	-	-	-	-	976608	1	AH279
2	Clearance washer	-	-	-	-	GU19351900	1	-
3	Gasket ring 35x47x7	-	-	-	-	GU90403549	1	-
4	Clearance washer	-	-	-	-	GU19351100	1	-
5	Roller bearing 35x50x17	-	-	-	-	GU92252235	1	AI269
6	Oil plug	-	-	-	-	GU12022600	1	-
7	O-ring 20,24X2,62	-	-	-	-	GU90706203	1	-
8	Oil unload plug M10X1	-	-	-	-	GU31003766	1	-
9	Gasket 10x18x1,5	-	-	-	-	GU01528930	2	-
10	Breather plug	-	-	-	-	GU19206501	1	-
11	Spacer	-	-	-	-	GU32633560	1	-
12	Stud bolt	-	-	-	-	GU96508055	4	-
13	Cover	-	-	-	-	GU32350410	1	AH329
14	Ball bearing 70x110x13	-	-	-	-	GU92201070	1	AI269
15	Gasket ring 75x95x10	-	-	-	-	GU90407591	1	AO369
16	Pin	-	-	-	-	GU32351410	1	BB169
17	Stop ring	-	-	-	-	GU90353030	1	-
18	Bevel gear 8/33	-	-	-	-	GU32354610	1	AG189
19	Screw M8x25	-	-	-	-	GU03067730	6	-
20	Tap.roller bearing 25x5	-	-	-	-	GU92249227	1	AI269
21	Spacer 1,1 mm	-	-	-	-	GU19355406	1	AH349
	Spacer 1,6 mm	-	-	-	-	GU19355413	1	AH349
	Spacer 1,5 mm	-	-	-	-	GU19355412	1	AH349
	Spacer 1,4 mm	-	-	-	-	GU19355411	1	AH349
	Spacer 1,2 mm	-	-	-	-	GU19355408	1	AH349
	Spacer 1 mm	-	-	-	-	GU19355404	1	AH349
	Spacer 0,9 mm	-	-	-	-	GU19355402	1	AH349
	Spacer 0,8 mm	-	-	-	-	GU19355400	1	AH349
	Spacer 1,3 mm	-	-	-	-	GU19355410	1	AH349
22	Gasket	-	-	-	-	GU19350700	2	AO439
23	Thrust washer	-	-	-	-	GU19352300	1	-
24	Thrust washer	-	-	-	-	GU19353500	1	-
25	Screw M8X25	-	-	-	-	GU19357660	7	-

26	Spring washer 8x15x0,3	-	-	-	-	-	GU61270300	7	-
27	Spacer 1,5 mm	-	-	-	-	-	GU19355325	1	AG289
	Spacer 1,9 mm	-	-	-	-	-	GU19355329	1	AG289
	Spacer 1,8 mm	-	-	-	-	-	GU19355328	1	AG289
	Spacer 1,6 mm	-	-	-	-	-	GU19355326	1	AG289
	Spacer 1,4 mm	-	-	-	-	-	GU19355324	1	AG289
	Spacer 1,3 mm	-	-	-	-	-	GU19355323	1	AG289
	Spacer 1,2 mm	-	-	-	-	-	GU19355322	1	AG289
	Spacer 1,1 mm	-	-	-	-	-	GU19355321	1	AG289
	Spacer 1 mm	-	-	-	-	-	GU19355320	1	AG289
	Spacer 1,7 mm	-	-	-	-	-	GU19355327	1	AG289
28	Spacer	-	-	-	-	-	GU19356801	1	-
29	Gasket ring 18,77X1,78	-	-	-	-	-	GU90706188	1	-
30	Nut	-	-	-	-	-	GU19356700	1	-
31	Flange	-	-	-	-	-	GU20352421	1	-
32	Roller bearing 20x47x14	-	-	-	-	-	GU92249220	1	AI269
33	Spacer 1,6 mm	-	-	-	-	-	GU19355306	1	AG289
	Spacer 1,9 mm	-	-	-	-	-	GU19355309	1	AG289
	Spacer 1 mm	-	-	-	-	-	GU19355300	1	AG289
	Spacer 1,7 mm	-	-	-	-	-	GU19355307	1	AG289
	Spacer 1,5 mm	-	-	-	-	-	GU19355305	1	AG289
	Spacer 1,4 mm	-	-	-	-	-	GU19355304	1	AG289
	Spacer 1,3 mm	-	-	-	-	-	GU19355303	1	AG289
	Spacer 1,2 mm	-	-	-	-	-	GU19355302	1	AG289
	Spacer 1,1 mm	-	-	-	-	-	GU19355301	1	AG289
	Spacer 1,8 mm	-	-	-	-	-	GU19355308	1	AG289
34	Spacer	-	-	-	-	-	GU20355121	1	-
35	Shim 0,1 mm	-	-	-	-	-	GU19355200	1	-
36	Shim 0,15 mm	-	-	-	-	-	GU19355202	1	-
37	Gasket 58,42x2,62	-	-	-	-	-	GU90706584	1	AO419
38	Gasket ring 32x47x10	-	-	-	-	-	GU90403251	1	AO389

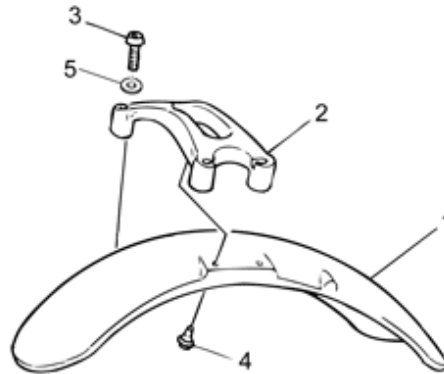
		V7 CLASSIC 750 750 2008		GU091	00	TAB N.	11	
REAR SHOCK ABSORBER								
								
Pos.	Description	Year	I_M_	Country	Version	Code	Q.ty	P.Cod.
1	Rear shock absorber SACHS	-	-	-	-	883003	2	BF00*
2	Screw w/ flange M6x16*	-	-	-	-	AP8152278	1	-
3	Washer 6,4x30x1,5	-	-	-	-	GU95005330	1	-
4	Pin	-	-	-	-	GU32555210	1	BF029
5	Pin	-	-	-	-	GU32555211	1	BF029
6	Washer	-	-	-	-	GU95129181	1	-
7	Nut M10x1,5	-	-	-	-	GU92606210	1	-
8	Hex socket screw M6X35	-	-	-	-	GU98690335	2	-

	V7 CLASSIC 750 750 2008	GU091	00	TAB N.	12
	FUEL TANK				


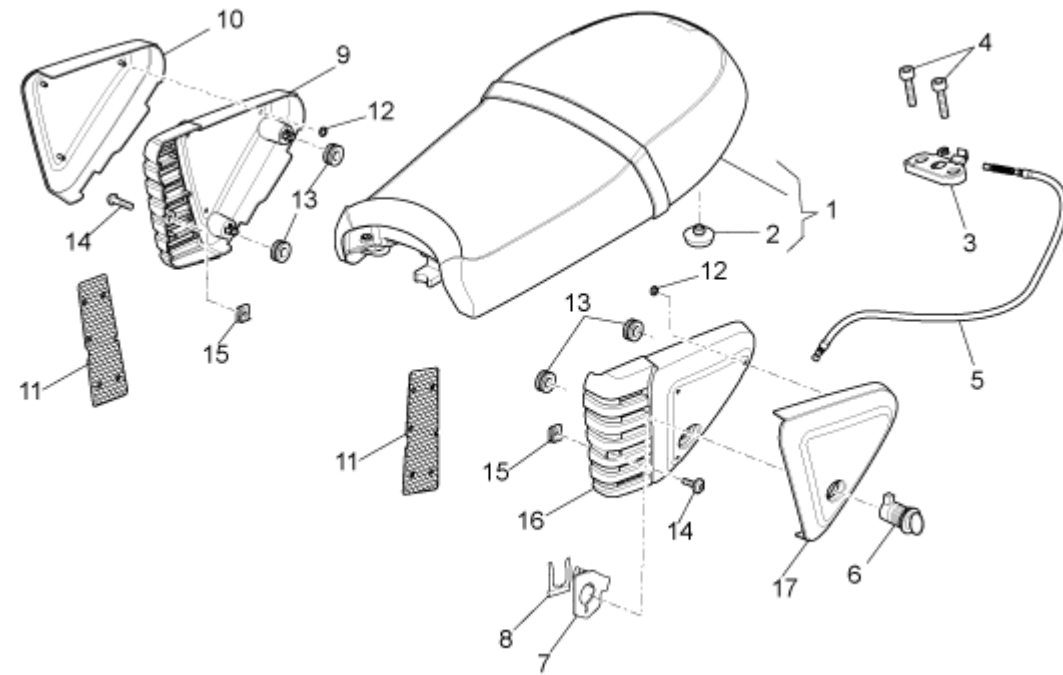


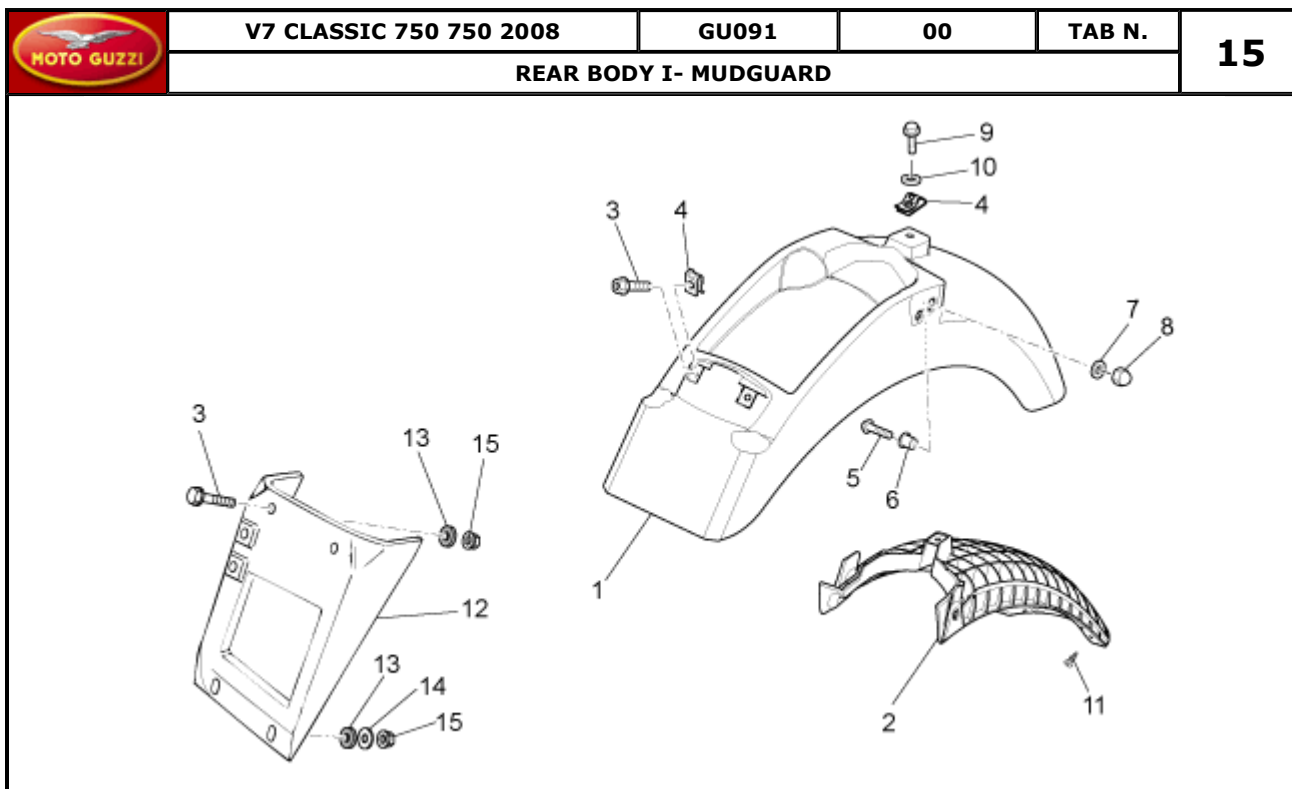
Pos.	Description	Year	I_M	Country	Version	Code	Q.ty	P.Cod.
1	Fuel tank blank	-	-	CA-USA	-	883469	1	DA009
	Fuel tank white	-	-	AUS-EU-J-UK	-	d.wh. 97892800BM	1	DA009
	Fuel tank white	-	-	CA-USA	-	d.wh. 88346900BM	1	DA009
	Fuel tank blank	-	-	AUS-EU-J-UK	-	978928	1	DA009
2	Tank cap	-	-	AUS-EU-J-UK	-	883185	1	DA029
	Tank cap	-	-	CA-USA	-	883476	1	DA029
3	Flange	-	-	-	-	978929	1	DA259
4	Gasket	-	-	-	-	883193	1	DA269
5	Reduction 38 mm	-	-	-	-	GU03101720	1	-
6	Plug ring nut	-	-	-	-	GU03102200	1	DA179
7	Gasket	-	-	-	-	GU03101600	1	DA269
8	Screw M5x12	-	-	-	-	825727	5	-
9	Screw w/ flange M8x45*	-	-	-	-	AP8152291	1	-
10	Washer 8,5x24x2	-	-	-	-	GU95005312	1	-
11	Rubber spacer	-	-	-	-	GU02107100	1	-
12	Spacer	-	-	-	-	883252	1	-
13	O-ring 2018	-	-	-	-	AP8120965	1	-
14	Union	-	-	-	-	GU30103730	1	DA409
15	Hose clamp D10,1*	-	-	-	-	AP8101595	1	-
16	Pipe 5X9	-	-	-	-	GU00823944050	1	DA399

	V7 CLASSIC 750 750 2008	GU091	00	TAB N.	13
	FRONT BODY - FRONT MUDGUARD				


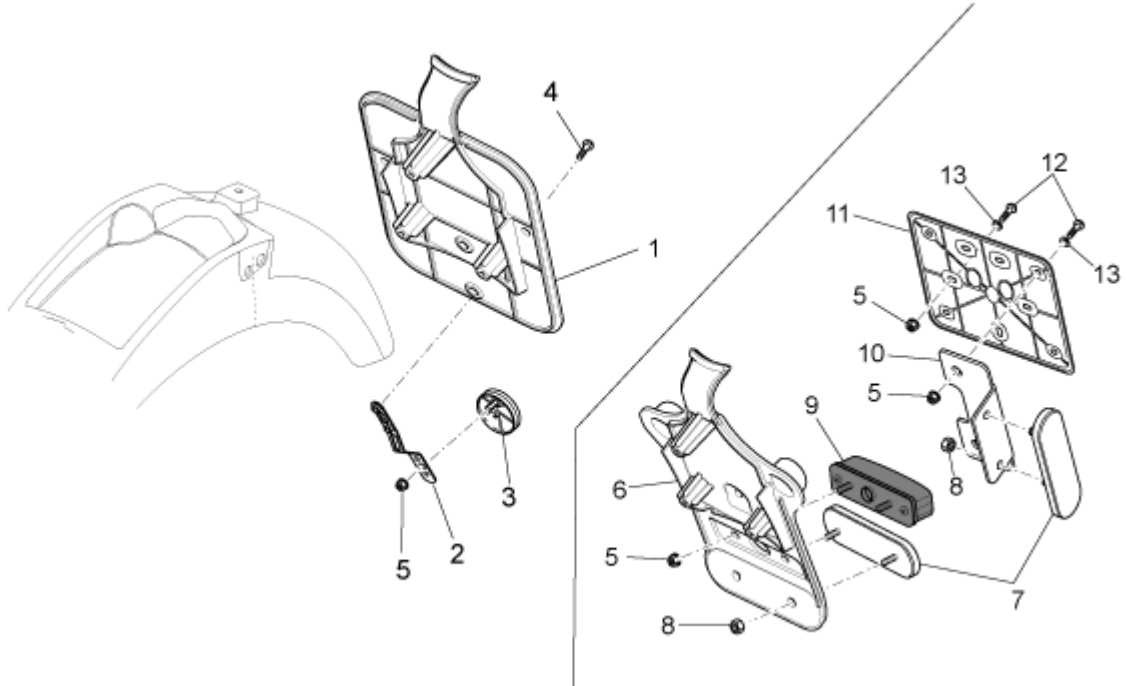



Pos.	Description	Year	I_M_	Country	Version	Code	Q.ty	P.Cod.
1	Front mudguard, white	-	-	-	-	d.wh. GU32434460BM	1	DF019
	Front mudguard blank	-	-	-	-	GU32434460	1	DF019
2	Stabilization plate	-	-	-	-	883266	1	-
3	Screw	-	-	-	-	GU98350440	4	-
4	Screw	-	-	-	-	GU31439565	4	-
5	Washer 8,4X13X0,8	-	-	-	-	GU14615901	4	-


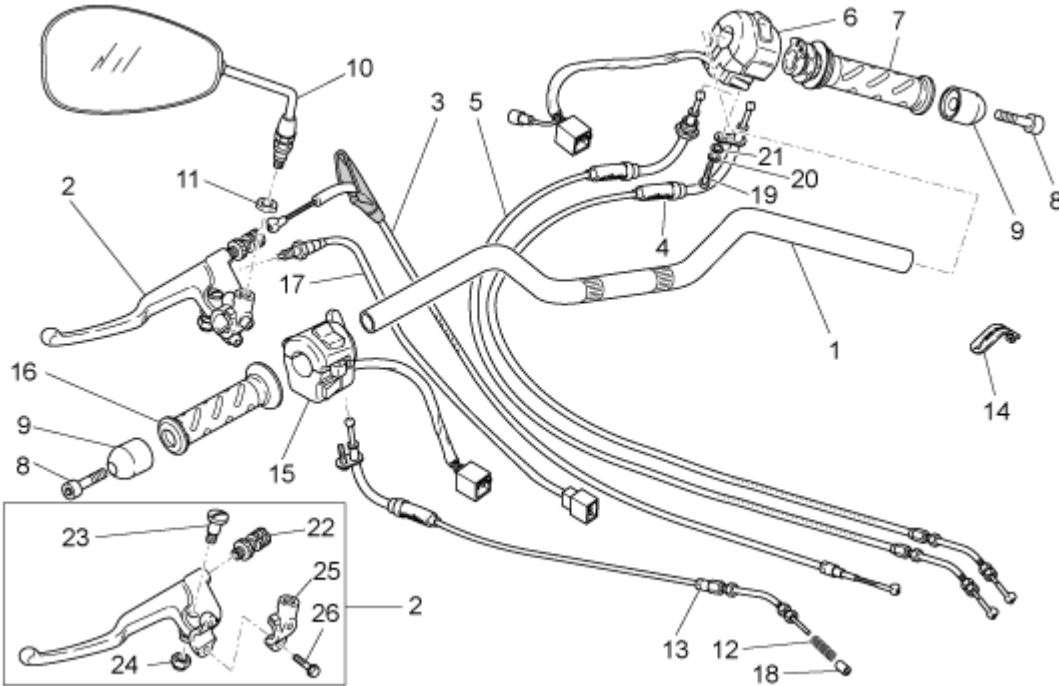
		V7 CLASSIC 750 750 2008		GU091	00	TAB N.	14		
SADDLE-CENTRAL BOD									
									
Pos.	Description	Year	I_M_	Country	Version	Code	Q.ty	P.Cod.	
1	Two-seat saddle	-	-	-	-	978931	1	DG009	
2	Rubber spacer	-	-	-	-	GU32461610	10	-	
3	Pass.saddle connecting plate	-	-	-	-	AP8102913	1	DG019	
4	Hex socket screw M6X25	-	-	-	-	GU98370625	2	-	
5	Saddle release cable	-	-	-	-	883295	1	HA069	
6	Saddle lock	-	-	-	-	977527	1	DH039	
7	Fork spring	-	-	-	-	AP8121420	1	-	
8	Cable fixing plate	-	-	-	-	978415	1	-	
9	RH support	-	-	-	-	978941	1	DF03A	
10	RH side panel, white	-	-	-	d.wh.	978942	1	DF03A	
11	RH side panel, black	-	-	-	-	977332	1	-	
12	Washer for shafts D5	-	-	-	-	AP8150450	1	-	
13	Rubber spacer	-	-	-	-	GU91551086	4	-	
14	Screw w/ flange M5x9	-	-	-	-	AP8152339	2	-	
15	Clip M5	-	-	-	-	AP8102375	2	-	
16	LH support	-	-	-	-	978944	1	DF03B	
17	LH side panel, white	-	-	-	d.wh.	97894300BM	1	DF03B	





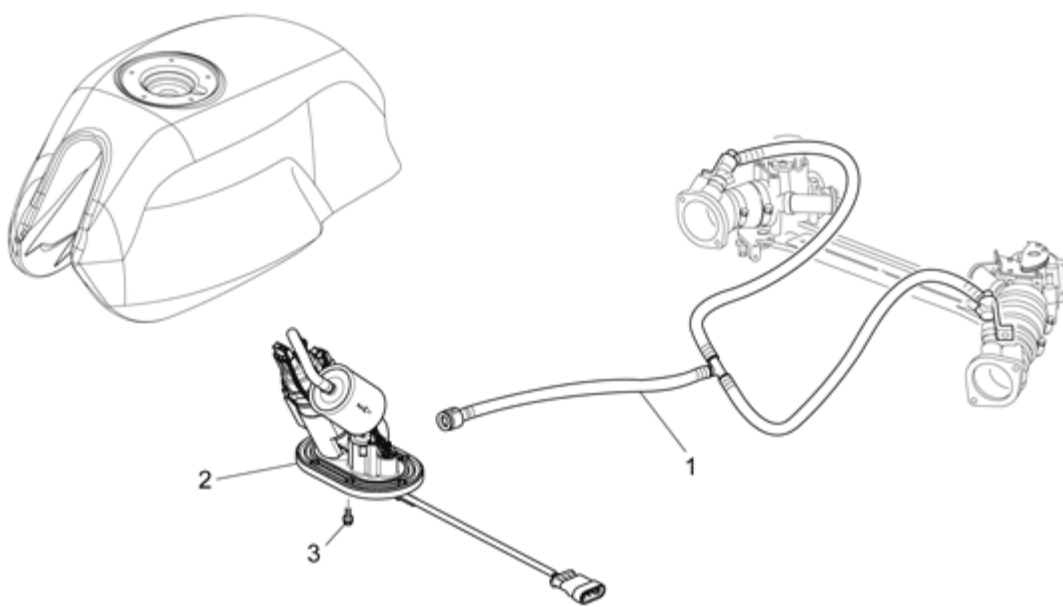
Pos.	Description	Year	I_M	Country	Version	Code	Q.ty	P.Cod.
1	Rear mudguard, white	-	-	-	-	d.wh. 97894600BM	1	DF029
2	Support	-	-	-	-	978947	1	DF029
3	Screw w/ flange M6x16*	-	-	-	-	AP8152278	4	-
4	Clip M6	-	-	-	-	GU28576591	3	-
5	Hex socket screw M8x30	-	-	-	-	GU98370831	2	-
6	Spacer	-	-	-	-	GU91120806	2	-
7	Washer 8,4x15	-	-	-	-	GU03270300	2	-
8	Cap nut M8x1,25	-	-	-	-	GU92787008	2	-
9	Screw w/ flange M6x20	-	-	-	-	AP8152279	2	-
10	Spacer 6,2x8x3	-	-	-	-	GU91180601	2	-
11	Phillips screw, SWP M5X20	-	-	-	-	AP8152329	3	-
12	Splash guard	-	-	-	-	GU31438765	1	DF069
13	Rubber spacer	-	-	-	-	GU93110060	4	-
14	Washer 6,4x12x1,2	-	-	-	-	GU95100141	2	-
15	Self-locking nut M6*	-	-	-	-	AP8152299	4	-


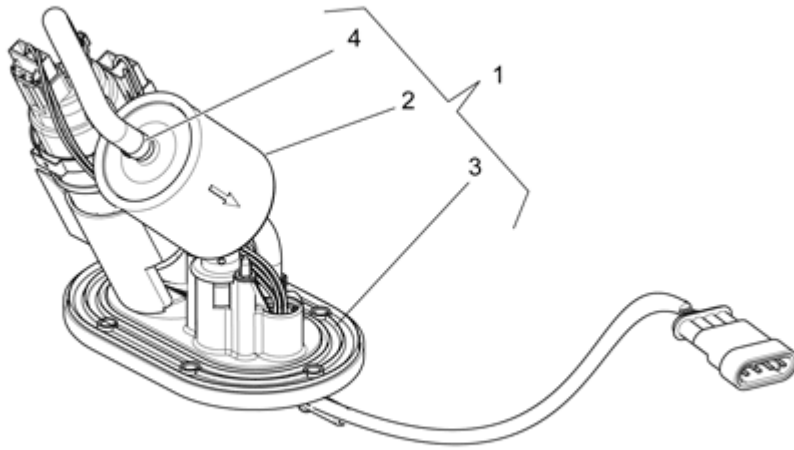
		V7 CLASSIC 750 750 2008	GU091	00	TAB N.	16		
REAR BODY II- PLATE HOLDER								
								
Pos.	Description	Year	I_M_	Country	Version	Code	Q.ty	P.Cod.
1	Number plate holder	-	-	AUS-EU-J-UK	-	978949	1	DF059
2	Reflector support	-	-	AUS-EU-J-UK	-	AP8134448	1	CB21F
3	Rear reflector, red	-	-	AUS-EU-J-UK	-	AP8224164	1	CB08F
4	Hex socket screw M5x10	-	-	AUS-EU-J-UK	-	GU98230510	2	-
5	Self-locking nut M5*	-	-	-	-	AP8152306	10	-
6	Number plate holder	-	-	CA-USA	-	883470	1	DF059
7	Rear reflector, red	-	-	CA-USA	-	AP8124718	3	CB08F
8	Nut	-	-	CA-USA	-	GU92630204	6	-
9	Number-plate light	-	-	CA-USA	-	883480	1	CB009
10	Reflector support	-	-	CA-USA	-	GU32781910	2	-
11	Number plate holder	-	-	CA-USA	-	AP8149034	1	DC149
12	Hex socket screw M5x16*	-	-	CA-USA	-	AP8152268	7	-
13	Washer 5,5x15x1,6	-	-	CA-USA	-	AP8150248	7	-


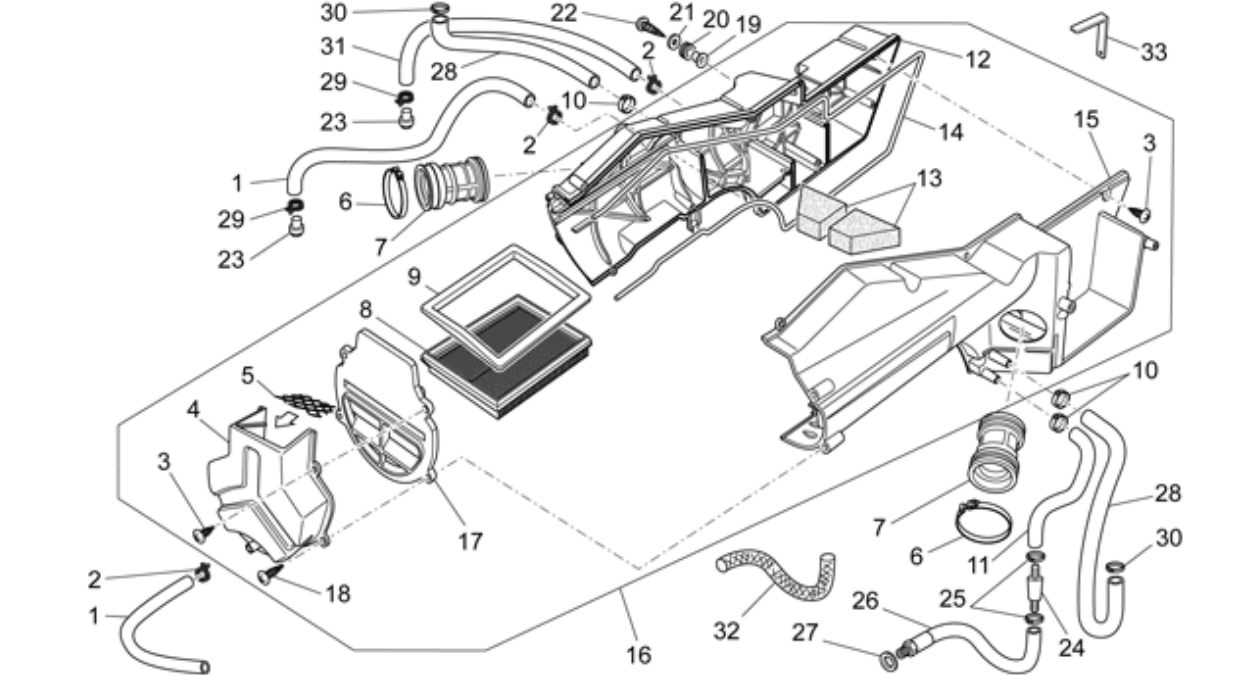
		V7 CLASSIC 750 750 2008		GU091	00	TAB N.	17		
DASHBOARD									
Pos.	Description	Year	I_M_	Country	Version	Code	Q.ty	P.Cod.	
1	Dashboard complete	-	-	AUS-CA-EU-J	-	978932	1	JA009	
	Dashboard complete	-	-	UK-USA	-	883339	1	JA009	
2	Hex socket screw M6x10	-	-	-	-	GU98370609	3	-	
3	Washer 6,4x13x1,5	-	-	-	-	GU95005306	3	-	
4	Silent-block	-	-	-	-	GU93222023	3	-	
5	Washer	-	-	-	-	GU95021206	3	-	
6	Nut M6*	-	-	-	-	GU92606206	3	-	
7	Bush	-	-	-	-	AP8121032	3	-	
8	Main switch - steering lock	-	-	-	-	GU32782510	1	DH029	
9	Hex socket screw M8X16	-	-	-	-	GU98682416	1	-	
10	Special screw M8x15	-	-	-	-	AP8150349	1	-	
11	Cover	-	-	-	-	GU32766810	1	-	
12	Pin	-	-	-	-	GU23922210	2	-	


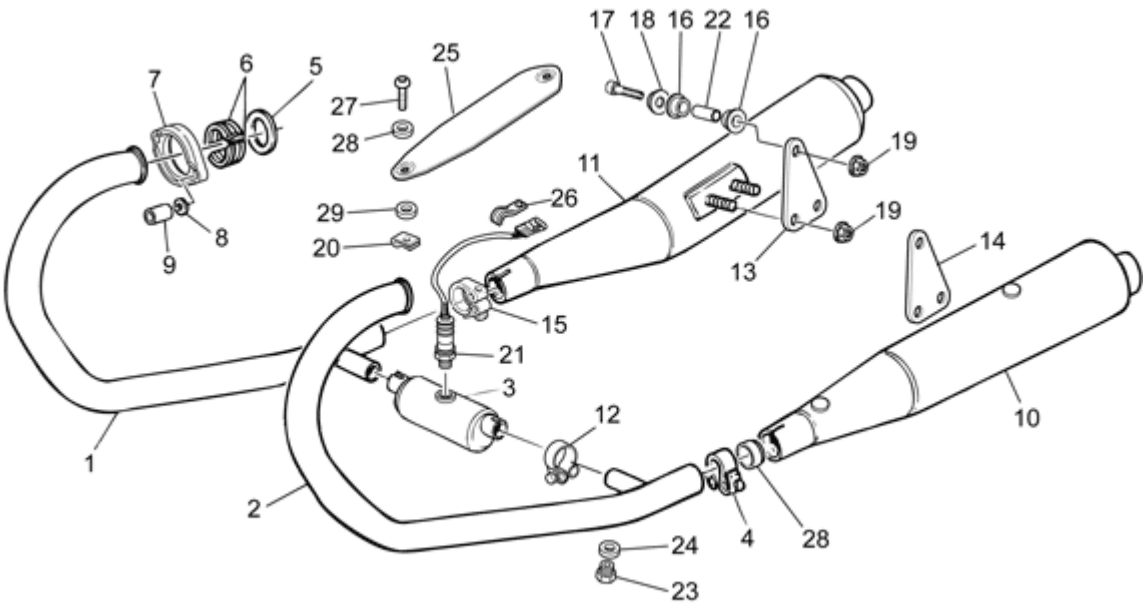
		V7 CLASSIC 750 750 2008	GU091	00	TAB N.			
HANDLEBAR - CONTROLS						18		
								
Pos.	Description	Year	I_M_	Country	Version	Code	Q.ty	P.Cod.
1	Handlebar	-	-	-	-	978960	1	BC009
2	Clutch lever	-	-	-	-	GU32605510	1	BC059
3	Clutch cable	-	-	-	-	883264	1	HA059
4	Gas fastener	-	-	-	-	883262	1	HA029
5	Gas fastener	-	-	-	-	883263	1	HA029
6	RH lights selector	-	-	-	-	GU32738810	1	CD10A
7	RH hand grip	-	-	-	-	GU32603310	1	BC039
8	Hex socket screw M6X35	-	-	-	-	GU98690335	2	-
9	Anti.v weight, chr.	-	-	-	-	GU32602860	2	BC06*
10	Rearview mirror	-	-	-	-	978570	2	DF10A
11	Spacer 10,25X20X4	-	-	-	-	GU91181003	2	-
12	Spring 7x1,1x25	-	-	-	-	GU94321074	1	-
13	Choke cable	-	-	-	-	GU32137060	1	HA019
14	Hose clamp L36 mm	-	-	-	-	GU03609600	1	-
	Hose clamp L46 mm	-	-	-	-	GU01609630	2	-
15	LH lights selector	-	-	-	-	883075	1	CD10B
16	LH hand grip	-	-	-	-	GU32603010	1	BC039
17	Lateral stand switch	-	-	-	-	GU29759150	1	CD159
18	Plug	-	-	-	-	GU39094200	1	-
19	Hex socket screw M5x10	-	-	-	-	GU98230510	1	-
20	Washer 5,3X10X1	-	-	-	-	GU95008305	1	-
21	Notched washer	-	-	-	-	GU95021105	1	-
22	Register	-	-	-	-	GU30602500	1	-
23	Screw	-	-	-	-	AP8213028	1	-
24	Self-locking nut	-	-	-	-	AP8213388	1	-
25	Clump	-	-	-	-	GU30601060	1	-
26	Black screw w/ flange M6x25	-	-	-	-	GU97202325	2	-

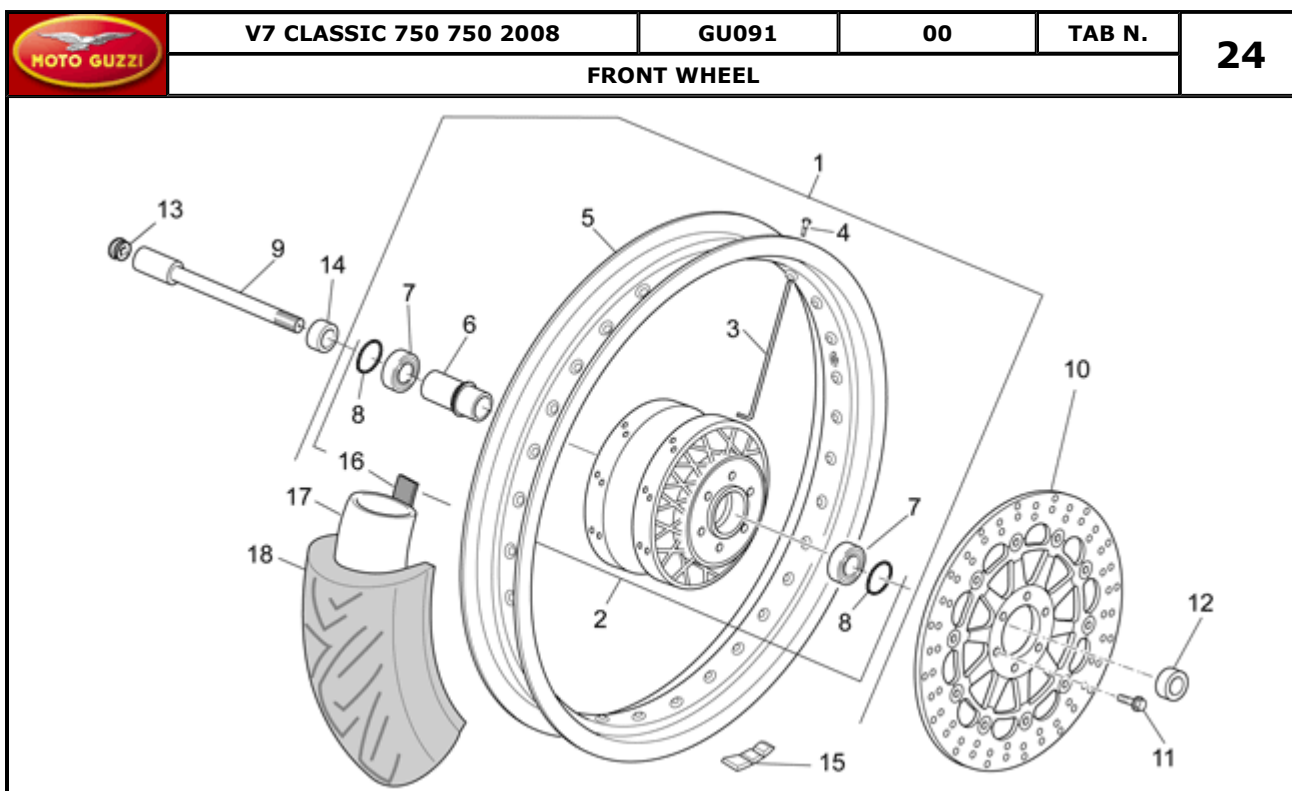
		V7 CLASSIC 750 750 2008	GU091	00	TAB N.	19		
FRONT BRAKE SYSTEM								
Pos.	Description	Year	I_M_	Country	Version	Code	Q.ty	P.Cod.
1	Front master cilinder	-	-	-	-	GU03660145	1	IA00E
2	Brake hose	-	-	-	-	GU32657160	1	IA05E
3	Screw w/ flange M6x12*	-	-	-	-	AP8152277	1	-
4	Hex socket screw M4x12	-	-	-	-	GU98370412	1	-
5	Brake light switch	-	-	-	-	GU03749845	1	CD00E
6	Pump cover	-	-	-	-	GU03661145	1	IA03A
7	U-bolt	-	-	-	-	GU03664045	1	IA029
8	Lever pin	-	-	-	-	GU03604845	1	IA01E
9	Brake lever	-	-	-	-	GU03605645	1	IA01E
10	Bleeder+cap	-	-	-	-	GU05659230	1	IA11E
11	Pins+Caliper springs	-	-	-	-	GU01659130	1	IA11E
12	Spring	-	-	-	-	GU01659131	1	IA11E
13	LH front brake caliper, black	-	-	-	-	883303	1	IA06U
14	Gasket	-	-	-	-	AP8121915	4	-
15	Oil pipe screw *	-	-	-	-	978323	2	-
16	Hex socket screw M10x1,25	-	-	-	-	AP8152385	2	-
17	Pads pair	-	-	-	-	GU01654630	1	IA07*
18	Spacer 10,25X20X4	-	-	-	-	GU91181003	2	-
19	Washer 4,3x8x1,5	-	-	-	-	GU95021104	1	-
20	Washer 6,4x12x1,2	-	-	-	-	GU95008306	1	-

	V7 CLASSIC 750 750 2008				GU091	00	TAB N.	20	
	FUEL SUPPLY								
									
Pos.	Description	Year	I_M_	Country	Version	Code	Q.ty	P.Cod.	
1	Fuel pipe	-	-	-	-	883265	1	DA399	
2	Fuel pump	-	-	-	-	978930	1	DA139	
3	Screw w/ flange M5x16	-	-	-	-	AP8152273	6	-	

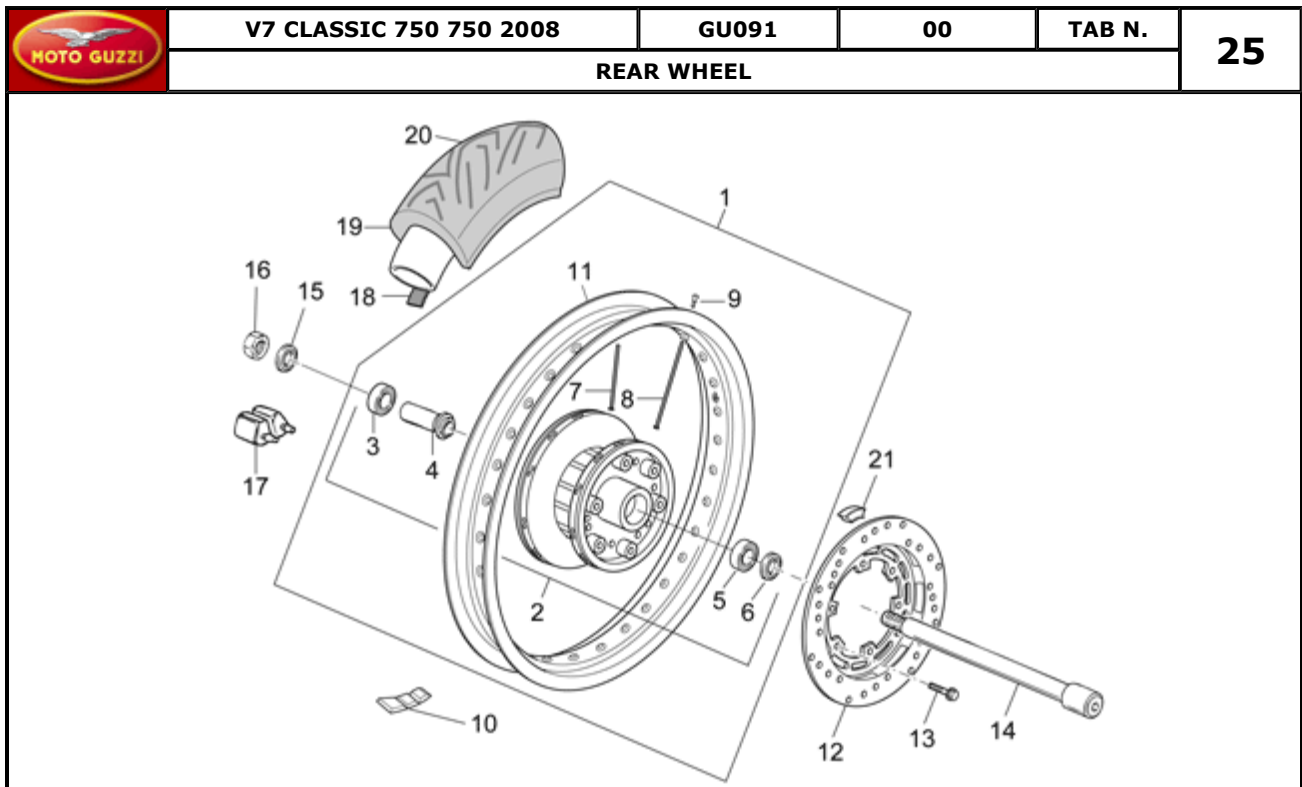
	V7 CLASSIC 750 750 2008		GU091		00		TAB N.		21
	FUEL PUMP								
									
Pos.	Description	Year	I_M_	Country	Version	Code	Q.ty	P.Cod.	
1	Fuel pump	-	-	-	-	978930	1	DA139	
2	Fuel filter	-	-	-	-	GU01106090	1	DA099	
3	Gasket	-	-	-	-	GU05107430	1	DA429	
4	Hose clamp 11,3	-	-	-	-	GU01108490	4	-	

		V7 CLASSIC 750 750 2008	GU091	00	TAB N.	22		
AIR BOX								
								
Pos.	Description	Year	I_M_	Country	Version	Code	Q.ty	P.Cod.
1	Fuel pipe 5,5x10	-	-	-	-	AP8120952	2	-
2	Hose clamp D 11,9	-	-	-	-	AP8201358	2	-
3	Self-tap screw 3,9x14	-	-	-	-	AP8150413	12	EB009
4	Filter cover	-	-	-	-	GU32116910	1	EB069
5	Filter mesh	-	-	-	-	GU32113510	1	EB039
6	Hose clamp 61/65,5	-	-	-	-	GU93305061	2	-
7	Intake hose	-	-	-	-	GU32114410	2	EB04*
8	Air filter	-	-	-	-	AP8104242	1	EB029
9	Support	-	-	-	-	GU32114110	1	EB199
10	Hose clamp	-	-	-	-	AP8102766	3	-
11	Breather pipe	-	-	-	-	AP8120772	1	EB239
12	RH Bearing shell	-	-	-	-	GU32114011	1	EB019
13	Filter blow-by	-	-	-	-	AP8104525	2	-
14	Gasket D3	-	-	-	-	AP8120615	3	-
15	LH Bearing shell	-	-	-	-	GU32114012	1	EB019
16	Air box	-	-	-	-	GU32110110	1	EB019
17	Plug	-	-	-	-	GU32113410	1	-
18	Phillips screw, SWP M5X20	-	-	-	-	AP8152329	3	-
19	Spacer D.6,5	-	-	-	-	GU30576100	3	-
20	Rubber spacer	-	-	-	-	GU91551010	3	-
21	Washer 5,25x14x1,5	-	-	-	-	GU95100059	3	-
22	Phillips screw, SWP M5X20	-	-	-	-	AP8152329	3	-
23	Plug	-	-	-	-	AP8120876	3	-
24	Oil breather valve	-	-	-	-	AP8104251	1	AJ329
25	Hose clamp	-	-	-	-	AP8102159	2	-
26	Breather	-	-	-	-	GU32159310	1	EB239
27	Gasket	-	-	-	-	GU90714082	1	-
28	Breather pipe	-	-	-	-	GU32159610	2	-
29	Hose clamp D9	-	-	-	-	GU61108500	2	-
30	Hose clamp 12,5x8	-	-	-	-	AP8102239	2	-
31	Fuel pipe 6x10	-	-	-	-	AP8144038	1	-
32	Thermal sheath	-	-	-	-	GU00823923140	1	-
33	Square	-	-	-	-	GU31112965	1	-

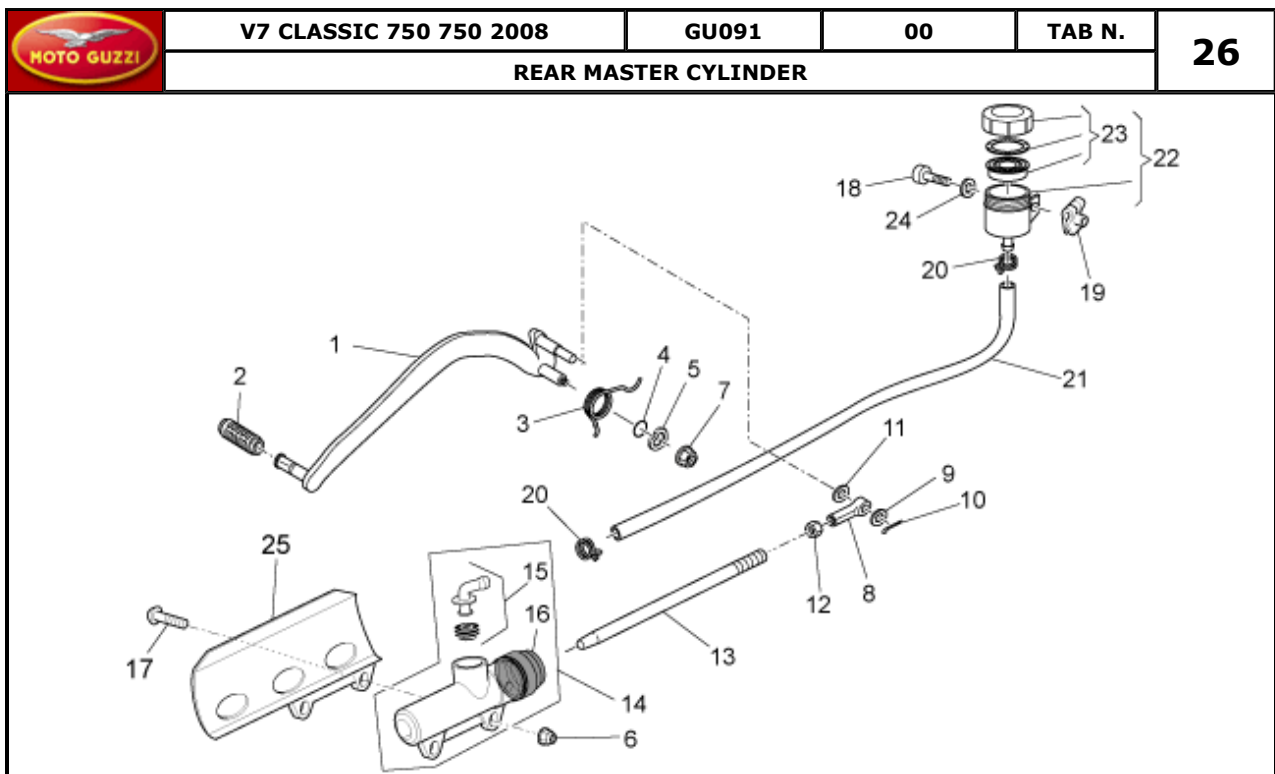
		V7 CLASSIC 750 750 2008	GU091	00	TAB N.	23		
EXHAUST UNIT								
								
Pos.	Description	Year	I_M_	Country	Version	Code	Q.ty	P.Cod.
1	RH exhaust pipe	-	-	-	-	978953	1	FA00A
2	LH exhaust pipe	-	-	-	-	978954	1	FA00B
3	Expansion chamber	-	-	-	-	978955	1	FA029
4	LH silencer clamp	-	-	-	-	883294	1	FC02B
5	Gasket	-	-	-	-	GU19025280	2	AO03*
6	Spacer	-	-	-	-	GU19025460	4	-
7	Ring nut	-	-	-	-	GU32121010	2	-
8	Washer 6,4x12	-	-	-	-	GU03013800	4	-
9	Nut	-	-	-	-	GU31121880	4	-
10	LH silencer	-	-	-	-	978957	1	FC00B
11	RH silencer	-	-	-	-	978956	1	FC00A
12	Hose clamp	-	-	-	-	978385	2	FC029
13	RH plate	-	-	-	-	883297	1	FC05A
14	LH plate	-	-	-	-	883298	1	FC05B
15	RH silencer clamp	-	-	-	-	883293	1	FC02A
16	Rubber exhaust	-	-	-	-	AP8144071	4	-
17	Hex socket screw M8x40	-	-	-	-	GU98680440	2	-
18	Silencer fixing bush	-	-	-	-	AP8134378	2	-
19	Nut M8	-	-	-	-	GU92640508	6	-
20	Clip M6	-	-	-	-	GU28576591	2	-
21	Lamda sensor	-	-	-	-	GU32727010	1	AN079
22	Spacer	-	-	-	-	AP8121072	2	-
23	Plug	-	-	-	-	GU98110007	2	-
24	Gasket	-	-	-	-	GU30109330	2	-
25	Exhaust pipe heat prot.	-	-	-	-	GU03121955	2	-
26	U-bolt	-	-	-	-	GU93301175	1	-
27	Screw w/ flange M6x12	-	-	-	-	GU98210612	4	-
28	Bush	-	-	-	-	GU91113826	2	-
29	Insulating washer	-	-	-	-	AP8120870	4	-




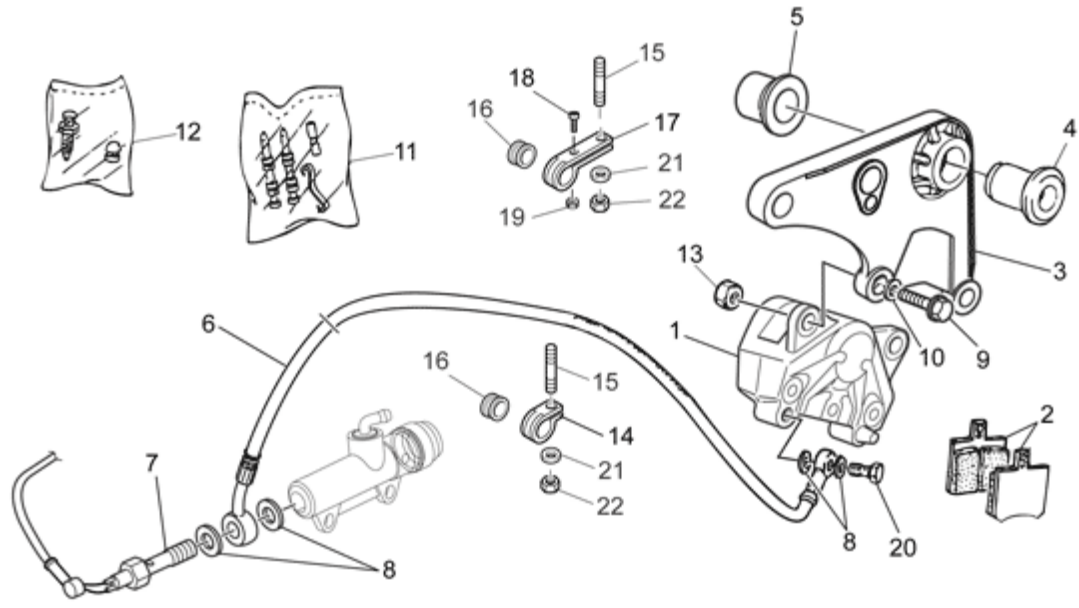
Pos.	Description	Year	I_M_	Country	Version	Code	Q.ty	P.Cod.
1	Front wheel 2,15x18"	-	-	-	-	GU32610360	1	BB23E
2	Front hub	-	-	-	-	GU32613160	1	BB14E
3	Spoke	-	-	-	-	GU32611660	36	BB12E
4	Nipples	-	-	-	-	GU03631250	36	BB13E
5	Front wheel 2,50x18"	-	-	-	-	GU32610860	1	BB11E
6	Spacer	-	-	-	-	GU31615260	1	BB32E
7	Bearing	-	-	-	-	GU92204221	2	BB01E
8	Gasket ring	-	-	-	-	GU90402642	1	-
9	Front wheel spindle	-	-	-	-	GU31614183	1	BB03E
10	Front brake disc	-	-	-	-	977024	1	IA08E
11	Screw w/ flange M8x20	-	-	-	-	AP8152286	6	-
12	LH spacer	-	-	-	-	GU31616384	1	-
13	Plug 15 mm	-	-	-	-	GU93180111	1	-
14	RH spacer	-	-	-	-	GU32615660	1	-
15	Counterweight	-	-	-	-	GU14616150	1	BB29F
16	Rear wheel flap	-	-	-	-	0000000	1	BB34E
17	Front inner tube 18"	-	-	-	-	0000000	1	BB05E
18	Front/rear tyre 100/90 V18	-	-	-	-	0000000	1	BB04E

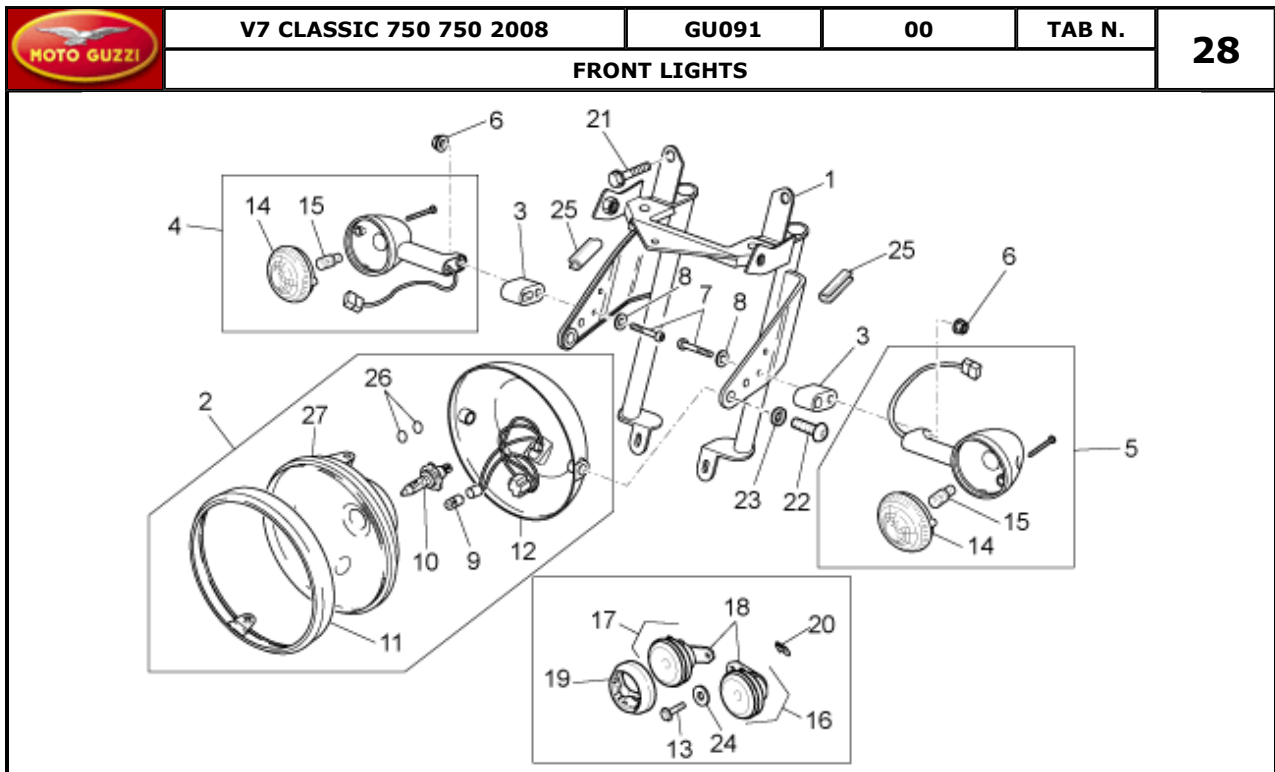


Pos.	Description	Year	I_M_	Country	Version	Code	Q.ty	P.Cod.
1	Rear wheel(complete) 3.00x16"	-	-	-	-	978761	1	BB23F
2	Hub	-	-	-	-	GU32692260	1	BB14F
3	Bearing	-	-	-	-	GU92204218	1	BB09F
4	Spacer	-	-	-	-	GU27633910	1	BB32F
5	Bearing	-	-	-	-	GU92204217	1	BB01F
6	Gasket ring 25x40x7	-	-	-	-	GU90402538	1	-
7	Short spoke mm 147	-	-	-	-	883350	18	BB12F
8	Long spoke mm 158	-	-	-	-	883349	18	BB12F
9	Nipples	-	-	-	-	GU03631250	36	BB13F
10	Counterweight	-	-	-	-	GU14616150	1	BB29F
11	Rear wheel 3.5x17"	-	-	-	-	978757	1	BB11F
12	Brake disc	-	-	-	-	GU31613381	1	IA08F
13	Hex socket screw M8x25	-	-	-	-	GU98682425	6	IA09F
14	Rear wheel spindle	-	-	-	-	GU32633360	1	BB03F
15	Washer	-	-	-	-	GU31634481	1	-
16	Nut M16x1,5	-	-	-	-	GU92606316	1	-
17	Rubber coupling	-	-	-	-	GU32632510	6	BB15F
18	Rear wheel flap	-	-	-	-	0000000	1	BB34F
19	Rear inner tube 18"	-	-	-	-	0000000	1	BB05F
20	Rear tyre 130/90 V16	-	-	-	-	0000000	1	BB04F
21	Support rubber part	-	-	-	-	GU32636160	1	-

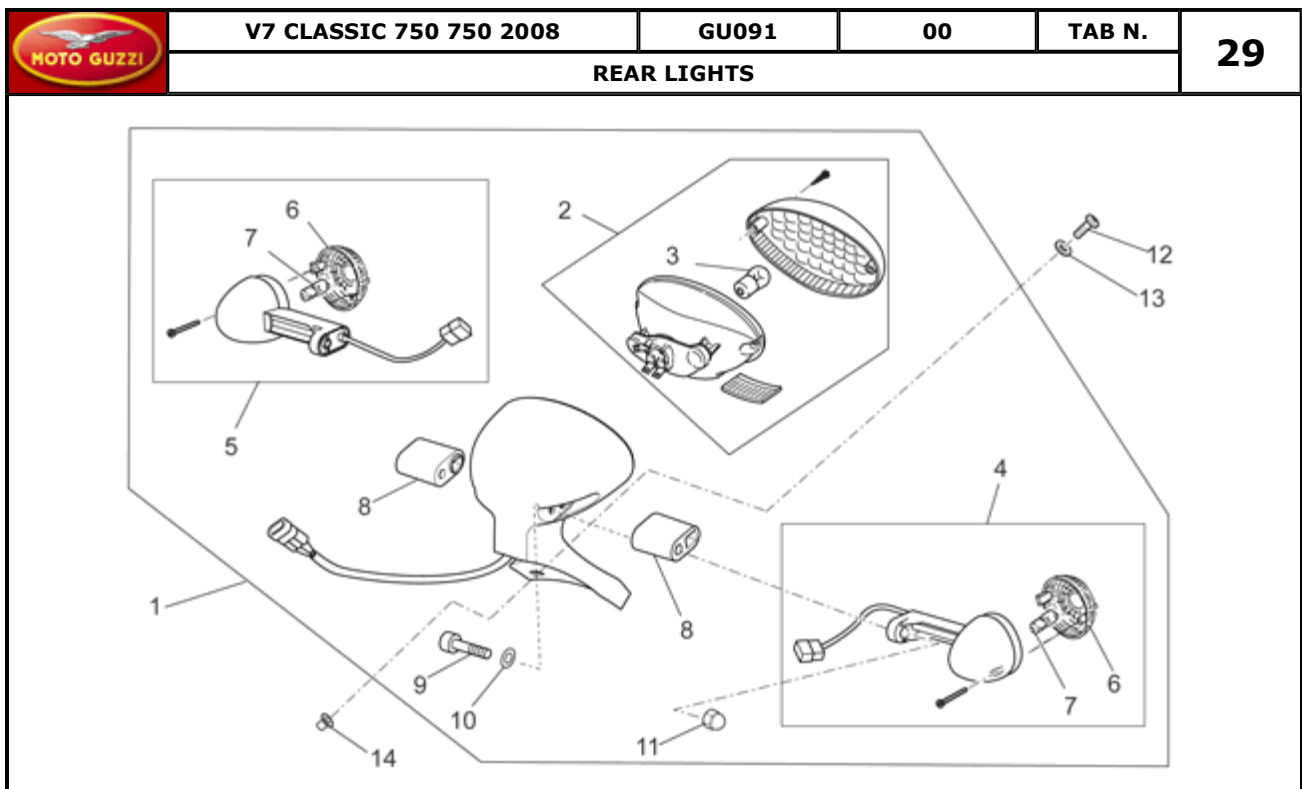


Pos.	Description	Year	I_M_	Country	Version	Code	Q.ty	P.Cod.
1	Rear brake lever	-	-	-	-	883058	1	IA01F
2	Rubber spacer	-	-	-	-	GU14251001	1	IA169
3	Spring	-	-	-	-	978969	1	IA229
4	O-ring 11,11x1,78	-	-	-	-	AP8144007	2	-
5	Washer 8,4x18x2	-	-	-	-	GU95005310	1	-
6	Nut M6x1	-	-	-	-	GU92630206	2	-
7	Flanged nut M8	-	-	-	-	GU92660021	1	-
8	Block	-	-	-	-	GU18257551	1	-
9	Washer	-	-	-	-	GU95005311	1	-
10	Split pin	-	-	-	-	GU95500221	1	-
11	Washer 8,4x15	-	-	-	-	GU03270300	1	-
12	Nut	-	-	-	-	GU92609007	1	-
13	Master cylinder rod	-	-	-	-	978970	1	IA199
14	Rear master cylinder	-	-	-	-	AP8133643	1	IA00F
15	Rear brake pump union	-	-	-	-	AP8213057	1	-
16	Rubber bellows	-	-	-	-	AP8113288	1	-
17	Hex socket screw M6X25	-	-	-	-	GU98370625	2	-
18	Hex socket screw M5x15	-	-	-	-	GU98682215	1	-
19	Clip M5	-	-	-	-	AP8102375	1	-
20	Hose clamp D10,1*	-	-	-	-	AP8101594	2	-
21	Oil pipe	-	-	-	-	GU00823950050	1	-
22	Brake oil tank complete	-	-	-	-	AP8113241	1	IA12F
23	Tank cap	-	-	-	-	AP8113553	1	IA329
24	Washer 5,25x14x1,5	-	-	-	-	GU95100059	1	-
25	Brake m.cyl.protection, black	-	-	-	-	GU01665410	1	IA339

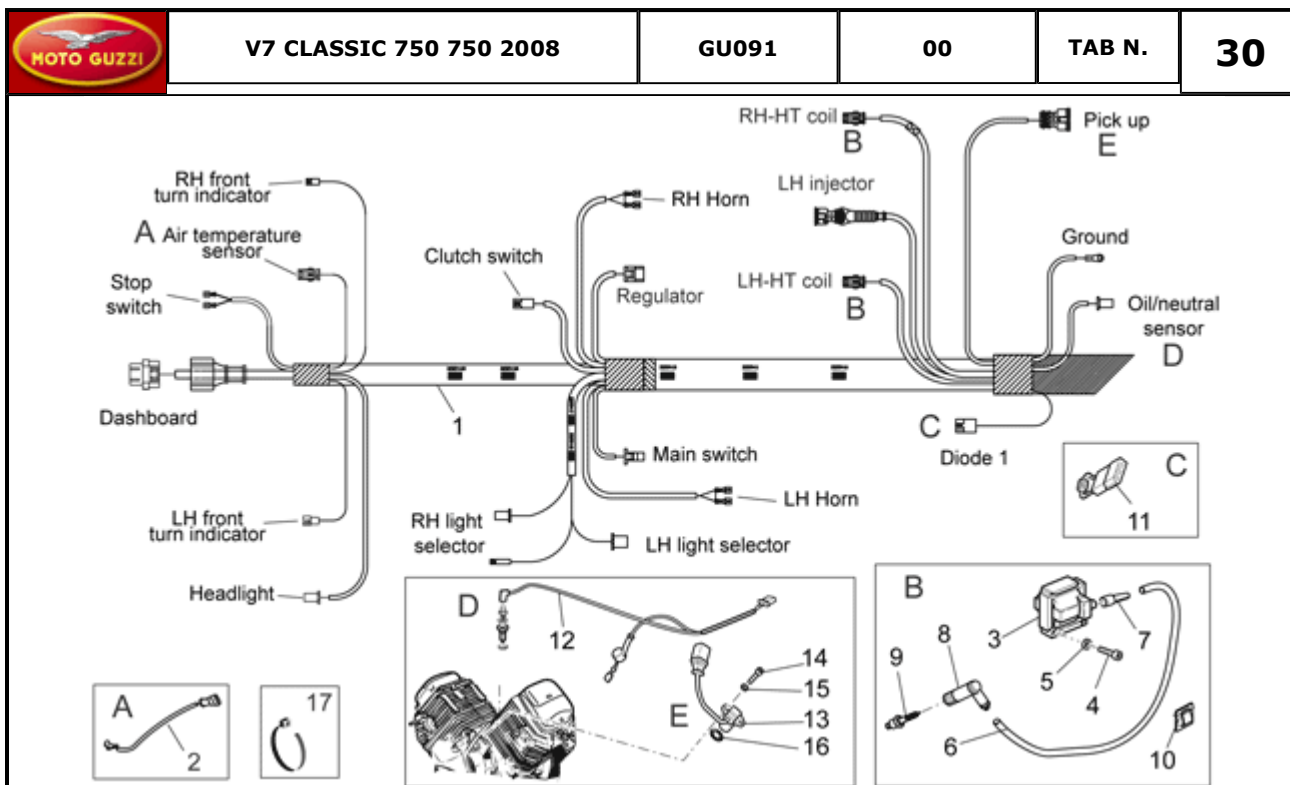
		V7 CLASSIC 750 750 2008	GU091	00	TAB N.	27		
REAR BRAKE CALIPER								
								
Pos.	Description	Year	I_M_	Country	Version	Code	Q.ty	P.Cod.
1	Rear brake caliper Brembo	-	-	-	-	883296	1	IA06F
2	Pads pair	-	-	-	-	GU31654681	1	IA07F
3	Brake hanger plate	-	-	-	-	GU326358601	1	IA139
4	Bush	-	-	-	-	GU31634281	1	-
5	Spacer	-	-	-	-	GU32634160	1	-
6	Brake hose	-	-	-	-	883180	1	IA05F
7	Switch	-	-	-	-	883192	1	CD00F
8	Gasket	-	-	-	-	AP8121915	4	-
9	Screw	-	-	-	-	GU97202435	2	-
10	Washer 8,4x15	-	-	-	-	GU03270300	2	-
11	Pins+spring kit	-	-	-	-	GU31659181	1	-
12	Bleeder+cap	-	-	-	-	GU31659281	1	IA11F
13	Self-locking nut M8*	-	-	-	-	AP8152300	2	-
14	Hose clamp	-	-	-	-	GU03658430	1	-
15	Stud bolt	-	-	-	-	GU96451316	1	-
16	Ring	-	-	-	-	GU03658201	2	-
17	Hose clamp	-	-	-	-	GU03658330	1	-
18	Screw	-	-	-	-	GU98257410	1	-
19	Nut M4x0,7	-	-	-	-	GU92630104	1	-
20	Oil pipe screw *	-	-	-	-	978323	1	-
21	Washer 6,4x12x1,2	-	-	-	-	GU95008306	2	-
22	Self-locking nut M6*	-	-	-	-	AP8152299	2	-




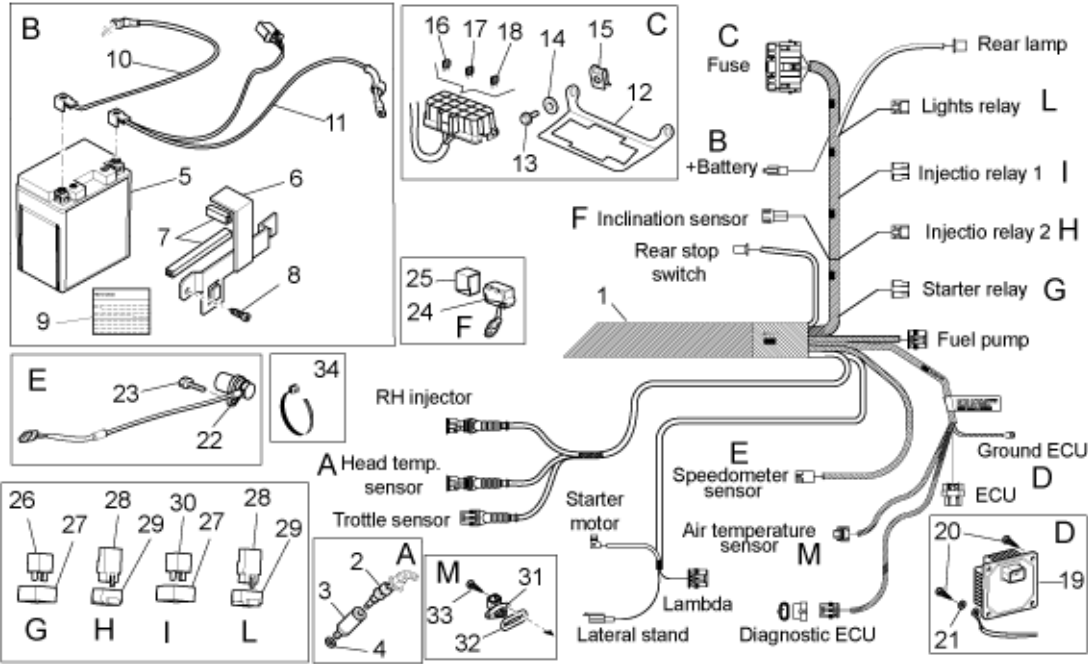
Pos.	Description	Year	I_M_	Country	Version	Code	Q.ty	P.Cod.
1	Headlight support clamp	-	-	-	-	GU32506360	1	BC129
2	Headlight	-	-	CA-EU-USA	-	GU06740500	1	CB109
	Cpl headlightsteering headligh	-	-	AUS-J-UK	-	GU06740501	1	CB109
3	Spacer	-	-	-	-	GU32753410	2	-
4	RH front/LH rear turn indic.	-	-	AUS-EU-J-UK	-	GU32750660	1	CB09*
	RH front/LH rear turn indic.	-	-	CA-USA	-	GU32750661	1	-
5	LH front/RH rear turn indic.	-	-	CA-USA	-	883478	1	CB09*
	LH front/RH rear turn indic.	-	-	AUS-EU-J-UK	-	GU06751600	1	CB09*
6	Cap nut M6x1	-	-	-	-	GU92787006	2	-
7	Hex socket screw M6X55	-	-	-	-	GU98370655	2	-
8	Washer	-	-	-	-	GU95021206	2	-
9	Lamp 12V-5W	-	-	-	-	GU93450105	1	CB149
10	Lamp 12V-55/60W	-	-	-	-	GU93450232	1	CB149
11	Chromed ring nut	-	-	-	-	GU31740383	1	CB129
12	Headlight cap, chr.	-	-	-	-	GU06740200	1	CB189
13	Screw w/ flange M6x16*	-	-	-	-	AP8152278	2	-
14	Turn indicator lens	-	-	CA-USA	-	GU32753711	2	CB01*
	Turn indicator lens	-	-	AUS-EU-J-UK	-	GU32753760	2	CB01*
15	Lamp, orange 12V-10W	-	-	AUS-EU-J-UK	-	GU93450126	2	-
	Lamp 12V-10W	-	-	CA-USA	-	GU93450127	2	-
16	Electric hom H	-	-	-	-	GU01743790	1	CB069
17	Electric hom L	-	-	-	-	GU01743791	1	CB069
18	Clamp	-	-	-	-	GU01744200	2	-
19	Horn mask	-	-	-	-	GU03744760	2	-
20	Clip M6	-	-	-	-	GU28576591	2	-
21	Screw M10x40	-	-	-	-	GU98880540	2	-
22	Hex socket screw M8x30	-	-	-	-	GU98370831	2	-
23	Washer 8,4x14,57x1,6	-	-	-	-	GU95005308	2	-
24	Washer 6,4x12x1,2	-	-	-	-	GU95100141	2	-
25	Gasket	-	-	-	-	GU00823931055	1	-
26	O-ring	-	-	-	-	883417	2	-
27	Optical group	-	-	CA-EU-USA	-	GU06740400	1	CB109

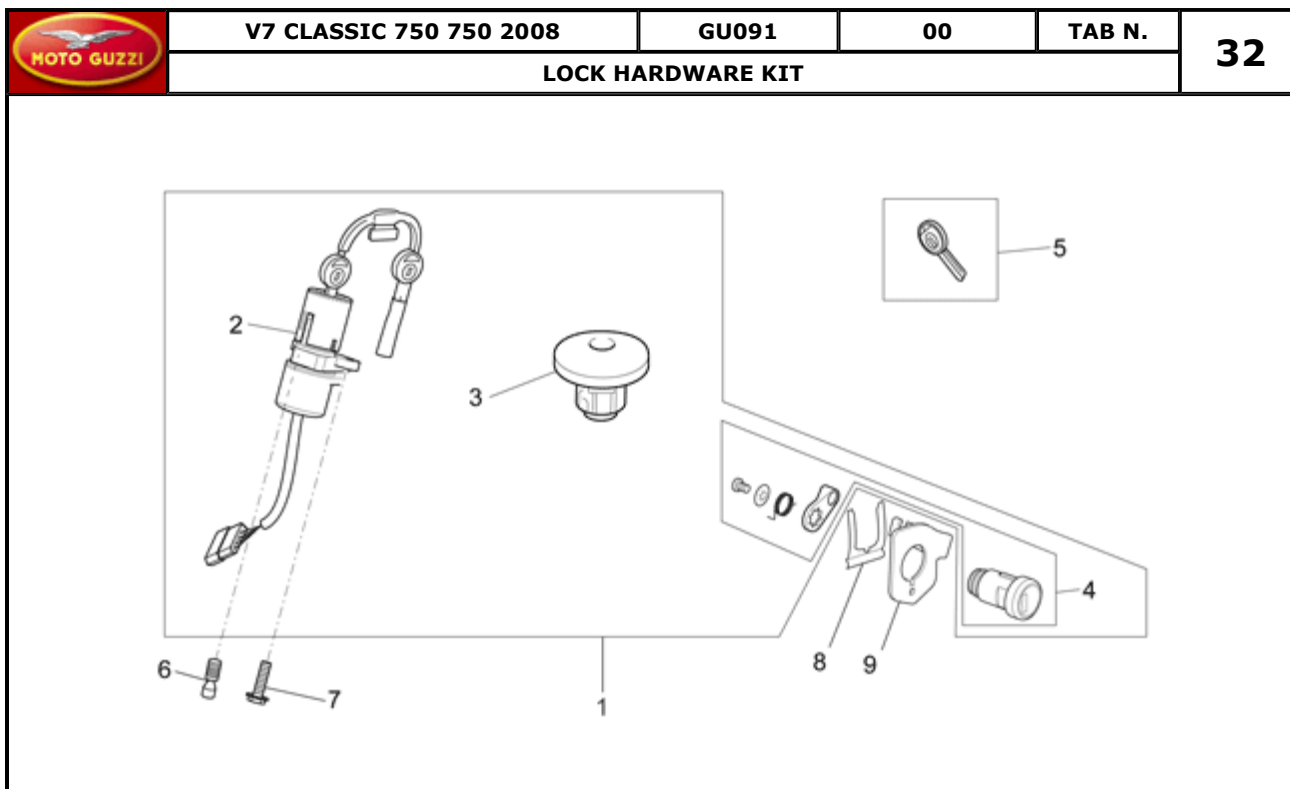


Pos.	Description	Year	I_M_	Country	Version	Code	Q.ty	P.Cod.
1	Taillight assy	-	-	CA-USA	-	883479	1	CB09*
	Taillight assy	-	-	AUS-EU-J-UK	-	978950	1	CB09*
2	Taillight	-	-	-	-	GU03740930	1	CB09*
3	Lamp 12V/5-21W	-	-	-	-	GU93450224	1	-
4	RH front/LH rear turn indic.	-	-	AUS-EU-J-UK	-	GU32750660	1	CB09*
	RH front/LH rear turn indic.	-	-	CA-USA	-	GU32750661	1	
5	LH front/RH rear turn indic.	-	-	AUS-EU-J-UK	-	GU06751600	1	CB09*
	LH front/RH rear turn indic.	-	-	CA-USA	-	883478	1	CB09*
6	Turn indicator lens	-	-	CA-USA	-	GU32753711	2	CB01*
	Turn indicator lens	-	-	AUS-EU-J-UK	-	GU32753760	2	CB01*
7	Lamp 12V-10W	-	-	CA-USA	-	GU93450127	2	-
	Lamp, orange 12V-10W	-	-	AUS-EU-J-UK	-	GU93450126	2	
8	Spacer	-	-	-	-	GU32753410	2	-
9	Hex socket screw M6X55	-	-	-	-	GU98370655	2	-
10	Washer	-	-	-	-	GU95021206	2	-
11	Cap nut M6x1	-	-	-	-	GU92787006	2	-
12	Hex socket screw M5x20	-	-	-	-	GU98350215	3	-
13	Nylon washer 5,5X12X1	-	-	-	-	GU30577800	3	-
14	Antivibration bush	-	-	-	-	GU93231605	3	-



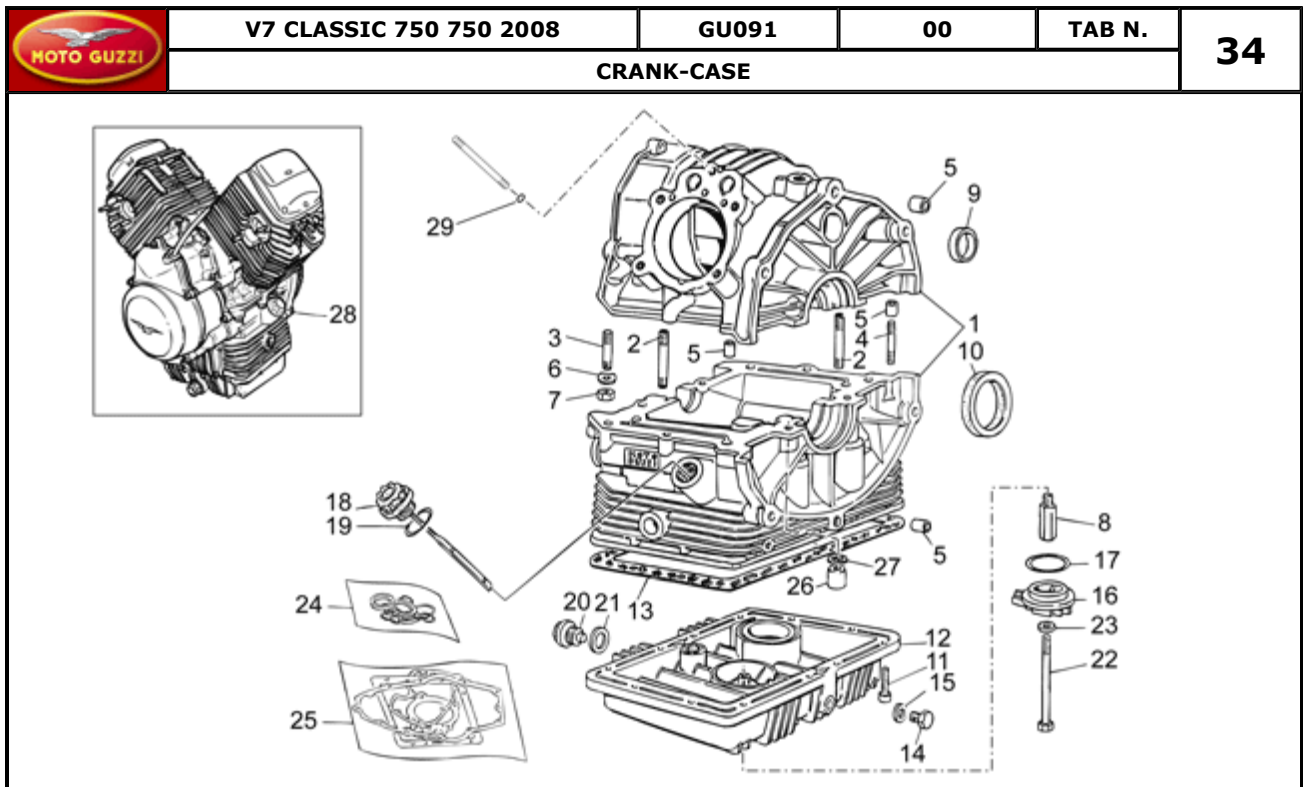
Pos.	Description	Year	I_M_	Country	Version	Code	Q.ty	P.Cod.
1	Main wiring harness	-	-	-	-	883077	1	CA009
2	Air temp. Sensor	-	-	-	-	AP8124936	1	AN059
3	HT coil	-	-	-	-	GU30716500	2	AM019
4	Screw M4x25	-	-	-	-	GU98680125	4	-
5	Washer 4,3x8x0,5	-	-	-	-	GU95008204	4	-
6	HT cable	-	-	-	-	GU17718350	2	CA38E
7	Cap	-	-	-	-	GU14717600	2	-
8	Sparkplug cap	-	-	-	-	GU03717450	2	AM02*
9	Spark plug NGK BR8ES	-	-	-	-	GU31717061	2	AM03*
10	Cable-guide	-	-	-	-	AP8120708	6	-
11	Diode	-	-	-	-	AP8212588	1	CD199
12	Oil-neutral gear harness	-	-	-	-	GU32724510	1	CA319
13	Phase/revolution sensor	-	-	-	-	GU01721600	1	AN049
14	Hex socket screw M5x12	-	-	-	-	GU98682212	2	-
15	Washer 5,3x10x0,8	-	-	-	-	GU95008205	2	-
16	O-ring	-	-	-	-	GU90706141	1	-
17	Hose clamp 2,4x92	-	-	-	-	GU49609601	1	-
	Hose clamp 3,6x20,6	-	-	-	-	GU14609650	31	-

		V7 CLASSIC 750 750 2008	GU091	00	TAB N.	31		
ELECTRICAL SYSTEM II								
								
Pos.	Description	Year	I_M	Country	Version	Code	Q.ty	P.Cod.
1	Main wiring harness	-	-	-	-	883077	1	CA009
2	Oil temperature sensor	-	-	-	-	GU29729461	1	AN099
3	Sensor support	-	-	-	-	GU03163330	1	-
4	Washer 10,2x18x2	-	-	-	-	GU95004210	1	-
5	Battery 12V-12Ah	-	-	-	-	640201	1	CC009
6	Clamp	-	-	-	-	GU32418210	1	-
7	Gasket	-	-	-	-	AP8144538	1	-
8	Phillips screw, SWP M5X20	-	-	-	-	AP8152329	2	-
9	Decal "Battery service"	-	-	-	-	GU32517710	1	-
10	Ground-battery lead	-	-	-	-	GU32747910	1	CA039
11	Wiring	-	-	-	-	883191	1	CA079
12	Fuse block support	-	-	-	-	883161	1	-
13	Hex socket screw M5x12	-	-	-	-	GU98682212	2	-
14	Washer 5,25x14x1,5	-	-	-	-	GU95100059	2	-
15	Clip M5	-	-	-	-	AP8102375	2	-
16	Fuse 15A	-	-	-	-	GU28742560	3	CA349
17	Fuse 3A	-	-	-	-	AP8127346	1	CA349
18	Fuse 30A	-	-	-	-	GU28742562	2	CA349
19	ECU	-	-	-	-	977308	1	AM049
20	Phillips screw, SWP M5X20	-	-	-	-	AP8152329	4	-
21	Washer	-	-	-	-	GU95129101	1	-
22	Speedometer sensor cpl.	-	-	-	-	AP8124528	1	CA209
23	Screw w/ flange M6x12*	-	-	-	-	AP8152277	2	-
24	Inclination sensor	-	-	-	-	AP8124266	1	CA369
25	Rubber spacer *	-	-	-	-	AP8220283	2	-
26	Relay	-	-	-	-	GU29732550	1	CD029
27	Relay rubber	-	-	-	-	AP8220546	2	-
28	Injection relay	-	-	-	-	AP8124869	2	CD189
29	Rubber spacer *	-	-	-	-	AP8220283	2	-
30	Relay 12V/30A	-	-	-	-	AP8224462	1	CD189
31	Air temp. Sensor	-	-	-	-	GU30729330	1	AN059
32	Gasket	-	-	-	-	GU30027931	1	-
33	Self-tap screw 2,9x12	-	-	-	-	AP8150421	2	-
34	Hose clamp 2,4x92	-	-	-	-	GU49609601	1	-
	Hose clamp 3,6x20,6	-	-	-	-	GU14609650	31	-


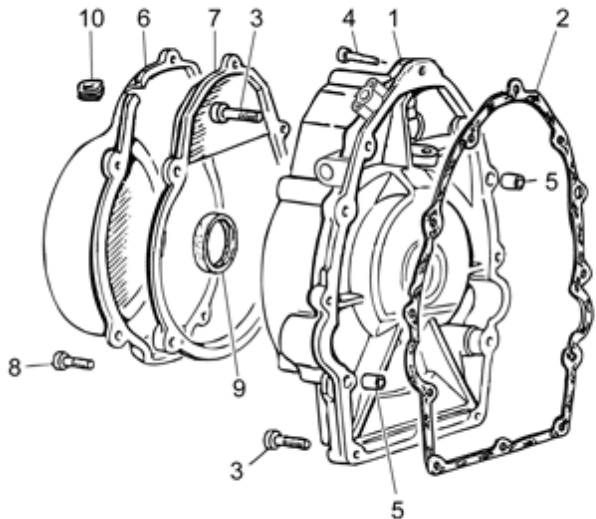



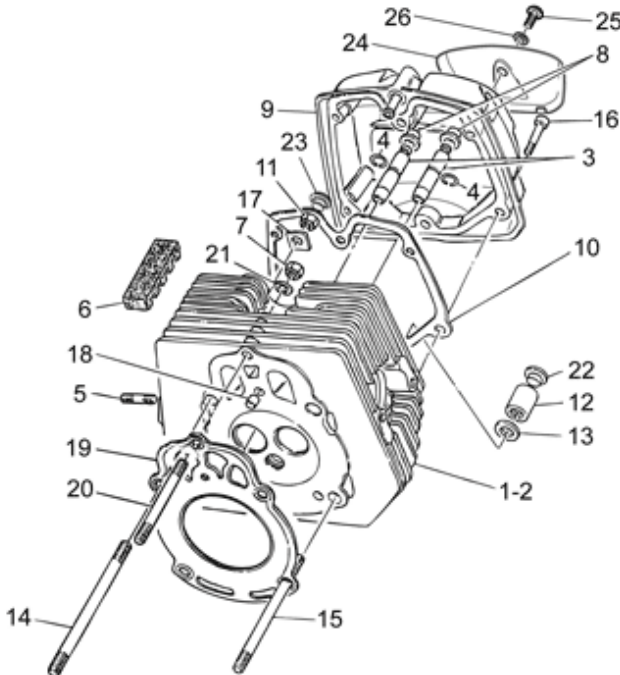
Pos.	Description	Year	I_M_	Country	Version	Code	Q.ty	P.Cod.
1	Lock hardware kit	-	-	CA-USA	-	883477	1	DH009
	Lock hardware kit	-	-	AUS-EU-J-UK	-	883182	1	DH009
2	Main switch - steering lock	-	-	-	-	GU32782510	1	DH029
3	Tank cap	-	-	CA-USA	-	883476	1	DA029
	Tank cap	-	-	AUS-EU-J-UK	-	883185	1	DA029
4	Saddle lock	-	-	-	-	977527	1	DH039
5	Non indent.key blank-shell cr	-	-	-	-	GU32735511	1	DH099
	Non indent.key blank-shell go	-	-	-	-	GU32735510	1	DH099
6	Special screw M8x15	-	-	-	-	AP8150349	1	-
7	Hex socket screw M8X16	-	-	-	-	GU98682416	1	-
8	Fork spring	-	-	-	-	AP8121420	1	-
9	Cable fixing plate	-	-	-	-	978415	1	-


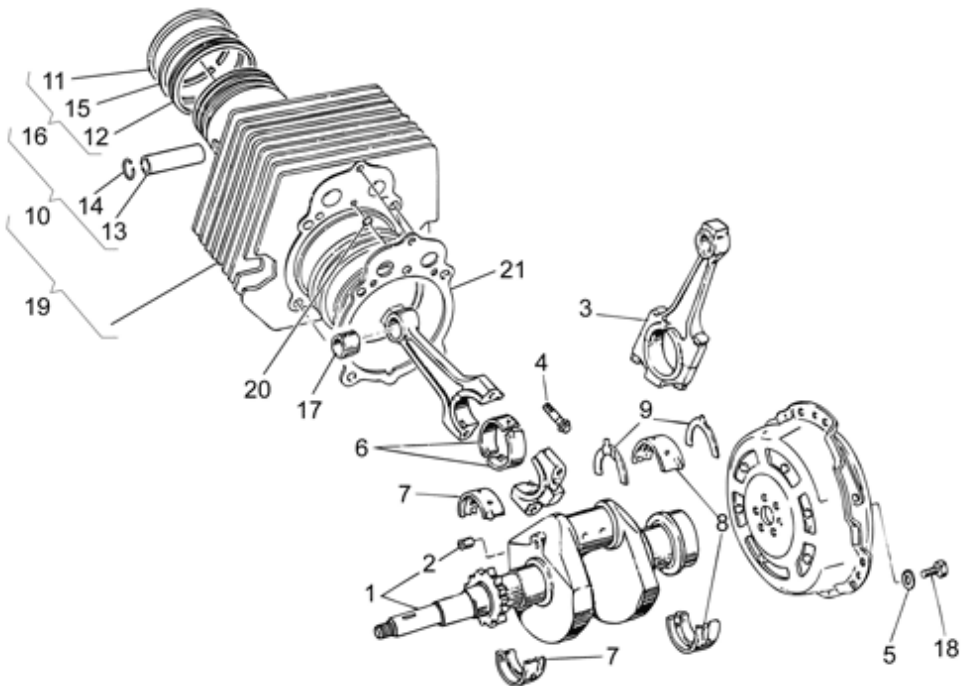
MOTO GUZZI		V7 CLASSIC 750 750 2008	GU091	00	TAB N.	33		
DECAL AND PLATE SET								
Pos.	Description	Year	I_M_	Country	Version	Code	Q.ty	P.Cod.
1	Decal set	-	-	-	-	981081	1	DI009
2	"Aquila" decal	-	-	-	-	978551	2	DI079
3	Guard decal	-	-	-	-	GU32944310	2	DI119
4	Toolkit	-	-	-	-	GU32909960	2	DG099
5	Operator's handbook	-	-	CA-USA	-	883481	1	DG109
	Op's handbook I-D-F-E-UK-NL I-F-D-NL-E-UK	-	-	AUS-EU-J-UK	-	883194	1	DG109
6	Bag for document	-	-	-	-	GU05900130	1	-
7	Bike cover	-	-	-	-	GU30970200	1	-

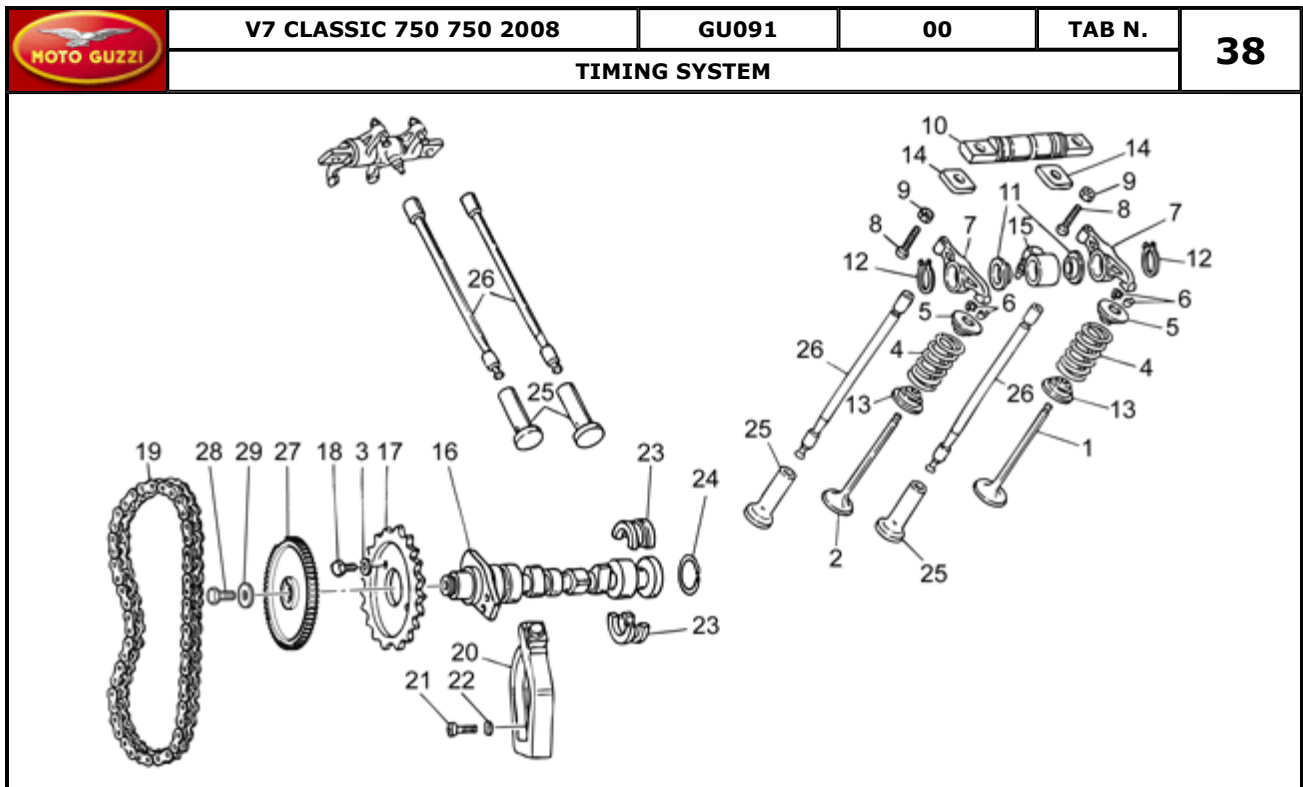


Pos.	Description	Year	I_M_	Country	Version	Code	Q.ty	P.Cod.
1	Crankcase black	-	-	-	-	976600	1	AH009
2	Stud bolt	-	-	-	-	GU96451560	4	AH199
3	Stud bolt	-	-	-	-	GU96451430	4	AH199
4	Stud bolt	-	-	-	-	GU96508055	2	AH199
5	Bush	-	-	-	-	GU19015020	4	-
6	Spring washer 8x15x0,3	-	-	-	-	GU61270300	6	-
7	Nut M8x1,25	-	-	-	-	GU92606208	6	-
8	Union	-	-	-	-	GU19003800	1	-
9	Plug	-	-	-	-	GU19016320	1	-
10	Gasket ring	-	-	-	-	GU04000500	1	AO15F
11	Hex socket screw M6x25	-	-	-	-	GU98682325	12	-
12	Oil sump black	-	-	-	-	976604	1	AH269
13	Gasket	-	-	-	-	GU19003602	1	AO329
14	Oil unload plug M10X1	-	-	-	-	GU31003766	1	AH109
15	Gasket	-	-	-	-	GU10528900	1	-
16	Plug	-	-	-	-	976685	1	-
17	O-ring	-	-	-	-	GU90706444	1	-
18	Oil load plug	-	-	-	-	GU27004985	1	AH119
19	O-ring 28,24x2,62	-	-	-	-	GU90706281	1	-
20	Oil unload plug	-	-	-	-	GU12003702	1	AH109
21	Gasket 20,1x28x2	-	-	-	-	GU95100709	1	-
22	Bolt	-	-	-	-	GU27152885	1	-
23	Gasket 8,25x15x1	-	-	-	-	GU12154200	1	-
24	Oil seals - set	-	-	-	-	GU32999510	1	AO***
25	Gasket set	-	-	-	-	GU32999010	1	AO***
26	Column nut	-	-	-	-	GU13021900	4	-
27	Washer 10,5X18X0,8	-	-	-	-	GU95129180	4	-
28	Engine assy w/hout transm.	-	-	-	-	976939	1	A9989
29	O-ring	-	-	-	-	GU90706076	2	-

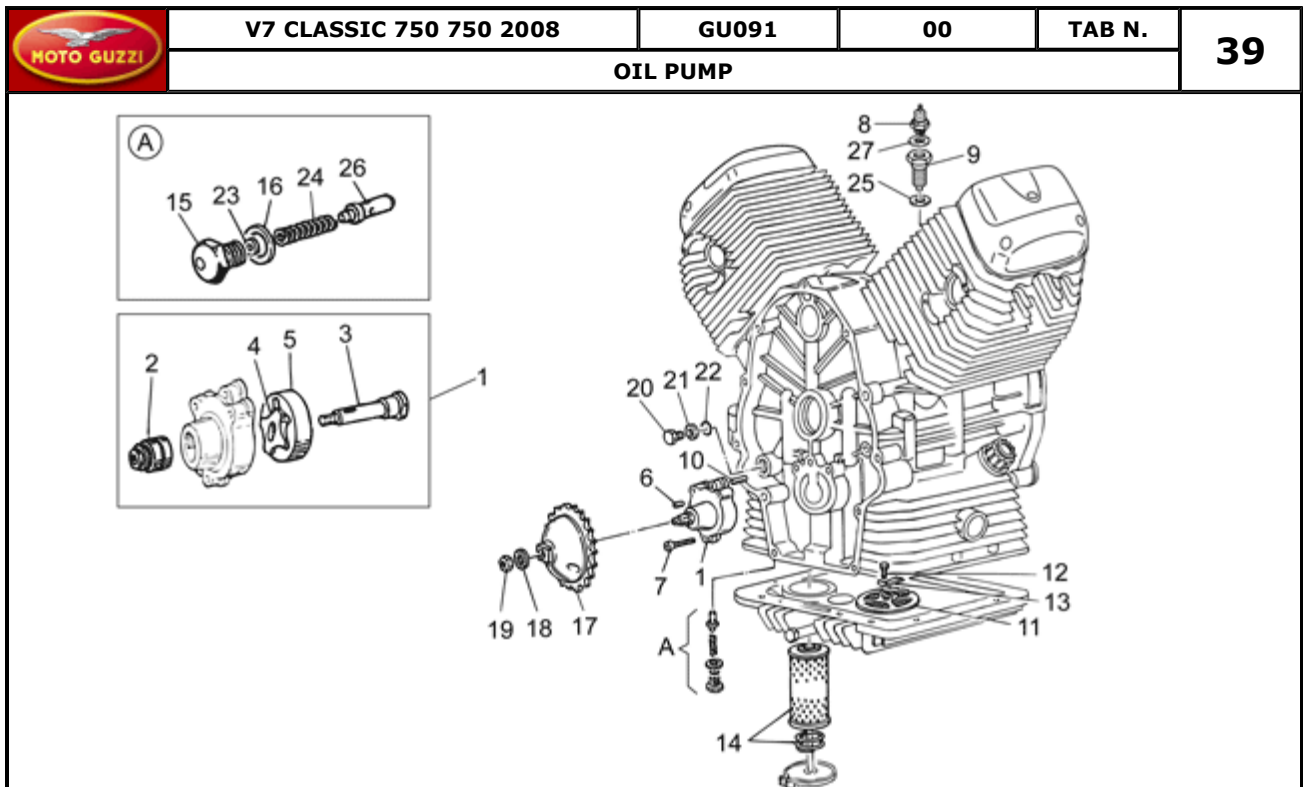
		V7 CLASSIC 750 750 2008	GU091	00	TAB N.	35		
TIMING SYSTEM COVER								
								
Pos.	Description	Year	I_M_	Country	Version	Code	Q.ty	P.Cod.
1	Timing cover black	-	-	-	-	976603	1	AH359
2	Gasket	-	-	-	-	GU19001200	1	AO449
3	Hex socket screw M6x25	-	-	-	-	GU98682325	10	-
4	Hex socket screw M6x30	-	-	-	-	GU98680330	2	-
5	Bush 6,6x9x13	-	-	-	-	GU19002020	2	-
6	Cover	-	-	-	-	GU32001610	1	AH039
7	Flange	-	-	-	-	GU27001136	1	AH319
8	Hex socket screw M6x35	-	-	-	-	GU98680335	5	-
9	Gasket ring	-	-	-	-	GU90402842	1	AO15E
10	Rubber spacer	-	-	-	-	GU19007700	1	-

		V7 CLASSIC 750 750 2008		GU091	00	TAB N.	36	
CYLINDER HEAD								
								
Pos.	Description	Year	I_M	Country	Version	Code	Q.ty	P.Cod.
1	RH cylinder head grey	-	-	-	-	GU32022110	1	AA00A
2	LH cylinder head grey	-	-	-	-	GU32022210	1	AA00B
3	Valve guide	-	-	-	-	GU61036801	4	AA14*
4	Snap ring	-	-	-	-	GU90353009	4	-
5	Stud bolt	-	-	-	-	GU96506042	4	AA15*
6	Anti-vibration plate	-	-	-	-	GU19025300	4	-
7	Nut	-	-	-	-	GU19021920	2	-
8	Oil seal	-	-	-	-	GU19037820	4	-
9	Head cover	-	-	-	-	GU32023660	2	AH07*
10	Gasket	-	-	-	-	GU19023700	2	AO14*
11	Nut M10X1,5	-	-	-	-	GU92603010	4	-
12	Column nut	-	-	-	-	GU13021900	4	-
13	Washer 10,5X18X0,8	-	-	-	-	GU95129180	4	-
14	Stud bolt M10x214	-	-	-	-	GU96510214	4	AB04*
15	Stud bolt M10x182	-	-	-	-	GU96510181	4	AB04*
16	Hex socket screw M6x25	-	-	-	-	GU98692325	10	-
17	Spacer	-	-	-	-	GU19032980	4	-
18	Bush	-	-	-	-	GU19021360	2	-
19	Gasket	-	-	-	-	GU27022060	2	AO00*
20	Stud bolt M8x143	-	-	-	-	GU96508145	2	AB04*
21	Spring washer 8x15x0,3	-	-	-	-	GU61270300	2	-
22	Plug	-	-	-	-	GU93180245	4	-
23	Rubber exhaust	-	-	-	-	AP8144071	1	-
24	Head cover	-	-	-	-	GU32023410	2	AH07*
25	Screw w/ flange M5x9	-	-	-	-	AP8152339	2	-
26	Washer 8,4X13X0,8	-	-	-	-	GU14615901	2	-


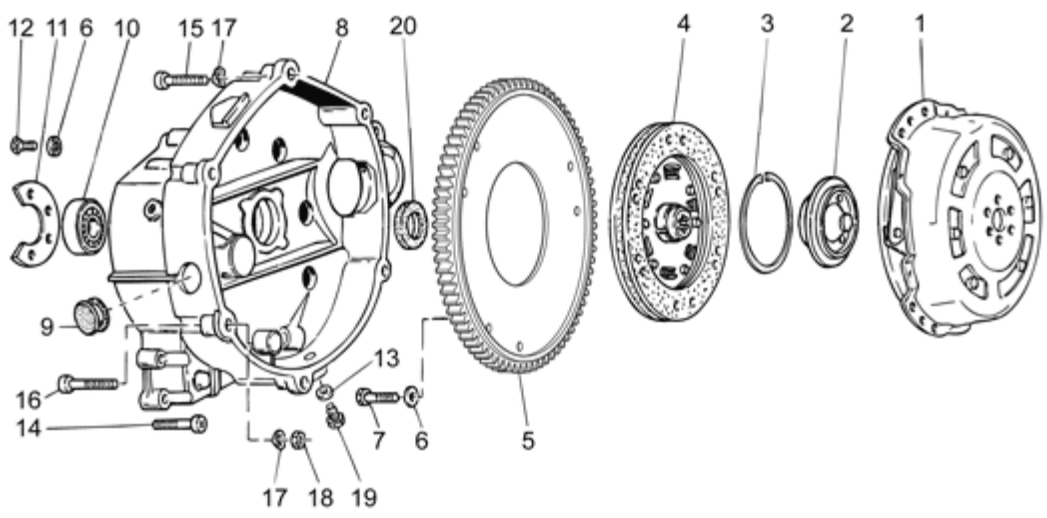
		V7 CLASSIC 750 750 2008	GU091	00	TAB N.	37		
CRANKSHAFT CPL.								
								
Pos.	Description	Year	I_M_	Country	Version	Code	Q.ty	P.Cod.
1	Crankshaft cpl.	-	-	-	-	GU32064110	1	AD009
2	Plug	-	-	-	-	GU19065400	1	-
3	Connecting rod cpl.	-	-	-	-	GU27061585	2	AD01*
4	Screw	-	-	-	-	GU19062261	4	-
5	Washer 8,4X13X0,8	-	-	-	-	GU14615901	6	-
6	Bearing half-shell	-	-	-	-	GU27062060	4	AI109
7	Front main half-bearing	-	-	-	-	GU27065660	2	AI109
8	Rear main half-bearing	-	-	-	-	GU27066560	2	AI109
9	Half-clamp	-	-	-	-	GU27066460	2	-
10	Piston assy	-	-	-	-	GU32060210	2	AB01*
11	Slot piston ring	-	-	-	-	GU32060710	2	AB02*
12	Scraper ring	-	-	-	-	GU19061063	2	AB02*
13	Piston pin	-	-	-	-	GU27061286	2	AD02*
14	Stop ring	-	-	-	-	GU27061385	4	AD03*
15	Slot piston ring	-	-	-	-	GU27060860	2	AB02*
16	Pistonring set	-	-	-	-	GU32060610	2	AB02*
17	Bush	-	-	-	-	GU27061885	2	AI01*
18	Screw	-	-	-	-	GU19067700	6	-
19	Cylinder with piston, grey	-	-	-	-	GU32060110	2	AB00*
20	O-ring	-	-	-	-	GU61027200	2	-
21	Gasket	-	-	-	-	GU27020820	2	AO01*


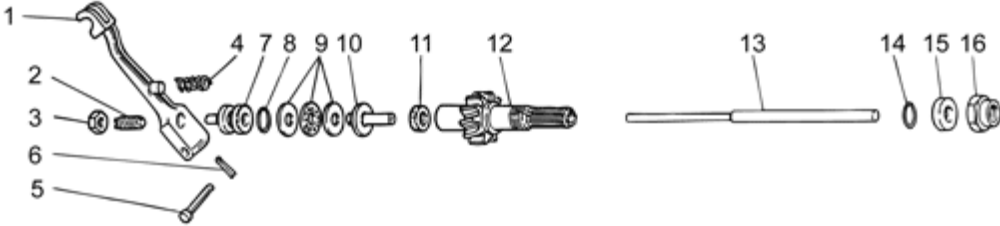


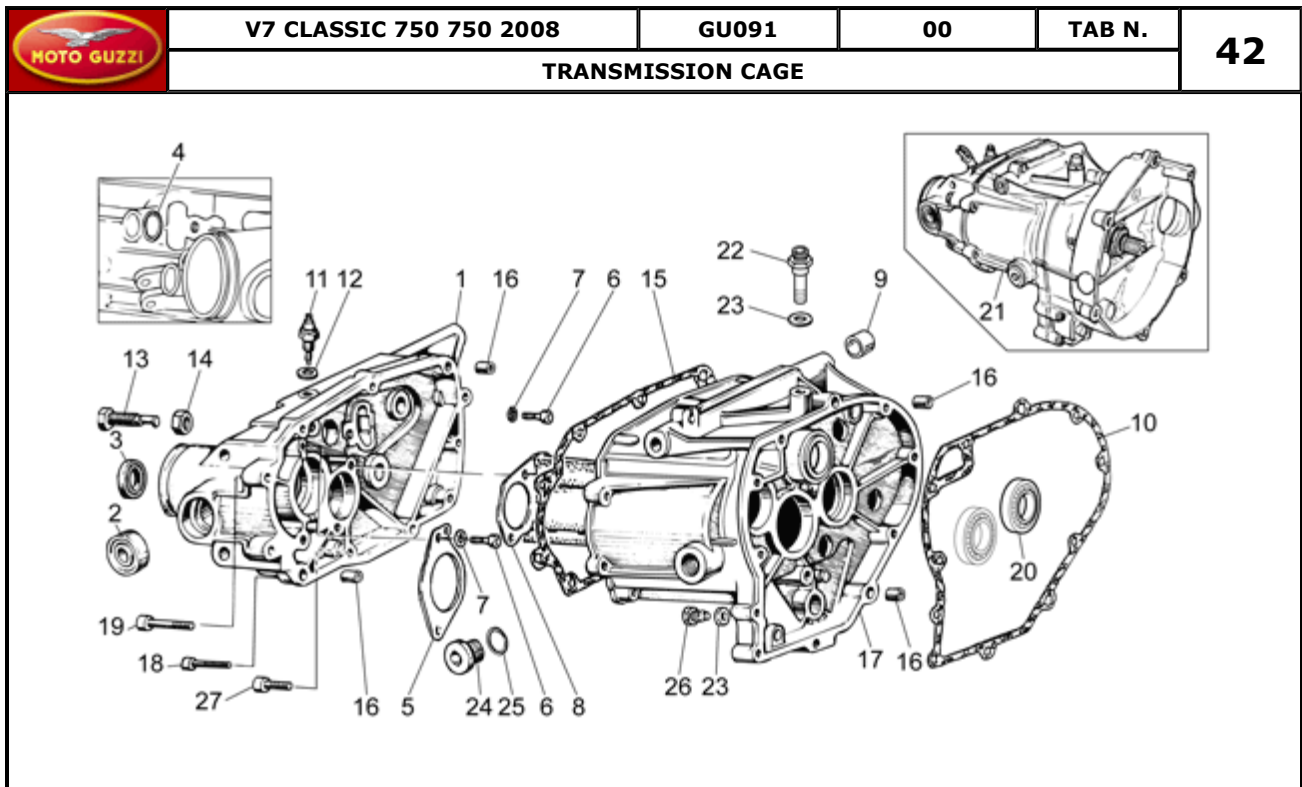
Pos.	Description	Year	I_M_	Country	Version	Code	Q.ty	P.Cod.
1	Intake valve	-	-	-	-	GU20036020	2	AA01*
2	Exhaust valve	-	-	-	-	GU20036120	2	AA01*
3	Safety washer	-	-	-	-	GU23217800	2	-
4	Spring	-	-	-	-	GU27037521	4	AA02*
5	Upper cup	-	-	-	-	GU31038015	4	AA129
6	Half-cone	-	-	-	-	GU61038100	8	AA03*
7	Rocker arm assy.	-	-	-	-	GU19030500	4	AC08*
8	Screw	-	-	-	-	GU19034000	4	AC099
9	Nut M6x1	-	-	-	-	GU92602406	4	AC109
10	Rocker shaft	-	-	-	-	GU19032080	2	AC38*
11	Thrust washer	-	-	-	-	GU32032310	4	-
12	Circlip	-	-	-	-	GU90271018	4	-
13	Lower cup	-	-	-	-	GU31037015	4	AA129
14	Spacer	-	-	-	-	GU19032980	4	-
15	Hose	-	-	-	-	GU19027500	2	-
16	Camshaft	-	-	-	-	GU32053410	1	AC059
17	Timing system gear	-	-	-	-	GU32054510	1	AC139
18	Bolt	-	-	-	-	GU61054900	2	-
19	Camshaft chain	-	-	-	-	GU19058021	1	AC149
20	Chain stretching drive	-	-	-	-	GU19058220	1	AC189
21	Screw	-	-	-	-	GU98882316	1	-
22	Washer	-	-	-	-	GU95129115	1	-
23	Sector	-	-	-	-	GU19055700	2	AI309
24	Snap ring	-	-	-	-	GU90353029	1	-
25	Tappet	-	-	-	-	GU19045861	4	AC309
26	Rocker arm rod	-	-	-	-	GU31045015	4	AC319
27	Wheel speed sensor, left front	-	-	-	-	GU32051710	1	AC379
28	Screw M8X22	-	-	-	-	GU98054422	1	-
29	Washer	-	-	-	-	GU95100244	1	-



Pos.	Description	Year	I_M_	Country	Version	Code	Q.ty	P.Cod.
1	Oil pump	-	-	-	-	GU19146422	1	AJ059
2	Roller bearing 10x22x20	-	-	-	-	GU92252210	1	AI319
3	Oil pump shaft assy.	-	-	-	-	GU20147810	1	AJ249
4	Inner rotor	-	-	-	-	GU20148410	1	AJ159
5	Outer rotor	-	-	-	-	GU20148610	1	AJ159
6	Roller	-	-	-	-	GU92296723	1	-
7	Screw M6X35	-	-	-	-	GU98620335	3	-
8	Pressure sensor	-	-	-	-	GU32768710	1	AN039
9	Union	-	-	-	-	GU32768810	1	-
10	Pin	-	-	-	-	GU19018920	2	-
11	Oil filter	-	-	-	-	GU19152200	1	AO239
12	Hex screw M6X14	-	-	-	-	GU98084314	1	-
13	Plate	-	-	-	-	GU95187006	1	-
14	Oil filter	-	-	-	-	GU27153085	1	AO229
15	Plug	-	-	-	-	GU31159050	1	-
16	Washer 18,25x24x1	-	-	-	-	GU18144350	3	-
17	Pump gear	-	-	-	-	GU20147710	1	AJ079
18	Washer 10,5x16x1	-	-	-	-	GU19149800	1	-
19	Nut M10x1,25	-	-	-	-	GU92602510	1	-
20	Plug	-	-	-	-	GU31016050	1	-
21	Gasket 14,25	-	-	-	-	GU18161150	1	-
22	O-ring	-	-	-	-	GU90706111	1	-
23	Washer 6,15x11x0,8	-	-	-	-	GU95008206	3	-
24	Spring	-	-	-	-	GU94321079	1	-
25	Gasket	-	-	-	-	GU95100602	1	-
26	Piston	-	-	-	-	GU31150950	1	-
27	Washer	-	-	-	-	GU95100309	1	-

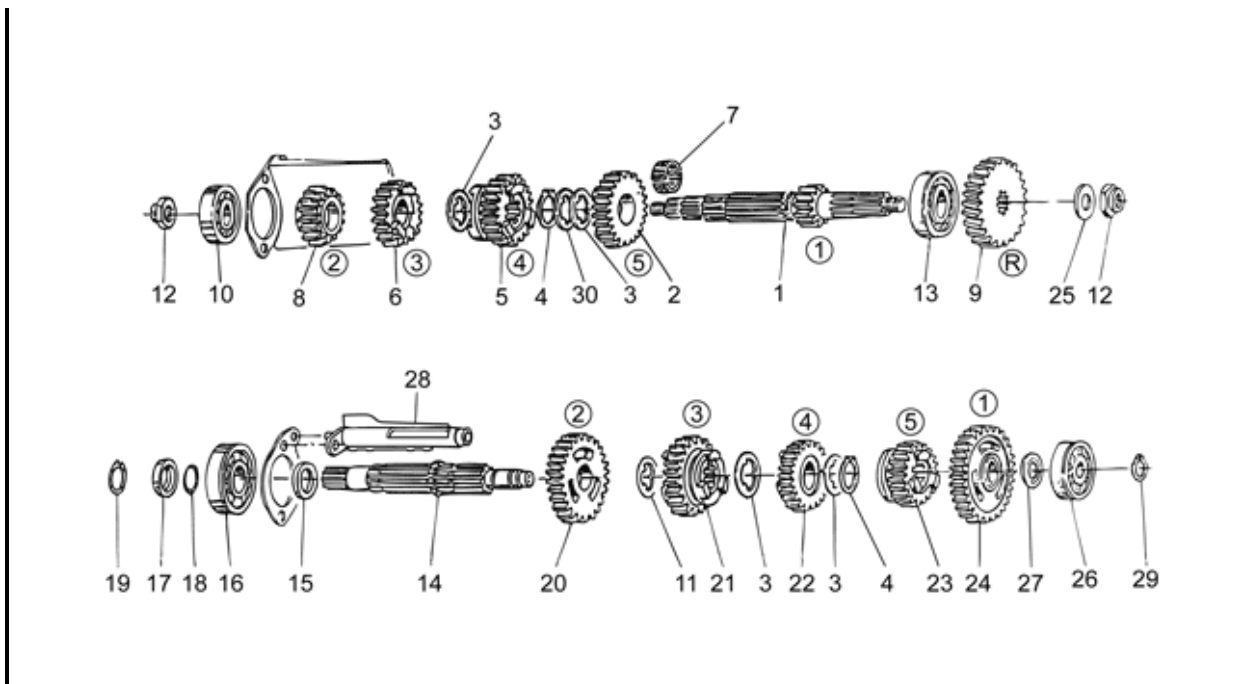
		V7 CLASSIC 750 750 2008	GU091	00	TAB N.	40		
CLUTCH I								
								
Pos.	Description	Year	I_M	Country	Version	Code	Q.ty	P.Cod.
1	Clutch	-	-	-	-	GU32080310	1	AF219
2	New cup type	-	-	-	-	GU19083462	1	AF329
3	Snap ring	-	-	-	-	GU90272075	1	-
4	Driven clutch disc	-	-	-	-	GU32084410	1	AF209
5	Chain ring	-	-	-	-	GU32067910	1	AK019
6	Washer 6,4x10x0,7	-	-	-	-	GU14217901	9	-
7	Hex screw M6X16	-	-	-	-	GU98084316	6	-
8	Clutch drum	-	-	-	-	981070	1	AH049
9	Plug	-	-	-	-	GU93180220	1	-
10	Bearing 25x52x15	-	-	-	-	GU92201225	1	-
11	Bearing fixing plate	-	-	-	-	GU19203460	1	-
12	Hex screw M6X14	-	-	-	-	GU98084314	3	-
13	Gasket	-	-	-	-	GU10528900	1	-
14	Hex socket screw M6X30	-	-	-	-	GU98682330	11	-
15	Hex socket screw M8x35	-	-	-	-	GU98680435	5	-
16	Hex socket screw M8x50	-	-	-	-	GU98680450	1	-
17	Spring washer 8x15x0,3	-	-	-	-	GU61270300	6	-
18	Nut M8x1,25	-	-	-	-	GU92606208	1	-
19	Oil unload plug M10X1	-	-	-	-	GU31003766	1	AH109
20	Gasket ring 32x45x7	-	-	-	-	GU90403246	1	-

		V7 CLASSIC 750 750 2008	GU091	00	TAB N.	41				
		CLUTCH II								
										
Pos.	Description	Year	I_M_	Country	Version	Code	Q.ty	P.Cod.		
1	Clutch release shaft	-	-	-	-	GU14090201	1	AF259		
2	Adjuster screw	-	-	-	-	GU14090400	1	AF279		
3	Nut m8x1	-	-	-	-	GU92606508	1	-		
4	Lever return spring	-	-	-	-	GU94321105	1	AF279		
5	Pin 7x39	-	-	-	-	GU95780271	1	-		
6	Split pin	-	-	-	-	GU95500222	1	-		
7	Outer body	-	-	-	-	GU14086100	1	-		
8	O-ring 17,13x2,62	-	-	-	-	GU90706170	1	-		
9	Thrust bearing	-	-	-	-	GU12087001	1	AI169		
10	Inner body	-	-	-	-	GU14086000	1	-		
11	Gasket ring 6x16x7	-	-	-	-	GU90400616	1	-		
12	Transmission shaft Z=16	-	-	-	-	GU27210760	1	AF399		
13	Rod	-	-	-	-	GU20085720	1	AF269		
14	O-ring 23,52x1,78	-	-	-	-	GU90706235	1	-		
15	Spacer	-	-	-	-	GU19213760	1	-		
16	Nut	-	-	-	-	GU19356760	1	-		


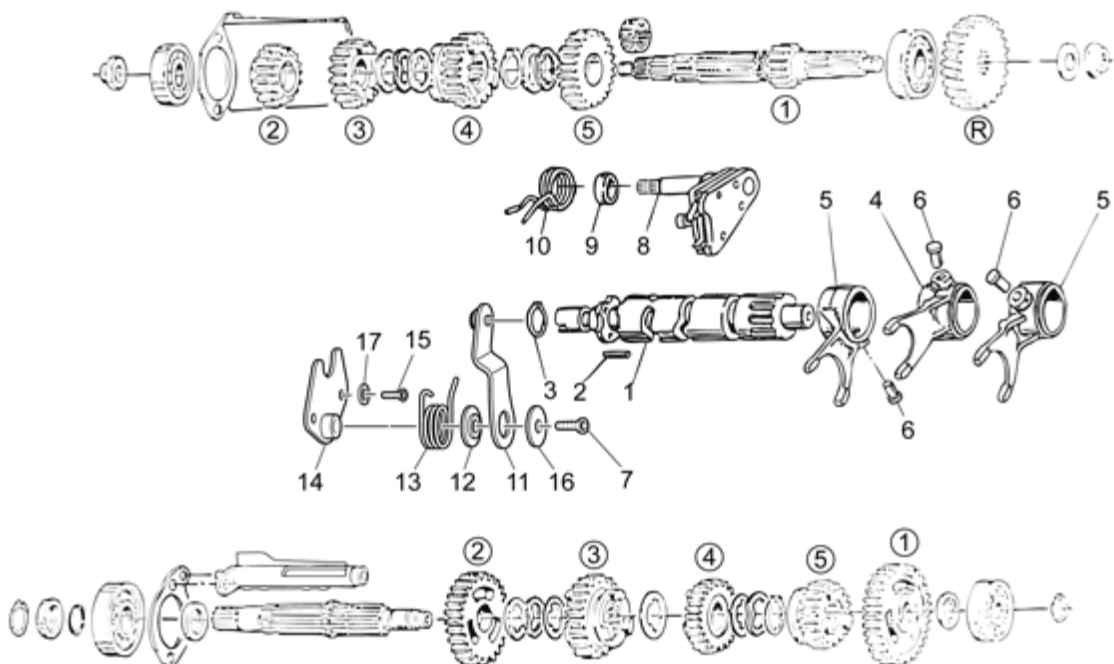


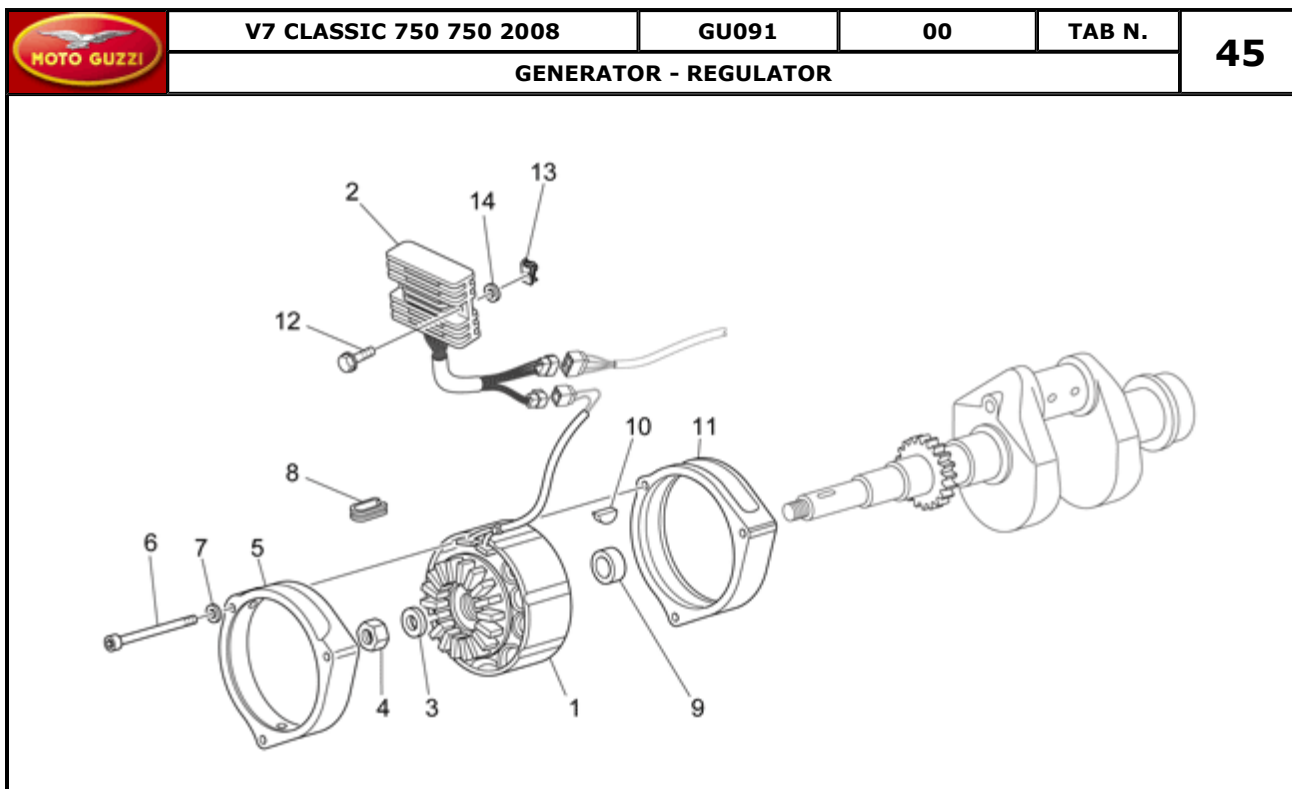
Pos.	Description	Year	I_M_	Country	Version	Code	Q.ty	P.Cod.
1	Gearbox cover	-	-	-	-	976605	1	AH169
2	Bearing 15x35x11	-	-	-	-	GU92204215	2	BE069
3	Gasket ring 28x40x7	-	-	-	-	GU90402841	1	AO169
4	O-ring 13,95x2,92	-	-	-	-	GU90706140	1	-
5	Plate	-	-	-	-	GU32213810	1	-
6	Hex socket screw M6x14	-	-	-	-	GU98682314	4	-
7	Washer 6,4x10x0,7	-	-	-	-	GU14217901	4	-
8	Oil bulhead	-	-	-	-	GU32208210	1	AO249
9	Bush 10,25x15,7x8	-	-	-	-	GU19202320	2	-
10	Gasket	-	-	-	-	GU23200370	1	AO319
11	Sensor	-	-	-	-	GU19207220	1	AN029
12	Gasket 8,25x15x1	-	-	-	-	GU12154200	1	-
13	Screw M12x1,25	-	-	-	-	GU19237800	1	-
14	Low nut M12x1,25	-	-	-	-	GU92606512	1	-
15	Gasket	-	-	-	-	GU19201120	1	AO059
16	Bush 6,6x9x13	-	-	-	-	GU19002020	4	-
17	Gearbox black	-	-	-	-	976606	1	AH299
18	Hex socket screw M6X30	-	-	-	-	GU98682330	5	-
19	Hex socket screw M8x35	-	-	-	-	GU98680435	4	-
20	Ball bearing 20x42x12	-	-	-	-	GU92201120	1	AI229
21	Transmission assy and housing	-	-	-	-	976940	1	AG099
22	Breather plug	-	-	-	-	GU32206510	1	AJ329
23	Gasket	-	-	-	-	GU10528900	2	-
24	Oil plug	-	-	-	-	GU12022600	1	AH119
25	O-ring 20,24X2,62	-	-	-	-	GU90706203	1	-
26	Oil unload plug M10X1	-	-	-	-	GU31003766	1	AH109
27	Hex socket screw M6x35	-	-	-	-	GU98680335	2	-

	V7 CLASSIC 750 750 2008	GU091	00	TAB N.	43
	GEAR BOX				



Pos.	Description	Year	I_M	Country	Version	Code	Q.ty	P.Cod.
1	Primary gear shaft Z=11	-	-	-	-	GU32210510	1	AG00X
2	Gear 5a AP Z=25	-	-	-	-	GU32212011	1	AG045
3	Thrust washer	-	-	-	-	GU19215460	3	-
4	Circlip	-	-	-	-	GU90271124	2	-
5	Gear 4a AP Z=18	-	-	-	-	GU32211810	1	AG044
6	Gear 3a AP Z=18	-	-	-	-	GU32211410	1	AG043
7	Roller cage	-	-	-	-	GU92251028	1	AI119
8	Gear 2a AP Z=14	-	-	-	-	GU23211372	1	AG042
9	Idle gear AP Z=21	-	-	-	-	GU32211110	1	AG019
10	Bearing AP 17x40x17,5	-	-	-	-	GU92218417	1	AI059
11	Clearance washer	-	-	-	-	GU19214660	2	-
12	Nut	-	-	-	-	GU10054100	2	-
13	Bearing AP 20x37x17	-	-	-	-	GU92230320	1	AI059
14	Driven shaft	-	-	-	-	GU32213610	1	AG00Y
15	Spacer	-	-	-	-	GU19212900	1	-
16	Bearing 20X47X14	-	-	-	-	GU92201220	1	AI069
17	Spacer	-	-	-	-	GU19213720	1	-
18	Gasket ring 18,77X1,78	-	-	-	-	GU90706188	1	-
19	Circlip	-	-	-	-	GU90271121	1	-
20	Gear 2a AS Z=23	-	-	-	-	GU32214510	1	AG042
21	Gear 3a AS Z=23	-	-	-	-	GU32214810	1	AG043
22	Gear 4a AS Z=19	-	-	-	-	GU32215010	1	AG044
23	Gear 5a AS Z=22	-	-	-	-	GU32215210	1	AG045
24	Gear 1a AS Z=26	-	-	-	-	GU32214010	1	AG041
25	Clearance washer	-	-	-	-	GU39238100	1	-
26	Bearing	-	-	-	-	GU92234716	1	AI069
27	Spacer 1,7 mm	-	-	-	-	GU10214301	1	-
	Spacer 1,8 mm	-	-	-	-	GU10214302	1	-
	Spacer 1,9 mm	-	-	-	-	GU10214303	1	-
	Washer 2 mm	-	-	-	-	GU10214304	1	-
	Spacer 2,1 mm	-	-	-	-	GU10214305	1	-
	Spacer 1,5 mm	-	-	-	-	GU10214300	1	-
28	Gutter	-	-	-	-	GU32202010	1	AJ239
29	Circlip	-	-	-	-	GU90271117	1	-

		V7 CLASSIC 750 750 2008	GU091	00	TAB N.	44		
GEAR BOX SELECTOR								
								
Pos.	Description	Year	I_M_	Country	Version	Code	Q.ty	P.Cod.
1	Shift cam	-	-	-	-	GU32234410	1	AG039
2	Pin	-	-	-	-	GU19234600	4	-
3	Snap ring	-	-	-	-	GU90274026	1	-
4	Fork AP	-	-	-	-	GU32231210	1	AG059
5	Fork AS	-	-	-	-	GU32231010	2	AG059
6	Roller	-	-	-	-	GU32233010	3	AG069
7	Hex socket screw M6x12	-	-	-	-	GU98350312	1	-
8	Preselection complete	-	-	-	-	GU32236210	1	AG079
9	Spacer	-	-	-	-	GU20208520	1	-
10	Spring	-	-	-	-	GU32238210	1	AG109
11	Lever	-	-	-	-	GU32234710	1	AG129
12	Washer	-	-	-	-	GU32234810	1	-
13	Spring	-	-	-	-	GU32234110	1	AG139
14	Plate	-	-	-	-	GU32235710	1	AG169
15	Screw M6x16	-	-	-	-	AP8152166	2	-
16	Washer 6,4x20x1	-	-	-	-	GU32234910	1	-
17	Washer 6,4x10x0,7	-	-	-	-	GU14217901	2	-



Pos.	Description	Year	I_M_	Country	Version	Code	Q.ty	P.Cod.
1	Ducati generator	-	-	-	-	GU32712411	1	AM129
2	DUCATI regulator	-	-	-	-	GU32703810	1	CC019
3	Washer 16,25x24,5x5	-	-	-	-	GU30714201	1	-
4	Nut M16	-	-	-	-	GU92606516	1	-
5	Front calotte	-	-	-	-	GU29711460	1	AM139
6	Hex socket screw M5x65	-	-	-	-	GU98680265	3	-
7	Washer 5,9X3X0,8	-	-	-	-	GU29217960	3	-
8	Rubber spacer	-	-	-	-	GU19007700	1	-
9	Spacer	-	-	-	-	GU31712365	1	-
10	Transmission key	-	-	-	-	GU91600450	1	AD089
11	Rear cap	-	-	-	-	GU29711960	1	AM139
12	Screw w/ flange M6X30	-	-	-	-	AP8152281	2	-
13	Clip M6	-	-	-	-	GU28576591	2	-
14	Washer	-	-	-	-	GU95100125	2	-

Pos.	Description	Year	I_M_	Country	Version	Code	Q.ty	P.Cod.
2	Hex screw M8x35	-	-	-	-	GU98082435	2	-
3	Washer 8,4X15X1,5	-	-	-	-	GU95008208	2	-



V7 CLASSIC 750 750 2008

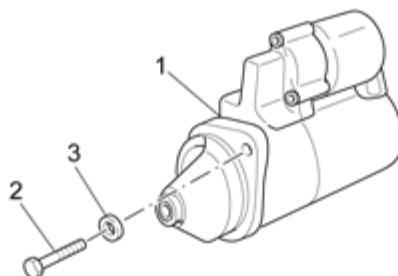
GU091

00

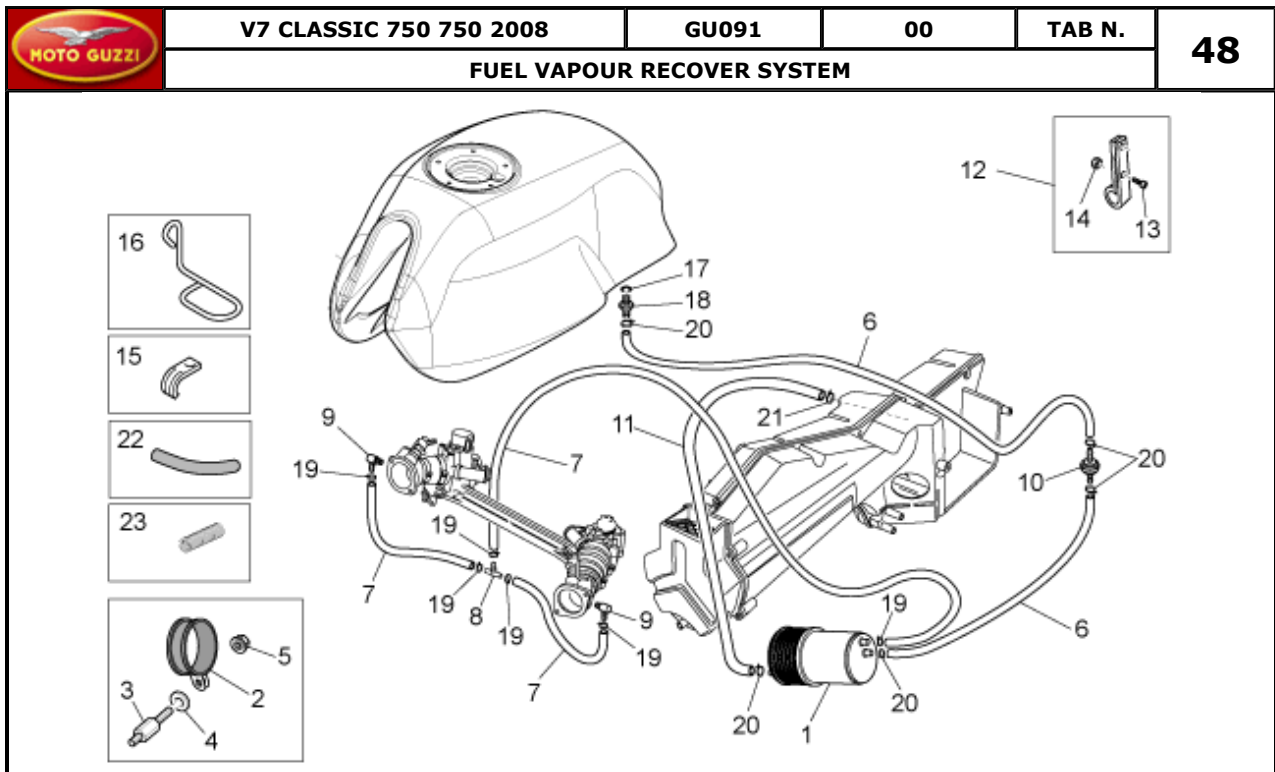
TAB N.

46

STARTER MOTOR



MOTO GUZZI		V7 CLASSIC 750 750 2008	GU091	00	TAB N.	47		
THROTTLE BODY								
Pos.	Description	Year	I_M_	Country	Version	Code	Q.ty	P.Cod.
1	Throttle assy	-	-	-	-	GU32112510	1	EC***
2	Potentiometer	-	-	-	-	GU32530508	1	EC059
3	RH manifold	-	-	-	-	GU32115010	1	AC00*
4	Injector kit complete	-	-	-	-	GU32115710	2	EC129
5	Rod	-	-	-	-	GU32530509	1	-
6	Screw w/ flange M5x16	-	-	-	-	AP8152298	2	-
7	Gasket	-	-	-	-	GU32115510	1	AC00*
8	LH manifold	-	-	-	-	GU32115011	1	AC369
9	Hex socket screw M6x22	-	-	-	-	GU98682322	4	-
10	Washer 6,4x12	-	-	-	-	GU03013800	4	-
11	Screw M6x10	-	-	-	-	GU98310609	2	-
12	Washer 6,25x10x1,5	-	-	-	-	GU95100116	2	-
13	Hose clamp 57x59,5x10	-	-	-	-	GU93305057	2	-
14	Hose	-	-	-	-	GU32114310	2	AC04*
15	Hose clamp 61/65,5	-	-	-	-	GU93305061	2	-
16	Right throttle body	-	-	-	-	GU32112610	1	EC00A
17	Left throttle body	-	-	-	-	GU32112611	1	EC00B
18	Hose clamp	-	-	-	-	GU32718010	2	-
19	RH cover chromium plated	-	-	-	-	978938	1	DE20A
20	LH cover chromium plated	-	-	-	-	978939	1	DE20B
21	Screw M5x14	-	-	-	-	GU98370515	4	-
22	Nylon washer 5,5X12X1	-	-	-	-	GU30577800	4	-
23	Antivibration bush	-	-	-	-	GU93231605	4	-
24	Shear rivet M5x12	-	-	-	25 Kw	GU97270212	1	-
25	Plate kit	-	-	-	25 Kw	GU973221100027	1	-



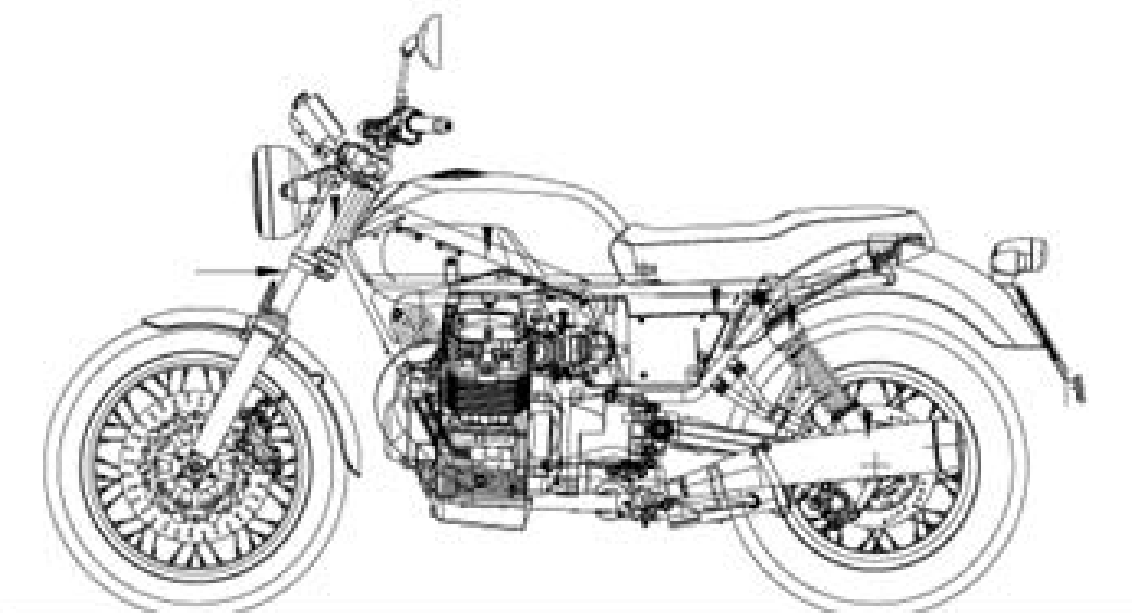
Pos.	Description	Year	I_M_	Country	Version	Code	Q.ty	P.Cod.
1	Carbon filter	-	-	CA-USA	-	AP8102678	1	DA449
2	Hose clamp d.76	-	-	CA-USA	-	AP8102688	1	-
3	Canister support USA	-	-	CA-USA	-	GU32439260	1	-
4	Washer	-	-	CA-USA	-	GU95005311	1	-
5	Self-locking nut M6*	-	-	CA-USA	-	AP8152299	1	-
6	Pipe SAE 30 d.12,7x6,35	-	-	CA-USA	-	856063	2	DA499
7	Pipe SAE 30 d.11,11x4,8	-	-	CA-USA	-	856062	3	DA499
8	3-way union	-	-	CA-USA	-	AP8120116	1	-
9	Union	-	-	CA-USA	-	GU32115210	2	-
10	Pressure valve	-	-	CA-USA	-	GU01102520	1	-
11	Pipe SAE 30 d.14,3x7,9	-	-	CA-USA	-	856064	1	DA499
12	Hose clamp	-	-	CA-USA	-	GU03658330	1	-
13	Screw	-	-	CA-USA	-	GU98257410	1	-
14	Nut M4x0,7	-	-	CA-USA	-	GU92630104	1	-
15	U-bolt	-	-	CA-USA	-	GU93301318	1	-
16	Cable-guide	-	-	CA-USA	-	AP8221114	2	-
17	O-ring 2018	-	-	CA-USA	-	AP8120965	1	-
18	Union	-	-	CA-USA	-	GU30103730	1	DA409
19	Hose clip 11,5x6	-	-	CA-USA	-	GU29108550	6	-
20	Hose clip 12,5x8	-	-	CA-USA	-	GU28157950	5	-
21	Hose clamp	-	-	CA-USA	-	AP8102766	1	-
22	Thermal sheath	-	-	CA-USA	-	GU00823923140	4	-
23	Coil compress. spring *	-	-	CA-USA	-	AP8121710	1	-



PIAGGIO & C.s.p.a.



CATALOGUE DE PIÈCES DE RECHANGE



V7 Classic 750 750 2008-2012

Préfixe du cadre: ZGULW000, ZGULWC00, ZGULWJ00

Préfixe du moteur:



Index

Produits finis.....	4
Index alphanumérique.....	5
CHASSIS.....	11
Tableau 33.01 - Chassis I.....	11
Tableau 33.02 - Chassis II.....	12
Tableau 33.03 - Béquille latérale.....	13
Tableau 33.04 - R-pied pilote.....	14
Tableau 33.05 - R-pied pass.....	15
Tableau 33.06 - Levier boîte de vitesses.....	16
Tableau 33.07 - Fourche Av. I.....	17
Tableau 33.08 - Fourche Av. II.....	18
Tableau 33.11 - Amortisseur AR.....	21
Tableau 33.12 - Réservoir essence.....	22
Tableau 33.13 - Carrosserie av. - Garde-boue AV.....	24
Tableau 33.14 - Selle-Carrosserie cent.....	25
Tableau 33.15 - Carrosserie arrière I- Garde-boue.....	26
Tableau 33.16 - Carrosserie arrière II- Porte-plaque.....	27
Tableau 33.17 - Tableau de bord.....	28
Tableau 33.18 - Guidon - Commandes.....	29
Tableau 33.19 - Sys.frein avant.....	30
Tableau 33.21 - Pompe essence.....	31
Tableau 33.22 - Corps filtre.....	32
Tableau 33.23 - Groupe echappement.....	34
Tableau 33.24 - Roue Av.....	36
Tableau 33.25 - Roue arrière.....	37
Tableau 33.26 - Maît.cyl. frein AR.....	38
Tableau 33.27 - Pince frein AR.....	39
Tableau 33.28 - Feux avant.....	40
Tableau 33.29 - Feux arriere.....	42
Tableau 33.30 - Circuit électrique I.....	43
Tableau 33.31 - Circuit électrique II.....	44
Tableau 33.32 - Kit serrure.....	46
Tableau 33.33 - Décalco et plaquettes.....	47
Tableau 33.48 - Sys.récup.vap.ess.....	49
MOTEUR.....	50
Tableau 34.09 - Transmission cpl. I.....	50
Tableau 34.10 - Transmission cpl. II.....	51
Tableau 34.20 - Alimentation.....	54
Tableau 34.34 - Carter.....	55
Tableau 34.35 - Couvercle distribution.....	57
Tableau 34.36 - Tête cylindre.....	58
Tableau 34.37 - Arbre moteur cpl.....	59
Tableau 34.38 - Distribution.....	60



Tableau 34.39 - Pompe huile.....	62
Tableau 34.40 - Embrague I.....	64
Tableau 34.41 - Embrague II.....	65
Tableau 34.42 - Carter de boîte vitesses.....	66
Tableau 34.43 - Boîte de vitesses.....	67
Tableau 34.44 - Selecteur boîte de vitesses.....	69
Tableau 34.45 - Alternateur - Régul.....	70
Tableau 34.46 - Démarreur.....	71
Tableau 34.47 - Corps à papillon.....	72
OUTILLAGE SPECIAL.....	73
Tableau 36.49 - Specific tools I.....	73
Tableau 36.50 - Specific tools II.....	74
Tableau 36.51 - Specific tools III.....	75



V7
GU091 - V7 Classic 750 750 2008-2012

Préfixe du cadre: ZGULW000,
ZGULWC00, ZGULWJ00
Préfixe du moteur:

Produits finis

Code	Validité
GU9032176AU800	
GU9032176AU801	
GU9032176AU802	
GU9032176CAB00	
GU9032176CAB02	
GU9032176CAB03	
GU9032176CAC02	
GU9032176CAC03	
GU9032176EU800	
GU9032176EU801	
GU9032176EU802	
GU9032176GB800	
GU9032176GB801	
GU9032176GB802	
GU9032176JP800	
GU9032176JP801	
GU9032176JP802	
GU9032176USB00	
GU9032176USB02	
GU9032176USB03	
GU9032176USC02	
GU9032176USC03	



Code	N° de tableau	Pos.	Code	N° de tableau	Pos.	Code	N° de tableau	Pos.
0000000	33.24	16	883569	33.17	11	88798700Y02	33.12	1
0000000	33.24	17	883598	33.33	2	887989	33.32	1
0000000	33.24	18	883665	33.33	16	976600	34.34	1
0000000	33.25	18	883666	33.33	17	976603	34.35	1
0000000	33.25	19	883704	33.23	25	976604	34.34	12
0000000	33.25	20	883709	33.23	11	976605	34.42	1
639542	33.03	8	883710	33.23	10	976606	34.42	17
640201	33.31	5	883735	33.33	8	976608	34.10	1
641541	34.39	8	883736	33.33	9	976685	34.34	16
825727	33.12	8	883737	33.33	10	976939	34.34	28
856062	33.48	7	883802	33.18	10	976940	34.42	21
856063	33.48	6	883852	33.21	5	976941	34.09	1
856064	33.48	11	883868	33.23	1	977024	33.24	10
860138	33.48	10	883869	33.23	2	977088	33.03	1
883003	33.11	1	883904	33.31	19	977308	33.31	19
883011	34.09	11	883911	33.33	8	977308	33.31	19
883015	33.05	13	883912	33.33	9	977527	33.14	6
883019	33.05	12	883913	33.33	10	977527	33.32	4
883039	33.06	1	884198	33.33	8	978323	33.19	15
883051	33.04	1	884199	33.33	9	978323	33.27	20
883052	33.04	2	884200	33.33	10	978385	33.23	12
883058	33.26	1	886944	33.33	20	978415	33.14	8
883075	33.18	15	88701900XR7	33.12	1	978415	33.32	9
883077	33.30	1	88702000XR7	33.14	10	978551	33.33	2
883077	33.31	1	88702100XR7	33.14	17	978570	33.18	10
883161	33.31	12	887022	33.33	18	978750	33.01	1
883180	33.27	6	887023	33.33	19	978751	33.02	1
883182	33.32	1	887024	33.33	16	978752	33.02	2
883185	33.12	2	887025	33.33	17	978757	33.25	11
883185	33.32	3	887093	34.39	9	978761	33.25	1
883191	33.31	11	887768	34.20	2	978827	33.21	1
883192	33.27	7	887878	33.08	1	978928	33.12	1
883193	33.12	4	887879	33.08	2	97892800BM	33.12	1
883194	33.33	5	887880	33.08	3	97892800Y02	33.12	1
883252	33.12	12	887881	33.08	40	978929	33.12	3
883262	33.18	4	887882	33.08	5	978930	33.21	1
883263	33.18	5	887883	33.08	6	978930	34.20	2
883264	33.18	3	887884	33.08	7	978931	33.14	1
883265	34.20	1	887885	33.08	8	978932	33.17	1
883266	33.13	2	887886	33.08	9	978938	34.47	19
883293	33.23	15	887887	33.08	10	978939	34.47	20
883294	33.23	4	887888	33.08	11	97894000BM	33.14	10
883295	33.14	5	887889	33.08	12	97894000Y02	33.14	10
883296	33.27	1	887890	33.08	13	978941	33.14	9
883297	33.23	13	887891	33.08	14	978942	33.14	11
883298	33.23	14	887892	33.08	15	97894300BM	33.14	17
883303	33.19	13	887893	33.08	16	97894300Y02	33.14	17
883339	33.17	1	887894	33.08	17	978944	33.14	16
883349	33.25	8	887895	33.08	18	97894600BM	33.15	1
883350	33.25	7	887896	33.08	19	97894600Y02	33.15	1
883417	33.28	26	887898	33.08	21	978947	33.15	2
883445	33.33	11	887899	33.08	22	978949	33.16	1
883462	33.28	16	887900	33.08	23	978950	33.29	1
883463	33.28	17	887901	33.08	24	978951	33.01	18
883469	33.12	1	887902	33.08	25	978952	33.01	19
88346900BM	33.12	1	887903	33.08	26	978953	33.23	1
88346900Y02	33.12	1	887904	33.08	27	978953	33.23	1
883470	33.16	6	887905	33.08	28	978954	33.23	2
883471	33.03	1	887906	33.08	39	978954	33.23	2
883476	33.12	2	887912	33.08	30	978955	33.23	3
883476	33.32	3	887913	33.08	31	978956	33.23	11
883477	33.32	1	887914	33.08	32	978956	33.23	11
883478	33.28	5	887915	33.08	33	978957	33.23	10
883478	33.29	5	887916	33.08	34	978957	33.23	10
883479	33.29	1	887917	33.08	35	978960	33.18	1
883480	33.16	9	887918	33.08	36	978969	33.26	3
883481	33.33	5	887944	33.12	1	978970	33.26	13



Code	N° de tableau	Pos.	Code	N° de tableau	Pos.	Code	N° de tableau	Pos.
978972	33.08	30	AP8144046	33.31	25	AP8224164	33.16	3
978973	33.08	31	AP8144071	33.23	16	AP8224462	33.31	30
978974	33.08	19	AP8144071	34.36	23	AP8257609	33.33	13
978976	33.08	21	AP8144081	33.07	5	AP8257742	33.33	15
978977	33.08	29	AP8144146	33.07	3	AP8257794	33.33	14
978978	33.08	4	AP8144538	33.31	7	B06304700XR7	33.12	1
978979	33.07	1	AP8145034	33.04	3	GU00823923140	33.03	7
981070	34.40	8	AP8145035	33.04	10	GU00823923140	33.22	32
981081	33.33	1	AP8149034	33.16	11	GU00823923140	33.48	22
981141	33.33	1	AP8150248	33.16	13	GU00823931055	33.28	25
AP8101594	33.26	20	AP8150349	33.17	10	GU00823931070	33.12	17
AP8101595	33.12	15	AP8150349	33.32	6	GU00823944050	33.12	16
AP8101861	33.05	7	AP8150413	33.22	3	GU00823950050	33.26	21
AP8102159	33.22	25	AP8150421	33.31	33	GU01103860	33.01	13
AP8102239	33.22	30	AP8150436	33.02	12	GU01106090	33.21	2
AP8102375	33.01	12	AP8150450	33.14	12	GU01108490	33.21	4
AP8102375	33.14	15	AP8152166	34.44	15	GU01528930	34.10	9
AP8102375	33.26	19	AP8152220	33.02	11	GU01530568	33.08	6
AP8102375	33.31	15	AP8152268	33.16	12	GU01530571	33.08	9
AP8102524	33.03	4	AP8152273	34.20	3	GU01609630	33.18	14
AP8102678	33.48	1	AP8152277	33.04	7	GU01654630	33.19	17
AP8102688	33.48	2	AP8152277	33.05	8	GU01659130	33.19	11
AP8102766	33.22	10	AP8152277	33.19	3	GU01659131	33.19	12
AP8102766	33.48	21	AP8152277	33.31	23	GU01665410	33.26	25
AP8102913	33.14	3	AP8152278	33.11	2	GU01721600	33.30	13
AP8104242	33.22	8	AP8152278	33.15	3	GU01744200	33.28	18
AP8104251	33.22	24	AP8152278	33.28	13	GU02107100	33.12	11
AP8104525	33.22	13	AP8152279	33.15	9	GU03013800	33.06	7
AP8113241	33.26	22	AP8152281	34.45	12	GU03013800	33.23	8
AP8113288	33.26	16	AP8152286	33.04	12	GU03013800	34.47	10
AP8113553	33.26	23	AP8152286	33.24	11	GU03067730	34.10	19
AP8120116	33.48	8	AP8152287	33.02	13	GU03101600	33.12	7
AP8120246	34.09	10	AP8152288	33.02	15	GU03101720	33.12	5
AP8120615	33.22	14	AP8152289	33.02	15	GU03101900	33.12	3
AP8120708	33.30	10	AP8152291	33.12	9	GU03102200	33.12	6
AP8120772	33.22	11	AP8152298	34.47	6	GU03102400	33.12	18
AP8120870	33.23	24	AP8152299	33.15	15	GU03103200	33.12	8
AP8120876	33.22	23	AP8152299	33.27	22	GU03103500	33.12	4
AP8120952	33.22	1	AP8152299	33.48	5	GU03121955	33.23	25
AP8120965	33.12	13	AP8152300	33.02	14	GU03163330	33.31	3
AP8120965	33.48	17	AP8152300	33.27	13	GU03270300	33.15	7
AP8121014	33.03	3	AP8152302	33.01	17	GU03270300	33.26	11
AP8121032	33.17	7	AP8152306	33.16	5	GU03270300	33.27	10
AP8121072	33.23	22	AP8152329	33.15	11	GU03530529	33.08	2
AP8121133	33.05	6	AP8152329	33.22	18	GU03530530	33.08	1
AP8121307	33.07	4	AP8152329	33.22	22	GU03530551	33.08	12
AP8121367	33.02	10	AP8152329	33.31	20	GU03604845	33.19	8
AP8121375	33.03	2	AP8152329	33.31	8	GU03605645	33.19	9
AP8121420	33.14	7	AP8152339	33.14	14	GU03609600	33.18	14
AP8121420	33.32	8	AP8152339	34.36	25	GU03631250	33.24	4
AP8121607	33.03	2	AP8152385	33.19	16	GU03631250	33.25	9
AP8121915	33.19	14	AP8152409	33.04	9	GU03658201	33.27	16
AP8121915	33.27	8	AP8152409	33.05	9	GU03658330	33.27	17
AP8124266	33.31	24	AP8157100	33.33	12	GU03658330	33.48	12
AP8124528	33.31	22	AP8201358	33.22	2	GU03658430	33.27	14
AP8124718	33.16	7	AP8201358	33.48	23	GU03660145	33.19	1
AP8124869	33.31	28	AP8212588	33.30	11	GU03661145	33.19	6
AP8124936	33.30	2	AP8213028	33.18	23	GU03664045	33.19	7
AP8127346	33.31	17	AP8213057	33.26	15	GU03717450	33.30	8
AP8133643	33.26	14	AP8213388	33.18	24	GU03740930	33.29	2
AP8134378	33.23	18	AP8220283	33.31	29	GU03744760	33.28	19
AP8134448	33.16	2	AP8220460	33.07	6	GU03749845	33.19	5
AP8134451	33.05	5	AP8220546	33.31	27	GU03922280	34.09	23
AP8134829	33.04	8	AP8221114	33.48	16	GU04000500	34.34	10
AP8134829	33.05	4	AP8221128	33.12	12	GU05107430	33.21	3
AP8144007	33.26	4	AP8221197	33.03	5	GU05659230	33.19	10
AP8144038	33.22	31	AP8221277	33.04	6	GU05730730	34.46	1



Code	N° de tableau	Pos.	Code	N° de tableau	Pos.	Code	N° de tableau	Pos.
GU05781630	33.07	7	GU19025300	34.36	6	GU19355410	34.10	21
GU05900130	33.33	6	GU19025460	33.23	6	GU19355411	34.10	21
GU06740200	33.28	12	GU19027500	34.38	15	GU19355412	34.10	21
GU06740400	33.28	27	GU19030500	34.38	7	GU19355413	34.10	21
GU06740500	33.28	2	GU19032080	34.38	10	GU19356700	34.10	30
GU06740501	33.28	2	GU19032980	34.36	17	GU19356760	34.41	16
GU06751600	33.28	5	GU19032980	34.38	14	GU19356801	34.10	28
GU06751600	33.29	5	GU19034000	34.38	8	GU19357660	34.10	25
GU10054100	34.43	12	GU19037820	34.36	8	GU19547000	34.09	12
GU10214300	34.43	27	GU19045861	34.38	25	GU19902500	36.51	1
GU10214301	34.43	27	GU19055700	34.38	23	GU19905460	36.50	1
GU10214302	34.43	27	GU19058021	34.38	19	GU19905900	36.50	2
GU10214303	34.43	27	GU19058220	34.38	20	GU19906500	36.50	3
GU10214304	34.43	27	GU19061063	34.37	12	GU19907000	36.49	4
GU10214305	34.43	27	GU19062261	34.37	4	GU19907100	36.49	11
GU10528900	34.34	15	GU19065400	34.37	2	GU19907160	36.50	4
GU10528900	34.40	13	GU19067700	34.37	18	GU19911800	36.50	5
GU10528900	34.42	23	GU19083462	34.40	2	GU19926000	36.49	3
GU10907200	36.50	11	GU19146422	34.39	1	GU19926020	36.50	6
GU12003702	34.34	20	GU19149800	34.39	18	GU19926100	36.49	1
GU12022600	34.10	6	GU19152200	34.39	11	GU19926200	36.49	6
GU12022600	34.42	24	GU19201120	34.42	15	GU19926300	36.51	2
GU12087001	34.41	9	GU19202320	34.42	9	GU19926400	36.49	7
GU12154200	34.34	23	GU19203460	34.40	11	GU19926460	36.51	3
GU12154200	34.42	12	GU19206501	34.10	10	GU19926500	36.49	8
GU12912000	36.50	12	GU19207220	34.42	11	GU19927100	36.50	13
GU13021900	34.34	26	GU19212900	34.43	15	GU19927200	36.51	4
GU13021900	34.36	12	GU19213720	34.43	17	GU19927202	36.51	5
GU14086000	34.41	10	GU19213760	34.41	15	GU19927220	36.50	7
GU14086100	34.41	7	GU19214660	34.43	11	GU19927300	36.51	6
GU14090201	34.41	1	GU19215460	34.43	3	GU19927320	36.50	8
GU14090400	34.41	2	GU19234600	34.44	2	GU19927500	36.49	5
GU14217901	34.40	6	GU19237800	34.42	13	GU19927600	36.49	9
GU14217901	34.42	7	GU19327601	34.09	5	GU19927700	36.51	7
GU14217901	34.44	17	GU19328801	34.09	3	GU19927800	36.50	9
GU14251001	33.06	2	GU19350700	34.10	22	GU19927900	36.49	10
GU14251001	33.26	2	GU19351100	34.10	4	GU19928800	36.49	2
GU14609650	33.30	17	GU19351900	34.10	2	GU19929400	36.50	10
GU14609650	33.31	34	GU19352300	34.10	23	GU19929600	36.50	14
GU14609650	33.48	24	GU19353500	34.10	24	GU20036020	34.38	1
GU14615901	33.05	15	GU19355200	34.10	35	GU20036120	34.38	2
GU14615901	33.13	5	GU19355202	34.10	36	GU20085720	34.41	13
GU14615901	34.09	20	GU19355300	34.10	33	GU20147710	34.39	17
GU14615901	34.36	26	GU19355301	34.10	33	GU20147810	34.39	3
GU14615901	34.37	5	GU19355302	34.10	33	GU20148410	34.39	4
GU14616150	33.24	15	GU19355303	34.10	33	GU20148610	34.39	5
GU14616150	33.25	10	GU19355304	34.10	33	GU20208520	34.44	9
GU14717600	33.30	7	GU19355305	34.10	33	GU20258221	33.06	9
GU17718350	33.30	6	GU19355306	34.10	33	GU20352421	34.10	31
GU18144350	34.39	16	GU19355307	34.10	33	GU20355121	34.10	34
GU18161150	34.39	21	GU19355308	34.10	33	GU23200370	34.42	10
GU18257551	33.26	8	GU19355309	34.10	33	GU23211372	34.43	8
GU19001200	34.35	2	GU19355320	34.10	27	GU23217800	34.38	3
GU19002020	34.35	5	GU19355321	34.10	27	GU23328081	34.09	7
GU19002020	34.42	16	GU19355322	34.10	27	GU23548080	34.09	8
GU19003602	34.34	13	GU19355323	34.10	27	GU23548180	34.09	9
GU19003800	34.34	8	GU19355324	34.10	27	GU23922210	33.17	12
GU19007700	34.35	10	GU19355325	34.10	27	GU23943410	33.08	36
GU19007700	34.45	8	GU19355326	34.10	27	GU27001136	34.35	7
GU19015020	34.34	5	GU19355327	34.10	27	GU27004985	34.34	18
GU19016320	34.34	9	GU19355328	34.10	27	GU27020820	34.37	21
GU19017000	33.02	4	GU19355329	34.10	27	GU27022060	34.36	19
GU19018920	34.39	10	GU19355400	34.10	21	GU27037521	34.38	4
GU19021360	34.36	18	GU19355402	34.10	21	GU27060860	34.37	15
GU19021920	34.36	7	GU19355404	34.10	21	GU27061286	34.37	13
GU19023700	34.36	10	GU19355406	34.10	21	GU27061385	34.37	14
GU19025280	33.23	5	GU19355408	34.10	21	GU27061585	34.37	3



Code	N° de tableau	Pos.	Code	N° de tableau	Pos.	Code	N° de tableau	Pos.
GU27061885	34.37	17	GU31634481	33.25	15	GU32234710	34.44	11
GU27062060	34.37	6	GU31654681	33.27	2	GU32234810	34.44	12
GU27065660	34.37	7	GU31659181	33.27	11	GU32234910	34.44	16
GU27066460	34.37	9	GU31659281	33.27	12	GU32235710	34.44	14
GU27066560	34.37	8	GU31712365	34.45	9	GU32236210	34.44	8
GU27152885	34.34	22	GU31717061	33.30	9	GU32238210	34.44	10
GU27153085	34.39	14	GU31740383	33.28	11	GU32256910	33.06	4
GU27210760	34.41	12	GU32001610	34.35	6	GU32257810	33.06	8
GU27530505	33.08	26	GU32022110	34.36	1	GU32350410	34.10	13
GU27530506	33.08	27	GU32022210	34.36	2	GU32351410	34.10	16
GU27530510	33.08	22	GU32023410	34.36	24	GU32354610	34.10	18
GU27530584	33.08	7	GU32023660	34.36	9	GU32418210	33.31	6
GU27633910	33.25	4	GU32032310	34.38	11	GU32418260	33.01	4
GU28157950	33.48	20	GU32051710	34.38	27	GU32431310	33.02	9
GU28252060	33.02	8	GU32053410	34.38	16	GU32432711	33.03	11
GU28576591	33.15	4	GU32054510	34.38	17	GU32433011	33.03	6
GU28576591	33.23	20	GU32060110	34.37	19	GU32434460	33.13	1
GU28576591	33.28	20	GU32060210	34.37	10	GU32434460BM	33.13	1
GU28576591	34.45	13	GU32060610	34.37	16	GU32434462	33.13	1
GU28742560	33.31	16	GU32060710	34.37	11	GU32439260	33.48	3
GU28742562	33.31	18	GU32064110	34.37	1	GU32441210	33.04	5
GU29108550	33.48	19	GU32067910	34.40	5	GU32441210	33.05	3
GU29217960	34.45	7	GU32080310	34.40	1	GU32442310	33.05	1
GU29711460	34.45	5	GU32084410	34.40	4	GU32442710	33.05	10
GU29711960	34.45	11	GU32103961	33.32	3	GU32443210	33.04	4
GU29729461	33.31	2	GU32106560	34.20	1	GU32443210	33.05	2
GU29732550	33.31	26	GU32110110	33.22	16	GU32443211	33.04	11
GU29759150	33.18	17	GU32112510	34.47	1	GU32443211	33.05	11
GU30027931	33.31	32	GU32112610	34.47	16	GU32457810	33.01	11
GU30103730	33.12	14	GU32112611	34.47	17	GU32461610	33.14	2
GU30103730	33.48	18	GU32113410	33.22	17	GU32504210	33.08	35
GU30512830	33.08	23	GU32113510	33.22	5	GU32506360	33.28	1
GU30525861	33.08	11	GU32114011	33.22	12	GU32517710	33.31	9
GU30526761	33.08	5	GU32114012	33.22	15	GU32525410	33.08	10
GU30576100	33.22	19	GU32114110	33.22	9	GU32526310	33.08	16
GU30577800	33.29	13	GU32114310	34.47	14	GU32526610	33.08	15
GU30577800	34.47	22	GU32114410	33.22	7	GU32530501	33.08	8
GU30601060	33.18	25	GU32115010	34.47	3	GU32530502	33.08	13
GU30602500	33.18	22	GU32115011	34.47	8	GU32530503	33.08	14
GU30714201	34.45	3	GU32115210	33.48	9	GU32530504	33.08	28
GU30716500	33.30	3	GU32115510	34.47	7	GU32530505	33.08	34
GU30729330	33.31	31	GU32115710	34.47	4	GU32530506	33.08	24
GU30970200	33.33	7	GU32116910	33.22	4	GU32530508	34.47	2
GU31003766	34.10	8	GU32121010	33.23	7	GU32530509	34.47	5
GU31003766	34.34	14	GU32137060	33.18	13	GU32530610	33.08	37
GU31003766	34.40	19	GU32159310	33.22	26	GU32530611	33.08	38
GU31003766	34.42	26	GU32159610	33.22	28	GU32555210	33.11	4
GU31016050	34.39	20	GU32202010	34.43	28	GU32555211	33.11	5
GU31037015	34.38	13	GU32206510	34.42	22	GU32575960	33.01	16
GU31038015	34.38	5	GU32208210	34.42	8	GU32602860	33.18	9
GU31045015	34.38	26	GU32210510	34.43	1	GU32603010	33.18	16
GU31112965	33.22	33	GU32211110	34.43	9	GU32603310	33.18	7
GU31121880	33.23	9	GU32211410	34.43	6	GU32605510	33.18	2
GU31150950	34.39	26	GU32211810	34.43	5	GU32610360	33.24	1
GU31159050	34.39	15	GU32212011	34.43	2	GU32610860	33.24	5
GU31327783	34.09	2	GU32213610	34.43	14	GU32611660	33.24	3
GU31438765	33.15	12	GU32213810	34.42	5	GU32613160	33.24	2
GU31439565	33.13	4	GU32214010	34.43	24	GU32615660	33.24	14
GU31504583	33.08	17	GU32214510	34.43	20	GU32632510	33.25	17
GU31513480	33.08	20	GU32214810	34.43	21	GU32633360	33.25	14
GU31544181	34.09	15	GU32215010	34.43	22	GU32633560	34.10	11
GU31547882	34.09	14	GU32215210	34.43	23	GU32634160	33.27	5
GU31613381	33.25	12	GU32231010	34.44	5	GU326358601	33.27	3
GU31614183	33.24	9	GU32231210	34.44	4	GU32636160	33.25	21
GU31615260	33.24	6	GU32233010	34.44	6	GU32657110	33.19	2
GU31616384	33.24	12	GU32234110	34.44	13	GU32692260	33.25	2
GU31634281	33.27	4	GU32234410	34.44	1	GU32703810	34.45	2

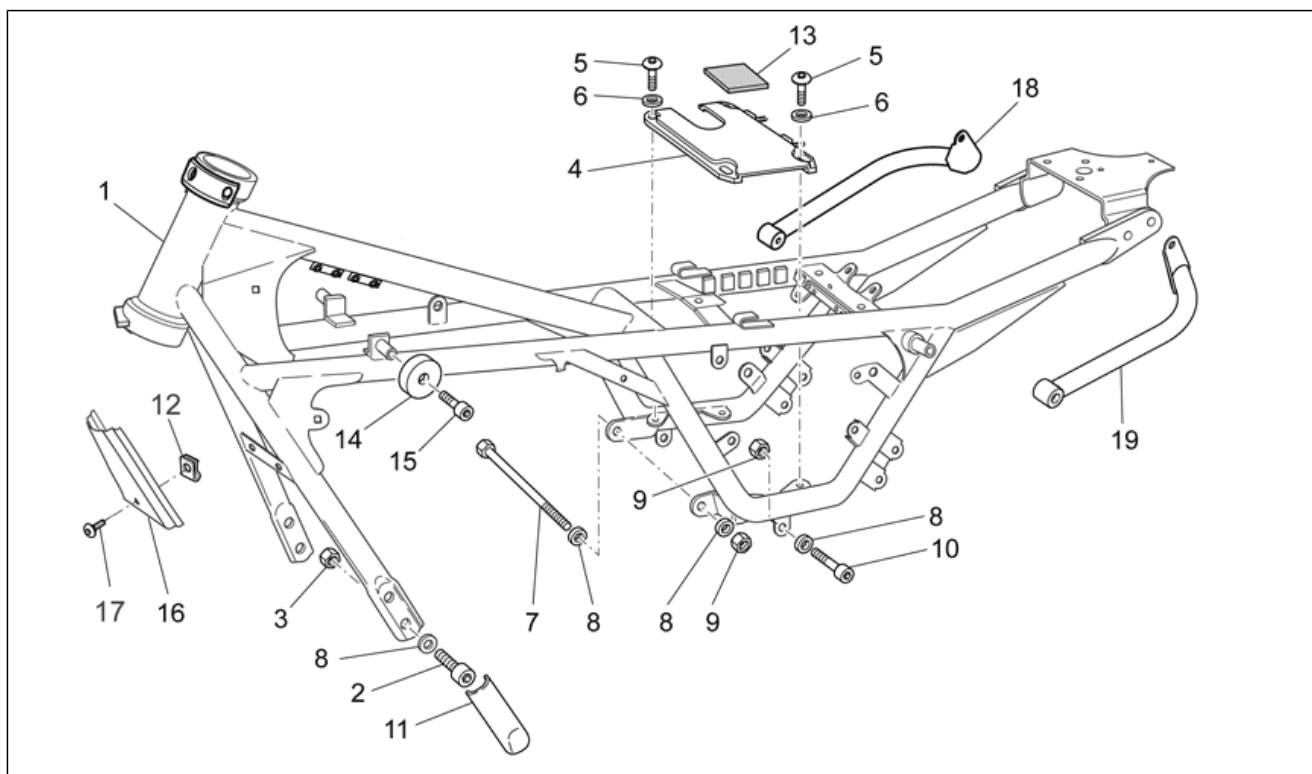


Code	N° de tableau	Pos.	Code	N° de tableau	Pos.	Code	N° de tableau	Pos.
GU32712411	34.45	1	GU90706141	33.30	16	GU93110060	33.15	13
GU32718010	34.47	18	GU90706170	34.41	8	GU93180105	34.09	21
GU32724510	33.30	12	GU90706188	34.10	29	GU93180111	33.24	13
GU32727010	33.23	21	GU90706188	34.43	18	GU93180220	34.40	9
GU32735510	33.32	5	GU90706203	34.10	7	GU93180245	34.36	22
GU32735511	33.32	5	GU90706203	34.42	25	GU93222023	33.17	4
GU32738810	33.18	6	GU90706235	34.41	14	GU93231605	33.29	14
GU32747910	33.31	10	GU90706281	34.34	19	GU93231605	34.47	23
GU32750660	33.28	4	GU90706444	34.34	17	GU93301175	33.23	26
GU32750660	33.29	4	GU90706584	34.10	37	GU93301313	33.48	15
GU32750661	33.28	4	GU90714082	33.22	27	GU93305057	34.47	13
GU32750661	33.29	4	GU91113826	33.23	23	GU93305061	33.22	6
GU32753410	33.28	3	GU91120806	33.15	6	GU93305061	34.47	15
GU32753410	33.29	8	GU91180601	33.15	10	GU93450105	33.28	9
GU32753711	33.28	14	GU91181003	33.18	11	GU93450126	33.28	15
GU32753711	33.29	6	GU91181003	33.19	18	GU93450126	33.29	7
GU32753760	33.28	14	GU91181039	33.08	25	GU93450127	33.28	15
GU32753760	33.29	6	GU91551010	33.22	20	GU93450127	33.29	7
GU32766810	33.17	11	GU91551086	33.14	13	GU93450224	33.29	3
GU32768710	34.39	8	GU91551131	33.12	11	GU93450232	33.28	10
GU32768810	34.39	9	GU91600450	34.45	10	GU94321074	33.18	12
GU32781910	33.16	10	GU92201070	34.10	14	GU94321079	34.39	24
GU32782510	33.17	8	GU92201120	34.42	20	GU94321099	34.09	6
GU32782510	33.32	2	GU92201220	34.43	16	GU94321105	34.41	4
GU32909960	33.33	4	GU92201225	34.40	10	GU95004210	33.31	4
GU32944310	33.33	3	GU92204215	34.42	2	GU95005306	33.17	3
GU32999010	34.34	25	GU92204217	33.25	5	GU95005308	33.28	23
GU32999510	34.34	24	GU92204218	33.25	3	GU95005308	34.09	22
GU35214300	34.09	13	GU92204221	33.24	7	GU95005310	33.26	5
GU39094200	33.18	18	GU92218417	34.43	10	GU95005311	33.26	9
GU39238100	34.43	25	GU92230320	34.43	13	GU95005311	33.48	4
GU49609601	33.30	17	GU92234716	34.43	26	GU95005312	33.12	10
GU49609601	33.31	34	GU92249220	34.10	32	GU95005330	33.11	3
GU53429500	33.02	3	GU92249225	33.07	2	GU95008204	33.30	5
GU61027200	34.37	20	GU92249227	34.10	20	GU95008205	33.30	15
GU61036801	34.36	3	GU92251028	34.43	7	GU95008206	34.39	23
GU61038100	34.38	6	GU92252210	34.39	2	GU95008208	33.01	6
GU61054900	34.38	18	GU92252235	34.10	5	GU95008208	34.46	3
GU61108500	33.22	29	GU92296723	34.39	6	GU95008210	33.01	8
GU61270300	34.10	26	GU92602406	34.38	9	GU95008210	33.02	6
GU61270300	34.34	6	GU92602510	34.39	19	GU95008210	34.09	17
GU61270300	34.36	21	GU92603010	34.36	11	GU95008305	33.18	20
GU61270300	34.40	17	GU92606206	33.17	6	GU95008306	33.19	20
GU66103415	33.01	14	GU92606208	34.34	7	GU95008306	33.27	21
GU66530505	33.08	32	GU92606208	34.40	18	GU95020105	33.03	10
GU90271018	34.38	12	GU92606210	33.01	9	GU95021104	33.19	19
GU90271117	34.43	29	GU92606210	33.02	5	GU95021105	33.18	21
GU90271121	34.43	19	GU92606210	33.11	7	GU95021206	33.17	5
GU90271124	34.43	4	GU92606210	34.09	18	GU95021206	33.28	8
GU90272023	34.09	4	GU92606316	33.25	16	GU95021206	33.29	10
GU90272075	34.40	3	GU92606508	34.41	3	GU95100059	33.22	21
GU90274026	34.44	3	GU92606512	34.42	14	GU95100059	33.26	24
GU90353009	34.36	4	GU92606516	34.45	4	GU95100059	33.31	14
GU90353029	34.38	24	GU92609007	33.26	12	GU95100116	34.47	12
GU90353030	34.10	17	GU92630104	33.27	19	GU95100125	34.45	14
GU90400616	34.41	11	GU92630104	33.48	14	GU95100141	33.15	14
GU90402538	33.25	6	GU92630204	33.16	8	GU95100141	33.28	24
GU90402642	33.24	8	GU92630206	33.26	6	GU95100244	34.38	29
GU90402841	34.42	3	GU92630310	33.03	6	GU95100309	34.39	27
GU90402842	34.35	9	GU92630510	33.01	3	GU95100602	34.39	25
GU90403246	34.40	20	GU92630707	33.06	5	GU95100709	34.34	21
GU90403251	34.10	38	GU92640508	33.23	19	GU95129101	33.31	21
GU90403549	34.10	3	GU92660021	33.26	7	GU95129115	34.38	22
GU90407591	34.10	15	GU92787006	33.28	6	GU95129180	34.34	27
GU90706076	34.34	29	GU92787006	33.29	11	GU95129180	34.36	13
GU90706111	34.39	22	GU92787008	33.15	8	GU95129181	33.11	6
GU90706140	34.42	4	GU92787008	34.09	19	GU95129260	33.06	3



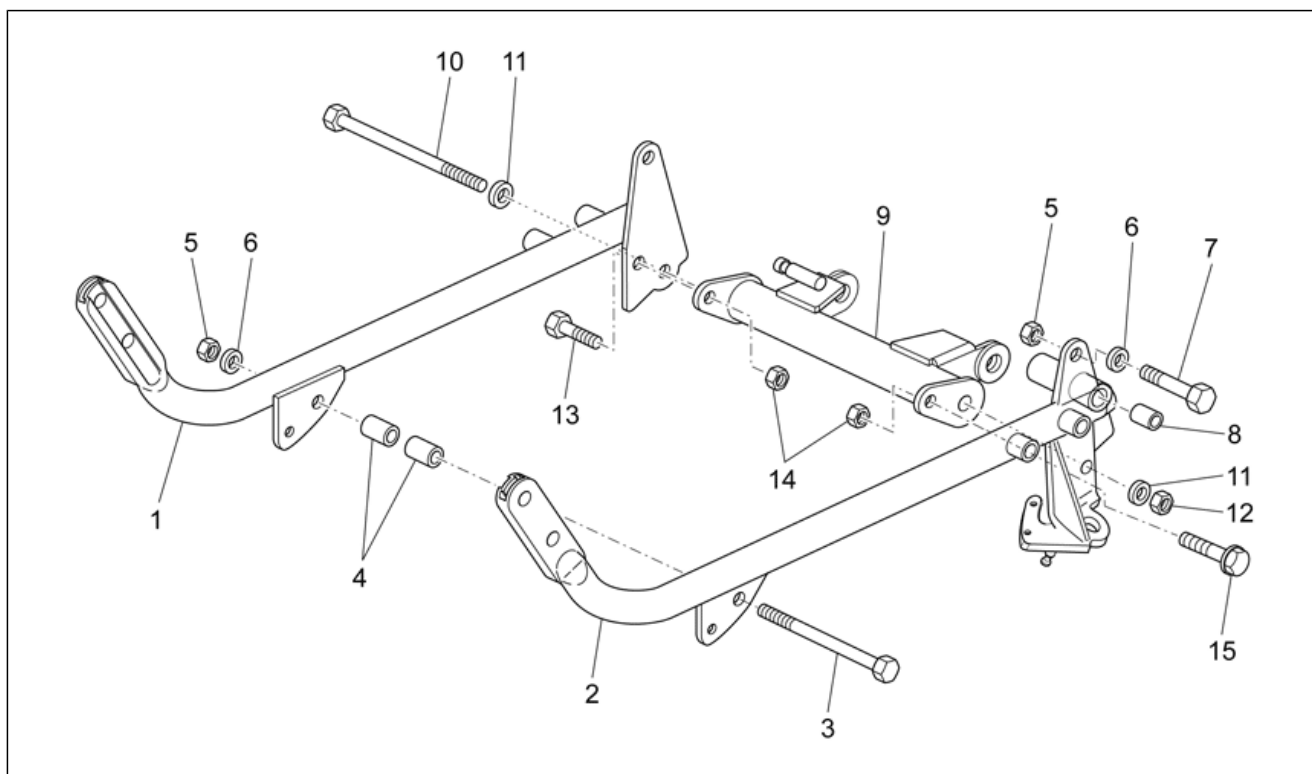
Code	N° de tableau	Pos.	Code	N° de tableau	Pos.
GU95187006	34.39	13	GU98682330	34.40	14
GU95500221	33.26	10	GU98682330	34.42	18
GU95500222	34.41	6	GU98682414	33.01	15
GU95780271	34.41	5	GU98682416	33.05	14
GU96451316	33.27	15	GU98682416	33.17	9
GU96451430	34.34	3	GU98682416	33.32	7
GU96451560	34.34	2	GU98682425	33.25	13
GU96506042	34.36	5	GU98682530	33.01	2
GU96508055	34.10	12	GU98690335	33.11	8
GU96508055	34.34	4	GU98690335	33.18	8
GU96508145	34.36	20	GU98692325	34.36	16
GU96510181	34.36	15	GU98880540	33.28	21
GU96510214	34.36	14	GU98882316	34.38	21
GU97202325	33.18	26			
GU97202435	33.27	9			
GU97270212	34.47	24			
GU973221100027	34.47	25			
GU98052560	33.08	33			
GU98054422	34.38	28			
GU98082435	34.46	2			
GU98082565	33.02	7			
GU98084314	34.39	12			
GU98084314	34.40	12			
GU98084316	34.40	7			
GU98110199	33.01	7			
GU98210612	33.23	27			
GU98230510	33.16	4			
GU98230510	33.18	19			
GU98257410	33.27	18			
GU98257410	33.48	13			
GU98310609	34.47	11			
GU98350215	33.29	12			
GU98350312	34.44	7			
GU98350416	33.01	5			
GU98350440	33.13	3			
GU98370412	33.19	4			
GU98370515	34.47	21			
GU98370609	33.17	2			
GU98370625	33.14	4			
GU98370625	33.26	17			
GU98370655	33.28	7			
GU98370655	33.29	9			
GU98370831	33.15	5			
GU98370831	33.28	22			
GU98612216	33.03	9			
GU98620330	33.08	3			
GU98620335	34.39	7			
GU98620540	33.08	18			
GU98632322	33.06	6			
GU98680125	33.30	4			
GU98680265	34.45	6			
GU98680330	34.35	4			
GU98680335	34.35	8			
GU98680335	34.42	27			
GU98680435	34.40	15			
GU98680435	34.42	19			
GU98680440	33.23	17			
GU98680450	34.40	16			
GU98680545	34.09	16			
GU98680555	33.01	10			
GU98682212	33.30	14			
GU98682212	33.31	13			
GU98682215	33.26	18			
GU98682314	34.42	6			
GU98682322	34.47	9			
GU98682325	34.34	11			
GU98682325	34.35	3			

Groupe	CHASSIS
Code	33.01
Description	Chassis I
Révision	1



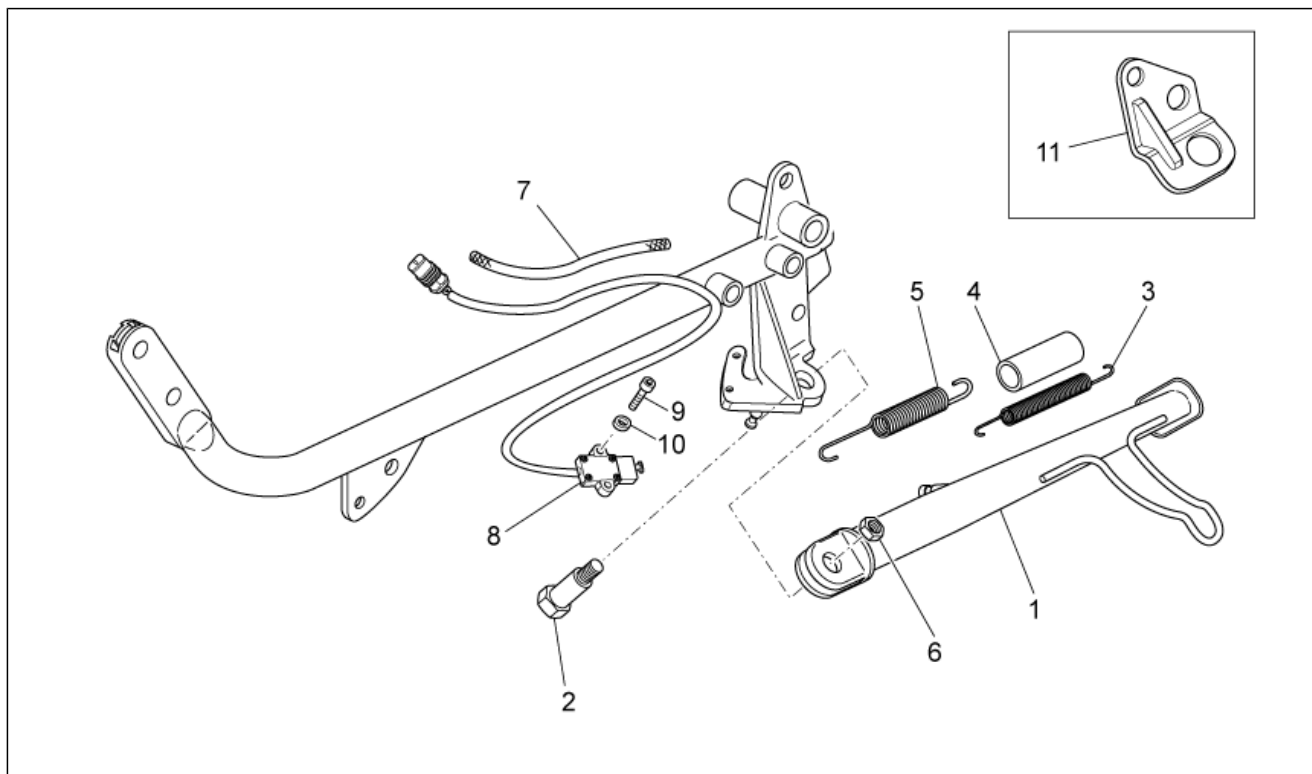
Pos.	Code	Description	Quant	Variants
1	978750	Chassis complete noire	1	
2	GU98682530	Vis M10x30	4	
3	GU92630510	Ecrou M10x1,5	4	
4	GU32418260	Plaque	1	
5	GU98350416	Vis	4	
6	GU95008208	Rondelle 8,4X15X1,5	4	
7	GU98110199	Pivot M10x205	1	
8	GU95008210	Rondelle 10,2X18X2	11	
9	GU92606210	Ecrou M10x1,5	3	
10	GU98680555	Vis M10x55	2	
11	GU32457810	Protection	2	
12	AP8102375	Clip m5	1	
13	GU01103860	Caoutchouc anti-vibrations	1	
14	GU66103415	Caoutchouc	2	
15	GU98682414	Vis	2	
16	GU32575960	Protection	1	
17	AP8152302	Vis bride M5x12	1	
18	978951	Poignée D	1	
19	978952	Poignée g.	1	

Groupe	CHASSIS
Code	33.02
Description	Chassis II
Révision	1



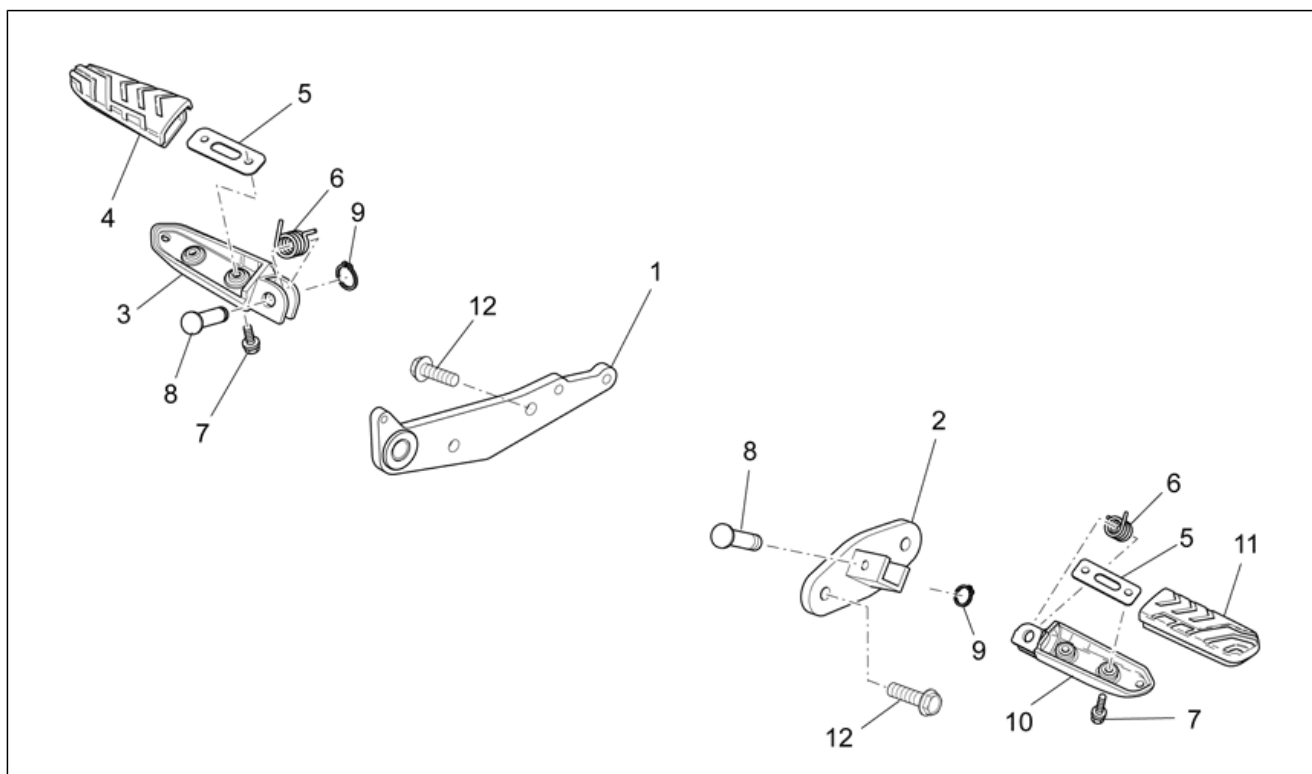
Pos.	Code	Description	Quant	Variants
1	978751	Bras d.noir brillant	1	
2	978752	Bras g.noir brillant	1	
3	GU53429500	Pivot M10x250	1	
4	GU19017000	Bague	2	
5	GU92606210	Ecrou M10x1,5	3	
6	GU95008210	Rondelle 10,2X18X2	3	
7	GU98082565	Vis M10x65	2	
8	GU28252060	Douille 18 mm est.	2	
9	GU32431310	Traverse comm.bras duberceau	1	
10	AP8121367	Pivot M10x260	1	
11	AP8152220	Rondelle	2	
12	AP8150436	Ecrou autofr. bas	1	
13	AP8152287	Vis bride	1	
14	AP8152300	Ecrou autobloqu. M8	1	
15	AP8152288	Vis bride	1	Pays: Australie[AUS], Other country Europe[EU], Japon[J], Angleterre[UK]
15	AP8152289	Vis bride	1	Pays: Canadian[CA], États Unis[USA]

Groupe	CHASSIS
Code	33.03
Description	Béquille latérale
Révision	1



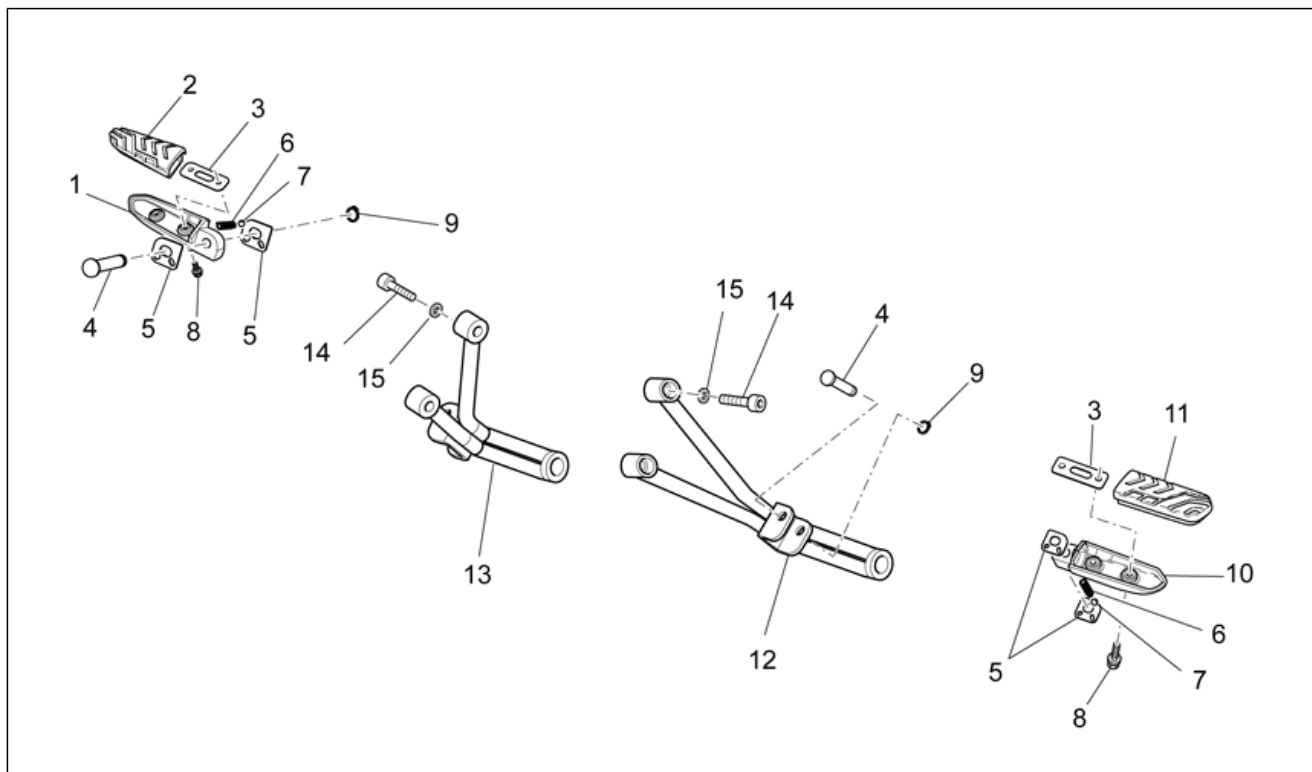
Pos.	Code	Description	Quant	Variants
1	883471	Bras latérale noire	1	Pays:Canadian[CA], États Unis[USA]
1	977088	Bras latérale noire	1	Pays:Australie[AUS], Other country Europe[EU], Japon[J], Angleterre[UK]
2	AP8121375	Vis fix. béquille	1	Pays:Australie[AUS], Other country Europe[EU], Japon[J], Angleterre[UK]
2	AP8121607	Vis fix. béquille	1	Pays:Canadian[CA], États Unis[USA]
3	AP8121014	Ress.hél.cyl.tract. *	1	
4	AP8102524	Protec.ress.béquille	1	
5	AP8221197	Ressort rappel béq.	1	
6	GU32433011	Ecrou	1	Pays:Canadian[CA], États Unis[USA]
6	GU92630310	Ecrou	1	Pays:Australie[AUS], Other country Europe[EU], Japon[J], Angleterre[UK]
7	GU00823923140	Gaine thermique	1	
8	639542	Button for the side stand	1	
9	GU98612216	Vis	2	
10	GU95020105	Rondelle 5,3x8,9x2,4	2	
11	GU32432711	Plaque	1	Pays:Canadian[CA], États Unis[USA]

Groupe	CHASSIS
Code	33.04
Description	R-pied pilote
Révision	1



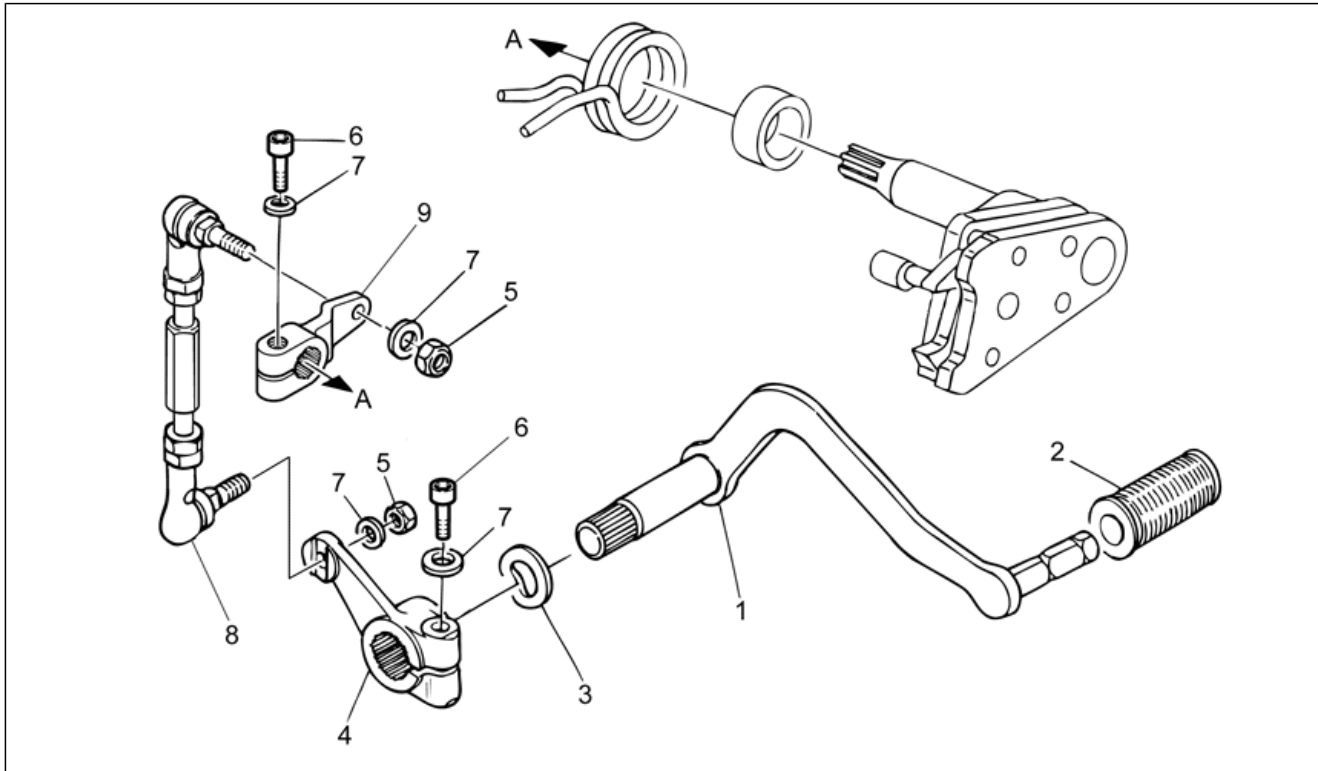
Pos.	Code	Description	Quant	Variants
1	883051	Support repose-pieds dte	1	
2	883052	Support r-p. G	1	
3	AP8145034	R-pied pilote D	1	
4	GU32443210	Coautchouc pour support	1	
5	GU32441210	Plaquette	2	
6	AP8221277	Ressort retour repose-pieds	2	
7	AP8152277	Vis bride M6x12	4	
8	AP8134829	Pivot repose-pieds	2	
9	AP8152409	Anneau d'arrêt rad.	2	
10	AP8145035	R-pied pilote G	1	
11	GU32443211	Coautchouc pour support	1	
12	AP8152286	Vis bride M8x20	4	

Groupe	CHASSIS
Code	33.05
Description	R-pied pass.
Révision	1



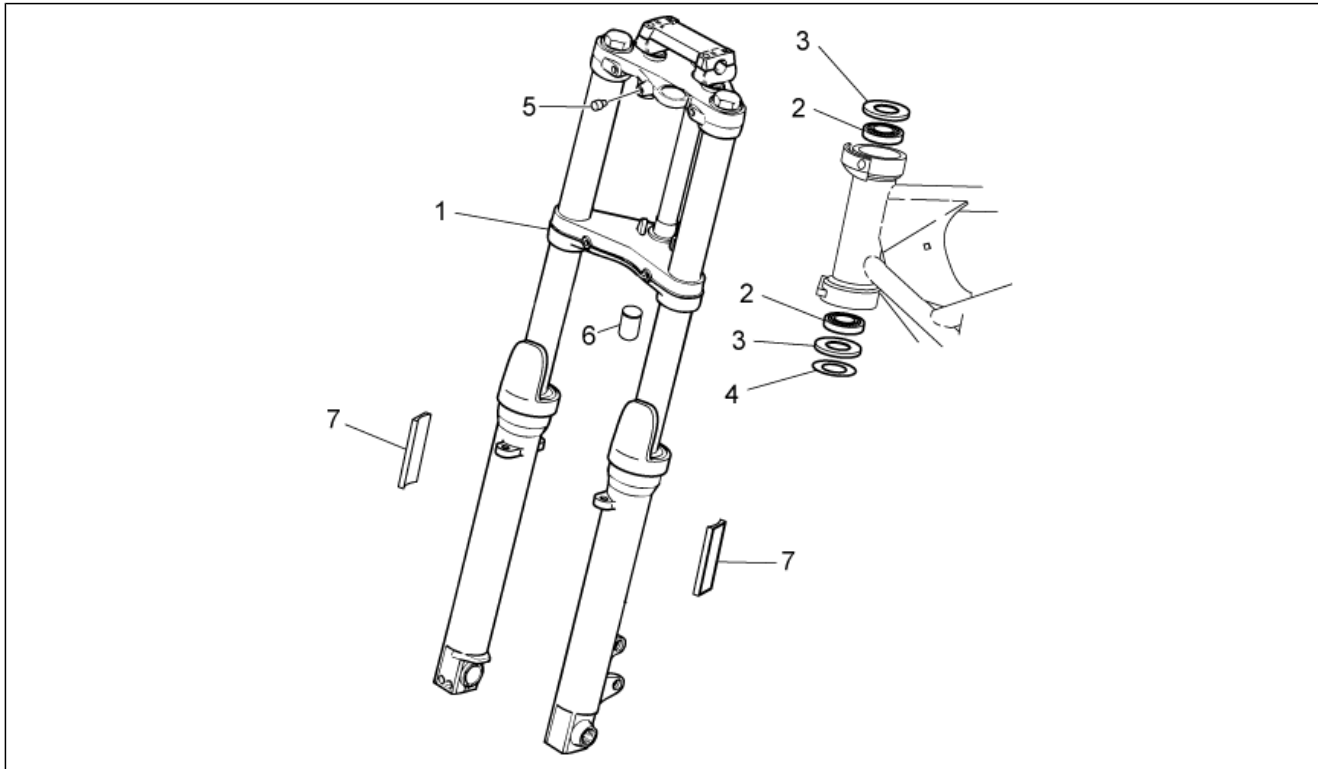
Pos.	Code	Description	Quant	Variants
1	GU32442310	Rep-pieds pass.dte	1	
2	GU32443210	Coatoucou pour support	1	
3	GU32441210	Plaquette	2	
4	AP8134829	Pivot repose-pieds	2	
5	AP8134451	Plaque fdc r-pied	4	
6	AP8121133	Res. hélic. compr	2	
7	AP8101861	Bille D6,35	2	
8	AP8152277	Vis bride M6x12	4	
9	AP8152409	Anneau d'arrêt rad.	2	
10	GU32442710	Rep-p. pass.gche	1	
11	GU32443211	Coatoucou pour support	1	
12	883019	Support r-p. G	1	
13	883015	Support repose-pieds dte	1	
14	GU98682416	Vis	4	
15	GU14615901	Rondelle 8,4X13X0,8	4	

Groupe	CHASSIS
Code	33.06
Description	Levier boîte de vitesses
Révision	1



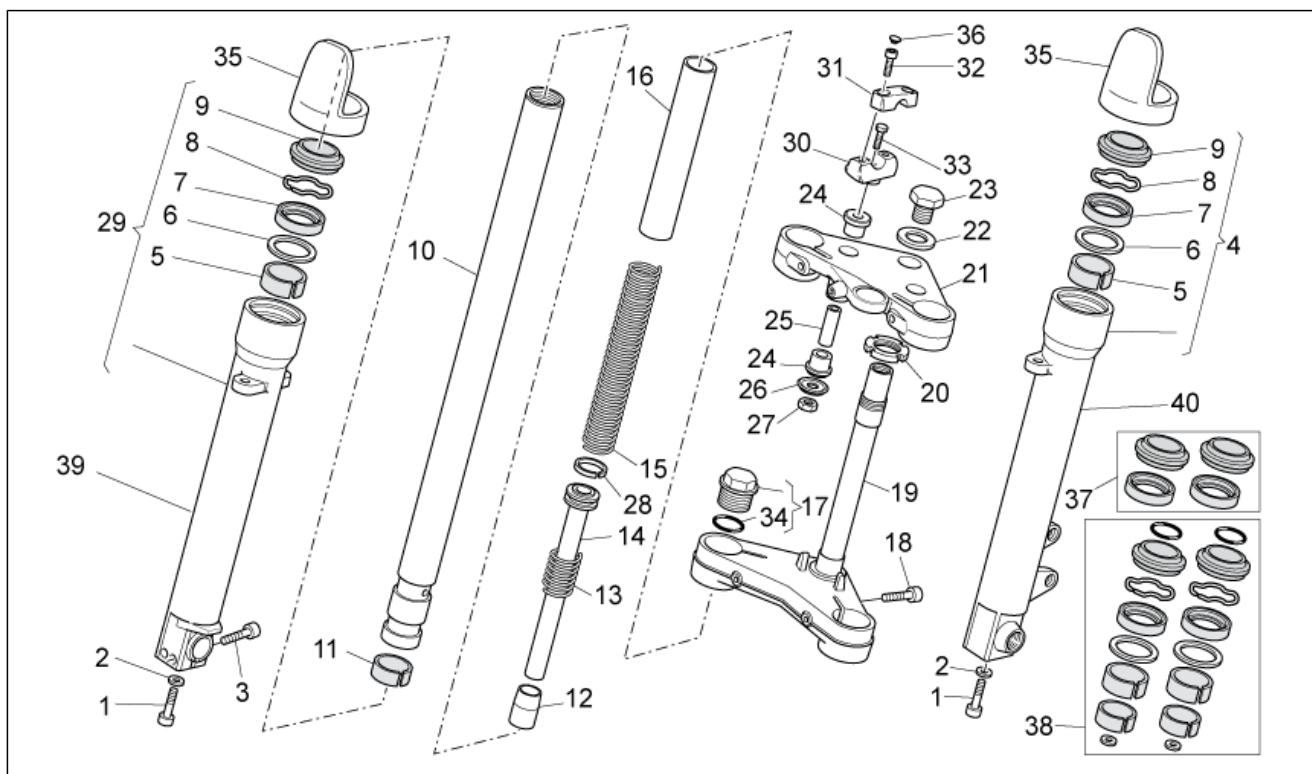
Pos.	Code	Description	Quant	Variants
1	883039	Levier boîte de vitesses	1	
2	GU14251001	Caoutchouc	1	
3	GU95129260	Rondelle élastique	2	
4	GU32256910	Levier	1	
5	GU92630707	Ecrou	2	
6	GU98632322	Vis	2	
7	GU03013800	Rondelle 6,4x12	3	
8	GU32257810	Tirant pour boîte vitesse cpl.	1	
9	GU20258221	Levier de commande	1	

Groupe	CHASSIS
Code	33.07
Description	Fourche Av. I
Révision	1



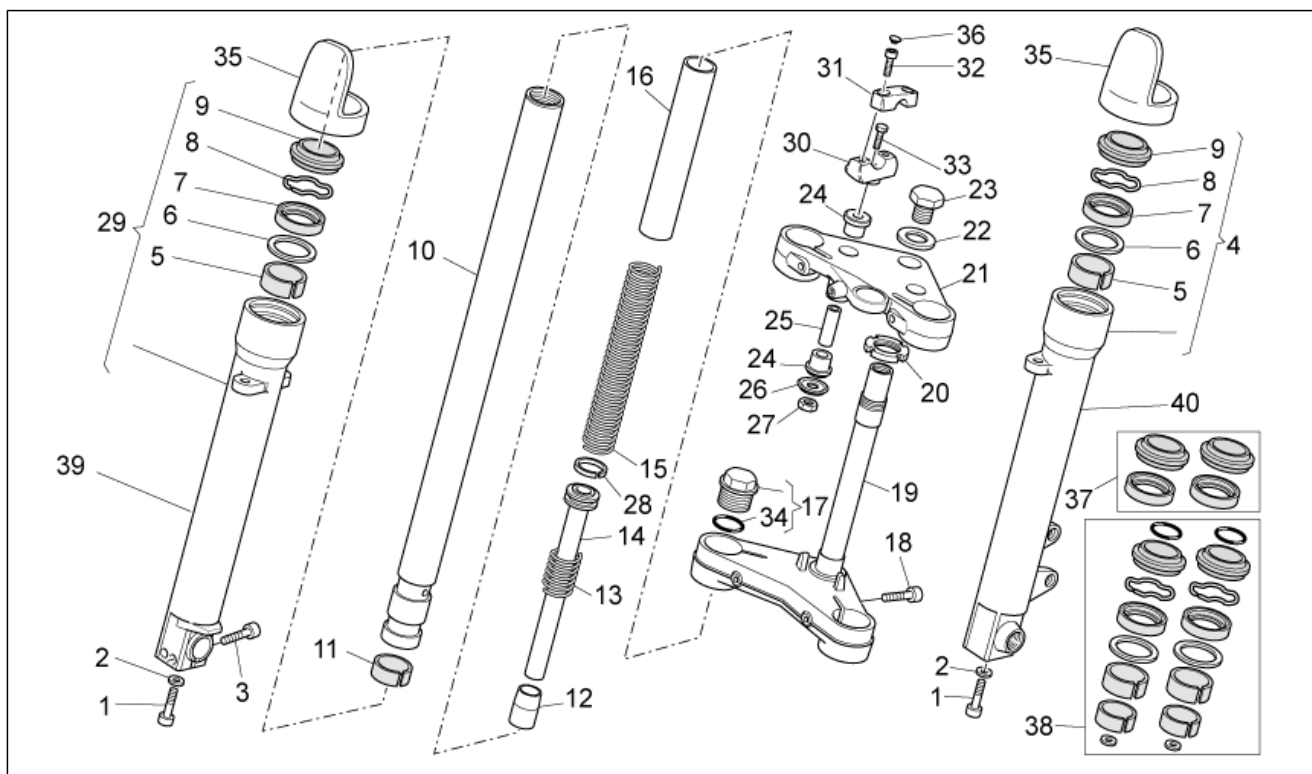
Pos.	Code	Description	Quant	Variants
1	978979	Fourche complète	1	
2	GU92249225	Roulement roul.con.	2	
3	AP8144146	Bague d'étanchéité	1	
4	AP8121307	Rondelle	1	
5	AP8144081	Caoutchouc	1	
6	AP8220460	Rondelle en caoutchouc	1	
7	GU05781630	Catadioptré, ambre	2	Pays:Canadian[CA], États Unis[USA]

Groupe	CHASSIS
Code	33.08
Description	Fourche Av. II
Révision	1



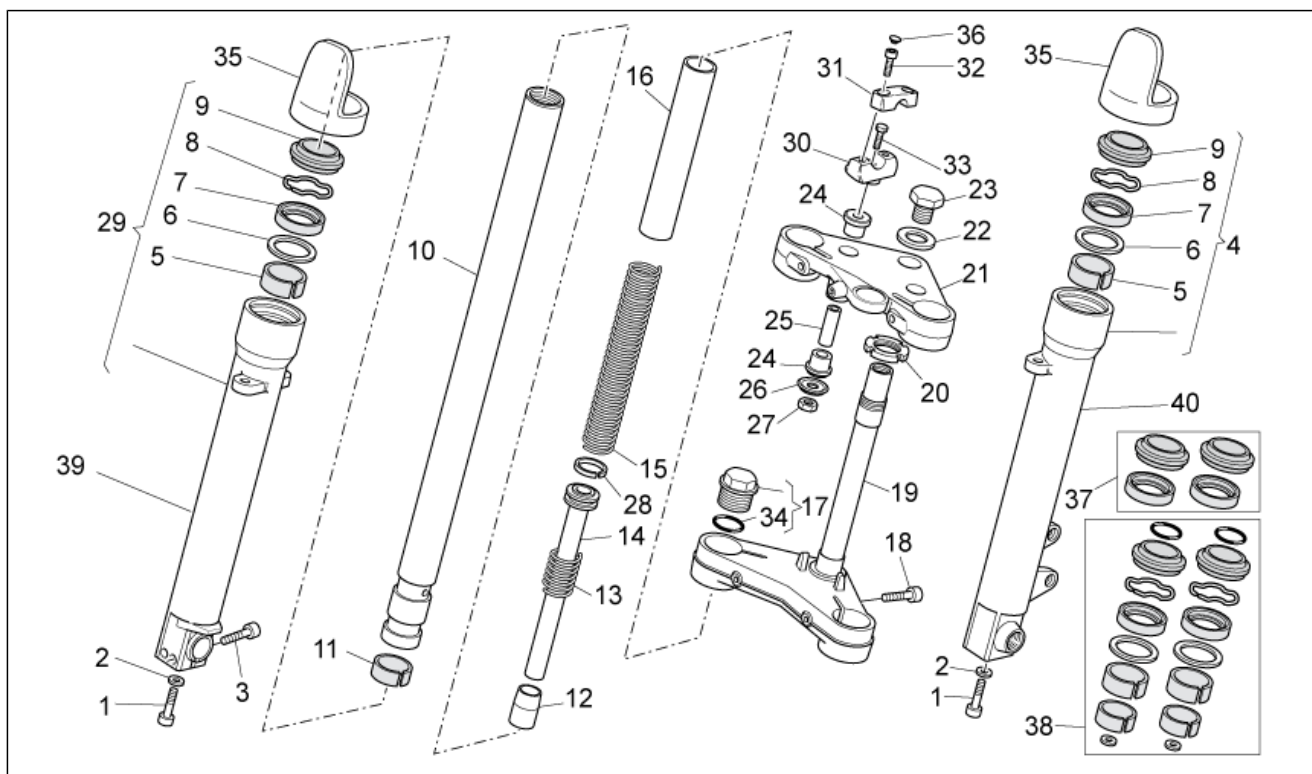
Pos.	Code	Description	Quant	Variants
1	887878	Vis M10x30	2	Spécifications techniques:Kaifa[K]
1	GU03530530	Vis M10x30	2	Spécifications techniques:Marzocchi[M]
2	887879	Rondelle	2	Spécifications techniques:Kaifa[K]
2	GU03530529	Rondelle	2	Spécifications techniques:Marzocchi[M]
3	887880	Vis	2	Spécifications techniques:Kaifa[K]
3	GU98620330	Vis	2	Spécifications techniques:Marzocchi[M]
4	978978	Fourreau G Black	1	Spécifications techniques:Marzocchi[M]
5	887882	Douille supérieure	2	Spécifications techniques:Kaifa[K]
5	GU30526761	Douille supérieure	2	Spécifications techniques:Marzocchi[M]
6	887883	Rondelle	2	Spécifications techniques:Kaifa[K]
6	GU01530568	Rondelle	2	Spécifications techniques:Marzocchi[M]
7	887884	Bague d'étanchéité	2	Spécifications techniques:Kaifa[K]
7	GU27530584	Bague d'étanchéité 40x52x9,5	2	Spécifications techniques:Marzocchi[M]
8	887885	Bague de butée	2	Spécifications techniques:Kaifa[K]
8	GU32530501	Bague de butée	2	Spécifications techniques:Marzocchi[M]
9	887886	Pare-poussière	2	Spécifications techniques:Kaifa[K]
9	GU01530571	Pare-poussière	2	Spécifications techniques:Marzocchi[M]
10	887887	Tige	2	Spécifications techniques:Kaifa[K]
10	GU32525410	Tige	2	Spécifications techniques:Marzocchi[M]
11	887888	Douille	2	Spécifications techniques:Kaifa[K]
11	GU30525861	Douille inférieure	2	Spécifications techniques:Marzocchi[M]
12	887889	Tampon	2	Spécifications techniques:Kaifa[K]
12	GU03530551	Tampon	2	Spécifications techniques:Marzocchi[M]
13	887890	Contre-ressort	2	Spécifications techniques:Kaifa[K]
13	GU32530502	Contre-ressort	2	Spécifications techniques:Marzocchi[M]
14	887891	Elém.pompage cpl	2	Spécifications techniques:Kaifa[K]
14	GU32530503	Elém.pompage cpl	2	Spécifications techniques:Marzocchi[M]
15	887892	Ressort	2	Spécifications techniques:Kaifa[K]

Groupe	CHASSIS
Code	33.08
Description	Fourche Av. II
Révision	1



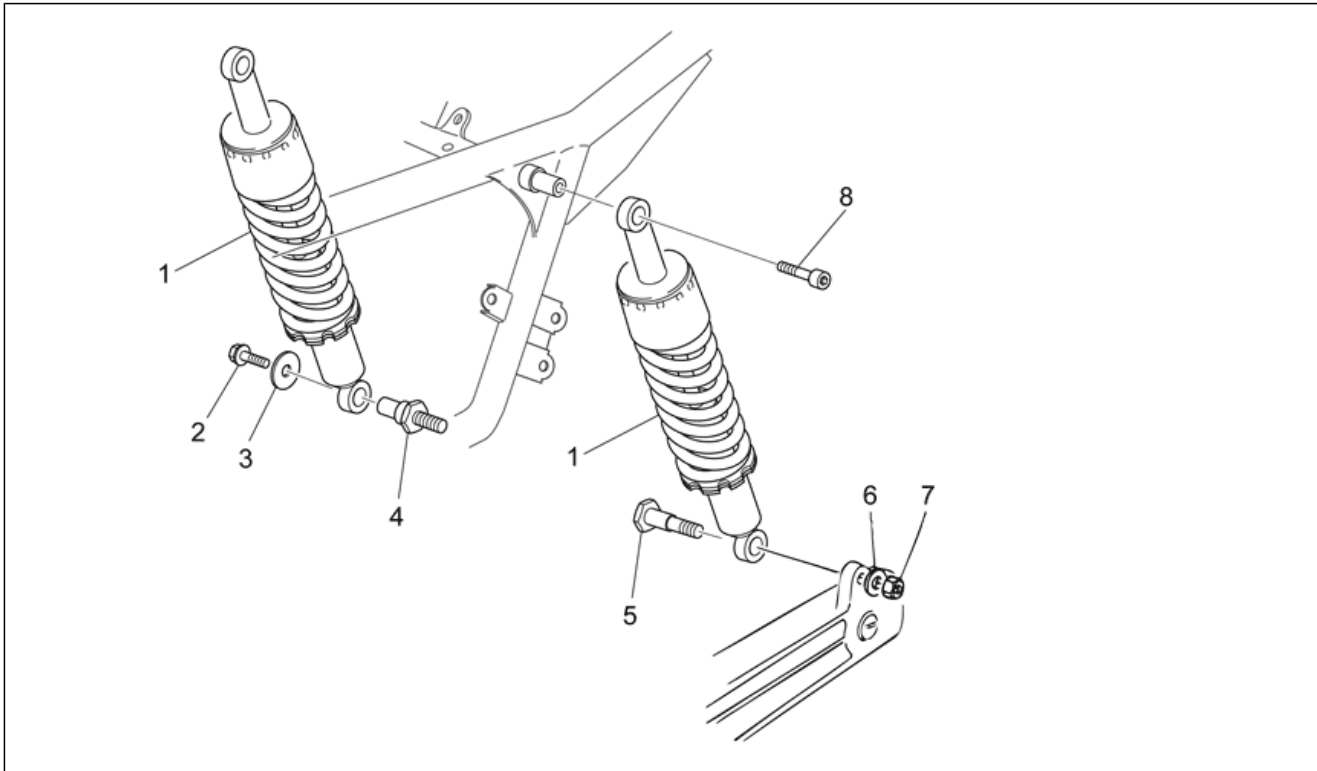
Pos.	Code	Description	Quant	Variants
15	GU32526610	Ressort	2	Spécifications techniques:Marzocchi[M]
16	887893	Tuyau	2	Spécifications techniques:Kaifa[K]
16	GU32526310	Tuyau	2	Spécifications techniques:Marzocchi[M]
17	887894	Gr. bouchon cpl.	2	Spécifications techniques:Kaifa[K]
17	GU31504583	Gr. bouchon cpl.	2	Spécifications techniques:Marzocchi[M]
18	887895	Vis	2	Spécifications techniques:Kaifa[K]
18	GU98620540	Vis	2	Spécifications techniques:Marzocchi[M]
19	887896	Base avec tube	1	Spécifications techniques:Kaifa[K]
19	978974	Base avec tube Black	1	Spécifications techniques:Marzocchi[M]
20	GU31513480	Bague M25X1	1	Spécifications techniques:Marzocchi[M]
21	887898	Plaque supérieure	1	Spécifications techniques:Kaifa[K]
21	978976	Plaque sup. fourche	1	Spécifications techniques:Marzocchi[M]
22	887899	Rondelle	1	Spécifications techniques:Kaifa[K]
22	GU27530510	Rondelle	1	Spécifications techniques:Marzocchi[M]
23	887900	Ecrou	1	Spécifications techniques:Kaifa[K]
23	GU30512830	Ecrou M20x1,5	1	Spécifications techniques:Marzocchi[M]
24	887901	Caoutchouc	2	Spécifications techniques:Kaifa[K]
24	GU32530506	Caoutchouc	4	Spécifications techniques:Marzocchi[M]
25	887902	Entretoise	2	Spécifications techniques:Kaifa[K]
25	GU91181039	Entretoise	2	Spécifications techniques:Marzocchi[M]
26	887903	Rondelle	2	Spécifications techniques:Kaifa[K]
26	GU27530505	Rondelle	2	Spécifications techniques:Marzocchi[M]
27	887904	Ecrou	2	Spécifications techniques:Kaifa[K]
27	GU27530506	Ecrou	2	Spécifications techniques:Marzocchi[M]
28	887905	Segment	2	Spécifications techniques:Kaifa[K]
28	GU32530504	Segment	2	Spécifications techniques:Marzocchi[M]
29	978977	Fourreau D	1	Spécifications techniques:Marzocchi[M]
30	887912	Cavalier inf.	2	Spécifications techniques:Kaifa[K]

Groupe	CHASSIS
Code	33.08
Description	Fourche Av. II
Révision	1



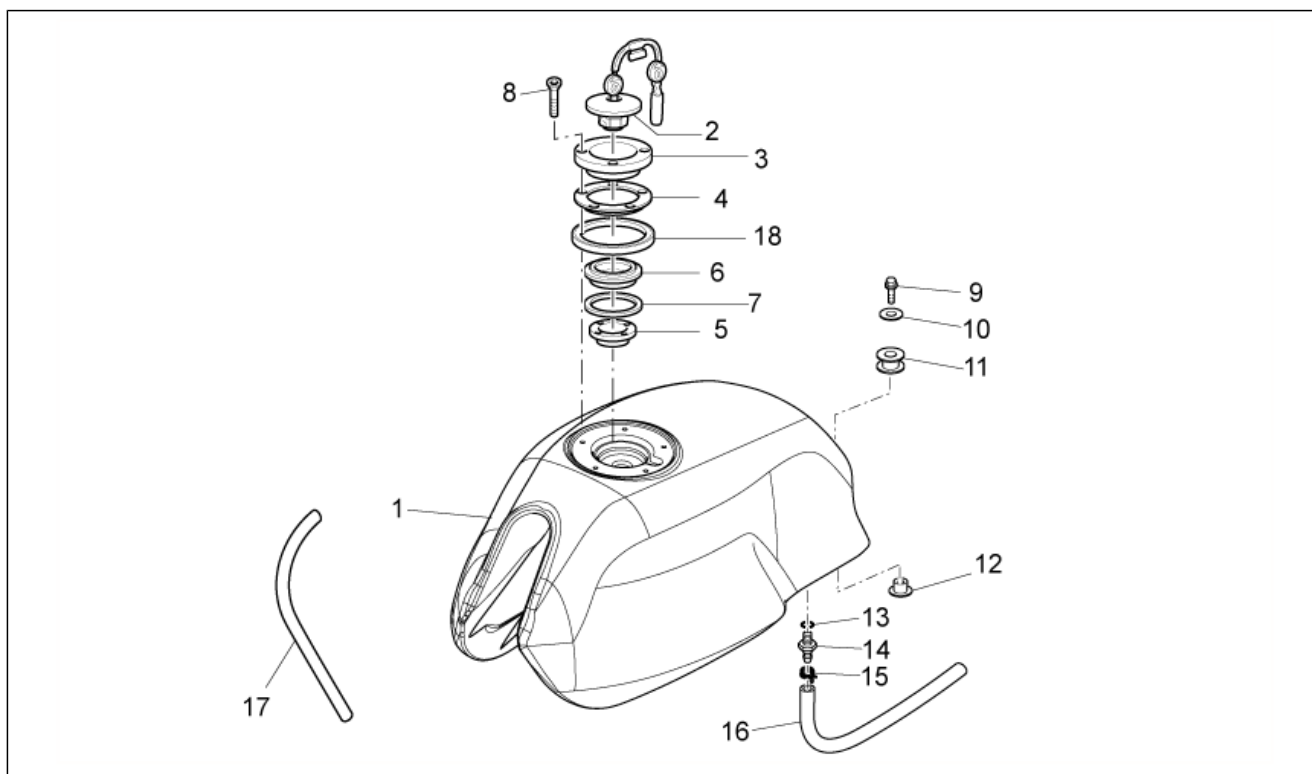
Pos.	Code	Description	Quant	Variants
30	978972	Cavalier inf.	2	Spécifications techniques:Marzocchi[M]
31	887913	Cavalier sup.	2	Spécifications techniques:Kaifa[K]
31	978973	Cavalier sup.	2	Spécifications techniques:Marzocchi[M]
32	887914	Vis M8x30	4	Spécifications techniques:Kaifa[K]
32	GU66530505	Vis M8x30	4	Spécifications techniques:Marzocchi[M]
33	887915	Vis M10x60	2	Spécifications techniques:Kaifa[K]
33	GU98052560	Vis M10x60	2	Spécifications techniques:Marzocchi[M]
34	887916	Joint torique 4118	2	Spécifications techniques:Kaifa[K]
34	GU32530505	Joint torique 4118	2	Spécifications techniques:Marzocchi[M]
35	887917	Prot. Tige	2	Spécifications techniques:Kaifa[K]
35	GU32504210	Prot. Tige	2	Spécifications techniques:Marzocchi[M]
36	887918	Bouchon	4	Spécifications techniques:Kaifa[K]
36	GU23943410	Bouchon	8	Spécifications techniques:Marzocchi[M]
37	GU32530610	Jeu de joints	1	Spécifications techniques:Marzocchi[M]
38	GU32530611	Kit moteur spi	1	Spécifications techniques:Marzocchi[M]
39	887906	Fourreau D	1	Spécifications techniques:Kaifa[K]
40	887881	Fourreau G	1	Spécifications techniques:Kaifa[K]

Groupe	CHASSIS
Code	33.11
Description	Amortisseur AR
Révision	1



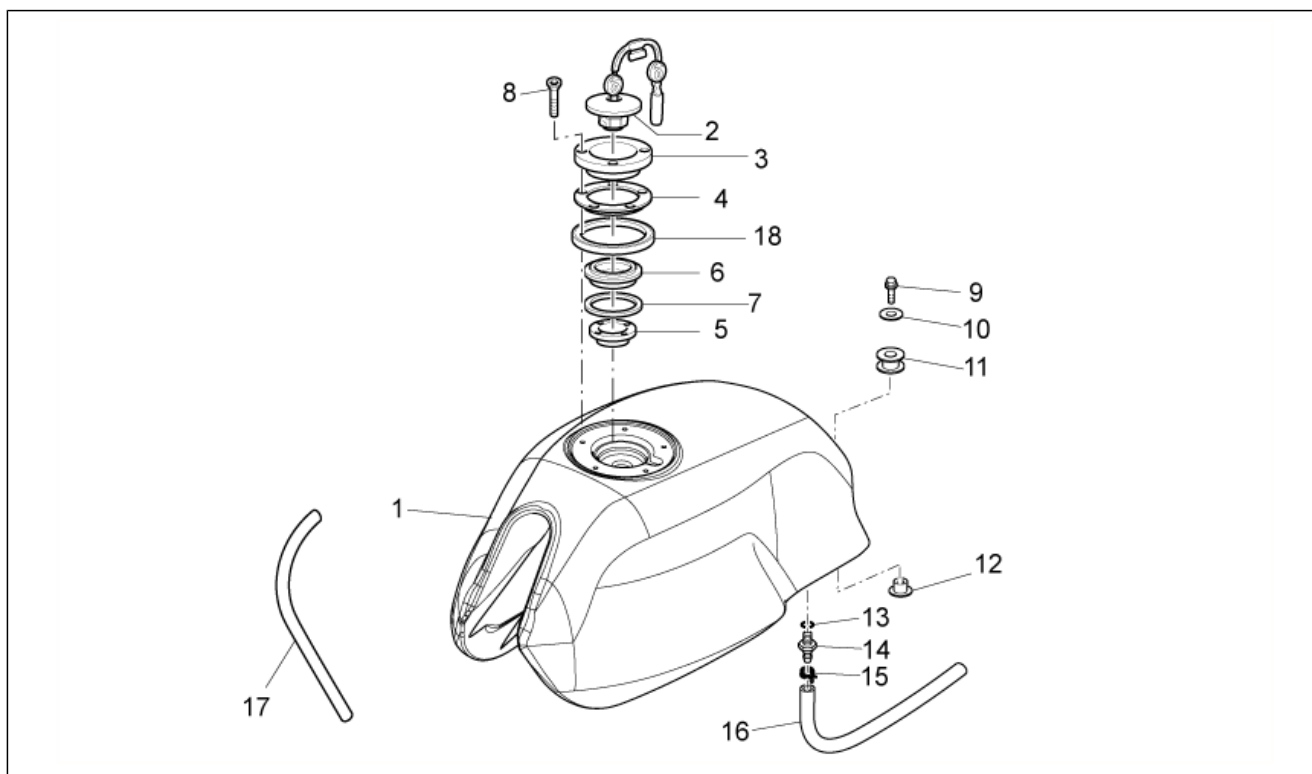
Pos.	Code	Description	Quant	Variants
1	883003	Amortisseur AR SACHS	2	
2	AP8152278	Vis bride M6x16	1	
3	GU95005330	Rondelle 6,4x30x1,5	1	
4	GU32555210	Pivot	1	
5	GU32555211	Pivot	1	
6	GU95129181	Rondelle	1	
7	GU92606210	Ecrou M10x1,5	1	
8	GU98690335	Vis	2	

Groupe	CHASSIS
Code	33.12
Description	Réservoir essence
Révision	1



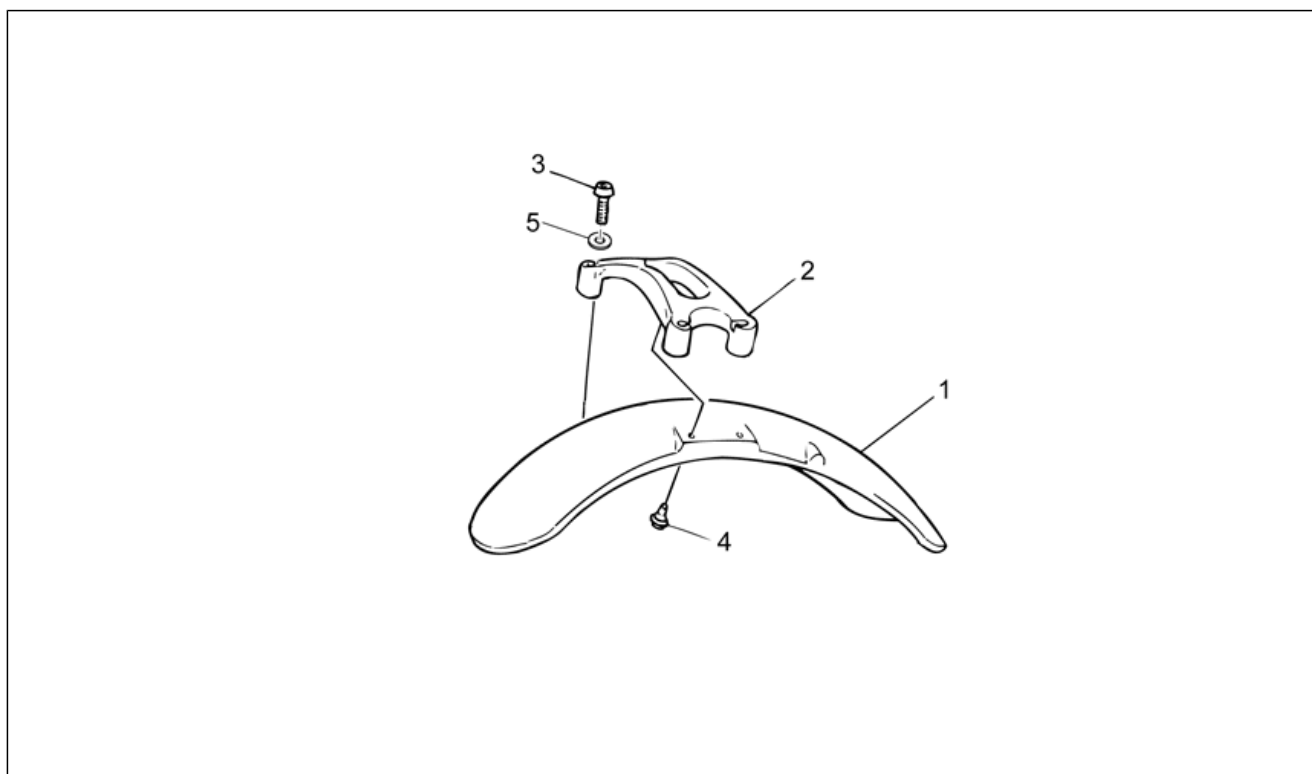
Pos.	Code	Description	Quant	Variants
1	883469	Réservoir brut	1	Année: 2009[9], 2010[A], 2011[B] Pays: Canadian[CA], États Unis[USA]
1	88346900BM	Réservoir carburant blanc	1	Couleur véhicule: White diamond 2008[d.wh.] Pays: Canadian[CA], États Unis[USA]
1	88346900Y02	Réservoir noir	1	Couleur véhicule: Guzzi Black 2008-2010[g/bl] Pays: États Unis[USA]
1	88701900XR7	Réservoir rouge	1	Année: 2011[B] Couleur véhicule: Rosso Ibis 887017[red] Pays: Other country Europe[EU]
1	887944	Réservoir brut	1	Année: 2012[C] Pays: Canadian[CA], États Unis[USA]
1	88798700Y02	Réservoir noir	1	Année: 2012[C] Couleur véhicule: Nero Guzzi 2011-2012[black] Pays: Canadian[CA], États Unis[USA]
1	978928	Réservoir brut	1	Pays: Australie[AUS], Other country Europe[EU], Japon[J], Angleterre[UK]
1	97892800BM	Réservoir carburant blanc	1	Couleur véhicule: White diamond 2008[d.wh.] Pays: Australie[AUS], Other country Europe[EU], Japon[J], Angleterre[UK]
1	97892800Y02	Réservoir noir	1	Couleur véhicule: Guzzi Black 2008-2010[g/bl] Pays: Australie[AUS], Other country Europe[EU], Japon[J], Angleterre[UK]
1	B06304700XR7	Réservoir rouge	1	Année: 2012[C] Couleur véhicule: rosso 2001/2012[g/red] Pays: Canadian[CA], États Unis[USA]
2	883185	Bouchon réservoir	1	Pays: Australie[AUS], Other country Europe[EU], Japon[J], Angleterre[UK]
2	883476	Bouchon réservoir	1	Année: 2009[9], 2010[A], 2011[B] Pays: Canadian[CA], États Unis[USA]
3	978929	Bride	1	Année: 2009[9], 2010[A], 2011[B]
3	GU03101900	Bride	1	Année: 2012[C] Pays: Canadian[CA], États Unis[USA]
4	883193	Joint	1	Année: 2009[9], 2010[A], 2011[B]

Groupe	CHASSIS
Code	33.12
Description	Réservoir essence
Révision	1



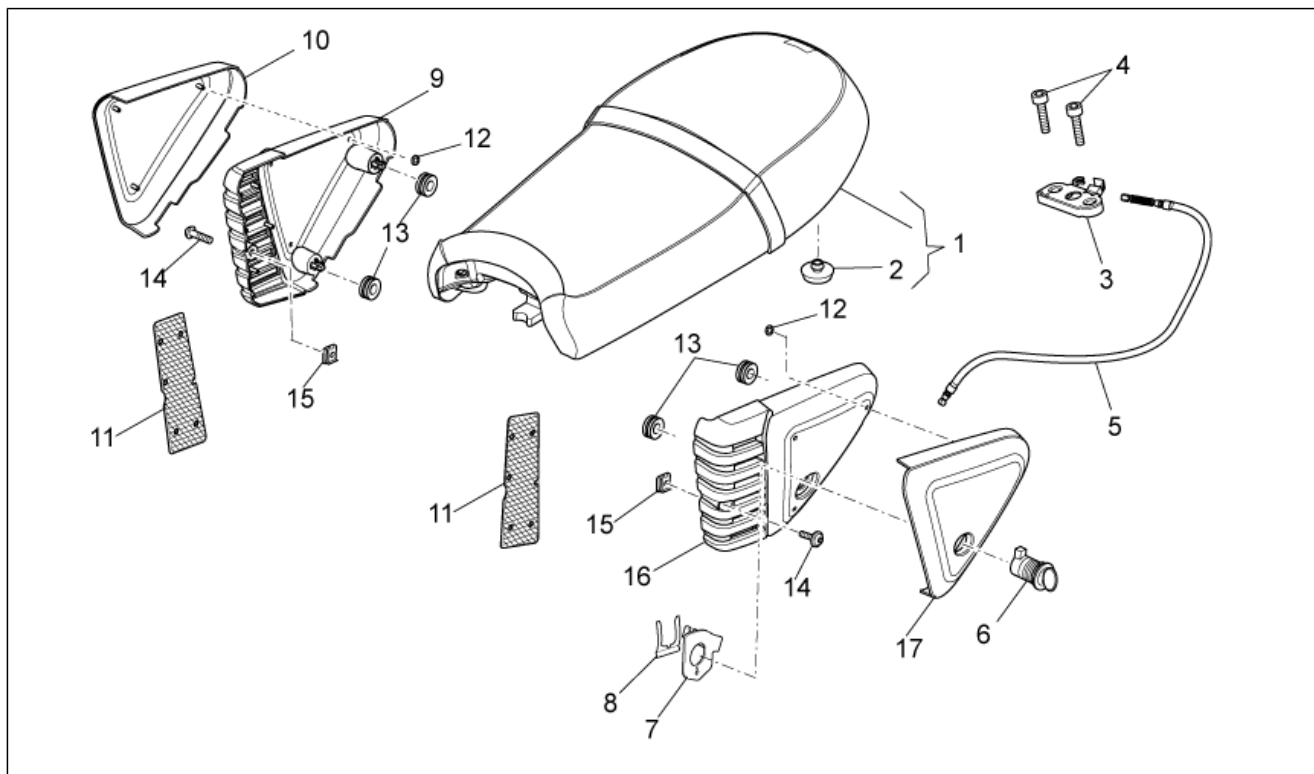
Pos.	Code	Description	Quant	Variants
4	GU03103500	Bague	1	Année:2012[C] Pays:Canadian[CA], États Unis[USA]
5	GU03101720	Reduction 38 mm	1	
6	GU03102200	Embout pour bouchon	1	
7	GU03101600	Joint	1	
8	825727	Vis FHC	5	Année:2009[9], 2010[A], 2011[B]
8	GU03103200	Vis	5	Année:2012[C] Pays:Canadian[CA], États Unis[USA]
9	AP8152291	Vis bride	1	
10	GU95005312	Rondelle 8,5x24x2	1	
11	GU02107100	Caoutchouc	1	Année:2009[9], 2010[A], 2011[B] Pays:Australie[AUS], Canadian[CA], Other country Europe[EU], Japon[J], Angleterre[UK], États Unis[USA]
11	GU91551131	Caoutchouc	1	Année:2012[C] Pays:Canadian[CA], États Unis[USA]
12	883252	Entretoise	1	Année:2009[9], 2010[A], 2011[B] Pays:Australie[AUS], Canadian[CA], Other country Europe[EU], Japon[J], Angleterre[UK], États Unis[USA]
12	AP8221128	Douille en "T" 8,5x10,7x12	1	Année:2012[C] Couleur véhicule:Rosso Ibis 887017[red] Pays:Canadian[CA], États Unis[USA]
13	AP8120965	Joint torique 2018	1	
14	GU30103730	Raccord	1	
15	AP8101595	Collier D10,1*	1	
16	GU00823944050	Tuyau 5X9	1	
17	GU00823931070	Joint	1	Année:2012[C] Pays:Canadian[CA], États Unis[USA]
18	GU03102400	Joint	1	Année:2012[C] Pays:Canadian[CA], États Unis[USA]

Groupe	CHASSIS
Code	33.13
Description	Carrosserie av. - Garde-boue AV
Révision	1



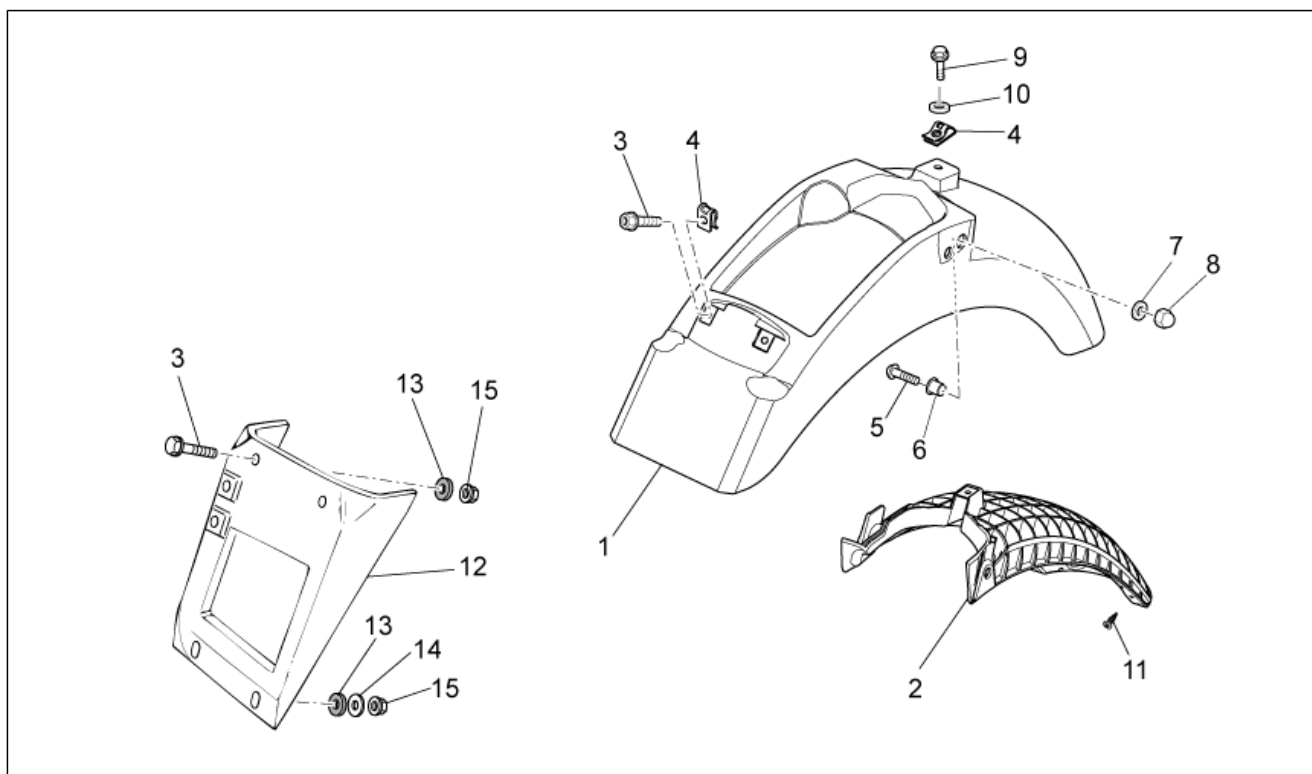
Pos.	Code	Description	Quant	Variants
1	GU32434460	Garde-boue av.brut	1	
1	GU32434460BM	Garde-boue av.blanc	1	Couleur véhicule:White diamond 2008[d.wh.]
1	GU32434462	Garde-b AV.noir	1	Année:2010[A], 2011[B] Couleur véhicule:Guzzi Black 2008-2010[g/bl], Rosso Ibis 887017[red]
2	883266	Plaque de stabilisation	1	
3	GU98350440	Vis	4	
4	GU31439565	Vis	4	
5	GU14615901	Rondelle 8,4X13X0,8	4	

Groupe	CHASSIS
Code	33.14
Description	Selle-Carosserie cent.
Révision	1



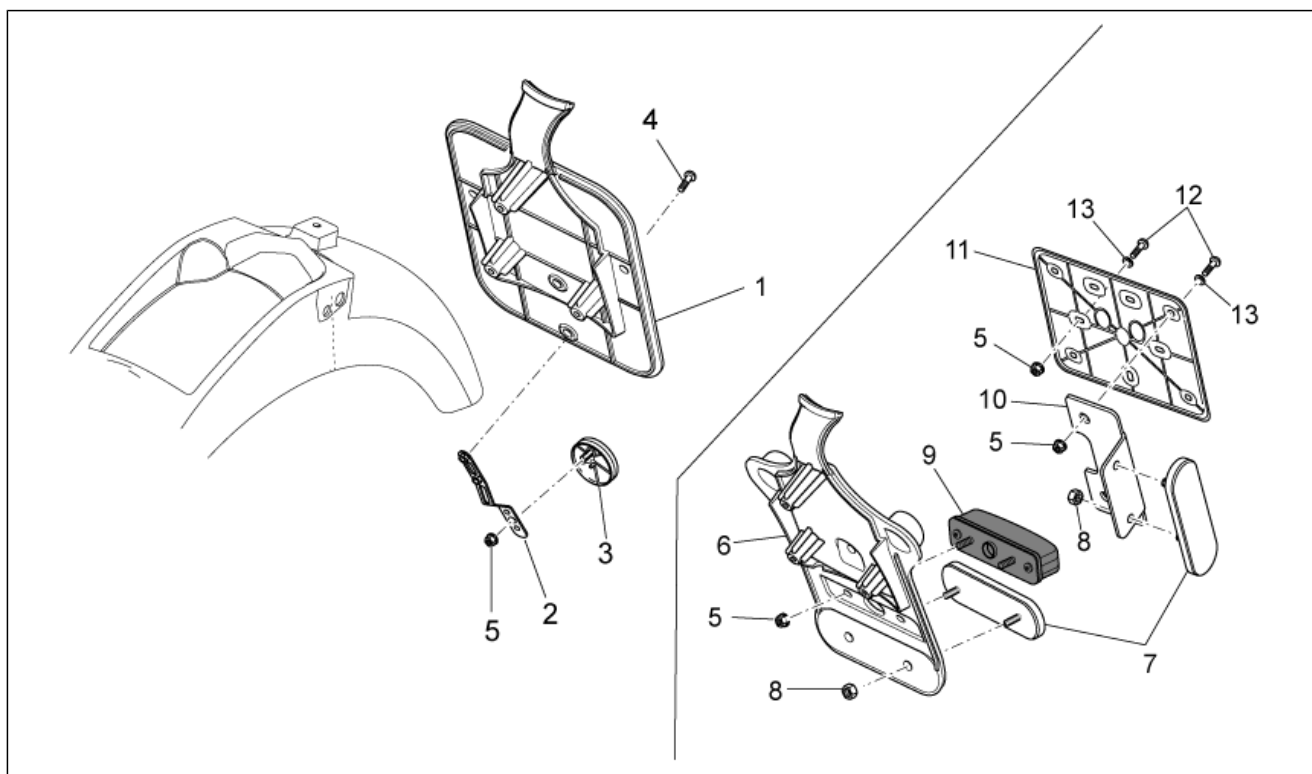
Pos.	Code	Description	Quant	Variants
1	978931	Selle deux places	1	
2	GU32461610	Caoutchouc	10	
3	AP8102913	Pl.fix.selle pass.	1	
4	GU98370625	Vis	2	
5	883295	Transmission décrochement sell	1	
6	977527	Serrure selle	1	
7	AP8121420	Ressort à fourche	1	
8	978415	Plaque support câble	1	
9	978941	Support droite	1	
10	88702000XR7	Flanc D, rouge	1	Année:2011[B] Couleur véhicule:Rosso Ibis 887017[red]
10	97894000BM	Flanc D, blanc	1	Couleur véhicule:White diamond 2008[d.wh.]
10	97894000Y02	Flanc D, noir	1	Couleur véhicule:Guzzi Black 2008-2010[g/bl]
11	978942	Grille	2	
12	AP8150450	Rondelle pour arbres D5	1	
13	GU91551086	Caoutchouc	4	
14	AP8152339	Vis bride M5x9	2	
15	AP8102375	Clip m5	2	
16	978944	Support gauche	1	
17	88702100XR7	Flanc G, rouge	1	Année:2011[B] Couleur véhicule:Rosso Ibis 887017[red]
17	97894300BM	Flanc G, blanc	1	Couleur véhicule:White diamond 2008[d.wh.]
17	97894300Y02	Flanc G, noir	1	Couleur véhicule:Guzzi Black 2008-2010[g/bl]

Groupe	CHASSIS
Code	33.15
Description	Carrosserie arrière I- Garde-boue
Révision	1



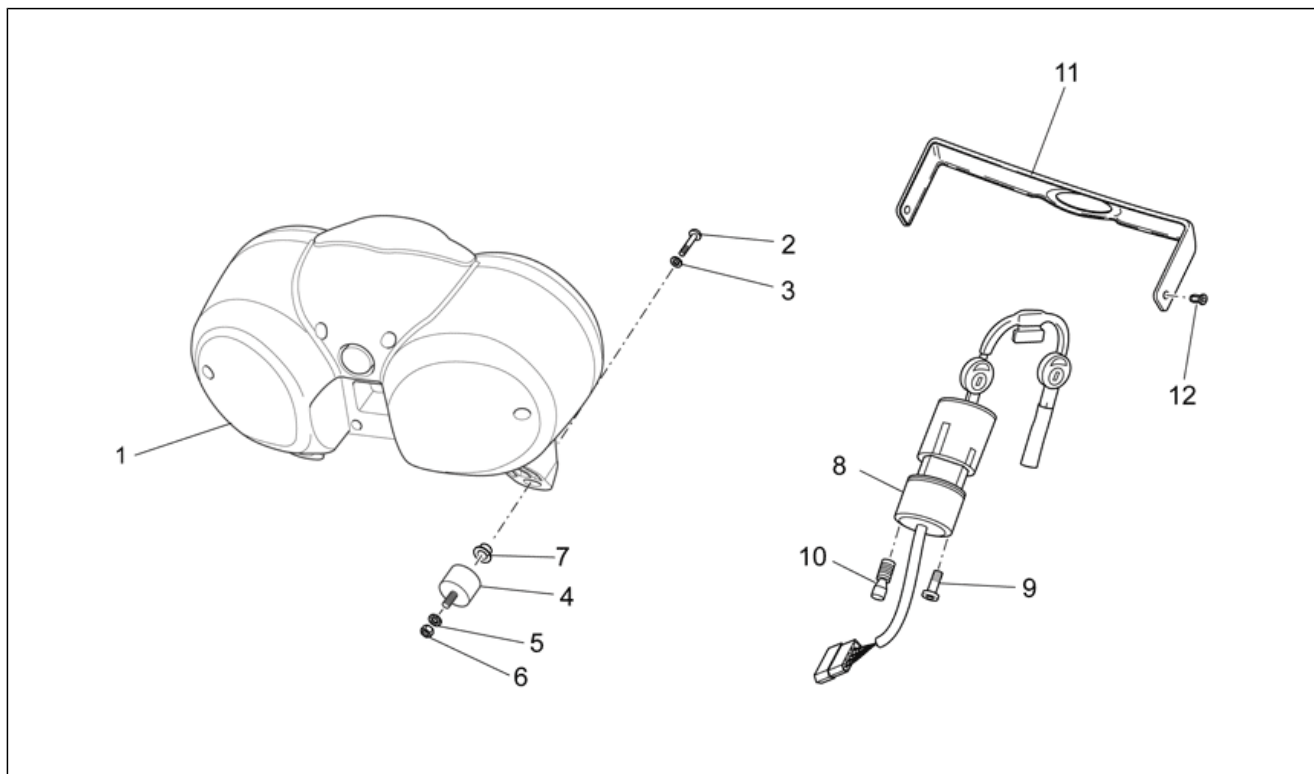
Pos.	Code	Description	Quant	Variants
1	97894600BM	Garde-boue arrière blanc	1	Couleur véhicule: White diamond 2008[d.wh.]
1	97894600Y02	Garde-boue arrière noir	1	Couleur véhicule: Guzzi Black 2008-2010[g/bl], Rosso Ibis 887017[red]
2	978947	Soutien	1	
3	AP8152278	Vis bride M6x16	4	
4	GU28576591	Clip M6	3	
5	GU98370831	Vis M8x30	2	
6	GU91120806	Entretoise	2	
7	GU03270300	Rondelle 8,4x15	2	
8	GU92787008	Ecrou borgne M8x1,25	2	
9	AP8152279	Vis bride M6x20	2	
10	GU91180601	Entretoise 6,2x8x3	2	
11	AP8152329	Vis SWP crois. brid. M5x20	3	
12	GU31438765	Bavette anti-éclaboussures	1	
13	GU93110060	Caoutchouc	4	
14	GU95100141	Rondelle 6,4x12x1,2	2	
15	AP8152299	Ecrou autobloqu. M6	4	

Groupe	CHASSIS
Code	33.16
Description	Carrosserie arrière II- Porte-plaque
Révision	1



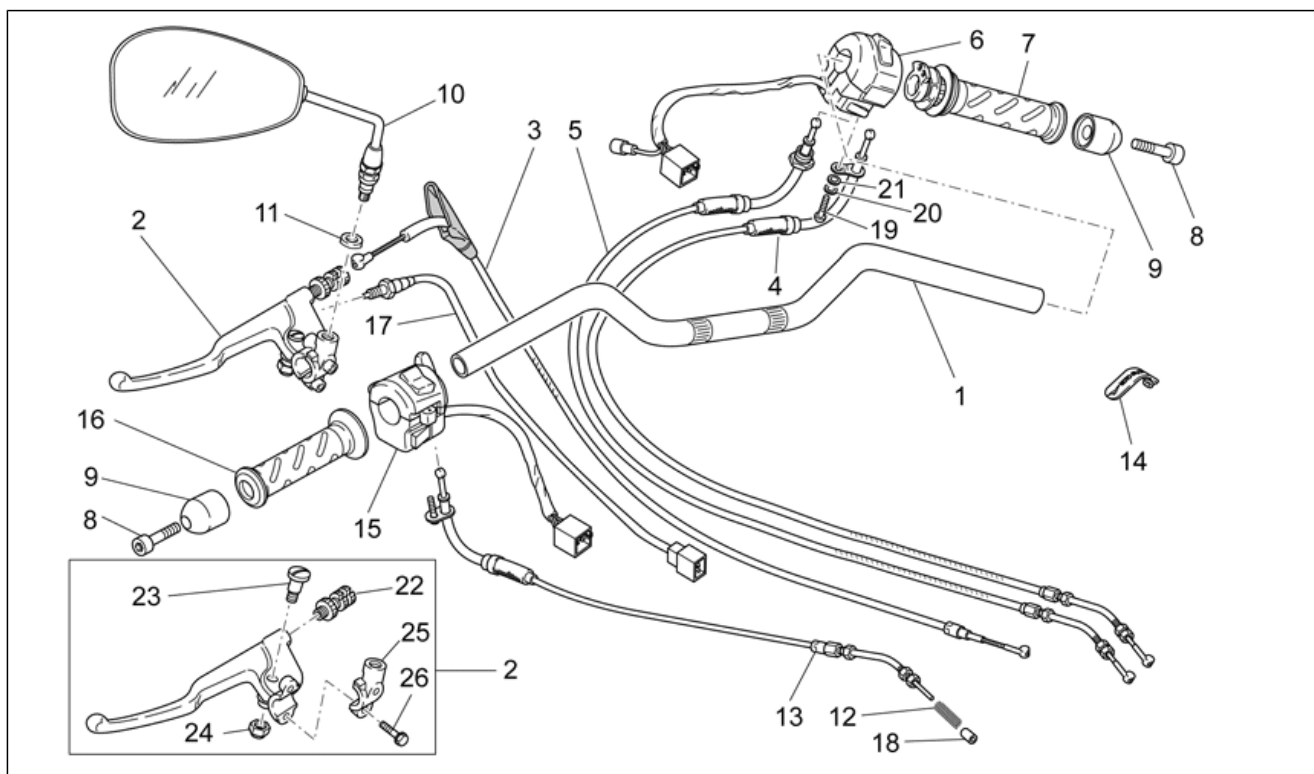
Pos.	Code	Description	Quant	Variants
1	978949	Porte-plaque	1	Pays: Australie[AUS], Other country Europe[EU], Japon[J], Angleterre[UK]
2	AP8134448	Support catadioptré	1	Pays: Australie[AUS], Other country Europe[EU], Japon[J], Angleterre[UK]
3	AP8224164	Catadioptré arrière, rouge	1	Pays: Australie[AUS], Other country Europe[EU], Japon[J], Angleterre[UK]
4	GU98230510	Vis	2	Pays: Australie[AUS], Other country Europe[EU], Japon[J], Angleterre[UK]
5	AP8152306	Ecrou autobloqu. m5	10	
6	883470	Porte-plaque	1	Pays: Canadian[CA], États Unis[USA]
7	AP8124718	Catadioptré arrière, rouge	3	Pays: Canadian[CA], États Unis[USA]
8	GU92630204	Ecrou	6	Pays: Canadian[CA], États Unis[USA]
9	883480	Feu de plaque	1	Pays: Canadian[CA], États Unis[USA]
10	GU32781910	Support catadioptré	2	Pays: Canadian[CA], États Unis[USA]
11	AP8149034	Support plaque	1	Pays: Canadian[CA], États Unis[USA]
12	AP8152268	Vis	7	Pays: Canadian[CA], États Unis[USA]
13	AP8150248	Rondelle 5,5x15x1,6	7	Pays: Canadian[CA], États Unis[USA]

Groupe	CHASSIS
Code	33.17
Description	Tableau de bord
Révision	1



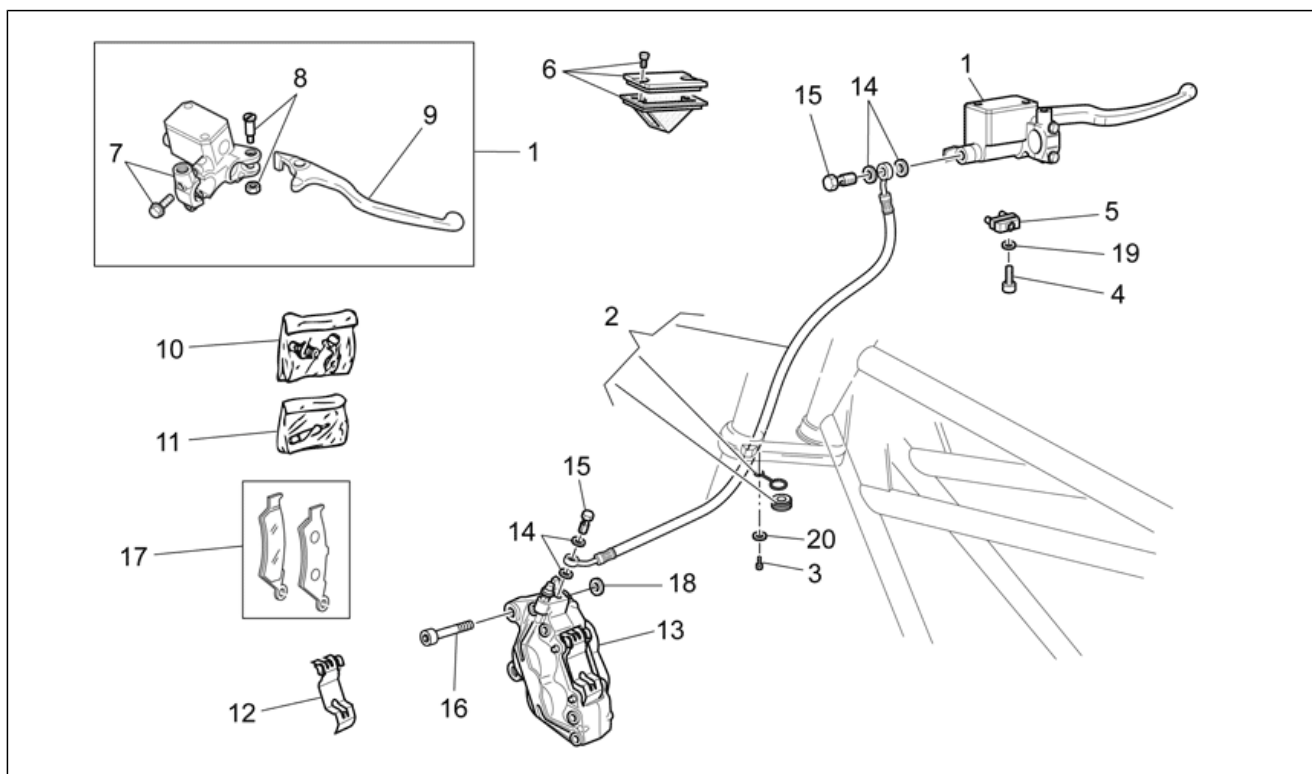
Pos.	Code	Description	Quant	Variants
1	883339	Tableau de bord	1	Pays: Angleterre[UK], États Unis[USA]
1	978932	Tableau de bord	1	Pays: Australie[AUS], Canadian[CA], Other country Europe[EU], Japon[J]
2	GU98370609	Vis M6x10	3	
3	GU95005306	Rondelle 6,4x13x1,5	3	
4	GU93222023	Silentbloc	3	
5	GU95021206	Rondelle	3	
6	GU92606206	Ecrou	3	
7	AP8121032	Douille	3	
8	GU32782510	Bloc démarreur-bloc	1	
9	GU98682416	Vis	1	
10	AP8150349	Vis spéciale M8x15	1	
11	883569	Couvercle	1	Année: 2011[B] Couleur véhicule: Rosso Ibis 887017[red] Pays: Other country Europe[EU]
11	GU32766810	Couvercle	1	Année: 2009[9], 2010[A] Couleur véhicule: White diamond 2008[d.wh.], Guzzi Black 2008-2010[g/bl]
12	GU23922210	Pivot	2	

Groupe	CHASSIS
Code	33.18
Description	Guidon - Commandes
Révision	1



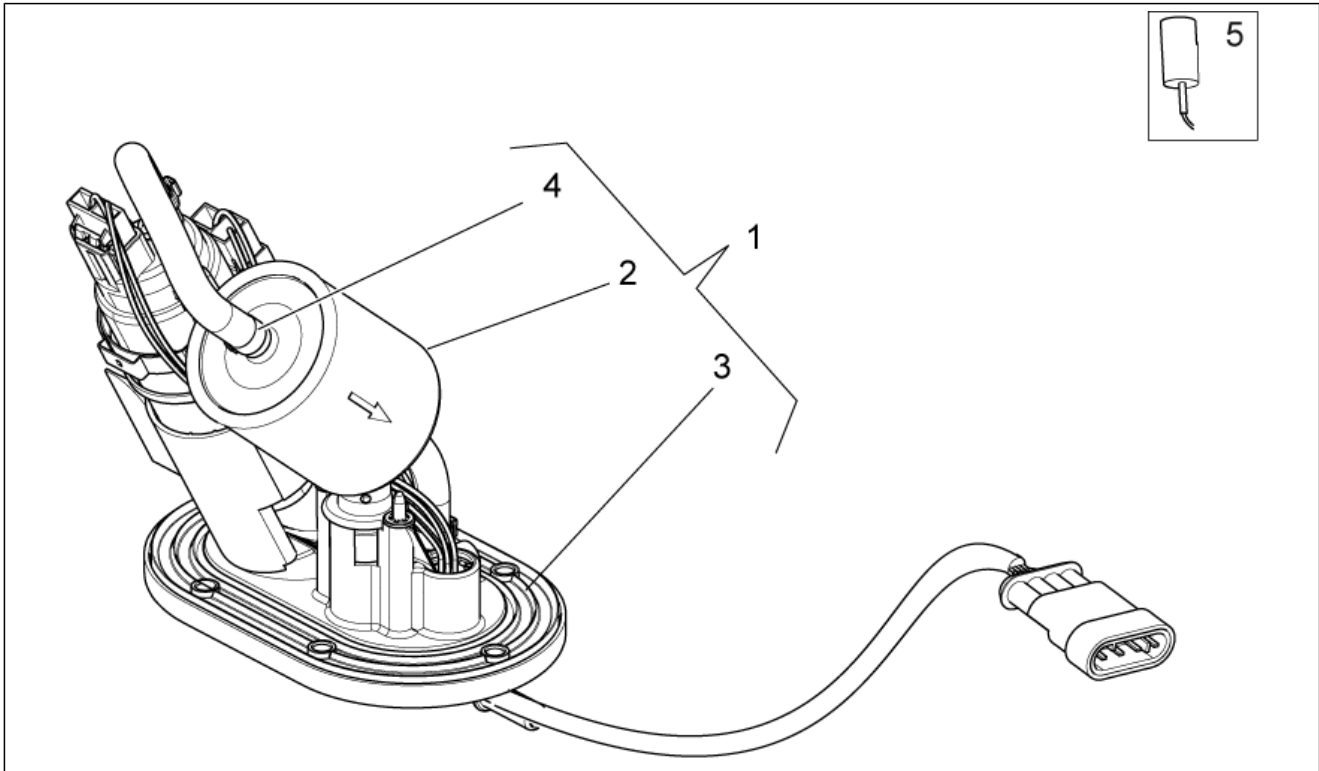
Pos.	Code	Description	Quant	Variants
1	978960	Guidon	1	
2	GU32605510	Levier embrayage	1	
3	883264	Câble embrayage	1	
4	883262	Câble ouverture gaz	1	
5	883263	Câble fermeture gaz	1	
6	GU32738810	Déviateur feux dte	1	
7	GU32603310	Poignée dr.	1	
8	GU98690335	Vis	2	
9	GU32602860	Masse antivibratile chr.	2	
10	883802	Miroir rétroviseur d/g	2	Couleur véhicule:marcato "FU E11 81R-001047"[B]
10	978570	Miroir rétroviseur d/g	2	Couleur véhicule:marked "FAR"[A]
11	GU91181003	Entretoise 10,25X20X4	2	
12	GU94321074	Ressort 7x1,1x25	1	
13	GU32137060	Câble starter	1	
14	GU01609630	Collier L46 mm	2	
14	GU03609600	Collier L36 mm	1	
15	883075	Déviateur feux gche	1	
16	GU32603010	Poignée gc.	1	
17	GU29759150	Interrupteur béquille	1	
18	GU39094200	Bouchon	1	
19	GU98230510	Vis	1	
20	GU95008305	Rondelle 5,3X10X1	1	
21	GU95021105	Rondelle évent.	1	
22	GU30602500	Réglage	1	
23	AP8213028	Vis	1	
24	AP8213388	Ecrou autobloqu.	1	
25	GU30601060	Etrier	1	
26	GU97202325	Vis bride noir M6x25	2	

Groupe	CHASSIS
Code	33.19
Description	Sys.frein avant
Révision	1



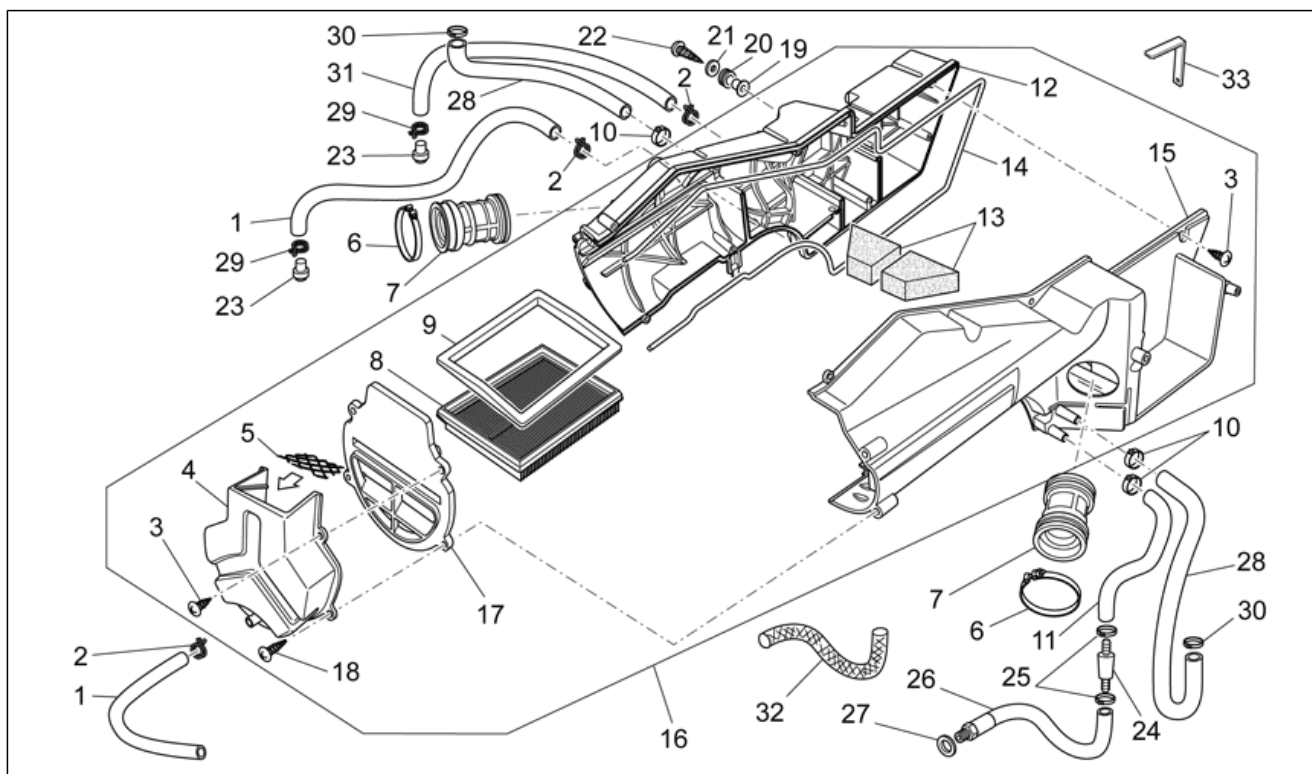
Pos.	Code	Description	Quant	Variants
1	GU03660145	Maît. cyl. frein AV	1	
2	GU32657110	Tube frein	1	
3	AP8152277	Vis bride M6x12	1	
4	GU98370412	Vis M4x12	1	
5	GU03749845	Interrupteur stop	1	
6	GU03661145	Couvercle pompe	1	
7	GU03664045	Cavalier	1	
8	GU03604845	Goujon de levier	1	
9	GU03605645	Levier frein	1	
10	GU05659230	Purge+capuchon	1	
11	GU01659130	Pivots+ressorts pince	1	
12	GU01659131	Ressort	1	
13	883303	Etrier frein AV g.noir	1	
14	AP8121915	Joint	4	
15	978323	Vis tuyau huile *	2	
16	AP8152385	Vis M10x1,25	2	
17	GU01654630	Plaquettes-paire	1	
18	GU91181003	Entretoise 10,25X20X4	2	
19	GU95021104	Rondelle 4,3x8x1,5	1	
20	GU95008306	Rondelle 6,4x12x1,2	1	

Groupe	CHASSIS
Code	33.21
Description	Pompe essence
Révision	1



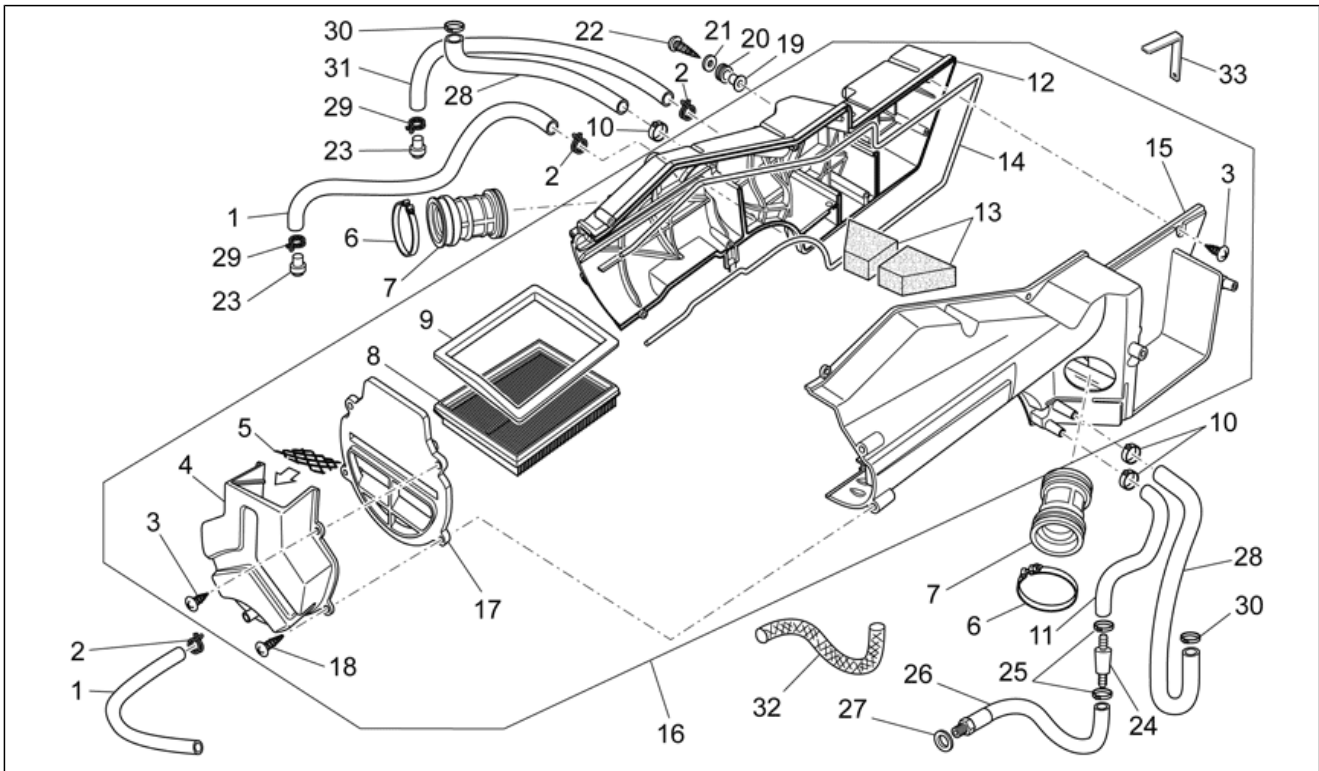
Pos.	Code	Description	Quant	Variants
1	978827	Pompe essence	1	Année: 2012[C] Pays: Canadian[CA], États Unis[USA]
1	978930	Pompe essence	1	Année: 2009[9], 2010[A], 2011[B] Pays: Australie[AUS], Canadian[CA], Other country Europe[EU], Japon[J], Angleterre[UK], États Unis[USA]
2	GU01106090	Filtre essence	1	
3	GU05107430	Joint	1	
4	GU01108490	Collier 11,3	4	
5	883852	Thermistor	1	

Groupe	CHASSIS
Code	33.22
Description	Corps filtre
Révision	1



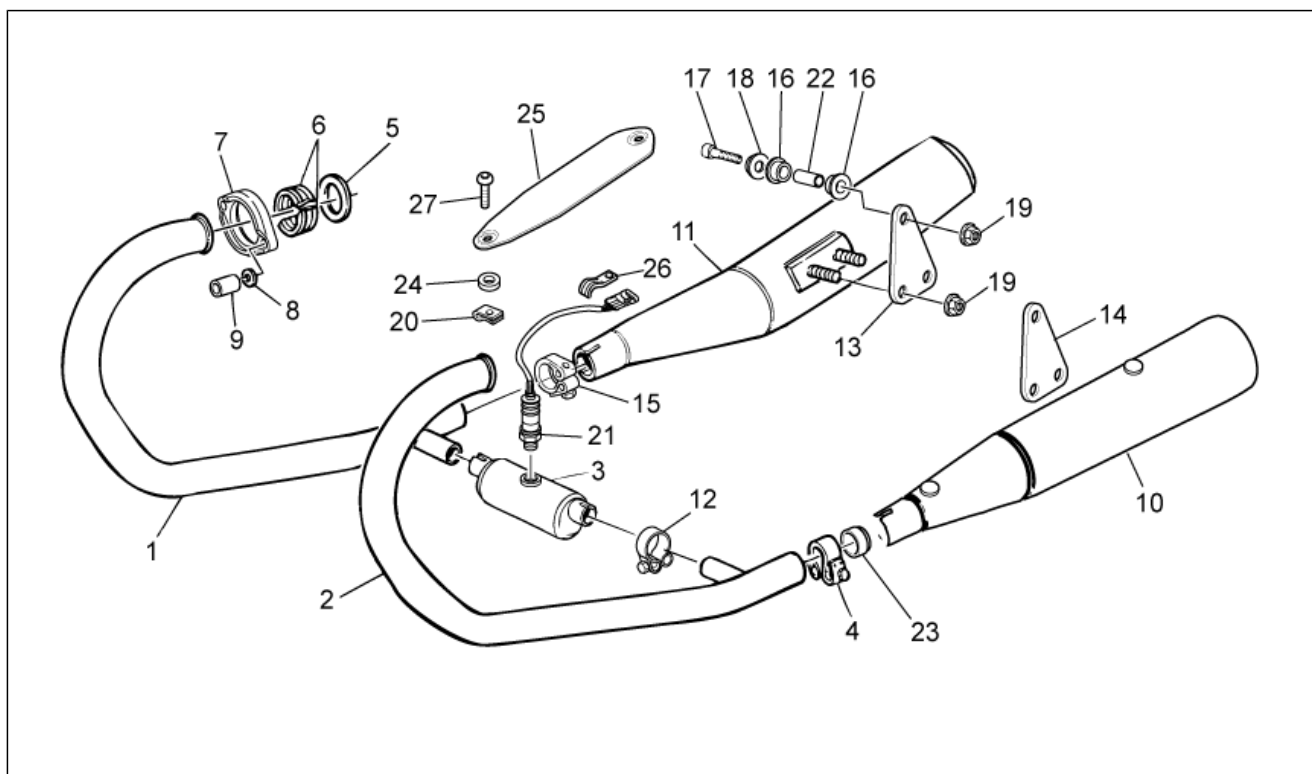
Pos.	Code	Description	Quant	Variants
1	AP8120952	Tuyau essence 5,5x10	2	
2	AP8201358	Collier D 11,9	2	
3	AP8150413	Vis taraud 3,9x14	12	
4	GU32116910	Couvercle filtre	1	
5	GU32113510	Grille corps filtre	1	
6	GU93305061	Collier 61/65,5	2	
7	GU32114410	Durite d'admission	2	
8	AP8104242	Filtre air	1	
9	GU32114110	Support	1	
10	AP8102766	Collier	3	
11	AP8120772	Tuyau reniflard radiateur	1	
12	GU32114011	Demi-coussinet	1	
13	AP8104525	Filtre blow-by	2	
14	AP8120615	Joint D3	3	
15	GU32114012	Demi-coussinet G.	1	
16	GU32110110	Corps filtre	1	
17	GU32113410	Bouchon	1	
18	AP8152329	Vis SWP crois. brid. M5x20	3	
19	GU30576100	Entretoise D.6,5	3	
20	GU91551010	Caoutchouc	3	
21	GU95100059	Rondelle 5,25x14x1,5	3	
22	AP8152329	Vis SWP crois. brid. M5x20	3	
23	AP8120876	Bouchon de fermeture	3	
24	AP8104251	Soupage reniflard huile	1	
25	AP8102159	Collier	2	
26	GU32159310	Reniflard	1	
27	GU90714082	Joint	1	
28	GU32159610	Tuyau reniflard radiateur	2	

Groupe	CHASSIS
Code	33.22
Description	Corps filtre
Révision	1



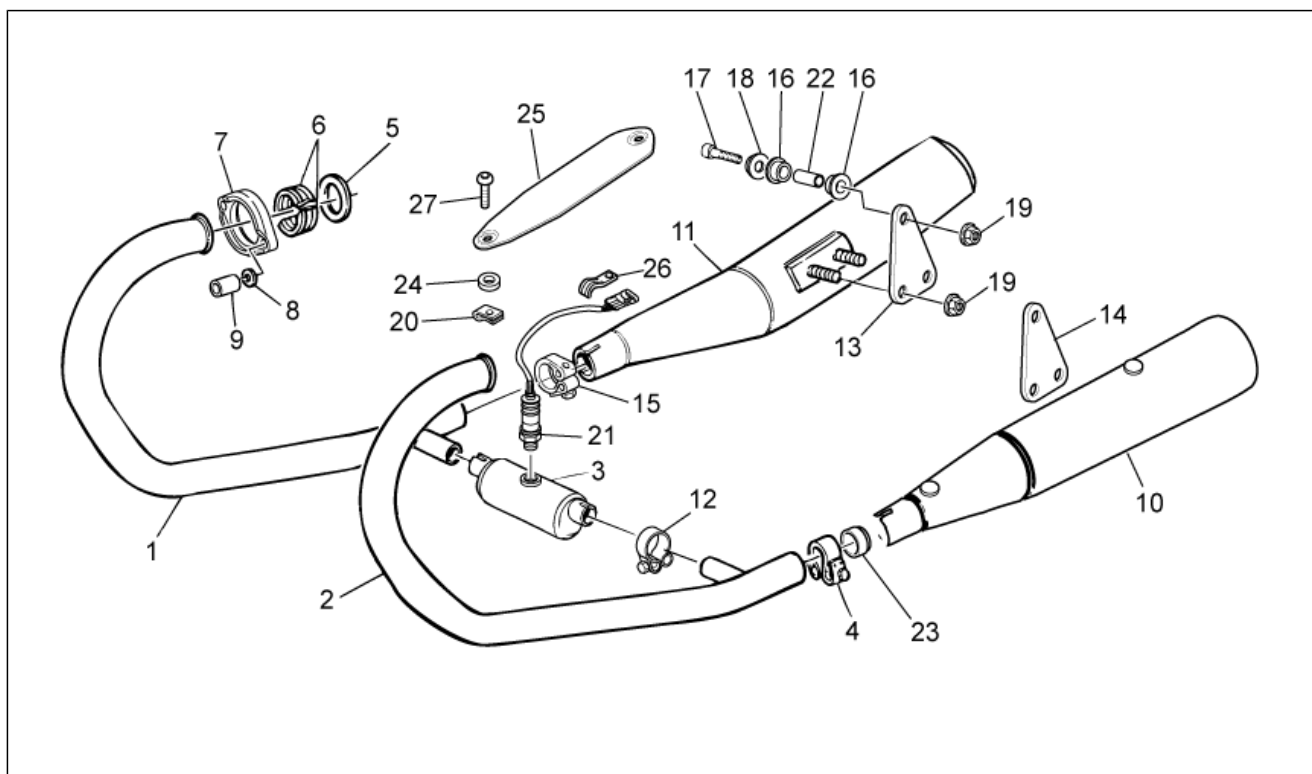
Pos.	Code	Description	Quant	Variants
29	GU61108500	Collier D9	2	
30	AP8102239	Collier 12,5x8	2	
31	AP8144038	Tuyau essence 6x10	1	
32	GU00823923140	Gaine thermique	1	
33	GU31112965	Equerre	1	

Groupe	CHASSIS
Code	33.23
Description	Groupe echappement
Révision	1



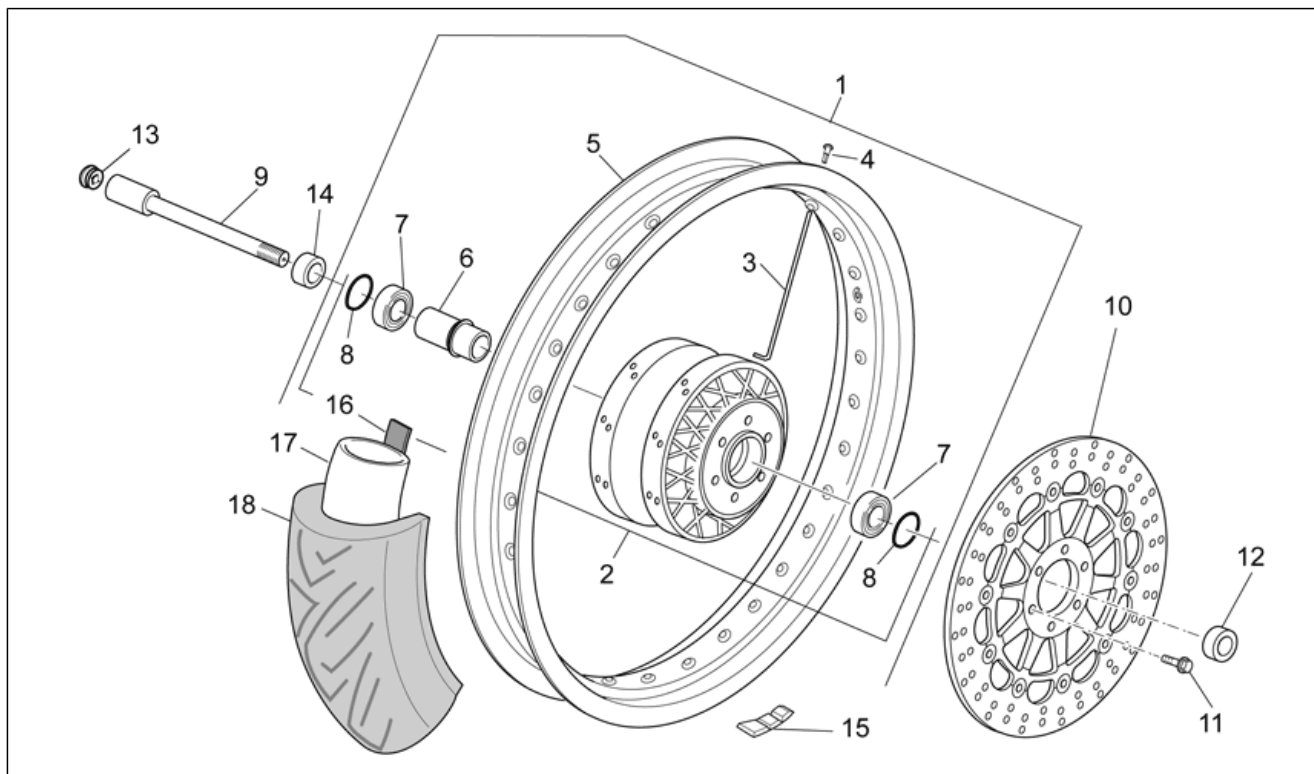
Pos.	Code	Description	Quant	Variants
1	883868	Tuyau échappement d.	1	Année:2010[A] Pays:Japon[J]
1	978953	Tuyau échappement d.	1	Année:2009[9] Pays:Japon[J]
1	978953	Tuyau échappement d.	1	
2	883869	Tuyau échappement gche	1	Année:2010[A] Pays:Japon[J]
2	978954	Tuyau échappement gche	1	Année:2009[9] Pays:Japon[J]
2	978954	Tuyau échappement gche	1	
3	978955	Chambre de détente	1	
4	883294	Collier silencieux gauche	1	
5	GU19025280	Joint	2	
6	GU19025460	Entretoise	4	
7	GU32121010	Bague	2	
8	GU03013800	Rondelle 6,4x12	4	
9	GU31121880	Ecrou	4	
10	883710	Silencieux G	1	Année:2010[A] Pays:Japon[J]
10	978957	Silencieux G	1	Année:2009[9] Pays:Japon[J]
10	978957	Silencieux G	1	Pays:Australie[AUS], Canadian[CA], Other country Europe[EU], Angleterre[UK], États Unis[USA]
11	883709	Silencieux D	1	Année:2010[A] Pays:Japon[J]
11	978956	Silencieux D	1	Année:2009[9] Pays:Japon[J]
11	978956	Silencieux D	1	Pays:Australie[AUS], Canadian[CA], Other country Europe[EU], Angleterre[UK], États Unis[USA]
12	978385	Collier	2	
13	883297	Plaque d.	1	

Groupe	CHASSIS
Code	33.23
Description	Groupe echappement
Révision	1



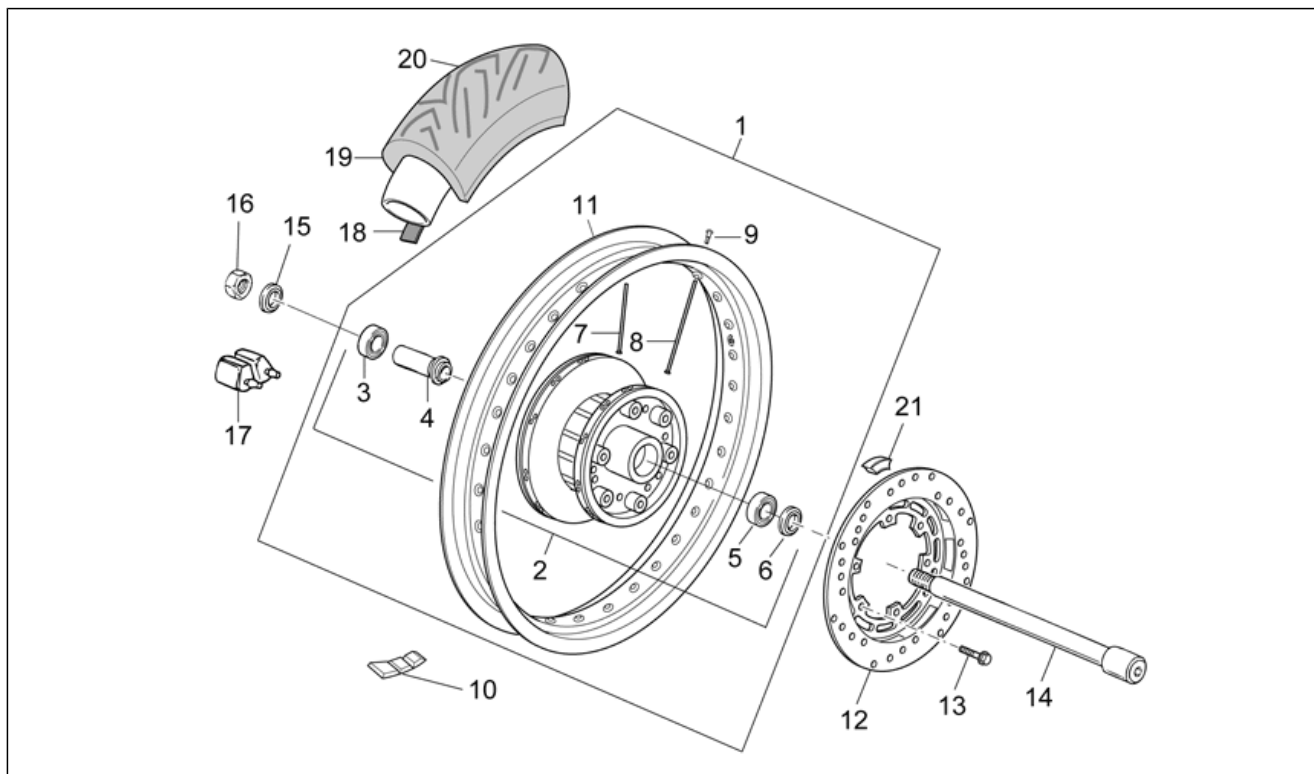
Pos.	Code	Description	Quant	Variants
14	883298	Plaque g.	1	
15	883293	Collier silencieux droit	1	
16	AP8144071	Caoutchouc pot	4	
17	GU98680440	Vis M8x40	2	
18	AP8134378	Douille fixation silencieux	2	
19	GU92640508	Ecrou M8	6	
20	GU28576591	Clip M6	2	
21	GU32727010	Sonde lamda	1	
22	AP8121072	Entretoise	2	
23	GU91113826	Bague	2	
24	AP8120870	Rondelle isolante	4	
25	883704	Grille protec. pot	2	Spécifications techniques: Not chrome version[NoCr]
25	GU03121955	Grille protec. pot	2	Spécifications techniques: Chrome version[Cr]
26	GU93301175	Cavalier	1	
27	GU98210612	Vis bride M6x12	4	

Groupe	CHASSIS
Code	33.24
Description	Roue Av.
Révision	1



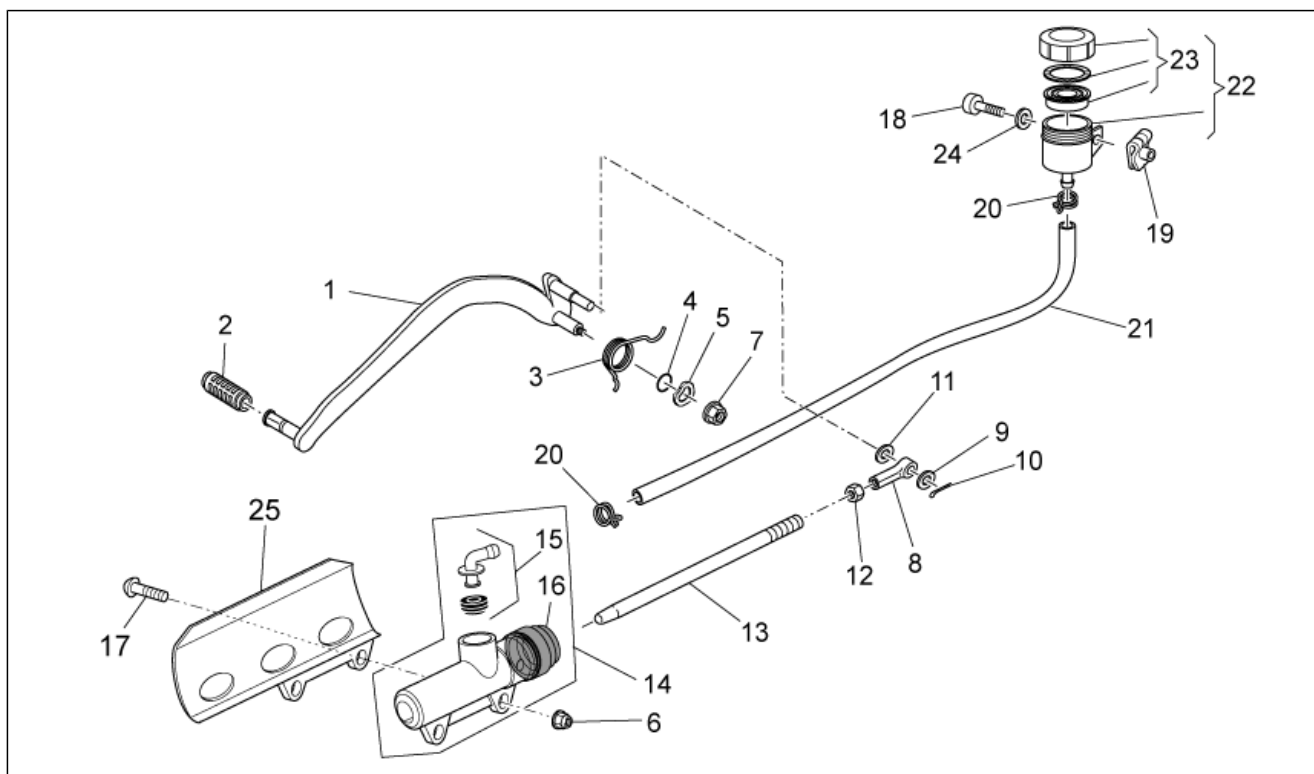
Pos.	Code	Description	Quant	Variants
1	GU32610360	Roue AV nue 2,15x18"	1	
2	GU32613160	Moyeu avant	1	
3	GU32611660	Rayon	36	
4	GU03631250	Nipples	36	
5	GU32610860	Jante avant 2,50x18"	1	
6	GU31615260	Entretoise roulements	1	
7	GU92204221	Roulement	2	
8	GU90402642	Bague d'étanchéité	1	
9	GU31614183	Axe de roue AV	1	
10	977024	Disque frein avant	1	
11	AP8152286	Vis bride M8x20	6	
12	GU31616384	Entretoise G	1	
13	GU93180111	Bouchon 15 mm	1	
14	GU32615660	Entretoise D	1	
15	GU14616150	Contrepoids	1	
16	0000000	Pneu s. chambre	1	
17	0000000	Pneu s. chambre	1	
18	0000000	Pneu s. chambre	1	

Groupe	CHASSIS
Code	33.25
Description	Roue arrière
Révision	1



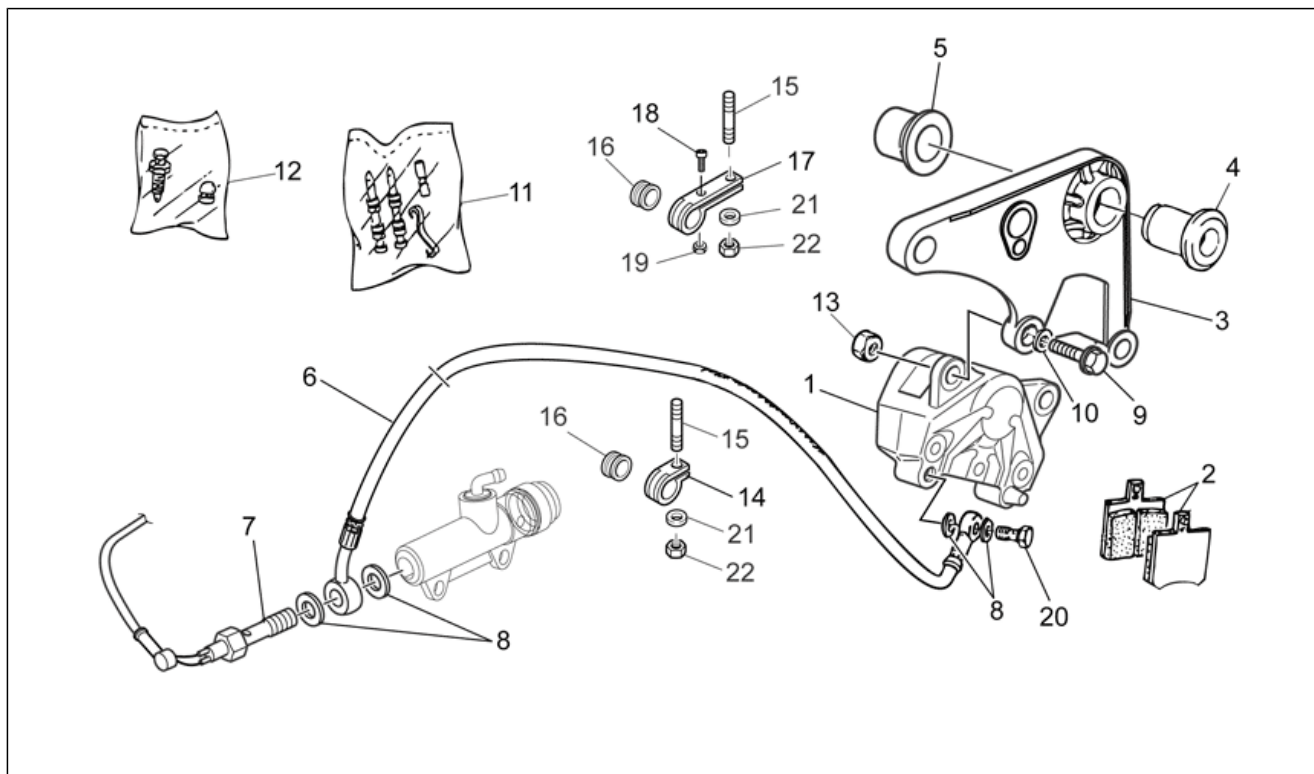
Pos.	Code	Description	Quant	Variants
1	978761	Roue AR cpl 3.00x17"	1	
2	GU32692260	Moyeu	1	
3	GU92204218	Roulement	1	
4	GU27633910	Entretoise	1	
5	GU92204217	Roulement	1	
6	GU90402538	Bague d'étanchéité 25x40x7	1	
7	883350	Rayon court	18	
8	883349	Rayon long mm 158	18	
9	GU03631250	Nipples	36	
10	GU14616150	Contrepoids	1	
11	978757	Jante arrière 3.5x17"	1	
12	GU31613381	Disque frein	1	
13	GU98682425	Vis M8x25	6	
14	GU32633360	Axe de roue AR	1	
15	GU31634481	Rondelle	1	
16	GU92606316	Ecrou M16x1,5	1	
17	GU32632510	Joint en caoutchouc	6	
18	0000000	Pneu s. chambre	1	
19	0000000	Pneu s. chambre	1	
20	0000000	Pneu s. chambre	1	
21	GU32636160	Coatouch pour support	1	

Groupe	CHASSIS
Code	33.26
Description	Maît.cyl. frein AR
Révision	1



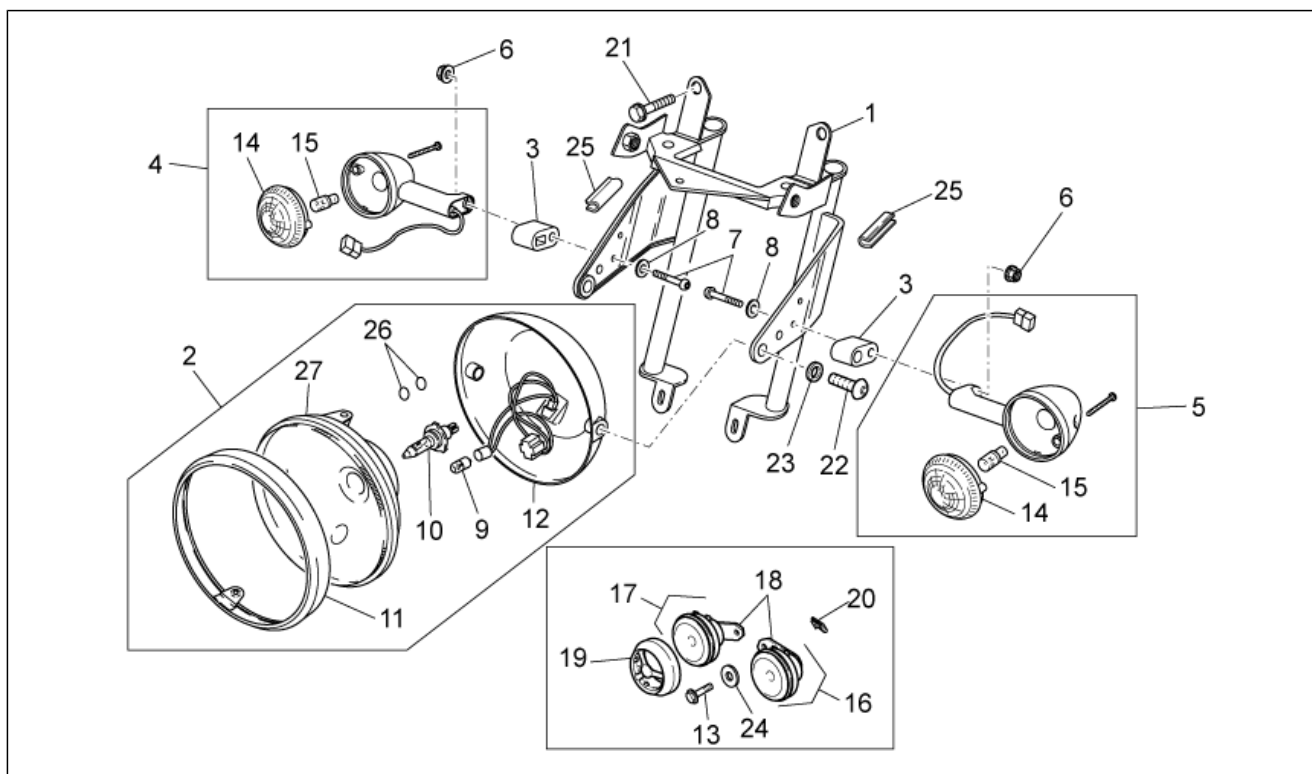
Pos.	Code	Description	Quant	Variants
1	883058	Levier de frein AR	1	
2	GU14251001	Caoutchouc	1	
3	978969	Ressort	1	
4	AP8144007	Joint torique 11,11x1,78	2	
5	GU95005310	Rondelle 8,4x18x2	1	
6	GU92630206	Ecrou M6x1	2	
7	GU92660021	Ecrou bridé M8	1	
8	GU18257551	Bloc	1	
9	GU95005311	Rondelle	1	
10	GU95500221	Goupille	1	
11	GU03270300	Rondelle 8,4x15	1	
12	GU92609007	Ecrou	1	
13	978970	Poussoir cde mai-cyl.	1	
14	AP8133643	Maît.cyl. frein AR	1	
15	AP8213057	Raccord pompe arrière	1	
16	AP8113288	Soufflet en caoutchouc	1	
17	GU98370625	Vis	2	
18	GU98682215	Vis	1	
19	AP8102375	Clip m5	1	
20	AP8101594	Collier D10,1*	2	
21	GU00823950050	Tuyau huile	1	
22	AP8113241	Réserv.huile freins	1	
23	AP8113553	Bouchon réservoir	1	
24	GU95100059	Rondelle 5,25x14x1,5	1	
25	GU01665410	Protection maître cyl.noire	1	

Groupe	CHASSIS
Code	33.27
Description	Pince frein AR
Révision	1



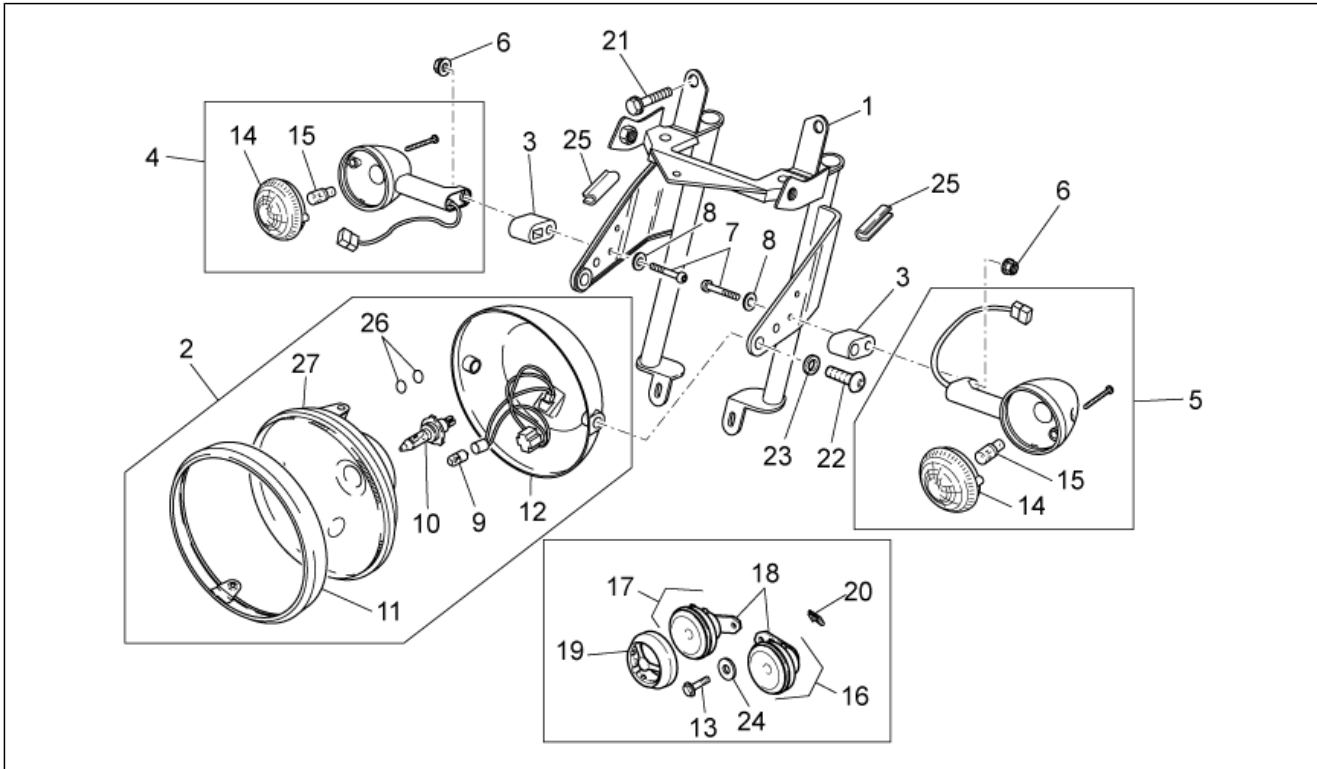
Pos.	Code	Description	Quant	Variants
1	883296	Pince frein AR Brembo	1	
2	GU31654681	Plaquettes-paire	1	
3	GU326358601	Pla. fix pince frein	1	
4	GU31634281	Bague	1	
5	GU32634160	Entretoise	1	
6	883180	Tube frein	1	
7	883192	Interrupteur	1	
8	AP8121915	Joint	4	
9	GU97202435	Vis	2	
10	GU03270300	Rondelle 8,4x15	2	
11	GU31659181	Kit Axes+ressort	1	
12	GU31659281	Purge+capuchon	1	
13	AP8152300	Ecrou autobloqu. M8	2	
14	GU03658430	Collier	1	
15	GU96451316	Vis sans tête	1	
16	GU03658201	Bague	2	
17	GU03658330	Collier	1	
18	GU98257410	Vis	1	
19	GU92630104	Ecrou M4x0,7	1	
20	978323	Vis tuyau huile *	1	
21	GU95008306	Rondelle 6,4x12x1,2	2	
22	AP8152299	Ecrou autobloqu. M6	2	

Groupe	CHASSIS
Code	33.28
Description	Feux avant
Révision	1



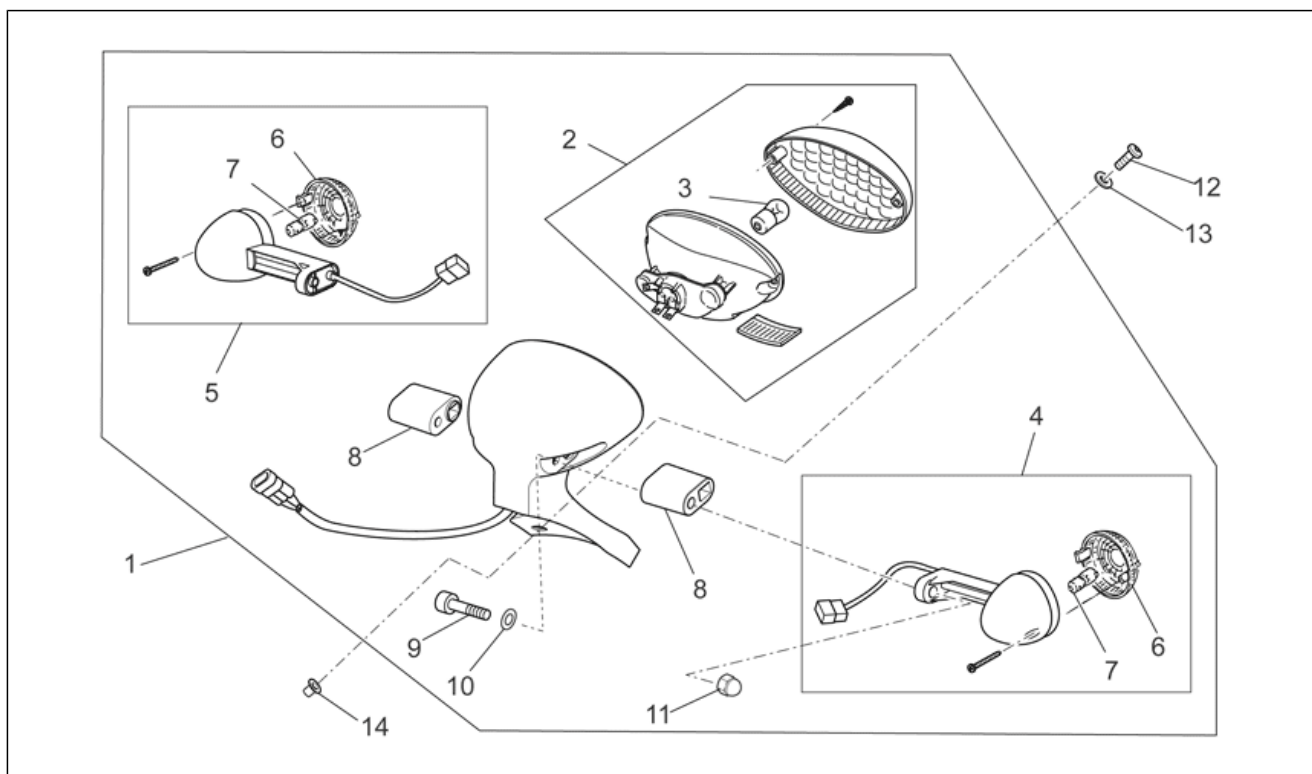
Pos.	Code	Description	Quant	Variants
1	GU32506360	Bride support feu	1	
2	GU06740500	Phare avant	1	Pays:Canadian[CA], Other country Europe[EU], États Unis[USA]
2	GU06740501	Projecteur av.complet gauche	1	Pays:Australie[AUS], Japon[J], Angleterre[UK]
3	GU32753410	Entretoise	2	
4	GU32750660	Clignot.av.dr./arr.ga.	1	Pays:Australie[AUS], Other country Europe[EU], Japon[J], Angleterre[UK]
4	GU32750661	Clignot.av.dr./arr.ga.	1	Pays:Canadian[CA], États Unis[USA]
5	883478	Clignot.av.ga./arr.dr.	1	Pays:Canadian[CA], États Unis[USA]
5	GU06751600	Clignot.av.ga./arr.dr.	1	Pays:Australie[AUS], Other country Europe[EU], Japon[J], Angleterre[UK]
6	GU92787006	Ecrou borgne M6x1	2	
7	GU98370655	Vis	2	
8	GU95021206	Rondelle	2	
9	GU93450105	Lampe (ou Ampoule)	1	
10	GU93450232	Lampe (ou Ampoule) 12V-55/60W	1	
11	GU31740383	Bague chromée	1	
12	GU06740200	Calotte chr.feux avant	1	
13	AP8152278	Vis bride M6x16	2	
14	GU32753711	Vitre clignotant	2	Pays:Canadian[CA], États Unis[USA]
14	GU32753760	Vitre clignotant	2	Pays:Australie[AUS], Other country Europe[EU], Japon[J], Angleterre[UK]
15	GU93450126	Lampe orange	2	Pays:Australie[AUS], Other country Europe[EU], Japon[J], Angleterre[UK]
15	GU93450127	Lampe (ou Ampoule)	2	Pays:Canadian[CA], États Unis[USA]
16	883462	Klacson elect.ton aigu H	1	
17	883463	Klacson elect.ton aigu L	1	
18	GU01744200	Bride	6	
19	GU03744760	Masque pour klaxon	2	

Groupe	CHASSIS
Code	33.28
Description	Feux avant
Révision	1



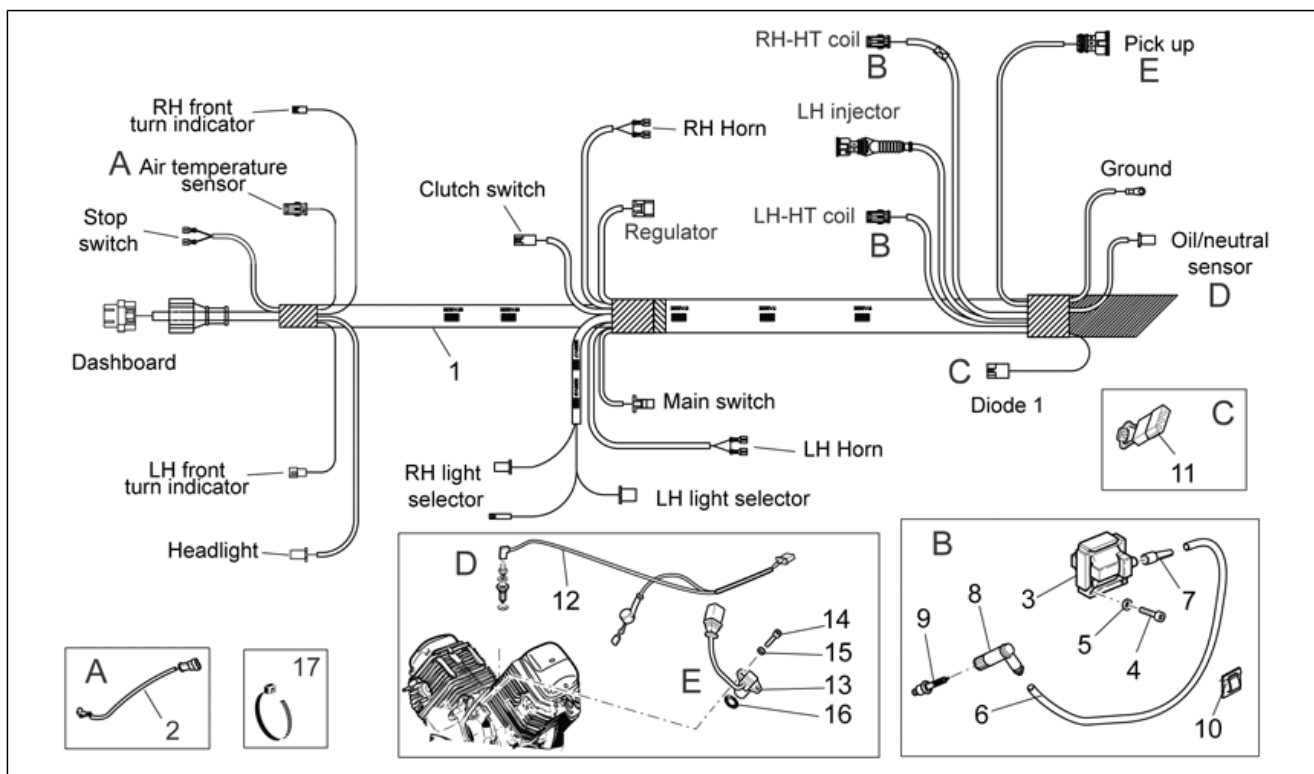
Pos.	Code	Description	Quant	Variants
20	GU28576591	Clip M6	2	
21	GU98880540	Vis M10x40	2	
22	GU98370831	Vis M8x30	2	
23	GU95005308	Rondelle 8,4x14,57x1,6	2	
24	GU95100141	Rondelle 6,4x12x1,2	2	
25	GU00823931055	Joint	1	
26	883417	Joint torique	2	
27	GU06740400	Groupe optique	1	Pays:Canadian[CA], Other country Europe[EU], États Unis[USA]

Groupe	CHASSIS
Code	33.29
Description	Feux arriere
Révision	1



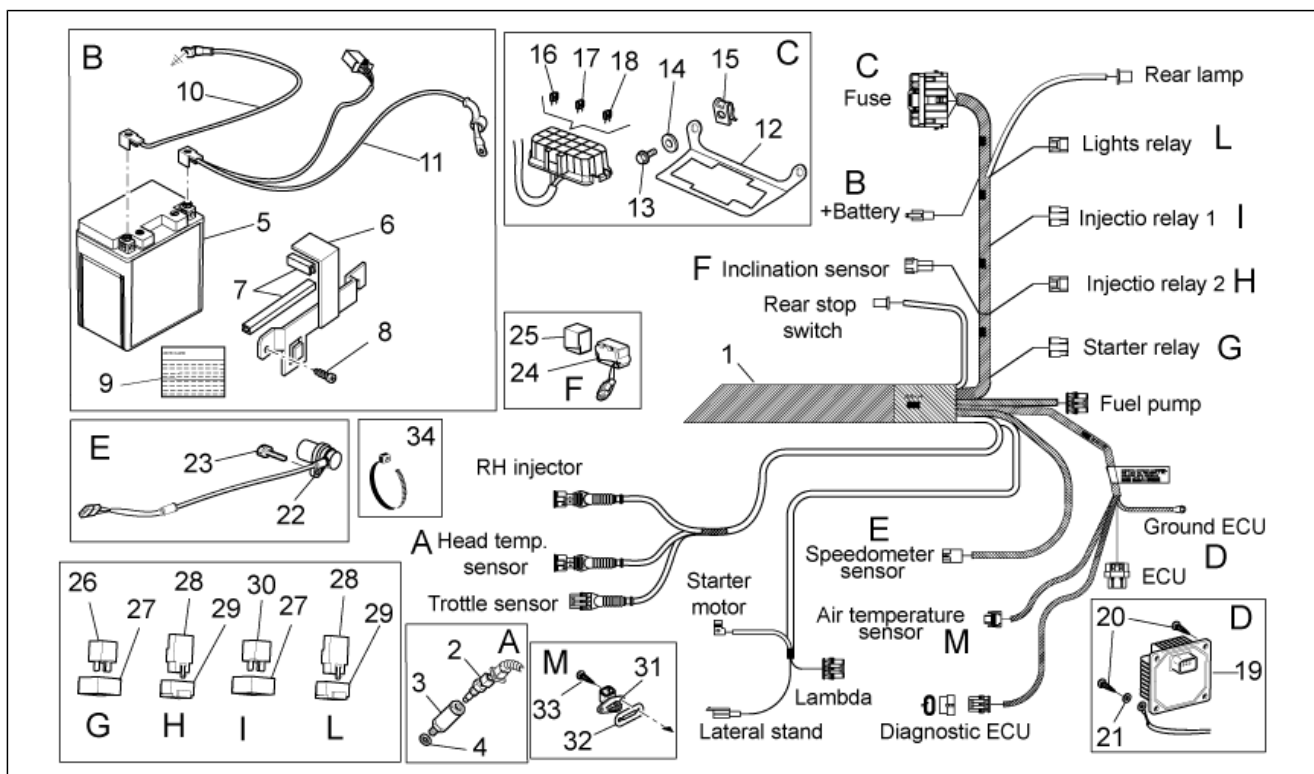
Pos.	Code	Description	Quant	Variants
1	883479	Phare AR cpl.	1	Pays: Canadian[CA], États Unis[USA]
1	978950	Phare AR cpl.	1	Pays: Australie[AUS], Other country Europe[EU], Japon[J], Angleterre[UK]
2	GU03740930	Feu arrière	1	
3	GU93450224	Lampe (ou Ampoule)	1	
4	GU32750660	Clignot.av.dr./arr.ga.	1	Pays: Australie[AUS], Other country Europe[EU], Japon[J], Angleterre[UK]
4	GU32750661	Clignot.av.dr./arr.ga.	1	Pays: Canadian[CA], États Unis[USA]
5	883478	Clignot.av.ga./arr.dr.	1	Pays: Canadian[CA], États Unis[USA]
5	GU06751600	Clignot.av.ga./arr.dr.	1	Pays: Australie[AUS], Other country Europe[EU], Japon[J], Angleterre[UK]
6	GU32753711	Vitre clignotant	2	Pays: Canadian[CA], États Unis[USA]
6	GU32753760	Vitre clignotant	2	Pays: Australie[AUS], Other country Europe[EU], Japon[J], Angleterre[UK]
7	GU93450126	Lampe orange	2	Pays: Australie[AUS], Other country Europe[EU], Japon[J], Angleterre[UK]
7	GU93450127	Lampe (ou Ampoule)	2	Pays: Canadian[CA], États Unis[USA]
8	GU32753410	Entretoise	2	
9	GU98370655	Vis	2	
10	GU95021206	Rondelle	2	
11	GU92787006	Ecrou borgne M6x1	2	
12	GU98350215	Vis	3	
13	GU30577800	Rondelle nylon 5,5X12X1	3	
14	GU93231605	Douille anti vibr.	3	

Groupe	CHASSIS
Code	33.30
Description	Circuit électrique I
Révision	1



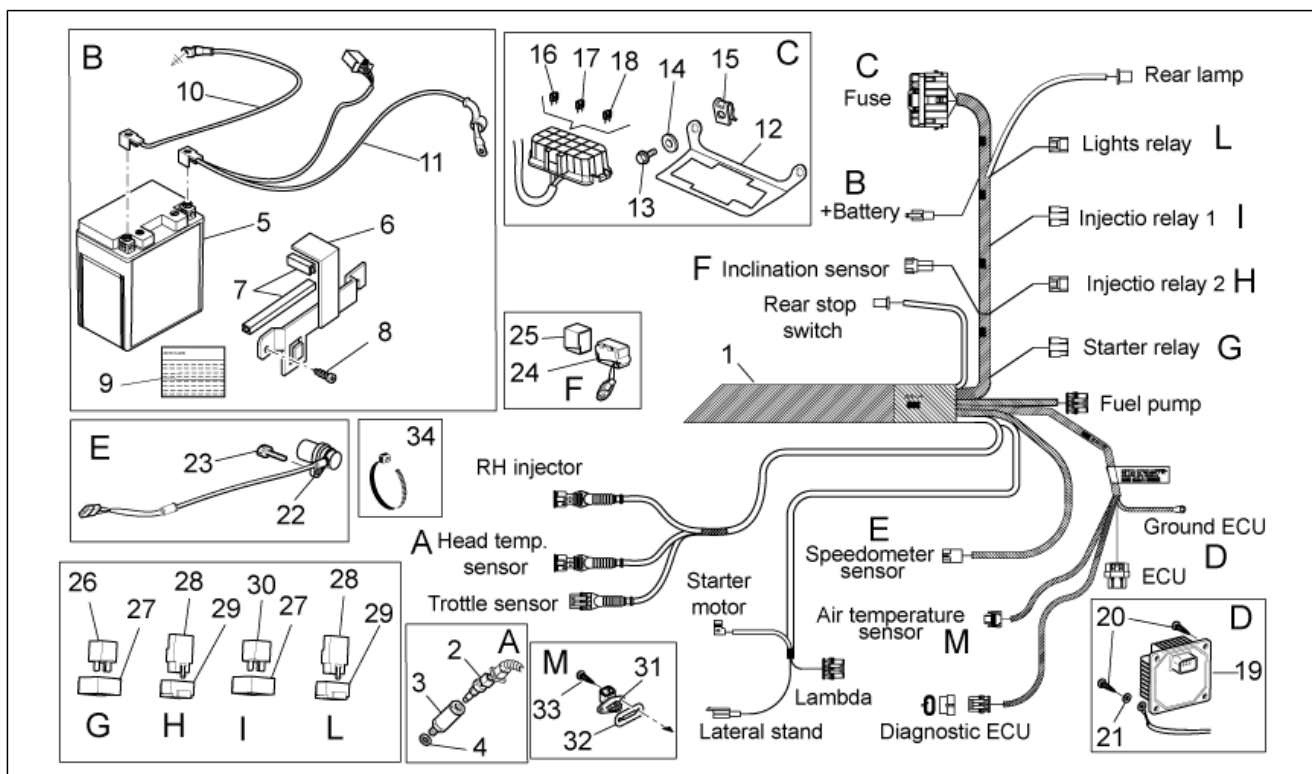
Pos.	Code	Description	Quant	Variants
1	883077	Câblage principal	1	
2	AP8124936	Détec. temper. air	1	
3	GU30716500	Bobine HT	2	
4	GU98680125	Vis M4x25	4	
5	GU95008204	Rondelle 4,3x8x0,5	4	
6	GU17718350	Câble haute tension	2	
7	GU14717600	Capuchon	2	
8	GU03717450	Pipe bougie	2	
9	GU31717061	Bougie NGK BR8ES	2	
10	AP8120708	Guide-câble	6	
11	AP8212588	Diode de sécurité	1	
12	GU32724510	Câblage point mort-huile	1	
13	GU01721600	Capteur phase/tours	1	
14	GU98682212	Vis M5x12	2	
15	GU95008205	Rondelle 5,3x10x0,8	2	
16	GU90706141	Joint torique	1	
17	GU14609650	Collier 3,6x20,6	31	
17	GU49609601	Collier 2,4x92	1	

Groupe	CHASSIS
Code	33.31
Description	Circuit électrique II
Révision	1



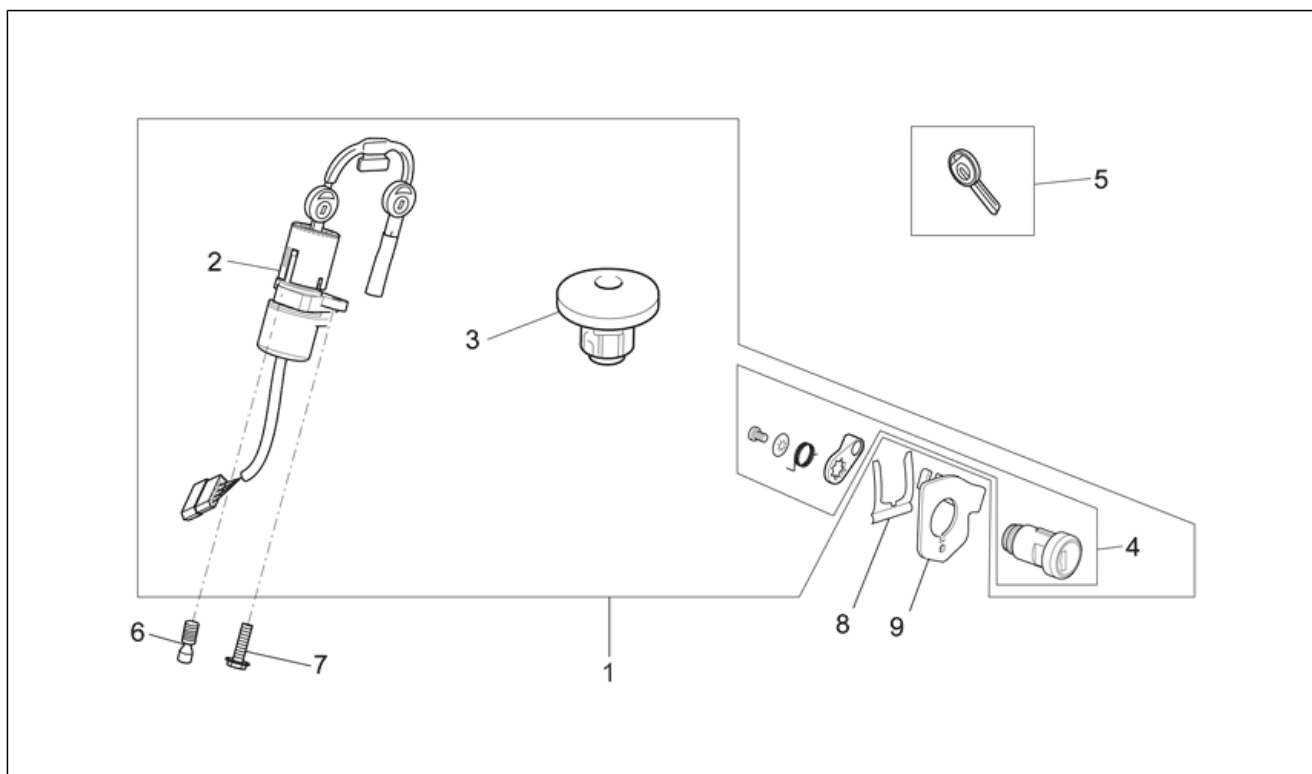
Pos.	Code	Description	Quant	Variants
1	883077	Câblage principal	1	
2	GU29729461	Capteur température huile	1	
3	GU03163330	Support détecteur	1	
4	GU95004210	Rondelle 10,2x18x2	1	
5	640201	Batterie	1	
6	GU32418210	Bride	1	
7	AP8144538	Joint	1	
8	AP8152329	Vis SWP crois. brid. M5x20	2	
9	GU32517710	Décalco "Battery service"	1	
10	GU32747910	Câblage masse-batterie	1	
11	883191	Cablage	1	
12	883161	Support p-fusibles	1	
13	GU98682212	Vis M5x12	2	
14	GU95100059	Rondelle 5,25x14x1,5	2	
15	AP8102375	Clip m5	2	
16	GU28742560	Fusible 15A	3	
17	AP8127346	Fusible 3A	1	
18	GU28742562	Fusible 30A	2	
19	883904	Centrale	1	Année:2010[A] Pays:Japon[J]
19	977308	Centrale	1	Année:2009[9] Pays:Japon[J]
19	977308	Centrale	1	Pays:Australie[AUS], Canadian[CA], Other country Europe[EU], Angleterre[UK], États Unis[USA]
20	AP8152329	Vis SWP crois. brid. M5x20	4	
21	GU95129101	Rondelle	1	
22	AP8124528	Capteur tachym. cpl.	1	
23	AP8152277	Vis bride M6x12	2	
24	AP8124266	Détec. inclinaison	1	

Groupe	CHASSIS
Code	33.31
Description	Circuit électrique II
Révision	1



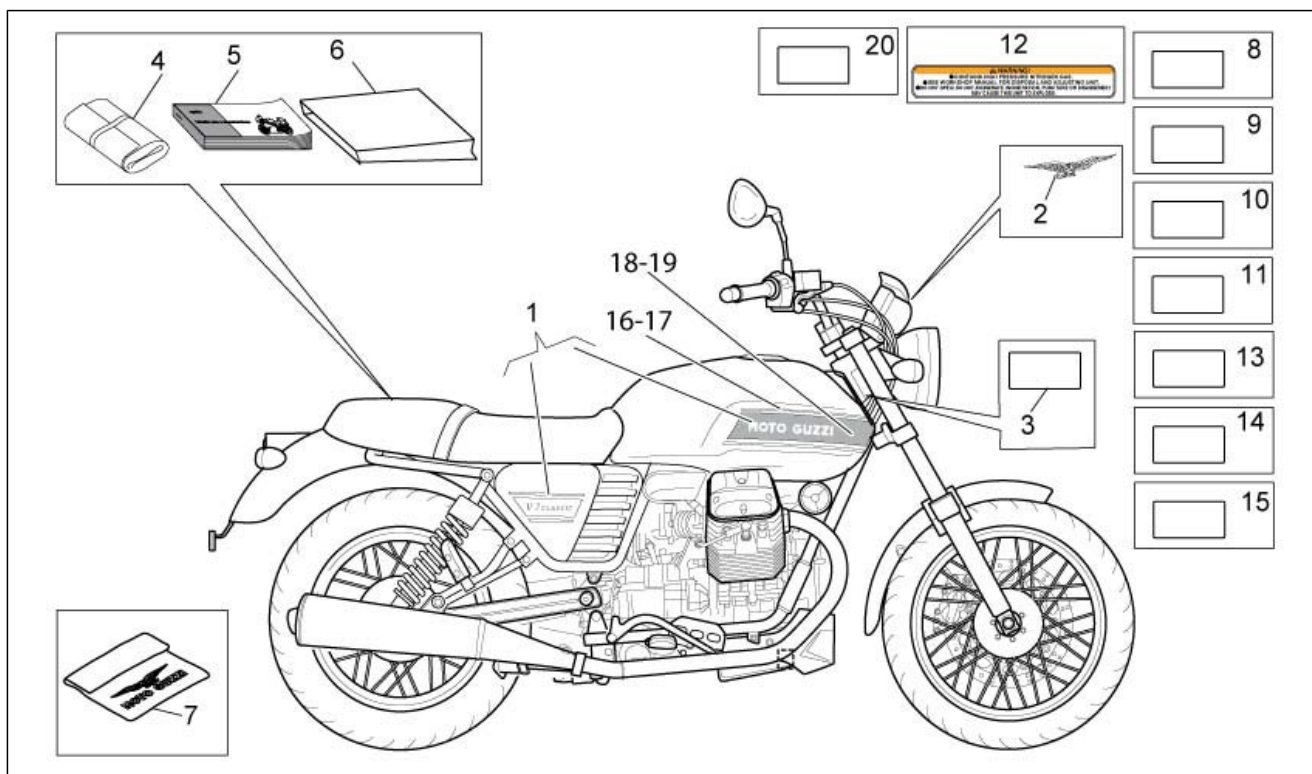
Pos.	Code	Description	Quant.	Variants
25	AP8144046	Caoutchouc support détecteur	1	
26	GU29732550	Relais 5 pin	1	
27	AP8220546	Caoutchouc support relais	2	
28	AP8124869	Relais injection	2	
29	AP8220283	Caoutchouc *	2	
30	AP8224462	Relais 12V/30A	1	
31	GU30729330	Détec. temper. air	1	
32	GU30027931	Joint	1	
33	AP8150421	Vis taraud 2,9x12	2	
34	GU14609650	Collier 3,6x20,6	31	
34	GU49609601	Collier 2,4x92	1	

Groupe	CHASSIS
Code	33.32
Description	Kit serrure
Révision	1



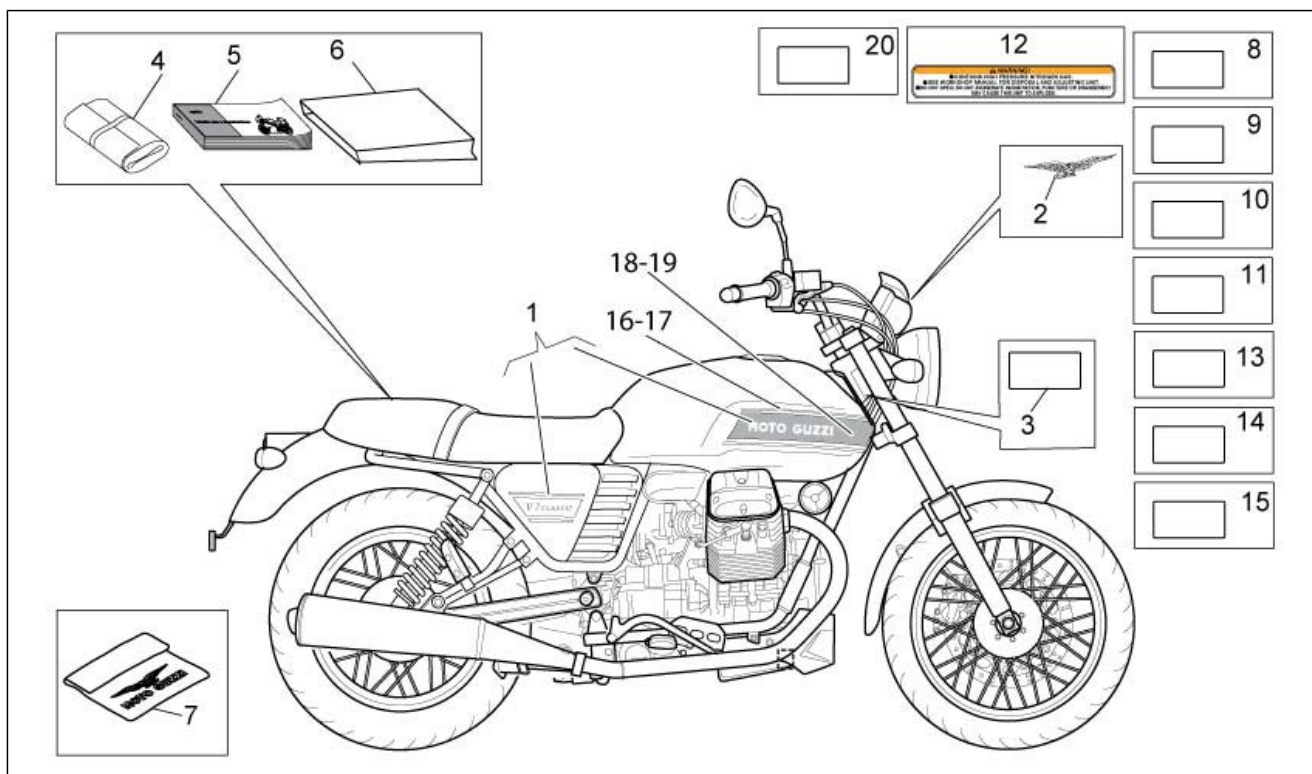
Pos.	Code	Description	Quant	Variants
1	883182	Kit serrure	1	Pays:Australie[AUS], Other country Europe[EU], Japon[J], Angleterre[UK]
1	883477	Kit serrure	1	Pays:Canadian[CA], États Unis[USA]
1	887989	Kit serrure	1	Année:2012[C] Pays:Canadian[CA], États Unis[USA]
2	GU32782510	Bloc démarreur-bloc	1	
3	883185	Bouchon réservoir	1	Pays:Australie[AUS], Other country Europe[EU], Japon[J], Angleterre[UK]
3	883476	Bouchon réservoir	1	Année:2009[9], 2010[A], 2011[B] Pays:Canadian[CA], États Unis[USA]
3	GU32103961	Bouchon réservoir	1	Année:2012[C] Pays:Canadian[CA], États Unis[USA]
4	977527	Serrure selle	1	
5	GU32735510	Clé pas cantée brut-coque go	1	
5	GU32735511	Clé pas cantée brut-coque cr	1	
6	AP8150349	Vis spéciale M8x15	1	
7	GU98682416	Vis	1	
8	AP8121420	Ressort à fourche	1	
9	978415	Plaque support câble	1	

Groupe	CHASSIS
Code	33.33
Description	Décalco et plaquettes
Révision	1



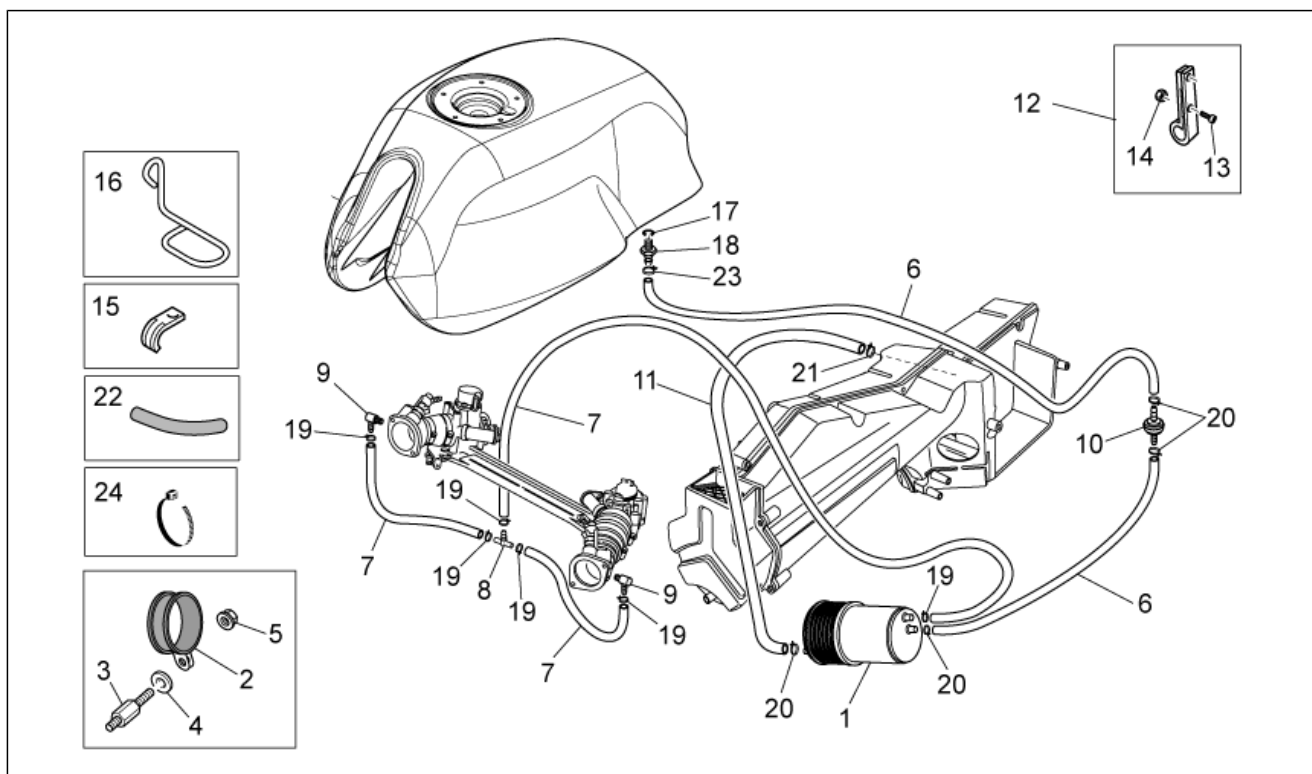
Pos.	Code	Description	Quant	Variants
1	981081	Décalco série	1	Année:2009[9], 2010[A] Couleur véhicule:White diamond 2008[d.wh.]
1	981141	Décalco série	1	Couleur véhicule:Guzzi Black 2008-2010[g/bl]
2	883598	Décalco "Aquila"	1	Année:2011[B] Couleur véhicule:Rosso Ibis 887017[red]
2	978551	Décalco "Aquila"	2	Année:2009[9], 2010[A] Couleur véhicule:White diamond 2008[d.wh.], Guzzi Black 2008-2010[g/bl]
3	GU32944310	Décalco protect.	2	
4	GU32909960	Trousse à outils	2	
5	883194	Manuel instr.I-D-F-E-UK-NL I-F-D-NL-E-UK	1	Pays:Australie[AUS], Other country Europe[EU], Japon[J], Angleterre[UK]
5	883481	Livret d'util.et entret.	1	Pays:Canadian[CA], États Unis[USA]
6	GU05900130	Sachet pour documents	1	
7	GU30970200	Housse protect. moto	1	
8	883735	Décalco émissions sonores	1	Année:2009[9], 2010[A] Pays:Canadian[CA], États Unis[USA]
8	883911	Décalco émissions sonores	1	Année:2011[B] Pays:Canadian[CA], États Unis[USA]
8	884198	Décalco émissions sonores	1	Année:2012[C]
9	883736	Emission control sticker	1	Année:2009[9], 2010[A] Pays:Canadian[CA], États Unis[USA]
9	883912	Emission control sticker	1	Année:2011[B] Pays:Canadian[CA], États Unis[USA]
9	884199	Emission control sticker	1	Année:2012[C]
10	883737	Décalco shed	1	Année:2009[9], 2010[A] Pays:Canadian[CA], États Unis[USA]
10	883913	Décalco shed	1	Année:2011[B] Pays:Canadian[CA], États Unis[USA]
10	884200	Décalco shed	1	Année:2012[C]
11	883445	Décalco pression pneus	1	Pays:Canadian[CA], États Unis[USA]

Groupe	CHASSIS
Code	33.33
Description	Décalco et plaquettes
Révision	1



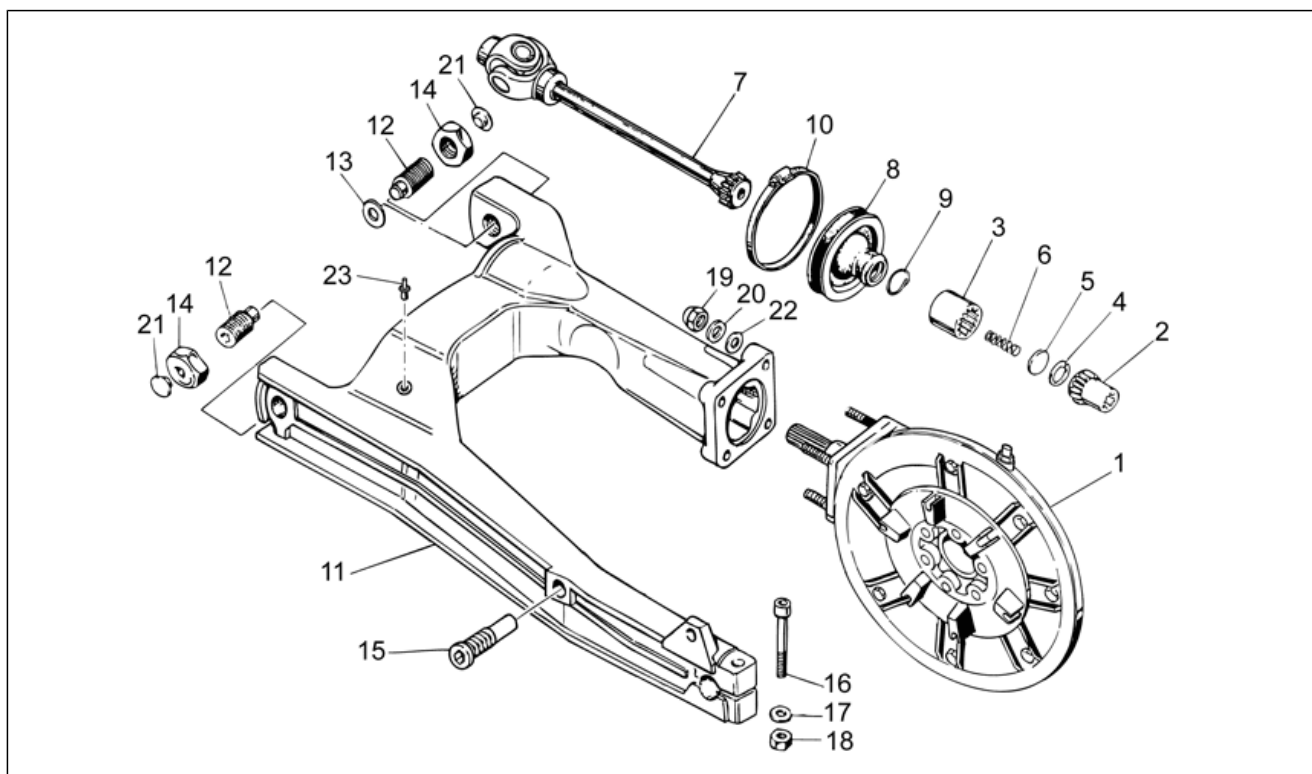
Pos.	Code	Description	Quant	Variants
12	AP8157100	Décalco Shock Adsorber	1	Pays:Canadian[CA], États Unis[USA]
13	AP8257609	Décalco miroir	2	Pays:Canadian[CA], États Unis[USA]
14	AP8257794	Décalco batterie	1	Pays:Canadian[CA], États Unis[USA]
15	AP8257742	Décalco WARNING	1	Pays:Canadian[CA], États Unis[USA]
16	883665	Decalco serbatoio dx "aquila"	1	Couleur véhicule:Nero Guzzi 2011-2012[black], Guzzi Black 2008-2010[g/bl]
16	887024	Decalco serbatoio dx "aquila"	1	Année:2011[B], 2012[C] Couleur véhicule:rosso 2001/2012[g/red], Rosso Ibis 887017[red]
17	883666	Decalco serbatoio sx "aquila"	1	Couleur véhicule:Nero Guzzi 2011-2012[black], Guzzi Black 2008-2010[g/bl]
17	887025	Decalco serbatoio sx "aquila"	1	Année:2011[B], 2012[C] Couleur véhicule:Nero Guzzi 2011-2012[black], Rosso Ibis 887017[red]
18	887022	Decalco serbatoio dx fascia	1	Année:2011[B], 2012[C] Couleur véhicule:rosso 2001/2012[g/red], Rosso Ibis 887017[red]
19	887023	Decalco serbatoio sx fascia	1	Année:2011[B], 2012[C] Couleur véhicule:rosso 2001/2012[g/red], Rosso Ibis 887017[red]
20	886944	Décalco "90 Anni Guzzi"	2	Année:2011[B]

Groupe	CHASSIS
Code	33.48
Description	Sys.récup.vap.ess.
Révision	1



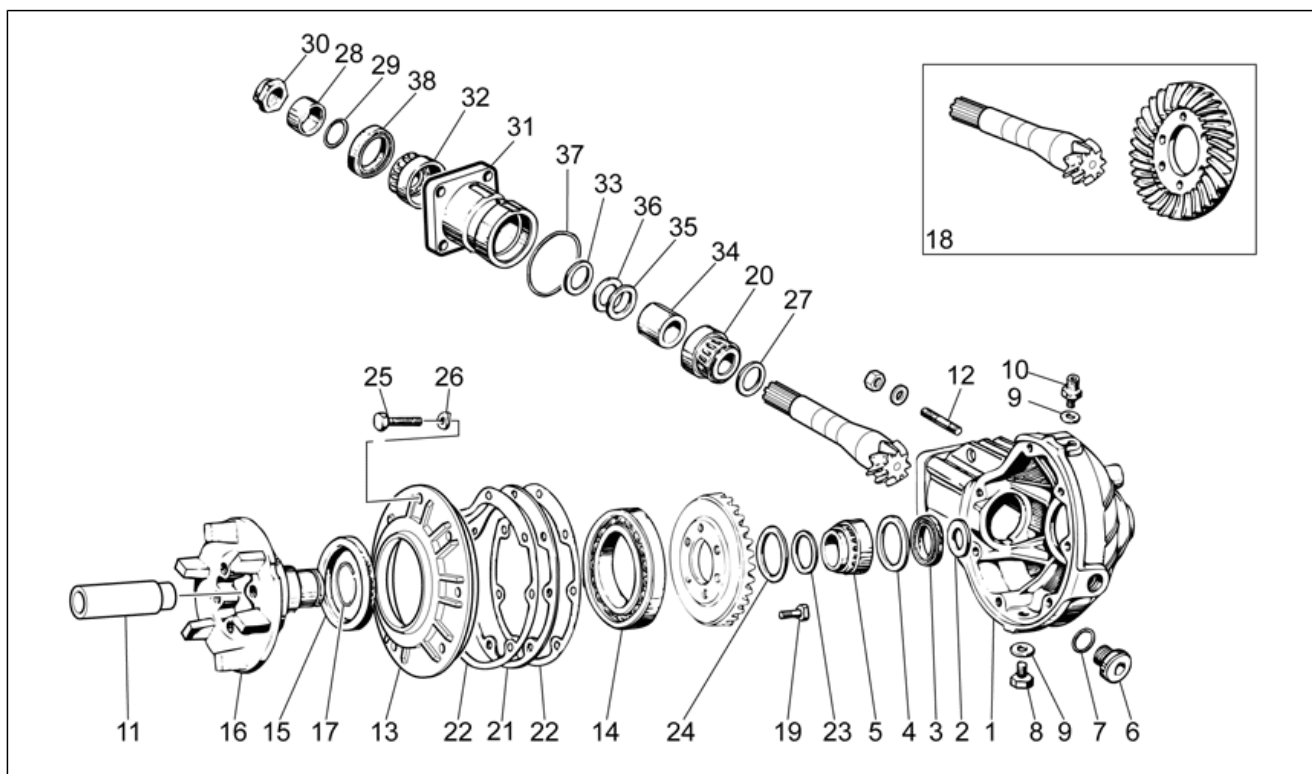
Pos.	Code	Description	Quant	Variants
1	AP8102678	Filtre à charbon	1	Pays:Canadian[CA], États Unis[USA]
2	AP8102688	Collier d.76	1	Pays:Canadian[CA], États Unis[USA]
3	GU32439260	Sup.canister USA	1	Pays:Canadian[CA], États Unis[USA]
4	GU95005311	Rondelle	1	Pays:Canadian[CA], États Unis[USA]
5	AP8152299	Ecrou autobloqu. M6	1	Pays:Canadian[CA], États Unis[USA]
6	856063	Tuyau SAE 30 d.12,7x6,35	2	Pays:Canadian[CA], États Unis[USA]
7	856062	Tuyau SAE 30 d.11,11x4,8	3	Pays:Canadian[CA], États Unis[USA]
8	AP8120116	Raccord 3 voies	1	Pays:Canadian[CA], États Unis[USA]
9	GU32115210	Raccord	2	Pays:Canadian[CA], États Unis[USA]
10	860138	Soupape	1	Pays:Canadian[CA], États Unis[USA]
11	856064	Tuyau SAE 30 d.14,3x7,9	1	Pays:Canadian[CA], États Unis[USA]
12	GU03658330	Collier	1	Pays:Canadian[CA], États Unis[USA]
13	GU98257410	Vis	1	Pays:Canadian[CA], États Unis[USA]
14	GU92630104	Ecrou M4x0,7	1	Pays:Canadian[CA], États Unis[USA]
15	GU93301313	Cavalier	1	Pays:Canadian[CA], États Unis[USA]
16	AP8221114	Guide-câble	2	Pays:Canadian[CA], États Unis[USA]
17	AP8120965	Joint torique 2018	1	Pays:Canadian[CA], États Unis[USA]
18	GU30103730	Raccord	1	Pays:Canadian[CA], États Unis[USA]
19	GU29108550	Collier clic 11,5x6	6	Pays:Canadian[CA], États Unis[USA]
20	GU28157950	Collier clic 12,5x8	5	Pays:Canadian[CA], États Unis[USA]
21	AP8102766	Collier	1	Pays:Canadian[CA], États Unis[USA]
22	GU00823923140	Gaine thermique	4	Pays:Canadian[CA], États Unis[USA]
23	AP8201358	Collier D 11,9	1	Pays:Canadian[CA], États Unis[USA]
24	GU14609650	Collier 3,6x20,6	3	Pays:Canadian[CA], États Unis[USA]

Groupe	MOTEUR
Code	34.09
Description	Transmission cpl. I
Révision	1



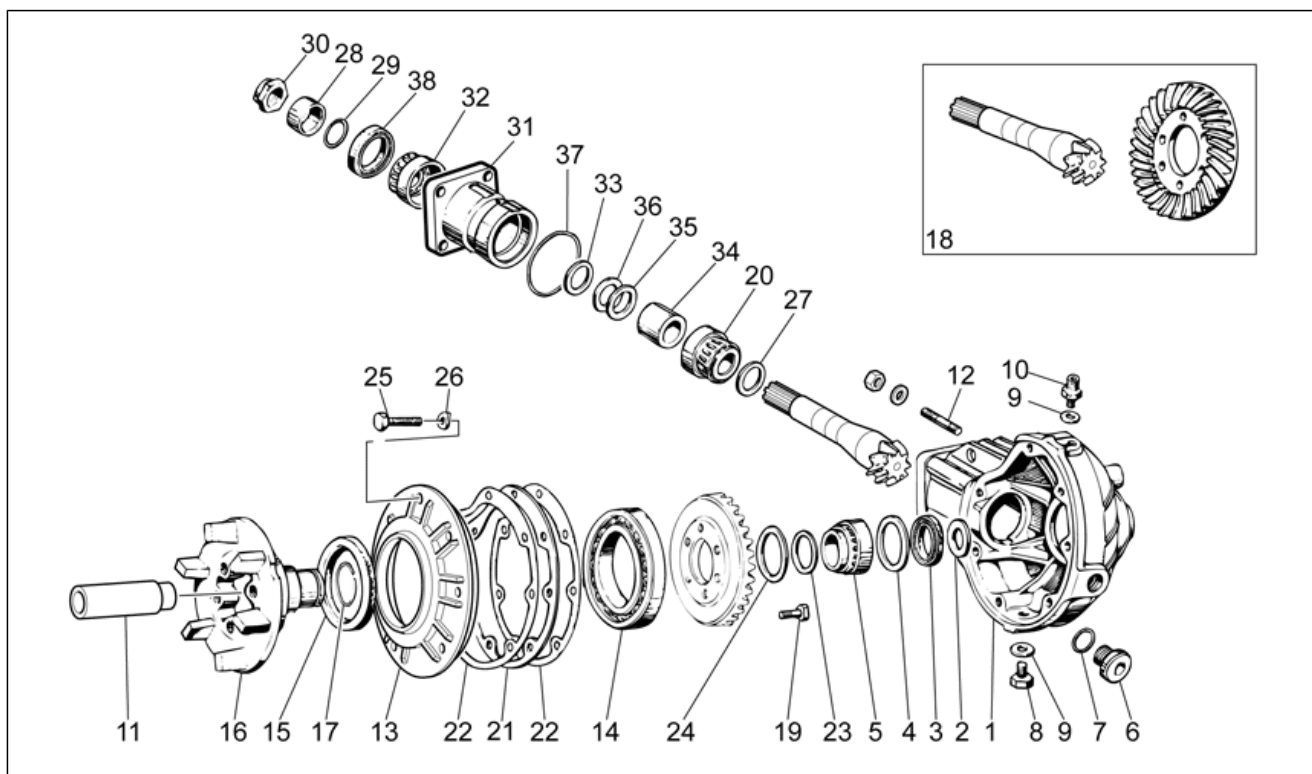
Pos.	Code	Description	Quant	Variants
1	976941	Boîte transm.cpl.noir	1	
2	GU31327783	Manchon	1	
3	GU19328801	Manchon	1	
4	GU90272023	Bague seeger	1	
5	GU19327601	Disque	1	
6	GU94321099	Ressort	1	
7	GU23328081	Joint	1	
8	GU23548080	Collier de protection	1	
9	GU23548180	Ressort	1	
10	AP8120246	Collier D=60-80	1	
11	883011	Fourche noire	1	
12	GU19547000	Pivot	2	
13	GU35214300	Cale	1	
14	GU31547882	Ecrou	2	
15	GU31544181	Pivot	1	
16	GU98680545	Vis M10x45	1	
17	GU95008210	Rondelle 10,2X18X2	1	
18	GU92606210	Ecrou M10x1,5	1	
19	GU92787008	Ecrou borgne M8x1,25	4	
20	GU14615901	Rondelle 8,4X13X0,8	4	
21	GU93180105	Bouchon	2	
22	GU95005308	Rondelle 8,4x14,57x1,6	4	
23	GU03922280	Bouchon 5x9	1	

Groupe	MOTEUR
Code	34.10
Description	Transmission cpl. II
Révision	1



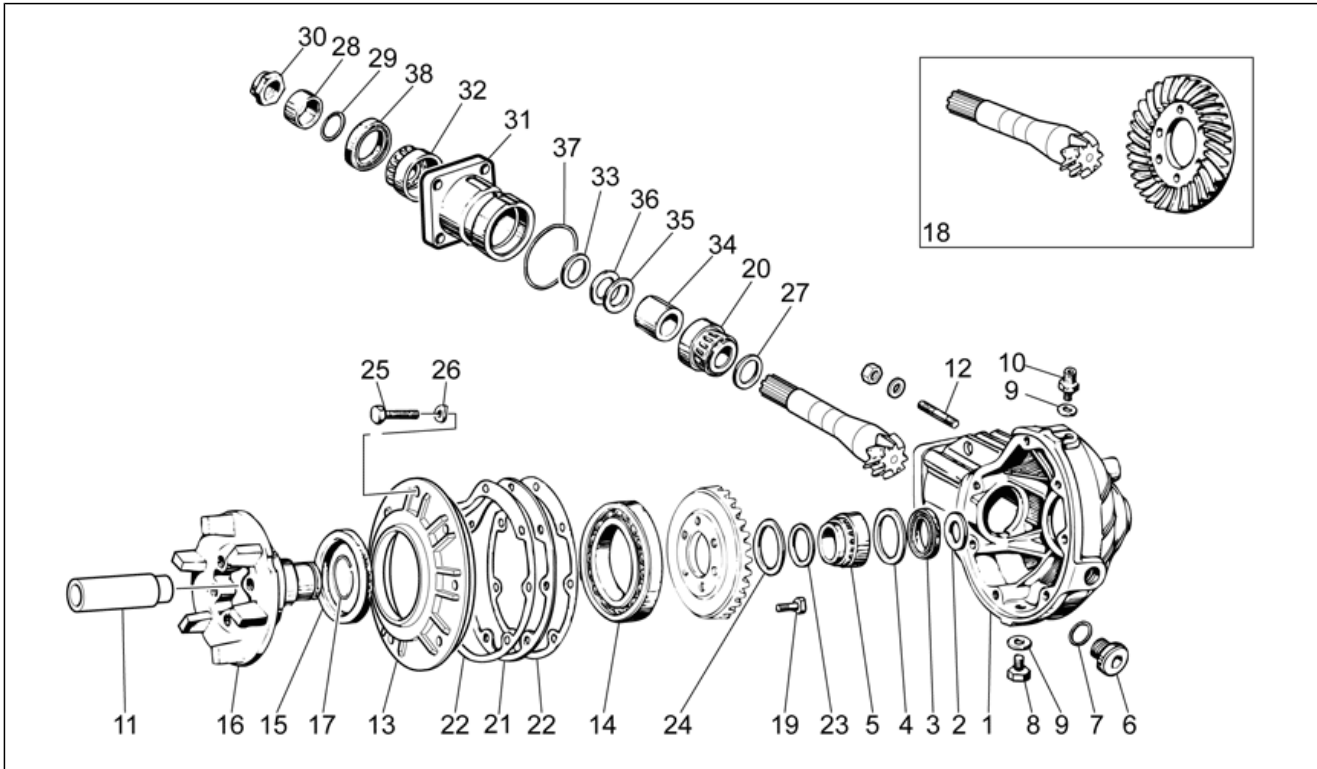
Pos.	Code	Description	Quant	Variants
1	976608	Carter de transmissionnoir	1	
2	GU19351900	Rondelle d'appui	1	
3	GU90403549	Bague d'étanchéité 35x47x7	1	
4	GU19351100	Rondelle d'appui	1	
5	GU92252235	Roulement à rouleaux 35x50x17	1	
6	GU12022600	Bouchon huile	1	
7	GU90706203	Joint torique 20,24X2,62	1	
8	GU31003766	Bouchon vid.huile M10x1	1	
9	GU01528930	Joint 10x18x1,5	2	
10	GU19206501	Bouchon purge	1	
11	GU32633560	Entretoise	1	
12	GU96508055	Vis sans tête	4	
13	GU32350410	Couvercle	1	
14	GU92201070	Roulement à billes 70x110x13	1	
15	GU90407591	Bague d'étanchéité 75x95x10	1	
16	GU32351410	Pivot	1	
17	GU90353030	Bague de butée	1	
18	GU32354610	Couple conique 8/33	1	
19	GU03067730	Vis M8x25	6	
20	GU92249227	Roulement roul.con. 25x5	1	
21	GU19355400	Cale 0,8 mm	1	
21	GU19355402	Cale 0,9 mm	1	
21	GU19355404	Cale 1 mm	1	
21	GU19355406	Cale 1,1 mm	1	
21	GU19355408	Cale 1,2 mm	1	
21	GU19355410	Cale 1,3 mm	1	
21	GU19355411	Cale 1,4 mm	1	
21	GU19355412	Cale 1,5 mm	1	

Groupe	MOTEUR
Code	34.10
Description	Transmission cpl. II
Révision	1



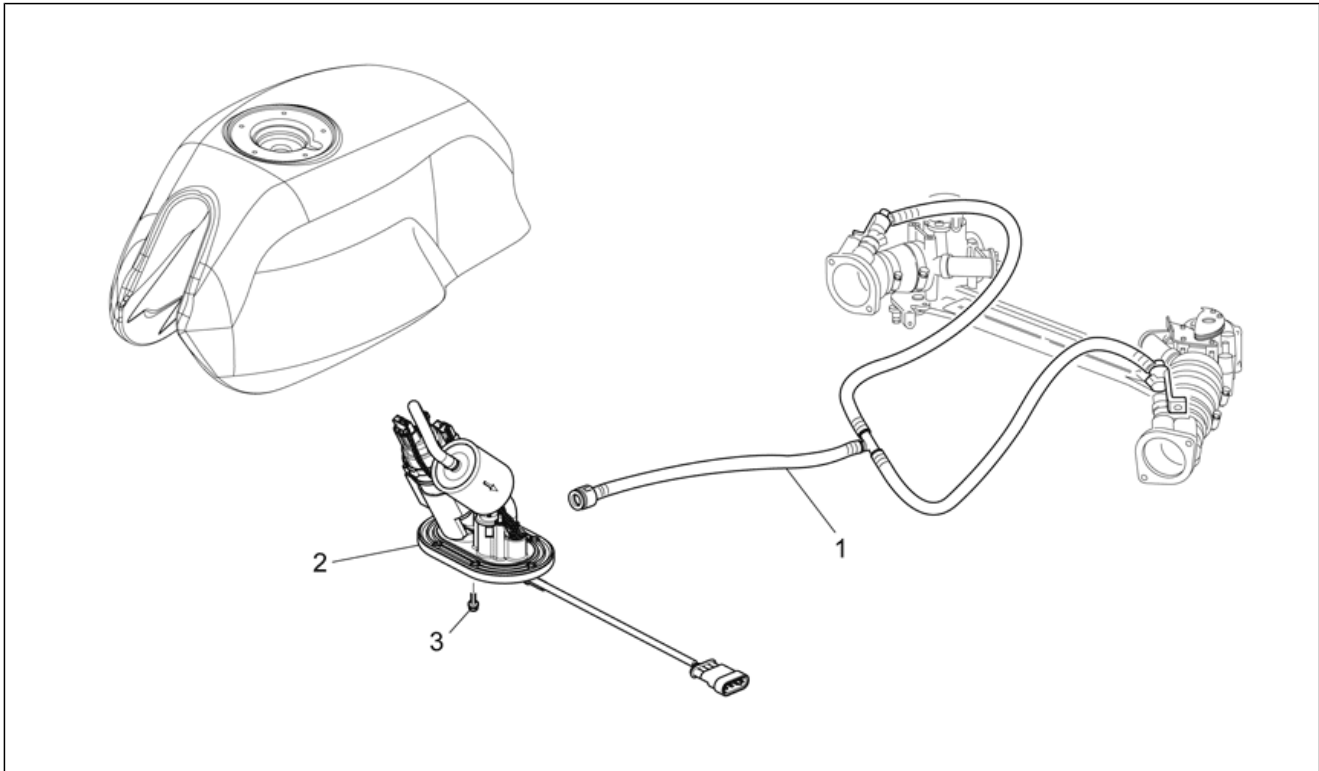
Pos.	Code	Description	Quant	Variants
21	GU19355413	Cale 1,6 mm	1	
22	GU19350700	Joint	2	
23	GU19352300	Rondelle éventail	1	
24	GU19353500	Rondelle éventail	1	
25	GU19357660	Vis	7	
26	GU61270300	Rondelle élastique 8x15x0,3	7	
27	GU19355320	Cale 1 mm	1	
27	GU19355321	Cale 1,1 mm	1	
27	GU19355322	Cale 1,2 mm	1	
27	GU19355323	Cale 1,3 mm	1	
27	GU19355324	Cale 1,4 mm	1	
27	GU19355325	Cale 1,5 mm	1	
27	GU19355326	Cale 1,6 mm	1	
27	GU19355327	Cale 1,7 mm	1	
27	GU19355328	Cale 1,8 mm	1	
27	GU19355329	Cale 1,9 mm	1	
28	GU19356801	Entretoise	1	
29	GU90706188	Bague d'étanchéité 18,77X1,78	1	
30	GU19356700	Ecrou	1	
31	GU20352421	Flasque	1	
32	GU92249220	Roulement à rouleaux 20x47x14	1	
33	GU19355300	Cale 1 mm	1	
33	GU19355301	Cale 1,1 mm	1	
33	GU19355302	Cale 1,2 mm	1	
33	GU19355303	Cale 1,3 mm	1	
33	GU19355304	Cale 1,4 mm	1	
33	GU19355305	Cale 1,5 mm	1	
33	GU19355306	Cale 1,6 mm	1	

Groupe	MOTEUR
Code	34.10
Description	Transmission cpl. II
Révision	1



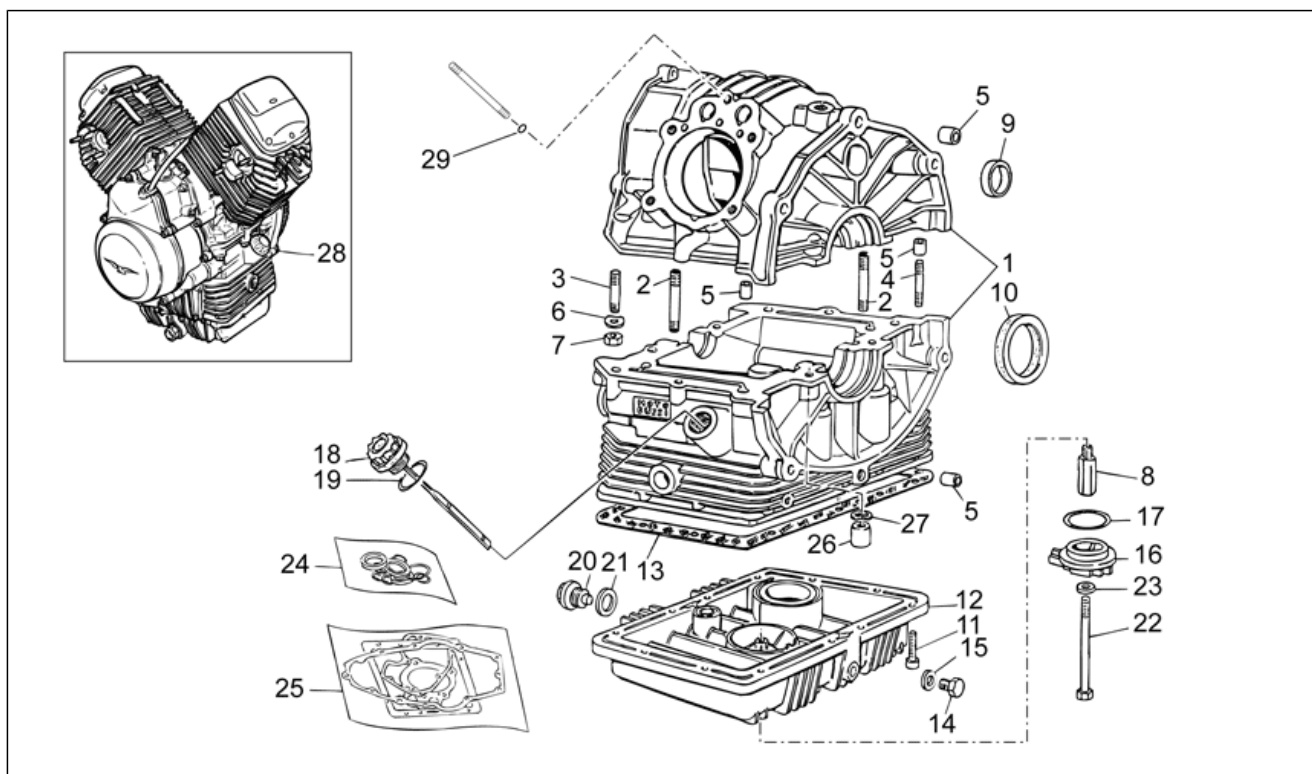
Pos.	Code	Description	Quant	Variants
33	GU19355307	Cale 1,7 mm	1	
33	GU19355308	Cale 1,8 mm	1	
33	GU19355309	Cale 1,9 mm	1	
34	GU20355121	Entretoise	1	
35	GU19355200	Rondelle ajustem. 0,1 mm	1	
36	GU19355202	Rondelle ajustem. 0,15 mm	1	
37	GU90706584	Joint 58,42x2,62	1	
38	GU90403251	Bague d'étanchéité 32x47x10	1	

Groupe	MOTEUR
Code	34.20
Description	Alimentation
Révision	1



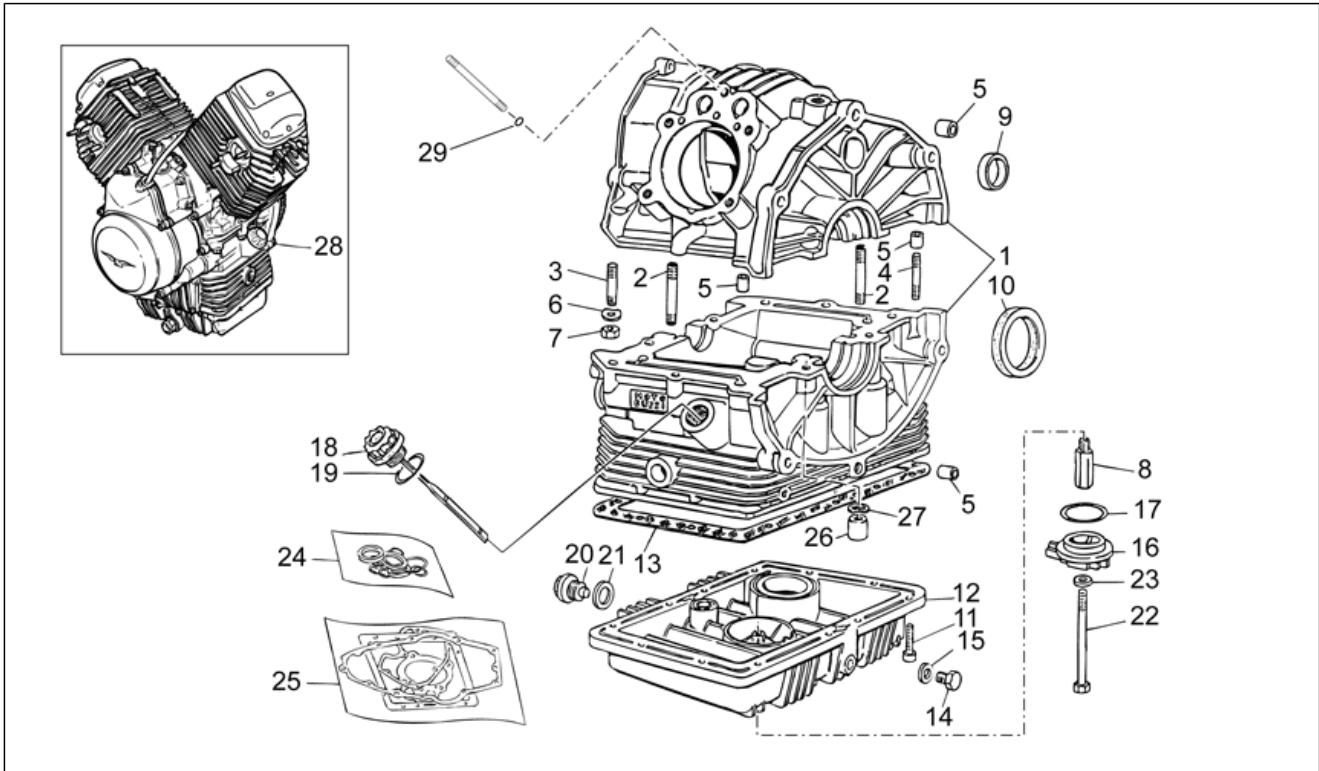
Pos.	Code	Description	Quant	Variants
1	883265	Tuyau essence	1	Année:2009[9], 2010[A], 2011[B]
1	GU32106560	Tuyau essence	1	Année:2012[C]
2	887768	Pompe essence	1	Année:2012[C]
2	978930	Pompe essence	1	Année:2009[9], 2010[A], 2011[B]
3	AP8152273	Vis bride	6	

Groupe	MOTEUR
Code	34.34
Description	Carter
Révision	1



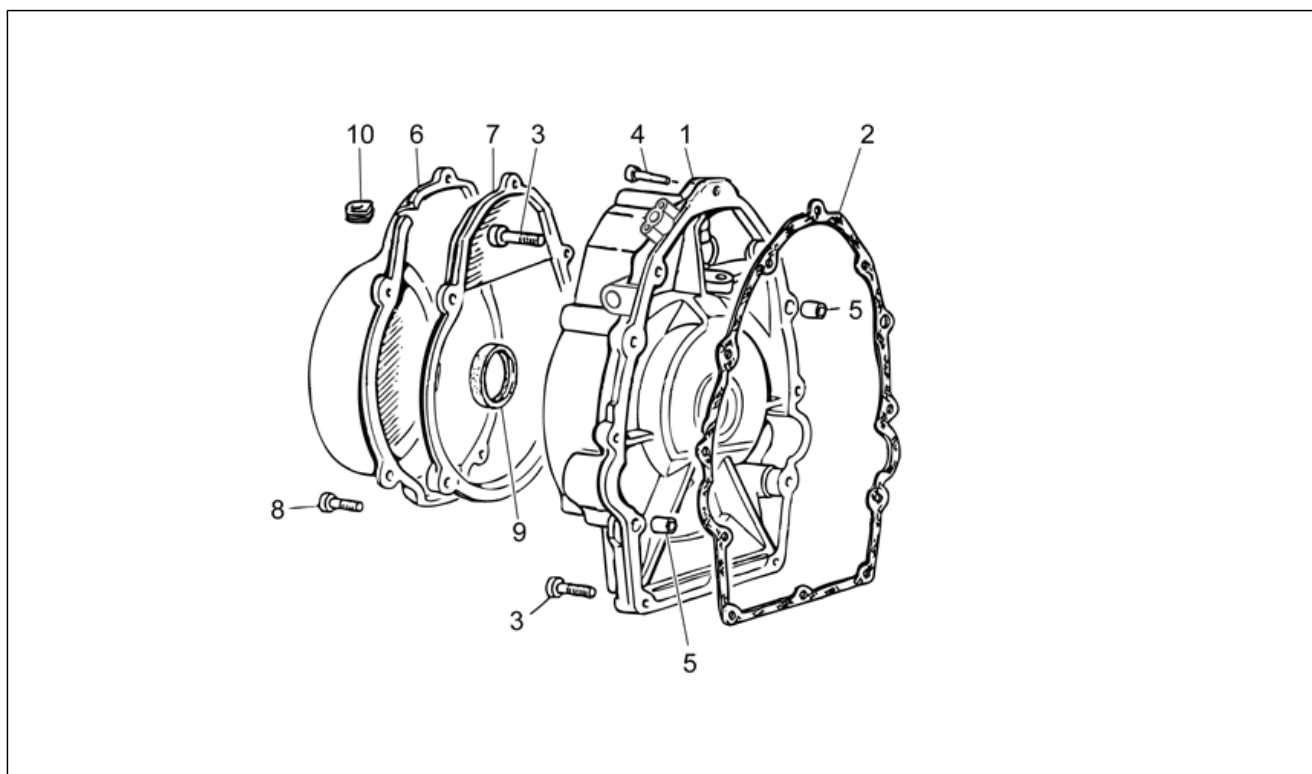
Pos.	Code	Description	Quant	Variants
1	976600	Carter moteur noir	1	
2	GU96451560	Vis sans tête	4	
3	GU96451430	Vis sans tête	4	
4	GU96508055	Vis sans tête	2	
5	GU19015020	Bague	4	
6	GU61270300	Rondelle élastique 8x15x0,3	6	
7	GU92606208	Ecrou M8x1,25	6	
8	GU19003800	Raccord	1	
9	GU19016320	Bouchon	1	
10	GU04000500	Bague d'étanchéité	1	
11	GU98682325	Vis M6x25	12	
12	976604	Carter huile noir	1	
13	GU19003602	Joint	1	
14	GU31003766	Bouchon vid.huile M10x1	1	
15	GU10528900	Garniture	1	
16	976685	Petit couvercle	1	
17	GU90706444	Joint torique	1	
18	GU27004985	Bouchon rempl. huile	1	
19	GU90706281	Joint torique 28,24x2,62	1	
20	GU12003702	Bouchon vid.huile	1	
21	GU95100709	Joint 20,1x28x2	1	
22	GU27152885	Boulon	1	
23	GU12154200	Joint 8,25x15x1	1	
24	GU32999510	Joint spy-série	1	
25	GU32999010	Joints-jeu	1	
26	GU13021900	Ecrou colonne	4	
27	GU95129180	Rondelle 10,5X18X0,8	4	
28	976939	Moteur comp.sansbo.vitesses	1	

Groupe	MOTEUR
Code	34.34
Description	Carter
Révision	1



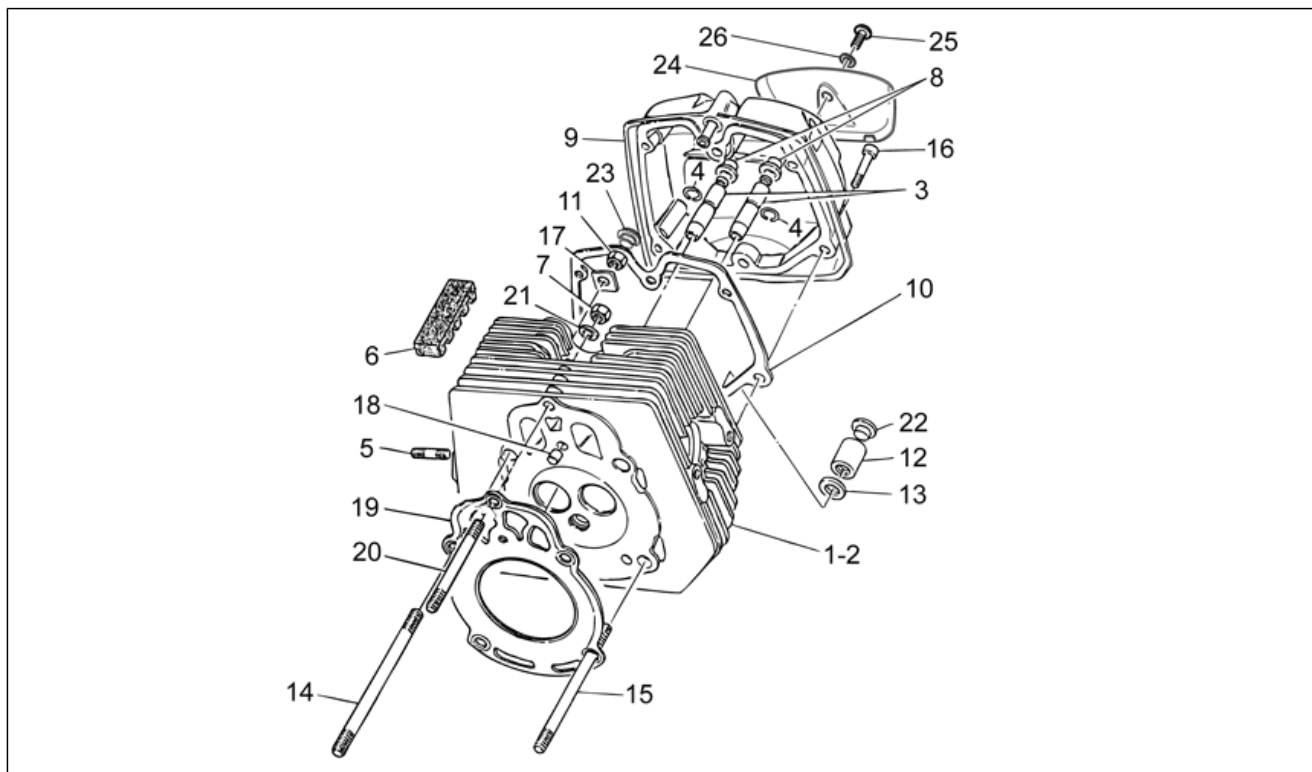
Pos.	Code	Description	Quant	Variants
29	GU90706076	Joint torique	2	

Groupe	MOTEUR
Code	34.35
Description	Couvercle distribution
Révision	1



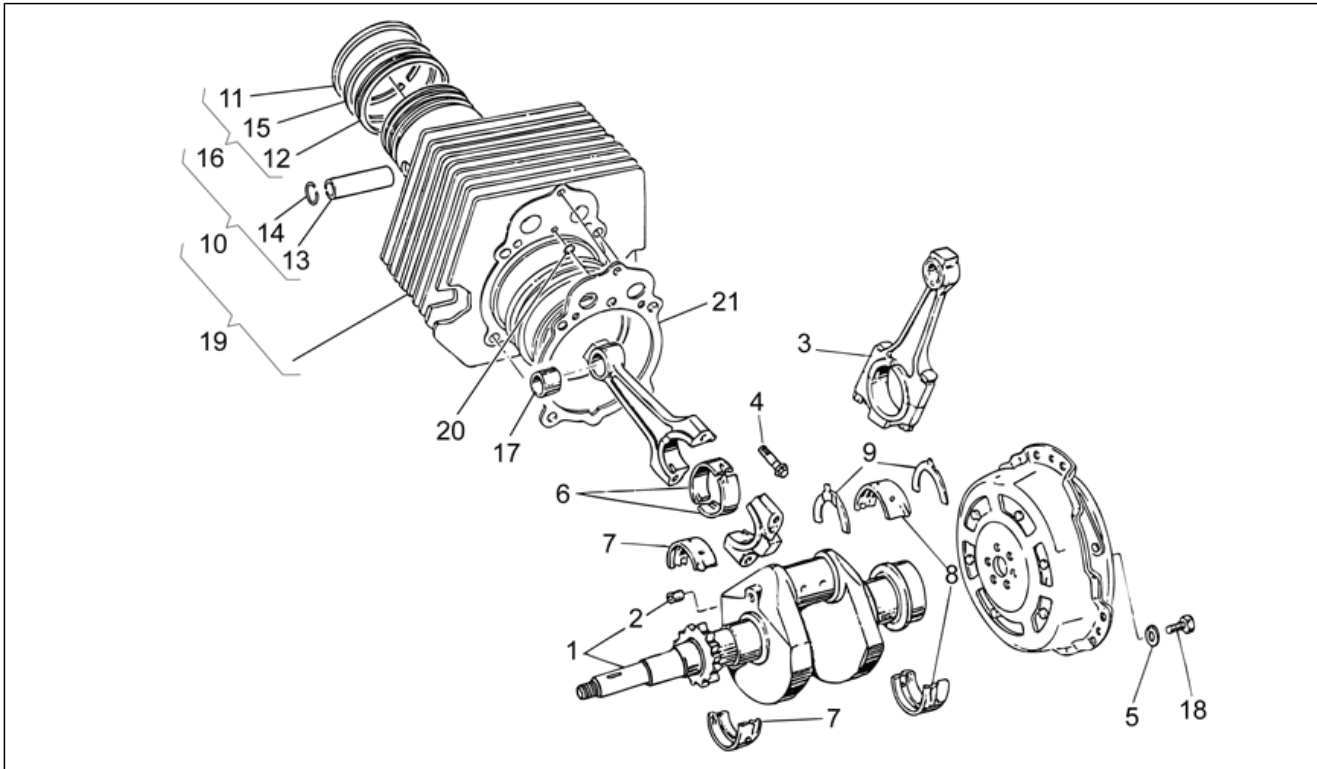
Pos.	Code	Description	Quant	Variants
1	976603	Couvercle de distribution noir	1	
2	GU19001200	Joint	1	
3	GU98682325	Vis M6x25	10	
4	GU98680330	Vis M6x30	2	
5	GU19002020	Bague 6,6x9x13	2	
6	GU32001610	Couvercle	1	
7	GU27001136	Bride	1	
8	GU98680335	Vis M6x35	5	
9	GU90402842	Bague d'étanchéité	1	
10	GU19007700	Caoutchouc	1	

Groupe	MOTEUR
Code	34.36
Description	Tête cylindre
Révision	1



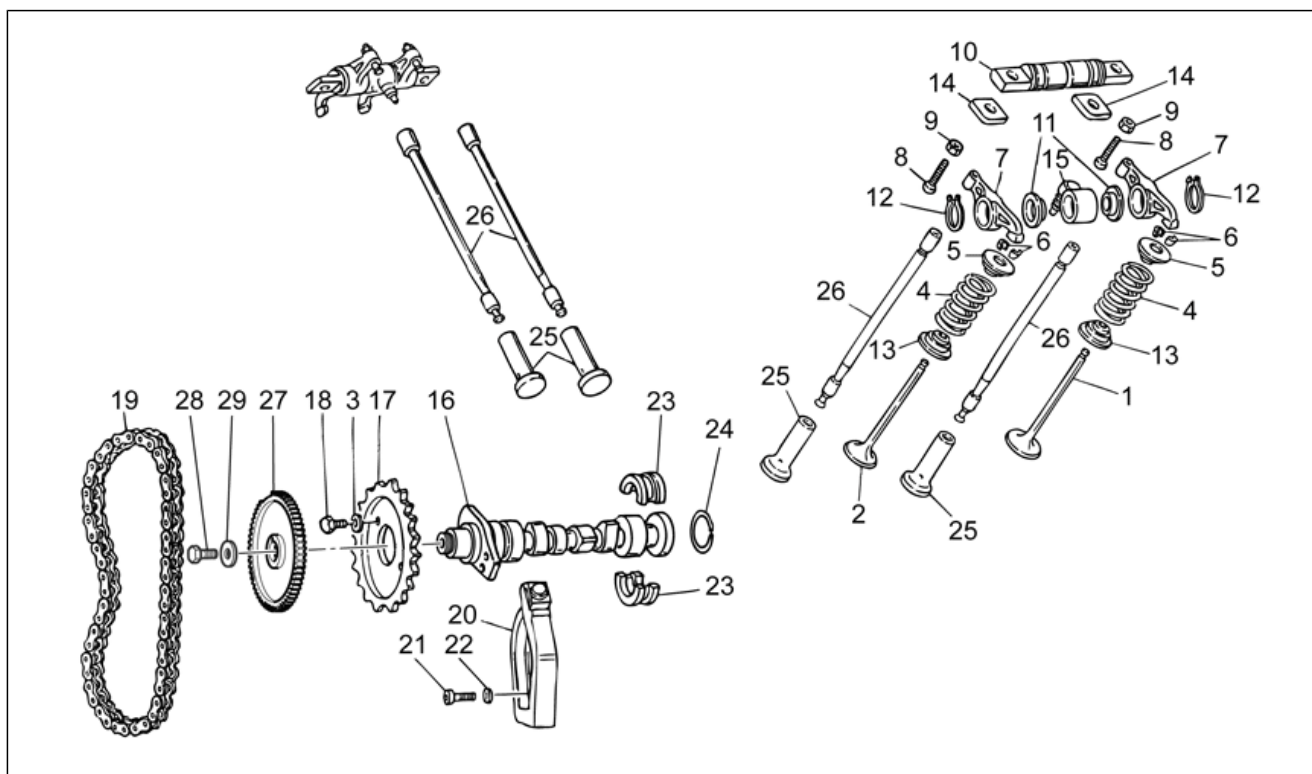
Pos.	Code	Description	Quant	Variants
1	GU32022110	Culasse d.gris	1	
2	GU32022210	Culasse g.gris	1	
3	GU61036801	Guide soupape	4	
4	GU90353009	Anneau élastique	4	
5	GU96506042	Vis sans tête	4	
6	GU19025300	Plaquette antivibratile	4	
7	GU19021920	Ecrou	2	
8	GU19037820	Joint spi	4	
9	GU32023660	Couvre-culasse	2	
10	GU19023700	Joint	2	
11	GU92603010	Ecrou M10X1,5	4	
12	GU13021900	Ecrou colonne	4	
13	GU95129180	Rondelle 10,5X18X0,8	4	
14	GU96510214	Vis sans tête M10x214	4	
15	GU96510181	Vis sans tête M10x182	4	
16	GU98692325	Vis M6x25	10	
17	GU19032980	Cale	4	
18	GU19021360	Bague	2	
19	GU27022060	Joint	2	
20	GU96508145	Vis sans tête M8x143	2	
21	GU61270300	Rondelle élastique 8x15x0,3	2	
22	GU93180245	Bouchon	4	
23	AP8144071	Caoutchouc pot	1	
24	GU32023410	Couvre-culasse	2	
25	AP8152339	Vis bride M5x9	2	
26	GU14615901	Rondelle 8,4X13X0,8	2	

Groupe	MOTEUR
Code	34.37
Description	Arbre moteur cpl.
Révision	1



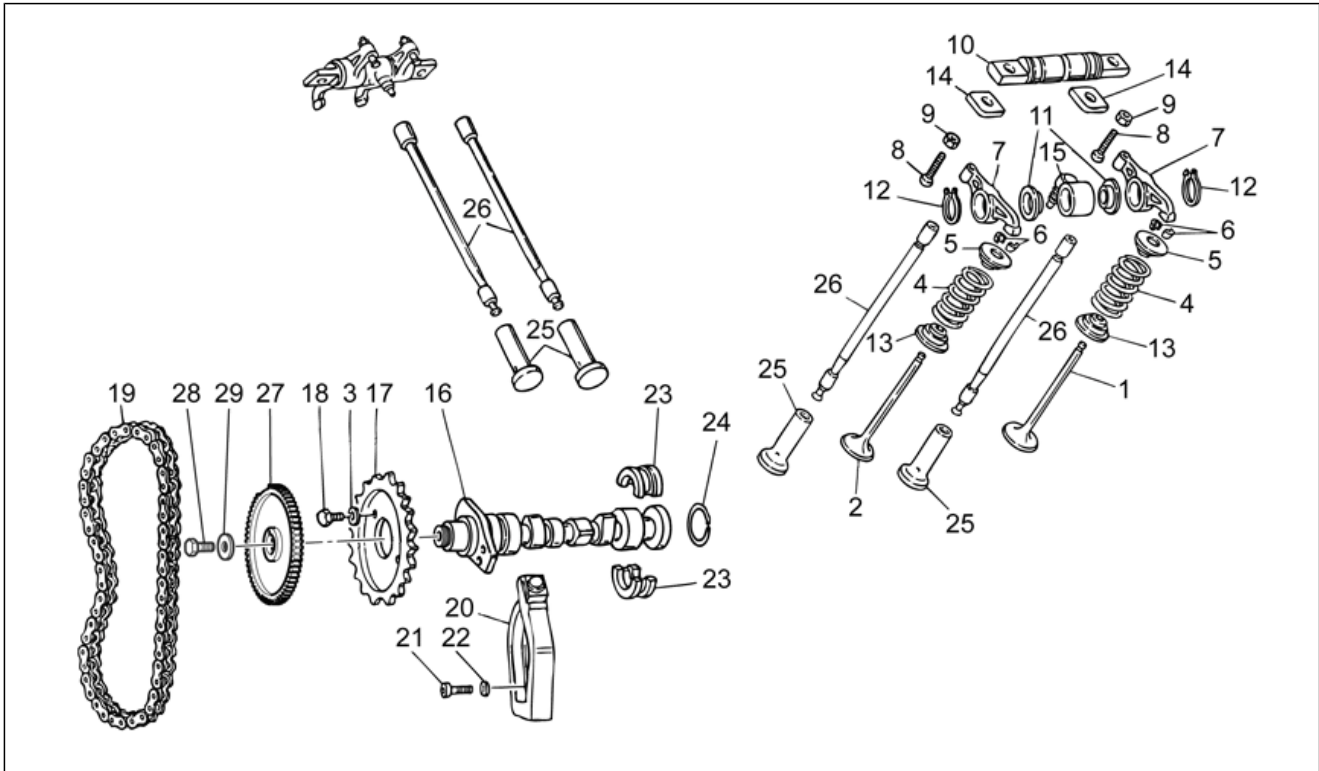
Pos.	Code	Description	Quant	Variants
1	GU32064110	Arbre moteur cpl.	1	
2	GU19065400	Bouchon	1	
3	GU27061585	Bielle cpl.	2	
4	GU19062261	Vis	4	
5	GU14615901	Rondelle 8,4X13X0,8	6	
6	GU27062060	Demi-coussinet	4	
7	GU27065660	Demi-couss.de vilebr.av.	2	
8	GU27066560	Demi-couss.de vilebr.ar.	2	
9	GU27066460	Demi-etau	2	
10	GU32060210	Piston cpl.	2	
11	GU32060710	Segment d'étanchéité	2	
12	GU19061063	Segment raclear	2	
13	GU27061286	Axe	2	
14	GU27061385	Bague de butée	4	
15	GU27060860	Segment d'étanchéité	2	
16	GU32060610	Ensemble de segments	2	
17	GU27061885	Bague	2	
18	GU19067700	Vis	6	
19	GU32060110	Cylindre avec piston gris	2	
20	GU61027200	Joint torique	2	
21	GU27020820	Joint	2	

Groupe	MOTEUR
Code	34.38
Description	Distribution
Révision	1



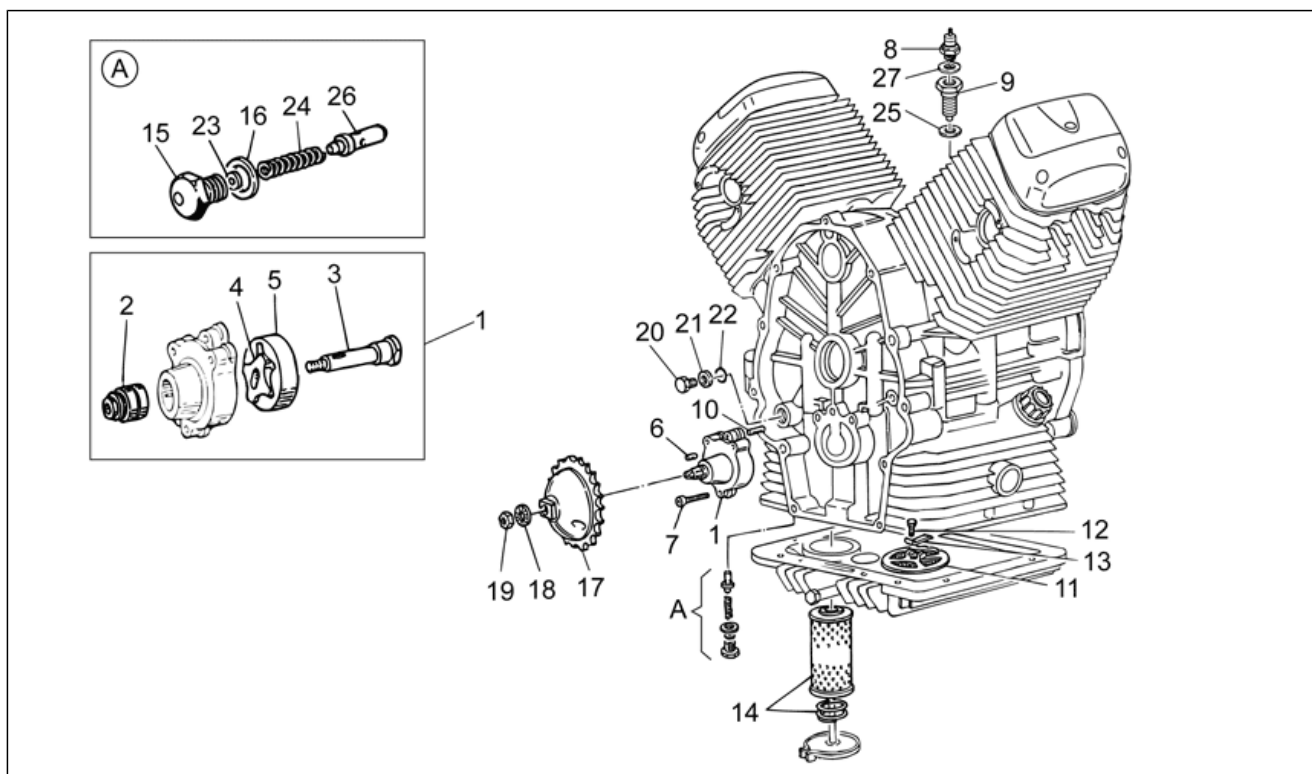
Pos.	Code	Description	Quant	Variants
1	GU20036020	Soupape d'admission	2	
2	GU20036120	Soupape d'échappement	2	
3	GU23217800	Rondelle de séreté	2	
4	GU27037521	Ressort	4	
5	GU31038015	Coupelle supérieur	4	
6	GU61038100	Demi-clavette	8	
7	GU19030500	Culbuteur	4	
8	GU19034000	Vis	4	
9	GU92602406	Ecrou M6x1	4	
10	GU19032080	Axe culbuteur	2	
11	GU32032310	Rondelle éventail	4	
12	GU90271018	Bague seeger	4	
13	GU31037015	Coupelle inférieure	4	
14	GU19032980	Cale	4	
15	GU19027500	Manchon	2	
16	GU32053410	Arbre à cames	1	
17	GU32054510	Engrenage distribution	1	
18	GU61054900	Boulon	2	
19	GU19058021	Chaîne de distribution	1	
20	GU19058220	Tendeur de chaîne	1	
21	GU98882316	Vis	1	
22	GU95129115	Rondelle	1	
23	GU19055700	Secteur	2	
24	GU90353029	Anneau élastique	1	
25	GU19045861	Poussoir	4	
26	GU31045015	Culbuteur tige	4	
27	GU32051710	Wheel speed sensor, LH front	1	
28	GU98054422	Vis M8x22	1	

Groupe	MOTEUR
Code	34.38
Description	Distribution
Révision	1



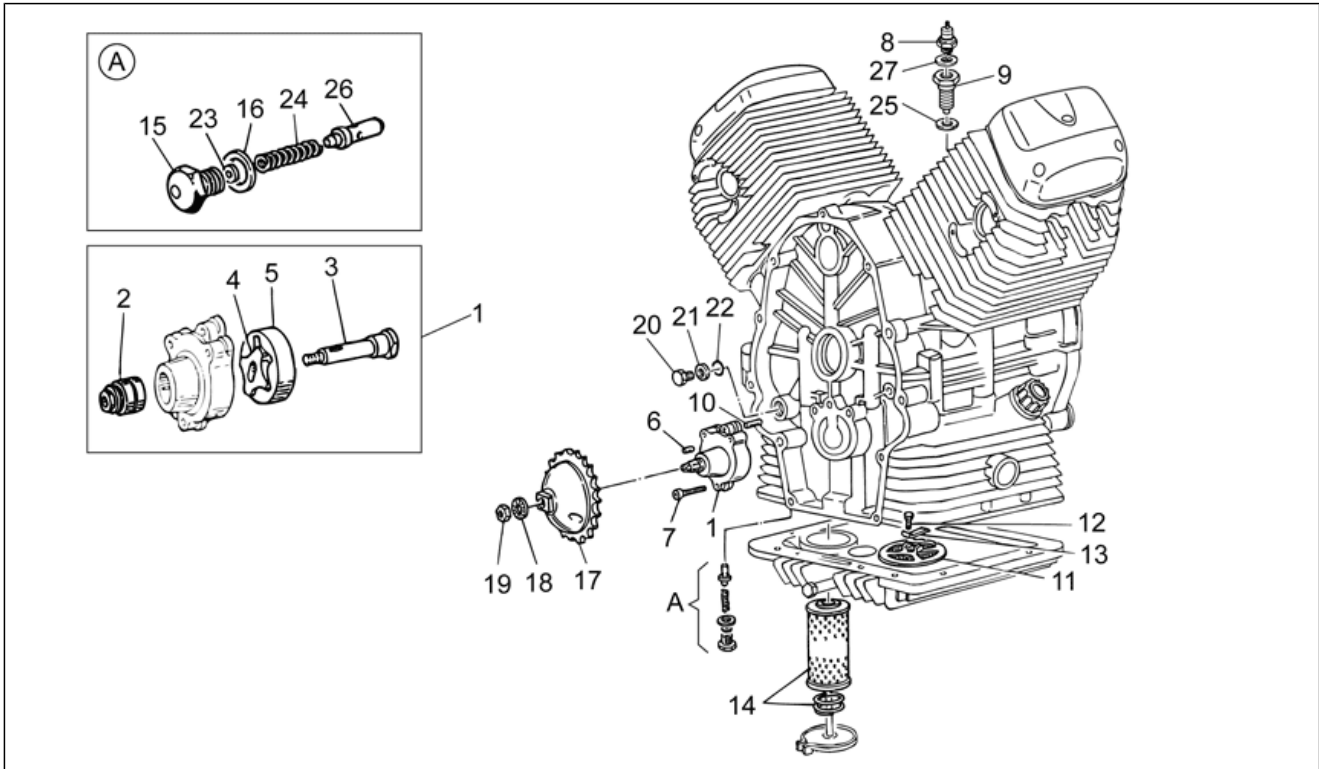
Pos.	Code	Description	Quant	Variants
29	GU95100244	Rondelle	1	

Groupe	MOTEUR
Code	34.39
Description	Pompe huile
Révision	1



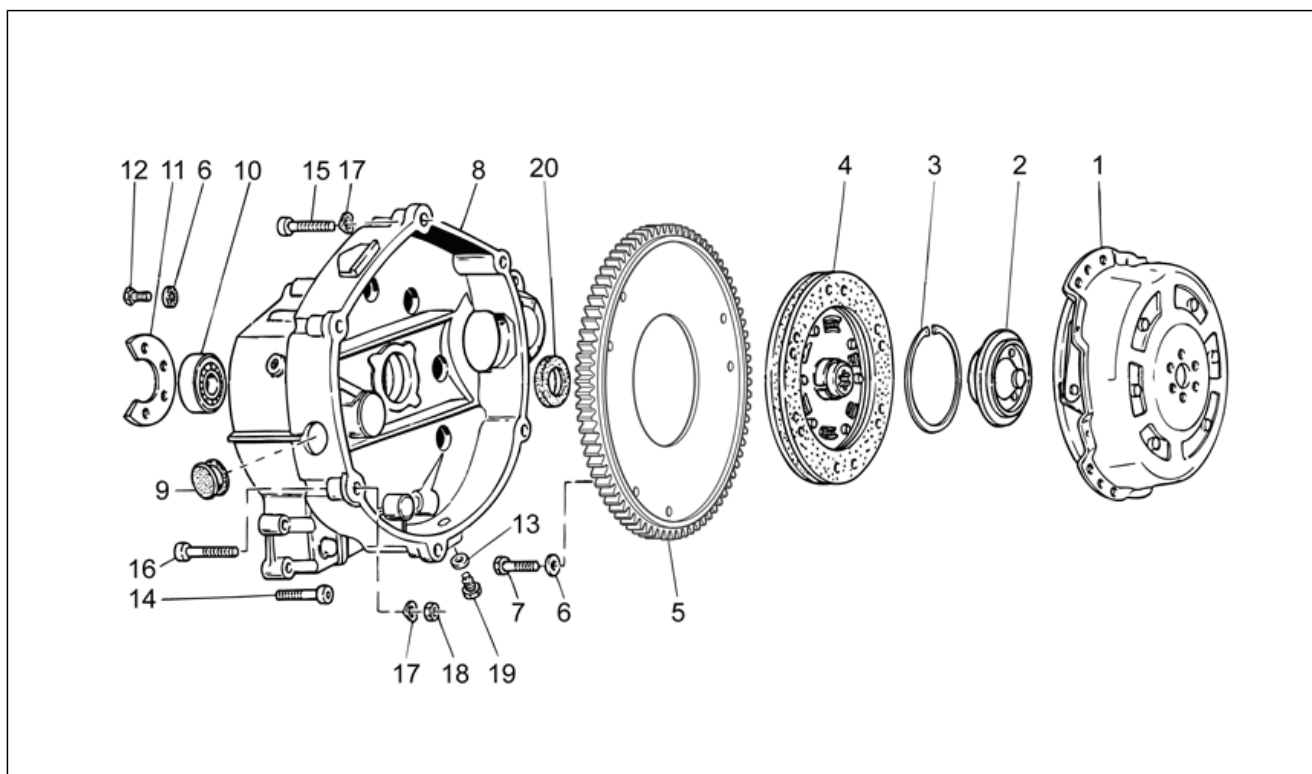
Pos.	Code	Description	Quant	Variants
1	GU19146422	Pompe huile	1	
2	GU92252210	Roulement à rouleaux 10x22x20	1	
3	GU20147810	Arbre pompe huile	1	
4	GU20148410	Rotor intérieur	1	
5	GU20148610	Rotor extérieur	1	
6	GU92296723	Rouleau	1	
7	GU98620335	Vis M6x35	3	
8	641541	Oil pressure sensor	1	
8	GU32768710	Détecteur pression	1	
9	887093	Raccord	1	
9	GU32768810	Raccord	1	
10	GU19018920	Goupille	2	
11	GU19152200	Filtre à huile	1	
12	GU98084314	Vis	1	
13	GU95187006	Plaquette	1	
14	GU27153085	Filtre à huile	1	
15	GU31159050	Bouchon	1	
16	GU18144350	Rondelle 18,25x24x1	3	
17	GU20147710	Pignon de pompe	1	
18	GU19149800	Rondelle 10,5x16x1	1	
19	GU92602510	Ecrou M10x1,25	1	
20	GU31016050	Bouchon	1	
21	GU18161150	Garniture 14,25	1	
22	GU90706111	Joint torique	1	
23	GU95008206	Rondelle 6,15x11x0,8	3	
24	GU94321079	Ressort	1	
25	GU95100602	Joint	1	
26	GU31150950	Piston	1	

Groupe	MOTEUR
Code	34.39
Description	Pompe huile
Révision	1



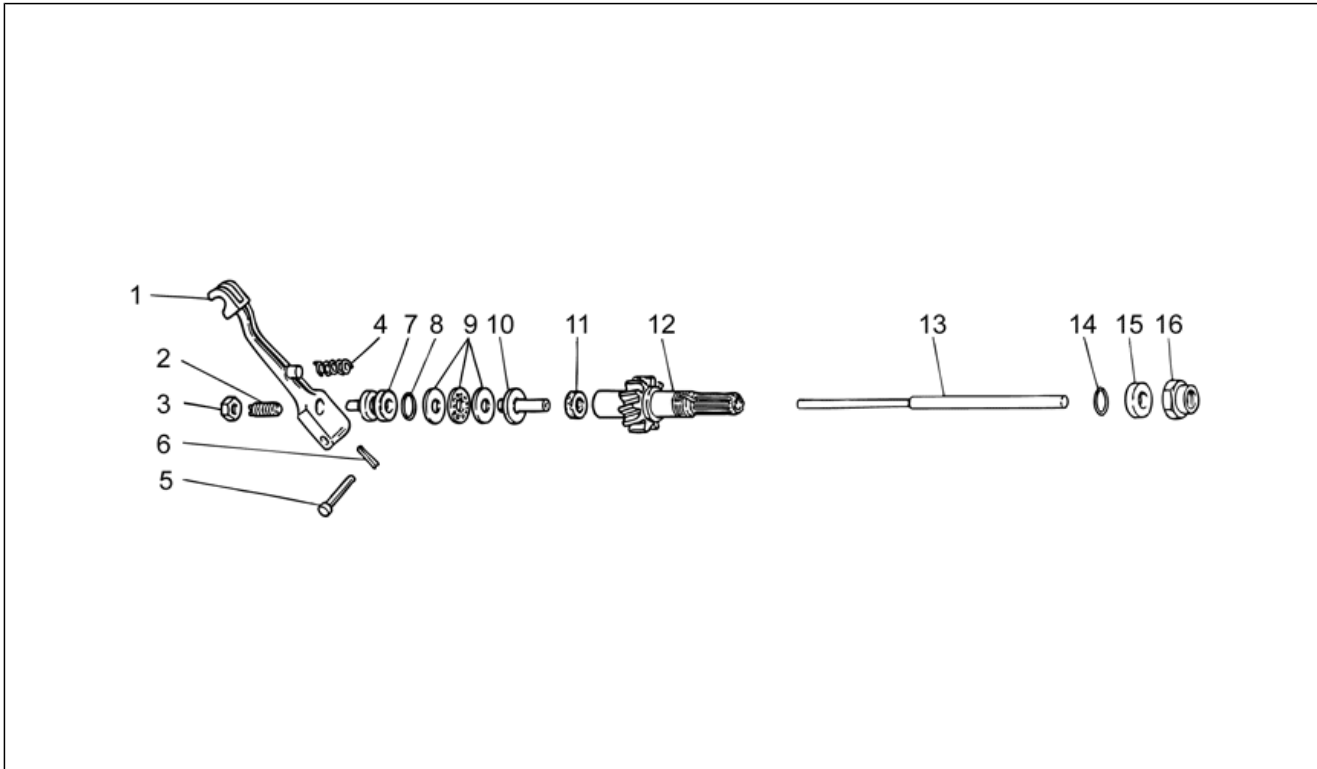
Pos.	Code	Description	Quant	Variants
27	GU95100309	Rondelle	1	

Groupe	MOTEUR
Code	34.40
Description	Embrague I
Révision	1



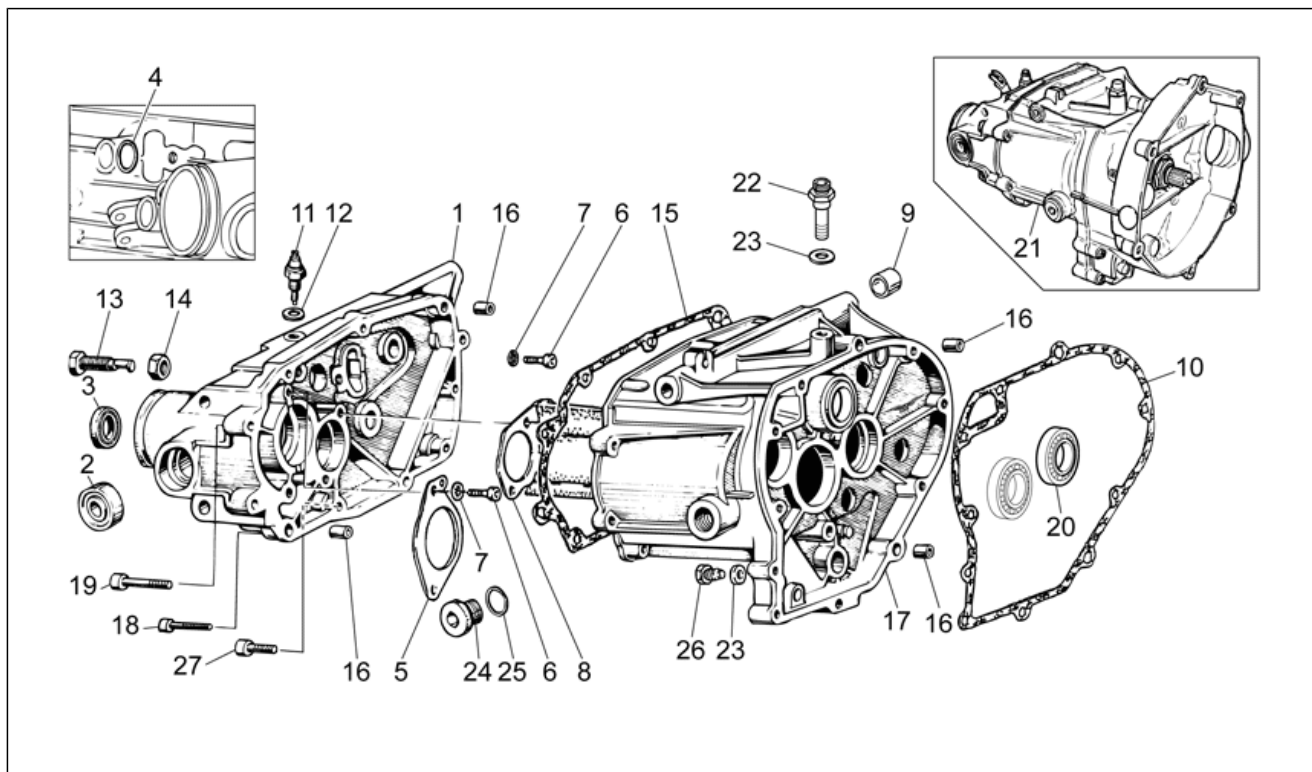
Pos.	Code	Description	Quant	Variants
1	GU32080310	Embrayage	1	
2	GU19083462	Cuvette	1	
3	GU90272075	Anneau élastique	1	
4	GU32084410	Disque embrayage mené	1	
5	GU32067910	Couronne	1	
6	GU14217901	Rondelle 6,4x10x0,7	9	
7	GU98084316	Vis	6	
8	981070	Cloche embrayage	1	
9	GU93180220	Bouchon	1	
10	GU92201225	Roulement 25x52x15	1	
11	GU19203460	Plaque fixation palier	1	
12	GU98084314	Vis	3	
13	GU10528900	Garniture	1	
14	GU98682330	Vis	11	
15	GU98680435	Vis M8x35	5	
16	GU98680450	Vis M8x50	1	
17	GU61270300	Rondelle élastique 8x15x0,3	6	
18	GU92606208	Ecrou M8x1,25	1	
19	GU31003766	Bouchon vid.huile M10x1	1	
20	GU90403246	Bague d'étanchéité 32x45x7	1	

Groupe	MOTEUR
Code	34.41
Description	Embrague II
Révision	1



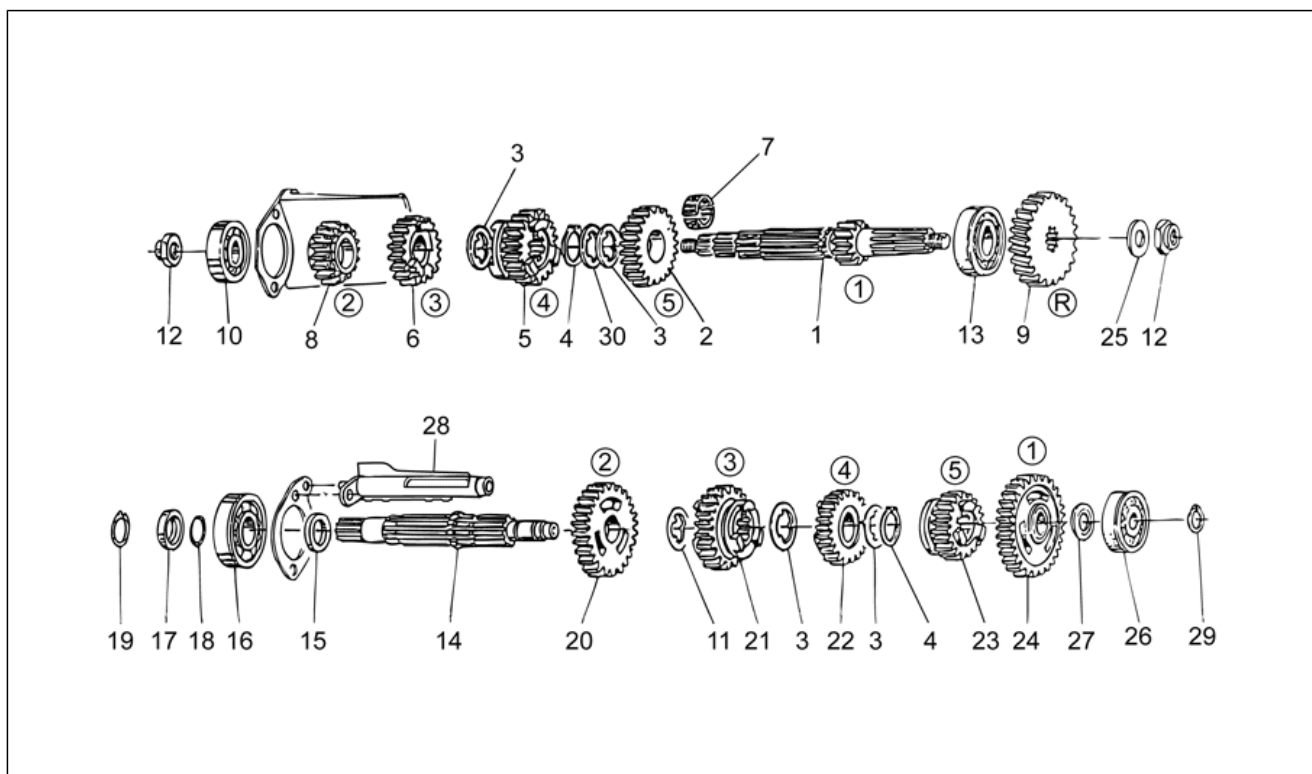
Pos.	Code	Description	Quant	Variants
1	GU14090201	Débrayage	1	
2	GU14090400	Vis embrayage	1	
3	GU92606508	Ecrou	1	
4	GU94321105	Retour levier démarrage	1	
5	GU95780271	Goupille 7x39	1	
6	GU95500222	Goupille	1	
7	GU14086100	Corps extérieur	1	
8	GU90706170	Joint torique 17,13x2,62	1	
9	GU12087001	Palier poussée	1	
10	GU14086000	Corps intérieur	1	
11	GU90400616	Bague d'étanchéité 6x16x7	1	
12	GU27210760	Arbre trnsmission Z=16	1	
13	GU20085720	Tige	1	
14	GU90706235	Joint torique 23,52x1,78	1	
15	GU19213760	Entretoise	1	
16	GU19356760	Ecrou	1	

Groupe	MOTEUR
Code	34.42
Description	Cartier de boîte vitesses
Révision	1



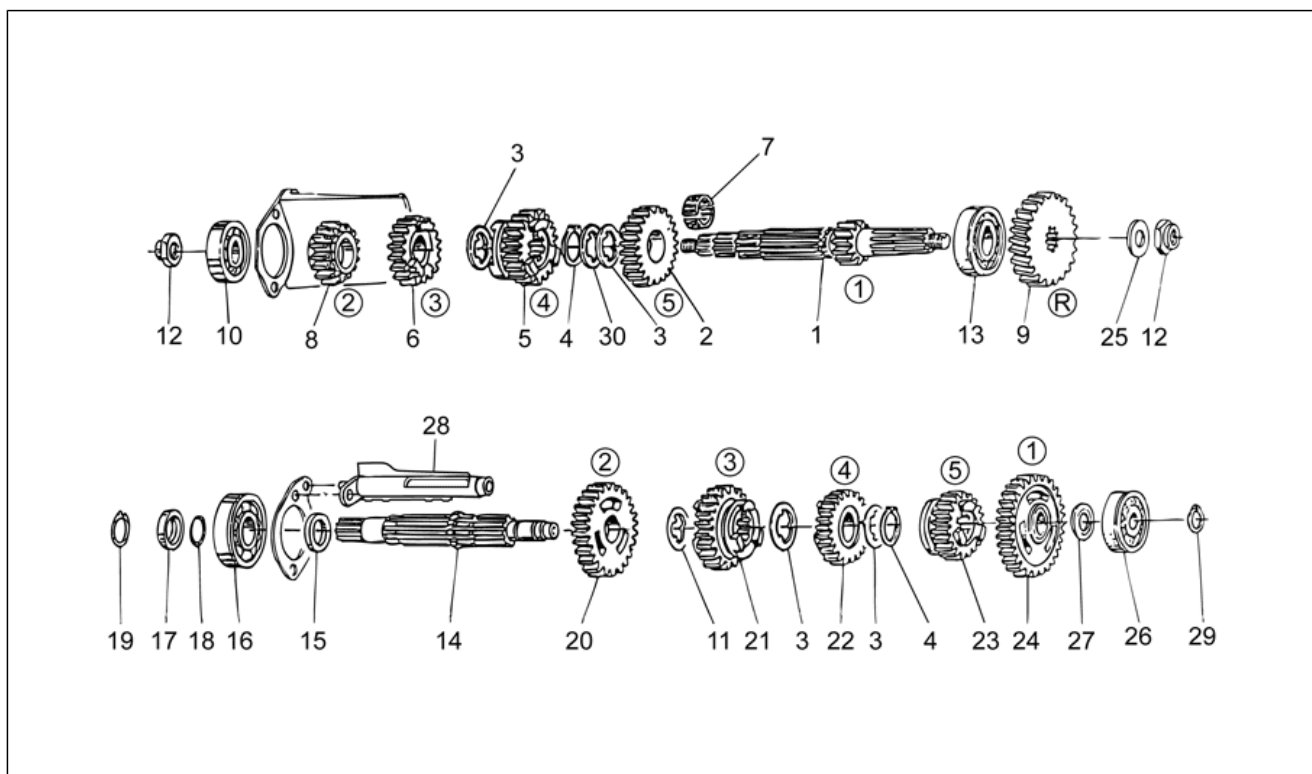
Pos.	Code	Description	Quant	Variants
1	976605	Couvercle changement	1	
2	GU92204215	Roulement 15x35x11	2	
3	GU90402841	Bague d'étanchéité 28x40x7	1	
4	GU90706140	Joint torique 13,95x2,92	1	
5	GU32213810	Plaque	1	
6	GU98682314	Vis M6x14	4	
7	GU14217901	Rondelle 6,4x10x0,7	4	
8	GU32208210	Huile cloison	1	
9	GU19202320	Bague 10,25x15,7x8	2	
10	GU23200370	Joint	1	
11	GU19207220	Capteur	1	
12	GU12154200	Joint 8,25x15x1	1	
13	GU19237800	Vis M12x1,25	1	
14	GU92606512	Ecrou bas M12x1,25	1	
15	GU19201120	Joint	1	
16	GU19002020	Bague 6,6x9x13	4	
17	976606	Boîte vitesses noir	1	
18	GU98682330	Vis	5	
19	GU98680435	Vis M8x35	4	
20	GU92201120	Roulement à billes 20x42x12	1	
21	976940	Boite de vites.compl.et carter	1	
22	GU32206510	Bouchon purge	1	
23	GU10528900	Garniture	2	
24	GU12022600	Bouchon huile	1	
25	GU90706203	Joint torique 20,24x2,62	1	
26	GU31003766	Bouchon vid.huile M10x1	1	
27	GU98680335	Vis M6x35	2	

Groupe	MOTEUR
Code	34.43
Description	Boîte de vitesses
Révision	1



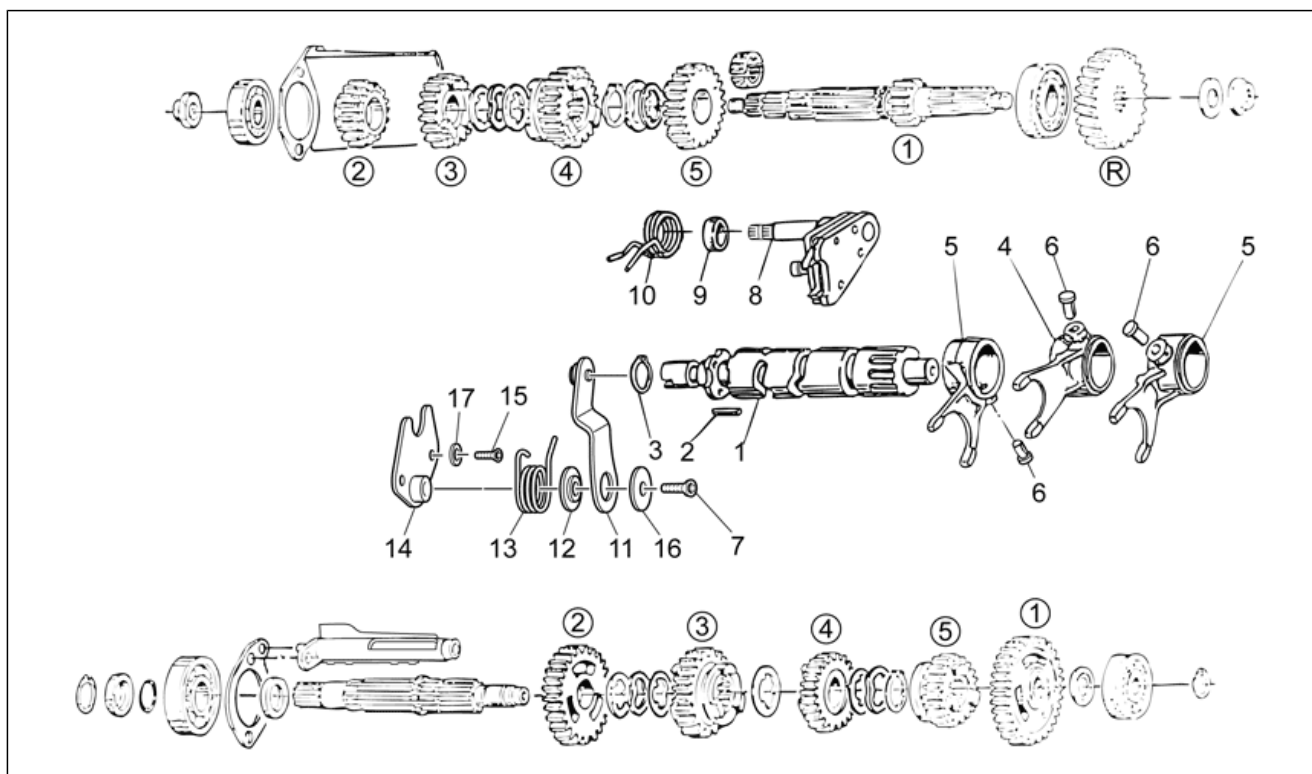
Pos.	Code	Description	Quant	Variants
1	GU32210510	Arbre primaire Z=11	1	
2	GU32212011	Engrenage 5a AP Z=25	1	
3	GU19215460	Rondelle éventail	3	
4	GU90271124	Bague seeger	2	
5	GU32211810	Engrenage 4a AP Z=18	1	
6	GU32211410	Engrenage 3a AP Z=18	1	
7	GU92251028	Cage à rouleaux	1	
8	GU23211372	Engrenage 2a AP Z=14	1	
9	GU32211110	Pignon interméd. AP Z=21	1	
10	GU92218417	Roulement AP 17x40x17,5	1	
11	GU19214660	Rondelle d'appui	2	
12	GU10054100	Ecrou	2	
13	GU92230320	Roulement AP 20x37x17	1	
14	GU32213610	Arbre secondaire	1	
15	GU19212900	Entretoise	1	
16	GU92201220	Roulement 20X47X14	1	
17	GU19213720	Entretoise	1	
18	GU90706188	Bague d'étanchéité 18,77X1,78	1	
19	GU90271121	Bague seeger	1	
20	GU32214510	Engrenage 2a AS Z=23	1	
21	GU32214810	Engrenage 3a AS Z=23	1	
22	GU32215010	Engrenage 4a AS Z=19	1	
23	GU32215210	Engrenage 5a AS Z=22	1	
24	GU32214010	Engrenage 1a AS Z=26	1	
25	GU39238100	Rondelle d'appui	1	
26	GU92234716	Roulement	1	
27	GU10214300	Cale 1,5 mm	1	
27	GU10214301	Cale 1,7 mm	1	

Groupe	MOTEUR
Code	34.43
Description	Boîte de vitesses
Révision	1



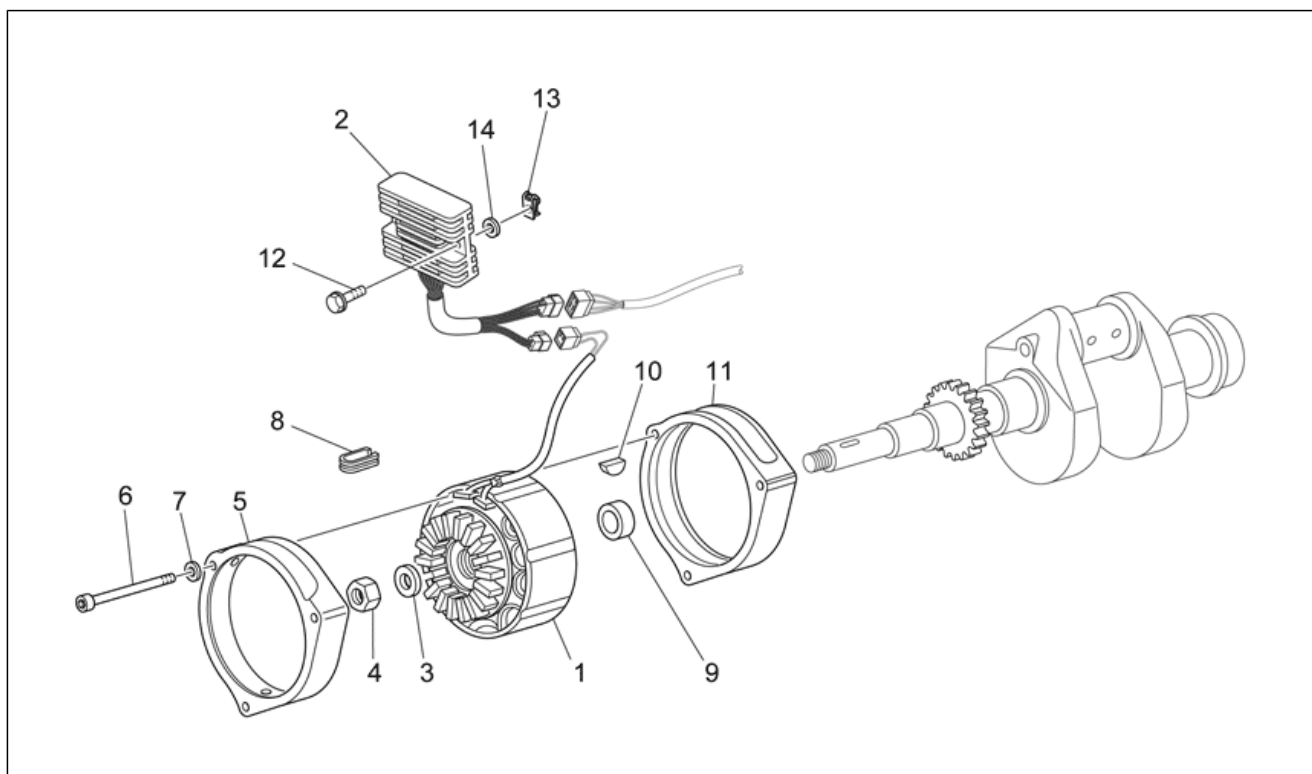
Pos.	Code	Description	Quant	Variants
27	GU10214302	Cale 1,8 mm	1	
27	GU10214303	Cale 1,9 mm	1	
27	GU10214304	Rondelle 2 mm	1	
27	GU10214305	Cale 2,1 mm	1	
28	GU32202010	Egouttoir	1	
29	GU90271117	Bague seeger	1	

Groupe	MOTEUR
Code	34.44
Description	Selecteur boîte de vitesses
Révision	1



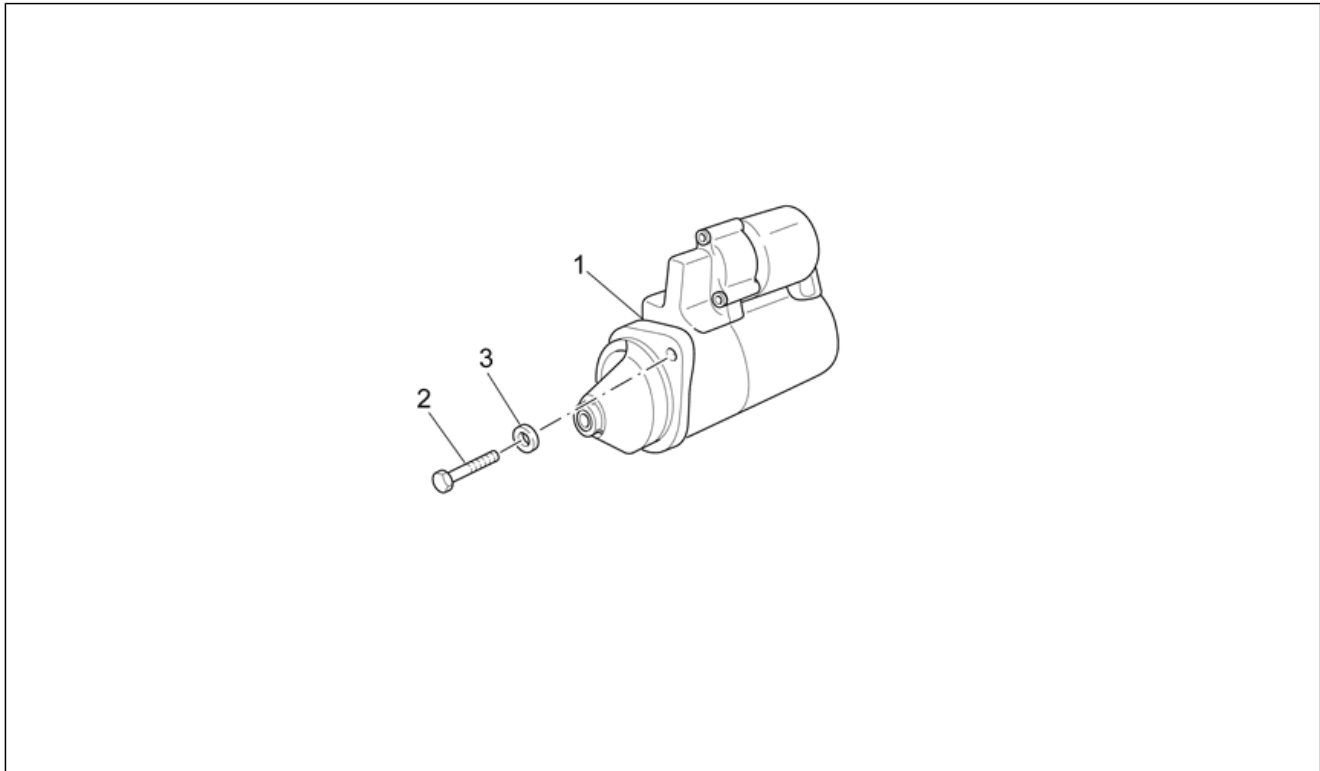
Pos.	Code	Description	Quant	Variants
1	GU32234410	Desmodromique	1	
2	GU19234600	Tige	4	
3	GU90274026	Anneau élastique	1	
4	GU32231210	Fourchette AP	1	
5	GU32231010	Fourchette AS	2	
6	GU32233010	Rouleau	3	
7	GU98350312	Vis M6x12	1	
8	GU32236210	Preselecteur complet	1	
9	GU20208520	Entretoise	1	
10	GU32238210	Ressort	1	
11	GU32234710	Levier	1	
12	GU32234810	Rondelle	1	
13	GU32234110	Ressort	1	
14	GU32235710	Plaque	1	
15	AP8152166	Vis M6x16	2	
16	GU32234910	Rondelle 6,4x20x1	1	
17	GU14217901	Rondelle 6,4x10x0,7	2	

Groupe	MOTEUR
Code	34.45
Description	Alternateur - Régul.
Révision	1



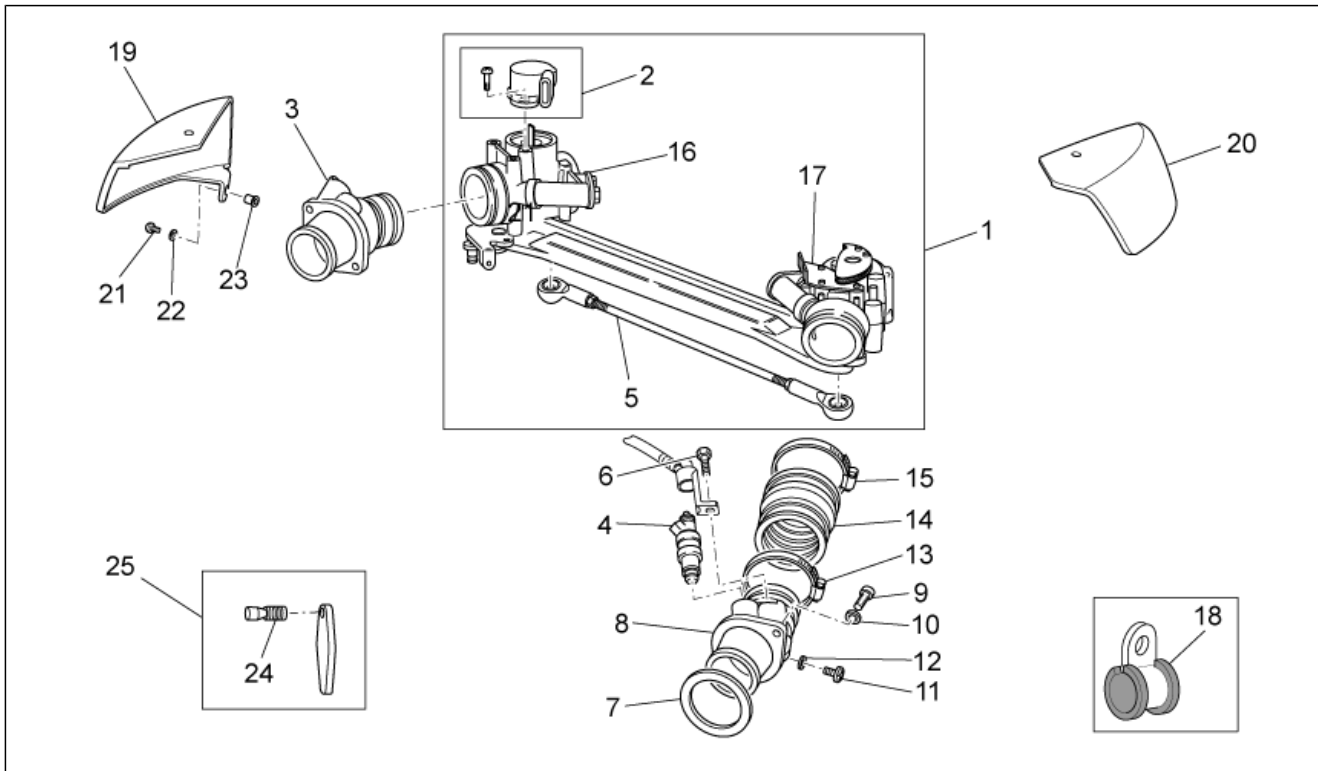
Pos.	Code	Description	Quant	Variants
1	GU32712411	Alternateur Ducati	1	
2	GU32703810	Régulateur DUCATI	1	
3	GU30714201	Rondelle 16,25x24,5x5	1	
4	GU92606516	Ecrou M16	1	
5	GU29711460	Calotte av.	1	
6	GU98680265	Vis	3	
7	GU29217960	Rondelle 5,9X3X0,8	3	
8	GU19007700	Caoutchouc	1	
9	GU31712365	Entretoise	1	
10	GU91600450	Clavette	1	
11	GU29711960	Calotte arriere chromée	1	
12	AP8152281	Vis bride	2	
13	GU28576591	Clip M6	2	
14	GU95100125	Rondelle	2	

Groupe	MOTEUR
Code	34.46
Description	Démarrreur
Révision	1



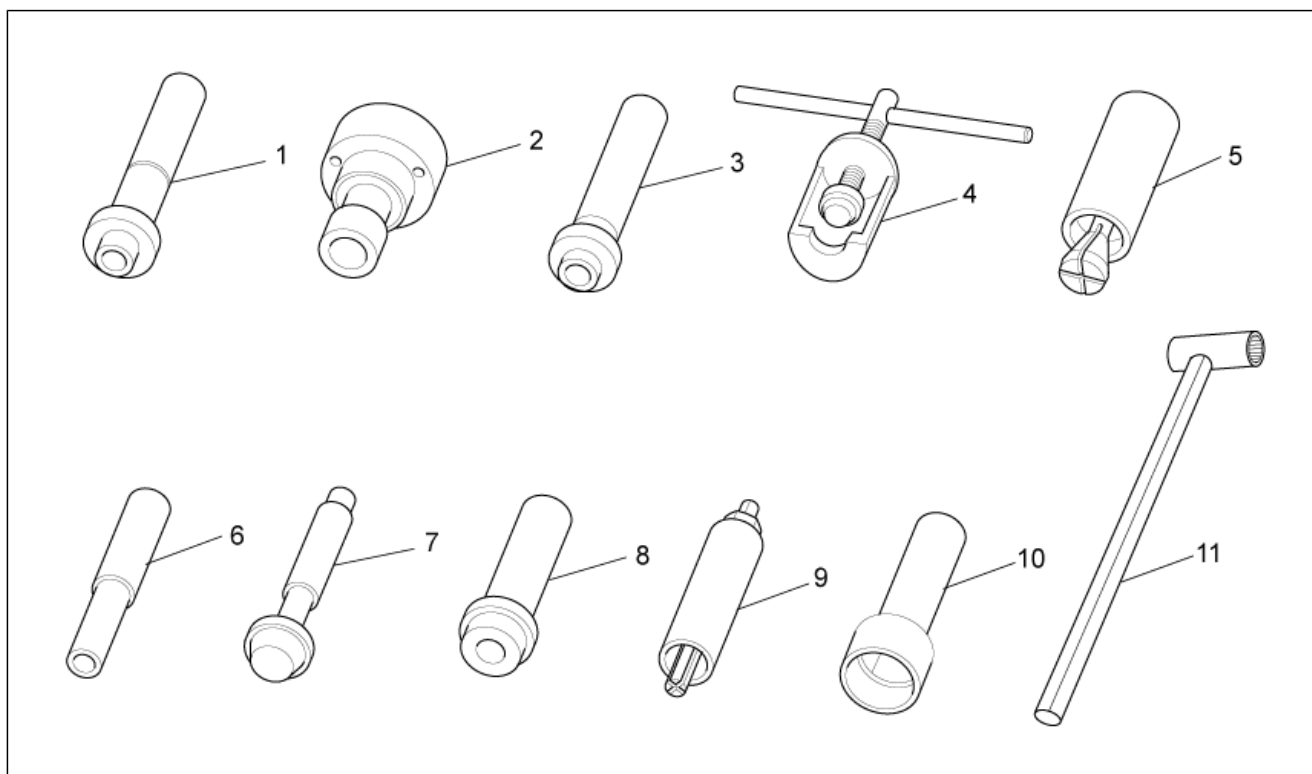
Pos.	Code	Description	Quant	Variants
1	GU05730730	Démarrreur Bosch	1	
2	GU98082435	Vis M8x35	2	
3	GU95008208	Rondelle 8,4X15X1,5	2	

Groupe	MOTEUR
Code	34.47
Description	Corps à papillon
Révision	1



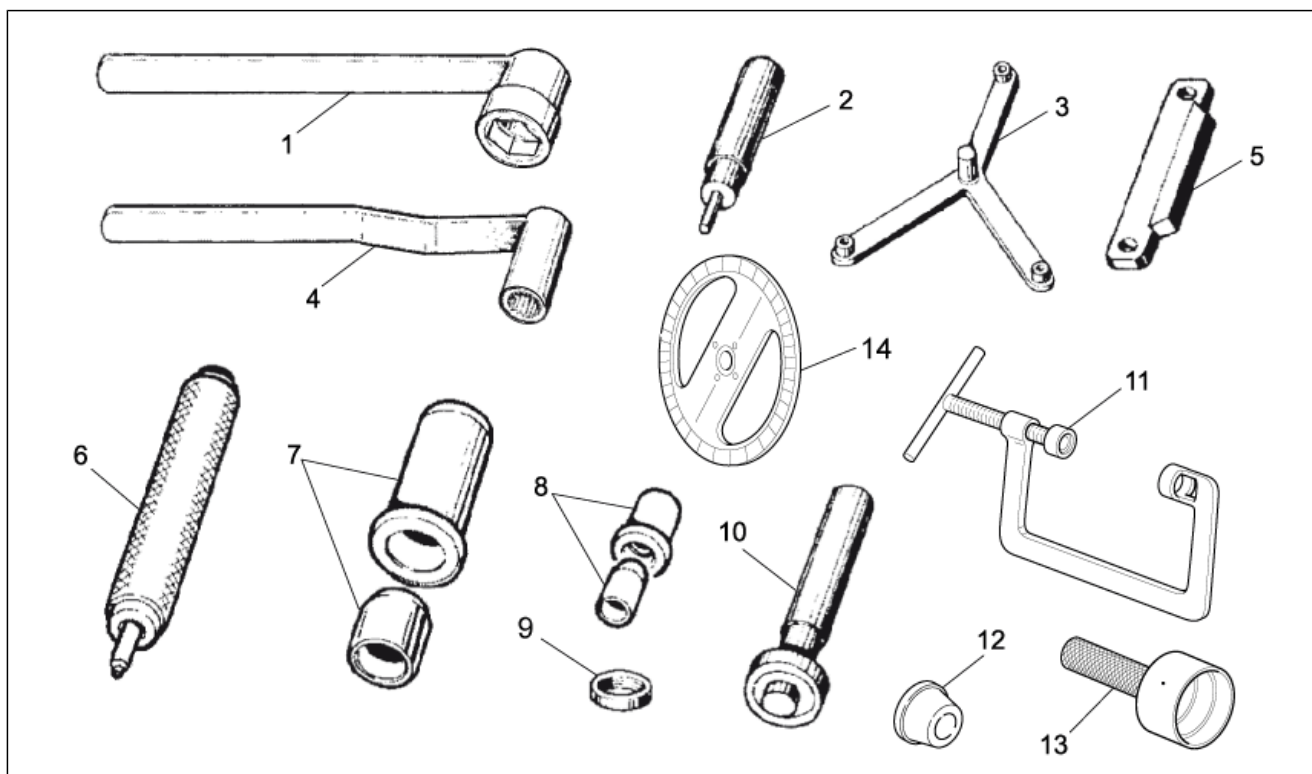
Pos.	Code	Description	Quant	Variants
1	GU32112510	Corpe papillon compl.	1	
2	GU32530508	Potentiomètre	1	
3	GU32115010	Pipe d.	1	
4	GU32115710	Kit injecteur complet	2	
5	GU32530509	Tige	1	
6	AP8152298	Vis bride M5x16	2	
7	GU32115510	Joint	1	
8	GU32115011	Pipe g.	1	
9	GU98682322	Vis M6x22	4	
10	GU03013800	Rondelle 6,4x12	4	
11	GU98310609	Vis M6x10	2	
12	GU95100116	Rondelle 6,25x10x1,5	2	
13	GU93305057	Collier 57x59,5x10	2	
14	GU32114310	Manchon	2	
15	GU93305061	Collier 61/65,5	2	
16	GU32112610	Corps à papillon d.	1	
17	GU32112611	Corps à papillon g.	1	
18	GU32718010	Collier	2	
19	978938	Couvercle droit chromé	1	
20	978939	Couvercle gauche chromé	1	
21	GU98370515	Vis	4	
22	GU30577800	Rondelle nylon 5,5X12X1	4	
23	GU93231605	Douille anti vibr.	4	
24	GU97270212	Vis à arrachement	1	Spécifications techniques:25Kw Version[25 Kw]
25	GU973221100027	Kit Plaquette	1	Spécifications techniques:25Kw Version[25 Kw]

Groupe	OUTILLAGE SPECIAL
Code	36.49
Description	Specific tools I
Révision	1



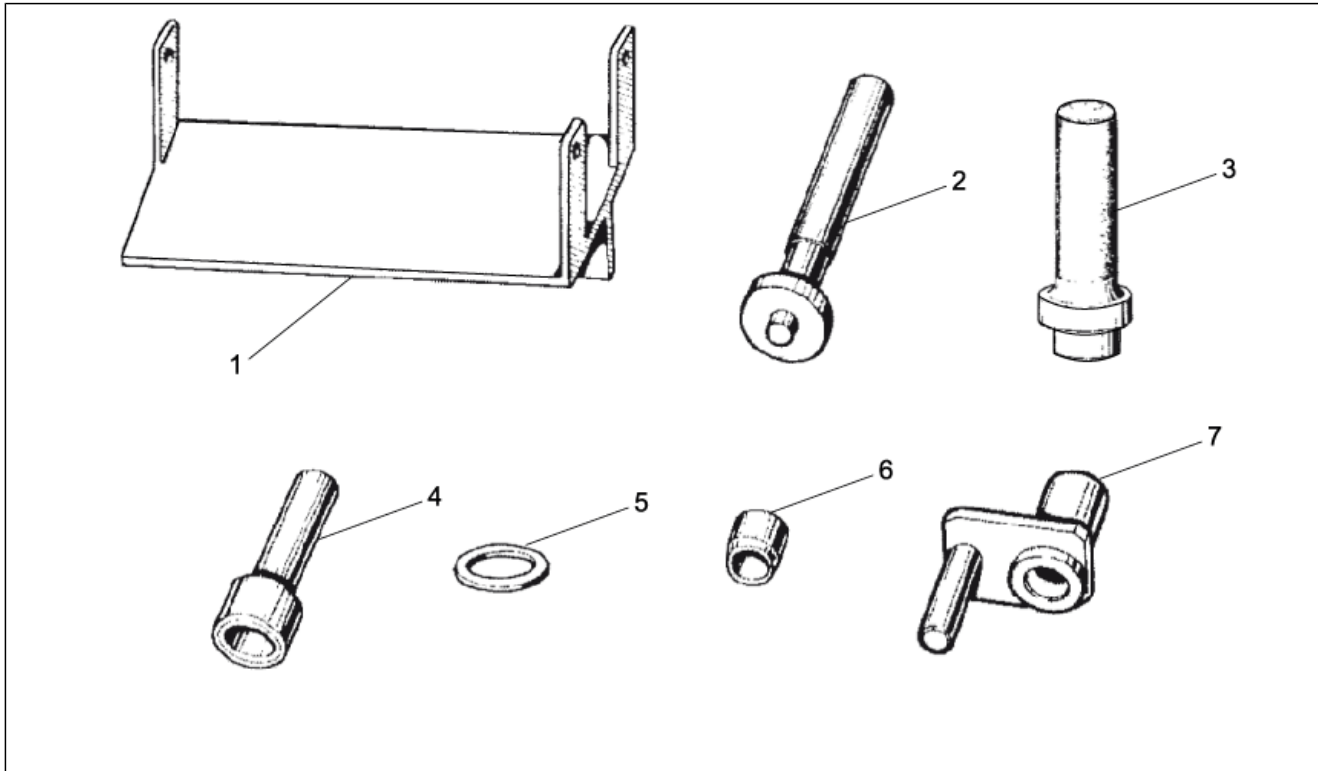
Pos.	Code	Description	Quant	Variants
1	GU19926100	Poinçon pour bague d'étanch.	1	
2	GU19928800	Outil de prémont. couple con.	1	
3	GU19926000	Poinçon pour bag.d'étanc.cart	1	
4	GU19907000	Extracteur bague interne	1	
5	GU19927500	Extracteur bague ext.roulem.	1	
6	GU19926200	Poinçon pour roulem.pignon c.	1	
7	GU19926400	Poinçon pour bague ext.roulem.	1	
8	GU19926500	Poinçon pour bag.d'étanc.cart	1	
9	GU19927600	Extracteur pour roulem.porte-br	1	
10	GU19927900	Poinçon pour presser le roulem	1	
11	GU19907100	Outil de tenue pin.couple con.	1	

Groupe	OUTILLAGE SPECIAL
Code	36.50
Description	Specific tools II
Révision	1



Pos.	Code	Description	Quant	Variants
1	GU19905460	Clé de tenue écrou	1	
2	GU19905900	Poinçon pour roul.arbre d'embr	1	
3	GU19906500	Outil de mont. disque d'embr.	1	
4	GU19907160	Outil de tenue de l'arb.d'embr	1	
5	GU19911800	Outil de tenue volant	1	
6	GU19926020	montage clapet sur guide soup.	1	
7	GU19927220	montage bag. sur le couv.distr	1	
8	GU19927320	Outil pour montage bague	1	
9	GU19927800	Douille de réd.pour outil	1	
10	GU19929400	Poinçon pour roul.arbre d'embr	1	
11	GU10907200	Out.mont./dém.soupapes	1	
12	GU12912000	Out.mont.bride volant	1	
13	GU19927100	Out.mont.joint bride volant	1	
14	GU19929600	Disque contr.calage distr/allu	1	

Groupe	OUTILLAGE SPECIAL
Code	36.51
Description	Specific tools III
Révision	1



Pos.	Code	Description	Quant	Variants
1	GU19902500	Support pour carter vitesses	1	
2	GU19926300	Poinçon pour roulem.arbre prim	1	
3	GU19926460	Introduceur roulem.arbre sec.	1	
4	GU19927200	Poinçon pour bague d'étanchéité	1	
5	GU19927202	Entretoise pour mont.bague	1	
6	GU19927300	Montage bag. sur l'arbre sec.	1	
7	GU19927700	Outil tenue engrenage renvoi	1	



PIAGGIO & C.s.p.a.



SPARE PARTS CATALOGUE



V7 Classic 750 2008-2012

Chassis prefix: ZGULW000, ZGULWC00, ZGULWJ00

Engine prefix:



Index

Finished products.....	4
Alphanumeric index.....	5
FRAME.....	11
Table 33.01 - Frame I.....	11
Table 33.02 - Frame II.....	12
Table 33.03 - Lateral stand.....	13
Table 33.04 - Front footrests.....	14
Table 33.05 - Rear footrests.....	15
Table 33.06 - Gear lever.....	16
Table 33.07 - Front fork I.....	17
Table 33.08 - Fron fork II.....	18
Table 33.11 - Rear shock absorber.....	21
Table 33.12 - Fuel tank.....	22
Table 33.13 - Front body - Front mudguard.....	24
Table 33.14 - Saddle-Central bod.....	25
Table 33.15 - Rear body I- Mudguard.....	26
Table 33.16 - Rear body II- Plate holder.....	27
Table 33.17 - Dashboard.....	28
Table 33.18 - Handlebar - Controls.....	29
Table 33.19 - Front brake system.....	30
Table 33.21 - Fuel pump.....	31
Table 33.22 - Air box.....	32
Table 33.23 - Exhaust unit.....	34
Table 33.24 - Front wheel I.....	36
Table 33.25 - Rear wheel I.....	37
Table 33.26 - Rear master cylinder.....	38
Table 33.27 - Rear brake caliper.....	39
Table 33.28 - Front lights.....	40
Table 33.29 - Rear lights.....	42
Table 33.30 - Electrical system I.....	43
Table 33.31 - Electrical system II.....	44
Table 33.32 - Lock hardware kit.....	46
Table 33.33 - Decal and plate set.....	47
Table 33.48 - Fuel vapour recover system.....	49
ENGINE.....	50
Table 34.09 - Transmission complete I.....	50
Table 34.10 - Transmission complete II.....	51
Table 34.20 - Fuel supply.....	54
Table 34.34 - Crank-case.....	55
Table 34.35 - Timing system cover.....	57
Table 34.36 - Cylinder head.....	58
Table 34.37 - Crankshaft cpl.....	59
Table 34.38 - Timing system.....	60



Table 34.39 - Oil pump.....	62
Table 34.40 - Clutch I.....	64
Table 34.41 - Clutch II.....	65
Table 34.42 - Transmission cage.....	66
Table 34.43 - Gear box.....	67
Table 34.44 - Gear box selector.....	69
Table 34.45 - Generator - Regulator.....	70
Table 34.46 - Starter motor.....	71
Table 34.47 - Throttle body.....	72
SPECIAL TOOLS.....	73
Table 36.49 - Specific tools I.....	73
Table 36.50 - Specific tools II.....	74
Table 36.51 - Specific tools III.....	75



Finished products

Code	Validity
GU9032176AU800	
GU9032176AU801	
GU9032176AU802	
GU9032176CAB00	
GU9032176CAB02	
GU9032176CAB03	
GU9032176CAC00	
GU9032176CAC02	
GU9032176CAC03	
GU9032176EU800	
GU9032176EU801	
GU9032176EU802	
GU9032176GB800	
GU9032176GB801	
GU9032176GB802	
GU9032176JP800	
GU9032176JP801	
GU9032176JP802	
GU9032176USB00	
GU9032176USB02	
GU9032176USB03	
GU9032176USC00	
GU9032176USC02	
GU9032176USC03	



Code	No. table	Pos.	Code	No. table	Pos.	Code	No. table	Pos.
0000000	33.24	16	883569	33.17	11	887944	33.12	1
0000000	33.24	17	883598	33.33	2	88798700Y02	33.12	1
0000000	33.24	18	883665	33.33	16	887989	33.32	1
0000000	33.25	18	883666	33.33	17	976600	34.34	1
0000000	33.25	19	883696	33.22	16	976603	34.35	1
0000000	33.25	20	883704	33.23	25	976604	34.34	12
2D000006	33.32	10	883709	33.23	11	976605	34.42	1
638733	33.31	5	883710	33.23	10	976606	34.42	17
639542	33.03	8	883735	33.33	8	976608	34.10	1
640201	33.31	5	883736	33.33	9	976685	34.34	16
641541	34.39	8	883737	33.33	10	976939	34.34	28
825727	33.12	8	883778	33.31	11	976940	34.42	21
856062	33.48	7	883802	33.18	10	976941	34.09	1
856063	33.48	6	883852	33.21	5	977024	33.24	10
856064	33.48	11	883868	33.23	1	977088	33.03	1
860138	33.48	10	883869	33.23	2	977308	33.31	19
883003	33.11	1	883904	33.31	19	977308	33.31	19
883011	34.09	11	883911	33.33	8	977527	33.14	6
883015	33.05	13	883912	33.33	9	977527	33.32	4
883019	33.05	12	883913	33.33	10	978323	33.19	15
883039	33.06	1	884198	33.33	8	978323	33.27	20
883051	33.04	1	884199	33.33	9	978385	33.23	12
883052	33.04	2	884200	33.33	10	978415	33.14	8
883058	33.26	1	886944	33.33	20	978415	33.32	9
883075	33.18	15	88701900XR7	33.12	1	978551	33.33	2
883077	33.30	1	88702000XR7	33.14	10	978570	33.18	10
883077	33.31	1	88702100XR7	33.14	17	978750	33.01	1
883161	33.31	12	887022	33.33	18	978751	33.02	1
883180	33.27	6	887023	33.33	19	978752	33.02	2
883182	33.32	1	887024	33.33	16	978757	33.25	11
883185	33.32	3	887025	33.33	17	978928	33.12	1
883191	33.31	11	887093	34.39	9	97892800BM	33.12	1
883192	33.27	7	887878	33.08	1	97892800Y02	33.12	1
883193	33.12	4	887879	33.08	2	978929	33.12	3
883194	33.33	5	887880	33.08	3	978930	33.21	1
883252	33.12	12	887881	33.08	40	978930	34.20	2
883262	33.18	4	887882	33.08	5	978931	33.14	1
883263	33.18	5	887883	33.08	6	978932	33.17	1
883264	33.18	3	887884	33.08	7	978938	34.47	19
883265	34.20	1	887885	33.08	8	978939	34.47	20
883266	33.13	2	887886	33.08	9	97894000BM	33.14	10
883293	33.23	15	887887	33.08	10	97894000Y02	33.14	10
883294	33.23	4	887888	33.08	11	978941	33.14	9
883295	33.14	5	887889	33.08	12	978942	33.14	11
883296	33.27	1	887890	33.08	13	97894300BM	33.14	17
883297	33.23	13	887891	33.08	14	97894300Y02	33.14	17
883298	33.23	14	887892	33.08	15	978944	33.14	16
883303	33.19	13	887893	33.08	16	97894600BM	33.15	1
883339	33.17	1	887894	33.08	17	97894600Y02	33.15	1
883349	33.25	8	887895	33.08	18	978947	33.15	2
883350	33.25	7	887896	33.08	19	978949	33.16	1
883417	33.28	26	887898	33.08	21	978950	33.29	1
883445	33.33	11	887899	33.08	22	978951	33.01	18
883462	33.28	16	887900	33.08	23	978952	33.01	19
883463	33.28	17	887901	33.08	24	978953	33.23	1
883469	33.12	1	887902	33.08	25	978953	33.23	1
88346900BM	33.12	1	887903	33.08	26	978954	33.23	2
88346900Y02	33.12	1	887904	33.08	27	978954	33.23	2
883470	33.16	6	887905	33.08	28	978955	33.23	3
883471	33.03	1	887906	33.08	39	978956	33.23	11
883476	33.32	3	887912	33.08	30	978956	33.23	11
883477	33.32	1	887913	33.08	31	978957	33.23	10
883478	33.28	5	887914	33.08	32	978957	33.23	10
883478	33.29	5	887915	33.08	33	978960	33.18	1
883479	33.29	1	887916	33.08	34	978969	33.26	3
883480	33.16	9	887917	33.08	35	978970	33.26	13
883481	33.33	5	887918	33.08	41	978972	33.08	30



Code	No. table	Pos.	Code	No. table	Pos.	Code	No. table	Pos.
978973	33.08	31	AP8144071	33.23	16	AP8224462	33.31	30
978974	33.08	19	AP8144071	34.36	23	AP8257609	33.33	13
978976	33.08	21	AP8144081	33.07	5	AP8257742	33.33	15
978977	33.08	29	AP8144146	33.07	3	AP8257794	33.33	14
978978	33.08	4	AP8144538	33.31	7	B06304700XR7	33.12	1
978979	33.07	1	AP8145034	33.04	3	B063645	33.21	1
981070	34.40	8	AP8145035	33.04	10	B063645	34.20	2
981081	33.33	1	AP8149034	33.16	11	B063752	33.21	1
981141	33.33	1	AP8150248	33.16	13	B063752	34.20	2
AP8101594	33.26	20	AP8150349	33.17	10	GU00823923140	33.03	7
AP8101595	33.12	15	AP8150349	33.32	6	GU00823923140	33.22	32
AP8101861	33.05	7	AP8150413	33.22	3	GU00823923140	33.48	22
AP8102159	33.22	25	AP8150421	33.31	33	GU00823931055	33.28	25
AP8102239	33.22	30	AP8150436	33.02	12	GU00823931070	33.12	17
AP8102375	33.01	12	AP8150450	33.14	12	GU00823944050	33.12	16
AP8102375	33.14	15	AP8152166	34.44	15	GU00823950050	33.26	21
AP8102375	33.26	19	AP8152220	33.02	11	GU01103860	33.01	13
AP8102375	33.31	15	AP8152268	33.16	12	GU01106090	33.21	2
AP8102524	33.03	4	AP8152273	34.20	3	GU01108490	33.21	4
AP8102678	33.48	1	AP8152277	33.04	7	GU01528930	34.10	9
AP8102688	33.48	2	AP8152277	33.05	8	GU01530568	33.08	6
AP8102766	33.22	10	AP8152277	33.19	3	GU01530571	33.08	9
AP8102766	33.48	21	AP8152277	33.31	23	GU01609630	33.18	14
AP8102913	33.14	3	AP8152278	33.11	2	GU01654630	33.19	17
AP8104242	33.22	8	AP8152278	33.15	3	GU01659130	33.19	11
AP8104251	33.22	24	AP8152278	33.28	13	GU01659131	33.19	12
AP8104525	33.22	13	AP8152279	33.15	9	GU01665410	33.26	25
AP8113241	33.26	22	AP8152281	34.45	12	GU01721600	33.30	13
AP8113288	33.26	16	AP8152286	33.04	12	GU01744200	33.28	18
AP8113553	33.26	23	AP8152286	33.24	11	GU02107100	33.12	11
AP8120116	33.48	8	AP8152287	33.02	13	GU03013800	33.06	7
AP8120246	34.09	10	AP8152288	33.02	15	GU03013800	33.23	8
AP8120615	33.22	14	AP8152289	33.02	15	GU03013800	34.47	10
AP8120708	33.30	10	AP8152291	33.12	9	GU03067730	34.10	19
AP8120772	33.22	11	AP8152298	34.47	6	GU03101600	33.12	7
AP8120870	33.23	24	AP8152299	33.15	15	GU03101720	33.12	5
AP8120876	33.22	23	AP8152299	33.27	22	GU03101900	33.12	3
AP8120952	33.22	1	AP8152299	33.48	5	GU03102200	33.12	6
AP8120965	33.12	13	AP8152300	33.02	14	GU03102400	33.12	2
AP8120965	33.48	17	AP8152300	33.27	13	GU03103200	33.12	8
AP8121014	33.03	3	AP8152302	33.01	17	GU03103500	33.12	4
AP8121032	33.17	7	AP8152306	33.16	5	GU03121955	33.23	25
AP8121072	33.23	22	AP8152329	33.15	11	GU03163330	33.31	3
AP8121133	33.05	6	AP8152329	33.22	18	GU03270300	33.15	7
AP8121307	33.07	4	AP8152329	33.22	22	GU03270300	33.26	11
AP8121367	33.02	10	AP8152329	33.31	20	GU03270300	33.27	10
AP8121375	33.03	2	AP8152329	33.31	8	GU03530529	33.08	2
AP8121420	33.14	7	AP8152339	33.14	14	GU03530530	33.08	1
AP8121420	33.32	8	AP8152339	34.36	25	GU03530551	33.08	12
AP8121607	33.03	2	AP8152385	33.19	16	GU03604845	33.19	8
AP8121915	33.19	14	AP8152409	33.04	9	GU03605645	33.19	9
AP8121915	33.27	8	AP8152409	33.05	9	GU03609600	33.18	14
AP8124266	33.31	24	AP8157100	33.33	12	GU03631250	33.24	4
AP8124528	33.31	22	AP8201358	33.22	2	GU03631250	33.25	9
AP8124718	33.16	7	AP8201358	33.48	23	GU03658201	33.27	16
AP8124869	33.31	28	AP8212588	33.30	11	GU03658330	33.27	17
AP8124936	33.30	2	AP8213028	33.18	23	GU03658330	33.48	12
AP8127346	33.31	17	AP8213057	33.26	15	GU03658430	33.27	14
AP8133643	33.26	14	AP8213388	33.18	24	GU03660145	33.19	1
AP8134378	33.23	18	AP8220283	33.31	29	GU03661145	33.19	6
AP8134448	33.16	2	AP8220460	33.07	6	GU03664045	33.19	7
AP8134451	33.05	5	AP8220546	33.31	27	GU03717450	33.30	8
AP8134829	33.04	8	AP8221114	33.48	16	GU03740930	33.29	2
AP8134829	33.05	4	AP8221128	33.12	12	GU03744760	33.28	19
AP8144007	33.26	4	AP8221197	33.03	5	GU03749845	33.19	5
AP8144038	33.22	31	AP8221277	33.04	6	GU03922280	34.09	23
AP8144046	33.31	25	AP8224164	33.16	3	GU04000500	34.34	10



Code	No. table	Pos.	Code	No. table	Pos.	Code	No. table	Pos.
GU05107430	33.21	3	GU19021920	34.36	7	GU19355404	34.10	21
GU05659230	33.19	10	GU19023700	34.36	10	GU19355406	34.10	21
GU05730730	34.46	1	GU19025280	33.23	5	GU19355408	34.10	21
GU05781630	33.07	7	GU19025300	34.36	6	GU19355410	34.10	21
GU05900130	33.33	6	GU19025460	33.23	6	GU19355411	34.10	21
GU06740200	33.28	12	GU19027500	34.38	15	GU19355412	34.10	21
GU06740400	33.28	27	GU19030500	34.38	7	GU19355413	34.10	21
GU06740500	33.28	2	GU19032080	34.38	10	GU19356700	34.10	30
GU06740501	33.28	2	GU19032980	34.36	17	GU19356760	34.41	16
GU06751600	33.28	5	GU19032980	34.38	14	GU19356801	34.10	28
GU06751600	33.29	5	GU19034000	34.38	8	GU19357660	34.10	25
GU10054100	34.43	12	GU19037820	34.36	8	GU19547000	34.09	12
GU10214300	34.43	27	GU19045861	34.38	25	GU19902500	36.51	1
GU10214301	34.43	27	GU19055700	34.38	23	GU19905460	36.50	1
GU10214302	34.43	27	GU19058021	34.38	19	GU19905900	36.50	2
GU10214303	34.43	27	GU19058220	34.38	20	GU19906500	36.50	3
GU10214304	34.43	27	GU19061063	34.37	12	GU19907000	36.49	4
GU10214305	34.43	27	GU19062261	34.37	4	GU19907100	36.49	11
GU10528900	34.34	15	GU19065400	34.37	2	GU19907160	36.50	4
GU10528900	34.40	13	GU19067700	34.37	18	GU19911800	36.50	5
GU10528900	34.42	23	GU19083462	34.40	2	GU19926000	36.49	3
GU10907200	36.50	11	GU19146422	34.39	1	GU19926020	36.50	6
GU12003702	34.34	20	GU19149800	34.39	18	GU19926100	36.49	1
GU12022600	34.10	6	GU19152200	34.39	11	GU19926200	36.49	6
GU12022600	34.42	24	GU19201120	34.42	15	GU19926300	36.51	2
GU12087001	34.41	9	GU19202320	34.42	9	GU19926400	36.49	7
GU12154200	34.34	23	GU19203460	34.40	11	GU19926460	36.51	3
GU12154200	34.42	12	GU19206501	34.10	10	GU19926500	36.49	8
GU12912000	36.50	12	GU19207220	34.42	11	GU19927100	36.50	13
GU13021900	34.34	26	GU19212900	34.43	15	GU19927200	36.51	4
GU13021900	34.36	12	GU19213720	34.43	17	GU19927202	36.51	5
GU14086000	34.41	10	GU19213760	34.41	15	GU19927220	36.50	7
GU14086100	34.41	7	GU19214660	34.43	11	GU19927300	36.51	6
GU14090201	34.41	1	GU19215460	34.43	3	GU19927320	36.50	8
GU14090400	34.41	2	GU19234600	34.44	2	GU19927500	36.49	5
GU14217901	34.40	6	GU19237800	34.42	13	GU19927600	36.49	9
GU14217901	34.42	7	GU19327601	34.09	5	GU19927700	36.51	7
GU14217901	34.44	17	GU19328801	34.09	3	GU19927800	36.50	9
GU14251001	33.06	2	GU19350700	34.10	22	GU19927900	36.49	10
GU14251001	33.26	2	GU19351100	34.10	4	GU19928800	36.49	2
GU14609650	33.30	17	GU19351900	34.10	2	GU19929400	36.50	10
GU14609650	33.31	34	GU19352300	34.10	23	GU19929600	36.50	14
GU14609650	33.48	24	GU19353500	34.10	24	GU20036020	34.38	1
GU14615901	33.05	15	GU19355200	34.10	35	GU20036120	34.38	2
GU14615901	33.13	5	GU19355202	34.10	36	GU20085720	34.41	13
GU14615901	34.09	20	GU19355300	34.10	33	GU20147710	34.39	17
GU14615901	34.36	26	GU19355301	34.10	33	GU20147810	34.39	3
GU14615901	34.37	5	GU19355302	34.10	33	GU20148410	34.39	4
GU14616150	33.24	15	GU19355303	34.10	33	GU20148610	34.39	5
GU14616150	33.25	10	GU19355304	34.10	33	GU20208520	34.44	9
GU14717600	33.30	7	GU19355305	34.10	33	GU20258221	33.06	9
GU17718350	33.30	6	GU19355306	34.10	33	GU20352421	34.10	31
GU18144350	34.39	16	GU19355307	34.10	33	GU20355121	34.10	34
GU18161150	34.39	21	GU19355308	34.10	33	GU23200370	34.42	10
GU18257551	33.26	8	GU19355309	34.10	33	GU23204471	34.40	21
GU19001200	34.35	2	GU19355320	34.10	27	GU23204571	34.40	22
GU19002020	34.35	5	GU19355321	34.10	27	GU23211372	34.43	8
GU19002020	34.42	16	GU19355322	34.10	27	GU23217800	34.38	3
GU19003602	34.34	13	GU19355323	34.10	27	GU23328081	34.09	7
GU19003800	34.34	8	GU19355324	34.10	27	GU23548080	34.09	8
GU19007700	34.35	10	GU19355325	34.10	27	GU23548180	34.09	9
GU19007700	34.45	8	GU19355326	34.10	27	GU23922210	33.17	12
GU19015020	34.34	5	GU19355327	34.10	27	GU23943410	33.08	36
GU19016320	34.34	9	GU19355328	34.10	27	GU27001136	34.35	7
GU19017000	33.02	4	GU19355329	34.10	27	GU27004985	34.34	18
GU19018920	34.39	10	GU19355400	34.10	21	GU27020820	34.37	21
GU19021360	34.36	18	GU19355402	34.10	21	GU27022060	34.36	19



Code	No. table	Pos.	Code	No. table	Pos.	Code	No. table	Pos.
GU27037521	34.38	4	GU31613381	33.25	12	GU32215210	34.43	23
GU27060860	34.37	15	GU31614183	33.24	9	GU32231010	34.44	5
GU27061286	34.37	13	GU31615260	33.24	6	GU32231210	34.44	4
GU27061385	34.37	14	GU31616384	33.24	12	GU32233010	34.44	6
GU27061585	34.37	3	GU31634281	33.27	4	GU32234110	34.44	13
GU27061885	34.37	17	GU31634481	33.25	15	GU32234410	34.44	1
GU27062060	34.37	6	GU31654681	33.27	2	GU32234710	34.44	11
GU27065660	34.37	7	GU31659181	33.27	11	GU32234810	34.44	12
GU27066460	34.37	9	GU31659281	33.27	12	GU32234910	34.44	16
GU27066560	34.37	8	GU31712365	34.45	9	GU32235710	34.44	14
GU27152885	34.34	22	GU31717061	33.30	9	GU32236210	34.44	8
GU27153085	34.39	14	GU31740383	33.28	11	GU32238210	34.44	10
GU27210760	34.41	12	GU32001610	34.35	6	GU32256910	33.06	4
GU27530505	33.08	26	GU32022110	34.36	1	GU32257810	33.06	8
GU27530506	33.08	27	GU32022210	34.36	2	GU32350410	34.10	13
GU27530510	33.08	22	GU32023410	34.36	24	GU32351410	34.10	16
GU27530584	33.08	7	GU32023660	34.36	9	GU32354610	34.10	18
GU27633910	33.25	4	GU32032310	34.38	11	GU32418210	33.31	6
GU28157950	33.48	20	GU32051710	34.38	27	GU32418260	33.01	4
GU28252060	33.02	8	GU32053410	34.38	16	GU32431310	33.02	9
GU28576591	33.15	4	GU32054510	34.38	17	GU32432711	33.03	11
GU28576591	33.23	20	GU32060110	34.37	19	GU32433011	33.03	6
GU28576591	33.28	20	GU32060210	34.37	10	GU32434460	33.13	1
GU28576591	34.45	13	GU32060610	34.37	16	GU32434460BM	33.13	1
GU28742560	33.31	16	GU32060710	34.37	11	GU32434462	33.13	1
GU28742562	33.31	18	GU32064110	34.37	1	GU32439260	33.48	3
GU29108550	33.48	19	GU32067910	34.40	5	GU32441210	33.04	5
GU29217960	34.45	7	GU32080310	34.40	1	GU32441210	33.05	3
GU29711460	34.45	5	GU32084410	34.40	4	GU32442310	33.05	1
GU29711960	34.45	11	GU32103060	33.21	5	GU32442710	33.05	10
GU29729461	33.31	2	GU32103961	33.32	3	GU32443210	33.04	4
GU29732550	33.31	26	GU32106560	34.20	1	GU32443210	33.05	2
GU29759150	33.18	17	GU32110110	33.22	16	GU32443211	33.04	11
GU30027931	33.31	32	GU32112510	34.47	1	GU32443211	33.05	11
GU30103730	33.12	14	GU32112610	34.47	16	GU32457810	33.01	11
GU30103730	33.48	18	GU32112611	34.47	17	GU32461610	33.14	2
GU30512830	33.08	23	GU32113410	33.22	17	GU32504210	33.08	35
GU30525861	33.08	11	GU32113510	33.22	5	GU32506360	33.28	1
GU30526761	33.08	5	GU32114011	33.22	12	GU32517710	33.31	9
GU30576100	33.22	19	GU32114012	33.22	15	GU32525410	33.08	10
GU30577800	33.29	13	GU32114110	33.22	9	GU32526310	33.08	16
GU30577800	34.47	22	GU32114310	34.47	14	GU32526610	33.08	15
GU30601060	33.18	25	GU32114410	33.22	7	GU32530501	33.08	8
GU30602500	33.18	22	GU32115010	34.47	3	GU32530502	33.08	13
GU30714201	34.45	3	GU32115011	34.47	8	GU32530503	33.08	14
GU30716500	33.30	3	GU32115210	33.48	9	GU32530504	33.08	28
GU30729330	33.31	31	GU32115510	34.47	7	GU32530505	33.08	34
GU30970200	33.33	7	GU32115710	34.47	4	GU32530506	33.08	24
GU31003766	34.10	8	GU32116910	33.22	4	GU32530508	34.47	2
GU31003766	34.34	14	GU32121010	33.23	7	GU32530509	34.47	5
GU31003766	34.40	19	GU32137060	33.18	13	GU32530610	33.08	37
GU31003766	34.42	26	GU32159310	33.22	26	GU32530611	33.08	38
GU31016050	34.39	20	GU32159610	33.22	28	GU32555210	33.11	4
GU31037015	34.38	13	GU32202010	34.43	28	GU32555211	33.11	5
GU31038015	34.38	5	GU32206510	34.42	22	GU32575960	33.01	16
GU31045015	34.38	26	GU32208210	34.42	8	GU32602860	33.18	9
GU31112965	33.22	33	GU32210510	34.43	1	GU32603010	33.18	16
GU31121880	33.23	9	GU32211110	34.43	9	GU32603310	33.18	7
GU31150950	34.39	26	GU32211410	34.43	6	GU32605510	33.18	2
GU31159050	34.39	15	GU32211810	34.43	5	GU32610360	33.24	1
GU31327783	34.09	2	GU32212011	34.43	2	GU32610860	33.24	5
GU31438765	33.15	12	GU32213610	34.43	14	GU32611660	33.24	3
GU31439565	33.13	4	GU32213810	34.42	5	GU32613160	33.24	2
GU31504583	33.08	17	GU32214010	34.43	24	GU32615660	33.24	14
GU31513480	33.08	20	GU32214510	34.43	20	GU32632510	33.25	17
GU31544181	34.09	15	GU32214810	34.43	21	GU32633360	33.25	14
GU31547882	34.09	14	GU32215010	34.43	22	GU32633560	34.10	11

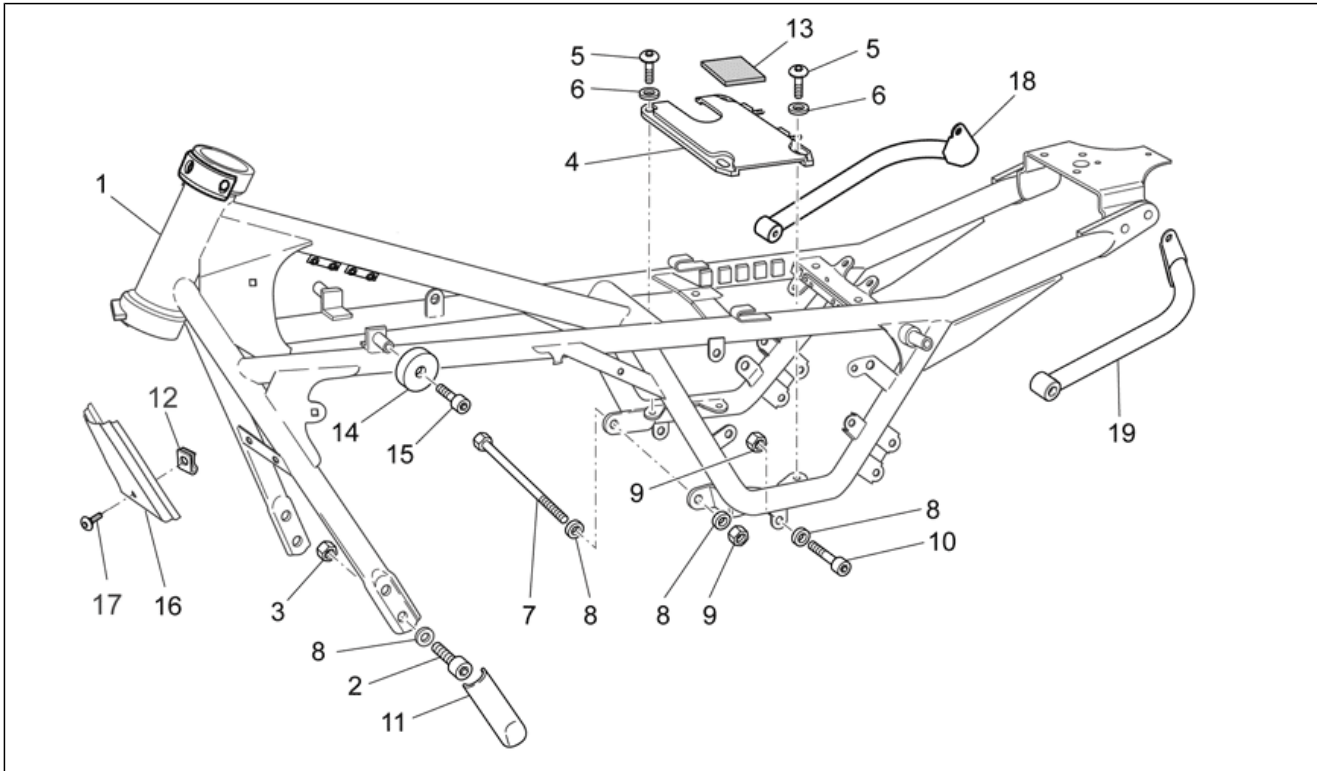


Code	No. table	Pos.	Code	No. table	Pos.	Code	No. table	Pos.
GU32634160	33.27	5	GU90403251	34.10	38	GU92640508	33.23	19
GU326358601	33.27	3	GU90403549	34.10	3	GU92660021	33.26	7
GU32636160	33.25	1	GU90407591	34.10	15	GU92787006	33.28	6
GU32657110	33.19	2	GU90706076	34.34	29	GU92787006	33.29	11
GU32692260	33.25	2	GU90706111	34.39	22	GU92787008	33.15	8
GU32703810	34.45	2	GU90706140	34.42	4	GU92787008	34.09	19
GU32712411	34.45	1	GU90706141	33.30	16	GU93110060	33.15	13
GU32718010	34.47	18	GU90706170	34.41	8	GU93180105	34.09	21
GU32724510	33.30	12	GU90706188	34.10	29	GU93180111	33.24	13
GU32727010	33.23	21	GU90706188	34.43	18	GU93180220	34.40	9
GU32735510	33.32	5	GU90706203	34.10	7	GU93180245	34.36	22
GU32735511	33.32	5	GU90706203	34.42	25	GU93222023	33.17	4
GU32738810	33.18	6	GU90706235	34.41	14	GU93231605	33.29	14
GU32747910	33.31	10	GU90706281	34.34	19	GU93231605	34.47	23
GU32750660	33.28	4	GU90706444	34.34	17	GU93301175	33.23	26
GU32750660	33.29	4	GU90706584	34.10	37	GU93301313	33.48	15
GU32750661	33.28	4	GU90714082	33.22	27	GU93305057	34.47	13
GU32750661	33.29	4	GU91113826	33.23	23	GU93305061	33.22	6
GU32753410	33.28	3	GU91120806	33.15	6	GU93305061	34.47	15
GU32753410	33.29	8	GU91180601	33.15	10	GU93450105	33.28	9
GU32753711	33.28	14	GU91181003	33.18	11	GU93450126	33.28	15
GU32753711	33.29	6	GU91181003	33.19	18	GU93450126	33.29	7
GU32753760	33.28	14	GU91181039	33.08	25	GU93450127	33.28	15
GU32753760	33.29	6	GU91551010	33.22	20	GU93450127	33.29	7
GU32766810	33.17	11	GU91551086	33.14	13	GU93450224	33.29	3
GU32768710	34.39	8	GU91551131	33.12	11	GU93450232	33.28	10
GU32768810	34.39	9	GU91600450	34.45	10	GU94321074	33.18	12
GU32781910	33.16	10	GU92201070	34.10	14	GU94321079	34.39	24
GU32782510	33.17	8	GU92201120	34.42	20	GU94321099	34.09	6
GU32782510	33.32	2	GU92201220	34.43	16	GU94321105	34.41	4
GU32909960	33.33	4	GU92201225	34.40	10	GU95004210	33.31	4
GU32944310	33.33	3	GU92204215	34.42	2	GU95005306	33.17	3
GU32999010	34.34	25	GU92204217	33.25	5	GU95005308	33.28	23
GU32999510	34.34	24	GU92204218	33.25	3	GU95005308	34.09	22
GU35214300	34.09	13	GU92204221	33.24	7	GU95005310	33.26	5
GU39094200	33.18	18	GU92218417	34.43	10	GU95005311	33.26	9
GU39238100	34.43	25	GU92230320	34.43	13	GU95005311	33.48	4
GU49609601	33.30	17	GU92234716	34.43	26	GU95005312	33.12	10
GU49609601	33.31	34	GU92249220	34.10	32	GU95005330	33.11	3
GU53429500	33.02	3	GU92249225	33.07	2	GU95008204	33.30	5
GU61027200	34.37	20	GU92249227	34.10	20	GU95008205	33.30	15
GU61036801	34.36	3	GU92251028	34.43	7	GU95008206	34.39	23
GU61038100	34.38	6	GU92252210	34.39	2	GU95008208	33.01	6
GU61054900	34.38	18	GU92252235	34.10	5	GU95008208	34.46	3
GU61108500	33.22	29	GU92296723	34.39	6	GU95008210	33.01	8
GU61270300	34.10	26	GU92602406	34.38	9	GU95008210	33.02	6
GU61270300	34.34	6	GU92602510	34.39	19	GU95008210	34.09	17
GU61270300	34.36	21	GU92603010	34.36	11	GU95008305	33.18	20
GU61270300	34.40	17	GU92606206	33.17	6	GU95008306	33.19	20
GU66103415	33.01	14	GU92606208	34.34	7	GU95008306	33.27	21
GU66530505	33.08	32	GU92606208	34.40	18	GU95020105	33.03	10
GU90271018	34.38	12	GU92606210	33.01	9	GU95021104	33.19	19
GU90271117	34.43	29	GU92606210	33.02	5	GU95021105	33.18	21
GU90271121	34.43	19	GU92606210	33.11	7	GU95021206	33.17	5
GU90271124	34.43	4	GU92606210	34.09	18	GU95021206	33.28	8
GU90272023	34.09	4	GU92606316	33.25	16	GU95021206	33.29	10
GU90272075	34.40	3	GU92606508	34.41	3	GU95100059	33.22	21
GU90274026	34.44	3	GU92606512	34.42	14	GU95100059	33.26	24
GU90353009	34.36	4	GU92606516	34.45	4	GU95100059	33.31	14
GU90353029	34.38	24	GU92609007	33.26	12	GU95100116	34.47	12
GU90353030	34.10	17	GU92630104	33.27	19	GU95100125	34.45	14
GU90400616	34.41	11	GU92630104	33.48	14	GU95100141	33.15	14
GU90402538	33.25	6	GU92630204	33.16	8	GU95100141	33.28	24
GU90402642	33.24	8	GU92630206	33.26	6	GU95100244	34.38	29
GU90402841	34.42	3	GU92630310	33.03	6	GU95100309	34.39	27
GU90402842	34.35	9	GU92630510	33.01	3	GU95100602	34.39	25
GU90403246	34.40	20	GU92630707	33.06	5	GU95100709	34.34	21



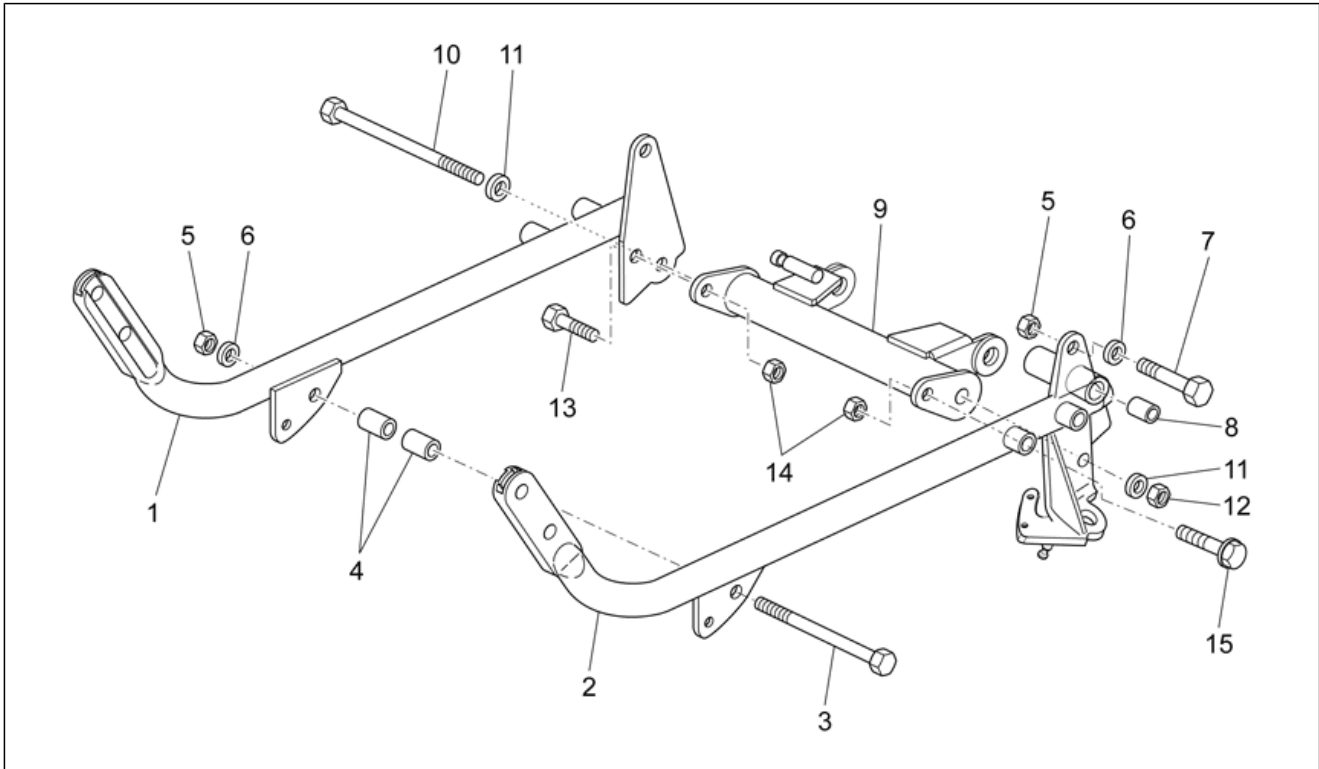
Code	No. table	Pos.	Code	No. table	Pos.
GU95129101	33.31	21	GU98682212	33.31	13
GU95129115	34.38	22	GU98682215	33.26	18
GU95129180	34.34	27	GU98682314	34.42	6
GU95129180	34.36	13	GU98682322	34.47	9
GU95129181	33.11	6	GU98682325	34.34	11
GU95129260	33.06	3	GU98682325	34.35	3
GU95187006	34.39	13	GU98682330	34.40	14
GU95500221	33.26	10	GU98682330	34.42	18
GU95500222	34.41	6	GU98682414	33.01	15
GU95780271	34.41	5	GU98682416	33.05	14
GU96451316	33.27	15	GU98682416	33.17	9
GU96451430	34.34	3	GU98682416	33.32	7
GU96451560	34.34	2	GU98682425	33.25	13
GU96506042	34.36	5	GU98682530	33.01	2
GU96508055	34.10	12	GU98690335	33.11	8
GU96508055	34.34	4	GU98690335	33.18	8
GU96508145	34.36	20	GU98692325	34.36	16
GU96510181	34.36	15	GU98880540	33.28	21
GU96510214	34.36	14	GU98882316	34.38	21
GU97202325	33.18	26			
GU97202435	33.27	9			
GU97270212	34.47	24			
GU973221100027	34.47	25			
GU98052560	33.08	33			
GU98054422	34.38	28			
GU98082435	34.46	2			
GU98082565	33.02	7			
GU98084314	34.39	12			
GU98084314	34.40	12			
GU98084316	34.40	7			
GU98110199	33.01	7			
GU98210612	33.23	27			
GU98230510	33.16	4			
GU98230510	33.18	19			
GU98257410	33.27	18			
GU98257410	33.48	13			
GU98310609	34.47	11			
GU98350215	33.29	12			
GU98350312	34.44	7			
GU98350416	33.01	5			
GU98350440	33.13	3			
GU98370412	33.19	4			
GU98370515	34.47	21			
GU98370609	33.17	2			
GU98370625	33.14	4			
GU98370625	33.26	17			
GU98370655	33.28	7			
GU98370655	33.29	9			
GU98370831	33.15	5			
GU98370831	33.28	22			
GU98612216	33.03	9			
GU98620330	33.08	3			
GU98620335	34.39	7			
GU98620540	33.08	18			
GU98632322	33.06	6			
GU98680125	33.30	4			
GU98680265	34.45	6			
GU98680330	34.35	4			
GU98680335	34.35	8			
GU98680335	34.42	27			
GU98680435	34.40	15			
GU98680435	34.42	19			
GU98680440	33.23	17			
GU98680450	34.40	16			
GU98680545	34.09	16			
GU98680555	33.01	10			
GU98682212	33.30	14			

Group	FRAME
Code	33.01
Description	Frame I
Service	1



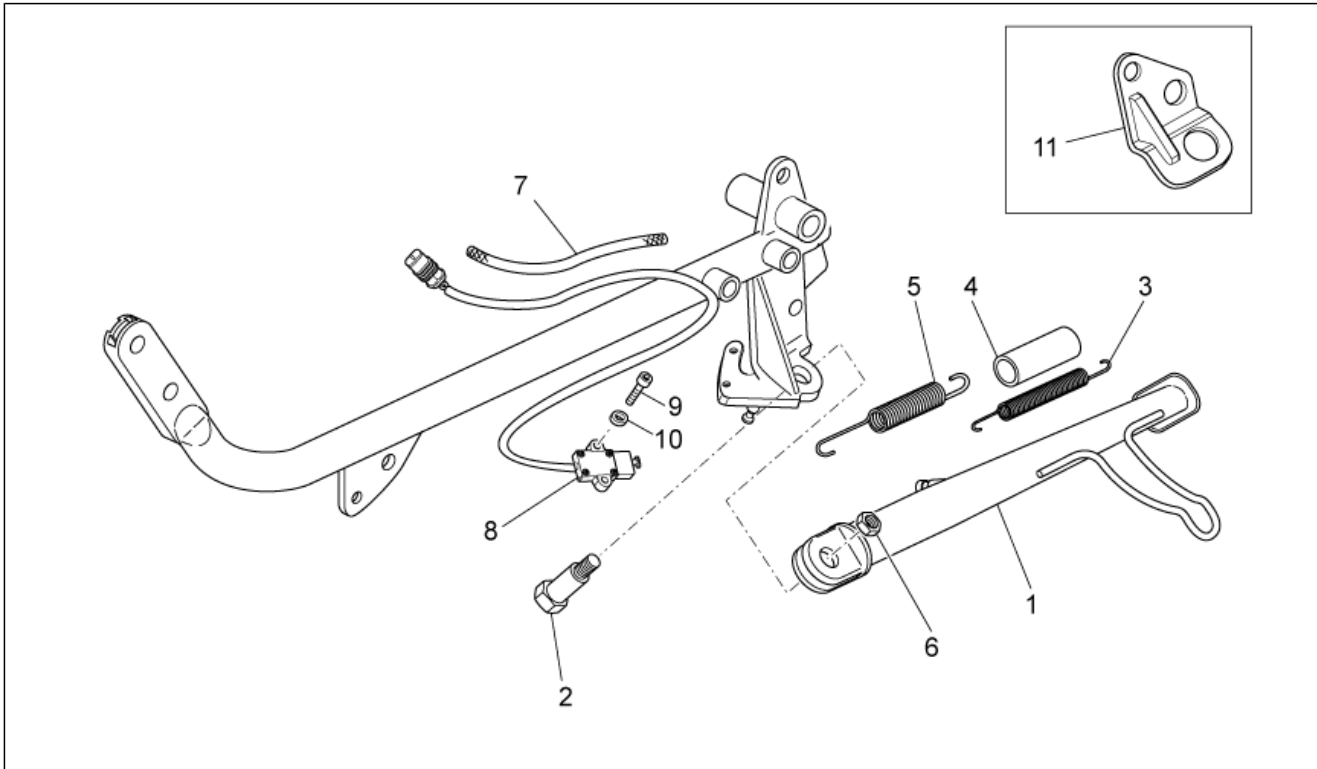
Pos.	Code	Description	Qty	Variants
1	978750	Frame assy black	1	
2	GU98682530	Hex socket screw M10x30	4	
3	GU92630510	Nut M10x1,5	4	
4	GU32418260	Plate	1	
5	GU98350416	Hex socket screw M8x16	4	
6	GU95008208	Washer 8,4X15X1,5	4	
7	GU98110199	Pin M10x205	1	
8	GU95008210	Washer 10,2X18X2	11	
9	GU92606210	Nut M10x1,5	3	
10	GU98680555	screw M10x55	2	
11	GU32457810	Guard	2	
12	AP8102375	Clip m5	1	
13	GU01103860	Vibration-damping rubber	1	
14	GU66103415	Rubber spacer	2	
15	GU98682414	Hex socket screw	2	
16	GU32575960	Protection	1	
17	AP8152302	Screw w/ flange M5x12	1	
18	978951	RH handle	1	
19	978952	left handle	1	

Group	FRAME
Code	33.02
Description	Frame II
Service	1



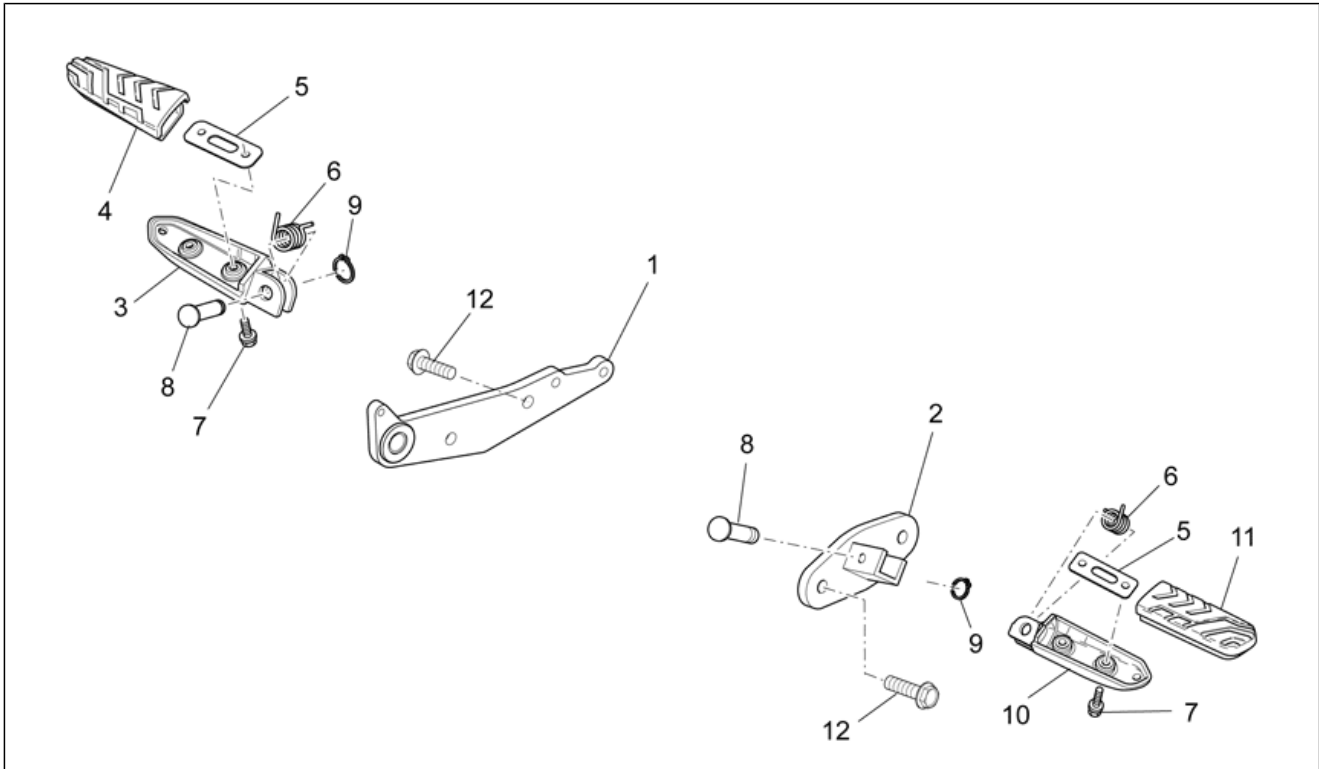
Pos.	Code	Description	Qty	Variants
1	978751	RH arm polished black	1	
2	978752	LH arm polished black	1	
3	GU53429500	Pin M10x250	1	
4	GU19017000	Bushing	2	
5	GU92606210	Nut M10x1,5	3	
6	GU95008210	Washer 10,2X18X2	3	
7	GU98082565	screw M10x65	2	
8	GU28252060	Bush 18 mm est.	2	
9	GU32431310	Cradle arms conn.crosspiece	1	
10	AP8121367	Pin M10x260	1	
11	AP8152220	Washer	2	
12	AP8150436	Low self-locking nut	1	
13	AP8152287	Screw w/ flange M8x25	1	
14	AP8152300	Self-locking nut M8	1	
15	AP8152288	Screw w/ flange	1	Country: Australia[AUS], Other country Europe[EU], Japan[J], Great Britain[UK]
15	AP8152289	Screw w/ flange	1	Country: Canadian[CA], United States of America[USA]

Group	FRAME
Code	33.03
Description	Lateral stand
Service	1



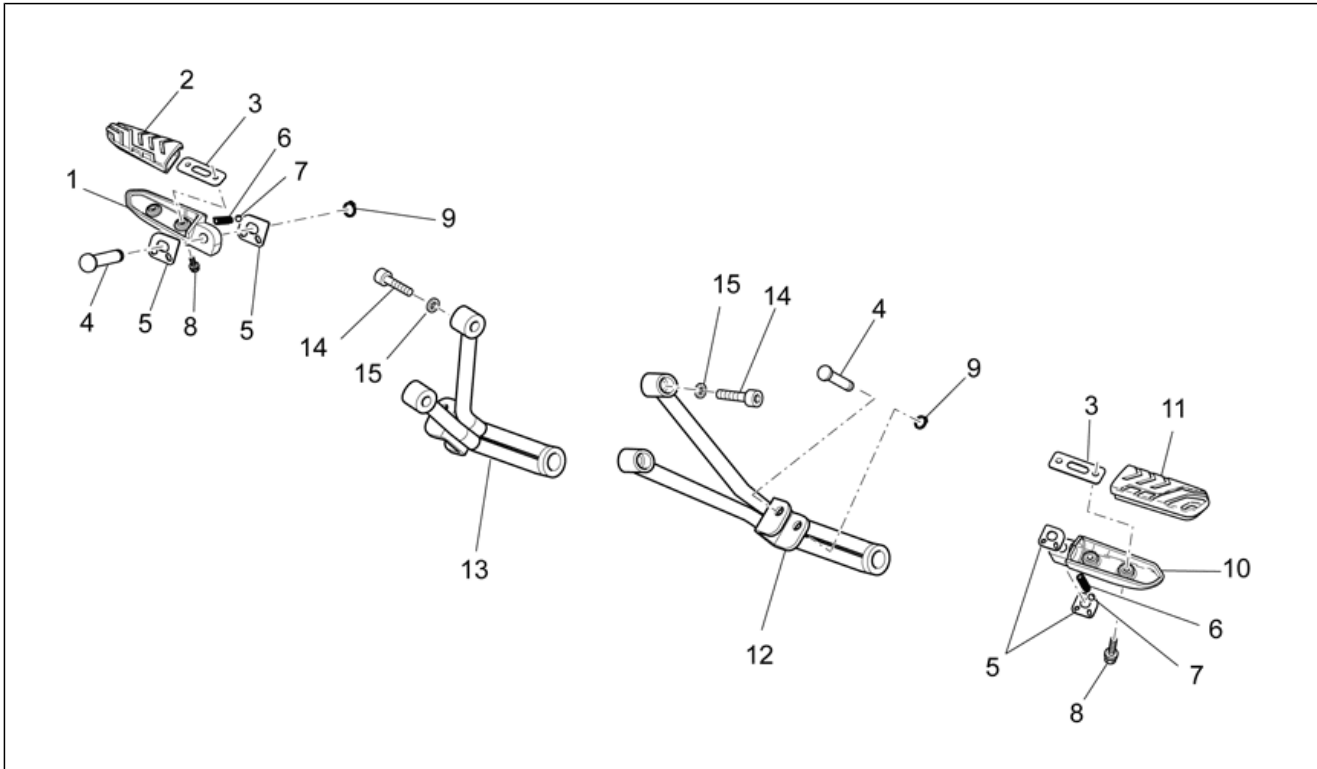
Pos.	Code	Description	Qty	Variants
1	883471	Side arm black	1	Country: Canadian[CA], United States of America[USA]
1	977088	Side arm black	1	Country: Australia[AUS], Other country Europe[EU], Japan[J], Great Britain[UK]
2	AP8121375	Central stand fixing screw	1	Country: Australia[AUS], Other country Europe[EU], Japan[J], Great Britain[UK]
2	AP8121607	Central stand fixing screw	1	Country: Canadian[CA], United States of America[USA]
3	AP8121014	Coil pull spring *	1	
4	AP8102524	Stand spring protection	1	
5	AP8221197	Lateral stand spring	1	
6	GU32433011	Nut	1	Country: Canadian[CA], United States of America[USA]
6	GU92630310	Nut	1	Country: Australia[AUS], Other country Europe[EU], Japan[J], Great Britain[UK]
7	GU00823923140	Thermal sheath	1	
8	639542	Button for side stand	1	
9	GU98612216	Hex socket screw	2	
10	GU95020105	Washer 5,3x8,9x2,4	2	
11	GU32432711	plate	1	Country: Canadian[CA], United States of America[USA]

Group	FRAME
Code	33.04
Description	Front footrests
Service	1



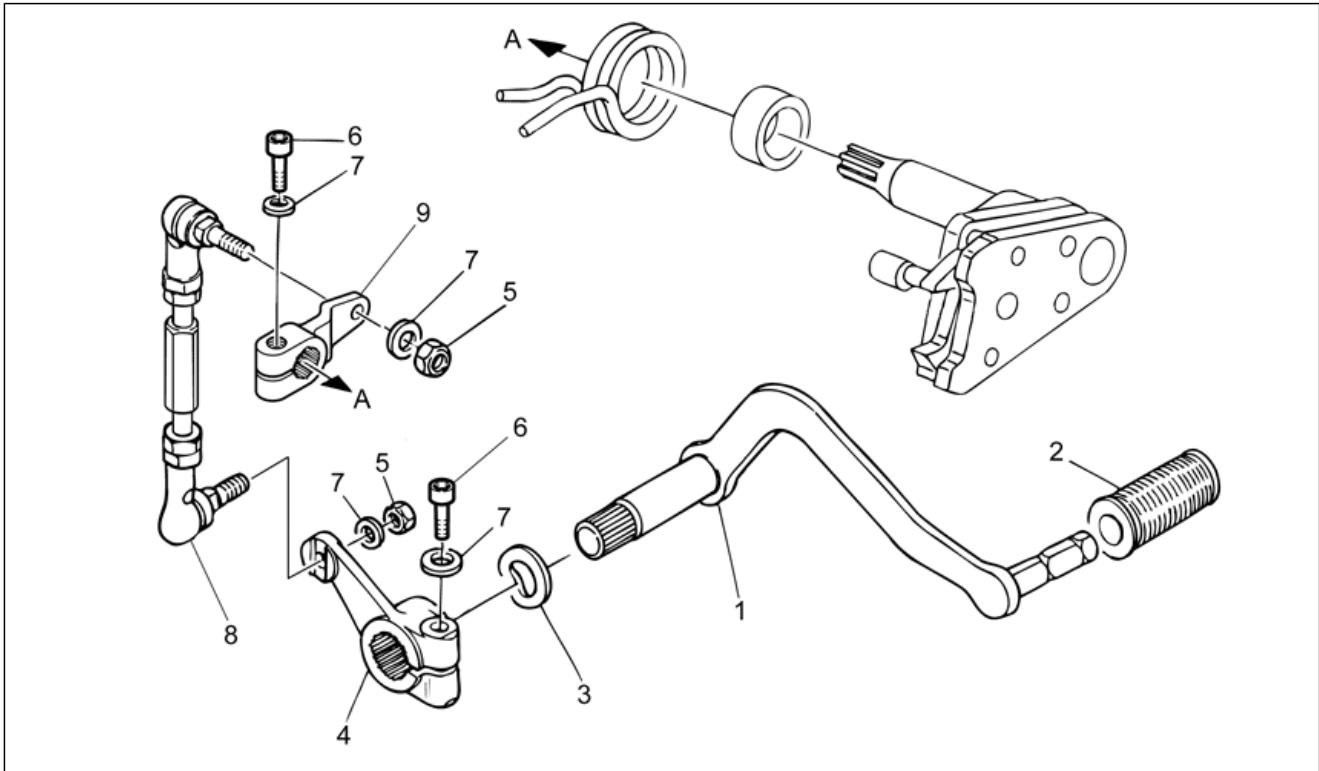
Pos.	Code	Description	Qty	Variants
1	883051	RH foot rest support	1	
2	883052	LH footrest support	1	
3	AP8145034	RH Foot rests	1	
4	GU32443210	Support rubber part	1	
5	GU32441210	Plate	2	
6	AP8221277	Footrest return spring	2	
7	AP8152277	Screw w/ flange M6x12	4	
8	AP8134829	Footrest pin	2	
9	AP8152409	Stop ring	2	
10	AP8145035	LH Foot rests	1	
11	GU32443211	Support rubber part	1	
12	AP8152286	Screw w/ flange M8x20	4	

Group	FRAME
Code	33.05
Description	Rear footrests
Service	1



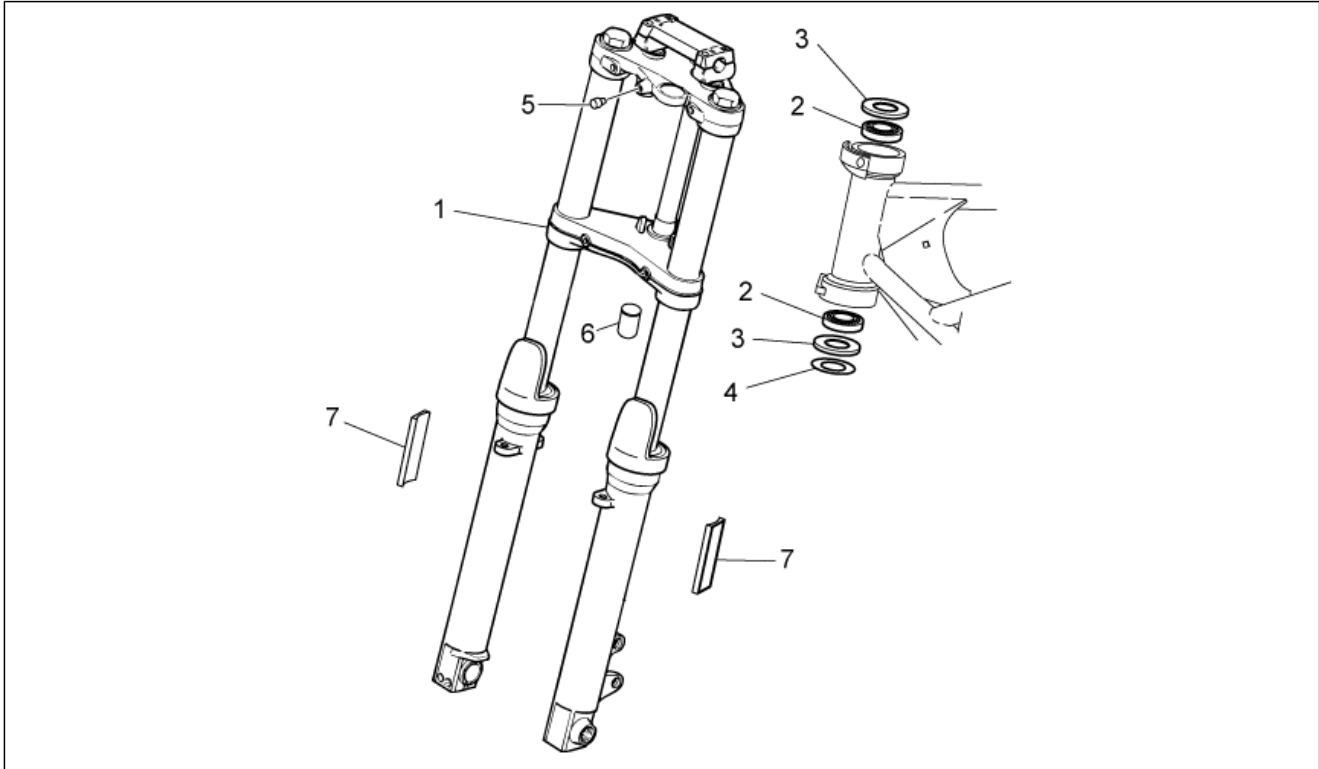
Pos.	Code	Description	Qty	Variants
1	GU32442310	Rear footrest, RH	1	
2	GU32443210	Support rubber part	1	
3	GU32441210	Plate	2	
4	AP8134829	Footrest pin	2	
5	AP8134451	Footrest plate	4	
6	AP8121133	Coil compress. spring	2	
7	AP8101861	Ball D6,35	2	
8	AP8152277	Screw w/ flange M6x12	4	
9	AP8152409	Stop ring	2	
10	GU32442710	Rear footrest, LH	1	
11	GU32443211	Support rubber part	1	
12	883019	LH footrest support	1	
13	883015	RH foot rest support	1	
14	GU98682416	Hex socket screw M8x16	4	
15	GU14615901	Washer 8,4X13X0,8	4	

Group	FRAME
Code	33.06
Description	Gear lever
Service	1



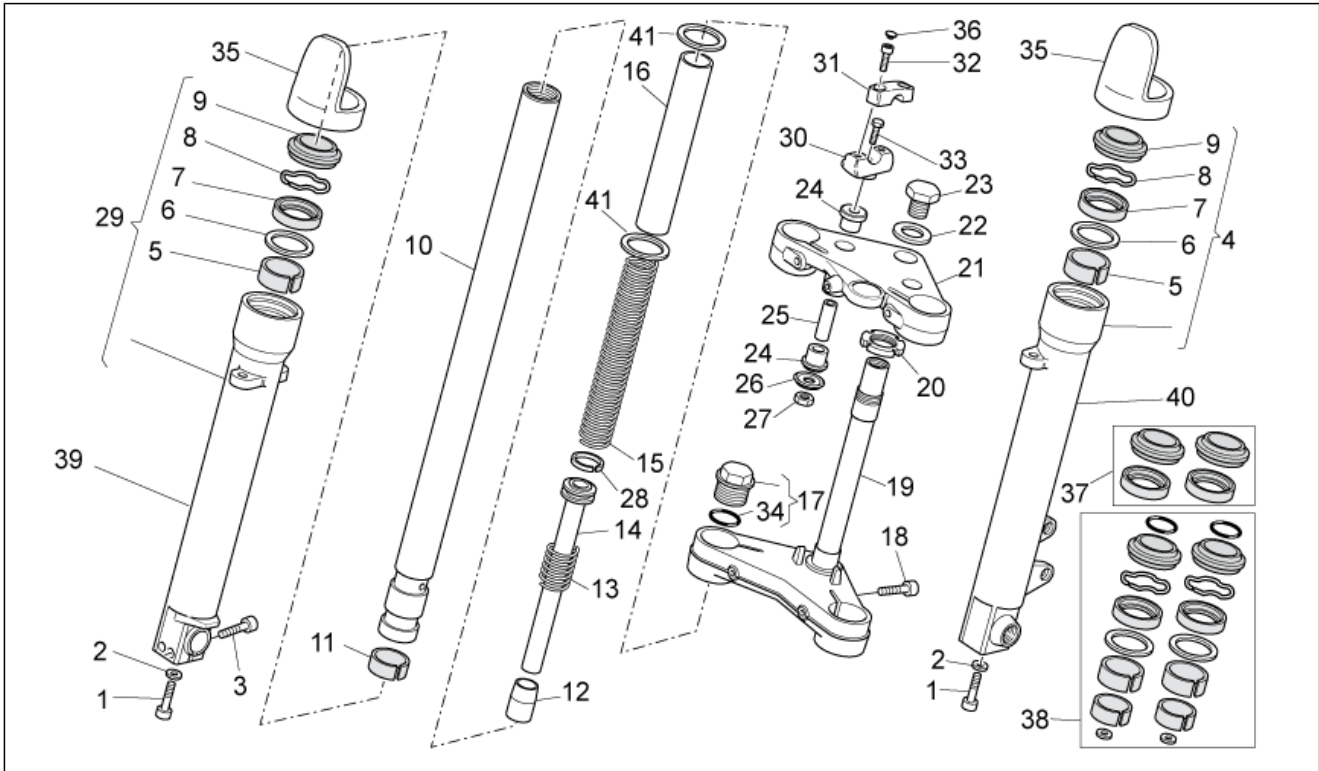
Pos.	Code	Description	Qty	Variants
1	883039	Gear lever	1	
2	GU14251001	Rubber spacer	1	
3	GU95129260	Spring washer	2	
4	GU32256910	Lever	1	
5	GU92630707	Nut	2	
6	GU98632322	screw	2	
7	GU03013800	Washer 6,4x12	3	
8	GU32257810	Change gear tie rod compl.	1	
9	GU20258221	Shift lever	1	

Group	FRAME
Code	33.07
Description	Front fork I
Service	1



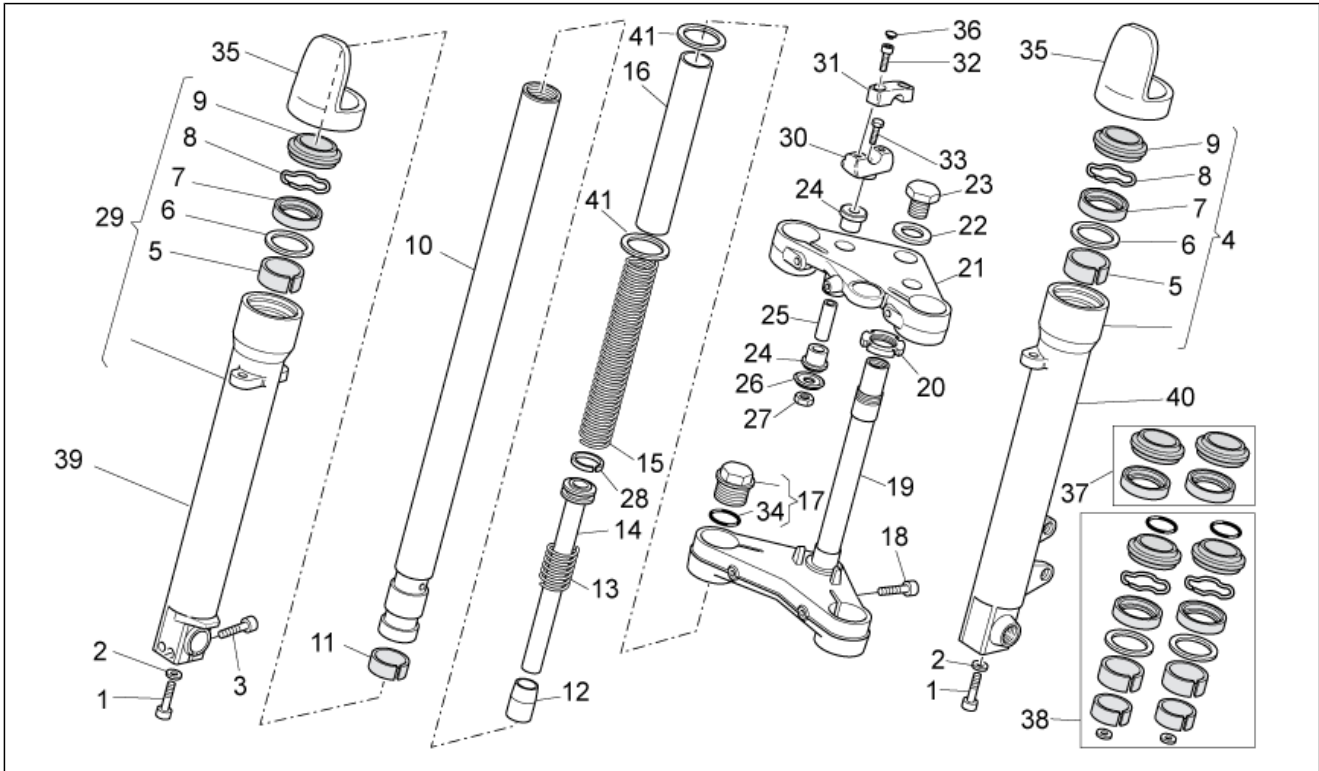
Pos.	Code	Description	Qty	Variants
1	978979	Front fork	1	
2	GU92249225	Tap.roller bearing	2	
3	AP8144146	Gasket ring	1	
4	AP8121307	Washer	1	
5	AP8144081	Rubber spacer	1	
6	AP8220460	Rubber cup	1	
7	GU05781630	Reflector, amber	2	Country:Canadian[CA], United States of America[USA]

Group	FRAME
Code	33.08
Description	Fron fork II
Service	1



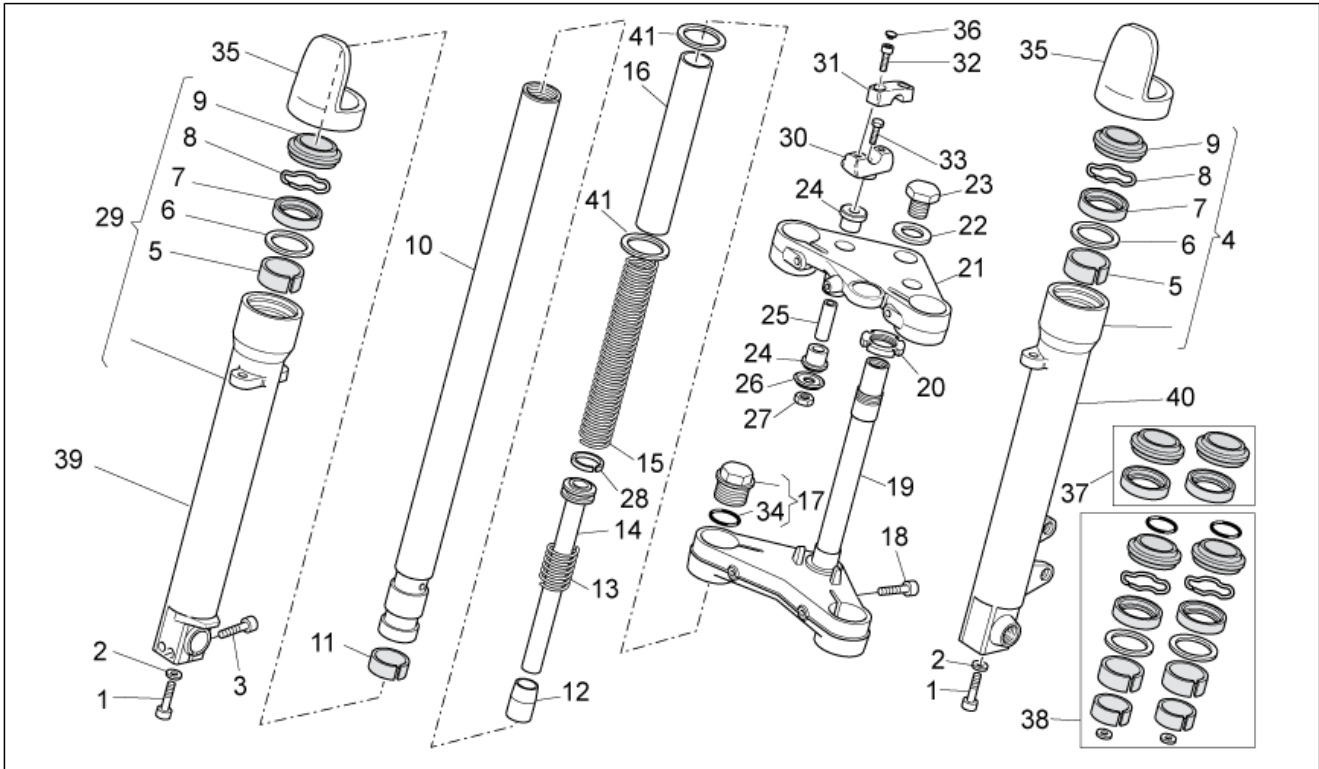
Pos.	Code	Description	Qty	Variants
1	887878	screw M10x30	2	Technical Specifications:Kaifa[K]
1	GU03530530	screw M10x30	2	Technical Specifications:Marzocchi[M]
2	887879	Washer	2	Technical Specifications:Kaifa[K]
2	GU03530529	Washer	2	Technical Specifications:Marzocchi[M]
3	887880	screw	2	Technical Specifications:Kaifa[K]
3	GU98620330	screw	2	Technical Specifications:Marzocchi[M]
4	978978	LH sleeve cpl. Black	1	Technical Specifications:Marzocchi[M]
5	887882	Upper bush	2	Technical Specifications:Kaifa[K]
5	GU30526761	Upper bush	2	Technical Specifications:Marzocchi[M]
6	887883	Washer	2	Technical Specifications:Kaifa[K]
6	GU01530568	Washer	2	Technical Specifications:Marzocchi[M]
7	887884	Gasket ring	2	Technical Specifications:Kaifa[K]
7	GU27530584	Gasket ring 40x52x9,5	2	Technical Specifications:Marzocchi[M]
8	887885	Stop ring	2	Technical Specifications:Kaifa[K]
8	GU32530501	Stop ring	2	Technical Specifications:Marzocchi[M]
9	887886	Dust cover	2	Technical Specifications:Kaifa[K]
9	GU01530571	Dust cover	2	Technical Specifications:Marzocchi[M]
10	887887	Sleeve	2	Technical Specifications:Kaifa[K]
10	GU32525410	Sleeve	2	Technical Specifications:Marzocchi[M]
11	887888	Bush	2	Technical Specifications:Kaifa[K]
11	GU30525861	Lower bush	2	Technical Specifications:Marzocchi[M]
12	887889	Pad	2	Technical Specifications:Kaifa[K]
12	GU03530551	Pad	2	Technical Specifications:Marzocchi[M]
13	887890	Return spring	2	Technical Specifications:Kaifa[K]
13	GU32530502	Return spring	2	Technical Specifications:Marzocchi[M]
14	887891	Plunger, complete	2	Technical Specifications:Kaifa[K]
14	GU32530503	Plunger, complete	2	Technical Specifications:Marzocchi[M]
15	887892	Spring	2	Technical Specifications:Kaifa[K]

Group	FRAME
Code	33.08
Description	Fron fork II
Service	1



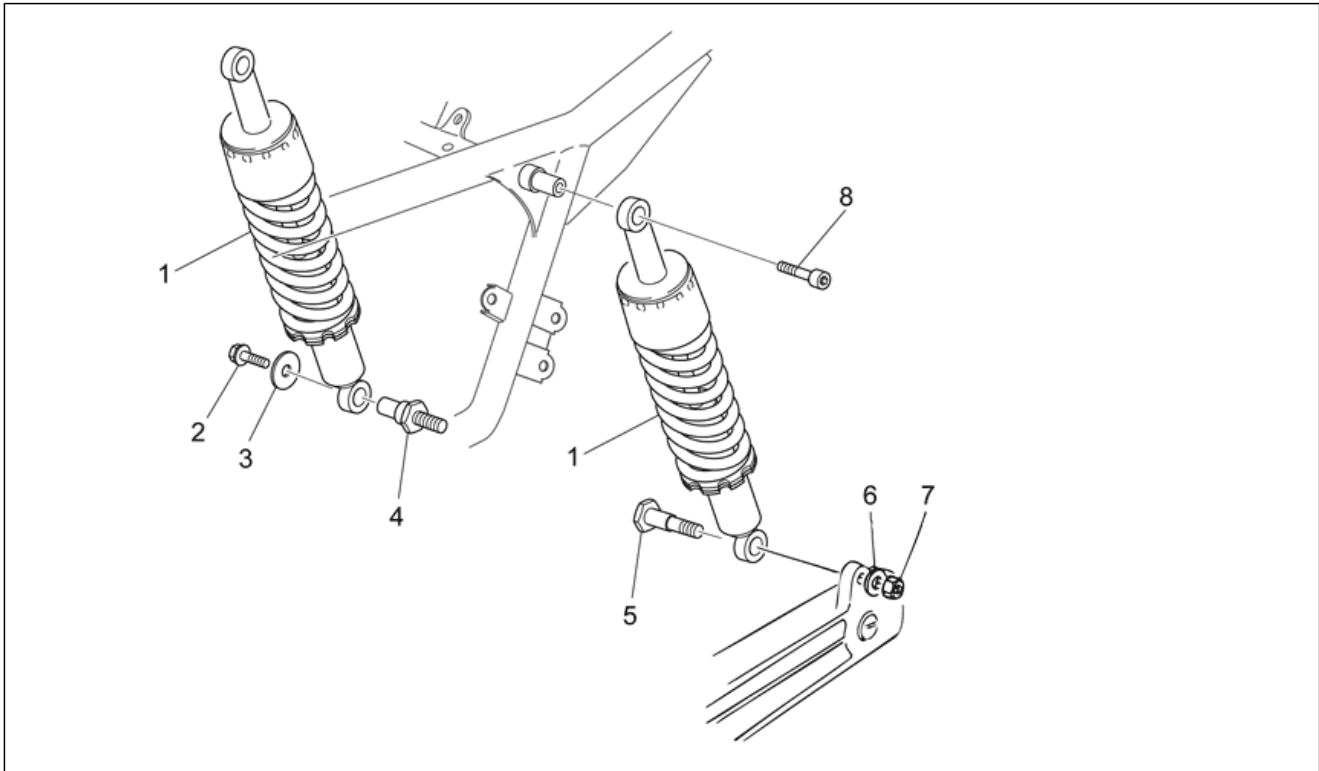
Pos.	Code	Description	Qty	Variants
15	GU32526610	Spring	2	Technical Specifications:Marzocchi[M]
16	887893	pipe	2	Technical Specifications:Kaifa[K]
16	GU32526310	pipe	2	Technical Specifications:Marzocchi[M]
17	887894	Plug cpl.	2	Technical Specifications:Kaifa[K]
17	GU31504583	Plug cpl.	2	Technical Specifications:Marzocchi[M]
18	887895	screw	2	Technical Specifications:Kaifa[K]
18	GU98620540	screw	2	Technical Specifications:Marzocchi[M]
19	887896	Stem base	1	Technical Specifications:Kaifa[K]
19	978974	Stem base Black	1	Technical Specifications:Marzocchi[M]
20	GU31513480	Ring nut M25X1	1	Technical Specifications:Marzocchi[M]
21	887898	Upper plate	1	Technical Specifications:Kaifa[K]
21	978976	Fork upper plate	1	Technical Specifications:Marzocchi[M]
22	887899	Washer	1	Technical Specifications:Kaifa[K]
22	GU27530510	Washer	1	Technical Specifications:Marzocchi[M]
23	887900	Nut	1	Technical Specifications:Kaifa[K]
23	GU30512830	Nut M20x1,5	1	Technical Specifications:Marzocchi[M]
24	887901	Rubber spacer	2	Technical Specifications:Kaifa[K]
24	GU32530506	Rubber spacer	4	Technical Specifications:Marzocchi[M]
25	887902	Spacer	2	Technical Specifications:Kaifa[K]
25	GU91181039	Spacer	2	Technical Specifications:Marzocchi[M]
26	887903	Cup	2	Technical Specifications:Kaifa[K]
26	GU27530505	Cup	2	Technical Specifications:Marzocchi[M]
27	887904	Nut	2	Technical Specifications:Kaifa[K]
27	GU27530506	Nut	2	Technical Specifications:Marzocchi[M]
28	887905	Ring	2	Technical Specifications:Kaifa[K]
28	GU32530504	Ring	2	Technical Specifications:Marzocchi[M]
29	978977	RH sleeve cpl.	1	Technical Specifications:Marzocchi[M]
30	887912	Lower U-bolt	2	Technical Specifications:Kaifa[K]

Group	FRAME
Code	33.08
Description	Fron fork II
Service	1



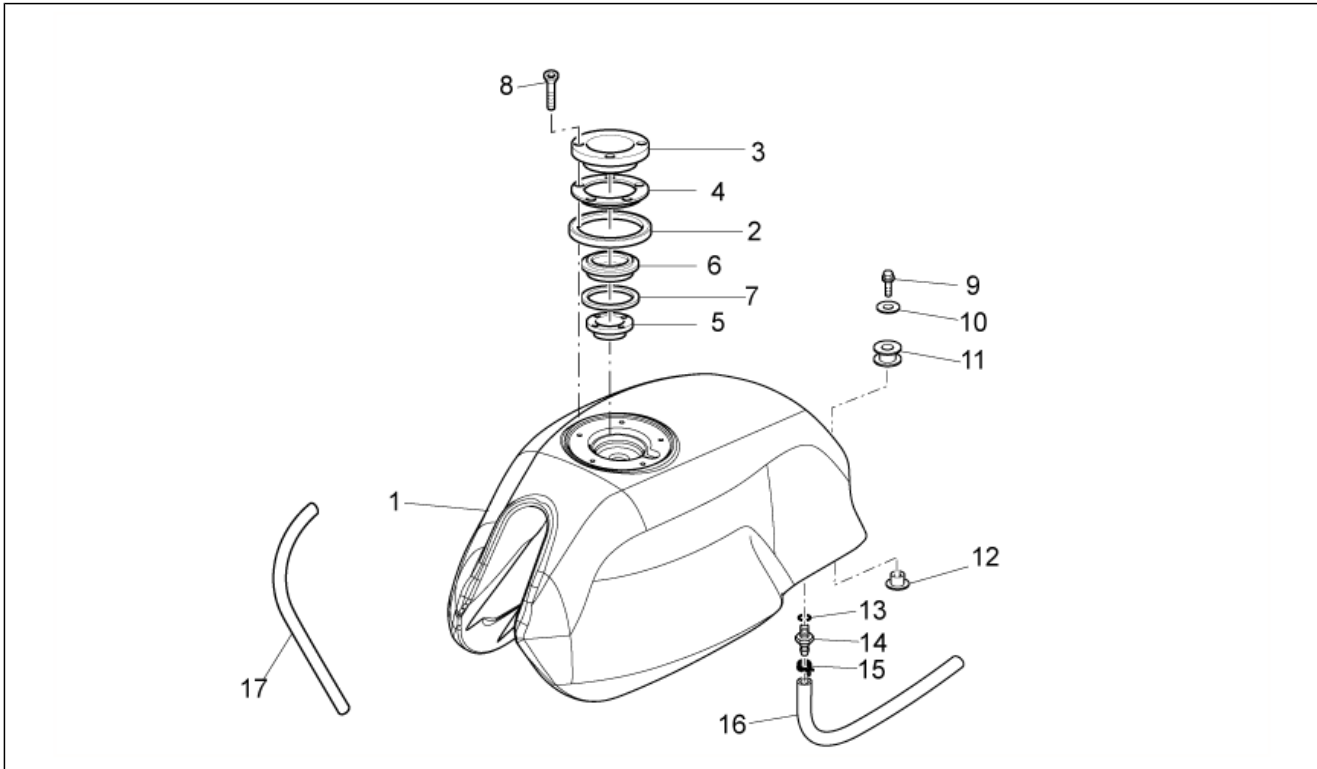
Pos.	Code	Description	Qty	Variants
30	978972	Lower U-bolt	2	Technical Specifications:Marzocchi[M]
31	887913	Upper U-bolt	2	Technical Specifications:Kaifa[K]
31	978973	Upper U-bolt	2	Technical Specifications:Marzocchi[M]
32	887914	screw M8x30	4	Technical Specifications:Kaifa[K]
32	GU66530505	screw M8x30	4	Technical Specifications:Marzocchi[M]
33	887915	screw M10x60	2	Technical Specifications:Kaifa[K]
33	GU98052560	screw M10x60	2	Technical Specifications:Marzocchi[M]
34	887916	O-ring 4118	2	Technical Specifications:Kaifa[K]
34	GU32530505	O-ring 4118	2	Technical Specifications:Marzocchi[M]
35	887917	Sleeve protection	2	Technical Specifications:Kaifa[K]
35	GU32504210	Sleeve protection	2	Technical Specifications:Marzocchi[M]
36	GU23943410	Plug	8	
37	GU32530610	Gaskets set	1	Technical Specifications:Marzocchi[M]
38	GU32530611	Engine oil seal kit	1	Technical Specifications:Marzocchi[M]
39	887906	RH sleeve	1	Technical Specifications:Kaifa[K]
40	887881	LH sleeve	1	Technical Specifications:Kaifa[K]
41	887918	Washer	2	

Group	FRAME
Code	33.11
Description	Rear shock absorber
Service	1



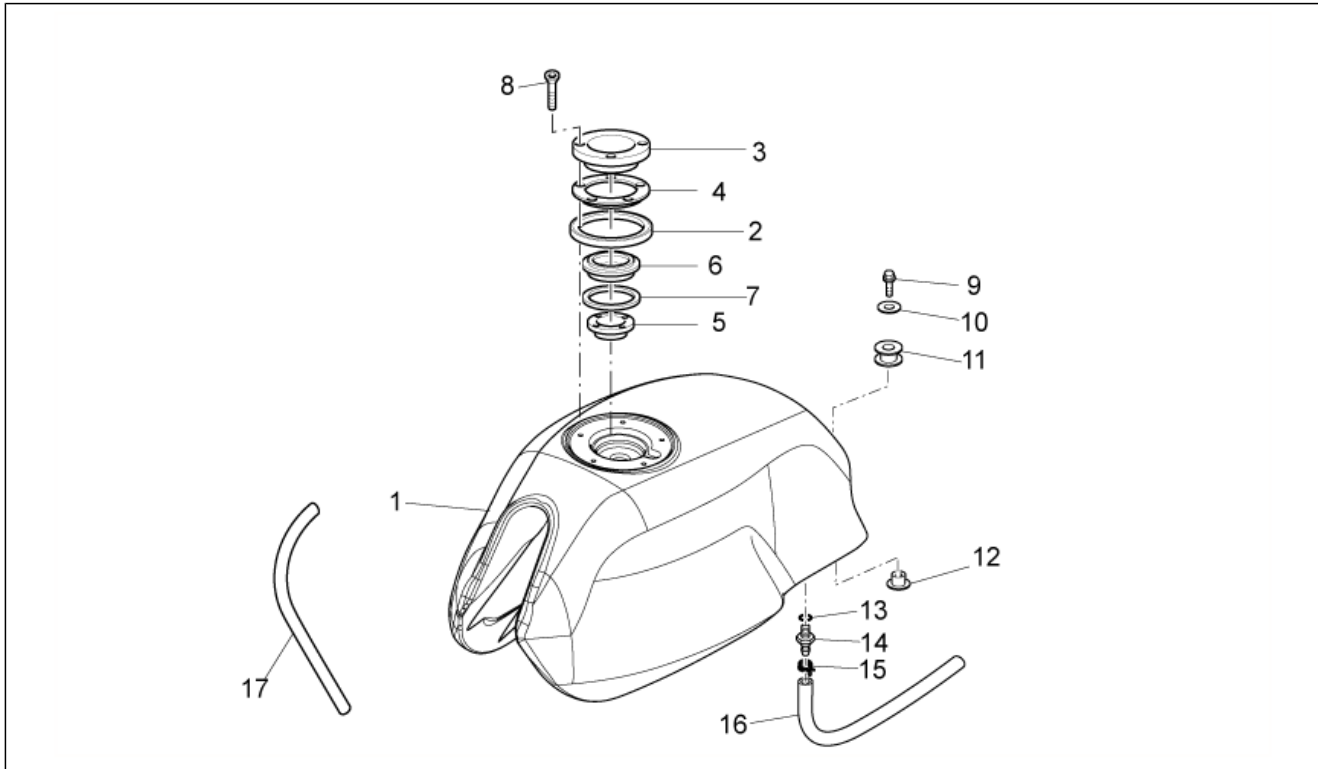
Pos.	Code	Description	Qty	Variants
1	883003	Rear shock absorber SACHS	2	
2	AP8152278	Screw w/ flange M6x16	1	
3	GU95005330	Washer 6,4x30x1,5	1	
4	GU32555210	Pin	1	
5	GU32555211	Pin	1	
6	GU95129181	Washer	1	
7	GU92606210	Nut M10x1,5	1	
8	GU98690335	Hex socket screw	2	

Group	FRAME
Code	33.12
Description	Fuel tank
Service	1



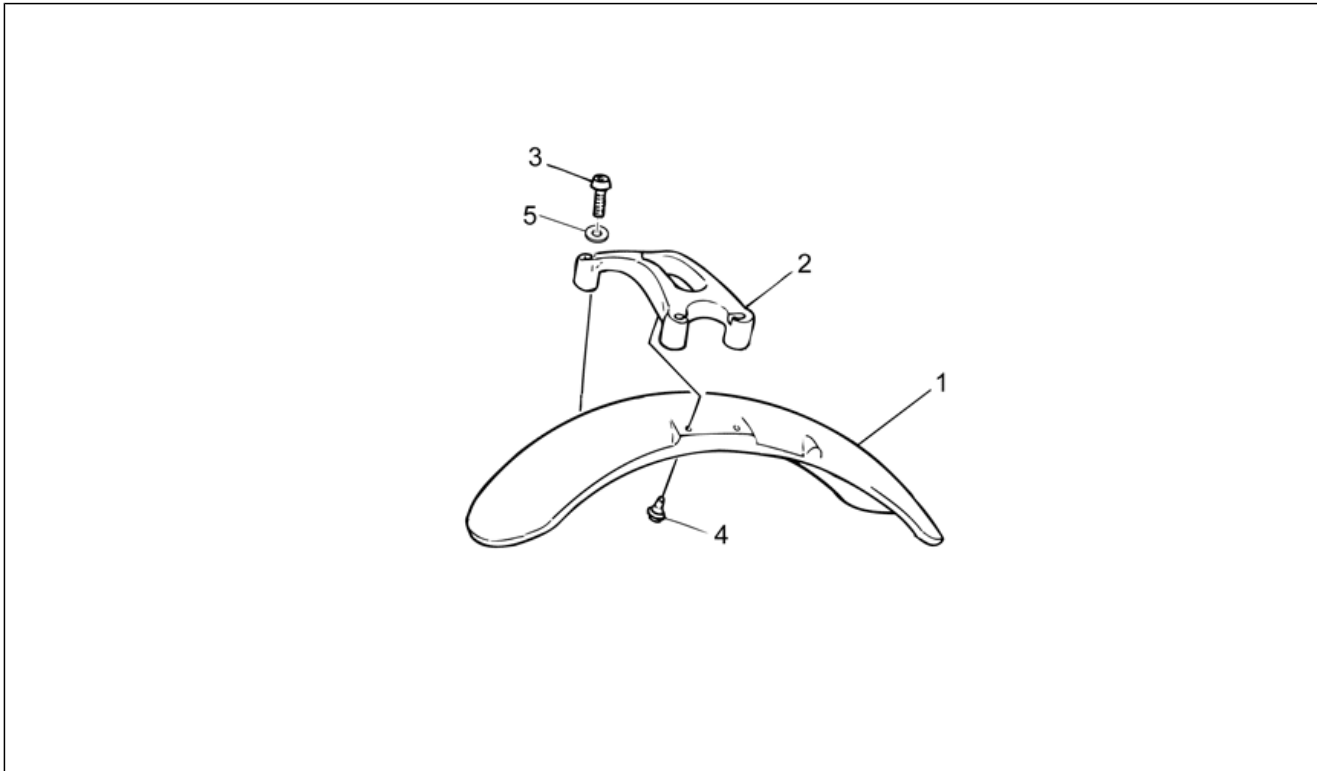
Pos.	Code	Description	Qty	Variants
1	883469	Fuel tank blank	1	Year:2009[9], 2010[A], 2011[B] Country:Canadian[CA], United States of America[USA]
1	88346900BM	Fuel tank white	1	Vehicle colour:White diamond 2008[d.wh.] Country:Canadian[CA], United States of America[USA]
1	88346900Y02	Fuel tank, black	1	Vehicle colour:Guzzi Black 2008-2010[g/bl] Country:United States of America[USA]
1	88701900XR7	Fuel tank red	1	Year:2011[B] Vehicle colour:Red Ibis 887017[red] Country:Other country Europe[EU]
1	887944	Fuel tank blank	1	Year:2012[C] Country:Canadian[CA], United States of America[USA]
1	88798700Y02	Fuel tank, black	1	Year:2012[C] Vehicle colour:Guzzi Black 2011-2012[black] Country:Canadian[CA], United States of America[USA]
1	978928	Fuel tank blank	1	Country:Australia[AUS], Other country Europe[EU], Japan[J], Great Britain[UK]
1	97892800BM	Fuel tank white	1	Vehicle colour:White diamond 2008[d.wh.] Country:Australia[AUS], Other country Europe[EU], Japan[J], Great Britain[UK]
1	97892800Y02	Fuel tank, black	1	Vehicle colour:Guzzi Black 2008-2010[g/bl] Country:Australia[AUS], Other country Europe[EU], Japan[J], Great Britain[UK]
1	B06304700XR7	Fuel tank red	1	Year:2012[C] Vehicle colour:red 2001/2012[g/red] Country:Canadian[CA], United States of America[USA]
2	GU03102400	Gasket	1	Year:2012[C] Country:Canadian[CA], United States of America[USA]
3	978929	Flange	1	Year:2009[9], 2010[A], 2011[B]
3	GU03101900	Flange	1	Year:2012[C] Country:Canadian[CA], United States of America[USA]
4	883193	Gasket	1	Year:2009[9], 2010[A], 2011[B]
4	GU03103500	Ring	1	Year:2012[C] Country:Canadian[CA], United States of America[USA]

Group	FRAME
Code	33.12
Description	Fuel tank
Service	1



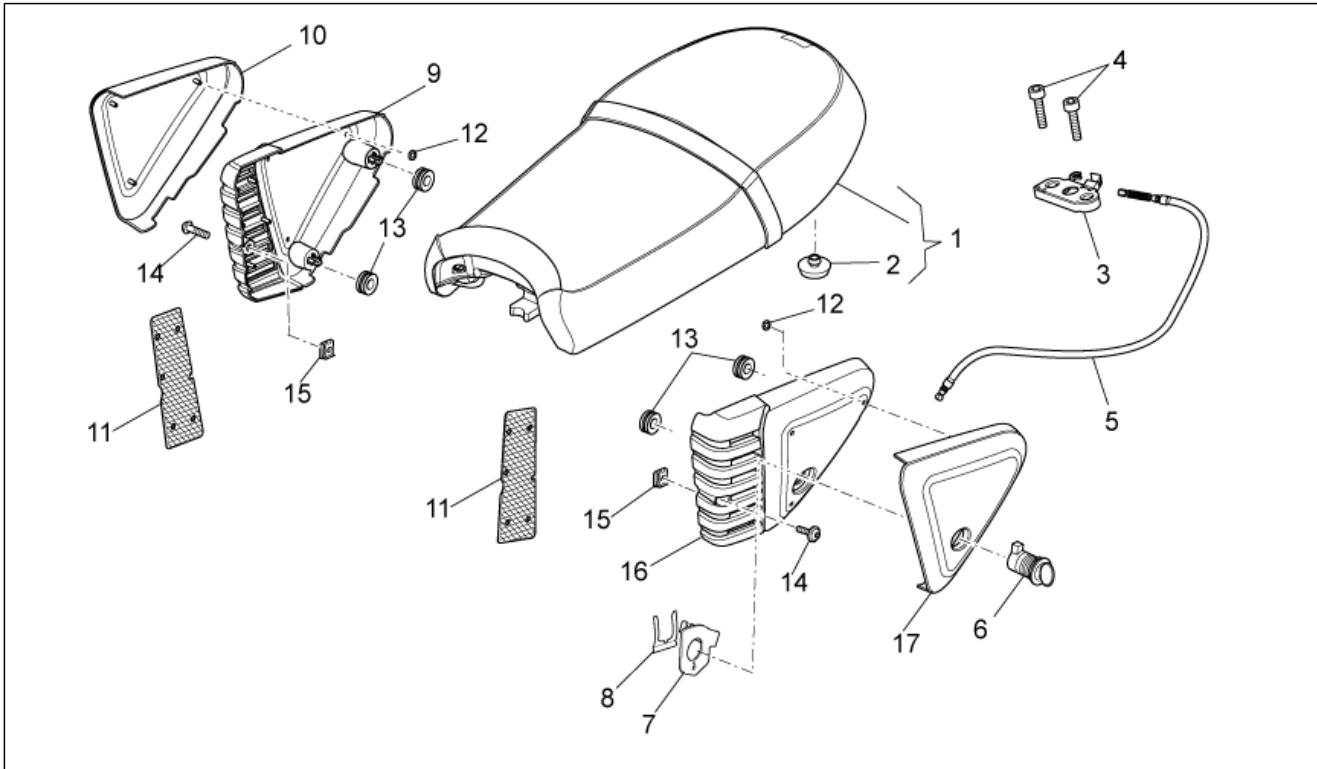
Pos.	Code	Description	Qty	Variants
5	GU03101720	Reduction 38 mm	1	
6	GU03102200	Plug ring nut	1	
7	GU03101600	Gasket	1	
8	825727	Screw	5	Year:2009[9], 2010[A], 2011[B]
8	GU03103200	screw	5	Year:2012[C] Country:Canadian[CA], United States of America[USA]
9	AP8152291	Screw w/ flange	1	
10	GU95005312	Washer 8,5x24x2	1	
11	GU02107100	Rubber spacer	1	Year:2009[9], 2010[A], 2011[B] Country:Australia[AUS], Canadian[CA], Other country Europe[EU], Japan[J], Great Britain[UK], United States of America[USA]
11	GU91551131	Rubber spacer	1	Year:2012[C] Country:Canadian[CA], United States of America[USA]
12	883252	Spacer	1	Year:2009[9], 2010[A], 2011[B] Country:Australia[AUS], Canadian[CA], Other country Europe[EU], Japan[J], Great Britain[UK], United States of America[USA]
12	AP8221128	T bush 8,5x10,7x12	1	Year:2012[C] Vehicle colour:Red Ibis 887017[red] Country:Canadian[CA], United States of America[USA]
13	AP8120965	O-ring 2018	1	
14	GU30103730	Joint	1	
15	AP8101595	Hose clamp D10,1	1	
16	GU00823944050	pipe 5X9	1	
17	GU00823931070	Gasket	1	Year:2012[C] Country:Canadian[CA], United States of America[USA]

Group	FRAME
Code	33.13
Description	Front body - Front mudguard
Service	1



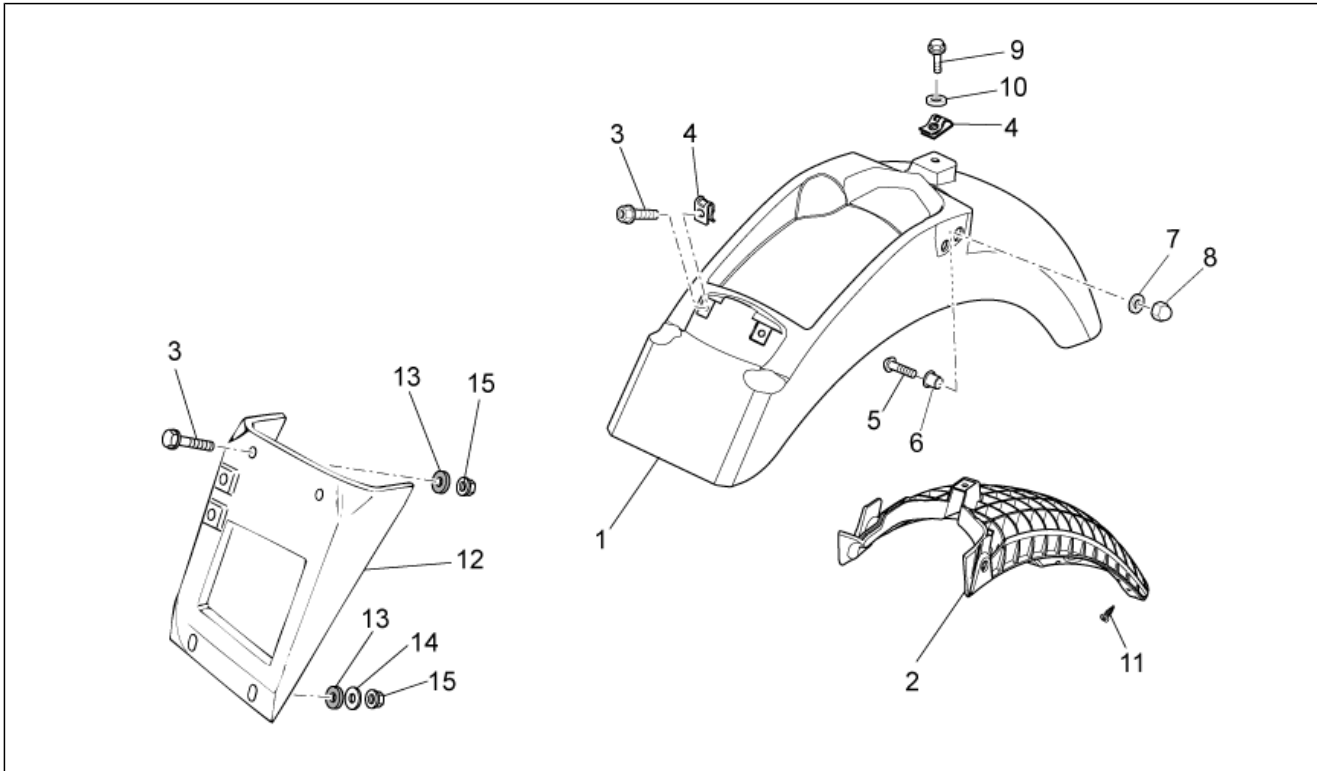
Pos.	Code	Description	Qty	Variants
1	GU32434460	Front mudguard blank	1	
1	GU32434460BM	Front mudguard, white	1	Vehicle colour:White diamond 2008[d.wh.]
1	GU32434462	Front mudguard, black	1	Year:2010[A], 2011[B] Vehicle colour:Guzzi Black 2008-2010[g/bl], Red Ibis 887017[red]
2	883266	Stabilization plate	1	
3	GU98350440	screw	4	
4	GU31439565	Special screw	4	
5	GU14615901	Washer 8,4X13X0,8	4	

Group	FRAME
Code	33.14
Description	Saddle-Central bod
Service	1



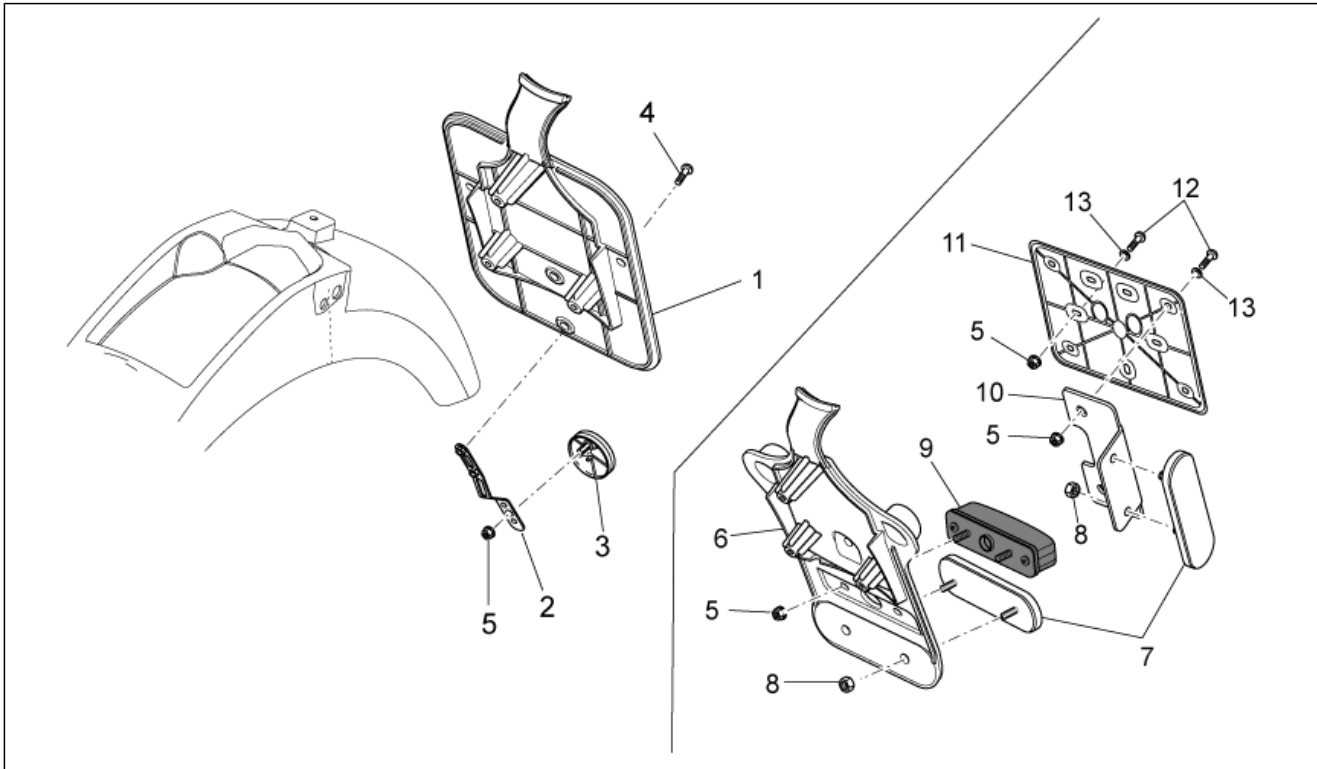
Pos.	Code	Description	Qty	Variants
1	978931	Two-seat saddle	1	
2	GU32461610	Rubber spacer	10	
3	AP8102913	Pass.saddle connecting plate	1	
4	GU98370625	Hex socket screw	2	
5	883295	Saddle release cable	1	
6	977527	Locking complete with keys	1	
7	AP8121420	Fork spring	1	
8	978415	Cable fixing plate	1	
9	978941	RH support	1	
10	88702000XR7	RH side panel, red	1	Year:2011[B] Vehicle colour:Red Ibis 887017[red]
10	97894000BM	RH side panel, white	1	Vehicle colour:White diamond 2008[d.wh.]
10	97894000Y02	RH side panel, black	1	Vehicle colour:Guzzi Black 2008-2010[g/bl]
11	978942	Guard	2	
12	AP8150450	Washer for shafts D5	1	
13	GU91551086	Rubber spacer	4	
14	AP8152339	Screw w/ flange M5x9	2	
15	AP8102375	Clip m5	2	
16	978944	LH support	1	
17	88702100XR7	LH side panel, red	1	Year:2011[B] Vehicle colour:Red Ibis 887017[red]
17	97894300BM	LH side panel, white	1	Vehicle colour:White diamond 2008[d.wh.]
17	97894300Y02	LH side panel, black	1	Vehicle colour:Guzzi Black 2008-2010[g/bl]

Group	FRAME
Code	33.15
Description	Rear body I- Mudguard
Service	1



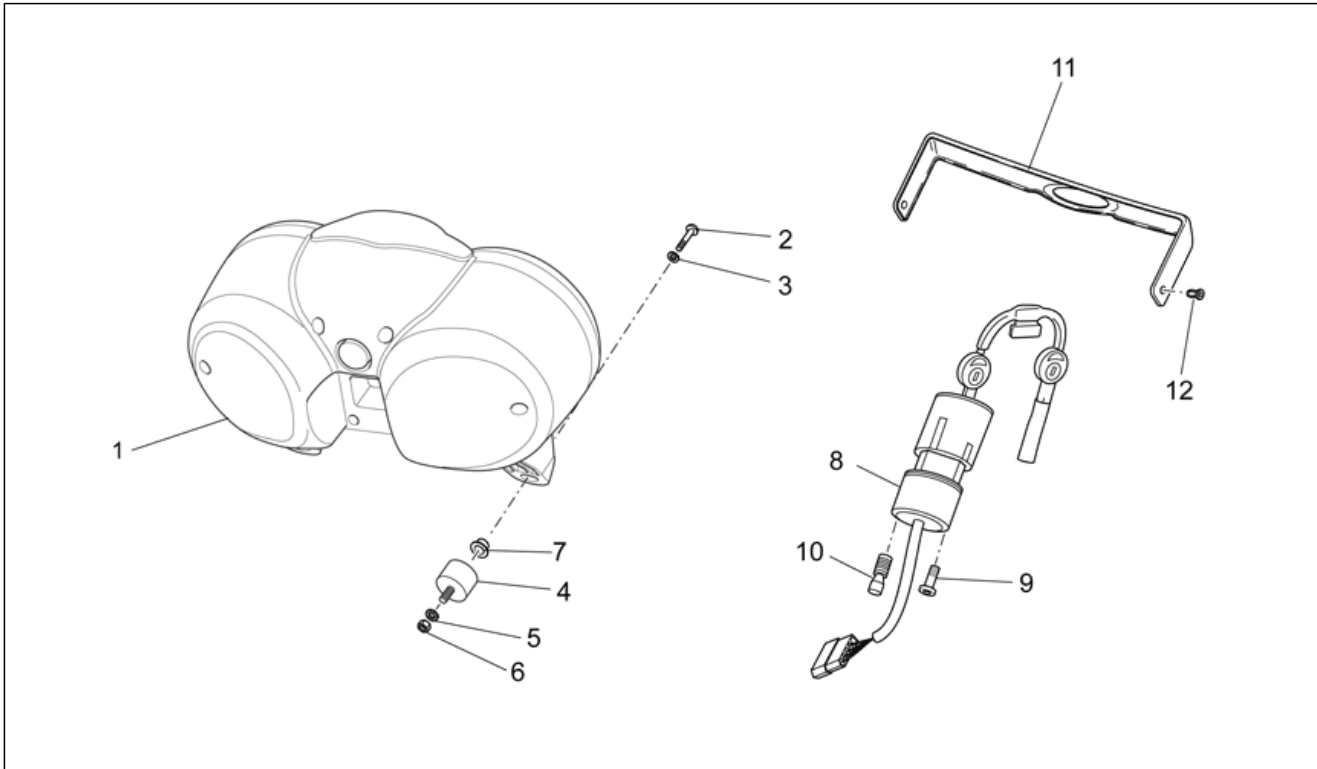
Pos.	Code	Description	Qty	Variants
1	97894600BM	Rear mudguard, white	1	Vehicle colour:White diamond 2008[d.wh.]
1	97894600Y02	Rear mudguard, black	1	Vehicle colour:Guzzi Black 2008-2010[g/bl], Red Ibis 887017[red]
2	978947	Support	1	
3	AP8152278	Screw w/ flange M6x16	4	
4	GU28576591	Clip M6	3	
5	GU98370831	Hex socket screw M8x30	2	
6	GU91120806	Spacer	2	
7	GU03270300	Washer 8,4x15	2	
8	GU92787008	Cap nut M8x1,25	2	
9	AP8152279	Screw w/ flange M6x20	2	
10	GU91180601	Spacer 6,2x8x3	2	
11	AP8152329	Phillips screw, SWP M5x20	3	
12	GU31438765	Splash guard	1	
13	GU93110060	Rubber spacer	4	
14	GU95100141	Washer 6,4x12x1,2	2	
15	AP8152299	Self-locking nut M6	4	

Group	FRAME
Code	33.16
Description	Rear body II- Plate holder
Service	1



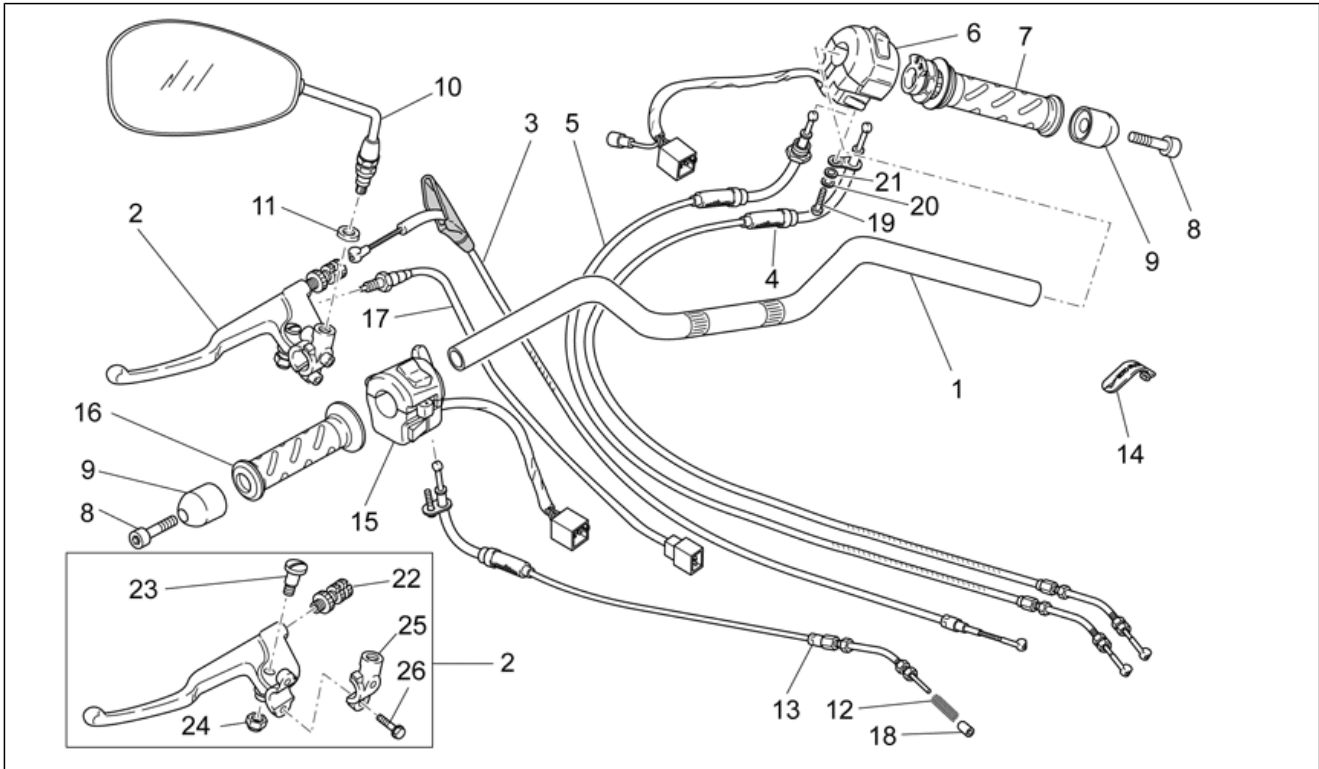
Pos.	Code	Description	Qty	Variants
1	978949	Number plate holder	1	Country: Australia[AUS], Other country Europe[EU], Japan[J], Great Britain[UK]
2	AP8134448	Reflector support	1	Country: Australia[AUS], Other country Europe[EU], Japan[J], Great Britain[UK]
3	AP8224164	Rear reflector, red	1	Country: Australia[AUS], Other country Europe[EU], Japan[J], Great Britain[UK]
4	GU98230510	Hex socket screw	2	Country: Australia[AUS], Other country Europe[EU], Japan[J], Great Britain[UK]
5	AP8152306	Self-locking nut m5	10	
6	883470	Number plate holder	1	Country: Canadian[CA], United States of America[USA]
7	AP8124718	Rear reflector, red	3	Country: Canadian[CA], United States of America[USA]
8	GU92630204	Nut	6	Country: Canadian[CA], United States of America[USA]
9	883480	Number-plate light	1	Country: Canadian[CA], United States of America[USA]
10	GU32781910	Reflector support	2	Country: Canadian[CA], United States of America[USA]
11	AP8149034	Number plate support	1	Country: Canadian[CA], United States of America[USA]
12	AP8152268	Hex socket screw M5x16	7	Country: Canadian[CA], United States of America[USA]
13	AP8150248	Washer 5,5x15x1,6	7	Country: Canadian[CA], United States of America[USA]

Group	FRAME
Code	33.17
Description	Dashboard
Service	1



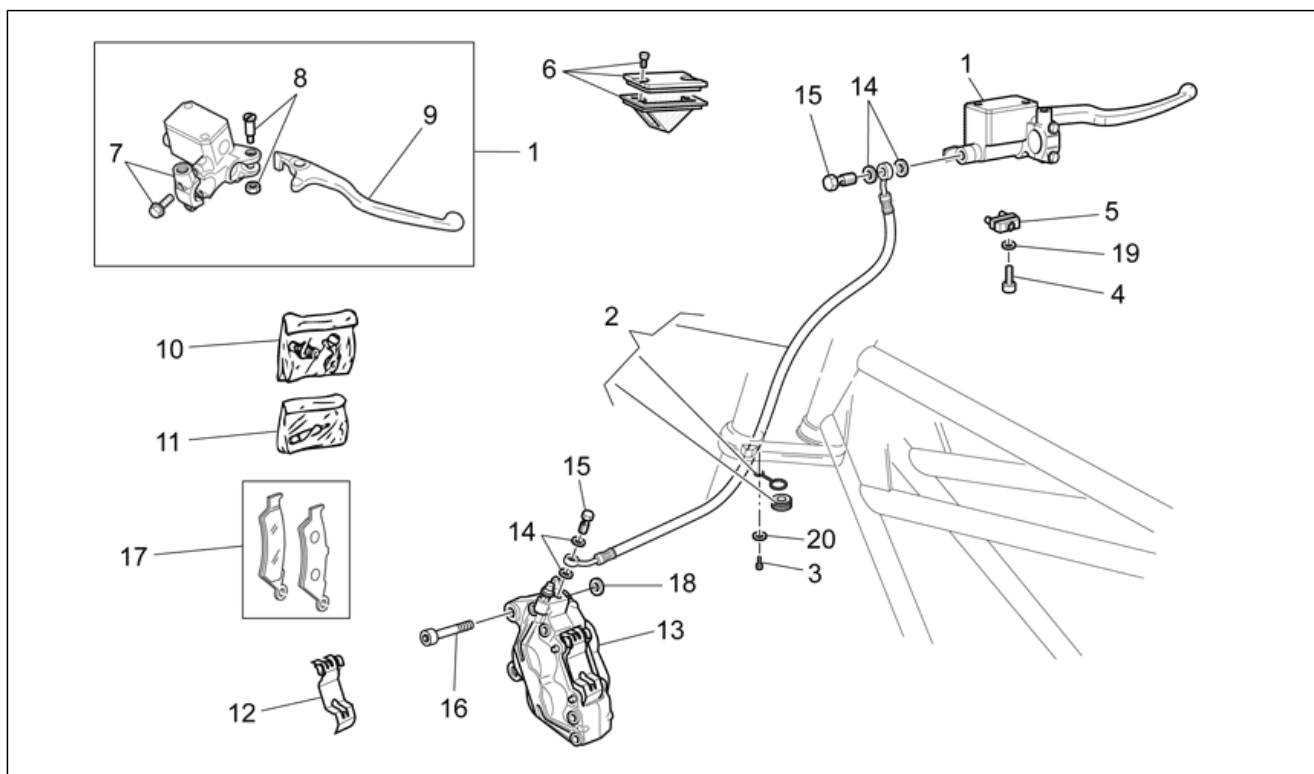
Pos.	Code	Description	Qty	Variants
1	883339	Dashboard complete	1	Country: Great Britain[UK], United States of America[USA]
1	978932	Dashboard complete	1	Country: Australia[AUS], Canadian[CA], Other country Europe[EU], Japan[J]
2	GU98370609	Hex socket screw M6x10	3	
3	GU95005306	Washer 6,4x13x1,5	3	
4	GU93222023	Silent-block	3	
5	GU95021206	Washer	3	
6	GU92606206	Nut	3	
7	AP8121032	Bush	3	
8	GU32782510	Main switch - steering lock	1	
9	GU98682416	Hex socket screw M8x16	1	
10	AP8150349	Special screw M8x15	1	
11	883569	Cover	1	Year: 2011[B] Vehicle colour: Red Ibis 887017[red] Country: Other country Europe[EU]
11	GU32766810	Cover	1	Year: 2009[9], 2010[A] Vehicle colour: White diamond 2008[d.wh.], Guzzi Black 2008-2010[g/bl]
12	GU23922210	Pin	2	

Group	FRAME
Code	33.18
Description	Handlebar - Controls
Service	1



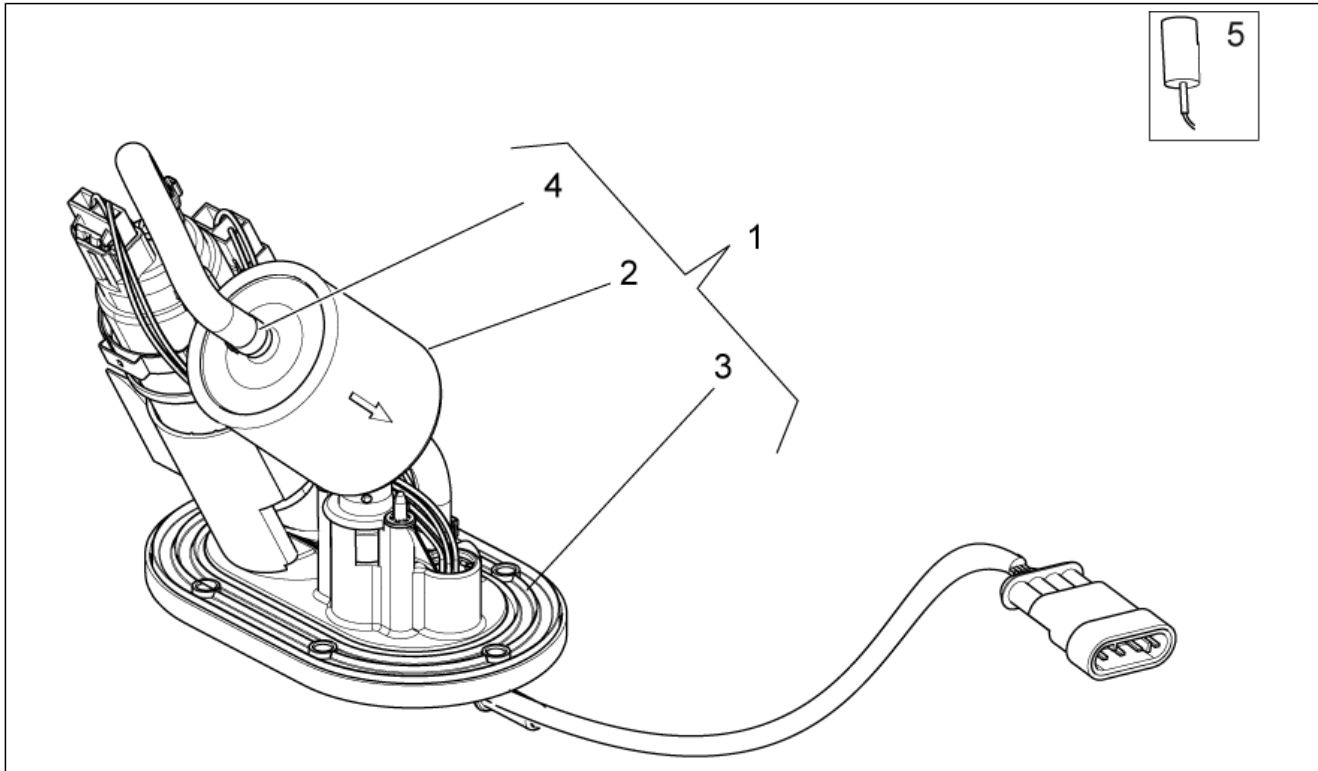
Pos.	Code	Description	Qty	Variants
1	978960	Handlebar	1	
2	GU32605510	Clutch lever	1	
3	883264	Clutch cable	1	
4	883262	Gas trasmission delivery	1	
5	883263	Gas trasmission return	1	
6	GU32738810	RH lights selector	1	
7	GU32603310	RH hand grip	1	
8	GU98690335	Hex socket screw	2	
9	GU32602860	Anti.v weight, chr.	2	
10	883802	RH/LH rearview mirror	2	Vehicle colour:"marked ""FU E11 81R-001047""[B]
10	978570	RH/LH rearview mirror	2	Vehicle colour:marked "FAR"[A]
11	GU91181003	Spacer 10,25X20X4	2	
12	GU94321074	Spring 7x1,1x25	1	
13	GU32137060	Choke cable	1	
14	GU01609630	Hose clamp L46 mm	2	
14	GU03609600	Hose clamp L36 mm	1	
15	883075	LH lights selector	1	
16	GU32603010	LH hand grip	1	
17	GU29759150	Lateral stand switch	1	
18	GU39094200	Cover	1	
19	GU98230510	Hex socket screw	1	
20	GU95008305	Washer 5,3X10X1	1	
21	GU95021105	Notched washer	1	
22	GU30602500	Register	1	
23	AP8213028	screw	1	
24	AP8213388	Self-locking nut	1	
25	GU30601060	Clump	1	
26	GU97202325	Black screw w/ flange M6x25	2	

Group	FRAME
Code	33.19
Description	Front brake system
Service	1



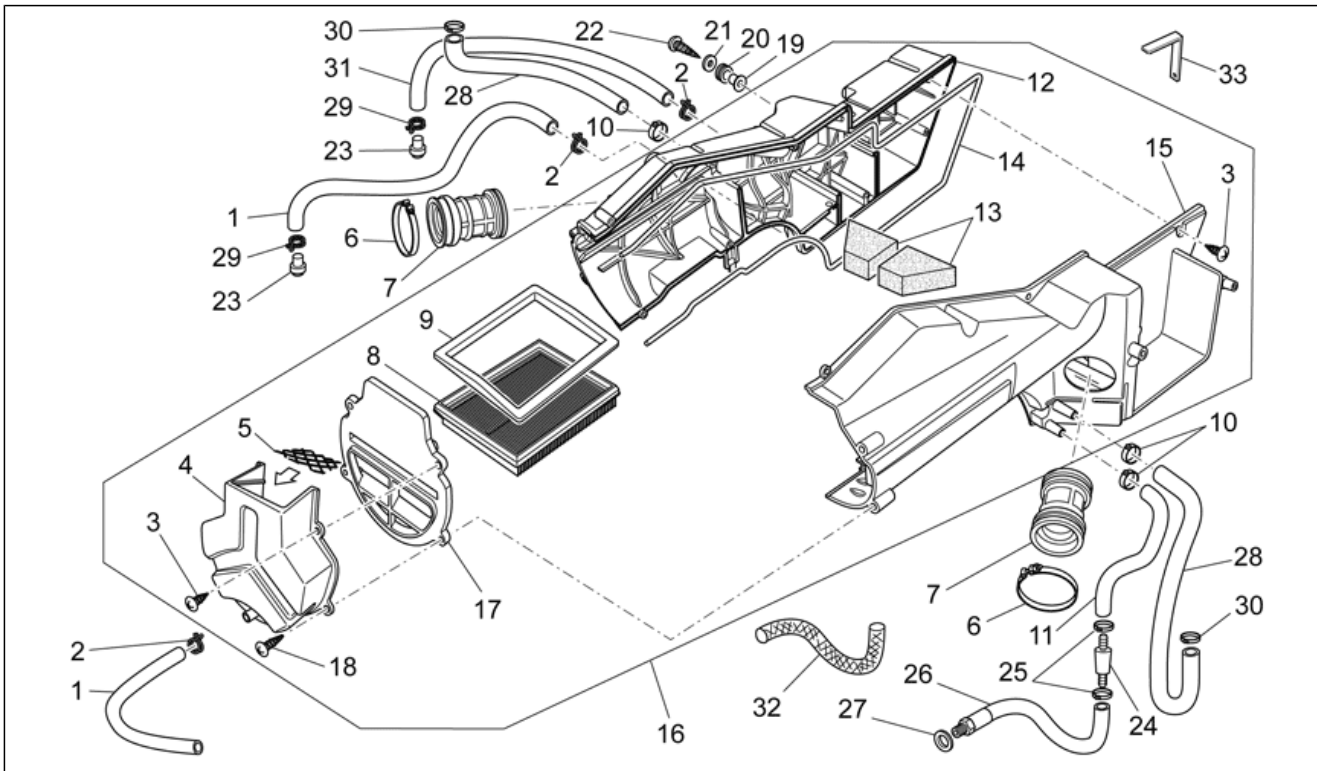
Pos.	Code	Description	Qty	Variants
1	GU03660145	Front master cilinder	1	
2	GU32657110	Brake hose	1	
3	AP8152277	Screw w/ flange M6x12	1	
4	GU98370412	Hex socket screw M4x12	1	
5	GU03749845	Stop switch	1	
6	GU03661145	Pump cover	1	
7	GU03664045	U-bolt	1	
8	GU03604845	Lever pin	1	
9	GU03605645	Brake lever	1	
10	GU05659230	Bleeder+cap	1	
11	GU01659130	Pins+Caliper springs	1	
12	GU01659131	Spring	1	
13	883303	LH front brake caliper, black	1	
14	AP8121915	Gasket	4	
15	978323	Oil pipe screw *	2	
16	AP8152385	Hex socket screw M10x1,25	2	
17	GU01654630	Pads pair	1	
18	GU91181003	Spacer 10,25X20X4	2	
19	GU95021104	Washer 4,3x8x1,5	1	
20	GU95008306	Washer 6,4x12x1,2	1	

Group	FRAME
Code	33.21
Description	Fuel pump
Service	1



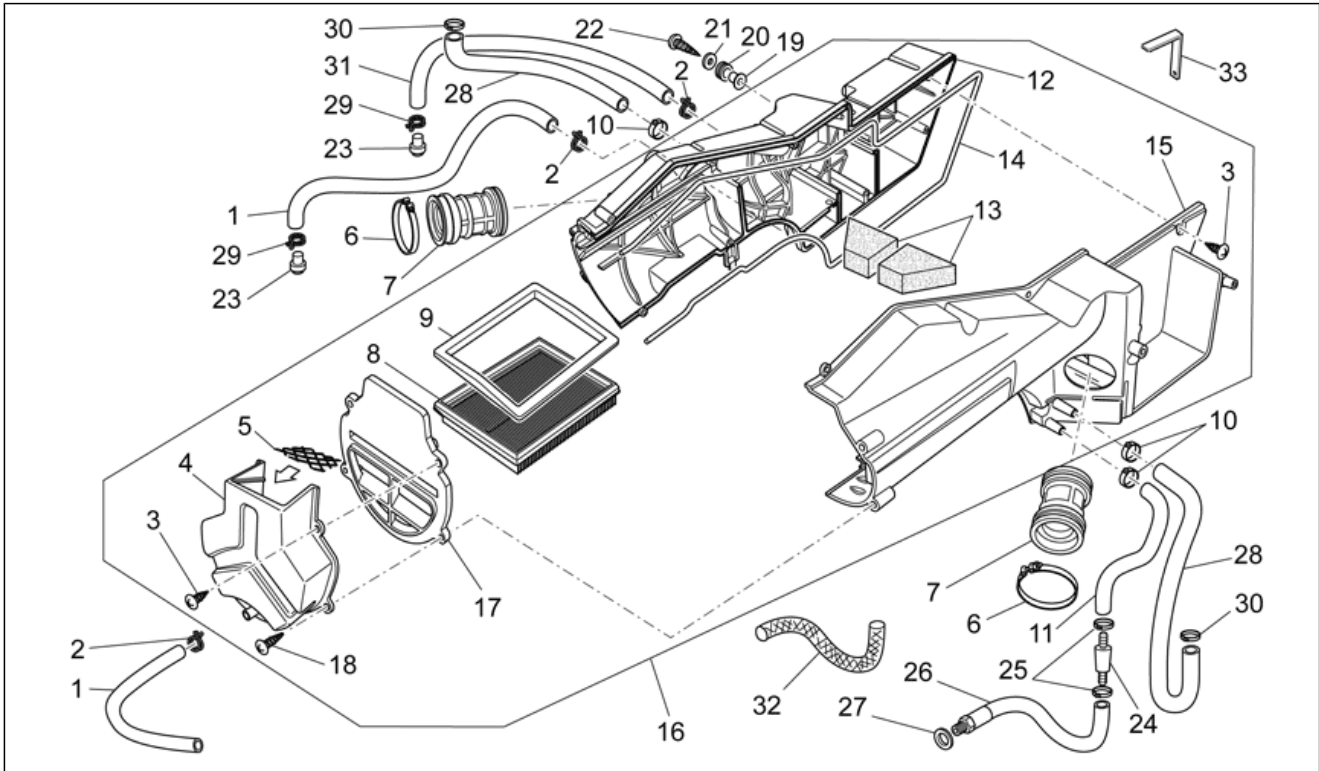
Pos.	Code	Description	Qty	Variants
1	978930	Fuel pump	1	Year: 2009[9], 2010[A], 2011[B] Country: Australia[AUS], Other country Europe[EU], Japan[J], Great Britain[UK] Technical Specifications: Plastic tank[PL]
1	B063645	Fuel intake unit	1	Year: 2012[C] Country: Canadian[CA], United States of America[USA] Technical Specifications: Iron tank[FE]
1	B063752	Fuel pump	1	Country: Australia[AUS], Other country Europe[EU], Japan[J], Great Britain[UK] Technical Specifications: Iron tank[FE]
2	GU01106090	Fuel filter	1	
3	GU05107430	Gasket	1	
4	GU01108490	Hose clamp 11,3	4	
5	883852	Thermistor	1	Country: Australia[AUS], Canadian[CA], Other country Europe[EU], Japan[J], Great Britain[UK], United States of America[USA] Technical Specifications: Plastic tank[PL]
5	GU32103060	Thermistor	1	Country: Australia[AUS], Canadian[CA], Other country Europe[EU], Japan[J], Great Britain[UK], United States of America[USA] Technical Specifications: Iron tank[FE]

Group	FRAME
Code	33.22
Description	Air box
Service	1



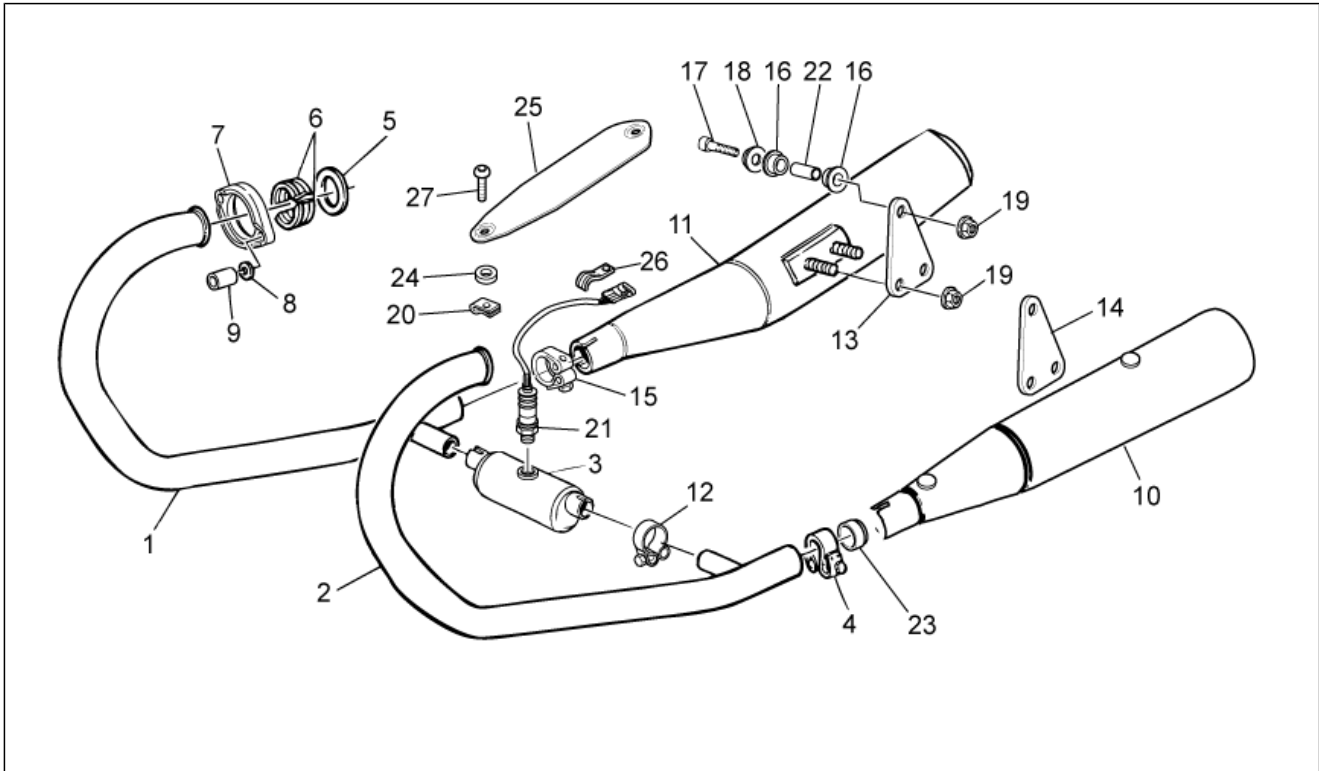
Pos.	Code	Description	Qty	Variants
1	AP8120952	Fuel pipe 5,5x10	2	
2	AP8201358	Hose clamp D 11,9	2	
3	AP8150413	Self-tap screw 3,9x14	12	
4	GU32116910	Filter cover	1	
5	GU32113510	Filter mesh	1	
6	GU93305061	Hose clamp 61/65,5	2	
7	GU32114410	Intake hose	2	
8	AP8104242	Air filter	1	
9	GU32114110	Maintenance	1	
10	AP8102766	Hose clamp	3	
11	AP8120772	Breather pipe	1	
12	GU32114011	RH Bearing shell	1	
13	AP8104525	Filter blow-by	2	
14	AP8120615	Gasket D3	3	
15	GU32114012	LH Bearing shell	1	
16	883696	Air box	1	
16	GU32110110	Air box	1	
17	GU32113410	Cover	1	
18	AP8152329	Phillips screw, SWP M5x20	3	
19	GU30576100	Spacer D.6,5	3	
20	GU91551010	Rubber spacer	3	
21	GU95100059	Washer 5,25x14x1,5	3	
22	AP8152329	Phillips screw, SWP M5x20	3	
23	AP8120876	Plug	3	
24	AP8104251	Oil breather valve	1	
25	AP8102159	Hose clamp	2	
26	GU32159310	Breather	1	
27	GU90714082	Gasket	1	

Group	FRAME
Code	33.22
Description	Air box
Service	1



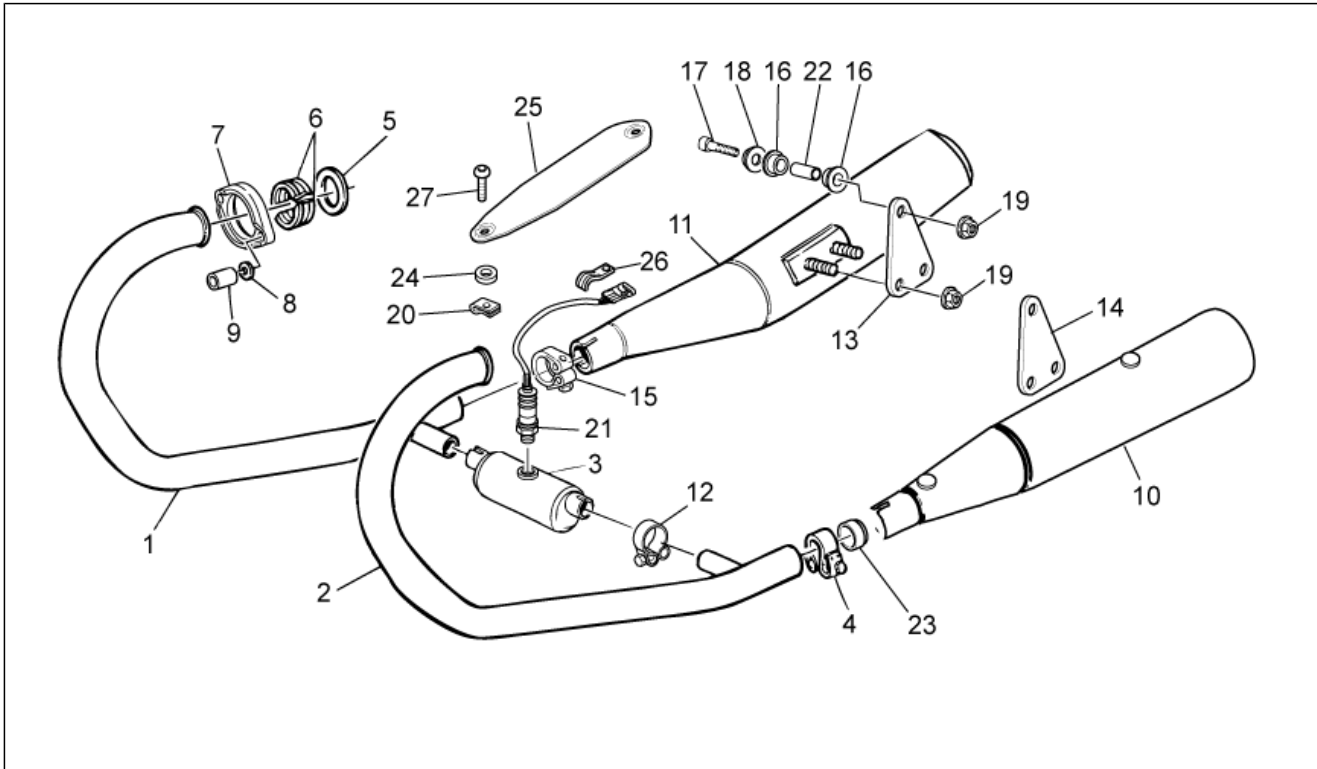
Pos.	Code	Description	Qty	Variants
28	GU32159610	Breather pipe	2	
29	GU61108500	Hose clamp D9	2	
30	AP8102239	Hose clamp 12,5x8	2	
31	AP8144038	Fuel pipe 6x10	1	
32	GU00823923140	Thermal sheath	1	
33	GU31112965	Square	1	

Group	FRAME
Code	33.23
Description	Exhaust unit
Service	1



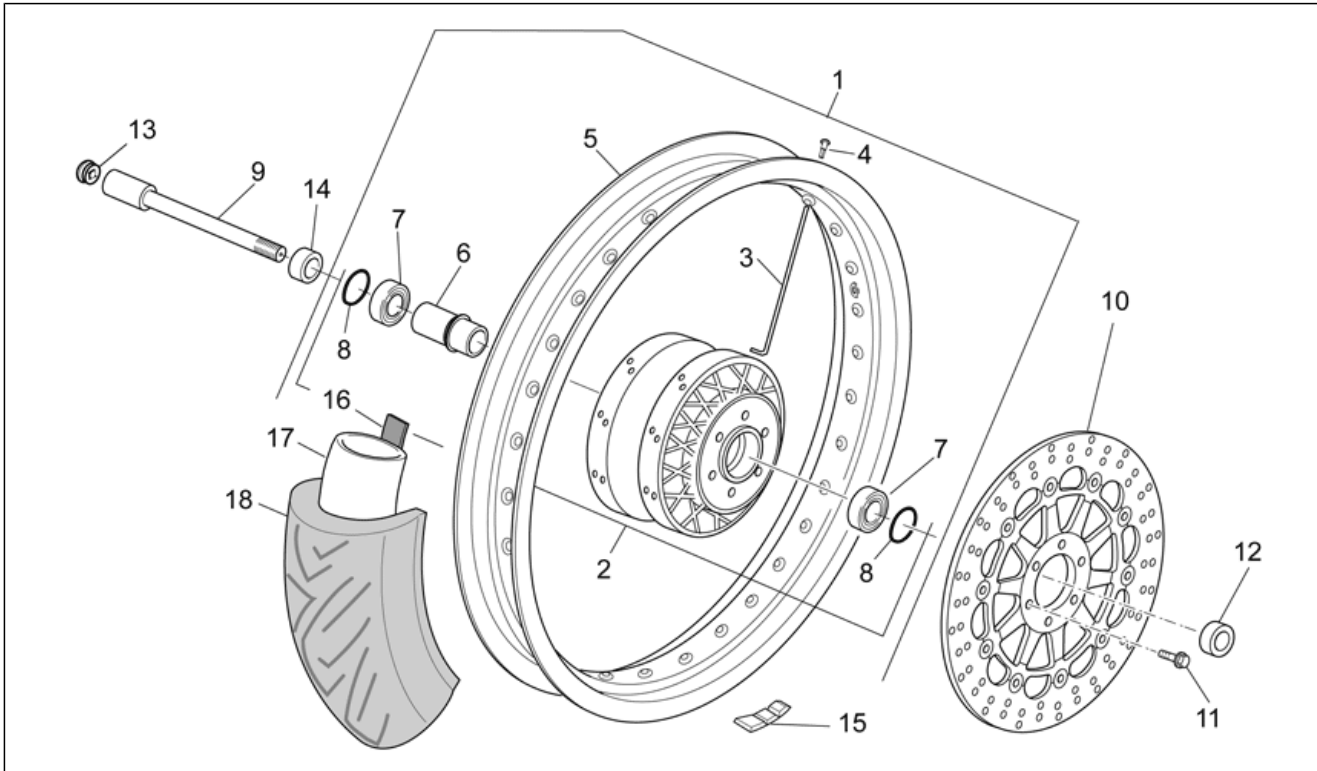
Pos.	Code	Description	Qty	Variants
1	883868	RH exhaust pipe	1	Year:2010[A] Country:Japan[J]
1	978953	RH exhaust pipe	1	Year:2009[9] Country:Japan[J]
1	978953	RH exhaust pipe	1	
2	883869	LH exhaust pipe	1	Year:2010[A] Country:Japan[J]
2	978954	LH exhaust pipe	1	Year:2009[9] Country:Japan[J]
2	978954	LH exhaust pipe	1	
3	978955	Expansion chamber	1	
4	883294	LH silencer clamp	1	
5	GU19025280	Gasket	2	
6	GU19025460	Spacer	4	
7	GU32121010	Ring nut	2	
8	GU03013800	Washer 6,4x12	4	
9	GU31121880	Nut	4	
10	883710	LH silencer	1	Year:2010[A] Country:Japan[J]
10	978957	LH silencer	1	Year:2009[9] Country:Japan[J]
10	978957	LH silencer	1	Country:Australia[AUS], Canadian[CA], Other country Europe[EU], Great Britain[UK], United States of America[USA]
11	883709	RH silencer	1	Year:2010[A] Country:Japan[J]
11	978956	RH silencer	1	Year:2009[9] Country:Japan[J]
11	978956	RH silencer	1	Country:Australia[AUS], Canadian[CA], Other country Europe[EU], Great Britain[UK], United States of America[USA]

Group	FRAME
Code	33.23
Description	Exhaust unit
Service	1



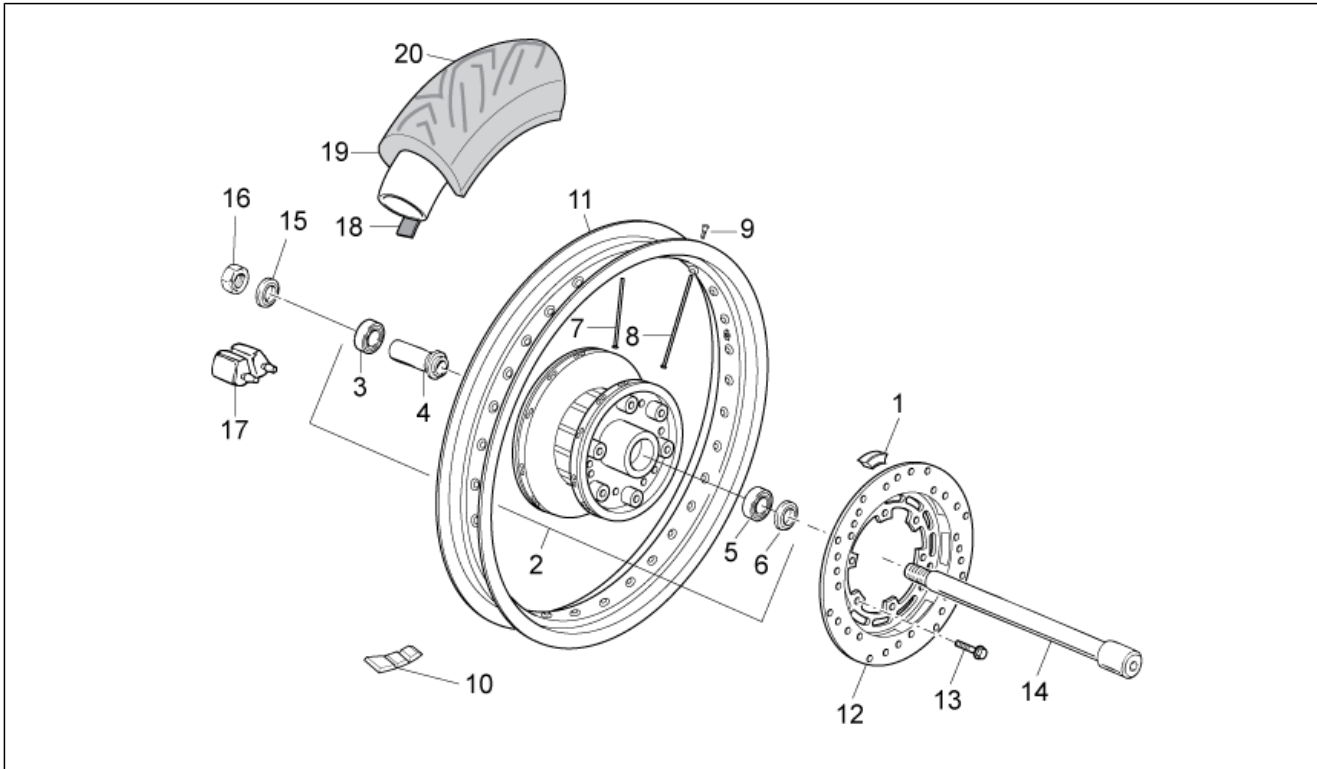
Pos.	Code	Description	Qty	Variants
12	978385	Hose clamp	2	
13	883297	RH plate	1	
14	883298	LH plate	1	
15	883293	RH silencer clamp	1	
16	AP8144071	Rubber exhaust	4	
17	GU98680440	Hex socket screw M8x40	2	
18	AP8134378	Silencer fixing bush	2	
19	GU92640508	Nut M8	6	
20	GU28576591	Clip M6	2	
21	GU32727010	Lambda sensor	1	
22	AP8121072	Spacer	2	
23	GU91113826	Bushing	2	
24	AP8120870	Insulating washer	4	
	883704	Exhaust pipe heat prot.	2	Technical Specifications: Not chrome version[NoCr]
	GU03121955	Exhaust pipe heat prot.	2	Technical Specifications: Chrome version[Cr]
26	GU93301175	U-bolt	1	
27	GU98210612	Screw w/ flange M6x12	4	

Group	FRAME
Code	33.24
Description	Front wheel I
Service	1



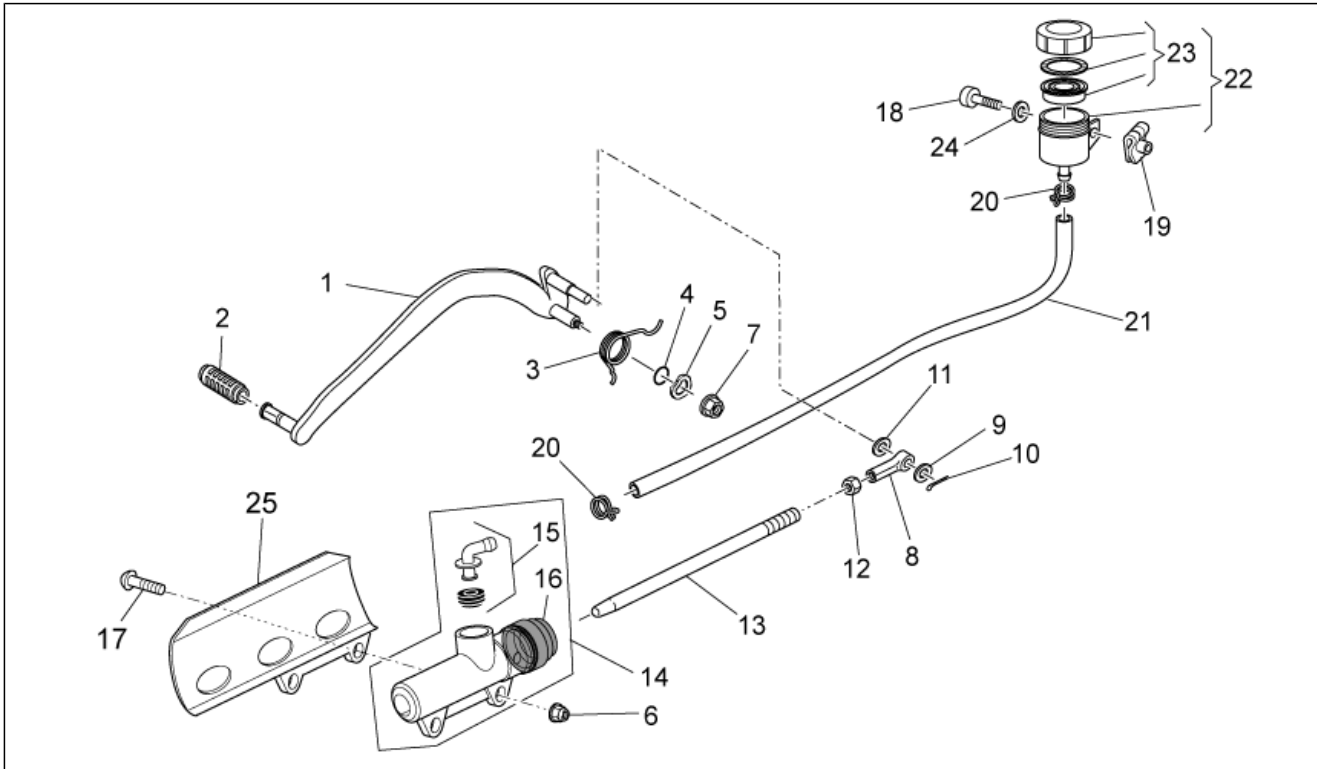
Pos.	Code	Description	Qty	Variants
1	GU32610360	Front wheel 2,5x18"	1	
2	GU32613160	Front hub	1	
3	GU32611660	Spoke	36	
4	GU03631250	Nipples	36	
5	GU32610860	Front wheel 2,50x18"	1	
6	GU31615260	Spacer	1	
7	GU92204221	Bearing	2	
8	GU90402642	Gasket ring	1	
9	GU31614183	Front wheel spindle	1	
10	977024	Front brake disc	1	
11	AP8152286	Screw w/ flange M8x20	6	
12	GU31616384	LH spacer	1	
13	GU93180111	Cover 15 mm	1	
14	GU32615660	RH spacer	1	
15	GU14616150	Counterweight	1	
16	0000000	Tyre	1	
17	0000000	Tyre	1	
18	0000000	Tyre	1	

Group	FRAME
Code	33.25
Description	Rear wheel I
Service	1



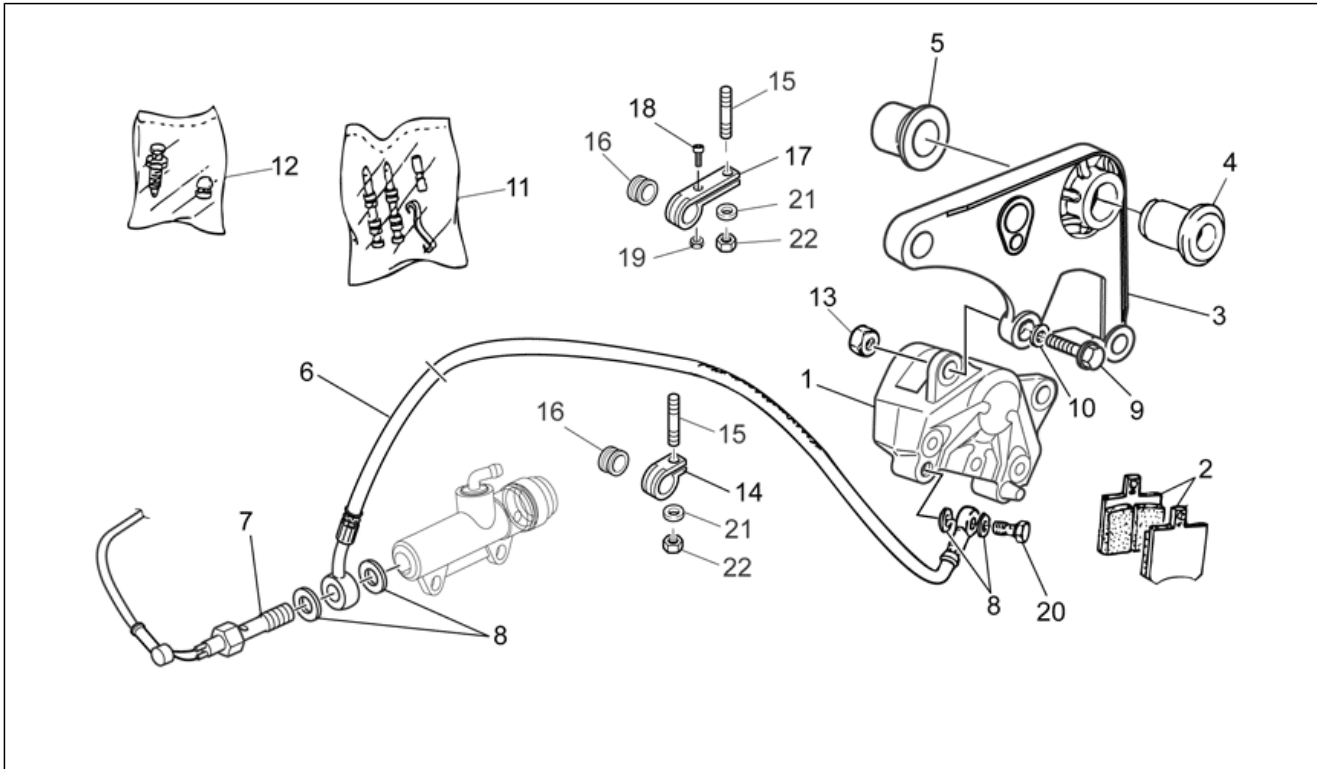
Pos.	Code	Description	Qty	Variants
1	GU32636160	Support rubber part	1	
2	GU32692260	Hub	1	
3	GU92204218	Bearing	1	
4	GU27633910	Spacer	1	
5	GU92204217	Bearing	1	
6	GU90402538	Gasket ring 25x40x7	1	
7	883350	Short spoke	18	
8	883349	Long spoke mm 158	18	
9	GU03631250	Nipples	36	
10	GU14616150	Counterweight	1	
11	978757	Rear wheel 3.5x17"	1	
12	GU31613381	Brake disc	1	
13	GU98682425	Hex socket screw M8x25	6	
14	GU32633360	Rear wheel spindle	1	
15	GU31634481	Washer	1	
16	GU92606316	Nut M16x1,5	1	
17	GU32632510	Rubber coupling	6	
18	0000000	Tyre	1	
19	0000000	Tyre	1	
20	0000000	Tyre	1	

Group	FRAME
Code	33.26
Description	Rear master cylinder
Service	1



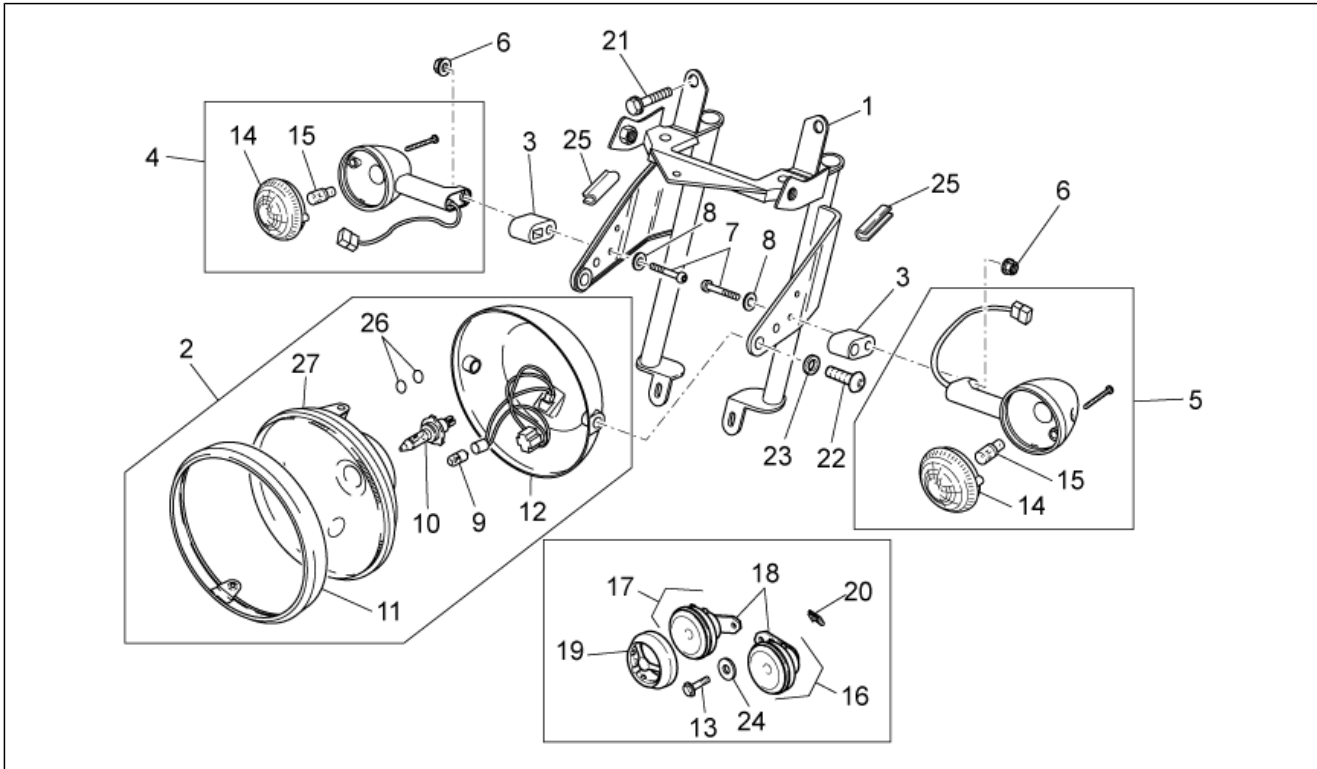
Pos.	Code	Description	Qty	Variants
1	883058	Rear brake lever	1	
2	GU14251001	Rubber spacer	1	
3	978969	Spring	1	
4	AP8144007	O-ring 11,11x1,78	2	
5	GU95005310	Washer 8,4x18x2	1	
6	GU92630206	Nut M6x1	2	
7	GU92660021	Flanged nut M8	1	
8	GU18257551	Block	1	
9	GU95005311	Washer	1	
10	GU95500221	Split pin	1	
11	GU03270300	Washer 8,4x15	1	
12	GU92609007	Nut	1	
13	978970	Master cylinder rod	1	
14	AP8133643	Rear master cylinder	1	
15	AP8213057	Rear brake pump union	1	
16	AP8113288	Rubber bellows	1	
17	GU98370625	Hex socket screw	2	
18	GU98682215	Hex socket screw	1	
19	AP8102375	Clip m5	1	
20	AP8101594	Hose clamp D10,1*	2	
21	GU00823950050	Oil pipe	1	
22	AP8113241	Brake oil tank complete	1	
23	AP8113553	Tank cap	1	
24	GU95100059	Washer 5,25x14x1,5	1	
25	GU01665410	Brake m.cyl.protection, black	1	

Group	FRAME
Code	33.27
Description	Rear brake caliper
Service	1



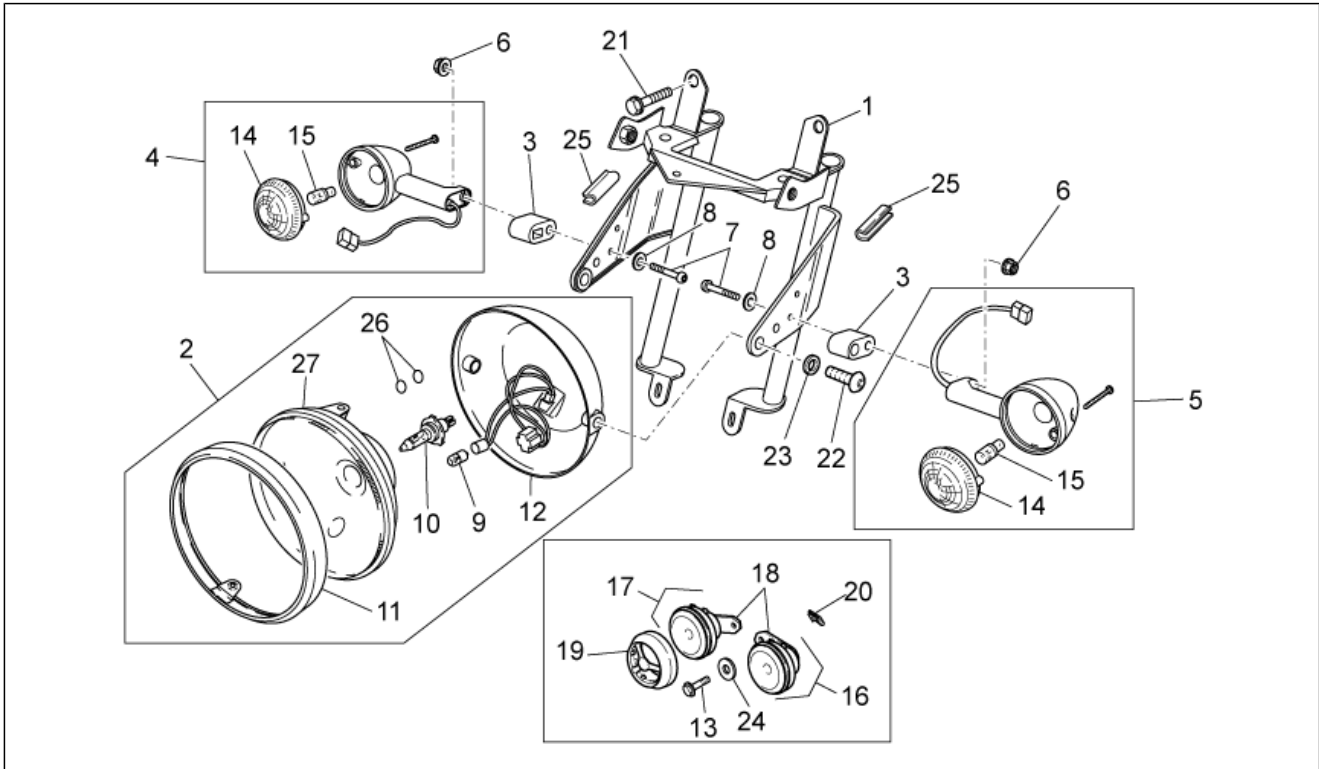
Pos.	Code	Description	Qty	Variants
1	883296	Rear brake caliper Brembo	1	
2	GU31654681	Pads pair	1	
3	GU326358601	Brake hanger plate	1	
4	GU31634281	Bushing	1	
5	GU32634160	Spacer	1	
6	883180	Brake hose	1	
7	883192	Switch	1	
8	AP8121915	Gasket	4	
9	GU97202435	screw	2	
10	GU03270300	Washer 8,4x15	2	
11	GU31659181	Pins+spring kit	1	
12	GU31659281	Bleeder+cap	1	
13	AP8152300	Self-locking nut M8	2	
14	GU03658430	Hose clamp	1	
15	GU96451316	Stud bolt	1	
16	GU03658201	Ring	2	
17	GU03658330	Hose clamp	1	
18	GU98257410	screw	1	
19	GU92630104	Nut M4x0,7	1	
20	978323	Oil pipe screw *	1	
21	GU95008306	Washer 6,4x12x1,2	2	
22	AP8152299	Self-locking nut M6	2	

Group	FRAME
Code	33.28
Description	Front lights
Service	1



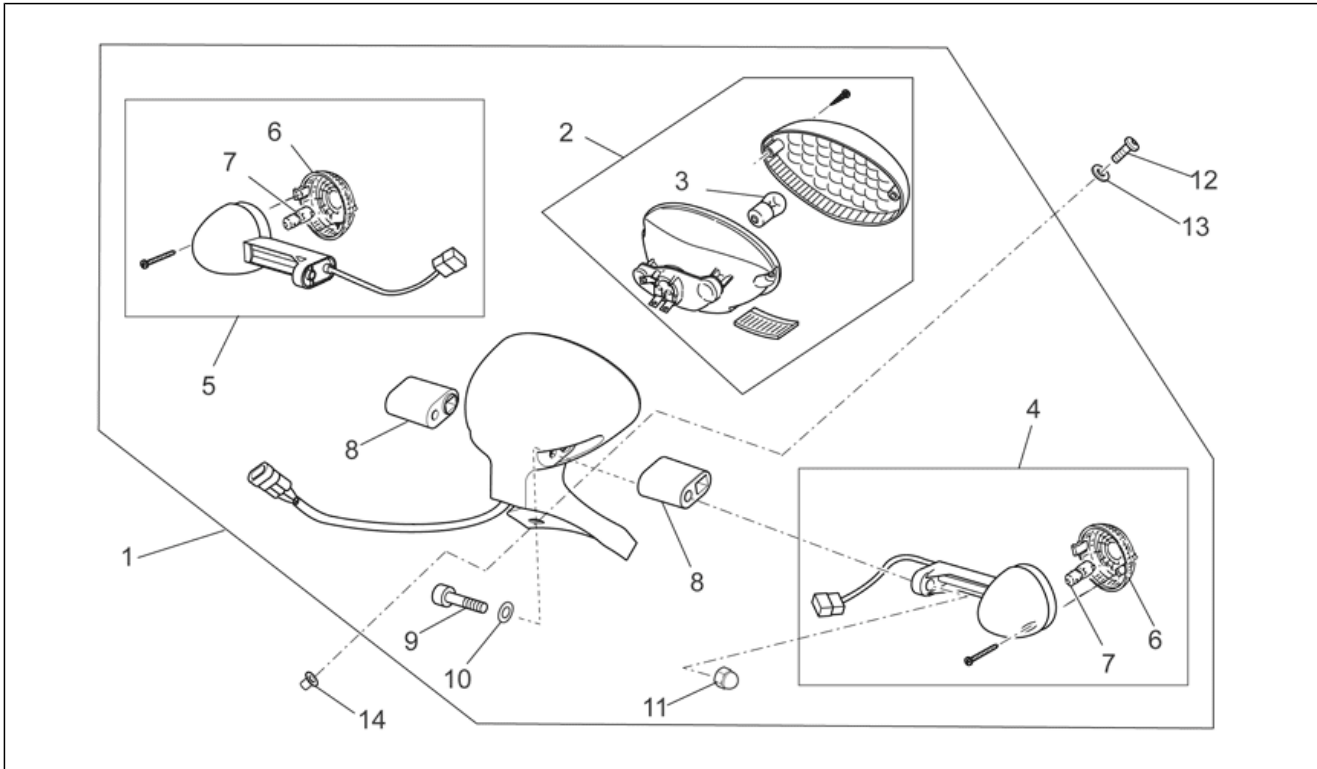
Pos.	Code	Description	Qty	Variants
1	GU32506360	Headlight support clamp	1	
2	GU06740500	Headlight	1	Country:Canadian[CA], Other country Europe[EU], United States of America[USA]
2	GU06740501	Cpl headlightsteering headligh	1	Country:Australia[AUS], Japan[J], Great Britain[UK]
3	GU32753410	Spacer	2	
4	GU32750660	RH front/LH rear turn indic.	1	Country:Australia[AUS], Other country Europe[EU], Japan[J], Great Britain[UK]
4	GU32750661	RH front/LH rear turn indic.	1	Country:Canadian[CA], United States of America[USA]
5	883478	LH front/RH rear turn indic.	1	Country:Canadian[CA], United States of America[USA]
5	GU06751600	LH front/RH rear turn indic.	1	Country:Australia[AUS], Other country Europe[EU], Japan[J], Great Britain[UK]
6	GU92787006	Cap nut M6x1	2	
7	GU98370655	Hex socket screw	2	
8	GU95021206	Washer	2	
9	GU93450105	Lamp	1	
10	GU93450232	Lamp 12V-55/60W	1	
11	GU31740383	Chromed ring nut	1	
12	GU06740200	Headlight cap, chr.	1	
13	AP8152278	Screw w/ flange M6x16	2	
14	GU32753711	Turn indicator lens	2	Country:Canadian[CA], United States of America[USA]
14	GU32753760	Turn indicator lens	2	Country:Australia[AUS], Other country Europe[EU], Japan[J], Great Britain[UK]
15	GU93450126	Lamp, orange	2	Country:Australia[AUS], Other country Europe[EU], Japan[J], Great Britain[UK]
15	GU93450127	Lamp	2	Country:Canadian[CA], United States of America[USA]
16	883462	Electric hom H	1	
17	883463	Electric hom L	1	
18	GU01744200	Bracket	6	
19	GU03744760	Horn mask	2	

Group	FRAME
Code	33.28
Description	Front lights
Service	1



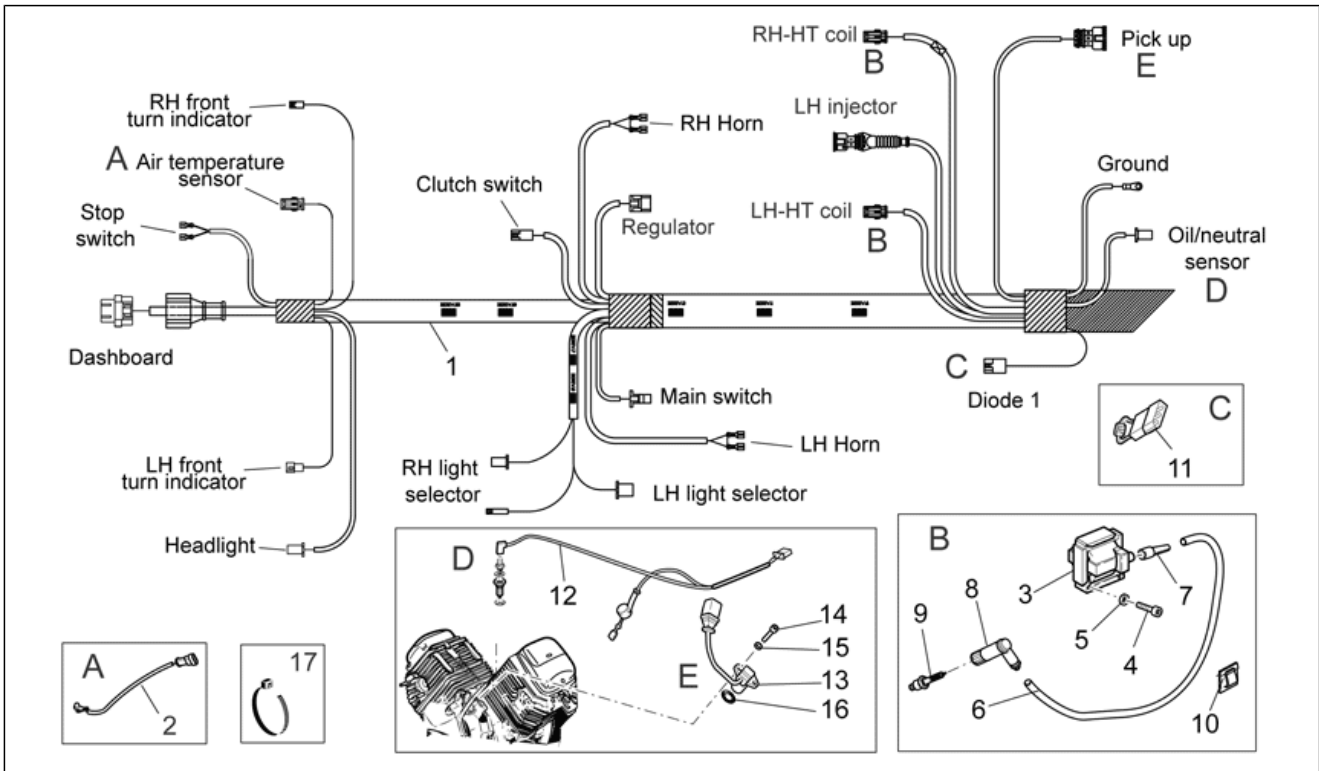
Pos.	Code	Description	Qty	Variants
20	GU28576591	Clip M6	2	
21	GU98880540	screw M10x40	2	
22	GU98370831	Hex socket screw M8x30	2	
23	GU95005308	Washer 8,4x14,57x1,6	2	
24	GU95100141	Washer 6,4x12x1,2	2	
25	GU00823931055	Gasket	1	
26	883417	O-ring	2	
27	GU06740400	Light assembly	1	Country: Canadian[CA], Other country Europe[EU], United States of America[USA]

Group	FRAME
Code	33.29
Description	Rear lights
Service	1



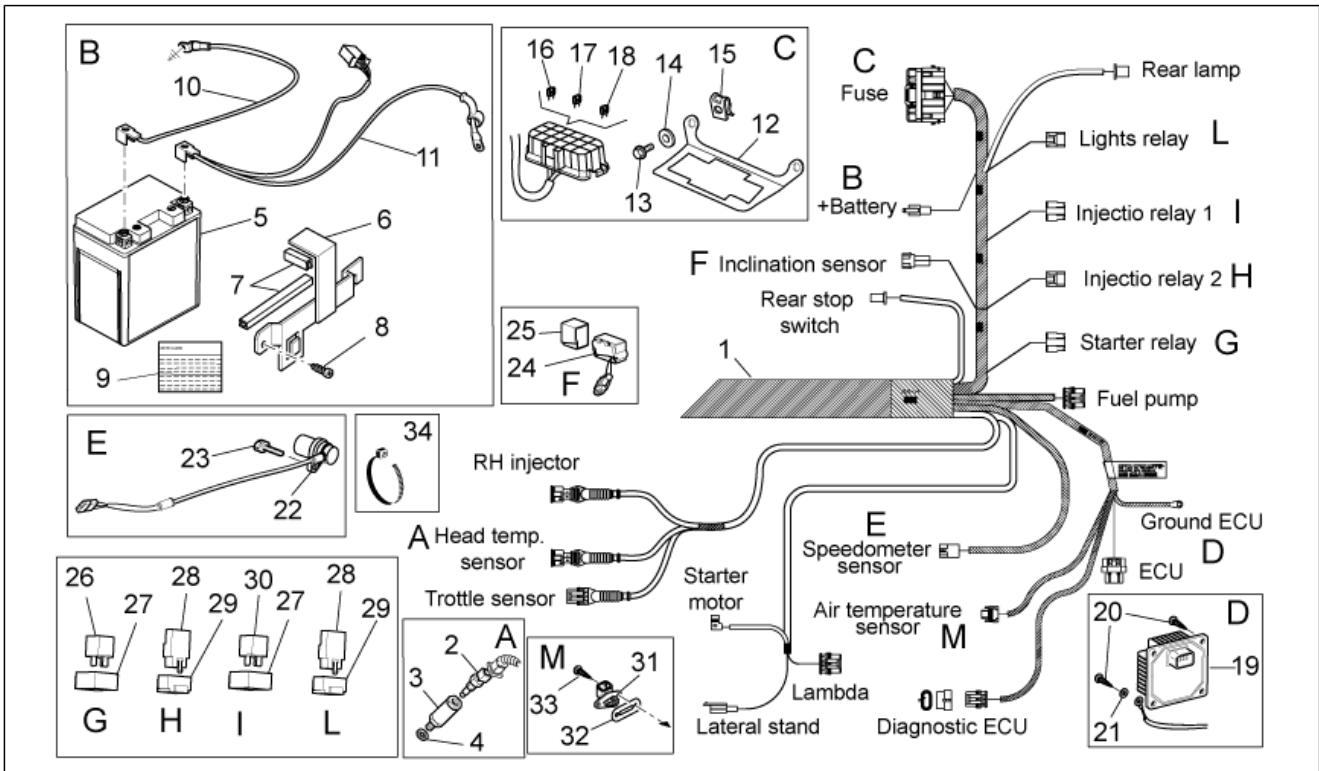
Pos.	Code	Description	Qty	Variants
1	883479	Taillight assy	1	Country:Canadian[CA], United States of America[USA]
1	978950	Taillight assy	1	Country:Australia[AUS], Other country Europe[EU], Japan[J], Great Britain[UK]
2	GU03740930	Taillight	1	
3	GU93450224	Lamp	1	
4	GU32750660	RH front/LH rear turn indic.	1	Country:Australia[AUS], Other country Europe[EU], Japan[J], Great Britain[UK]
4	GU32750661	RH front/LH rear turn indic.	1	Country:Canadian[CA], United States of America[USA]
5	883478	LH front/RH rear turn indic.	1	Country:Canadian[CA], United States of America[USA]
5	GU06751600	LH front/RH rear turn indic.	1	Country:Australia[AUS], Other country Europe[EU], Japan[J], Great Britain[UK]
6	GU32753711	Turn indicator lens	2	Country:Canadian[CA], United States of America[USA]
6	GU32753760	Turn indicator lens	2	Country:Australia[AUS], Other country Europe[EU], Japan[J], Great Britain[UK]
7	GU93450126	Lamp, orange	2	Country:Australia[AUS], Other country Europe[EU], Japan[J], Great Britain[UK]
7	GU93450127	Lamp	2	Country:Canadian[CA], United States of America[USA]
8	GU32753410	Spacer	2	
9	GU98370655	Hex socket screw	2	
10	GU95021206	Washer	2	
11	GU92787006	Cap nut M6x1	2	
12	GU98350215	Hex socket screw	3	
13	GU30577800	Nylon washer 5,5X12X1	3	
14	GU93231605	Antivibration bush	3	

Group	FRAME
Code	33.30
Description	Electrical system I
Service	1



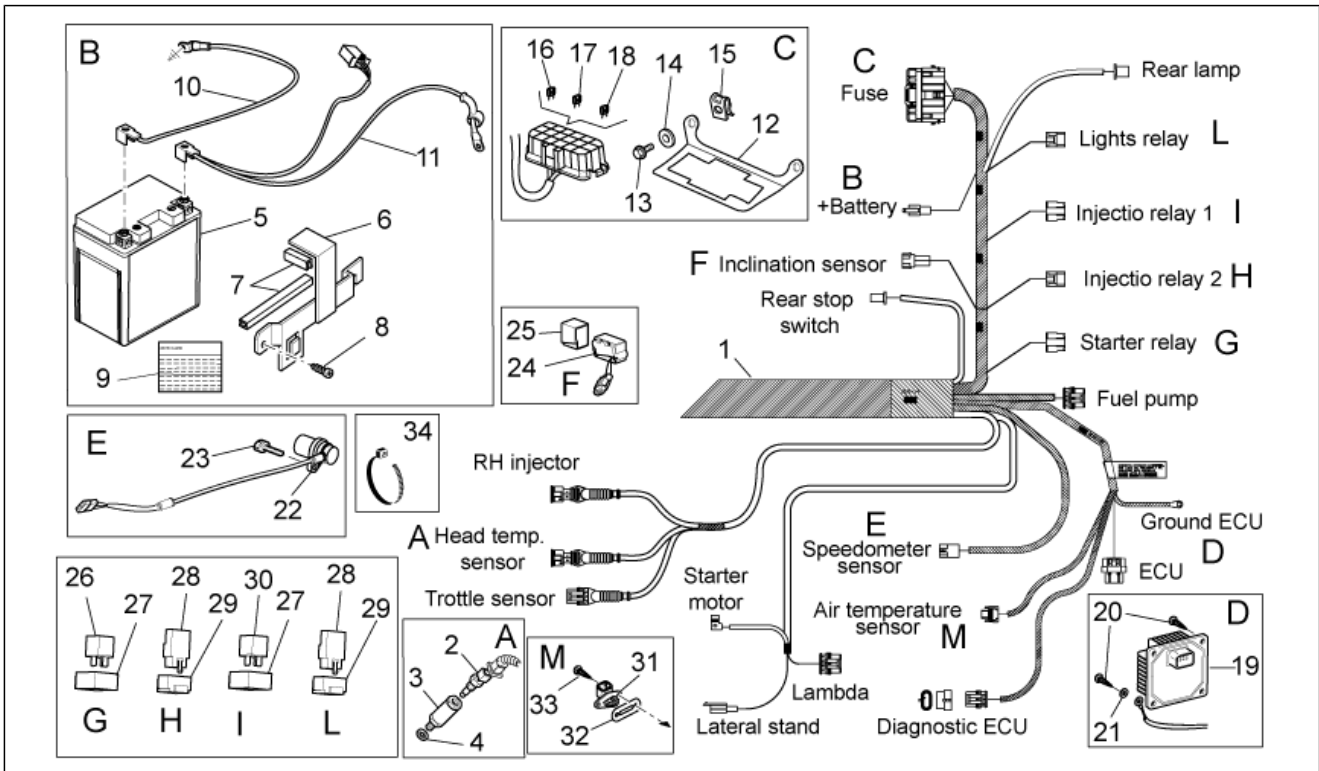
Pos.	Code	Description	Qty	Variants
1	883077	Main wiring harness	1	
2	AP8124936	Air temp. Sensor	1	
3	GU30716500	HT coil	2	
4	GU98680125	screw M4x25	4	
5	GU95008204	Washer 4,3x8x0,5	4	
6	GU17718350	HT cable	2	
7	GU14717600	Cap	2	
8	GU03717450	Sparkplug cap	2	
9	GU31717061	Spark plug NGK BR8ES	2	
10	AP8120708	Cable-guide	6	
11	AP8212588	Diode	1	
12	GU32724510	Oil-neutral gear harness	1	
13	GU01721600	Phase/revolution sensor	1	
14	GU98682212	Hex socket screw M5x12	2	
15	GU95008205	Washer 5,3x10x0,8	2	
16	GU90706141	O-ring	1	
17	GU14609650	Hose clamp 3,6x20,6	31	
17	GU49609601	Hose clamp 2,4x92	1	

Group	FRAME
Code	33.31
Description	Electrical system II
Service	1



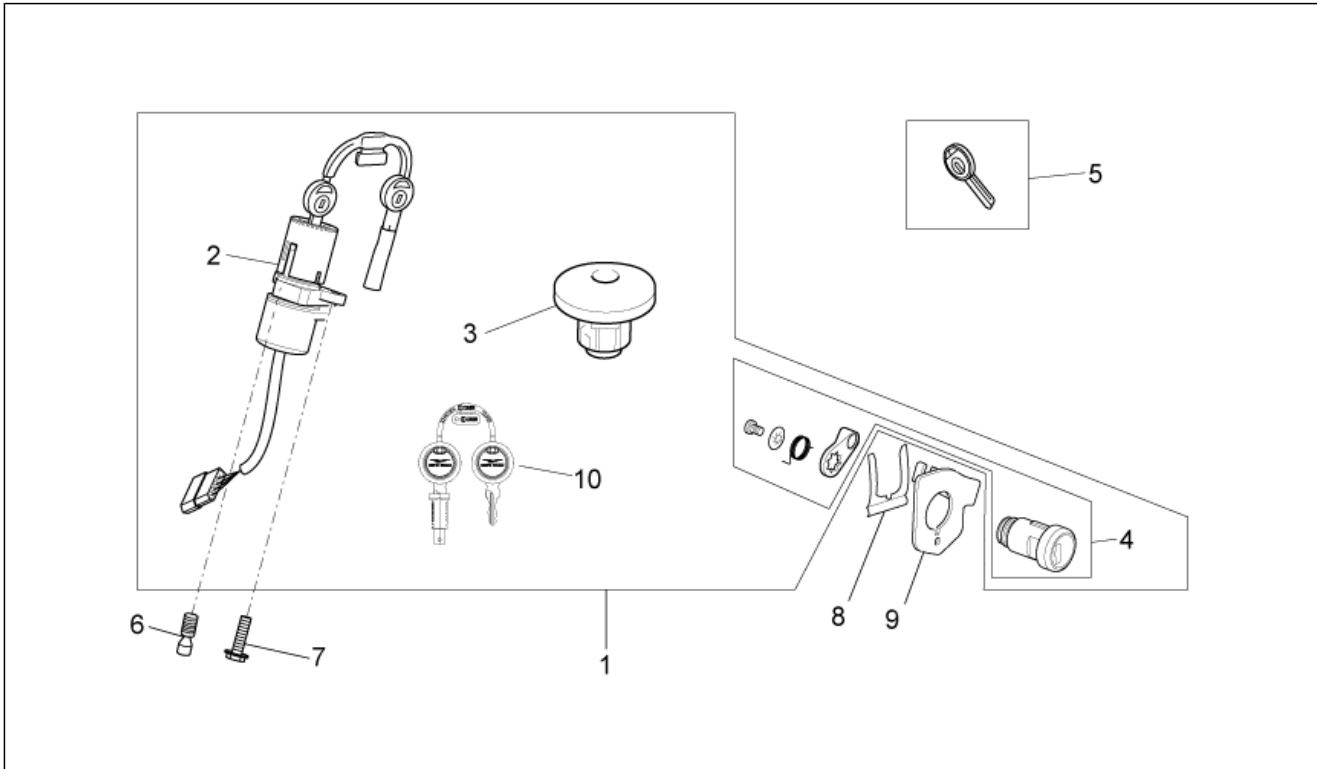
Pos.	Code	Description	Qty	Variants
1	883077	Main wiring harness	1	
2	GU29729461	Oil temperature sensor	1	
3	GU03163330	Sensor support	1	
4	GU95004210	Washer 10,2x18x2	1	
5	638733	Battery Yuasa 12V-12Ah (150x85x145)	1	
5	640201	Battery YTX14AHL-BS 166x90x134	1	
6	GU32418210	Bracket	1	
7	AP8144538	Gasket	1	
8	AP8152329	Phillips screw, SWP M5x20	2	
9	GU32517710	Decal "Battery service"	1	
10	GU32747910	Ground-battery lead	1	
11	883191	Wiring	1	
11	883778	Wiring	1	
12	883161	Fuse block support	1	
13	GU98682212	Hex socket screw M5x12	2	
14	GU95100059	Washer 5,25x14x1,5	2	
15	AP8102375	Clip m5	2	
16	GU28742560	Fuse 15A	3	
17	AP8127346	Fuse 3A	1	
18	GU28742562	Fuse 30A	2	
19	883904	ECU	1	Year:2010[A] Country:Japan[J]
19	977308	ECU	1	Year:2009[9] Country:Japan[J]
19	977308	ECU	1	Country:Australia[AUS], Canadian[CA], Other country Europe[EU], Great Britain[UK], United States of America[USA]
20	AP8152329	Phillips screw, SWP M5x20	4	
21	GU95129101	Washer	1	

Group	FRAME
Code	33.31
Description	Electrical system II
Service	1



Pos.	Code	Description	Qty	Variants
22	AP8124528	Speedometer sensor cpl.	1	
23	AP8152277	Screw w/ flange M6x12	2	
24	AP8124266	Inclination sensor	1	
25	AP8144046	Rubber sensor support	1	
26	GU29732550	Relay 5 pin	1	
27	AP8220546	Relay rubber	2	
28	AP8124869	Injection relay	2	
29	AP8220283	Rubber spacer *	2	
30	AP8224462	Relay 12V/30A	1	
31	GU30729330	Air temp. Sensor	1	
32	GU30027931	Gasket	1	
33	AP8150421	Self-tap screw 2,9x12	2	
34	GU14609650	Hose clamp 3,6x20,6	31	
34	GU49609601	Hose clamp 2,4x92	1	

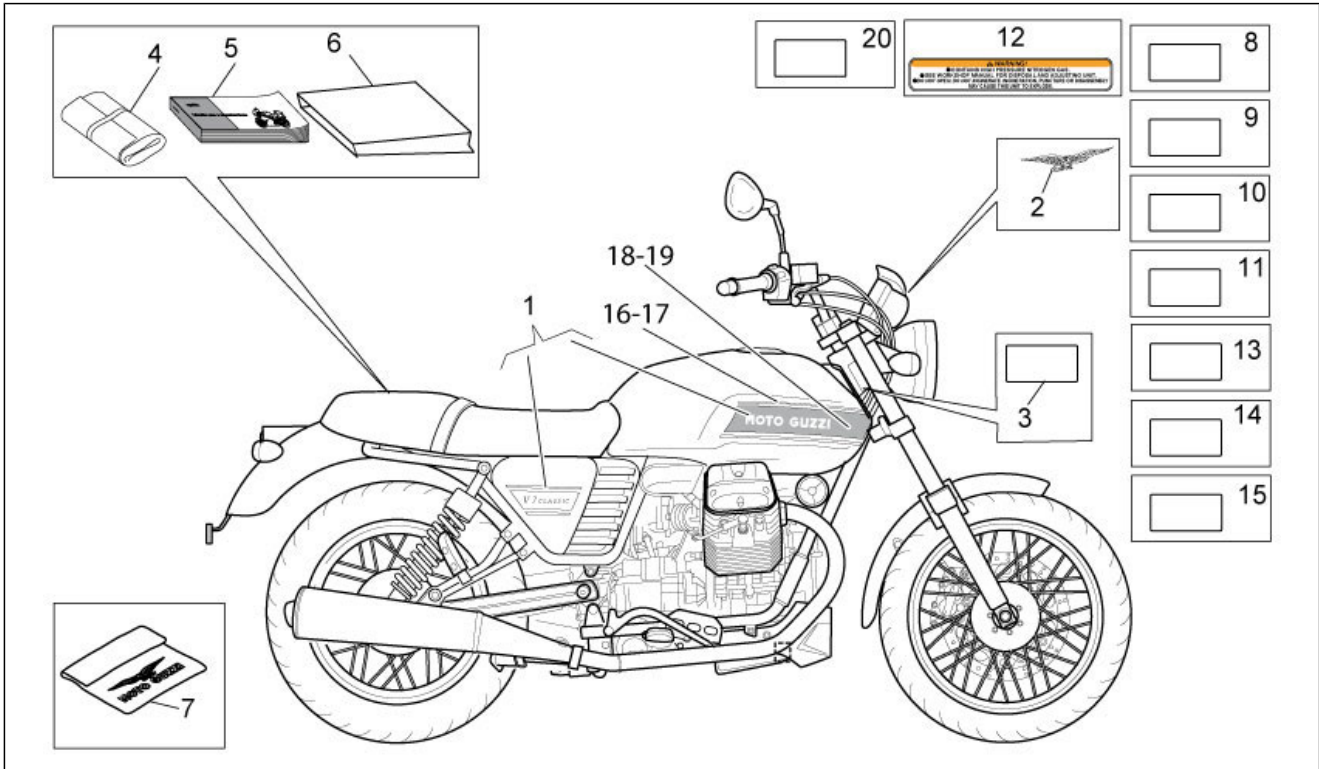
Group	FRAME
Code	33.32
Description	Lock hardware kit
Service	1



Pos.	Code	Description	Qty	Variants
1	883182	Lock kit	1	Country:Australia[AUS], Other country Europe[EU], Japan[J], Great Britain[UK]
1	883477	Lock kit	1	Country:Canadian[CA], United States of America[USA]
1	887989	Lock kit	1	Year:2012[C] Country:Canadian[CA], United States of America[USA]
2	GU32782510	Main switch - steering lock	1	
3	883185	Tank cap	1	Country:Australia[AUS], Other country Europe[EU], Japan[J], Great Britain[UK]
3	883476	Tank cap	1	Year:2009[9], 2010[A], 2011[B] Country:Canadian[CA], United States of America[USA]
3	GU32103961	Tank cap	1	Year:2012[C] Country:Canadian[CA], United States of America[USA]
4	977527	Locking complete with keys	1	
5	GU32735510	Non indent.key blank-shell go	1	
5	GU32735511	Non indent.key blank-shell cr	1	
6	AP8150349	Special screw M8x15	1	
7	GU98682416	Hex socket screw M8x16	1	
8	AP8121420	Fork spring	1	
9	978415	Cable fixing plate	1	
10	2D000006	Locking cylinder with key for fuel cap	1	

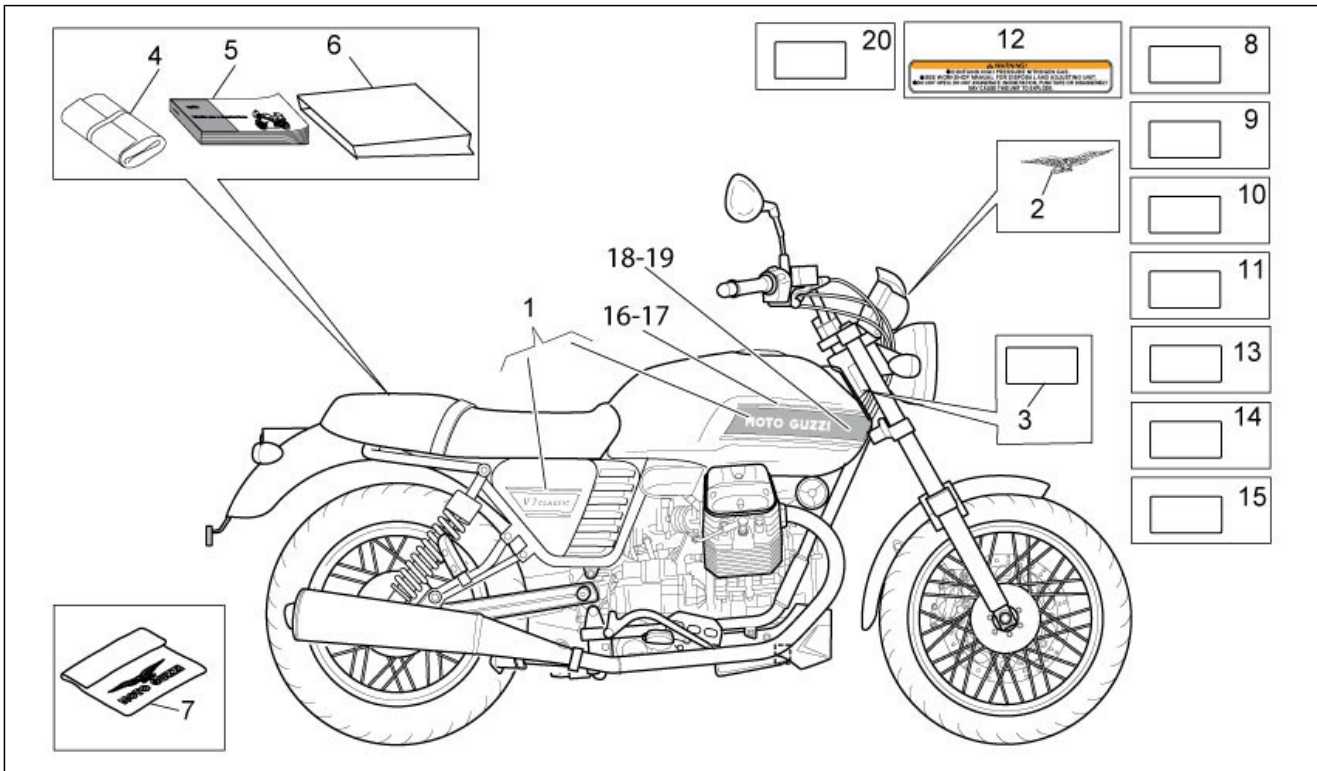


Group	FRAME
Code	33.33
Description	Decal and plate set
Service	1



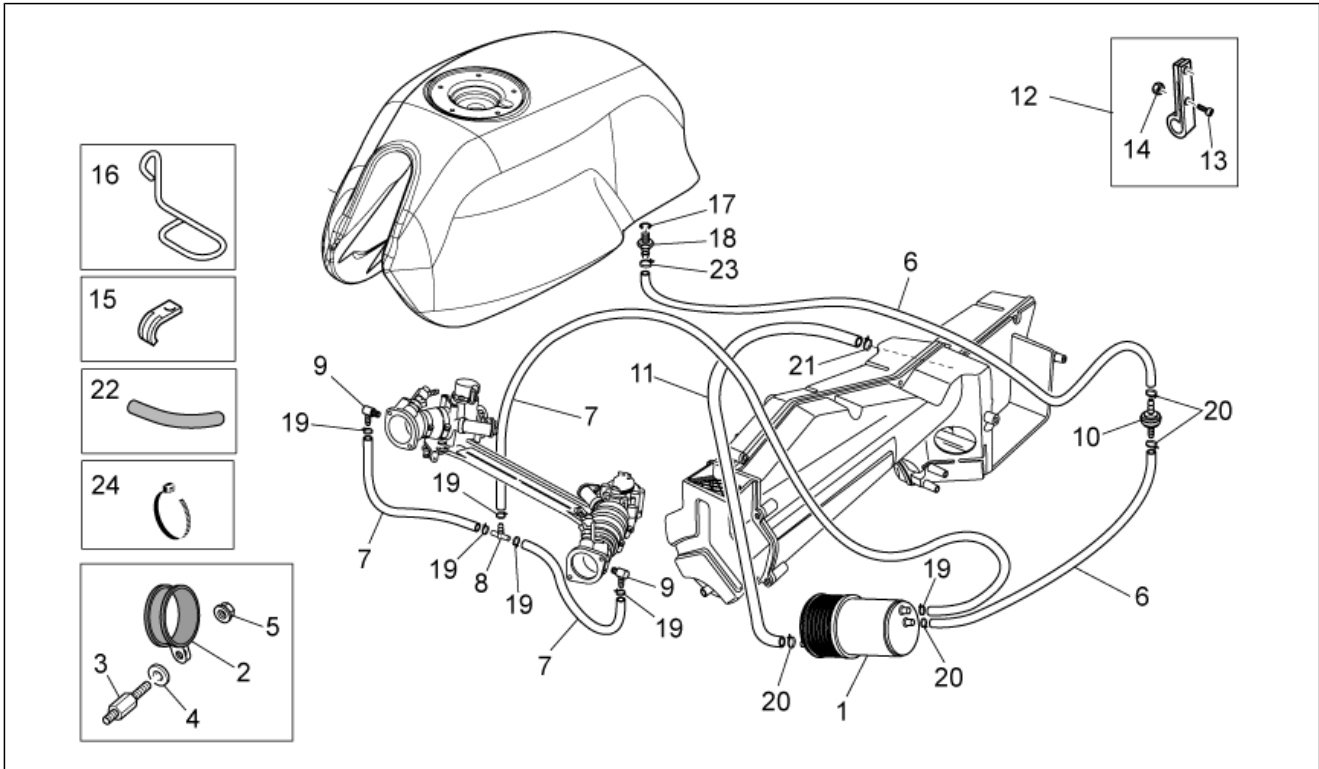
Pos.	Code	Description	Qty	Variants
1	981081	Decal set	1	Year:2009[9], 2010[A] Vehicle colour:White diamond 2008[d.wh.]
1	981141	Decal set	1	Vehicle colour:Guzzi Black 2008-2010[g/bl]
2	883598	"Aquila" decal	1	Year:2011[B] Vehicle colour:Red Ibis 887017[red]
2	978551	"Aquila" decal	2	Year:2009[9], 2010[A] Vehicle colour:White diamond 2008[d.wh.], Guzzi Black 2008-2010[g/bl]
3	GU32944310	Guard decal	2	
4	GU32909960	Toolkit	2	
5	883194	Op's handbook I-D-F-E-UK-NL I-F-D-NL-E-UK	1	Country:Australia[AUS], Other country Europe[EU], Japan[J], Great Britain[UK]
5	883481	Operator's handbook	1	Country:Canadian[CA], United States of America[USA]
6	GU05900130	Bag for document	1	
7	GU30970200	Bike cover	1	
8	883735	Noise emission sticker	1	Year:2009[9], 2010[A] Country:Canadian[CA], United States of America[USA]
8	883911	Noise emission sticker	1	Year:2011[B] Country:Canadian[CA], United States of America[USA]
8	884198	Noise emission sticker	1	Year:2012[C]
9	883736	Emission control sticker	1	Year:2009[9], 2010[A] Country:Canadian[CA], United States of America[USA]
9	883912	Emission control sticker	1	Year:2011[B] Country:Canadian[CA], United States of America[USA]
9	884199	Emission control sticker	1	Year:2012[C]
10	883737	Shed scheme decal	1	Year:2009[9], 2010[A] Country:Canadian[CA], United States of America[USA]
10	883913	Shed scheme decal	1	Year:2011[B] Country:Canadian[CA], United States of America[USA]
10	884200	Shed scheme decal	1	Year:2012[C]
11	883445	Tyre pressure decal	1	Country:Canadian[CA], United States of America[USA]

Group	FRAME
Code	33.33
Description	Decal and plate set
Service	1



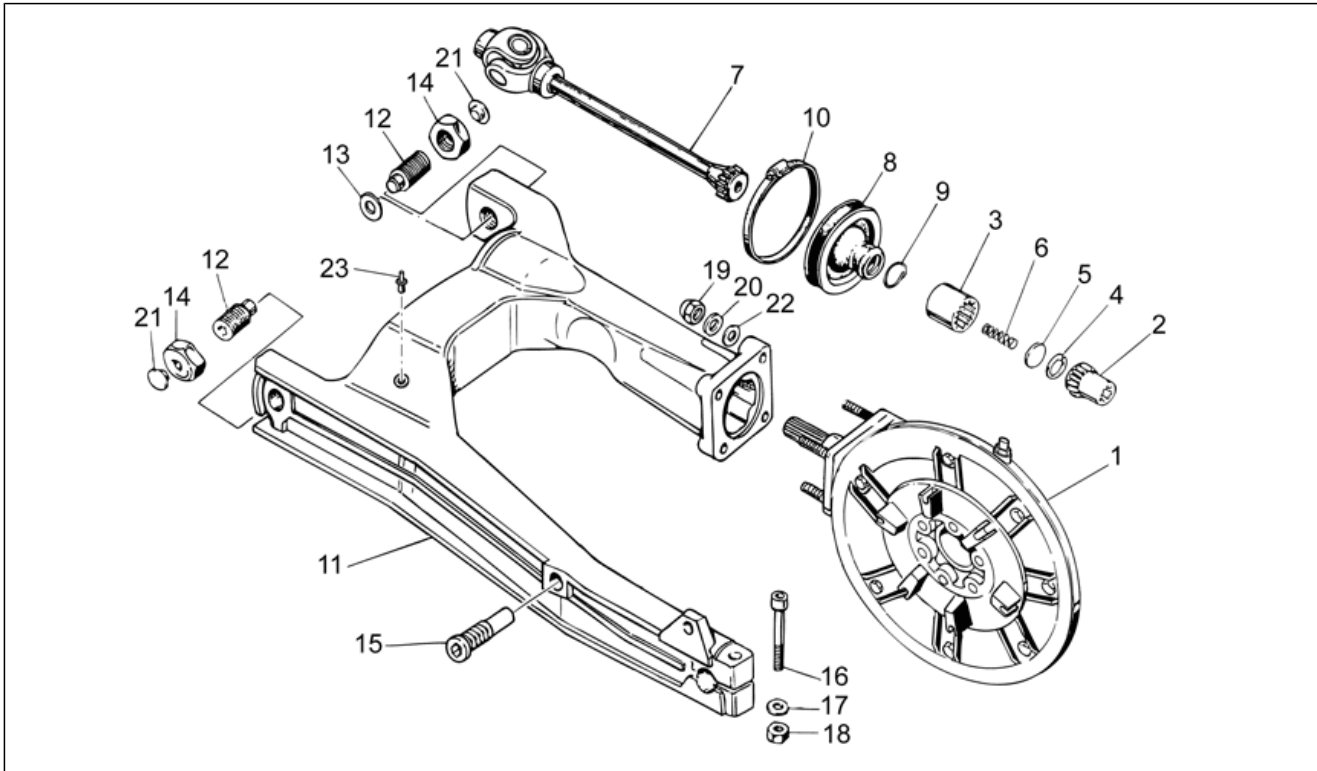
Pos.	Code	Description	Qty	Variants
12	AP8157100	Decal Shock Adsorber	1	Country:Canadian[CA], United States of America[USA]
13	AP8257609	Mirror decal	2	Country:Canadian[CA], United States of America[USA]
14	AP8257794	Battery decal	1	Country:Canadian[CA], United States of America[USA]
15	AP8257742	Keys warning decal	1	Country:Canadian[CA], United States of America[USA]
16	883665	""Aquila"" right tank decal"	1	Vehicle colour:Guzzi Black 2011-2012[black], Guzzi Black 2008-2010[g/bl]
16	887024	""Aquila"" right tank decal"	1	Year:2011[B], 2012[C] Vehicle colour:red 2001/2012[g/red], Red Ibis 887017[red]
17	883666	""Aquila"" left tank decal"	1	Vehicle colour:Guzzi Black 2011-2012[black], Guzzi Black 2008-2010[g/bl]
17	887025	""Aquila"" left tank decal"	1	Year:2011[B], 2012[C] Vehicle colour:Guzzi Black 2011-2012[black], Red Ibis 887017[red]
18	887022	Band right tank decal	1	Year:2011[B], 2012[C] Vehicle colour:red 2001/2012[g/red], Red Ibis 887017[red]
19	887023	Band left tank decal	1	Year:2011[B], 2012[C] Vehicle colour:red 2001/2012[g/red], Red Ibis 887017[red]
20	886944	Decal "90 Anni Guzzi"	2	Year:2011[B]

Group	FRAME
Code	33.48
Description	Fuel vapour recover system
Service	1



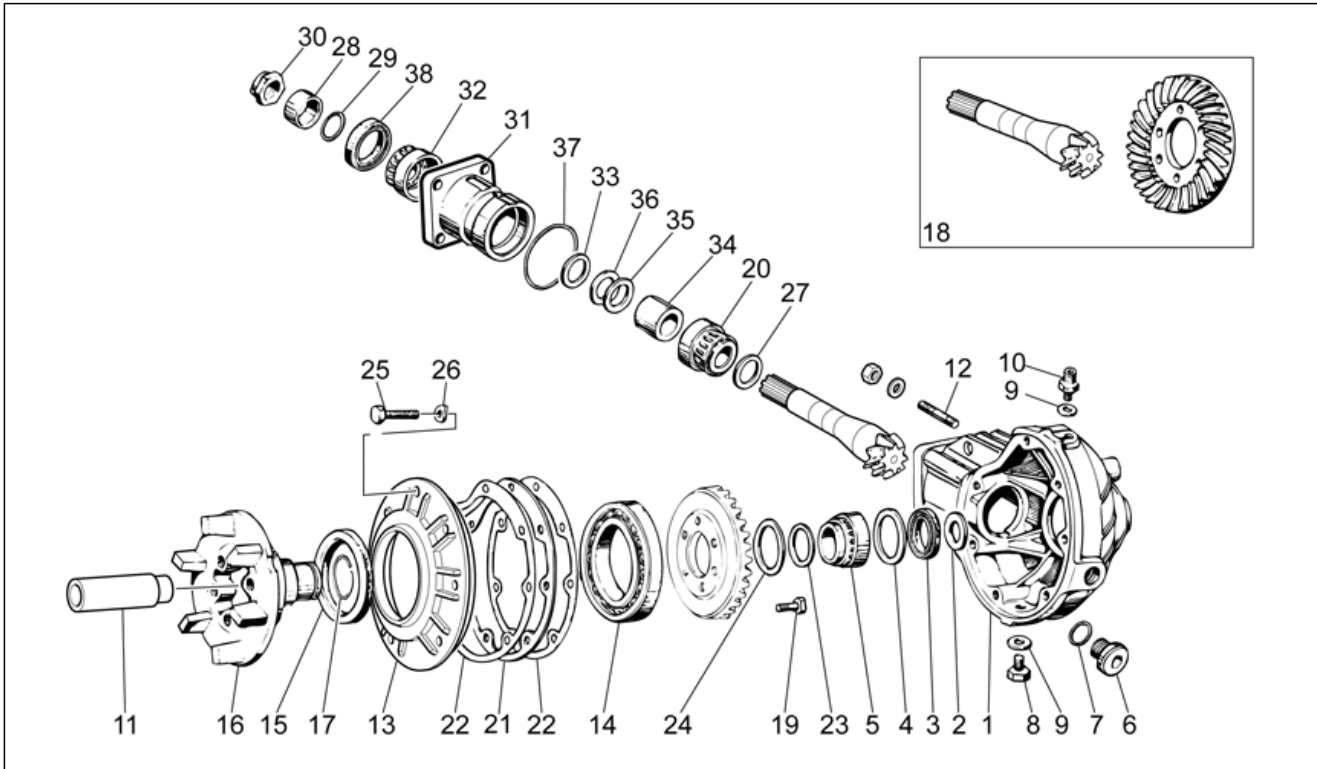
Pos.	Code	Description	Qty	Variants
1	AP8102678	Carbon filter	1	Country:Canadian[CA], United States of America[USA]
2	AP8102688	Hose clamp d.76	1	Country:Canadian[CA], United States of America[USA]
3	GU32439260	Canister support USA	1	Country:Canadian[CA], United States of America[USA]
4	GU95005311	Washer	1	Country:Canadian[CA], United States of America[USA]
5	AP8152299	Self-locking nut M6	1	Country:Canadian[CA], United States of America[USA]
6	856063	pipe SAE 30 d.12,7x6,35	2	Country:Canadian[CA], United States of America[USA]
7	856062	pipe SAE 30 d.11,11x4,8	3	Country:Canadian[CA], United States of America[USA]
8	AP8120116	3-way union	1	Country:Canadian[CA], United States of America[USA]
9	GU32115210	Joint	2	Country:Canadian[CA], United States of America[USA]
10	860138	Valve	1	Country:Canadian[CA], United States of America[USA]
11	856064	pipe SAE 30 d.14,3x7,9	1	Country:Canadian[CA], United States of America[USA]
12	GU03658330	Hose clamp	1	Country:Canadian[CA], United States of America[USA]
13	GU98257410	screw	1	Country:Canadian[CA], United States of America[USA]
14	GU92630104	Nut M4x0,7	1	Country:Canadian[CA], United States of America[USA]
15	GU93301313	U-bolt	1	Country:Canadian[CA], United States of America[USA]
16	AP8221114	Cable-guide	2	Country:Canadian[CA], United States of America[USA]
17	AP8120965	O-ring 2018	1	Country:Canadian[CA], United States of America[USA]
18	GU30103730	Joint	1	Country:Canadian[CA], United States of America[USA]
19	GU29108550	Hose clip 11,5x6	6	Country:Canadian[CA], United States of America[USA]
20	GU28157950	Hose clip 12,5x8	5	Country:Canadian[CA], United States of America[USA]
21	AP8102766	Hose clamp	1	Country:Canadian[CA], United States of America[USA]
22	GU00823923140	Thermal sheath	4	Country:Canadian[CA], United States of America[USA]
23	AP8201358	Hose clamp D 11,9	1	Country:Canadian[CA], United States of America[USA]
24	GU14609650	Hose clamp 3,6x20,6	3	Country:Canadian[CA], United States of America[USA]

Group	ENGINE
Code	34.09
Description	Transmission complete I
Service	1



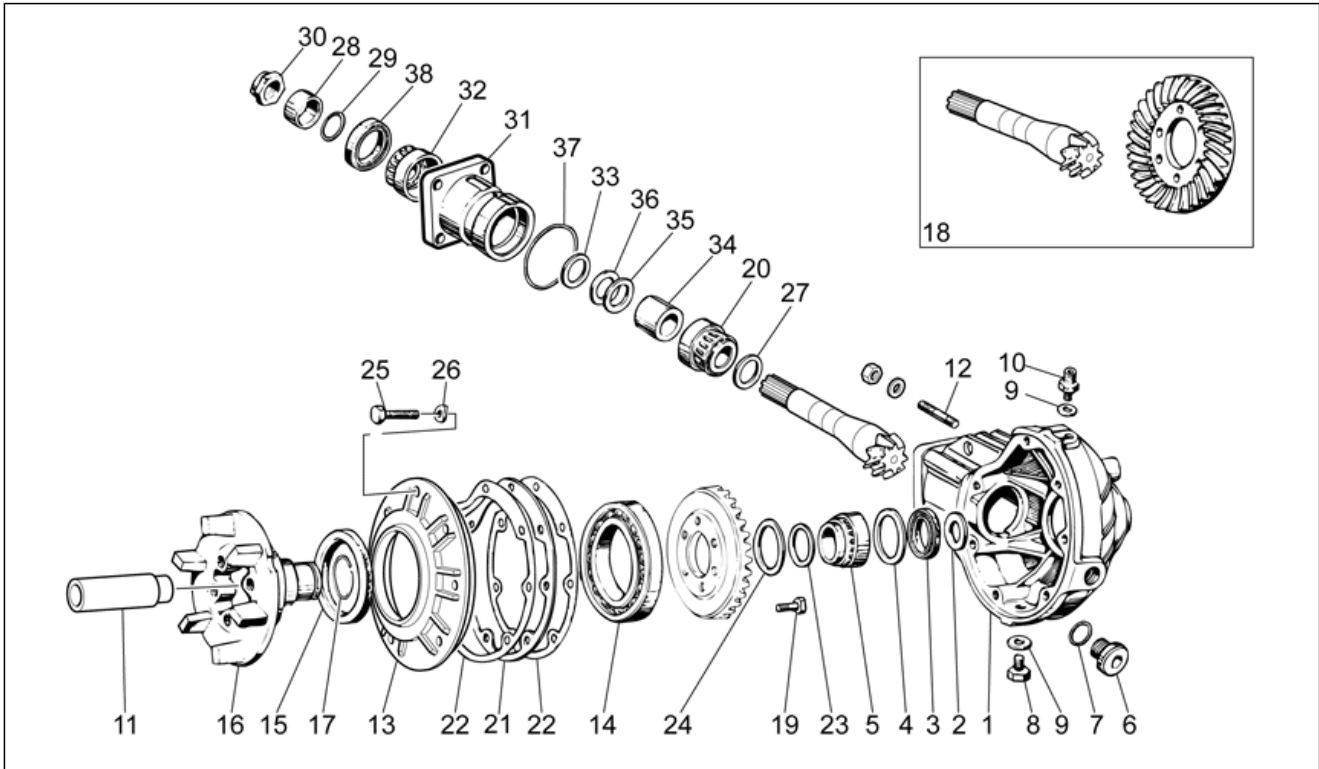
Pos.	Code	Description	Qty	Variants
1	976941	Transmission box assy., black	1	
2	GU31327783	Hose	1	
3	GU19328801	Hose	1	
4	GU90272023	Circlip	1	
5	GU19327601	Disc	1	
6	GU94321099	Spring	1	
7	GU23328081	Coupling	1	
8	GU23548080	Protection collar	1	
9	GU23548180	Spring	1	
10	AP8120246	Hose clamp D=60-80	1	
11	883011	Swing arm, black	1	
12	GU19547000	Pin	2	
13	GU35214300	Spacer	1	
14	GU31547882	Nut	2	
15	GU31544181	Pin	1	
16	GU98680545	screw M10x45	1	
17	GU95008210	Washer 10,2X18X2	1	
18	GU92606210	Nut M10x1,5	1	
19	GU92787008	Cap nut M8x1,25	4	
20	GU14615901	Washer 8,4X13X0,8	4	
21	GU93180105	Cover	2	
22	GU95005308	Washer 8,4x14,57x1,6	4	
23	GU03922280	Cover 5x9	1	

Group	ENGINE
Code	34.10
Description	Transmission complete II
Service	1



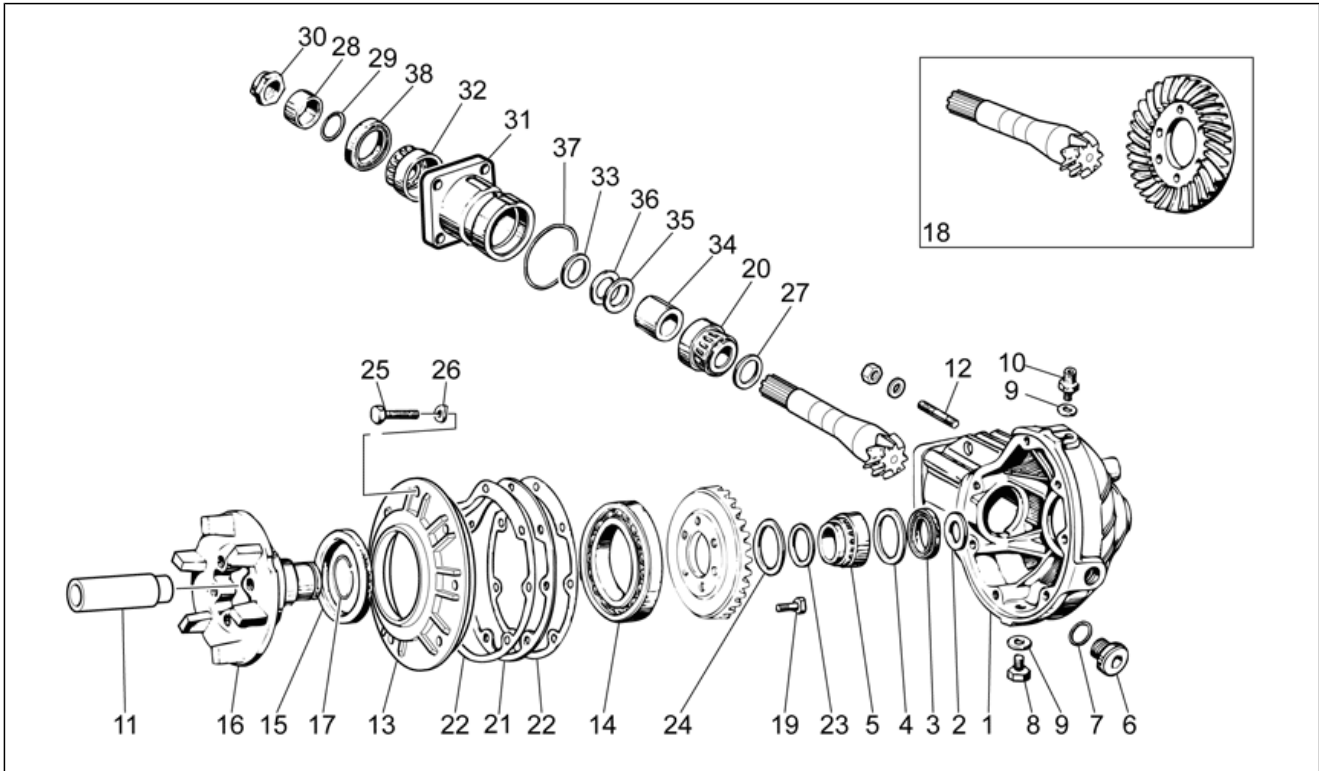
Pos.	Code	Description	Qty	Variants
1	976608	Transmission housingblack	1	
2	GU19351900	Clearance washer	1	
3	GU90403549	Gasket ring 35x47x7	1	
4	GU19351100	Clearance washer	1	
5	GU92252235	Roller bearing 35x50x17	1	
6	GU12022600	Oil plug	1	
7	GU90706203	O-ring 20,24x2,62	1	
8	GU31003766	Oil unload plug M10x1	1	
9	GU01528930	Gasket 10x18x1,5	2	
10	GU19206501	Breather plug	1	
11	GU32633560	Spacer	1	
12	GU96508055	Stud bolt	4	
13	GU32350410	Cover	1	
14	GU92201070	Ball bearing 70x110x13	1	
15	GU90407591	Gasket ring 75x95x10	1	
16	GU32351410	Pin	1	
17	GU90353030	Stop ring	1	
18	GU32354610	Bevel gear 8/33	1	
19	GU03067730	screw M8x25	6	
20	GU92249227	Tap.roller bearing 25x5	1	
21	GU19355400	Spacer 0,8 mm	1	
21	GU19355402	Spacer 0,9 mm	1	
21	GU19355404	Spacer 1 mm	1	
21	GU19355406	Spacer 1,1 mm	1	
21	GU19355408	Spacer 1,2 mm	1	
21	GU19355410	Spacer 1,3 mm	1	
21	GU19355411	Spacer 1,4 mm	1	
21	GU19355412	Spacer 1,5 mm	1	

Group	ENGINE
Code	34.10
Description	Transmission complete II
Service	1



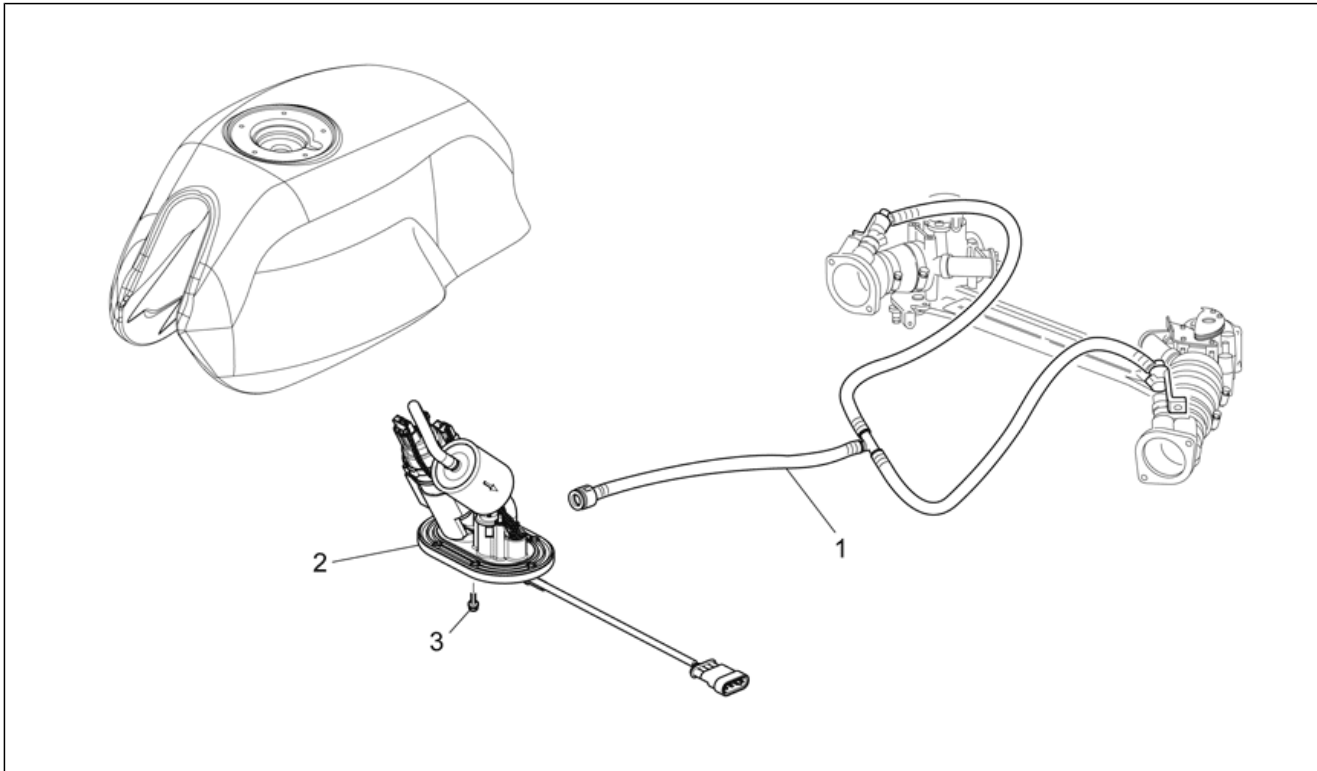
Pos.	Code	Description	Qty	Variants
21	GU19355413	Spacer 1,6 mm	1	
22	GU19350700	Gasket	2	
23	GU19352300	Thrust washer	1	
24	GU19353500	Thrust washer	1	
25	GU19357660	screw	7	
26	GU61270300	Spring washer 8x15x0,3	7	
27	GU19355320	Spacer 1 mm	1	
27	GU19355321	Spacer 1,1 mm	1	
27	GU19355322	Spacer 1,2 mm	1	
27	GU19355323	Spacer 1,3 mm	1	
27	GU19355324	Spacer 1,4 mm	1	
27	GU19355325	Spacer 1,5 mm	1	
27	GU19355326	Spacer 1,6 mm	1	
27	GU19355327	Spacer 1,7 mm	1	
27	GU19355328	Spacer 1,8 mm	1	
27	GU19355329	Spacer 1,9 mm	1	
28	GU19356801	Spacer	1	
29	GU90706188	Gasket ring 18,77X1,78	1	
30	GU19356700	Nut	1	
31	GU20352421	Flange	1	
32	GU92249220	Roller bearing 20x47x14	1	
33	GU19355300	Spacer 1 mm	1	
33	GU19355301	Spacer 1,1 mm	1	
33	GU19355302	Spacer 1,2 mm	1	
33	GU19355303	Spacer 1,3 mm	1	
33	GU19355304	Spacer 1,4 mm	1	
33	GU19355305	Spacer 1,5 mm	1	
33	GU19355306	Spacer 1,6 mm	1	

Group	ENGINE
Code	34.10
Description	Transmission complete II
Service	1



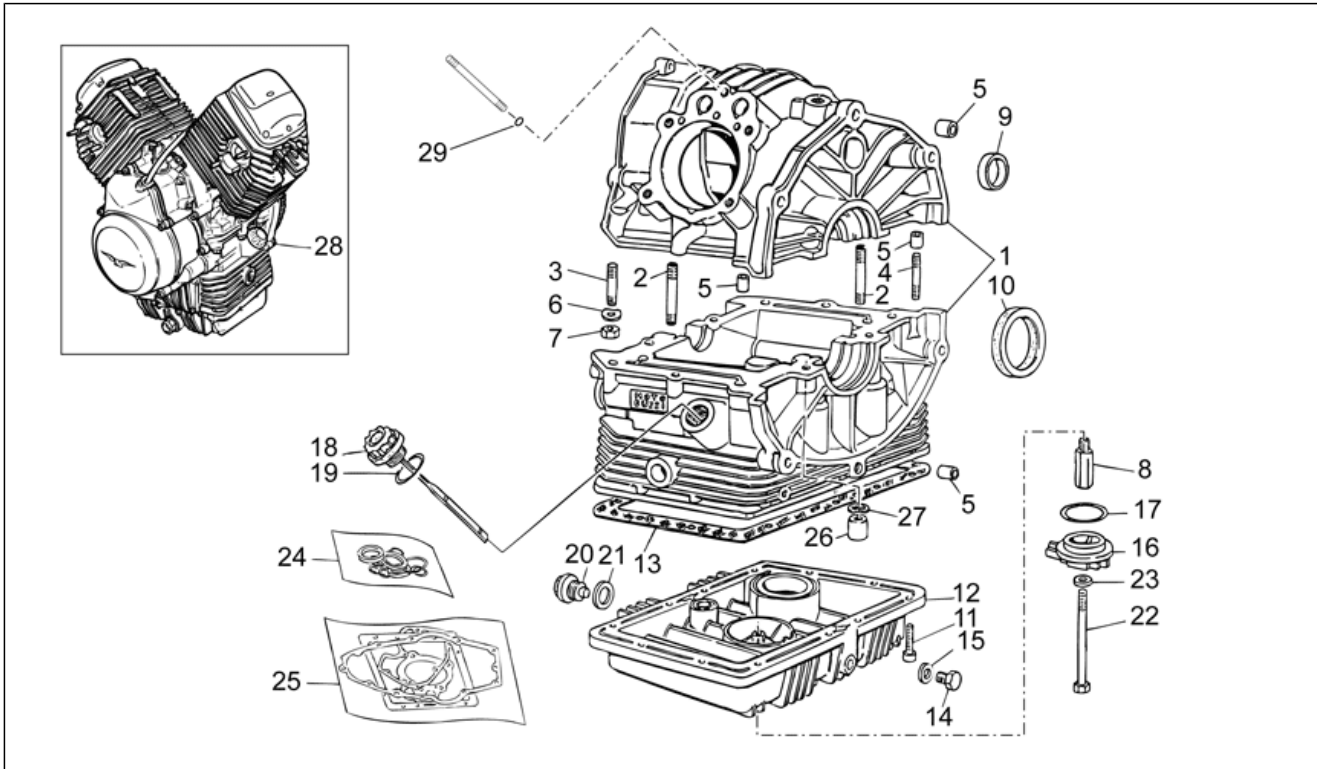
Pos.	Code	Description	Qty	Variants
33	GU19355307	Spacer 1,7 mm	1	
33	GU19355308	Spacer 1,8 mm	1	
33	GU19355309	Spacer 1,9 mm	1	
34	GU20355121	Spacer	1	
35	GU19355200	Shim 0,1 mm	1	
36	GU19355202	Shim 0,15 mm	1	
37	GU90706584	Gasket 58,42x2,62	1	
38	GU90403251	Gasket ring 32x47x10	1	

Group	ENGINE
Code	34.20
Description	Fuel supply
Service	1



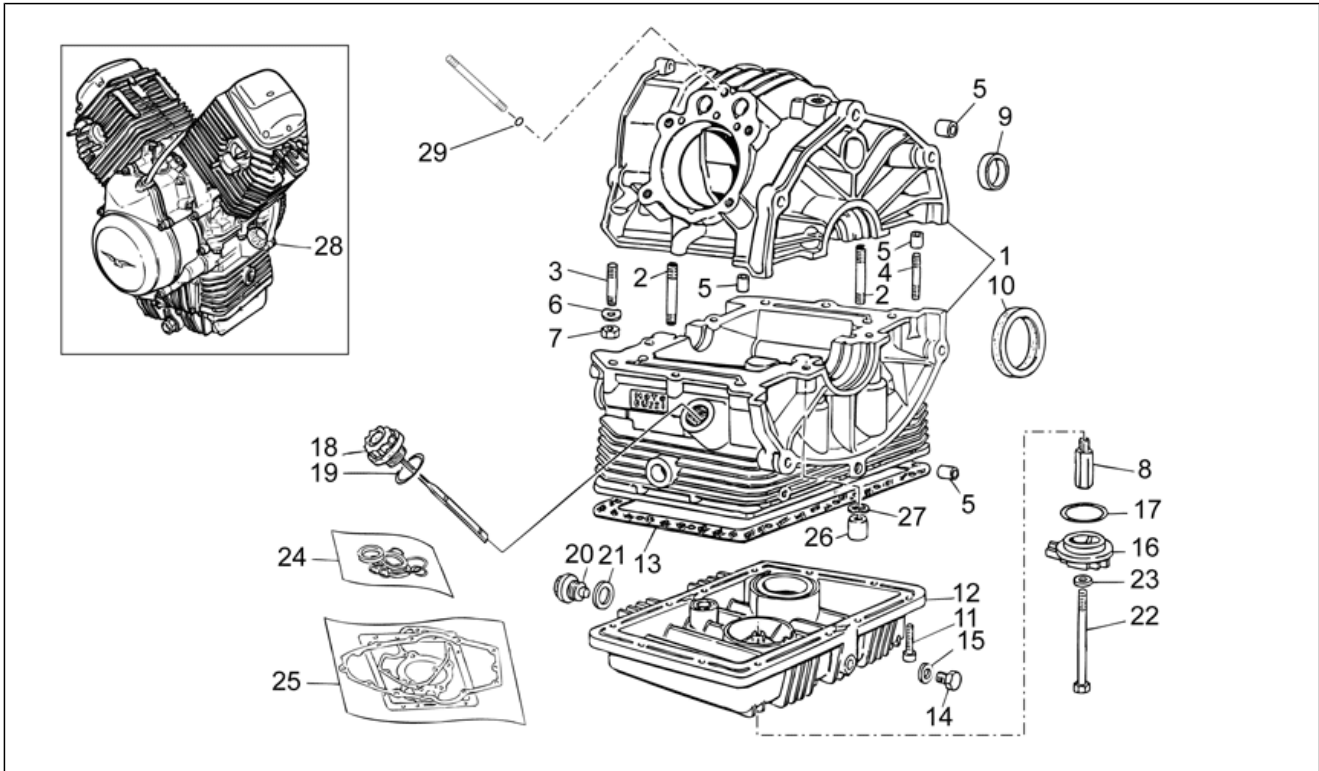
Pos.	Code	Description	Qty	Variants
1	883265	Fuel pipe	1	Year:2009[9], 2010[A], 2011[B]
1	GU32106560	Fuel pipe	1	Year:2012[C]
2	978930	Fuel pump	1	Year:2009[9], 2010[A], 2011[B] Country:Australia[AUS], Other country Europe[EU], Japan[J], Great Britain[UK] Technical Specifications:Plastic tank[PL]
2	B063645	Fuel intake unit	1	Year:2012[C] Country:Canadian[CA], United States of America[USA]
2	B063752	Fuel pump	1	Country:Australia[AUS], Other country Europe[EU], Japan[J], Great Britain[UK] Technical Specifications:Iron tank[FE]
3	AP8152273	Screw w/ flange M5X15	6	

Group	ENGINE
Code	34.34
Description	Crank-case
Service	1



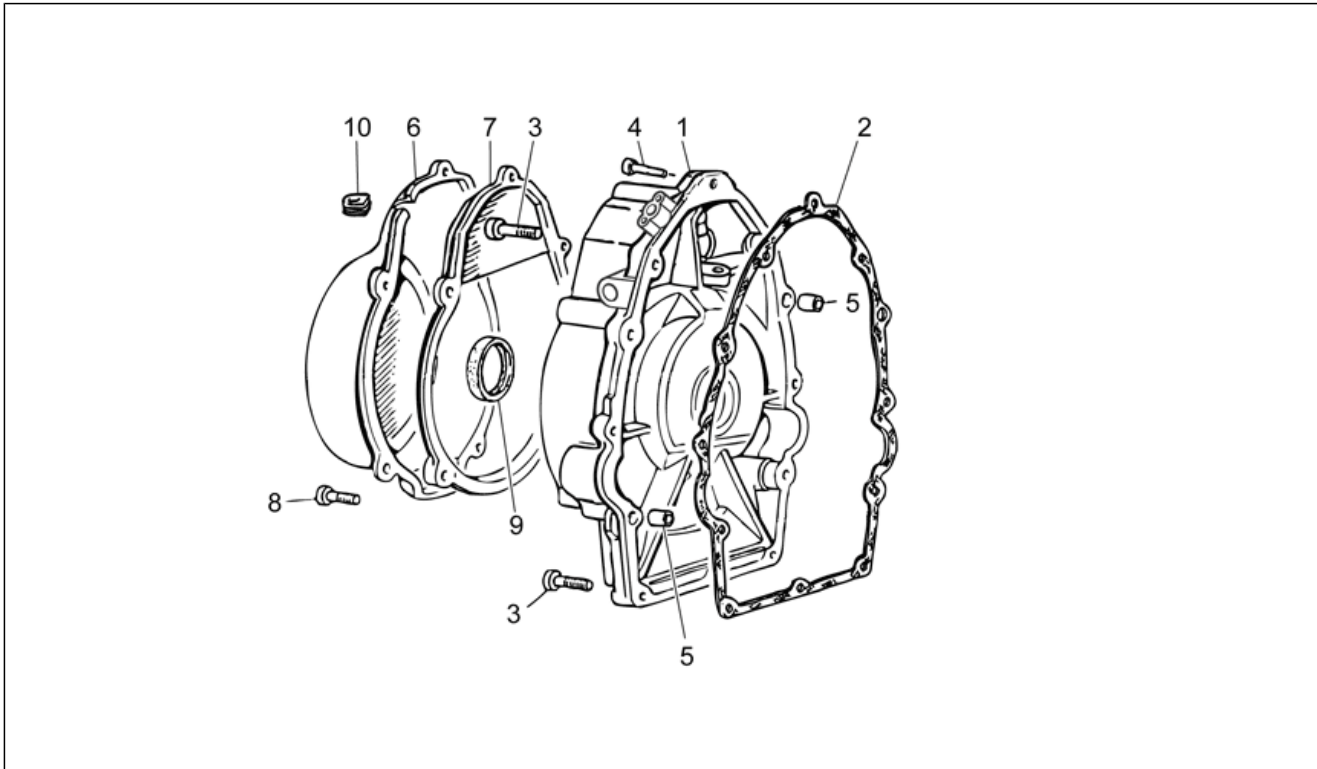
Pos.	Code	Description	Qty	Variants
1	976600	Crankcase black	1	
2	GU96451560	Stud bolt	4	
3	GU96451430	Stud bolt	4	
4	GU96508055	Stud bolt	2	
5	GU19015020	Bushing	4	
6	GU61270300	Spring washer 8x15x0,3	6	
7	GU92606208	Nut M8x1,25	6	
8	GU19003800	Joint	1	
9	GU19016320	Cover	1	
10	GU04000500	Gasket ring	1	
11	GU98682325	Hex socket screw M6x25	12	
12	976604	Oil sump black	1	
13	GU19003602	Gasket	1	
14	GU31003766	Oil unload plug M10x1	1	
15	GU10528900	Gasket	1	
16	976685	Plug	1	
17	GU90706444	O-ring	1	
18	GU27004985	Oil load plug	1	
19	GU90706281	O-ring 28,24x2,62	1	
20	GU12003702	Oil unload plug	1	
21	GU95100709	Gasket 20,1x28x2	1	
22	GU27152885	Bolt	1	
23	GU12154200	Gasket 8,25x15x1	1	
24	GU32999510	Oil seals - set	1	
25	GU32999010	Gasket set	1	
26	GU13021900	Column nut	4	
27	GU95129180	Washer 10,5X18X0,8	4	
28	976939	Engine assy w/hout transm.	1	

Group	ENGINE
Code	34.34
Description	Crank-case
Service	1



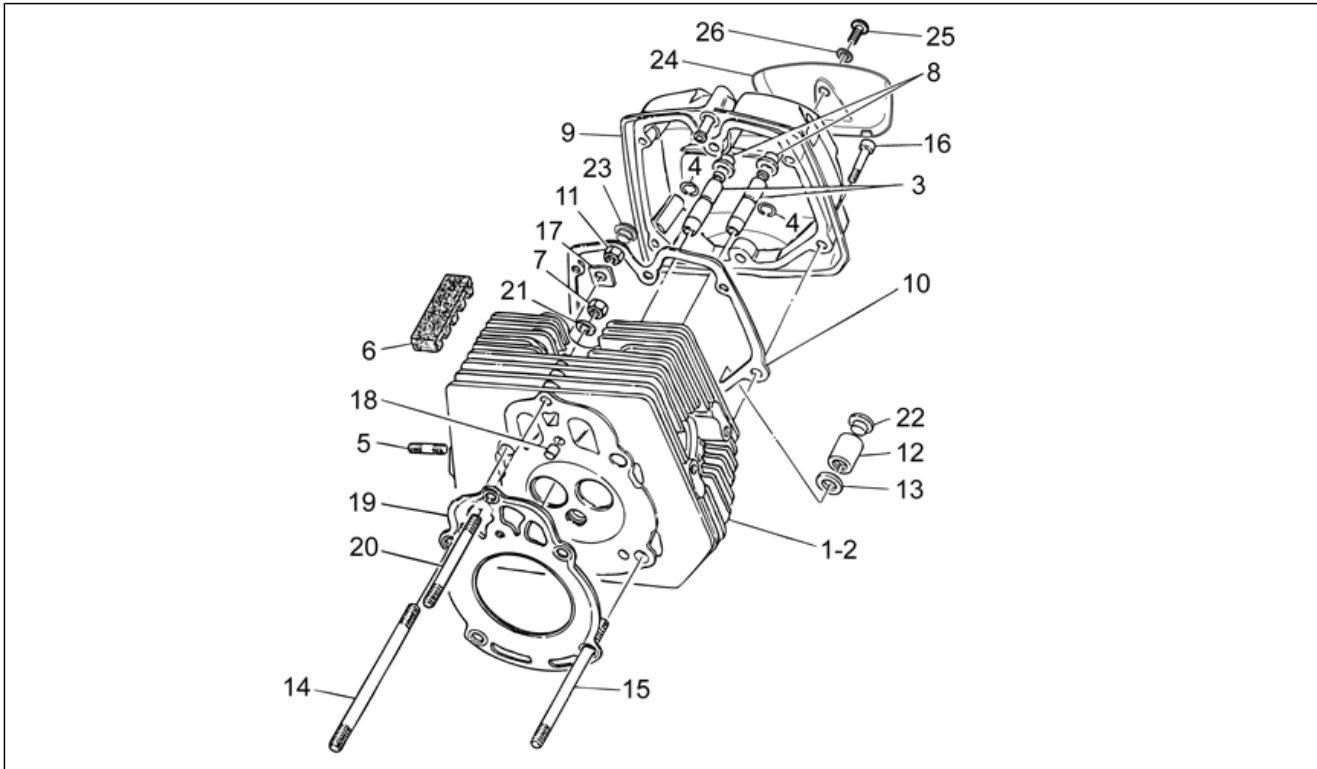
Pos.	Code	Description	Qty	Variants
29	GU90706076	O-ring	2	

Group	ENGINE
Code	34.35
Description	Timing system cover
Service	1



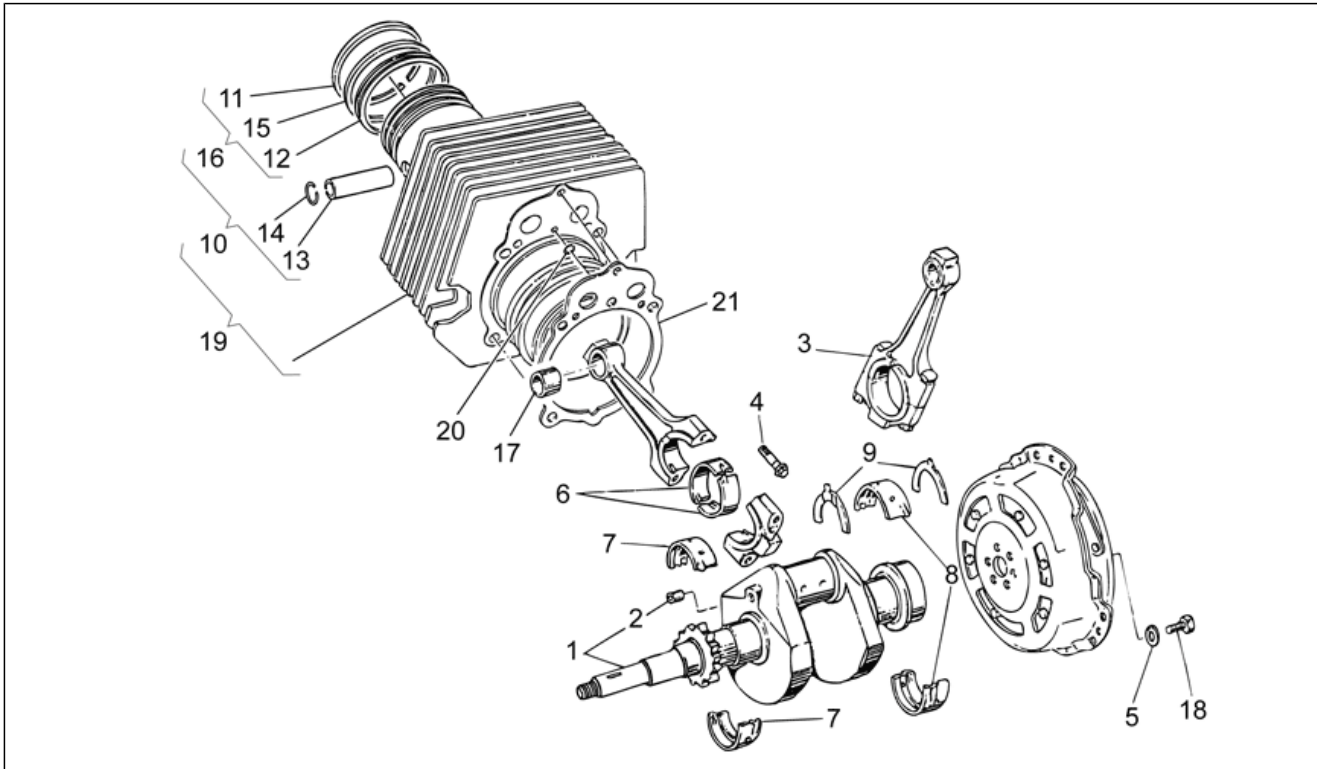
Pos.	Code	Description	Qty	Variants
1	976603	Timing cover black	1	
2	GU19001200	Gasket	1	
3	GU98682325	Hex socket screw M6x25	10	
4	GU98680330	Hex socket screw M6x30	2	
5	GU19002020	Bushing 6,6x9x13	2	
6	GU32001610	Cover	1	
7	GU27001136	Flange	1	
8	GU98680335	Hex socket screw M6x35	5	
9	GU90402842	Gasket ring	1	
10	GU19007700	Rubber spacer	1	

Group	ENGINE
Code	34.36
Description	Cylinder head
Service	1



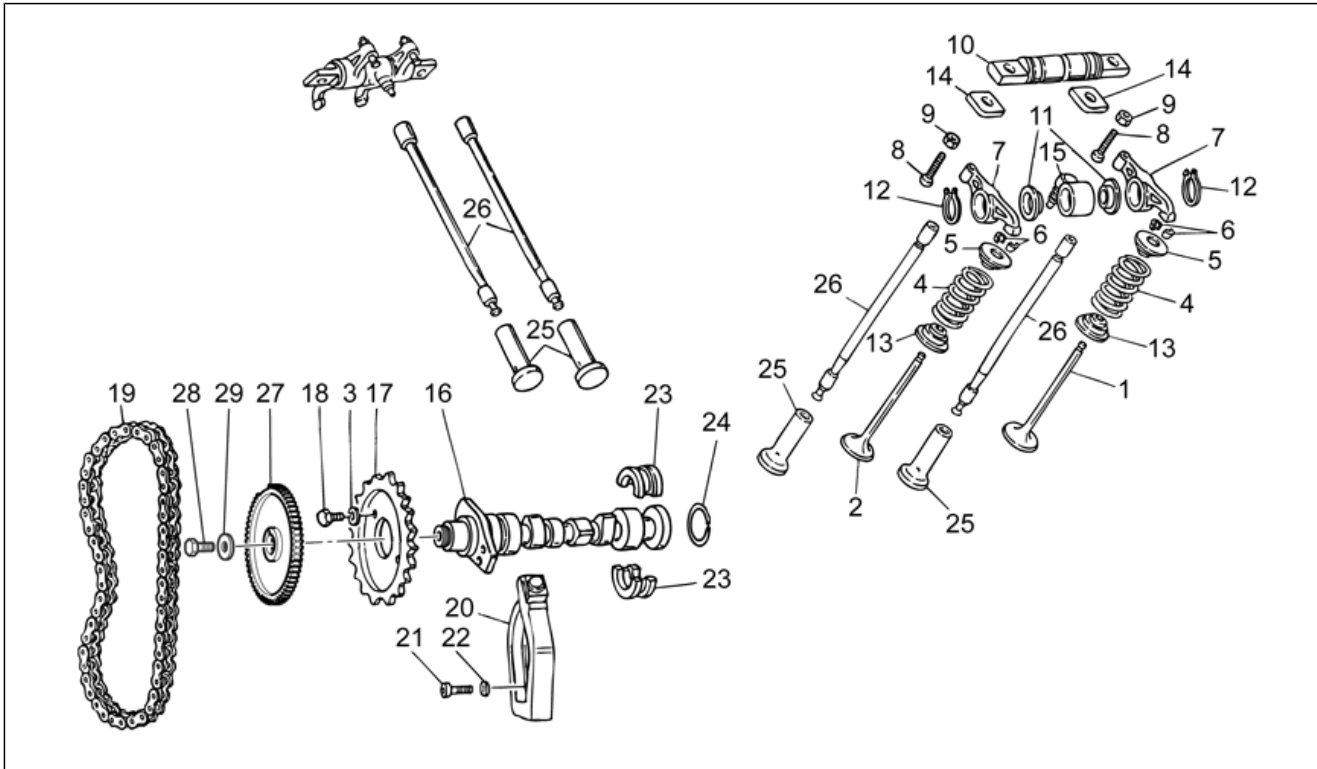
Pos.	Code	Description	Qty	Variants
1	GU32022110	RH cylinder head grey	1	
2	GU32022210	LH cylinder head grey	1	
3	GU61036801	Valve guide	4	
4	GU90353009	Snap ring	4	
5	GU96506042	Stud bolt	4	
6	GU19025300	Anti-vibration plate	4	
7	GU19021920	Nut	2	
8	GU19037820	Oil seal	4	
9	GU32023660	Head cover	2	
10	GU19023700	Gasket	2	
11	GU92603010	Nut M10X1,5	4	
12	GU13021900	Column nut	4	
13	GU95129180	Washer 10,5X18X0,8	4	
14	GU96510214	Stud bolt M10x214	4	
15	GU96510181	Stud bolt M10x182	4	
16	GU98692325	Hex socket screw M6x25	10	
17	GU19032980	Spacer	4	
18	GU19021360	Bushing	2	
19	GU27022060	Gasket	2	
20	GU96508145	Stud bolt M8x143	2	
21	GU61270300	Spring washer 8x15x0,3	2	
22	GU93180245	Cover	4	
23	AP8144071	Rubber exhaust	1	
24	GU32023410	Head cover	2	
25	AP8152339	Screw w/ flange M5x9	2	
26	GU14615901	Washer 8,4X13X0,8	2	

Group	ENGINE
Code	34.37
Description	Crankshaft cpl.
Service	1



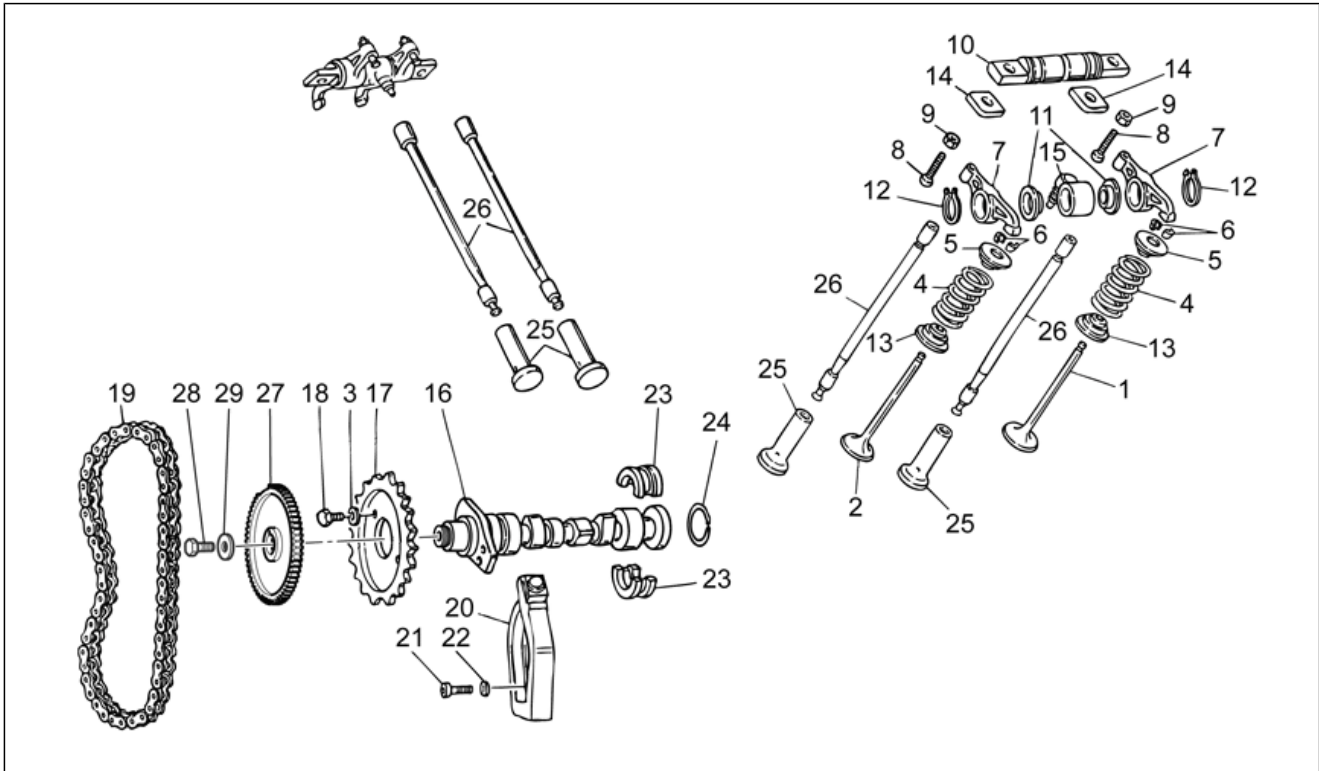
Pos.	Code	Description	Qty	Variants
1	GU32064110	Crankshaft cpl.	1	
2	GU19065400	Cover	1	
3	GU27061585	Connecting rod cpl.	2	
4	GU19062261	screw	4	
5	GU14615901	Washer 8,4X13X0,8	6	
6	GU27062060	Bearing half-shell	4	
7	GU27065660	Front main half-bearing	2	
8	GU27066560	Rear main half-bearing	2	
9	GU27066460	Half-clamp	2	
10	GU32060210	Piston assy	2	
11	GU32060710	Slot piston ring	2	
12	GU19061063	Scraper ring	2	
13	GU27061286	Piston pin	2	
14	GU27061385	Stop ring	4	
15	GU27060860	Slot piston ring	2	
16	GU32060610	Pistonring set	2	
17	GU27061885	Bushing	2	
18	GU19067700	screw	6	
19	GU32060110	Cylinder with piston, grey	2	
20	GU61027200	O-ring	2	
21	GU27020820	Gasket	2	

Group	ENGINE
Code	34.38
Description	Timing system
Service	1



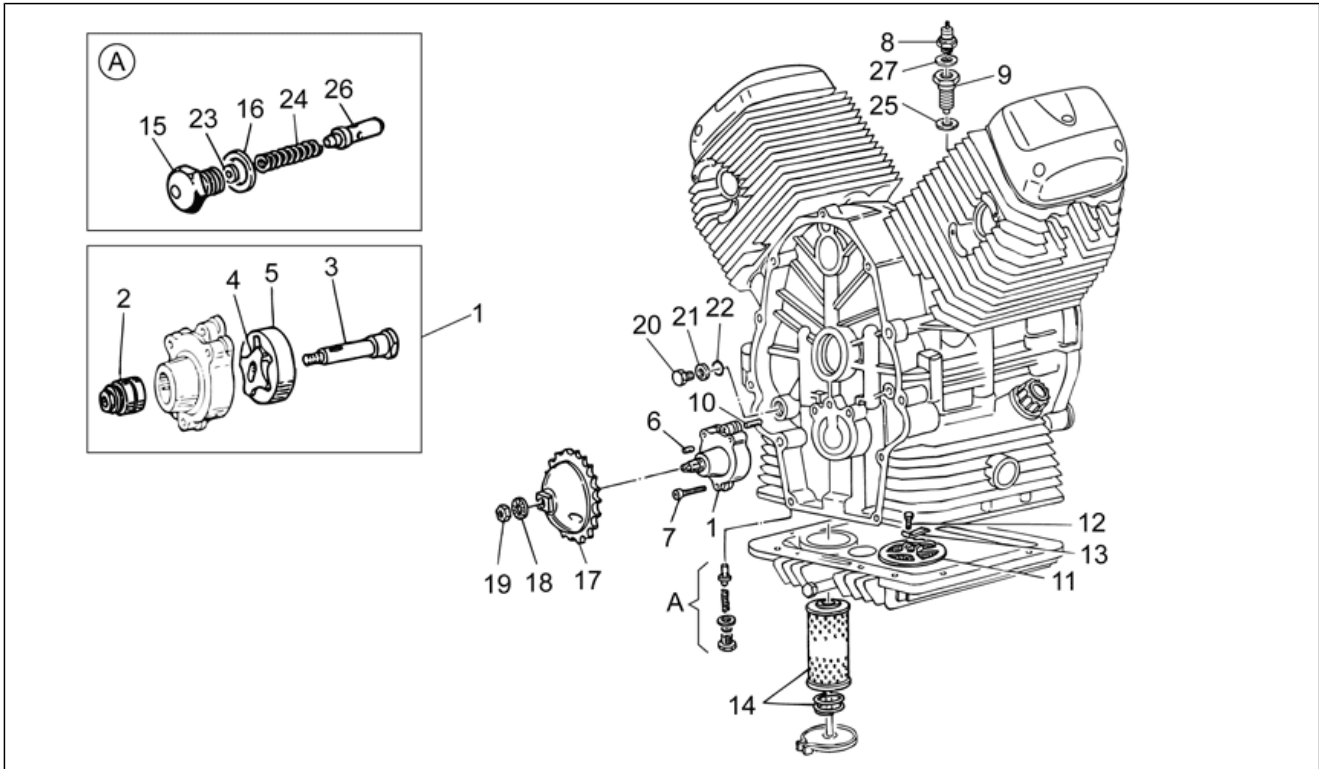
Pos.	Code	Description	Qty	Variants
1	GU20036020	Intake valve	2	
2	GU20036120	Exhaust valve	2	
3	GU23217800	Safety washer	2	
4	GU27037521	Spring	4	
5	GU31038015	Upper cup	4	
6	GU61038100	Half-cone	8	
7	GU19030500	Rocker arm assy.	4	
8	GU19034000	screw	4	
9	GU92602406	Nut M6x1	4	
10	GU19032080	Rocker shaft	2	
11	GU32032310	Thrust washer	4	
12	GU90271018	Circlip	4	
13	GU31037015	Lower cup	4	
14	GU19032980	Spacer	4	
15	GU19027500	Hose	2	
16	GU32053410	Camshaft	1	
17	GU32054510	Timing system gear	1	
18	GU61054900	Bolt	2	
19	GU19058021	Camshaft chain	1	
20	GU19058220	Chain stretching drive	1	
21	GU98882316	screw	1	
22	GU95129115	Washer	1	
23	GU19055700	Sector	2	
24	GU90353029	Snap ring	1	
25	GU19045861	Tappet	4	
26	GU31045015	Rocker arm rod	4	
27	GU32051710	Wheel speed sensor, left front	1	
28	GU98054422	screw M8x22	1	

Group	ENGINE
Code	34.38
Description	Timing system
Service	1



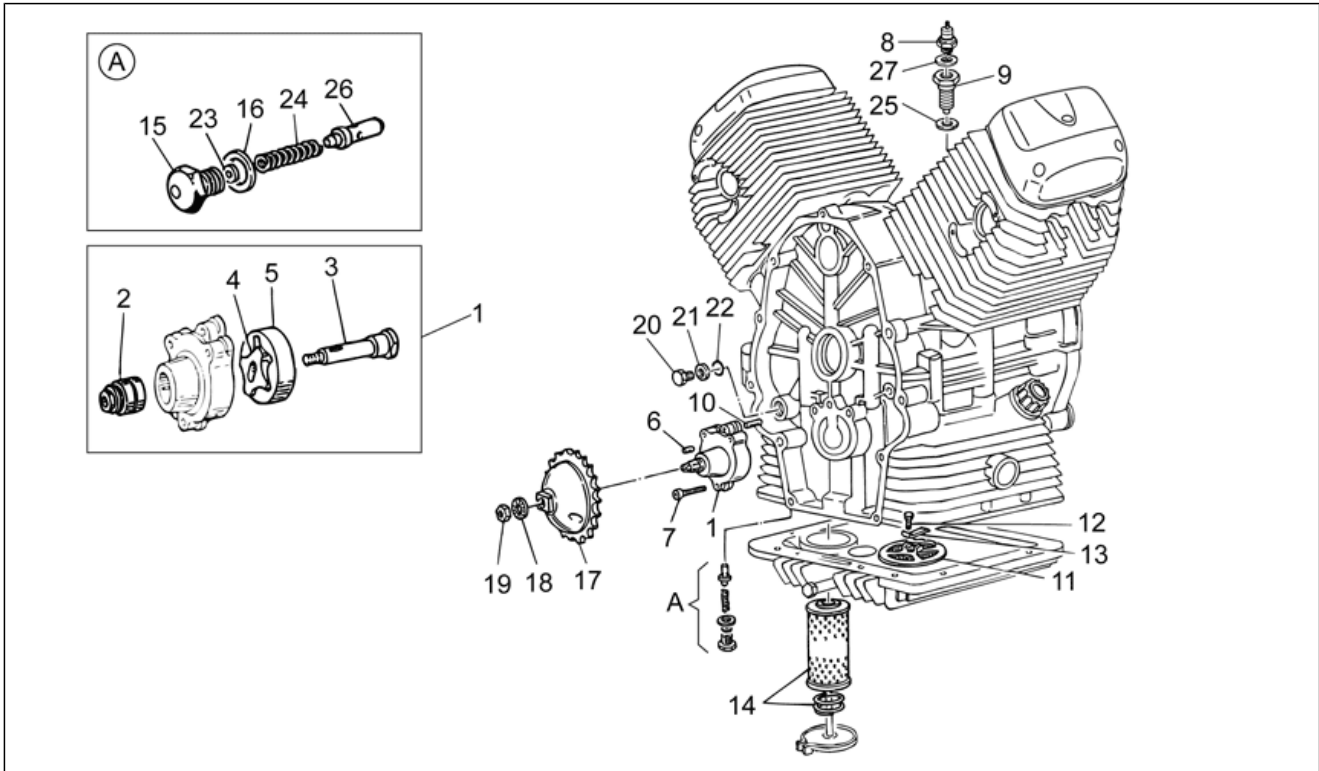
Pos.	Code	Description	Qty	Variants
29	GU95100244	Washer	1	

Group	ENGINE
Code	34.39
Description	Oil pump
Service	1



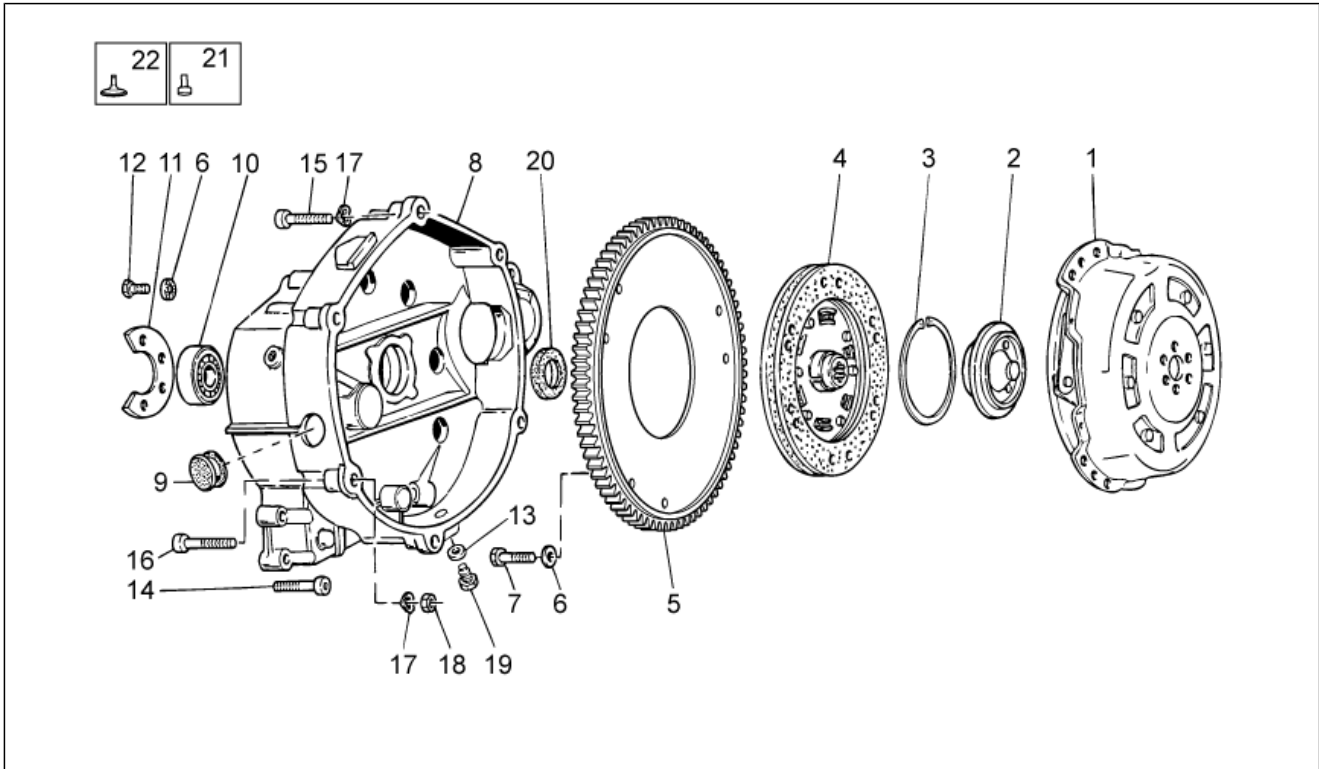
Pos.	Code	Description	Qty	Variants
1	GU19146422	Oil pump	1	
2	GU92252210	Roller bearing 10x22x20	1	
3	GU20147810	Oil pump shaft assy.	1	
4	GU20148410	Inner rotor	1	
5	GU20148610	Outer rotor	1	
6	GU92296723	Roller	1	
7	GU98620335	screw M6x35	3	
8	641541	Oil pressure sensor	1	
8	GU32768710	Pressure sensor	1	
9	887093	Union	1	
9	GU32768810	Union	1	
10	GU19018920	Pin	2	
11	GU19152200	Oil filter	1	
12	GU98084314	Hex screw M6x14	1	
13	GU95187006	Plate	1	
14	GU27153085	Oil filter	1	
15	GU31159050	Cover	1	
16	GU18144350	Washer 18,25x24x1	3	
17	GU20147710	Pump gear	1	
18	GU19149800	Washer 10,5x16x1	1	
19	GU92602510	Nut M10x1,25	1	
20	GU31016050	Cover	1	
21	GU18161150	Gasket 14,25	1	
22	GU90706111	O-ring	1	
23	GU95008206	Washer 6,15x11x0,8	3	
24	GU94321079	Spring	1	
25	GU95100602	Gasket	1	
26	GU31159050	Piston	1	

Group	ENGINE
Code	34.39
Description	Oil pump
Service	1



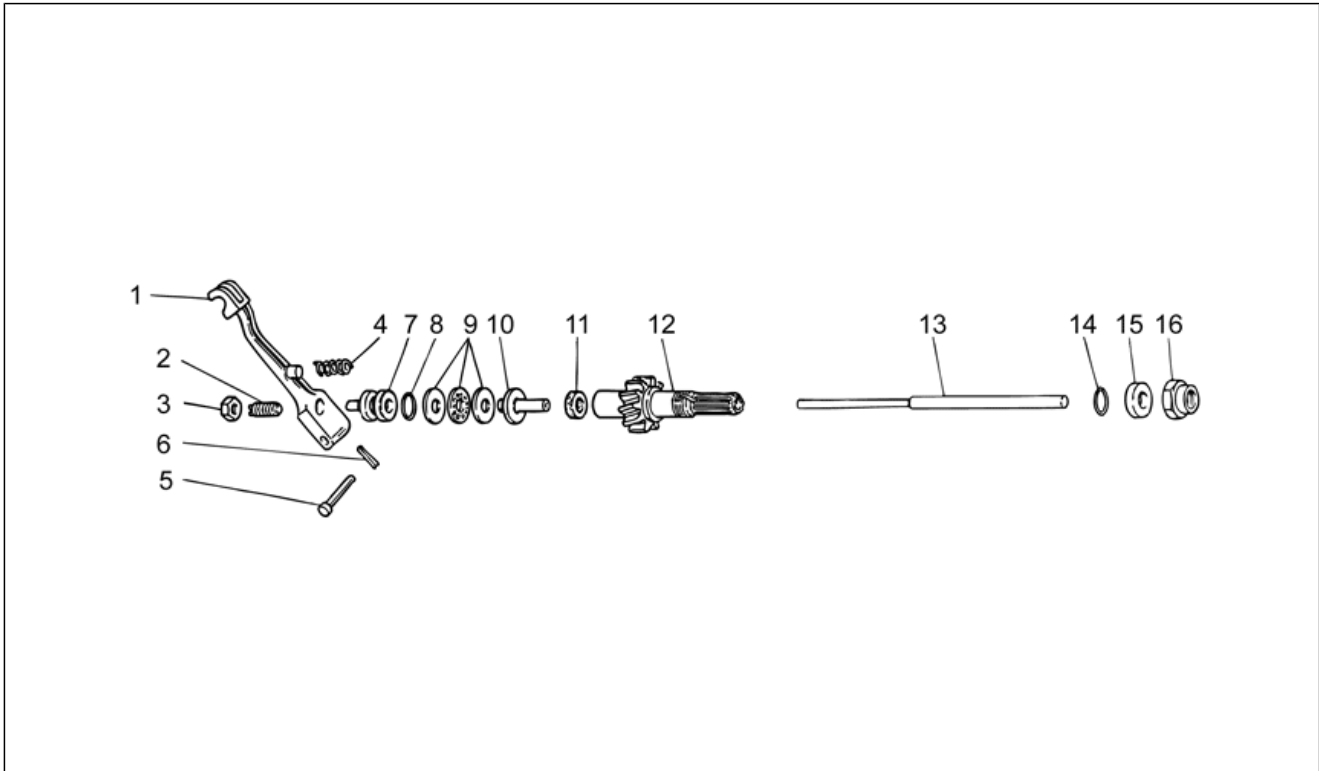
Pos.	Code	Description	Qty	Variants
27	GU95100309	Washer	1	

Group	ENGINE
Code	34.40
Description	Clutch I
Service	1



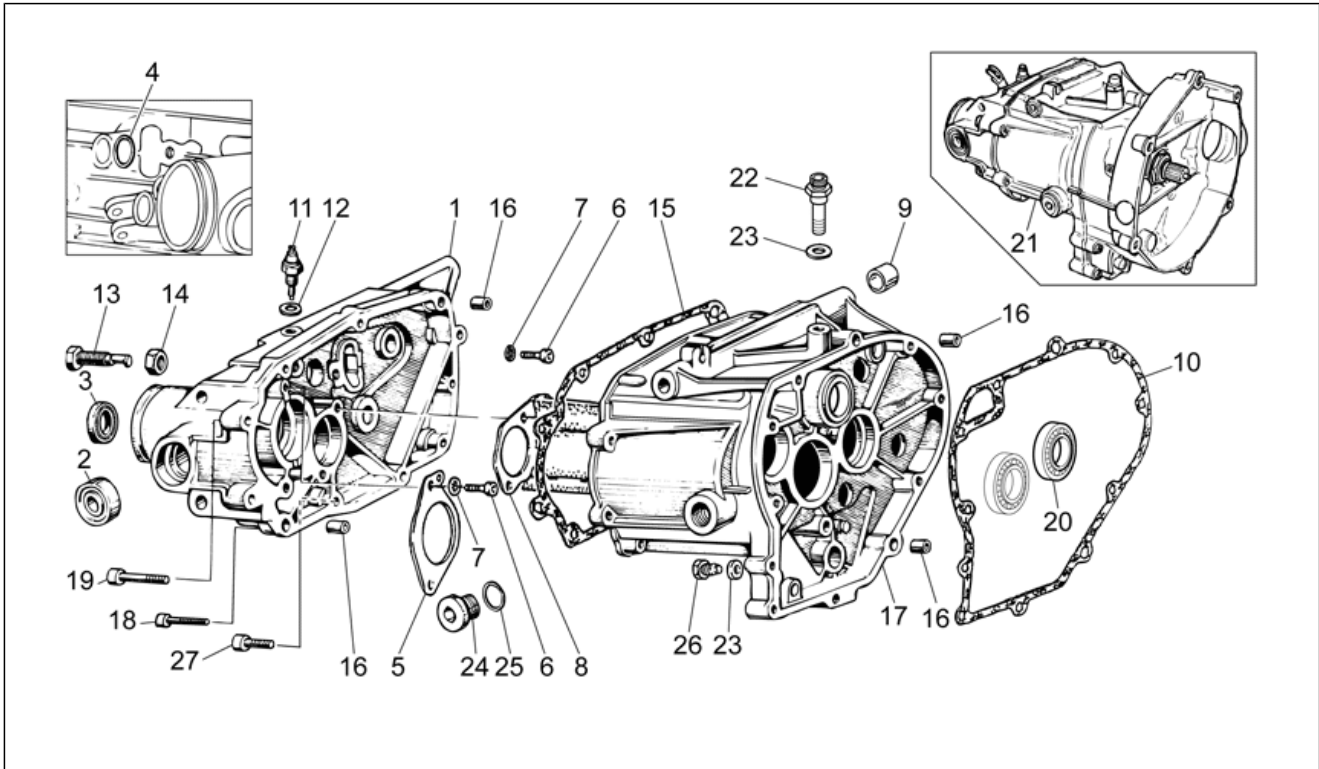
Pos.	Code	Description	Qty	Variants
1	GU32080310	Clutch	1	
2	GU19083462	New cup type	1	
3	GU90272075	Snap ring	1	
4	GU32084410	Driven clutch disc	1	
5	GU32067910	Chain ring	1	
6	GU14217901	Washer 6,4x10x0,7	9	
7	GU98084316	Hex screw	6	
8	981070	Clutch drum	1	
9	GU93180220	Cover	1	
10	GU92201225	Bearing 25x52x15	1	
11	GU19203460	Bearing fixing plate	1	
12	GU98084314	Hex screw M6x14	3	
13	GU10528900	Gasket	1	
14	GU98682330	Hex socket screw M6x20	11	
15	GU98680435	Hex socket screw M8x35	5	
16	GU98680450	Hex socket screw M8x50	1	
17	GU61270300	Spring washer 8x15x0,3	6	
18	GU92606208	Nut M8x1,25	1	
19	GU31003766	Oil unload plug M10x1	1	
20	GU90403246	Gasket ring 32x45x7	1	
21	GU23204471	Jet	1	
22	GU23204571	Jet	1	

Group	ENGINE
Code	34.41
Description	Clutch II
Service	1



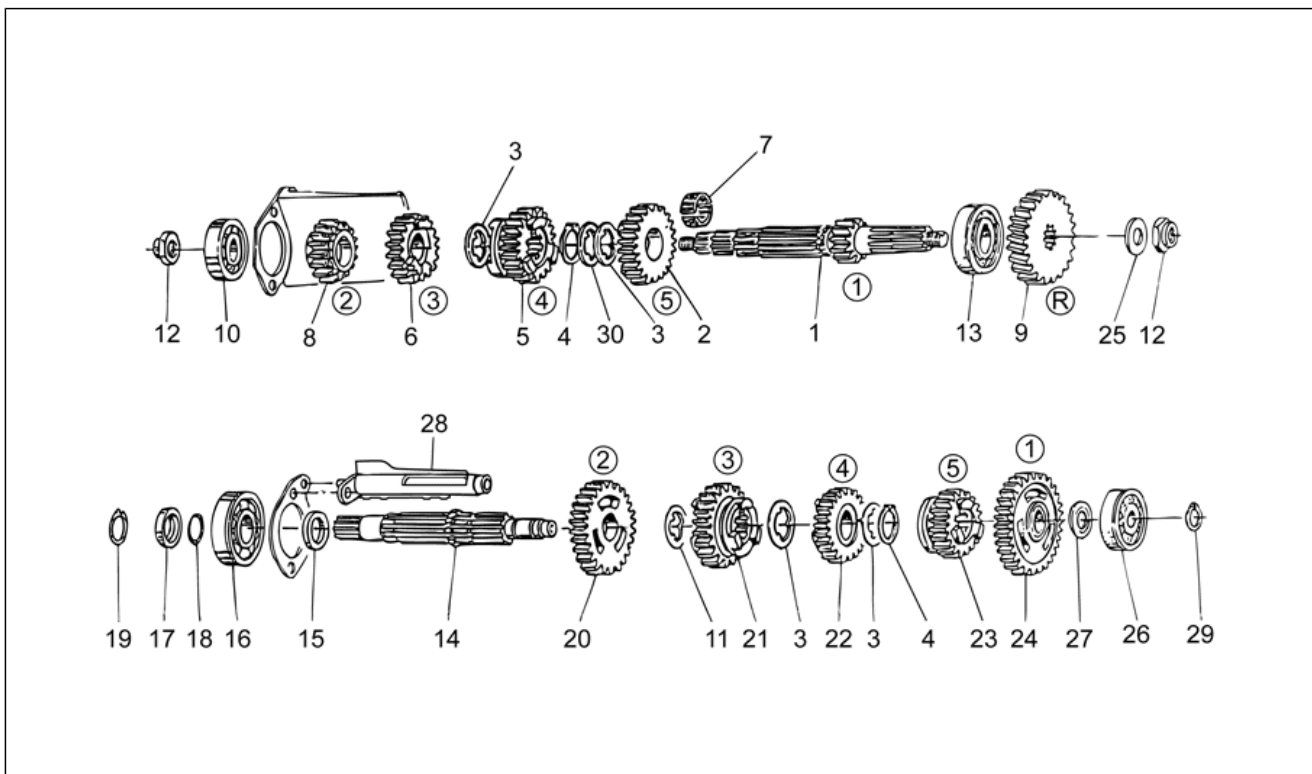
Pos.	Code	Description	Qty	Variants
1	GU14090201	Clutch release shaft	1	
2	GU14090400	Adjuster screw	1	
3	GU92606508	Nut	1	
4	GU94321105	Lever return spring	1	
5	GU95780271	Pin 7x39	1	
6	GU95500222	Split pin	1	
7	GU14086100	Outer body	1	
8	GU90706170	O-ring 17,13x2,62	1	
9	GU12087001	Thrust bearing	1	
10	GU14086000	Inner body	1	
11	GU90400616	Gasket ring 6x16x7	1	
12	GU27210760	Transmission shaft Z=16	1	
13	GU20085720	Rod	1	
14	GU90706235	O-ring 23,52x1,78	1	
15	GU19213760	Spacer	1	
16	GU19356760	Nut	1	

Group	ENGINE
Code	34.42
Description	Transmission cage
Service	1



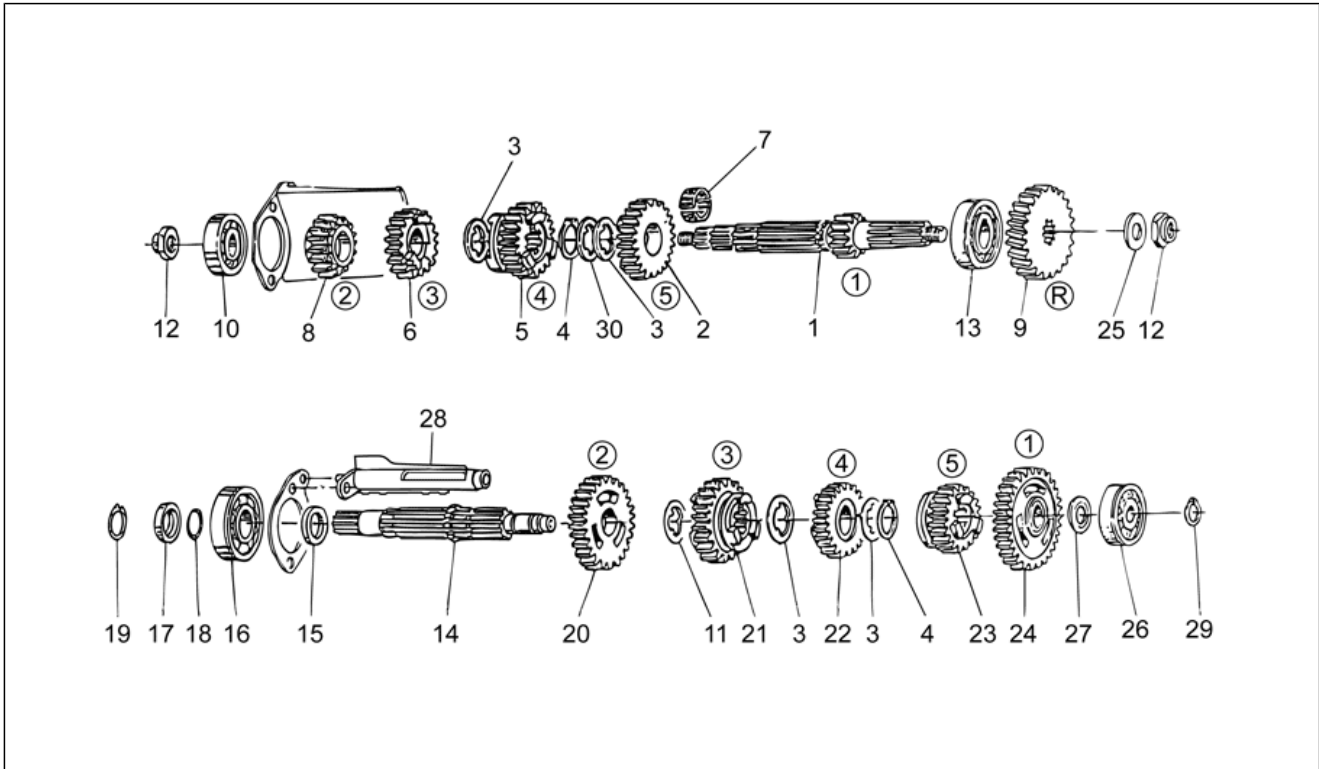
Pos.	Code	Description	Qty	Variants
1	976605	Gearbox cover	1	
2	GU92204215	Bearing 15x35x11	2	
3	GU90402841	Gasket ring 28x40x7	1	
4	GU90706140	O-ring 13,95x2,92	1	
5	GU32213810	Plate	1	
6	GU98682314	Hex socket screw M6x14	4	
7	GU14217901	Washer 6,4x10x0,7	4	
8	GU32208210	Oil bulhead	1	
9	GU19202320	Bushing 10,25x15,7x8	2	
10	GU23200370	Gasket	1	
11	GU19207220	Sensor	1	
12	GU12154200	Gasket 8,25x15x1	1	
13	GU19237800	Screw M12x1,25	1	
14	GU92606512	Low nut M12x1,25	1	
15	GU19201120	Gasket	1	
16	GU19002020	Bushing 6,6x9x13	4	
17	976606	Gearbox black	1	
18	GU98682330	Hex socket screw M6x20	5	
19	GU98680435	Hex socket screw M8x35	4	
20	GU92201120	Ball bearing 20x42x12	1	
21	976940	Transmission assy and housing	1	
22	GU32206510	Breather plug	1	
23	GU10528900	Gasket	2	
24	GU12022600	Oil plug	1	
25	GU90706203	O-ring 20,24x2,62	1	
26	GU31003766	Oil unload plug M10x1	1	
27	GU98680335	Hex socket screw M6x35	2	

Group	ENGINE
Code	34.43
Description	Gear box
Service	1



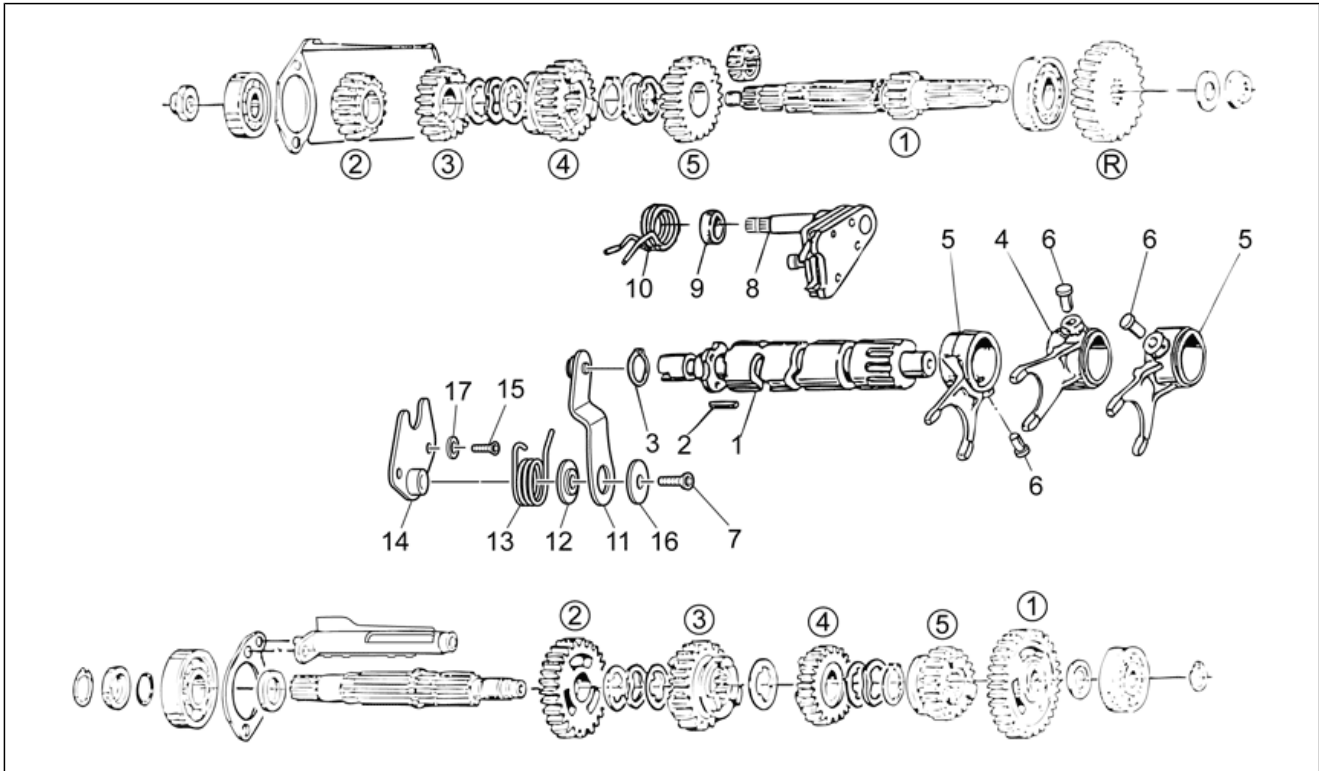
Pos.	Code	Description	Qty	Variants
1	GU32210510	Primary gear shaft Z=11	1	
2	GU32212011	Gear 5a AP Z=25	1	
3	GU19215460	Thrust washer	3	
4	GU90271124	Circlip	2	
5	GU32211810	Gear 4a AP Z=18	1	
6	GU32211410	Gear 3a AP Z=18	1	
7	GU92251028	Roller cage	1	
8	GU23211372	Gear 2a AP Z=14	1	
9	GU32211110	Idle gear AP Z=21	1	
10	GU92218417	Bearing AP 17x40x17,5	1	
11	GU19214660	Clearance washer	2	
12	GU10054100	Nut	2	
13	GU92230320	Bearing AP 20x37x17	1	
14	GU32213610	Driven shaft	1	
15	GU19212900	Spacer	1	
16	GU92201220	Bearing 20X47X14	1	
17	GU19213720	Spacer	1	
18	GU90706188	Gasket ring 18,77X1,78	1	
19	GU90271121	Circlip	1	
20	GU32214510	Gear 2a AS Z=23	1	
21	GU32214810	Gear 3a AS Z=23	1	
22	GU32215010	Gear 4a AS Z=19	1	
23	GU32215210	Gear 5a AS Z=22	1	
24	GU32214010	Gear 1a AS Z=26	1	
25	GU39238100	Clearance washer	1	
26	GU92234716	Bearing	1	
27	GU10214300	Spacer 1,5 mm	1	
27	GU10214301	Spacer 1,7 mm	1	

Group	ENGINE
Code	34.43
Description	Gear box
Service	1



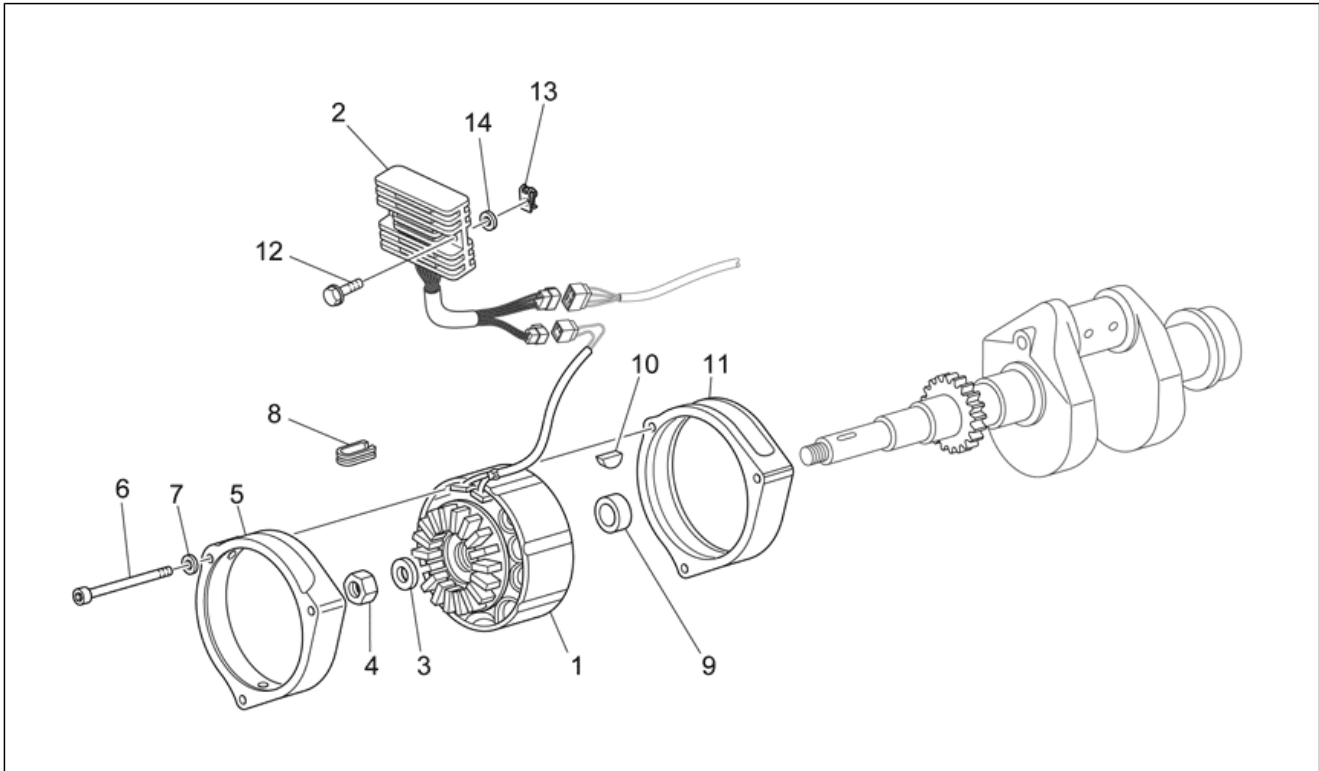
Pos.	Code	Description	Qty	Variants
27	GU10214302	Spacer 1,8 mm	1	
27	GU10214303	Spacer 1,9 mm	1	
27	GU10214304	Washer 2 mm	1	
27	GU10214305	Spacer 2,1 mm	1	
28	GU32202010	Gutter	1	
29	GU90271117	Circlip	1	

Group	ENGINE
Code	34.44
Description	Gear box selector
Service	1



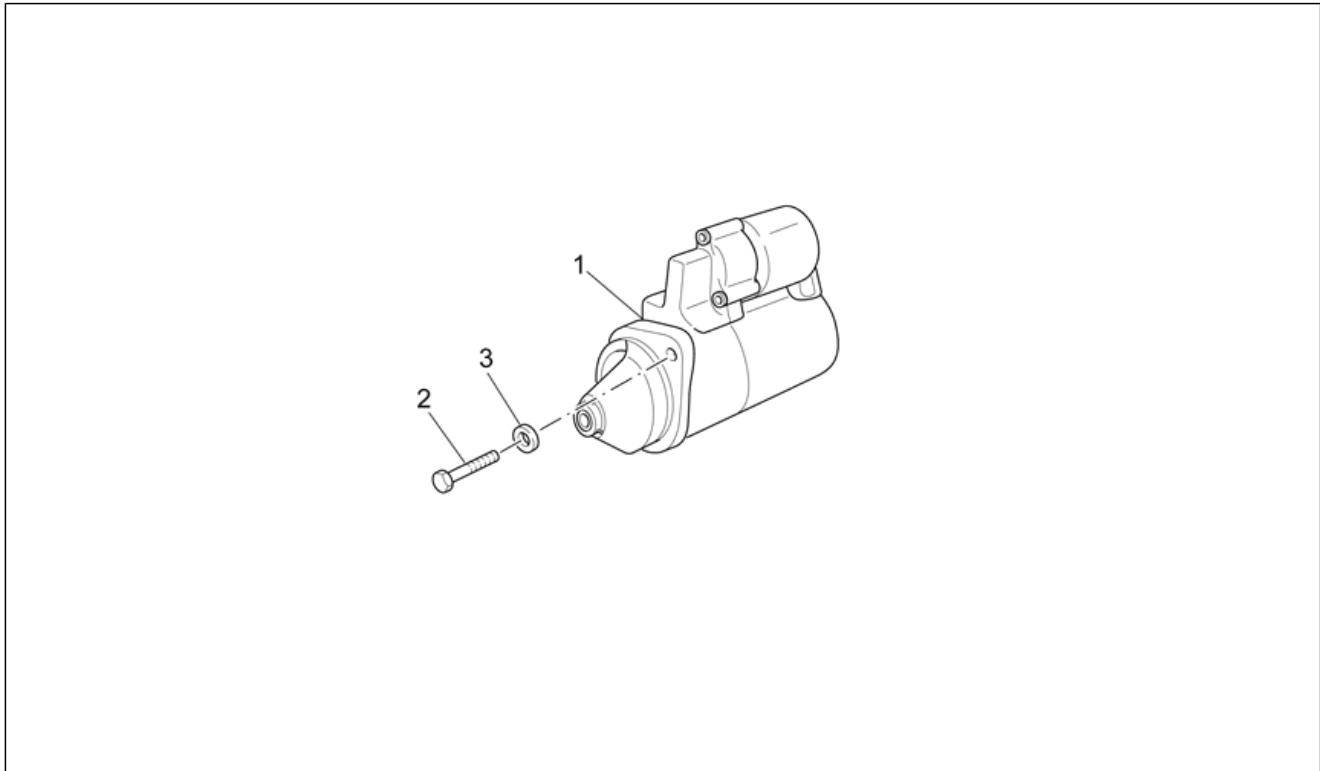
Pos.	Code	Description	Qty	Variants
1	GU32234410	Shift cam	1	
2	GU19234600	Pin	4	
3	GU90274026	Snap ring	1	
4	GU32231210	Fork AP	1	
5	GU32231010	Fork AS	2	
6	GU32233010	Roller	3	
7	GU98350312	Hex socket screw M6x12	1	
8	GU32236210	Preselection complete	1	
9	GU20208520	Spacer	1	
10	GU32238210	Spring	1	
11	GU32234710	Lever	1	
12	GU32234810	Washer	1	
13	GU32234110	Spring	1	
14	GU32235710	plate	1	
15	AP8152166	screw M6x16	2	
16	GU32234910	Washer 6,4x20x1	1	
17	GU14217901	Washer 6,4x10x0,7	2	

Group	ENGINE
Code	34.45
Description	Generator - Regulator
Service	1



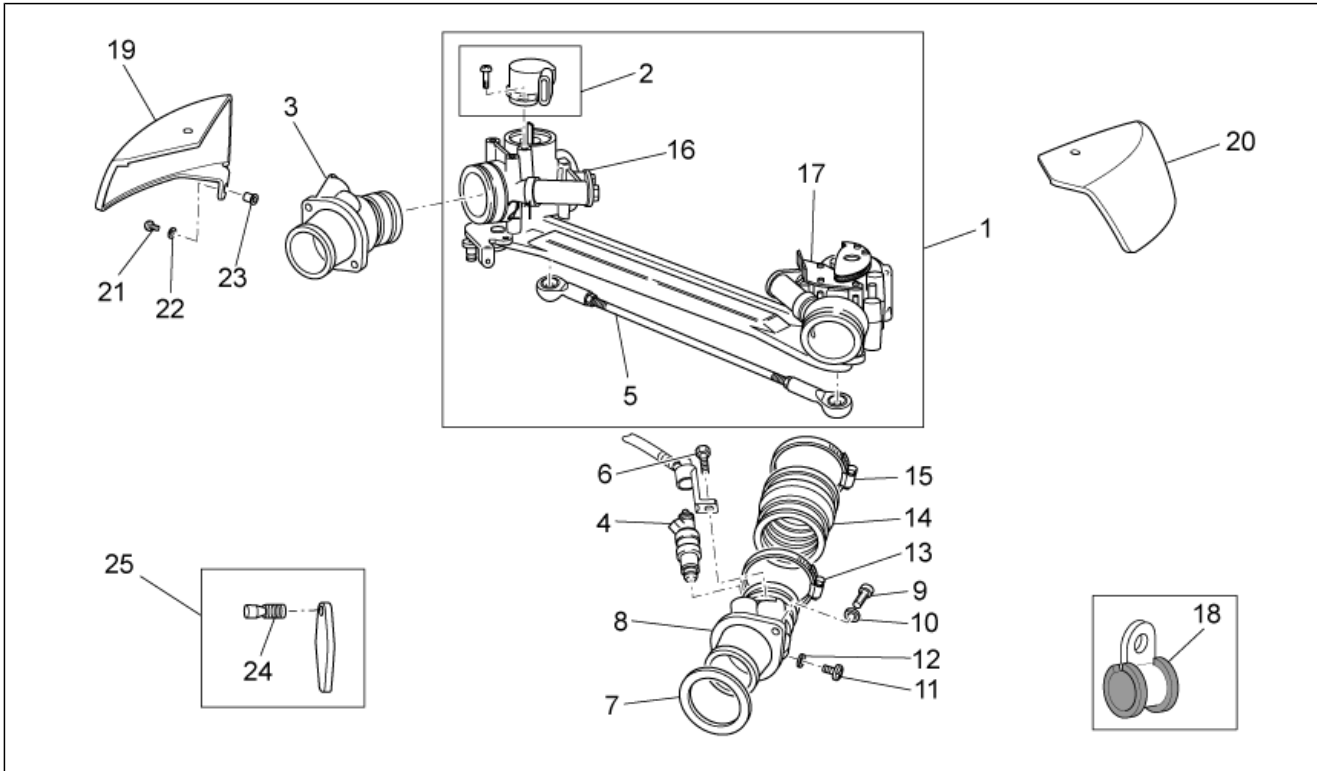
Pos.	Code	Description	Qty	Variants
1	GU32712411	Ducati generator	1	
2	GU32703810	DUCATI regulator	1	
3	GU30714201	Washer 16,25x24,5x5	1	
4	GU92606516	Nut M16	1	
5	GU29711460	Front calotte	1	
6	GU98680265	Hex socket screw	3	
7	GU29217960	Washer 5,9X3X0,8	3	
8	GU19007700	Rubber spacer	1	
9	GU31712365	Spacer	1	
10	GU91600450	Transmission key	1	
11	GU29711960	Rear cap	1	
12	AP8152281	Screw w/ flange M6x30	2	
13	GU28576591	Clip M6	2	
14	GU95100125	Washer	2	

Group	ENGINE
Code	34.46
Description	Starter motor
Service	1



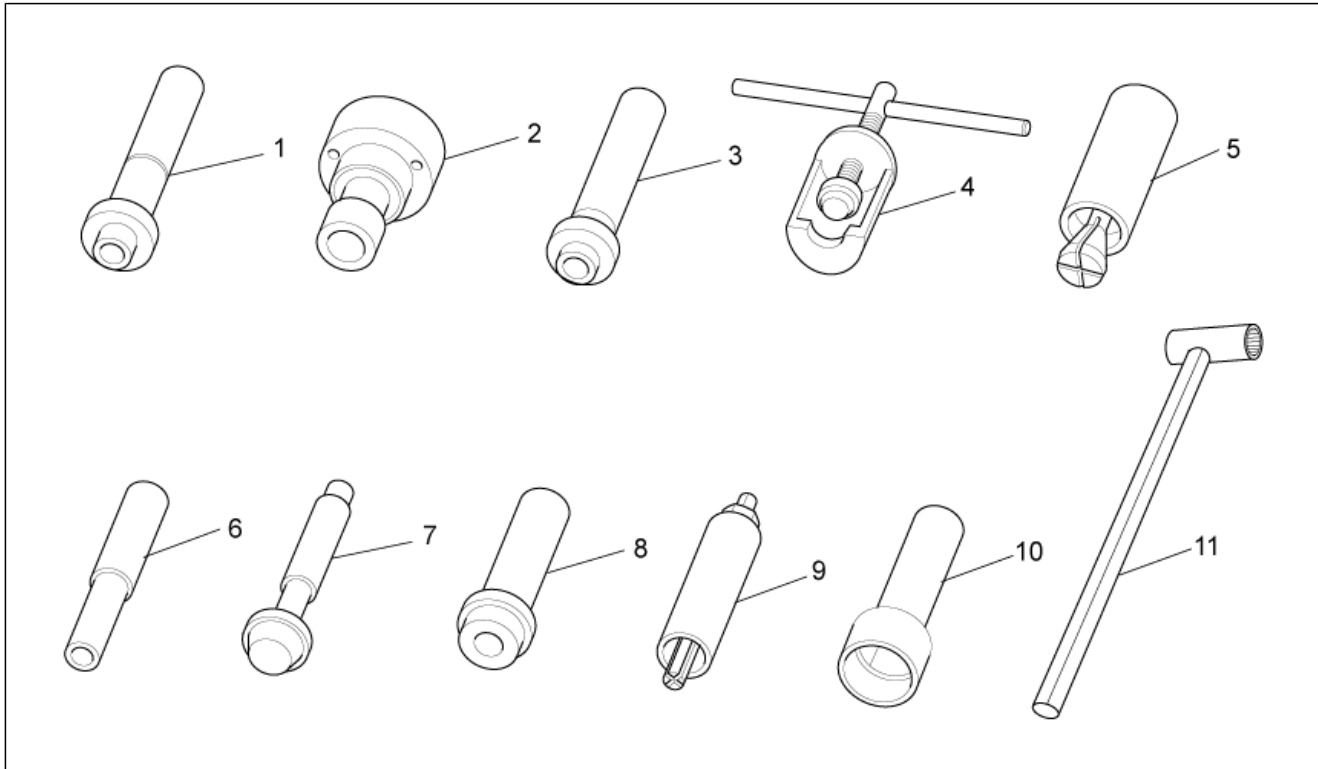
Pos.	Code	Description	Qty	Variants
1	GU05730730	Starter motor Bosch	1	
2	GU98082435	Hex screw M8x35	2	
3	GU95008208	Washer 8,4X15X1,5	2	

Group	ENGINE
Code	34.47
Description	Throttle body
Service	1



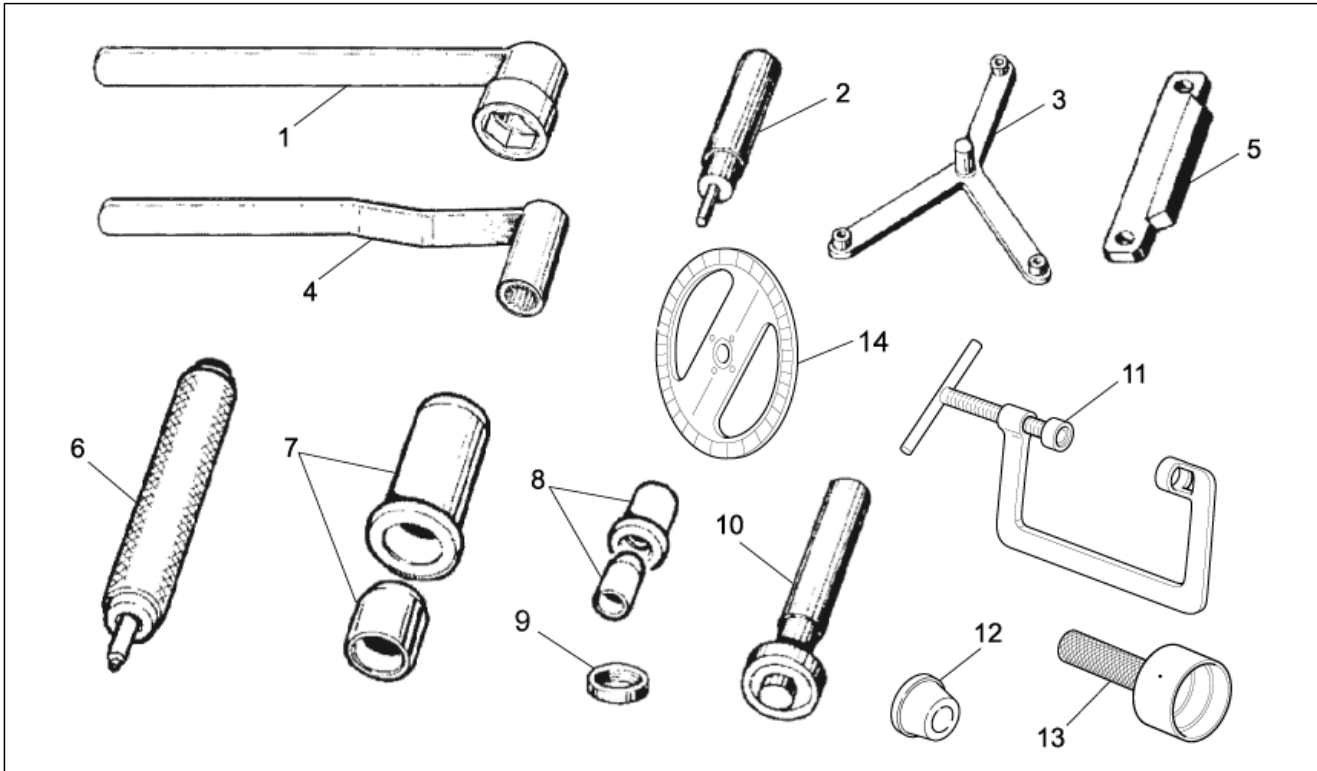
Pos.	Code	Description	Qty	Variants
1	GU32112510	Throttle assy	1	
2	GU32530508	Potentiometer	1	
3	GU32115010	RH manifold	1	
4	GU32115710	Injector kit complete	2	
5	GU32530509	Rod	1	
6	AP8152298	Screw w/ flange M5x16	2	
7	GU32115510	Gasket	1	
8	GU32115011	LH manifold	1	
9	GU98682322	Hex socket screw M6x22	4	
10	GU03013800	Washer 6,4x12	4	
11	GU98310609	screw M6x10	2	
12	GU95100116	Washer 6,25x10x1,5	2	
13	GU93305057	Hose clamp 57x59,5x10	2	
14	GU32114310	Hose	2	
15	GU93305061	Hose clamp 61/65,5	2	
16	GU32112610	Right throttle body	1	
17	GU32112611	Left throttle body	1	
18	GU32718010	Hose clamp	2	
19	978938	RH cover chromium plated	1	
20	978939	LH cover	1	
21	GU98370515	screw	4	
22	GU30577800	Nylon washer 5,5X12X1	4	
23	GU93231605	Antivibration bush	4	
24	GU97270212	Shear rivet	1	Technical Specifications:25Kw Version[25 Kw]
25	GU973221100027	Plate kit	1	Technical Specifications:25Kw Version[25 Kw]

Group	SPECIAL TOOLS
Code	36.49
Description	Specific tools I
Service	1



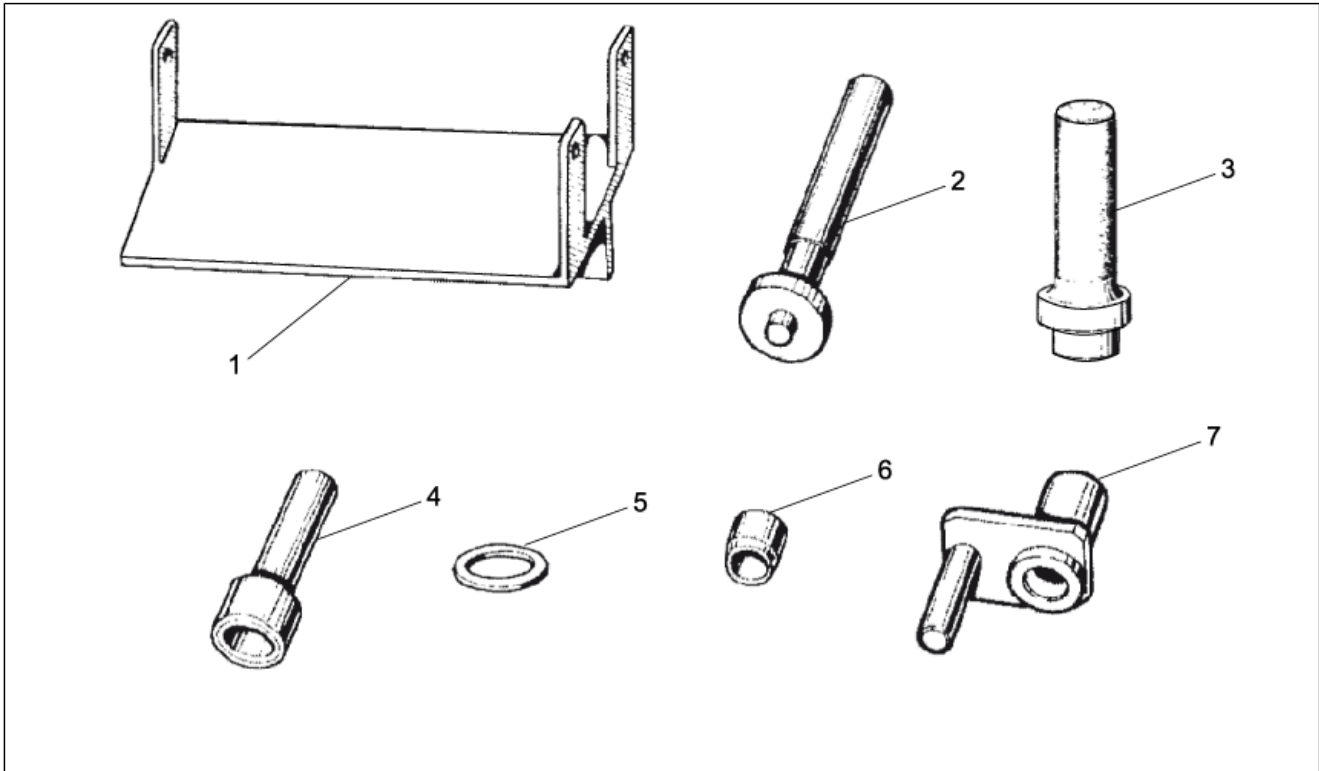
Pos.	Code	Description	Qty	Variants
1	GU19926100	Punch for pinion oil seal	1	
2	GU19928800	Bevel gear pair preassemb.tool	1	
3	GU19926000	Punch for trans.case oil seal	1	
4	GU19907000	Puller for internal ring	1	
5	GU19927500	Puller for transm.case bearing	1	
6	GU19926200	Punch for bearing on bev.gear	1	
7	GU19926400	Punch for taper bearing	1	
8	GU19926500	Punch for trans.case oil seal	1	
9	GU19927600	Puller for swing arm hold.	1	
10	GU19927900	Punch for driving bearing	1	
11	GU19907100	Gear pair holder tool	1	

Group	SPECIAL TOOLS
Code	36.50
Description	Specific tools II
Service	1



Pos.	Code	Description	Qty	Variants
1	GU19905460	Clutch shaft nut holding wrench	1	
2	GU19905900	Punch for clutch shaft bearing	1	
3	GU19906500	Clutch disk assembly tool	1	
4	GU19907160	Clutch shaft holding tool	1	
5	GU19911800	Flywheel holder tool	1	
6	GU19926020	Mounting cap on valve guide	1	
7	GU19927220	fitting oil seal/timing cover	1	
8	GU19927320	Assembling oil seal timing cov.	1	
9	GU19927800	Bush for valve disassemb.tool	1	
10	GU19929400	Punch for clutch shaft bearing	1	
11	GU10907200	Valve removal and fitting	1	
12	GU12912000	Flange flywheel side	1	
13	GU19927100	Seal ring flange flywheel side	1	
14	GU19929600	Index plate tim.sett./ign.cont	1	

Group	SPECIAL TOOLS
Code	36.51
Description	Specific tools III
Service	1



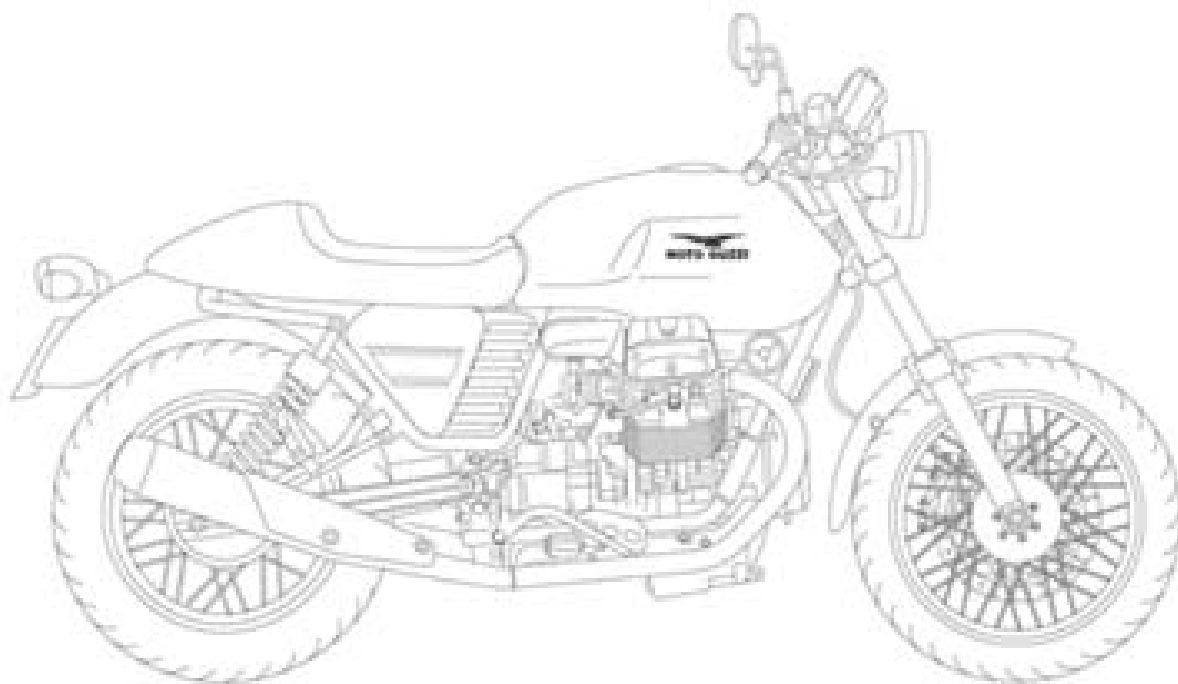
Pos.	Code	Description	Qty	Variants
1	GU19902500	Gearbox housing support	1	
2	GU19926300	Punch for primary shaft bear.	1	
3	GU19926460	Second.shaft bearing ins.tool	1	
4	GU19927200	Punch oil seal on gearbox cov.	1	
5	GU19927202	Spacer for install.of ring	1	
6	GU19927300	fitting oil seal/second. Shaft	1	
7	GU19927700	Intermediate gear holding tool	1	



PIAGGIO & C.s.p.a.



CATALOGUE DE PIÈCES DE RECHANGE



V7 Cafè 750 750 2009

Préfixe du cadre: ZGULWA00, ZGULWC01, ZGULWJ01

Préfixe du moteur:



Index

Produits finis.....	4
Index alphanumérique.....	5
CHASSIS.....	11
Tableau 33.01 - Chassis I.....	11
Tableau 33.02 - Chassis II.....	12
Tableau 33.03 - Béquille latérale.....	13
Tableau 33.04 - R-pied pilote.....	14
Tableau 33.05 - R-pied pass.....	15
Tableau 33.06 - Levier boîte de vitesses.....	16
Tableau 33.07 - Fourche Av. I.....	17
Tableau 33.08 - Fourche Av. II.....	18
Tableau 33.11 - Amortisseur AR.....	21
Tableau 33.12 - Réservoir essence.....	22
Tableau 33.13 - Carrosserie av. - Garde-boue AV.....	23
Tableau 33.14 - Selle-Carrosserie cent.....	24
Tableau 33.15 - Carrosserie arrière I- Garde-boue.....	25
Tableau 33.16 - Carrosserie arrière II- Porte-plaque.....	26
Tableau 33.17 - Tableau de bord.....	27
Tableau 33.18 - Guidon - Commandes.....	28
Tableau 33.19 - Sys.frein avant.....	30
Tableau 33.20 - Alimentation.....	31
Tableau 33.21 - Pompe essence.....	32
Tableau 33.22 - Corps filtre.....	33
Tableau 33.23 - Groupe echappement.....	35
Tableau 33.24 - Roue Av.....	37
Tableau 33.25 - Roue arrière.....	38
Tableau 33.26 - Maît.cyl. frein AR.....	39
Tableau 33.27 - Pince frein AR.....	40
Tableau 33.28 - Feux avant.....	41
Tableau 33.29 - Feux arriere.....	43
Tableau 33.30 - Circuit électrique I.....	44
Tableau 33.31 - Circuit électrique II.....	45
Tableau 33.32 - Kit serrure.....	47
Tableau 33.33 - Décalco et plaquettes.....	48
Tableau 33.51 - Sys.récup.vap.ess.....	50
MOTEUR.....	51
Tableau 34.09 - Transmission complete I.....	51
Tableau 34.10 - Transmission complete II.....	52
Tableau 34.34 - Crank-case.....	55
Tableau 34.35 - Timing system cover.....	57
Tableau 34.36 - Cylinder head.....	58
Tableau 34.37 - Crankshaft cpl.....	59
Tableau 34.38 - Timing system.....	60



Tableau 34.39 - Oil pump.....	62
Tableau 34.40 - Clutch I.....	64
Tableau 34.41 - Clutch II.....	65
Tableau 34.42 - Transmission cage.....	66
Tableau 34.43 - Gear box.....	67
Tableau 34.44 - Gear box selector.....	69
Tableau 34.45 - Generator - Regulator.....	70
Tableau 34.46 - Starter motor.....	71
Tableau 34.47 - Throttle body.....	72
OUTILLAGE SPECIAL.....	73
Tableau 36.48 - Specific tools I.....	73
Tableau 36.49 - Specific tools II.....	74
Tableau 36.50 - Specific tools III.....	75



V 7
GU093 - V7 Cafè 750 750 2009

Préfixe du cadre: ZGULWA00,
ZGULWC01, ZGULWJ01
Préfixe du moteur:

Produits finis

Code	Validité
GU9032177EU901	
GU9032177EU902	
GU9032177GB901	



Code	N° de tableau	Pos.	Code	N° de tableau	Pos.	Code	N° de tableau	Pos.
0000000	33.24	16	883545	33.23	11	976605	34.42	1
0000000	33.24	17	883545	33.23	11	976606	34.42	17
0000000	33.24	18	883546	33.23	10	976608	34.10	1
0000000	33.25	18	883546	33.23	10	976685	34.34	16
0000000	33.25	19	883552	33.08	24	976939	34.34	28
0000000	33.25	20	883569	33.17	11	976940	34.42	21
118259	33.05	19	883572	33.33	1	976941	34.09	1
290860	33.31	16	883572	33.33	10	977024	33.24	10
292022	33.28	9	883573	33.33	8	977088	33.03	1
292723	33.28	10	883574	33.33	9	977308	33.31	19
584332	33.28	15	883576	33.33	1	977308	33.31	19
584332	33.29	7	883577	33.33	2	977527	33.14	6
584509	33.31	24	883578	33.33	13	977527	33.32	4
599502	33.08	9	883579	33.33	14	978311	33.28	2
639542	33.03	8	883581	33.19	2	978323	33.19	15
640201	33.31	5	883584	33.33	5	978323	33.27	20
640598	33.28	11	883588	33.14	1	978385	33.23	12
641541	34.39	8	883591	33.18	3	978386	33.23	15
831153	33.12	8	883598	33.33	11	978387	33.23	4
856062	33.51	7	883602	33.08	35	978415	33.14	8
856063	33.51	6	883624	33.33	8	978415	33.32	9
856064	33.51	11	883625	33.33	9	978551	33.33	12
860138	33.51	10	883711	33.23	11	978570	33.18	10
860651	33.01	22	883712	33.23	10	978662	33.28	2
883003	33.11	1	883735	33.33	20	978750	33.01	1
883011	34.09	11	883736	33.33	21	978751	33.02	1
883039	33.06	1	883737	33.33	22	978752	33.02	2
883051	33.04	1	883743	33.33	19	978757	33.25	11
883052	33.04	2	883802	33.18	10	978761	33.25	1
883058	33.26	1	883852	33.21	5	978928	33.12	1
883075	33.18	15	883870	33.23	1	97892800BMA	33.12	1
883077	33.30	1	883871	33.23	2	97892800XG4	33.12	1
883077	33.31	1	883904	33.31	19	978929	33.12	3
883161	33.31	12	883911	33.33	20	978930	33.20	2
883180	33.27	6	883912	33.33	21	978930	33.21	1
883182	33.32	1	883913	33.33	22	978931	33.14	18
883185	33.12	2	886128	33.33	5	978932	33.17	1
883185	33.32	3	886944	33.33	23	978938	34.47	19
883191	33.31	11	887093	34.39	9	978939	34.47	20
883192	33.27	7	887878	33.08	1	97894000BMA	33.14	10
883193	33.12	4	887879	33.08	2	97894000XG4	33.14	10
883252	33.12	12	887880	33.08	3	978941	33.14	9
883265	33.20	1	887881	33.08	37	978942	33.14	11
883266	33.13	2	887882	33.08	5	97894300BMA	33.14	17
883295	33.14	5	887883	33.08	6	97894300XG4	33.14	17
883296	33.27	1	887884	33.08	7	978944	33.14	16
883303	33.19	13	887885	33.08	8	97894600Y02	33.15	1
883339	33.17	1	887886	33.08	9	978947	33.15	2
883349	33.25	8	887887	33.08	10	978949	33.16	1
883350	33.25	7	887888	33.08	11	9789501	33.29	1
883417	33.28	26	887889	33.08	12	978951	33.01	18
883462	33.28	16	887890	33.08	13	978952	33.01	19
883463	33.28	17	887891	33.08	14	978969	33.26	3
883469	33.12	1	887892	33.08	15	978970	33.26	13
88346900XG4	33.12	1	887893	33.08	16	978974	33.08	19
883470	33.16	6	887894	33.08	17	978976	33.08	21
883471	33.03	1	887895	33.08	18	978977	33.08	29
883476	33.12	2	887896	33.08	19	978978	33.08	4
883476	33.32	3	887899	33.08	25	978979	33.07	1
883477	33.32	1	887900	33.08	23	981070	34.40	8
883478	33.28	5	887905	33.08	28	981149	33.28	12
883478	33.29	5	887906	33.08	36	AP8101594	33.26	20
883479	33.29	1	887916	33.08	22	AP8101595	33.12	15
883480	33.16	9	887917	33.08	34	AP8102159	33.22	25
883498	33.08	23	976600	34.34	1	AP8102239	33.22	30
883503	33.18	1	976603	34.35	1	AP8102375	33.01	12
883509	33.18	8	976604	34.34	12	AP8102375	33.14	15



Code	N° de tableau	Pos.	Code	N° de tableau	Pos.	Code	N° de tableau	Pos.
AP8102375	33.26	19	AP8152277	33.19	3	GU03013800	33.23	8
AP8102375	33.31	15	AP8152277	33.31	23	GU03013800	34.47	10
AP8102524	33.03	4	AP8152278	33.11	2	GU03067730	34.10	19
AP8102678	33.51	1	AP8152278	33.15	3	GU03101600	33.12	7
AP8102688	33.51	2	AP8152278	33.28	13	GU03101720	33.12	5
AP8102766	33.22	10	AP8152279	33.15	9	GU03102200	33.12	6
AP8102766	33.51	21	AP8152281	34.45	12	GU03163330	33.31	3
AP8102913	33.14	3	AP8152286	33.04	12	GU03270300	33.01	21
AP8104242	33.22	8	AP8152286	33.24	11	GU03270300	33.15	7
AP8104251	33.22	24	AP8152287	33.02	13	GU03270300	33.26	11
AP8104525	33.22	13	AP8152288	33.02	15	GU03270300	33.27	10
AP8113004	33.19	14	AP8152291	33.12	9	GU03530529	33.08	2
AP8113004	33.27	8	AP8152298	34.47	6	GU03530530	33.08	1
AP8113288	33.26	16	AP8152299	33.15	15	GU03530551	33.08	12
AP8113553	33.26	23	AP8152299	33.27	22	GU03604845	33.19	8
AP8118490	33.18	24	AP8152299	33.51	5	GU03605645	33.19	9
AP8120116	33.51	8	AP8152300	33.02	14	GU03609600	33.18	14
AP8120246	34.09	10	AP8152300	33.27	13	GU03631250	33.24	4
AP8120615	33.22	14	AP8152302	33.01	17	GU03631250	33.25	9
AP8120708	33.30	10	AP8152306	33.16	5	GU03658201	33.27	16
AP8120772	33.22	11	AP8152329	33.15	11	GU03658330	33.27	17
AP8120876	33.22	23	AP8152329	33.22	18	GU03658330	33.51	12
AP8120952	33.22	1	AP8152329	33.22	22	GU03658430	33.27	14
AP8120965	33.12	13	AP8152329	33.31	20	GU03660145	33.19	1
AP8120965	33.51	17	AP8152329	33.31	8	GU03661145	33.19	6
AP8121014	33.03	3	AP8152339	33.14	14	GU03664045	33.19	7
AP8121032	33.17	7	AP8152339	34.36	25	GU03717450	33.30	8
AP8121072	33.23	22	AP8152385	33.19	16	GU03740930	33.29	2
AP8121307	33.07	4	AP8152409	33.04	9	GU03744760	33.28	19
AP8121367	33.02	10	AP8157100	33.33	15	GU03749845	33.19	5
AP8121375	33.03	2	AP8201358	33.22	2	GU03922280	34.09	23
AP8121420	33.14	7	AP8201358	33.51	23	GU04000500	34.34	10
AP8121420	33.32	8	AP8212588	33.30	11	GU05107430	33.21	3
AP8121607	33.03	2	AP8213028	33.18	23	GU05112830	34.47	2
AP8124528	33.31	22	AP8213057	33.26	15	GU05659230	33.19	10
AP8124718	33.16	7	AP8220283	33.31	29	GU05730730	34.46	1
AP8124869	33.31	28	AP8220460	33.07	6	GU05781630	33.07	7
AP8124936	33.30	2	AP8220546	33.31	27	GU05900130	33.33	6
AP8127346	33.31	17	AP8221114	33.51	16	GU06740200	33.28	12
AP8133643	33.26	14	AP8221197	33.03	5	GU06740400	33.28	27
AP8133873	33.26	22	AP8221277	33.04	6	GU06751600	33.28	5
AP8134378	33.23	18	AP8221297	33.23	30	GU06751600	33.29	5
AP8134448	33.16	2	AP8224164	33.16	3	GU10054100	34.43	12
AP8134829	33.04	8	AP8224462	33.31	30	GU10214300	34.43	27
AP8144007	33.26	4	AP8257609	33.33	18	GU10214301	34.43	27
AP8144038	33.22	31	AP8257742	33.33	16	GU10214302	34.43	27
AP8144046	33.31	25	AP8257794	33.33	17	GU10214303	34.43	27
AP8144071	33.23	16	GU00823923140	33.03	7	GU10214304	34.43	27
AP8144071	34.36	23	GU00823923140	33.22	32	GU10214305	34.43	27
AP8144081	33.07	5	GU00823923140	33.51	22	GU10528900	34.34	15
AP8144146	33.07	3	GU00823931055	33.28	25	GU10528900	34.40	13
AP8144538	33.31	7	GU00823944050	33.12	16	GU10528900	34.42	23
AP8145034	33.04	3	GU00823950050	33.26	21	GU10907200	36.49	11
AP8145035	33.04	10	GU01103860	33.01	13	GU12003702	34.34	20
AP8149034	33.16	11	GU01106090	33.21	2	GU12022600	34.10	6
AP8150248	33.16	13	GU01108490	33.21	4	GU12022600	34.42	24
AP8150349	33.17	10	GU01528930	34.10	9	GU12087001	34.41	9
AP8150349	33.32	6	GU01530568	33.08	6	GU12154200	34.34	23
AP8150413	33.22	3	GU01609630	33.18	14	GU12154200	34.42	12
AP8150421	33.31	33	GU01654630	33.19	17	GU12912000	36.49	12
AP8150436	33.02	12	GU01659130	33.19	11	GU13021900	34.34	26
AP8150450	33.14	12	GU01659131	33.19	12	GU13021900	34.36	12
AP8152166	34.44	15	GU01665410	33.26	25	GU14086000	34.41	10
AP8152220	33.02	11	GU01721600	33.30	13	GU14086100	34.41	7
AP8152268	33.16	12	GU01744200	33.28	18	GU14090201	34.41	1
AP8152273	33.20	3	GU02107100	33.12	11	GU14090400	34.41	2
AP8152277	33.04	7	GU03013800	33.06	7	GU14217901	34.40	6



Code	N° de tableau	Pos.	Code	N° de tableau	Pos.	Code	N° de tableau	Pos.
GU14217901	34.42	7	GU19327601	34.09	5	GU19927800	36.49	9
GU14217901	34.44	17	GU19328801	34.09	3	GU19927900	36.48	10
GU14251001	33.06	2	GU19350700	34.10	22	GU19928800	36.48	2
GU14251001	33.26	2	GU19351100	34.10	4	GU19929400	36.49	10
GU14609650	33.30	17	GU19351900	34.10	2	GU19929600	36.49	14
GU14609650	33.31	34	GU19352300	34.10	23	GU20036020	34.38	1
GU14609650	33.51	24	GU19353500	34.10	24	GU20036120	34.38	2
GU14615901	33.05	3	GU19355200	34.10	35	GU20085720	34.41	13
GU14615901	33.13	5	GU19355202	34.10	36	GU20147710	34.39	17
GU14615901	34.09	20	GU19355300	34.10	33	GU20147810	34.39	3
GU14615901	34.36	26	GU19355301	34.10	33	GU20148410	34.39	4
GU14615901	34.37	5	GU19355302	34.10	33	GU20148610	34.39	5
GU14616150	33.24	15	GU19355303	34.10	33	GU20208520	34.44	9
GU14616150	33.25	10	GU19355304	34.10	33	GU20258221	33.06	9
GU14717600	33.30	7	GU19355305	34.10	33	GU20352421	34.10	31
GU17718350	33.30	6	GU19355306	34.10	33	GU20355121	34.10	34
GU18144350	34.39	16	GU19355307	34.10	33	GU23200370	34.42	10
GU18161150	34.39	21	GU19355308	34.10	33	GU23211372	34.43	8
GU18257551	33.26	8	GU19355309	34.10	33	GU23217800	34.38	3
GU19001200	34.35	2	GU19355320	34.10	27	GU23328081	34.09	7
GU19002020	34.35	5	GU19355321	34.10	27	GU23548080	34.09	8
GU19002020	34.42	16	GU19355322	34.10	27	GU23548180	34.09	9
GU19003602	34.34	13	GU19355323	34.10	27	GU23922210	33.17	12
GU19003800	34.34	8	GU19355324	34.10	27	GU23943410	33.05	7
GU19007700	34.35	10	GU19355325	34.10	27	GU23943410	33.08	31
GU19007700	34.45	8	GU19355326	34.10	27	GU27001136	34.35	7
GU19015020	34.34	5	GU19355327	34.10	27	GU27004985	34.34	18
GU19016320	34.34	9	GU19355328	34.10	27	GU27020820	34.37	21
GU19017000	33.02	4	GU19355329	34.10	27	GU27022060	34.36	19
GU19018920	34.39	10	GU19355400	34.10	21	GU27037521	34.38	4
GU19021360	34.36	18	GU19355402	34.10	21	GU27060860	34.37	15
GU19021920	34.36	7	GU19355404	34.10	21	GU27061286	34.37	13
GU19023700	34.36	10	GU19355406	34.10	21	GU27061385	34.37	14
GU19025280	33.23	5	GU19355408	34.10	21	GU27061585	34.37	3
GU19025300	34.36	6	GU19355410	34.10	21	GU27061885	34.37	17
GU19025460	33.23	6	GU19355411	34.10	21	GU27062060	34.37	6
GU19027500	34.38	15	GU19355412	34.10	21	GU27065660	34.37	7
GU19030500	34.38	7	GU19355413	34.10	21	GU27066460	34.37	9
GU19032080	34.38	10	GU19356700	34.10	30	GU27066560	34.37	8
GU19032980	34.36	17	GU19356760	34.41	16	GU27152885	34.34	22
GU19032980	34.38	14	GU19356801	34.10	28	GU27153085	34.39	14
GU19034000	34.38	8	GU19357660	34.10	25	GU27210760	34.41	12
GU19037820	34.36	8	GU19547000	34.09	12	GU27530510	33.08	25
GU19045861	34.38	25	GU19902500	36.50	1	GU27530584	33.08	7
GU19055700	34.38	23	GU19905460	36.49	1	GU27633910	33.25	4
GU19058021	34.38	19	GU19905900	36.49	2	GU28157950	33.51	20
GU19058220	34.38	20	GU19906500	36.49	3	GU28252060	33.02	8
GU19061063	34.37	12	GU19907000	36.48	4	GU28576591	33.15	4
GU19062261	34.37	4	GU19907100	36.48	11	GU28576591	33.28	20
GU19065400	34.37	2	GU19907160	36.49	4	GU28576591	34.45	13
GU19067700	34.37	18	GU19911800	36.49	5	GU28742562	33.31	18
GU19083462	34.40	2	GU19926000	36.48	3	GU29108550	33.51	19
GU19146422	34.39	1	GU19926020	36.49	6	GU29217960	34.45	7
GU19149800	34.39	18	GU19926100	36.48	1	GU29711460	34.45	5
GU19152200	34.39	11	GU19926200	36.48	6	GU29711960	34.45	11
GU19201120	34.42	15	GU19926300	36.50	2	GU29729461	33.31	2
GU19202320	34.42	9	GU19926400	36.48	7	GU29732550	33.31	26
GU19203460	34.40	11	GU19926460	36.50	3	GU29759150	33.18	17
GU19206501	34.10	10	GU19926500	36.48	8	GU30027931	33.31	32
GU19207220	34.42	11	GU19927100	36.49	13	GU30103730	33.12	14
GU19212900	34.43	15	GU19927202	36.50	5	GU30103730	33.51	18
GU19213720	34.43	17	GU19927220	36.49	7	GU30109330	33.23	24
GU19213760	34.41	15	GU19927300	36.50	6	GU30525861	33.08	11
GU19214660	34.43	11	GU19927320	36.49	8	GU30526761	33.08	5
GU19215460	34.43	3	GU19927500	36.48	5	GU30576100	33.22	19
GU19234600	34.44	2	GU19927600	36.48	9	GU30577800	33.29	13
GU19237800	34.42	13	GU19927700	36.50	7	GU30577800	34.47	22



Code	N° de tableau	Pos.	Code	N° de tableau	Pos.	Code	N° de tableau	Pos.
GU30601060	33.18	25	GU32115210	33.51	9	GU32517710	33.31	9
GU30602500	33.18	22	GU32115510	34.47	7	GU32525410	33.08	10
GU30714201	34.45	3	GU32115710	34.47	4	GU32526310	33.08	16
GU30716500	33.30	3	GU32116910	33.22	4	GU32526610	33.08	15
GU30729330	33.31	31	GU32117010	33.18	4	GU32530501	33.08	8
GU30970200	33.33	7	GU32117011	33.18	5	GU32530502	33.08	13
GU31003766	34.10	8	GU32120710	33.23	1	GU32530503	33.08	14
GU31003766	34.34	14	GU32120710	33.23	1	GU32530504	33.08	28
GU31003766	34.40	19	GU32120711	33.23	2	GU32530505	33.08	22
GU31003766	34.42	26	GU32120711	33.23	2	GU32530509	34.47	5
GU31016050	34.39	20	GU32121010	33.23	7	GU32530610	33.08	32
GU31037015	34.38	13	GU32121910	33.23	25	GU32530611	33.08	33
GU31038015	34.38	5	GU32121911	33.23	26	GU32555210	33.11	4
GU31045015	34.38	26	GU32123910	33.23	3	GU32555211	33.11	5
GU31112965	33.22	33	GU32128610	33.23	13	GU32575960	33.01	16
GU31121880	33.23	9	GU32129010	33.23	14	GU32602860	33.18	28
GU31150950	34.39	26	GU32137010	33.18	13	GU32603010	33.18	16
GU31159050	34.39	15	GU32159310	33.22	26	GU32603310	33.18	7
GU31327783	34.09	2	GU32159610	33.22	28	GU32605510	33.18	2
GU31438765	33.15	12	GU32202010	34.43	28	GU32610360	33.24	1
GU31439565	33.13	4	GU32206510	34.42	22	GU32610860	33.24	5
GU31441283	33.05	18	GU32208210	34.42	8	GU32611660	33.24	3
GU31504583	33.08	17	GU32210510	34.43	1	GU32613160	33.24	2
GU31513480	33.08	20	GU32211110	34.43	9	GU32615660	33.24	14
GU31544181	34.09	15	GU32211410	34.43	6	GU32632510	33.25	17
GU31547882	34.09	14	GU32211810	34.43	5	GU32633360	33.25	14
GU31613381	33.25	12	GU32212011	34.43	2	GU32633560	34.10	11
GU31614183	33.24	9	GU32213610	34.43	14	GU32634160	33.27	5
GU31615260	33.24	6	GU32213810	34.42	5	GU326358601	33.27	3
GU31616384	33.24	12	GU32214010	34.43	24	GU32636160	33.25	21
GU31634281	33.27	4	GU32214510	34.43	20	GU32692260	33.25	2
GU31634481	33.25	15	GU32214810	34.43	21	GU32703810	34.45	2
GU31654681	33.27	2	GU32215010	34.43	22	GU32712411	34.45	1
GU31659181	33.27	11	GU32215210	34.43	23	GU32718010	34.47	18
GU31659281	33.27	12	GU32231010	34.44	5	GU32724510	33.30	12
GU31712365	34.45	9	GU32231210	34.44	4	GU32727010	33.23	21
GU31717061	33.30	9	GU32233010	34.44	6	GU32735510	33.32	5
GU32001610	34.35	6	GU32234110	34.44	13	GU32735511	33.32	5
GU32022110	34.36	1	GU32234410	34.44	1	GU32738810	33.18	6
GU32022210	34.36	2	GU32234710	34.44	11	GU32747910	33.31	10
GU32023410	34.36	24	GU32234810	34.44	12	GU32750660	33.28	4
GU32023660	34.36	9	GU32234910	34.44	16	GU32750660	33.29	4
GU32032310	34.38	11	GU32235710	34.44	14	GU32750661	33.28	4
GU32051710	34.38	27	GU32236210	34.44	8	GU32750661	33.29	4
GU32053410	34.38	16	GU32238210	34.44	10	GU32753410	33.28	3
GU32054510	34.38	17	GU32256910	33.06	4	GU32753410	33.29	8
GU32060110	34.37	19	GU32257810	33.06	8	GU32753711	33.28	14
GU32060210	34.37	10	GU32350410	34.10	13	GU32753711	33.29	6
GU32060610	34.37	16	GU32351410	34.10	16	GU32753760	33.28	14
GU32060710	34.37	11	GU32354610	34.10	18	GU32753760	33.29	6
GU32064110	34.37	1	GU32418210	33.31	6	GU32768710	34.39	8
GU32067910	34.40	5	GU32418260	33.01	4	GU32768810	34.39	9
GU32080310	34.40	1	GU32431310	33.02	9	GU32781910	33.16	10
GU32084410	34.40	4	GU32432711	33.03	11	GU32782510	33.17	8
GU32110110	33.22	16	GU32433011	33.03	6	GU32782510	33.32	2
GU32112510	34.47	1	GU32434460	33.13	1	GU32909960	33.33	4
GU32112610	34.47	16	GU32434462	33.13	1	GU32944310	33.33	3
GU32112611	34.47	17	GU32439260	33.51	3	GU32999010	34.34	25
GU32113410	33.22	17	GU32441210	33.04	5	GU32999510	34.34	24
GU32113510	33.22	5	GU32443210	33.04	4	GU35214300	34.09	13
GU32114011	33.22	12	GU32443211	33.04	11	GU39094200	33.18	18
GU32114012	33.22	15	GU32443560	33.05	2	GU39238100	34.43	25
GU32114110	33.22	9	GU32446060	33.05	1	GU49609601	33.30	17
GU32114310	34.47	14	GU32457810	33.01	11	GU49609601	33.31	34
GU32114410	33.22	7	GU32461610	33.14	2	GU51609800	33.05	16
GU32115010	34.47	3	GU32504210	33.08	34	GU53429500	33.02	3
GU32115011	34.47	8	GU32506360	33.28	1	GU61027200	34.37	20



Code	N° de tableau	Pos.	Code	N° de tableau	Pos.	Code	N° de tableau	Pos.
GU61036801	34.36	3	GU92234716	34.43	26	GU95005330	33.08	26
GU61038100	34.38	6	GU92249220	34.10	32	GU95005330	33.11	3
GU61054900	34.38	18	GU92249225	33.07	2	GU95008204	33.30	5
GU61108500	33.22	29	GU92249227	34.10	20	GU95008205	33.30	15
GU61270300	34.10	26	GU92251028	34.43	7	GU95008206	34.39	23
GU61270300	34.34	6	GU92252210	34.39	2	GU95008208	33.01	6
GU61270300	34.36	21	GU92252235	34.10	5	GU95008208	34.46	3
GU61270300	34.40	17	GU92296723	34.39	6	GU95008210	33.01	8
GU66103415	33.01	14	GU92602406	34.38	9	GU95008210	33.02	6
GU66440630	33.05	12	GU92602510	34.39	19	GU95008210	34.09	17
GU66440730	33.05	13	GU92603010	34.36	11	GU95008305	33.18	20
GU66441630	33.05	15	GU92606206	33.17	6	GU95008306	33.19	20
GU66441730	33.05	6	GU92606208	34.34	7	GU95008306	33.27	21
GU66441830	33.05	14	GU92606208	34.40	18	GU95008308	33.05	8
GU66443230	33.05	17	GU92606210	33.01	9	GU95020105	33.03	10
GU90271018	34.38	12	GU92606210	33.02	5	GU95021104	33.19	19
GU90271117	34.43	29	GU92606210	33.11	7	GU95021105	33.18	21
GU90271121	34.43	19	GU92606210	34.09	18	GU95021206	33.17	5
GU90271124	34.43	4	GU92606316	33.25	16	GU95021206	33.28	8
GU90272023	34.09	4	GU92606508	34.41	3	GU95021206	33.29	10
GU90272075	34.40	3	GU92606512	34.42	14	GU95100059	33.22	21
GU90274026	34.44	3	GU92606516	34.45	4	GU95100059	33.26	24
GU90280006	33.05	11	GU92609007	33.26	12	GU95100059	33.31	14
GU90353009	34.36	4	GU92630104	33.27	19	GU95100116	34.47	12
GU90353029	34.38	24	GU92630104	33.51	14	GU95100125	34.45	14
GU90353030	34.10	17	GU92630106	33.08	27	GU95100141	33.15	14
GU90400616	34.41	11	GU92630204	33.16	8	GU95100141	33.28	24
GU90402538	33.25	6	GU92630206	33.26	6	GU95100244	34.38	29
GU90402642	33.24	8	GU92630310	33.03	6	GU95100309	34.39	27
GU90402841	34.42	3	GU92630510	33.01	3	GU95100602	34.39	25
GU90402842	34.35	9	GU92630707	33.06	5	GU95100709	34.34	21
GU90403246	34.40	20	GU92640508	33.05	9	GU95129101	33.31	21
GU90403251	34.10	38	GU92640508	33.23	19	GU95129115	34.38	22
GU90403549	34.10	3	GU92660021	33.26	7	GU95129180	34.34	27
GU90407591	34.10	15	GU92787006	33.28	6	GU95129180	34.36	13
GU90706076	34.34	29	GU92787006	33.29	11	GU95129181	33.11	6
GU90706111	34.39	22	GU92787008	33.15	8	GU95129240	36.50	4
GU90706140	34.42	4	GU92787008	34.09	19	GU95129260	33.06	3
GU90706141	33.30	16	GU93110060	33.15	13	GU95187006	34.39	13
GU90706170	34.41	8	GU93180105	34.09	21	GU95500221	33.26	10
GU90706188	34.10	29	GU93180111	33.24	13	GU95500222	34.41	6
GU90706188	34.43	18	GU93180220	34.40	9	GU95780271	34.41	5
GU90706203	34.10	7	GU93180245	34.36	22	GU96451316	33.27	15
GU90706203	34.42	25	GU93222023	33.17	4	GU96451430	34.34	3
GU90706235	34.41	14	GU93231605	33.29	14	GU96451560	34.34	2
GU90706281	34.34	19	GU93231605	34.47	23	GU96506042	34.36	5
GU90706444	34.34	17	GU93301175	33.23	20	GU96508055	34.10	12
GU90706584	34.10	37	GU93301313	33.51	15	GU96508055	34.34	4
GU90714082	33.22	27	GU93305057	34.47	13	GU96508145	34.36	20
GU91113826	33.23	29	GU93305061	33.22	6	GU96510181	34.36	15
GU91120806	33.15	6	GU93305061	34.47	15	GU96510214	34.36	14
GU91180601	33.15	10	GU93450127	33.28	15	GU97202325	33.18	26
GU91181003	33.18	11	GU93450127	33.29	7	GU97202435	33.27	9
GU91181003	33.19	18	GU93450224	33.29	3	GU97270212	34.47	24
GU91551010	33.22	20	GU94321074	33.18	12	GU973221100027	34.47	25
GU91551086	33.14	13	GU94321079	34.39	24	GU98054422	34.38	28
GU91600450	34.45	10	GU94321099	34.09	6	GU98082435	34.46	2
GU92201070	34.10	14	GU94321105	34.41	4	GU98082565	33.02	7
GU92201120	34.42	20	GU95004210	33.31	4	GU98084314	34.39	12
GU92201220	34.43	16	GU95005306	33.17	3	GU98084314	34.40	12
GU92201225	34.40	10	GU95005306	33.23	28	GU98084316	34.40	7
GU92204215	34.42	2	GU95005308	33.28	23	GU98110007	33.23	23
GU92204217	33.25	5	GU95005308	34.09	22	GU98110199	33.01	7
GU92204218	33.25	3	GU95005310	33.26	5	GU98230510	33.16	4
GU92204221	33.24	7	GU95005311	33.26	9	GU98230510	33.18	19
GU92218417	34.43	10	GU95005311	33.51	4	GU98257410	33.27	18
GU92230320	34.43	13	GU95005312	33.12	10	GU98257410	33.51	13

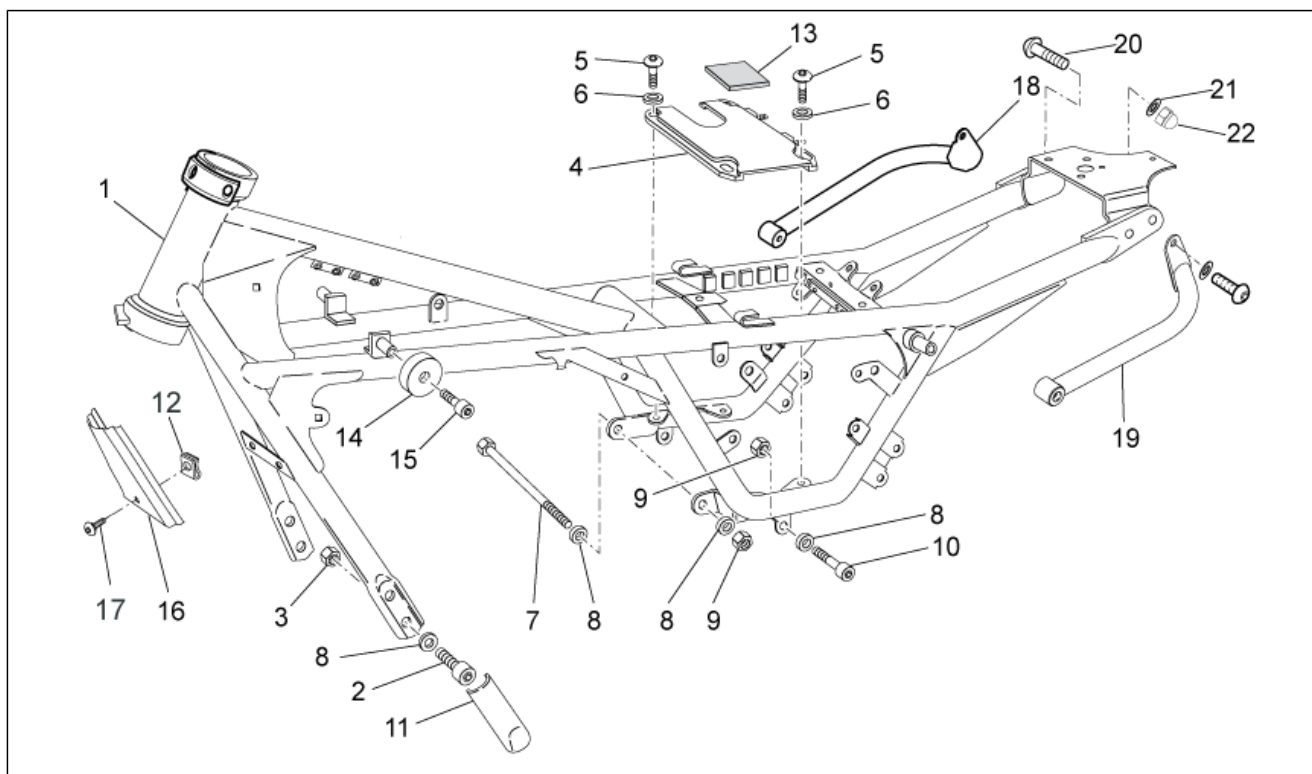


V7
GU093 - V7 Cafè 750 750 2009

Préfixe du cadre: ZGULWA00,
ZGULWC01, ZGULWJ01
Préfixe du moteur:

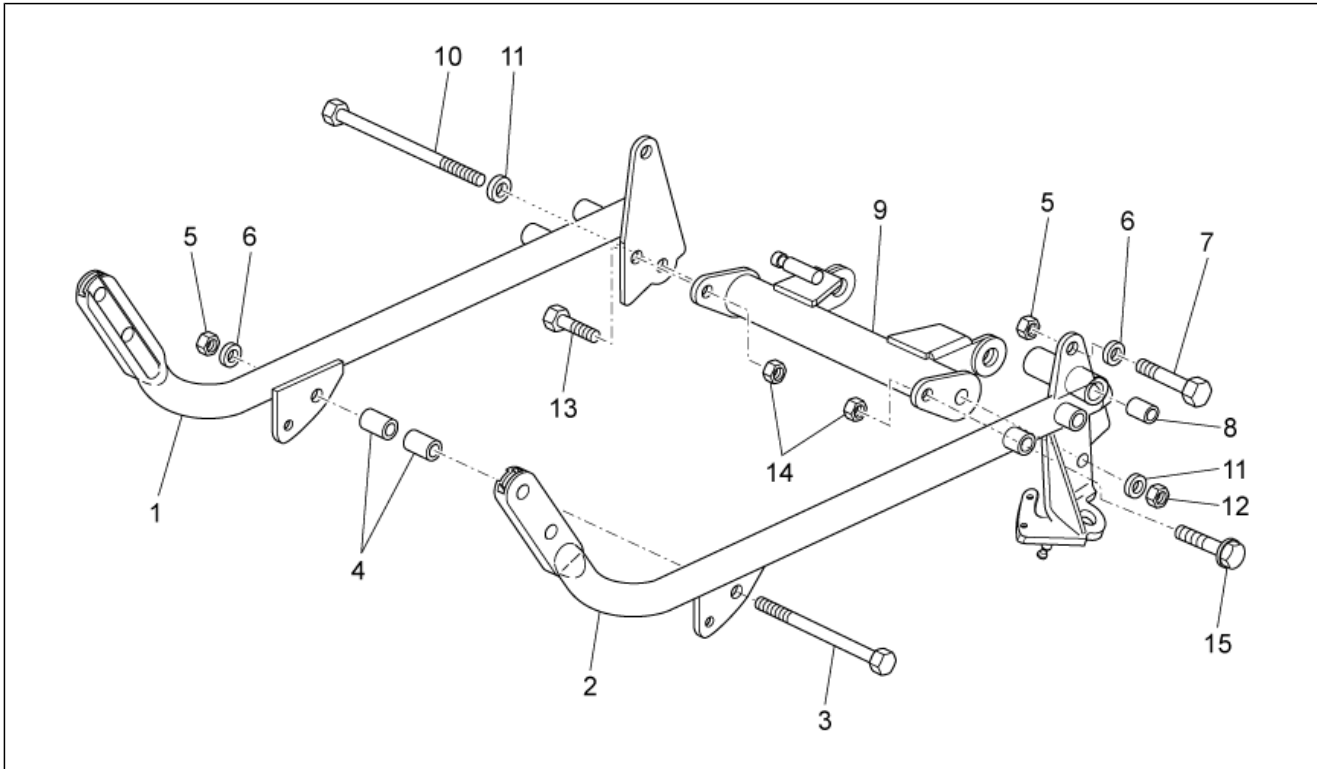
Code	N° de tableau	Pos.
GU98257830	33.05	10
GU98304012	33.05	5
GU98310609	34.47	11
GU98350215	33.29	12
GU98350312	34.44	7
GU98350416	33.01	5
GU98350440	33.13	3
GU98370412	33.19	4
GU98370515	34.47	21
GU98370609	33.17	2
GU98370609	33.23	27
GU98370625	33.14	4
GU98370625	33.26	17
GU98370655	33.28	7
GU98370655	33.29	9
GU98370831	33.01	20
GU98370831	33.15	5
GU98370831	33.28	22
GU98612216	33.03	9
GU98620335	34.39	7
GU98620540	33.08	18
GU98632322	33.06	6
GU98680265	34.45	6
GU98680330	33.08	3
GU98680330	34.35	4
GU98680335	34.35	8
GU98680335	34.42	27
GU98680350	33.08	30
GU98680435	34.40	15
GU98680435	34.42	19
GU98680440	33.23	17
GU98680450	34.40	16
GU98680545	34.09	16
GU98680555	33.01	10
GU98682125	33.30	4
GU98682212	33.30	14
GU98682212	33.31	13
GU98682215	33.26	18
GU98682314	34.42	6
GU98682322	34.47	9
GU98682325	34.34	11
GU98682325	34.35	3
GU98682330	34.40	14
GU98682330	34.42	18
GU98682414	33.01	15
GU98682416	33.17	9
GU98682416	33.32	7
GU98682420	33.05	4
GU98682425	33.25	13
GU98682530	33.01	2
GU98690335	33.11	8
GU98690335	33.18	27
GU98692325	33.18	9
GU98692325	34.36	16
GU98880540	33.28	21
GU98882316	34.38	21

Groupe	CHASSIS
Code	33.01
Description	Chassis I
Révision	1



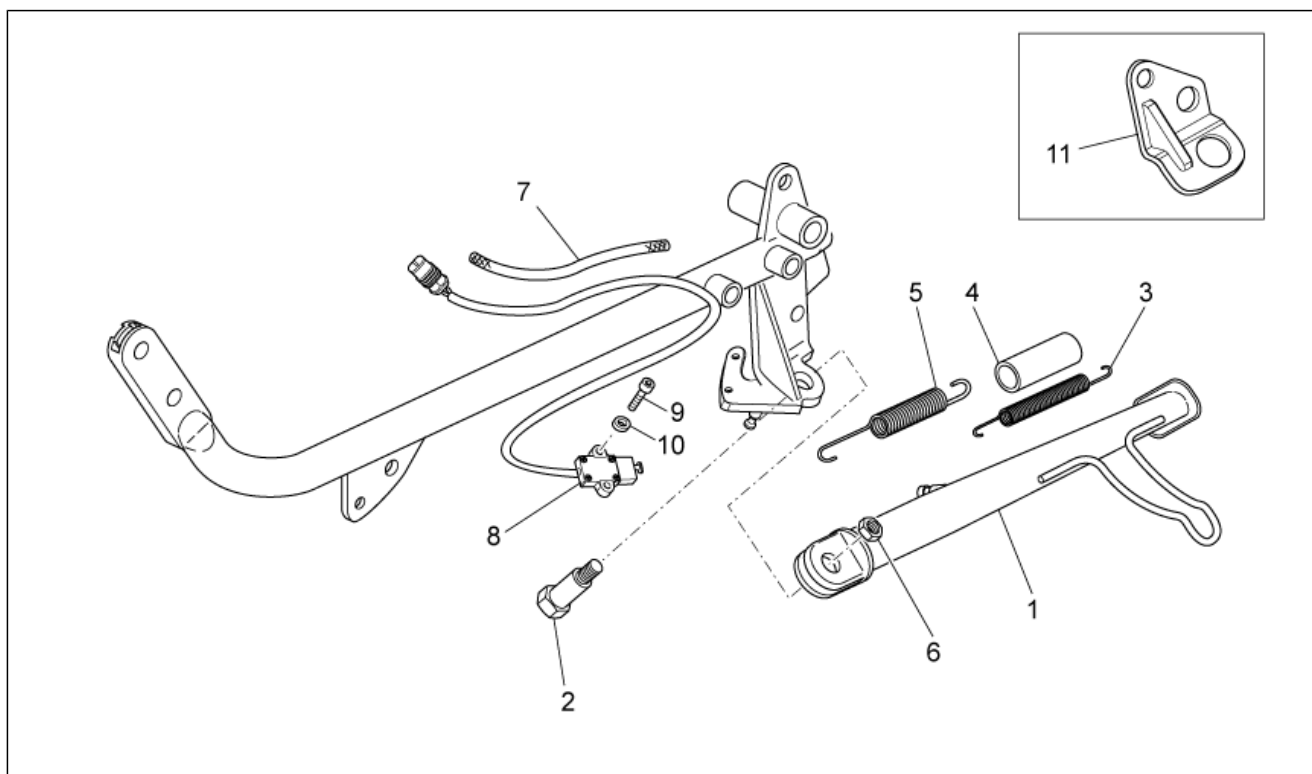
Pos.	Code	Description	Quant	Variants
1	978750	Chassis complete noire	1	
2	GU98682530	Vis M10x30	4	
3	GU92630510	Ecrou M10x1,5	4	
4	GU32418260	Plaque	1	
5	GU98350416	Vis	4	
6	GU95008208	Rondelle 8,4X15X1,5	4	
7	GU98110199	Pivot M10x205	1	
8	GU95008210	Rondelle 10,2X18X2	11	
9	GU92606210	Ecrou M10x1,5	2	
10	GU98680555	Vis M10x55	2	
11	GU32457810	Protection	2	
12	AP8102375	Clip m5	1	
13	GU01103860	Caoutchouc anti-vibrations	1	
14	GU66103415	Caoutchouc	2	
15	GU98682414	Vis	2	
16	GU32575960	Protection	1	
17	AP8152302	Vis bride M5x12	1	
18	978951	Poignée D	1	
19	978952	Poignée g.	1	
20	GU98370831	Vis M8x30	2	
21	GU03270300	Rondelle 8,4x15	2	
22	860651	Ecrou borgne M8x1,25	2	

Groupe	CHASSIS
Code	33.02
Description	Chassis II
Révision	1



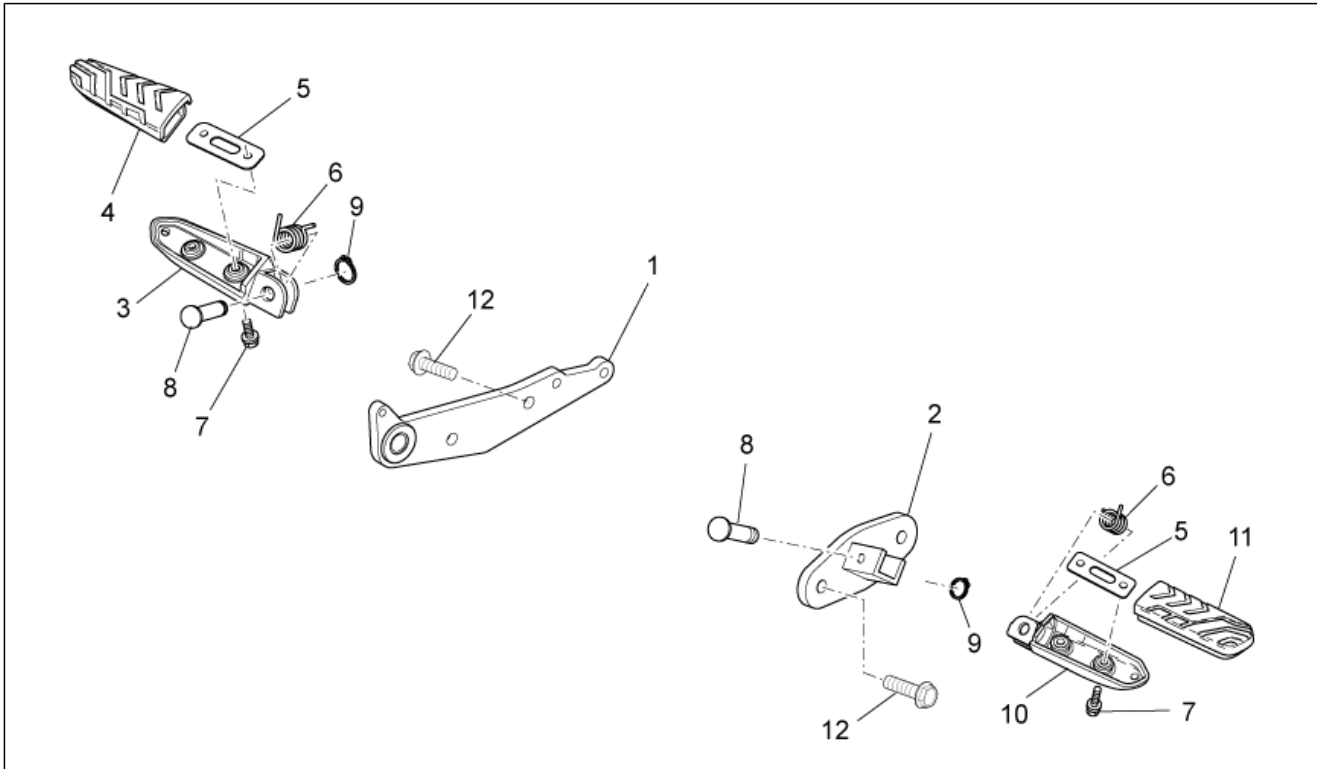
Pos.	Code	Description	Quant	Variants
1	978751	Bras d.noir brillant	1	
2	978752	Bras g.noir brillant	1	
3	GU53429500	Pivot M10x250	1	
4	GU19017000	Bague	2	
5	GU92606210	Ecrou M10x1,5	3	
6	GU95008210	Rondelle 10,2X18X2	3	
7	GU98082565	Vis M10x65	2	
8	GU28252060	Douille 18 mm est.	2	
9	GU32431310	Traverse comm.bras duberceau	1	
10	AP8121367	Pivot M10x260	1	
11	AP8152220	Rondelle	2	
12	AP8150436	Ecrou autofr. bas	1	
13	AP8152287	Vis bride	1	
14	AP8152300	Ecrou autobloqu. M8	1	
15	AP8152288	Vis bride	1	

Groupe	CHASSIS
Code	33.03
Description	Béquille latérale
Révision	1



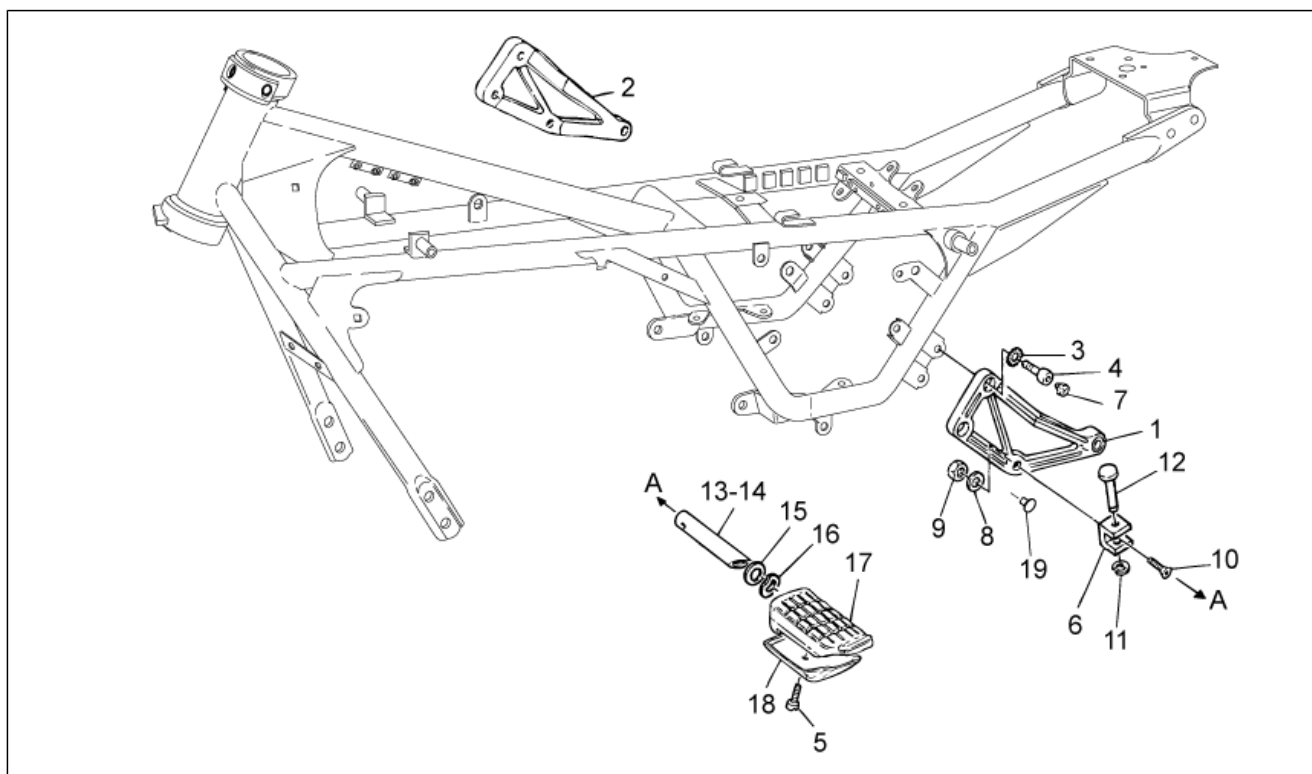
Pos.	Code	Description	Quant	Variants
1	883471	Bras latérale noire	1	Pays: Canadian[CA], États Unis[USA]
1	977088	Bras latérale noire	1	Pays: Australie[AUS], Other country[EU], Japon[J], Angleterre[UK]
2	AP8121375	Vis fix. béquille	1	Pays: Australie[AUS], Other country[EU], Japon[J], Angleterre[UK]
2	AP8121607	Vis fix. béquille	1	Pays: Canadian[CA], États Unis[USA]
3	AP8121014	Ress.hél.cyl.tract. *	1	
4	AP8102524	Protec.ress.béquille	1	
5	AP8221197	Ressort rappel béq.	1	
6	GU32433011	Ecrou	1	Pays: Canadian[CA], États Unis[USA]
6	GU92630310	Ecrou	1	Pays: Australie[AUS], Other country[EU], Japon[J], Angleterre[UK]
7	GU00823923140	Gaine thermique	1	
8	639542	Button for the side stand	1	
9	GU98612216	Vis	2	
10	GU95020105	Rondelle 5,3x8,9x2,4	2	
11	GU32432711	Plaque	1	Pays: Canadian[CA], États Unis[USA]

Groupe	CHASSIS
Code	33.04
Description	R-pied pilote
Révision	1



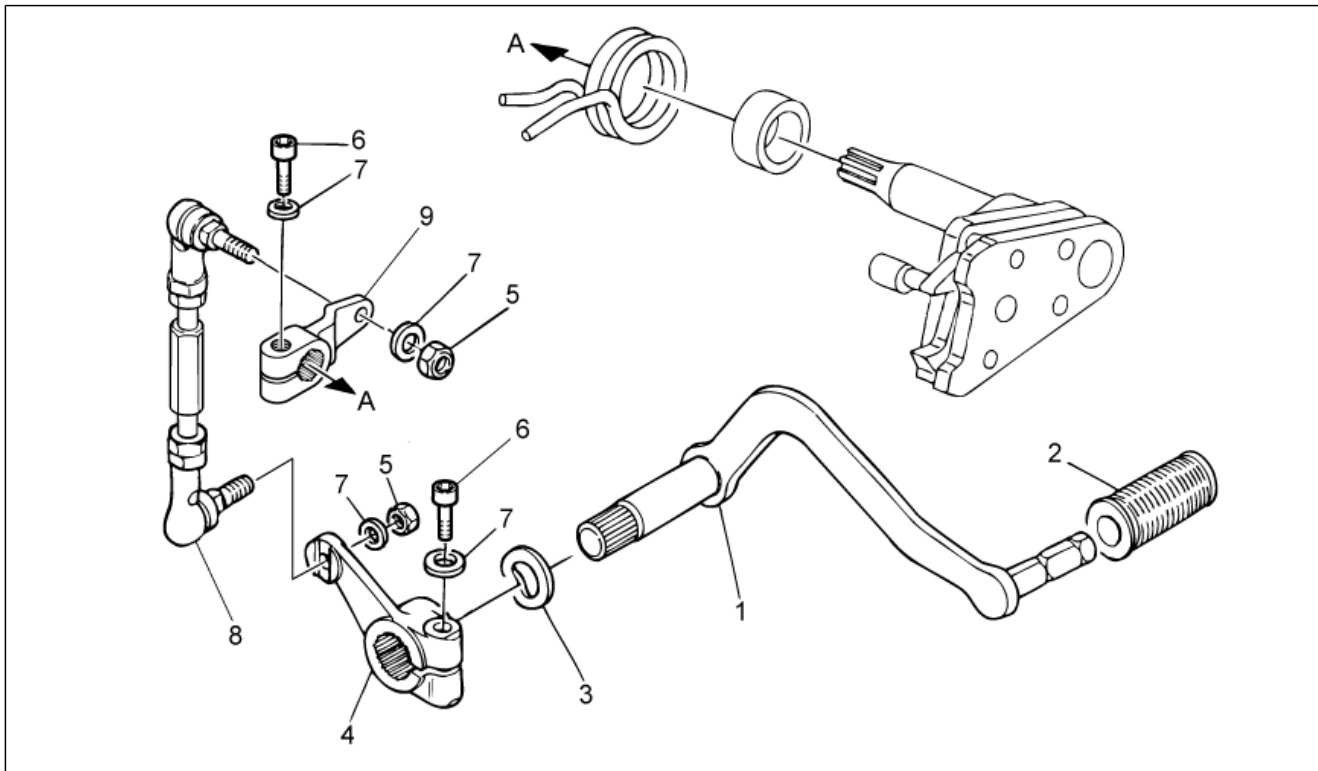
Pos.	Code	Description	Quant	Variants
1	883051	Support repose-pieds dte	1	
2	883052	Support r-p. G	1	
3	AP8145034	R-pied pilote D	1	
4	GU32443210	Coautchouc pour support	1	
5	GU32441210	Plaquette	2	
6	AP8221277	Ressort retour repose-pieds	2	
7	AP8152277	Vis bride M6x12	4	
8	AP8134829	Pivot repose-pieds	2	
9	AP8152409	Anneau d'arrêt rad.	2	
10	AP8145035	R-pied pilote G	1	
11	GU32443211	Coautchouc pour support	1	
12	AP8152286	Vis bride M8x20	4	

Groupe	CHASSIS
Code	33.05
Description	R-pied pass.
Révision	1



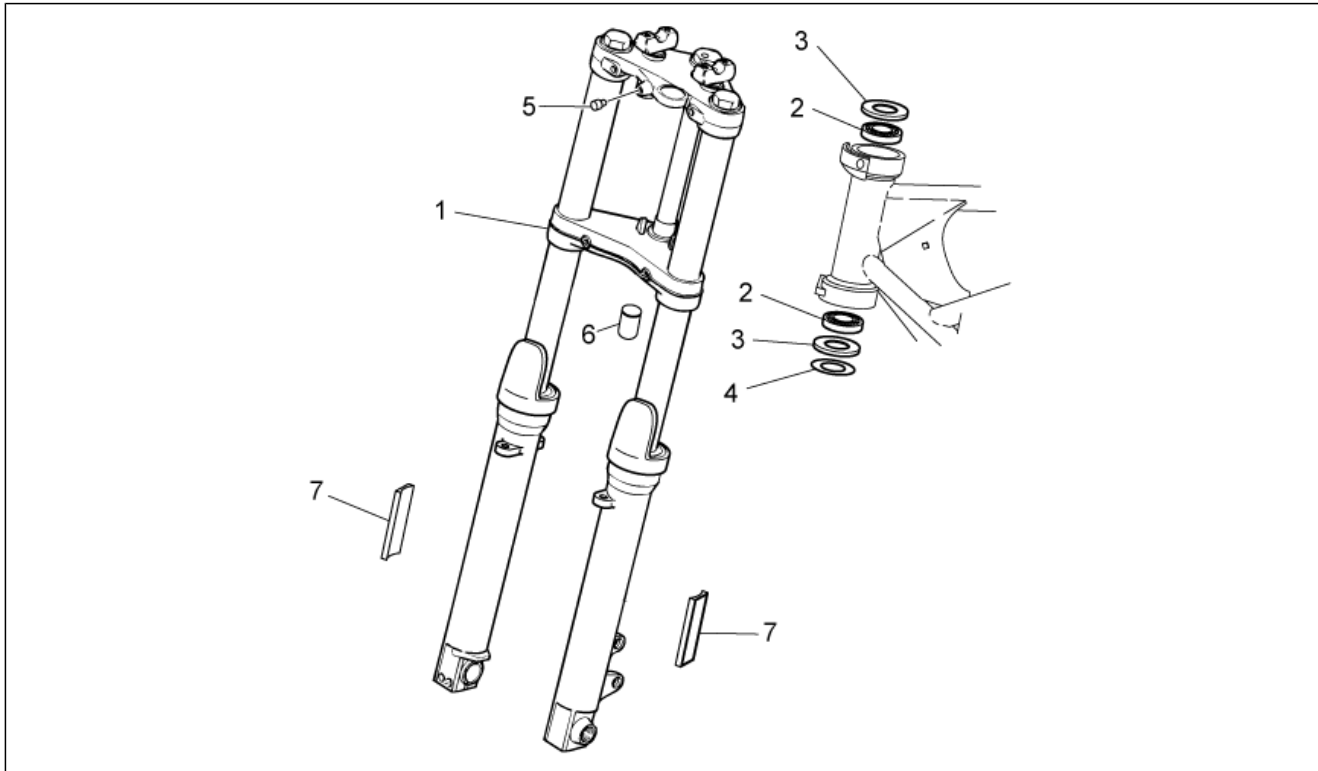
Pos.	Code	Description	Quant	Variants
1	GU32446060	Support r-p. G	1	
2	GU32443560	Support repose-pieds dte	1	
3	GU14615901	Rondelle 8,4X13X0,8	4	
4	GU98682420	Vis	4	
5	GU98304012	Vis	2	Spécifications techniques:Optional[OPT]
6	GU66441730	Plaque fdc r-pied	2	Spécifications techniques:Optional[OPT]
7	GU23943410	Bouchon	4	
8	GU95008308	Rondelle	2	Spécifications techniques:Optional[OPT]
9	GU92640508	Ecrou M8	2	Spécifications techniques:Optional[OPT]
10	GU98257830	Vis	2	Spécifications techniques:Optional[OPT]
11	GU90280006	Bague de butée	2	Spécifications techniques:Optional[OPT]
12	GU66440630	Pivot	2	Spécifications techniques:Optional[OPT]
13	GU66440730	Tuyau rep.-pieds av.d.	1	Spécifications techniques:Optional[OPT]
14	GU66441830	Tuyau rep.-pieds av.g.	1	Spécifications techniques:Optional[OPT]
15	GU66441630	Cale	2	Spécifications techniques:Optional[OPT]
16	GU51609800	Rondelle élastique	2	Spécifications techniques:Optional[OPT]
17	GU66443230	Repose pieds	2	Spécifications techniques:Optional[OPT]
18	GU31441283	Plaquette	2	Spécifications techniques:Optional[OPT]
19	118259	Bouchon	2	

Groupe	CHASSIS
Code	33.06
Description	Levier boîte de vitesses
Révision	1



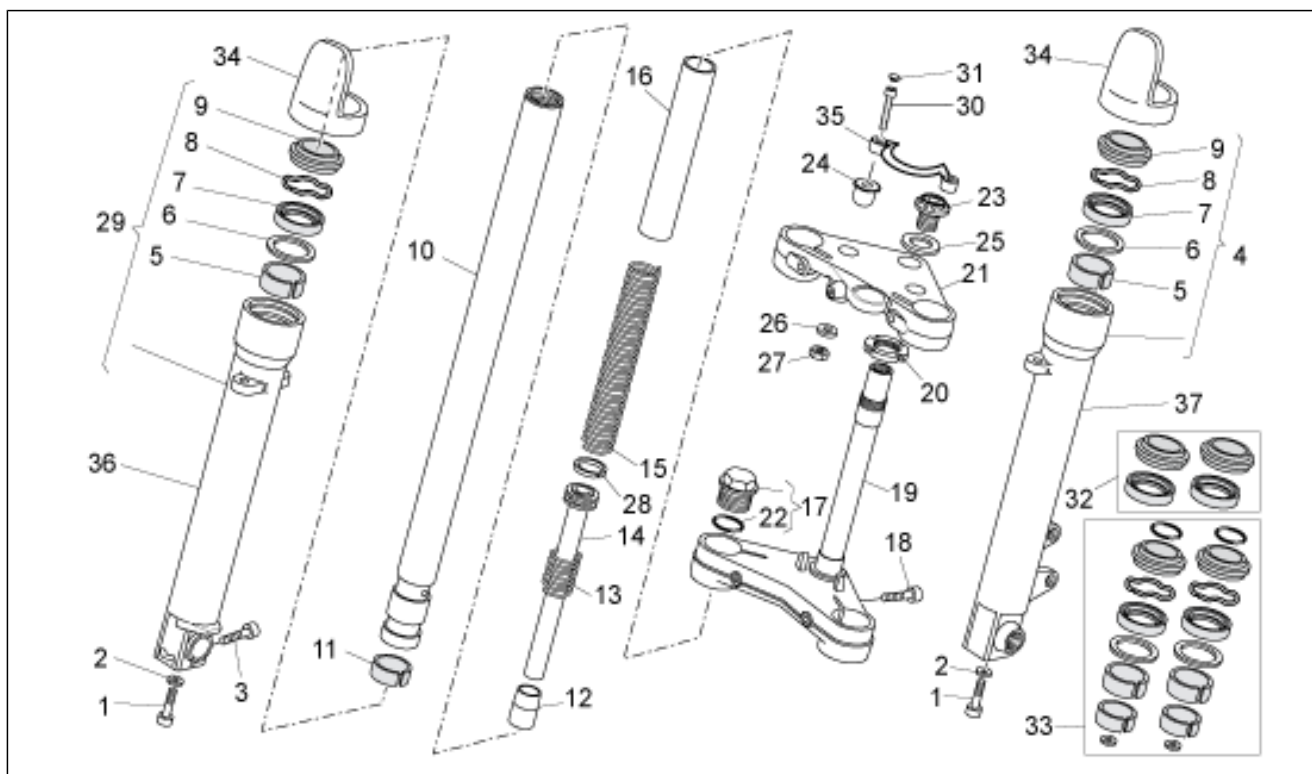
Pos.	Code	Description	Quant	Variants
1	883039	Levier boîte de vitesses	1	
2	GU14251001	Caoutchouc	1	
3	GU95129260	Rondelle élastique	2	
4	GU32256910	Levier	1	
5	GU92630707	Ecrou	2	
6	GU98632322	Vis	2	
7	GU03013800	Rondelle 6,4x12	3	
8	GU32257810	Tirant pour boîte vitesse cpl.	1	
9	GU20258221	Levier de commande	1	

Groupe	CHASSIS
Code	33.07
Description	Fourche Av. I
Révision	1



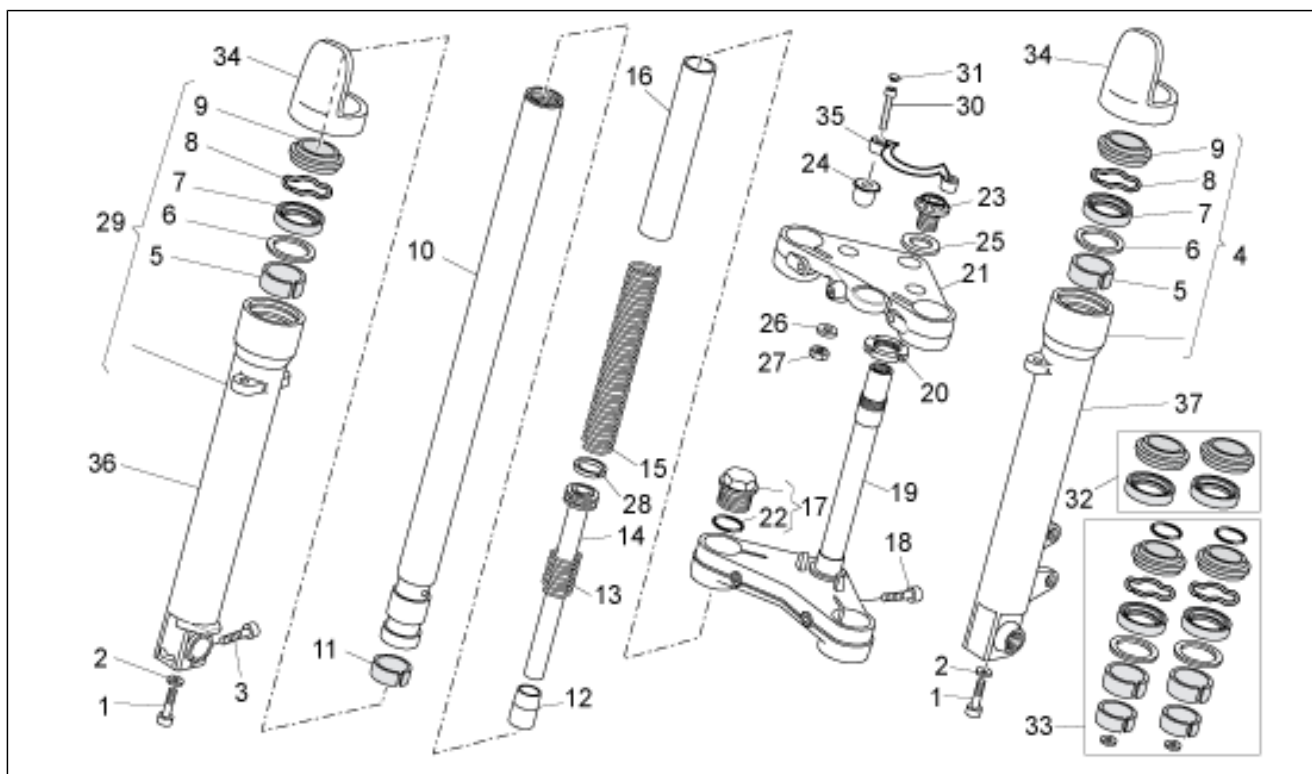
Pos.	Code	Description	Quant	Variants
1	978979	Fourche complète	1	
2	GU92249225	Roulement roul.con.	2	
3	AP8144146	Bague d'étanchéité	1	
4	AP8121307	Rondelle	1	
5	AP8144081	Caoutchouc	1	
6	AP8220460	Rondelle en caoutchouc	1	
7	GU05781630	Catadioptré, ambre	2	Pays:Canadian[CA], États Unis[USA]

Groupe	CHASSIS
Code	33.08
Description	Fourche Av. II
Révision	1



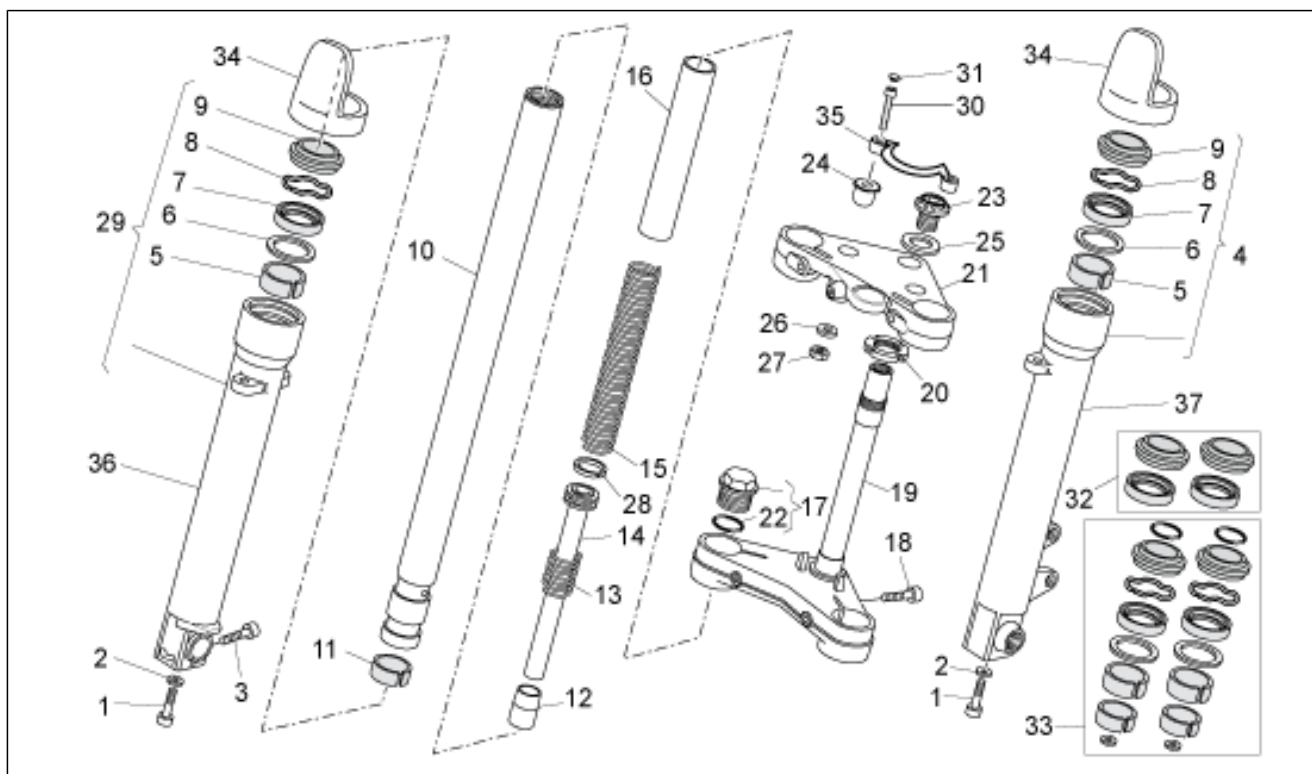
Pos.	Code	Description	Quant	Variants
1	887878	Vis M10x30	2	Spécifications techniques:Kaifa[K]
1	GU03530530	Vis M10x30	2	Spécifications techniques:Marzocchi[M]
2	887879	Rondelle	2	Spécifications techniques:Kaifa[K]
2	GU03530529	Rondelle	2	Spécifications techniques:Marzocchi[M]
3	887880	Vis	2	Spécifications techniques:Kaifa[K]
3	GU98680330	Vis M6x30	2	Spécifications techniques:Marzocchi[M]
4	978978	Fourreau G Black	1	Spécifications techniques:Marzocchi[M]
5	887882	Douille supérieure	2	Spécifications techniques:Kaifa[K]
5	GU30526761	Douille supérieure	2	Spécifications techniques:Marzocchi[M]
6	887883	Rondelle	2	Spécifications techniques:Kaifa[K]
6	GU01530568	Rondelle	2	Spécifications techniques:Marzocchi[M]
7	887884	Bague d'étanchéité	2	Spécifications techniques:Kaifa[K]
7	GU27530584	Bague d'étanchéité 40x52x9,5	2	Spécifications techniques:Marzocchi[M]
8	887885	Bague de butée	2	Spécifications techniques:Kaifa[K]
8	GU32530501	Bague de butée	2	Spécifications techniques:Marzocchi[M]
9	599502	Pare-pous.+épingle (Marzocchi)	2	Spécifications techniques:Marzocchi[M]
9	887886	Pare-poussière	2	Spécifications techniques:Kaifa[K]
10	887887	Tige	2	Spécifications techniques:Kaifa[K]
10	GU32525410	Tige	2	Spécifications techniques:Marzocchi[M]
11	887888	Douille	2	Spécifications techniques:Kaifa[K]
11	GU30525861	Douille inférieure	2	Spécifications techniques:Marzocchi[M]
12	887889	Tampon	2	Spécifications techniques:Kaifa[K]
12	GU03530551	Tampon	2	Spécifications techniques:Marzocchi[M]
13	887890	Contre-ressort	2	Spécifications techniques:Kaifa[K]
13	GU32530502	Contre-ressort	2	Spécifications techniques:Marzocchi[M]
14	887891	Elém.pompage cpl	2	Spécifications techniques:Kaifa[K]
14	GU32530503	Elém.pompage cpl	2	Spécifications techniques:Marzocchi[M]
15	887892	Ressort	2	Spécifications techniques:Kaifa[K]

Groupe	CHASSIS
Code	33.08
Description	Fourche Av. II
Révision	1



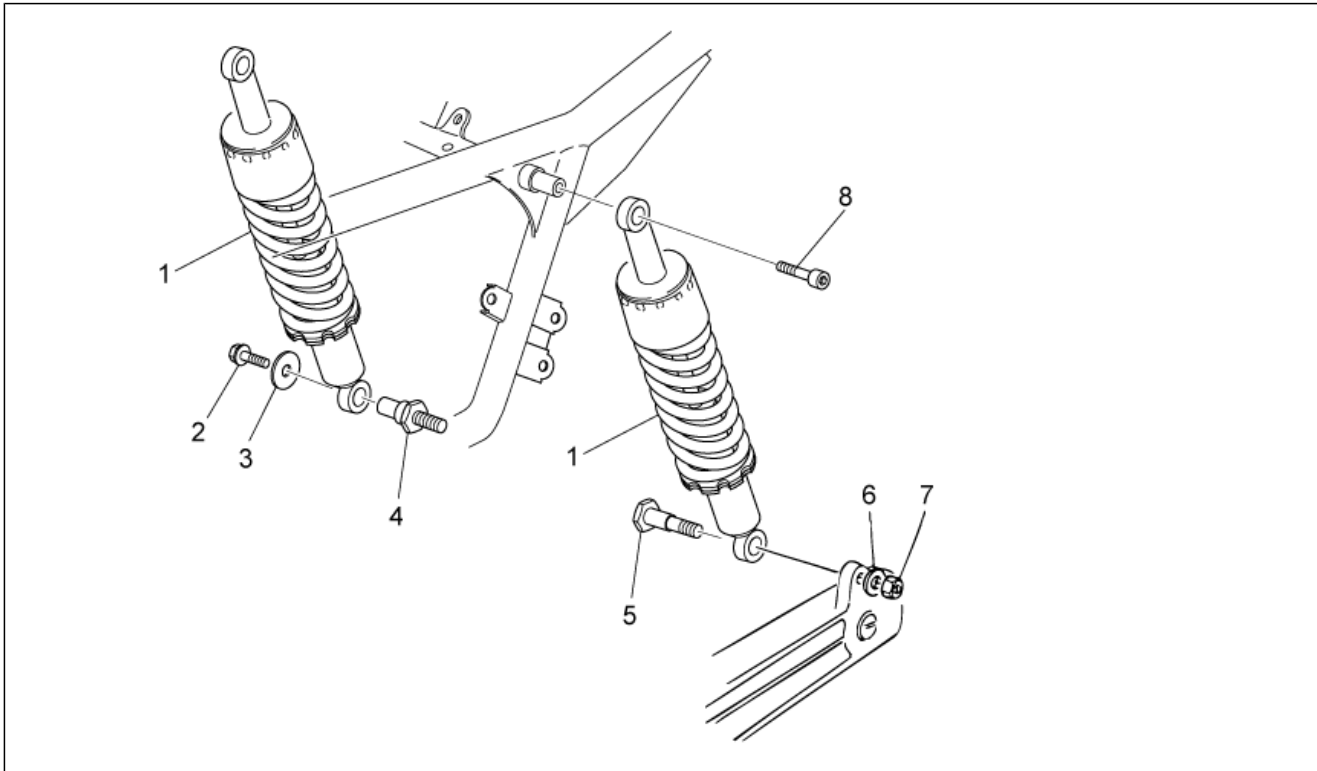
Pos.	Code	Description	Quant	Variants
15	GU32526610	Ressort	2	Spécifications techniques:Marzocchi[M]
16	887893	Tuyau	2	Spécifications techniques:Kaifa[K]
16	GU32526310	Tuyau	2	Spécifications techniques:Marzocchi[M]
17	887894	Gr. bouchon cpl.	2	Spécifications techniques:Kaifa[K]
17	GU31504583	Gr. bouchon cpl.	2	Spécifications techniques:Marzocchi[M]
18	887895	Vis	2	Spécifications techniques:Kaifa[K]
18	GU98620540	Vis	2	Spécifications techniques:Marzocchi[M]
19	887896	Base avec tube	1	Spécifications techniques:Kaifa[K]
19	978974	Base avec tube Black	1	Spécifications techniques:Marzocchi[M]
20	GU31513480	Bague M25X1	1	Spécifications techniques:Marzocchi[M]
21	978976	Plaque sup. fourche	1	
22	887916	Joint torique 4118	2	Spécifications techniques:Kaifa[K]
22	GU32530505	Joint torique 4118	2	Spécifications techniques:Marzocchi[M]
23	883498	Douille fx. pl. sup.	1	Spécifications techniques:Marzocchi[M]
23	887900	Ecrou	1	Spécifications techniques:Kaifa[K]
24	883552	Douille	2	
25	887899	Rondelle	2	Spécifications techniques:Kaifa[K]
25	GU27530510	Rondelle	2	Spécifications techniques:Marzocchi[M]
26	GU95005330	Rondelle 6,4x30x1,5	2	
27	GU92630106	Ecrou M6x1	2	
28	887905	Segment	2	Spécifications techniques:Kaifa[K]
28	GU32530504	Segment	2	
29	978977	Fourreau D	1	Spécifications techniques:Marzocchi[M]
30	GU98680350	Vis M6x50	2	
31	GU23943410	Bouchon	8	
32	GU32530610	Jeu de joints	1	Spécifications techniques:Marzocchi[M]
33	GU32530611	Kit moteur spi	1	Spécifications techniques:Marzocchi[M]
34	887917	Prot. Tige	2	Spécifications techniques:Kaifa[K]

Groupe	CHASSIS
Code	33.08
Description	Fourche Av. II
Révision	1



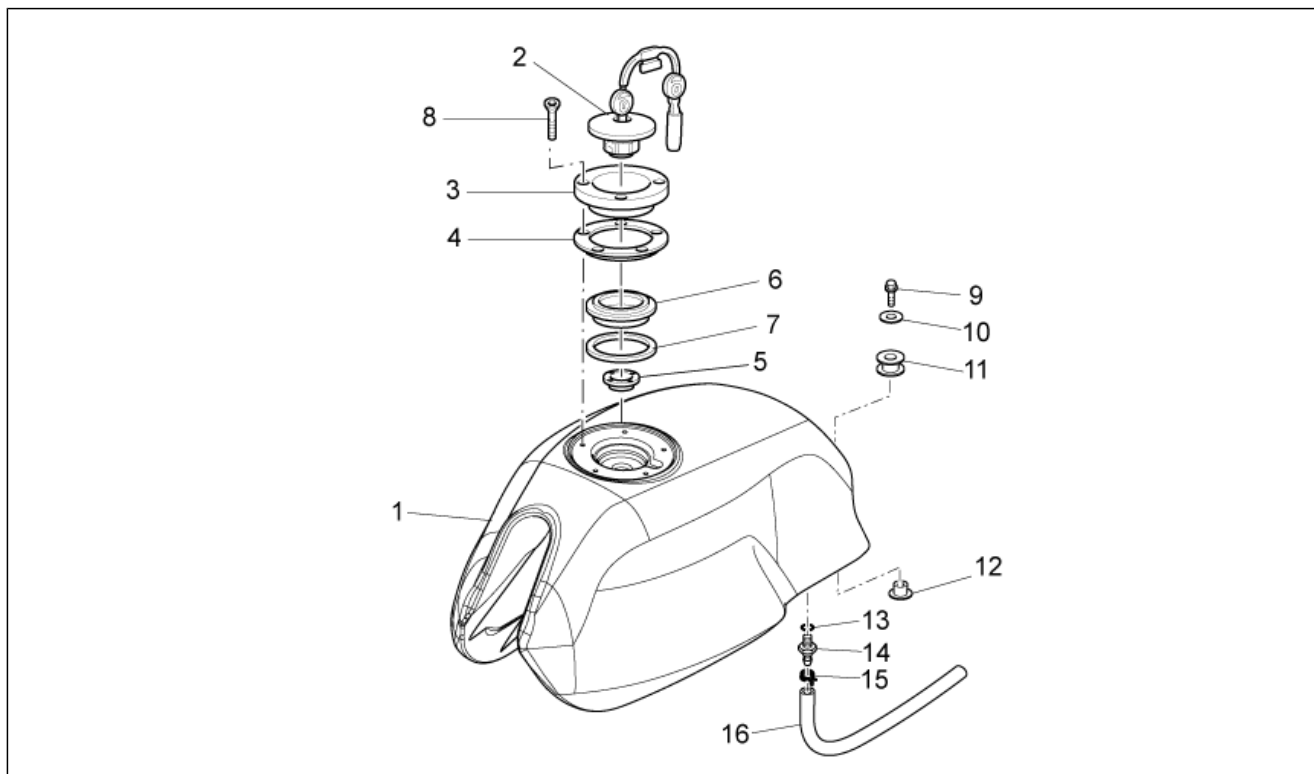
Pos.	Code	Description	Quant	Variants
34	GU32504210	Prot. Tige	2	Spécifications techniques:Marzocchi[M]
35	883602	Tuyau	1	
36	887906	Fourreau D	1	Spécifications techniques:Kaifa[K]
37	887881	Fourreau G	1	Spécifications techniques:Kaifa[K]

Groupe	CHASSIS
Code	33.11
Description	Amortisseur AR
Révision	1



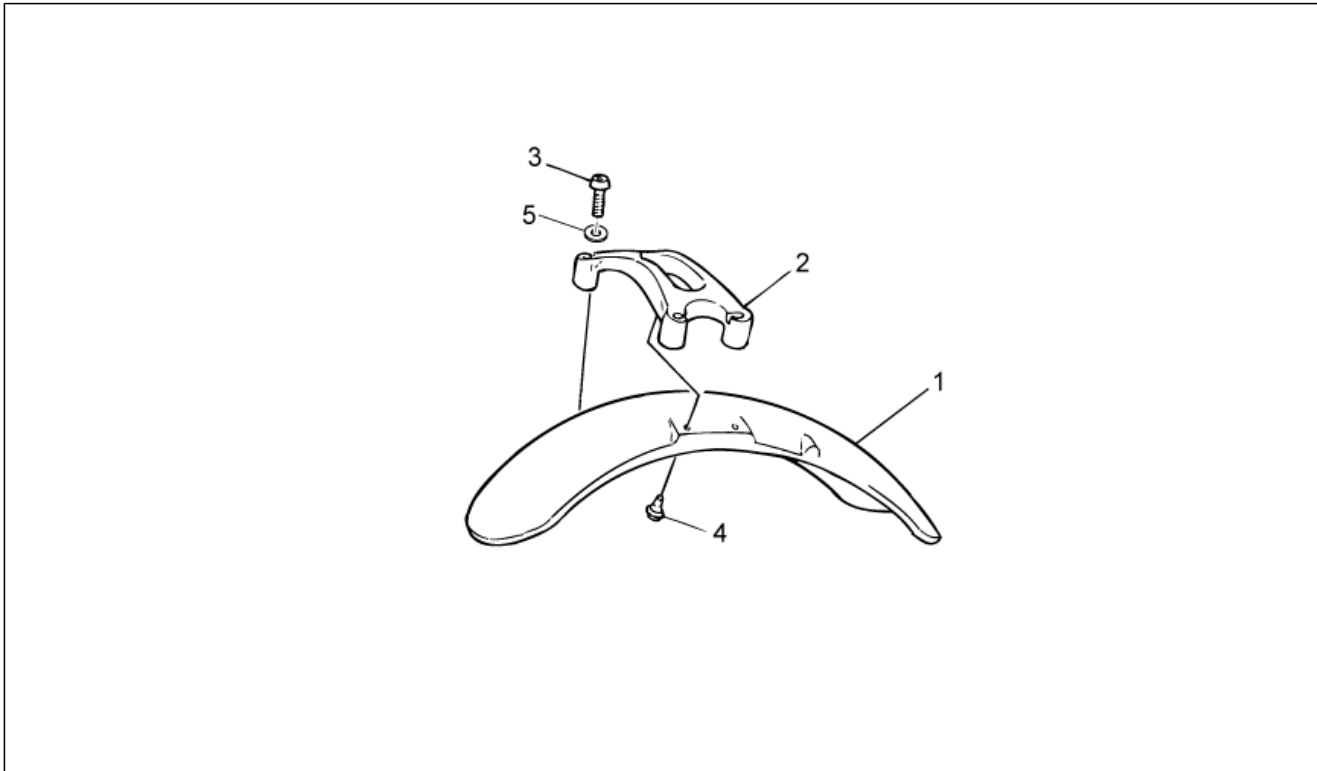
Pos.	Code	Description	Quant	Variants
1	883003	Amortisseur AR SACHS	2	
2	AP8152278	Vis bride M6x16	1	
3	GU95005330	Rondelle 6,4x30x1,5	1	
4	GU32555210	Pivot	1	
5	GU32555211	Pivot	1	
6	GU95129181	Rondelle	1	
7	GU92606210	Ecrou M10x1,5	1	
8	GU98690335	Vis	2	

Groupe	CHASSIS
Code	33.12
Description	Réservoir essence
Révision	1



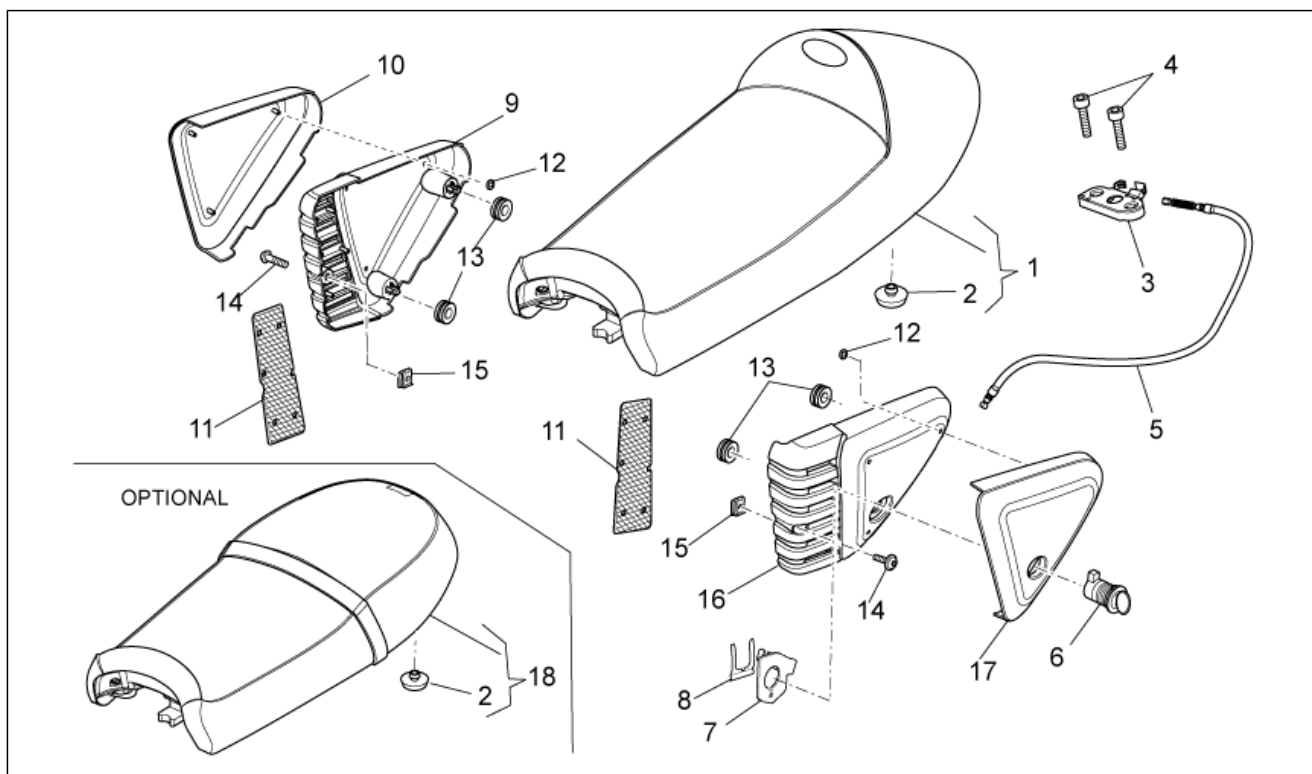
Pos.	Code	Description	Quant	Variants
1	883469	Réservoir brut	1	Pays: Canadian[CA], États Unis[USA]
1	88346900XG4	Réservoir ess. jaune	1	Couleur véhicule: Solaris yellow 2009[y.so.] Pays: Canadian[CA], États Unis[USA]
1	978928	Réservoir brut	1	Pays: Australie[AUS], Other country[EU], Japon[J], Angleterre[UK]
1	97892800BMA	Réservoir ess.blanc	1	Couleur véhicule: Diamond White 2009[d.wh.] Pays: Australie[AUS], Other country[EU], Japon[J], Angleterre[UK]
1	97892800XG4	Réservoir ess. jaune	1	Couleur véhicule: Solaris yellow 2009[y.so.] Pays: Australie[AUS], Other country[EU], Japon[J], Angleterre[UK]
2	883185	Bouchon réservoir	1	Pays: Australie[AUS], Other country[EU], Japon[J], Angleterre[UK]
2	883476	Bouchon réservoir	1	Pays: Canadian[CA], États Unis[USA]
3	978929	Bride	1	
4	883193	Joint	1	
5	GU03101720	Reduction 38 mm	1	
6	GU03102200	Embout pour bouchon	1	
7	GU03101600	Joint	1	
8	831153	Vis FHC	5	
9	AP8152291	Vis bride	1	
10	GU95005312	Rondelle 8,5x24x2	1	
11	GU02107100	Caoutchouc	1	
12	883252	Entretoise	1	
13	AP8120965	Joint torique 2018	1	
14	GU30103730	Raccord	1	
15	AP8101595	Collier D10,1*	1	
16	GU00823944050	Tuyau 5X9	1	

Groupe	CHASSIS
Code	33.13
Description	Carrosserie av. - Garde-boue AV
Révision	1



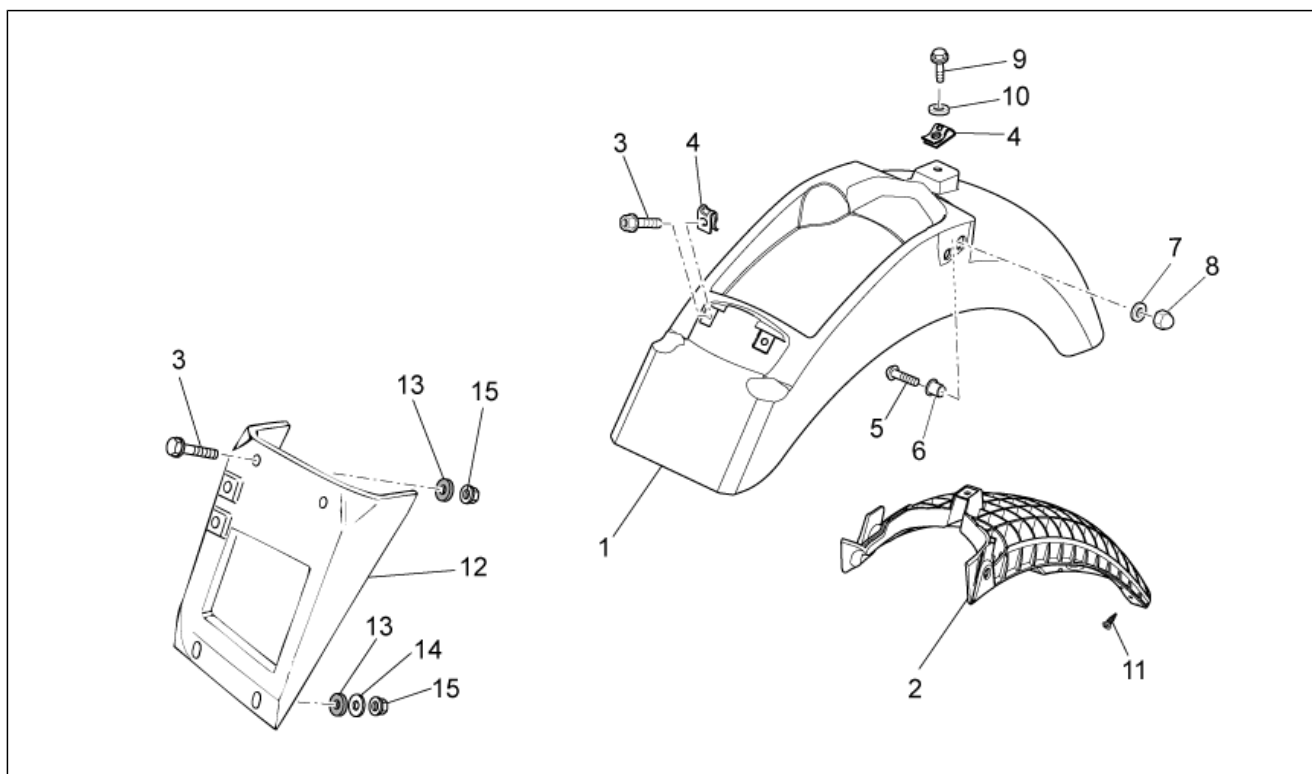
Pos.	Code	Description	Quant	Variants
1	GU32434460	Garde-boue av.brut	1	
1	GU32434462	Garde-b AV.noir	1	Couleur véhicule: Diamond White 2009[d.wh.], Solaris yellow 2009[y.so.]
2	883266	Plaque de stabilisation	1	
3	GU98350440	Vis	4	
4	GU31439565	Vis	4	
5	GU14615901	Rondelle 8,4X13X0,8	4	

Groupe	CHASSIS
Code	33.14
Description	Selle-Carosserie cent.
Révision	1



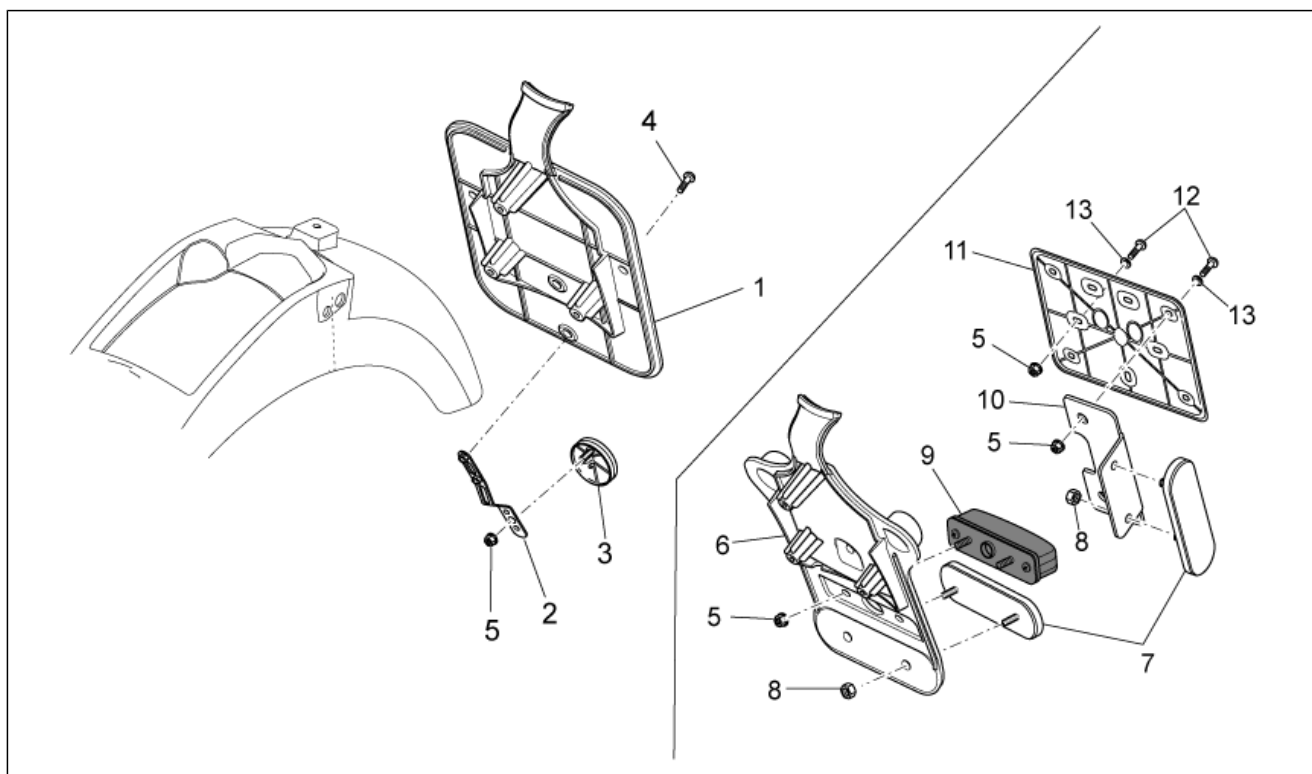
Pos.	Code	Description	Quant	Variants
1	883588	Selle	1	
2	GU32461610	Caoutchouc	10	
3	AP8102913	Pl.fix.selle pass.	1	
4	GU98370625	Vis	2	
5	883295	Transmission décrochement sell	1	
6	977527	Serrure selle	1	
7	AP8121420	Ressort à fourche	1	
8	978415	Plaque support câble	1	
9	978941	Support droite	1	
10	97894000BMA	Flanc D, blanc	1	Couleur véhicule:Diamond White 2009[d.wh.]
10	97894000XG4	Flanc d., peint jaune	1	Couleur véhicule:Solaris yellow 2009[y.so.]
11	978942	Grille	2	
12	AP8150450	Rondelle pour arbres D5	1	
13	GU91551086	Caoutchouc	4	
14	AP8152339	Vis bride M5x9	2	
15	AP8102375	Clip m5	2	
16	978944	Support gauche	1	
17	97894300BMA	Flanc G, blanc	1	Couleur véhicule:Diamond White 2009[d.wh.]
17	97894300XG4	Flanc g. jaune	1	Couleur véhicule:Solaris yellow 2009[y.so.]
18	978931	Selle deux places	1	Spécifications techniques:Optional[OPT]

Groupe	CHASSIS
Code	33.15
Description	Carrosserie arrière I- Garde-boue
Révision	1



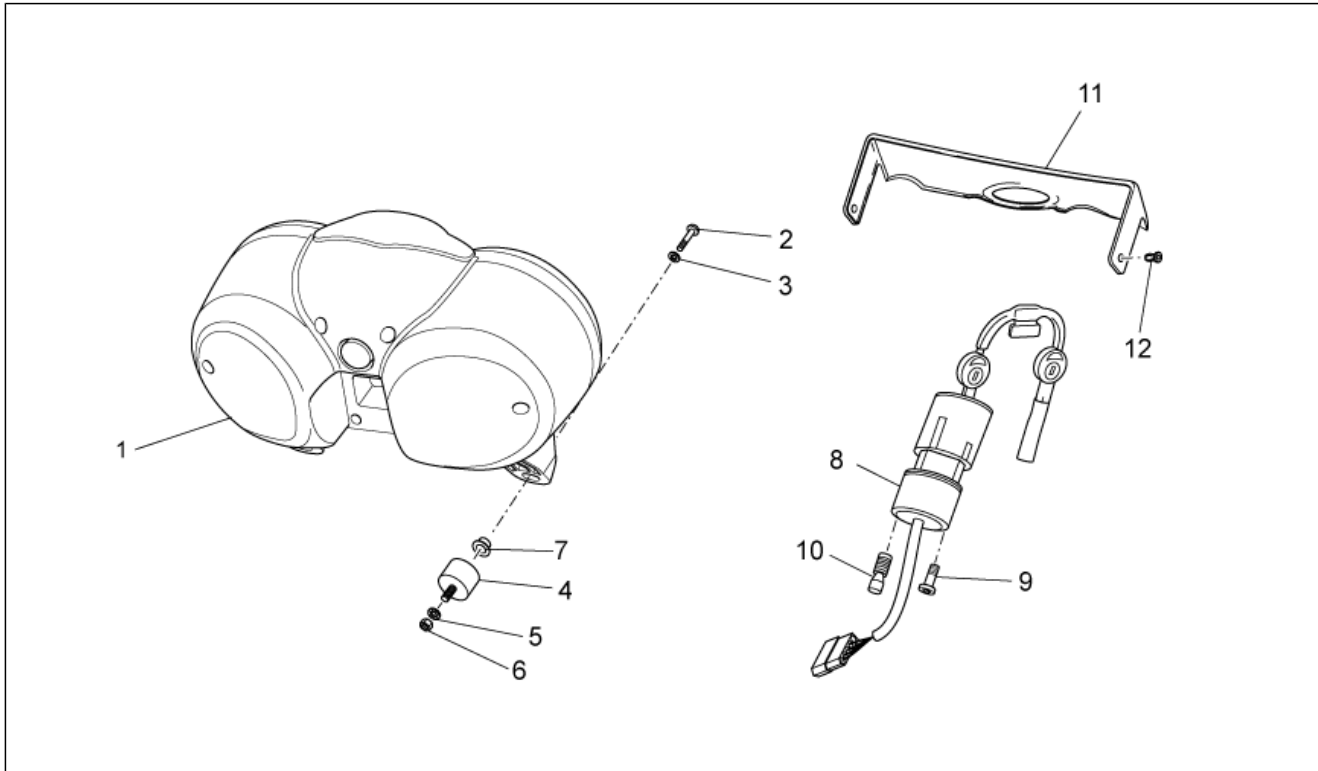
Pos.	Code	Description	Quant	Variants
1	97894600Y02	Garde-boue arrière noir	1	Couleur véhicule: Diamond White 2009[d.wh.], Solaris yellow 2009[y.so.]
2	978947	Soutien	1	
3	AP8152278	Vis bride M6x16	4	
4	GU28576591	Clip M6	3	
5	GU98370831	Vis M8x30	2	
6	GU91120806	Entretoise	2	
7	GU03270300	Rondelle 8,4x15	2	
8	GU92787008	Ecrou borgne M8x1,25	2	
9	AP8152279	Vis bride M6x20	2	
10	GU91180601	Entretoise 6,2x8x3	2	
11	AP8152329	Vis SWP crois. brid. M5x20	3	
12	GU31438765	Bavette anti-éclaboussures	1	
13	GU93110060	Caoutchouc	4	
14	GU95100141	Rondelle 6,4x12x1,2	2	
15	AP8152299	Ecrou autobloqu. M6	4	

Groupe	CHASSIS
Code	33.16
Description	Carrosserie arrière II- Porte-plaque
Révision	1



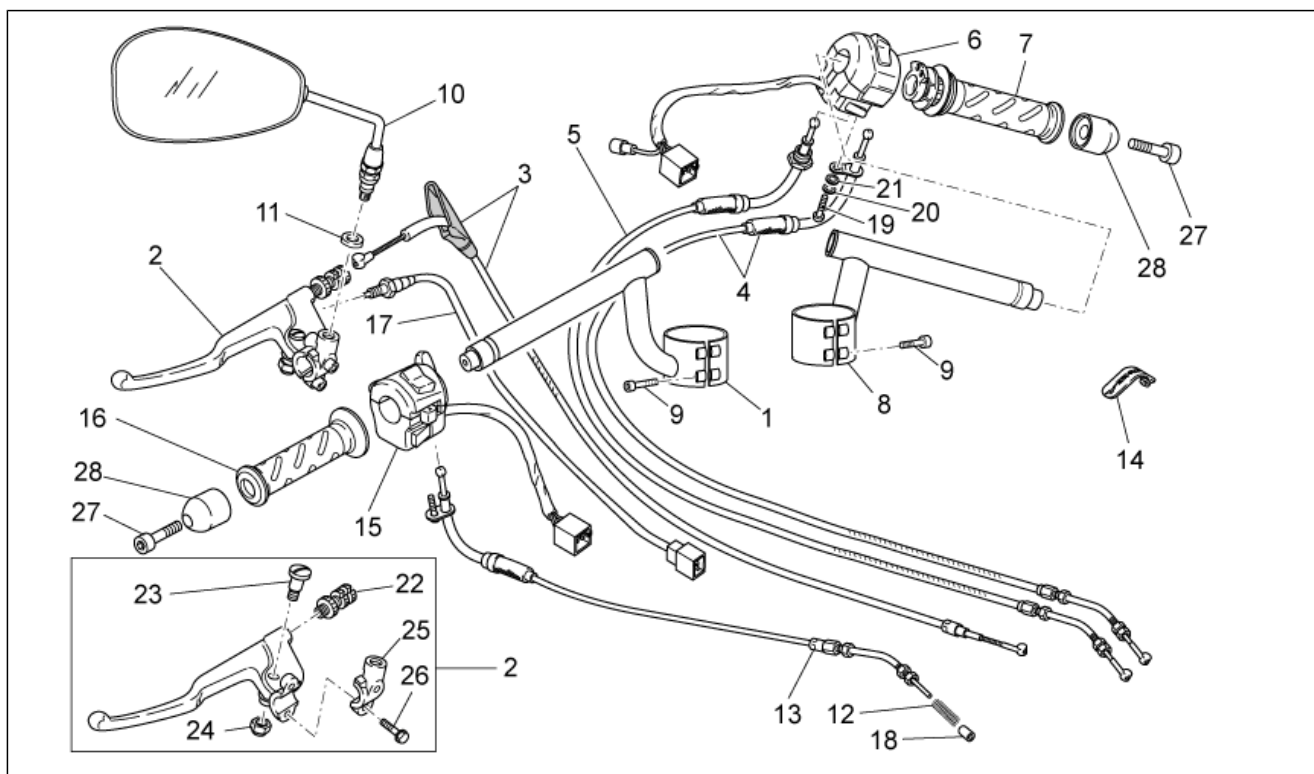
Pos.	Code	Description	Quant	Variants
1	978949	Porte-plaque	1	
2	AP8134448	Support catadioptré	1	
3	AP8224164	Catadioptré arrière, rouge	1	
4	GU98230510	Vis	2	
5	AP8152306	Ecrou autobloqu. m5	10	
6	883470	Porte-plaque	1	Pays:Canadian[CA], États Unis[USA]
7	AP8124718	Catadioptré arrière, rouge	3	Pays:Canadian[CA], États Unis[USA]
8	GU92630204	Ecrou	6	Pays:Canadian[CA], États Unis[USA]
9	883480	Feu de plaque	1	Pays:Canadian[CA], États Unis[USA]
10	GU32781910	Support catadioptré	2	Pays:Canadian[CA], États Unis[USA]
11	AP8149034	Support plaque	1	Pays:Canadian[CA], États Unis[USA]
12	AP8152268	Vis M5x16	7	Pays:Canadian[CA], États Unis[USA]
13	AP8150248	Rondelle 5,5x15x1,6	7	Pays:Canadian[CA], États Unis[USA]

Groupe	CHASSIS
Code	33.17
Description	Tableau de bord
Révision	1



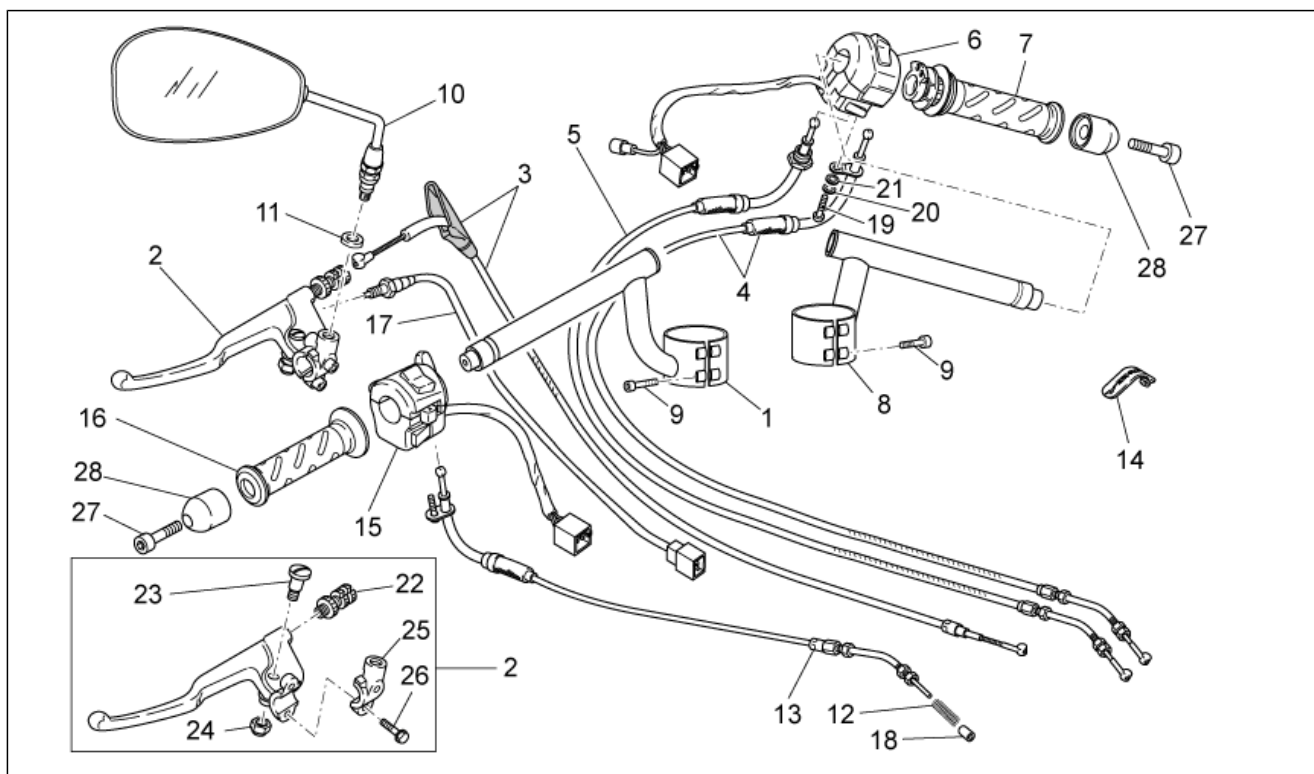
Pos.	Code	Description	Quant	Variants
1	883339	Tableau de bord	1	Pays:Angleterre[UK], États Unis[USA]
1	978932	Tableau de bord	1	Pays:Australie[AUS], Canadian[CA], Other country[EU], Japon[J]
2	GU98370609	Vis M6x10	3	
3	GU95005306	Rondelle 6,4x13x1,5	3	
4	GU93222023	Silentbloc	3	
5	GU95021206	Rondelle	3	
6	GU92606206	Ecrou	3	
7	AP8121032	Douille	3	
8	GU32782510	Bloc démarreur-bloc	1	
9	GU98682416	Vis	1	
10	AP8150349	Vis spéciale M8x15	1	
11	883569	Couvercle	1	
12	GU23922210	Pivot	2	

Groupe	CHASSIS
Code	33.18
Description	Guidon - Commandes
Révision	1



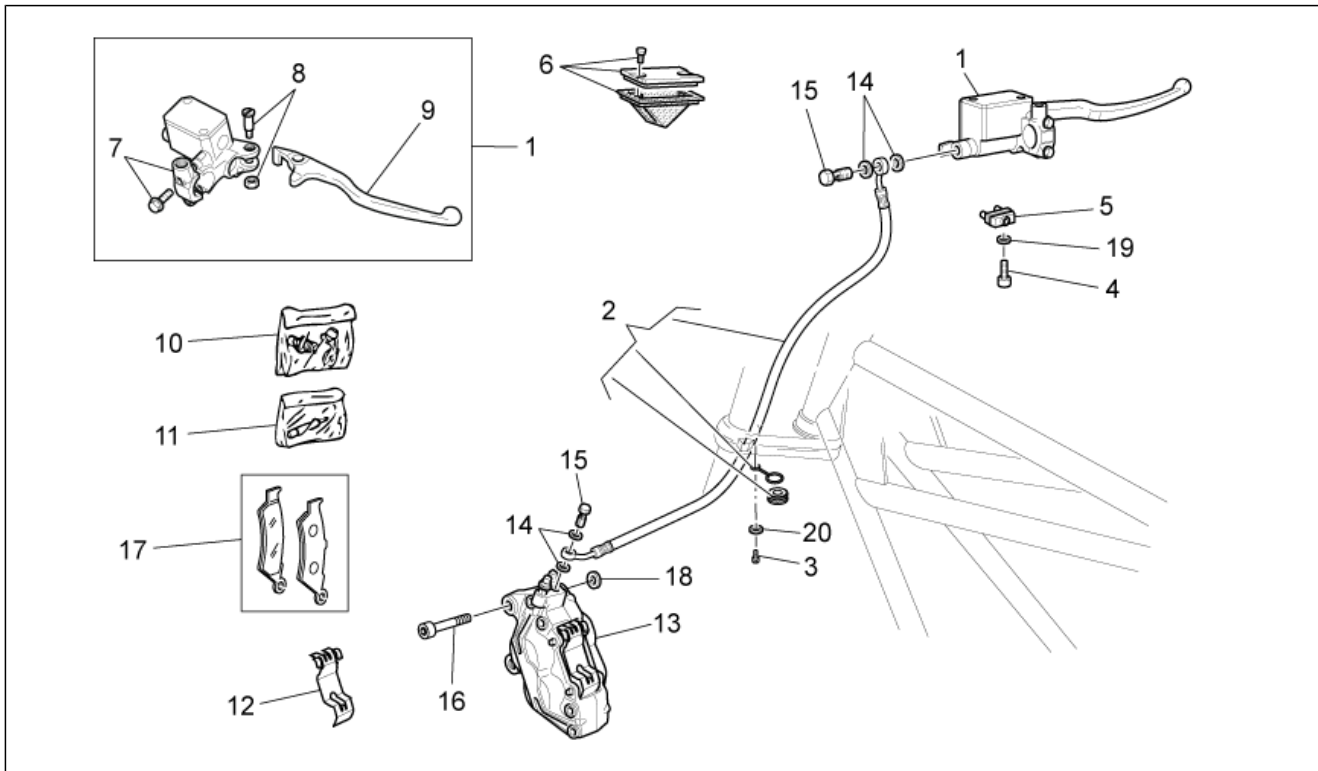
Pos.	Code	Description	Quant	Variants
1	883503	Demi-guidon G	1	
2	GU32605510	Levier embrayage	1	
3	883591	Câble embrayage	1	
4	GU32117010	Câble ouverture gaz	1	
5	GU32117011	Câble fermeture gaz	1	
6	GU32738810	Déviateur feux dte	1	
7	GU32603310	Poignée dr.	1	
8	883509	Demi-guid.dte	1	
9	GU98692325	Vis M6x25	4	
10	883802	Miroir rétroviseur d/g	2	Couleur véhicule:marcato "FU E11 81R-001047"[B]
10	978570	Miroir rétroviseur d/g	2	Couleur véhicule:marked "FAR"[A]
11	GU91181003	Entretoise 10,25X20X4	2	
12	GU94321074	Ressort 7x1,1x25	1	
13	GU32137010	Câble starter	1	
14	GU01609630	Collier L46 mm	2	
14	GU03609600	Collier L36 mm	1	
15	883075	Déviateur feux gche	1	
16	GU32603010	Poignée gc.	1	
17	GU29759150	Interrupteur béquille	1	
18	GU39094200	Bouchon	1	
19	GU98230510	Vis	1	
20	GU95008305	Rondelle 5,3X10X1	1	
21	GU95021105	Rondelle évent.	1	
22	GU30602500	Réglage	1	
23	AP8213028	Vis	1	
24	AP8118490	Ecrou	1	
25	GU30601060	Etrier	1	
26	GU97202325	Vis bride noir M6x25	2	

Groupe	CHASSIS
Code	33.18
Description	Guidon - Commandes
Révision	1



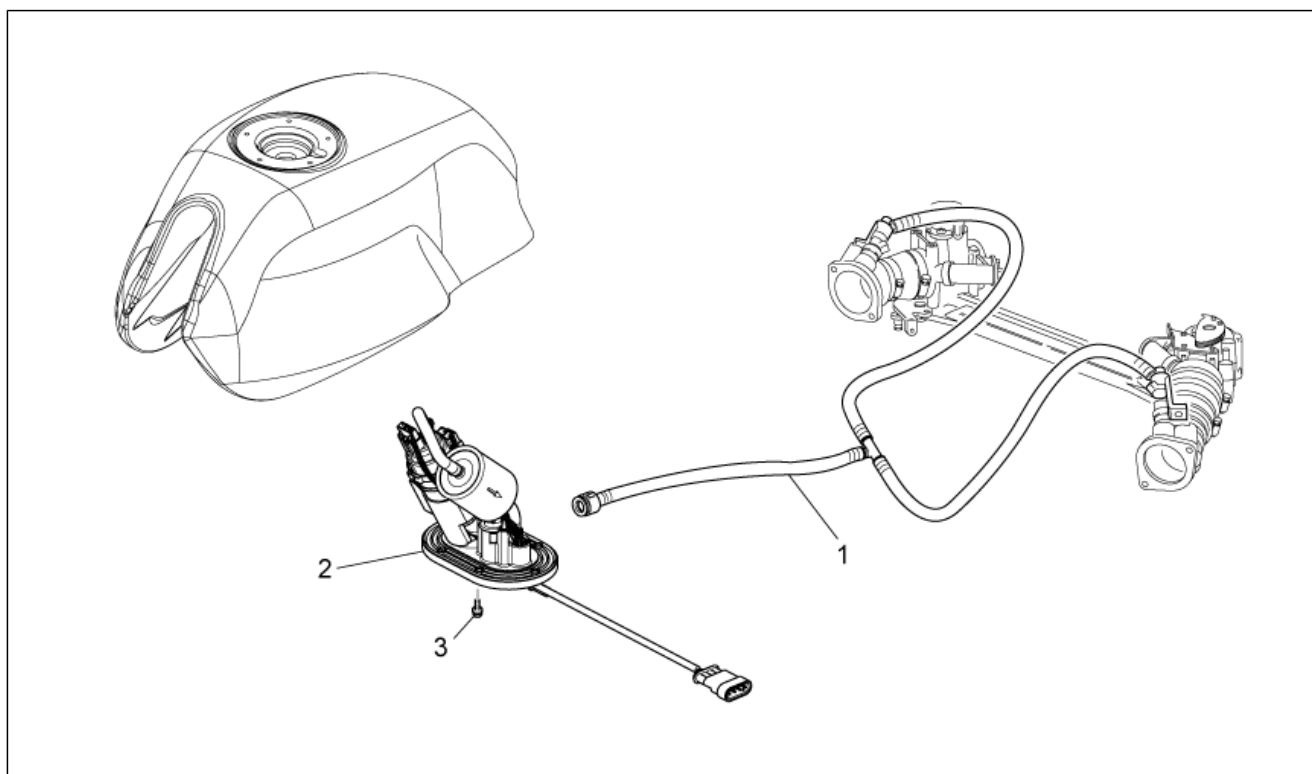
Pos.	Code	Description	Quant.	Variants
27	GU98690335	Vis	2	
28	GU32602860	Masse antivibratile chr.	2	

Groupe	CHASSIS
Code	33.19
Description	Sys.frein avant
Révision	1



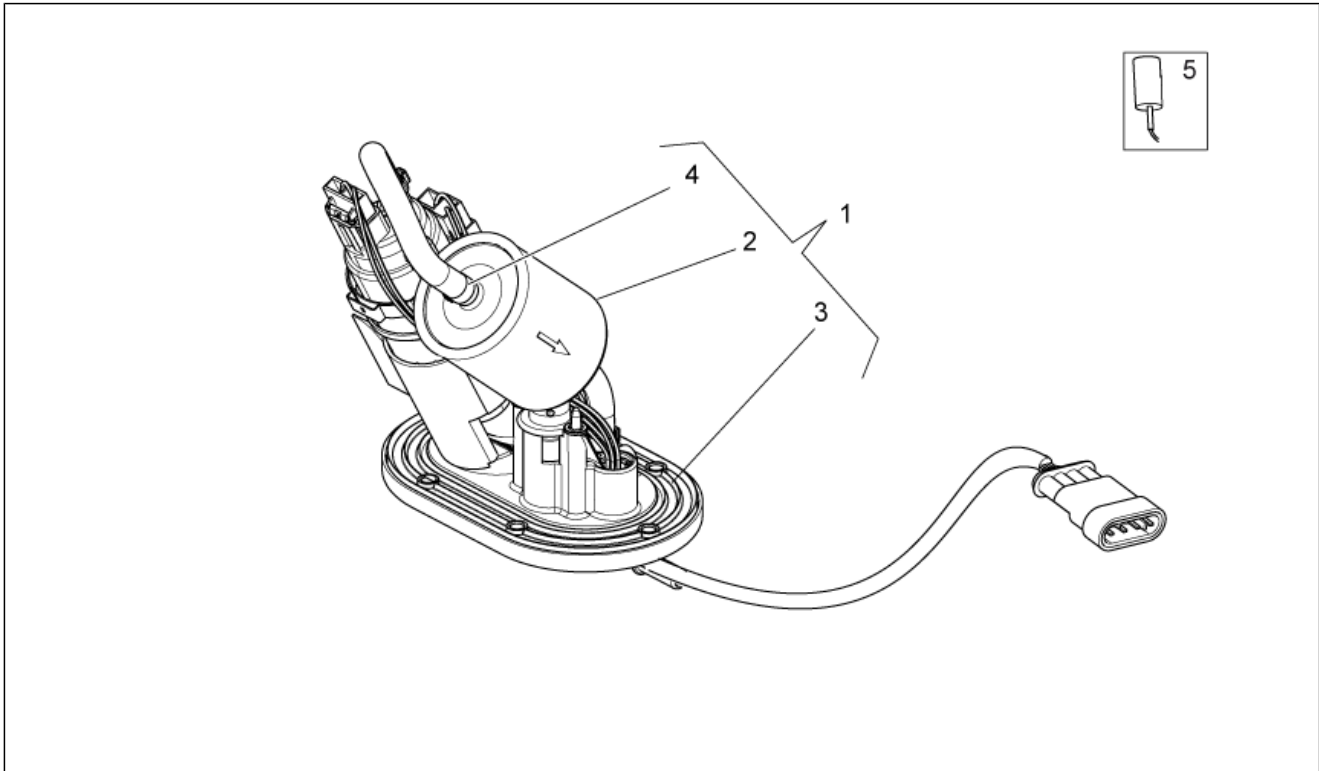
Pos.	Code	Description	Quant	Variants
1	GU03660145	Maît. cyl. frein AV	1	
2	883581	Tube frein	1	
3	AP8152277	Vis bride M6x12	1	
4	GU98370412	Vis M4x12	1	
5	GU03749845	Interrupteur stop	1	
6	GU03661145	Couvercle pompe	1	
7	GU03664045	Cavalier	1	
8	GU03604845	Goujon de levier	1	
9	GU03605645	Levier frein	1	
10	GU05659230	Purge+capuchon	1	
11	GU01659130	Pivots+ressorts pince	1	
12	GU01659131	Ressort	1	
13	883303	Etrier frein AV g.noir	1	
14	AP8113004	Rondelle 10x14x1,6*	4	
15	978323	Vis tuyau huile *	2	
16	AP8152385	Vis M10x1,25	2	
17	GU01654630	Plaquettes-paire	1	
18	GU91181003	Entretoise 10,25X20X4	2	
19	GU95021104	Rondelle 4,3x8x1,5	1	
20	GU95008306	Rondelle 6,4x12x1,2	1	

Groupe	CHASSIS
Code	33.20
Description	Alimentation
Révision	1



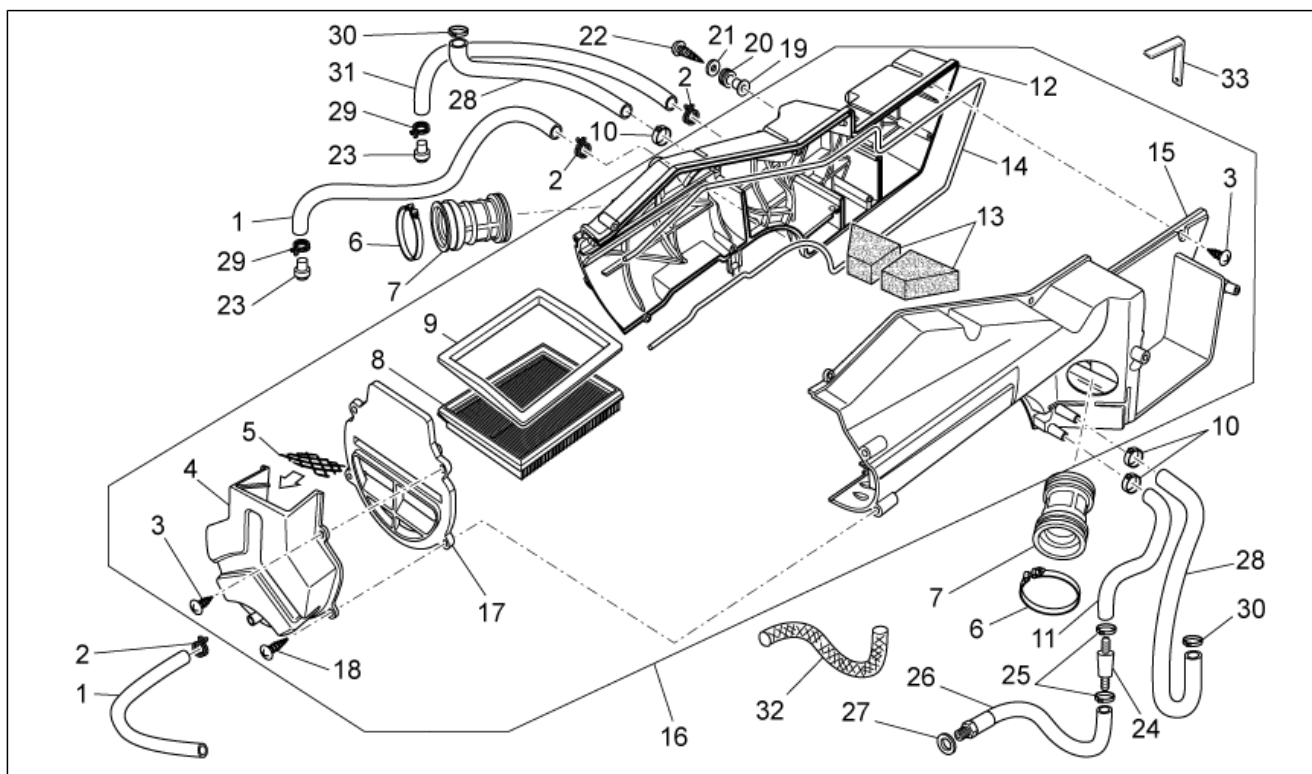
Pos.	Code	Description	Quant	Variants
1	883265	Tuyau essence	1	
2	978930	Pompe essence	1	
3	AP8152273	Vis bride	6	

Groupe	CHASSIS
Code	33.21
Description	Pompe essence
Révision	1



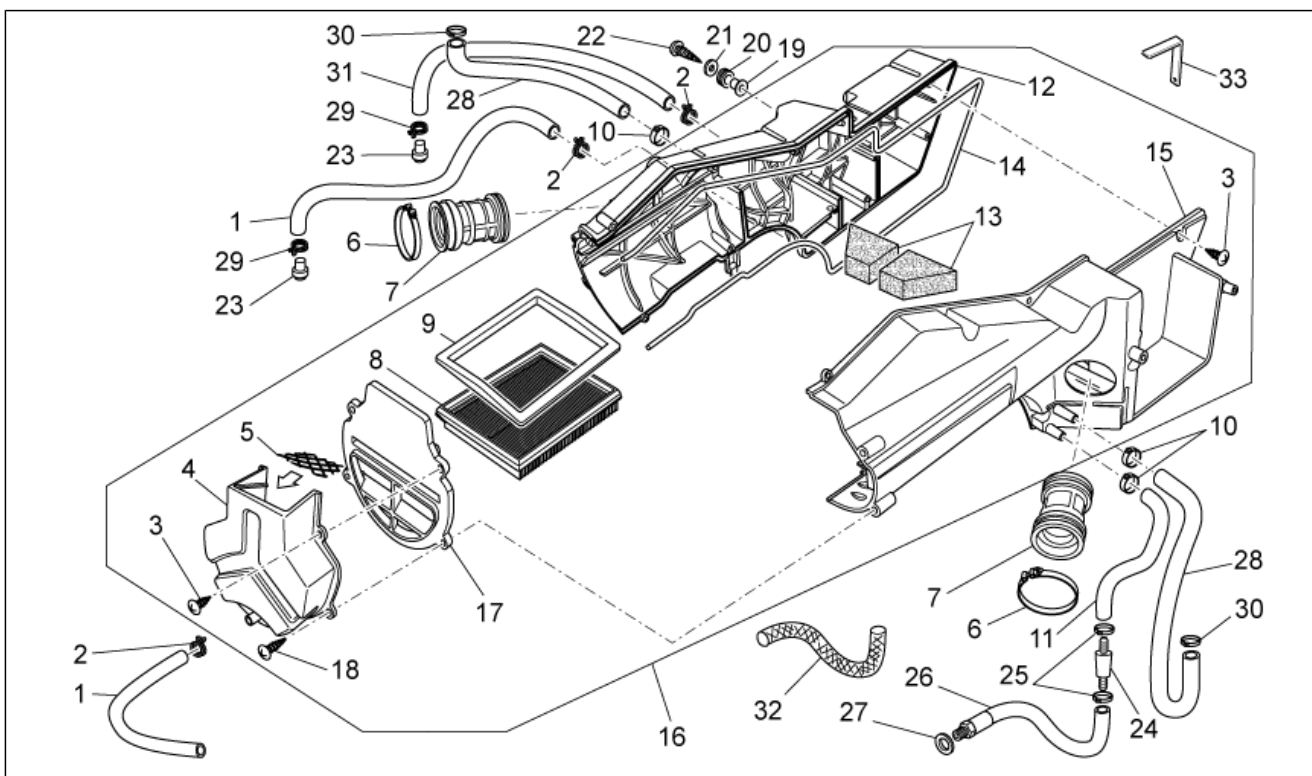
Pos.	Code	Description	Quant.	Variants
1	978930	Pompe essence	1	
2	GU01106090	Filtre essence	1	
3	GU05107430	Joint	1	
4	GU01108490	Collier 11,3	4	
5	883852	Thermistor	1	

Groupe	CHASSIS
Code	33.22
Description	Corps filtre
Révision	1



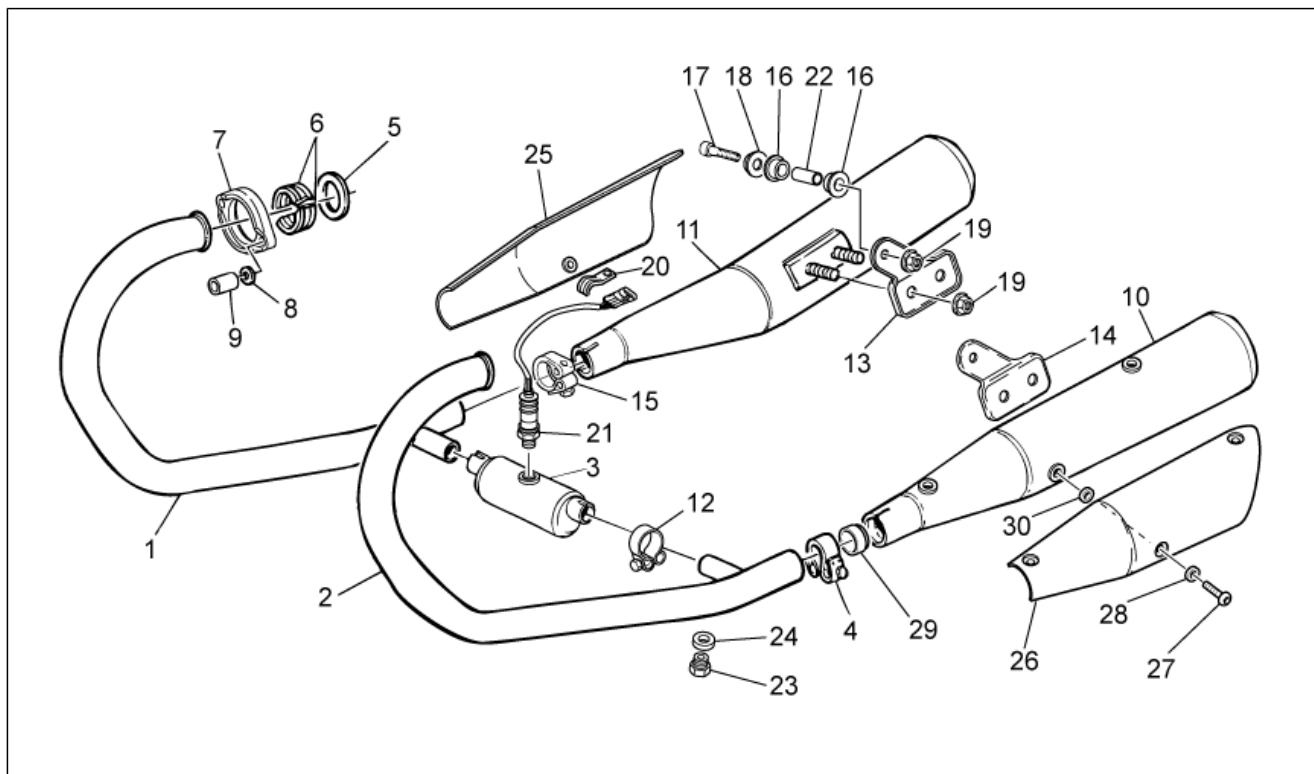
Pos.	Code	Description	Quant	Variants
1	AP8120952	Tuyau essence 5,5x10	2	
2	AP8201358	Collier D 11,9	2	
3	AP8150413	Vis taraud 3,9x14	12	
4	GU32116910	Couvercle filtre	1	
5	GU32113510	Grille corps filtre	1	
6	GU93305061	Collier 61/65,5	2	
7	GU32114410	Durite d'admission	2	
8	AP8104242	Filtre air	1	
9	GU32114110	Support	1	
10	AP8102766	Collier	3	
11	AP8120772	Tuyau reniflard radiateur	1	
12	GU32114011	Demi-coussinet	1	
13	AP8104525	Filtre blow-by	2	
14	AP8120615	Joint D3	3	
15	GU32114012	Demi-coussinet G.	1	
16	GU32110110	Corps filtre	1	
17	GU32113410	Bouchon	1	
18	AP8152329	Vis SWP crois. brid. M5x20	3	
19	GU30576100	Entretoise D.6,5	3	
20	GU91551010	Caoutchouc	3	
21	GU95100059	Rondelle 5,25x14x1,5	3	
22	AP8152329	Vis SWP crois. brid. M5x20	3	
23	AP8120876	Bouchon de fermeture	3	
24	AP8104251	Soupage reniflard huile	1	
25	AP8102159	Collier	2	
26	GU32159310	Reniflard	1	
27	GU90714082	Joint	1	
28	GU32159610	Tuyau reniflard radiateur	2	

Groupe	CHASSIS
Code	33.22
Description	Corps filtre
Révision	1



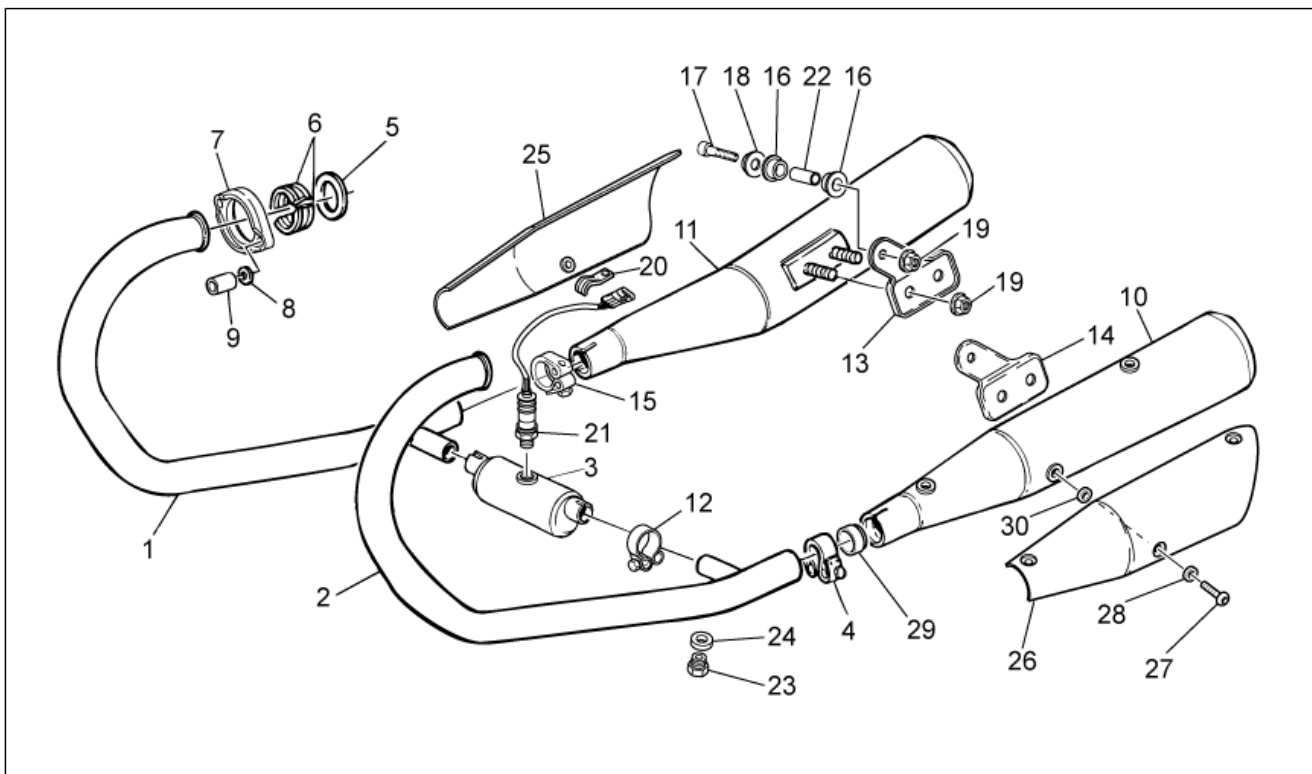
Pos.	Code	Description	Quant	Variants
29	GU61108500	Collier D9	2	
30	AP8102239	Collier 12,5x8	2	
31	AP8144038	Tuyau essence 6x10	1	
32	GU00823923140	Gaine thermique	1	
33	GU31112965	Equerre	1	

Groupe	CHASSIS
Code	33.23
Description	Groupe echappement
Révision	1



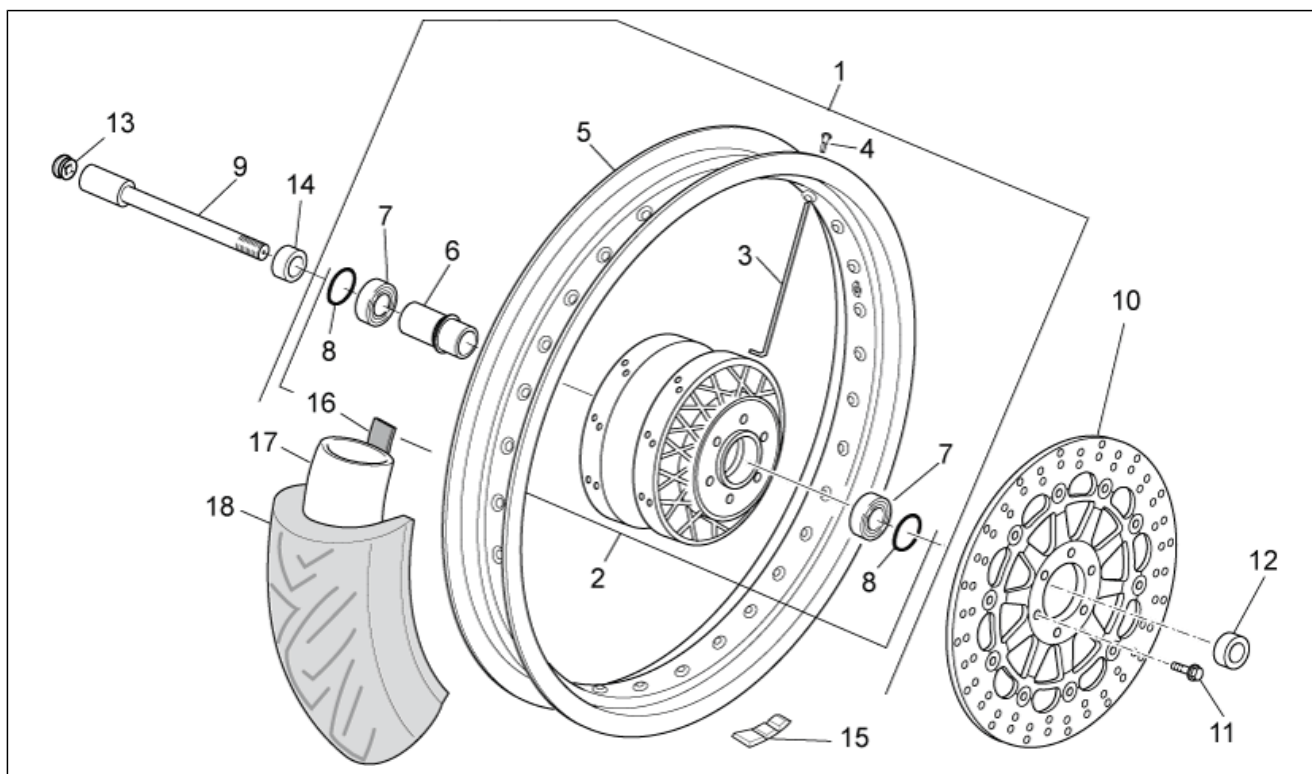
Pos.	Code	Description	Quant	Variants
1	883870	Tuyau échappement d.	1	Année:2010[A] Pays:Japon[J]
1	GU32120710	Tuyau échappement d.	1	
1	GU32120710	Tuyau échappement d.	1	Année:2009[9] Pays:Japon[J]
2	883871	Tuyau échappement gche	1	Année:2010[A] Pays:Japon[J]
2	GU32120711	Tuyau échappement gche	1	
2	GU32120711	Tuyau échappement gche	1	Année:2009[9] Pays:Japon[J]
3	GU32123910	Chambre de détente	1	
4	978387	Collier silencieux gauche	1	
5	GU19025280	Joint	2	
6	GU19025460	Entretoise	4	
7	GU32121010	Bague	2	
8	GU03013800	Rondelle 6,4x12	4	
9	GU31121880	Ecrou	4	
10	883546	Silencieux G	1	Année:2009[9] Pays:Japon[J]
10	883546	Silencieux G	1	
10	883712	Silencieux G	1	Année:2010[A] Pays:Japon[J]
11	883545	Silencieux D	1	
11	883545	Silencieux D	1	Année:2009[9] Pays:Japon[J]
11	883711	Silencieux D	1	Année:2010[A] Pays:Japon[J]
12	978385	Collier	2	
13	GU32128610	Plaque d.	1	
14	GU32129010	Plaque g.	1	

Groupe	CHASSIS
Code	33.23
Description	Groupe echappement
Révision	1



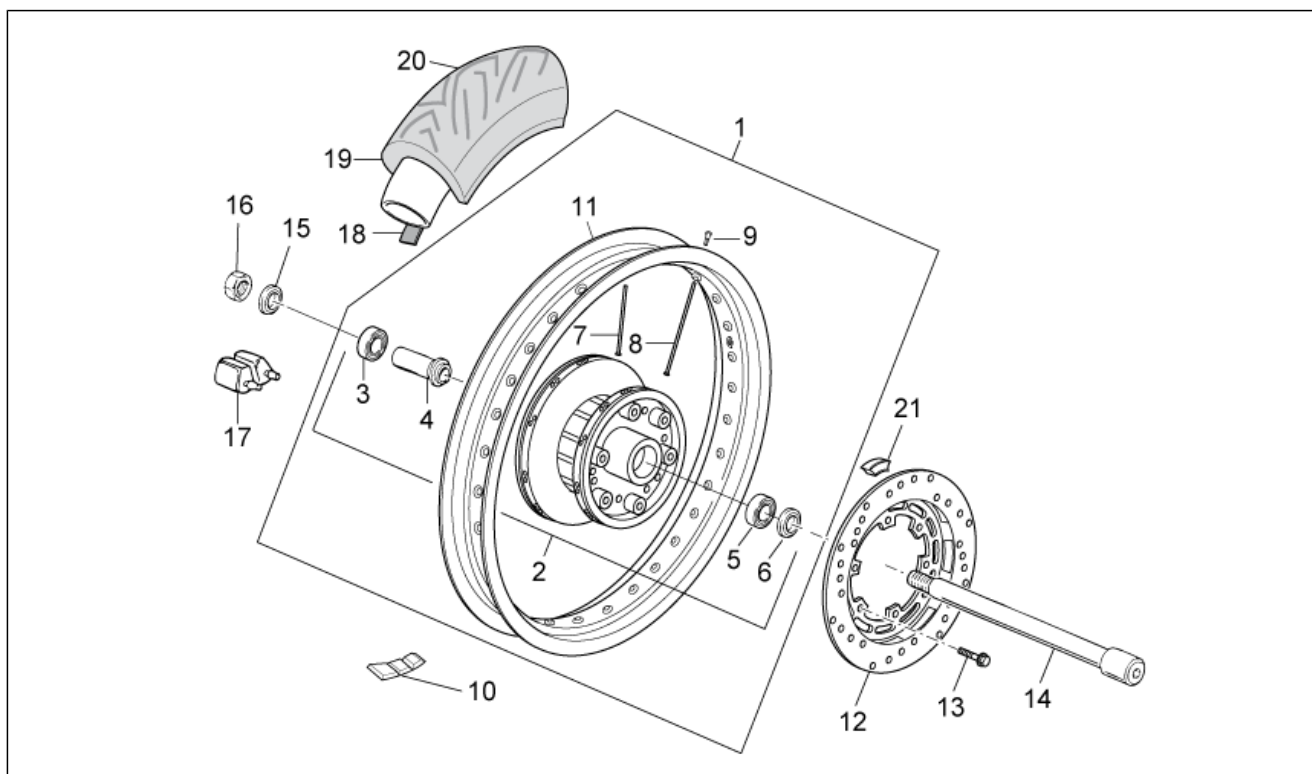
Pos.	Code	Description	Quant	Variants
15	978386	Collier silencieux droit	1	
16	AP8144071	Caoutchouc pot	4	
17	GU98680440	Vis M8x40	2	
18	AP8134378	Douille fixation silencieux	2	
19	GU92640508	Ecrou M8	6	
20	GU93301175	Cavalier	1	
21	GU32727010	Sonde lamda	1	
22	AP8121072	Entretoise	2	
23	GU98110007	Bouchon	2	
24	GU30109330	Joint	2	
25	GU32121910	Protect.dte	1	
26	GU32121911	Protect.gche	1	
27	GU98370609	Vis M6x10	6	
28	GU95005306	Rondelle 6,4x13x1,5	6	
29	GU91113826	Bague	2	
30	AP8221297	Rondelle isolante	6	

Groupe	CHASSIS
Code	33.24
Description	Roue Av.
Révision	1



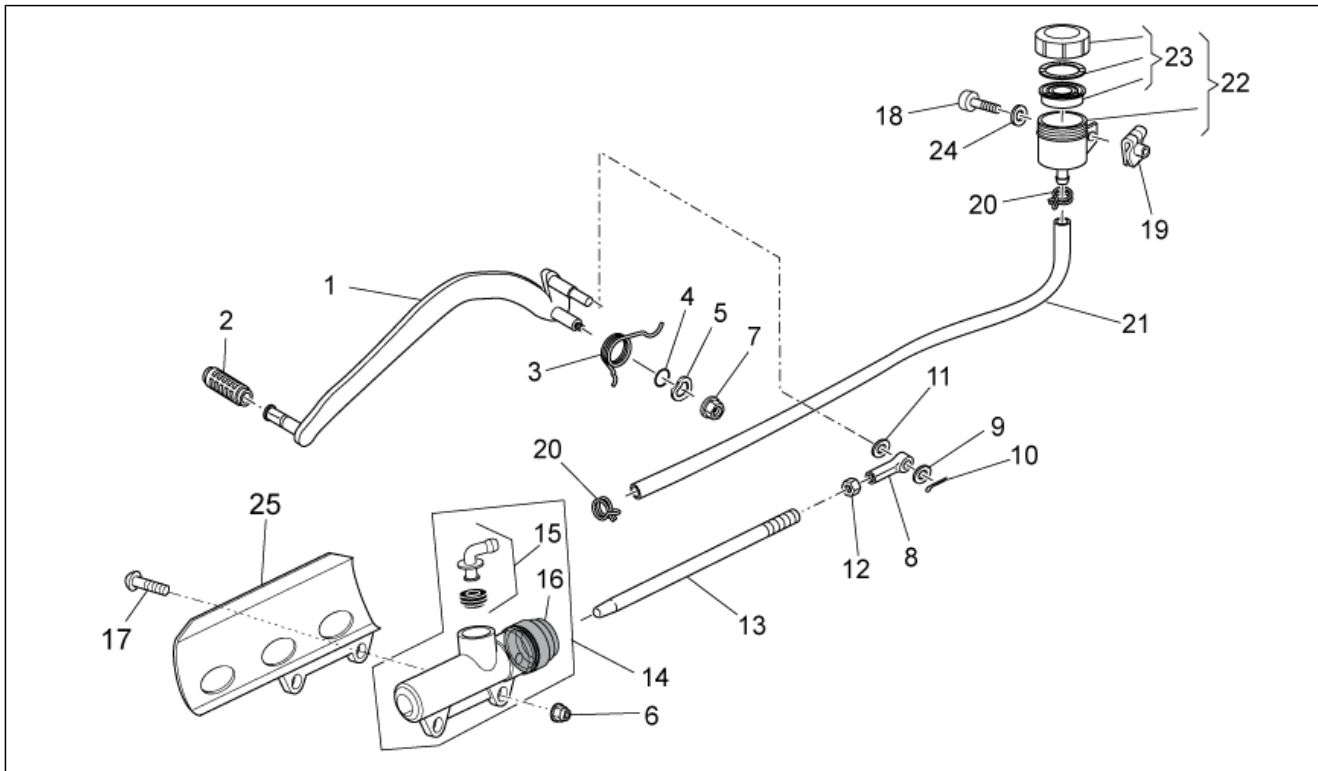
Pos.	Code	Description	Quant	Variants
1	GU32610360	Roue AV nue 2,15x18"	1	
2	GU32613160	Moyeu avant	1	
3	GU32611660	Rayon	36	
4	GU03631250	Nipples	36	
5	GU32610860	Jante avant 2,50x18"	1	
6	GU31615260	Entretoise roulements	1	
7	GU92204221	Roulement	2	
8	GU90402642	Bague d'étanchéité	1	
9	GU31614183	Axe de roue AV	1	
10	977024	Disque frein avant	1	
11	AP8152286	Vis bride M8x20	6	
12	GU31616384	Entretoise G	1	
13	GU93180111	Bouchon 15 mm	1	
14	GU32615660	Entretoise D	1	
15	GU14616150	Contrepoids	1	
16	0000000	Pneu s. chambre	1	
17	0000000	Pneu s. chambre	1	
18	0000000	Pneu s. chambre	1	

Groupe	CHASSIS
Code	33.25
Description	Roue arrière
Révision	1



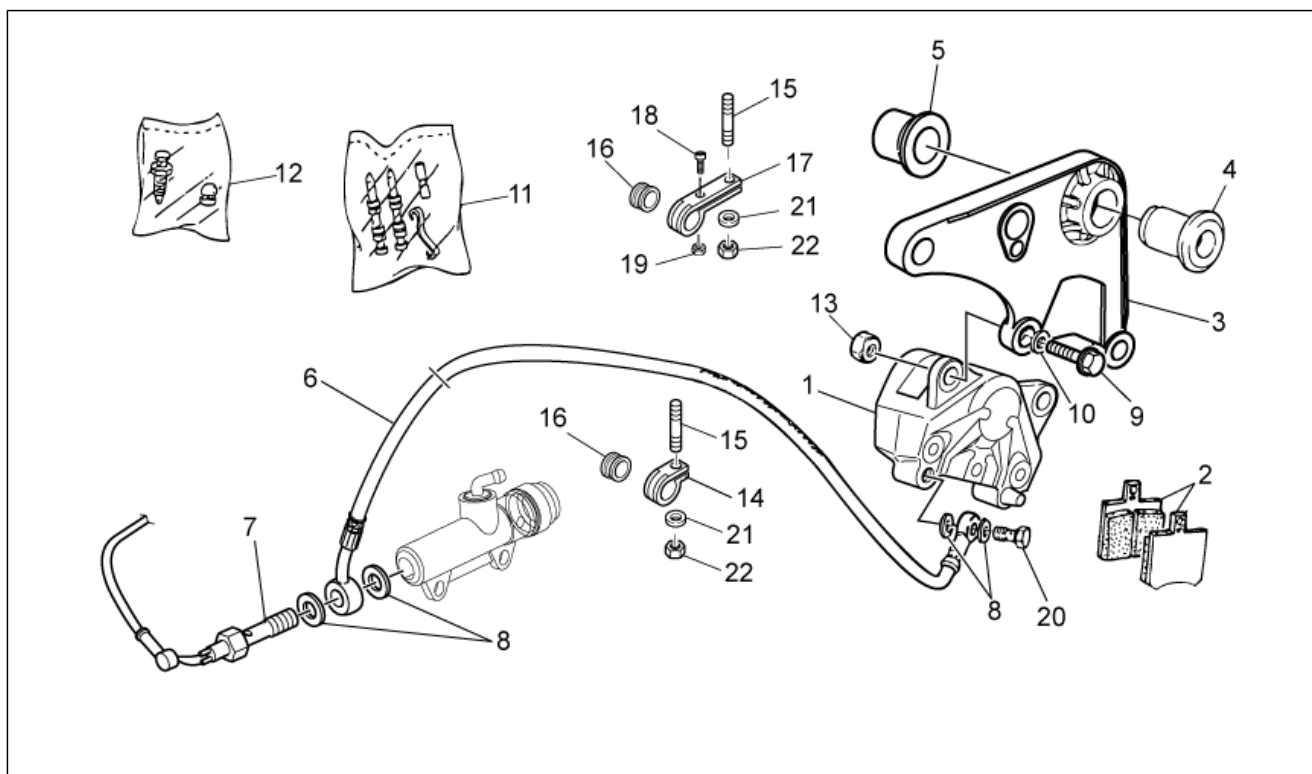
Pos.	Code	Description	Quant	Variants
1	978761	Roue AR cpl 3.00x17"	1	
2	GU32692260	Moyeu	1	
3	GU92204218	Roulement	1	
4	GU27633910	Entretoise	1	
5	GU92204217	Roulement	1	
6	GU90402538	Bague d'étanchéité 25x40x7	1	
7	883350	Rayon court	18	
8	883349	Rayon long mm 158	18	
9	GU03631250	Nipples	36	
10	GU14616150	Contrepoids	1	
11	978757	Jante arrière 3.5x17"	1	
12	GU31613381	Disque frein	1	
13	GU98682425	Vis M8x25	6	
14	GU32633360	Axe de roue AR	1	
15	GU31634481	Rondelle	1	
16	GU92606316	Ecrou M16x1,5	1	
17	GU32632510	Joint en caoutchouc	6	
18	0000000	Pneu s. chambre	1	
19	0000000	Pneu s. chambre	1	
20	0000000	Pneu s. chambre	1	
21	GU32636160	Coatouch pour support	1	

Groupe	CHASSIS
Code	33.26
Description	Maît.cyl. frein AR
Révision	1



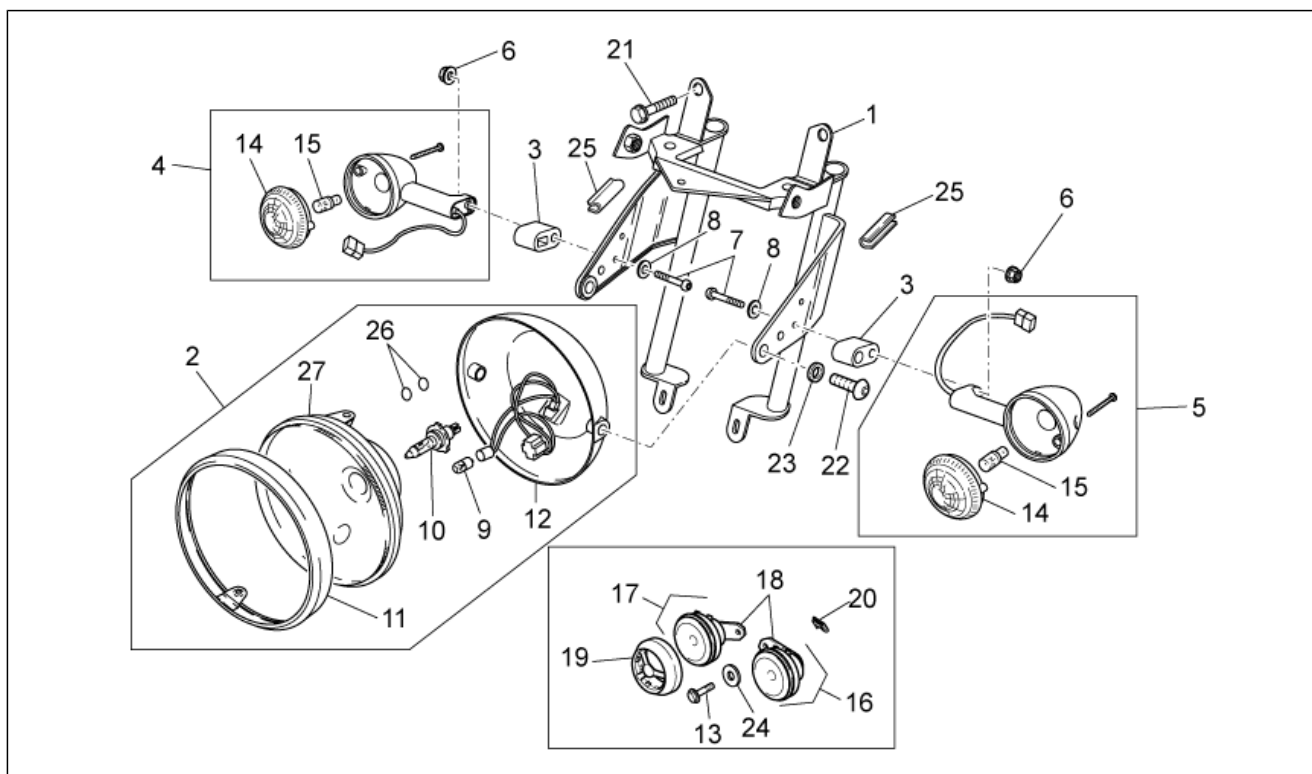
Pos.	Code	Description	Quant	Variants
1	883058	Levier de frein AR	1	
2	GU14251001	Caoutchouc	1	
3	978969	Ressort	1	
4	AP8144007	Joint torique 11,11x1,78	2	
5	GU95005310	Rondelle 8,4x18x2	1	
6	GU92630206	Ecrou M6x1	2	
7	GU92660021	Ecrou bridé M8	1	
8	GU18257551	Bloc	1	
9	GU95005311	Rondelle	1	
10	GU95500221	Goupille	1	
11	GU03270300	Rondelle 8,4x15	1	
12	GU92609007	Ecrou	1	
13	978970	Poussoir cde mai-cyl.	1	
14	AP8133643	Maît.cyl. frein AR	1	
15	AP8213057	Raccord pompe arrière	1	
16	AP8113288	Soufflet en caoutchouc	1	
17	GU98370625	Vis	2	
18	GU98682215	Vis	1	
19	AP8102375	Clip m5	1	
20	AP8101594	Collier D10,1*	2	
21	GU00823950050	Tuyau huile	1	
22	AP8133873	Réserv.huile freins	1	
23	AP8113553	Bouchon réservoir	1	
24	GU95100059	Rondelle 5,25x14x1,5	1	
25	GU01665410	Protection maître cyl.noire	1	

Groupe	CHASSIS
Code	33.27
Description	Pince frein AR
Révision	1



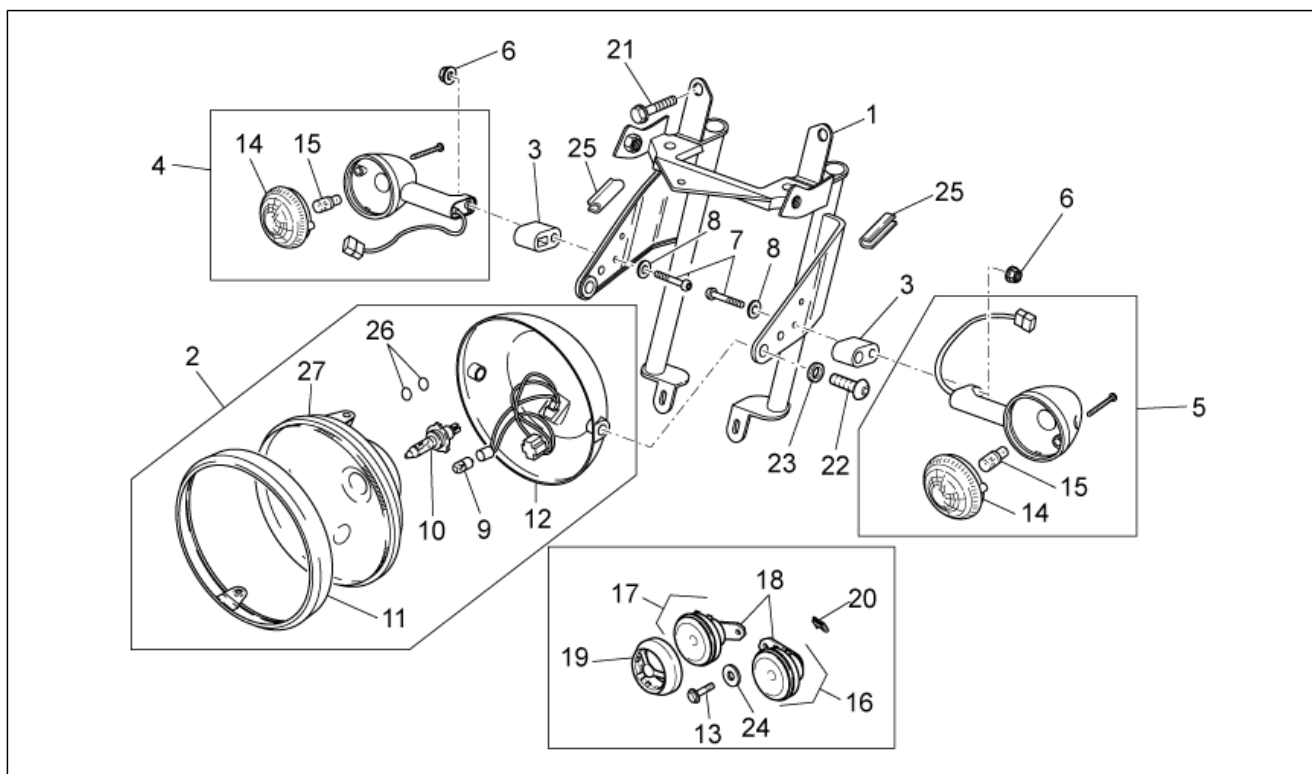
Pos.	Code	Description	Quant	Variants
1	883296	Pince frein AR Brembo	1	
2	GU31654681	Plaquettes-paire	1	
3	GU326358601	Pla. fix pince frein	1	
4	GU31634281	Bague	1	
5	GU32634160	Entretoise	1	
6	883180	Tube frein	1	
7	883192	Interrupteur	1	
8	AP8113004	Rondelle 10x14x1,6*	4	
9	GU97202435	Vis	2	
10	GU03270300	Rondelle 8,4x15	2	
11	GU31659181	Kit Axes+ressort	1	
12	GU31659281	Purge+capuchon	1	
13	AP8152300	Ecrou autobloqu. M8	2	
14	GU03658430	Collier	1	
15	GU96451316	Vis sans tête	1	
16	GU03658201	Bague	2	
17	GU03658330	Collier	1	
18	GU98257410	Vis	1	
19	GU92630104	Ecrou M4x0,7	1	
20	978323	Vis tuyau huile *	1	
21	GU95008306	Rondelle 6,4x12x1,2	2	
22	AP8152299	Ecrou autobloqu. M6	2	

Groupe	CHASSIS
Code	33.28
Description	Feux avant
Révision	1



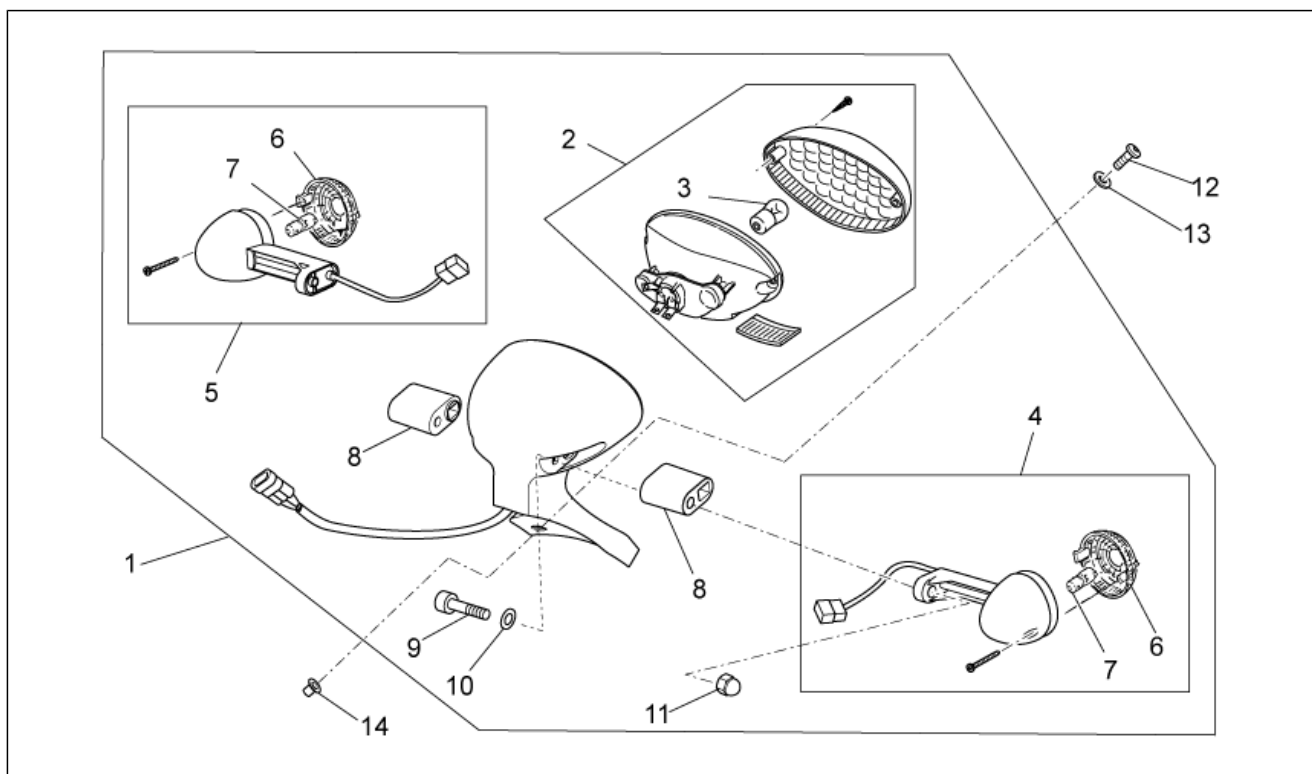
Pos.	Code	Description	Quant	Variants
1	GU32506360	Bride support feu	1	
2	978311	Phare avant	1	Pays:Canadian[CA], Other country[EU], États Unis[USA]
2	978662	Projecteur av.complet gauche	1	Pays:Australie[AUS], Japon[J], Angleterre[UK]
3	GU32753410	Entretoise	2	
4	GU32750660	Clignot.av.dr./arr.ga.	1	Pays:Australie[AUS], Other country[EU], Japon[J], Angleterre[UK]
4	GU32750661	Clignot.av.dr./arr.ga.	1	Pays:Canadian[CA], États Unis[USA]
5	883478	Clignot.av.ga./arr.dr.	1	Pays:Canadian[CA], États Unis[USA]
5	GU06751600	Clignot.av.ga./arr.dr.	1	Pays:Australie[AUS], Other country[EU], Japon[J], Angleterre[UK]
6	GU92787006	Ecrou borgne M6x1	2	
7	GU98370655	Vis	2	
8	GU95021206	Rondelle	2	
9	292022	Lampe (ou Ampoule) 12V-5W	1	
10	292723	Lampe (ou Ampoule) H4 60/55W 12V	1	
11	640598	Bague chromée	1	
12	981149	Calotte, noir	1	Pays:Canadian[CA], Other country[EU], États Unis[USA]
12	GU06740200	Calotte chr.feau avant	1	Pays:Australie[AUS], Japon[J], Angleterre[UK]
13	AP8152278	Vis bride M6x16	2	
14	GU32753711	Vitre clignotant	2	Pays:Canadian[CA], États Unis[USA]
14	GU32753760	Vitre clignotant	2	Pays:Australie[AUS], Other country[EU], Japon[J], Angleterre[UK]
15	584332	Lampe (ou Ampoule) 12V-10W	2	Pays:Australie[AUS], Other country[EU], Japon[J], Angleterre[UK]
15	GU93450127	Lampe (ou Ampoule)	2	Pays:Canadian[CA], États Unis[USA]
16	883462	Klaxon elect.ton aigu H	1	
17	883463	Klaxon elect.ton aigu L	1	
18	GU01744200	Bride	6	
19	GU03744760	Masque pour klaxon	2	

Groupe	CHASSIS
Code	33.28
Description	Feux avant
Révision	1



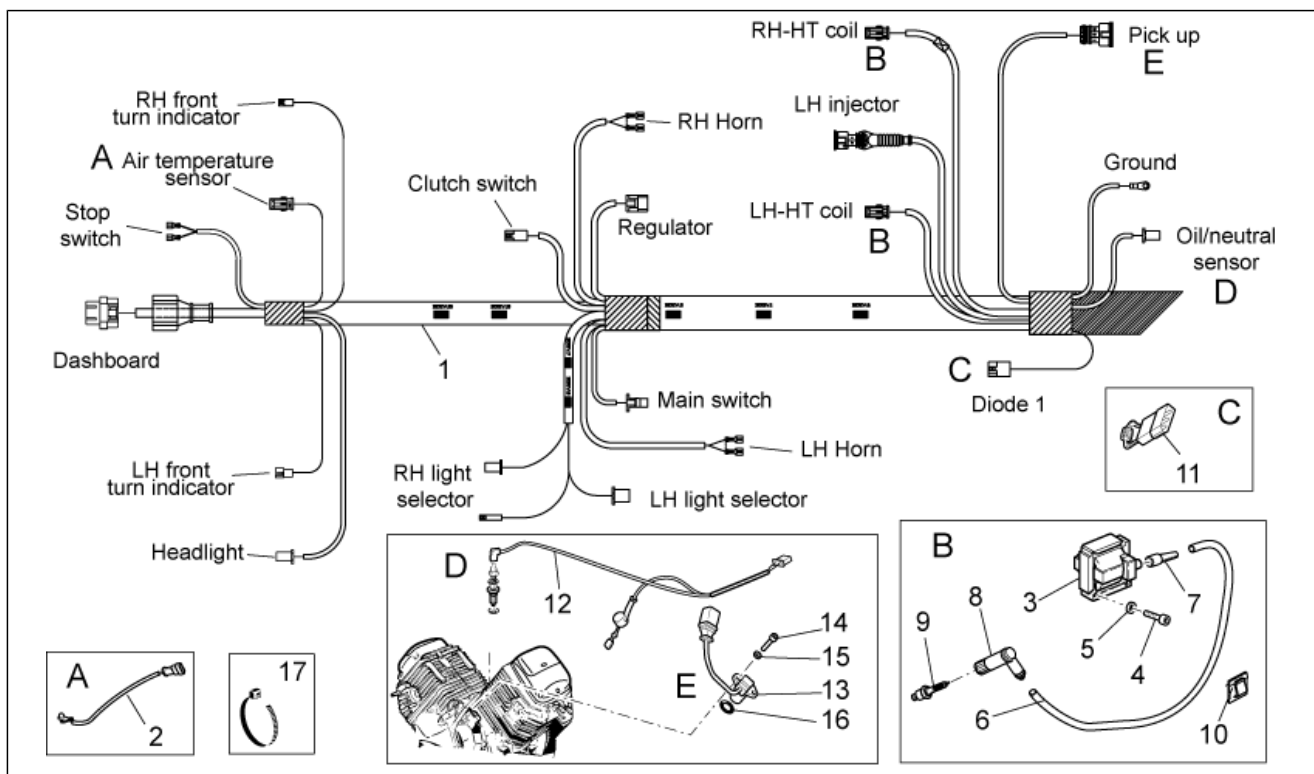
Pos.	Code	Description	Quant	Variants
20	GU28576591	Clip M6	2	
21	GU98880540	Vis M10x40	2	
22	GU98370831	Vis M8x30	2	
23	GU95005308	Rondelle 8,4x14,57x1,6	2	
24	GU95100141	Rondelle 6,4x12x1,2	2	
25	GU00823931055	Joint	1	
26	883417	Joint torique	2	
27	GU06740400	Groupe optique	1	Pays:Canadian[CA], Other country[EU], États Unis[USA]

Groupe	CHASSIS
Code	33.29
Description	Feux arriere
Révision	1



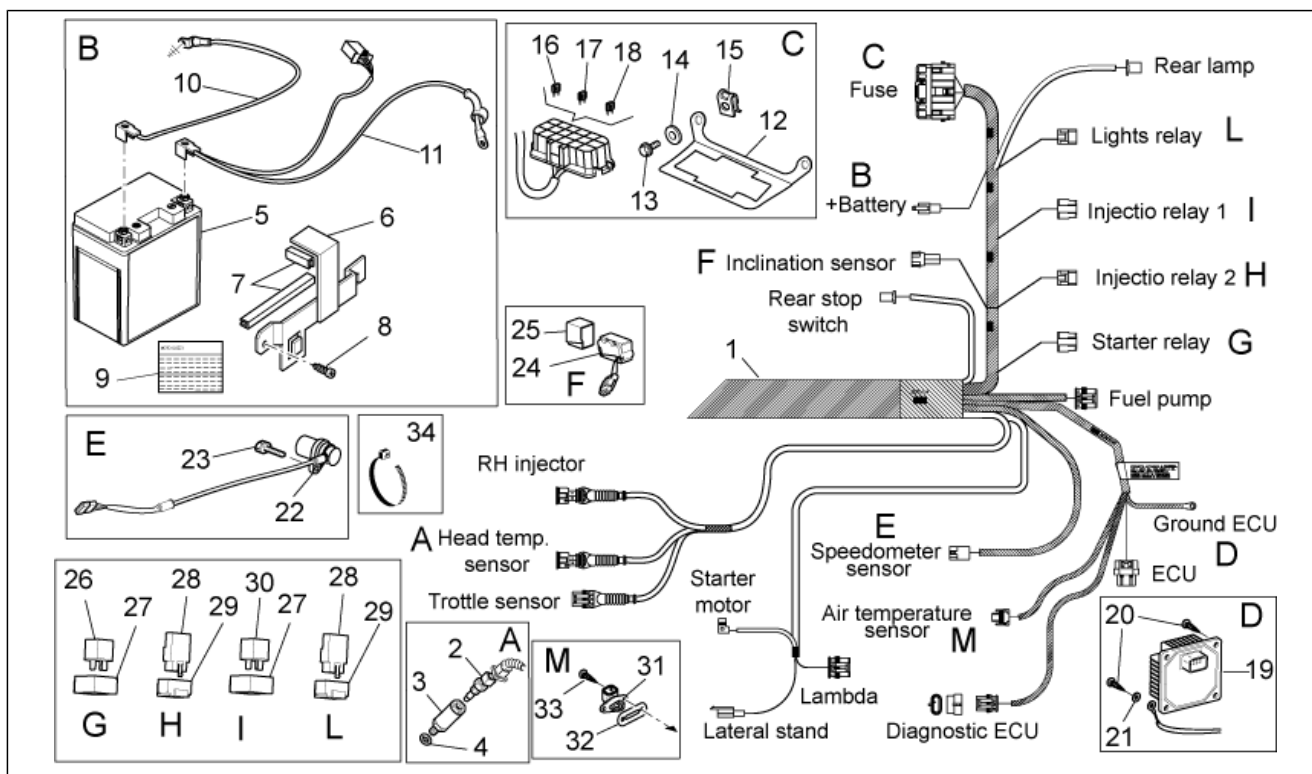
Pos.	Code	Description	Quant	Variants
1	883479	Phare AR cpl.	1	Pays: Canadian[CA], États Unis[USA]
1	9789501	Phare AR cpl.	1	Pays: Australie[AUS], Other country[EU], Japon[J], Angleterre[UK]
2	GU03740930	Feu arrière	1	
3	GU93450224	Lampe (ou Ampoule)	1	
4	GU32750660	Clignot.av.dr./arr.ga.	1	Pays: Australie[AUS], Other country[EU], Japon[J], Angleterre[UK]
4	GU32750661	Clignot.av.dr./arr.ga.	1	Pays: Canadian[CA], États Unis[USA]
5	883478	Clignot.av.ga./arr.dr.	1	Pays: Canadian[CA], États Unis[USA]
5	GU06751600	Clignot.av.ga./arr.dr.	1	Pays: Australie[AUS], Other country[EU], Japon[J], Angleterre[UK]
6	GU32753711	Vitre clignotant	2	Pays: Canadian[CA], États Unis[USA]
6	GU32753760	Vitre clignotant	2	Pays: Australie[AUS], Other country[EU], Japon[J], Angleterre[UK]
7	584332	Lampe (ou Ampoule) 12V-10W	2	Pays: Australie[AUS], Other country[EU], Japon[J], Angleterre[UK]
7	GU93450127	Lampe (ou Ampoule)	2	Pays: Canadian[CA], États Unis[USA]
8	GU32753410	Entretoise	2	
9	GU98370655	Vis	2	
10	GU95021206	Rondelle	2	
11	GU92787006	Ecrou borgne M6x1	2	
12	GU98350215	Vis	3	
13	GU30577800	Rondelle nylon 5,5X12X1	3	
14	GU93231605	Douille anti vibr.	3	

Groupe	CHASSIS
Code	33.30
Description	Circuit électrique I
Révision	1



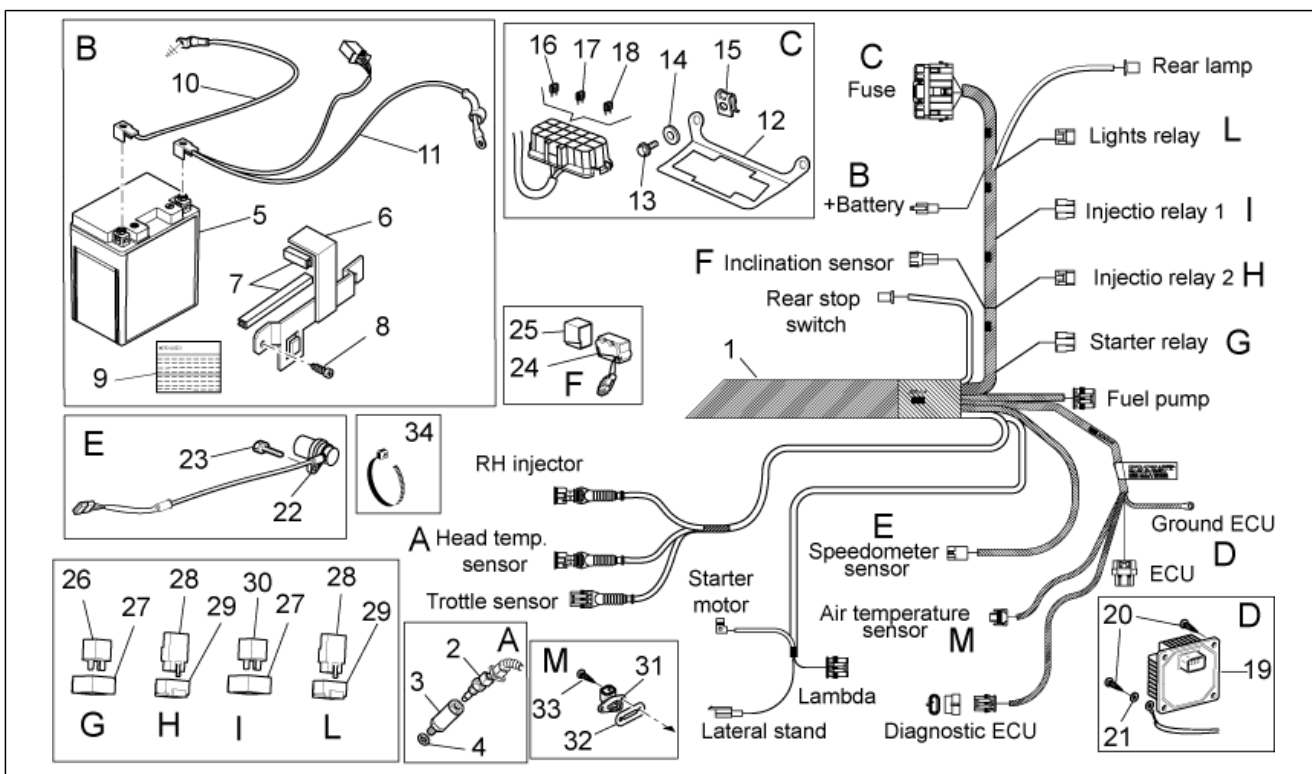
Pos.	Code	Description	Quant.	Variants
1	883077	Câblage principal	1	
2	AP8124936	Détect. temper. air	1	
3	GU30716500	Bobine HT	2	
4	GU98682125	Vis	4	
5	GU95008204	Rondelle 4,3x8x0,5	4	
6	GU17718350	Câble haute tension	2	
7	GU14717600	Capuchon	2	
8	GU03717450	Pipe bougie	2	
9	GU31717061	Bougie NGK BR8ES	2	
10	AP8120708	Guide-câble	6	
11	AP8212588	Diode de sécurité	1	
12	GU32724510	Câblage point mort-huile	1	
13	GU01721600	Capteur phase/tours	1	
14	GU98682212	Vis M5x12	2	
15	GU95008205	Rondelle 5,3x10x0,8	2	
16	GU90706141	Joint torique	1	
17	GU14609650	Collier 3,6x20,6	31	
17	GU49609601	Collier 2,4x92	1	

Groupe	CHASSIS
Code	33.31
Description	Circuit électrique II
Révision	1



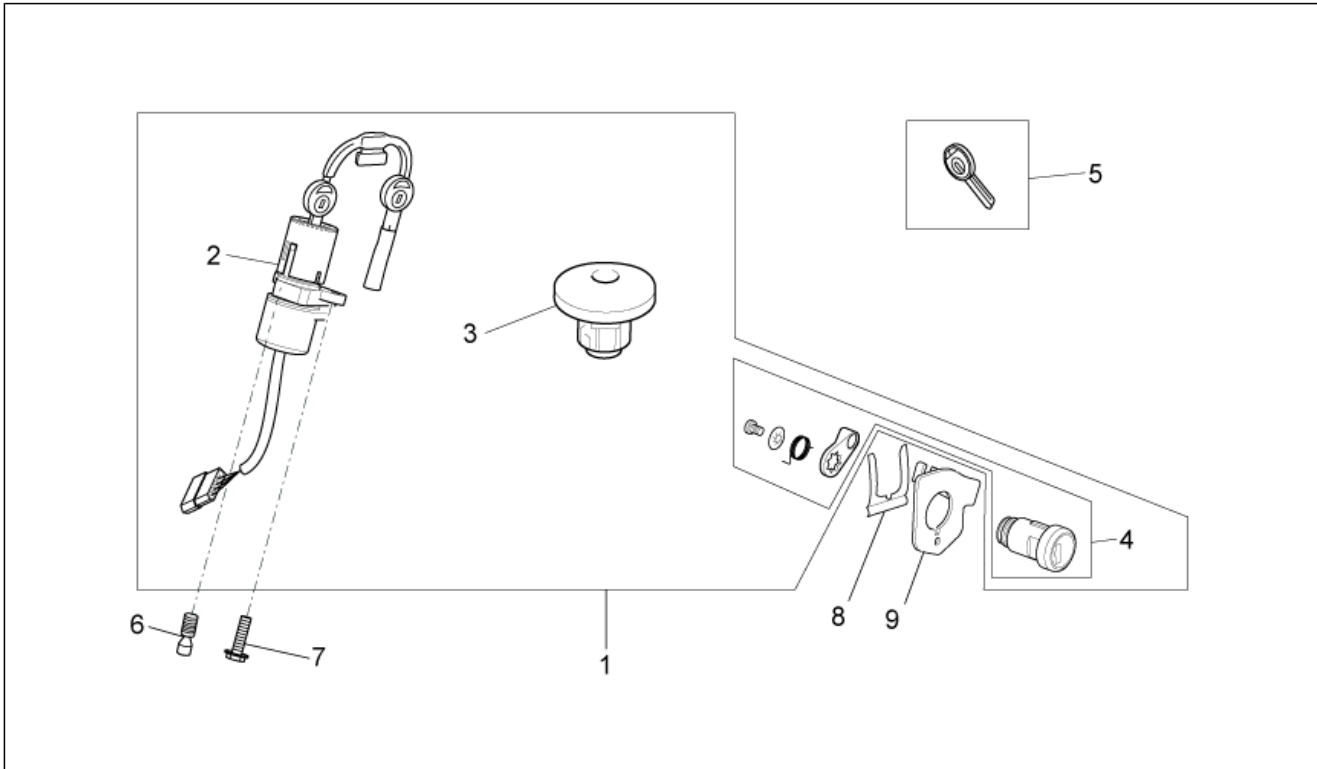
Pos.	Code	Description	Quant	Variants
1	883077	Câblage principal	1	
2	GU29729461	Capteur température huile	1	
3	GU03163330	Support détecteur	1	
4	GU95004210	Rondelle 10,2x18x2	1	
5	640201	Batterie	1	
6	GU32418210	Bride	1	
7	AP8144538	Joint	1	
8	AP8152329	Vis SWP crois. brid. M5x20	2	
9	GU32517710	Décalco "Battery service"	1	
10	GU32747910	Câblage masse-batterie	1	
11	883191	Cablage	1	
12	883161	Support p-fusibles	1	
13	GU98682212	Vis M5x12	2	
14	GU95100059	Rondelle 5,25x14x1,5	2	
15	AP8102375	Clip m5	2	
16	290860	Fusible 15A	3	
17	AP8127346	Fusible 3A	1	
18	GU28742562	Fusible 30A	2	
19	883904	Centrale	1	Année:2010[A] Pays:Japon[J]
19	977308	Centrale	1	
19	977308	Centrale	1	Année:2009[9] Pays:Japon[J]
20	AP8152329	Vis SWP crois. brid. M5x20	4	
21	GU95129101	Rondelle	1	
22	AP8124528	Capteur tachym. cpl.	1	
23	AP8152277	Vis bride M6x12	2	
24	584509	Sensore antiribaltamento	1	

Groupe	CHASSIS
Code	33.31
Description	Circuit électrique II
Révision	1



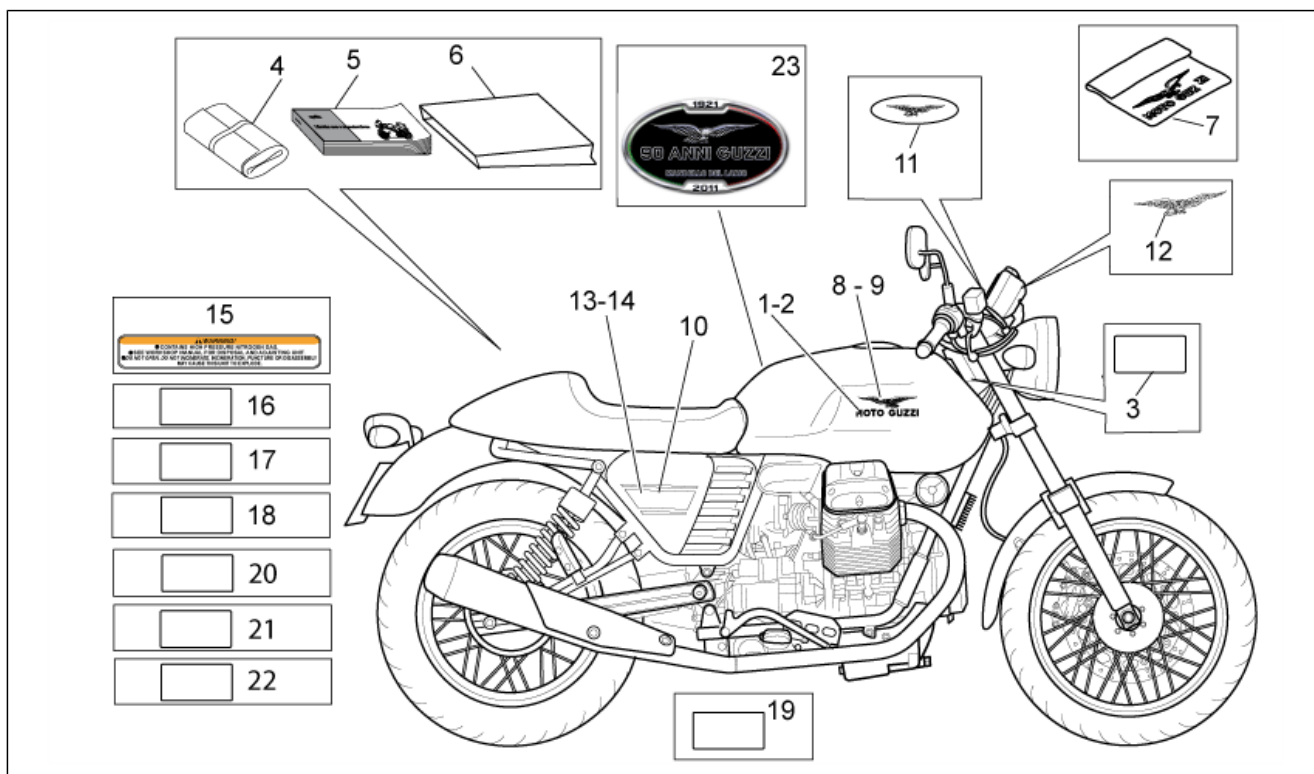
Pos.	Code	Description	Quant	Variants
25	AP8144046	Caoutchouc support détecteur	1	
26	GU29732550	Relais 5 pin	1	
27	AP8220546	Caoutchouc support relais	2	
28	AP8124869	Relais injection	2	
29	AP8220283	Caoutchouc *	2	
30	AP8224462	Relais 12V/30A	1	
31	GU30729330	Détec. temper. air	1	
32	GU30027931	Joint	1	
33	AP8150421	Vis taraud 2,9x12	2	
34	GU14609650	Collier 3,6x20,6	31	
34	GU49609601	Collier 2,4x92	1	

Groupe	CHASSIS
Code	33.32
Description	Kit serrure
Révision	1



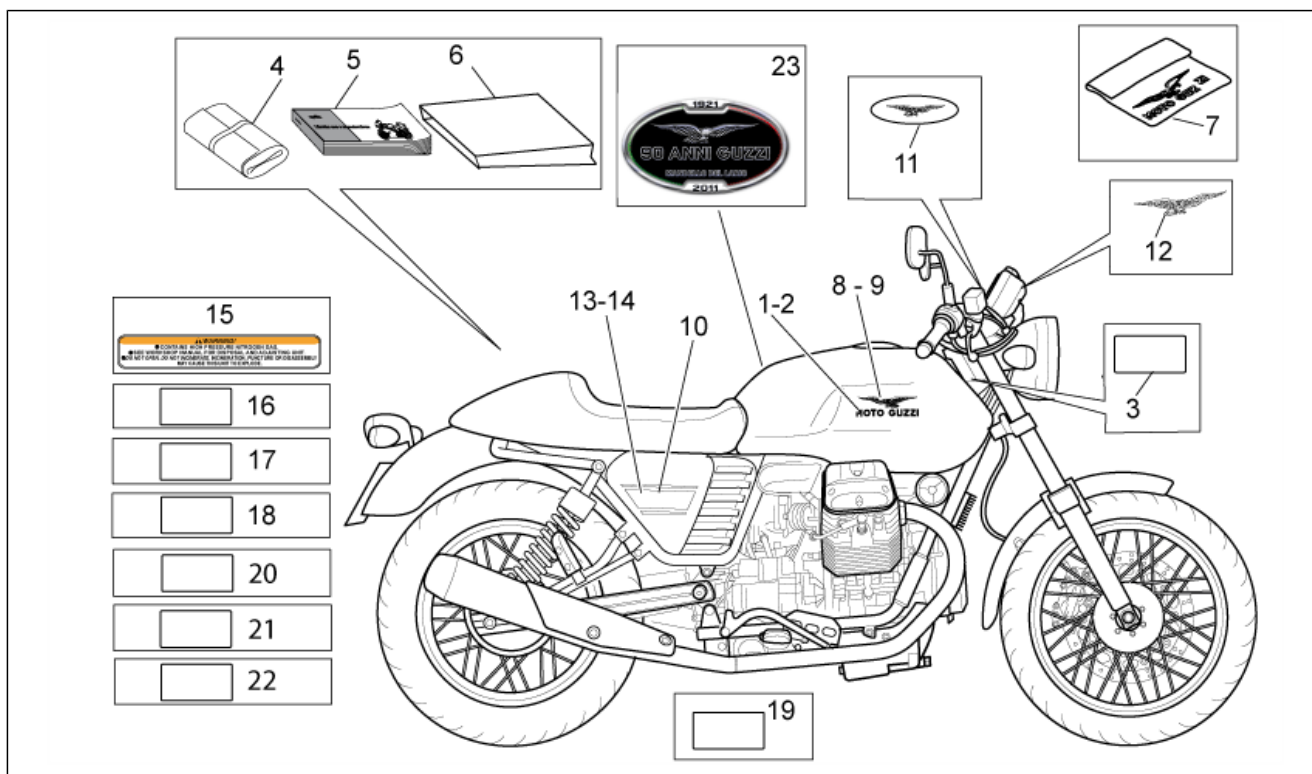
Pos.	Code	Description	Quant	Variants
1	883182	Kit serrure	1	Pays:Australie[AUS], Other country[EU], Japon[J], Angleterre[UK]
1	883477	Kit serrure	1	Pays:Canadian[CA], États Unis[USA]
2	GU32782510	Bloc démarreur-bloc	1	
3	883185	Bouchon réservoir	1	Pays:Australie[AUS], Other country[EU], Japon[J], Angleterre[UK]
3	883476	Bouchon réservoir	1	Pays:Canadian[CA], États Unis[USA]
4	977527	Serrure selle	1	
5	GU32735510	Clé pas cantée brut-coque go	1	
5	GU32735511	Clé pas cantée brut-coque cr	1	
6	AP8150349	Vis spéciale M8x15	1	
7	GU98682416	Vis	1	
8	AP8121420	Ressort à fourche	1	
9	978415	Plaque support câble	1	

Groupe	CHASSIS
Code	33.33
Description	Décalco et plaquettes
Révision	1



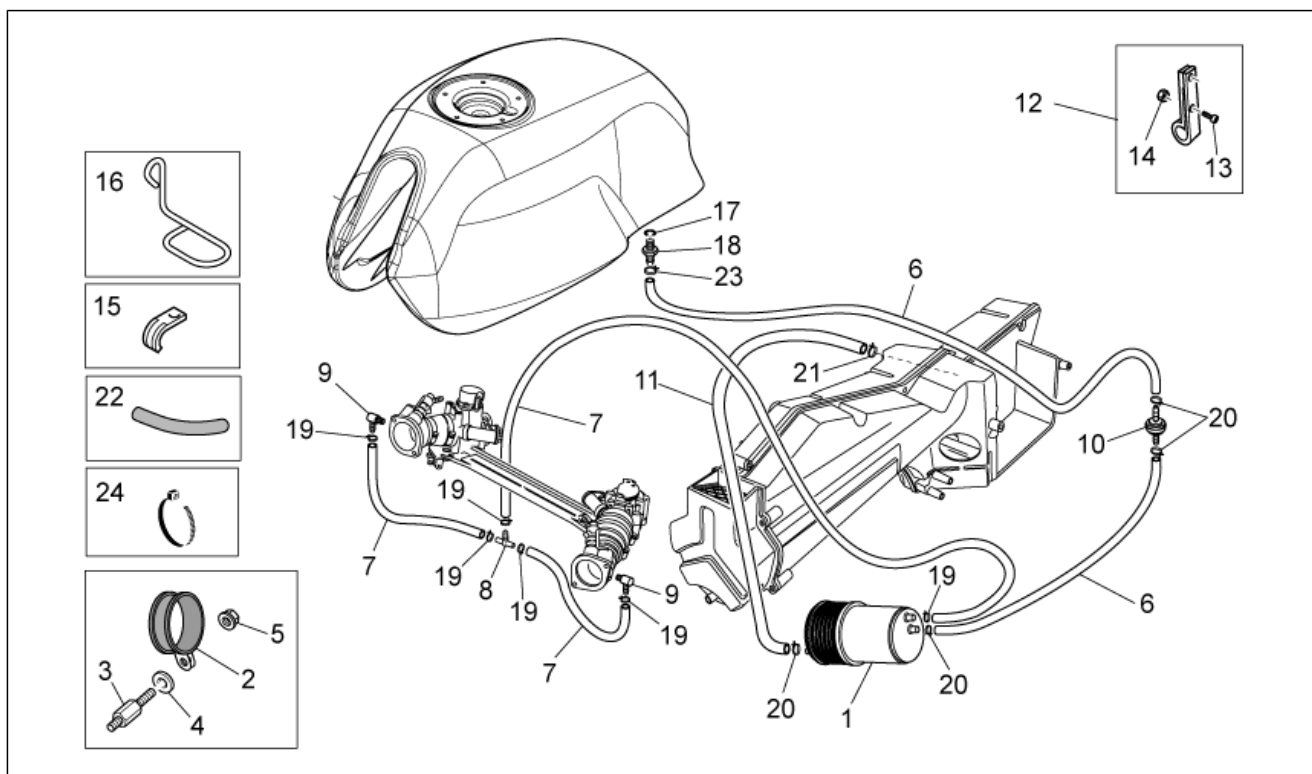
Pos.	Code	Description	Quant	Variants
1	883572	Décalco "V7 Cafè Classic"	2	Couleur véhicule: Solaris yellow 2009[y.so.]
1	883576	Décalco d. "Moto Guzzi"	1	Couleur véhicule: Diamond White 2009[d.wh.]
2	883577	Décalco g. "Moto Guzzi"	1	Couleur véhicule: Diamond White 2009[d.wh.]
3	GU32944310	Décalco protect.	2	
4	GU32909960	Trousse à outils	2	
5	883584	Manuel instr.I-D-F-E-UK-NL I-F-D-NL-E-UK	1	Pays: Australie[AUS], Other country[EU], Japon[J], Angleterre[UK]
5	886128	Livret d'util.et entret.	1	Pays: Canadian[CA], États Unis[USA]
6	GU05900130	Sachet pour documents	1	
7	GU30970200	Housse protect. moto	1	
8	883573	Décalco D. "Aquila"	1	Couleur véhicule: Solaris yellow 2009[y.so.]
8	883624	Décalco D. "Aquila"	1	Couleur véhicule: Diamond White 2009[d.wh.]
9	883574	Décalco G. "Aquila"	1	Couleur véhicule: Solaris yellow 2009[y.so.]
9	883625	Décalco "7"	1	Couleur véhicule: Diamond White 2009[d.wh.]
10	883572	Décalco "V7 Cafè Classic"	2	
11	883598	Décalco "Aquila"	2	
12	978551	Décalco "Aquila"	2	
13	883578	Décalco D.	1	Couleur véhicule: Diamond White 2009[d.wh.]
14	883579	Décalco G.	1	Couleur véhicule: Diamond White 2009[d.wh.]
15	AP8157100	Décalco Shock Adsorber	1	Pays: Canadian[CA], États Unis[USA]
16	AP8257742	Décalco WARNING	1	Pays: Canadian[CA], États Unis[USA]
17	AP8257794	Décalco batterie	1	Pays: Canadian[CA], États Unis[USA]
18	AP8257609	Décalco miroir	2	Pays: Canadian[CA], États Unis[USA]
19	883743	Décalco pression pneus	1	Pays: Canadian[CA], États Unis[USA]
20	883735	Décalco émissions sonores	1	Année: 2009[9], 2010[A] Pays: Canadian[CA], États Unis[USA]
20	883911	Décalco émissions sonores	1	Année: 2011[B] Pays: Canadian[CA], États Unis[USA]
21	883736	Emission control sticker	1	Année: 2009[9], 2010[A]

Groupe	CHASSIS
Code	33.33
Description	Décalco et plaquettes
Révision	1



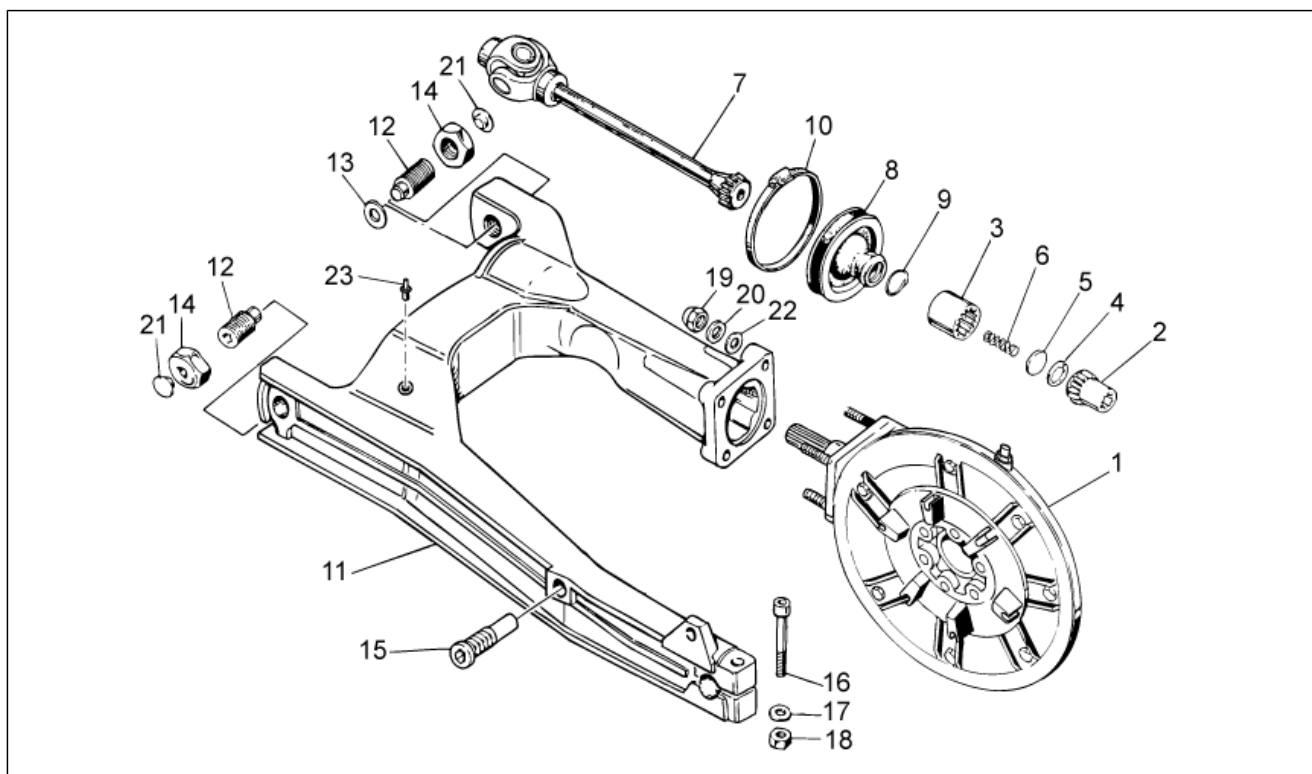
Pos.	Code	Description	Quant	Variants
				Pays:Canadian[CA], États Unis[USA]
21	883912	Emission control sticker	1	Année:2011[B] Pays:Canadian[CA], États Unis[USA]
22	883737	Décalco shed	1	Année:2009[9], 2010[A] Pays:Canadian[CA], États Unis[USA]
22	883913	Décalco shed	1	Année:2011[B] Pays:Canadian[CA], États Unis[USA]
23	886944	Décalco "90 Anni Guzzi"	1	

Groupe	CHASSIS
Code	33.51
Description	Sys.récup.vap.ess.
Révision	1



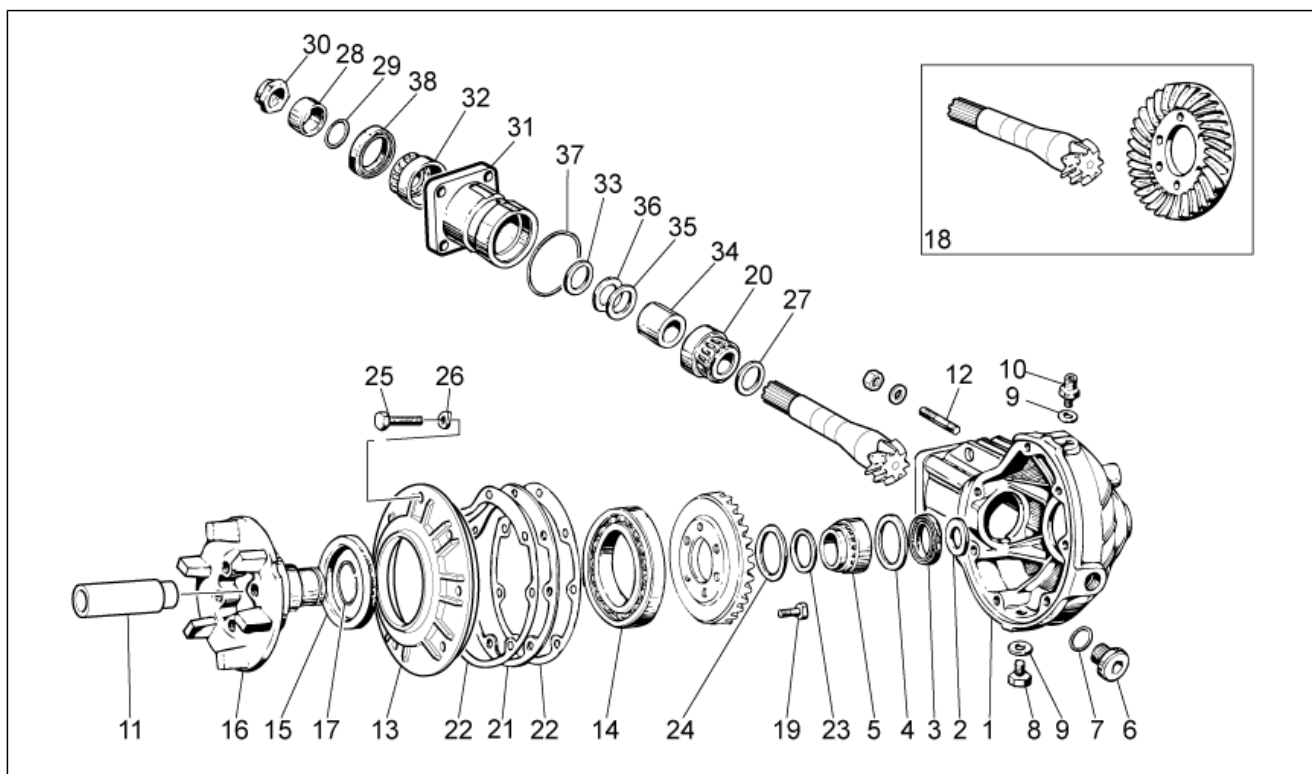
Pos.	Code	Description	Quant	Variants
1	AP8102678	Filtre à charbon	1	Pays:Canadian[CA], États Unis[USA]
2	AP8102688	Collier d.76	1	Pays:Canadian[CA], États Unis[USA]
3	GU32439260	Sup.canister USA	1	Pays:Canadian[CA], États Unis[USA]
4	GU95005311	Rondelle	1	Pays:Canadian[CA], États Unis[USA]
5	AP8152299	Ecrou autobloqu. M6	1	Pays:Canadian[CA], États Unis[USA]
6	856063	Tuyau SAE 30 d.12,7x6,35	2	Pays:Canadian[CA], États Unis[USA]
7	856062	Tuyau SAE 30 d.11,11x4,8	3	Pays:Canadian[CA], États Unis[USA]
8	AP8120116	Raccord 3 voies	1	Pays:Canadian[CA], États Unis[USA]
9	GU32115210	Raccord	2	Pays:Canadian[CA], États Unis[USA]
10	860138	Soupape	1	Pays:Canadian[CA], États Unis[USA]
11	856064	Tuyau SAE 30 d.14,3x7,9	1	Pays:Canadian[CA], États Unis[USA]
12	GU03658330	Collier	1	Pays:Canadian[CA], États Unis[USA]
13	GU98257410	Vis	1	Pays:Canadian[CA], États Unis[USA]
14	GU92630104	Ecrou M4x0,7	1	Pays:Canadian[CA], États Unis[USA]
15	GU93301313	Cavalier	1	Pays:Canadian[CA], États Unis[USA]
16	AP8221114	Guide-câble	2	Pays:Canadian[CA], États Unis[USA]
17	AP8120965	Joint torique 2018	1	Pays:Canadian[CA], États Unis[USA]
18	GU30103730	Raccord	1	Pays:Canadian[CA], États Unis[USA]
19	GU29108550	Collier clic 11,5x6	6	Pays:Canadian[CA], États Unis[USA]
20	GU28157950	Collier clic 12,5x8	5	Pays:Canadian[CA], États Unis[USA]
21	AP8102766	Collier	1	Pays:Canadian[CA], États Unis[USA]
22	GU00823923140	Gaine thermique	4	Pays:Canadian[CA], États Unis[USA]
23	AP8201358	Collier D 11,9	1	Pays:Canadian[CA], États Unis[USA]
24	GU14609650	Collier 3,6x20,6	3	Pays:Canadian[CA], États Unis[USA]

Groupe	MOTEUR
Code	34.09
Description	Transmission complète I
Révision	1



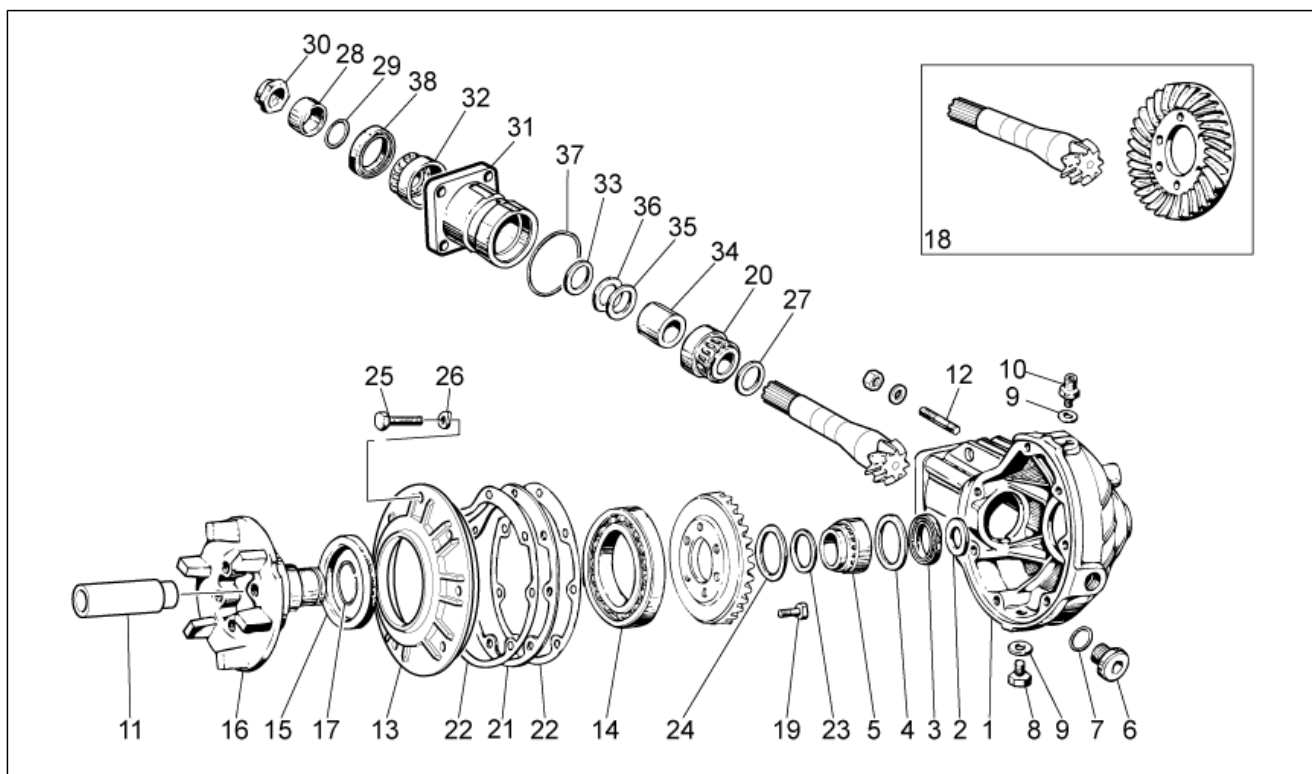
Pos.	Code	Description	Quant	Variants
1	976941	Boîte transm.cpl.noir	1	
2	GU31327783	Manchon	1	
3	GU19328801	Manchon	1	
4	GU90272023	Bague seeger	1	
5	GU19327601	Disque	1	
6	GU94321099	Ressort	1	
7	GU23328081	Joint	1	
8	GU23548080	Collier de protection	1	
9	GU23548180	Ressort	1	
10	AP8120246	Collier D=60-80	1	
11	883011	Fourche noire	1	
12	GU19547000	Pivot	2	
13	GU35214300	Cale	1	
14	GU31547882	Ecrou	2	
15	GU31544181	Pivot	1	
16	GU98680545	Vis M10x45	1	
17	GU95008210	Rondelle 10,2X18X2	1	
18	GU92606210	Ecrou M10x1,5	1	
19	GU92787008	Ecrou borgne M8x1,25	4	
20	GU14615901	Rondelle 8,4X13X0,8	4	
21	GU93180105	Bouchon	2	
22	GU95005308	Rondelle 8,4x14,57x1,6	4	
23	GU03922280	Bouchon 5x9	1	

Groupe	MOTEUR
Code	34.10
Description	Transmission complete II
Révision	1



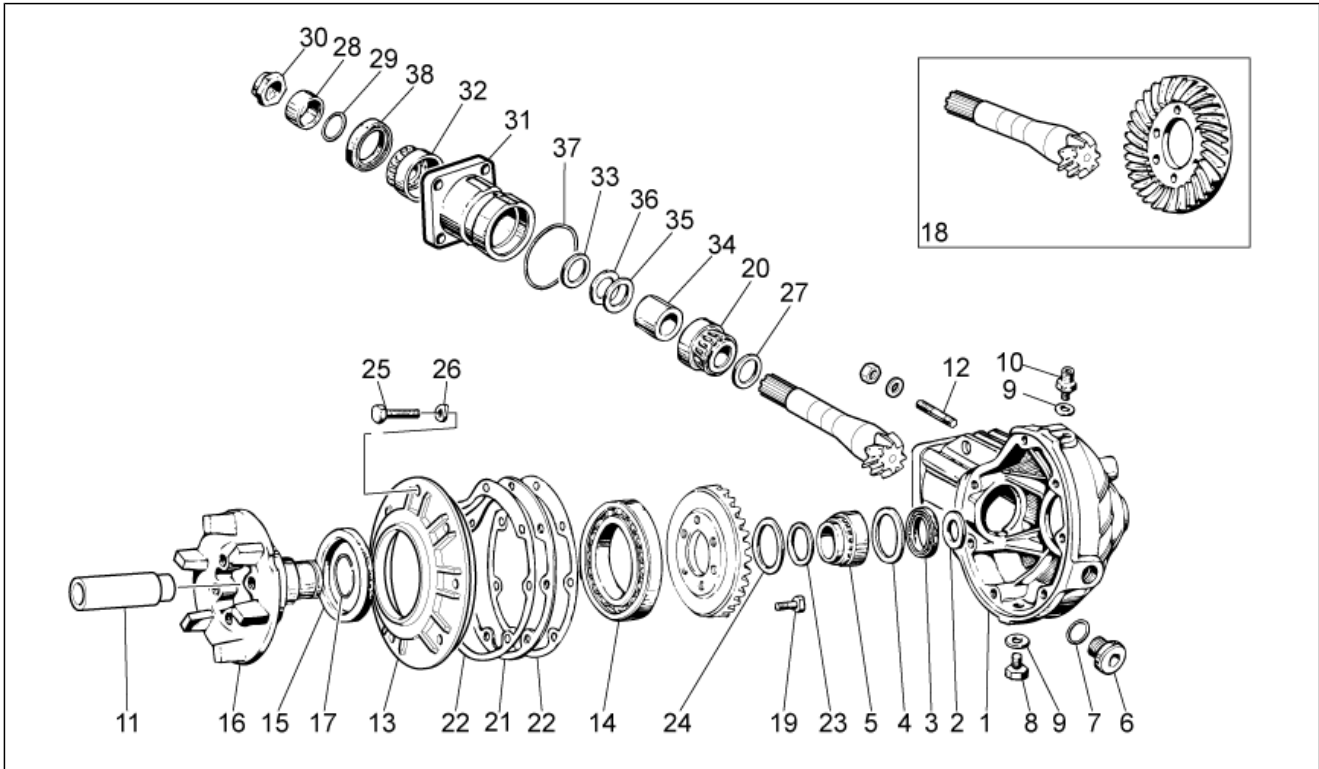
Pos.	Code	Description	Quant	Variants
1	976608	Carter de transmissionnoir	1	
2	GU19351900	Rondelle d'appui	1	
3	GU90403549	Bague d'étanchéité 35x47x7	1	
4	GU19351100	Rondelle d'appui	1	
5	GU92252235	Roulement à rouleaux 35x50x17	1	
6	GU12022600	Bouchon huile	1	
7	GU90706203	Joint torique 20,24X2,62	1	
8	GU31003766	Bouchon vid.huile M10x1	1	
9	GU01528930	Joint 10x18x1,5	2	
10	GU19206501	Bouchon purge	1	
11	GU32633560	Entretoise	1	
12	GU96508055	Vis sans tête	4	
13	GU32350410	Couvercle	1	
14	GU92201070	Roulement à billes 70x110x13	1	
15	GU90407591	Bague d'étanchéité 75x95x10	1	
16	GU32351410	Pivot	1	
17	GU90353030	Bague de butée	1	
18	GU32354610	Couple conique 8/33	1	
19	GU03067730	Vis M8x25	6	
20	GU92249227	Roulement roul.con. 25x5	1	
21	GU19355400	Cale 0,8 mm	1	
21	GU19355402	Cale 0,9 mm	1	
21	GU19355404	Cale 1 mm	1	
21	GU19355406	Cale 1,1 mm	1	
21	GU19355408	Cale 1,2 mm	1	
21	GU19355410	Cale 1,3 mm	1	
21	GU19355411	Cale 1,4 mm	1	
21	GU19355412	Cale 1,5 mm	1	

Groupe	MOTEUR
Code	34.10
Description	Transmission complete II
Révision	1



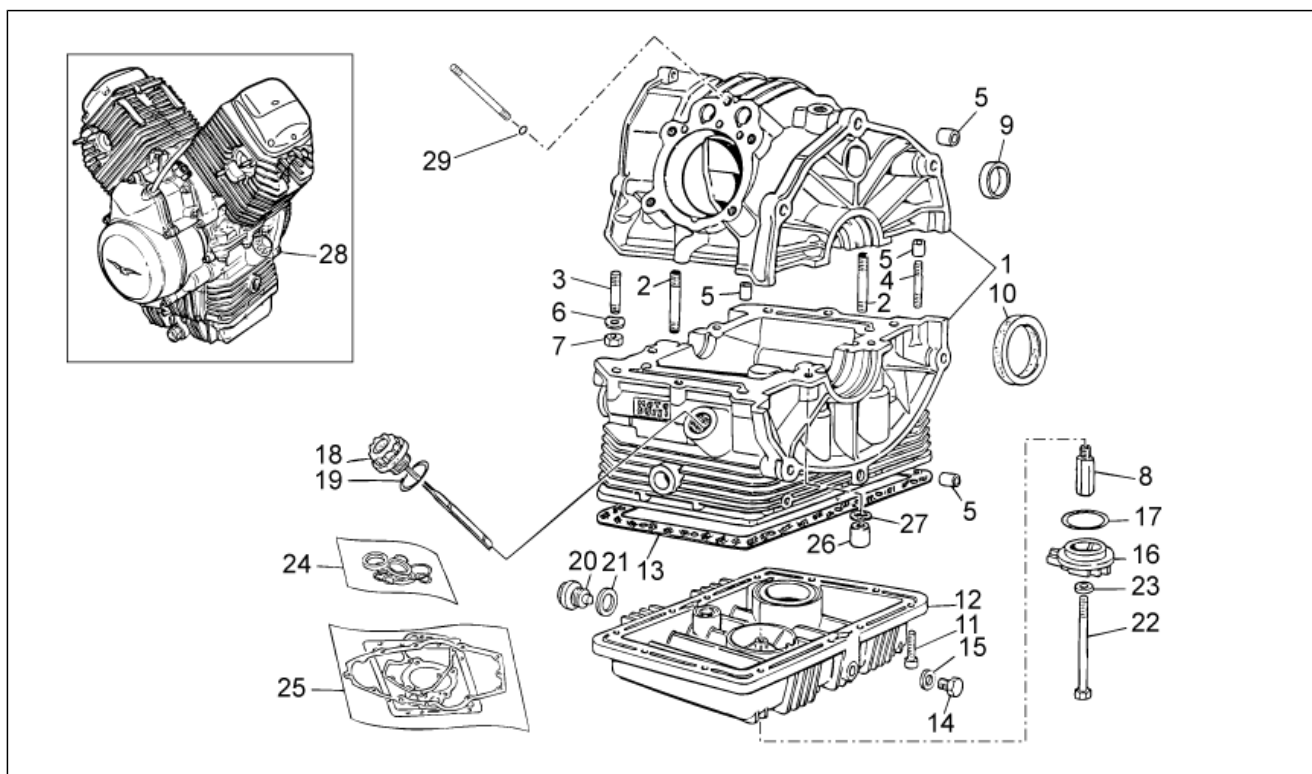
Pos.	Code	Description	Quant	Variants
21	GU19355413	Cale 1,6 mm	1	
22	GU19350700	Joint	2	
23	GU19352300	Rondelle éventail	1	
24	GU19353500	Rondelle éventail	1	
25	GU19357660	Vis	7	
26	GU61270300	Rondelle élastique 8x15x0,3	7	
27	GU19355320	Cale 1 mm	1	
27	GU19355321	Cale 1,1 mm	1	
27	GU19355322	Cale 1,2 mm	1	
27	GU19355323	Cale 1,3 mm	1	
27	GU19355324	Cale 1,4 mm	1	
27	GU19355325	Cale 1,5 mm	1	
27	GU19355326	Cale 1,6 mm	1	
27	GU19355327	Cale 1,7 mm	1	
27	GU19355328	Cale 1,8 mm	1	
27	GU19355329	Cale 1,9 mm	1	
28	GU19356801	Entretoise	1	
29	GU90706188	Bague d'étanchéité 18,77X1,78	1	
30	GU19356700	Ecrou	1	
31	GU20352421	Flasque	1	
32	GU92249220	Roulement à rouleaux 20x47x14	1	
33	GU19355300	Cale 1 mm	1	
33	GU19355301	Cale 1,1 mm	1	
33	GU19355302	Cale 1,2 mm	1	
33	GU19355303	Cale 1,3 mm	1	
33	GU19355304	Cale 1,4 mm	1	
33	GU19355305	Cale 1,5 mm	1	
33	GU19355306	Cale 1,6 mm	1	

Groupe	MOTEUR
Code	34.10
Description	Transmission complete II
Révision	1



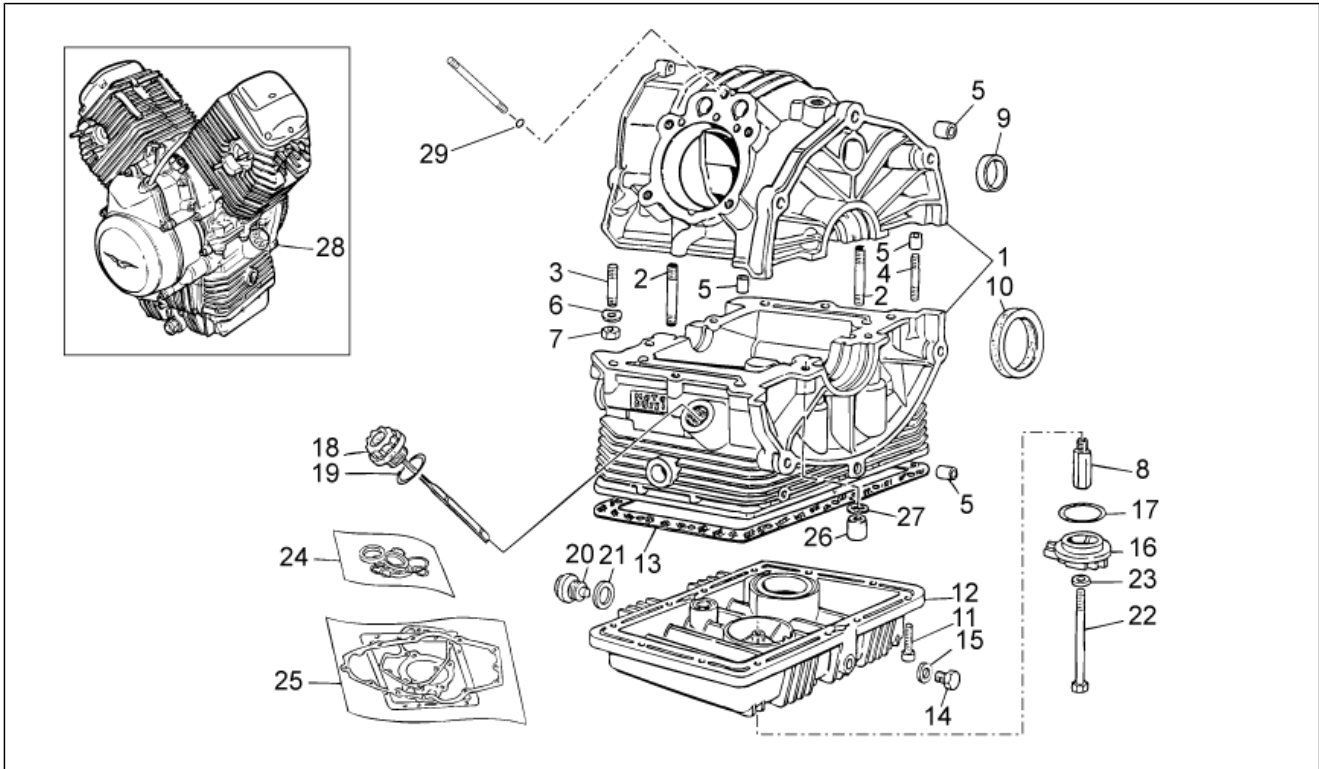
Pos.	Code	Description	Quant	Variants
33	GU19355307	Cale 1,7 mm	1	
33	GU19355308	Cale 1,8 mm	1	
33	GU19355309	Cale 1,9 mm	1	
34	GU20355121	Entretoise	1	
35	GU19355200	Rondelle ajustem. 0,1 mm	1	
36	GU19355202	Rondelle ajustem. 0,15 mm	1	
37	GU90706584	Joint 58,42x2,62	1	
38	GU90403251	Bague d'étanchéité 32x47x10	1	

Groupe	MOTEUR
Code	34.34
Description	Crank-case
Révision	1



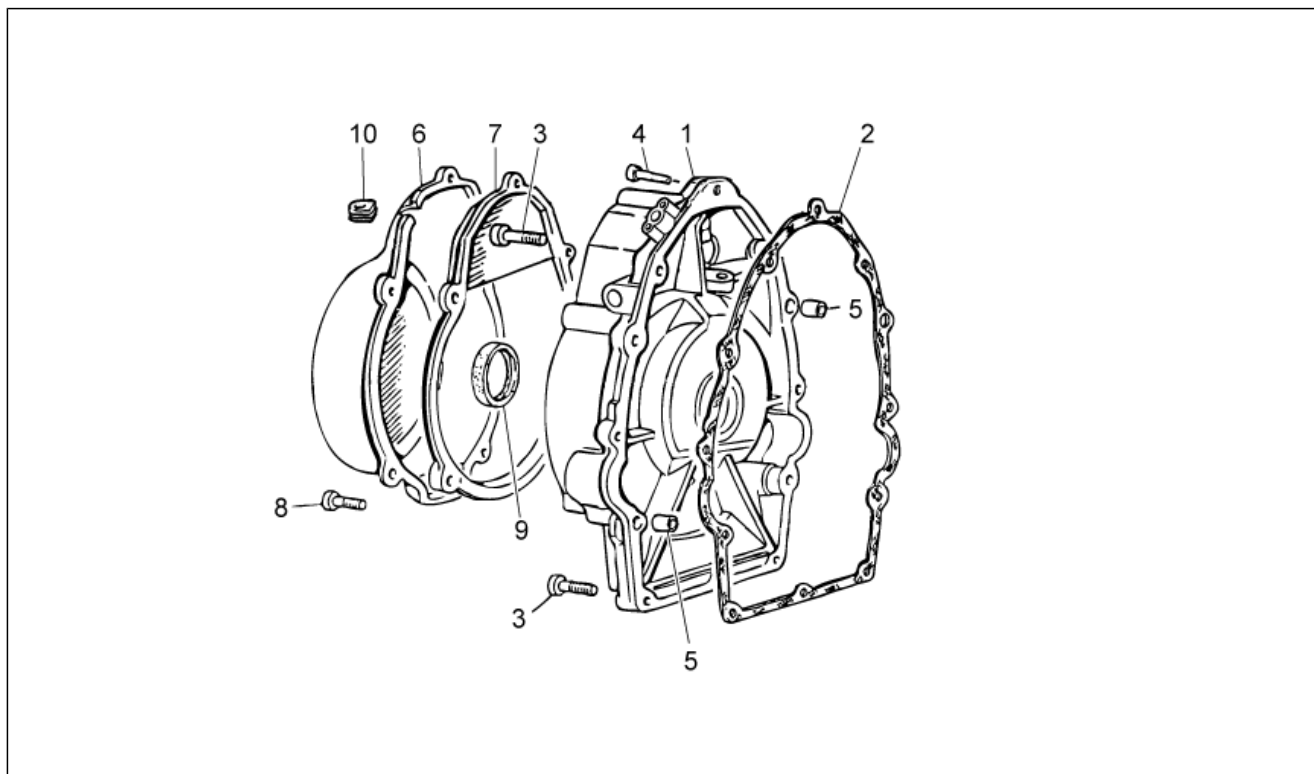
Pos.	Code	Description	Quant	Variants
1	976600	Carter moteur noir	1	
2	GU96451560	Vis sans tête	4	
3	GU96451430	Vis sans tête	4	
4	GU96508055	Vis sans tête	2	
5	GU19015020	Bague	4	
6	GU61270300	Rondelle élastique 8x15x0,3	6	
7	GU92606208	Ecrou M8x1,25	6	
8	GU19003800	Raccord	1	
9	GU19016320	Bouchon	1	
10	GU04000500	Bague d'étanchéité	1	
11	GU98682325	Vis M6x25	12	
12	976604	Carter huile noir	1	
13	GU19003602	Joint	1	
14	GU31003766	Bouchon vid.huile M10x1	1	
15	GU10528900	Garniture	1	
16	976685	Petit couvercle	1	
17	GU90706444	Joint torique	1	
18	GU27004985	Bouchon rempl. huile	1	
19	GU90706281	Joint torique 28,24x2,62	1	
20	GU12003702	Bouchon vid.huile	1	
21	GU95100709	Joint 20,1x28x2	1	
22	GU27152885	Boulon	1	
23	GU12154200	Joint 8,25x15x1	1	
24	GU32999510	Joint spy-série	1	
25	GU32999010	Joints-jeu	1	
26	GU13021900	Ecrou colonne	4	
27	GU95129180	Rondelle 10,5X18X0,8	4	
28	976939	Moteur comp.sansbo.vitesses	1	

Groupe	MOTEUR
Code	34.34
Description	Crank-case
Révision	1



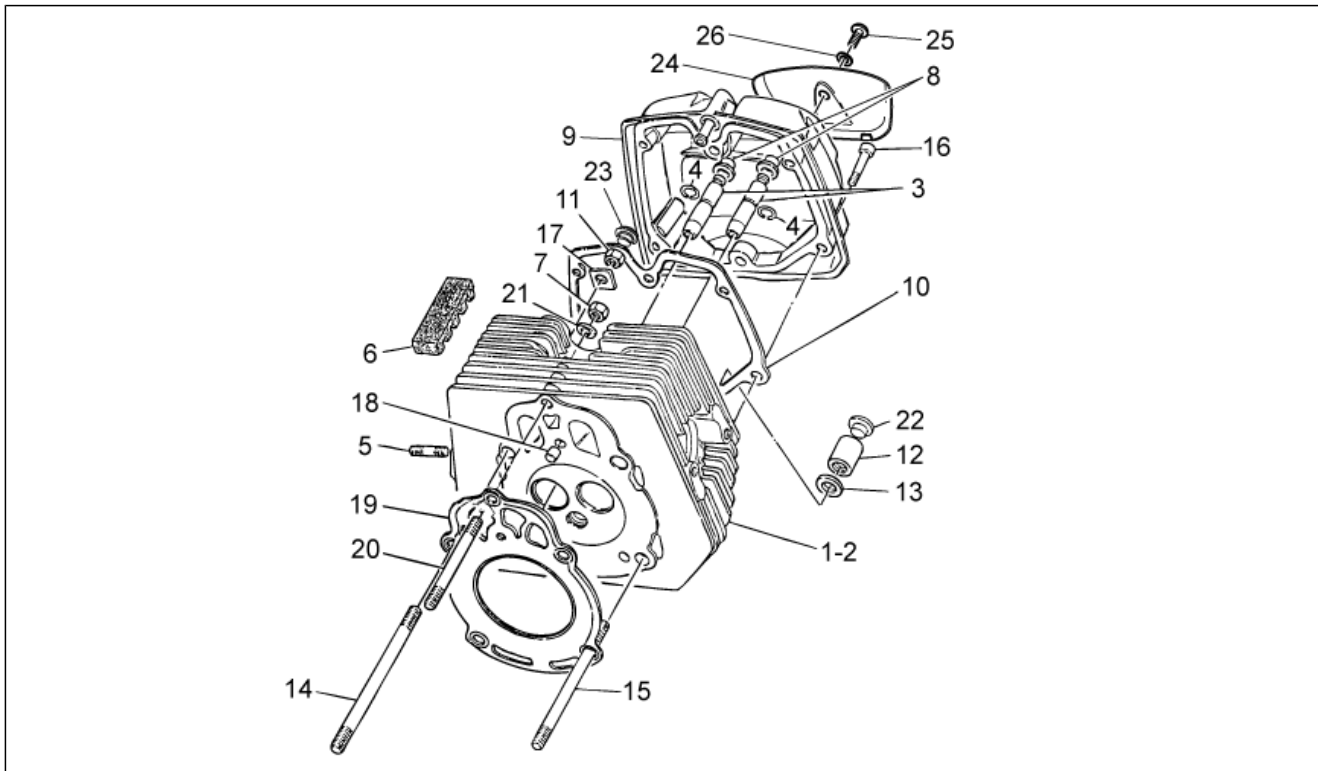
Pos.	Code	Description	Quant	Variants
29	GU90706076	Joint torique	2	

Groupe	MOTEUR
Code	34.35
Description	Timing system cover
Révision	1



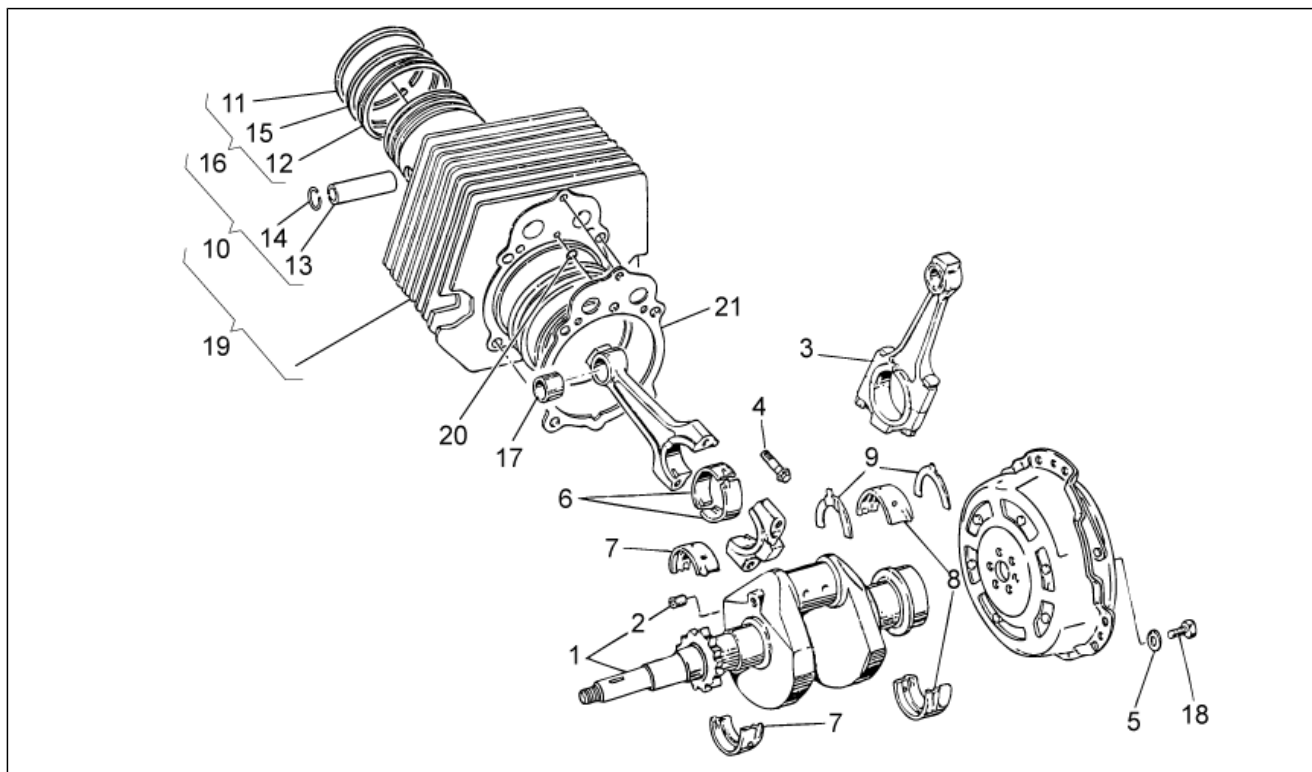
Pos.	Code	Description	Quant	Variants
1	976603	Couvercle de distribution noir	1	
2	GU19001200	Joint	1	
3	GU98682325	Vis M6x25	10	
4	GU98680330	Vis M6x30	2	
5	GU19002020	Bague 6,6x9x13	2	
6	GU32001610	Couvercle	1	
7	GU27001136	Bride	1	
8	GU98680335	Vis M6x35	5	
9	GU90402842	Bague d'étanchéité	1	
10	GU19007700	Caoutchouc	1	

Groupe	MOTEUR
Code	34.36
Description	Cylinder head
Révision	1



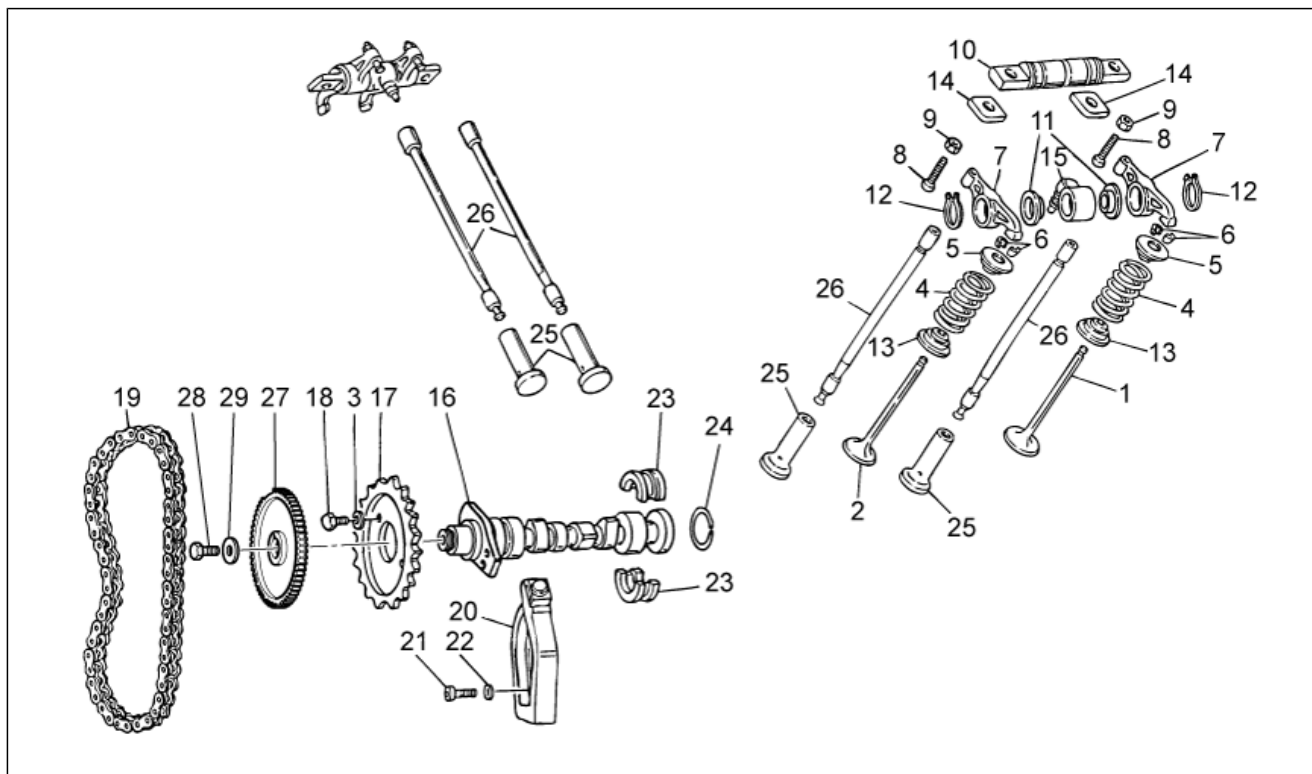
Pos.	Code	Description	Quant	Variants
1	GU32022110	Culasse d.gris	1	
2	GU32022210	Culasse g.gris	1	
3	GU61036801	Guide soupape	4	
4	GU90353009	Anneau élastique	4	
5	GU96506042	Vis sans tête	4	
6	GU19025300	Plaquette antivibratile	4	
7	GU19021920	Ecrou	2	
8	GU19037820	Joint spi	4	
9	GU32023660	Couvre-culasse	2	
10	GU19023700	Joint	2	
11	GU92603010	Ecrou M10X1,5	4	
12	GU13021900	Ecrou colonne	4	
13	GU95129180	Rondelle 10,5X18X0,8	4	
14	GU96510214	Vis sans tête M10x214	4	
15	GU96510181	Vis sans tête M10x182	4	
16	GU98692325	Vis M6x25	10	
17	GU19032980	Cale	4	
18	GU19021360	Bague	2	
19	GU27022060	Joint	2	
20	GU96508145	Vis sans tête M8x143	2	
21	GU61270300	Rondelle élastique 8x15x0,3	2	
22	GU93180245	Bouchon	4	
23	AP8144071	Caoutchouc pot	1	
24	GU32023410	Couvre-culasse	2	
25	AP8152339	Vis bride M5x9	2	
26	GU14615901	Rondelle 8,4X13X0,8	2	

Groupe	MOTEUR
Code	34.37
Description	Crankshaft cpl.
Révision	1



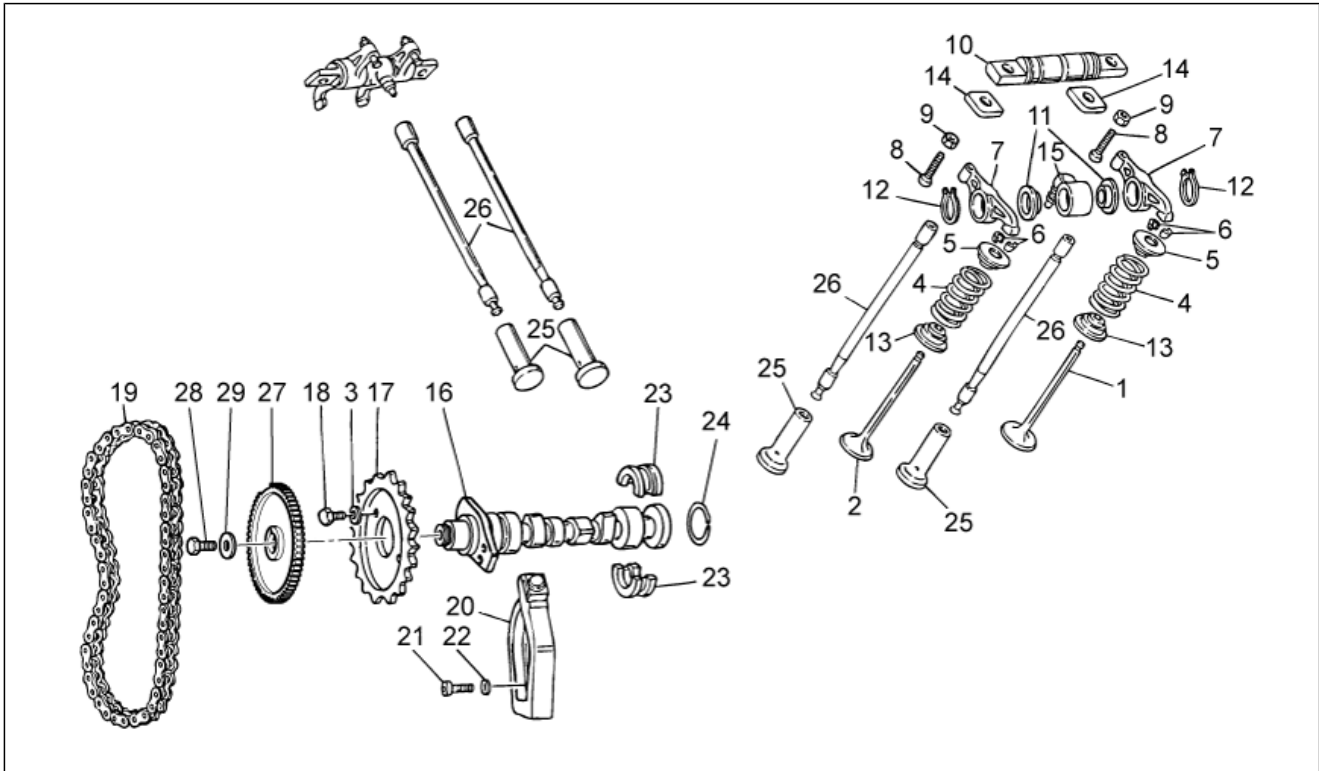
Pos.	Code	Description	Quant	Variants
1	GU32064110	Arbre moteur cpl.	1	
2	GU19065400	Bouchon	1	
3	GU27061585	Bielle cpl.	2	
4	GU19062261	Vis	4	
5	GU14615901	Rondelle 8,4X13X0,8	6	
6	GU27062060	Demi-coussinet	4	
7	GU27065660	Demi-couss.de vilebr.av.	2	
8	GU27066560	Demi-couss.de vilebr.ar.	2	
9	GU27066460	Demi-etau	2	
10	GU32060210	Piston cpl.	2	
11	GU32060710	Segment d'étanchéité	2	
12	GU19061063	Segment raclear	2	
13	GU27061286	Axe	2	
14	GU27061385	Bague de butée	4	
15	GU27060860	Segment d'étanchéité	2	
16	GU32060610	Ensemble de segments	2	
17	GU27061885	Bague	2	
18	GU19067700	Vis	6	
19	GU32060110	Cylindre avec piston gris	2	
20	GU61027200	Joint torique	2	
21	GU27020820	Joint	2	

Groupe	MOTEUR
Code	34.38
Description	Timing system
Révision	1



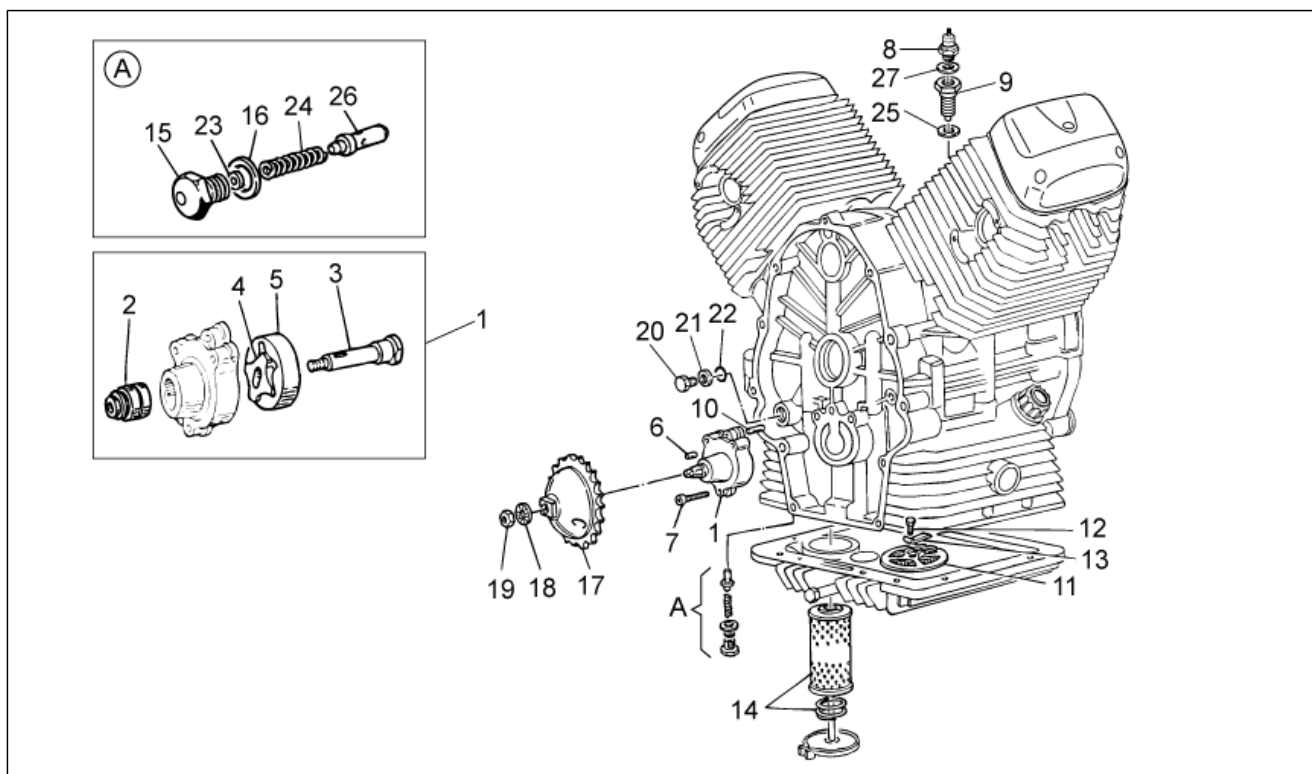
Pos.	Code	Description	Quant	Variants
1	GU20036020	Soupape d'admission	2	
2	GU20036120	Soupape d'échappement	2	
3	GU23217800	Rondelle de séreté	2	
4	GU27037521	Ressort	4	
5	GU31038015	Coupelle supérieur	4	
6	GU61038100	Demi-clavette	8	
7	GU19030500	Culbuteur	4	
8	GU19034000	Vis	4	
9	GU92602406	Ecrou M6x1	4	
10	GU19032080	Axe culbuteur	2	
11	GU32032310	Rondelle éventail	4	
12	GU90271018	Bague seeger	4	
13	GU31037015	Coupelle inférieure	4	
14	GU19032980	Cale	4	
15	GU19027500	Manchon	2	
16	GU32053410	Arbre à cames	1	
17	GU32054510	Engrenage distribution	1	
18	GU61054900	Boulon	2	
19	GU19058021	Chaîne de distribution	1	
20	GU19058220	Tendeur de chaîne	1	
21	GU98882316	Vis	1	
22	GU95129115	Rondelle	1	
23	GU19055700	Secteur	2	
24	GU90353029	Anneau élastique	1	
25	GU19045861	Poussoir	4	
26	GU31045015	Culbuteur tige	4	
27	GU32051710	Wheel speed sensor, LH front	1	
28	GU98054422	Vis M8x22	1	

Groupe	MOTEUR
Code	34.38
Description	Timing system
Révision	1



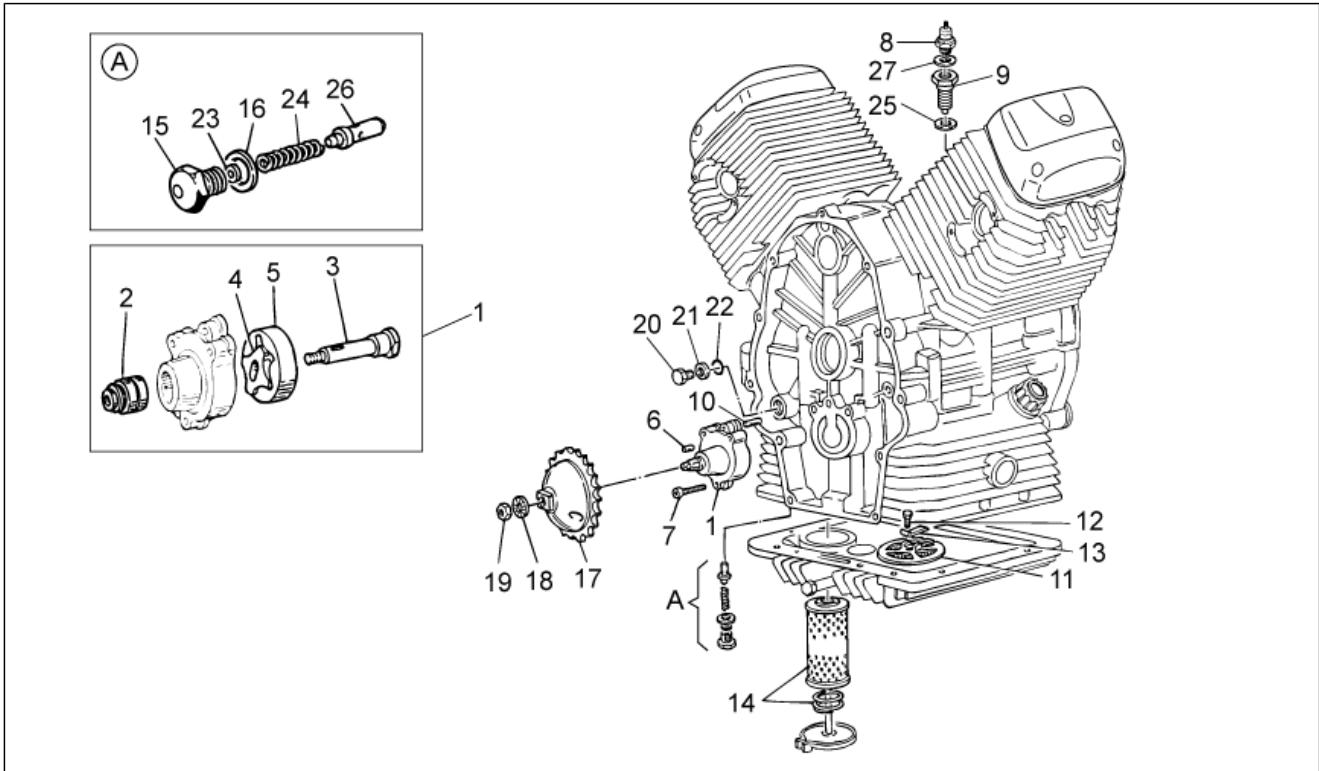
Pos.	Code	Description	Quant	Variants
29	GU95100244	Rondelle	1	

Groupe	MOTEUR
Code	34.39
Description	Oil pump
Révision	1



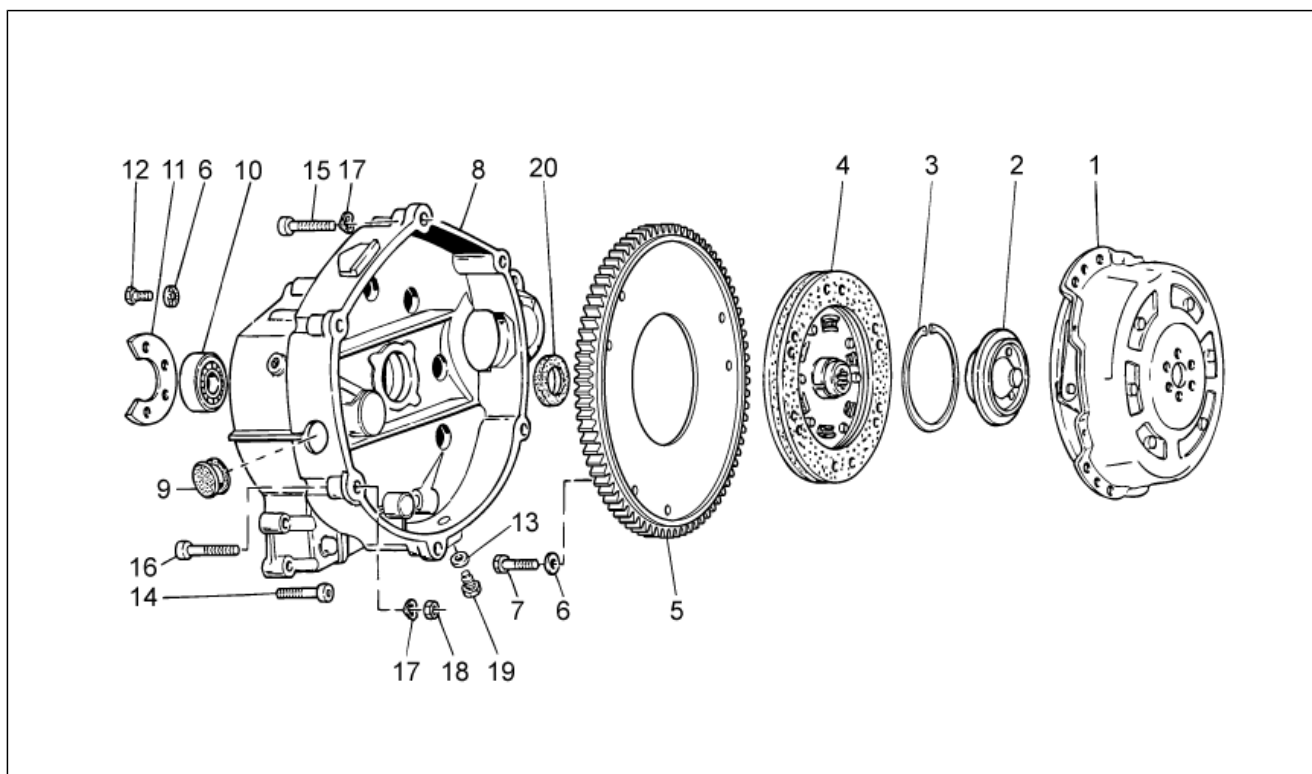
Pos.	Code	Description	Quant	Variants
1	GU19146422	Pompe huile	1	
2	GU92252210	Roulement à rouleaux 10x22x20	1	
3	GU20147810	Arbre pompe huile	1	
4	GU20148410	Rotor intérieur	1	
5	GU20148610	Rotor extérieur	1	
6	GU92296723	Rouleau	1	
7	GU98620335	Vis M6x35	3	
8	641541	Oil pressure sensor	1	
8	GU32768710	Détecteur pression	1	
9	887093	Raccord	1	
9	GU32768810	Raccord	1	
10	GU19018920	Goupille	2	
11	GU19152200	Filtre à huile	1	
12	GU98084314	Vis	1	
13	GU95187006	Plaquette	1	
14	GU27153085	Filtre à huile	1	
15	GU31159050	Bouchon	1	
16	GU18144350	Rondelle 18,25x24x1	3	
17	GU20147710	Pignon de pompe	1	
18	GU19149800	Rondelle 10,5x16x1	1	
19	GU92602510	Ecrou M10x1,25	1	
20	GU31016050	Bouchon	1	
21	GU18161150	Garniture 14,25	1	
22	GU90706111	Joint torique	1	
23	GU95008206	Rondelle 6,15x11x0,8	3	
24	GU94321079	Ressort	1	
25	GU95100602	Joint	1	
26	GU31150950	Piston	1	

Groupe	MOTEUR
Code	34.39
Description	Oil pump
Révision	1



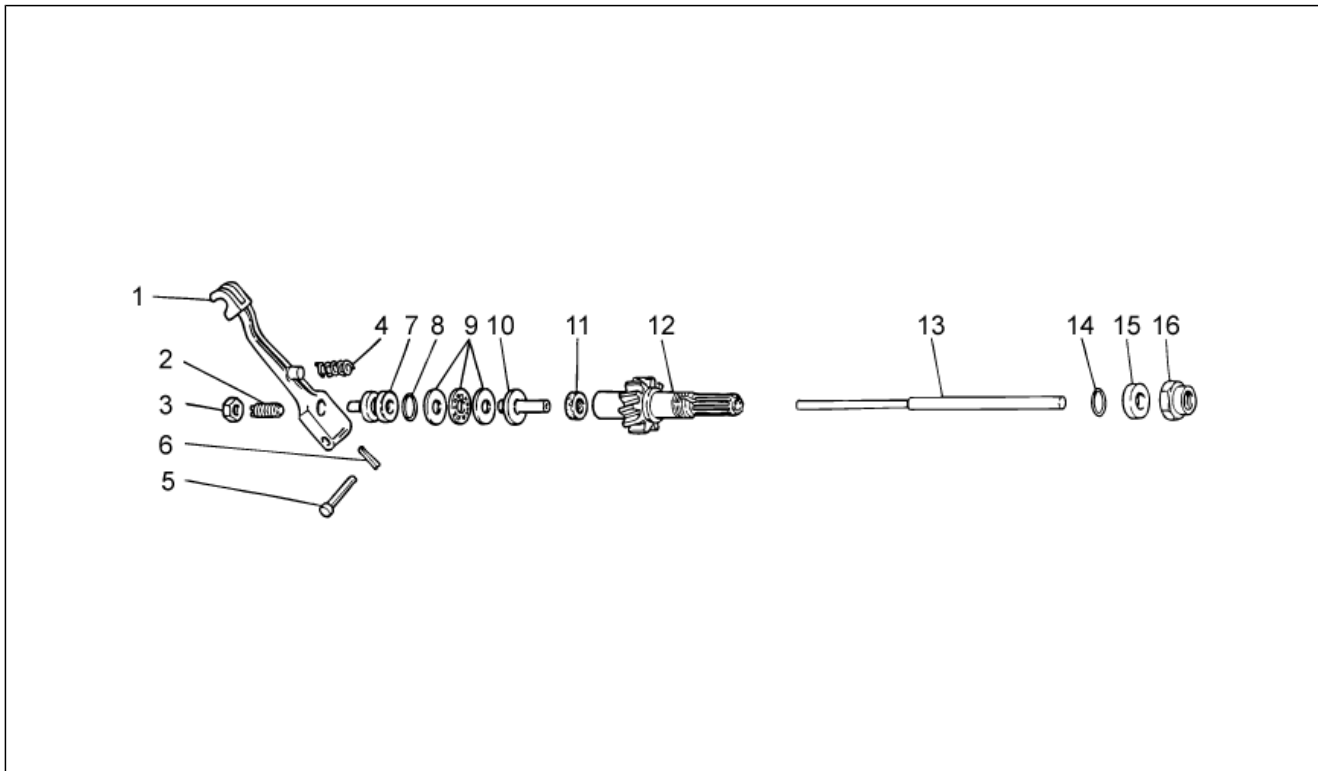
Pos.	Code	Description	Quant	Variants
27	GU95100309	Rondelle	1	

Groupe	MOTEUR
Code	34.40
Description	Clutch I
Révision	1



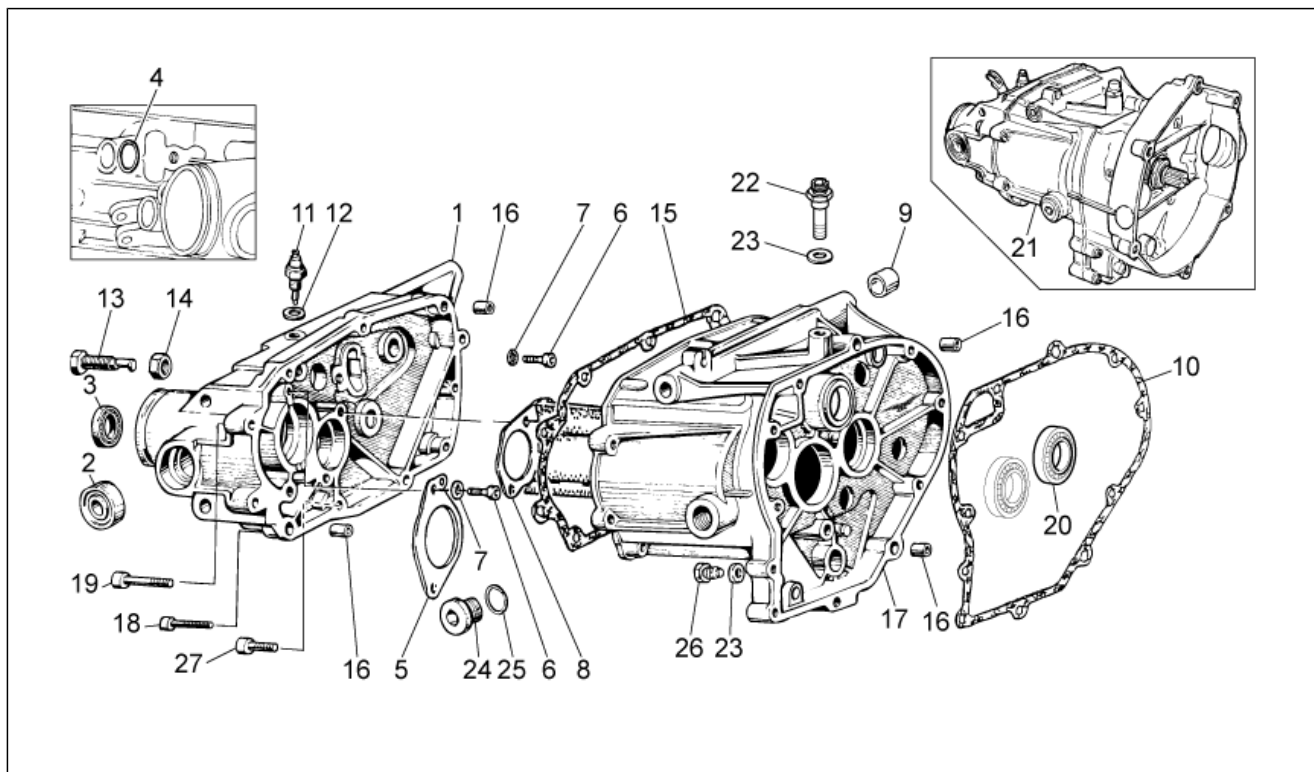
Pos.	Code	Description	Quant	Variants
1	GU32080310	Embrayage	1	
2	GU19083462	Cuvette	1	
3	GU90272075	Anneau élastique	1	
4	GU32084410	Disque embrayage mené	1	
5	GU32067910	Couronne	1	
6	GU14217901	Rondelle 6,4x10x0,7	9	
7	GU98084316	Vis	6	
8	981070	Cloche embrayage	1	
9	GU93180220	Bouchon	1	
10	GU92201225	Roulement 25x52x15	1	
11	GU19203460	Plaque fixation palier	1	
12	GU98084314	Vis	3	
13	GU10528900	Garniture	1	
14	GU98682330	Vis	11	
15	GU98680435	Vis M8x35	5	
16	GU98680450	Vis M8x50	1	
17	GU61270300	Rondelle élastique 8x15x0,3	6	
18	GU92606208	Ecrou M8x1,25	1	
19	GU31003766	Bouchon vid.huile M10x1	1	
20	GU90403246	Bague d'étanchéité 32x45x7	1	

Groupe	MOTEUR
Code	34.41
Description	Clutch II
Révision	1



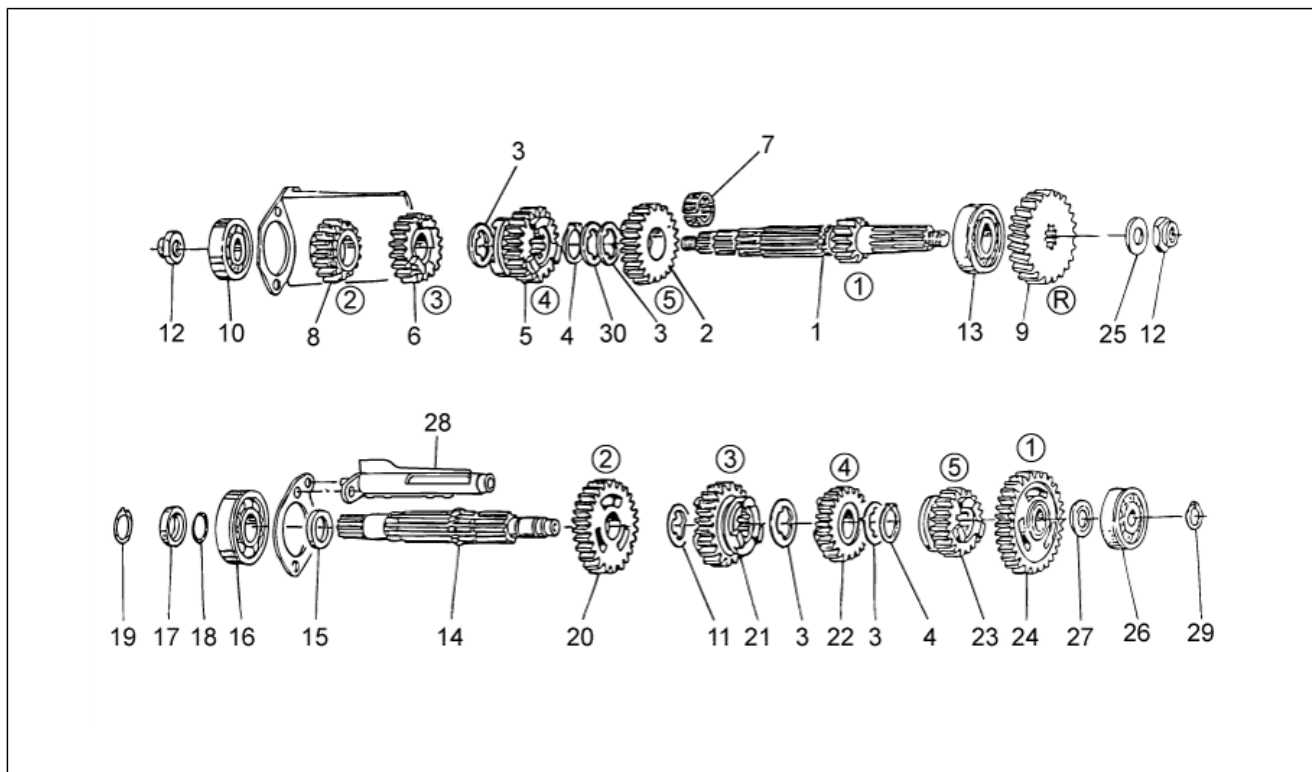
Pos.	Code	Description	Quant	Variants
1	GU14090201	Débrayage	1	
2	GU14090400	Vis embrayage	1	
3	GU92606508	Ecrou	1	
4	GU94321105	Retour levier démarrage	1	
5	GU95780271	Goupille 7x39	1	
6	GU95500222	Goupille	1	
7	GU14086100	Corps extérieur	1	
8	GU90706170	Joint torique 17,13x2,62	1	
9	GU12087001	Palier poussée	1	
10	GU14086000	Corps intérieur	1	
11	GU90400616	Bague d'étanchéité 6x16x7	1	
12	GU27210760	Arbre trnsmission Z=16	1	
13	GU20085720	Tige	1	
14	GU90706235	Joint torique 23,52x1,78	1	
15	GU19213760	Entretoise	1	
16	GU19356760	Ecrou	1	

Groupe	MOTEUR
Code	34.42
Description	Transmission cage
Révision	1



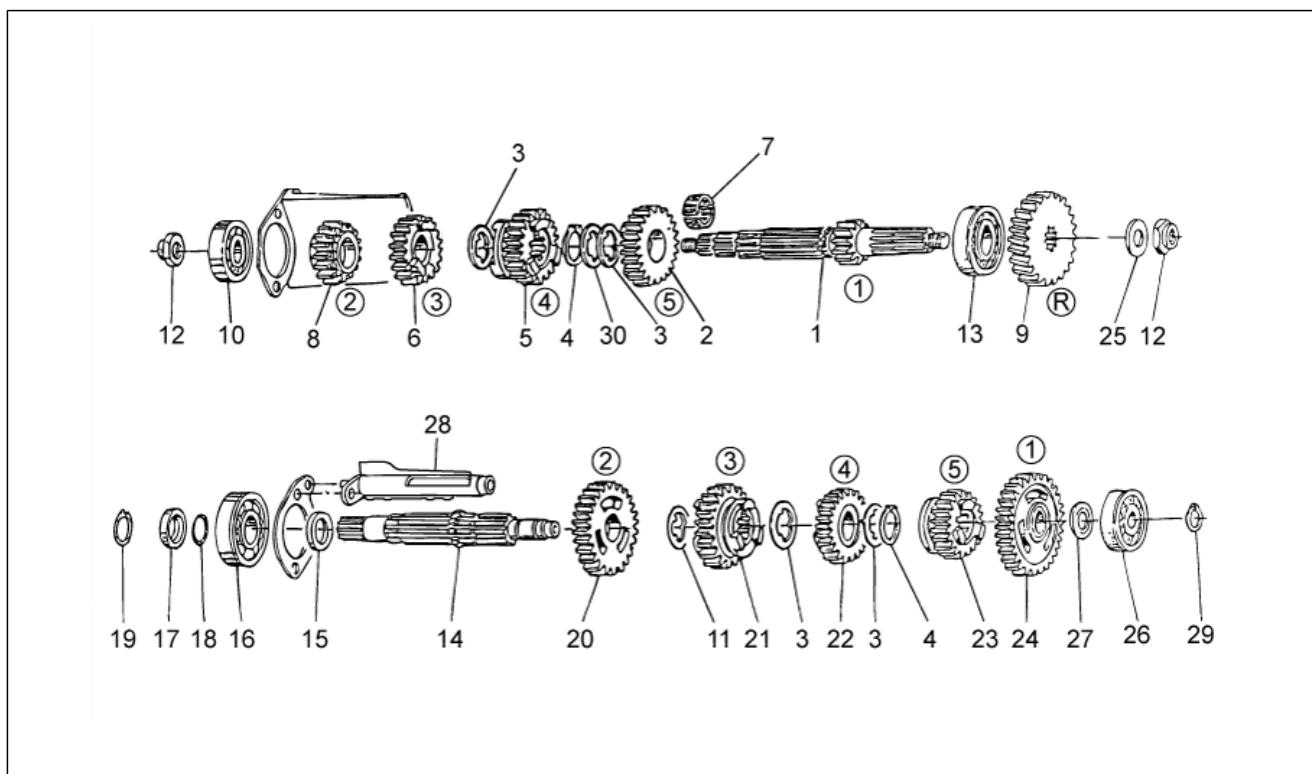
Pos.	Code	Description	Quant	Variants
1	976605	Couvercle changement	1	
2	GU92204215	Roulement 15x35x11	2	
3	GU90402841	Bague d'étanchéité 28x40x7	1	
4	GU90706140	Joint torique 13,95x2,92	1	
5	GU32213810	Plaque	1	
6	GU98682314	Vis M6x14	4	
7	GU14217901	Rondelle 6,4x10x0,7	4	
8	GU32208210	Huile cloison	1	
9	GU19202320	Bague 10,25x15,7x8	2	
10	GU23200370	Joint	1	
11	GU19207220	Capteur	1	
12	GU12154200	Joint 8,25x15x1	1	
13	GU19237800	Vis M12x1,25	1	
14	GU92606512	Ecrou bas M12x1,25	1	
15	GU19201120	Joint	1	
16	GU19002020	Bague 6,6x9x13	4	
17	976606	Boîte vitesses noir	1	
18	GU98682330	Vis	5	
19	GU98680435	Vis M8x35	4	
20	GU92201120	Roulement à billes 20x42x12	1	
21	976940	Boite de vites.compl.et carter	1	
22	GU32206510	Bouchon purge	1	
23	GU10528900	Garniture	2	
24	GU12022600	Bouchon huile	1	
25	GU90706203	Joint torique 20,24X2,62	1	
26	GU31003766	Bouchon vid.huile M10x1	1	
27	GU98680335	Vis M6x35	2	

Groupe	MOTEUR
Code	34.43
Description	Gear box
Révision	1



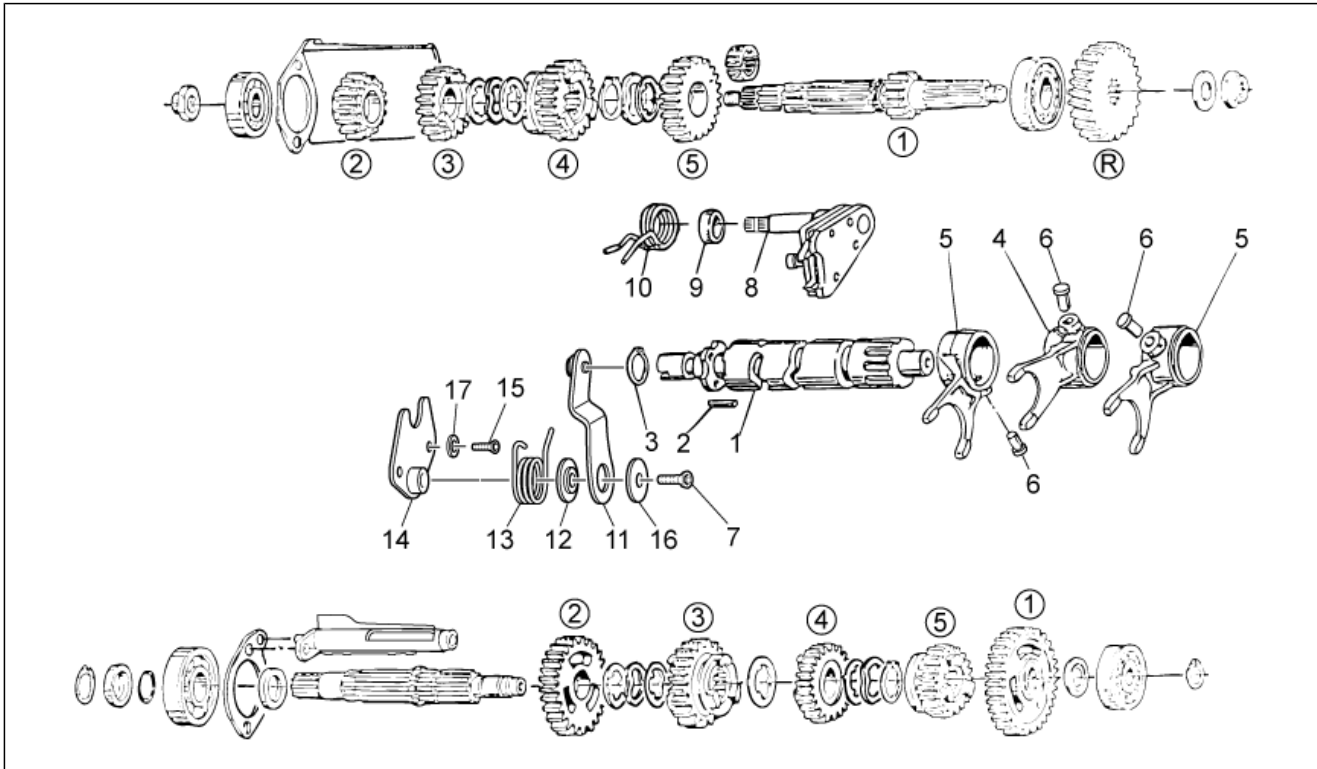
Pos.	Code	Description	Quant	Variants
1	GU32210510	Arbre primaire Z=11	1	
2	GU32212011	Engrenage 5a AP Z=25	1	
3	GU19215460	Rondelle éventail	3	
4	GU90271124	Bague seeger	2	
5	GU32211810	Engrenage 4a AP Z=18	1	
6	GU32211410	Engrenage 3a AP Z=18	1	
7	GU92251028	Cage à rouleaux	1	
8	GU23211372	Engrenage 2a AP Z=14	1	
9	GU32211110	Pignon interméd. AP Z=21	1	
10	GU92218417	Roulement AP 17x40x17,5	1	
11	GU19214660	Rondelle d'appui	2	
12	GU10054100	Ecrou	2	
13	GU92230320	Roulement AP 20x37x17	1	
14	GU32213610	Arbre secondaire	1	
15	GU19212900	Entretoise	1	
16	GU92201220	Roulement 20X47X14	1	
17	GU19213720	Entretoise	1	
18	GU90706188	Bague d'étanchéité 18,77X1,78	1	
19	GU90271121	Bague seeger	1	
20	GU32214510	Engrenage 2a AS Z=23	1	
21	GU32214810	Engrenage 3a AS Z=23	1	
22	GU32215010	Engrenage 4a AS Z=19	1	
23	GU32215210	Engrenage 5a AS Z=22	1	
24	GU32214010	Engrenage 1a AS Z=26	1	
25	GU39238100	Rondelle d'appui	1	
26	GU92234716	Roulement	1	
27	GU10214300	Cale 1,5 mm	1	
27	GU10214301	Cale 1,7 mm	1	

Groupe	MOTEUR
Code	34.43
Description	Gear box
Révision	1



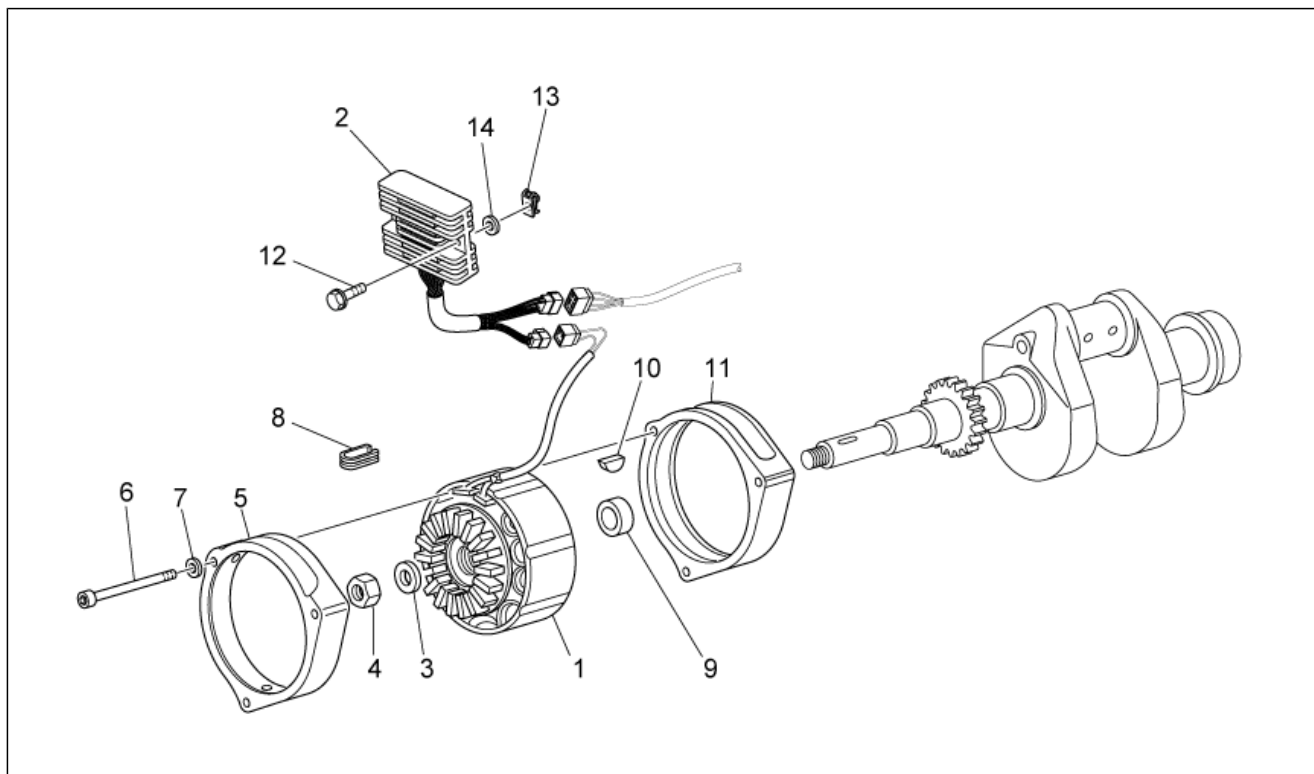
Pos.	Code	Description	Quant	Variants
27	GU10214302	Cale 1,8 mm	1	
27	GU10214303	Cale 1,9 mm	1	
27	GU10214304	Rondelle 2 mm	1	
27	GU10214305	Cale 2,1 mm	1	
28	GU32202010	Egouttoir	1	
29	GU90271117	Bague seeger	1	

Groupe	MOTEUR
Code	34.44
Description	Gear box selector
Révision	1



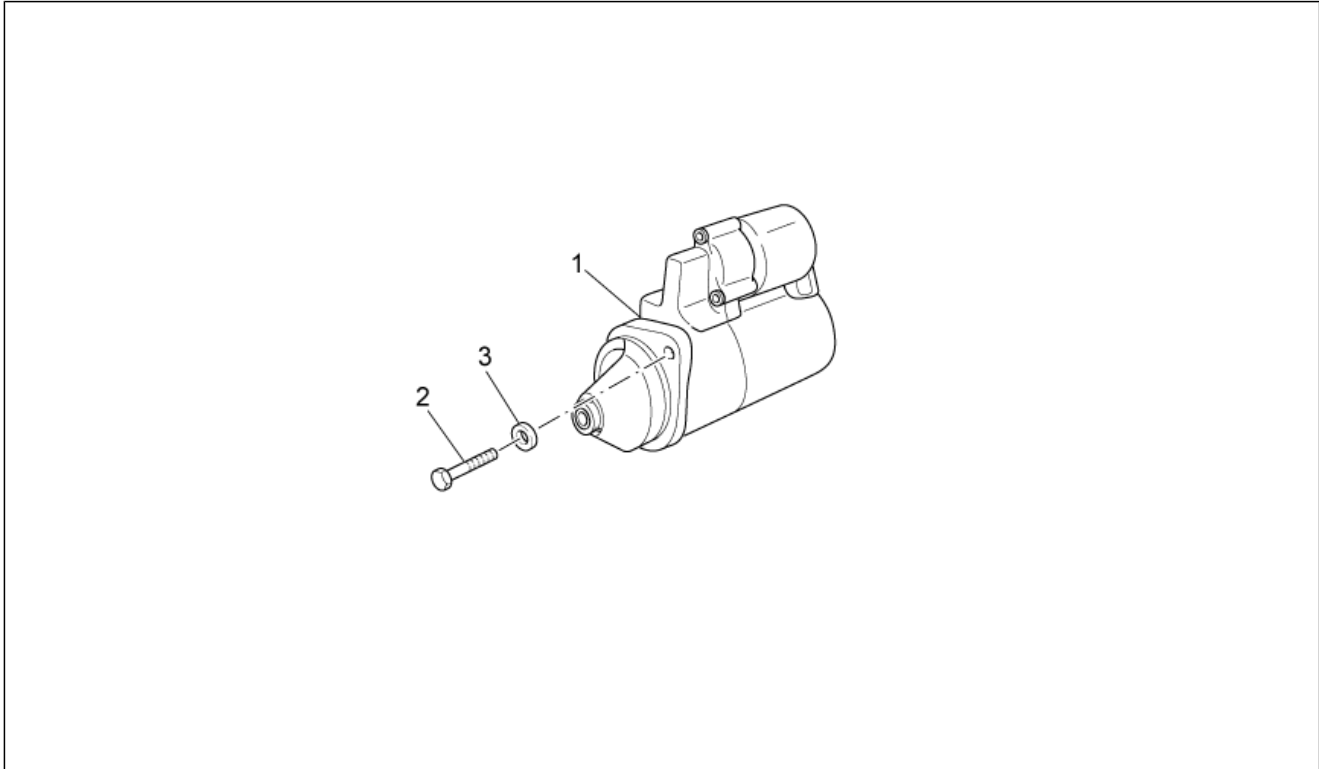
Pos.	Code	Description	Quant	Variants
1	GU32234410	Desmodromique	1	
2	GU19234600	Tige	4	
3	GU90274026	Anneau élastique	1	
4	GU32231210	Fourchette AP	1	
5	GU32231010	Fourchette AS	2	
6	GU32233010	Rouleau	3	
7	GU98350312	Vis M6x12	1	
8	GU32236210	Preselecteur complet	1	
9	GU20208520	Entretoise	1	
10	GU32238210	Ressort	1	
11	GU32234710	Levier	1	
12	GU32234810	Rondelle	1	
13	GU32234110	Ressort	1	
14	GU32235710	Plaque	1	
15	AP8152166	Vis M6x16	2	
16	GU32234910	Rondelle 6,4x20x1	1	
17	GU14217901	Rondelle 6,4x10x0,7	2	

Groupe	MOTEUR
Code	34.45
Description	Generator - Regulator
Révision	1



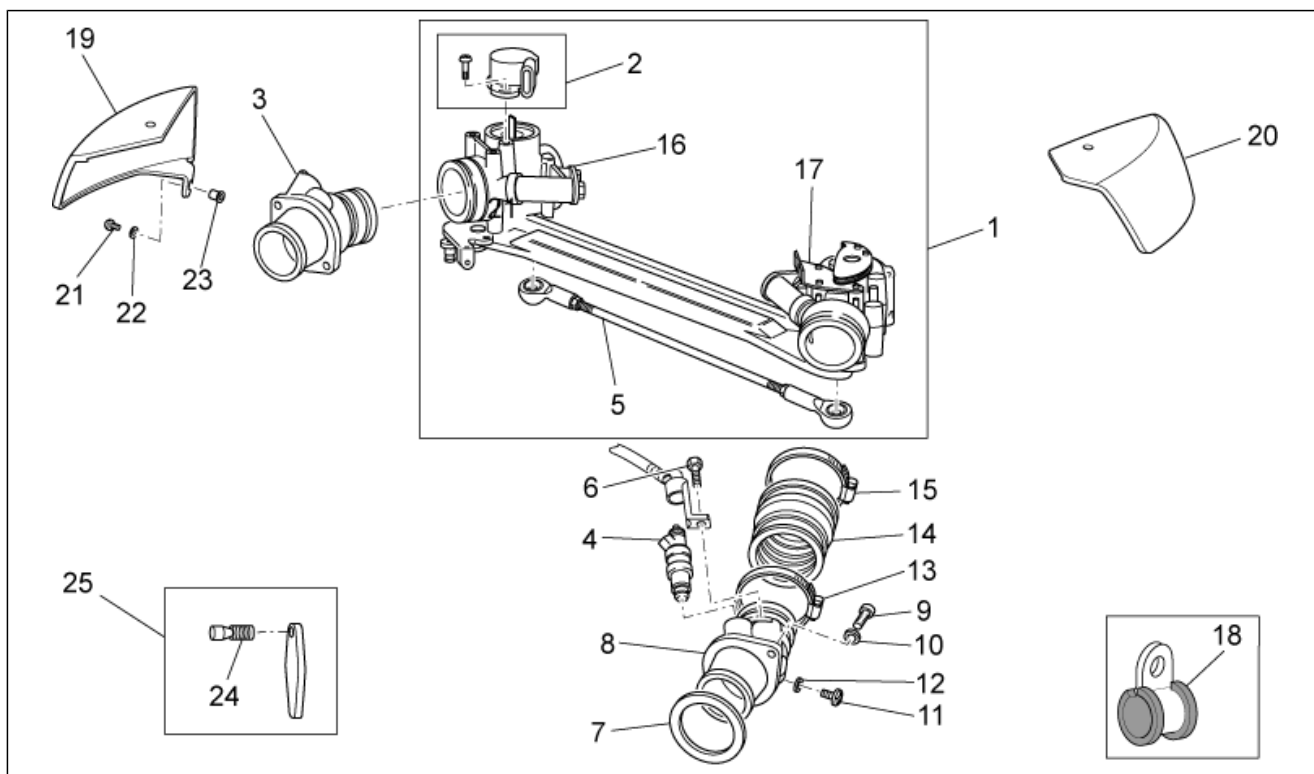
Pos.	Code	Description	Quant	Variants
1	GU32712411	Alternateur Ducati	1	
2	GU32703810	Régulateur DUCATI	1	
3	GU30714201	Rondelle 16,25x24,5x5	1	
4	GU92606516	Ecrou M16	1	
5	GU29711460	Calotte av.	1	
6	GU98680265	Vis	3	
7	GU29217960	Rondelle 5,9X3X0,8	3	
8	GU19007700	Caoutchouc	1	
9	GU31712365	Entretoise	1	
10	GU91600450	Clavette	1	
11	GU29711960	Calotte arriere chromée	1	
12	AP8152281	Vis bride	2	
13	GU28576591	Clip M6	2	
14	GU95100125	Rondelle	2	

Groupe	MOTEUR
Code	34.46
Description	Starter motor
Révision	1



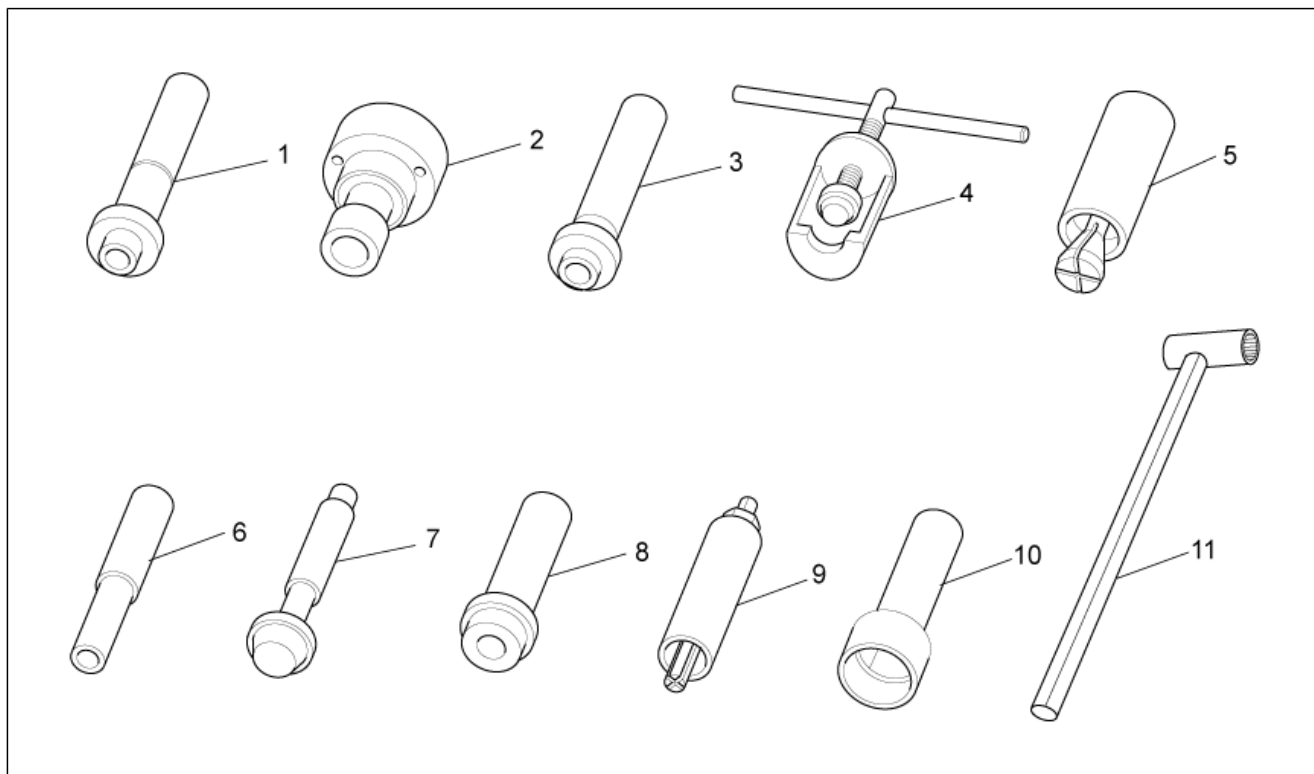
Pos.	Code	Description	Quant	Variants
1	GU05730730	Démarrreur Bosch	1	
2	GU98082435	Vis M8x35	2	
3	GU95008208	Rondelle 8,4X15X1,5	2	

Groupe	MOTEUR
Code	34.47
Description	Throttle body
Révision	1



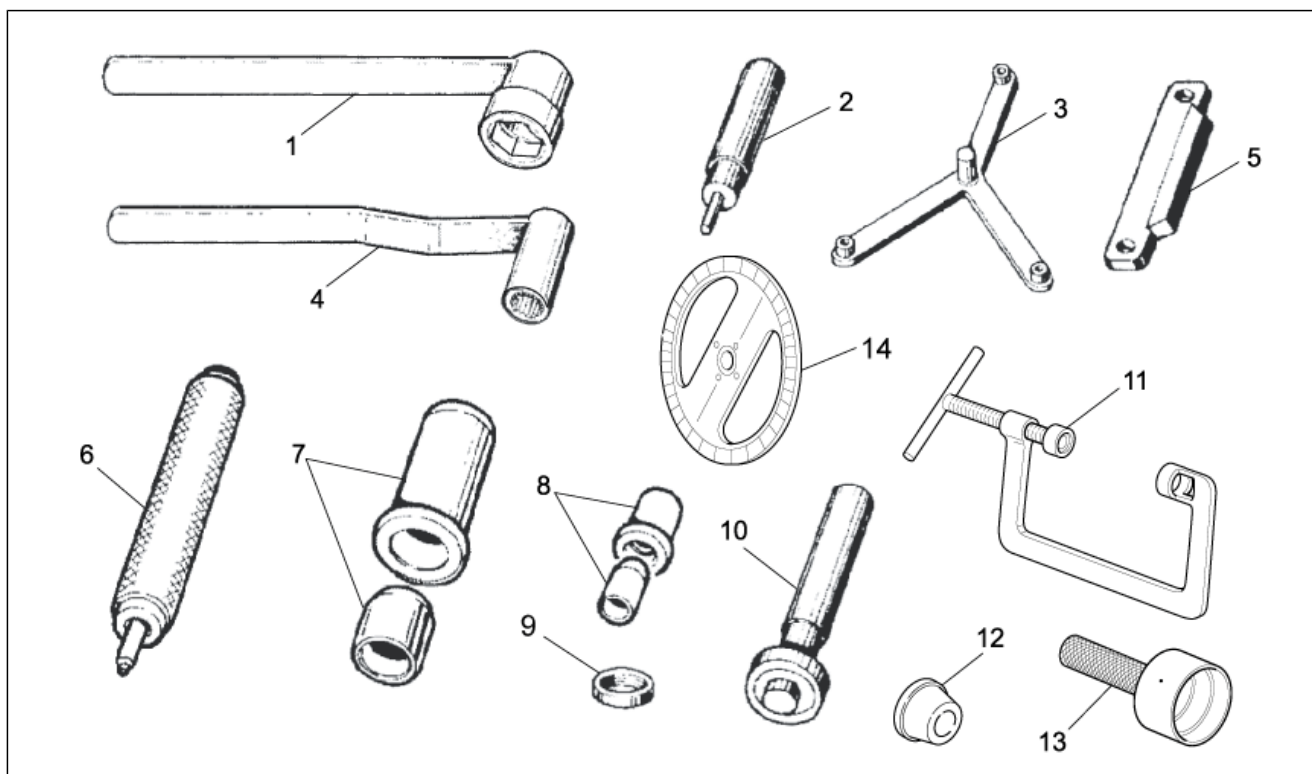
Pos.	Code	Description	Quant	Variants
1	GU32112510	Corpe papillon compl.	1	
2	GU05112830	Potentiometre	1	
3	GU32115010	Pipe d.	1	
4	GU32115710	Kit injecteur complet	2	
5	GU32530509	Tige	1	
6	AP8152298	Vis bride M5x16	2	
7	GU32115510	Joint	1	
8	GU32115011	Pipe g.	1	
9	GU98682322	Vis M6x22	4	
10	GU03013800	Rondelle 6,4x12	4	
11	GU98310609	Vis M6x10	2	
12	GU95100116	Rondelle 6,25x10x1,5	2	
13	GU93305057	Collier 57x59,5x10	2	
14	GU32114310	Manchon	2	
15	GU93305061	Collier 61/65,5	2	
16	GU32112610	Corps à papillon d.	1	
17	GU32112611	Corps à papillon g.	1	
18	GU32718010	Collier	2	
19	978938	Couvercle droit chromé	1	
20	978939	Couvercle gauche chromé	1	
21	GU98370515	Vis	4	
22	GU30577800	Rondelle nylon 5,5X12X1	4	
23	GU93231605	Douille anti vibr.	4	
24	GU97270212	Vis à arrachement	1	Spécifications techniques:25Kw Version[25 Kw]
25	GU973221100027	Kit Plaquette	1	Spécifications techniques:25Kw Version[25 Kw]

Groupe	OUTILLAGE SPECIAL
Code	36.48
Description	Specific tools I
Révision	1



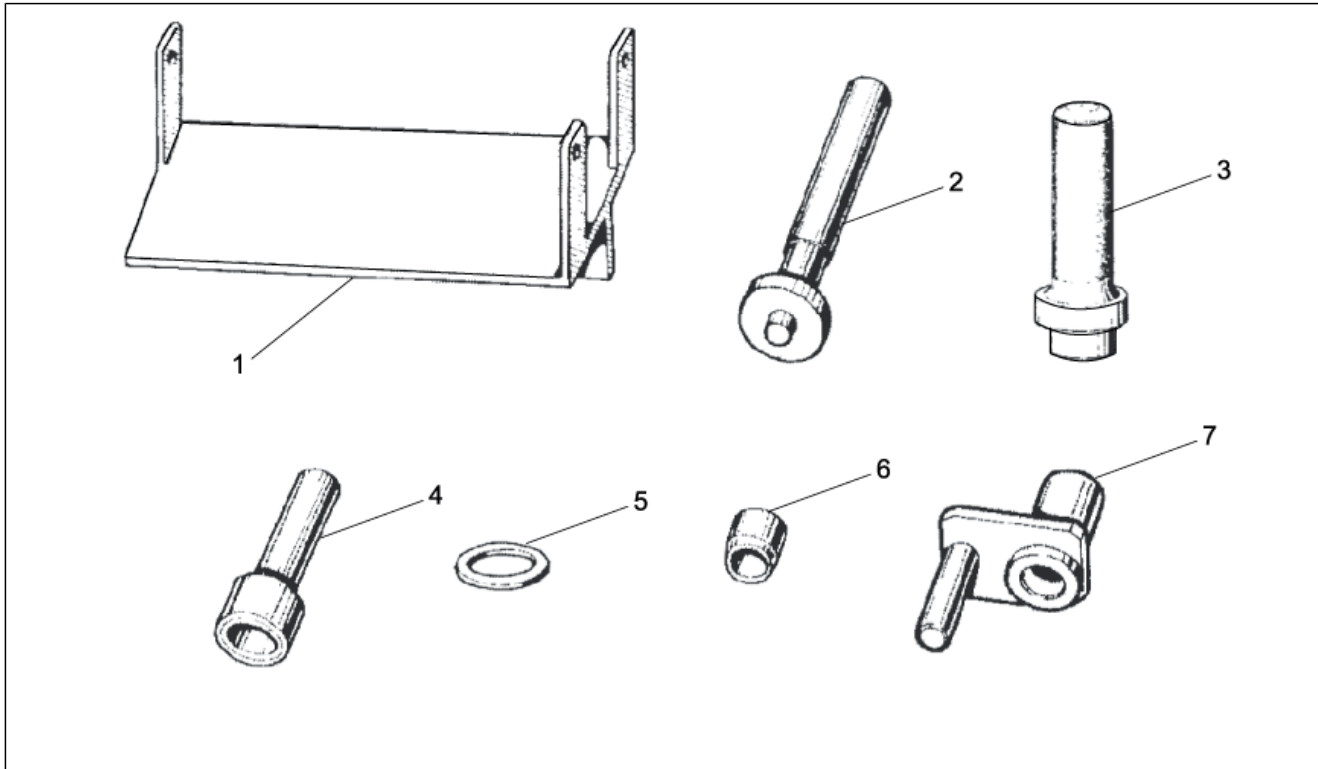
Pos.	Code	Description	Quant	Variants
1	GU19926100	Poinçon pour bague d'étanch.	1	
2	GU19928800	Outil de prémont. couple con.	1	
3	GU19926000	Poinçon pour bag.d'étanc.cart	1	
4	GU19907000	Extracteur bague interne	1	
5	GU19927500	Extracteur bague ext.roulem.	1	
6	GU19926200	Poinçon pour roulem.pignon c.	1	
7	GU19926400	Poinçon pour bague ext.roulem.	1	
8	GU19926500	Poinçon pour bag.d'étanc.cart	1	
9	GU19927600	Extracteur pour roulem.porte-br	1	
10	GU19927900	Poinçon pour presser le roulem	1	
11	GU19907100	Outil de tenue pin.couple con.	1	

Groupe	OUTILLAGE SPECIAL
Code	36.49
Description	Specific tools II
Révision	1



Pos.	Code	Description	Quant	Variants
1	GU19905460	Clé de tenue écrou	1	
2	GU19905900	Poinçon pour roul.arbre d'embr	1	
3	GU19906500	Outil de mont. disque d'embr.	1	
4	GU19907160	Outil de tenue de l'arb.d'embr	1	
5	GU19911800	Outil de tenue volant	1	
6	GU19926020	montage clapet sur guide soup.	1	
7	GU19927220	montage bag. sur le couv.distr	1	
8	GU19927320	Outil pour montage bague	1	
9	GU19927800	Douille de réd.pour outil	1	
10	GU19929400	Poinçon pour roul.arbre d'embr	1	
11	GU10907200	Out.mont./dém.soupapes	1	
12	GU12912000	Out.mont.bride volant	1	
13	GU19927100	Out.mont.joint bride volant	1	
14	GU19929600	Disque contr.calage distr/allu	1	

Groupe	OUTILLAGE SPECIAL
Code	36.50
Description	Specific tools III
Révision	1



Pos.	Code	Description	Quant	Variants
1	GU19902500	Support pour carter vitesses	1	
2	GU19926300	Poinçon pour roulem.arbre prim	1	
3	GU19926460	Introduceur roulem.arbre sec.	1	
4	GU95129240	Rondelle	1	
5	GU19927202	Entretoise pour mont.bague	1	
6	GU19927300	Montage bag. sur l'arbre sec.	1	
7	GU19927700	Outil tenue engrenage renvoi	1	



PIAGGIO & C.s.p.a.



SPARE PARTS CATALOGUE



V7 Racer 750 2010

Chassis prefix: ZGULWB00

Engine prefix:

V7

GU100



Index

Finished products.....	4
Alphanumeric index.....	5
FRAME.....	10
Table 33.01 - Frame I.....	10
Table 33.02 - Frame II.....	11
Table 33.03 - Lateral stand.....	12
Table 33.06 - Gear lever.....	13
Table 33.07 - Front fork I.....	14
Table 33.08 - Front fork II.....	15
Table 33.11 - Rear shock absorber.....	17
Table 33.12 - Fuel tank.....	18
Table 33.13 - Front body - Front mudguard.....	19
Table 33.14 - Saddle-Central bod.....	20
Table 33.15 - Rear body I- Mudguard.....	21
Table 33.16 - Rear body II- Plate holder.....	22
Table 33.17 - Dashboard.....	23
Table 33.18 - Handlebar - Controls.....	24
Table 33.19 - Front brake system.....	26
Table 33.20 - Fuel supply.....	27
Table 33.21 - Fuel pump.....	28
Table 33.22 - Air box.....	29
Table 33.23 - Exhaust unit.....	31
Table 33.24 - Front wheel.....	33
Table 33.25 - Rear wheel.....	34
Table 33.26 - Rear master cylinder.....	35
Table 33.27 - Rear brake caliper.....	37
Table 33.28 - Front lights.....	38
Table 33.29 - Rear lights.....	39
Table 33.30 - Electrical system I.....	40
Table 33.31 - Electrical system II.....	41
Table 33.32 - Lock hardware kit.....	43
Table 33.33 - Decal and plate set.....	44
ENGINE.....	45
Table 34.09 - Transmission complete I.....	45
Table 34.10 - Transmission complete II.....	46
Table 34.34 - Crank-case.....	49
Table 34.35 - Timing system cover.....	51
Table 34.36 - Cylinder head.....	52
Table 34.37 - Crankshaft cpl.....	53
Table 34.38 - Timing system.....	54
Table 34.39 - Oil pump.....	56
Table 34.40 - Clutch I.....	57
Table 34.41 - Clutch II.....	58



Table 34.42 - Transmission cage.....	59
Table 34.43 - Gear box.....	60
Table 34.44 - Gear box selector.....	62
Table 34.45 - Generator - Regulator.....	63
Table 34.46 - Starter motor.....	64
Table 34.47 - Throttle body.....	65



Finished products

Code	Validity
GU9032178AUA01	
GU9032178EUA00	
GU9032178EUA01	
GU9032178GBA00	
GU9032178GBA01	



Code	No. table	Pos.	Code	No. table	Pos.	Code	No. table	Pos.
0000000	33.24	16	886637	33.33	13	976603	34.35	1
0000000	33.24	17	886638	33.33	12	976604	34.34	12
0000000	33.24	18	886639	33.33	1	976605	34.42	1
0000000	33.25	18	886640	33.33	9	976606	34.42	17
0000000	33.25	19	886643	33.33	8	976608	34.10	1
0000000	33.25	20	886644	33.33	14	976685	34.34	16
254485	33.14	16	886645	33.01	11	976939	34.34	28
290860	33.31	16	886665	33.06	13	976940	34.42	21
292022	33.28	9	886665	33.26	1	976941	34.09	1
292723	33.28	10	886666	33.26	9	977088	33.03	1
584332	33.28	15	886668	33.06	16	977527	33.14	8
584332	33.29	7	886675	33.11	1	977527	33.32	4
584509	33.31	24	886676	34.09	11	978311	33.28	2
599501	33.08	7	886677	33.07	1	978323	33.19	15
599502	33.08	9	886678	33.33	3	978323	33.27	20
599503	33.08	8	886681	33.24	2	978385	33.23	12
599504	33.08	6	886684	33.08	17	978386	33.23	15
639542	33.03	8	886706	33.14	15	978387	33.23	4
640201	33.31	5	886709	33.33	5	978415	33.14	7
640598	33.28	11	886711	33.25	2	978415	33.32	9
856796	33.06	20	886712	33.16	9	978570	33.18	10
859976	33.06	17	886713	33.16	10	978662	33.28	2
883075	33.18	15	886714	33.28	16	978928	33.12	1
883077	33.30	1	886724	33.13	10	978930	33.20	2
883077	33.31	1	886727	33.14	19	978930	33.21	1
883161	33.31	12	88673000Y02	33.13	1	978938	34.47	19
883180	33.27	6	88673100Y02	33.13	7	978939	34.47	20
883182	33.32	1	88673200Y02	33.16	6	97894600Y02	33.15	1
883185	33.12	2	886784	33.13	2	978947	33.15	2
883185	33.32	3	886820	33.14	22	978949	33.16	1
883191	33.31	11	886825	33.33	11	9789501	33.29	1
883192	33.27	7	886830	34.36	24	978970	33.26	13
883193	33.12	4	886841	33.14	14	978974	33.08	19
883252	33.12	12	886842	33.08	21	978977	33.08	29
883265	33.20	1	896174	33.14	13	978978	33.08	4
883295	33.14	5	898082	33.01	1	981070	34.40	8
883296	33.27	1	898083	33.02	1	981149	33.28	12
883303	33.19	13	898084	33.02	2	AP8101594	33.26	20
883349	33.25	8	898086	33.07	7	AP8101595	33.12	15
883350	33.25	7	898118	33.24	5	AP8102159	33.22	25
883417	33.28	26	898120	33.25	11	AP8102239	33.22	30
883498	33.08	23	898167	33.24	1	AP8102375	33.26	19
883552	33.08	24	898168	33.25	1	AP8102375	33.31	15
883581	33.19	2	898170	33.18	1	AP8102524	33.03	4
883602	33.08	34	898171	33.18	8	AP8102766	33.22	10
883688	33.24	10	898172	33.12	1	AP8102913	33.14	3
883696	33.22	16	898174	33.33	2	AP8104242	33.22	8
883697	33.22	15	898178	33.14	1	AP8104251	33.22	24
883711	33.23	11	898179	33.13	7	AP8104525	33.22	13
883712	33.23	10	898180	33.13	8	AP8110053	33.06	22
883796	33.17	1	898270	33.14	20	AP8113004	33.19	14
883797	33.17	1	898271	33.14	21	AP8113004	33.27	8
883798	33.31	19	898277	33.14	10	AP8113288	33.26	16
883802	33.18	10	898278	33.14	9	AP8113553	33.26	23
883852	33.21	5	898280	33.16	6	AP8118490	33.18	24
883877	34.45	1	898281	33.06	7	AP8120246	34.09	10
883878	34.45	2	898281	33.26	27	AP8120531	33.14	18
883940	33.18	3	898282	33.06	1	AP8120615	33.22	14
886141	33.33	10	898283	33.06	3	AP8120708	33.30	10
886368	33.14	12	898284	33.06	9	AP8120772	33.22	11
886369	33.12	3	898285	33.26	30	AP8120876	33.22	23
886370	33.12	20	898286	33.26	17	AP8120912	33.06	2
886581	33.01	17	898287	33.26	12	AP8120912	33.26	2
886582	33.01	18	898288	33.26	4	AP8120952	33.22	1
886617	33.12	18	898611	33.06	12	AP8120965	33.12	13
886625	33.12	19	898612	33.26	28	AP8121014	33.03	3
886630	33.11	3	976600	34.34	1	AP8121032	33.17	7



Code	No. table	Pos.	Code	No. table	Pos.	Code	No. table	Pos.
AP8121072	33.23	22	AP8201358	33.22	2	GU05107430	33.21	3
AP8121307	33.07	4	AP8210007	33.06	18	GU05112830	34.47	2
AP8121367	33.02	10	AP8212588	33.30	11	GU05659230	33.19	10
AP8121375	33.03	2	AP8213028	33.18	23	GU05730730	34.46	1
AP8121420	33.14	6	AP8213057	33.26	15	GU05900130	33.33	6
AP8121420	33.32	8	AP8220283	33.31	29	GU06740200	33.28	12
AP8121927	33.26	3	AP8220460	33.07	6	GU06740400	33.28	17
AP8121929	33.16	7	AP8220546	33.31	27	GU06751600	33.28	5
AP8124528	33.31	22	AP8221172	33.01	16	GU06751600	33.29	5
AP8124869	33.31	28	AP8221172	33.18	29	GU10054100	34.43	12
AP8124936	33.30	2	AP8221197	33.03	5	GU10214300	34.43	27
AP8127346	33.31	17	AP8221277	33.06	10	GU10214301	34.43	27
AP8133643	33.26	14	AP8221297	33.23	30	GU10214302	34.43	27
AP8133873	33.26	22	AP8224164	33.16	3	GU10214303	34.43	27
AP8134378	33.23	18	AP8224462	33.31	30	GU10214304	34.43	27
AP8134448	33.16	2	AP9100477	33.06	15	GU10214305	34.43	27
AP8144038	33.22	31	AP9100477	33.26	31	GU10528900	34.34	15
AP8144046	33.31	25	CM001928	33.07	9	GU10528900	34.40	13
AP8144071	33.23	16	CM001929	33.07	8	GU10528900	34.42	23
AP8144071	34.36	23	GU00823923140	33.03	7	GU12003702	34.34	20
AP8144081	33.07	5	GU00823923140	33.22	32	GU12022600	34.10	6
AP8144146	33.07	3	GU00823931055	33.28	25	GU12022600	34.42	24
AP8144538	33.31	7	GU00823944050	33.12	16	GU12087001	34.41	9
AP8144606	33.01	15	GU00823950050	33.26	21	GU12154200	34.34	23
AP8150026	33.06	19	GU01103860	33.01	13	GU12154200	34.42	12
AP8150044	33.06	14	GU01106090	33.21	2	GU13021900	34.34	26
AP8150044	33.26	25	GU01108490	33.21	4	GU13021900	34.36	12
AP8150115	33.06	5	GU01528930	34.10	9	GU14086000	34.41	10
AP8150115	33.26	26	GU01609630	33.18	14	GU14086100	34.41	7
AP8150137	33.06	4	GU01654630	33.19	17	GU14090201	34.41	1
AP8150349	33.32	6	GU01659130	33.19	11	GU14090400	34.41	2
AP8150413	33.13	6	GU01659131	33.19	12	GU14217901	34.40	6
AP8150413	33.22	3	GU01665410	33.26	6	GU14217901	34.42	7
AP8150421	33.31	33	GU01717430	33.30	8	GU14217901	34.44	17
AP8150436	33.02	12	GU01718330	33.30	6	GU14609650	33.30	17
AP8150468	33.26	29	GU01721600	33.30	13	GU14609650	33.31	34
AP8152138	33.06	21	GU01744200	33.28	18	GU14615901	33.13	5
AP8152166	34.44	15	GU02107100	33.12	11	GU14615901	34.09	20
AP8152220	33.02	11	GU03013800	33.23	8	GU14615901	34.36	26
AP8152273	33.16	11	GU03013800	34.47	10	GU14615901	34.37	5
AP8152273	33.20	3	GU03067730	34.10	19	GU14616150	33.24	15
AP8152277	33.19	3	GU03101600	33.12	7	GU14616150	33.25	10
AP8152277	33.31	23	GU03101720	33.12	5	GU14717600	33.30	7
AP8152278	33.15	3	GU03102200	33.12	6	GU18144350	34.39	16
AP8152278	33.28	13	GU03163330	33.31	3	GU18161150	34.39	21
AP8152279	33.15	9	GU03270300	33.15	7	GU18257551	33.26	8
AP8152281	34.45	12	GU03270300	33.27	10	GU19001200	34.35	2
AP8152286	33.24	11	GU03530529	33.08	2	GU19002020	34.35	5
AP8152287	33.02	13	GU03530530	33.08	1	GU19002020	34.42	16
AP8152288	33.02	15	GU03530551	33.08	12	GU19003602	34.34	13
AP8152291	33.12	9	GU03604845	33.19	8	GU19003800	34.34	8
AP8152298	34.47	6	GU03605645	33.19	9	GU19007700	34.35	10
AP8152299	33.15	15	GU03609600	33.18	14	GU19007700	34.45	8
AP8152299	33.27	22	GU03631250	33.24	4	GU19015020	34.34	5
AP8152300	33.02	14	GU03631250	33.25	9	GU19016320	34.34	9
AP8152300	33.27	13	GU03658201	33.27	16	GU19017000	33.02	4
AP8152306	33.16	5	GU03658330	33.27	17	GU19018920	34.39	10
AP8152320	33.06	6	GU03658430	33.27	14	GU19021360	34.36	18
AP8152320	33.26	33	GU03660145	33.19	1	GU19021920	34.36	7
AP8152329	33.15	11	GU03661145	33.19	6	GU19023700	34.36	10
AP8152329	33.22	18	GU03664045	33.19	7	GU19025280	33.23	5
AP8152329	33.22	22	GU03740930	33.29	2	GU19025300	34.36	6
AP8152329	33.31	20	GU03744760	33.28	19	GU19025460	33.23	6
AP8152329	33.31	8	GU03749845	33.19	5	GU19027500	34.38	15
AP8152339	33.16	8	GU03922280	34.09	23	GU19030500	34.38	7
AP8152339	34.36	25	GU03995730	33.33	15	GU19032080	34.38	10
AP8152385	33.19	16	GU04000500	34.34	10	GU19032980	34.36	17



Code	No. table	Pos.	Code	No. table	Pos.	Code	No. table	Pos.
GU19032980	34.38	14	GU19356801	34.10	28	GU31003766	34.10	8
GU19034000	34.38	8	GU19357660	34.10	25	GU31003766	34.34	14
GU19037820	34.36	8	GU19547000	34.09	12	GU31003766	34.40	19
GU19045861	34.38	25	GU20036020	34.38	1	GU31003766	34.42	26
GU19055700	34.38	23	GU20036120	34.38	2	GU31016050	34.39	20
GU19058021	34.38	19	GU20085720	34.41	13	GU31037015	34.38	13
GU19058220	34.38	20	GU20147710	34.39	17	GU31038015	34.38	5
GU19061063	34.37	12	GU20147810	34.39	3	GU31045015	34.38	26
GU19062261	34.37	4	GU20148410	34.39	4	GU31112965	33.22	33
GU19065400	34.37	2	GU20148610	34.39	5	GU31121880	33.23	9
GU19067700	34.37	18	GU20208520	34.44	9	GU31150950	34.39	26
GU19083462	34.40	2	GU20352421	34.10	31	GU31159050	34.39	15
GU19146422	34.39	1	GU20355121	34.10	34	GU31327783	34.09	2
GU19149800	34.39	18	GU23200370	34.42	10	GU31438765	33.15	12
GU19152200	34.39	11	GU23211372	34.43	8	GU31439565	33.13	4
GU19201120	34.42	15	GU23217800	34.38	3	GU31513480	33.08	20
GU19202320	34.42	9	GU23328081	34.09	7	GU31544181	34.09	15
GU19203460	34.40	11	GU23442210	33.06	11	GU31547882	34.09	14
GU19206501	34.10	10	GU23442210	33.26	11	GU31613381	33.25	12
GU19207220	34.42	11	GU23548080	34.09	8	GU31614183	33.24	9
GU19212900	34.43	15	GU23548180	34.09	9	GU31615260	33.24	6
GU19213720	34.43	17	GU23943410	33.08	31	GU31616384	33.24	12
GU19213760	34.41	15	GU27001136	34.35	7	GU31634281	33.27	4
GU19214660	34.43	11	GU27004985	34.34	18	GU31634481	33.25	15
GU19215460	34.43	3	GU27020820	34.37	21	GU31654681	33.27	2
GU19234600	34.44	2	GU27022060	34.36	19	GU31659181	33.27	11
GU19237800	34.42	13	GU27037521	34.38	4	GU31659281	33.27	12
GU19327601	34.09	5	GU27060860	34.37	15	GU31712365	34.45	9
GU19328801	34.09	3	GU27061286	34.37	13	GU31717061	33.30	9
GU19350700	34.10	22	GU27061385	34.37	14	GU32001610	34.35	6
GU19351100	34.10	4	GU27061585	34.37	3	GU32022110	34.36	1
GU19351900	34.10	2	GU27061885	34.37	17	GU32022210	34.36	2
GU19352300	34.10	23	GU27062060	34.37	6	GU32023660	34.36	9
GU19353500	34.10	24	GU27065660	34.37	7	GU32032310	34.38	11
GU19355200	34.10	35	GU27066460	34.37	9	GU32051710	34.38	27
GU19355202	34.10	36	GU27066560	34.37	8	GU32053410	34.38	16
GU19355300	34.10	33	GU27152885	34.34	22	GU32054510	34.38	17
GU19355301	34.10	33	GU27153085	34.39	14	GU32060110	34.37	19
GU19355302	34.10	33	GU27210760	34.41	12	GU32060210	34.37	10
GU19355303	34.10	33	GU27530510	33.08	25	GU32060610	34.37	16
GU19355304	34.10	33	GU27633910	33.25	4	GU32060710	34.37	11
GU19355305	34.10	33	GU28252060	33.02	8	GU32064110	34.37	1
GU19355306	34.10	33	GU28576591	33.12	23	GU32067910	34.40	5
GU19355307	34.10	33	GU28576591	33.15	4	GU32080310	34.40	1
GU19355308	34.10	33	GU28576591	33.28	20	GU32084410	34.40	4
GU19355309	34.10	33	GU28576591	34.45	13	GU32112510	34.47	1
GU19355320	34.10	27	GU28742562	33.31	18	GU32112610	34.47	16
GU19355321	34.10	27	GU29217960	34.45	7	GU32112611	34.47	17
GU19355322	34.10	27	GU29711460	34.45	5	GU32113410	33.22	17
GU19355323	34.10	27	GU29711960	34.45	11	GU32113510	33.22	5
GU19355324	34.10	27	GU29729461	33.31	2	GU32114011	33.22	12
GU19355325	34.10	27	GU29732550	33.31	26	GU32114110	33.22	9
GU19355326	34.10	27	GU29759150	33.18	17	GU32114310	34.47	14
GU19355327	34.10	27	GU30027931	33.31	32	GU32114410	33.22	7
GU19355328	34.10	27	GU30103730	33.12	14	GU32115010	34.47	3
GU19355329	34.10	27	GU30109330	33.23	24	GU32115011	34.47	8
GU19355400	34.10	21	GU30525861	33.08	11	GU32115510	34.47	7
GU19355402	34.10	21	GU30526761	33.08	5	GU32115710	34.47	4
GU19355404	34.10	21	GU30576100	33.22	19	GU32116910	33.22	4
GU19355406	34.10	21	GU30577800	33.29	13	GU32117010	33.18	4
GU19355408	34.10	21	GU30577800	34.47	22	GU32117011	33.18	5
GU19355410	34.10	21	GU30601060	33.18	25	GU32120710	33.23	1
GU19355411	34.10	21	GU30602500	33.18	22	GU32120711	33.23	2
GU19355412	34.10	21	GU30714201	34.45	3	GU32121010	33.23	7
GU19355413	34.10	21	GU30716500	33.30	3	GU32121910	33.23	25
GU19356700	34.10	30	GU30729330	33.31	31	GU32121911	33.23	26
GU19356760	34.41	16	GU30970200	33.33	7	GU32123910	33.23	3

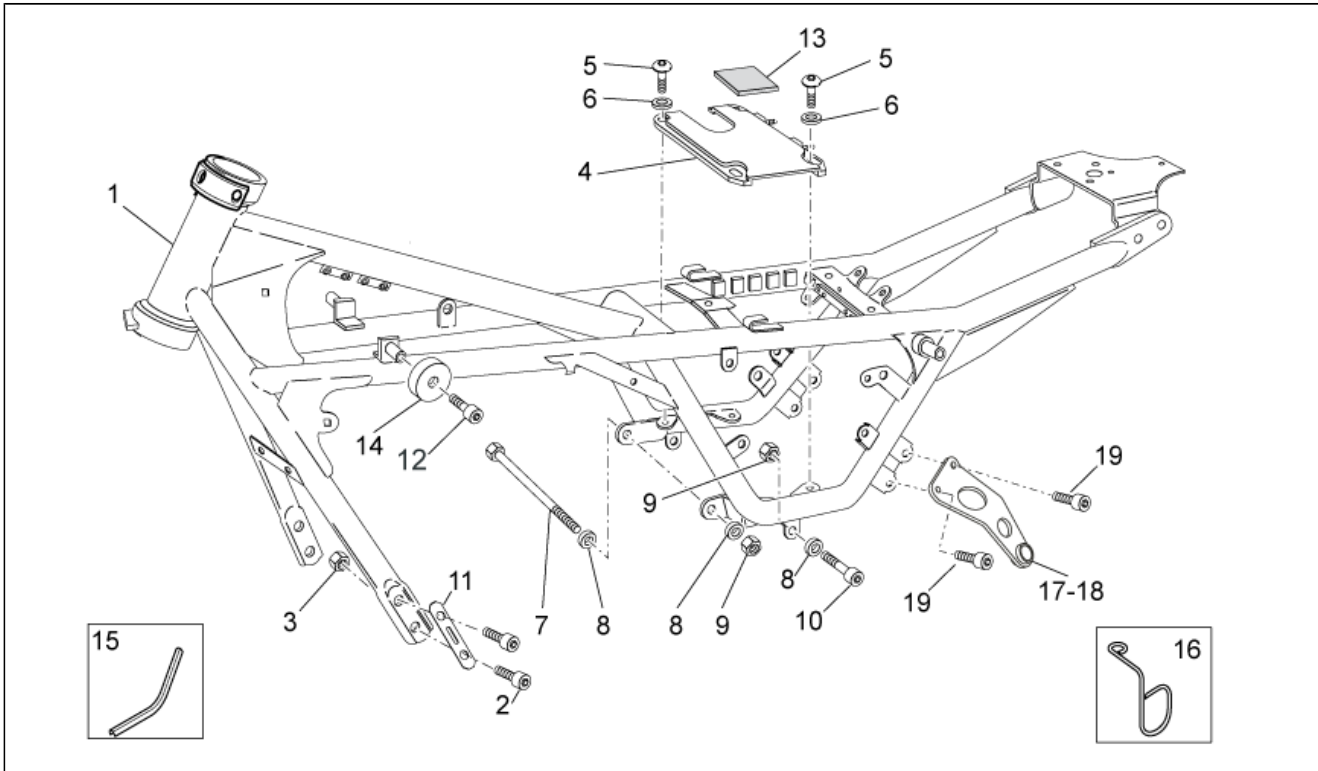


Code	No. table	Pos.	Code	No. table	Pos.	Code	No. table	Pos.
GU32128610	33.23	13	GU32727010	33.23	21	GU91120806	33.15	6
GU32129010	33.23	14	GU32735510	33.32	5	GU91180601	33.15	10
GU32137010	33.18	13	GU32735511	33.32	5	GU91181003	33.18	11
GU32159310	33.22	26	GU32738810	33.18	6	GU91181003	33.19	18
GU32159610	33.22	28	GU32747910	33.31	10	GU91551010	33.22	20
GU32202010	34.43	28	GU32750660	33.28	4	GU91551086	33.14	11
GU32206510	34.42	22	GU32750660	33.29	4	GU91600450	34.45	10
GU32208210	34.42	8	GU32753410	33.28	3	GU92201070	34.10	14
GU32210510	34.43	1	GU32753410	33.29	8	GU92201120	34.42	20
GU32211110	34.43	9	GU32753760	33.28	14	GU92201220	34.43	16
GU32211410	34.43	6	GU32753760	33.29	6	GU92201225	34.40	10
GU32211810	34.43	5	GU32768710	34.39	8	GU92204215	34.42	2
GU32212011	34.43	2	GU32768810	34.39	9	GU92204217	33.25	5
GU32213610	34.43	14	GU32782510	33.32	2	GU92204218	33.25	3
GU32213810	34.42	5	GU32909960	33.33	4	GU92204221	33.24	7
GU32214010	34.43	24	GU32999010	34.34	25	GU92218417	34.43	10
GU32214510	34.43	20	GU32999510	34.34	24	GU92230320	34.43	13
GU32214810	34.43	21	GU35214300	34.09	13	GU92234716	34.43	26
GU32215010	34.43	22	GU39094200	33.18	18	GU92249220	34.10	32
GU32215210	34.43	23	GU39238100	34.43	25	GU92249225	33.07	2
GU32231010	34.44	5	GU49609601	33.30	17	GU92249227	34.10	20
GU32231210	34.44	4	GU49609601	33.31	34	GU92251028	34.43	7
GU32233010	34.44	6	GU53429500	33.02	3	GU92252210	34.39	2
GU32234110	34.44	13	GU61027200	34.37	20	GU92252235	34.10	5
GU32234410	34.44	1	GU61036801	34.36	3	GU92296723	34.39	6
GU32234710	34.44	11	GU61038100	34.38	6	GU92602406	34.38	9
GU32234810	34.44	12	GU61054900	34.38	18	GU92602510	34.39	19
GU32234910	34.44	16	GU61108500	33.22	29	GU92603010	34.36	11
GU32235710	34.44	14	GU61270300	34.10	26	GU92606206	33.17	6
GU32236210	34.44	8	GU61270300	34.34	6	GU92606208	34.34	7
GU32238210	34.44	10	GU61270300	34.36	21	GU92606208	34.40	18
GU32251610	33.06	8	GU61270300	34.40	17	GU92606210	33.01	9
GU32350410	34.10	13	GU66103415	33.01	14	GU92606210	33.02	5
GU32351410	34.10	16	GU90271018	34.38	12	GU92606210	33.11	7
GU32354610	34.10	18	GU90271117	34.43	29	GU92606210	34.09	18
GU32418210	33.31	6	GU90271121	34.43	19	GU92606316	33.25	16
GU32418260	33.01	4	GU90271124	34.43	4	GU92606508	34.41	3
GU32431310	33.02	9	GU90272023	34.09	4	GU92606512	34.42	14
GU32461610	33.14	2	GU90272075	34.40	3	GU92606516	34.45	4
GU32506360	33.28	1	GU90274026	34.44	3	GU92630104	33.27	19
GU32517710	33.31	9	GU90353009	34.36	4	GU92630106	33.08	27
GU32525410	33.08	10	GU90353029	34.38	24	GU92630206	33.26	5
GU32526310	33.08	16	GU90353030	34.10	17	GU92630310	33.03	6
GU32526610	33.08	15	GU90400616	34.41	11	GU92630510	33.01	3
GU32530502	33.08	13	GU90402538	33.25	6	GU92640508	33.23	19
GU32530503	33.08	14	GU90402642	33.24	8	GU92787006	33.28	6
GU32530504	33.08	28	GU90402841	34.42	3	GU92787006	33.29	11
GU32530505	33.08	22	GU90402842	34.35	9	GU92787008	33.15	8
GU32530509	34.47	5	GU90403246	34.40	20	GU92787008	34.09	19
GU32530610	33.08	32	GU90403251	34.10	38	GU93110060	33.15	13
GU32530611	33.08	33	GU90403549	34.10	3	GU93180105	34.09	21
GU32555210	33.11	4	GU90407591	34.10	15	GU93180111	33.24	13
GU32555211	33.11	5	GU90706076	34.34	29	GU93180220	34.40	9
GU32602860	33.18	28	GU90706111	34.39	22	GU93180245	34.36	22
GU32603010	33.18	16	GU90706140	34.42	4	GU93222023	33.17	4
GU32603310	33.18	7	GU90706141	33.30	16	GU93231605	33.29	14
GU32605510	33.18	2	GU90706170	34.41	8	GU93231605	34.47	23
GU32611660	33.24	3	GU90706188	34.10	29	GU93301175	33.23	20
GU32615660	33.24	14	GU90706188	34.43	18	GU93305057	34.47	13
GU32632510	33.25	17	GU90706203	34.10	7	GU93305061	33.22	6
GU32633360	33.25	14	GU90706203	34.42	25	GU93305061	34.47	15
GU32633560	34.10	11	GU90706235	34.41	14	GU93450224	33.29	3
GU32634160	33.27	5	GU90706281	34.34	19	GU94321074	33.18	12
GU326358601	33.27	3	GU90706444	34.34	17	GU94321079	34.39	24
GU32636160	33.25	21	GU90706584	34.10	37	GU94321099	34.09	6
GU32718010	34.47	18	GU90714082	33.22	27	GU94321105	34.41	4
GU32724510	33.30	12	GU91113826	33.23	29	GU95004210	33.31	4



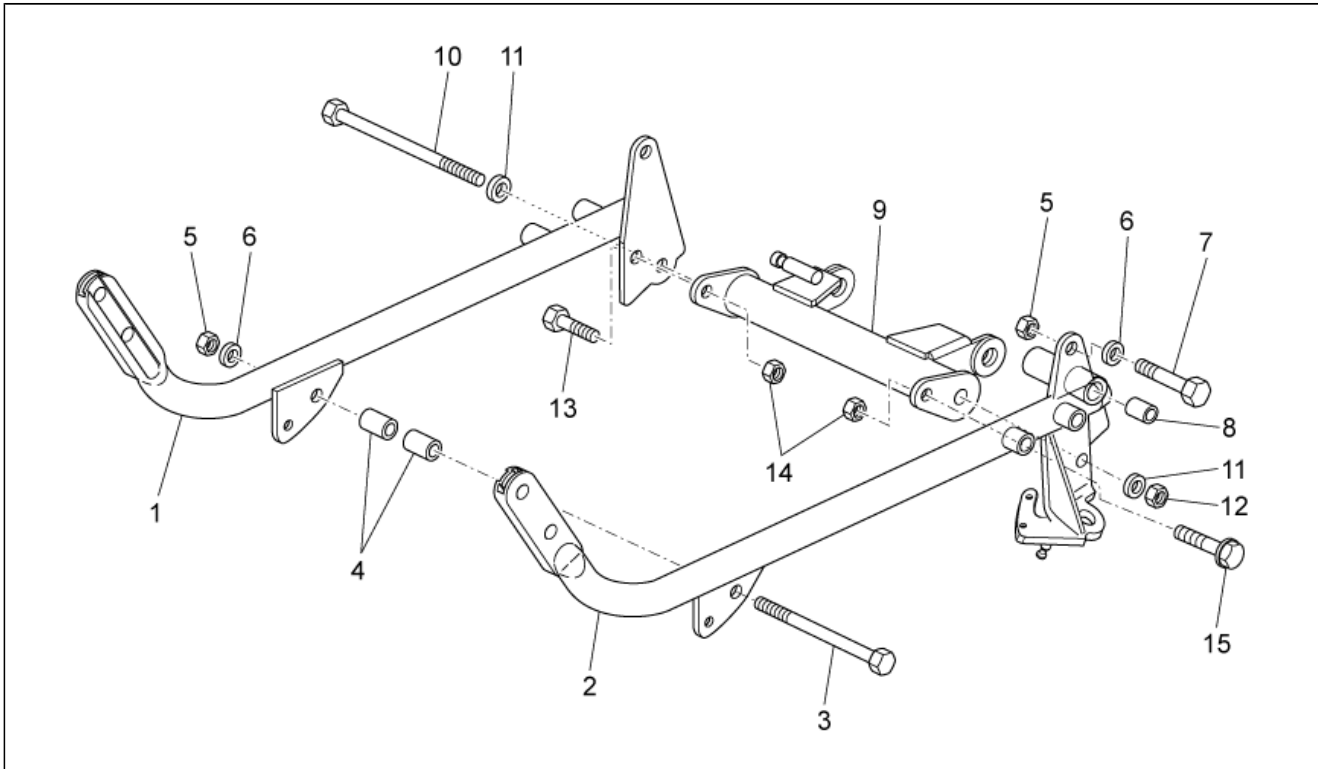
Code	No. table	Pos.	Code	No. table	Pos.
GU95005306	33.17	3	GU98252420	33.06	23
GU95005306	33.23	28	GU98252420	33.26	32
GU95005308	33.28	23	GU98257410	33.27	18
GU95005308	34.09	22	GU98310609	34.47	11
GU95005312	33.12	10	GU98350215	33.29	12
GU95005330	33.08	26	GU98350312	34.44	7
GU95008204	33.30	5	GU98350416	33.01	5
GU95008205	33.30	15	GU98350440	33.13	3
GU95008206	34.39	23	GU98370412	33.19	4
GU95008208	33.01	6	GU98370515	33.14	17
GU95008208	34.46	3	GU98370515	34.47	21
GU95008210	33.01	8	GU98370520	33.12	8
GU95008210	33.02	6	GU98370609	33.17	2
GU95008210	34.09	17	GU98370609	33.23	27
GU95008305	33.18	20	GU98370616	33.12	21
GU95008306	33.19	20	GU98370616	33.13	9
GU95008306	33.27	21	GU98370625	33.14	4
GU95020105	33.03	10	GU98370625	33.26	7
GU95021104	33.19	19	GU98370655	33.28	7
GU95021105	33.18	21	GU98370655	33.29	9
GU95021206	33.17	5	GU98370831	33.15	5
GU95021206	33.28	8	GU98370831	33.28	22
GU95021206	33.29	10	GU98612216	33.03	9
GU95100059	33.22	21	GU98620335	34.39	7
GU95100059	33.26	24	GU98620540	33.08	18
GU95100059	33.31	14	GU98680265	34.45	6
GU95100116	34.47	12	GU98680330	33.08	3
GU95100125	34.45	14	GU98680330	34.35	4
GU95100141	33.12	22	GU98680335	34.35	8
GU95100141	33.15	14	GU98680335	34.42	27
GU95100141	33.28	24	GU98680350	33.08	30
GU95100244	34.38	29	GU98680435	34.40	15
GU95100309	34.39	27	GU98680435	34.42	19
GU95100602	34.39	25	GU98680440	33.23	17
GU95100709	34.34	21	GU98680450	34.40	16
GU95129101	33.31	21	GU98680545	34.09	16
GU95129115	34.38	22	GU98680555	33.01	10
GU95129180	34.34	27	GU98682125	33.30	4
GU95129180	34.36	13	GU98682212	33.30	14
GU95129181	33.11	6	GU98682212	33.31	13
GU95187006	34.39	13	GU98682215	33.26	18
GU95401215	33.26	10	GU98682314	34.42	6
GU95500222	34.41	6	GU98682322	34.47	9
GU95780271	34.41	5	GU98682325	34.34	11
GU96451316	33.27	15	GU98682325	34.35	3
GU96451430	34.34	3	GU98682330	34.40	14
GU96451560	34.34	2	GU98682330	34.42	18
GU96506042	34.36	5	GU98682414	33.01	12
GU96508055	34.10	12	GU98682416	33.32	7
GU96508055	34.34	4	GU98682425	33.25	13
GU96508145	34.36	20	GU98682530	33.01	2
GU96510181	34.36	15	GU98690335	33.18	27
GU96510214	34.36	14	GU98692210	33.12	17
GU97202325	33.18	26	GU98692318	33.11	2
GU97202435	33.27	9	GU98692325	33.18	9
GU97270212	34.47	24	GU98692325	34.36	16
GU973221100027	34.47	25	GU98692420	33.01	19
GU98054422	34.38	28	GU98880540	33.28	21
GU98082435	34.46	2	GU98882316	34.38	21
GU98082565	33.02	7			
GU98084314	34.39	12			
GU98084314	34.40	12			
GU98084316	34.40	7			
GU98110007	33.23	23			
GU98110199	33.01	7			
GU98230510	33.16	4			
GU98230510	33.18	19			

Group	FRAME
Code	33.01
Description	Frame I
Service	1



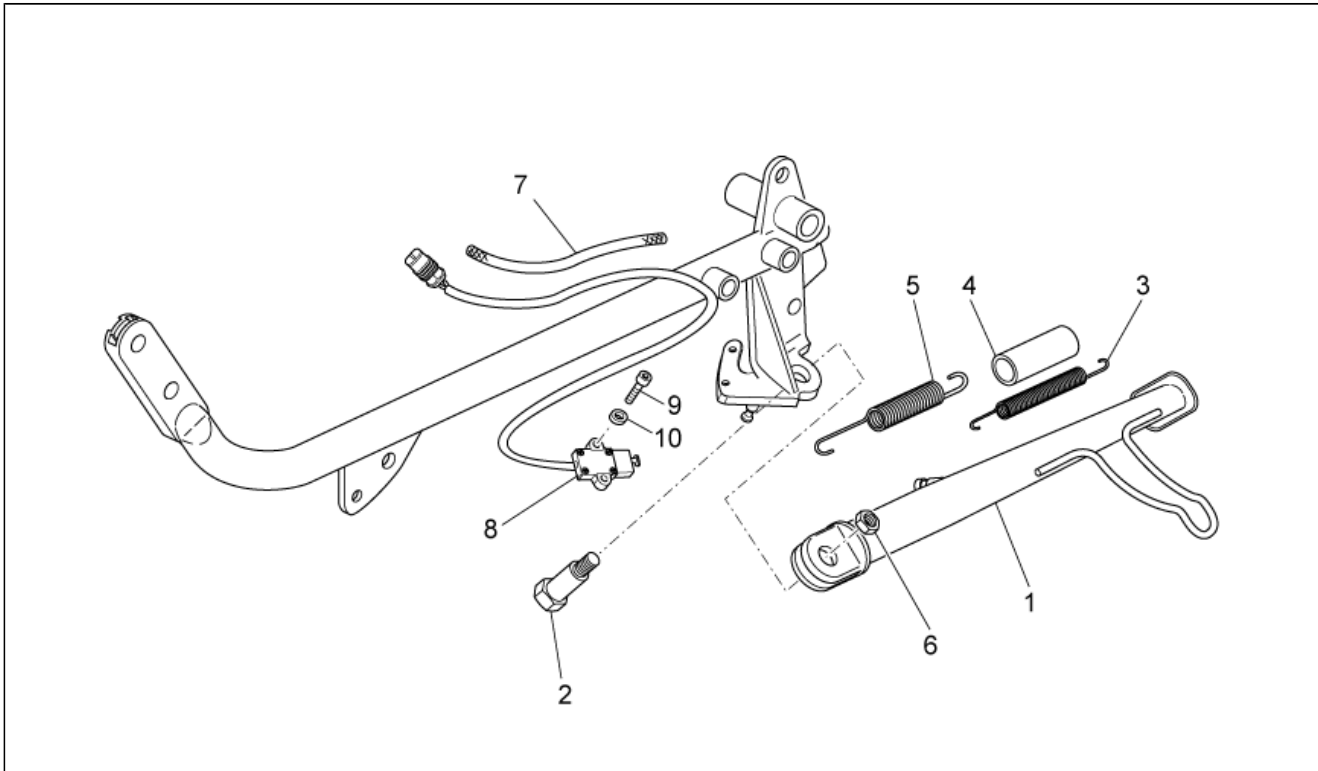
Pos.	Code	Description	Qty	Variants
1	898082	Frame p.	1	
2	GU98682530	Hex socket screw M10x30	4	
3	GU92630510	Nut M10x1,5	4	
4	GU32418260	Plate	1	
5	GU98350416	Hex socket screw	4	
6	GU95008208	Washer 8,4X15X1,5	4	
7	GU98110199	Pin M10x205	1	
8	GU95008210	Washer 10,2X18X2	11	
9	GU92606210	Nut M10x1,5	2	
10	GU98680555	Screw M10x55	2	
11	886645	Plate	2	
12	GU98682414	Hex socket screw	2	
13	GU01103860	Vibration-damping rubber	1	
14	GU66103415	Rubber spacer	2	
15	AP8144606	Gasket	1	
16	AP8221172	Cable-guide	1	
17	886581	RH plate	1	
18	886582	LH plate	1	
19	GU98692420	Screw	4	

Group	FRAME
Code	33.02
Description	Frame II
Service	1



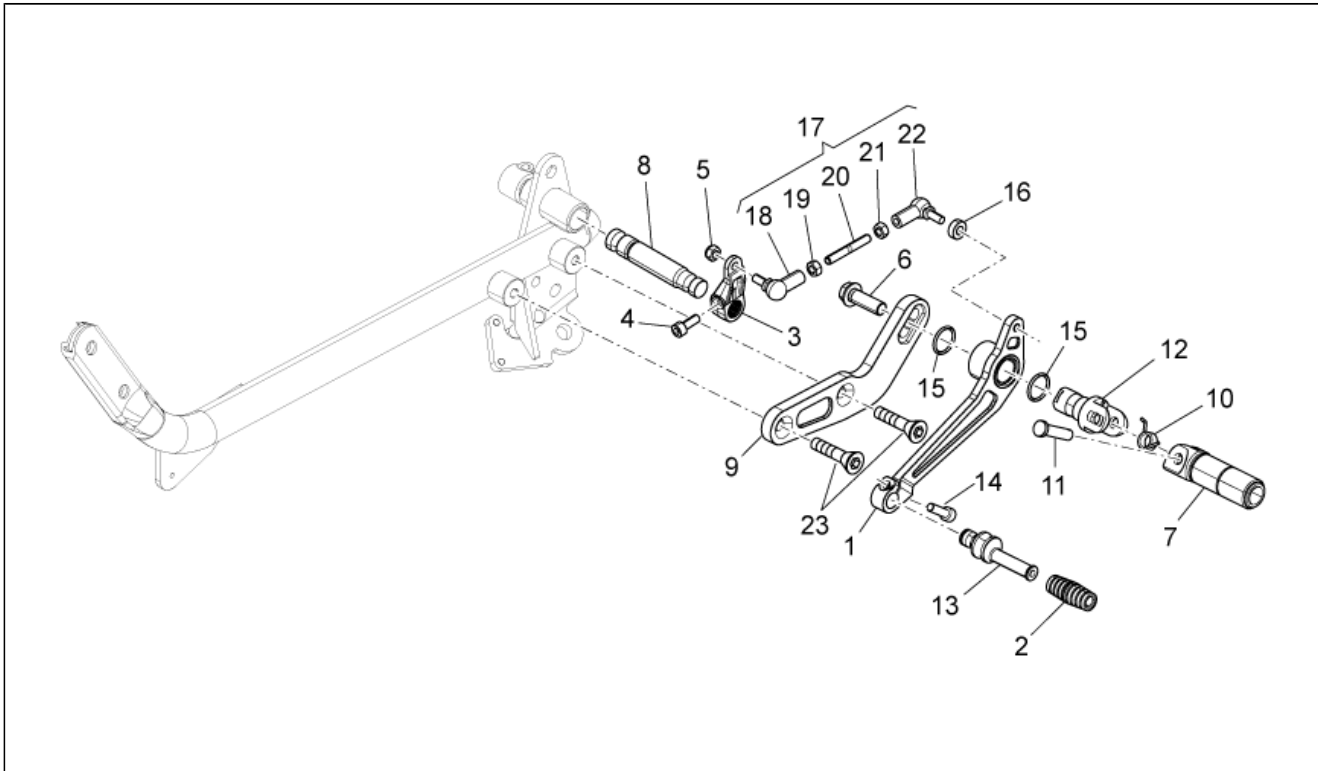
Pos.	Code	Description	Qty	Variants
1	898083	RH cradle arm	1	
2	898084	LH cradle arm	1	
3	GU53429500	Pin M10x250	1	
4	GU19017000	Bush	2	
5	GU92606210	Nut M10x1,5	3	
6	GU95008210	Washer 10,2X18X2	3	
7	GU98082565	Screw M10x65	2	
8	GU28252060	Bush 18 mm est.	2	
9	GU32431310	Cradle arms conn.crosspiece	1	
10	AP8121367	Pin M10x260	1	
11	AP8152220	Washer	2	
12	AP8150436	Low self-locking nut	1	
13	AP8152287	Screw w/ flange	1	
14	AP8152300	Self-locking nut	1	
15	AP8152288	Screw w/ flange	1	

Group	FRAME
Code	33.03
Description	Lateral stand
Service	1



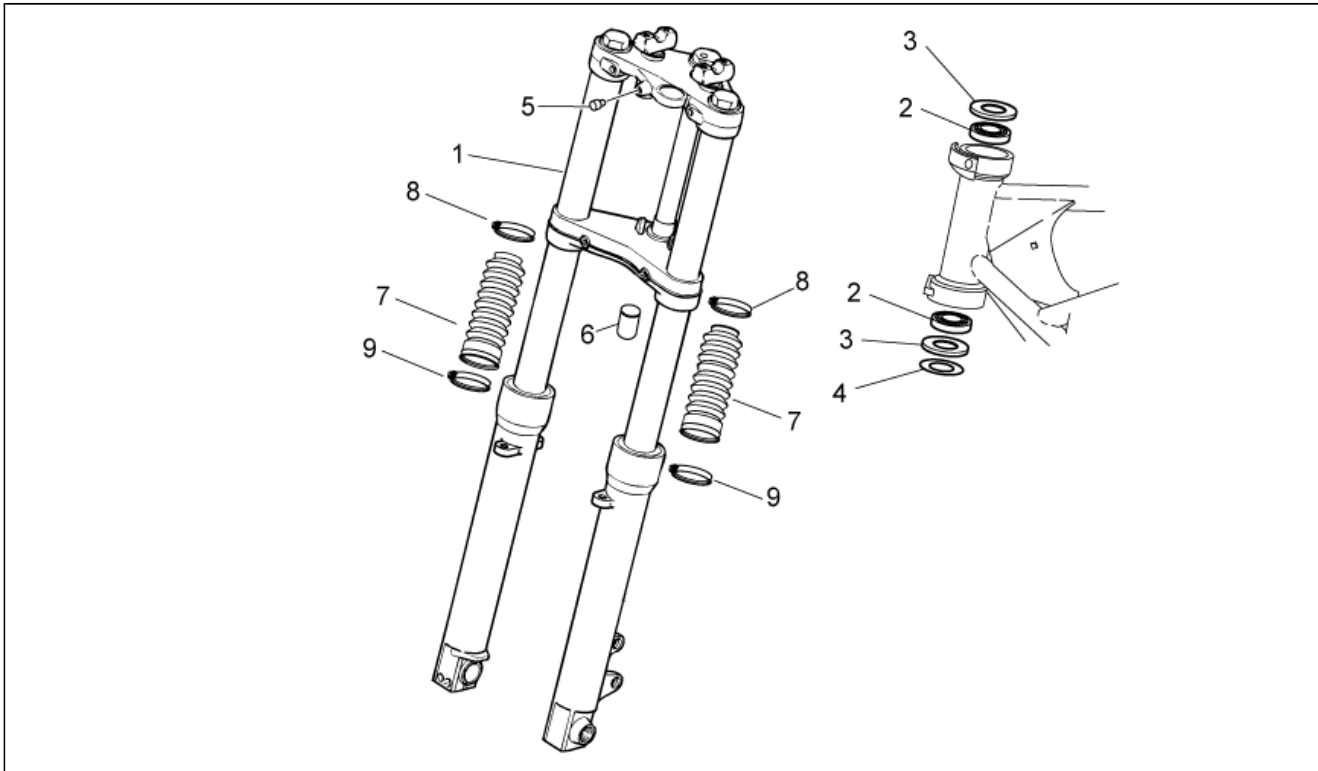
Pos.	Code	Description	Qty	Variants
1	977088	Side arm black	1	
2	AP8121375	Central stand fixing screw	1	
3	AP8121014	Coil pull spring *	1	
4	AP8102524	Stand spring protection	1	
5	AP8221197	Lateral stand spring	1	
6	GU92630310	Nut	1	
7	GU00823923140	Thermal sheath	1	
8	639542	Lateral stand switch	1	
9	GU98612216	Hex socket screw	2	
10	GU95020105	Washer 5,3x8,9x2,4	2	

Group	FRAME
Code	33.06
Description	Gear lever
Service	1



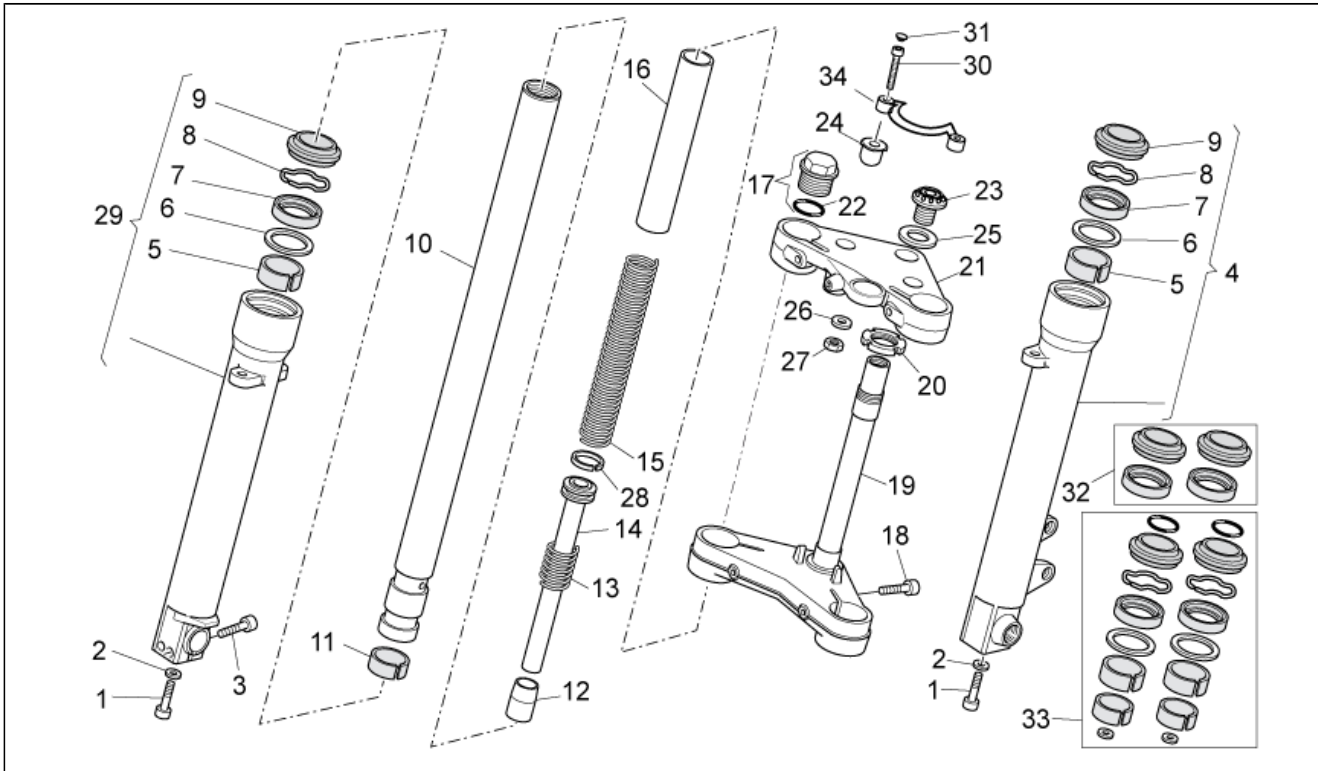
Pos.	Code	Description	Qty	Variants
1	898282	Gear lever	1	
2	AP8120912	Lever rubber	1	
3	898283	Shift lever	1	
4	AP8150137	Hex socket screw	1	
5	AP8150115	Low self-locking nut M6	1	
6	AP8152320	Screw w/ flange	1	
7	898281	RH Foot rests	1	
8	GU32251610	Lever pin	1	
9	898284	Piastra pedana pilota	1	
10	AP8221277	Footrest return spring	1	
11	GU23442210	Pin	1	
12	898611	LH front footrest bracket	1	
13	886665	Pin	1	
14	AP8150044	Hex socket screw	1	
15	AP9100477	O-ring 18x2	2	
16	886668	Spacer	1	
17	859976	Gearbox linkage rod assy	1	
18	AP8210007	RH ball joint M6	1	
19	AP8150026	Nut	1	
20	856796	Gearbox linkage rod	1	
21	AP8152138	Nut	1	
22	AP8110053	Left ball joint M6	1	
23	GU98252420	Screw M8x20	2	

Group	FRAME
Code	33.07
Description	Front fork I
Service	1



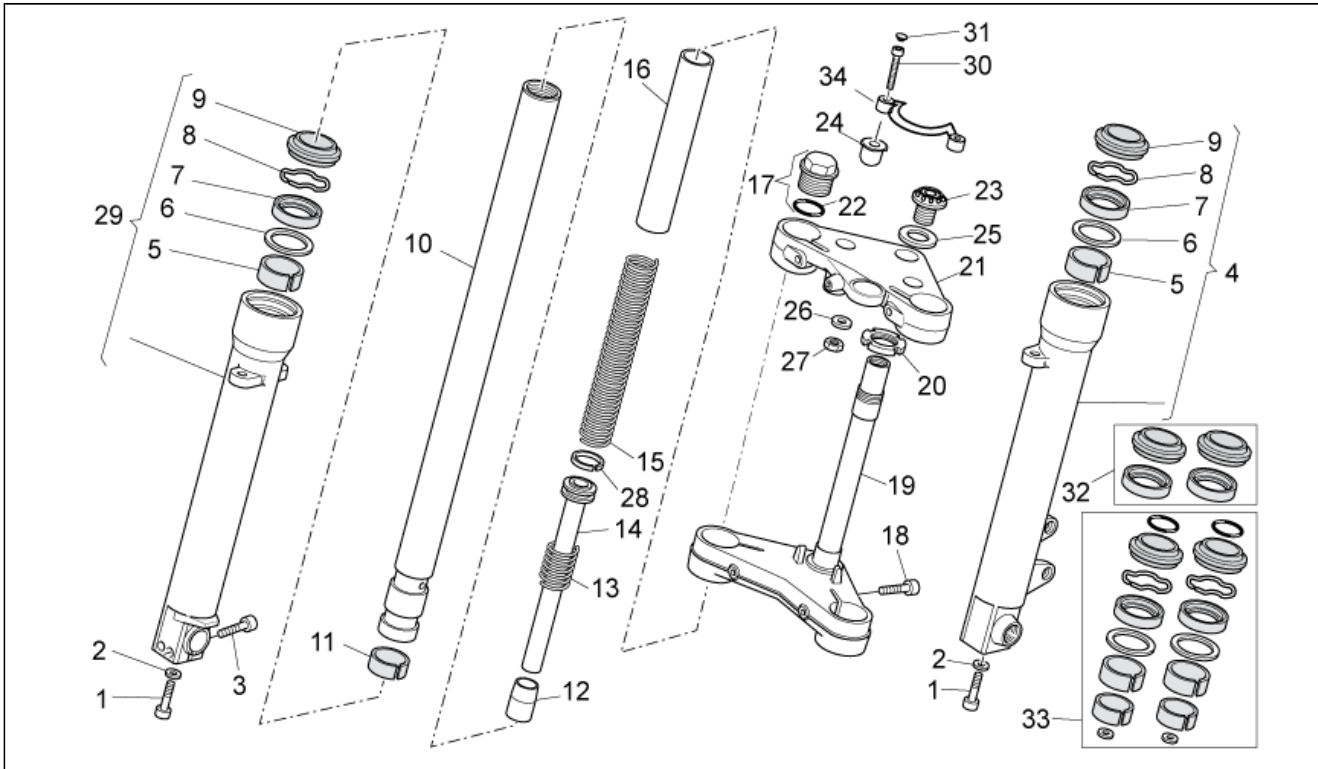
Pos.	Code	Description	Qty	Variants
1	886677	Front fork	1	
2	GU92249225	Tap.roller bearing	2	
3	AP8144146	Gasket ring	1	
4	AP8121307	Washer	1	
5	AP8144081	Rubber spacer	1	
6	AP8220460	Rubber cup	1	
7	898086	Anti-dust tube	7	
8	CM001929	Hose clamp 36.5	2	
9	CM001928	Hose clamp 44	2	

Group	FRAME
Code	33.08
Description	Front fork II
Service	1



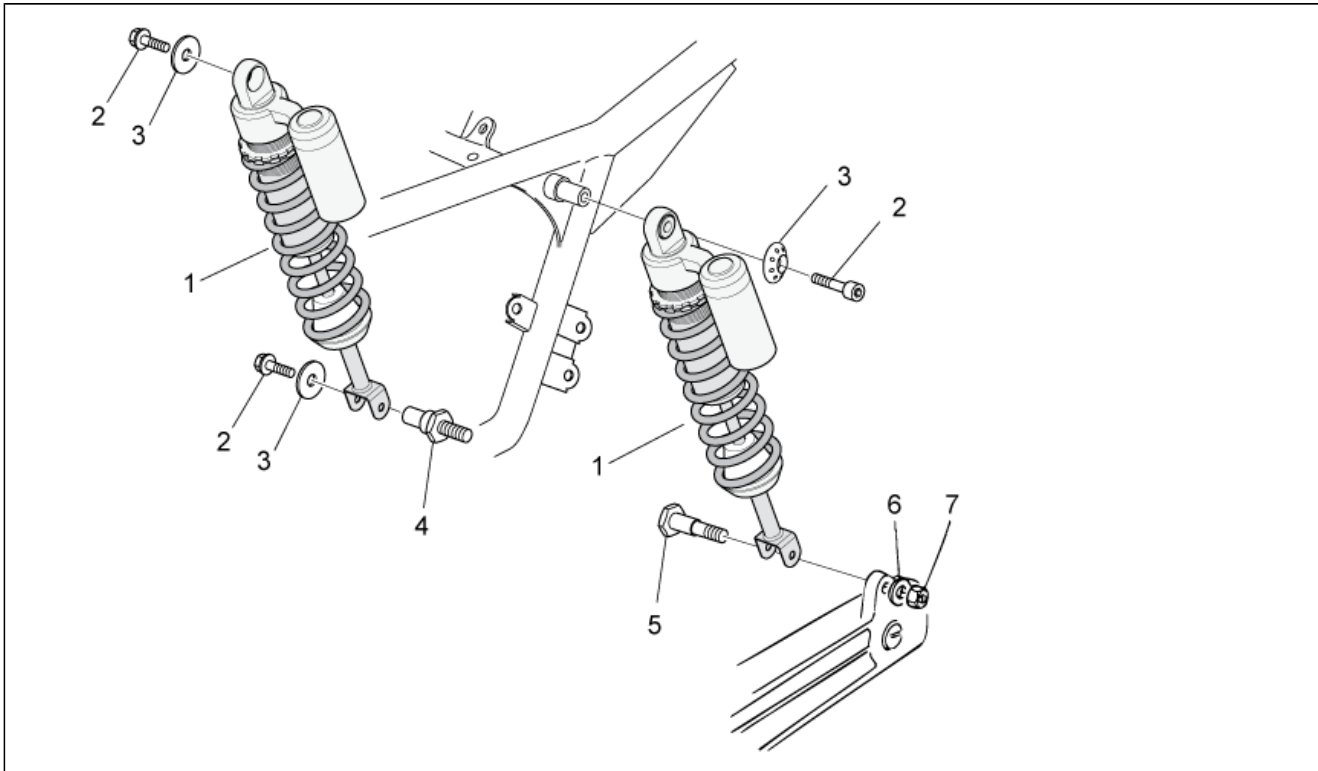
Pos.	Code	Description	Qty	Variants
1	GU03530530	Screw M10x30	2	
2	GU03530529	Washer	2	
3	GU98680330	Hex socket screw M6x30	2	
4	978978	LH sleeve cpl. Black	1	
5	GU30526761	Upper bush	2	
6	599504	Cup	2	
7	599501	Gasket ring	2	
8	599503	Stop ring	2	
9	599502	Dust cover + spring	2	
10	GU32525410	Sleeve	2	
11	GU30525861	Lower bush	2	
12	GU03530551	Drift	2	
13	GU32530502	Return spring	2	
14	GU32530503	Plunger, complete	2	
15	GU32526610	Spring	2	
16	GU32526310	Pipe	2	
17	886684	Plug cpl.	2	
18	GU98620540	Screw	2	
19	978974	Stem base Black	1	
20	GU31513480	Ring nut M25X1	1	
21	886842	Fork upper plate	1	
22	GU32530505	O-ring 4118	2	
23	883498	Upper plate fixing bush	1	
24	883552	Bush	2	
25	GU27530510	Washer	2	
26	GU95005330	Washer 6,4x30x1,5	2	
27	GU92630106	Nut M6x1	2	
28	GU32530504	Ring	2	

Group	FRAME
Code	33.08
Description	Front fork II
Service	1



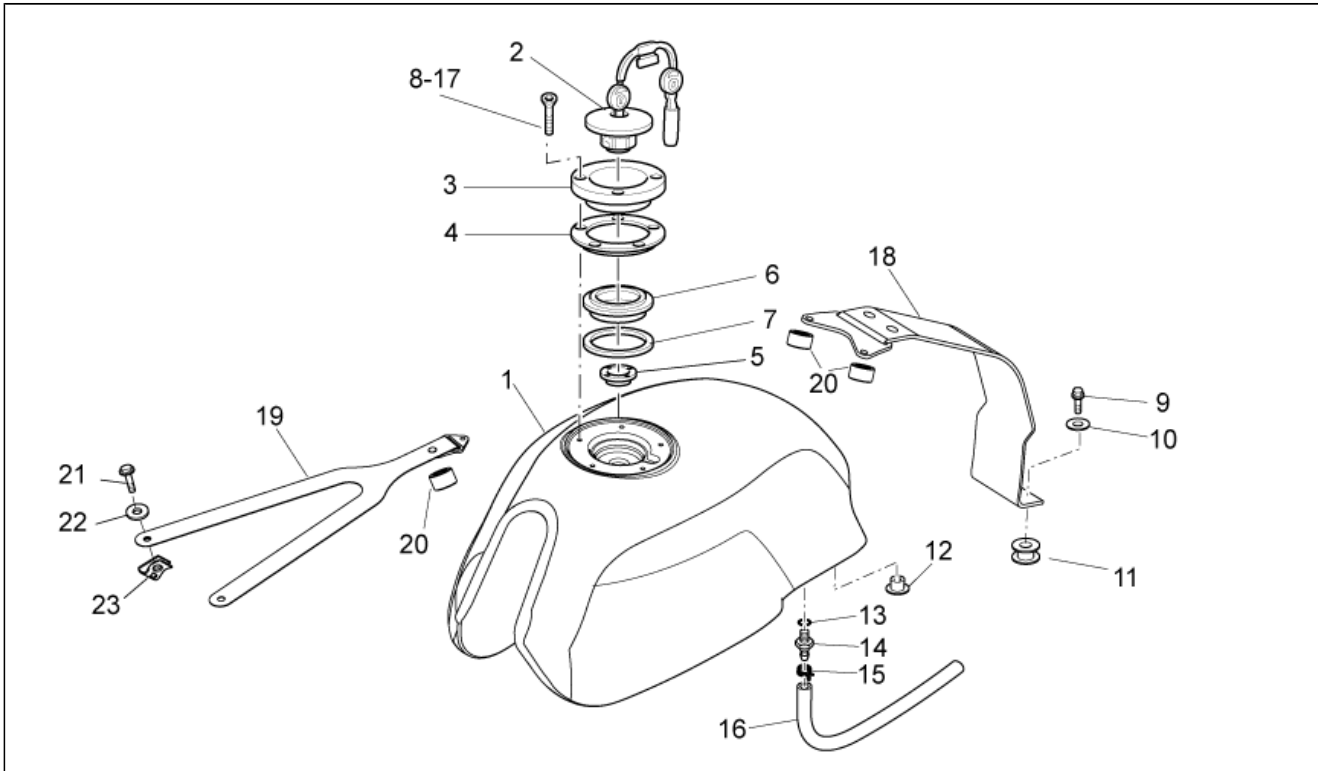
Pos.	Code	Description	Qty	Variants
29	978977	RH sleeve cpl.	1	
30	GU98680350	Hex socket screw M6x50	2	
31	GU23943410	Plug	8	
32	GU32530610	Gaskets set	1	
33	GU32530611	Engine oil seal kit	1	
34	883602	Pipe	1	

Group	FRAME
Code	33.11
Description	Rear shock absorber
Service	1



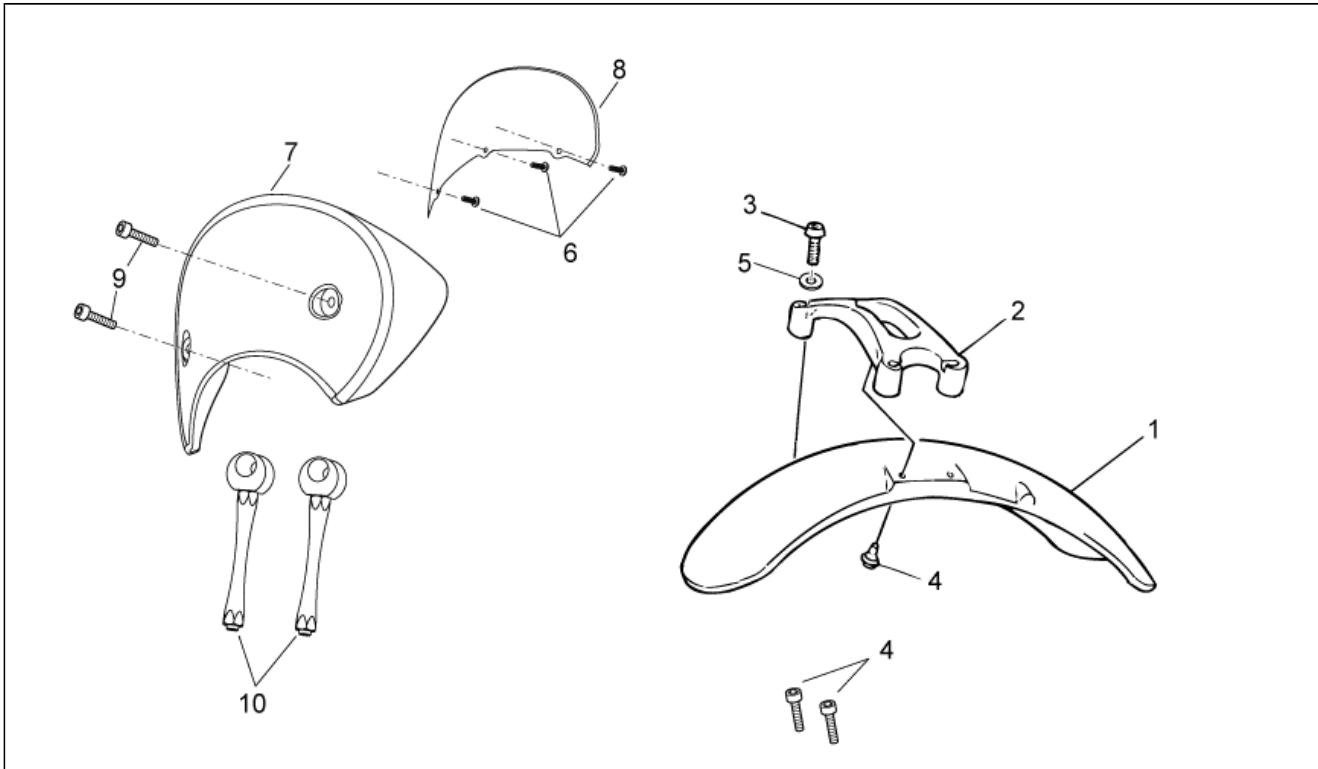
Pos.	Code	Description	Qty	Variants
1	886675	Rear shock absorber	2	
2	GU98692318	Hex socket screw	3	
3	886630	Bush	3	
4	GU32555210	Pin	1	
5	GU32555211	Pin	1	
6	GU95129181	Washer	1	
7	GU92606210	Nut M10x1,5	1	

Group	FRAME
Code	33.12
Description	Fuel tank
Service	1



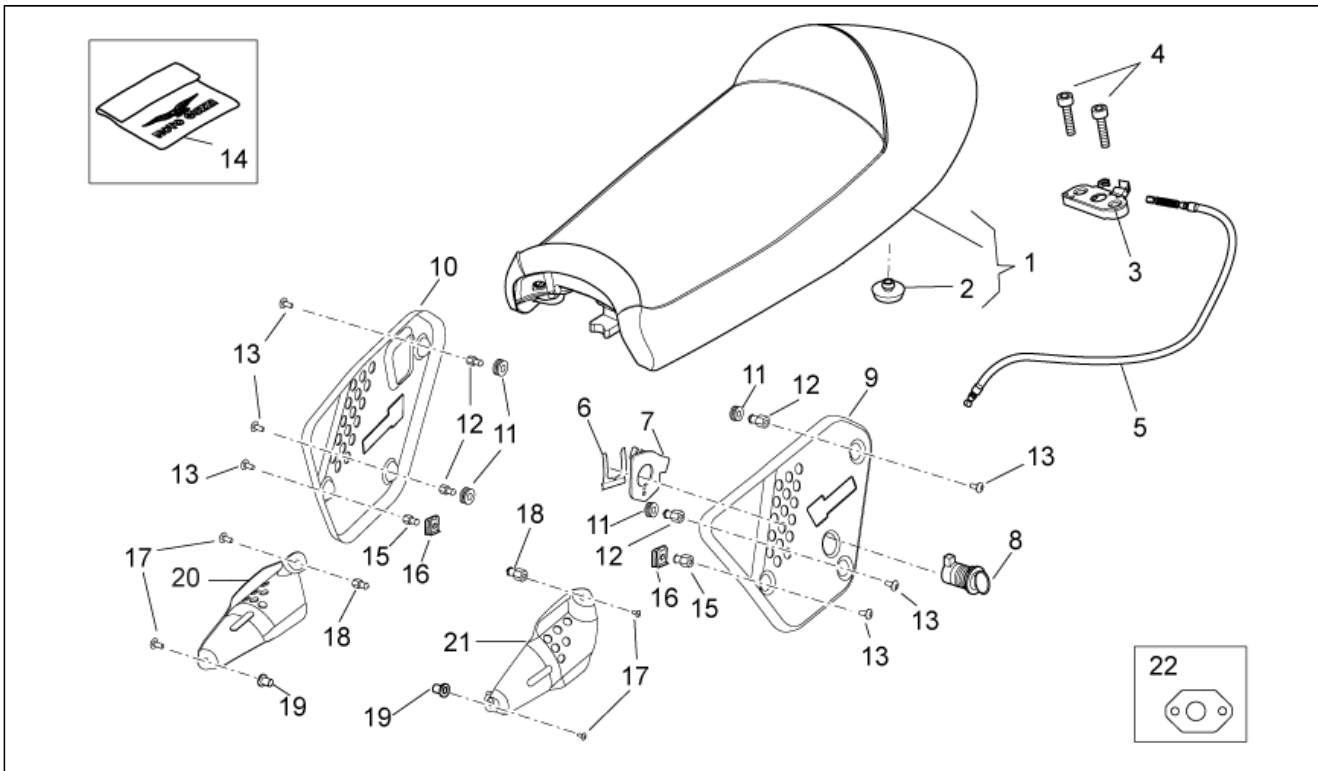
Pos.	Code	Description	Qty	Variants
1	898172	Tank Chrome	1	
1	978928	Fuel tank blank	1	
2	883185	Tank cap	1	
3	886369	Fuel tank flange	1	
4	883193	Gasket	1	
5	GU03101720	Reduction 38 mm	1	
6	GU03102200	Plug ring nut	1	
7	GU03101600	Gasket	1	
8	GU98370520	Hex socket screw	3	
9	AP8152291	Screw w/ flange	1	
10	GU95005312	Washer 8,5x24x2	1	
11	GU02107100	Rubber spacer	1	
12	883252	Spacer	1	
13	AP8120965	O-ring 2018	1	
14	GU30103730	Union	1	
15	AP8101595	Hose clamp D10,1*	1	
16	GU00823944050	Pipe 5X9	1	
17	GU98692210	Hex socket screw	2	
18	886617	Cinghia post.	1	
19	886625	cinghia ant.	1	
20	886370	Spacer bush 5.5x9.5x5.5	3	
21	GU98370616	Hex socket screw	2	
22	GU95100141	Washer 6,4x12x1,2	2	
23	GU28576591	Clip M6	2	

Group	FRAME
Code	33.13
Description	Front body - Front mudguard
Service	1



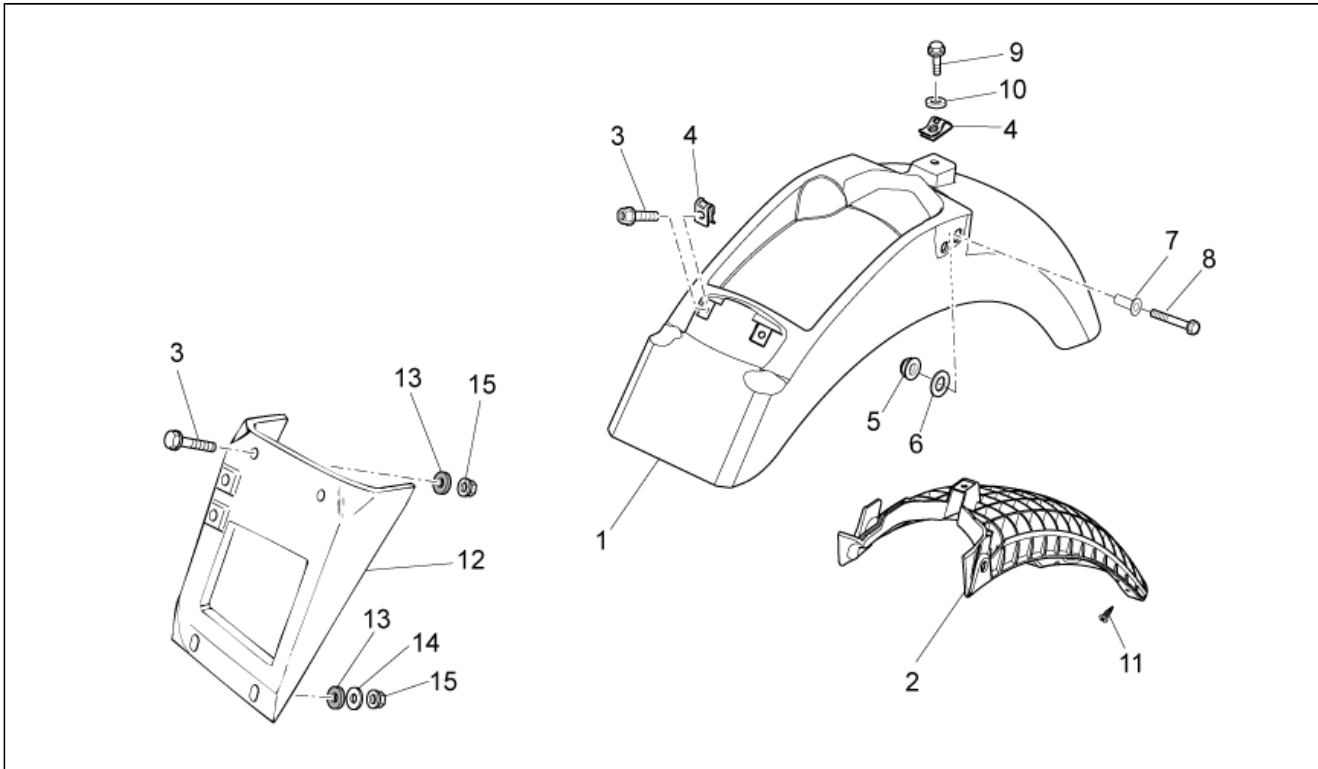
Pos.	Code	Description	Qty	Variants
1	88673000Y02	Front mudguard, black	1	
2	886784	Stabilization plate	1	
3	GU98350440	Screw	4	
4	GU31439565	Screw	4	
5	GU14615901	Washer 8,4X13X0,8	4	
6	AP8150413	Self-tap screw 3,9x14	3	
7	88673100Y02	Front fairing, black	1	Specifica Tecnica: Decal[D]
7	898179	Headlight windshield blank	1	
8	898180	Windshield	1	
9	GU98370616	Hex socket screw	2	
10	886724	Windshield support	2	

Group	FRAME
Code	33.14
Description	Saddle-Central bod
Service	1



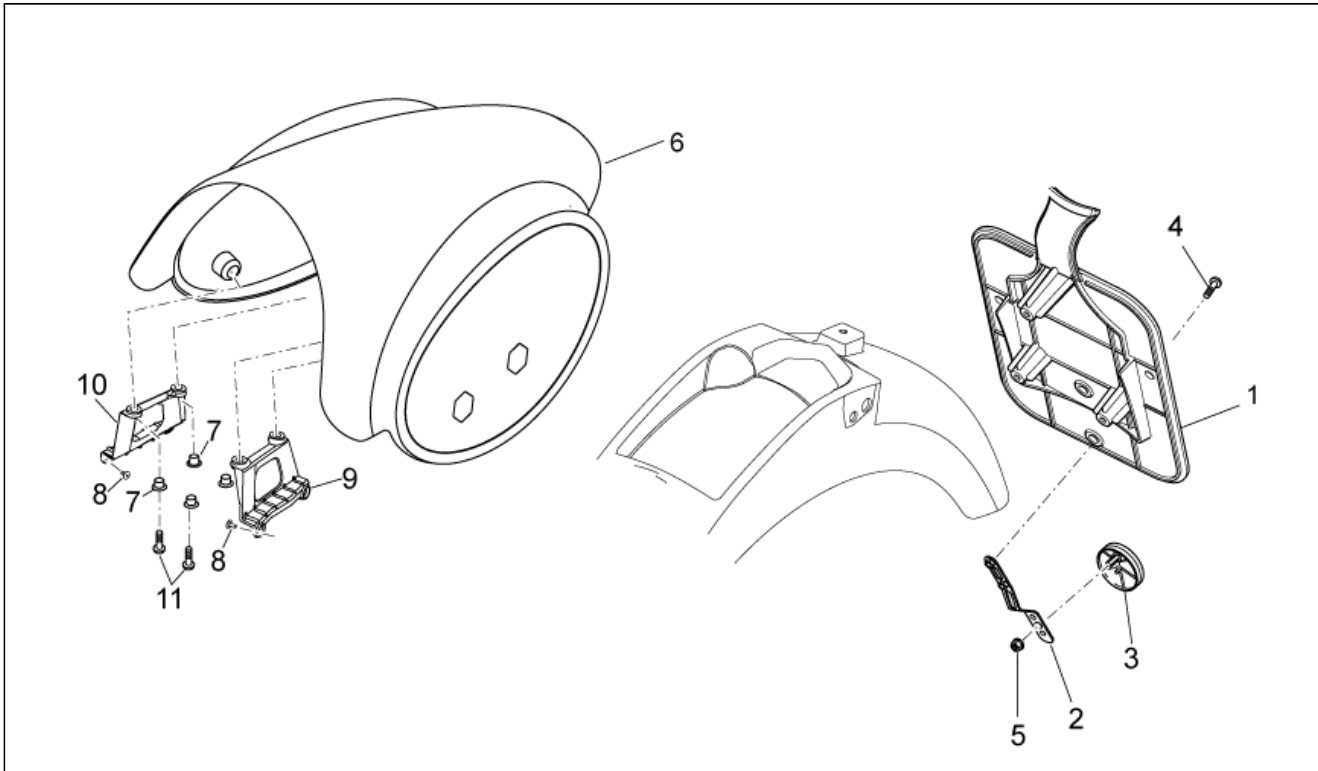
Pos.	Code	Description	Qty	Variants
1	898178	Saddle	1	
2	GU32461610	Rubber spacer	10	
3	AP8102913	Pass.saddle connecting plate	1	
4	GU98370625	Hex socket screw	2	
5	883295	Saddle release cable	1	
6	AP8121420	Fork spring	1	
7	978415	Cable fixing plate	1	
8	977527	Saddle lock	1	
9	898278	LH side panel	1	Specifica Tecnica:No decals[ND]
10	898277	RH side panel	1	Specifica Tecnica:No decals[ND]
11	GU91551086	Rubber spacer	4	
12	886368	Fixing pin	4	
13	896174	Hex socket screw	6	
14	886841	sacchetto prot. sella	1	
15	886706	Fixing pin	2	
16	254485	Spring plate M6	2	
17	GU98370515	Screw	4	
18	AP8120531	Rubber w/ insert *	2	
19	886727	Fixing pin	2	
20	898270	coprifarfalla DX	1	
21	898271	coprifarfalla SX	1	
22	886820	Saddle lock fix.plate	1	

Group	FRAME
Code	33.15
Description	Rear body I- Mudguard
Service	1



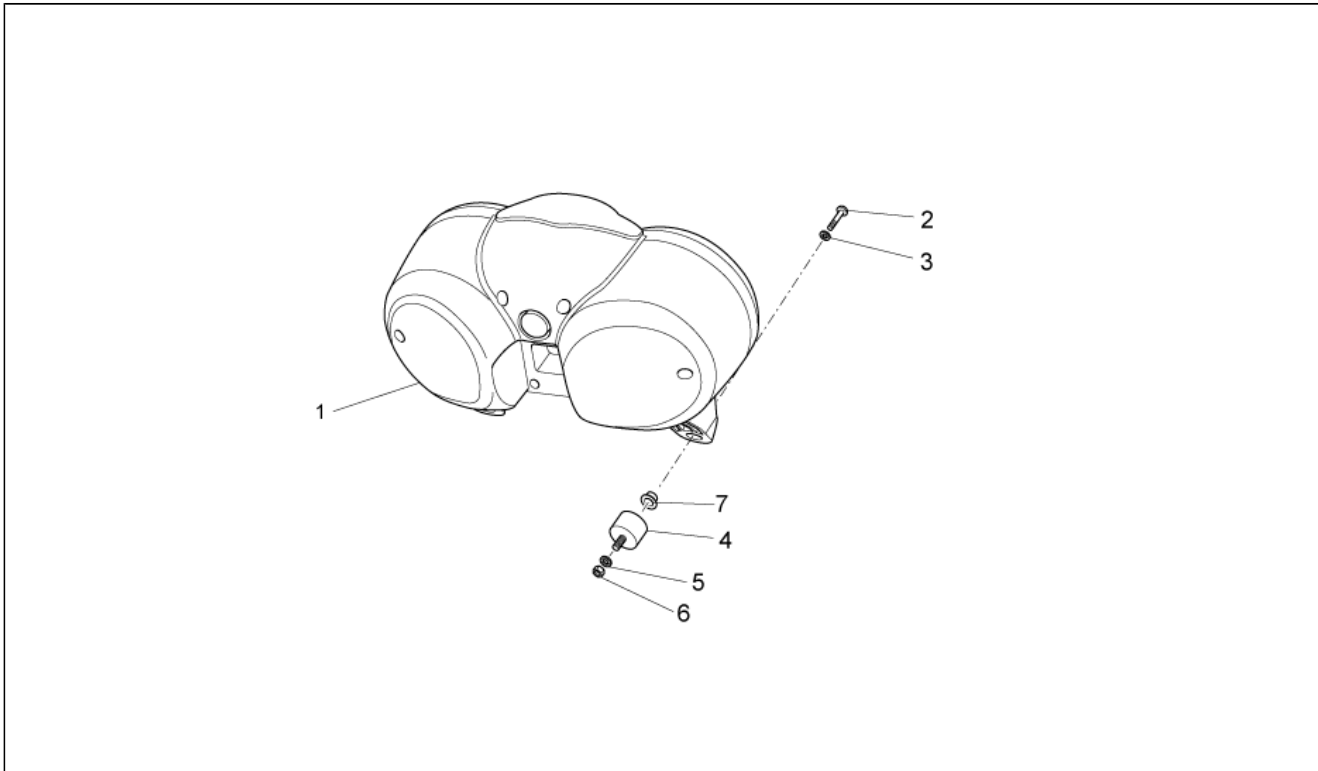
Pos.	Code	Description	Qty	Variants
1	97894600Y02	Rear mudguard, black	1	
2	978947	Support	1	
3	AP8152278	Screw w/ flange	4	
4	GU28576591	Clip M6	3	
5	GU98370831	Hex socket screw M8x30	2	
6	GU91120806	Spacer	2	
7	GU03270300	Washer 8,4x15	2	
8	GU92787008	Cap nut M8x1,25	2	
9	AP8152279	Screw w/ flange M6x20	2	
10	GU91180601	Spacer 6,2x8x3	2	
11	AP8152329	Phillips screw, SWP M5x20	3	
12	GU31438765	Splash guard	1	
13	GU93110060	Rubber spacer	4	
14	GU95100141	Washer 6,4x12x1,2	2	
15	AP8152299	Self-locking nut	4	

Group	FRAME
Code	33.16
Description	Rear body II- Plate holder
Service	1



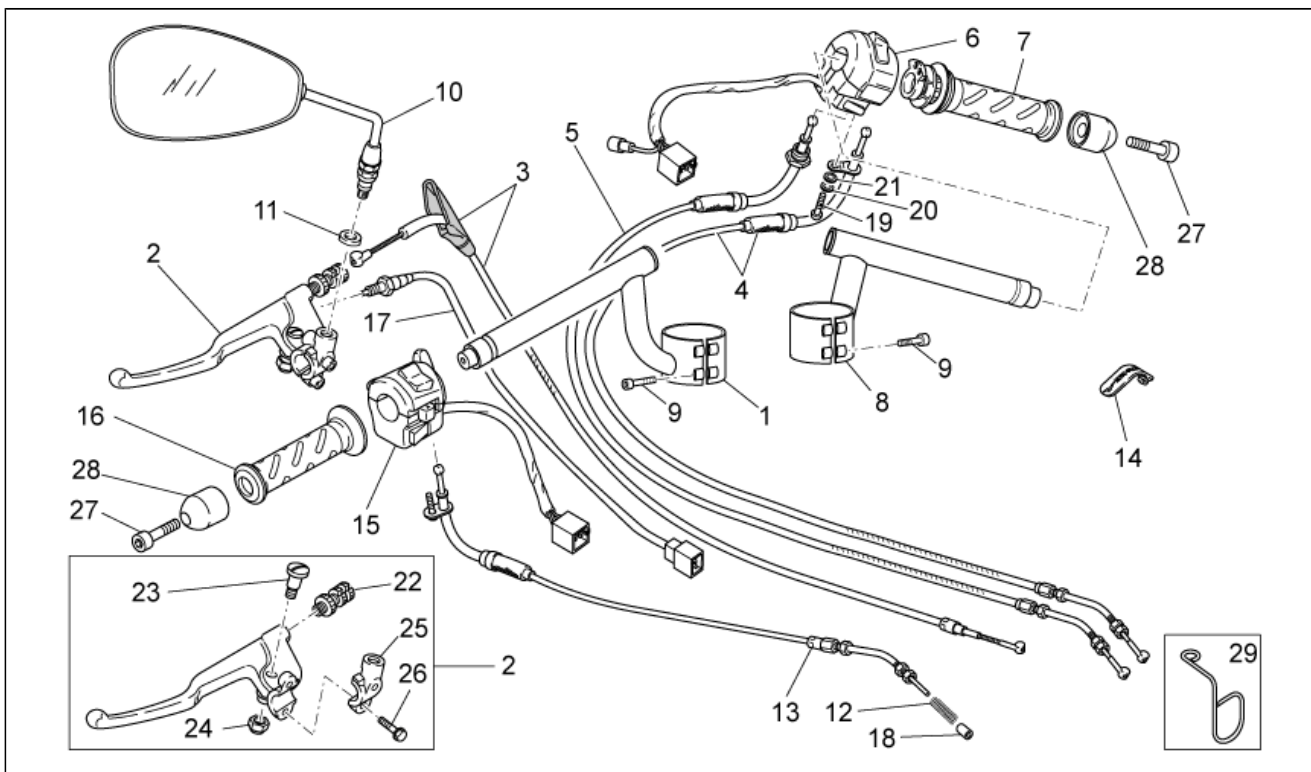
Pos.	Code	Description	Qty	Variants
1	978949	Number plate holder	1	
2	AP8134448	Reflector support	1	
3	AP8224164	Rear reflector, red	1	
4	GU98230510	Hex socket screw	2	
5	AP8152306	Self-locking nut	1	
6	88673200Y02	Rear fairing, black	1	Specifica Tecnica:Decal[D]
6	898280	Rear fairing, blank	1	
7	AP8121929	T bush 6,5x8,6x9	4	
8	AP8152339	Screw w/ flange	4	
9	886712	LH clamp	1	
10	886713	RH clamp	1	
11	AP8152273	Screw w/ flange	4	

Group	FRAME
Code	33.17
Description	Dashboard
Service	1



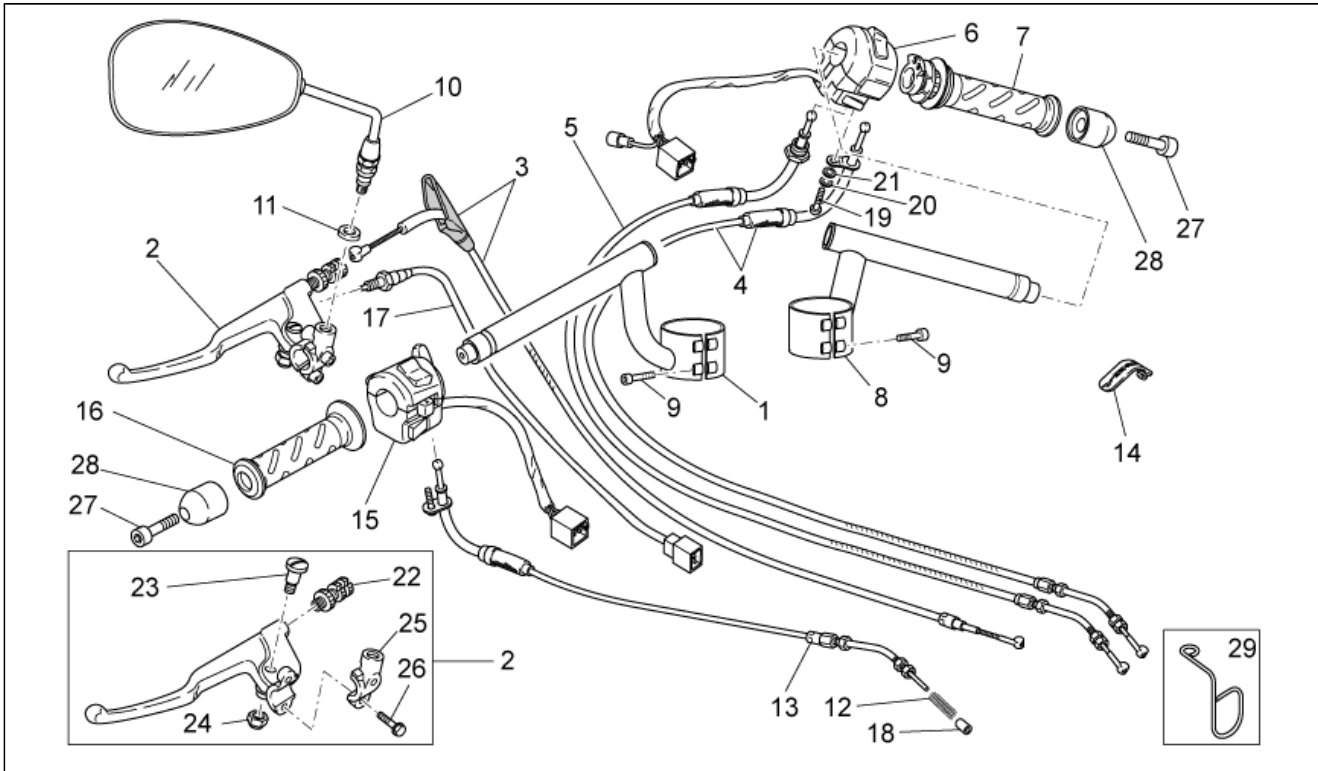
Pos.	Code	Description	Qty	Variants
1	883796	Dashboard complete	1	Country:Australia[AA], europa[EU], Giappone[J]
1	883797	Dashboard complete	1	Country:Gran Bretagna [UK]
2	GU98370609	Hex socket screw M6x10	3	
3	GU95005306	Washer 6,4x13x1,5	3	
4	GU93222023	Silent-block	3	
5	GU95021206	Washer	3	
6	GU92606206	Nut	3	
7	AP8121032	Bush	3	

Group	FRAME
Code	33.18
Description	Handlebar - Controls
Service	1



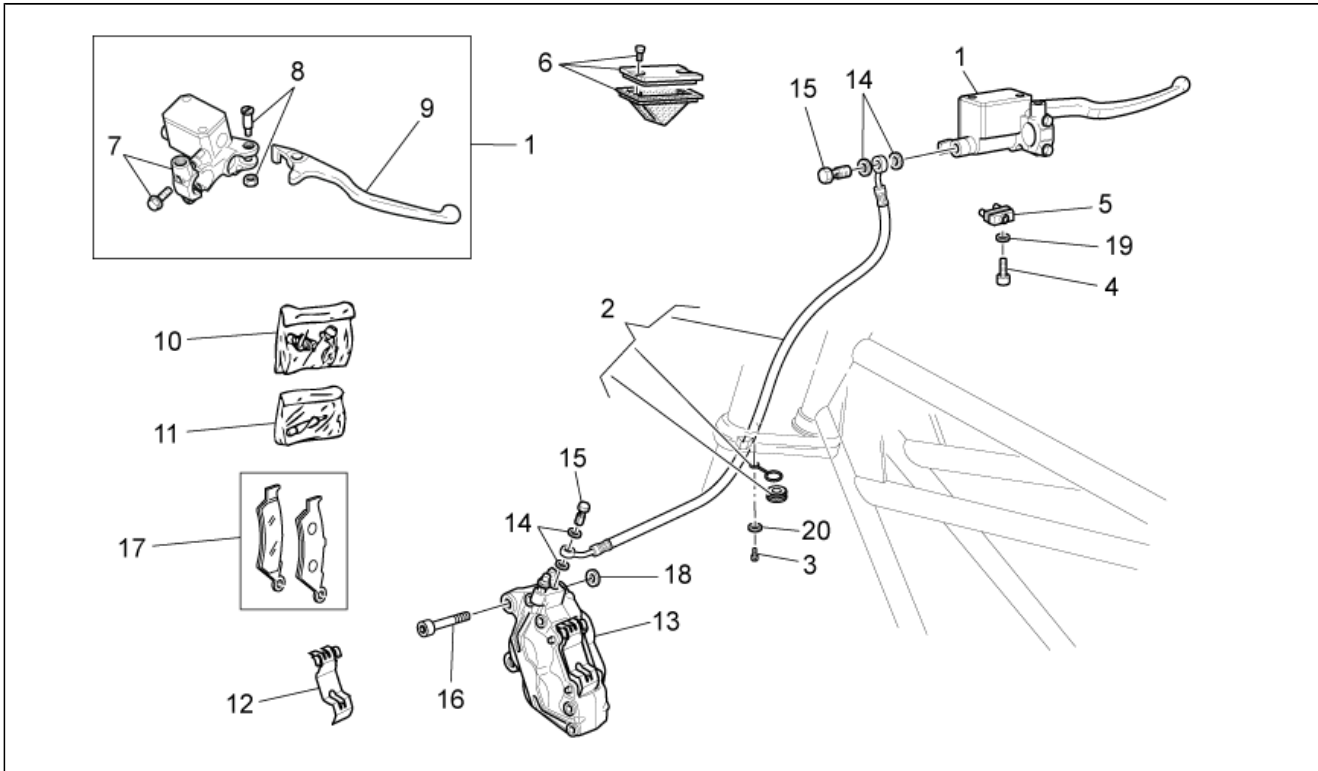
Pos.	Code	Description	Qty	Variants
1	898170	Left half handlebar	1	
2	GU32605510	Clutch lever	1	
3	883940	Clutch cable	1	
4	GU32117010	Gas trasmission delivery	1	
5	GU32117011	Gas trasmission return	1	
6	GU32738810	RH lights selector	1	
7	GU32603310	RH hand grip	1	
8	898171	Right half handlebar	1	
9	GU98692325	Hex socket screw M6x25	4	
10	883802	RH/LH rearview mirror	2	Specifica Tecnica:"FU E1181R-001047"[B]
10	978570	RH/LH rearview mirror	2	Specifica Tecnica:"FAR"[A]
11	GU91181003	Spacer 10,25X20X4	2	
12	GU94321074	Spring 7x1,1x25	1	
13	GU32137010	Choke cable	1	
14	GU01609630	Hose clamp L46 mm	2	
14	GU03609600	Hose clamp L36 mm	1	
15	883075	LH lights selector	1	
16	GU32603010	LH hand grip	1	
17	GU29759150	Lateral stand switch	1	
18	GU39094200	Plug	1	
19	GU98230510	Hex socket screw	1	
20	GU95008305	Washer 5,3X10X1	1	
21	GU95021105	Notched washer	1	
22	GU30602500	Register	1	
23	AP8213028	Screw	1	
24	AP8118490	Nut	1	
25	GU30601060	Clump	1	
26	GU97202325	Black screw w/ flange M6x25	2	

Group	FRAME
Code	33.18
Description	Handlebar - Controls
Service	1



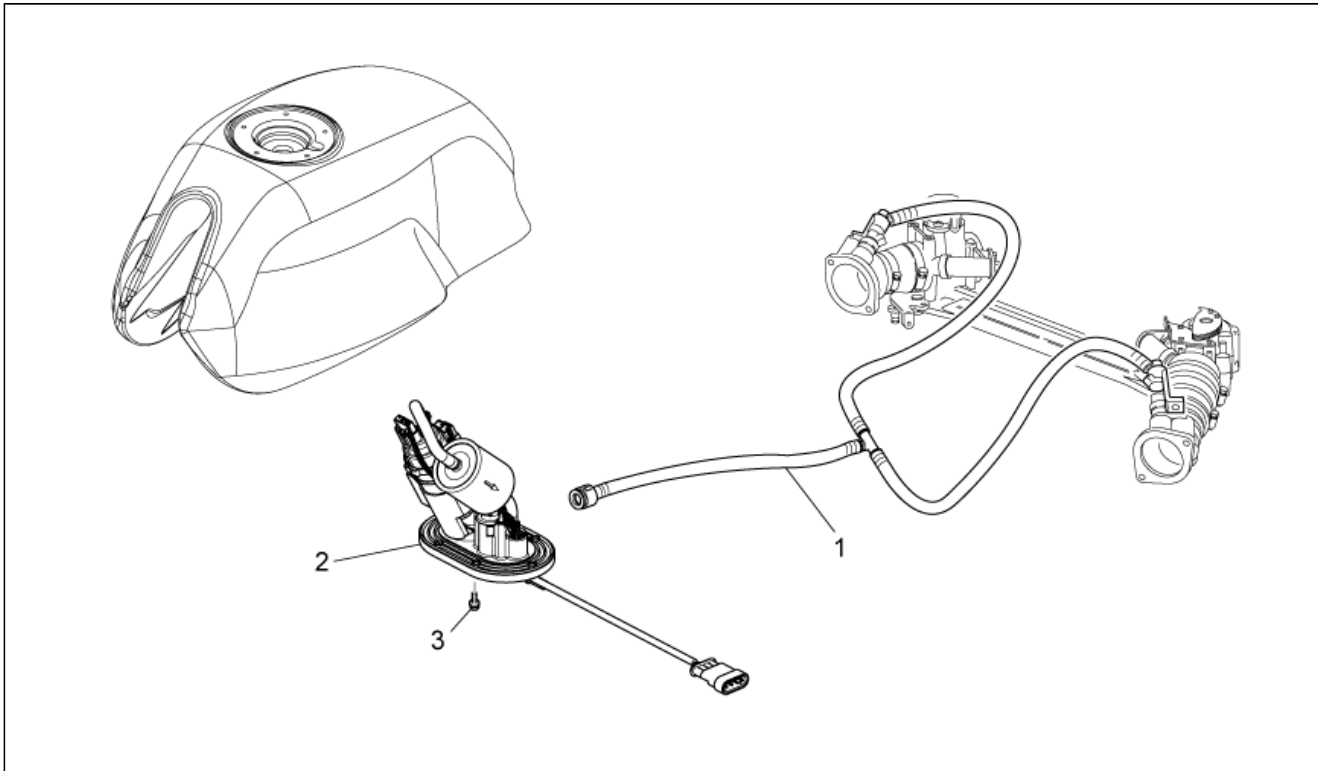
Pos.	Code	Description	Qty	Variants
27	GU98690335	Hex socket screw	2	
28	GU32602860	Anti.v weight, chr.	2	
29	AP8221172	Cable-guide	1	

Group	FRAME
Code	33.19
Description	Front brake system
Service	1



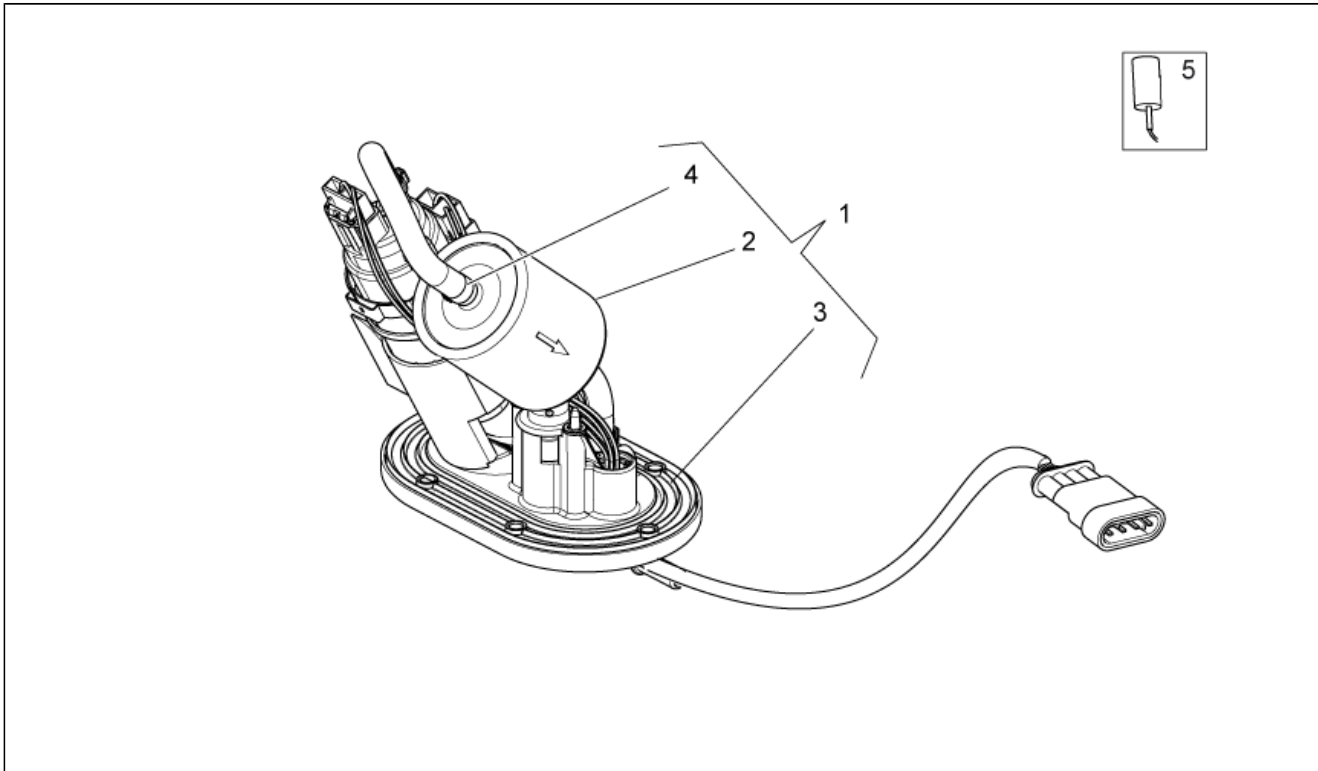
Pos.	Code	Description	Qty	Variants
1	GU03660145	Front master cilinder	1	
2	883581	Brake hose	1	
3	AP8152277	Screw w/ flange	1	
4	GU98370412	Hex socket screw M4x12	1	
5	GU03749845	Brake light switch	1	
6	GU03661145	Pump cover	1	
7	GU03664045	U-bolt	1	
8	GU03604845	Lever pin	1	
9	GU03605645	Brake lever	1	
10	GU05659230	Bleeder+cap	1	
11	GU01659130	Pins+Caliper springs	1	
12	GU01659131	Spring	1	
13	883303	LH front brake caliper, black	1	
14	AP8113004	Washer 10x14x1,6*	4	
15	978323	Oil pipe screw *	2	
16	AP8152385	Hex socket screw M10x1,25	2	
17	GU01654630	Pads pair	1	
18	GU91181003	Spacer 10,25X20X4	2	
19	GU95021104	Washer 4,3x8x1,5	1	
20	GU95008306	Washer 6,4x12x1,2	1	

Group	FRAME
Code	33.20
Description	Fuel supply
Service	1



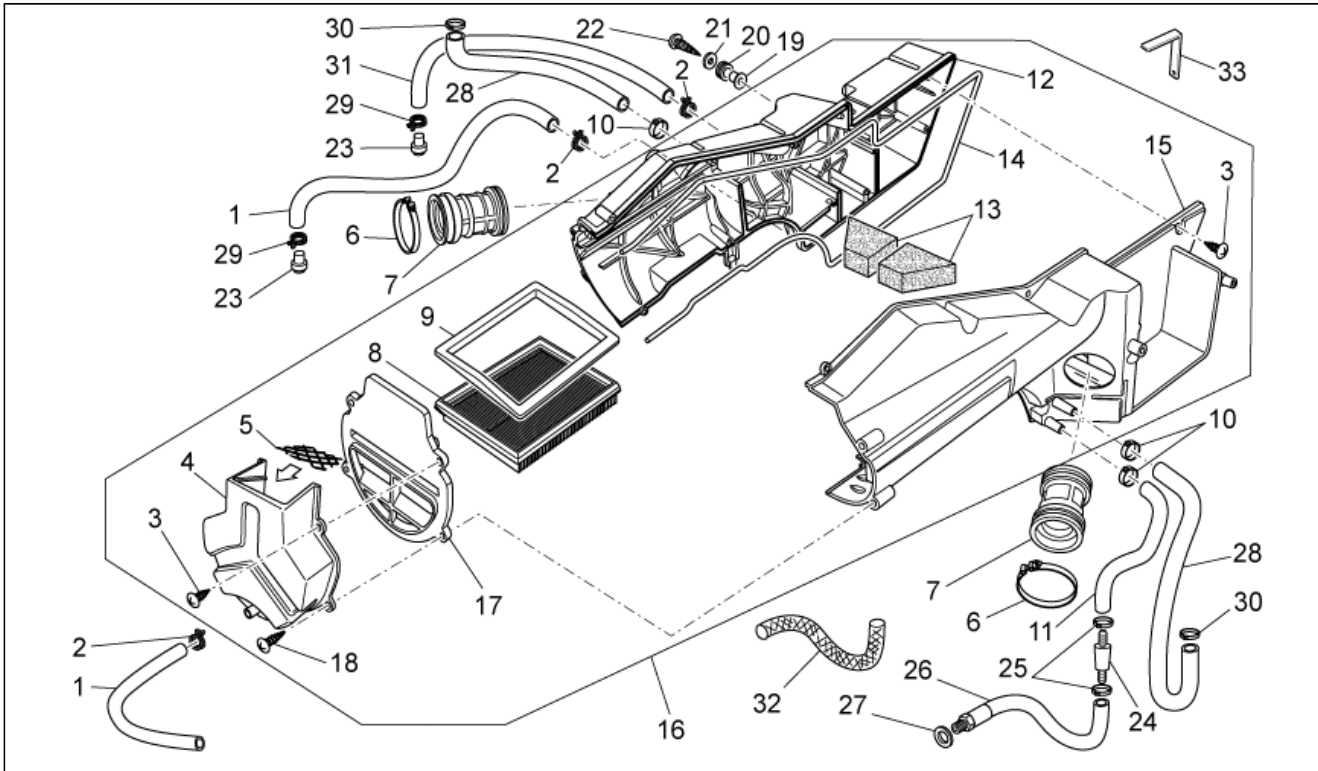
Pos.	Code	Description	Qty	Variants
1	883265	Fuel pipe	1	
2	978930	Fuel pump	1	
3	AP8152273	Screw w/ flange	6	

Group	FRAME
Code	33.21
Description	Fuel pump
Service	1



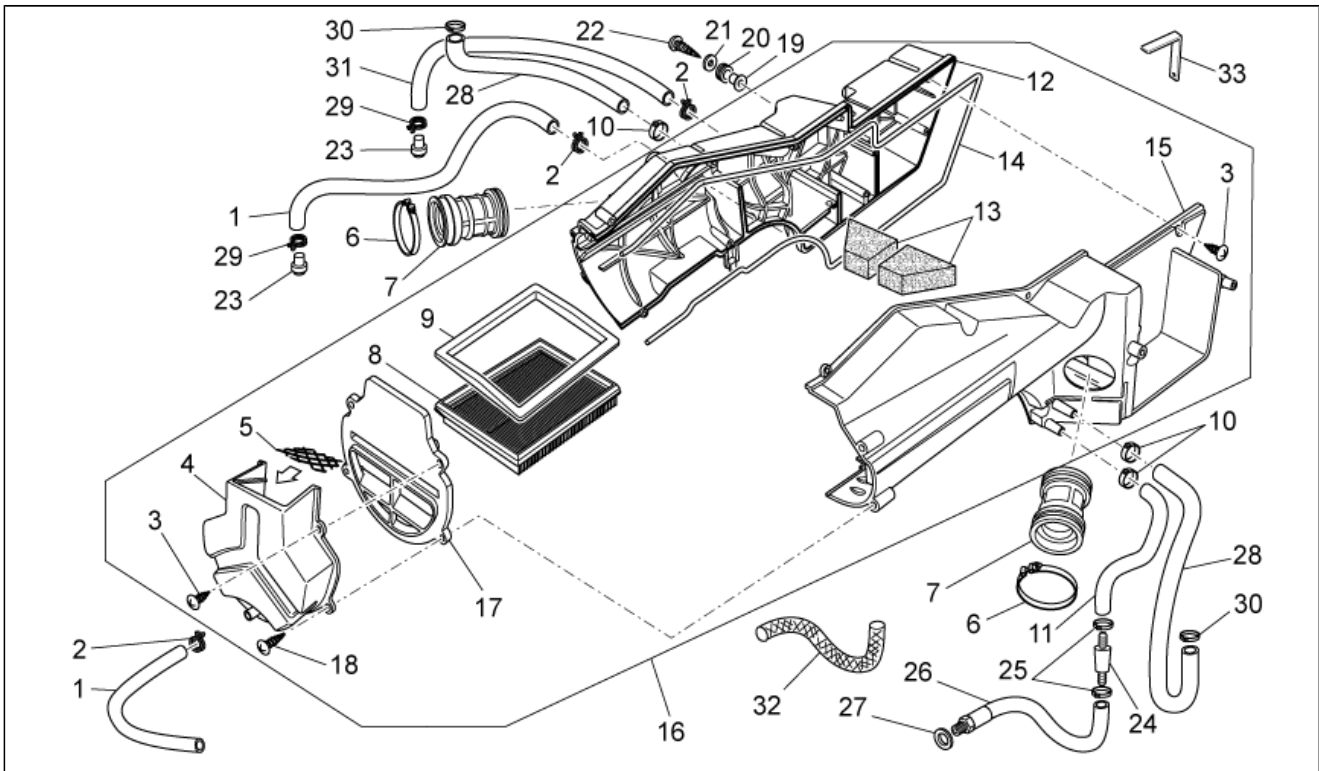
Pos.	Code	Description	Qty	Variants
1	978930	Fuel pump	1	
2	GU01106090	Fuel filter	1	
3	GU05107430	Gasket	1	
4	GU01108490	Hose clamp 11,3	4	
5	883852	Thermistor	1	

Group	FRAME
Code	33.22
Description	Air box
Service	1



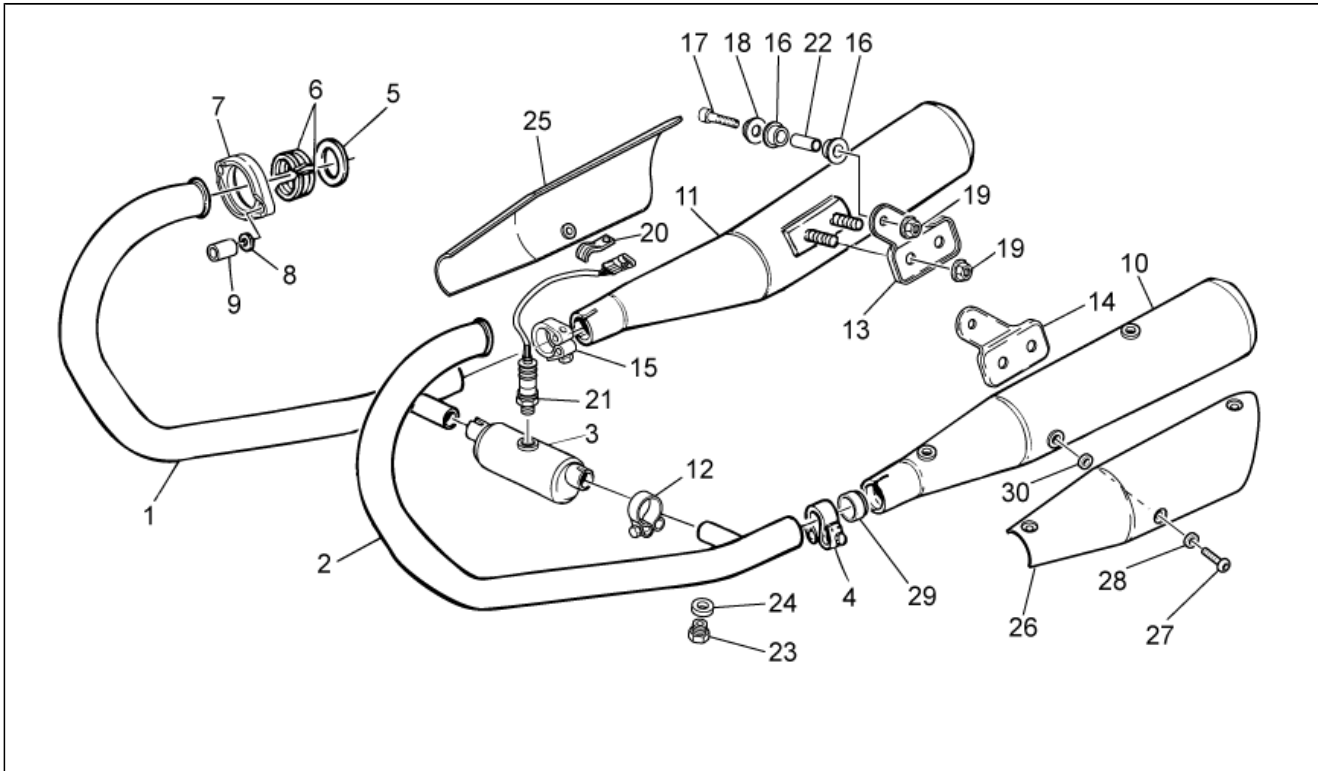
Pos.	Code	Description	Qty	Variants
1	AP8120952	Fuel pipe 5,5x10	2	
2	AP8201358	Hose clamp D 11,9	2	
3	AP8150413	Self-tap screw 3,9x14	12	
4	GU32116910	Filter cover	1	
5	GU32113510	Filter mesh	1	
6	GU93305061	Hose clamp 61/65,5	2	
7	GU32114410	Intake hose	2	
8	AP8104242	Air filter	1	
9	GU32114110	Support	1	
10	AP8102766	Hose clamp	3	
11	AP8120772	Breather pipe	1	
12	GU32114011	RH Bearing shell	1	
13	AP8104525	Filter blow-by	2	
14	AP8120615	Gasket D3	3	
15	883697	LH Bearing shell	1	
16	883696	Air box	1	
17	GU32113410	Plug	1	
18	AP8152329	Phillips screw, SWP M5x20	3	
19	GU30576100	Spacer D.6,5	3	
20	GU91551010	Rubber spacer	3	
21	GU95100059	Washer 5,25x14x1,5	3	
22	AP8152329	Phillips screw, SWP M5x20	3	
23	AP8120876	Plug	3	
24	AP8104251	Oil breather valve	1	
25	AP8102159	Hose clamp	2	
26	GU32159310	Breather	1	
27	GU90714082	Gasket	1	
28	GU32159610	Breather pipe	2	

Group	FRAME
Code	33.22
Description	Air box
Service	1



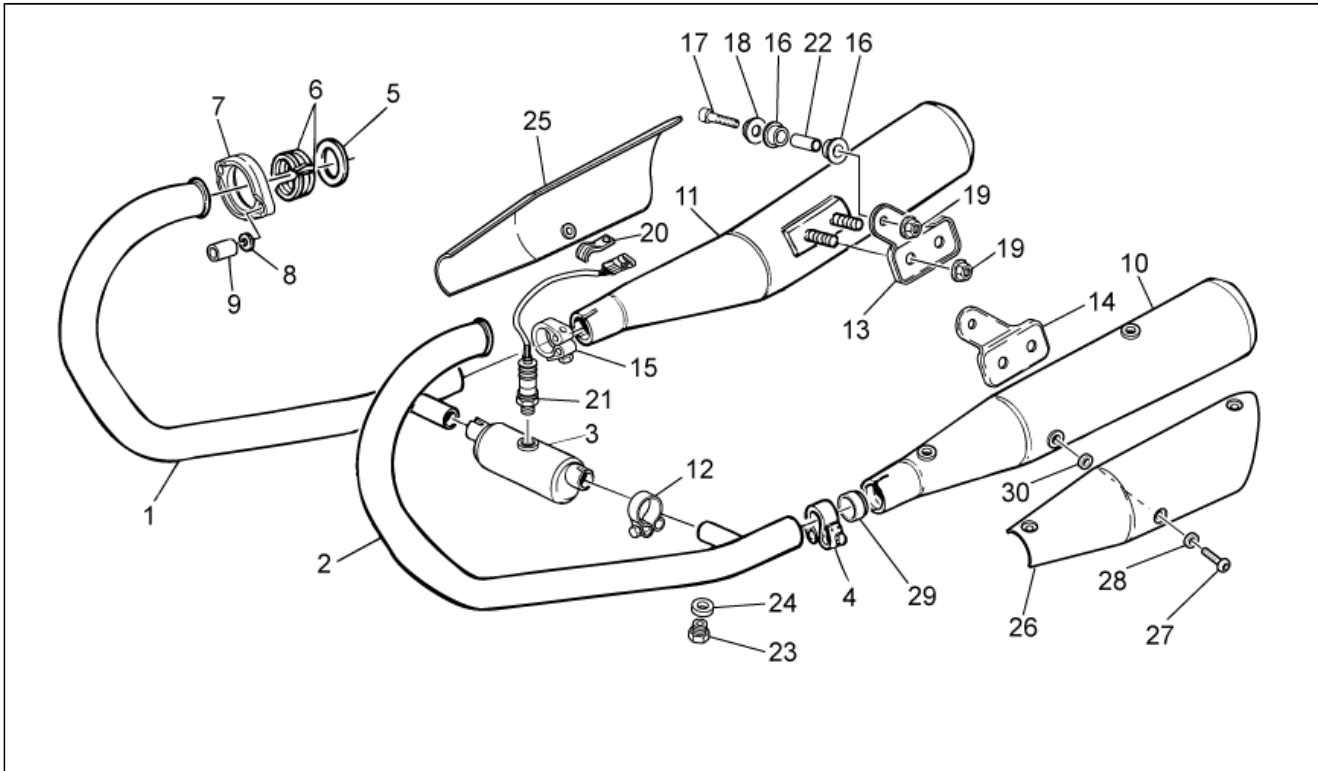
Pos.	Code	Description	Qty	Variants
29	GU61108500	Hose clamp D9	2	
30	AP8102239	Hose clamp 12,5x8	2	
31	AP8144038	Fuel pipe 6x10	1	
32	GU00823923140	Thermal sheath	1	
33	GU31112965	Square	1	

Group	FRAME
Code	33.23
Description	Exhaust unit
Service	1



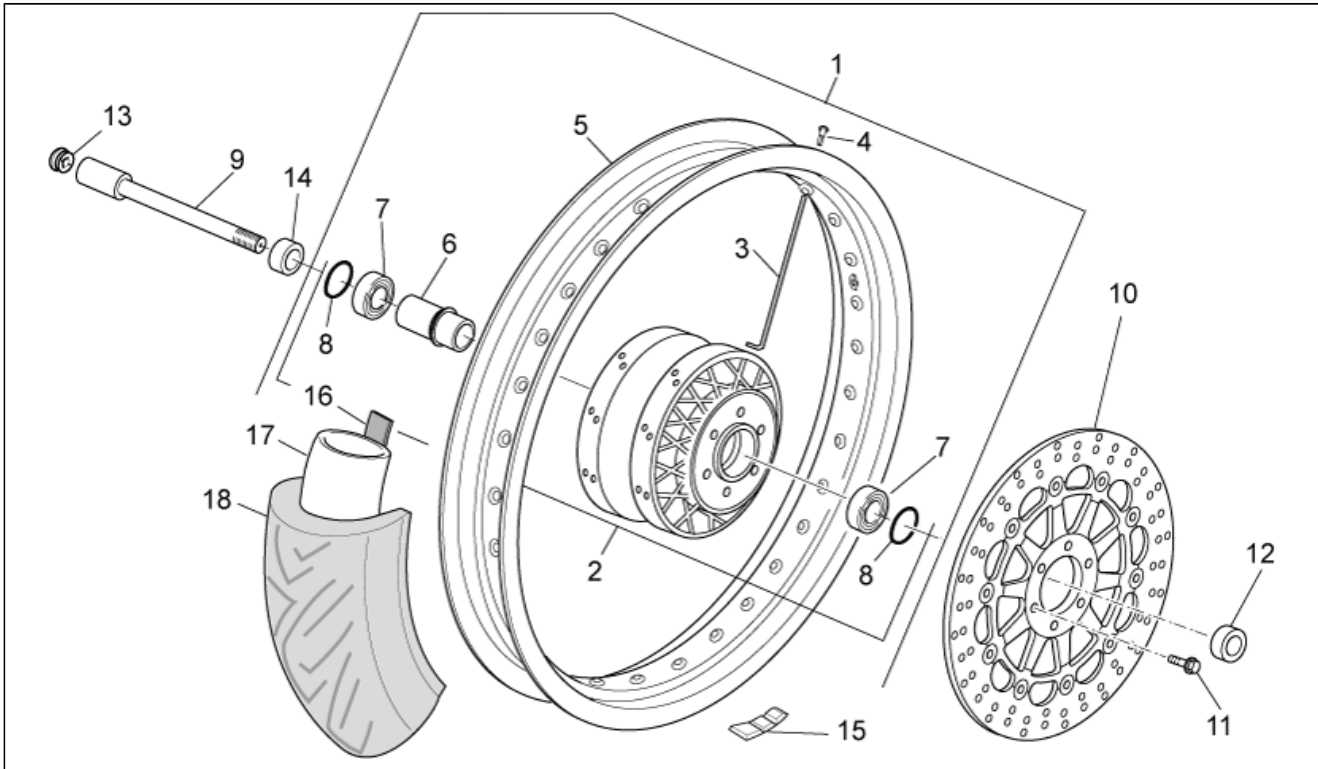
Pos.	Code	Description	Qty	Variants
1	GU32120710	RH exhaust pipe	1	
2	GU32120711	LH exhaust pipe	1	
3	GU32123910	Expansion chamber	1	
4	978387	LH silencer clamp	1	
5	GU19025280	Gasket	2	
6	GU19025460	Spacer	4	
7	GU32121010	Ring nut	2	
8	GU03013800	Washer 6,4x12	4	
9	GU31121880	Nut	4	
10	883712	LH silencer	1	
11	883711	RH silencer	1	
12	978385	Hose clamp	2	
13	GU32128610	RH plate	1	
14	GU32129010	LH plate	1	
15	978386	RH silencer clamp	1	
16	AP8144071	Rubber exhaust	4	
17	GU98680440	Hex socket screw M8x40	2	
18	AP8134378	Silencer fixing bush	2	
19	GU92640508	Nut M8	6	
20	GU93301175	U-bolt	1	
21	GU32727010	Lambda sensor	1	
22	AP8121072	Spacer	2	
23	GU98110007	Plug	2	
24	GU30109330	Gasket	2	
25	GU32121910	RH protection	1	
26	GU32121911	LH protection	1	
27	GU98370609	Hex socket screw M6x10	6	
28	GU95005306	Washer 6,4x13x1,5	6	

Group	FRAME
Code	33.23
Description	Exhaust unit
Service	1



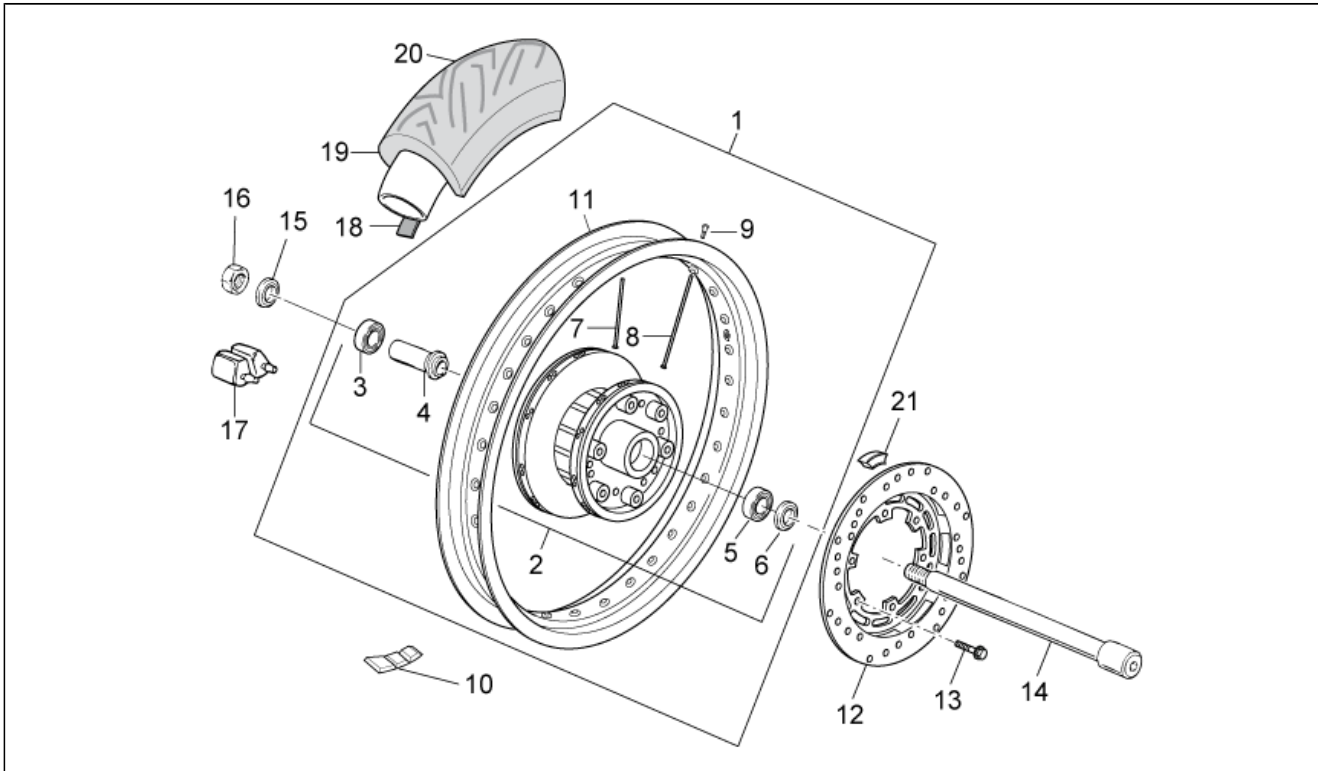
Pos.	Code	Description	Qty	Variants
29	GU91113826	Bush	2	
30	AP8221297	Insulating washer	6	

Group	FRAME
Code	33.24
Description	Front wheel
Service	1



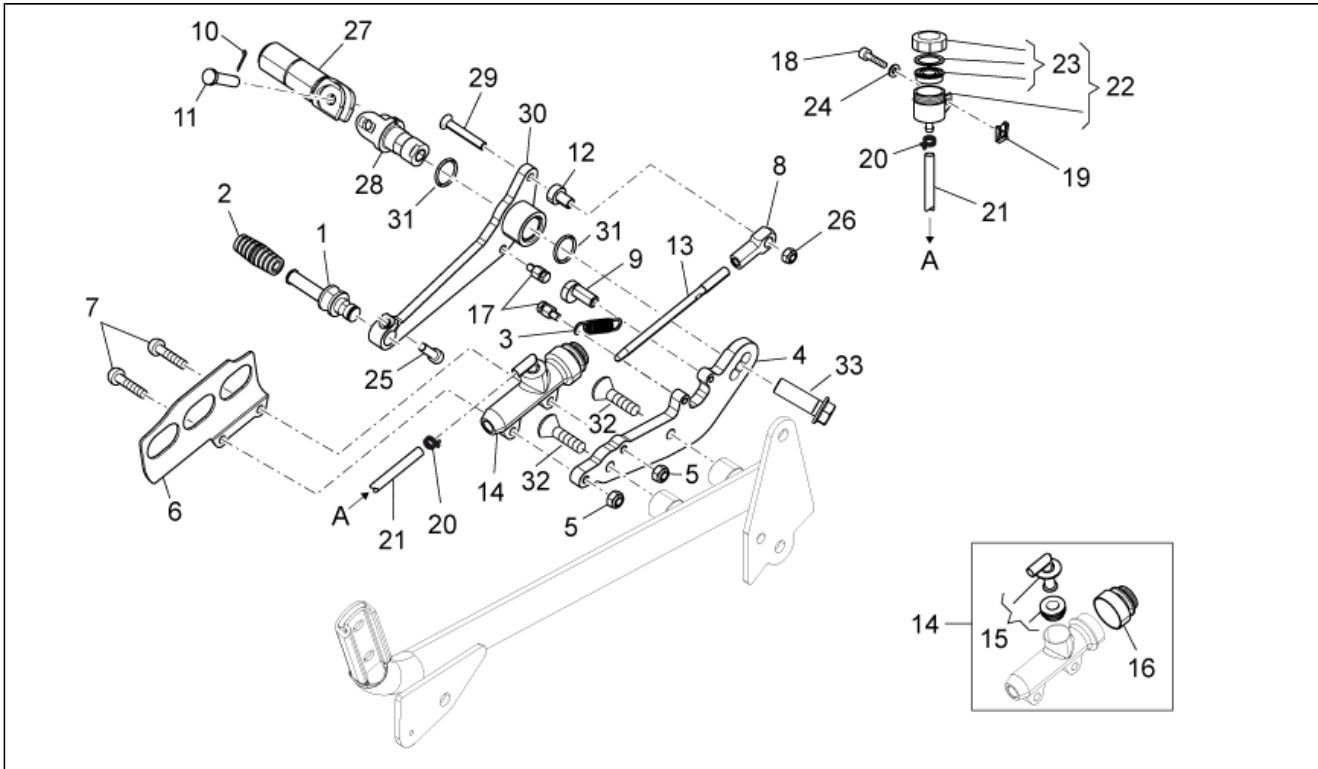
Pos.	Code	Description	Qty	Variants
1	898167	Front wheel	1	
2	886681	Front hub	1	
3	GU32611660	Spoke	36	
4	GU03631250	Nipples	36	
5	898118	Wheel	1	
6	GU31615260	Spacer	1	
7	GU92204221	Bearing	2	
8	GU90402642	Gasket ring	1	
9	GU31614183	Front wheel spindle	1	
10	883688	Front brake disc 320	1	
11	AP8152286	Screw w/ flange M8x20	6	
12	GU31616384	LH spacer	1	
13	GU93180111	Plug 15 mm	1	
14	GU32615660	RH spacer	1	
15	GU14616150	Counterweight	1	
16	0000000	Tyre 110/90"	1	
17	0000000	Tyre 110/90"	1	
18	0000000	Tyre 110/90"	1	

Group	FRAME
Code	33.25
Description	Rear wheel
Service	1



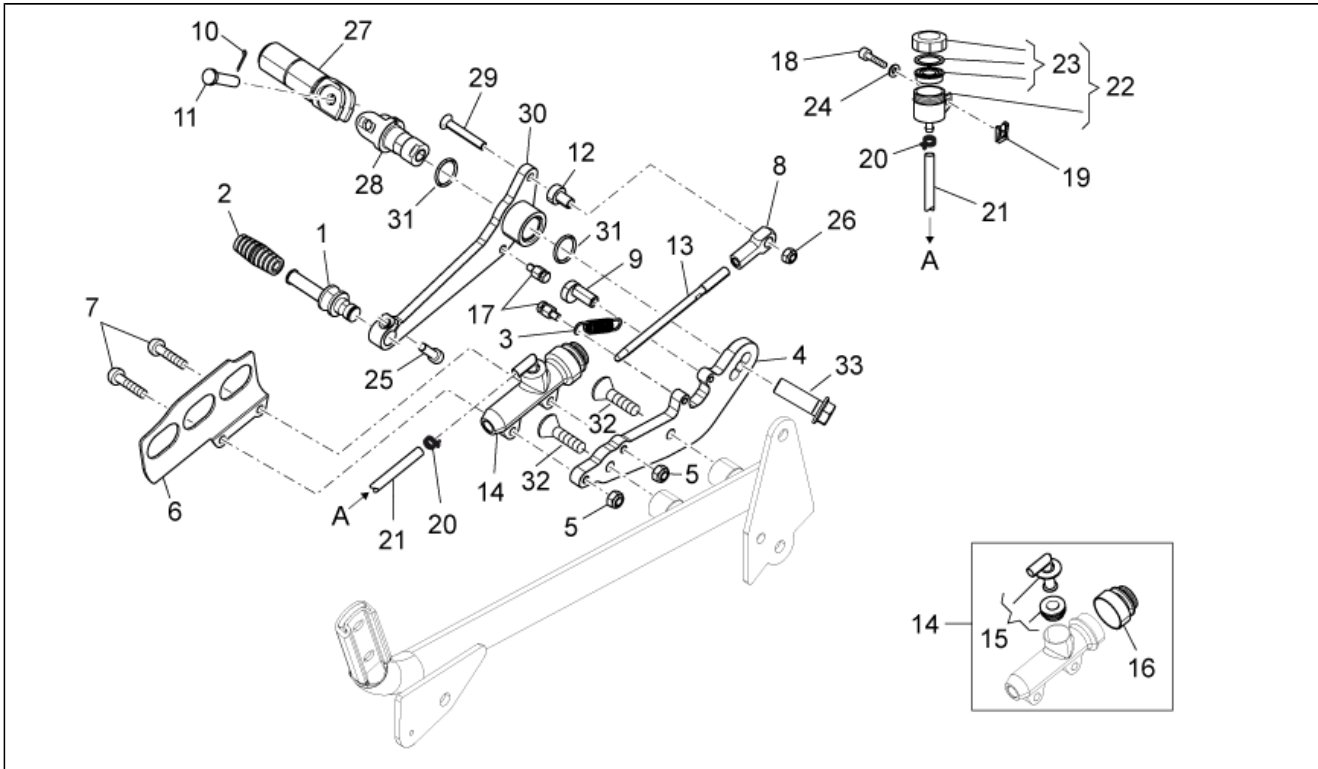
Pos.	Code	Description	Qty	Variants
1	898168	Rear wheel 3.5"x17"	1	
2	886711	Rear hub	1	
3	GU92204218	Bearing	1	
4	GU27633910	Spacer	1	
5	GU92204217	Bearing	1	
6	GU90402538	Gasket ring 25x40x7	1	
7	883350	Short spoke	18	
8	883349	Long spoke mm 158	18	
9	GU03631250	Nipples	36	
10	GU14616150	Counterweight	1	
11	898120	Wheel rim	1	
12	GU31613381	Brake disc	1	
13	GU98682425	Hex socket screw M8x25	6	
14	GU32633360	Rear wheel spindle	1	
15	GU31634481	Washer	1	
16	GU92606316	Nut M16x1,5	1	
17	GU32632510	Rubber coupling	6	
18	0000000	Tyre 110/90"	1	
19	0000000	Tyre 110/90"	1	
20	0000000	Tyre 110/90"	1	
21	GU32636160	Support rubber part	1	

Group	FRAME
Code	33.26
Description	Rear master cylinder
Service	1



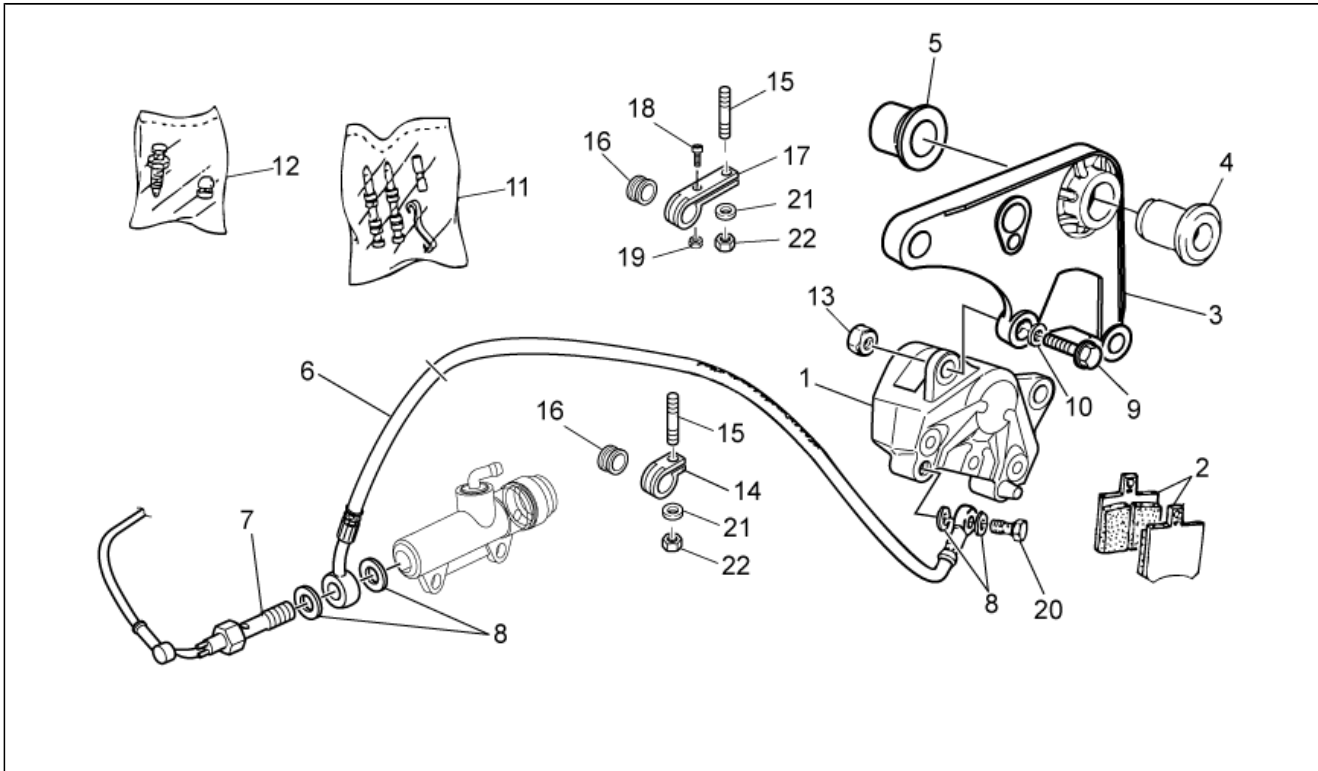
Pos.	Code	Description	Qty	Variants
1	886665	Pin	1	
2	AP8120912	Lever rubber	1	
3	AP8121927	Rear brake lever spring	1	
4	898288	Piastra pedana pilota	1	
5	GU92630206	Nut M6x1	2	
6	GU01665410	Brake m.cyl.protection, black	1	
7	GU98370625	Hex socket screw	2	
8	GU18257551	Block	1	
9	886666	Bush	1	
10	GU95401215	Split pin	1	
11	GU23442210	Pin	1	
12	898287	Lever pin	1	
13	978970	Master cylinder rod	1	
14	AP8133643	Rear master cylinder	1	
15	AP8213057	Rear brake pump union	1	
16	AP8113288	Rubber bellows	1	
17	898286	Springs fixing pin	2	
18	GU98682215	Hex socket screw	1	
19	AP8102375	Clip	1	
20	AP8101594	Hose clamp D10,1*	2	
21	GU00823950050	Oil pipe	1	
22	AP8133873	Brake oil tank complete	1	
23	AP8113553	Tank cap	1	
24	GU95100059	Washer 5,25x14x1,5	1	
25	AP8150044	Hex socket screw	1	
26	AP8150115	Low self-locking nut M6	1	
27	898281	RH Foot rests	1	
28	898612	RH front footrest bracket	1	

Group	FRAME
Code	33.26
Description	Rear master cylinder
Service	1



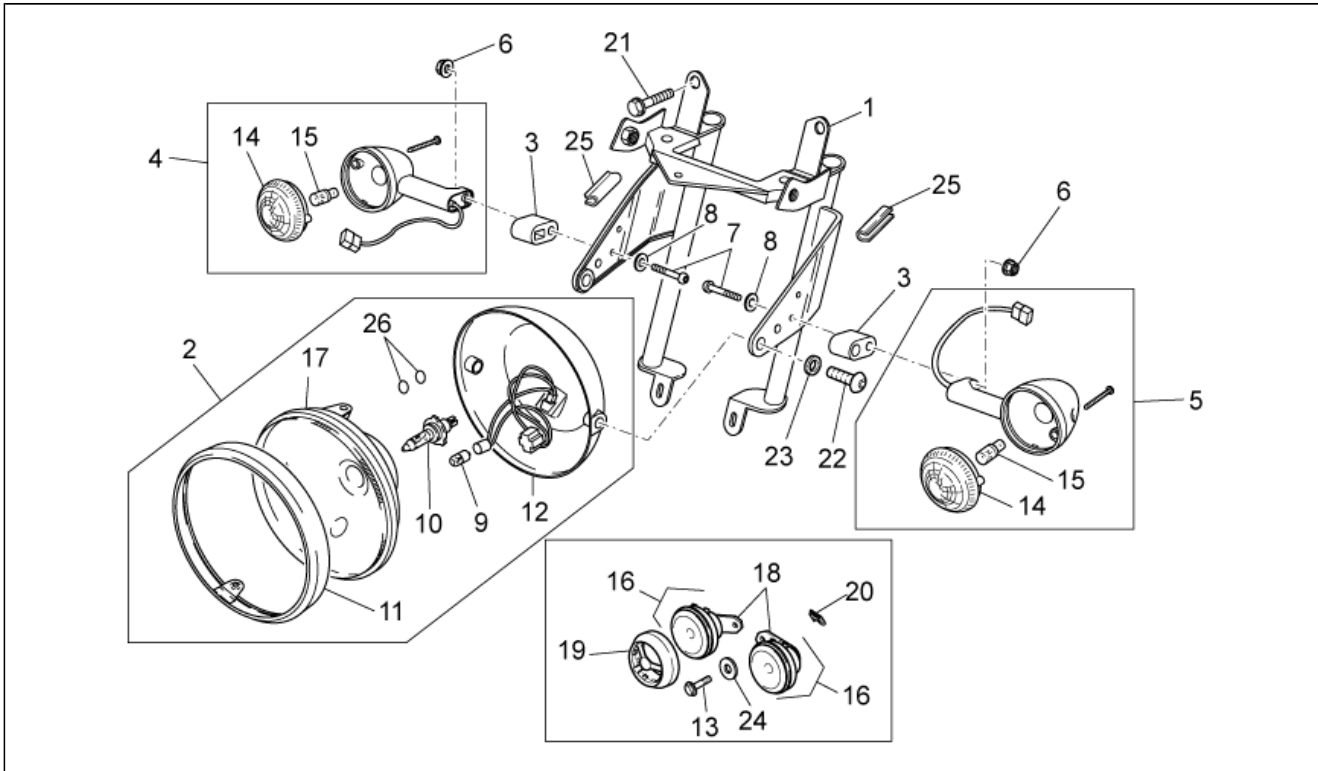
Pos.	Code	Description	Qty	Variants
29	AP8150468	Screw M6x40	1	
30	898285	Brake lever	1	
31	AP9100477	O-ring 18x2	2	
32	GU98252420	Screw M8x20	2	
33	AP8152320	Screw w/ flange	1	

Group	FRAME
Code	33.27
Description	Rear brake caliper
Service	1



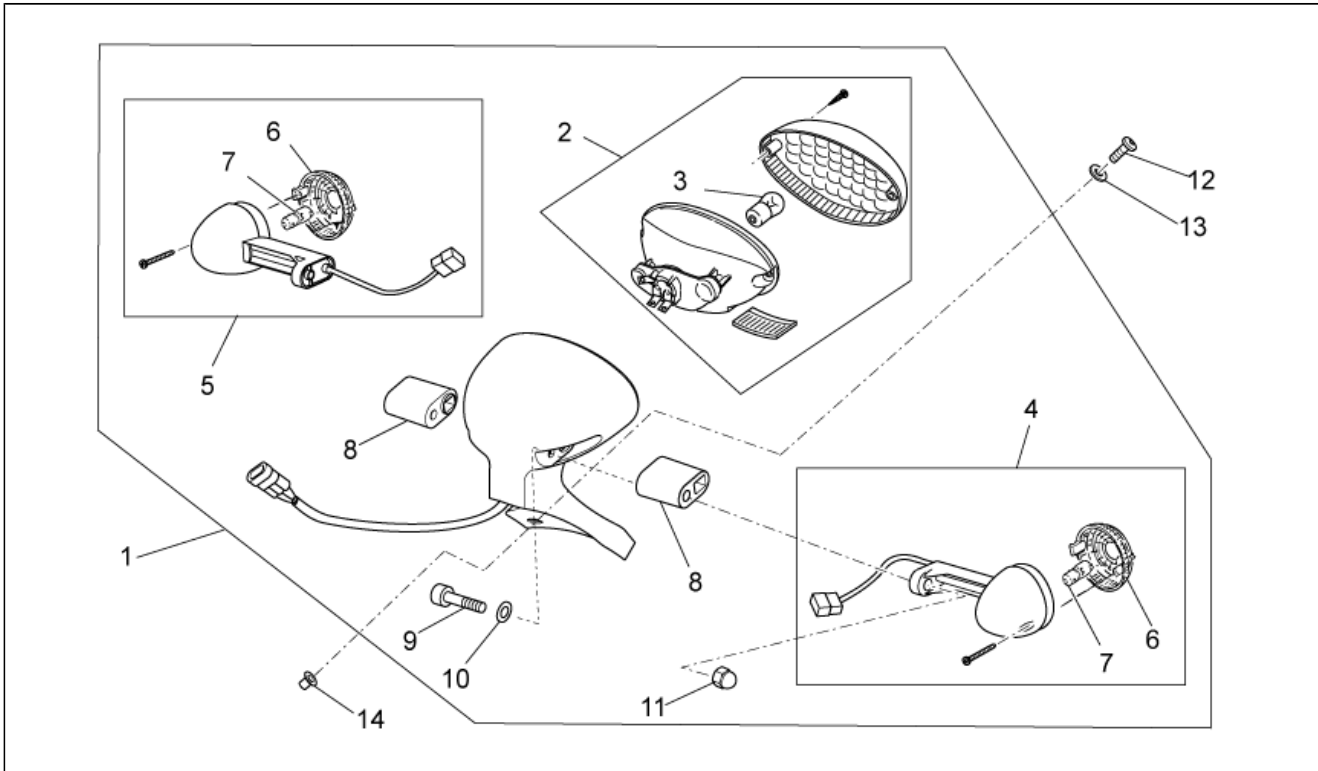
Pos.	Code	Description	Qty	Variants
1	883296	Rear brake caliper Brembo	1	
2	GU31654681	Pads pair	1	
3	GU326358601	Brake hanger plate	1	
4	GU31634281	Bush	1	
5	GU32634160	Spacer	1	
6	883180	Brake hose	1	
7	883192	Switch	1	
8	AP8113004	Washer 10x14x1,6*	4	
9	GU97202435	Screw	2	
10	GU03270300	Washer 8,4x15	2	
11	GU31659181	Pins+spring kit	1	
12	GU31659281	Bleeder+cap	1	
13	AP8152300	Self-locking nut	2	
14	GU03658430	Hose clamp	1	
15	GU96451316	Stud bolt	1	
16	GU03658201	Ring	2	
17	GU03658330	Hose clamp	1	
18	GU98257410	Screw	1	
19	GU92630104	Nut M4x0,7	1	
20	978323	Oil pipe screw *	1	
21	GU95008306	Washer 6,4x12x1,2	2	
22	AP8152299	Self-locking nut	2	

Group	FRAME
Code	33.28
Description	Front lights
Service	1



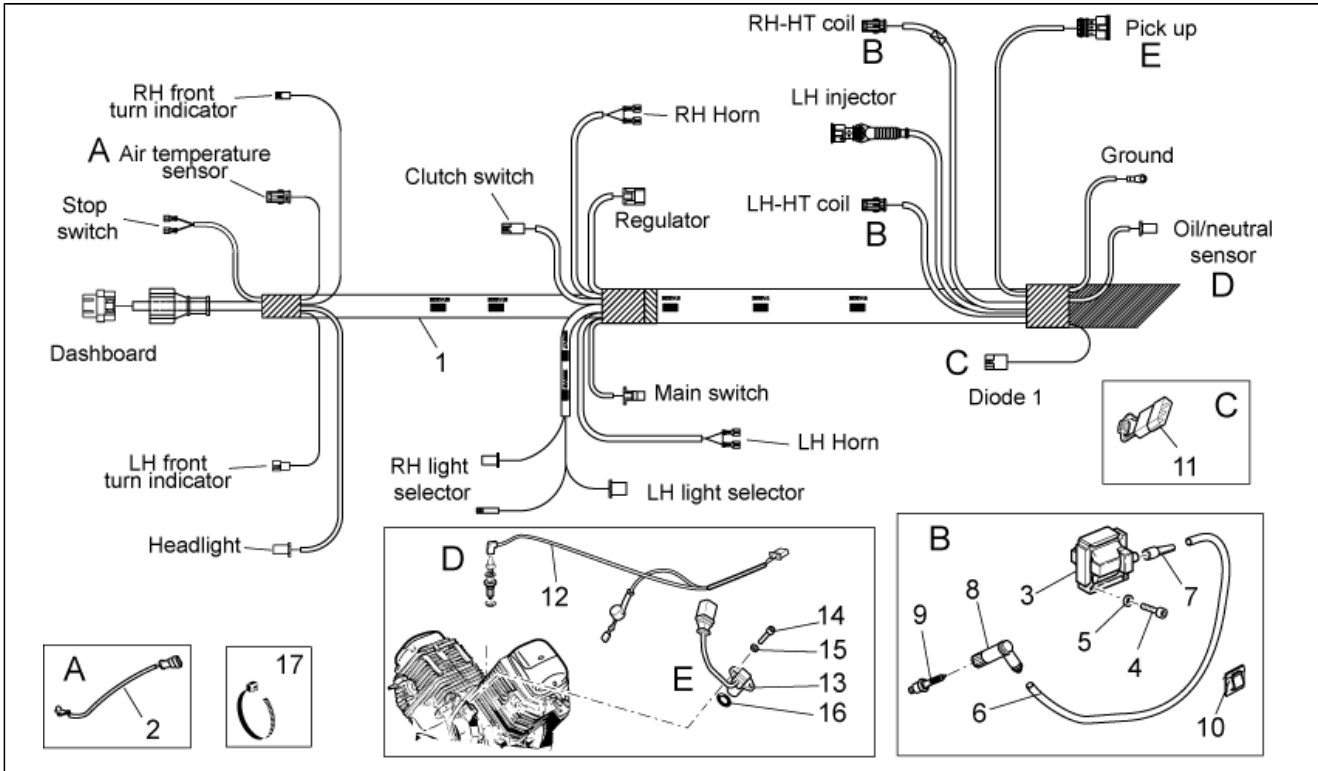
Pos.	Code	Description	Qty	Variants
1	GU32506360	Headlight support clamp	1	
2	978311	Headlight	1	Country:europa[EU], Giappone[J]
2	978662	Cpl headlightsteering headligh	1	Country:Australia[AA], Gran Bretagna [UK]
3	GU32753410	Spacer	2	
4	GU32750660	RH front/LH rear turn indic.	1	
5	GU06751600	LH front/RH rear turn indic.	1	
6	GU92787006	Cap nut M6x1	2	
7	GU98370655	Hex socket screw	2	
8	GU95021206	Washer	2	
9	292022	Lamp 12V-5W	1	
10	292723	Lamp H4 60/55W 12V	1	
11	640598	Chromed ring nut	1	
12	981149	Cap, black	1	Country:europa[EU], Giappone[J]
12	GU06740200	Headlight cap, chr.	1	Country:Australia[AA], Gran Bretagna [UK]
13	AP8152278	Screw w/ flange	2	
14	GU32753760	Turn indicator lens	2	
15	584332	Lamp, orange	2	
16	886714	Horn	2	
17	GU06740400	Optical group	1	
18	GU01744200	Clamp	6	
19	GU03744760	Horn mask	2	
20	GU28576591	Clip M6	2	
21	GU98880540	Screw M10x40	2	
22	GU98370831	Hex socket screw M8x30	2	
23	GU95005308	Washer 8,4x14,57x1,6	2	
24	GU95100141	Washer 6,4x12x1,2	2	
25	GU00823931055	Gasket	1	
26	883417	O-ring	2	

Group	FRAME
Code	33.29
Description	Rear lights
Service	1



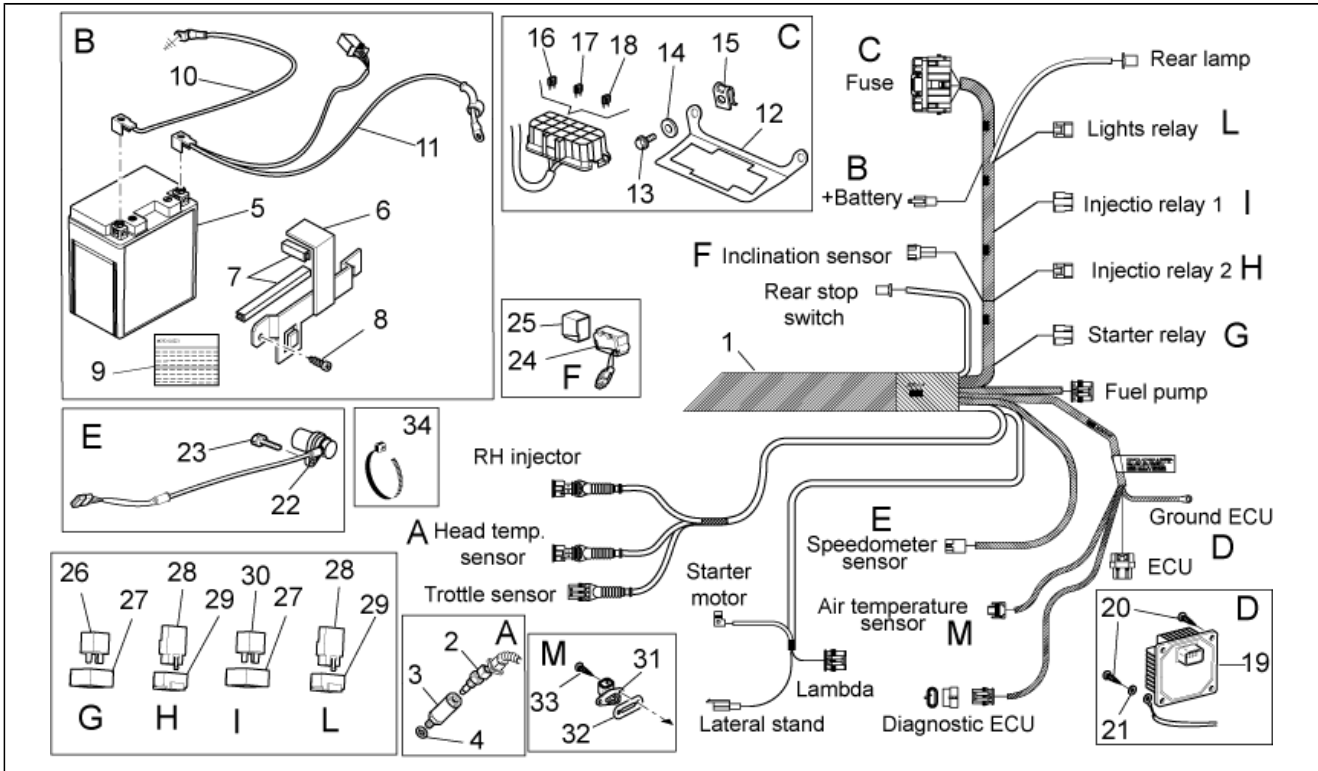
Pos.	Code	Description	Qty	Variants
1	9789501	Taillight assy	1	
2	GU03740930	Taillight	1	
3	GU93450224	Lamp	1	
4	GU32750660	RH front/LH rear turn indic.	1	
5	GU06751600	LH front/RH rear turn indic.	1	
6	GU32753760	Turn indicator lens	2	
7	584332	Lamp, orange	2	
8	GU32753410	Spacer	2	
9	GU98370655	Hex socket screw	2	
10	GU95021206	Washer	2	
11	GU92787006	Cap nut M6x1	2	
12	GU98350215	Hex socket screw	3	
13	GU30577800	Nylon washer 5,5X12X1	3	
14	GU93231605	Antivibration bush	3	

Group	FRAME
Code	33.30
Description	Electrical system I
Service	1



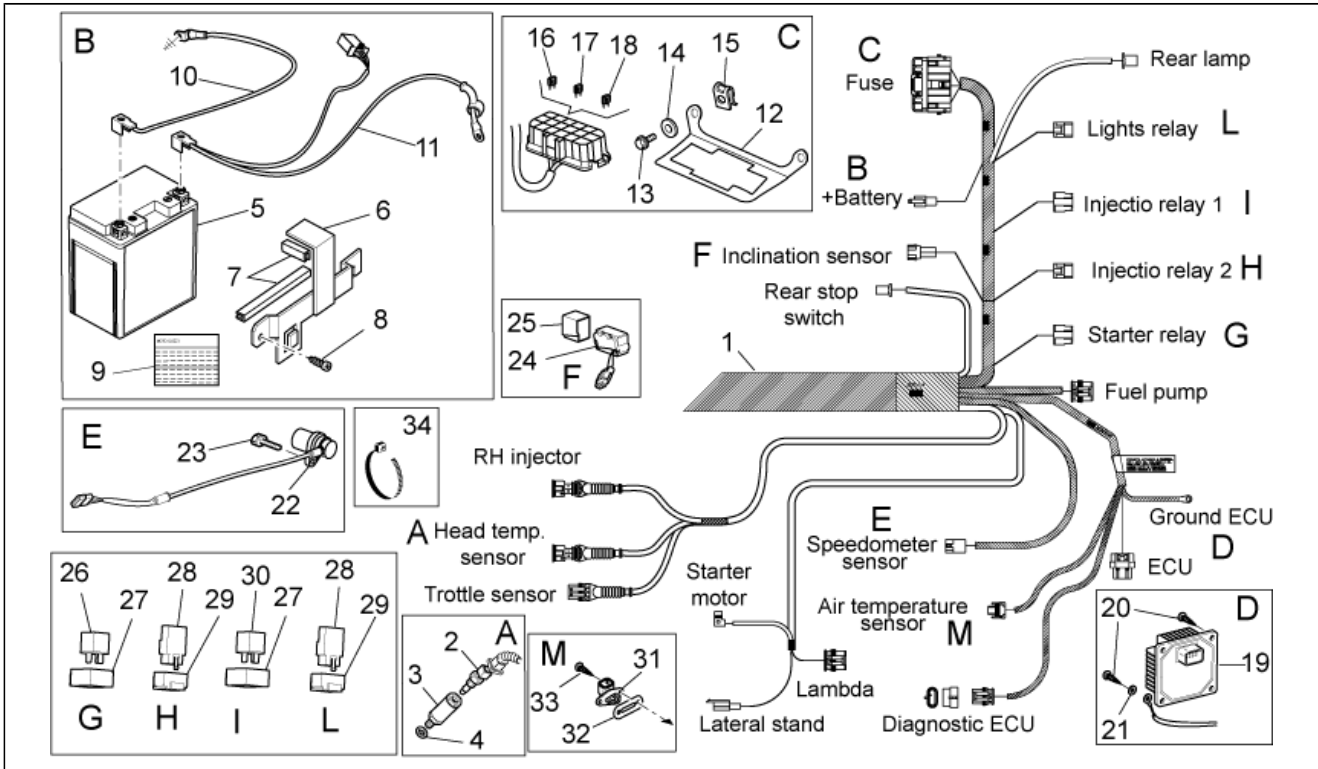
Pos.	Code	Description	Qty	Variants
1	883077	Main wiring harness	1	
2	AP8124936	Air temp. Sensor	1	
3	GU30716500	HT coil	2	
4	GU98682125	Hex socket screw	4	
5	GU95008204	Washer 4,3x8x0,5	4	
6	GU01718330	HT wire	2	
7	GU14717600	Cap	2	
8	GU01717430	Sparkplug cap	2	
9	GU31717061	Spark plug NGK BR8ES	2	
10	AP8120708	Cable-guide	6	
11	AP8212588	Diode	1	
12	GU32724510	Oil-neutral gear harness	1	
13	GU01721600	Phase/revolution sensor	1	
14	GU98682212	Hex socket screw	2	
15	GU95008205	Washer 5,3x10x0,8	2	
16	GU90706141	O-ring	1	
17	GU14609650	Hose clamp 3,6x20,6	31	
17	GU49609601	Hose clamp 2,4x92	1	

Group	FRAME
Code	33.31
Description	Electrical system II
Service	1



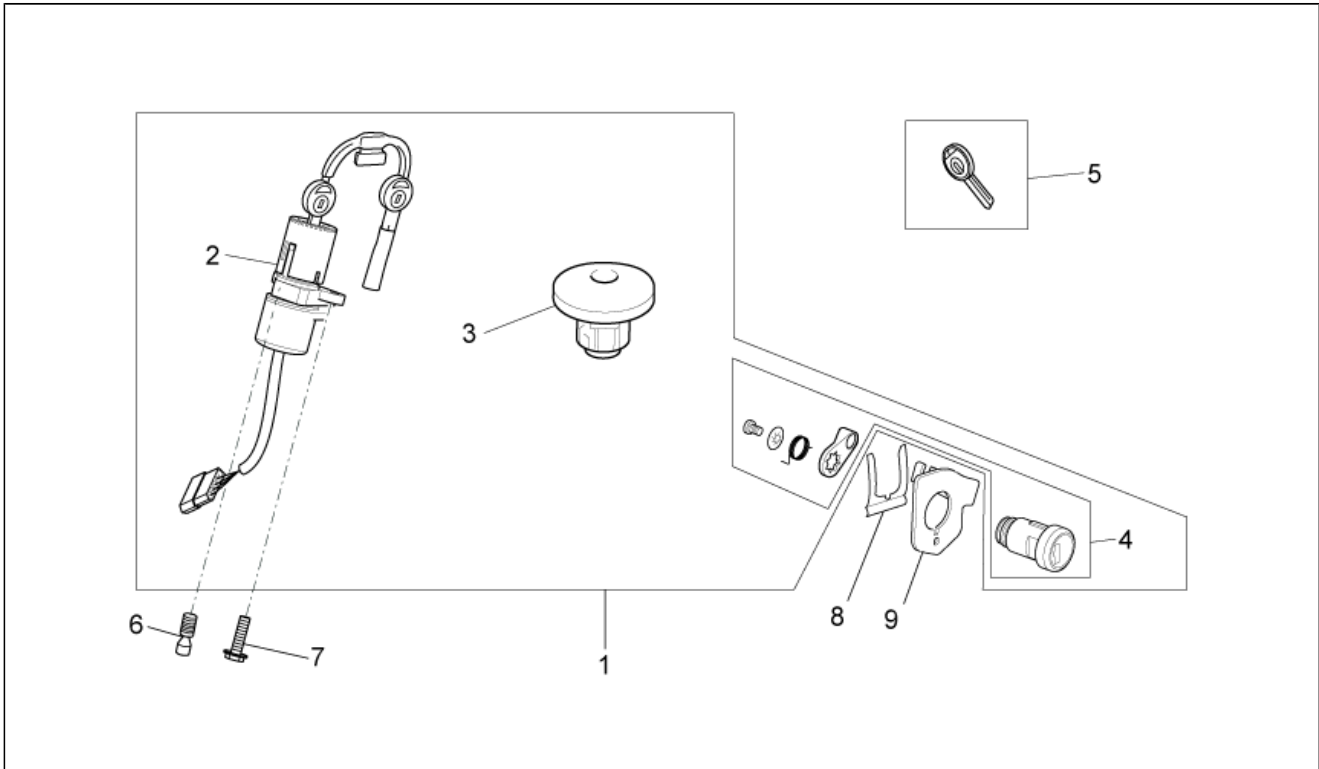
Pos.	Code	Description	Qty	Variants
1	883077	Main wiring harness	1	
2	GU29729461	Oil temperature sensor	1	
3	GU03163330	Sensor support	1	
4	GU95004210	Washer 10,2x18x2	1	
5	640201	Battery	1	
6	GU32418210	Clamp	1	
7	AP8144538	Gasket	1	
8	AP8152329	Phillips screw, SWP M5x20	2	
9	GU32517710	Decal "Battery service"	1	
10	GU32747910	Ground-battery lead	1	
11	883191	Wiring	1	
12	883161	Fuse block support	1	
13	GU98682212	Hex socket screw	2	
14	GU95100059	Washer 5,25x14x1,5	2	
15	AP8102375	Clip	2	
16	290860	Fuse 15A	3	
17	AP8127346	Fuse 3A	1	
18	GU28742562	Fuse 30A	2	
19	883798	ECU	1	
20	AP8152329	Phillips screw, SWP M5x20	4	
21	GU95129101	Washer	1	
22	AP8124528	Speedometer sensor cpl.	1	
23	AP8152277	Screw w/ flange	2	
24	584509	Sensore antiribaltamento	1	
25	AP8144046	Rubber sensor support	1	
26	GU29732550	Relay 5 pin	1	
27	AP8220546	Relay rubber	2	
28	AP8124869	Injection relay	2	

Group	FRAME
Code	33.31
Description	Electrical system II
Service	1



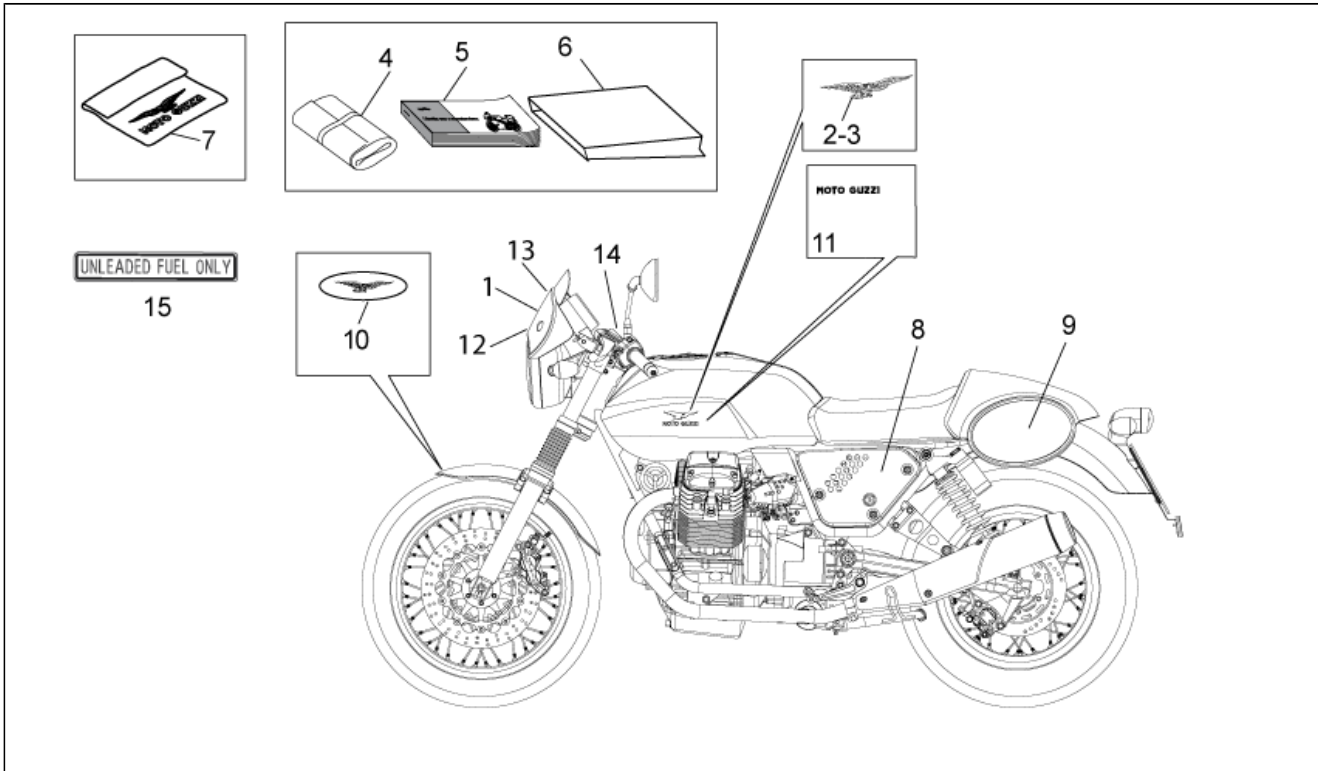
Pos.	Code	Description	Qty	Variants
29	AP8220283	Rubber spacer *	2	
30	AP8224462	Relay 12V/30A	1	
31	GU30729330	Air temp. Sensor	1	
32	GU30027931	Gasket	1	
33	AP8150421	Self-tap screw 2,9x12	2	
34	GU14609650	Hose clamp 3,6x20,6	31	
34	GU49609601	Hose clamp 2,4x92	1	

Group	FRAME
Code	33.32
Description	Lock hardware kit
Service	1



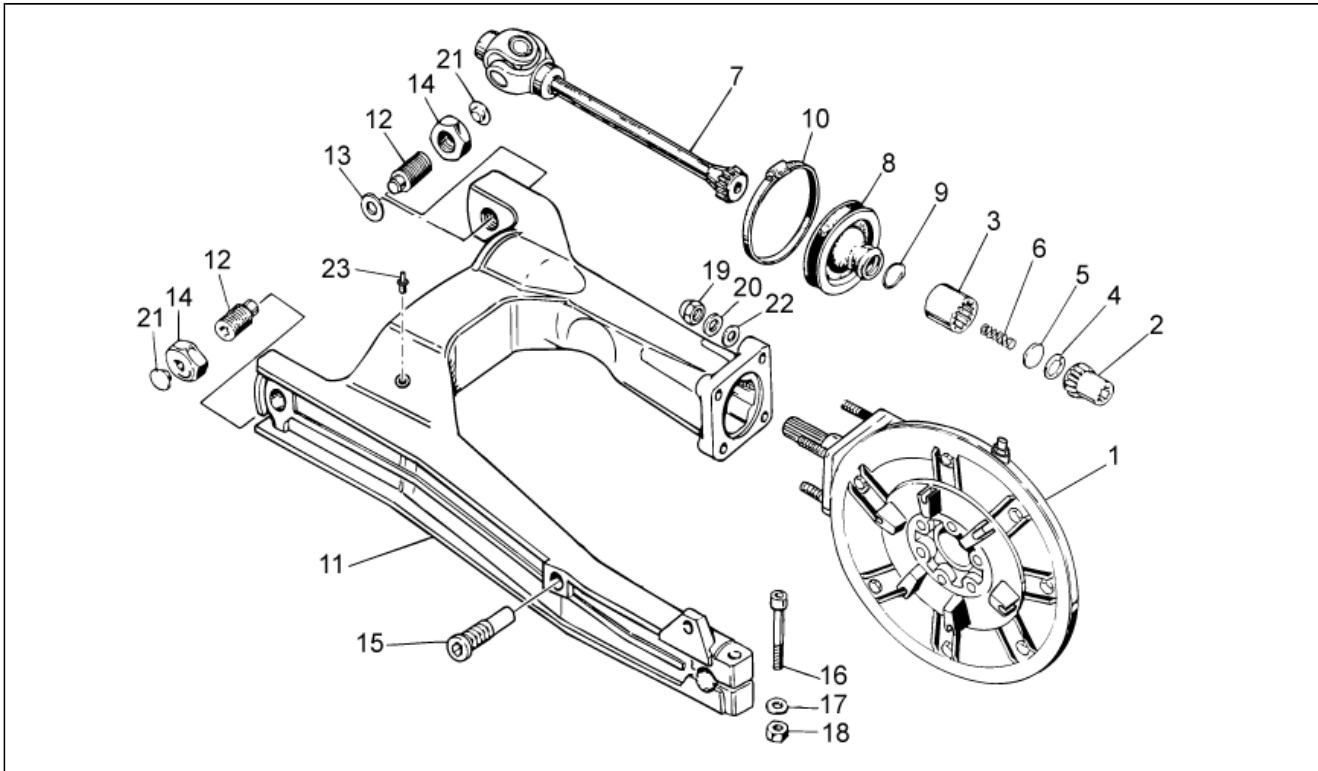
Pos.	Code	Description	Qty	Variants
1	883182	Lock hardware kit	1	
2	GU32782510	Main switch - steering lock	1	
3	883185	Tank cap	1	
4	977527	Saddle lock	1	
5	GU32735510	Non indent.key blank-shell go	1	
5	GU32735511	Non indent.key blank-shell cr	1	
6	AP8150349	Special screw M8x15	1	
7	GU98682416	Hex socket screw	1	
8	AP8121420	Fork spring	1	
9	978415	Cable fixing plate	1	

Group	FRAME
Code	33.33
Description	Decal and plate set
Service	1



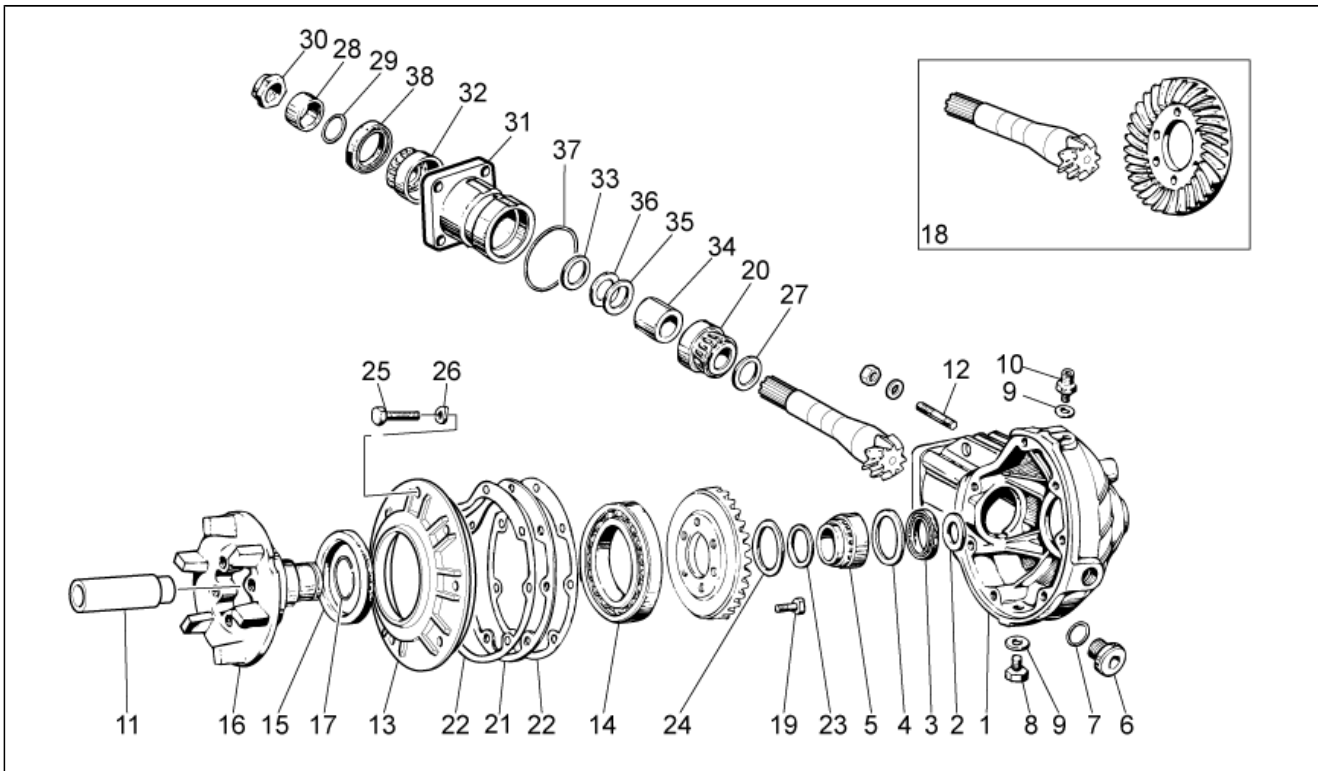
Pos.	Code	Description	Qty	Variants
1	886639	Windshield decal "7"	1	
2	898174	Sticker RH "Aquila"	1	
3	886678	Sticker LH "Aquila"	1	
4	GU32909960	Toolkit	2	
5	886709	Operator's handbook	1	
6	GU05900130	Bag for document	1	
7	GU30970200	Bike cover	1	
8	886643	Plate set V7 Racer	2	
9	886640	Rear fairing decal	2	
10	886141	Decal "Aquila"	1	
11	886825	Decal "Moto Guzzi"	1	
12	886638	Red line sticker	1	
13	886637	Red line sticker	1	
14	886644	Plate set "RACER"	1	
15	GU03995730	Decal "Unleaded Fuelonly"	1	Country:Australia[AA]

Group	ENGINE
Code	34.09
Description	Transmission complete I
Service	1



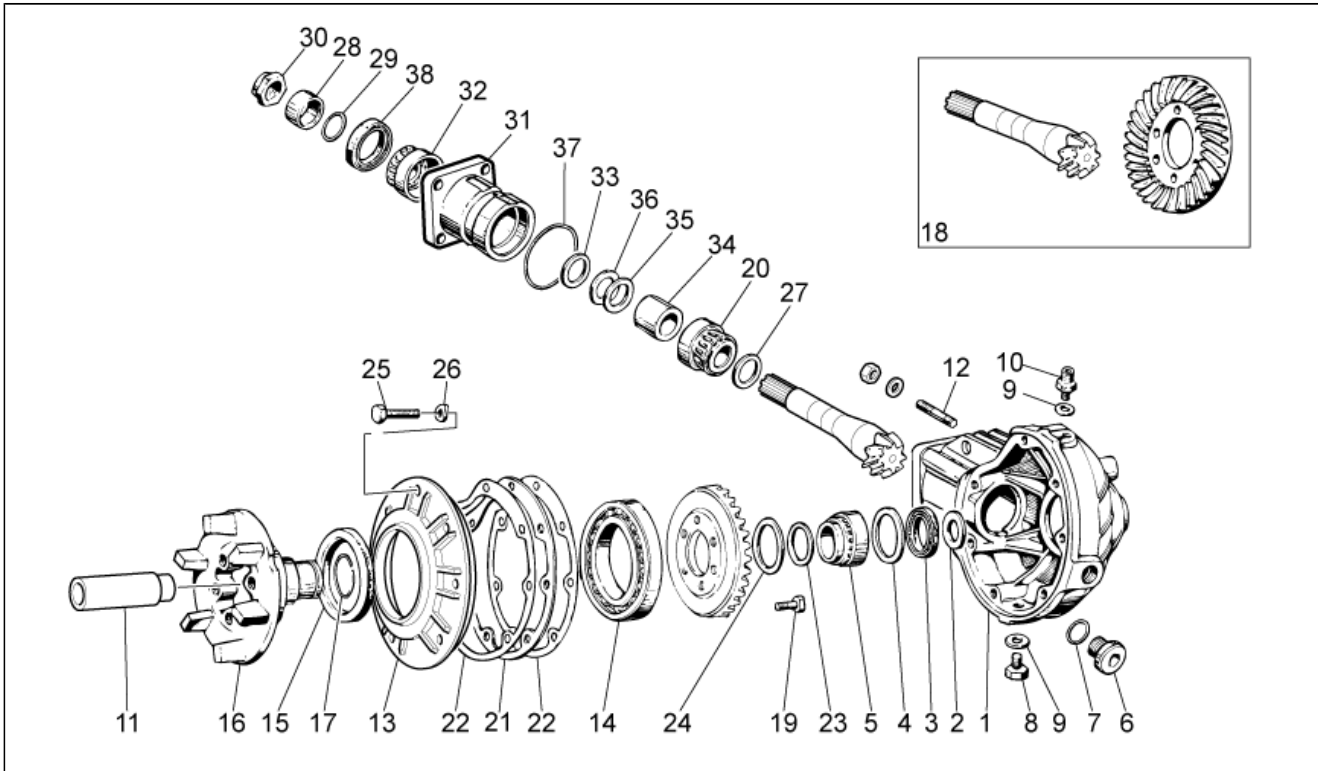
Pos.	Code	Description	Qty	Variants
1	976941	Transmission box assy., black	1	
2	GU31327783	Hose	1	
3	GU19328801	Hose	1	
4	GU90272023	Circlip	1	
5	GU19327601	Disc	1	
6	GU94321099	Spring	1	
7	GU23328081	Coupling	1	
8	GU23548080	Protection collar	1	
9	GU23548180	Spring	1	
10	AP8120246	Hose clamp D=60-80	1	
11	886676	Swing arm, red	1	
12	GU19547000	Pin	2	
13	GU35214300	Spacer	1	
14	GU31547882	Nut	2	
15	GU31544181	Pin	1	
16	GU98680545	Screw M10x45	1	
17	GU95008210	Washer 10,2X18X2	1	
18	GU92606210	Nut M10x1,5	1	
19	GU92787008	Cap nut M8x1,25	4	
20	GU14615901	Washer 8,4X13X0,8	4	
21	GU93180105	Plug	2	
22	GU95005308	Washer 8,4x14,57x1,6	4	
23	GU03922280	Plug 5x9	1	

Group	ENGINE
Code	34.10
Description	Transmission complete II
Service	1



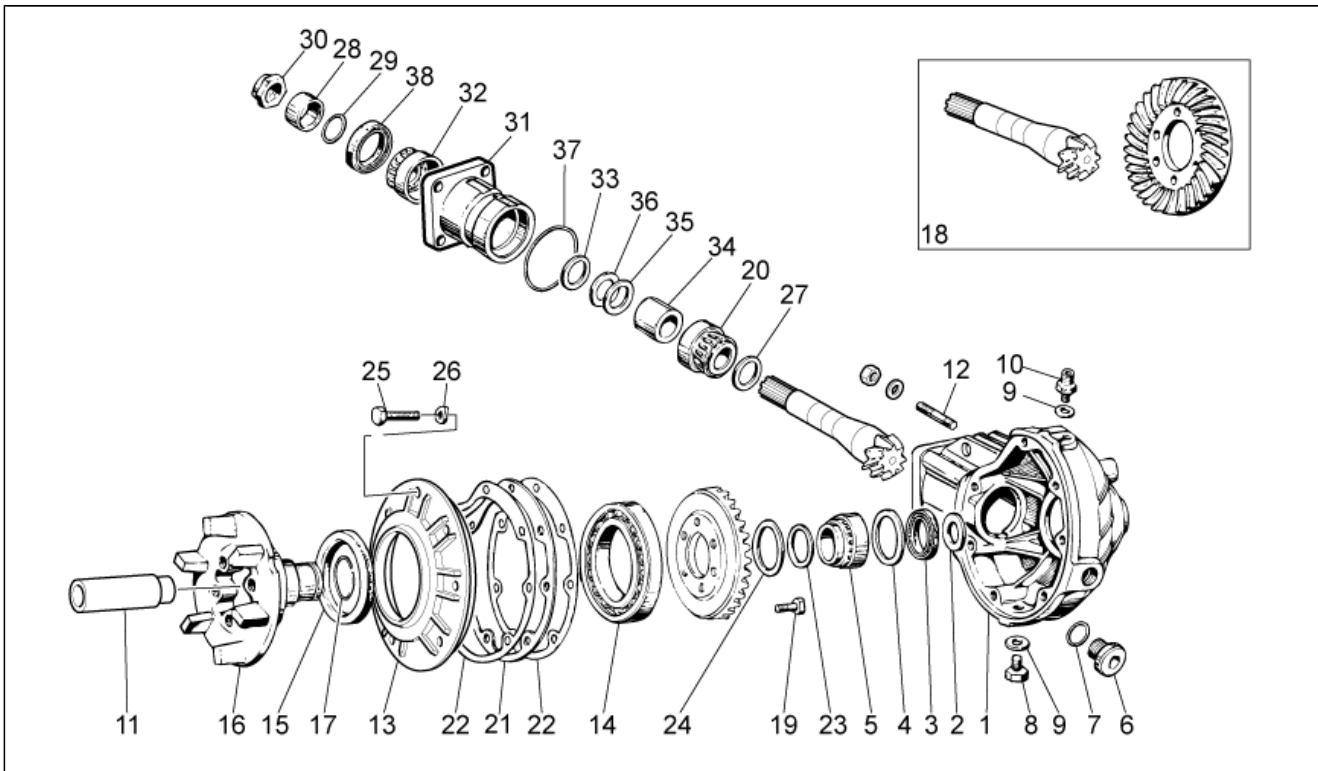
Pos.	Code	Description	Qty	Variants
1	976608	Transmission housingblack	1	
2	GU19351900	Clearance washer	1	
3	GU90403549	Gasket ring 35x47x7	1	
4	GU19351100	Clearance washer	1	
5	GU92252235	Roller bearing 35x50x17	1	
6	GU12022600	Oil plug	1	
7	GU90706203	O-ring 20,24x2,62	1	
8	GU31003766	Oil unload plug	1	
9	GU01528930	Gasket 10x18x1,5	2	
10	GU19206501	Breather plug	1	
11	GU32633560	Spacer	1	
12	GU96508055	Stud bolt	4	
13	GU32350410	Cover	1	
14	GU92201070	Ball bearing 70x110x13	1	
15	GU90407591	Gasket ring 75x95x10	1	
16	GU32351410	Pin	1	
17	GU90353030	Stop ring	1	
18	GU32354610	Bevel gear 8/33	1	
19	GU03067730	Screw M8x25	6	
20	GU92249227	Tap.roller bearing 25x5	1	
21	GU19355400	Spacer 0,8 mm	1	
21	GU19355402	Spacer 0,9 mm	1	
21	GU19355404	Spacer 1 mm	1	
21	GU19355406	Spacer 1,1 mm	1	
21	GU19355408	Spacer 1,2 mm	1	
21	GU19355410	Spacer 1,3 mm	1	
21	GU19355411	Spacer 1,4 mm	1	
21	GU19355412	Spacer 1,5 mm	1	

Group	ENGINE
Code	34.10
Description	Transmission complete II
Service	1



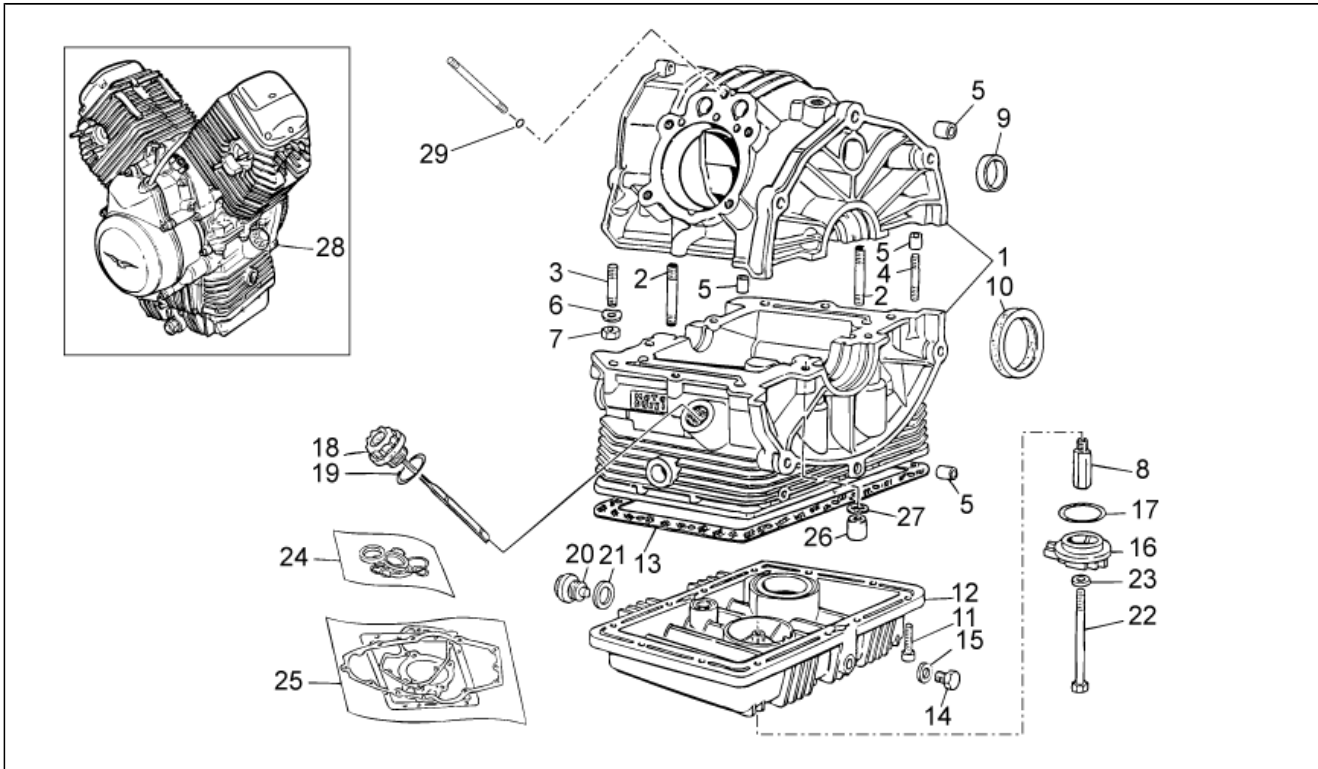
Pos.	Code	Description	Qty	Variants
21	GU19355413	Spacer 1,6 mm	1	
22	GU19350700	Gasket	2	
23	GU19352300	Thrust washer	1	
24	GU19353500	Thrust washer	1	
25	GU19357660	Screw	7	
26	GU61270300	Spring washer 8x15x0,3	7	
27	GU19355320	Spacer 1 mm	1	
27	GU19355321	Spacer 1,1 mm	1	
27	GU19355322	Spacer 1,2 mm	1	
27	GU19355323	Spacer 1,3 mm	1	
27	GU19355324	Spacer 1,4 mm	1	
27	GU19355325	Spacer 1,5 mm	1	
27	GU19355326	Spacer 1,6 mm	1	
27	GU19355327	Spacer 1,7 mm	1	
27	GU19355328	Spacer 1,8 mm	1	
27	GU19355329	Spacer 1,9 mm	1	
28	GU19356801	Spacer	1	
29	GU90706188	Gasket ring 18,77X1,78	1	
30	GU19356700	Nut	1	
31	GU20352421	Flange	1	
32	GU92249220	Roller bearing 20x47x14	1	
33	GU19355300	Spacer 1 mm	1	
33	GU19355301	Spacer 1,1 mm	1	
33	GU19355302	Spacer 1,2 mm	1	
33	GU19355303	Spacer 1,3 mm	1	
33	GU19355304	Spacer 1,4 mm	1	
33	GU19355305	Spacer 1,5 mm	1	
33	GU19355306	Spacer 1,6 mm	1	

Group	ENGINE
Code	34.10
Description	Transmission complete II
Service	1



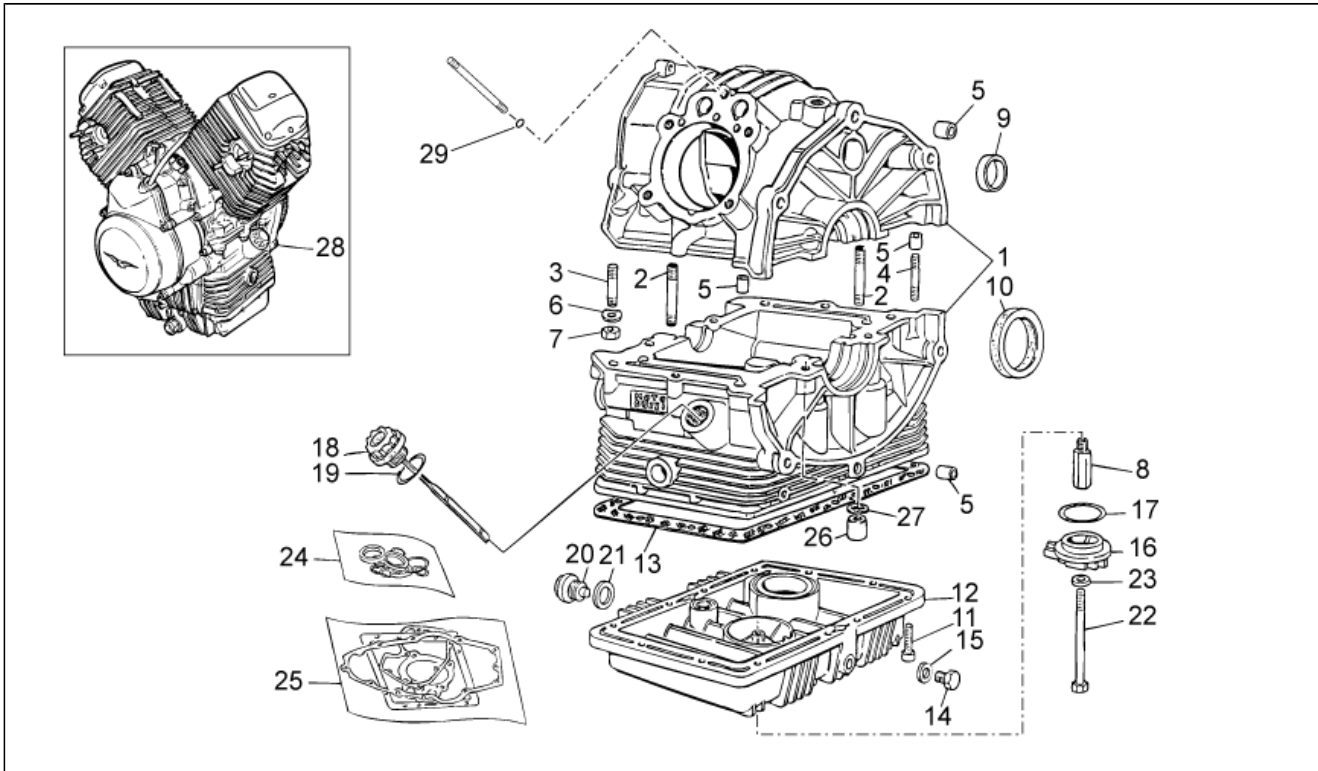
Pos.	Code	Description	Qty	Variants
33	GU19355307	Spacer 1,7 mm	1	
33	GU19355308	Spacer 1,8 mm	1	
33	GU19355309	Spacer 1,9 mm	1	
34	GU20355121	Spacer	1	
35	GU19355200	Shim 0,1 mm	1	
36	GU19355202	Shim 0,15 mm	1	
37	GU90706584	Gasket 58,42x2,62	1	
38	GU90403251	Gasket ring 32x47x10	1	

Group	ENGINE
Code	34.34
Description	Crank-case
Service	1



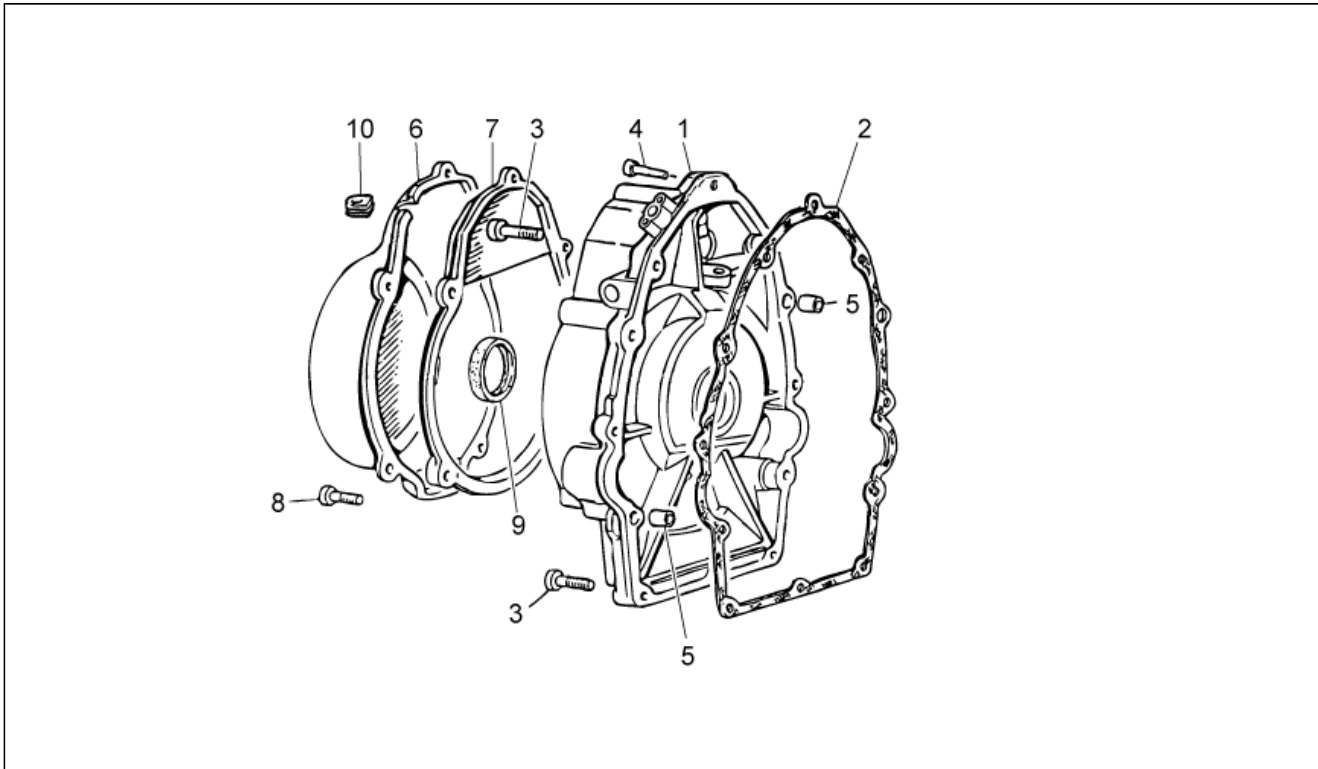
Pos.	Code	Description	Qty	Variants
1	976600	Crankcase black	1	
2	GU96451560	Stud bolt	4	
3	GU96451430	Stud bolt	4	
4	GU96508055	Stud bolt	2	
5	GU19015020	Bush	4	
6	GU61270300	Spring washer 8x15x0,3	6	
7	GU92606208	Nut M8x1,25	6	
8	GU19003800	Union	1	
9	GU19016320	Plug	1	
10	GU04000500	Gasket ring	1	
11	GU98682325	Hex socket screw M6x25	12	
12	976604	Oil sump black	1	
13	GU19003602	Gasket	1	
14	GU31003766	Oil unload plug	1	
15	GU10528900	Gasket	1	
16	976685	Plug	1	
17	GU90706444	O-ring	1	
18	GU27004985	Oil load plug	1	
19	GU90706281	O-ring 28,24x2,62	1	
20	GU12003702	Oil unload plug	1	
21	GU95100709	Gasket 20,1x28x2	1	
22	GU27152885	Bolt	1	
23	GU12154200	Gasket 8,25x15x1	1	
24	GU32999510	Oil seals - set	1	
25	GU32999010	Gasket set	1	
26	GU13021900	Column nut	4	
27	GU95129180	Washer 10,5X18X0,8	4	
28	976939	Engine assy w/hout transm.	1	

Group	ENGINE
Code	34.34
Description	Crank-case
Service	1



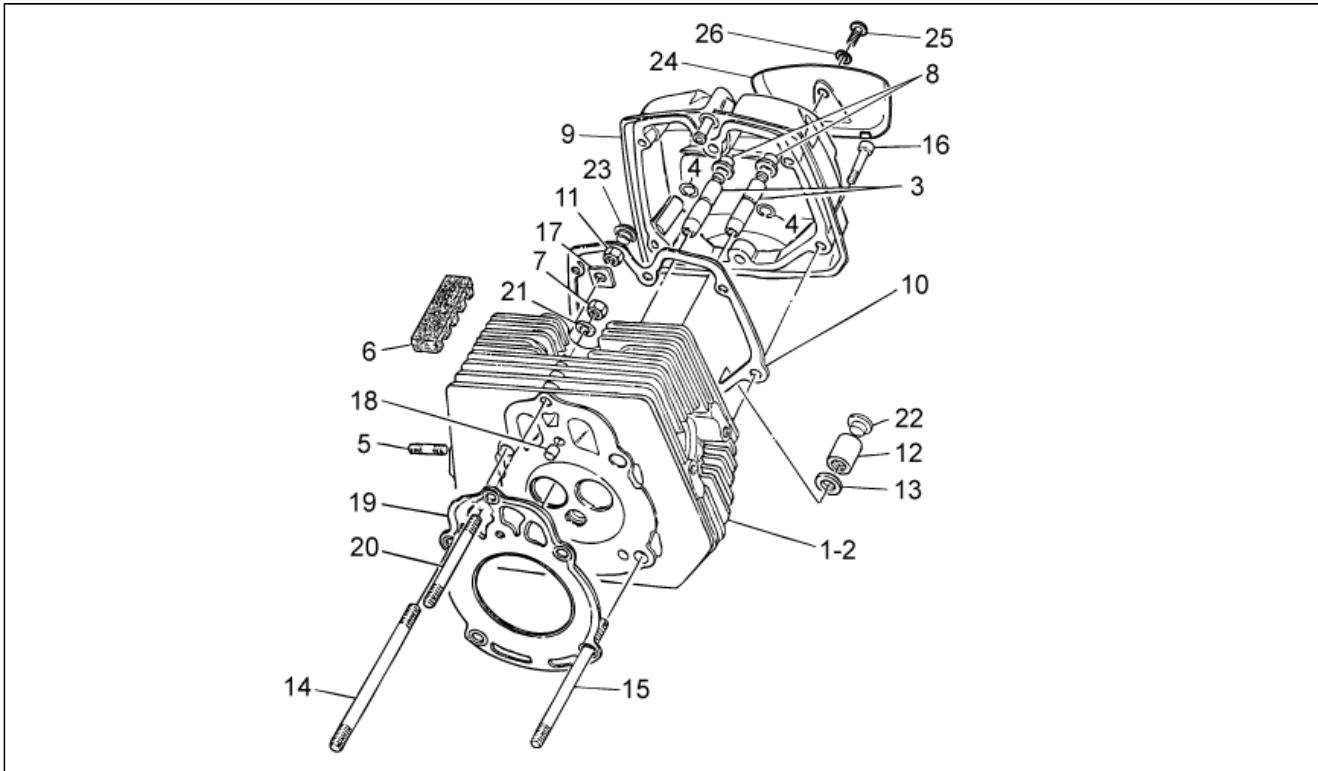
Pos.	Code	Description	Qty	Variants
29	GU90706076	O-ring	2	

Group	ENGINE
Code	34.35
Description	Timing system cover
Service	1



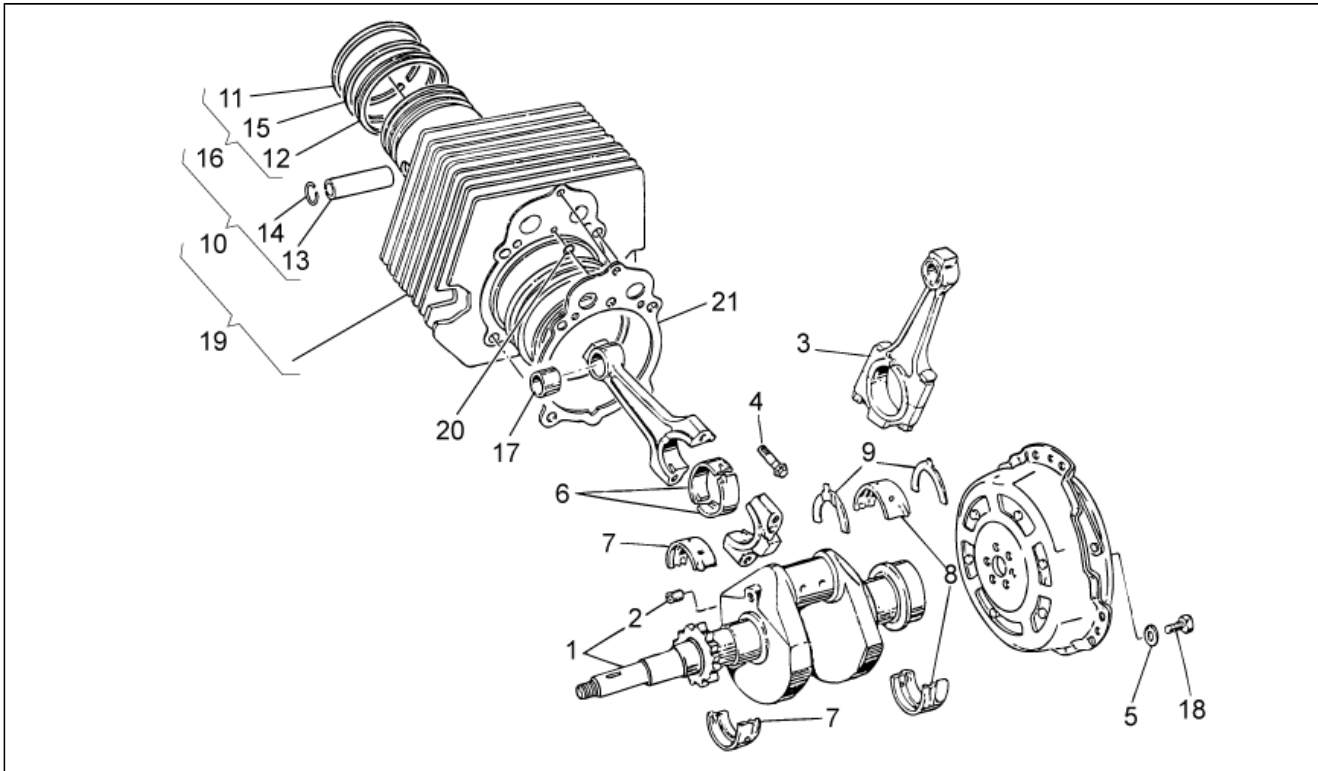
Pos.	Code	Description	Qty	Variants
1	976603	Timing cover black	1	
2	GU19001200	Gasket	1	
3	GU98682325	Hex socket screw M6x25	10	
4	GU98680330	Hex socket screw M6x30	2	
5	GU19002020	Bush 6,6x9x13	2	
6	GU32001610	Cover	1	
7	GU27001136	Flange	1	
8	GU98680335	Hex socket screw M6x35	5	
9	GU90402842	Gasket ring	1	
10	GU19007700	Rubber spacer	1	

Group	ENGINE
Code	34.36
Description	Cylinder head
Service	1



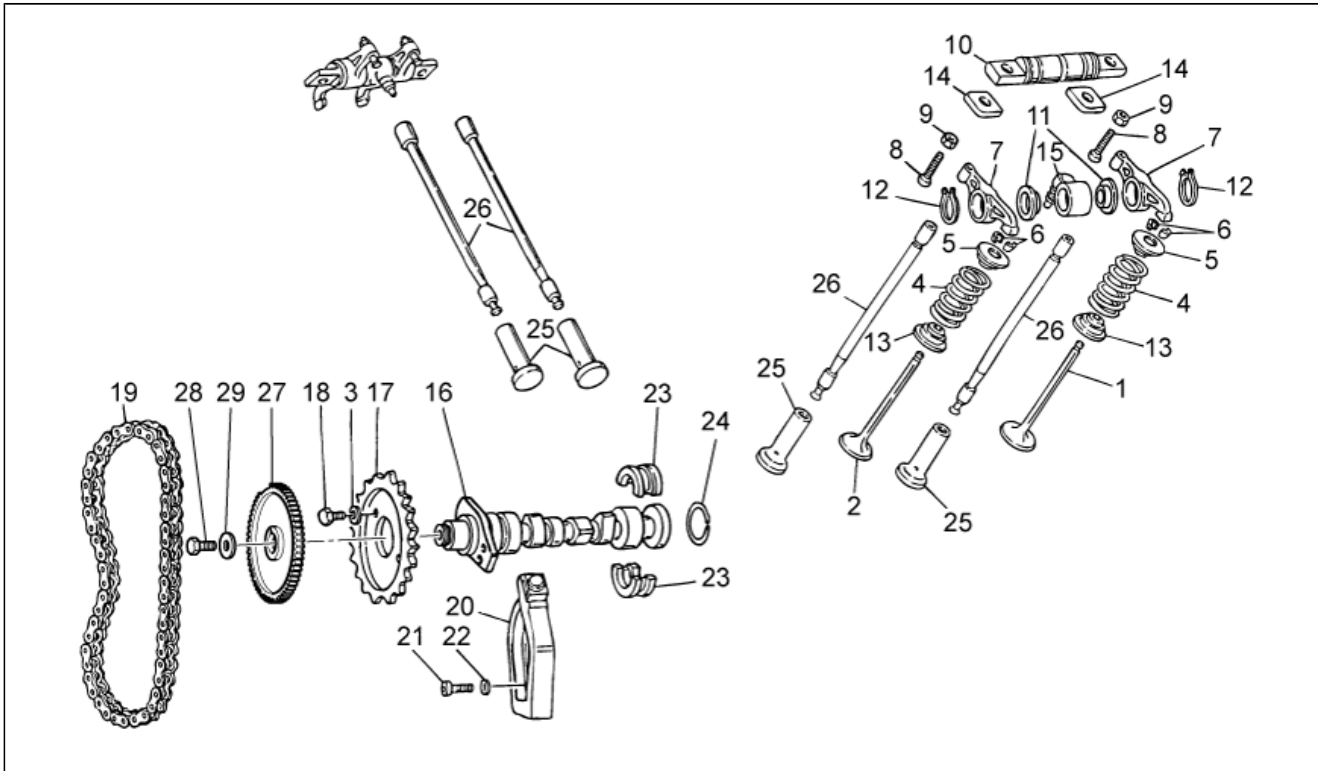
Pos.	Code	Description	Qty	Variants
1	GU32022110	RH cylinder head grey	1	
2	GU32022210	LH cylinder head grey	1	
3	GU61036801	Valve guide	4	
4	GU90353009	Snap ring	4	
5	GU96506042	Stud bolt	4	
6	GU19025300	Anti-vibration plate	4	
7	GU19021920	Nut	2	
8	GU19037820	Oil seal	4	
9	GU32023660	Head cover	2	
10	GU19023700	Gasket	2	
11	GU92603010	Nut M10X1,5	4	
12	GU13021900	Column nut	4	
13	GU95129180	Washer 10,5X18X0,8	4	
14	GU96510214	Stud bolt M10x214	4	
15	GU96510181	Stud bolt M10x182	4	
16	GU98692325	Hex socket screw M6x25	10	
17	GU19032980	Spacer	4	
18	GU19021360	Bush	2	
19	GU27022060	Gasket	2	
20	GU96508145	Stud bolt M8x143	2	
21	GU61270300	Spring washer 8x15x0,3	2	
22	GU93180245	Plug	4	
23	AP8144071	Rubber exhaust	1	
24	886830	Head cover	2	
25	AP8152339	Screw w/ flange	2	
26	GU14615901	Washer 8,4X13X0,8	2	

Group	ENGINE
Code	34.37
Description	Crankshaft cpl.
Service	1



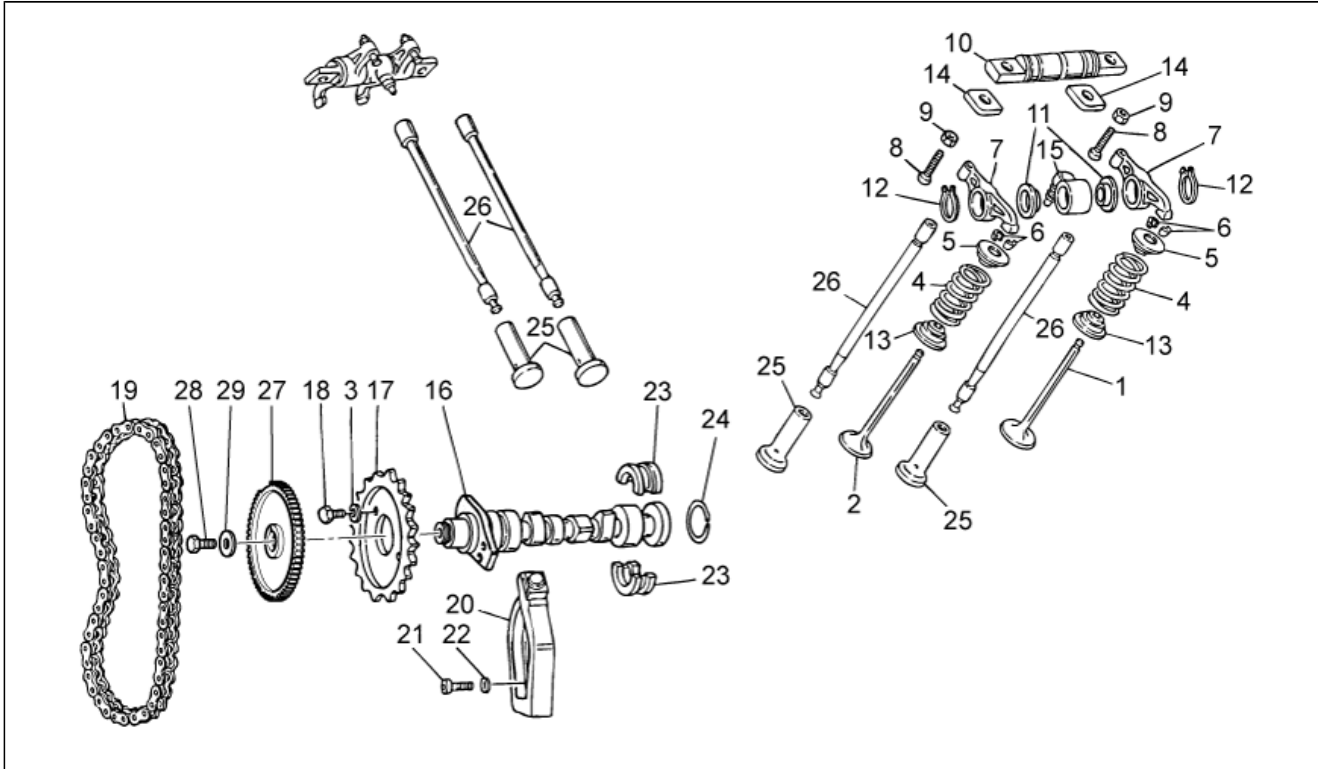
Pos.	Code	Description	Qty	Variants
1	GU32064110	Crankshaft cpl.	1	
2	GU19065400	Plug	1	
3	GU27061585	Connecting rod cpl.	2	
4	GU19062261	Screw	4	
5	GU14615901	Washer 8,4X13X0,8	6	
6	GU27062060	Bearing half-shell	4	
7	GU27065660	Front main half-bearing	2	
8	GU27066560	Rear main half-bearing	2	
9	GU27066460	Half-clamp	2	
10	GU32060210	Piston assy	2	
11	GU32060710	Slot piston ring	2	
12	GU19061063	Scraper ring	2	
13	GU27061286	Piston pin	2	
14	GU27061385	Stop ring	4	
15	GU27060860	Slot piston ring	2	
16	GU32060610	Pistonring set	2	
17	GU27061885	Bush	2	
18	GU19067700	Screw	6	
19	GU32060110	Cylinder with piston, grey	2	
20	GU61027200	O-ring	2	
21	GU27020820	Gasket	2	

Group	ENGINE
Code	34.38
Description	Timing system
Service	1



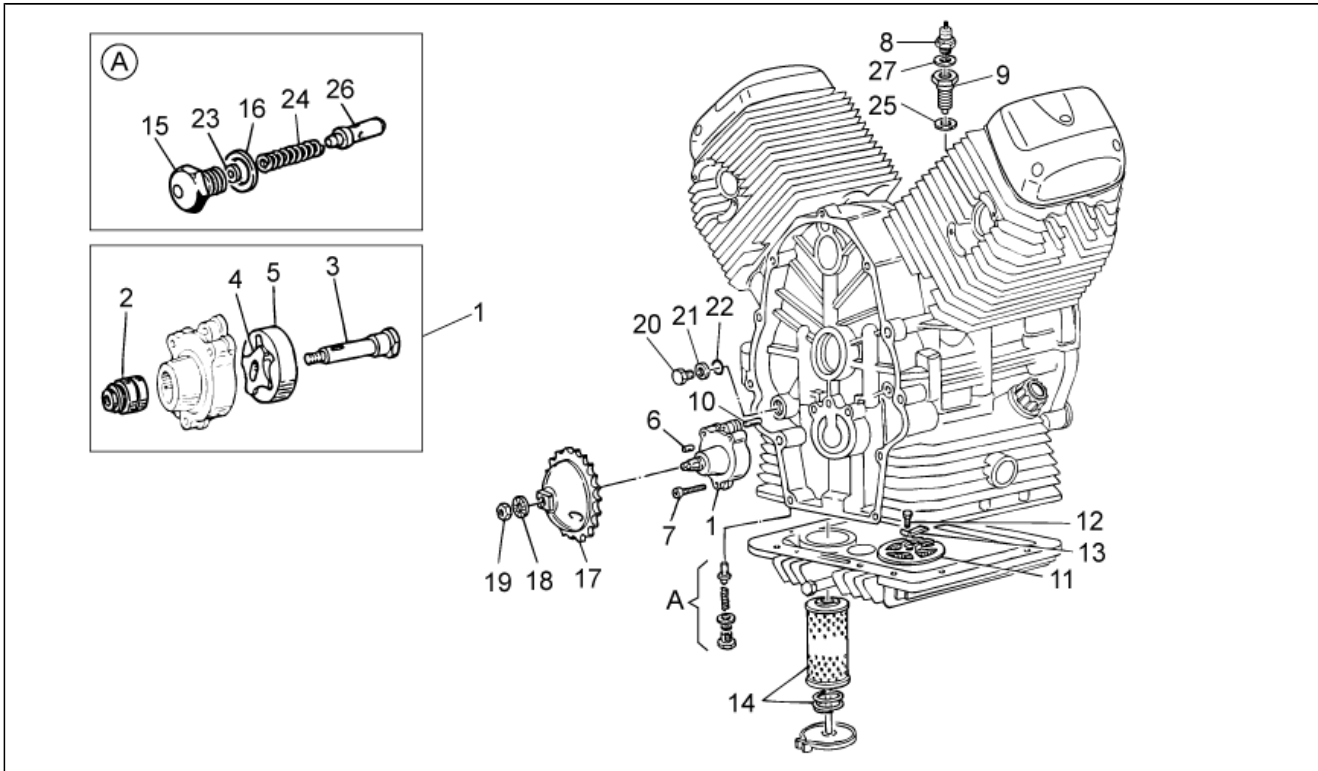
Pos.	Code	Description	Qty	Variants
1	GU20036020	Intake valve	2	
2	GU20036120	Exhaust valve	2	
3	GU23217800	Safety washer	2	
4	GU27037521	Spring	4	
5	GU31038015	Upper cup	4	
6	GU61038100	Half-cone	8	
7	GU19030500	Rocker arm assy.	4	
8	GU19034000	Screw	4	
9	GU92602406	Nut M6x1	4	
10	GU19032080	Rocker shaft	2	
11	GU32032310	Thrust washer	4	
12	GU90271018	Circlip	4	
13	GU31037015	Lower cup	4	
14	GU19032980	Spacer	4	
15	GU19027500	Hose	2	
16	GU32053410	Camshaft	1	
17	GU32054510	Timing system gear	1	
18	GU61054900	Bolt	2	
19	GU19058021	Camshaft chain	1	
20	GU19058220	Chain stretching drive	1	
21	GU98882316	Screw	1	
22	GU95129115	Washer	1	
23	GU19055700	Sector	2	
24	GU90353029	Snap ring	1	
25	GU19045861	Tappet	4	
26	GU31045015	Rocker arm rod	4	
27	GU32051710	Wheel speed sensor, left front	1	
28	GU98054422	Screw M8x22	1	

Group	ENGINE
Code	34.38
Description	Timing system
Service	1



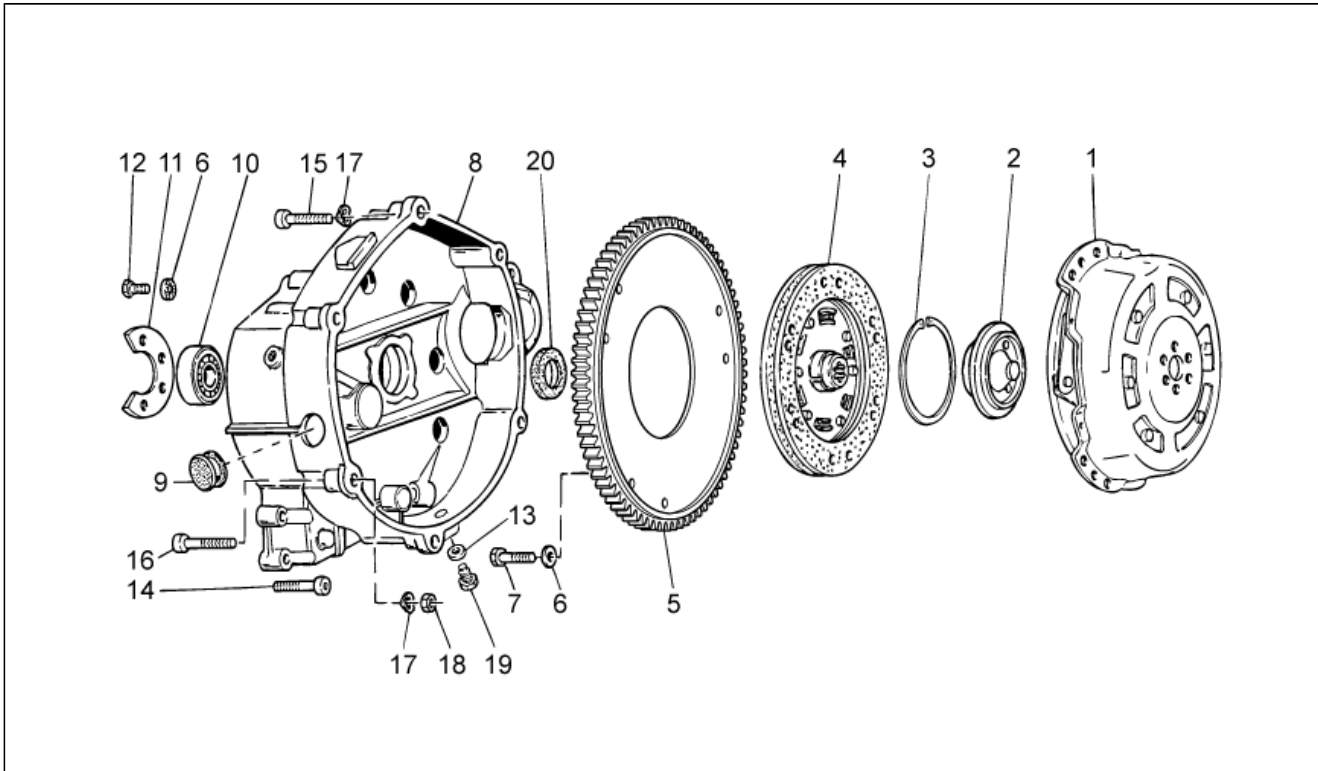
Pos.	Code	Description	Qty	Variants
29	GU95100244	Washer	1	

Group	ENGINE
Code	34.39
Description	Oil pump
Service	1



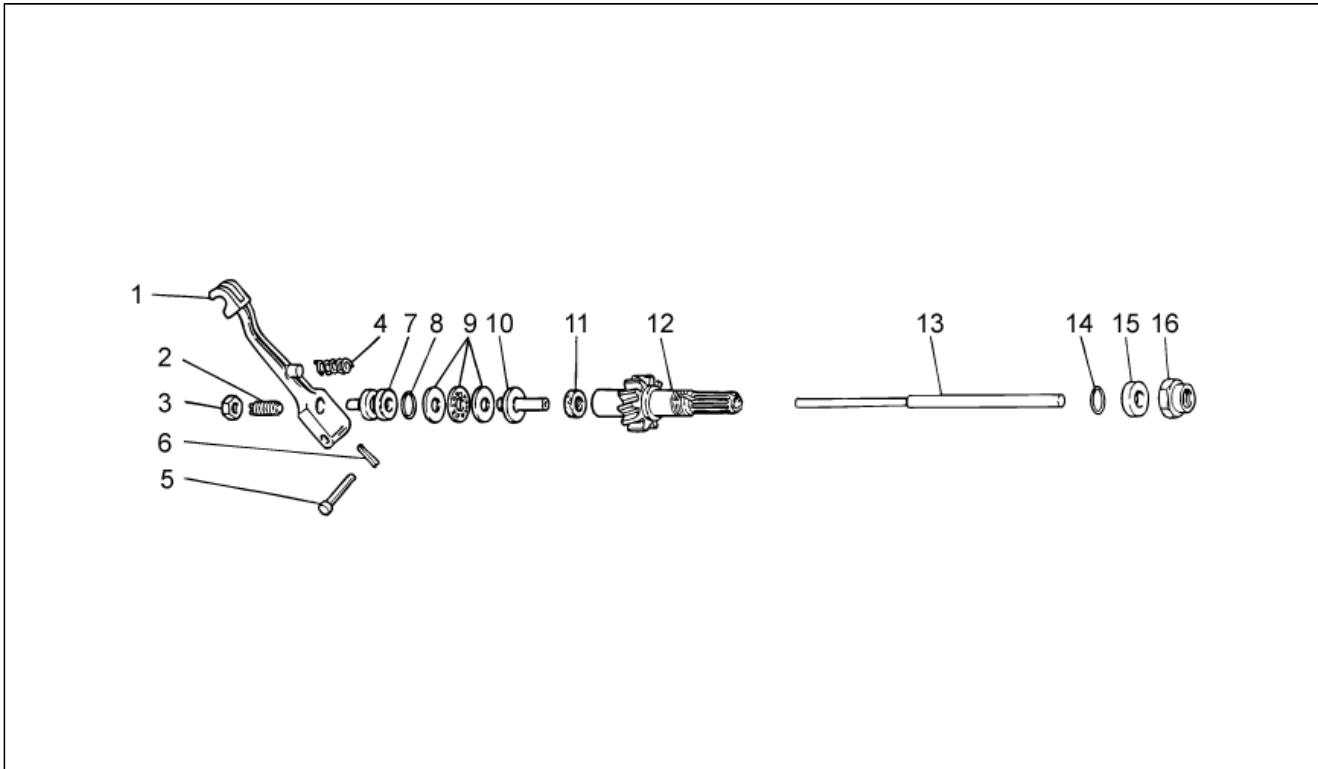
Pos.	Code	Description	Qty	Variants
1	GU19146422	Oil pump	1	
2	GU92252210	Roller bearing 10x22x20	1	
3	GU20147810	Oil pump shaft assy.	1	
4	GU20148410	Inner rotor	1	
5	GU20148610	Outer rotor	1	
6	GU92296723	Roller	1	
7	GU98620335	Screw	3	
8	GU32768710	Pressure sensor	1	
9	GU32768810	Union	1	
10	GU19018920	Pin	2	
11	GU19152200	Oil filter	1	
12	GU98084314	Hex screw	1	
13	GU95187006	Plate	1	
14	GU27153085	Oil filter	1	
15	GU31159050	Plug	1	
16	GU18144350	Washer 18,25x24x1	3	
17	GU20147710	Pump gear	1	
18	GU19149800	Washer 10,5x16x1	1	
19	GU92602510	Nut M10x1,25	1	
20	GU31016050	Plug	1	
21	GU18161150	Gasket 14,25	1	
22	GU90706111	O-ring	1	
23	GU95008206	Washer 6,15x11x0,8	3	
24	GU94321079	Spring	1	
25	GU95100602	Gasket	1	
26	GU31150950	Piston	1	
27	GU95100309	Washer	1	

Group	ENGINE
Code	34.40
Description	Clutch I
Service	1



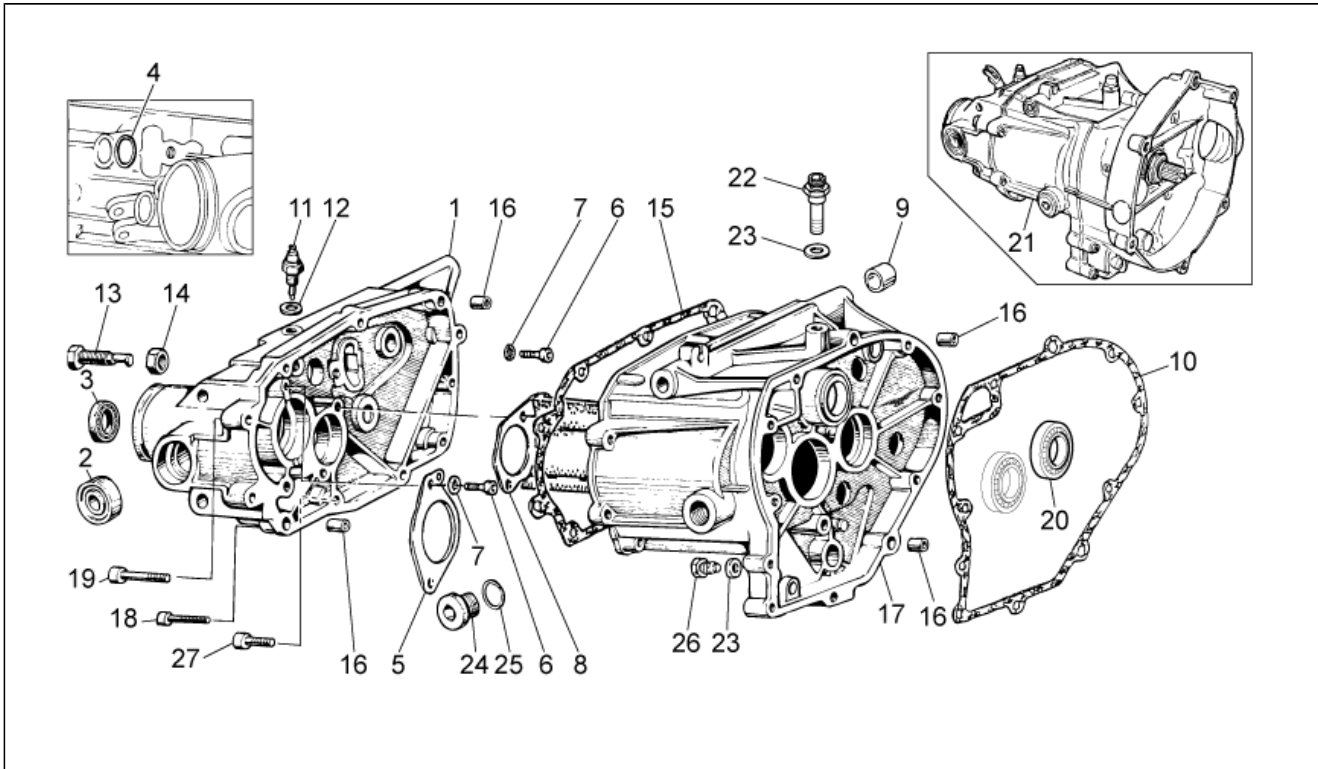
Pos.	Code	Description	Qty	Variants
1	GU32080310	Clutch	1	
2	GU19083462	New cup type	1	
3	GU90272075	Snap ring	1	
4	GU32084410	Driven clutch disc	1	
5	GU32067910	Chain ring	1	
6	GU14217901	Washer 6,4x10x0,7	9	
7	GU98084316	Hex screw	6	
8	981070	Clutch drum	1	
9	GU93180220	Plug	1	
10	GU92201225	Bearing 25x52x15	1	
11	GU19203460	Bearing fixing plate	1	
12	GU98084314	Hex screw	3	
13	GU10528900	Gasket	1	
14	GU98682330	Hex socket screw	11	
15	GU98680435	Hex socket screw M8x35	5	
16	GU98680450	Hex socket screw	1	
17	GU61270300	Spring washer 8x15x0,3	6	
18	GU92606208	Nut M8x1,25	1	
19	GU31003766	Oil unload plug	1	
20	GU90403246	Gasket ring 32x45x7	1	

Group	ENGINE
Code	34.41
Description	Clutch II
Service	1



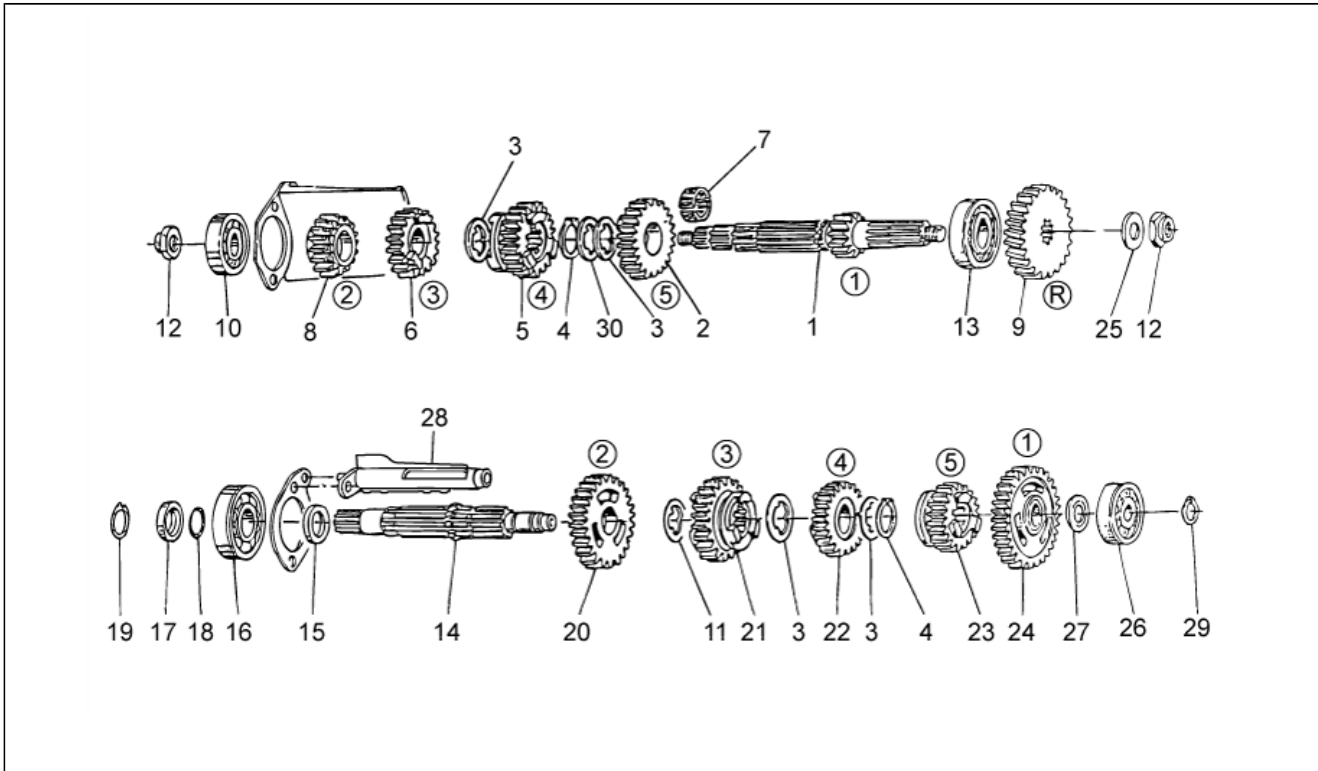
Pos.	Code	Description	Qty	Variants
1	GU14090201	Clutch release shaft	1	
2	GU14090400	Adjuster screw	1	
3	GU92606508	Nut	1	
4	GU94321105	Lever return spring	1	
5	GU95780271	Pin 7x39	1	
6	GU95500222	Split pin	1	
7	GU14086100	Outer body	1	
8	GU90706170	O-ring 17,13x2,62	1	
9	GU12087001	Thrust bearing	1	
10	GU14086000	Inner body	1	
11	GU90400616	Gasket ring 6x16x7	1	
12	GU27210760	Transmission shaft Z=16	1	
13	GU20085720	Rod	1	
14	GU90706235	O-ring 23,52x1,78	1	
15	GU19213760	Spacer	1	
16	GU19356760	Nut	1	

Group	ENGINE
Code	34.42
Description	Transmission cage
Service	1



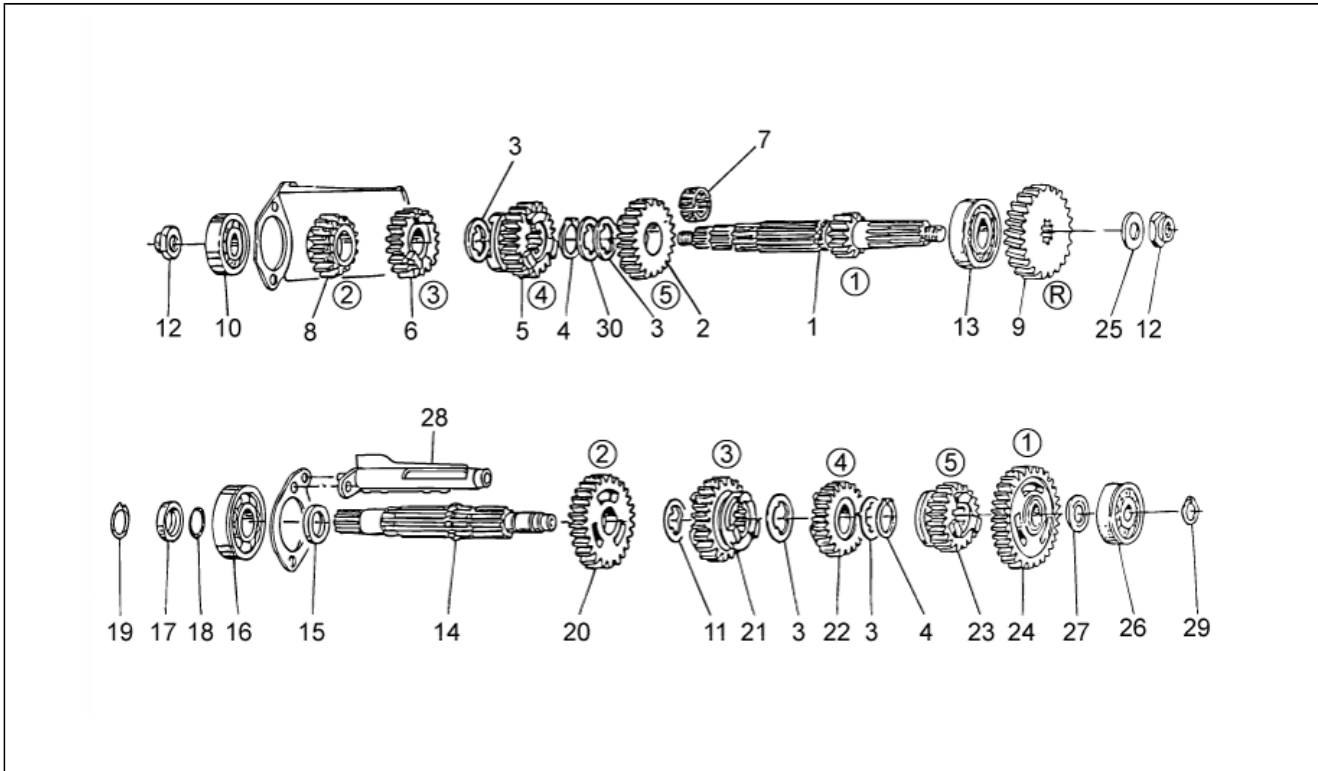
Pos.	Code	Description	Qty	Variants
1	976605	Gearbox cover	1	
2	GU92204215	Bearing 15x35x11	2	
3	GU90402841	Gasket ring 28x40x7	1	
4	GU90706140	O-ring 13,95x2,92	1	
5	GU32213810	Plate	1	
6	GU98682314	Hex socket screw M6x14	4	
7	GU14217901	Washer 6,4x10x0,7	4	
8	GU32208210	Oil bulhead	1	
9	GU19202320	Bush 10,25x15,7x8	2	
10	GU23200370	Gasket	1	
11	GU19207220	Sensor	1	
12	GU12154200	Gasket 8,25x15x1	1	
13	GU19237800	Screw M12x1,25	1	
14	GU92606512	Low nut M12x1,25	1	
15	GU19201120	Gasket	1	
16	GU19002020	Bush 6,6x9x13	4	
17	976606	Gearbox black	1	
18	GU98682330	Hex socket screw	5	
19	GU98680435	Hex socket screw M8x35	4	
20	GU92201120	Ball bearing 20x42x12	1	
21	976940	Transmission assy and housing	1	
22	GU32206510	Breather plug	1	
23	GU10528900	Gasket	2	
24	GU12022600	Oil plug	1	
25	GU90706203	O-ring 20,24x2,62	1	
26	GU31003766	Oil unload plug	1	
27	GU98680335	Hex socket screw M6x35	2	

Group	ENGINE
Code	34.43
Description	Gear box
Service	1



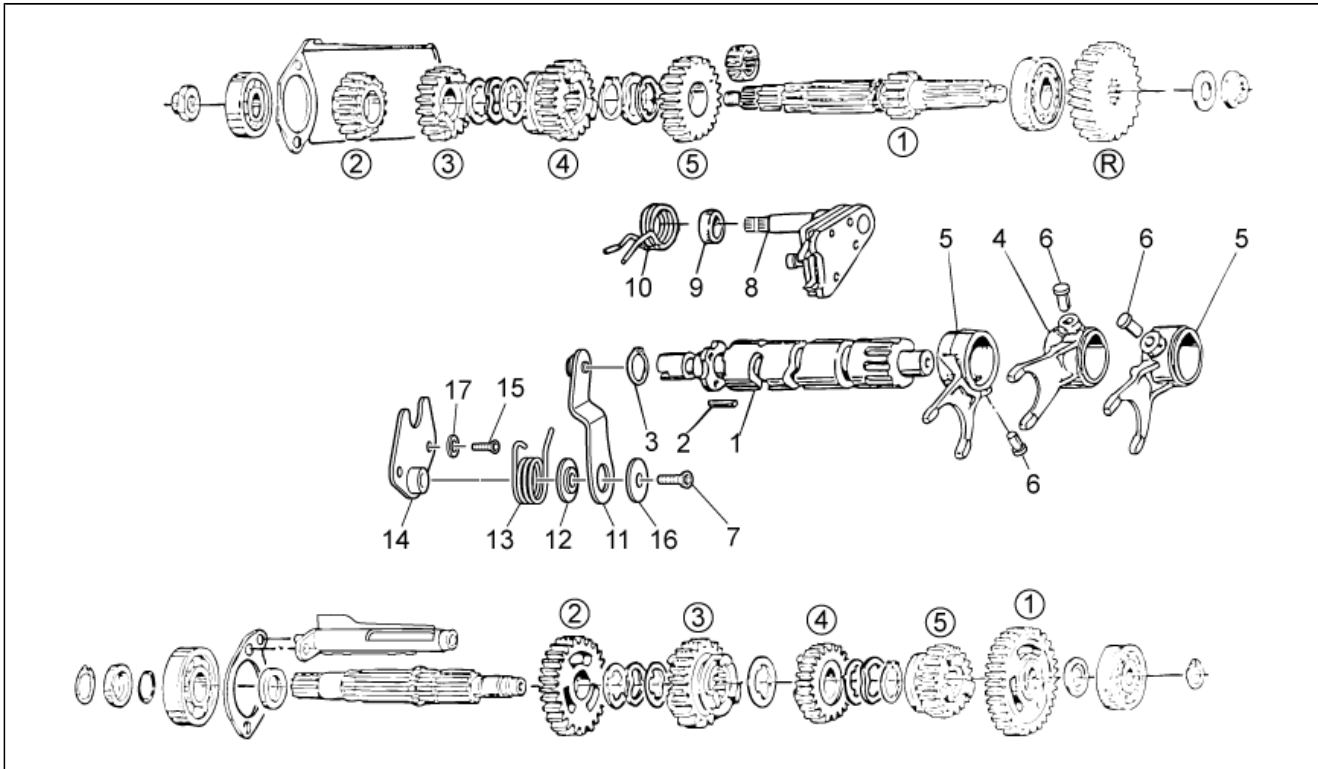
Pos.	Code	Description	Qty	Variants
1	GU32210510	Primary gear shaft Z=11	1	
2	GU32212011	Gear 5a AP Z=25	1	
3	GU19215460	Thrust washer	3	
4	GU90271124	Circlip	2	
5	GU32211810	Gear 4a AP Z=18	1	
6	GU32211410	Gear 3a AP Z=18	1	
7	GU92251028	Roller cage	1	
8	GU23211372	Gear 2a AP Z=14	1	
9	GU32211110	Idle gear AP Z=21	1	
10	GU92218417	Bearing AP 17x40x17,5	1	
11	GU19214660	Clearance washer	2	
12	GU10054100	Nut	2	
13	GU92230320	Bearing AP 20x37x17	1	
14	GU32213610	Driven shaft	1	
15	GU19212900	Spacer	1	
16	GU92201220	Bearing 20X47X14	1	
17	GU19213720	Spacer	1	
18	GU90706188	Gasket ring 18,77X1,78	1	
19	GU90271121	Circlip	1	
20	GU32214510	Gear 2a AS Z=23	1	
21	GU32214810	Gear 3a AS Z=23	1	
22	GU32215010	Gear 4a AS Z=19	1	
23	GU32215210	Gear 5a AS Z=22	1	
24	GU32214010	Gear 1a AS Z=26	1	
25	GU39238100	Clearance washer	1	
26	GU92234716	Bearing	1	
27	GU10214300	Spacer 1,5 mm	1	
27	GU10214301	Spacer 1,7 mm	1	

Group	ENGINE
Code	34.43
Description	Gear box
Service	1



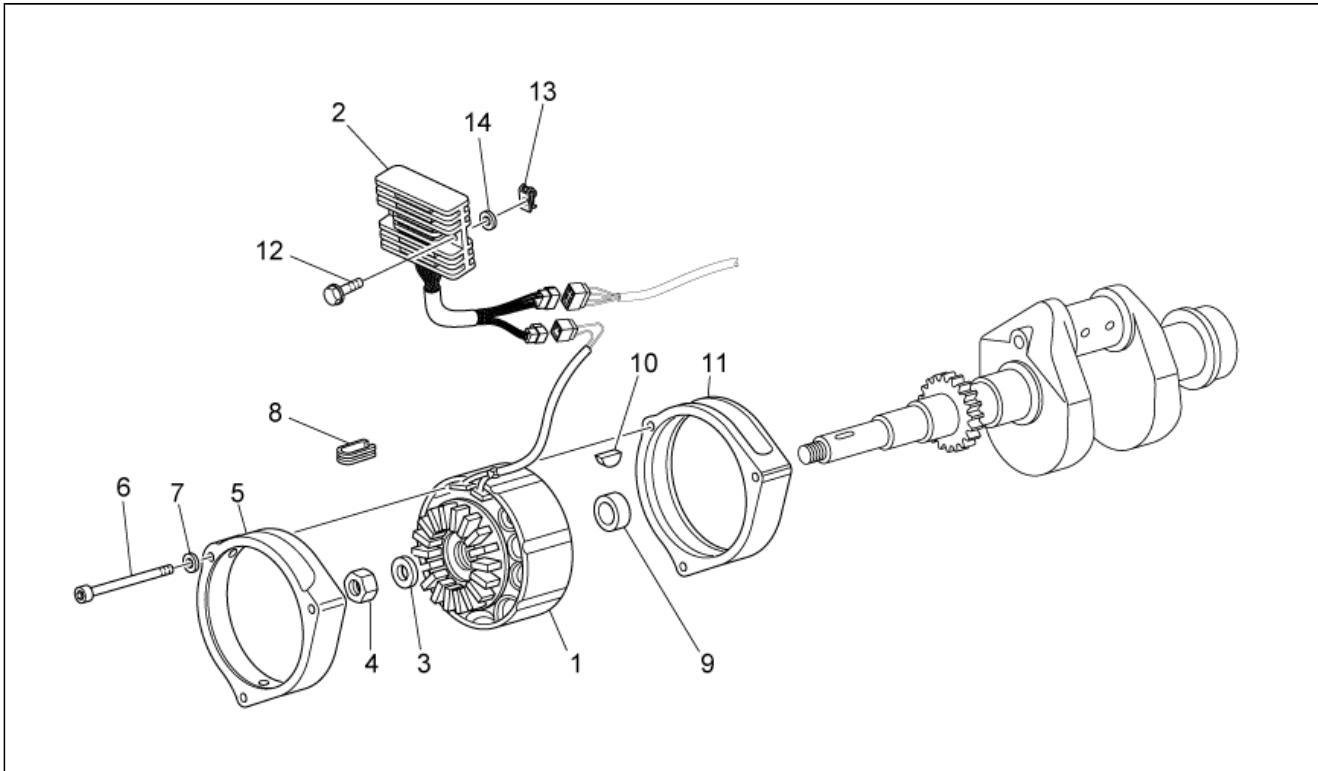
Pos.	Code	Description	Qty	Variants
27	GU10214302	Spacer 1,8 mm	1	
27	GU10214303	Spacer 1,9 mm	1	
27	GU10214304	Washer 2 mm	1	
27	GU10214305	Spacer 2,1 mm	1	
28	GU32202010	Gutter	1	
29	GU90271117	Circlip	1	

Group	ENGINE
Code	34.44
Description	Gear box selector
Service	1



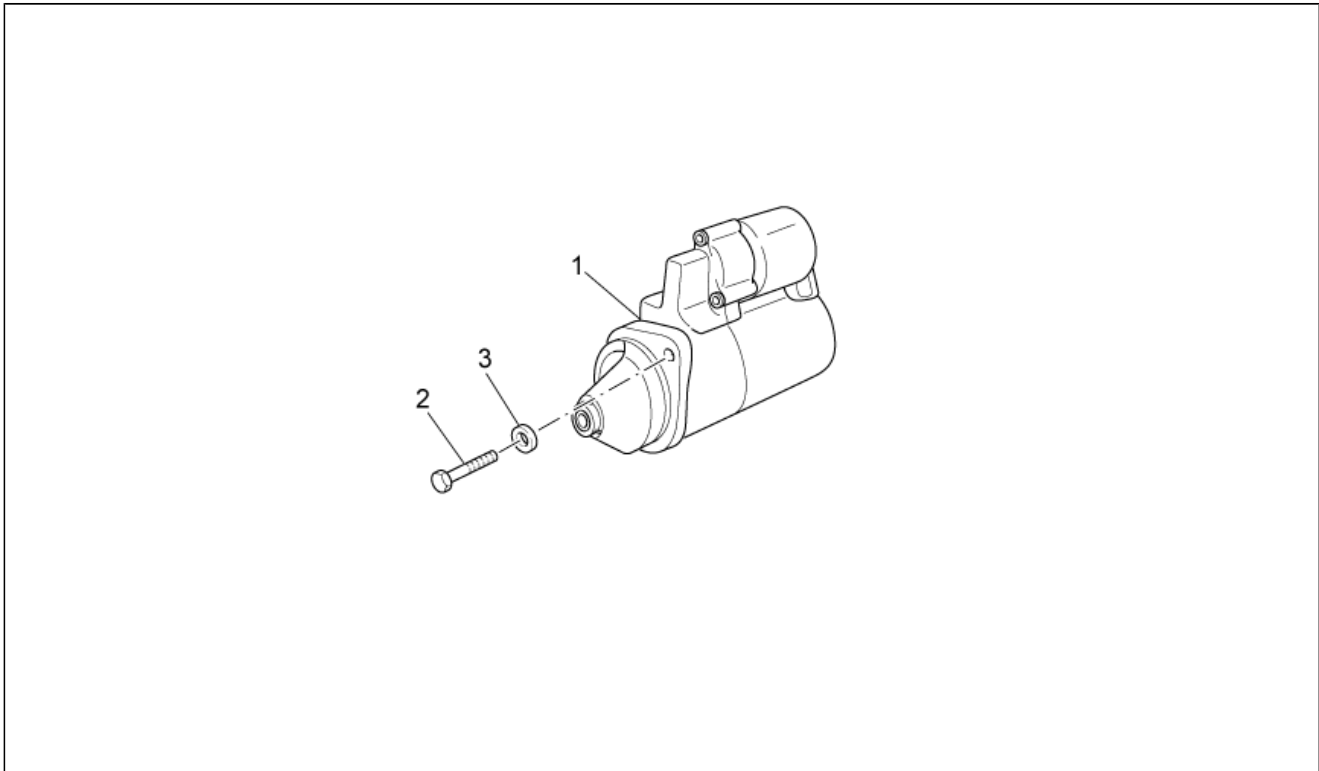
Pos.	Code	Description	Qty	Variants
1	GU32234410	Shift cam	1	
2	GU19234600	Pin	4	
3	GU90274026	Snap ring	1	
4	GU32231210	Fork AP	1	
5	GU32231010	Fork AS	2	
6	GU32233010	Roller	3	
7	GU98350312	Hex socket screw M6x12	1	
8	GU32236210	Preselection complete	1	
9	GU20208520	Spacer	1	
10	GU32238210	Spring	1	
11	GU32234710	Lever	1	
12	GU32234810	Washer	1	
13	GU32234110	Spring	1	
14	GU32235710	Plate	1	
15	AP8152166	Screw M6x16	2	
16	GU32234910	Washer 6,4x20x1	1	
17	GU14217901	Washer 6,4x10x0,7	2	

Group	ENGINE
Code	34.45
Description	Generator - Regulator
Service	1



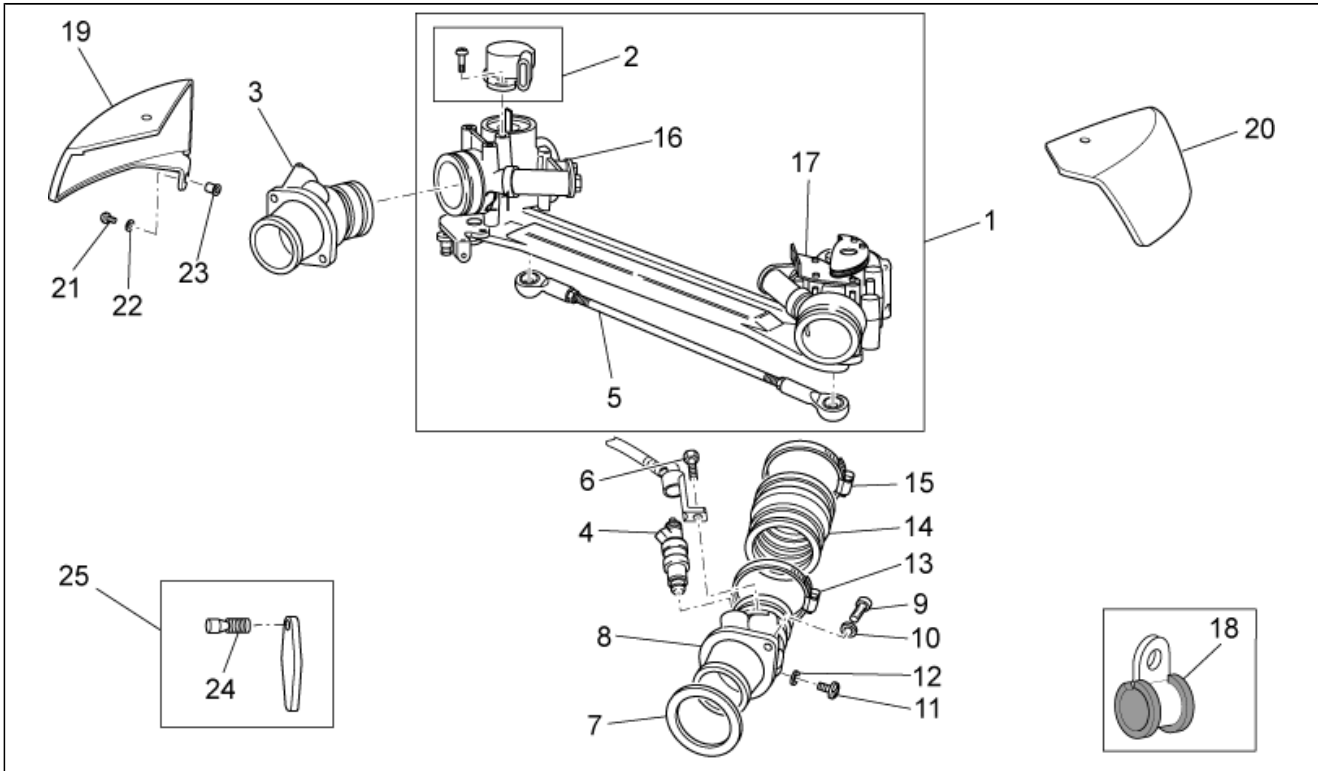
Pos.	Code	Description	Qty	Variants
1	883877	Generator	1	
2	883878	Voltage regulator 35A	1	
3	GU30714201	Washer 16,25x24,5x5	1	
4	GU92606516	Nut M16	1	
5	GU29711460	Front calotte	1	
6	GU98680265	Hex socket screw	3	
7	GU29217960	Washer 5,9X3X0,8	3	
8	GU19007700	Rubber spacer	1	
9	GU31712365	Spacer	1	
10	GU91600450	Transmission key	1	
11	GU29711960	Rear cap	1	
12	AP8152281	Screw w/ flange	2	
13	GU28576591	Clip M6	2	
14	GU95100125	Washer	2	

Group	ENGINE
Code	34.46
Description	Starter motor
Service	1



Pos.	Code	Description	Qty	Variants
1	GU05730730	Starter motor Bosch	1	
2	GU98082435	Hex screw M8x35	2	
3	GU95008208	Washer 8,4X15X1,5	2	

Group	ENGINE
Code	34.47
Description	Throttle body
Service	1



Pos.	Code	Description	Qty	Variants
1	GU32112510	Throttle assy	1	
2	GU05112830	Potentiometer	1	
3	GU32115010	RH manifold	1	
4	GU32115710	Injector kit complete	2	
5	GU32530509	Rod	1	
6	AP8152298	Screw w/ flange	2	
7	GU32115510	Gasket	1	
8	GU32115011	LH manifold	1	
9	GU98682322	Hex socket screw M6x22	4	
10	GU03013800	Washer 6,4x12	4	
11	GU98310609	Screw M6x10	2	
12	GU95100116	Washer 6,25x10x1,5	2	
13	GU93305057	Hose clamp 57x59,5x10	2	
14	GU32114310	Hose	2	
15	GU93305061	Hose clamp 61/65,5	2	
16	GU32112610	Right throttle body	1	
17	GU32112611	Left throttle body	1	
18	GU32718010	Hose clamp	2	
19	978938	RH cover chromium plated	1	
20	978939	LH cover chromium plated	1	
21	GU98370515	Screw	4	
22	GU30577800	Nylon washer 5,5X12X1	4	
23	GU93231605	Antivibration bush	4	
24	GU97270212	Shear rivet	1	
25	GU973221100027	Plate kit	1	



PIAGGIO & C.s.p.a.



SPARE PARTS CATALOGUE



V7 Racer 750 2011

Chassis prefix: ZGULWB00

Engine prefix:

V7

GU100



Index

Finished products.....	4
Alphanumeric index.....	5
FRAME.....	10
Table 33.01 - Frame I.....	10
Table 33.02 - Frame II.....	11
Table 33.03 - Lateral stand.....	12
Table 33.06 - Gear lever.....	13
Table 33.07 - Front fork I.....	14
Table 33.08 - Fron fork II.....	15
Table 33.11 - Rear shock absorber.....	17
Table 33.12 - Fuel tank.....	18
Table 33.13 - Front body - Front mudguard.....	20
Table 33.14 - Saddle-Central bod.....	21
Table 33.15 - Rear body I- Mudguard.....	22
Table 33.16 - Rear body II- Plate holder.....	23
Table 33.17 - Dashboard.....	24
Table 33.18 - Handlebar - Controls.....	25
Table 33.19 - Front brake system.....	27
Table 33.20 - Fuel supply.....	28
Table 33.21 - Fuel pump.....	29
Table 33.22 - Air box.....	30
Table 33.23 - Exhaust unit.....	32
Table 33.24 - Front wheel.....	34
Table 33.25 - Rear wheel.....	35
Table 33.26 - Rear master cylinder.....	36
Table 33.27 - Rear brake caliper.....	38
Table 33.28 - Front lights.....	39
Table 33.29 - Rear lights.....	41
Table 33.30 - Electrical system I.....	42
Table 33.31 - Electrical system II.....	43
Table 33.32 - Lock hardware kit.....	45
Table 33.33 - Decal and plate set.....	46
Table 33.51 - Fuel vapour recover system.....	47
ENGINE.....	48
Table 34.09 - Transmission complete I.....	48
Table 34.10 - Transmission complete II.....	49
Table 34.34 - Crank-case.....	52
Table 34.35 - Timing system cover.....	54
Table 34.36 - Cylinder head.....	55
Table 34.37 - Crankshaft cpl.....	56
Table 34.38 - Timing system.....	57
Table 34.39 - Oil pump.....	59
Table 34.40 - Clutch I.....	61



Table 34.41 - Clutch II.....	62
Table 34.42 - Transmission cage.....	63
Table 34.43 - Gear box.....	64
Table 34.44 - Gear box selector.....	66
Table 34.45 - Generator - Regulator.....	67
Table 34.46 - Starter motor.....	68
Table 34.47 - Throttle body.....	69



Finished products

Code	Validity
GU9032178AUA01	
GU9032178CAB01	
GU9032178EUA00	
GU9032178EUA01	
GU9032178GBA00	
GU9032178GBA01	
GU9032178JPA00	
GU9032178JPA01	
GU9032178USB01	



Code	No. table	Pos.	Code	No. table	Pos.	Code	No. table	Pos.
0000000	33.24	16	883802	33.18	10	898168	33.25	1
0000000	33.24	17	883852	33.21	5	898170	33.18	1
0000000	33.24	18	883870	33.23	1	898171	33.18	8
0000000	33.25	18	883871	33.23	2	898172	33.12	1
0000000	33.25	19	883877	34.45	1	898174	33.33	2
0000000	33.25	20	883878	34.45	2	898178	33.14	1
254485	33.14	16	883911	33.33	20	898179	33.13	7
290860	33.31	16	883912	33.33	21	898180	33.13	8
292022	33.28	9	883912	33.33	22	898270	33.14	20
292723	33.28	10	883930	33.33	19	898271	33.14	21
584332	33.28	15	883940	33.18	3	898277	33.14	10
584332	33.29	7	886141	33.33	10	898278	33.14	9
584509	33.31	24	886368	33.14	12	898280	33.16	6
599501	33.08	7	886369	33.12	3	898281	33.06	7
599502	33.08	9	886370	33.12	20	898281	33.26	27
599503	33.08	8	886581	33.01	17	898282	33.06	1
599504	33.08	6	886582	33.01	18	898283	33.06	3
639542	33.03	8	886617	33.12	18	898284	33.06	9
640201	33.31	5	886625	33.12	19	898285	33.26	30
640598	33.28	11	886630	33.11	3	898286	33.26	17
641541	34.39	8	886637	33.33	13	898287	33.26	12
672381	33.33	23	886638	33.33	12	898288	33.26	4
856062	33.51	7	886639	33.33	1	898611	33.06	12
856063	33.51	6	886640	33.33	9	898612	33.26	28
856064	33.51	11	886643	33.33	8	976600	34.34	1
856796	33.06	20	886644	33.33	14	976603	34.35	1
860138	33.51	10	886645	33.01	11	976604	34.34	12
883075	33.18	15	886665	33.06	13	976605	34.42	1
883077	33.30	1	886665	33.26	1	976606	34.42	17
883077	33.31	1	886666	33.26	9	976608	34.10	1
883161	33.31	12	886668	33.06	16	976685	34.34	16
883180	33.27	6	886675	33.11	1	976939	34.34	28
883182	33.32	1	886676	34.09	11	976940	34.42	21
883185	33.12	2	886677	33.07	1	976941	34.09	1
883185	33.32	3	886678	33.33	3	977088	33.03	1
883191	33.31	11	886681	33.24	2	977527	33.14	8
883192	33.27	7	886684	33.08	17	977527	33.32	4
883193	33.12	4	886706	33.14	15	978311	33.28	2
883252	33.12	12	886709	33.33	5	978323	33.19	15
883265	33.20	1	886711	33.25	2	978323	33.27	20
883295	33.14	5	886712	33.16	9	978385	33.23	12
883296	33.27	1	886713	33.16	10	978386	33.23	15
883303	33.19	13	886714	33.28	16	978387	33.23	4
883349	33.25	8	886724	33.13	10	978415	33.14	7
883350	33.25	7	886727	33.14	19	978415	33.32	9
883417	33.28	26	88673000Y02	33.13	1	978570	33.18	10
883469	33.12	1	88673100Y02	33.13	7	978662	33.28	2
883470	33.16	12	88673200Y02	33.16	6	978928	33.12	1
883471	33.03	1	886784	33.13	2	978930	33.20	2
883476	33.12	2	886820	33.14	22	978930	33.21	1
883476	33.32	3	886825	33.33	11	978938	34.47	19
883477	33.32	1	886830	34.36	9	978939	34.47	20
883478	33.28	5	886841	33.14	14	97894600Y02	33.15	1
883479	33.29	1	886842	33.08	21	978947	33.15	2
883480	33.16	15	887093	34.39	9	978949	33.16	1
883498	33.08	23	887205	33.12	1	97895015	33.29	1
883552	33.08	24	887206	33.33	5	978970	33.26	13
883581	33.19	2	887280	33.06	17	978974	33.08	19
883602	33.08	34	887445	33.12	1	978977	33.08	29
883688	33.24	10	896174	33.14	13	978978	33.08	4
883696	33.22	16	898082	33.01	1	981070	34.40	8
883697	33.22	15	898083	33.02	1	981149	33.28	12
883711	33.23	11	898084	33.02	2	AP8101594	33.26	20
883712	33.23	10	898086	33.07	7	AP8101595	33.12	15
883796	33.17	1	898118	33.24	5	AP8102159	33.22	25
883797	33.17	1	898120	33.25	11	AP8102239	33.22	30
883798	33.31	19	898167	33.24	1	AP8102375	33.26	19



Code	No. table	Pos.	Code	No. table	Pos.	Code	No. table	Pos.
AP8102375	33.31	15	AP8150413	33.13	6	GU00823950050	33.26	21
AP8102378	33.51	25	AP8150413	33.22	3	GU01103860	33.01	13
AP8102524	33.03	4	AP8150421	33.31	33	GU01106090	33.21	2
AP8102678	33.51	1	AP8150436	33.02	12	GU01108490	33.21	4
AP8102688	33.51	2	AP8150468	33.26	29	GU01528930	34.10	9
AP8102766	33.22	10	AP8152138	33.06	21	GU01609630	33.18	14
AP8102766	33.51	21	AP8152166	34.44	15	GU01654630	33.19	17
AP8102913	33.14	3	AP8152220	33.02	11	GU01659130	33.19	11
AP8104242	33.22	8	AP8152268	33.16	18	GU01659131	33.19	12
AP8104251	33.22	24	AP8152273	33.16	11	GU01665410	33.26	6
AP8104525	33.22	13	AP8152273	33.20	3	GU01717430	33.30	8
AP8110053	33.06	22	AP8152277	33.19	3	GU01718330	33.30	6
AP8113004	33.19	14	AP8152277	33.31	23	GU01721600	33.30	13
AP8113004	33.27	8	AP8152278	33.15	3	GU01744200	33.28	18
AP8113288	33.26	16	AP8152278	33.28	13	GU02107100	33.12	11
AP8113553	33.26	23	AP8152279	33.15	9	GU03013800	33.23	8
AP8118490	33.18	24	AP8152281	34.45	12	GU03013800	34.47	10
AP8120116	33.51	8	AP8152286	33.24	11	GU03067730	34.10	19
AP8120246	34.09	10	AP8152287	33.02	13	GU03101600	33.12	7
AP8120531	33.14	18	AP8152288	33.02	15	GU03101720	33.12	5
AP8120615	33.22	14	AP8152291	33.12	9	GU03102200	33.12	6
AP8120708	33.30	10	AP8152298	34.47	6	GU03163330	33.31	3
AP8120772	33.22	11	AP8152299	33.15	15	GU03270300	33.15	7
AP8120876	33.22	23	AP8152299	33.27	10	GU03270300	33.26	34
AP8120912	33.06	2	AP8152299	33.51	5	GU03270300	33.27	22
AP8120912	33.26	2	AP8152300	33.02	14	GU03530529	33.08	2
AP8120952	33.22	1	AP8152300	33.27	13	GU03530530	33.08	1
AP8120965	33.12	13	AP8152306	33.16	5	GU03530551	33.08	12
AP8120965	33.51	17	AP8152320	33.06	6	GU03604845	33.19	8
AP8121014	33.03	3	AP8152320	33.26	33	GU03605645	33.19	9
AP8121032	33.17	7	AP8152329	33.15	11	GU03609600	33.18	14
AP8121072	33.23	22	AP8152329	33.22	18	GU03631250	33.24	4
AP8121307	33.07	4	AP8152329	33.22	22	GU03631250	33.25	9
AP8121367	33.02	10	AP8152329	33.31	20	GU03658201	33.27	16
AP8121375	33.03	2	AP8152329	33.31	8	GU03658330	33.27	17
AP8121420	33.14	6	AP8152339	33.16	8	GU03658330	33.51	12
AP8121420	33.32	8	AP8152385	33.19	16	GU03658430	33.27	14
AP8121607	33.03	2	AP8201358	33.22	2	GU03660145	33.19	1
AP8121927	33.26	3	AP8201358	33.51	23	GU03661145	33.19	6
AP8121929	33.16	7	AP8210007	33.06	18	GU03664045	33.19	7
AP8124528	33.31	22	AP8212588	33.30	11	GU03740930	33.29	2
AP8124718	33.16	13	AP8213028	33.18	23	GU03744760	33.28	19
AP8124869	33.31	28	AP8213057	33.26	15	GU03749845	33.19	5
AP8124936	33.30	2	AP8220283	33.31	29	GU03922280	34.09	23
AP8127346	33.31	17	AP8220460	33.07	6	GU03995730	33.33	15
AP8133643	33.26	14	AP8220546	33.31	27	GU04000500	34.34	10
AP8133873	33.26	22	AP8221114	33.51	16	GU05107430	33.21	3
AP8134378	33.23	18	AP8221172	33.01	16	GU05112830	34.47	2
AP8134448	33.16	2	AP8221172	33.18	29	GU05659230	33.19	10
AP8134640	33.26	35	AP8221197	33.03	5	GU05730730	34.46	1
AP8144038	33.22	31	AP8221277	33.06	10	GU05781630	33.16	20
AP8144046	33.31	25	AP8221297	33.23	30	GU05900130	33.33	6
AP8144071	33.23	16	AP8224164	33.16	3	GU06740200	33.28	12
AP8144071	34.36	23	AP8224462	33.31	30	GU06740400	33.28	17
AP8144081	33.07	5	AP8257609	33.33	18	GU06751600	33.28	5
AP8144146	33.07	3	AP8257742	33.33	16	GU06751600	33.29	5
AP8144538	33.31	7	AP8257794	33.33	17	GU06751601	33.29	5
AP8144606	33.01	15	AP9100477	33.06	15	GU10054100	34.43	12
AP8149034	33.16	17	AP9100477	33.26	31	GU10214300	34.43	27
AP8150026	33.06	19	CM001928	33.07	9	GU10214301	34.43	27
AP8150044	33.06	14	CM001929	33.07	8	GU10214302	34.43	27
AP8150044	33.26	25	CM2271024	33.31	19	GU10214303	34.43	27
AP8150115	33.06	5	GU00823923140	33.03	7	GU10214304	34.43	27
AP8150115	33.26	26	GU00823923140	33.22	32	GU10214305	34.43	27
AP8150137	33.06	4	GU00823923140	33.51	22	GU10528900	34.34	15
AP8150248	33.16	19	GU00823931055	33.28	25	GU10528900	34.40	13
AP8150349	33.32	6	GU00823944050	33.12	16	GU10528900	34.42	23



Code	No. table	Pos.	Code	No. table	Pos.	Code	No. table	Pos.
GU12003702	34.34	20	GU19207220	34.42	11	GU23548080	34.09	8
GU12022600	34.10	6	GU19212900	34.43	15	GU23548180	34.09	9
GU12022600	34.42	24	GU19213720	34.43	17	GU23943410	33.08	31
GU12087001	34.41	9	GU19213760	34.41	15	GU27001136	34.35	7
GU12154200	34.34	23	GU19214660	34.43	11	GU27004985	34.34	18
GU12154200	34.42	12	GU19215460	34.43	3	GU27020820	34.37	21
GU13021900	34.34	26	GU19234600	34.44	2	GU27022060	34.36	19
GU13021900	34.36	12	GU19237800	34.42	13	GU27037521	34.38	4
GU14086000	34.41	10	GU19327601	34.09	5	GU27060860	34.37	15
GU14086100	34.41	7	GU19328801	34.09	3	GU27061286	34.37	13
GU14090201	34.41	1	GU19350700	34.10	22	GU27061385	34.37	14
GU14090400	34.41	2	GU19351100	34.10	4	GU27061585	34.37	3
GU14217901	34.40	6	GU19351900	34.10	2	GU27061885	34.37	17
GU14217901	34.42	7	GU19352300	34.10	23	GU27062060	34.37	6
GU14217901	34.44	17	GU19353500	34.10	24	GU27065660	34.37	7
GU14609650	33.30	17	GU19355200	34.10	35	GU27066460	34.37	9
GU14609650	33.31	34	GU19355202	34.10	36	GU27066560	34.37	8
GU14609650	33.51	24	GU19355300	34.10	33	GU27152885	34.34	22
GU14615901	33.13	5	GU19355301	34.10	33	GU27153085	34.39	14
GU14615901	34.09	20	GU19355302	34.10	33	GU27210760	34.41	12
GU14615901	34.37	5	GU19355303	34.10	33	GU27530510	33.08	25
GU14616150	33.24	15	GU19355304	34.10	33	GU27633910	33.25	4
GU14616150	33.25	10	GU19355305	34.10	33	GU28157950	33.51	20
GU14717600	33.30	7	GU19355306	34.10	33	GU28252060	33.02	8
GU18144350	34.39	16	GU19355307	34.10	33	GU28576591	33.12	23
GU18161150	34.39	21	GU19355308	34.10	33	GU28576591	33.15	4
GU18257551	33.26	8	GU19355309	34.10	33	GU28576591	33.28	20
GU19001200	34.35	2	GU19355320	34.10	27	GU28576591	34.45	13
GU19002020	34.35	5	GU19355321	34.10	27	GU28742562	33.31	18
GU19002020	34.42	16	GU19355322	34.10	27	GU29108550	33.51	19
GU19003602	34.34	13	GU19355323	34.10	27	GU29217960	34.45	7
GU19003800	34.34	8	GU19355324	34.10	27	GU29711460	34.45	5
GU19007700	34.35	10	GU19355325	34.10	27	GU29711960	34.45	11
GU19007700	34.45	8	GU19355326	34.10	27	GU29729461	33.31	2
GU19015020	34.34	5	GU19355327	34.10	27	GU29732550	33.31	26
GU19016320	34.34	9	GU19355328	34.10	27	GU29759150	33.18	17
GU19017000	33.02	4	GU19355329	34.10	27	GU30027931	33.31	32
GU19018920	34.39	10	GU19355400	34.10	21	GU30103730	33.12	14
GU19021360	34.36	18	GU19355402	34.10	21	GU30103730	33.51	18
GU19021920	34.36	7	GU19355404	34.10	21	GU30109330	33.23	24
GU19023700	34.36	10	GU19355406	34.10	21	GU30525861	33.08	11
GU19025280	33.23	5	GU19355408	34.10	21	GU30526761	33.08	5
GU19025300	34.36	6	GU19355410	34.10	21	GU30576100	33.22	19
GU19025460	33.23	6	GU19355411	34.10	21	GU30577800	33.29	13
GU19027500	34.38	15	GU19355412	34.10	21	GU30577800	34.47	22
GU19030500	34.38	7	GU19355413	34.10	21	GU30601060	33.18	25
GU19032080	34.38	10	GU19356700	34.10	30	GU30602500	33.18	22
GU19032980	34.36	17	GU19356760	34.41	16	GU30714201	34.45	3
GU19032980	34.38	14	GU19356801	34.10	28	GU30716500	33.30	3
GU19034000	34.38	8	GU19357660	34.10	25	GU30729330	33.31	31
GU19037820	34.36	8	GU19547000	34.09	12	GU30970200	33.33	7
GU19045861	34.38	25	GU20036020	34.38	1	GU31003766	34.10	8
GU19055700	34.38	23	GU20036120	34.38	2	GU31003766	34.34	14
GU19058021	34.38	19	GU20085720	34.41	13	GU31003766	34.40	19
GU19058220	34.38	20	GU20147710	34.39	17	GU31003766	34.42	26
GU19061063	34.37	12	GU20147810	34.39	3	GU31016050	34.39	20
GU19062261	34.37	4	GU20148410	34.39	4	GU31037015	34.38	13
GU19065400	34.37	2	GU20148610	34.39	5	GU31038015	34.38	5
GU19067700	34.37	18	GU20208520	34.44	9	GU31045015	34.38	26
GU19083462	34.40	2	GU20352421	34.10	31	GU31112965	33.22	33
GU19146422	34.39	1	GU20355121	34.10	34	GU31121880	33.23	9
GU19149800	34.39	18	GU23200370	34.42	10	GU31150950	34.39	26
GU19152200	34.39	11	GU23211372	34.43	8	GU31159050	34.39	15
GU19201120	34.42	15	GU23217800	34.38	3	GU31327783	34.09	2
GU19202320	34.42	9	GU23328081	34.09	7	GU31438765	33.15	12
GU19203460	34.40	11	GU23442210	33.06	11	GU31439565	33.13	4
GU19206501	34.10	10	GU23442210	33.26	11	GU31513480	33.08	20

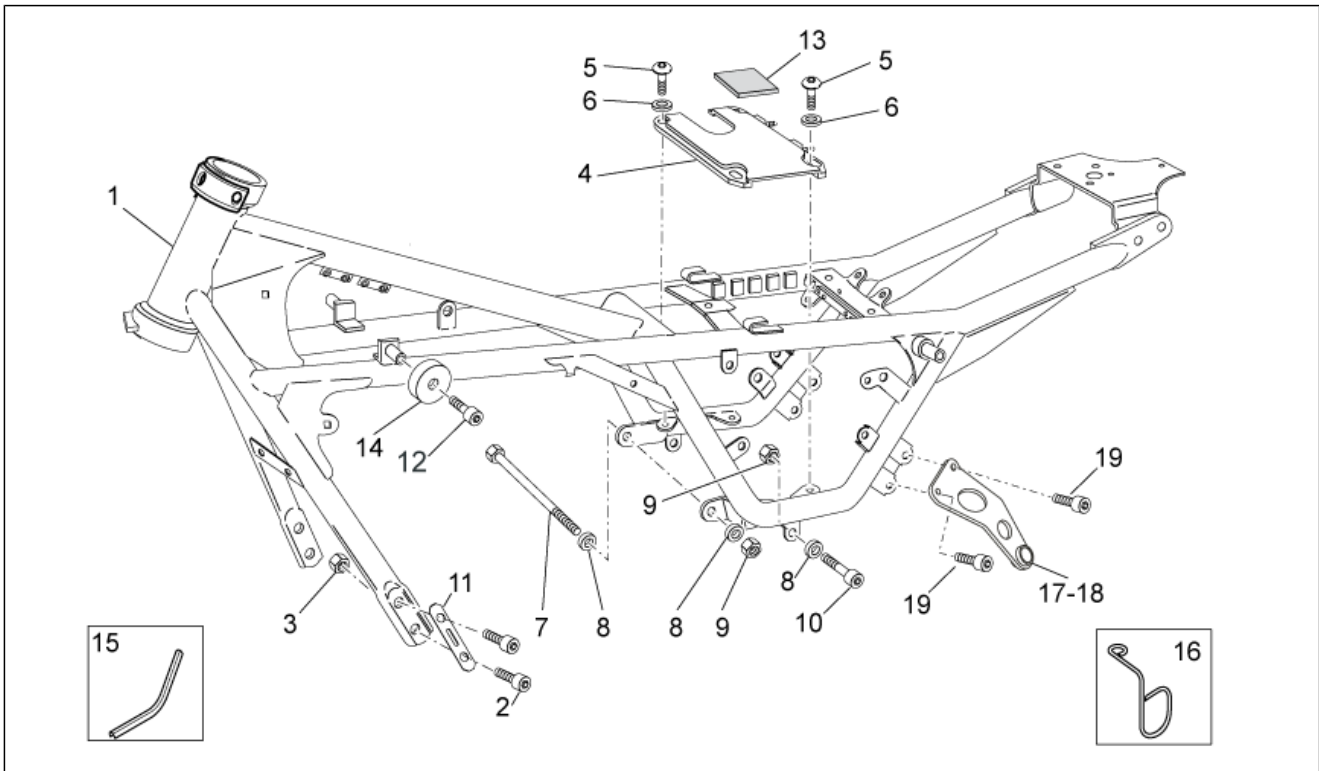


Code	No. table	Pos.	Code	No. table	Pos.	Code	No. table	Pos.
GU31544181	34.09	15	GU32214810	34.43	21	GU32753760	33.29	6
GU31547882	34.09	14	GU32215010	34.43	22	GU32768710	34.39	8
GU31613381	33.25	12	GU32215210	34.43	23	GU32768810	34.39	9
GU31614183	33.24	9	GU32231010	34.44	5	GU32781910	33.16	16
GU31615260	33.24	6	GU32231210	34.44	4	GU32782510	33.32	2
GU31616384	33.24	12	GU32233010	34.44	6	GU32909960	33.33	4
GU31634281	33.27	4	GU32234110	34.44	13	GU32999010	34.34	25
GU31634481	33.25	15	GU32234410	34.44	1	GU32999510	34.34	24
GU31654681	33.27	2	GU32234710	34.44	11	GU35214300	34.09	13
GU31659181	33.27	11	GU32234810	34.44	12	GU39094200	33.18	18
GU31659281	33.27	12	GU32234910	34.44	16	GU39238100	34.43	25
GU31712365	34.45	9	GU32235710	34.44	14	GU49609601	33.30	17
GU31717061	33.30	9	GU32236210	34.44	8	GU49609601	33.31	34
GU32001610	34.35	6	GU32238210	34.44	10	GU53429500	33.02	3
GU32022110	34.36	1	GU32251610	33.06	8	GU61027200	34.37	20
GU32022210	34.36	2	GU32350410	34.10	13	GU61036801	34.36	3
GU32032310	34.38	11	GU32351410	34.10	16	GU61038100	34.38	6
GU32051710	34.38	27	GU32354610	34.10	18	GU61054900	34.38	18
GU32053410	34.38	16	GU32418210	33.31	6	GU61108500	33.22	29
GU32054510	34.38	17	GU32418260	33.01	4	GU61270300	34.10	26
GU32060110	34.37	19	GU32431310	33.02	9	GU61270300	34.34	6
GU32060210	34.37	10	GU32432711	33.03	11	GU61270300	34.36	21
GU32060610	34.37	16	GU32433011	33.03		GU61270300	34.40	17
GU32060710	34.37	11	GU32439260	33.51	3	GU66103415	33.01	14
GU32064110	34.37	1	GU32461610	33.14	2	GU90271018	34.38	12
GU32067910	34.40	5	GU32506360	33.28	1	GU90271117	34.43	29
GU32080310	34.40	1	GU32517710	33.31	9	GU90271121	34.43	19
GU32084410	34.40	4	GU32525410	33.08	10	GU90271124	34.43	4
GU32112510	34.47	1	GU32526310	33.08	16	GU90272023	34.09	4
GU32112610	34.47	16	GU32526610	33.08	15	GU90272075	34.40	3
GU32112611	34.47	17	GU32530502	33.08	13	GU90274026	34.44	3
GU32113410	33.22	17	GU32530503	33.08	14	GU90353009	34.36	4
GU32113510	33.22	5	GU32530504	33.08	28	GU90353029	34.38	24
GU32114011	33.22	12	GU32530505	33.08	22	GU90353030	34.10	17
GU32114110	33.22	9	GU32530509	34.47	5	GU90400616	34.41	11
GU32114310	34.47	14	GU32530610	33.08	32	GU90402538	33.25	6
GU32114410	33.22	7	GU32530611	33.08	33	GU90402642	33.24	8
GU32115010	34.47	3	GU32555210	33.11	4	GU90402841	34.42	3
GU32115011	34.47	8	GU32555211	33.11	5	GU90402842	34.35	9
GU32115510	34.47	7	GU32602860	33.18	28	GU90403246	34.40	20
GU32115710	34.47	4	GU32603010	33.18	16	GU90403251	34.10	38
GU32116910	33.22	4	GU32603310	33.18	7	GU90403549	34.10	3
GU32117010	33.18	4	GU32605510	33.18	2	GU90407591	34.10	15
GU32117011	33.18	5	GU32611660	33.24	3	GU90706009	33.51	27
GU32120710	33.23	1	GU32615660	33.24	14	GU90706076	34.34	29
GU32120711	33.23	2	GU32632510	33.25	17	GU90706111	34.39	22
GU32121010	33.23	7	GU32633360	33.25	14	GU90706140	34.42	4
GU32121910	33.23	25	GU32633560	34.10	11	GU90706141	33.30	16
GU32121911	33.23	26	GU32634160	33.27	5	GU90706170	34.41	8
GU32123910	33.23	3	GU326358601	33.27	3	GU90706188	34.10	29
GU32128610	33.23	13	GU32636160	33.25	21	GU90706188	34.43	18
GU32129010	33.23	14	GU32718010	34.47	18	GU90706203	34.10	7
GU32137010	33.18	13	GU32724510	33.30	12	GU90706203	34.42	25
GU32159310	33.22	26	GU32727010	33.23	21	GU90706235	34.41	14
GU32159610	33.22	28	GU32735510	33.32	5	GU90706281	34.34	19
GU32202010	34.43	28	GU32735511	33.32	5	GU90706444	34.34	17
GU32206510	34.42	22	GU32738810	33.18	6	GU90706584	34.10	37
GU32208210	34.42	8	GU32747910	33.31	10	GU90714082	33.22	27
GU32210510	34.43	1	GU32750660	33.28	4	GU91113826	33.23	29
GU32211110	34.43	9	GU32750660	33.29	4	GU91120806	33.15	6
GU32211410	34.43	6	GU32750661	33.28	4	GU91180601	33.15	10
GU32211810	34.43	5	GU32750661	33.29	4	GU91181003	33.18	11
GU32212011	34.43	2	GU32753410	33.28	3	GU91181003	33.19	18
GU32213610	34.43	14	GU32753410	33.29	8	GU91551010	33.22	20
GU32213810	34.42	5	GU32753711	33.28	14	GU91551086	33.14	11
GU32214010	34.43	24	GU32753711	33.29	6	GU91600450	34.45	10
GU32214510	34.43	20	GU32753760	33.28	14	GU92201070	34.10	14



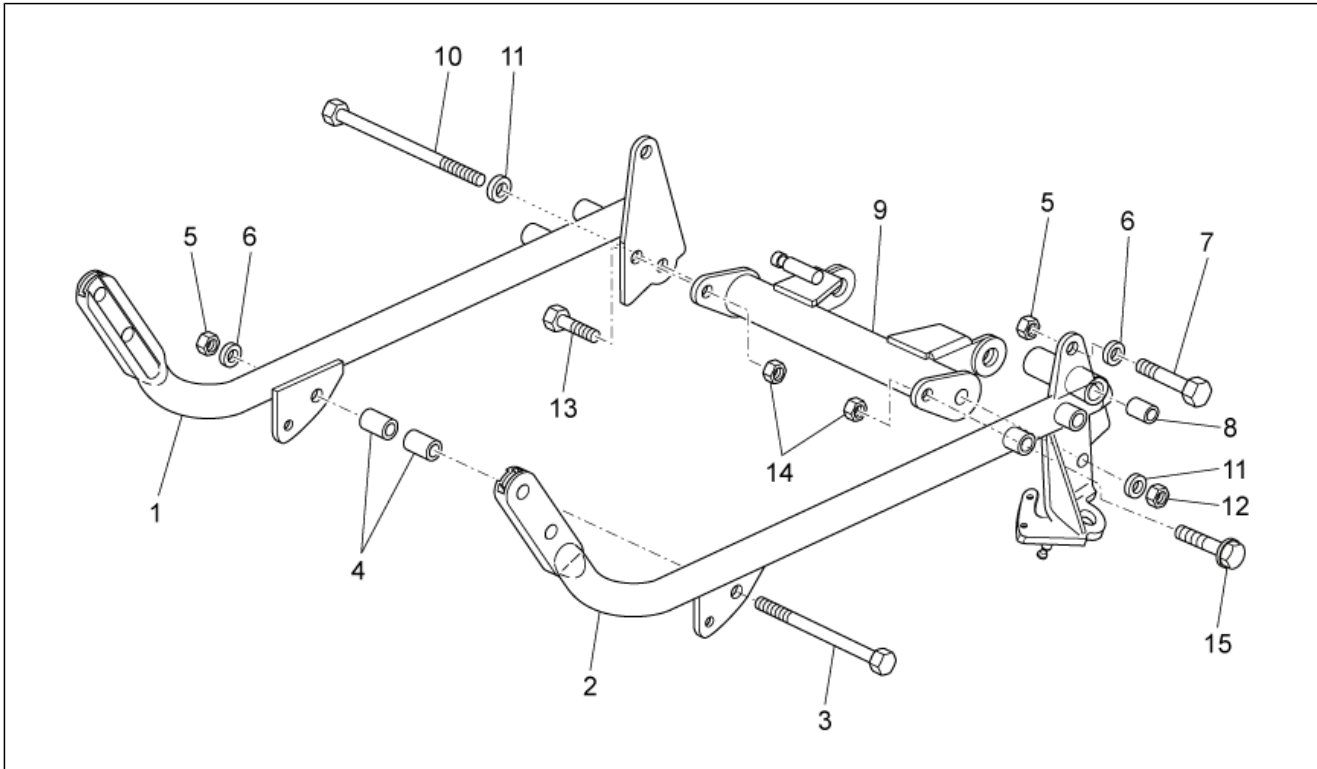
Code	No. table	Pos.	Code	No. table	Pos.	Code	No. table	Pos.
GU92201120	34.42	20	GU95005308	34.09	22	GU98252420	33.06	23
GU92201220	34.43	16	GU95005311	33.51	4	GU98252420	33.26	32
GU92201225	34.40	10	GU95005312	33.12	10	GU98257410	33.27	18
GU92204215	34.42	2	GU95005330	33.08	26	GU98257410	33.51	13
GU92204217	33.25	5	GU95008204	33.30	5	GU98310609	34.47	11
GU92204218	33.25	3	GU95008205	33.30	15	GU98350215	33.29	12
GU92204221	33.24	7	GU95008206	34.39	23	GU98350312	34.44	7
GU92218417	34.43	10	GU95008208	33.01	6	GU98350416	33.01	5
GU92230320	34.43	13	GU95008208	34.46	3	GU98350440	33.13	3
GU92234716	34.43	26	GU95008210	33.01	8	GU98370412	33.19	4
GU92249220	34.10	32	GU95008210	33.02	6	GU98370515	33.14	17
GU92249225	33.07	2	GU95008210	34.09	17	GU98370515	34.47	21
GU92249227	34.10	20	GU95008305	33.18	20	GU98370520	33.12	8
GU92251028	34.43	7	GU95008306	33.19	20	GU98370609	33.17	2
GU92252210	34.39	2	GU95008306	33.27	21	GU98370609	33.23	27
GU92252235	34.10	5	GU95020105	33.03	10	GU98370616	33.12	21
GU92296723	34.39	6	GU95021104	33.19	19	GU98370616	33.13	9
GU92602406	34.38	9	GU95021105	33.18	21	GU98370625	33.14	4
GU92602510	34.39	19	GU95021206	33.17	5	GU98370625	33.26	7
GU92603010	34.36	11	GU95021206	33.28	8	GU98370655	33.28	7
GU92606206	33.17	6	GU95021206	33.29	10	GU98370655	33.29	9
GU92606208	34.34	7	GU95100059	33.22	21	GU98370831	33.15	5
GU92606208	34.40	18	GU95100059	33.26	24	GU98370831	33.28	22
GU92606210	33.01	9	GU95100059	33.31	14	GU98612216	33.03	9
GU92606210	33.02	5	GU95100116	34.47	12	GU98620335	34.39	7
GU92606210	33.11	7	GU95100125	34.45	14	GU98620540	33.08	18
GU92606210	34.09	18	GU95100141	33.12	22	GU98680265	34.45	6
GU92606316	33.25	16	GU95100141	33.15	14	GU98680330	33.08	3
GU92606508	34.41	3	GU95100141	33.28	24	GU98680330	34.35	4
GU92606512	34.42	14	GU95100244	34.38	29	GU98680335	34.35	8
GU92606516	34.45	4	GU95100309	34.39	27	GU98680335	34.42	27
GU92630104	33.27	19	GU95100602	34.39	25	GU98680350	33.08	30
GU92630104	33.51	14	GU95100709	34.34	21	GU98680435	34.40	15
GU92630106	33.08	27	GU95129101	33.31	21	GU98680435	34.42	19
GU92630204	33.16	14	GU95129115	34.38	22	GU98680440	33.23	17
GU92630206	33.26	5	GU95129180	34.34	27	GU98680450	34.40	16
GU92630310	33.03	6	GU95129180	34.36	13	GU98680545	34.09	16
GU92630510	33.01	3	GU95129181	33.11	6	GU98680555	33.01	10
GU92640508	33.23	19	GU95187006	34.39	13	GU98682125	33.30	4
GU92787006	33.28	6	GU95401215	33.26	10	GU98682212	33.30	14
GU92787006	33.29	11	GU95500222	34.41	6	GU98682212	33.31	13
GU92787008	33.15	8	GU95780271	34.41	5	GU98682215	33.26	18
GU92787008	34.09	19	GU95963062	33.51	9	GU98682314	34.42	6
GU93110060	33.15	13	GU95990023	33.51	26	GU98682322	34.47	9
GU93180105	34.09	21	GU96451316	33.27	15	GU98682325	34.34	11
GU93180111	33.24	13	GU96451430	34.34	3	GU98682325	34.35	3
GU93180220	34.40	9	GU96451560	34.34	2	GU98682330	34.40	14
GU93180245	34.36	22	GU96506042	34.36	5	GU98682330	34.42	18
GU93222023	33.17	4	GU96508055	34.10	12	GU98682414	33.01	12
GU93231605	33.29	14	GU96508055	34.34	4	GU98682416	33.32	7
GU93231605	34.47	23	GU96508145	34.36	20	GU98682425	33.25	13
GU93301175	33.23	20	GU96510181	34.36	15	GU98682530	33.01	2
GU93301313	33.51	15	GU96510214	34.36	14	GU98690335	33.18	27
GU93305057	34.47	13	GU97202325	33.18	26	GU98692210	33.12	17
GU93305061	33.22	6	GU97202435	33.27	9	GU98692318	33.11	2
GU93305061	34.47	15	GU97270212	34.47	24	GU98692325	33.18	9
GU93450127	33.28	15	GU973221100027	34.47	25	GU98692325	34.36	16
GU93450127	33.29	7	GU98054422	34.38	28	GU98692420	33.01	19
GU93450224	33.29	3	GU98082435	34.46	2	GU98880540	33.28	21
GU94321074	33.18	12	GU98082565	33.02	7	GU98882316	34.38	21
GU94321079	34.39	24	GU98084314	34.39	12			
GU94321099	34.09	6	GU98084314	34.40	12			
GU94321105	34.41	4	GU98084316	34.40	7			
GU95004210	33.31	4	GU98110007	33.23	23			
GU95005306	33.17	3	GU98110199	33.01	7			
GU95005306	33.23	28	GU98230510	33.16	4			
GU95005308	33.28	23	GU98230510	33.18	19			

Group	FRAME
Code	33.01
Description	Frame I
Service	1



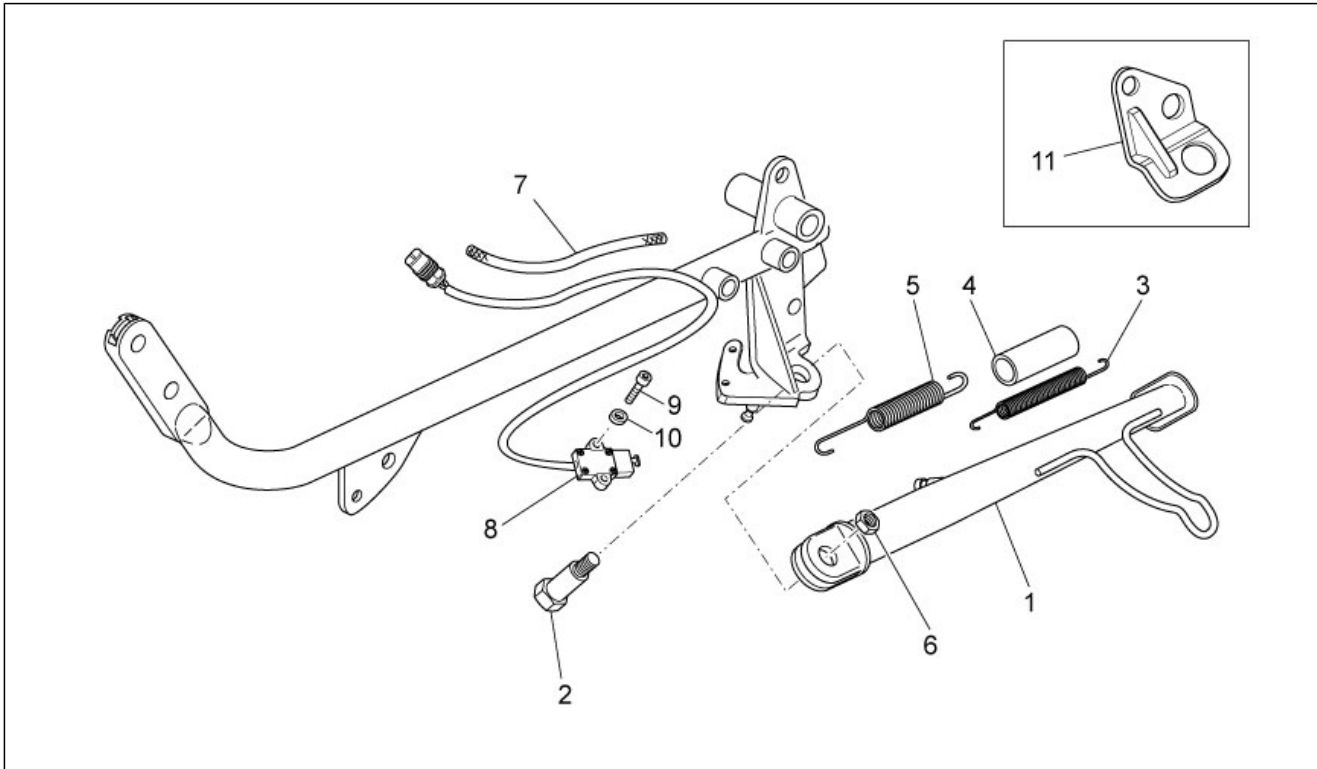
Pos.	Code	Description	Qty	Variants
1	898082	Frame p.	1	
2	GU98682530	Hex socket screw M10x30	4	
3	GU92630510	Nut M10x1,5	4	
4	GU32418260	Plate	1	
5	GU98350416	Hex socket screw	4	
6	GU95008208	Washer 8,4X15X1,5	4	
7	GU98110199	Pin M10x205	1	
8	GU95008210	Washer 10,2X18X2	11	
9	GU92606210	Nut M10x1,5	2	
10	GU98680555	screw M10x55	2	
11	886645	Plate	2	
12	GU98682414	Hex socket screw	2	
13	GU01103860	Vibration-damping rubber	1	
14	GU66103415	Rubber spacer	2	
15	AP8144606	Gasket 10X5	1	
16	AP8221172	Cable-guide	1	
17	886581	RH plate	1	
18	886582	LH plate	1	
19	GU98692420	screw	4	

Group	FRAME
Code	33.02
Description	Frame II
Service	1



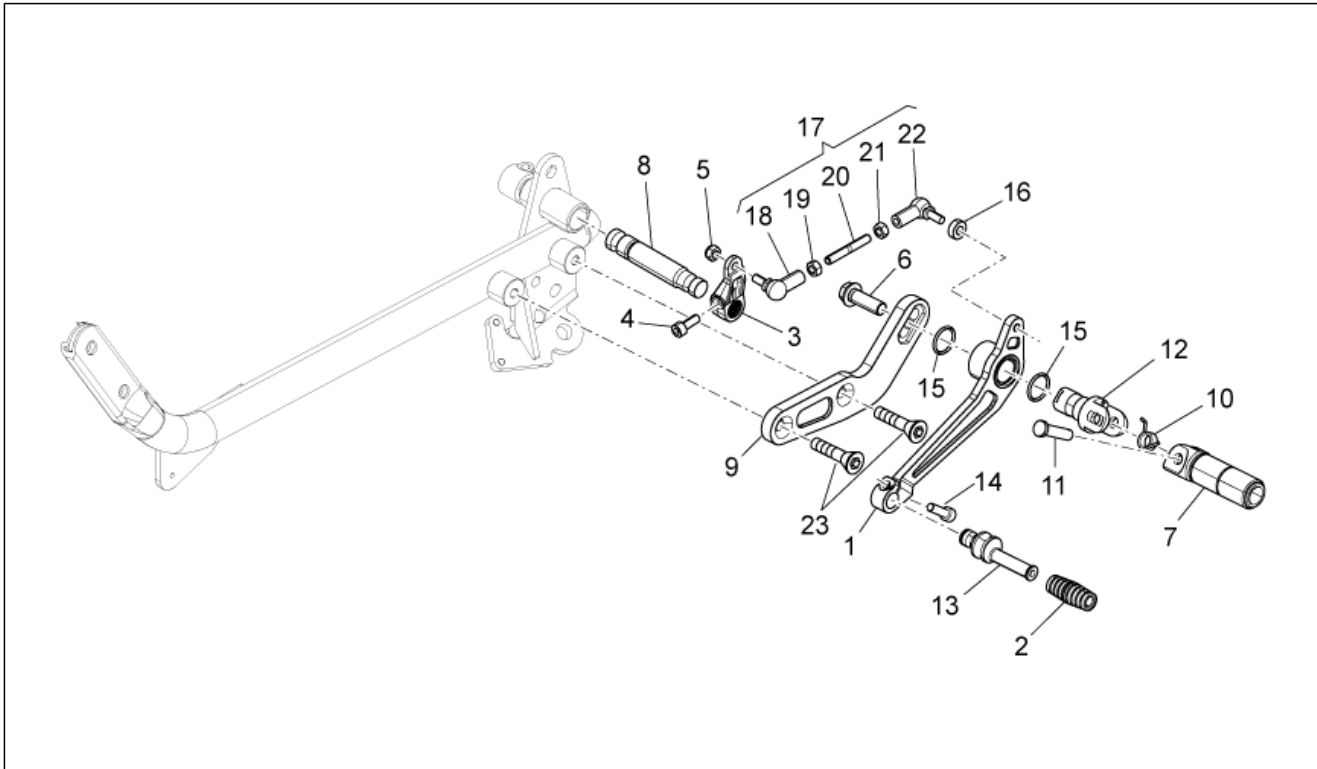
Pos.	Code	Description	Qty	Variants
1	898083	RH cradle arm	1	
2	898084	LH cradle arm	1	
3	GU53429500	Pin M10x250	1	
4	GU19017000	Bush	2	
5	GU92606210	Nut M10x1,5	3	
6	GU95008210	Washer 10,2X18X2	3	
7	GU98082565	screw M10x65	2	
8	GU28252060	Bush 18 mm est.	2	
9	GU32431310	Cradle arms conn.crosspiece	1	
10	AP8121367	Pin M10x260	1	
11	AP8152220	Washer	2	
12	AP8150436	Low self-locking nut	1	
13	AP8152287	Screw w/ flange	1	
14	AP8152300	Self-locking nut M8	1	
15	AP8152288	Screw w/ flange	1	

Group	FRAME
Code	33.03
Description	Lateral stand
Service	1



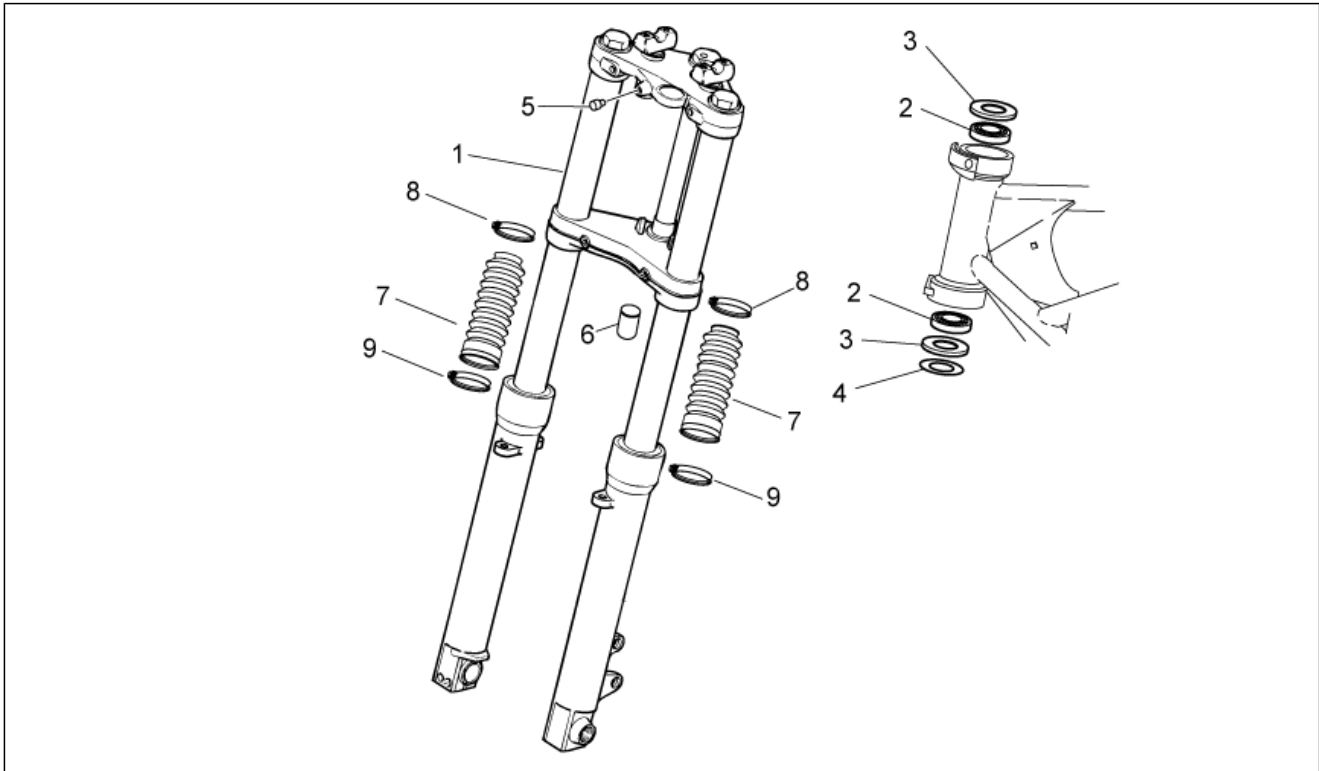
Pos.	Code	Description	Qty	Variants
	GU32433011	Nut	1	Country:Canadian[CA], USA[USA]
1	883471	Side arm black	1	Country:Canadian[CA], USA[USA]
1	977088	Side arm black	1	Country:Australia[AA], europe[EU], Japan[J], Great Britain[UK]
2	AP8121375	Central stand fixing screw	1	Country:Australia[AA], europe[EU], Japan[J], Great Britain[UK]
2	AP8121607	Central stand fixing screw	1	Country:Canadian[CA], USA[USA]
3	AP8121014	Coil pull spring *	1	
4	AP8102524	Stand spring protection	1	
5	AP8221197	Lateral stand spring	1	
6	GU92630310	Nut	1	Country:Australia[AA], europe[EU], Japan[J], Great Britain[UK]
7	GU00823923140	Thermal sheath	1	
8	639542	Button for the side stand	1	
9	GU98612216	Hex socket screw	2	
10	GU95020105	Washer 5,3x8,9x2,4	2	
11	GU32432711	plate	1	Country:Canadian[CA], USA[USA]

Group	FRAME
Code	33.06
Description	Gear lever
Service	1



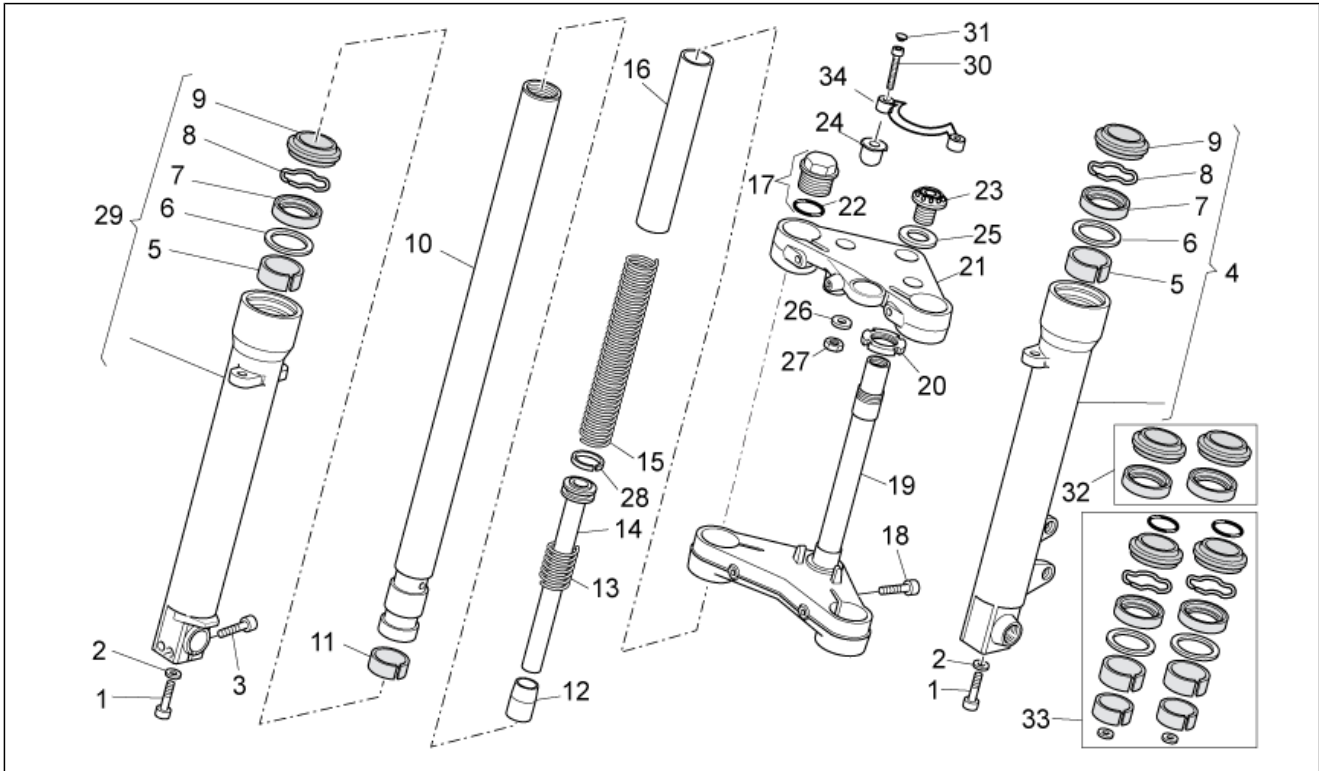
Pos.	Code	Description	Qty	Variants
1	898282	Gear lever	1	
2	AP8120912	Lever rubber	1	
3	898283	Shift lever	1	
4	AP8150137	Hex socket screw	1	
5	AP8150115	Low self-locking nut M6	1	
6	AP8152320	Screw w/ flange	1	
7	898281	RH Foot rests	1	
8	GU32251610	Lever pin	1	
9	898284	Rider footrest plate	1	
10	AP8221277	Footrest return spring	1	
11	GU23442210	Pin	1	
12	898611	LH front footrest bracket	1	
13	886665	Pin	1	
14	AP8150044	Hex socket screw M6x20	1	
15	AP9100477	O-ring 18x2	2	
16	886668	Spacer	1	
17	887280	Gear control tie rod	1	
18	AP8210007	RH ball joint M6	1	
19	AP8150026	Nut	1	
20	856796	Gearbox linkage rod	1	
21	AP8152138	Nut	1	
22	AP8110053	Left ball joint M6	1	
23	GU98252420	Screw M8x20	2	

Group	FRAME
Code	33.07
Description	Front fork I
Service	1



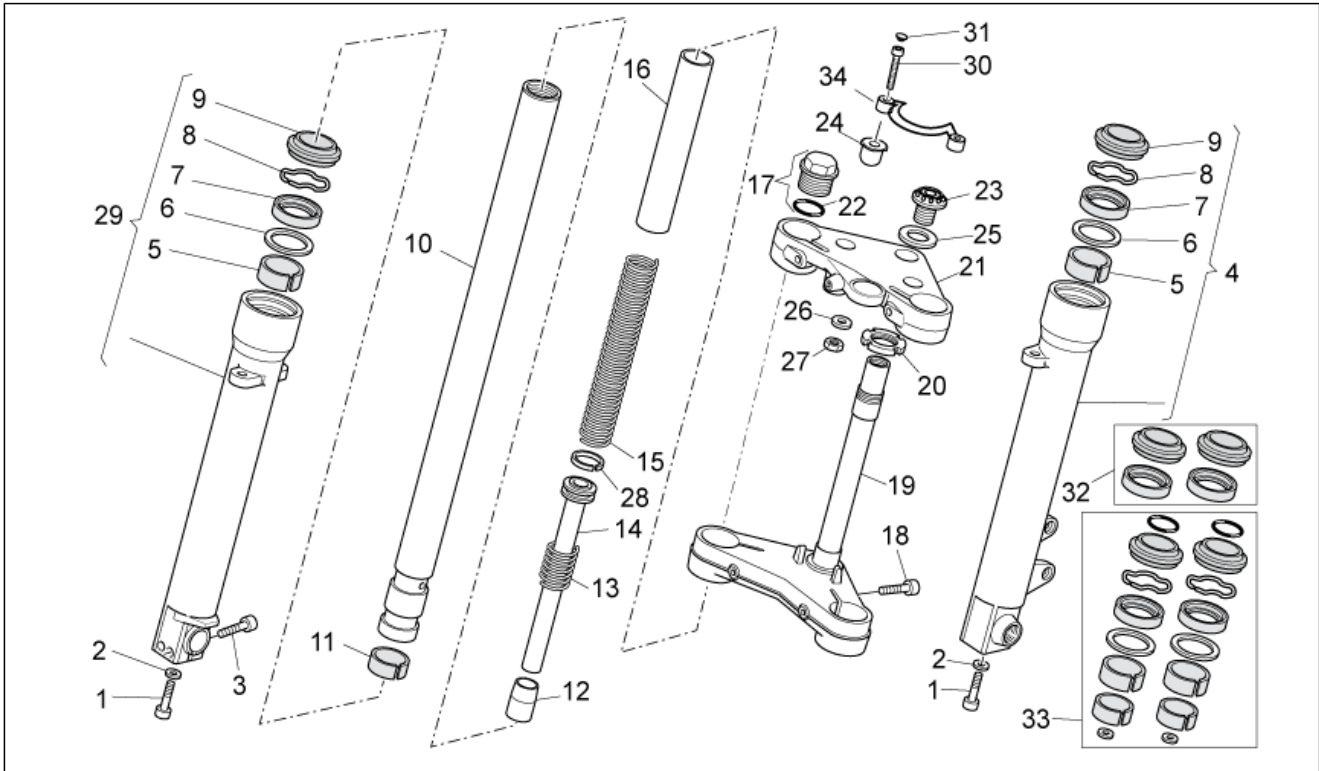
Pos.	Code	Description	Qty	Variants
1	886677	Front fork	1	
2	GU92249225	Tap.roller bearing	2	
3	AP8144146	Gasket ring	1	
4	AP8121307	Washer	1	
5	AP8144081	Rubber spacer	1	
6	AP8220460	Rubber cup	1	
7	898086	Anti-dust tube	7	
8	CM001929	Hose clamp 36.5	2	
9	CM001928	Hose clamp 44	2	

Group	FRAME
Code	33.08
Description	Fron fork II
Service	1



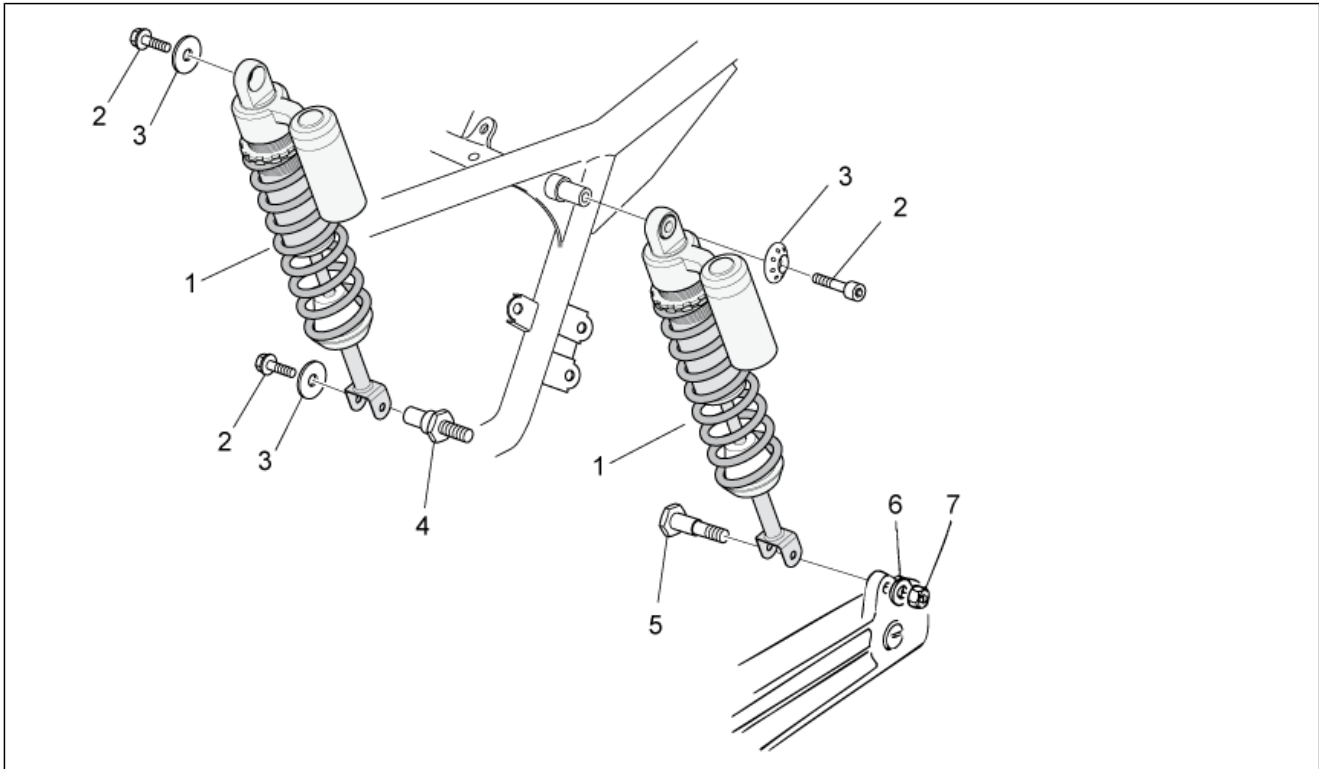
Pos.	Code	Description	Qty	Variants
1	GU03530530	screw M10x30	2	
2	GU03530529	Washer	2	
3	GU98680330	Hex socket screw M6x30	2	
4	978978	LH sleeve cpl. Black	1	
5	GU30526761	Upper bush	2	
6	599504	Cup (Marzocchi)	2	
7	599501	Gasket ring (Marzocchi)	2	
8	599503	Stop ring (Marzocchi)	2	
9	599502	Dust cover + spring (Marzocchi)	2	
10	GU32525410	Sleeve	2	
11	GU30525861	Lower bush	2	
12	GU03530551	Drift	2	
13	GU32530502	Return spring	2	
14	GU32530503	Plunger, complete	2	
15	GU32526610	Spring	2	
16	GU32526310	pipe	2	
17	886684	Plug cpl.	2	
18	GU98620540	screw	2	
19	978974	Stem base Black	1	
20	GU31513480	Ring nut M25X1	1	
21	886842	Fork upper plate	1	
22	GU32530505	O-ring 4118	2	
23	883498	Upper plate fixing bush	1	
24	883552	Bush	2	
25	GU27530510	Washer	2	
26	GU95005330	Washer 6,4x30x1,5	2	
27	GU92630106	Nut M6x1	2	
28	GU32530504	Ring	2	

Group	FRAME
Code	33.08
Description	Fron fork II
Service	1



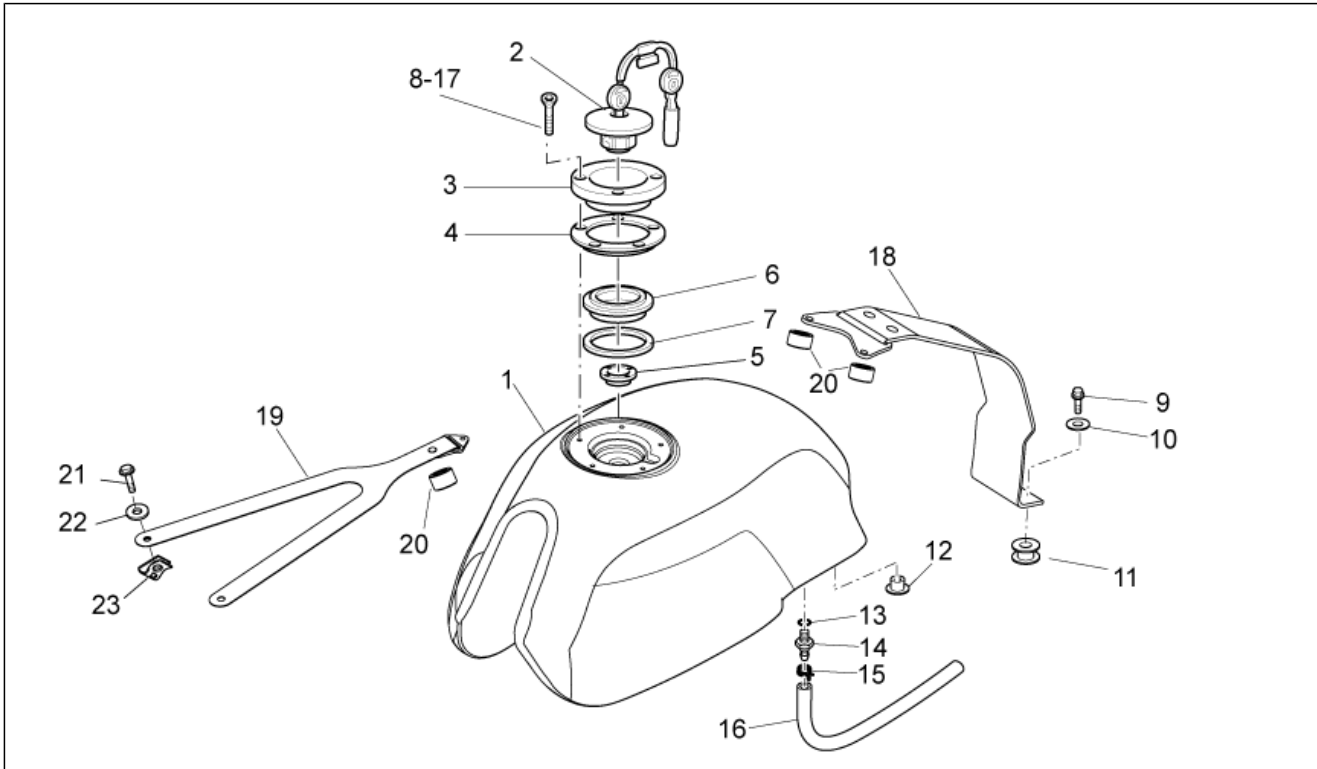
Pos.	Code	Description	Qty	Variants
29	978977	RH sleeve cpl.	1	
30	GU98680350	Hex socket screw M6x50	2	
31	GU23943410	Plug	8	
32	GU32530610	Gaskets set	1	
33	GU32530611	Engine oil seal kit	1	
34	883602	Pipe	1	

Group	FRAME
Code	33.11
Description	Rear shock absorber
Service	1



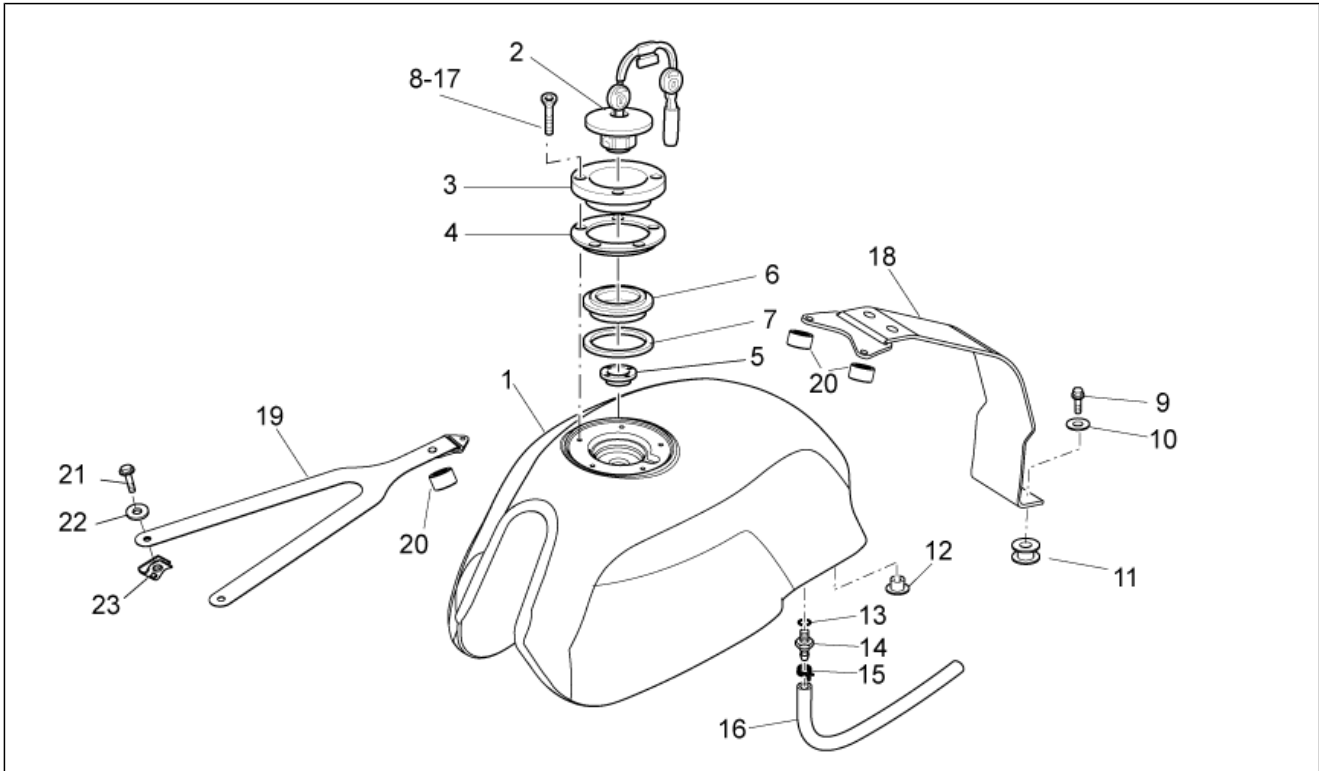
Pos.	Code	Description	Qty	Variants
1	886675	Rear shock absorber	2	
2	GU98692318	Hex socket screw	3	
3	886630	***Bush	3	
4	GU32555210	Pin	1	
5	GU32555211	Pin	1	
6	GU95129181	Washer	1	
7	GU92606210	Nut M10x1,5	1	

Group	FRAME
Code	33.12
Description	Fuel tank
Service	1



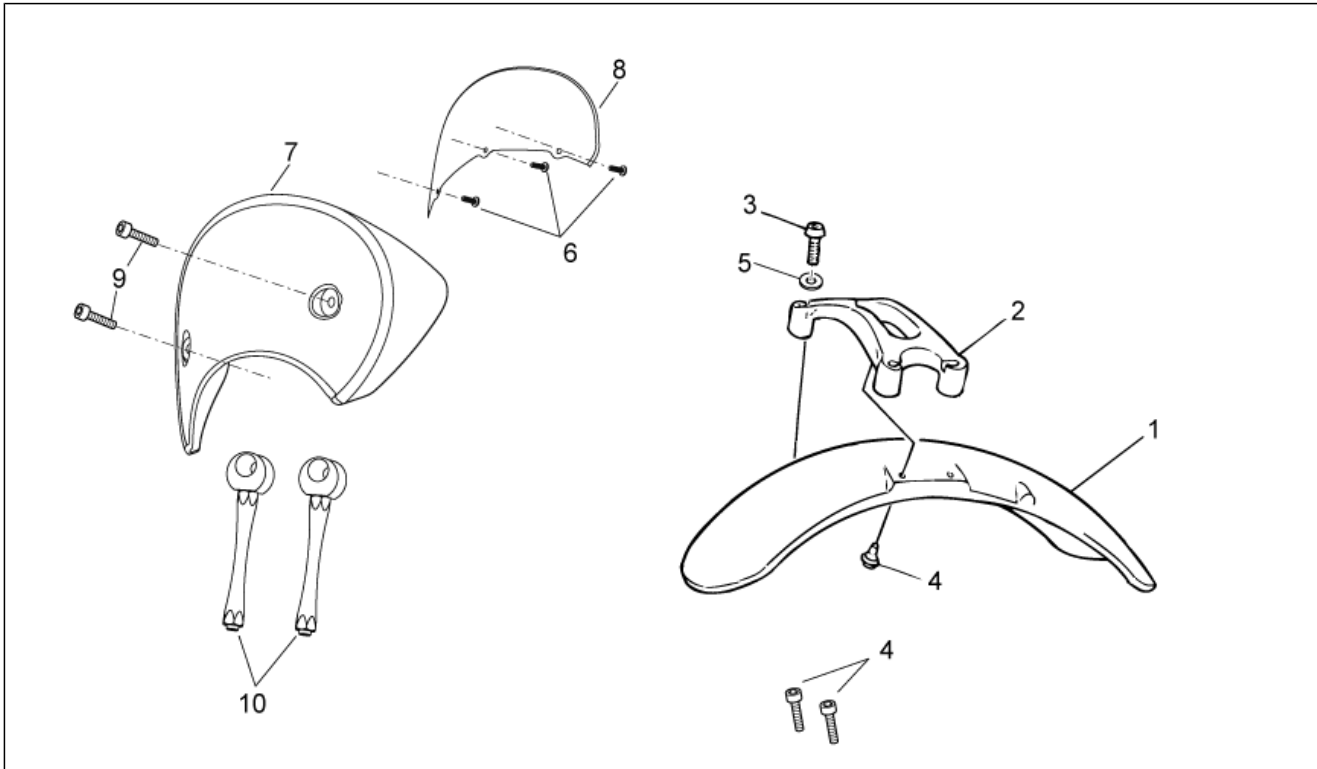
Pos.	Code	Description	Qty	Variants
1	883469	Fuel tank blank	1	Country:Canadian[CA], USA[USA]
1	887205	Tank Chrome	1	Country:Canadian[CA], USA[USA] Technical specification:Decal[D]
1	887445	Fuel tank, black	1	Vehicle colour:BLACK[Black] Country:Japan[J]
1	898172	Tank Chrome	1	Vehicle colour:Chromed[CR] Country:Australia[AA], europe[EU], Japan[J], Great Britain[UK] Technical specification:Decal[D]
1	978928	Fuel tank blank	1	Country:Australia[AA], europe[EU], Japan[J], Great Britain[UK]
2	883185	Tank cap	1	Country:Australia[AA], europe[EU], Japan[J], Great Britain[UK]
2	883476	Tank cap	1	Country:Canadian[CA], USA[USA]
3	886369	Fuel tank flange	1	
4	883193	Gasket	1	
5	GU03101720	Reduction 38 mm	1	
6	GU03102200	Plug ring nut	1	
7	GU03101600	Gasket	1	
8	GU98370520	Hex socket screw	3	
9	AP8152291	Screw w/ flange	1	
10	GU95005312	Washer 8,5x24x2	1	
11	GU02107100	Rubber spacer	1	
12	883252	Spacer	1	
13	AP8120965	O-ring 2018	1	
14	GU30103730	Union	1	
15	AP8101595	Hose clamp D10,1*	1	
16	GU00823944050	pipe 5X9	1	
17	GU98692210	Hex socket screw	2	
18	886617	Rear belt	1	

Group	FRAME
Code	33.12
Description	Fuel tank
Service	1



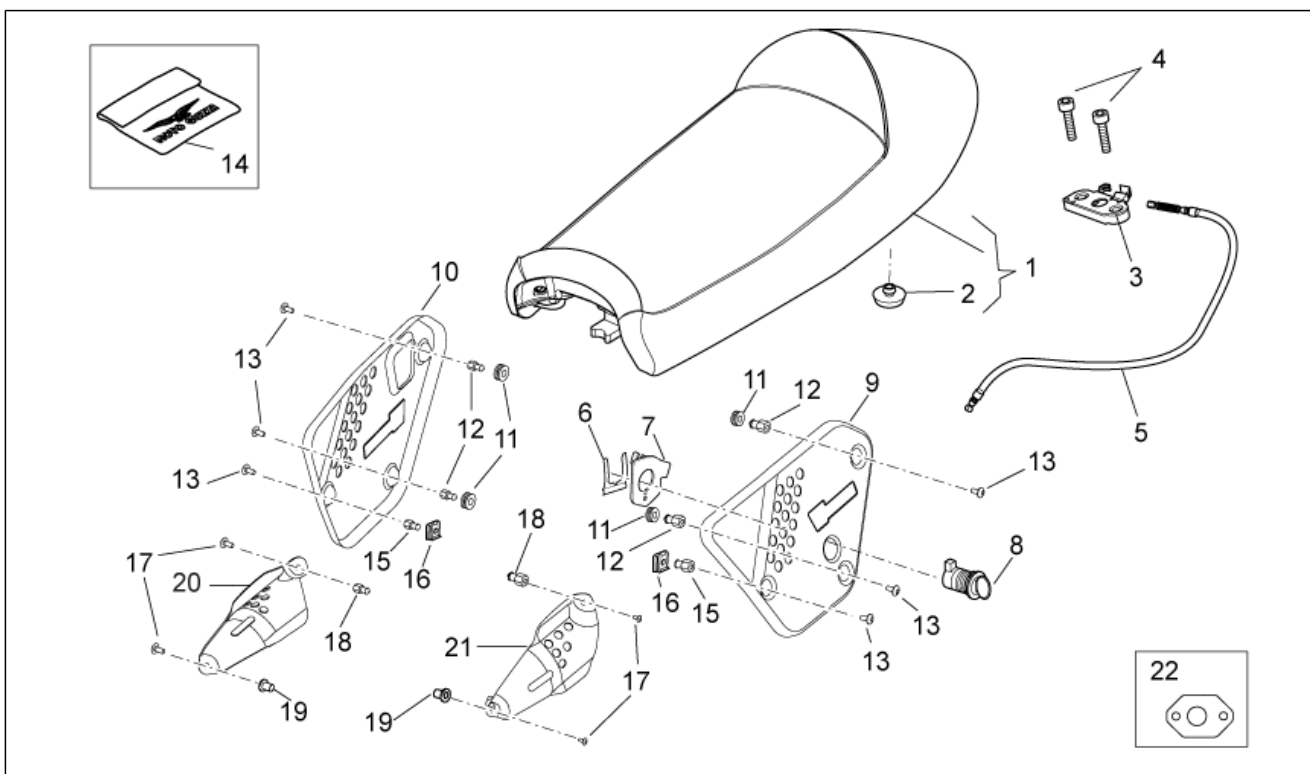
Pos.	Code	Description	Qty	Variants
19	886625	Front belt	1	
20	886370	Spacer bush 5.5x9.5x5.5	3	
21	GU98370616	Hex socket screw	2	
22	GU95100141	Washer 6,4x12x1,2	2	
23	GU28576591	Clip M6	2	

Group	FRAME
Code	33.13
Description	Front body - Front mudguard
Service	1



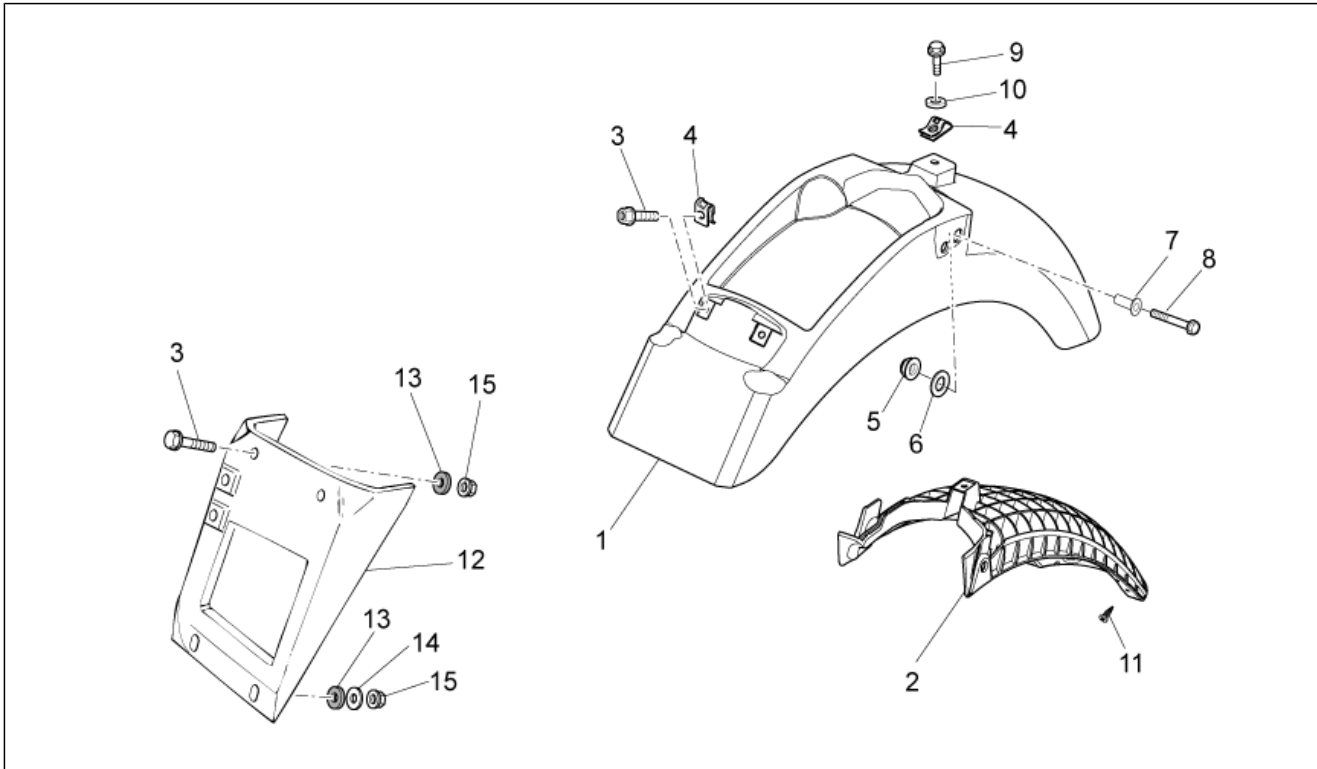
Pos.	Code	Description	Qty	Variants
1	88673000Y02	Front mudguard, black	1	
2	886784	Stabilization plate	1	
3	GU98350440	screw	4	
4	GU31439565	screw	4	
5	GU14615901	Washer 8,4X13X0,8	4	
6	AP8150413	Self-tap screw 3,9x14	3	
7	88673100Y02	Front fairing, black	1	Technical specification:Decal[D]
7	898179	Headlight windshield blank	1	
8	898180	Windshield	1	
9	GU98370616	Hex socket screw	2	
10	886724	Windshield support	2	

Group	FRAME
Code	33.14
Description	Saddle-Central bod
Service	1



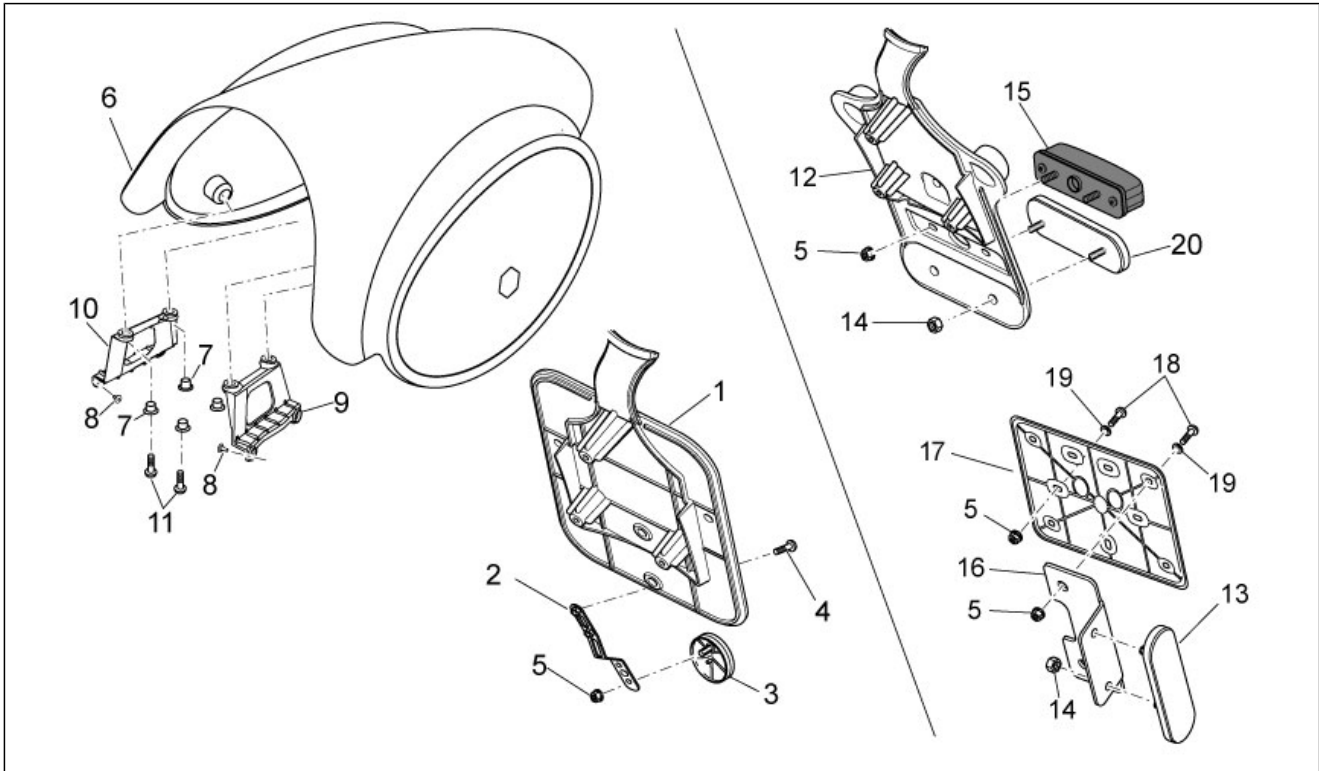
Pos.	Code	Description	Qty	Variants
1	898178	Saddle	1	
2	GU32461610	Rubber spacer	10	
3	AP8102913	Pass.saddle connecting plate	1	
4	GU98370625	Hex socket screw	2	
5	883295	Saddle release cable	1	
6	AP8121420	Fork spring	1	
7	978415	Cable fixing plate	1	
8	977527	Saddle lock	1	
9	898278	LH side panel	1	Technical specification:no decals[ND]
10	898277	RH side panel	1	Technical specification:no decals[ND]
11	GU91551086	Rubber spacer	4	
12	886368	Fixing pin	4	
13	896174	Hex socket screw	6	
14	886841	Saddle protection bag	1	
15	886706	Fixing pin	2	
16	254485	Spring plate M6	2	
17	GU98370515	screw	4	
18	AP8120531	Rubber w/ insert *	2	
19	886727	Fixing pin	2	
20	898270	Right throttle cover	1	
21	898271	Left throttle cover	1	
22	886820	Saddle lock fix.plate	1	

Group	FRAME
Code	33.15
Description	Rear body I- Mudguard
Service	1



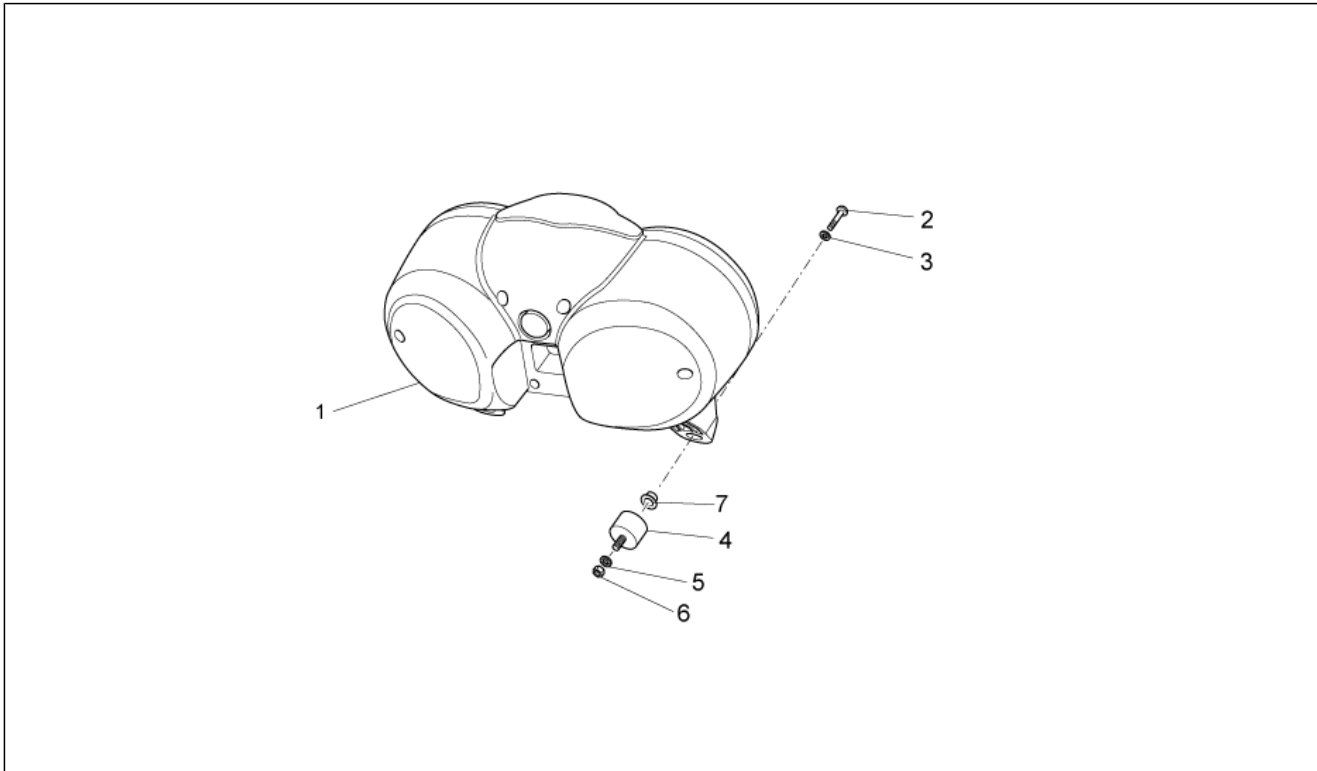
Pos.	Code	Description	Qty	Variants
1	97894600Y02	Rear mudguard, black	1	
2	978947	Support	1	
3	AP8152278	Screw w/ flange M6x16	4	
4	GU28576591	Clip M6	3	
5	GU98370831	Hex socket screw M8x30	2	
6	GU91120806	Spacer	2	
7	GU03270300	Washer 8,4x15	2	
8	GU92787008	Cap nut M8x1,25	2	
9	AP8152279	Screw w/ flange M6x20	2	
10	GU91180601	Spacer 6,2x8x3	2	
11	AP8152329	Phillips screw, SWP M5x20	3	
12	GU31438765	Splash guard	1	
13	GU93110060	Rubber spacer	4	
14	GU95100141	Washer 6,4x12x1,2	2	
15	AP8152299	Self-locking nut M6	4	

Group	FRAME
Code	33.16
Description	Rear body II- Plate holder
Service	1



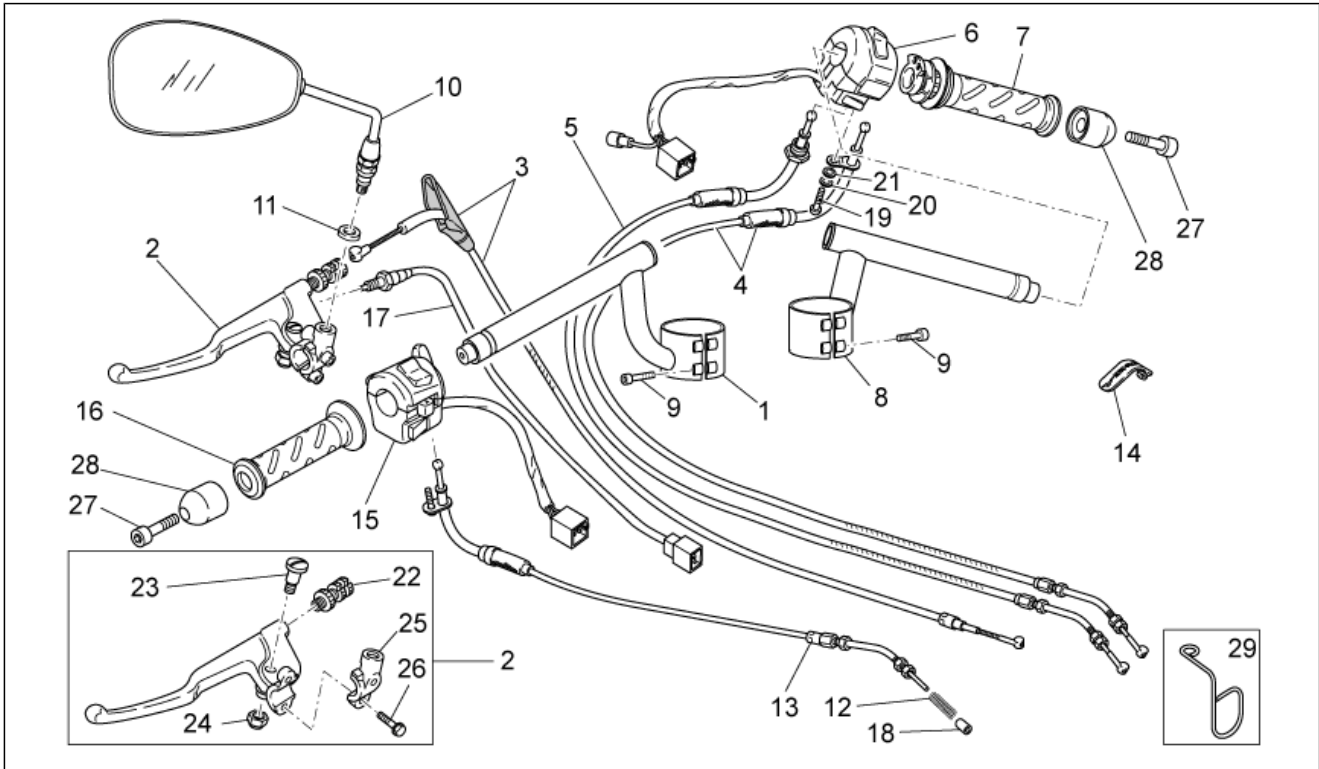
Pos.	Code	Description	Qty	Variants
1	978949	Number plate holder	1	
2	AP8134448	Reflector support	1	
3	AP8224164	Rear reflector, red	1	
4	GU98230510	Hex socket screw	2	
5	AP8152306	Self-locking nut m5	1	
6	88673200Y02	Rear fairing, black	1	Technical specification:Decal[D]
6	898280	Rear fairing, blank	1	
7	AP8121929	T bush 6,5x8,6x9	4	
8	AP8152339	Screw w/ flange M5x9	4	
9	886712	LH clamp	1	
10	886713	RH clamp	1	
11	AP8152273	Screw w/ flange	4	
12	883470	Number plate holder	1	Country:Canadian[CA], USA[USA]
13	AP8124718	Rear reflector, red	2	Country:Canadian[CA], USA[USA]
14	GU92630204	Nut	6	Country:Canadian[CA], USA[USA]
15	883480	Number-plate light	1	Country:Canadian[CA], USA[USA]
16	GU32781910	Reflector support	2	Country:Canadian[CA], USA[USA]
17	AP8149034	Number plate support	1	Country:Canadian[CA], USA[USA]
18	AP8152268	Hex socket screw	7	Country:Canadian[CA], USA[USA]
19	AP8150248	Washer 5,5x15x1,6	7	Country:Canadian[CA], USA[USA]
20	GU05781630	Reflector, amber	1	Country:Canadian[CA], USA[USA]

Group	FRAME
Code	33.17
Description	Dashboard
Service	1



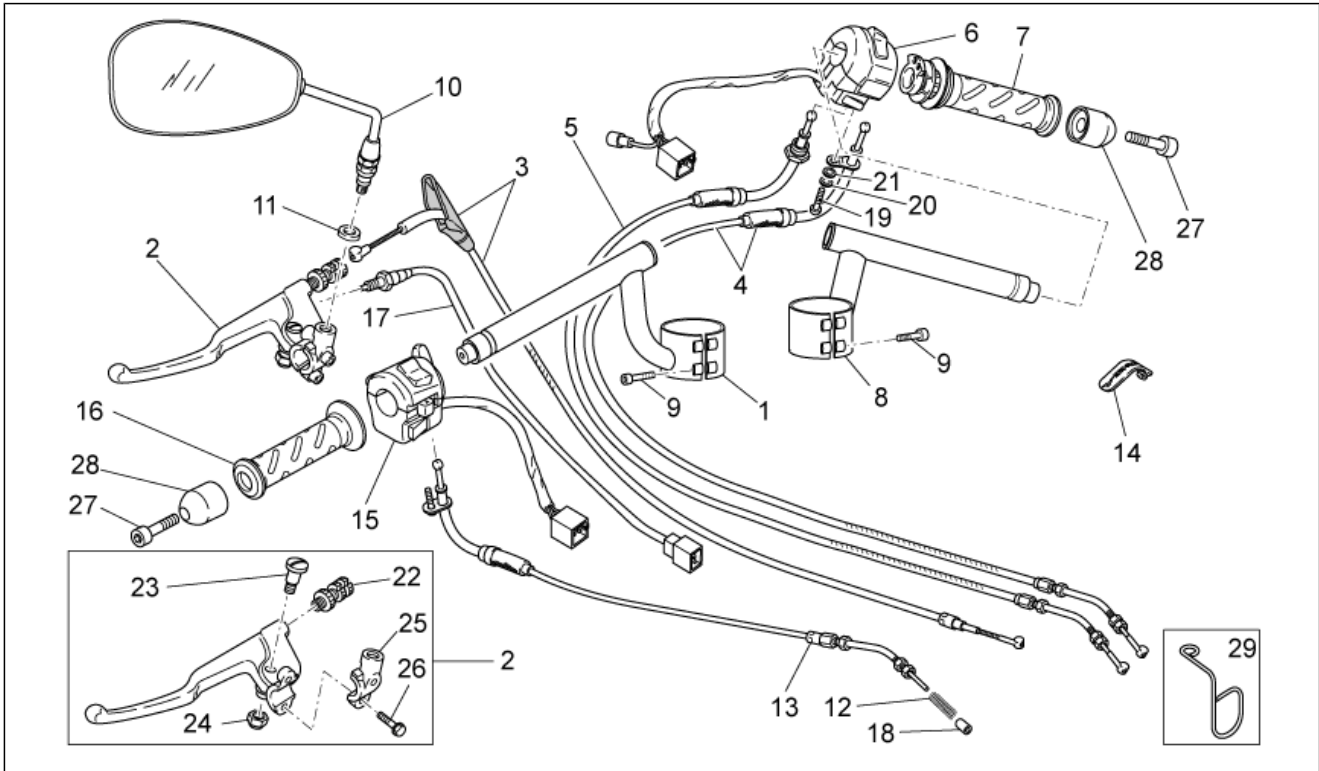
Pos.	Code	Description	Qty	Variants
1	883796	Dashboard complete	1	Country:Australia[AA], Canadian[CA], europe[EU], Japan[J]
1	883797	Dashboard complete	1	Country:Great Britain[UK], USA[USA]
2	GU98370609	Hex socket screw M6x10	3	
3	GU95005306	Washer 6,4x13x1,5	3	
4	GU93222023	Silent-block	3	
5	GU95021206	Washer	3	
6	GU92606206	Nut	3	
7	AP8121032	Bush	3	

Group	FRAME
Code	33.18
Description	Handlebar - Controls
Service	1



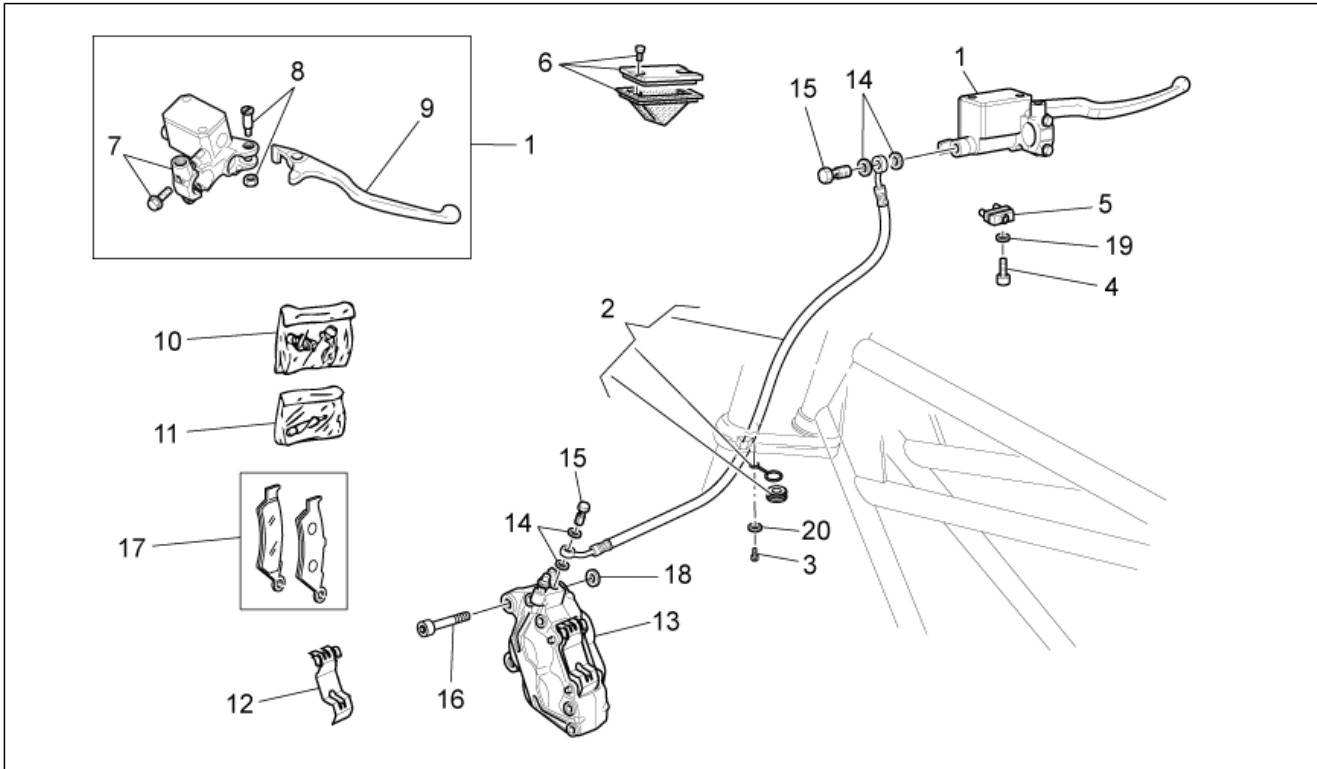
Pos.	Code	Description	Qty	Variants
1	898170	Left half handlebar	1	
2	GU32605510	Clutch lever	1	
3	883940	Clutch cable	1	
4	GU32117010	Gas trasmission delivery	1	
5	GU32117011	Gas trasmission return	1	
6	GU32738810	RH lights selector	1	
7	GU32603310	RH hand grip	1	
8	898171	Right half handlebar	1	
9	GU98692325	Hex socket screw M6x25	4	
10	883802	RH/LH rearview mirror	2	Technical specification:"FU E1181R-001047"[B]
10	978570	RH/LH rearview mirror	2	Technical specification:"FAR"[A]
11	GU91181003	Spacer 10,25X20X4	2	
12	GU94321074	Spring 7x1,1x25	1	
13	GU32137010	Choke cable	1	
14	GU01609630	Hose clamp L46 mm	2	
14	GU03609600	Hose clamp L36 mm	1	
15	883075	LH lights selector	1	
16	GU32603010	LH hand grip	1	
17	GU29759150	Lateral stand switch	1	
18	GU39094200	Cover	1	
19	GU98230510	Hex socket screw	1	
20	GU95008305	Washer 5,3X10X1	1	
21	GU95021105	Notched washer	1	
22	GU30602500	Register	1	
23	AP8213028	screw	1	
24	AP8118490	Nut	1	
25	GU30601060	Clump	1	
26	GU97202325	Black screw w/ flange M6x25	2	

Group	FRAME
Code	33.18
Description	Handlebar - Controls
Service	1



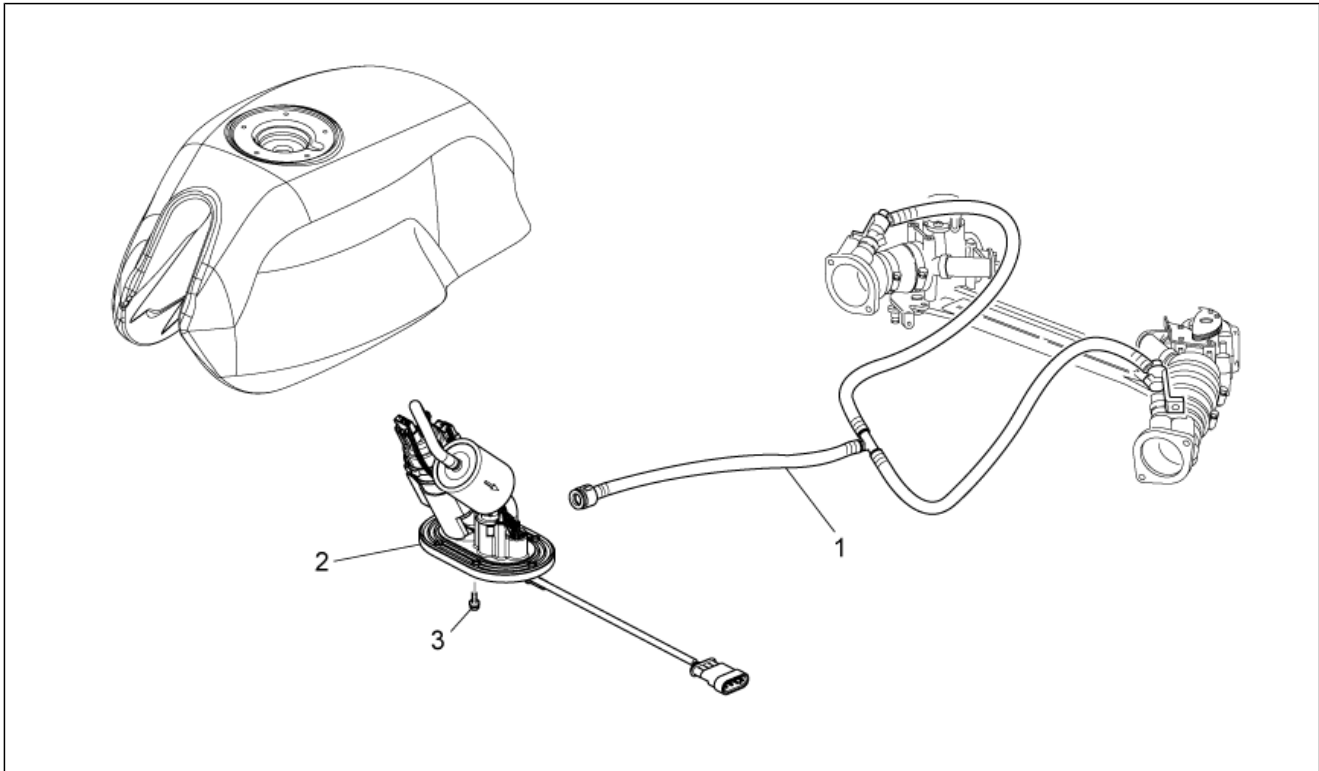
Pos.	Code	Description	Qty	Variants
27	GU98690335	Hex socket screw	2	
28	GU32602860	Anti.v weight, chr.	2	
29	AP8221172	Cable-guide	1	

Group	FRAME
Code	33.19
Description	Front brake system
Service	1



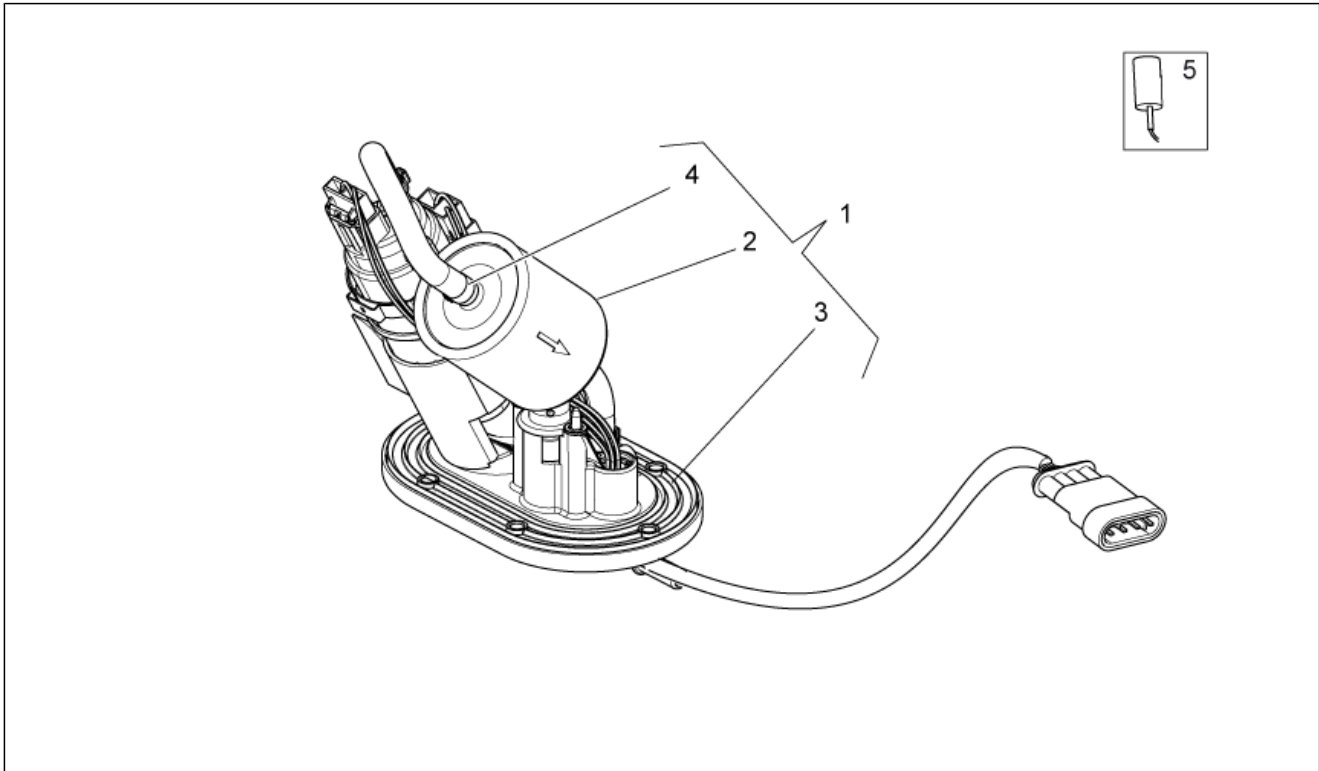
Pos.	Code	Description	Qty	Variants
1	GU03660145	Front master cilinder	1	
2	883581	Brake hose	1	
3	AP8152277	Screw w/ flange M6x12	1	
4	GU98370412	Hex socket screw M4x12	1	
5	GU03749845	Brake light switch	1	
6	GU03661145	Pump cover	1	
7	GU03664045	U-bolt	1	
8	GU03604845	Lever pin	1	
9	GU03605645	Brake lever	1	
10	GU05659230	Bleeder+cap	1	
11	GU01659130	Pins+Caliper springs	1	
12	GU01659131	Spring	1	
13	883303	LH front brake caliper, black	1	
14	AP8113004	Washer 10x14x1,6*	4	
15	978323	Oil pipe screw *	2	
16	AP8152385	Hex socket screw M10x1,25	2	
17	GU01654630	Pads pair	1	
18	GU91181003	Spacer 10,25X20X4	2	
19	GU95021104	Washer 4,3x8x1,5	1	
20	GU95008306	Washer 6,4x12x1,2	1	

Group	FRAME
Code	33.20
Description	Fuel supply
Service	1



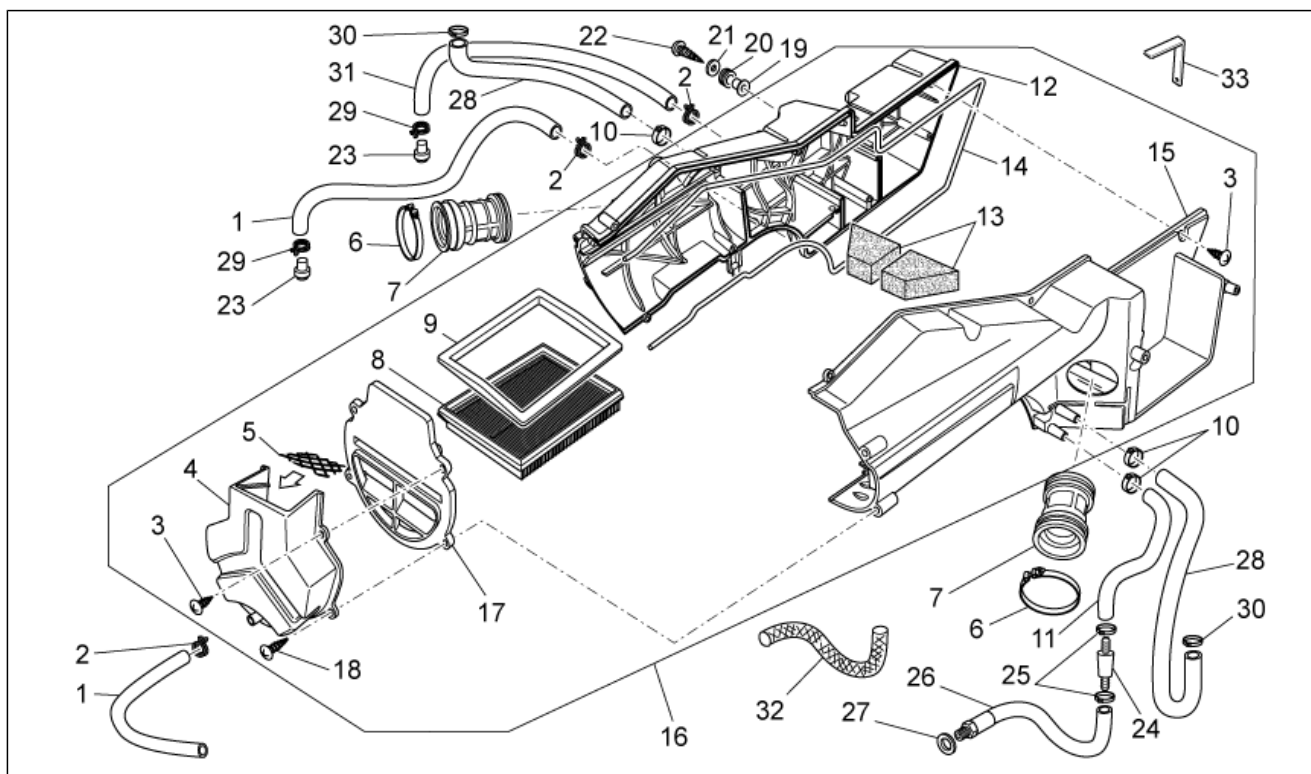
Pos.	Code	Description	Qty	Variants
1	883265	Fuel pipe	1	
2	978930	Fuel pump	1	
3	AP8152273	Screw w/ flange	6	

Group	FRAME
Code	33.21
Description	Fuel pump
Service	1



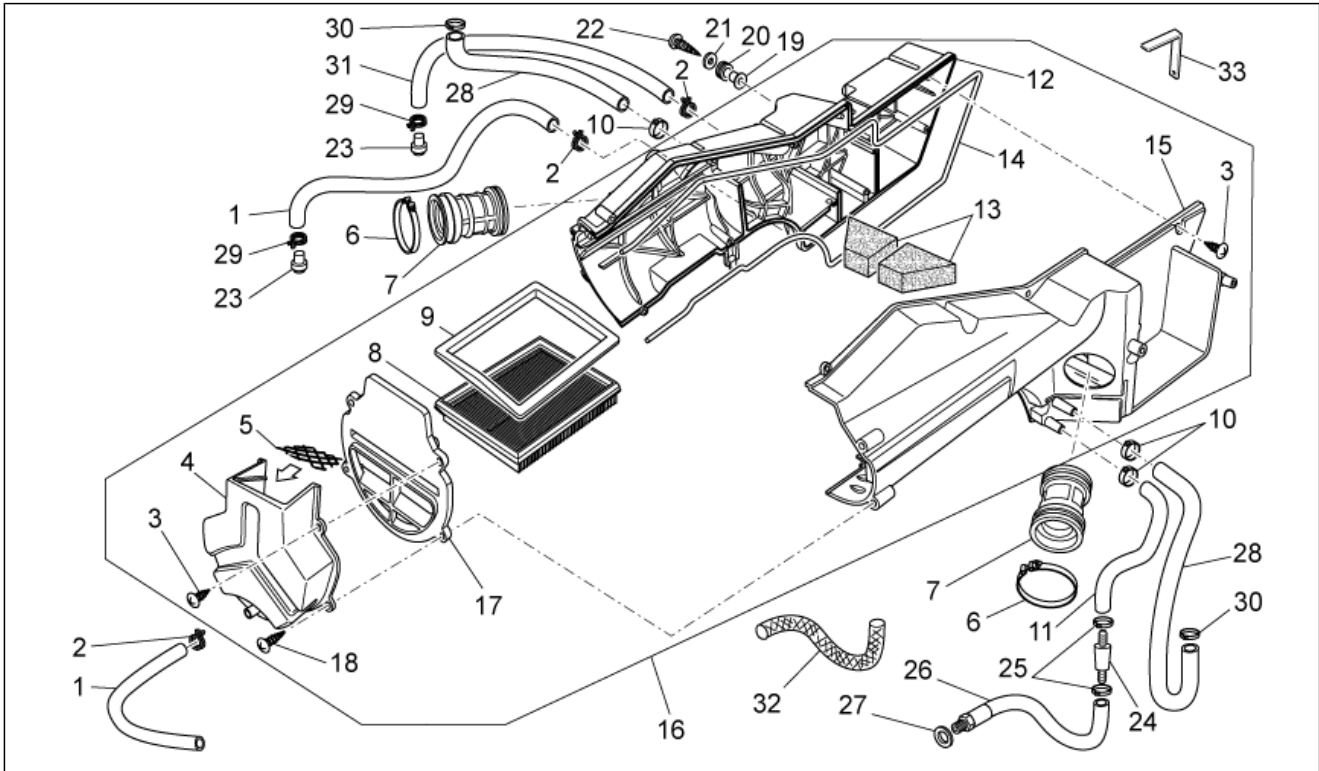
Pos.	Code	Description	Qty	Variants
1	978930	Fuel pump	1	
2	GU01106090	Fuel filter	1	
3	GU05107430	Gasket	1	
4	GU01108490	Hose clamp 11,3	4	
5	883852	Thermistor	1	

Group	FRAME
Code	33.22
Description	Air box
Service	1



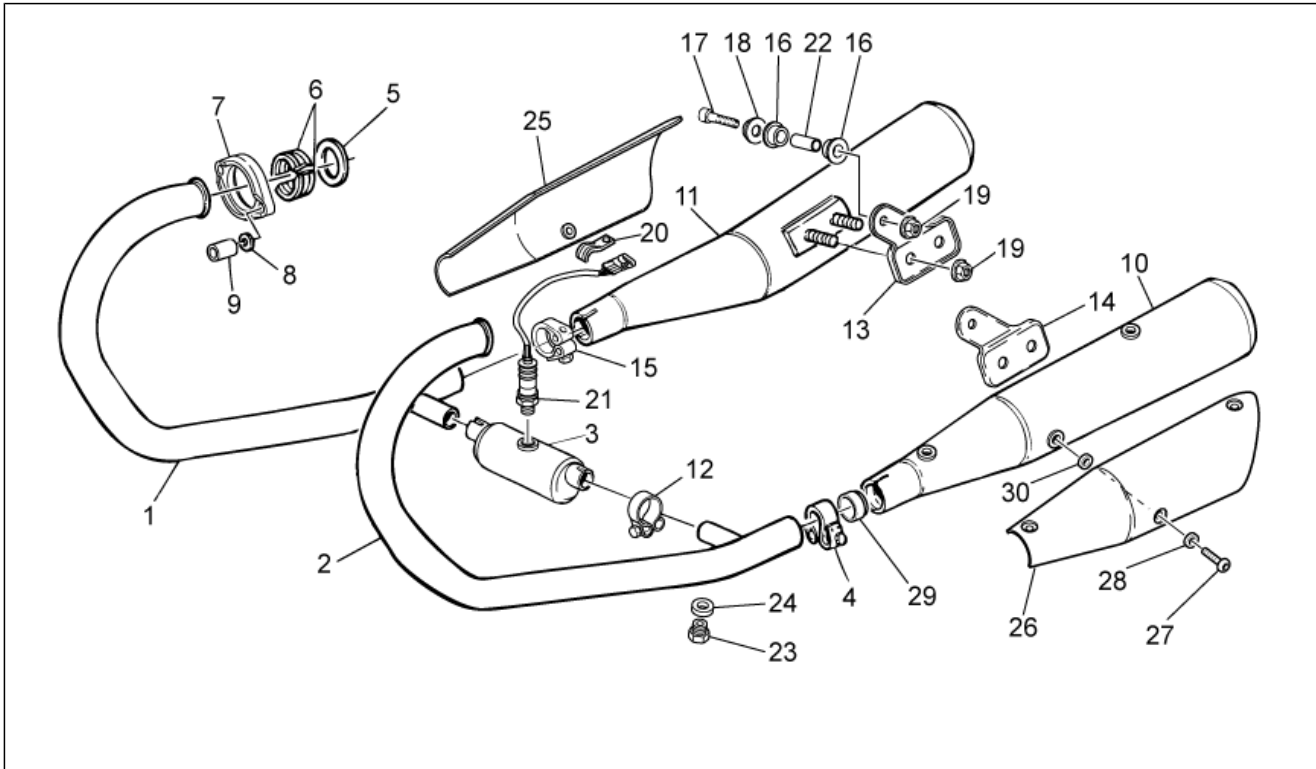
Pos.	Code	Description	Qty	Variants
1	AP8120952	Fuel pipe 5,5x10	2	
2	AP8201358	Hose clamp D 11,9	2	
3	AP8150413	Self-tap screw 3,9x14	12	
4	GU32116910	Filter cover	1	
5	GU32113510	Filter mesh	1	
6	GU93305061	Hose clamp 61/65,5	2	
7	GU32114410	Intake hose	2	
8	AP8104242	Air filter	1	
9	GU32114110	Maintenance	1	
10	AP8102766	Hose clamp	3	
11	AP8120772	Breather pipe	1	
12	GU32114011	RH Bearing shell	1	
13	AP8104525	Filter blow-by	2	
14	AP8120615	Gasket D3	3	
15	883697	LH Bearing shell	1	
16	883696	Air box	1	
17	GU32113410	Cover	1	
18	AP8152329	Phillips screw, SWP M5x20	3	
19	GU30576100	Spacer D.6,5	3	
20	GU91551010	Rubber spacer	3	
21	GU95100059	Washer 5,25x14x1,5	3	
22	AP8152329	Phillips screw, SWP M5x20	3	
23	AP8120876	Plug	3	
24	AP8104251	Oil breather valve	1	
25	AP8102159	Hose clamp	2	
26	GU32159310	Breather	1	
27	GU90714082	Gasket	1	
28	GU32159610	Breather pipe	2	

Group	FRAME
Code	33.22
Description	Air box
Service	1



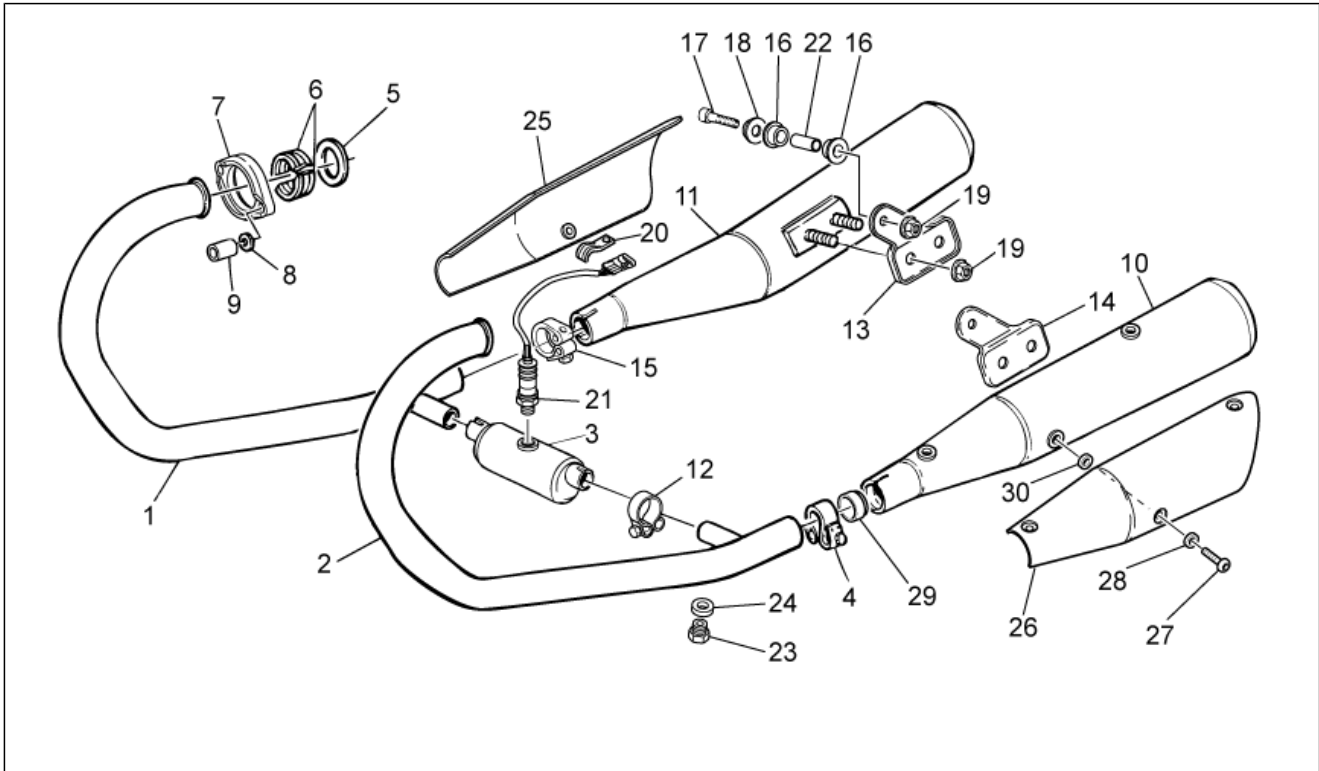
Pos.	Code	Description	Qty	Variants
29	GU61108500	Hose clamp D9	2	
30	AP8102239	Hose clamp 12,5x8	2	
31	AP8144038	Fuel pipe 6x10	1	
32	GU00823923140	Thermal sheath	1	
33	GU31112965	Square	1	

Group	FRAME
Code	33.23
Description	Exhaust unit
Service	1



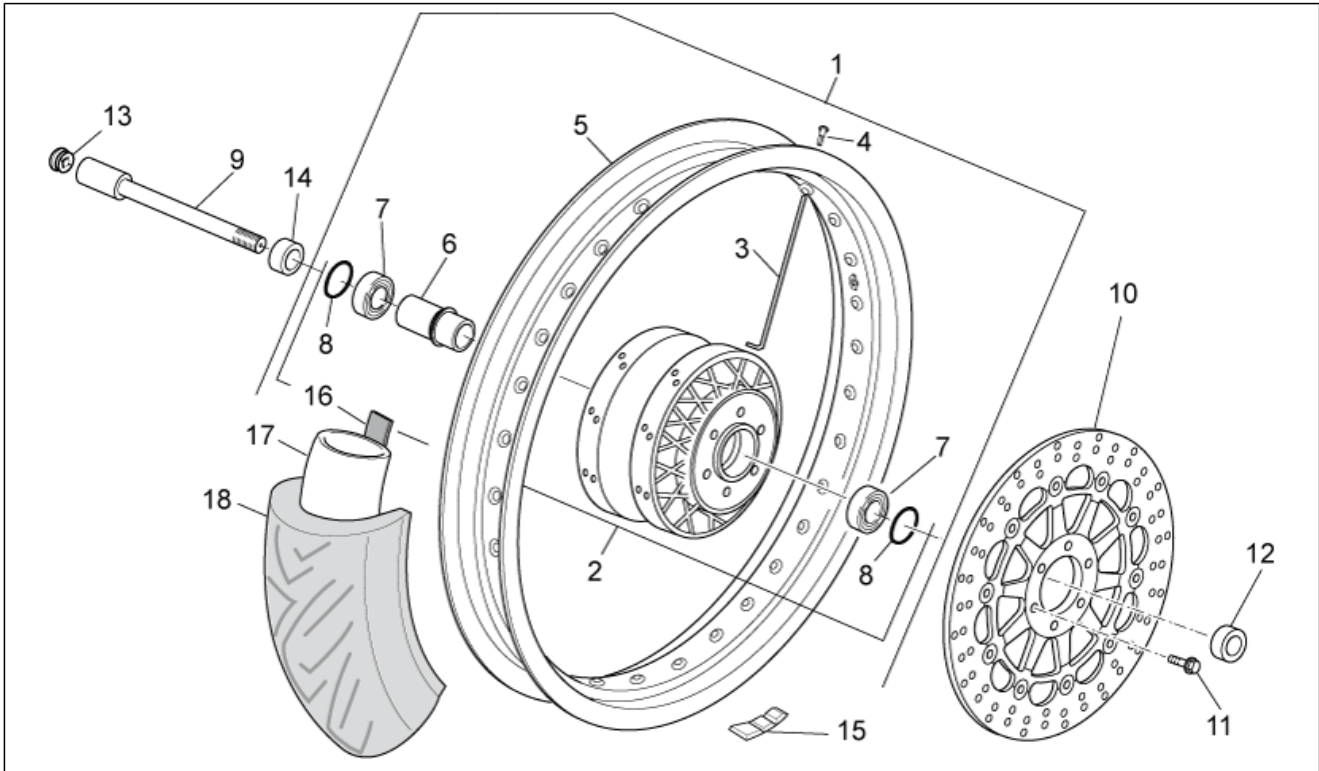
Pos.	Code	Description	Qty	Variants
1	883870	RH exhaust pipe	1	Country:Japan[J]
1	GU32120710	RH exhaust pipe	1	Country:Australia[AA], Canadian[CA], europe[EU], Great Britain[UK], USA[USA]
2	883871	LH exhaust pipe	1	Country:Japan[J]
2	GU32120711	LH exhaust pipe	1	Country:Australia[AA], Canadian[CA], europe[EU], Great Britain[UK], USA[USA]
3	GU32123910	Expansion chamber	1	
4	978387	LH silencer clamp	1	
5	GU19025280	Gasket	2	
6	GU19025460	Spacer	4	
7	GU32121010	Ring nut	2	
8	GU03013800	Washer 6,4x12	4	
9	GU31121880	Nut	4	
10	883712	LH silencer	1	
11	883711	RH silencer	1	
12	978385	Hose clamp	2	
13	GU32128610	RH plate	1	
14	GU32129010	LH plate	1	
15	978386	RH silencer clamp	1	
16	AP8144071	Rubber exhaust	4	
17	GU98680440	Hex socket screw M8x40	2	
18	AP8134378	Silencer fixing bush	2	
19	GU92640508	Nut M8	6	
20	GU93301175	U-bolt	1	
21	GU32727010	Lamda sensor	1	
22	AP8121072	Spacer	2	
23	GU98110007	Cover	2	
24	GU30109330	Gasket	2	

Group	FRAME
Code	33.23
Description	Exhaust unit
Service	1



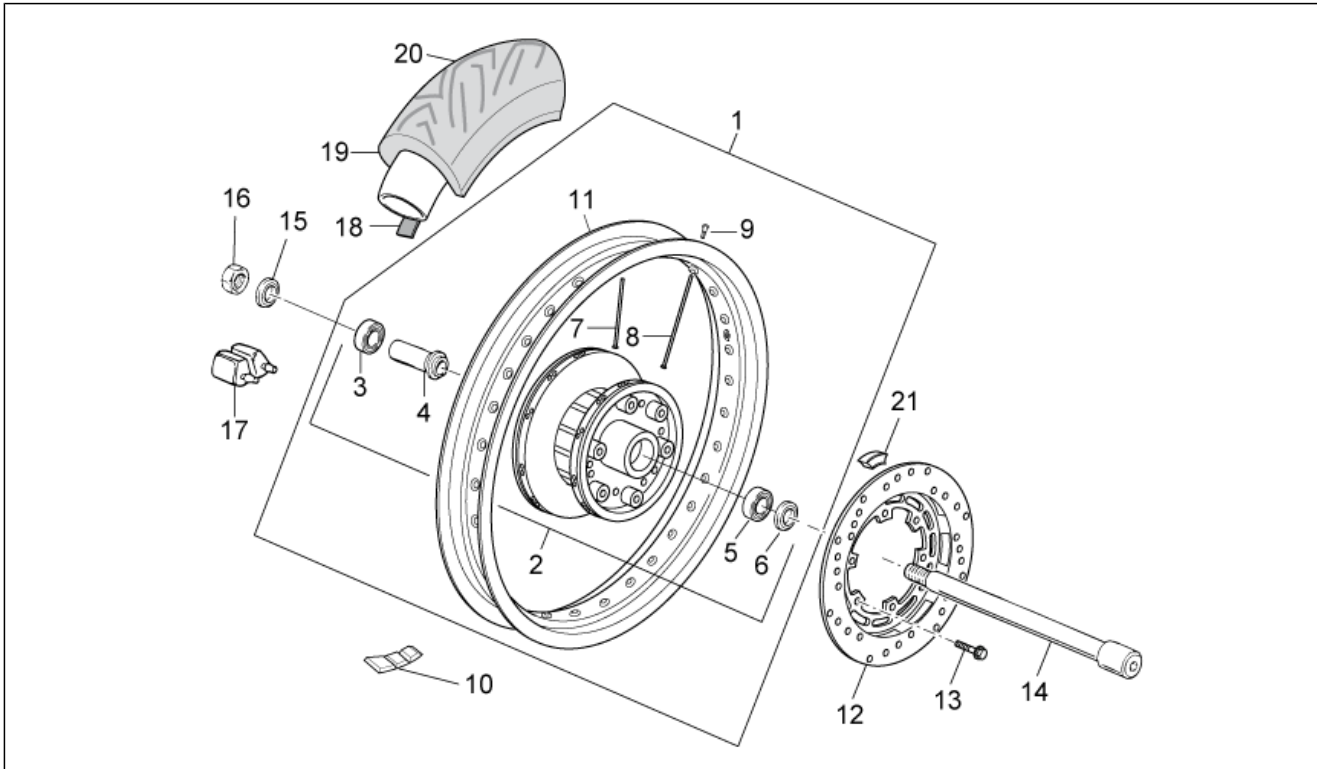
Pos.	Code	Description	Qty	Variants
25	GU32121910	RH protection	1	
26	GU32121911	LH protection	1	
27	GU98370609	Hex socket screw M6x10	6	
28	GU95005306	Washer 6,4x13x1,5	6	
29	GU91113826	Bush	2	
30	AP8221297	Insulating washer	6	

Group	FRAME
Code	33.24
Description	Front wheel
Service	1



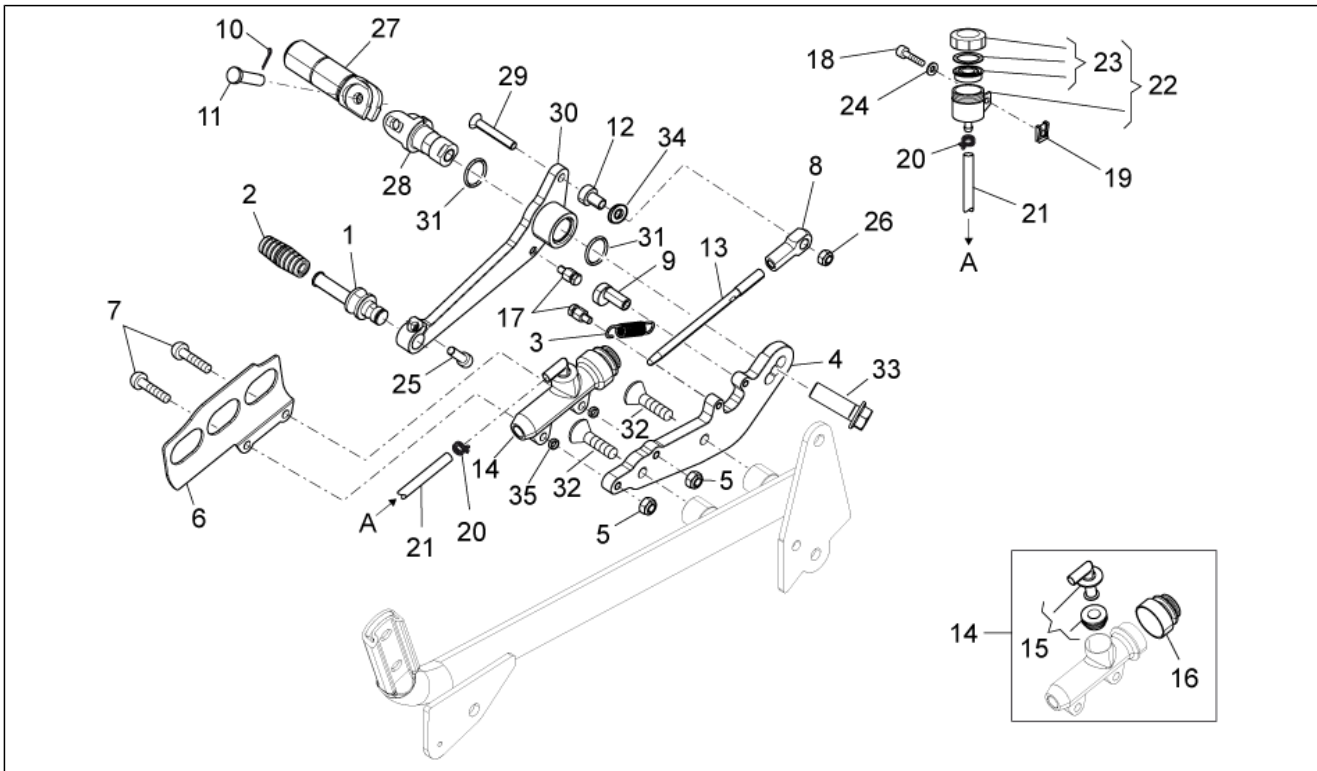
Pos.	Code	Description	Qty	Variants
1	898167	Front wheel	1	
2	886681	Front hub	1	
3	GU32611660	Spoke	36	
4	GU03631250	Nipples	36	
5	898118	Wheel	1	
6	GU31615260	Spacer	1	
7	GU92204221	Bearing	2	
8	GU90402642	Gasket ring	1	
9	GU31614183	Front wheel spindle	1	
10	883688	Front brake disc 320	1	
11	AP8152286	Screw w/ flange M8x20	6	
12	GU31616384	LH spacer	1	
13	GU93180111	Cover 15 mm	1	
14	GU32615660	RH spacer	1	
15	GU14616150	Counterweight	1	
16	0000000	Tyre 110/90"	1	
17	0000000	Tyre 110/90"	1	
18	0000000	Tyre 110/90"	1	

Group	FRAME
Code	33.25
Description	Rear wheel
Service	1



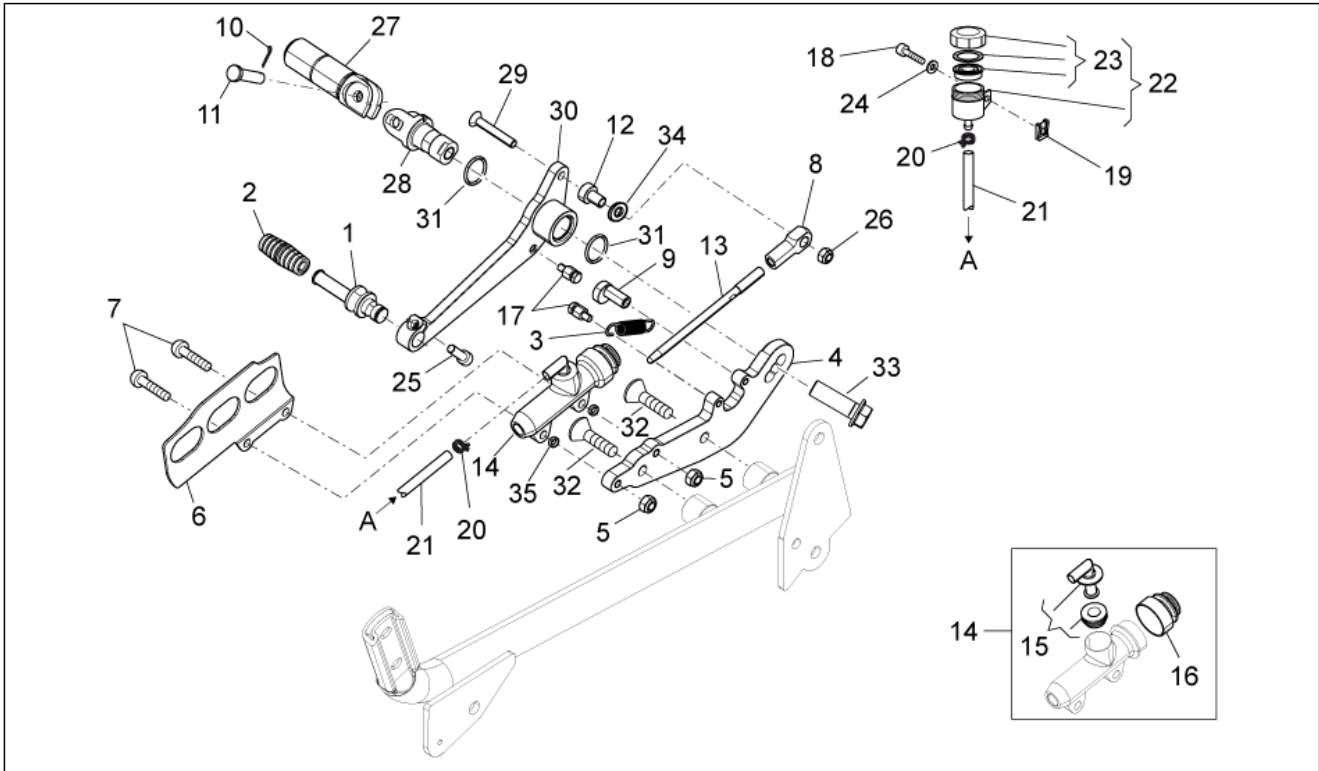
Pos.	Code	Description	Qty	Variants
1	898168	Rear wheel 3.5"x17"	1	
2	886711	Rear hub	1	
3	GU92204218	Bearing	1	
4	GU27633910	Spacer	1	
5	GU92204217	Bearing	1	
6	GU90402538	Gasket ring 25x40x7	1	
7	883350	Short spoke	18	
8	883349	Long spoke mm 158	18	
9	GU03631250	Nipples	36	
10	GU14616150	Counterweight	1	
11	898120	Wheel rim	1	
12	GU31613381	Brake disc	1	
13	GU98682425	Hex socket screw M8x25	6	
14	GU32633360	Rear wheel spindle	1	
15	GU31634481	Washer	1	
16	GU92606316	Nut M16x1,5	1	
17	GU32632510	Rubber coupling	6	
18	0000000	Tyre 110/90"	1	
19	0000000	Tyre 110/90"	1	
20	0000000	Tyre 110/90"	1	
21	GU32636160	Support rubber part	1	

Group	FRAME
Code	33.26
Description	Rear master cylinder
Service	1



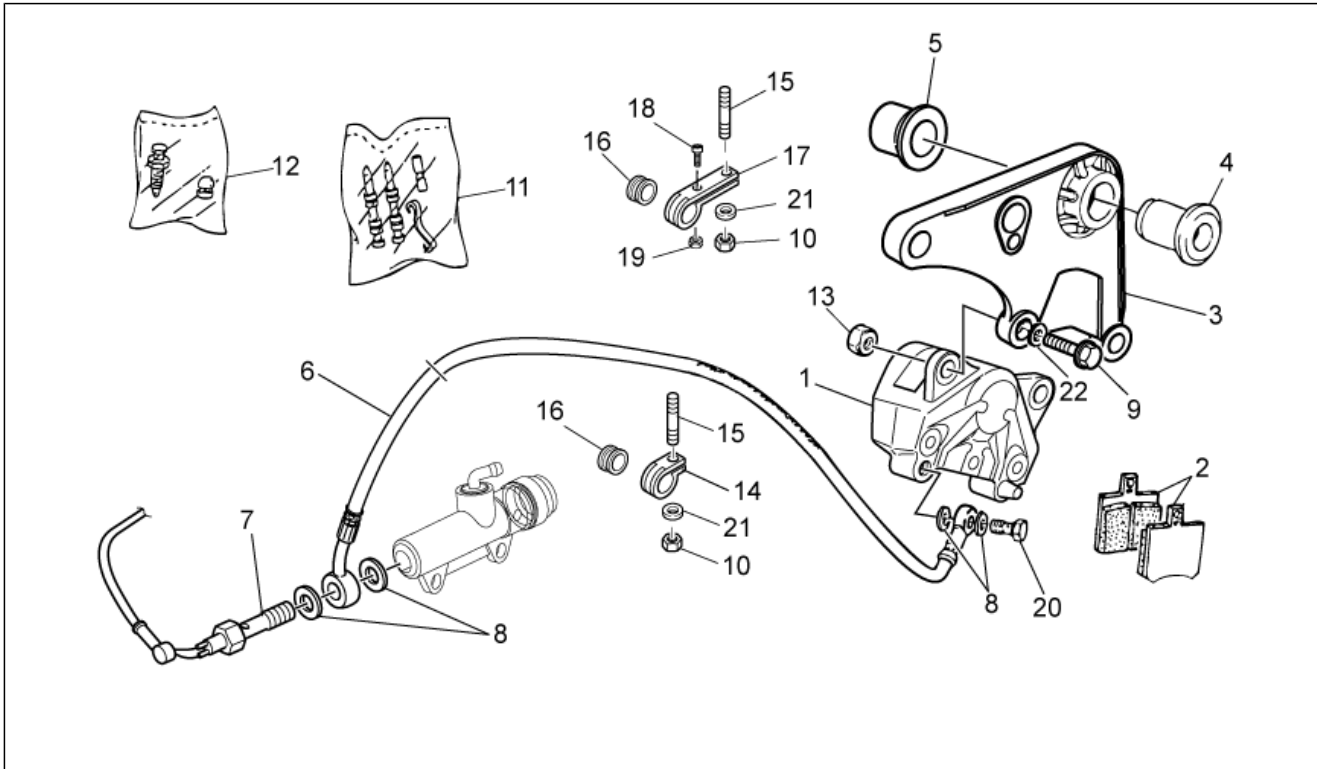
Pos.	Code	Description	Qty	Variants
1	886665	Pin	1	
2	AP8120912	Lever rubber	1	
3	AP8121927	Rear brake lever spring	1	
4	898288	Rider footrest plate	1	
5	GU92630206	Nut M6x1	2	
6	GU01665410	Brake m.cyl.protection, black	1	
7	GU98370625	Hex socket screw	2	
8	GU18257551	Block	1	
9	886666	Bush	1	
10	GU95401215	Split pin	1	
11	GU23442210	Pin	1	
12	898287	Lever pin	1	
13	978970	Master cylinder rod	1	
14	AP8133643	Rear master cylinder	1	
15	AP8213057	Rear brake pump union	1	
16	AP8113288	Rubber bellows	1	
17	898286	Springs fixing pin	2	
18	GU98682215	Hex socket screw	1	
19	AP8102375	Clip m5	1	
20	AP8101594	Hose clamp D10,1*	2	
21	GU00823950050	Oil pipe	1	
22	AP8133873	Brake oil tank complete	1	
23	AP8113553	Tank cap	1	
24	GU95100059	Washer 5,25x14x1,5	1	
25	AP8150044	Hex socket screw M6x20	1	
26	AP8150115	Low self-locking nut M6	1	
27	898281	RH Foot rests	1	
28	898612	RH front footrest bracket	1	

Group	FRAME
Code	33.26
Description	Rear master cylinder
Service	1



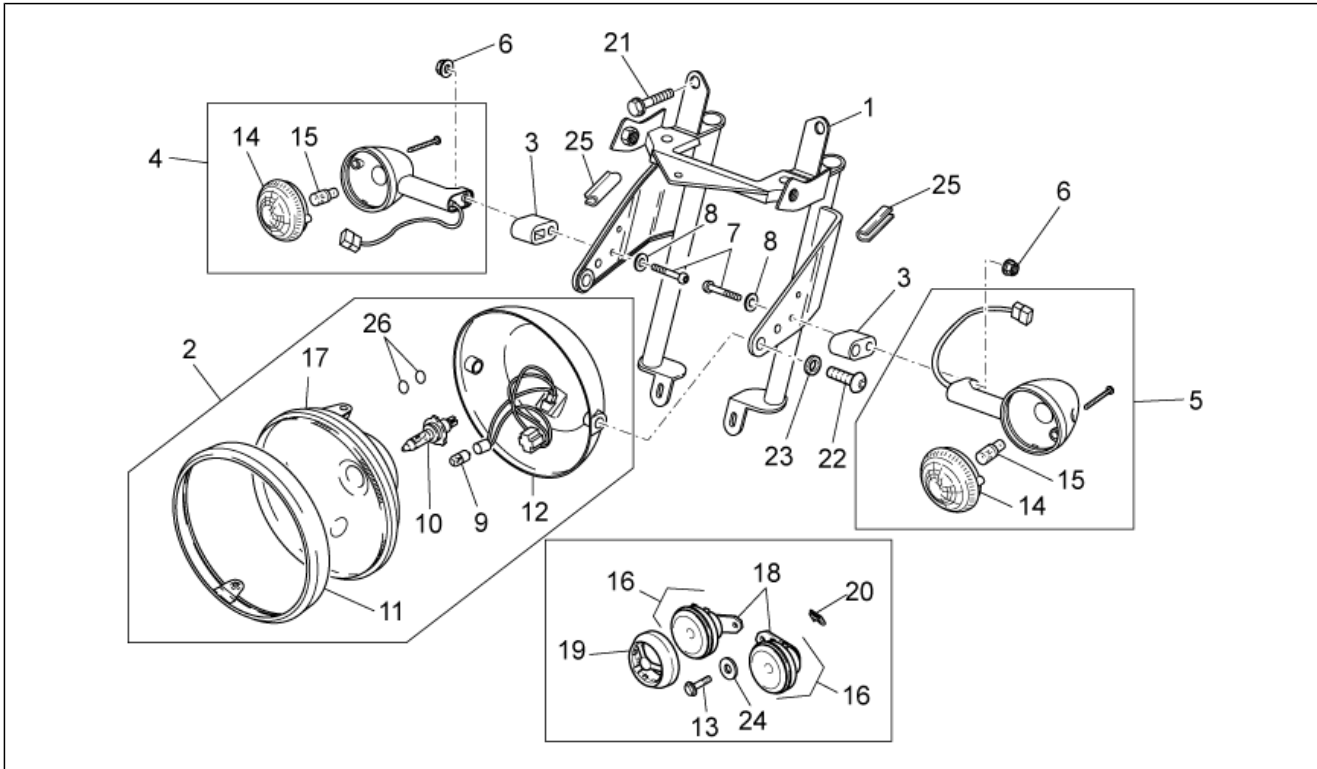
Pos.	Code	Description	Qty	Variants
29	AP8150468	Screw M6x40	1	
30	898285	Brake lever	1	
31	AP9100477	O-ring 18x2	2	
32	GU98252420	Screw M8x20	2	
33	AP8152320	Screw w/ flange	1	
34	GU03270300	Washer 8,4x15	1	
35	AP8134640	Air box spacer	2	

Group	FRAME
Code	33.27
Description	Rear brake caliper
Service	1



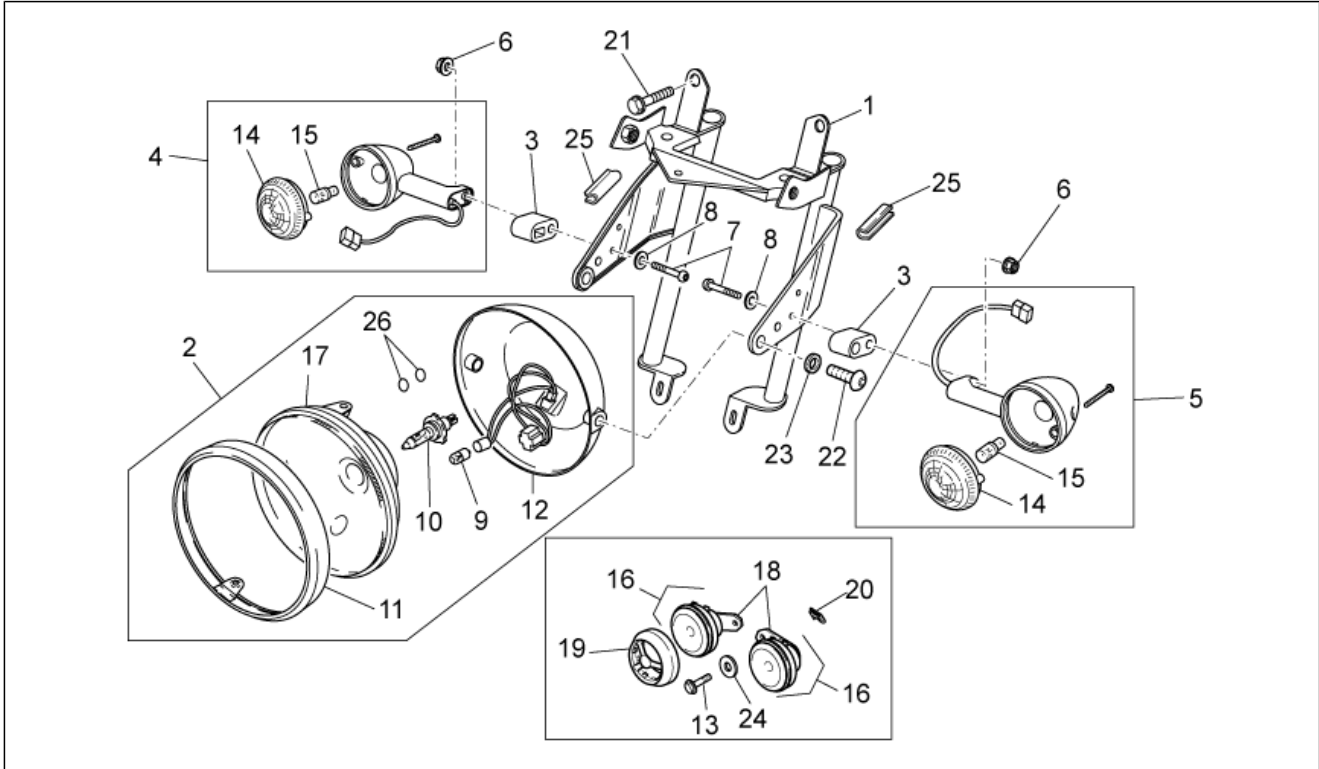
Pos.	Code	Description	Qty	Variants
1	883296	Rear brake caliper Brembo	1	
2	GU31654681	Pads pair	1	
3	GU326358601	Brake hanger plate	1	
4	GU31634281	Bush	1	
5	GU32634160	Spacer	1	
6	883180	Brake hose	1	
7	883192	Switch	1	
8	AP8113004	Washer 10x14x1,6*	4	
9	GU97202435	screw	2	
10	AP8152299	Self-locking nut M6	2	
11	GU31659181	Pins+spring kit	1	
12	GU31659281	Bleeder+cap	1	
13	AP8152300	Self-locking nut M8	2	
14	GU03658430	Hose clamp	1	
15	GU96451316	Stud bolt	1	
16	GU03658201	Ring	2	
17	GU03658330	Hose clamp	1	
18	GU98257410	screw	1	
19	GU92630104	Nut M4x0,7	1	
20	978323	Oil pipe screw *	1	
21	GU95008306	Washer 6,4x12x1,2	2	
22	GU03270300	Washer 8,4x15	1	

Group	FRAME
Code	33.28
Description	Front lights
Service	1



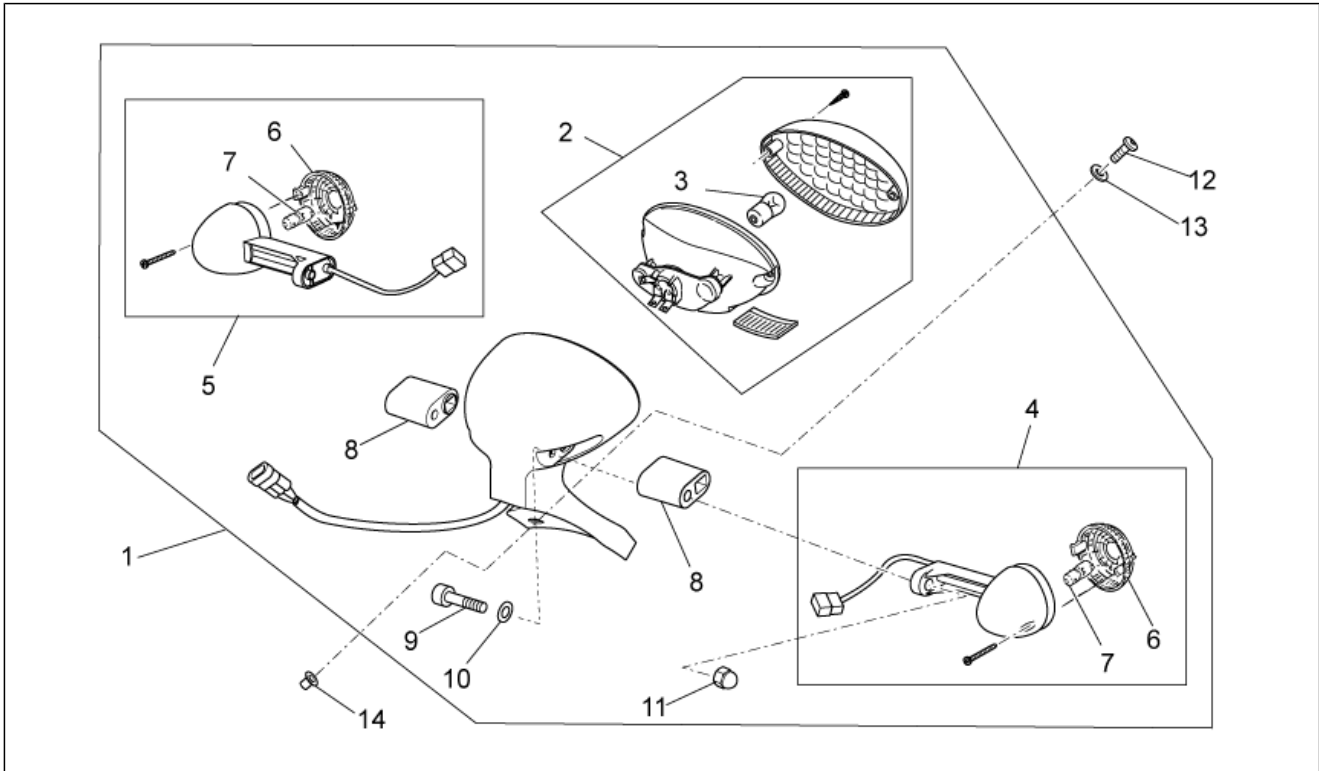
Pos.	Code	Description	Qty	Variants
1	GU32506360	Headlight support clamp	1	
2	978311	Headlight	1	Country:Canadian[CA], europe[EU], USA[USA]
2	978662	Cpl headlightsteering headligh	1	Country:Australia[AA], Japan[J], Great Britain[UK]
3	GU32753410	Spacer	2	
4	GU32750660	RH front/LH rear turn indic.	1	Country:Australia[AA], europe[EU], Japan[J], Great Britain[UK]
4	GU32750661	RH front/LH rear turn indic.	1	Country:Canadian[CA], USA[USA]
5	883478	LH front/RH rear turn indic.	1	Country:Canadian[CA], USA[USA]
5	GU06751600	LH front/RH rear turn indic.	1	Country:Australia[AA], europe[EU], Japan[J], Great Britain[UK]
6	GU92787006	Cap nut M6x1	2	
7	GU98370655	Hex socket screw	2	
8	GU95021206	Washer	2	
9	292022	Lamp 12V-5W	1	
10	292723	Lamp H4 60/55W 12V	1	
11	640598	Chromed ring nut	1	
12	981149	Cap, black	1	Country:Canadian[CA], europe[EU], USA[USA]
12	GU06740200	Headlight cap, chr.	1	Country:Australia[AA], Japan[J], Great Britain[UK]
13	AP8152278	Screw w/ flange M6x16	2	
14	GU32753711	Turn indicator lens	2	Country:Canadian[CA], USA[USA]
14	GU32753760	Turn indicator lens	2	Country:Australia[AA], europe[EU], Japan[J], Great Britain[UK]
15	584332	Lamp 12V-10W	2	Country:Australia[AA], europe[EU], Japan[J], Great Britain[UK]
15	GU93450127	Lamp	2	Country:Canadian[CA], USA[USA]
16	886714	Horn	2	
17	GU06740400	Optical group	1	Country:Canadian[CA], europe[EU], USA[USA]
18	GU01744200	Clamp	6	
19	GU03744760	Horn mask	2	

Group	FRAME
Code	33.28
Description	Front lights
Service	1



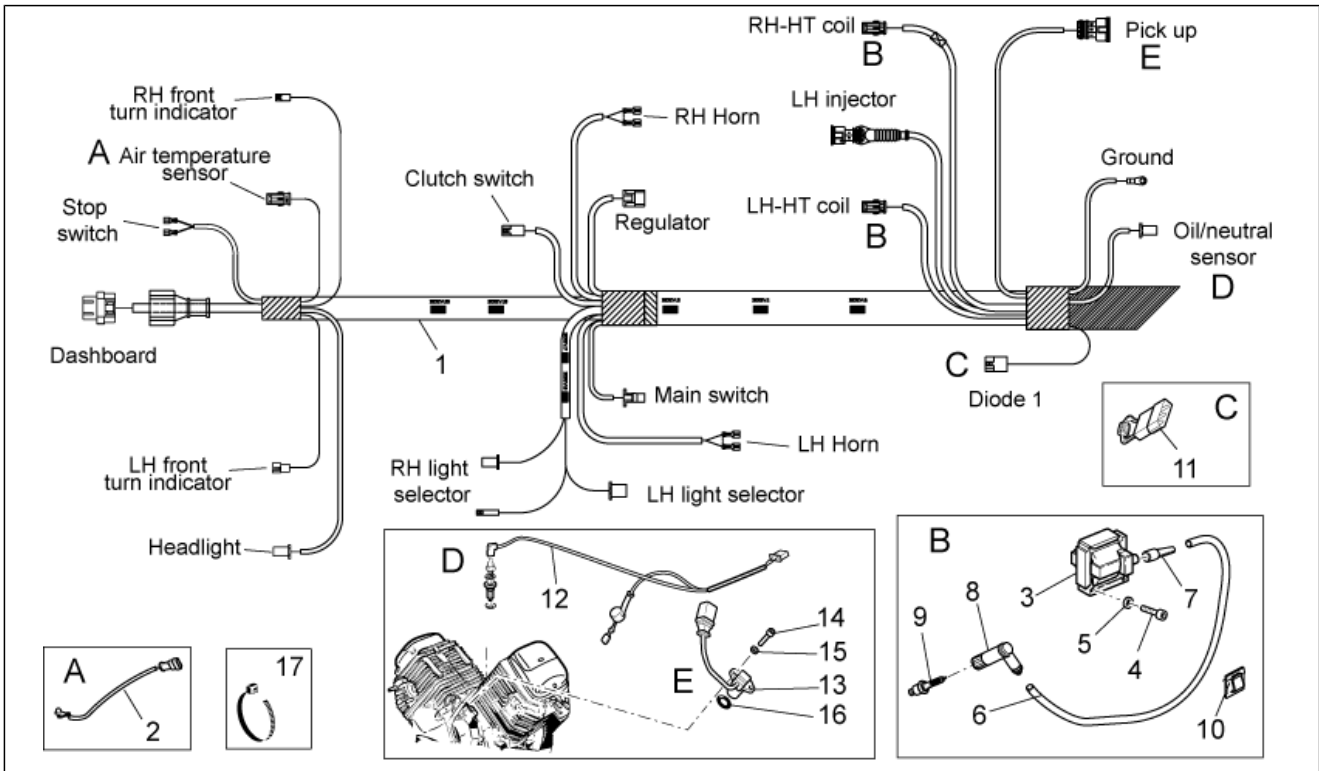
Pos.	Code	Description	Qty	Variants
20	GU28576591	Clip M6	2	
21	GU98880540	screw M10x40	2	
22	GU98370831	Hex socket screw M8x30	2	
23	GU95005308	Washer 8,4x14,57x1,6	2	
24	GU95100141	Washer 6,4x12x1,2	2	
25	GU00823931055	Gasket	1	
26	883417	O-ring	2	

Group	FRAME
Code	33.29
Description	Rear lights
Service	1



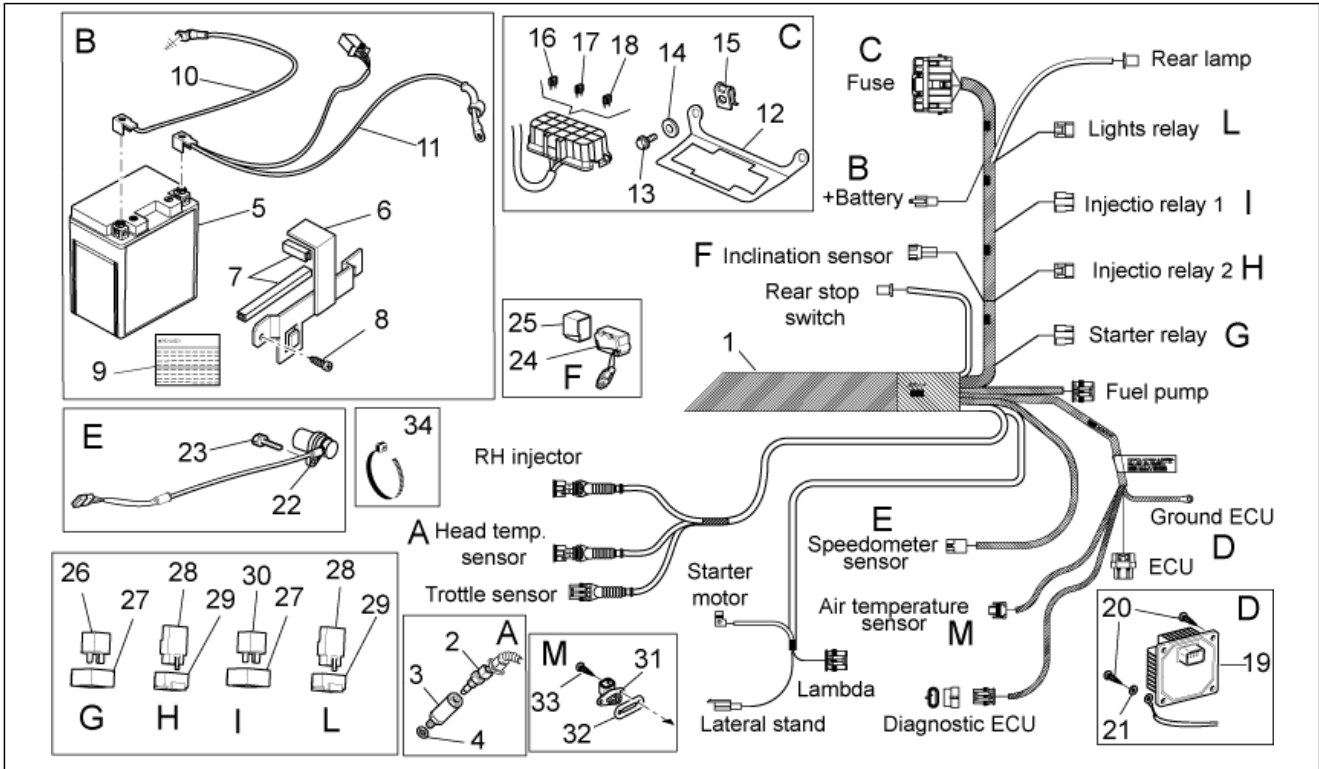
Pos.	Code	Description	Qty	Variants
1	883479	Taillight assy	1	Country:Canadian[CA], USA[USA]
1	97895015	Taillight assy	1	Country:Australia[AA], europe[EU], Japan[J], Great Britain[UK]
2	GU03740930	Taillight	1	
3	GU93450224	Lamp	1	
4	GU32750660	RH front/LH rear turn indic.	1	Country:Australia[AA], europe[EU], Japan[J], Great Britain[UK]
4	GU32750661	RH front/LH rear turn indic.	1	Country:Canadian[CA], USA[USA]
5	GU06751600	LH front/RH rear turn indic.	1	
5	GU06751601	LH front/RH rear turn indic.	1	Country:Canadian[CA], USA[USA]
6	GU32753711	Turn indicator lens	2	Country:Canadian[CA], USA[USA]
6	GU32753760	Turn indicator lens	2	Country:Australia[AA], europe[EU], Japan[J], Great Britain[UK]
7	584332	Lamp 12V-10W	2	Country:Australia[AA], europe[EU], Japan[J], Great Britain[UK]
7	GU93450127	Lamp	2	Country:Canadian[CA], USA[USA]
8	GU32753410	Spacer	2	
9	GU98370655	Hex socket screw	2	
10	GU95021206	Washer	2	
11	GU92787006	Cap nut M6x1	2	
12	GU98350215	Hex socket screw	3	
13	GU30577800	Nylon washer 5,5X12X1	3	
14	GU93231605	Antivibration bush	3	

Group	FRAME
Code	33.30
Description	Electrical system I
Service	1



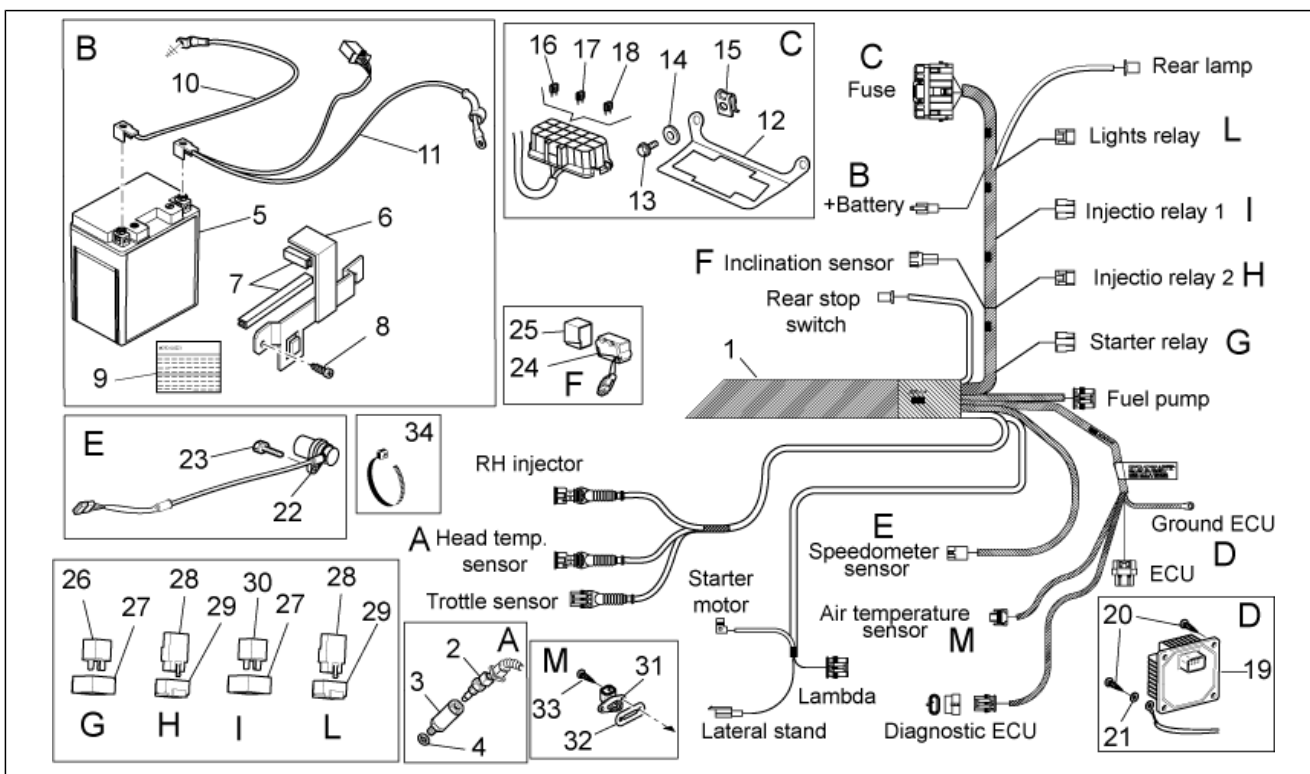
Pos.	Code	Description	Qty	Variants
1	883077	Main wiring harness	1	
2	AP8124936	Air temp. Sensor	1	
3	GU30716500	HT coil	2	
4	GU98682125	Hex socket screw	4	
5	GU95008204	Washer 4,3x8x0,5	4	
6	GU01718330	HT wire	2	
7	GU14717600	Cap	2	
8	GU01717430	Sparkplug cap	2	
9	GU31717061	Spark plug NGK BR8ES	2	
10	AP8120708	Cable-guide	6	
11	AP8212588	Diode	1	
12	GU32724510	Oil-neutral gear harness	1	
13	GU01721600	Phase/revolution sensor	1	
14	GU98682212	Hex socket screw M5x12	2	
15	GU95008205	Washer 5,3x10x0,8	2	
16	GU90706141	O-ring	1	
17	GU14609650	Hose clamp 3,6x20,6	31	
17	GU49609601	Hose clamp 2,4x92	1	

Group	FRAME
Code	33.31
Description	Electrical system II
Service	1



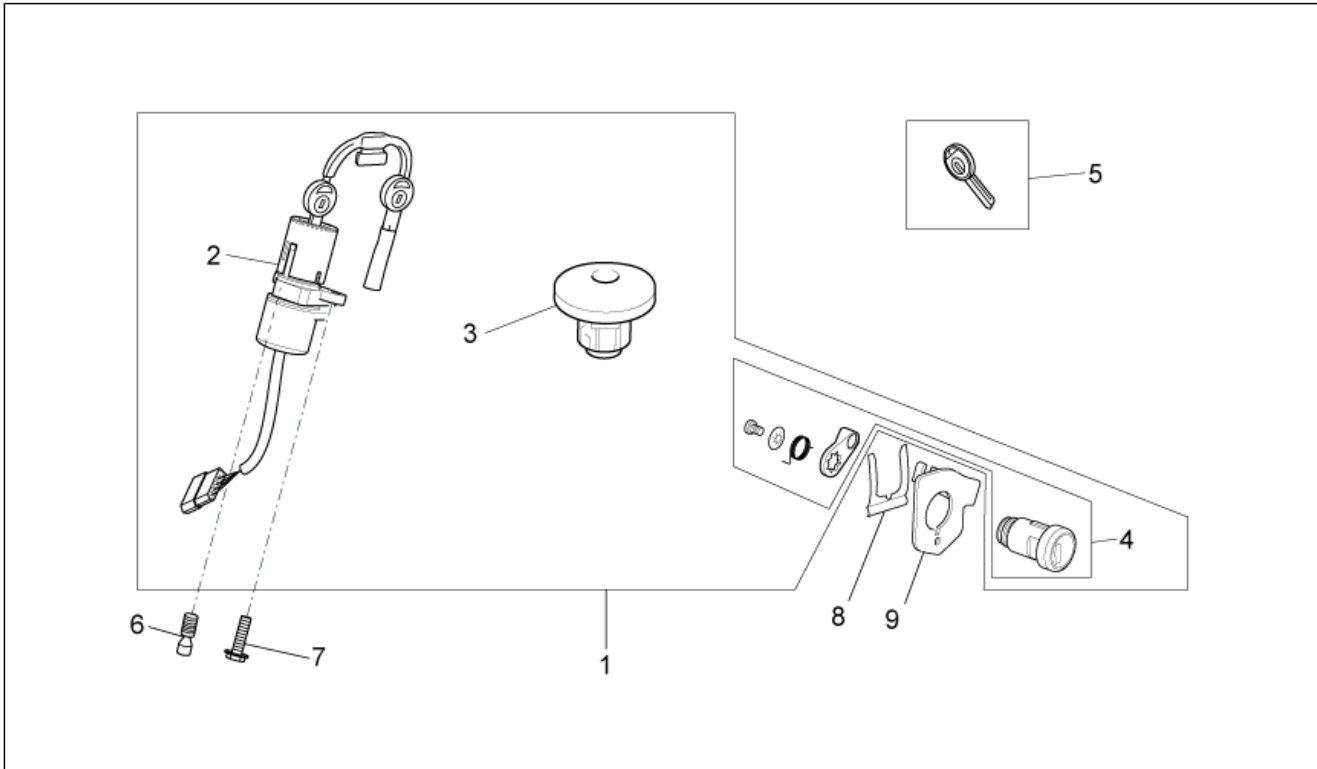
Pos.	Code	Description	Qty	Variants
1	883077	Main wiring harness	1	
2	GU29729461	Oil temperature sensor	1	
3	GU03163330	Sensor support	1	
4	GU95004210	Washer 10,2x18x2	1	
5	640201	Battery	1	
6	GU32418210	Clamp	1	
7	AP8144538	Gasket	1	
8	AP8152329	Phillips screw, SWP M5x20	2	
9	GU32517710	Decal "Battery service"	1	
10	GU32747910	Ground-battery lead	1	
11	883191	Wiring	1	
12	883161	Fuse block support	1	
13	GU98682212	Hex socket screw M5x12	2	
14	GU95100059	Washer 5,25x14x1,5	2	
15	AP8102375	Clip m5	2	
16	290860	Fuse 15A	3	
17	AP8127346	Fuse 3A	1	
18	GU28742562	Fuse 30A	2	
19	883798	ECU	1	Country:Australia[AA], europe[EU], Great Britain[UK]
19	CM2271024	ECU	1	Country:Japan[J]
20	AP8152329	Phillips screw, SWP M5x20	4	
21	GU95129101	Washer	1	
22	AP8124528	Speedometer sensor cpl.	1	
23	AP8152277	Screw w/ flange M6x12	2	
24	584509	Fall sensor	1	
25	AP8144046	Rubber sensor support	1	
26	GU29732550	Relay 5 pin	1	
27	AP8220546	Relay rubber	2	

Group	FRAME
Code	33.31
Description	Electrical system II
Service	1



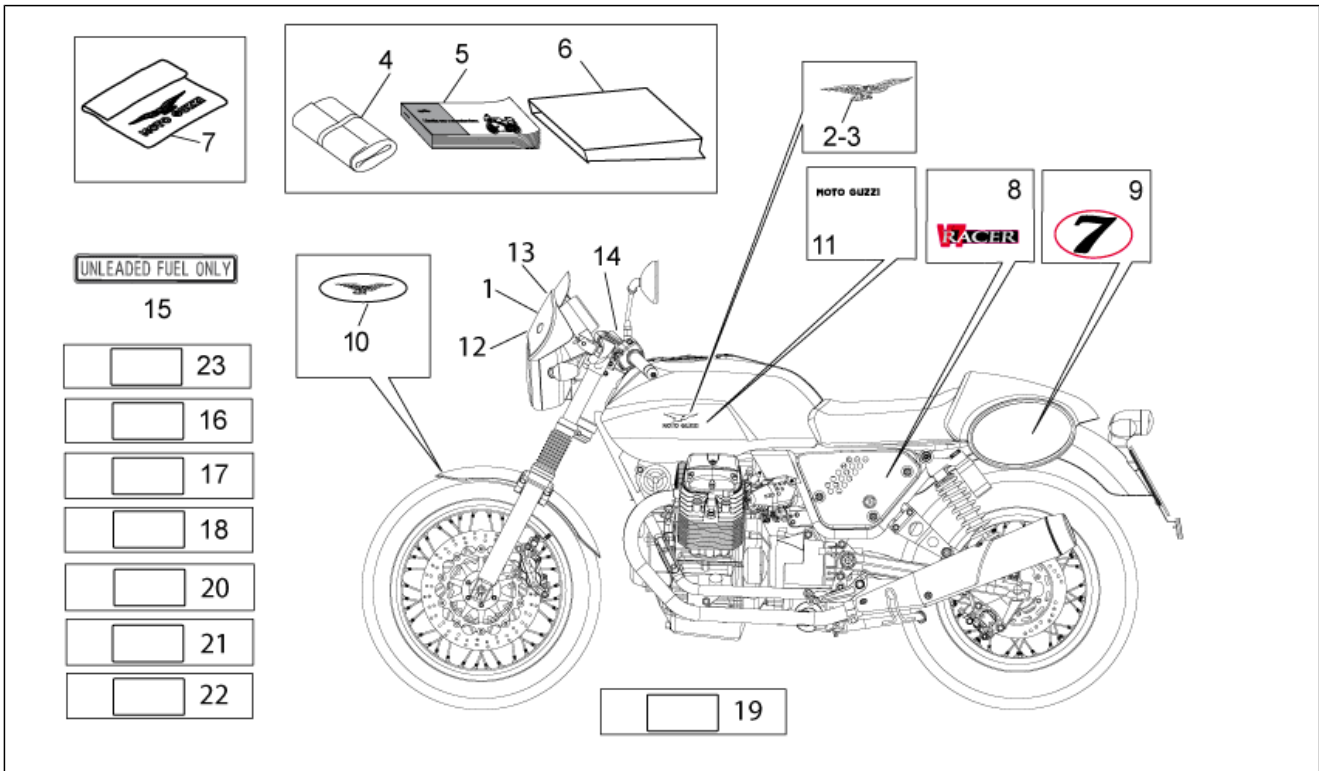
Pos.	Code	Description	Qty	Variants
28	AP8124869	Injection relay	2	
29	AP8220283	Rubber spacer *	2	
30	AP8224462	Relay 12V/30A	1	
31	GU30729330	Air temp. Sensor	1	
32	GU30027931	Gasket	1	
33	AP8150421	Self-tap screw 2,9x12	2	
34	GU14609650	Hose clamp 3,6x20,6	31	
34	GU49609601	Hose clamp 2,4x92	1	

Group	FRAME
Code	33.32
Description	Lock hardware kit
Service	1



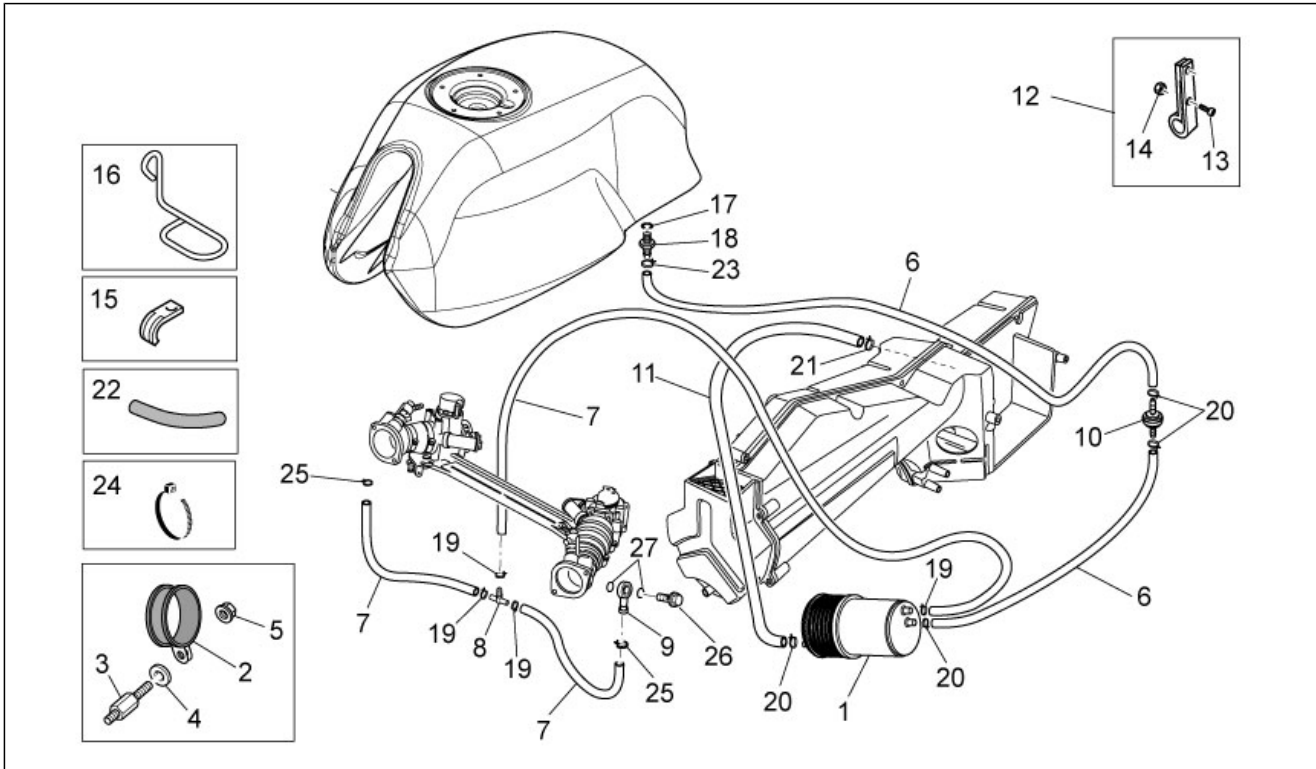
Pos.	Code	Description	Qty	Variants
1	883182	Lock hardware kit	1	Country:Australia[AA], europe[EU], Japan[J], Great Britain[UK]
1	883477	Lock hardware kit	1	Country:Canadian[CA], USA[USA]
2	GU32782510	Main switch - steering lock	1	
3	883185	Tank cap	1	Country:Australia[AA], europe[EU], Japan[J], Great Britain[UK]
3	883476	Tank cap	0	Country:Canadian[CA], USA[USA]
4	977527	Saddle lock	1	
5	GU32735510	Non indent.key blank-shell go	1	
5	GU32735511	Non indent.key blank-shell cr	1	
6	AP8150349	Special screw M8x15	1	
7	GU98682416	Hex socket screw	1	
8	AP8121420	Fork spring	1	
9	978415	Cable fixing plate	1	

Group	FRAME
Code	33.33
Description	Decal and plate set
Service	1



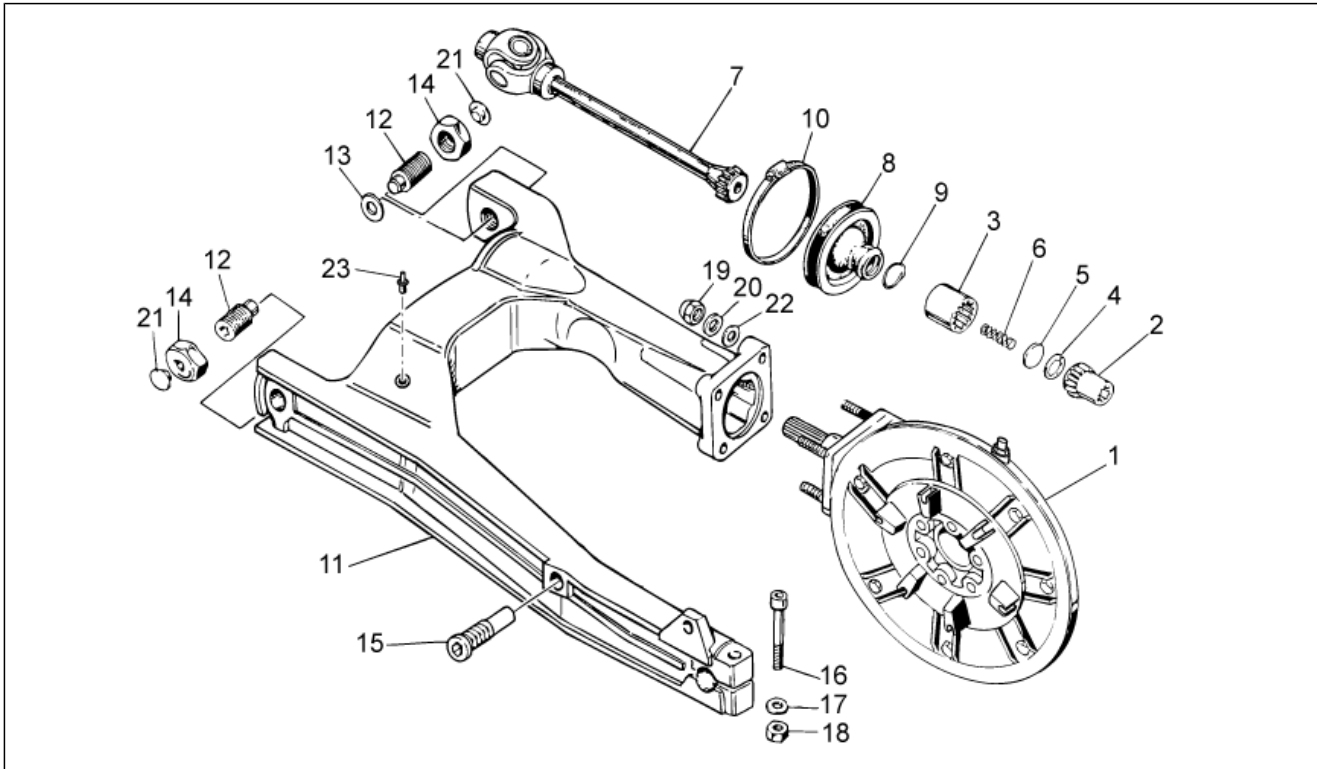
Pos.	Code	Description	Qty	Variants
1	886639	Windshield decal "7"	1	
2	898174	Sticker RH "Aquila"	1	
3	886678	Sticker LH "Aquila"	1	
4	GU32909960	Toolkit	2	
5	886709	Operator's handbook	1	Country:Australia[AA], europe[EU], Japan[J], Great Britain[UK]
5	887206	Op's handbook I-D-F-E-UK-NL usa-can-	1	Country:Canadian[CA], USA[USA]
6	GU05900130	Bag for document	1	
7	GU30970200	Bike cover	1	
8	886643	Plate set V7 Racer	2	
9	886640	Rear fairing decal	2	
10	886141	Decal "Aquila"	1	
11	886825	Decal "Moto Guzzi"	1	
12	886638	Red line sticker	1	
13	886637	Red line sticker	1	
14	886644	Plate set "RACER"	1	
15	GU03995730	Decal "Unleaded Fuelonly"	1	Country:Australia[AA], Canadian[CA], USA[USA]
16	AP8257742	Keys warning decal	1	Country:Canadian[CA], USA[USA]
17	AP8257794	Battery decal	1	Country:Canadian[CA], USA[USA]
18	AP8257609	Mirror decal	2	Country:Canadian[CA], USA[USA]
19	883930	Tyre pressure decal	1	Country:Canadian[CA], USA[USA]
20	883911	Noise emission sticker	1	Country:Canadian[CA], USA[USA]
21	883912	Emission control sticker	1	Country:Canadian[CA], USA[USA]
22	883912	Emission control sticker	1	Country:Canadian[CA], USA[USA]
23	672381	Name plate ices-002	1	Country:Canadian[CA]

Group	FRAME
Code	33.51
Description	Fuel vapour recover system
Service	1



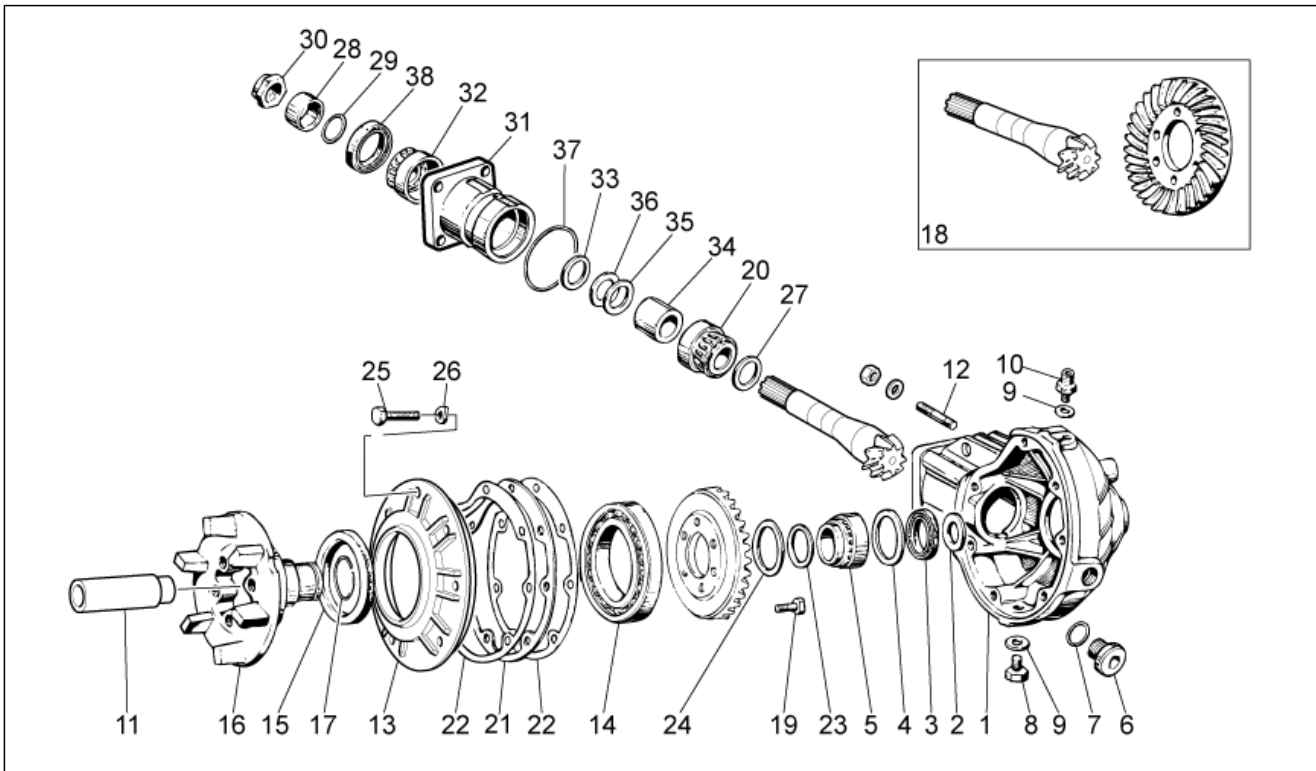
Pos.	Code	Description	Qty	Variants
1	AP8102678	Carbon filter	1	Country:Canadian[CA], USA[USA]
2	AP8102688	Hose clamp d.76	1	Country:Canadian[CA], USA[USA]
3	GU32439260	Canister support USA	1	Country:Canadian[CA], USA[USA]
4	GU95005311	Washer	1	Country:Canadian[CA], USA[USA]
5	AP8152299	Self-locking nut M6	1	Country:Canadian[CA], USA[USA]
6	856063	pipe SAE 30 d.12,7x6,35	2	Country:Canadian[CA], USA[USA]
7	856062	pipe SAE 30 d.11,11x4,8	3	Country:Canadian[CA], USA[USA]
8	AP8120116	3-way union	1	Country:Canadian[CA], USA[USA]
9	GU95963062	Union	2	Country:Canadian[CA], USA[USA]
10	860138	Valve	1	Country:Canadian[CA], USA[USA]
11	856064	pipe SAE 30 d.14,3x7,9	1	Country:Canadian[CA], USA[USA]
12	GU03658330	Hose clamp	1	Country:Canadian[CA], USA[USA]
13	GU98257410	screw	1	Country:Canadian[CA], USA[USA]
14	GU92630104	Nut M4x0,7	1	Country:Canadian[CA], USA[USA]
15	GU93301313	U-bolt	1	Country:Canadian[CA], USA[USA]
16	AP8221114	Cable-guide	2	Country:Canadian[CA], USA[USA]
17	AP8120965	O-ring 2018	1	Country:Canadian[CA], USA[USA]
18	GU30103730	Union	1	Country:Canadian[CA], USA[USA]
19	GU29108550	Hose clip 11,5x6	6	Country:Canadian[CA], USA[USA]
20	GU28157950	Hose clip 12,5x8	5	Country:Canadian[CA], USA[USA]
21	AP8102766	Hose clamp	1	Country:Canadian[CA], USA[USA]
22	GU00823923140	Thermal sheath	4	Country:Canadian[CA], USA[USA]
23	AP8201358	Hose clamp D 11,9	1	Country:Canadian[CA], USA[USA]
24	GU14609650	Hose clamp 3,6x20,6	3	Country:Canadian[CA], USA[USA]
25	AP8102378	Hose clamp D11,3	2	Country:Canadian[CA], USA[USA]
26	GU95990023	Bored screw	2	Country:Canadian[CA], USA[USA]
27	GU90706009	O-ring 6x1	4	Country:Canadian[CA], USA[USA]

Group	ENGINE
Code	34.09
Description	Transmission complete I
Service	1



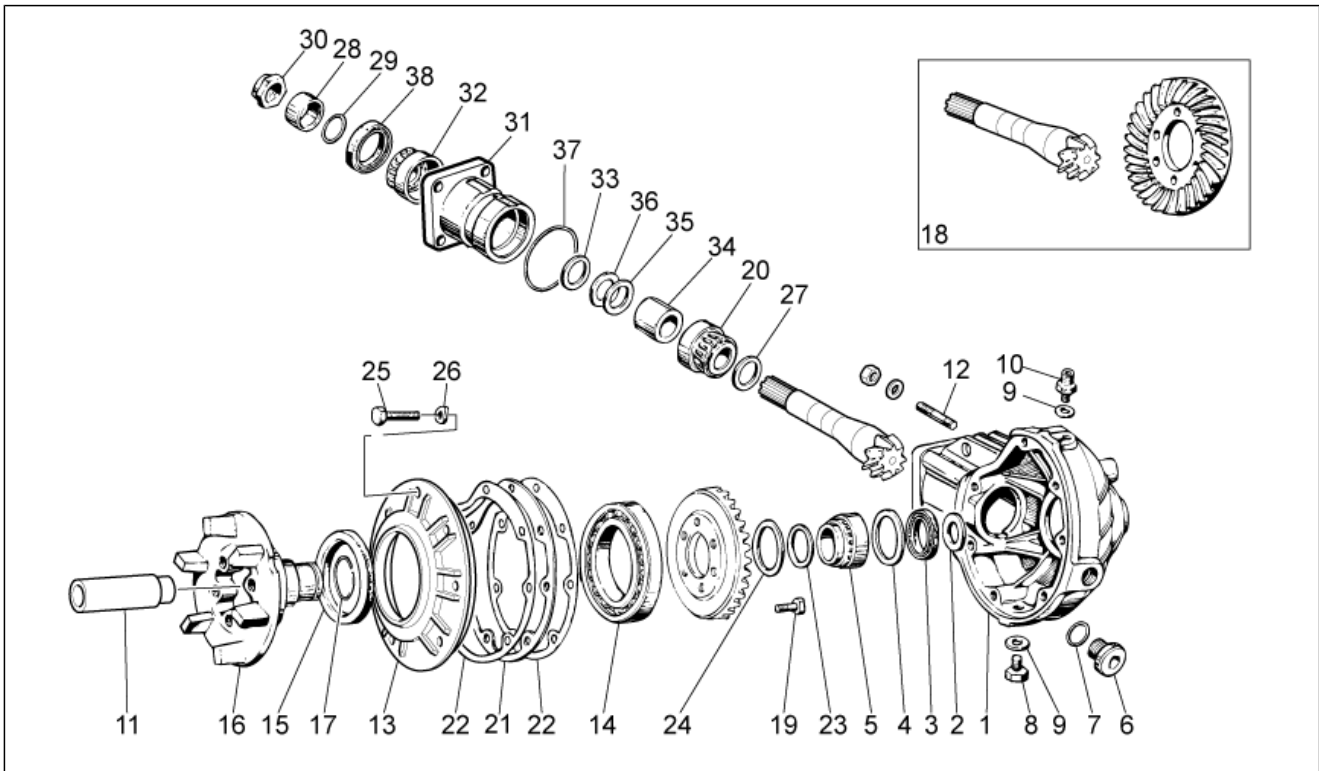
Pos.	Code	Description	Qty	Variants
1	976941	Transmission box assy., black	1	
2	GU31327783	Hose	1	
3	GU19328801	Hose	1	
4	GU90272023	Circlip	1	
5	GU19327601	Disc	1	
6	GU94321099	Spring	1	
7	GU23328081	Coupling	1	
8	GU23548080	Protection collar	1	
9	GU23548180	Spring	1	
10	AP8120246	Hose clamp D=60-80	1	
11	886676	Swing arm, red	1	
12	GU19547000	Pin	2	
13	GU35214300	Spacer	1	
14	GU31547882	Nut	2	
15	GU31544181	Pin	1	
16	GU98680545	screw M10x45	1	
17	GU95008210	Washer 10,2X18X2	1	
18	GU92606210	Nut M10x1,5	1	
19	GU92787008	Cap nut M8x1,25	4	
20	GU14615901	Washer 8,4X13X0,8	4	
21	GU93180105	Cover	2	
22	GU95005308	Washer 8,4x14,57x1,6	4	
23	GU03922280	Cover 5x9	1	

Group	ENGINE
Code	34.10
Description	Transmission complete II
Service	1



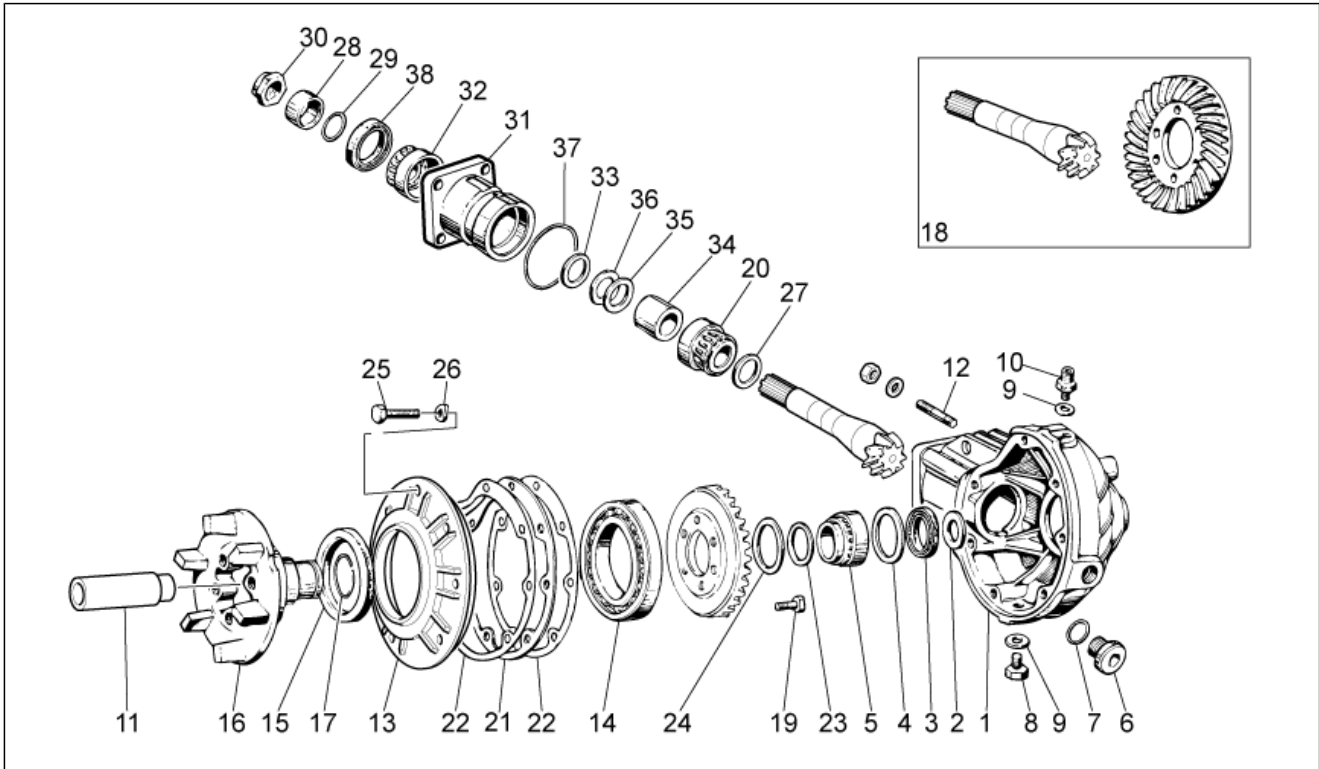
Pos.	Code	Description	Qty	Variants
1	976608	Transmission housingblack	1	
2	GU19351900	Clearance washer	1	
3	GU90403549	Gasket ring 35x47x7	1	
4	GU19351100	Clearance washer	1	
5	GU92252235	Roller bearing 35x50x17	1	
6	GU12022600	Oil plug	1	
7	GU90706203	O-ring 20,24x2,62	1	
8	GU31003766	Oil unload plug M10x1	1	
9	GU01528930	Gasket 10x18x1,5	2	
10	GU19206501	Breather plug	1	
11	GU32633560	Spacer	1	
12	GU96508055	Stud bolt	4	
13	GU32350410	Cover	1	
14	GU92201070	Ball bearing 70x110x13	1	
15	GU90407591	Gasket ring 75x95x10	1	
16	GU32351410	Pin	1	
17	GU90353030	Stop ring	1	
18	GU32354610	Bevel gear 8/33	1	
19	GU03067730	screw M8x25	6	
20	GU92249227	Tap.roller bearing 25x5	1	
21	GU19355400	Spacer 0,8 mm	1	
21	GU19355402	Spacer 0,9 mm	1	
21	GU19355404	Spacer 1 mm	1	
21	GU19355406	Spacer 1,1 mm	1	
21	GU19355408	Spacer 1,2 mm	1	
21	GU19355410	Spacer 1,3 mm	1	
21	GU19355411	Spacer 1,4 mm	1	
21	GU19355412	Spacer 1,5 mm	1	

Group	ENGINE
Code	34.10
Description	Transmission complete II
Service	1



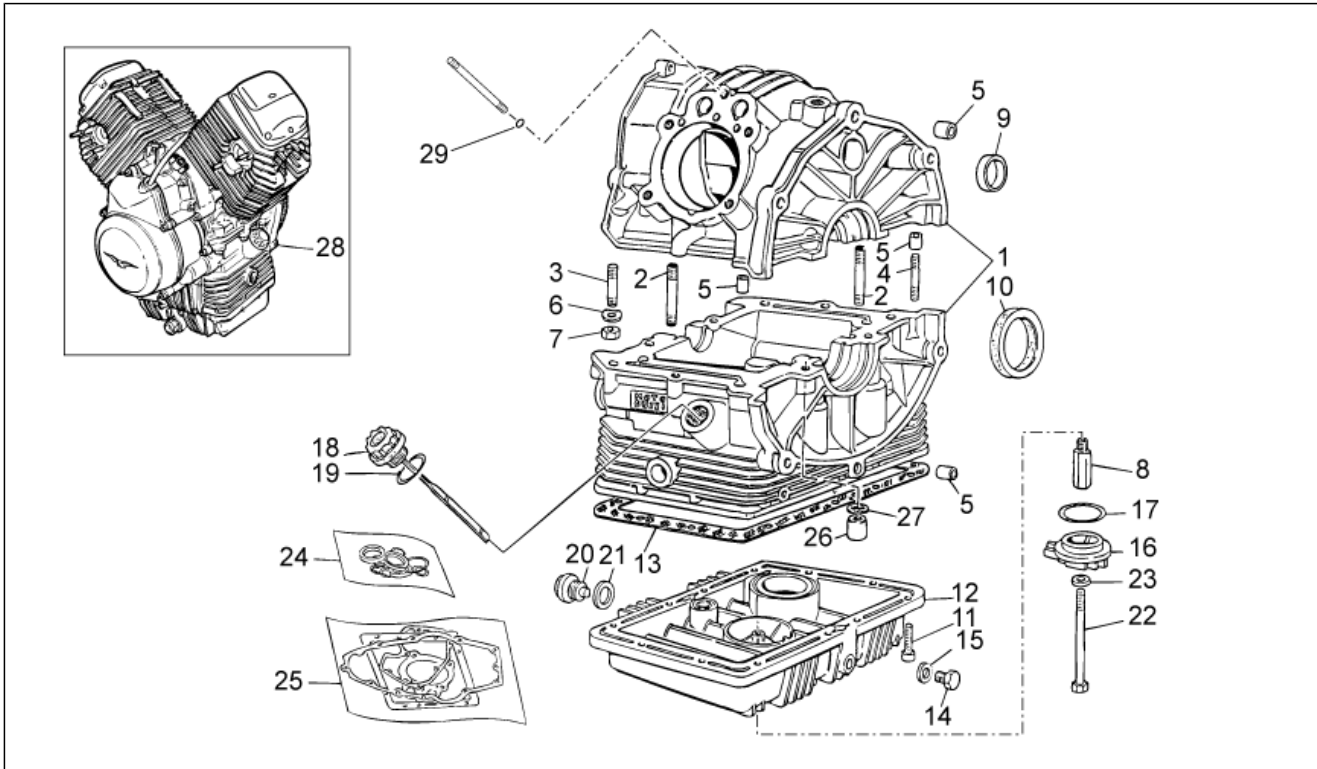
Pos.	Code	Description	Qty	Variants
21	GU19355413	Spacer 1,6 mm	1	
22	GU19350700	Gasket	2	
23	GU19352300	Thrust washer	1	
24	GU19353500	Thrust washer	1	
25	GU19357660	screw	7	
26	GU61270300	Spring washer 8x15x0,3	7	
27	GU19355320	Spacer 1 mm	1	
27	GU19355321	Spacer 1,1 mm	1	
27	GU19355322	Spacer 1,2 mm	1	
27	GU19355323	Spacer 1,3 mm	1	
27	GU19355324	Spacer 1,4 mm	1	
27	GU19355325	Spacer 1,5 mm	1	
27	GU19355326	Spacer 1,6 mm	1	
27	GU19355327	Spacer 1,7 mm	1	
27	GU19355328	Spacer 1,8 mm	1	
27	GU19355329	Spacer 1,9 mm	1	
28	GU19356801	Spacer	1	
29	GU90706188	Gasket ring 18,77X1,78	1	
30	GU19356700	Nut	1	
31	GU20352421	Flange	1	
32	GU92249220	Roller bearing 20x47x14	1	
33	GU19355300	Spacer 1 mm	1	
33	GU19355301	Spacer 1,1 mm	1	
33	GU19355302	Spacer 1,2 mm	1	
33	GU19355303	Spacer 1,3 mm	1	
33	GU19355304	Spacer 1,4 mm	1	
33	GU19355305	Spacer 1,5 mm	1	
33	GU19355306	Spacer 1,6 mm	1	

Group	ENGINE
Code	34.10
Description	Transmission complete II
Service	1



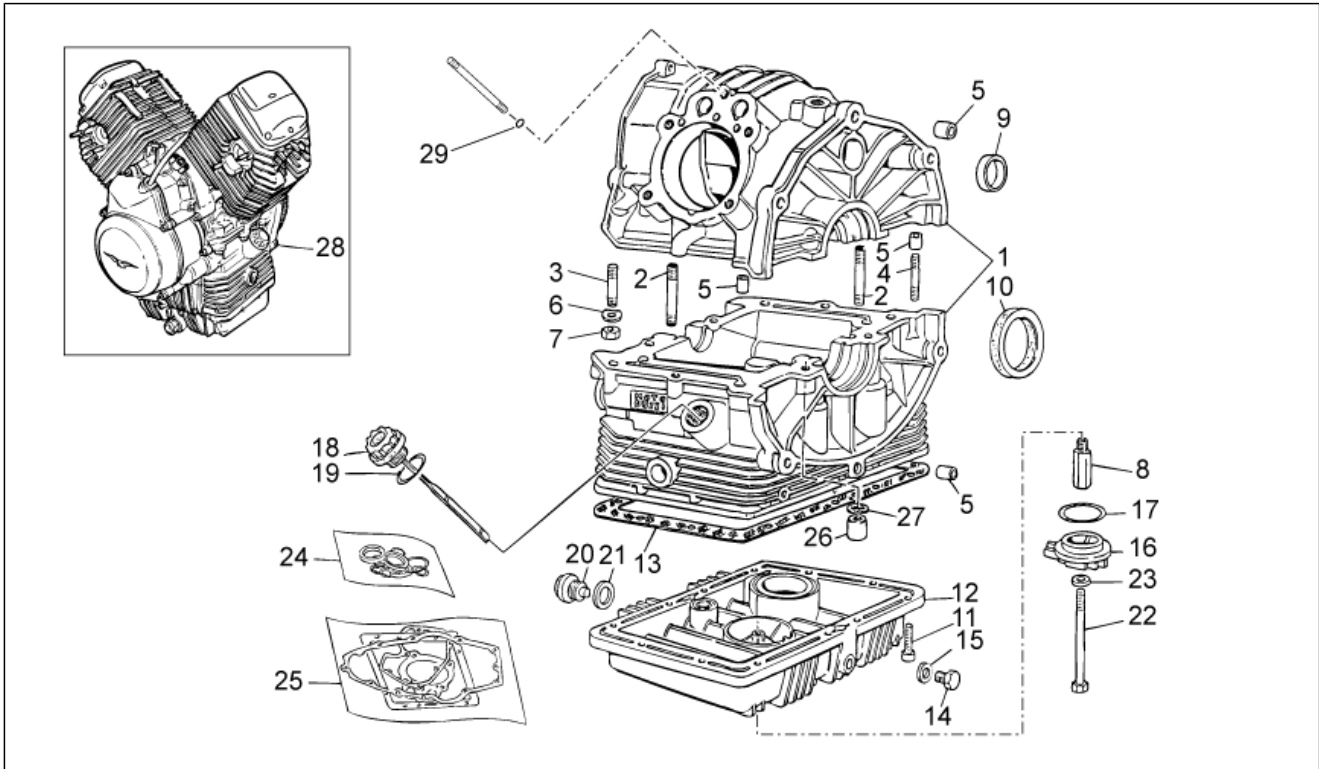
Pos.	Code	Description	Qty	Variants
33	GU19355307	Spacer 1,7 mm	1	
33	GU19355308	Spacer 1,8 mm	1	
33	GU19355309	Spacer 1,9 mm	1	
34	GU20355121	Spacer	1	
35	GU19355200	Shim 0,1 mm	1	
36	GU19355202	Shim 0,15 mm	1	
37	GU90706584	Gasket 58,42x2,62	1	
38	GU90403251	Gasket ring 32x47x10	1	

Group	ENGINE
Code	34.34
Description	Crank-case
Service	1



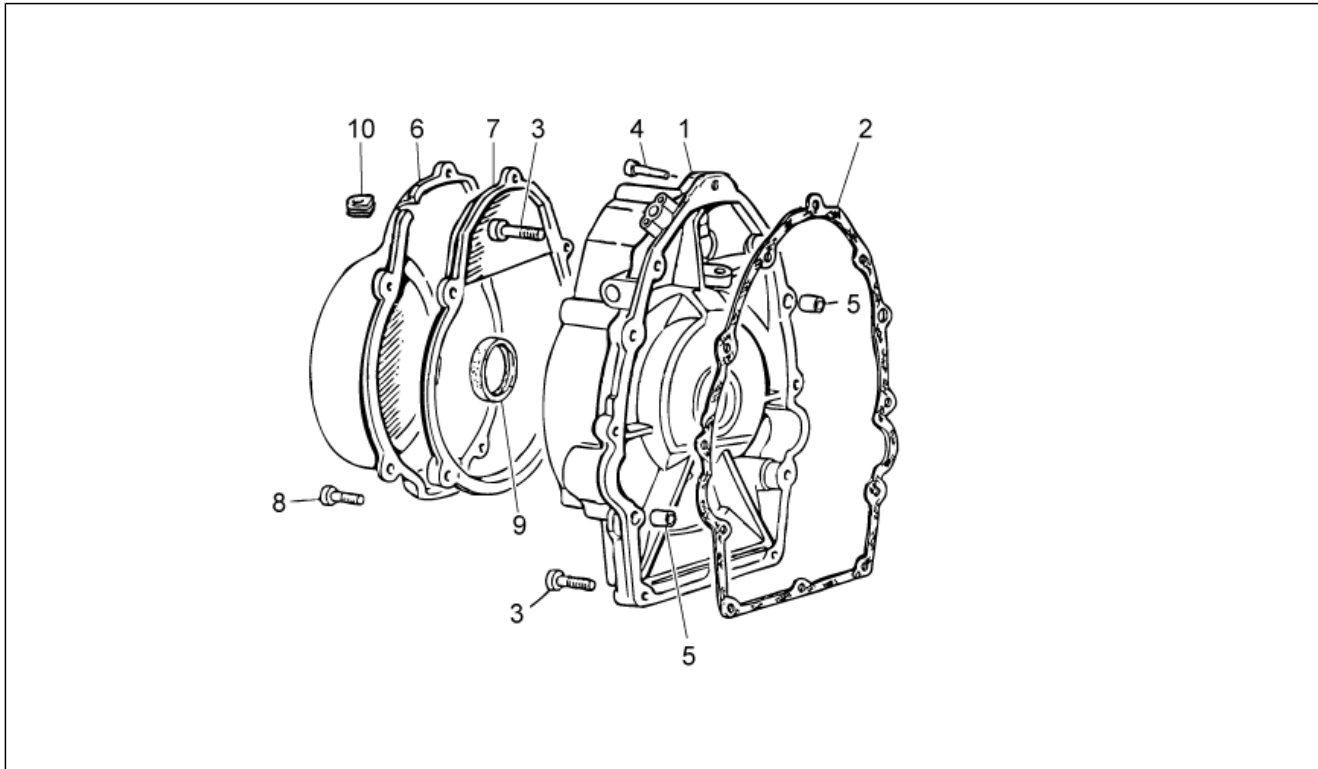
Pos.	Code	Description	Qty	Variants
1	976600	Crankcase black	1	
2	GU96451560	Stud bolt	4	
3	GU96451430	Stud bolt	4	
4	GU96508055	Stud bolt	2	
5	GU19015020	Bush	4	
6	GU61270300	Spring washer 8x15x0,3	6	
7	GU92606208	Nut M8x1,25	6	
8	GU19003800	Union	1	
9	GU19016320	Cover	1	
10	GU04000500	Gasket ring	1	
11	GU98682325	Hex socket screw M6x25	12	
12	976604	Oil sump black	1	
13	GU19003602	Gasket	1	
14	GU31003766	Oil unload plug M10x1	1	
15	GU10528900	Gasket	1	
16	976685	Plug	1	
17	GU90706444	O-ring	1	
18	GU27004985	Oil load plug	1	
19	GU90706281	O-ring 28,24x2,62	1	
20	GU12003702	Oil unload plug	1	
21	GU95100709	Gasket 20,1x28x2	1	
22	GU27152885	Bolt	1	
23	GU12154200	Gasket 8,25x15x1	1	
24	GU32999510	Oil seals - set	1	
25	GU32999010	Gasket set	1	
26	GU13021900	Column nut	4	
27	GU95129180	Washer 10,5X18X0,8	4	
28	976939	Engine assy w/hout transm.	1	

Group	ENGINE
Code	34.34
Description	Crank-case
Service	1



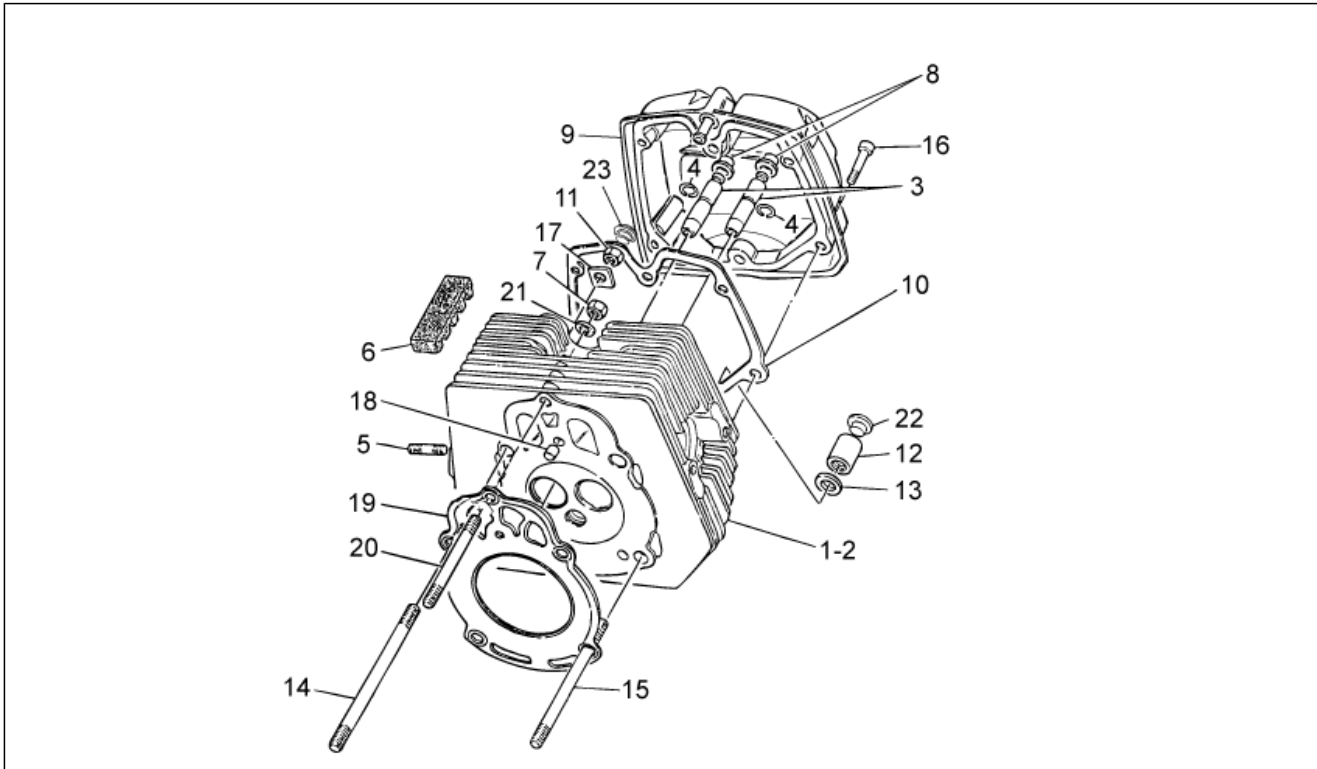
Pos.	Code	Description	Qty	Variants
29	GU90706076	O-ring	2	

Group	ENGINE
Code	34.35
Description	Timing system cover
Service	1



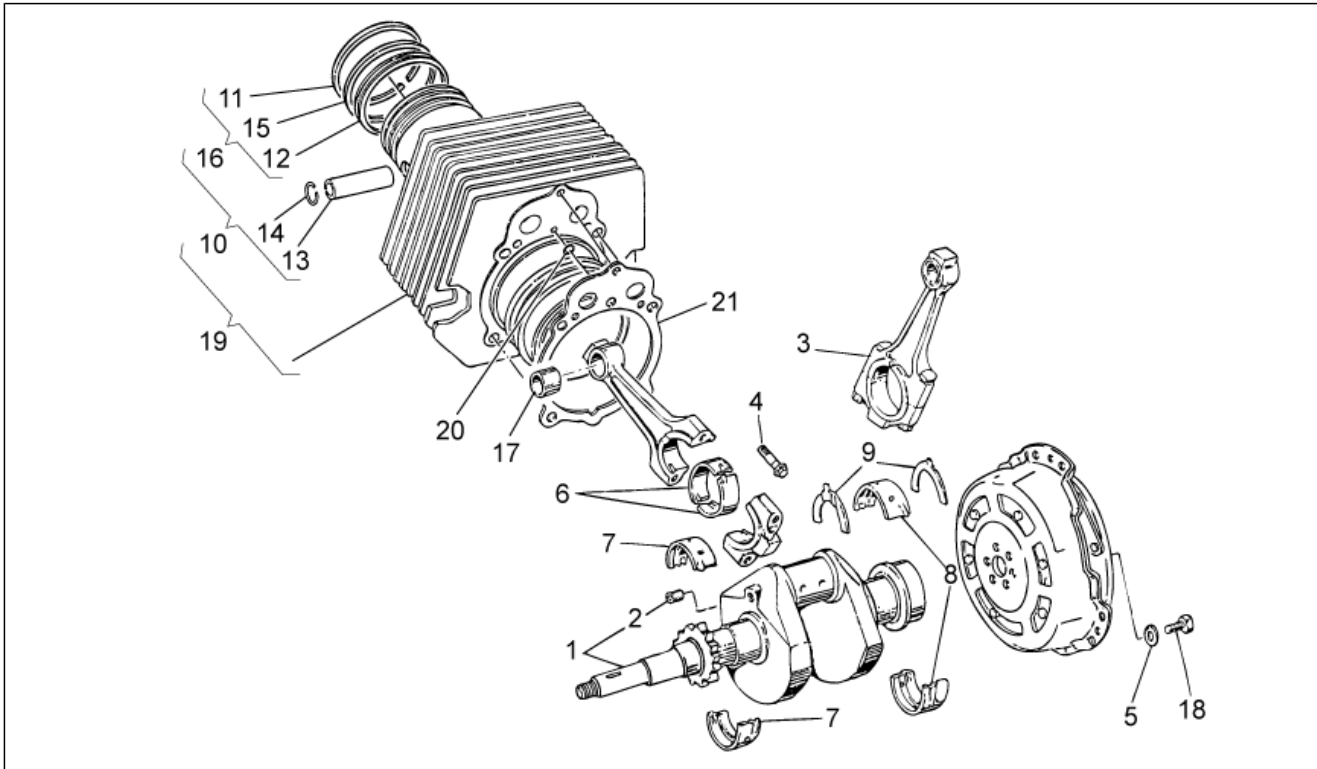
Pos.	Code	Description	Qty	Variants
1	976603	Timing cover black	1	
2	GU19001200	Gasket	1	
3	GU98682325	Hex socket screw M6x25	10	
4	GU98680330	Hex socket screw M6x30	2	
5	GU19002020	Bush 6,6x9x13	2	
6	GU32001610	Cover	1	
7	GU27001136	Flange	1	
8	GU98680335	Hex socket screw M6x35	5	
9	GU90402842	Gasket ring	1	
10	GU19007700	Rubber spacer	1	

Group	ENGINE
Code	34.36
Description	Cylinder head
Service	1



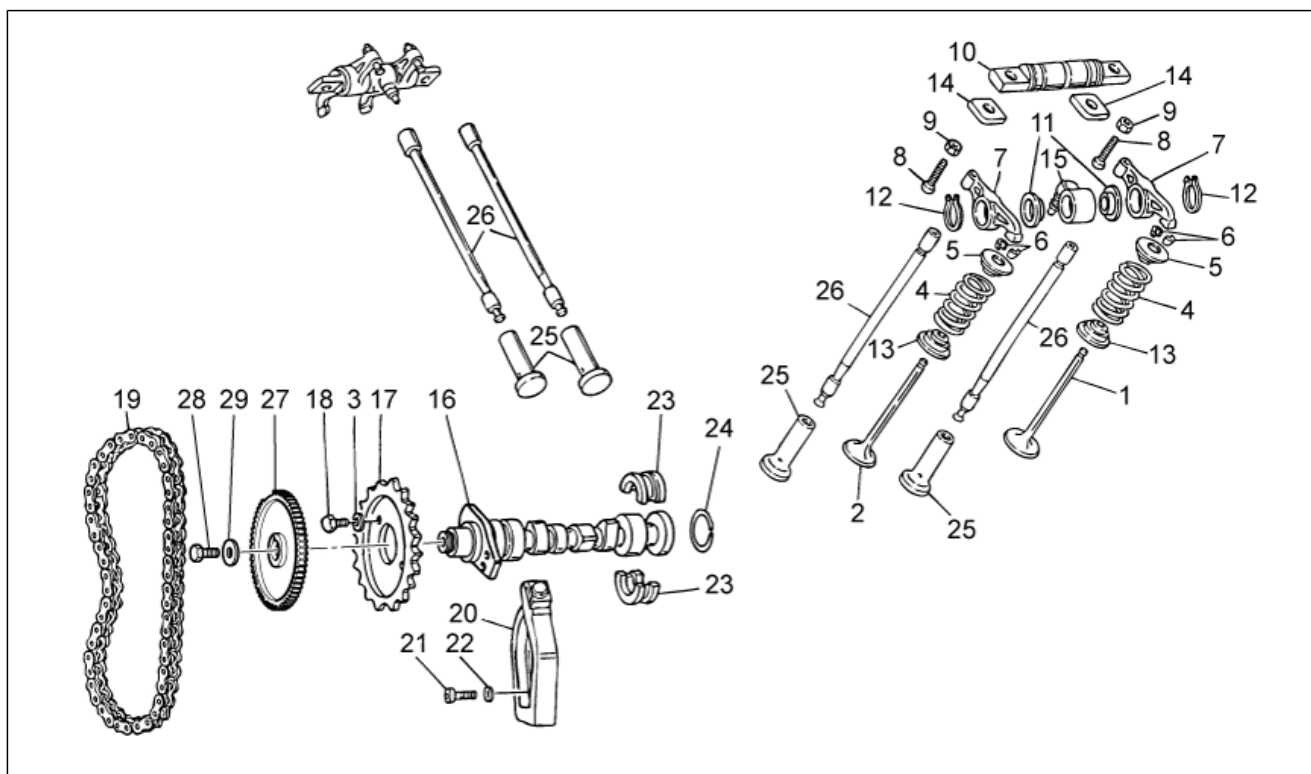
Pos.	Code	Description	Qty	Variants
1	GU32022110	RH cylinder head grey	1	
2	GU32022210	LH cylinder head grey	1	
3	GU61036801	Valve guide	4	
4	GU90353009	Snap ring	4	
5	GU96506042	Stud bolt	4	
6	GU19025300	Anti-vibration plate	4	
7	GU19021920	Nut	2	
8	GU19037820	Oil seal	4	
9	886830	Head cover	2	
10	GU19023700	Gasket	2	
11	GU92603010	Nut M10X1,5	4	
12	GU13021900	Column nut	4	
13	GU95129180	Washer 10,5X18X0,8	4	
14	GU96510214	Stud bolt M10x214	4	
15	GU96510181	Stud bolt M10x182	4	
16	GU98692325	Hex socket screw M6x25	10	
17	GU19032980	Spacer	4	
18	GU19021360	Bush	2	
19	GU27022060	Gasket	2	
20	GU96508145	Stud bolt M8x143	2	
21	GU61270300	Spring washer 8x15x0,3	2	
22	GU93180245	Cover	4	
23	AP8144071	Rubber exhaust	1	

Group	ENGINE
Code	34.37
Description	Crankshaft cpl.
Service	1



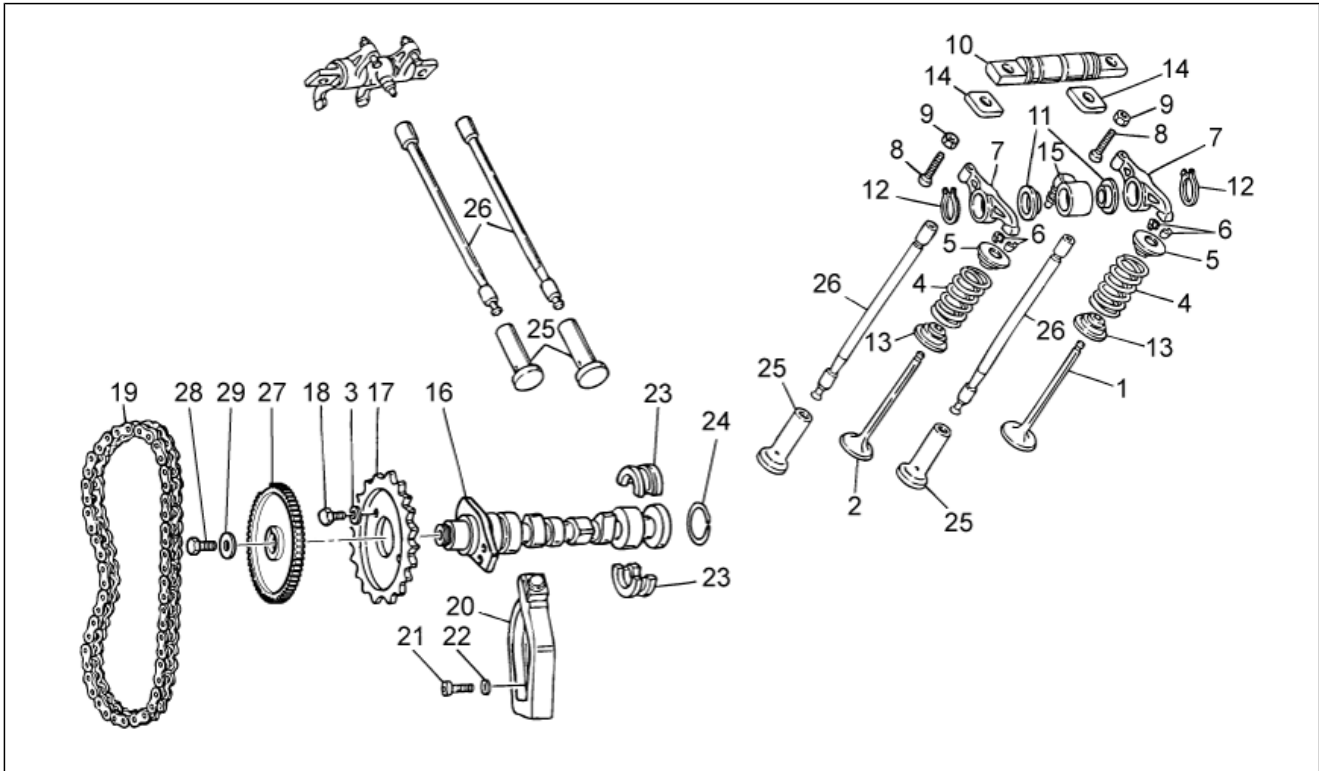
Pos.	Code	Description	Qty	Variants
1	GU32064110	Crankshaft cpl.	1	
2	GU19065400	Cover	1	
3	GU27061585	Connecting rod cpl.	2	
4	GU19062261	screw	4	
5	GU14615901	Washer 8,4X13X0,8	6	
6	GU27062060	Bearing half-shell	4	
7	GU27065660	Front main half-bearing	2	
8	GU27066560	Rear main half-bearing	2	
9	GU27066460	Half-clamp	2	
10	GU32060210	Piston assy	2	
11	GU32060710	Slot piston ring	2	
12	GU19061063	Scraper ring	2	
13	GU27061286	Piston pin	2	
14	GU27061385	Stop ring	4	
15	GU27060860	Slot piston ring	2	
16	GU32060610	Pistonring set	2	
17	GU27061885	Bush	2	
18	GU19067700	screw	6	
19	GU32060110	Cylinder with piston, grey	2	
20	GU61027200	O-ring	2	
21	GU27020820	Gasket	2	

Group	ENGINE
Code	34.38
Description	Timing system
Service	1



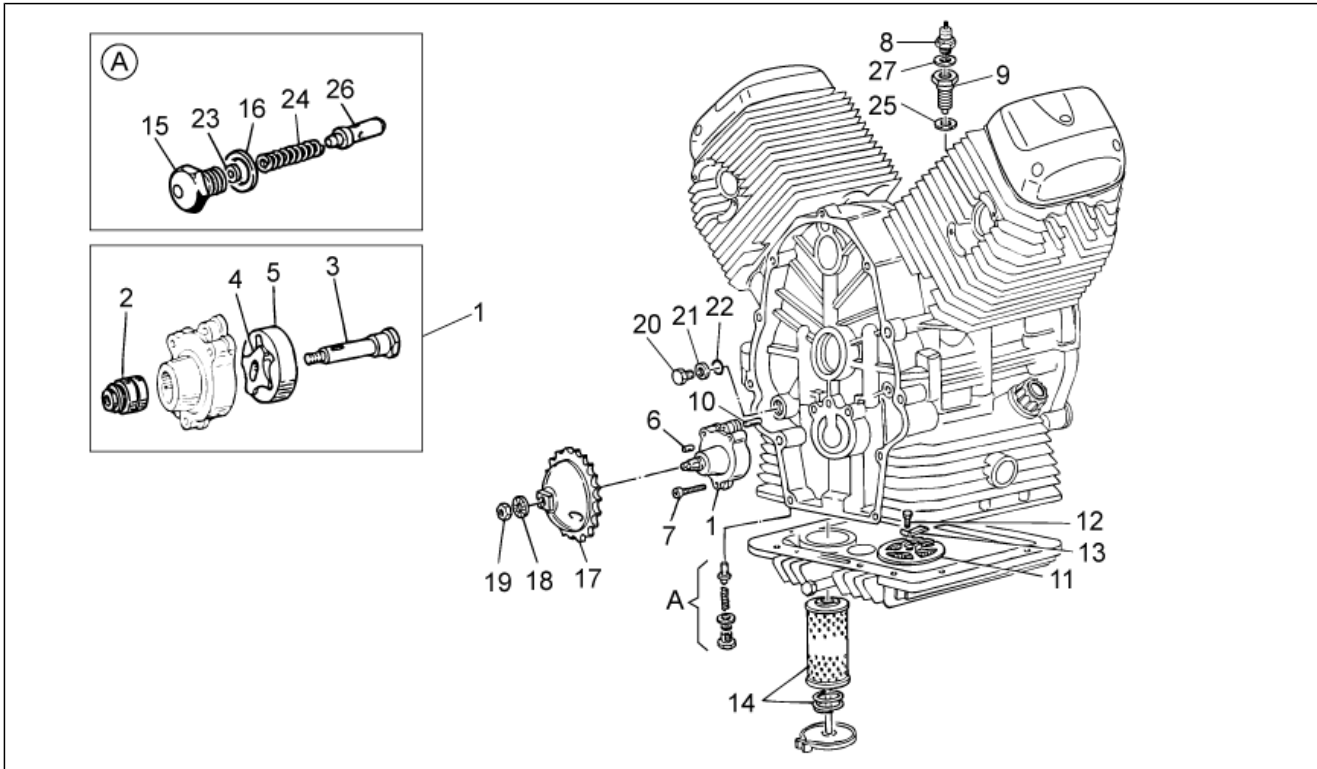
Pos.	Code	Description	Qty	Variants
1	GU20036020	Intake valve	2	
2	GU20036120	Exhaust valve	2	
3	GU23217800	Safety washer	2	
4	GU27037521	Spring	4	
5	GU31038015	Upper cup	4	
6	GU61038100	Half-cone	8	
7	GU19030500	Rocker arm assy.	4	
8	GU19034000	screw	4	
9	GU92602406	Nut M6x1	4	
10	GU19032080	Rocker shaft	2	
11	GU32032310	Thrust washer	4	
12	GU90271018	Circlip	4	
13	GU31037015	Lower cup	4	
14	GU19032980	Spacer	4	
15	GU19027500	Hose	2	
16	GU32053410	Camshaft	1	
17	GU32054510	Timing system gear	1	
18	GU61054900	Bolt	2	
19	GU19058021	Camshaft chain	1	
20	GU19058220	Chain stretching drive	1	
21	GU98882316	screw	1	
22	GU95129115	Washer	1	
23	GU19055700	Sector	2	
24	GU90353029	Snap ring	1	
25	GU19045861	Tappet	4	
26	GU31045015	Rocker arm rod	4	
27	GU32051710	Wheel speed sensor, left front	1	
28	GU98054422	screw M8x22	1	

Group	ENGINE
Code	34.38
Description	Timing system
Service	1



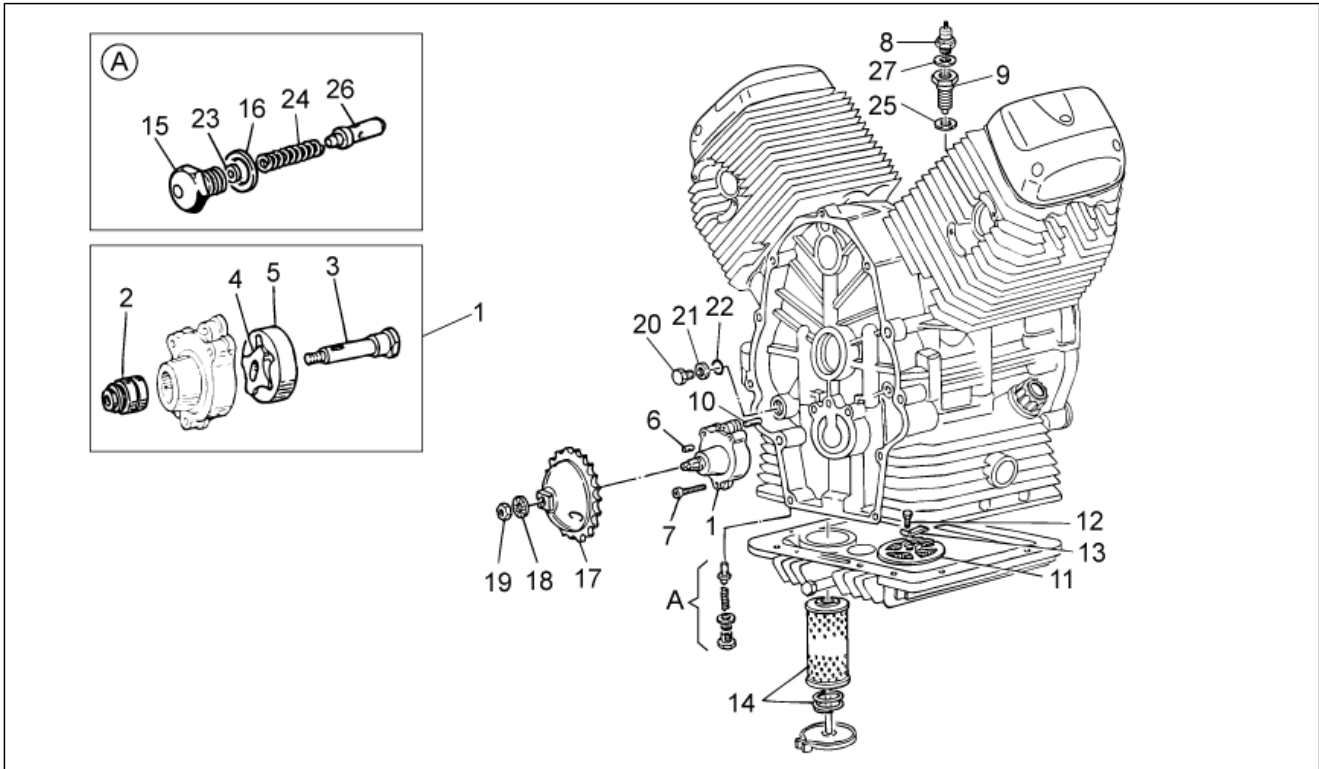
Pos.	Code	Description	Qty	Variants
29	GU95100244	Washer	1	

Group	ENGINE
Code	34.39
Description	Oil pump
Service	1



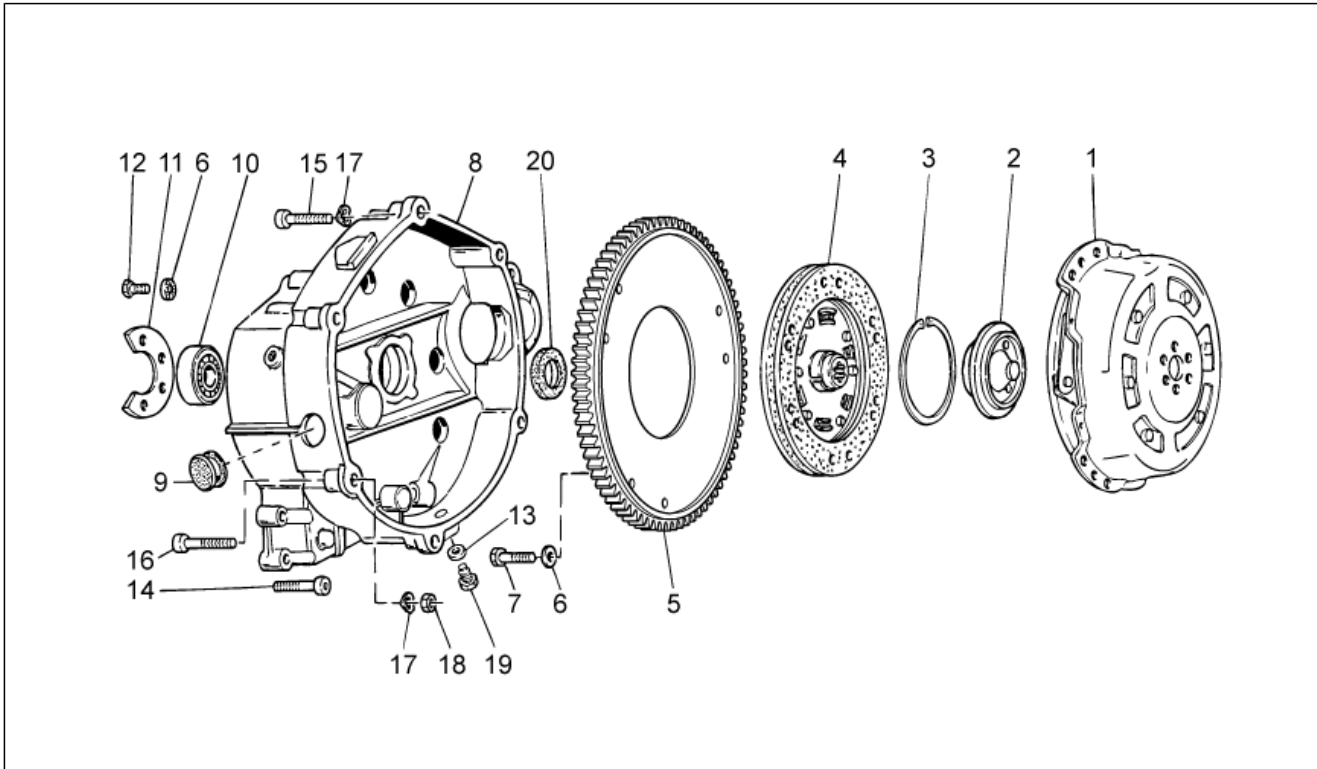
Pos.	Code	Description	Qty	Variants
1	GU19146422	Oil pump	1	
2	GU92252210	Roller bearing 10x22x20	1	
3	GU20147810	Oil pump shaft assy.	1	
4	GU20148410	Inner rotor	1	
5	GU20148610	Outer rotor	1	
6	GU92296723	Roller	1	
7	GU98620335	screw M6x35	3	
8	641541	Oil pressure sensor	1	
8	GU32768710	Pressure sensor	1	
9	887093	Union	1	
9	GU32768810	Union	1	
10	GU19018920	Pin	2	
11	GU19152200	Oil filter	1	
12	GU98084314	Hex screw	1	
13	GU95187006	Plate	1	
14	GU27153085	Oil filter	1	
15	GU31159050	Cover	1	
16	GU18144350	Washer 18,25x24x1	3	
17	GU20147710	Pump gear	1	
18	GU19149800	Washer 10,5x16x1	1	
19	GU92602510	Nut M10x1,25	1	
20	GU31016050	Cover	1	
21	GU18161150	Gasket 14,25	1	
22	GU90706111	O-ring	1	
23	GU95008206	Washer 6,15x11x0,8	3	
24	GU94321079	Spring	1	
25	GU95100602	Gasket	1	
26	GU31159050	Piston	1	

Group	ENGINE
Code	34.39
Description	Oil pump
Service	1



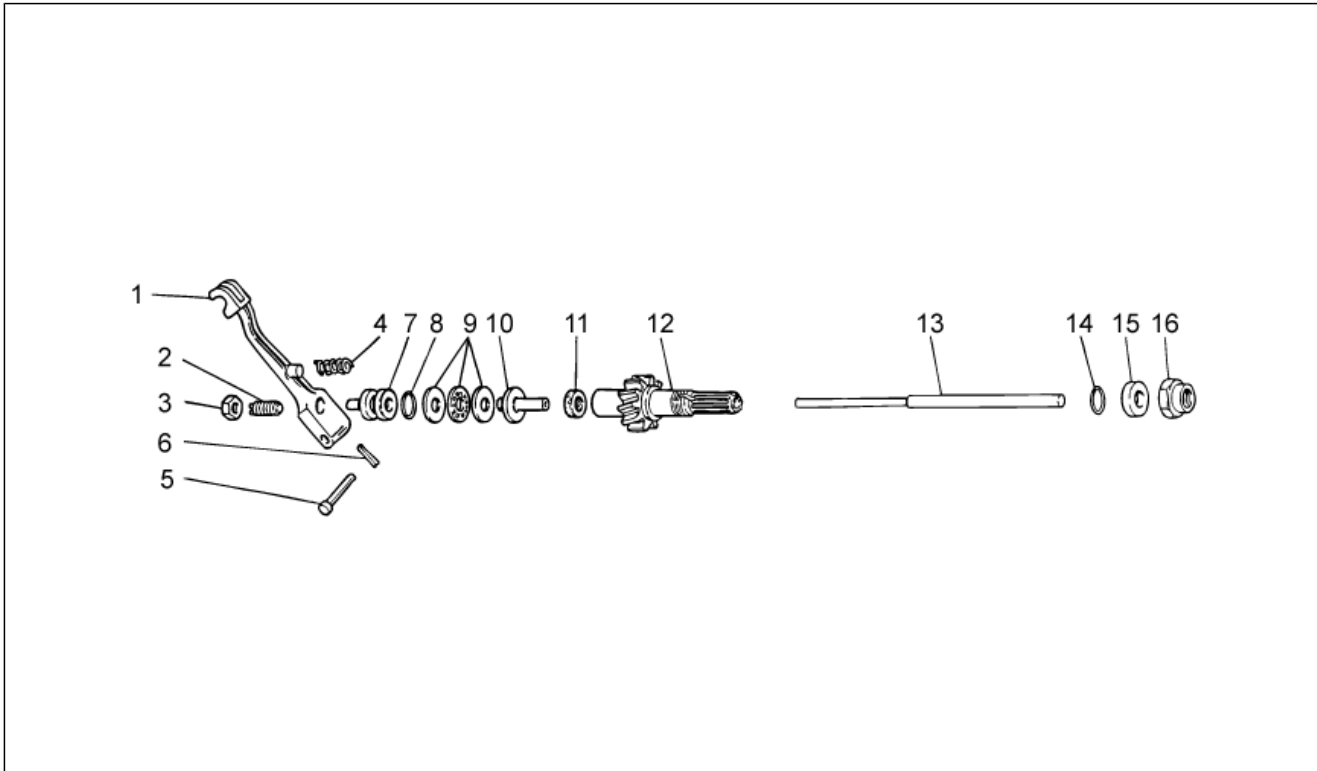
Pos.	Code	Description	Qty	Variants
27	GU95100309	Washer	1	

Group	ENGINE
Code	34.40
Description	Clutch I
Service	1



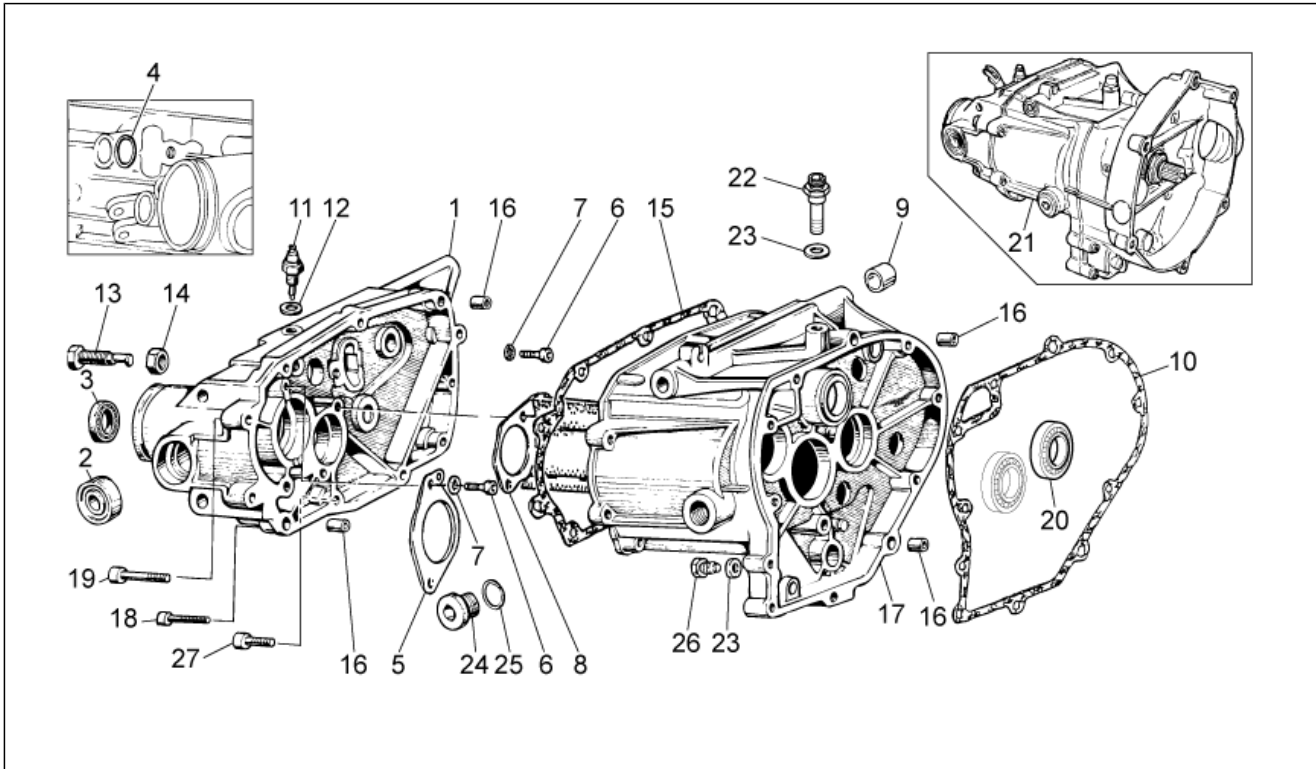
Pos.	Code	Description	Qty	Variants
1	GU32080310	Clutch	1	
2	GU19083462	New cup type	1	
3	GU90272075	Snap ring	1	
4	GU32084410	Driven clutch disc	1	
5	GU32067910	Chain ring	1	
6	GU14217901	Washer 6,4x10x0,7	9	
7	GU98084316	Hex screw	6	
8	981070	Clutch drum	1	
9	GU93180220	Cover	1	
10	GU92201225	Bearing 25x52x15	1	
11	GU19203460	Bearing fixing plate	1	
12	GU98084314	Hex screw	3	
13	GU10528900	Gasket	1	
14	GU98682330	Hex socket screw	11	
15	GU98680435	Hex socket screw M8x35	5	
16	GU98680450	Hex socket screw M8x50	1	
17	GU61270300	Spring washer 8x15x0,3	6	
18	GU92606208	Nut M8x1,25	1	
19	GU31003766	Oil unload plug M10x1	1	
20	GU90403246	Gasket ring 32x45x7	1	

Group	ENGINE
Code	34.41
Description	Clutch II
Service	1



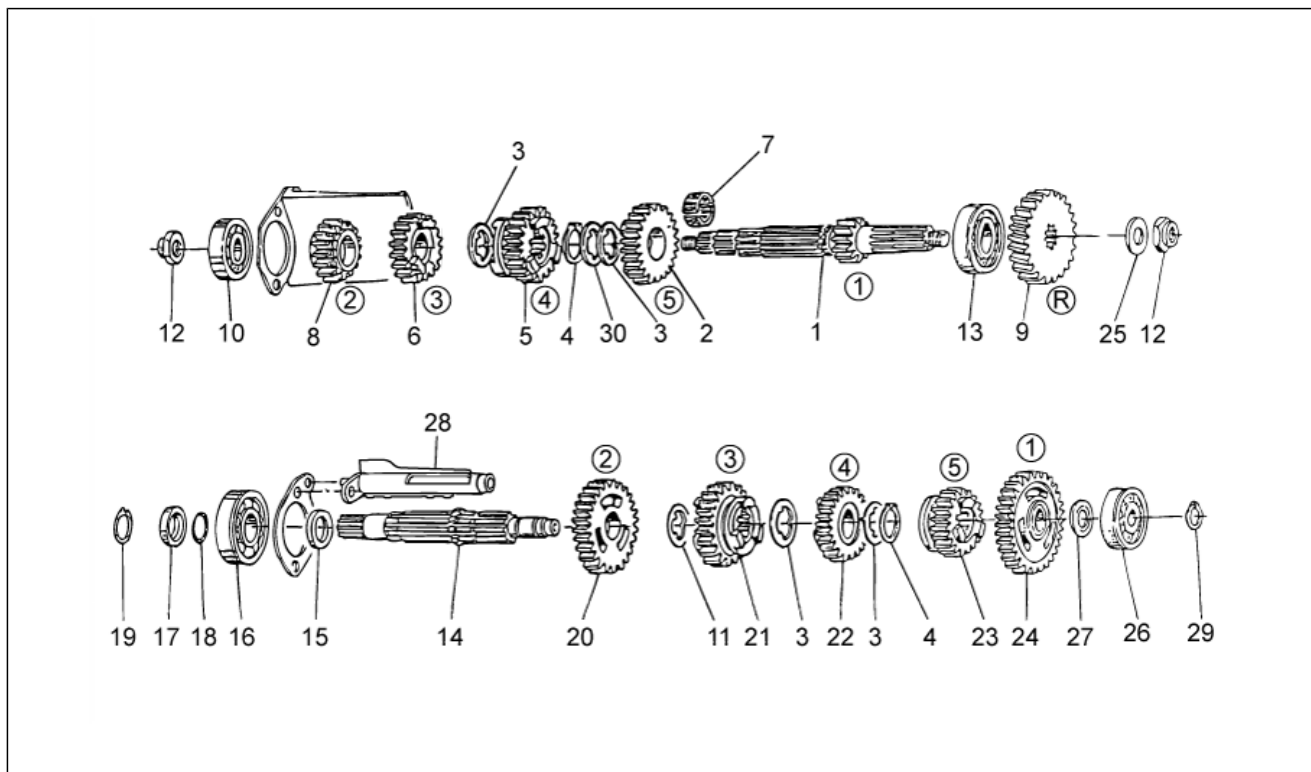
Pos.	Code	Description	Qty	Variants
1	GU14090201	Clutch relese shaft	1	
2	GU14090400	Adjuster screw	1	
3	GU92606508	Nut	1	
4	GU94321105	Lever return spring	1	
5	GU95780271	Pin 7x39	1	
6	GU95500222	Split pin	1	
7	GU14086100	Outer body	1	
8	GU90706170	O-ring 17,13x2,62	1	
9	GU12087001	Thrust bearing	1	
10	GU14086000	Inner body	1	
11	GU90400616	Gasket ring 6x16x7	1	
12	GU27210760	Transmission shaft Z=16	1	
13	GU20085720	Rod	1	
14	GU90706235	O-ring 23,52x1,78	1	
15	GU19213760	Spacer	1	
16	GU19356760	Nut	1	

Group	ENGINE
Code	34.42
Description	Transmission cage
Service	1



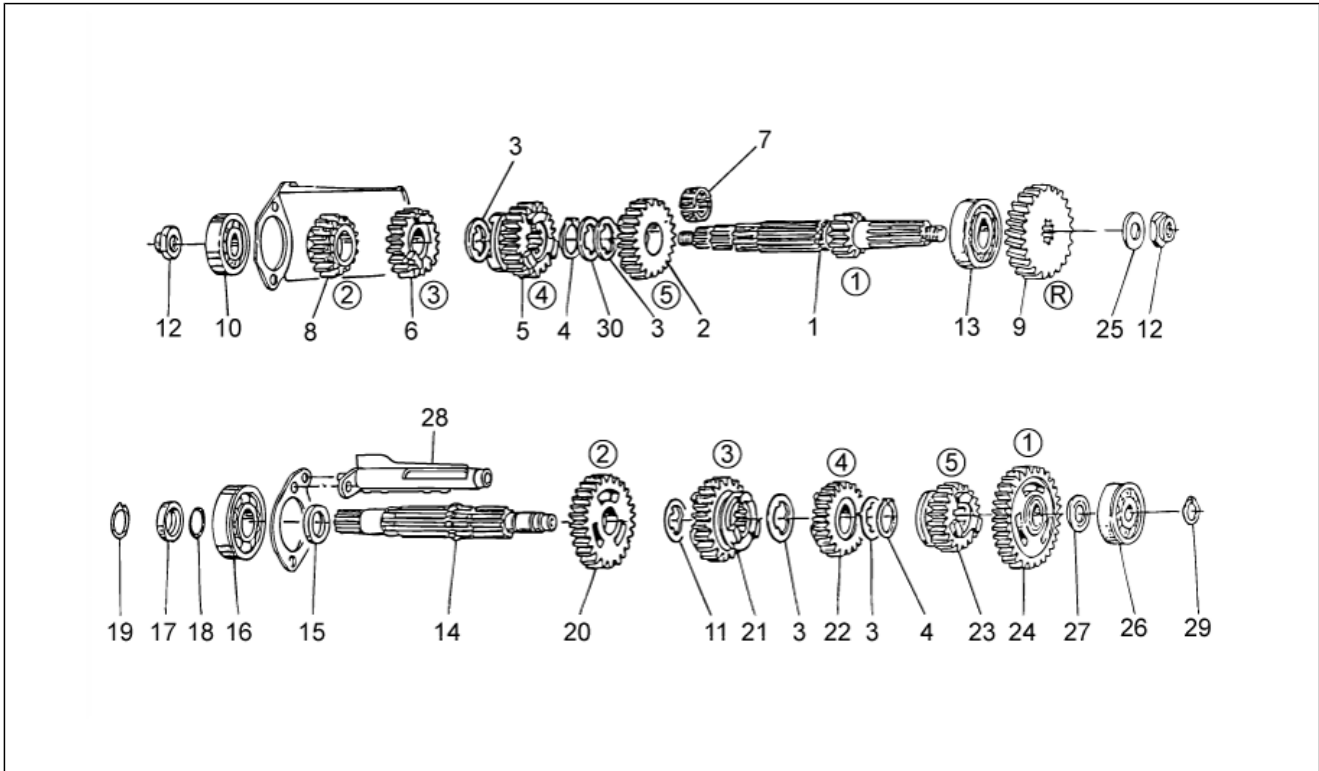
Pos.	Code	Description	Qty	Variants
1	976605	Gearbox cover	1	
2	GU92204215	Bearing 15x35x11	2	
3	GU90402841	Gasket ring 28x40x7	1	
4	GU90706140	O-ring 13,95x2,92	1	
5	GU32213810	Plate	1	
6	GU98682314	Hex socket screw M6x14	4	
7	GU14217901	Washer 6,4x10x0,7	4	
8	GU32208210	Oil bulhead	1	
9	GU19202320	Bush 10,25x15,7x8	2	
10	GU23200370	Gasket	1	
11	GU19207220	Sensor	1	
12	GU12154200	Gasket 8,25x15x1	1	
13	GU19237800	Screw M12x1,25	1	
14	GU92606512	Low nut M12x1,25	1	
15	GU19201120	Gasket	1	
16	GU19002020	Bush 6,6x9x13	4	
17	976606	Gearbox black	1	
18	GU98682330	Hex socket screw	5	
19	GU98680435	Hex socket screw M8x35	4	
20	GU92201120	Ball bearing 20x42x12	1	
21	976940	Transmission assy and housing	1	
22	GU32206510	Breather plug	1	
23	GU10528900	Gasket	2	
24	GU12022600	Oil plug	1	
25	GU90706203	O-ring 20,24x2,62	1	
26	GU31003766	Oil unload plug M10x1	1	
27	GU98680335	Hex socket screw M6x35	2	

Group	ENGINE
Code	34.43
Description	Gear box
Service	1



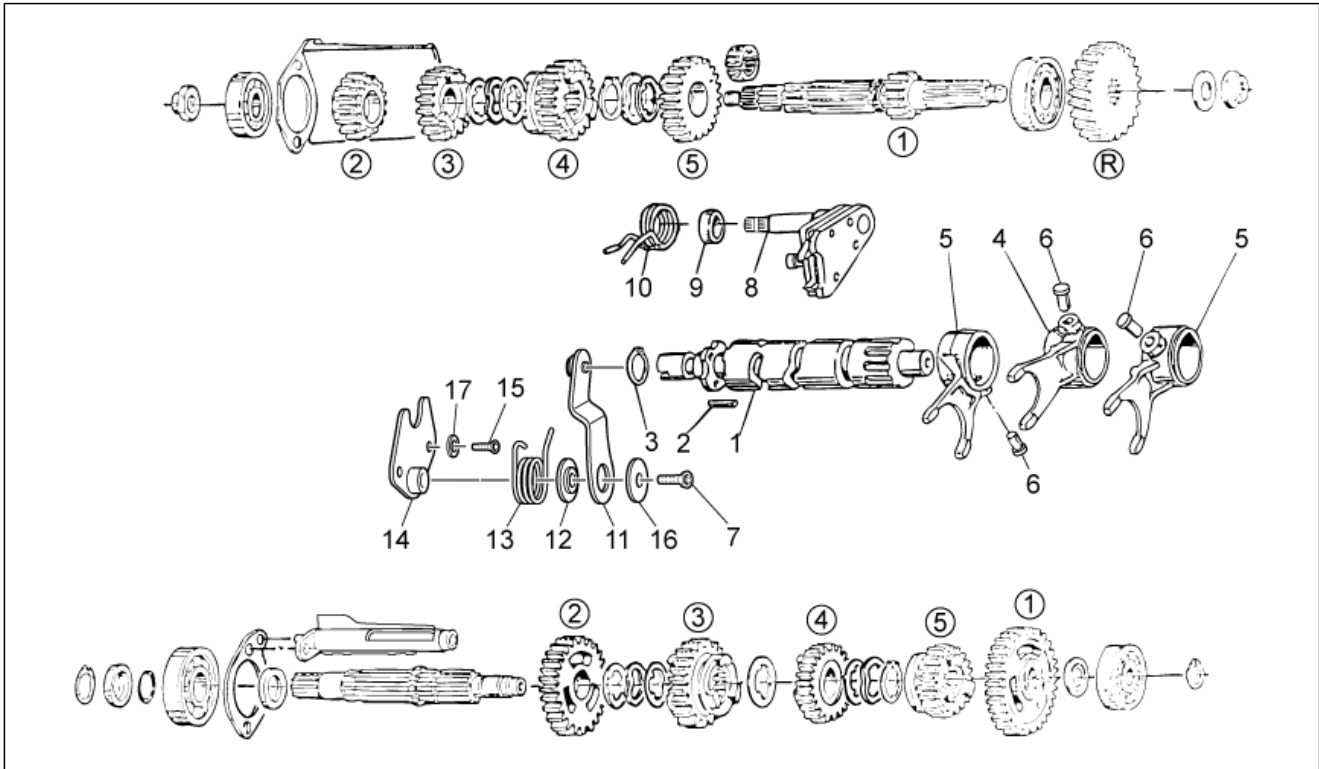
Pos.	Code	Description	Qty	Variants
1	GU32210510	Primary gear shaft Z=11	1	
2	GU32212011	Gear 5a AP Z=25	1	
3	GU19215460	Thrust washer	3	
4	GU90271124	Circlip	2	
5	GU32211810	Gear 4a AP Z=18	1	
6	GU32211410	Gear 3a AP Z=18	1	
7	GU92251028	Roller cage	1	
8	GU23211372	Gear 2a AP Z=14	1	
9	GU32211110	Idle gear AP Z=21	1	
10	GU92218417	Bearing AP 17x40x17,5	1	
11	GU19214660	Clearance washer	2	
12	GU10054100	Nut	2	
13	GU92230320	Bearing AP 20x37x17	1	
14	GU32213610	Driven shaft	1	
15	GU19212900	Spacer	1	
16	GU92201220	Bearing 20X47X14	1	
17	GU19213720	Spacer	1	
18	GU90706188	Gasket ring 18,77X1,78	1	
19	GU90271121	Circlip	1	
20	GU32214510	Gear 2a AS Z=23	1	
21	GU32214810	Gear 3a AS Z=23	1	
22	GU32215010	Gear 4a AS Z=19	1	
23	GU32215210	Gear 5a AS Z=22	1	
24	GU32214010	Gear 1a AS Z=26	1	
25	GU39238100	Clearance washer	1	
26	GU92234716	Bearing	1	
27	GU10214300	Spacer 1,5 mm	1	
27	GU10214301	Spacer 1,7 mm	1	

Group	ENGINE
Code	34.43
Description	Gear box
Service	1



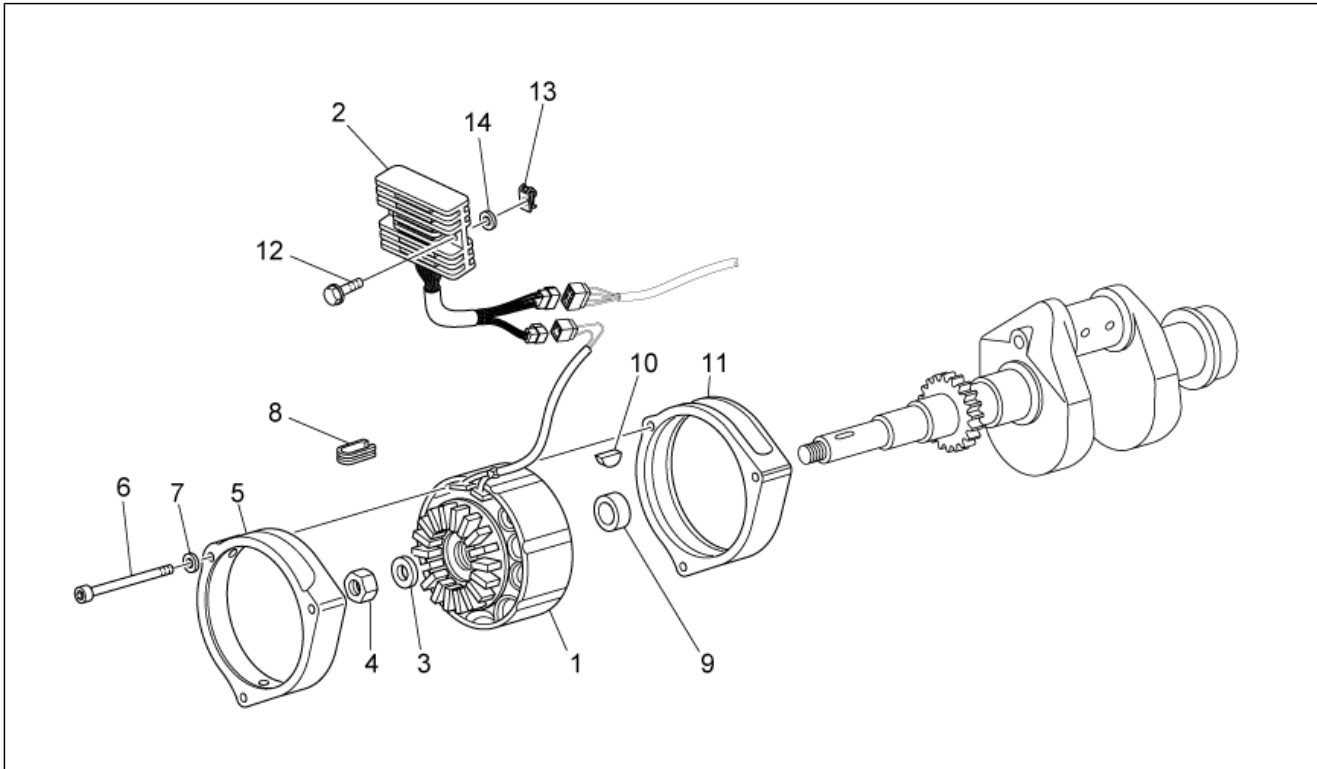
Pos.	Code	Description	Qty	Variants
27	GU10214302	Spacer 1,8 mm	1	
27	GU10214303	Spacer 1,9 mm	1	
27	GU10214304	Washer 2 mm	1	
27	GU10214305	Spacer 2,1 mm	1	
28	GU32202010	Gutter	1	
29	GU90271117	Circlip	1	

Group	ENGINE
Code	34.44
Description	Gear box selector
Service	1



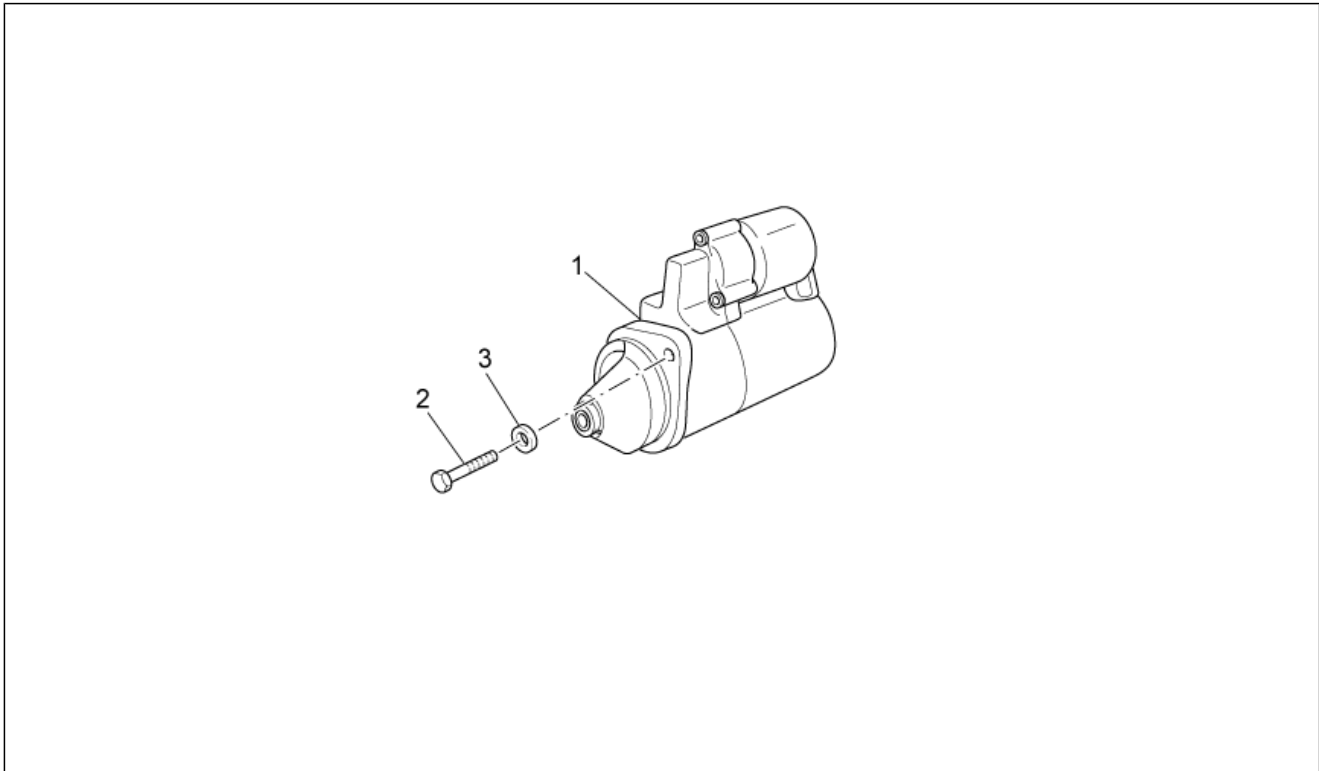
Pos.	Code	Description	Qty	Variants
1	GU32234410	Shift cam	1	
2	GU19234600	Pin	4	
3	GU90274026	Snap ring	1	
4	GU32231210	Fork AP	1	
5	GU32231010	Fork AS	2	
6	GU32233010	Roller	3	
7	GU98350312	Hex socket screw M6x12	1	
8	GU32236210	Preselection complete	1	
9	GU20208520	Spacer	1	
10	GU32238210	Spring	1	
11	GU32234710	Lever	1	
12	GU32234810	Washer	1	
13	GU32234110	Spring	1	
14	GU32235710	plate	1	
15	AP8152166	screw M6x16	2	
16	GU32234910	Washer 6,4x20x1	1	
17	GU14217901	Washer 6,4x10x0,7	2	

Group	ENGINE
Code	34.45
Description	Generator - Regulator
Service	1



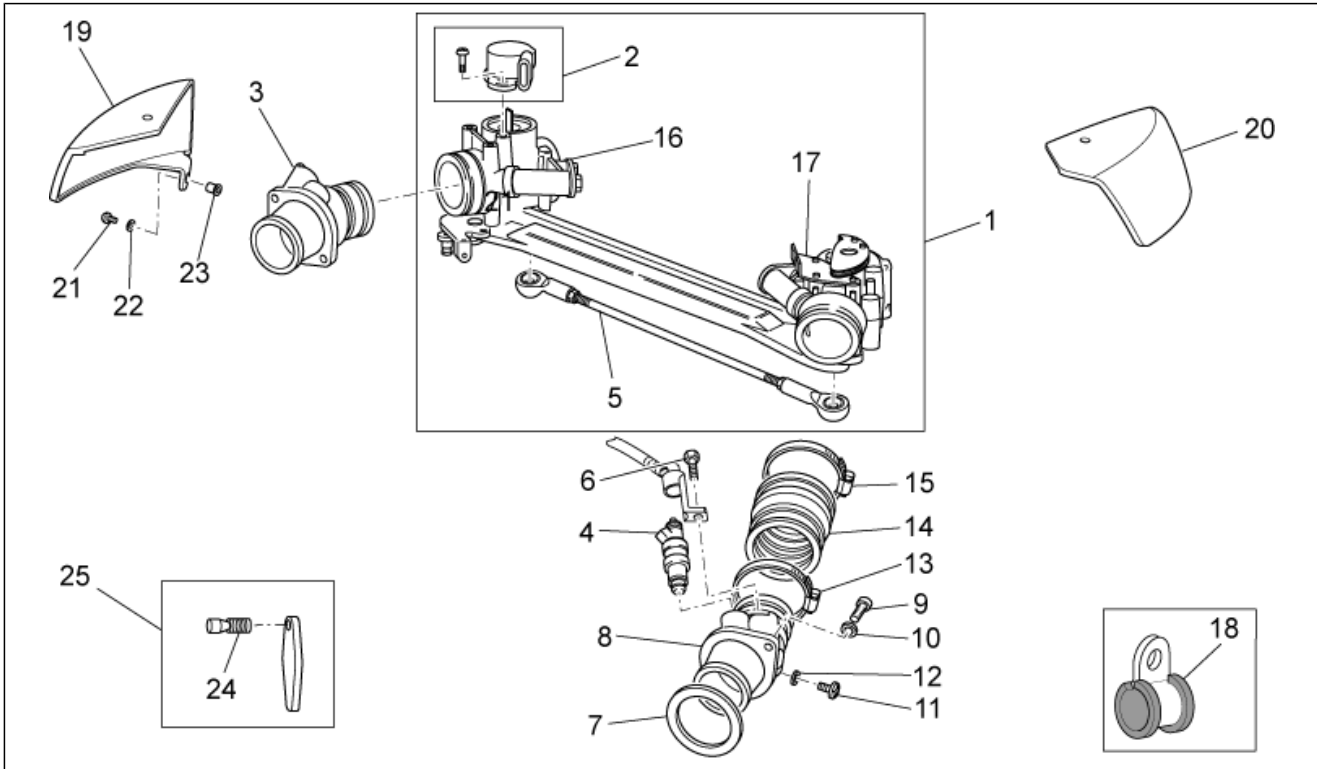
Pos.	Code	Description	Qty	Variants
1	883877	Generator	1	
2	883878	Voltage regulator 35A	1	
3	GU30714201	Washer 16,25x24,5x5	1	
4	GU92606516	Nut M16	1	
5	GU29711460	Front calotte	1	
6	GU98680265	Hex socket screw	3	
7	GU29217960	Washer 5,9X3X0,8	3	
8	GU19007700	Rubber spacer	1	
9	GU31712365	Spacer	1	
10	GU91600450	Transmission key	1	
11	GU29711960	Rear cap	1	
12	AP8152281	Screw w/ flange	2	
13	GU28576591	Clip M6	2	
14	GU95100125	Washer	2	

Group	ENGINE
Code	34.46
Description	Starter motor
Service	1



Pos.	Code	Description	Qty	Variants
1	GU05730730	Starter motor Bosch	1	
2	GU98082435	Hex screw M8x35	2	
3	GU95008208	Washer 8,4X15X1,5	2	

Group	ENGINE
Code	34.47
Description	Throttle body
Service	1



Pos.	Code	Description	Qty	Variants
1	GU32112510	Throttle assy	1	
2	GU05112830	Potentiometer	1	
3	GU32115010	RH manifold	1	
4	GU32115710	Injector kit complete	2	
5	GU32530509	Rod	1	
6	AP8152298	Screw w/ flange M5x16	2	
7	GU32115510	Gasket	1	
8	GU32115011	LH manifold	1	
9	GU98682322	Hex socket screw M6x22	4	
10	GU03013800	Washer 6,4x12	4	
11	GU98310609	screw M6x10	2	
12	GU95100116	Washer 6,25x10x1,5	2	
13	GU93305057	Hose clamp 57x59,5x10	2	
14	GU32114310	Hose	2	
15	GU93305061	Hose clamp 61/65,5	2	
16	GU32112610	Right throttle body	1	
17	GU32112611	Left throttle body	1	
18	GU32718010	Hose clamp	2	
19	978938	RH cover chromium plated	1	
20	978939	LH cover chromium plated	1	
21	GU98370515	screw	4	
22	GU30577800	Nylon washer 5,5X12X1	4	
23	GU93231605	Antivibration bush	4	
24	GU97270212	Shear rivet	1	
25	GU973221100027	Plate kit	1	



PIAGGIO & C.s.p.a.



CATALOGUE DE PIÈCES DE RECHANGE



V7 Racer 750 2011

Préfixe du cadre: ZGULWB00

Préfixe du moteur:

V7

GU100



Index

Produits finis.....	4
Index alphanumérique.....	5
CHASSIS.....	11
Tableau 33.01 - Chassis I.....	11
Tableau 33.02 - Chassis II.....	12
Tableau 33.03 - Béquille latérale.....	13
Tableau 33.06 - Levier boîte de vitesses.....	14
Tableau 33.07 - Fourche Av. I.....	15
Tableau 33.08 - Fourche Av. II.....	16
Tableau 33.11 - Amortisseur AR.....	19
Tableau 33.12 - Réservoir essence.....	20
Tableau 33.13 - Carrosserie av. - Garde-boue AV.....	23
Tableau 33.14 - Selle-Carrosserie cent.....	24
Tableau 33.15 - Carrosserie arrière I- Garde-boue.....	25
Tableau 33.16 - Carrosserie arrière II- Porte-plaque.....	26
Tableau 33.17 - Tableau de bord.....	27
Tableau 33.18 - Guidon - Commandes.....	28
Tableau 33.19 - Sys.frein avant.....	30
Tableau 33.20 - Alimentation.....	31
Tableau 33.21 - Pompe essence.....	32
Tableau 33.22 - Corps filtre.....	33
Tableau 33.23 - Groupe echappement.....	35
Tableau 33.24 - Roue Av.....	37
Tableau 33.25 - Roue arrière.....	38
Tableau 33.26 - Maît.cyl. frein AR.....	39
Tableau 33.27 - Pince frein AR.....	41
Tableau 33.28 - Feux avant.....	42
Tableau 33.29 - Feux arriere.....	44
Tableau 33.30 - Circuit électrique I.....	45
Tableau 33.31 - Circuit électrique II.....	46
Tableau 33.32 - Kit serrure.....	48
Tableau 33.33 - Décalco et plaquettes.....	49
Tableau 33.51 - Sys.récup.vap.ess.....	51
MOTEUR.....	52
Tableau 34.09 - Transmission cpl. I.....	52
Tableau 34.10 - Transmission cpl. II.....	53
Tableau 34.34 - Carter.....	56
Tableau 34.35 - Couvercle distribution.....	58
Tableau 34.36 - Tête cylindre.....	59
Tableau 34.37 - Arbre moteur cpl.....	60
Tableau 34.38 - Distribution.....	61
Tableau 34.39 - Pompe huile.....	63
Tableau 34.40 - Embrague I.....	65



Tableau 34.41 - Embrague II.....	66
Tableau 34.42 - Carter de boîte vitesses.....	67
Tableau 34.43 - Boîte de vitesses.....	68
Tableau 34.44 - Selecteur boîte de vitesses.....	70
Tableau 34.45 - Alternateur - Régul.....	71
Tableau 34.46 - Démarreur.....	72
Tableau 34.47 - Corps à papillon.....	73



V7
GU100 - V7 Racer 750 2011

Préfixe du cadre: ZGULWB00
Préfixe du moteur:

Produits finis

Code	Validité
GU9032178AUA01	
GU9032178CAB01	
GU9032178EUA00	
GU9032178EUA01	
GU9032178GBA00	
GU9032178GBA01	
GU9032178JPA00	
GU9032178JPA01	
GU9032178USB01	



Code	N° de tableau	Pos.	Code	N° de tableau	Pos.	Code	N° de tableau	Pos.
0000000	33.24	16	883712	33.23	10	887280	33.06	17
0000000	33.24	17	883796	33.17	1	887445	33.12	1
0000000	33.24	18	883797	33.17	1	887878	33.08	1
0000000	33.25	18	883798	33.31	19	887879	33.08	2
0000000	33.25	19	883802	33.18	10	887880	33.08	3
0000000	33.25	20	883852	33.21	5	887881	33.08	36
254485	33.14	16	883852	33.21	5	887882	33.08	5
290860	33.31	16	883870	33.23	1	887883	33.08	6
292022	33.28	9	883871	33.23	2	887884	33.08	7
292723	33.28	10	883877	34.45	1	887885	33.08	8
584332	33.28	15	883878	34.45	2	887886	33.08	9
584332	33.29	7	883911	33.33	20	887887	33.08	10
584509	33.31	24	883912	33.33	21	887888	33.08	11
599501	33.08	7	883913	33.33	22	887889	33.08	12
599502	33.08	9	883930	33.33	19	887890	33.08	13
599503	33.08	8	883940	33.18	3	887891	33.08	14
599504	33.08	6	884198	33.33	20	887892	33.08	15
639542	33.03	8	884199	33.33	21	887893	33.08	16
640201	33.31	5	884200	33.33	22	887894	33.08	17
640598	33.28	11	886141	33.33	10	887895	33.08	18
641541	34.39	8	886368	33.14	12	887896	33.08	19
672381	33.33	23	886369	33.12	3	887899	33.08	25
856062	33.51	7	886369	33.12	3	887900	33.08	23
856063	33.51	6	886370	33.12	20	887905	33.08	28
856064	33.51	11	886581	33.01	17	887906	33.08	35
856796	33.06	20	886582	33.01	18	887916	33.08	22
860138	33.51	10	886617	33.12	18	887944	33.12	1
883075	33.18	15	886625	33.12	19	887989	33.32	1
883077	33.30	1	886630	33.11	3	898082	33.01	1
883077	33.31	1	886637	33.33	13	898083	33.02	1
883161	33.31	12	886638	33.33	12	898084	33.02	2
883180	33.27	6	886639	33.33	1	898086	33.07	7
883182	33.32	1	886640	33.33	9	898118	33.24	5
883185	33.12	2	886643	33.33	8	898120	33.25	11
883185	33.32	3	886644	33.33	14	898167	33.24	1
883191	33.31	11	886645	33.01	11	898168	33.25	1
883192	33.27	7	886665	33.06	13	898170	33.18	1
883193	33.12	4	886665	33.26	1	898171	33.18	8
883193	33.12	4	886666	33.26	9	898172	33.12	1
883252	33.12	12	886668	33.06	16	898174	33.33	2
883252	33.12	12	886675	33.11	1	898178	33.14	1
883265	33.20	1	886676	34.09	11	898179	33.13	7
883265	33.20	1	886677	33.07	1	898180	33.13	8
883295	33.14	5	886678	33.33	3	898270	33.14	20
883296	33.27	1	886681	33.24	2	898271	33.14	21
883303	33.19	13	886684	33.08	17	898277	33.14	10
883349	33.25	8	886706	33.14	15	898278	33.14	9
883350	33.25	7	886709	33.33	5	898280	33.16	6
883417	33.28	26	886711	33.25	2	898281	33.06	7
883469	33.12	1	886712	33.16	9	898281	33.26	27
883470	33.16	12	886713	33.16	10	898282	33.06	1
883471	33.03	1	886714	33.28	16	898283	33.06	3
883476	33.12	2	886724	33.13	10	898284	33.06	9
883476	33.32	3	886727	33.14	19	898285	33.26	30
883477	33.32	1	88673000Y02	33.13	1	898286	33.26	17
883478	33.28	5	88673100Y02	33.13	7	898287	33.26	12
883478	33.29	5	88673200Y02	33.16	6	898288	33.26	4
883479	33.29	1	886784	33.13	2	898611	33.06	12
883480	33.16	15	886820	33.14	22	898612	33.26	28
883498	33.08	23	886825	33.33	11	976600	34.34	1
883552	33.08	24	886830	34.36	9	976603	34.35	1
883581	33.19	2	886841	33.14	14	976604	34.34	12
883602	33.08	34	886842	33.08	21	976605	34.42	1
883688	33.24	10	886944	33.33	24	976606	34.42	17
883696	33.22	16	887093	34.39	9	976608	34.10	1
883697	33.22	15	887205	33.12	1	976614	33.14	13
883711	33.23	11	887206	33.33	5	976685	34.34	16



Code	N° de tableau	Pos.	Code	N° de tableau	Pos.	Code	N° de tableau	Pos.
976939	34.34	28	AP8121032	33.17	7	AP8152329	33.15	11
976940	34.42	21	AP8121072	33.23	22	AP8152329	33.22	18
976941	34.09	1	AP8121307	33.07	4	AP8152329	33.22	22
977088	33.03	1	AP8121367	33.02	10	AP8152329	33.31	20
977527	33.14	8	AP8121375	33.03	2	AP8152329	33.31	8
977527	33.32	4	AP8121420	33.14	6	AP8152339	33.16	8
978311	33.28	2	AP8121420	33.32	8	AP8152385	33.19	16
978323	33.19	15	AP8121607	33.03	2	AP8201358	33.22	2
978323	33.27	20	AP8121927	33.26	3	AP8201358	33.51	23
978385	33.23	12	AP8121929	33.16	7	AP8210007	33.06	18
978386	33.23	15	AP8124528	33.31	22	AP8212588	33.30	11
978387	33.23	4	AP8124718	33.16	13	AP8213028	33.18	23
978415	33.14	7	AP8124869	33.31	28	AP8213057	33.26	15
978415	33.32	9	AP8124936	33.30	2	AP8220283	33.31	29
978570	33.18	10	AP8127346	33.31	17	AP8220460	33.07	6
978662	33.28	2	AP8133643	33.26	14	AP8220546	33.31	27
978827	33.21	1	AP8133873	33.26	22	AP8221114	33.51	16
978928	33.12	1	AP8134378	33.23	18	AP8221128	33.12	12
978930	33.20	2	AP8134448	33.16	2	AP8221172	33.01	16
978930	33.21	1	AP8134640	33.26	35	AP8221172	33.18	29
978930	33.21	1	AP8144038	33.22	31	AP8221197	33.03	5
97894600Y02	33.15	1	AP8144046	33.31	25	AP8221277	33.06	10
978947	33.15	2	AP8144071	33.23	16	AP8221297	33.23	30
978949	33.16	1	AP8144071	34.36	23	AP8224164	33.16	3
97895015	33.29	1	AP8144081	33.07	5	AP8224462	33.31	30
978970	33.26	13	AP8144146	33.07	3	AP8257609	33.33	18
978974	33.08	19	AP8144538	33.31	7	AP8257742	33.33	16
978977	33.08	29	AP8144606	33.01	15	AP8257794	33.33	17
978978	33.08	4	AP8149034	33.16	17	AP9100477	33.06	15
981070	34.40	8	AP8150026	33.06	19	AP9100477	33.26	31
981149	33.28	12	AP8150044	33.06	14	B063033	33.20	4
AP8101594	33.26	20	AP8150044	33.26	25	B063034	33.20	1
AP8101595	33.12	15	AP8150115	33.06	5	B06303600Y02	33.12	1
AP8102159	33.22	25	AP8150115	33.26	26	CM001928	33.07	9
AP8102239	33.22	30	AP8150137	33.06	4	CM001929	33.07	8
AP8102375	33.26	19	AP8150248	33.16	19	CM2271024	33.31	19
AP8102375	33.31	15	AP8150349	33.32	6	GU00823923140	33.03	7
AP8102378	33.51	25	AP8150413	33.13	6	GU00823923140	33.22	32
AP8102524	33.03	4	AP8150413	33.22	3	GU00823923140	33.51	22
AP8102678	33.51	1	AP8150421	33.31	33	GU00823931055	33.28	25
AP8102688	33.51	2	AP8150436	33.02	12	GU00823944050	33.12	16
AP8102766	33.22	10	AP8150468	33.26	29	GU00823950050	33.26	21
AP8102766	33.51	21	AP8152138	33.06	21	GU01103860	33.01	13
AP8102913	33.14	3	AP8152166	34.44	15	GU01106090	33.21	2
AP8104242	33.22	8	AP8152220	33.02	11	GU01108490	33.21	4
AP8104251	33.22	24	AP8152268	33.16	18	GU01528930	34.10	9
AP8104525	33.22	13	AP8152273	33.16	11	GU01609630	33.18	14
AP8110053	33.06	22	AP8152273	33.20	3	GU01654630	33.19	17
AP8113004	33.19	14	AP8152277	33.19	3	GU01659130	33.19	11
AP8113004	33.27	8	AP8152277	33.31	23	GU01659131	33.19	12
AP8113288	33.26	16	AP8152278	33.15	3	GU01665410	33.26	6
AP8113553	33.26	23	AP8152278	33.28	13	GU01717430	33.30	8
AP8118490	33.18	24	AP8152279	33.15	9	GU01718330	33.30	6
AP8120116	33.51	8	AP8152281	34.45	12	GU01721600	33.30	13
AP8120246	34.09	10	AP8152286	33.24	11	GU01744200	33.28	18
AP8120531	33.14	18	AP8152287	33.02	13	GU02107100	33.12	11
AP8120615	33.22	14	AP8152288	33.02	15	GU02107100	33.12	11
AP8120708	33.30	10	AP8152291	33.12	9	GU03013800	33.23	8
AP8120772	33.22	11	AP8152298	34.47	6	GU03013800	34.47	10
AP8120876	33.22	23	AP8152299	33.15	15	GU03067730	34.10	19
AP8120912	33.06	2	AP8152299	33.27	10	GU03101600	33.12	7
AP8120912	33.26	2	AP8152299	33.51	5	GU03101720	33.12	5
AP8120952	33.22	1	AP8152300	33.02	14	GU03101900	33.12	3
AP8120965	33.12	13	AP8152300	33.27	13	GU03102200	33.12	6
AP8120965	33.12	13	AP8152306	33.16	5	GU03102400	33.12	24
AP8120965	33.51	17	AP8152320	33.06	6	GU03103200	33.12	8
AP8121014	33.03	3	AP8152320	33.26	33	GU03103500	33.12	4

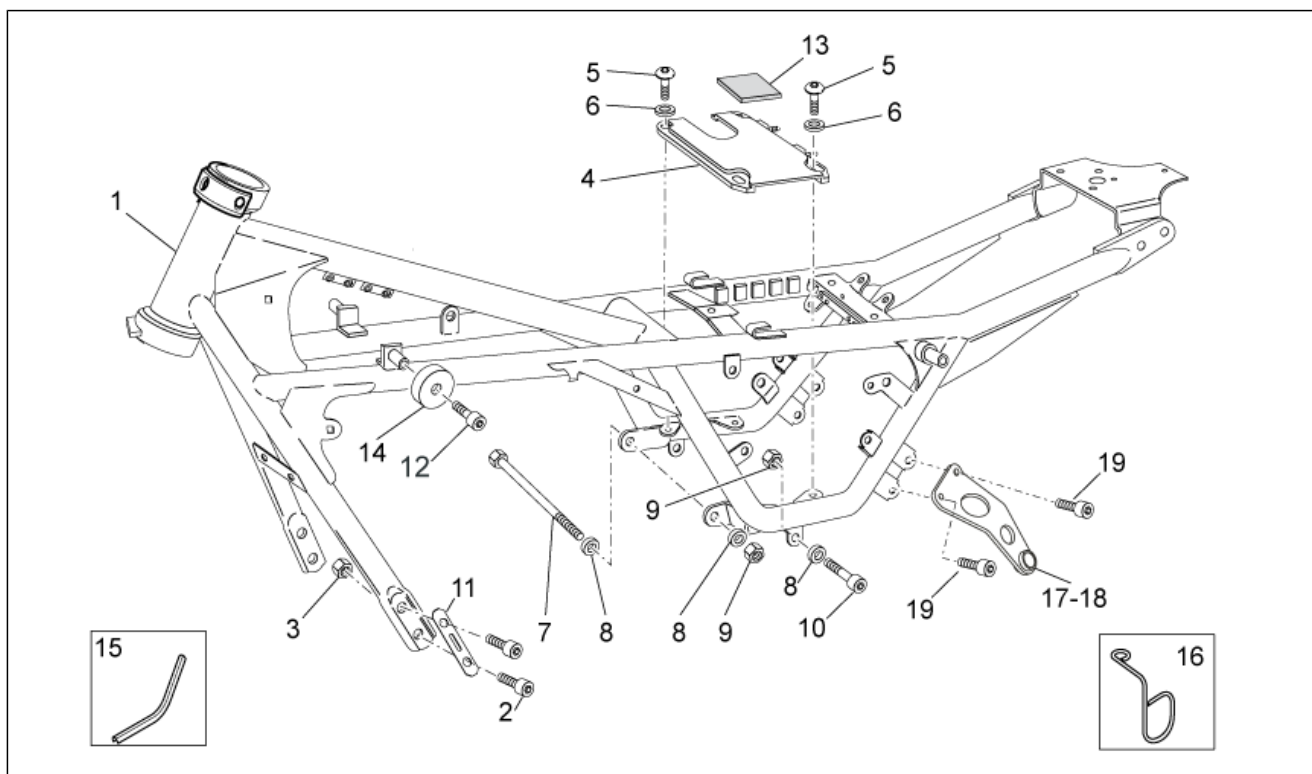


V7
GU100 - V7 Racer 750 2011

Préfixe du cadre: ZGULWB00
Préfixe du moteur:

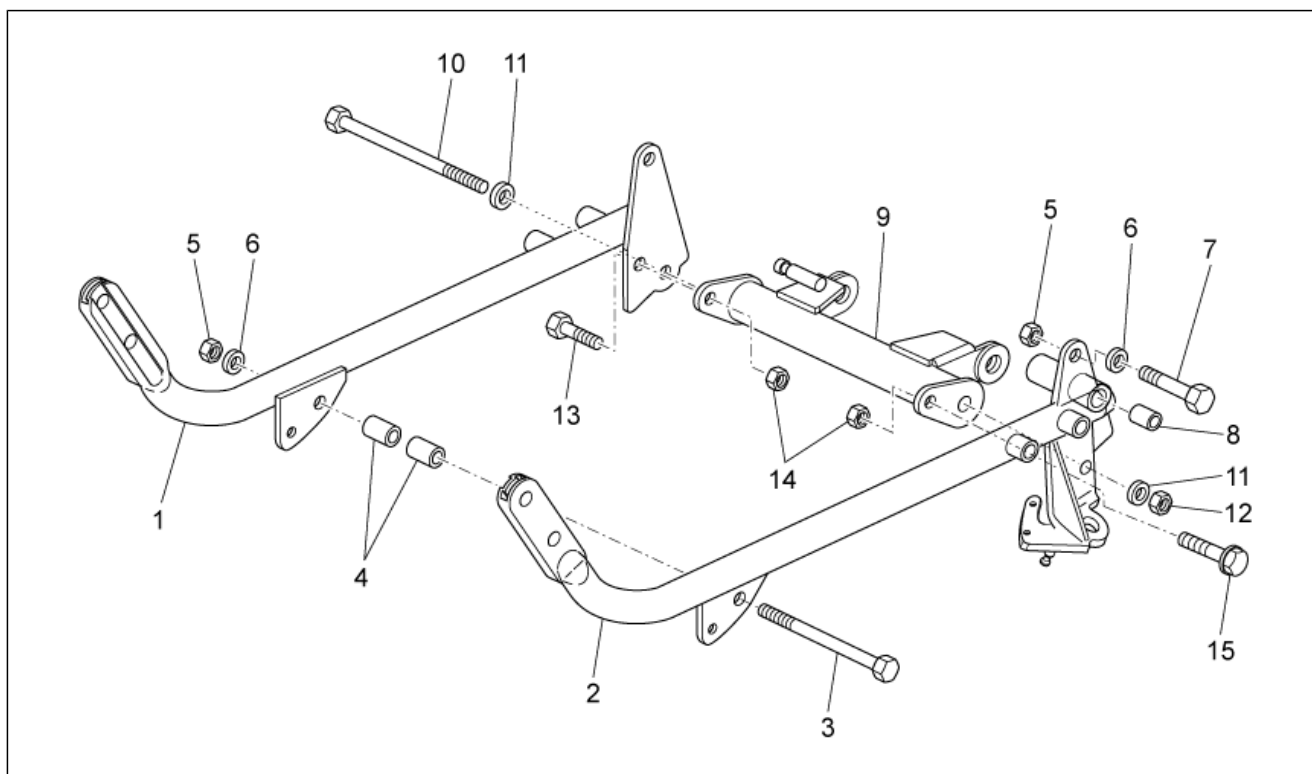
Code	N° de tableau	Pos.
GU98370655	33.29	9
GU98370831	33.15	5
GU98370831	33.28	22
GU98612216	33.03	9
GU98620335	34.39	7
GU98620540	33.08	18
GU98680265	34.45	6
GU98680330	33.08	3
GU98680330	34.35	4
GU98680335	34.35	8
GU98680335	34.42	27
GU98680350	33.08	30
GU98680435	34.40	15
GU98680435	34.42	19
GU98680440	33.23	17
GU98680450	34.40	16
GU98680545	34.09	16
GU98680555	33.01	10
GU98682125	33.30	4
GU98682212	33.30	14
GU98682212	33.31	13
GU98682215	33.26	18
GU98682314	34.42	6
GU98682322	34.47	9
GU98682325	34.34	11
GU98682325	34.35	3
GU98682330	34.40	14
GU98682330	34.42	18
GU98682414	33.01	12
GU98682416	33.32	7
GU98682425	33.25	13
GU98682530	33.01	2
GU98690335	33.18	27
GU98692210	33.12	17
GU98692210	33.12	17
GU98692318	33.11	2
GU98692325	33.18	9
GU98692325	34.36	16
GU98692420	33.01	19
GU98880540	33.28	21
GU98882316	34.38	21

Groupe	CHASSIS
Code	33.01
Description	Chassis I
Révision	1



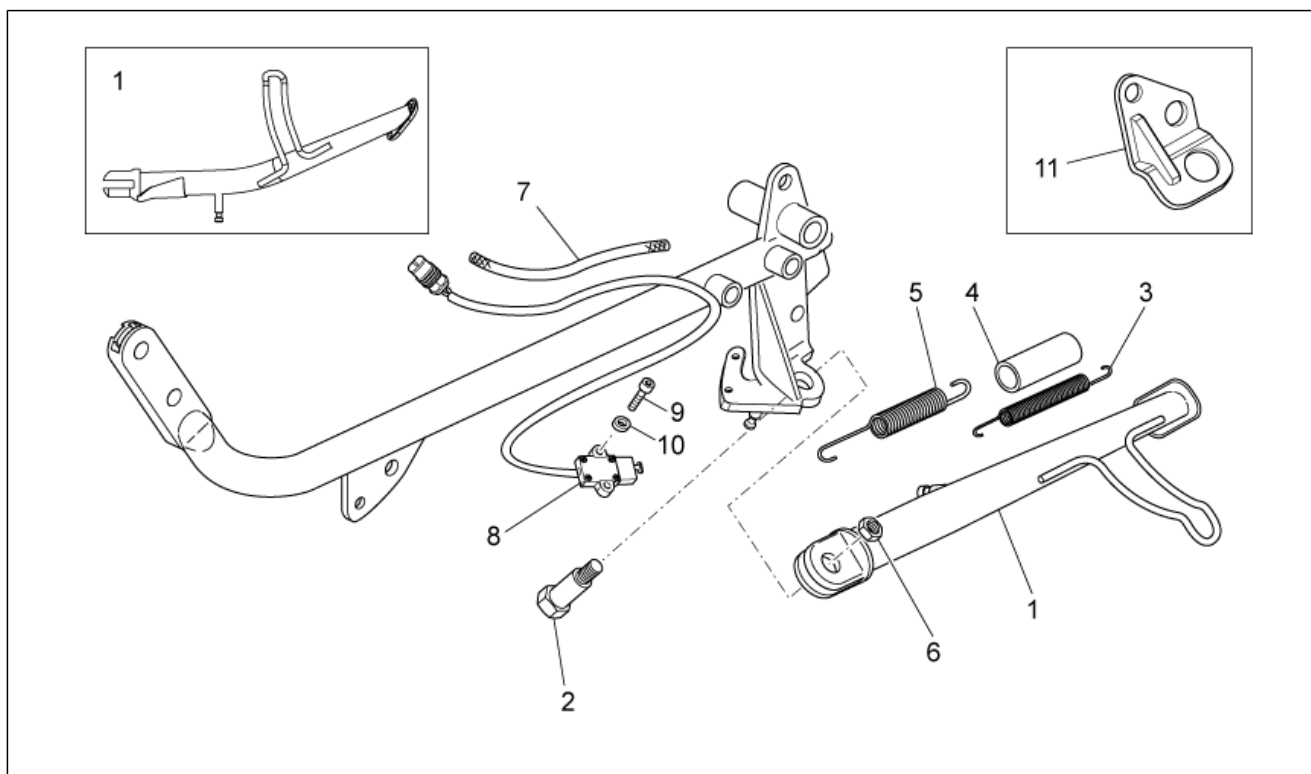
Pos.	Code	Description	Quant	Variants
1	898082	Châssis v.	1	
2	GU98682530	Vis M10x30	4	
3	GU92630510	Ecrou M10x1,5	4	
4	GU32418260	Plaque	1	
5	GU98350416	Vis	4	
6	GU95008208	Rondelle 8,4X15X1,5	4	
7	GU98110199	Pivot M10x205	1	
8	GU95008210	Rondelle 10,2X18X2	11	
9	GU92606210	Ecrou M10x1,5	2	
10	GU98680555	Vis M10x55	2	
11	886645	Plaquette	2	
12	GU98682414	Vis	2	
13	GU01103860	Caoutchouc anti-vibrations	1	
14	GU66103415	Caoutchouc	2	
15	AP8144606	Joint 10X5	1	
16	AP8221172	Guide-câble	1	
17	886581	Plaque d.	1	
18	886582	Plaque g.	1	
19	GU98692420	Vis	4	

Groupe	CHASSIS
Code	33.02
Description	Chassis II
Révision	1



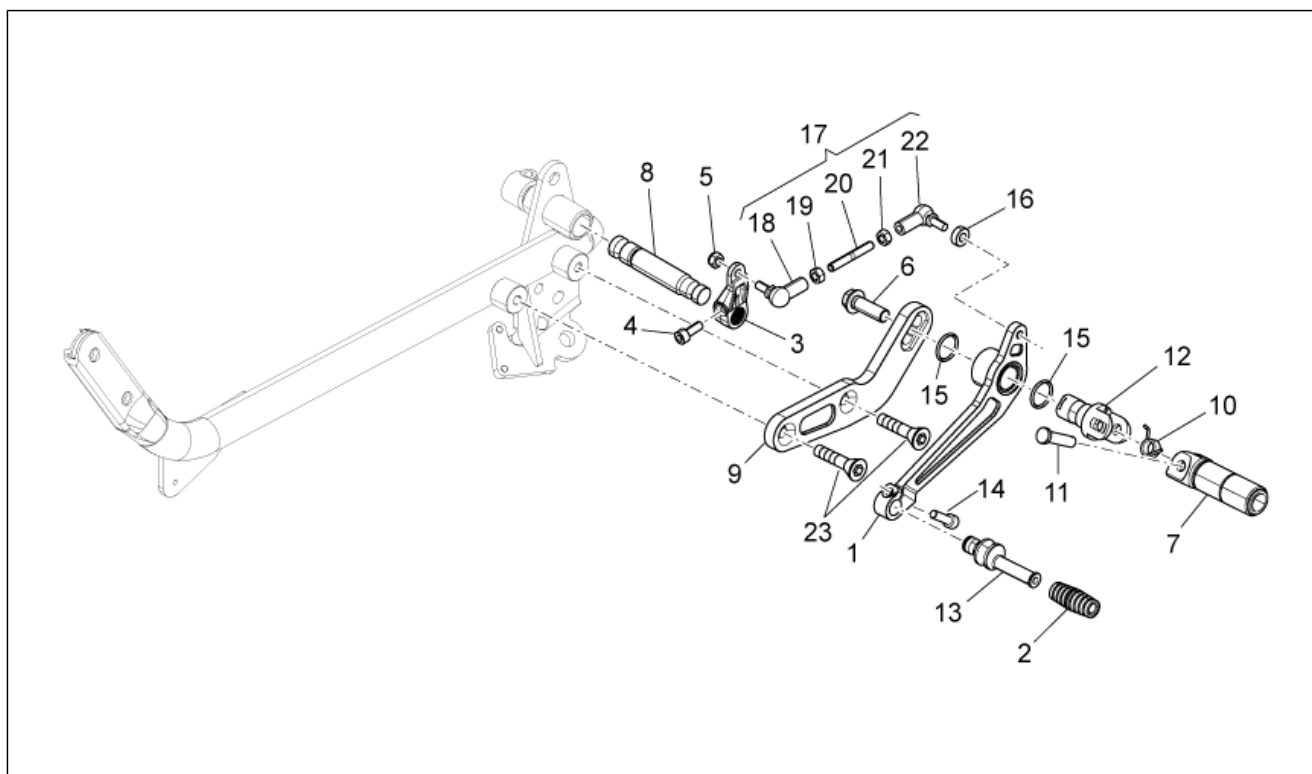
Pos.	Code	Description	Quant	Variants
1	898083	Bras d.	1	
2	898084	Bras g.	1	
3	GU53429500	Pivot M10x250	1	
4	GU19017000	Bague	2	
5	GU92606210	Ecrou M10x1,5	3	
6	GU95008210	Rondelle 10,2X18X2	3	
7	GU98082565	Vis M10x65	2	
8	GU28252060	Douille 18 mm est.	2	
9	GU32431310	Traverse comm.bras duberceau	1	
10	AP8121367	Pivot M10x260	1	
11	AP8152220	Rondelle	2	
12	AP8150436	Ecrou autofr. bas	1	
13	AP8152287	Vis bride	1	
14	AP8152300	Ecrou autobloqu. M8	1	
15	AP8152288	Vis bride	1	

Groupe	CHASSIS
Code	33.03
Description	Béquille latérale
Révision	1



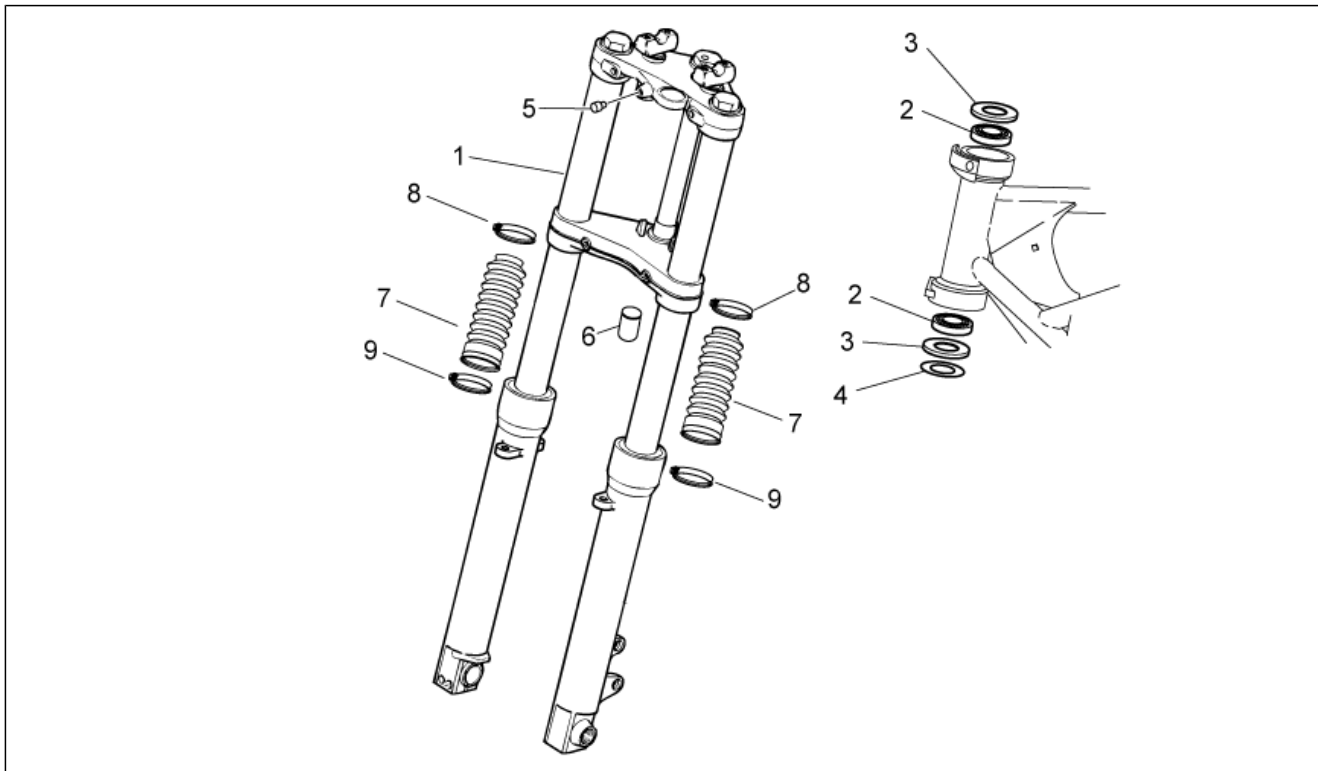
Pos.	Code	Description	Quant	Variants
1	883471	Bras latérale noire	1	Pays:Canadian[CA], USA[USA]
1	977088	Bras latérale noire	1	Pays:Australie[AA], europa[EU], Japon[J], Angleterre[UK]
2	AP8121375	Vis fix. béquille	1	Pays:Australie[AA], europa[EU], Japon[J], Angleterre[UK]
2	AP8121607	Vis fix. béquille	1	Pays:Canadian[CA], USA[USA]
3	AP8121014	Ress.hél.cyl.tract. *	1	
4	AP8102524	Protec.ress.béquille	1	
5	AP8221197	Ressort rappel béq.	1	
6	GU32433011	Ecrou	1	Pays:Canadian[CA], USA[USA]
6	GU92630310	Ecrou	1	Pays:Australie[AA], europa[EU], Japon[J], Angleterre[UK]
7	GU00823923140	Gaine thermique	1	
8	639542	Button for the side stand	1	
9	GU98612216	Vis	2	
10	GU95020105	Rondelle 5,3x8,9x2,4	2	
11	GU32432711	Plaque	1	Pays:Canadian[CA], USA[USA]

Groupe	CHASSIS
Code	33.06
Description	Levier boîte de vitesses
Révision	1



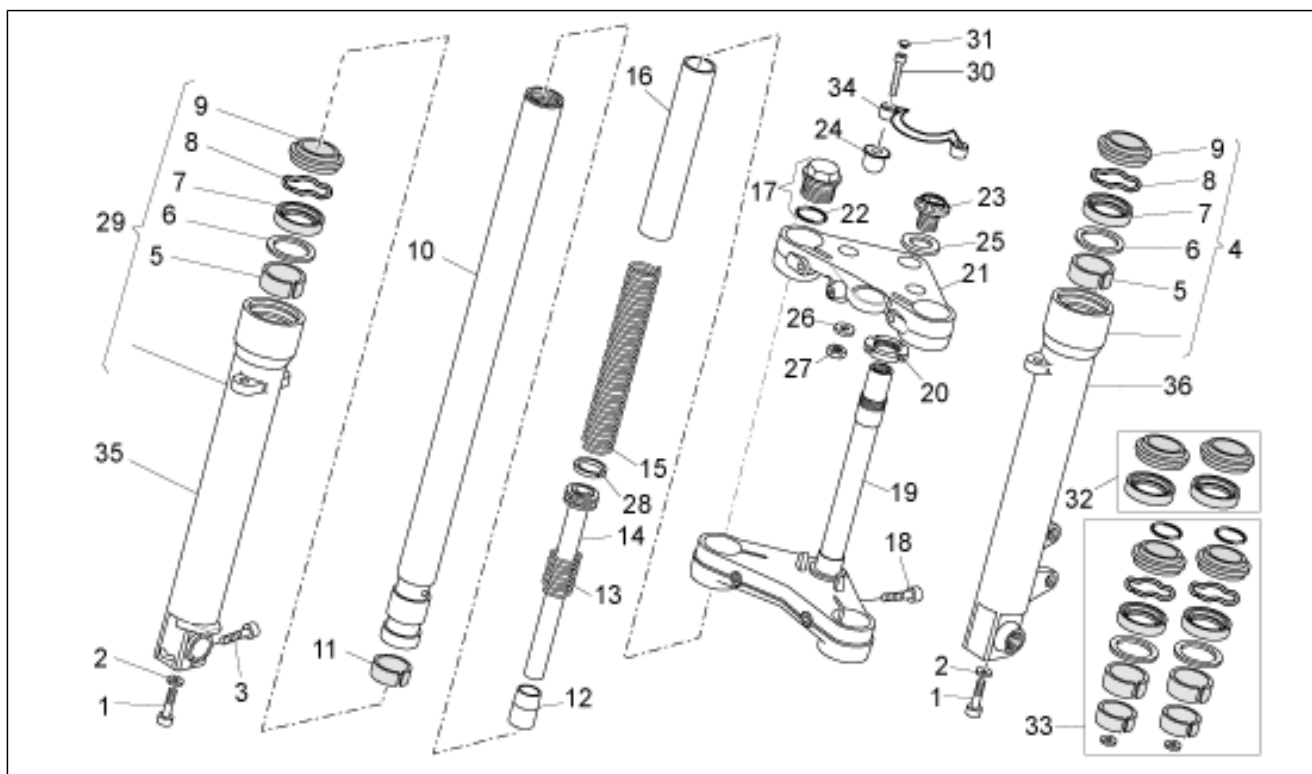
Pos.	Code	Description	Quant	Variants
1	898282	Levier boîte de vitesses	1	
2	AP8120912	Caoutchouc pour levier	1	
3	898283	Levier de commande	1	
4	AP8150137	Vis	1	
5	AP8150115	Ecrou autofr. bas M6	1	
6	AP8152320	Vis bride	1	
7	898281	R-pied pilote D	1	
8	GU32251610	Goujon de levier	1	
9	898284	Piastra pedana pilota	1	
10	AP8221277	Ressort retour repose-pieds	1	
11	GU23442210	Pivot	1	
12	898611	Sup.pl.pilote gche	1	
13	886665	Tige	1	
14	AP8150044	Vis M6x20	1	
15	AP9100477	Joint torique 18x2	2	
16	886668	Entretoise	1	
17	887280	Tirante comando cambio	1	
18	AP8210007	Rotule d.te M6	1	
19	AP8150026	Ecrou	1	
20	856796	Tige renvoi boîte de vitesses	1	
21	AP8152138	Ecrou	1	
22	AP8110053	Rotule G M6	1	
23	GU98252420	Vis FHC M8x20	2	

Groupe	CHASSIS
Code	33.07
Description	Fourche Av. I
Révision	1



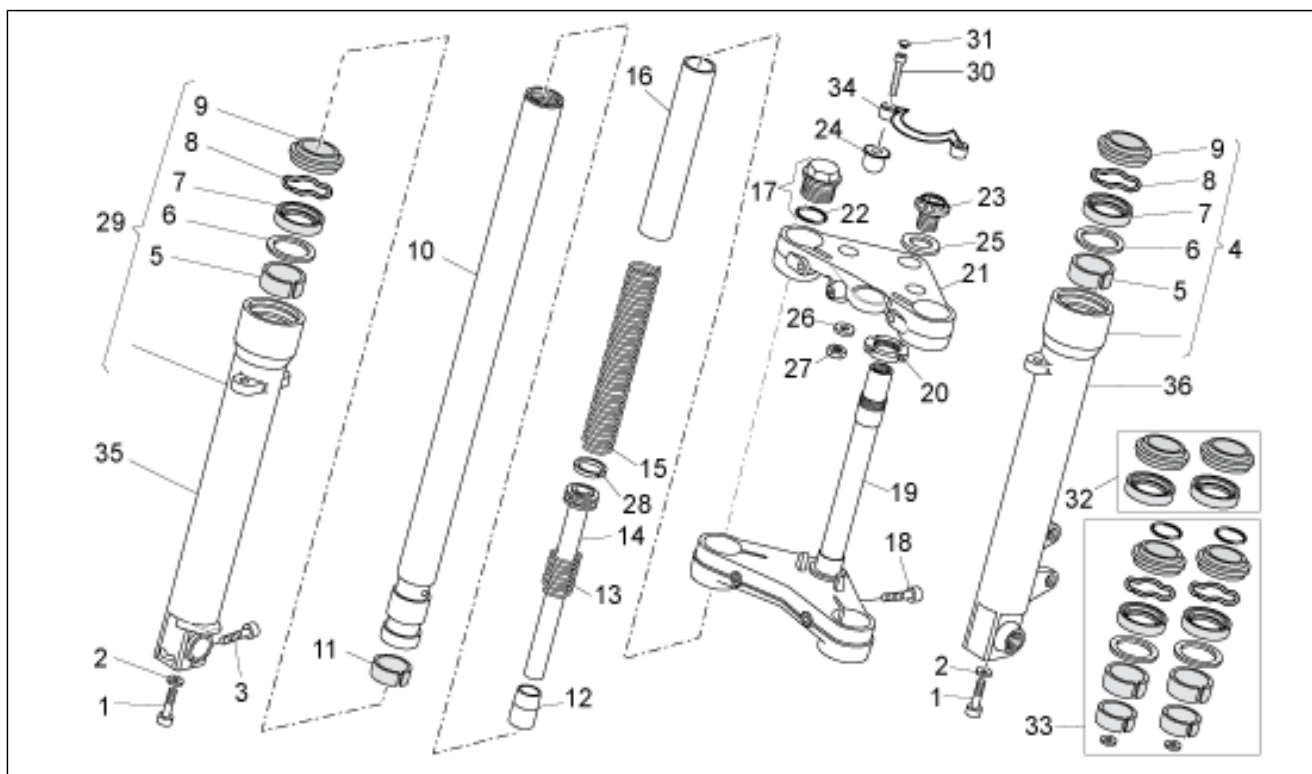
Pos.	Code	Description	Quant	Variants
1	886677	Fourche complète	1	
2	GU92249225	Roulement roul.con.	2	
3	AP8144146	Bague d'étanchéité	1	
4	AP8121307	Rondelle	1	
5	AP8144081	Caoutchouc	1	
6	AP8220460	Rondelle en caoutchouc	1	
7	898086	Soufflet fourche	7	
8	CM001929	Collier serr. Tube 36.5	2	
9	CM001928	Collier serr. Tube 44	2	

Groupe	CHASSIS
Code	33.08
Description	Fourche Av. II
Révision	1



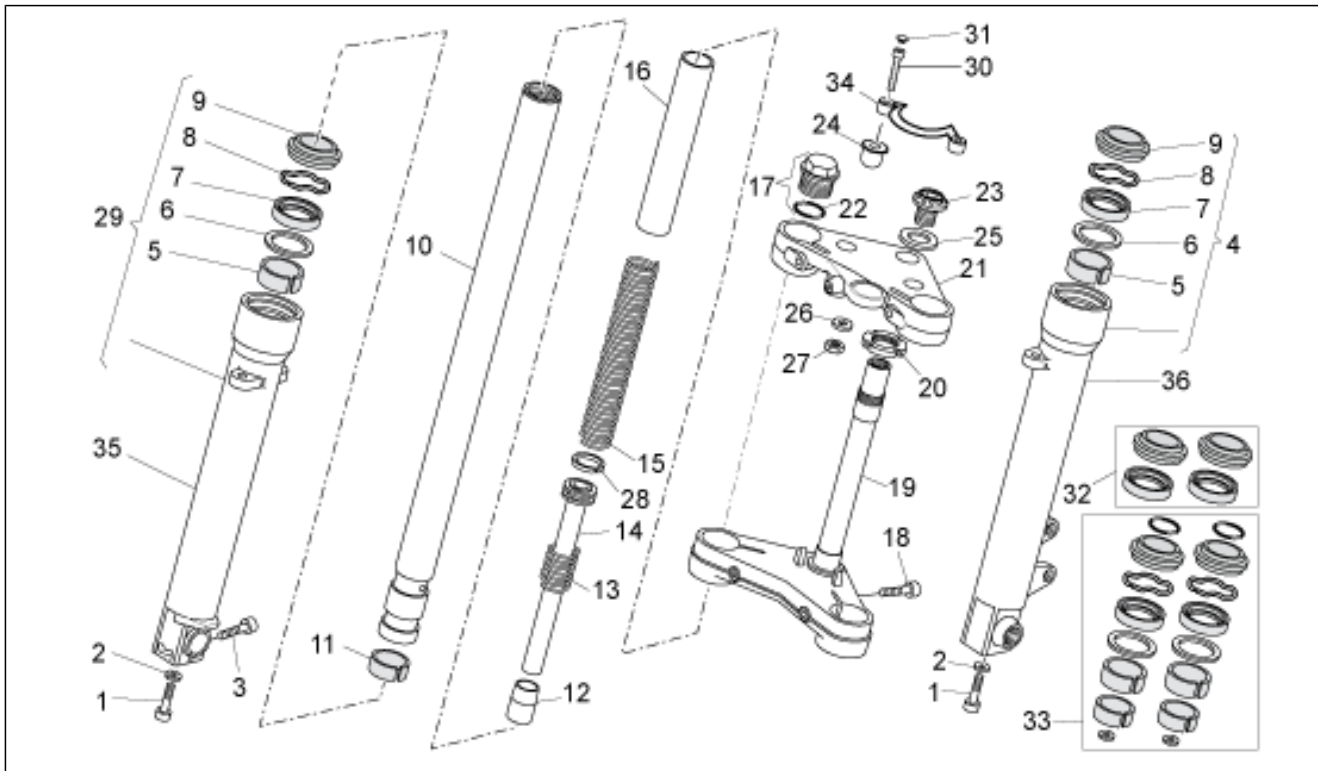
Pos.	Code	Description	Quant	Variants
1	887878	Vis M10x30	2	Technical specification:Kaifa[K]
1	GU03530530	Vis M10x30	2	Technical specification:Marzocchi[M]
2	887879	Rondelle	2	Technical specification:Kaifa[K]
2	GU03530529	Rondelle	2	Technical specification:Marzocchi[M]
3	887880	Vis	2	Technical specification:Kaifa[K]
3	GU98680330	Vis M6x30	2	Technical specification:Marzocchi[M]
4	978978	Fourreau G Black	1	Technical specification:Marzocchi[M]
5	887882	Douille supérieure	2	Technical specification:Kaifa[K]
5	GU30526761	Douille supérieure	2	Technical specification:Marzocchi[M]
6	599504	Rondelle bouche guide (Marzocchi)	2	Technical specification:Marzocchi[M]
6	887883	Rondelle	2	Technical specification:Kaifa[K]
7	599501	Bague d'étanchéité (Marzocchi)	2	Technical specification:Marzocchi[M]
7	887884	Bague d'étanchéité	2	Technical specification:Kaifa[K]
8	599503	Bague de butée (Marzocchi)	2	Technical specification:Marzocchi[M]
8	887885	Bague de butée	2	Technical specification:Kaifa[K]
9	599502	Pare-pous.+épingle (Marzocchi)	2	Technical specification:Marzocchi[M]
9	887886	Pare-poussière	2	Technical specification:Kaifa[K]
10	887887	Tige	2	Technical specification:Kaifa[K]
10	GU32525410	Tige	2	Technical specification:Marzocchi[M]
11	887888	Douille	2	Technical specification:Kaifa[K]
11	GU30525861	Douille inférieure	2	Technical specification:Marzocchi[M]
12	887889	Tampon	2	Technical specification:Kaifa[K]
12	GU03530551	Tampon	2	Technical specification:Marzocchi[M]
13	887890	Contre-ressort	2	Technical specification:Kaifa[K]
13	GU32530502	Contre-ressort	2	Technical specification:Marzocchi[M]
14	887891	Elém.pompage cpl	2	Technical specification:Kaifa[K]
14	GU32530503	Elém.pompage cpl	2	Technical specification:Marzocchi[M]
15	887892	Ressort	2	Technical specification:Kaifa[K]

Groupe	CHASSIS
Code	33.08
Description	Fourche Av. II
Révision	1



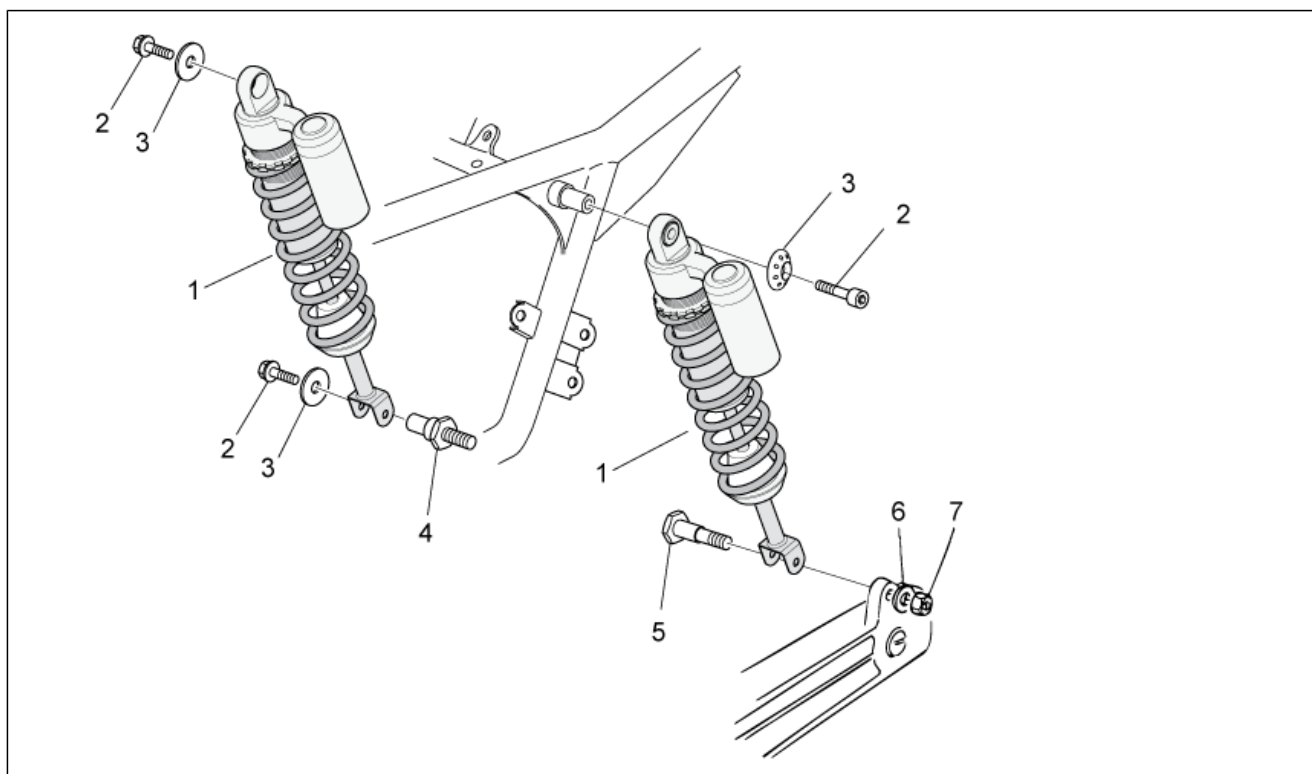
Pos.	Code	Description	Quant	Variants
15	GU32526610	Ressort	2	Technical specification:Marzocchi[M]
16	887893	Tuyau	2	Technical specification:Kaifa[K]
16	GU32526310	Tuyau	2	Technical specification:Marzocchi[M]
17	886684	Gr. bouchon cpl.	2	Technical specification:Marzocchi[M]
17	887894	Gr. bouchon cpl.	2	Technical specification:Kaifa[K]
18	887895	Vis	2	Technical specification:Kaifa[K]
18	GU98620540	Vis	2	Technical specification:Marzocchi[M]
19	887896	Base avec tube	1	Technical specification:Kaifa[K]
19	978974	Base avec tube Black	1	Technical specification:Marzocchi[M]
20	GU31513480	Bague M25X1	1	
21	886842	Plaque sup. fourche	1	
22	887916	Joint torique 4118	2	Technical specification:Kaifa[K]
22	GU32530505	Joint torique 4118	2	Technical specification:Marzocchi[M]
23	883498	Douille fx. pl. sup.	1	Technical specification:Marzocchi[M]
23	887900	Ecrou	1	Technical specification:Kaifa[K]
24	883552	Douille	2	
25	887899	Rondelle	1	Technical specification:Kaifa[K]
25	GU27530510	Rondelle	2	Technical specification:Marzocchi[M]
26	GU95005330	Rondelle 6,4x30x1,5	2	
27	GU92630106	Ecrou M6x1	2	
28	887905	Segment	2	Technical specification:Kaifa[K]
28	GU32530504	Segment	2	Technical specification:Marzocchi[M]
29	978977	Fourreau D	1	Technical specification:Marzocchi[M]
30	GU98680350	Vis M6x50	2	
31	GU23943410	Bouchon	8	
32	GU32530610	Jeu de joints	1	Technical specification:Marzocchi[M]
33	GU32530611	Kit moteur spi	1	Technical specification:Marzocchi[M]
34	883602	Tuyau	1	

Groupe	CHASSIS
Code	33.08
Description	Fourche Av. II
Révision	1



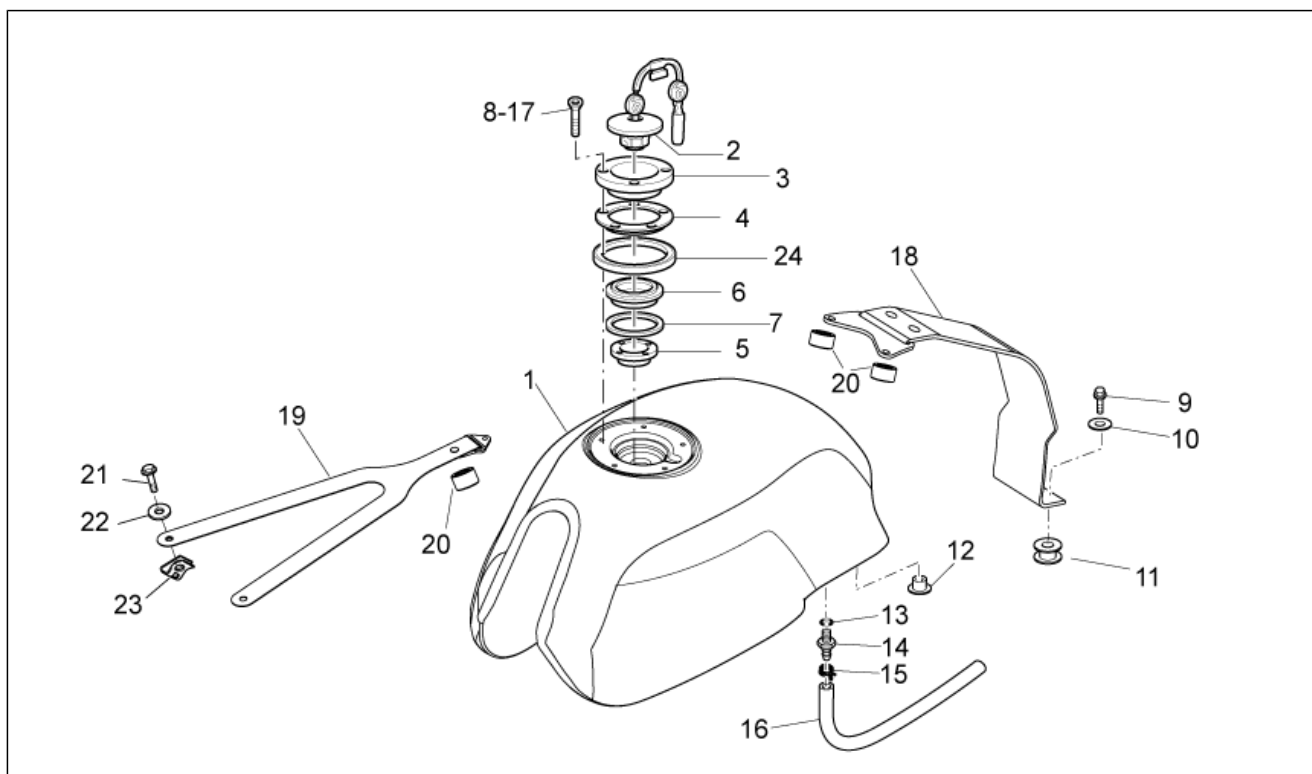
Pos.	Code	Description	Quant	Variants
35	887906	Fourreau D	1	Technical specification:Kaifa[K]
36	887881	Fourreau G	1	Technical specification:Kaifa[K]

Groupe	CHASSIS
Code	33.11
Description	Amortisseur AR
Révision	1



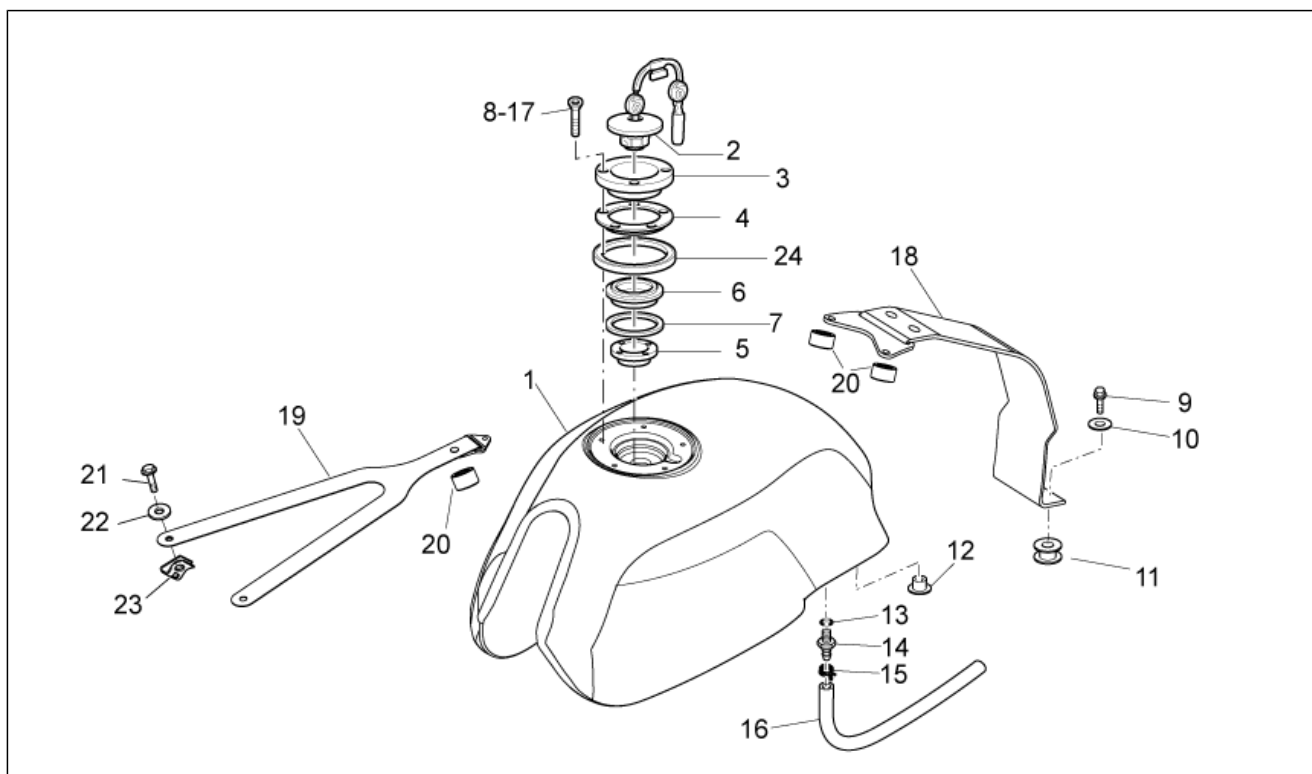
Pos.	Code	Description	Quant	Variants
1	886675	Amortisseur AR	2	
2	GU98692318	Vis	3	
3	886630	***Douille	3	
4	GU32555210	Pivot	1	
5	GU32555211	Pivot	1	
6	GU95129181	Rondelle	1	
7	GU92606210	Ecrou M10x1,5	1	

Groupe	CHASSIS
Code	33.12
Description	Réservoir essence
Révision	1



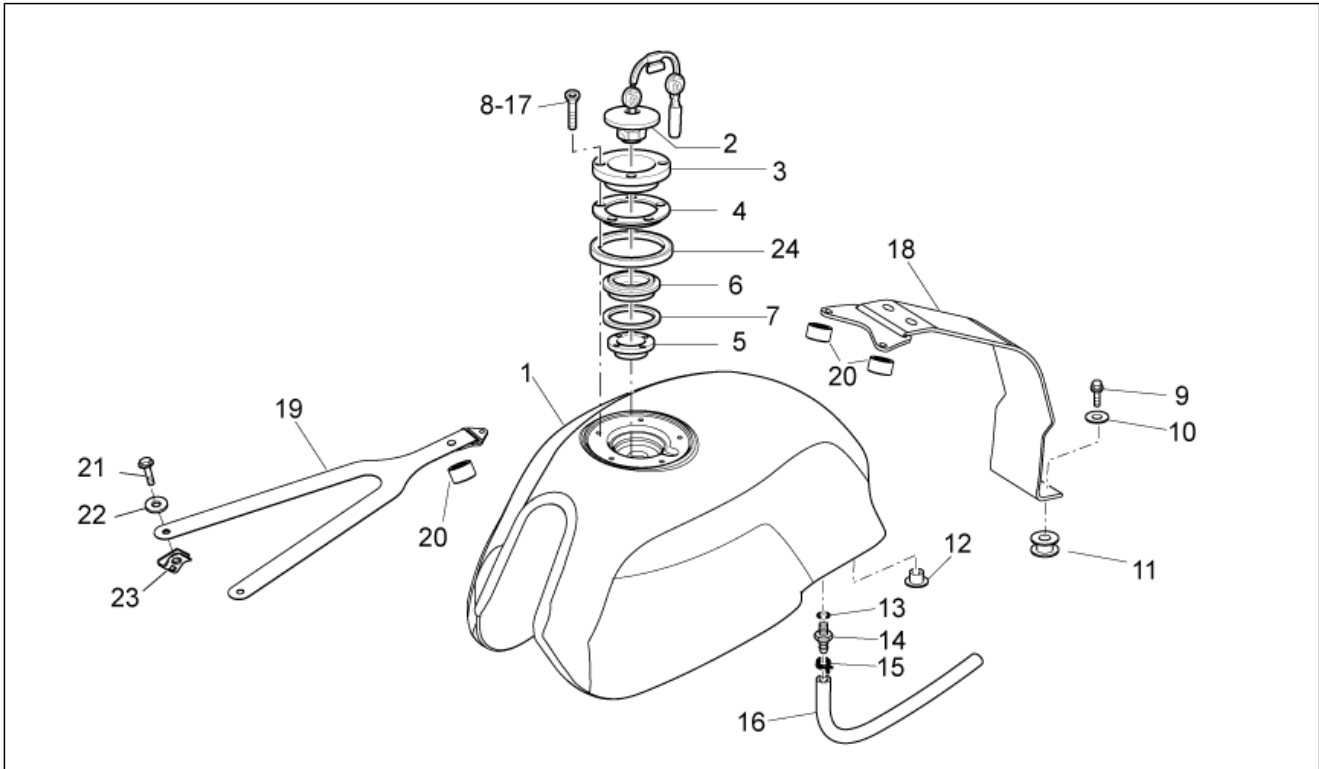
Pos.	Code	Description	Quant	Variants
1	883469	Réservoir brut	1	Année:2010[A], 2011[b] Pays:Canadian[CA], USA[USA]
1	887205	Réservoir noir	1	Année:2010[A], 2011[b] Pays:Canadian[CA], USA[USA] Technical specification:Decal[D]
1	887445	Réservoir noir	1	Couleur véhicule: Noir[Black] Pays:Japon[J]
1	887944	Réservoir brut	1	Année:2012[c] Pays:Canadian[CA], USA[USA]
1	898172	Serbatoio cromato	1	Couleur véhicule:Chromée[CR] Pays:Australie[AA], europa[EU], Japon[J], Angleterre[UK] Technical specification:Decal[D]
1	978928	Réservoir brut	1	Pays:Australie[AA], europa[EU], Japon[J], Angleterre[UK]
1	B06303600Y02	Réservoir noir	1	Année:2012[c] Couleur véhicule: Noir[Black] Pays:Canadian[CA], USA[USA]
2	883185	Bouchon réservoir	1	Pays:Australie[AA], europa[EU], Japon[J], Angleterre[UK]
2	883476	Bouchon réservoir	1	Année:2010[A], 2011[b] Pays:Canadian[CA], USA[USA]
2	GU32103961	Bouchon réservoir	1	Année:2012[c] Pays:Canadian[CA], USA[USA]
3	886369	Bride réservoir ess.	1	Année:2010[A], 2011[b] Pays:Canadian[CA], USA[USA]
3	886369	Bride réservoir ess.	1	Pays:Australie[AA], europa[EU], Japon[J], Angleterre[UK]
3	GU03101900	Bride	1	Année:2012[c] Pays:Canadian[CA], USA[USA]
4	883193	Joint	1	Pays:Australie[AA], europa[EU], Japon[J], Angleterre[UK]
4	883193	Joint	1	Année:2010[A], 2011[b] Pays:Canadian[CA], USA[USA]
4	GU03103500	Bague	1	Année:2012[c] Pays:Canadian[CA], USA[USA]
5	GU03101720	Reduction 38 mm	1	

Groupe	CHASSIS
Code	33.12
Description	Réservoir essence
Révision	1



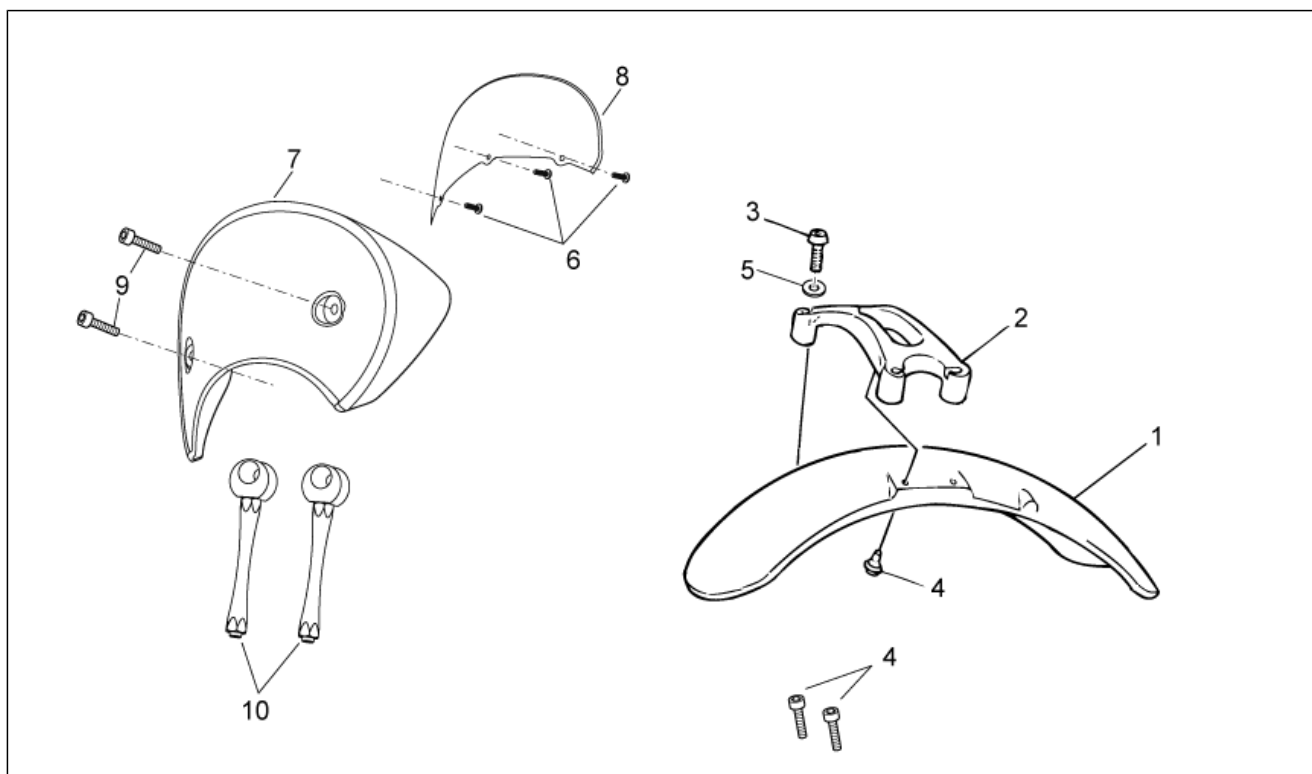
Pos.	Code	Description	Quant	Variants
6	GU03102200	Embout pour bouchon	1	
7	GU03101600	Joint	1	
8	GU03103200	Vis	5	Année:2012[c] Pays:Canadian[CA], USA[USA]
8	GU98370520	Vis	3	Année:2010[A], 2011[b] Pays:Canadian[CA], USA[USA]
8	GU98370520	Vis	3	Pays:Australie[AA], europa[EU], Japon[J], Angleterre[UK]
9	AP8152291	Vis bride	1	
10	GU95005312	Rondelle 8,5x24x2	1	
11	GU02107100	Caoutchouc	1	Pays:Australie[AA], europa[EU], Japon[J], Angleterre[UK]
11	GU02107100	Caoutchouc	1	Année:2010[A], 2011[b] Pays:Canadian[CA], USA[USA]
11	GU91551131	Caoutchouc	1	Année:2012[c] Pays:Canadian[CA], USA[USA]
12	883252	Entretoise	1	Pays:Australie[AA], europa[EU], Japon[J], Angleterre[UK]
12	883252	Entretoise	1	Année:2010[A], 2011[b] Pays:Canadian[CA], USA[USA]
12	AP8221128	Douille en "T" 8,5x10,7x12	1	Année:2012[c] Pays:Canadian[CA], USA[USA]
13	AP8120965	Joint torique 2018	1	Pays:Australie[AA], europa[EU], Japon[J], Angleterre[UK]
13	AP8120965	Joint torique 2018	1	Année:2010[A], 2011[b] Pays:Canadian[CA], USA[USA]
14	GU30103730	Raccord	1	
15	AP8101595	Collier D10,1*	1	
16	GU00823944050	Tuyau 5X9	1	
17	GU98692210	Vis	2	Année:2010[A], 2011[b] Pays:Canadian[CA], USA[USA]
17	GU98692210	Vis	3	Pays:Australie[AA], europa[EU], Japon[J], Angleterre[UK]
18	886617	Cinghia post.	1	
19	886625	cinghia ant.	1	

Groupe	CHASSIS
Code	33.12
Description	Réservoir essence
Révision	1



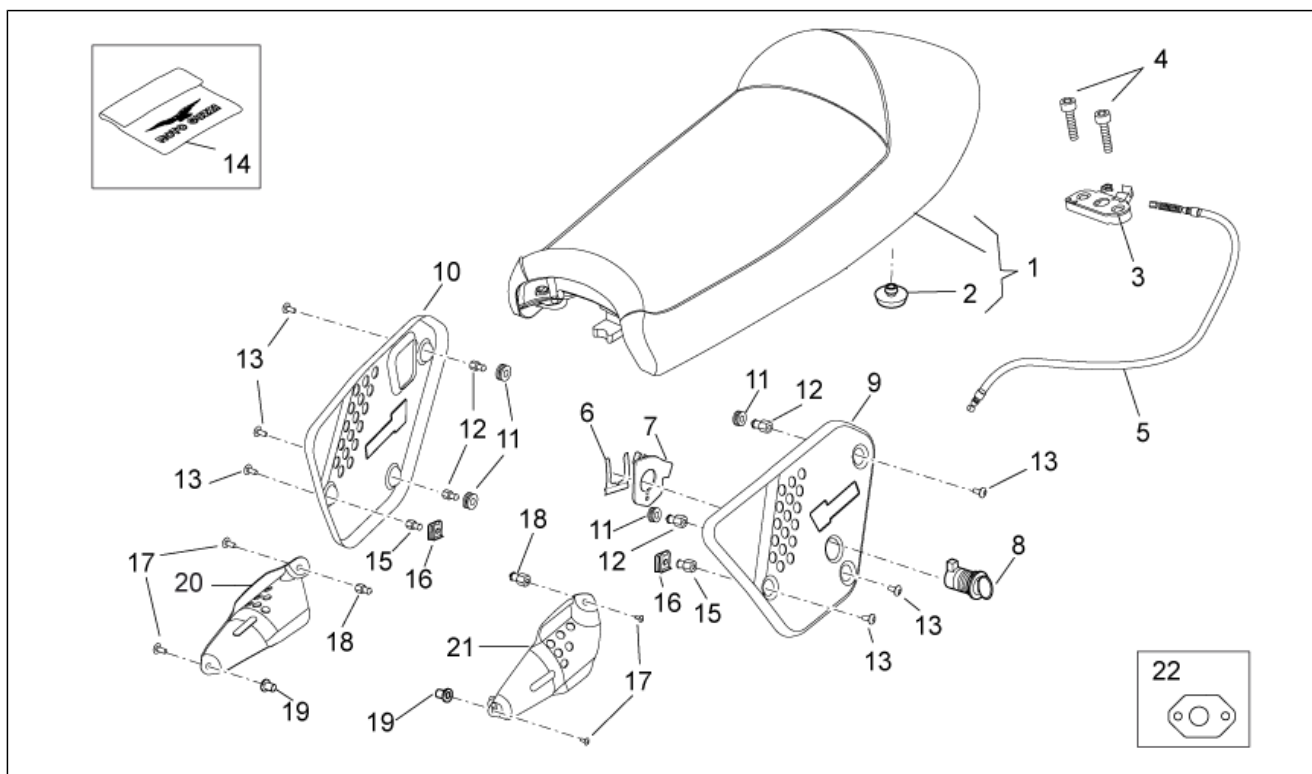
Pos.	Code	Description	Quant	Variants
20	886370	Douille entretoise 5.5x9.5x5.5	3	
21	GU98370616	Vis	2	
22	GU95100141	Rondelle 6,4x12x1,2	2	
23	GU28576591	Clip M6	2	
24	GU03102400	Joint	1	Année:2012[c] Pays:Canadian[CA], USA[USA]

Groupe	CHASSIS
Code	33.13
Description	Carrosserie av. - Garde-boue AV
Révision	1



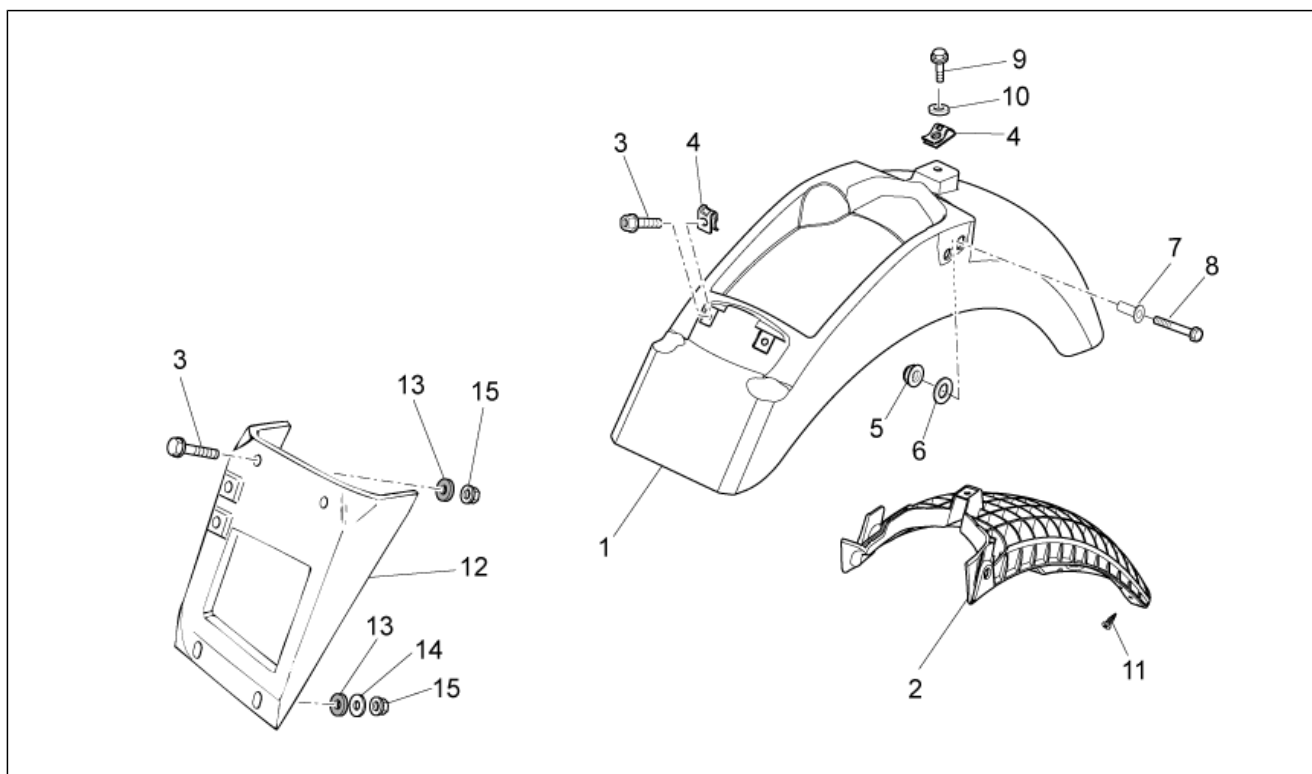
Pos.	Code	Description	Quant	Variants
1	88673000Y02	Garde-boue AV noir	1	
2	886784	Plaque de stabilisation	1	
3	GU98350440	Vis	4	
4	GU31439565	Vis	4	
5	GU14615901	Rondelle 8,4X13X0,8	4	
6	AP8150413	Vis taraud 3,9x14	3	
7	88673100Y02	Coupole, noir	1	Technical specification:Decal[D]
7	898179	Carénage brut	1	
8	898180	Vitre coupole	1	
9	GU98370616	Vis	2	
10	886724	Support coupole	2	

Groupe	CHASSIS
Code	33.14
Description	Selle-Carosserie cent.
Révision	1



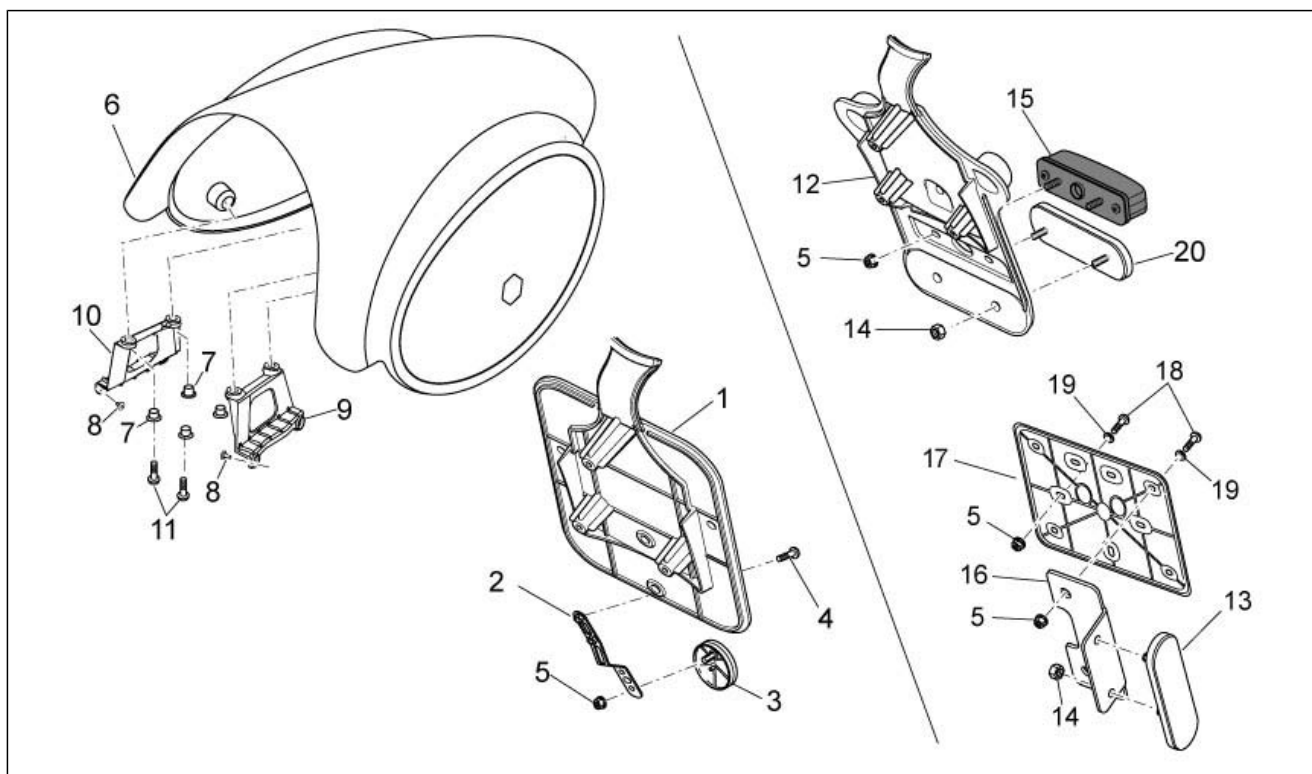
Pos.	Code	Description	Quant	Variants
1	898178	Selle	1	
2	GU32461610	Caoutchouc	10	
3	AP8102913	Pl.fix.selle pass.	1	
4	GU98370625	Vis	2	
5	883295	Transmission décrochement sell	1	
6	AP8121420	Ressort à fourche	1	
7	978415	Plaque support câble	1	
8	977527	Serrure selle	1	
9	898278	Flanc G	1	Technical specification:No decals[ND]
10	898277	Flanc D	1	Technical specification:No decals[ND]
11	GU91551086	Caoutchouc	4	
12	886368	Tige fixation	4	
13	976614	Vis	6	
14	886841	sacchetto prot. sella	1	
15	886706	Tige fixation	2	
16	254485	Plaquette elastique M6	2	
17	GU98370515	Vis	4	
18	AP8120531	Caoutchouc avec insert *	2	
19	886727	Tige fixation	2	
20	898270	coprifarfalla DX	1	
21	898271	coprifarfalla SX	1	
22	886820	Platine serr.selle	1	

Groupe	CHASSIS
Code	33.15
Description	Carrosserie arrière I- Garde-boue
Révision	1



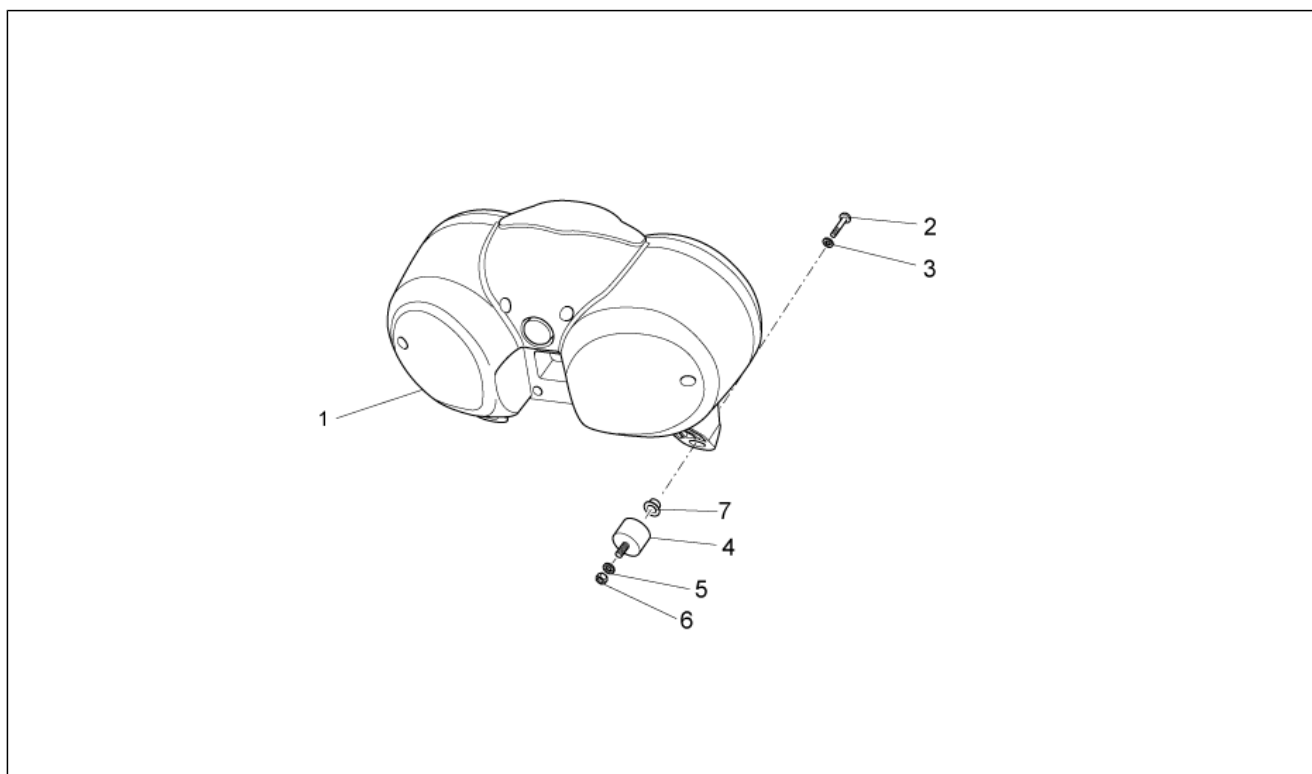
Pos.	Code	Description	Quant	Variants
1	97894600Y02	Garde-boue arrière noir	1	
2	978947	Soutien	1	
3	AP8152278	Vis bride M6x16	4	
4	GU28576591	Clip M6	3	
5	GU98370831	Vis M8x30	2	
6	GU91120806	Entretoise	2	
7	GU03270300	Rondelle 8,4x15	2	
8	GU92787008	Ecrou borgne M8x1,25	2	
9	AP8152279	Vis bride M6x20	2	
10	GU91180601	Entretoise 6,2x8x3	2	
11	AP8152329	Vis SWP crois. brid. M5x20	3	
12	GU31438765	Bavette anti-éclaboussures	1	
13	GU93110060	Caoutchouc	4	
14	GU95100141	Rondelle 6,4x12x1,2	2	
15	AP8152299	Ecrou autobloqu. M6	4	

Groupe	CHASSIS
Code	33.16
Description	Carrosserie arrière II- Porte-plaque
Révision	1



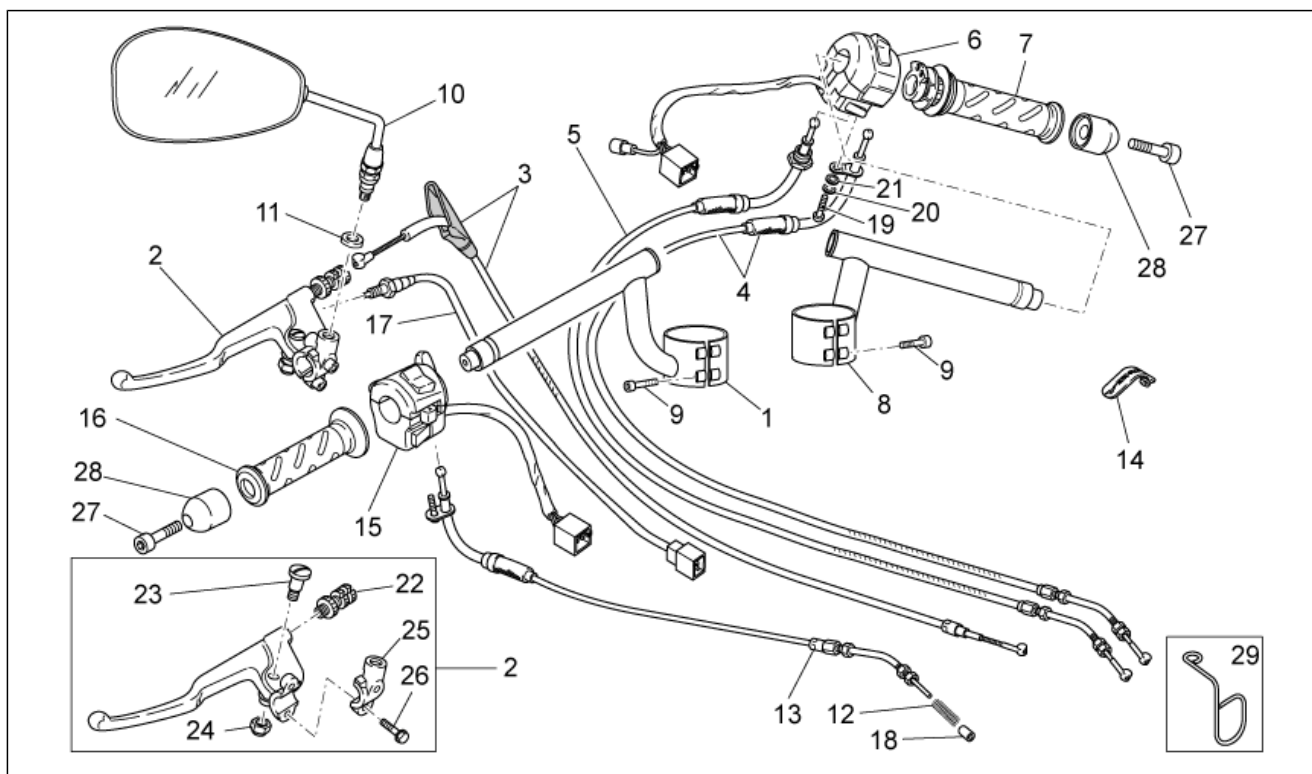
Pos.	Code	Description	Quant	Variants
1	978949	Porte-plaque	1	
2	AP8134448	Support catadioptre	1	
3	AP8224164	Catadioptre arrière, rouge	1	
4	GU98230510	Vis	2	
5	AP8152306	Ecrou autobloqu. m5	1	
6	88673200Y02	Queue, noir	1	Technical specification:Decal[D]
6	898280	Queue brute	1	
7	AP8121929	Douille en "T" 6,5x8,6x9	4	
8	AP8152339	Vis bride M5x9	4	
9	886712	Bride gauche	1	
10	886713	Bride droite	1	
11	AP8152273	Vis bride	4	
12	883470	Porte-plaque	1	Pays:Canadian[CA], USA[USA]
13	AP8124718	Catadioptre arrière, rouge	2	Pays:Canadian[CA], USA[USA]
14	GU92630204	Ecrou	6	Pays:Canadian[CA], USA[USA]
15	883480	Feu de plaque	1	Pays:Canadian[CA], USA[USA]
16	GU32781910	Support catadioptre	2	Pays:Canadian[CA], USA[USA]
17	AP8149034	Support plaque	1	Pays:Canadian[CA], USA[USA]
18	AP8152268	Vis M5x16	7	Pays:Canadian[CA], USA[USA]
19	AP8150248	Rondelle 5,5x15x1,6	7	Pays:Canadian[CA], USA[USA]
20	GU05781630	Catadioptre, ambre	1	Pays:Canadian[CA], USA[USA]

Groupe	CHASSIS
Code	33.17
Description	Tableau de bord
Révision	1



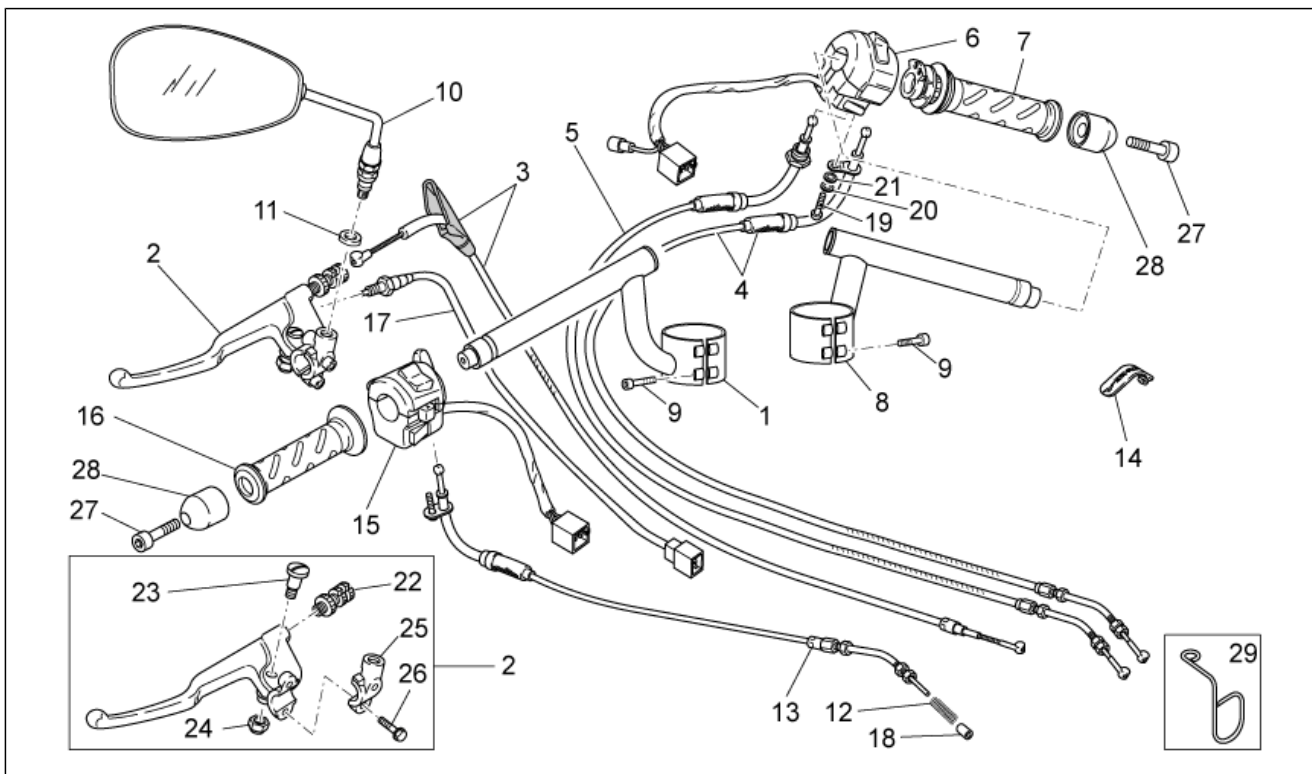
Pos.	Code	Description	Quant	Variants
1	883796	Tableau de bord	1	Pays:Australie[AA], Canadian[CA], europa[EU], Japon[J]
1	883797	Tableau de bord	1	Pays:Angleterre[UK], USA[USA]
2	GU98370609	Vis M6x10	3	
3	GU95005306	Rondelle 6,4x13x1,5	3	
4	GU93222023	Silentbloc	3	
5	GU95021206	Rondelle	3	
6	GU92606206	Ecrou	3	
7	AP8121032	Douille	3	

Groupe	CHASSIS
Code	33.18
Description	Guidon - Commandes
Révision	1



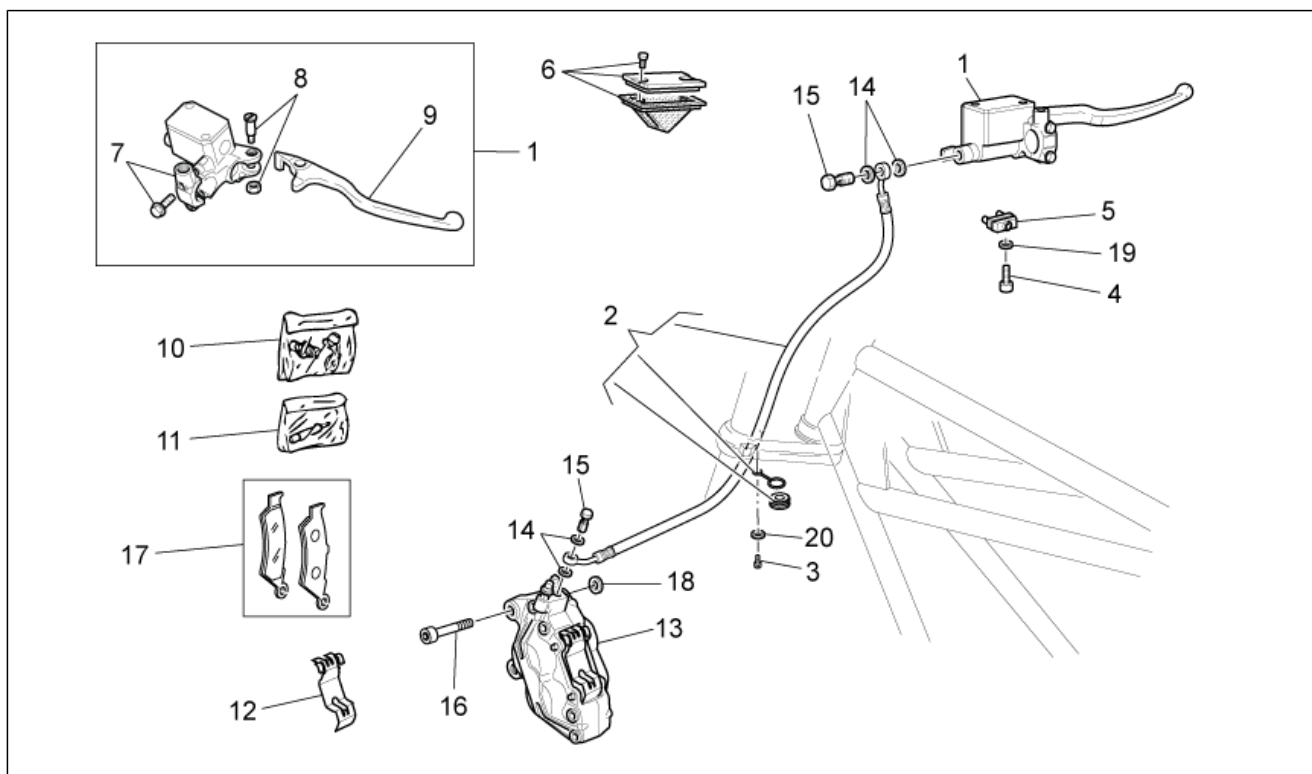
Pos.	Code	Description	Quant	Variants
1	898170	Demi-guidon G	1	
2	GU32605510	Levier embrayage	1	
3	883940	Câble embrayage	1	
4	GU32117010	Câble ouverture gaz	1	
5	GU32117011	Câble fermeture gaz	1	
6	GU32738810	Déviateur feux dte	1	
7	GU32603310	Poignée dr.	1	
8	898171	Demi-guid.dte	1	
9	GU98692325	Vis M6x25	4	
10	883802	Miroir rétroviseur d/g	2	Technical specification:"FU E1181R-001047"[B]
10	978570	Miroir rétroviseur d/g	2	Technical specification:"FAR"[A]
11	GU91181003	Entretoise 10,25X20X4	2	
12	GU94321074	Ressort 7x1,1x25	1	
13	GU32137010	Câble starter	1	
14	GU01609630	Collier L46 mm	2	
14	GU03609600	Collier L36 mm	1	
15	883075	Déviateur feux gche	1	
16	GU32603010	Poignée gc.	1	
17	GU29759150	Interrupteur béquille	1	
18	GU39094200	Bouchon	1	
19	GU98230510	Vis	1	
20	GU95008305	Rondelle 5,3X10X1	1	
21	GU95021105	Rondelle évent.	1	
22	GU30602500	Réglage	1	
23	AP8213028	Vis	1	
24	AP8118490	Ecrou	1	
25	GU30601060	Etrier	1	
26	GU97202325	Vis bride noir M6x25	2	

Groupe	CHASSIS
Code	33.18
Description	Guidon - Commandes
Révision	1



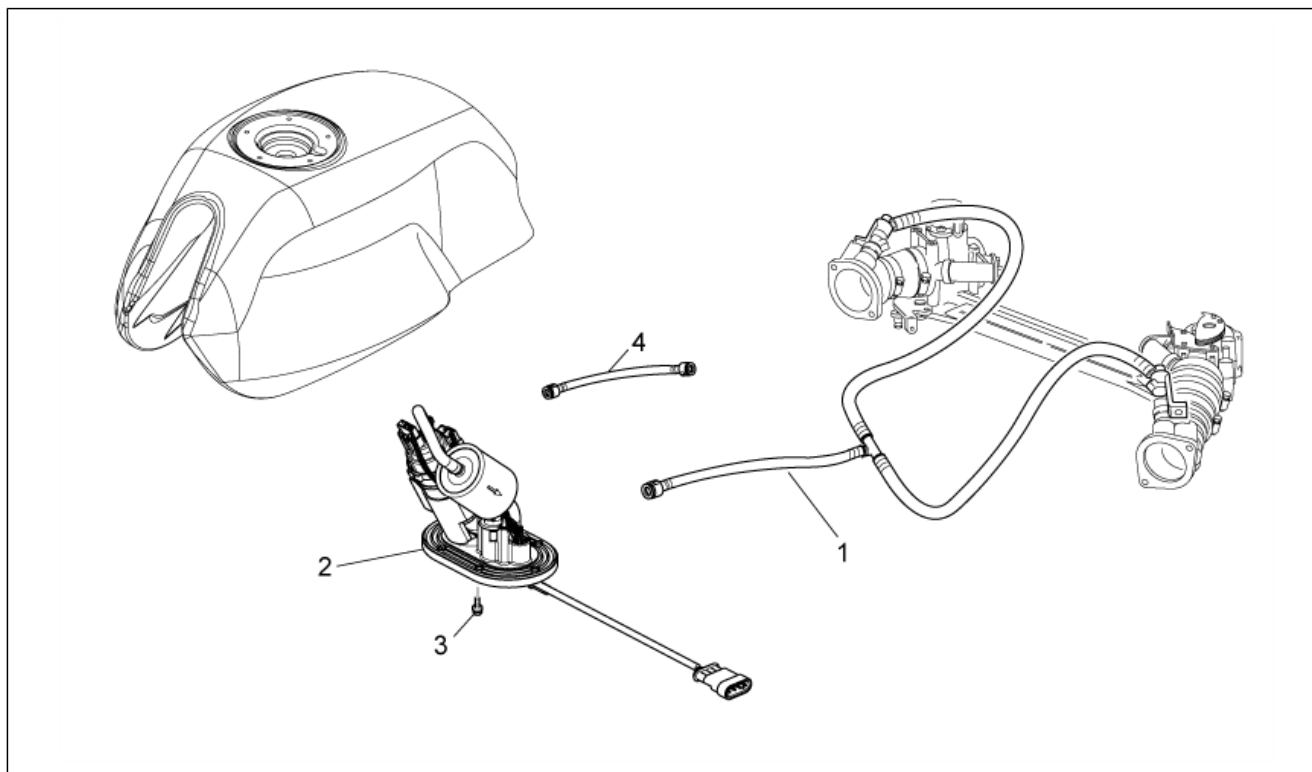
Pos.	Code	Description	Quant	Variants
27	GU98690335	Vis	2	
28	GU32602860	Masse antivibratile chr.	2	
29	AP8221172	Guide-câble	1	

Groupe	CHASSIS
Code	33.19
Description	Sys.frein avant
Révision	1



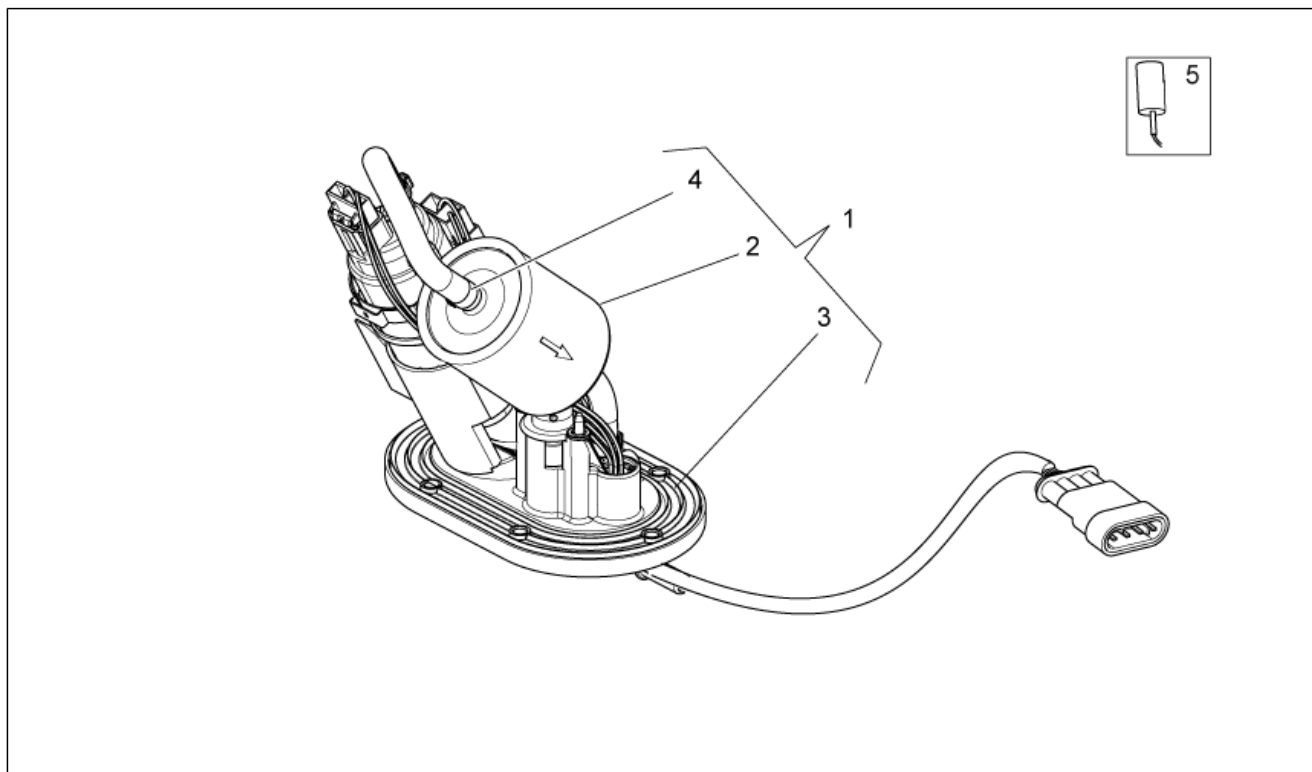
Pos.	Code	Description	Quant	Variants
1	GU03660145	Maît. cyl. frein AV	1	
2	883581	Tube frein	1	
3	AP8152277	Vis bride M6x12	1	
4	GU98370412	Vis M4x12	1	
5	GU03749845	Interrupteur stop	1	
6	GU03661145	Couvercle pompe	1	
7	GU03664045	Cavalier	1	
8	GU03604845	Goujon de levier	1	
9	GU03605645	Levier frein	1	
10	GU05659230	Purge+capuchon	1	
11	GU01659130	Pivots+ressorts pince	1	
12	GU01659131	Ressort	1	
13	883303	Etrier frein AV g.noir	1	
14	AP8113004	Rondelle 10x14x1,6*	4	
15	978323	Vis tuyau huile *	2	
16	AP8152385	Vis M10x1,25	2	
17	GU01654630	Plaquettes-paire	1	
18	GU91181003	Entretoise 10,25X20X4	2	
19	GU95021104	Rondelle 4,3x8x1,5	1	
20	GU95008306	Rondelle 6,4x12x1,2	1	

Groupe	CHASSIS
Code	33.20
Description	Alimentation
Révision	1



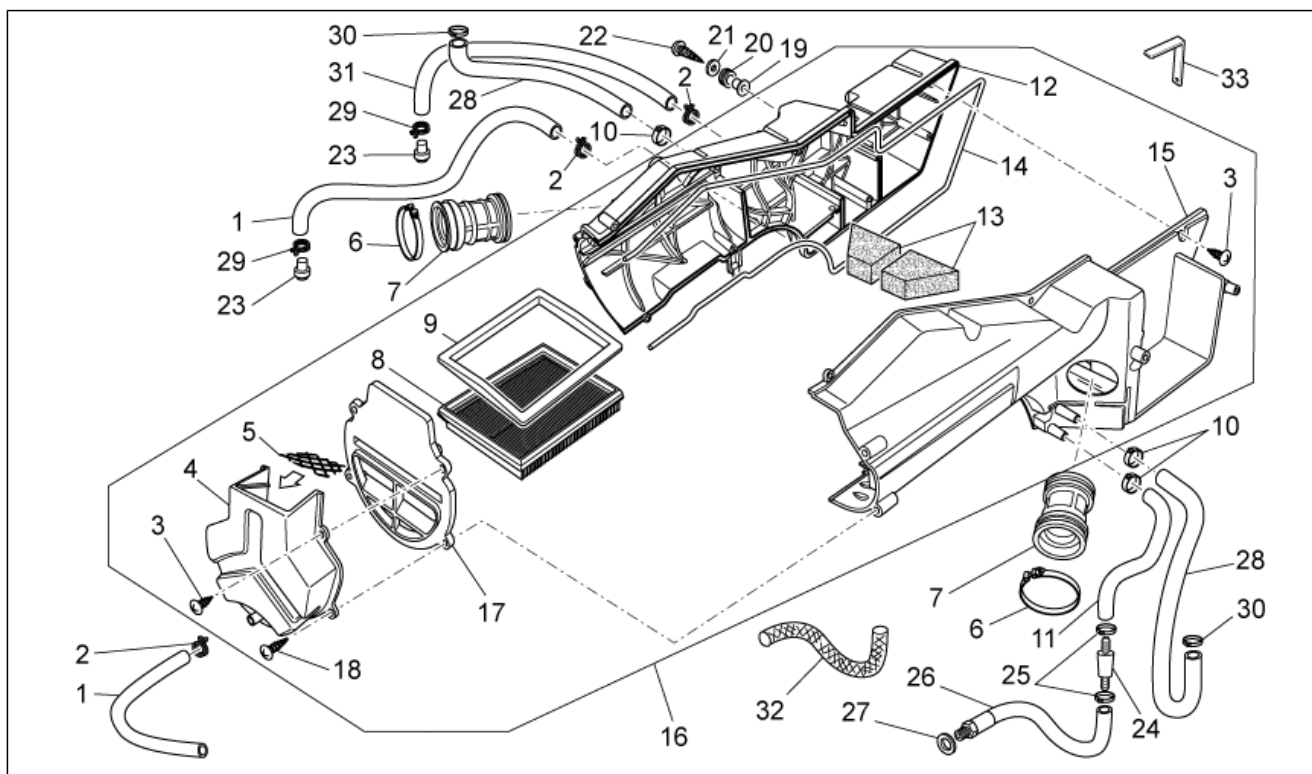
Pos.	Code	Description	Quant	Variants
1	883265	Tuyau essence	1	Année:2010[A], 2011[b] Pays:Canadian[CA], USA[USA]
1	883265	Tuyau essence	1	Pays:Australie[AA], europa[EU], Japon[J], Angleterre[UK]
1	B063034	Tuyau essence	1	Année:2012[c] Pays:Canadian[CA], USA[USA]
2	978930	Pompe essence	1	
3	AP8152273	Vis bride	6	
4	B063033	Tuyau essence	1	Année:2012[c] Pays:Canadian[CA], USA[USA]

Groupe	CHASSIS
Code	33.21
Description	Pompe essence
Révision	1



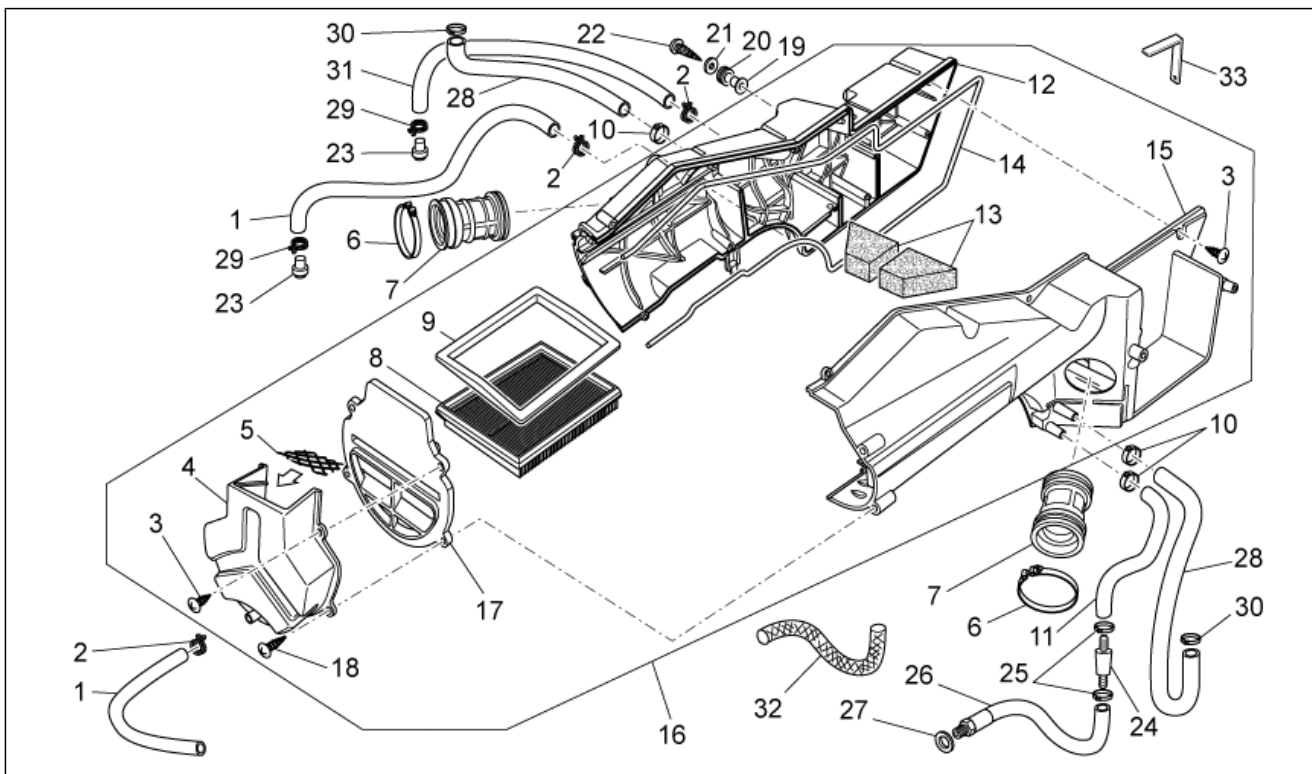
Pos.	Code	Description	Quant	Variants
1	978827	Pompe essence	1	Année:2012[c] Pays:Canadian[CA], USA[USA]
1	978930	Pompe essence	1	Pays:Australie[AA], europa[EU], Japon[J], Angleterre[UK]
1	978930	Pompe essence	1	Année:2010[A], 2011[b] Pays:Canadian[CA], USA[USA]
2	GU01106090	Filtre essence	1	
3	GU05107430	Joint	1	
4	GU01108490	Collier 11,3	4	
5	883852	Thermistor	1	Pays:Australie[AA], europa[EU], Japon[J], Angleterre[UK]
5	883852	Thermistor	1	Année:2010[A], 2011[b] Pays:Canadian[CA], USA[USA]
5	GU32103060	Thermistor	1	Année:2012[c] Pays:Canadian[CA], USA[USA]

Groupe	CHASSIS
Code	33.22
Description	Corps filtre
Révision	1



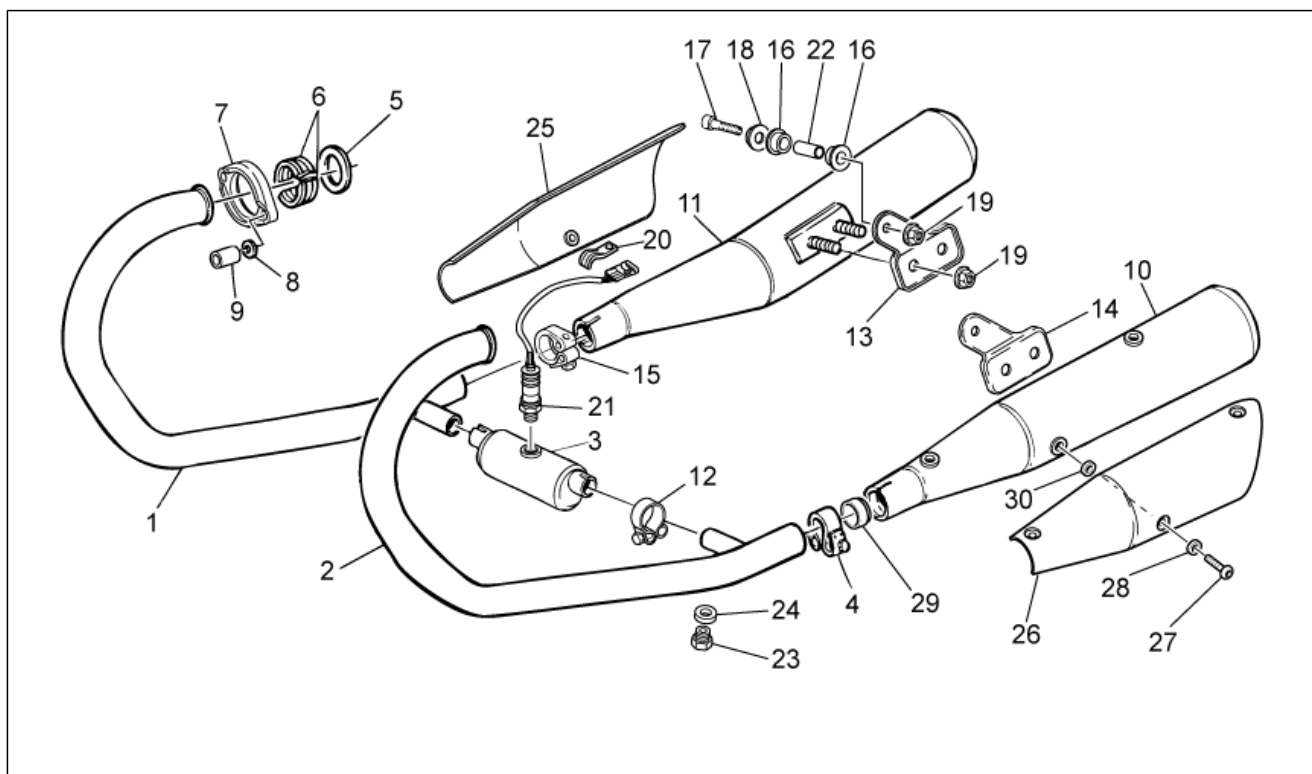
Pos.	Code	Description	Quant	Variants
1	AP8120952	Tuyau essence 5,5x10	2	
2	AP8201358	Collier D 11,9	2	
3	AP8150413	Vis taraud 3,9x14	12	
4	GU32116910	Couvercle filtre	1	
5	GU32113510	Grille corps filtre	1	
6	GU93305061	Collier 61/65,5	2	
7	GU32114410	Durite d'admission	2	
8	AP8104242	Filtre air	1	
9	GU32114110	Support	1	
10	AP8102766	Collier	3	
11	AP8120772	Tuyau reniflard radiateur	1	
12	GU32114011	Demi-coussinet	1	
13	AP8104525	Filtre blow-by	2	
14	AP8120615	Joint D3	3	
15	883697	Demi-coussinet G.	1	
16	883696	Corps filtre	1	
17	GU32113410	Bouchon	1	
18	AP8152329	Vis SWP crois. brid. M5x20	3	
19	GU30576100	Entretoise D.6,5	3	
20	GU91551010	Caoutchouc	3	
21	GU95100059	Rondelle 5,25x14x1,5	3	
22	AP8152329	Vis SWP crois. brid. M5x20	3	
23	AP8120876	Bouchon de fermeture	3	
24	AP8104251	Souape reniflard huile	1	
25	AP8102159	Collier	2	
26	GU32159310	Reniflard	1	
27	GU90714082	Joint	1	
28	GU32159610	Tuyau reniflard radiateur	2	

Groupe	CHASSIS
Code	33.22
Description	Corps filtre
Révision	1



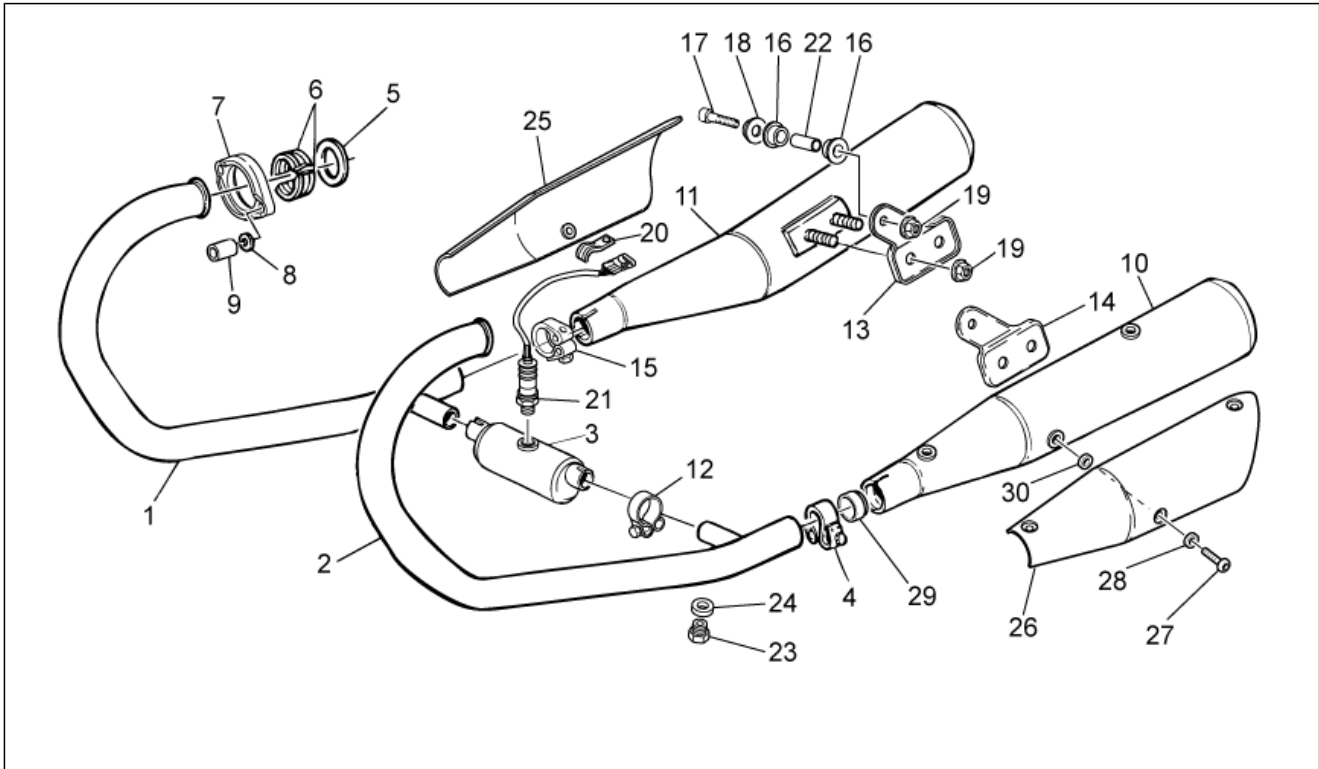
Pos.	Code	Description	Quant	Variants
29	GU61108500	Collier D9	2	
30	AP8102239	Collier 12,5x8	2	
31	AP8144038	Tuyau essence 6x10	1	
32	GU00823923140	Gaine thermique	1	
33	GU31112965	Equerre	1	

Groupe	CHASSIS
Code	33.23
Description	Groupe echappement
Révision	1



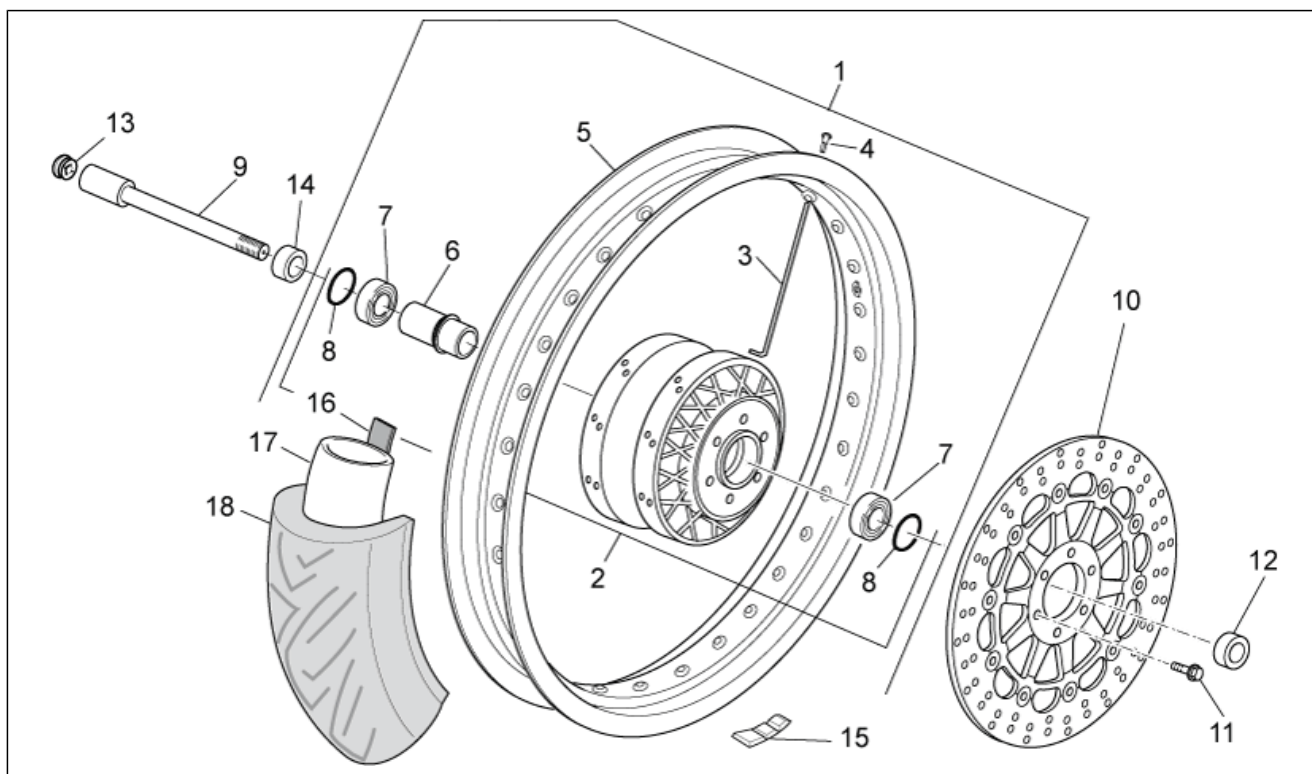
Pos.	Code	Description	Quant	Variants
1	883870	Tuyau échappement d.	1	Pays:Japon[J]
1	GU32120710	Tuyau échappement d.	1	Pays:Australie[AA], Canadian[CA], europa[EU], Angleterre[UK], USA[USA]
2	883871	Tuyau échappement gche	1	Pays:Japon[J]
2	GU32120711	Tuyau échappement gche	1	Pays:Australie[AA], Canadian[CA], europa[EU], Angleterre[UK], USA[USA]
3	GU32123910	Chambre de détente	1	
4	978387	Collier silencieux gauche	1	
5	GU19025280	Joint	2	
6	GU19025460	Entretoise	4	
7	GU32121010	Bague	2	
8	GU03013800	Rondelle 6,4x12	4	
9	GU31121880	Ecrou	4	
10	883712	Silencieux G	1	
11	883711	Silencieux D	1	
12	978385	Collier	2	
13	GU32128610	Plaque d.	1	
14	GU32129010	Plaque g.	1	
15	978386	Collier silencieux droit	1	
16	AP8144071	Caoutchouc pot	4	
17	GU98680440	Vis M8x40	2	
18	AP8134378	Douille fixation silencieux	2	
19	GU92640508	Ecrou M8	6	
20	GU93301175	Cavalier	1	
21	GU32727010	Sonde lamda	1	
22	AP8121072	Entretoise	2	
23	GU98110007	Bouchon	2	
24	GU30109330	Joint	2	

Groupe	CHASSIS
Code	33.23
Description	Groupe echappement
Révision	1



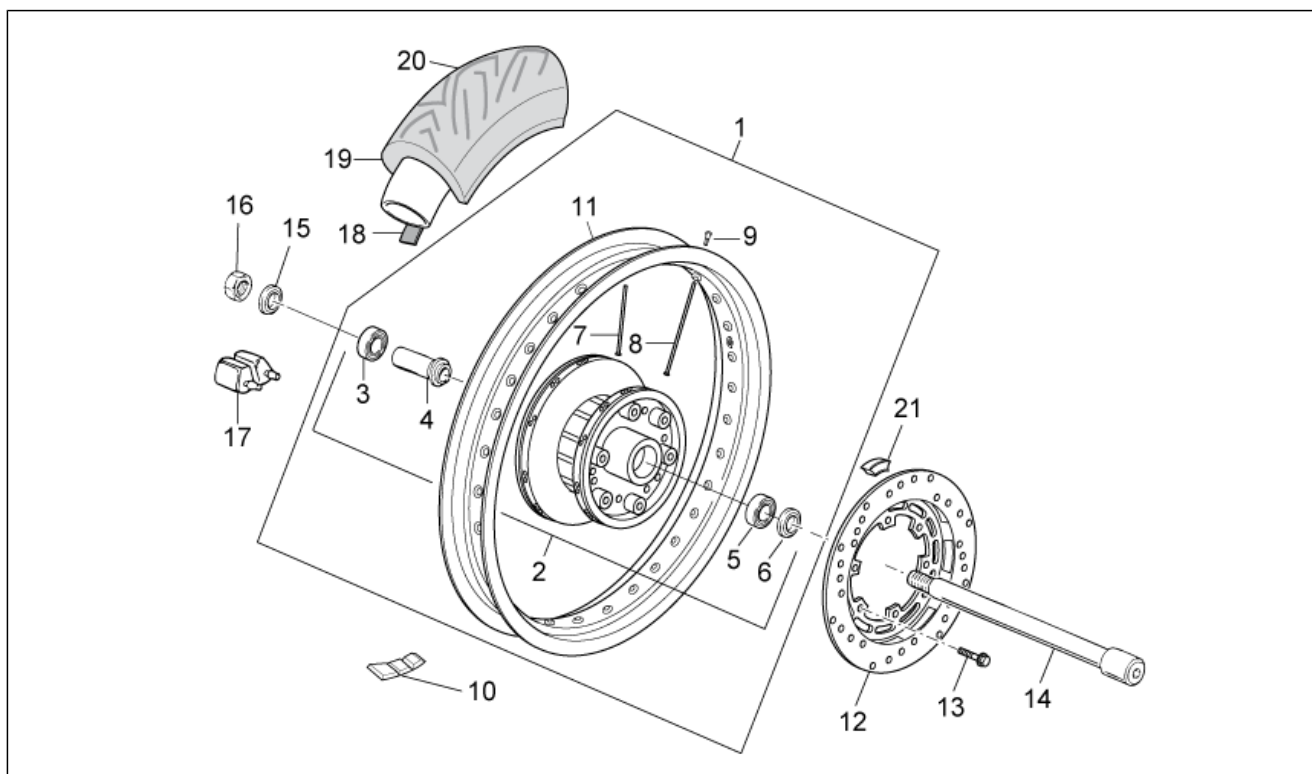
Pos.	Code	Description	Quant	Variants
25	GU32121910	Protect.dte	1	
26	GU32121911	Protect.gche	1	
27	GU98370609	Vis M6x10	6	
28	GU95005306	Rondelle 6,4x13x1,5	6	
29	GU91113826	Bague	2	
30	AP8221297	Rondelle isolante	6	

Groupe	CHASSIS
Code	33.24
Description	Roue Av.
Révision	1



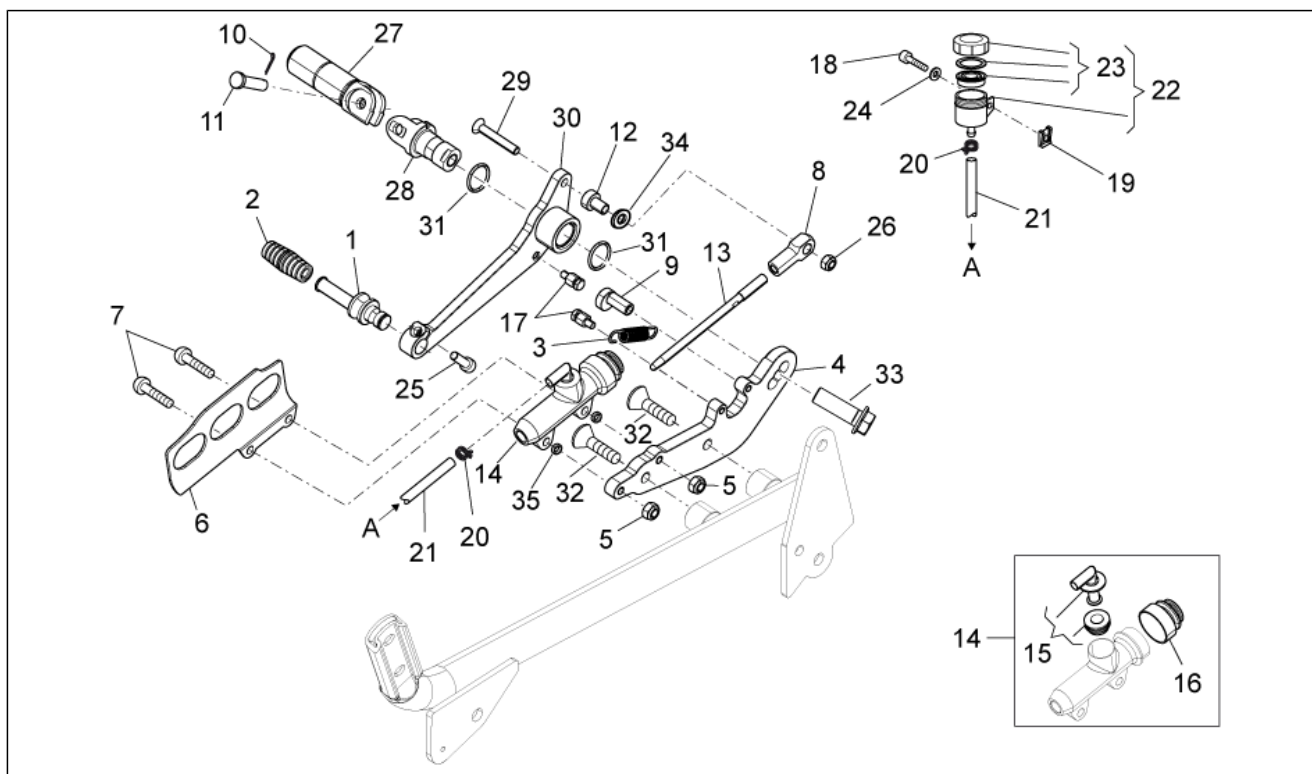
Pos.	Code	Description	Quant	Variants
1	898167	Roue AV nue	1	
2	886681	Moyeu avant	1	
3	GU32611660	Rayon	36	
4	GU03631250	Nipples	36	
5	898118	Roue	1	
6	GU31615260	Entretoise roulements	1	
7	GU92204221	Roulement	2	
8	GU90402642	Bague d'étanchéité	1	
9	GU31614183	Axe de roue AV	1	
10	883688	Disque frein avant 320	1	
11	AP8152286	Vis bride M8x20	6	
12	GU31616384	Entretoise G	1	
13	GU93180111	Bouchon 15 mm	1	
14	GU32615660	Entretoise D	1	
15	GU14616150	Contrepoids	1	
16	0000000	Pneu s. chambre	1	
17	0000000	Pneu s. chambre	1	
18	0000000	Pneu s. chambre	1	

Groupe	CHASSIS
Code	33.25
Description	Roue arrière
Révision	1



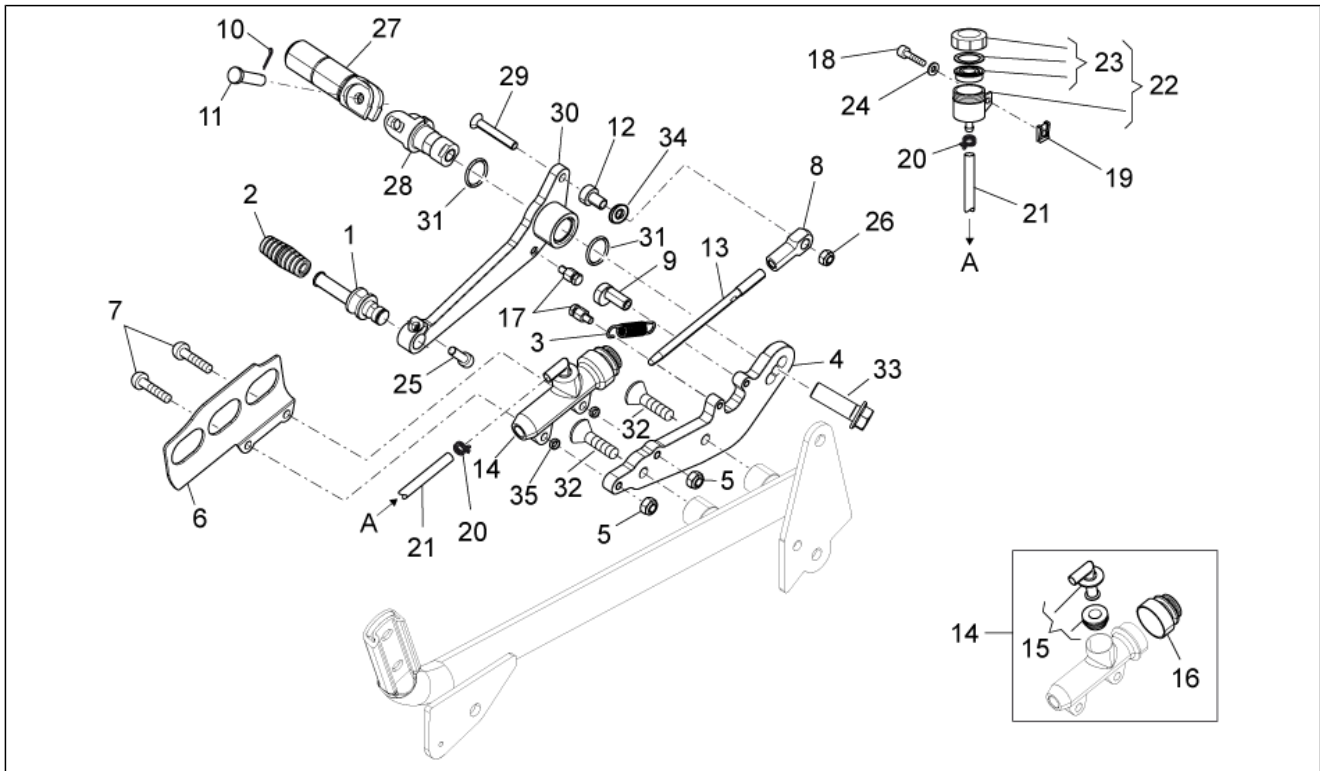
Pos.	Code	Description	Quant	Variants
1	898168	Roue AR 3.5"x17"	1	
2	886711	Moyeu arrière	1	
3	GU92204218	Roulement	1	
4	GU27633910	Entretoise	1	
5	GU92204217	Roulement	1	
6	GU90402538	Bague d'étanchéité 25x40x7	1	
7	883350	Rayon court	18	
8	883349	Rayon long mm 158	18	
9	GU03631250	Nipples	36	
10	GU14616150	Contrepoids	1	
11	898120	Jante roue	1	
12	GU31613381	Disque frein	1	
13	GU98682425	Vis M8x25	6	
14	GU32633360	Axe de roue AR	1	
15	GU31634481	Rondelle	1	
16	GU92606316	Ecrou M16x1,5	1	
17	GU32632510	Joint en caoutchouc	6	
18	0000000	Pneu s. chambre	1	
19	0000000	Pneu s. chambre	1	
20	0000000	Pneu s. chambre	1	
21	GU32636160	Coatouchouc pour support	1	

Groupe	CHASSIS
Code	33.26
Description	Maît.cyl. frein AR
Révision	1



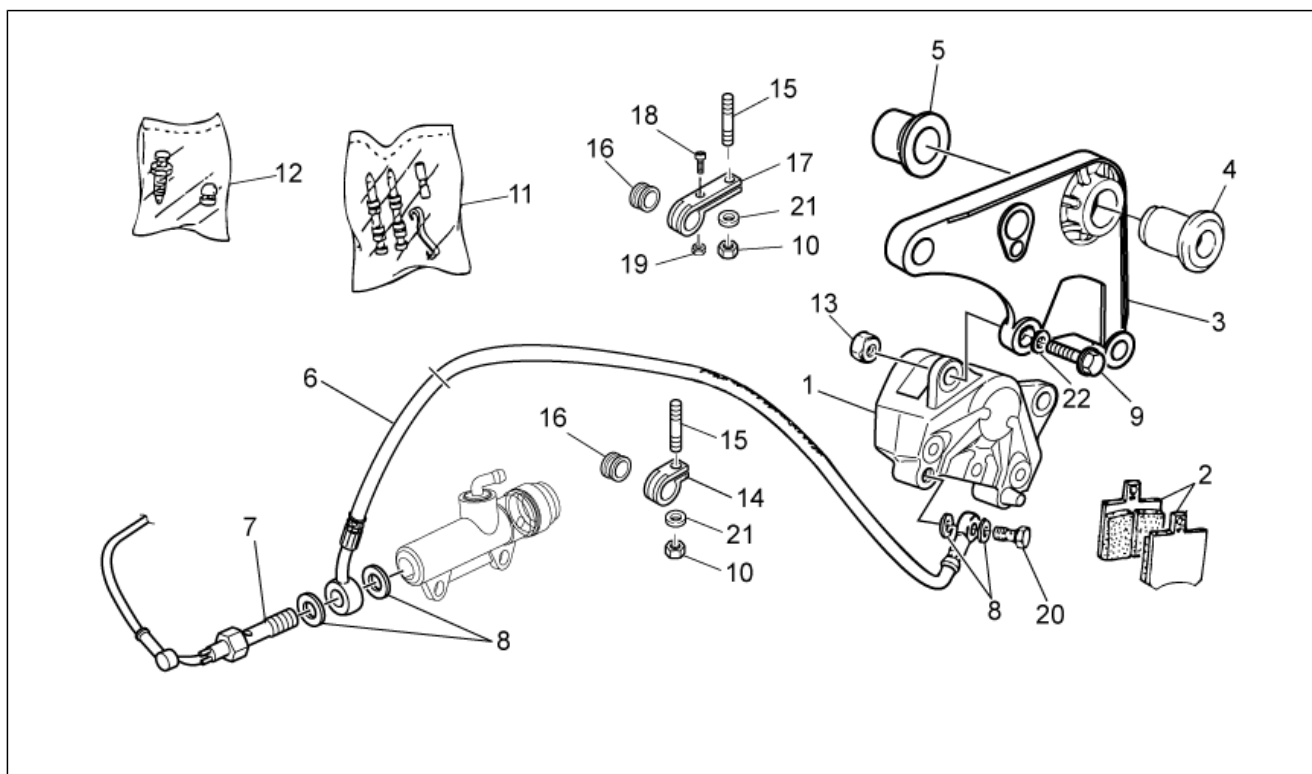
Pos.	Code	Description	Quant	Variants
1	886665	Tige	1	
2	AP8120912	Caoutchouc pour levier	1	
3	AP8121927	Ressort man.ferin ar.	1	
4	898288	Piastra pedana pilota	1	
5	GU92630206	Ecrou M6x1	2	
6	GU01665410	Protection maître cyl.noire	1	
7	GU98370625	Vis	2	
8	GU18257551	Bloc	1	
9	886666	Douille excentrique	1	
10	GU95401215	Goupille	1	
11	GU23442210	Pivot	1	
12	898287	Goujon de levier	1	
13	978970	Poussoir cde mai-cyl.	1	
14	AP8133643	Maît.cyl. frein AR	1	
15	AP8213057	Raccord pompe arrière	1	
16	AP8113288	Soufflet en caoutchouc	1	
17	898286	Pivot fix. ressort	2	
18	GU98682215	Vis	1	
19	AP8102375	Clip m5	1	
20	AP8101594	Collier D10,1*	2	
21	GU00823950050	Tuyau huile	1	
22	AP8133873	Réserv.huile freins	1	
23	AP8113553	Bouchon réservoir	1	
24	GU95100059	Rondelle 5,25x14x1,5	1	
25	AP8150044	Vis M6x20	1	
26	AP8150115	Ecrou autofr. bas M6	1	
27	898281	R-pied pilote D	1	
28	898612	Sup.pl.pilote dte	1	

Groupe	CHASSIS
Code	33.26
Description	Maît.cyl. frein AR
Révision	1



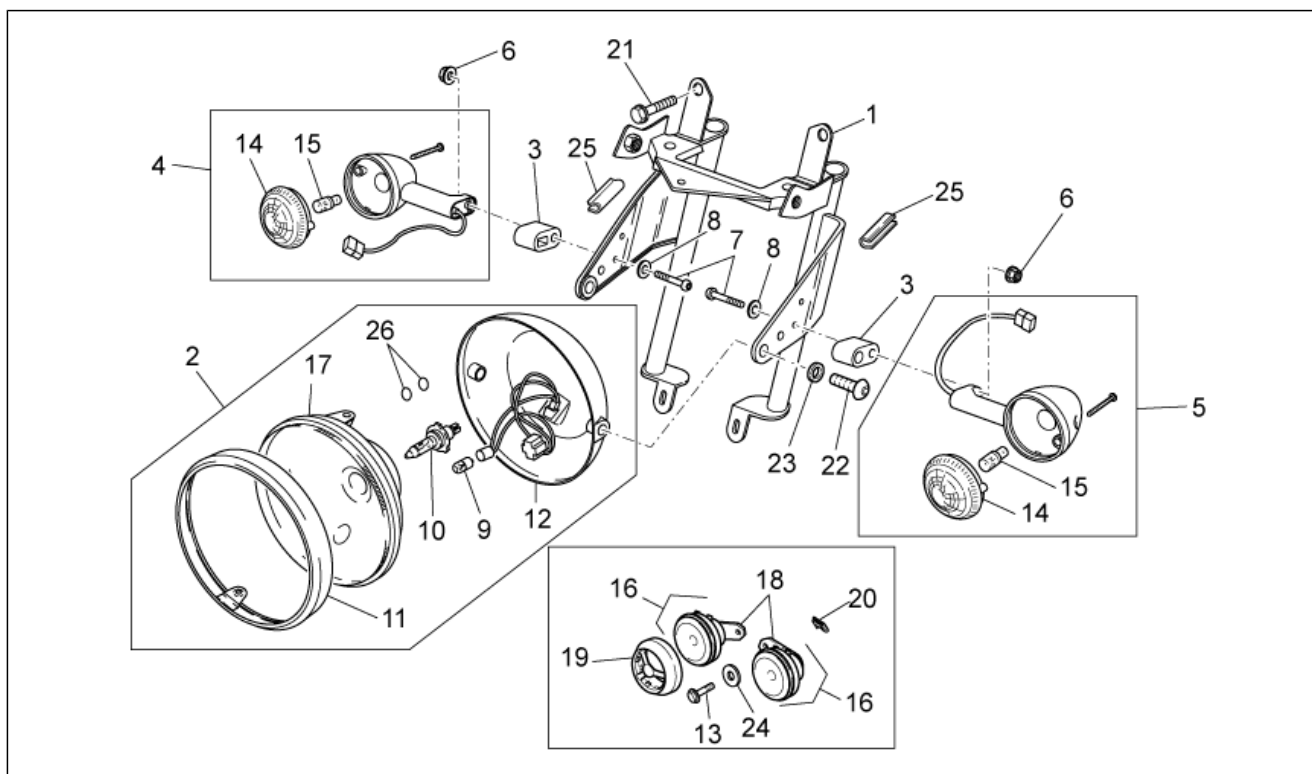
Pos.	Code	Description	Quant	Variants
29	AP8150468	Vis FHC M6x40	1	
30	898285	Levier frein	1	
31	AP9100477	Joint torique 18x2	2	
32	GU98252420	Vis FHC M8x20	2	
33	AP8152320	Vis bride	1	
34	GU03270300	Rondelle 8,4x15	1	
35	AP8134640	Entretoise corps filtre	2	

Groupe	CHASSIS
Code	33.27
Description	Pince frein AR
Révision	1



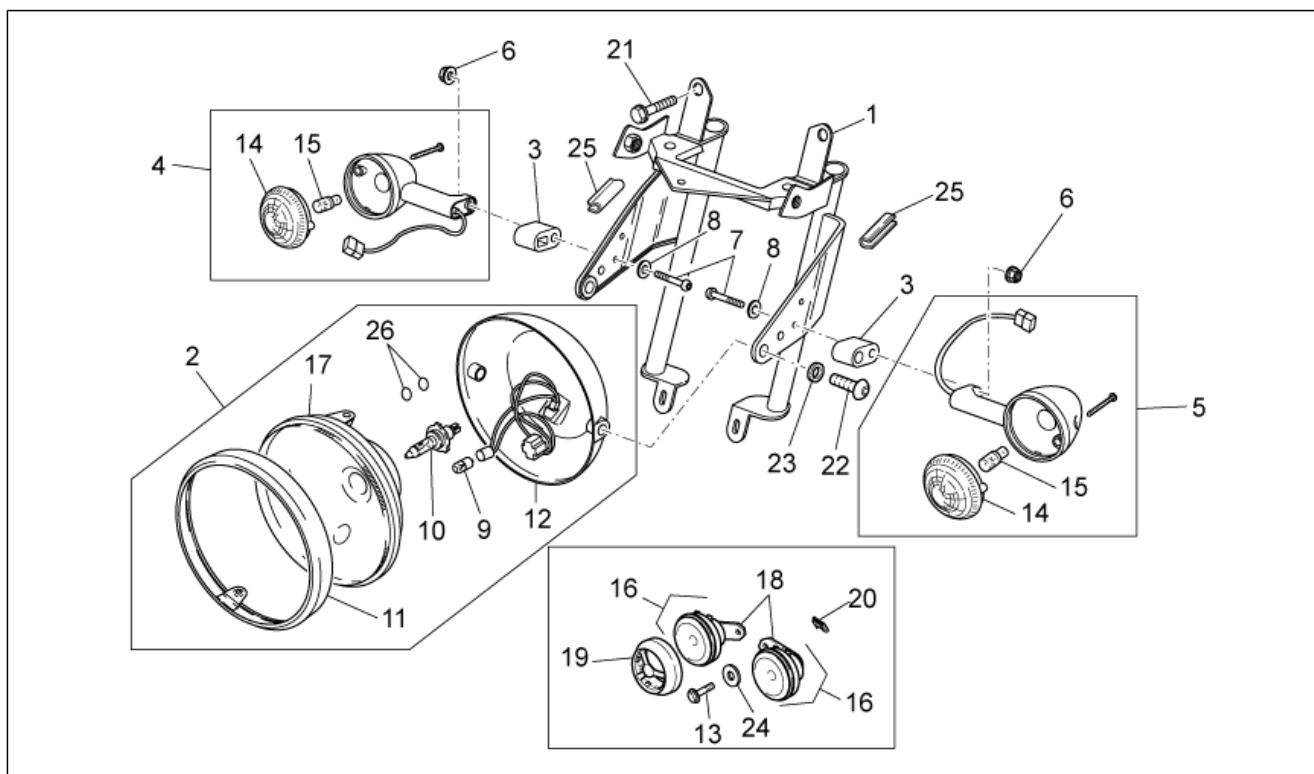
Pos.	Code	Description	Quant	Variants
1	883296	Pince frein AR Brembo	1	
2	GU31654681	Plaquettes-paire	1	
3	GU326358601	Pla. fix pince frein	1	
4	GU31634281	Bague	1	
5	GU32634160	Entretoise	1	
6	883180	Tube frein	1	
7	883192	Interrupteur	1	
8	AP8113004	Rondelle 10x14x1,6*	4	
9	GU97202435	Vis	2	
10	AP8152299	Ecrou autobloqu. M6	2	
11	GU31659181	Kit Axes+ressort	1	
12	GU31659281	Purge+capuchon	1	
13	AP8152300	Ecrou autobloqu. M8	2	
14	GU03658430	Collier	1	
15	GU96451316	Vis sans tête	1	
16	GU03658201	Bague	2	
17	GU03658330	Collier	1	
18	GU98257410	Vis	1	
19	GU92630104	Ecrou M4x0,7	1	
20	978323	Vis tuyau huile *	1	
21	GU95008306	Rondelle 6,4x12x1,2	2	
22	GU03270300	Rondelle 8,4x15	1	

Groupe	CHASSIS
Code	33.28
Description	Feux avant
Révision	1



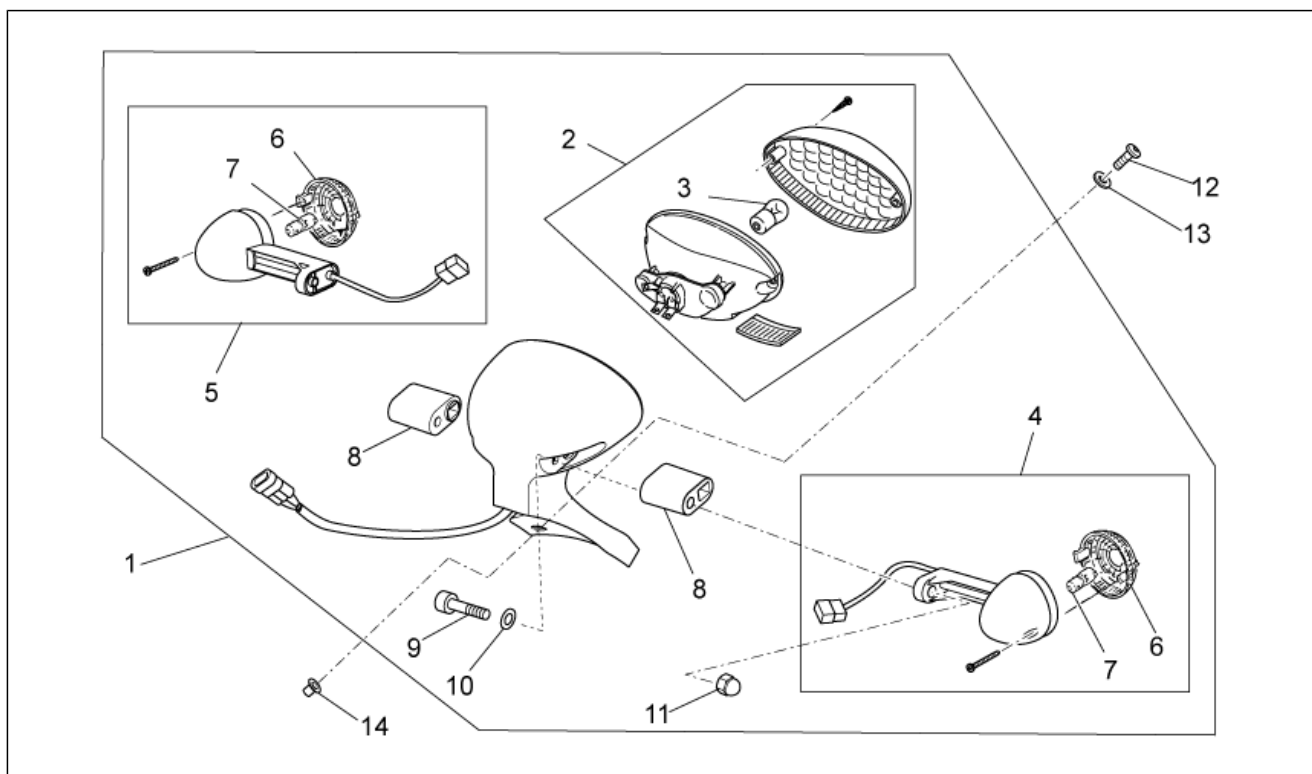
Pos.	Code	Description	Quant	Variants
1	GU32506360	Bride support feu	1	
2	978311	Phare avant	1	Pays:Canadian[CA], europa[EU], USA[USA]
2	978662	Projecteur av.complet gauche	1	Pays:Australie[AA], Japon[J], Angleterre[UK]
3	GU32753410	Entretoise	2	
4	GU32750660	Clignot.av.dr./arr.ga.	1	Pays:Australie[AA], europa[EU], Japon[J], Angleterre[UK]
4	GU32750661	Clignot.av.ga./arr.dr.	1	Pays:Canadian[CA], USA[USA]
5	883478	Clignot.av.ga./arr.dr.	1	Pays:Canadian[CA], USA[USA]
5	GU06751600	Clignot.av.ga./arr.dr.	1	Pays:Australie[AA], europa[EU], Japon[J], Angleterre[UK]
6	GU92787006	Ecrou borgne M6x1	2	
7	GU98370655	Vis	2	
8	GU95021206	Rondelle	2	
9	292022	Lampe (ou Ampoule) 12V-5W	1	
10	292723	Lampe (ou Ampoule) H4 60/55W 12V	1	
11	640598	Bague chromée	1	
12	981149	Calotte, noir	1	Pays:Canadian[CA], europa[EU], USA[USA]
12	GU06740200	Calotte chr.feux avant	1	Pays:Australie[AA], Japon[J], Angleterre[UK]
13	AP8152278	Vis bride M6x16	2	
14	GU32753711	Vitre clignotant	2	Pays:Canadian[CA], USA[USA]
14	GU32753760	Vitre clignotant	2	Pays:Australie[AA], europa[EU], Japon[J], Angleterre[UK]
15	584332	Lampe (ou Ampoule) 12V-10W	2	Pays:Australie[AA], europa[EU], Japon[J], Angleterre[UK]
15	GU93450127	Lampe (ou Ampoule)	2	Pays:Canadian[CA], USA[USA]
16	886714	Klaxon	2	
17	GU06740400	Groupe optique	1	Pays:Canadian[CA], europa[EU], USA[USA]
18	GU01744200	Bride	6	
19	GU03744760	Masque pour klaxon	2	
20	GU28576591	Clip M6	2	
21	GU98880540	Vis M10x40	2	
22	GU98370831	Vis M8x30	2	

Groupe	CHASSIS
Code	33.28
Description	Feux avant
Révision	1



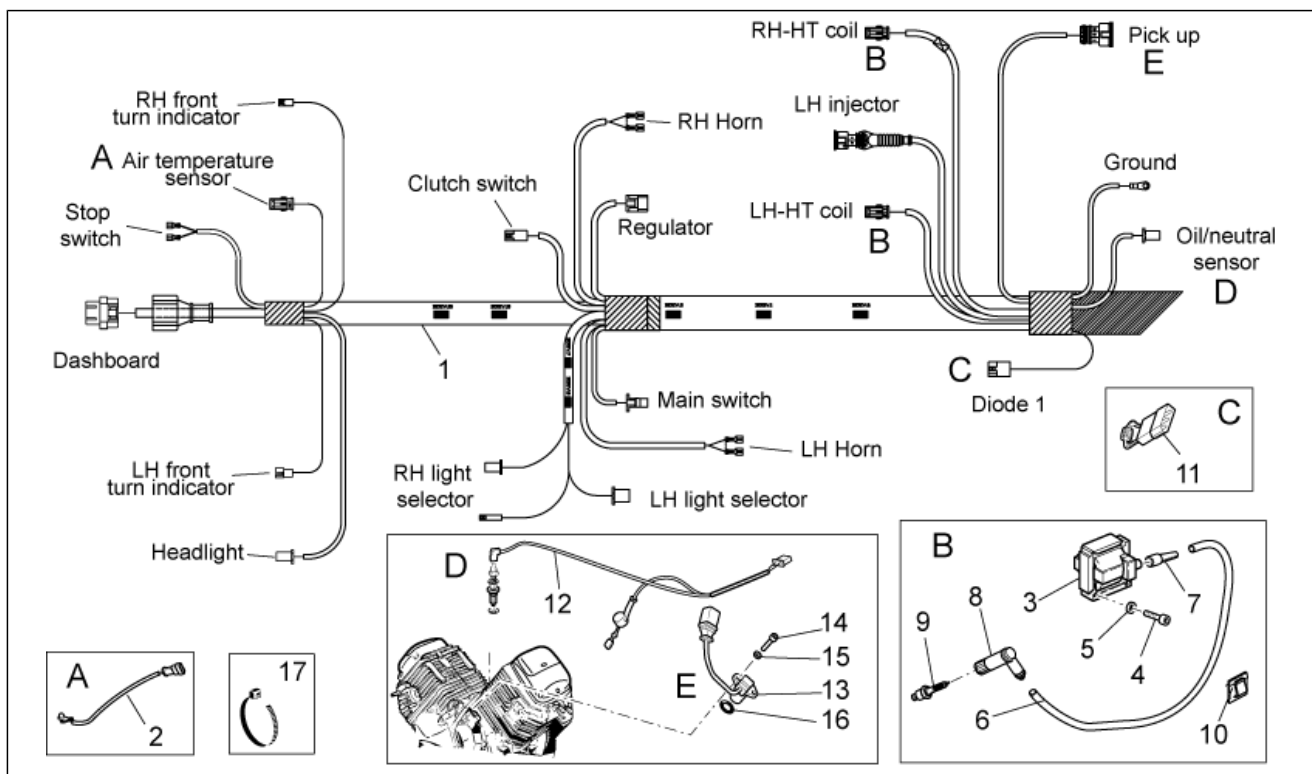
Pos.	Code	Description	Quant	Variants
23	GU95005308	Rondelle 8,4x14,57x1,6	2	
24	GU95100141	Rondelle 6,4x12x1,2	2	
25	GU00823931055	Joint	1	
26	883417	Joint torique	2	

Groupe	CHASSIS
Code	33.29
Description	Feux arriere
Révision	1



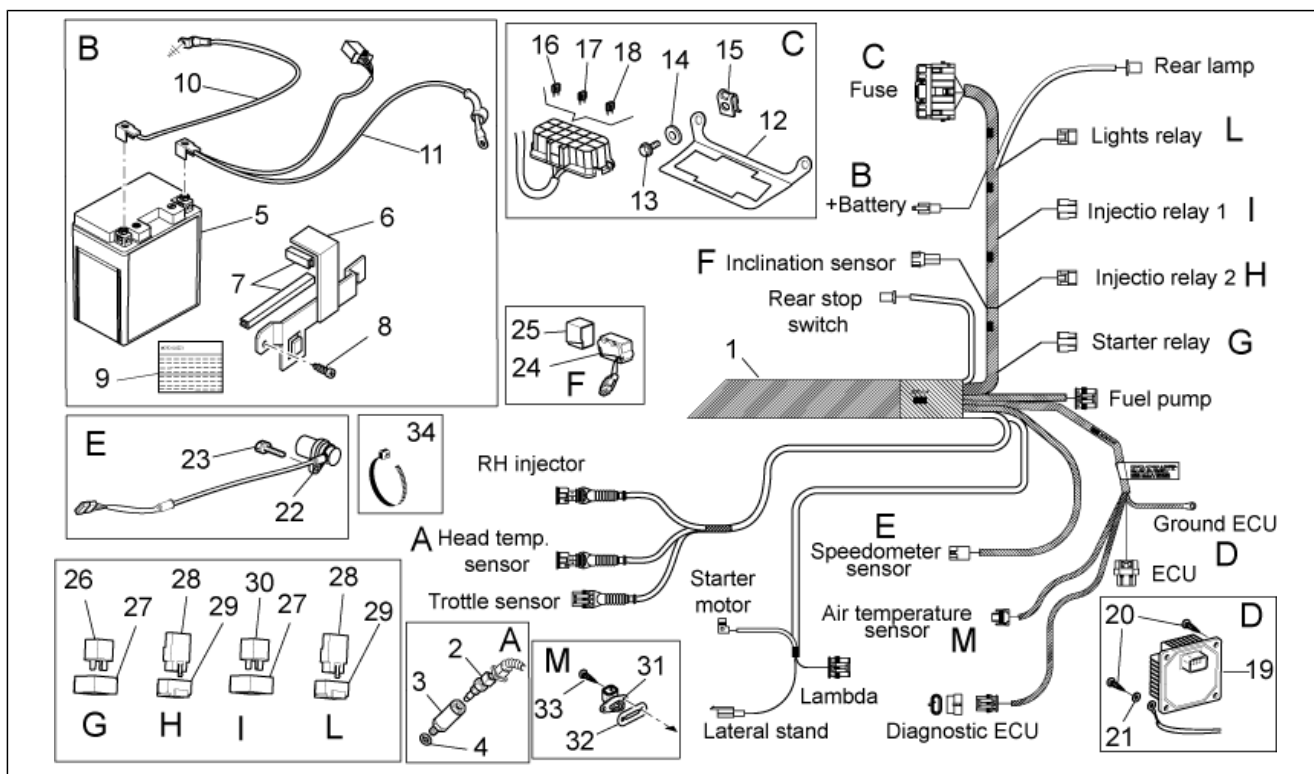
Pos.	Code	Description	Quant	Variants
1	883479	Phare AR cpl.	1	Pays:Canadian[CA], USA[USA]
1	97895015	Phare AR cpl.	1	Pays:Australie[AA], europa[EU], Japon[J], Angleterre[UK]
2	GU03740930	Feu arriere	1	
3	GU93450224	Lampe (ou Ampoule)	1	
4	GU32750660	Clignot.av.dr./arr.ga.	1	Pays:Australie[AA], europa[EU], Japon[J], Angleterre[UK]
4	GU32750661	Clignot.av.dr./arr.ga.	1	Pays:Canadian[CA], USA[USA]
5	883478	Clignot.av.ga./arr.dr.	1	Pays:Canadian[CA], USA[USA]
5	GU06751600	Clignot.av.ga./arr.dr.	1	
6	GU32753711	Vitre clignotant	2	Pays:Canadian[CA], USA[USA]
6	GU32753760	Vitre clignotant	2	Pays:Australie[AA], europa[EU], Japon[J], Angleterre[UK]
7	584332	Lampe (ou Ampoule) 12V-10W	2	Pays:Australie[AA], europa[EU], Japon[J], Angleterre[UK]
7	GU93450127	Lampe (ou Ampoule)	2	Pays:Canadian[CA], USA[USA]
8	GU32753410	Entretoise	2	
9	GU98370655	Vis	2	
10	GU95021206	Rondelle	2	
11	GU92787006	Ecrou borgne M6x1	2	
12	GU98350215	Vis	3	
13	GU30577800	Rondelle nylon 5,5X12X1	3	
14	GU93231605	Douille anti vibr.	3	

Groupe	CHASSIS
Code	33.30
Description	Circuit électrique I
Révision	1



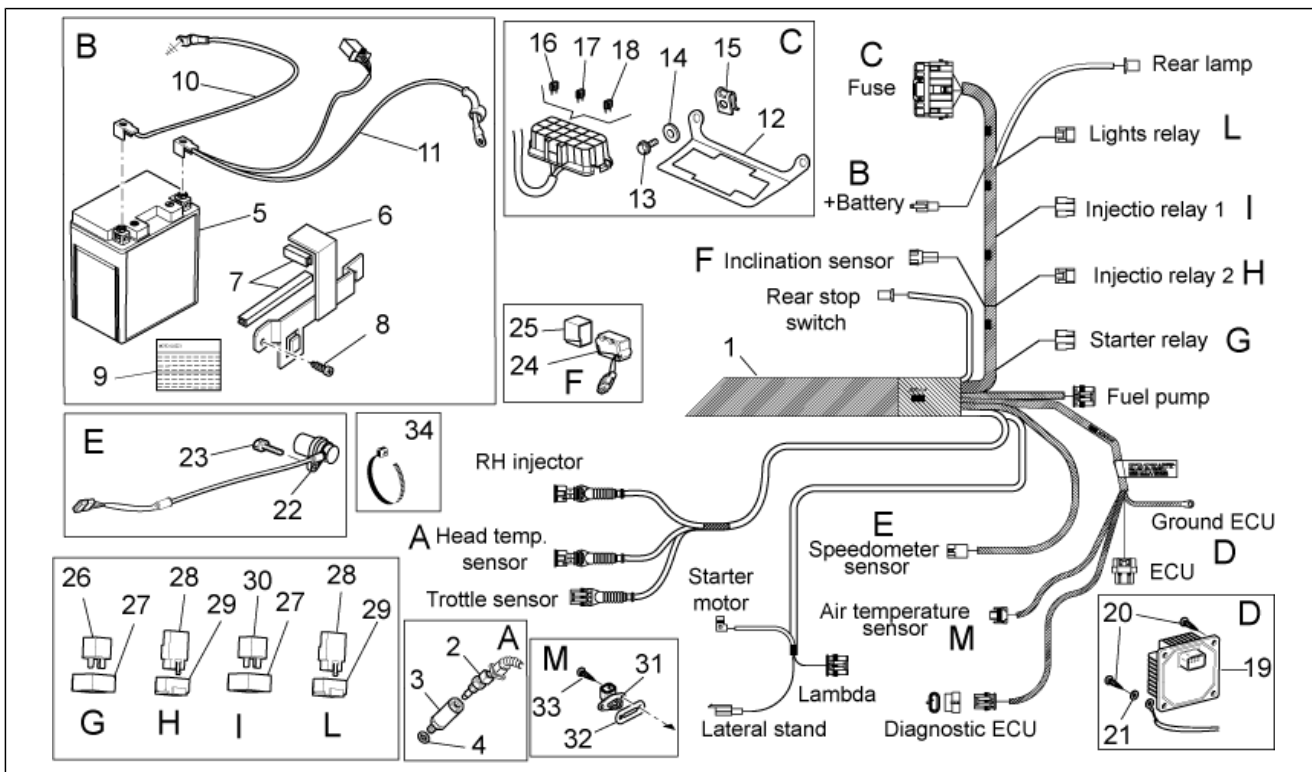
Pos.	Code	Description	Quant	Variants
1	883077	Câblage principal	1	
2	AP8124936	Détec. temper. air	1	
3	GU30716500	Bobine HT	2	
4	GU98682125	Vis	4	
5	GU95008204	Rondelle 4,3x8x0,5	4	
6	GU01718330	Cable HT	2	
7	GU14717600	Capuchon	2	
8	GU01717430	Pipe bougie	2	
9	GU31717061	Bougie NGK BR8ES	2	
10	AP8120708	Guide-câble	6	
11	AP8212588	Diode de sécurité	1	
12	GU32724510	Câblage point mort-huile	1	
13	GU01721600	Capteur phase/tours	1	
14	GU98682212	Vis M5x12	2	
15	GU95008205	Rondelle 5,3x10x0,8	2	
16	GU90706141	Joint torique	1	
17	GU14609650	Collier 3,6x20,6	31	
17	GU49609601	Collier 2,4x92	1	

Groupe	CHASSIS
Code	33.31
Description	Circuit électrique II
Révision	1



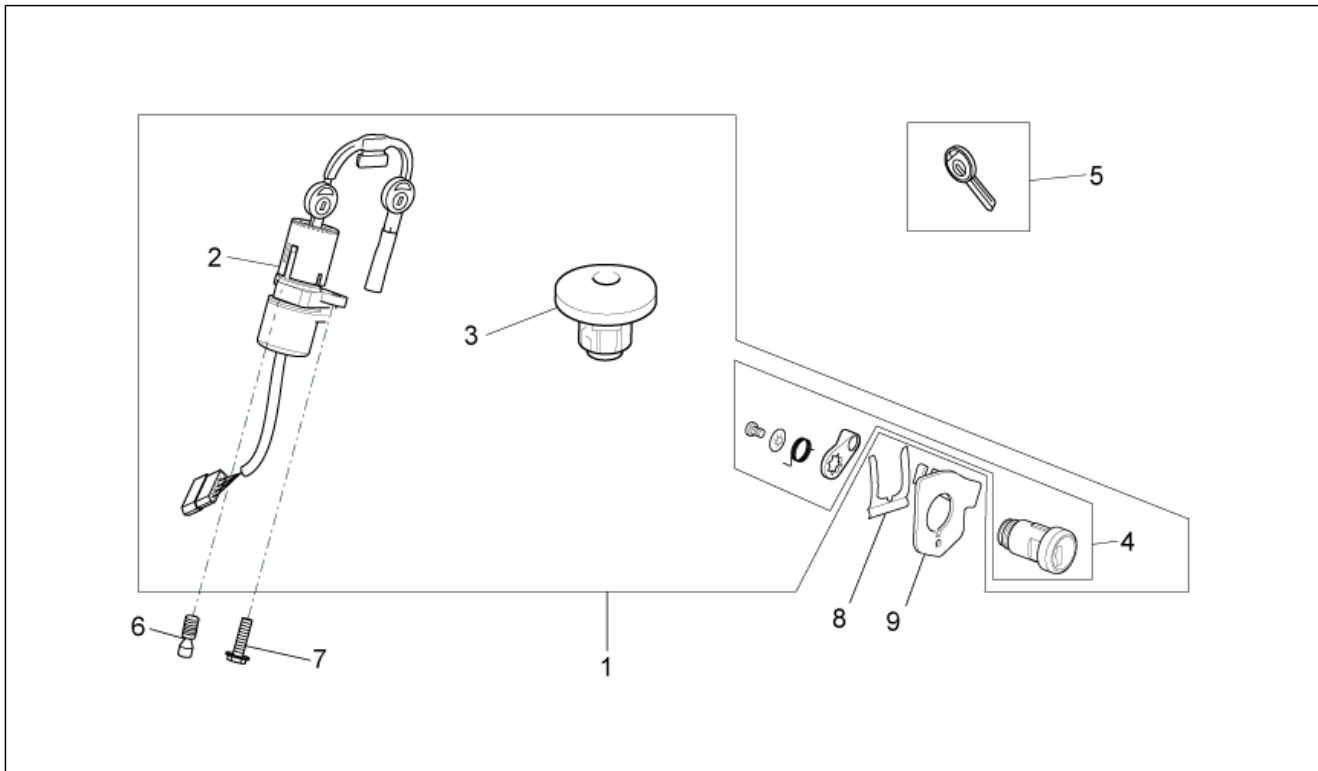
Pos.	Code	Description	Quant	Variants
1	883077	Câblage principal	1	
2	GU29729461	Capteur température huile	1	
3	GU03163330	Support détecteur	1	
4	GU95004210	Rondelle 10,2x18x2	1	
5	640201	Batterie	1	
6	GU32418210	Bride	1	
7	AP8144538	Joint	1	
8	AP8152329	Vis SWP crois. brid. M5x20	2	
9	GU32517710	Décalco "Battery service"	1	
10	GU32747910	Câblage masse-batterie	1	
11	883191	Cablage	1	
12	883161	Support p-fusibles	1	
13	GU98682212	Vis M5x12	2	
14	GU95100059	Rondelle 5,25x14x1,5	2	
15	AP8102375	Clip m5	2	
16	290860	Fusible 15A	3	
17	AP8127346	Fusible 3A	1	
18	GU28742562	Fusible 30A	2	
19	883798	Centrale	1	Pays:Australie[AA], europa[EU], Angleterre[UK]
19	CM2271024	Centrale	1	Pays:Japon[J]
20	AP8152329	Vis SWP crois. brid. M5x20	4	
21	GU95129101	Rondelle	1	
22	AP8124528	Capteur tachym. cpl.	1	
23	AP8152277	Vis bride M6x12	2	
24	584509	Sensore antibaltamento	1	
25	AP8144046	Caoutchouc support détecteur	1	
26	GU29732550	Relais 5 pin	1	
27	AP8220546	Caoutchouc support relais	2	

Groupe	CHASSIS
Code	33.31
Description	Circuit électrique II
Révision	1



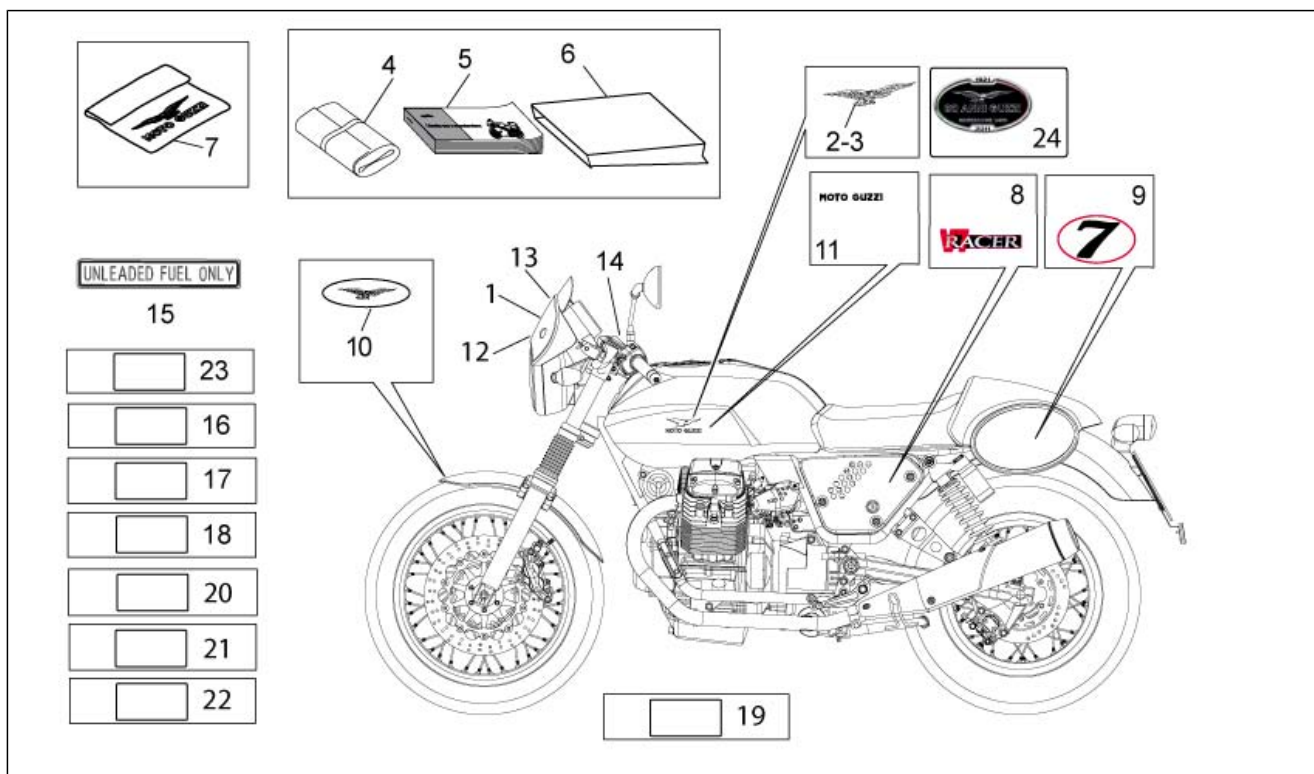
Pos.	Code	Description	Quant.	Variants
28	AP8124869	Relais injection	2	
29	AP8220283	Caoutchouc *	2	
30	AP8224462	Relais 12V/30A	1	
31	GU30729330	Détec. temper. air	1	
32	GU30027931	Joint	1	
33	AP8150421	Vis taraud 2,9x12	2	
34	GU14609650	Collier 3,6x20,6	31	
34	GU49609601	Collier 2,4x92	1	

Groupe	CHASSIS
Code	33.32
Description	Kit serrure
Révision	1



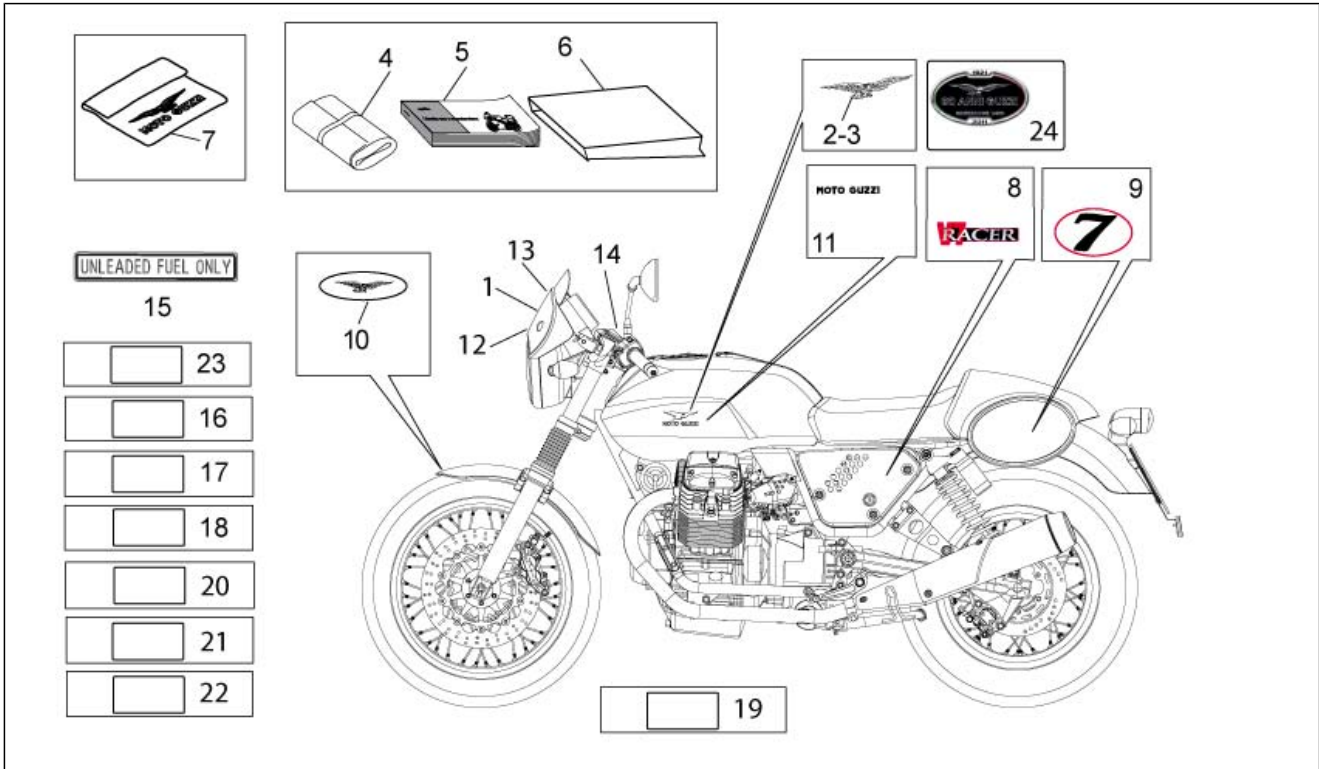
Pos.	Code	Description	Quant	Variants
1	883182	Kit serrure	1	Pays:Australie[AA], europa[EU], Japon[J], Angleterre[UK]
1	883477	Kit serrure	1	Année:2010[A], 2011[b] Pays:Canadian[CA], USA[USA]
1	887989	Kit serrure	1	Année:2012[c] Pays:Canadian[CA], USA[USA]
2	GU32103961	Bouchon réservoir	1	Année:2012[c] Pays:Canadian[CA], USA[USA]
2	GU32782510	Bloc démarreur-bloc	1	
3	883185	Bouchon réservoir	1	Pays:Australie[AA], europa[EU], Japon[J], Angleterre[UK]
3	883476	Bouchon réservoir	1	Année:2010[A], 2011[b] Pays:Canadian[CA], USA[USA]
4	977527	Serrure selle	1	
5	GU32735510	Clé pas cantée brut-coque go	1	
5	GU32735511	Clé pas cantée brut-coque cr	1	
6	AP8150349	Vis spéciale M8x15	1	
7	GU98682416	Vis	1	
8	AP8121420	Ressort à fourche	1	
9	978415	Plaque support câble	1	

Groupe	CHASSIS
Code	33.33
Description	Décalco et plaquettes
Révision	1



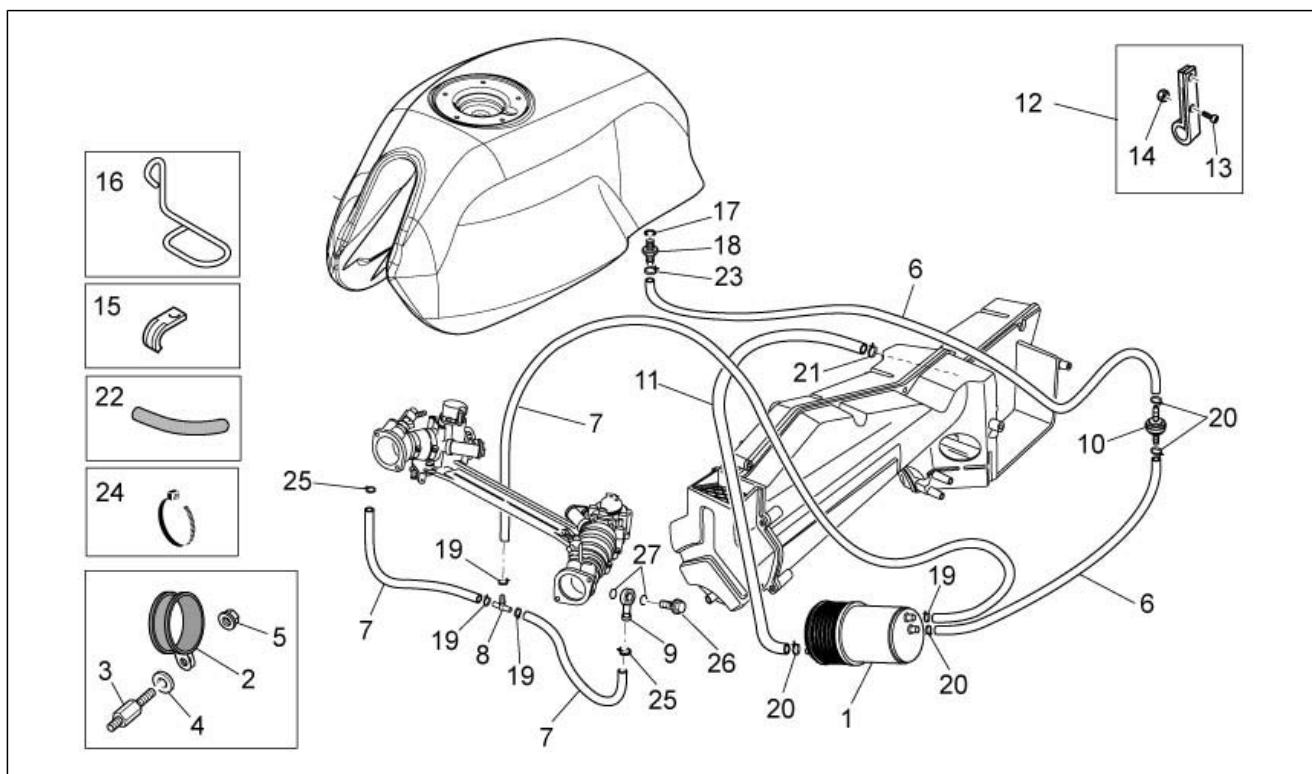
Pos.	Code	Description	Quant	Variants
1	886639	Décalque coupole "7"	1	
2	898174	Décalco D. "Aquila"	1	
3	886678	Décalco G. "Aquila"	1	
4	GU32909960	Trousse à outils	2	
5	886709	Manuel instructions	1	Pays:Australie[AA], europa[EU], Japon[J], Angleterre[UK]
5	887206	Manuel instr.I-D-F-E-UK-NL usa-can-	1	Pays:Canadian[CA], USA[USA]
6	GU05900130	Sachet pour documents	1	
7	GU30970200	Housse protect. moto	1	
8	886643	Plaquettes V7 Racer	2	
9	886640	Déc.Queue	2	
10	886141	Décalco "Aquila"	1	
11	886825	Décalco "Moto Guzzi"	1	
12	886638	Décalco ligne rouge	1	
13	886637	Décalco ligne rouge	1	
14	886644	Plaquettes "RACER"	1	
15	GU03995730	Décalco "Unleaded Fuelonly"	1	Pays:Australie[AA], Canadian[CA], USA[USA]
16	AP8257742	Décalco WARNING	1	Pays:Canadian[CA], USA[USA]
17	AP8257794	Décalco batterie	1	Pays:Canadian[CA], USA[USA]
18	AP8257609	Décalco miroir	2	Pays:Canadian[CA], USA[USA]
19	883930	Décalco pression pneus	1	Pays:Canadian[CA], USA[USA]
20	883911	Décalco émissions sonores	1	Année:2011[b] Pays:Canadian[CA], USA[USA]
20	884198	Décalco émissions sonores	1	Année:2012[c]
21	883912	Emission control sticker	1	Année:2011[b] Pays:Canadian[CA], USA[USA]
21	884199	Emission control sticker	1	Année:2012[c]
22	883913	Décalco shed	1	Année:2011[b] Pays:Canadian[CA], USA[USA]
22	884200	Décalco shed	1	Année:2012[c]

Groupe	CHASSIS
Code	33.33
Description	Décalco et plaquettes
Révision	1



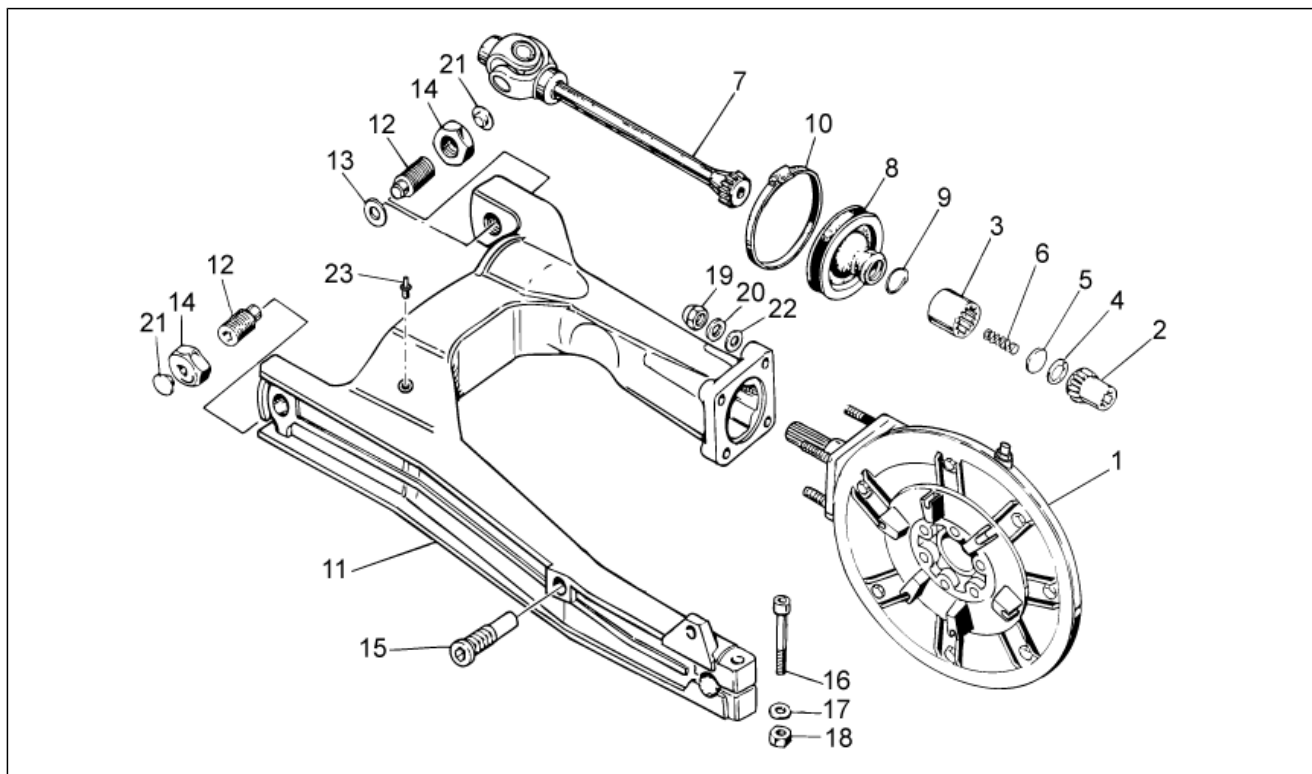
Pos.	Code	Description	Quant	Variants
23	672381	Plaque ices-002	1	Pays:Canadian[CA]
24	886944	Décalco "90 Anni Guzzi"	1	

Groupe	CHASSIS
Code	33.51
Description	Sys.récup.vap.ess.
Révision	1



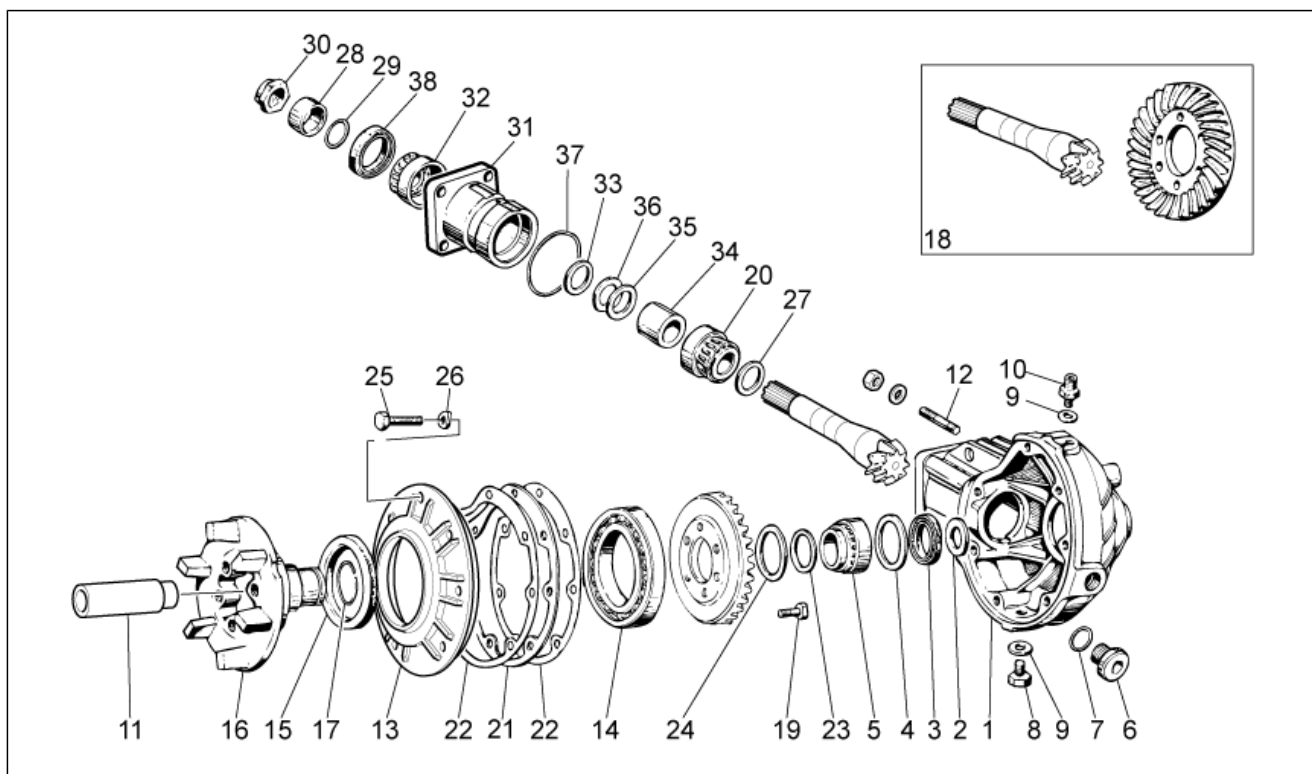
Pos.	Code	Description	Quant	Variants
1	AP8102678	Filtre à charbon	1	Pays:Canadian[CA], USA[USA]
2	AP8102688	Collier d.76	1	Pays:Canadian[CA], USA[USA]
3	GU32439260	Sup.canister USA	1	Pays:Canadian[CA], USA[USA]
4	GU95005311	Rondelle	1	Pays:Canadian[CA], USA[USA]
5	AP8152299	Ecrou autobloqu. M6	1	Pays:Canadian[CA], USA[USA]
6	856063	Tuyau SAE 30 d.12,7x6,35	2	Pays:Canadian[CA], USA[USA]
7	856062	Tuyau SAE 30 d.11,11x4,8	3	Pays:Canadian[CA], USA[USA]
8	AP8120116	Raccord 3 voies	1	Pays:Canadian[CA], USA[USA]
9	GU95963062	Raccord	2	Pays:Canadian[CA], USA[USA]
10	860138	Soupape	1	Pays:Canadian[CA], USA[USA]
11	856064	Tuyau SAE 30 d.14,3x7,9	1	Pays:Canadian[CA], USA[USA]
12	GU03658330	Collier	1	Pays:Canadian[CA], USA[USA]
13	GU98257410	Vis	1	Pays:Canadian[CA], USA[USA]
14	GU92630104	Ecrou M4x0,7	1	Pays:Canadian[CA], USA[USA]
15	GU93301313	Cavalier	1	Pays:Canadian[CA], USA[USA]
16	AP8221114	Guide-câble	2	Pays:Canadian[CA], USA[USA]
17	AP8120965	Joint torique 2018	1	Pays:Canadian[CA], USA[USA]
18	GU30103730	Raccord	1	Pays:Canadian[CA], USA[USA]
19	GU29108550	Collier clic 11,5x6	6	Pays:Canadian[CA], USA[USA]
20	GU28157950	Collier clic 12,5x8	5	Pays:Canadian[CA], USA[USA]
21	AP8102766	Collier	1	Pays:Canadian[CA], USA[USA]
22	GU00823923140	Gaine thermique	4	Pays:Canadian[CA], USA[USA]
23	AP8201358	Collier D 11,9	1	Pays:Canadian[CA], USA[USA]
24	GU14609650	Collier 3,6x20,6	3	Pays:Canadian[CA], USA[USA]
25	AP8102378	Collier D11,3	2	Pays:Canadian[CA], USA[USA]
26	GU95990023	Vis percée	2	Pays:Canadian[CA], USA[USA]
27	GU90706009	Joint torique 6x1	4	Pays:Canadian[CA], USA[USA]

Groupe	MOTEUR
Code	34.09
Description	Transmission cpl. I
Révision	1



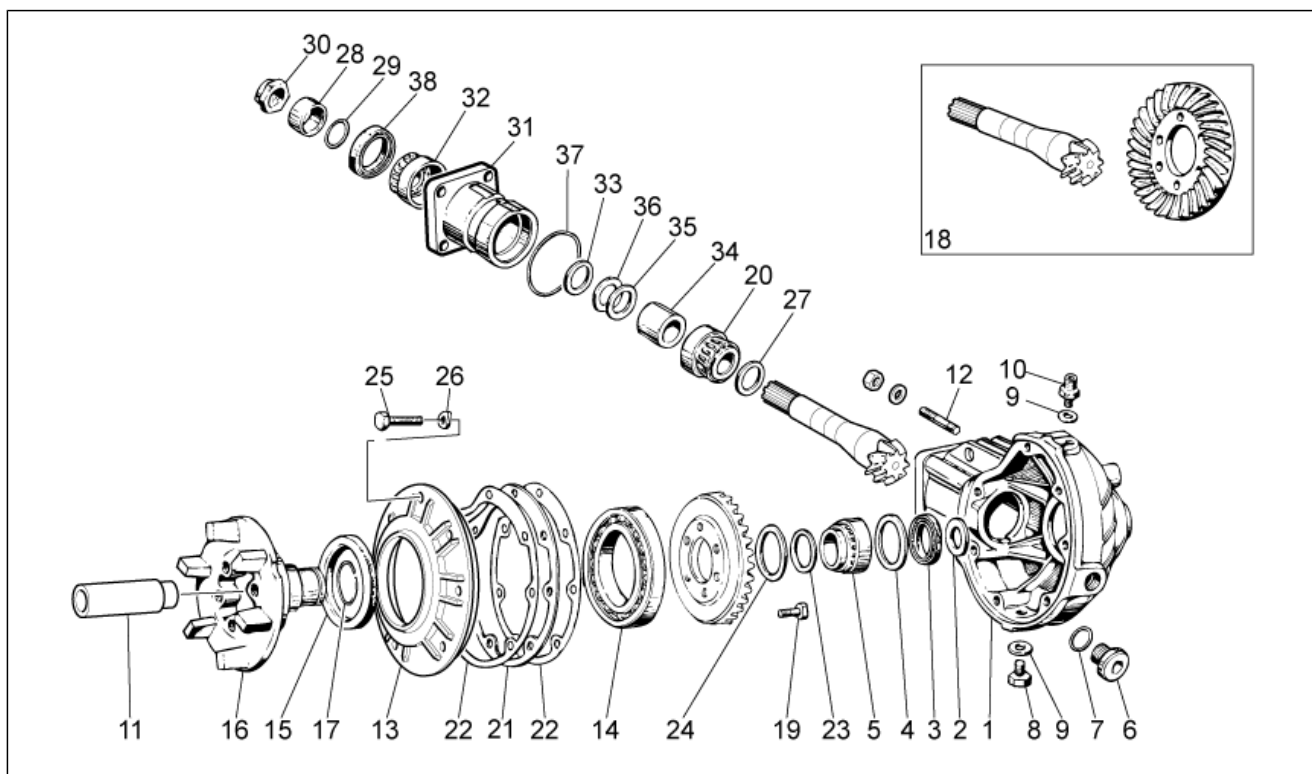
Pos.	Code	Description	Quant	Variants
1	976941	Boîte transm.cpl.noir	1	
2	GU31327783	Manchon	1	
3	GU19328801	Manchon	1	
4	GU90272023	Bague seeger	1	
5	GU19327601	Disque	1	
6	GU94321099	Ressort	1	
7	GU23328081	Joint	1	
8	GU23548080	Collier de protection	1	
9	GU23548180	Ressort	1	
10	AP8120246	Collier D=60-80	1	
11	886676	Fourche ar., rouge	1	
12	GU19547000	Pivot	2	
13	GU35214300	Cale	1	
14	GU31547882	Ecrou	2	
15	GU31544181	Pivot	1	
16	GU98680545	Vis M10x45	1	
17	GU95008210	Rondelle 10,2X18X2	1	
18	GU92606210	Ecrou M10x1,5	1	
19	GU92787008	Ecrou borgne M8x1,25	4	
20	GU14615901	Rondelle 8,4X13X0,8	4	
21	GU93180105	Bouchon	2	
22	GU95005308	Rondelle 8,4x14,57x1,6	4	
23	GU03922280	Bouchon 5x9	1	

Groupe	MOTEUR
Code	34.10
Description	Transmission cpl. II
Révision	1



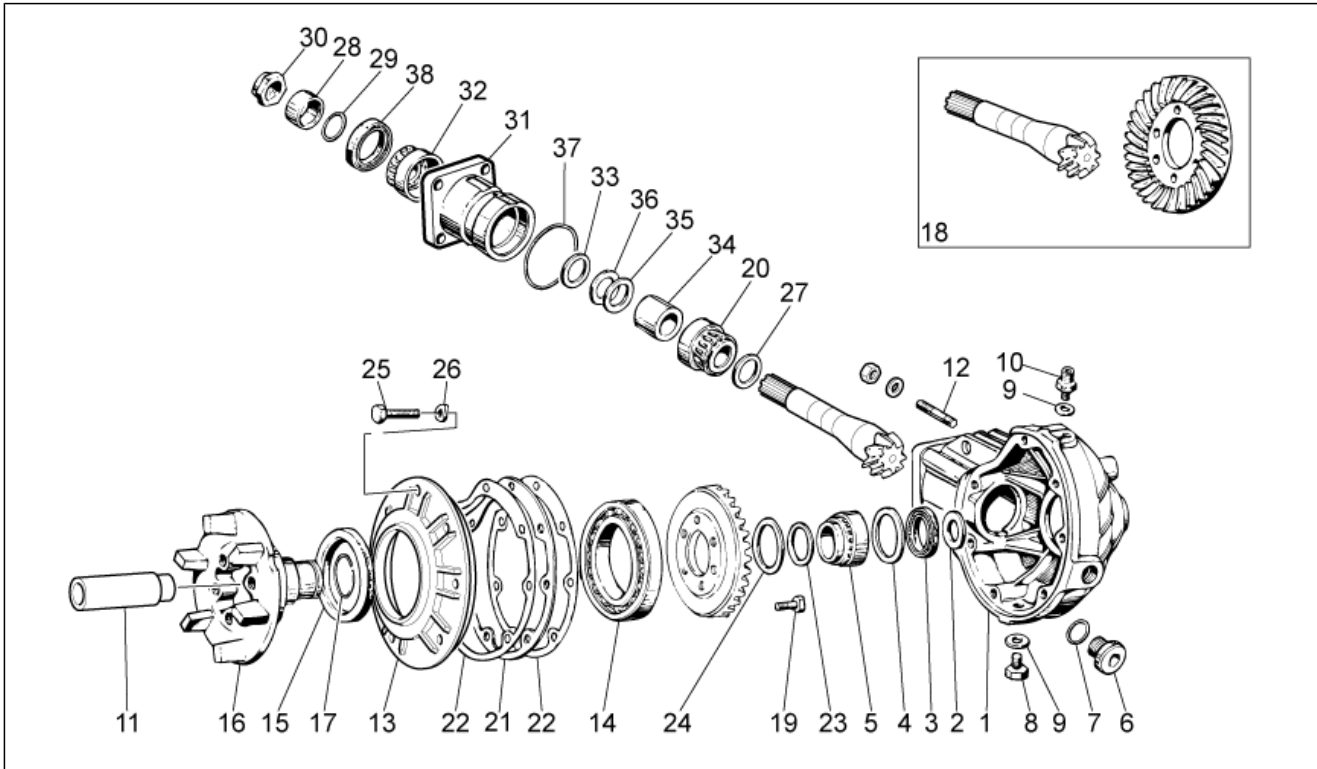
Pos.	Code	Description	Quant	Variants
1	976608	Carter de transmissionnoir	1	
2	GU19351900	Rondelle d'appui	1	
3	GU90403549	Bague d'étanchéité 35x47x7	1	
4	GU19351100	Rondelle d'appui	1	
5	GU92252235	Roulement à rouleaux 35x50x17	1	
6	GU12022600	Bouchon huile	1	
7	GU90706203	Joint torique 20,24X2,62	1	
8	GU31003766	Bouchon vid.huile M10x1	1	
9	GU01528930	Joint 10x18x1,5	2	
10	GU19206501	Bouchon purge	1	
11	GU32633560	Entretoise	1	
12	GU96508055	Vis sans tête	4	
13	GU32350410	Couvercle	1	
14	GU92201070	Roulement à billes 70x110x13	1	
15	GU90407591	Bague d'étanchéité 75x95x10	1	
16	GU32351410	Pivot	1	
17	GU90353030	Bague de butée	1	
18	GU32354610	Couple conique 8/33	1	
19	GU03067730	Vis M8x25	6	
20	GU92249227	Roulement roul.con. 25x5	1	
21	GU19355400	Cale 0,8 mm	1	
21	GU19355402	Cale 0,9 mm	1	
21	GU19355404	Cale 1 mm	1	
21	GU19355406	Cale 1,1 mm	1	
21	GU19355408	Cale 1,2 mm	1	
21	GU19355410	Cale 1,3 mm	1	
21	GU19355411	Cale 1,4 mm	1	
21	GU19355412	Cale 1,5 mm	1	

Groupe	MOTEUR
Code	34.10
Description	Transmission cpl. II
Révision	1



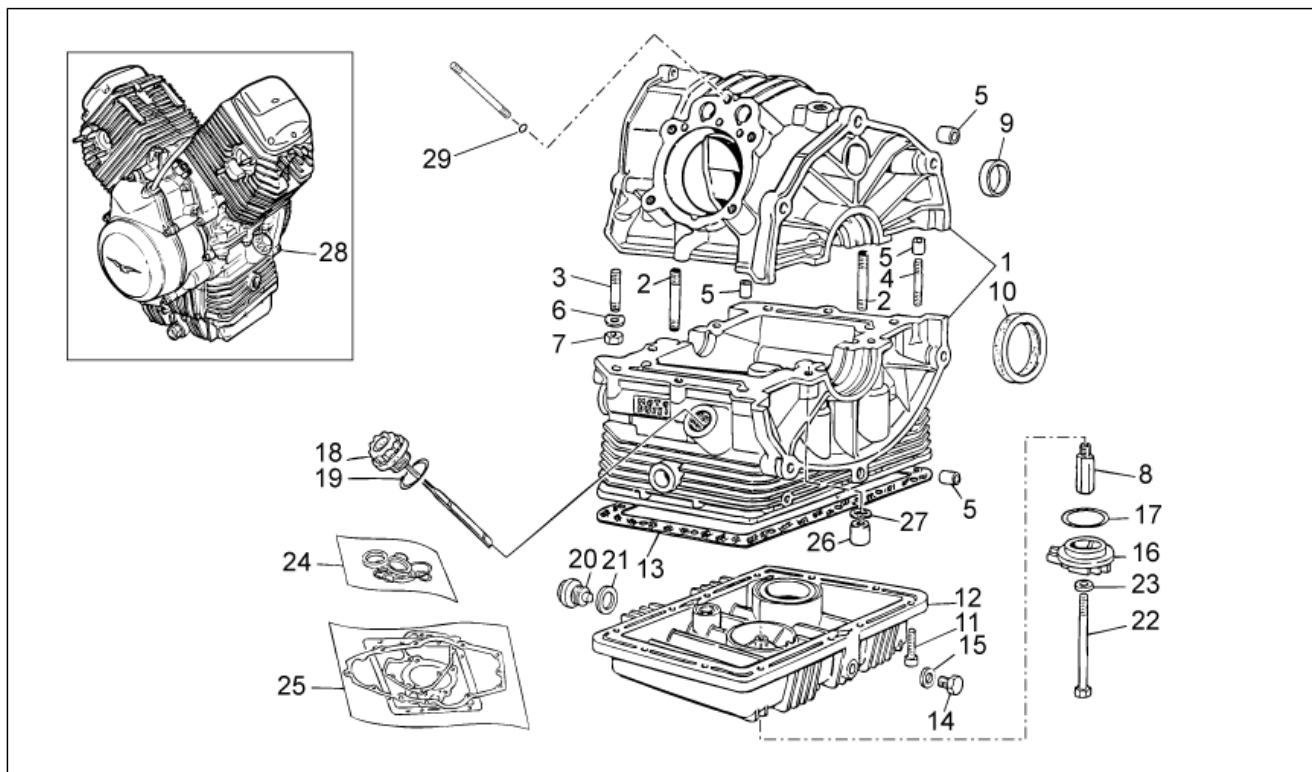
Pos.	Code	Description	Quant	Variants
21	GU19355413	Cale 1,6 mm	1	
22	GU19350700	Joint	2	
23	GU19352300	Rondelle éventail	1	
24	GU19353500	Rondelle éventail	1	
25	GU19357660	Vis	7	
26	GU61270300	Rondelle élastique 8x15x0,3	7	
27	GU19355320	Cale 1 mm	1	
27	GU19355321	Cale 1,1 mm	1	
27	GU19355322	Cale 1,2 mm	1	
27	GU19355323	Cale 1,3 mm	1	
27	GU19355324	Cale 1,4 mm	1	
27	GU19355325	Cale 1,5 mm	1	
27	GU19355326	Cale 1,6 mm	1	
27	GU19355327	Cale 1,7 mm	1	
27	GU19355328	Cale 1,8 mm	1	
27	GU19355329	Cale 1,9 mm	1	
28	GU19356801	Entretoise	1	
29	GU90706188	Bague d'étanchéité 18,77X1,78	1	
30	GU19356700	Ecrou	1	
31	GU20352421	Flasque	1	
32	GU92249220	Roulement à rouleaux 20x47x14	1	
33	GU19355300	Cale 1 mm	1	
33	GU19355301	Cale 1,1 mm	1	
33	GU19355302	Cale 1,2 mm	1	
33	GU19355303	Cale 1,3 mm	1	
33	GU19355304	Cale 1,4 mm	1	
33	GU19355305	Cale 1,5 mm	1	
33	GU19355306	Cale 1,6 mm	1	

Groupe	MOTEUR
Code	34.10
Description	Transmission cpl. II
Révision	1



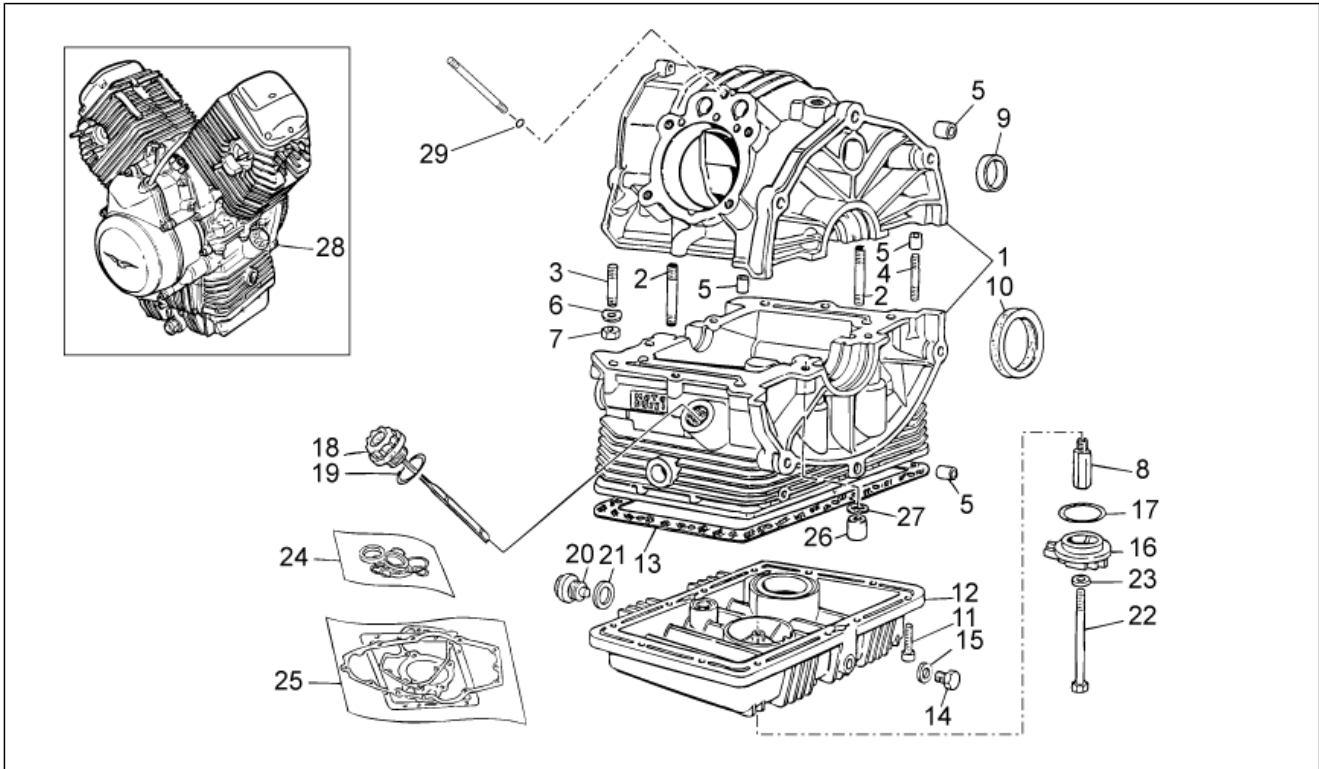
Pos.	Code	Description	Quant	Variants
33	GU19355307	Cale 1,7 mm	1	
33	GU19355308	Cale 1,8 mm	1	
33	GU19355309	Cale 1,9 mm	1	
34	GU20355121	Entretoise	1	
35	GU19355200	Rondelle ajustem. 0,1 mm	1	
36	GU19355202	Rondelle ajustem. 0,15 mm	1	
37	GU90706584	Joint 58,42x2,62	1	
38	GU90403251	Bague d'étanchéité 32x47x10	1	

Groupe	MOTEUR
Code	34.34
Description	Carter
Révision	1



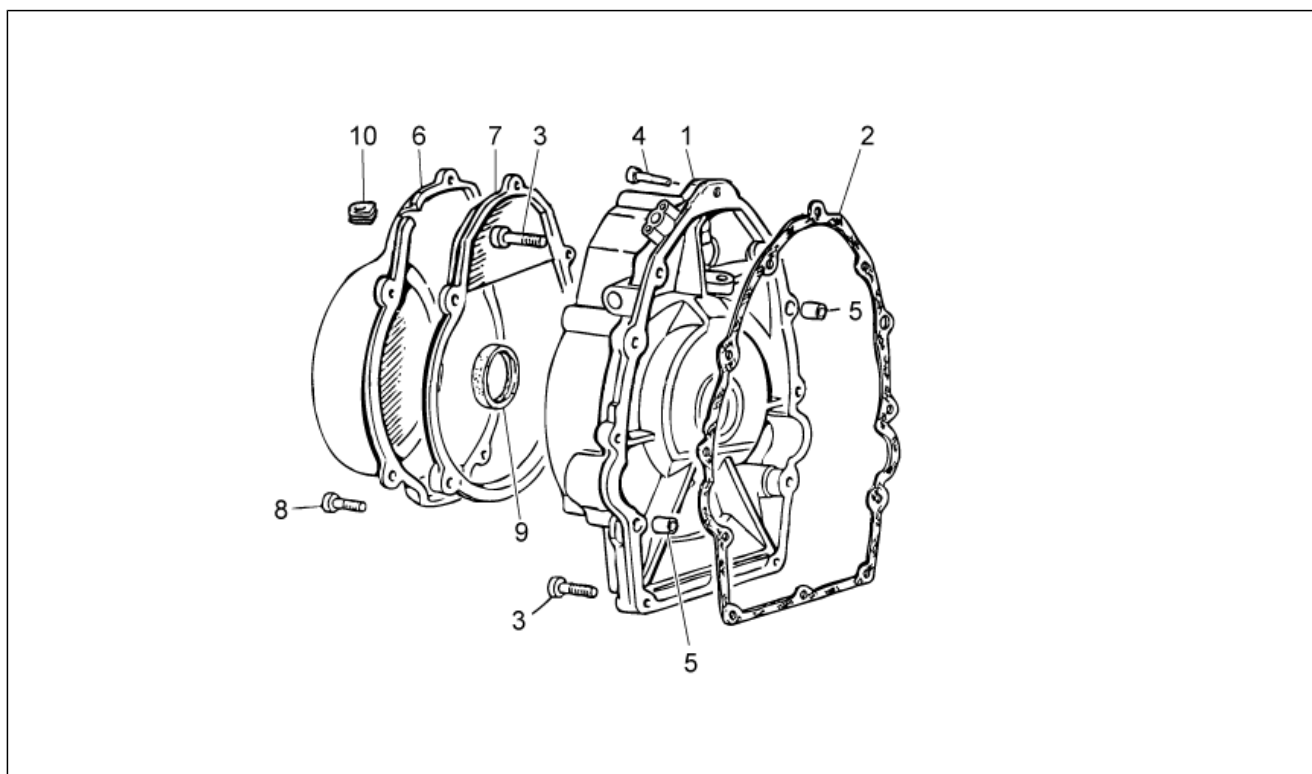
Pos.	Code	Description	Quant	Variants
1	976600	Carter moteur noir	1	
2	GU96451560	Vis sans tête	4	
3	GU96451430	Vis sans tête	4	
4	GU96508055	Vis sans tête	2	
5	GU19015020	Bague	4	
6	GU61270300	Rondelle élastique 8x15x0,3	6	
7	GU92606208	Ecrou M8x1,25	6	
8	GU19003800	Raccord	1	
9	GU19016320	Bouchon	1	
10	GU04000500	Bague d'étanchéité	1	
11	GU98682325	Vis M6x25	12	
12	976604	Carter huile noir	1	
13	GU19003602	Joint	1	
14	GU31003766	Bouchon vid.huile M10x1	1	
15	GU10528900	Garniture	1	
16	976685	Petit couvercle	1	
17	GU90706444	Joint torique	1	
18	GU27004985	Bouchon rempl. huile	1	
19	GU90706281	Joint torique 28,24x2,62	1	
20	GU12003702	Bouchon vid.huile	1	
21	GU95100709	Joint 20,1x28x2	1	
22	GU27152885	Boulon	1	
23	GU12154200	Joint 8,25x15x1	1	
24	GU32999510	Joint spy-série	1	
25	GU32999010	Joints-jeu	1	
26	GU13021900	Ecrou colonne	4	
27	GU95129180	Rondelle 10,5X18X0,8	4	
28	976939	Moteur comp.sansbo.vitesses	1	

Groupe	MOTEUR
Code	34.34
Description	Carter
Révision	1



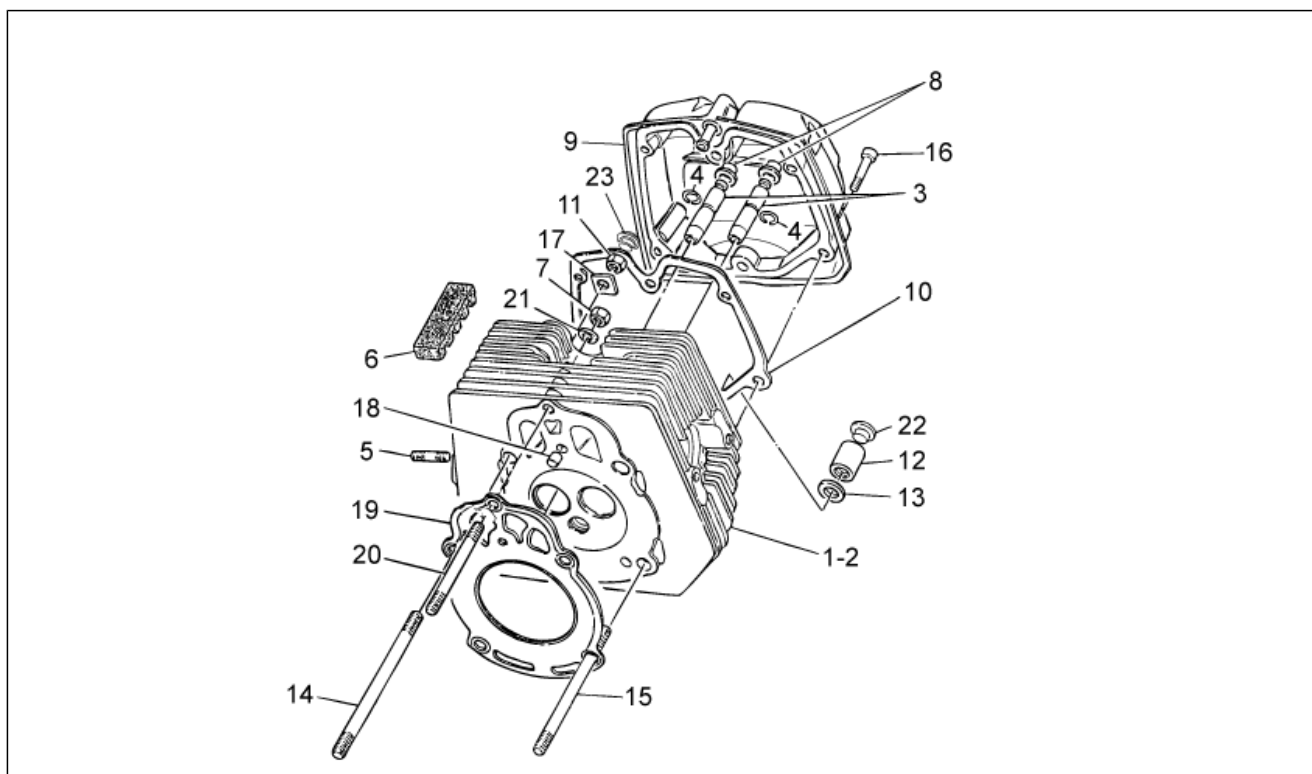
Pos.	Code	Description	Quant	Variants
29	GU90706076	Joint torique	2	

Groupe	MOTEUR
Code	34.35
Description	Couvercle distribution
Révision	1



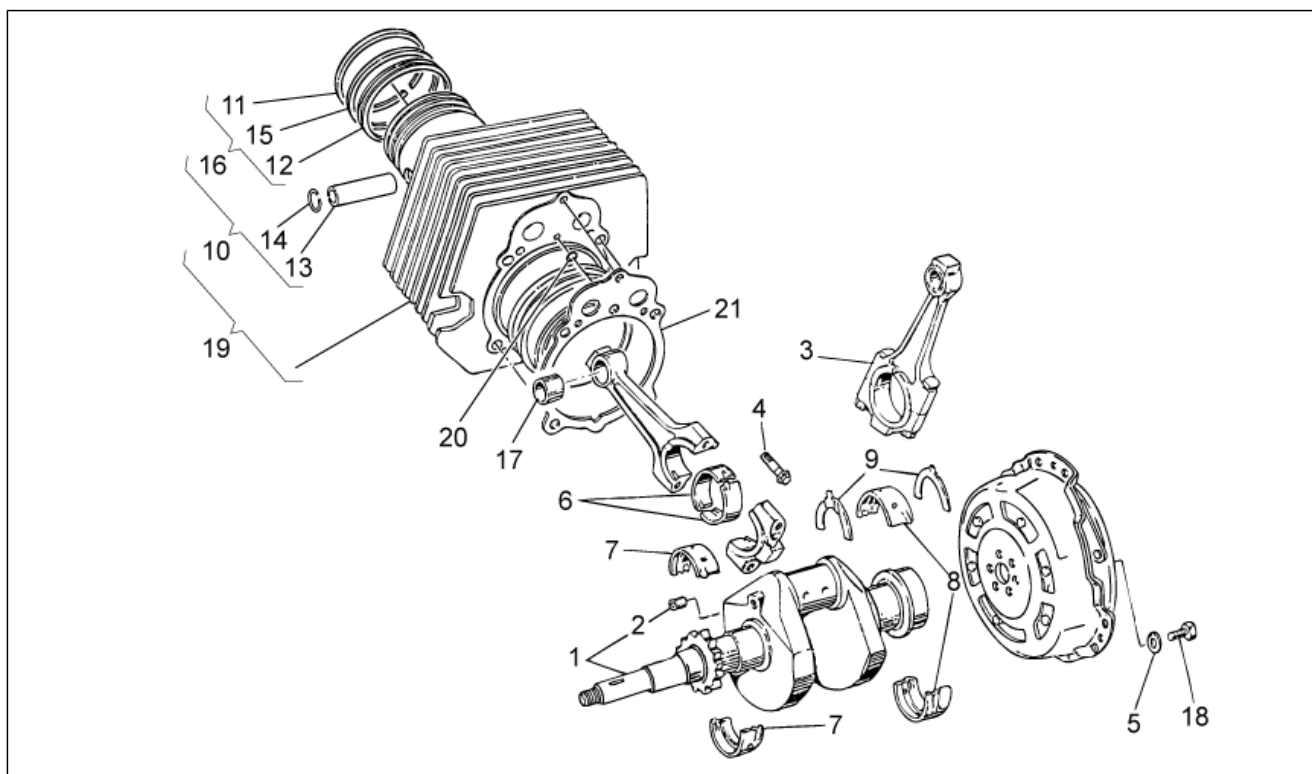
Pos.	Code	Description	Quant	Variants
1	976603	Couvercle de distribution noir	1	
2	GU19001200	Joint	1	
3	GU98682325	Vis M6x25	10	
4	GU98680330	Vis M6x30	2	
5	GU19002020	Bague 6,6x9x13	2	
6	GU32001610	Couvercle	1	
7	GU27001136	Bride	1	
8	GU98680335	Vis M6x35	5	
9	GU90402842	Bague d'étanchéité	1	
10	GU19007700	Caoutchouc	1	

Groupe	MOTEUR
Code	34.36
Description	Tête cylindre
Révision	1



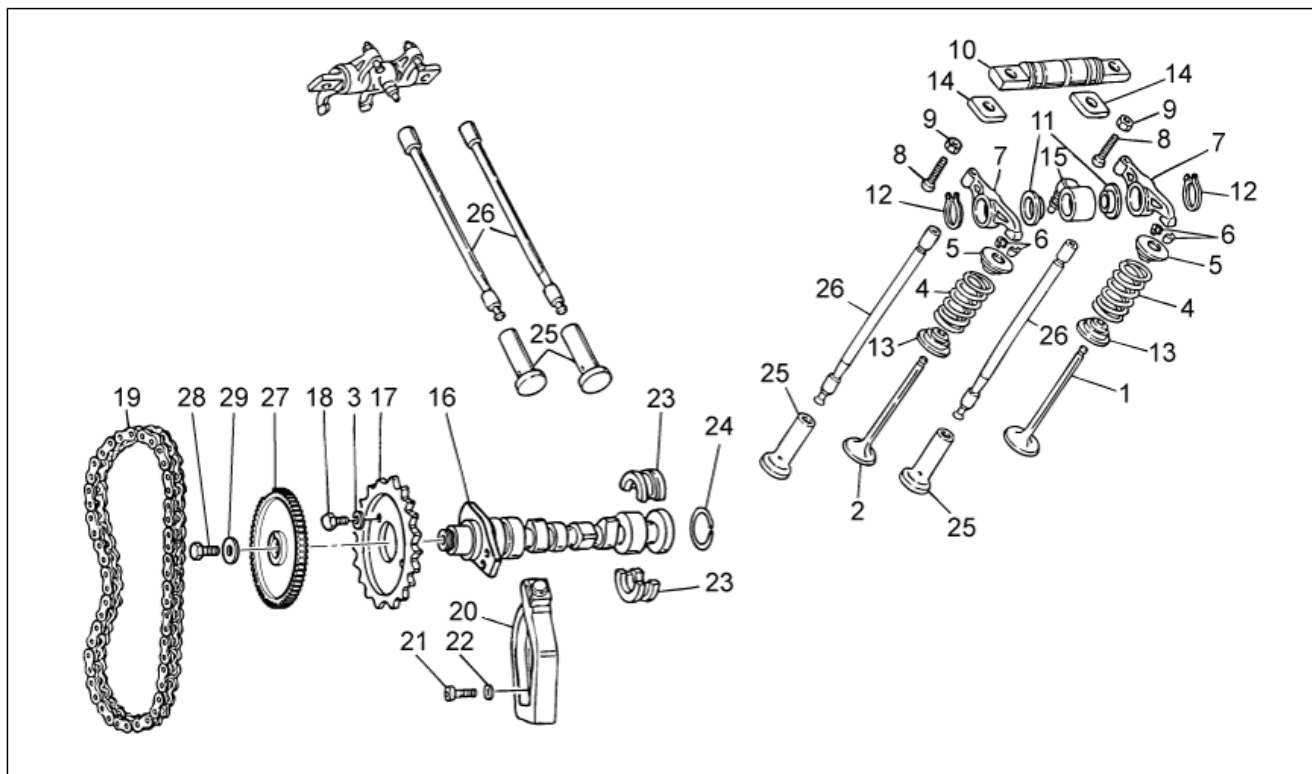
Pos.	Code	Description	Quant	Variants
1	GU32022110	Culasse d.gris	1	
2	GU32022210	Culasse g.gris	1	
3	GU61036801	Guide soupape	4	
4	GU90353009	Anneau élastique	4	
5	GU96506042	Vis sans tête	4	
6	GU19025300	Plaquette antivibratile	4	
7	GU19021920	Ecrou	2	
8	GU19037820	Joint spi	4	
9	886830	Couvre-culasse	2	
10	GU19023700	Joint	2	
11	GU92603010	Ecrou M10X1,5	4	
12	GU13021900	Ecrou colonne	4	
13	GU95129180	Rondelle 10,5X18X0,8	4	
14	GU96510214	Vis sans tête M10x214	4	
15	GU96510181	Vis sans tête M10x182	4	
16	GU98692325	Vis M6x25	10	
17	GU19032980	Cale	4	
18	GU19021360	Bague	2	
19	GU27022060	Joint	2	
20	GU96508145	Vis sans tête M8x143	2	
21	GU61270300	Rondelle élastique 8x15x0,3	2	
22	GU93180245	Bouchon	4	
23	AP8144071	Caoutchouc pot	1	

Groupe	MOTEUR
Code	34.37
Description	Arbre moteur cpl.
Révision	1



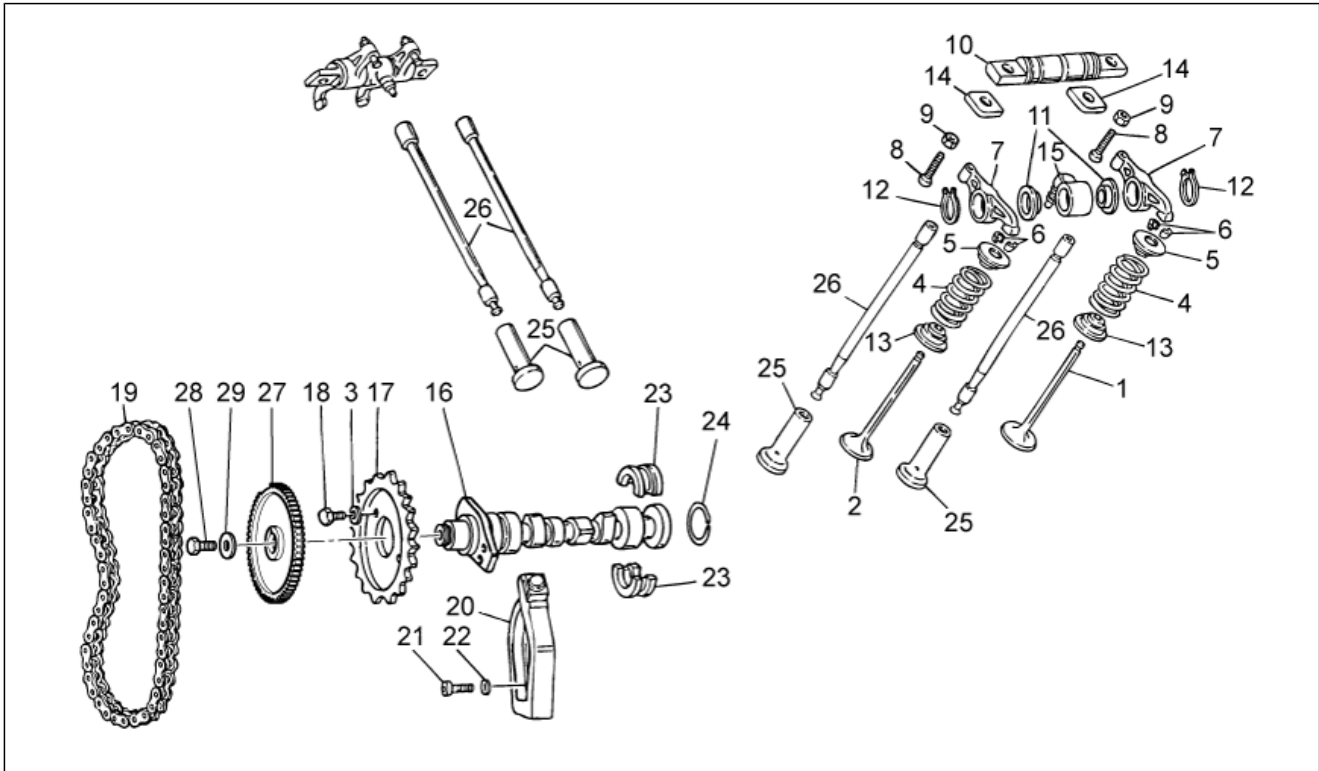
Pos.	Code	Description	Quant	Variants
1	GU32064110	Arbre moteur cpl.	1	
2	GU19065400	Bouchon	1	
3	GU27061585	Bielle cpl.	2	
4	GU19062261	Vis	4	
5	GU14615901	Rondelle 8,4X13X0,8	6	
6	GU27062060	Demi-coussinet	4	
7	GU27065660	Demi-couss.de vilebr.av.	2	
8	GU27066560	Demi-couss.de vilebr.ar.	2	
9	GU27066460	Demi-etau	2	
10	GU32060210	Piston cpl.	2	
11	GU32060710	Segment d'étanchéité	2	
12	GU19061063	Segment raclear	2	
13	GU27061286	Axe	2	
14	GU27061385	Bague de butée	4	
15	GU27060860	Segment d'étanchéité	2	
16	GU32060610	Ensemble de segments	2	
17	GU27061885	Bague	2	
18	GU19067700	Vis	6	
19	GU32060110	Cylindre avec piston gris	2	
20	GU61027200	Joint torique	2	
21	GU27020820	Joint	2	

Groupe	MOTEUR
Code	34.38
Description	Distribution
Révision	1



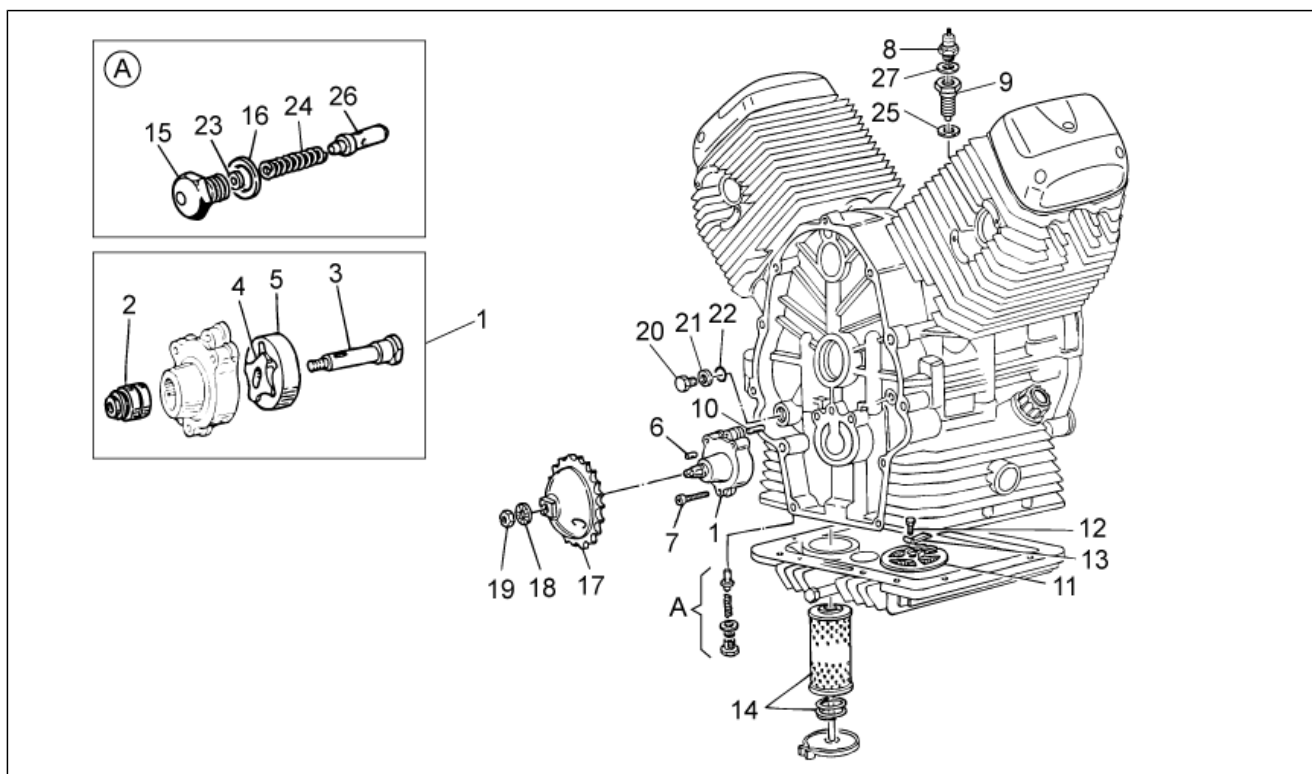
Pos.	Code	Description	Quant	Variants
1	GU20036020	Soupape d'admission	2	
2	GU20036120	Soupape d'échappement	2	
3	GU23217800	Rondelle de séreté	2	
4	GU27037521	Ressort	4	
5	GU31038015	Coupelle supérieur	4	
6	GU61038100	Demi-clavette	8	
7	GU19030500	Culbuteur	4	
8	GU19034000	Vis	4	
9	GU92602406	Ecrou M6x1	4	
10	GU19032080	Axe culbuteur	2	
11	GU32032310	Rondelle éventail	4	
12	GU90271018	Bague seeger	4	
13	GU31037015	Coupelle inférieure	4	
14	GU19032980	Cale	4	
15	GU19027500	Manchon	2	
16	GU32053410	Arbre à cames	1	
17	GU32054510	Engrenage distribution	1	
18	GU61054900	Boulon	2	
19	GU19058021	Chaîne de distribution	1	
20	GU19058220	Tendeur de chaîne	1	
21	GU98882316	Vis	1	
22	GU95129115	Rondelle	1	
23	GU19055700	Secteur	2	
24	GU90353029	Anneau élastique	1	
25	GU19045861	Poussoir	4	
26	GU31045015	Culbuteur tige	4	
27	GU32051710	Wheel speed sensor, LH front	1	
28	GU98054422	Vis M8x22	1	

Groupe	MOTEUR
Code	34.38
Description	Distribution
Révision	1



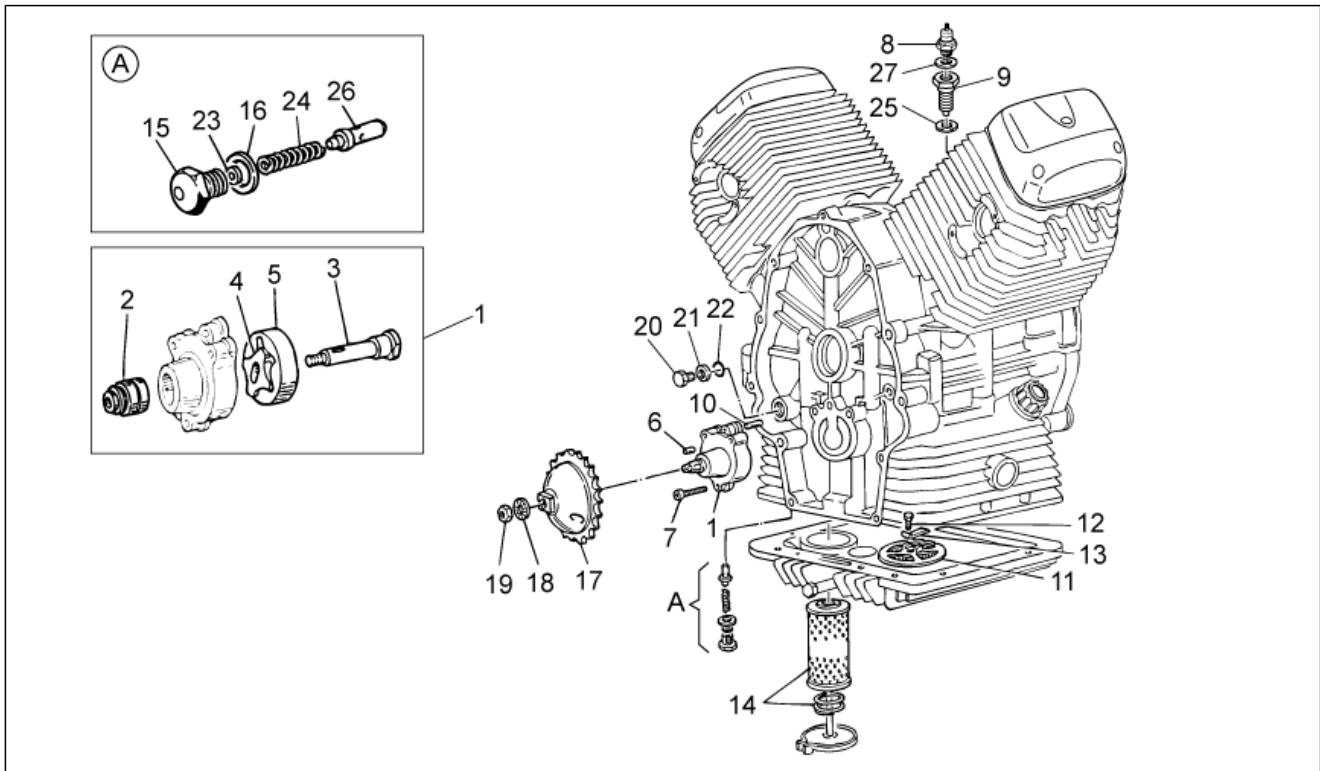
Pos.	Code	Description	Quant	Variants
29	GU95100244	Rondelle	1	

Groupe	MOTEUR
Code	34.39
Description	Pompe huile
Révision	1



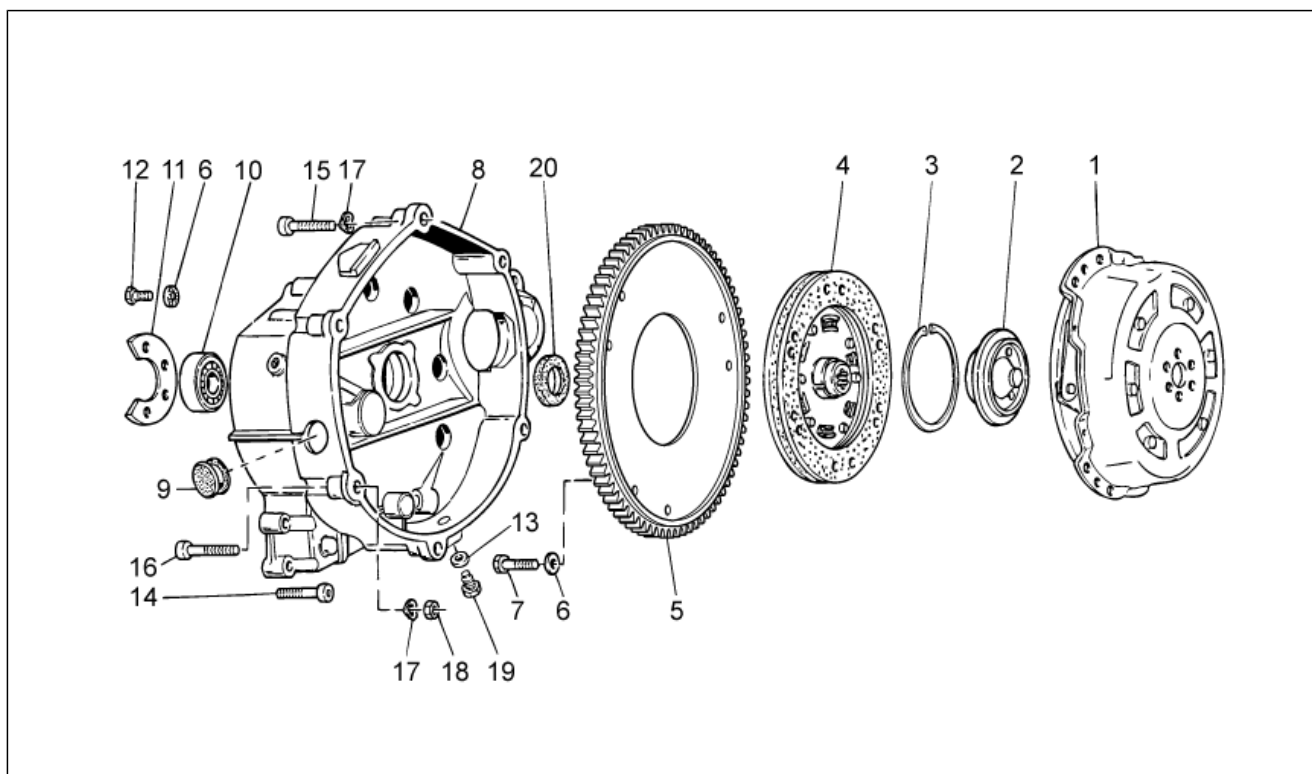
Pos.	Code	Description	Quant	Variants
1	GU19146422	Pompe huile	1	
2	GU92252210	Roulement à rouleaux 10x22x20	1	
3	GU20147810	Arbre pompe huile	1	
4	GU20148410	Rotor intérieur	1	
5	GU20148610	Rotor extérieur	1	
6	GU92296723	Rouleau	1	
7	GU98620335	Vis M6x35	3	
8	641541	Oil pressure sensor	1	
8	GU32768710	Détecteur pression	1	
9	887093	Raccord	1	
9	GU32768810	Raccord	1	
10	GU19018920	Goupille	2	
11	GU19152200	Filtre à huile	1	
12	GU98084314	Vis	1	
13	GU95187006	Plaquette	1	
14	GU27153085	Filtre à huile	1	
15	GU31159050	Bouchon	1	
16	GU18144350	Rondelle 18,25x24x1	3	
17	GU20147710	Pignon de pompe	1	
18	GU19149800	Rondelle 10,5x16x1	1	
19	GU92602510	Ecrou M10x1,25	1	
20	GU31016050	Bouchon	1	
21	GU18161150	Garniture 14,25	1	
22	GU90706111	Joint torique	1	
23	GU95008206	Rondelle 6,15x11x0,8	3	
24	GU94321079	Ressort	1	
25	GU95100602	Joint	1	
26	GU31150950	Piston	1	

Groupe	MOTEUR
Code	34.39
Description	Pompe huile
Révision	1



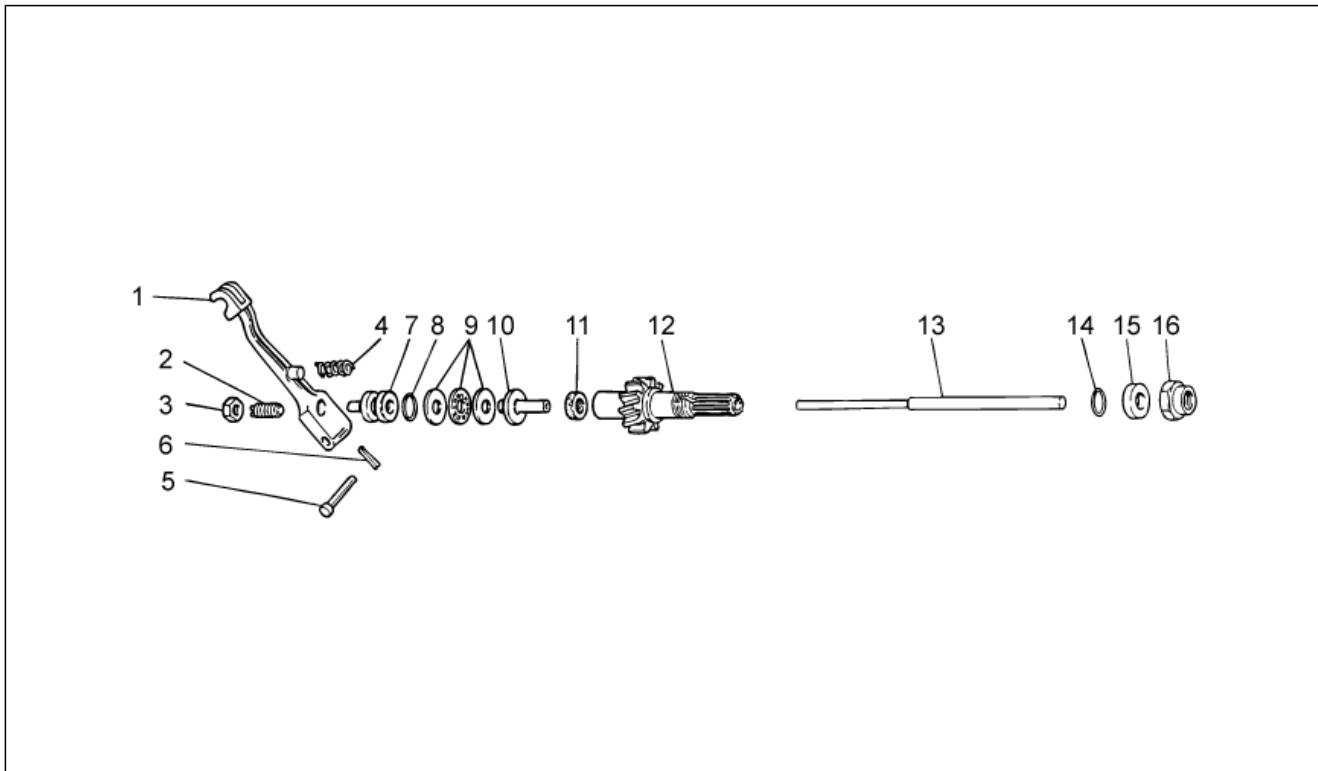
Pos.	Code	Description	Quant	Variants
27	GU95100309	Rondelle	1	

Groupe	MOTEUR
Code	34.40
Description	Embrague I
Révision	1



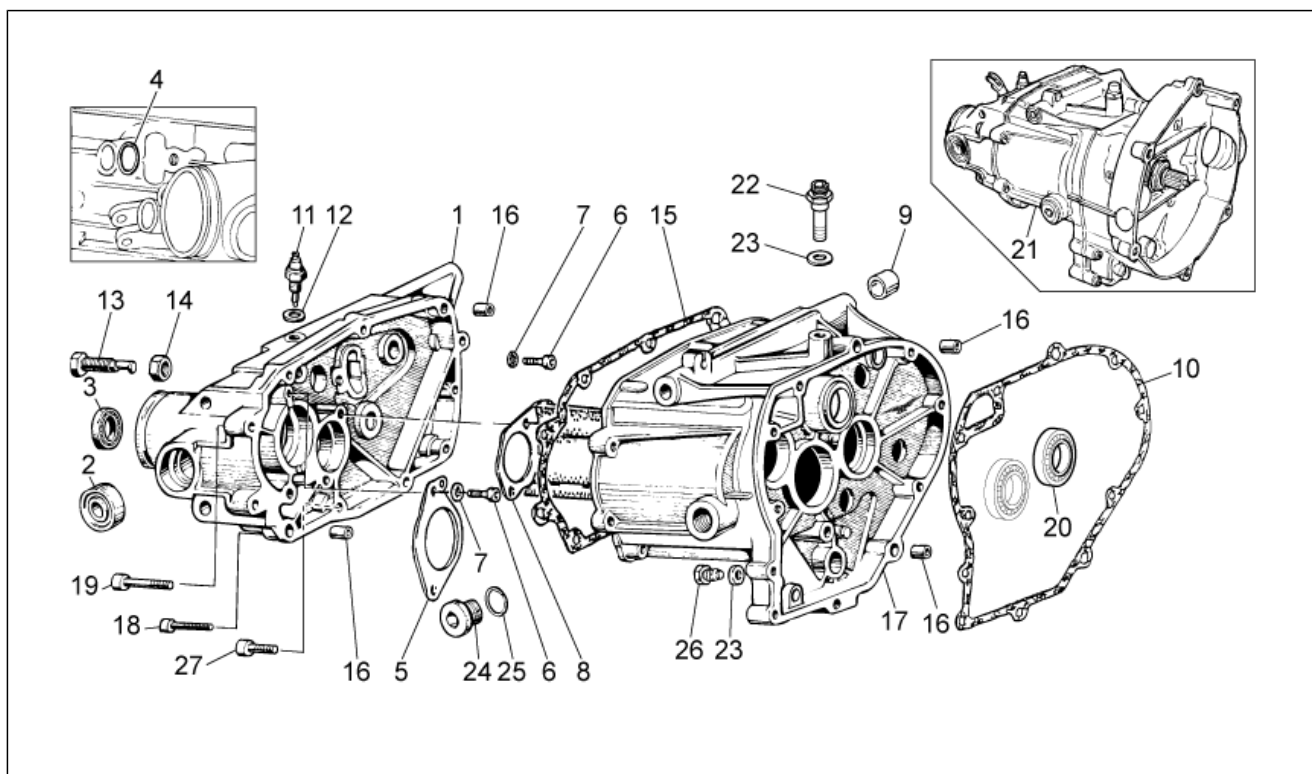
Pos.	Code	Description	Quant	Variants
1	GU32080310	Embrayage	1	
2	GU19083462	Cuvette	1	
3	GU90272075	Anneau élastique	1	
4	GU32084410	Disque embrayage mené	1	
5	GU32067910	Couronne	1	
6	GU14217901	Rondelle 6,4x10x0,7	9	
7	GU98084316	Vis	6	
8	981070	Cloche embrayage	1	
9	GU93180220	Bouchon	1	
10	GU92201225	Roulement 25x52x15	1	
11	GU19203460	Plaque fixation palier	1	
12	GU98084314	Vis	3	
13	GU10528900	Garniture	1	
14	GU98682330	Vis	11	
15	GU98680435	Vis M8x35	5	
16	GU98680450	Vis M8x50	1	
17	GU61270300	Rondelle élastique 8x15x0,3	6	
18	GU92606208	Ecrou M8x1,25	1	
19	GU31003766	Bouchon vid.huile M10x1	1	
20	GU90403246	Bague d'étanchéité 32x45x7	1	

Groupe	MOTEUR
Code	34.41
Description	Embrague II
Révision	1



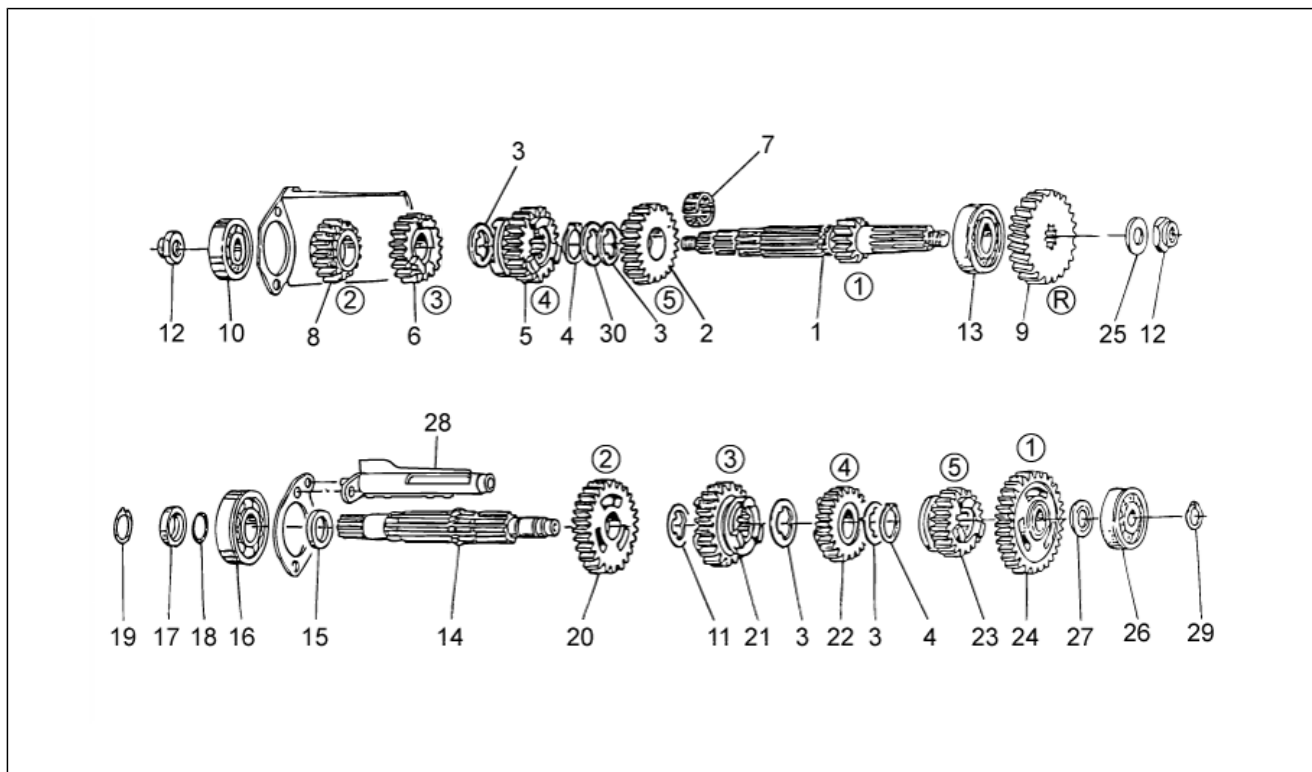
Pos.	Code	Description	Quant	Variants
1	GU14090201	Débrayage	1	
2	GU14090400	Vis embrayage	1	
3	GU92606508	Ecrou	1	
4	GU94321105	Retour levier démarrage	1	
5	GU95780271	Goupille 7x39	1	
6	GU95500222	Goupille	1	
7	GU14086100	Corps extérieur	1	
8	GU90706170	Joint torique 17,13x2,62	1	
9	GU12087001	Palier poussée	1	
10	GU14086000	Corps intérieur	1	
11	GU90400616	Bague d'étanchéité 6x16x7	1	
12	GU27210760	Arbre trnsmission Z=16	1	
13	GU20085720	Tige	1	
14	GU90706235	Joint torique 23,52x1,78	1	
15	GU19213760	Entretoise	1	
16	GU19356760	Ecrou	1	

Groupe	MOTEUR
Code	34.42
Description	Cartier de boîte vitesses
Révision	1



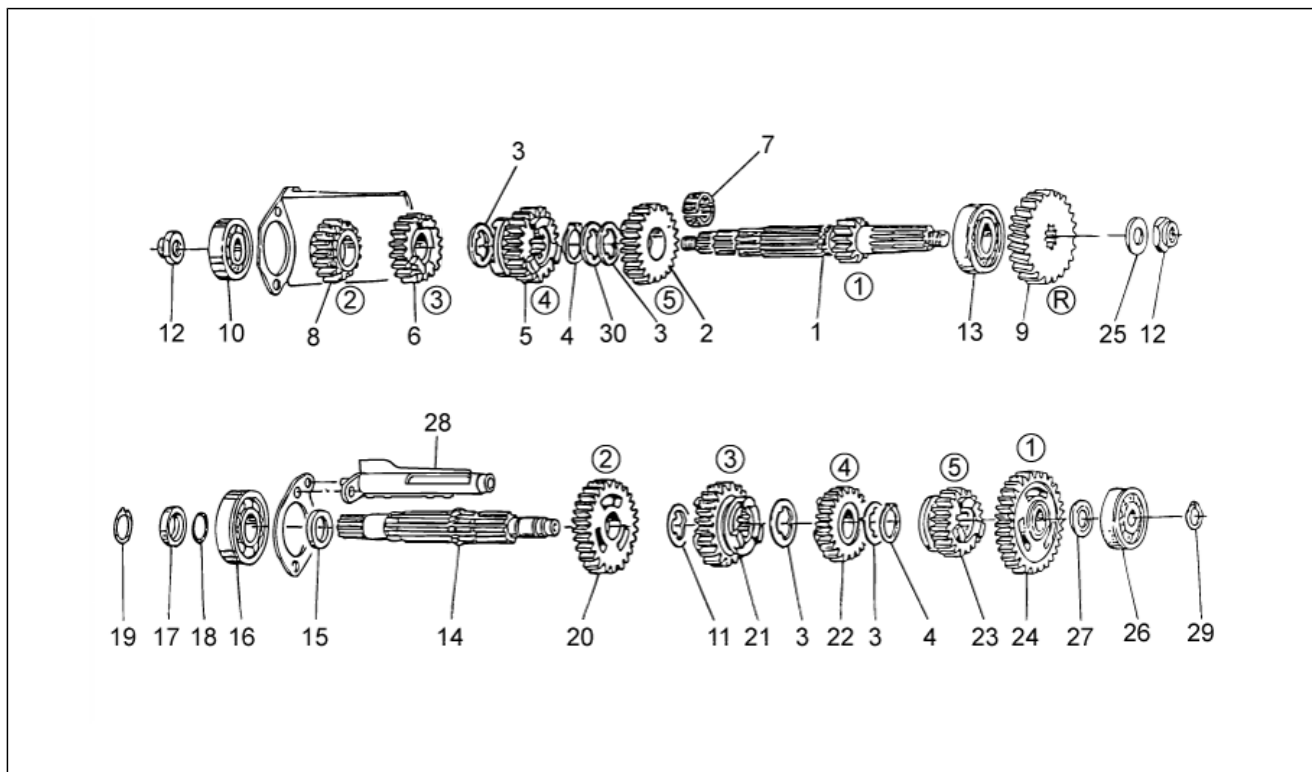
Pos.	Code	Description	Quant	Variants
1	976605	Couvercle changement	1	
2	GU92204215	Roulement 15x35x11	2	
3	GU90402841	Bague d'étanchéité 28x40x7	1	
4	GU90706140	Joint torique 13,95x2,92	1	
5	GU32213810	Plaque	1	
6	GU98682314	Vis M6x14	4	
7	GU14217901	Rondelle 6,4x10x0,7	4	
8	GU32208210	Huile cloison	1	
9	GU19202320	Bague 10,25x15,7x8	2	
10	GU23200370	Joint	1	
11	GU19207220	Capteur	1	
12	GU12154200	Joint 8,25x15x1	1	
13	GU19237800	Vis M12x1,25	1	
14	GU92606512	Ecrou bas M12x1,25	1	
15	GU19201120	Joint	1	
16	GU19002020	Bague 6,6x9x13	4	
17	976606	Boîte vitesses noir	1	
18	GU98682330	Vis	5	
19	GU98680435	Vis M8x35	4	
20	GU92201120	Roulement à billes 20x42x12	1	
21	976940	Boite de vites.compl.et carter	1	
22	GU32206510	Bouchon purge	1	
23	GU10528900	Garniture	2	
24	GU12022600	Bouchon huile	1	
25	GU90706203	Joint torique 20,24x2,62	1	
26	GU31003766	Bouchon vid.huile M10x1	1	
27	GU98680335	Vis M6x35	2	

Groupe	MOTEUR
Code	34.43
Description	Boîte de vitesses
Révision	1



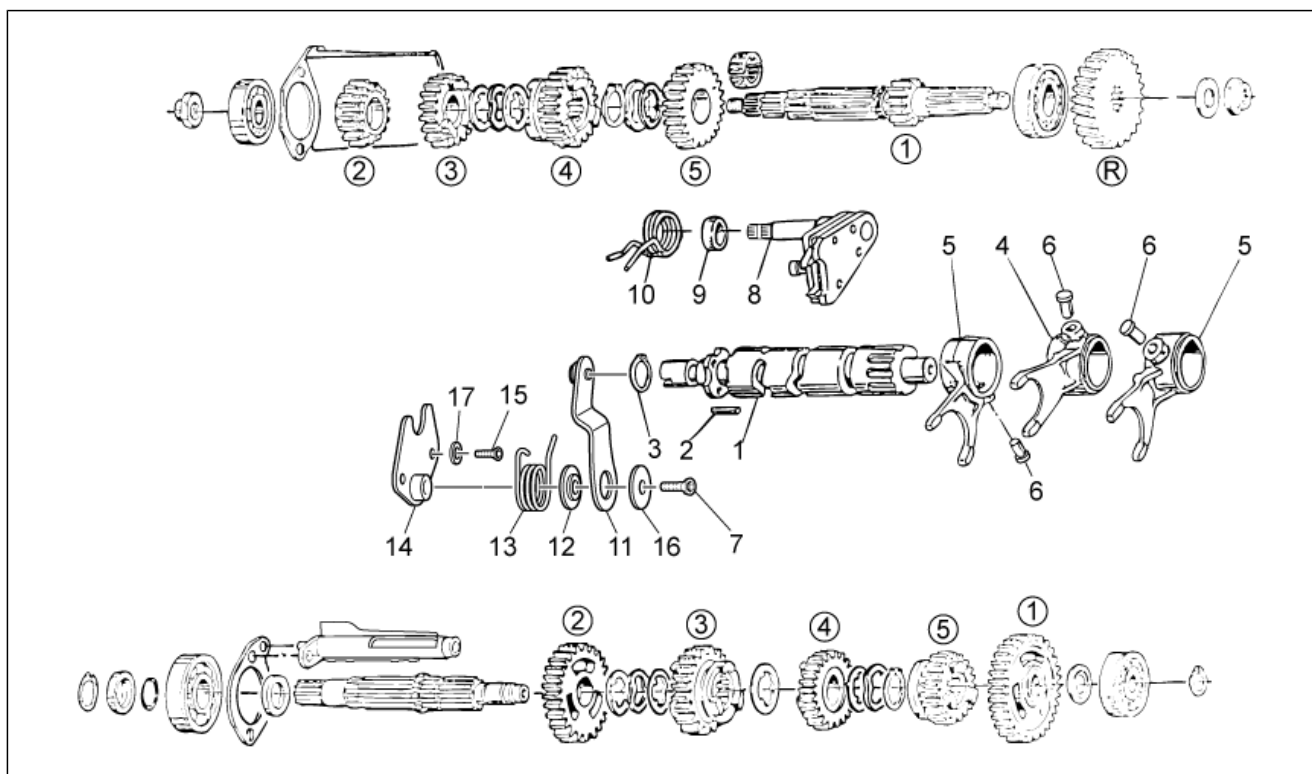
Pos.	Code	Description	Quant	Variants
1	GU32210510	Arbre primaire Z=11	1	
2	GU32212011	Engrenage 5a AP Z=25	1	
3	GU19215460	Rondelle éventail	3	
4	GU90271124	Bague seeger	2	
5	GU32211810	Engrenage 4a AP Z=18	1	
6	GU32211410	Engrenage 3a AP Z=18	1	
7	GU92251028	Cage à rouleaux	1	
8	GU23211372	Engrenage 2a AP Z=14	1	
9	GU32211110	Pignon interméd. AP Z=21	1	
10	GU92218417	Roulement AP 17x40x17,5	1	
11	GU19214660	Rondelle d'appui	2	
12	GU10054100	Ecrou	2	
13	GU92230320	Roulement AP 20x37x17	1	
14	GU32213610	Arbre secondaire	1	
15	GU19212900	Entretoise	1	
16	GU92201220	Roulement 20X47X14	1	
17	GU19213720	Entretoise	1	
18	GU90706188	Bague d'étanchéité 18,77X1,78	1	
19	GU90271121	Bague seeger	1	
20	GU32214510	Engrenage 2a AS Z=23	1	
21	GU32214810	Engrenage 3a AS Z=23	1	
22	GU32215010	Engrenage 4a AS Z=19	1	
23	GU32215210	Engrenage 5a AS Z=22	1	
24	GU32214010	Engrenage 1a AS Z=26	1	
25	GU39238100	Rondelle d'appui	1	
26	GU92234716	Roulement	1	
27	GU10214300	Cale 1,5 mm	1	
27	GU10214301	Cale 1,7 mm	1	

Groupe	MOTEUR
Code	34.43
Description	Boîte de vitesses
Révision	1



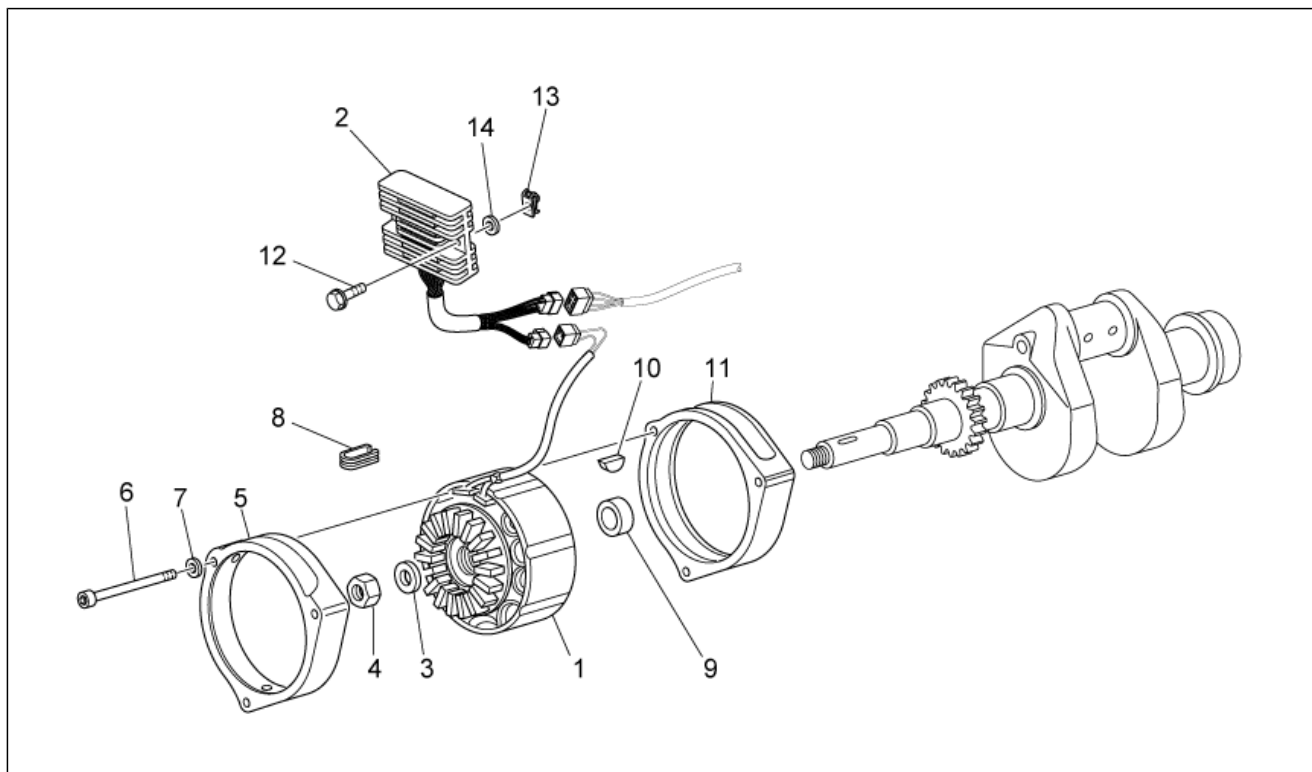
Pos.	Code	Description	Quant	Variants
27	GU10214302	Cale 1,8 mm	1	
27	GU10214303	Cale 1,9 mm	1	
27	GU10214304	Rondelle 2 mm	1	
27	GU10214305	Cale 2,1 mm	1	
28	GU32202010	Egouttoir	1	
29	GU90271117	Bague seeger	1	

Groupe	MOTEUR
Code	34.44
Description	Selecteur boîte de vitesses
Révision	1



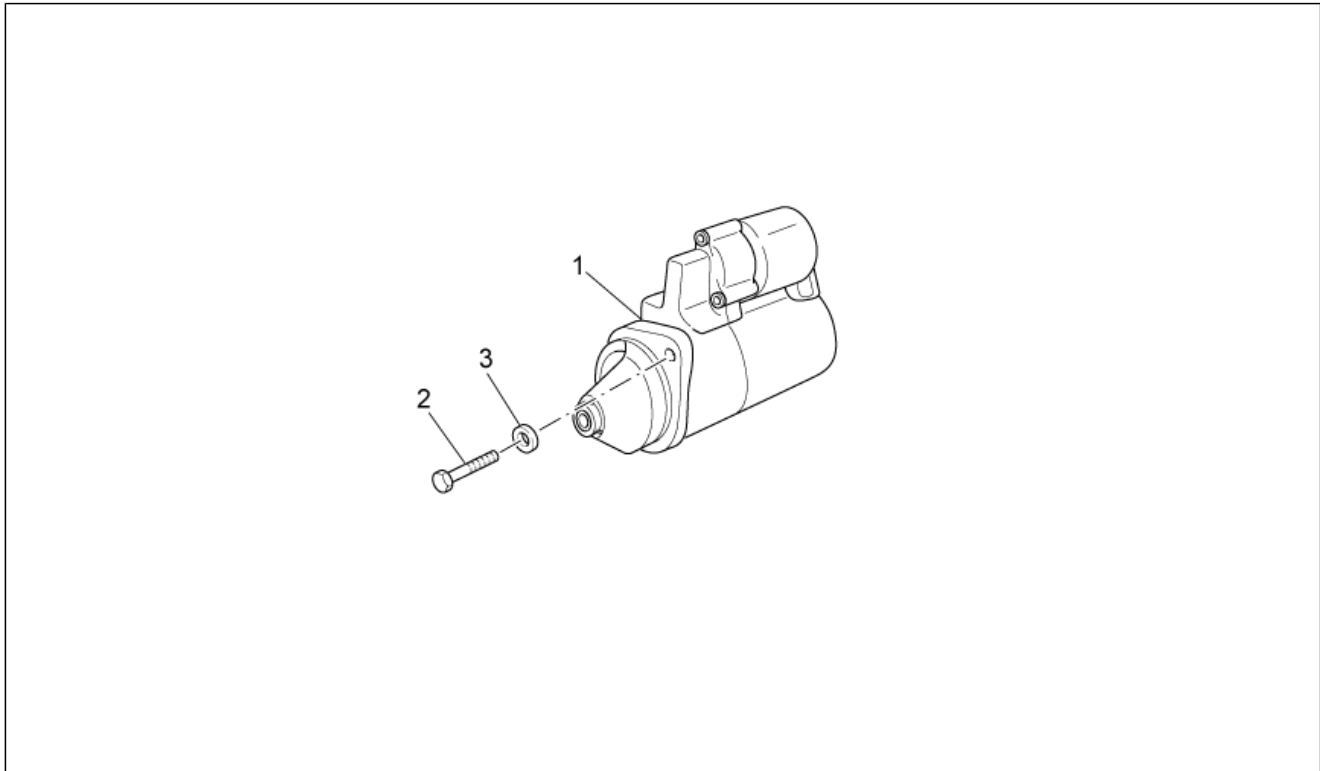
Pos.	Code	Description	Quant	Variants
1	GU32234410	Desmodromique	1	
2	GU19234600	Tige	4	
3	GU90274026	Anneau élastique	1	
4	GU32231210	Fourchette AP	1	
5	GU32231010	Fourchette AS	2	
6	GU32233010	Rouleau	3	
7	GU98350312	Vis M6x12	1	
8	GU32236210	Preselecteur complet	1	
9	GU20208520	Entretoise	1	
10	GU32238210	Ressort	1	
11	GU32234710	Levier	1	
12	GU32234810	Rondelle	1	
13	GU32234110	Ressort	1	
14	GU32235710	Plaque	1	
15	AP8152166	Vis M6x16	2	
16	GU32234910	Rondelle 6,4x20x1	1	
17	GU14217901	Rondelle 6,4x10x0,7	2	

Groupe	MOTEUR
Code	34.45
Description	Alternateur - Régul.
Révision	1



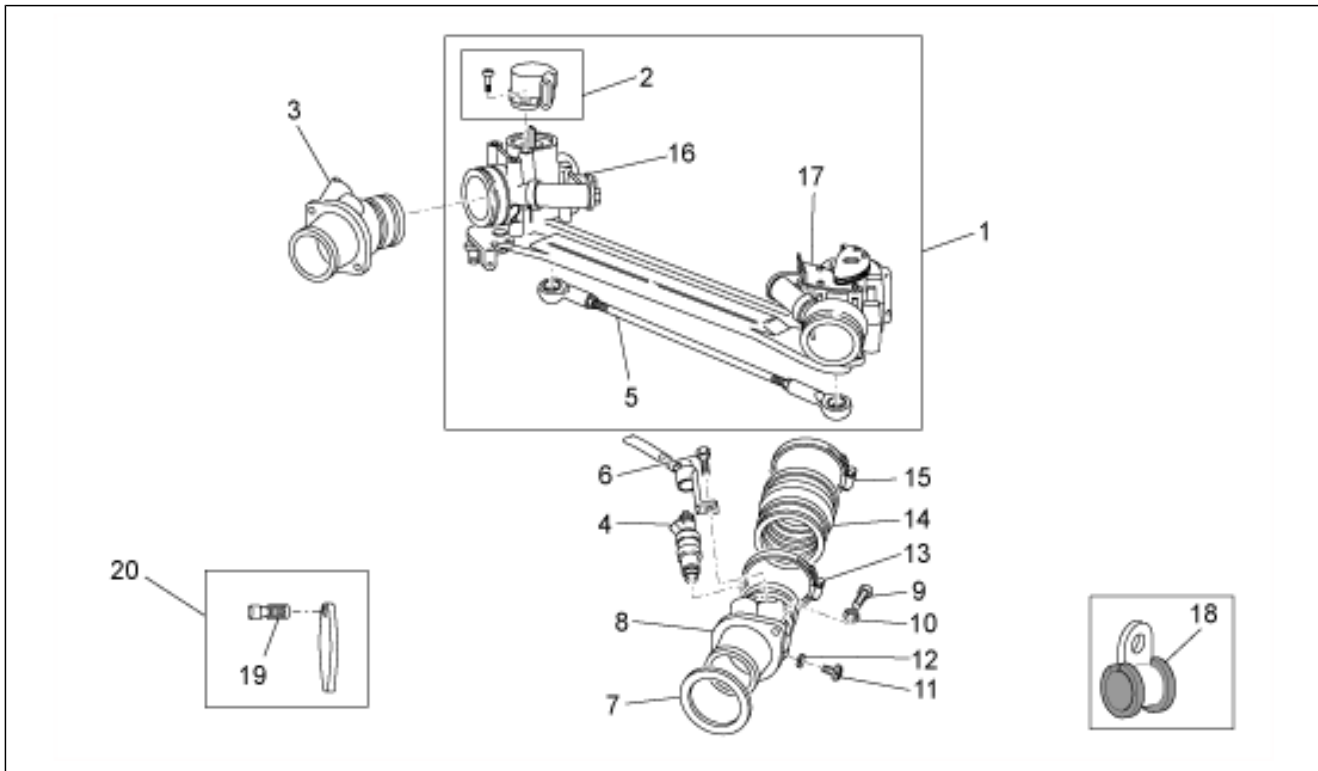
Pos.	Code	Description	Quant	Variants
1	883877	Alternateur	1	
2	883878	Régulateur de tension 35A	1	
3	GU30714201	Rondelle 16,25x24,5x5	1	
4	GU92606516	Ecrou M16	1	
5	GU29711460	Calotte av.	1	
6	GU98680265	Vis	3	
7	GU29217960	Rondelle 5,9X3X0,8	3	
8	GU19007700	Caoutchouc	1	
9	GU31712365	Entretoise	1	
10	GU91600450	Clavette	1	
11	GU29711960	Calotte arriere chromée	1	
12	AP8152281	Vis bride	2	
13	GU28576591	Clip M6	2	
14	GU95100125	Rondelle	2	

Groupe	MOTEUR
Code	34.46
Description	Démarrreur
Révision	1



Pos.	Code	Description	Quant	Variants
1	GU05730730	Démarrreur Bosch	1	
2	GU98082435	Vis M8x35	2	
3	GU95008208	Rondelle 8,4X15X1,5	2	

Groupe	MOTEUR
Code	34.47
Description	Corps à papillon
Révision	1



Pos.	Code	Description	Quant	Variants
1	GU32112510	Corpe papillon compl.	1	
2	GU05112830	Potentiomètre	1	
3	GU32115010	Pipe d.	1	
4	GU32115710	Kit injecteur complet	2	
5	GU32530509	Tige	1	
6	AP8152298	Vis bride M5x16	2	
7	GU32115510	Joint	1	
8	GU32115011	Pipe g.	1	
9	GU98682322	Vis M6x22	4	
10	GU03013800	Rondelle 6,4x12	4	
11	GU98310609	Vis M6x10	2	
12	GU95100116	Rondelle 6,25x10x1,5	2	
13	GU93305057	Collier 57x59,5x10	2	
14	GU32114310	Manchon	2	
15	GU93305061	Collier 61/65,5	2	
16	GU32112610	Corps à papillon d.	1	
17	GU32112611	Corps à papillon g.	1	
18	GU32718010	Collier	2	
19	GU97270212	Vis à arrachement	1	
20	GU973221100027	Kit Plaquette	1	



PIAGGIO & C.s.p.a.



CATALOGUE DE PIÈCES DE RECHANGE



V7 Racer 750 2012

Préfixe du cadre: ZGULWB00

Préfixe du moteur:

V7

GU102



Index

Produits finis.....	4
Index alphanumérique.....	5
CHASSIS.....	10
Tableau 33.01 - Chassis I.....	10
Tableau 33.02 - Chassis II.....	11
Tableau 33.03 - Béquille latérale.....	12
Tableau 33.06 - Levier boîte de vitesses.....	13
Tableau 33.07 - Fourche Av. I.....	14
Tableau 33.08 - Fourche Av. II.....	15
Tableau 33.11 - Amortisseur AR.....	18
Tableau 33.12 - Réservoir essence.....	19
Tableau 33.13 - Carrosserie av. - Garde-boue AV.....	20
Tableau 33.14 - Selle-Carrosserie cent.....	21
Tableau 33.15 - Carrosserie arrière I- Garde-boue.....	22
Tableau 33.16 - Carrosserie arrière II- Porte-plaque.....	23
Tableau 33.17 - Tableau de bord.....	24
Tableau 33.18 - Guidon - Commandes.....	25
Tableau 33.19 - Sys.frein avant.....	26
Tableau 33.21 - Pompe essence.....	27
Tableau 33.23 - Groupe echappement.....	28
Tableau 33.24 - Roue Av.....	30
Tableau 33.25 - Roue arrière.....	31
Tableau 33.26 - Maît.cyl. frein AR.....	32
Tableau 33.27 - Pince frein AR.....	34
Tableau 33.28 - Feux avant.....	35
Tableau 33.29 - Feux arriere.....	37
Tableau 33.30 - Circuit électrique I.....	38
Tableau 33.31 - Circuit électrique II.....	39
Tableau 33.32 - Kit serrure.....	41
Tableau 33.33 - Décalco et plaquettes.....	42
Tableau 33.51 - Sys.récup.vap.ess.....	43
Tableau 33.52 - Corps filtre II.....	44
MOTEUR.....	46
Tableau 34.09 - Transmission cpl. I.....	46
Tableau 34.10 - Transmission cpl. II.....	47
Tableau 34.34 - Carter.....	50
Tableau 34.35 - Couvercle distribution.....	52
Tableau 34.36 - Tête cylindre.....	53
Tableau 34.37 - Arbre moteur cpl.....	54
Tableau 34.38 - Distribution.....	55
Tableau 34.39 - Pompe huile.....	57
Tableau 34.40 - Embrague I.....	59
Tableau 34.41 - Embrague II.....	60



Tableau 34.42 - Carter de boîte vitesses.....	61
Tableau 34.43 - Boîte de vitesses.....	62
Tableau 34.44 - Selecteur boîte de vitesses.....	64
Tableau 34.45 - Alternateur - Régul.....	65
Tableau 34.46 - Démarreur.....	66
Tableau 34.47 - Corps à papillon.....	67



V 7
GU102 - V7 Racer 750 2012

Préfixe du cadre: ZGULWB00
Préfixe du moteur:

Produits finis

Code	Validité
GU9032179AUC00	
GU9032179AUC01	
GU9032179EUC00	
GU9032179EUC01	
GU9032179GBC00	
GU9032179GBC01	



Code	N° de tableau	Pos.	Code	N° de tableau	Pos.	Code	N° de tableau	Pos.
	33.08	17	886370	33.12	20	8878421	33.52	1
0000000	33.24	16	886581	33.01	17	887843	33.52	2
0000000	33.24	17	886582	33.01	18	887844	33.52	11
0000000	33.24	18	886630	33.11	3	887845	33.52	12
0000000	33.25	18	886637	33.33	13	887846	33.23	1
0000000	33.25	19	886638	33.33	12	887847	33.23	2
0000000	33.25	20	886643	33.33	8	887854	33.33	5
080341	33.30	6	886644	33.33	14	887873	33.32	1
254485	33.14	16	886645	33.01	11	887874	33.32	3
254485	33.28	20	886665	33.06	13	887877	33.29	1
254485	33.52	14	886665	33.26	1	887878	33.08	1
292022	33.28	9	886666	33.26	9	887879	33.08	2
292723	33.28	10	886668	33.06	16	887880	33.08	3
584211	33.31	10	886670	34.37	21	887881	33.08	36
584332	33.29	7	886675	33.11	1	887882	33.08	5
599501	33.08	7	886676	34.09	11	887883	33.08	6
599502	33.08	9	886678	33.33	3	887884	33.08	7
599503	33.08	8	886681	33.24	2	887885	33.08	8
599504	33.08	6	886684	33.08	17	887886	33.08	9
638733	33.31	6	886706	33.14	15	887887	33.08	10
640598	33.28	11	886711	33.25	2	887888	33.08	11
641040	33.30	8	886712	33.16	9	887889	33.08	12
641541	34.39	8	886713	33.16	10	887890	33.08	13
641725	33.30	7	886724	33.13	10	887891	33.08	14
641901	33.30	4	886727	33.14	19	887892	33.08	15
642034	33.30	3	88673000Y02	33.13	1	887893	33.08	16
828708	33.30	12	886784	33.13	2	887895	33.08	18
856063	33.51	14	886820	33.14	22	887896	33.08	19
856796	33.06	20	886825	33.33	11	887899	33.08	25
860138	33.51	7	886841	33.14	14	887900	33.08	23
874567	34.37	14	886842	33.08	21	887905	33.08	28
875173	34.47	5	887002	34.36	10	887906	33.08	35
880260	34.47	4	887005	34.42	10	887916	33.08	22
883127	33.52	6	887006	34.42	15	887944	33.12	1
883161	33.31	11	887093	34.39	9	887948	33.30	13
883192	33.27	7	887194	33.17	1	890760	33.52	16
883295	33.14	5	887195	33.17	1	890979	33.28	16
883303	33.19	13	887196	34.44	8	893570	33.31	19
883349	33.25	8	887207	33.12	1	894505	33.25	13
883350	33.25	7	887213	34.42	1	894704	33.31	26
883417	33.28	24	887235	34.42	17	896110	33.23	21
883470	33.16	12	8872690001	34.37	10	898086	33.07	7
883471	33.03	1	8872690002	34.37	10	898170	33.18	1
883476	33.32	3	8872690003	34.37	10	898171	33.18	8
883477	33.32	1	8872724	34.36	1	898174	33.33	2
883478	33.29	5	8872754	34.36	2	89817800A2	33.14	1
883479	33.29	1	887279	34.36	24	898179	33.13	7
883480	33.16	15	887280	33.06	17	898180	33.13	8
883498	33.08	23	887431	33.27	3	898270	33.14	20
883552	33.08	24	887448	33.25	12	898271	33.14	21
883581	33.19	2	887449	33.27	1	898277	33.14	10
883602	33.08	34	887457	33.27	6	898278	33.14	9
883688	33.24	10	887481	33.30	12	898280	33.16	6
8837115	33.23	11	887483	34.36	25	898281	33.06	7
8837125	33.23	10	887523	34.36	9	898281	33.26	27
883802	33.18	10	887528	34.38	27	898282	33.06	1
883877	34.45	1	887768	33.21	1	898283	33.06	3
883878	34.45	2	887787	33.21	5	898284	33.06	9
883940	33.18	3	887812	34.47	14	898285	33.26	30
884031	34.42	6	887815	33.52	13	898286	33.26	17
884344	33.33	20	887822	33.18	15	898287	33.26	12
884345	33.33	21	887825	33.30	1	898288	33.26	4
884346	33.33	22	887825	33.31	1	898611	33.06	12
884348	33.33	16	887826	33.28	4	898612	33.26	28
886141	33.33	10	887826	33.29	4	967356	33.03	6
886364	34.42	3	887827	33.28	5	969973	34.36	26
886368	33.14	12	887827	33.29	5	976600	34.34	1



Code	N° de tableau	Pos.	Code	N° de tableau	Pos.	Code	N° de tableau	Pos.
976603	34.35	1	AP8120912	33.26	2	AP8152300	33.27	13
976604	34.34	12	AP8121014	33.03	3	AP8152306	33.16	5
976608	34.10	1	AP8121032	33.15	13	AP8152320	33.06	6
976614	33.14	13	AP8121032	33.17	7	AP8152320	33.26	33
976685	34.34	16	AP8121072	33.23	22	AP8152329	33.15	11
976939	34.34	28	AP8121267	33.51	10	AP8152329	33.52	18
976941	34.09	1	AP8121307	33.07	4	AP8152329	33.52	27
976992	34.42	21	AP8121367	33.02	10	AP8152339	33.16	8
97727R	33.07	1	AP8121375	33.03	2	AP8152385	33.19	16
977527	33.14	8	AP8121420	33.14	6	AP8181140	33.31	24
977527	33.32	4	AP8121420	33.32	8	AP8201358	33.51	13
978311	33.28	2	AP8121607	33.03	2	AP8201358	33.52	3
978323	33.19	15	AP8121673	33.12	12	AP8201358	33.52	34
978385	33.23	12	AP8121927	33.26	3	AP8210007	33.06	18
978386	33.23	15	AP8121929	33.16	7	AP8213028	33.18	23
978387	33.23	4	AP8124718	33.16	13	AP8213057	33.26	15
978415	33.14	7	AP8124936	33.30	2	AP8220283	33.31	22
978415	33.32	9	AP8127856	33.03	8	AP8220460	33.07	6
978570	33.18	10	AP8133643	33.26	14	AP8220488	34.47	17
978662	33.28	2	AP8133798	33.27	2	AP8220590	33.01	20
97894600Y02	33.15	1	AP8133873	33.26	22	AP8221023	33.52	26
978947	33.15	2	AP8134378	33.23	18	AP8221114	33.51	16
978949	33.16	1	AP8134448	33.16	2	AP8221172	33.01	16
978970	33.26	13	AP8134640	33.26	35	AP8221172	33.18	18
978974	33.08	19	AP8144071	33.23	16	AP8221197	33.03	5
978977	33.08	29	AP8144071	34.36	23	AP8221277	33.06	10
978978	33.08	4	AP8144081	33.07	5	AP8221297	33.23	30
981070	34.40	8	AP8144146	33.07	3	AP8224164	33.16	3
981149	33.28	12	AP8144538	33.52	15	AP8224462	33.31	21
981149	33.28	12	AP8144553	33.52	7	AP8257609	33.33	17
AP8101594	33.26	20	AP8144606	33.01	15	AP8257742	33.33	19
AP8101595	33.12	15	AP8144729	33.52	17	AP8257794	33.33	18
AP8102159	33.51	6	AP8149034	33.16	17	AP9100477	33.06	15
AP8102159	33.52	29	AP8150026	33.06	19	AP9100477	33.26	31
AP8102159	33.52	37	AP8150044	33.06	14	B043850	33.31	23
AP8102375	33.26	19	AP8150044	33.26	25	B045974	33.33	23
AP8102375	33.31	14	AP8150115	33.06	5	B063016	34.37	13
AP8102524	33.03	4	AP8150115	33.26	26	B063018	34.37	11
AP8102678	33.51	1	AP8150137	33.06	4	B063019	34.37	15
AP8102688	33.51	2	AP8150248	33.16	19	B063020	34.37	12
AP8102766	33.52	23	AP8150285	34.42	27	B063022	33.23	3
AP8102913	33.14	3	AP8150349	33.32	6	B063033	33.21	2
AP8104251	33.52	28	AP8150377	33.31	20	B063034	33.21	6
AP8104525	33.52	5	AP8150413	33.13	6	B063049	34.47	2
AP8104924	33.52	4	AP8150436	33.02	12	B063077	33.24	5
AP8110053	33.06	22	AP8150468	33.26	29	B063078	33.25	11
AP8113003	33.27	20	AP8150509	33.52	19	B063086	33.03	1
AP8113004	33.19	14	AP8152138	33.06	21	B063099	34.36	19
AP8113004	33.27	8	AP8152220	33.02	11	B063111	34.36	6
AP8113288	33.26	16	AP8152268	33.16	18	B063135	33.18	6
AP8113553	33.26	23	AP8152273	33.16	11	B063144	33.24	3
AP8118490	33.18	24	AP8152273	33.21	4	B063148	33.33	1
AP8120116	33.52	36	AP8152277	33.19	3	B063149	33.33	9
AP8120246	34.09	10	AP8152278	33.15	3	B06315000Y02	33.13	7
AP8120416	33.30	18	AP8152278	33.28	13	B06315100Y02	33.16	6
AP8120416	33.31	27	AP8152279	33.15	9	B063152	33.12	19
AP8120416	33.51	11	AP8152281	34.45	12	B063154	33.12	18
AP8120446	33.51	9	AP8152286	33.24	11	B063163	33.12	1
AP8120455	33.52	9	AP8152287	33.02	13	B063167	33.15	12
AP8120531	33.14	18	AP8152288	33.02	15	B063213	33.52	30
AP8120557	33.12	11	AP8152288	33.27	9	B063214	33.52	21
AP8120615	33.52	10	AP8152298	34.47	6	B063233	33.31	5
AP8120772	33.52	20	AP8152299	33.15	15	B063247	33.18	4
AP8120772	33.52	24	AP8152299	33.27	10	B063248	33.18	5
AP8120772	33.52	35	AP8152299	33.30	5	B063249	33.02	1
AP8120876	33.52	8	AP8152299	33.51	5	B063250	33.02	2
AP8120912	33.06	2	AP8152300	33.02	14	B063251	33.01	1



Code	N° de tableau	Pos.	Code	N° de tableau	Pos.	Code	N° de tableau	Pos.
B063252	33.33	5	GU03661145	33.19	6	GU19032980	34.36	17
B063265	33.24	1	GU03664045	33.19	7	GU19032980	34.38	14
B063267	33.25	1	GU03740930	33.29	2	GU19034000	34.38	8
B063269	34.42	11	GU03749845	33.19	5	GU19037820	34.36	8
B063287	33.01	4	GU03922280	34.09	23	GU19045861	34.38	25
B063342	34.42	20	GU03995730	33.33	15	GU19055700	34.38	23
B063429	33.14	23	GU04000500	34.34	10	GU19058021	34.38	19
B063431	33.14	24	GU05107430	33.21	3	GU19058220	34.38	20
B063465	34.37	19	GU05659230	33.19	10	GU19062261	34.37	4
B063466	34.37	16	GU05730730	34.46	1	GU19065400	34.37	2
B063735	33.28	14	GU05781630	33.16	20	GU19067700	34.37	18
B063735	33.29	6	GU05900130	33.33	6	GU19083462	34.40	2
B063800	33.28	4	GU06740400	33.28	17	GU19146422	34.39	1
B063801	33.28	5	GU06740401	33.28	17	GU19149800	34.39	18
B063808	33.12	1	GU10054100	34.43	12	GU19152200	34.39	11
B063840	34.47	16	GU10214300	34.43	27	GU19202320	34.42	9
B063853	34.47	18	GU10214301	34.43	27	GU19203460	34.40	11
CM001928	33.07	9	GU10214302	34.43	27	GU19206501	34.10	10
CM001929	33.07	8	GU10214303	34.43	27	GU19212900	34.43	15
CM007423	33.30	9	GU10214304	34.43	27	GU19213720	34.43	17
CM0074C9	33.30	10	GU10214305	34.43	27	GU19213760	34.41	15
CM013202	33.31	25	GU10528900	34.34	15	GU19214660	34.43	11
CM225705	33.31	15	GU10528900	34.40	13	GU19215460	34.43	3
CM225710	33.31	16	GU10528900	34.42	23	GU19234600	34.44	2
CM225715	33.31	17	GU12003702	34.34	20	GU19237800	34.42	13
CM225730	33.31	18	GU12022600	34.10	6	GU19327601	34.09	5
CM228301	34.47	1	GU12022600	34.42	24	GU19328801	34.09	3
GU00823923140	33.03	7	GU12087001	34.41	9	GU19350700	34.10	22
GU00823923140	33.51	12	GU12154200	34.34	23	GU19351100	34.10	4
GU00823923140	33.52	32	GU12154200	34.42	12	GU19351900	34.10	2
GU00823931055	33.28	19	GU13021900	34.34	26	GU19352300	34.10	23
GU00823931070	33.12	2	GU13021900	34.36	12	GU19353500	34.10	24
GU00823944050	33.12	16	GU14086000	34.41	10	GU19355200	34.10	35
GU00823950050	33.26	21	GU14086100	34.41	7	GU19355202	34.10	36
GU01103860	33.01	13	GU14090201	34.41	1	GU19355300	34.10	33
GU01528930	34.10	9	GU14090400	34.41	2	GU19355301	34.10	33
GU01609630	33.18	14	GU14217901	34.40	6	GU19355302	34.10	33
GU01654630	33.19	17	GU14217901	34.42	7	GU19355303	34.10	33
GU01659130	33.19	11	GU14217901	34.44	17	GU19355304	34.10	33
GU01659131	33.19	12	GU14609650	33.30	17	GU19355305	34.10	33
GU01665410	33.26	6	GU14609650	33.31	27	GU19355306	34.10	33
GU01721600	33.30	14	GU14615901	33.13	5	GU19355307	34.10	33
GU01744200	33.28	18	GU14615901	34.09	20	GU19355308	34.10	33
GU02717450	33.30	11	GU14615901	34.37	5	GU19355309	34.10	33
GU03013800	33.23	8	GU14616150	33.24	15	GU19355320	34.10	27
GU03013800	34.47	10	GU14616150	33.25	10	GU19355321	34.10	27
GU03067730	34.10	19	GU18144350	34.39	16	GU19355322	34.10	27
GU03101600	33.12	7	GU18161150	34.39	21	GU19355323	34.10	27
GU03101720	33.12	5	GU18257551	33.26	8	GU19355324	34.10	27
GU03101900	33.12	3	GU19001200	34.35	2	GU19355325	34.10	27
GU03102200	33.12	6	GU19002020	34.35	5	GU19355326	34.10	27
GU03102400	33.12	10	GU19002020	34.42	16	GU19355327	34.10	27
GU03103500	33.12	4	GU19003602	34.34	13	GU19355328	34.10	27
GU03163330	33.31	3	GU19003800	34.34	8	GU19355329	34.10	27
GU03270300	33.26	34	GU19007700	34.35	10	GU19355400	34.10	21
GU03530529	33.08	2	GU19007700	34.45	8	GU19355402	34.10	21
GU03530530	33.08	1	GU19015020	34.34	5	GU19355404	34.10	21
GU03530551	33.08	12	GU19016320	34.34	9	GU19355406	34.10	21
GU03604845	33.19	8	GU19017000	33.02	4	GU19355408	34.10	21
GU03605645	33.19	9	GU19018920	34.39	10	GU19355410	34.10	21
GU03609600	33.18	14	GU19021360	34.36	18	GU19355411	34.10	21
GU03631250	33.24	4	GU19021920	34.36	7	GU19355412	34.10	21
GU03631250	33.25	9	GU19025280	33.23	5	GU19355413	34.10	21
GU03658201	33.27	16	GU19025460	33.23	6	GU19356700	34.10	30
GU03658330	33.27	17	GU19027500	34.38	15	GU19356760	34.41	16
GU03658430	33.27	14	GU19030500	34.38	7	GU19356801	34.10	28
GU03660145	33.19	1	GU19032080	34.38	10	GU19357660	34.10	25

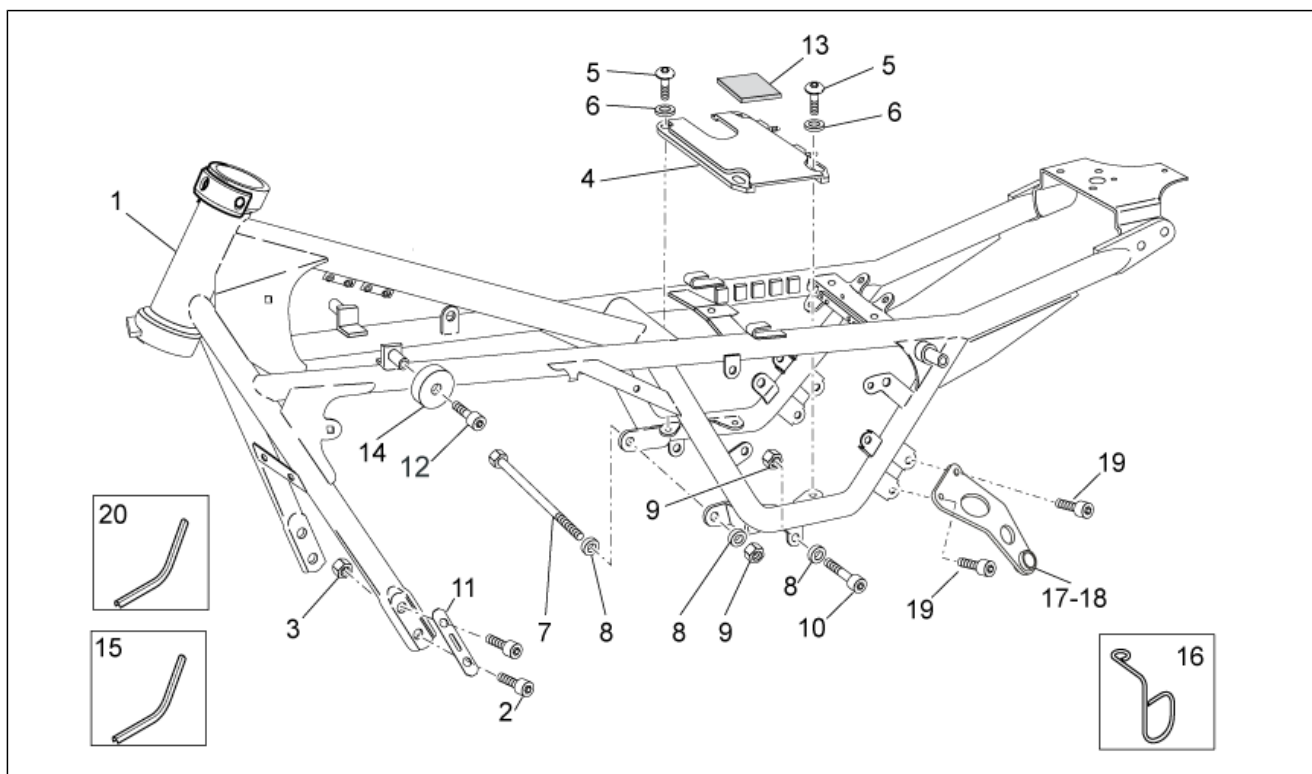


Code	N° de tableau	Pos.	Code	N° de tableau	Pos.	Code	N° de tableau	Pos.
GU19547000	34.09	12	GU31513480	33.08	20	GU32530503	33.08	14
GU20036020	34.38	1	GU31544181	34.09	15	GU32530504	33.08	28
GU20036120	34.38	2	GU31547882	34.09	14	GU32530505	33.08	22
GU20085720	34.41	13	GU31614183	33.24	9	GU32530610	33.08	32
GU20147710	34.39	17	GU31615260	33.24	6	GU32530611	33.08	33
GU20147810	34.39	3	GU31616384	33.24	12	GU32555210	33.11	4
GU20148410	34.39	4	GU31634281	33.27	4	GU32555211	33.11	5
GU20148610	34.39	5	GU31634481	33.25	15	GU32602860	33.18	12
GU20208520	34.44	9	GU31659181	33.27	11	GU32603010	33.18	16
GU20352421	34.10	31	GU31659281	33.27	12	GU32603310	33.18	7
GU20355121	34.10	34	GU31712365	34.45	9	GU32605510	33.18	2
GU23204471	34.40	21	GU32001610	34.35	6	GU32615660	33.24	14
GU23204571	34.40	22	GU32032310	34.38	11	GU32632510	33.25	17
GU23211372	34.43	8	GU32053410	34.38	16	GU32633360	33.25	14
GU23217800	34.38	3	GU32054510	34.38	17	GU32633560	34.10	11
GU23328081	34.09	7	GU320642104	34.37	1	GU32634160	33.27	5
GU23442210	33.06	11	GU32067910	34.40	5	GU32636160	33.25	21
GU23442210	33.26	11	GU32080310	34.40	1	GU32735510	33.32	5
GU23548080	34.09	8	GU32084410	34.40	4	GU32735511	33.32	5
GU23548180	34.09	9	GU32115010	34.47	3	GU32747910	33.31	9
GU23943410	33.08	31	GU32115011	34.47	8	GU32750661	33.29	4
GU27001136	34.35	7	GU32115510	34.47	7	GU32753410	33.28	3
GU27004985	34.34	18	GU32121010	33.23	7	GU32753410	33.29	8
GU27037521	34.38	4	GU32121910	33.23	25	GU32753711	33.28	14
GU27061585	34.37	3	GU32121911	33.23	26	GU32753711	33.29	6
GU27061885	34.37	17	GU32128610	33.23	13	GU32768710	34.39	8
GU27062060	34.37	6	GU32129010	33.23	14	GU32768810	34.39	9
GU27065660	34.37	7	GU32202010	34.43	28	GU32781910	33.16	16
GU27066460	34.37	9	GU32206510	34.42	22	GU32782510	33.32	2
GU27066560	34.37	8	GU32208210	34.42	8	GU32909960	33.33	4
GU27152885	34.34	22	GU32210510	34.43	1	GU32999010	34.34	25
GU27153085	34.39	14	GU32211110	34.43	9	GU32999510	34.34	24
GU27210760	34.41	12	GU32211410	34.43	6	GU35214300	34.09	13
GU27530510	33.08	25	GU32211810	34.43	5	GU39238100	34.43	25
GU27633910	33.25	4	GU32212011	34.43	2	GU49609601	33.30	17
GU28157950	33.51	8	GU32213610	34.43	14	GU49609601	33.31	27
GU28252060	33.02	8	GU32213810	34.42	5	GU53429500	33.02	3
GU28576591	33.12	13	GU32214010	34.43	24	GU61027200	34.37	20
GU28576591	33.15	4	GU32214510	34.43	20	GU61036801	34.36	3
GU28576591	34.45	13	GU32214810	34.43	21	GU61038100	34.38	6
GU29217960	34.45	7	GU32215010	34.43	22	GU61054900	34.38	18
GU29711460	34.45	5	GU32215210	34.43	23	GU61270300	33.27	22
GU29711960	34.45	11	GU32231010	34.44	5	GU61270300	34.10	26
GU29729461	33.31	2	GU32231210	34.44	4	GU61270300	34.34	6
GU29759150	33.18	17	GU32233010	34.44	6	GU61270300	34.36	21
GU30109330	33.23	24	GU32234110	34.44	13	GU61270300	34.40	17
GU30525861	33.08	11	GU32234410	34.44	1	GU66103415	33.01	14
GU30526761	33.08	5	GU32234710	34.44	11	GU90271018	34.38	12
GU30577800	33.29	13	GU32234810	34.44	12	GU90271117	34.43	29
GU30601060	33.18	25	GU32234910	34.44	16	GU90271121	34.43	19
GU30602500	33.18	22	GU32235710	34.44	14	GU90271124	34.43	4
GU30714201	34.45	3	GU32238210	34.44	10	GU90272023	34.09	4
GU30970200	33.33	7	GU32251610	33.06	8	GU90272075	34.40	3
GU31003766	34.10	8	GU32350410	34.10	13	GU90274026	34.44	3
GU31003766	34.34	14	GU32351410	34.10	16	GU90353009	34.36	4
GU31003766	34.40	19	GU32354610	34.10	18	GU90353029	34.38	24
GU31003766	34.42	26	GU32431310	33.02	9	GU90353030	34.10	17
GU31016050	34.39	20	GU32432711	33.03	11	GU90400616	34.41	11
GU31037015	34.38	13	GU32433011	33.03	6	GU90402538	33.25	6
GU31038015	34.38	5	GU32439260	33.51	3	GU90402642	33.24	8
GU31045015	34.38	26	GU32461610	33.14	2	GU90402842	34.35	9
GU31112965	33.52	33	GU32506360	33.28	1	GU90403246	34.40	20
GU31121880	33.23	9	GU32517710	33.31	8	GU90403251	34.10	38
GU31150950	34.39	26	GU32525410	33.08	10	GU90403549	34.10	3
GU31159050	34.39	15	GU32526310	33.08	16	GU90407591	34.10	15
GU31327783	34.09	2	GU32526610	33.08	15	GU90706076	34.34	29
GU31439565	33.13	4	GU32530502	33.08	13	GU90706111	34.39	22



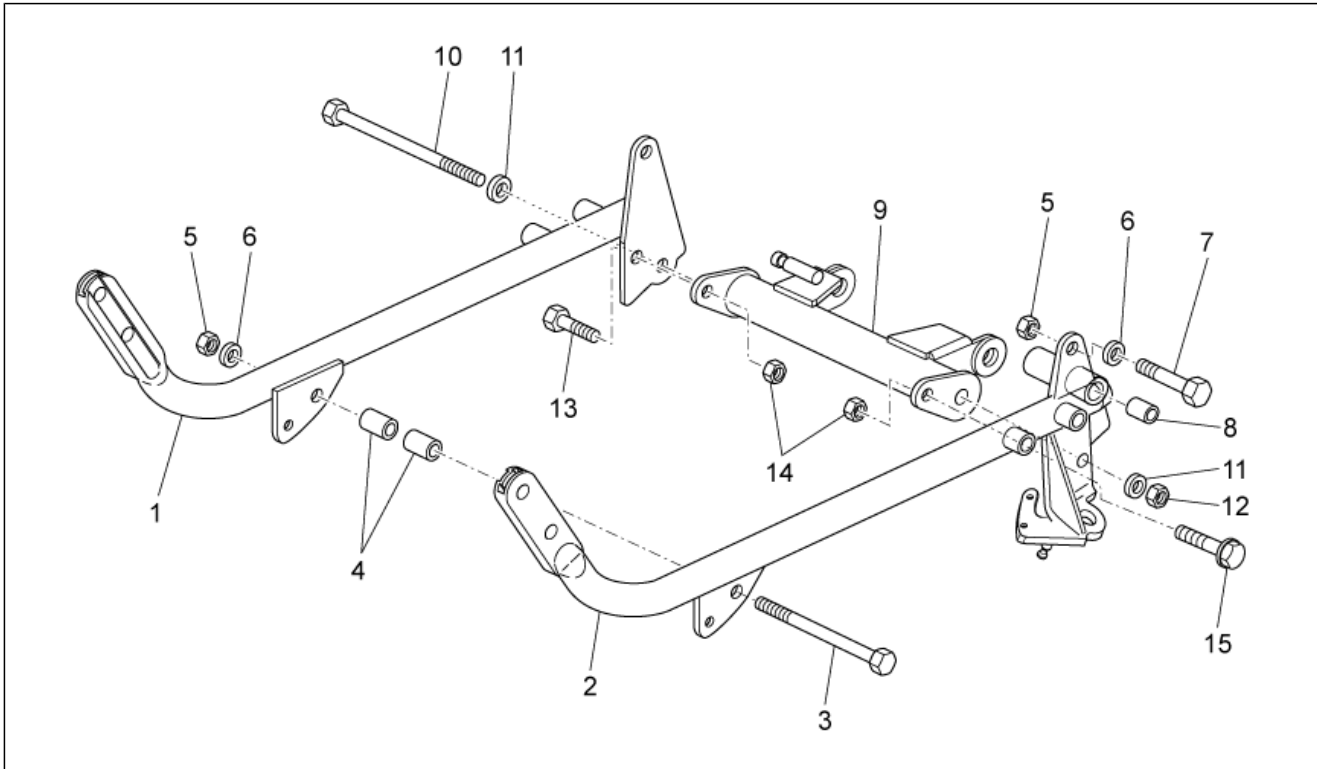
Code	N° de tableau	Pos.	Code	N° de tableau	Pos.	Code	N° de tableau	Pos.
GU90706140	34.42	4	GU933011755	33.23	20	GU98084314	34.39	12
GU90706141	33.30	16	GU93301313	33.51	15	GU98084314	34.40	12
GU90706170	34.41	8	GU93305057	34.47	13	GU98084316	34.40	7
GU90706188	34.10	29	GU93305061	33.52	22	GU98110007	33.23	23
GU90706188	34.43	18	GU93305061	34.47	15	GU98110199	33.01	7
GU90706203	34.10	7	GU93450126	33.28	15	GU98230510	33.16	4
GU90706203	34.42	25	GU93450127	33.28	15	GU98230510	33.18	19
GU90706235	34.41	14	GU93450127	33.29	7	GU98230612	34.44	7
GU90706281	34.34	19	GU93450224	33.29	3	GU98252420	33.06	23
GU90706444	34.34	17	GU94321079	34.39	24	GU98252420	33.26	32
GU90706584	34.10	37	GU94321099	34.09	6	GU98257410	33.27	18
GU90714082	33.52	31	GU94321105	34.41	4	GU98257618	34.44	15
GU91113826	33.23	29	GU95004210	33.31	4	GU98310609	34.47	11
GU91120806	33.15	6	GU95005306	33.17	3	GU98350215	33.29	12
GU91180601	33.15	10	GU95005306	33.23	28	GU98350416	33.01	5
GU91181003	33.18	11	GU95005308	33.28	23	GU98350440	33.13	3
GU91181003	33.19	18	GU95005308	34.09	22	GU98370412	33.19	4
GU91551010	33.52	25	GU95005310	33.15	7	GU98370515	33.14	17
GU91551086	33.14	11	GU95005311	33.51	4	GU98370609	33.17	2
GU91600450	34.45	10	GU95005330	33.08	26	GU98370609	33.23	27
GU92201070	34.10	14	GU95008205	33.30	15	GU98370616	33.12	21
GU92201220	34.43	16	GU95008206	34.39	23	GU98370616	33.13	9
GU92201225	34.40	10	GU95008208	33.01	6	GU98370616	33.31	7
GU92204215	34.42	2	GU95008208	34.46	3	GU98370625	33.14	4
GU92204217	33.25	5	GU95008210	33.01	8	GU98370625	33.26	7
GU92204218	33.25	3	GU95008210	33.02	6	GU98370655	33.28	7
GU92204221	33.24	7	GU95008210	34.09	17	GU98370655	33.29	9
GU92218417	34.43	10	GU95008305	33.18	20	GU98370831	33.28	22
GU92230320	34.43	13	GU95008306	33.19	20	GU98370835	33.15	8
GU92234716	34.43	26	GU95008306	33.27	21	GU98612216	33.03	9
GU92249220	34.10	32	GU95020105	33.03	10	GU98620335	34.39	7
GU92249225	33.07	2	GU95021104	33.19	19	GU98620540	33.08	18
GU92249227	34.10	20	GU95021105	33.18	21	GU98680265	34.45	6
GU92251028	34.43	7	GU95021206	33.17	5	GU98680330	33.08	3
GU92252210	34.39	2	GU95021206	33.28	8	GU98680330	34.35	4
GU92252235	34.10	5	GU95021206	33.29	10	GU98680335	34.35	8
GU92296723	34.39	6	GU95100059	33.26	24	GU98680350	33.08	30
GU92602406	34.38	9	GU95100059	33.31	13	GU98680435	34.40	15
GU92602510	34.39	19	GU95100116	34.47	12	GU98680435	34.42	19
GU92603010	34.36	11	GU95100125	34.45	14	GU98680440	33.23	17
GU92606206	33.17	6	GU95100141	33.12	14	GU98680450	34.40	16
GU92606208	34.34	7	GU95100141	33.15	14	GU98680545	34.09	16
GU92606208	34.40	18	GU95100244	34.38	29	GU98680555	33.01	10
GU92606210	33.01	9	GU95100309	34.39	27	GU98682116	33.12	8
GU92606210	33.02	5	GU95100602	34.39	25	GU98682212	33.30	14
GU92606210	33.11	7	GU95100709	34.34	21	GU98682212	33.31	12
GU92606210	34.09	18	GU95129115	34.38	22	GU98682215	33.26	18
GU92606316	33.25	16	GU95129180	34.34	27	GU98682322	34.47	9
GU92606508	34.41	3	GU95129180	34.36	13	GU98682325	34.34	11
GU92606512	34.42	14	GU95129181	33.11	6	GU98682325	34.35	3
GU92606516	34.45	4	GU95187006	34.39	13	GU98682330	34.40	14
GU92630104	33.27	19	GU95401215	33.26	10	GU98682330	34.42	18
GU92630106	33.08	27	GU95500222	34.41	6	GU98682414	33.01	12
GU92630108	33.15	5	GU95780271	34.41	5	GU98682414	33.12	17
GU92630204	33.16	14	GU96451316	33.27	15	GU98682416	33.32	7
GU92630206	33.26	5	GU96451430	34.34	3	GU98682430	33.12	9
GU92630510	33.01	3	GU96451560	34.34	2	GU98682530	33.01	2
GU92640508	33.23	19	GU96506042	34.36	5	GU98690335	33.18	13
GU92787006	33.28	6	GU96508055	34.10	12	GU98692318	33.11	2
GU92787006	33.29	11	GU96508055	34.34	4	GU98692325	33.18	9
GU92787008	34.09	19	GU96508145	34.36	20	GU98692325	34.36	16
GU93180105	34.09	21	GU96510181	34.36	15	GU98692420	33.01	19
GU93180111	33.24	13	GU96510214	34.36	14	GU98880540	33.28	21
GU93180220	34.40	9	GU97202325	33.18	26	GU98882316	34.38	21
GU93180245	34.36	22	GU98054422	34.38	28			
GU93222023	33.17	4	GU98082435	34.46	2			
GU93231605	33.29	14	GU98082565	33.02	7			

Groupe	CHASSIS
Code	33.01
Description	Chassis I
Révision	1



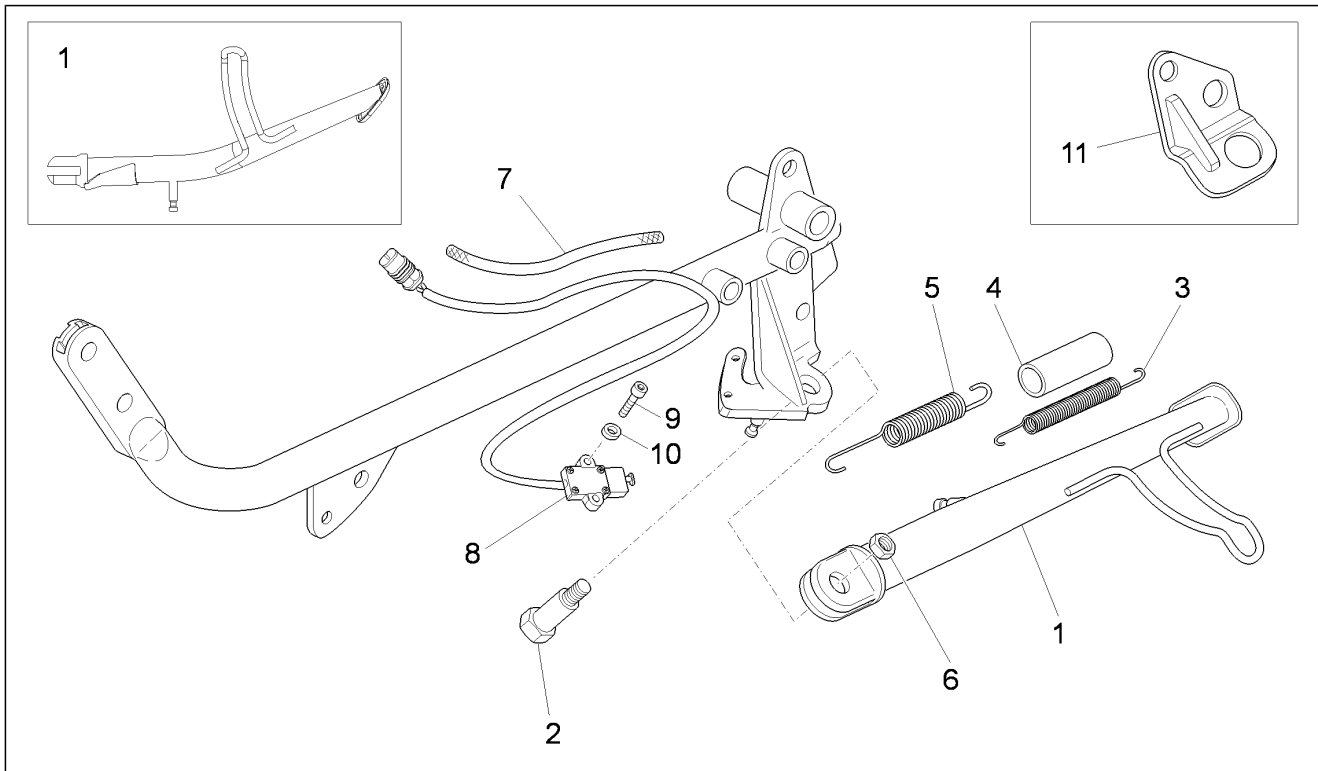
Pos.	Code	Description	Quant	Variants
1	B063251	Châssis, rouge	1	
2	GU98682530	Vis M10x30	4	
3	GU92630510	Ecrou M10x1,5	4	
4	B063287	Piastra unione telaio	1	
5	GU98350416	Vis	4	
6	GU95008208	Rondelle 8,4X15X1,5	4	
7	GU98110199	Pivot M10x205	1	
8	GU95008210	Rondelle 10,2X18X2	11	
9	GU92606210	Ecrou M10x1,5	2	
10	GU98680555	Vis M10x55	2	
11	886645	Plaquette	2	
12	GU98682414	Vis	2	
13	GU01103860	Caoutchouc anti-vibrations	1	
14	GU66103415	Caoutchouc	2	
15	AP8144606	Joint 10X5	1	
16	AP8221172	Guide-câble	1	
17	886581	Plaque d.	1	
18	886582	Plaque g.	1	
19	GU98692420	Vis	4	
20	AP8220590	Joint	1	

Groupe	CHASSIS
Code	33.02
Description	Chassis II
Révision	1



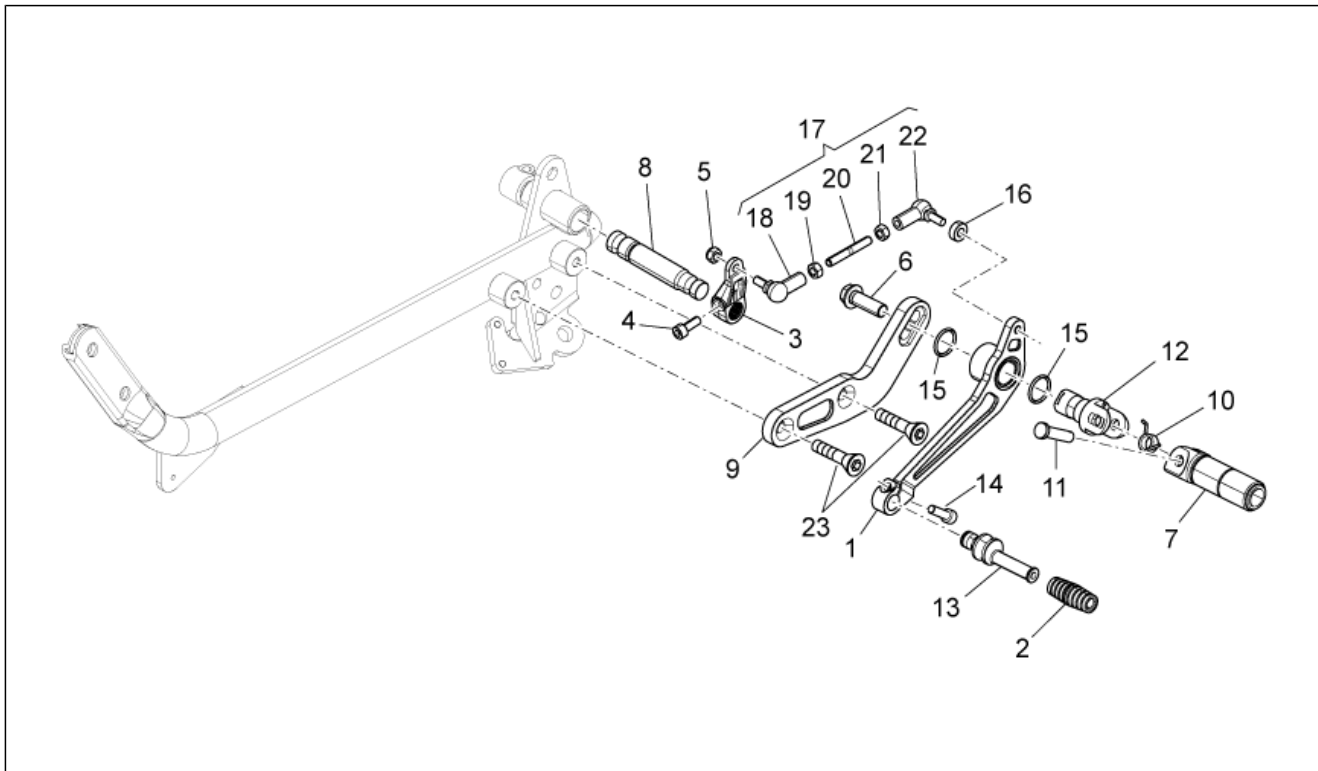
Pos.	Code	Description	Quant	Variants
1	B063249	Bras d.	1	
2	B063250	Bras g.	1	
3	GU53429500	Pivot M10x250	1	
4	GU19017000	Douille	2	
5	GU92606210	Ecrou M10x1,5	3	
6	GU95008210	Rondelle 10,2X18X2	3	
7	GU98082565	Vis M10x65	2	
8	GU28252060	Douille 18 mm est.	2	
9	GU32431310	Traverse comm.bras duberceau	1	
10	AP8121367	Pivot M10x260	1	
11	AP8152220	Rondelle	2	
12	AP8150436	Ecrou autofr. bas	1	
13	AP8152287	Vis bride	1	
14	AP8152300	Ecrou autobloqu. M8	1	
15	AP8152288	Vis bride	1	

Groupe	CHASSIS
Code	33.03
Description	Béquille latérale
Révision	1



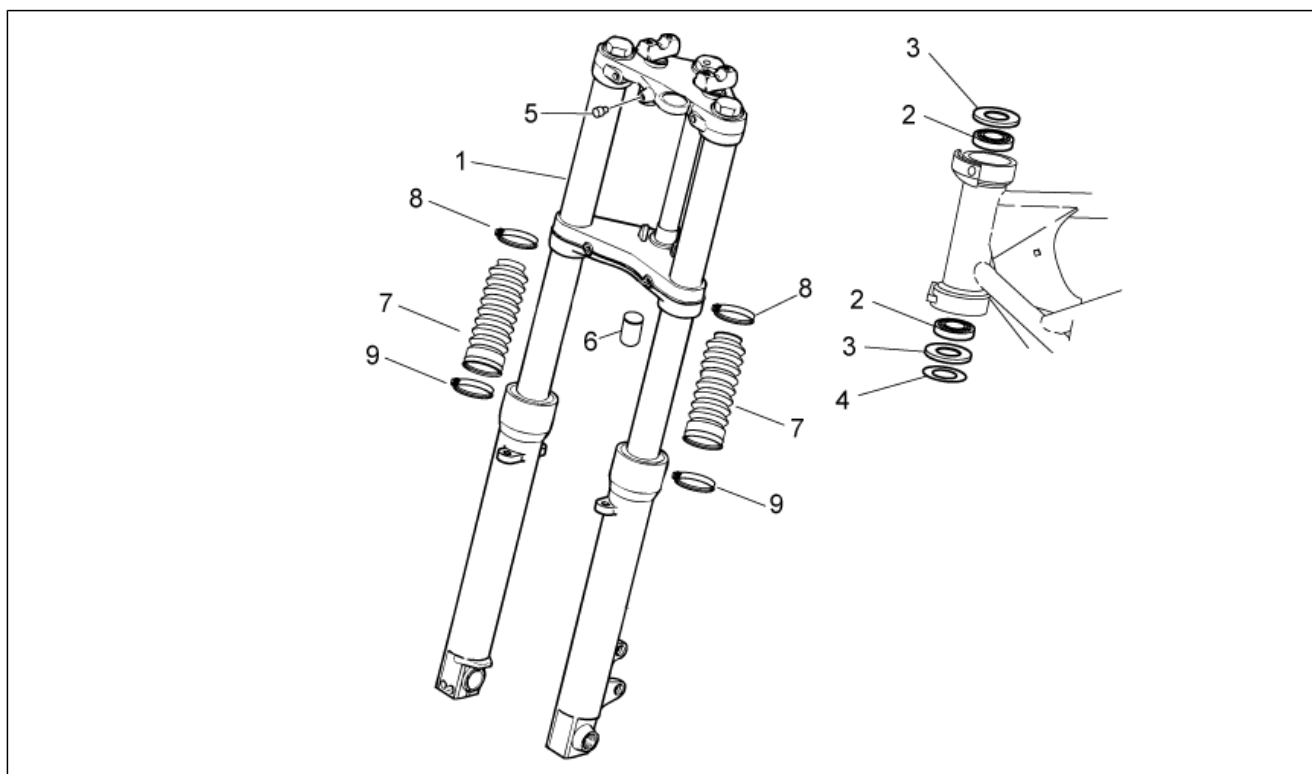
Pos.	Code	Description	Quant	Variants
1	883471	Bras latérale noire	1	Pays:Canadian[CA], USA[USA]
1	B063086	Béquille latérale	1	Pays:Australie[AA], europa[EU], Angleterre[UK]
2	AP8121375	Vis fix. béquille	1	Pays:Australie[AA], europa[EU], Angleterre[UK]
2	AP8121607	Vis fix. béquille	1	Pays:Canadian[CA], USA[USA]
3	AP8121014	Ress.hél.cyl.tract. *	1	
4	AP8102524	Protec.ress.béquille	1	
5	AP8221197	Ressort rappel béq.	1	
6	967356	Ecrou	1	Pays:Australie[AA], europa[EU], Angleterre[UK]
6	GU32433011	Ecrou	1	Pays:Canadian[CA], USA[USA]
7	GU00823923140	Gaine thermique	1	
8	AP8127856	Interrupteur béquille	1	
9	GU98612216	Vis	2	
10	GU95020105	Rondelle 5,3x8,9x2,4	2	
11	GU32432711	Plaque	1	Pays:Canadian[CA], USA[USA]

Groupe	CHASSIS
Code	33.06
Description	Levier boîte de vitesses
Révision	1



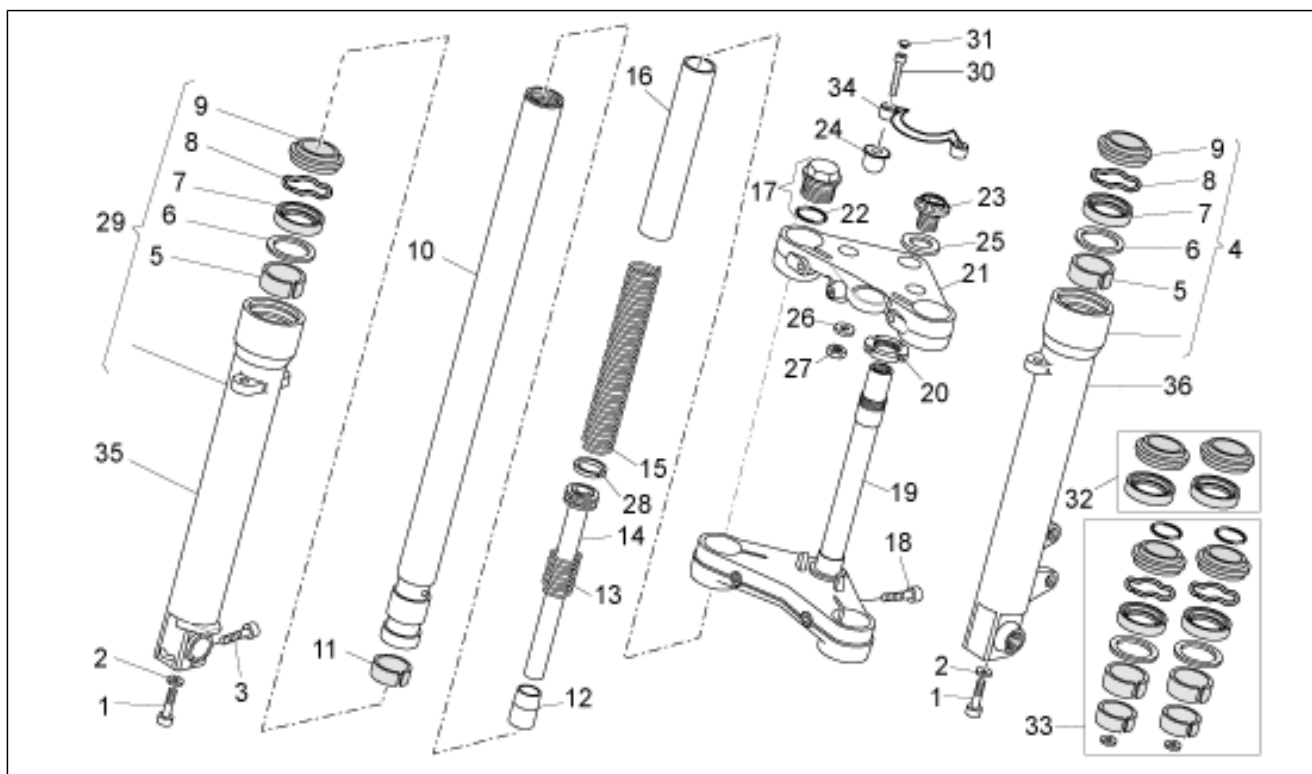
Pos.	Code	Description	Quant	Variants
1	898282	Levier boîte de vitesses	1	
2	AP8120912	Caoutchouc pour levier	1	
3	898283	Levier de commande	1	
4	AP8150137	Vis	1	
5	AP8150115	Ecrou autofr. bas M6	1	
6	AP8152320	Vis bride	1	
7	898281	R-pied pilote D	1	
8	GU32251610	Goujon de levier	1	
9	898284	Piastra pedana pilota	1	
10	AP8221277	Ressort retour repose-pieds	1	
11	GU23442210	Pivot	1	
12	898611	Sup.pl.pilote gche	1	
13	886665	Tige	1	
14	AP8150044	Vis M6x20	1	
15	AP9100477	Joint torique 18x2	2	
16	886668	Entretoise	1	
17	887280	Tirante comando cambio	1	
18	AP8210007	Rotule d.te M6	1	
19	AP8150026	Ecrou	1	
20	856796	Tige renvoi boîte de vitesses	1	
21	AP8152138	Ecrou	1	
22	AP8110053	Rotule G M6	1	
23	GU98252420	Vis FHC M8x20	2	

Groupe	CHASSIS
Code	33.07
Description	Fourche Av. I
Révision	1



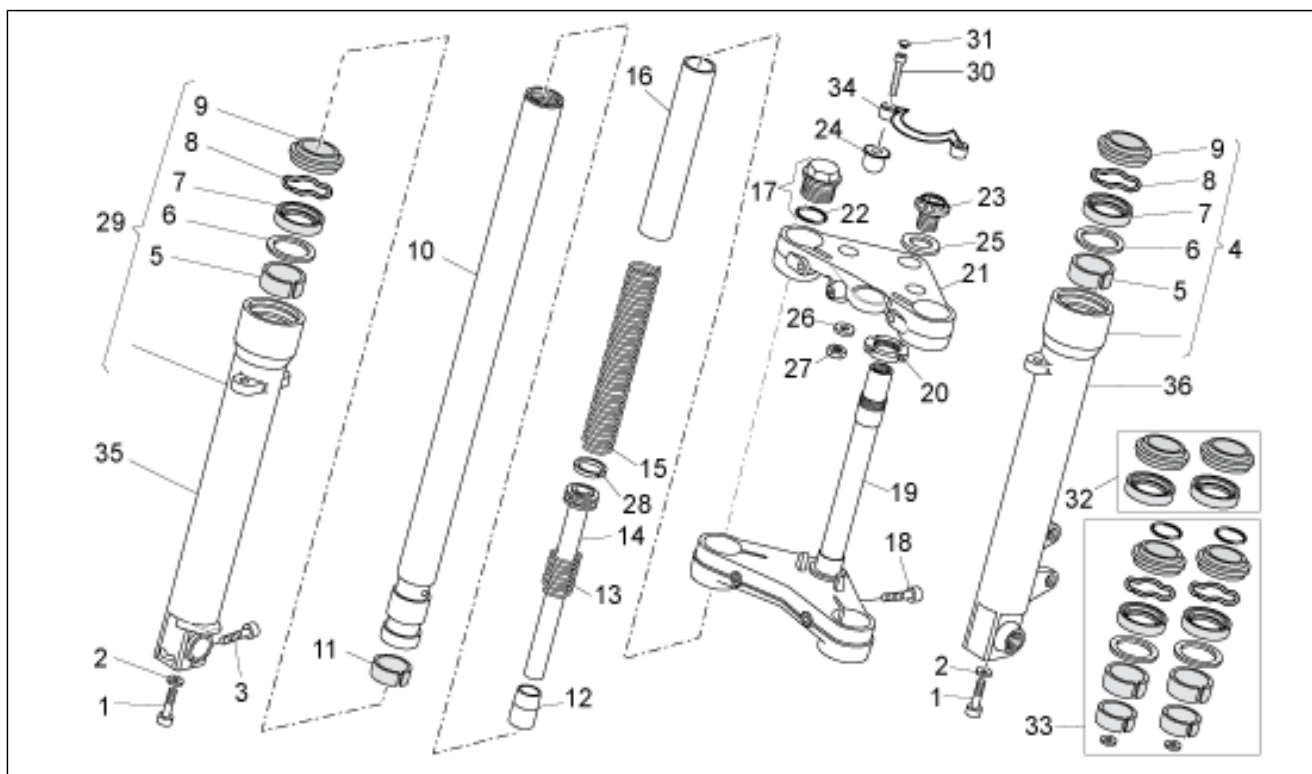
Pos.	Code	Description	Quant.	Variants
1	97727R	Fourche complète	1	
2	GU92249225	Roulement roul.con.	2	
3	AP8144146	Bague d'étanchéité	1	
4	AP8121307	Rondelle	1	
5	AP8144081	Caoutchouc	1	
6	AP8220460	Rondelle en caoutchouc	1	
7	898086	Soufflet fourche	7	
8	CM001929	Collier serr. Tube 36.5	2	
9	CM001928	Collier serr. Tube 44	2	

Groupe	CHASSIS
Code	33.08
Description	Fourche Av. II
Révision	1



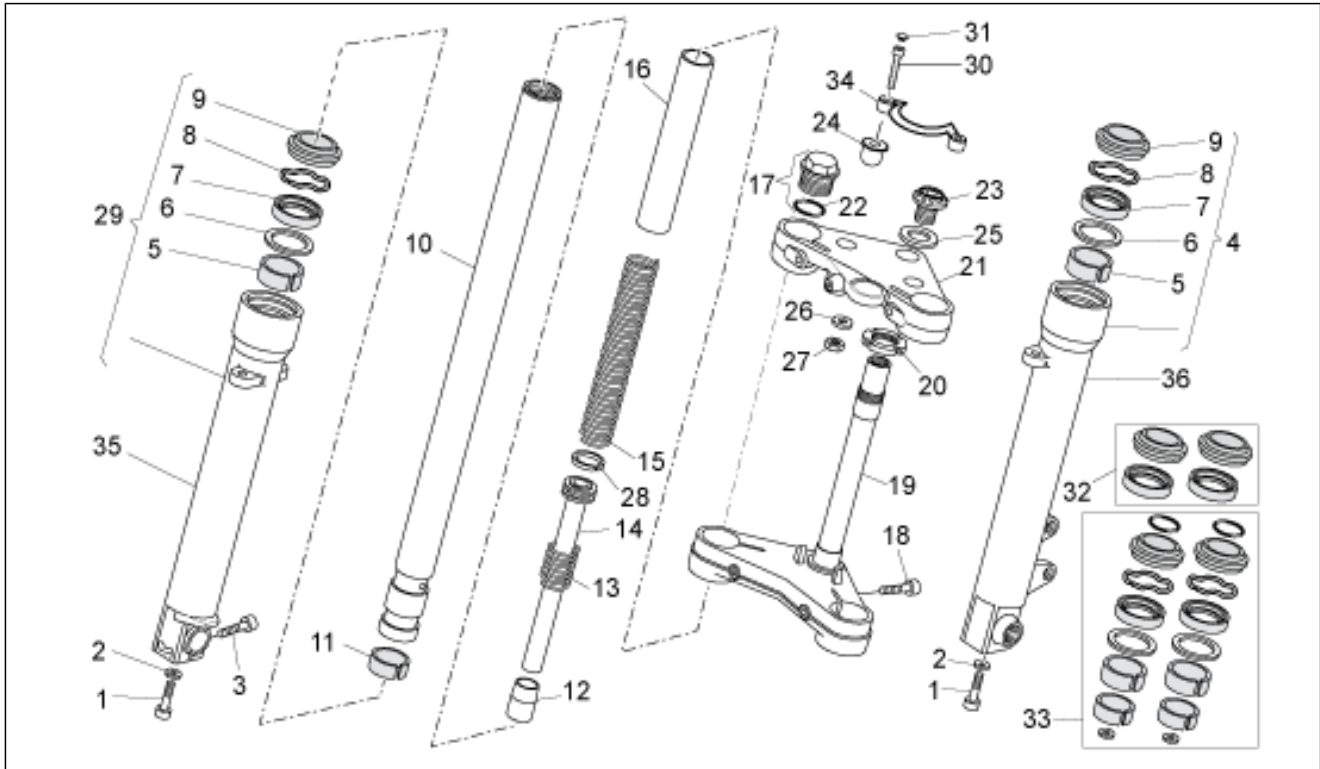
Pos.	Code	Description	Quant	Variants
1	887878	Vis M10x30	2	Technical specification:Kaifa[K]
1	GU03530530	Vis M10x30	2	Technical specification:Marzocchi[M]
2	887879	Rondelle	2	Technical specification:Kaifa[K]
2	GU03530529	Rondelle	2	Technical specification:Marzocchi[M]
3	887880	Vis	2	Technical specification:Kaifa[K]
3	GU98680330	Vis M6x30	2	Technical specification:Marzocchi[M]
4	978978	Fourreau G Black	1	Technical specification:Marzocchi[M]
5	887882	Douille supérieure	2	Technical specification:Kaifa[K]
5	GU30526761	Douille supérieure	2	Technical specification:Marzocchi[M]
6	599504	Rondelle bouche guide (Marzocchi)	2	Technical specification:Marzocchi[M]
6	887883	Rondelle	2	Technical specification:Kaifa[K]
7	599501	Bague d'étanchéité (Marzocchi)	2	Technical specification:Marzocchi[M]
7	887884	Bague d'étanchéité	2	Technical specification:Kaifa[K]
8	599503	Bague de butée (Marzocchi)	2	Technical specification:Marzocchi[M]
8	887885	Bague de butée	2	Technical specification:Kaifa[K]
9	599502	Pare-pous.+épingle (Marzocchi)	2	Technical specification:Marzocchi[M]
9	887886	Pare-poussière	2	Technical specification:Kaifa[K]
10	887887	Tige	2	Technical specification:Kaifa[K]
10	GU32525410	Tige	2	Technical specification:Marzocchi[M]
11	887888	Douille	2	Technical specification:Kaifa[K]
11	GU30525861	Douille inférieure	2	Technical specification:Marzocchi[M]
12	887889	Tampon	2	Technical specification:Kaifa[K]
12	GU03530551	Tampon	2	Technical specification:Marzocchi[M]
13	887890	Contre-ressort	2	Technical specification:Kaifa[K]
13	GU32530502	Contre-ressort	2	Technical specification:Marzocchi[M]
14	887891	Elém.pompage cpl	2	Technical specification:Kaifa[K]
14	GU32530503	Elém.pompage cpl	2	Technical specification:Marzocchi[M]
15	887892	Ressort	2	Technical specification:Kaifa[K]

Groupe	CHASSIS
Code	33.08
Description	Fourche Av. II
Révision	1



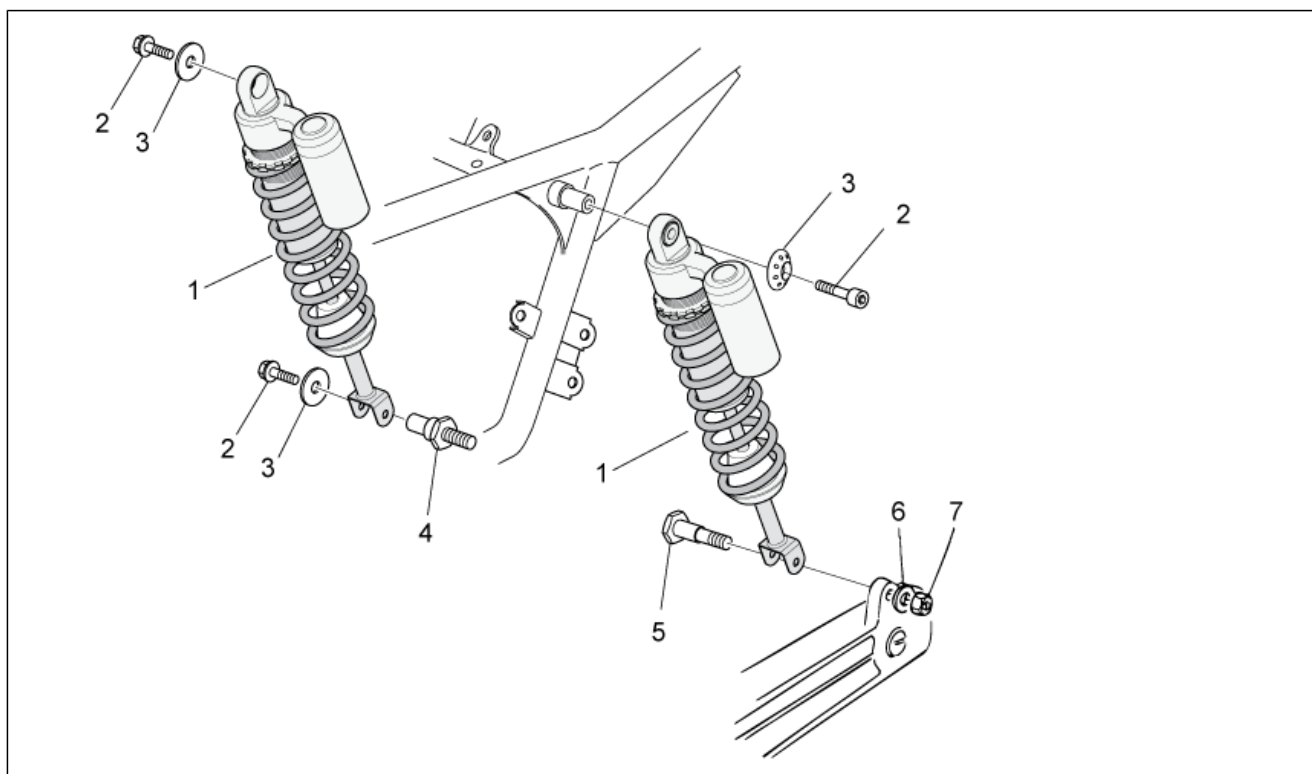
Pos.	Code	Description	Quant	Variants
15	GU32526610	Ressort	2	Technical specification:Marzocchi[M]
16	887893	Tuyau	2	Technical specification:Kaifa[K]
16	GU32526310	Tuyau	2	Technical specification:Marzocchi[M]
17			2	Technical specification:Kaifa[K]
17	886684	Gr. bouchon cpl.	2	Technical specification:Marzocchi[M]
18	887895	Vis	2	Technical specification:Kaifa[K]
18	GU98620540	Vis	2	Technical specification:Marzocchi[M]
19	887896	Base avec tube	1	Technical specification:Kaifa[K]
19	978974	Base avec tube Black	1	Technical specification:Marzocchi[M]
20	GU31513480	Bague M25X1	1	
21	886842	Plaque sup. fourche	1	
22	887916	Joint torique 4118	2	Technical specification:Kaifa[K]
22	GU32530505	Joint torique 4118	2	Technical specification:Marzocchi[M]
23	883498	Douille fx. pl. sup.	1	Technical specification:Marzocchi[M]
23	887900	Ecrou	1	Technical specification:Kaifa[K]
24	883552	Douille	2	
25	887899	Rondelle	1	Technical specification:Kaifa[K]
25	GU27530510	Rondelle	2	Technical specification:Marzocchi[M]
26	GU95005330	Rondelle 6,4x30x1,5	2	
27	GU92630106	Ecrou M6x1	2	
28	887905	Segment	2	Technical specification:Kaifa[K]
28	GU32530504	Segment	2	Technical specification:Marzocchi[M]
29	978977	Fourreau D	1	Technical specification:Marzocchi[M]
30	GU98680350	Vis M6x50	2	
31	GU23943410	Bouchon	8	
32	GU32530610	Jeu de joints	1	Technical specification:Marzocchi[M]
33	GU32530611	Kit moteur spi	1	Technical specification:Marzocchi[M]
34	883602	Tuyau	1	

Groupe	CHASSIS
Code	33.08
Description	Fourche Av. II
Révision	1



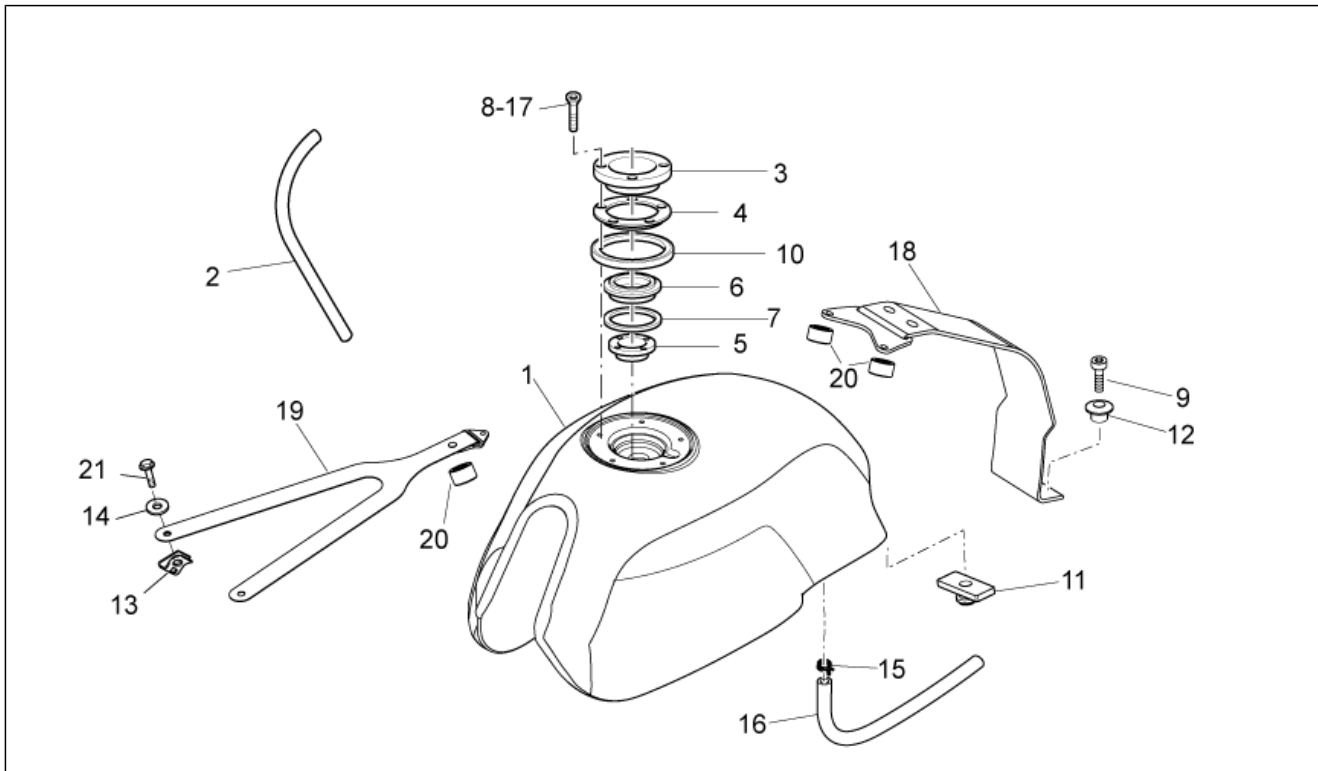
Pos.	Code	Description	Quant	Variants
35	887906	Fourreau D	1	Technical specification:Kaifa[K]
36	887881	Fourreau G	1	Technical specification:Kaifa[K]

Groupe	CHASSIS
Code	33.11
Description	Amortisseur AR
Révision	1



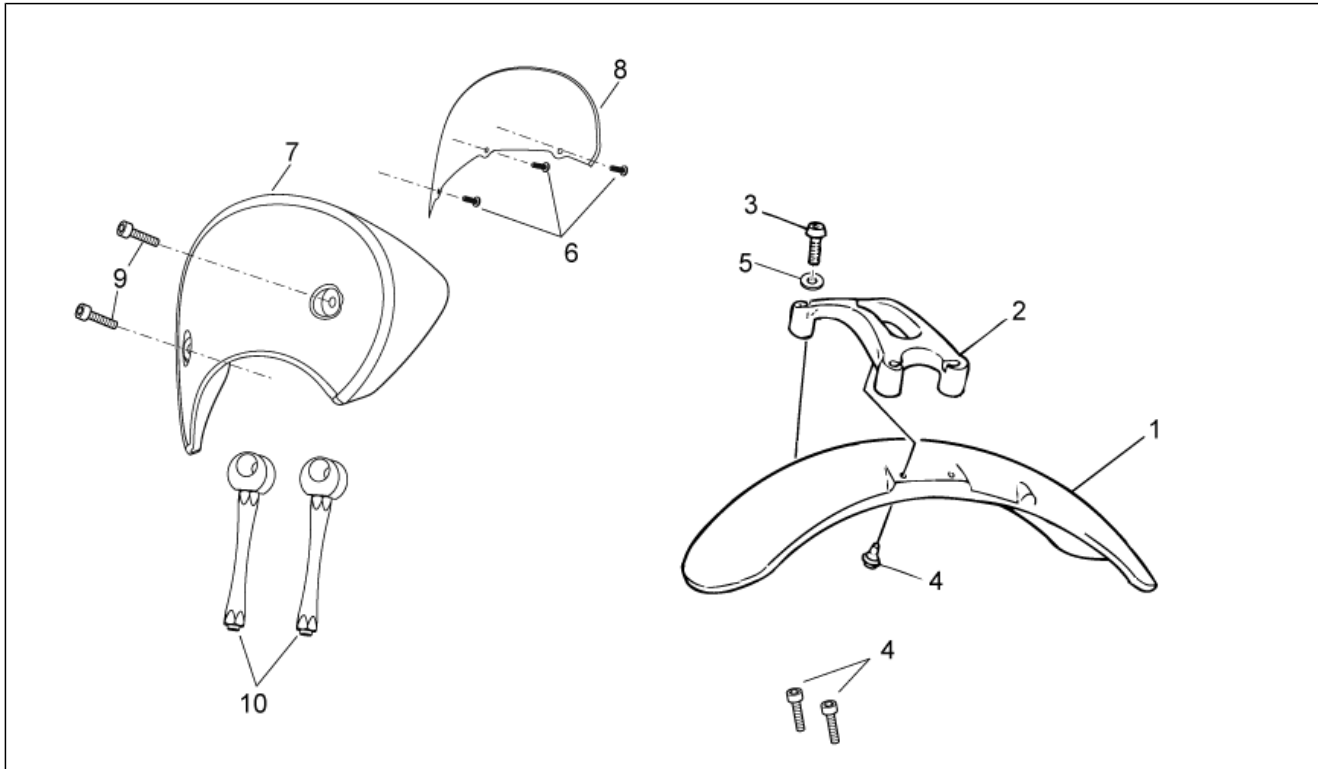
Pos.	Code	Description	Quant	Variants
1	886675	Amortisseur AR	2	
2	GU98692318	Vis	3	
3	886630	***Douille	3	
4	GU32555210	Pivot	1	
5	GU32555211	Pivot	1	
6	GU95129181	Rondelle	1	
7	GU92606210	Ecrou M10x1,5	1	

Groupe	CHASSIS
Code	33.12
Description	Réservoir essence
Révision	1



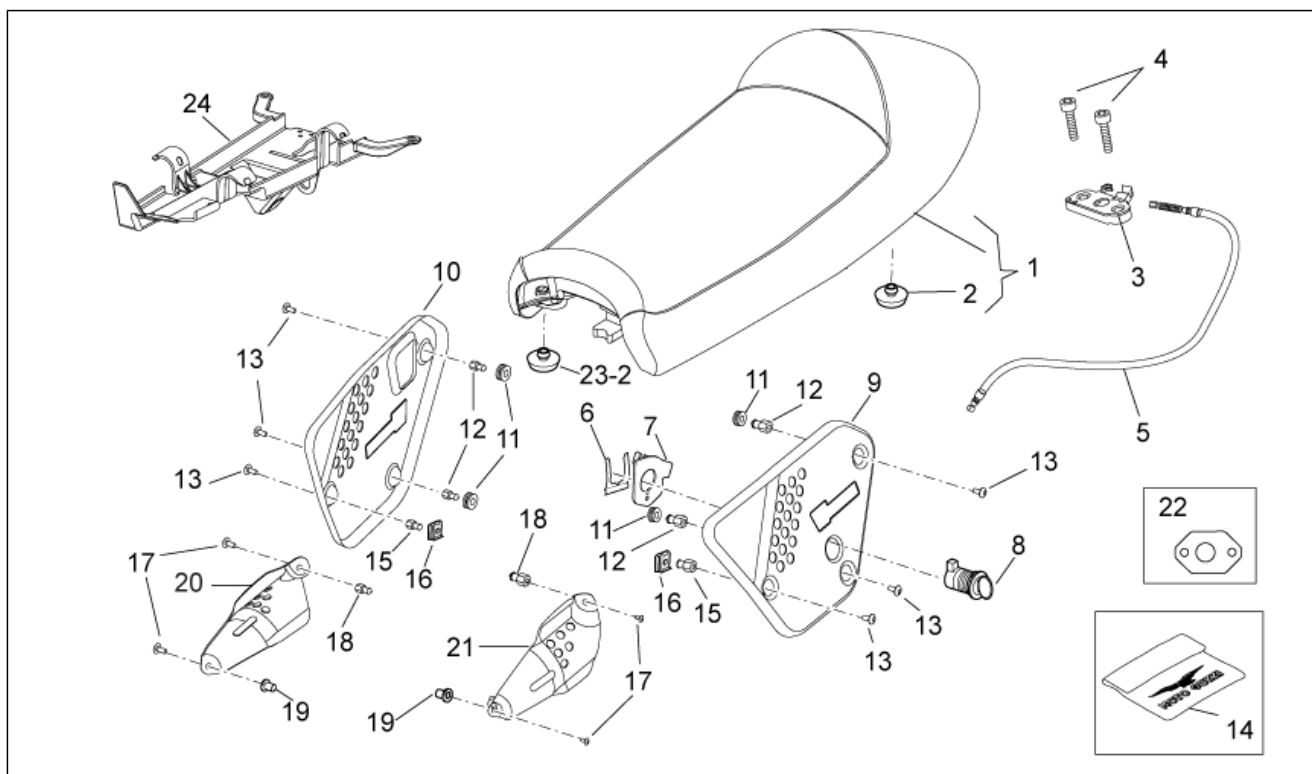
Pos.	Code	Description	Quant	Variants
1	887207	Serbatoio benz. grezzo	1	Pays:Australie[AA], europa[EU], Angleterre[UK]
1	887944	Réservoir brut	1	Pays:Canadian[CA], USA[USA] Technical specification:Brut[G]
1	B063163	Serbatoio cromato	1	Pays:Canadian[CA], europa[EU], Angleterre[UK]
1	B063808	***Réservoir essence	1	Pays:Canadian[CA], USA[USA]
2	GU00823931070	Joint	1	
3	GU03101900	Bride	1	
4	GU03103500	Bague	1	
5	GU03101720	Reduction 38 mm	1	
6	GU03102200	Embout pour bouchon	1	
7	GU03101600	Joint	1	
8	GU98682116	Vis	3	
9	GU98682430	Vis M8x30	1	
10	GU03102400	Joint	1	
11	AP8120557	Caoutchouc réserv.	1	
12	AP8121673	Douille en "T" *	1	
13	GU28576591	Clip M6	2	
14	GU95100141	Rondelle 6,4x12x1,2	2	
15	AP8101595	Collier D10,1*	1	
16	GU00823944050	Tuyau 5X9	1	
17	GU98682414	Vis	2	
18	B063154	Cinghia post.	1	
19	B063152	cinghia ant.	1	
20	886370	Douille entretoise 5.5x9.5x5.5	3	
21	GU98370616	Vis M6x16 inox	2	

Groupe	CHASSIS
Code	33.13
Description	Carrosserie av. - Garde-boue AV
Révision	1



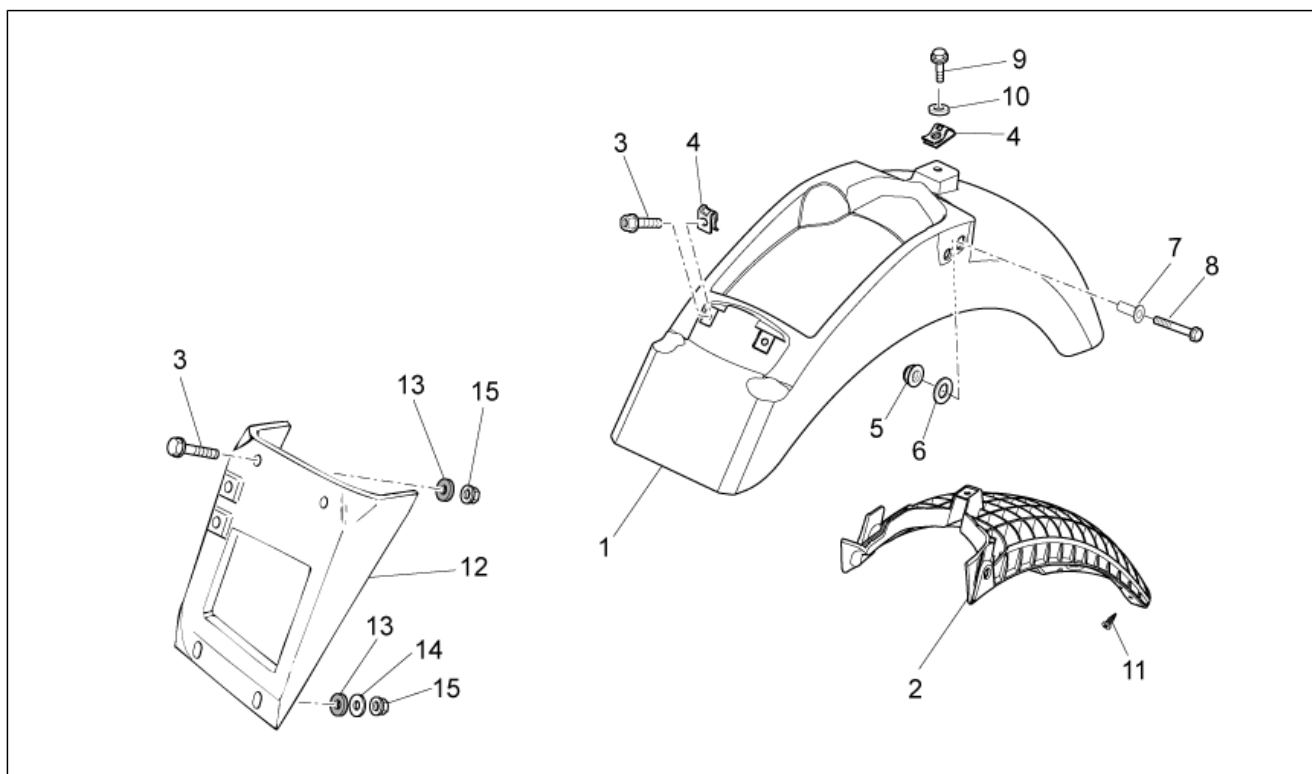
Pos.	Code	Description	Quant	Variants
1	88673000Y02	Garde-boue AV noir	1	
2	886784	Plaque de stabilisation	1	
3	GU98350440	Vis	4	
4	GU31439565	Vis spéciale	4	
5	GU14615901	Rondelle 8,4X13X0,8	4	
6	AP8150413	Vis taraud 3,9x14	3	
7	898179	Carénage brut	1	
7	B06315000Y02	Coupole, noir	1	
8	898180	Vitre coupole	1	
9	GU98370616	Vis M6x16 inox	2	
10	886724	Support coupole	2	

Groupe	CHASSIS
Code	33.14
Description	Selle-Carosserie cent.
Révision	1



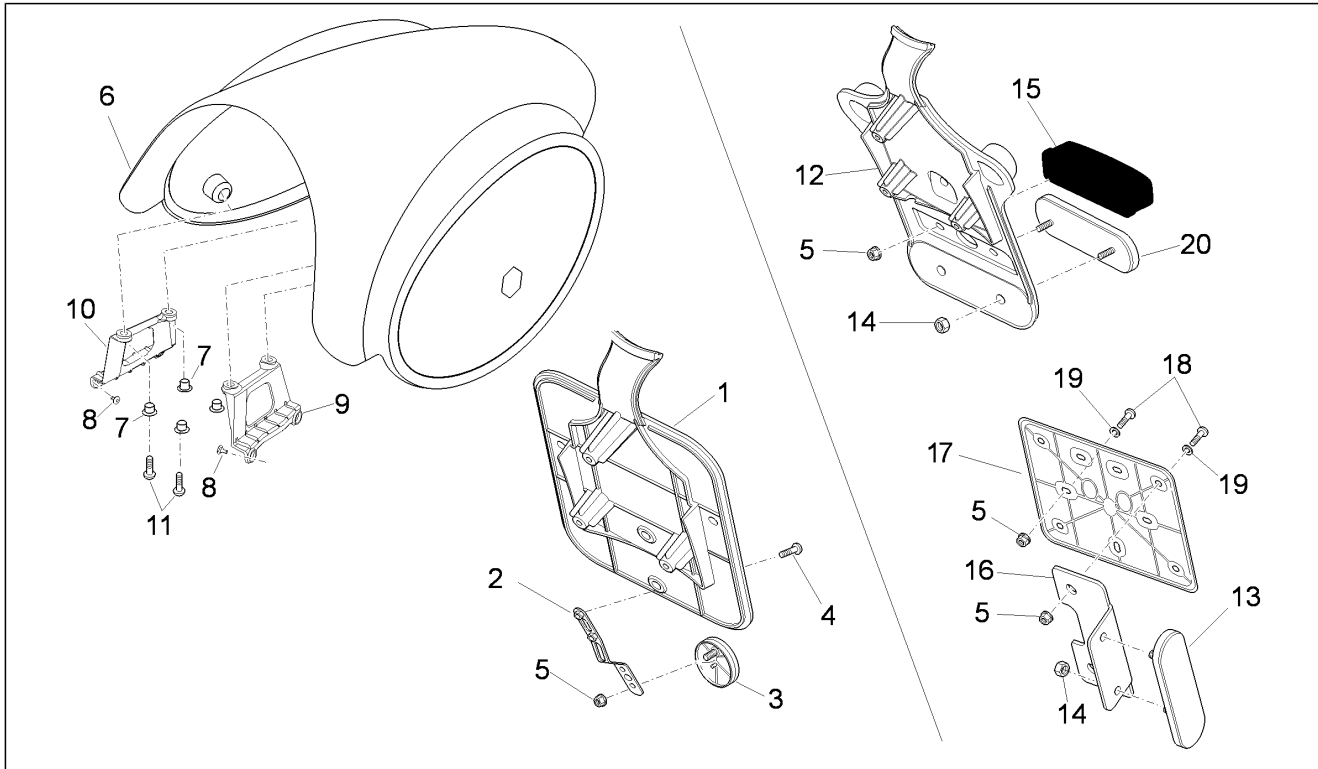
Pos.	Code	Description	Quant	Variants
1	89817800A2	Selle marron	1	
2	GU32461610	Caoutchouc	8	
3	AP8102913	Pl.fix.selle pass.	1	
4	GU98370625	Vis	2	
5	883295	Transmission décrochement sell	1	
6	AP8121420	Ressort à fourche	1	
7	978415	Plaque support câble	1	
8	977527	Serrure selle	1	
9	898278	Flanc G	1	Technical specification:No decals[ND]
10	898277	Flanc D	1	Technical specification:No decals[ND]
11	GU91551086	Caoutchouc	4	
12	886368	Tige fixation	4	
13	976614	Vis	6	
14	886841	sacchetto prot. sella	1	
15	886706	Tige fixation	2	
16	254485	Plaquette elastique M6	2	
17	GU98370515	Vis	4	
18	AP8120531	Caoutchouc avec insert *	2	
19	886727	Tige fixation	2	
20	898270	coprifarfalla DX	1	
21	898271	coprifarfalla SX	1	
22	886820	Platine serr.selle	1	
23	B063429	Caoutchouc	2	
24	B063431	Protection	0	

Groupe	CHASSIS
Code	33.15
Description	Carrosserie arrière I- Garde-boue
Révision	1



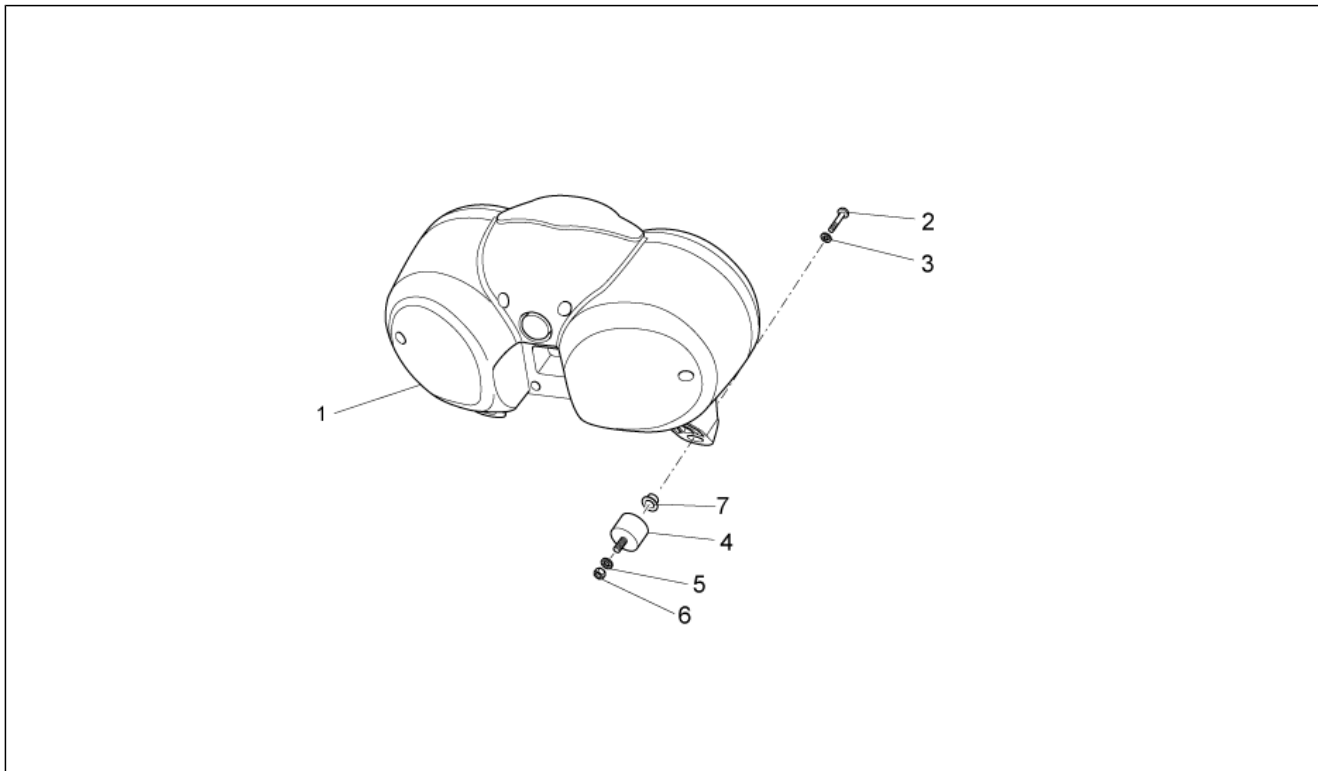
Pos.	Code	Description	Quant	Variants
1	97894600Y02	Garde-boue arrière noir	1	
2	978947	Soutien	1	
3	AP8152278	Vis bride M6x16	4	
4	GU28576591	Clip M6	3	
5	GU92630108	Ecrou	2	
6	GU91120806	Entretoise	2	
7	GU95005310	Rondelle 8,4x18x2	2	
8	GU98370835	Vis	2	
9	AP8152279	Vis bride M6x20	2	
10	GU91180601	Entretoise 6,2x8x3	2	
11	AP8152329	Vis SWP crois. brid. M5x20	3	
12	B063167	Bavette anti-éclaboussures	1	
13	AP8121032	Douille	4	
14	GU95100141	Rondelle 6,4x12x1,2	2	
15	AP8152299	Ecrou autobloqu. M6	4	

Groupe	CHASSIS
Code	33.16
Description	Carrosserie arrière II- Porte-plaque
Révision	1



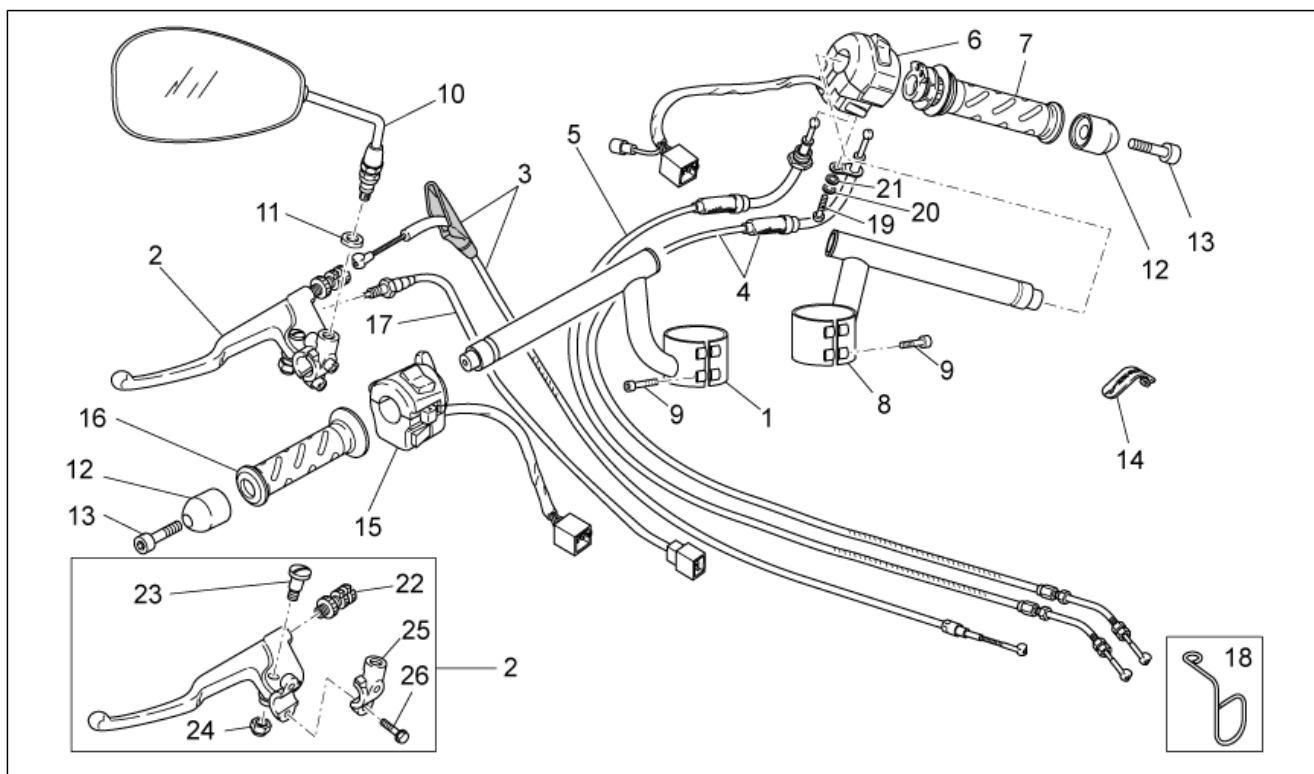
Pos.	Code	Description	Quant	Variants
1	978949	Porte-plaque	1	Pays:Australie[AA], europa[EU], Angleterre[UK]
2	AP8134448	Support catadiopre	1	
3	AP8224164	Catadiopre arriere, rouge	1	
4	GU98230510	Vis	2	
5	AP8152306	Ecrou autobloqu. m5	1	
6	898280	Queue brute	1	
6	B06315100Y02	Queue, noir	1	
7	AP8121929	Douille en "T" 6,5x8,6x9	4	
8	AP8152339	Vis bride M5x9	4	
9	886712	Bride gauche	1	
10	886713	Bride droite	1	
11	AP8152273	Vis bride	4	
12	883470	Porte-plaque	1	Pays:Canadian[CA], USA[USA]
13	AP8124718	Catadiopre arriere, rouge	2	Pays:Canadian[CA], USA[USA]
14	GU92630204	Ecrou	6	Pays:Canadian[CA], USA[USA]
15	883480	Feu de plaque	1	Pays:Canadian[CA], USA[USA]
16	GU32781910	Support catadiopre	2	Pays:Canadian[CA], USA[USA]
17	AP8149034	Support plaque	1	Pays:Canadian[CA], USA[USA]
18	AP8152268	Vis M5x16	2	Pays:Canadian[CA], USA[USA]
19	AP8150248	Rondelle 5,5x15x1,6	2	Pays:Canadian[CA], USA[USA]
20	GU05781630	Catadiopre, ambre	1	Pays:Canadian[CA], USA[USA]

Groupe	CHASSIS
Code	33.17
Description	Tableau de bord
Révision	1



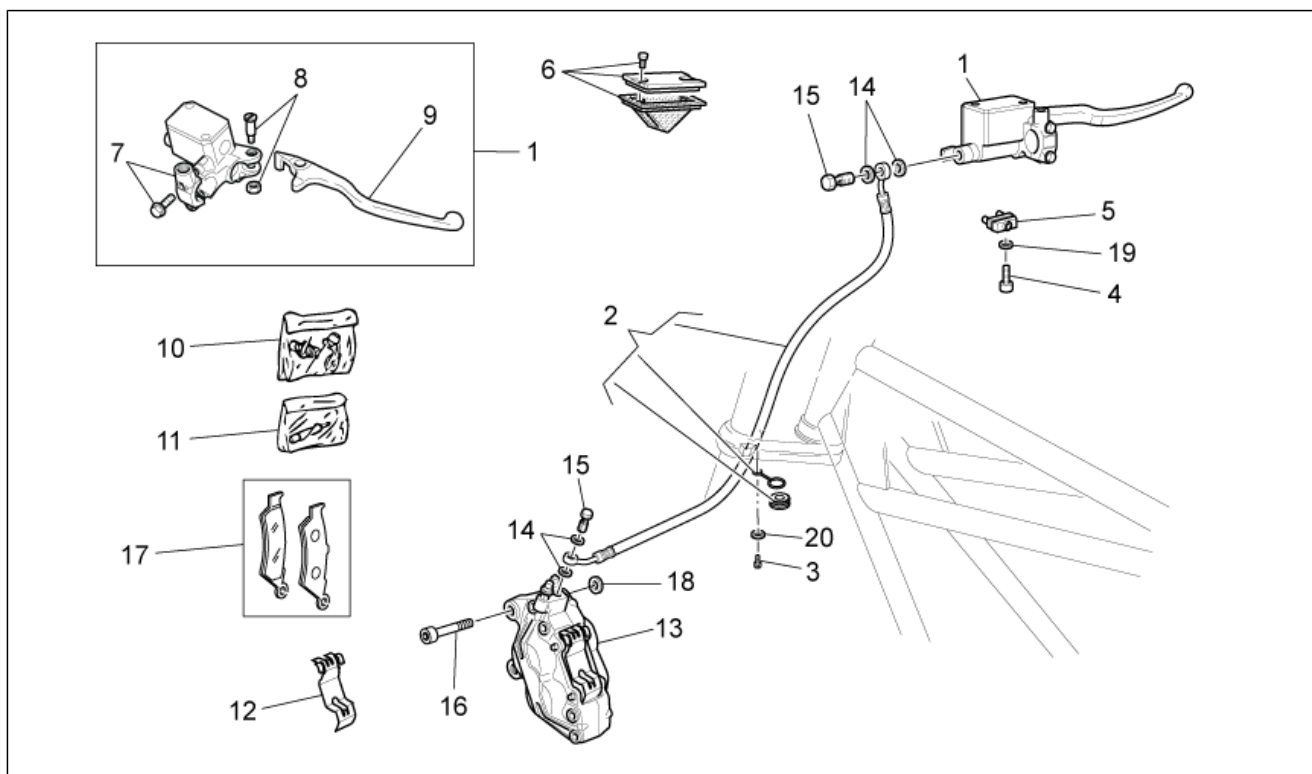
Pos.	Code	Description	Quant	Variants
1	887194	Tableau de bord	1	Pays:Canadian[CA], europa[EU]
1	887195	Tableau de bord MPH	1	Pays:Angleterre[UK], USA[USA]
2	GU98370609	Vis M6x10	3	
3	GU95005306	Rondelle 6,4x13x1,5	3	
4	GU93222023	Silentbloc	3	
5	GU95021206	Rondelle	3	
6	GU92606206	Ecrou	3	
7	AP8121032	Douille	3	

Groupe	CHASSIS
Code	33.18
Description	Guidon - Commandes
Révision	1



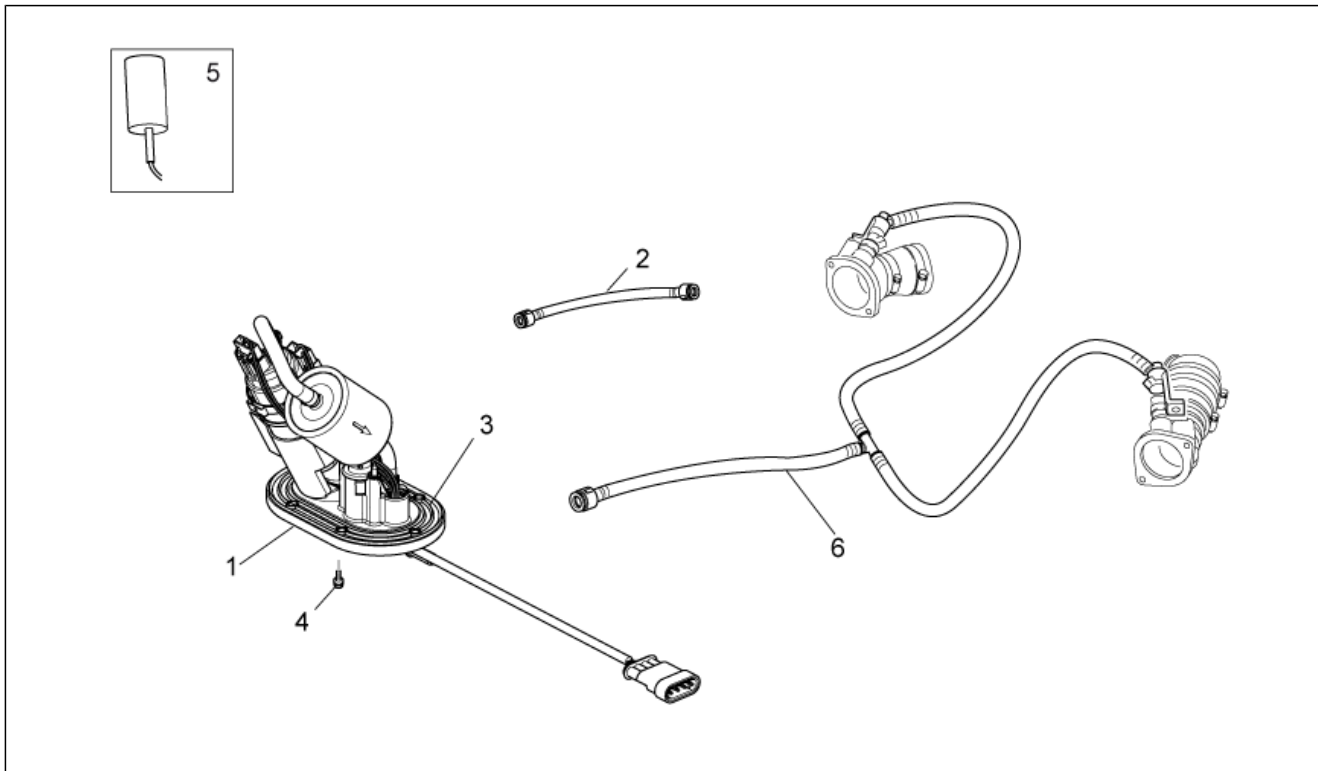
Pos.	Code	Description	Quant	Variants
1	898170	Demi-guidon G	1	
2	GU32605510	Lever embayage	1	
3	883940	Câble embayage	1	
4	B063247	Câble ouverture gaz	1	
5	B063248	Câble fermeture gaz	1	
6	B063135	Déviateur feux dte	1	
7	GU32603310	Poignée dr.	1	
8	898171	Demi-guid.dte	1	
9	GU98692325	Vis M6x25	4	
10	883802	Miroir rétroviseur d/g	2	Technical specification:"FU E1181R-001047"[B]
10	978570	Miroir rétroviseur d/g	2	Technical specification:"FAR"[A]
11	GU91181003	Entretoise 10,25X20X4	2	
12	GU32602860	Masse antivibratile chr.	2	
13	GU98690335	Vis	2	
14	GU01609630	Collier L46 mm	2	
14	GU03609600	Collier L36 mm	1	
15	887822	Déviateur feux gche	1	
16	GU32603010	Poignée gc.	1	
17	GU29759150	Interrupteur béquille	1	
18	AP8221172	Guide-câble	1	
19	GU98230510	Vis	1	
20	GU95008305	Rondelle 5,3X10X1	1	
21	GU95021105	Rondelle évent.	1	
22	GU30602500	Réglage	1	
23	AP8213028	Vis	1	
24	AP8118490	Ecrou	1	
25	GU30601060	Etrier	1	
26	GU97202325	Vis bride noir M6x25	2	

Groupe	CHASSIS
Code	33.19
Description	Sys.frein avant
Révision	1



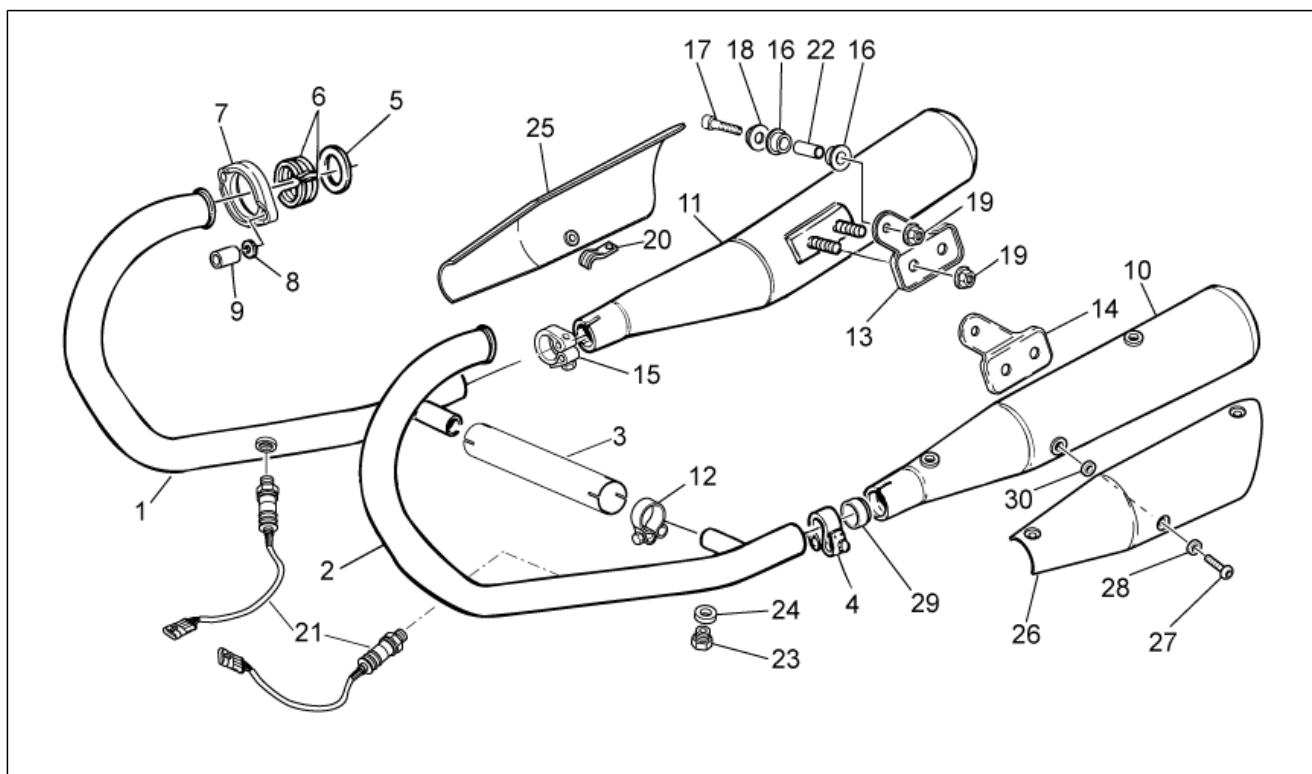
Pos.	Code	Description	Quant	Variants
1	GU03660145	Maît. cyl. frein AV	1	
2	883581	Tube frein	1	
3	AP8152277	Vis bride M6x12	1	
4	GU98370412	Vis M4x12	1	
5	GU03749845	Contacteur de stop	1	
6	GU03661145	Couvercle pompe	1	
7	GU03664045	Cavalier	1	
8	GU03604845	Goujon de levier	1	
9	GU03605645	Levier frein	1	
10	GU05659230	Purge+capuchon	1	
11	GU01659130	Pivots+ressorts pince	1	
12	GU01659131	Ressort	1	
13	883303	Etrier frein AV g.noir	1	
14	AP8113004	Rondelle 10x14x1,6*	4	
15	978323	Vis tuyau huile *	2	
16	AP8152385	Vis M10x1,25	2	
17	GU01654630	Plaquettes-paire	1	
18	GU91181003	Entretoise 10,25X20X4	2	
19	GU95021104	Rondelle 4,3x8x1,5	1	
20	GU95008306	Rondelle 6,4x12x1,2	1	

Groupe	CHASSIS
Code	33.21
Description	Pompe essence
Révision	1



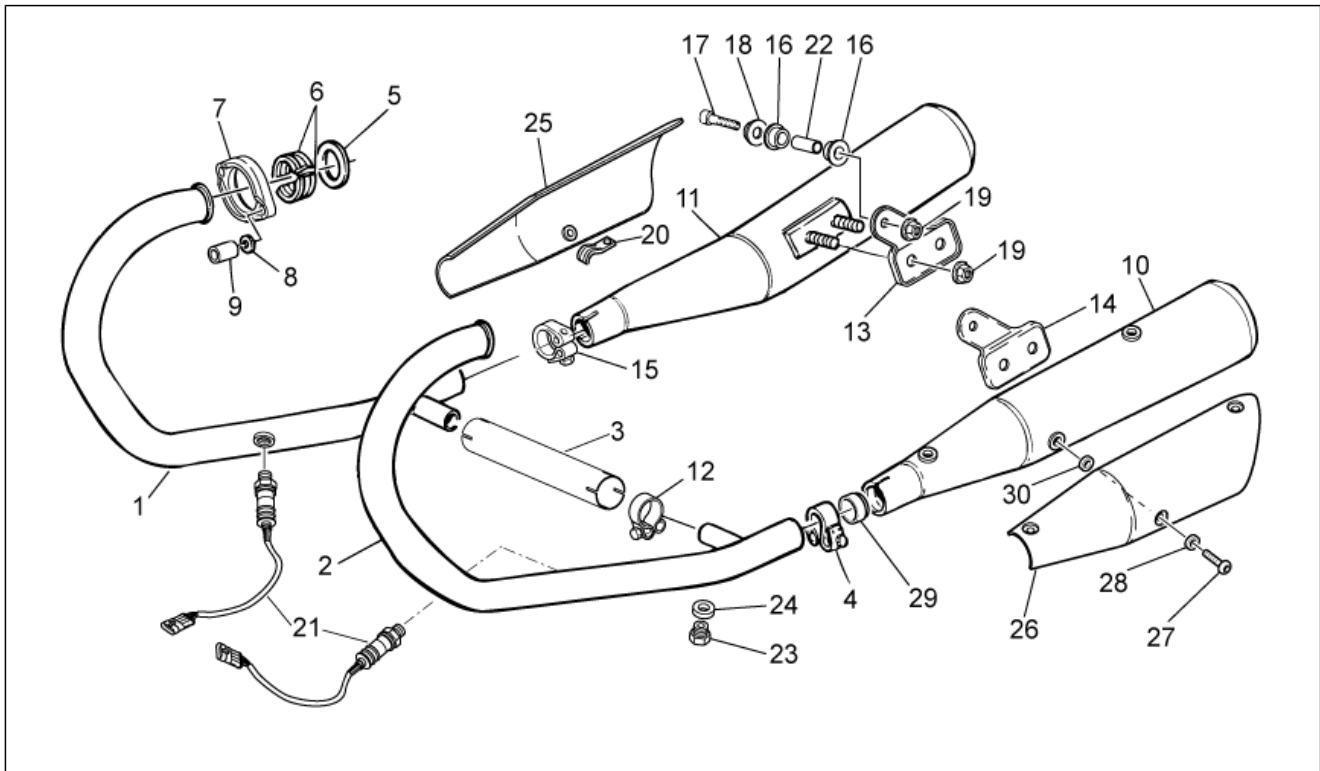
Pos.	Code	Description	Quant	Variants
1	887768	Pompe essence	1	
2	B063033	Tuyau essence	1	
3	GU05107430	Joint	1	
4	AP8152273	Vis bride	6	
5	887787	Détecteur niveau essence	1	
6	B063034	Tuyau essence	1	

Groupe	CHASSIS
Code	33.23
Description	Groupe echappement
Révision	1



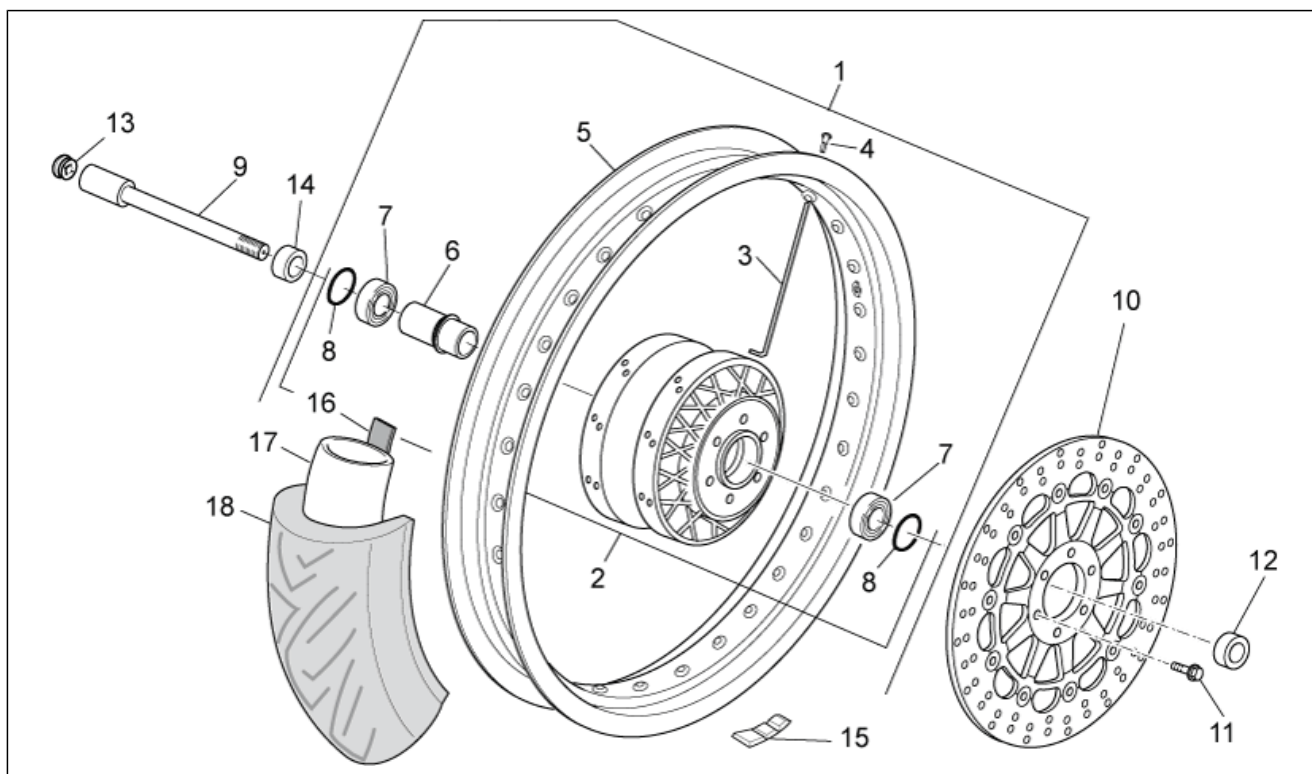
Pos.	Code	Description	Quant	Variants
1	887846	Tuyau échappement d.	1	
2	887847	Tuyau échappement gche	1	
3	B063022	Raccord collecteurs échap.	1	
4	978387	Collier silencieux gauche	1	
5	GU19025280	Joint	2	
6	GU19025460	Entretoise	4	
7	GU32121010	Bague	2	
8	GU03013800	Rondelle 6,4x12	4	
9	GU31121880	Ecrou	4	
10	8837125	Silencieux G	1	
11	8837115	Silencieux D	1	
12	978385	Collier	2	
13	GU32128610	Plaque d.	1	
14	GU32129010	Plaque g.	1	
15	978386	Collier silencieux droit	1	
16	AP8144071	Caoutchouc pot	4	
17	GU98680440	Vis M8x40	2	
18	AP8134378	Douille fixation silencieux	2	
19	GU92640508	Ecrou M8	6	
20	GU933011755	Cavalier	1	
21	896110	Sonde lamda l.660 mm	2	
22	AP8121072	Entretoise	2	
23	GU98110007	Bouchon	2	
24	GU30109330	Joint	2	
25	GU32121910	Protect.dte	1	
26	GU32121911	Protect.gche	1	
27	GU98370609	Vis M6x10	6	
28	GU95005306	Rondelle 6,4x13x1,5	6	

Groupe	CHASSIS
Code	33.23
Description	Groupe echappement
Révision	1



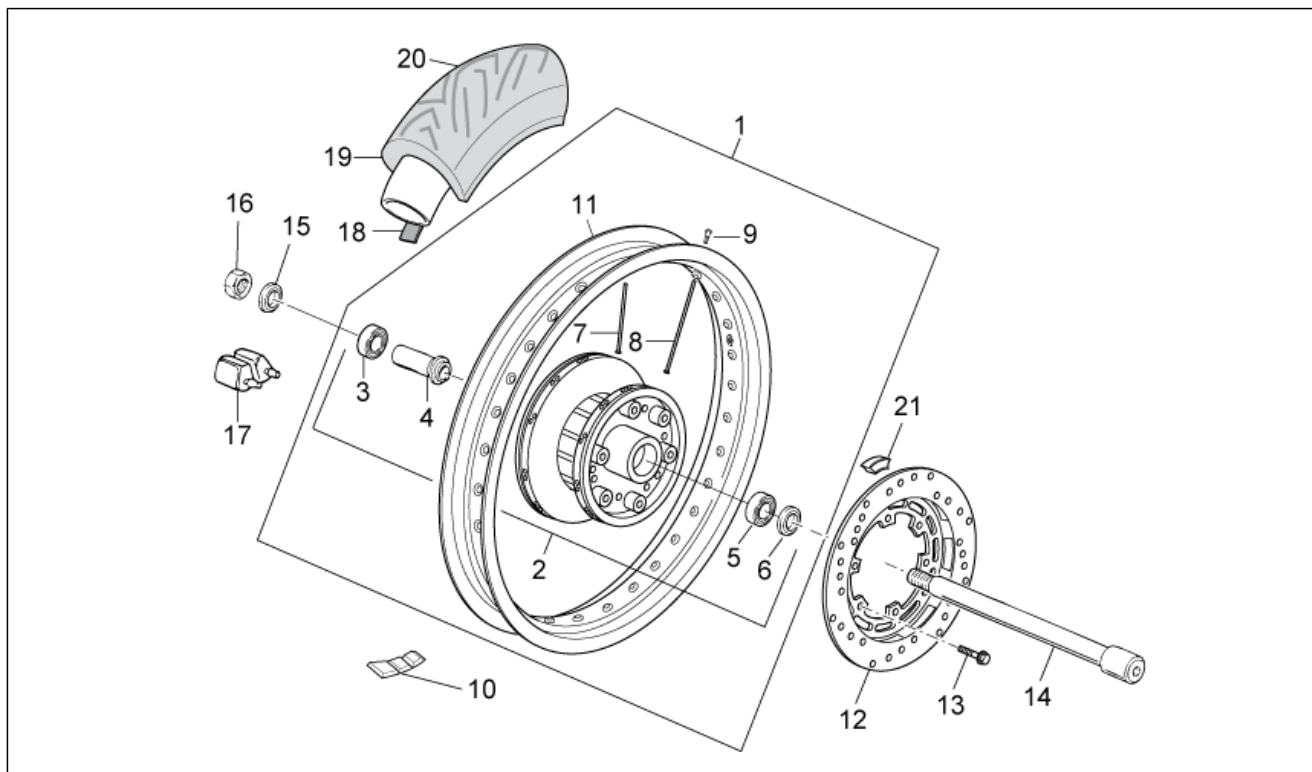
Pos.	Code	Description	Quant	Variants
29	GU91113826	Douille	2	
30	AP8221297	Rondelle isolante	6	

Groupe	CHASSIS
Code	33.24
Description	Roue Av.
Révision	1



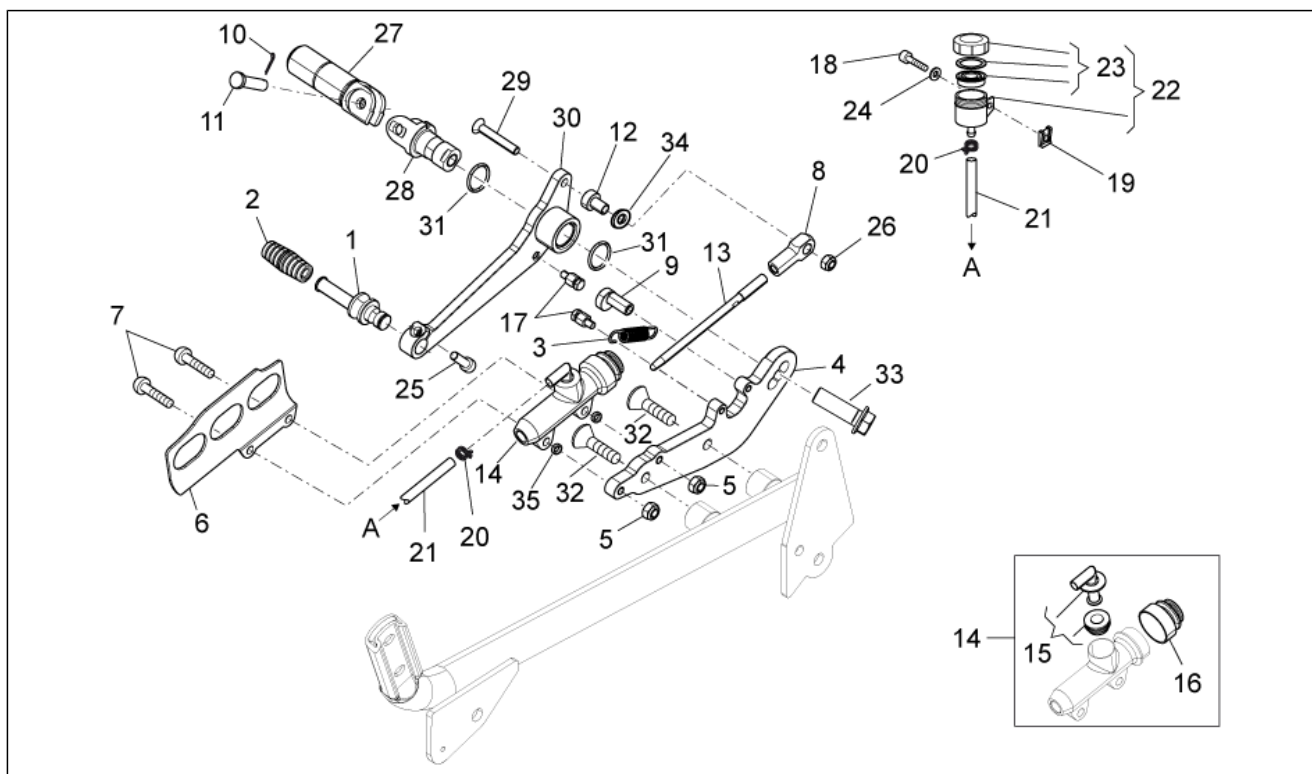
Pos.	Code	Description	Quant	Variants
1	B063265	Roue AV nue	1	
2	886681	Moyeu avant	1	
3	B063144	Rayon roue AV	36	
4	GU03631250	Nipples	36	
5	B063077	Jante avant 2.5X18"	1	
6	GU31615260	Entretoise roulements	1	
7	GU92204221	Roulement	2	
8	GU90402642	Bague d'étanchéité	1	
9	GU31614183	Axe de roue AV	1	
10	883688	Disque frein avant 320	1	
11	AP8152286	Vis bride M8x20	6	
12	GU31616384	Entretoise G	1	
13	GU93180111	Bouchon 15 mm	1	
14	GU32615660	Entretoise D	1	
15	GU14616150	Contrepoids	1	
16	0000000	Pneu s. chambre	1	
17	0000000	Pneu s. chambre	1	
18	0000000	Pneu s. chambre	1	

Groupe	CHASSIS
Code	33.25
Description	Roue arrière
Révision	1



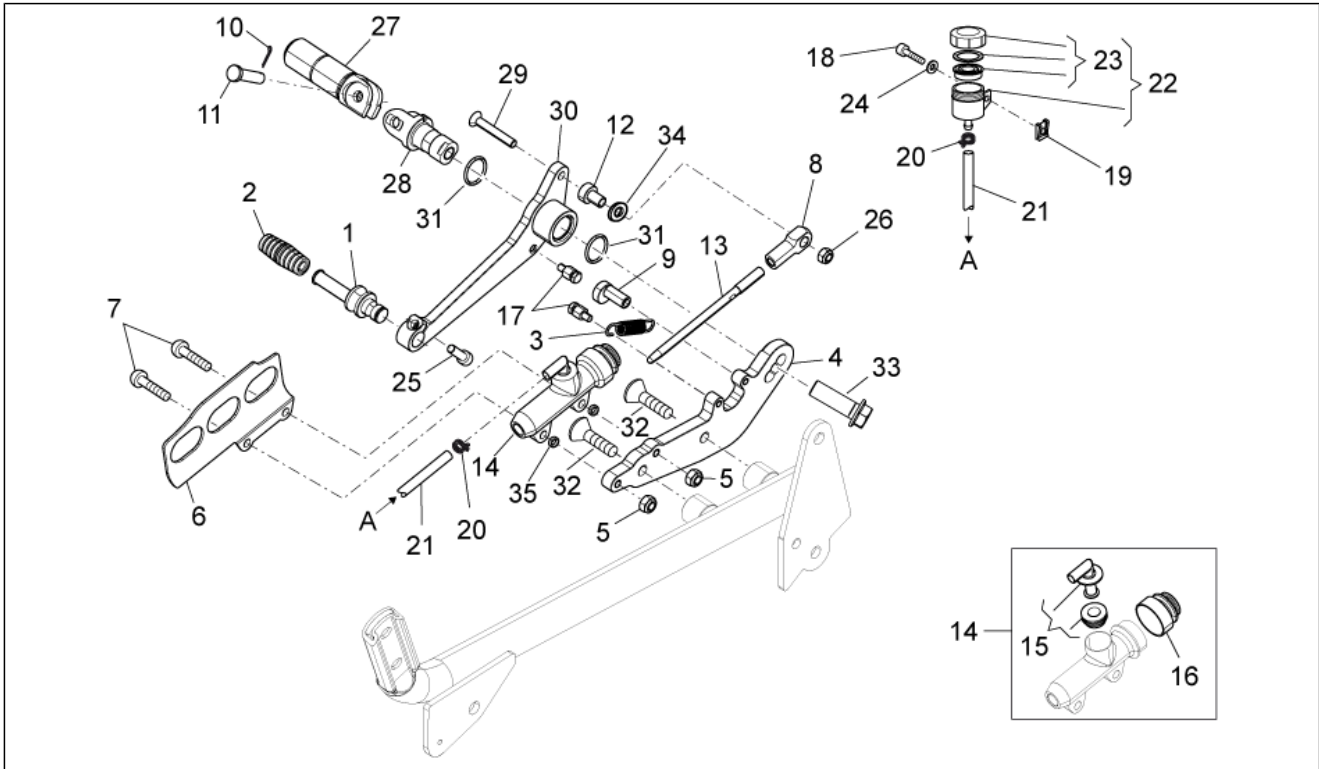
Pos.	Code	Description	Quant	Variants
1	B063267	Roue AR 3,5"x17"	1	
2	886711	Moyeu arrière	1	
3	GU92204218	Roulement	1	
4	GU27633910	Entretoise	1	
5	GU92204217	Roulement	1	
6	GU90402538	Bague d'étanchéité 25x40x7	1	
7	883350	Rayon court	18	
8	883349	Rayon long mm 158	18	
9	GU03631250	Nipples	36	
10	GU14616150	Contrepoids	1	
11	B063078	Jante arrière 3,5"x17"	1	
12	887448	Disque frein	1	
13	894505	Vis bride M8x18	6	
14	GU32633360	Axe de roue AR	1	
15	GU31634481	Rondelle	1	
16	GU92606316	Ecrou M16x1,5	1	
17	GU32632510	Joint en caoutchouc	6	
18	0000000	Pneu s. chambre	1	
19	0000000	Pneu s. chambre	1	
20	0000000	Pneu s. chambre	1	
21	GU32636160	Coatrouc pour support	1	

Groupe	CHASSIS
Code	33.26
Description	Maît.cyl. frein AR
Révision	1



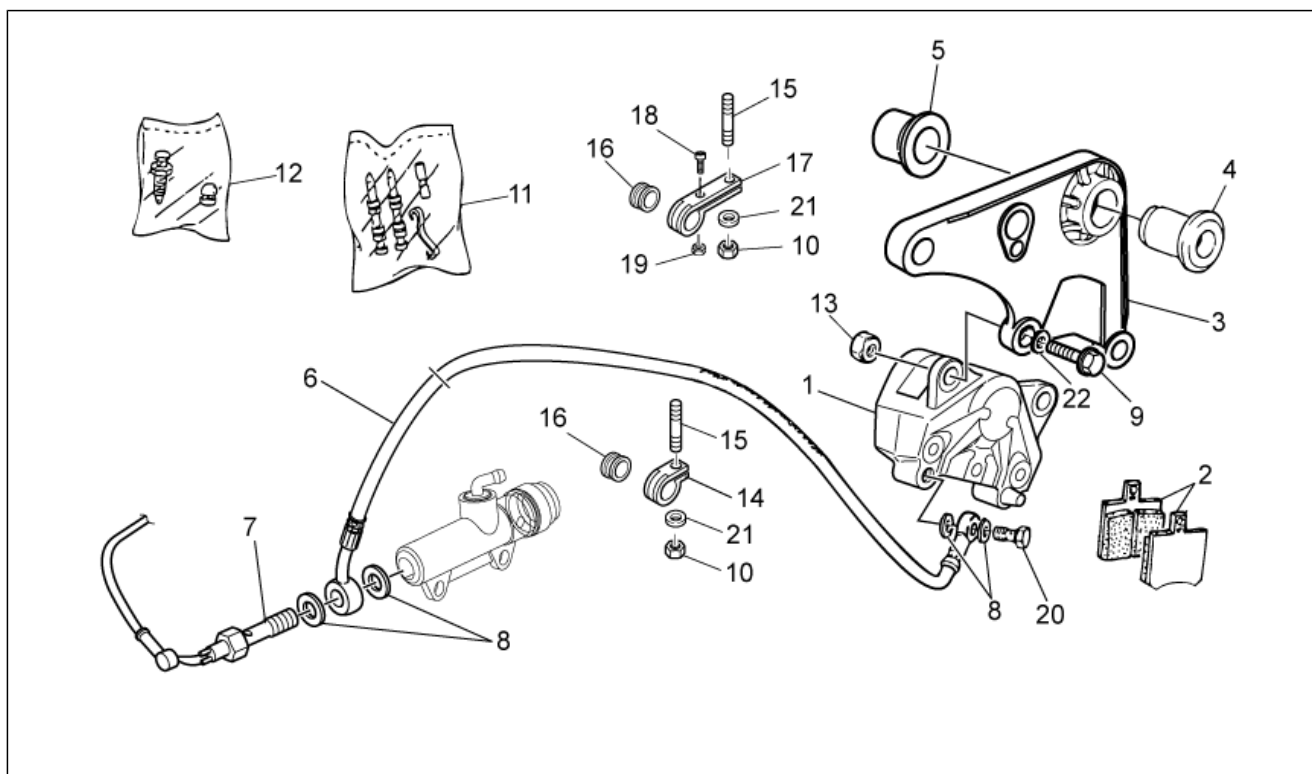
Pos.	Code	Description	Quant	Variants
1	886665	Tige	1	
2	AP8120912	Caoutchouc pour levier	1	
3	AP8121927	Ressort man.ferin ar.	1	
4	898288	Piastra pedana pilota	1	
5	GU92630206	Ecrou M6x1	2	
6	GU01665410	Protection maître cyl.noire	1	
7	GU98370625	Vis	2	
8	GU18257551	Bloc	1	
9	886666	Douille excentrique	1	
10	GU95401215	Goupille	1	
11	GU23442210	Pivot	1	
12	898287	Goujon de levier	1	
13	978970	Poussoir cde mai-cyl.	1	
14	AP8133643	Maît.cyl. frein AR	1	
15	AP8213057	Raccord pompe arrière	1	
16	AP8113288	Soufflet en caoutchouc	1	
17	898286	Pivot fix. ressort	2	
18	GU98682215	Vis	1	
19	AP8102375	Clip m5	1	
20	AP8101594	Collier D10,1*	2	
21	GU00823950050	Tuyau huile	1	
22	AP8133873	Réserv.huile freins	1	
23	AP8113553	Bouchon réservoir	1	
24	GU95100059	Rondelle 5,25x14x1,5	1	
25	AP8150044	Vis M6x20	1	
26	AP8150115	Ecrou autofr. bas M6	1	
27	898281	R-pied pilote D	1	
28	898612	Sup.pl.pilote dte	1	

Groupe	CHASSIS
Code	33.26
Description	Maît.cyl. frein AR
Révision	1



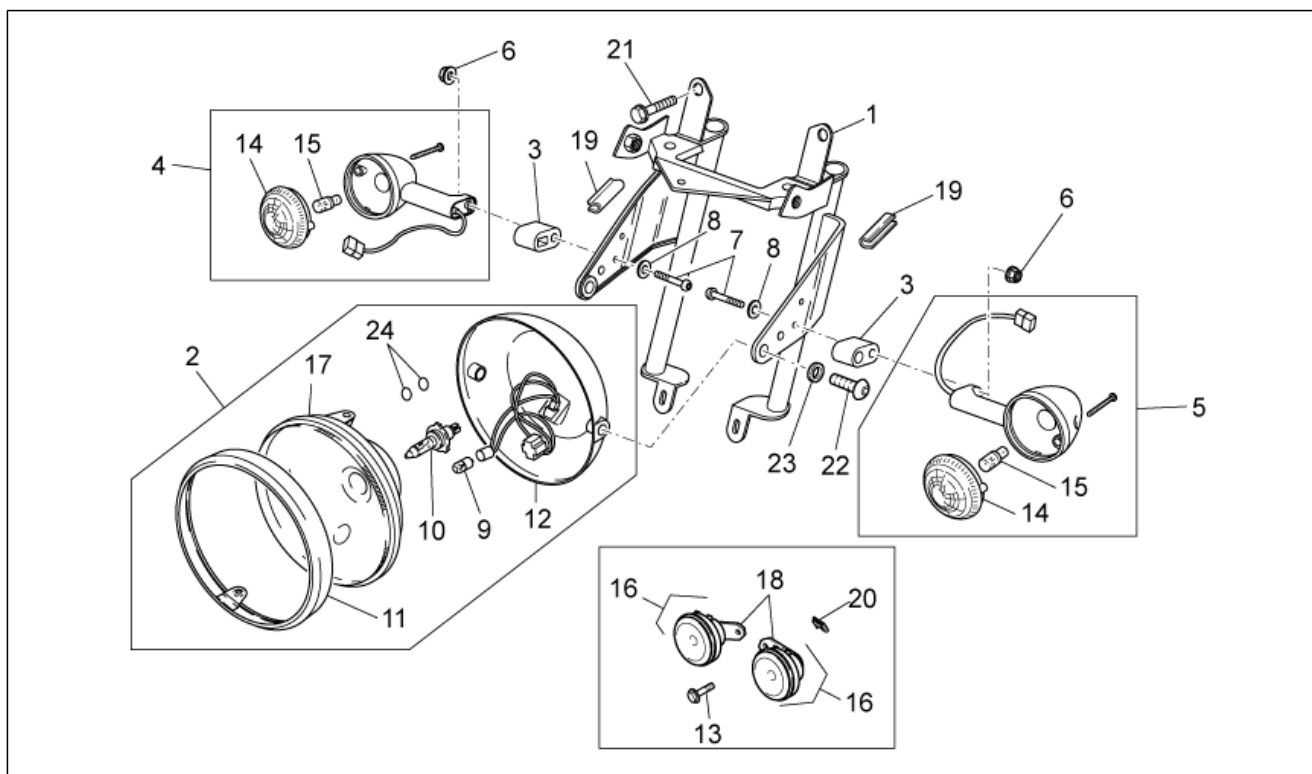
Pos.	Code	Description	Quant	Variants
29	AP8150468	Vis FHC M6x40	1	
30	898285	Levier frein	1	
31	AP9100477	Joint torique 18x2	2	
32	GU98252420	Vis FHC M8x20	2	
33	AP8152320	Vis bride	1	
34	GU03270300	Rondelle 8,4x15	1	
35	AP8134640	Entretoise corps filtre	2	

Groupe	CHASSIS
Code	33.27
Description	Pince frein AR
Révision	1



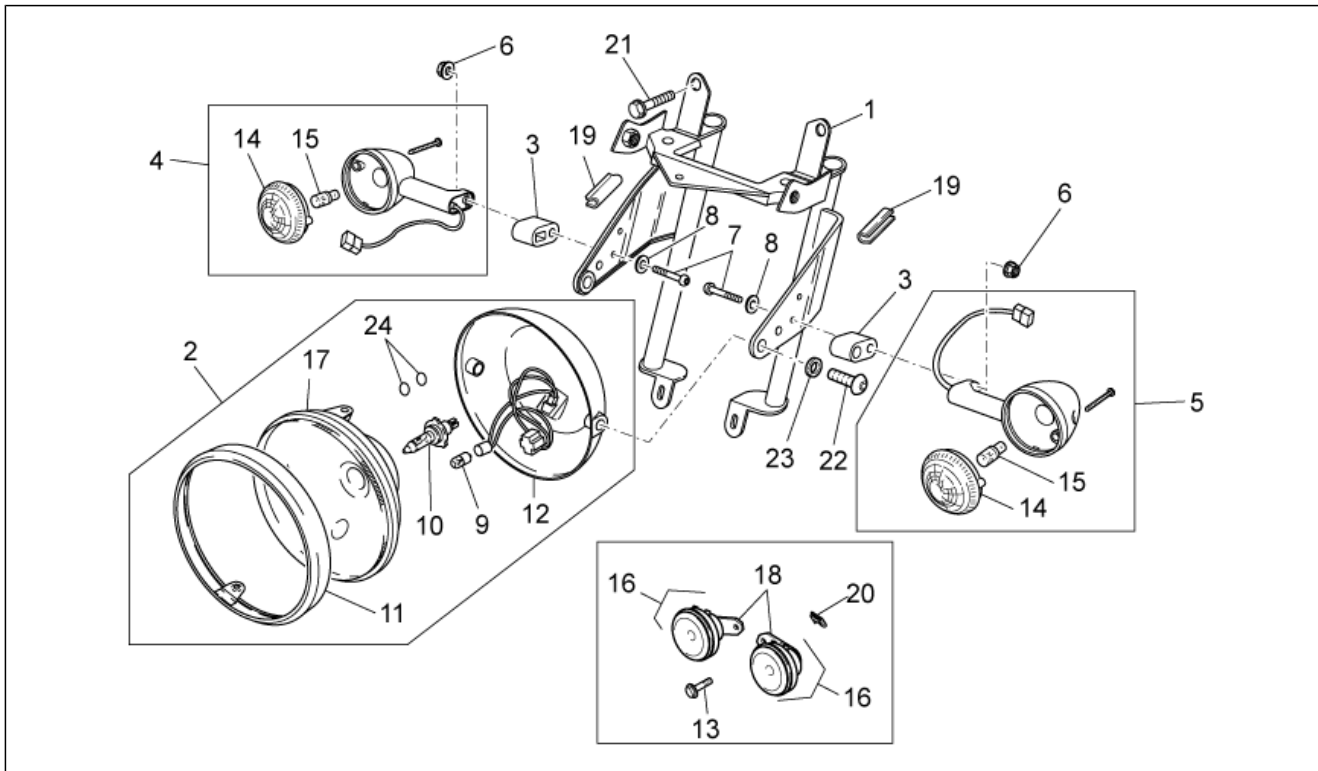
Pos.	Code	Description	Quant	Variants
1	887449	Pince frein arrière	1	
2	AP8133798	Plaquettes-paire	1	
3	887431	Plaque support étrier frein	1	
4	GU31634281	Douille	1	
5	GU32634160	Entretoise	1	
6	887457	Tuyau frein arrière	1	
7	883192	Interrupteur	1	
8	AP8113004	Rondelle 10x14x1,6*	4	
9	AP8152288	Vis bride	2	
10	AP8152299	Ecrou autobloqu. M6	2	
11	GU31659181	Kit Axes+ressort	1	
12	GU31659281	Purge+capuchon	1	
13	AP8152300	Ecrou autobloqu. M8	2	
14	GU03658430	Collier	1	
15	GU96451316	Vis sans tête	1	
16	GU03658201	Bague	2	
17	GU03658330	Collier	1	
18	GU98257410	Vis	1	
19	GU92630104	Ecrou M4x0,7	1	
20	AP8113003	Vis tuyau huile *	1	
21	GU95008306	Rondelle 6,4x12x1,2	2	
22	GU61270300	Rondelle élastique 8x15x0,3	1	

Groupe	CHASSIS
Code	33.28
Description	Feux avant
Révision	1



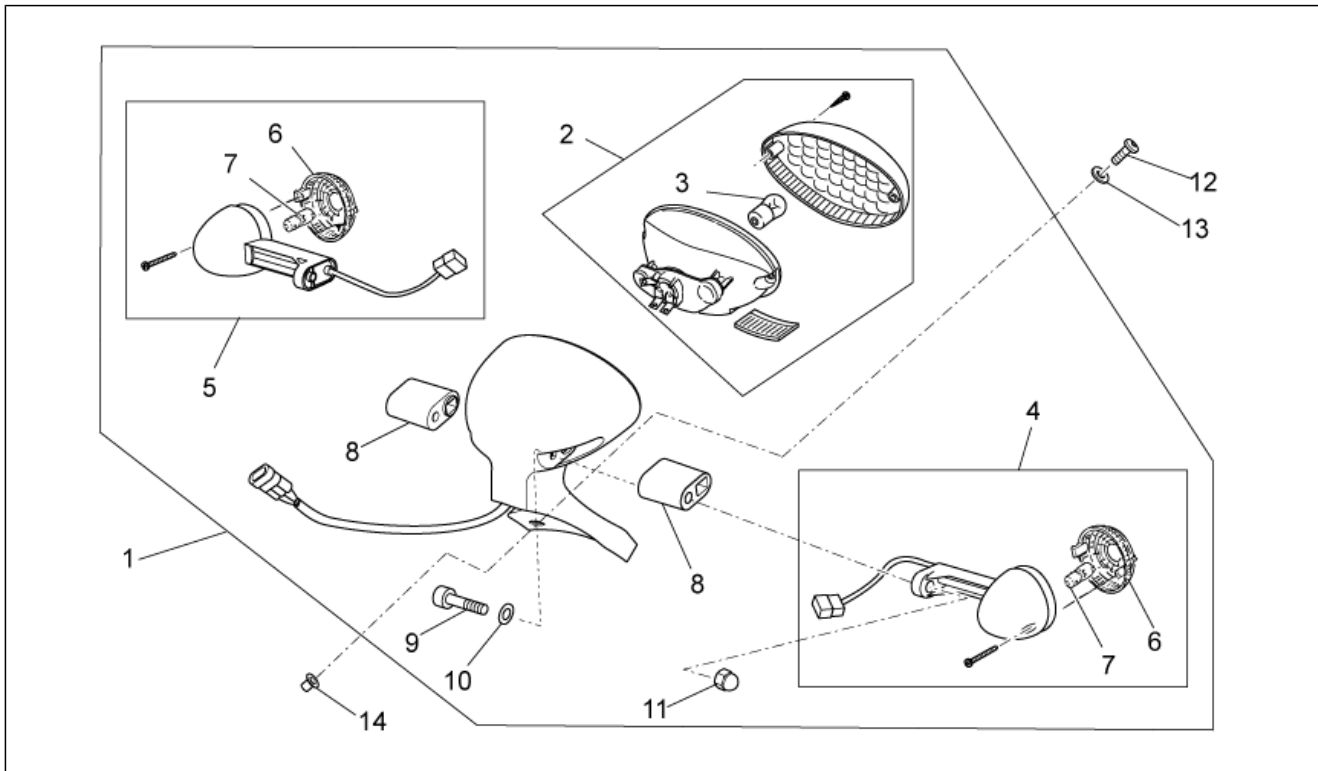
Pos.	Code	Description	Quant	Variants
1	GU32506360	Bride support feu	1	
2	978311	Phare avant	1	Pays:Canadian[CA], europa[EU], USA[USA]
2	978662	Projecteur av.complet gauche	1	Pays:Angleterre[UK]
3	GU32753410	Entretoise	2	
4	887826	Clignot.av.dr./arr.ga.	1	Pays:Australie[AA], europa[EU], Angleterre[UK]
4	B063800	***Clignotant AV droite	1	Pays:Canadian[CA], USA[USA]
5	887827	Clignot.av.ga./arr.dr.	1	Pays:Australie[AA], Japon[J], Angleterre[UK]
5	B063801	***Clignotant avant gauche	1	Pays:Canadian[CA], USA[USA]
6	GU92787006	Ecrou borgne M6x1	2	
7	GU98370655	Vis	2	
8	GU95021206	Rondelle	2	
9	292022	Lampe (ou Ampoule) 12V-5W	1	
10	292723	Lampe (ou Ampoule) H4 60/55W 12V	1	
11	640598	Bague chromée	1	
12	981149	Calotte, noir	1	Pays:Angleterre[UK]
12	981149	Calotte, noir	1	
13	AP8152278	Vis bride M6x16	2	
14	B063735	Vitre clignotant	2	Pays:Australie[AA], europa[EU], Angleterre[UK]
14	GU32753711	Vitre clignotant	2	Pays:Canadian[CA], USA[USA]
15	GU93450126	Lampe orange	2	Pays:Australie[AA], europa[EU], Angleterre[UK]
15	GU93450127	Lampe (ou Ampoule)	2	Pays:Canadian[CA], USA[USA]
16	890979	Klaxon	2	
17	GU06740400	Groupe optique	1	Pays:Australie[AA], Canadian[CA], europa[EU], USA[USA]
17	GU06740401	Groupe optique complet gauche	1	Pays:Angleterre[UK]
18	GU01744200	Bride	6	
19	GU00823931055	Joint	1	
20	254485	Plaquette elastique M6	2	
21	GU98880540	Vis M10x40	2	

Groupe	CHASSIS
Code	33.28
Description	Feux avant
Révision	1



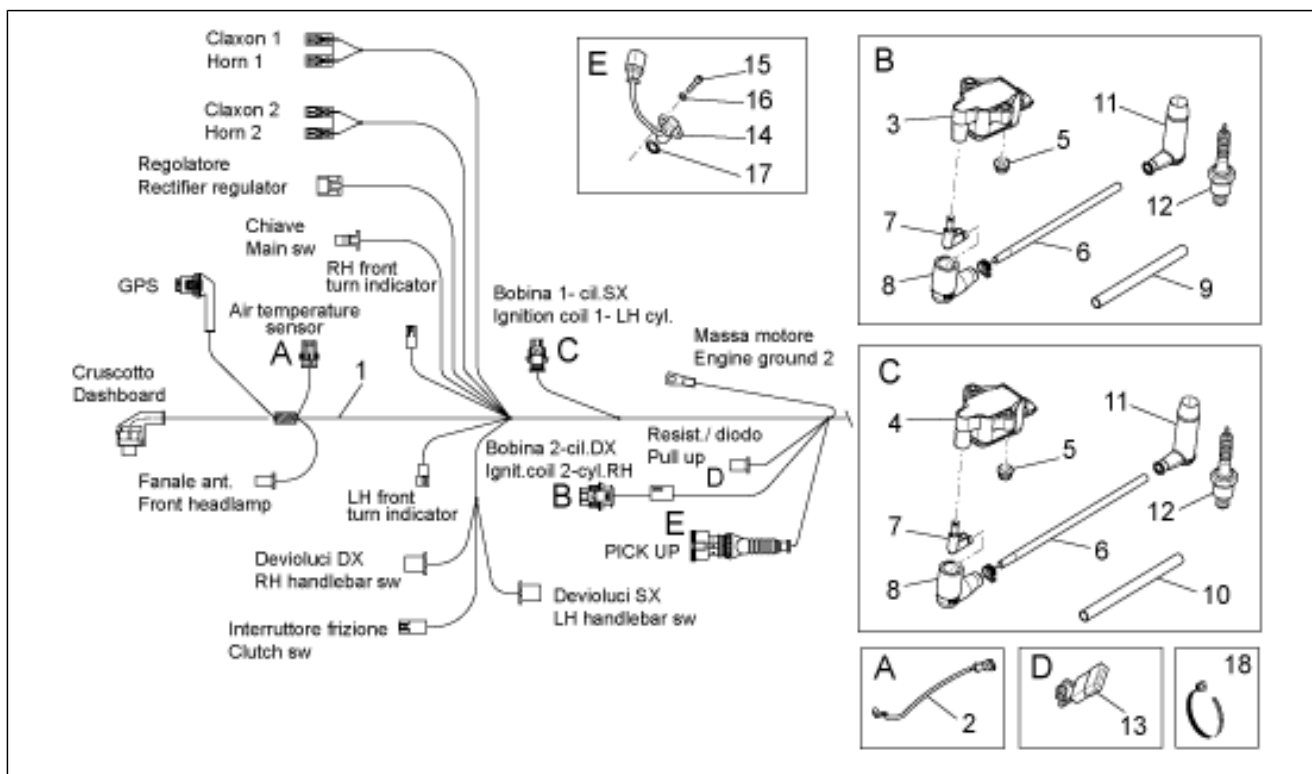
Pos.	Code	Description	Quant	Variants
22	GU98370831	Vis M8x30	2	
23	GU95005308	Rondelle 8,4x14,57x1,6	2	
24	883417	Joint torique	2	

Groupe	CHASSIS
Code	33.29
Description	Feux arriere
Révision	1



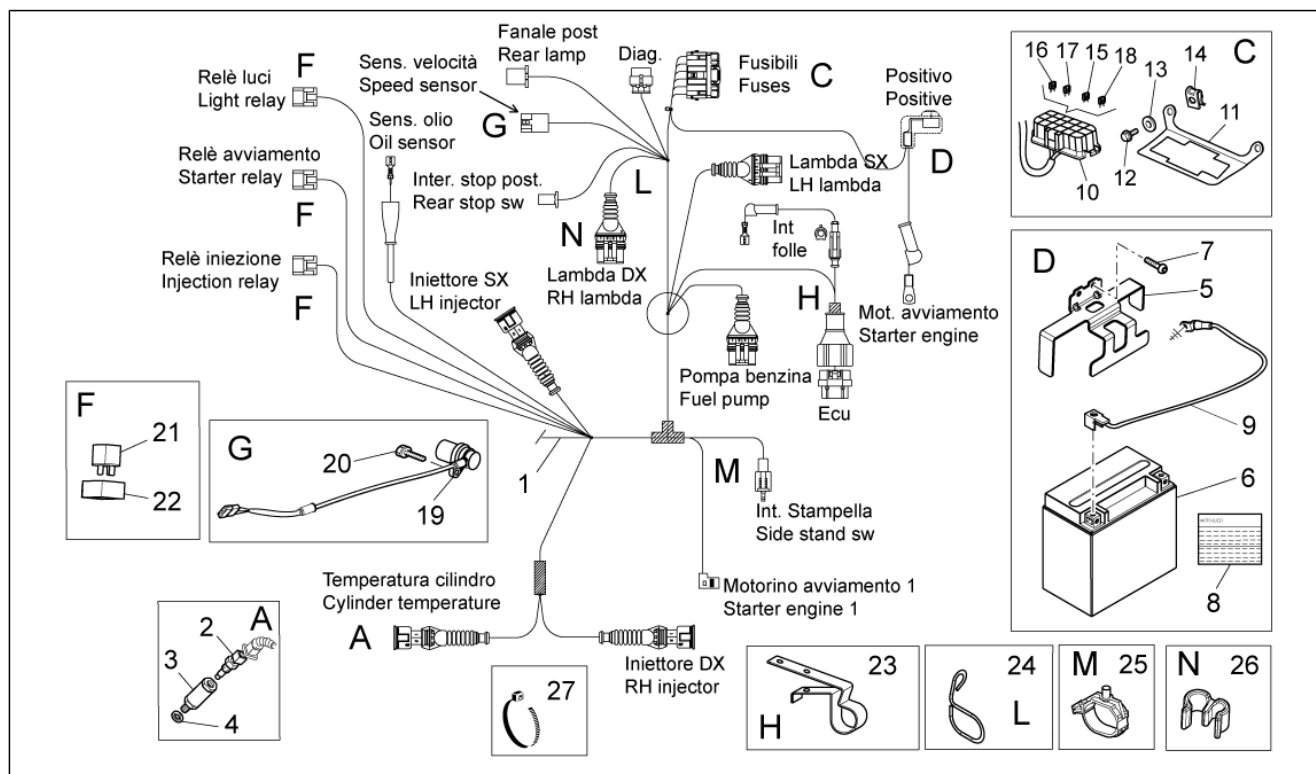
Pos.	Code	Description	Quant	Variants
1	883479	Phare AR cpl.	1	Pays:Canadian[CA], USA[USA]
1	887877	Phare AR cpl.	1	Pays:Australie[AA], europa[EU], Japon[J]
2	GU03740930	Feu arrière	1	
3	GU93450224	Lampe (ou Ampoule)	1	
4	887826	Clignot.av.dr./arr.ga.	1	Pays:Australie[AA], europa[EU], Angleterre[UK]
4	GU32750661	Clignot.av.dr./arr.ga.	1	Pays:Canadian[CA], USA[USA]
5	883478	Clignot.av.ga./arr.dr.	1	Pays:Canadian[CA], USA[USA]
5	887827	Clignot.av.ga./arr.dr.	1	Pays:Australie[AA], europa[EU], Angleterre[UK]
6	B063735	Vitre clignotant	1	Pays:Australie[AA], europa[EU], Angleterre[UK]
6	GU32753711	Vitre clignotant	2	Pays:Canadian[CA], USA[USA]
7	584332	Lampe (ou Ampoule) 12V-10W	2	
7	GU93450127	Lampe (ou Ampoule)	2	Pays:Canadian[CA], USA[USA]
8	GU32753410	Entretoise	2	
9	GU98370655	Vis	2	
10	GU95021206	Rondelle	2	
11	GU92787006	Ecrou borgne M6x1	2	
12	GU98350215	Vis	3	
13	GU30577800	Rondelle nylon 5,5X12X1	3	
14	GU93231605	Douille anti vibr.	3	

Groupe	CHASSIS
Code	33.30
Description	Circuit électrique I
Révision	1



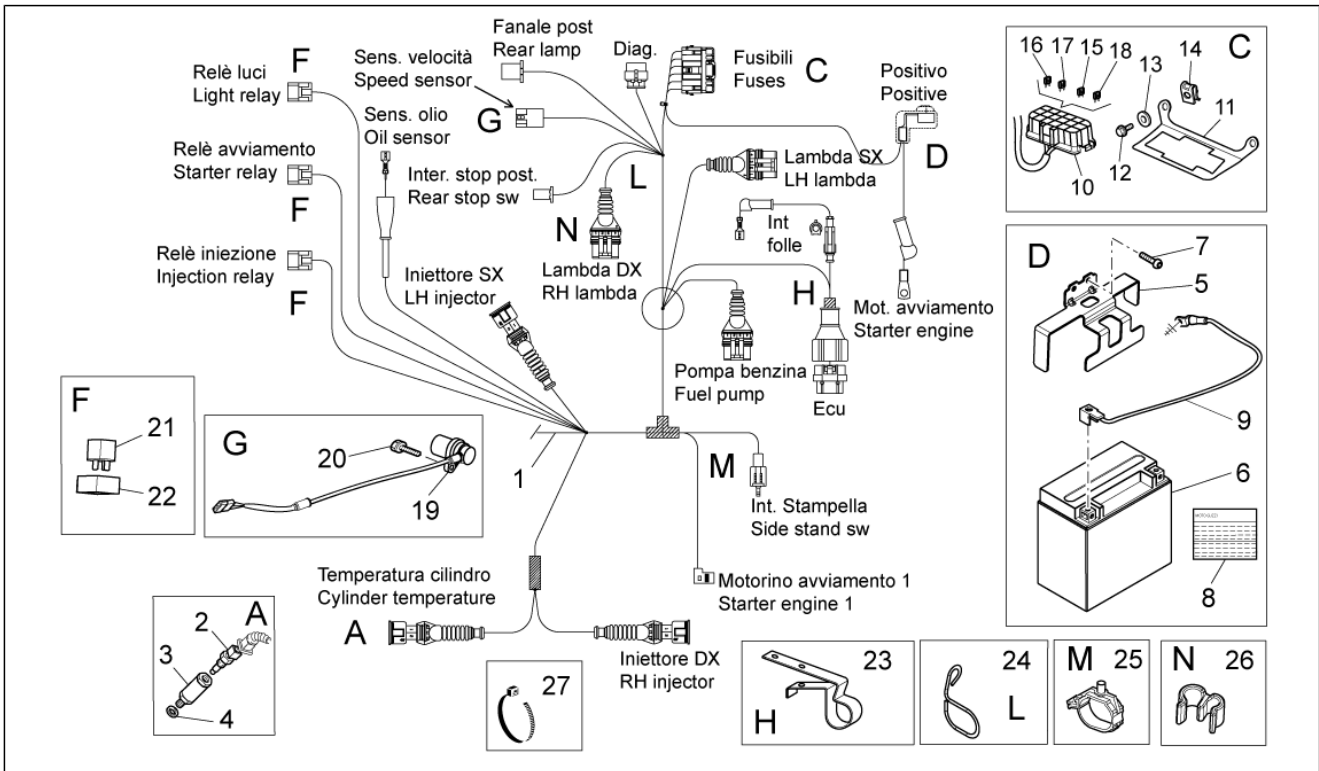
Pos.	Code	Description	Quant	Variants
1	887825	Câblage principal	1	
2	AP8124936	Détec. temper. air	1	
3	642034	Bobine HT DX	1	
4	641901	Bobine HT SX	1	
5	AP8152299	Ecrou autobloqu. M6	4	
6	080341	Cable HT	2	
7	641725	Terminale A.T.	2	
8	641040	Capuchon isolant	2	
9	CM007423	Gaine câble noire	1	
10	CM0074C9	Guaina cavo grigia	1	
11	GU02717450	Pipe bougie NGK	2	
12	828708	Bougie RG6YC (Champion)	2	
12	887481	Bougie NGK CPR8EB-9	2	
13	887948	Diode	1	
14	GU01721600	Capteur phase/tours	1	
14	GU98682212	Vis M5x12	2	
15	GU95008205	Rondelle 5,3x10x0,8	2	
16	GU90706141	Joint torique	1	
17	GU14609650	Collier 3,6x20,6	31	
17	GU49609601	Collier 2,4x92	1	
18	AP8120416	Collier, noir 178x4*	1	

Groupe	CHASSIS
Code	33.31
Description	Circuit électrique II
Révision	1



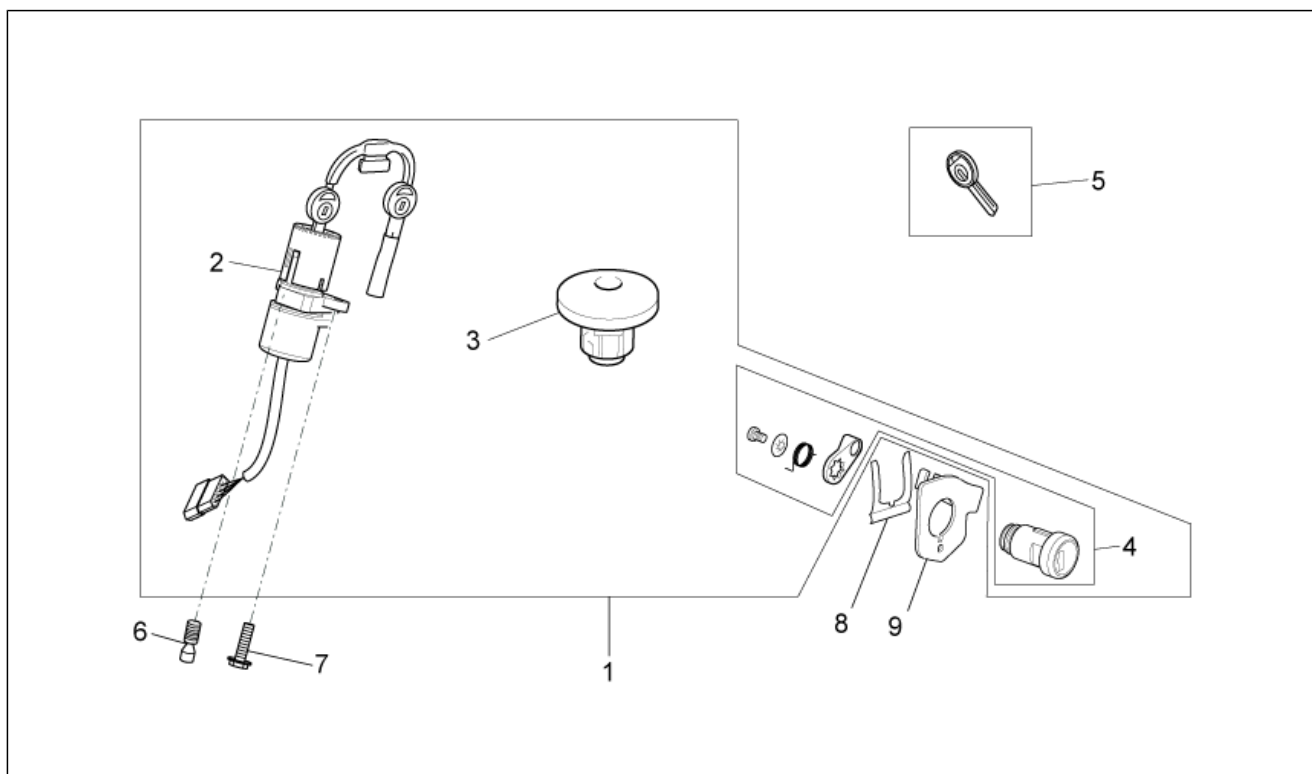
Pos.	Code	Description	Quant	Variants
1	887825	Câblage principal	1	
2	GU29729461	Capteur température huile	1	
3	GU03163330	Support détecteur	1	
4	GU95004210	Rondelle 10,2x18x2	1	
5	B063233	Support batterie	1	
6	638733	Batterie Yuasa 12V-12Ah (150x85x145)	1	
7	GU98370616	Vis M6x16 inox	2	
8	GU32517710	Décalco "Battery service"	1	
9	GU32747910	Câblage masse-batterie	1	
10	584211	Boîte à fusibles	1	
11	883161	Support p-fusibles	1	
12	GU98682212	Vis M5x12	2	
13	GU95100059	Rondelle 5,25x14x1,5	2	
14	AP8102375	Clip m5	2	
15	CM225705	Fusible 5A	2	
16	CM225710	Fusible 10A	1	
17	CM225715	Fusible 15A	2	
18	CM225730	Fusible 30A	1	
19	893570	Capteur tachym. cpl.	1	
20	AP8150377	Vis	1	
21	AP8224462	Relais 12V/30A	3	
22	AP8220283	Caoutchouc *	3	
23	B043850	Collier	1	
24	AP8181140	Passe-câble	1	
25	CM013202	Molletta ritegno tubi/cavi	1	
26	894704	Passe-câble	1	
27	AP8120416	Collier, noir 178x4*	1	
27	GU14609650	Collier 3,6x20,6	21	

Groupe	CHASSIS
Code	33.31
Description	Circuit électrique II
Révision	1



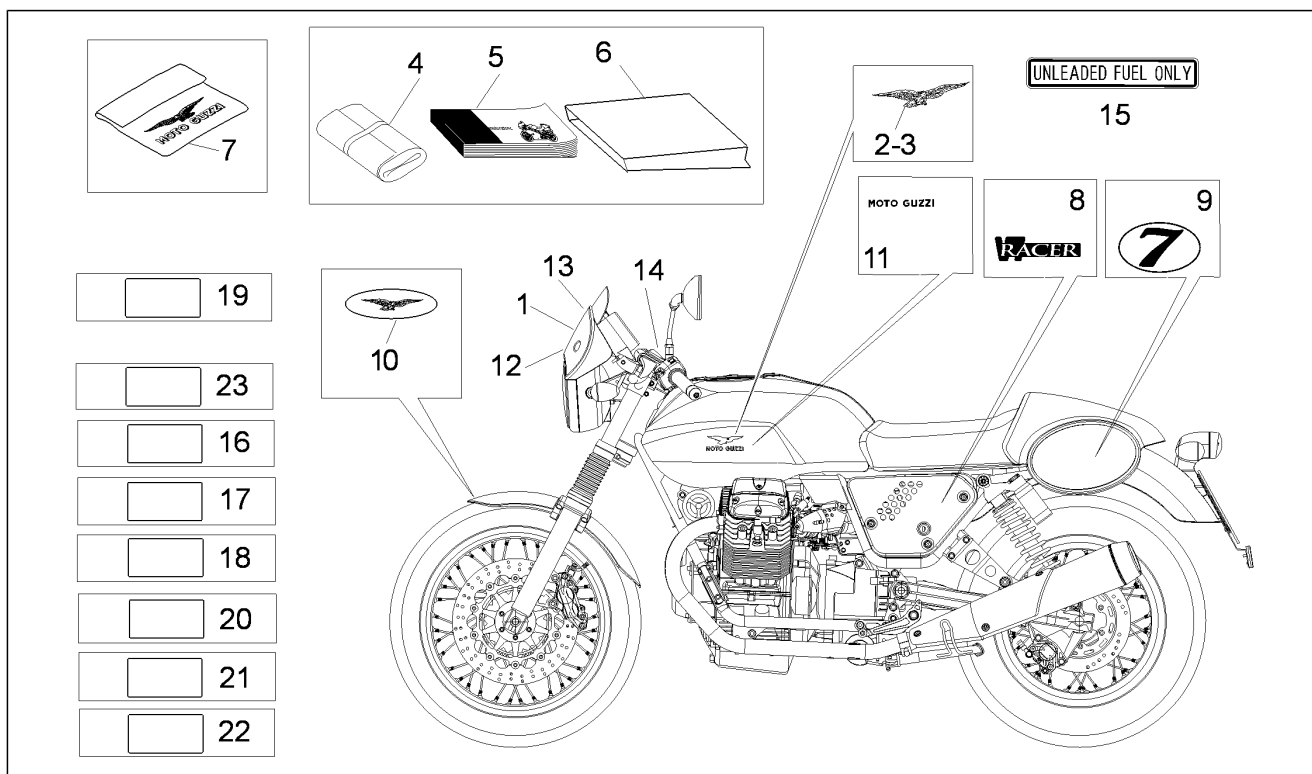
Pos.	Code	Description	Quant	Variants
27	GU49609601	Collier 2,4x92	1	

Groupe	CHASSIS
Code	33.32
Description	Kit serrure
Révision	1



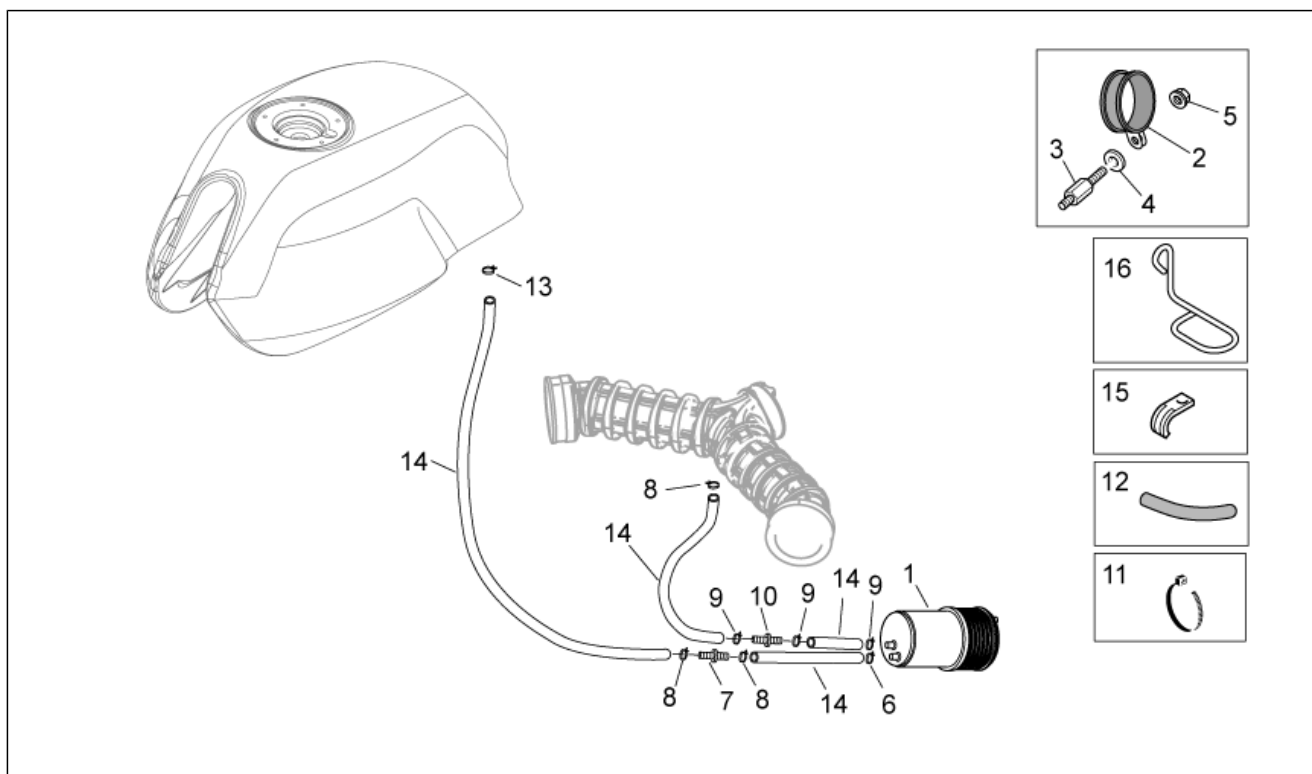
Pos.	Code	Description	Quant	Variants
1	883477	Kit serrures	1	Pays:Canadian[CA], USA[USA]
1	887873	Kit serrures	1	Pays:Australie[AA], europa[EU], Angleterre[UK]
2	GU32782510	Bloc démarreur-bloc	1	
3	883476	Bouchon réservoir	1	Pays:Canadian[CA], USA[USA]
3	887874	Bouchon réservoir	1	Pays:Australie[AA], europa[EU], Angleterre[UK]
4	977527	Serrure selle	1	
5	GU32735510	Clé pas cantée brut-coque go	1	
5	GU32735511	Clé pas cantée brut-coque cr	1	
6	AP8150349	Vis spéciale M8x15	1	
7	GU98682416	Vis M8x16	1	
8	AP8121420	Ressort à fourche	1	
9	978415	Plaque support câble	1	

Groupe	CHASSIS
Code	33.33
Description	Décalco et plaquettes
Révision	1



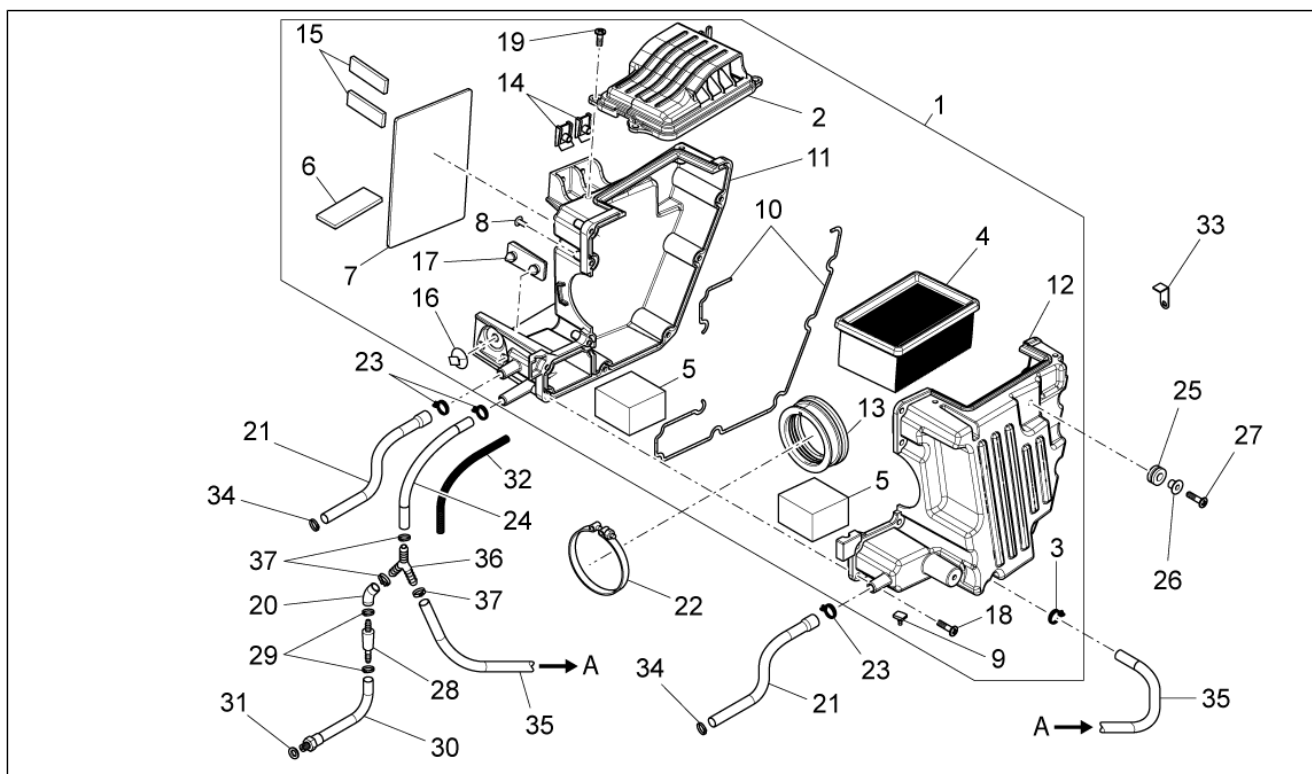
Pos.	Code	Description	Quant	Variants
1	B063148	Décalque coupole 7	1	
2	898174	Décalco D. "Aquila"	1	
3	886678	Décalco G. "Aquila"	1	
4	GU32909960	Trousse à outils	2	
5	887854	Manuel instructions I-F-D-NL-E-UK	1	
5	B063252	Manuel instr. -USA-	1	Pays:Canadian[CA], USA[USA]
6	GU05900130	Sachet pour documents	1	
7	GU30970200	Housse protect. moto	1	
8	886643	Plaquettes V7 Racer	2	
9	B063149	Déc.Queue	2	
10	886141	Décalco "Aquila"	1	
11	886825	Décalco "Moto Guzzi"	1	
12	886638	Décalco ligne rouge	1	
13	886637	Décalco ligne rouge	1	
14	886644	Plaquettes "RACER"	1	
15	GU03995730	Décalco "Unleaded Fuelonly"	1	Pays:Australie[AA]
16	884348	***Décalco	1	Pays:Canadian[CA], USA[USA]
17	AP8257609	Décalco miroir	1	Pays:Canadian[CA], USA[USA]
18	AP8257794	Décalco batterie	1	Pays:Canadian[CA], USA[USA]
19	AP8257742	Décalco WARNING	1	Pays:Canadian[CA], USA[USA]
20	884344	Décalco émissions sonores	1	Pays:Canadian[CA], USA[USA]
21	884345	Emission control sticker	1	Pays:Canadian[CA], USA[USA]
22	884346	Carbon filter sticker	1	Pays:Canadian[CA], USA[USA]
23	B045974	Décalco Essence E15	1	Pays:Canadian[CA], USA[USA]

Groupe	CHASSIS
Code	33.51
Description	Sys.récup.vap.ess.
Révision	1



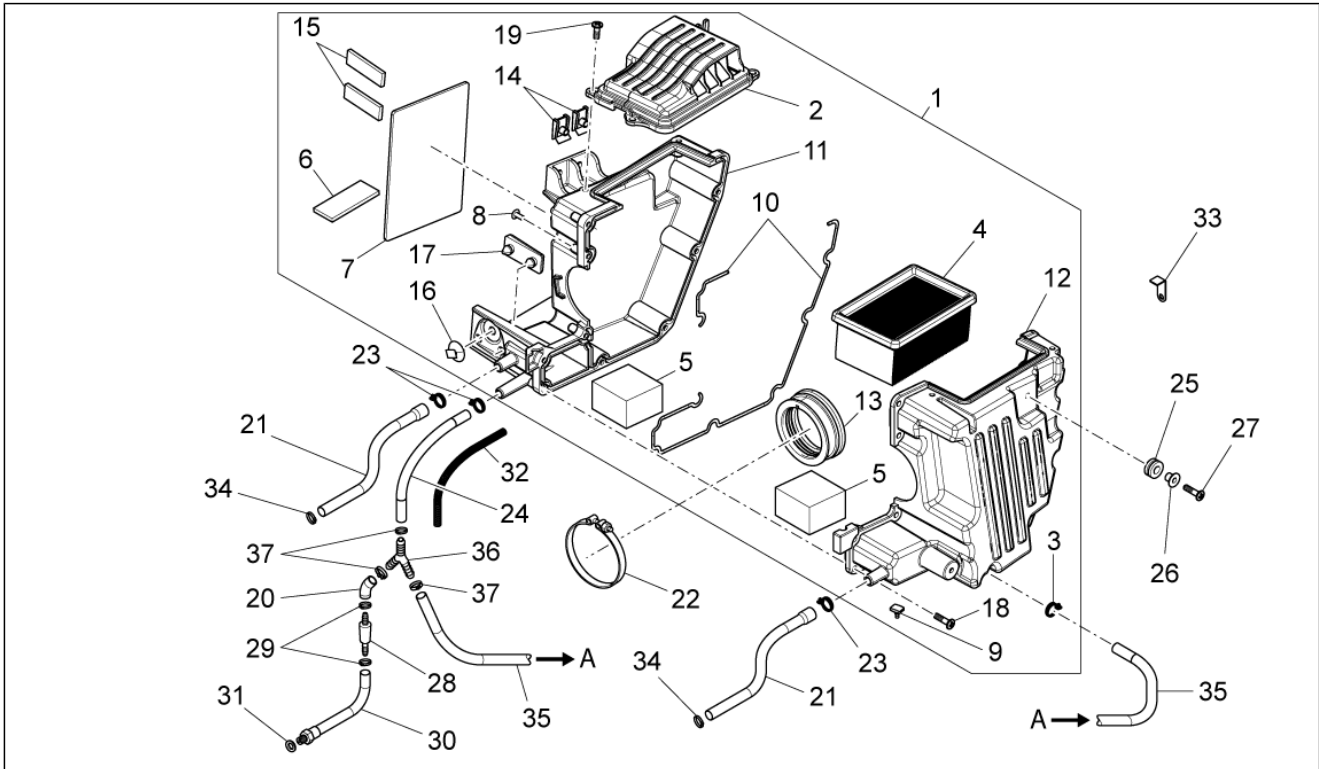
Pos.	Code	Description	Quant	Variants
1	AP8102678	Filtre à charbon	1	Pays:Canadian[CA], USA[USA]
2	AP8102688	Collier d.76	1	Pays:Canadian[CA], USA[USA]
3	GU32439260	Sup.canister USA	1	Pays:Canadian[CA], USA[USA]
4	GU95005311	Rondelle	1	Pays:Canadian[CA], USA[USA]
5	AP8152299	Ecrou autobloqu. M6	1	Pays:Canadian[CA], USA[USA]
6	AP8102159	Collier	1	Pays:Canadian[CA], USA[USA]
7	860138	Soupape	1	Pays:Canadian[CA], USA[USA]
8	GU28157950	Collier clic 12,5x8	4	Pays:Canadian[CA], USA[USA]
9	AP8120446	Collier clic, vert D11x6,6x1	2	Pays:Canadian[CA], USA[USA]
10	AP8121267	Queue de étranglement	1	Pays:Canadian[CA], USA[USA]
11	AP8120416	Collier, noir 178x4*	1	Pays:Canadian[CA], USA[USA]
12	GU00823923140	Gaine thermique	4	Pays:Canadian[CA], USA[USA]
13	AP8201358	Collier D 11,9	1	Pays:Canadian[CA], USA[USA]
14	856063	Tuyau SAE 30 d.12,7x6,35	3	Pays:Canadian[CA], USA[USA]
15	GU93301313	Cavalier	1	Pays:Canadian[CA], USA[USA]
16	AP8221114	Guide-câble	2	Pays:Canadian[CA], USA[USA]

Groupe	CHASSIS
Code	33.52
Description	Corps filtre II
Révision	1



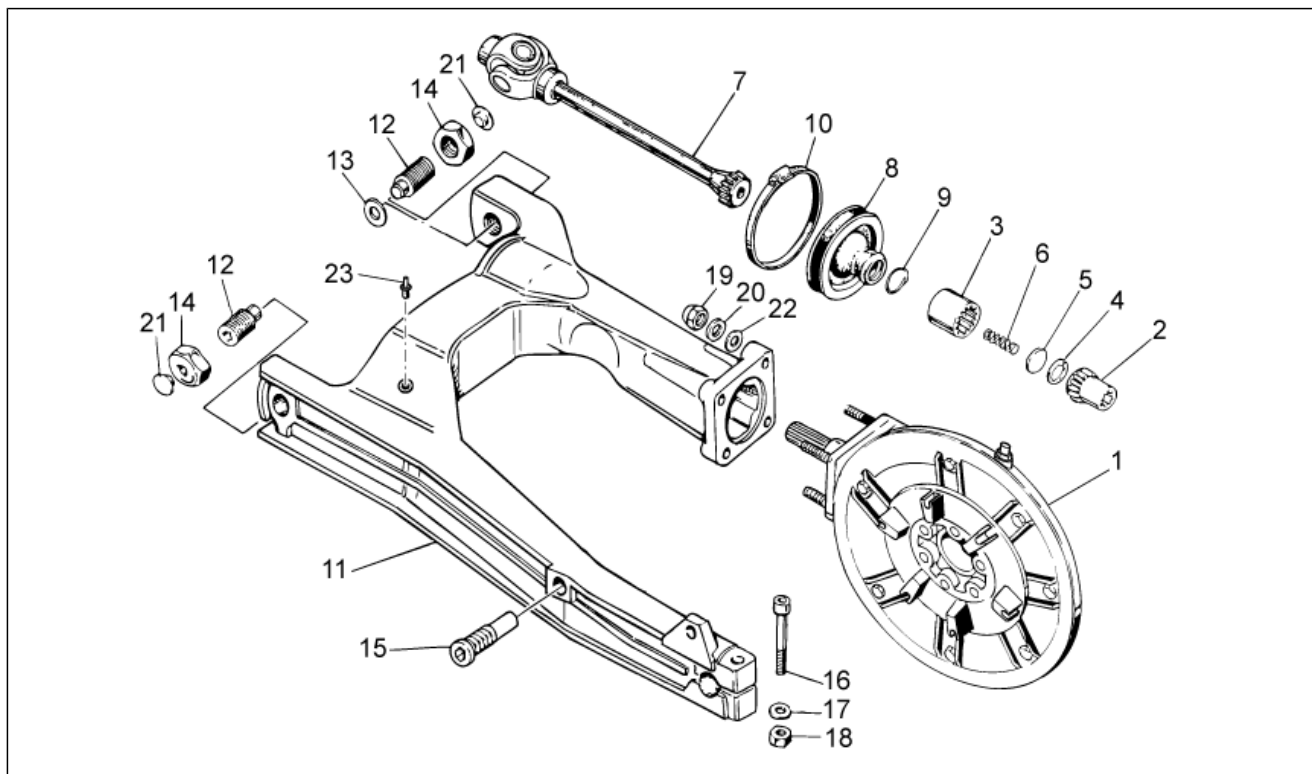
Pos.	Code	Description	Quant	Variants
1	8878421	Scatola filtro completa	1	
2	887843	Couvercle de filtre	1	
3	AP8201358	Collier D 11,9	1	
4	AP8104924	Filtre air	1	
5	AP8104525	Filtre blow-by	2	
6	883127	Coautouc pour support 5mm	1	
7	AP8144553	Coautouc pour support	1	
8	AP8120876	Bouchon de fermeture	2	
9	AP8120455	Caoutchouc	1	
10	AP8120615	Joint D3	2	
11	887844	Guscio dx cassa filtro	1	
12	887845	Guscio sx cassa filtro	1	
13	887815	Manchon d'aspiration	1	
14	254485	Plaquelette elastique M6	2	
15	AP8144538	Joint	2	
16	890760	Support instruments	1	
17	AP8144729	Tampon fin de course béquille	1	
18	AP8152329	Vis SWP crois. brid. M5x20	9	
19	AP8150509	Vis taraud 5x14	4	
20	AP8120772	Tuyau reniflard radiateur	1	
21	B063214	Tubazione blow-by	2	
22	GU93305061	Collier 61/65,5	1	
23	AP8102766	Collier	3	
24	AP8120772	Tuyau reniflard radiateur	1	
25	GU91551010	Caoutchouc	2	
26	AP8221023	Douille en "T" *	2	
27	AP8152329	Vis SWP crois. brid. M5x20	2	
28	AP8104251	Soupape reniflard huile	1	

Groupe	CHASSIS
Code	33.52
Description	Corps filtre II
Révision	1



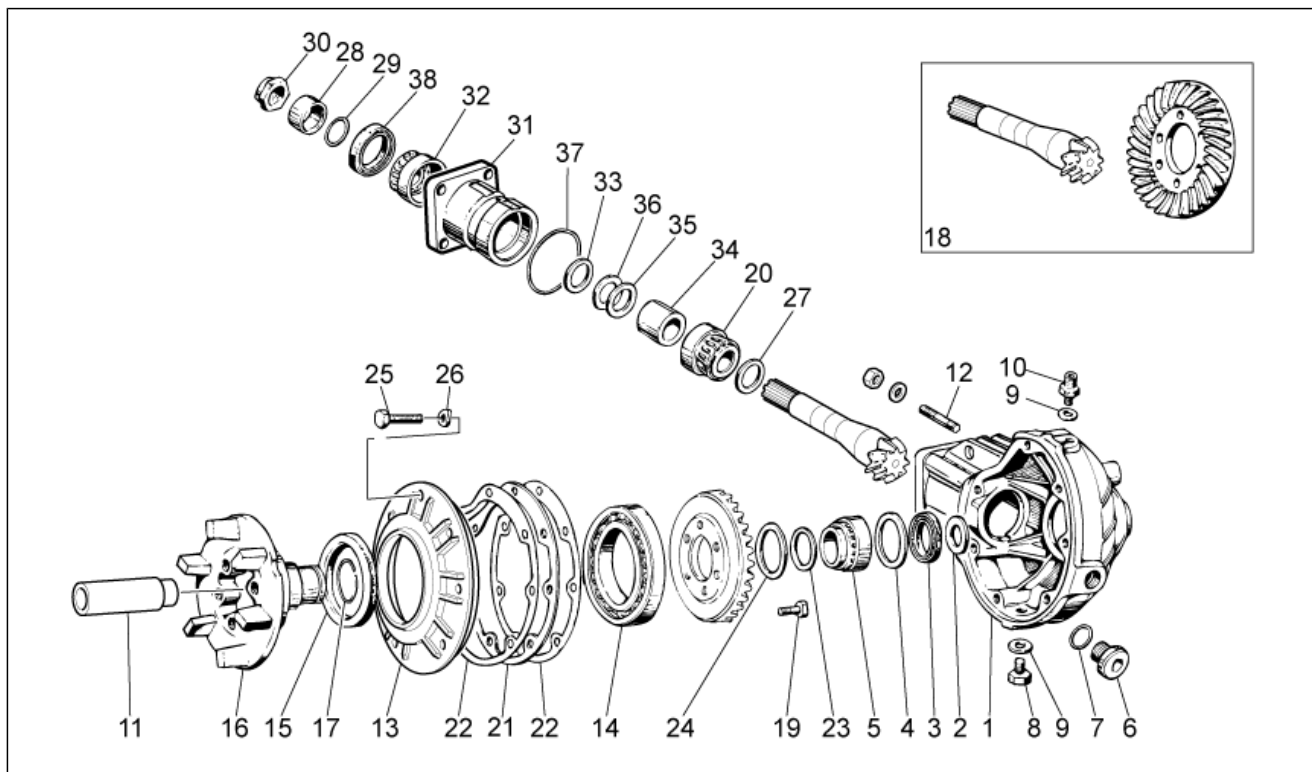
Pos.	Code	Description	Quant	Variants
29	AP8102159	Collier	2	
30	B063213	Reniflard	1	
31	GU90714082	Joint	1	
32	GU00823923140	Gaine thermique	1	
33	GU31112965	Equerre	1	
34	AP8201358	Collier D 11,9	2	
35	AP8120772	Tuyau reniflard radiateur	1	
36	AP8120116	Raccord 3 voies	1	
37	AP8102159	Collier	3	

Groupe	MOTEUR
Code	34.09
Description	Transmission cpl. I
Révision	1



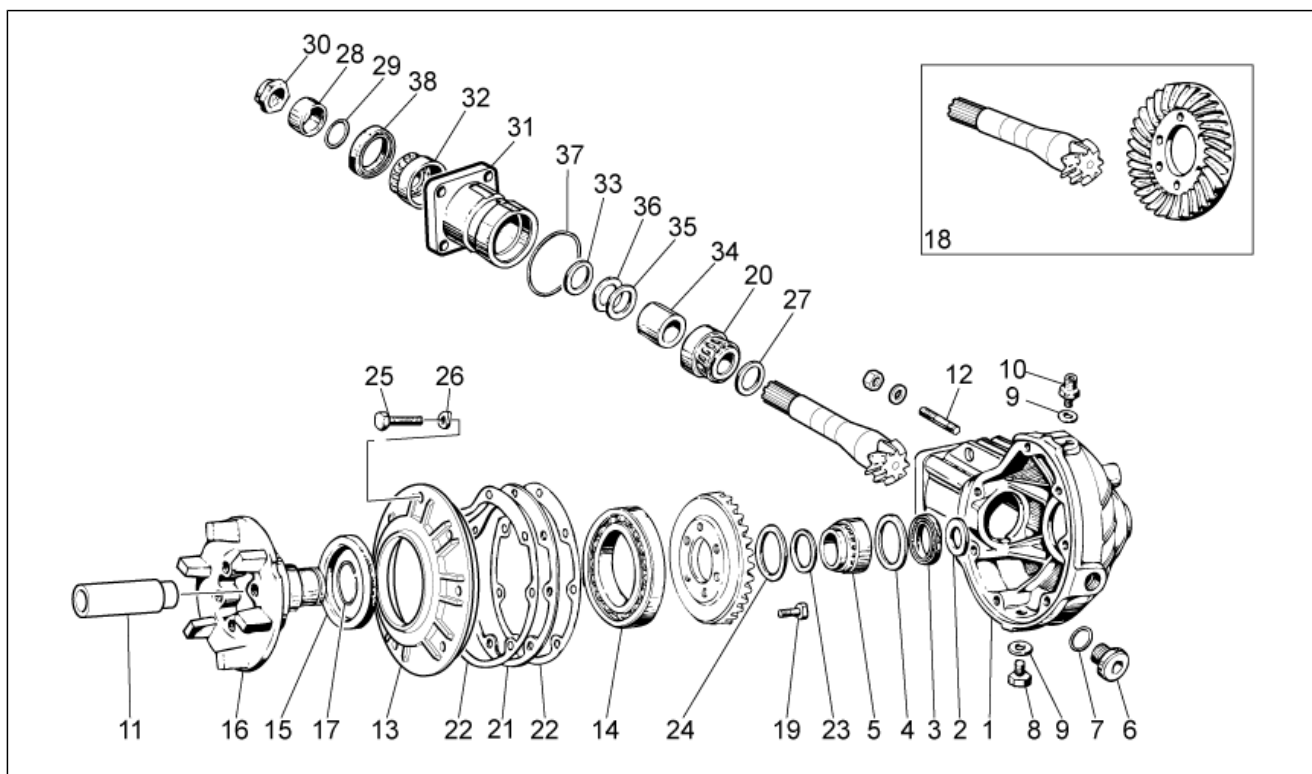
Pos.	Code	Description	Quant	Variants
1	976941	Boîte transm.cpl.noir	1	
2	GU31327783	Manchon	1	
3	GU19328801	Manchon	1	
4	GU90272023	Bague seeger	1	
5	GU19327601	Disque	1	
6	GU94321099	Ressort	1	
7	GU23328081	Joint	1	
8	GU23548080	Collier de protection	1	
9	GU23548180	Ressort	1	
10	AP8120246	Collier D=60-80	1	
11	886676	Fourche ar., rouge	1	
12	GU19547000	Pivot	2	
13	GU35214300	Cale	1	
14	GU31547882	Ecrou	2	
15	GU31544181	Pivot	1	
16	GU98680545	Vis M10x45	1	
17	GU95008210	Rondelle 10,2X18X2	1	
18	GU92606210	Ecrou M10x1,5	1	
19	GU92787008	Ecrou borgne M8x1,25	4	
20	GU14615901	Rondelle 8,4X13X0,8	4	
21	GU93180105	Bouchon	2	
22	GU95005308	Rondelle 8,4x14,57x1,6	4	
23	GU03922280	Bouchon 5x9	1	

Groupe	MOTEUR
Code	34.10
Description	Transmission cpl. II
Révision	1



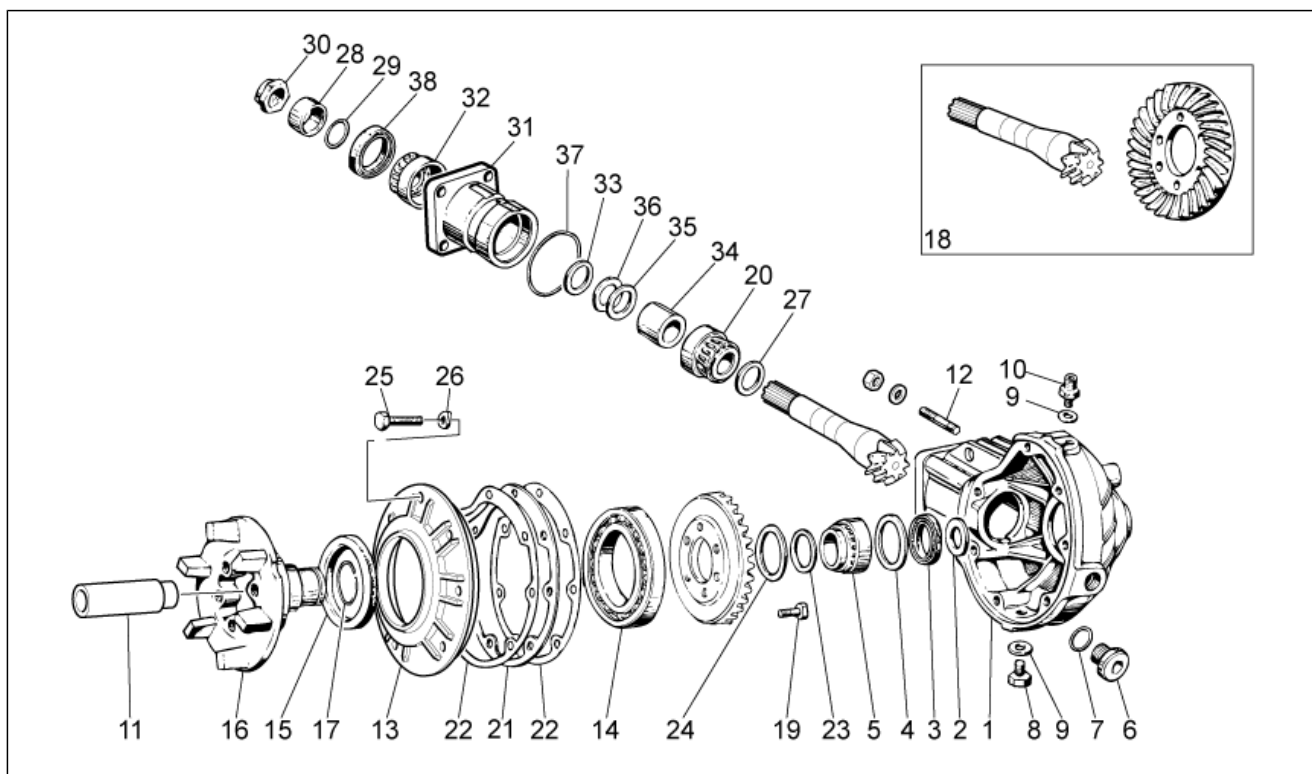
Pos.	Code	Description	Quant	Variants
1	976608	Carter de transmissionnoir	1	
2	GU19351900	Rondelle d'appui	1	
3	GU90403549	Bague d'étanchéité 35x47x7	1	
4	GU19351100	Rondelle d'appui	1	
5	GU92252235	Roulement à rouleaux 35x50x17	1	
6	GU12022600	Bouchon huile	1	
7	GU90706203	Joint torique 20,24X2,62	1	
8	GU31003766	Bouchon vid.huile M10x1	1	
9	GU01528930	Joint 10x18x1,5	2	
10	GU19206501	Bouchon purge	1	
11	GU32633560	Entretoise	1	
12	GU96508055	Vis sans tête	4	
13	GU32350410	Couvercle	1	
14	GU92201070	Roulement à billes 70x110x13	1	
15	GU90407591	Bague d'étanchéité 75x95x10	1	
16	GU32351410	Pivot	1	
17	GU90353030	Bague de butée	1	
18	GU32354610	Couple conique 8/33	1	
19	GU03067730	Vis M8x25	6	
20	GU92249227	Roulement roul.con. 25x5	1	
21	GU19355400	Cale 0,8 mm	1	
21	GU19355402	Cale 0,9 mm	1	
21	GU19355404	Cale 1 mm	1	
21	GU19355406	Cale 1,1 mm	1	
21	GU19355408	Cale 1,2 mm	1	
21	GU19355410	Cale 1,3 mm	1	
21	GU19355411	Cale 1,4 mm	1	
21	GU19355412	Cale 1,5 mm	1	

Groupe	MOTEUR
Code	34.10
Description	Transmission cpl. II
Révision	1



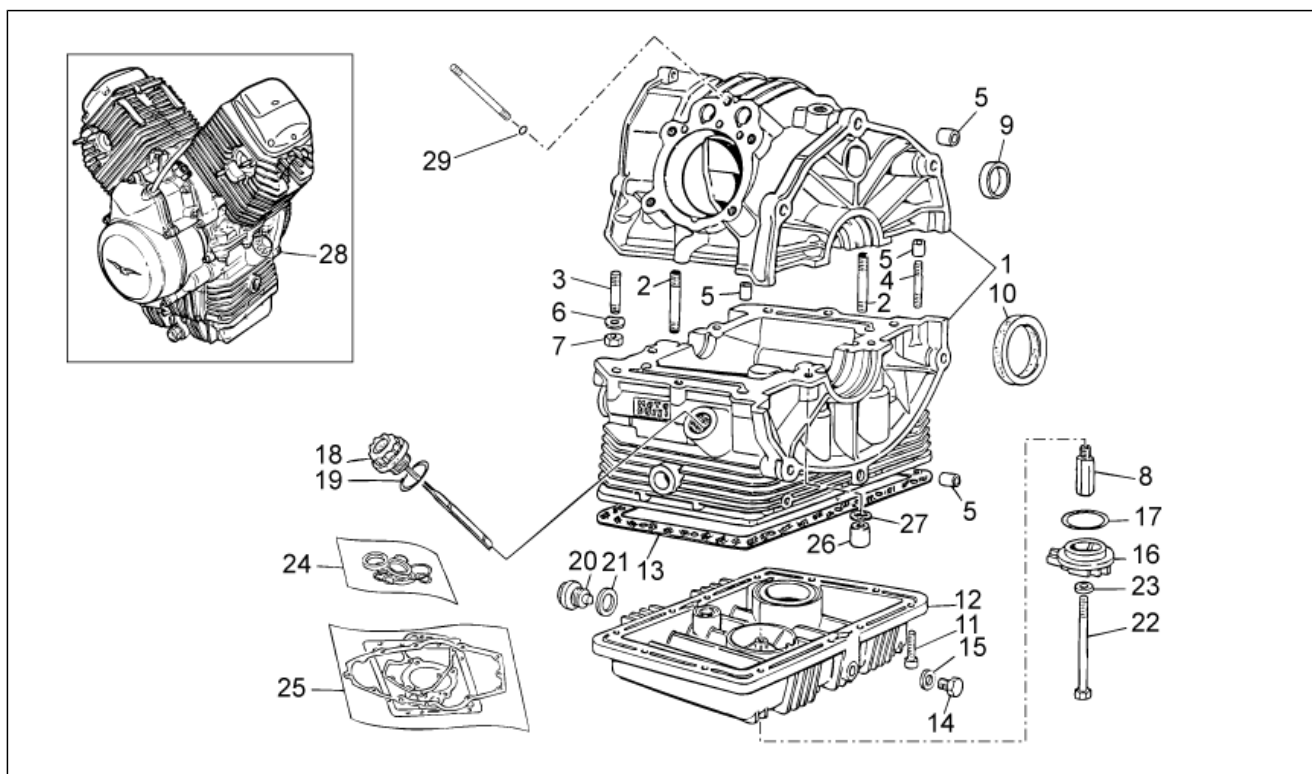
Pos.	Code	Description	Quant	Variants
21	GU19355413	Cale 1,6 mm	1	
22	GU19350700	Joint	2	
23	GU19352300	Rondelle éventail	1	
24	GU19353500	Rondelle éventail	1	
25	GU19357660	Vis	7	
26	GU61270300	Rondelle élastique 8x15x0,3	7	
27	GU19355320	Cale 1 mm	1	
27	GU19355321	Cale 1,1 mm	1	
27	GU19355322	Cale 1,2 mm	1	
27	GU19355323	Cale 1,3 mm	1	
27	GU19355324	Cale 1,4 mm	1	
27	GU19355325	Cale 1,5 mm	1	
27	GU19355326	Cale 1,6 mm	1	
27	GU19355327	Cale 1,7 mm	1	
27	GU19355328	Cale 1,8 mm	1	
27	GU19355329	Cale 1,9 mm	1	
28	GU19356801	Entretoise	1	
29	GU90706188	Bague d'étanchéité 18,77X1,78	1	
30	GU19356700	Ecrou	1	
31	GU20352421	Flasque	1	
32	GU92249220	Roulement à rouleaux 20x47x14	1	
33	GU19355300	Cale 1 mm	1	
33	GU19355301	Cale 1,1 mm	1	
33	GU19355302	Cale 1,2 mm	1	
33	GU19355303	Cale 1,3 mm	1	
33	GU19355304	Cale 1,4 mm	1	
33	GU19355305	Cale 1,5 mm	1	
33	GU19355306	Cale 1,6 mm	1	

Groupe	MOTEUR
Code	34.10
Description	Transmission cpl. II
Révision	1



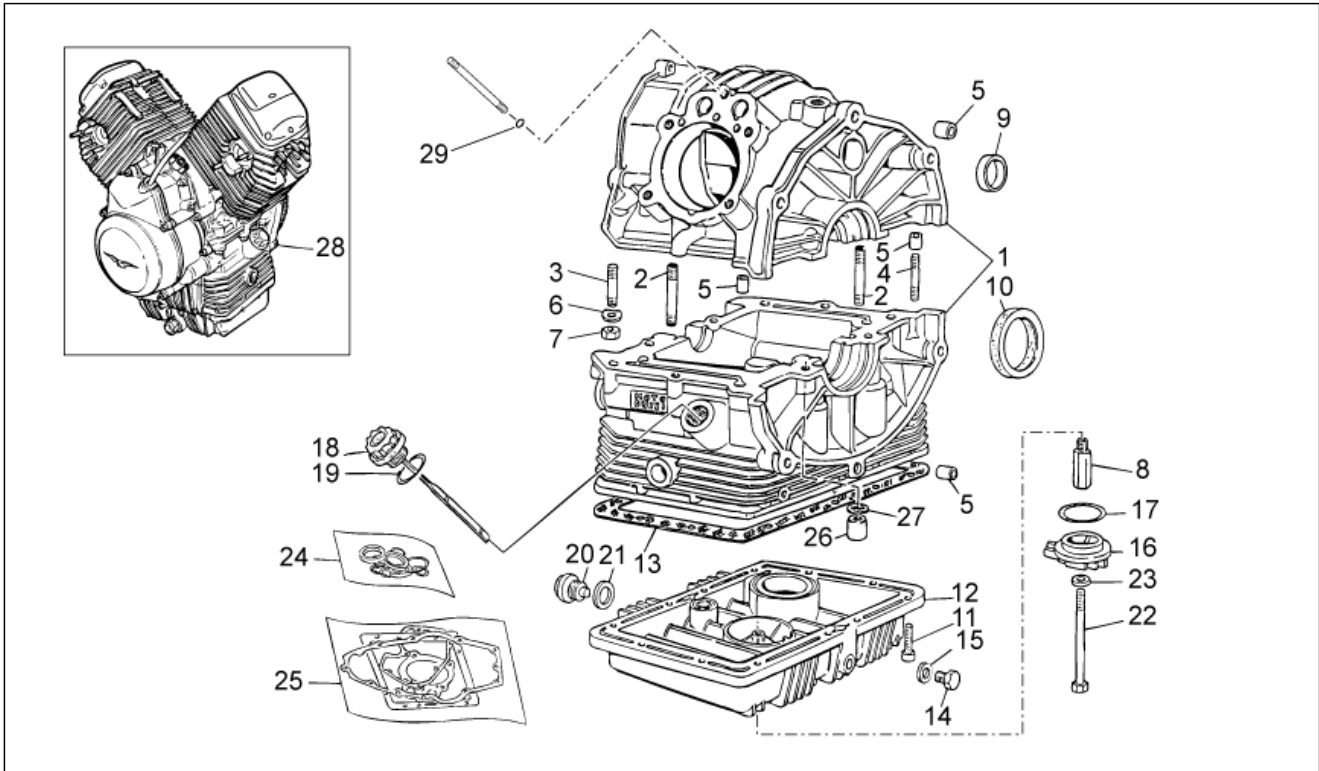
Pos.	Code	Description	Quant	Variants
33	GU19355307	Cale 1,7 mm	1	
33	GU19355308	Cale 1,8 mm	1	
33	GU19355309	Cale 1,9 mm	1	
34	GU20355121	Entretoise	1	
35	GU19355200	Rondelle ajustem. 0,1 mm	1	
36	GU19355202	Rondelle ajustem. 0,15 mm	1	
37	GU90706584	Joint 58,42x2,62	1	
38	GU90403251	Bague d'étanchéité 32x47x10	1	

Groupe	MOTEUR
Code	34.34
Description	Carter
Révision	1



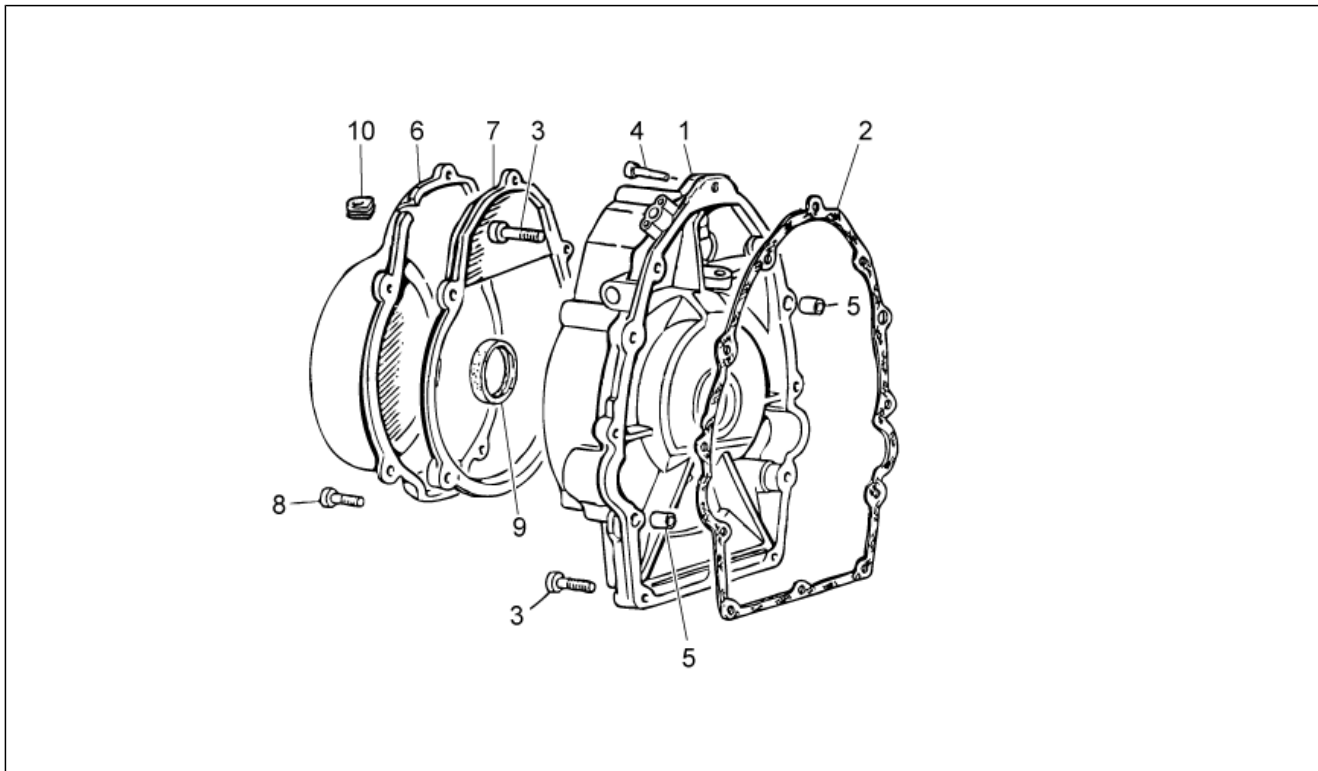
Pos.	Code	Description	Quant	Variants
1	976600	Carter moteur noir	1	
2	GU96451560	Vis sans tête	4	
3	GU96451430	Vis sans tête	4	
4	GU96508055	Vis sans tête	2	
5	GU19015020	Douille	4	
6	GU61270300	Rondelle élastique 8x15x0,3	6	
7	GU92606208	Ecrou M8x1,25	6	
8	GU19003800	Raccord	1	
9	GU19016320	Bouchon	1	
10	GU04000500	Bague d'étanchéité	1	
11	GU98682325	Vis M6x25	12	
12	976604	Carter huile noir	1	
13	GU19003602	Joint	1	
14	GU31003766	Bouchon vid.huile M10x1	1	
15	GU10528900	Garniture	1	
16	976685	Petit couvercle	1	
17	GU90706444	Joint torique	1	
18	GU27004985	Bouchon rempl. huile	1	
19	GU90706281	Joint torique 28,24x2,62	1	
20	GU12003702	Bouchon vid.huile	1	
21	GU95100709	Joint 20,1x28x2	1	
22	GU27152885	Boulon	1	
23	GU12154200	Joint 8,25x15x1	1	
24	GU32999510	Joint spy-série	1	
25	GU32999010	Joints-jeu	1	
26	GU13021900	Ecrou colonne	4	
27	GU95129180	Rondelle 10,5X18X0,8	4	
28	976939	Moteur comp.sansbo.vitesses	1	

Groupe	MOTEUR
Code	34.34
Description	Carter
Révision	1



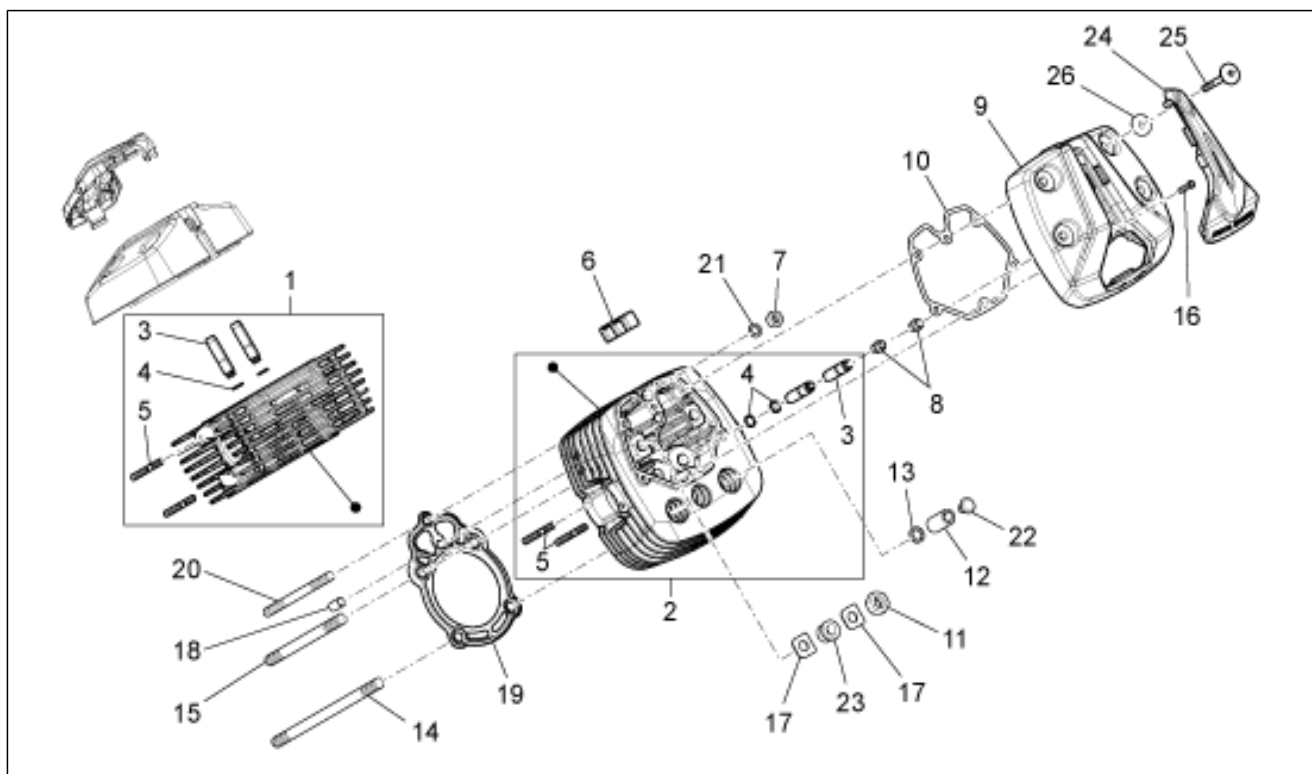
Pos.	Code	Description	Quant	Variants
29	GU90706076	Joint torique	2	

Groupe	MOTEUR
Code	34.35
Description	Couvercle distribution
Révision	1



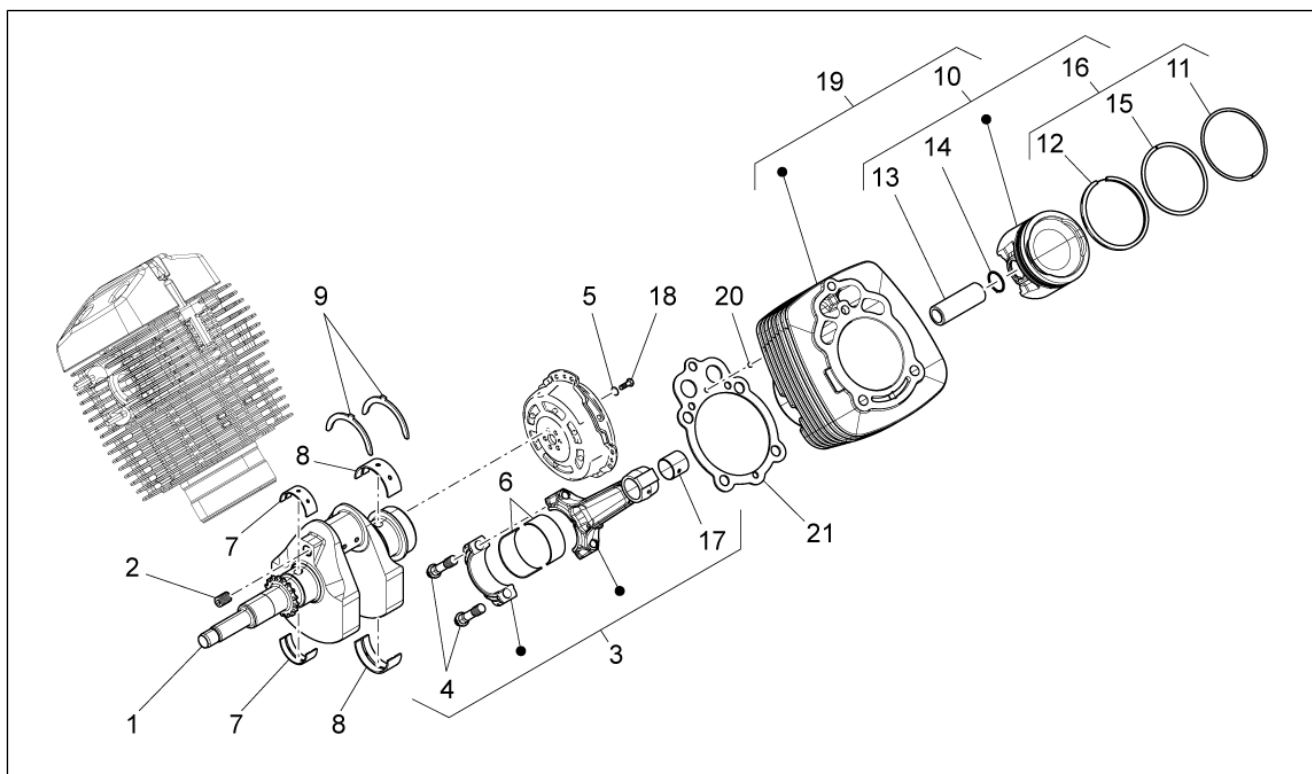
Pos.	Code	Description	Quant	Variants
1	976603	Couvercle de distribution noir	1	
2	GU19001200	Joint	1	
3	GU98682325	Vis M6x25	10	
4	GU98680330	Vis M6x30	2	
5	GU19002020	Douille 6,6x9x13	2	
6	GU32001610	Couvercle	1	
7	GU27001136	Bride	1	
8	GU98680335	Vis M6x35	5	
9	GU90402842	Bague d'étanchéité	1	
10	GU19007700	Caoutchouc	1	

Groupe	MOTEUR
Code	34.36
Description	Tête cylindre
Révision	1



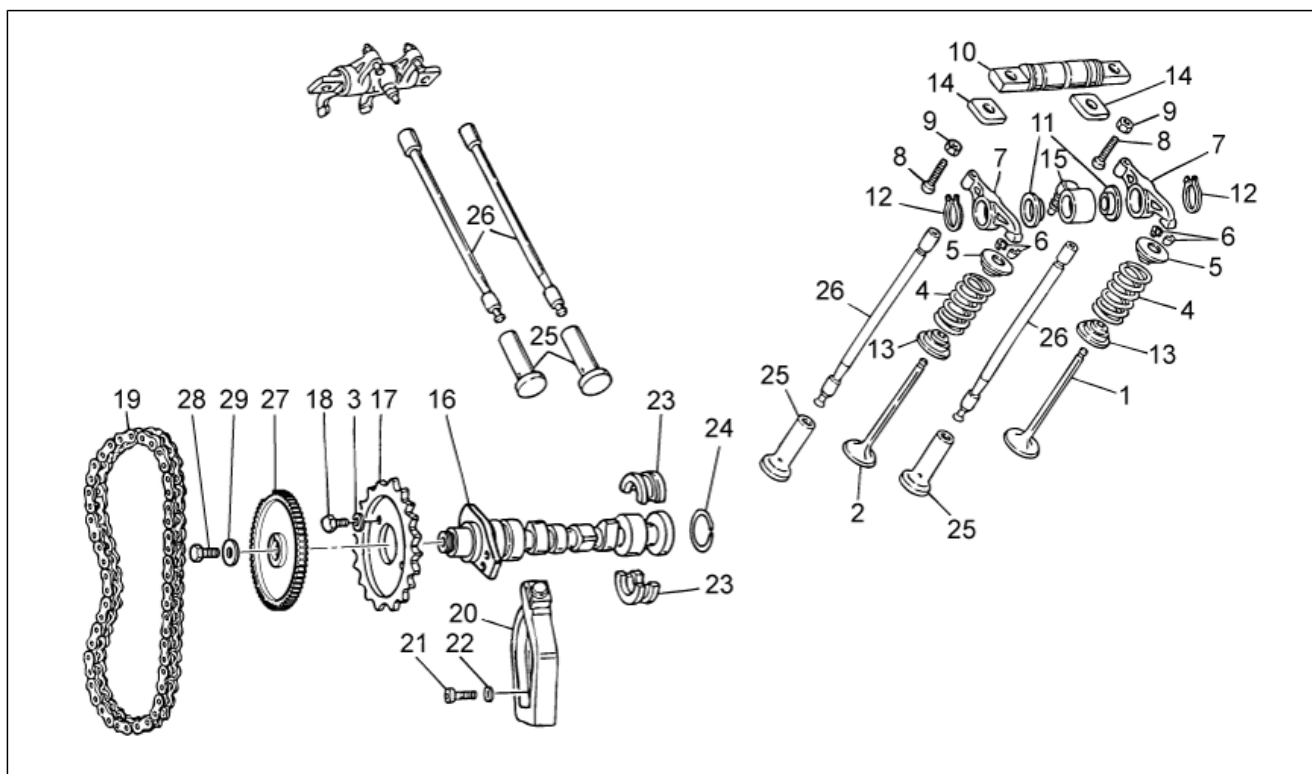
Pos.	Code	Description	Quant	Variants
1	8872724	Culasse d.	1	
2	8872754	Culasse g.	1	
3	GU61036801	Guide soupape	4	
4	GU90353009	Anneau élastique	4	
5	GU96506042	Vis sans tête	4	
6	B063111	Tassello antivibrante	4	
7	GU19021920	Ecrou	2	
8	GU19037820	Joint spi	4	
9	887523	Couvre-culasse	2	
10	887002	Joint couvercle-culasse	2	
11	GU92603010	Ecrou M10X1,5	4	
12	GU13021900	Ecrou colonne	4	
13	GU95129180	Rondelle 10,5X18X0,8	4	
14	GU96510214	Vis sans tête M10x214	4	
15	GU96510181	Vis sans tête M10x182	4	
16	GU98692325	Vis M6x25	4	
17	GU19032980	Cale	8	
18	GU19021360	Douille	2	
19	B063099	Joint tête-cylindre	2	
20	GU96508145	Vis sans tête M8x143	2	
21	GU61270300	Rondelle élastique 8x15x0,3	2	
22	GU93180245	Bouchon	4	
23	AP8144071	Caoutchouc pot	1	
24	887279	Couvercle bougie	2	
25	887483	Vite coperchio testa M6x52.5	8	
26	969973	Rondelle	8	

Groupe	MOTEUR
Code	34.37
Description	Arbre moteur cpl.
Révision	1



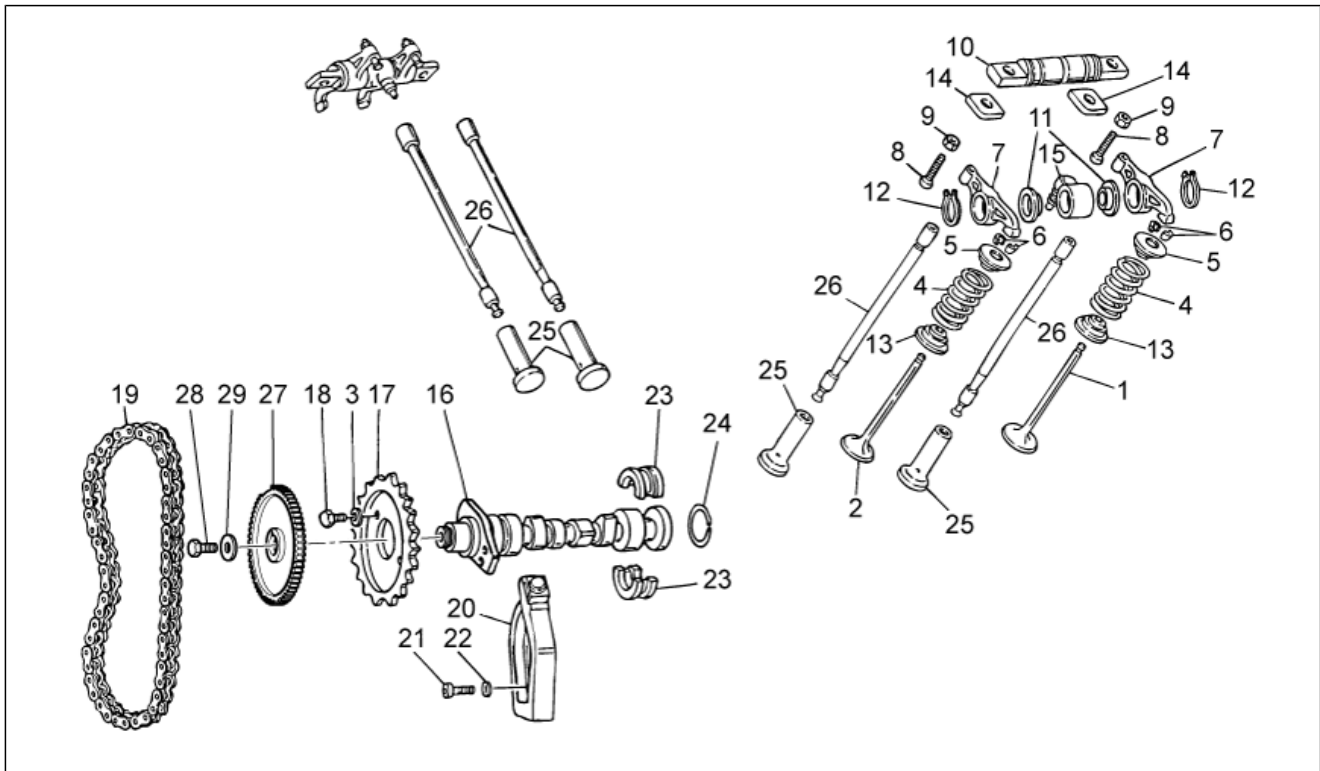
Pos.	Code	Description	Quant	Variants
1	GU320642104	Arbre moteur cpl.	1	
2	GU19065400	Bouchon	1	
3	GU27061585	Bielle cpl.	2	
4	GU19062261	Vis	4	
5	GU14615901	Rondelle 8,4X13X0,8	6	
6	GU27062060	Demi-coussinet	4	
7	GU27065660	Demi-couss.de vilebr.av.	2	
8	GU27066560	Demi-couss.de vilebr.ar.	2	
9	GU27066460	Demi-etau	2	
10	8872690001	[...]	1	
10	8872690002	***8872690002	1	
10	8872690003	***8872690003	1	
11	B063018	Segment d'étanchéité	2	
12	B063020	Segment raclear	2	
13	B063016	Axe	2	
14	874567	Bague de butée	4	
15	B063019	Segment d'étanchéité	2	
16	B063466	Ensemble de segments	2	
17	GU27061885	Douille	2	
18	GU19067700	Vis	6	
19	B063465	Cylindre av.piston cpl.	2	
20	GU61027200	Joint torique	2	
21	886670	Garniture cylindre	2	

Groupe	MOTEUR
Code	34.38
Description	Distribution
Révision	1



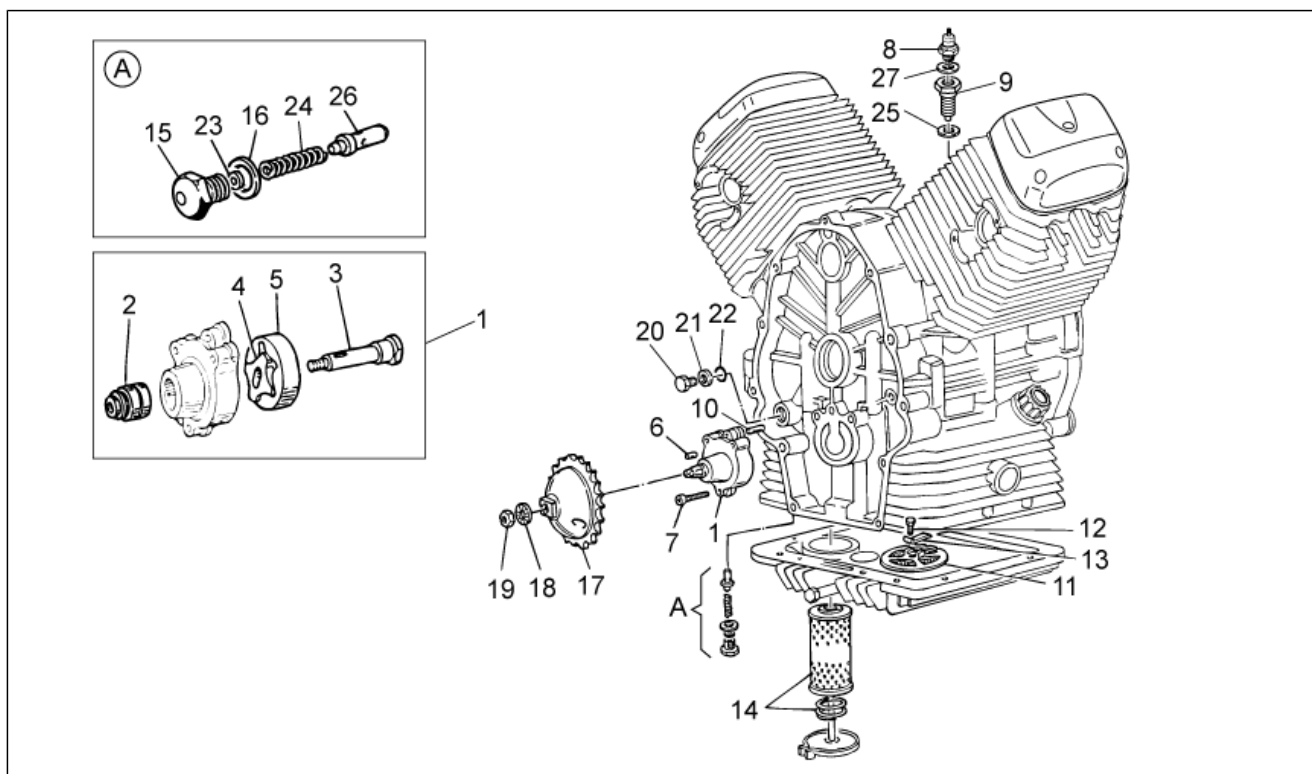
Pos.	Code	Description	Quant	Variants
1	GU20036020	Soupape d'admission	2	
2	GU20036120	Soupape d'échappement	2	
3	GU23217800	Rondelle de séreté	2	
4	GU27037521	Ressort	4	
5	GU31038015	Coupelle supérieur	4	
6	GU61038100	Demi-clavette	8	
7	GU19030500	Culbuteur	4	
8	GU19034000	Vis	4	
9	GU92602406	Ecrou M6x1	4	
10	GU19032080	Axe culbuteur	2	
11	GU32032310	Rondelle éventail	4	
12	GU90271018	Bague seeger	4	
13	GU31037015	Coupelle inférieure	4	
14	GU19032980	Cale	4	
15	GU19027500	Manchon	2	
16	GU32053410	Arbre à cames	1	
17	GU32054510	Engrenage distribution	1	
18	GU61054900	Boulon	2	
19	GU19058021	Chaîne de distribution	1	
20	GU19058220	Tendeur de chaîne	1	
21	GU98882316	Vis	1	
22	GU95129115	Rondelle	1	
23	GU19055700	Secteur	2	
24	GU90353029	Anneau élastique	1	
25	GU19045861	Poussoir	4	
26	GU31045015	Culbuteur tige	4	
27	887528	Wheel speed sensor, LH front	1	
28	GU98054422	Vis M8x22	1	

Groupe	MOTEUR
Code	34.38
Description	Distribution
Révision	1



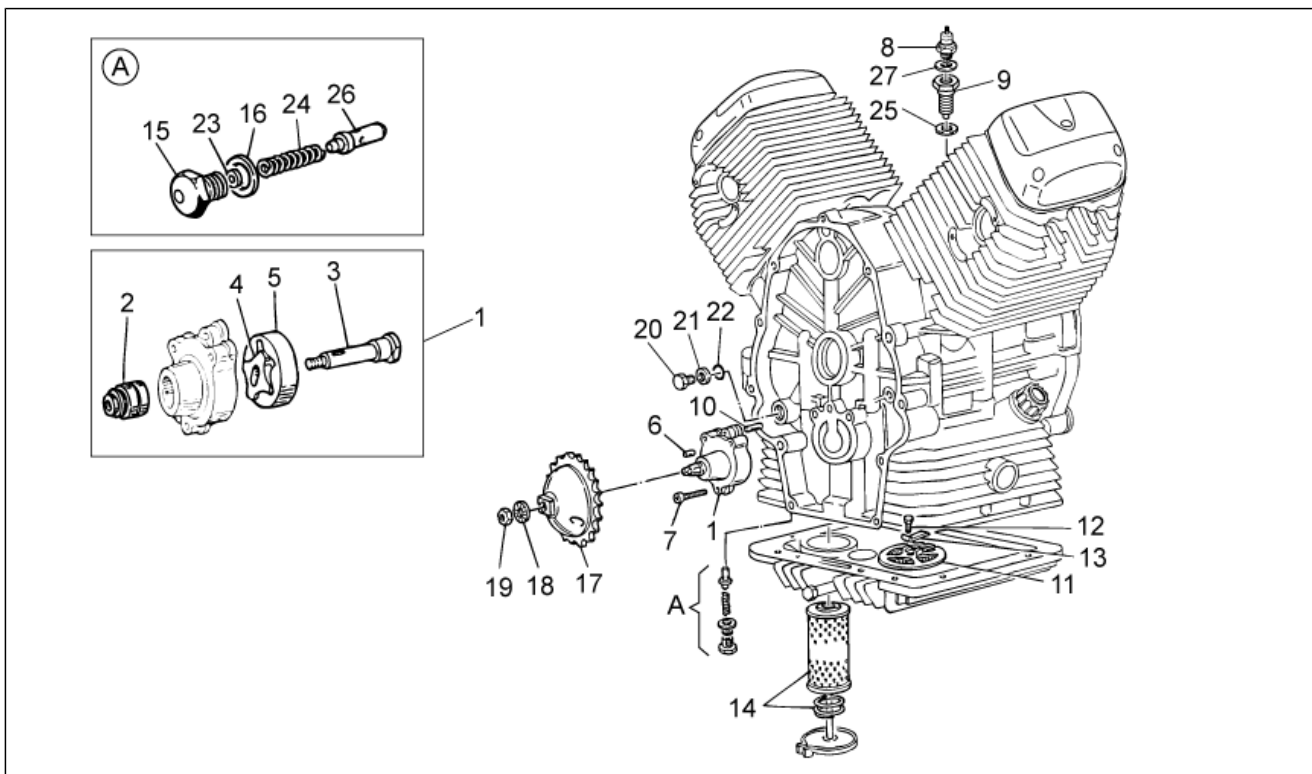
Pos.	Code	Description	Quant	Variants
29	GU95100244	Rondelle	1	

Groupe	MOTEUR
Code	34.39
Description	Pompe huile
Révision	1



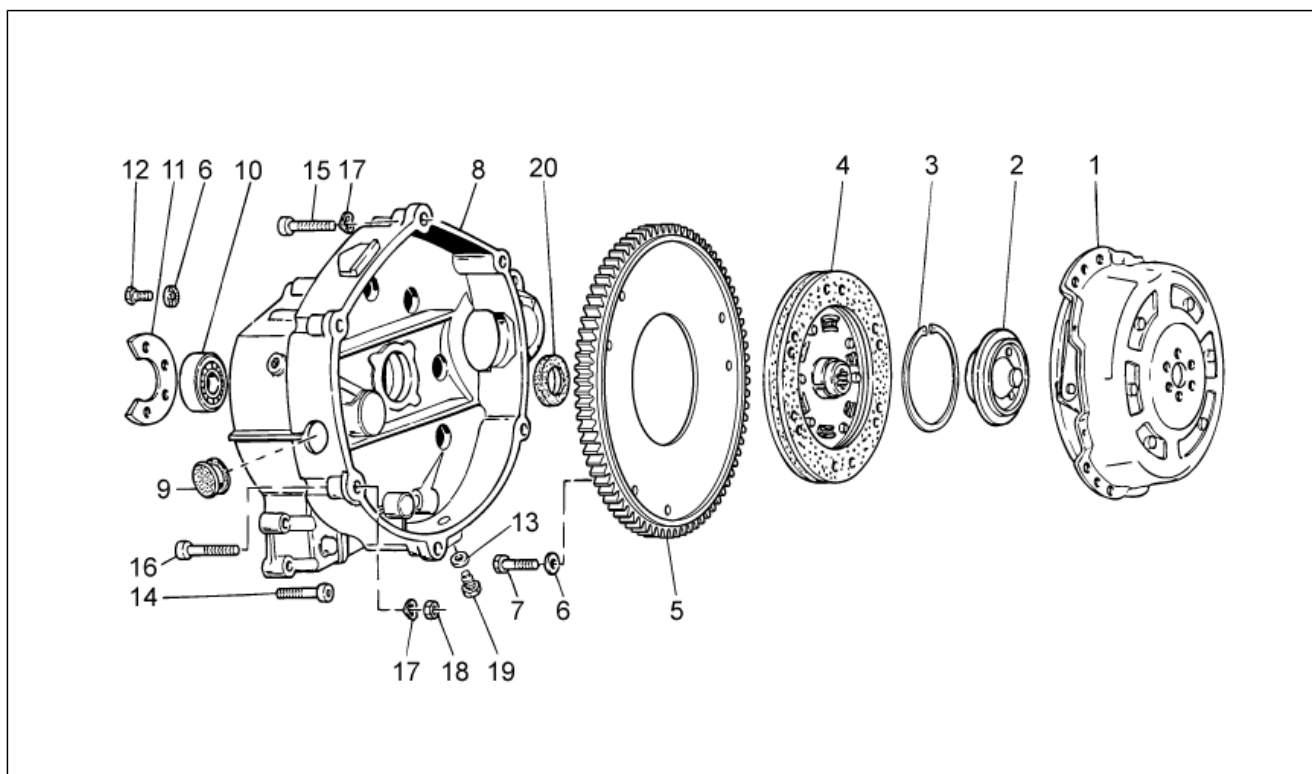
Pos.	Code	Description	Quant	Variants
1	GU19146422	Pompe huile	1	
2	GU92252210	Roulement à rouleaux 10x22x20	1	
3	GU20147810	Arbre pompe huile	1	
4	GU20148410	Rotor intérieur	1	
5	GU20148610	Rotor extérieur	1	
6	GU92296723	Rouleau	1	
7	GU98620335	Vis M6x35	3	
8	641541	Oil pressure sensor	1	
8	GU32768710	Détecteur pression	1	
9	887093	Raccord	1	
9	GU32768810	Raccord	1	
10	GU19018920	Goupille	2	
11	GU19152200	Filtre à huile	1	
12	GU98084314	Vis M6x14	1	
13	GU95187006	Plaquette	1	
14	GU27153085	Filtre à huile	1	
15	GU31159050	Bouchon	1	
16	GU18144350	Rondelle 18,25x24x1	3	
17	GU20147710	Pignon de pompe	1	
18	GU19149800	Rondelle 10,5x16x1	1	
19	GU92602510	Ecrou M10x1,25	1	
20	GU31016050	Bouchon	1	
21	GU18161150	Garniture 14,25	1	
22	GU90706111	Joint torique	1	
23	GU95008206	Rondelle 6,15x11x0,8	3	
24	GU94321079	Ressort	1	
25	GU95100602	Joint	1	
26	GU31150950	Piston	1	

Groupe	MOTEUR
Code	34.39
Description	Pompe huile
Révision	1



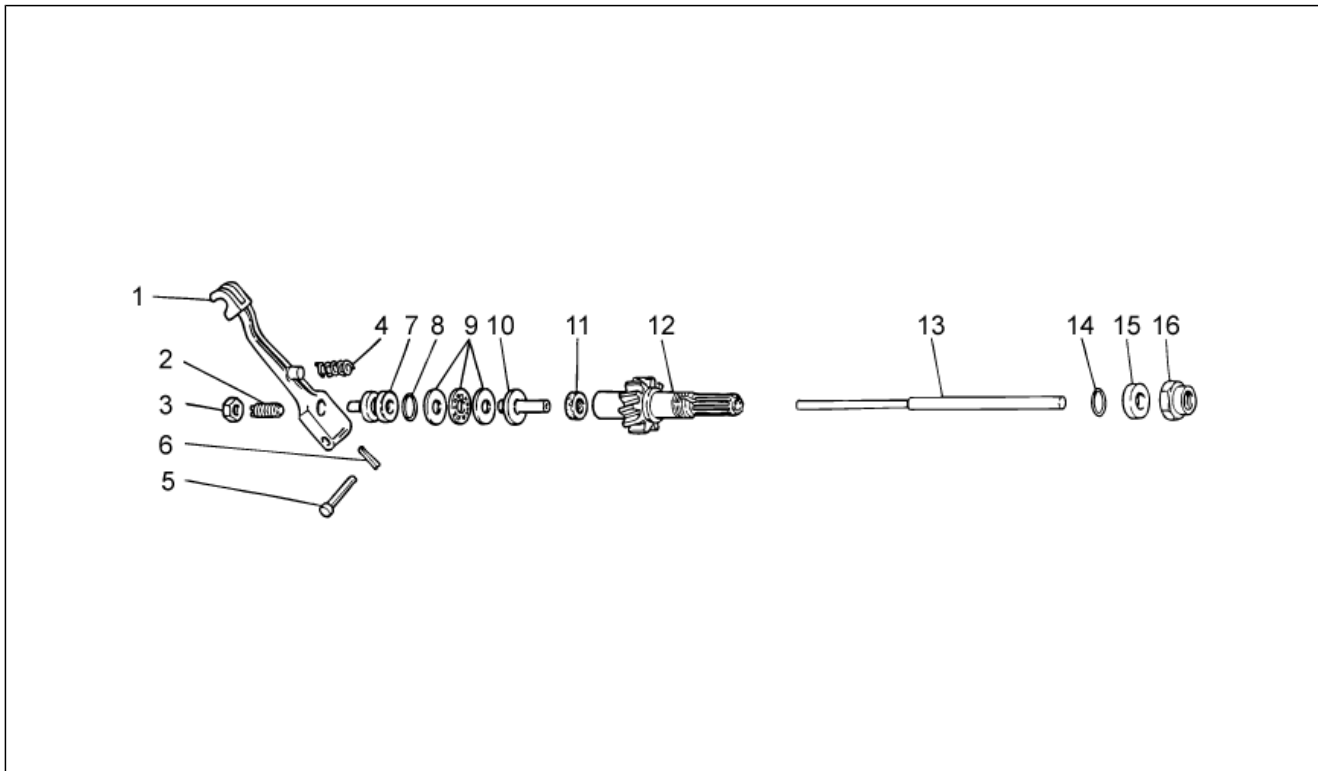
Pos.	Code	Description	Quant	Variants
27	GU95100309	Rondelle	1	

Groupe	MOTEUR
Code	34.40
Description	Embrague I
Révision	1



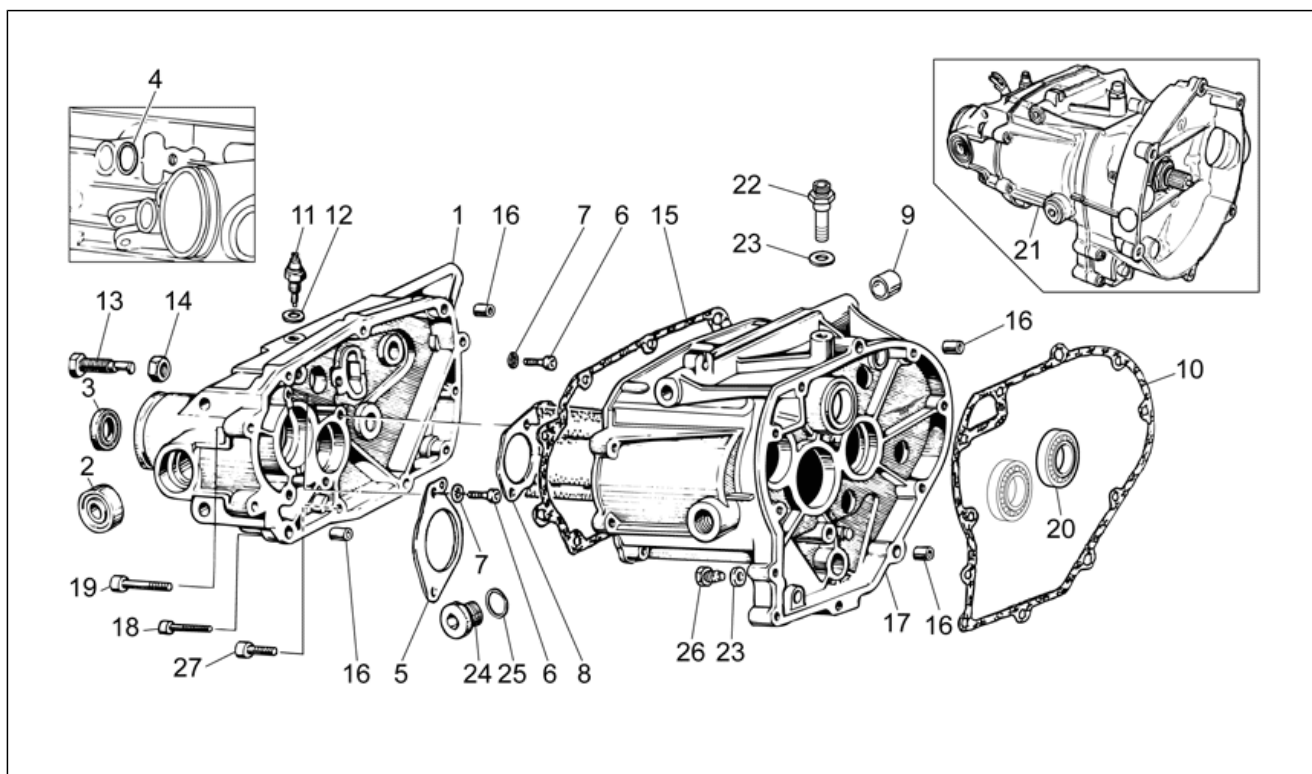
Pos.	Code	Description	Quant	Variants
1	GU32080310	Embrayage	1	
2	GU19083462	Cuvette	1	
3	GU90272075	Anneau élastique	1	
4	GU32084410	Disque embrayage mené	1	
5	GU32067910	Couronne	1	
6	GU14217901	Rondelle 6,4x10x0,7	9	
7	GU98084316	Vis	6	
8	981070	Cloche embrayage	1	
9	GU93180220	Bouchon	1	
10	GU92201225	Roulement 25x52x15	1	
11	GU19203460	Plaque fixation palier	1	
12	GU98084314	Vis M6x14	3	
13	GU10528900	Garniture	1	
14	GU98682330	Vis M6x20	11	
15	GU98680435	Vis M8x35	5	
16	GU98680450	Vis M8x50	1	
17	GU61270300	Rondelle élastique 8x15x0,3	6	
18	GU92606208	Ecrou M8x1,25	1	
19	GU31003766	Bouchon vid.huile M10x1	1	
20	GU90403246	Bague d'étanchéité 32x45x7	1	
21	GU23204471	Getto per a.s.	1	
22	GU23204571	Getto per a.p.	1	

Groupe	MOTEUR
Code	34.41
Description	Embrague II
Révision	1



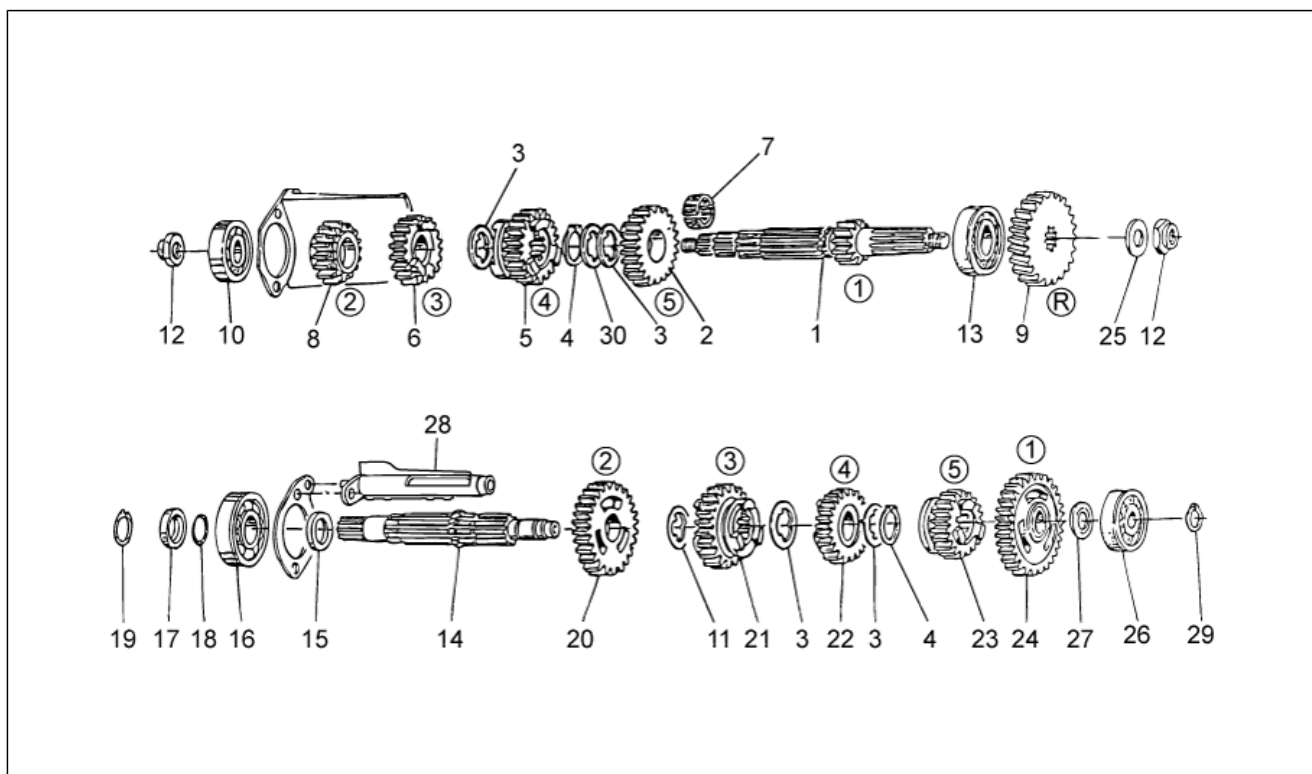
Pos.	Code	Description	Quant	Variants
1	GU14090201	Débrayage	1	
2	GU14090400	Vis embrayage	1	
3	GU92606508	Ecrou	1	
4	GU94321105	Retour levier démarrage	1	
5	GU95780271	Goupille 7x39	1	
6	GU95500222	Goupille	1	
7	GU14086100	Corps extérieur	1	
8	GU90706170	Joint torique 17,13x2,62	1	
9	GU12087001	Palier poussée	1	
10	GU14086000	Corps intérieur	1	
11	GU90400616	Bague d'étanchéité 6x16x7	1	
12	GU27210760	Arbre trnsmission Z=16	1	
13	GU20085720	Tige	1	
14	GU90706235	Joint torique 23,52x1,78	1	
15	GU19213760	Entretoise	1	
16	GU19356760	Ecrou	1	

Groupe	MOTEUR
Code	34.42
Description	Cartier de boîte vitesses
Révision	1



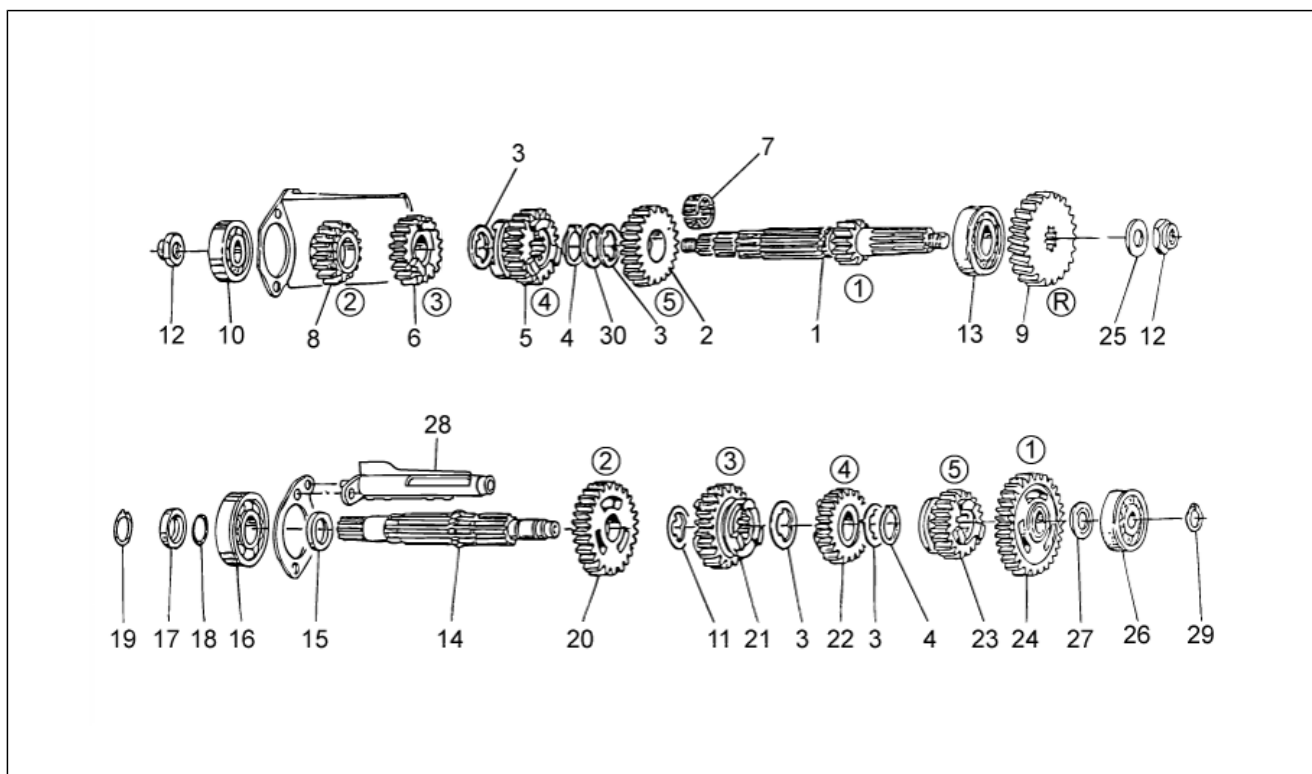
Pos.	Code	Description	Quant	Variants
1	887213	Couvercle changement	1	
2	GU92204215	Roulement 15x35x11	2	
3	886364	Bague d'étanchéité 28x40x7	1	
4	GU90706140	Joint torique 13,95x2,92	1	
5	GU32213810	Plaque	1	
6	884031	Vis M6x14	4	
7	GU14217901	Rondelle 6,4x10x0,7	4	
8	GU32208210	Huile cloison	1	
9	GU19202320	Douille 10,25x15,7x8	2	
10	887005	Joint	1	
11	B063269	Capteur	1	
12	GU12154200	Joint 8,25x15x1	1	
13	GU19237800	Vis M12x1,25	1	
14	GU92606512	Ecrou bas M12x1,25	1	
15	887006	Joint	1	
16	GU19002020	Douille 6,6x9x13	4	
17	887235	Cartier de boîte vitesses	1	
18	GU98682330	Vis M6x20	5	
19	GU98680435	Vis M8x35	4	
20	B063342	Roulement à billes 6004/C3	1	
21	976992	Boîte de vitesses cpl.	1	
22	GU32206510	Bouchon purge	1	
23	GU10528900	Garniture	2	
24	GU12022600	Bouchon huile	1	
25	GU90706203	Joint torique 20,24x2,62	1	
26	GU31003766	Bouchon vid.huile M10x1	1	
27	AP8150285	Vis	2	

Groupe	MOTEUR
Code	34.43
Description	Boîte de vitesses
Révision	1



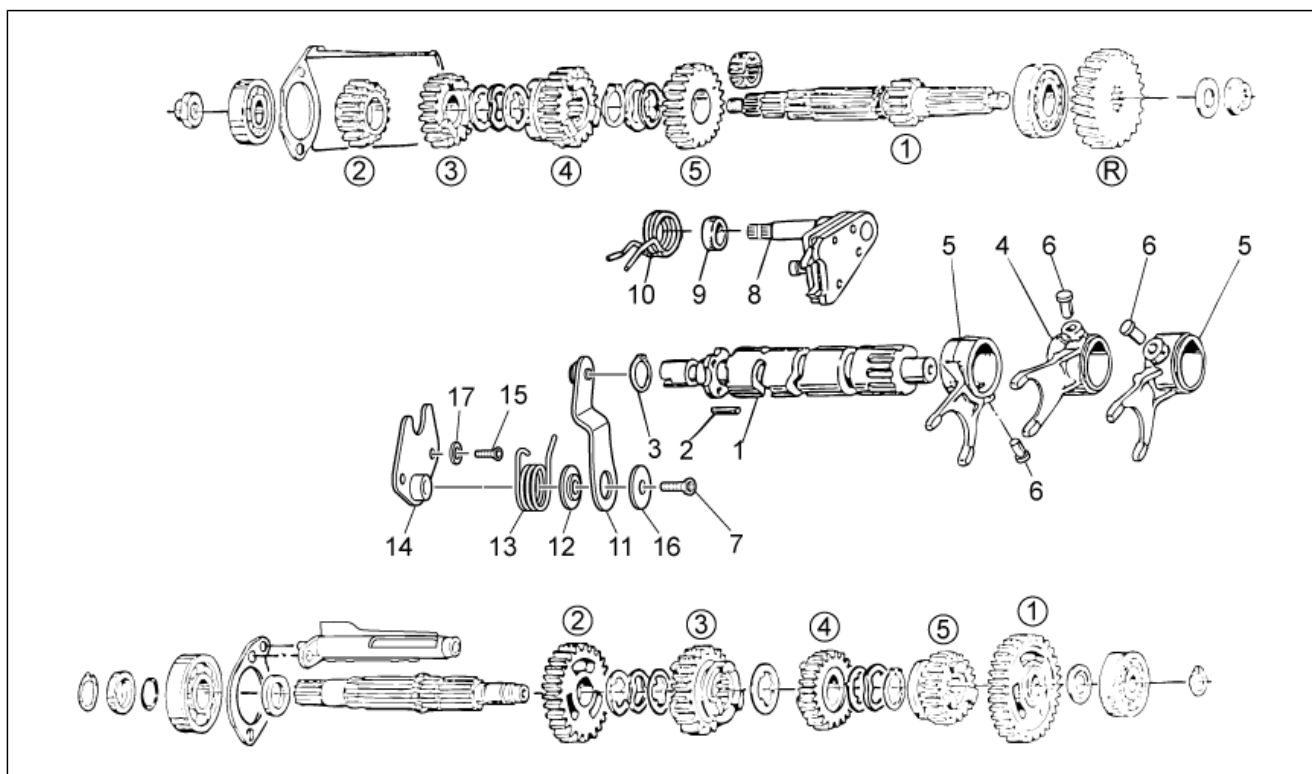
Pos.	Code	Description	Quant	Variants
1	GU32210510	Arbre primaire Z=11	1	
2	GU32212011	Engrenage 5a AP Z=25	1	
3	GU19215460	Rondelle éventail	3	
4	GU90271124	Bague seeger	2	
5	GU32211810	Engrenage 4a AP Z=18	1	
6	GU32211410	Engrenage 3a AP Z=18	1	
7	GU92251028	Cage à rouleaux	1	
8	GU23211372	Engrenage 2a AP Z=14	1	
9	GU32211110	Pignon interméd. AP Z=21	1	
10	GU92218417	Roulement AP 17x40x17,5	1	
11	GU19214660	Rondelle d'appui	2	
12	GU10054100	Ecrou	2	
13	GU92230320	Roulement AP 20x37x17	1	
14	GU32213610	Arbre secondaire	1	
15	GU19212900	Entretoise	1	
16	GU92201220	Roulement 20X47X14	1	
17	GU19213720	Entretoise	1	
18	GU90706188	Bague d'étanchéité 18,77X1,78	1	
19	GU90271121	Bague seeger	1	
20	GU32214510	Engrenage 2a AS Z=23	1	
21	GU32214810	Engrenage 3a AS Z=23	1	
22	GU32215010	Engrenage 4a AS Z=19	1	
23	GU32215210	Engrenage 5a AS Z=22	1	
24	GU32214010	Engrenage 1a AS Z=26	1	
25	GU39238100	Rondelle d'appui	1	
26	GU92234716	Roulement	1	
27	GU10214300	Cale 1,5 mm	1	
27	GU10214301	Cale 1,7 mm	1	

Groupe	MOTEUR
Code	34.43
Description	Boîte de vitesses
Révision	1



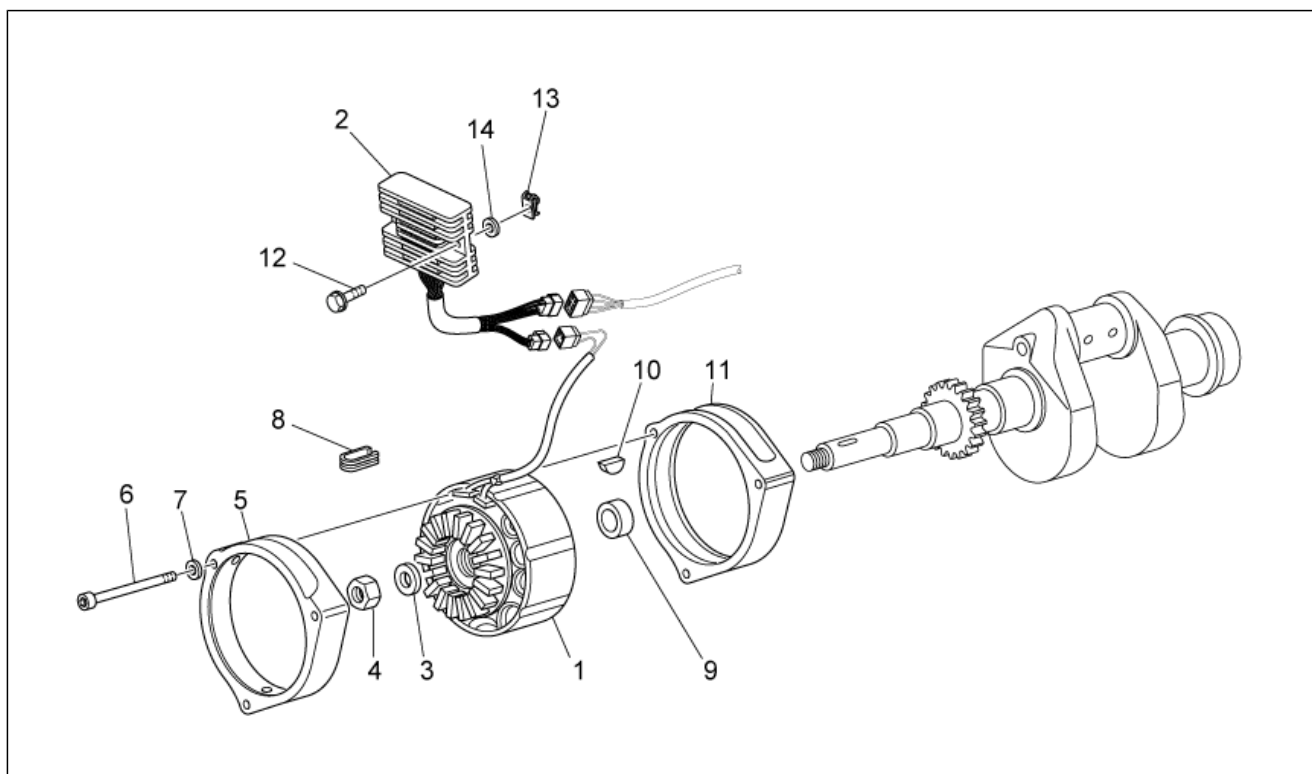
Pos.	Code	Description	Quant	Variants
27	GU10214302	Cale 1,8 mm	1	
27	GU10214303	Cale 1,9 mm	1	
27	GU10214304	Rondelle 2 mm	1	
27	GU10214305	Cale 2,1 mm	1	
28	GU32202010	Egouttoir	1	
29	GU90271117	Bague seeger	1	

Groupe	MOTEUR
Code	34.44
Description	Selecteur boîte de vitesses
Révision	1



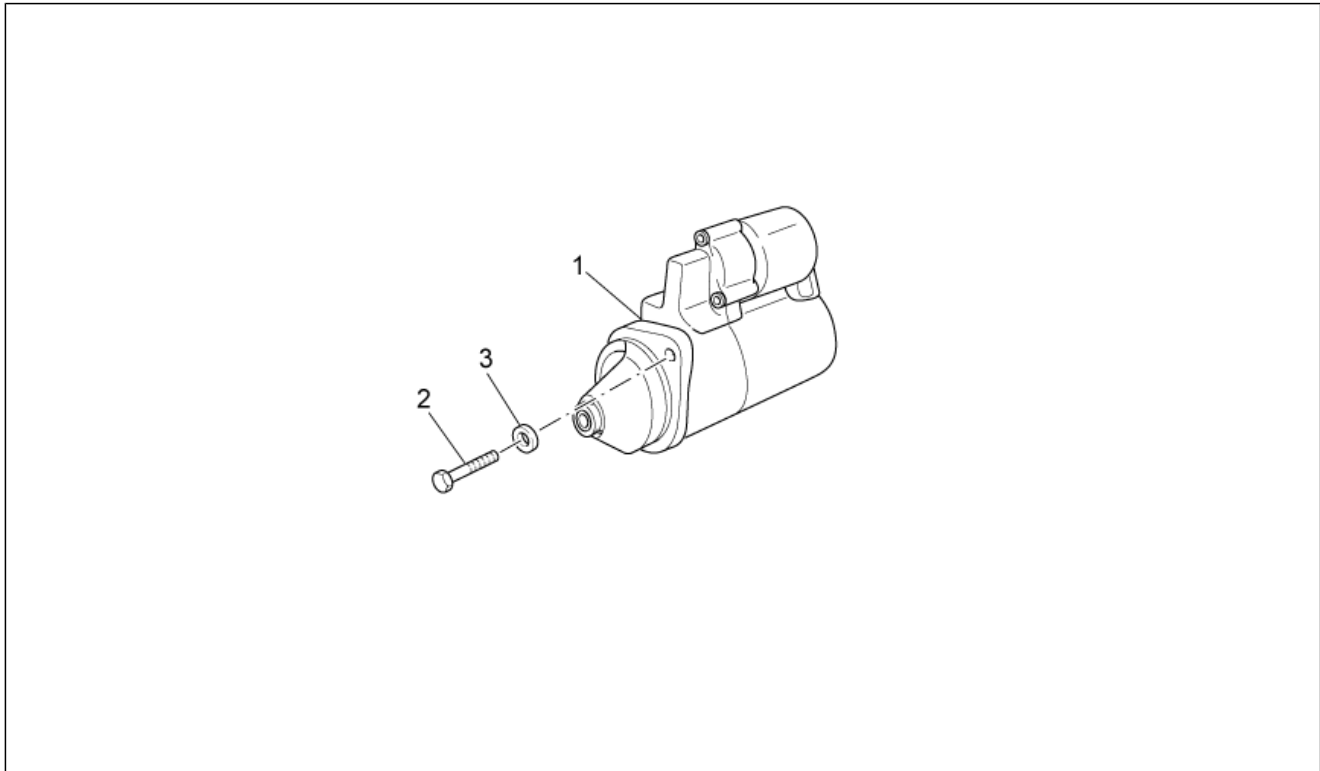
Pos.	Code	Description	Quant	Variants
1	GU32234410	Desmodromique	1	
2	GU19234600	Tige	4	
3	GU90274026	Anneau élastique	1	
4	GU32231210	Fourchette AP	1	
5	GU32231010	Fourchette AS	2	
6	GU32233010	Rouleau	3	
7	GU98230612	Vis	1	
8	887196	Preselecteur complet	1	
9	GU20208520	Entretoise	1	
10	GU32238210	Ressort	1	
11	GU32234710	Levier	1	
12	GU32234810	Rondelle	1	
13	GU32234110	Ressort	1	
14	GU32235710	Plaque	1	
15	GU98257618	Vis	2	
16	GU32234910	Rondelle 6,4x20x1	1	
17	GU14217901	Rondelle 6,4x10x0,7	2	

Groupe	MOTEUR
Code	34.45
Description	Alternateur - Régul.
Révision	1



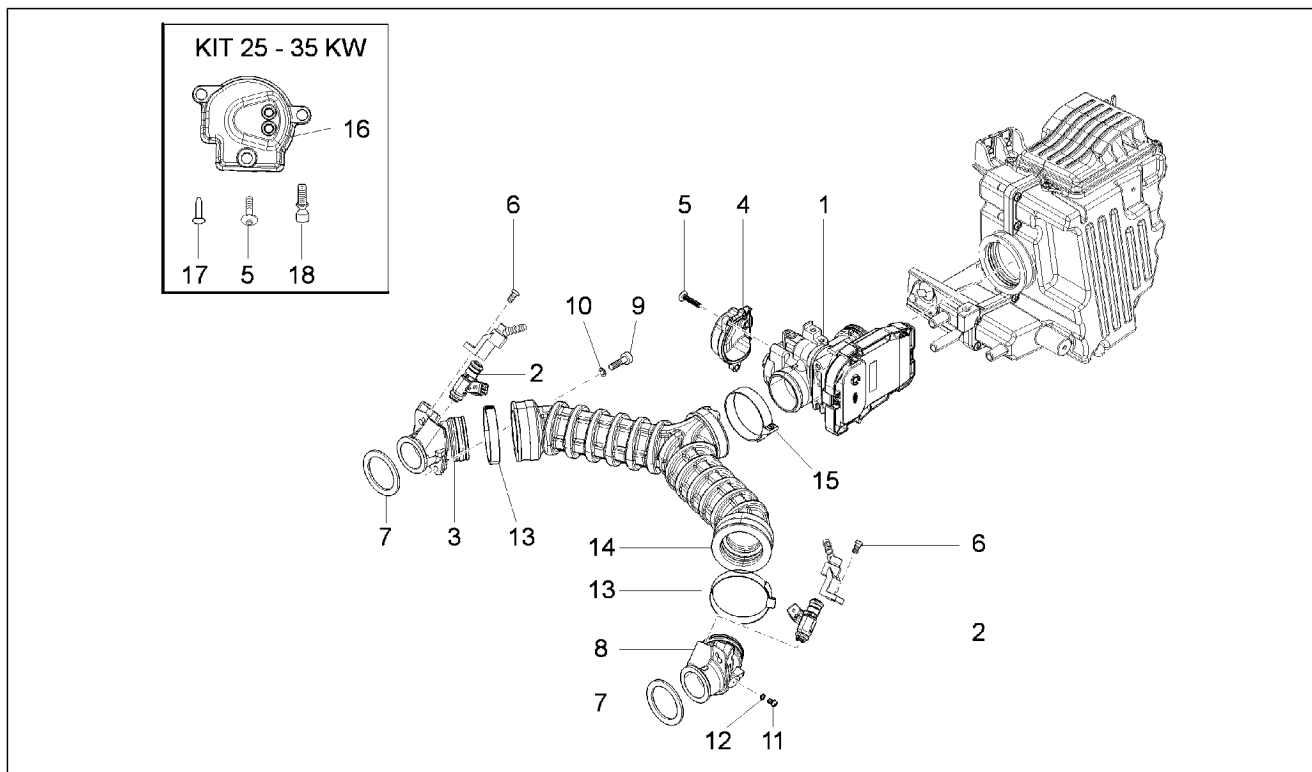
Pos.	Code	Description	Quant	Variants
1	883877	Alternateur	1	
2	883878	Régulateur de tension 35A	1	
3	GU30714201	Rondelle 16,25x24,5x5	1	
4	GU92606516	Ecrou M16	1	
5	GU29711460	Calotte av.	1	
6	GU98680265	Vis	3	
7	GU29217960	Rondelle 5,9X3X0,8	3	
8	GU19007700	Caoutchouc	1	
9	GU31712365	Entretoise	1	
10	GU91600450	Clavette	1	
11	GU29711960	Calotte arriere chromée	1	
12	AP8152281	Vis bride	2	
13	GU28576591	Clip M6	2	
14	GU95100125	Rondelle	2	

Groupe	MOTEUR
Code	34.46
Description	Démarrreur
Révision	1



Pos.	Code	Description	Quant	Variants
1	GU05730730	Démarrreur Bosch	1	
2	GU98082435	Vis M8x35	2	
3	GU95008208	Rondelle 8,4X15X1,5	2	

Groupe	MOTEUR
Code	34.47
Description	Corps à papillon
Révision	1



Pos.	Code	Description	Quant	Variants
1	CM228301	Centralina elettronica per iniezione	1	
2	B063049	Injecteur	2	
3	GU32115010	Pipe d.	1	
4	880260	Protection Corps à papillon	1	
5	875173	Vite testa bombata torx	3	
6	AP8152298	Vis bride M5x16	2	
7	GU32115510	Joint	2	
8	GU32115011	Pipe g.	1	
9	GU98682322	Vis M6x22	4	
10	GU03013800	Rondelle 6,4x12	4	
11	GU98310609	Vis M6x10	2	
12	GU95100116	Rondelle 6,25x10x1,5	2	
13	GU93305057	Collier 57x59,5x10	2	
14	887812	Manchon corps papil.	1	
15	GU93305061	Collier 61/65,5	1	
16	B063840	Protection Corps à papillon 25-35 KW	1	
17	AP8220488	Caoutchouc champignon	1	
18	B063853	Vis à arrachement	1	



PIAGGIO & C.s.p.a.



SPARE PARTS CATALOGUE



V7 Racer 750 2012

Chassis prefix: ZGULWB00

Engine prefix:

V7

GU102



Index

Finished products.....	4
Alphanumeric index.....	5
FRAME.....	11
Table 33.01 - Frame I.....	11
Table 33.02 - Frame II.....	12
Table 33.03 - Lateral stand.....	13
Table 33.06 - Gear lever.....	14
Table 33.07 - Front fork I.....	15
Table 33.08 - Fron fork II.....	16
Table 33.11 - Rear shock absorber.....	19
Table 33.12 - Fuel tank.....	20
Table 33.13 - Front body - Front mudguard.....	21
Table 33.14 - Saddle-Central bod.....	22
Table 33.15 - Rear body I- Mudguard.....	23
Table 33.16 - Rear body II- Plate holder.....	24
Table 33.17 - Dashboard.....	25
Table 33.18 - Handlebar - Controls.....	26
Table 33.19 - Front brake system.....	27
Table 33.21 - Fuel pump.....	28
Table 33.23 - Exhaust unit.....	29
Table 33.24 - Front wheel.....	31
Table 33.25 - Rear wheel.....	32
Table 33.26 - Rear master cylinder.....	33
Table 33.27 - Rear brake caliper.....	35
Table 33.28 - Front lights.....	36
Table 33.29 - Rear lights.....	38
Table 33.30 - Electrical system I.....	39
Table 33.31 - Electrical system II.....	40
Table 33.32 - Lock hardware kit.....	42
Table 33.33 - Decal and plate set.....	43
Table 33.51 - Fuel vapour recover system.....	44
Table 33.52 - Air box II.....	45
ENGINE.....	47
Table 34.09 - Transmission complete I.....	47
Table 34.10 - Transmission complete II.....	48
Table 34.34 - Crank-case.....	51
Table 34.35 - Timing system cover.....	53
Table 34.36 - Cylinder head.....	54
Table 34.37 - Crankshaft cpl.....	55
Table 34.38 - Timing system.....	56
Table 34.39 - Oil pump.....	58
Table 34.40 - Clutch I.....	60
Table 34.41 - Clutch II.....	61



Table 34.42 - Transmission cage.....	62
Table 34.43 - Gear box.....	63
Table 34.44 - Gear box selector.....	65
Table 34.45 - Generator - Regulator.....	66
Table 34.46 - Starter motor.....	67
Table 34.47 - Throttle body.....	68



Finished products

Code	Validity
GU9032179AUC00	
GU9032179AUC01	
GU9032179EUC00	
GU9032179EUC01	
GU9032179GBC00	
GU9032179GBC01	



Code	No. table	Pos.	Code	No. table	Pos.	Code	No. table	Pos.
	33.08	17	886368	33.14	12	887827	33.29	5
0000000	33.24	16	886370	33.12	20	8878421	33.52	1
0000000	33.24	17	886581	33.01	17	887843	33.52	2
0000000	33.24	18	886582	33.01	18	887844	33.52	11
0000000	33.25	18	886630	33.11	3	887845	33.52	12
0000000	33.25	19	886637	33.33	13	887846	33.23	1
0000000	33.25	20	886638	33.33	12	887847	33.23	2
080341	33.30	6	886643	33.33	8	887854	33.33	5
254485	33.14	16	886644	33.33	14	887873	33.32	1
254485	33.28	20	886645	33.01	11	887874	33.32	3
254485	33.52	14	886665	33.06	13	887877	33.29	1
292022	33.28	9	886665	33.26	1	887878	33.08	1
292723	33.28	10	886666	33.26	9	887879	33.08	2
584211	33.31	10	886668	33.06	16	887880	33.08	3
584332	33.29	7	886670	34.37	21	887881	33.08	36
599501	33.08	7	886675	33.11	1	887882	33.08	5
599502	33.08	9	886676	34.09	11	887883	33.08	6
599503	33.08	8	886678	33.33	3	887884	33.08	7
599504	33.08	6	886681	33.24	2	887885	33.08	8
638733	33.31	6	886684	33.08	17	887886	33.08	9
640598	33.28	11	886706	33.14	15	887887	33.08	10
641040	33.30	8	886711	33.25	2	887888	33.08	11
641541	34.39	8	886712	33.16	9	887889	33.08	12
641725	33.30	7	886713	33.16	10	887890	33.08	13
641901	33.30	4	886724	33.13	10	887891	33.08	14
642034	33.30	3	886727	33.14	19	887892	33.08	15
828708	33.30	12	88673000Y02	33.13	1	887893	33.08	16
856063	33.51	14	886784	33.13	2	887895	33.08	18
856796	33.06	20	886820	33.14	22	887896	33.08	19
860138	33.51	7	886825	33.33	11	887899	33.08	25
874567	34.37	14	886841	33.14	14	887900	33.08	23
875173	34.47	5	886842	33.08	21	887905	33.08	28
880260	34.47	4	887002	34.36	10	887906	33.08	35
883127	33.52	6	887005	34.42	10	887916	33.08	22
883161	33.31	11	887006	34.42	15	887944	33.12	1
883192	33.27	7	887093	34.39	9	887948	33.30	13
883295	33.14	5	887194	33.17	1	890760	33.52	16
883303	33.19	13	887195	33.17	1	890979	33.28	16
883349	33.25	8	887196	34.44	8	893570	33.31	19
883350	33.25	7	887207	33.12	1	894505	33.25	13
883417	33.28	24	887213	34.42	1	894704	33.31	26
883470	33.16	12	887235	34.42	17	896110	33.23	21
883471	33.03	1	8872690001	34.37	10	898086	33.07	7
883476	33.32	3	8872690002	34.37	10	898170	33.18	1
883477	33.32	1	8872690003	34.37	10	898171	33.18	8
883478	33.29	5	8872724	34.36	1	898174	33.33	2
883479	33.29	1	8872754	34.36	2	89817800A2	33.14	1
883480	33.16	15	887279	34.36	24	898179	33.13	7
883498	33.08	23	887280	33.06	17	898180	33.13	8
883502	33.12	5	887431	33.27	3	898270	33.14	20
883552	33.08	24	887448	33.25	12	898271	33.14	21
883581	33.19	2	887449	33.27	1	898277	33.14	10
883602	33.08	34	887457	33.27	6	898278	33.14	9
883688	33.24	10	887481	33.30	12	898280	33.16	6
8837115	33.23	11	887483	34.36	25	898281	33.06	7
8837125	33.23	10	887523	34.36	9	898281	33.26	27
883802	33.18	10	887528	34.38	27	898282	33.06	1
883877	34.45	1	887768	33.21	1	898283	33.06	3
883878	34.45	2	887787	33.21	5	898284	33.06	9
883940	33.18	3	887812	34.47	14	898285	33.26	30
884031	34.42	6	887815	33.52	13	898286	33.26	17
884344	33.33	20	887822	33.18	15	898287	33.26	12
884345	33.33	21	887825	33.30	1	898288	33.26	4
884346	33.33	22	887825	33.31	1	898611	33.06	12
884348	33.33	16	887826	33.28	4	898612	33.26	28
886141	33.33	10	887826	33.29	4	967356	33.03	6
886364	34.42	3	887827	33.28	5	969973	34.36	26



Code	No. table	Pos.	Code	No. table	Pos.	Code	No. table	Pos.
976600	34.34	1	AP8120912	33.06	2	AP8152300	33.02	14
976603	34.35	1	AP8120912	33.26	2	AP8152300	33.27	13
976604	34.34	12	AP8121014	33.03	3	AP8152306	33.16	5
976608	34.10	1	AP8121032	33.15	13	AP8152320	33.06	6
976614	33.14	13	AP8121032	33.17	7	AP8152320	33.26	33
976685	34.34	16	AP8121072	33.23	22	AP8152329	33.15	11
976939	34.34	28	AP8121267	33.51	10	AP8152329	33.52	18
976941	34.09	1	AP8121307	33.07	4	AP8152329	33.52	27
976992	34.42	21	AP8121367	33.02	10	AP8152339	33.16	8
97727R	33.07	1	AP8121375	33.03	2	AP8152385	33.19	16
977527	33.14	8	AP8121420	33.14	6	AP8181140	33.31	24
977527	33.32	4	AP8121420	33.32	8	AP8201358	33.51	13
978311	33.28	2	AP8121607	33.03	2	AP8201358	33.52	3
978323	33.19	15	AP8121673	33.12	12	AP8201358	33.52	34
978385	33.23	12	AP8121927	33.26	3	AP8210007	33.06	18
978386	33.23	15	AP8121929	33.16	7	AP8213028	33.18	23
978387	33.23	4	AP8124718	33.16	13	AP8213057	33.26	15
978415	33.14	7	AP8124936	33.30	2	AP8220283	33.31	22
978415	33.32	9	AP8127856	33.03	8	AP8220460	33.07	6
978570	33.18	10	AP8133643	33.26	14	AP8220488	34.47	17
978662	33.28	2	AP8133798	33.27	2	AP8220590	33.01	20
97894600Y02	33.15	1	AP8133873	33.26	22	AP8221023	33.52	26
978947	33.15	2	AP8134378	33.23	18	AP8221114	33.51	16
978949	33.16	1	AP8134448	33.16	2	AP8221172	33.01	16
978970	33.26	13	AP8134640	33.26	35	AP8221172	33.18	18
978974	33.08	19	AP8144071	33.23	16	AP8221197	33.03	5
978977	33.08	29	AP8144071	34.36	23	AP8221277	33.06	10
978978	33.08	4	AP8144081	33.07	5	AP8221297	33.23	30
981070	34.40	8	AP8144146	33.07	3	AP8224164	33.16	3
981149	33.28	12	AP8144538	33.52	15	AP8224462	33.31	21
981149	33.28	12	AP8144553	33.52	7	AP8257609	33.33	17
AP8101594	33.26	20	AP8144606	33.01	15	AP8257742	33.33	19
AP8101595	33.12	15	AP8144729	33.52	17	AP8257794	33.33	18
AP8102159	33.51	6	AP8149034	33.16	17	AP9100477	33.06	15
AP8102159	33.52	29	AP8150026	33.06	19	AP9100477	33.26	31
AP8102159	33.52	37	AP8150044	33.06	14	B043850	33.31	23
AP8102375	33.26	19	AP8150044	33.26	25	B045974	33.33	23
AP8102375	33.31	14	AP8150115	33.06	5	B063016	34.37	13
AP8102524	33.03	4	AP8150115	33.26	26	B063018	34.37	11
AP8102678	33.51	1	AP8150137	33.06	4	B063019	34.37	15
AP8102688	33.51	2	AP8150248	33.16	19	B063020	34.37	12
AP8102766	33.52	23	AP8150285	34.42	27	B063022	33.23	3
AP8102913	33.14	3	AP8150349	33.32	6	B063033	33.21	2
AP8104251	33.52	28	AP8150377	33.31	20	B063034	33.21	6
AP8104525	33.52	5	AP8150413	33.13	6	B063049	34.47	2
AP8104924	33.52	4	AP8150436	33.02	12	B063077	33.24	5
AP8110053	33.06	22	AP8150468	33.26	29	B063078	33.25	11
AP8113003	33.27	20	AP8150509	33.52	19	B063086	33.03	1
AP8113004	33.19	14	AP8152138	33.06	21	B063099	34.36	19
AP8113004	33.27	8	AP8152220	33.02	11	B063111	34.36	6
AP8113288	33.26	16	AP8152268	33.16	18	B063135	33.18	6
AP8113553	33.26	23	AP8152273	33.16	11	B063144	33.24	3
AP8118490	33.18	24	AP8152273	33.21	4	B063148	33.33	1
AP8120116	33.52	36	AP8152277	33.19	3	B063149	33.33	9
AP8120246	34.09	10	AP8152278	33.15	3	B06315000Y02	33.13	7
AP8120416	33.30	18	AP8152278	33.28	13	B06315100Y02	33.16	6
AP8120416	33.31	27	AP8152279	33.15	9	B063152	33.12	19
AP8120416	33.51	11	AP8152281	34.45	12	B063154	33.12	18
AP8120446	33.51	9	AP8152286	33.24	11	B063163	33.12	1
AP8120455	33.52	9	AP8152287	33.02	13	B063167	33.15	12
AP8120531	33.14	18	AP8152288	33.02	15	B063213	33.52	30
AP8120557	33.12	11	AP8152288	33.27	9	B063214	33.52	21
AP8120615	33.52	10	AP8152298	34.47	6	B063233	33.31	5
AP8120772	33.52	20	AP8152299	33.15	15	B063247	33.18	4
AP8120772	33.52	24	AP8152299	33.27	10	B063248	33.18	5
AP8120772	33.52	35	AP8152299	33.30	5	B063249	33.02	1
AP8120876	33.52	8	AP8152299	33.51	5	B063250	33.02	2



Code	No. table	Pos.	Code	No. table	Pos.	Code	No. table	Pos.
B063251	33.01	1	GU03658201	33.27	16	GU19025460	33.23	6
B063252	33.33	5	GU03658330	33.27	17	GU19027500	34.38	15
B063265	33.24	1	GU03658430	33.27	14	GU19030500	34.38	7
B063267	33.25	1	GU03660145	33.19	1	GU19032080	34.38	10
B063269	34.42	11	GU03661145	33.19	6	GU19032980	34.36	17
B063287	33.01	4	GU03664045	33.19	7	GU19032980	34.38	14
B063342	34.42	20	GU03740930	33.29	2	GU19034000	34.38	8
B063429	33.14	23	GU03749845	33.19	5	GU19037820	34.36	8
B063431	33.14	24	GU03922280	34.09	23	GU19045861	34.38	25
B063465	34.37	19	GU03995730	33.33	15	GU19055700	34.38	23
B063466	34.37	16	GU04000500	34.34	10	GU19058021	34.38	19
B063735	33.28	14	GU05107430	33.21	3	GU19058220	34.38	20
B063735	33.29	6	GU05659230	33.19	10	GU19062261	34.37	4
B063800	33.28	4	GU05730730	34.46	1	GU19065400	34.37	2
B063801	33.28	5	GU05781630	33.16	20	GU19067700	34.37	18
B063808	33.12	1	GU05900130	33.33	6	GU19083462	34.40	2
B063840	34.47	16	GU06740400	33.28	17	GU19146422	34.39	1
B063853	34.47	18	GU06740401	33.28	17	GU19149800	34.39	18
B063854	33.23	1	GU10054100	34.43	12	GU19152200	34.39	11
B063855	33.23	2	GU10214300	34.43	27	GU19202320	34.42	9
CM001928	33.07	9	GU10214301	34.43	27	GU19203460	34.40	11
CM001929	33.07	8	GU10214302	34.43	27	GU19206501	34.10	10
CM007423	33.30	9	GU10214303	34.43	27	GU19212900	34.43	15
CM0074C9	33.30	10	GU10214304	34.43	27	GU19213720	34.43	17
CM013202	33.31	25	GU10214305	34.43	27	GU19213760	34.41	15
CM225705	33.31	15	GU10528900	34.34	15	GU19214660	34.43	11
CM225710	33.31	16	GU10528900	34.40	13	GU19215460	34.43	3
CM225715	33.31	17	GU10528900	34.42	23	GU19234600	34.44	2
CM225730	33.31	18	GU12003702	34.34	20	GU19237800	34.42	13
CM228301	34.47	1	GU12022600	34.10	6	GU19327601	34.09	5
CM228302	34.47	1	GU12022600	34.42	24	GU19328801	34.09	3
GU00823923140	33.03	7	GU12087001	34.41	9	GU19350700	34.10	22
GU00823923140	33.51	12	GU12154200	34.34	23	GU19351100	34.10	4
GU00823923140	33.52	32	GU12154200	34.42	12	GU19351900	34.10	2
GU00823931055	33.28	19	GU13021900	34.34	26	GU19352300	34.10	23
GU00823931070	33.12	2	GU13021900	34.36	12	GU19353500	34.10	24
GU00823944050	33.12	16	GU14086000	34.41	10	GU19355200	34.10	35
GU00823950050	33.26	21	GU14086100	34.41	7	GU19355202	34.10	36
GU01103860	33.01	13	GU14090201	34.41	1	GU19355300	34.10	33
GU01528930	34.10	9	GU14090400	34.41	2	GU19355301	34.10	33
GU01609630	33.18	14	GU14217901	34.40	6	GU19355302	34.10	33
GU01654630	33.19	17	GU14217901	34.42	7	GU19355303	34.10	33
GU01659130	33.19	11	GU14217901	34.44	17	GU19355304	34.10	33
GU01659131	33.19	12	GU14609650	33.30	17	GU19355305	34.10	33
GU01665410	33.26	6	GU14609650	33.31	27	GU19355306	34.10	33
GU01721600	33.30	14	GU14615901	33.13	5	GU19355307	34.10	33
GU01744200	33.28	18	GU14615901	34.09	20	GU19355308	34.10	33
GU02717450	33.30	11	GU14615901	34.37	5	GU19355309	34.10	33
GU03013800	33.23	8	GU14616150	33.24	15	GU19355320	34.10	27
GU03013800	34.47	10	GU14616150	33.25	10	GU19355321	34.10	27
GU03067730	34.10	19	GU18144350	34.39	16	GU19355322	34.10	27
GU03101600	33.12	7	GU18161150	34.39	21	GU19355323	34.10	27
GU03101720	33.12	5	GU18257551	33.26	8	GU19355324	34.10	27
GU03101900	33.12	3	GU19001200	34.35	2	GU19355325	34.10	27
GU03102200	33.12	6	GU19002020	34.35	5	GU19355326	34.10	27
GU03102400	33.12	10	GU19002020	34.42	16	GU19355327	34.10	27
GU03103500	33.12	4	GU19003602	34.34	13	GU19355328	34.10	27
GU03163330	33.31	3	GU19003800	34.34	8	GU19355329	34.10	27
GU03270300	33.26	34	GU19007700	34.35	10	GU19355400	34.10	21
GU03530529	33.08	2	GU19007700	34.45	8	GU19355402	34.10	21
GU03530530	33.08	1	GU19015020	34.34	5	GU19355404	34.10	21
GU03530551	33.08	12	GU19016320	34.34	9	GU19355406	34.10	21
GU03604845	33.19	8	GU19017000	33.02	4	GU19355408	34.10	21
GU03605645	33.19	9	GU19018920	34.39	10	GU19355410	34.10	21
GU03609600	33.18	14	GU19021360	34.36	18	GU19355411	34.10	21
GU03631250	33.24	4	GU19021920	34.36	7	GU19355412	34.10	21
GU03631250	33.25	9	GU19025280	33.23	5	GU19355413	34.10	21



Code	No. table	Pos.	Code	No. table	Pos.	Code	No. table	Pos.
GU19356700	34.10	30	GU31150950	34.39	26	GU32525410	33.08	10
GU19356760	34.41	16	GU31159050	34.39	15	GU32526310	33.08	16
GU19356801	34.10	28	GU31327783	34.09	2	GU32526610	33.08	15
GU19357660	34.10	25	GU31439565	33.13	4	GU32530502	33.08	13
GU19547000	34.09	12	GU31513480	33.08	20	GU32530503	33.08	14
GU20036020	34.38	1	GU31544181	34.09	15	GU32530504	33.08	28
GU20036120	34.38	2	GU31547882	34.09	14	GU32530505	33.08	22
GU20085720	34.41	13	GU31614183	33.24	9	GU32530610	33.08	32
GU20147710	34.39	17	GU31615260	33.24	6	GU32530611	33.08	33
GU20147810	34.39	3	GU31616384	33.24	12	GU32555210	33.11	4
GU20148410	34.39	4	GU31634281	33.27	4	GU32555211	33.11	5
GU20148610	34.39	5	GU31634481	33.25	15	GU32602860	33.18	12
GU20208520	34.44	9	GU31659181	33.27	11	GU32603010	33.18	16
GU20352421	34.10	31	GU31659281	33.27	12	GU32603310	33.18	7
GU20355121	34.10	34	GU31712365	34.45	9	GU32605510	33.18	2
GU23204471	34.40	21	GU32001610	34.35	6	GU32615660	33.24	14
GU23204571	34.40	22	GU32032310	34.38	11	GU32632510	33.25	17
GU23211372	34.43	8	GU32053410	34.38	16	GU32633360	33.25	14
GU23217800	34.38	3	GU32054510	34.38	17	GU32633560	34.10	11
GU23328081	34.09	7	GU320642104	34.37	1	GU32634160	33.27	5
GU23442210	33.06	11	GU32067910	34.40	5	GU32636160	33.25	21
GU23442210	33.26	11	GU32080310	34.40	1	GU32735510	33.32	5
GU23548080	34.09	8	GU32084410	34.40	4	GU32735511	33.32	5
GU23548180	34.09	9	GU32115010	34.47	3	GU32747910	33.31	9
GU23943410	33.08	31	GU32115011	34.47	8	GU32750661	33.29	4
GU27001136	34.35	7	GU32115510	34.47	7	GU32753410	33.28	3
GU27004985	34.34	18	GU32121010	33.23	7	GU32753410	33.29	8
GU27037521	34.38	4	GU32121910	33.23	25	GU32753711	33.28	14
GU27061585	34.37	3	GU32121911	33.23	26	GU32753711	33.29	6
GU27061885	34.37	17	GU32128610	33.23	13	GU32768710	34.39	8
GU27062060	34.37	6	GU32129010	33.23	14	GU32768810	34.39	9
GU27065660	34.37	7	GU32202010	34.43	28	GU32781910	33.16	16
GU27066460	34.37	9	GU32206510	34.42	22	GU32782510	33.32	2
GU27066560	34.37	8	GU32208210	34.42	8	GU32909960	33.33	4
GU27152885	34.34	22	GU32210510	34.43	1	GU32999010	34.34	25
GU27153085	34.39	14	GU32211110	34.43	9	GU32999510	34.34	24
GU27210760	34.41	12	GU32211410	34.43	6	GU35214300	34.09	13
GU27530510	33.08	25	GU32211810	34.43	5	GU39238100	34.43	25
GU27633910	33.25	4	GU32212011	34.43	2	GU49609601	33.30	17
GU28157950	33.51	8	GU32213610	34.43	14	GU49609601	33.31	27
GU28252060	33.02	8	GU32213810	34.42	5	GU53429500	33.02	3
GU28576591	33.12	13	GU32214010	34.43	24	GU61027200	34.37	20
GU28576591	33.15	4	GU32214510	34.43	20	GU61036801	34.36	3
GU28576591	34.45	13	GU32214810	34.43	21	GU61038100	34.38	6
GU29217960	34.45	7	GU32215010	34.43	22	GU61054900	34.38	18
GU29711460	34.45	5	GU32215210	34.43	23	GU61270300	33.27	22
GU29711960	34.45	11	GU32231010	34.44	5	GU61270300	34.10	26
GU29729461	33.31	2	GU32231210	34.44	4	GU61270300	34.34	6
GU29759150	33.18	17	GU32233010	34.44	6	GU61270300	34.36	21
GU30109330	33.23	24	GU32234110	34.44	13	GU61270300	34.40	17
GU30525861	33.08	11	GU32234410	34.44	1	GU66103415	33.01	14
GU30526761	33.08	5	GU32234710	34.44	11	GU90271018	34.38	12
GU30577800	33.29	13	GU32234810	34.44	12	GU90271117	34.43	29
GU30601060	33.18	25	GU32234910	34.44	16	GU90271121	34.43	19
GU30602500	33.18	22	GU32235710	34.44	14	GU90271124	34.43	4
GU30714201	34.45	3	GU32238210	34.44	10	GU90272023	34.09	4
GU30970200	33.33	7	GU32251610	33.06	8	GU90272075	34.40	3
GU31003766	34.10	8	GU32350410	34.10	13	GU90274026	34.44	3
GU31003766	34.34	14	GU32351410	34.10	16	GU90353009	34.36	4
GU31003766	34.40	19	GU32354610	34.10	18	GU90353029	34.38	24
GU31003766	34.42	26	GU32431310	33.02	9	GU90353030	34.10	17
GU31016050	34.39	20	GU32432711	33.03	11	GU90400616	34.41	11
GU31037015	34.38	13	GU32433011	33.03	6	GU90402538	33.25	6
GU31038015	34.38	5	GU32439260	33.51	3	GU90402642	33.24	8
GU31045015	34.38	26	GU32461610	33.14	2	GU90402842	34.35	9
GU31112965	33.52	33	GU32506360	33.28	1	GU90403246	34.40	20
GU31121880	33.23	9	GU32517710	33.31	8	GU90403251	34.10	38



Code	No. table	Pos.	Code	No. table	Pos.	Code	No. table	Pos.
GU90403549	34.10	3	GU93180220	34.40	9	GU97202325	33.18	26
GU90407591	34.10	15	GU93180245	34.36	22	GU98054422	34.38	28
GU90706076	34.34	29	GU93222023	33.17	4	GU98082435	34.46	2
GU90706111	34.39	22	GU93231605	33.29	14	GU98082565	33.02	7
GU90706140	34.42	4	GU933011755	33.23	20	GU98084314	34.39	12
GU90706141	33.30	16	GU93301313	33.51	15	GU98084314	34.40	12
GU90706170	34.41	8	GU93305057	34.47	13	GU98084316	34.40	7
GU90706188	34.10	29	GU93305061	33.52	22	GU98110007	33.23	23
GU90706188	34.43	18	GU93305061	34.47	15	GU98110199	33.01	7
GU90706203	34.10	7	GU93450126	33.28	15	GU98230510	33.16	4
GU90706203	34.42	25	GU93450127	33.28	15	GU98230510	33.18	19
GU90706235	34.41	14	GU93450127	33.29	7	GU98230612	34.44	7
GU90706281	34.34	19	GU93450224	33.29	3	GU98252420	33.06	23
GU90706444	34.34	17	GU94321079	34.39	24	GU98252420	33.26	32
GU90706584	34.10	37	GU94321099	34.09	6	GU98257410	33.27	18
GU90714082	33.52	31	GU94321105	34.41	4	GU98257618	34.44	15
GU91113826	33.23	29	GU95004210	33.31	4	GU98310609	34.47	11
GU91120806	33.15	6	GU95005306	33.17	3	GU98350215	33.29	12
GU91180601	33.15	10	GU95005306	33.23	28	GU98350416	33.01	5
GU91181003	33.18	11	GU95005308	33.28	23	GU98350440	33.13	3
GU91181003	33.19	18	GU95005308	34.09	22	GU98370412	33.19	4
GU91551010	33.52	25	GU95005310	33.15	7	GU98370515	33.14	17
GU91551086	33.14	11	GU95005311	33.51	4	GU98370609	33.17	2
GU91600450	34.45	10	GU95005330	33.08	26	GU98370609	33.23	27
GU92201070	34.10	14	GU95008205	33.30	15	GU98370616	33.12	21
GU92201220	34.43	16	GU95008206	34.39	23	GU98370616	33.13	9
GU92201225	34.40	10	GU95008208	33.01	6	GU98370616	33.31	7
GU92204215	34.42	2	GU95008208	34.46	3	GU98370625	33.14	4
GU92204217	33.25	5	GU95008210	33.01	8	GU98370625	33.26	7
GU92204218	33.25	3	GU95008210	33.02	6	GU98370655	33.28	7
GU92204221	33.24	7	GU95008210	34.09	17	GU98370655	33.29	9
GU92218417	34.43	10	GU95008305	33.18	20	GU98370831	33.28	22
GU92230320	34.43	13	GU95008306	33.19	20	GU98370835	33.15	8
GU92234716	34.43	26	GU95008306	33.27	21	GU98612216	33.03	9
GU92249220	34.10	32	GU95020105	33.03	10	GU98620335	34.39	7
GU92249225	33.07	2	GU95021104	33.19	19	GU98620540	33.08	18
GU92249227	34.10	20	GU95021105	33.18	21	GU98680265	34.45	6
GU92251028	34.43	7	GU95021206	33.17	5	GU98680330	33.08	3
GU92252210	34.39	2	GU95021206	33.28	8	GU98680330	34.35	4
GU92252235	34.10	5	GU95021206	33.29	10	GU98680335	34.35	8
GU92296723	34.39	6	GU95100059	33.26	24	GU98680350	33.08	30
GU92602406	34.38	9	GU95100059	33.31	13	GU98680435	34.40	15
GU92602510	34.39	19	GU95100116	34.47	12	GU98680435	34.42	19
GU92603010	34.36	11	GU95100125	34.45	14	GU98680440	33.23	17
GU92606206	33.17	6	GU95100141	33.12	14	GU98680450	34.40	16
GU92606208	34.34	7	GU95100141	33.15	14	GU98680545	34.09	16
GU92606208	34.40	18	GU95100244	34.38	29	GU98680555	33.01	10
GU92606210	33.01	9	GU95100309	34.39	27	GU98682116	33.12	8
GU92606210	33.02	5	GU95100602	34.39	25	GU98682212	33.30	14
GU92606210	33.11	7	GU95100709	34.34	21	GU98682212	33.31	12
GU92606210	34.09	18	GU95129115	34.38	22	GU98682215	33.26	18
GU92606316	33.25	16	GU95129180	34.34	27	GU98682322	34.47	9
GU92606508	34.41	3	GU95129180	34.36	13	GU98682325	34.34	11
GU92606512	34.42	14	GU95129181	33.11	6	GU98682325	34.35	3
GU92606516	34.45	4	GU95187006	34.39	13	GU98682330	34.40	14
GU92630104	33.27	19	GU95401215	33.26	10	GU98682330	34.42	18
GU92630106	33.08	27	GU95500222	34.41	6	GU98682414	33.01	12
GU92630108	33.15	5	GU95780271	34.41	5	GU98682414	33.12	17
GU92630204	33.16	14	GU96451316	33.27	15	GU98682416	33.32	7
GU92630206	33.26	5	GU96451430	34.34	3	GU98682430	33.12	9
GU92630510	33.01	3	GU96451560	34.34	2	GU98682530	33.01	2
GU92640508	33.23	19	GU96506042	34.36	5	GU98690335	33.18	13
GU92787006	33.28	6	GU96508055	34.10	12	GU98692318	33.11	2
GU92787006	33.29	11	GU96508055	34.34	4	GU98692325	33.18	9
GU92787008	34.09	19	GU96508145	34.36	20	GU98692325	34.36	16
GU93180105	34.09	21	GU96510181	34.36	15	GU98692420	33.01	19
GU93180111	33.24	13	GU96510214	34.36	14	GU98880540	33.28	21

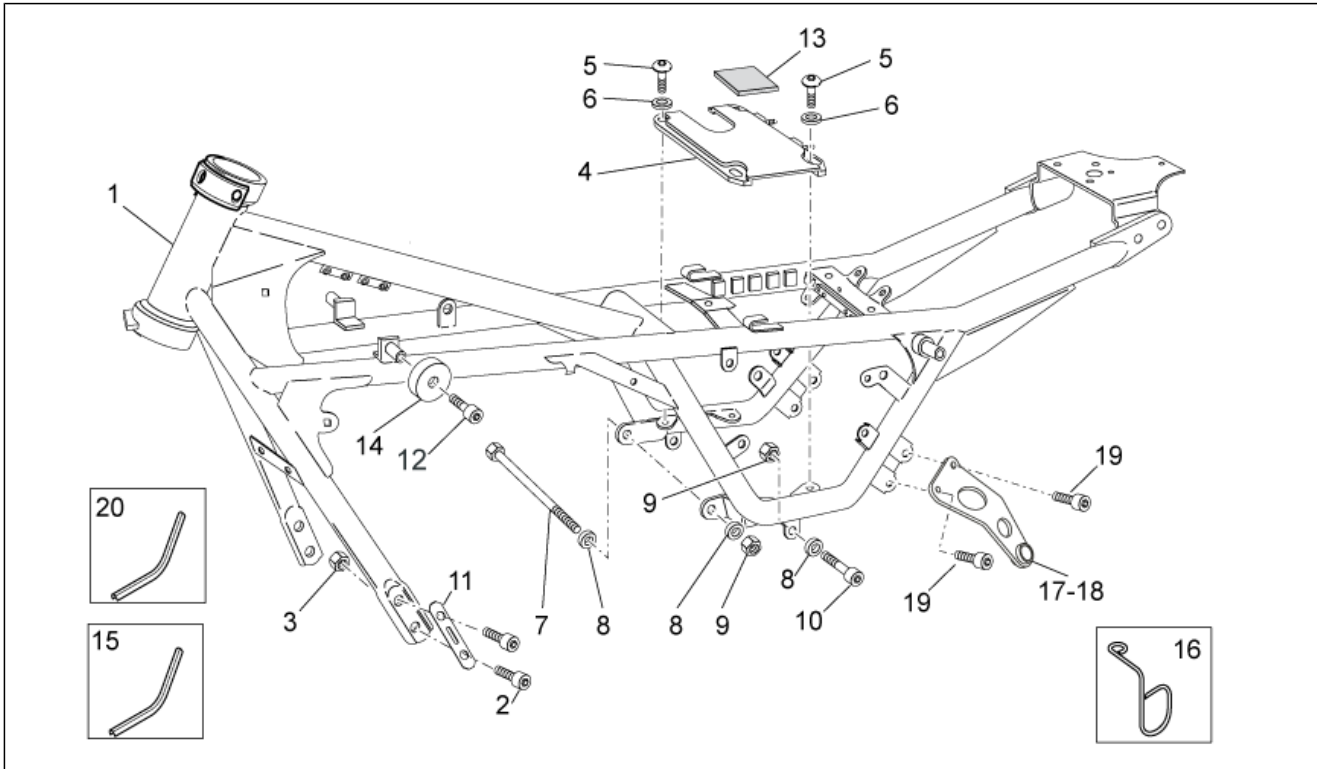


V 7
GU102 - V7 Racer 750 2012

Chassis prefix: ZGULWB00
Engine prefix:

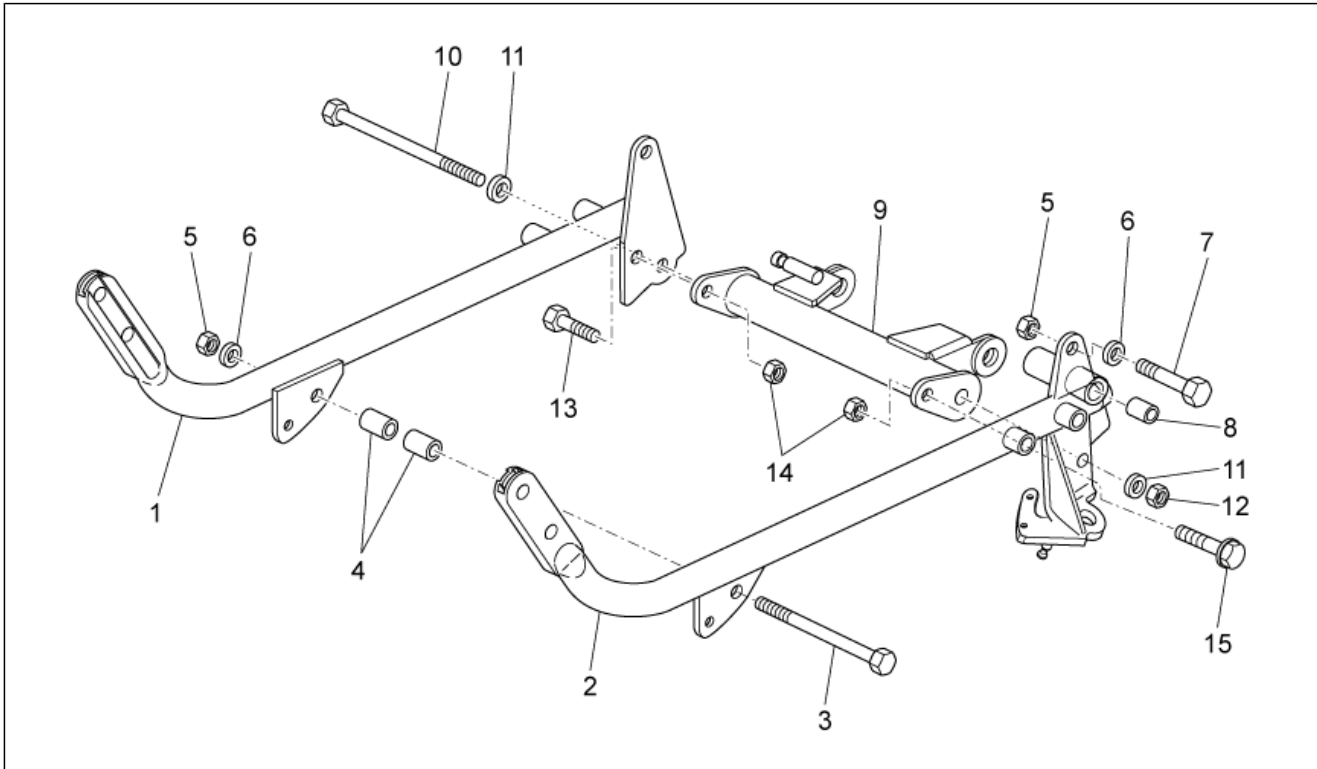
Code	No. table	Pos.
GU98882316	34.38	21

Group	FRAME
Code	33.01
Description	Frame I
Service	1



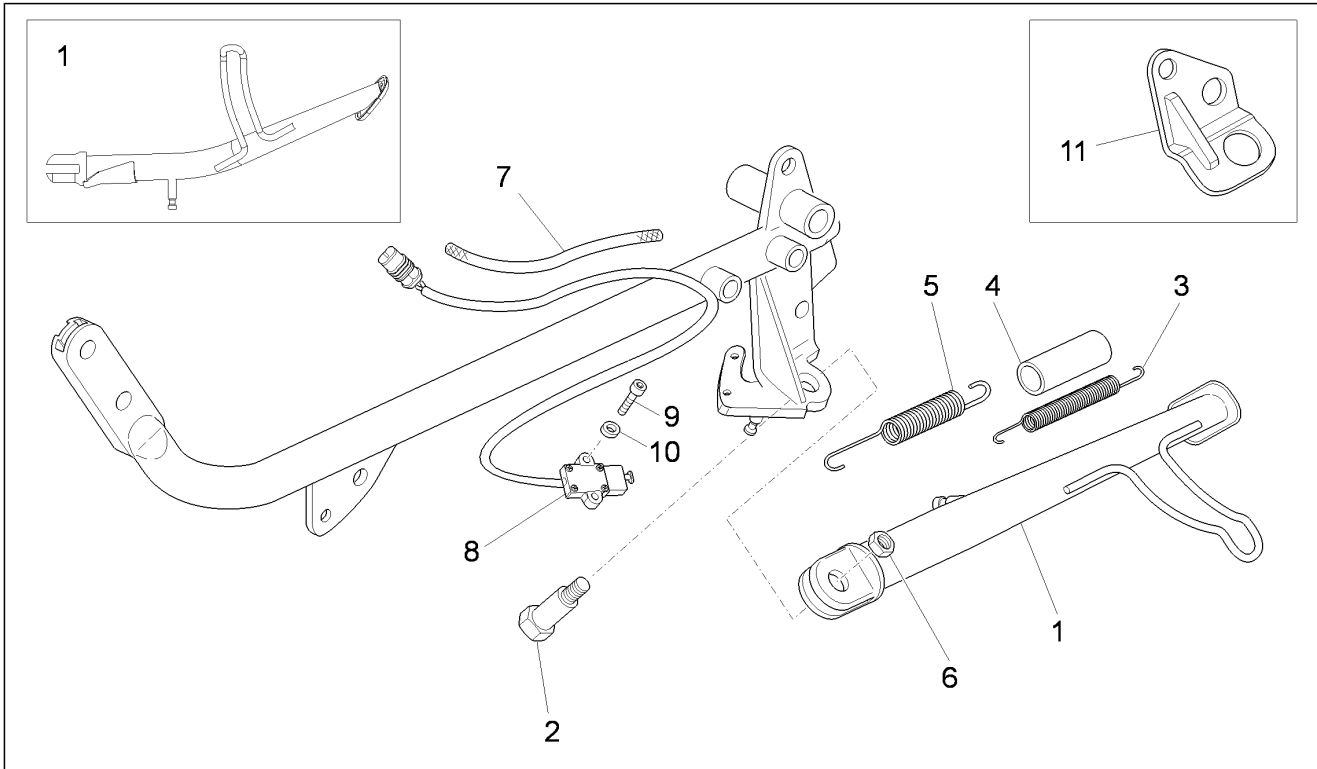
Pos.	Code	Description	Qty	Variants
1	B063251	Frame, red	1	
2	GU98682530	Hex socket screw M10x30	4	
3	GU92630510	Nut M10x1,5	4	
4	B063287	Piastra unione telaio	1	
5	GU98350416	Hex socket screw M8x16	4	
6	GU95008208	Washer 8,4X15X1,5	4	
7	GU98110199	Pin M10x205	1	
8	GU95008210	Washer 10,2X18X2	11	
9	GU92606210	Nut M10x1,5	2	
10	GU98680555	screw M10x55	2	
11	886645	Plate	2	
12	GU98682414	Hex socket screw	2	
13	GU01103860	Vibration-damping rubber	1	
14	GU66103415	Rubber spacer	2	
15	AP8144606	Gasket 10X5	1	
16	AP8221172	Cable-guide	1	
17	886581	RH plate	1	
18	886582	LH plate	1	
19	GU98692420	Hex socket screw	4	
20	AP8220590	Gasket	1	

Group	FRAME
Code	33.02
Description	Frame II
Service	1



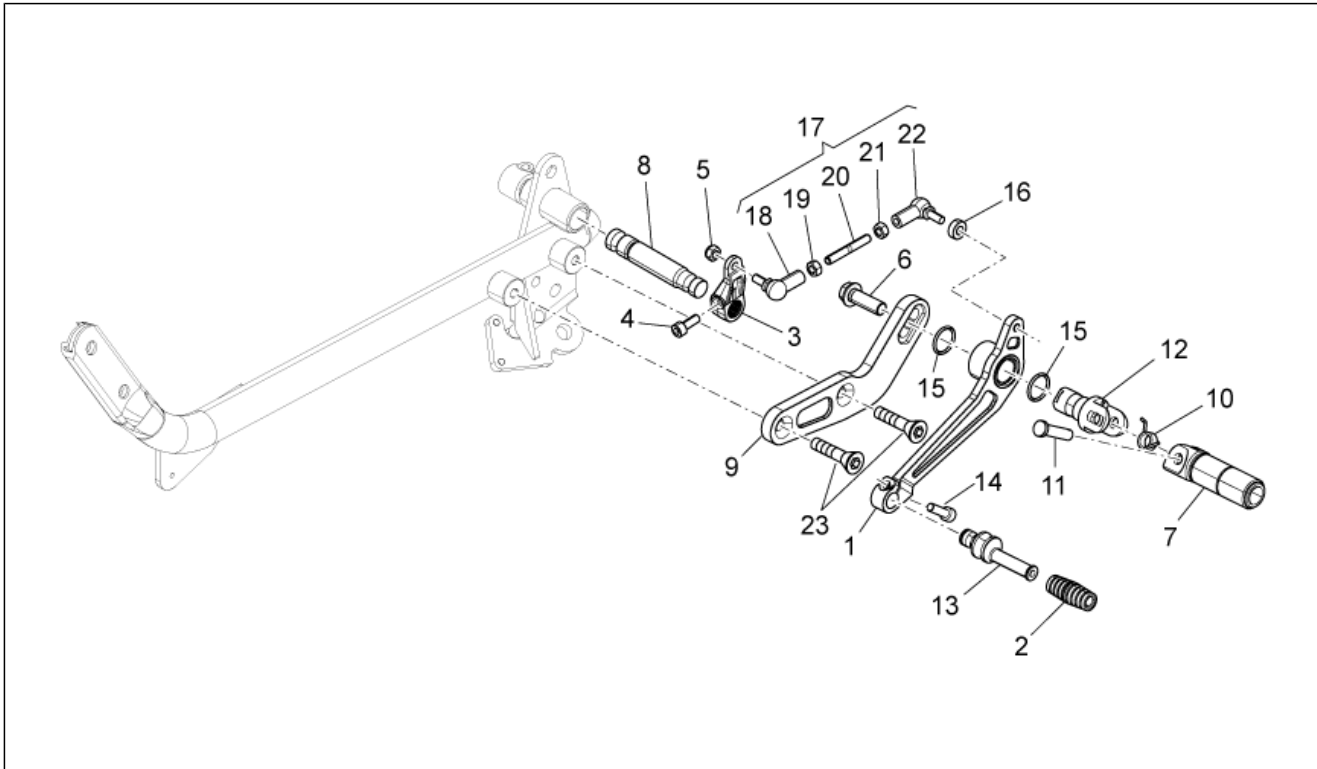
Pos.	Code	Description	Qty	Variants
1	B063249	RH cradle arm	1	
2	B063250	LH cradle arm	1	
3	GU53429500	Pin M10x250	1	
4	GU19017000	Bushing	2	
5	GU92606210	Nut M10x1,5	3	
6	GU95008210	Washer 10,2X18X2	3	
7	GU98082565	screw M10x65	2	
8	GU28252060	Bush 18 mm est.	2	
9	GU32431310	Cradle arms conn.crosspiece	1	
10	AP8121367	Pin M10x260	1	
11	AP8152220	Washer	2	
12	AP8150436	Low self-locking nut	1	
13	AP8152287	Screw w/ flange M8x25	1	
14	AP8152300	Self-locking nut M8	1	
15	AP8152288	Screw w/ flange	1	

Group	FRAME
Code	33.03
Description	Lateral stand
Service	1



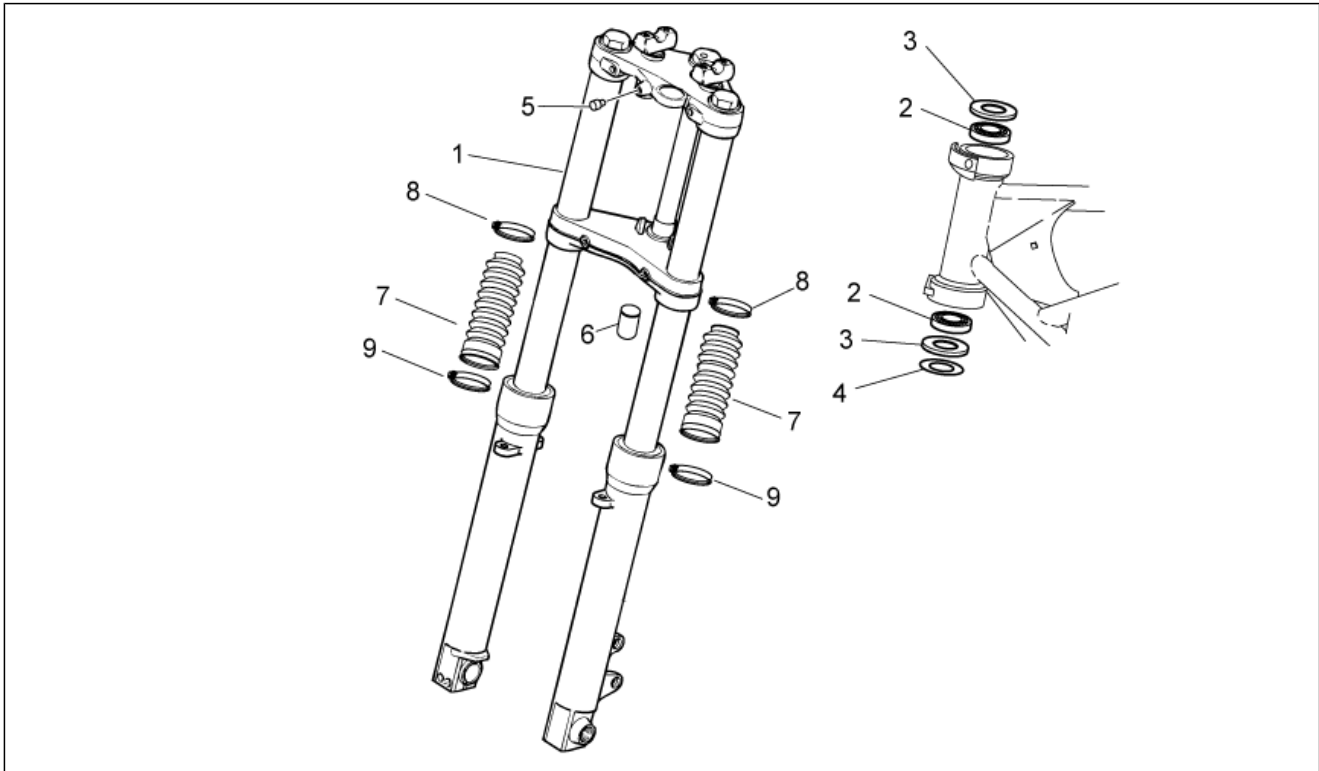
Pos.	Code	Description	Qty	Variants
1	883471	Side arm black	1	Country:Canadian[CA], USA[USA]
1	B063086	Lateral stand	1	Country:Australia[AA], europe[EU], Great Britain[UK]
2	AP8121375	Central stand fixing screw	1	Country:Australia[AA], europe[EU], Great Britain[UK]
2	AP8121607	Central stand fixing screw	1	Country:Canadian[CA], USA[USA]
3	AP8121014	Coil pull spring *	1	
4	AP8102524	Stand spring protection	1	
5	AP8221197	Lateral stand spring	1	
6	967356	Nut	1	Country:Australia[AA], europe[EU], Great Britain[UK]
6	GU32433011	Nut	1	Country:Canadian[CA], USA[USA]
7	GU00823923140	Thermal sheath	1	
8	AP8127856	Lateral stand switch	1	
9	GU98612216	Hex socket screw	2	
10	GU95020105	Washer 5,3x8,9x2,4	2	
11	GU32432711	plate	1	Country:Canadian[CA], USA[USA]

Group	FRAME
Code	33.06
Description	Gear lever
Service	1



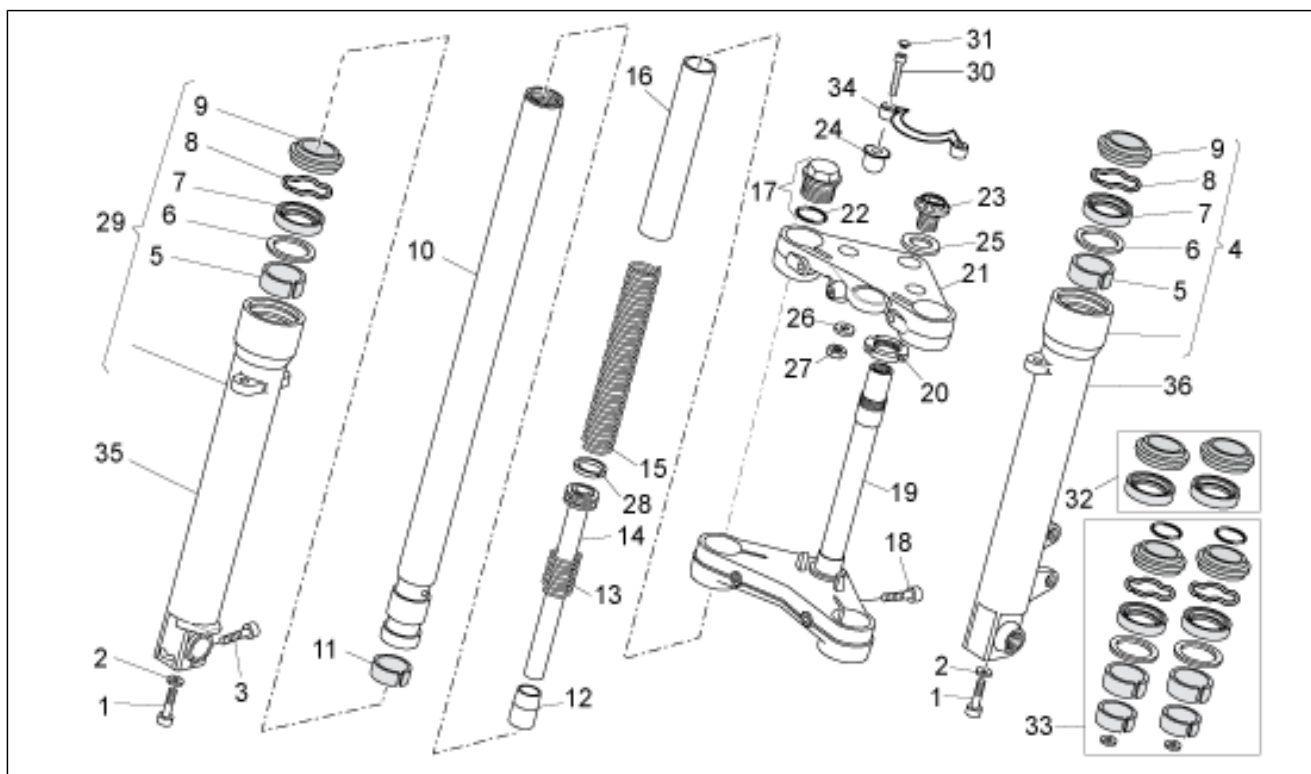
Pos.	Code	Description	Qty	Variants
1	898282	Gear lever	1	
2	AP8120912	Lever rubber	1	
3	898283	Shift lever	1	
4	AP8150137	Hex socket screw	1	
5	AP8150115	Low self-locking nut M6	1	
6	AP8152320	Screw w/ flange	1	
7	898281	RH Foot rests	1	
8	GU32251610	Lever pin	1	
9	898284	Rider footrest plate	1	
10	AP8221277	Footrest return spring	1	
11	GU23442210	Pin	1	
12	898611	LH front footrest bracket	1	
13	886665	Pin	1	
14	AP8150044	Hex socket screw M6x20	1	
15	AP9100477	O-ring 18x2	2	
16	886668	Spacer	1	
17	887280	Gear control tie rod	1	
18	AP8210007	RH ball joint M6	1	
19	AP8150026	Nut	1	
20	856796	Gearbox linkage rod	1	
21	AP8152138	Nut	1	
22	AP8110053	Left ball joint M6	1	
23	GU98252420	Screw M8x20	2	

Group	FRAME
Code	33.07
Description	Front fork I
Service	1



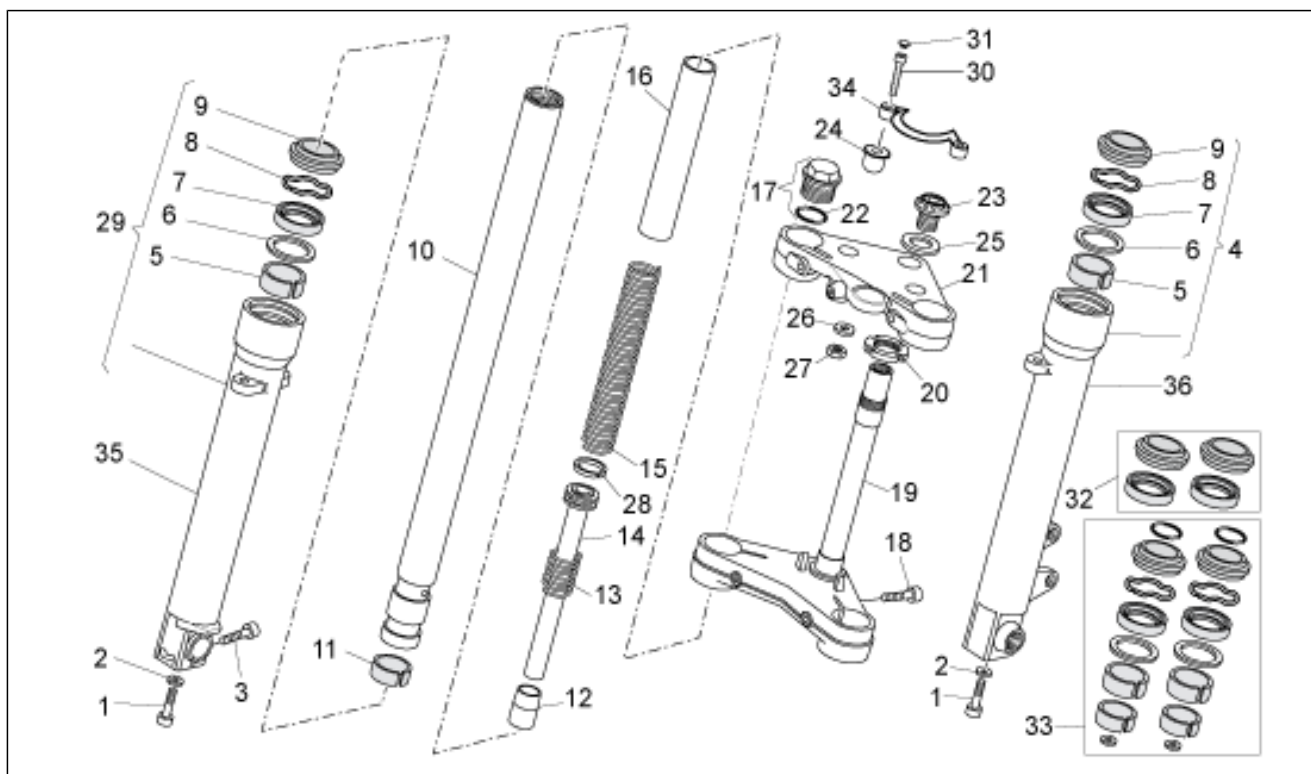
Pos.	Code	Description	Qty	Variants
1	97727R	Front fork	1	
2	GU92249225	Tap.roller bearing	2	
3	AP8144146	Gasket ring	1	
4	AP8121307	Washer	1	
5	AP8144081	Rubber spacer	1	
6	AP8220460	Rubber cup	1	
7	898086	Anti-dust tube	7	
8	CM001929	Hose clamp 36.5	2	
9	CM001928	Hose clamp 44	2	

Group	FRAME
Code	33.08
Description	Fron fork II
Service	1



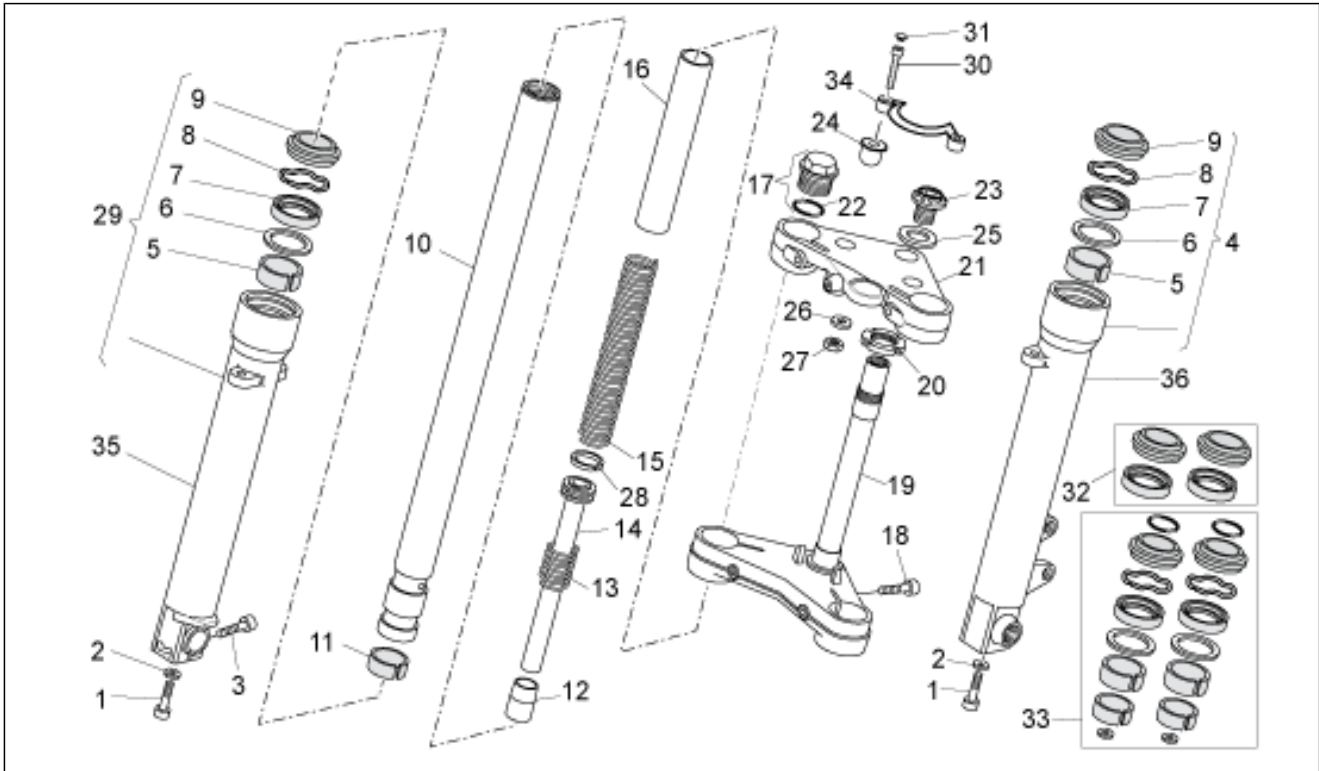
Pos.	Code	Description	Qty	Variants
1	887878	screw M10x30	2	Technical specification:Kaifa[K]
1	GU03530530	screw M10x30	2	Technical specification:Marzocchi[M]
2	887879	Washer	2	Technical specification:Kaifa[K]
2	GU03530529	Washer	2	Technical specification:Marzocchi[M]
3	887880	screw	2	Technical specification:Kaifa[K]
3	GU98680330	Hex socket screw M6x30	2	Technical specification:Marzocchi[M]
4	978978	LH sleeve cpl. Black	1	Technical specification:Marzocchi[M]
5	887882	Upper bush	2	Technical specification:Kaifa[K]
5	GU30526761	Upper bush	2	Technical specification:Marzocchi[M]
6	599504	Cup (Marzocchi)	2	Technical specification:Marzocchi[M]
6	887883	Washer	2	Technical specification:Kaifa[K]
7	599501	Gasket ring (Marzocchi)	2	Technical specification:Marzocchi[M]
7	887884	Gasket ring	2	Technical specification:Kaifa[K]
8	599503	Stop ring (Marzocchi)	2	Technical specification:Marzocchi[M]
8	887885	Stop ring	2	Technical specification:Kaifa[K]
9	599502	Dust cover + spring (Marzocchi)	2	Technical specification:Marzocchi[M]
9	887886	Dust cover	2	Technical specification:Kaifa[K]
10	887887	Sleeve	2	Technical specification:Kaifa[K]
10	GU32525410	Sleeve	2	Technical specification:Marzocchi[M]
11	887888	Bush	2	Technical specification:Kaifa[K]
11	GU30525861	Lower bush	2	Technical specification:Marzocchi[M]
12	887889	Pad	2	Technical specification:Kaifa[K]
12	GU03530551	Pad	2	Technical specification:Marzocchi[M]
13	887890	Return spring	2	Technical specification:Kaifa[K]
13	GU32530502	Return spring	2	Technical specification:Marzocchi[M]
14	887891	Plunger, complete	2	Technical specification:Kaifa[K]
14	GU32530503	Plunger, complete	2	Technical specification:Marzocchi[M]
15	887892	Spring	2	Technical specification:Kaifa[K]

Group	FRAME
Code	33.08
Description	Fron fork II
Service	1



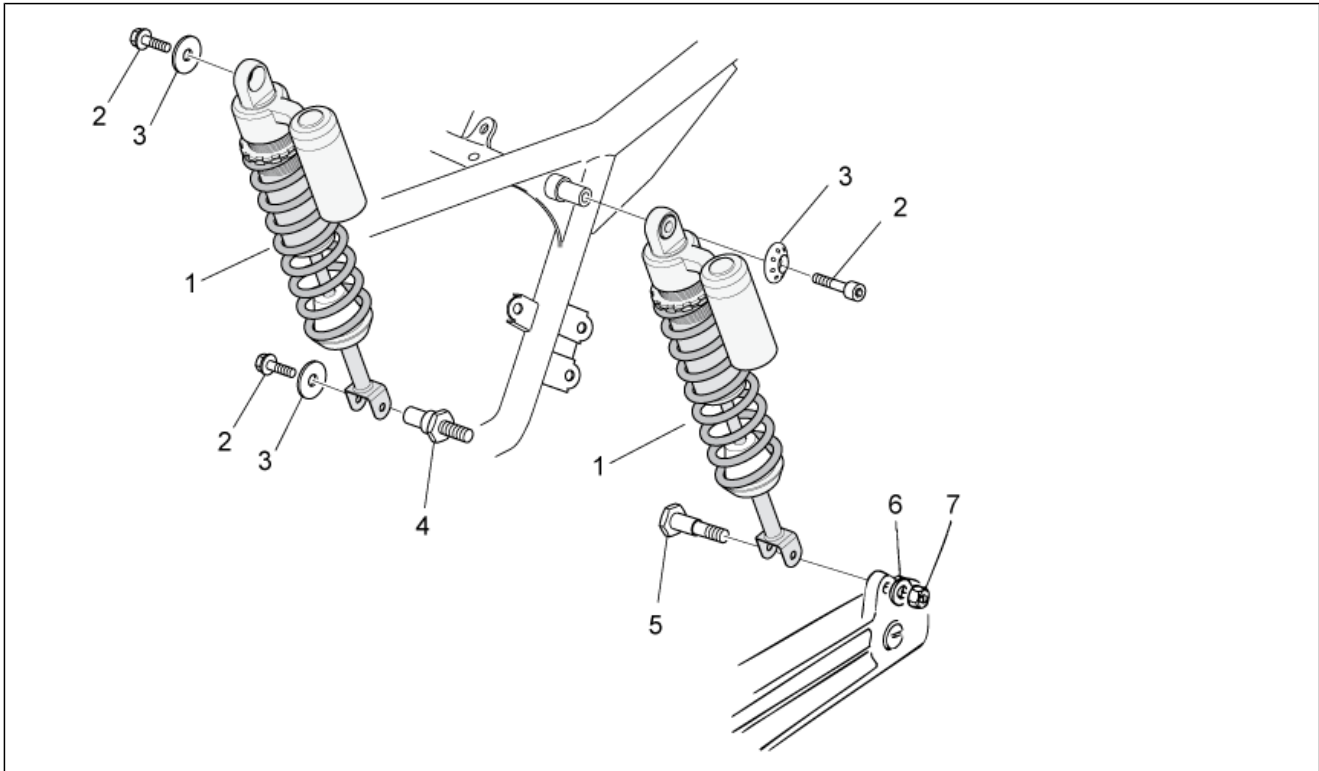
Pos.	Code	Description	Qty	Variants
15	GU32526610	Spring	2	Technical specification:Marzocchi[M]
16	887893	pipe	2	Technical specification:Kaifa[K]
16	GU32526310	pipe	2	Technical specification:Marzocchi[M]
17			2	Technical specification:Kaifa[K]
17	886684	Plug cpl.	2	Technical specification:Marzocchi[M]
18	887895	screw	2	Technical specification:Kaifa[K]
18	GU98620540	screw	2	Technical specification:Marzocchi[M]
19	887896	Stem base	1	Technical specification:Kaifa[K]
19	978974	Stem base Black	1	Technical specification:Marzocchi[M]
20	GU31513480	Ring nut M25X1	1	
21	886842	Fork upper plate	1	
22	887916	O-ring 4118	2	Technical specification:Kaifa[K]
22	GU32530505	O-ring 4118	2	Technical specification:Marzocchi[M]
23	883498	Upper plate fixing bush	1	Technical specification:Marzocchi[M]
23	887900	Nut	1	Technical specification:Kaifa[K]
24	883552	Bush	2	
25	887899	Washer	1	Technical specification:Kaifa[K]
25	GU27530510	Washer	2	Technical specification:Marzocchi[M]
26	GU95005330	Washer 6,4x30x1,5	2	
27	GU92630106	Nut M6x1	2	
28	887905	Ring	2	Technical specification:Kaifa[K]
28	GU32530504	Ring	2	Technical specification:Marzocchi[M]
29	978977	RH sleeve cpl.	1	Technical specification:Marzocchi[M]
30	GU98680350	Hex socket screw M6x50	2	
31	GU23943410	Plug	8	
32	GU32530610	Gaskets set	1	Technical specification:Marzocchi[M]
33	GU32530611	Engine oil seal kit	1	Technical specification:Marzocchi[M]
34	883602	Pipe	1	

Group	FRAME
Code	33.08
Description	Fron fork II
Service	1



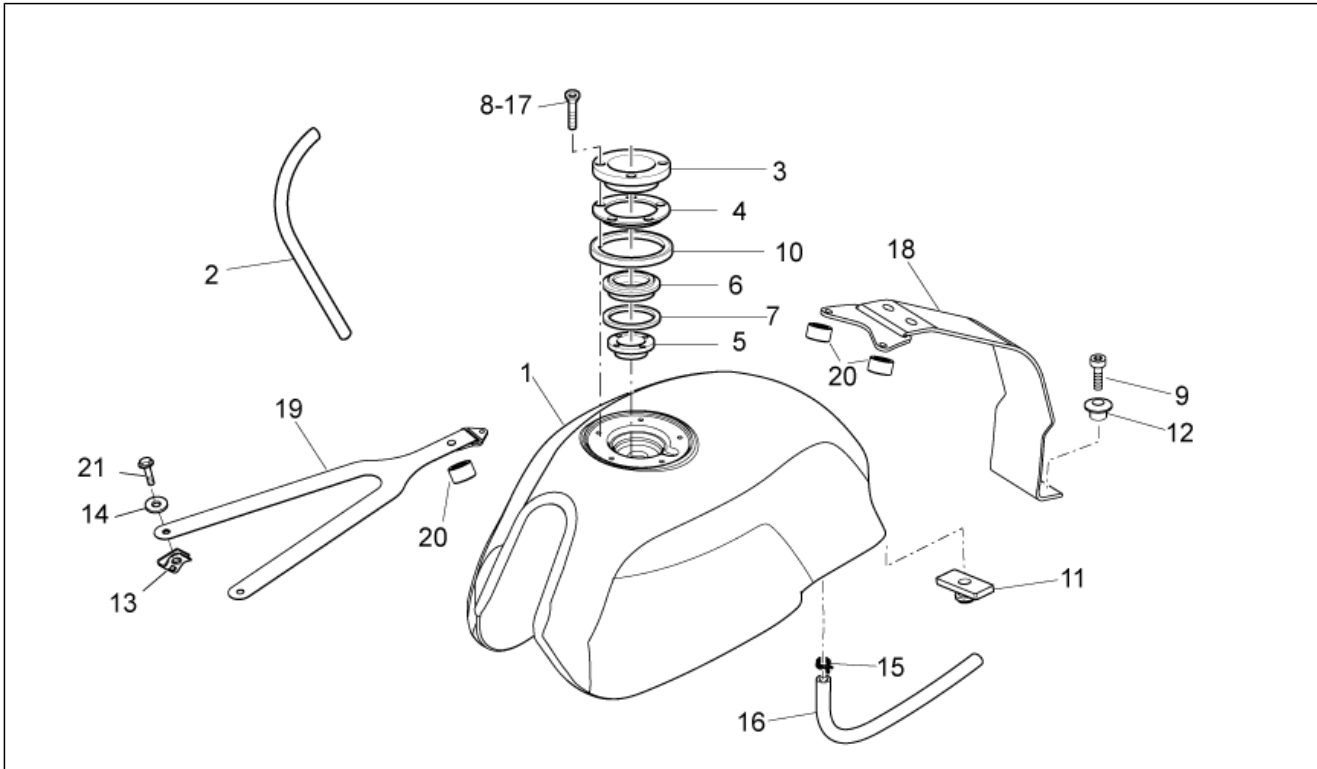
Pos.	Code	Description	Qty	Variants
35	887906	RH sleeve	1	Technical specification:Kaifa[K]
36	887881	LH sleeve	1	Technical specification:Kaifa[K]

Group	FRAME
Code	33.11
Description	Rear shock absorber
Service	1



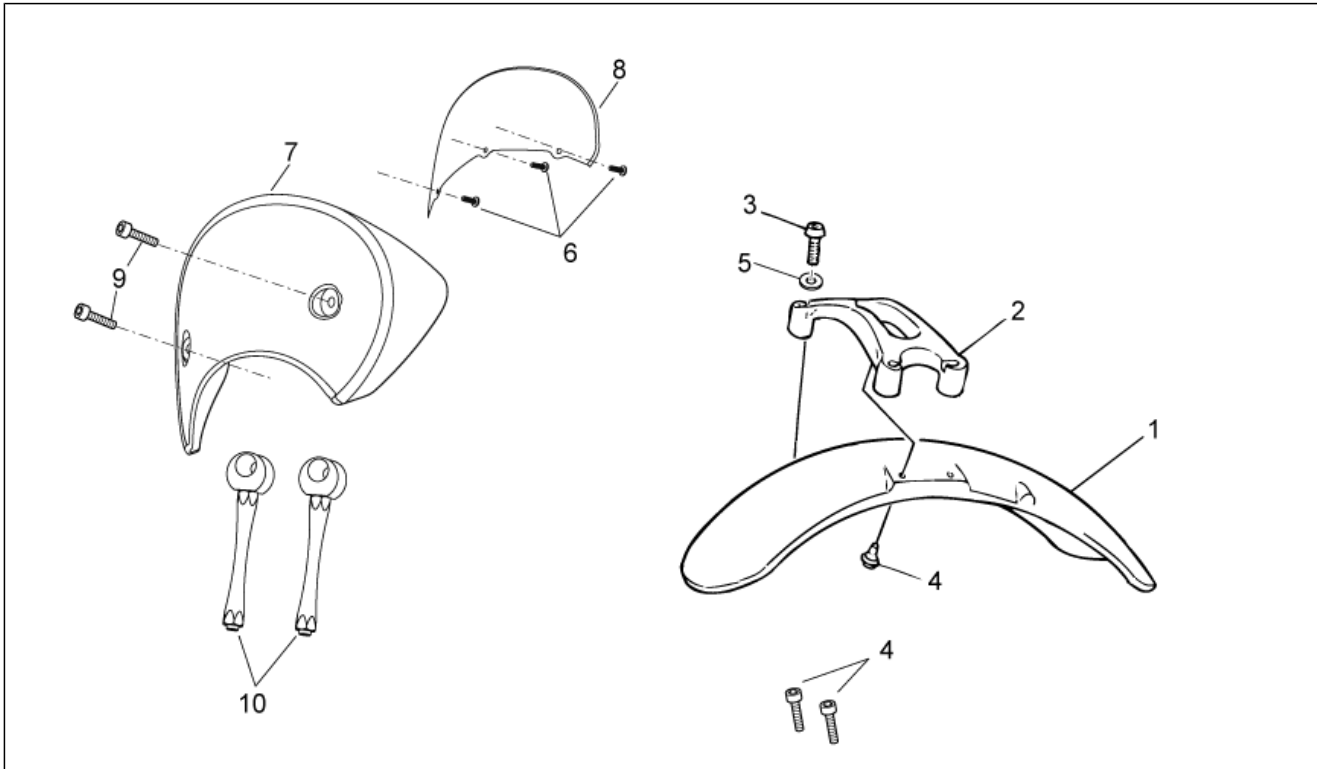
Pos.	Code	Description	Qty	Variants
1	886675	Rear shock absorber	2	
2	GU98692318	Hex socket screw	3	
3	886630	***Bush	3	
4	GU32555210	Pin	1	
5	GU32555211	Pin	1	
6	GU95129181	Washer	1	
7	GU92606210	Nut M10x1,5	1	

Group	FRAME
Code	33.12
Description	Fuel tank
Service	1



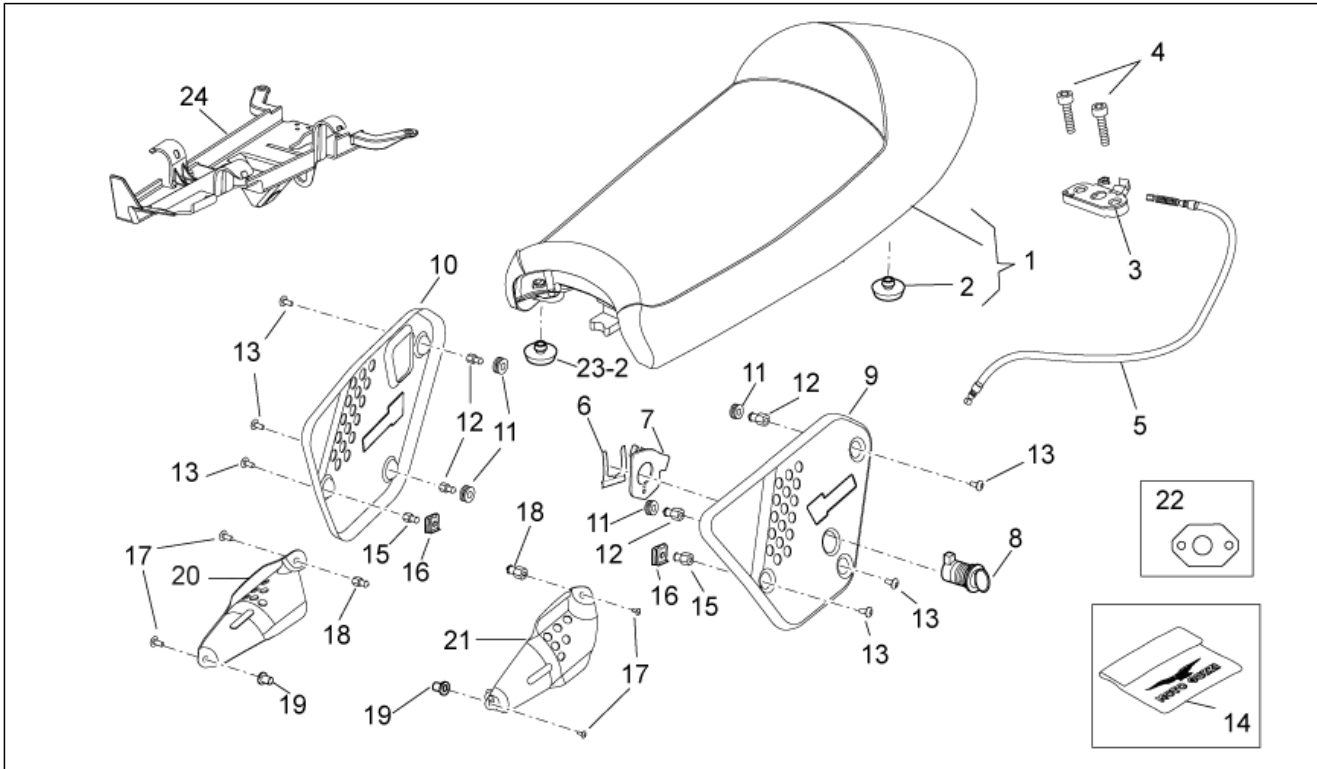
Pos.	Code	Description	Qty	Variants
1	887207	Serbatoio benz. grezzo	1	Country:Australia[AA], europe[EU], Great Britain[UK]
1	887944	Fuel tank blank	1	Country:Canadian[CA], USA[USA] Technical specification:Blank[G]
1	B063163	Tank Chrome	1	Country:Canadian[CA], europe[EU], Great Britain[UK]
1	B063808	Fuel tank chrome	1	Country:Canadian[CA], USA[USA]
2	GU00823931070	Gasket	1	
3	GU03101900	Flange	1	
4	GU03103500	Ring	1	
5	883502	Reduction 24 mm	1	Year:2012[c] Country:USA[USA]
5	GU03101720	Reduction 38 mm	1	Country:Australia[AA], Canadian[CA], europe[EU], Japan[J], Great Britain[UK]
6	GU03102200	Plug ring nut	1	
7	GU03101600	Gasket	2	
8	GU98682116	screw	3	
9	GU98682430	Hex socket screw M8x30	1	
10	GU03102400	Gasket	1	
11	AP8120557	Tank rubber	1	
12	AP8121673	T bush *	1	
13	GU28576591	Clip M6	2	
14	GU95100141	Washer 6,4x12x1,2	2	
15	AP8101595	Hose clamp D10,1*	1	
16	GU00823944050	pipe 5X9	1	
17	GU98682414	Hex socket screw	2	
18	B063154	Rear belt	1	
19	B063152	Front belt	1	
20	886370	Spacer bush 5.5x9.5x5.5	3	
21	GU98370616	Hex socket screw M6x16 inox	2	

Group	FRAME
Code	33.13
Description	Front body - Front mudguard
Service	1



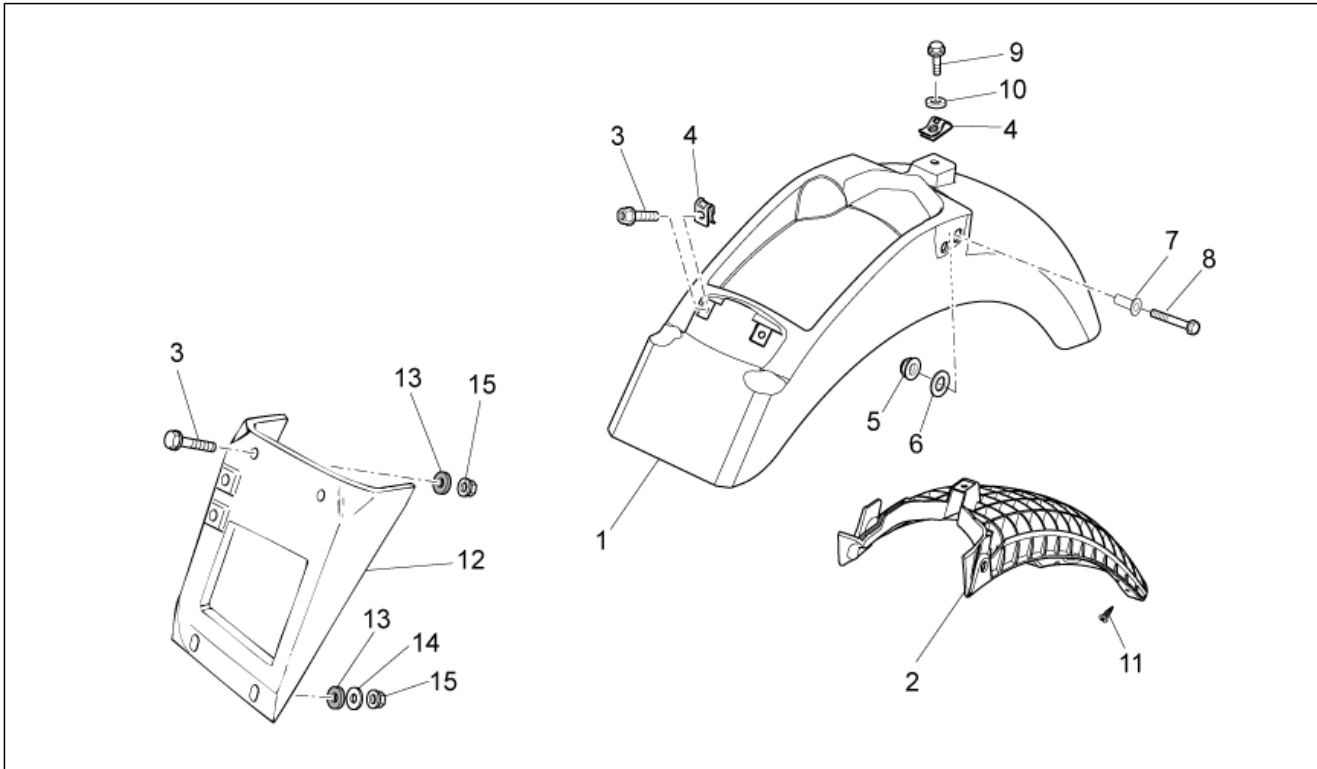
Pos.	Code	Description	Qty	Variants
1	88673000Y02	Front mudguard, black	1	
2	886784	Stabilization plate	1	
3	GU98350440	screw	4	
4	GU31439565	Special screw	4	
5	GU14615901	Washer 8,4X13X0,8	4	
6	AP8150413	Self-tap screw 3,9x14	3	
7	898179	Headlight windshield blank	1	
7	B06315000Y02	Front fairing, black	1	
8	898180	Windshield	1	
9	GU98370616	Hex socket screw M6x16 inox	2	
10	886724	Windshield support	2	

Group	FRAME
Code	33.14
Description	Saddle-Central bod
Service	1



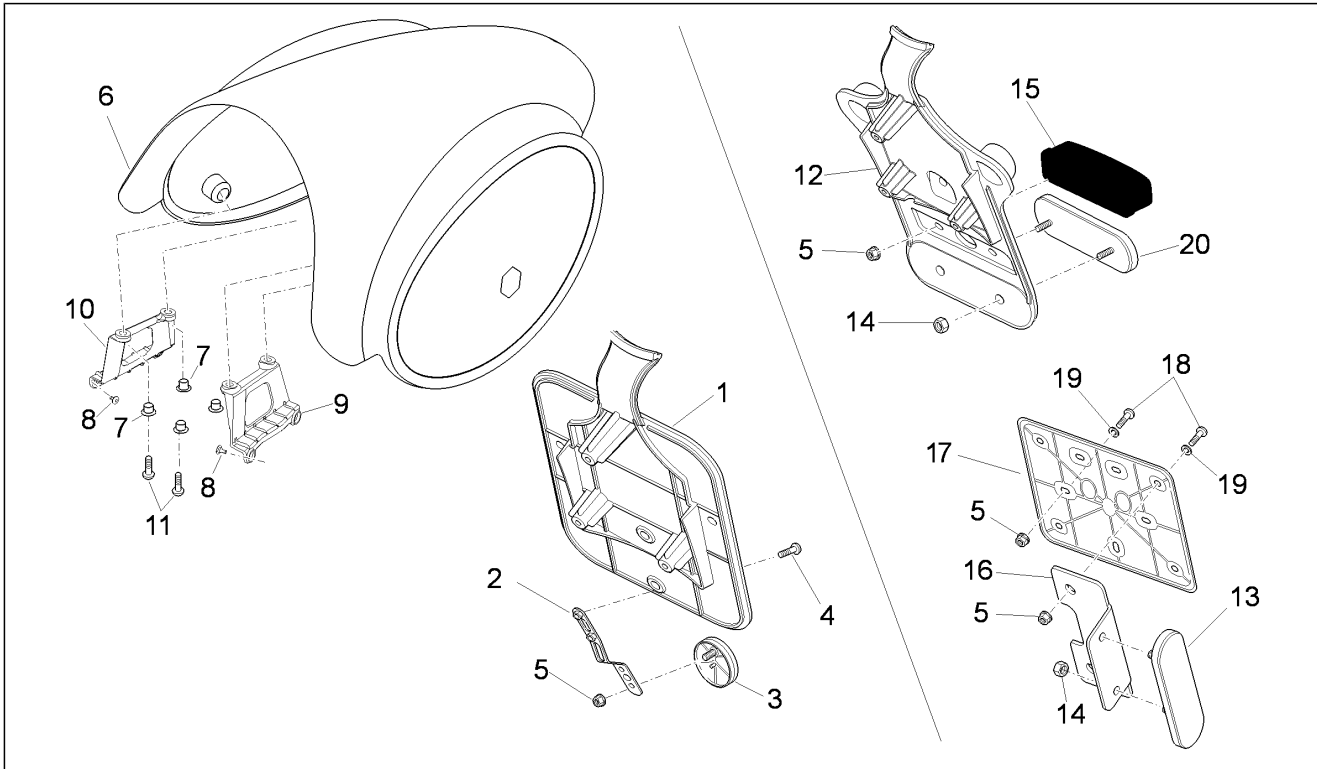
Pos.	Code	Description	Qty	Variants
1	89817800A2	Saddle, brown	1	
2	GU32461610	Rubber spacer	8	
3	AP8102913	Pass.saddle connecting plate	1	
4	GU98370625	Hex socket screw	2	
5	883295	Saddle release cable	1	
6	AP8121420	Fork spring	1	
7	978415	Cable fixing plate	1	
8	977527	Saddle lock	1	
9	898278	LH side panel	1	Technical specification:no decals[ND]
10	898277	RH side panel	1	Technical specification:no decals[ND]
11	GU91551086	Rubber spacer	4	
12	886368	Fixing pin	4	
13	976614	Screw M5X15	6	
14	886841	Saddle protection bag	1	
15	886706	Fixing pin	2	
16	254485	Spring plate M6	2	
17	GU98370515	screw	4	
18	AP8120531	Rubber w/ insert *	2	
19	886727	Fixing pin	2	
20	898270	Right throttle cover	1	
21	898271	Left throttle cover	1	
22	886820	Saddle lock fix.plate	1	
23	B063429	Rubber spacer	2	
24	B063431	Protection	0	

Group	FRAME
Code	33.15
Description	Rear body I- Mudguard
Service	1



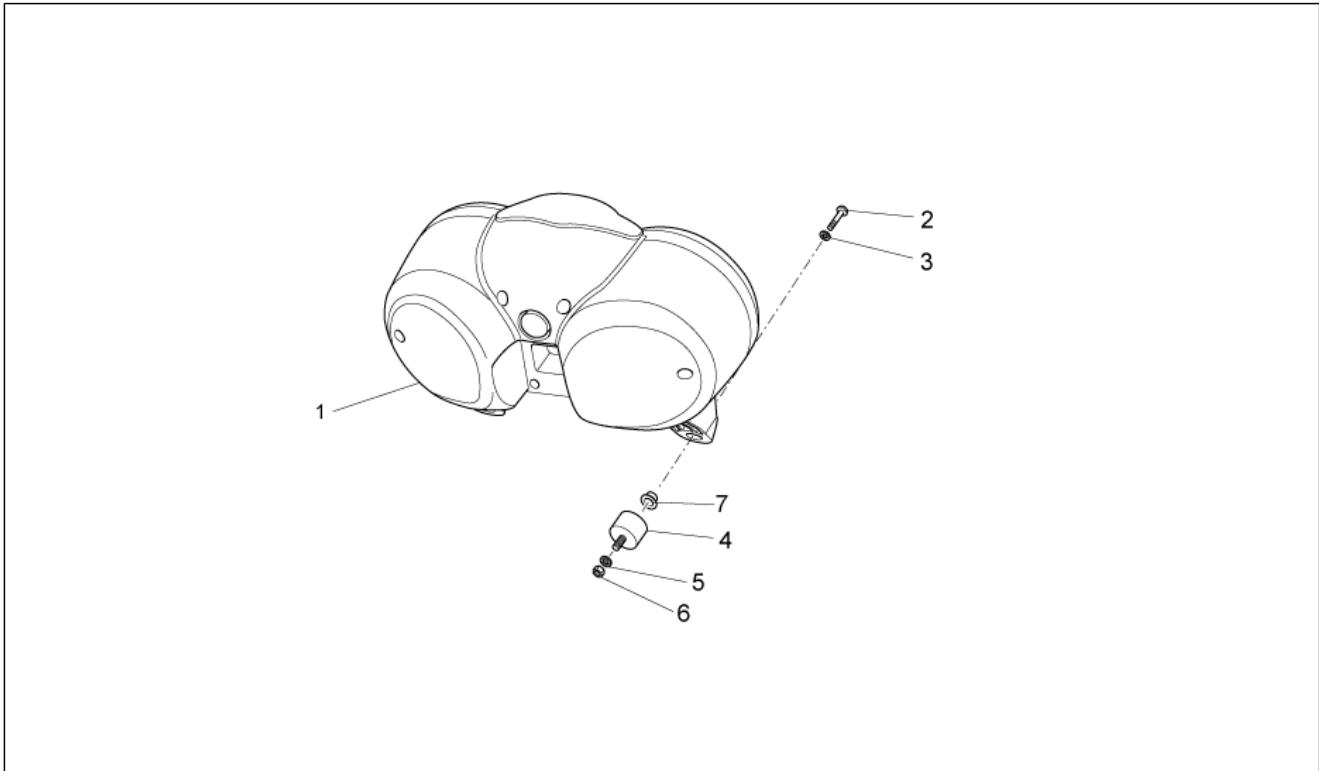
Pos.	Code	Description	Qty	Variants
1	97894600Y02	Rear mudguard, black	1	
2	978947	Support	1	
3	AP8152278	Screw w/ flange M6x16	4	
4	GU28576591	Clip M6	3	
5	GU92630108	Nut	2	
6	GU91120806	Spacer	2	
7	GU95005310	Washer 8,4x18x2	2	
8	GU98370835	screw	2	
9	AP8152279	Screw w/ flange M6x20	2	
10	GU91180601	Spacer 6,2x8x3	2	
11	AP8152329	Phillips screw, SWP M5x20	3	
12	B063167	Splash guard	1	
13	AP8121032	Bush	4	
14	GU95100141	Washer 6,4x12x1,2	2	
15	AP8152299	Self-locking nut M6	4	

Group	FRAME
Code	33.16
Description	Rear body II- Plate holder
Service	1



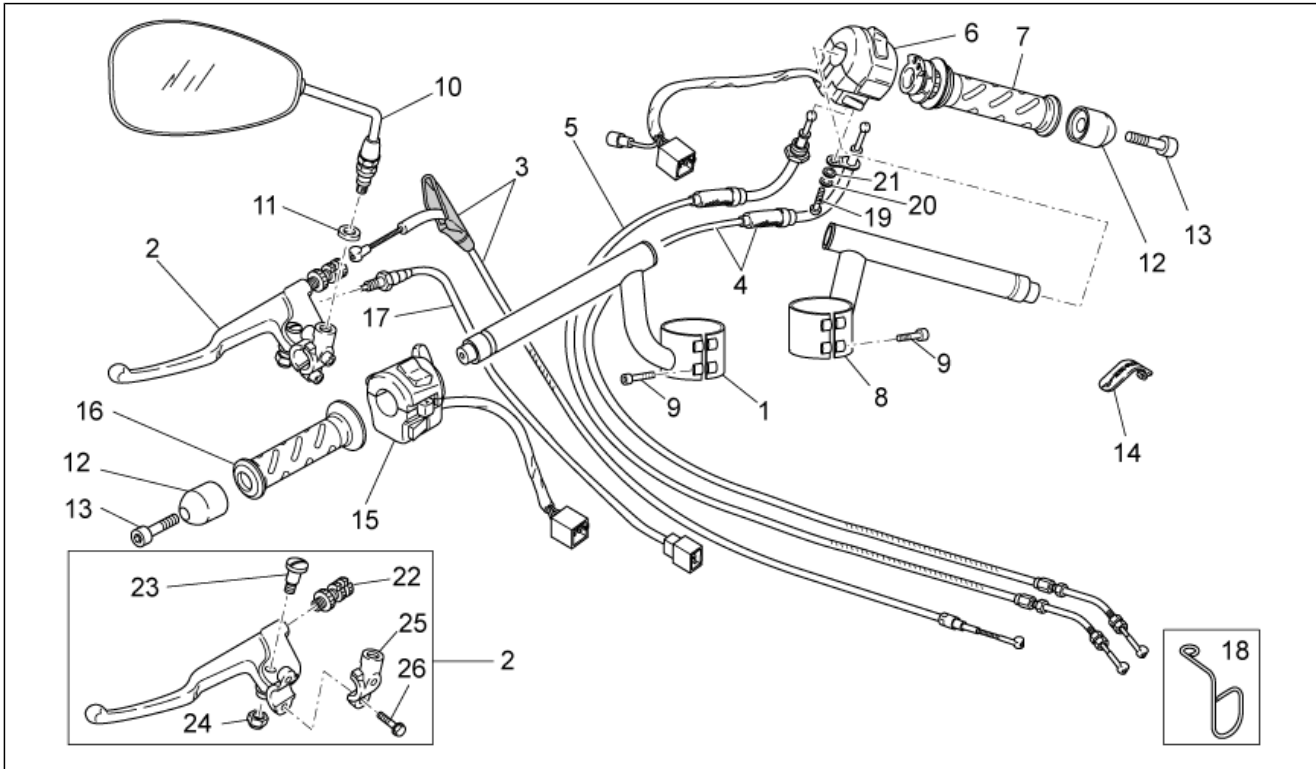
Pos.	Code	Description	Qty	Variants
1	978949	Number plate holder	1	Country:Australia[AA], europe[EU], Great Britain[UK]
2	AP8134448	Reflector support	1	
3	AP8224164	Rear reflector, red	1	
4	GU98230510	Hex socket screw	2	
5	AP8152306	Self-locking nut m5	1	
6	898280	Rear fairing, blank	1	
6	B06315100Y02	Rear fairing, black	1	
7	AP8121929	T bush 6,5x8,6x9	4	
8	AP8152339	Screw w/ flange M5x9	4	
9	886712	LH clamp	1	
10	886713	RH clamp	1	
11	AP8152273	Screw w/ flange	4	
12	883470	Number plate holder	1	Country:Canadian[CA], USA[USA]
13	AP8124718	Rear reflector, red	2	Country:Canadian[CA], USA[USA]
14	GU92630204	Nut	6	Country:Canadian[CA], USA[USA]
15	883480	Number-plate light	1	Country:Canadian[CA], USA[USA]
16	GU32781910	Reflector support	2	Country:Canadian[CA], USA[USA]
17	AP8149034	Number plate support	1	Country:Canadian[CA], USA[USA]
18	AP8152268	Hex socket screw M5x16	2	Country:Canadian[CA], USA[USA]
19	AP8150248	Washer 5,5x15x1,6	2	Country:Canadian[CA], USA[USA]
20	GU05781630	Reflector, amber	1	Country:Canadian[CA], USA[USA]

Group	FRAME
Code	33.17
Description	Dashboard
Service	1



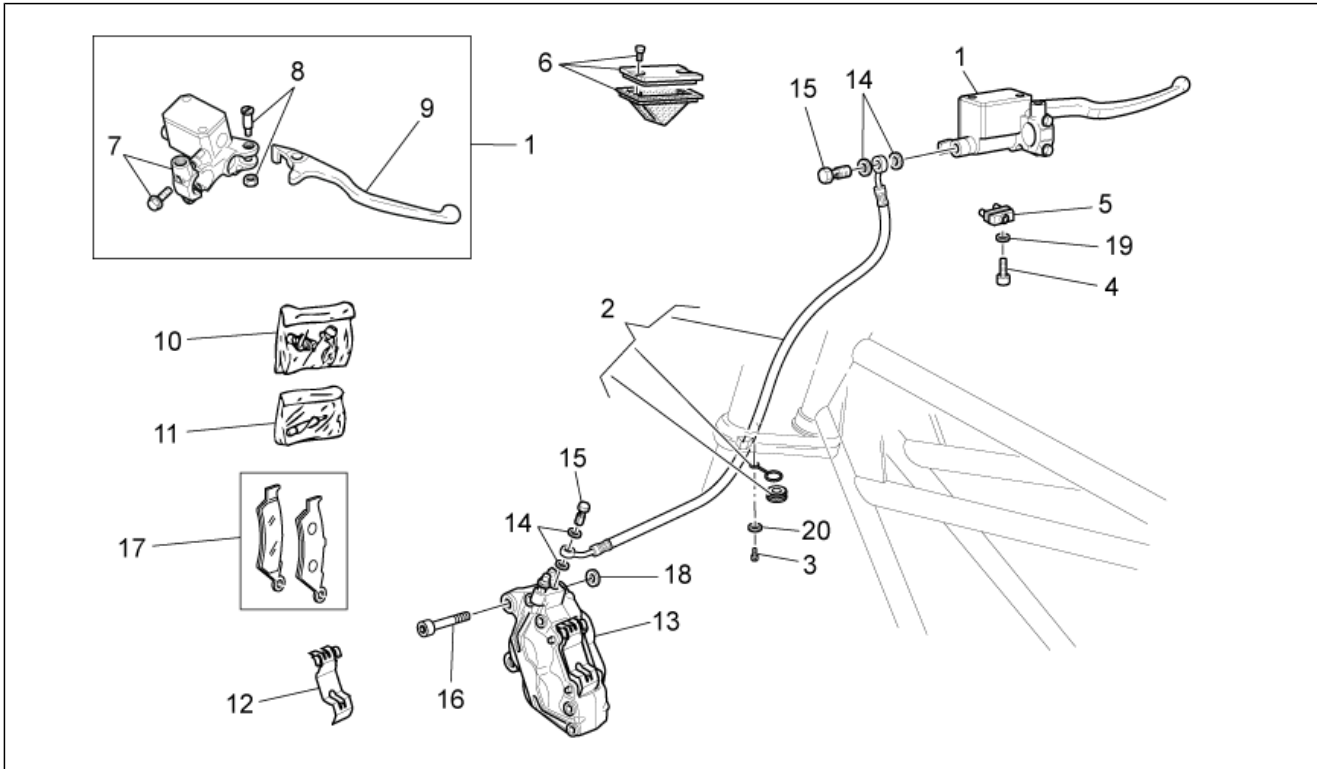
Pos.	Code	Description	Qty	Variants
1	887194	Dashboard complete	1	Country:Canadian[CA], europe[EU]
1	887195	Dashboard complete MPH	1	Country:Great Britain[UK], USA[USA]
2	GU98370609	Hex socket screw M6x10	3	
3	GU95005306	Washer 6,4x13x1,5	3	
4	GU93222023	Silent-block	3	
5	GU95021206	Washer	3	
6	GU92606206	Nut	3	
7	AP8121032	Bush	3	

Group	FRAME
Code	33.18
Description	Handlebar - Controls
Service	1



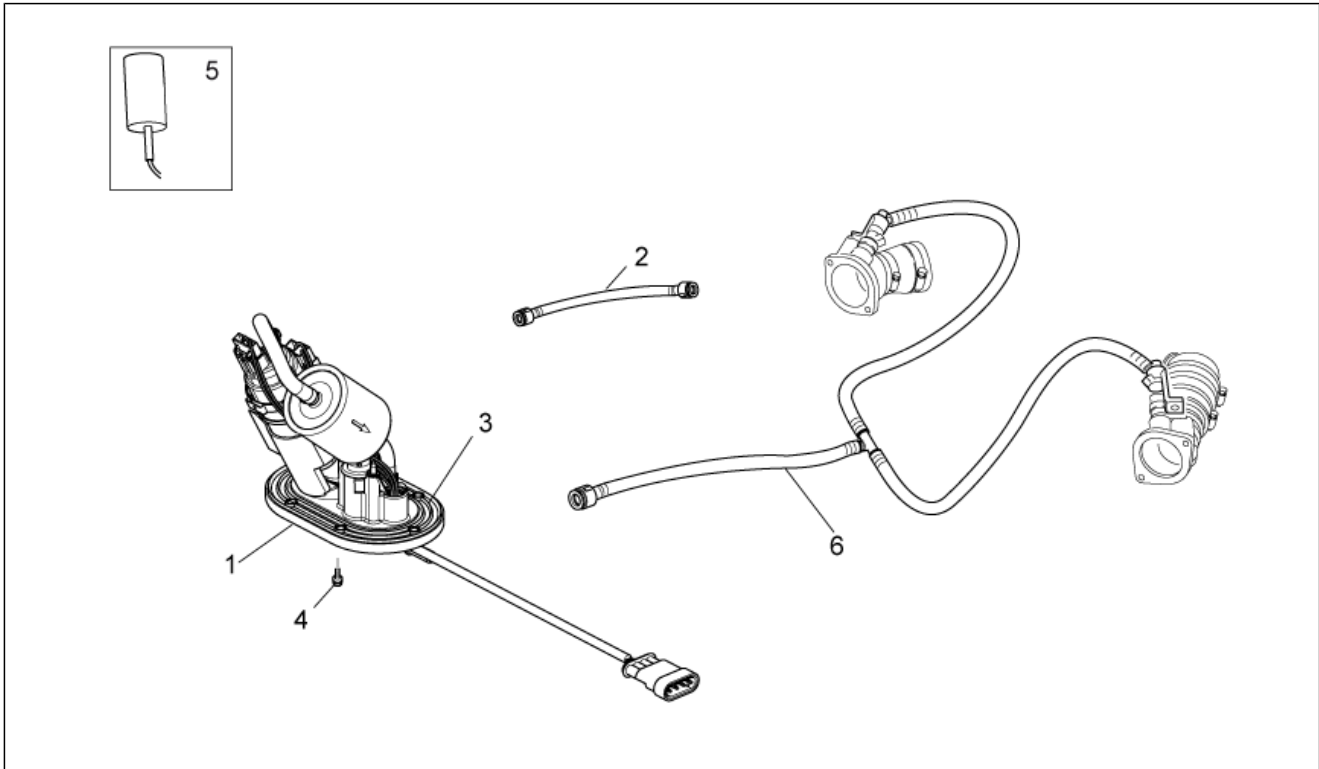
Pos.	Code	Description	Qty	Variants
1	898170	Left half handlebar	1	
2	GU32605510	Clutch lever	1	
3	883940	Clutch cable	1	
4	B063247	Gas trasmission delivery	1	
5	B063248	Gas trasmission return	1	
6	B063135	RH lights selector	1	
7	GU32603310	RH hand grip	1	
8	898171	Right half handlebar	1	
9	GU98692325	Hex socket screw M6x25	4	
10	883802	RH/LH rearview mirror	2	Technical specification:"FU E1181R-001047"[B]
10	978570	RH/LH rearview mirror	2	Technical specification:"FAR"[A]
11	GU91181003	Spacer 10,25X20X4	2	
12	GU32602860	Anti.v weight, chr.	2	
13	GU98690335	Hex socket screw	2	
14	GU01609630	Hose clamp L46 mm	2	
14	GU03609600	Hose clamp L36 mm	1	
15	887822	LH lights selector	1	
16	GU32603010	LH hand grip	1	
17	GU29759150	Lateral stand switch	1	
18	AP8221172	Cable-guide	1	
19	GU98230510	Hex socket screw	1	
20	GU95008305	Washer 5,3X10X1	1	
21	GU95021105	Notched washer	1	
22	GU30602500	Register	1	
23	AP8213028	screw	1	
24	AP8118490	Nut	1	
25	GU30601060	Clump	1	
26	GU97202325	Black screw w/ flange M6x25	2	

Group	FRAME
Code	33.19
Description	Front brake system
Service	1



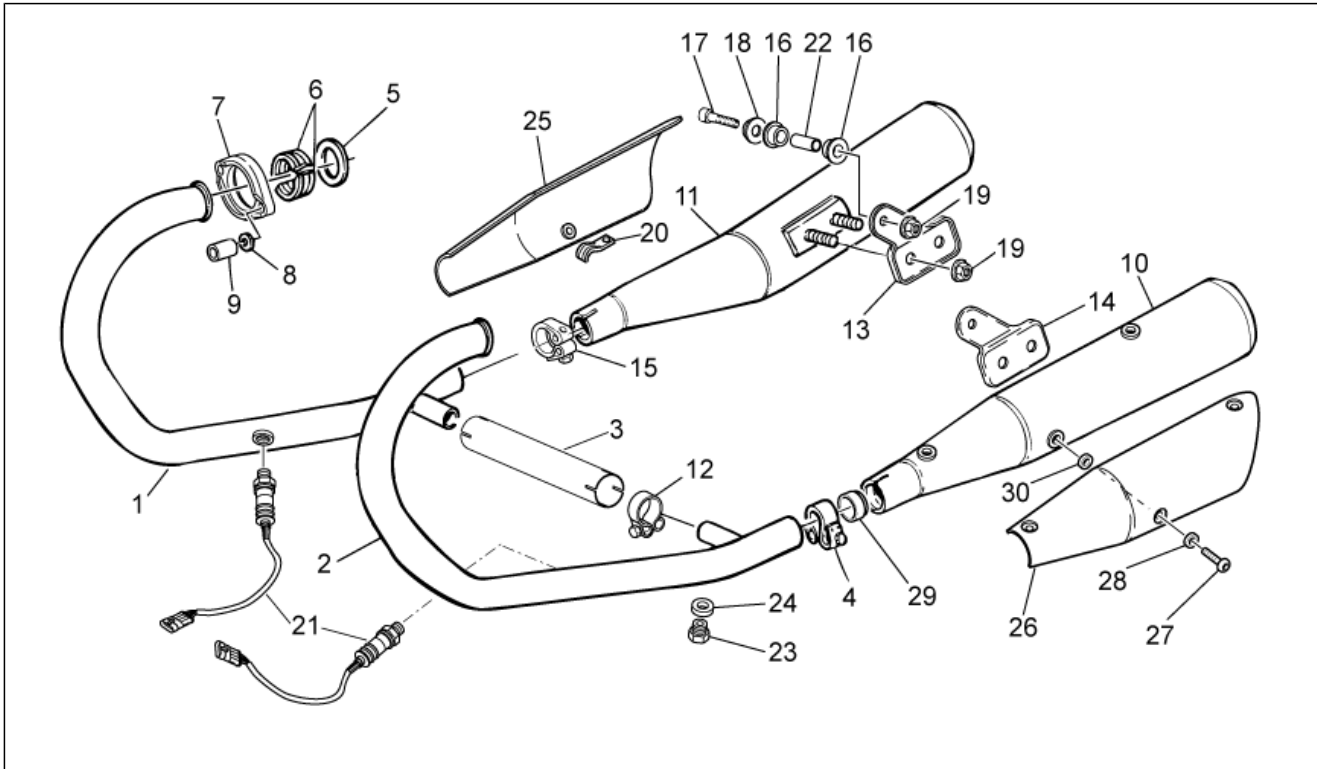
Pos.	Code	Description	Qty	Variants
1	GU03660145	Front master cilinder	1	
2	883581	Brake hose	1	
3	AP8152277	Screw w/ flange M6x12	1	
4	GU98370412	Hex socket screw M4x12	1	
5	GU03749845	Stop switch	1	
6	GU03661145	Pump cover	1	
7	GU03664045	U-bolt	1	
8	GU03604845	Lever pin	1	
9	GU03605645	Brake lever	1	
10	GU05659230	Bleeder+cap	1	
11	GU01659130	Pins+Caliper springs	1	
12	GU01659131	Spring	1	
13	883303	LH front brake caliper, black	1	
14	AP8113004	Washer 10x14x1,6*	4	
15	978323	Oil pipe screw *	2	
16	AP8152385	Hex socket screw M10x1,25	2	
17	GU01654630	Pads pair	1	
18	GU91181003	Spacer 10,25X20X4	2	
19	GU95021104	Washer 4,3x8x1,5	1	
20	GU95008306	Washer 6,4x12x1,2	1	

Group	FRAME
Code	33.21
Description	Fuel pump
Service	1



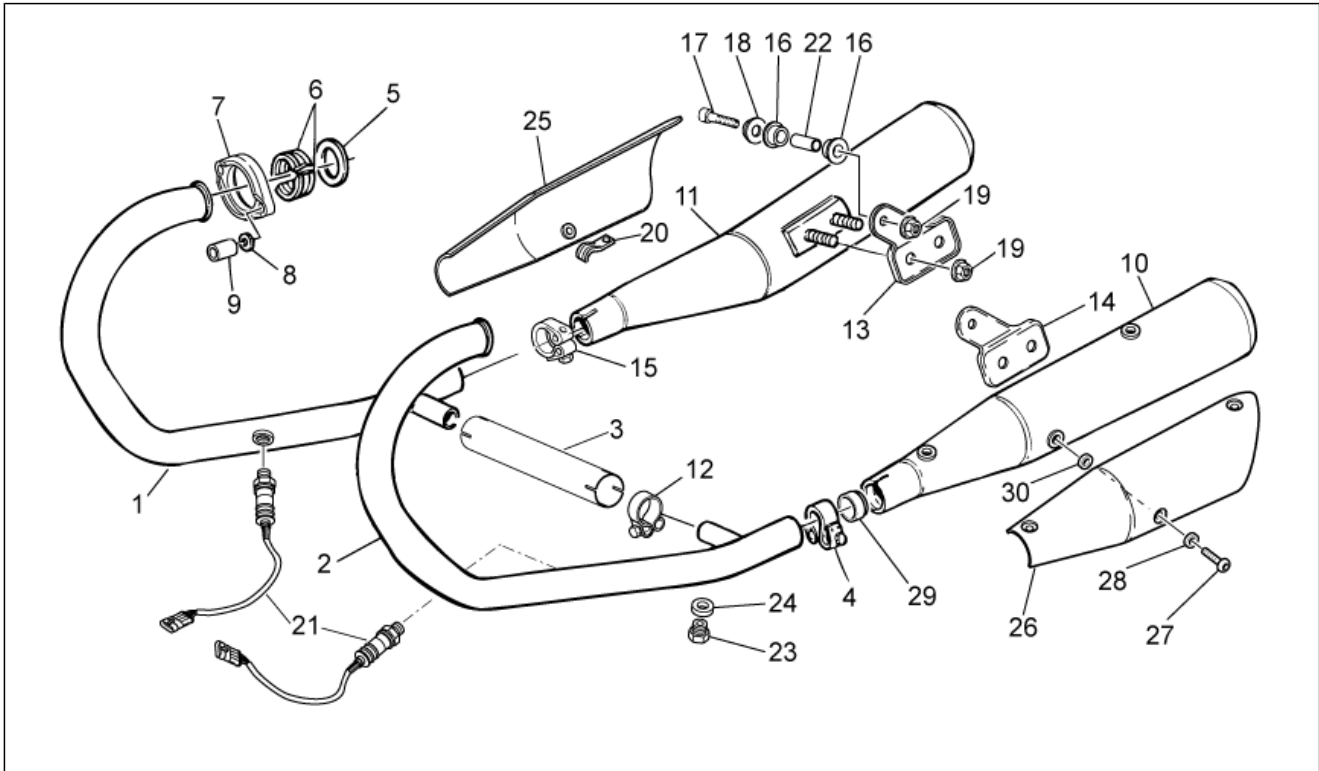
Pos.	Code	Description	Qty	Variants
1	887768	Fuel pump	1	
2	B063033	Fuel pipe	1	
3	GU05107430	Gasket	1	
4	AP8152273	Screw w/ flange	6	
5	887787	Fuel level sensor	1	
6	B063034	Fuel pipe	1	

Group	FRAME
Code	33.23
Description	Exhaust unit
Service	1



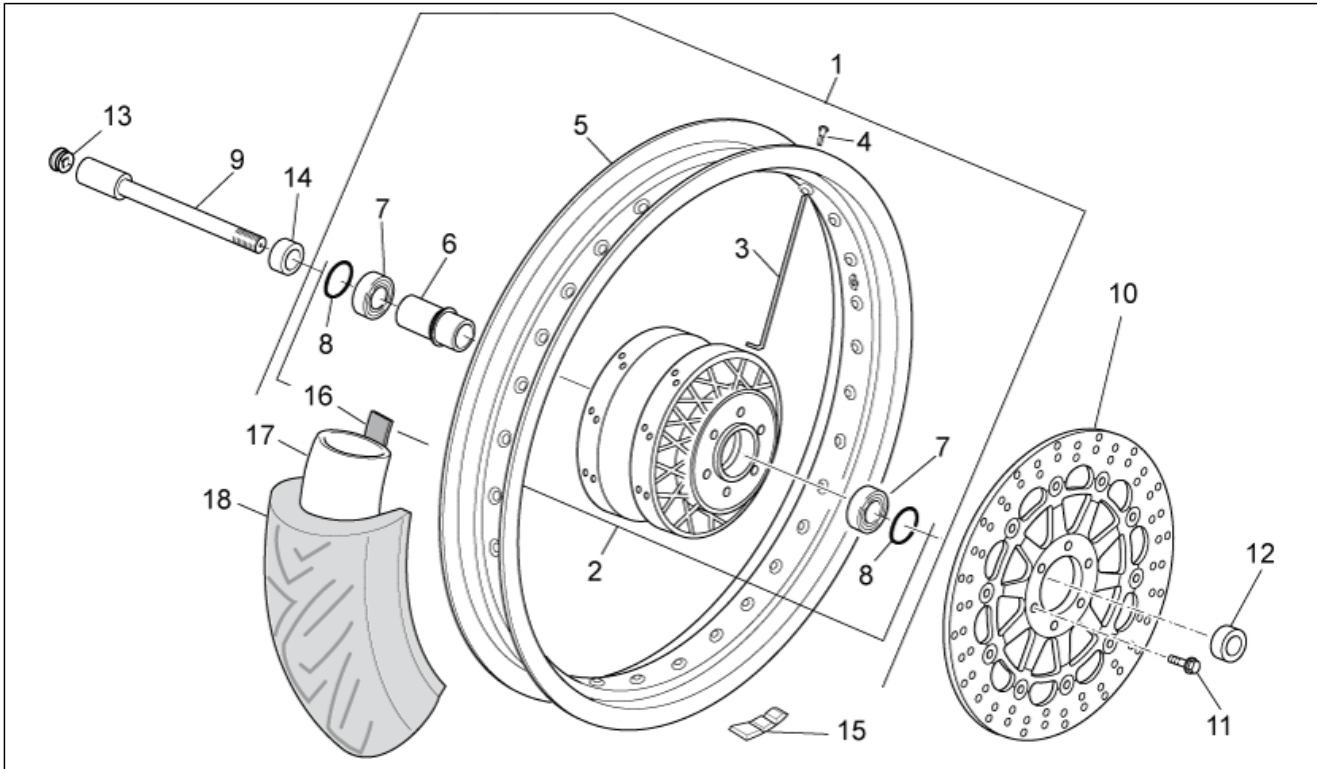
Pos.	Code	Description	Qty	Variants
1	887846	RH exhaust pipe	1	Country:Canadian[CA], europe[EU], Great Britain[UK], USA[USA]
1	B063854	***EXHAUST PIPE CYLINDER	1	Country:Japan[J]
2	887847	LH exhaust pipe	1	Country:Canadian[CA], europe[EU], Great Britain[UK], USA[USA]
2	B063855	***EXHAUST PIPE CYLINDER	1	Country:Japan[J]
3	B063022	Exhaust manifold union	1	
4	978387	LH silencer clamp	1	
5	GU19025280	Gasket	2	
6	GU19025460	Spacer	4	
7	GU32121010	Ring nut	2	
8	GU03013800	Washer 6,4x12	4	
9	GU31121880	Nut	4	
10	8837125	LH silencer	1	
11	8837115	RH silencer	1	
12	978385	Hose clamp	2	
13	GU32128610	RH plate	1	
14	GU32129010	LH plate	1	
15	978386	RH silencer clamp	1	
16	AP8144071	Rubber exhaust	4	
17	GU98680440	Hex socket screw M8x40	2	
18	AP8134378	Silencer fixing bush	2	
19	GU92640508	Nut M8	6	
20	GU933011755	U-bolt	1	
21	896110	Lamda sensor l.660 mm	2	
22	AP8121072	Spacer	2	
23	GU98110007	Cover	2	
24	GU30109330	Gasket	2	

Group	FRAME
Code	33.23
Description	Exhaust unit
Service	1



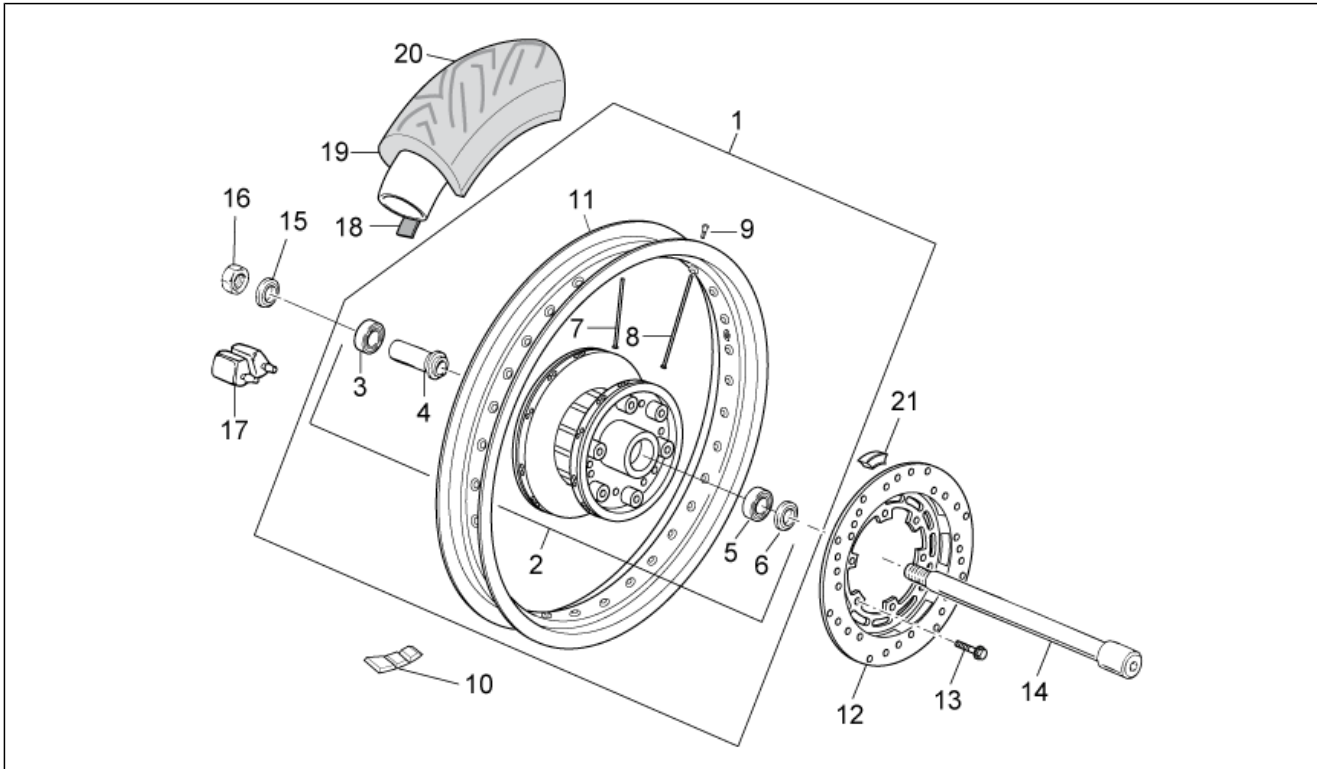
Pos.	Code	Description	Qty	Variants
25	GU32121910	RH protection	1	
26	GU32121911	LH protection	1	
27	GU98370609	Hex socket screw M6x10	6	
28	GU95005306	Washer 6,4x13x1,5	6	
29	GU91113826	Bushing	2	
30	AP8221297	Insulating washer	6	

Group	FRAME
Code	33.24
Description	Front wheel
Service	1



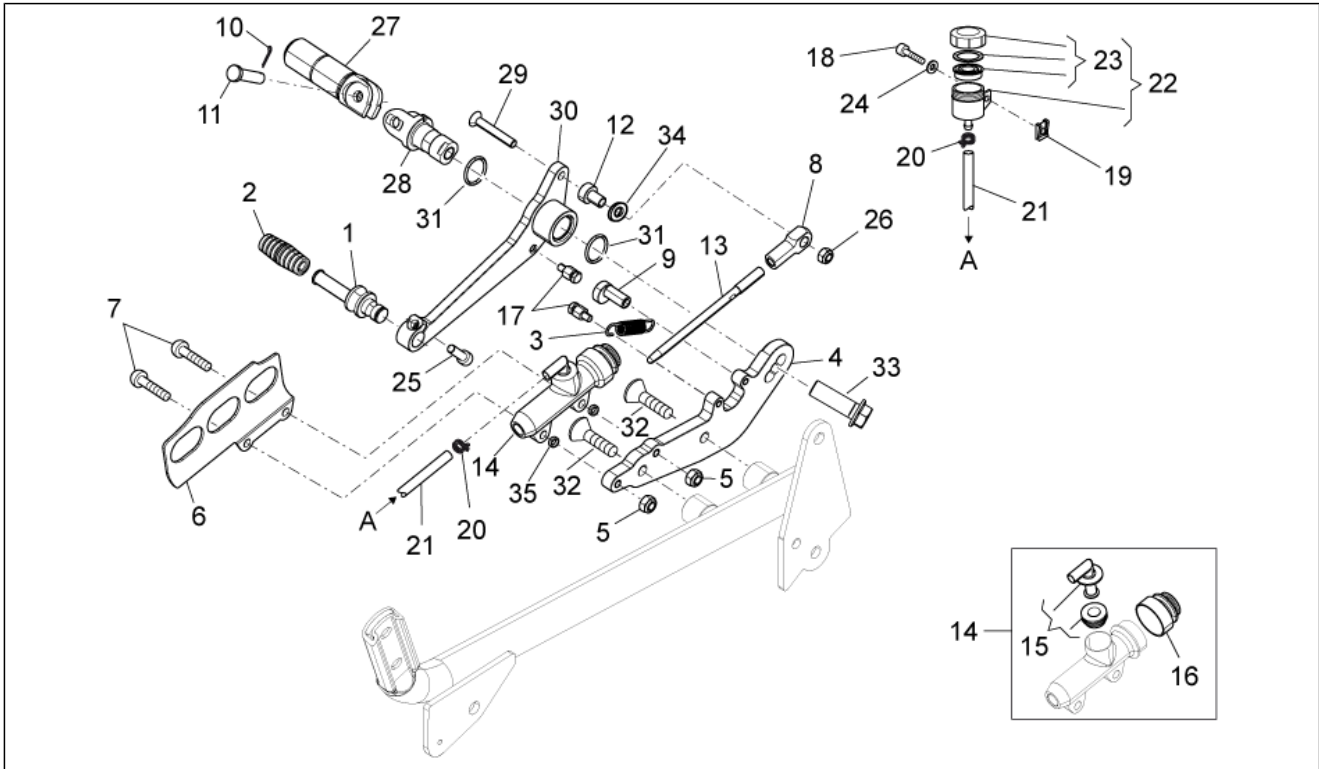
Pos.	Code	Description	Qty	Variants
1	B063265	Front wheel	1	
2	886681	Front hub	1	
3	B063144	Front wheel spoke	36	
4	GU03631250	Nipples	36	
5	B063077	Front wheel 2.5X18"	1	
6	GU31615260	Spacer	1	
7	GU92204221	Bearing	2	
8	GU90402642	Gasket ring	1	
9	GU31614183	Front wheel spindle	1	
10	883688	Front brake disc 320	1	
11	AP8152286	Screw w/ flange M8x20	6	
12	GU31616384	LH spacer	1	
13	GU93180111	Cover 15 mm	1	
14	GU32615660	RH spacer	1	
15	GU14616150	Counterweight	1	
16	0000000	Tyre	1	
17	0000000	Tyre	1	
18	0000000	Tyre	1	

Group	FRAME
Code	33.25
Description	Rear wheel
Service	1



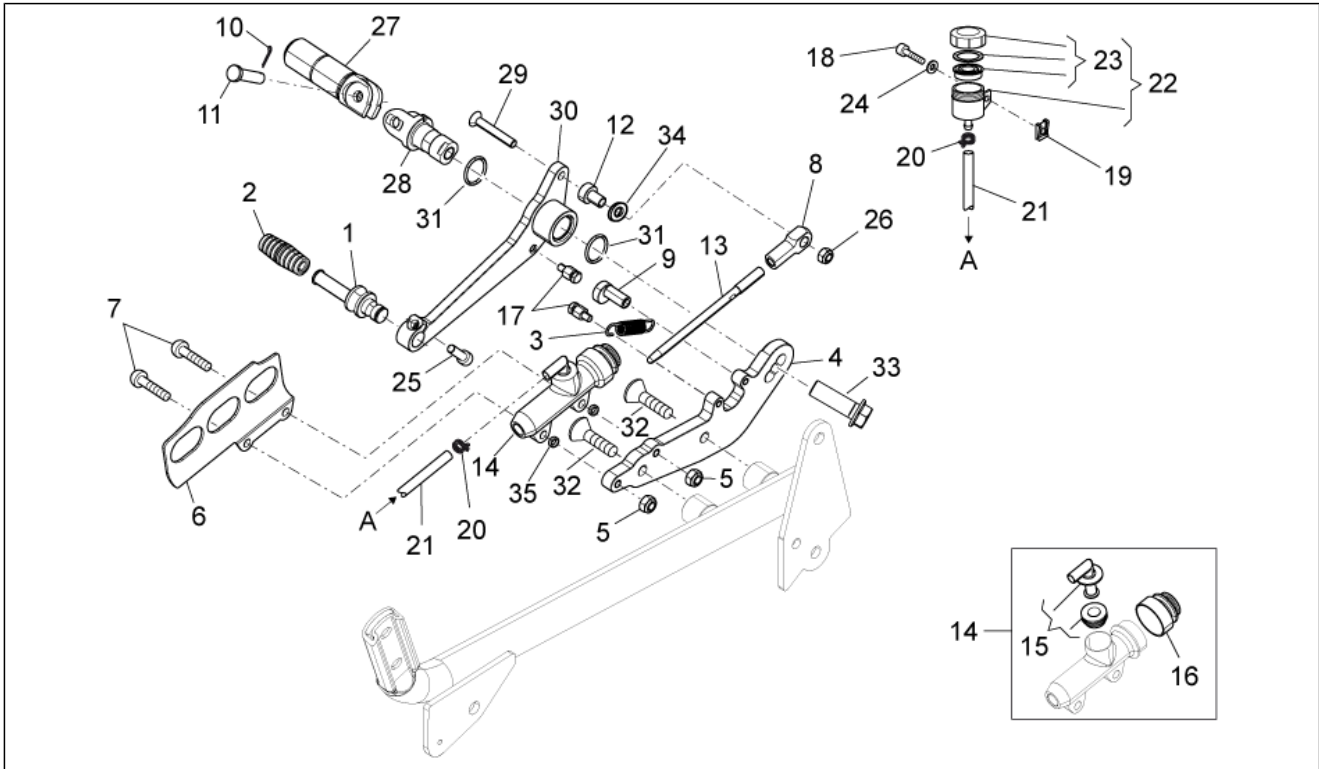
Pos.	Code	Description	Qty	Variants
1	B063267	Rear wheel 3,5"x17"	1	
2	886711	Rear hub	1	
3	GU92204218	Bearing	1	
4	GU27633910	Spacer	1	
5	GU92204217	Bearing	1	
6	GU90402538	Gasket ring 25x40x7	1	
7	883350	Short spoke	18	
8	883349	Long spoke mm 158	18	
9	GU03631250	Nipples	36	
10	GU14616150	Counterweight	1	
11	B063078	Rear wheel 3,5"x17"	1	
12	887448	Brake disc	1	
13	894505	Screw w/ flange M8x18	6	
14	GU32633360	Rear wheel spindle	1	
15	GU31634481	Washer	1	
16	GU92606316	Nut M16x1,5	1	
17	GU32632510	Rubber coupling	6	
18	0000000	Tyre	1	
19	0000000	Tyre	1	
20	0000000	Tyre	1	
21	GU32636160	Support rubber part	1	

Group	FRAME
Code	33.26
Description	Rear master cylinder
Service	1



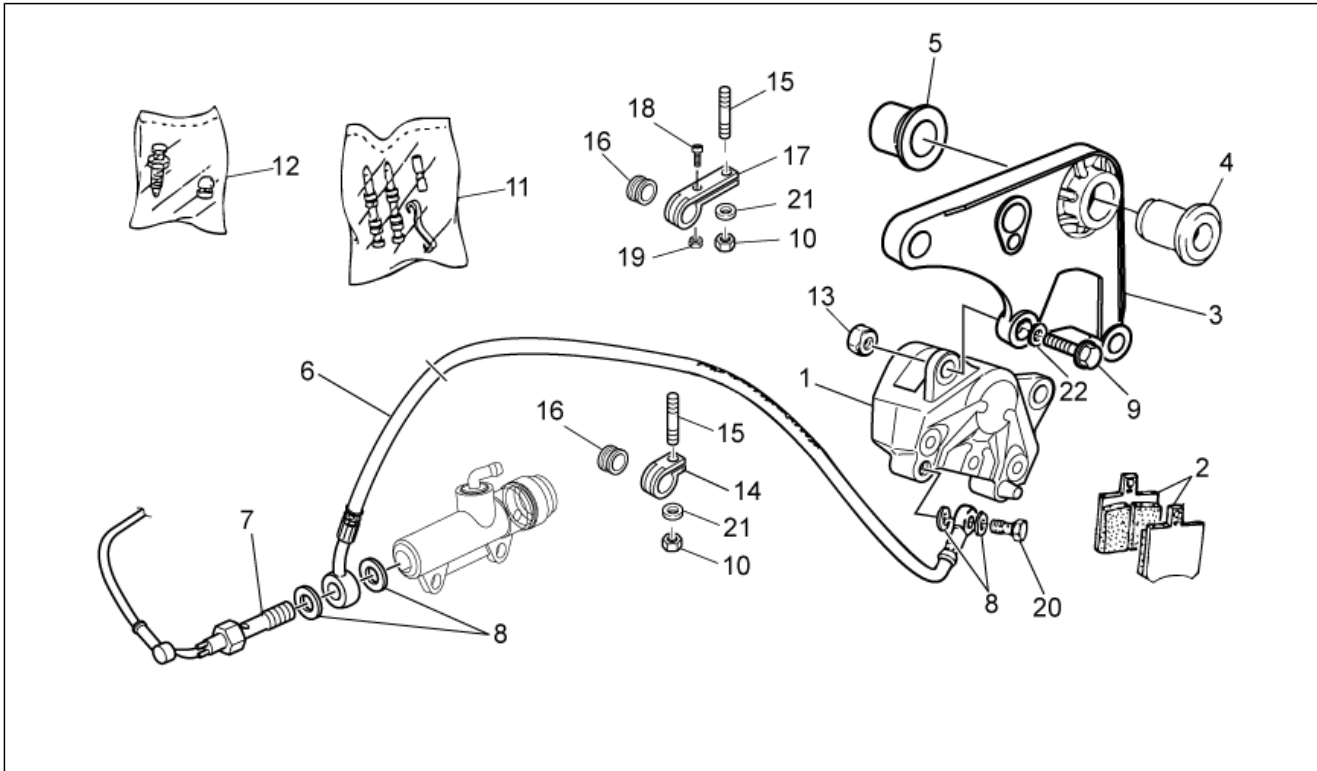
Pos.	Code	Description	Qty	Variants
1	886665	Pin	1	
2	AP8120912	Lever rubber	1	
3	AP8121927	Rear brake lever spring	1	
4	898288	Rider footrest plate	1	
5	GU92630206	Nut M6x1	2	
6	GU01665410	Brake m.cyl.protection, black	1	
7	GU98370625	Hex socket screw	2	
8	GU18257551	Block	1	
9	886666	Bush	1	
10	GU95401215	Split pin	1	
11	GU23442210	Pin	1	
12	898287	Lever pin	1	
13	978970	Master cylinder rod	1	
14	AP8133643	Rear master cylinder	1	
15	AP8213057	Rear brake pump union	1	
16	AP8113288	Rubber bellows	1	
17	898286	Springs fixing pin	2	
18	GU98682215	Hex socket screw	1	
19	AP8102375	Clip m5	1	
20	AP8101594	Hose clamp D10,1*	2	
21	GU00823950050	Oil pipe	1	
22	AP8133873	Brake oil tank complete	1	
23	AP8113553	Tank cap	1	
24	GU95100059	Washer 5,25x14x1,5	1	
25	AP8150044	Hex socket screw M6x20	1	
26	AP8150115	Low self-locking nut M6	1	
27	898281	RH Foot rests	1	
28	898612	RH front footrest bracket	1	

Group	FRAME
Code	33.26
Description	Rear master cylinder
Service	1



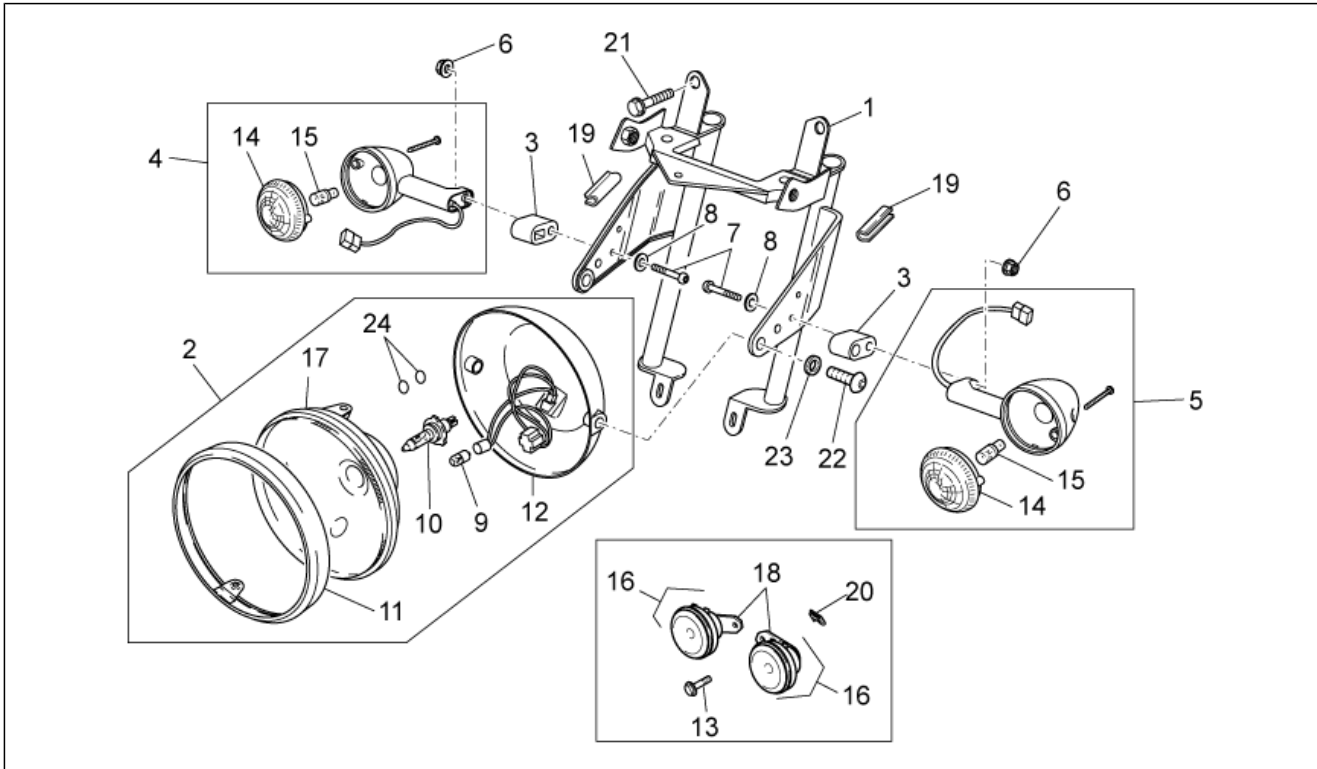
Pos.	Code	Description	Qty	Variants
29	AP8150468	Screw M6x40	1	
30	898285	Brake lever	1	
31	AP9100477	O-ring 18x2	2	
32	GU98252420	Screw M8x20	2	
33	AP8152320	Screw w/ flange	1	
34	GU03270300	Washer 8,4x15	1	
35	AP8134640	Air box spacer	2	

Group	FRAME
Code	33.27
Description	Rear brake caliper
Service	1



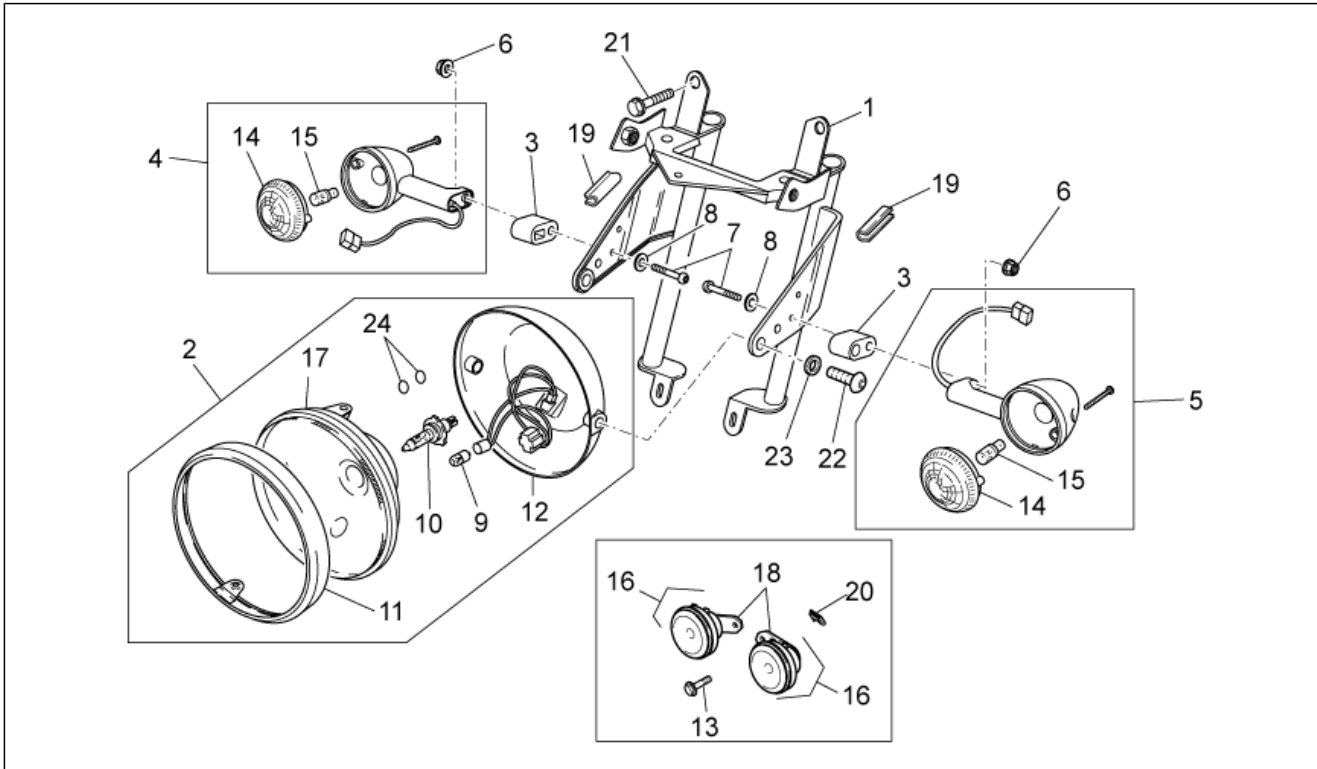
Pos.	Code	Description	Qty	Variants
1	887449	Rear brake caliper	1	
2	AP8133798	Pads pair	1	
3	887431	Brake caliper support plate	1	
4	GU31634281	Bushing	1	
5	GU32634160	Spacer	1	
6	887457	Rear brake hose	1	
7	883192	Switch	1	
8	AP8113004	Washer 10x14x1,6*	4	
9	AP8152288	Screw w/ flange	2	
10	AP8152299	Self-locking nut M6	2	
11	GU31659181	Pins+spring kit	1	
12	GU31659281	Bleeder+cap	1	
13	AP8152300	Self-locking nut M8	2	
14	GU03658430	Hose clamp	1	
15	GU96451316	Stud bolt	1	
16	GU03658201	Ring	2	
17	GU03658330	Hose clamp	1	
18	GU98257410	screw	1	
19	GU92630104	Nut M4x0,7	1	
20	AP8113003	Oil pipe screw *	1	
21	GU95008306	Washer 6,4x12x1,2	2	
22	GU61270300	Spring washer 8x15x0,3	1	

Group	FRAME
Code	33.28
Description	Front lights
Service	1



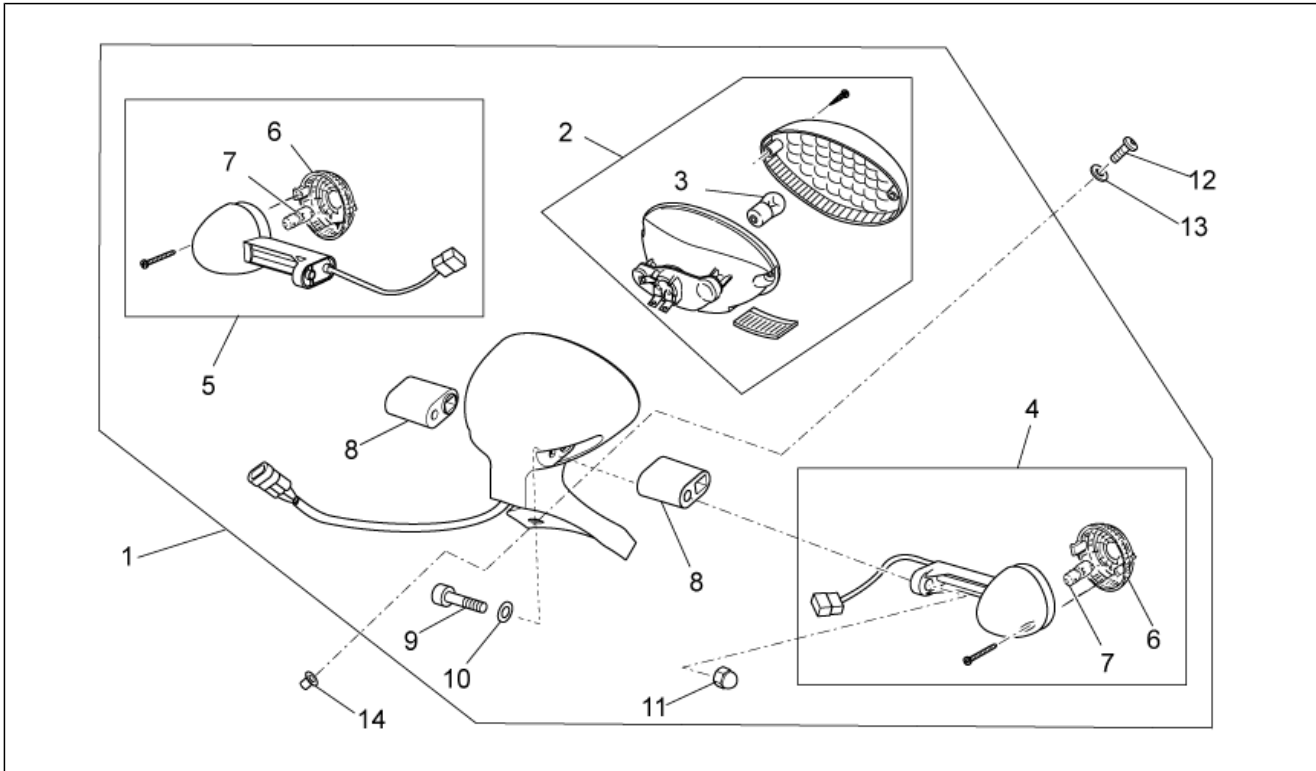
Pos.	Code	Description	Qty	Variants
1	GU32506360	Headlight support clamp	1	
2	978311	Headlight	1	Country:Canadian[CA], europe[EU], USA[USA]
2	978662	Cpl headlightsteering headligh	1	Country:Japan[J], Great Britain[UK]
3	GU32753410	Spacer	2	
4	887826	RH front/LH rear turn indic.	1	Country:Australia[AA], europe[EU], Japan[J], Great Britain[UK]
4	B063800	RH front turn indicator	1	Country:Canadian[CA], USA[USA]
5	887827	LH front/RH rear turn indic.	1	Country:Australia[AA], europe[EU], Japan[J], Great Britain[UK]
5	B063801	LH front turn indicator	1	Country:Canadian[CA], USA[USA]
6	GU92787006	Cap nut M6x1	2	
7	GU98370655	Hex socket screw	2	
8	GU95021206	Washer	2	
9	292022	Lamp 12V-5W	1	
10	292723	Lamp H4 60/55W 12V	1	
11	640598	Chromed ring nut	1	
12	981149	Cap, black	1	Country:Japan[J], Great Britain[UK]
12	981149	Cap, black	1	
13	AP8152278	Screw w/ flange M6x16	2	
14	B063735	Turn indicator lens	2	Country:Australia[AA], europe[EU], Japan[J], Great Britain[UK]
14	GU32753711	Turn indicator lens	2	Country:Canadian[CA], USA[USA]
15	GU93450126	Lamp, orange	2	Country:Australia[AA], europe[EU], Japan[J], Great Britain[UK]
15	GU93450127	Lamp	2	Country:Canadian[CA], USA[USA]
16	890979	Horn	2	
17	GU06740400	Light assembly	1	Country:Australia[AA], Canadian[CA], europe[EU], USA[USA]
17	GU06740401	Optical group	1	Country:Japan[J], Great Britain[UK]

Group	FRAME
Code	33.28
Description	Front lights
Service	1



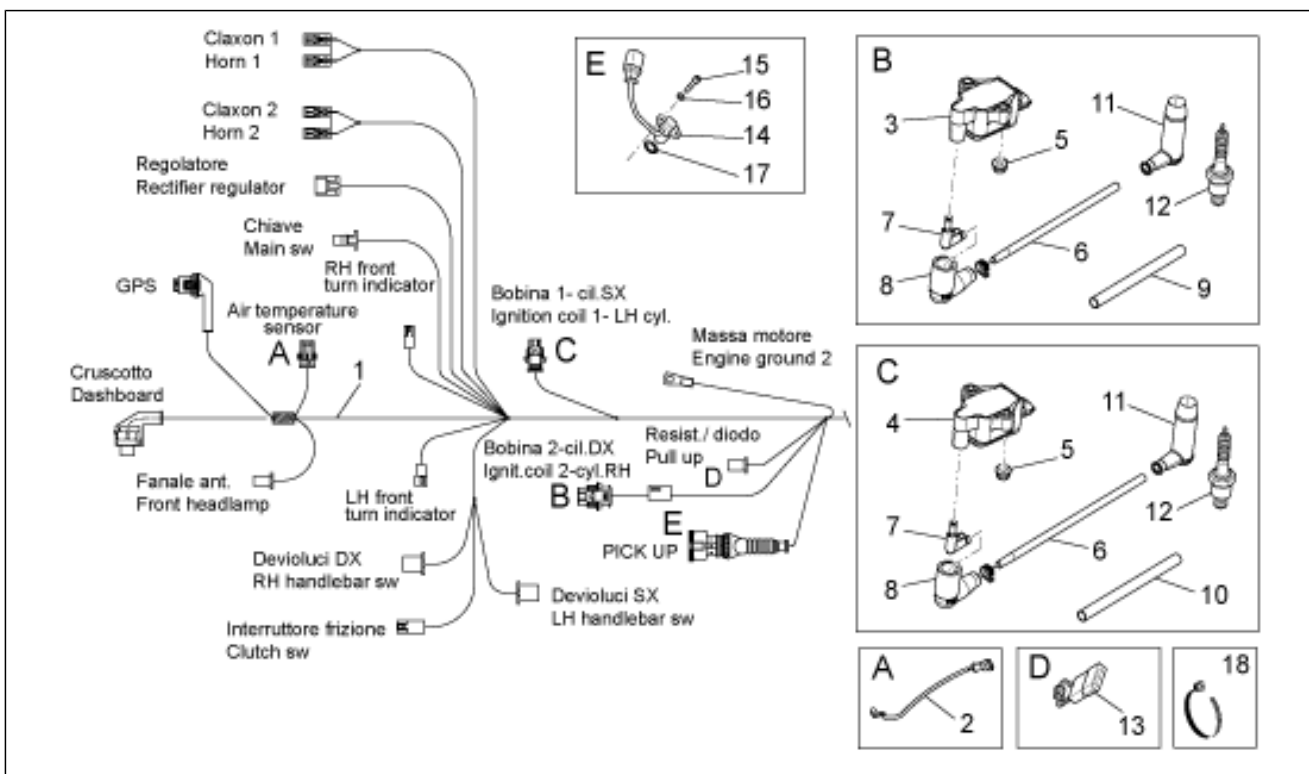
Pos.	Code	Description	Qty	Variants
18	GU01744200	Bracket	6	
19	GU00823931055	Gasket	1	
20	254485	Spring plate M6	2	
21	GU98880540	screw M10x40	2	
22	GU98370831	Hex socket screw M8x30	2	
23	GU95005308	Washer 8,4x14,57x1,6	2	
24	883417	O-ring	2	

Group	FRAME
Code	33.29
Description	Rear lights
Service	1



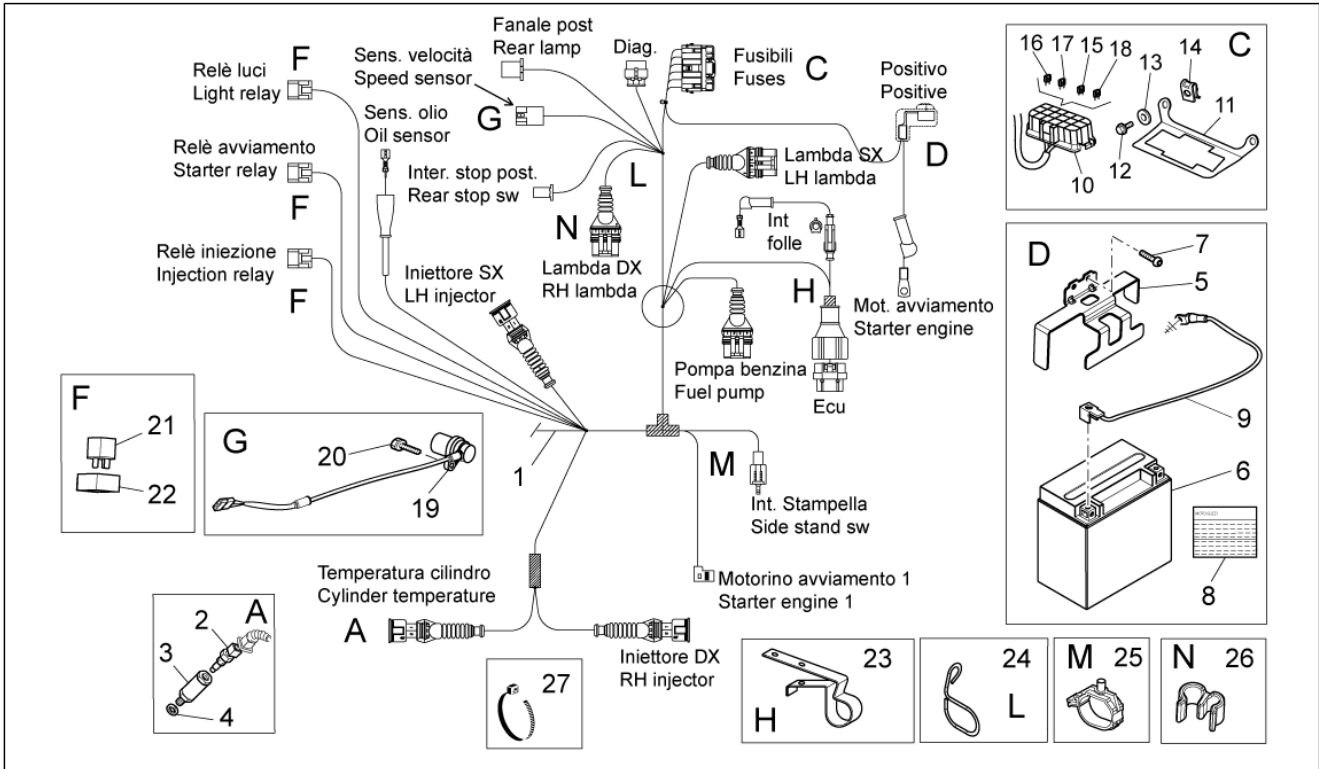
Pos.	Code	Description	Qty	Variants
1	883479	Taillight assy	1	Country:Canadian[CA], USA[USA]
1	887877	Taillight assy	1	Country:Australia[AA], europe[EU], Japan[J]
2	GU03740930	Taillight	1	
3	GU93450224	Lamp	1	
4	887826	RH front/LH rear turn indic.	1	Country:Australia[AA], europe[EU], Great Britain[UK]
4	GU32750661	RH front/LH rear turn indic.	1	Country:Canadian[CA], USA[USA]
5	883478	LH front/RH rear turn indic.	1	Country:Canadian[CA], USA[USA]
5	887827	LH front/RH rear turn indic.	1	Country:Australia[AA], europe[EU], Great Britain[UK]
6	B063735	Turn indicator lens	1	Country:Australia[AA], europe[EU], Great Britain[UK]
6	GU32753711	Turn indicator lens	2	Country:Canadian[CA], USA[USA]
7	584332	Lamp 12V-10W	2	
7	GU93450127	Lamp	2	Country:Canadian[CA], USA[USA]
8	GU32753410	Spacer	2	
9	GU98370655	Hex socket screw	2	
10	GU95021206	Washer	2	
11	GU92787006	Cap nut M6x1	2	
12	GU98350215	Hex socket screw	3	
13	GU30577800	Nylon washer 5,5X12X1	3	
14	GU93231605	Antivibration bush	3	

Group	FRAME
Code	33.30
Description	Electrical system I
Service	1



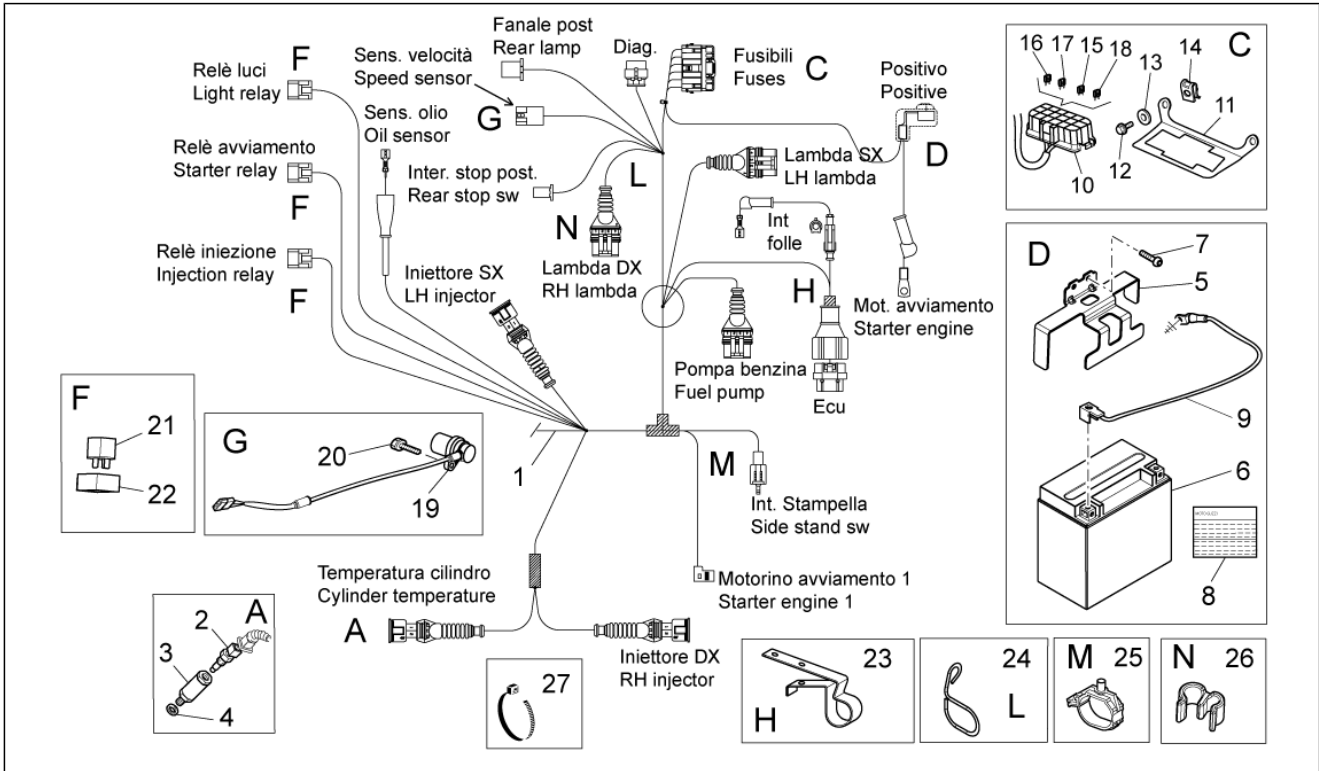
Pos.	Code	Description	Qty	Variants
1	887825	Main wiring harness	1	
2	AP8124936	Air temp. Sensor	1	
3	642034	HT coil DX	1	
4	641901	HT coil SX	1	
5	AP8152299	Self-locking nut M6	4	
6	080341	HT wire	2	
7	641725	HV terminal	2	
8	641040	Insulating cap	2	
9	CM007423	Casing	1	
10	CM0074C9	Guaina cavo grigia	1	
11	GU02717450	Sparkplug cap NGK	2	
12	828708	Spark plug RG6YC (Champion)	2	
12	887481	Spark plug NGK CPR8EB-9	2	
12	887948	Diode	1	
14	GU01721600	Phase/revolution sensor	1	
14	GU98682212	Hex socket screw M5x12	2	
15	GU95008205	Washer 5,3x10x0,8	2	
16	GU90706141	O-ring	1	
17	GU14609650	Hose clamp 3,6x20,6	31	
17	GU49609601	Hose clamp 2,4x92	1	
18	AP8120416	Black hose 178x4*	1	

Group	FRAME
Code	33.31
Description	Electrical system II
Service	1



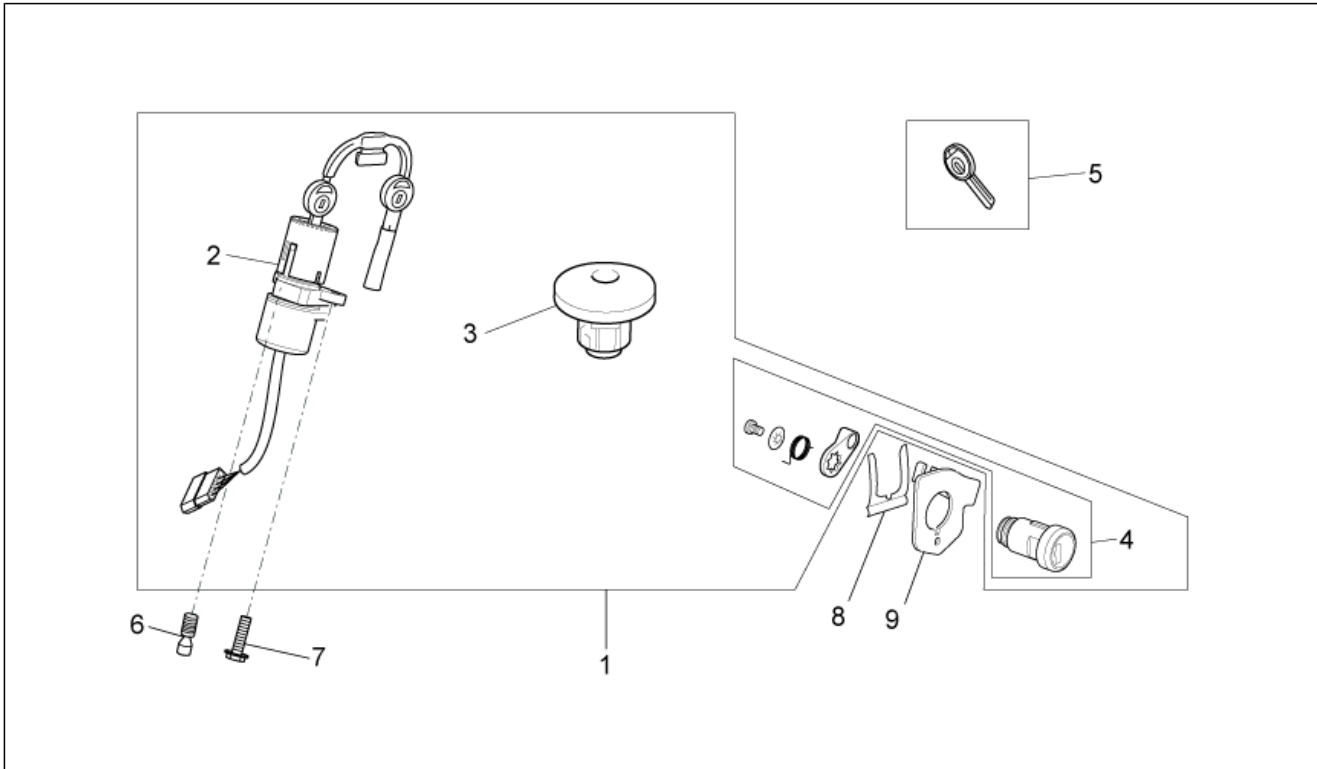
Pos.	Code	Description	Qty	Variants
1	887825	Main wiring harness	1	
2	GU29729461	Oil temperature sensor	1	
3	GU03163330	Sensor support	1	
4	GU95004210	Washer 10,2x18x2	1	
5	B063233	Battery bracket	1	
6	638733	Battery Yuasa 12V-12Ah (150x85x145)	1	
7	GU98370616	Hex socket screw M6x16 inox	2	
8	GU32517710	Decal "Battery service"	1	
9	GU32747910	Ground-battery lead	1	
10	584211	Fuse holder box	1	
11	883161	Fuse block support	1	
12	GU98682212	Hex socket screw M5x12	2	
13	GU95100059	Washer 5,25x14x1,5	2	
14	AP8102375	Clip m5	2	
15	CM225705	Fuse 5A	2	
16	CM225710	Fuse 10A	1	
17	CM225715	Fuse 15A	2	
18	CM225730	Fuse 30A	1	
19	893570	Speedometer sensor cpl.	1	
20	AP8150377	screw	1	
21	AP8224462	Relay 12V/30A	3	
22	AP8220283	Rubber spacer *	3	
23	B043850	Hose clamp	1	
24	AP8181140	Fairlead	1	
25	CM013202	Pipes/cables retainer spring	1	
26	894704	Fairlead	1	
27	AP8120416	Black hose 178x4*	1	
27	GU14609650	Hose clamp 3,6x20,6	21	

Group	FRAME
Code	33.31
Description	Electrical system II
Service	1



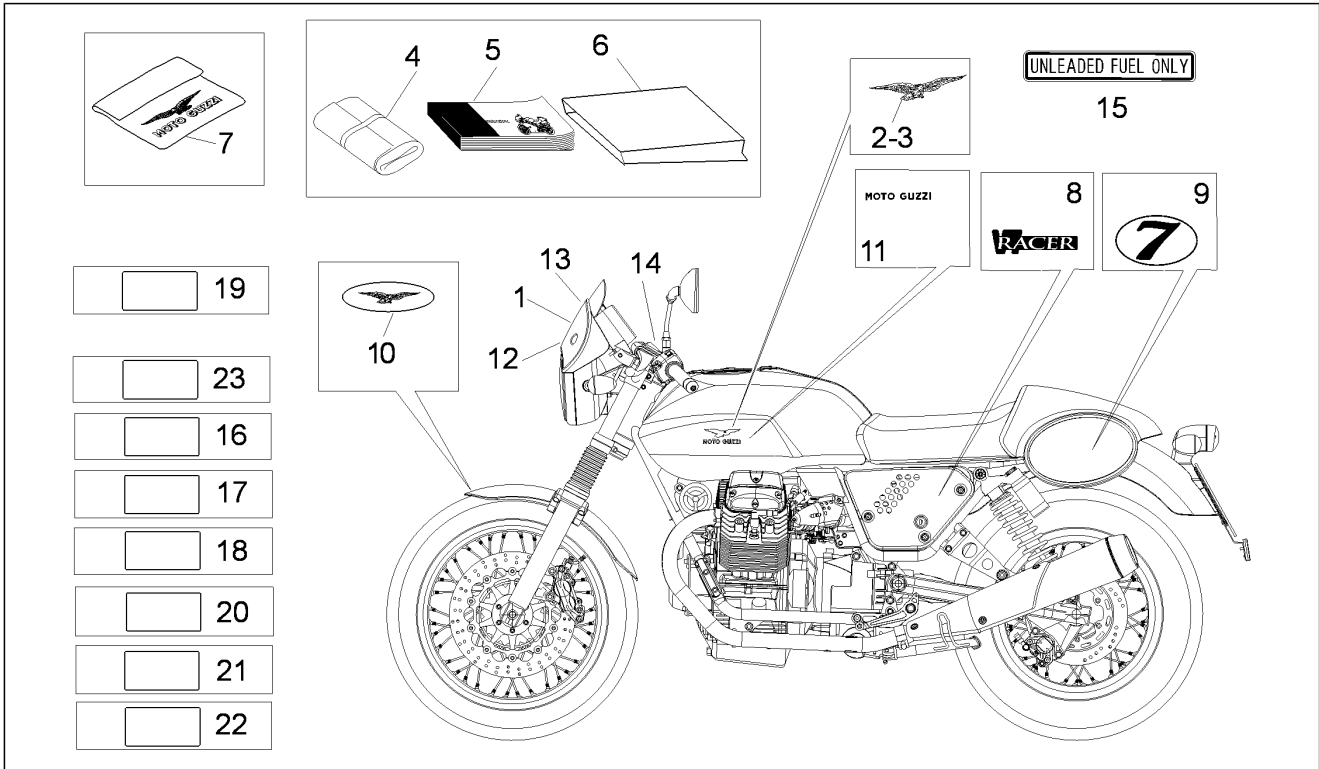
Pos.	Code	Description	Qty	Variants
27	GU49609601	Hose clamp 2,4x92	1	

Group	FRAME
Code	33.32
Description	Lock hardware kit
Service	1



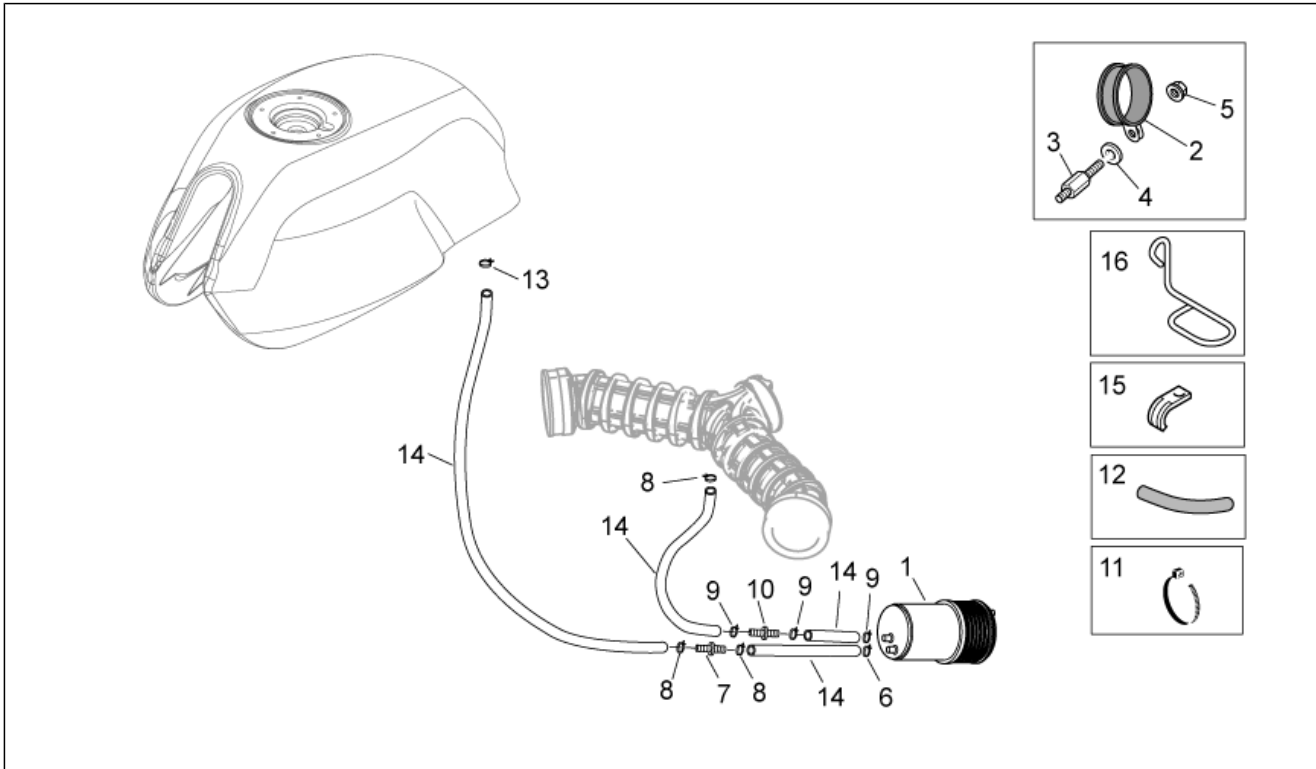
Pos.	Code	Description	Qty	Variants
1	883477	Lock kit	1	Country:Canadian[CA], USA[USA]
1	887873	Lock kit	1	Country:Australia[AA], europe[EU], Great Britain[UK]
2	GU32782510	Main switch - steering lock	1	
3	883476	Tank cap	1	Country:Canadian[CA], USA[USA]
3	887874	Tank cap	1	Country:Australia[AA], europe[EU], Great Britain[UK]
4	977527	Saddle lock	1	
5	GU32735510	Non indent.key blank-shell go	1	
5	GU32735511	Non indent.key blank-shell cr	1	
6	AP8150349	Special screw M8x15	1	
7	GU98682416	Hex socket screw M8x16	1	
8	AP8121420	Fork spring	1	
9	978415	Cable fixing plate	1	

Group	FRAME
Code	33.33
Description	Decal and plate set
Service	1



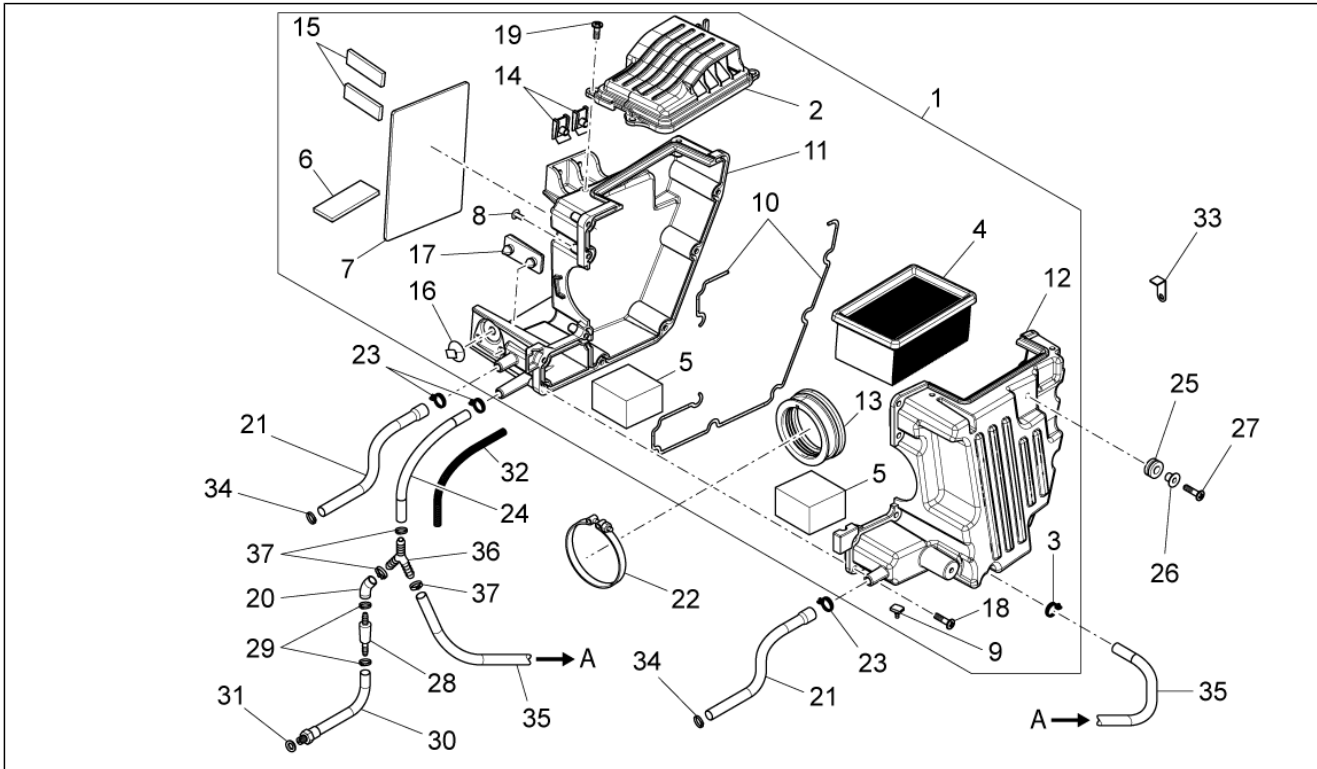
Pos.	Code	Description	Qty	Variants
1	B063148	Windshield decal 7	1	
2	898174	Sticker RH "Aquila"	1	
3	886678	Sticker LH "Aquila"	1	
4	GU32909960	Toolkit	2	
5	887854	Operator's handbook I-F-D-NL-E-UK	1	
5	B063252	Operator's handbook -USA-	1	Country:Canadian[CA], USA[USA]
6	GU05900130	Bag for document	1	
7	GU30970200	Bike cover	1	
8	886643	Plate set V7 Racer	2	
9	B063149	Rear fairing decal	2	
10	886141	Decal "Aquila"	1	
11	886825	Decal "Moto Guzzi"	1	
12	886638	Red line sticker	1	
13	886637	Red line sticker	1	
14	886644	Plate set "RACER"	1	
15	GU03995730	Decal "Unleaded Fuelonly"	1	Country:Australia[AA]
16	884348	***LABEL	1	Country:Canadian[CA], USA[USA]
17	AP8257609	Mirror decal	1	Country:Canadian[CA], USA[USA]
18	AP8257794	Battery decal	1	Country:Canadian[CA], USA[USA]
19	AP8257742	Keys warning decal	1	Country:Canadian[CA], USA[USA]
20	884344	Noise emission sticker	1	Country:Canadian[CA], USA[USA]
21	884345	Emission control sticker	1	Country:Canadian[CA], USA[USA]
22	884346	Carbon filter sticker	1	Country:Canadian[CA], USA[USA]
23	B045974	Fuel decal E15	1	Country:Canadian[CA], USA[USA]

Group	FRAME
Code	33.51
Description	Fuel vapour recover system
Service	1



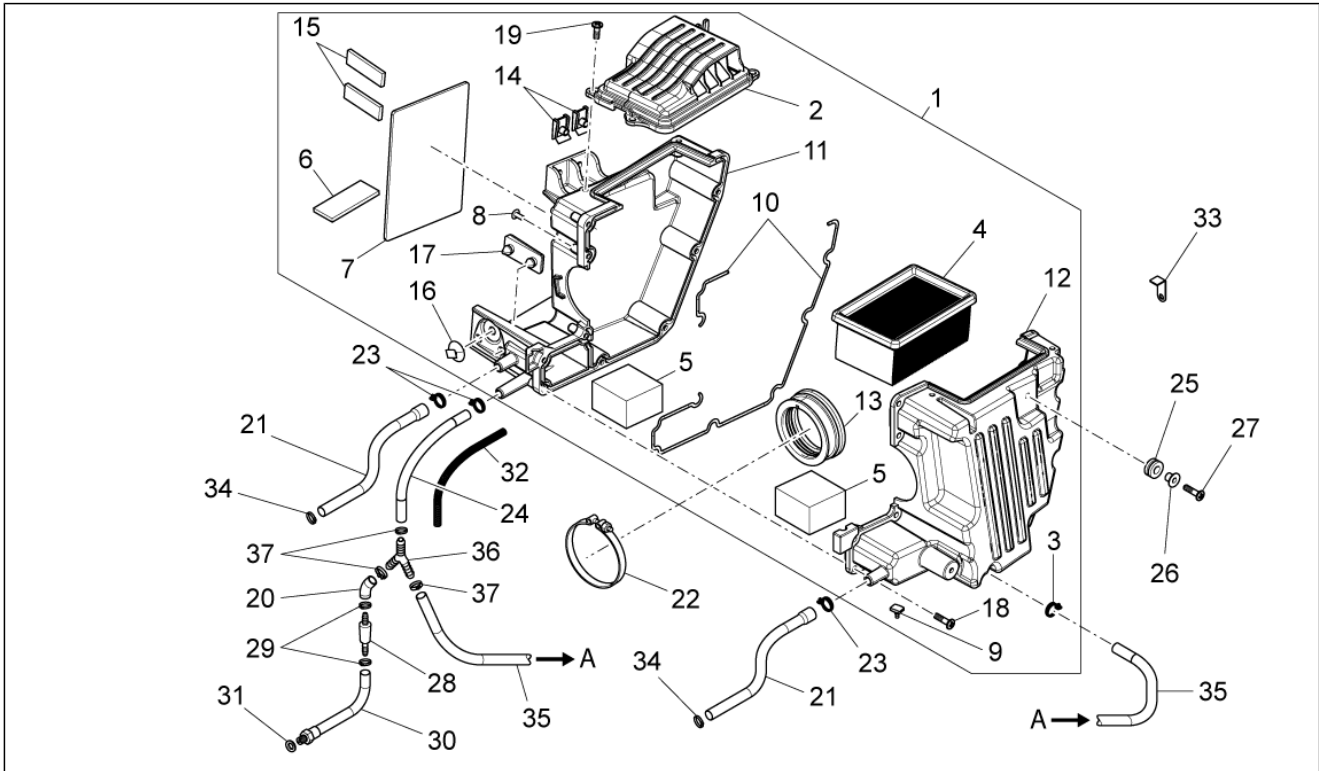
Pos.	Code	Description	Qty	Variants
1	AP8102678	Carbon filter	1	Country:Canadian[CA], USA[USA]
2	AP8102688	Hose clamp d.76	1	Country:Canadian[CA], USA[USA]
3	GU32439260	Canister support USA	1	Country:Canadian[CA], USA[USA]
4	GU95005311	Washer	1	Country:Canadian[CA], USA[USA]
5	AP8152299	Self-locking nut M6	1	Country:Canadian[CA], USA[USA]
6	AP8102159	Hose clamp	1	Country:Canadian[CA], USA[USA]
7	860138	Valve	1	Country:Canadian[CA], USA[USA]
8	GU28157950	Hose clip 12,5x8	4	Country:Canadian[CA], USA[USA]
9	AP8120446	Hose clip, green D11x6,6x1	2	Country:Canadian[CA], USA[USA]
10	AP8121267	Choke hold	1	Country:Canadian[CA], USA[USA]
11	AP8120416	Black hose 178x4*	1	Country:Canadian[CA], USA[USA]
12	GU00823923140	Thermal sheath	4	Country:Canadian[CA], USA[USA]
13	AP8201358	Hose clamp D 11,9	1	Country:Canadian[CA], USA[USA]
14	856063	pipe SAE 30 d.12,7x6,35	3	Country:Canadian[CA], USA[USA]
15	GU93301313	U-bolt	1	Country:Canadian[CA], USA[USA]
16	AP8221114	Cable-guide	2	Country:Canadian[CA], USA[USA]

Group	FRAME
Code	33.52
Description	Air box II
Service	1



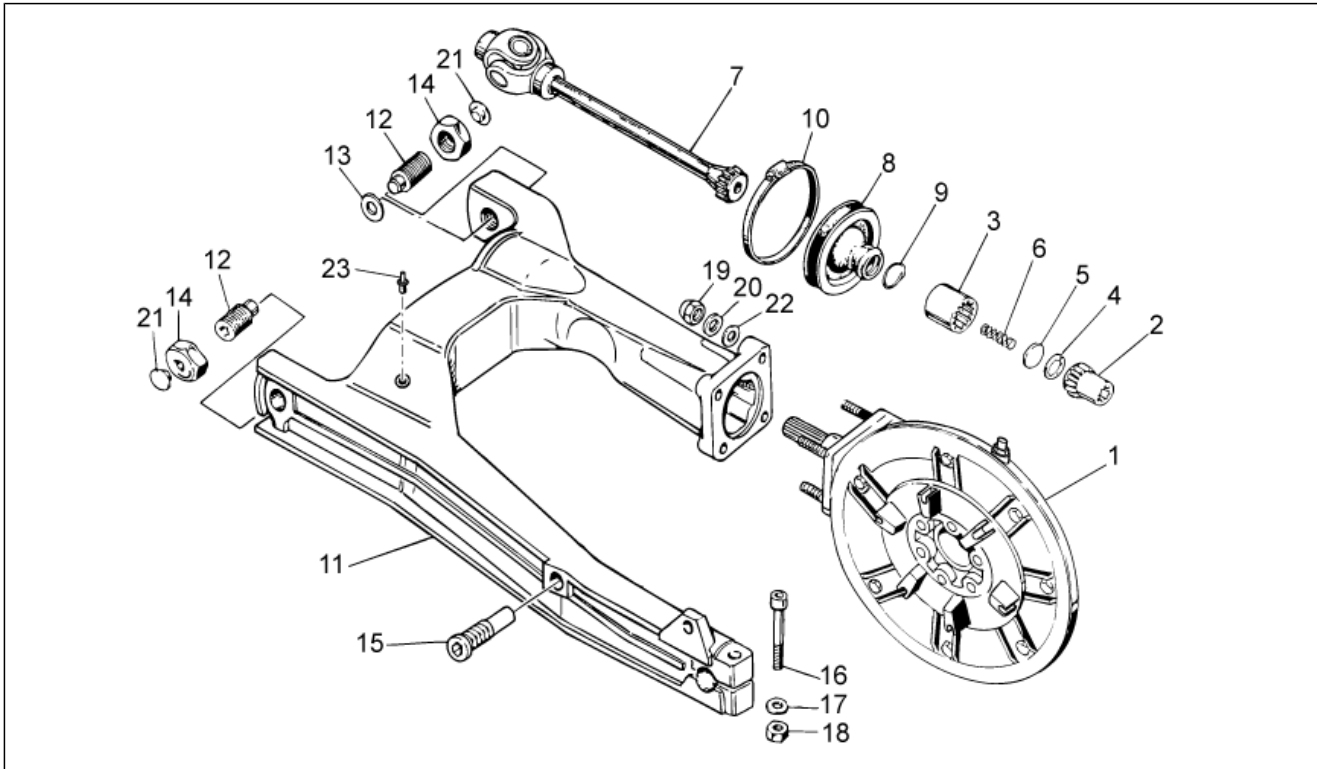
Pos.	Code	Description	Qty	Variants
1	8878421	Complete filter box	1	
2	887843	Air filter cover	1	
3	AP8201358	Hose clamp D 11,9	1	
4	AP8104924	Air filter	1	
5	AP8104525	Filter blow-by	2	
6	883127	Support rubber part 5mm	1	
7	AP8144553	Support rubber part	1	
8	AP8120876	Plug	2	
9	AP8120455	Rubber spacer	1	
10	AP8120615	Gasket D3	2	
11	887844	Guscio dx cassa filtro	1	
12	887845	Guscio sx cassa filtro	1	
13	887815	Intake hose	1	
14	254485	Spring plate M6	2	
15	AP8144538	Gasket	2	
16	890760	Instrument support	1	
17	AP8144729	Stand end stop	1	
18	AP8152329	Phillips screw, SWP M5x20	9	
19	AP8150509	Self-tap screw 5x14	4	
20	AP8120772	Breather pipe	1	
21	B063214	Tubazione blow-by	2	
22	GU93305061	Hose clamp 61/65,5	1	
23	AP8102766	Hose clamp	3	
24	AP8120772	Breather pipe	1	
25	GU91551010	Rubber spacer	2	
26	AP8221023	T bush *	2	
27	AP8152329	Phillips screw, SWP M5x20	2	
28	AP8104251	Oil breather valve	1	

Group	FRAME
Code	33.52
Description	Air box II
Service	1



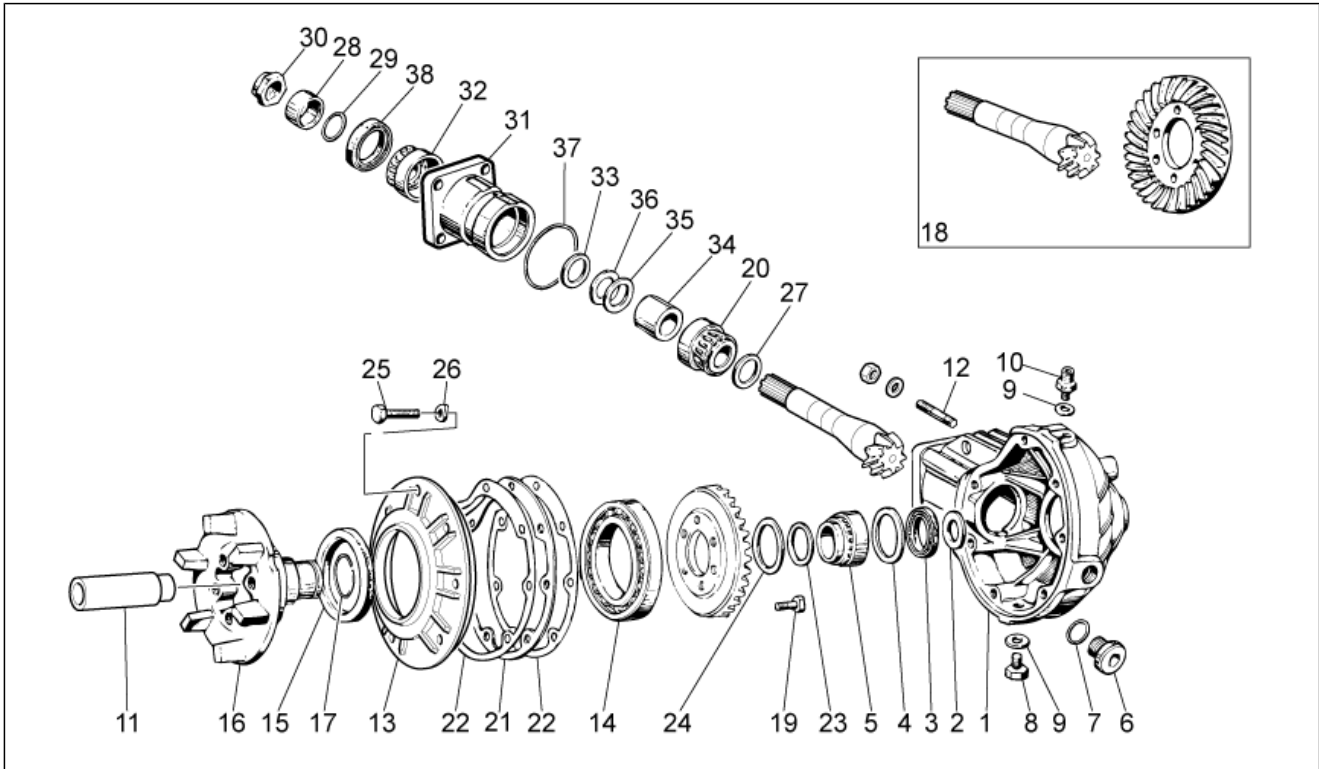
Pos.	Code	Description	Qty	Variants
29	AP8102159	Hose clamp	2	
30	B063213	Breather	1	
31	GU90714082	Gasket	1	
32	GU00823923140	Thermal sheath	1	
33	GU31112965	Square	1	
34	AP8201358	Hose clamp D 11,9	2	
35	AP8120772	Breather pipe	1	
36	AP8120116	3-way union	1	
37	AP8102159	Hose clamp	3	

Group	ENGINE
Code	34.09
Description	Transmission complete I
Service	1



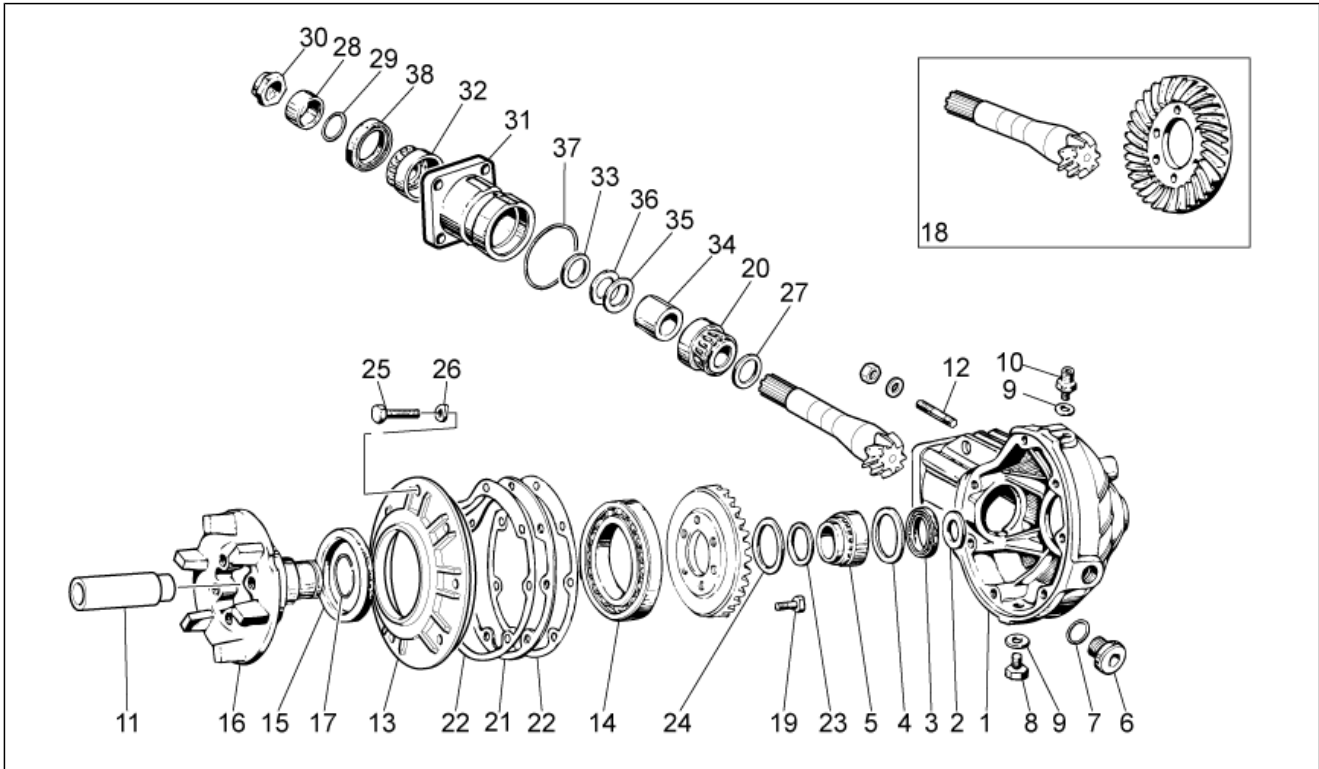
Pos.	Code	Description	Qty	Variants
1	976941	Transmission box assy., black	1	
2	GU31327783	Hose	1	
3	GU19328801	Hose	1	
4	GU90272023	Circlip	1	
5	GU19327601	Disc	1	
6	GU94321099	Spring	1	
7	GU23328081	Coupling	1	
8	GU23548080	Protection collar	1	
9	GU23548180	Spring	1	
10	AP8120246	Hose clamp D=60-80	1	
11	886676	Swing arm, red	1	
12	GU19547000	Pin	2	
13	GU35214300	Spacer	1	
14	GU31547882	Nut	2	
15	GU31544181	Pin	1	
16	GU98680545	screw M10x45	1	
17	GU95008210	Washer 10,2X18X2	1	
18	GU92606210	Nut M10x1,5	1	
19	GU92787008	Cap nut M8x1,25	4	
20	GU14615901	Washer 8,4X13X0,8	4	
21	GU93180105	Cover	2	
22	GU95005308	Washer 8,4x14,57x1,6	4	
23	GU03922280	Cover 5x9	1	

Group	ENGINE
Code	34.10
Description	Transmission complete II
Service	1



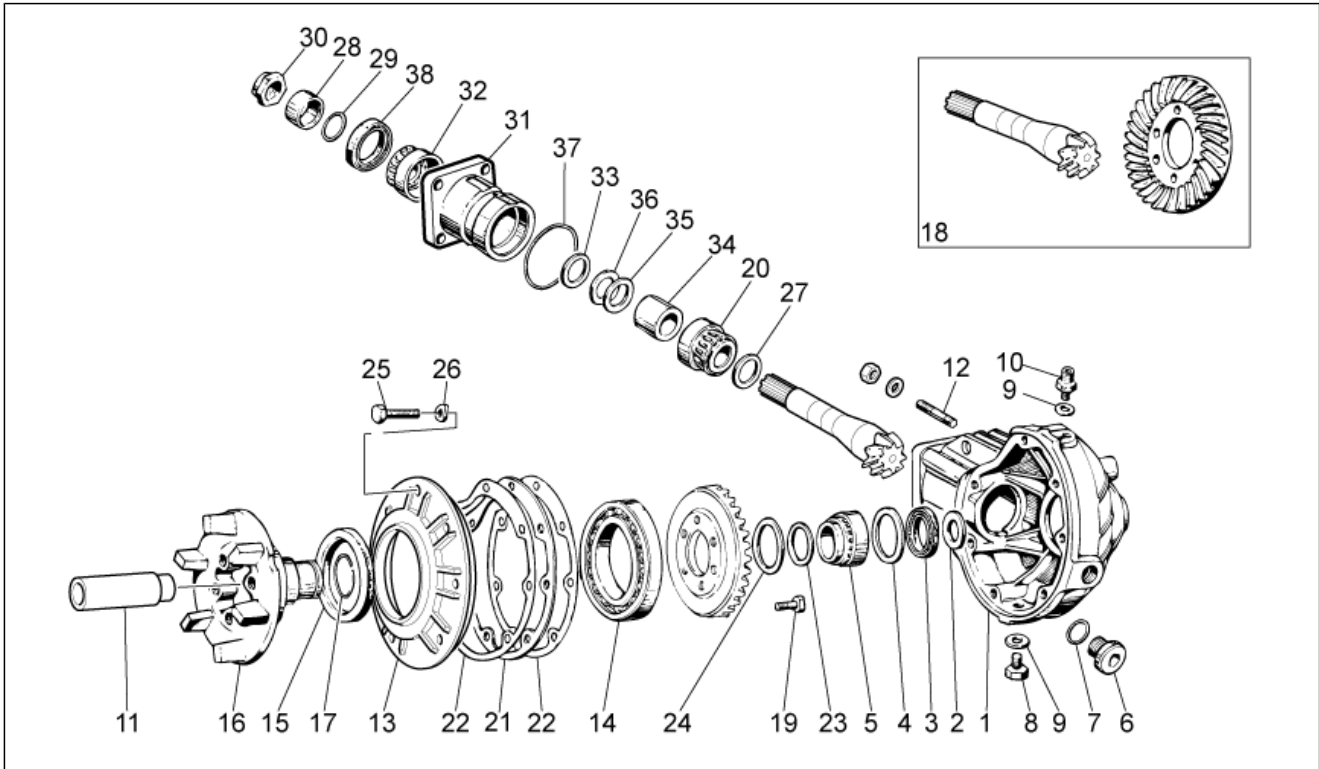
Pos.	Code	Description	Qty	Variants
1	976608	Transmission housingblack	1	
2	GU19351900	Clearance washer	1	
3	GU90403549	Gasket ring 35x47x7	1	
4	GU19351100	Clearance washer	1	
5	GU92252235	Roller bearing 35x50x17	1	
6	GU12022600	Oil plug	1	
7	GU90706203	O-ring 20,24x2,62	1	
8	GU31003766	Oil unload plug M10x1	1	
9	GU01528930	Gasket 10x18x1,5	2	
10	GU19206501	Breather plug	1	
11	GU32633560	Spacer	1	
12	GU96508055	Stud bolt	4	
13	GU32350410	Cover	1	
14	GU92201070	Ball bearing 70x110x13	1	
15	GU90407591	Gasket ring 75x95x10	1	
16	GU32351410	Pin	1	
17	GU90353030	Stop ring	1	
18	GU32354610	Bevel gear 8/33	1	
19	GU03067730	screw M8x25	6	
20	GU92249227	Tap.roller bearing 25x5	1	
21	GU19355400	Spacer 0,8 mm	1	
21	GU19355402	Spacer 0,9 mm	1	
21	GU19355404	Spacer 1 mm	1	
21	GU19355406	Spacer 1,1 mm	1	
21	GU19355408	Spacer 1,2 mm	1	
21	GU19355410	Spacer 1,3 mm	1	
21	GU19355411	Spacer 1,4 mm	1	
21	GU19355412	Spacer 1,5 mm	1	

Group	ENGINE
Code	34.10
Description	Transmission complete II
Service	1



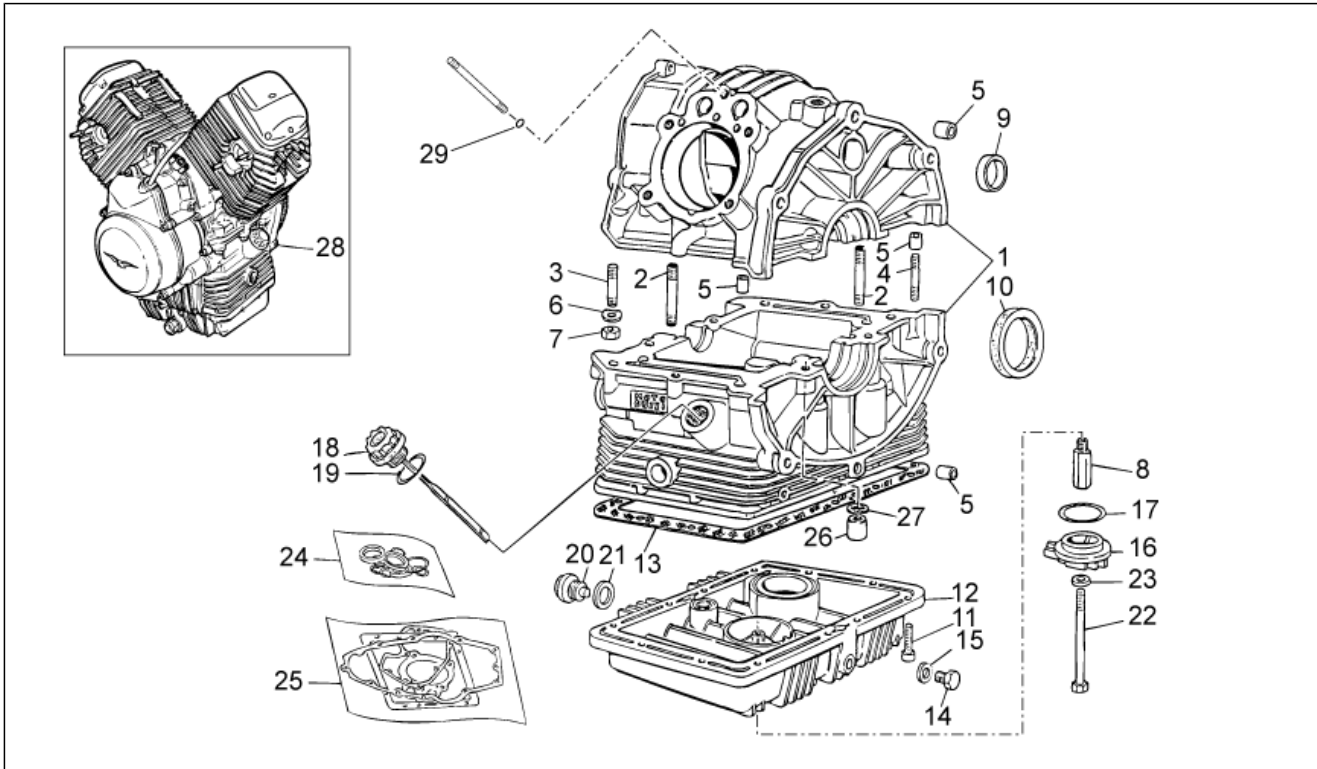
Pos.	Code	Description	Qty	Variants
21	GU19355413	Spacer 1,6 mm	1	
22	GU19350700	Gasket	2	
23	GU19352300	Thrust washer	1	
24	GU19353500	Thrust washer	1	
25	GU19357660	screw	7	
26	GU61270300	Spring washer 8x15x0,3	7	
27	GU19355320	Spacer 1 mm	1	
27	GU19355321	Spacer 1,1 mm	1	
27	GU19355322	Spacer 1,2 mm	1	
27	GU19355323	Spacer 1,3 mm	1	
27	GU19355324	Spacer 1,4 mm	1	
27	GU19355325	Spacer 1,5 mm	1	
27	GU19355326	Spacer 1,6 mm	1	
27	GU19355327	Spacer 1,7 mm	1	
27	GU19355328	Spacer 1,8 mm	1	
27	GU19355329	Spacer 1,9 mm	1	
28	GU19356801	Spacer	1	
29	GU90706188	Gasket ring 18,77X1,78	1	
30	GU19356700	Nut	1	
31	GU20352421	Flange	1	
32	GU92249220	Roller bearing 20x47x14	1	
33	GU19355300	Spacer 1 mm	1	
33	GU19355301	Spacer 1,1 mm	1	
33	GU19355302	Spacer 1,2 mm	1	
33	GU19355303	Spacer 1,3 mm	1	
33	GU19355304	Spacer 1,4 mm	1	
33	GU19355305	Spacer 1,5 mm	1	
33	GU19355306	Spacer 1,6 mm	1	

Group	ENGINE
Code	34.10
Description	Transmission complete II
Service	1



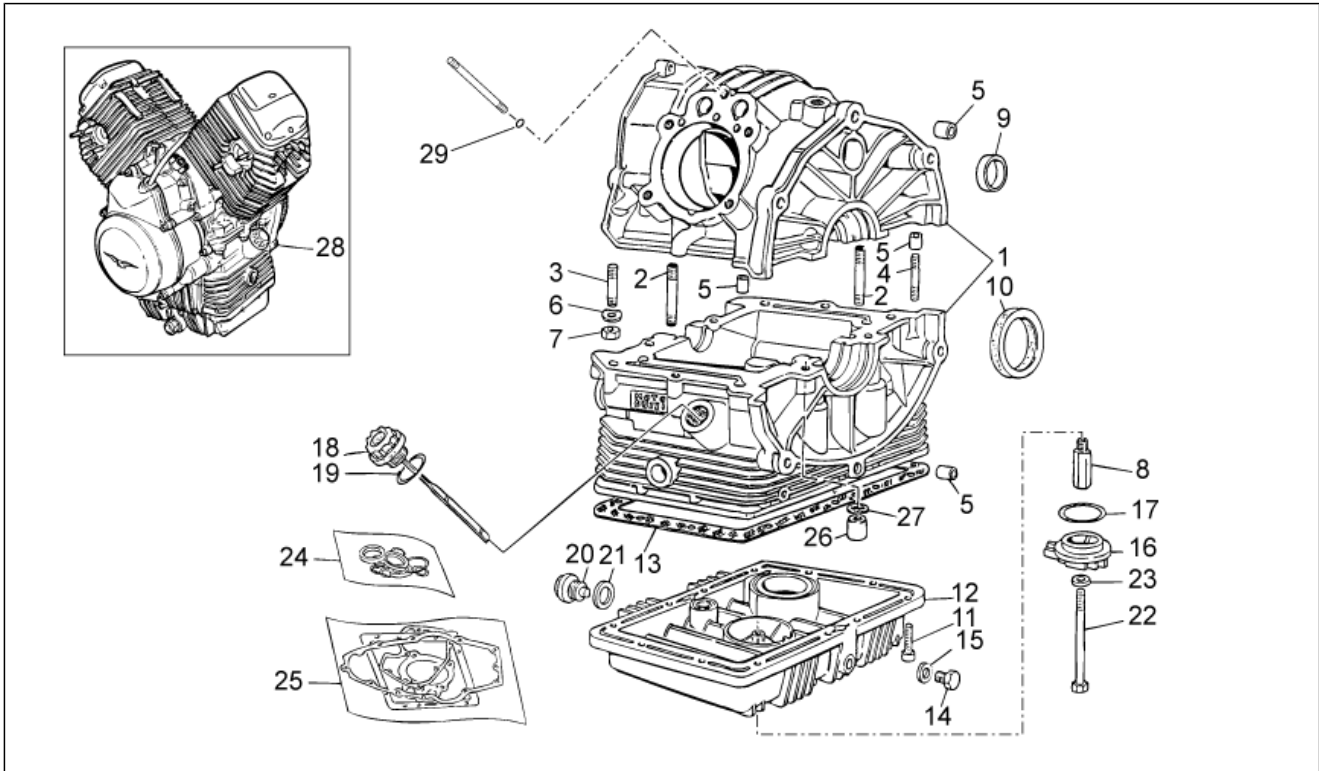
Pos.	Code	Description	Qty	Variants
33	GU19355307	Spacer 1,7 mm	1	
33	GU19355308	Spacer 1,8 mm	1	
33	GU19355309	Spacer 1,9 mm	1	
34	GU20355121	Spacer	1	
35	GU19355200	Shim 0,1 mm	1	
36	GU19355202	Shim 0,15 mm	1	
37	GU90706584	Gasket 58,42x2,62	1	
38	GU90403251	Gasket ring 32x47x10	1	

Group	ENGINE
Code	34.34
Description	Crank-case
Service	1



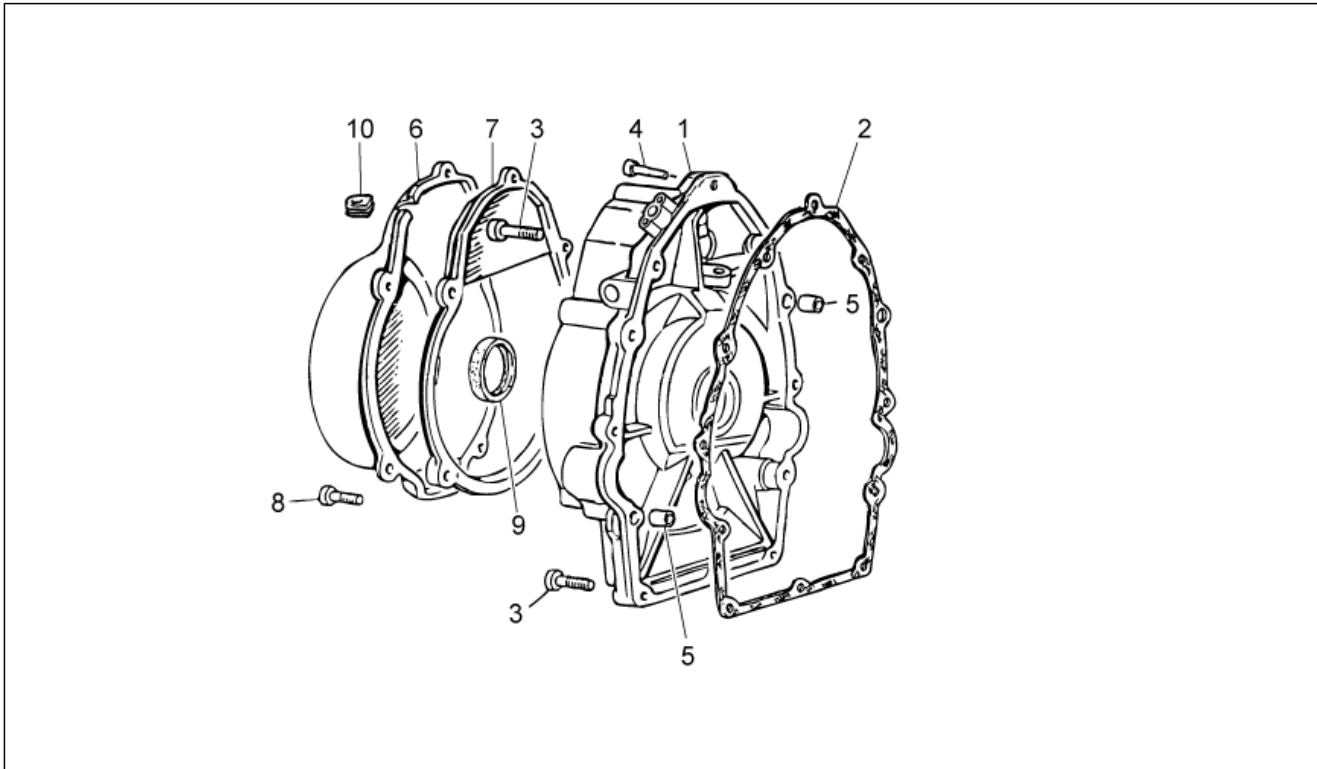
Pos.	Code	Description	Qty	Variants
1	976600	Crankcase black	1	
2	GU96451560	Stud bolt	4	
3	GU96451430	Stud bolt	4	
4	GU96508055	Stud bolt	2	
5	GU19015020	Bushing	4	
6	GU61270300	Spring washer 8x15x0,3	6	
7	GU92606208	Nut M8x1,25	6	
8	GU19003800	Joint	1	
9	GU19016320	Cover	1	
10	GU04000500	Gasket ring	1	
11	GU98682325	Hex socket screw M6x25	12	
12	976604	Oil sump black	1	
13	GU19003602	Gasket	1	
14	GU31003766	Oil unload plug M10x1	1	
15	GU10528900	Gasket	1	
16	976685	Plug	1	
17	GU90706444	O-ring	1	
18	GU27004985	Oil load plug	1	
19	GU90706281	O-ring 28,24x2,62	1	
20	GU12003702	Oil unload plug	1	
21	GU95100709	Gasket 20,1x28x2	1	
22	GU27152885	Bolt	1	
23	GU12154200	Gasket 8,25x15x1	1	
24	GU32999510	Oil seals - set	1	
25	GU32999010	Gasket set	1	
26	GU13021900	Column nut	4	
27	GU95129180	Washer 10,5X18X0,8	4	
28	976939	Engine assy w/hout transm.	1	

Group	ENGINE
Code	34.34
Description	Crank-case
Service	1



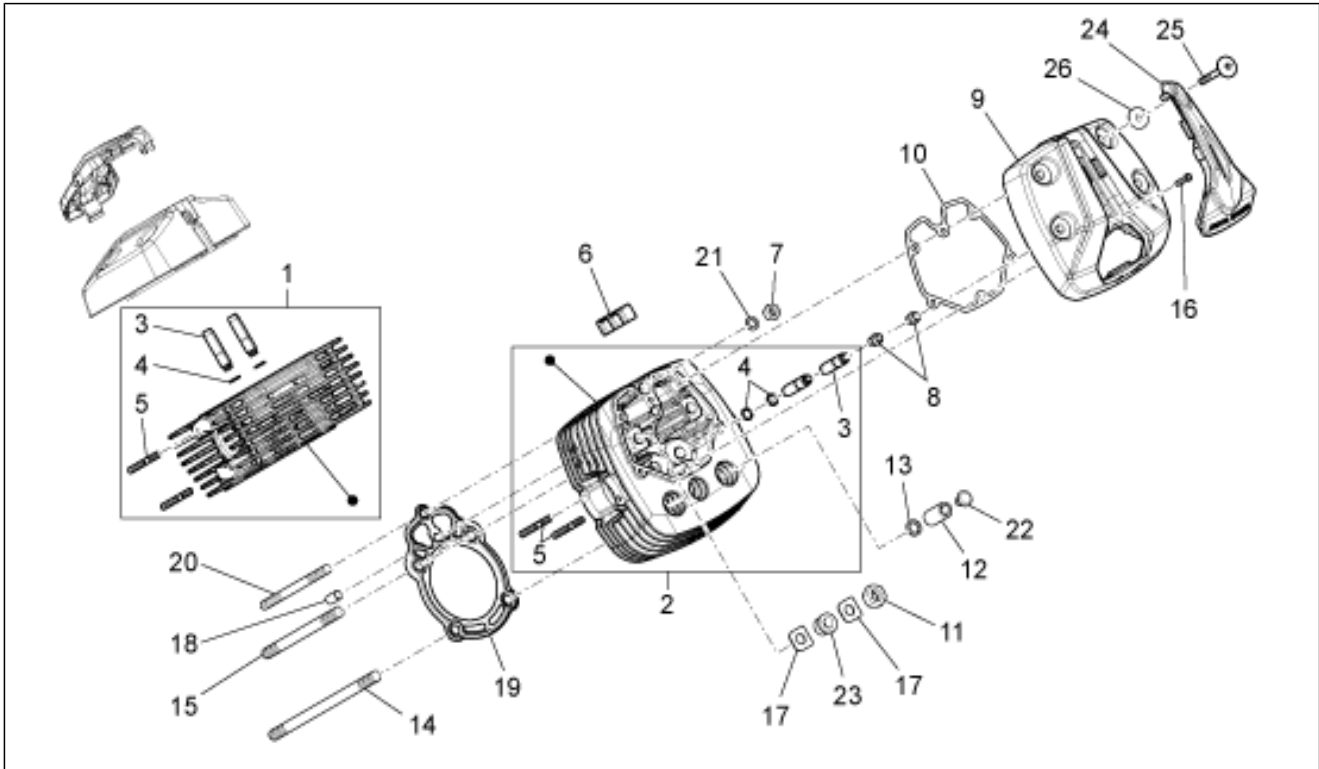
Pos.	Code	Description	Qty	Variants
29	GU90706076	O-ring	2	

Group	ENGINE
Code	34.35
Description	Timing system cover
Service	1



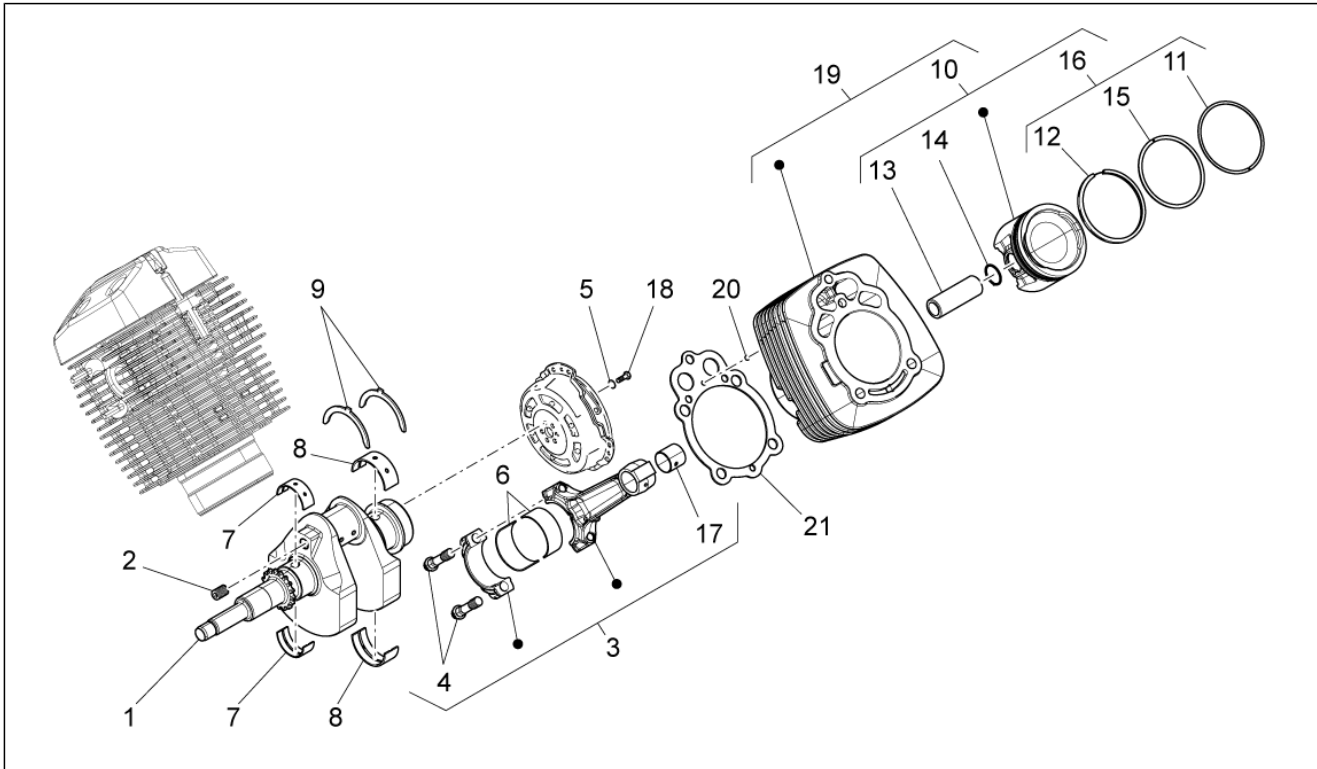
Pos.	Code	Description	Qty	Variants
1	976603	Timing cover black	1	
2	GU19001200	Gasket	1	
3	GU98682325	Hex socket screw M6x25	10	
4	GU98680330	Hex socket screw M6x30	2	
5	GU19002020	Bushing 6,6x9x13	2	
6	GU32001610	Cover	1	
7	GU27001136	Flange	1	
8	GU98680335	Hex socket screw M6x35	5	
9	GU90402842	Gasket ring	1	
10	GU19007700	Rubber spacer	1	

Group	ENGINE
Code	34.36
Description	Cylinder head
Service	1



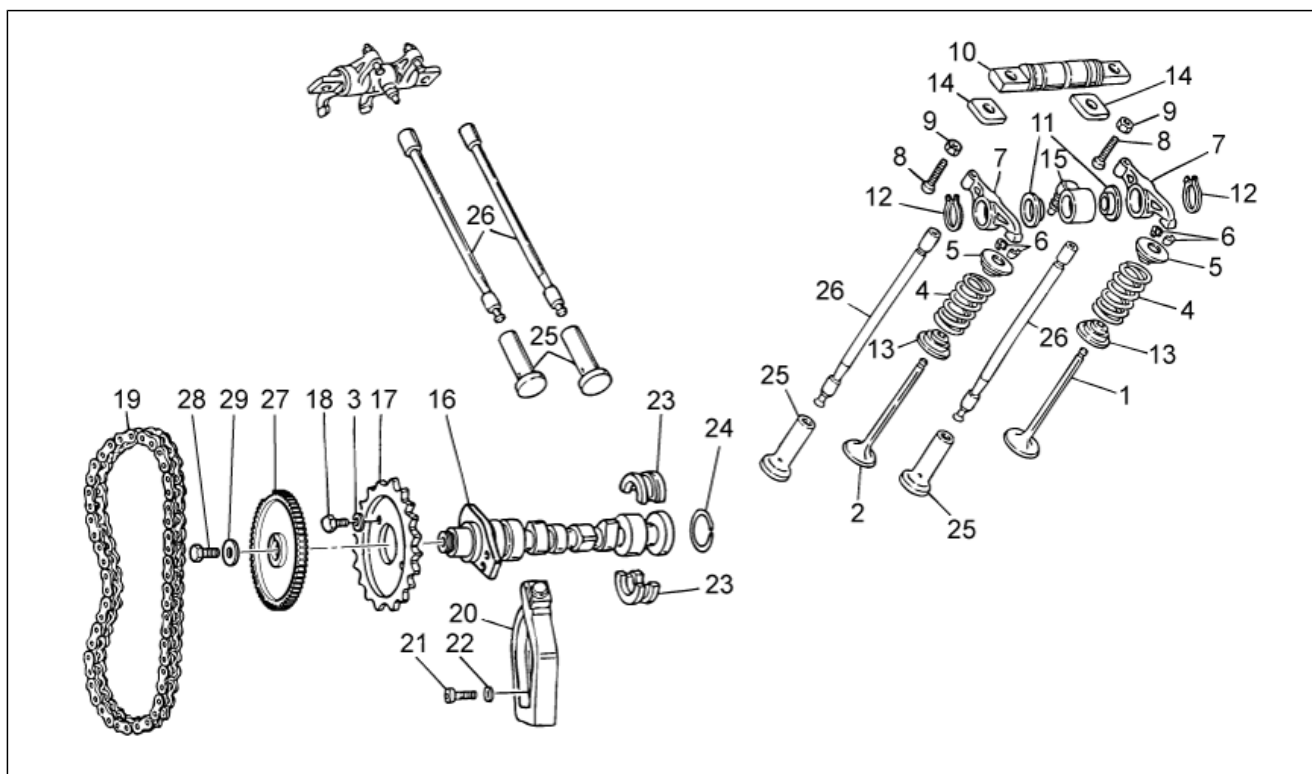
Pos.	Code	Description	Qty	Variants
1	8872724	RH head	1	
2	8872754	LH head	1	
3	GU61036801	Valve guide	4	
4	GU90353009	Snap ring	4	
5	GU96506042	Stud bolt	4	
6	B063111	Tassello antivibrante	4	
7	GU19021920	Nut	2	
8	GU19037820	Oil seal	4	
9	887523	Head cover	2	
10	887002	Head cover gasket	2	
11	GU92603010	Nut M10X1,5	4	
12	GU13021900	Column nut	4	
13	GU95129180	Washer 10,5X18X0,8	4	
14	GU96510214	Stud bolt M10x214	4	
15	GU96510181	Stud bolt M10x182	4	
16	GU98692325	Hex socket screw M6x25	4	
17	GU19032980	Spacer	8	
18	GU19021360	Bushing	2	
19	B063099	Cylinder head gasket	2	
20	GU96508145	Stud bolt M8x143	2	
21	GU61270300	Spring washer 8x15x0,3	2	
22	GU93180245	Cover	4	
23	AP8144071	Rubber exhaust	1	
24	887279	Spark plug cover	2	
25	887483	Vite coperchio testa M6x52.5	8	
26	969973	Washer	8	

Group	ENGINE
Code	34.37
Description	Crankshaft cpl.
Service	1



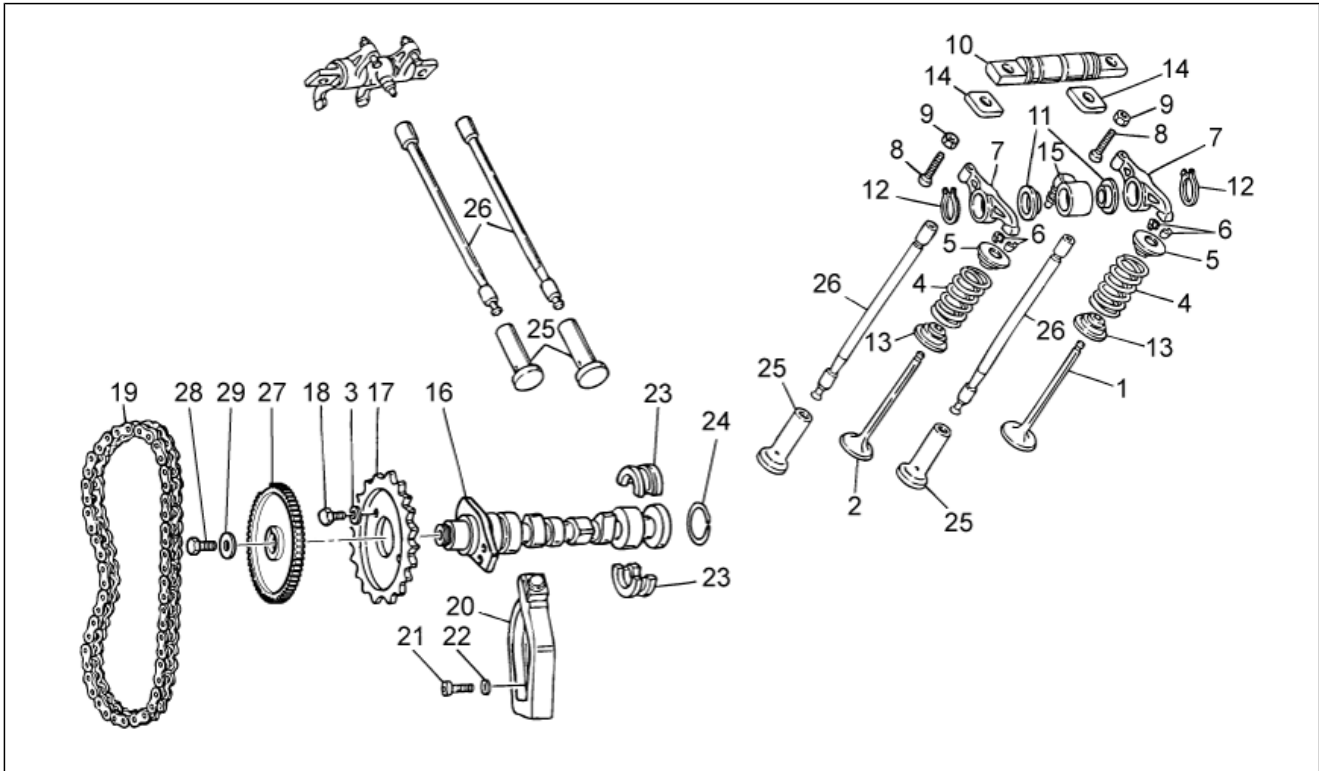
Pos.	Code	Description	Qty	Variants
1	GU320642104	Crankshaft cpl.	1	
2	GU19065400	Cover	1	
3	GU27061585	Connecting rod cpl.	2	
4	GU19062261	screw	4	
5	GU14615901	Washer 8,4X13X0,8	6	
6	GU27062060	Bearing half-shell	4	
7	GU27065660	Front main half-bearing	2	
8	GU27066560	Rear main half-bearing	2	
9	GU27066460	Half-clamp	2	
10	8872690001	[...]	1	
10	8872690002	***CYLINDER-PISTON GROUP	1	
10	8872690003	***CYLINDER-PISTON GROUP	1	
11	B063018	Slot piston ring	2	
12	B063020	Scraper ring	2	
13	B063016	Piston pin	2	
14	874567	Stop ring	4	
15	B063019	Slot piston ring	2	
16	B063466	Pistonring set	2	
17	GU27061885	Bushing	2	
18	GU19067700	screw	6	
19	B063465	Cylinder with piston	2	
20	GU61027200	O-ring	2	
21	886670	Cylinder gasket	2	

Group	ENGINE
Code	34.38
Description	Timing system
Service	1



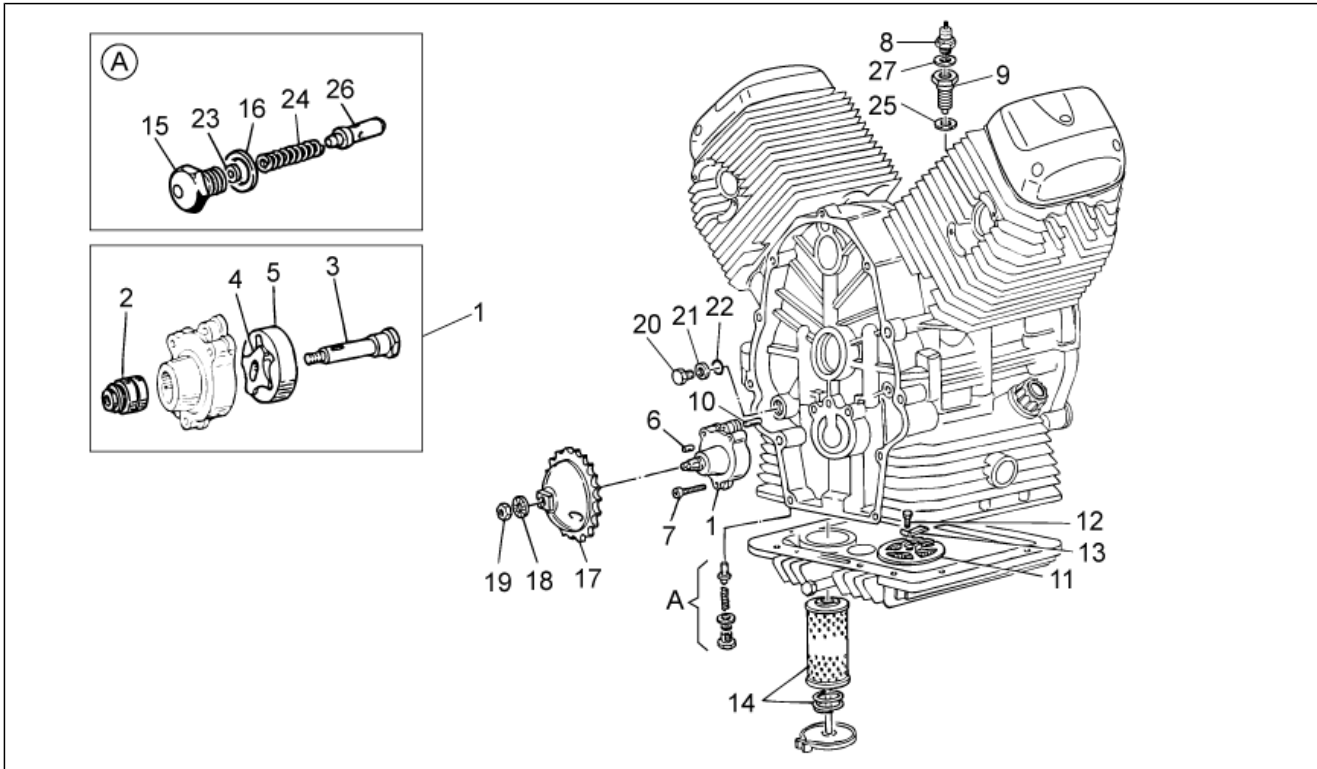
Pos.	Code	Description	Qty	Variants
1	GU20036020	Intake valve	2	
2	GU20036120	Exhaust valve	2	
3	GU23217800	Safety washer	2	
4	GU27037521	Spring	4	
5	GU31038015	Upper cup	4	
6	GU61038100	Half-cone	8	
7	GU19030500	Rocker arm assy.	4	
8	GU19034000	screw	4	
9	GU92602406	Nut M6x1	4	
10	GU19032080	Rocker shaft	2	
11	GU32032310	Thrust washer	4	
12	GU90271018	Circlip	4	
13	GU31037015	Lower cup	4	
14	GU19032980	Spacer	4	
15	GU19027500	Hose	2	
16	GU32053410	Camshaft	1	
17	GU32054510	Timing system gear	1	
18	GU61054900	Bolt	2	
19	GU19058021	Camshaft chain	1	
20	GU19058220	Chain stretching drive	1	
21	GU98882316	screw	1	
22	GU95129115	Washer	1	
23	GU19055700	Sector	2	
24	GU90353029	Snap ring	1	
25	GU19045861	Tappet	4	
26	GU31045015	Rocker arm rod	4	
27	887528	Wheel speed sensor, left front	1	
28	GU98054422	screw M8x22	1	

Group	ENGINE
Code	34.38
Description	Timing system
Service	1



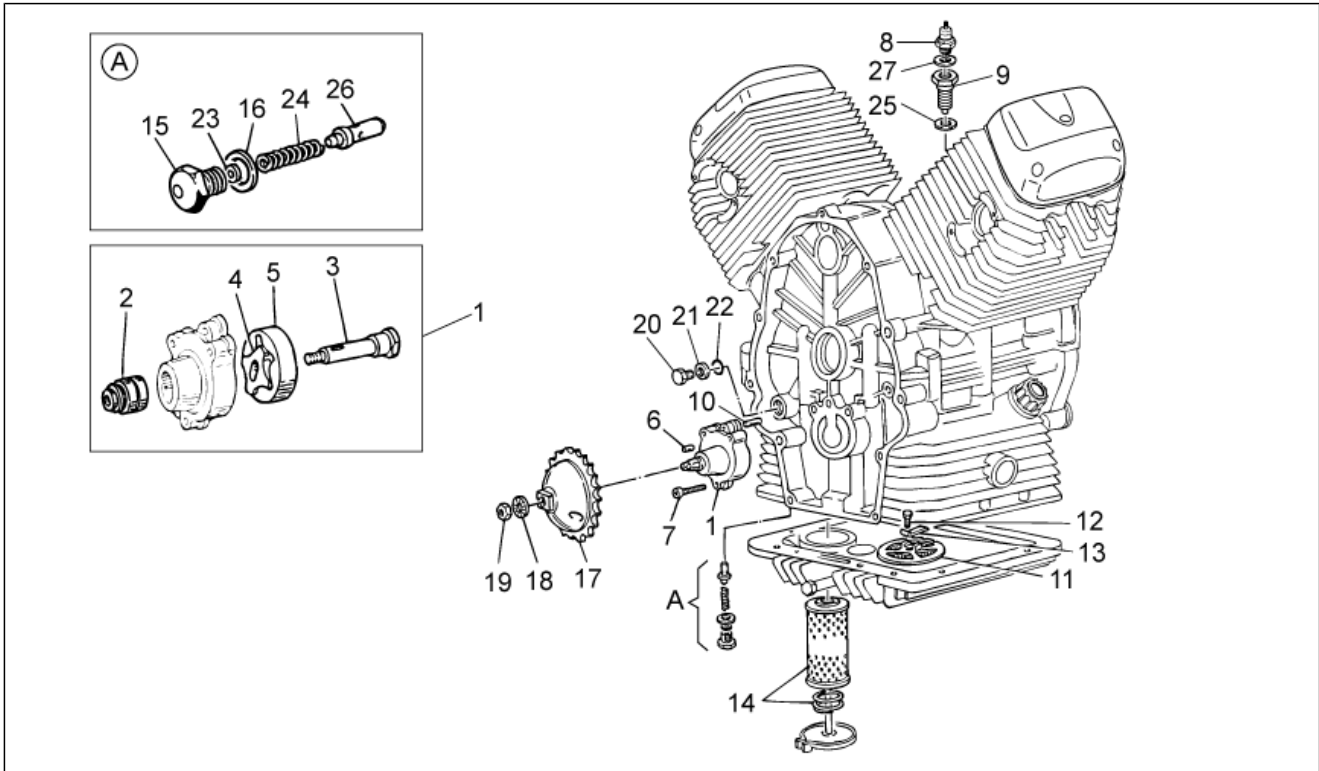
Pos.	Code	Description	Qty	Variants
29	GU95100244	Washer	1	

Group	ENGINE
Code	34.39
Description	Oil pump
Service	1



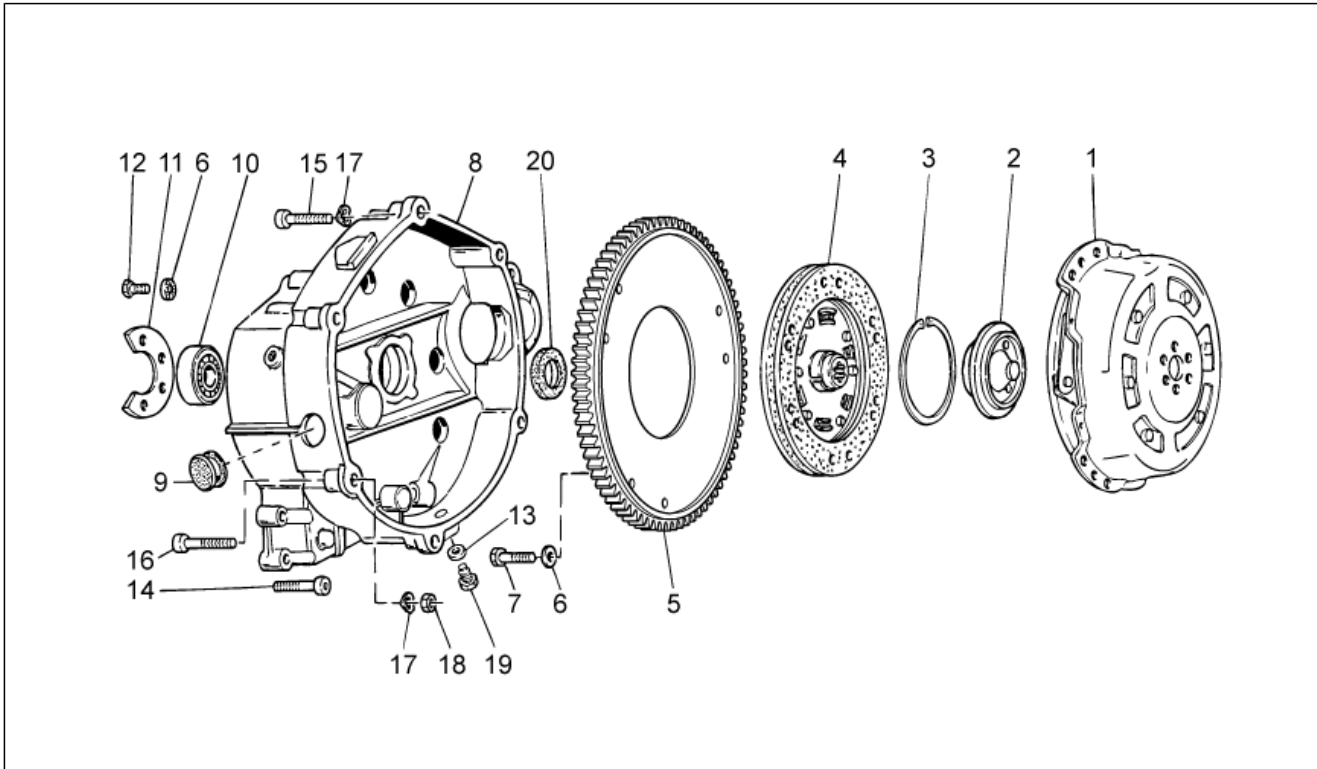
Pos.	Code	Description	Qty	Variants
1	GU19146422	Oil pump	1	
2	GU92252210	Roller bearing 10x22x20	1	
3	GU20147810	Oil pump shaft assy.	1	
4	GU20148410	Inner rotor	1	
5	GU20148610	Outer rotor	1	
6	GU92296723	Roller	1	
7	GU98620335	screw M6x35	3	
8	641541	Oil pressure sensor	1	
8	GU32768710	Pressure sensor	1	
9	887093	Union	1	
9	GU32768810	Union	1	
10	GU19018920	Pin	2	
11	GU19152200	Oil filter	1	
12	GU98084314	Hex screw M6x14	1	
13	GU95187006	Plate	1	
14	GU27153085	Oil filter	1	
15	GU31159050	Cover	1	
16	GU18144350	Washer 18,25x24x1	3	
17	GU20147710	Pump gear	1	
18	GU19149800	Washer 10,5x16x1	1	
19	GU92602510	Nut M10x1,25	1	
20	GU31016050	Cover	1	
21	GU18161150	Gasket 14,25	1	
22	GU90706111	O-ring	1	
23	GU95008206	Washer 6,15x11x0,8	3	
24	GU94321079	Spring	1	
25	GU95100602	Gasket	1	
26	GU31159050	Piston	1	

Group	ENGINE
Code	34.39
Description	Oil pump
Service	1



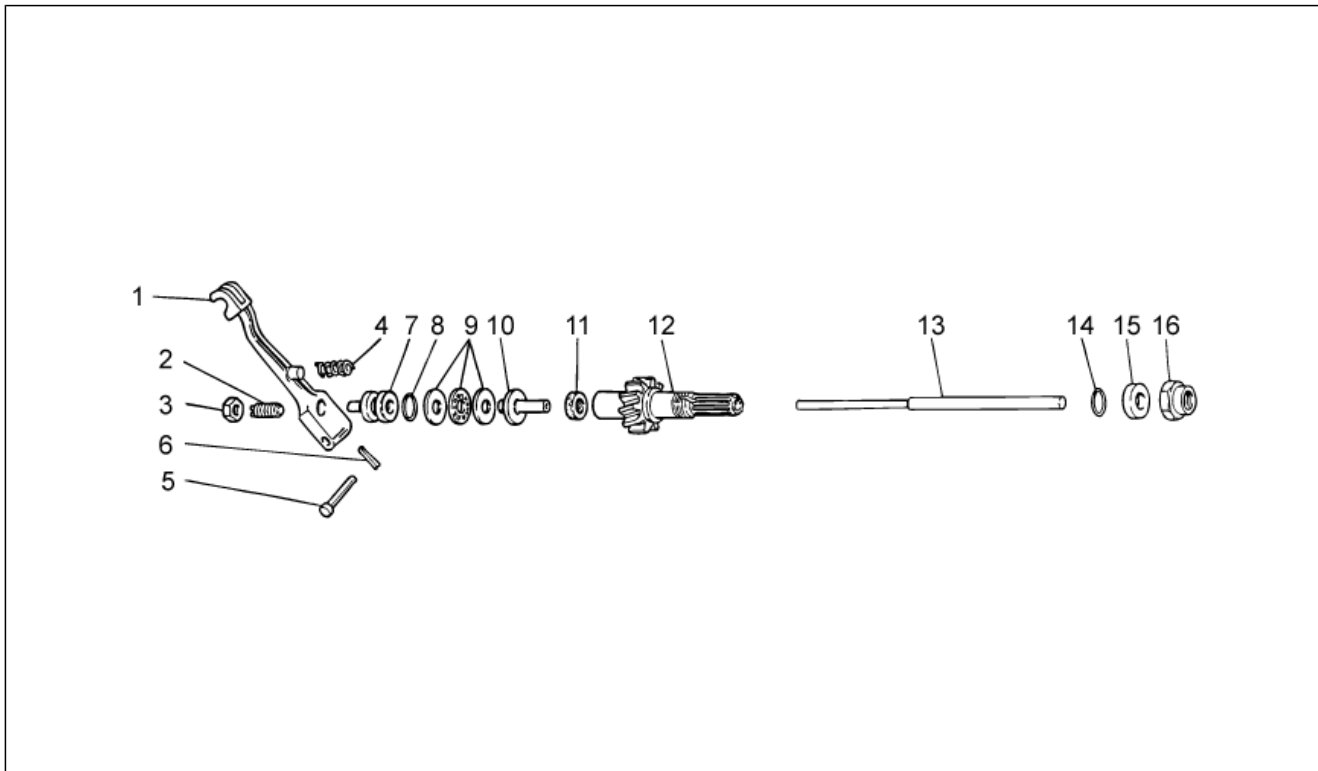
Pos.	Code	Description	Qty	Variants
27	GU95100309	Washer	1	

Group	ENGINE
Code	34.40
Description	Clutch I
Service	1



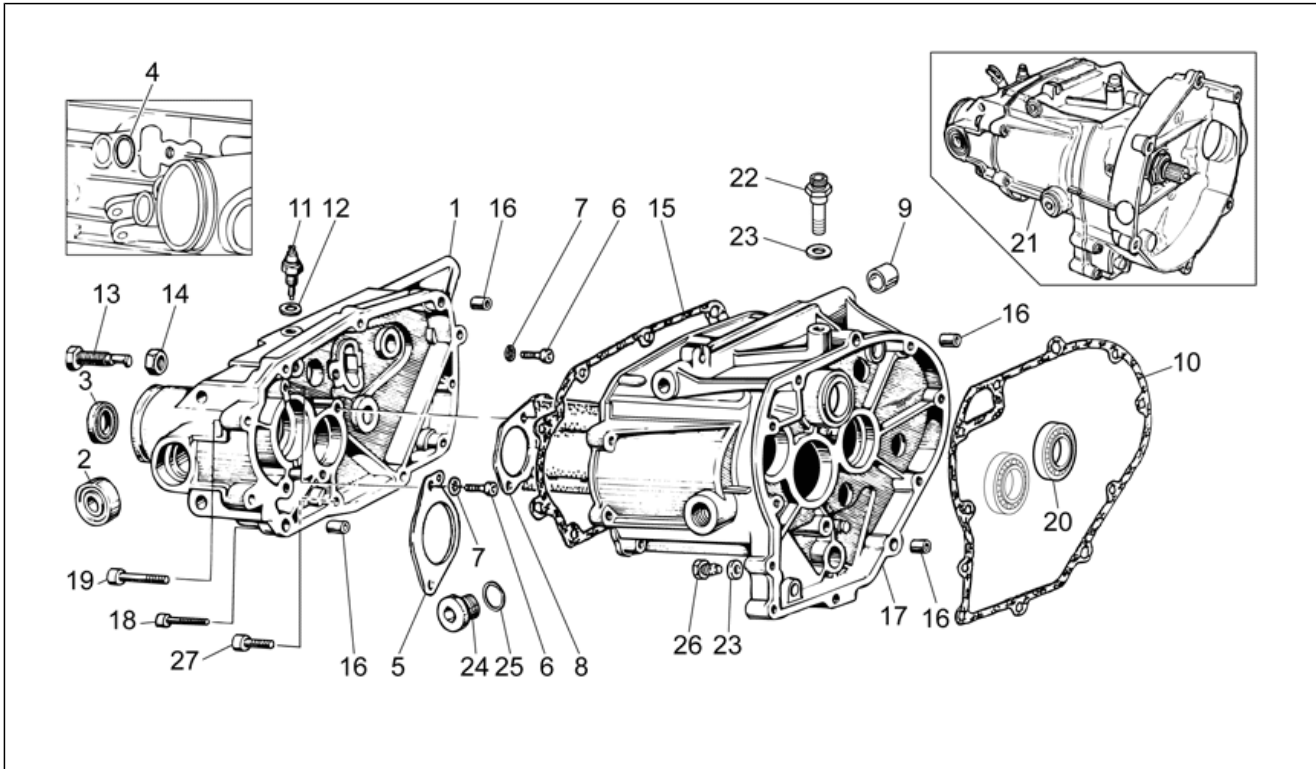
Pos.	Code	Description	Qty	Variants
1	GU32080310	Clutch	1	
2	GU19083462	New cup type	1	
3	GU90272075	Snap ring	1	
4	GU32084410	Driven clutch disc	1	
5	GU32067910	Chain ring	1	
6	GU14217901	Washer 6,4x10x0,7	9	
7	GU98084316	Hex screw	6	
8	981070	Clutch drum	1	
9	GU93180220	Cover	1	
10	GU92201225	Bearing 25x52x15	1	
11	GU19203460	Bearing fixing plate	1	
12	GU98084314	Hex screw M6x14	3	
13	GU10528900	Gasket	1	
14	GU98682330	Hex socket screw M6x20	11	
15	GU98680435	Hex socket screw M8x35	5	
16	GU98680450	Hex socket screw M8x50	1	
17	GU61270300	Spring washer 8x15x0,3	6	
18	GU92606208	Nut M8x1,25	1	
19	GU31003766	Oil unload plug M10x1	1	
20	GU90403246	Gasket ring 32x45x7	1	
21	GU23204471	Getto per a.s.	1	
22	GU23204571	Getto per a.p.	1	

Group	ENGINE
Code	34.41
Description	Clutch II
Service	1



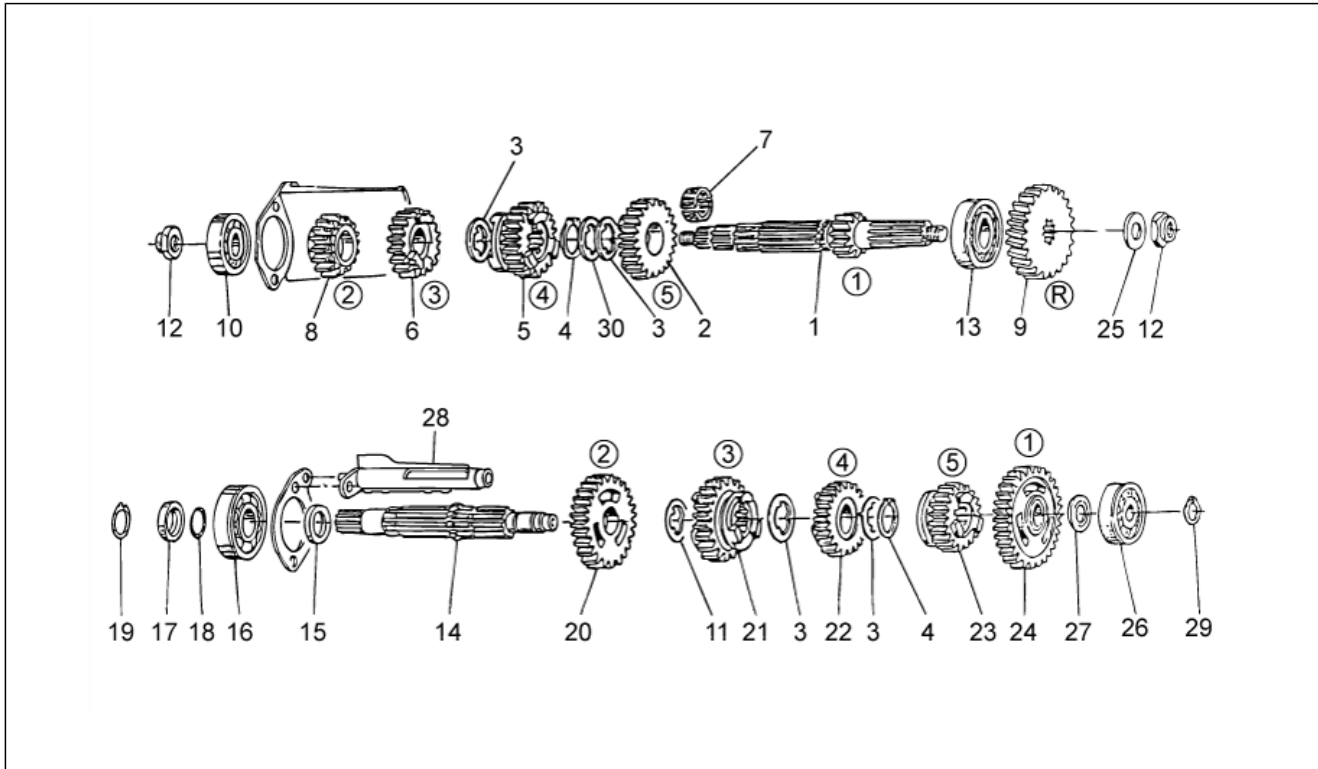
Pos.	Code	Description	Qty	Variants
1	GU14090201	Clutch release shaft	1	
2	GU14090400	Adjuster screw	1	
3	GU92606508	Nut	1	
4	GU94321105	Lever return spring	1	
5	GU95780271	Pin 7x39	1	
6	GU95500222	Split pin	1	
7	GU14086100	Outer body	1	
8	GU90706170	O-ring 17,13x2,62	1	
9	GU12087001	Thrust bearing	1	
10	GU14086000	Inner body	1	
11	GU90400616	Gasket ring 6x16x7	1	
12	GU27210760	Transmission shaft Z=16	1	
13	GU20085720	Rod	1	
14	GU90706235	O-ring 23,52x1,78	1	
15	GU19213760	Spacer	1	
16	GU19356760	Nut	1	

Group	ENGINE
Code	34.42
Description	Transmission cage
Service	1



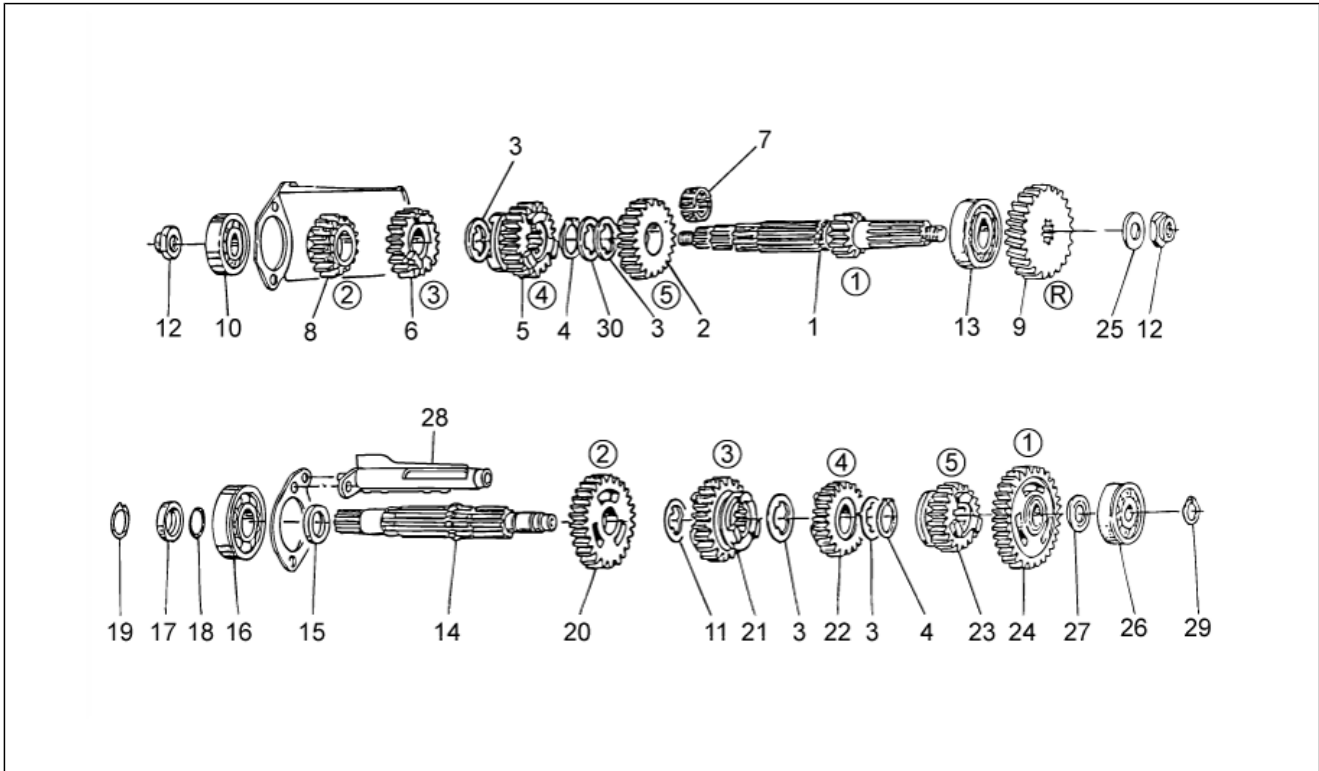
Pos.	Code	Description	Qty	Variants
1	887213	Gearbox cover	1	
2	GU92204215	Bearing 15x35x11	2	
3	886364	Gasket ring 28x40x7	1	
4	GU90706140	O-ring 13,95x2,92	1	
5	GU32213810	Plate	1	
6	884031	Hex socket screw M6x14	4	
7	GU14217901	Washer 6,4x10x0,7	4	
8	GU32208210	Oil bulhead	1	
9	GU19202320	Bushing 10,25x15,7x8	2	
10	887005	Gasket	1	
11	B063269	Sensor	1	
12	GU12154200	Gasket 8,25x15x1	1	
13	GU19237800	Screw M12x1,25	1	
14	GU92606512	Low nut M12x1,25	1	
15	887006	Gasket	1	
16	GU19002020	Bushing 6,6x9x13	4	
17	887235	Transmission cage	1	
18	GU98682330	Hex socket screw M6x20	5	
19	GU98680435	Hex socket screw M8x35	4	
20	B063342	Ball bearing 6004/C3	1	
21	976992	Gear box assy	1	
22	GU32206510	Breather plug	1	
23	GU10528900	Gasket	2	
24	GU12022600	Oil plug	1	
25	GU90706203	O-ring 20,24x2,62	1	
26	GU31003766	Oil unload plug M10x1	1	
27	AP8150285	Hex socket screw M6x35	2	

Group	ENGINE
Code	34.43
Description	Gear box
Service	1



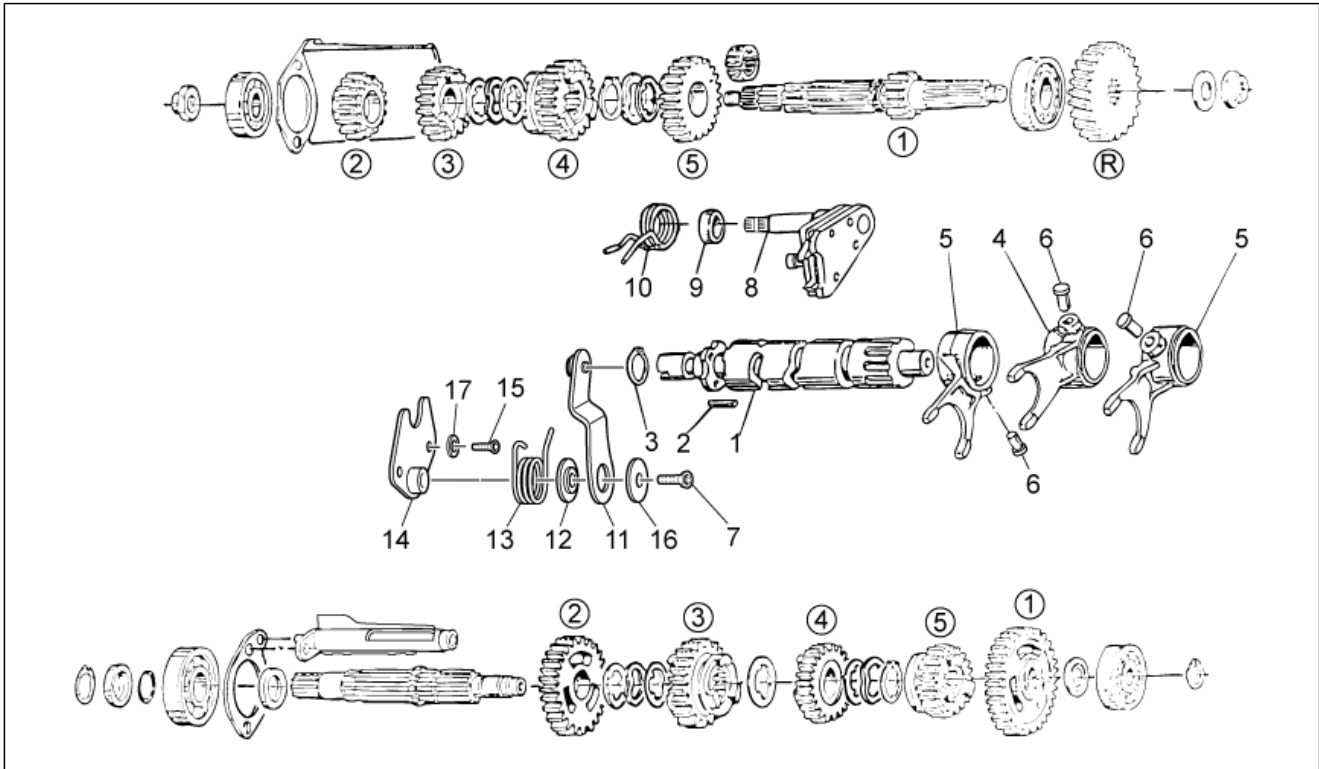
Pos.	Code	Description	Qty	Variants
1	GU32210510	Primary gear shaft Z=11	1	
2	GU32212011	Gear 5a AP Z=25	1	
3	GU19215460	Thrust washer	3	
4	GU90271124	Circlip	2	
5	GU32211810	Gear 4a AP Z=18	1	
6	GU32211410	Gear 3a AP Z=18	1	
7	GU92251028	Roller cage	1	
8	GU23211372	Gear 2a AP Z=14	1	
9	GU32211110	Idle gear AP Z=21	1	
10	GU92218417	Bearing AP 17x40x17,5	1	
11	GU19214660	Clearance washer	2	
12	GU10054100	Nut	2	
13	GU92230320	Bearing AP 20x37x17	1	
14	GU32213610	Driven shaft	1	
15	GU19212900	Spacer	1	
16	GU92201220	Bearing 20X47X14	1	
17	GU19213720	Spacer	1	
18	GU90706188	Gasket ring 18,77X1,78	1	
19	GU90271121	Circlip	1	
20	GU32214510	Gear 2a AS Z=23	1	
21	GU32214810	Gear 3a AS Z=23	1	
22	GU32215010	Gear 4a AS Z=19	1	
23	GU32215210	Gear 5a AS Z=22	1	
24	GU32214010	Gear 1a AS Z=26	1	
25	GU39238100	Clearance washer	1	
26	GU92234716	Bearing	1	
27	GU10214300	Spacer 1,5 mm	1	
27	GU10214301	Spacer 1,7 mm	1	

Group	ENGINE
Code	34.43
Description	Gear box
Service	1



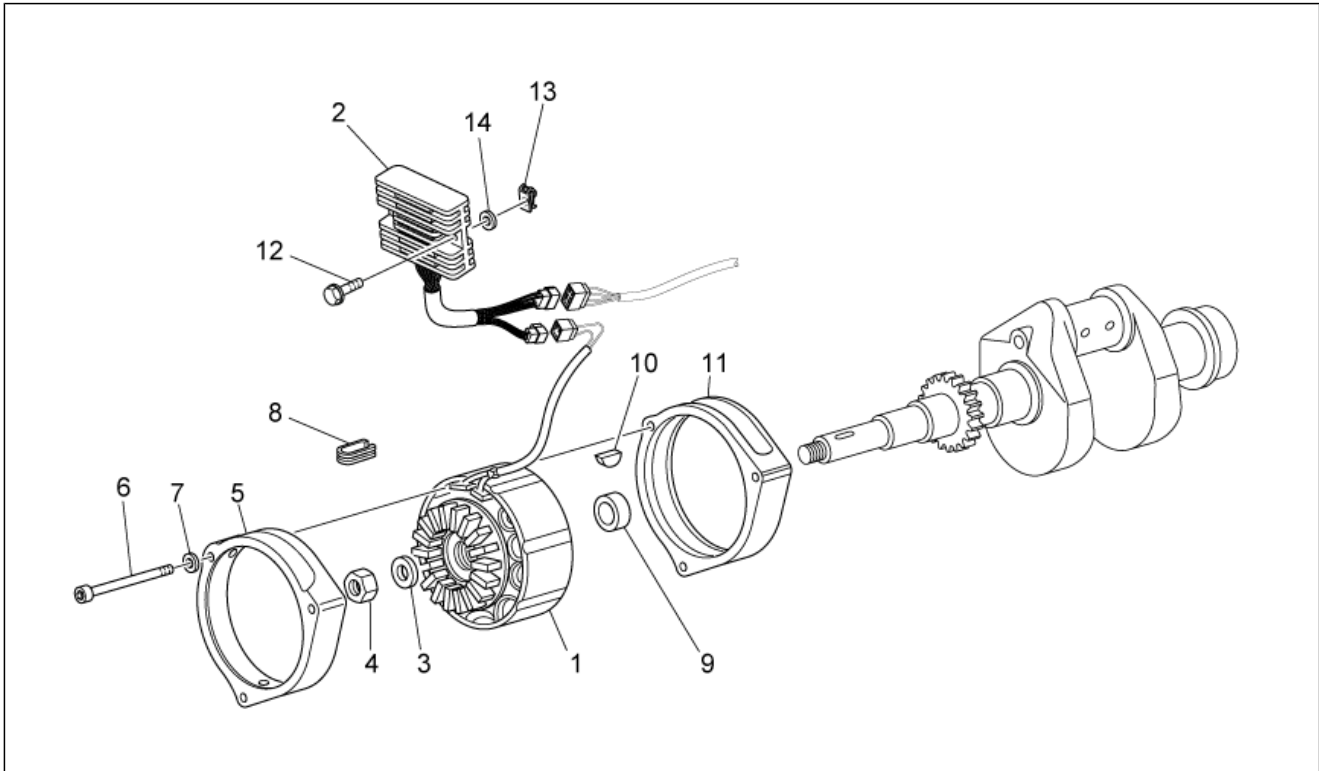
Pos.	Code	Description	Qty	Variants
27	GU10214302	Spacer 1,8 mm	1	
27	GU10214303	Spacer 1,9 mm	1	
27	GU10214304	Washer 2 mm	1	
27	GU10214305	Spacer 2,1 mm	1	
28	GU32202010	Gutter	1	
29	GU90271117	Circlip	1	

Group	ENGINE
Code	34.44
Description	Gear box selector
Service	1



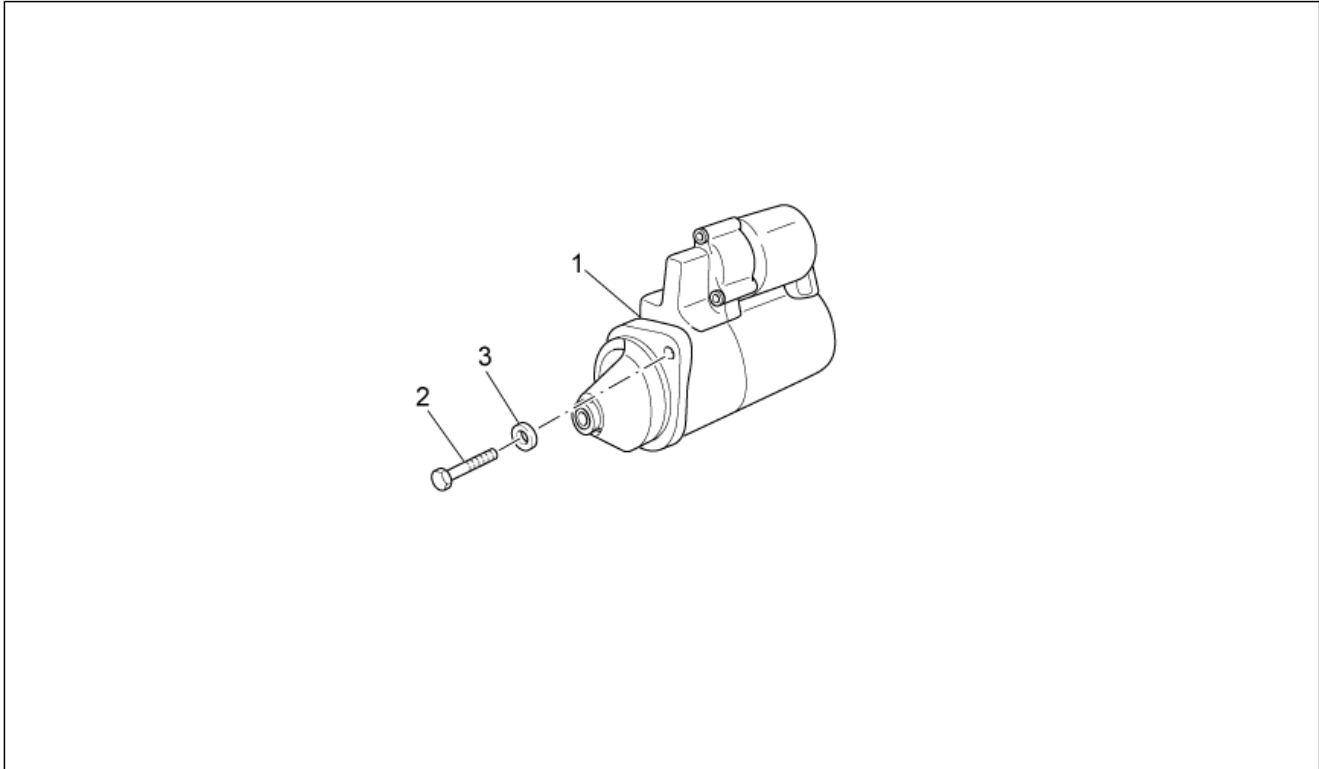
Pos.	Code	Description	Qty	Variants
1	GU32234410	Shift cam	1	
2	GU19234600	Pin	4	
3	GU90274026	Snap ring	1	
4	GU32231210	Fork AP	1	
5	GU32231010	Fork AS	2	
6	GU32233010	Roller	3	
7	GU98230612	screw	1	
8	887196	Preselection complete	1	
9	GU20208520	Spacer	1	
10	GU32238210	Spring	1	
11	GU32234710	Lever	1	
12	GU32234810	Washer	1	
13	GU32234110	Spring	1	
14	GU32235710	plate	1	
15	GU98257618	screw	2	
16	GU32234910	Washer 6,4x20x1	1	
17	GU14217901	Washer 6,4x10x0,7	2	

Group	ENGINE
Code	34.45
Description	Generator - Regulator
Service	1



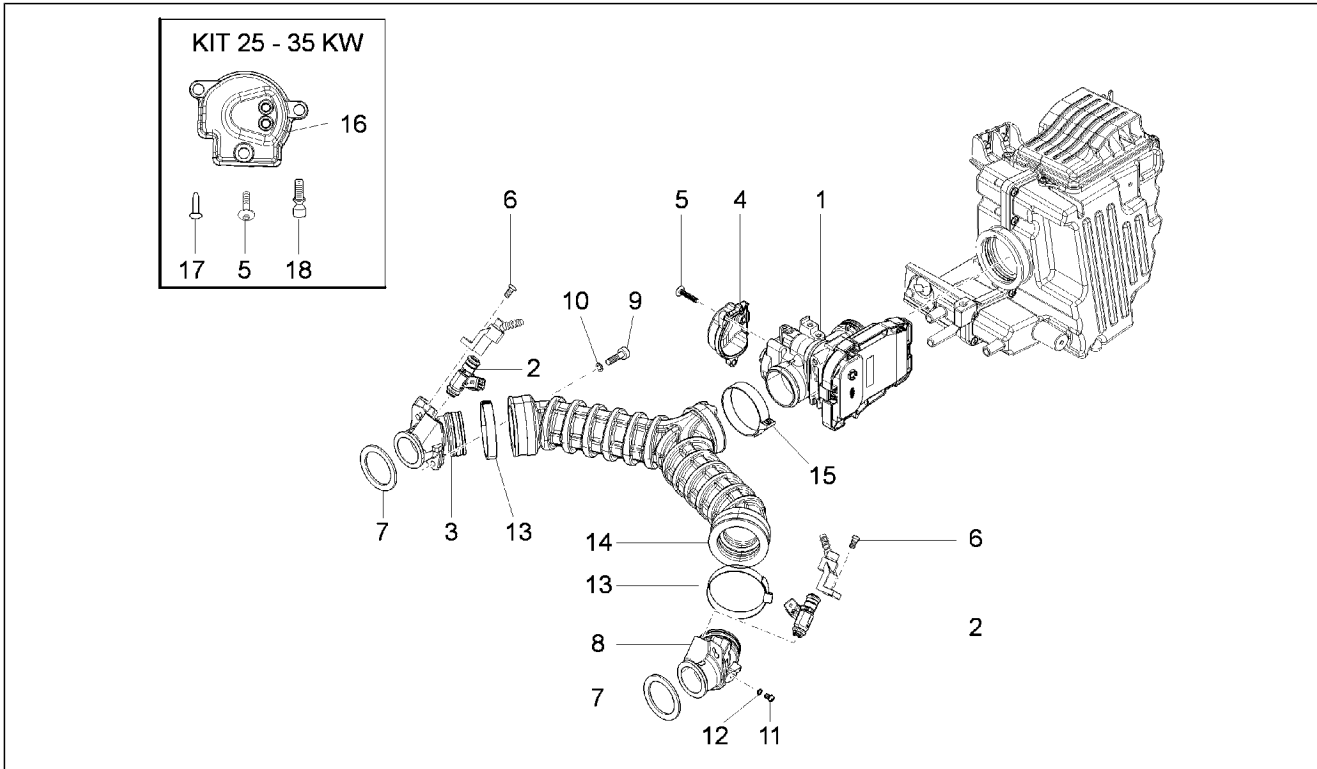
Pos.	Code	Description	Qty	Variants
1	883877	Generator	1	
2	883878	Voltage regulator 35A	1	
3	GU30714201	Washer 16,25x24,5x5	1	
4	GU92606516	Nut M16	1	
5	GU29711460	Front calotte	1	
6	GU98680265	Hex socket screw	3	
7	GU29217960	Washer 5,9X3X0,8	3	
8	GU19007700	Rubber spacer	1	
9	GU31712365	Spacer	1	
10	GU91600450	Transmission key	1	
11	GU29711960	Rear cap	1	
12	AP8152281	Screw w/ flange M6x30	2	
13	GU28576591	Clip M6	2	
14	GU95100125	Washer	2	

Group	ENGINE
Code	34.46
Description	Starter motor
Service	1



Pos.	Code	Description	Qty	Variants
1	GU05730730	Starter motor Bosch	1	
2	GU98082435	Hex screw M8x35	2	
3	GU95008208	Washer 8,4X15X1,5	2	

Group	ENGINE
Code	34.47
Description	Throttle body
Service	1



Pos.	Code	Description	Qty	Variants
1	CM228301	Centralina elettronica per iniezione	1	Country:Canadian[CA], europe[EU], Great Britain[UK], USA[USA]
1	CM228302	Centralina elettronica per iniezione	1	Country:Japan[J]
2	B063049	Injector	2	
3	GU32115010	RH manifold	1	
4	880260	Throttle body Protection	1	
5	875173	Torx convex big end screw	3	
6	AP8152298	Screw w/ flange M5x16	2	
7	GU32115510	Gasket	2	
8	GU32115011	LH manifold	1	
9	GU98682322	Hex socket screw M6x22	4	
10	GU03013800	Washer 6,4x12	4	
11	GU98310609	screw M6x10	2	
12	GU95100116	Washer 6,25x10x1,5	2	
13	GU93305057	Hose clamp 57x59,5x10	2	
14	887812	Throttle body hose	1	
15	GU93305061	Hose clamp 61/65,5	1	
16	B063840	Throttle body Protection 25-35 KW	1	
17	AP8220488	Mushroom rubber	1	
18	B063853	Shear rivet	1	



PIAGGIO & C.s.p.a.



CATALOGUE DE PIÈCES DE RECHANGE



V7 Racer 750 2014

Préfixe du cadre: ZGULWV01

Préfixe du moteur:

V7

GU109



Index

Produits finis.....	4
Index alphanumérique.....	5
CHASSIS.....	10
Tableau 33.01 - Chassis I.....	10
Tableau 33.02 - Chassis II.....	11
Tableau 33.03 - Béquille latérale.....	12
Tableau 33.06 - Levier boîte de vitesses.....	13
Tableau 33.07 - Fourche Av. I.....	14
Tableau 33.08 - Fourche Av. II.....	15
Tableau 33.11 - Amortisseur AR.....	17
Tableau 33.12 - Réservoir essence.....	18
Tableau 33.13 - Carrosserie av. - Garde-boue AV.....	19
Tableau 33.14 - Selle-Carrosserie cent.....	20
Tableau 33.15 - Carrosserie arrière I- Garde-boue.....	21
Tableau 33.16 - Carrosserie arrière II- Porte-plaque.....	22
Tableau 33.17 - Tableau de bord.....	23
Tableau 33.18 - Guidon - Commandes.....	24
Tableau 33.19 - Sys.frein avant.....	25
Tableau 33.21 - Pompe essence.....	26
Tableau 33.23 - Groupe echappement.....	27
Tableau 33.24 - Roue Av.....	29
Tableau 33.25 - Roue arrière.....	30
Tableau 33.26 - Maît.cyl. frein AR.....	31
Tableau 33.27 - Pince frein AR.....	33
Tableau 33.28 - Feux avant.....	34
Tableau 33.29 - Feux arriere.....	35
Tableau 33.30 - Circuit électrique I.....	36
Tableau 33.31 - Circuit électrique II.....	37
Tableau 33.32 - Kit serrure.....	39
Tableau 33.33 - Décalco et plaquettes.....	40
Tableau 33.51 - Sys.récup.vap.ess.....	41
Tableau 33.52 - Corps filtre II.....	42
MOTEUR.....	44
Tableau 34.09 - Transmission cpl. I.....	44
Tableau 34.10 - Transmission cpl. II.....	45
Tableau 34.34 - Carter.....	48
Tableau 34.35 - Couvercle distribution.....	49
Tableau 34.36 - Tête cylindre.....	50
Tableau 34.37 - Arbre moteur cpl.....	51
Tableau 34.38 - Distribution.....	52
Tableau 34.39 - Pompe huile.....	54
Tableau 34.40 - Embrague I.....	55
Tableau 34.41 - Embrague II.....	56



Tableau 34.42 - Carter de boîte vitesses.....	57
Tableau 34.43 - Boîte de vitesses.....	58
Tableau 34.44 - Selecteur boîte de vitesses.....	60
Tableau 34.45 - Alternateur - Régul.....	61
Tableau 34.46 - Démarreur.....	62
Tableau 34.47 - Corps à papillon.....	63



Produits finis

Code	Validité
GU9032112AUE00	
GU9032112AUE01	
GU9032112EUE00	
GU9032112EUE01	
GU9032112GBE00	
GU9032112GBE01	
GU9032112JPE00	
GU9032112JPE01	
GU9032112JPF00	
GU9032112JPF01	
GU9032112ZCE00	
GU9032112ZCE01	



Code	N° de tableau	Pos.	Code	N° de tableau	Pos.	Code	N° de tableau	Pos.
080341	33.30	6	880260	34.47	4	887280	33.06	17
248419	33.26	19	883127	33.52	6	887431	33.27	3
254485	33.14	16	883161	33.31	11	887443	33.33	4
254485	33.28	20	883192	33.27	7	887448	33.25	12
254485	33.52	14	883266	33.13	2	887449	33.27	1
254485	34.45	10	883295	33.14	5	887481	33.30	12
292022	33.28	9	883303	33.19	13	887483	34.36	25
292723	33.28	10	883349	33.25	8	887523	34.36	9
2A000085	34.35	1	883350	33.25	7	887528	34.38	27
2A000097	34.42	2	883417	33.28	24	887787	33.21	5
2A000098	34.42	1	883470	33.16	12	887812	34.47	14
2A0000995	34.37	1	883476	33.32	3	887815	33.52	13
2A000106	34.40	8	883477	33.32	1	887825	33.30	1
2A000115	34.45	6	883480	33.16	15	887825	33.31	1
2A000129	34.45	7	883502	33.12	5	887826	33.28	4
2A000146	34.38	1	883552	33.08	24	887826	33.29	4
2A000147	34.38	2	883581	33.19	2	887827	33.28	5
2A0002355	34.34	1	883602	33.08	32	887827	33.29	5
2B000045	33.52	36	883688	33.24	10	8878421	33.52	1
2B000178	33.23	11	883826	34.34	18	887843	33.52	2
2B000179	33.23	10	883940	33.18	3	887844	33.52	11
2B000560	33.07	1	884031	34.42	6	887845	33.52	12
2B000838	33.14	10	884311	34.47	13	887846	33.23	1
2B000839	33.14	9	886141	33.33	10	887847	33.23	2
2B000841	33.14	20	886364	34.42	3	887873	33.32	1
2B000842	33.14	21	886365	34.34	10	887874	33.32	3
2B000843	33.01	17	886368	33.14	12	887877	33.29	1
2B000844	33.01	18	886629	34.40	20	887878	33.08	1
2B000970	33.21	2	886630	33.11	3	887879	33.08	2
2B001048	33.18	27	886645	33.01	11	887880	33.08	3
2B001049	33.18	10	886665	33.06	13	887882	33.08	5
2D000006	33.32	10	886665	33.26	1	887883	33.08	6
2D000024	34.45	1	886666	33.26	9	887884	33.08	7
2D000043	34.45	2	886668	33.06	16	887885	33.08	8
2G000013	33.33	14	886670	34.37	11	887886	33.08	9
2H000419	33.12	1	886675	33.11	1	887887	33.08	10
2H000420	33.12	1	886676	34.09	11	887888	33.08	11
2H000421000Y02	33.13	7	886678	33.33	3	887889	33.08	12
2H000423	33.33	13	886679	33.24	18	887890	33.08	13
2H000424	33.33	12	886680	33.25	20	887891	33.08	14
2H000425	33.33	1	886681	33.24	2	887892	33.08	15
2H000426	33.33	7	886706	33.14	15	887893	33.08	16
2H000427	33.33	9	886711	33.25	2	887894	33.08	17
2H000428	33.33	8	886712	33.16	9	887895	33.08	18
2H000429	33.33	16	886713	33.16	10	887896	33.08	19
2H000430	33.33	17	886724	33.13	10	887899	33.08	25
2L0001895	34.34	28	886727	33.14	19	887900	33.08	23
2Q000043	33.33	5	88673000Y02	33.13	1	887905	33.08	28
2Q000045	33.33	5	886820	33.14	22	887916	33.08	22
2Q000054	33.33	5	886841	33.14	14	887944	33.12	1
2R000109	33.08	29	886842	33.08	21	887948	33.30	13
2R000110	33.08	4	887002	34.36	10	887971	33.33	11
584211	33.31	10	887003	34.35	2	890760	33.52	16
584332	33.29	7	887004	34.34	13	890979	33.28	16
638733	33.31	6	887005	34.42	10	893570	33.31	19
640598	33.28	11	887006	34.42	15	894505	33.25	13
641040	33.30	8	887093	34.39	9	894704	33.31	26
641541	34.39	8	887194	33.17	1	896110	33.23	21
641725	33.30	7	887196	34.44	8	897478	34.45	3
641901	33.30	4	887207	33.12	1	898086	33.07	7
642034	33.30	3	887235	34.42	17	898174	33.33	2
856063	33.51	14	8872690001	34.37	10	89817800A3	33.14	1
856796	33.06	20	8872690002	34.37	10	898179	33.13	7
857206	34.45	4	8872690003	34.37	10	898180	33.13	8
860138	33.51	7	8872724	34.36	1	898280	33.16	6
860651	34.09	19	8872754	34.36	2	898281	33.06	7
874567	34.37	14	887279	34.36	24	898281	33.26	27



Code	N° de tableau	Pos.	Code	N° de tableau	Pos.	Code	N° de tableau	Pos.
898282	33.06	1	AP8120912	33.06	2	AP8152299	33.51	5
898283	33.06	3	AP8120912	33.26	2	AP8152300	33.02	14
898284	33.06	9	AP8121014	33.03	3	AP8152300	33.27	13
898285	33.26	30	AP8121032	33.15	13	AP8152306	33.16	5
898286	33.26	17	AP8121032	33.17	7	AP8152320	33.06	6
898287	33.26	12	AP8121072	33.23	22	AP8152320	33.26	33
898288	33.26	4	AP8121267	33.51	10	AP8152329	33.15	11
898611	33.06	12	AP8121307	33.07	4	AP8152329	33.52	18
898612	33.26	28	AP8121367	33.02	10	AP8152329	33.52	27
967356	33.03	6	AP8121375	33.03	2	AP8152339	33.16	8
969973	34.36	26	AP8121420	33.14	6	AP8152385	33.19	16
976604	34.34	12	AP8121420	33.32	8	AP8181140	33.31	24
976608	34.10	1	AP8121673	33.12	12	AP8201358	33.51	13
976614	33.14	13	AP8121927	33.26	3	AP8201358	33.52	3
976685	34.34	16	AP8121929	33.16	7	AP8201358	33.52	34
976898	34.36	20	AP8124718	33.16	13	AP8210007	33.06	18
976941	34.09	1	AP8124936	33.30	2	AP8213028	33.18	23
976992	34.42	21	AP8127856	33.03	8	AP8213057	33.26	15
977527	33.14	8	AP8133643	33.26	14	AP8220283	33.31	22
977527	33.32	4	AP8133798	33.27	2	AP8220460	33.07	6
978311	33.28	2	AP8133873	33.26	22	AP8220590	33.01	20
978323	33.19	15	AP8134378	33.23	18	AP8221023	33.52	26
978385	33.23	12	AP8134448	33.16	2	AP8221114	33.51	16
978386	33.23	15	AP8134640	33.26	35	AP8221172	33.01	16
978387	33.23	4	AP8144071	33.23	16	AP8221172	33.18	18
978415	33.14	7	AP8144071	34.36	23	AP8221197	33.03	5
978415	33.32	9	AP8144081	33.07	5	AP8221277	33.06	10
978662	33.28	2	AP8144146	33.07	3	AP8224164	33.16	3
97894600Y02	33.15	1	AP8144538	33.52	15	AP8224462	33.31	21
978947	33.15	2	AP8144553	33.52	7	AP9100477	33.06	15
978949	33.16	1	AP8144606	33.01	15	AP9100477	33.26	31
978970	33.26	13	AP8144729	33.52	17	B016796	34.47	5
981149	33.28	12	AP8149034	33.16	17	B043850	33.31	23
AP8101594	33.26	20	AP8150026	33.06	19	B063016	34.37	13
AP8101595	33.12	15	AP8150044	33.06	14	B063022	33.23	3
AP8102159	33.51	6	AP8150044	33.26	25	B063049	34.47	2
AP8102375	33.31	14	AP8150115	33.06	5	B063077	33.24	5
AP8102524	33.03	4	AP8150137	33.06	4	B063078	33.25	11
AP8102678	33.51	1	AP8150248	33.16	19	B063086	33.03	1
AP8102688	33.51	2	AP8150285	34.42	27	B063099	34.36	19
AP8102765	33.52	29	AP8150349	33.32	6	B063111	34.36	6
AP8102766	33.52	23	AP8150377	33.31	20	B063135	33.18	6
AP8102913	33.14	3	AP8150413	33.13	6	B063144	33.24	3
AP8104525	33.52	5	AP8150416	33.12	8	B06315100Y02	33.16	6
AP8104924	33.52	4	AP8150436	33.02	12	B063152	33.12	19
AP8104996	33.52	28	AP8150468	33.26	29	B063154	33.12	18
AP8110053	33.06	22	AP8150509	33.52	19	B063167	33.15	12
AP8113003	33.27	20	AP8152138	33.06	21	B063213	33.52	30
AP8113004	33.19	14	AP8152220	33.02	11	B063214	33.52	21
AP8113004	33.27	8	AP8152220	34.39	18	B063233	33.31	5
AP8113288	33.26	16	AP8152268	33.16	18	B063247	33.18	4
AP8113553	33.26	23	AP8152273	33.16	11	B063248	33.18	5
AP8118490	33.18	24	AP8152273	33.21	4	B063249	33.02	1
AP8120246	34.09	10	AP8152277	33.19	3	B063250	33.02	2
AP8120416	33.30	18	AP8152278	33.15	3	B063251	33.01	1
AP8120416	33.31	27	AP8152278	33.28	13	B063265	33.24	1
AP8120416	33.51	11	AP8152279	33.15	9	B063267	33.25	1
AP8120446	33.51	9	AP8152281	34.45	9	B063269	34.42	11
AP8120455	33.52	9	AP8152286	33.24	11	B063287	33.01	4
AP8120531	33.14	18	AP8152287	33.02	13	B063317	33.18	1
AP8120557	33.12	11	AP8152288	33.02	15	B063326	33.18	8
AP8120615	33.52	10	AP8152288	33.27	9	B063342	34.42	20
AP8120772	33.52	20	AP8152298	33.26	18	B063429	33.14	23
AP8120772	33.52	24	AP8152298	34.47	6	B063431	33.14	24
AP8120772	33.52	35	AP8152299	33.15	15	B063465	34.37	15
AP8120870	33.23	20	AP8152299	33.27	10	B063466	34.37	16
AP8120876	33.52	8	AP8152299	33.30	5	B063735	33.28	14



Code	N° de tableau	Pos.	Code	N° de tableau	Pos.	Code	N° de tableau	Pos.
B063735	33.29	6	GU05900130	33.33	6	GU19206501	34.10	10
B063750	33.27	6	GU06740400	33.28	17	GU19212900	34.43	15
B063752	33.21	1	GU10054100	34.43	12	GU19213720	34.43	17
B063854	33.23	1	GU10214300	34.43	27	GU19213760	34.41	15
B063855	33.23	2	GU10214301	34.43	27	GU19214660	34.43	11
B063975	33.18	15	GU10214302	34.43	27	GU19215460	34.43	3
CM001928	33.07	9	GU10214303	34.43	27	GU19234600	34.44	2
CM001929	33.07	8	GU10214304	34.43	27	GU19237800	34.42	13
CM0074C9	33.30	10	GU10214305	34.43	27	GU19327601	34.09	5
CM0074D0	33.30	9	GU10528900	34.34	15	GU19328801	34.09	3
CM013202	33.31	25	GU10528900	34.40	13	GU19350700	34.10	22
CM225705	33.31	15	GU10528900	34.42	23	GU19351100	34.10	4
CM225710	33.31	16	GU12003702	34.34	20	GU19351900	34.10	2
CM225715	33.31	17	GU12022600	34.10	6	GU19352300	34.10	23
CM225730	33.31	18	GU12022600	34.42	24	GU19353500	34.10	24
CM228303	34.47	1	GU12087001	34.41	9	GU19355200	34.10	35
CM228304	34.47	1	GU12154200	34.34	23	GU19355202	34.10	36
GU00823923140	33.03	7	GU12154200	34.42	12	GU19355300	34.10	33
GU00823923140	33.51	12	GU13021900	34.34	26	GU19355301	34.10	33
GU00823923140	33.52	32	GU13021900	34.36	12	GU19355302	34.10	33
GU00823931055	33.28	19	GU14086000	34.41	10	GU19355303	34.10	33
GU00823931070	33.12	2	GU14086100	34.41	7	GU19355304	34.10	33
GU00823944050	33.12	16	GU14090201	34.41	1	GU19355305	34.10	33
GU00823950050	33.26	21	GU14090400	34.41	2	GU19355306	34.10	33
GU01103860	33.01	13	GU14217901	34.40	6	GU19355307	34.10	33
GU01528930	34.10	9	GU14217901	34.42	7	GU19355308	34.10	33
GU01609630	33.18	14	GU14217901	34.44	17	GU19355309	34.10	33
GU01654630	33.19	17	GU14609650	33.30	20	GU19355320	34.10	27
GU01659130	33.19	11	GU14609650	33.31	27	GU19355321	34.10	27
GU01659131	33.19	12	GU14615901	33.13	5	GU19355322	34.10	27
GU01665410	33.26	6	GU14615901	34.09	20	GU19355323	34.10	27
GU01721600	33.30	14	GU14615901	34.37	5	GU19355324	34.10	27
GU01744200	33.28	18	GU14616150	33.24	15	GU19355325	34.10	27
GU02717450	33.30	11	GU14616150	33.25	10	GU19355326	34.10	27
GU03013800	33.23	8	GU18144350	34.39	16	GU19355327	34.10	27
GU03013800	34.47	10	GU18161150	34.39	21	GU19355328	34.10	27
GU03067730	34.10	19	GU18257551	33.26	8	GU19355329	34.10	27
GU03101600	33.12	7	GU19002020	34.35	5	GU19355400	34.10	21
GU03101720	33.12	5	GU19002020	34.42	16	GU19355402	34.10	21
GU03101900	33.12	3	GU19003800	34.34	8	GU19355404	34.10	21
GU03102200	33.12	6	GU19007700	34.45	8	GU19355406	34.10	21
GU03102400	33.12	10	GU19015020	34.34	5	GU19355408	34.10	21
GU03103200	33.12	17	GU19017000	33.02	4	GU19355410	34.10	21
GU03103500	33.12	4	GU19018920	34.39	10	GU19355411	34.10	21
GU03163330	33.31	3	GU19021360	34.36	18	GU19355412	34.10	21
GU03270300	33.26	34	GU19021920	34.36	7	GU19355413	34.10	21
GU03468100	33.01	21	GU19025280	33.23	5	GU19356700	34.10	30
GU03604845	33.19	8	GU19025460	33.23	6	GU19356760	34.41	16
GU03605645	33.19	9	GU19027500	34.38	15	GU19356801	34.10	28
GU03609600	33.18	14	GU19030500	34.38	7	GU19357660	34.10	25
GU03612040	33.24	16	GU19032080	34.38	10	GU19547000	34.09	12
GU03631250	33.24	4	GU19032980	34.36	17	GU20085720	34.41	13
GU03631250	33.25	9	GU19032980	34.38	14	GU20147710	34.39	17
GU03658201	33.27	16	GU19034000	34.38	8	GU20147810	34.39	3
GU03658330	33.27	17	GU19037820	34.36	8	GU20148410	34.39	4
GU03658430	33.27	14	GU19045861	34.38	25	GU20148610	34.39	5
GU03660145	33.19	1	GU19055700	34.38	23	GU20208520	34.44	9
GU03661145	33.19	6	GU19058021	34.38	19	GU20352421	34.10	31
GU03664045	33.19	7	GU19058220	34.38	20	GU20355121	34.10	34
GU03740930	33.29	2	GU19062261	34.37	4	GU23204471	34.40	21
GU03749845	33.19	5	GU19065400	34.37	2	GU23204571	34.40	22
GU03922280	34.09	23	GU19067700	34.37	18	GU23211372	34.43	8
GU03995730	33.33	15	GU19083462	34.40	2	GU23217800	34.38	3
GU05107430	33.21	3	GU19146422	34.39	1	GU23328081	34.09	7
GU05659230	33.19	10	GU19152200	34.39	11	GU23442210	33.06	11
GU05730730	34.46	1	GU19202320	34.42	9	GU23442210	33.26	11
GU05781630	33.16	20	GU19203460	34.40	11	GU23548080	34.09	8



Code	N° de tableau	Pos.	Code	N° de tableau	Pos.	Code	N° de tableau	Pos.
GU23548180	34.09	9	GU32208210	34.42	8	GU61270300	34.40	17
GU23943410	33.08	31	GU32210510	34.43	1	GU66103415	33.01	14
GU27037521	34.38	4	GU32211110	34.43	9	GU90271018	34.38	12
GU27061585	34.37	3	GU32211410	34.43	6	GU90271117	34.43	29
GU27061885	34.37	17	GU32211810	34.43	5	GU90271121	34.43	19
GU27062060	34.37	6	GU32212011	34.43	2	GU90271124	34.43	4
GU27065660	34.37	7	GU32213610	34.43	14	GU90272023	34.09	4
GU27066460	34.37	9	GU32213810	34.42	5	GU90272075	34.40	3
GU27066560	34.37	8	GU32214010	34.43	24	GU90274026	34.44	3
GU27152885	34.34	22	GU32214510	34.43	20	GU90353009	34.36	4
GU27153085	34.39	14	GU32214810	34.43	21	GU90353029	34.38	24
GU27210760	34.41	12	GU32215010	34.43	22	GU90353030	34.10	17
GU27633910	33.25	4	GU32215210	34.43	23	GU90400616	34.41	11
GU28157950	33.51	8	GU32231010	34.44	5	GU90402538	33.25	6
GU28157950	33.52	37	GU32231210	34.44	4	GU90402642	33.24	8
GU28252060	33.02	8	GU32233010	34.44	6	GU90403251	34.10	38
GU28576591	33.12	13	GU32234110	34.44	13	GU90403549	34.10	3
GU28576591	33.15	4	GU32234410	34.44	1	GU90407591	34.10	15
GU28612033	33.25	18	GU32234710	34.44	11	GU90706076	34.34	9
GU29729461	33.31	2	GU32234810	34.44	12	GU90706111	34.39	22
GU29759150	33.18	17	GU32234910	34.44	16	GU90706140	34.42	4
GU30109330	33.23	24	GU32235710	34.44	14	GU90706141	33.30	17
GU30577800	33.29	13	GU32238210	34.44	10	GU90706170	34.41	8
GU30601060	33.18	25	GU32251610	33.06	8	GU90706188	34.10	29
GU30602500	33.18	22	GU32350410	34.10	13	GU90706188	34.43	18
GU30630430	33.25	19	GU32351410	34.10	16	GU90706203	34.10	7
GU31003766	34.10	8	GU32354610	34.10	18	GU90706203	34.42	25
GU31003766	34.34	14	GU32431310	33.02	9	GU90706235	34.41	14
GU31003766	34.40	19	GU32439260	33.51	3	GU90706281	34.34	19
GU31003766	34.42	26	GU32461610	33.14	2	GU90706444	34.34	17
GU31016050	34.39	20	GU32506360	33.28	1	GU90706584	34.10	37
GU31037015	34.38	13	GU32517710	33.31	8	GU90714082	33.52	31
GU31038015	34.38	5	GU32555210	33.11	4	GU91113826	33.23	29
GU31045015	34.38	26	GU32555211	33.11	5	GU91120806	33.15	6
GU31112965	33.52	33	GU32602860	33.18	12	GU91180601	33.15	10
GU31121880	33.23	9	GU32603010	33.18	16	GU91181003	33.18	11
GU31150950	34.39	26	GU32603310	33.18	7	GU91181003	33.19	18
GU31159050	34.39	15	GU32605510	33.18	2	GU91551010	33.52	25
GU31327783	34.09	2	GU32615660	33.24	14	GU91551086	33.14	11
GU31439565	33.13	4	GU32632510	33.25	17	GU92201070	34.10	14
GU31513480	33.08	20	GU32633360	33.25	14	GU92201220	34.43	16
GU31544181	34.09	15	GU32633560	34.10	11	GU92201225	34.40	10
GU31547882	34.09	14	GU32634160	33.27	5	GU92204217	33.25	5
GU31610160	33.24	17	GU32636160	33.25	21	GU92204218	33.25	3
GU31614183	33.24	9	GU32735510	33.32	5	GU92204221	33.24	7
GU31615260	33.24	6	GU32735511	33.32	5	GU92218417	34.43	10
GU31616384	33.24	12	GU32747910	33.31	9	GU92230320	34.43	13
GU31634281	33.27	4	GU32753410	33.28	3	GU92234716	34.43	26
GU31634481	33.25	15	GU32753410	33.29	8	GU92249220	34.10	32
GU31659181	33.27	11	GU32781910	33.16	16	GU92249225	33.07	2
GU31659281	33.27	12	GU32782510	33.32	2	GU92249227	34.10	20
GU32032310	34.38	11	GU32944310	33.33	18	GU92251028	34.43	7
GU32053410	34.38	16	GU32999010	34.34	25	GU92252210	34.39	2
GU32054510	34.38	17	GU32999510	34.34	24	GU92252235	34.10	5
GU32067910	34.40	5	GU35214300	34.09	13	GU92296723	34.39	6
GU32080310	34.40	1	GU39238100	34.43	25	GU92602406	34.38	9
GU32084410	34.40	4	GU49609601	33.30	19	GU92602510	34.39	19
GU32115010	34.47	3	GU49609601	33.31	27	GU92603010	34.36	11
GU32115011	34.47	8	GU53429500	33.02	3	GU92606206	33.17	6
GU32115510	34.47	7	GU61027200	34.37	12	GU92606208	34.34	7
GU32121010	33.23	7	GU61036801	34.36	3	GU92606208	34.40	18
GU32121910	33.23	25	GU61038100	34.38	6	GU92606210	33.01	9
GU32121911	33.23	26	GU61054900	34.38	18	GU92606210	33.02	5
GU32128610	33.23	13	GU61270300	33.27	22	GU92606210	33.11	7
GU32129010	33.23	14	GU61270300	34.10	26	GU92606210	34.09	18
GU32202010	34.43	28	GU61270300	34.34	6	GU92606316	33.25	16
GU32206510	34.42	22	GU61270300	34.36	21	GU92606508	34.41	3

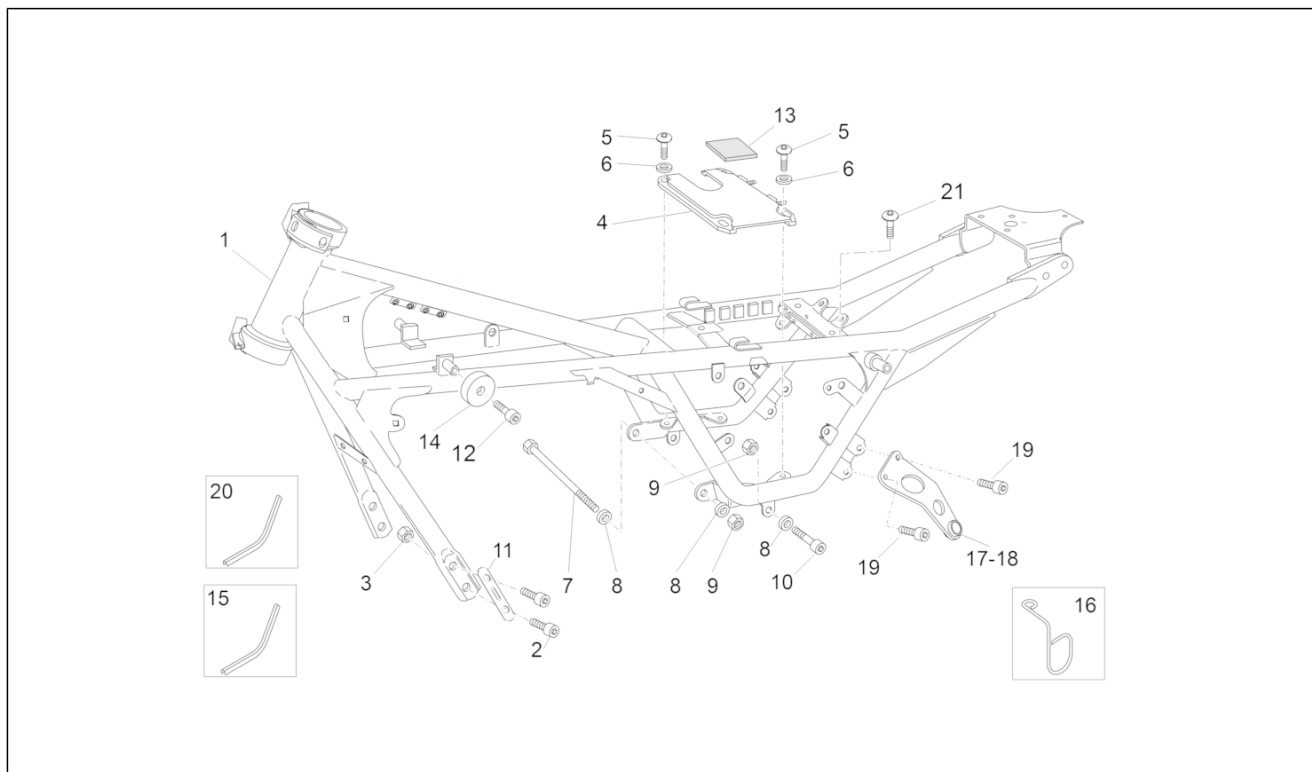


Code	N° de tableau	Pos.
GU92606512	34.42	14
GU92630104	33.27	19
GU92630106	33.08	27
GU92630108	33.15	5
GU92630204	33.16	14
GU92630206	33.26	26
GU92630206	33.26	5
GU92630510	33.01	3
GU92640508	33.23	19
GU92787006	33.28	6
GU92787006	33.29	11
GU93180105	34.09	21
GU93180111	33.24	13
GU93180220	34.40	9
GU93180245	34.36	22
GU93222023	33.17	4
GU93231605	33.29	14
GU93301313	33.51	15
GU93305061	33.52	22
GU93305061	34.47	15
GU93450126	33.28	15
GU93450224	33.29	3
GU94321079	34.39	24
GU94321099	34.09	6
GU94321105	34.41	4
GU95004210	33.31	4
GU95005306	33.17	3
GU95005306	33.23	28
GU95005308	33.28	23
GU95005308	34.09	22
GU95005310	33.15	7
GU95005311	33.51	4
GU95005330	33.08	26
GU95008205	33.30	16
GU95008206	34.39	23
GU95008208	33.01	6
GU95008208	34.46	3
GU95008210	33.01	8
GU95008210	33.02	6
GU95008210	34.09	17
GU95008305	33.18	20
GU95008306	33.19	20
GU95008306	33.27	21
GU95020105	33.03	10
GU95021104	33.19	19
GU95021105	33.18	21
GU95021206	33.17	5
GU95021206	33.28	8
GU95021206	33.29	10
GU95100059	33.26	24
GU95100059	33.31	13
GU95100116	34.47	12
GU95100125	34.45	11
GU95100141	33.12	14
GU95100141	33.15	14
GU95100244	34.38	29
GU95100309	34.39	27
GU95100602	34.39	25
GU95100709	34.34	21
GU95129115	34.38	22
GU95129180	34.34	27
GU95129180	34.36	13
GU95129181	33.11	6
GU95187006	34.39	13
GU95401215	33.26	10
GU95500222	34.41	6
GU95780271	34.41	5

Code	N° de tableau	Pos.
GU96451316	33.27	15
GU96451430	34.34	3
GU96451560	34.34	2
GU96506042	34.36	5
GU96508055	34.10	12
GU96508055	34.34	4
GU96510181	34.36	15
GU96510214	34.36	14
GU97202325	33.18	26
GU98054422	34.38	28
GU98082435	34.46	2
GU98082565	33.02	7
GU98084314	34.39	12
GU98084314	34.40	12
GU98084316	34.40	7
GU98110007	33.23	23
GU98110199	33.01	7
GU98230510	33.16	4
GU98230510	33.18	19
GU98230612	34.44	7
GU98252420	33.06	23
GU98252420	33.26	32
GU98257410	33.27	18
GU98257618	34.44	15
GU98310609	34.47	11
GU98350215	33.29	12
GU98350416	33.01	5
GU98370412	33.19	4
GU98370515	33.14	17
GU98370609	33.17	2
GU98370609	33.23	27
GU98370616	33.12	20
GU98370616	33.13	9
GU98370616	33.31	7
GU98370625	33.14	4
GU98370625	33.26	7
GU98370655	33.28	7
GU98370655	33.29	9
GU98370835	33.15	8
GU98370845	33.13	3
GU98612216	33.03	9
GU98620335	34.39	7
GU98622322	34.47	9
GU98680350	33.08	30
GU98680435	34.40	15
GU98680435	34.42	19
GU98680450	34.40	16
GU98680545	34.09	16
GU98680555	33.01	10
GU98682212	33.30	15
GU98682212	33.31	12
GU98682212	34.45	5
GU98682325	34.34	11
GU98682325	34.35	3
GU98682330	34.35	4
GU98682330	34.40	14
GU98682330	34.42	18
GU98682414	33.01	12
GU98682416	33.32	7
GU98682430	33.12	9
GU98682530	33.01	2
GU98690335	33.18	13
GU98690440	33.23	17
GU98692318	33.11	2
GU98692325	33.18	9
GU98692325	34.36	16
GU98692420	33.01	19

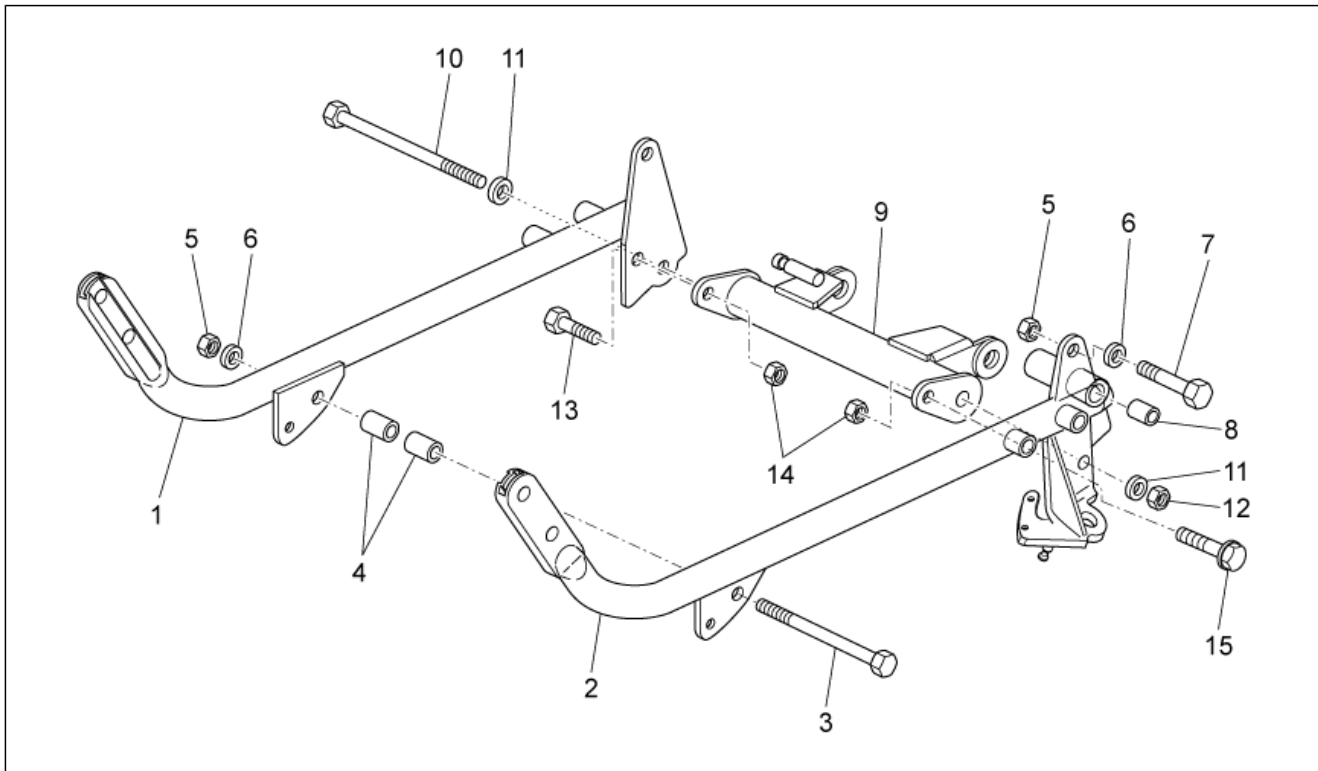
Code	N° de tableau	Pos.
GU98692420	33.28	22
GU98880540	33.28	21
GU98882316	34.38	21

Groupe	CHASSIS
Code	33.01
Description	Chassis I
Révision	1



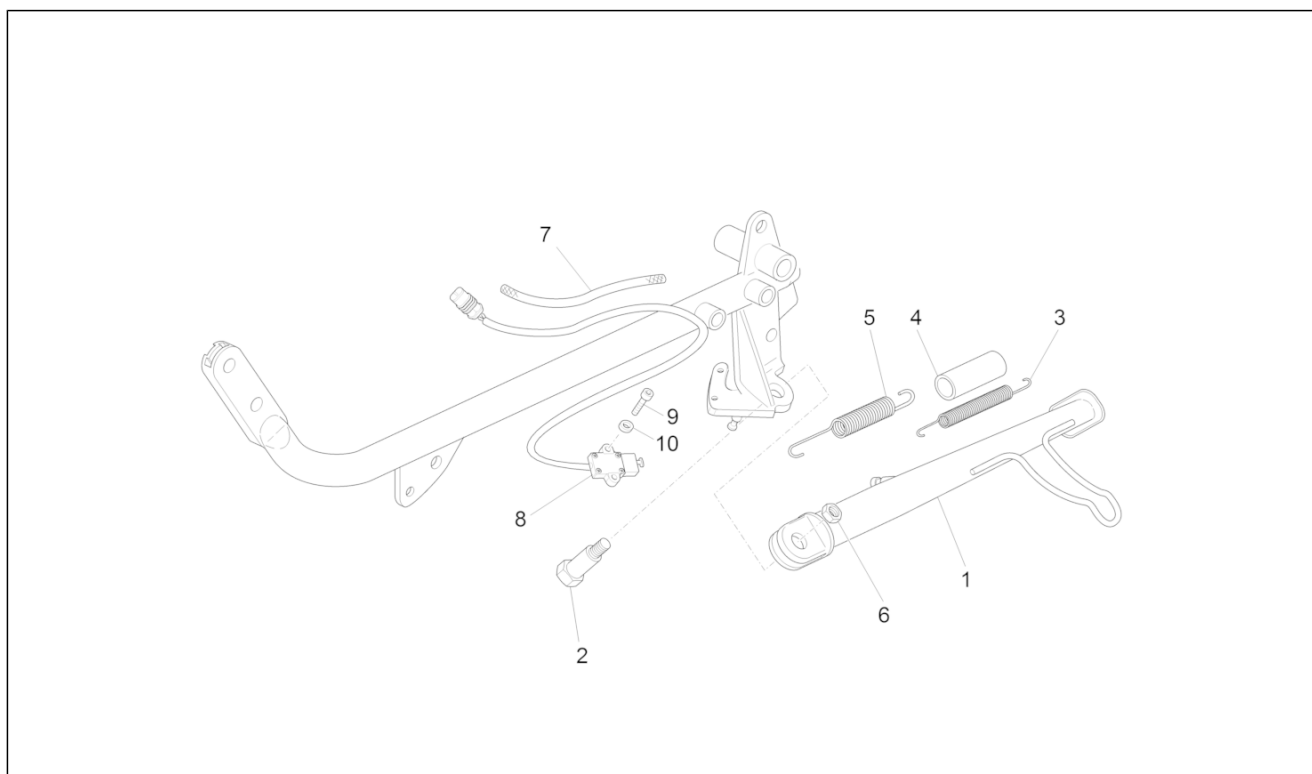
Pos.	Code	Description	Quant	Variants
1	B063251	Châssis, rouge	1	
2	GU98682530	Vis M10x30	4	
3	GU92630510	Ecrou M10x1,5	4	
4	B063287	Plaque de liaison du cadre	1	
5	GU98350416	Vis M8x16	4	
6	GU95008208	Rondelle 8,4X15X1,5	4	
7	GU98110199	Pivot M10x205	1	
8	GU95008210	Rondelle 10,2X18X2	11	
9	GU92606210	Ecrou M10x1,5	2	
10	GU98680555	Vis M10x55	2	
11	886645	Plaquette	2	
12	GU98682414	Vis	2	
13	GU01103860	Caoutchouc anti-vibrations	1	
14	GU66103415	Caoutchouc	2	
15	AP8144606	Joint 10X5	1	
16	AP8221172	Guide-câble	1	
17	2B000843	Support DX	1	
18	2B000844	Support SX	1	
19	GU98692420	Vis M8x20	4	
20	AP8220590	Joint	1	
21	GU03468100	Vis	1	

Groupe	CHASSIS
Code	33.02
Description	Chassis II
Révision	1



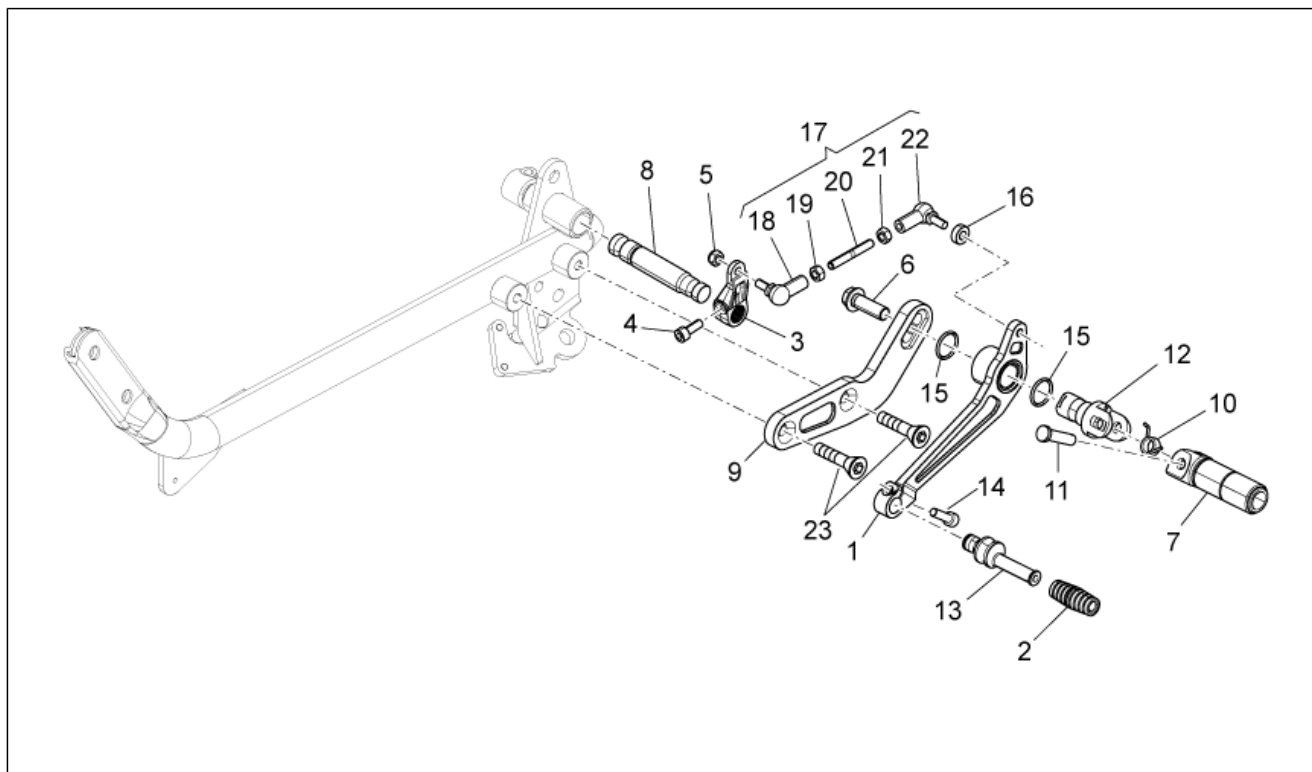
Pos.	Code	Description	Quant	Variants
1	B063249	Bras d.	1	
2	B063250	Bras g.	1	
3	GU53429500	Pivot M10x250	1	
4	GU19017000	Douille	2	
5	GU92606210	Ecrou M10x1,5	3	
6	GU95008210	Rondelle 10,2X18X2	3	
7	GU98082565	Vis M10x65	2	
8	GU28252060	Douille 18 mm est.	2	
9	GU32431310	Traverse comm.bras duberceau	1	
10	AP8121367	Pivot M10x260	1	
11	AP8152220	Rondelle	2	
12	AP8150436	Ecrou autofr. bas	1	
13	AP8152287	Vis bride M8x25	1	
14	AP8152300	Ecrou autobloqu. M8	1	
15	AP8152288	Vis bride	1	

Groupe	CHASSIS
Code	33.03
Description	Béquille latérale
Révision	1



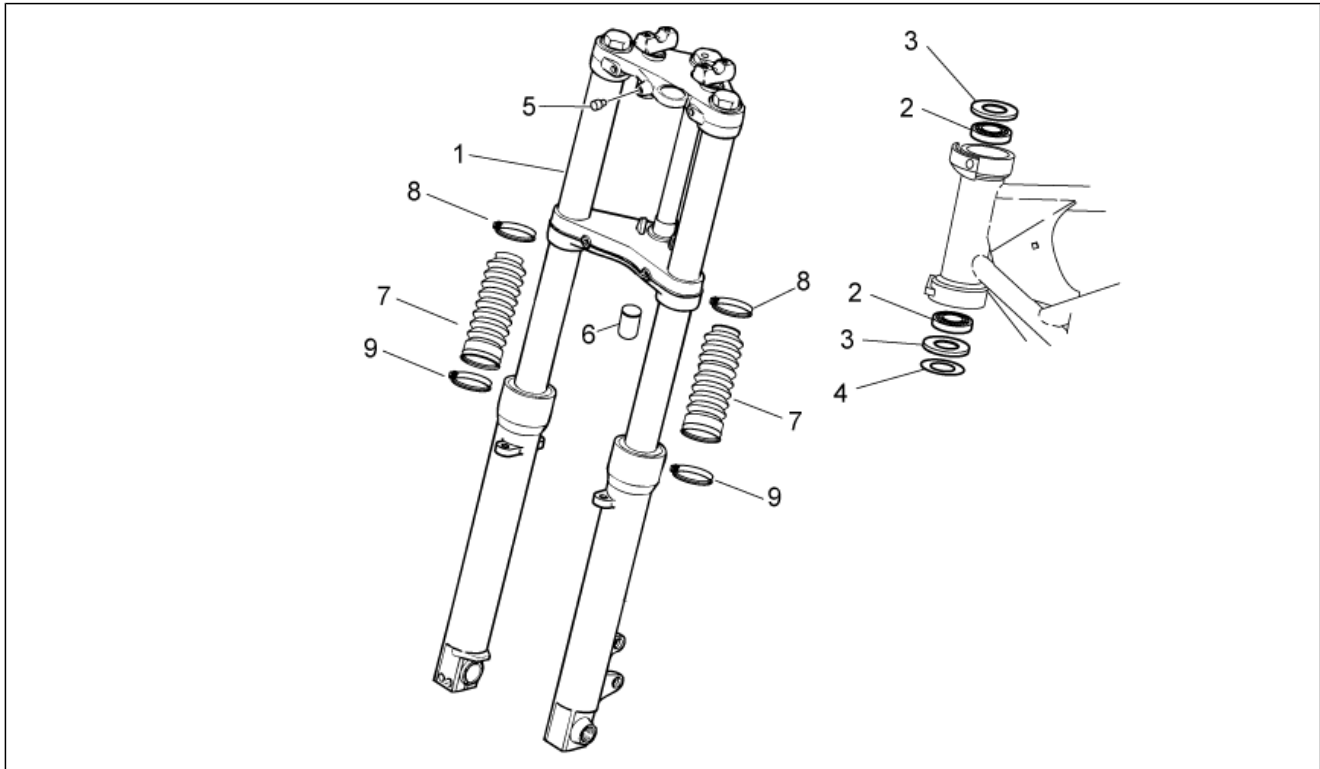
Pos.	Code	Description	Quant	Variants
1	B063086	Béquille latérale	1	
2	AP8121375	Vis fix. béquille	1	
3	AP8121014	Ress.hél.cyl.tract. *	1	
4	AP8102524	Protec.ress.béquille	1	
5	AP8221197	Ressort rappel béq.	1	
6	967356	Ecrou bridé M10x1,25	1	
7	GU00823923140	Gaine thermique	1	
8	AP8127856	Interrupteur béquille	1	
9	GU98612216	Vis	2	
10	GU95020105	Rondelle 5,3x8,9x2,4	2	

Groupe	CHASSIS
Code	33.06
Description	Levier boîte de vitesses
Révision	1



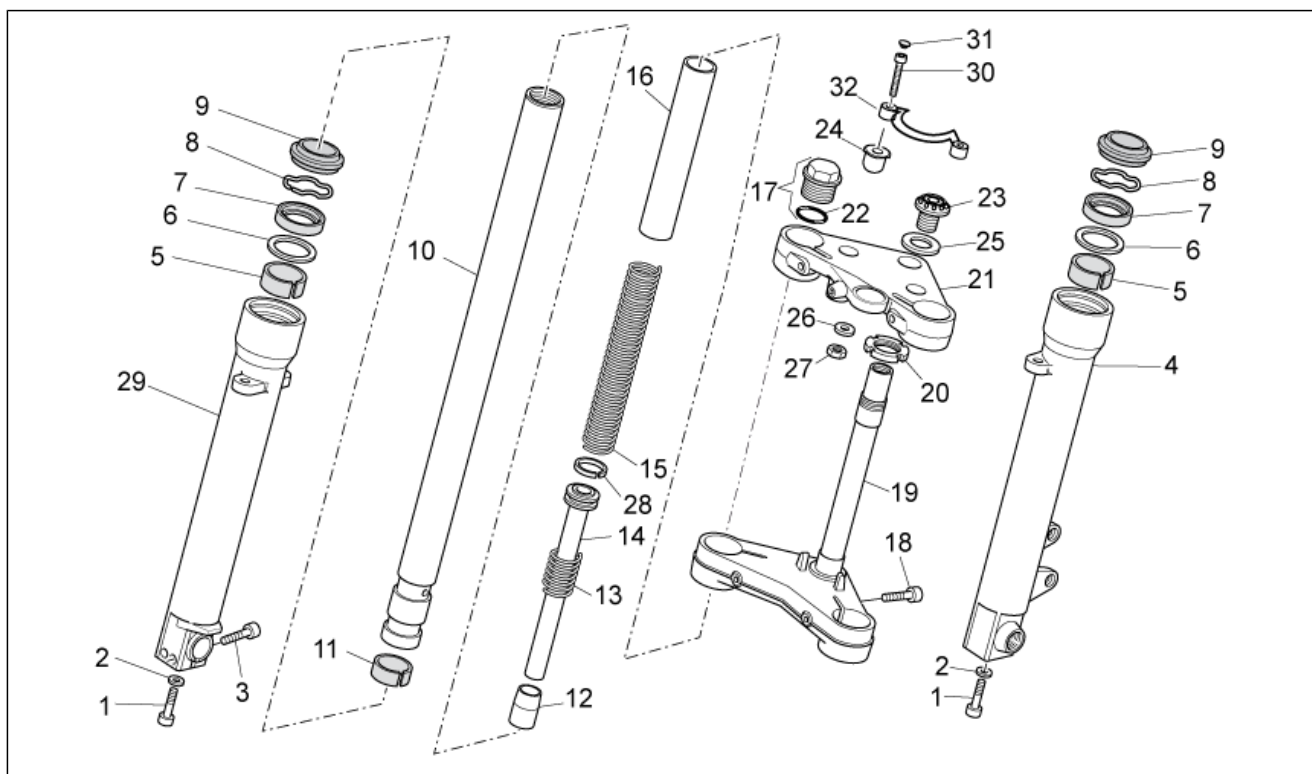
Pos.	Code	Description	Quant	Variants
1	898282	Levier boîte de vitesses	1	
2	AP8120912	Caoutchouc pour levier	1	
3	898283	Levier de commande	1	
4	AP8150137	Vis	1	
5	AP8150115	Ecrou autofr. bas M6	1	
6	AP8152320	Vis bride	1	
7	898281	R-pied pilote D	1	
8	GU32251610	Goujon de levier	1	
9	898284	Plaque de repose-pieds pilote	1	
10	AP8221277	Ressort retour repose-pieds	1	
11	GU23442210	Pivot	1	
12	898611	Sup.pl.pilote gche	1	
13	886665	Tige	1	
14	AP8150044	Vis M6x20	1	
15	AP9100477	Joint torique 18x2	2	
16	886668	Entretoise	1	
17	887280	Tringle de commande de boîte de vitesses	1	
18	AP8210007	Rotule d.te M6	1	
19	AP8150026	Ecrou M6	1	
20	856796	Tige renvoi boîte de vitesses	1	
21	AP8152138	Ecrou	1	
22	AP8110053	Rotule G M6	1	
23	GU98252420	Vis FHC M8x20	2	

Groupe	CHASSIS
Code	33.07
Description	Fourche Av. I
Révision	1



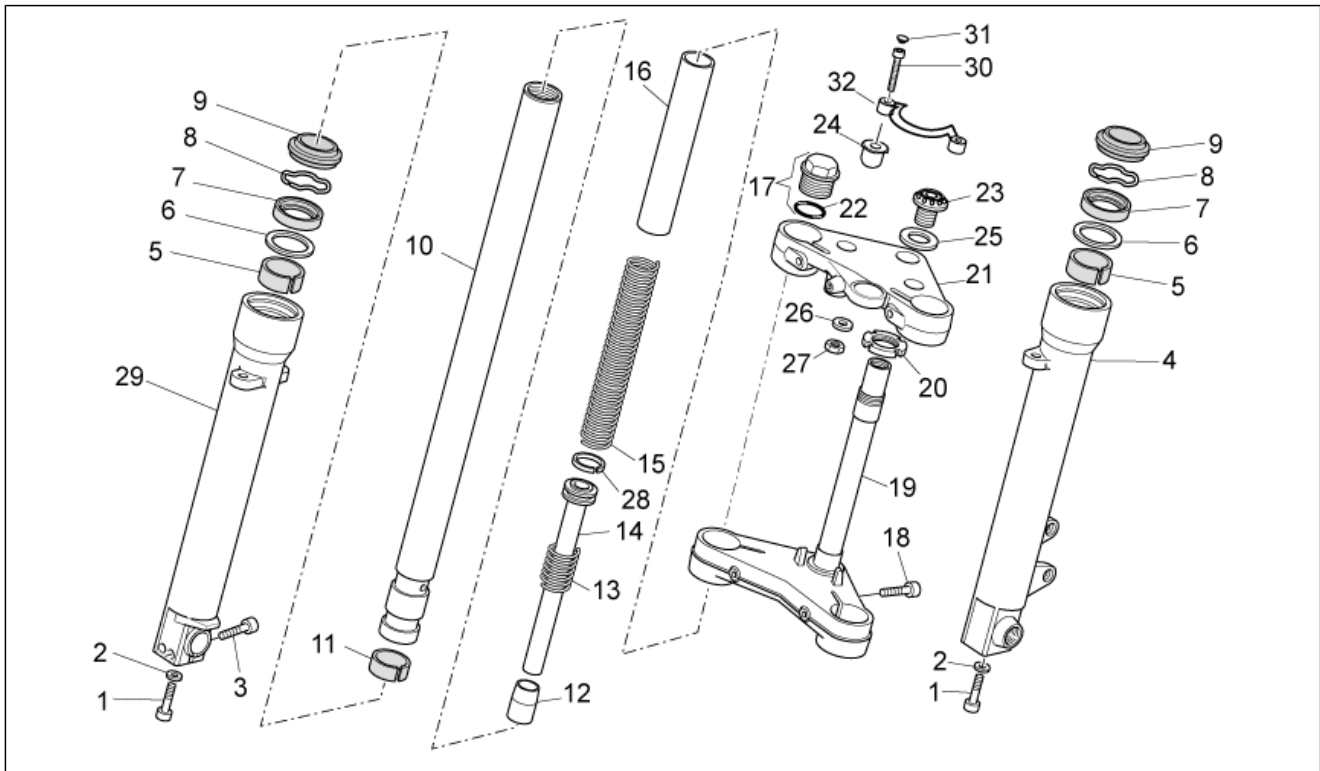
Pos.	Code	Description	Quant	Variants
1	2B000560	Fourche complète	1	
2	GU92249225	Roulement roul.con.	2	
3	AP8144146	Bague d'étanchéité	1	
4	AP8121307	Rondelle	1	
5	AP8144081	Caoutchouc	1	
6	AP8220460	Rondelle en caoutchouc	1	
7	898086	Soufflet fourche	7	
8	CM001929	Fascetta stringitubo 63.5	2	
9	CM001928	Collier serr. Tube 44	2	

Groupe	CHASSIS
Code	33.08
Description	Fourche Av. II
Révision	1



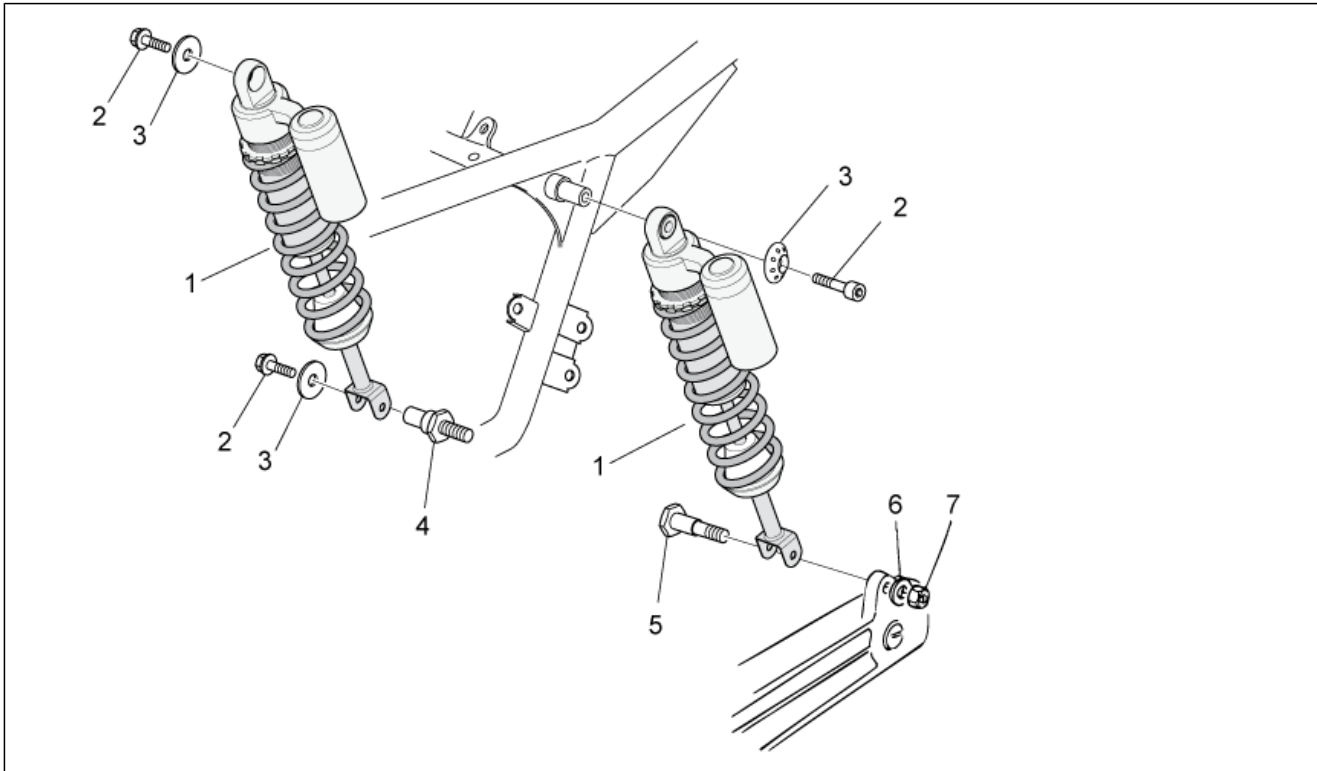
Pos.	Code	Description	Quant	Variants
1	887878	Vis M10x30	2	
2	887879	Rondelle	2	
3	887880	Vis	2	
4	2R000110	Fourreau G	1	
5	887882	Douille supérieure	2	
6	887883	Rondelle	2	
7	887884	Bague d'étanchéité	2	
8	887885	Bague de butée	2	
9	887886	Pare-poussière	2	
10	887887	Tige	2	
11	887888	Douille	2	
12	887889	Tampon	2	
13	887890	Contre-ressort	2	
14	887891	Elém.pompage cpl	2	
15	887892	Ressort	2	
16	887893	Tuyau	2	
17	887894	Gr. bouchon cpl.	2	
18	887895	Vis	2	
19	887896	Base avec tube	1	
20	GU31513480	Bague M25X1	1	
21	886842	Plaque sup. fourche	1	
22	887916	Joint torique 4118	2	
23	887900	Ecrou	1	
24	883552	Douille	2	
25	887899	Rondelle	1	
26	GU95005330	Rondelle 6,4x30x1,5	2	
27	GU92630106	Ecrou M6x1	2	
28	887905	Segment	2	

Groupe	CHASSIS
Code	33.08
Description	Fourche Av. II
Révision	1



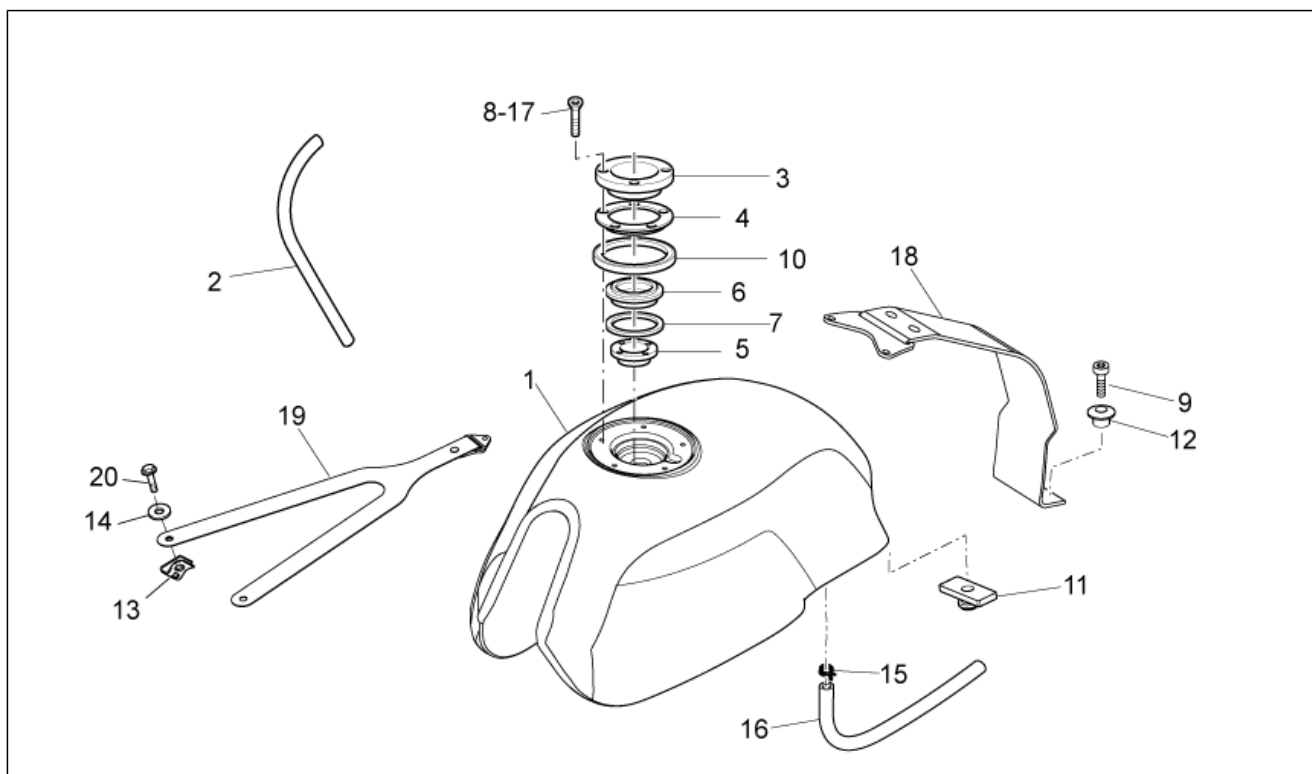
Pos.	Code	Description	Quant	Variants
29	2R000109	Fourreau D	1	
30	GU98680350	Vis M6x50	2	
31	GU23943410	Bouchon	8	
32	883602	Tuyau	1	

Groupe	CHASSIS
Code	33.11
Description	Amortisseur AR
Révision	1



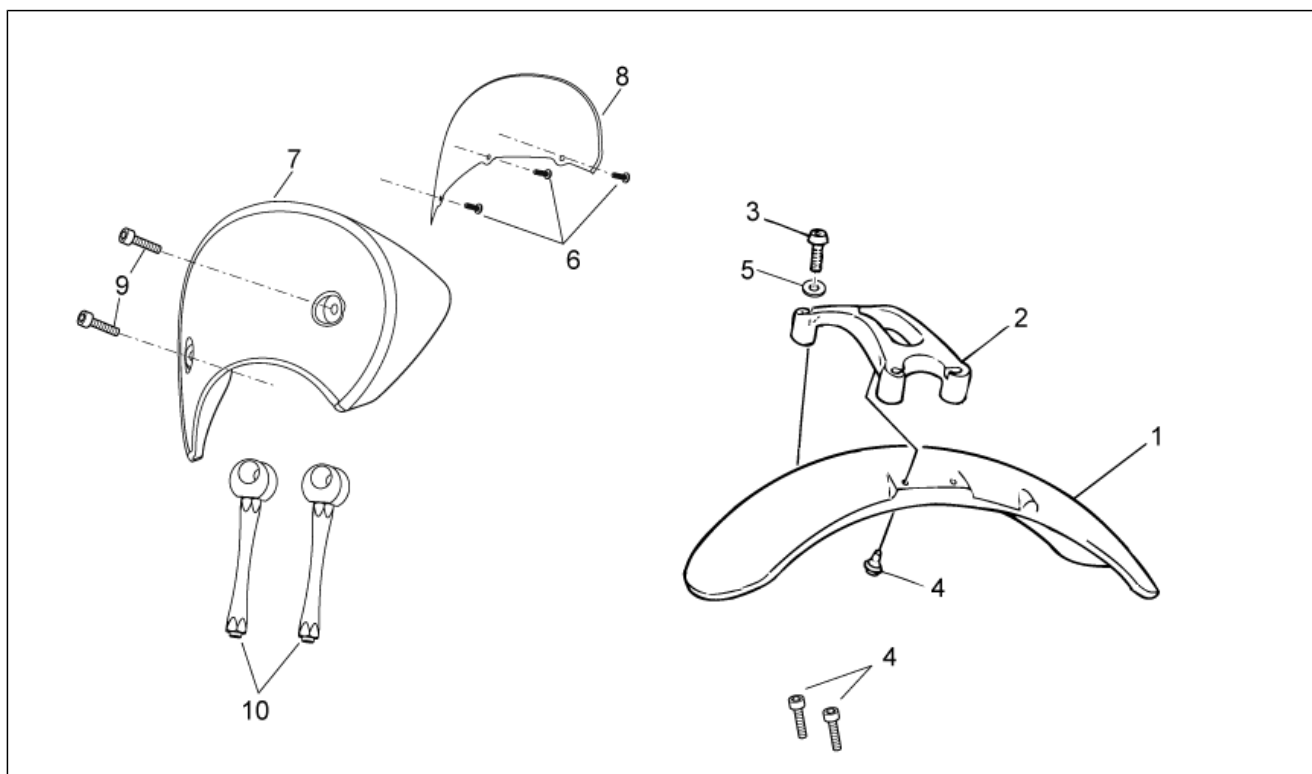
Pos.	Code	Description	Quant	Variants
1	886675	Amortisseur AR	2	
2	GU98692318	Vis	3	
3	886630	Douille	3	
4	GU32555210	Pivot	1	
5	GU32555211	Pivot	1	
6	GU95129181	Rondelle	1	
7	GU92606210	Ecrou M10x1,5	1	

Groupe	CHASSIS
Code	33.12
Description	Réservoir essence
Révision	1



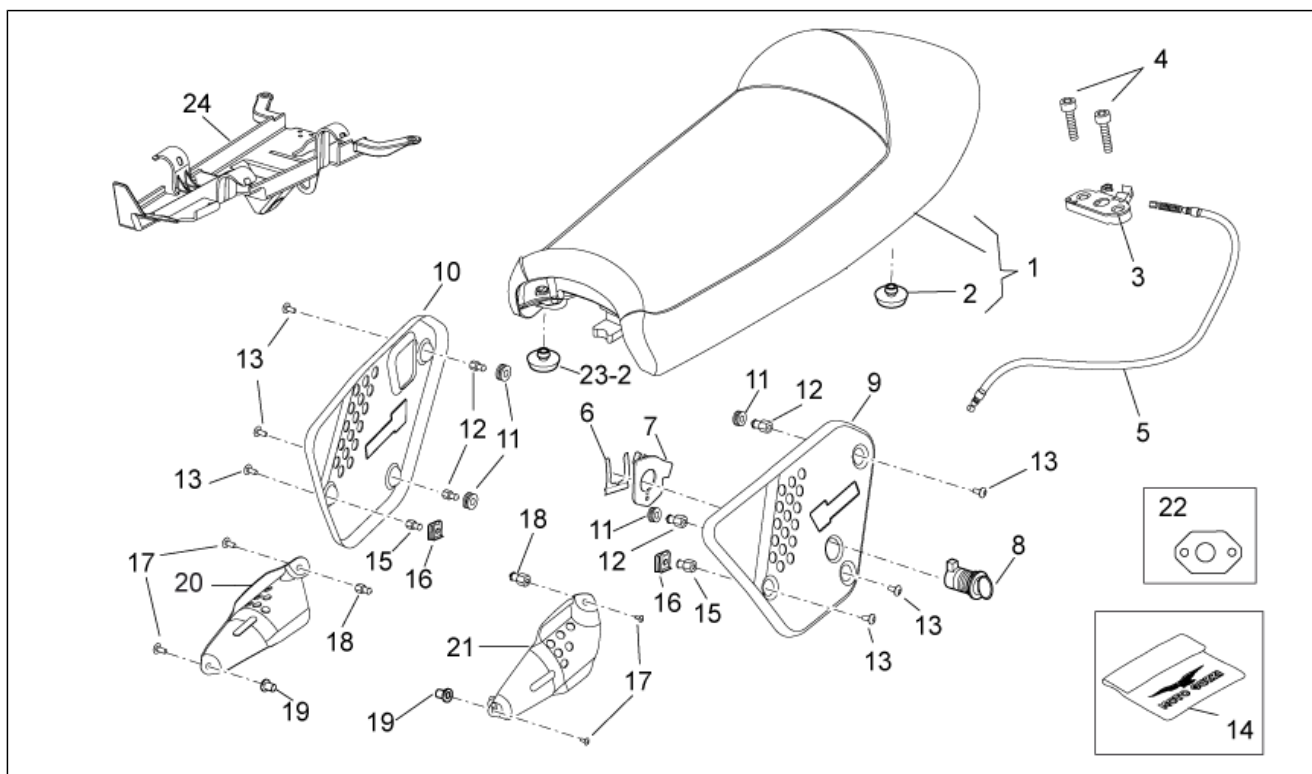
Pos.	Code	Description	Quant	Variants
1	2H000419	Réservoir carburant chromé	1	Spécification technique:Autocollant[D]
1	2H000420	Réservoir carburant chromé	1	Pays:Chine[CN] Spécification technique:Autocollant[D]
1	887207	Réservoir d'ess. écru	1	Couleur véhicule:Brut[GR]
1	887944	Réservoir brut	1	Pays:Chine[CN]
2	GU00823931070	Joint	1	
3	GU03101900	Bride	1	
4	GU03103500	Bague	1	
5	883502	Reduction 24 mm	1	Pays:Chine[CN]
5	GU03101720	Reduction 38 mm	1	
6	GU03102200	Embout pour bouchon	1	
7	GU03101600	Joint	2	
8	AP8150416	Vis	3	
9	GU98682430	Vis M8x30	1	
10	GU03102400	Joint	1	
11	AP8120557	Caoutchouc réserv.	1	
12	AP8121673	Douille en "T" *	1	
13	GU28576591	Clip M6	2	
14	GU95100141	Rondelle 6,4x12x1,2	2	
15	AP8101595	Collier D10,1	1	
16	GU00823944050	Tuyau 5X9	1	
17	GU03103200	Vis	2	
18	B063154	Courroie AR	1	
19	B063152	Courroie AV	1	
20	GU98370616	Vis M6x16 inox	2	

Groupe	CHASSIS
Code	33.13
Description	Carrosserie av. - Garde-boue AV
Révision	1



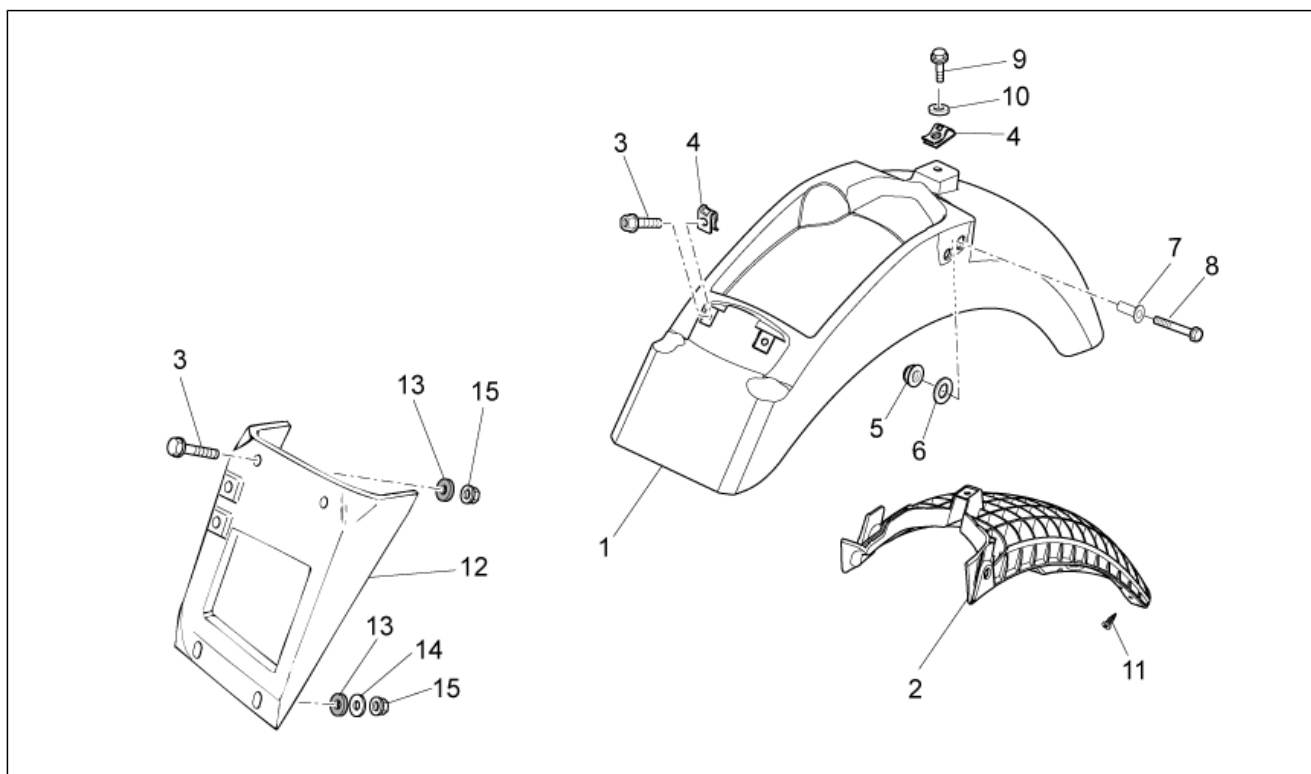
Pos.	Code	Description	Quant	Variants
1	88673000Y02	Garde-boue AV noir	1	
2	883266	Plaque de stabilisation	1	
3	GU98370845	Vis	4	
4	GU31439565	Vis spéciale	4	
5	GU14615901	Rondelle 8,4X13X0,8	4	
6	AP8150413	Vis taraud 3,9x14	3	
7	2H000421000Y02	Carénage noir	1	Spécification technique: Autocollant[D]
7	898179	Carénage brut	1	
8	898180	Vitre coupole	1	
9	GU98370616	Vis M6x16 inox	2	
10	886724	Support coupole	2	

Groupe	CHASSIS
Code	33.14
Description	Selle-Carosserie cent.
Révision	1



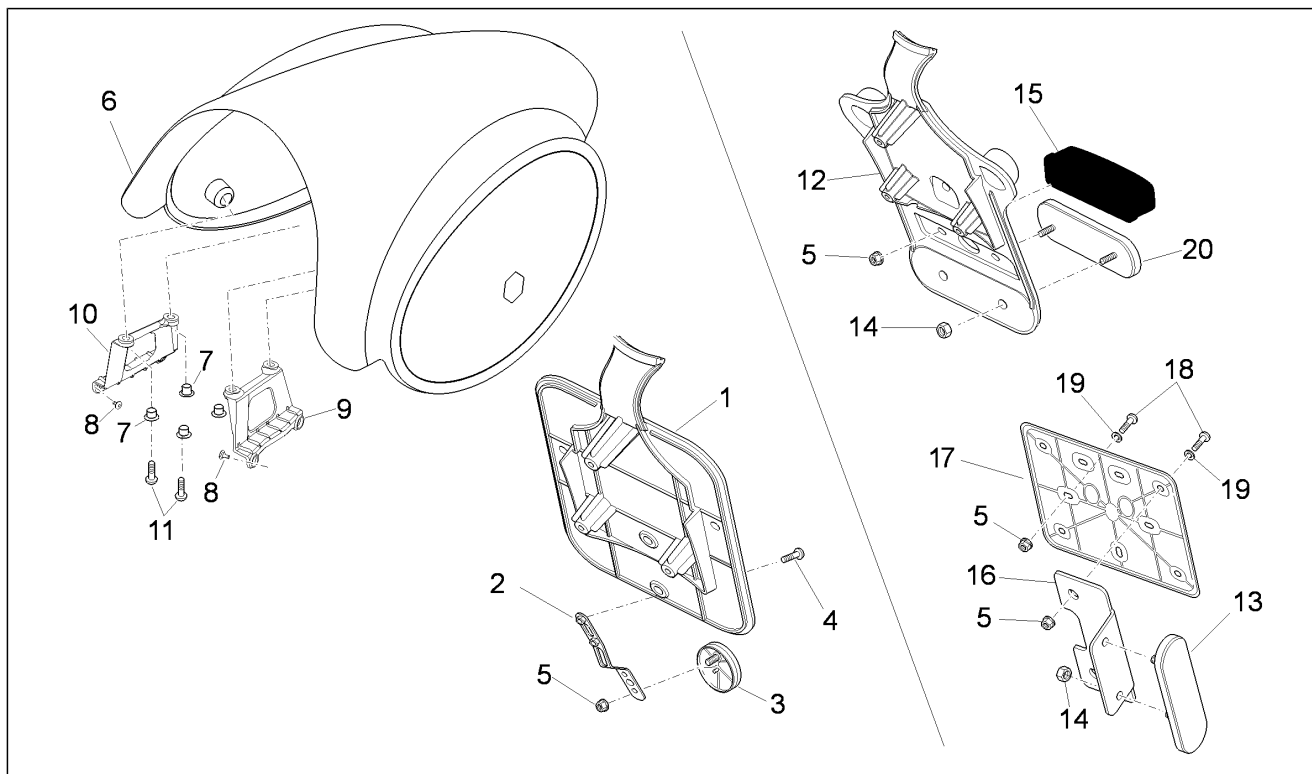
Pos.	Code	Description	Quant	Variants
1	89817800A3	Selle marron	1	
2	GU32461610	Caoutchouc	8	
3	AP8102913	Pl.fix.selle pass.	1	
4	GU98370625	Vis	2	
5	883295	Transmission décrochement sell	1	
6	AP8121420	Ressort à fourche	1	
7	978415	Plaque support câble	1	
8	977527	Serrure avec clés	1	
9	2B000839	Flanc G	1	Spécification technique:no decals[ND]
10	2B000838	Flanc D	1	Spécification technique:no decals[ND]
11	GU91551086	Caoutchouc	4	
12	886368	Tige fixation	4	
13	976614	Vis M5X15	6	
14	886841	Housse de prot. de selle	1	
15	886706	Tige fixation	2	
16	254485	Plaquette elastique M6	2	
17	GU98370515	Vis	4	
18	AP8120531	Caoutchouc avec insert	2	
19	886727	Tige fixation	2	
20	2B000841	Couvre-papillon D	1	
21	2B000842	Couvre-papillon G	1	
22	886820	Platine serr.selle	1	
23	B063429	Caoutchouc	2	
24	B063431	Protection	0	

Groupe	CHASSIS
Code	33.15
Description	Carrosserie arrière I- Garde-boue
Révision	1



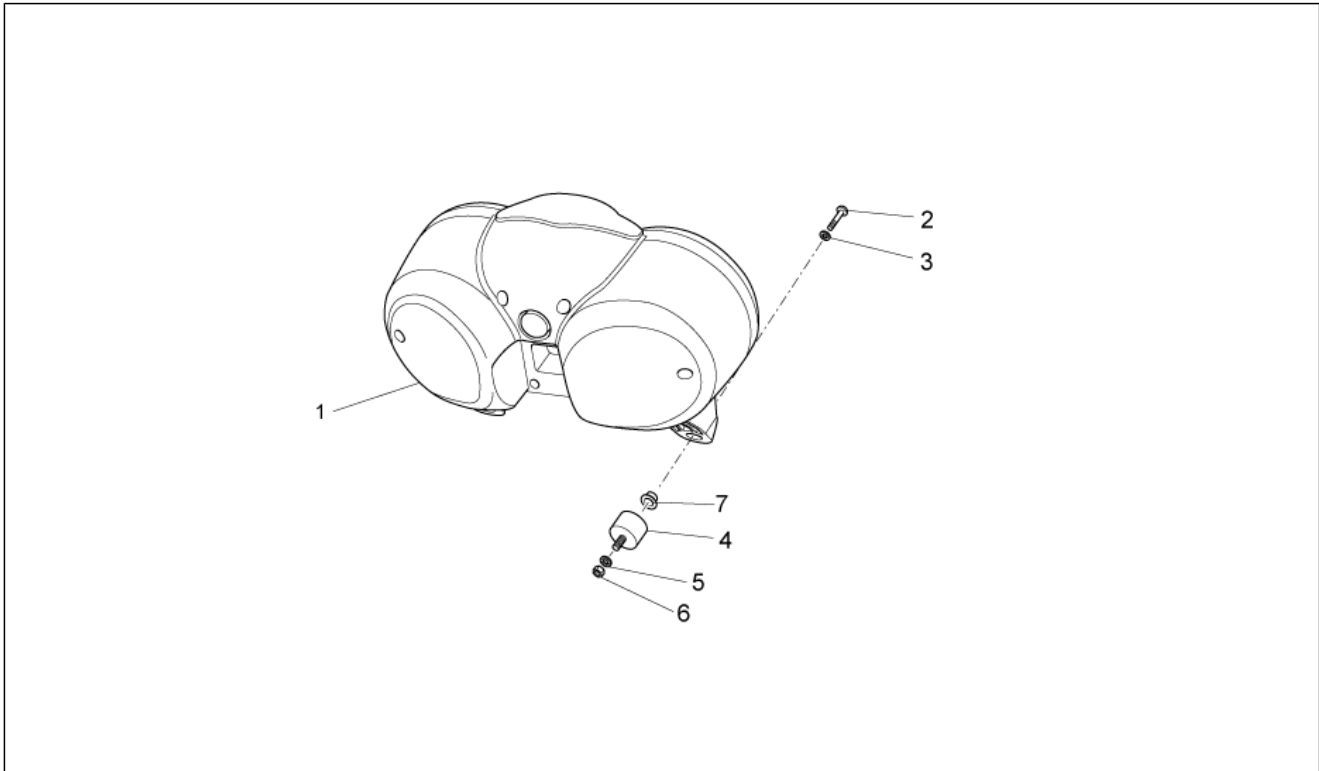
Pos.	Code	Description	Quant	Variants
1	97894600Y02	Garde-boue arrière noir	1	
2	978947	Soutien	1	
3	AP8152278	Vis bride M6x16	4	
4	GU28576591	Clip M6	3	
5	GU92630108	Ecrou	2	
6	GU91120806	Entretoise	2	
7	GU95005310	Rondelle 8,4x18x2	2	
8	GU98370835	Vis	2	
9	AP8152279	Vis bride M6x20	2	
10	GU91180601	Entretoise 6,2x8x3	2	
11	AP8152329	Vis SWP crois. brid. M5x20	3	
12	B063167	Bavette anti-éclaboussures	1	
13	AP8121032	Douille	4	
14	GU95100141	Rondelle 6,4x12x1,2	2	
15	AP8152299	Ecrou autobloqu. M6	4	

Groupe	CHASSIS
Code	33.16
Description	Carrosserie arrière II- Porte-plaque
Révision	1



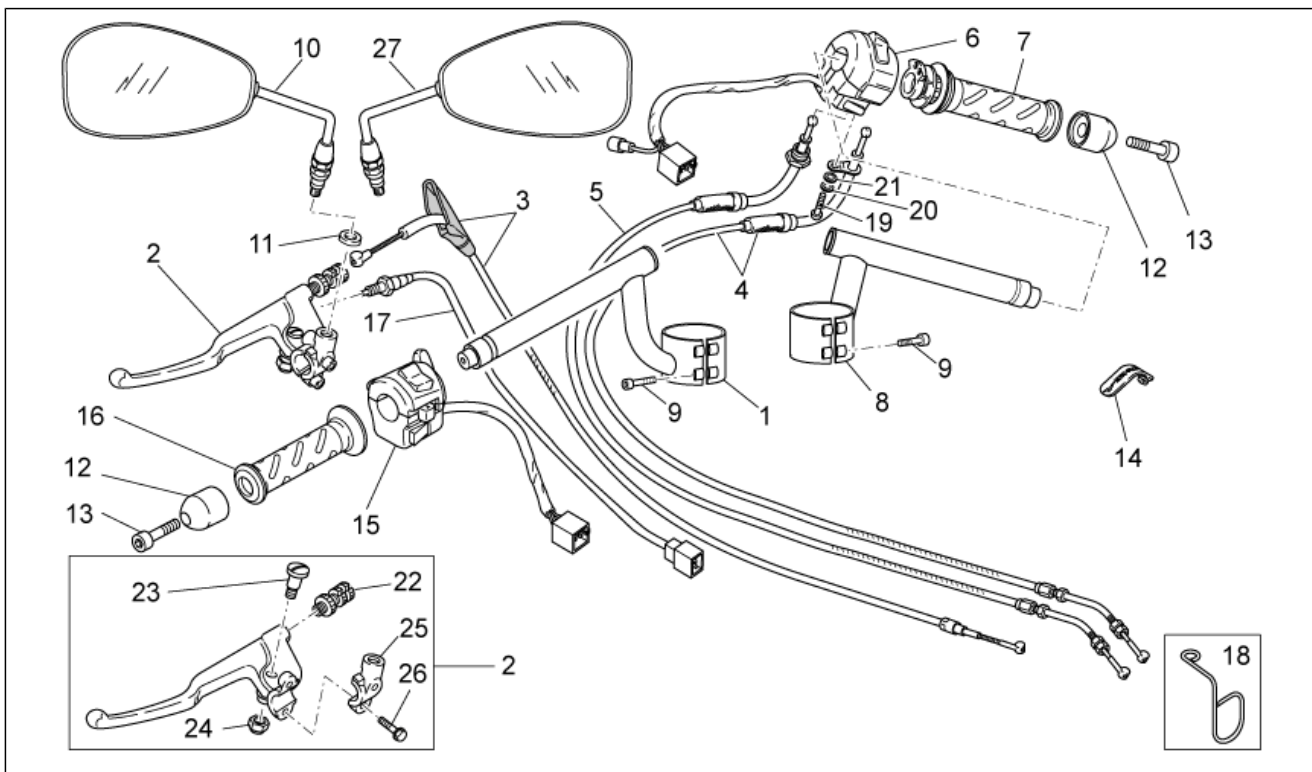
Pos.	Code	Description	Quant	Variants
1	978949	Porte-plaque	1	Pays:Australie[AA], Europe[EU], Angleterre[UK]
2	AP8134448	Support catadioptre	1	
3	AP8224164	Catadioptre arrière, rouge	1	
4	GU98230510	Vis	2	
5	AP8152306	Ecrou autobloqu. m5	1	
6	898280	Queue brute	1	
6	B06315100Y02	Queue, noir	1	
7	AP8121929	Douille en "T" 6,5x8,6x9	4	
8	AP8152339	Vis bride M5x9	4	
9	886712	Bride gauche	1	
10	886713	Bride droite	1	
11	AP8152273	Vis bride M5X15	4	
12	883470	Porte-plaque	1	Pays:Chine[CN]
13	AP8124718	Catadioptre arrière, rouge	2	Pays:Chine[CN]
14	GU92630204	Ecrou	6	Pays:Chine[CN]
15	883480	Feu de plaque	1	Pays:Chine[CN]
16	GU32781910	Support catadioptre	2	Pays:Chine[CN]
17	AP8149034	Support plaque	1	Pays:Chine[CN]
18	AP8152268	Vis M5x16	2	Pays:Chine[CN]
19	AP8150248	Rondelle 5,5x15x1,6	2	Pays:Chine[CN]
20	GU05781630	Catadioptre, ambre	1	Pays:Chine[CN]

Groupe	CHASSIS
Code	33.17
Description	Tableau de bord
Révision	1



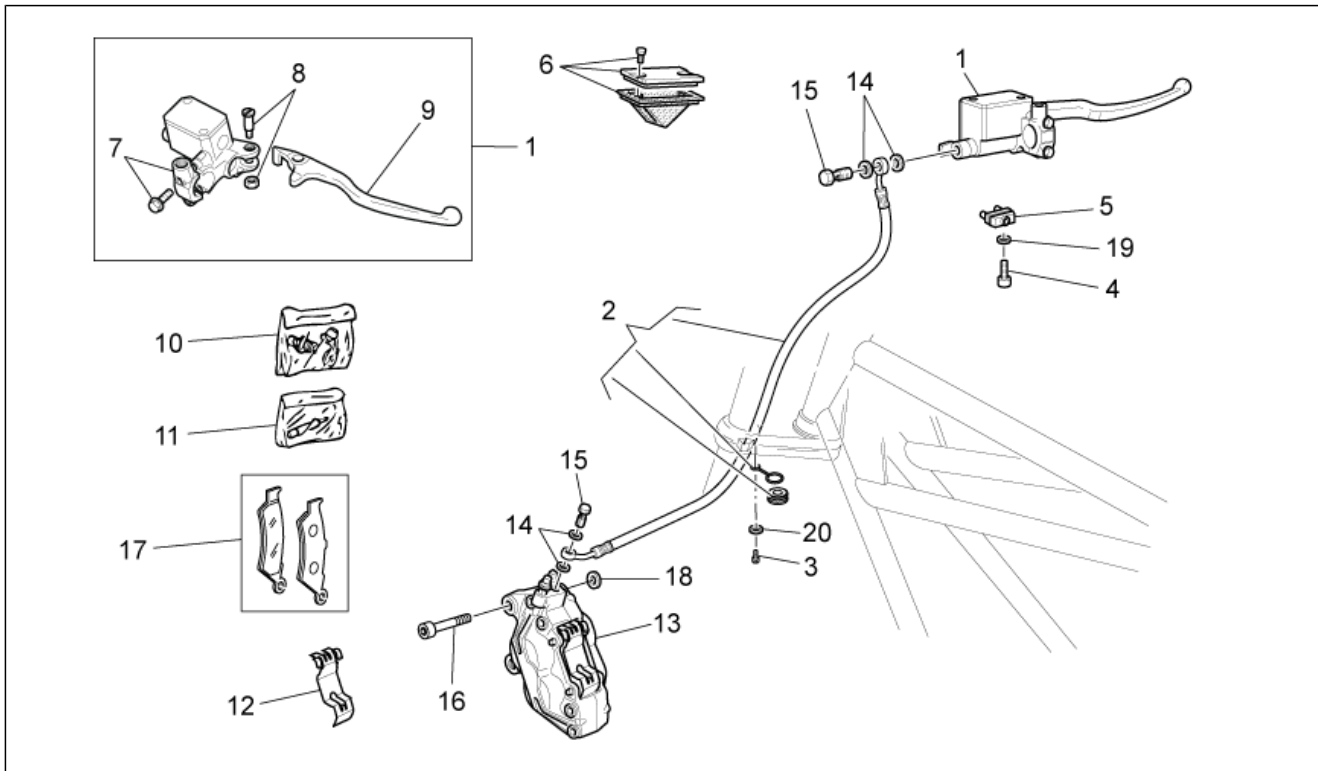
Pos.	Code	Description	Quant	Variants
1	887194	Tableau de bord km/h	1	
2	GU98370609	Vis M6x10	3	
3	GU95005306	Rondelle 6,4x13x1,5	3	
4	GU93222023	Silentbloc	3	
5	GU95021206	Rondelle	3	
6	GU92606206	Ecrou	3	
7	AP8121032	Douille	3	

Groupe	CHASSIS
Code	33.18
Description	Guidon - Commandes
Révision	1



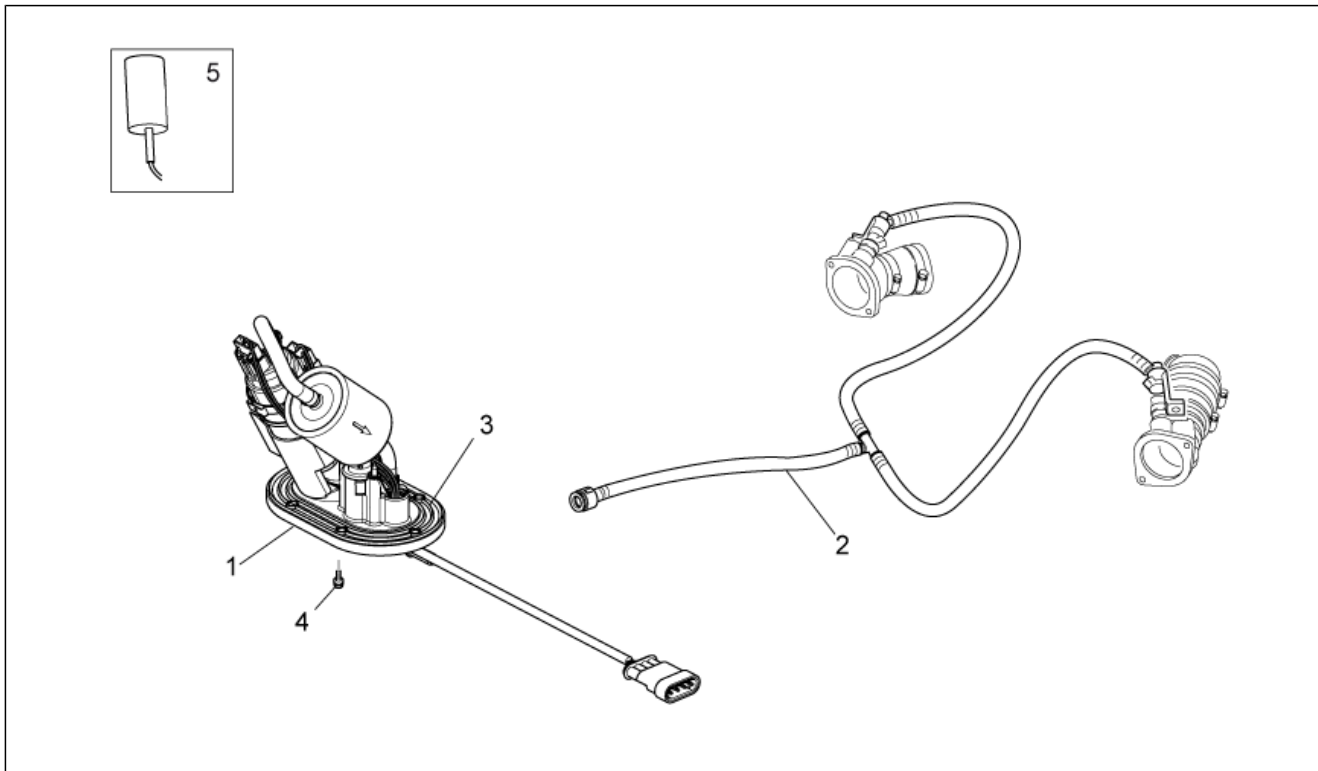
Pos.	Code	Description	Quant	Variants
1	B063317	Demi-guidon G	1	
2	GU32605510	Lever embrayage	1	
3	883940	Câble embrayage	1	
4	B063247	Câble ouverture gaz	1	
5	B063248	Câble fermeture gaz	1	
6	B063135	Déviateur feux dte	1	
7	GU32603310	Poignée dr.	1	
8	B063326	Demi-guid.dte	1	
9	GU98692325	Vis M6x25	4	
10	2B001049	Miroir rétroviseur gche	1	
11	GU91181003	Entretoise 10,25X20X4	2	
12	GU32602860	Masse antivibratile chr.	2	
13	GU98690335	Vis	2	
14	GU01609630	Collier L46 mm	2	
14	GU03609600	Collier L36 mm	1	
15	B063975	Déviateur feux gche	1	
16	GU32603010	Poignée gc.	1	
17	GU29759150	Interrupteur béquille	1	
18	AP8221172	Guide-câble	1	
19	GU98230510	Vis	1	
20	GU95008305	Rondelle 5,3X10X1	1	
21	GU95021105	Rondelle évent.	1	
22	GU30602500	Réglage	1	
23	AP8213028	Vis	1	
24	AP8118490	Ecrou	1	
25	GU30601060	Etrier	1	
26	GU97202325	Vis bride noir M6x25	2	
27	2B001048	Miroir rétroviseur dte	1	

Groupe	CHASSIS
Code	33.19
Description	Sys.frein avant
Révision	1



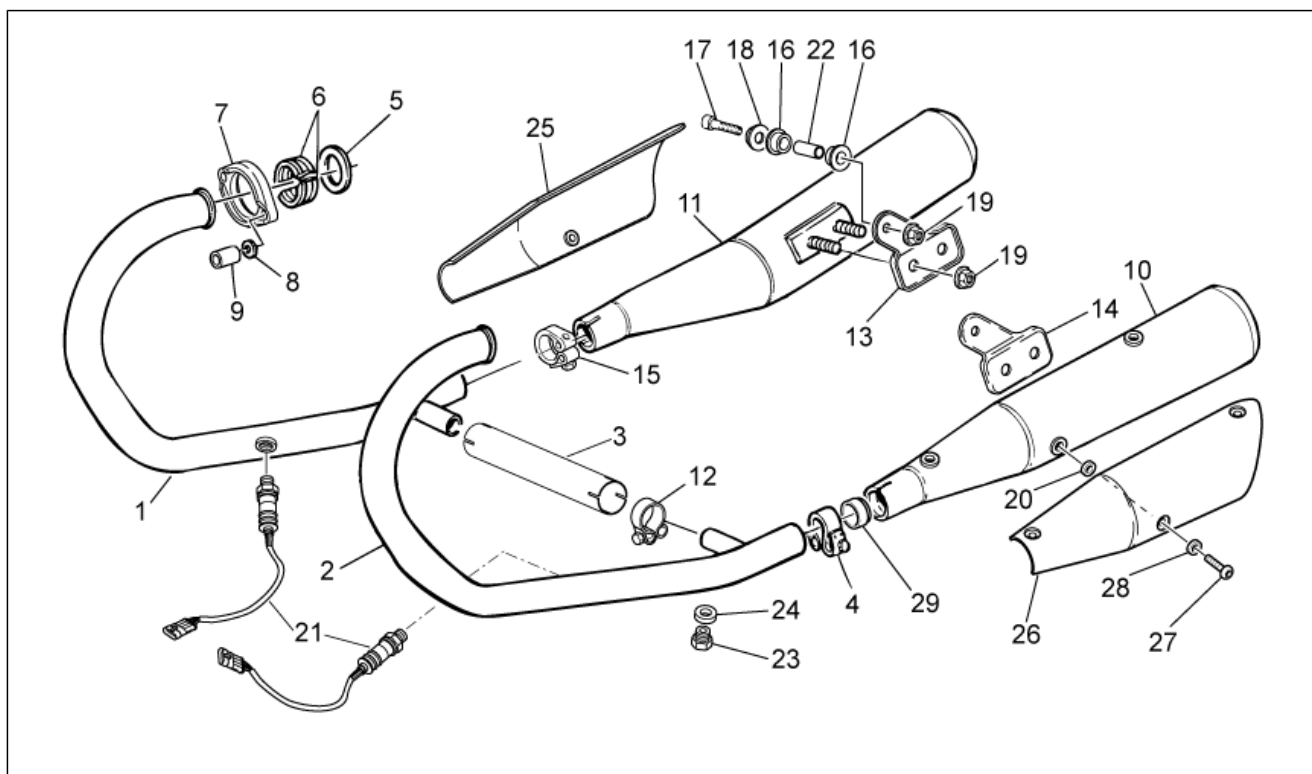
Pos.	Code	Description	Quant	Variants
1	GU03660145	Maît. cyl. frein AV	1	
2	883581	Tube frein	1	
3	AP8152277	Vis bride M6x12	1	
4	GU98370412	Vis M4x12	1	
5	GU03749845	Contacteur de stop	1	
6	GU03661145	Couvercle pompe	1	
7	GU03664045	Cavalier	1	
8	GU03604845	Goujon de levier	1	
9	GU03605645	Levier frein	1	
10	GU05659230	Purge+capuchon	1	
11	GU01659130	Pivots+ressorts pince	1	
12	GU01659131	Ressort	1	
13	883303	Etrier frein AV g.noir	1	
14	AP8113004	Rondelle 10x14x1,6*	4	
15	978323	Vis tuyau huile *	2	
16	AP8152385	Vis M10x1,25	2	
17	GU01654630	Plaquettes-paire	1	
18	GU91181003	Entretoise 10,25X20X4	2	
19	GU95021104	Rondelle 4,3x8x1,5	1	
20	GU95008306	Rondelle 6,4x12x1,2	1	

Groupe	CHASSIS
Code	33.21
Description	Pompe essence
Révision	1



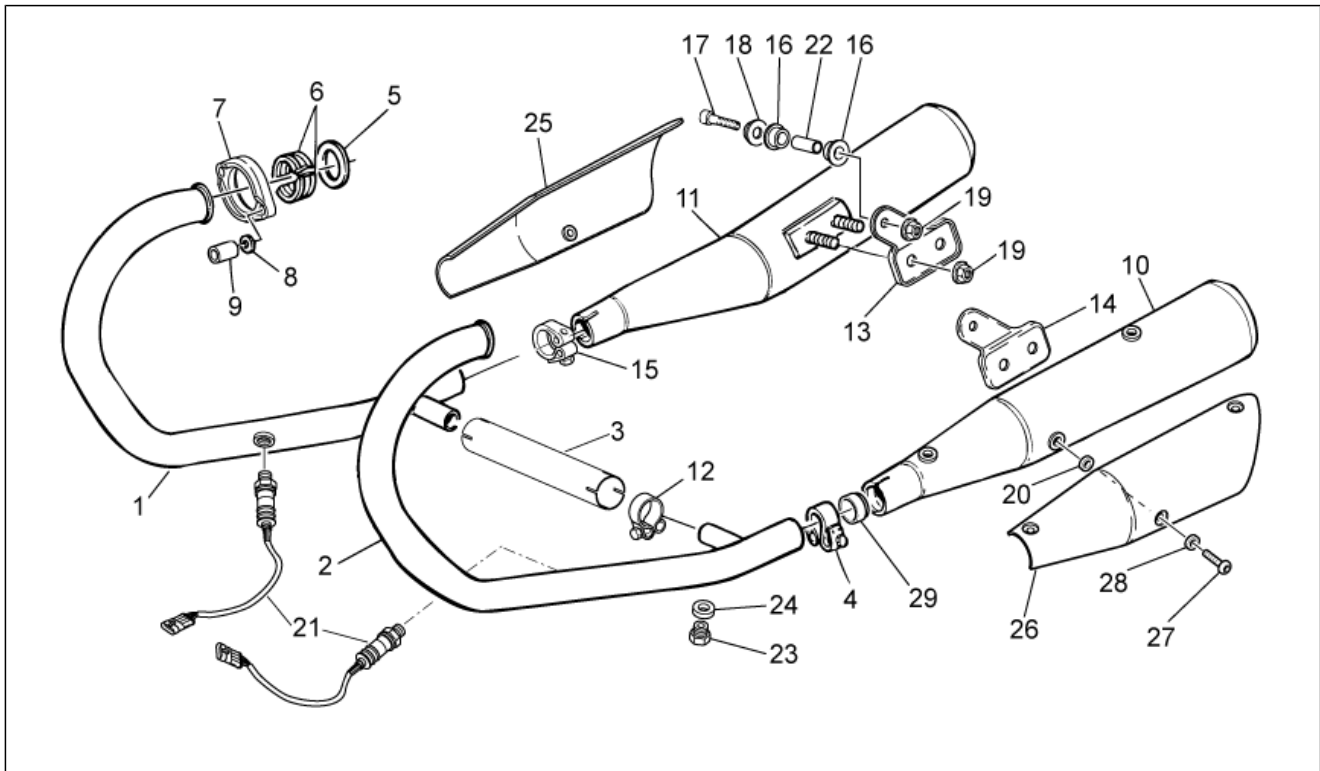
Pos.	Code	Description	Quant	Variants
1	B063752	Pompe carburant	1	
2	2B000970	Tuyau essence	1	
3	GU05107430	Joint	1	
4	AP8152273	Vis bride M5X15	6	
5	887787	Détecteur niveau essence	1	

Groupe	CHASSIS
Code	33.23
Description	Groupe echappement
Révision	1



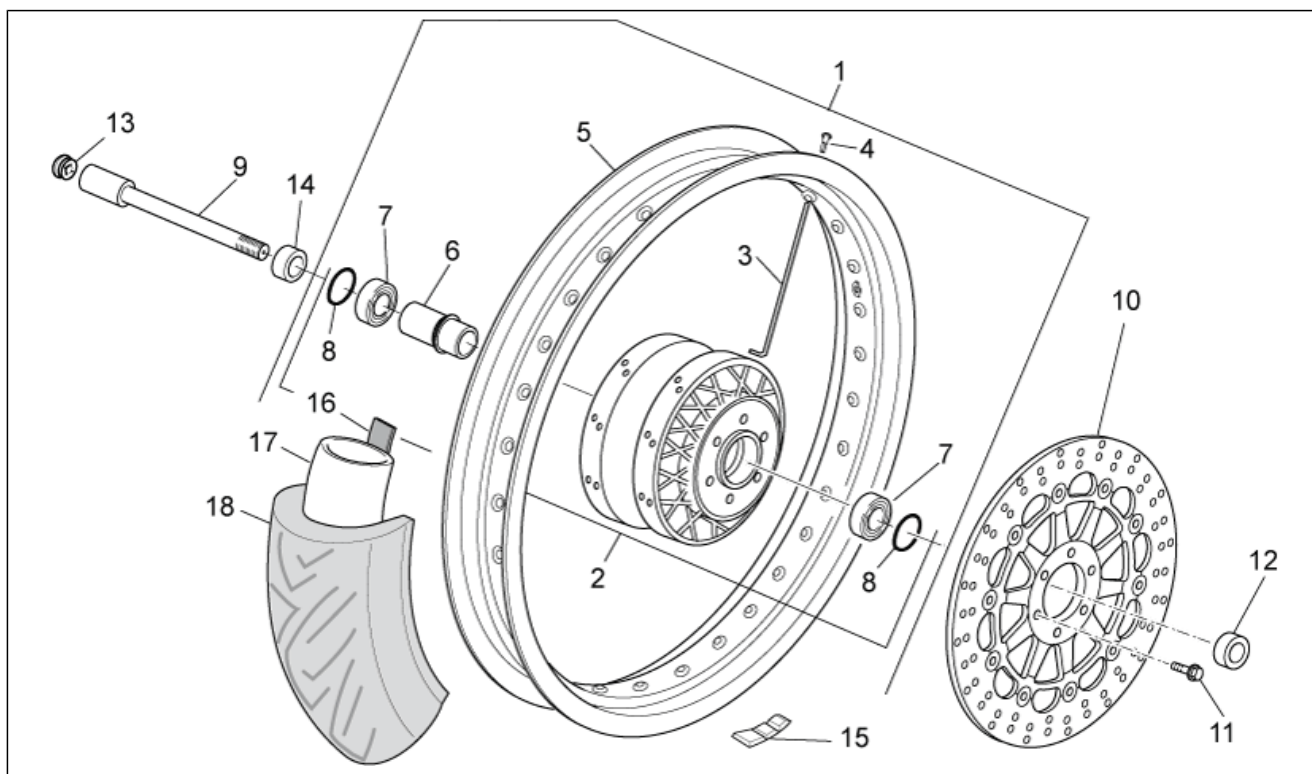
Pos.	Code	Description	Quant	Variants
1	887846	Tuyau échappement d.	1	Pays:Australie[AA], Chine[CN], Europe[EU], Japon[J], Angleterre[UK]
1	B063854	Tuyau échappement d.	1	Pays:Japon[J]
2	887847	Tuyau échappement gche	1	Pays:Australie[AA], Chine[CN], Europe[EU], Japon[J], Angleterre[UK]
2	B063855	Tuyau échappement gche	1	Pays:Japon[J]
3	B063022	Raccord collecteurs échap.	1	
4	978387	Collier silencieux gauche	1	
5	GU19025280	Joint	2	
6	GU19025460	Entretoise	4	
7	GU32121010	Bague	2	
8	GU03013800	Rondelle 6,4x12	4	
9	GU31121880	Ecrou	4	
10	2B000179	Silencieux G	1	
11	2B000178	Silencieux D	1	
12	978385	Collier	2	
13	GU32128610	Plaque d.	1	
14	GU32129010	Plaque g.	1	
15	978386	Collier silencieux droit	1	
16	AP8144071	Caoutchouc pot	4	
17	GU98690440	Vis TCEI M8x40	2	
18	AP8134378	Douille fixation silencieux	2	
19	GU92640508	Ecrou M8	6	
20	AP8120870	Rondelle isolante	6	
21	896110	Sonde lamda l.660 mm	2	
22	AP8121072	Entretoise	2	
23	GU98110007	Bouchon	2	
24	GU30109330	Joint	2	

Groupe	CHASSIS
Code	33.23
Description	Groupe echappement
Révision	1



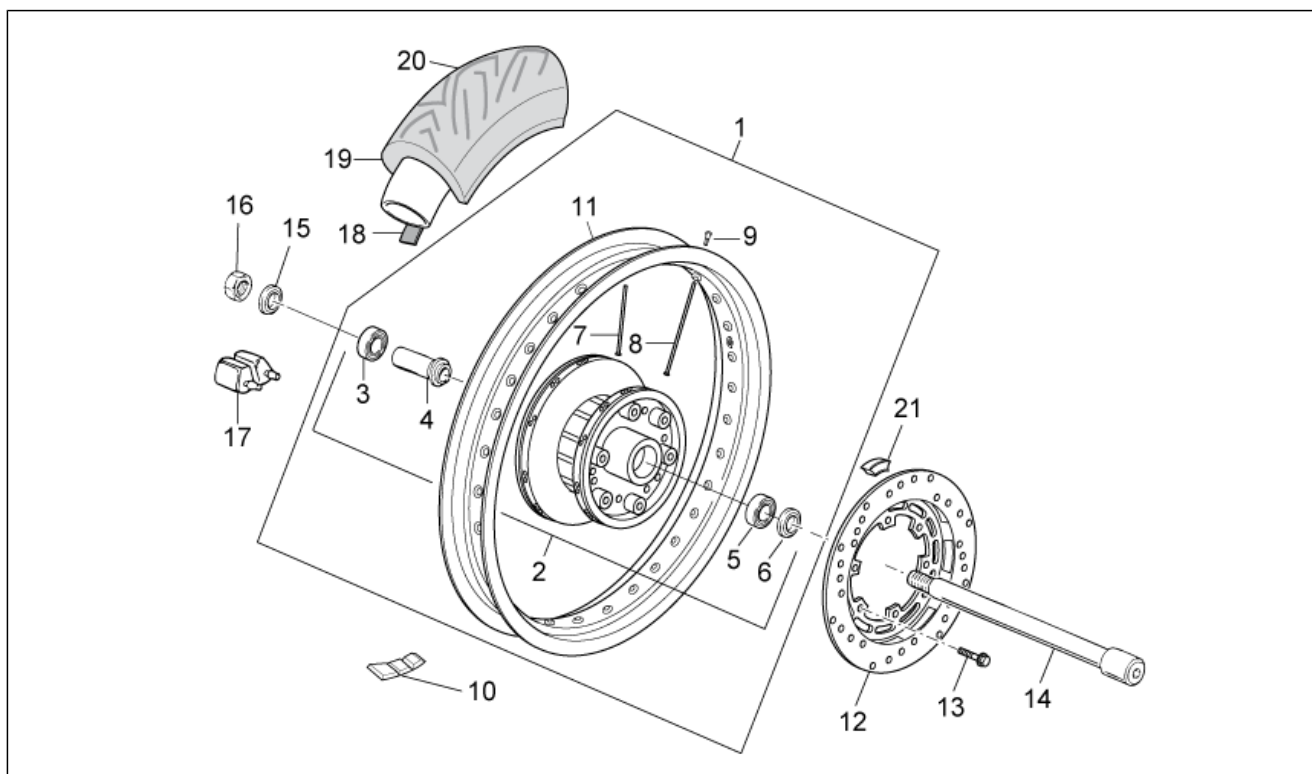
Pos.	Code	Description	Quant	Variants
25	GU32121910	Protect.dte	1	
26	GU32121911	Protect.gche	1	
27	GU98370609	Vis M6x10	6	
28	GU95005306	Rondelle 6,4x13x1,5	6	
29	GU91113826	Douille	2	

Groupe	CHASSIS
Code	33.24
Description	Roue Av.
Révision	1



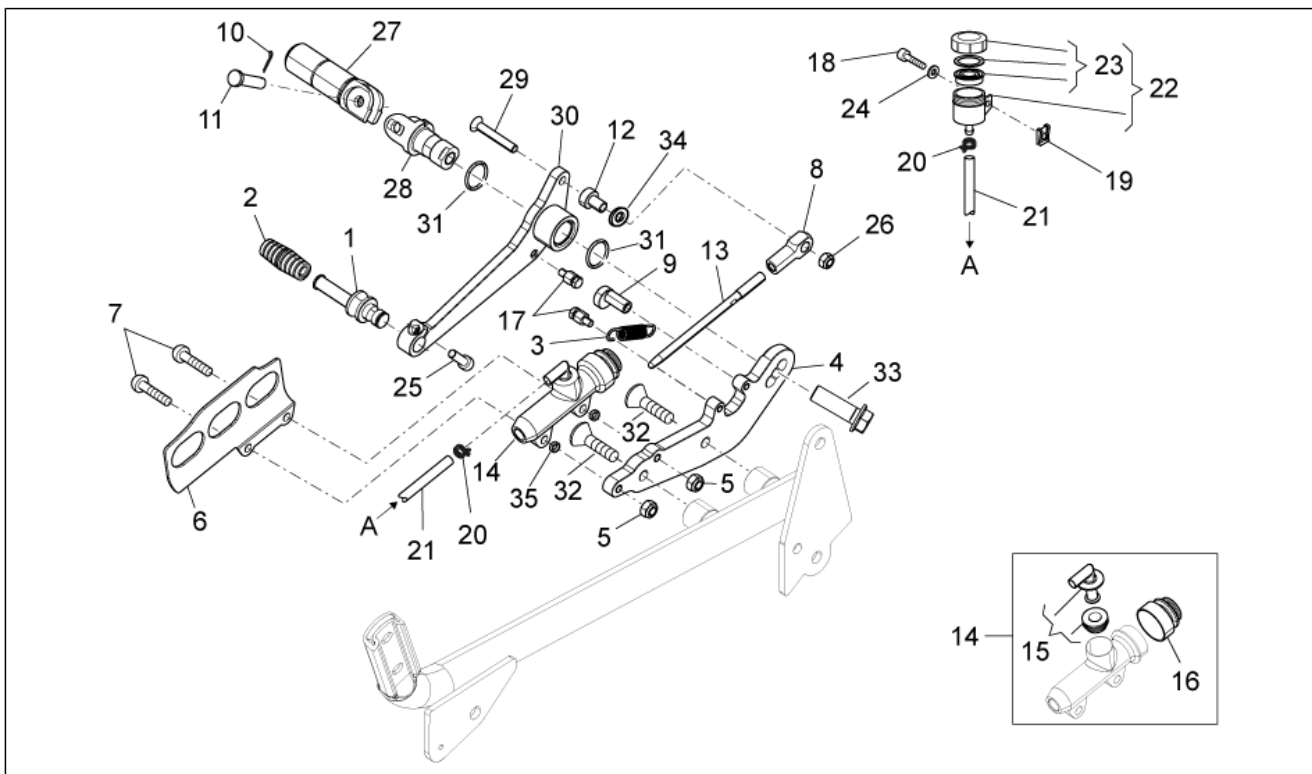
Pos.	Code	Description	Quant	Variants
1	B063265	Roue AV nue	1	
2	886681	Moyeu avant	1	
3	B063144	Rayon roue AV	36	
4	GU03631250	Nipples	36	
5	B063077	Jante AV noire 2.5X18"	1	
6	GU31615260	Entretoise roulements	1	
7	GU92204221	Roulement	2	
8	GU90402642	Bague d'étanchéité	1	
9	GU31614183	Axe de roue AV	1	
10	883688	Disque frein avant 320	1	
11	AP8152286	Vis bride M8x20	6	
12	GU31616384	Entretoise G	1	
13	GU93180111	Bouchon 15 mm	1	
14	GU32615660	Entretoise D	1	
15	GU14616150	Contrepoids	1	
16	GU03612040	Pare clau	1	
17	GU31610160	Chambre à air MB 18	1	
18	886679	Pneu 100/90 18	1	

Groupe	CHASSIS
Code	33.25
Description	Roue arrière
Révision	1



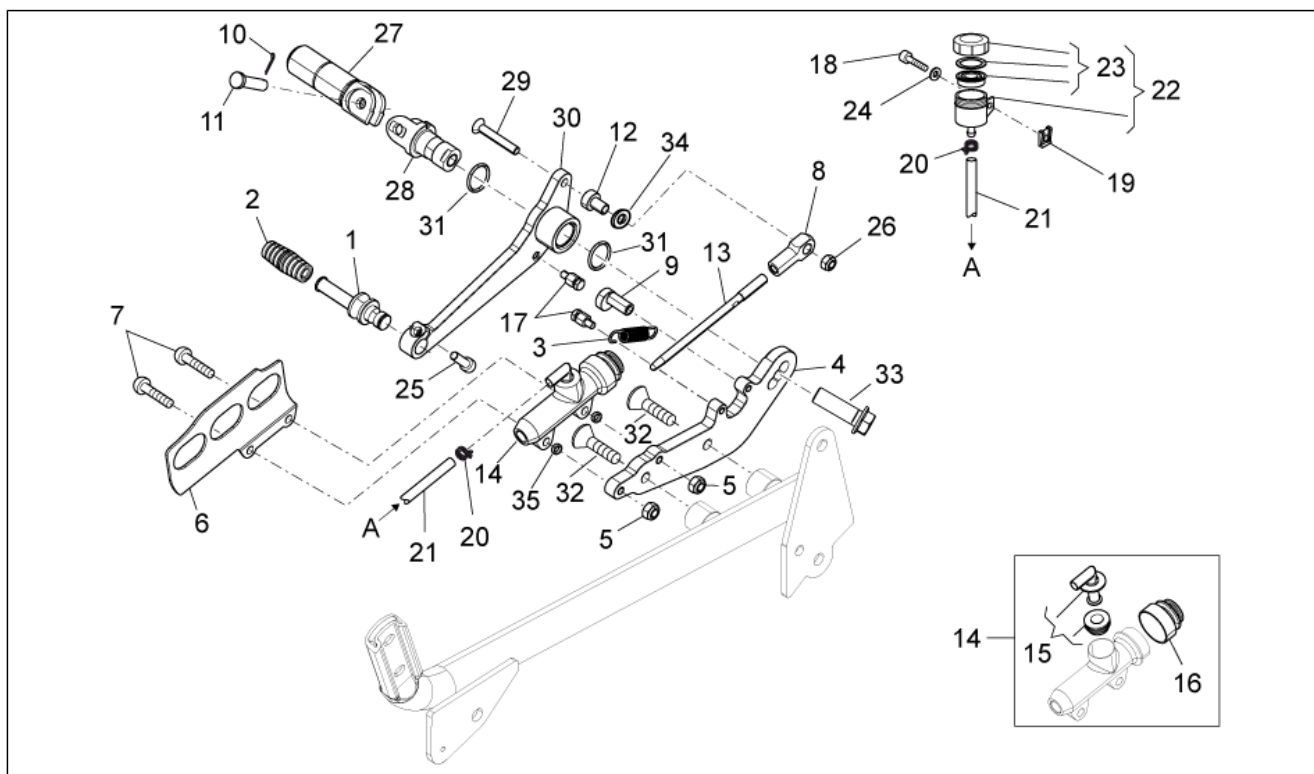
Pos.	Code	Description	Quant	Variants
1	B063267	Roue AR 3,5"x17"	1	
2	886711	Moyeu arrière	1	
3	GU92204218	Roulement	1	
4	GU27633910	Entretoise	1	
5	GU92204217	Roulement	1	
6	GU90402538	Bague d'étanchéité 25x40x7	1	
7	883350	Rayon court	18	
8	883349	Rayon long mm 158	18	
9	GU03631250	Nipples	36	
10	GU14616150	Contrepoids	1	
11	B063078	Jante arrière 3,5"x17" Black	1	
12	887448	Disque frein	1	
13	894505	Vis bride M8x18	6	
14	GU32633360	Axe de roue AR	1	
15	GU31634481	Rondelle	1	
16	GU92606316	Ecrou M16x1,5	1	
17	GU32632510	Joint en caoutchouc	6	
18	GU28612033	Pare clau	1	
19	GU30630430	Chambre à air MD 17	1	
20	886680	Pneu 130/80 17	1	
21	GU32636160	Coatouch pour support	1	

Groupe	CHASSIS
Code	33.26
Description	Maît.cyl. frein AR
Révision	1



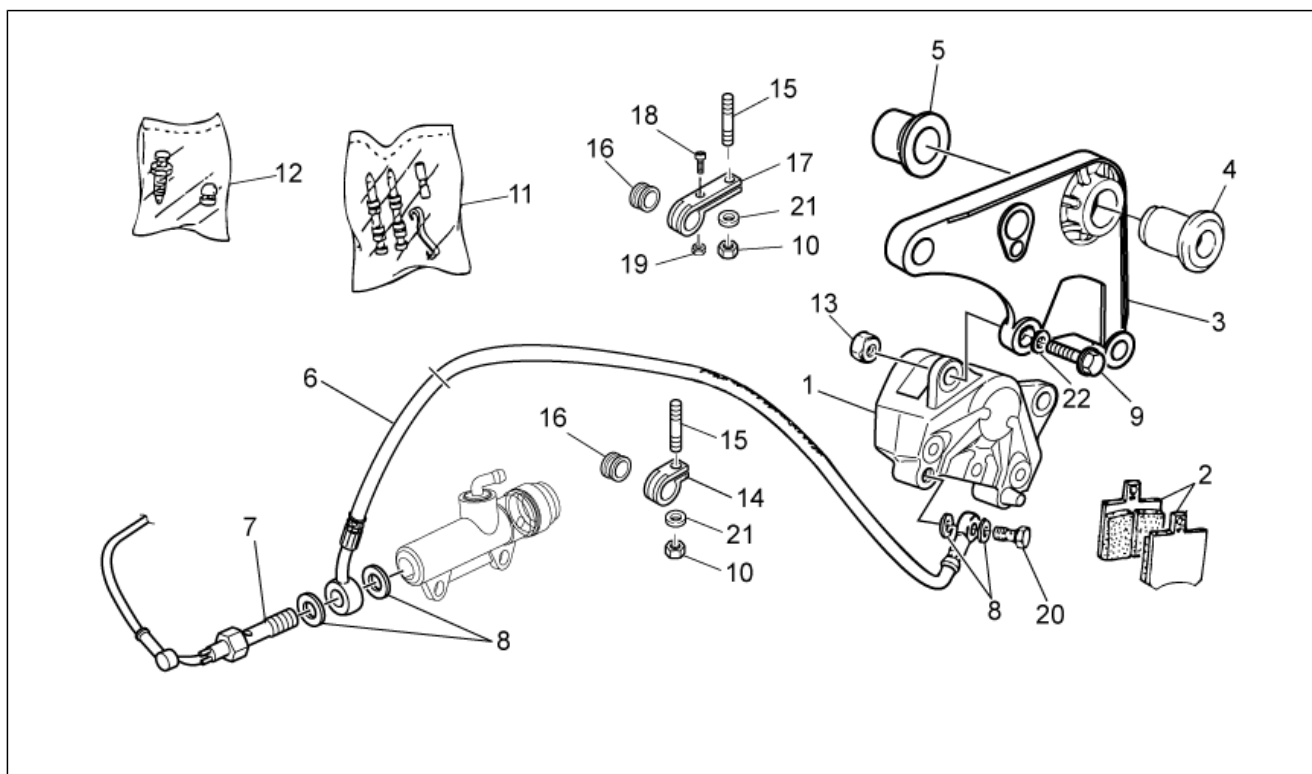
Pos.	Code	Description	Quant	Variants
1	886665	Tige	1	
2	AP8120912	Caoutchouc pour levier	1	
3	AP8121927	Ressort man.ferin ar.	1	
4	898288	Plaque de repose-pieds pilote	1	
5	GU92630206	Ecrou M6x1	2	
6	GU01665410	Protection maître cyl.noire	1	
7	GU98370625	Vis	2	
8	GU18257551	Bloc	1	
9	886666	Douille excentrique	1	
10	GU95401215	Goupille	1	
11	GU23442210	Pivot	1	
12	898287	Goujon de levier	1	
13	978970	Poussoir cde mai-cyl.	1	
14	AP8133643	Maît.cyl. frein AR	1	
15	AP8213057	Raccord pompe arrière	1	
16	AP8113288	Soufflet en caoutchouc	1	
17	898286	Pivot fix. ressort	2	
18	AP8152298	Vis bride M5x16	1	
19	248419	Plaquette elastique m5	1	
20	AP8101594	Collier D10,1*	2	
21	GU00823950050	Tuyau huile	1	
22	AP8133873	Réserv.huile freins	1	
23	AP8113553	Bouchon réservoir	1	
24	GU95100059	Rondelle 5,25x14x1,5	1	
25	AP8150044	Vis M6x20	1	
26	GU92630206	Ecrou M6x1	1	
27	898281	R-pied pilote D	1	
28	898612	Sup.pl.pilote dte	1	

Groupe	CHASSIS
Code	33.26
Description	Maît.cyl. frein AR
Révision	1



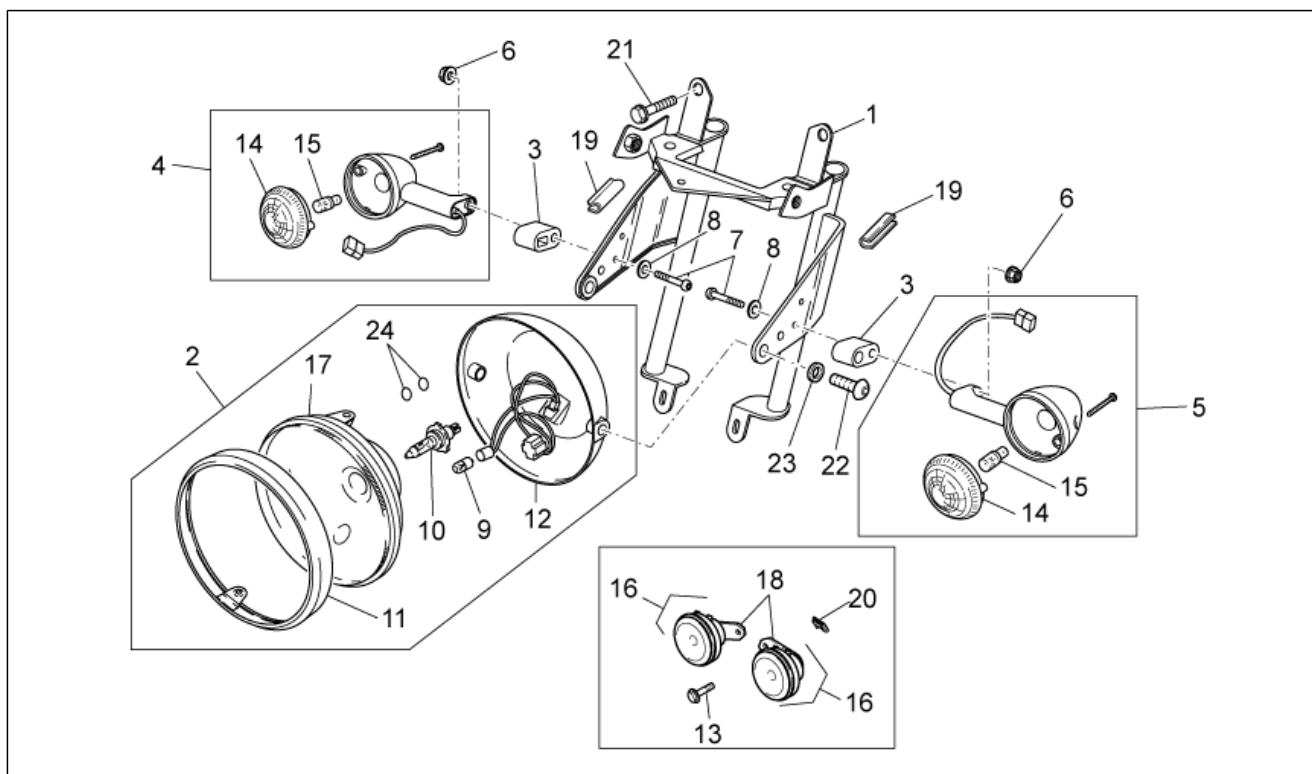
Pos.	Code	Description	Quant	Variants
29	AP8150468	Vis FHC M6x40	1	
30	898285	Levier frein	1	
31	AP9100477	Joint torique 18x2	2	
32	GU98252420	Vis FHC M8x20	2	
33	AP8152320	Vis bride	1	
34	GU03270300	Rondelle 8,4x15	1	
35	AP8134640	Entretoise corps filtre	2	

Groupe	CHASSIS
Code	33.27
Description	Pince frein AR
Révision	1



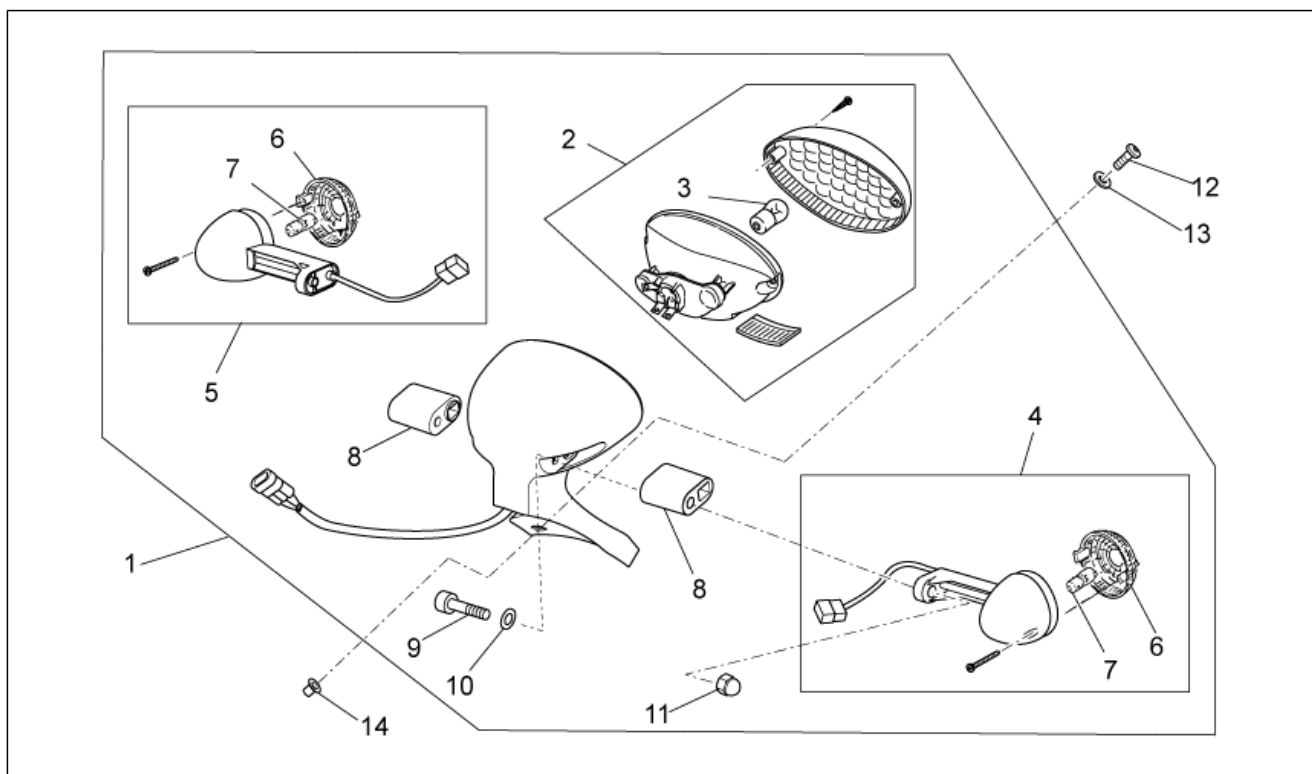
Pos.	Code	Description	Quant	Variants
1	887449	Pince frein arrière	1	
2	AP8133798	Plaquettes-paire	1	
3	887431	Plaque support étrier frein	1	
4	GU31634281	Douille	1	
5	GU32634160	Entretoise	1	
6	B063750	Tuyau de frein arrière en caoutchouc	1	
7	883192	Interrupteur	1	
8	AP8113004	Rondelle 10x14x1,6*	4	
9	AP8152288	Vis bride	2	
10	AP8152299	Ecrou autobloqu. M6	2	
11	GU31659181	Kit Axes+ressort	1	
12	GU31659281	Purge+capuchon	1	
13	AP8152300	Ecrou autobloqu. M8	2	
14	GU03658430	Collier	1	
15	GU96451316	Vis sans tête	1	
16	GU03658201	Bague	2	
17	GU03658330	Collier	1	
18	GU98257410	Vis	1	
19	GU92630104	Ecrou M4x0,7	1	
20	AP8113003	Vis tuyau huile *	1	
21	GU95008306	Rondelle 6,4x12x1,2	2	
22	GU61270300	Rondelle élastique 8x15x0,3	1	

Groupe	CHASSIS
Code	33.28
Description	Feux avant
Révision	1



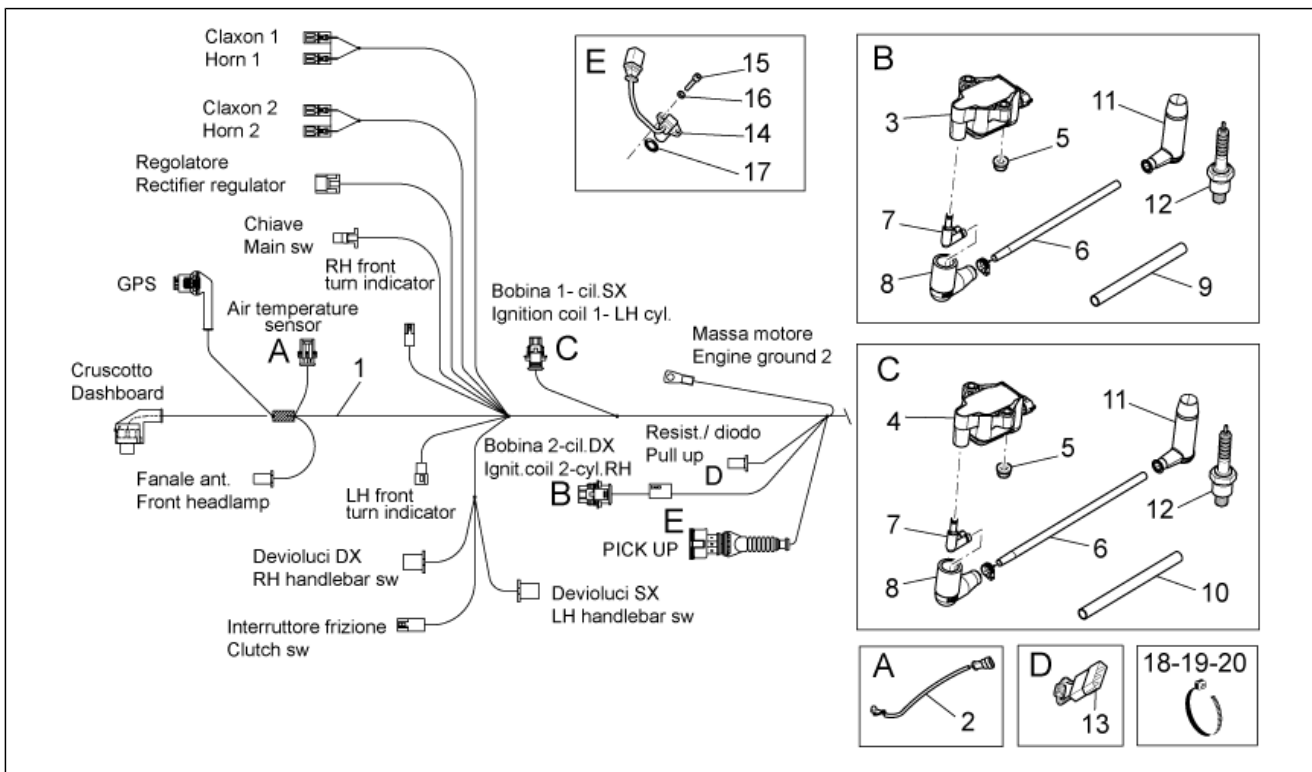
Pos.	Code	Description	Quant	Variants
1	GU32506360	Bride support feu	1	
2	978311	Phare avant	1	
2	978662	Projecteur av.complet gauche	1	Pays:Australie[AA], Japon[J]
3	GU32753410	Entretoise	2	
4	887826	Clignot.av.dr./arr.ga.	1	
5	887827	Clignot.av.ga./arr.dr.	1	
6	GU92787006	Ecrou borgne M6x1	2	
7	GU98370655	Vis	2	
8	GU95021206	Rondelle	2	
9	292022	Lampe (ou Ampoule) 12V-5W	1	
10	292723	Lampe (ou Ampoule) H4 60/55W 12V	1	
11	640598	Bague chromée	1	
12	981149	Calotte, noir	1	
13	AP8152278	Vis bride M6x16	2	
14	B063735	Vitre clignotant	2	
15	GU93450126	Lampe orange	2	
16	890979	Klaxon	2	
17	GU06740400	Groupe optique	1	
18	GU01744200	Bride	6	
19	GU00823931055	Joint	1	
20	254485	Plaquette elastique M6	2	
21	GU98880540	Vis M10x40	2	
22	GU98692420	Vis M8x20	2	
23	GU95005308	Rondelle 8,4x14,57x1,6	2	
24	883417	Joint torique	2	

Groupe	CHASSIS
Code	33.29
Description	Feux arriere
Révision	1



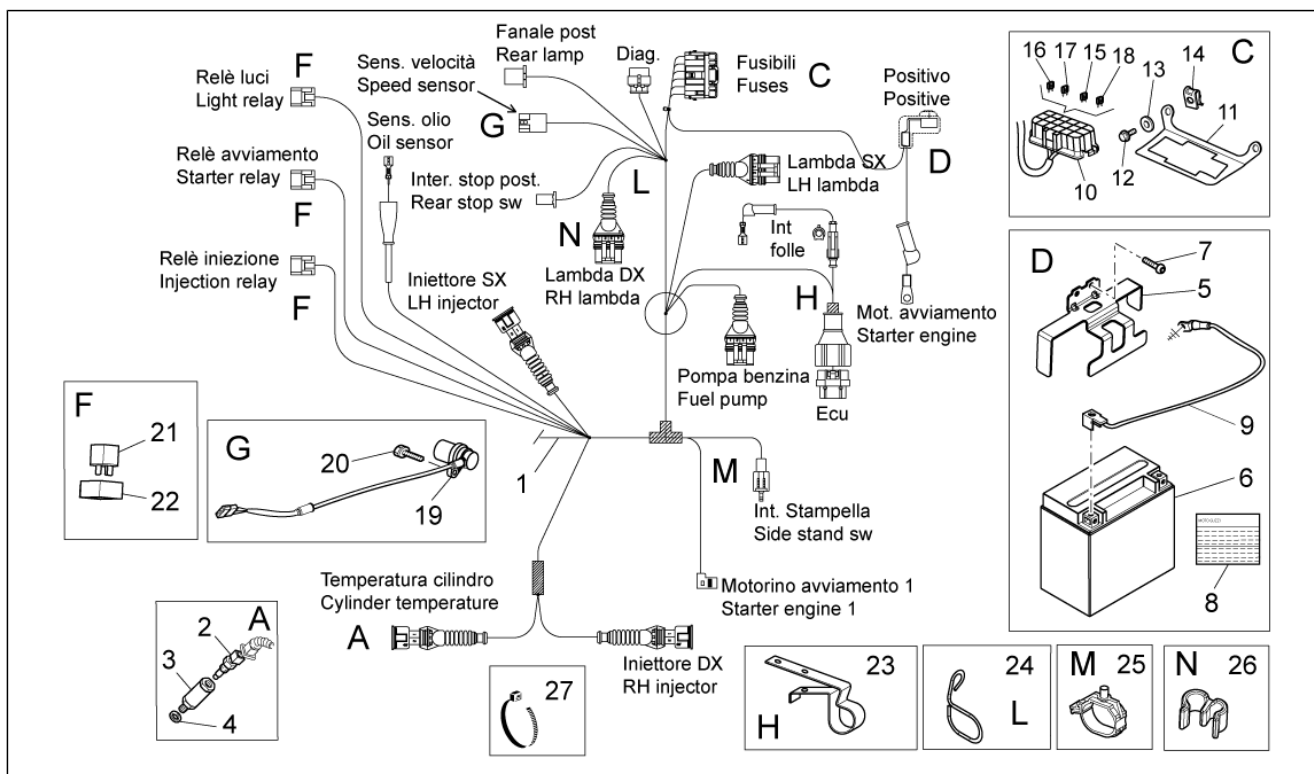
Pos.	Code	Description	Quant	Variants
1	887877	Phare AR cpl.	1	
2	GU03740930	Feu arrière	1	
3	GU93450224	Lampe (ou Ampoule)	1	
4	887826	Clignot.av.dr./arr.ga.	1	
5	887827	Clignot.av.ga./arr.dr.	1	
6	B063735	Vitre clignotant	1	
7	584332	Lampe (ou Ampoule) 12V-10W	2	
8	GU32753410	Entretoise	2	
9	GU98370655	Vis	2	
10	GU95021206	Rondelle	2	
11	GU92787006	Ecrou borgne M6x1	2	
12	GU98350215	Vis	3	
13	GU30577800	Rondelle nylon 5,5X12X1	3	
14	GU93231605	Douille anti vibr.	3	

Groupe	CHASSIS
Code	33.30
Description	Circuit électrique I
Révision	1



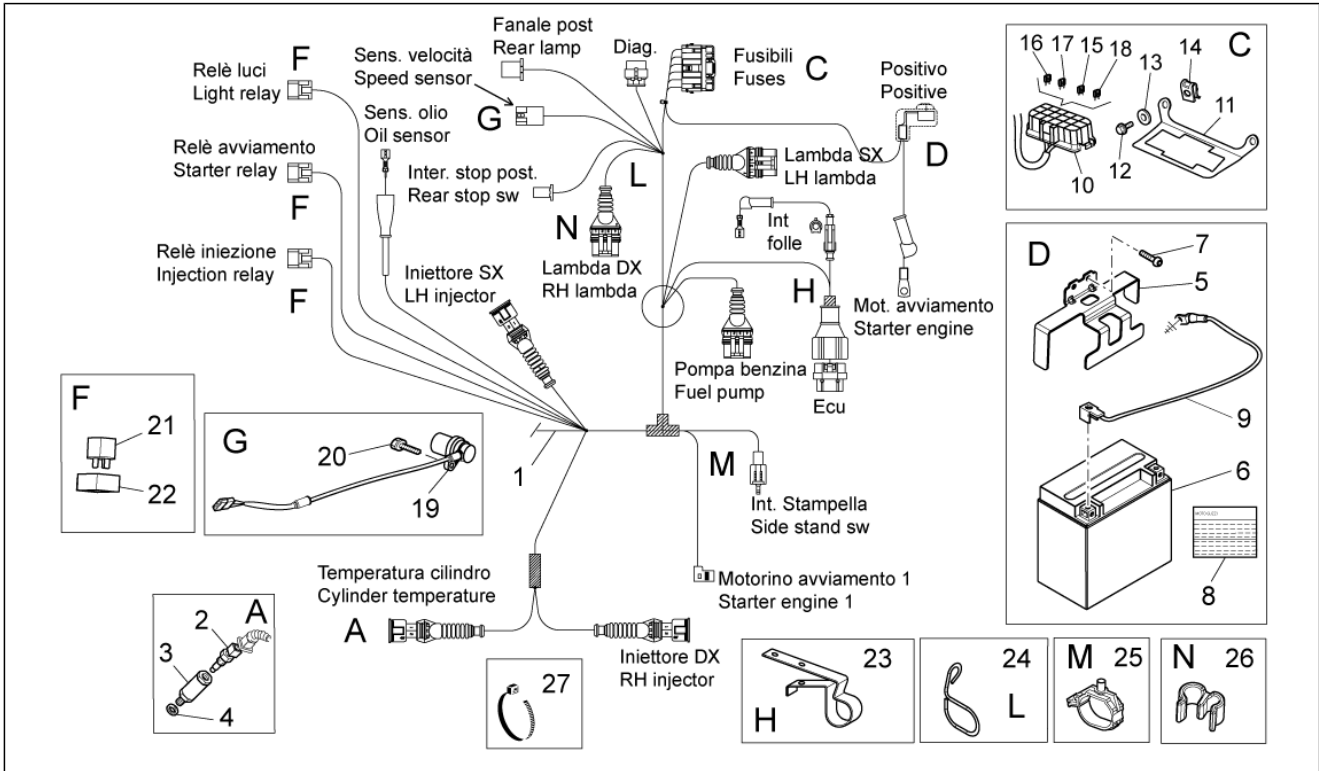
Pos.	Code	Description	Quant	Variants
1	887825	Câblage principal	1	
2	AP8124936	Détec. temper. air	1	
3	642034	Bobine HT DX	1	
4	641901	Bobine HT	1	
5	AP8152299	Ecrou autobloqu. M6	4	
6	080341	Câble de base H.T.	2	
7	641725	Borne H.T.	2	
8	641040	Capuchon isolant	2	
9	CM0074D0	Gaine D.8-S.0,5-L.370	1	
10	CM0074C9	Gaine de câble grise D.8-S.0,5-L.435	1	
11	GU02717450	Pipe bougie NGK	2	
12	887481	Bougie NGK CPR8EB-9	2	
13	887948	Diode	1	
14	GU01721600	Capteur phase/tours	1	
15	GU98682212	Vis M5x12	2	
16	GU95008205	Rondelle 5,3x10x0,8	2	
17	GU90706141	Joint torique	1	
18	AP8120416	Collier, noir 178x4	1	
19	GU49609601	Collier 2,4x92	1	
20	GU14609650	Collier 3,6x20,6	31	

Groupe	CHASSIS
Code	33.31
Description	Circuit électrique II
Révision	1



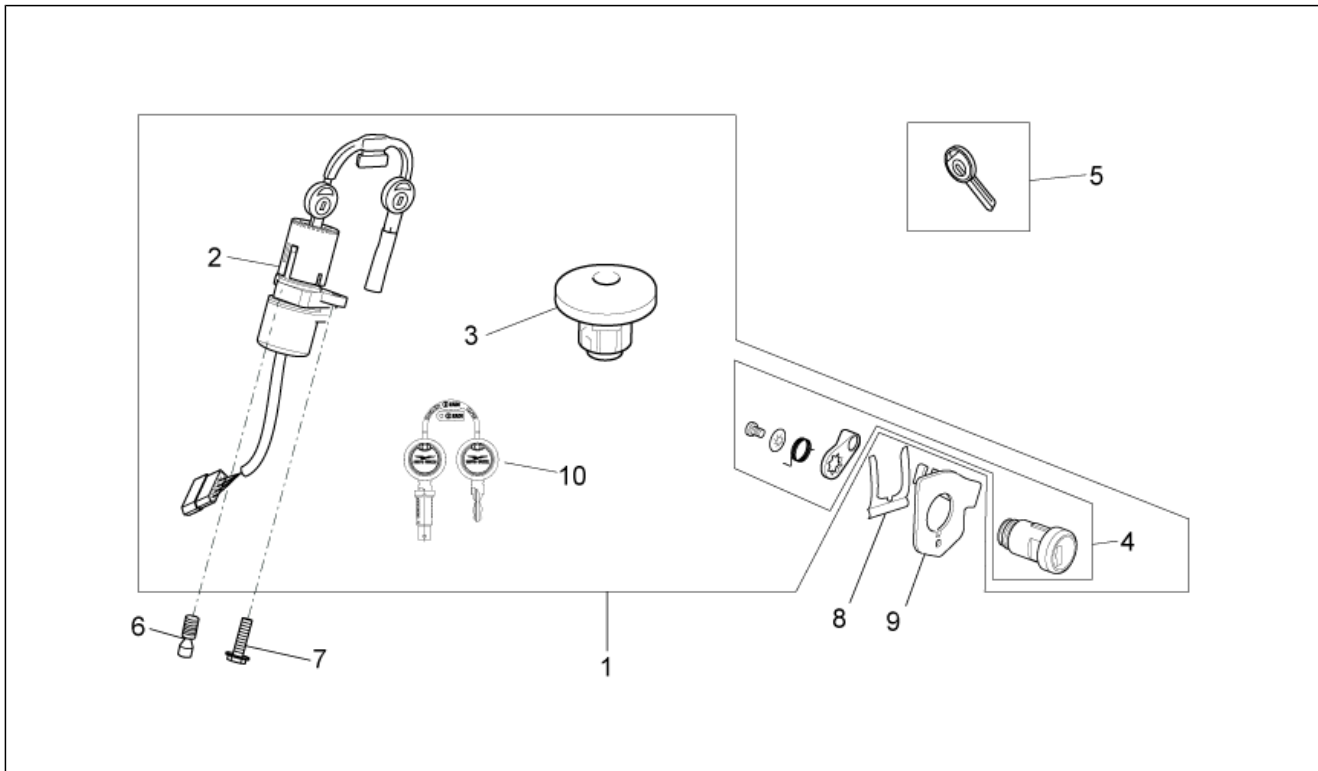
Pos.	Code	Description	Quant	Variants
1	887825	Câblage principal	1	
2	GU29729461	Capteur température huile	1	
3	GU03163330	Support détecteur	1	
4	GU95004210	Rondelle 10,2x18x2	1	
5	B063233	Support batterie	1	
6	638733	Batterie Yuasa 12V-12Ah (150x85x145)	1	
7	GU98370616	Vis M6x16 inox	2	
8	GU32517710	Décalco "Battery service"	1	
9	GU32747910	Câblage masse-batterie	1	
10	584211	Boîte à fusibles	1	
11	883161	Support p-fusibles	1	
12	GU98682212	Vis M5x12	2	
13	GU95100059	Rondelle 5,25x14x1,5	2	
14	AP8102375	Clip m5	2	
15	CM225705	Fusible 5A	2	
16	CM225710	Fusible 10A	1	
17	CM225715	Fusible 15A	2	
18	CM225730	Fusible 30A	1	
19	893570	Capteur tachym. cpl.	1	
20	AP8150377	Vis	1	
21	AP8224462	Relais 12V/30A	3	
22	AP8220283	Caoutchouc *	3	
23	B043850	Collier	1	
24	AP8181140	Passe-câble	1	
25	CM013202	Clip d'arrêt des tuyaux/câbles	1	
26	894704	Passe-câble	1	
27	AP8120416	Collier, noir 178x4	1	
27	GU14609650	Collier, 3,6x20,6	21	

Groupe	CHASSIS
Code	33.31
Description	Circuit électrique II
Révision	1



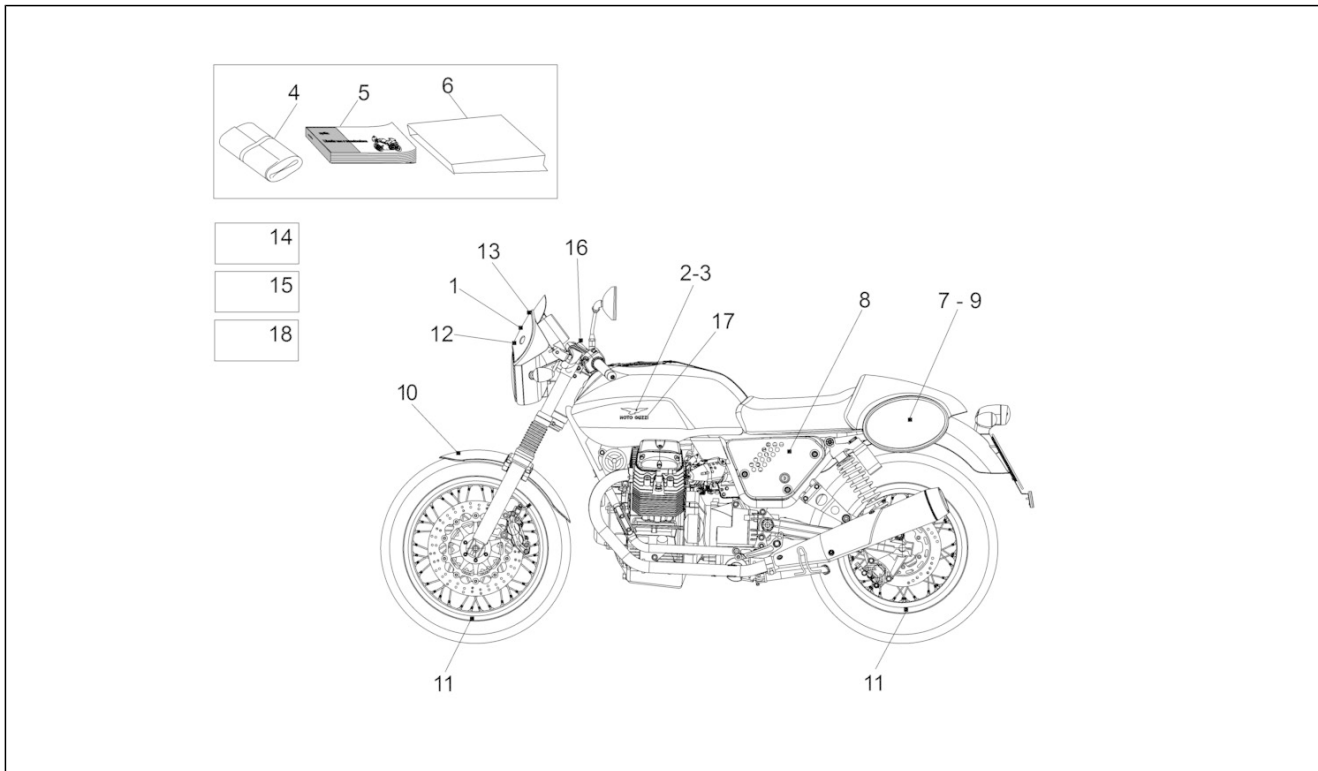
Pos.	Code	Description	Quant	Variants
27	GU49609601	Collier 2,4x92	1	

Groupe	CHASSIS
Code	33.32
Description	Kit serrure
Révision	1



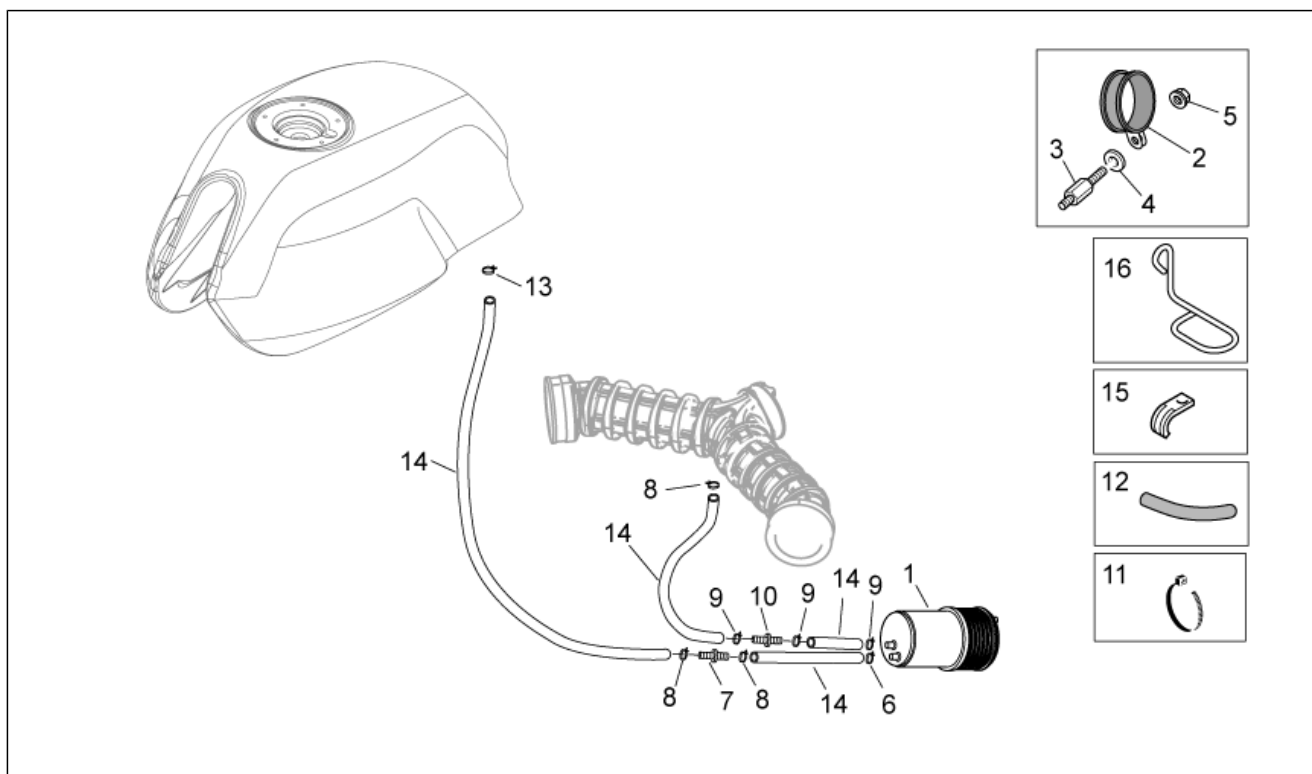
Pos.	Code	Description	Quant	Variants
1	883477	Kit serrures	1	Pays:Chine[CN]
1	887873	Kit serrures	1	
2	GU32782510	Bloc démarreur-bloc	1	
3	883476	Bouchon réservoir	1	Pays:Chine[CN]
3	887874	Bouchon réservoir	1	
4	977527	Serrure avec clés	1	
5	GU32735510	Clé pas cantée brut-coque go	1	
5	GU32735511	Clé pas cantée brut-coque cr	1	
6	AP8150349	Vis spéciale M8x15	1	
7	GU98682416	Vis M8x16	1	
8	AP8121420	Ressort à fourche	1	
9	978415	Plaque support câble	1	
10	2D000006	Cylindre de serrure avec clé pour bouchon d'essence	1	

Groupe	CHASSIS
Code	33.33
Description	Décalco et plaquettes
Révision	1



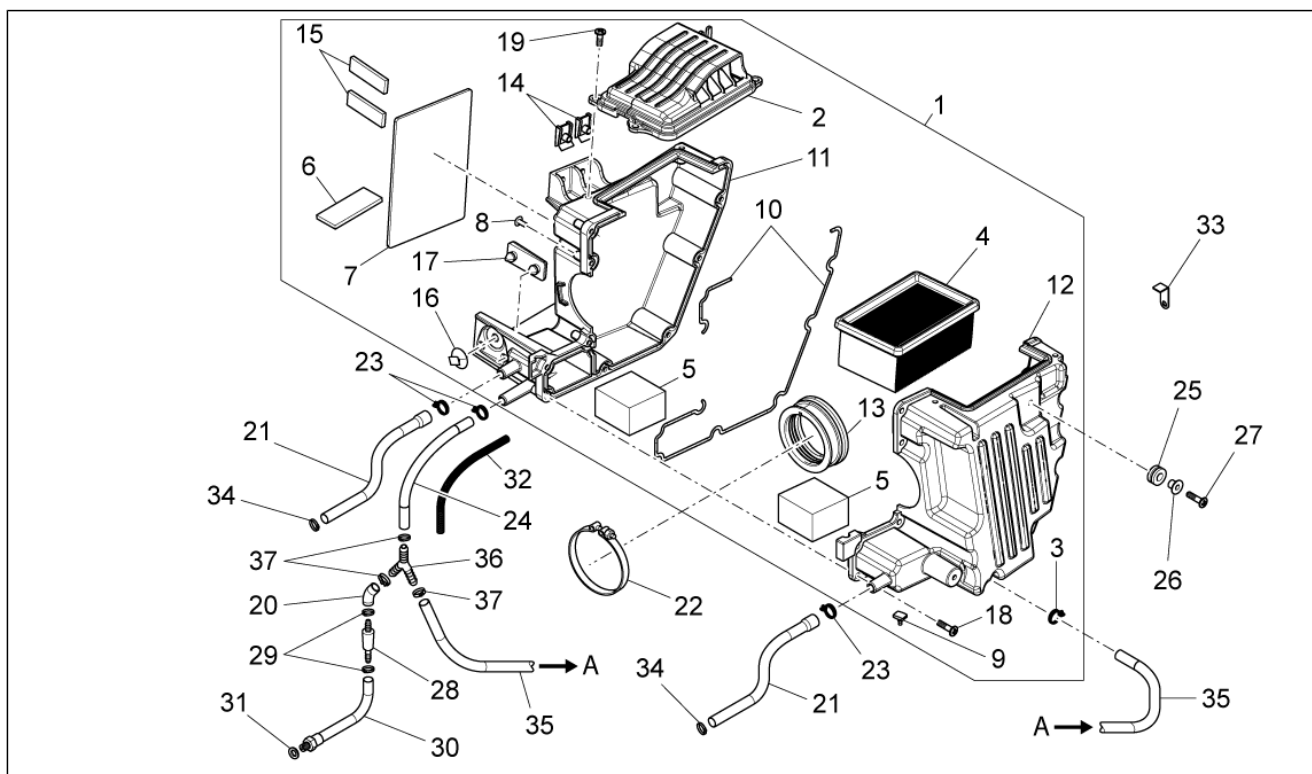
Pos.	Code	Description	Quant	Variants
1	2H000425	Décalque coupole	1	
2	898174	Décalco D. "Aquila"	1	
3	886678	Décalco G. "Aquila"	1	
4	887443	Trousse à outils	1	
5	2Q000043	Livret d'util.et entret. I-F-D-NL-E-UK	1	
5	2Q000045	Libretto uso e manutenzione JP-EN	1	Pays:Japon[J]
5	2Q000054	Libretto uso e manutenzione ZN-EN-IT-DE	1	Pays:Chine[CN]
6	GU05900130	Sachet pour documents	1	
7	2H000426	Décalco, noir dx-sx	1	
8	2H000428	Décalco "V7 Racer" dx-sx	2	
9	2H000427	Autocollant pour bavette D/G	2	
10	886141	Décalco "Aquila"	1	
11	887971	Décalco "Moto Guzzi"	4	
12	2H000424	Decalco filetto inferiore	1	
13	2H000423	Decalco filetto superiore	1	
14	2G000013	Décalco shed	1	Pays:Chine[CN]
15	GU03995730	Décalco "Unleaded Fuelonly"	1	Pays:Australie[AA]
16	2H000429	Targhetta piastra manubrio	1	
17	2H000430	Targhetta dx-sx "Moto Guzzi"	2	
18	GU32944310	Décalco protect.	2	

Groupe	CHASSIS
Code	33.51
Description	Sys.récup.vap.ess.
Révision	1



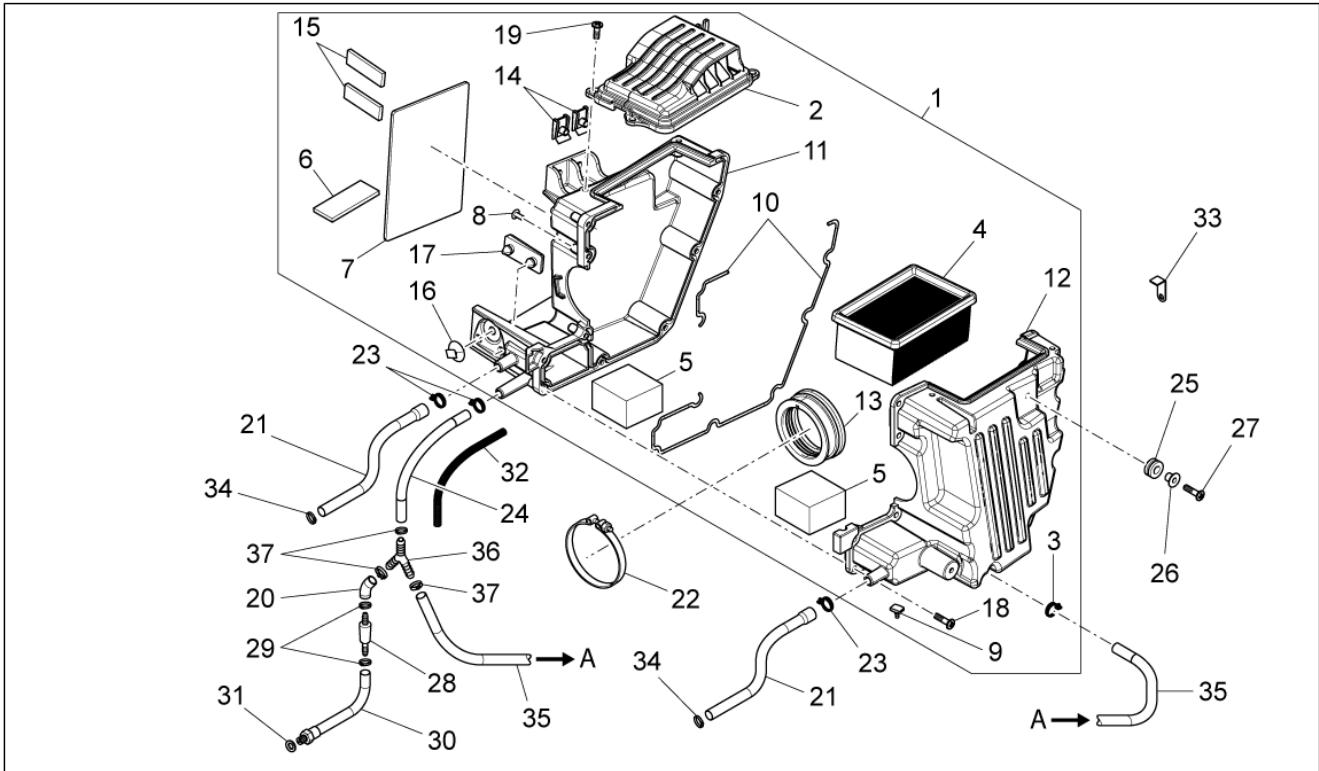
Pos.	Code	Description	Quant	Variants
1	AP8102678	Filtre à charbon	1	
2	AP8102688	Collier d.76	1	
3	GU32439260	Sup.canister USA	1	
4	GU95005311	Rondelle	1	
5	AP8152299	Ecrou autobloqu. M6	1	
6	AP8102159	Collier	1	
7	860138	Soupape	1	
8	GU28157950	Collier clic 12,5x8	4	
9	AP8120446	Collier clic, vert D11x6,6x1	2	
10	AP8121267	Queue de étranglement	1	
11	AP8120416	Collier, noir 178x4	1	
12	GU00823923140	Gaine thermique	4	
13	AP8201358	Collier D 11,9	1	
14	856063	Tuyau SAE 30 d.12,7x6,35	3	
15	GU93301313	Cavalier	1	
16	AP8221114	Guide-câble	2	

Groupe	CHASSIS
Code	33.52
Description	Corps filtre II
Révision	1



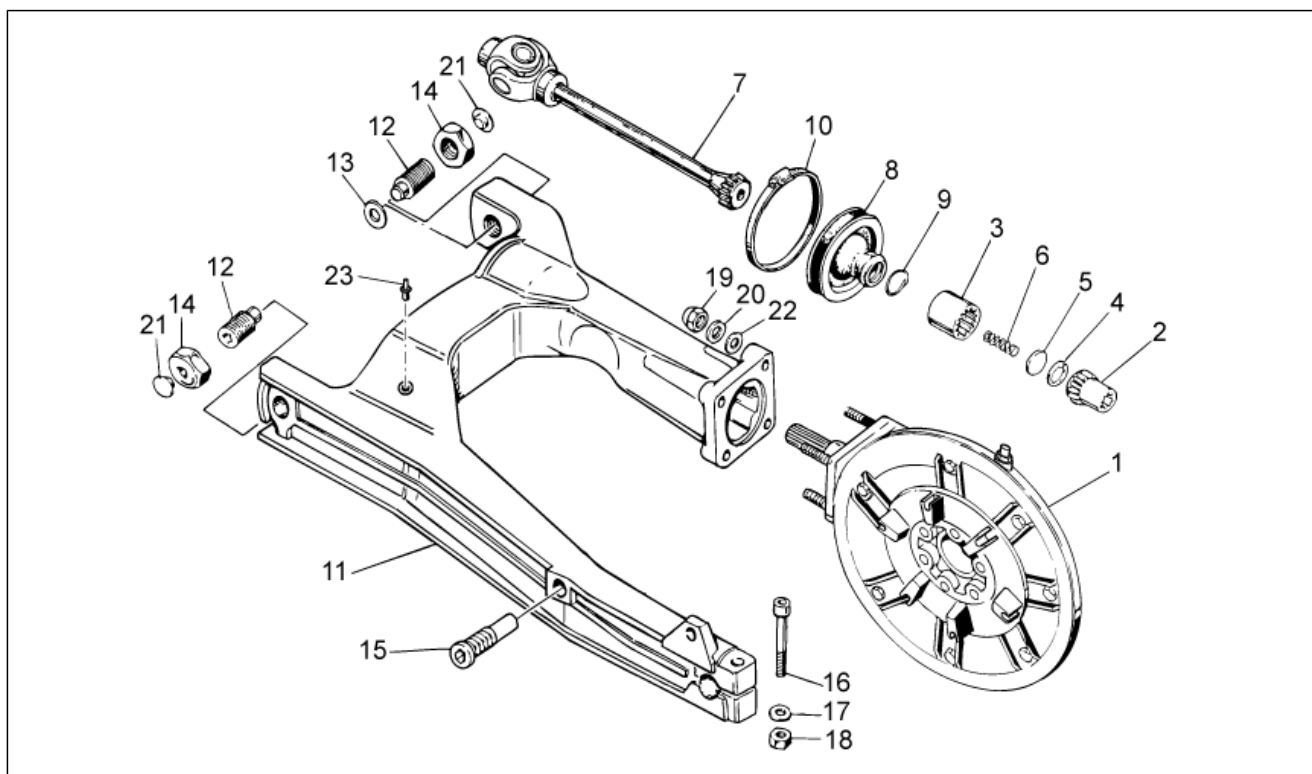
Pos.	Code	Description	Quant	Variants
1	8878421	Boîtier filtre complet	1	
2	887843	Couvercle de filtre	1	
3	AP8201358	Collier D 11,9	1	
4	AP8104924	Filtre air	1	
5	AP8104525	Filtre blow-by	2	
6	883127	Coautouc pour support 5mm	1	
7	AP8144553	Coautouc pour support	1	
8	AP8120876	Bouchon de fermeture	2	
9	AP8120455	Caoutchouc	1	
10	AP8120615	Joint D3	2	
11	887844	Coquille D de boîtier de filtre	1	
12	887845	Coquille G de boîtier de filtre	1	
13	887815	Manchon d'aspiration	1	
14	254485	Plaquelette elastique M6	2	
15	AP8144538	Joint	2	
16	890760	Support instruments	1	
17	AP8144729	Tampon fin de course béquille	1	
18	AP8152329	Vis SWP crois. brid. M5x20	9	
19	AP8150509	Vis taraud 5x14	4	
20	AP8120772	Tuyau reniflard radiateur	1	
21	B063214	Tuyau Blow-by	2	
22	GU93305061	Collier 61/65,5	1	
23	AP8102766	Collier	3	
24	AP8120772	Tuyau reniflard radiateur	1	
25	GU91551010	Caoutchouc	2	
26	AP8221023	Douille en "T"	2	
27	AP8152329	Vis SWP crois. brid. M5x20	2	
28	AP8104996	Soupape de retenue	1	

Groupe	CHASSIS
Code	33.52
Description	Corps filtre II
Révision	1



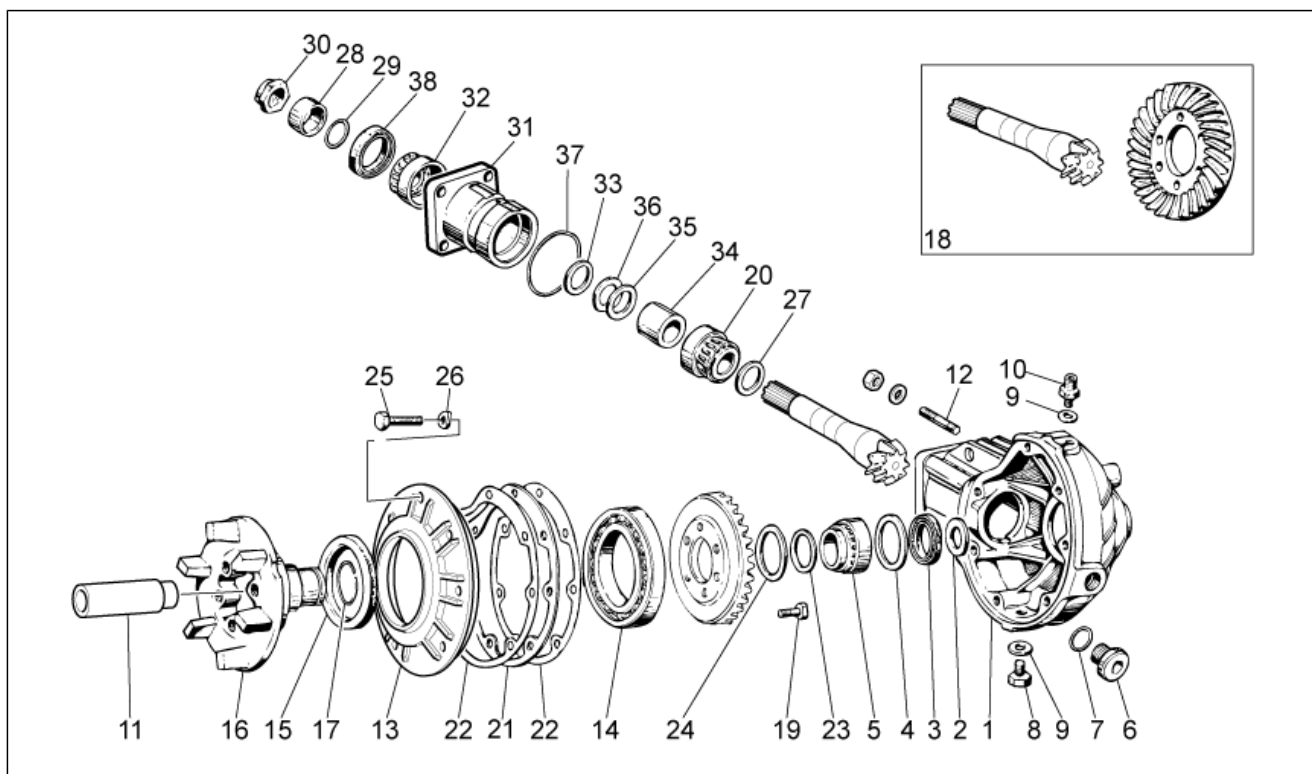
Pos.	Code	Description	Quant	Variants
29	AP8102765	Collier clic, blanc D.13,5x6	2	
30	B063213	Reniflard	1	
31	GU90714082	Joint	1	
32	GU00823923140	Gaine thermique	1	
33	GU31112965	Equerre	1	
34	AP8201358	Collier D 11,9	2	
35	AP8120772	Tuyau reniflard radiateur	1	
36	2B000045	Raccord 3 voies	1	
37	GU28157950	Collier clic 12,5x8	3	

Groupe	MOTEUR
Code	34.09
Description	Transmission cpl. I
Révision	1



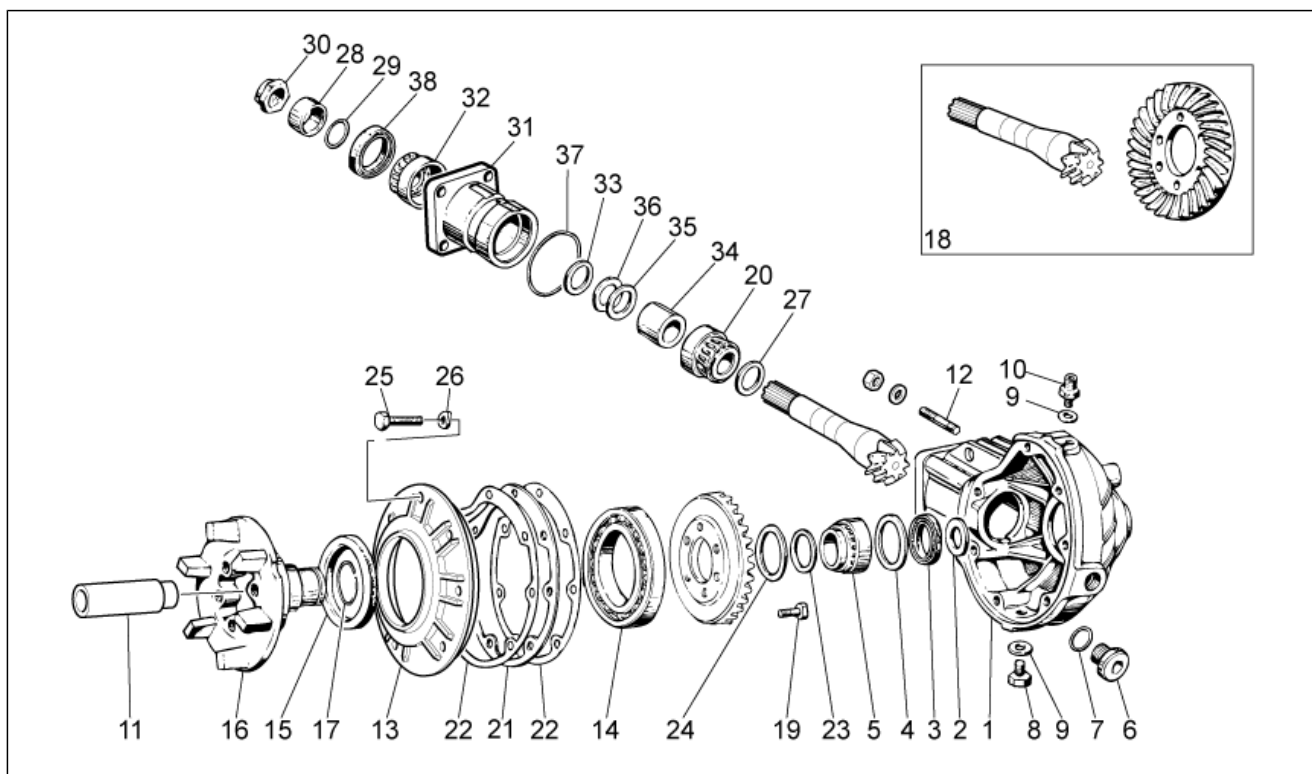
Pos.	Code	Description	Quant	Variants
1	976941	Boîte transm.cpl.noir	1	
2	GU31327783	Manchon	1	
3	GU19328801	Manchon	1	
4	GU90272023	Bague seeger	1	
5	GU19327601	Disque	1	
6	GU94321099	Ressort	1	
7	GU23328081	Joint	1	
8	GU23548080	Collier de protection	1	
9	GU23548180	Ressort	1	
10	AP8120246	Collier D=60-80	1	
11	886676	Fourche ar., rouge	1	
12	GU19547000	Pivot	2	
13	GU35214300	Cale	1	
14	GU31547882	Ecrou	2	
15	GU31544181	Pivot	1	
16	GU98680545	Vis M10x45	1	
17	GU95008210	Rondelle 10,2X18X2	1	
18	GU92606210	Ecrou M10x1,5	1	
19	860651	Ecrou borgne M8x1,25	4	
20	GU14615901	Rondelle 8,4X13X0,8	4	
21	GU93180105	Bouchon	2	
22	GU95005308	Rondelle 8,4x14,57x1,6	4	
23	GU03922280	Bouchon 5x9	1	

Groupe	MOTEUR
Code	34.10
Description	Transmission cpl. II
Révision	1



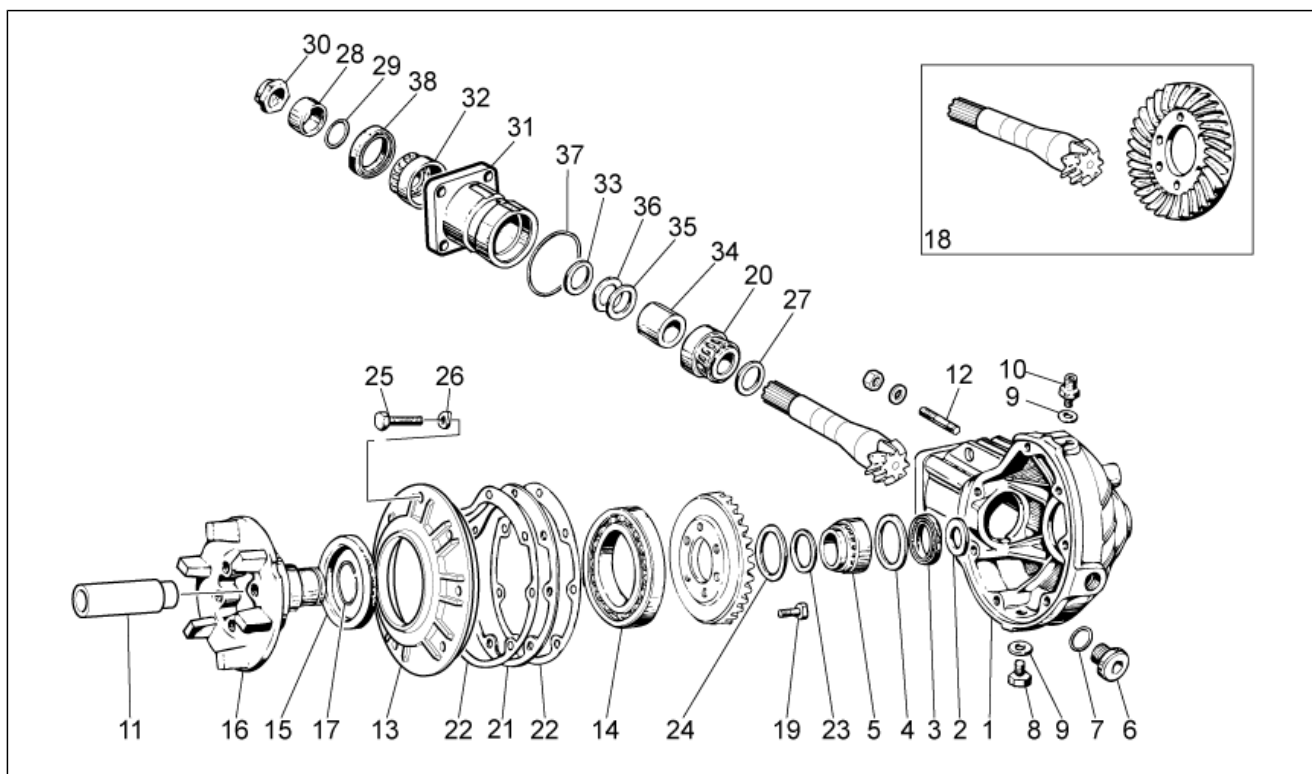
Pos.	Code	Description	Quant	Variants
1	976608	Carter de transmissionnoir	1	
2	GU19351900	Rondelle d'appui	1	
3	GU90403549	Bague d'étanchéité 35x47x7	1	
4	GU19351100	Rondelle d'appui	1	
5	GU92252235	Roulement à rouleaux 35x50x17	1	
6	GU12022600	Bouchon huile	1	
7	GU90706203	Joint torique 20,24X2,62	1	
8	GU31003766	Bouchon vid.huile M10x1	1	
9	GU01528930	Joint 10x18x1,5	2	
10	GU19206501	Bouchon purge	1	
11	GU32633560	Entretoise	1	
12	GU96508055	Vis sans tête	4	
13	GU32350410	Couvercle	1	
14	GU92201070	Roulement à billes 70x110x13	1	
15	GU90407591	Bague d'étanchéité 75x95x10	1	
16	GU32351410	Pivot	1	
17	GU90353030	Bague de butée	1	
18	GU32354610	Couple conique 8/33	1	
19	GU03067730	Vis M8x25	6	
20	GU92249227	Roulement roul.con. 25x5	1	
21	GU19355400	Cale 0,8 mm	1	
21	GU19355402	Cale 0,9 mm	1	
21	GU19355404	Cale 1 mm	1	
21	GU19355406	Cale 1,1 mm	1	
21	GU19355408	Cale 1,2 mm	1	
21	GU19355410	Cale 1,3 mm	1	
21	GU19355411	Cale 1,4 mm	1	
21	GU19355412	Cale 1,5 mm	1	

Groupe	MOTEUR
Code	34.10
Description	Transmission cpl. II
Révision	1



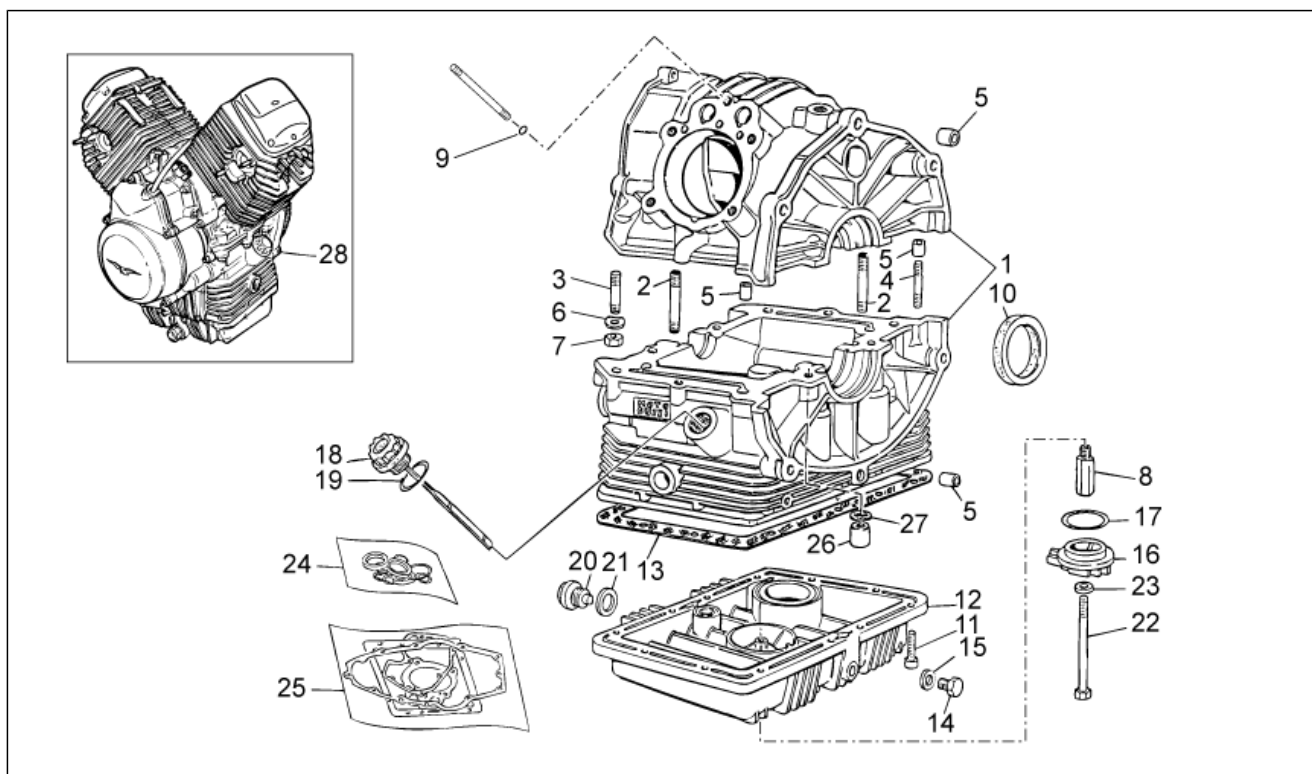
Pos.	Code	Description	Quant	Variants
21	GU19355413	Cale 1,6 mm	1	
22	GU19350700	Joint	2	
23	GU19352300	Rondelle éventail	1	
24	GU19353500	Rondelle éventail	1	
25	GU19357660	Vis	7	
26	GU61270300	Rondelle élastique 8x15x0,3	7	
27	GU19355320	Cale 1 mm	1	
27	GU19355321	Cale 1,1 mm	1	
27	GU19355322	Cale 1,2 mm	1	
27	GU19355323	Cale 1,3 mm	1	
27	GU19355324	Cale 1,4 mm	1	
27	GU19355325	Cale 1,5 mm	1	
27	GU19355326	Cale 1,6 mm	1	
27	GU19355327	Cale 1,7 mm	1	
27	GU19355328	Cale 1,8 mm	1	
27	GU19355329	Cale 1,9 mm	1	
28	GU19356801	Entretoise	1	
29	GU90706188	Bague d'étanchéité 18,77X1,78	1	
30	GU19356700	Ecrou	1	
31	GU20352421	Flasque	1	
32	GU92249220	Roulement à rouleaux 20x47x14	1	
33	GU19355300	Cale 1 mm	1	
33	GU19355301	Cale 1,1 mm	1	
33	GU19355302	Cale 1,2 mm	1	
33	GU19355303	Cale 1,3 mm	1	
33	GU19355304	Cale 1,4 mm	1	
33	GU19355305	Cale 1,5 mm	1	
33	GU19355306	Cale 1,6 mm	1	

Groupe	MOTEUR
Code	34.10
Description	Transmission cpl. II
Révision	1



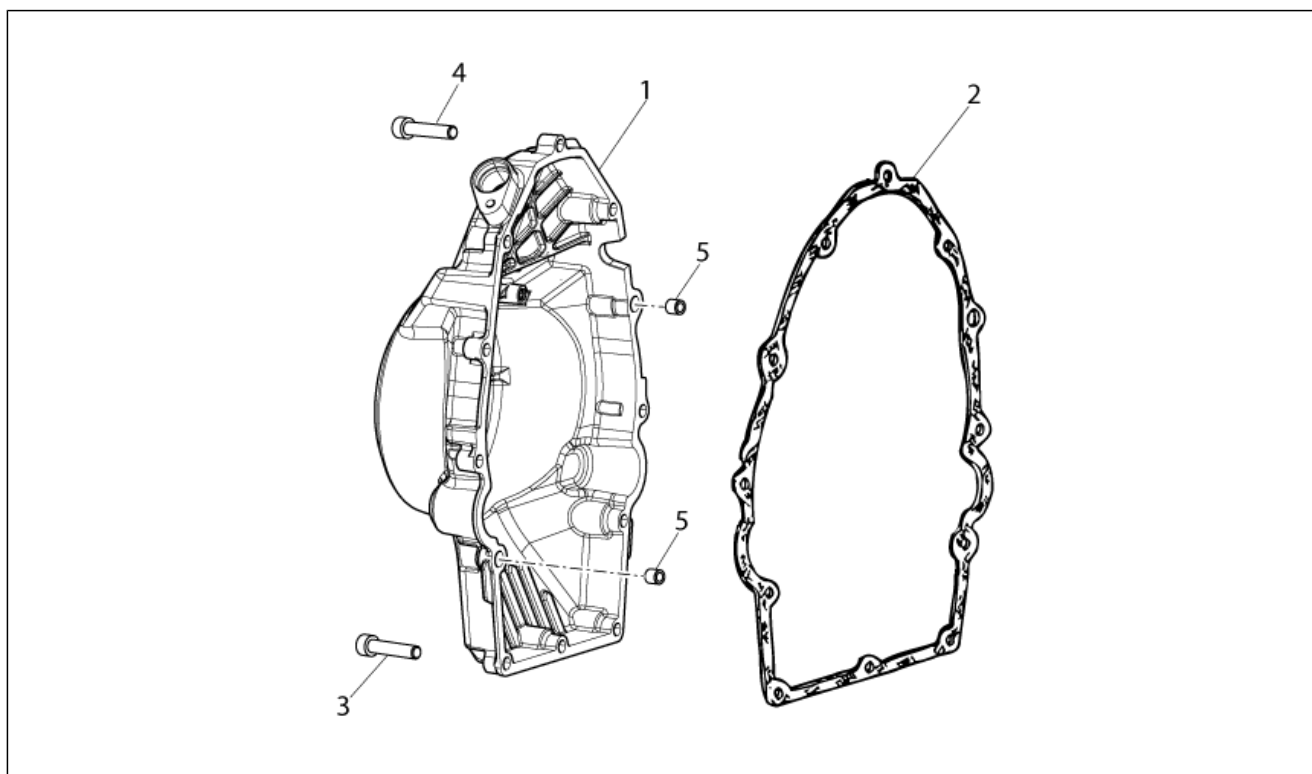
Pos.	Code	Description	Quant	Variants
33	GU19355307	Cale 1,7 mm	1	
33	GU19355308	Cale 1,8 mm	1	
33	GU19355309	Cale 1,9 mm	1	
34	GU20355121	Entretoise	1	
35	GU19355200	Rondelle ajustem. 0,1 mm	1	
36	GU19355202	Rondelle ajustem. 0,15 mm	1	
37	GU90706584	Joint 58,42x2,62	1	
38	GU90403251	Bague d'étanchéité 32x47x10	1	

Groupe	MOTEUR
Code	34.34
Description	Carter
Révision	1



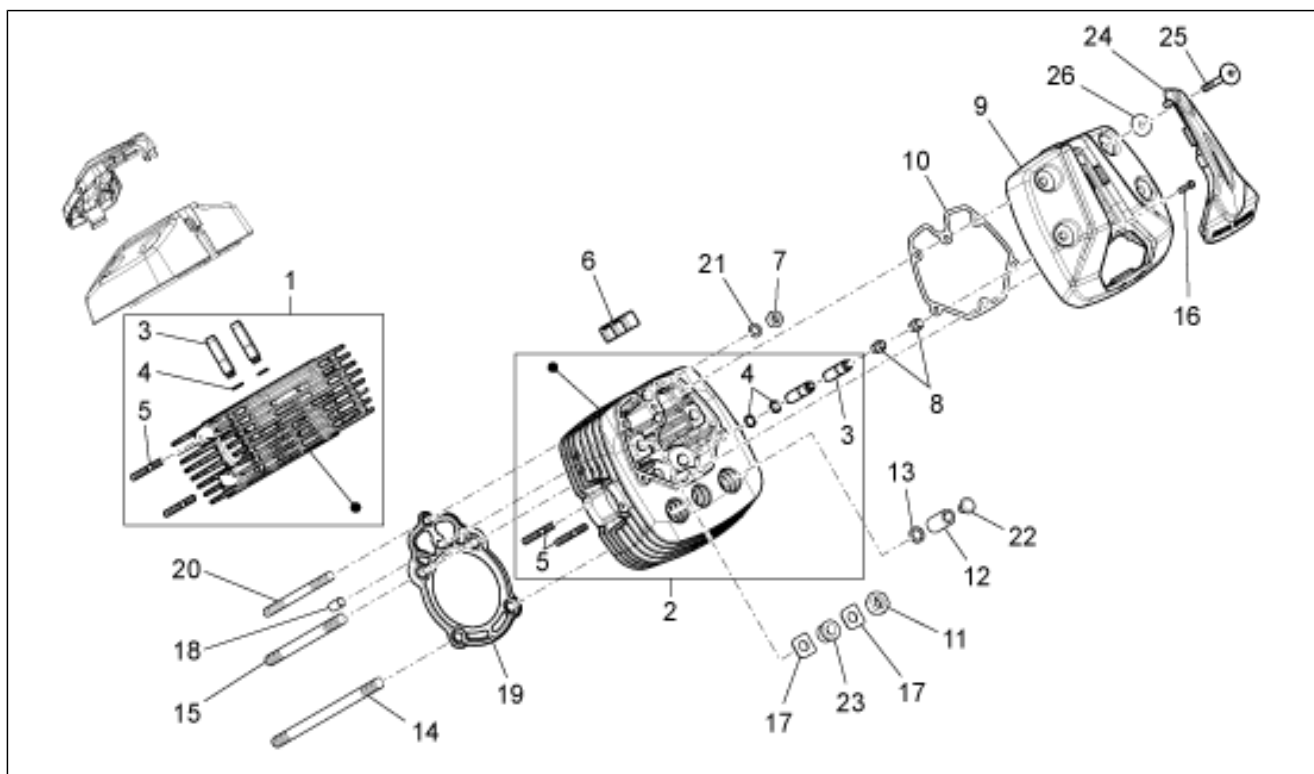
Pos.	Code	Description	Quant	Variants
1	2A0002355	Carter	1	
2	GU96451560	Vis sans tête	4	
3	GU96451430	Vis sans tête	4	
4	GU96508055	Vis sans tête	2	
5	GU19015020	Douille	4	
6	GU61270300	Rondelle élastique 8x15x0,3	6	
7	GU92606208	Ecrou M8x1,25	6	
8	GU19003800	Raccord	1	
9	GU90706076	Joint torique	2	
10	886365	Bague d'étanchéité	1	
11	GU98682325	Vis M6x25	12	
12	976604	Carter huile noir	1	
13	887004	Joint carter huile	1	
14	GU31003766	Bouchon vid.huile M10x1	1	
15	GU10528900	Garniture	1	
16	976685	Petit couvercle	1	
17	GU90706444	Joint torique	1	
18	883826	Bouchon rempl. huile	1	
19	GU90706281	Joint torique 28,24x2,62	1	
20	GU12003702	Bouchon vid.huile	1	
21	GU95100709	Joint 20,1x28x2	1	
22	GU27152885	Boulon	1	
23	GU12154200	Joint 8,25x15x1	1	
24	GU32999510	Joint spy-série	1	
25	GU32999010	Joints-jeu	1	
26	GU13021900	Ecrou colonne	4	
27	GU95129180	Rondelle 10,5X18X0,8	4	
28	2L0001895	Moteur comp.sansbo.vitesses	1	

Groupe	MOTEUR
Code	34.35
Description	Couvercle distribution
Révision	1



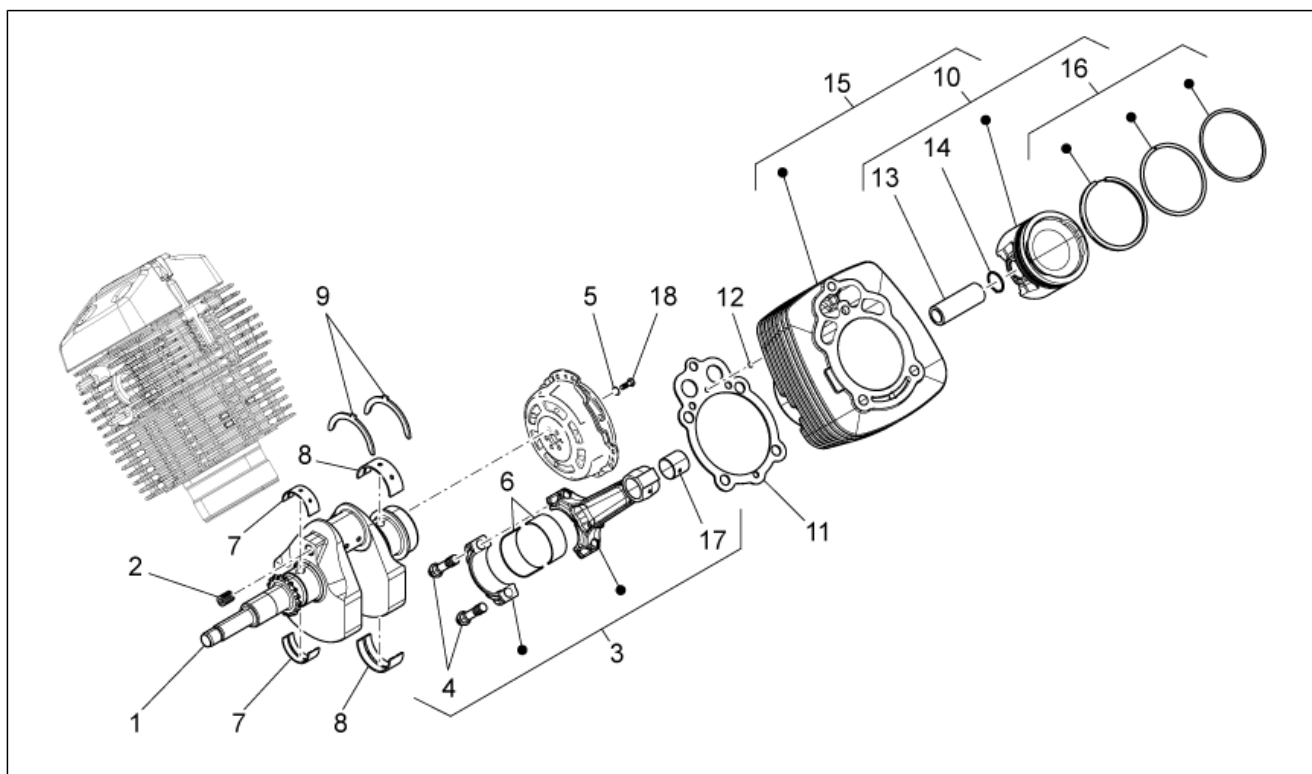
Pos.	Code	Description	Quant	Variants
1	2A000085	Couvercle	1	
2	887003	Joint couvercle	1	
3	GU98682325	Vis M6x25	10	
4	GU98682330	Vis M6x20	2	
5	GU19002020	Douille 6,6x9x13	2	

Groupe	MOTEUR
Code	34.36
Description	Tête cylindre
Révision	1



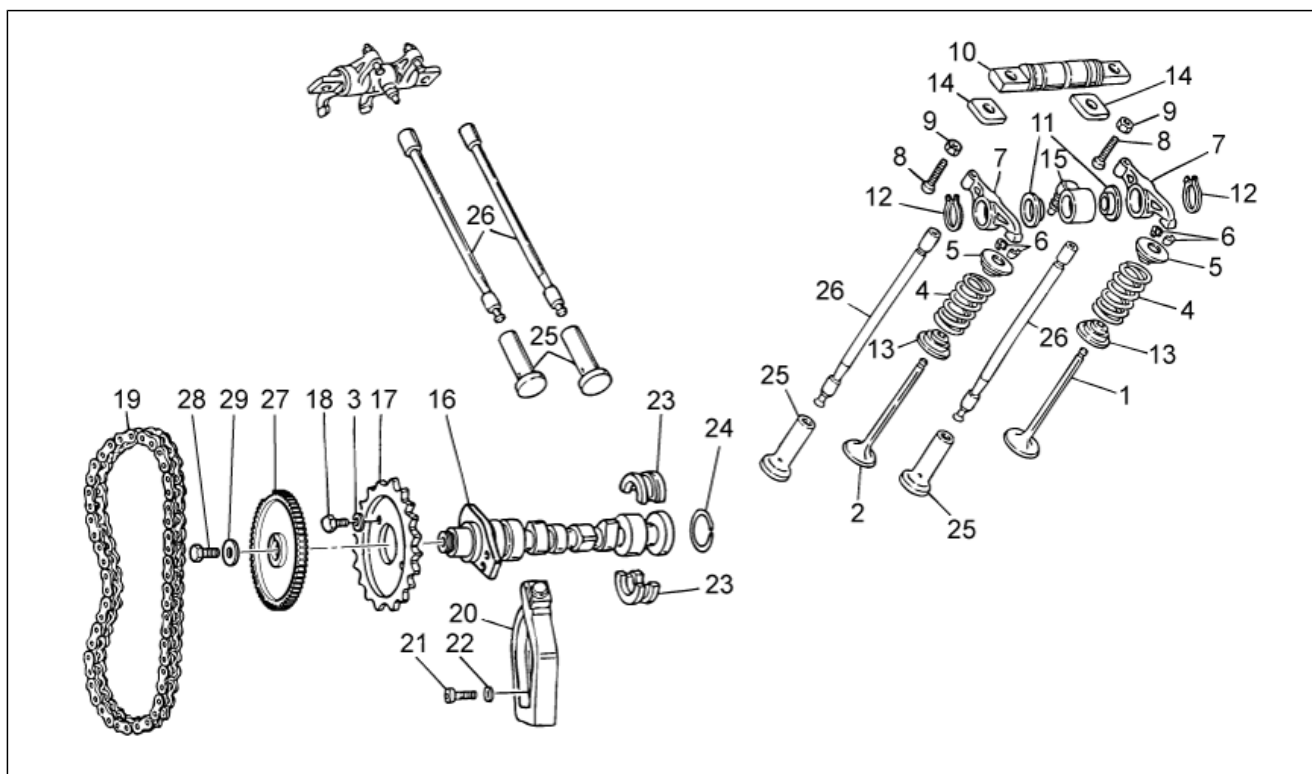
Pos.	Code	Description	Quant	Variants
1	8872724	Culasse d.	1	
2	8872754	Culasse g.	1	
3	GU61036801	Guide soupape	4	
4	GU90353009	Anneau élastique	4	
5	GU96506042	Vis sans tête	4	
6	B063111	Tasseau antivibration	4	
7	GU19021920	Ecrou	2	
8	GU19037820	Joint spi	4	
9	887523	Couvre-culasse	2	
10	887002	Joint couvercle-culasse	2	
11	GU92603010	Ecrou M10X1,5	4	
12	GU13021900	Ecrou colonne	4	
13	GU95129180	Rondelle 10,5X18X0,8	4	
14	GU96510214	Vis sans tête M10x214	4	
15	GU96510181	Vis sans tête M10x182	4	
16	GU98692325	Vis M6x25	4	
17	GU19032980	Cale	8	
18	GU19021360	Douille	2	
19	B063099	Joint tête-cylindre	2	
20	976898	Vis sans tête M8x140	2	
21	GU61270300	Rondelle élastique 8x15x0,3	2	
22	GU93180245	Bouchon	4	
23	AP8144071	Caoutchouc pot	1	
24	887279	Couvercle bougie	2	
25	887483	Vis de couvre-culasse M6x52,5	8	
26	969973	Rondelle	8	

Groupe	MOTEUR
Code	34.37
Description	Arbre moteur cpl.
Révision	1



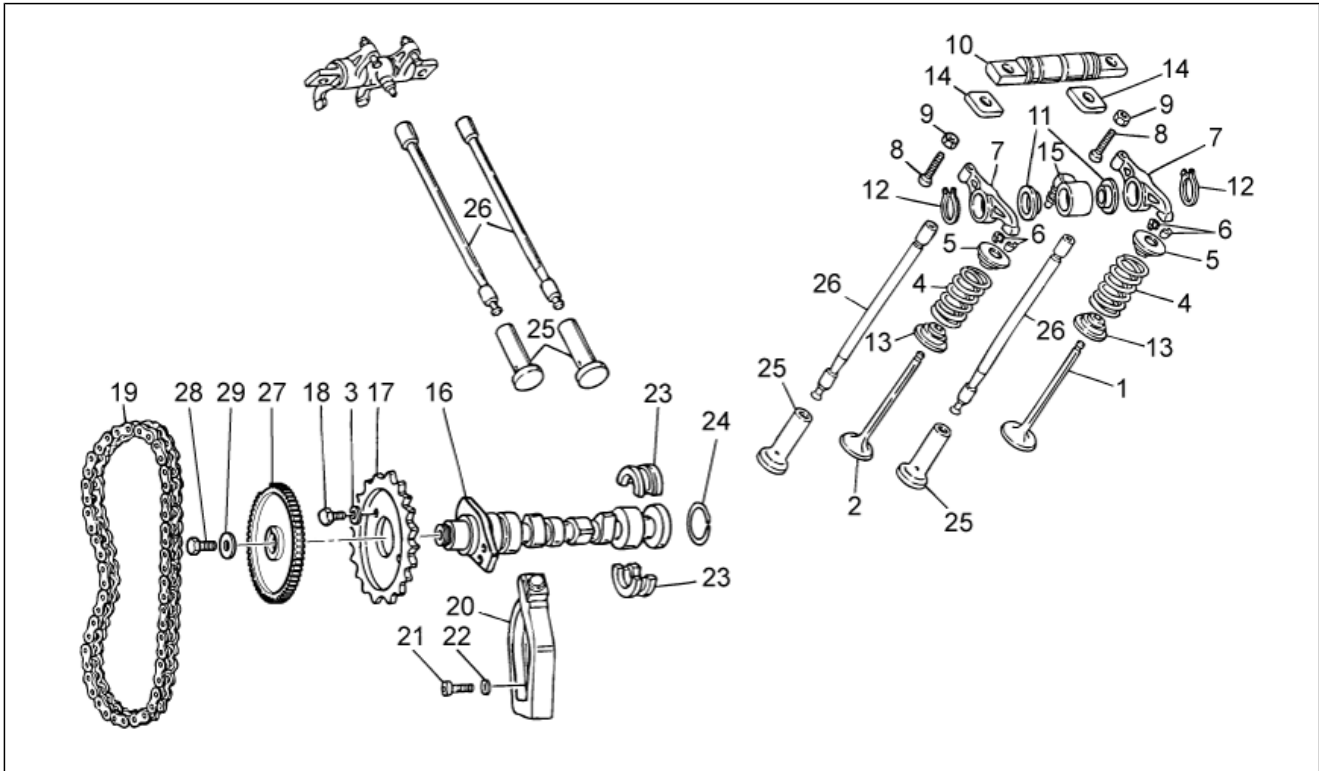
Pos.	Code	Description	Quant	Variants
1	2A0000995	Arbre moteur	1	
2	GU19065400	Bouchon	1	
3	GU27061585	Bielle cpl.	2	
4	GU19062261	Vis	4	
5	GU14615901	Rondelle 8,4X13X0,8	6	
6	GU27062060	Demi-coussinet	4	
7	GU27065660	Demi-couss.de vilebr.av.	2	
8	GU27066560	Demi-couss.de vilebr.ar.	2	
9	GU27066460	Demi-etau	2	
10	8872690001	Piston compl. d.80 Cat. D	1	
10	8872690002	Piston compl. d.80 Cat. E	1	
10	8872690003	Piston compl. d.80 Cat. F	1	
11	886670	Garniture cylindre	2	
12	GU61027200	Joint torique	2	
13	B063016	Axe	2	
14	874567	Bague de butée	4	
15	B063465	Cylindre av.piston cpl.	2	
16	B063466	Ensemble de segments	2	
17	GU27061885	Douille	2	
18	GU19067700	Vis	6	

Groupe	MOTEUR
Code	34.38
Description	Distribution
Révision	1



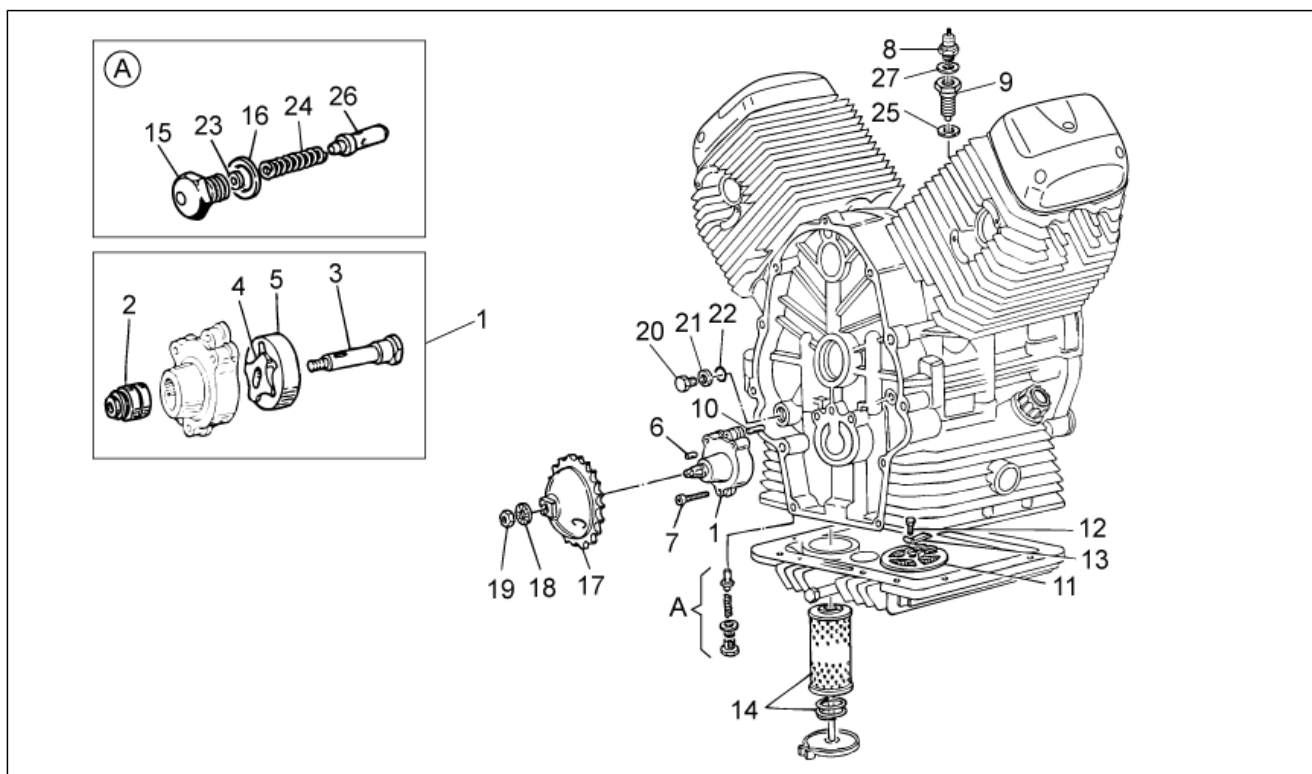
Pos.	Code	Description	Quant	Variants
1	2A000146	Soupape d'admission	2	
2	2A000147	Soupape decharge	2	
3	GU23217800	Rondelle de séreté	2	
4	GU27037521	Ressort	4	
5	GU31038015	Coupelle supérieur	4	
6	GU61038100	Demi-clavette	8	
7	GU19030500	Culbuteur	4	
8	GU19034000	Vis	4	
9	GU92602406	Ecrou M6x1	4	
10	GU19032080	Axe culbuteur	2	
11	GU32032310	Rondelle éventail	4	
12	GU90271018	Bague seeger	4	
13	GU31037015	Coupelle inférieure	4	
14	GU19032980	Cale	4	
15	GU19027500	Manchon	2	
16	GU32053410	Arbre à cames	1	
17	GU32054510	Engrenage distribution	1	
18	GU61054900	Boulon	2	
19	GU19058021	Chaîne de distribution	1	
20	GU19058220	Tendeur de chaine	1	
21	GU98882316	Vis	1	
22	GU95129115	Rondelle	1	
23	GU19055700	Secteur	2	
24	GU90353029	Anneau élastique	1	
25	GU19045861	Poussoir	4	
26	GU31045015	Culbuteur tige	4	
27	887528	Wheel speed sensor, LH front	1	
28	GU98054422	Vis M8x22	1	

Groupe	MOTEUR
Code	34.38
Description	Distribution
Révision	1



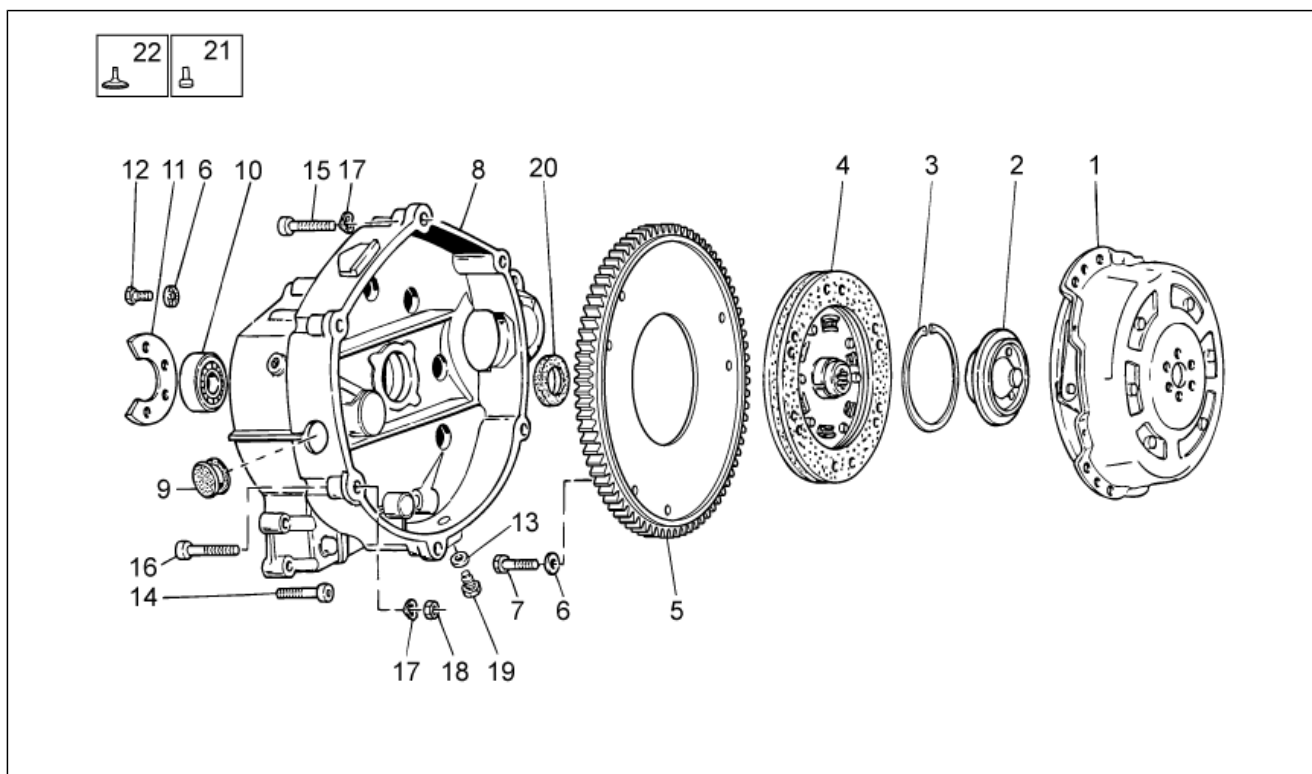
Pos.	Code	Description	Quant	Variants
29	GU95100244	Rondelle	1	

Groupe	MOTEUR
Code	34.39
Description	Pompe huile
Révision	1



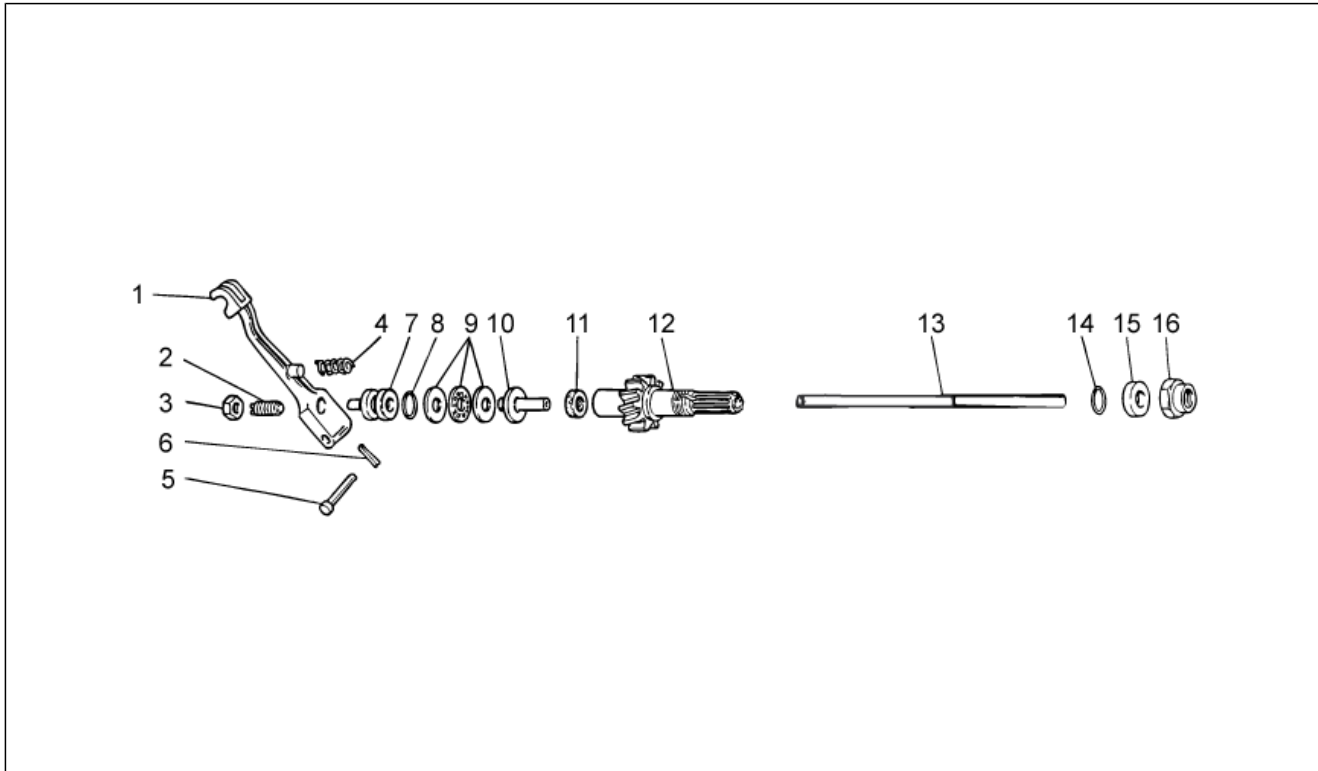
Pos.	Code	Description	Quant	Variants
1	GU19146422	Pompe huile	1	
2	GU92252210	Roulement à rouleaux 10x22x20	1	
3	GU20147810	Arbre pompe huile	1	
4	GU20148410	Rotor intérieur	1	
5	GU20148610	Rotor extérieur	1	
6	GU92296723	Rouleau	1	
7	GU98620335	Vis M6x35	3	
8	641541	Capteur de pression d'huile	1	
9	887093	Raccord	1	
10	GU19018920	Goupille	2	
11	GU19152200	Filtre à huile	1	
12	GU98084314	Vis M6x14	1	
13	GU95187006	Plaquette	1	
14	GU27153085	Filtre à huile	1	
15	GU31159050	Bouchon	1	
16	GU18144350	Rondelle 18,25x24x1	3	
17	GU20147710	Pignon de pompe	1	
18	AP8152220	Rondelle	1	
19	GU92602510	Ecrou M10x1,25	1	
20	GU31016050	Bouchon	1	
21	GU18161150	Garniture 14,25	1	
22	GU90706111	Joint torique	1	
23	GU95008206	Rondelle 6,15x11x0,8	3	
24	GU94321079	Ressort	1	
25	GU95100602	Joint	1	
26	GU31150950	Piston	1	
27	GU95100309	Rondelle	1	

Groupe	MOTEUR
Code	34.40
Description	Embrague I
Révision	1



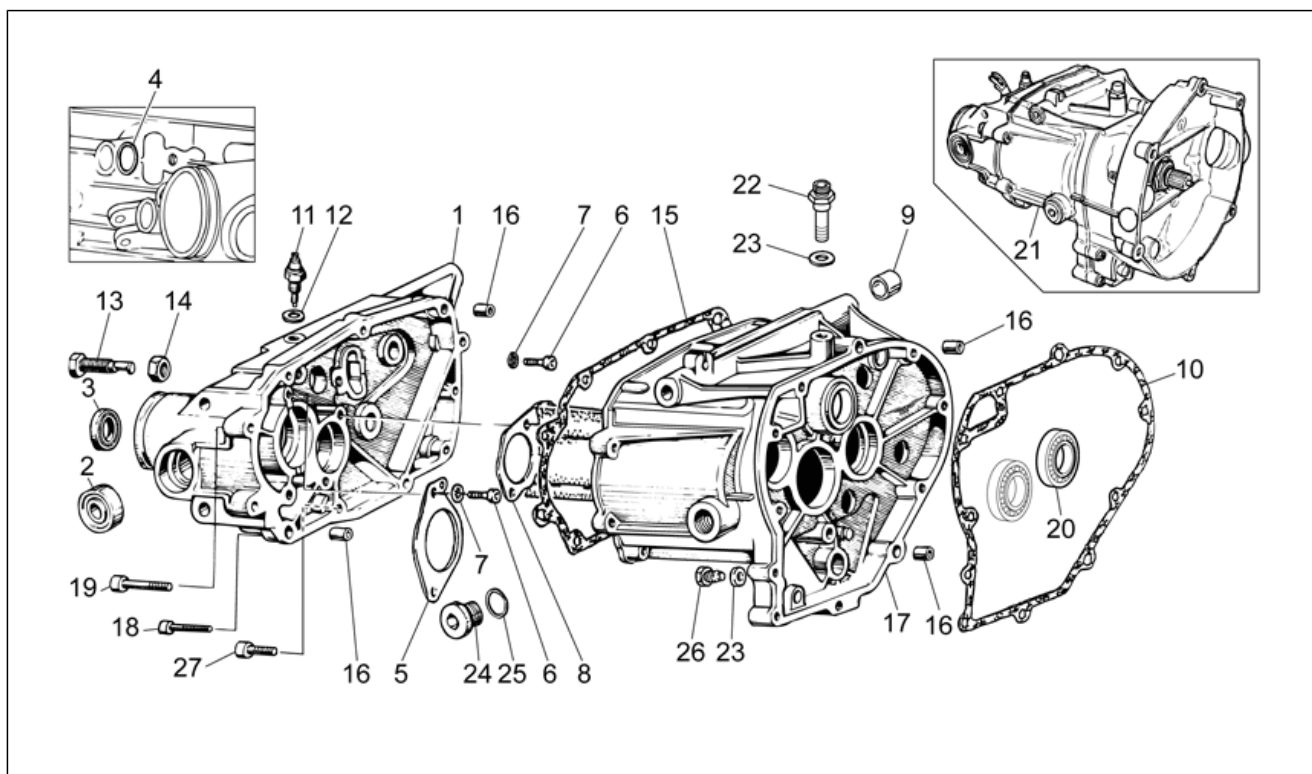
Pos.	Code	Description	Quant	Variants
1	GU32080310	Embrayage	1	
2	GU19083462	Cuvette	1	
3	GU90272075	Anneau élastique	1	
4	GU32084410	Disque embrayage mené	1	
5	GU32067910	Couronne	1	
6	GU14217901	Rondelle 6,4x10x0,7	9	
7	GU98084316	Vis	6	
8	2A000106	Cloche embrayage	1	
9	GU93180220	Bouchon	1	
10	GU92201225	Roulement 25x52x15	1	
11	GU19203460	Plaque fixation palier	1	
12	GU98084314	Vis M6x14	3	
13	GU10528900	Garniture	1	
14	GU98682330	Vis M6x20	11	
15	GU98680435	Vis M8x35	5	
16	GU98680450	Vis M8x50	1	
17	GU61270300	Rondelle élastique 8x15x0,3	6	
18	GU92606208	Ecrou M8x1,25	1	
19	GU31003766	Bouchon vid.huile M10x1	1	
20	886629	Bague d'étanchéité	1	
21	GU23204471	Gicleur	1	
22	GU23204571	Gicleur	1	

Groupe	MOTEUR
Code	34.41
Description	Embrague II
Révision	1



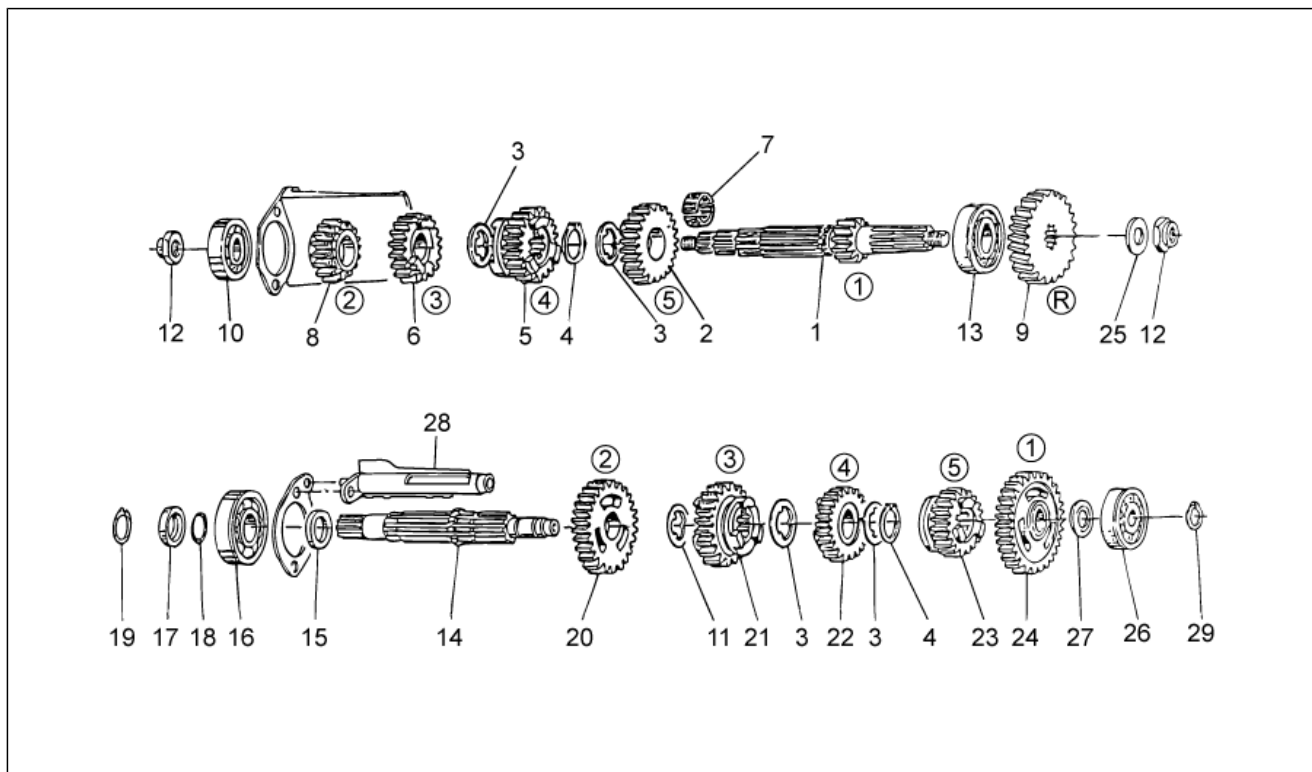
Pos.	Code	Description	Quant	Variants
1	GU14090201	Débrayage	1	
2	GU14090400	Vis embrayage	1	
3	GU92606508	Ecrou	1	
4	GU94321105	Retour levier démarrage	1	
5	GU95780271	Goupille 7x39	1	
6	GU95500222	Goupille	1	
7	GU14086100	Corps extérieur	1	
8	GU90706170	Joint torique 17,13x2,62	1	
9	GU12087001	Palier poussée	1	
10	GU14086000	Corps intérieur	1	
11	GU90400616	Bague d'étanchéité 6x16x7	1	
12	GU27210760	Arbre trnsmission Z=16	1	
13	GU20085720	Tige	1	
14	GU90706235	Joint torique 23,52x1,78	1	
15	GU19213760	Entretoise	1	
16	GU19356760	Ecrou	1	

Groupe	MOTEUR
Code	34.42
Description	Cartier de boîte vitesses
Révision	1



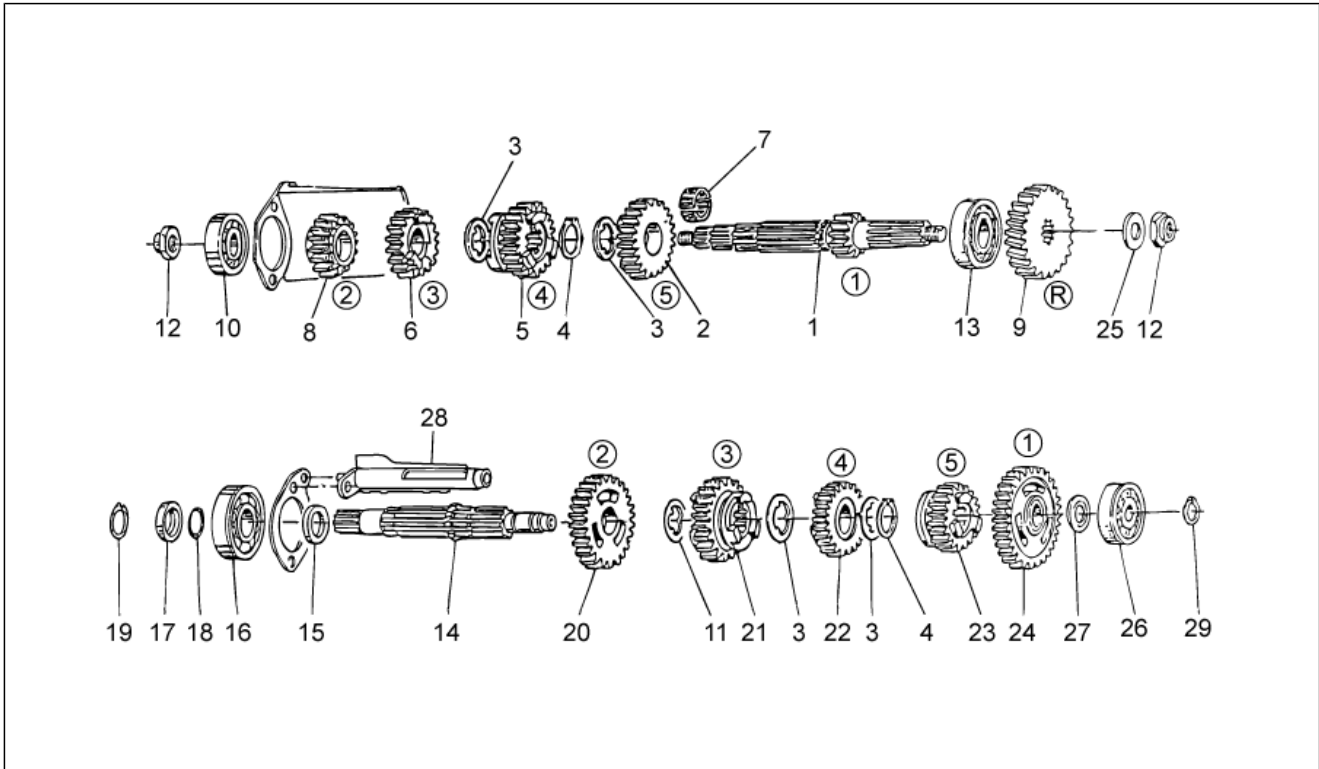
Pos.	Code	Description	Quant	Variants
1	2A000098	Couvercle boîte de vitesses	1	
2	2A000097	Roulement à billes 6202-2RSH/C3 LHT23	2	
3	886364	Bague d'étanchéité 28x40x7	1	
4	GU90706140	Joint torique 13,95x2,92	1	
5	GU32213810	Plaque	1	
6	884031	Vis M6x14	4	
7	GU14217901	Rondelle 6,4x10x0,7	4	
8	GU32208210	Huile cloison	1	
9	GU19202320	Douille 10,25x15,7x8	2	
10	887005	Joint	1	
11	B063269	Capteur	1	
12	GU12154200	Joint 8,25x15x1	1	
13	GU19237800	Vis M12x1,25	1	
14	GU92606512	Ecrou bas M12x1,25	1	
15	887006	Joint	1	
16	GU19002020	Douille 6,6x9x13	4	
17	887235	Cartier de boîte vitesses	1	
18	GU98682330	Vis M6x20	5	
19	GU98680435	Vis M8x35	4	
20	B063342	Roulement à billes 6004/C3	1	
21	976992	Boîte de vitesses cpl.	1	
22	GU32206510	Bouchon purge	1	
23	GU10528900	Garniture	2	
24	GU12022600	Bouchon huile	1	
25	GU90706203	Joint torique 20,24x2,62	1	
26	GU31003766	Bouchon vid.huile M10x1	1	
27	AP8150285	Vis M6x35	2	

Groupe	MOTEUR
Code	34.43
Description	Boîte de vitesses
Révision	1



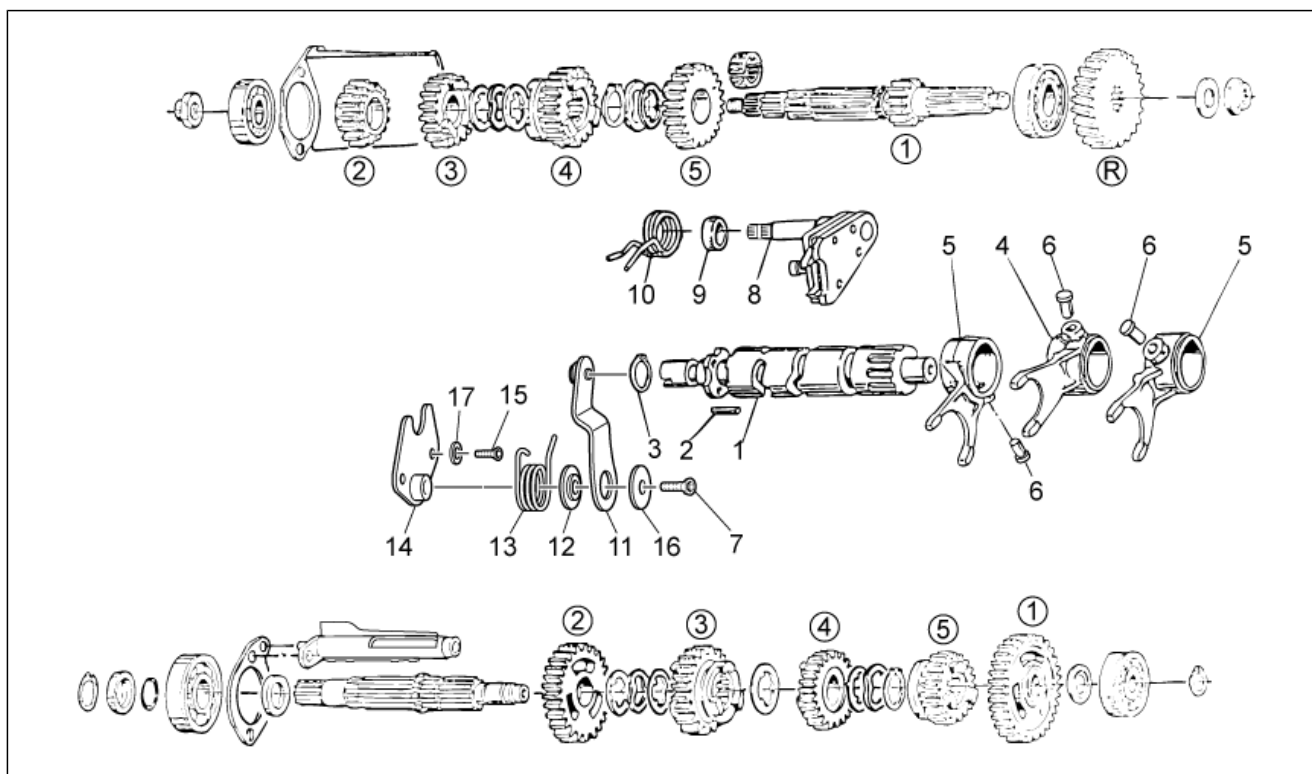
Pos.	Code	Description	Quant	Variants
1	GU32210510	Arbre primaire Z=11	1	
2	GU32212011	Engrenage 5a AP Z=25	1	
3	GU19215460	Rondelle éventail	3	
4	GU90271124	Bague seeger	2	
5	GU32211810	Engrenage 4a AP Z=18	1	
6	GU32211410	Engrenage 3a AP Z=18	1	
7	GU92251028	Cage à rouleaux	1	
8	GU23211372	Engrenage 2a AP Z=14	1	
9	GU32211110	Pignon interméd. AP Z=21	1	
10	GU92218417	Roulement AP 17x40x17,5	1	
11	GU19214660	Rondelle d'appui	2	
12	GU10054100	Ecrou	2	
13	GU92230320	Roulement AP 20x37x17	1	
14	GU32213610	Arbre secondaire	1	
15	GU19212900	Entretoise	1	
16	GU92201220	Roulement 20X47X14	1	
17	GU19213720	Entretoise	1	
18	GU90706188	Bague d'étanchéité 18,77X1,78	1	
19	GU90271121	Bague seeger	1	
20	GU32214510	Engrenage 2a AS Z=23	1	
21	GU32214810	Engrenage 3a AS Z=23	1	
22	GU32215010	Engrenage 4a AS Z=19	1	
23	GU32215210	Engrenage 5a AS Z=22	1	
24	GU32214010	Engrenage 1a AS Z=26	1	
25	GU39238100	Rondelle d'appui	1	
26	GU92234716	Roulement	1	
27	GU10214300	Cale 1,5 mm	1	
27	GU10214301	Cale 1,7 mm	1	

Groupe	MOTEUR
Code	34.43
Description	Boîte de vitesses
Révision	1



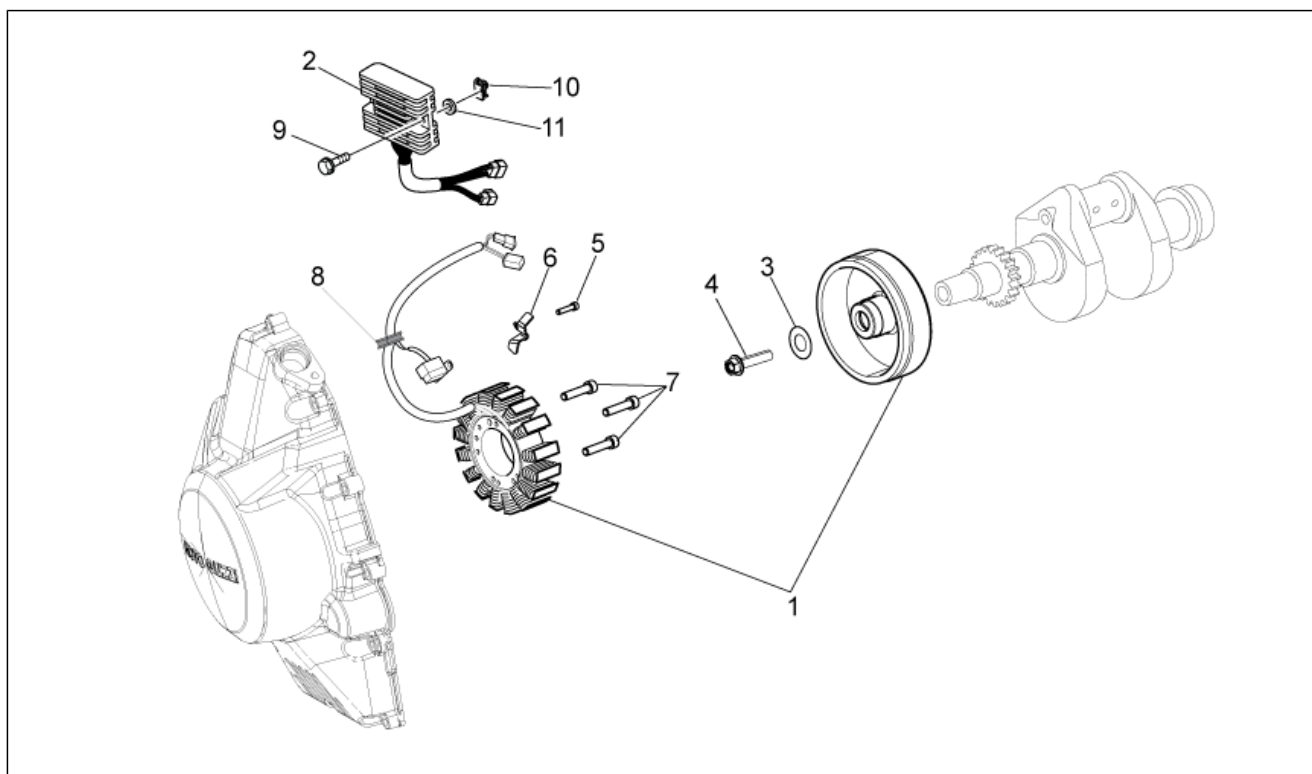
Pos.	Code	Description	Quant	Variants
27	GU10214302	Cale 1,8 mm	1	
27	GU10214303	Cale 1,9 mm	1	
27	GU10214304	Rondelle 2 mm	1	
27	GU10214305	Cale 2,1 mm	1	
28	GU32202010	Egouttoir	1	
29	GU90271117	Bague seeger	1	

Groupe	MOTEUR
Code	34.44
Description	Selecteur boîte de vitesses
Révision	1



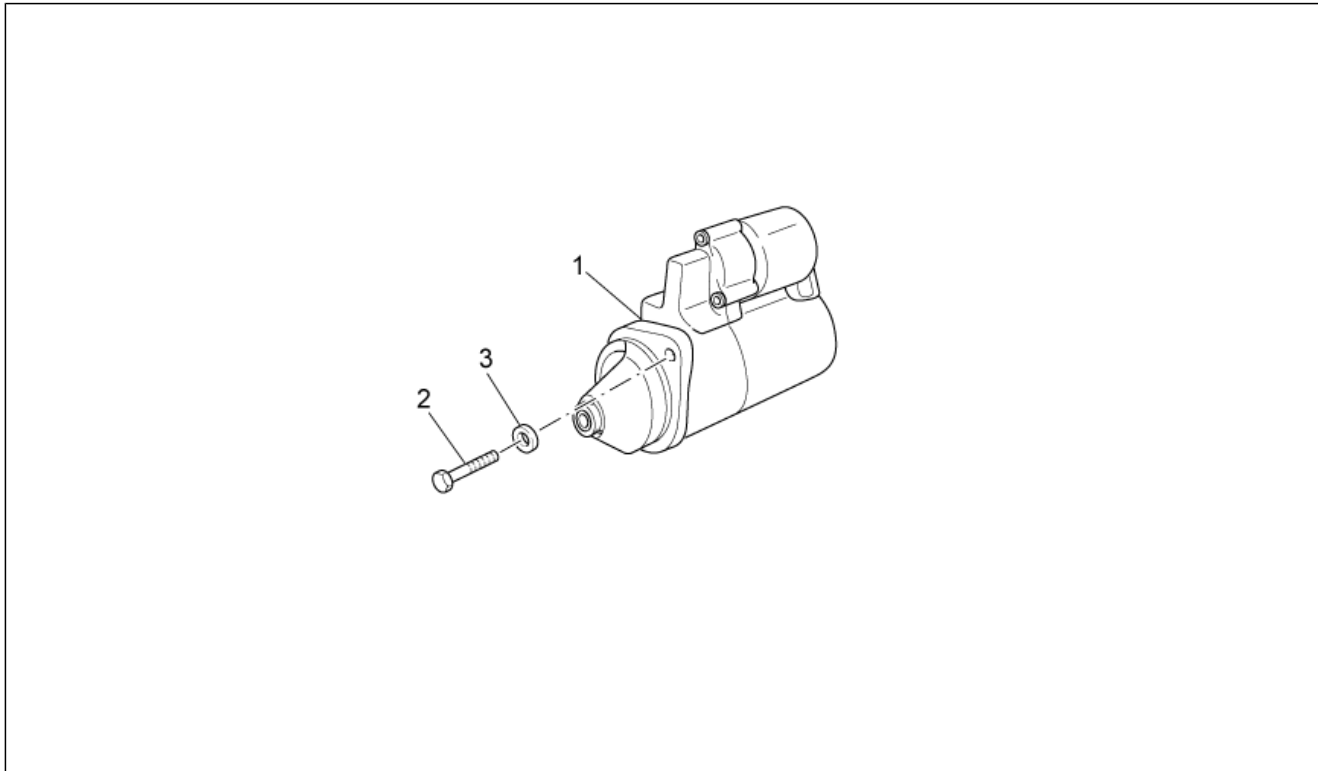
Pos.	Code	Description	Quant	Variants
1	GU32234410	Desmodromique	1	
2	GU19234600	Tige	4	
3	GU90274026	Anneau élastique	1	
4	GU32231210	Fourchette AP	1	
5	GU32231010	Fourchette AS	2	
6	GU32233010	Rouleau	3	
7	GU98230612	Vis	1	
8	887196	Preselecteur complet	1	
9	GU20208520	Entretoise	1	
10	GU32238210	Ressort	1	
11	GU32234710	Levier	1	
12	GU32234810	Rondelle	1	
13	GU32234110	Ressort	1	
14	GU32235710	Plaque	1	
15	GU98257618	Vis FHC M6x18	2	
16	GU32234910	Rondelle 6,4x20x1	1	
17	GU14217901	Rondelle 6,4x10x0,7	2	

Groupe	MOTEUR
Code	34.45
Description	Alternateur - Régul.
Révision	1



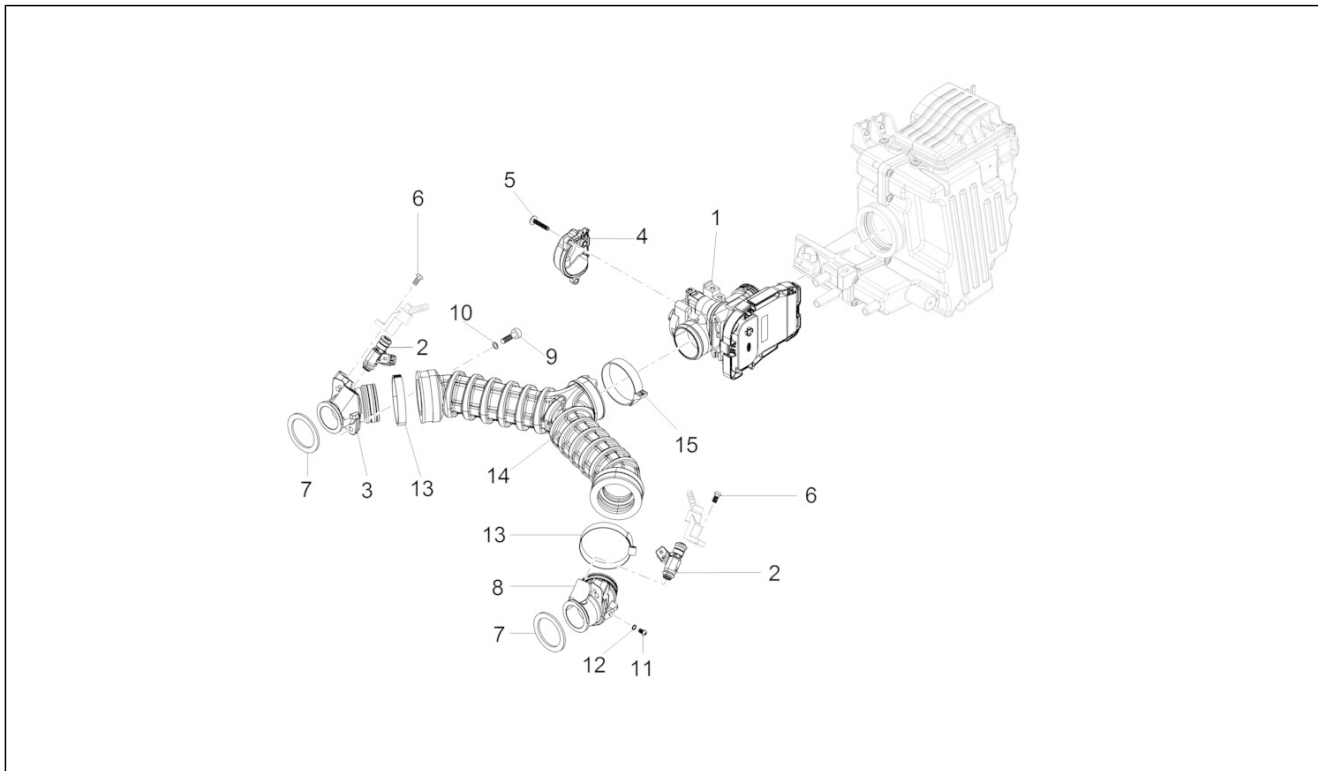
Pos.	Code	Description	Quant	Variants
1	2D000024	Volant magnétique compl.	1	
2	2D000043	Régulateur de tension	1	
3	897478	Rondelle 12x26.5x3	1	
4	857206	Vis bride M12X1,25X50	1	
5	GU98682212	Vis M5x12	1	
6	2A000115	Plaquette	1	
7	2A000129	Vis TCHC basse M6x35	3	
8	GU19007700	Caoutchouc	1	
9	AP8152281	Vis bride M6x30	2	
10	254485	Plaquette elastique M6	2	
11	GU95100125	Rondelle	2	

Groupe	MOTEUR
Code	34.46
Description	Démarrreur
Révision	1



Pos.	Code	Description	Quant	Variants
1	GU05730730	Démarrreur Bosch	1	
2	GU98082435	Vis M8x35	2	
3	GU95008208	Rondelle 8,4X15X1,5	2	

Groupe	MOTEUR
Code	34.47
Description	Corps à papillon
Révision	1



Pos.	Code	Description	Quant	Variants
1	CM228303	Centrale électronique d'injection	1	Pays:Japon[J]
1	CM228304	Centrale électronique d'injection	1	
2	B063049	Injecteur	2	
3	GU32115010	Pipe d.	1	
4	880260	Protection Corps à papillon	1	
5	B016796	Vis à tête bombée Torx	3	
6	AP8152298	Vis bride M5x16	2	
7	GU32115510	Joint	2	
8	GU32115011	Pipe g.	1	
9	GU98622322	Vis	4	
10	GU03013800	Rondelle 6,4x12	4	
11	GU98310609	Vis M6x10	2	
12	GU95100116	Rondelle 6,25x10x1,5	2	
13	884311	Collier D.61	2	
14	887812	Manchon corps papil.	1	
15	GU93305061	Collier 61/65,5	1	



PIAGGIO & C.s.p.a.



SPARE PARTS CATALOGUE

V7 Racer 750 USA-CND 2015

Chassis prefix: ZGULWV01

Engine prefix:



Index

Finished products.....	4
Alphanumeric index.....	5
FRAME.....	10
Table 33.01 - Frame I.....	10
Table 33.02 - Frame II.....	11
Table 33.03 - Lateral stand.....	12
Table 33.06 - Gear lever.....	13
Table 33.07 - Front fork I.....	14
Table 33.08 - Fron fork II.....	15
Table 33.11 - Rear shock absorber.....	17
Table 33.12 - Fuel tank.....	18
Table 33.13 - Front body - Front mudguard.....	19
Table 33.14 - Saddle-Central bod.....	20
Table 33.15 - Rear body I- Mudguard.....	21
Table 33.16 - Rear body II- Plate holder.....	22
Table 33.17 - Dashboard.....	23
Table 33.18 - Handlebar - Controls.....	24
Table 33.19 - Front brake system.....	25
Table 33.21 - Fuel pump.....	26
Table 33.23 - Exhaust unit.....	27
Table 33.24 - Front wheel.....	29
Table 33.25 - Rear wheel.....	30
Table 33.26 - Rear master cylinder.....	31
Table 33.27 - Rear brake caliper.....	33
Table 33.28 - Front lights.....	34
Table 33.29 - Rear lights.....	35
Table 33.30 - Electrical system I.....	36
Table 33.31 - Electrical system II.....	37
Table 33.32 - Lock hardware kit.....	39
Table 33.33 - Decal and plate set.....	40
Table 33.51 - Fuel vapour recover system.....	41
Table 33.52 - Air box II.....	42
ENGINE.....	44
Table 34.09 - Transmission complete I.....	44
Table 34.10 - Transmission complete II.....	45
Table 34.34 - Crank-case.....	48
Table 34.35 - Timing system cover.....	49
Table 34.36 - Cylinder head.....	50
Table 34.37 - Crankshaft cpl.....	51
Table 34.38 - Timing system.....	52
Table 34.39 - Oil pump.....	54
Table 34.40 - Clutch I.....	55
Table 34.41 - Clutch II.....	56



Table 34.42 - Transmission cage.....	57
Table 34.43 - Gear box.....	58
Table 34.44 - Gear box selector.....	60
Table 34.45 - Generator - Regulator.....	61
Table 34.46 - Starter motor.....	62
Table 34.47 - Throttle body.....	63



Finished products

Code	Validity
GU9032112CAF00	
GU9032112CAF01	
GU9032112USF00	
GU9032112USF01	



Code	No. table	Pos.	Code	No. table	Pos.	Code	No. table	Pos.
080341	33.30	6	883127	33.52	6	887279	34.36	24
248419	33.26	19	883161	33.31	11	887280	33.06	17
254485	33.12	13	883192	33.27	7	887431	33.27	3
254485	33.14	16	883266	33.13	2	887443	33.33	4
254485	33.28	20	883295	33.14	5	887448	33.25	12
254485	33.52	14	883303	33.19	13	887449	33.27	1
254485	34.45	10	883349	33.25	8	887481	33.30	12
292022	33.28	9	883350	33.25	7	887483	34.36	25
292723	33.28	10	883417	33.28	24	887523	34.36	9
2A000085	34.35	1	883470	33.16	12	887528	34.38	27
2A000097	34.42	2	883471	33.03	1	887787	33.21	5
2A000098	34.42	1	883476	33.32	3	887812	34.47	14
2A0000995	34.37	1	883477	33.32	1	887815	33.52	13
2A000106	34.40	8	883479	33.29	1	887825	33.30	1
2A000115	34.45	6	883480	33.16	15	887825	33.31	1
2A000129	34.45	7	883502	33.12	5	8878421	33.52	1
2A000146	34.38	1	883552	33.08	24	887843	33.52	2
2A000147	34.38	2	883581	33.19	2	887844	33.52	11
2A000235	34.34	1	883602	33.08	32	887845	33.52	12
2B000045	33.52	36	883688	33.24	10	887846	33.23	1
2B000178	33.23	11	883826	34.34	18	887847	33.23	2
2B000179	33.23	10	883940	33.18	3	887878	33.08	1
2B000560	33.07	1	884031	34.42	6	887879	33.08	2
2B000838	33.14	10	884311	34.47	13	887880	33.08	3
2B000839	33.14	9	884348	33.33	18	887882	33.08	5
2B000841	33.14	20	886141	33.33	10	887883	33.08	6
2B000842	33.14	21	886364	34.42	3	887884	33.08	7
2B000843	33.01	17	886365	34.34	10	887885	33.08	8
2B000844	33.01	18	886368	33.14	12	887886	33.08	9
2B000970	33.21	2	886629	34.40	20	887887	33.08	10
2B001048	33.18	27	886630	33.11	3	887888	33.08	11
2B001049	33.18	10	886645	33.01	11	887889	33.08	12
2D000006	33.32	10	886665	33.06	13	887890	33.08	13
2D000024	34.45	1	886665	33.26	1	887891	33.08	14
2D000043	34.45	2	886666	33.26	9	887892	33.08	15
2G000011	33.33	21	886668	33.06	16	887893	33.08	16
2G000012	33.33	22	886670	34.37	11	887894	33.08	17
2G000013	33.33	23	886675	33.11	1	887895	33.08	18
2H000420	33.12	1	886676	34.09	11	887896	33.08	19
2H000421000Y02	33.13	7	886678	33.33	3	887899	33.08	25
2H000422000Y02	33.16	6	886679	33.24	18	887900	33.08	23
2H000423	33.33	13	886680	33.25	20	887905	33.08	28
2H000424	33.33	12	886681	33.24	2	887916	33.08	22
2H000425	33.33	1	886706	33.14	15	887944	33.12	1
2H000426	33.33	7	886711	33.25	2	887948	33.30	13
2H000427	33.33	9	886712	33.16	9	887971	33.33	11
2H000428	33.33	8	886713	33.16	10	890760	33.52	16
2L0001895	34.34	28	886724	33.13	10	890979	33.28	16
2Q000044	33.33	5	886727	33.14	19	893570	33.31	19
2R000109	33.08	29	88673000Y02	33.13	1	894505	33.25	13
2R000110	33.08	4	886820	33.14	22	894704	33.31	26
584211	33.31	10	886841	33.14	14	896110	33.23	21
584332	33.29	7	886842	33.08	21	897478	34.45	3
638733	33.31	6	887002	34.36	10	898086	33.07	7
640598	33.28	11	887003	34.35	2	898174	33.33	2
641040	33.30	8	887004	34.34	13	89817800A3	33.14	1
641541	34.39	8	887005	34.42	10	898179	33.13	7
641725	33.30	7	887006	34.42	15	898180	33.13	8
641901	33.30	4	887093	34.39	9	898280	33.16	6
642034	33.30	3	887195	33.17	1	898281	33.06	7
856063	33.51	14	887196	34.44	8	898281	33.26	27
856796	33.06	20	887235	34.42	17	898282	33.06	1
857206	34.45	4	8872690001	34.37	10	898283	33.06	3
860138	33.51	7	8872690002	34.37	10	898284	33.06	9
860651	34.09	19	8872690003	34.37	10	898285	33.26	30
874567	34.37	14	8872724	34.36	1	898286	33.26	17
880260	34.47	4	8872754	34.36	2	898287	33.26	12



Code	No. table	Pos.	Code	No. table	Pos.	Code	No. table	Pos.
898288	33.26	4	AP8121420	33.14	6	AP8152385	33.19	16
898611	33.06	12	AP8121420	33.32	8	AP8157100	33.33	15
898612	33.26	28	AP8121607	33.03	2	AP8181140	33.31	24
969973	34.36	26	AP8121673	33.12	12	AP8201358	33.51	13
976604	34.34	12	AP8121927	33.26	3	AP8201358	33.52	3
976608	34.10	1	AP8121929	33.16	7	AP8201358	33.52	34
976614	33.14	13	AP8124718	33.16	13	AP8210007	33.06	18
976685	34.34	16	AP8124936	33.30	2	AP8213028	33.18	23
976898	34.36	20	AP8127856	33.03	8	AP8213057	33.26	15
976941	34.09	1	AP8133643	33.26	14	AP8220283	33.31	22
976992	34.42	21	AP8133798	33.27	2	AP8220460	33.07	6
977527	33.14	8	AP8133873	33.26	22	AP8220590	33.01	20
977527	33.32	4	AP8134378	33.23	18	AP8221023	33.52	26
978311	33.28	2	AP8134640	33.26	35	AP8221114	33.51	16
978323	33.19	15	AP8144071	33.23	16	AP8221172	33.01	16
978385	33.23	12	AP8144071	34.36	23	AP8221172	33.18	18
978386	33.23	15	AP8144081	33.07	5	AP8221197	33.03	5
978387	33.23	4	AP8144146	33.07	3	AP8221277	33.06	10
978415	33.14	7	AP8144538	33.52	15	AP8224462	33.31	21
978415	33.32	9	AP8144553	33.52	7	AP8257609	33.33	17
97894600Y02	33.15	1	AP8144606	33.01	15	AP8257742	33.33	16
978947	33.15	2	AP8144729	33.52	17	AP8257794	33.33	19
978970	33.26	13	AP8149034	33.16	4	AP9100477	33.06	15
981149	33.28	12	AP8150026	33.06	19	AP9100477	33.26	31
AP8101594	33.26	20	AP8150044	33.06	14	B016796	34.47	5
AP8101595	33.12	15	AP8150044	33.26	25	B043850	33.31	23
AP8102159	33.51	6	AP8150115	33.06	5	B045974	33.33	20
AP8102375	33.31	14	AP8150137	33.06	4	B063016	34.37	13
AP8102524	33.03	4	AP8150248	33.16	2	B063022	33.23	3
AP8102678	33.51	1	AP8150285	34.42	27	B063049	34.47	2
AP8102688	33.51	2	AP8150349	33.32	6	B063077	33.24	5
AP8102765	33.52	29	AP8150377	33.31	20	B063078	33.25	11
AP8102766	33.52	23	AP8150413	33.13	6	B063099	34.36	19
AP8102913	33.14	3	AP8150416	33.12	8	B063111	34.36	6
AP8104525	33.52	5	AP8150436	33.02	12	B063135	33.18	6
AP8104924	33.52	4	AP8150468	33.26	29	B063144	33.24	3
AP8104996	33.52	28	AP8150509	33.52	19	B063152	33.12	19
AP8110053	33.06	22	AP8152138	33.06	21	B063154	33.12	18
AP8113003	33.27	20	AP8152220	33.02	11	B063167	33.15	12
AP8113004	33.19	14	AP8152220	34.39	18	B063213	33.52	30
AP8113004	33.27	8	AP8152268	33.16	3	B063214	33.52	21
AP8113288	33.26	16	AP8152273	33.16	11	B063233	33.31	5
AP8113553	33.26	23	AP8152273	33.21	4	B063247	33.18	4
AP8118490	33.18	24	AP8152277	33.19	3	B063248	33.18	5
AP8120246	34.09	10	AP8152278	33.15	3	B063249	33.02	1
AP8120416	33.30	18	AP8152278	33.28	13	B063250	33.02	2
AP8120416	33.31	27	AP8152279	33.15	9	B063251	33.01	1
AP8120416	33.51	11	AP8152281	34.45	9	B063265	33.24	1
AP8120446	33.51	9	AP8152286	33.24	11	B063267	33.25	1
AP8120455	33.52	9	AP8152287	33.02	13	B063269	34.42	11
AP8120531	33.14	18	AP8152288	33.02	15	B063287	33.01	4
AP8120557	33.12	11	AP8152288	33.27	9	B063317	33.18	1
AP8120615	33.52	10	AP8152298	33.26	18	B063326	33.18	8
AP8120772	33.52	20	AP8152298	34.47	6	B063342	34.42	20
AP8120772	33.52	24	AP8152299	33.15	15	B063429	33.14	23
AP8120772	33.52	35	AP8152299	33.27	10	B063431	33.14	24
AP8120870	33.23	20	AP8152299	33.30	5	B063465	34.37	15
AP8120876	33.52	8	AP8152299	33.51	5	B063466	34.37	16
AP8120912	33.06	2	AP8152300	33.02	14	B063735	33.29	6
AP8120912	33.26	2	AP8152300	33.27	13	B063750	33.27	6
AP8121014	33.03	3	AP8152306	33.16	5	B063752	33.21	1
AP8121032	33.15	13	AP8152320	33.06	6	B063800	33.28	4
AP8121032	33.17	7	AP8152320	33.26	33	B063800	33.29	4
AP8121072	33.23	22	AP8152329	33.15	11	B063801	33.28	5
AP8121267	33.51	10	AP8152329	33.52	18	B063801	33.29	5
AP8121307	33.07	4	AP8152329	33.52	27	B063975	33.18	15
AP8121367	33.02	10	AP8152339	33.16	8	CM001928	33.07	9



Code	No. table	Pos.	Code	No. table	Pos.	Code	No. table	Pos.
CM001929	33.07	8	GU10214305	34.43	27	GU19327601	34.09	5
CM0074C9	33.30	10	GU10528900	34.34	15	GU19328801	34.09	3
CM0074D0	33.30	9	GU10528900	34.40	13	GU19350700	34.10	22
CM013202	33.31	25	GU10528900	34.42	23	GU19351100	34.10	4
CM225705	33.31	15	GU12003702	34.34	20	GU19351900	34.10	2
CM225710	33.31	16	GU12022600	34.10	6	GU19352300	34.10	23
CM225715	33.31	17	GU12022600	34.42	24	GU19353500	34.10	24
CM225730	33.31	18	GU12087001	34.41	9	GU19355200	34.10	35
CM228303	34.47	1	GU12154200	34.34	23	GU19355202	34.10	36
CM228304	34.47	1	GU12154200	34.42	12	GU19355300	34.10	33
GU00823923140	33.03	7	GU13021900	34.34	26	GU19355301	34.10	33
GU00823923140	33.51	12	GU13021900	34.36	12	GU19355302	34.10	33
GU00823923140	33.52	32	GU14086000	34.41	10	GU19355303	34.10	33
GU00823931055	33.28	19	GU14086100	34.41	7	GU19355304	34.10	33
GU00823931070	33.12	2	GU14090201	34.41	1	GU19355305	34.10	33
GU00823944050	33.12	16	GU14090400	34.41	2	GU19355306	34.10	33
GU00823950050	33.26	21	GU14217901	34.40	6	GU19355307	34.10	33
GU01103860	33.01	13	GU14217901	34.42	7	GU19355308	34.10	33
GU01528930	34.10	9	GU14217901	34.44	17	GU19355309	34.10	33
GU01609630	33.18	14	GU14609650	33.30	20	GU19355320	34.10	27
GU01654630	33.19	17	GU14609650	33.31	27	GU19355321	34.10	27
GU01659130	33.19	11	GU14615901	33.13	5	GU19355322	34.10	27
GU01659131	33.19	12	GU14615901	34.09	20	GU19355323	34.10	27
GU01665410	33.26	6	GU14615901	34.37	5	GU19355324	34.10	27
GU01721600	33.30	14	GU14616150	33.24	15	GU19355325	34.10	27
GU01744200	33.28	18	GU14616150	33.25	10	GU19355326	34.10	27
GU02717450	33.30	11	GU18144350	34.39	16	GU19355327	34.10	27
GU03013800	33.23	8	GU18161150	34.39	21	GU19355328	34.10	27
GU03013800	34.47	10	GU18257551	33.26	8	GU19355329	34.10	27
GU03067730	34.10	19	GU19002020	34.35	5	GU19355400	34.10	21
GU03101600	33.12	7	GU19002020	34.42	16	GU19355402	34.10	21
GU03101900	33.12	3	GU19003800	34.34	8	GU19355404	34.10	21
GU03102200	33.12	6	GU19007700	34.45	8	GU19355406	34.10	21
GU03102400	33.12	10	GU19015020	34.34	5	GU19355408	34.10	21
GU03103200	33.12	17	GU19017000	33.02	4	GU19355410	34.10	21
GU03103500	33.12	4	GU19018920	34.39	10	GU19355411	34.10	21
GU03163330	33.31	3	GU19021360	34.36	18	GU19355412	34.10	21
GU03270300	33.26	34	GU19021920	34.36	7	GU19355413	34.10	21
GU03468100	33.01	21	GU19025280	33.23	5	GU19356700	34.10	30
GU03604845	33.19	8	GU19025460	33.23	6	GU19356760	34.41	16
GU03605645	33.19	9	GU19027500	34.38	15	GU19356801	34.10	28
GU03609600	33.18	14	GU19030500	34.38	7	GU19357660	34.10	25
GU03612040	33.24	16	GU19032080	34.38	10	GU19547000	34.09	12
GU03631250	33.24	4	GU19032980	34.36	17	GU20085720	34.41	13
GU03631250	33.25	9	GU19032980	34.38	14	GU20147710	34.39	17
GU03658201	33.27	16	GU19034000	34.38	8	GU20147810	34.39	3
GU03658330	33.27	17	GU19037820	34.36	8	GU20148410	34.39	4
GU03658430	33.27	14	GU19045861	34.38	25	GU20148610	34.39	5
GU03660145	33.19	1	GU19055700	34.38	23	GU20208520	34.44	9
GU03661145	33.19	6	GU19058021	34.38	19	GU20352421	34.10	31
GU03664045	33.19	7	GU19058220	34.38	20	GU20355121	34.10	34
GU03740930	33.29	2	GU19062261	34.37	4	GU23204471	34.40	21
GU03749845	33.19	5	GU19065400	34.37	2	GU23204571	34.40	22
GU03922280	34.09	23	GU19067700	34.37	18	GU23211372	34.43	8
GU03995730	33.33	14	GU19083462	34.40	2	GU23217800	34.38	3
GU05107430	33.21	3	GU19146422	34.39	1	GU23328081	34.09	7
GU05659230	33.19	10	GU19152200	34.39	11	GU23442210	33.06	11
GU05730730	34.46	1	GU19202320	34.42	9	GU23442210	33.26	11
GU05781630	33.16	1	GU19203460	34.40	11	GU23548080	34.09	8
GU05900130	33.33	6	GU19206501	34.10	10	GU23548180	34.09	9
GU06740400	33.28	17	GU19212900	34.43	15	GU23943410	33.08	31
GU10054100	34.43	12	GU19213720	34.43	17	GU27037521	34.38	4
GU10214300	34.43	27	GU19213760	34.41	15	GU27061585	34.37	3
GU10214301	34.43	27	GU19214660	34.43	11	GU27061885	34.37	17
GU10214302	34.43	27	GU19215460	34.43	3	GU27062060	34.37	6
GU10214303	34.43	27	GU19234600	34.44	2	GU27065660	34.37	7
GU10214304	34.43	27	GU19237800	34.42	13	GU27066460	34.37	9

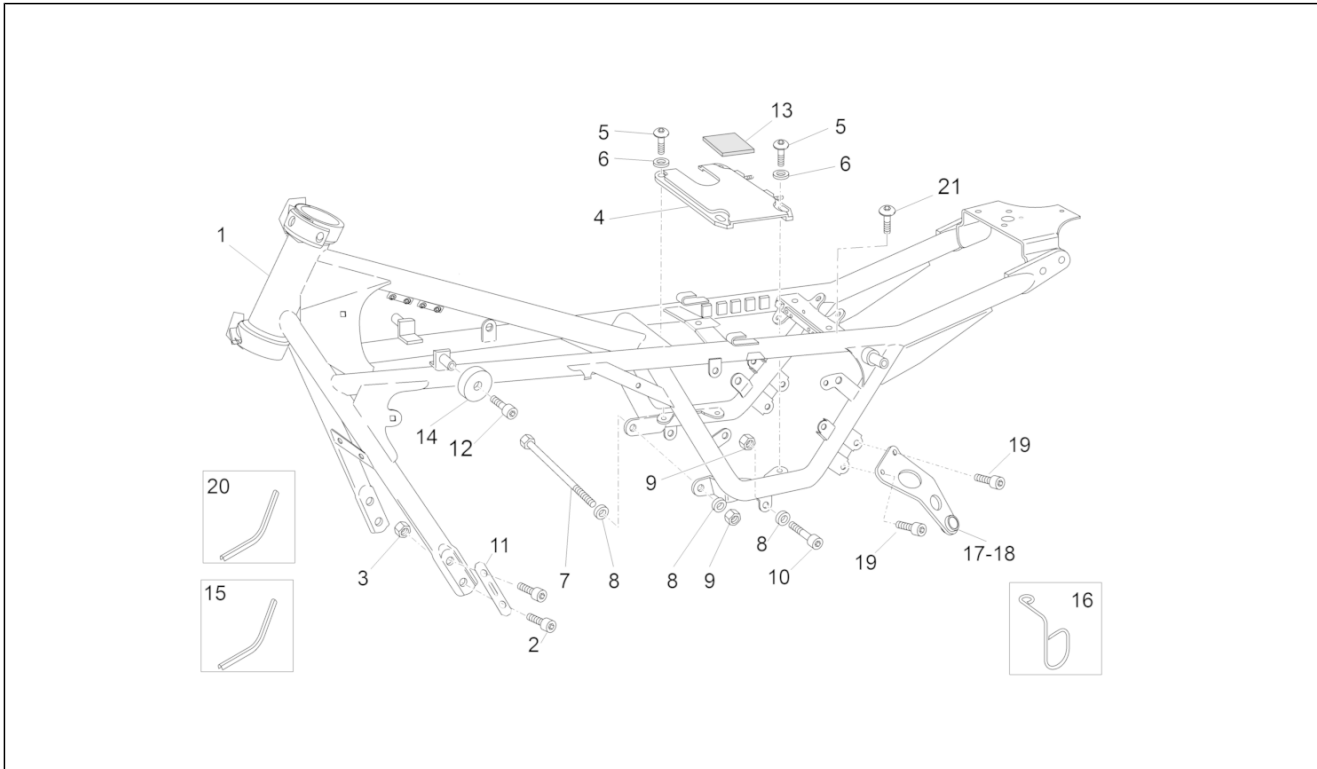


Code	No. table	Pos.	Code	No. table	Pos.	Code	No. table	Pos.
GU27066560	34.37	8	GU32214510	34.43	20	GU90272075	34.40	3
GU27152885	34.34	22	GU32214810	34.43	21	GU90274026	34.44	3
GU27153085	34.39	14	GU32215010	34.43	22	GU90353009	34.36	4
GU27210760	34.41	12	GU32215210	34.43	23	GU90353029	34.38	24
GU27633910	33.25	4	GU32231010	34.44	5	GU90353030	34.10	17
GU28157950	33.51	8	GU32231210	34.44	4	GU90400616	34.41	11
GU28157950	33.52	37	GU32233010	34.44	6	GU90402538	33.25	6
GU28252060	33.02	8	GU32234110	34.44	13	GU90402642	33.24	8
GU28576591	33.15	4	GU32234410	34.44	1	GU90403251	34.10	38
GU28612033	33.25	18	GU32234710	34.44	11	GU90403549	34.10	3
GU29729461	33.31	2	GU32234810	34.44	12	GU90407591	34.10	15
GU29759150	33.18	17	GU32234910	34.44	16	GU90706076	34.34	9
GU30109330	33.23	24	GU32235710	34.44	14	GU90706111	34.39	22
GU30577800	33.29	13	GU32238210	34.44	10	GU90706140	34.42	4
GU30601060	33.18	25	GU32251610	33.06	8	GU90706141	33.30	17
GU30602500	33.18	22	GU32350410	34.10	13	GU90706170	34.41	8
GU30630430	33.25	19	GU32351410	34.10	16	GU90706188	34.10	29
GU31003766	34.10	8	GU32354610	34.10	18	GU90706188	34.43	18
GU31003766	34.34	14	GU32431310	33.02	9	GU90706203	34.10	7
GU31003766	34.40	19	GU32432711	33.03	11	GU90706203	34.42	25
GU31003766	34.42	26	GU32433011	33.03	6	GU90706235	34.41	14
GU31016050	34.39	20	GU32439260	33.51	3	GU90706281	34.34	19
GU31037015	34.38	13	GU32461610	33.14	2	GU90706444	34.34	17
GU31038015	34.38	5	GU32506360	33.28	1	GU90706584	34.10	37
GU31045015	34.38	26	GU32517710	33.31	8	GU90714082	33.52	31
GU31112965	33.52	33	GU32555210	33.11	4	GU91113826	33.23	29
GU31121880	33.23	9	GU32555211	33.11	5	GU91120806	33.15	6
GU31150950	34.39	26	GU32602860	33.18	12	GU91180601	33.15	10
GU31159050	34.39	15	GU32603010	33.18	16	GU91181003	33.18	11
GU31327783	34.09	2	GU32603310	33.18	7	GU91181003	33.19	18
GU31439565	33.13	4	GU32605510	33.18	2	GU91551010	33.52	25
GU31513480	33.08	20	GU32615660	33.24	14	GU91551086	33.14	11
GU31544181	34.09	15	GU32632510	33.25	17	GU92201070	34.10	14
GU31547882	34.09	14	GU32633360	33.25	14	GU92201220	34.43	16
GU31610160	33.24	17	GU32633560	34.10	11	GU92201225	34.40	10
GU31614183	33.24	9	GU32634160	33.27	5	GU92204217	33.25	5
GU31615260	33.24	6	GU32636160	33.25	21	GU92204218	33.25	3
GU31616384	33.24	12	GU32735510	33.32	5	GU92204221	33.24	7
GU31634281	33.27	4	GU32735511	33.32	5	GU92218417	34.43	10
GU31634481	33.25	15	GU32747910	33.31	9	GU92230320	34.43	13
GU31659181	33.27	11	GU32753410	33.28	3	GU92234716	34.43	26
GU31659281	33.27	12	GU32753410	33.29	8	GU92249220	34.10	32
GU32032310	34.38	11	GU32753711	33.28	14	GU92249225	33.07	2
GU32053410	34.38	16	GU32781910	33.16	16	GU92249227	34.10	20
GU32054510	34.38	17	GU32782510	33.32	2	GU92251028	34.43	7
GU32067910	34.40	5	GU32999010	34.34	25	GU92252210	34.39	2
GU32080310	34.40	1	GU32999510	34.34	24	GU92252235	34.10	5
GU32084410	34.40	4	GU35214300	34.09	13	GU92296723	34.39	6
GU32115010	34.47	3	GU39238100	34.43	25	GU92602406	34.38	9
GU32115011	34.47	8	GU49609601	33.30	19	GU92602510	34.39	19
GU32115510	34.47	7	GU49609601	33.31	27	GU92603010	34.36	11
GU32121010	33.23	7	GU53429500	33.02	3	GU92606206	33.17	6
GU32121910	33.23	25	GU61027200	34.37	12	GU92606208	34.34	7
GU32121911	33.23	26	GU61036801	34.36	3	GU92606208	34.40	18
GU32128610	33.23	13	GU61038100	34.38	6	GU92606210	33.01	9
GU32129010	33.23	14	GU61054900	34.38	18	GU92606210	33.02	5
GU32202010	34.43	28	GU61270300	33.27	22	GU92606210	33.11	7
GU32206510	34.42	22	GU61270300	34.10	26	GU92606210	34.09	18
GU32208210	34.42	8	GU61270300	34.34	6	GU92606316	33.25	16
GU32210510	34.43	1	GU61270300	34.36	21	GU92606508	34.41	3
GU32211110	34.43	9	GU61270300	34.40	17	GU92606512	34.42	14
GU32211410	34.43	6	GU66103415	33.01	14	GU92630104	33.27	19
GU32211810	34.43	5	GU90271018	34.38	12	GU92630106	33.08	27
GU32212011	34.43	2	GU90271117	34.43	29	GU92630108	33.15	5
GU32213610	34.43	14	GU90271121	34.43	19	GU92630204	33.16	14
GU32213810	34.42	5	GU90271124	34.43	4	GU92630206	33.26	26
GU32214010	34.43	24	GU90272023	34.09	4	GU92630206	33.26	5



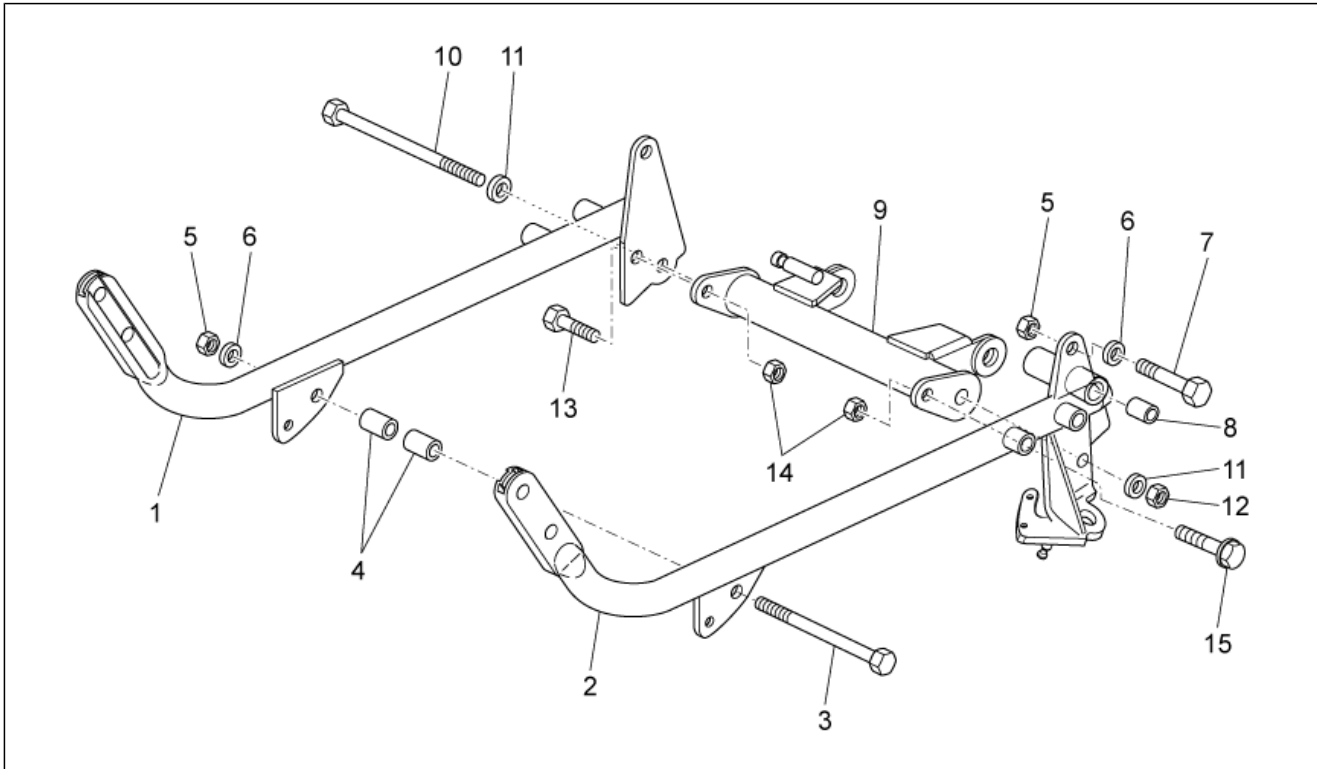
Code	No. table	Pos.	Code	No. table	Pos.
GU92630510	33.01	3	GU96510214	34.36	14
GU92640508	33.23	19	GU97202325	33.18	26
GU92787006	33.28	6	GU98054422	34.38	28
GU92787006	33.29	11	GU98082435	34.46	2
GU93180105	34.09	21	GU98082565	33.02	7
GU93180111	33.24	13	GU98084314	34.39	12
GU93180220	34.40	9	GU98084314	34.40	12
GU93180245	34.36	22	GU98084316	34.40	7
GU93222023	33.17	4	GU98110007	33.23	23
GU93231605	33.29	14	GU98110199	33.01	7
GU93301313	33.51	15	GU98230510	33.18	19
GU93305061	33.52	22	GU98230612	34.44	7
GU93305061	34.47	15	GU98252420	33.06	23
GU93450127	33.28	15	GU98252420	33.26	32
GU93450224	33.29	3	GU98257410	33.27	18
GU94321079	34.39	24	GU98257618	34.44	15
GU94321099	34.09	6	GU98310609	34.47	11
GU94321105	34.41	4	GU98350215	33.29	12
GU95004210	33.31	4	GU98350416	33.01	5
GU95005306	33.17	3	GU98370412	33.19	4
GU95005306	33.23	28	GU98370515	33.14	17
GU95005308	33.28	23	GU98370609	33.17	2
GU95005308	34.09	22	GU98370609	33.23	27
GU95005310	33.15	7	GU98370616	33.12	20
GU95005311	33.51	4	GU98370616	33.13	9
GU95005330	33.08	26	GU98370616	33.31	7
GU95008205	33.30	16	GU98370625	33.14	4
GU95008206	34.39	23	GU98370625	33.26	7
GU95008208	33.01	6	GU98370655	33.28	7
GU95008208	34.46	3	GU98370655	33.29	9
GU95008210	33.01	8	GU98370835	33.15	8
GU95008210	33.02	6	GU98370845	33.13	3
GU95008210	34.09	17	GU98612216	33.03	9
GU95008305	33.18	20	GU98620335	34.39	7
GU95008306	33.19	20	GU98622322	34.47	9
GU95008306	33.27	21	GU98680350	33.08	30
GU95020105	33.03	10	GU98680435	34.40	15
GU95021104	33.19	19	GU98680435	34.42	19
GU95021105	33.18	21	GU98680450	34.40	16
GU95021206	33.17	5	GU98680545	34.09	16
GU95021206	33.28	8	GU98680555	33.01	10
GU95021206	33.29	10	GU98682212	33.30	15
GU95100059	33.26	24	GU98682212	33.31	12
GU95100059	33.31	13	GU98682212	34.45	5
GU95100116	34.47	12	GU98682325	34.34	11
GU95100125	34.45	11	GU98682325	34.35	3
GU95100141	33.12	14	GU98682330	34.35	4
GU95100141	33.15	14	GU98682330	34.40	14
GU95100244	34.38	29	GU98682330	34.42	18
GU95100309	34.39	27	GU98682414	33.01	12
GU95100602	34.39	25	GU98682416	33.32	7
GU95100709	34.34	21	GU98682430	33.12	9
GU95129115	34.38	22	GU98682530	33.01	2
GU95129180	34.34	27	GU98690335	33.18	13
GU95129180	34.36	13	GU98690440	33.23	17
GU95129181	33.11	6	GU98692318	33.11	2
GU95187006	34.39	13	GU98692325	33.18	9
GU95401215	33.26	10	GU98692325	34.36	16
GU95500222	34.41	6	GU98692420	33.01	19
GU95780271	34.41	5	GU98692420	33.28	22
GU96451316	33.27	15	GU98880540	33.28	21
GU96451430	34.34	3	GU98882316	34.38	21
GU96451560	34.34	2			
GU96506042	34.36	5			
GU96508055	34.10	12			
GU96508055	34.34	4			
GU96510181	34.36	15			

Group	FRAME
Code	33.01
Description	Frame I
Service	1



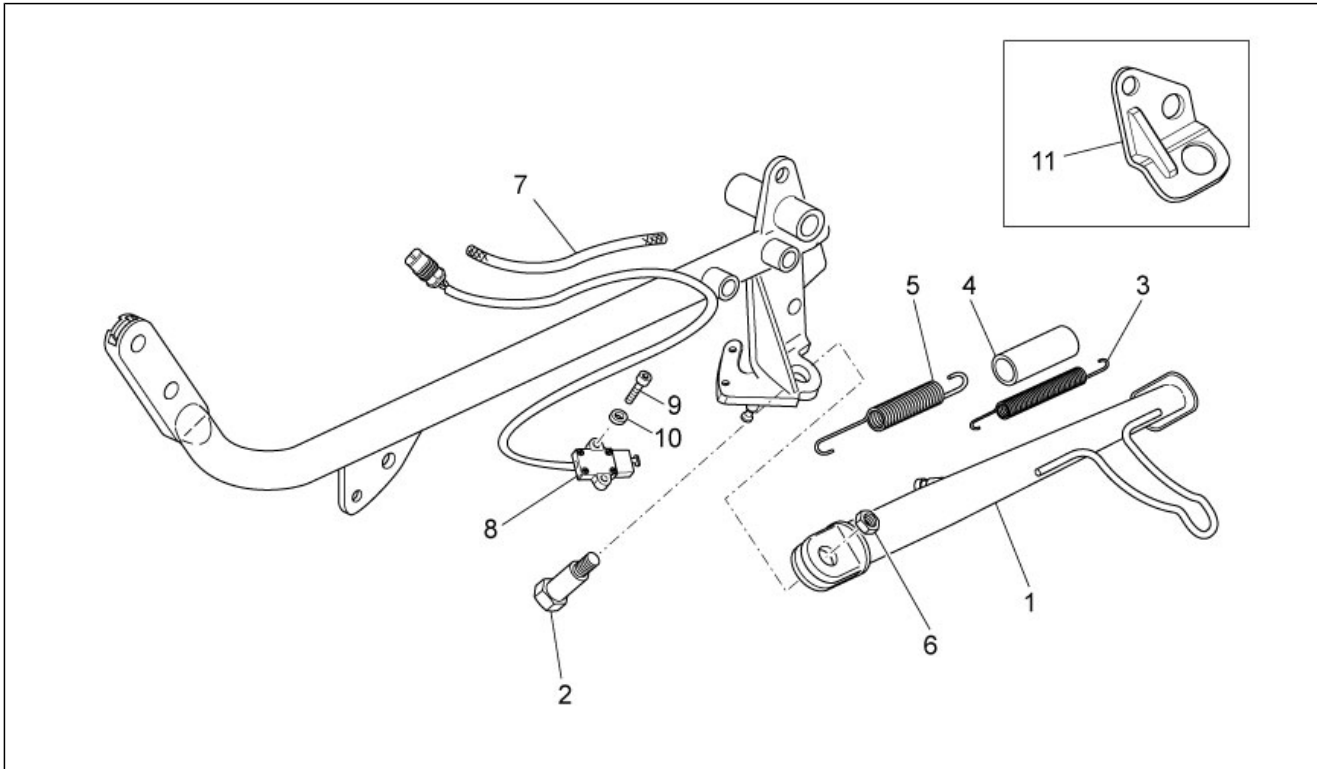
Pos.	Code	Description	Qty	Variants
1	B063251	Frame, red	1	
2	GU98682530	Hex socket screw M10x30	4	
3	GU92630510	Nut M10x1,5	4	
4	B063287	Frame union plate	1	
5	GU98350416	Hex socket screw M8x16	4	
6	GU95008208	Washer 8,4X15X1,5	4	
7	GU98110199	Pin M10x205	1	
8	GU95008210	Washer 10,2X18X2	11	
9	GU92606210	Nut M10x1,5	2	
10	GU98680555	screw M10x55	2	
11	886645	Plate	2	
12	GU98682414	Hex socket screw	2	
13	GU01103860	Vibration-damping rubber	1	
14	GU66103415	Rubber spacer	2	
15	AP8144606	Gasket 10X5	1	
16	AP8221172	Cable-guide	1	
17	2B000843	Bracket DX	1	
18	2B000844	Bracket SX	1	
19	GU98692420	Hex socket screw M8x20	4	
20	AP8220590	Gasket	1	
21	GU03468100	screw	1	

Group	FRAME
Code	33.02
Description	Frame II
Service	1



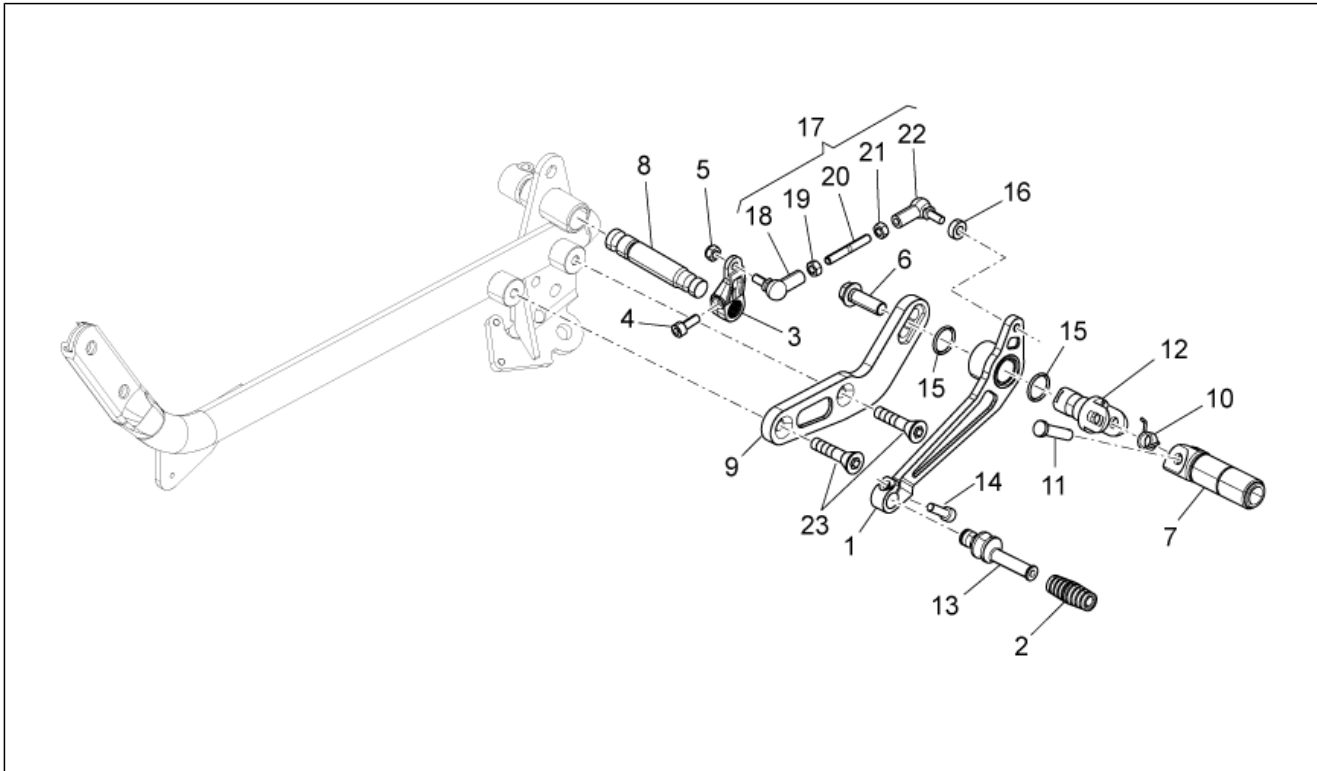
Pos.	Code	Description	Qty	Variants
1	B063249	RH cradle arm	1	
2	B063250	LH cradle arm	1	
3	GU53429500	Pin M10x250	1	
4	GU19017000	Bushing	2	
5	GU92606210	Nut M10x1,5	3	
6	GU95008210	Washer 10,2X18X2	3	
7	GU98082565	screw M10x65	2	
8	GU28252060	Bush 18 mm est.	2	
9	GU32431310	Cradle arms conn.crosspiece	1	
10	AP8121367	Pin M10x260	1	
11	AP8152220	Washer	2	
12	AP8150436	Low self-locking nut	1	
13	AP8152287	Screw w/ flange M8x25	1	
14	AP8152300	Self-locking nut M8	1	
15	AP8152288	Screw w/ flange	1	

Group	FRAME
Code	33.03
Description	Lateral stand
Service	1



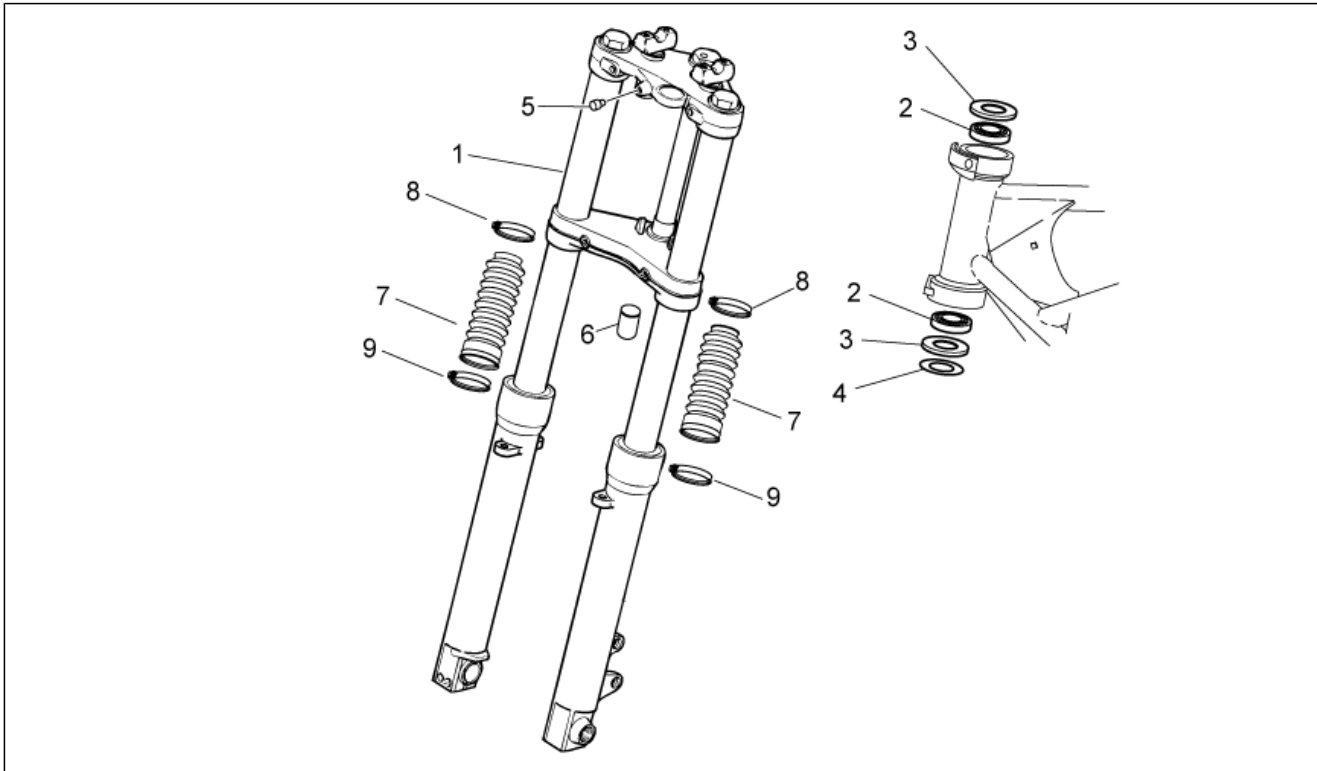
Pos.	Code	Description	Qty	Variants
1	883471	Side arm black	1	
2	AP8121607	Central stand fixing screw	1	
3	AP8121014	Coil pull spring *	1	
4	AP8102524	Stand spring protection	1	
5	AP8221197	Lateral stand spring	1	
6	GU32433011	Nut	1	
7	GU00823923140	Thermal sheath	1	
8	AP8127856	Lateral stand switch	1	
9	GU98612216	Hex socket screw	2	
10	GU95020105	Washer 5,3x8,9x2,4	2	
11	GU32432711	plate	1	

Group	FRAME
Code	33.06
Description	Gear lever
Service	1



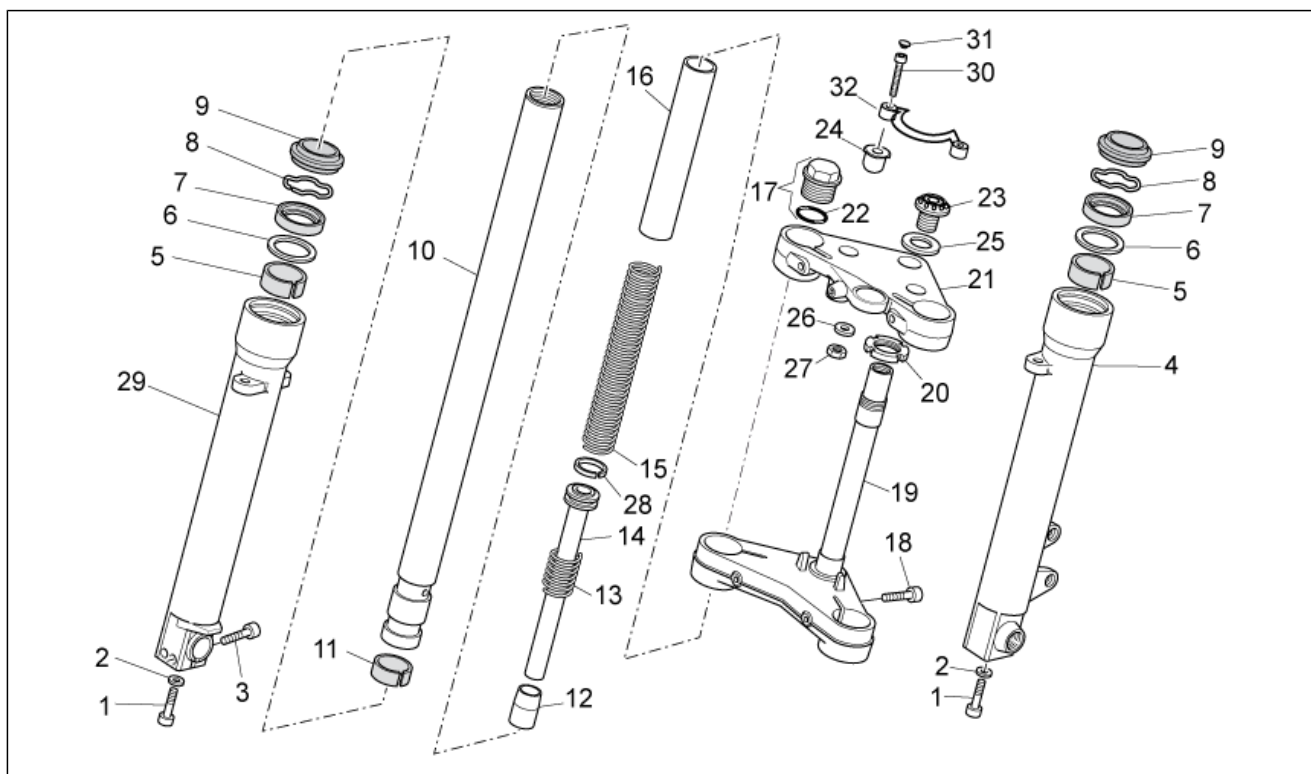
Pos.	Code	Description	Qty	Variants
1	898282	Gear lever	1	
2	AP8120912	Lever rubber	1	
3	898283	Shift lever	1	
4	AP8150137	Hex socket screw	1	
5	AP8150115	Low self-locking nut M6	1	
6	AP8152320	Screw w/ flange	1	
7	898281	RH Foot rests	1	
8	GU32251610	Lever pin	1	
9	898284	Rider footrest plate	1	
10	AP8221277	Footrest return spring	1	
11	GU23442210	Pin	1	
12	898611	LH front footrest bracket	1	
13	886665	Pin	1	
14	AP8150044	Hex socket screw M6x20	1	
15	AP9100477	O-ring 18x2	2	
16	886668	Spacer	1	
17	887280	Gear control tie rod	1	
18	AP8210007	RH ball joint M6	1	
19	AP8150026	Nut M6	1	
20	856796	Gearbox linkage rod	1	
21	AP8152138	Nut	1	
22	AP8110053	Left ball joint M6	1	
23	GU98252420	Screw M8x20	2	

Group	FRAME
Code	33.07
Description	Front fork I
Service	1



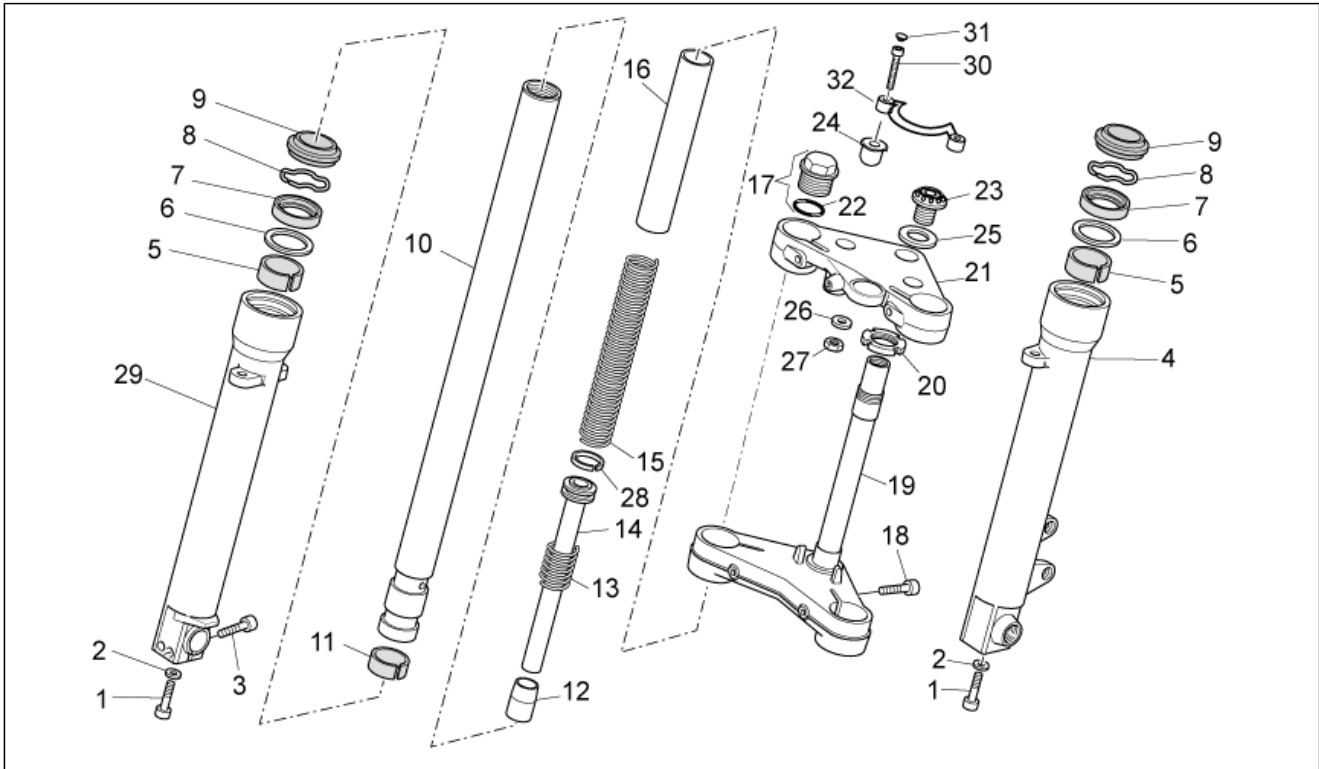
Pos.	Code	Description	Qty	Variants
1	2B000560	Front fork	1	
2	GU92249225	Tap.roller bearing	2	
3	AP8144146	Gasket ring	1	
4	AP8121307	Washer	1	
5	AP8144081	Rubber spacer	1	
6	AP8220460	Rubber cup	1	
7	898086	Anti-dust tube	7	
8	CM001929	Fascetta stringitubo 63.5	2	
9	CM001928	Hose clamp 44	2	

Group	FRAME
Code	33.08
Description	Fron fork II
Service	1



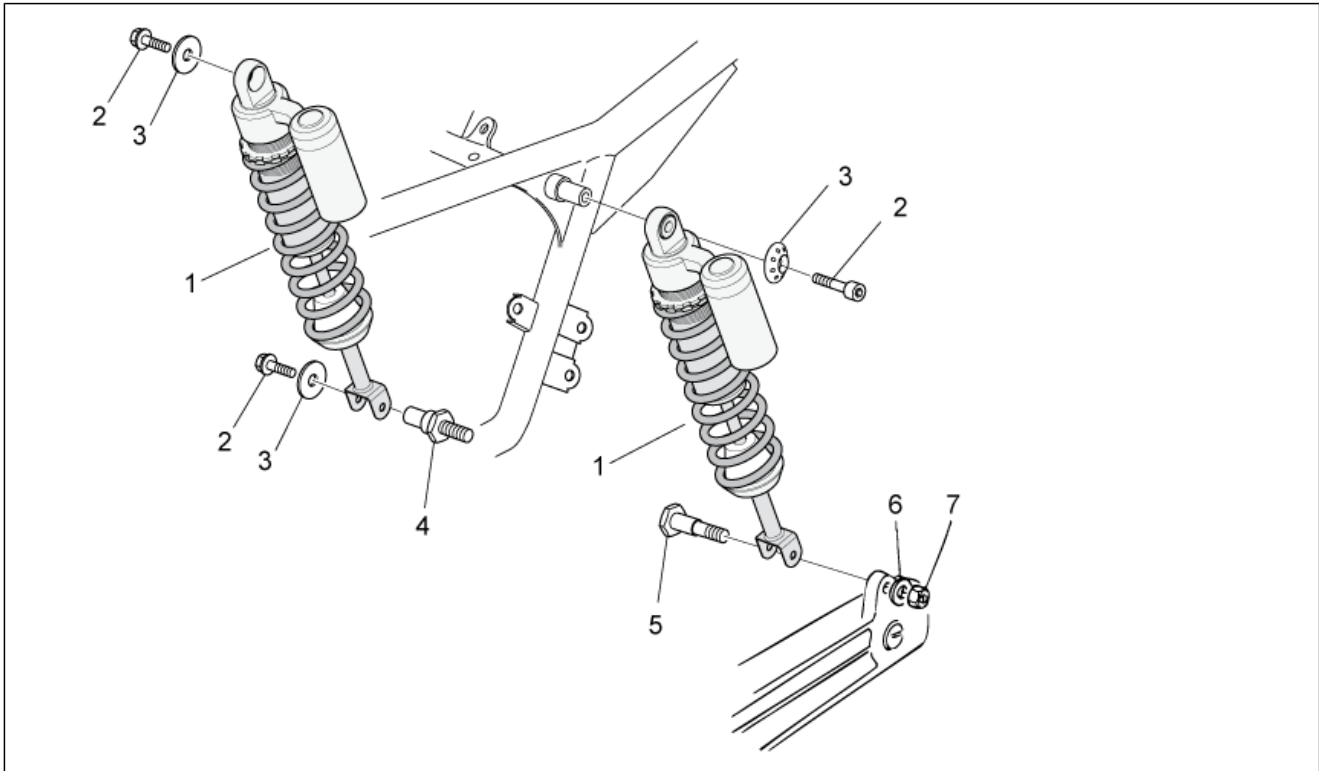
Pos.	Code	Description	Qty	Variants
1	887878	screw M10x30	2	
2	887879	Washer	2	
3	887880	screw	2	
4	2R000110	LH sleeve	1	
5	887882	Upper bush	2	
6	887883	Washer	2	
7	887884	Gasket ring	2	
8	887885	Stop ring	2	
9	887886	Dust cover	2	
10	887887	Sleeve	2	
11	887888	Bush	2	
12	887889	Pad	2	
13	887890	Return spring	2	
14	887891	Plunger, complete	2	
15	887892	Spring	2	
16	887893	pipe	2	
17	887894	Plug cpl.	2	
18	887895	screw	2	
19	887896	Stem base	1	
20	GU31513480	Ring nut M25X1	1	
21	886842	Fork upper plate	1	
22	887916	O-ring 4118	2	
23	887900	Nut	1	
24	883552	Bush	2	
25	887899	Washer	1	
26	GU95005330	Washer 6,4x30x1,5	2	
27	GU92630106	Nut M6x1	2	
28	887905	Ring	2	

Group	FRAME
Code	33.08
Description	Fron fork II
Service	1



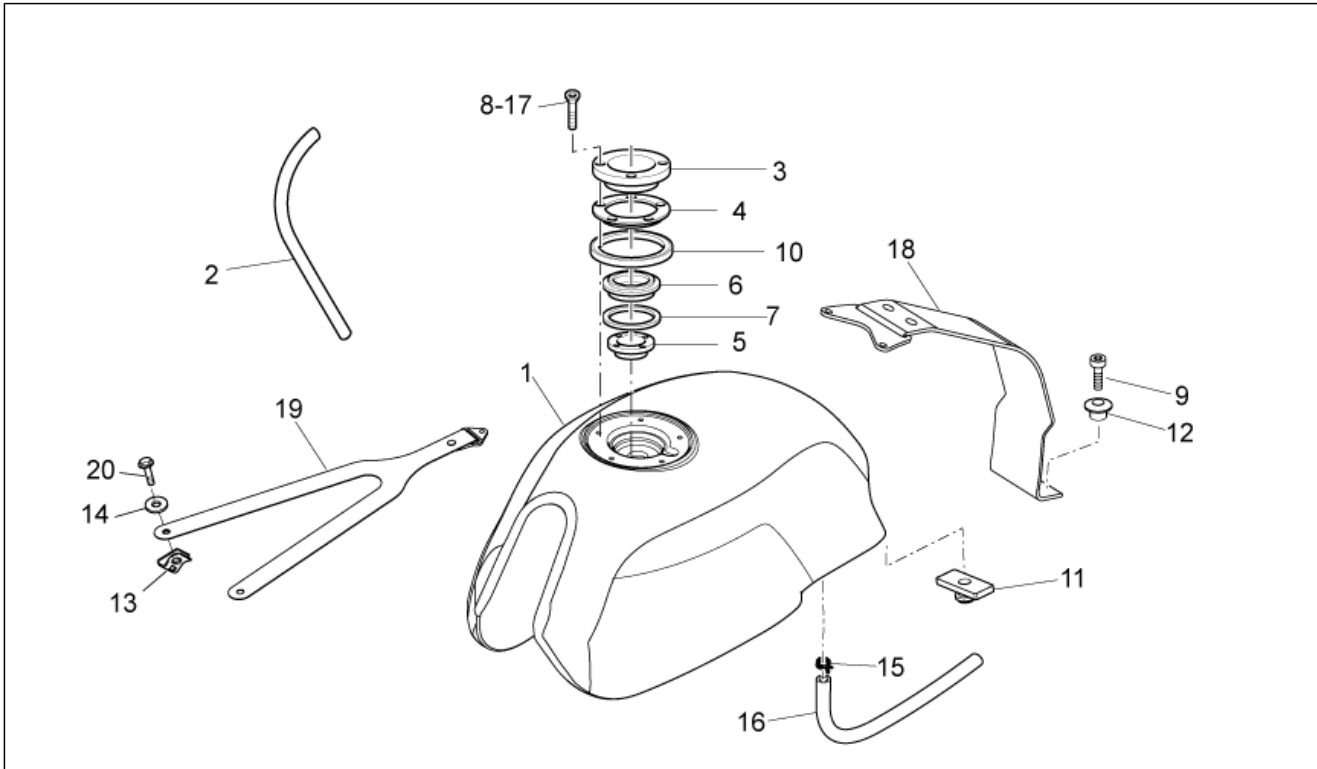
Pos.	Code	Description	Qty	Variants
29	2R000109	RH sleeve	1	
30	GU98680350	Hex socket screw M6x50	2	
31	GU23943410	Plug	8	
32	883602	Pipe	1	

Group	FRAME
Code	33.11
Description	Rear shock absorber
Service	1



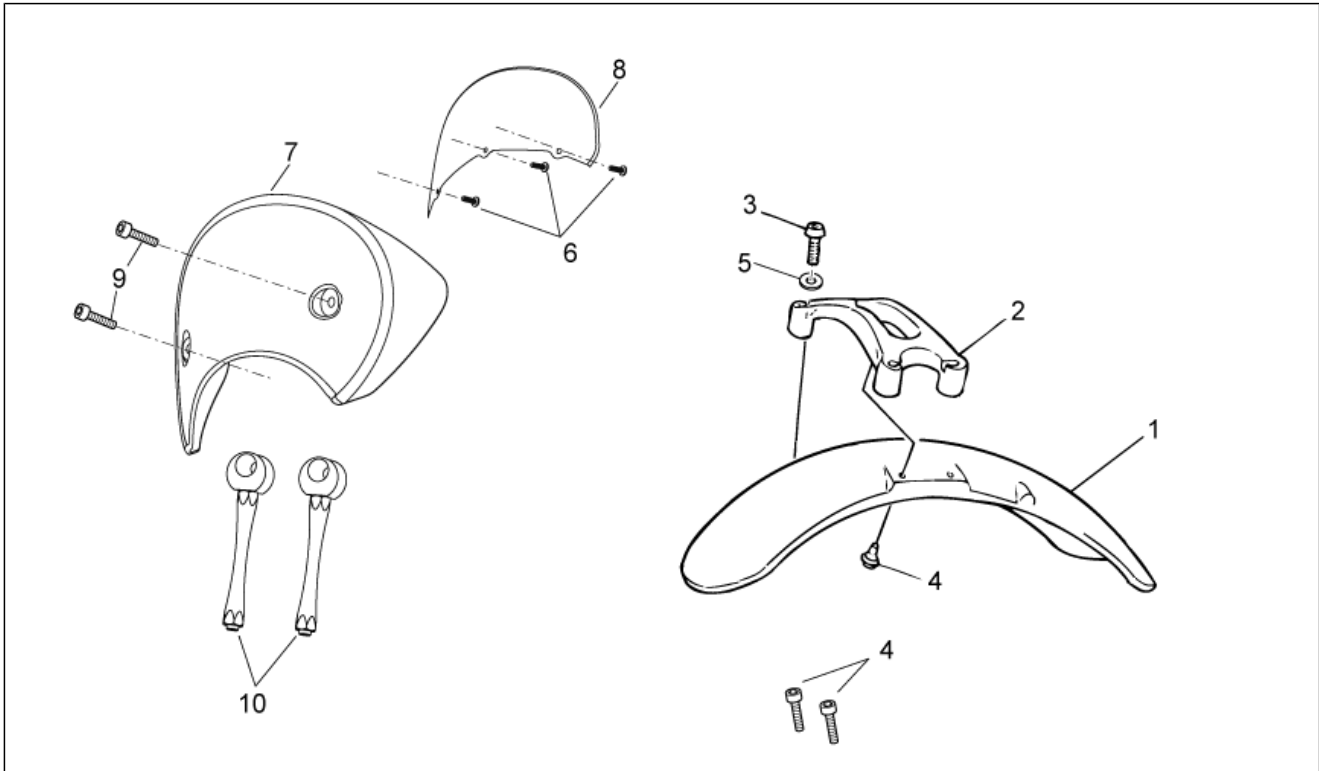
Pos.	Code	Description	Qty	Variants
1	886675	Rear shock absorber	2	
2	GU98692318	Hex socket screw	3	
3	886630	Bush	3	
4	GU32555210	Pin	1	
5	GU32555211	Pin	1	
6	GU95129181	Washer	1	
7	GU92606210	Nut M10x1,5	1	

Group	FRAME
Code	33.12
Description	Fuel tank
Service	1



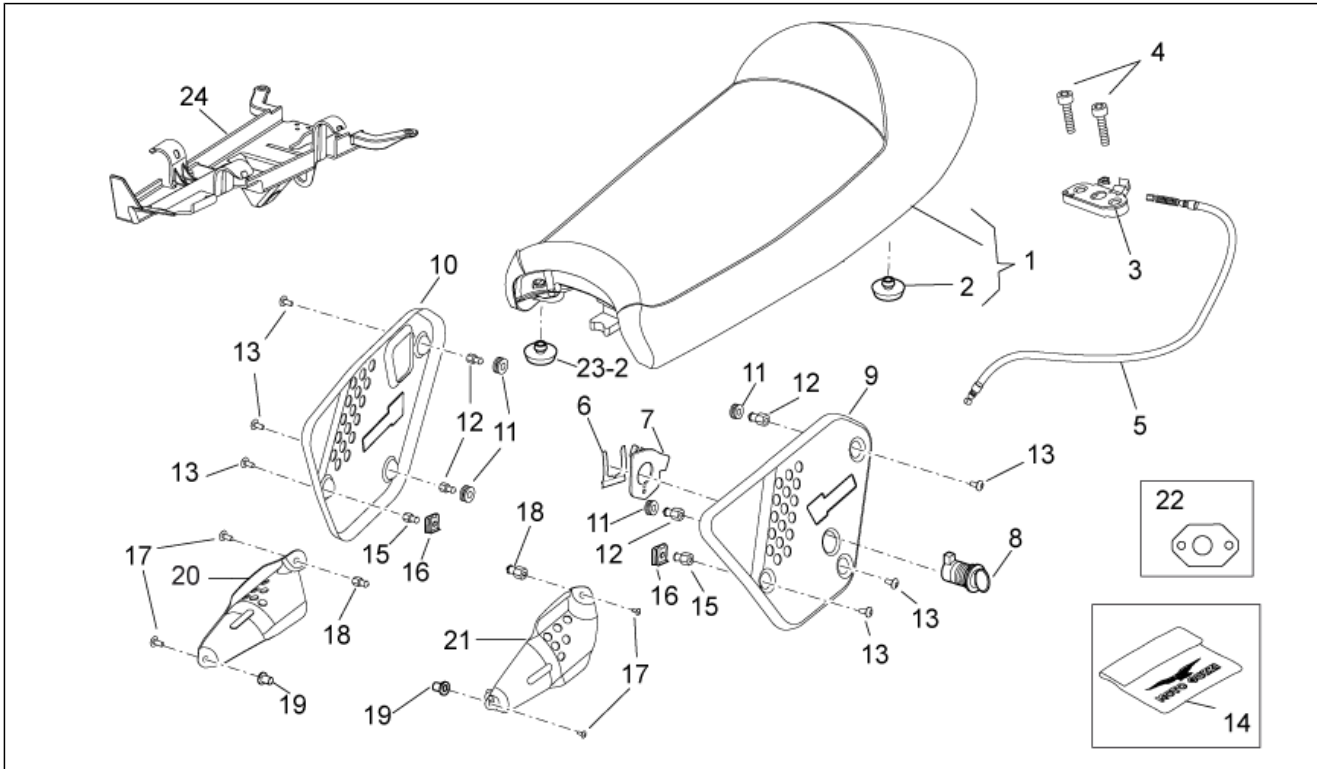
Pos.	Code	Description	Qty	Variants
1	2H000420	Fuel tank chrome	1	Technical specification:Decal[D]
1	887944	Fuel tank blank	1	Vehicle colour:Blank[GR]
2	GU00823931070	Gasket	1	
3	GU03101900	Flange	1	
4	GU03103500	Ring	1	
5	883502	Reduction 24 mm	1	
6	GU03102200	Plug ring nut	1	
7	GU03101600	Gasket	2	
8	AP8150416	Hex socket screw	3	
9	GU98682430	Hex socket screw M8x30	1	
10	GU03102400	Gasket	1	
11	AP8120557	Tank rubber	1	
12	AP8121673	T bush *	1	
13	254485	Spring plate M6	2	
14	GU95100141	Washer 6,4x12x1,2	2	
15	AP8101595	Hose clamp D10,1	1	
16	GU00823944050	pipe 5X9	1	
17	GU03103200	screw	2	
18	B063154	Rear belt	1	
19	B063152	Front belt	1	
20	GU98370616	Hex socket screw M6x16 inox	2	

Group	FRAME
Code	33.13
Description	Front body - Front mudguard
Service	1



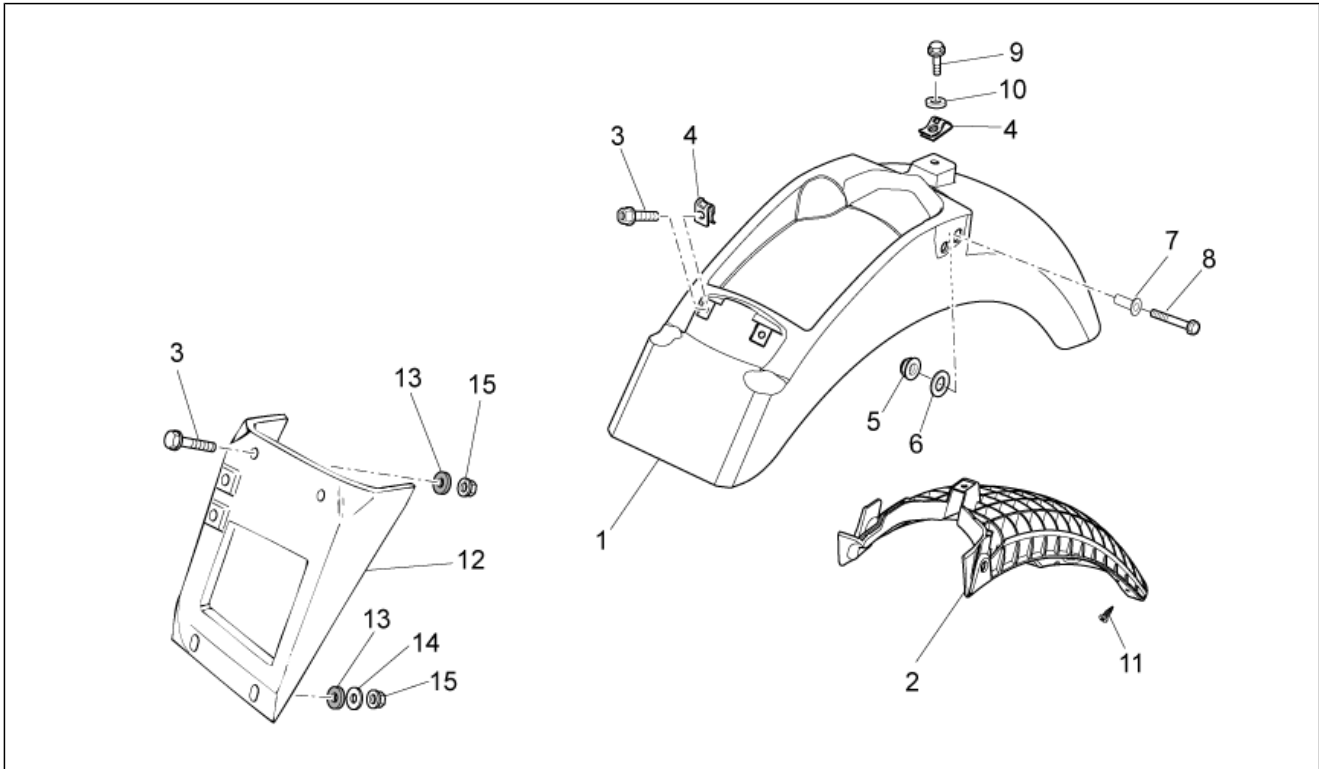
Pos.	Code	Description	Qty	Variants
1	88673000Y02	Front mudguard, black	1	
2	883266	Stabilization plate	1	
3	GU98370845	Hex socket screw	4	
4	GU31439565	Special screw	4	
5	GU14615901	Washer 8,4X13X0,8	4	
6	AP8150413	Self-tap screw 3,9x14	3	
7	2H000421000Y02	Headlight windshield black	1	Technical specification: Decal[D]
7	898179	Headlight windshield blank	1	
8	898180	Windshield	1	
9	GU98370616	Hex socket screw M6x16 inox	2	
10	886724	Windshield support	2	

Group	FRAME
Code	33.14
Description	Saddle-Central bod
Service	1



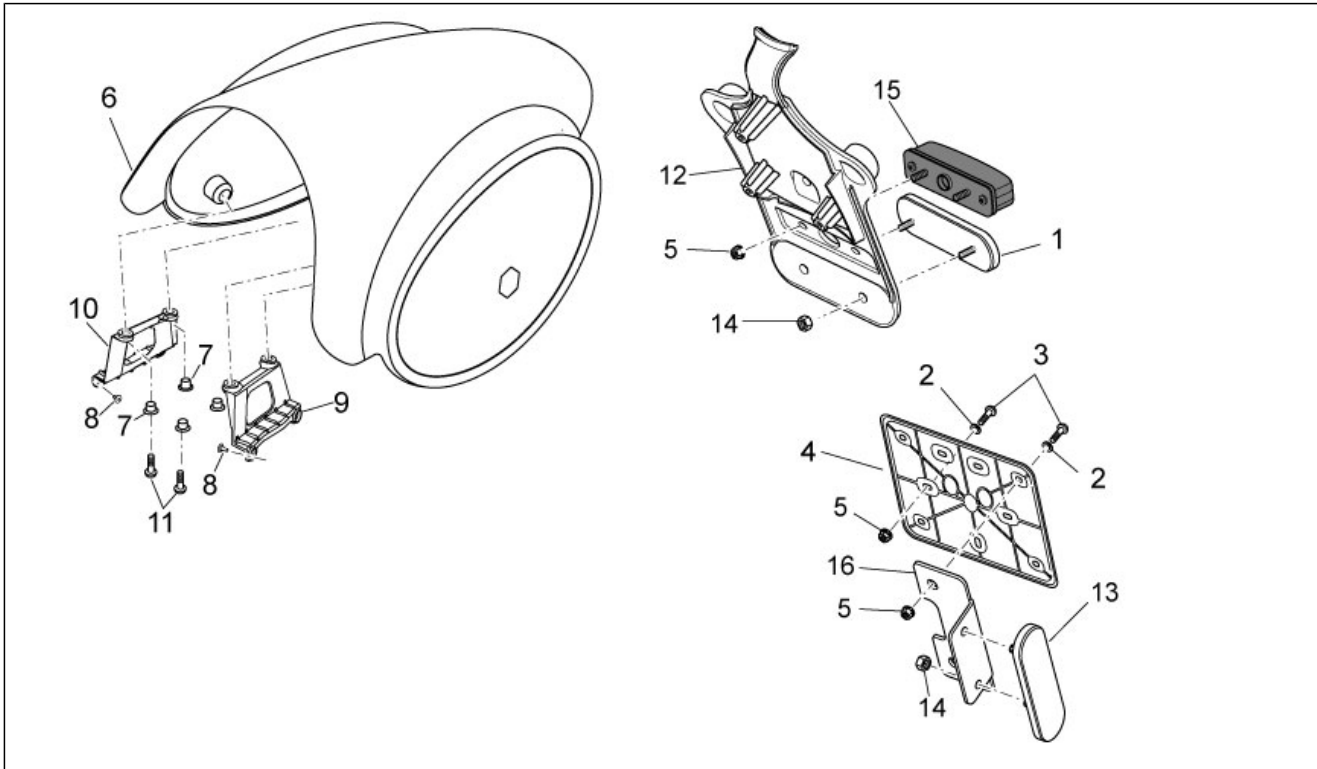
Pos.	Code	Description	Qty	Variants
1	89817800A3	Saddle, brown	1	
2	GU32461610	Rubber spacer	8	
3	AP8102913	Pass.saddle connecting plate	1	
4	GU98370625	Hex socket screw	2	
5	883295	Saddle release cable	1	
6	AP8121420	Fork spring	1	
7	978415	Cable fixing plate	1	
8	977527	Locking complete with keys	1	
9	2B000839	LH side panel	1	Technical specification:no decals[ND]
10	2B000838	RH side panel	1	Technical specification:no decals[ND]
11	GU91551086	Rubber spacer	4	
12	886368	Fixing pin	4	
13	976614	Screw M5X15	6	
14	886841	Saddle protection bag	1	
15	886706	Fixing pin	2	
16	254485	Spring plate M6	2	
17	GU98370515	screw	4	
18	AP8120531	Rubber w/ insert	2	
19	886727	Fixing pin	2	
20	2B000841	Right throttle cover	1	
21	2B000842	Left throttle cover	1	
22	886820	Saddle lock fix.plate	1	
23	B063429	Rubber spacer	2	
24	B063431	Protection	0	

Group	FRAME
Code	33.15
Description	Rear body I- Mudguard
Service	1



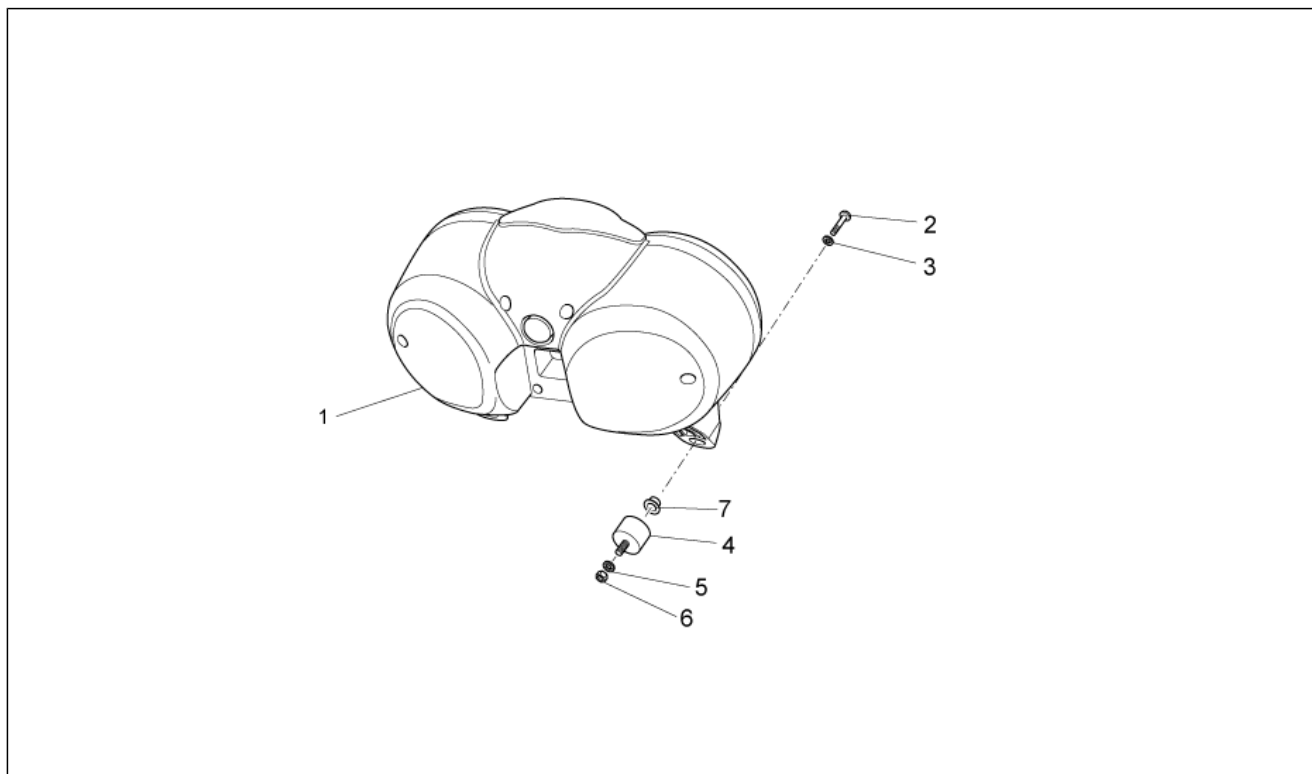
Pos.	Code	Description	Qty	Variants
1	97894600Y02	Rear mudguard, black	1	
2	978947	Support	1	
3	AP8152278	Screw w/ flange M6x16	4	
4	GU28576591	Clip M6	3	
5	GU92630108	Nut	2	
6	GU91120806	Spacer	2	
7	GU95005310	Washer 8,4x18x2	2	
8	GU98370835	screw	2	
9	AP8152279	Screw w/ flange M6x20	2	
10	GU91180601	Spacer 6,2x8x3	2	
11	AP8152329	Phillips screw, SWP M5x20	3	
12	B063167	Splash guard	1	
13	AP8121032	Bush	4	
14	GU95100141	Washer 6,4x12x1,2	2	
15	AP8152299	Self-locking nut M6	4	

Group	FRAME
Code	33.16
Description	Rear body II- Plate holder
Service	1



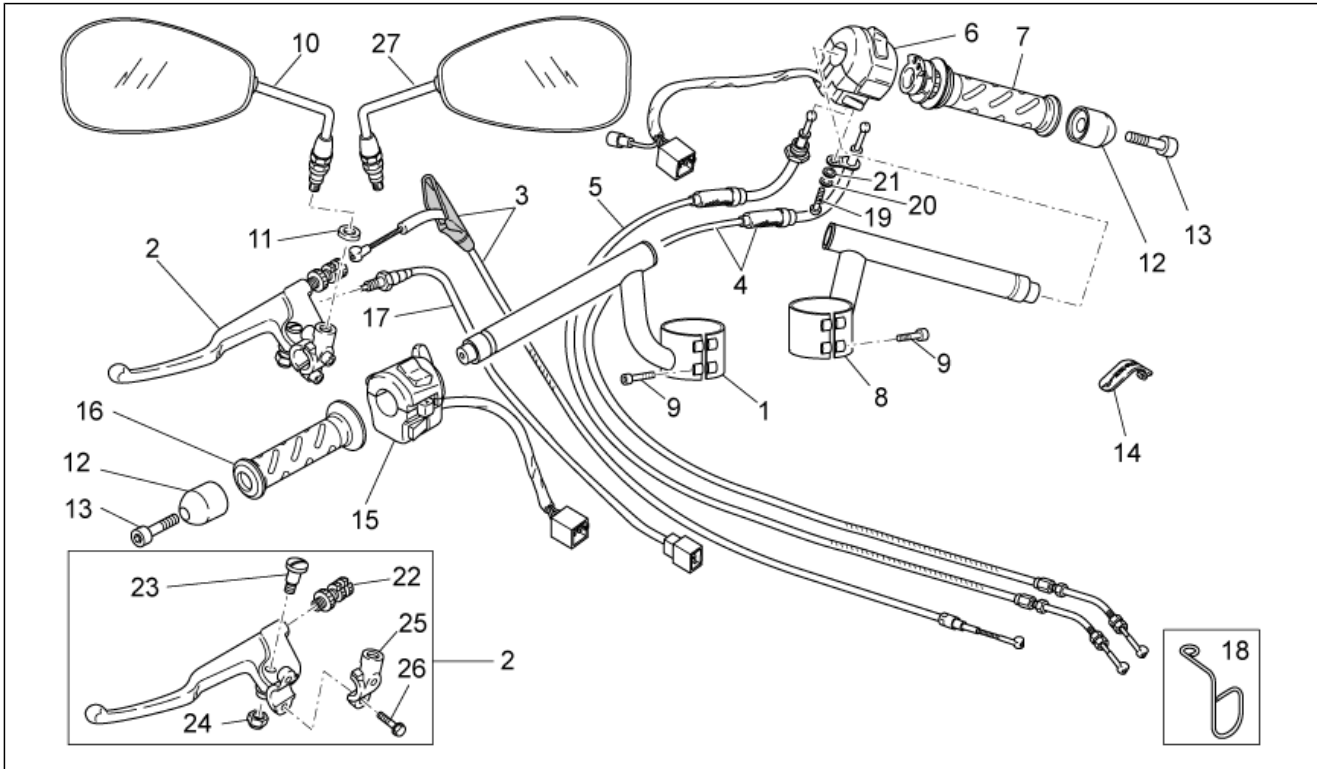
Pos.	Code	Description	Qty	Variants
1	GU05781630	Reflector, amber	1	
2	AP8150248	Washer 5,5x15x1,6	2	
3	AP8152268	Hex socket screw M5x16	2	
4	AP8149034	Number plate support	1	
5	AP8152306	Self-locking nut m5	1	
6	2H000422000Y02	Rear fairing	1	Technical specification:Decal[D]
6	898280	Rear fairing, blank	1	
7	AP8121929	T bush 6,5x8,6x9	4	
8	AP8152339	Screw w/ flange M5x9	4	
9	886712	LH clamp	1	
10	886713	RH clamp	1	
11	AP8152273	Screw w/ flange M5X15	4	
12	883470	Number plate holder	1	
13	AP8124718	Rear reflector, red	2	
14	GU92630204	Nut	6	
15	883480	Number-plate light	1	
16	GU32781910	Reflector support	2	

Group	FRAME
Code	33.17
Description	Dashboard
Service	1



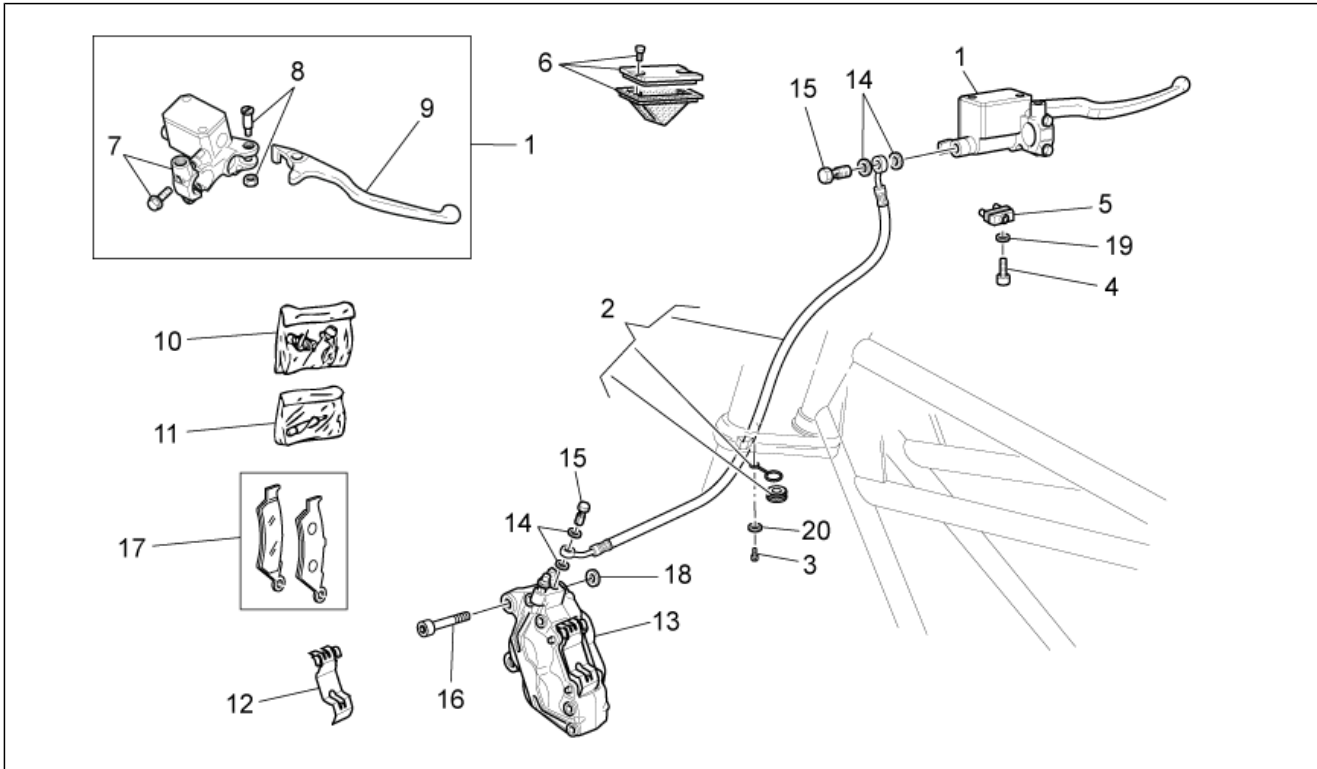
Pos.	Code	Description	Qty	Variants
1	887195	Dashboard complete MPH	1	
2	GU98370609	Hex socket screw M6x10	3	
3	GU95005306	Washer 6,4x13x1,5	3	
4	GU93222023	Silent-block	3	
5	GU95021206	Washer	3	
6	GU92606206	Nut	3	
7	AP8121032	Bush	3	

Group	FRAME
Code	33.18
Description	Handlebar - Controls
Service	1



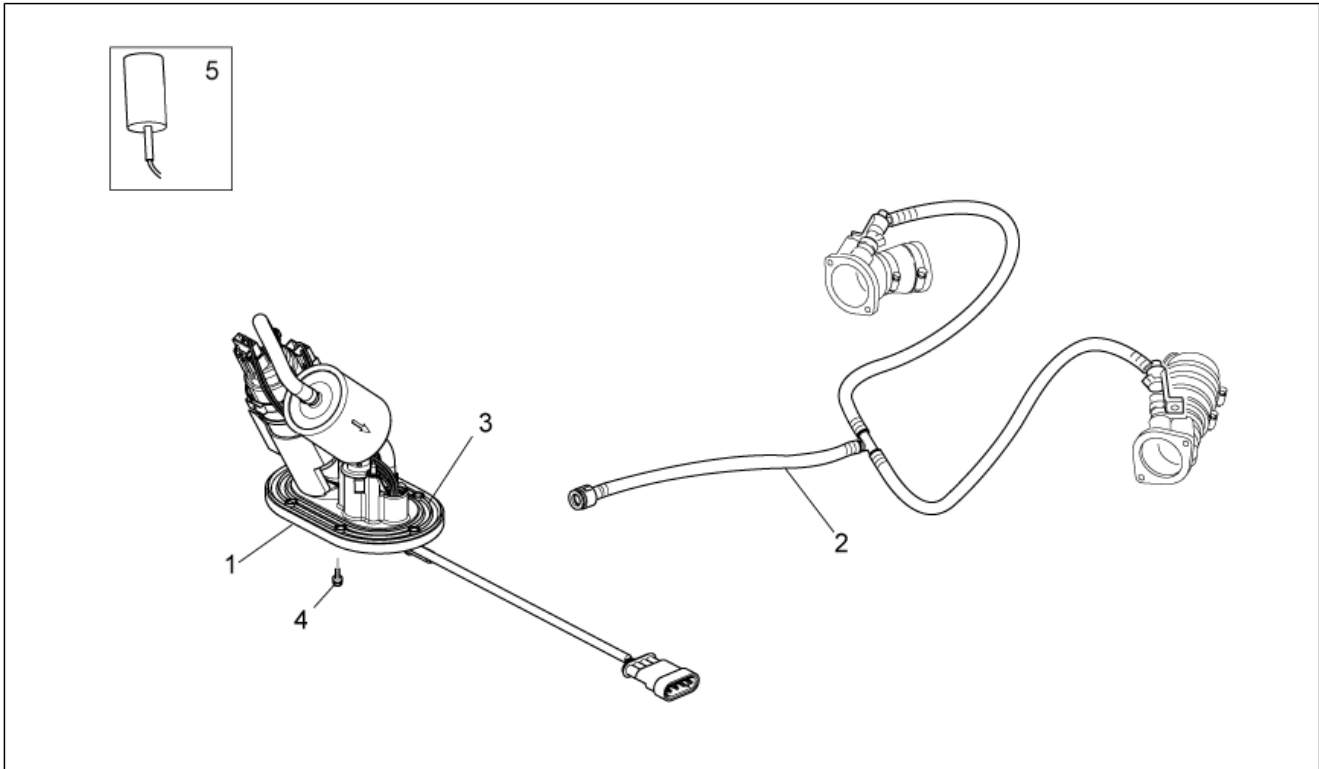
Pos.	Code	Description	Qty	Variants
1	B063317	Left half handlebar	1	
2	GU32605510	Clutch lever	1	
3	883940	Clutch cable	1	
4	B063247	Gas trasmission delivery	1	
5	B063248	Gas trasmission return	1	
6	B063135	RH lights selector	1	
7	GU32603310	RH hand grip	1	
8	B063326	Right half handlebar	1	
9	GU98692325	Hex socket screw M6x25	4	
10	2B001049	LH rearview mirror	1	
11	GU91181003	Spacer 10,25X20X4	2	
12	GU32602860	Anti.v weight, chr.	2	
13	GU98690335	Hex socket screw	2	
14	GU01609630	Hose clamp L46 mm	2	
14	GU03609600	Hose clamp L36 mm	1	
15	B063975	LH lights selector	1	
16	GU32603010	LH hand grip	1	
17	GU29759150	Lateral stand switch	1	
18	AP8221172	Cable-guide	1	
19	GU98230510	Hex socket screw	1	
20	GU95008305	Washer 5,3X10X1	1	
21	GU95021105	Notched washer	1	
22	GU30602500	Register	1	
23	AP8213028	screw	1	
24	AP8118490	Nut	1	
25	GU30601060	Clump	1	
26	GU97202325	Black screw w/ flange M6x25	2	
27	2B001048	RH rearview mirror	1	

Group	FRAME
Code	33.19
Description	Front brake system
Service	1



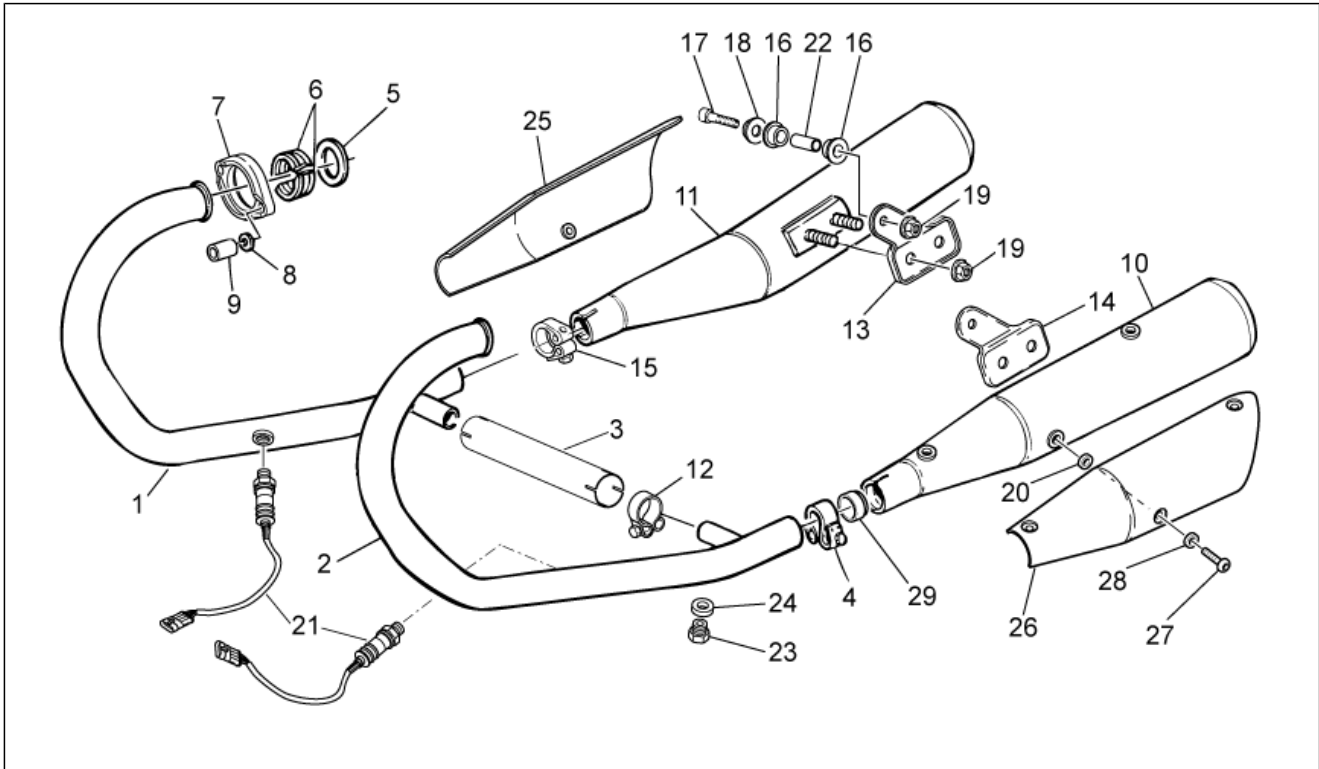
Pos.	Code	Description	Qty	Variants
1	GU03660145	Front master cilinder	1	
2	883581	Brake hose	1	
3	AP8152277	Screw w/ flange M6x12	1	
4	GU98370412	Hex socket screw M4x12	1	
5	GU03749845	Stop switch	1	
6	GU03661145	Pump cover	1	
7	GU03664045	U-bolt	1	
8	GU03604845	Lever pin	1	
9	GU03605645	Brake lever	1	
10	GU05659230	Bleeder+cap	1	
11	GU01659130	Pins+Caliper springs	1	
12	GU01659131	Spring	1	
13	883303	LH front brake caliper, black	1	
14	AP8113004	Washer 10x14x1,6*	4	
15	978323	Oil pipe screw *	2	
16	AP8152385	Hex socket screw M10x1,25	2	
17	GU01654630	Pads pair	1	
18	GU91181003	Spacer 10,25X20X4	2	
19	GU95021104	Washer 4,3x8x1,5	1	
20	GU95008306	Washer 6,4x12x1,2	1	

Group	FRAME
Code	33.21
Description	Fuel pump
Service	1



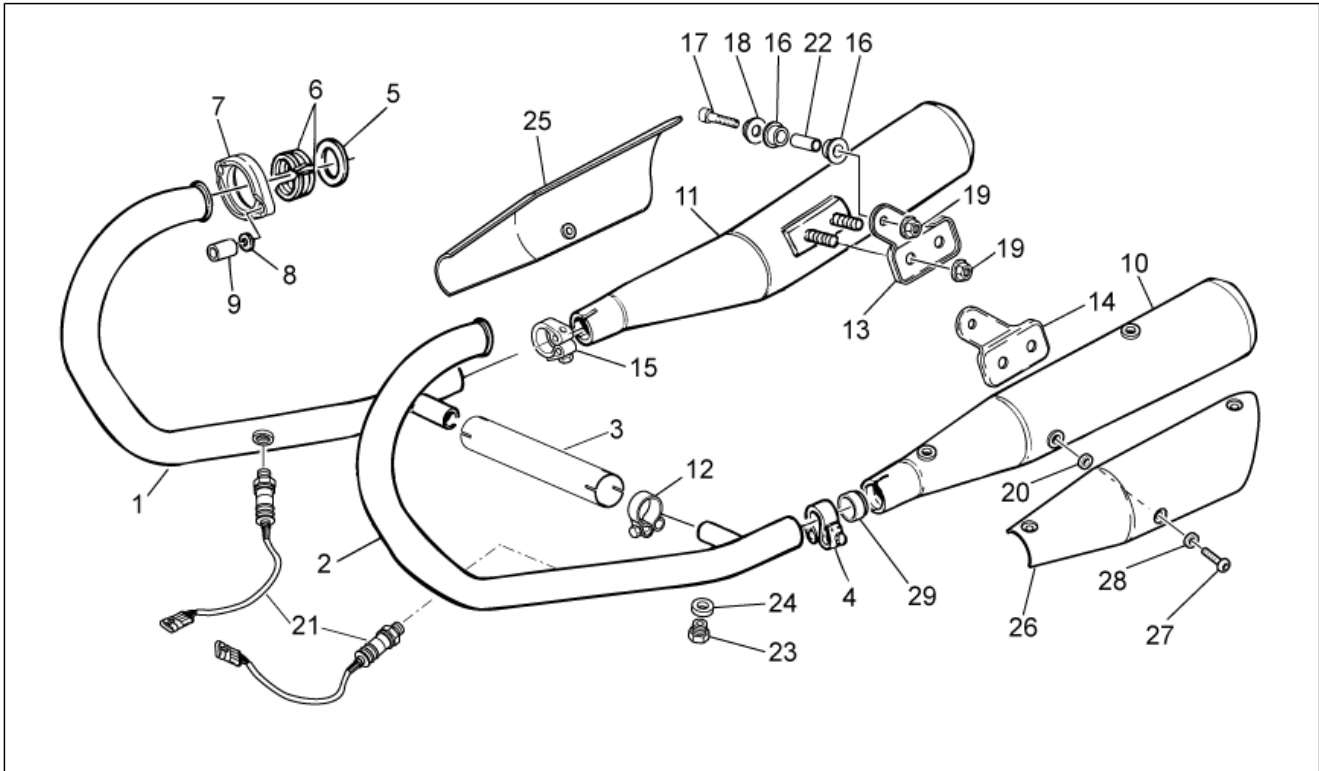
Pos.	Code	Description	Qty	Variants
1	B063752	Fuel pump	1	
2	2B000970	Fuel pipe	1	
3	GU05107430	Gasket	1	
4	AP8152273	Screw w/ flange M5X15	6	
5	887787	Fuel level sensor	1	

Group	FRAME
Code	33.23
Description	Exhaust unit
Service	1



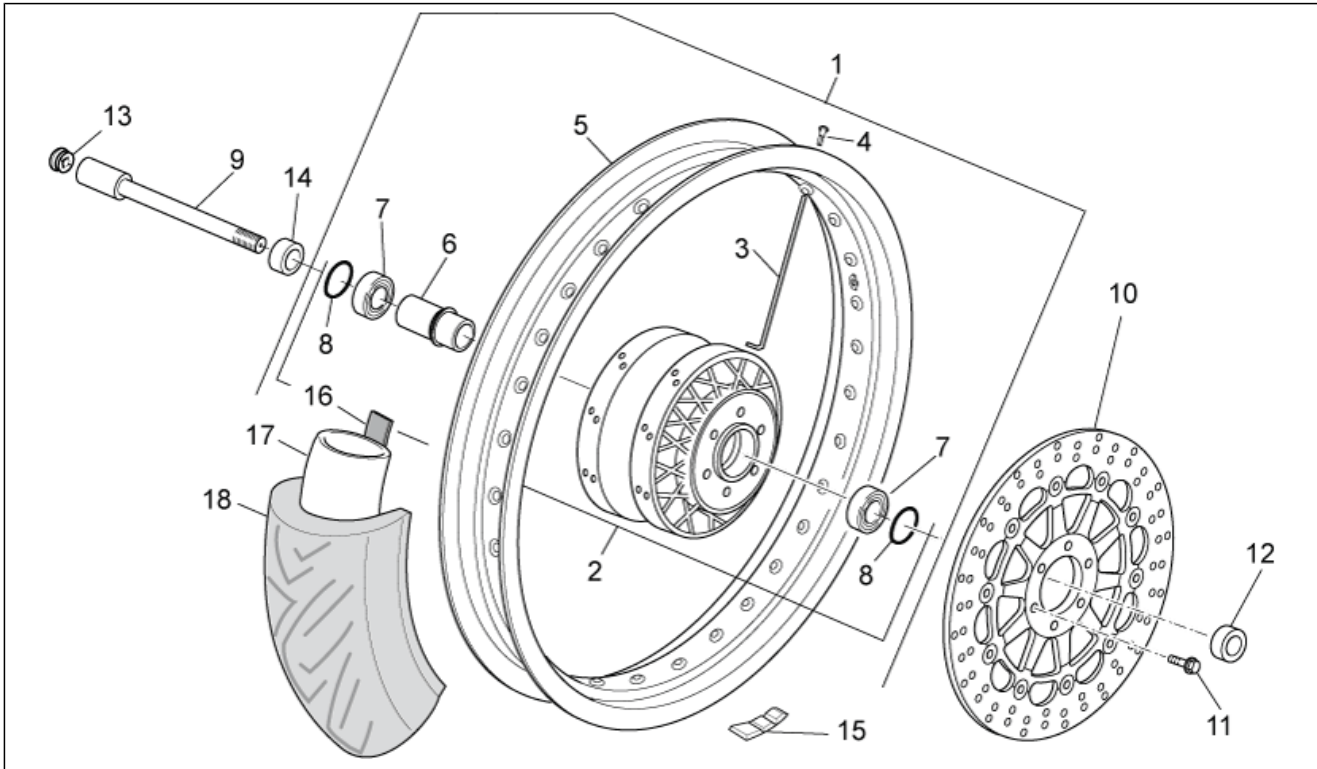
Pos.	Code	Description	Qty	Variants
1	887846	RH exhaust pipe	1	
2	887847	LH exhaust pipe	1	
3	B063022	Exhaust manifold union	1	
4	978387	LH silencer clamp	1	
5	GU19025280	Gasket	2	
6	GU19025460	Spacer	4	
7	GU32121010	Ring nut	2	
8	GU03013800	Washer 6,4x12	4	
9	GU31121880	Nut	4	
10	2B000179	LH silencer	1	
11	2B000178	RH silencer	1	
12	978385	Hose clamp	2	
13	GU32128610	RH plate	1	
14	GU32129010	LH plate	1	
15	978386	RH silencer clamp	1	
16	AP8144071	Rubber exhaust	4	
17	GU98690440	screw TCEI M8x40	2	
18	AP8134378	Silencer fixing bush	2	
19	GU92640508	Nut M8	6	
20	AP8120870	Insulating washer	6	
21	896110	Lambda sensor l.660 mm	2	
22	AP8121072	Spacer	2	
23	GU98110007	Cover	2	
24	GU30109330	Gasket	2	
25	GU32121910	RH protection	1	
26	GU32121911	LH protection	1	
27	GU98370609	Hex socket screw M6x10	6	
28	GU95005306	Washer 6,4x13x1,5	6	

Group	FRAME
Code	33.23
Description	Exhaust unit
Service	1



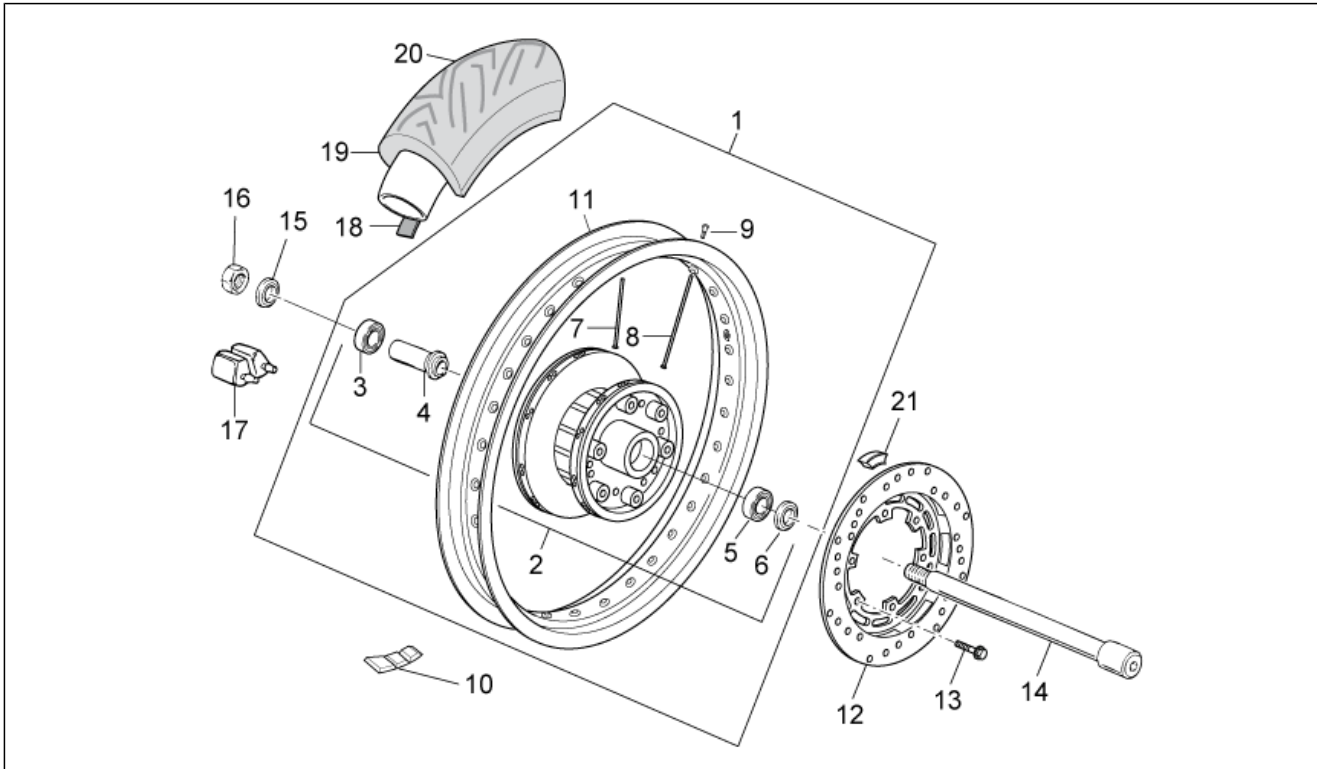
Pos.	Code	Description	Qty	Variants
29	GU91113826	Bushing	2	

Group	FRAME
Code	33.24
Description	Front wheel
Service	1



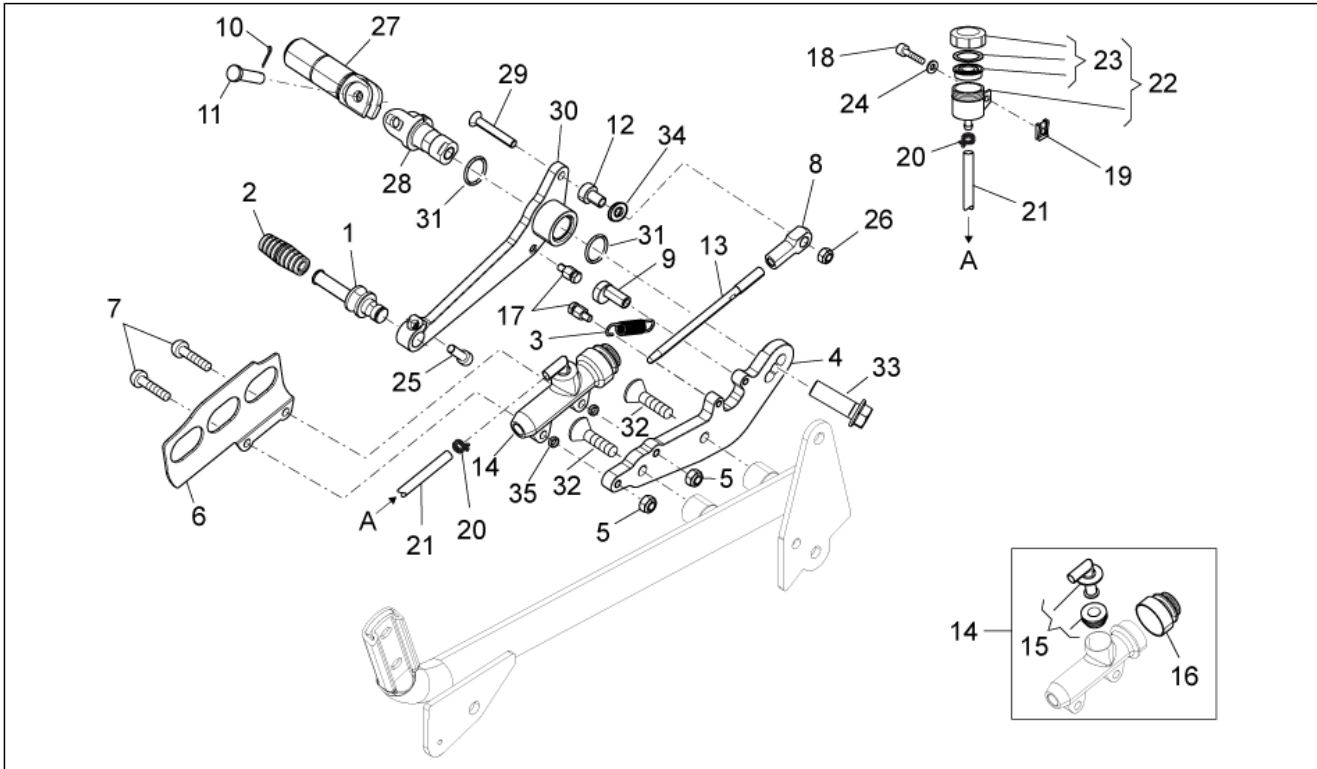
Pos.	Code	Description	Qty	Variants
1	B063265	Front wheel	1	
2	886681	Front hub	1	
3	B063144	Front wheel spoke	36	
4	GU03631250	Nipples	36	
5	B063077	Black front rim 2.5X18"	1	
6	GU31615260	Spacer	1	
7	GU92204221	Bearing	2	
8	GU90402642	Gasket ring	1	
9	GU31614183	Front wheel spindle	1	
10	883688	Front brake disc 320	1	
11	AP8152286	Screw w/ flange M8x20	6	
12	GU31616384	LH spacer	1	
13	GU93180111	Cover 15 mm	1	
14	GU32615660	RH spacer	1	
15	GU14616150	Counterweight	1	
16	GU03612040	Tyre flap	1	
17	GU31610160	Inner tube MB 18	1	
18	886679	Tyre 100/90 18	1	

Group	FRAME
Code	33.25
Description	Rear wheel
Service	1



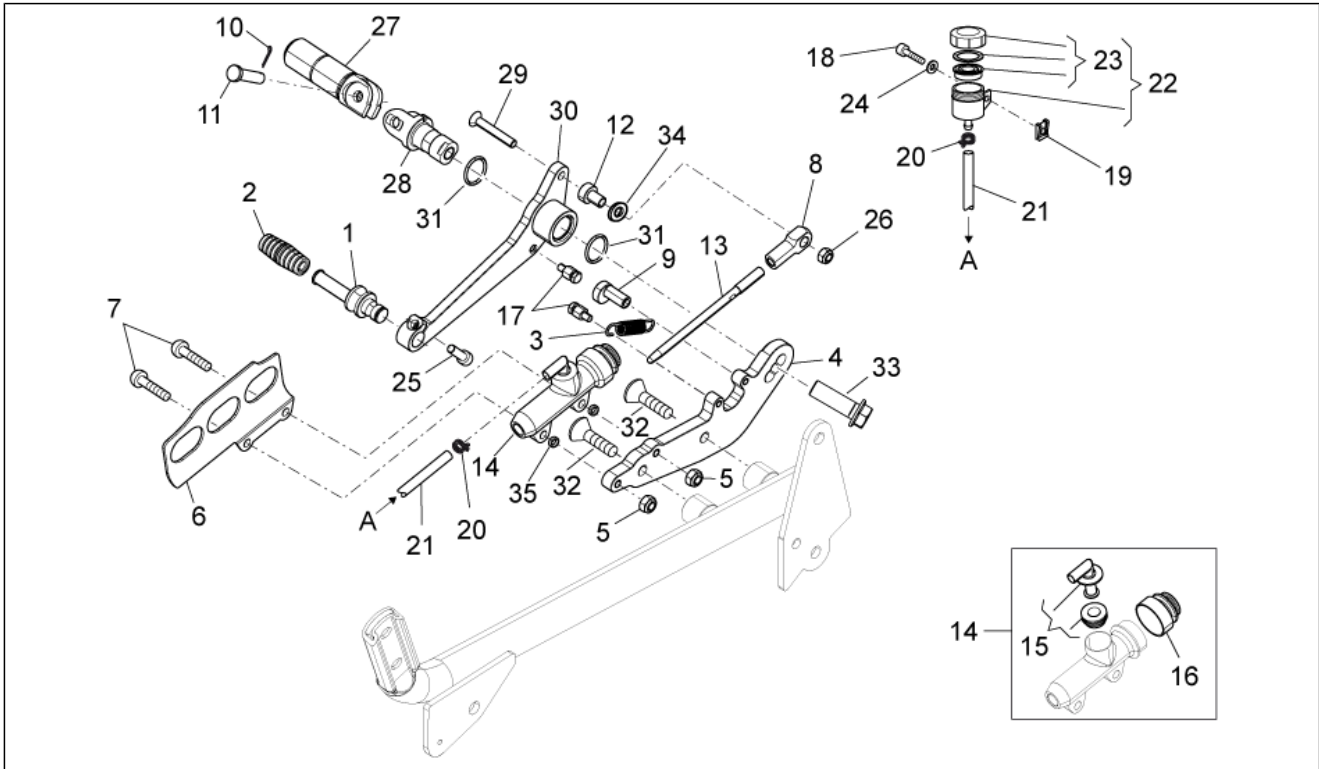
Pos.	Code	Description	Qty	Variants
1	B063267	Rear wheel 3,5"x17"	1	
2	886711	Rear hub	1	
3	GU92204218	Bearing	1	
4	GU27633910	Spacer	1	
5	GU92204217	Bearing	1	
6	GU90402538	Gasket ring 25x40x7	1	
7	883350	Short spoke	18	
8	883349	Long spoke mm 158	18	
9	GU03631250	Nipples	36	
10	GU14616150	Counterweight	1	
11	B063078	Rear wheel 3,5"x17" Black	1	
12	887448	Brake disc	1	
13	894505	Screw w/ flange M8x18	6	
14	GU32633360	Rear wheel spindle	1	
15	GU31634481	Washer	1	
16	GU92606316	Nut M16x1,5	1	
17	GU32632510	Rubber coupling	6	
18	GU28612033	Tyre flap	1	
19	GU30630430	Inner tube MD 17	1	
20	886680	Tyre 130/80 17	1	
21	GU32636160	Support rubber part	1	

Group	FRAME
Code	33.26
Description	Rear master cylinder
Service	1



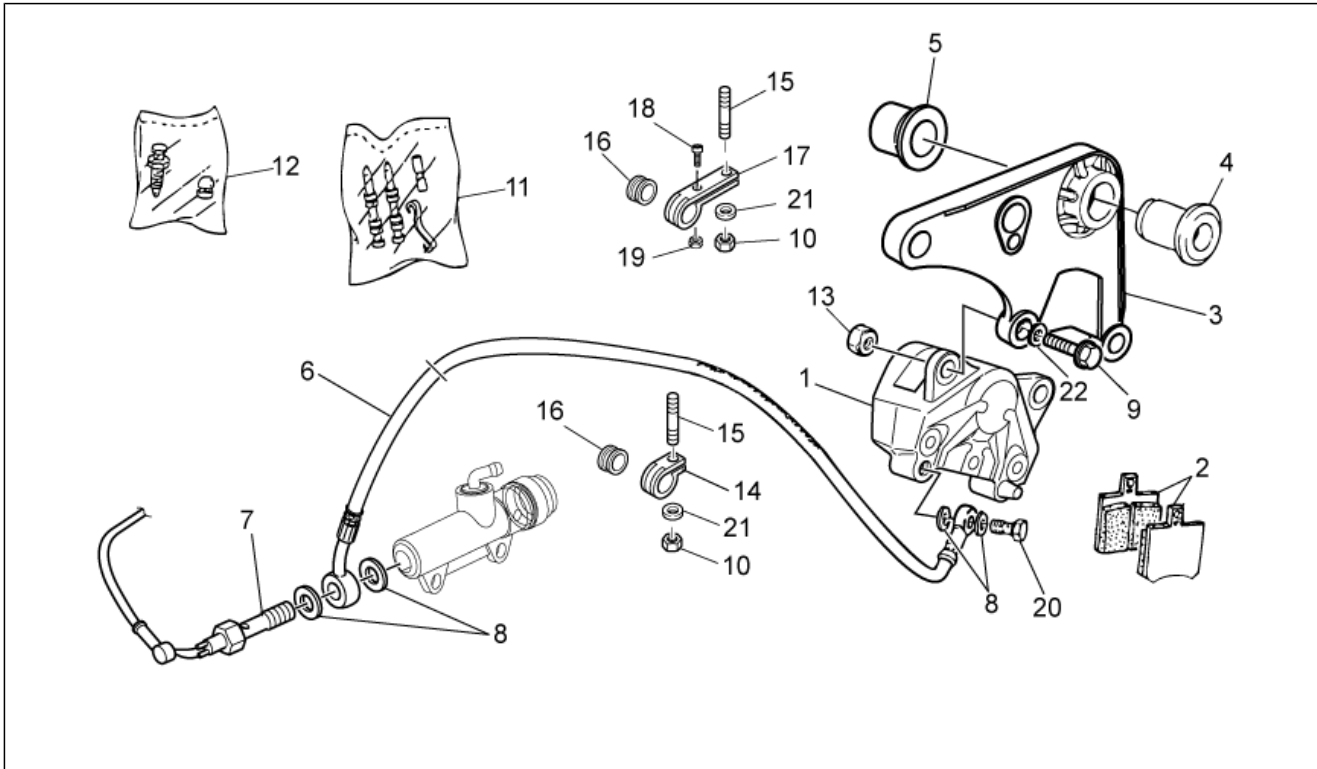
Pos.	Code	Description	Qty	Variants
1	886665	Pin	1	
2	AP8120912	Lever rubber	1	
3	AP8121927	Rear brake lever spring	1	
4	898288	Rider footrest plate	1	
5	GU92630206	Nut M6x1	2	
6	GU01665410	Brake m.cyl.protection, black	1	
7	GU98370625	Hex socket screw	2	
8	GU18257551	Block	1	
9	886666	Bush	1	
10	GU95401215	Split pin	1	
11	GU23442210	Pin	1	
12	898287	Lever pin	1	
13	978970	Master cylinder rod	1	
14	AP8133643	Rear master cylinder	1	
15	AP8213057	Rear brake pump union	1	
16	AP8113288	Rubber bellows	1	
17	898286	Springs fixing pin	2	
18	AP8152298	Screw w/ flange M5x16	1	
19	248419	Spring plate m5	1	
20	AP8101594	Hose clamp D10,1*	2	
21	GU00823950050	Oil pipe	1	
22	AP8133873	Brake oil tank complete	1	
23	AP8113553	Tank cap	1	
24	GU95100059	Washer 5,25x14x1,5	1	
25	AP8150044	Hex socket screw M6x20	1	
26	GU92630206	Nut M6x1	1	
27	898281	RH Foot rests	1	
28	898612	RH front footrest bracket	1	

Group	FRAME
Code	33.26
Description	Rear master cylinder
Service	1



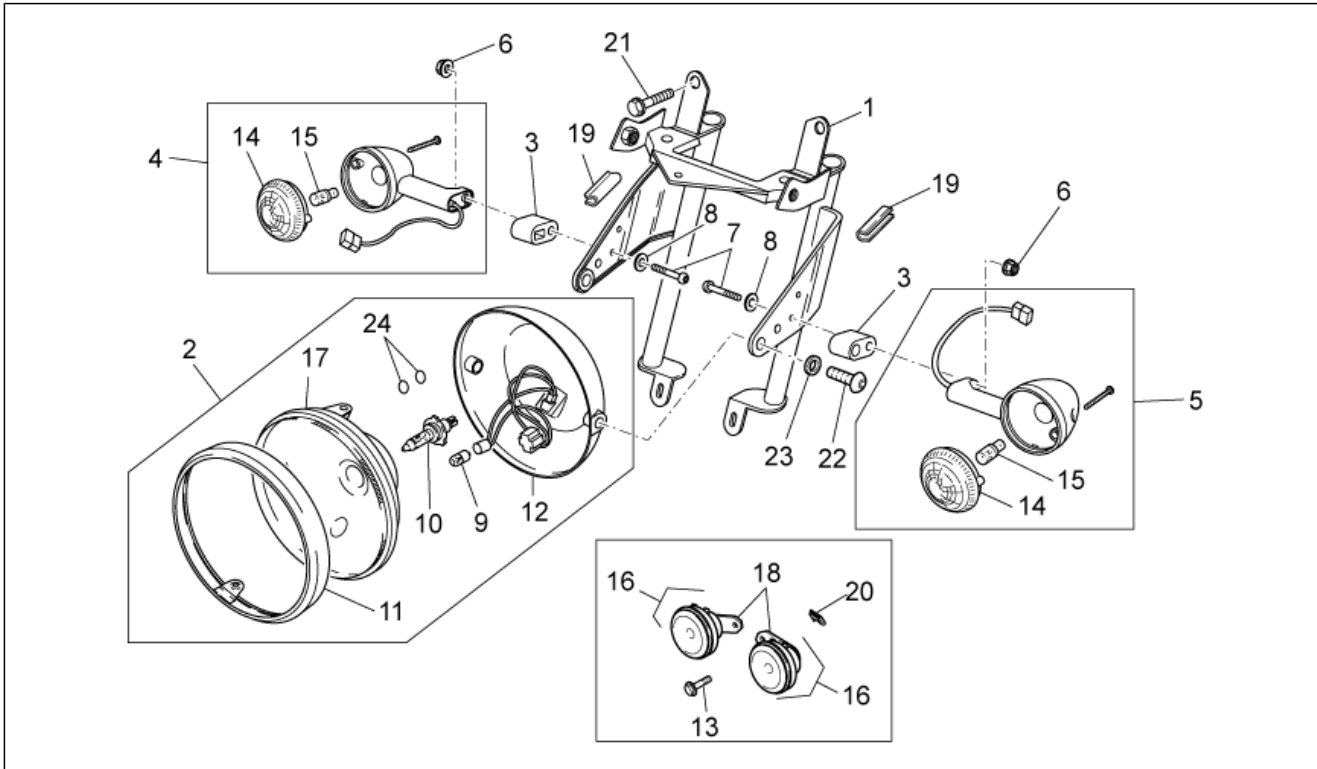
Pos.	Code	Description	Qty	Variants
29	AP8150468	Screw M6x40	1	
30	898285	Brake lever	1	
31	AP9100477	O-ring 18x2	2	
32	GU98252420	Screw M8x20	2	
33	AP8152320	Screw w/ flange	1	
34	GU03270300	Washer 8,4x15	1	
35	AP8134640	Air box spacer	2	

Group	FRAME
Code	33.27
Description	Rear brake caliper
Service	1



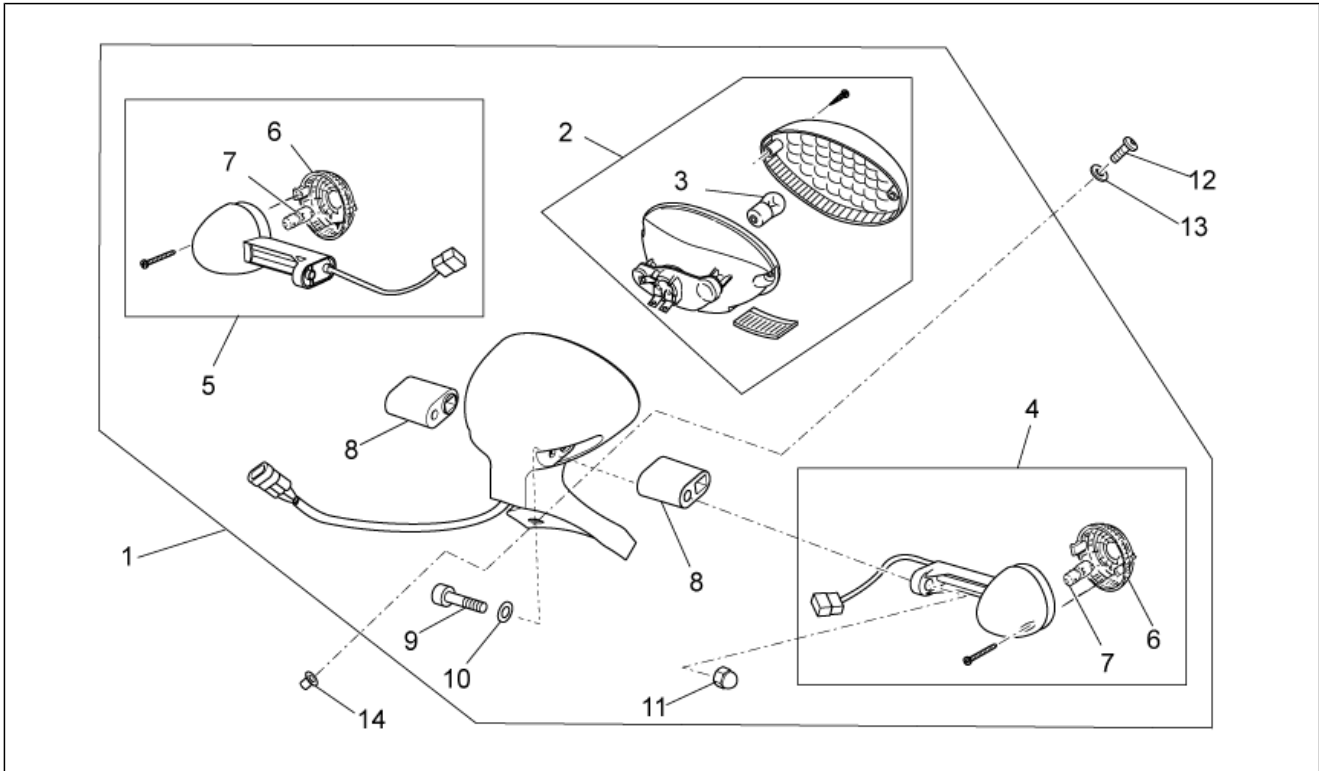
Pos.	Code	Description	Qty	Variants
1	887449	Rear brake caliper	1	
2	AP8133798	Pads pair	1	
3	887431	Brake caliper support plate	1	
4	GU31634281	Bushing	1	
5	GU32634160	Spacer	1	
6	B063750	Rear rubber brake pipe	1	
7	883192	Switch	1	
8	AP8113004	Washer 10x14x1,6*	4	
9	AP8152288	Screw w/ flange	2	
10	AP8152299	Self-locking nut M6	2	
11	GU31659181	Pins+spring kit	1	
12	GU31659281	Bleeder+cap	1	
13	AP8152300	Self-locking nut M8	2	
14	GU03658430	Hose clamp	1	
15	GU96451316	Stud bolt	1	
16	GU03658201	Ring	2	
17	GU03658330	Hose clamp	1	
18	GU98257410	screw	1	
19	GU92630104	Nut M4x0,7	1	
20	AP8113003	Oil pipe screw *	1	
21	GU95008306	Washer 6,4x12x1,2	2	
22	GU61270300	Spring washer 8x15x0,3	1	

Group	FRAME
Code	33.28
Description	Front lights
Service	1



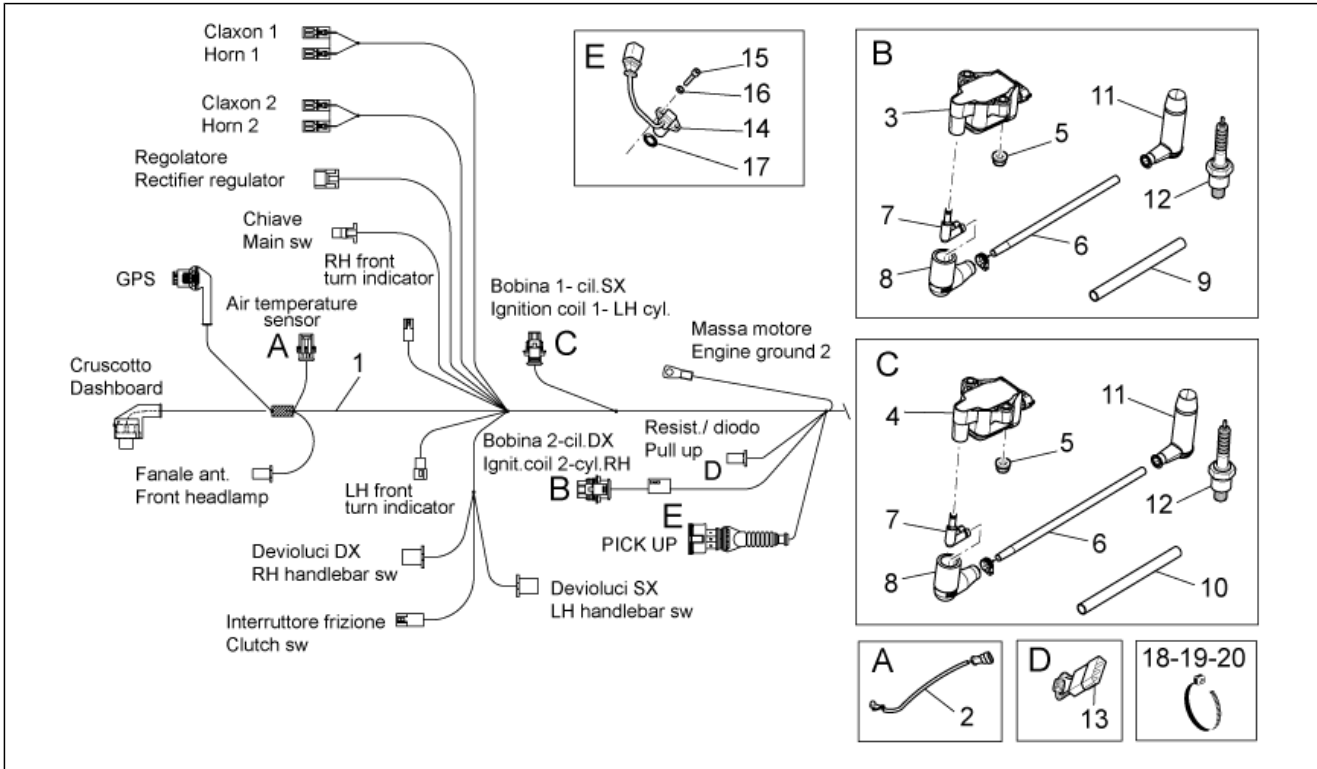
Pos.	Code	Description	Qty	Variants
1	GU32506360	Headlight support clamp	1	
2	978311	Headlight	1	
3	GU32753410	Spacer	2	
4	B063800	RH front/LH rear turn indic.	1	
5	B063801	LH front/RH rear turn indic.	1	
6	GU92787006	Cap nut M6x1	2	
7	GU98370655	Hex socket screw	2	
8	GU95021206	Washer	2	
9	292022	Lamp 12V-5W	1	
10	292723	Lamp H4 60/55W 12V	1	
11	640598	Chromed ring nut	1	
12	981149	Cap, black	1	
13	AP8152278	Screw w/ flange M6x16	2	
14	GU32753711	Turn indicator lens	2	
15	GU93450127	Lamp	2	
16	890979	Horn	2	
17	GU06740400	Light assembly	1	
18	GU01744200	Bracket	6	
19	GU00823931055	Gasket	1	
20	254485	Spring plate M6	2	
21	GU98880540	screw M10x40	2	
22	GU98692420	Hex socket screw M8x20	2	
23	GU95005308	Washer 8,4x14,57x1,6	2	
24	883417	O-ring	2	

Group	FRAME
Code	33.29
Description	Rear lights
Service	1



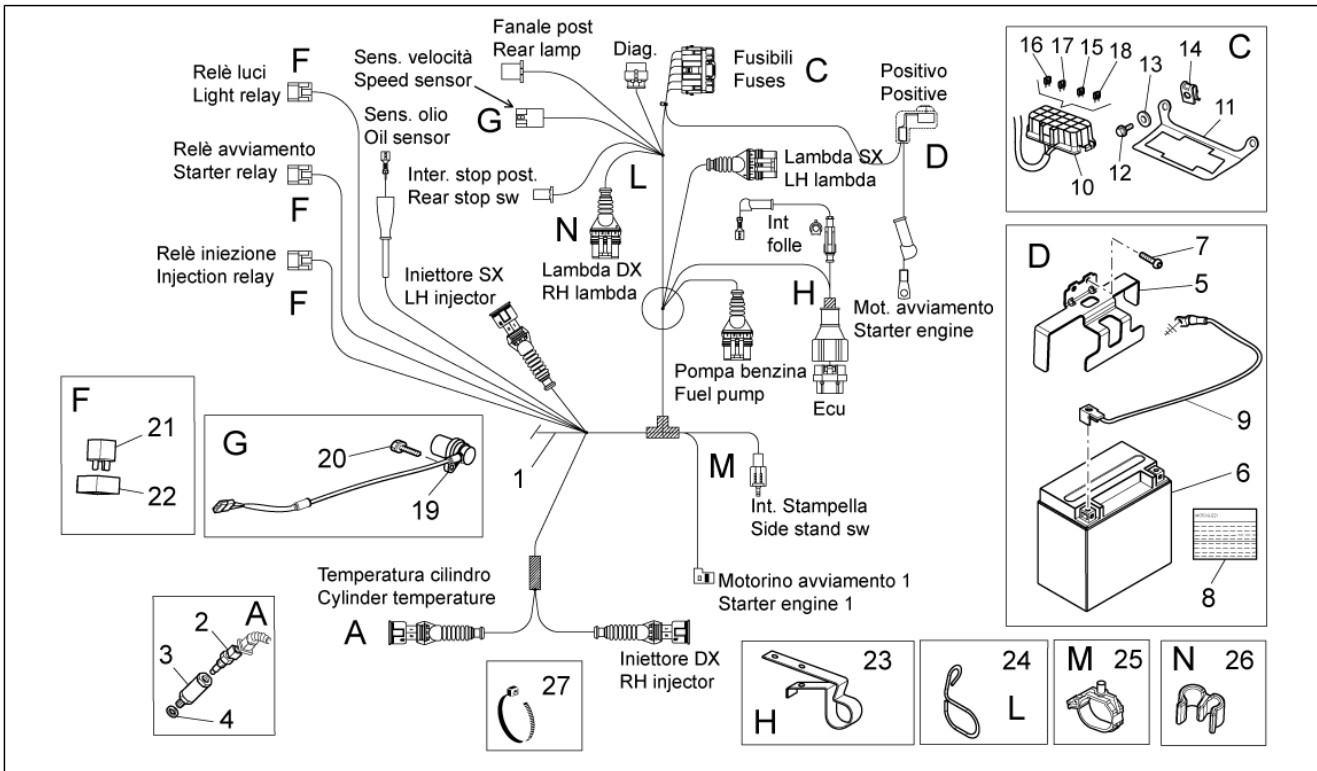
Pos.	Code	Description	Qty	Variants
1	883479	Taillight assy	1	
2	GU03740930	Taillight	1	
3	GU93450224	Lamp	1	
4	B063800	RH front/LH rear turn indic.	1	
5	B063801	LH front/RH rear turn indic.	1	
6	B063735	Turn indicator lens	1	
7	584332	Lamp 12V-10W	2	
8	GU32753410	Spacer	2	
9	GU98370655	Hex socket screw	2	
10	GU95021206	Washer	2	
11	GU92787006	Cap nut M6x1	2	
12	GU98350215	Hex socket screw	3	
13	GU30577800	Nylon washer 5,5X12X1	3	
14	GU93231605	Antivibration bush	3	

Group	FRAME
Code	33.30
Description	Electrical system I
Service	1



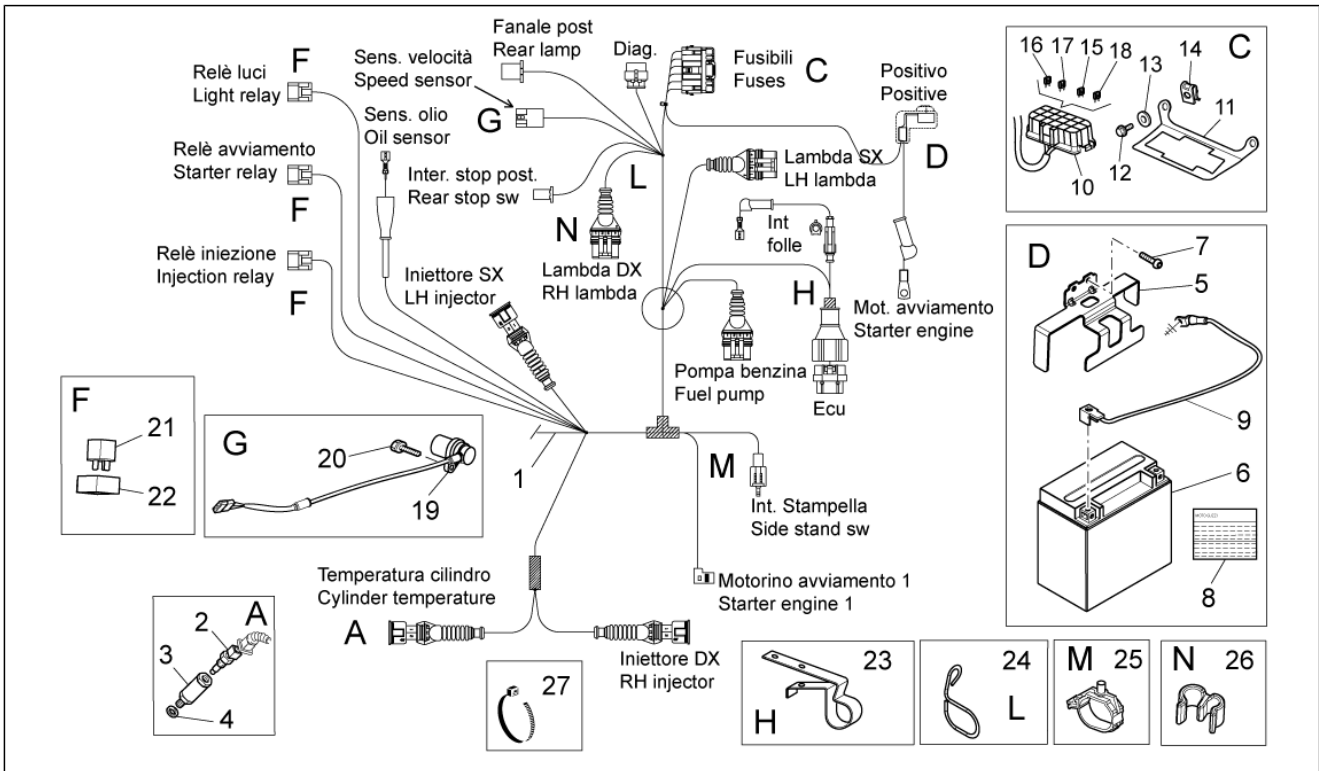
Pos.	Code	Description	Qty	Variants
1	887825	Main wiring harness	1	
2	AP8124936	Air temp. Sensor	1	
3	642034	HT coil DX	1	
4	641901	HT coil	1	
5	AP8152299	Self-locking nut M6	4	
6	080341	H.V. cable	2	
7	641725	HV terminal	2	
8	641040	Insulating cap	2	
9	CM0074D0	Sheath D.8-S.0,5-L.370	1	
10	CM0074C9	Grey cable casing D.8-S.0,5-L.435	1	
11	GU02717450	Sparkplug cap NGK	2	
12	887481	Spark plug NGK CPR8EB-9	2	
13	887948	Diode	1	
14	GU01721600	Phase/revolution sensor	1	
15	GU98682212	Hex socket screw M5x12	2	
16	GU95008205	Washer 5,3x10x0,8	2	
17	GU90706141	O-ring	1	
18	AP8120416	Black hose 178x4	1	
19	GU49609601	Hose clamp 2,4x92	1	
20	GU14609650	Hose clamp 3,6x20,6	31	

Group	FRAME
Code	33.31
Description	Electrical system II
Service	1



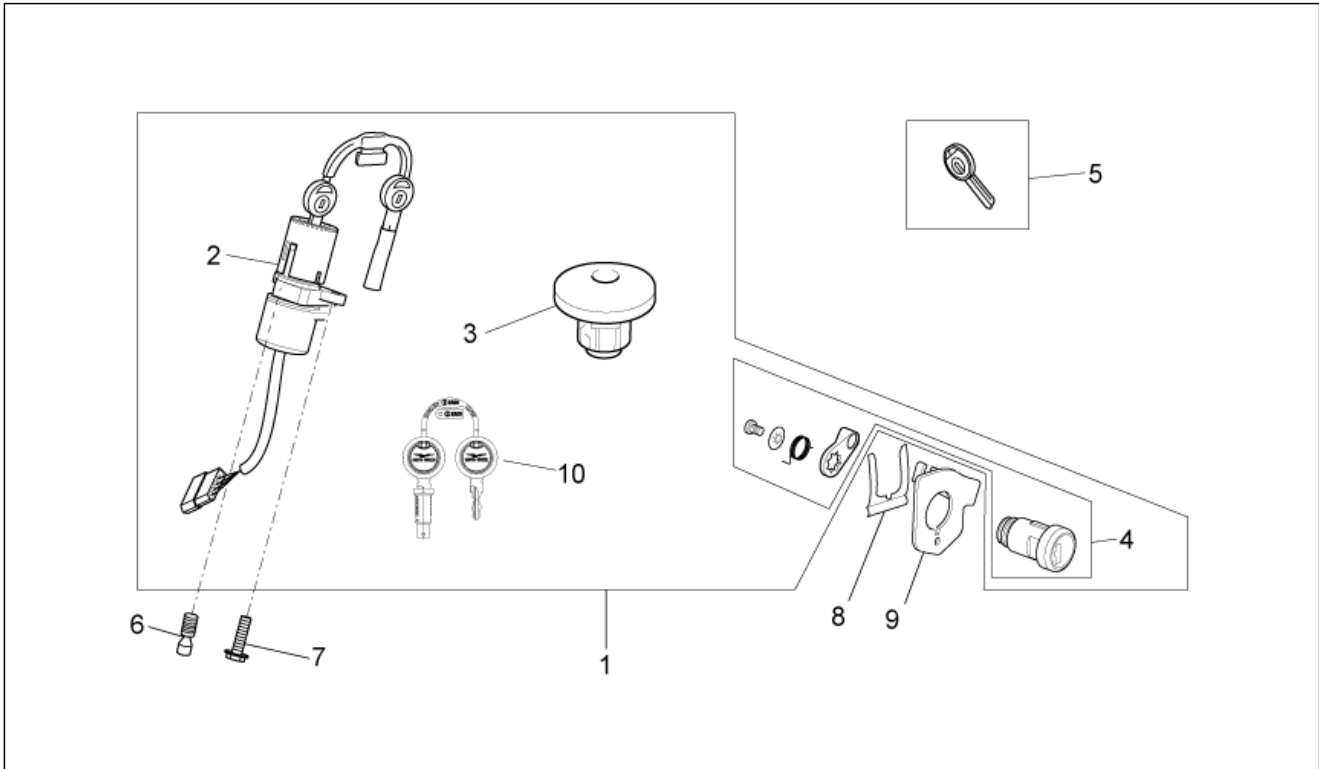
Pos.	Code	Description	Qty	Variants
1	887825	Main wiring harness	1	
2	GU29729461	Oil temperature sensor	1	
3	GU03163330	Sensor support	1	
4	GU95004210	Washer 10,2x18x2	1	
5	B063233	Battery bracket	1	
6	638733	Battery Yuasa 12V-12Ah (150x85x145)	1	
7	GU98370616	Hex socket screw M6x16 inox	2	
8	GU32517710	Decal "Battery service"	1	
9	GU32747910	Ground-battery lead	1	
10	584211	Fuse holder box	1	
11	883161	Fuse block support	1	
12	GU98682212	Hex socket screw M5x12	2	
13	GU95100059	Washer 5,25x14x1,5	2	
14	AP8102375	Clip m5	2	
15	CM225705	Fuse 5A	2	
16	CM225710	Fuse 10A	1	
17	CM225715	Fuse 15A	2	
18	CM225730	Fuse 30A	1	
19	893570	Speedometer sensor cpl.	1	
20	AP8150377	screw	1	
21	AP8224462	Relay 12V/30A	3	
22	AP8220283	Rubber spacer *	3	
23	B043850	Hose clamp	1	
24	AP8181140	Fairlead	1	
25	CM013202	Pipes/cables retainer spring	1	
26	894704	Fairlead	1	
27	AP8120416	Black hose 178x4	1	
27	GU14609650	Hose clamp 3,6x20,6	21	

Group	FRAME
Code	33.31
Description	Electrical system II
Service	1



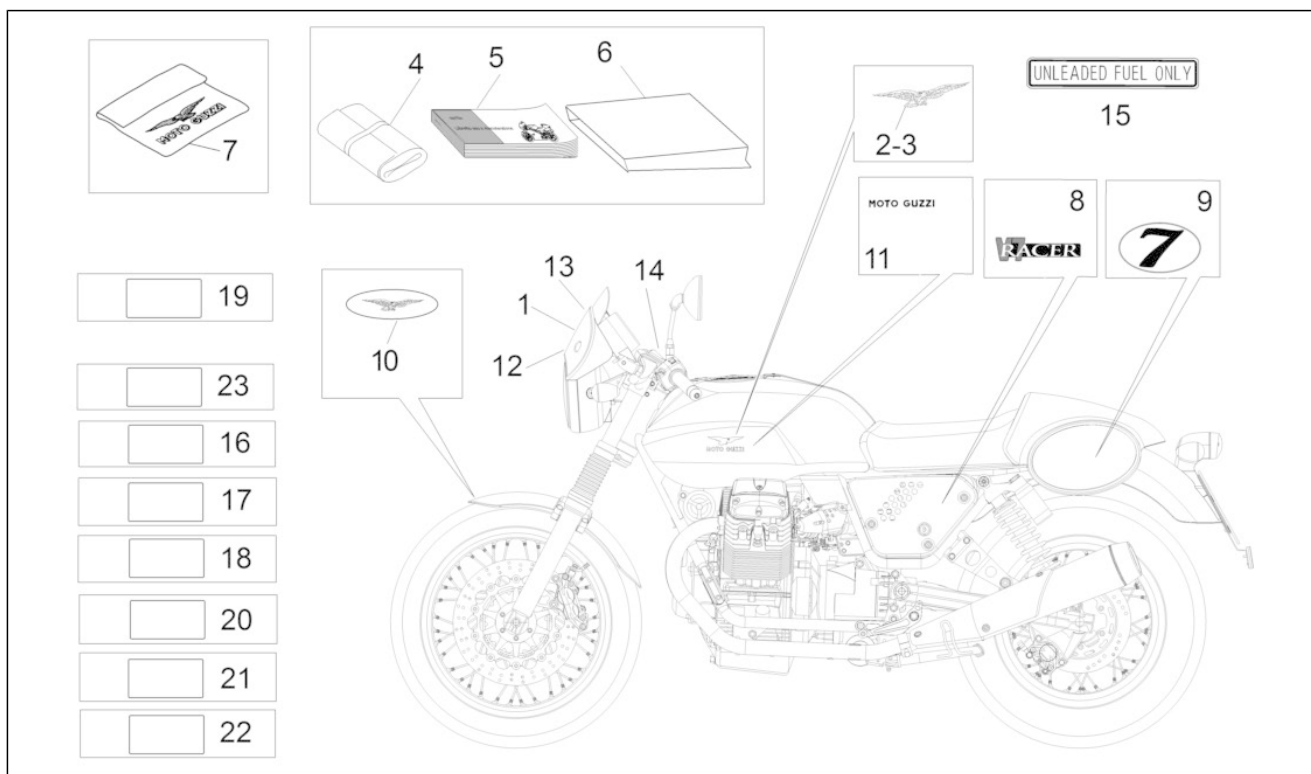
Pos.	Code	Description	Qty	Variants
27	GU49609601	Hose clamp 2,4x92	1	

Group	FRAME
Code	33.32
Description	Lock hardware kit
Service	1



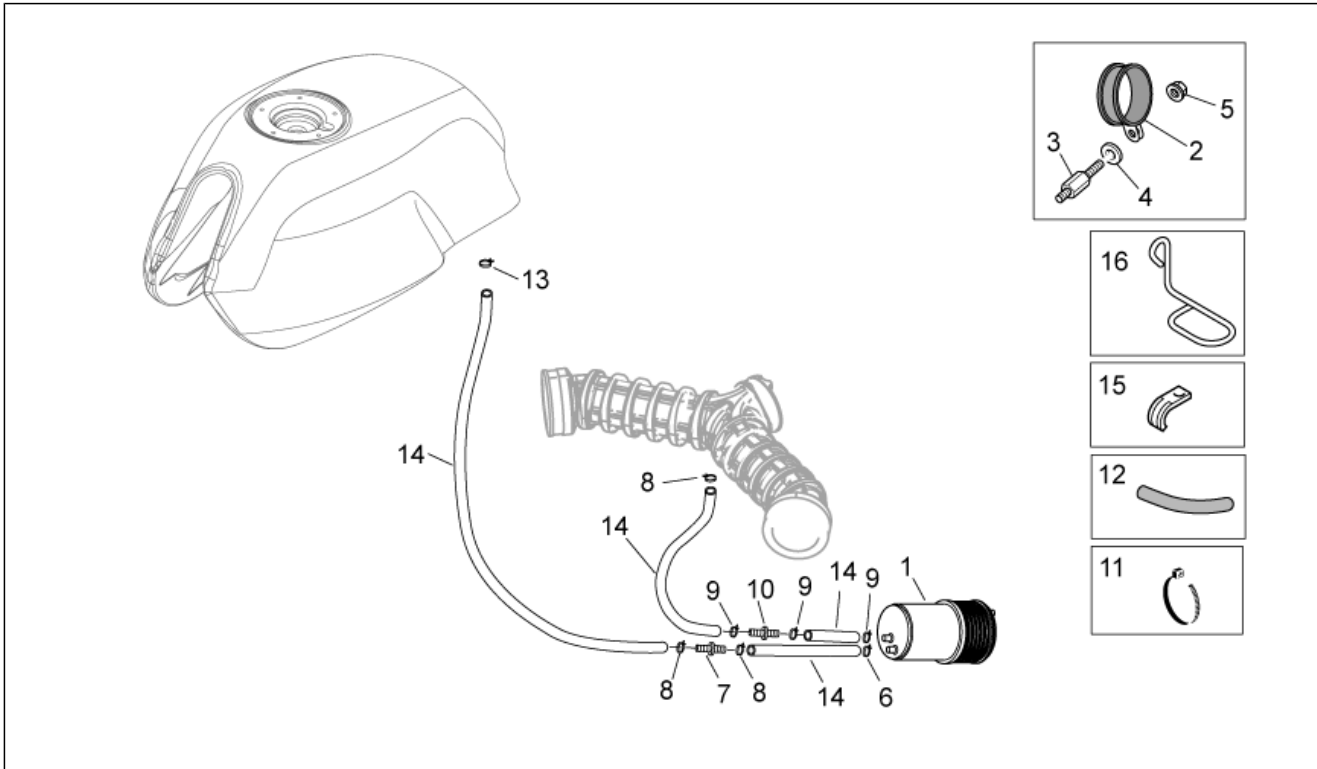
Pos.	Code	Description	Qty	Variants
1	883477	Lock kit	1	
2	GU32782510	Main switch - steering lock	1	
3	883476	Tank cap	1	
4	977527	Locking complete with keys	1	
5	GU32735510	Non indent.key blank-shell go	1	
5	GU32735511	Non indent.key blank-shell cr	1	
6	AP8150349	Special screw M8x15	1	
7	GU98682416	Hex socket screw M8x16	1	
8	AP8121420	Fork spring	1	
9	978415	Cable fixing plate	1	
10	2D000006	Locking cylinder with key for fuel cap	1	

Group	FRAME
Code	33.33
Description	Decal and plate set
Service	1



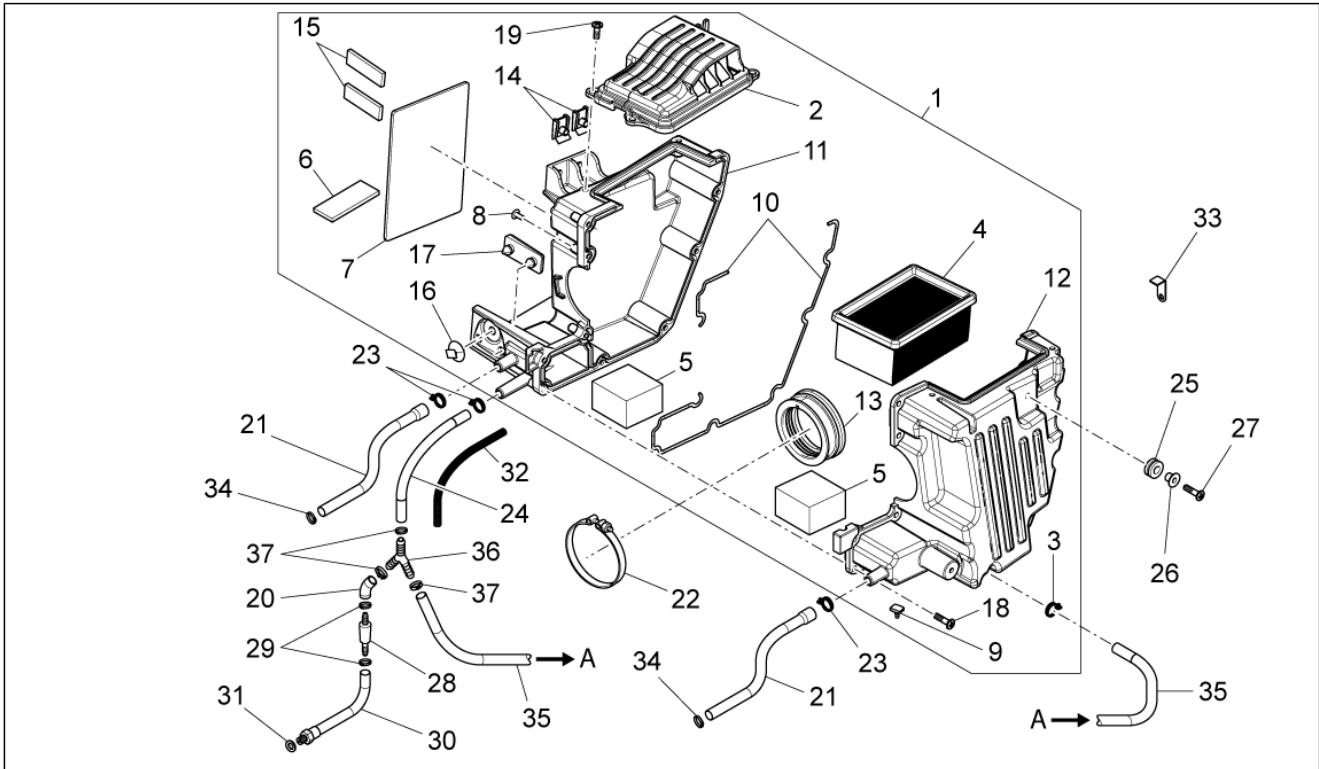
Pos.	Code	Description	Qty	Variants
1	2H000425	Windshield decal	1	
2	898174	Sticker RH "Aquila"	1	
3	886678	Sticker LH "Aquila"	1	
4	887443	Toolkit	1	
5	2Q000044	Libretto uso e manutenzione USA-FR-ES-IT	1	
6	GU05900130	Bag for document	1	
7	2H000426	Black decal dx-sx	1	
8	2H000428	Decal "V7 Racer" dx-sx	2	
9	2H000427	Right-left tail fairing decal	2	
10	886141	Decal "Aquila"	1	
11	887971	Decal "Moto Guzzi"	4	
12	2H000424	Decalco filetto inferiore	1	
13	2H000423	Decalco filetto superiore	1	
14	GU03995730	Decal "Unleaded Fuelonly"	1	Country:Australia[AA]
15	AP8157100	Decal Shock Adsorber	1	
16	AP8257742	Keys warning decal	1	
17	AP8257609	Mirror decal	17	
18	884348	Tyre pressure decal	1	
19	AP8257794	Battery decal	1	
20	B045974	Fuel decal E15	1	
21	2G000011	Noise emission sticker	1	
22	2G000012	Emission control sticker	1	
23	2G000013	Shed scheme decal	1	

Group	FRAME
Code	33.51
Description	Fuel vapour recover system
Service	1



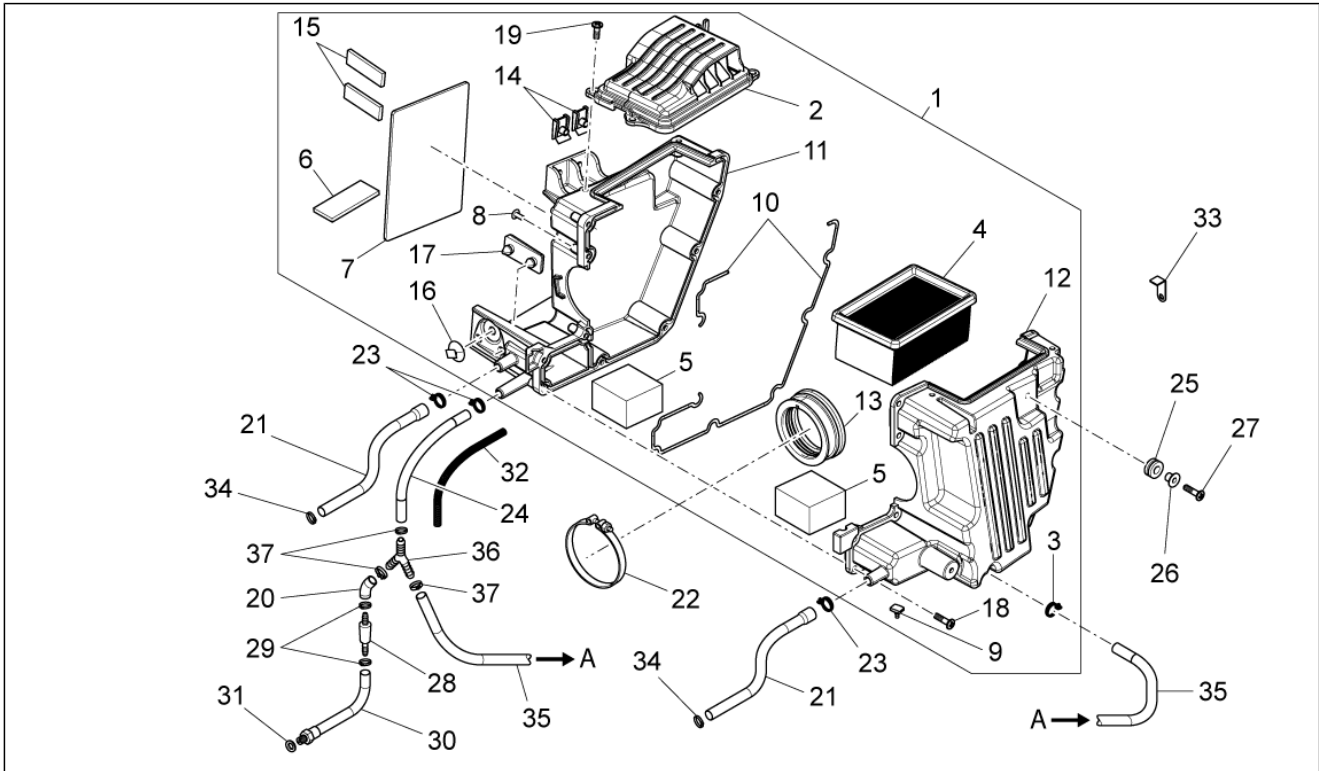
Pos.	Code	Description	Qty	Variants
1	AP8102678	Carbon filter	1	
2	AP8102688	Hose clamp d.76	1	
3	GU32439260	Canister support USA	1	
4	GU95005311	Washer	1	
5	AP8152299	Self-locking nut M6	1	
6	AP8102159	Hose clamp	1	
7	860138	Valve	1	
8	GU28157950	Hose clip 12,5x8	4	
9	AP8120446	Hose clip, green D11x6,6x1	2	
10	AP8121267	Choke hold	1	
11	AP8120416	Black hose 178x4	1	
12	GU00823923140	Thermal sheath	4	
13	AP8201358	Hose clamp D 11,9	1	
14	856063	pipe SAE 30 d.12,7x6,35	3	
15	GU93301313	U-bolt	1	
16	AP8221114	Cable-guide	2	

Group	FRAME
Code	33.52
Description	Air box II
Service	1



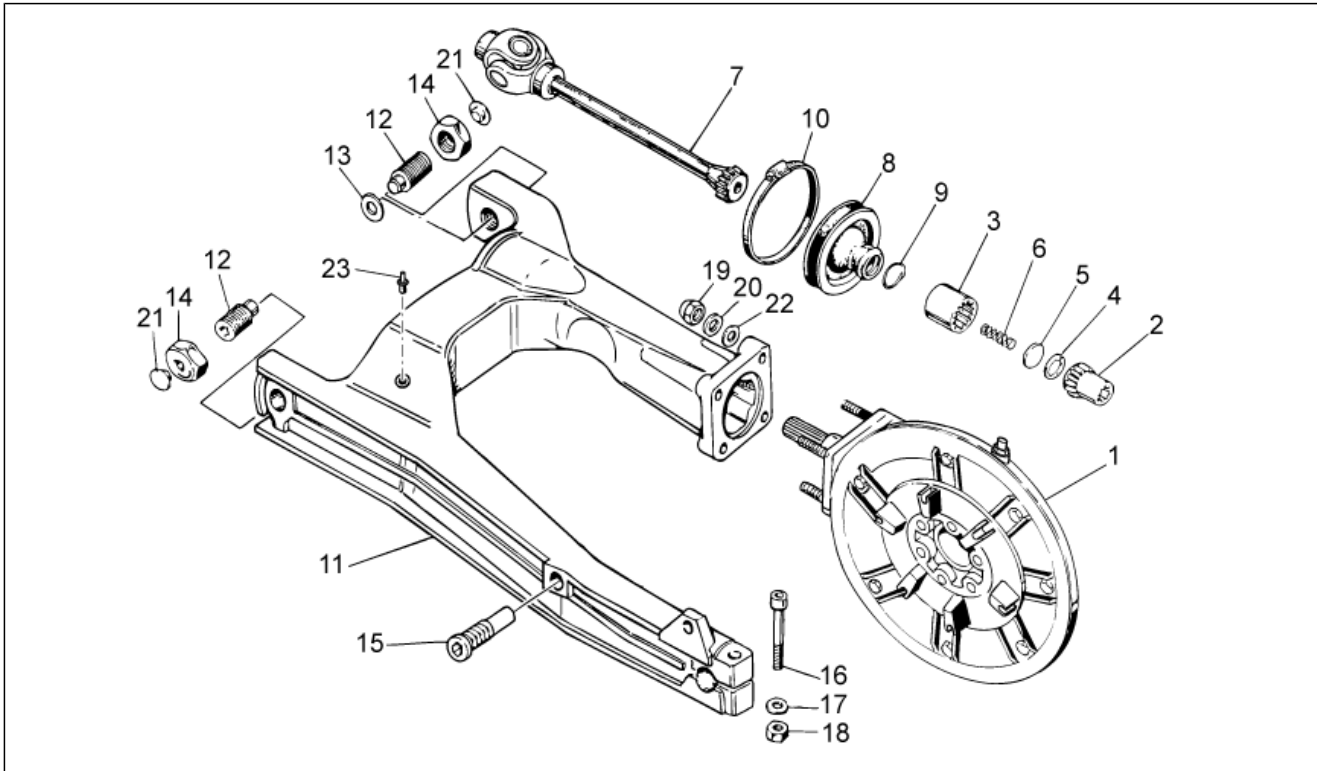
Pos.	Code	Description	Qty	Variants
1	8878421	Complete filter box	1	
2	887843	Air filter cover	1	
3	AP8201358	Hose clamp D 11,9	1	
4	AP8104924	Air filter	1	
5	AP8104525	Filter blow-by	2	
6	883127	Support rubber part 5mm	1	
7	AP8144553	Support rubber part	1	
8	AP8120876	Plug	2	
9	AP8120455	Rubber spacer	1	
10	AP8120615	Gasket D3	2	
11	887844	Filter box right shell	1	
12	887845	Filter box left shell	1	
13	887815	Intake hose	1	
14	254485	Spring plate M6	2	
15	AP8144538	Gasket	2	
16	890760	Instrument support	1	
17	AP8144729	Stand end stop	1	
18	AP8152329	Phillips screw, SWP M5x20	9	
19	AP8150509	Self-tap screw 5x14	4	
20	AP8120772	Breather pipe	1	
21	B063214	Blow-by pipe	2	
22	GU93305061	Hose clamp 61/65,5	1	
23	AP8102766	Hose clamp	3	
24	AP8120772	Breather pipe	1	
25	GU91551010	Rubber spacer	2	
26	AP8221023	T bush	2	
27	AP8152329	Phillips screw, SWP M5x20	2	
28	AP8104996	Anti-return valve	1	

Group	FRAME
Code	33.52
Description	Air box II
Service	1



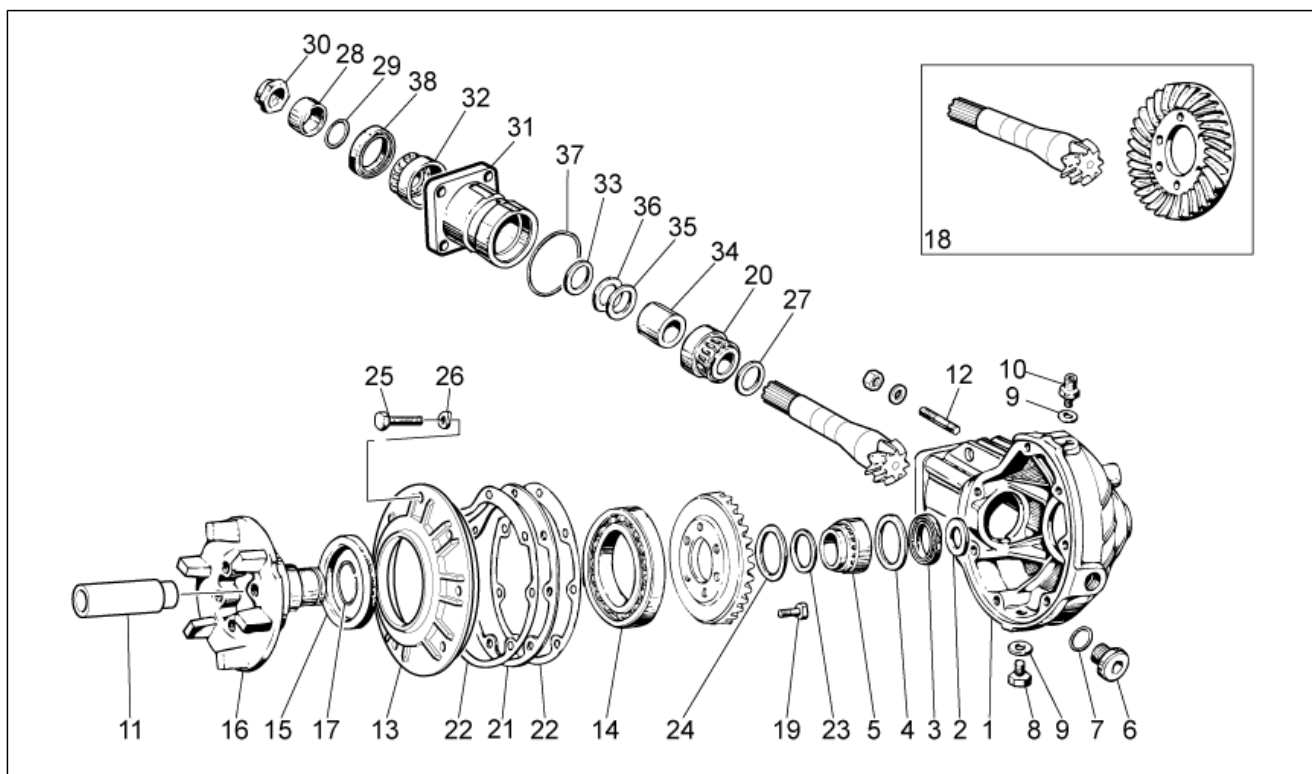
Pos.	Code	Description	Qty	Variants
29	AP8102765	White hose clip D.13,5x6	2	
30	B063213	Breather	1	
31	GU90714082	Gasket	1	
32	GU00823923140	Thermal sheath	1	
33	GU31112965	Square	1	
34	AP8201358	Hose clamp D 11,9	2	
35	AP8120772	Breather pipe	1	
36	2B000045	3-way union	1	
37	GU28157950	Hose clip 12,5x8	3	

Group	ENGINE
Code	34.09
Description	Transmission complete I
Service	1



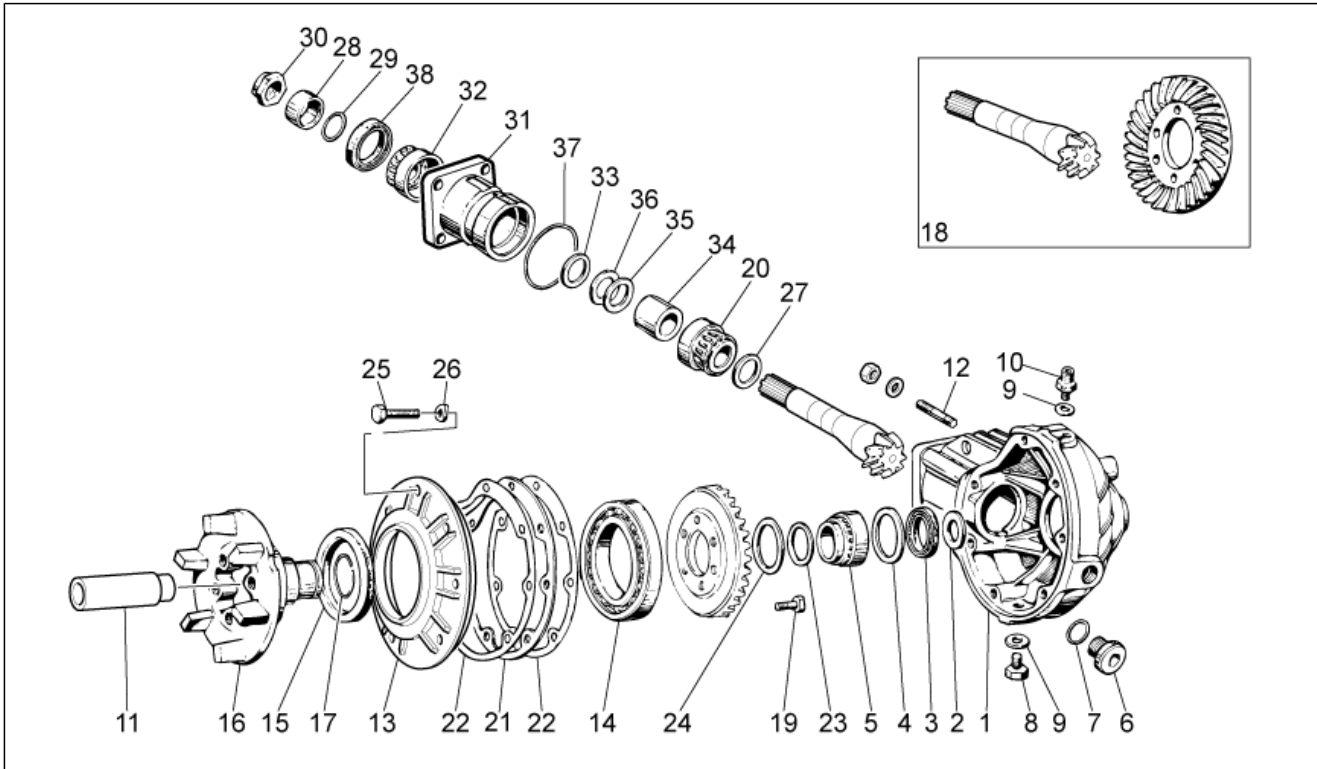
Pos.	Code	Description	Qty	Variants
1	976941	Transmission box assy., black	1	
2	GU31327783	Hose	1	
3	GU19328801	Hose	1	
4	GU90272023	Circlip	1	
5	GU19327601	Disc	1	
6	GU94321099	Spring	1	
7	GU23328081	Coupling	1	
8	GU23548080	Protection collar	1	
9	GU23548180	Spring	1	
10	AP8120246	Hose clamp D=60-80	1	
11	886676	Swing arm, red	1	
12	GU19547000	Pin	2	
13	GU35214300	Spacer	1	
14	GU31547882	Nut	2	
15	GU31544181	Pin	1	
16	GU98680545	screw M10x45	1	
17	GU95008210	Washer 10,2X18X2	1	
18	GU92606210	Nut M10x1,5	1	
19	860651	Cap nut M8x1,25	4	
20	GU14615901	Washer 8,4X13X0,8	4	
21	GU93180105	Cover	2	
22	GU95005308	Washer 8,4x14,57x1,6	4	
23	GU03922280	Cover 5x9	1	

Group	ENGINE
Code	34.10
Description	Transmission complete II
Service	1



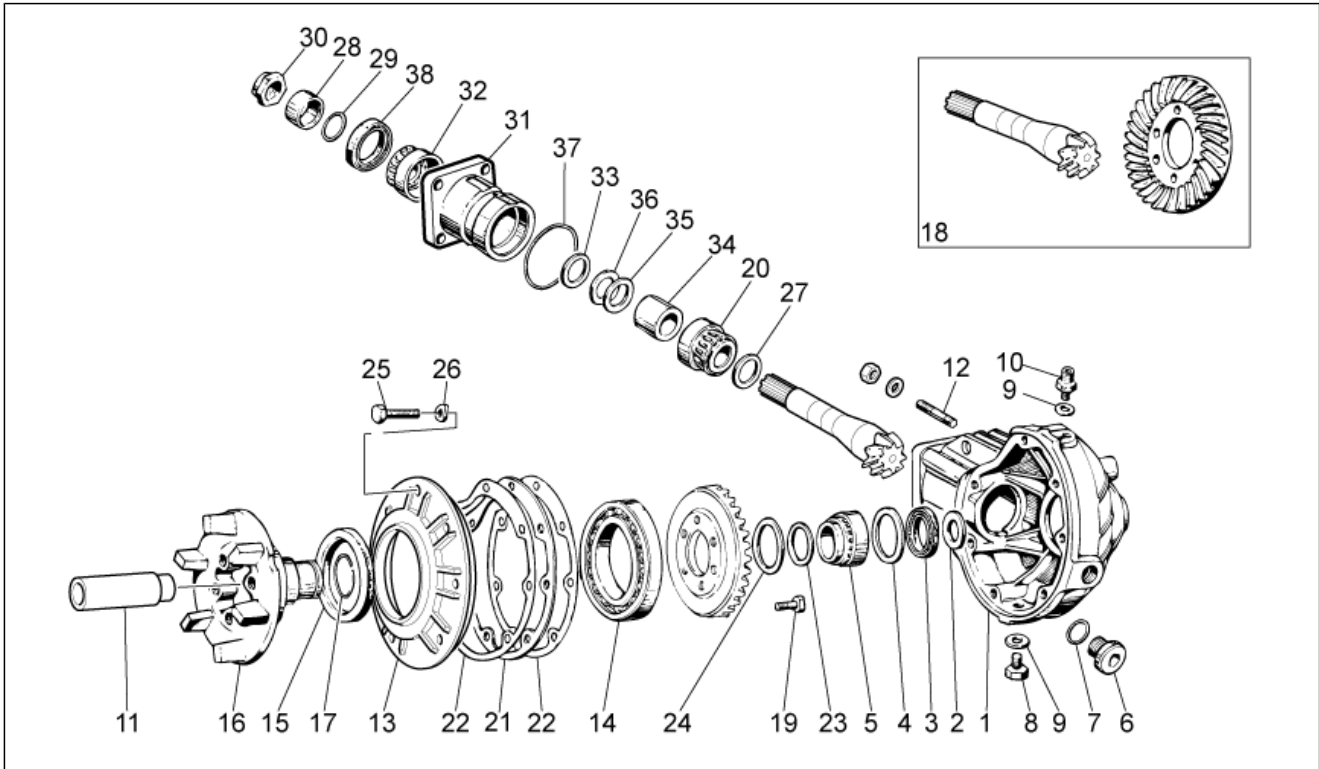
Pos.	Code	Description	Qty	Variants
1	976608	Transmission housingblack	1	
2	GU19351900	Clearance washer	1	
3	GU90403549	Gasket ring 35x47x7	1	
4	GU19351100	Clearance washer	1	
5	GU92252235	Roller bearing 35x50x17	1	
6	GU12022600	Oil plug	1	
7	GU90706203	O-ring 20,24x2,62	1	
8	GU31003766	Oil unload plug M10x1	1	
9	GU01528930	Gasket 10x18x1,5	2	
10	GU19206501	Breather plug	1	
11	GU32633560	Spacer	1	
12	GU96508055	Stud bolt	4	
13	GU32350410	Cover	1	
14	GU92201070	Ball bearing 70x110x13	1	
15	GU90407591	Gasket ring 75x95x10	1	
16	GU32351410	Pin	1	
17	GU90353030	Stop ring	1	
18	GU32354610	Bevel gear 8/33	1	
19	GU03067730	screw M8x25	6	
20	GU92249227	Tap.roller bearing 25x5	1	
21	GU19355400	Spacer 0,8 mm	1	
21	GU19355402	Spacer 0,9 mm	1	
21	GU19355404	Spacer 1 mm	1	
21	GU19355406	Spacer 1,1 mm	1	
21	GU19355408	Spacer 1,2 mm	1	
21	GU19355410	Spacer 1,3 mm	1	
21	GU19355411	Spacer 1,4 mm	1	
21	GU19355412	Spacer 1,5 mm	1	

Group	ENGINE
Code	34.10
Description	Transmission complete II
Service	1



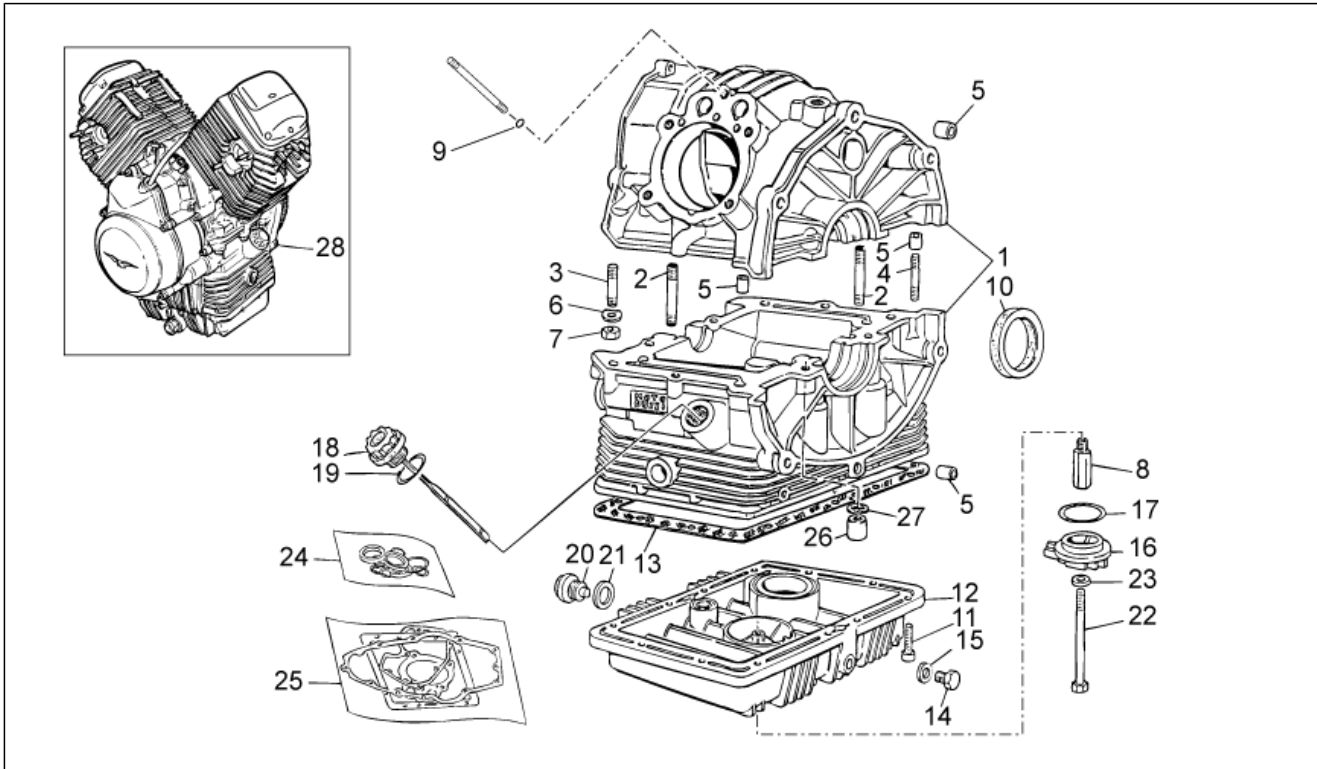
Pos.	Code	Description	Qty	Variants
21	GU19355413	Spacer 1,6 mm	1	
22	GU19350700	Gasket	2	
23	GU19352300	Thrust washer	1	
24	GU19353500	Thrust washer	1	
25	GU19357660	screw	7	
26	GU61270300	Spring washer 8x15x0,3	7	
27	GU19355320	Spacer 1 mm	1	
27	GU19355321	Spacer 1,1 mm	1	
27	GU19355322	Spacer 1,2 mm	1	
27	GU19355323	Spacer 1,3 mm	1	
27	GU19355324	Spacer 1,4 mm	1	
27	GU19355325	Spacer 1,5 mm	1	
27	GU19355326	Spacer 1,6 mm	1	
27	GU19355327	Spacer 1,7 mm	1	
27	GU19355328	Spacer 1,8 mm	1	
27	GU19355329	Spacer 1,9 mm	1	
28	GU19356801	Spacer	1	
29	GU90706188	Gasket ring 18,77X1,78	1	
30	GU19356700	Nut	1	
31	GU20352421	Flange	1	
32	GU92249220	Roller bearing 20x47x14	1	
33	GU19355300	Spacer 1 mm	1	
33	GU19355301	Spacer 1,1 mm	1	
33	GU19355302	Spacer 1,2 mm	1	
33	GU19355303	Spacer 1,3 mm	1	
33	GU19355304	Spacer 1,4 mm	1	
33	GU19355305	Spacer 1,5 mm	1	
33	GU19355306	Spacer 1,6 mm	1	

Group	ENGINE
Code	34.10
Description	Transmission complete II
Service	1



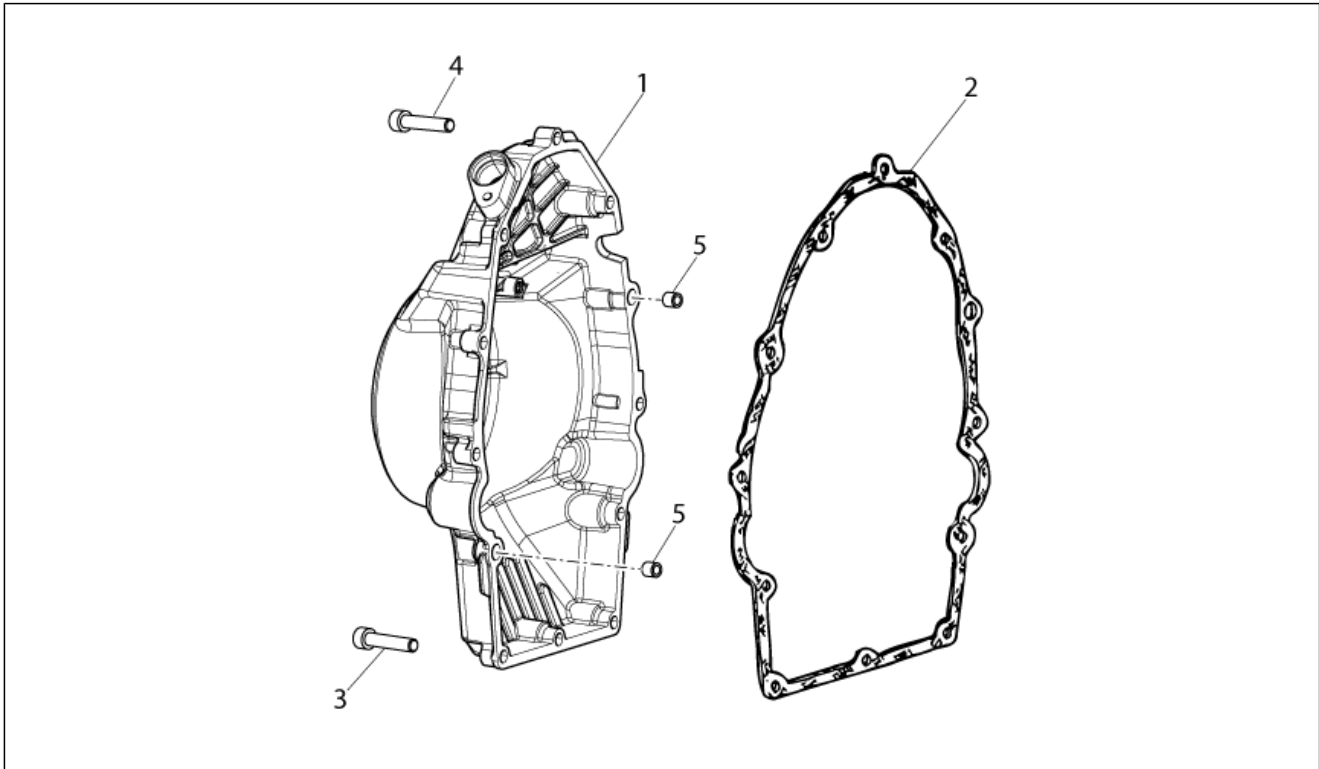
Pos.	Code	Description	Qty	Variants
33	GU19355307	Spacer 1,7 mm	1	
33	GU19355308	Spacer 1,8 mm	1	
33	GU19355309	Spacer 1,9 mm	1	
34	GU20355121	Spacer	1	
35	GU19355200	Shim 0,1 mm	1	
36	GU19355202	Shim 0,15 mm	1	
37	GU90706584	Gasket 58,42x2,62	1	
38	GU90403251	Gasket ring 32x47x10	1	

Group	ENGINE
Code	34.34
Description	Crank-case
Service	1



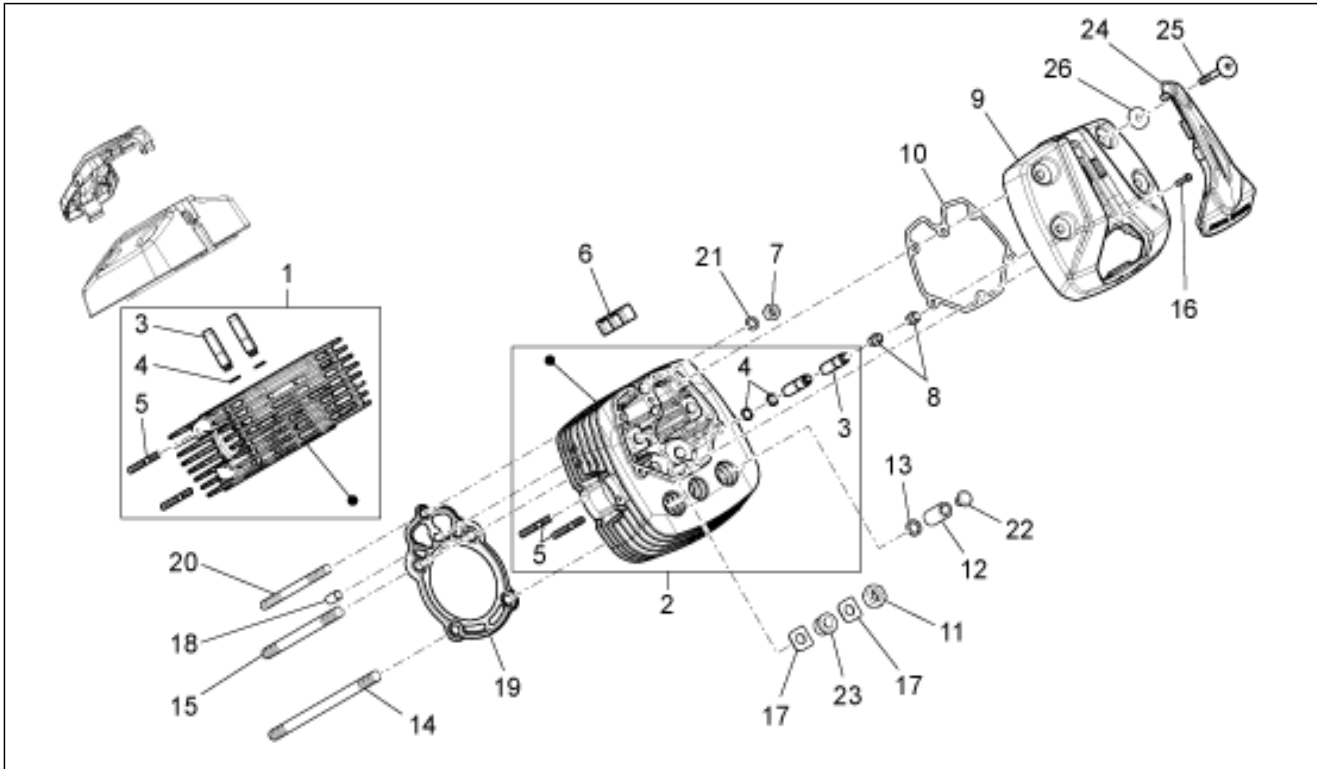
Pos.	Code	Description	Qty	Variants
1	2A000235	***COMPLETE CRANKCASE	1	
2	GU96451560	Stud bolt	4	
3	GU96451430	Stud bolt	4	
4	GU96508055	Stud bolt	2	
5	GU19015020	Bushing	4	
6	GU61270300	Spring washer 8x15x0,3	6	
7	GU92606208	Nut M8x1,25	6	
8	GU19003800	Joint	1	
9	GU90706076	O-ring	2	
10	886365	Gasket ring	1	
11	GU98682325	Hex socket screw M6x25	12	
12	976604	Oil sump black	1	
13	887004	Sump gasket	1	
14	GU31003766	Oil unload plug M10x1	1	
15	GU10528900	Gasket	1	
16	976685	Plug	1	
17	GU90706444	O-ring	1	
18	883826	Oil load plug	1	
19	GU90706281	O-ring 28,24x2,62	1	
20	GU12003702	Oil unload plug	1	
21	GU95100709	Gasket 20,1x28x2	1	
22	GU27152885	Bolt	1	
23	GU12154200	Gasket 8,25x15x1	1	
24	GU32999510	Oil seals - set	1	
25	GU32999010	Gasket set	1	
26	GU13021900	Column nut	4	
27	GU95129180	Washer 10,5X18X0,8	4	
28	2L0001895	Engine assy w/hout transm.	1	

Group	ENGINE
Code	34.35
Description	Timing system cover
Service	1



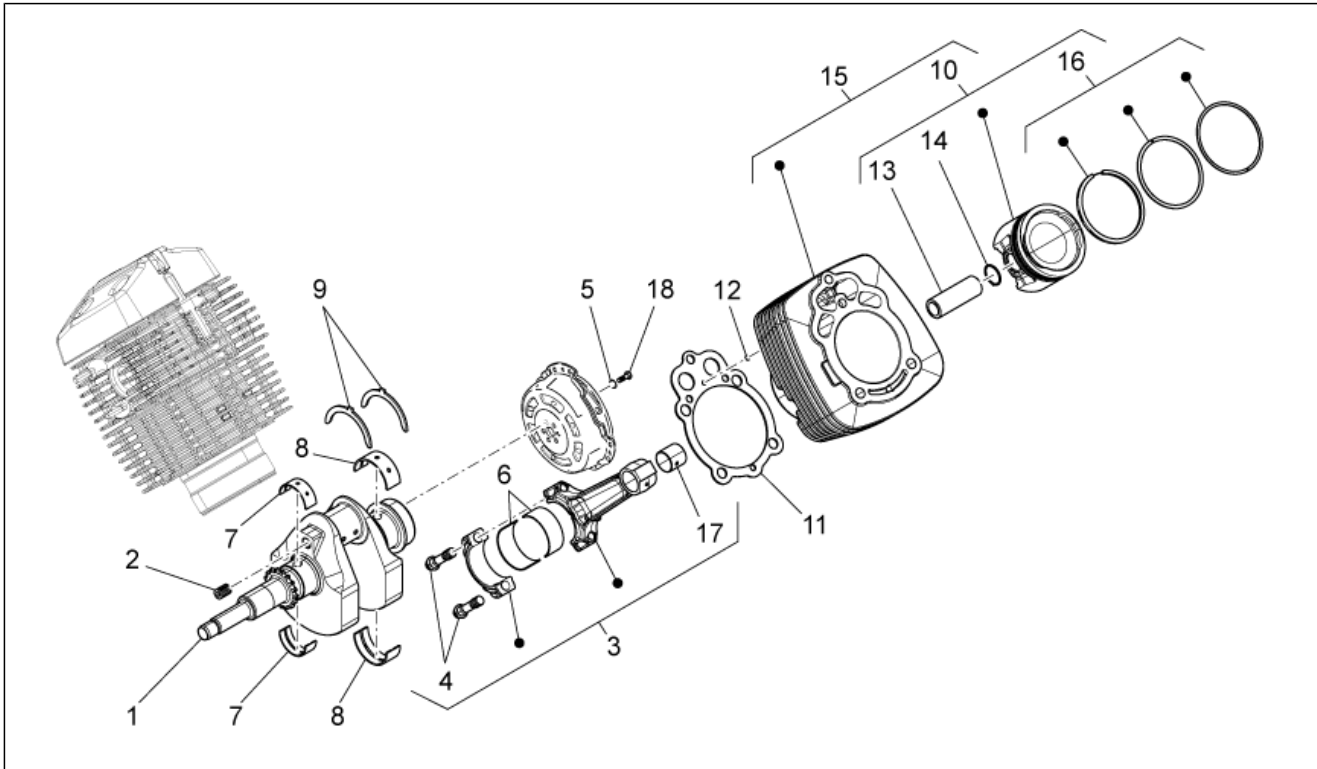
Pos.	Code	Description	Qty	Variants
1	2A000085	Cover	1	
2	887003	Cover gasket	1	
3	GU98682325	Hex socket screw M6x25	10	
4	GU98682330	Hex socket screw M6x20	2	
5	GU19002020	Bushing 6,6x9x13	2	

Group	ENGINE
Code	34.36
Description	Cylinder head
Service	1



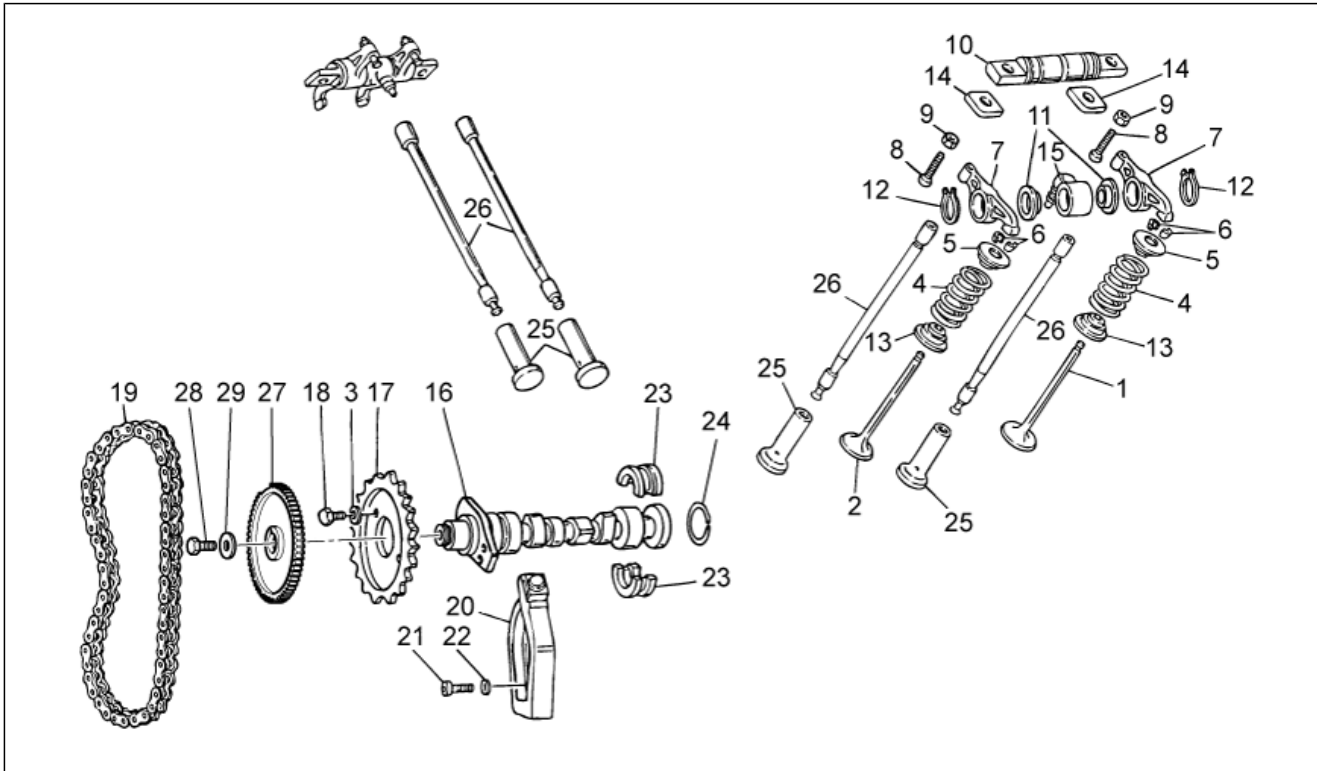
Pos.	Code	Description	Qty	Variants
1	8872724	RH head	1	
2	8872754	LH head	1	
3	GU61036801	Valve guide	4	
4	GU90353009	Snap ring	4	
5	GU96506042	Stud bolt	4	
6	B063111	Damping plug	4	
7	GU19021920	Nut	2	
8	GU19037820	Oil seal	4	
9	887523	Head cover	2	
10	887002	Head cover gasket	2	
11	GU92603010	Nut M10X1,5	4	
12	GU13021900	Column nut	4	
13	GU95129180	Washer 10,5X18X0,8	4	
14	GU96510214	Stud bolt M10x214	4	
15	GU96510181	Stud bolt M10x182	4	
16	GU98692325	Hex socket screw M6x25	4	
17	GU19032980	Spacer	8	
18	GU19021360	Bushing	2	
19	B063099	Cylinder head gasket	2	
20	976898	Stud bolt M8x140	2	
21	GU61270300	Spring washer 8x15x0,3	2	
22	GU93180245	Cover	4	
23	AP8144071	Rubber exhaust	1	
24	887279	Spark plug cover	2	
25	887483	Head cover screw M6x52.5	8	
26	969973	Washer	8	

Group	ENGINE
Code	34.37
Description	Crankshaft cpl.
Service	1



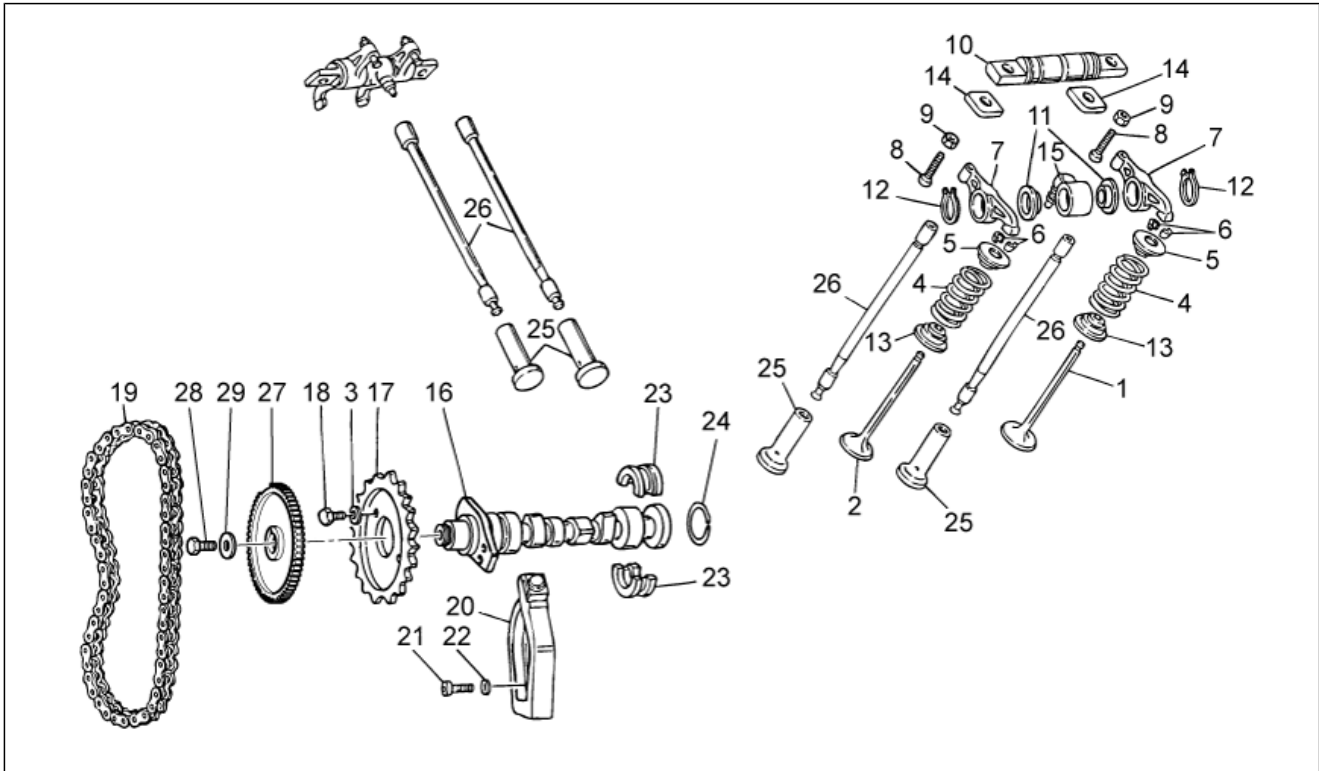
Pos.	Code	Description	Qty	Variants
1	2A0000995	Drive shaft	1	
2	GU19065400	Cover	1	
3	GU27061585	Connecting rod cpl.	2	
4	GU19062261	screw	4	
5	GU14615901	Washer 8,4X13X0,8	6	
6	GU27062060	Bearing half-shell	4	
7	GU27065660	Front main half-bearing	2	
8	GU27066560	Rear main half-bearing	2	
9	GU27066460	Half-clamp	2	
10	8872690001	Piston complete with 80 Cat. D	1	
10	8872690002	Piston complete with 80 Cat. E	1	
10	8872690003	Piston complete with 80 Cat. F	1	
11	886670	Cylinder gasket	2	
12	GU61027200	O-ring	2	
13	B063016	Piston pin	2	
14	874567	Stop ring	4	
15	B063465	Cylinder with piston	2	
16	B063466	Pistonring set	2	
17	GU27061885	Bushing	2	
18	GU19067700	screw	6	

Group	ENGINE
Code	34.38
Description	Timing system
Service	1



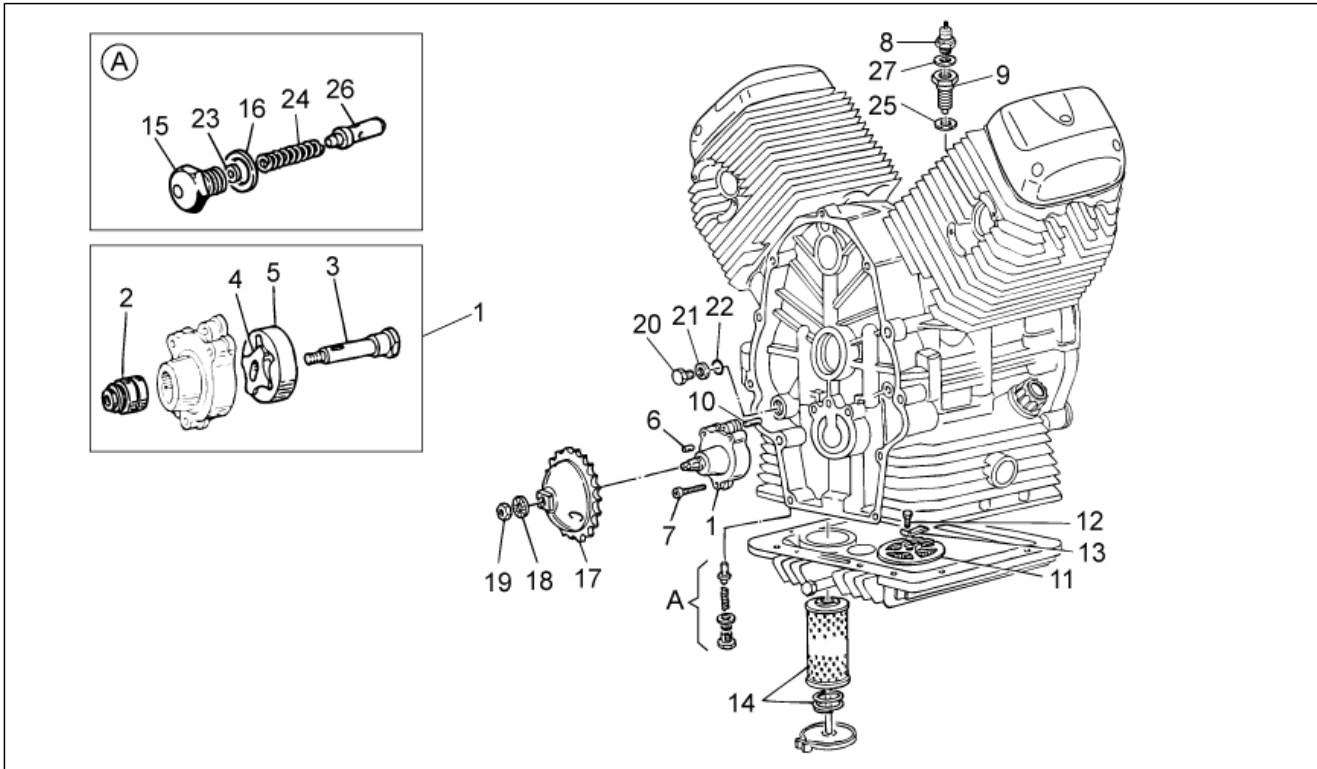
Pos.	Code	Description	Qty	Variants
1	2A000146	Valve, in	2	
2	2A000147	Exhaust valve	2	
3	GU23217800	Safety washer	2	
4	GU27037521	Spring	4	
5	GU31038015	Upper cup	4	
6	GU61038100	Half-cone	8	
7	GU19030500	Rocker arm assy.	4	
8	GU19034000	screw	4	
9	GU92602406	Nut M6x1	4	
10	GU19032080	Rocker shaft	2	
11	GU32032310	Thrust washer	4	
12	GU90271018	Circlip	4	
13	GU31037015	Lower cup	4	
14	GU19032980	Spacer	4	
15	GU19027500	Hose	2	
16	GU32053410	Camshaft	1	
17	GU32054510	Timing system gear	1	
18	GU61054900	Bolt	2	
19	GU19058021	Camshaft chain	1	
20	GU19058220	Chain stretching drive	1	
21	GU98882316	screw	1	
22	GU95129115	Washer	1	
23	GU19055700	Sector	2	
24	GU90353029	Snap ring	1	
25	GU19045861	Tappet	4	
26	GU31045015	Rocker arm rod	4	
27	887528	Wheel speed sensor, left front	1	
28	GU98054422	screw M8x22	1	

Group	ENGINE
Code	34.38
Description	Timing system
Service	1



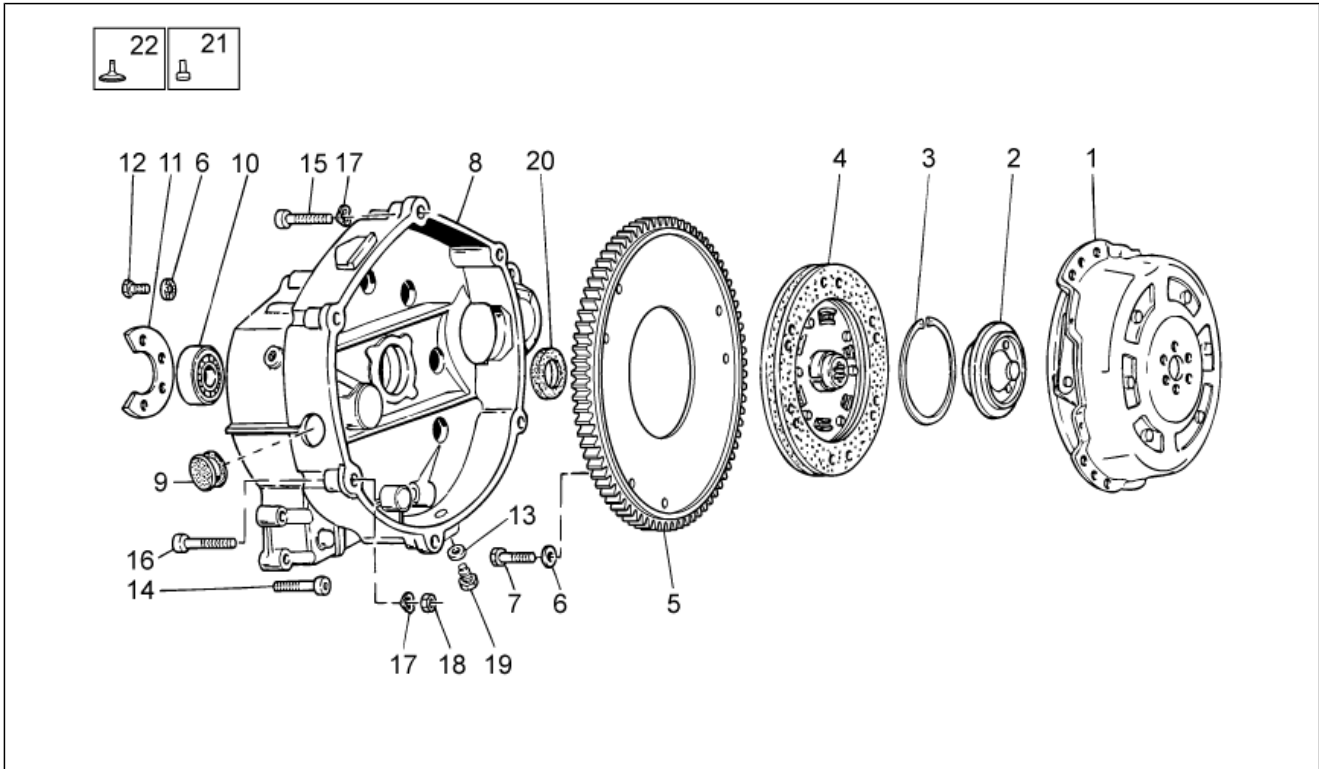
Pos.	Code	Description	Qty	Variants
29	GU95100244	Washer	1	

Group	ENGINE
Code	34.39
Description	Oil pump
Service	1



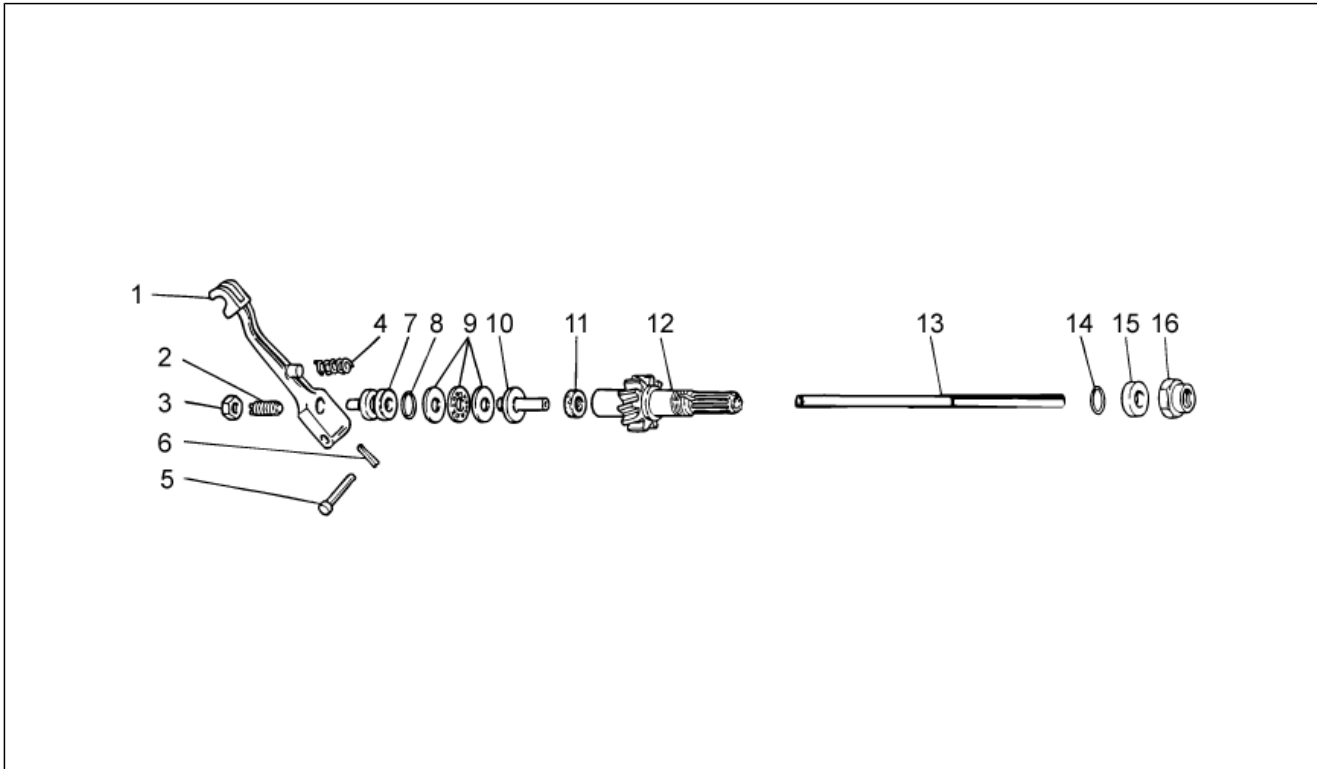
Pos.	Code	Description	Qty	Variants
1	GU19146422	Oil pump	1	
2	GU92252210	Roller bearing 10x22x20	1	
3	GU20147810	Oil pump shaft assy.	1	
4	GU20148410	Inner rotor	1	
5	GU20148610	Outer rotor	1	
6	GU92296723	Roller	1	
7	GU98620335	screw M6x35	3	
8	641541	Oil pressure sensor	1	
9	887093	Union	1	
10	GU19018920	Pin	2	
11	GU19152200	Oil filter	1	
12	GU98084314	Hex screw M6x14	1	
13	GU95187006	Plate	1	
14	GU27153085	Oil filter	1	
15	GU31159050	Cover	1	
16	GU18144350	Washer 18,25x24x1	3	
17	GU20147710	Pump gear	1	
18	AP8152220	Washer	1	
19	GU92602510	Nut M10x1,25	1	
20	GU31016050	Cover	1	
21	GU18161150	Gasket 14,25	1	
22	GU90706111	O-ring	1	
23	GU95008206	Washer 6,15x11x0,8	3	
24	GU94321079	Spring	1	
25	GU95100602	Gasket	1	
26	GU31150950	Piston	1	
27	GU95100309	Washer	1	

Group	ENGINE
Code	34.40
Description	Clutch I
Service	1



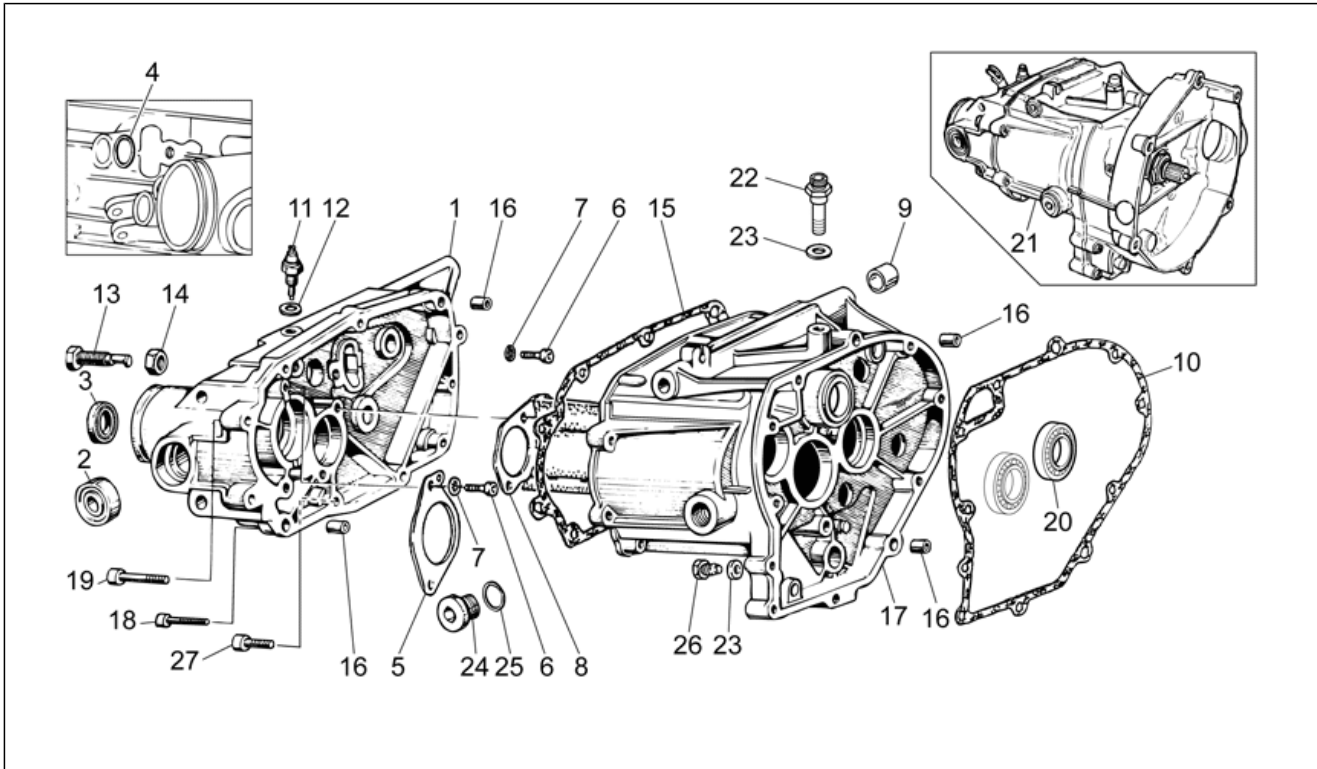
Pos.	Code	Description	Qty	Variants
1	GU32080310	Clutch	1	
2	GU19083462	New cup type	1	
3	GU90272075	Snap ring	1	
4	GU32084410	Driven clutch disc	1	
5	GU32067910	Chain ring	1	
6	GU14217901	Washer 6,4x10x0,7	9	
7	GU98084316	Hex screw	6	
8	2A000106	Clutch drum	1	
9	GU93180220	Cover	1	
10	GU92201225	Bearing 25x52x15	1	
11	GU19203460	Bearing fixing plate	1	
12	GU98084314	Hex screw M6x14	3	
13	GU10528900	Gasket	1	
14	GU98682330	Hex socket screw M6x20	11	
15	GU98680435	Hex socket screw M8x35	5	
16	GU98680450	Hex socket screw M8x50	1	
17	GU61270300	Spring washer 8x15x0,3	6	
18	GU92606208	Nut M8x1,25	1	
19	GU31003766	Oil unload plug M10x1	1	
20	886629	Gasket ring	1	
21	GU23204471	Jet	1	
22	GU23204571	Jet	1	

Group	ENGINE
Code	34.41
Description	Clutch II
Service	1



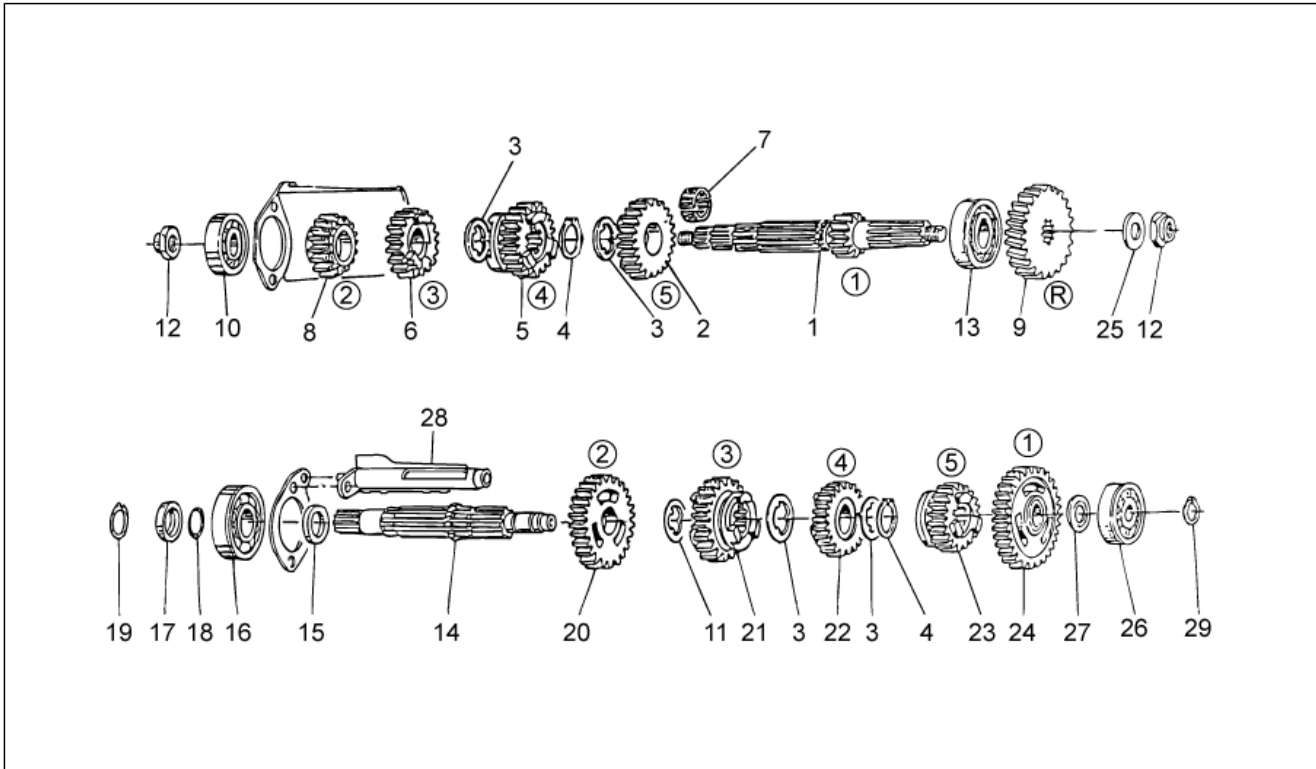
Pos.	Code	Description	Qty	Variants
1	GU14090201	Clutch release shaft	1	
2	GU14090400	Adjuster screw	1	
3	GU92606508	Nut	1	
4	GU94321105	Lever return spring	1	
5	GU95780271	Pin 7x39	1	
6	GU95500222	Split pin	1	
7	GU14086100	Outer body	1	
8	GU90706170	O-ring 17,13x2,62	1	
9	GU12087001	Thrust bearing	1	
10	GU14086000	Inner body	1	
11	GU90400616	Gasket ring 6x16x7	1	
12	GU27210760	Transmission shaft Z=16	1	
13	GU20085720	Rod	1	
14	GU90706235	O-ring 23,52x1,78	1	
15	GU19213760	Spacer	1	
16	GU19356760	Nut	1	

Group	ENGINE
Code	34.42
Description	Transmission cage
Service	1



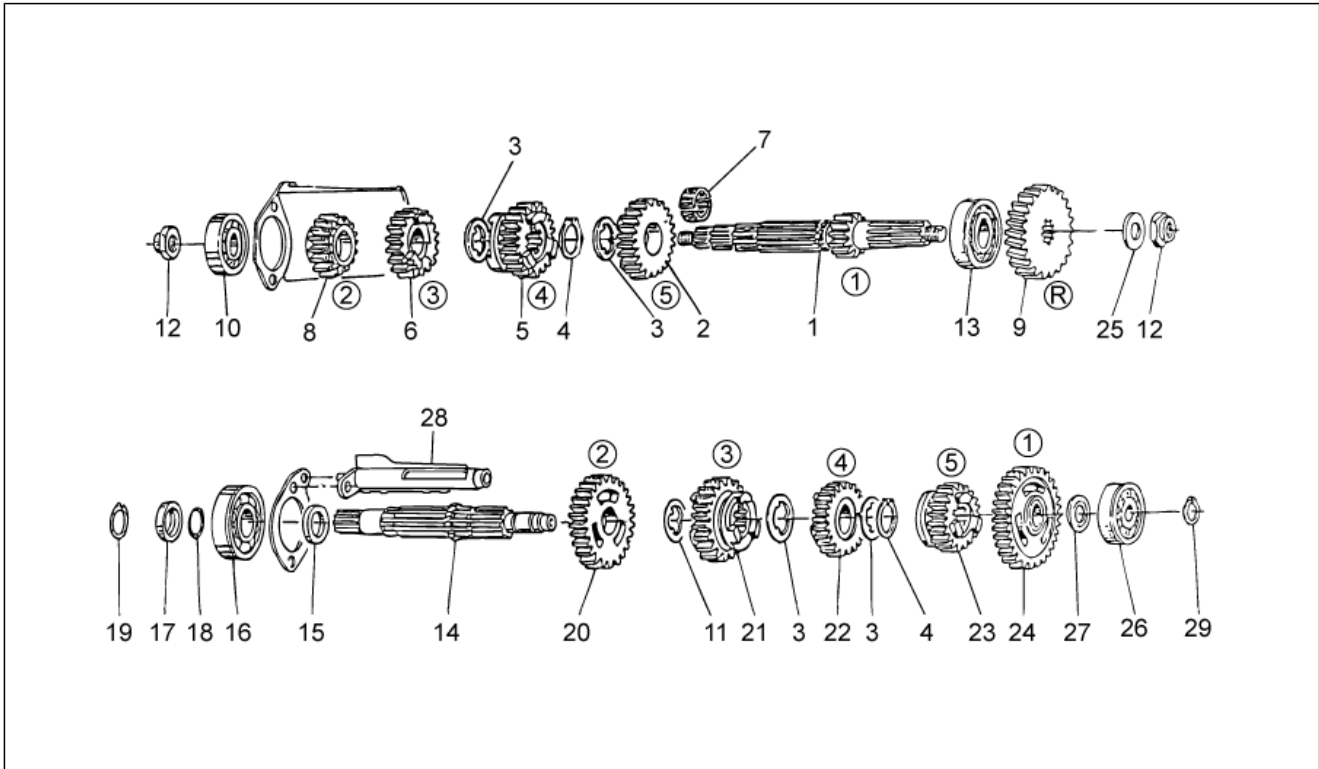
Pos.	Code	Description	Qty	Variants
1	2A000098	Gearbox cover	1	
2	2A000097	Ball bearing 6202-2RSH/C3 LHT23	2	
3	886364	Gasket ring 28x40x7	1	
4	GU90706140	O-ring 13,95x2,92	1	
5	GU32213810	Plate	1	
6	884031	Hex socket screw M6x14	4	
7	GU14217901	Washer 6,4x10x0,7	4	
8	GU32208210	Oil bulhead	1	
9	GU19202320	Bushing 10,25x15,7x8	2	
10	887005	Gasket	1	
11	B063269	Sensor	1	
12	GU12154200	Gasket 8,25x15x1	1	
13	GU19237800	Screw M12x1,25	1	
14	GU92606512	Low nut M12x1,25	1	
15	887006	Gasket	1	
16	GU19002020	Bushing 6,6x9x13	4	
17	887235	Transmission cage	1	
18	GU98682330	Hex socket screw M6x20	5	
19	GU98680435	Hex socket screw M8x35	4	
20	B063342	Ball bearing 6004/C3	1	
21	976992	Gear box assy	1	
22	GU32206510	Breather plug	1	
23	GU10528900	Gasket	2	
24	GU12022600	Oil plug	1	
25	GU90706203	O-ring 20,24x2,62	1	
26	GU31003766	Oil unload plug M10x1	1	
27	AP8150285	Hex socket screw M6x35	2	

Group	ENGINE
Code	34.43
Description	Gear box
Service	1



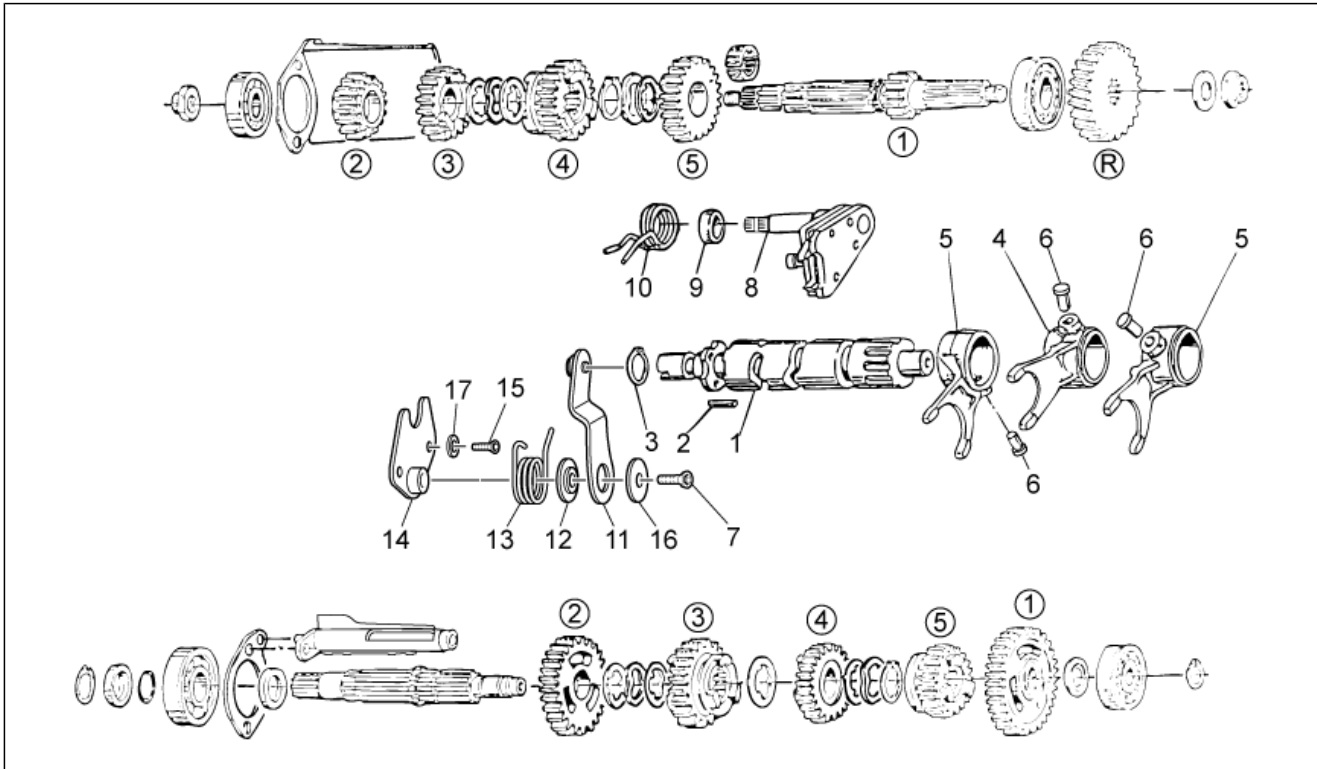
Pos.	Code	Description	Qty	Variants
1	GU32210510	Primary gear shaft Z=11	1	
2	GU32212011	Gear 5a AP Z=25	1	
3	GU19215460	Thrust washer	3	
4	GU90271124	Circlip	2	
5	GU32211810	Gear 4a AP Z=18	1	
6	GU32211410	Gear 3a AP Z=18	1	
7	GU92251028	Roller cage	1	
8	GU23211372	Gear 2a AP Z=14	1	
9	GU32211110	Idle gear AP Z=21	1	
10	GU92218417	Bearing AP 17x40x17,5	1	
11	GU19214660	Clearance washer	2	
12	GU10054100	Nut	2	
13	GU92230320	Bearing AP 20x37x17	1	
14	GU32213610	Driven shaft	1	
15	GU19212900	Spacer	1	
16	GU92201220	Bearing 20X47X14	1	
17	GU19213720	Spacer	1	
18	GU90706188	Gasket ring 18,77X1,78	1	
19	GU90271121	Circlip	1	
20	GU32214510	Gear 2a AS Z=23	1	
21	GU32214810	Gear 3a AS Z=23	1	
22	GU32215010	Gear 4a AS Z=19	1	
23	GU32215210	Gear 5a AS Z=22	1	
24	GU32214010	Gear 1a AS Z=26	1	
25	GU39238100	Clearance washer	1	
26	GU92234716	Bearing	1	
27	GU10214300	Spacer 1,5 mm	1	
27	GU10214301	Spacer 1,7 mm	1	

Group	ENGINE
Code	34.43
Description	Gear box
Service	1



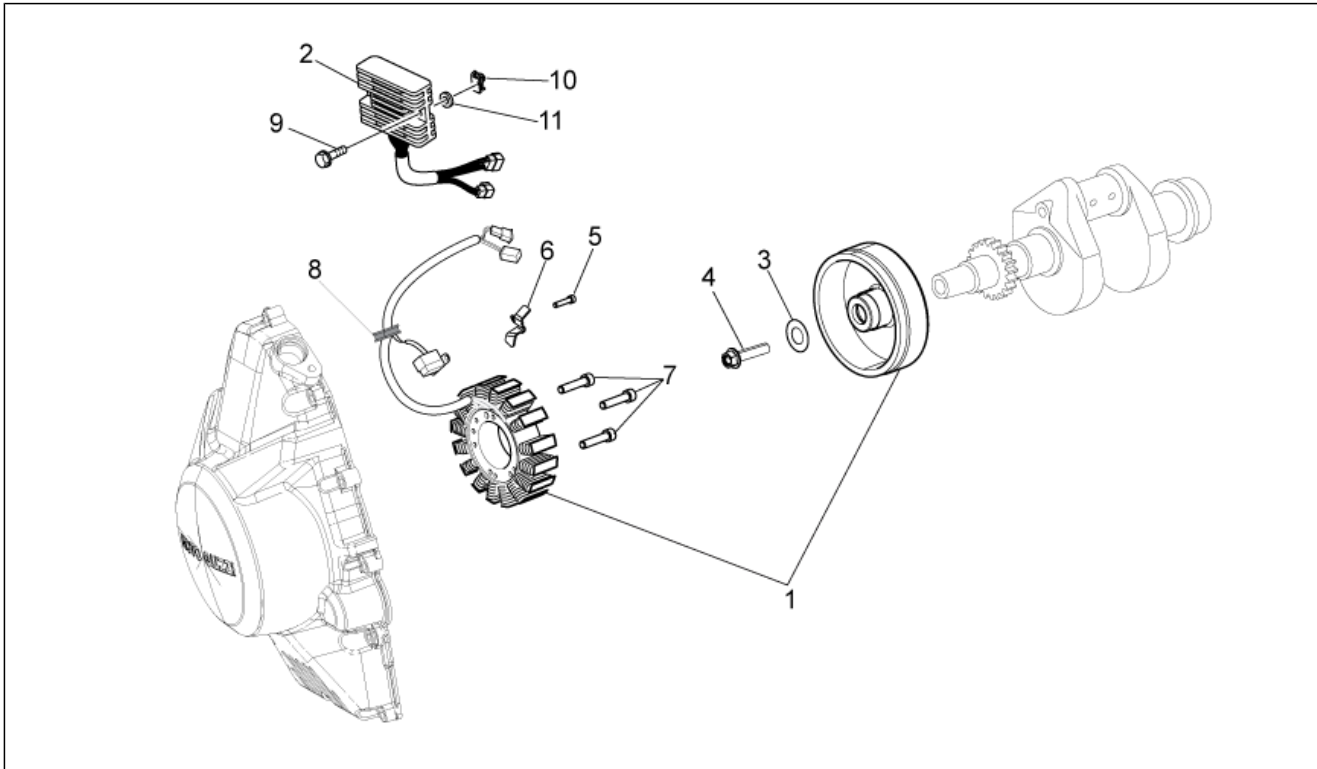
Pos.	Code	Description	Qty	Variants
27	GU10214302	Spacer 1,8 mm	1	
27	GU10214303	Spacer 1,9 mm	1	
27	GU10214304	Washer 2 mm	1	
27	GU10214305	Spacer 2,1 mm	1	
28	GU32202010	Gutter	1	
29	GU90271117	Circlip	1	

Group	ENGINE
Code	34.44
Description	Gear box selector
Service	1



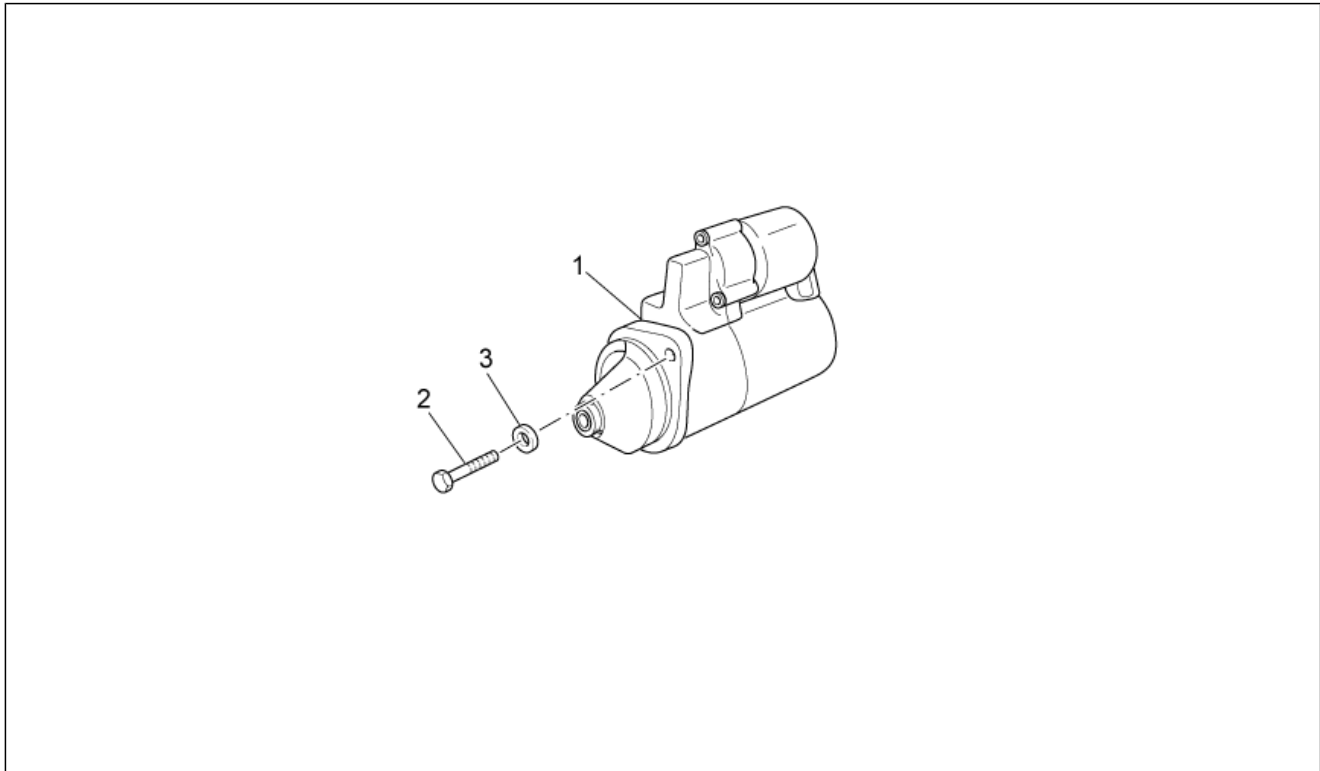
Pos.	Code	Description	Qty	Variants
1	GU32234410	Shift cam	1	
2	GU19234600	Pin	4	
3	GU90274026	Snap ring	1	
4	GU32231210	Fork AP	1	
5	GU32231010	Fork AS	2	
6	GU32233010	Roller	3	
7	GU98230612	screw	1	
8	887196	Preselection complete	1	
9	GU20208520	Spacer	1	
10	GU32238210	Spring	1	
11	GU32234710	Lever	1	
12	GU32234810	Washer	1	
13	GU32234110	Spring	1	
14	GU32235710	plate	1	
15	GU98257618	Screw M6x18	2	
16	GU32234910	Washer 6,4x20x1	1	
17	GU14217901	Washer 6,4x10x0,7	2	

Group	ENGINE
Code	34.45
Description	Generator - Regulator
Service	1



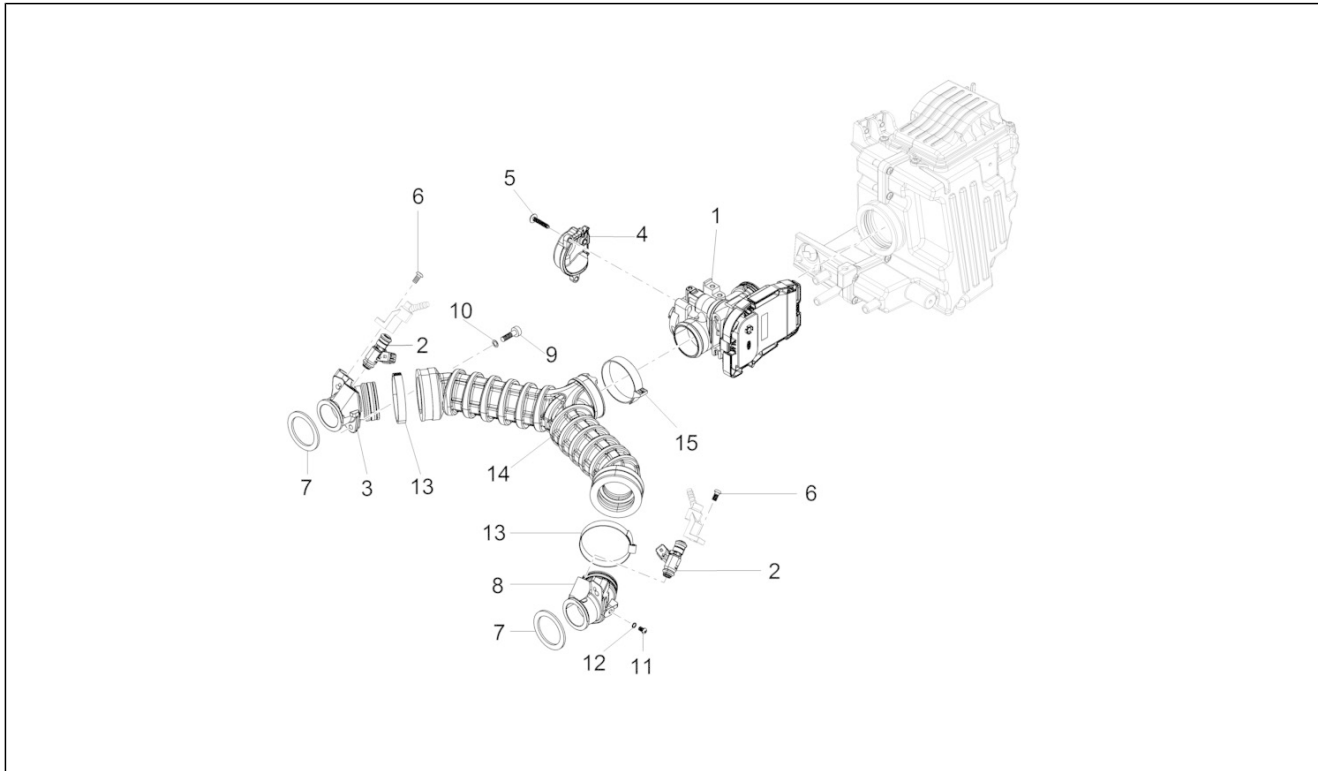
Pos.	Code	Description	Qty	Variants
1	2D000024	Cdi magneto assy	1	
2	2D000043	Voltage regulator	1	
3	897478	Washer 12x26.5x3	1	
4	857206	Screw w/ flange M12X1,25X50	1	
5	GU98682212	Hex socket screw M5x12	1	
6	2A000115	Plate	1	
7	2A000129	Low head socket screw M6x35	3	
8	GU19007700	Rubber spacer	1	
9	AP8152281	Screw w/ flange M6x30	2	
10	254485	Spring plate M6	2	
11	GU95100125	Washer	2	

Group	ENGINE
Code	34.46
Description	Starter motor
Service	1



Pos.	Code	Description	Qty	Variants
1	GU05730730	Starter motor Bosch	1	
2	GU98082435	Hex screw M8x35	2	
3	GU95008208	Washer 8,4X15X1,5	2	

Group	ENGINE
Code	34.47
Description	Throttle body
Service	1



Pos.	Code	Description	Qty	Variants
1	CM228303	Electronic control unit ECU for injection	1	Country:Japan[J]
1	CM228304	Electronic control unit ECU for injection	1	
2	B063049	Injector	2	
3	GU32115010	RH manifold	1	
4	880260	Throttle body Protection	1	
5	B016796	Torx convex big end screw	3	
6	AP8152298	Screw w/ flange M5x16	2	
7	GU32115510	Gasket	2	
8	GU32115011	LH manifold	1	
9	GU98622322	screw	4	
10	GU03013800	Washer 6,4x12	4	
11	GU98310609	screw M6x10	2	
12	GU95100116	Washer 6,25x10x1,5	2	
13	884311	Hose clamp D.61	2	
14	887812	Throttle body hose	1	
15	GU93305061	Hose clamp 61/65,5	1	



PIAGGIO & C.s.p.a.



SPARE PARTS CATALOGUE

V7 Racer 750 USA-CND 2015

Chassis prefix: ZGULWV01

Engine prefix:



Index

Finished products.....	4
Alphanumeric index.....	5
FRAME.....	10
Table 33.01 - Frame I.....	10
Table 33.02 - Frame II.....	11
Table 33.03 - Lateral stand.....	12
Table 33.06 - Gear lever.....	13
Table 33.07 - Front fork I.....	14
Table 33.08 - Fron fork II.....	15
Table 33.11 - Rear shock absorber.....	17
Table 33.12 - Fuel tank.....	18
Table 33.13 - Front body - Front mudguard.....	19
Table 33.14 - Saddle-Central bod.....	20
Table 33.15 - Rear body I- Mudguard.....	21
Table 33.16 - Rear body II- Plate holder.....	22
Table 33.17 - Dashboard.....	23
Table 33.18 - Handlebar - Controls.....	24
Table 33.19 - Front brake system.....	25
Table 33.21 - Fuel pump.....	26
Table 33.23 - Exhaust unit.....	27
Table 33.24 - Front wheel.....	29
Table 33.25 - Rear wheel.....	30
Table 33.26 - Rear master cylinder.....	31
Table 33.27 - Rear brake caliper.....	33
Table 33.28 - Front lights.....	34
Table 33.29 - Rear lights.....	35
Table 33.30 - Electrical system I.....	36
Table 33.31 - Electrical system II.....	37
Table 33.32 - Lock hardware kit.....	39
Table 33.33 - Decal and plate set.....	40
Table 33.51 - Fuel vapour recover system.....	41
Table 33.52 - Air box II.....	42
ENGINE.....	44
Table 34.09 - Transmission complete I.....	44
Table 34.10 - Transmission complete II.....	45
Table 34.34 - Crank-case.....	48
Table 34.35 - Timing system cover.....	49
Table 34.36 - Cylinder head.....	50
Table 34.37 - Crankshaft cpl.....	51
Table 34.38 - Timing system.....	52
Table 34.39 - Oil pump.....	54
Table 34.40 - Clutch I.....	55
Table 34.41 - Clutch II.....	56



Table 34.42 - Transmission cage.....	57
Table 34.43 - Gear box.....	58
Table 34.44 - Gear box selector.....	60
Table 34.45 - Generator - Regulator.....	61
Table 34.46 - Starter motor.....	62
Table 34.47 - Throttle body.....	63



Finished products

Code	Validity
GU9032112CAF00	
GU9032112CAF01	
GU9032112USF00	
GU9032112USF01	



Code	No. table	Pos.	Code	No. table	Pos.	Code	No. table	Pos.
080341	33.30	6	880260	34.47	4	8872724	34.36	1
248419	33.26	19	883127	33.52	6	8872754	34.36	2
254485	33.12	13	883161	33.31	11	887279	34.36	24
254485	33.14	16	883192	33.27	7	887280	33.06	17
254485	33.28	20	883266	33.13	2	887431	33.27	3
254485	33.52	14	883295	33.14	5	887443	33.33	4
254485	34.45	10	883303	33.19	13	887448	33.25	12
292022	33.28	9	883349	33.25	8	887449	33.27	1
292723	33.28	10	883350	33.25	7	887481	33.30	12
2A000085	34.35	1	883417	33.28	24	887483	34.36	25
2A000097	34.42	2	883470	33.16	12	887523	34.36	9
2A000098	34.42	1	883471	33.03	1	887528	34.38	27
2A0000995	34.37	1	883476	33.32	3	887787	33.21	5
2A000106	34.40	8	883477	33.32	1	887812	34.47	14
2A000115	34.45	6	883479	33.29	1	887815	33.52	13
2A000129	34.45	7	883480	33.16	15	887825	33.30	1
2A000146	34.38	1	883502	33.12	5	887825	33.31	1
2A000147	34.38	2	883552	33.08	24	8878421	33.52	1
2A000235	34.34	1	883581	33.19	2	887843	33.52	2
2B000045	33.52	36	883602	33.08	32	887844	33.52	11
2B000178	33.23	11	883688	33.24	10	887845	33.52	12
2B000179	33.23	10	883826	34.34	18	887846	33.23	1
2B000560	33.07	1	883940	33.18	3	887847	33.23	2
2B000838	33.14	10	884031	34.42	6	887878	33.08	1
2B000839	33.14	9	884311	34.47	13	887879	33.08	2
2B000841	33.14	20	884348	33.33	18	887880	33.08	3
2B000842	33.14	21	886141	33.33	10	887882	33.08	5
2B000843	33.01	17	886364	34.42	3	887883	33.08	6
2B000844	33.01	18	886365	34.34	10	887884	33.08	7
2B000970	33.21	2	886368	33.14	12	887885	33.08	8
2B001048	33.18	27	886629	34.40	20	887886	33.08	9
2B001049	33.18	10	886630	33.11	3	887887	33.08	10
2D000006	33.32	10	886645	33.01	11	887888	33.08	11
2D000024	34.45	1	886665	33.06	13	887889	33.08	12
2D000043	34.45	2	886665	33.26	1	887890	33.08	13
2D000205	33.30	11	886666	33.26	9	887891	33.08	14
2G000011	33.33	21	886668	33.06	16	887892	33.08	15
2G000012	33.33	22	886670	34.37	11	887893	33.08	16
2G000013	33.33	23	886675	33.11	1	887894	33.08	17
2H000420	33.12	1	886676	34.09	11	887895	33.08	18
2H000421000Y02	33.13	7	886678	33.33	3	887896	33.08	19
2H000422000Y02	33.16	6	886679	33.24	18	887899	33.08	25
2H000423	33.33	13	886680	33.25	20	887900	33.08	23
2H000424	33.33	12	886681	33.24	2	887905	33.08	28
2H000425	33.33	1	886706	33.14	15	887916	33.08	22
2H000426	33.33	7	886711	33.25	2	887944	33.12	1
2H000427	33.33	9	886712	33.16	9	887948	33.30	13
2H000428	33.33	8	886713	33.16	10	887971	33.33	11
2H000869000XG3	33.12	1	886724	33.13	10	890760	33.52	16
2L0001895	34.34	28	886727	33.14	19	890979	33.28	16
2Q000044	33.33	5	88673000Y02	33.13	1	893570	33.31	19
2R000109	33.08	29	886820	33.14	22	894505	33.25	13
2R000110	33.08	4	886825	33.33	11	894704	33.31	26
584211	33.31	10	886841	33.14	14	896110	33.23	21
638733	33.31	6	886842	33.08	21	897478	34.45	3
640598	33.28	11	887002	34.36	10	898086	33.07	7
641040	33.30	8	887003	34.35	2	898174	33.33	2
641541	34.39	8	887004	34.34	13	89817800A3	33.14	1
641725	33.30	7	887005	34.42	10	898179	33.13	7
641901	33.30	4	887006	34.42	15	898180	33.13	8
642034	33.30	3	887093	34.39	9	898280	33.16	6
856063	33.51	14	887195	33.17	1	898281	33.06	7
856796	33.06	20	887196	34.44	8	898281	33.26	27
857206	34.45	4	887235	34.42	17	898282	33.06	1
860138	33.51	7	8872690001	34.37	10	898283	33.06	3
860651	34.09	19	8872690002	34.37	10	898284	33.06	9
874567	34.37	14	8872690003	34.37	10	898285	33.26	30



Code	No. table	Pos.	Code	No. table	Pos.	Code	No. table	Pos.
898286	33.26	17	AP8121307	33.07	4	AP8152329	33.52	27
898287	33.26	12	AP8121367	33.02	10	AP8152339	33.16	8
898288	33.26	4	AP8121420	33.14	6	AP8152385	33.19	16
898611	33.06	12	AP8121420	33.32	8	AP8157100	33.33	15
898612	33.26	28	AP8121607	33.03	2	AP8181140	33.31	24
969973	34.36	26	AP8121673	33.12	12	AP8201358	33.51	13
976604	34.34	12	AP8121927	33.26	3	AP8201358	33.52	3
976608	34.10	1	AP8121929	33.16	7	AP8201358	33.52	34
976614	33.14	13	AP8124718	33.16	13	AP8210007	33.06	18
976685	34.34	16	AP8124936	33.30	2	AP8213028	33.18	23
976898	34.36	20	AP8127856	33.03	8	AP8213057	33.26	15
976941	34.09	1	AP8133643	33.26	14	AP8220283	33.31	22
976992	34.42	21	AP8133798	33.27	2	AP8220460	33.07	6
977527	33.14	8	AP8133873	33.26	22	AP8220590	33.01	20
977527	33.32	4	AP8134378	33.23	18	AP8221023	33.52	26
978311	33.28	2	AP8134640	33.26	35	AP8221114	33.51	16
978323	33.19	15	AP8144071	33.23	16	AP8221172	33.01	16
978385	33.23	12	AP8144071	34.36	23	AP8221172	33.18	18
978386	33.23	15	AP8144081	33.07	5	AP8221197	33.03	5
978387	33.23	4	AP8144146	33.07	3	AP8221277	33.06	10
978415	33.14	7	AP8144538	33.52	15	AP8224462	33.31	21
978415	33.32	9	AP8144553	33.52	7	AP8257609	33.33	17
97894600Y02	33.15	1	AP8144606	33.01	15	AP8257742	33.33	16
978947	33.15	2	AP8144729	33.52	17	AP8257794	33.33	19
978970	33.26	13	AP8149034	33.16	4	AP9100477	33.06	15
981149	33.28	12	AP8150026	33.06	19	AP9100477	33.26	31
AP8101594	33.26	20	AP8150044	33.06	14	B016796	34.47	5
AP8101595	33.12	15	AP8150044	33.26	25	B043850	33.31	23
AP8102159	33.51	6	AP8150115	33.06	5	B045974	33.33	20
AP8102375	33.31	14	AP8150137	33.06	4	B063016	34.37	13
AP8102524	33.03	4	AP8150248	33.16	2	B063022	33.23	3
AP8102678	33.51	1	AP8150285	34.42	27	B063049	34.47	2
AP8102688	33.51	2	AP8150349	33.32	6	B063077	33.24	5
AP8102765	33.52	29	AP8150377	33.31	20	B063078	33.25	11
AP8102766	33.52	23	AP8150413	33.13	6	B063099	34.36	19
AP8102913	33.14	3	AP8150416	33.12	8	B063111	34.36	6
AP8104525	33.52	5	AP8150436	33.02	12	B063135	33.18	6
AP8104924	33.52	4	AP8150468	33.26	29	B063144	33.24	3
AP8104996	33.52	28	AP8150509	33.52	19	B063152	33.12	19
AP8110053	33.06	22	AP8152138	33.06	21	B063154	33.12	18
AP8113003	33.27	20	AP8152220	33.02	11	B063167	33.15	12
AP8113004	33.19	14	AP8152220	34.39	18	B063213	33.52	30
AP8113004	33.27	8	AP8152268	33.16	3	B063214	33.52	21
AP8113288	33.26	16	AP8152273	33.16	11	B063233	33.31	5
AP8113553	33.26	23	AP8152273	33.21	4	B063247	33.18	4
AP8118490	33.18	24	AP8152277	33.19	3	B063248	33.18	5
AP8120246	34.09	10	AP8152278	33.15	3	B063249	33.02	1
AP8120416	33.30	18	AP8152278	33.28	13	B063250	33.02	2
AP8120416	33.31	27	AP8152279	33.15	9	B063251	33.01	1
AP8120416	33.51	11	AP8152281	34.45	9	B063265	33.24	1
AP8120446	33.51	9	AP8152286	33.24	11	B063267	33.25	1
AP8120455	33.52	9	AP8152287	33.02	13	B063269	34.42	11
AP8120531	33.14	18	AP8152288	33.02	15	B063287	33.01	4
AP8120557	33.12	11	AP8152288	33.27	9	B063317	33.18	1
AP8120615	33.52	10	AP8152298	33.26	18	B063326	33.18	8
AP8120772	33.52	20	AP8152298	34.47	6	B063342	34.42	20
AP8120772	33.52	24	AP8152299	33.15	15	B063429	33.14	23
AP8120772	33.52	35	AP8152299	33.27	10	B063431	33.14	24
AP8120870	33.23	20	AP8152299	33.30	5	B063465	34.37	15
AP8120876	33.52	8	AP8152299	33.51	5	B063466	34.37	16
AP8120912	33.06	2	AP8152300	33.02	14	B063750	33.27	6
AP8120912	33.26	2	AP8152300	33.27	13	B063752	33.21	1
AP8121014	33.03	3	AP8152306	33.16	5	B063800	33.28	4
AP8121032	33.15	13	AP8152320	33.06	6	B063800	33.29	4
AP8121032	33.17	7	AP8152320	33.26	33	B063801	33.28	5
AP8121072	33.23	22	AP8152329	33.15	11	B063801	33.29	5
AP8121267	33.51	10	AP8152329	33.52	18	B063975	33.18	15



Code	No. table	Pos.	Code	No. table	Pos.	Code	No. table	Pos.
CM001928	33.07	9	GU10214304	34.43	27	GU19237800	34.42	13
CM001929	33.07	8	GU10214305	34.43	27	GU19327601	34.09	5
CM0074C9	33.30	10	GU10528900	34.34	15	GU19328801	34.09	3
CM0074D0	33.30	9	GU10528900	34.40	13	GU19350700	34.10	22
CM013202	33.31	25	GU10528900	34.42	23	GU19351100	34.10	4
CM225705	33.31	15	GU12003702	34.34	20	GU19351900	34.10	2
CM225710	33.31	16	GU12022600	34.10	6	GU19352300	34.10	23
CM225715	33.31	17	GU12022600	34.42	24	GU19353500	34.10	24
CM225730	33.31	18	GU12087001	34.41	9	GU19355200	34.10	35
CM228303	34.47	1	GU12154200	34.34	23	GU19355202	34.10	36
CM228304	34.47	1	GU12154200	34.42	12	GU19355300	34.10	33
GU00823923140	33.03	7	GU13021900	34.34	26	GU19355301	34.10	33
GU00823923140	33.51	12	GU13021900	34.36	12	GU19355302	34.10	33
GU00823923140	33.52	32	GU14086000	34.41	10	GU19355303	34.10	33
GU00823931055	33.28	19	GU14086100	34.41	7	GU19355304	34.10	33
GU00823931070	33.12	2	GU14090201	34.41	1	GU19355305	34.10	33
GU00823944050	33.12	16	GU14090400	34.41	2	GU19355306	34.10	33
GU00823950050	33.26	21	GU14217901	34.40	6	GU19355307	34.10	33
GU01103860	33.01	13	GU14217901	34.42	7	GU19355308	34.10	33
GU01528930	34.10	9	GU14217901	34.44	17	GU19355309	34.10	33
GU01609630	33.18	14	GU14609650	33.30	20	GU19355320	34.10	27
GU01654630	33.19	17	GU14609650	33.31	27	GU19355321	34.10	27
GU01659130	33.19	11	GU14615901	33.13	5	GU19355322	34.10	27
GU01659131	33.19	12	GU14615901	34.09	20	GU19355323	34.10	27
GU01665410	33.26	6	GU14615901	34.37	5	GU19355324	34.10	27
GU01721600	33.30	14	GU14616150	33.24	15	GU19355325	34.10	27
GU01744200	33.28	18	GU14616150	33.25	10	GU19355326	34.10	27
GU02717450	33.30	11	GU18144350	34.39	16	GU19355327	34.10	27
GU03013800	33.23	8	GU18161150	34.39	21	GU19355328	34.10	27
GU03013800	34.47	10	GU18257551	33.26	8	GU19355329	34.10	27
GU03067730	34.10	19	GU19002020	34.35	5	GU19355400	34.10	21
GU03101600	33.12	7	GU19002020	34.42	16	GU19355402	34.10	21
GU03101900	33.12	3	GU19003800	34.34	8	GU19355404	34.10	21
GU03102200	33.12	6	GU19007700	34.45	8	GU19355406	34.10	21
GU03102400	33.12	10	GU19015020	34.34	5	GU19355408	34.10	21
GU03103200	33.12	17	GU19017000	33.02	4	GU19355410	34.10	21
GU03103500	33.12	4	GU19018920	34.39	10	GU19355411	34.10	21
GU03163330	33.31	3	GU19021360	34.36	18	GU19355412	34.10	21
GU03270300	33.26	34	GU19021920	34.36	7	GU19355413	34.10	21
GU03468100	33.01	21	GU19025280	33.23	5	GU19356700	34.10	30
GU03604845	33.19	8	GU19025460	33.23	6	GU19356760	34.41	16
GU03605645	33.19	9	GU19027500	34.38	15	GU19356801	34.10	28
GU03609600	33.18	14	GU19030500	34.38	7	GU19357660	34.10	25
GU03612040	33.24	16	GU19032080	34.38	10	GU19547000	34.09	12
GU03631250	33.24	4	GU19032980	34.36	17	GU20085720	34.41	13
GU03631250	33.25	9	GU19032980	34.38	14	GU20147710	34.39	17
GU03658201	33.27	16	GU19034000	34.38	8	GU20147810	34.39	3
GU03658330	33.27	17	GU19037820	34.36	8	GU20148410	34.39	4
GU03658430	33.27	14	GU19045861	34.38	25	GU20148610	34.39	5
GU03660145	33.19	1	GU19055700	34.38	23	GU20208520	34.44	9
GU03661145	33.19	6	GU19058021	34.38	19	GU20352421	34.10	31
GU03664045	33.19	7	GU19058220	34.38	20	GU20355121	34.10	34
GU03740930	33.29	2	GU19062261	34.37	4	GU23204471	34.40	21
GU03749845	33.19	5	GU19065400	34.37	2	GU23204571	34.40	22
GU03922280	34.09	23	GU19067700	34.37	18	GU23211372	34.43	8
GU03995730	33.33	14	GU19083462	34.40	2	GU23217800	34.38	3
GU05107430	33.21	3	GU19146422	34.39	1	GU23328081	34.09	7
GU05659230	33.19	10	GU19152200	34.39	11	GU23442210	33.06	11
GU05730730	34.46	1	GU19202320	34.42	9	GU23442210	33.26	11
GU05781630	33.16	1	GU19203460	34.40	11	GU23548080	34.09	8
GU05900130	33.33	6	GU19206501	34.10	10	GU23548180	34.09	9
GU06740400	33.28	17	GU19212900	34.43	15	GU23943410	33.08	31
GU10054100	34.43	12	GU19213720	34.43	17	GU27037521	34.38	4
GU10214300	34.43	27	GU19213760	34.41	15	GU27061585	34.37	3
GU10214301	34.43	27	GU19214660	34.43	11	GU27061885	34.37	17
GU10214302	34.43	27	GU19215460	34.43	3	GU27062060	34.37	6
GU10214303	34.43	27	GU19234600	34.44	2	GU27065660	34.37	7

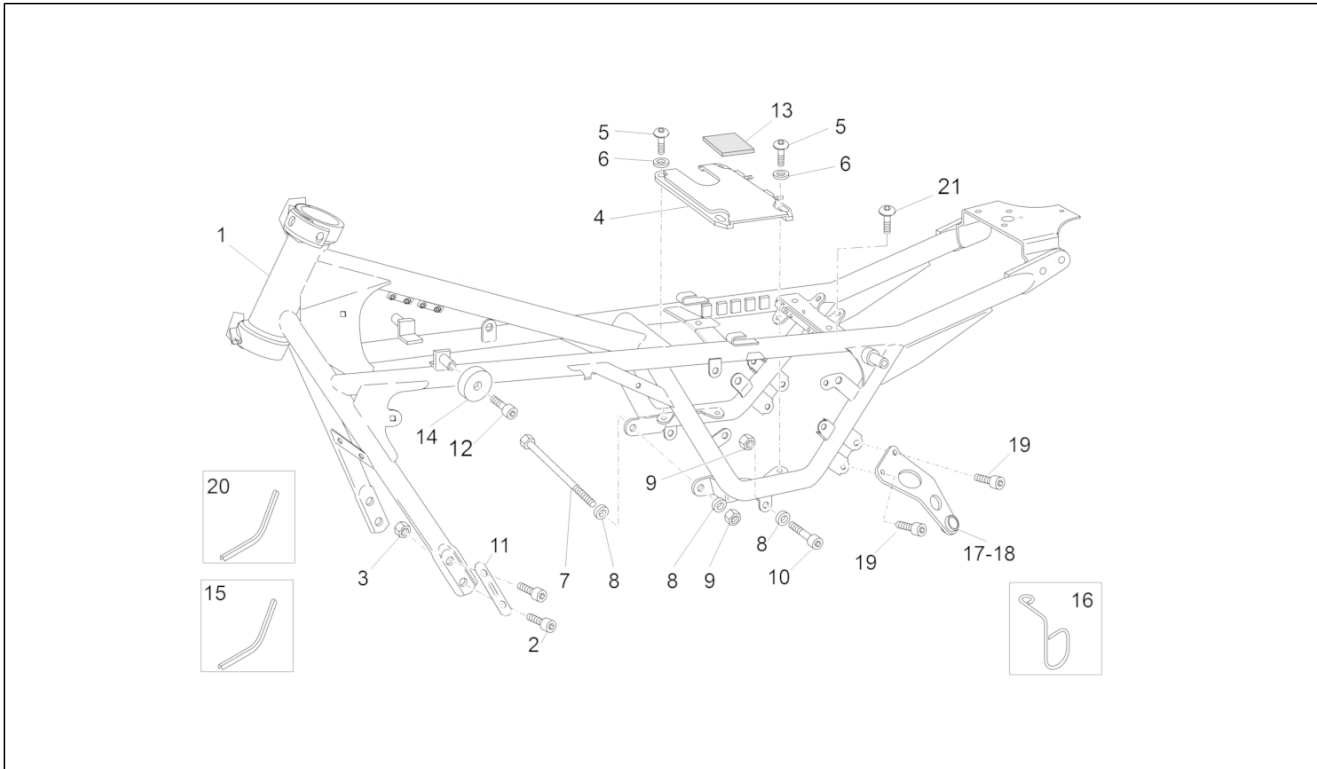


Code	No. table	Pos.	Code	No. table	Pos.	Code	No. table	Pos.
GU27066460	34.37	9	GU32214010	34.43	24	GU90271121	34.43	19
GU27066560	34.37	8	GU32214510	34.43	20	GU90271124	34.43	4
GU27152885	34.34	22	GU32214810	34.43	21	GU90272023	34.09	4
GU27153085	34.39	14	GU32215010	34.43	22	GU90272075	34.40	3
GU27210760	34.41	12	GU32215210	34.43	23	GU90274026	34.44	3
GU27633910	33.25	4	GU32231010	34.44	5	GU90353009	34.36	4
GU28157950	33.51	8	GU32231210	34.44	4	GU90353029	34.38	24
GU28157950	33.52	37	GU32233010	34.44	6	GU90353030	34.10	17
GU28252060	33.02	8	GU32234110	34.44	13	GU90400616	34.41	11
GU28576591	33.15	4	GU32234410	34.44	1	GU90402538	33.25	6
GU28612033	33.25	18	GU32234710	34.44	11	GU90402642	33.24	8
GU29729461	33.31	2	GU32234810	34.44	12	GU90403251	34.10	38
GU29759150	33.18	17	GU32234910	34.44	16	GU90403549	34.10	3
GU30109330	33.23	24	GU32235710	34.44	14	GU90407591	34.10	15
GU30577800	33.29	13	GU32238210	34.44	10	GU90706076	34.34	9
GU30601060	33.18	25	GU32251610	33.06	8	GU90706111	34.39	22
GU30602500	33.18	22	GU32350410	34.10	13	GU90706140	34.42	4
GU30630430	33.25	19	GU32351410	34.10	16	GU90706141	33.30	17
GU31003766	34.10	8	GU32354610	34.10	18	GU90706170	34.41	8
GU31003766	34.34	14	GU32431310	33.02	9	GU90706188	34.10	29
GU31003766	34.40	19	GU32432711	33.03	11	GU90706188	34.43	18
GU31003766	34.42	26	GU32433011	33.03	6	GU90706203	34.10	7
GU31016050	34.39	20	GU32439260	33.51	3	GU90706203	34.42	25
GU31037015	34.38	13	GU32461610	33.14	2	GU90706235	34.41	14
GU31038015	34.38	5	GU32506360	33.28	1	GU90706281	34.34	19
GU31045015	34.38	26	GU32517710	33.31	8	GU90706444	34.34	17
GU31112965	33.52	33	GU32555210	33.11	4	GU90706584	34.10	37
GU31121880	33.23	9	GU32555211	33.11	5	GU90714082	33.52	31
GU31150950	34.39	26	GU32602860	33.18	12	GU91113826	33.23	29
GU31159050	34.39	15	GU32603010	33.18	16	GU91120806	33.15	6
GU31327783	34.09	2	GU32603310	33.18	7	GU91180601	33.15	10
GU31439565	33.13	4	GU32605510	33.18	2	GU91181003	33.18	11
GU31513480	33.08	20	GU32615660	33.24	14	GU91181003	33.19	18
GU31544181	34.09	15	GU32632510	33.25	17	GU91551010	33.52	25
GU31547882	34.09	14	GU32633360	33.25	14	GU91551086	33.14	11
GU31610160	33.24	17	GU32633560	34.10	11	GU92201070	34.10	14
GU31614183	33.24	9	GU32634160	33.27	5	GU92201220	34.43	16
GU31615260	33.24	6	GU32636160	33.25	21	GU92201225	34.40	10
GU31616384	33.24	12	GU32735510	33.32	5	GU92204217	33.25	5
GU31634281	33.27	4	GU32735511	33.32	5	GU92204218	33.25	3
GU31634481	33.25	15	GU32747910	33.31	9	GU92204221	33.24	7
GU31659181	33.27	11	GU32753410	33.28	3	GU92218417	34.43	10
GU31659281	33.27	12	GU32753410	33.29	8	GU92230320	34.43	13
GU32032310	34.38	11	GU32753711	33.28	14	GU92234716	34.43	26
GU32053410	34.38	16	GU32753711	33.29	6	GU92249220	34.10	32
GU32054510	34.38	17	GU32781910	33.16	16	GU92249225	33.07	2
GU32067910	34.40	5	GU32782510	33.32	2	GU92249227	34.10	20
GU32080310	34.40	1	GU32944310	33.33	24	GU92251028	34.43	7
GU32084410	34.40	4	GU32999010	34.34	25	GU92252210	34.39	2
GU32115010	34.47	3	GU32999510	34.34	24	GU92252235	34.10	5
GU32115011	34.47	8	GU35214300	34.09	13	GU92296723	34.39	6
GU32115510	34.47	7	GU39238100	34.43	25	GU92602406	34.38	9
GU32121010	33.23	7	GU49609601	33.30	19	GU92602510	34.39	19
GU32121910	33.23	25	GU49609601	33.31	27	GU92603010	34.36	11
GU32121911	33.23	26	GU53429500	33.02	3	GU92606206	33.17	6
GU32128610	33.23	13	GU61027200	34.37	12	GU92606208	34.34	7
GU32129010	33.23	14	GU61036801	34.36	3	GU92606208	34.40	18
GU32202010	34.43	28	GU61038100	34.38	6	GU92606210	33.01	9
GU32206510	34.42	22	GU61054900	34.38	18	GU92606210	33.02	5
GU32208210	34.42	8	GU61270300	33.27	22	GU92606210	33.11	7
GU32210510	34.43	1	GU61270300	34.10	26	GU92606210	34.09	18
GU32211110	34.43	9	GU61270300	34.34	6	GU92606316	33.25	16
GU32211410	34.43	6	GU61270300	34.36	21	GU92606508	34.41	3
GU32211810	34.43	5	GU61270300	34.40	17	GU92606512	34.42	14
GU32212011	34.43	2	GU66103415	33.01	14	GU92630104	33.27	19
GU32213610	34.43	14	GU90271018	34.38	12	GU92630106	33.08	27
GU32213810	34.42	5	GU90271117	34.43	29	GU92630108	33.15	5



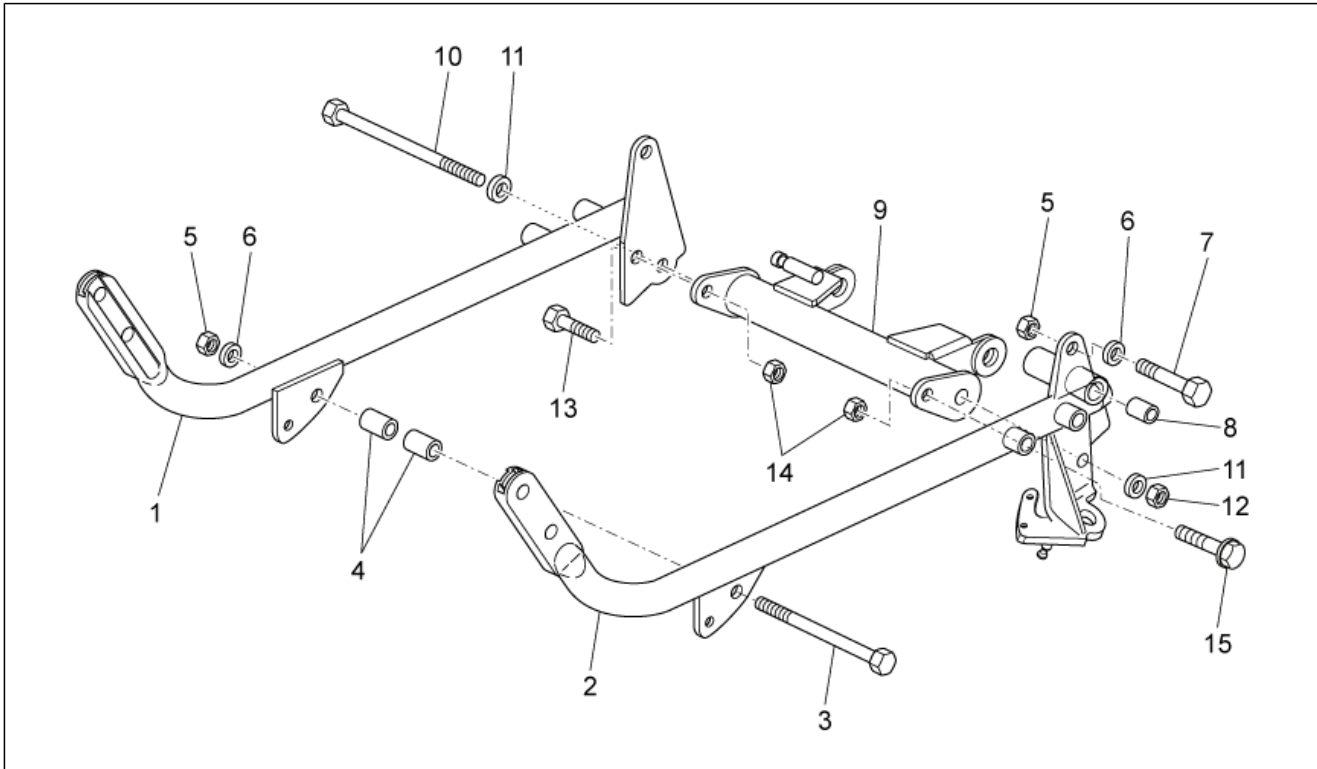
Code	No. table	Pos.	Code	No. table	Pos.
GU92630204	33.16	14	GU96506042	34.36	5
GU92630206	33.26	26	GU96508055	34.10	12
GU92630206	33.26	5	GU96508055	34.34	4
GU92630510	33.01	3	GU96510181	34.36	15
GU92640508	33.23	19	GU96510214	34.36	14
GU92787006	33.28	6	GU97202325	33.18	26
GU92787006	33.29	11	GU98054422	34.38	28
GU93180105	34.09	21	GU98082435	34.46	2
GU93180111	33.24	13	GU98082565	33.02	7
GU93180220	34.40	9	GU98084314	34.39	12
GU93180245	34.36	22	GU98084314	34.40	12
GU93222023	33.17	4	GU98084316	34.40	7
GU93231605	33.29	14	GU98110007	33.23	23
GU93301313	33.51	15	GU98110199	33.01	7
GU93305061	33.52	22	GU98230510	33.18	19
GU93305061	34.47	15	GU98230612	34.44	7
GU93450127	33.28	15	GU98252420	33.06	23
GU93450127	33.29	7	GU98252420	33.26	32
GU93450224	33.29	3	GU98257410	33.27	18
GU94321079	34.39	24	GU98257618	34.44	15
GU94321099	34.09	6	GU98310609	34.47	11
GU94321105	34.41	4	GU98350215	33.29	12
GU95004210	33.31	4	GU98350416	33.01	5
GU95005306	33.17	3	GU98370412	33.19	4
GU95005306	33.23	28	GU98370515	33.14	17
GU95005308	33.28	23	GU98370609	33.17	2
GU95005308	34.09	22	GU98370609	33.23	27
GU95005310	33.15	7	GU98370616	33.12	20
GU95005311	33.51	4	GU98370616	33.13	9
GU95005330	33.08	26	GU98370616	33.31	7
GU95008205	33.30	16	GU98370625	33.14	4
GU95008206	34.39	23	GU98370625	33.26	7
GU95008208	33.01	6	GU98370655	33.28	7
GU95008208	34.46	3	GU98370655	33.29	9
GU95008210	33.01	8	GU98370835	33.15	8
GU95008210	33.02	6	GU98370845	33.13	3
GU95008210	34.09	17	GU98612216	33.03	9
GU95008305	33.18	20	GU98620335	34.39	7
GU95008306	33.19	20	GU98622322	34.47	9
GU95008306	33.27	21	GU98680350	33.08	30
GU95020105	33.03	10	GU98680435	34.40	15
GU95021104	33.19	19	GU98680435	34.42	19
GU95021105	33.18	21	GU98680450	34.40	16
GU95021206	33.17	5	GU98680545	34.09	16
GU95021206	33.28	8	GU98680555	33.01	10
GU95021206	33.29	10	GU98682212	33.30	15
GU95100059	33.26	24	GU98682212	33.31	12
GU95100059	33.31	13	GU98682212	34.45	5
GU95100116	34.47	12	GU98682325	34.34	11
GU95100125	34.45	11	GU98682325	34.35	3
GU95100141	33.12	14	GU98682330	34.35	4
GU95100141	33.15	14	GU98682330	34.40	14
GU95100244	34.38	29	GU98682330	34.42	18
GU95100309	34.39	27	GU98682414	33.01	12
GU95100602	34.39	25	GU98682416	33.32	7
GU95100709	34.34	21	GU98682430	33.12	9
GU95129115	34.38	22	GU98682530	33.01	2
GU95129180	34.34	27	GU98690335	33.18	13
GU95129180	34.36	13	GU98690440	33.23	17
GU95129181	33.11	6	GU98692318	33.11	2
GU95187006	34.39	13	GU98692325	33.18	9
GU95401215	33.26	10	GU98692325	34.36	16
GU95500222	34.41	6	GU98692420	33.01	19
GU95780271	34.41	5	GU98692420	33.28	22
GU96451316	33.27	15	GU98880540	33.28	21
GU96451430	34.34	3	GU98882316	34.38	21
GU96451560	34.34	2			

Group	FRAME
Code	33.01
Description	Frame I
Service	1



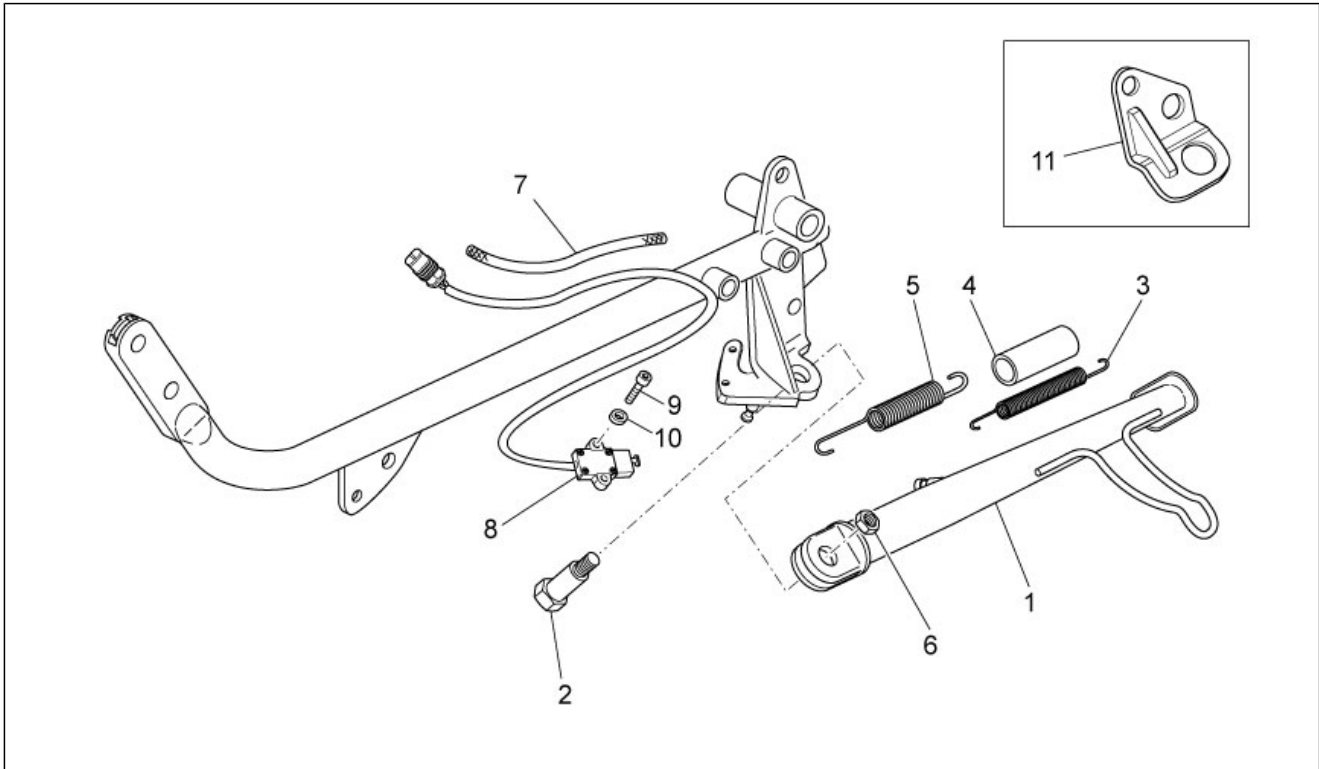
Pos.	Code	Description	Qty	Variants
1	B063251	Frame, red	1	
2	GU98682530	Hex socket screw M10x30	4	
3	GU92630510	Nut M10x1,5	4	
4	B063287	Frame union plate	1	
5	GU98350416	Hex socket screw M8x16	4	
6	GU95008208	Washer 8,4X15X1,5	4	
7	GU98110199	Pin M10x205	1	
8	GU95008210	Washer 10,2X18X2	11	
9	GU92606210	Nut M10x1,5	2	
10	GU98680555	screw M10x55	2	
11	886645	Plate	2	
12	GU98682414	Hex socket screw	2	
13	GU01103860	Vibration-damping rubber	1	
14	GU66103415	Rubber spacer	2	
15	AP8144606	Gasket 10X5	1	
16	AP8221172	Cable-guide	1	
17	2B000843	Bracket DX	1	
18	2B000844	Bracket SX	1	
19	GU98692420	Hex socket screw M8x20	4	
20	AP8220590	Gasket	1	
21	GU03468100	screw	1	

Group	FRAME
Code	33.02
Description	Frame II
Service	1



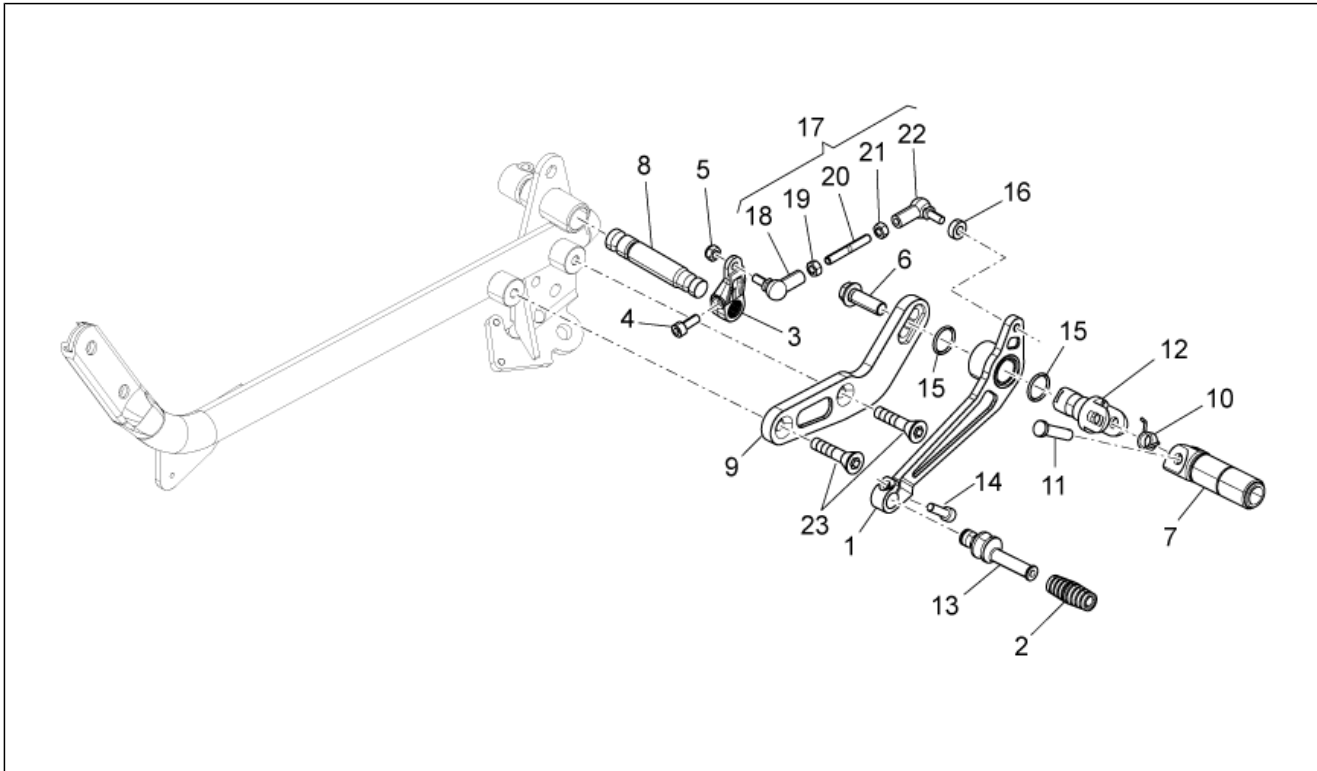
Pos.	Code	Description	Qty	Variants
1	B063249	RH cradle arm	1	
2	B063250	LH cradle arm	1	
3	GU53429500	Pin M10x250	1	
4	GU19017000	Bushing	2	
5	GU92606210	Nut M10x1,5	3	
6	GU95008210	Washer 10,2X18X2	3	
7	GU98082565	screw M10x65	2	
8	GU28252060	Bush 18 mm est.	2	
9	GU32431310	Cradle arms conn.crosspiece	1	
10	AP8121367	Pin M10x260	1	
11	AP8152220	Washer	2	
12	AP8150436	Low self-locking nut	1	
13	AP8152287	Screw w/ flange M8x25	1	
14	AP8152300	Self-locking nut M8	1	
15	AP8152288	Screw w/ flange	1	

Group	FRAME
Code	33.03
Description	Lateral stand
Service	1



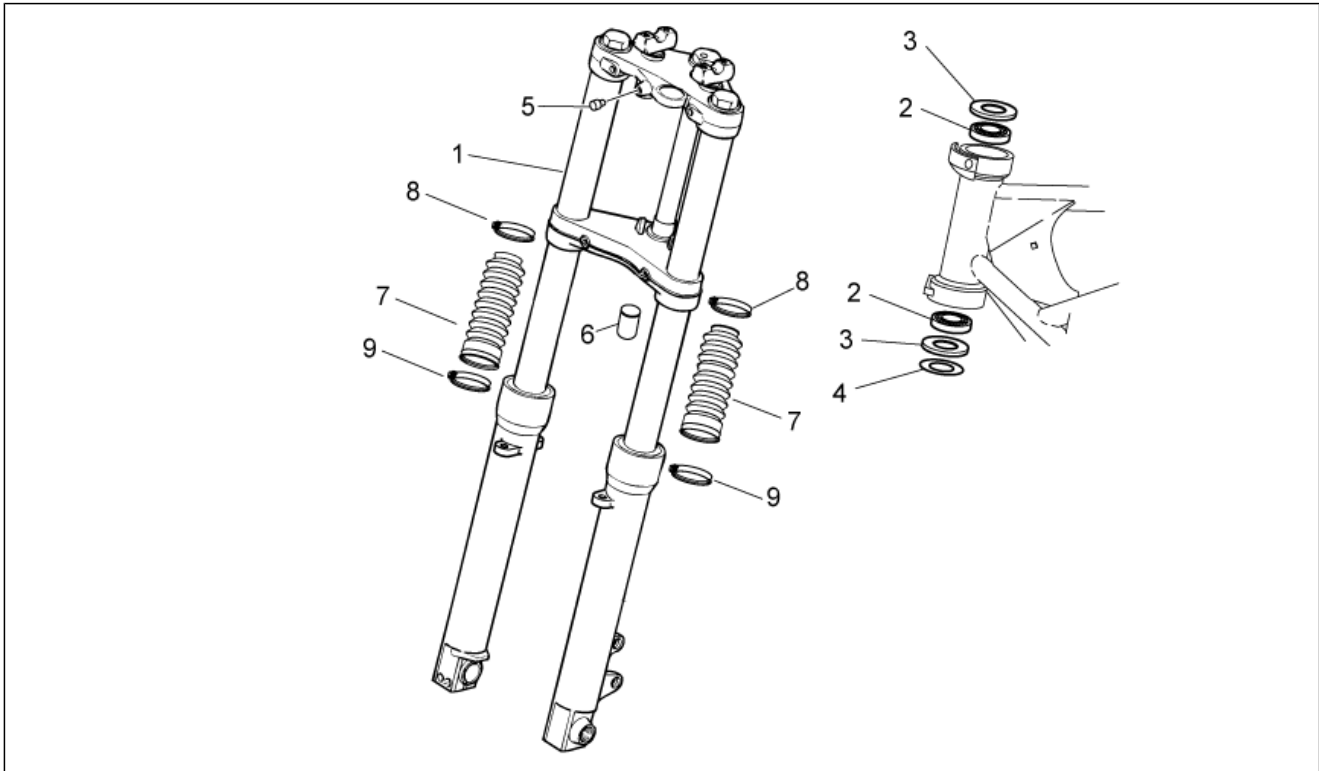
Pos.	Code	Description	Qty	Variants
1	883471	Side arm black	1	
2	AP8121607	Central stand fixing screw	1	
3	AP8121014	Coil pull spring *	1	
4	AP8102524	Stand spring protection	1	
5	AP8221197	Lateral stand spring	1	
6	GU32433011	Nut	1	
7	GU00823923140	Thermal sheath	1	
8	AP8127856	Lateral stand switch	1	
9	GU98612216	Hex socket screw	2	
10	GU95020105	Washer 5,3x8,9x2,4	2	
11	GU32432711	plate	1	

Group	FRAME
Code	33.06
Description	Gear lever
Service	1



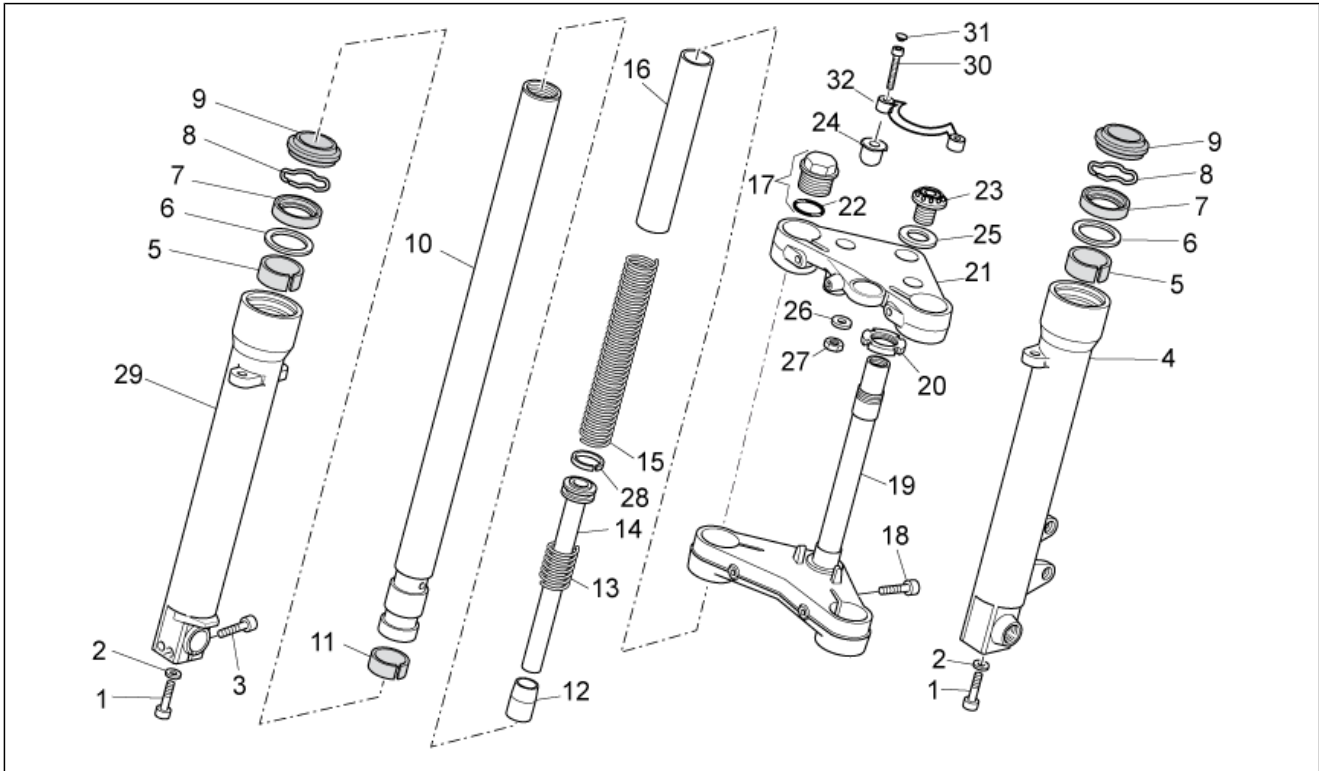
Pos.	Code	Description	Qty	Variants
1	898282	Gear lever	1	
2	AP8120912	Lever rubber	1	
3	898283	Gear change lever	1	
4	AP8150137	Hex socket screw M6x16	1	
5	AP8150115	Low self-locking nut M6	1	
6	AP8152320	Screw w/ flange	1	
7	898281	Pedana pilota	1	
8	GU32251610	Lever pin	1	
9	898284	Rider footrest plate	1	
10	AP8221277	Footrest return spring	1	
11	GU23442210	Pin	1	
12	898611	LH front footrest bracket	1	
13	886665	Pin	1	
14	AP8150044	Hex socket screw M6x20	1	
15	AP9100477	O-ring 18x2	2	
16	886668	Spacer	1	
17	887280	Gear control tie rod	1	
18	AP8210007	RH ball joint M6	1	
19	AP8150026	Nut M6	1	
20	856796	Gearbox linkage rod	1	
21	AP8152138	Nut	1	
22	AP8110053	Left ball joint M6	1	
23	GU98252420	Screw M8x20	2	

Group	FRAME
Code	33.07
Description	Front fork I
Service	1



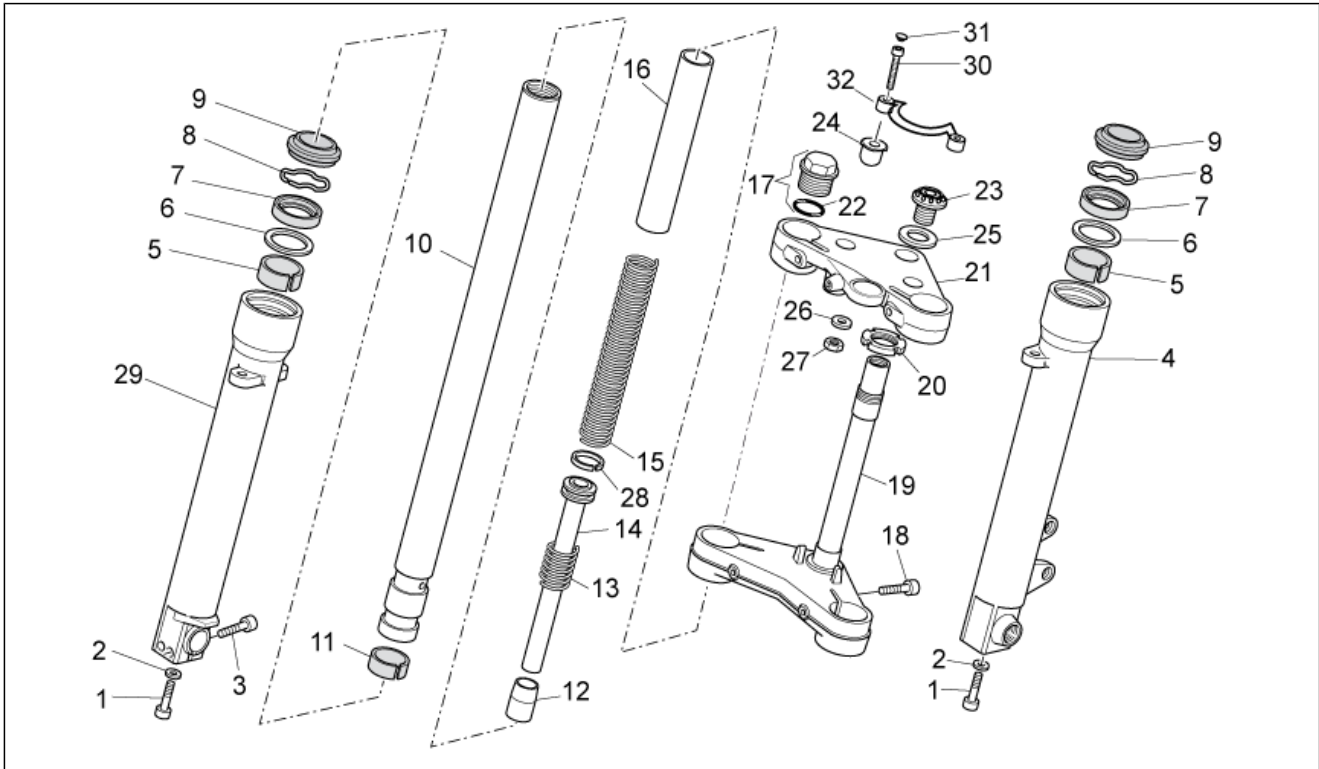
Pos.	Code	Description	Qty	Variants
1	2B000560	Front fork	1	
2	GU92249225	Tap.roller bearing	2	
3	AP8144146	Gasket ring	1	
4	AP8121307	Washer	1	
5	AP8144081	Rubber spacer	1	
6	AP8220460	Rubber cup	1	
7	898086	Anti-dust tube	7	
8	CM001929	Fascetta stringitubo 63.5	2	
9	CM001928	Hose clamp 44	2	

Group	FRAME
Code	33.08
Description	Fron fork II
Service	1



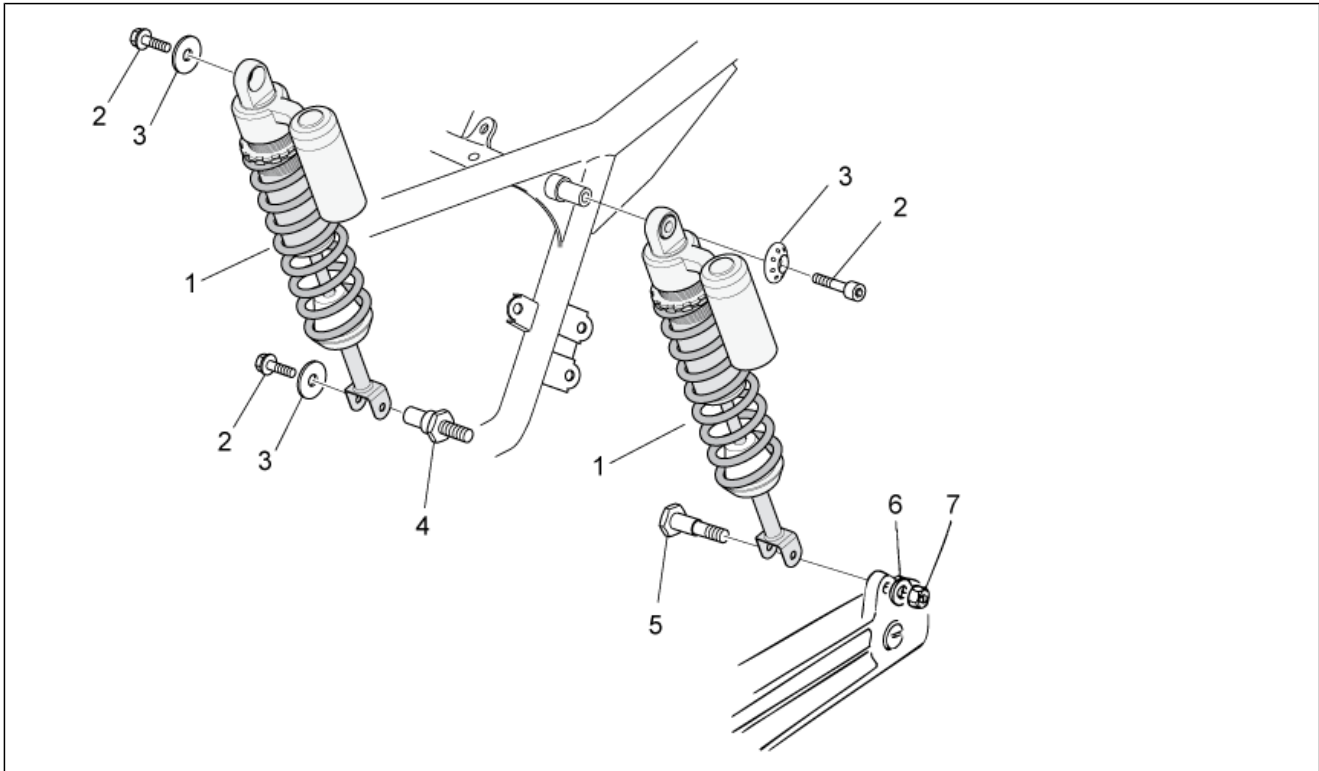
Pos.	Code	Description	Qty	Variants
1	887878	screw M10x30	2	
2	887879	Washer	2	
3	887880	screw	2	
4	2R000110	LH sleeve	1	
5	887882	Upper bush	2	
6	887883	Washer	2	
7	887884	Gasket ring	2	
8	887885	Stop ring	2	
9	887886	Dust cover	2	
10	887887	Sleeve	2	
11	887888	Bush	2	
12	887889	Pad	2	
13	887890	Return spring	2	
14	887891	Plunger, complete	2	
15	887892	Spring	2	
16	887893	pipe	2	
17	887894	Plug cpl.	2	
18	887895	screw	2	
19	887896	Stem base	1	
20	GU31513480	Ring nut M25X1	1	
21	886842	Fork upper plate	1	
22	887916	O-ring 4118	2	
23	887900	Nut	1	
24	883552	Bush	2	
25	887899	Washer	1	
26	GU95005330	Washer 6,4x30x1,5	2	
27	GU92630106	Nut M6x1	2	
28	887905	Ring	2	

Group	FRAME
Code	33.08
Description	Fron fork II
Service	1



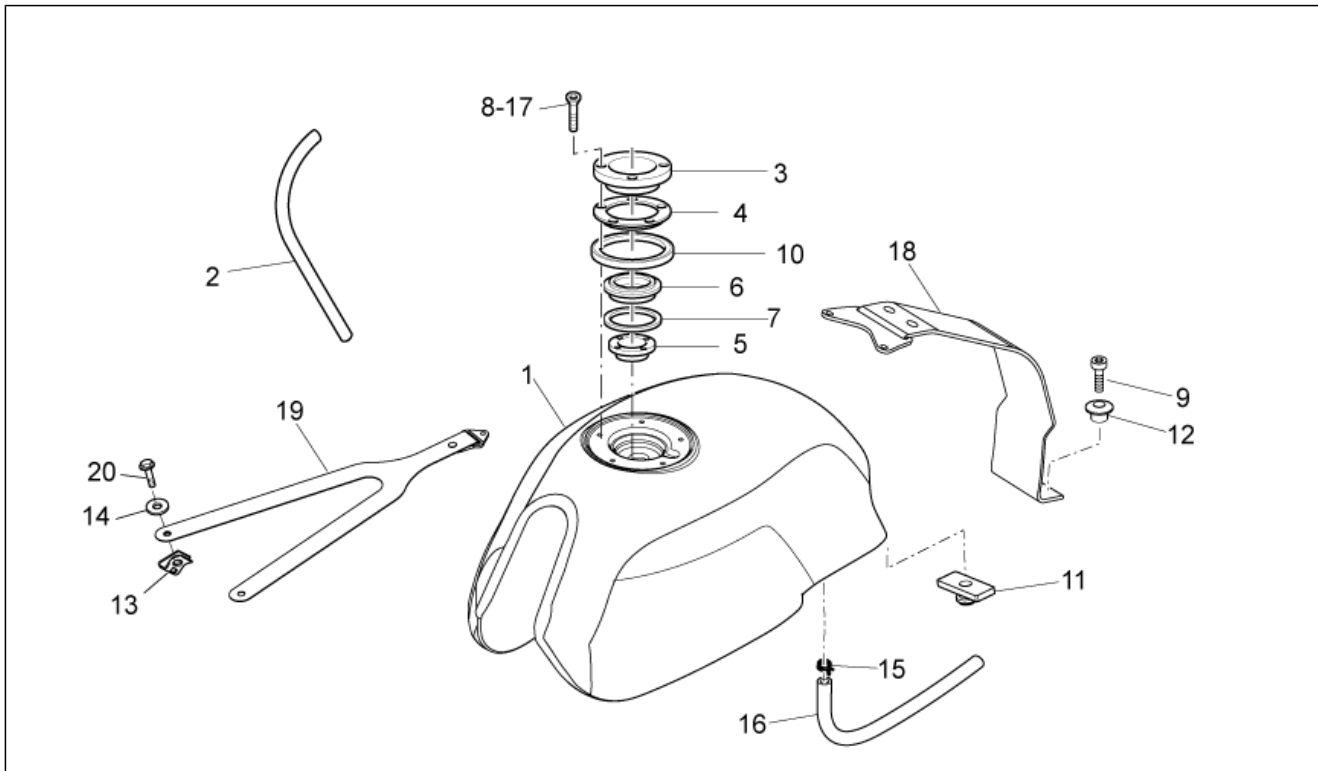
Pos.	Code	Description	Qty	Variants
29	2R000109	RH sleeve	1	
30	GU98680350	Hex socket screw M6x50	2	
31	GU23943410	Plug	8	
32	883602	Pipe	1	

Group	FRAME
Code	33.11
Description	Rear shock absorber
Service	1



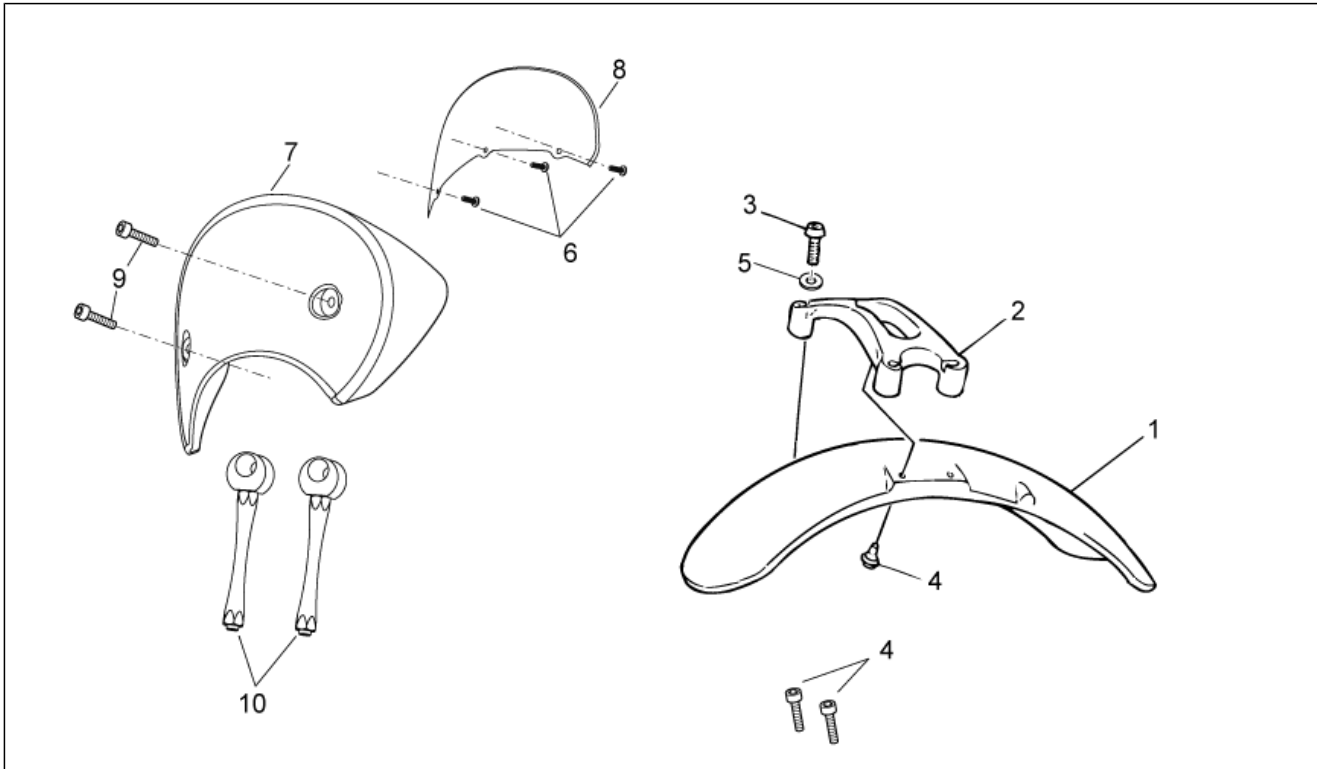
Pos.	Code	Description	Qty	Variants
1	886675	Rear shock absorber	2	
2	GU98692318	Hex socket screw	3	
3	886630	Bush	3	
4	GU32555210	Pin	1	
5	GU32555211	Pin	1	
6	GU95129181	Washer	1	
7	GU92606210	Nut M10x1,5	1	

Group	FRAME
Code	33.12
Description	Fuel tank
Service	1



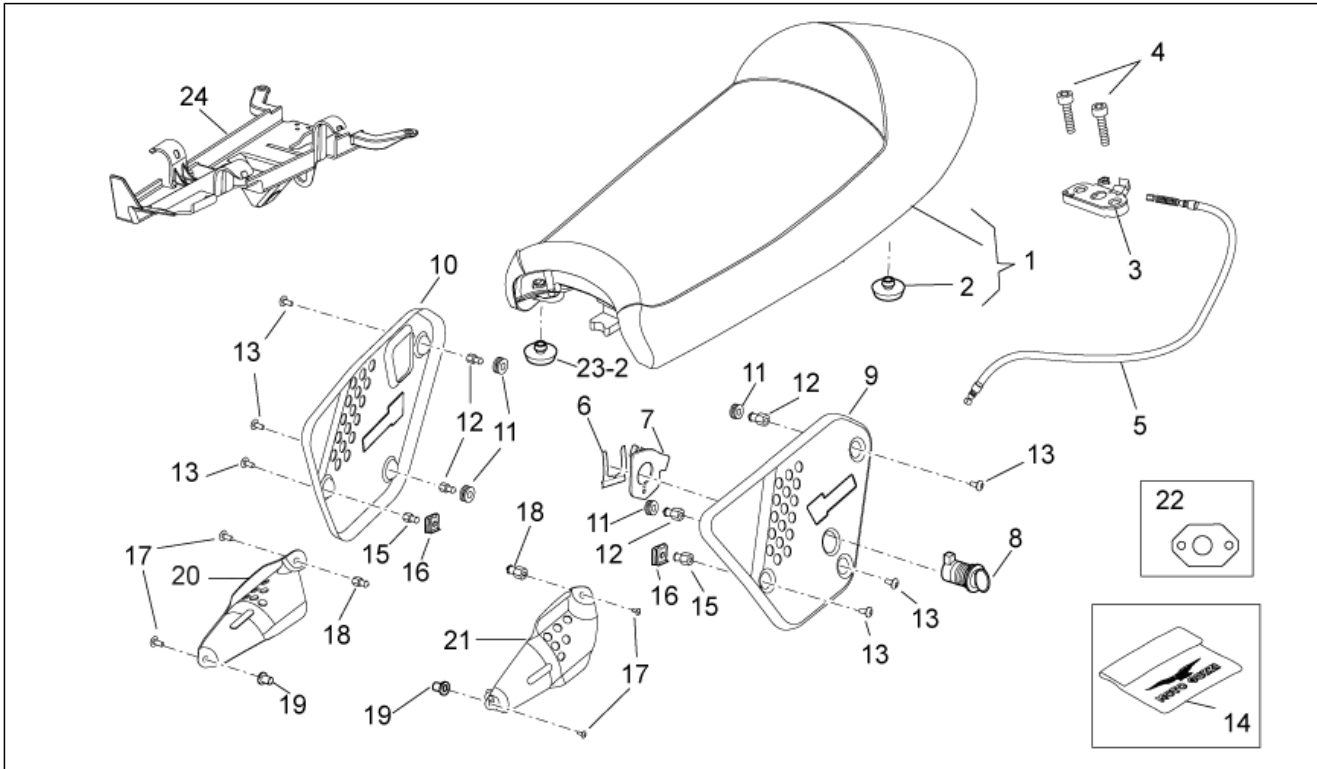
Pos.	Code	Description	Qty	Variants
1	2H000420	Fuel tank chrome	1	Technical specification:Decal[D]
1	2H000869000XG3	Fuel tank cover, yellow	1	Vehicle colour: Yellow[G]
1	887944	Fuel tank blank	1	Vehicle colour:Blank[GR]
2	GU00823931070	Gasket	1	
3	GU03101900	Flange	1	
4	GU03103500	Ring	1	
5	883502	Reduction 24 mm	1	
6	GU03102200	Plug ring nut	1	
7	GU03101600	Gasket	2	
8	AP8150416	Hex socket screw	3	
9	GU98682430	Hex socket screw M8x30	1	
10	GU03102400	Gasket	1	
11	AP8120557	Tank rubber	1	
12	AP8121673	T bush *	1	
13	254485	Spring plate M6	2	
14	GU95100141	Washer 6,4x12x1,2	2	
15	AP8101595	Hose clamp D10,1	1	
16	GU00823944050	pipe 5X9	1	
17	GU03103200	screw	2	
18	B063154	Rear belt	1	
19	B063152	Front belt	1	
20	GU98370616	Hex socket screw M6x16 inox	2	

Group	FRAME
Code	33.13
Description	Front body - Front mudguard
Service	1



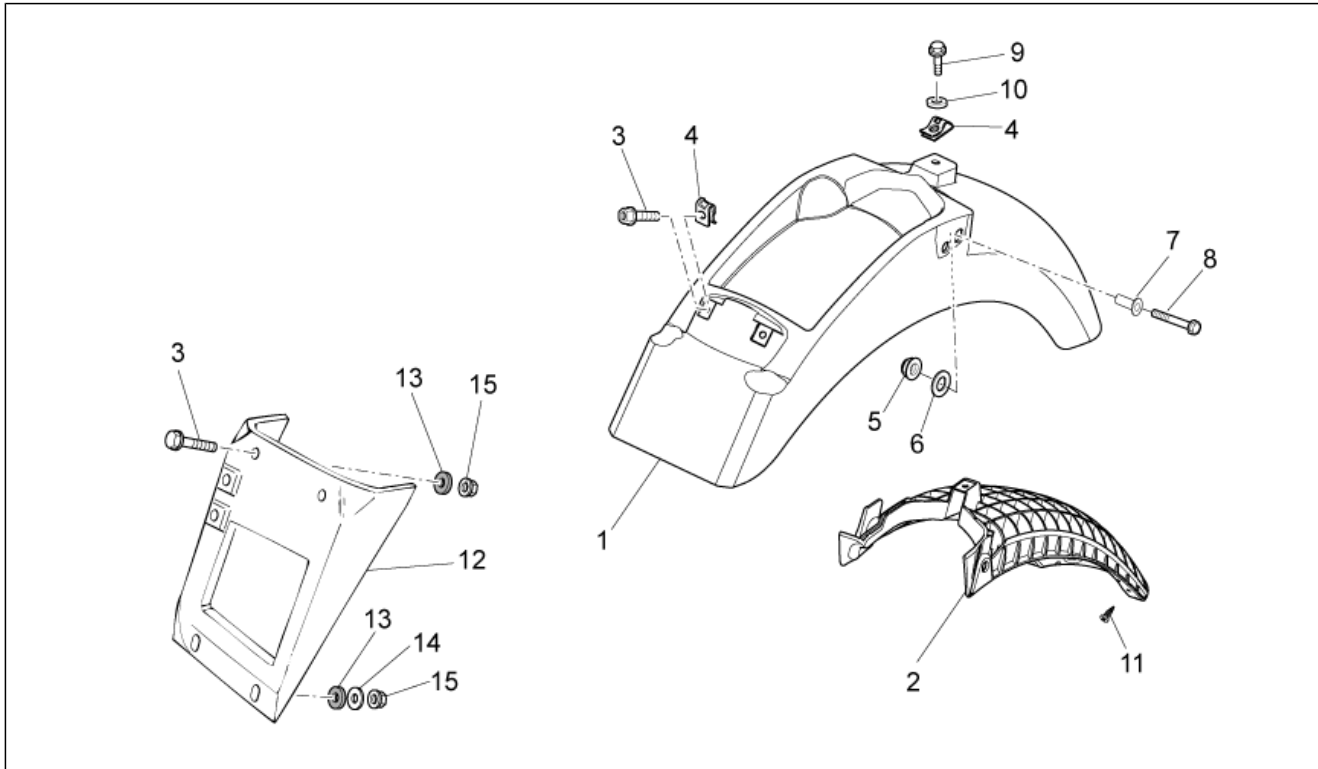
Pos.	Code	Description	Qty	Variants
1	88673000Y02	Front mudguard, black	1	
2	883266	Stabilization plate	1	
3	GU98370845	Hex socket screw	4	
4	GU31439565	Special screw	4	
5	GU14615901	Washer 8,4X13X0,8	4	
6	AP8150413	Self-tap screw 3,9x14	3	
7	2H000421000Y02	Headlight windshield black	1	Technical specification:Decal[D]
7	898179	Headlight windshield blank	1	
8	898180	Windshield	1	
9	GU98370616	Hex socket screw M6x16 inox	2	
10	886724	Windshield support	2	

Group	FRAME
Code	33.14
Description	Saddle-Central bod
Service	1



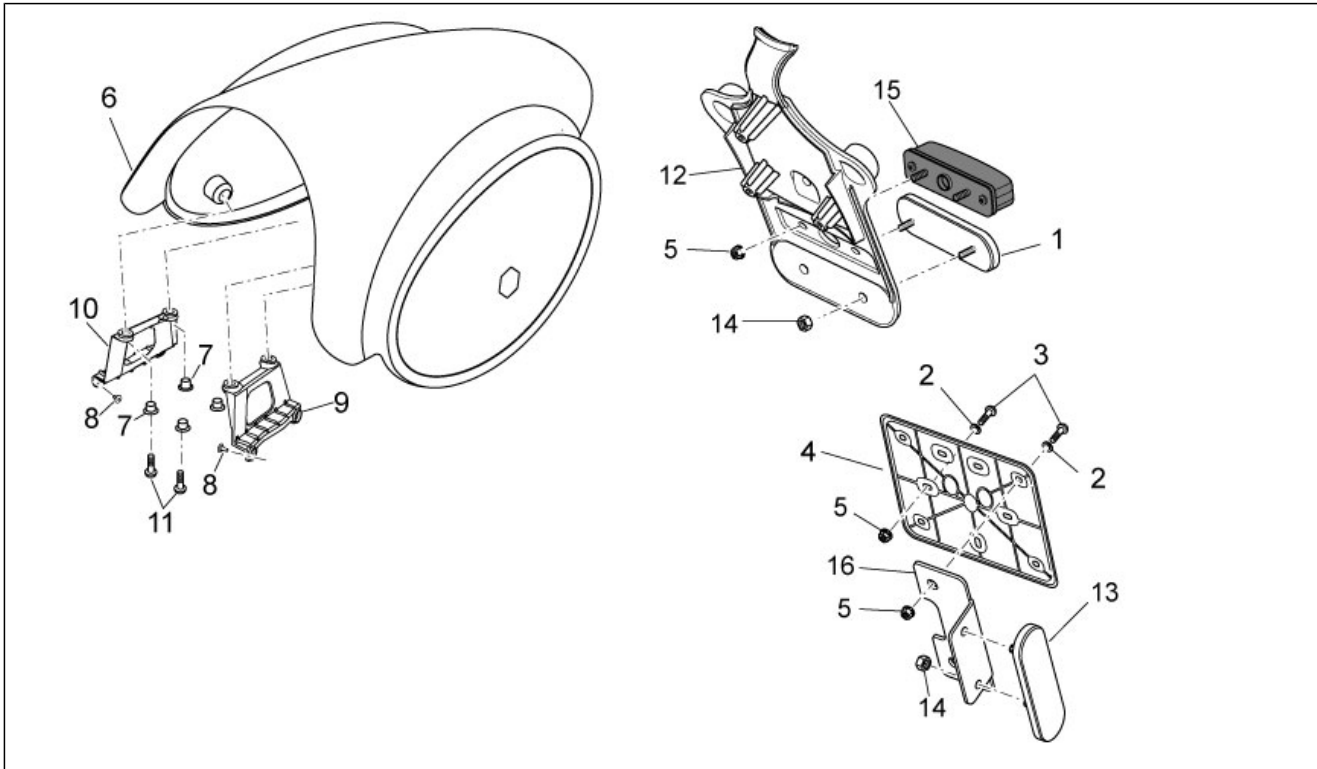
Pos.	Code	Description	Qty	Variants
1	89817800A3	Saddle, brown	1	
2	GU32461610	Rubber spacer	8	
3	AP8102913	Pass.saddle connecting plate	1	
4	GU98370625	Hex socket screw	2	
5	883295	Saddle release cable	1	
6	AP8121420	Fork spring	1	
7	978415	Cable fixing plate	1	
8	977527	Locking complete with keys	1	
9	2B000839	LH side panel	1	Technical specification:no decals[ND]
10	2B000838	RH side panel	1	Technical specification:no decals[ND]
11	GU91551086	Rubber spacer	4	
12	886368	Fixing pin	4	
13	976614	Screw M5X15	6	
14	886841	Saddle protection bag	1	
15	886706	Fixing pin	2	
16	254485	Spring plate M6	2	
17	GU98370515	screw	4	
18	AP8120531	Rubber w/ insert	2	
19	886727	Fixing pin	2	
20	2B000841	Right throttle cover	1	
21	2B000842	Left throttle cover	1	
22	886820	Saddle lock fix.plate	1	
23	B063429	Rubber spacer	2	
24	B063431	Protection	0	

Group	FRAME
Code	33.15
Description	Rear body I- Mudguard
Service	1



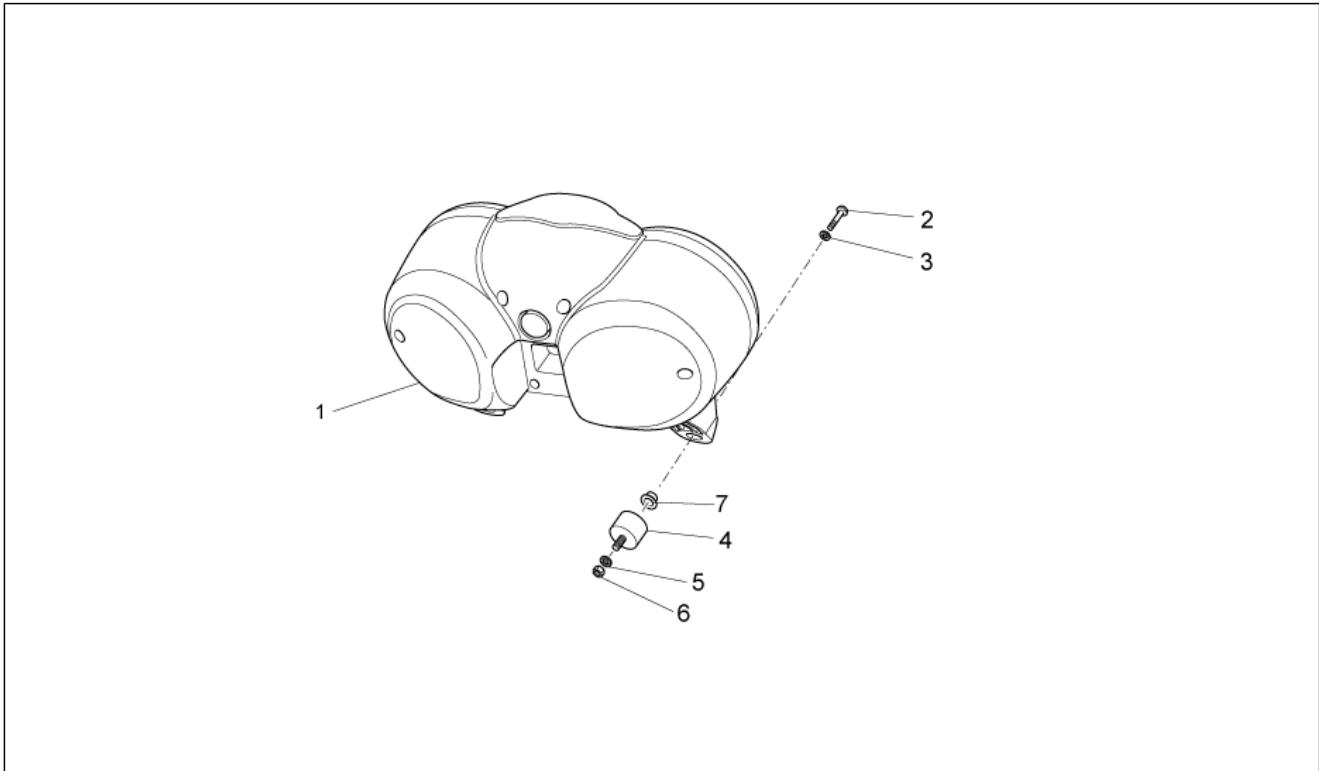
Pos.	Code	Description	Qty	Variants
1	97894600Y02	Rear mudguard, black	1	
2	978947	Support	1	
3	AP8152278	Screw w/ flange M6x16	4	
4	GU28576591	Clip M6	3	
5	GU92630108	Nut	2	
6	GU91120806	Spacer	2	
7	GU95005310	Washer 8,4x18x2	2	
8	GU98370835	screw	2	
9	AP8152279	Screw w/ flange M6x20	2	
10	GU91180601	Spacer 6,2x8x3	2	
11	AP8152329	Phillips screw, SWP M5x20	3	
12	B063167	Splash guard	1	
13	AP8121032	Bush	4	
14	GU95100141	Washer 6,4x12x1,2	2	
15	AP8152299	Self-locking nut M6	4	

Group	FRAME
Code	33.16
Description	Rear body II- Plate holder
Service	1



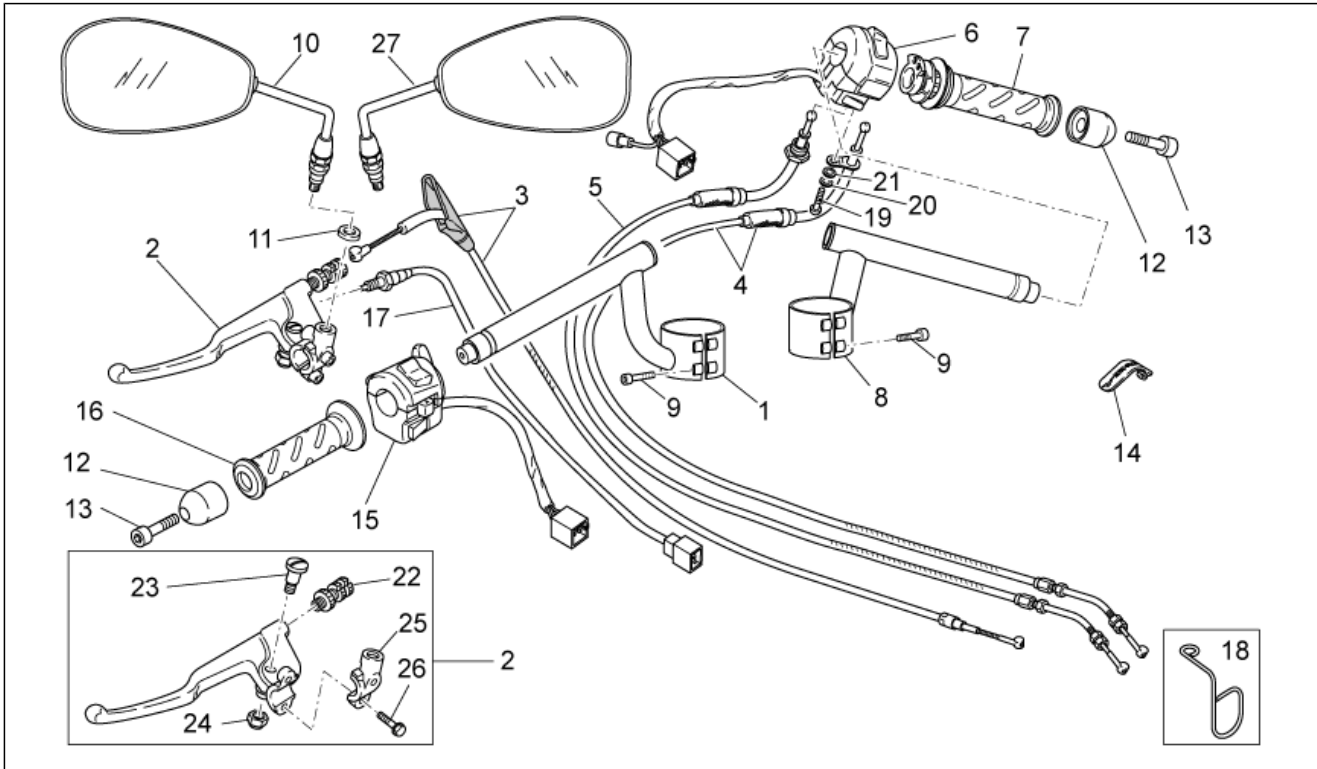
Pos.	Code	Description	Qty	Variants
1	GU05781630	Reflector, amber	1	
2	AP8150248	Washer 5,5x15x1,6	2	
3	AP8152268	Hex socket screw M5x16	2	
4	AP8149034	Number plate support	1	
5	AP8152306	Self-locking nut m5	1	
6	2H000422000Y02	Rear fairing	1	Technical specification:Decal[D]
6	898280	Rear fairing, blank	1	
7	AP8121929	T bush 6,5x8,6x9	4	
8	AP8152339	Screw w/ flange M5x9	4	
9	886712	LH clamp	1	
10	886713	RH clamp	1	
11	AP8152273	Screw w/ flange M5X15	4	
12	883470	Number plate holder	1	
13	AP8124718	Rear reflector, red	2	
14	GU92630204	Nut	6	
15	883480	Number-plate light	1	
16	GU32781910	Reflector support	2	

Group	FRAME
Code	33.17
Description	Dashboard
Service	1



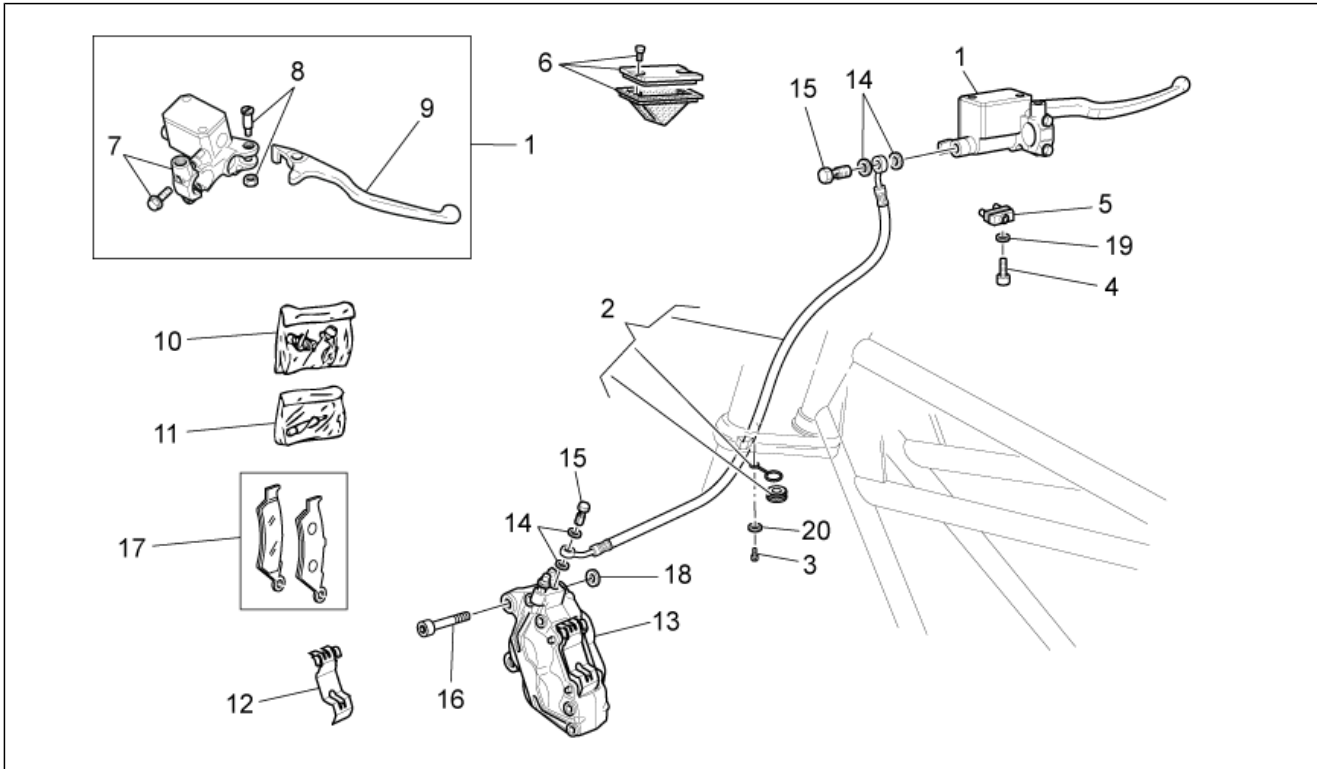
Pos.	Code	Description	Qty	Variants
1	887195	Dashboard complete MPH	1	
2	GU98370609	Hex socket screw M6x10	3	
3	GU95005306	Washer 6,4x13x1,5	3	
4	GU93222023	Silent-block	3	
5	GU95021206	Washer	3	
6	GU92606206	Nut	3	
7	AP8121032	Bush	3	

Group	FRAME
Code	33.18
Description	Handlebar - Controls
Service	1



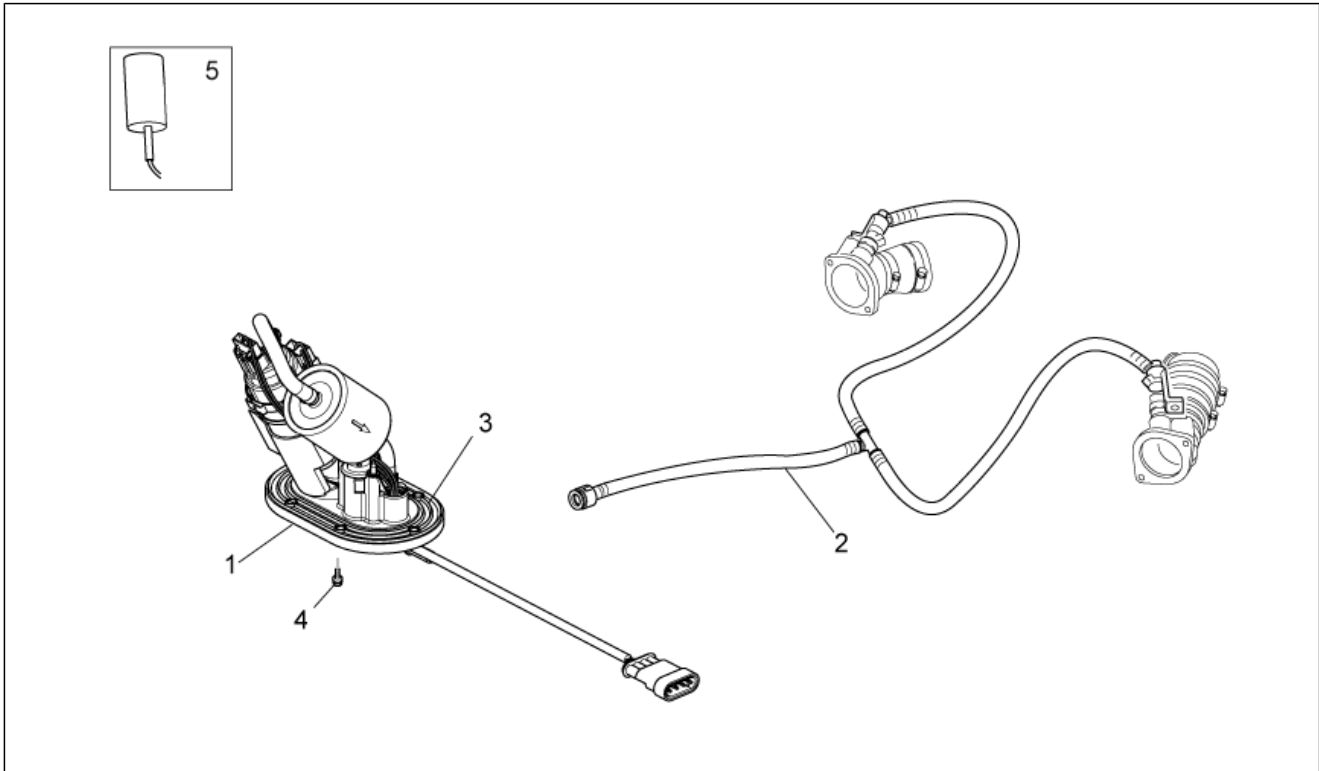
Pos.	Code	Description	Qty	Variants
1	B063317	Left half handlebar	1	
2	GU32605510	Clutch lever	1	
3	883940	Clutch cable	1	
4	B063247	Gas trasmission delivery	1	
5	B063248	Gas trasmission return	1	
6	B063135	RH lights selector	1	
7	GU32603310	RH hand grip	1	
8	B063326	Right half handlebar	1	
9	GU98692325	Hex socket screw M6x25	4	
10	2B001049	LH rearview mirror	1	
11	GU91181003	Spacer 10,25X20X4	2	
12	GU32602860	Anti.v weight, chr.	2	
13	GU98690335	Hex socket screw	2	
14	GU01609630	Hose clamp L46 mm	2	
14	GU03609600	Hose clamp L36 mm	1	
15	B063975	LH lights selector	1	
16	GU32603010	LH hand grip	1	
17	GU29759150	Lateral stand switch	1	
18	AP8221172	Cable-guide	1	
19	GU98230510	Hex socket screw	1	
20	GU95008305	Washer 5,3X10X1	1	
21	GU95021105	Notched washer	1	
22	GU30602500	Register	1	
23	AP8213028	screw	1	
24	AP8118490	Nut	1	
25	GU30601060	Clump	1	
26	GU97202325	Black screw w/ flange M6x25	2	
27	2B001048	RH rearview mirror	1	

Group	FRAME
Code	33.19
Description	Front brake system
Service	1



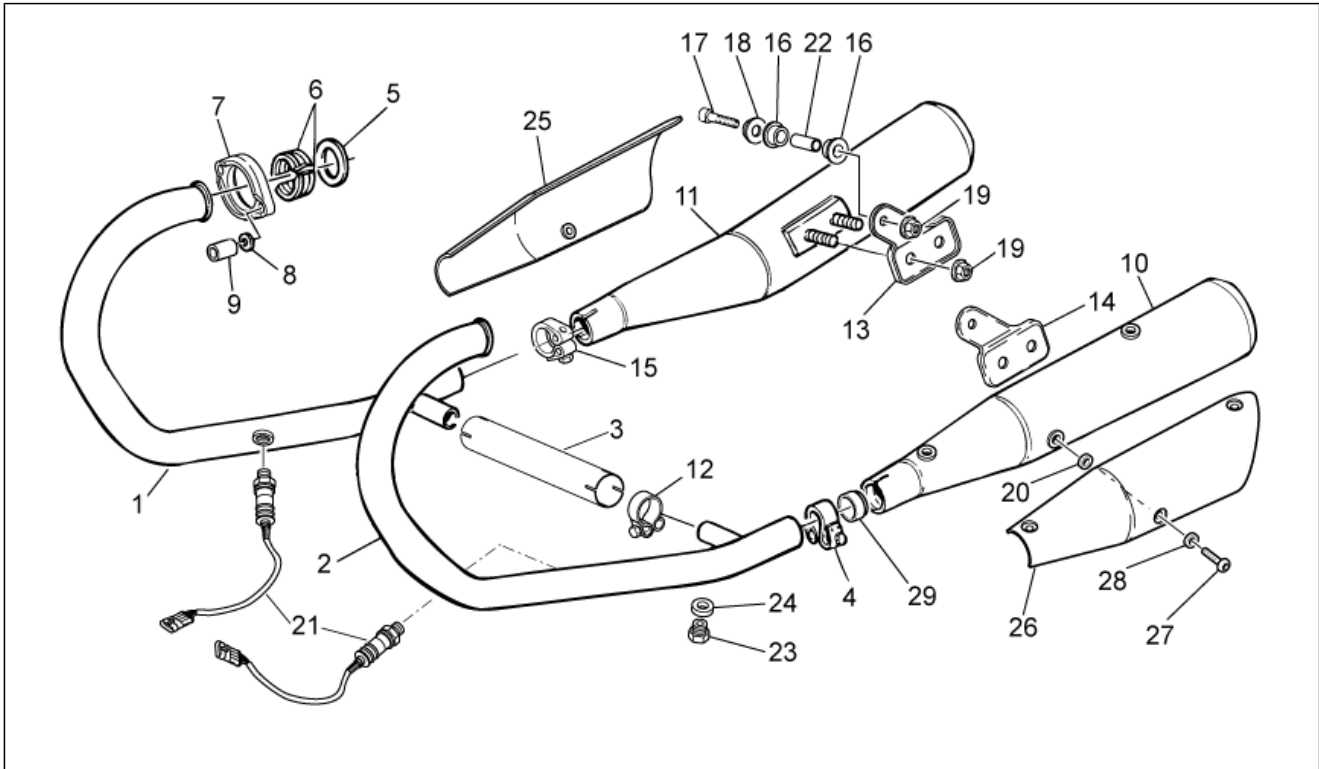
Pos.	Code	Description	Qty	Variants
1	GU03660145	Front master cilinder	1	
2	883581	Brake hose	1	
3	AP8152277	Screw w/ flange M6x12	1	
4	GU98370412	Hex socket screw M4x12	1	
5	GU03749845	Stop switch	1	
6	GU03661145	Pump cover	1	
7	GU03664045	U-bolt	1	
8	GU03604845	Lever pin	1	
9	GU03605645	Brake lever	1	
10	GU05659230	Bleeder+cap	1	
11	GU01659130	Pins+Caliper springs	1	
12	GU01659131	Spring	1	
13	883303	LH front brake caliper, black	1	
14	AP8113004	Washer 10x14x1,6*	4	
15	978323	Oil pipe screw *	2	
16	AP8152385	Hex socket screw M10x1,25	2	
17	GU01654630	Pads pair	1	
18	GU91181003	Spacer 10,25X20X4	2	
19	GU95021104	Washer 4,3x8x1,5	1	
20	GU95008306	Washer 6,4x12x1,2	1	

Group	FRAME
Code	33.21
Description	Fuel pump
Service	1



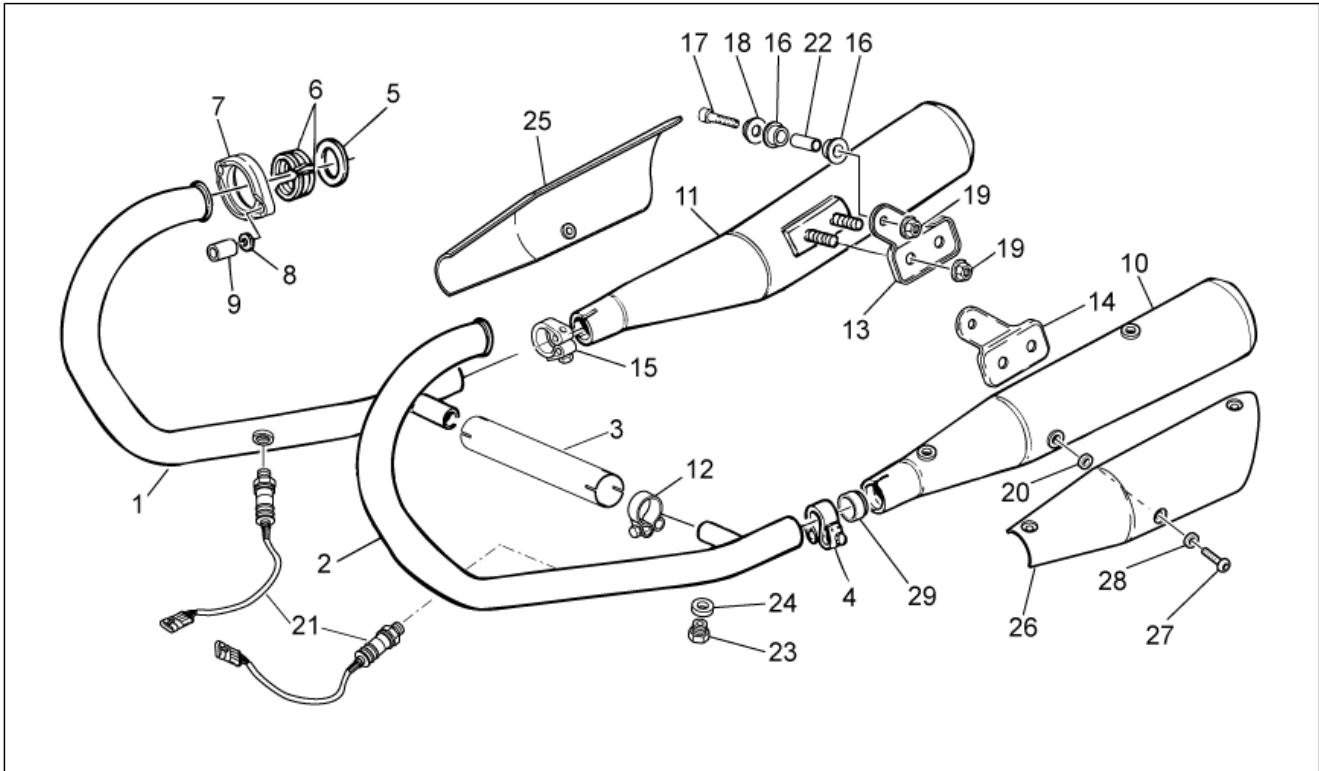
Pos.	Code	Description	Qty	Variants
1	B063752	Fuel pump	1	
2	2B000970	Fuel pipe	1	
3	GU05107430	Gasket	1	
4	AP8152273	Screw w/ flange M5X15	6	
5	887787	Fuel level sensor	1	

Group	FRAME
Code	33.23
Description	Exhaust unit
Service	1



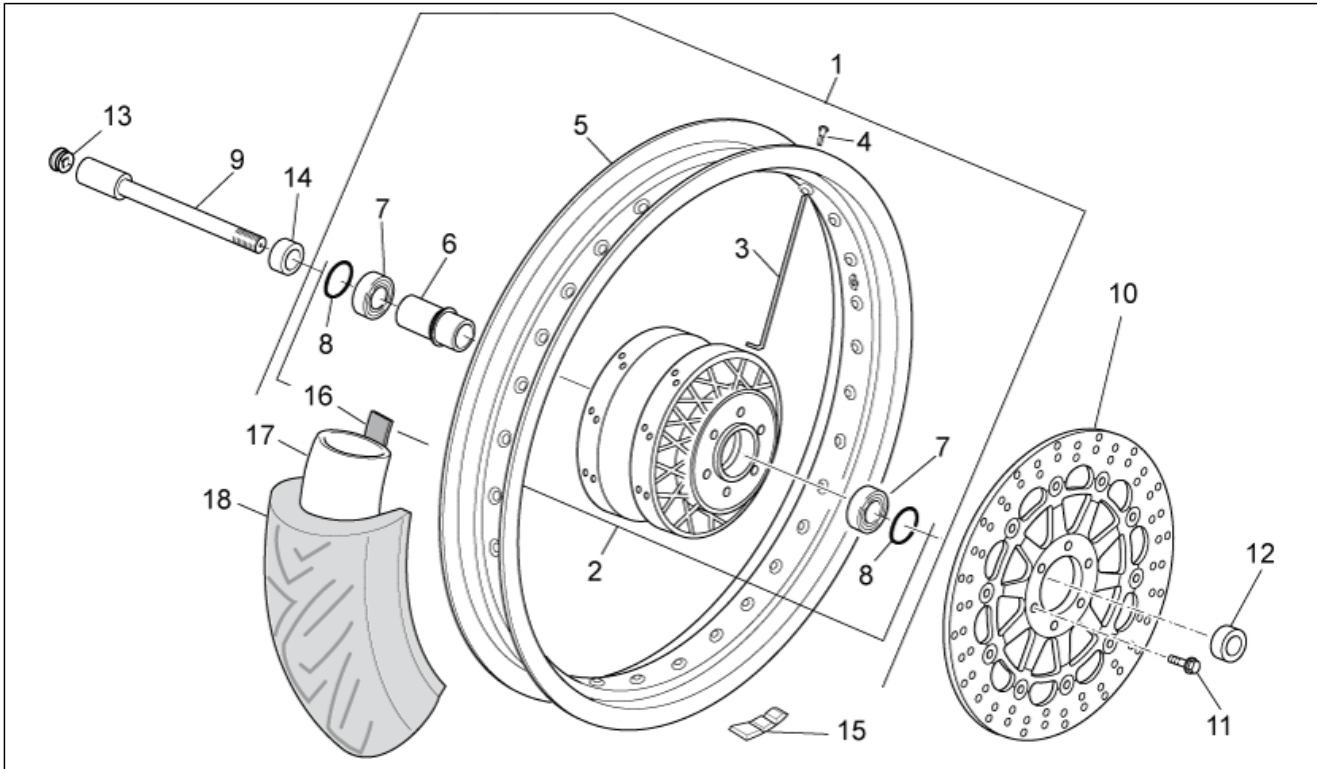
Pos.	Code	Description	Qty	Variants
1	887846	RH exhaust pipe	1	
2	887847	LH exhaust pipe	1	
3	B063022	Exhaust manifold union	1	
4	978387	LH silencer clamp	1	
5	GU19025280	Gasket	2	
6	GU19025460	Spacer	4	
7	GU32121010	Ring nut	2	
8	GU03013800	Washer 6,4x12	4	
9	GU31121880	Nut	4	
10	2B000179	LH silencer	1	
11	2B000178	RH silencer	1	
12	978385	Hose clamp	2	
13	GU32128610	RH plate	1	
14	GU32129010	LH plate	1	
15	978386	RH silencer clamp	1	
16	AP8144071	Rubber exhaust	4	
17	GU98690440	screw TCEI M8x40	2	
18	AP8134378	Silencer fixing bush	2	
19	GU92640508	Nut M8	6	
20	AP8120870	Insulating washer	6	
21	896110	Lambda sensor l.660 mm	2	
22	AP8121072	Spacer	2	
23	GU98110007	Cover	2	
24	GU30109330	Gasket	2	
25	GU32121910	RH protection	1	
26	GU32121911	LH protection	1	
27	GU98370609	Hex socket screw M6x10	6	
28	GU95005306	Washer 6,4x13x1,5	6	

Group	FRAME
Code	33.23
Description	Exhaust unit
Service	1



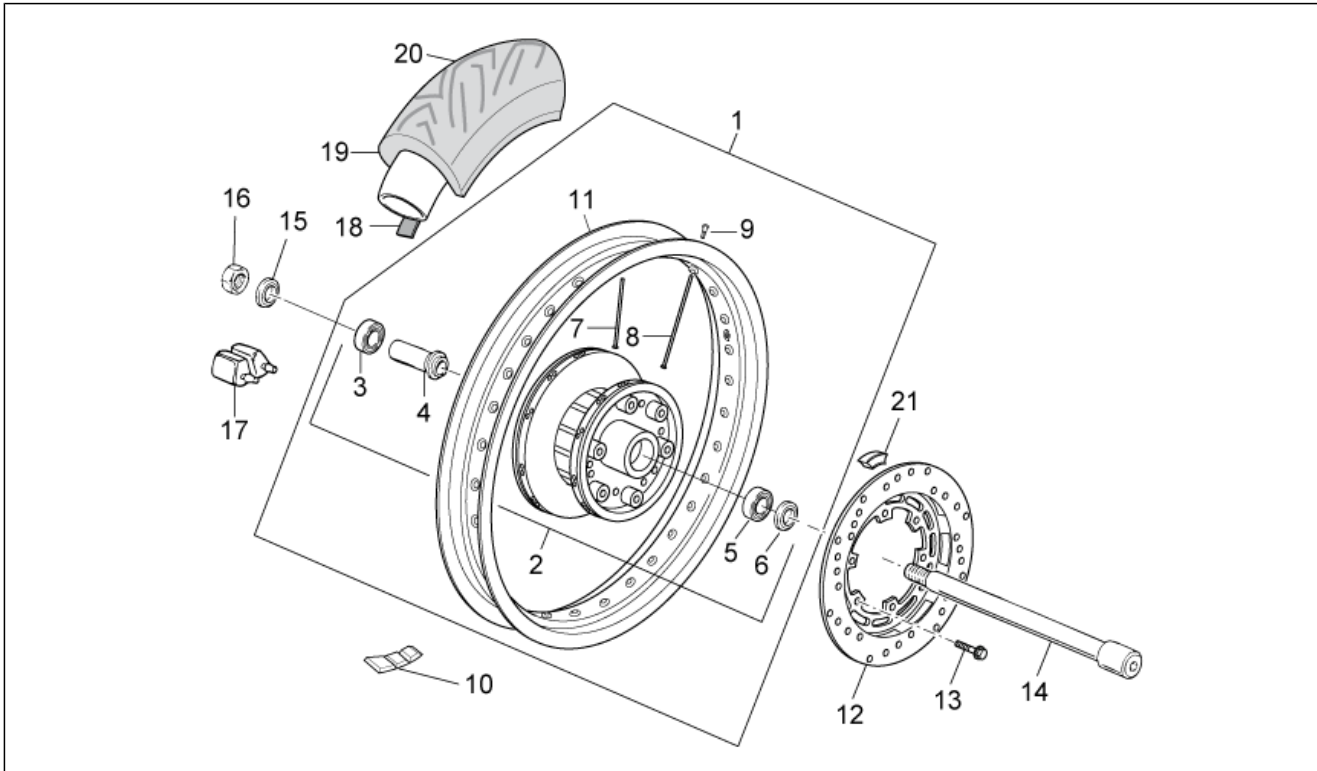
Pos.	Code	Description	Qty	Variants
29	GU91113826	Bushing	2	

Group	FRAME
Code	33.24
Description	Front wheel
Service	1



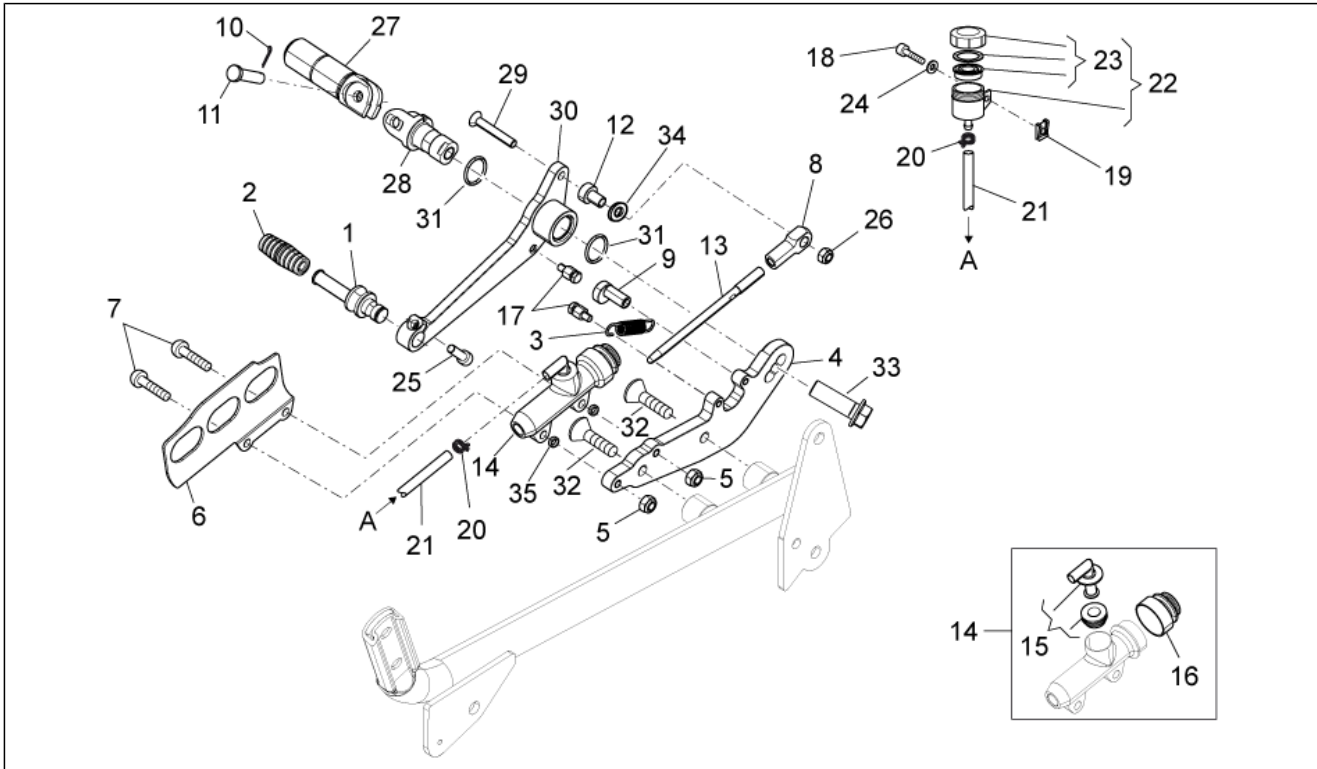
Pos.	Code	Description	Qty	Variants
1	B063265	Front wheel	1	
2	886681	Front hub	1	
3	B063144	Front wheel spoke	36	
4	GU03631250	Nipples	36	
5	B063077	Black front rim 2.5X18"	1	
6	GU31615260	Spacer	1	
7	GU92204221	Bearing	2	
8	GU90402642	Gasket ring	1	
9	GU31614183	Front wheel spindle	1	
10	883688	Front brake disc 320	1	
11	AP8152286	Screw w/ flange M8x20	6	
12	GU31616384	LH spacer	1	
13	GU93180111	Cover 15 mm	1	
14	GU32615660	RH spacer	1	
15	GU14616150	Counterweight	1	
16	GU03612040	Tyre flap	1	
17	GU31610160	Inner tube MB 18	1	
18	886679	Tyre 100/90-18"	1	

Group	FRAME
Code	33.25
Description	Rear wheel
Service	1



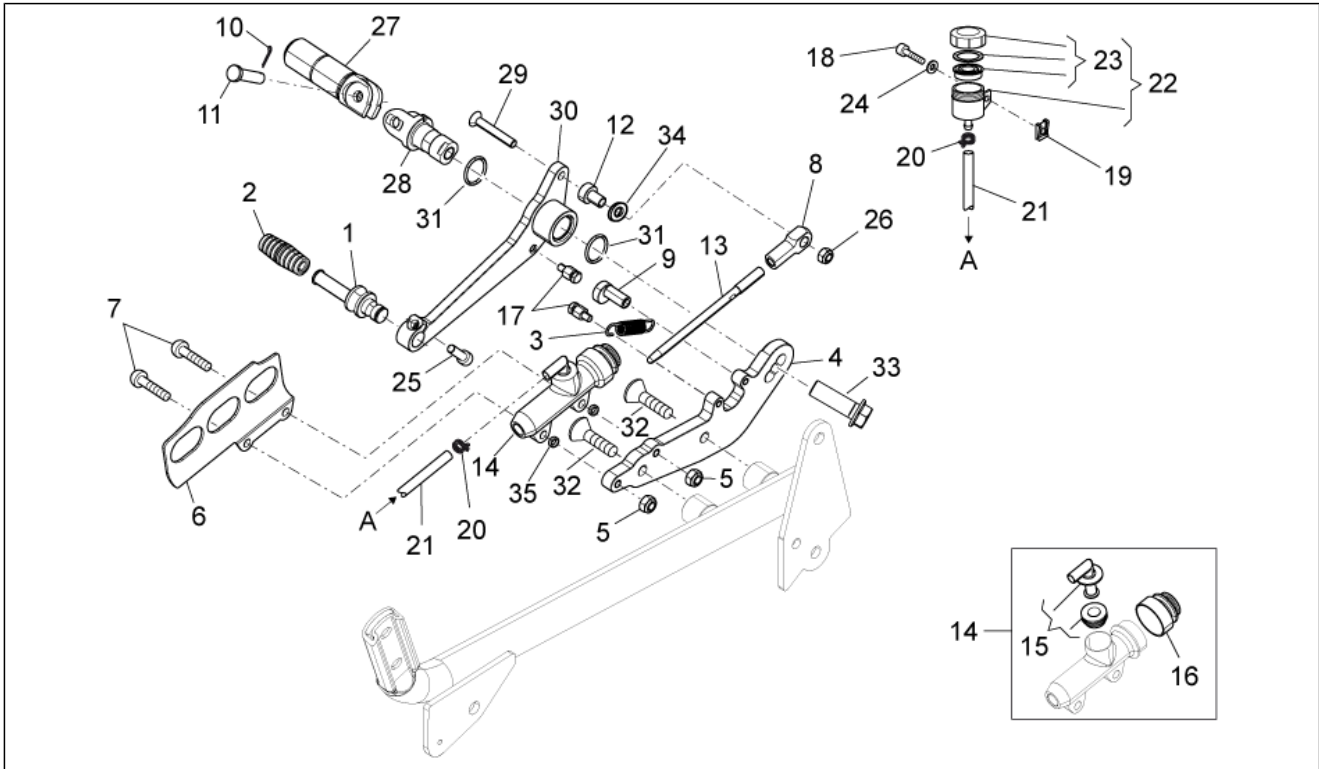
Pos.	Code	Description	Qty	Variants
1	B063267	Rear wheel 3,5"x17"	1	
2	886711	Rear hub	1	
3	GU92204218	Bearing	1	
4	GU27633910	Spacer	1	
5	GU92204217	Bearing	1	
6	GU90402538	Gasket ring 25x40x7	1	
7	883350	Short spoke	18	
8	883349	Long spoke mm 158	18	
9	GU03631250	Nipples	36	
10	GU14616150	Counterweight	1	
11	B063078	Rear wheel 3,5"x17" Black	1	
12	887448	Brake disc	1	
13	894505	Screw w/ flange M8x18	6	
14	GU32633360	Rear wheel spindle	1	
15	GU31634481	Washer	1	
16	GU92606316	Nut M16x1,5	1	
17	GU32632510	Rubber coupling	6	
18	GU28612033	Tyre flap	1	
19	GU30630430	Inner tube MD 17	1	
20	886680	Tyre 130/80-17"	1	
21	GU32636160	Support rubber part	1	

Group	FRAME
Code	33.26
Description	Rear master cylinder
Service	1



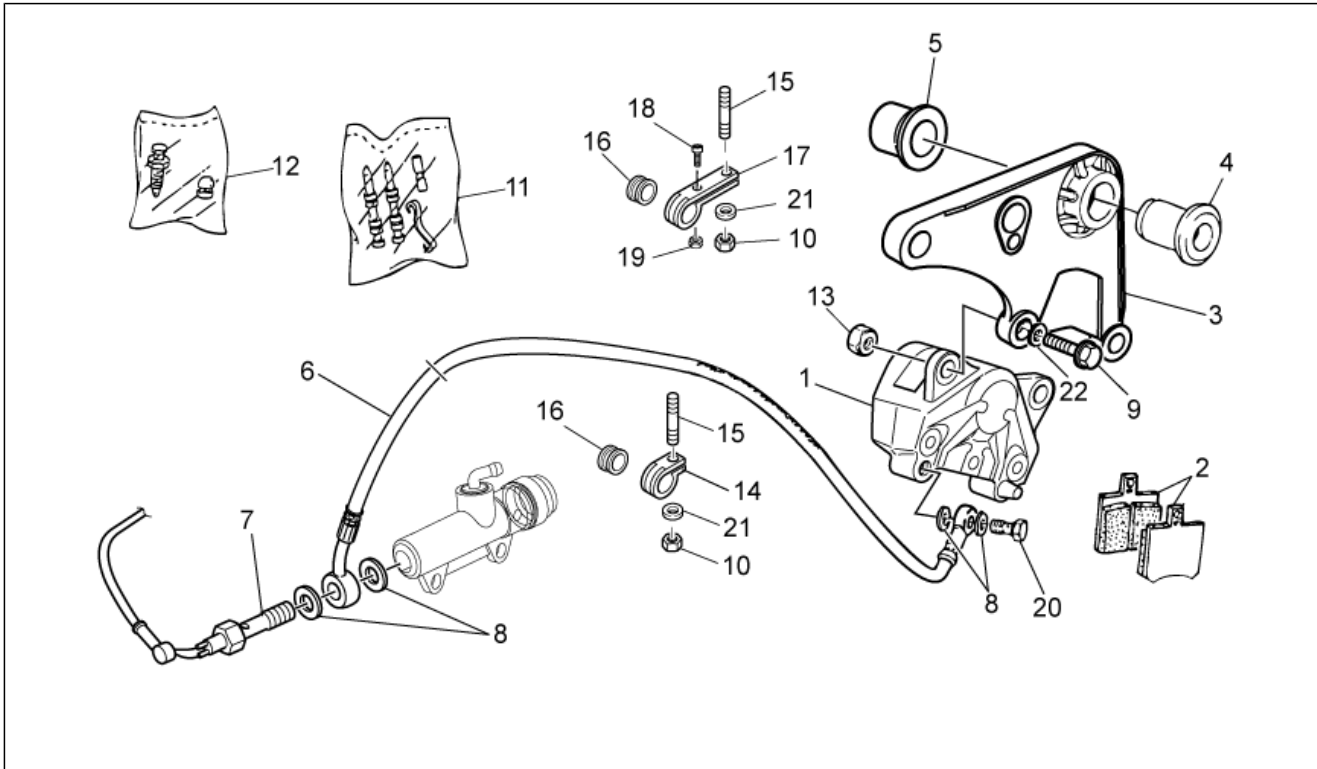
Pos.	Code	Description	Qty	Variants
1	886665	Pin	1	
2	AP8120912	Lever rubber	1	
3	AP8121927	Rear brake lever spring	1	
4	898288	Rider footrest plate	1	
5	GU92630206	Nut M6x1	2	
6	GU01665410	Brake m.cyl.protection, black	1	
7	GU98370625	Hex socket screw	2	
8	GU18257551	Block	1	
9	886666	Bush	1	
10	GU95401215	Split pin	1	
11	GU23442210	Pin	1	
12	898287	Lever pin	1	
13	978970	Master cylinder rod	1	
14	AP8133643	Rear master cylinder	1	
15	AP8213057	Rear brake pump union	1	
16	AP8113288	Rubber bellows	1	
17	898286	Springs fixing pin	2	
18	AP8152298	Screw w/ flange M5x16	1	
19	248419	Spring plate m5	1	
20	AP8101594	Hose clamp D10,1*	2	
21	GU00823950050	Oil pipe	1	
22	AP8133873	Brake oil tank complete	1	
23	AP8113553	Tank cap	1	
24	GU95100059	Washer 5,25x14x1,5	1	
25	AP8150044	Hex socket screw M6x20	1	
26	GU92630206	Nut M6x1	1	
27	898281	Pedana pilota	1	
28	898612	RH front footrest bracket	1	

Group	FRAME
Code	33.26
Description	Rear master cylinder
Service	1



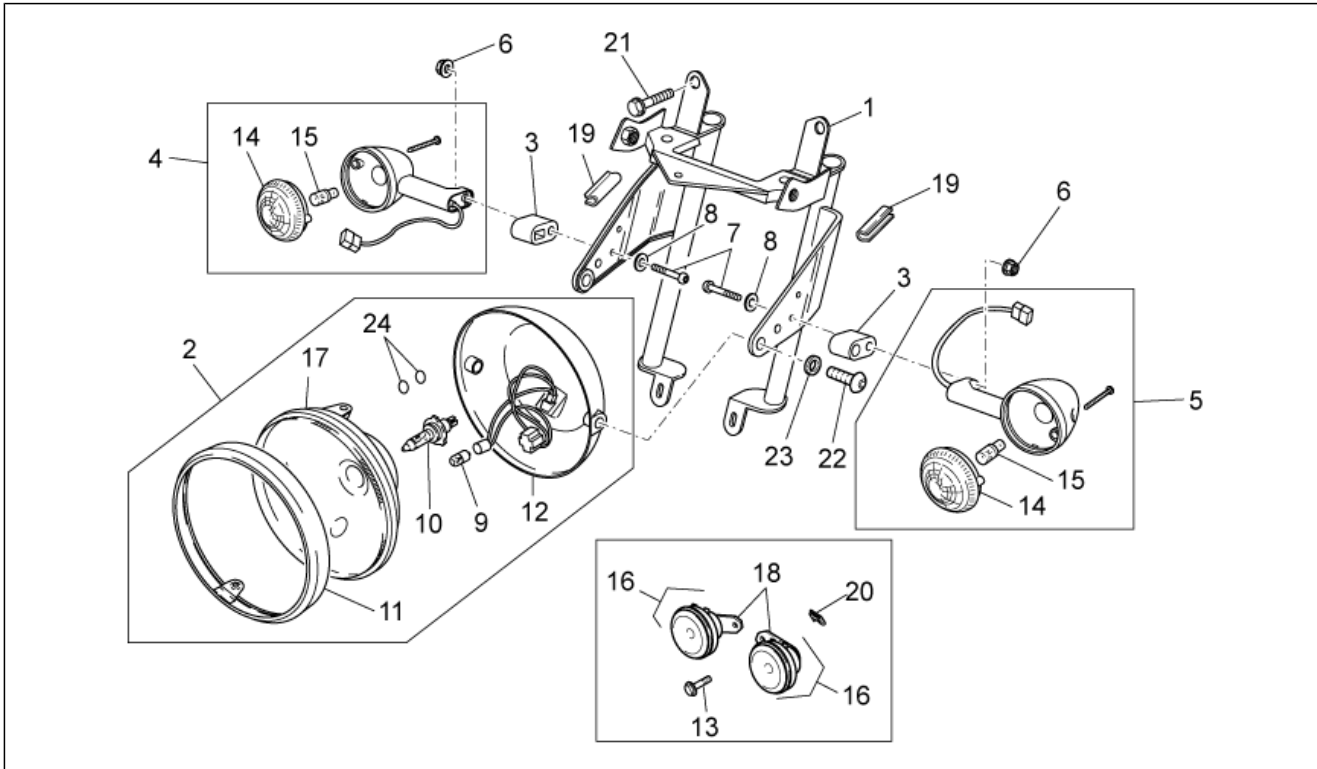
Pos.	Code	Description	Qty	Variants
29	AP8150468	Screw M6x40	1	
30	898285	Brake lever	1	
31	AP9100477	O-ring 18x2	2	
32	GU98252420	Screw M8x20	2	
33	AP8152320	Screw w/ flange	1	
34	GU03270300	Washer 8,4x15	1	
35	AP8134640	Air box spacer	2	

Group	FRAME
Code	33.27
Description	Rear brake caliper
Service	1



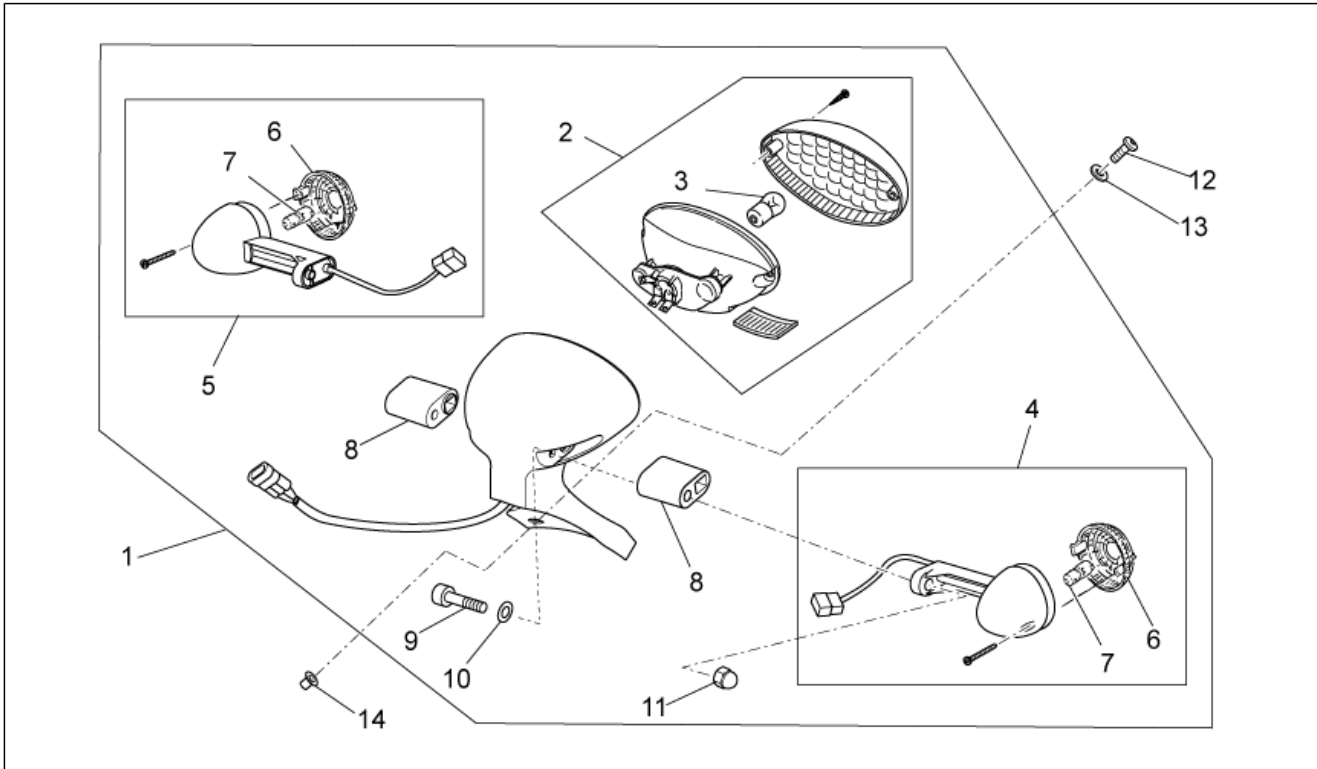
Pos.	Code	Description	Qty	Variants
1	887449	Rear brake caliper	1	
2	AP8133798	Pads pair	1	
3	887431	Brake caliper support plate	1	
4	GU31634281	Bushing	1	
5	GU32634160	Spacer	1	
6	B063750	Rear rubber brake pipe	1	
7	883192	Switch	1	
8	AP8113004	Washer 10x14x1,6*	4	
9	AP8152288	Screw w/ flange	2	
10	AP8152299	Self-locking nut M6	2	
11	GU31659181	Pins+spring kit	1	
12	GU31659281	Bleeder+cap	1	
13	AP8152300	Self-locking nut M8	2	
14	GU03658430	Hose clamp	1	
15	GU96451316	Stud bolt	1	
16	GU03658201	Ring	2	
17	GU03658330	Hose clamp	1	
18	GU98257410	screw	1	
19	GU92630104	Nut M4x0,7	1	
20	AP8113003	Oil pipe screw *	1	
21	GU95008306	Washer 6,4x12x1,2	2	
22	GU61270300	Spring washer 8x15x0,3	1	

Group	FRAME
Code	33.28
Description	Front lights
Service	1



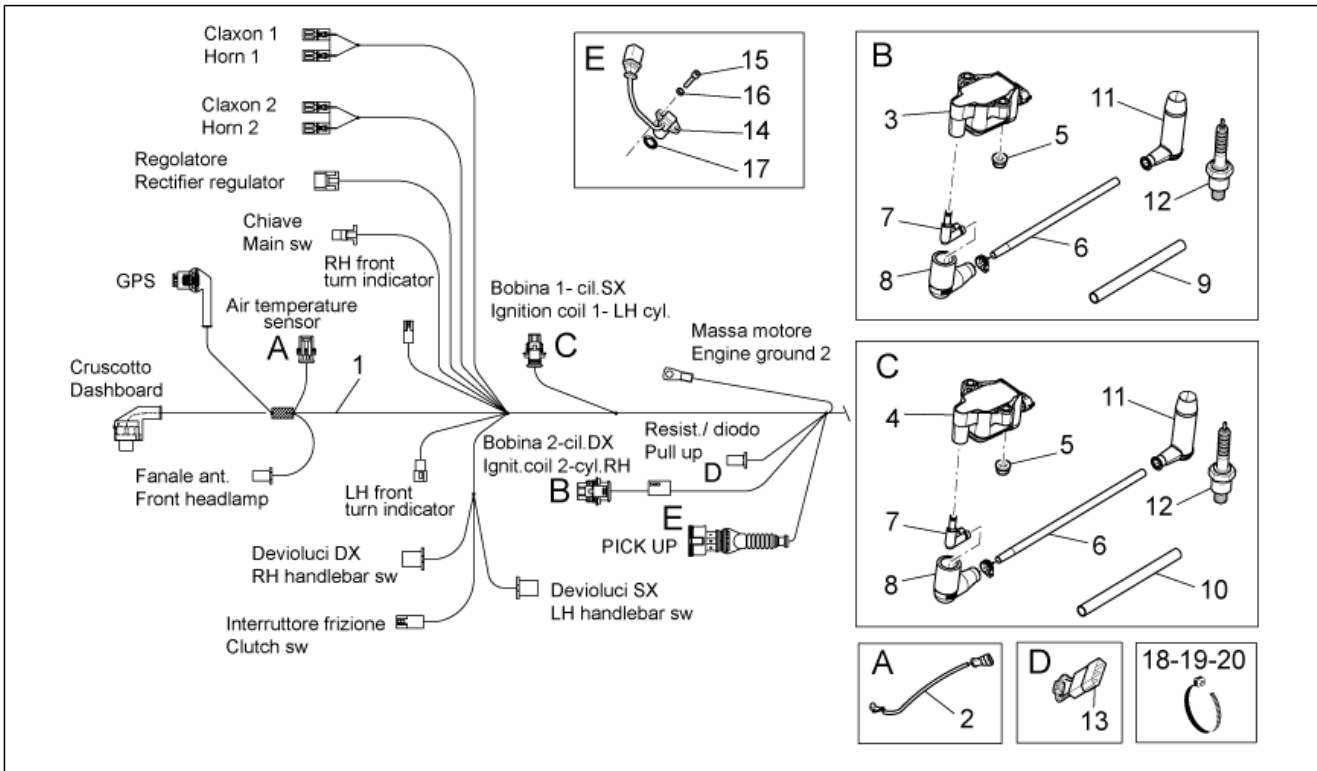
Pos.	Code	Description	Qty	Variants
1	GU32506360	Headlight support clamp	1	
2	978311	Headlight	1	
3	GU32753410	Spacer	2	
4	B063800	RH front/LH rear turn indic.	1	
5	B063801	LH front/RH rear turn indic.	1	
6	GU92787006	Cap nut M6x1	2	
7	GU98370655	Hex socket screw	2	
8	GU95021206	Washer	2	
9	292022	Lamp 12V-5W	1	
10	292723	Lamp H4 12V-60/55W	1	
11	640598	Chromed ring nut	1	
12	981149	Cap, black	1	
13	AP8152278	Screw w/ flange M6x16	2	
14	GU32753711	Turn indicator lens	2	
15	GU93450127	Lamp	2	
16	890979	Horn	2	
17	GU06740400	Light assembly	1	
18	GU01744200	Bracket	6	
19	GU00823931055	Gasket	1	
20	254485	Spring plate M6	2	
21	GU98880540	screw M10x40	2	
22	GU98692420	Hex socket screw M8x20	2	
23	GU95005308	Washer 8,4x14,57x1,6	2	
24	883417	O-ring	2	

Group	FRAME
Code	33.29
Description	Rear lights
Service	1



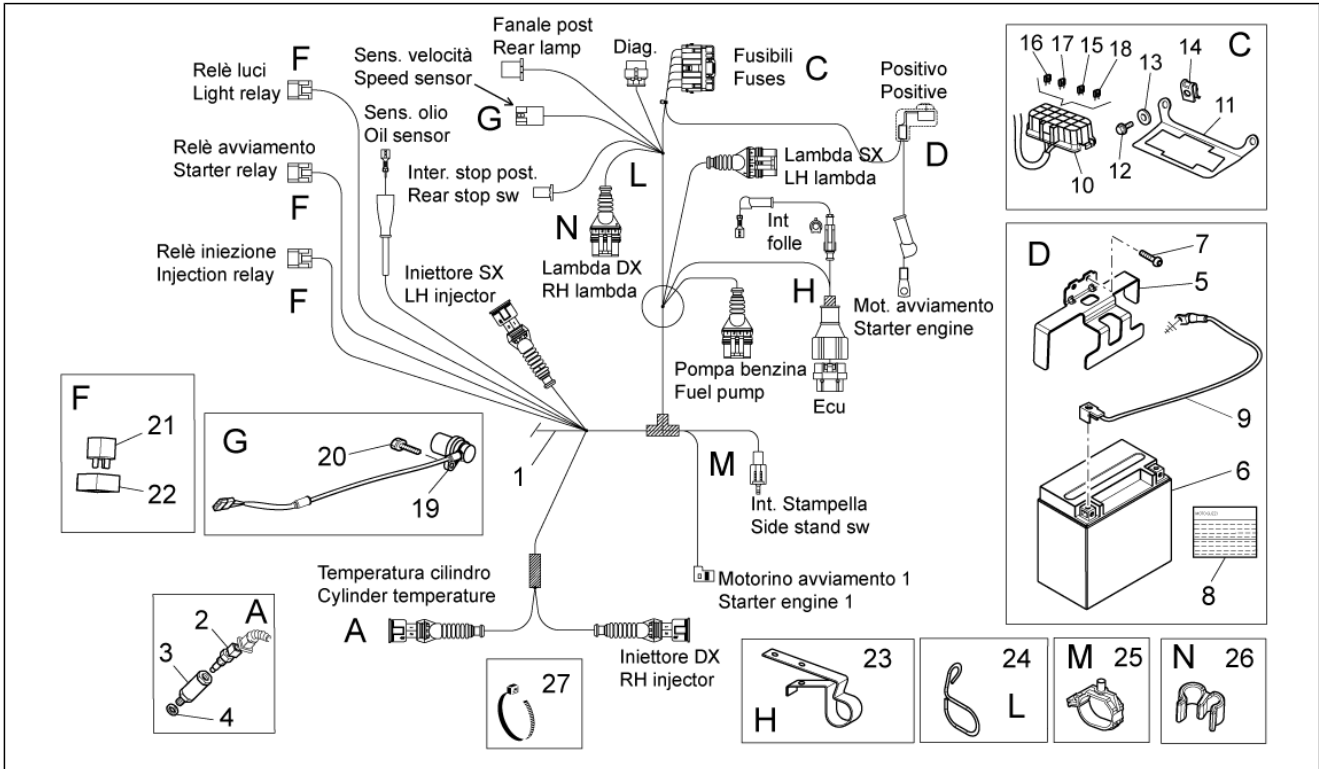
Pos.	Code	Description	Qty	Variants
1	883479	Taillight assy	1	
2	GU03740930	Taillight	1	
3	GU93450224	Lamp	1	
4	B063800	RH front/LH rear turn indic.	1	
5	B063801	LH front/RH rear turn indic.	1	
6	GU32753711	Turn indicator lens	1	
7	GU93450127	Lamp	2	
8	GU32753410	Spacer	2	
9	GU98370655	Hex socket screw	2	
10	GU95021206	Washer	2	
11	GU92787006	Cap nut M6x1	2	
12	GU98350215	Hex socket screw	3	
13	GU30577800	Nylon washer 5,5X12X1	3	
14	GU93231605	Antivibration bush	3	

Group	FRAME
Code	33.30
Description	Electrical system I
Service	1



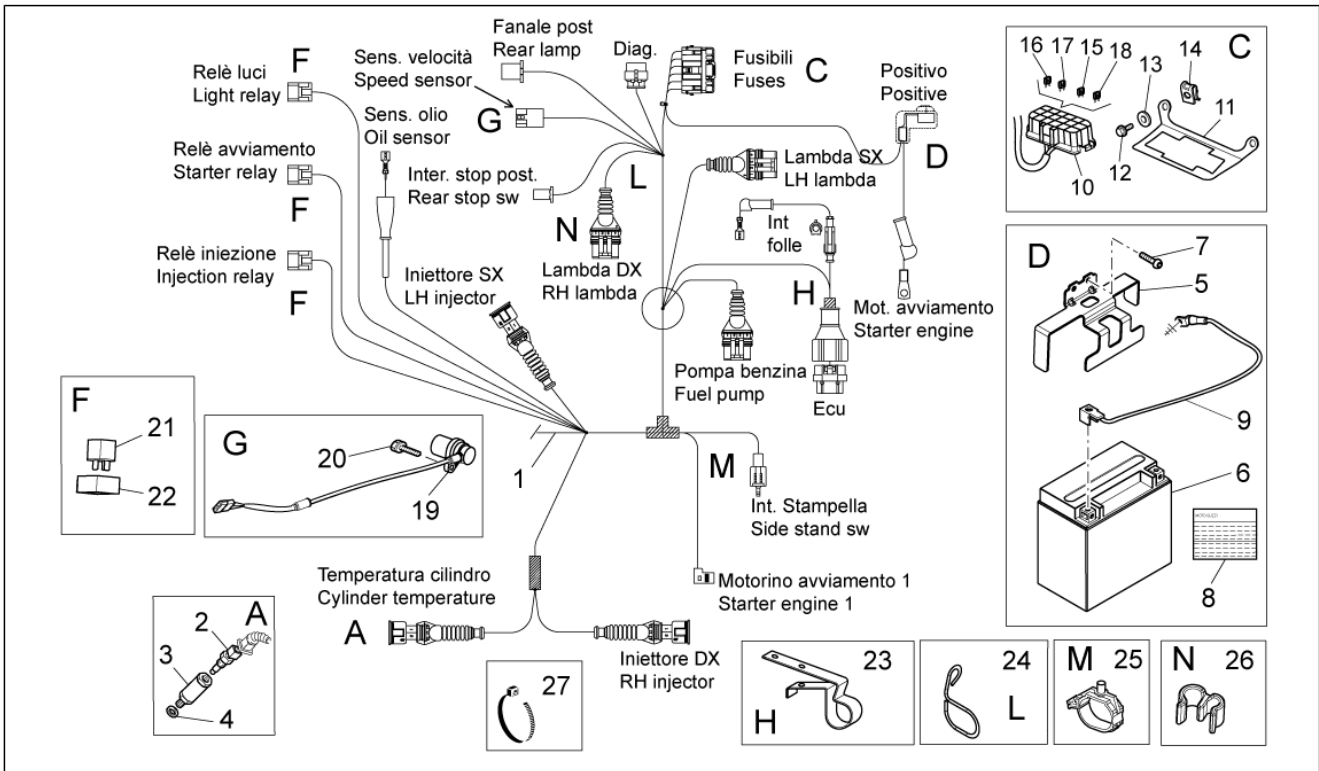
Pos.	Code	Description	Qty	Variants
1	887825	Main wiring harness	1	
2	AP8124936	Air temp. Sensor	1	
3	642034	HT coil DX	1	
4	641901	HT coil	1	
5	AP8152299	Self-locking nut M6	4	
6	080341	H.V. cable	2	
7	641725	HV terminal	2	
8	641040	Insulating cap	2	
9	CM0074D0	Sheath D.8-S.0,5-L.370	1	
10	CM0074C9	Grey cable casing D.8-S.0,5-L.435	1	
11	2D000205	Sparkplug cap NGK	2	
11	GU02717450	Sparkplug cap NGK	2	
12	887481	Spark plug NGK CPR8EB-9	2	
13	887948	Diode	1	
14	GU01721600	Phase/revolution sensor	1	
15	GU98682212	Hex socket screw M5x12	2	
16	GU95008205	Washer 5,3x10x0,8	2	
17	GU90706141	O-ring	1	
18	AP8120416	Black hose 178x4	1	
19	GU49609601	Hose clamp 2,4x92	1	
20	GU14609650	Hose clamp 3,6x20,6	31	

Group	FRAME
Code	33.31
Description	Electrical system II
Service	1



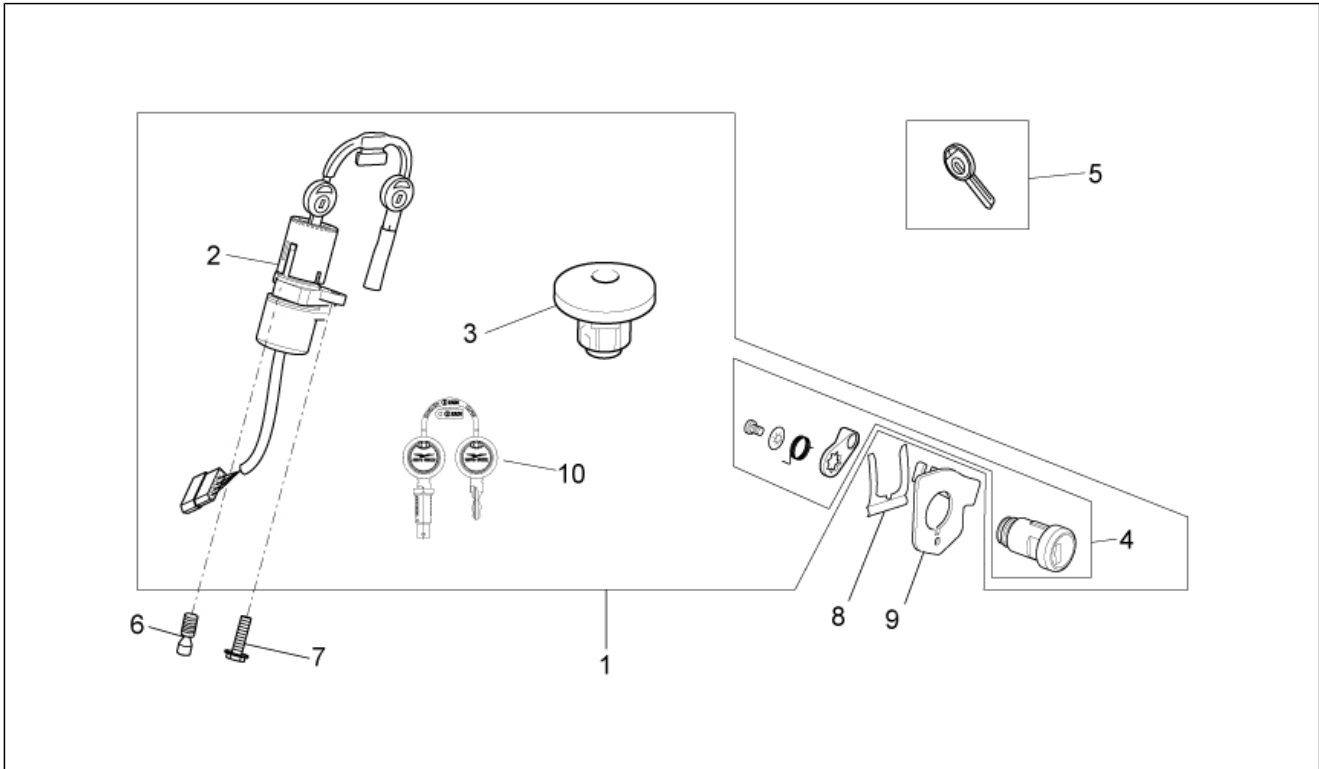
Pos.	Code	Description	Qty	Variants
1	887825	Main wiring harness	1	
2	GU29729461	Oil temperature sensor	1	
3	GU03163330	Sensor support	1	
4	GU95004210	Washer 10,2x18x2	1	
5	B063233	Battery bracket	1	
6	638733	Battery Yuasa 12V-12Ah (150x85x145)	1	
7	GU98370616	Hex socket screw M6x16 inox	2	
8	GU32517710	Decal "Battery service"	1	
9	GU32747910	Ground-battery lead	1	
10	584211	Fuse holder box	1	
11	883161	Fuse block support	1	
12	GU98682212	Hex socket screw M5x12	2	
13	GU95100059	Washer 5,25x14x1,5	2	
14	AP8102375	Clip m5	2	
15	CM225705	Fuse 5A	2	
16	CM225710	Fuse 10A	1	
17	CM225715	Fuse 15A	2	
18	CM225730	Fuse 30A	1	
19	893570	Speedometer sensor cpl.	1	
20	AP8150377	screw	1	
21	AP8224462	Relay 12V-30A	3	
22	AP8220283	Rubber spacer *	3	
23	B043850	Hose clamp	1	
24	AP8181140	Fairlead	1	
25	CM013202	Pipes/cables retainer spring	1	
26	894704	Fairlead	1	
27	AP8120416	Black hose 178x4	1	
27	GU14609650	Hose clamp 3,6x20,6	21	

Group	FRAME
Code	33.31
Description	Electrical system II
Service	1



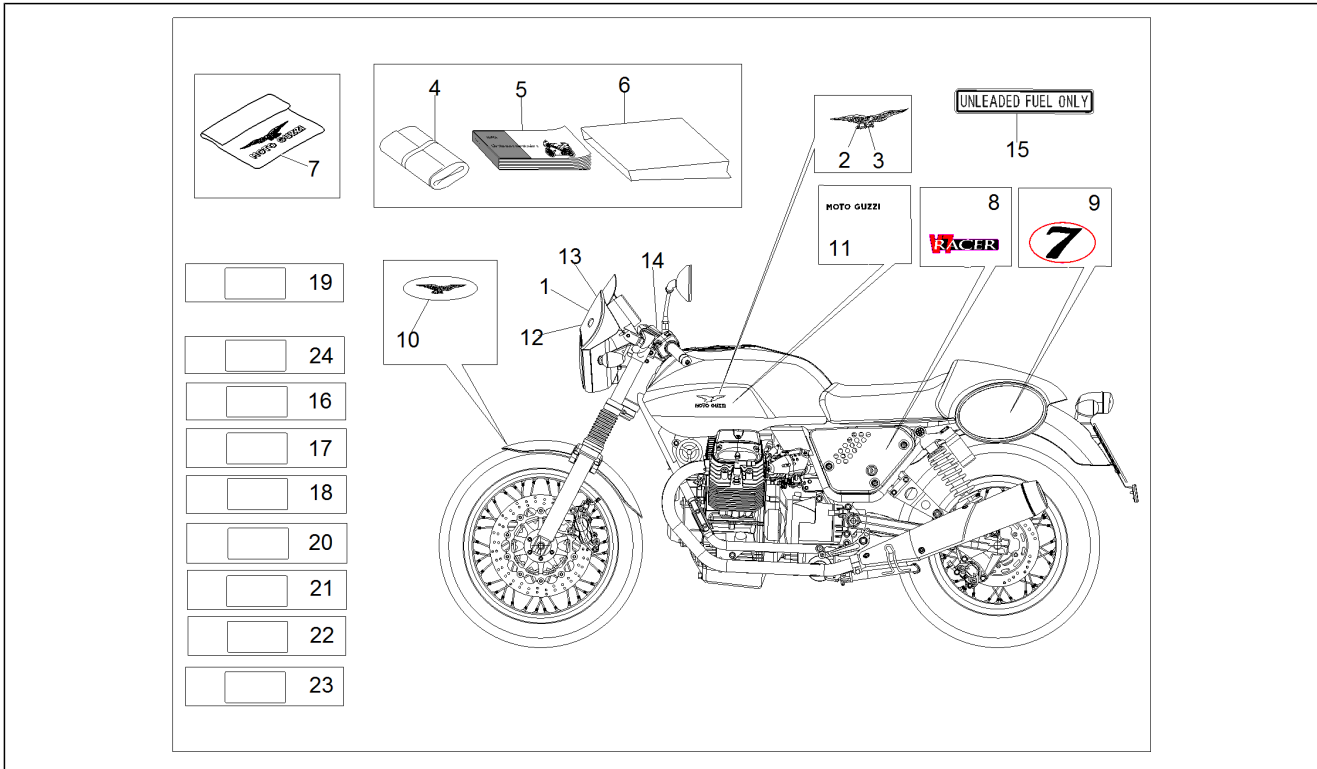
Pos.	Code	Description	Qty	Variants
27	GU49609601	Hose clamp 2,4x92	1	

Group	FRAME
Code	33.32
Description	Lock hardware kit
Service	1



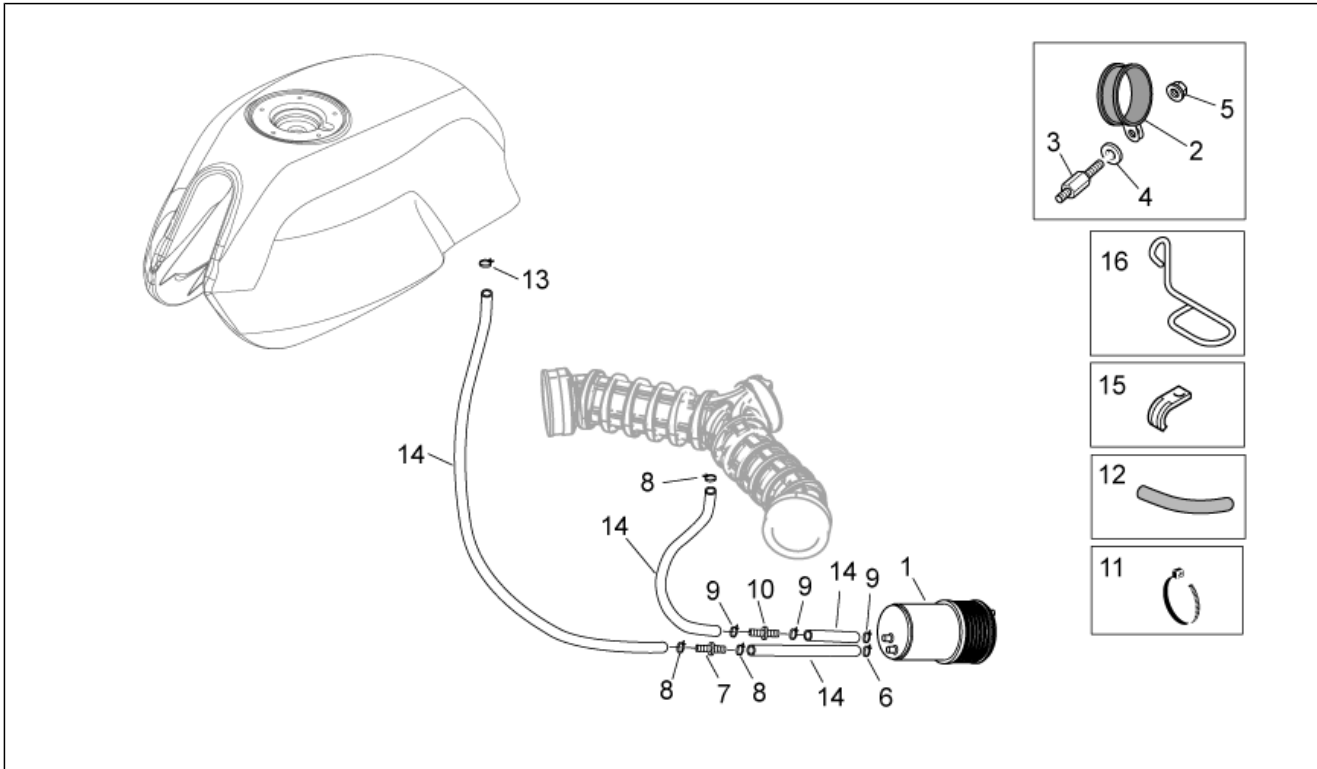
Pos.	Code	Description	Qty	Variants
1	883477	Lock kit	1	
2	GU32782510	Main switch - steering lock	1	
3	883476	Tank cap	1	
4	977527	Locking complete with keys	1	
5	GU32735510	Non indent.key blank-shell go	1	
5	GU32735511	Non indent.key blank-shell cr	1	
6	AP8150349	Special screw M8x15	1	
7	GU98682416	Hex socket screw M8x16	1	
8	AP8121420	Fork spring	1	
9	978415	Cable fixing plate	1	
10	2D000006	Locking cylinder with key for fuel cap	1	

Group	FRAME
Code	33.33
Description	Decal and plate set
Service	1



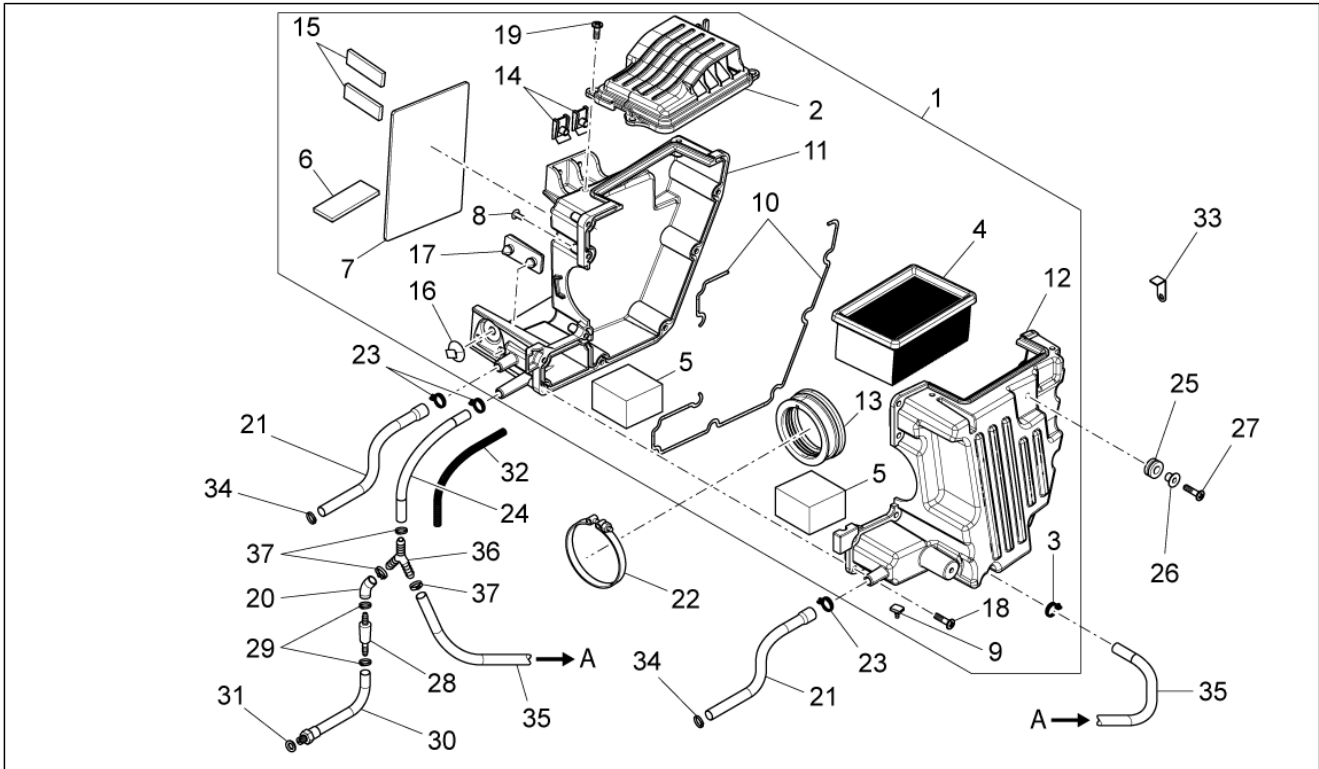
Pos.	Code	Description	Qty	Variants
1	2H000425	Windshield decal	1	
2	898174	Sticker RH "Aquila"	1	
3	886678	Sticker LH "Aquila"	1	
4	887443	Toolkit	1	
5	2Q000044	Libretto uso e manutenzione USA-FR-ES-IT	1	
6	GU05900130	Bag for document	1	
7	2H000426	Black decal dx-sx	1	
8	2H000428	Decal "V7 Racer" dx-sx	2	
9	2H000427	Right-left tail fairing decal	2	
10	886141	Decal "Aquila"	1	
11	886825	Decal "Moto Guzzi"	1	Vehicle colour: Yellow[GI]
11	887971	Decal "Moto Guzzi"	4	Vehicle colour:Chromed[CR]
12	2H000424	Decalco filetto inferiore	1	
13	2H000423	Decalco filetto superiore	1	
14	GU03995730	Decal "Unleaded Fuelonly"	1	Country:Australia[AA]
15	AP8157100	Decal Shock Adsorber	1	
16	AP8257742	Keys warning decal	1	
17	AP8257609	Mirror decal	17	
18	884348	Tyre pressure decal	1	
19	AP8257794	Battery decal	1	
20	B045974	Fuel decal E15	1	
21	2G000011	Noise emission sticker	1	
22	2G000012	Emission control sticker	1	
23	2G000013	Shed scheme decal	1	
24	GU32944310	Guard decal	1	

Group	FRAME
Code	33.51
Description	Fuel vapour recover system
Service	1



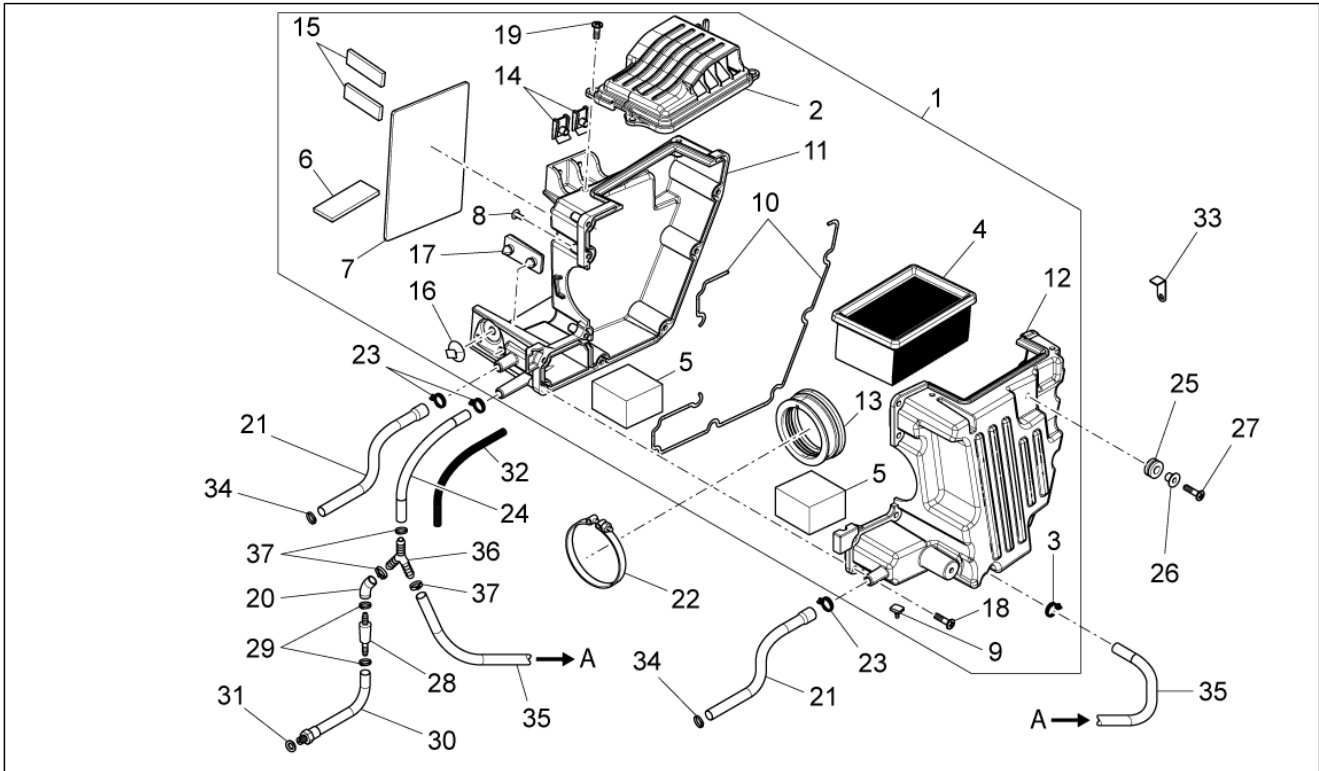
Pos.	Code	Description	Qty	Variants
1	AP8102678	Carbon filter	1	
2	AP8102688	Hose clamp d.76	1	
3	GU32439260	Canister support USA	1	
4	GU95005311	Washer	1	
5	AP8152299	Self-locking nut M6	1	
6	AP8102159	Hose clamp	1	
7	860138	Valve	1	
8	GU28157950	Hose clip 12,5x8	4	
9	AP8120446	Hose clip, green D11x6,6x1	2	
10	AP8121267	Choke hold	1	
11	AP8120416	Black hose 178x4	1	
12	GU00823923140	Thermal sheath	4	
13	AP8201358	Hose clamp D 11,9	1	
14	856063	pipe SAE 30 d.12,7x6,35	3	
15	GU93301313	U-bolt	1	
16	AP8221114	Cable-guide	2	

Group	FRAME
Code	33.52
Description	Air box II
Service	1



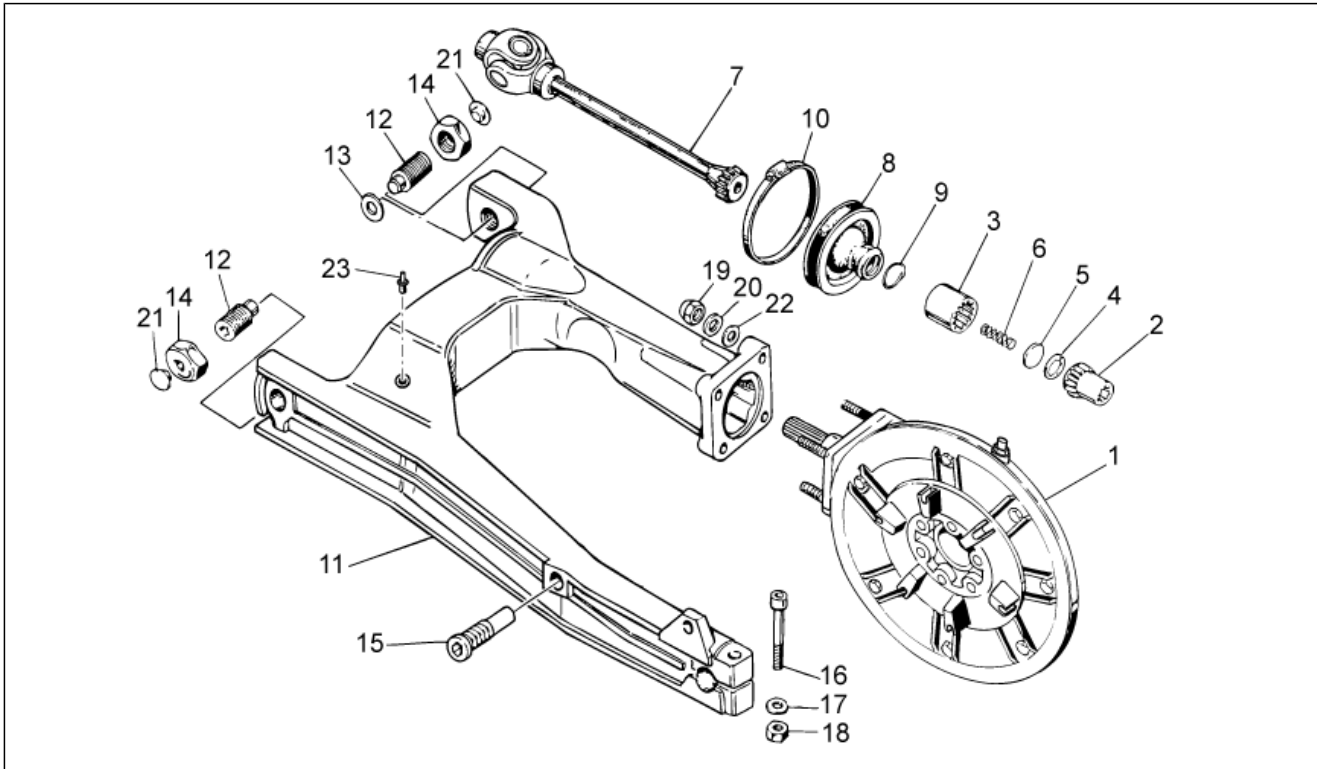
Pos.	Code	Description	Qty	Variants
1	8878421	Complete filter box	1	
2	887843	Air filter cover	1	
3	AP8201358	Hose clamp D 11,9	1	
4	AP8104924	Air filter	1	
5	AP8104525	Filter blow-by	2	
6	883127	Support rubber part 5 mm	1	
7	AP8144553	Support rubber part	1	
8	AP8120876	Plug	2	
9	AP8120455	Rubber spacer	1	
10	AP8120615	Gasket D3	2	
11	887844	Filter box right shell	1	
12	887845	Filter box left shell	1	
13	887815	Intake hose	1	
14	254485	Spring plate M6	2	
15	AP8144538	Gasket	2	
16	890760	Instrument support	1	
17	AP8144729	Stand end stop	1	
18	AP8152329	Phillips screw, SWP M5x20	9	
19	AP8150509	Self-tap screw 5x14	4	
20	AP8120772	Breather pipe	1	
21	B063214	Blow-by pipe	2	
22	GU93305061	Hose clamp 61/65,5	1	
23	AP8102766	Hose clamp	3	
24	AP8120772	Breather pipe	1	
25	GU91551010	Rubber spacer	2	
26	AP8221023	T bush	2	
27	AP8152329	Phillips screw, SWP M5x20	2	
28	AP8104996	Anti-return valve	1	

Group	FRAME
Code	33.52
Description	Air box II
Service	1



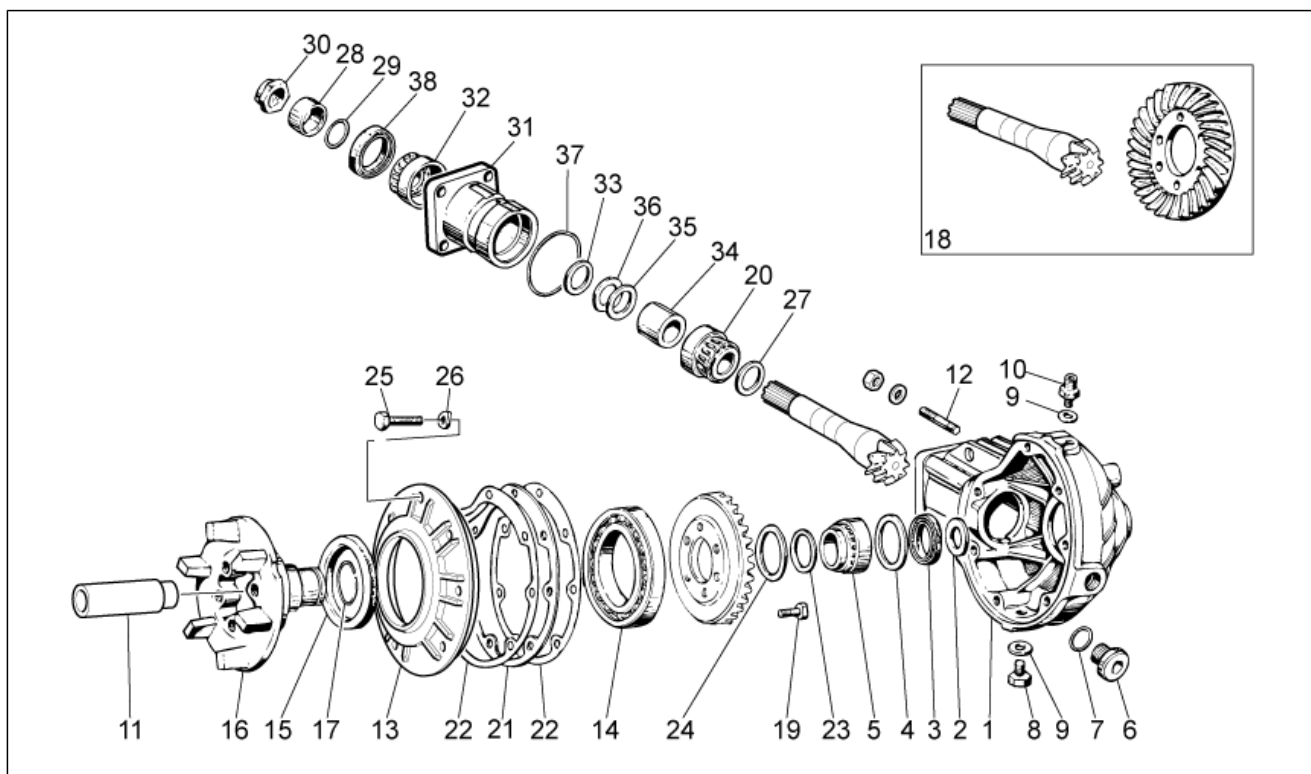
Pos.	Code	Description	Qty	Variants
29	AP8102765	White hose clip D.13,5x6	2	
30	B063213	Breather	1	
31	GU90714082	Gasket	1	
32	GU00823923140	Thermal sheath	1	
33	GU31112965	Square	1	
34	AP8201358	Hose clamp D 11,9	2	
35	AP8120772	Breather pipe	1	
36	2B000045	3-way union	1	
37	GU28157950	Hose clip 12,5x8	3	

Group	ENGINE
Code	34.09
Description	Transmission complete I
Service	1



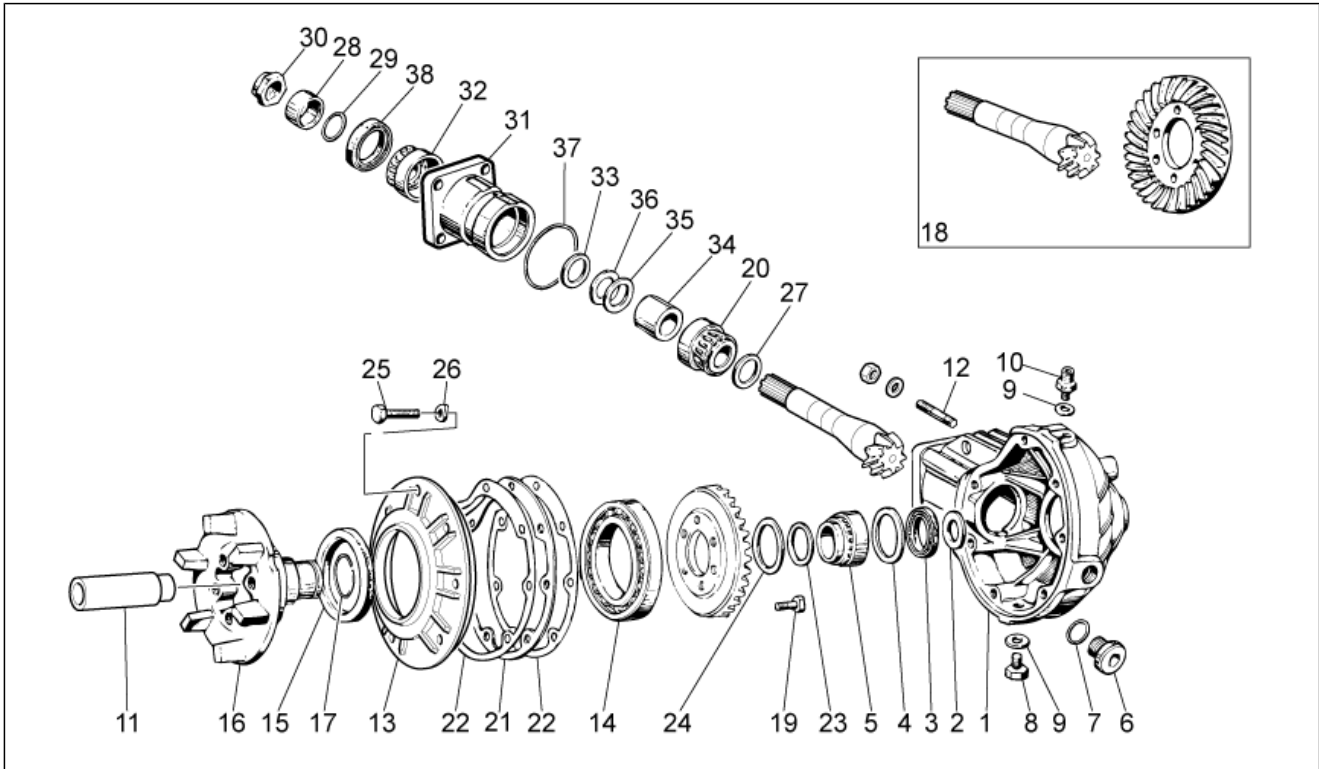
Pos.	Code	Description	Qty	Variants
1	976941	Transmission box assy., black	1	
2	GU31327783	Hose	1	
3	GU19328801	Hose	1	
4	GU90272023	Circlip	1	
5	GU19327601	Disc	1	
6	GU94321099	Spring	1	
7	GU23328081	Coupling	1	
8	GU23548080	Protection collar	1	
9	GU23548180	Spring	1	
10	AP8120246	Hose clamp D=60-80	1	
11	886676	Swing arm, red	1	
12	GU19547000	Pin	2	
13	GU35214300	Spacer	1	
14	GU31547882	Nut	2	
15	GU31544181	Pin	1	
16	GU98680545	screw M10x45	1	
17	GU95008210	Washer 10,2X18X2	1	
18	GU92606210	Nut M10x1,5	1	
19	860651	Cap nut M8x1,25	4	
20	GU14615901	Washer 8,4X13X0,8	4	
21	GU93180105	Cover	2	
22	GU95005308	Washer 8,4x14,57x1,6	4	
23	GU03922280	Cover 5x9	1	

Group	ENGINE
Code	34.10
Description	Transmission complete II
Service	1



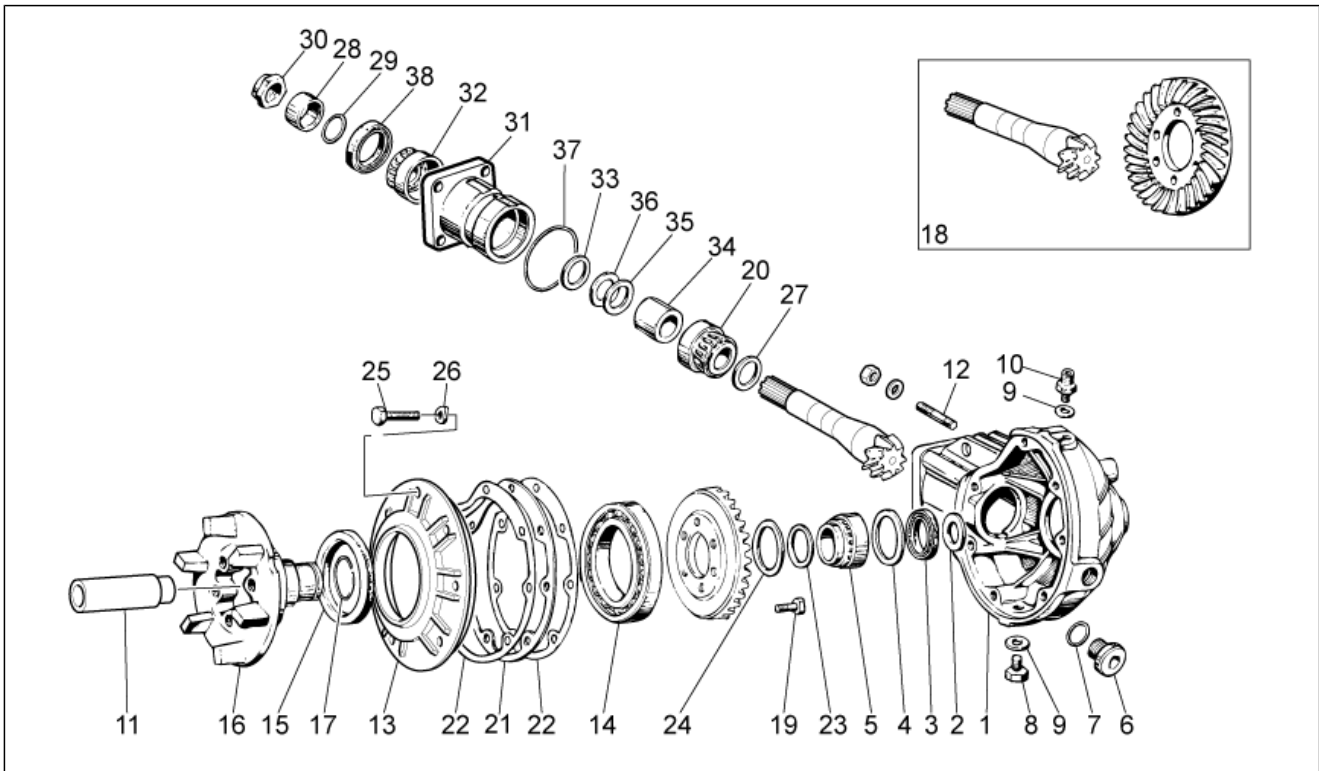
Pos.	Code	Description	Qty	Variants
1	976608	Transmission housingblack	1	
2	GU19351900	Clearance washer	1	
3	GU90403549	Gasket ring 35x47x7	1	
4	GU19351100	Clearance washer	1	
5	GU92252235	Roller bearing 35x50x17	1	
6	GU12022600	Oil plug	1	
7	GU90706203	O-ring 20,24x2,62	1	
8	GU31003766	Oil unload plug M10x1	1	
9	GU01528930	Gasket 10x18x1,5	2	
10	GU19206501	Breather plug	1	
11	GU32633560	Spacer	1	
12	GU96508055	Stud bolt	4	
13	GU32350410	Cover	1	
14	GU92201070	Ball bearing 70x110x13	1	
15	GU90407591	Gasket ring 75x95x10	1	
16	GU32351410	Pin	1	
17	GU90353030	Stop ring	1	
18	GU32354610	Bevel gear 8/33	1	
19	GU03067730	screw M8x25	6	
20	GU92249227	Tap.roller bearing 25x5	1	
21	GU19355400	Spacer 0,8 mm	1	
21	GU19355402	Spacer 0,9 mm	1	
21	GU19355404	Spacer 1 mm	1	
21	GU19355406	Spacer 1,1 mm	1	
21	GU19355408	Spacer 1,2 mm	1	
21	GU19355410	Spacer 1,3 mm	1	
21	GU19355411	Spacer 1,4 mm	1	
21	GU19355412	Spacer 1,5 mm	1	

Group	ENGINE
Code	34.10
Description	Transmission complete II
Service	1



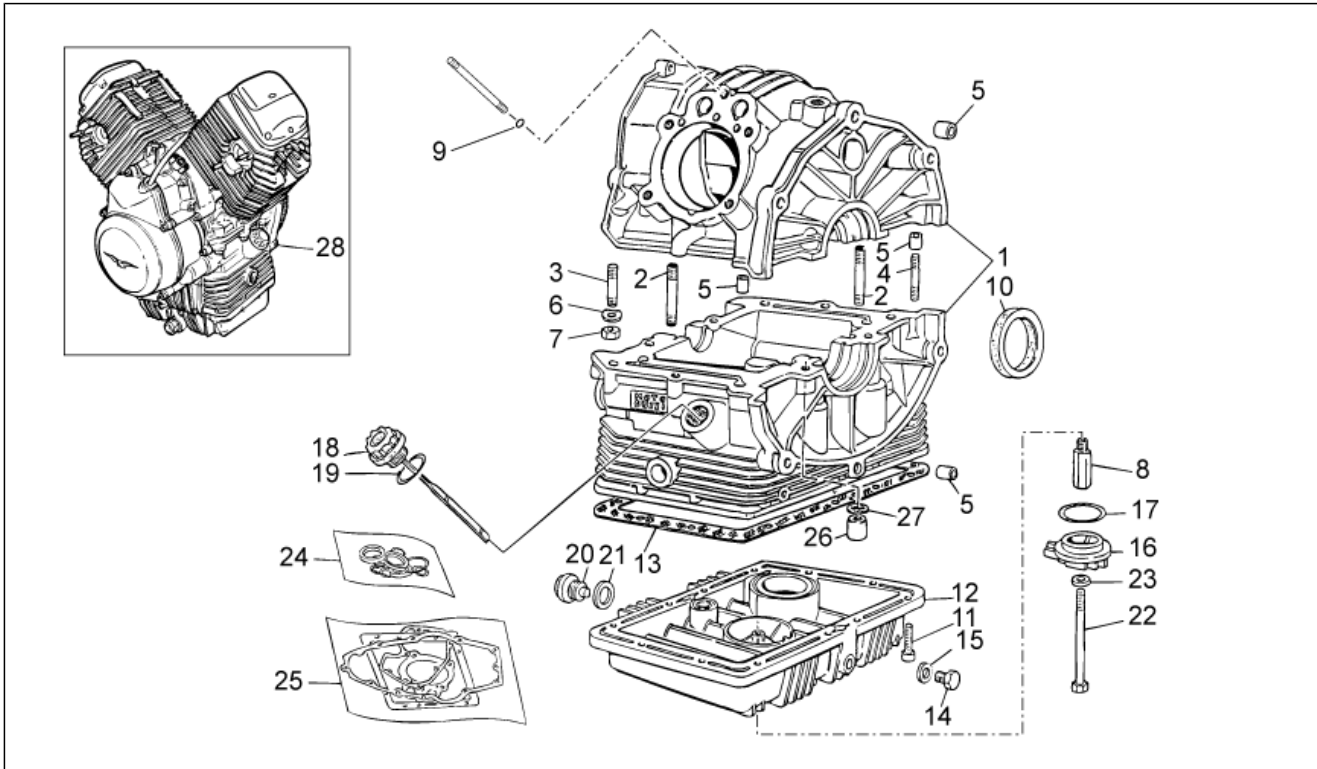
Pos.	Code	Description	Qty	Variants
21	GU19355413	Spacer 1,6 mm	1	
22	GU19350700	Gasket	2	
23	GU19352300	Thrust washer	1	
24	GU19353500	Thrust washer	1	
25	GU19357660	screw	7	
26	GU61270300	Spring washer 8x15x0,3	7	
27	GU19355320	Spacer 1 mm	1	
27	GU19355321	Spacer 1,1 mm	1	
27	GU19355322	Spacer 1,2 mm	1	
27	GU19355323	Spacer 1,3 mm	1	
27	GU19355324	Spacer 1,4 mm	1	
27	GU19355325	Spacer 1,5 mm	1	
27	GU19355326	Spacer 1,6 mm	1	
27	GU19355327	Spacer 1,7 mm	1	
27	GU19355328	Spacer 1,8 mm	1	
27	GU19355329	Spacer 1,9 mm	1	
28	GU19356801	Spacer	1	
29	GU90706188	Gasket ring 18,77X1,78	1	
30	GU19356700	Nut	1	
31	GU20352421	Flange	1	
32	GU92249220	Roller bearing 20x47x14	1	
33	GU19355300	Spacer 1 mm	1	
33	GU19355301	Spacer 1,1 mm	1	
33	GU19355302	Spacer 1,2 mm	1	
33	GU19355303	Spacer 1,3 mm	1	
33	GU19355304	Spacer 1,4 mm	1	
33	GU19355305	Spacer 1,5 mm	1	
33	GU19355306	Spacer 1,6 mm	1	

Group	ENGINE
Code	34.10
Description	Transmission complete II
Service	1



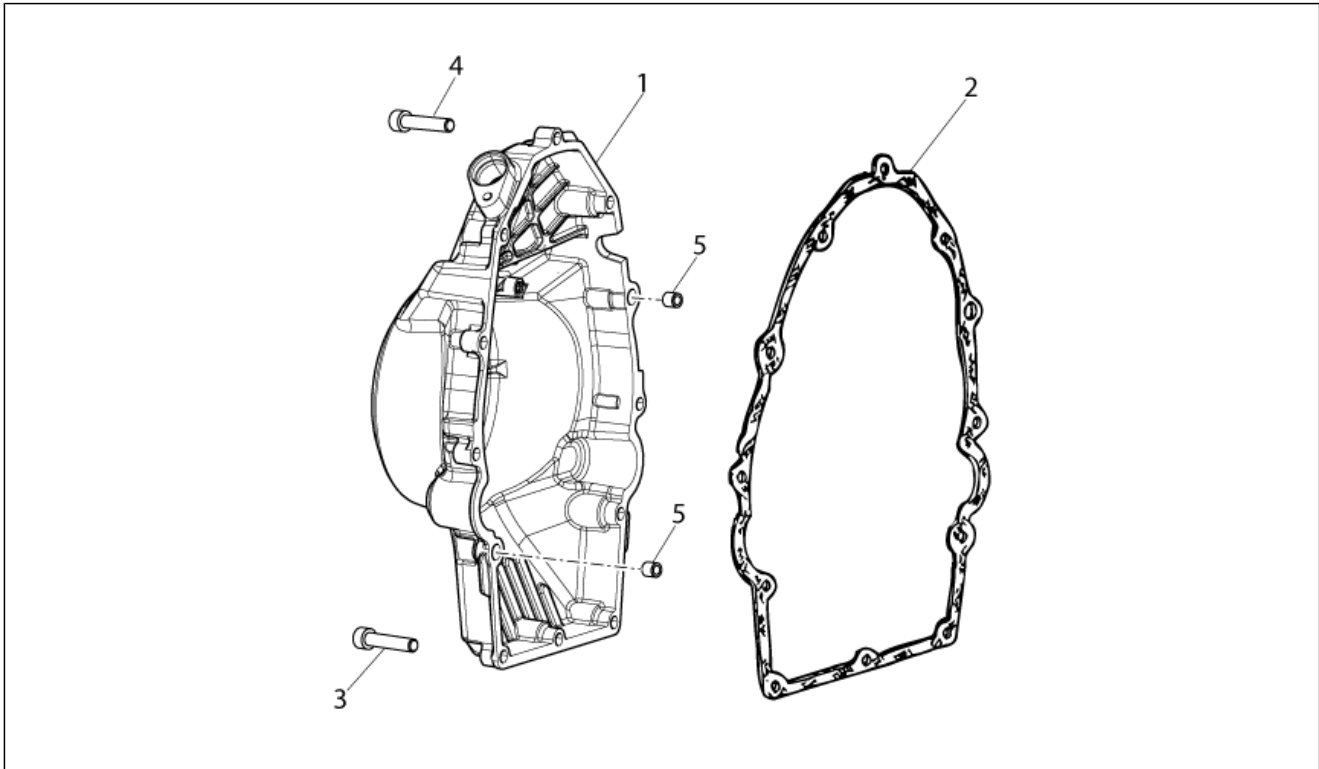
Pos.	Code	Description	Qty	Variants
33	GU19355307	Spacer 1,7 mm	1	
33	GU19355308	Spacer 1,8 mm	1	
33	GU19355309	Spacer 1,9 mm	1	
34	GU20355121	Spacer	1	
35	GU19355200	Shim 0,1 mm	1	
36	GU19355202	Shim 0,15 mm	1	
37	GU90706584	Gasket 58,42x2,62	1	
38	GU90403251	Gasket ring 32x47x10	1	

Group	ENGINE
Code	34.34
Description	Crank-case
Service	1



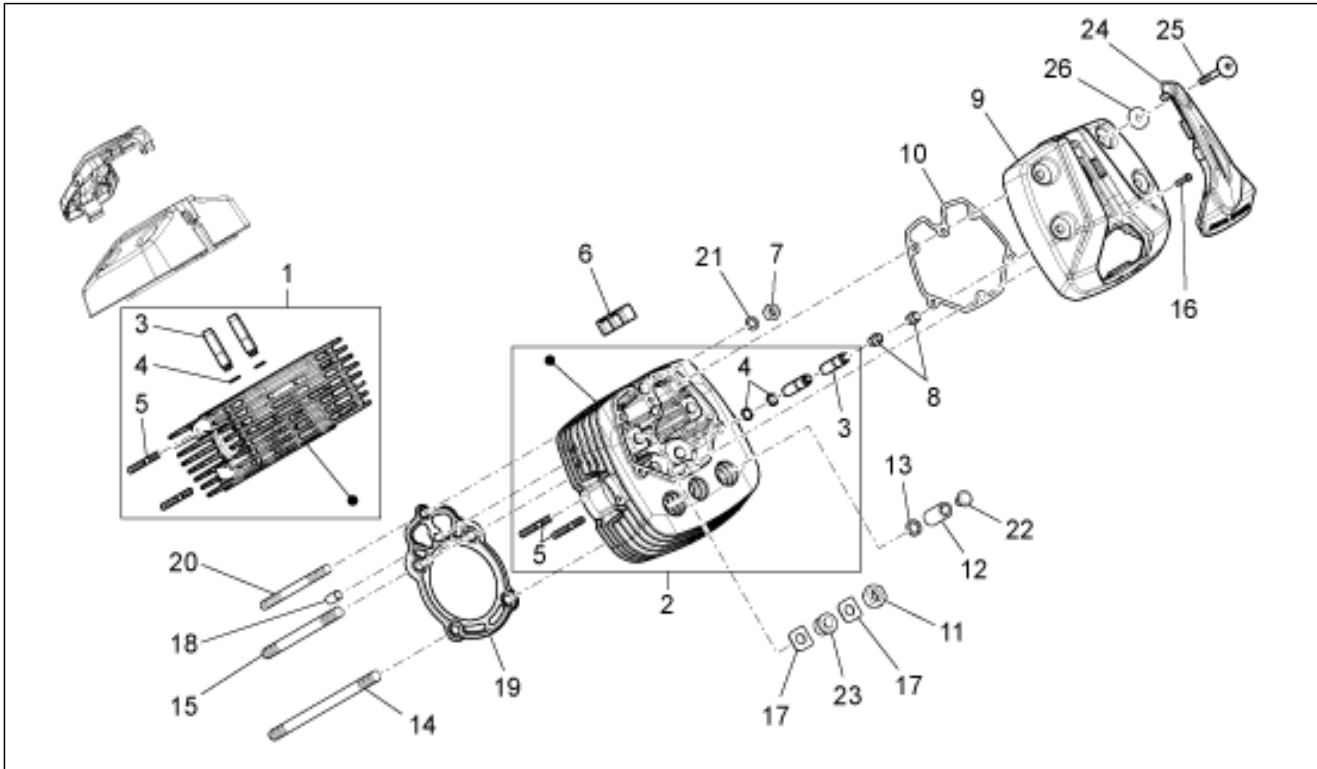
Pos.	Code	Description	Qty	Variants
1	2A000235	***COMPLETE CRANKCASE	1	
2	GU96451560	Stud bolt	4	
3	GU96451430	Stud bolt	4	
4	GU96508055	Stud bolt	2	
5	GU19015020	Bushing	4	
6	GU61270300	Spring washer 8x15x0,3	6	
7	GU92606208	Nut M8x1,25	6	
8	GU19003800	Joint	1	
9	GU90706076	O-ring	2	
10	886365	Gasket ring	1	
11	GU98682325	Hex socket screw M6x25	12	
12	976604	Oil sump black	1	
13	887004	Sump gasket	1	
14	GU31003766	Oil unload plug M10x1	1	
15	GU10528900	Gasket	1	
16	976685	Plug	1	
17	GU90706444	O-ring	1	
18	883826	Oil load plug	1	
19	GU90706281	O-ring 28,24x2,62	1	
20	GU12003702	Oil unload plug	1	
21	GU95100709	Gasket 20,1x28x2	1	
22	GU27152885	Bolt	1	
23	GU12154200	Gasket 8,25x15x1	1	
24	GU32999510	Oil seals - set	1	
25	GU32999010	Gasket set	1	
26	GU13021900	Column nut	4	
27	GU95129180	Washer 10,5X18X0,8	4	
28	2L0001895	Engine assy w/hout transm.	1	

Group	ENGINE
Code	34.35
Description	Timing system cover
Service	1



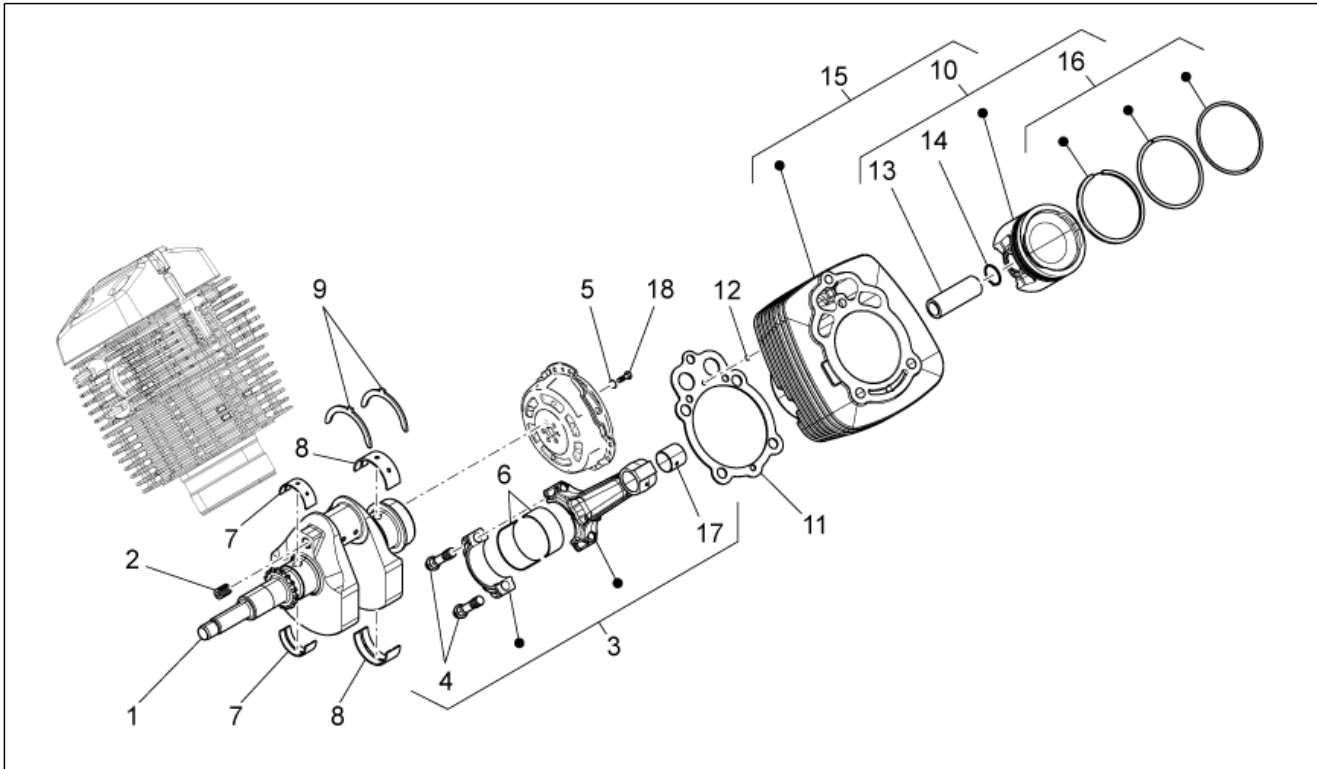
Pos.	Code	Description	Qty	Variants
1	2A000085	Cover	1	
2	887003	Cover gasket	1	
3	GU98682325	Hex socket screw M6x25	10	
4	GU98682330	Hex socket screw M6x20	2	
5	GU19002020	Bushing 6,6x9x13	2	

Group	ENGINE
Code	34.36
Description	Cylinder head
Service	1



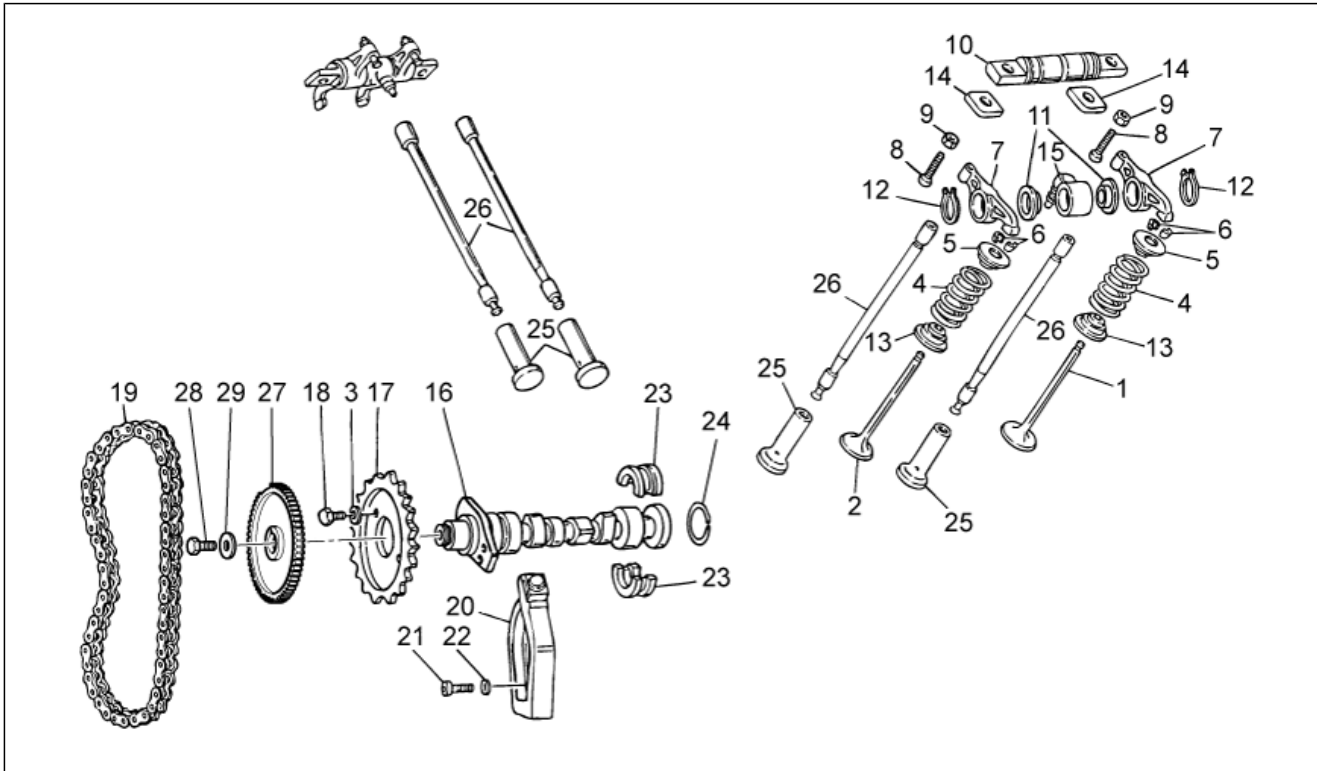
Pos.	Code	Description	Qty	Variants
1	8872724	RH head	1	
2	8872754	LH head	1	
3	GU61036801	Valve guide	4	
4	GU90353009	Snap ring	4	
5	GU96506042	Stud bolt	4	
6	B063111	Damping plug	4	
7	GU19021920	Nut	2	
8	GU19037820	Oil seal	4	
9	887523	Head cover	2	
10	887002	Head cover gasket	2	
11	GU92603010	Nut M10X1,5	4	
12	GU13021900	Column nut	4	
13	GU95129180	Washer 10,5X18X0,8	4	
14	GU96510214	Stud bolt M10x214	4	
15	GU96510181	Stud bolt M10x182	4	
16	GU98692325	Hex socket screw M6x25	4	
17	GU19032980	Spacer	8	
18	GU19021360	Bushing	2	
19	B063099	Cylinder head gasket	2	
20	976898	Stud bolt M8x140	2	
21	GU61270300	Spring washer 8x15x0,3	2	
22	GU93180245	Cover	4	
23	AP8144071	Rubber exhaust	1	
24	887279	Spark plug cover	2	
25	887483	Head cover screw M6x52.5	8	
26	969973	Washer	8	

Group	ENGINE
Code	34.37
Description	Crankshaft cpl.
Service	1



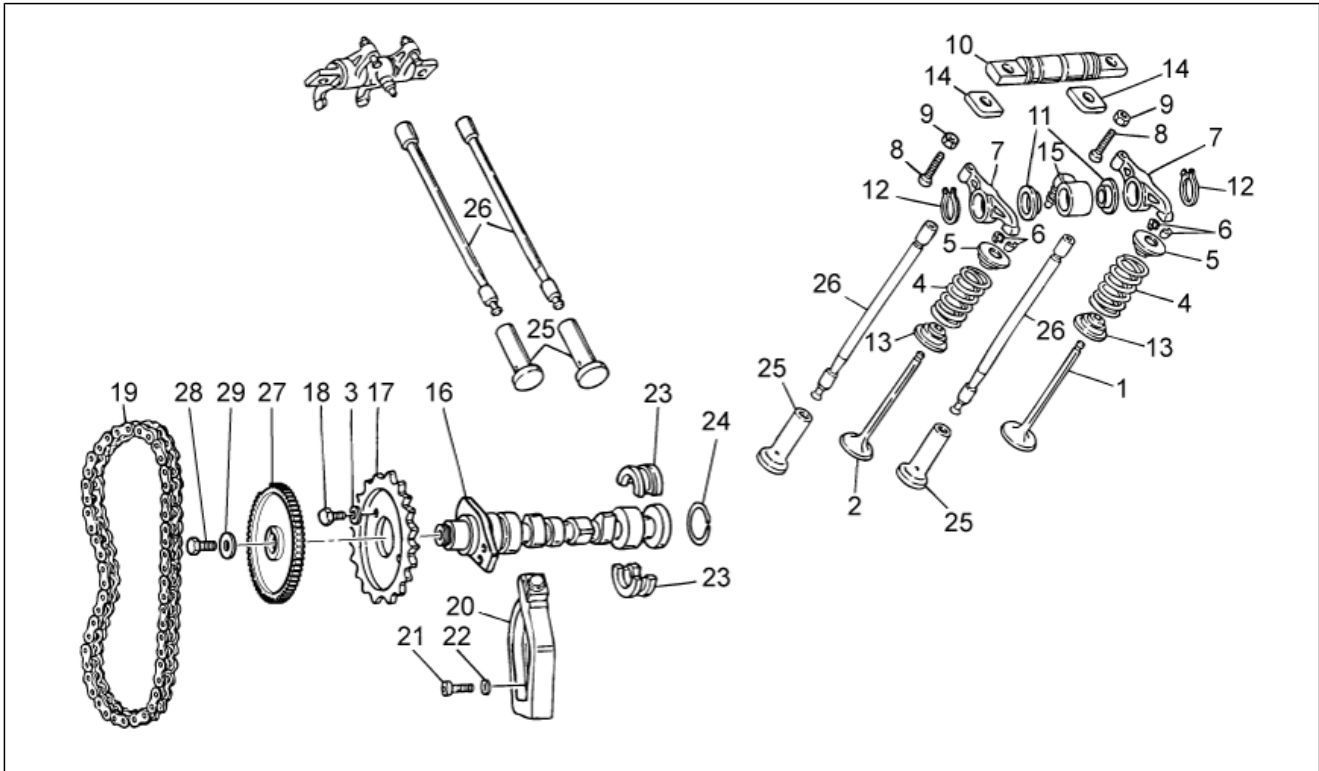
Pos.	Code	Description	Qty	Variants
1	2A0000995	Drive shaft	1	
2	GU19065400	Cover	1	
3	GU27061585	Connecting rod cpl.	2	
4	GU19062261	screw	4	
5	GU14615901	Washer 8,4X13X0,8	6	
6	GU27062060	Bearing half-shell	4	
7	GU27065660	Front main half-bearing	2	
8	GU27066560	Rear main half-bearing	2	
9	GU27066460	Half-clamp	2	
10	8872690001	Piston complete with 80 Cat. D	1	
10	8872690002	Piston complete with 80 Cat. E	1	
10	8872690003	Piston complete with 80 Cat. F	1	
11	886670	Cylinder gasket	2	
12	GU61027200	O-ring	2	
13	B063016	Piston pin	2	
14	874567	Stop ring	4	
15	B063465	Cylinder with piston	2	
16	B063466	Pistonring set	2	
17	GU27061885	Bushing	2	
18	GU19067700	screw	6	

Group	ENGINE
Code	34.38
Description	Timing system
Service	1



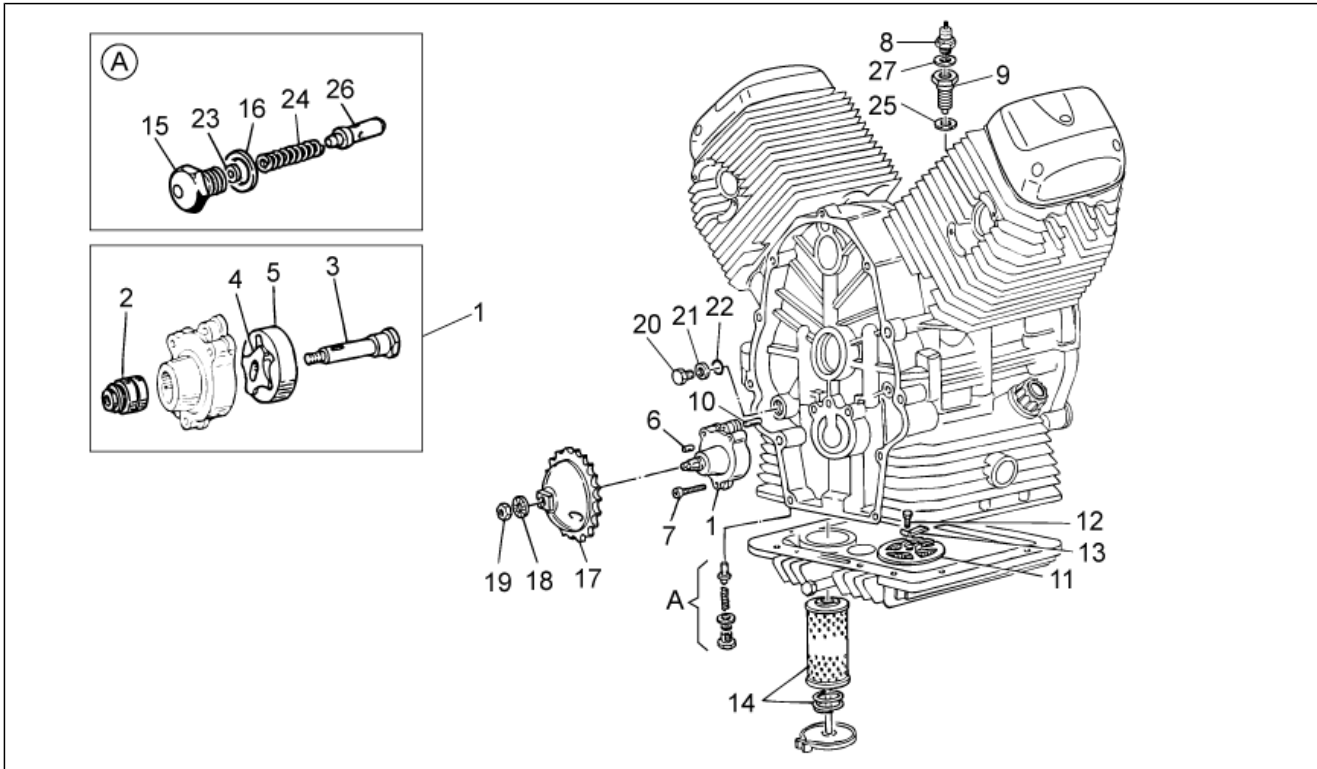
Pos.	Code	Description	Qty	Variants
1	2A000146	Valve, in	2	
2	2A000147	Exhaust valve	2	
3	GU23217800	Safety washer	2	
4	GU27037521	Spring	4	
5	GU31038015	Upper cup	4	
6	GU61038100	Half-cone	8	
7	GU19030500	Rocker arm assy.	4	
8	GU19034000	screw	4	
9	GU92602406	Nut M6x1	4	
10	GU19032080	Rocker shaft	2	
11	GU32032310	Thrust washer	4	
12	GU90271018	Circlip	4	
13	GU31037015	Lower cup	4	
14	GU19032980	Spacer	4	
15	GU19027500	Hose	2	
16	GU32053410	Camshaft	1	
17	GU32054510	Timing system gear	1	
18	GU61054900	Bolt	2	
19	GU19058021	Camshaft chain	1	
20	GU19058220	Chain stretching drive	1	
21	GU98882316	screw	1	
22	GU95129115	Washer	1	
23	GU19055700	Sector	2	
24	GU90353029	Snap ring	1	
25	GU19045861	Tappet	4	
26	GU31045015	Rocker arm rod	4	
27	887528	Wheel speed sensor, left front	1	
28	GU98054422	screw M8x22	1	

Group	ENGINE
Code	34.38
Description	Timing system
Service	1



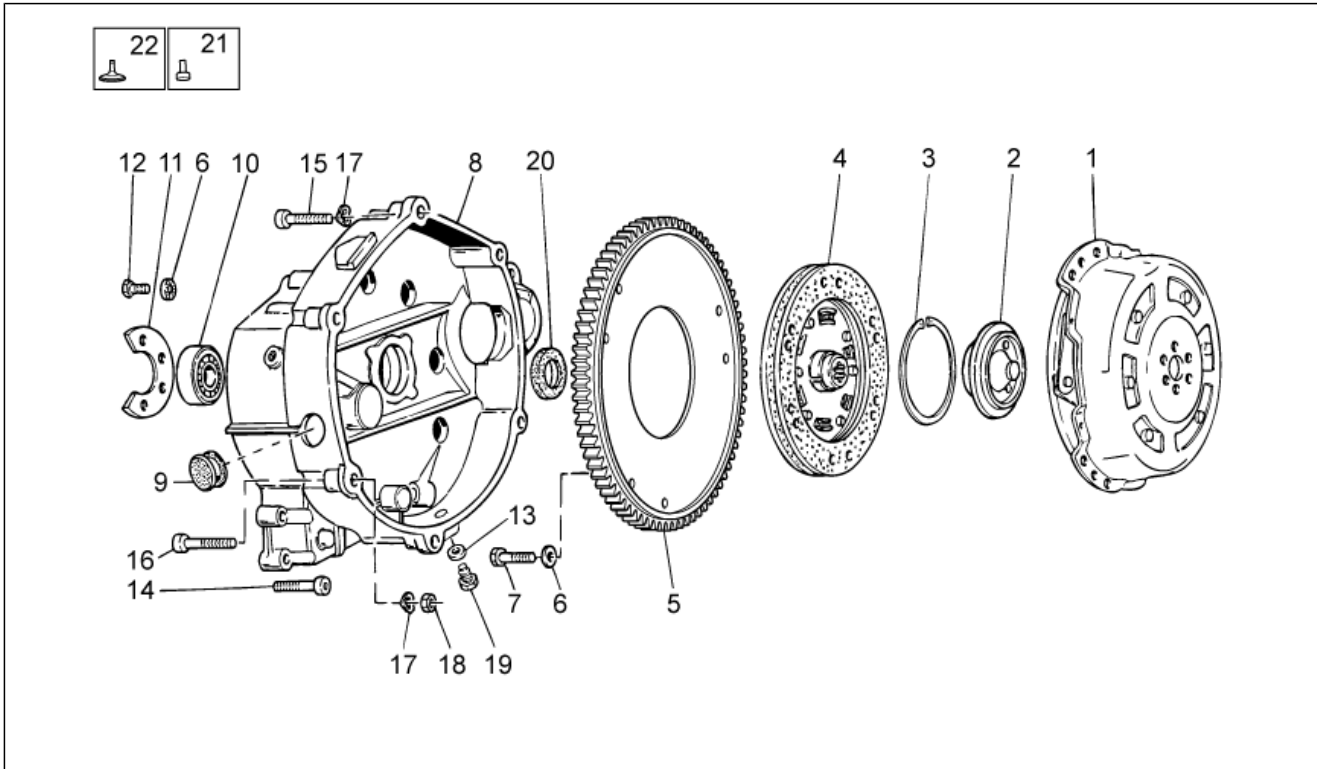
Pos.	Code	Description	Qty	Variants
29	GU95100244	Washer	1	

Group	ENGINE
Code	34.39
Description	Oil pump
Service	1



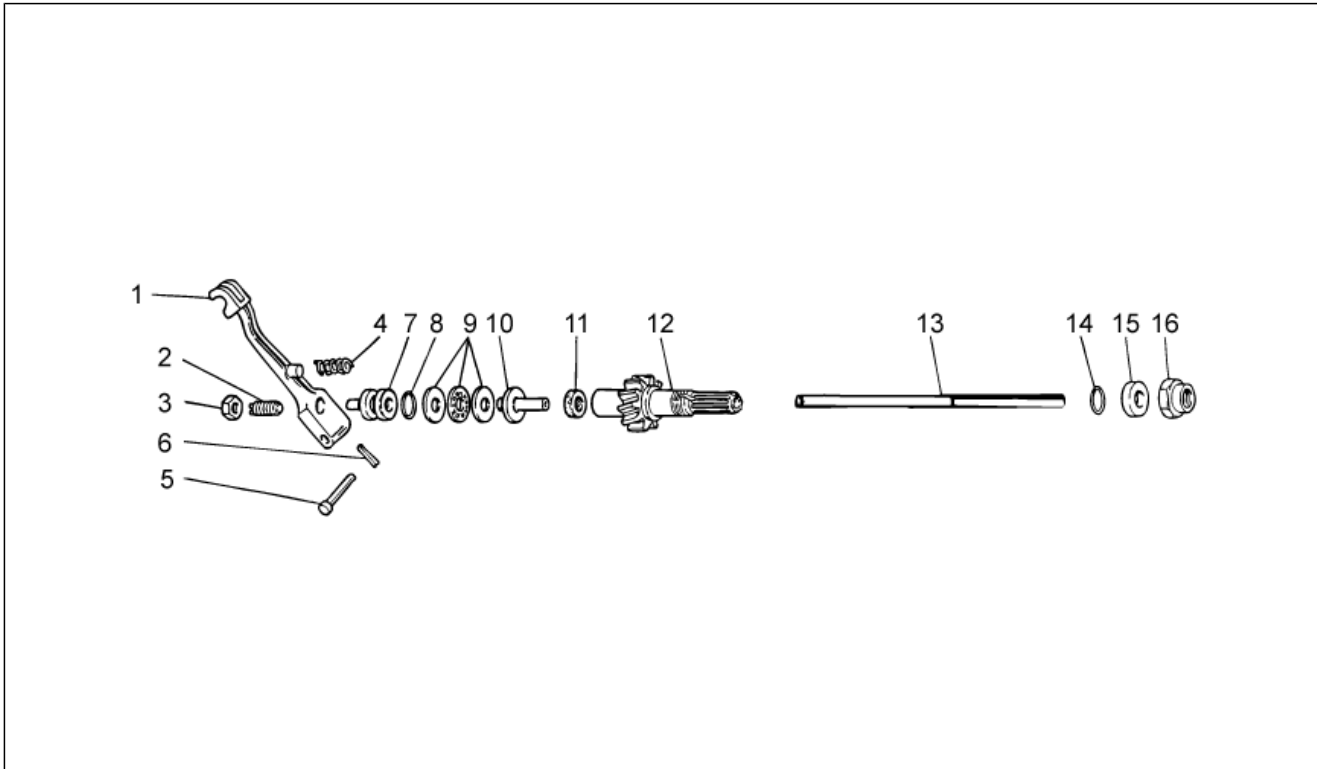
Pos.	Code	Description	Qty	Variants
1	GU19146422	Oil pump	1	
2	GU92252210	Roller bearing 10x22x20	1	
3	GU20147810	Oil pump shaft assy.	1	
4	GU20148410	Inner rotor	1	
5	GU20148610	Outer rotor	1	
6	GU92296723	Roller	1	
7	GU98620335	screw M6x35	3	
8	641541	Oil pressure sensor	1	
9	887093	Union	1	
10	GU19018920	Pin	2	
11	GU19152200	Oil filter	1	
12	GU98084314	Hex screw M6x14	1	
13	GU95187006	Plate	1	
14	GU27153085	Oil filter	1	
15	GU31159050	Cover	1	
16	GU18144350	Washer 18,25x24x1	3	
17	GU20147710	Pump gear	1	
18	AP8152220	Washer	1	
19	GU92602510	Nut M10x1,25	1	
20	GU31016050	Cover	1	
21	GU18161150	Gasket 14,25	1	
22	GU90706111	O-ring	1	
23	GU95008206	Washer 6,15x11x0,8	3	
24	GU94321079	Spring	1	
25	GU95100602	Gasket	1	
26	GU31150950	Piston	1	
27	GU95100309	Washer	1	

Group	ENGINE
Code	34.40
Description	Clutch I
Service	1



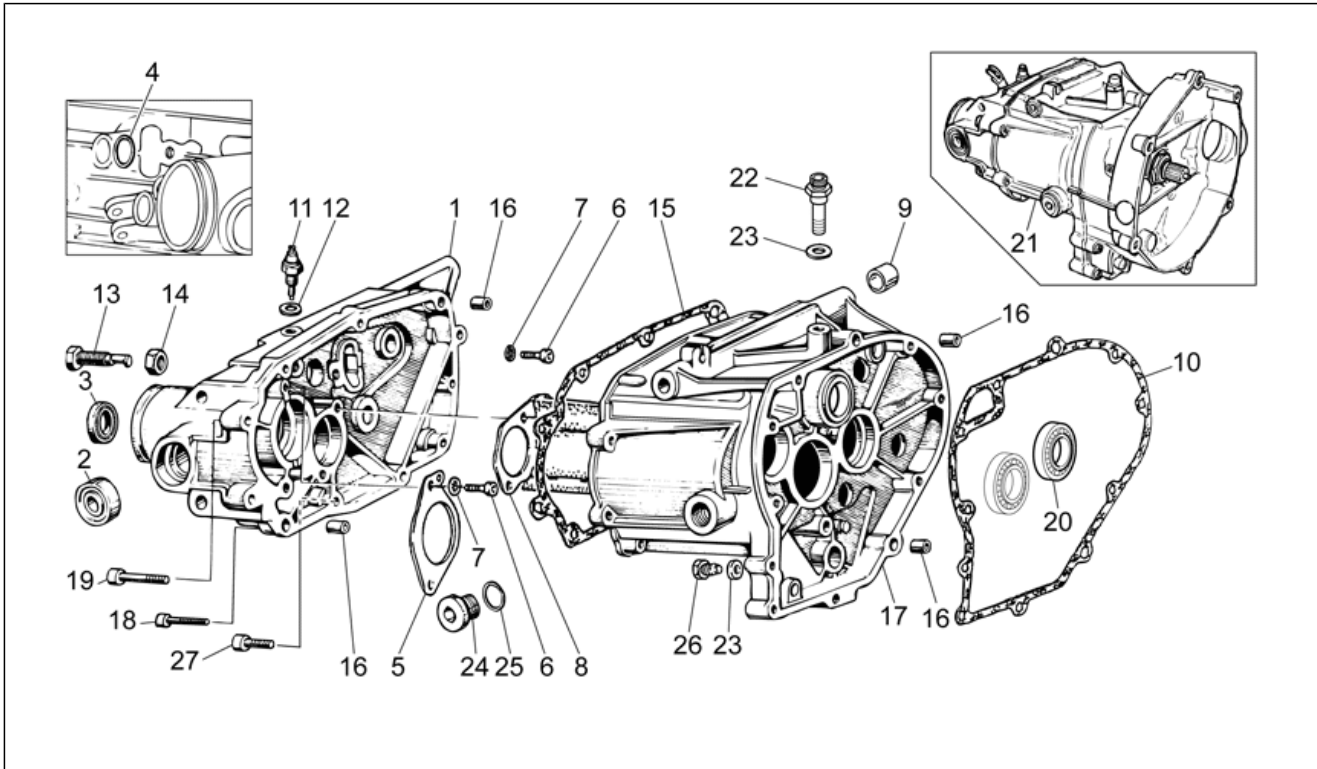
Pos.	Code	Description	Qty	Variants
1	GU32080310	Clutch	1	
2	GU19083462	New cup type	1	
3	GU90272075	Snap ring	1	
4	GU32084410	Driven clutch disc	1	
5	GU32067910	Chain ring	1	
6	GU14217901	Washer 6,4x10x0,7	9	
7	GU98084316	Hex screw	6	
8	2A000106	Clutch drum	1	
9	GU93180220	Cover	1	
10	GU92201225	Bearing 25x52x15	1	
11	GU19203460	Bearing fixing plate	1	
12	GU98084314	Hex screw M6x14	3	
13	GU10528900	Gasket	1	
14	GU98682330	Hex socket screw M6x20	11	
15	GU98680435	Hex socket screw M8x35	5	
16	GU98680450	Hex socket screw M8x50	1	
17	GU61270300	Spring washer 8x15x0,3	6	
18	GU92606208	Nut M8x1,25	1	
19	GU31003766	Oil unload plug M10x1	1	
20	886629	Gasket ring	1	
21	GU23204471	Jet	1	
22	GU23204571	Jet	1	

Group	ENGINE
Code	34.41
Description	Clutch II
Service	1



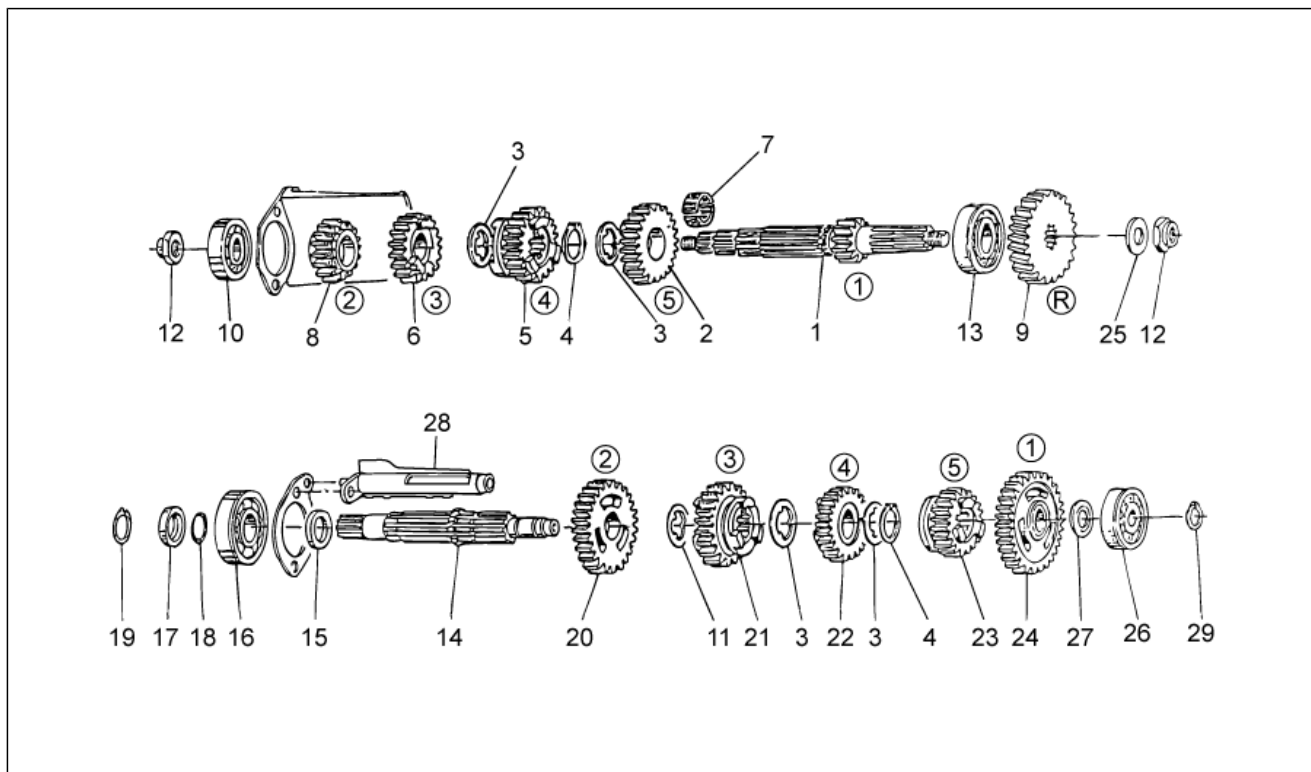
Pos.	Code	Description	Qty	Variants
1	GU14090201	Clutch relese shaft	1	
2	GU14090400	Adjuster screw	1	
3	GU92606508	Nut	1	
4	GU94321105	Lever return spring	1	
5	GU95780271	Pin 7x39	1	
6	GU95500222	Split pin	1	
7	GU14086100	Outer body	1	
8	GU90706170	O-ring 17,13x2,62	1	
9	GU12087001	Thrust bearing	1	
10	GU14086000	Inner body	1	
11	GU90400616	Gasket ring 6x16x7	1	
12	GU27210760	Transmission shaft Z=16	1	
13	GU20085720	Rod	1	
14	GU90706235	O-ring 23,52x1,78	1	
15	GU19213760	Spacer	1	
16	GU19356760	Nut	1	

Group	ENGINE
Code	34.42
Description	Transmission cage
Service	1



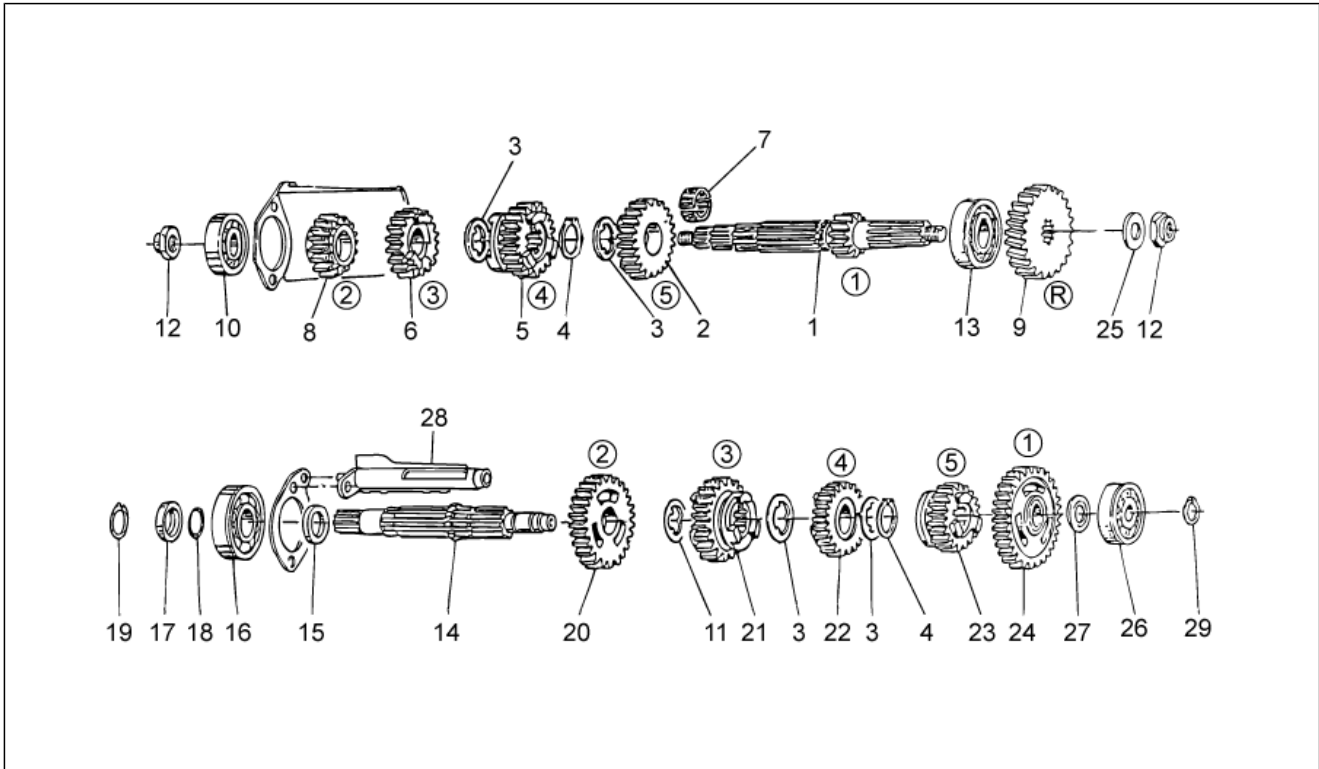
Pos.	Code	Description	Qty	Variants
1	2A000098	Gearbox cover	1	
2	2A000097	Ball bearing 6202-2RSH/C3 LHT23	2	
3	886364	Gasket ring 28x40x7	1	
4	GU90706140	O-ring 13,95x2,92	1	
5	GU32213810	Plate	1	
6	884031	Hex socket screw M6x14	4	
7	GU14217901	Washer 6,4x10x0,7	4	
8	GU32208210	Oil bulhead	1	
9	GU19202320	Bushing 10,25x15,7x8	2	
10	887005	Gasket	1	
11	B063269	Sensor	1	
12	GU12154200	Gasket 8,25x15x1	1	
13	GU19237800	Screw M12x1,25	1	
14	GU92606512	Low nut M12x1,25	1	
15	887006	Gasket	1	
16	GU19002020	Bushing 6,6x9x13	4	
17	887235	Transmission cage	1	
18	GU98682330	Hex socket screw M6x20	5	
19	GU98680435	Hex socket screw M8x35	4	
20	B063342	Ball bearing 6004/C3	1	
21	976992	Gear box assy	1	
22	GU32206510	Breather plug	1	
23	GU10528900	Gasket	2	
24	GU12022600	Oil plug	1	
25	GU90706203	O-ring 20,24x2,62	1	
26	GU31003766	Oil unload plug M10x1	1	
27	AP8150285	Hex socket screw M6x35	2	

Group	ENGINE
Code	34.43
Description	Gear box
Service	1



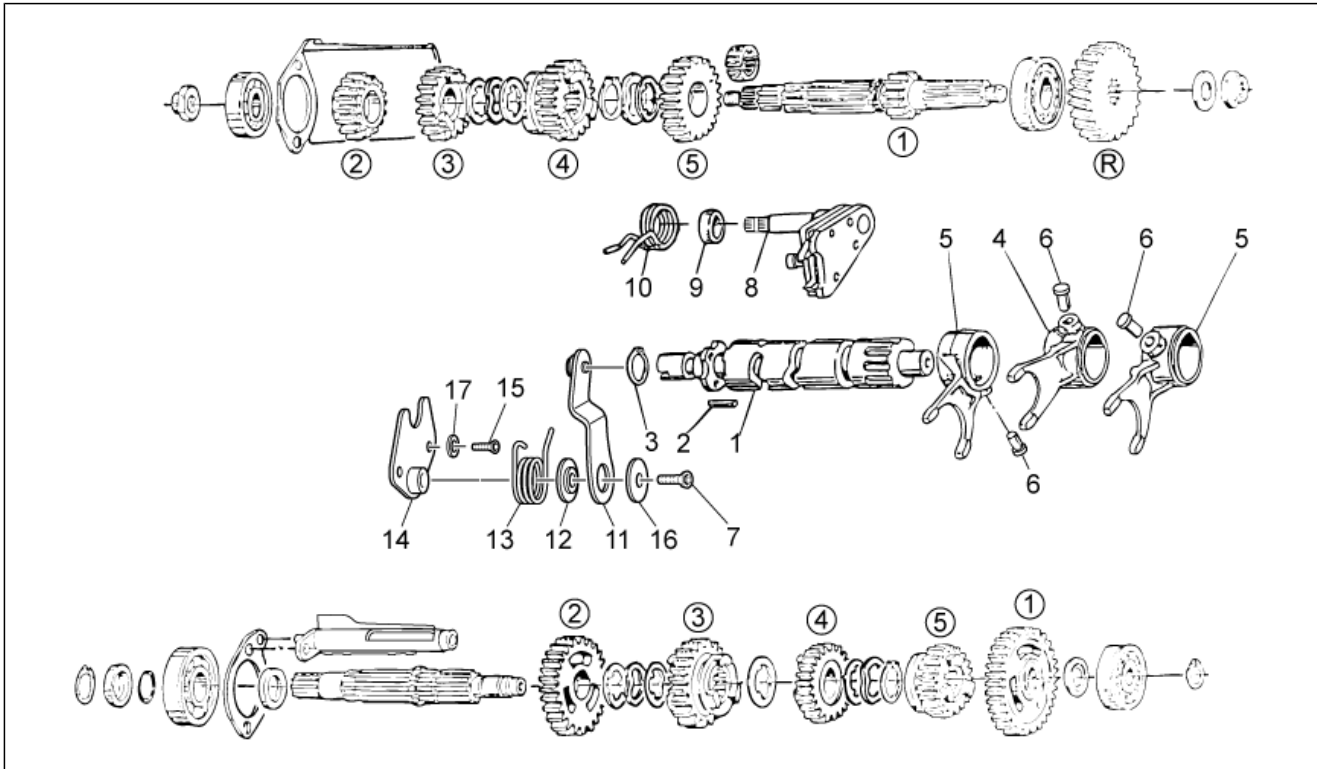
Pos.	Code	Description	Qty	Variants
1	GU32210510	Primary gear shaft Z=11	1	
2	GU32212011	Gear 5a AP Z=25	1	
3	GU19215460	Thrust washer	3	
4	GU90271124	Circlip	2	
5	GU32211810	Gear 4a AP Z=18	1	
6	GU32211410	Gear 3a AP Z=18	1	
7	GU92251028	Roller cage	1	
8	GU23211372	Gear 2a AP Z=14	1	
9	GU32211110	Idle gear AP Z=21	1	
10	GU92218417	Bearing AP 17x40x17,5	1	
11	GU19214660	Clearance washer	2	
12	GU10054100	Nut	2	
13	GU92230320	Bearing AP 20x37x17	1	
14	GU32213610	Driven shaft	1	
15	GU19212900	Spacer	1	
16	GU92201220	Bearing 20X47X14	1	
17	GU19213720	Spacer	1	
18	GU90706188	Gasket ring 18,77X1,78	1	
19	GU90271121	Circlip	1	
20	GU32214510	Gear 2a AS Z=23	1	
21	GU32214810	Gear 3a AS Z=23	1	
22	GU32215010	Gear 4a AS Z=19	1	
23	GU32215210	Gear 5a AS Z=22	1	
24	GU32214010	Gear 1a AS Z=26	1	
25	GU39238100	Clearance washer	1	
26	GU92234716	Bearing	1	
27	GU10214300	Spacer 1,5 mm	1	
27	GU10214301	Spacer 1,7 mm	1	

Group	ENGINE
Code	34.43
Description	Gear box
Service	1



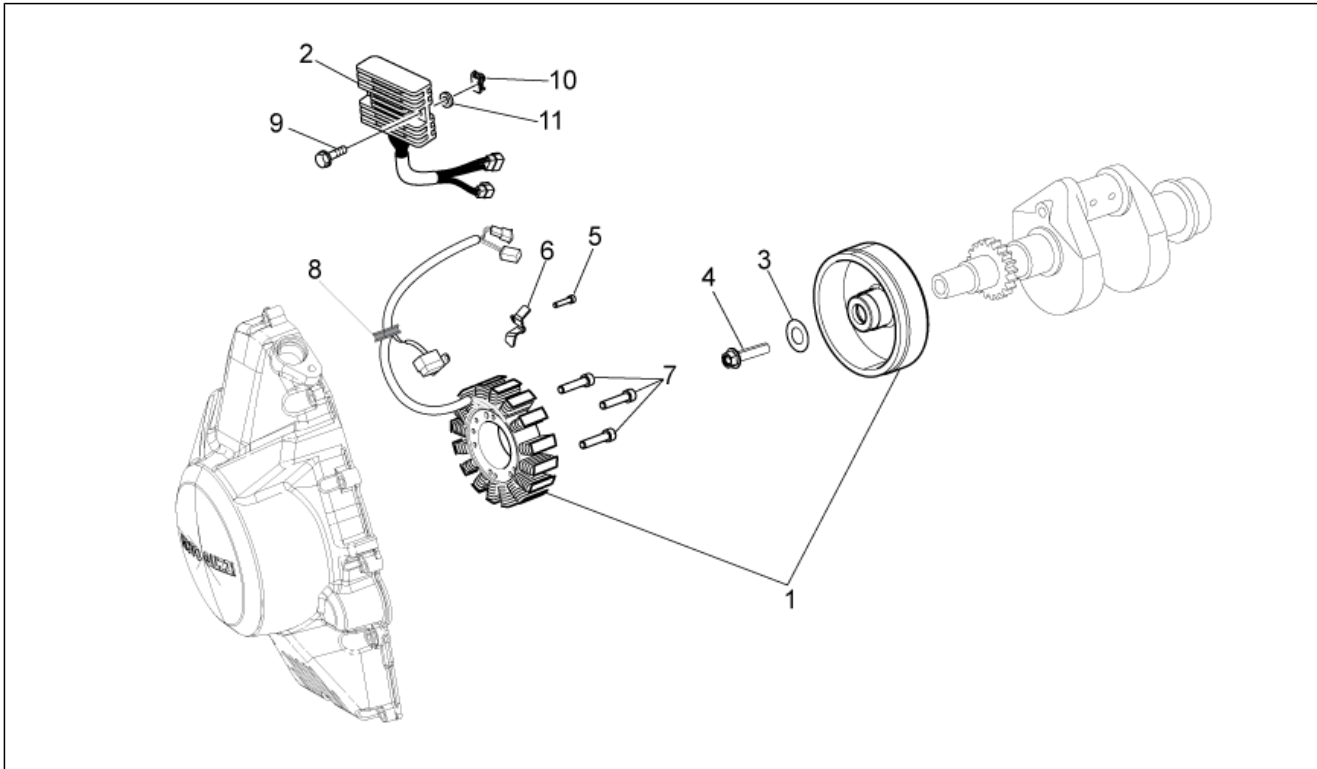
Pos.	Code	Description	Qty	Variants
27	GU10214302	Spacer 1,8 mm	1	
27	GU10214303	Spacer 1,9 mm	1	
27	GU10214304	Washer 2 mm	1	
27	GU10214305	Spacer 2,1 mm	1	
28	GU32202010	Gutter	1	
29	GU90271117	Circlip	1	

Group	ENGINE
Code	34.44
Description	Gear box selector
Service	1



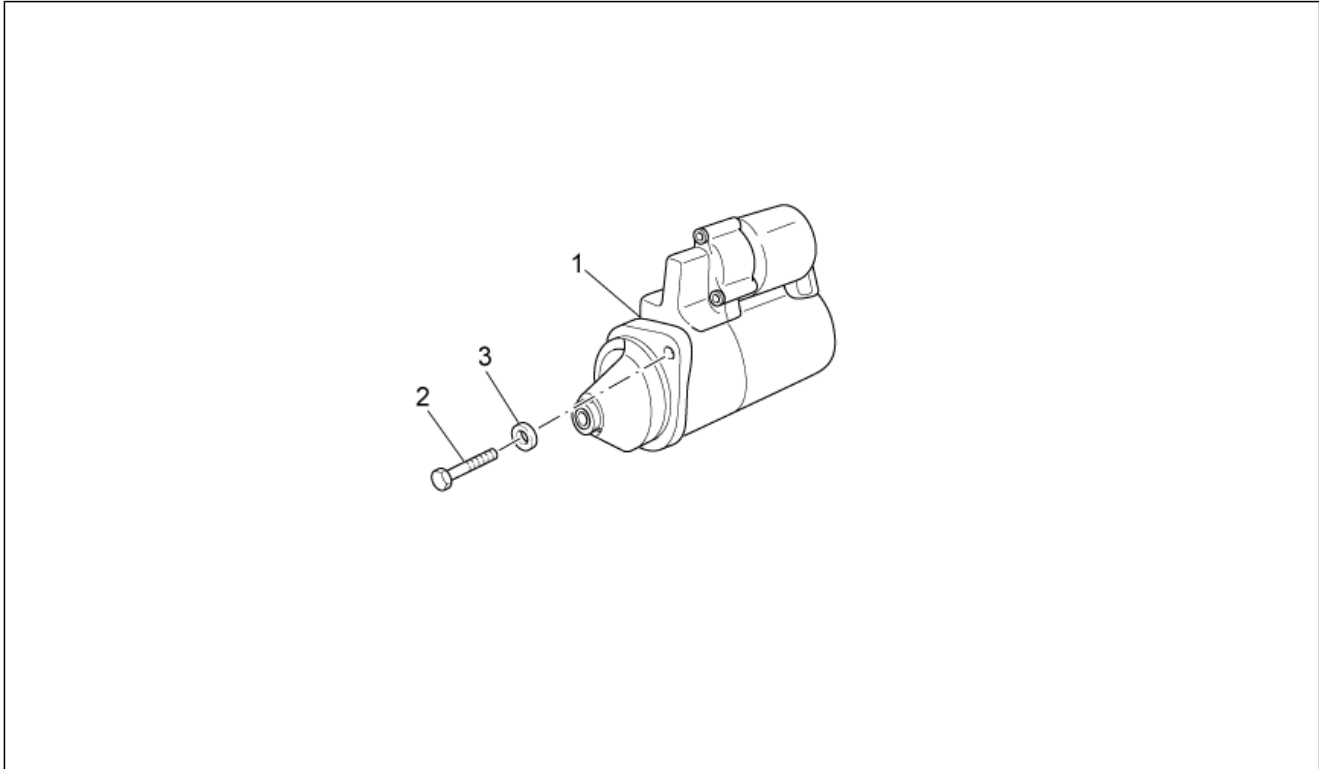
Pos.	Code	Description	Qty	Variants
1	GU32234410	Shift cam	1	
2	GU19234600	Pin	4	
3	GU90274026	Snap ring	1	
4	GU32231210	Fork AP	1	
5	GU32231010	Fork AS	2	
6	GU32233010	Roller	3	
7	GU98230612	screw	1	
8	887196	Preselection complete	1	
9	GU20208520	Spacer	1	
10	GU32238210	Spring	1	
11	GU32234710	Lever	1	
12	GU32234810	Washer	1	
13	GU32234110	Spring	1	
14	GU32235710	plate	1	
15	GU98257618	Screw M6x18	2	
16	GU32234910	Washer 6,4x20x1	1	
17	GU14217901	Washer 6,4x10x0,7	2	

Group	ENGINE
Code	34.45
Description	Generator - Regulator
Service	1



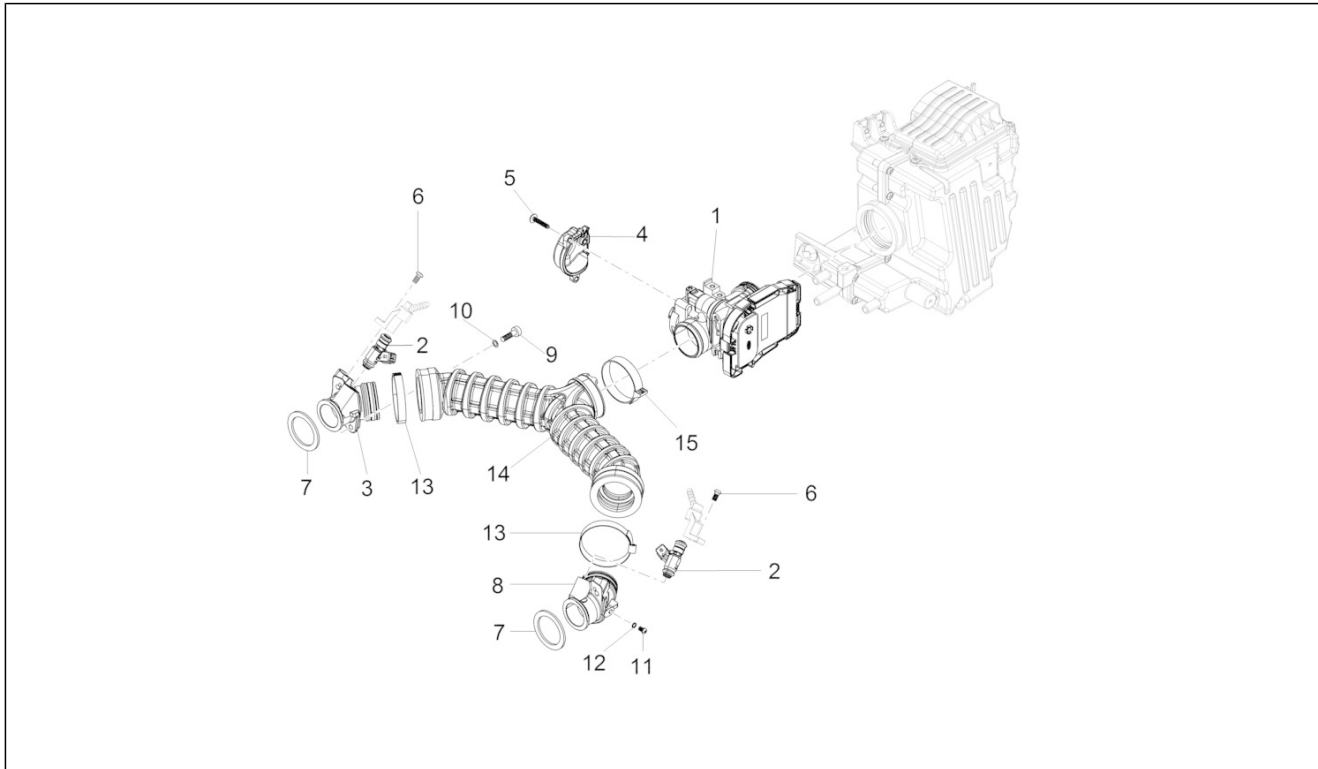
Pos.	Code	Description	Qty	Variants
1	2D000024	Cdi magneto assy	1	
2	2D000043	Voltage regulator	1	
3	897478	Washer 12x26.5x3	1	
4	857206	Screw w/ flange M12X1,25X50	1	
5	GU98682212	Hex socket screw M5x12	1	
6	2A000115	Plate	1	
7	2A000129	Low head socket screw M6x35	3	
8	GU19007700	Rubber spacer	1	
9	AP8152281	Screw w/ flange M6x30	2	
10	254485	Spring plate M6	2	
11	GU95100125	Washer	2	

Group	ENGINE
Code	34.46
Description	Starter motor
Service	1



Pos.	Code	Description	Qty	Variants
1	GU05730730	Starter motor Bosch	1	
2	GU98082435	Hex screw M8x35	2	
3	GU95008208	Washer 8,4X15X1,5	2	

Group	ENGINE
Code	34.47
Description	Throttle body
Service	1



Pos.	Code	Description	Qty	Variants
1	CM228303	Electronic control unit ECU for injection	1	Country:Japan[J]
1	CM228304	Electronic control unit ECU for injection	1	
2	B063049	Injector	2	
3	GU32115010	RH manifold	1	
4	880260	Throttle body Protection	1	
5	B016796	Torx convex big end screw	3	
6	AP8152298	Screw w/ flange M5x16	2	
7	GU32115510	Gasket	2	
8	GU32115011	LH manifold	1	
9	GU98622322	screw	4	
10	GU03013800	Washer 6,4x12	4	
11	GU98310609	screw M6x10	2	
12	GU95100116	Washer 6,25x10x1,5	2	
13	884311	Hose clamp D.61	2	
14	887812	Throttle body hose	1	
15	GU93305061	Hose clamp 61/65,5	1	



PIAGGIO & C.s.p.a.



CATALOGUE DE PIÈCES DE RECHANGE



V7 Special - Stone 750 2012

Préfixe du cadre: ZGULWG00, ZGULWE00

Préfixe du moteur:



Index

Produits finis.....	4
Index alphanumérique.....	5
CHASSIS.....	11
Tableau 33.01 - Chassis I.....	11
Tableau 33.02 - Chassis II.....	12
Tableau 33.03 - Béquille latérale.....	13
Tableau 33.04 - R-pied pilote.....	14
Tableau 33.05 - R-pied pass.....	15
Tableau 33.06 - Levier boîte de vitesses.....	16
Tableau 33.07 - Fourche Av. I.....	17
Tableau 33.08 - Fourche Av. II.....	18
Tableau 33.11 - Amortisseur AR.....	21
Tableau 33.12 - Réservoir essence.....	22
Tableau 33.13 - Carrosserie av. - Garde-boue AV.....	23
Tableau 33.14 - Selle-Carrosserie cent.....	24
Tableau 33.15 - Carrosserie arrière I- Garde-boue.....	26
Tableau 33.16 - Carrosserie arrière II- Porte-plaque.....	27
Tableau 33.17 - Tableau de bord.....	28
Tableau 33.18 - Guidon - Commandes.....	29
Tableau 33.19 - Sys.frein avant.....	30
Tableau 33.21 - Pompe essence.....	31
Tableau 33.22 - Corps filtre.....	32
Tableau 33.23 - Groupe echappement.....	34
Tableau 33.24 - Roue Av. I.....	35
Tableau 33.25 - Roue arrière I.....	36
Tableau 33.26 - Maît.cyl. frein AR.....	37
Tableau 33.27 - Pince frein AR.....	38
Tableau 33.28 - Feux avant.....	39
Tableau 33.29 - Feux arriere.....	41
Tableau 33.30 - Circuit électrique I.....	42
Tableau 33.31 - Circuit électrique II.....	43
Tableau 33.32 - Kit serrure.....	45
Tableau 33.33 - Décalco et plaquettes.....	46
Tableau 33.34 - Roue Av. II.....	48
Tableau 33.35 - Roue arrière II.....	49
Tableau 33.48 - Sys.récup.vap.ess.....	50
MOTEUR.....	51
Tableau 34.09 - Transmission cpl. I.....	51
Tableau 34.10 - Transmission cpl. II.....	52
Tableau 34.34 - Carter.....	55
Tableau 34.35 - Couvercle distribution.....	56
Tableau 34.36 - Tête cylindre.....	57
Tableau 34.37 - Arbre moteur cpl.....	58



Tableau 34.38 - Distribution.....	59
Tableau 34.39 - Pompe huile.....	61
Tableau 34.40 - Embrague I.....	62
Tableau 34.41 - Embrague II.....	63
Tableau 34.42 - Carter de boîte vitesses.....	64
Tableau 34.43 - Boîte de vitesses.....	65
Tableau 34.44 - Selecteur boîte de vitesses.....	67
Tableau 34.45 - Alternateur - Régul.....	68
Tableau 34.46 - Démarreur.....	69
Tableau 34.47 - Corps à papillon.....	70



Produits finis

Code	Validité
GU9032191AUC00	
GU9032191AUC01	
GU9032191AUC02	
GU9032191EUC00	
GU9032191EUC01	
GU9032191EUC02	
GU9032191GBC00	
GU9032191GBC01	
GU9032191GBC02	
GU9032192AUC00	
GU9032192AUC01	
GU9032192AUC02	
GU9032192EUC00	
GU9032192EUC01	
GU9032192EUC02	
GU9032192GBC00	
GU9032192GBC01	
GU9032192GBC02	



Code	N° de tableau	Pos.	Code	N° de tableau	Pos.	Code	N° de tableau	Pos.
080341	33.30	6	886340	33.33	1	887862	33.25	11
248419	33.26	19	88635200XB3	33.13		887873	33.32	1
254485	33.15	4	88635200XN2	33.13	1	887874	33.32	3
254485	33.22	14	88635200XN6	33.13	1	887877	33.29	1
254485	33.23	20	88635200XR7	33.13	1	887878	33.08	1
254485	33.28	20	886364	34.42	3	887879	33.08	2
254485	34.45	13	886670	34.37	21	887880	33.08	3
584211	33.31	10	886679	33.24	18	887881	33.08	40
638733	33.31	6	886679	33.34	6	887882	33.08	5
641040	33.30	8	886680	33.25	20	887883	33.08	6
641541	34.39	8	886680	33.35	8	887884	33.08	7
641725	33.30	7	887002	34.36	10	887885	33.08	8
641901	33.30	4	887003	34.35	2	887886	33.08	9
642034	33.30	3	887004	34.34	13	887887	33.08	10
828708	33.30	12	887005	34.42	10	887888	33.08	11
856063	33.48	14	887006	34.42	15	887889	33.08	12
860138	33.48	7	887044	34.45	10	887890	33.08	13
860651	34.09	19	887093	34.39	9	887891	33.08	14
874567	34.37	14	887194	33.17	1	887892	33.08	15
875173	34.47	5	887195	33.17	1	887893	33.08	16
880260	34.47	4	887196	34.44	8	887894	33.08	17
883011	34.09	11	887207	33.12	1	887895	33.08	18
883015	33.05	13	887213	34.42	1	887896	33.08	19
883019	33.05	12	887235	34.42	17	887898	33.08	21
883051	33.04	1	8872690001	34.37	10	887899	33.08	22
883052	33.04	2	8872690002	34.37	10	887900	33.08	23
883127	33.22	6	8872690003	34.37	10	887901	33.08	24
883161	33.31	11	8872724	34.36	1	887902	33.08	25
883192	33.27	7	8872754	34.36	2	887903	33.08	26
883266	33.13	2	887279	34.36	24	887904	33.08	27
883293	33.23	15	887431	33.27	3	887905	33.08	28
883294	33.23	4	887443	33.33	9	887906	33.08	39
883295	33.14	5	887448	33.25	12	887908	33.26	26
883297	33.23	13	887448	33.35	12	887910	33.26	1
883298	33.23	14	887449	33.27	1	887911	33.26	24
883303	33.19	13	887457	33.27	6	887912	33.08	30
883349	33.25	8	887481	33.30	12	887913	33.08	31
883350	33.25	7	887483	34.36	25	887914	33.08	32
883417	33.28	18	887523	34.36	9	887915	33.08	33
883470	33.16	6	887528	34.38	27	887916	33.08	34
883471	33.03	1	887571	33.34	1	887917	33.08	35
883476	33.32	3	887573	33.35	1	887918	33.08	36
883477	33.32	1	887768	33.21	1	887926	33.33	4
883478	33.29	5	887787	33.21	5	887928	33.33	5
883479	33.29	1	887812	34.47	14	887929	33.33	6
883480	33.16	9	887815	33.22	13	887930	33.33	2
883569	33.17	11	887822	33.18	15	887931	33.33	3
883598	33.33	7	887825	33.30	1	887933	33.33	5
883688	33.24	10	887825	33.31	1	887934	33.33	6
883688	33.34	10	887826	33.28	4	88793500Z1	33.12	1
883704	33.23	25	887826	33.29	4	88793600Z1	33.12	1
883802	33.18	10	887827	33.28	5	88793700XR7	33.14	10
883826	34.34	18	887827	33.29	5	88793800XR7	33.14	17
883877	34.45	1	887837	33.01	1	88793900A1	33.14	1
883878	34.45	2	8878421	33.22	1	88794000XN6	33.12	1
883941	33.18	3	887843	33.22	2	88794100XN6	33.12	1
884031	34.42	6	887844	33.22	11	88794200XN6	33.14	10
884032	34.40	14	887845	33.22	12	88794300XN6	33.14	17
884035	33.11	1	887846	33.23	1	887944	33.12	1
884038	34.40	7	887847	33.23	2	887948	33.30	13
884039	34.35	8	887851	33.06	1	887952	33.26	27
884039	34.39	7	887852	33.18	4	890760	33.22	16
884136	33.23	11	887853	33.18	5	890979	33.28	16
884137	33.23	10	887854	33.33	10	893570	33.31	19
884344	33.33	20	887858	33.24	5	894505	33.25	13
884345	33.33	19	887859	33.24	1	894505	33.35	13
884346	33.33	18	887861	33.25	1	894704	33.31	26



Code	N° de tableau	Pos.	Code	N° de tableau	Pos.	Code	N° de tableau	Pos.
895839	33.33	8	AP8113003	33.27	20	AP8152220	34.39	18
896110	33.23	21	AP8113241	33.26	22	AP8152268	33.16	12
898086	33.07	7	AP8113288	33.26	16	AP8152273	33.21	4
898164	33.11	3	AP8113553	33.26	23	AP8152277	33.04	7
967356	33.03	6	AP8120116	33.22	27	AP8152277	33.05	8
969973	34.36	26	AP8120246	34.09	10	AP8152277	33.19	3
976600	34.34	1	AP8120311	33.01	13	AP8152278	33.11	2
976603	34.35	1	AP8120416	33.30	18	AP8152278	33.15	3
976604	34.34	12	AP8120416	33.31	27	AP8152279	33.15	9
976608	34.10	1	AP8120416	33.48	11	AP8152281	34.45	12
976685	34.34	16	AP8120446	33.48	9	AP8152286	33.24	11
976941	34.09	1	AP8120455	33.22	9	AP8152286	33.34	11
976991	34.34	28	AP8120557	33.12	11	AP8152287	33.02	13
976992	34.42	21	AP8120615	33.22	10	AP8152288	33.02	15
97724R	33.07	1	AP8120772	33.22	20	AP8152288	33.27	9
977527	33.14	6	AP8120870	33.23	24	AP8152298	33.26	18
977527	33.32	4	AP8120876	33.22	8	AP8152298	34.47	6
978311	33.28	2	AP8120912	33.06	2	AP8152299	33.15	14
978323	33.19	15	AP8120912	33.26	2	AP8152299	33.27	22
978385	33.23	12	AP8121014	33.03	3	AP8152299	33.30	5
978415	33.14	8	AP8121032	33.15	13	AP8152299	33.48	5
978415	33.32	9	AP8121032	33.17	7	AP8152300	33.02	14
978570	33.18	10	AP8121072	33.23	22	AP8152300	33.27	13
978662	33.28	2	AP8121133	33.05	6	AP8152306	33.16	5
978931	33.14	1	AP8121267	33.48	10	AP8152329	33.15	11
978938	34.47	19	AP8121307	33.07	4	AP8152329	33.22	18
978939	34.47	20	AP8121367	33.02	10	AP8152339	33.14	14
978941	33.14	9	AP8121375	33.03	2	AP8152385	33.19	16
978942	33.14	11	AP8121420	33.14	7	AP8152409	33.04	9
978944	33.14	16	AP8121420	33.32	8	AP8152409	33.05	9
978946	33.15	1	AP8121607	33.03	2	AP8157100	33.33	13
97894600XB3	33.15	1	AP8121673	33.12	12	AP8181140	33.31	24
97894600XN2	33.15	1	AP8121915	33.19	14	AP8201358	33.22	3
97894600XN6	33.15	1	AP8121915	33.27	8	AP8201358	33.22	34
97894600XR7	33.15	1	AP8124718	33.16	7	AP8201358	33.48	13
978947	33.15	2	AP8124936	33.30	2	AP8213028	33.18	23
978949	33.16	1	AP8127856	33.03	8	AP8213057	33.26	15
978951	33.01	12	AP8133643	33.26	14	AP8213388	33.18	18
978952	33.01	16	AP8133798	33.27	2	AP8213575	33.27	23
978960	33.18	1	AP8133799	33.27	11	AP8220283	33.31	22
978969	33.26	3	AP8133800	33.27	12	AP8220460	33.07	6
978970	33.26	13	AP8134378	33.23	18	AP8220488	34.47	23
978972	33.08	30	AP8134448	33.16	2	AP8221023	33.22	26
978973	33.08	31	AP8134451	33.05	5	AP8221114	33.48	16
978974	33.08	19	AP8134829	33.04	8	AP8221197	33.03	5
978976	33.08	21	AP8134829	33.05	4	AP8221277	33.04	6
978977	33.08	29	AP8144007	33.26	4	AP8224164	33.16	3
978978	33.08	4	AP8144071	33.23	16	AP8224462	33.31	21
981070	34.40	8	AP8144071	34.36	23	AP8257609	33.33	16
981149	33.28	12	AP8144081	33.07	5	AP8257742	33.33	14
AP8101594	33.26	20	AP8144146	33.07	3	AP8257794	33.33	15
AP8101595	33.12	10	AP8144538	33.22	15	AP9150435	34.40	20
AP8101861	33.05	7	AP8144553	33.22	7	B043850	33.31	23
AP8102159	33.22	24	AP8144729	33.22	17	B045974	33.33	17
AP8102159	33.22	29	AP8145034	33.04	3	B063016	34.37	13
AP8102159	33.48	6	AP8145035	33.04	10	B063018	34.37	11
AP8102375	33.14	15	AP8149034	33.16	11	B063019	34.37	15
AP8102375	33.31	14	AP8150248	33.16	13	B063020	34.37	12
AP8102524	33.03	4	AP8150285	34.42	27	B063022	33.23	3
AP8102678	33.48	1	AP8150349	33.17	10	B063033	33.21	2
AP8102688	33.48	2	AP8150349	33.32	6	B063034	33.21	6
AP8102766	33.22	23	AP8150377	33.28	13	B063049	34.47	2
AP8102913	33.14	3	AP8150377	33.31	20	B063086	33.03	1
AP8104251	33.22	28	AP8150436	33.02	12	B063099	34.36	19
AP8104509	33.18	9	AP8150450	33.14	12	B063111	34.36	6
AP8104525	33.22	5	AP8150509	33.22	19	B063120	33.33	4
AP8104924	33.22	4	AP8152220	33.02	11	B063121	33.33	5



Code	N° de tableau	Pos.	Code	N° de tableau	Pos.	Code	N° de tableau	Pos.
B063122	33.33	6	GU03163330	33.31	3	GU14615901	34.37	5
B06312300Z2	33.12	1	GU03270300	33.26	11	GU14616150	33.24	15
B06312500XN2	33.14	10	GU03270300	33.27	10	GU14616150	33.25	10
B06312600XN2	33.14	17	GU03530529	33.08	2	GU14616150	33.34	7
B063132	33.04	13	GU03530530	33.08	1	GU14616150	33.35	10
B063135	33.18	6	GU03530551	33.08	12	GU18144350	34.39	16
B063144	33.24	3	GU03604845	33.19	8	GU18161150	34.39	21
B063167	33.15	12	GU03605645	33.19	9	GU18257551	33.26	8
B063197	33.02	1	GU03609600	33.18	14	GU19002020	34.35	5
B063198	33.02	2	GU03612040	33.24	16	GU19002020	34.42	16
B063213	33.22	30	GU03617710	33.34	5	GU19003800	34.34	8
B063214	33.22	21	GU03617710	33.35	6	GU19007700	34.35	10
B063233	33.31	5	GU03631250	33.24	4	GU19007700	34.45	8
B063252	33.33	10	GU03631250	33.25	9	GU19015020	34.34	5
B063269	34.42	11	GU03658201	33.27	16	GU19017000	33.02	4
B063287	33.01	4	GU03658330	33.27	17	GU19018920	34.39	10
B063342	34.42	20	GU03658430	33.27	14	GU19021360	34.36	18
B063429	33.14	18	GU03660145	33.19	1	GU19021920	34.36	7
B063431	33.14	19	GU03661145	33.19	6	GU19025280	33.23	5
B063443	33.26	28	GU03664045	33.19	7	GU19025460	33.23	6
B063465	34.37	19	GU03740930	33.29	2	GU19027500	34.38	15
B063466	34.37	16	GU03749845	33.19	5	GU19030500	34.38	7
B063735	33.28	14	GU03922280	34.09	23	GU19032080	34.38	10
B063735	33.29	6	GU03995730	33.33	12	GU19032980	34.36	17
B063749	33.11	1	GU04000500	34.34	10	GU19032980	34.38	14
B063800	33.28	4	GU05107430	33.21	3	GU19034000	34.38	8
B063801	33.28	5	GU05659230	33.19	10	GU19037820	34.36	8
B063840	34.47	21	GU05730730	34.46	1	GU19045861	34.38	25
B063853	34.47	22	GU05781630	33.16	14	GU19055700	34.38	23
CM001928	33.07	8	GU05900130	33.33	11	GU19058021	34.38	19
CM001929	33.07	9	GU06740200	33.28	12	GU19058220	34.38	20
CM007423	33.30	9	GU06740400	33.28	17	GU19062261	34.37	4
CM0074C9	33.30	10	GU06740401	33.28	17	GU19065400	34.37	2
CM013202	33.31	25	GU06740500	33.28	2	GU19067700	34.37	18
CM225705	33.31	15	GU06740501	33.28	2	GU19083462	34.40	2
CM225710	33.31	16	GU06917300	33.33	1	GU19146422	34.39	1
CM225715	33.31	17	GU06917400	33.33	2	GU19152200	34.39	11
CM225730	33.31	18	GU10054100	34.43	12	GU19202320	34.42	9
CM228301	34.47	1	GU10214300	34.43	27	GU19203460	34.40	11
GU00823923140	33.03	7	GU10214301	34.43	27	GU19206501	34.10	10
GU00823923140	33.22	32	GU10214302	34.43	27	GU19212900	34.43	15
GU00823923140	33.48	12	GU10214303	34.43	27	GU19213720	34.43	17
GU00823931055	33.28	19	GU10214304	34.43	27	GU19213760	34.41	15
GU00823931070	33.12	14	GU10214305	34.43	27	GU19214660	34.43	11
GU00823944050	33.12	13	GU10528900	34.34	15	GU19215460	34.43	3
GU00823950050	33.26	21	GU10528900	34.40	13	GU19234600	34.44	2
GU01528930	34.10	9	GU10528900	34.42	23	GU19237800	34.42	13
GU01530568	33.08	6	GU12003702	34.34	20	GU19327601	34.09	5
GU01530571	33.08	9	GU12022600	34.10	6	GU19328801	34.09	3
GU01609630	33.18	14	GU12022600	34.42	24	GU19350700	34.10	22
GU01654630	33.19	17	GU12087001	34.41	9	GU19351100	34.10	4
GU01659130	33.19	11	GU12154200	34.34	23	GU19351900	34.10	2
GU01659131	33.19	12	GU12154200	34.42	12	GU19352300	34.10	23
GU01665410	33.26	25	GU13021900	34.34	26	GU19353500	34.10	24
GU01721600	33.30	14	GU13021900	34.36	12	GU19355200	34.10	35
GU02717450	33.30	11	GU14086000	34.41	10	GU19355202	34.10	36
GU03013800	33.06	7	GU14086100	34.41	7	GU19355300	34.10	33
GU03013800	33.23	8	GU14090201	34.41	1	GU19355301	34.10	33
GU03013800	34.47	10	GU14090400	34.41	2	GU19355302	34.10	33
GU03067730	34.10	19	GU14217901	34.40	6	GU19355303	34.10	33
GU03101600	33.12	7	GU14217901	34.42	7	GU19355304	34.10	33
GU03101720	33.12	5	GU14217901	34.44	17	GU19355305	34.10	33
GU03101900	33.12	3	GU14609650	33.30	18	GU19355306	34.10	33
GU03102200	33.12	6	GU14609650	33.31	27	GU19355307	34.10	33
GU03102400	33.12	2	GU14615901	33.05	15	GU19355308	34.10	33
GU03103200	33.12	8	GU14615901	33.13	5	GU19355309	34.10	33
GU03103500	33.12	4	GU14615901	34.09	20	GU19355320	34.10	27



Code	N° de tableau	Pos.	Code	N° de tableau	Pos.	Code	N° de tableau	Pos.
GU19355321	34.10	27	GU29759150	33.18	17	GU32231010	34.44	5
GU19355322	34.10	27	GU30512830	33.08	23	GU32231210	34.44	4
GU19355323	34.10	27	GU30525861	33.08	11	GU32233010	34.44	6
GU19355324	34.10	27	GU30526761	33.08	5	GU32234110	34.44	13
GU19355325	34.10	27	GU30577800	33.29	13	GU32234410	34.44	1
GU19355326	34.10	27	GU30577800	34.47	17	GU32234710	34.44	11
GU19355327	34.10	27	GU30601060	33.18	13	GU32234810	34.44	12
GU19355328	34.10	27	GU30602500	33.18	22	GU32234910	34.44	16
GU19355329	34.10	27	GU30630430	33.25	19	GU32235710	34.44	14
GU19355400	34.10	21	GU30714201	34.45	3	GU32238210	34.44	10
GU19355402	34.10	21	GU31003766	34.10	8	GU32256910	33.06	4
GU19355404	34.10	21	GU31003766	34.34	14	GU32257810	33.06	8
GU19355406	34.10	21	GU31003766	34.40	19	GU32350410	34.10	13
GU19355408	34.10	21	GU31003766	34.42	26	GU32351410	34.10	16
GU19355410	34.10	21	GU31016050	34.39	20	GU32354610	34.10	18
GU19355411	34.10	21	GU31037015	34.38	13	GU32431310	33.02	9
GU19355412	34.10	21	GU31038015	34.38	5	GU32432711	33.03	11
GU19355413	34.10	21	GU31045015	34.38	26	GU32433011	33.03	6
GU19356700	34.10	30	GU31112965	33.22	33	GU32434460	33.13	1
GU19356760	34.41	16	GU31121880	33.23	9	GU32439260	33.48	3
GU19356801	34.10	28	GU31150950	34.39	26	GU32441210	33.04	5
GU19357660	34.10	25	GU31159050	34.39	15	GU32441210	33.05	3
GU19547000	34.09	12	GU31327783	34.09	2	GU32442310	33.05	1
GU20036020	34.38	1	GU31439565	33.13	4	GU32442710	33.05	10
GU20036120	34.38	2	GU31504583	33.08	17	GU32443210	33.04	4
GU20085720	34.41	13	GU31513480	33.08	20	GU32443210	33.05	2
GU20147710	34.39	17	GU31544181	34.09	15	GU32443211	33.04	11
GU20147810	34.39	3	GU31547882	34.09	14	GU32443211	33.05	11
GU20148410	34.39	4	GU31610160	33.24	17	GU32457810	33.01	11
GU20148610	34.39	5	GU31614183	33.24	9	GU32461610	33.14	2
GU20208520	34.44	9	GU31614183	33.34	9	GU32461610	33.14	2
GU20258221	33.06	9	GU31615283	33.24	6	GU32504210	33.08	35
GU20352421	34.10	31	GU31615283	33.34	2	GU32506360	33.28	1
GU20355121	34.10	34	GU31616384	33.24	12	GU32517710	33.31	8
GU23204471	34.40	21	GU31616384	33.34	12	GU32525410	33.08	10
GU23204571	34.40	22	GU31634281	33.27	4	GU32526310	33.08	16
GU23211372	34.43	8	GU31634481	33.25	15	GU32526610	33.08	15
GU23217800	34.38	3	GU31634481	33.35	15	GU32530501	33.08	8
GU23328081	34.09	7	GU31712365	34.45	9	GU32530502	33.08	13
GU23548080	34.09	8	GU31740383	33.28	11	GU32530503	33.08	14
GU23548180	34.09	9	GU32001610	34.35	6	GU32530504	33.08	28
GU23922210	33.17	12	GU32032310	34.38	11	GU32530505	33.08	34
GU23943410	33.08	36	GU32053410	34.38	16	GU32530506	33.08	24
GU27001136	34.35	7	GU32054510	34.38	17	GU32530610	33.08	37
GU27037521	34.38	4	GU320642104	34.37	1	GU32530611	33.08	38
GU27061585	34.37	3	GU32067910	34.40	5	GU32555210	33.11	4
GU27061885	34.37	17	GU32080310	34.40	1	GU32555211	33.11	5
GU27062060	34.37	6	GU32084410	34.40	4	GU32602860	33.18	9
GU27065660	34.37	7	GU32115010	34.47	3	GU32603010	33.18	16
GU27066460	34.37	9	GU32115011	34.47	8	GU32603310	33.18	7
GU27066560	34.37	8	GU32115510	34.47	7	GU32605510	33.18	2
GU27152885	34.34	22	GU32121010	33.23	7	GU32613160	33.24	2
GU27153085	34.39	14	GU32202010	34.43	28	GU32615660	33.24	14
GU27210760	34.41	12	GU32206510	34.42	22	GU32615660	33.34	8
GU27530505	33.08	26	GU32208210	34.42	8	GU32632510	33.25	17
GU27530506	33.08	27	GU32210510	34.43	1	GU32632510	33.35	9
GU27530510	33.08	22	GU32211110	34.43	9	GU32633360	33.25	14
GU27530584	33.08	7	GU32211410	34.43	6	GU32633360	33.35	14
GU27633910	33.25	4	GU32211810	34.43	5	GU32633560	34.10	11
GU27633910	33.35	4	GU32212011	34.43	2	GU32634160	33.27	5
GU28157950	33.48	8	GU32213610	34.43	14	GU32636160	33.25	21
GU28252060	33.02	8	GU32213810	34.42	5	GU32636160	33.35	7
GU28612033	33.25	18	GU32214010	34.43	24	GU32657110	33.19	2
GU29217960	34.45	7	GU32214510	34.43	20	GU32692260	33.25	2
GU29711460	34.45	5	GU32214810	34.43	21	GU32735510	33.32	5
GU29711960	34.45	11	GU32215010	34.43	22	GU32735511	33.32	5
GU29729461	33.31	2	GU32215210	34.43	23	GU32747910	33.31	9

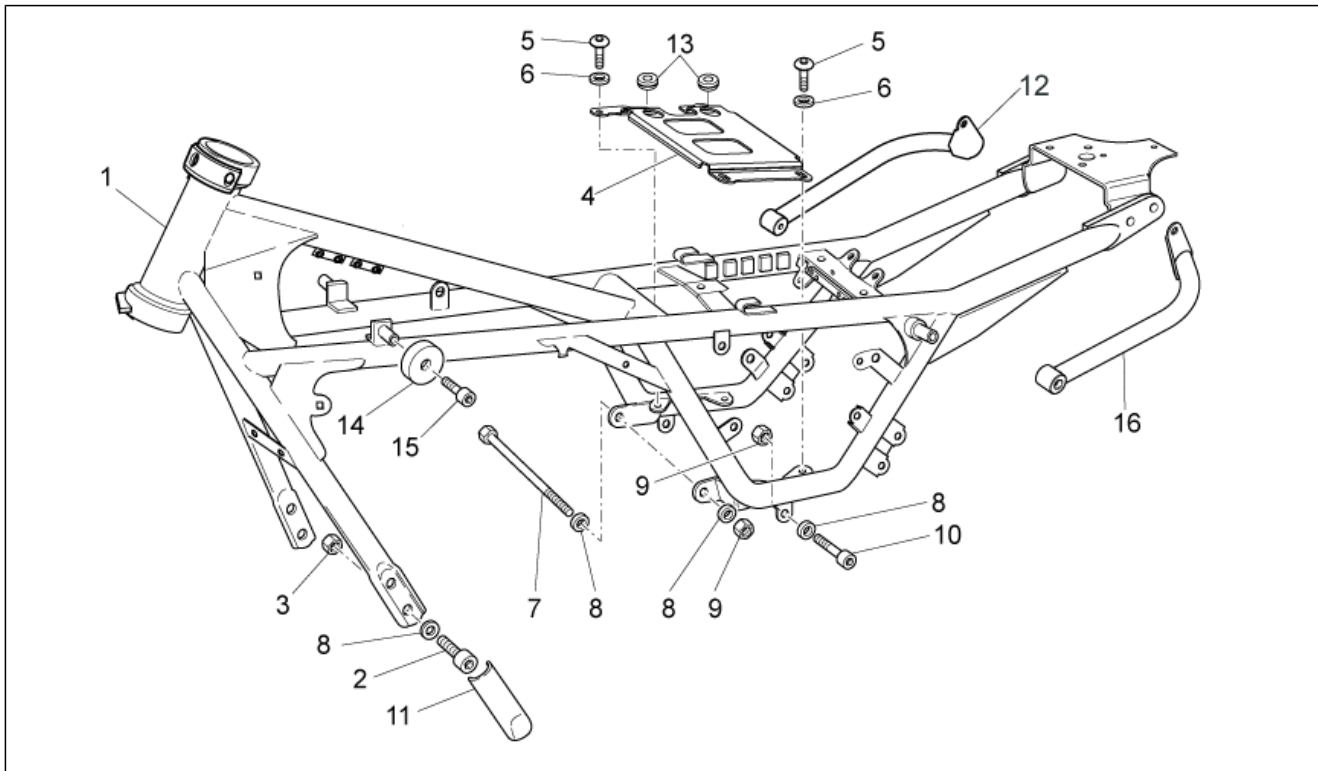


Code	N° de tableau	Pos.	Code	N° de tableau	Pos.	Code	N° de tableau	Pos.
GU32750661	33.29	4	GU92201225	34.40	10	GU95005306	33.17	3
GU32753410	33.28	3	GU92204215	34.42	2	GU95005308	33.28	23
GU32753410	33.29	8	GU92204217	33.25	5	GU95005308	34.09	22
GU32753711	33.29	6	GU92204217	33.35	5	GU95005310	33.15	7
GU32781910	33.16	10	GU92204218	33.25	3	GU95005310	33.26	5
GU32782510	33.17	8	GU92204218	33.35	3	GU95005311	33.26	9
GU32782510	33.32	2	GU92204221	33.24	7	GU95005311	33.48	4
GU32999010	34.34	25	GU92204221	33.34	3	GU95008205	33.30	16
GU32999510	34.34	24	GU92218417	34.43	10	GU95008206	34.39	23
GU35214300	34.09	13	GU92230320	34.43	13	GU95008208	33.01	6
GU39238100	34.43	25	GU92234716	34.43	26	GU95008208	34.46	3
GU49609601	33.30	18	GU92249220	34.10	32	GU95008210	33.01	8
GU49609601	33.31	27	GU92249225	33.07	2	GU95008210	33.02	6
GU53429500	33.02	3	GU92249227	34.10	20	GU95008210	34.09	17
GU61027200	34.37	20	GU92251028	34.43	7	GU95008305	33.18	20
GU61036801	34.36	3	GU92252210	34.39	2	GU95008306	33.19	20
GU61038100	34.38	6	GU92252235	34.10	5	GU95008306	33.27	21
GU61054900	34.38	18	GU92296723	34.39	6	GU95020105	33.03	10
GU61270300	34.10	26	GU92602406	34.38	9	GU95021104	33.19	19
GU61270300	34.34	6	GU92602510	34.39	19	GU95021105	33.18	21
GU61270300	34.36	21	GU92603010	34.36	11	GU95021206	33.17	5
GU61270300	34.40	17	GU92606206	33.17	6	GU95021206	33.28	8
GU66103415	33.01	14	GU92606208	34.34	7	GU95021206	33.29	10
GU66530505	33.08	32	GU92606208	34.40	18	GU95100059	33.31	13
GU90271018	34.38	12	GU92606210	33.01	9	GU95100116	34.47	12
GU90271117	34.43	29	GU92606210	33.02	5	GU95100125	34.45	14
GU90271121	34.43	19	GU92606210	33.11	7	GU95100244	34.38	29
GU90271124	34.43	4	GU92606210	34.09	18	GU95100309	34.39	27
GU90272023	34.09	4	GU92606316	33.25	16	GU95100602	34.39	25
GU90272075	34.40	3	GU92606316	33.35	11	GU95100709	34.34	21
GU90274026	34.44	3	GU92606508	34.41	3	GU95129115	34.38	22
GU90353009	34.36	4	GU92606512	34.42	14	GU95129180	34.34	27
GU90353029	34.38	24	GU92606516	34.45	4	GU95129180	34.36	13
GU90353030	34.10	17	GU92609007	33.26	12	GU95129181	33.11	6
GU90400616	34.41	11	GU92630104	33.27	19	GU95129260	33.06	3
GU90402538	33.25	6	GU92630204	33.16	8	GU95187006	34.39	13
GU90402538	33.35	2	GU92630206	33.26	6	GU95500221	33.26	10
GU90402642	33.24	8	GU92630510	33.01	3	GU95500222	34.41	6
GU90402642	33.34	4	GU92630707	33.06	5	GU95780271	34.41	5
GU90402842	34.35	9	GU92640508	33.23	19	GU96451316	33.27	15
GU90403251	34.10	38	GU92640708	33.15	8	GU96451430	34.34	3
GU90403549	34.10	3	GU92660021	33.26	7	GU96451560	34.34	2
GU90407591	34.10	15	GU92787006	33.28	6	GU96506042	34.36	5
GU90706076	34.34	9	GU92787006	33.29	11	GU96508055	34.10	12
GU90706111	34.39	22	GU93180105	34.09	21	GU96508055	34.34	4
GU90706140	34.42	4	GU93180111	33.24	13	GU96508145	34.36	20
GU90706141	33.30	17	GU93180111	33.34	13	GU96510181	34.36	15
GU90706170	34.41	8	GU93180220	34.40	9	GU96510214	34.36	14
GU90706188	34.10	29	GU93180245	34.36	22	GU97202325	33.18	12
GU90706188	34.43	18	GU93222023	33.17	4	GU98052560	33.08	33
GU90706203	34.10	7	GU93231605	33.29	14	GU98054422	34.38	28
GU90706203	34.42	25	GU93231605	34.47	16	GU98082565	33.02	7
GU90706235	34.41	14	GU93301175	33.23	26	GU98084314	34.39	12
GU90706281	34.34	19	GU93301313	33.48	15	GU98084314	34.40	12
GU90706444	34.34	17	GU93305057	34.47	13	GU98110199	33.01	7
GU90706584	34.10	37	GU93305061	33.22	22	GU98210612	33.23	27
GU90714082	33.22	31	GU93305061	34.47	15	GU98230510	33.16	4
GU91113826	33.23	23	GU93450105	33.28	9	GU98230510	33.18	19
GU91120806	33.15	6	GU93450126	33.28	15	GU98230612	34.44	7
GU91180601	33.15	10	GU93450126	33.29	7	GU98257410	33.27	18
GU91181003	33.18	11	GU93450127	33.29	7	GU98257618	34.44	15
GU91181003	33.19	18	GU93450224	33.29	3	GU98310609	34.47	11
GU91181039	33.08	25	GU93450232	33.28	10	GU98350215	33.29	12
GU91551010	33.22	25	GU94321079	34.39	24	GU98350416	33.01	5
GU91551086	33.14	13	GU94321099	34.09	6	GU98370412	33.19	4
GU92201070	34.10	14	GU94321105	34.41	4	GU98370515	34.47	18
GU92201220	34.43	16	GU95004210	33.31	4	GU98370609	33.17	2



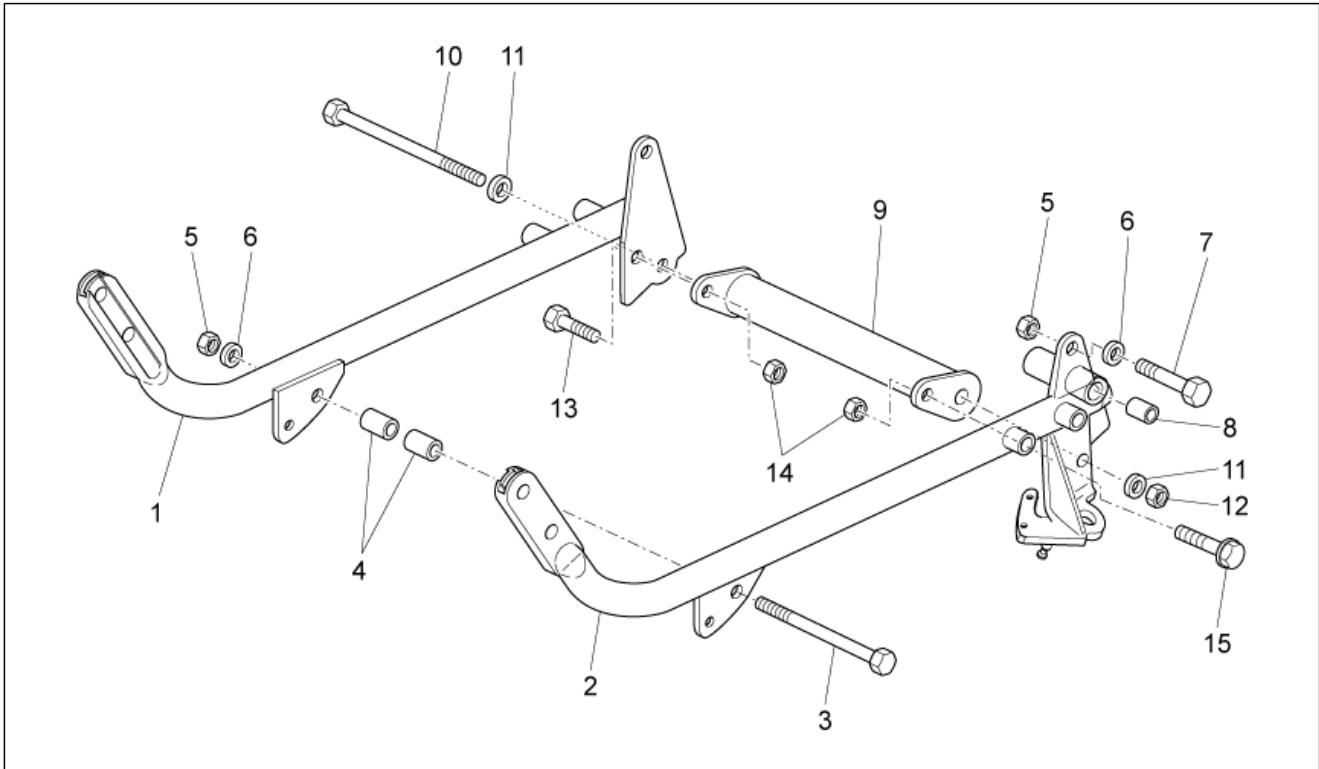
Code	N° de tableau	Pos.
GU98370616	33.31	7
GU98370625	33.14	4
GU98370625	33.26	17
GU98370655	33.28	7
GU98370655	33.29	9
GU98370831	33.15	5
GU98370831	33.28	22
GU98370845	33.13	3
GU98612216	33.03	9
GU98620330	33.08	3
GU98620540	33.08	18
GU98632322	33.06	6
GU98680265	34.45	6
GU98680435	34.40	15
GU98680435	34.42	19
GU98680440	33.23	17
GU98680450	34.40	16
GU98680545	34.09	16
GU98680555	33.01	10
GU98682212	33.30	15
GU98682212	33.31	12
GU98682322	34.47	9
GU98682325	34.34	11
GU98682325	34.35	3
GU98682330	34.35	4
GU98682330	34.42	18
GU98682414	33.01	15
GU98682416	33.04	12
GU98682416	33.05	14
GU98682416	33.17	9
GU98682416	33.32	7
GU98682430	33.12	9
GU98682435	34.46	2
GU98682530	33.01	2
GU98690335	33.11	8
GU98690335	33.18	8
GU98692325	34.36	16
GU98880540	33.28	21
GU98882316	34.38	21

Groupe	CHASSIS
Code	33.01
Description	Chassis I
Révision	1



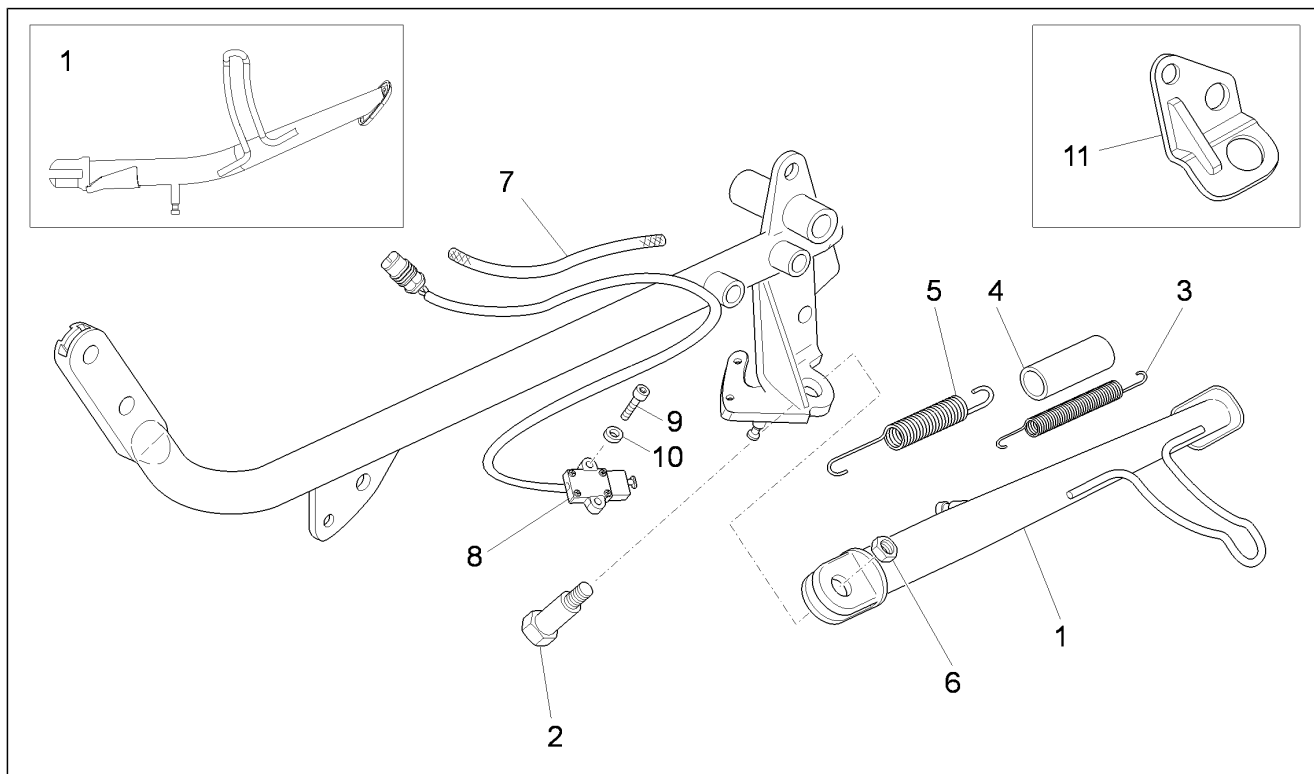
Pos.	Code	Description	Quant	Variants
1	887837	Châssis v.	1	
2	GU98682530	Vis M10x30	4	
3	GU92630510	Ecrou M10x1,5	4	
4	B063287	Piastra unione telaio	1	
5	GU98350416	Vis	4	
6	GU95008208	Rondelle 8,4X15X1,5	4	
7	GU98110199	Pivot M10x205	1	
8	GU95008210	Rondelle 10,2X18X2	11	
9	GU92606210	Ecrou M10x1,5	3	
10	GU98680555	Vis M10x55	2	
11	GU32457810	Protection	2	
12	978951	Poignée D	1	
13	AP8120311	Caoutchouc *	2	
14	GU66103415	Caoutchouc	2	
15	GU98682414	Vis	2	
16	978952	Poignée g.	1	

Groupe	CHASSIS
Code	33.02
Description	Chassis II
Révision	1



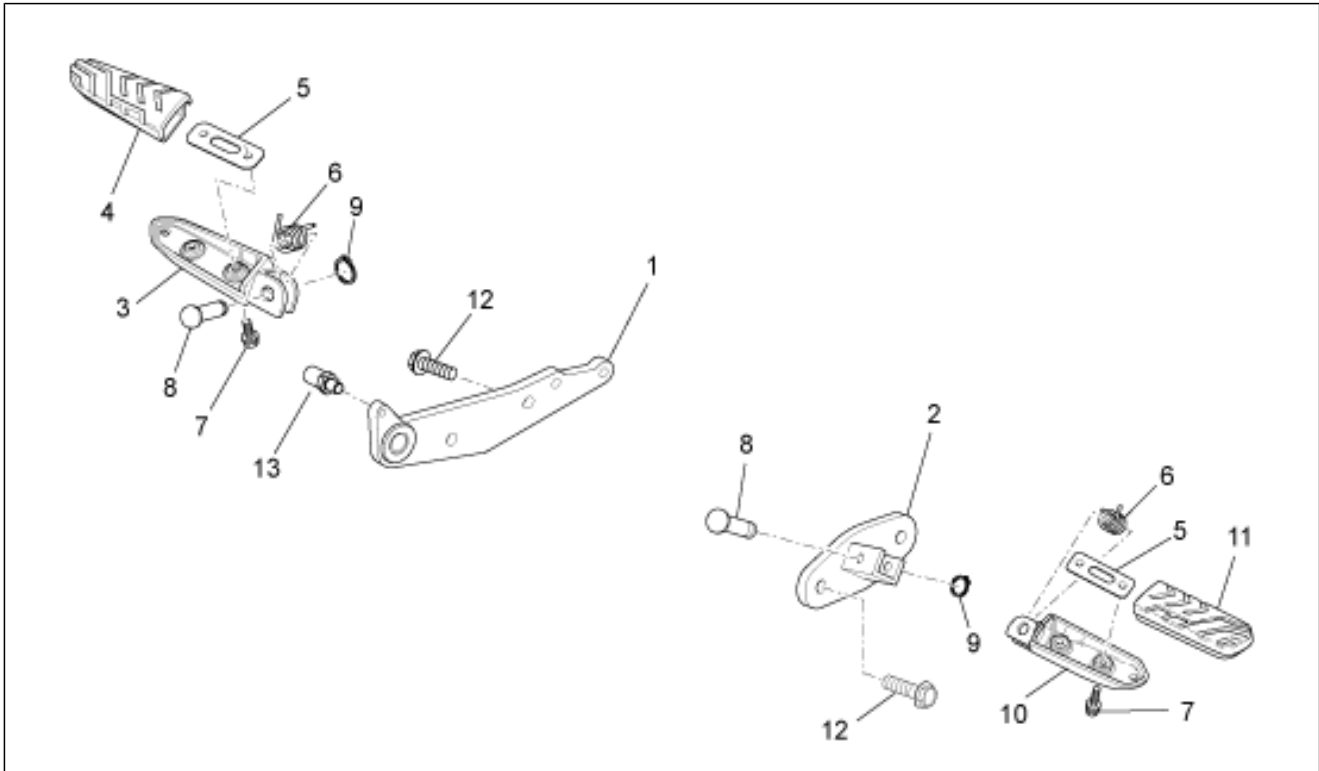
Pos.	Code	Description	Quant	Variants
1	B063197	Bras d.	1	
2	B063198	Bras g.	1	
3	GU53429500	Pivot M10x250	1	
4	GU19017000	Douille	2	
5	GU92606210	Ecrou M10x1,5	3	
6	GU95008210	Rondelle 10,2X18X2	3	
7	GU98082565	Vis M10x65	2	
8	GU28252060	Douille 18 mm est.	2	
9	GU32431310	Traverse comm.bras duberceau	1	
10	AP8121367	Pivot M10x260	1	
11	AP8152220	Rondelle	2	
12	AP8150436	Ecrou autofr. bas	1	
13	AP8152287	Vis bride	1	
14	AP8152300	Ecrou autobloqu. M8	1	
15	AP8152288	Vis bride	1	

Groupe	CHASSIS
Code	33.03
Description	Béquille latérale
Révision	1



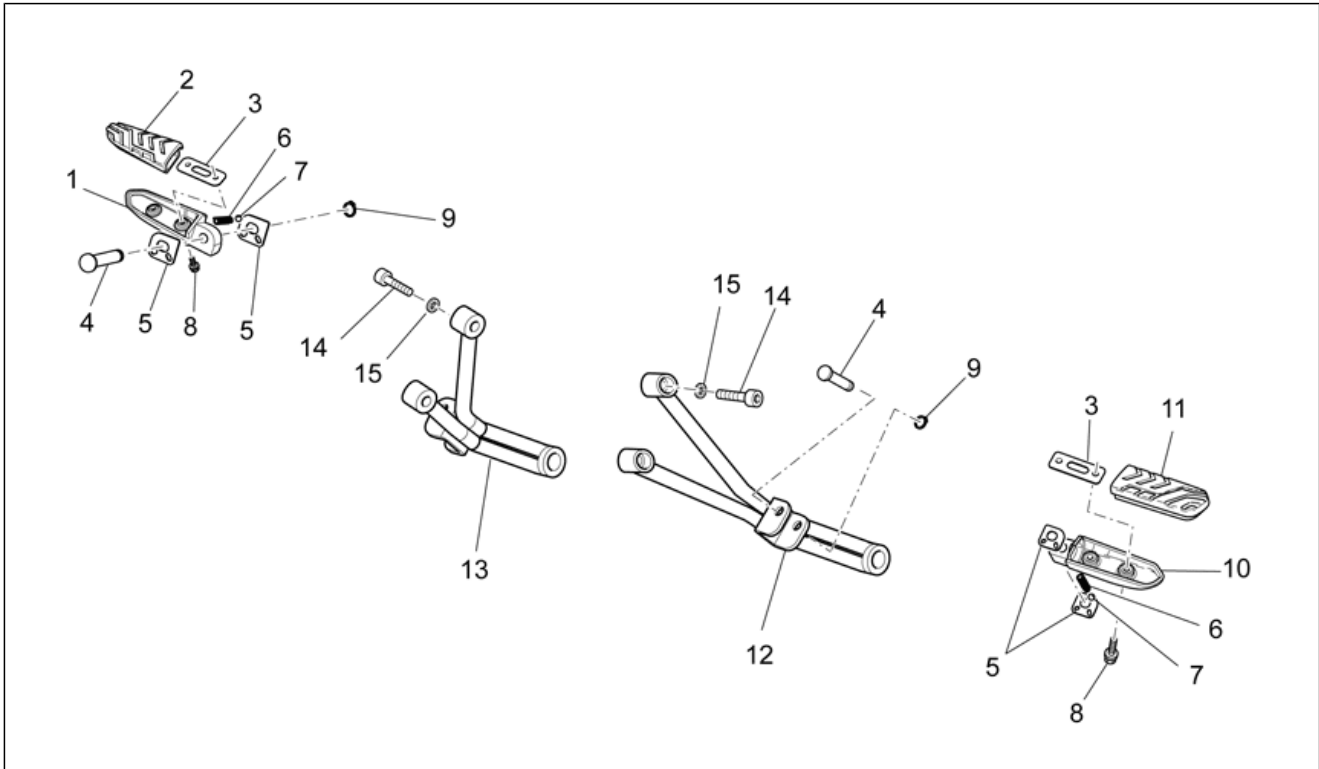
Pos.	Code	Description	Quant	Variants
1	883471	Bras latérale noire	1	Pays:Canadian[CDN], États Unis[USA]
1	B063086	Béquille latérale	1	Pays:Australie[AUS], europa[EU]
2	AP8121375	Vis fix. béquille	1	Pays:Australie[AUS], europa[EU]
2	AP8121607	Vis fix. béquille	1	Pays:Canadian[CDN], États Unis[USA]
3	AP8121014	Ress.hél.cyl.tract. *	1	
4	AP8102524	Protec.ress.béquille	1	
5	AP8221197	Ressort rappel béq.	1	
6	967356	Ecrou	1	Pays:Australie[AUS], europa[EU]
6	GU32433011	Ecrou	1	Pays:Canadian[CDN], États Unis[USA]
7	GU00823923140	Gaine thermique	1	
8	AP8127856	Interrupteur béquille	1	
9	GU98612216	Vis	2	
10	GU95020105	Rondelle 5,3x8,9x2,4	2	
11	GU32432711	Plaque	1	Pays:Canadian[CDN], États Unis[USA]

Groupe	CHASSIS
Code	33.04
Description	R-pied pilote
Révision	1



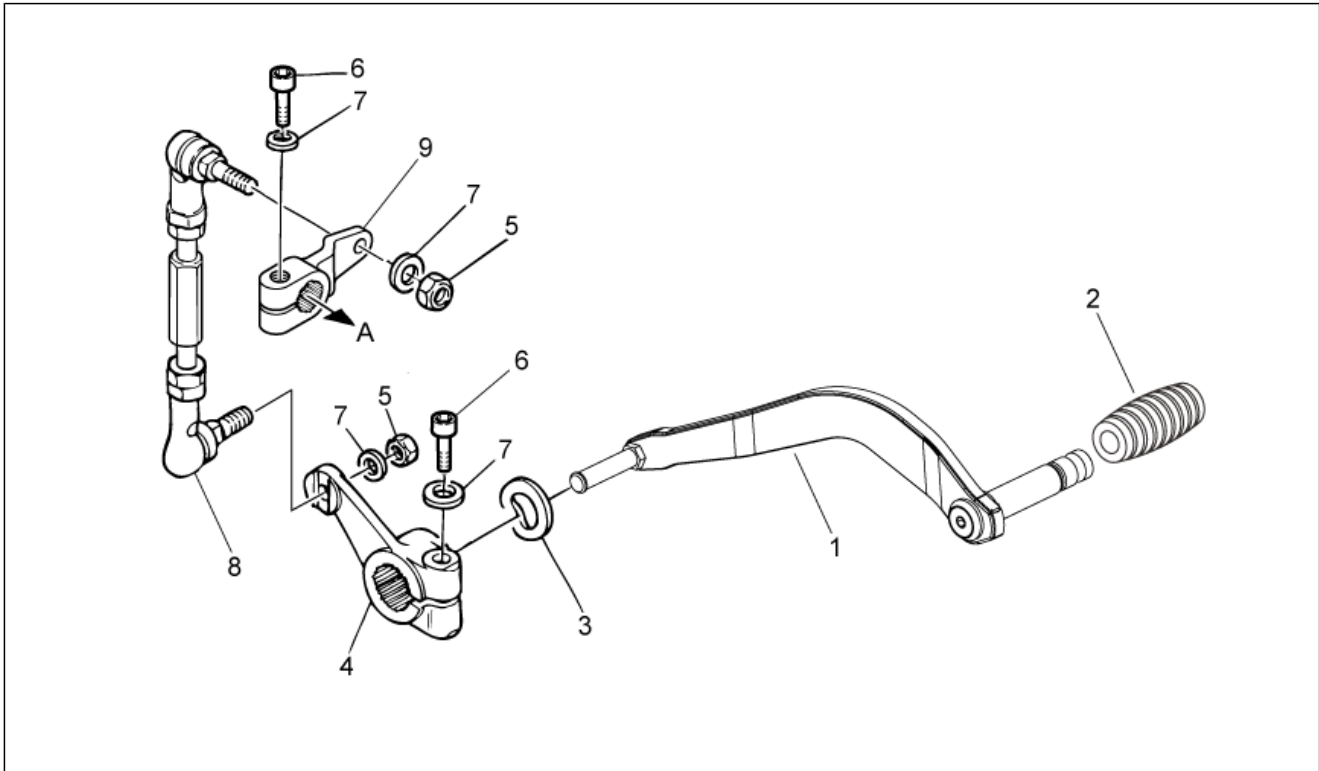
Pos.	Code	Description	Quant	Variants
1	883051	Support repose-pieds dte	1	
2	883052	Support r-p. G	1	
3	AP8145034	R-pied pilote D	1	
4	GU32443210	Coautchouc pour support	1	
5	GU32441210	Plaquette	2	
6	AP8221277	Ressort retour repose-pieds	2	
7	AP8152277	Vis bride M6x12	4	
8	AP8134829	Pivot repose-pieds	2	
9	AP8152409	Anneau d'arrêt rad.	2	
10	AP8145035	R-pied pilote G	1	
11	GU32443211	Coautchouc pour support	1	
12	GU98682416	Vis M8x16	4	
13	B063132	Utée	1	

Groupe	CHASSIS
Code	33.05
Description	R-pied pass.
Révision	1



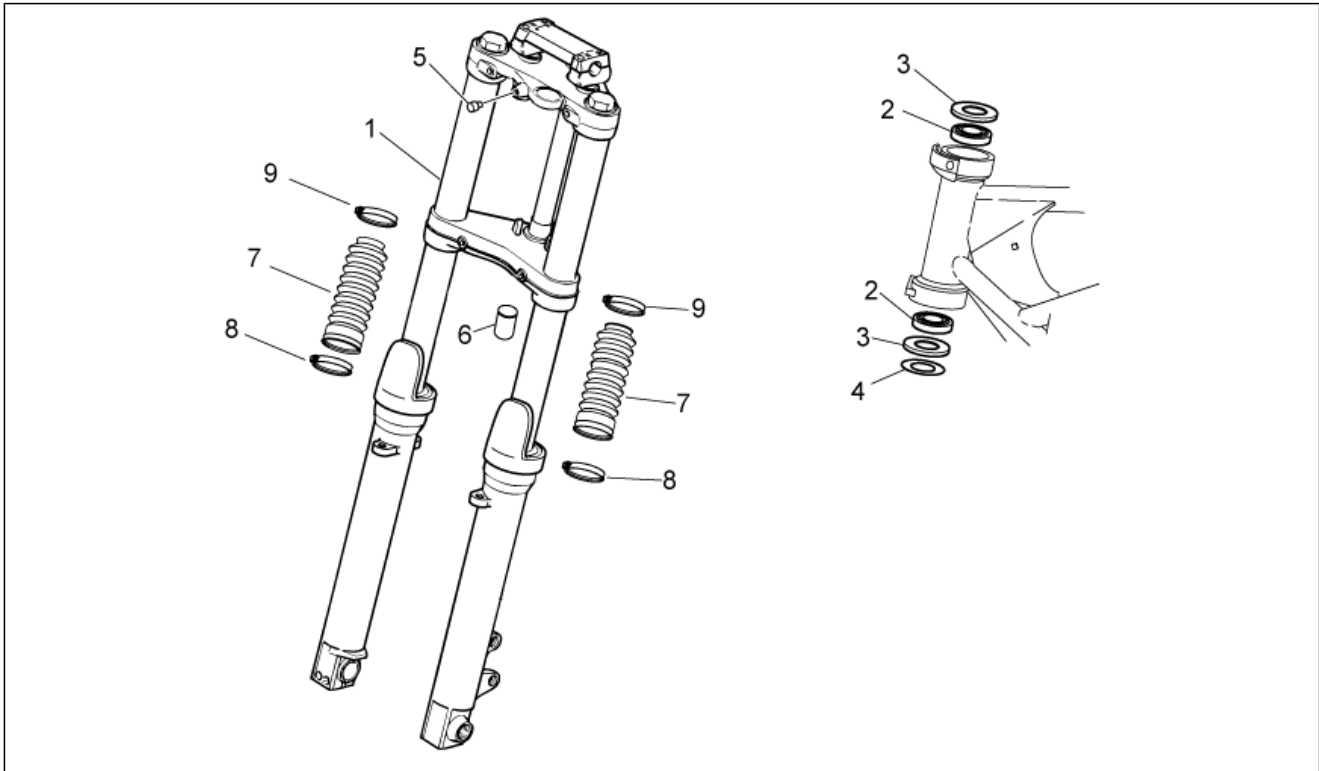
Pos.	Code	Description	Quant	Variants
1	GU32442310	Rep-pieds pass.dte	1	
2	GU32443210	Coatoucou pour support	1	
3	GU32441210	Plaquette	2	
4	AP8134829	Pivot repose-pieds	2	
5	AP8134451	Plaque fdc r-pied	4	
6	AP8121133	Res. hélic. compr	2	
7	AP8101861	Bille D6,35	2	
8	AP8152277	Vis bride M6x12	4	
9	AP8152409	Anneau d'arrêt rad.	2	
10	GU32442710	Rep-p. pass.gche	1	
11	GU32443211	Coatoucou pour support	1	
12	883019	Support r-p. G	1	
13	883015	Support repose-pieds dte	1	
14	GU98682416	Vis M8x16	4	
15	GU14615901	Rondelle 8,4X13X0,8	4	

Groupe	CHASSIS
Code	33.06
Description	Levier boîte de vitesses
Révision	1



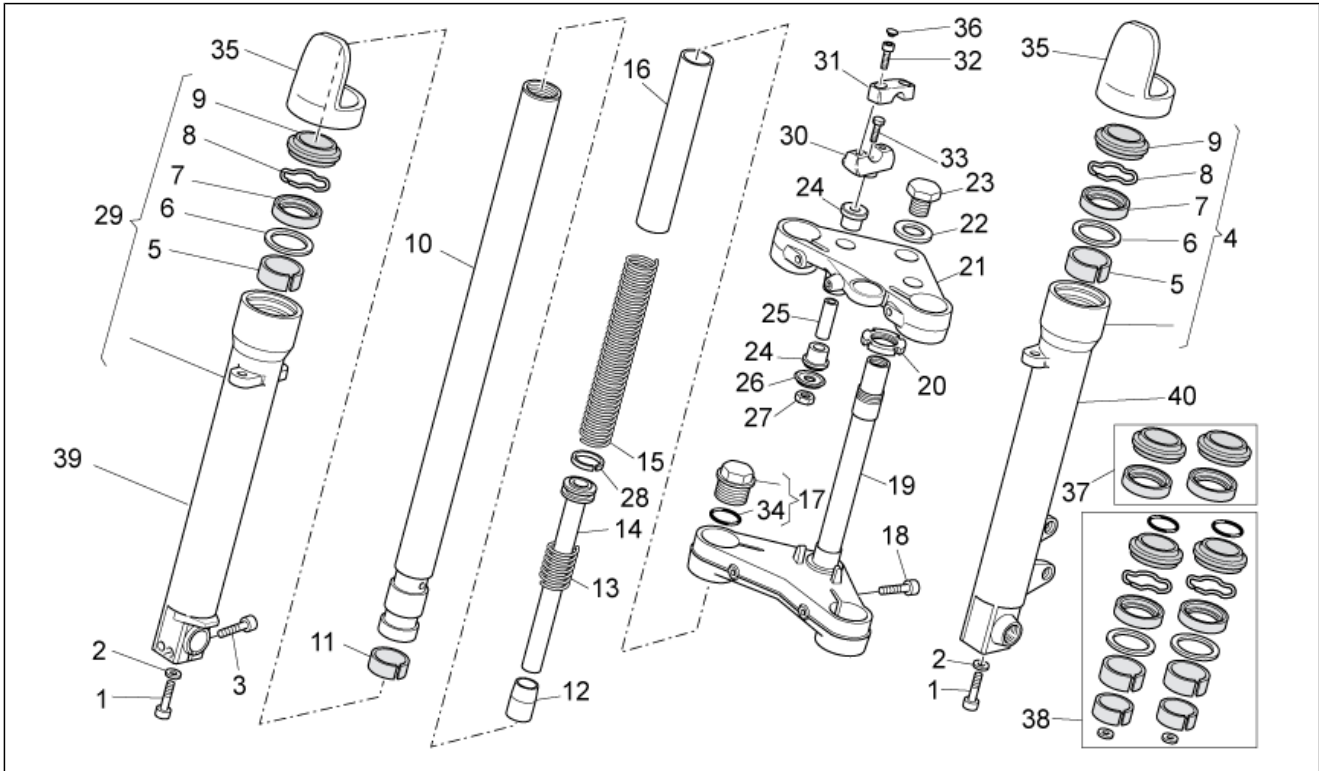
Pos.	Code	Description	Quant	Variants
1	887851	Levier boîte de vitesses	1	
2	AP8120912	Caoutchouc pour levier	1	
3	GU95129260	Rondelle élastique	2	
4	GU32256910	Levier	1	
5	GU92630707	Ecrou	2	
6	GU98632322	Vis	2	
7	GU03013800	Rondelle 6,4x12	3	
8	GU32257810	Tirant pour boîte vitesse cpl.	1	
9	GU20258221	Levier de commande	1	

Groupe	CHASSIS
Code	33.07
Description	Fourche Av. I
Révision	1



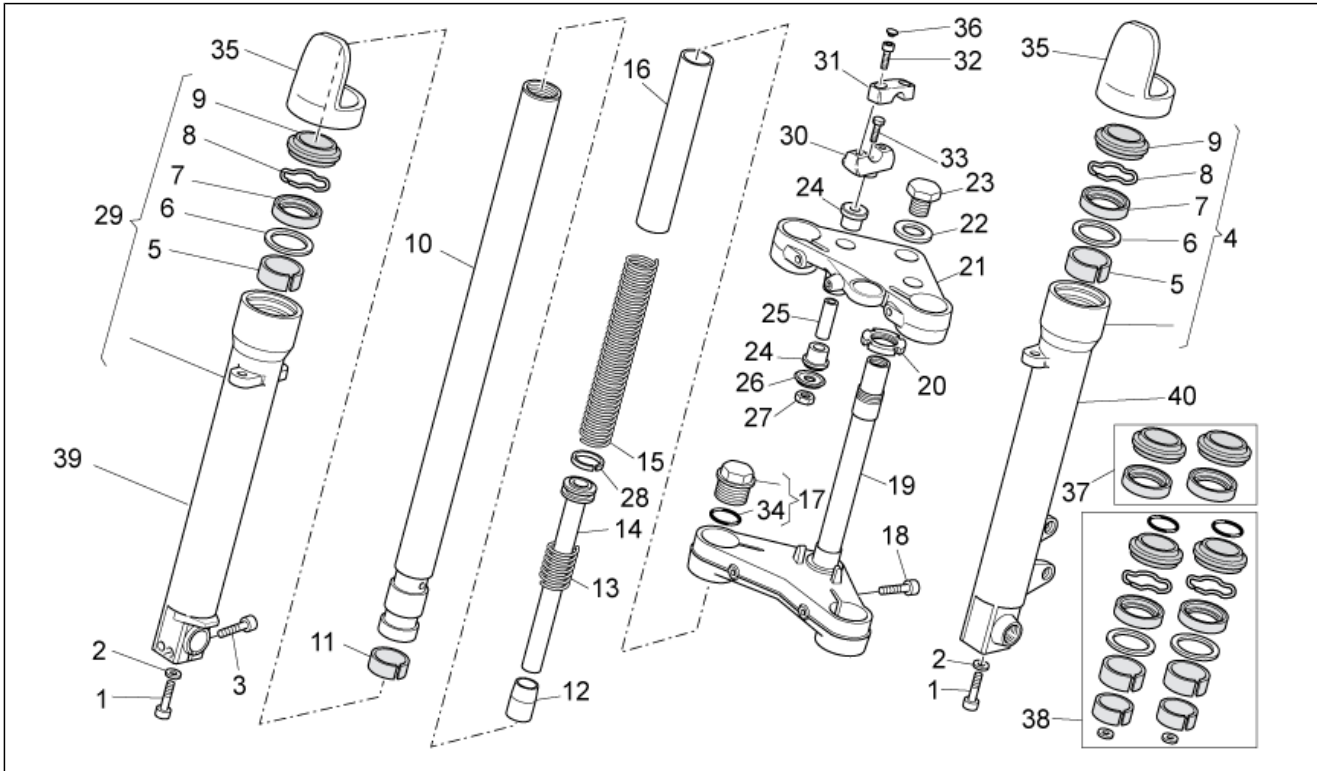
Pos.	Code	Description	Quant	Variants
1	97724R	Fourche complète	1	
2	GU92249225	Roulement roul.con.	2	
3	AP8144146	Bague d'étanchéité	1	
4	AP8121307	Rondelle	1	
5	AP8144081	Caoutchouc	1	
6	AP8220460	Rondelle en caoutchouc	1	
7	898086	Soufflet fourche	2	Spécifications techniques:Versione "Stone"[ST]
8	CM001928	Collier serr. Tube 44	2	Spécifications techniques:Versione "Stone"[ST]
9	CM001929	Collier serr. Tube 36.5	2	Spécifications techniques:Versione "Stone"[ST]

Groupe	CHASSIS
Code	33.08
Description	Fourche Av. II
Révision	1



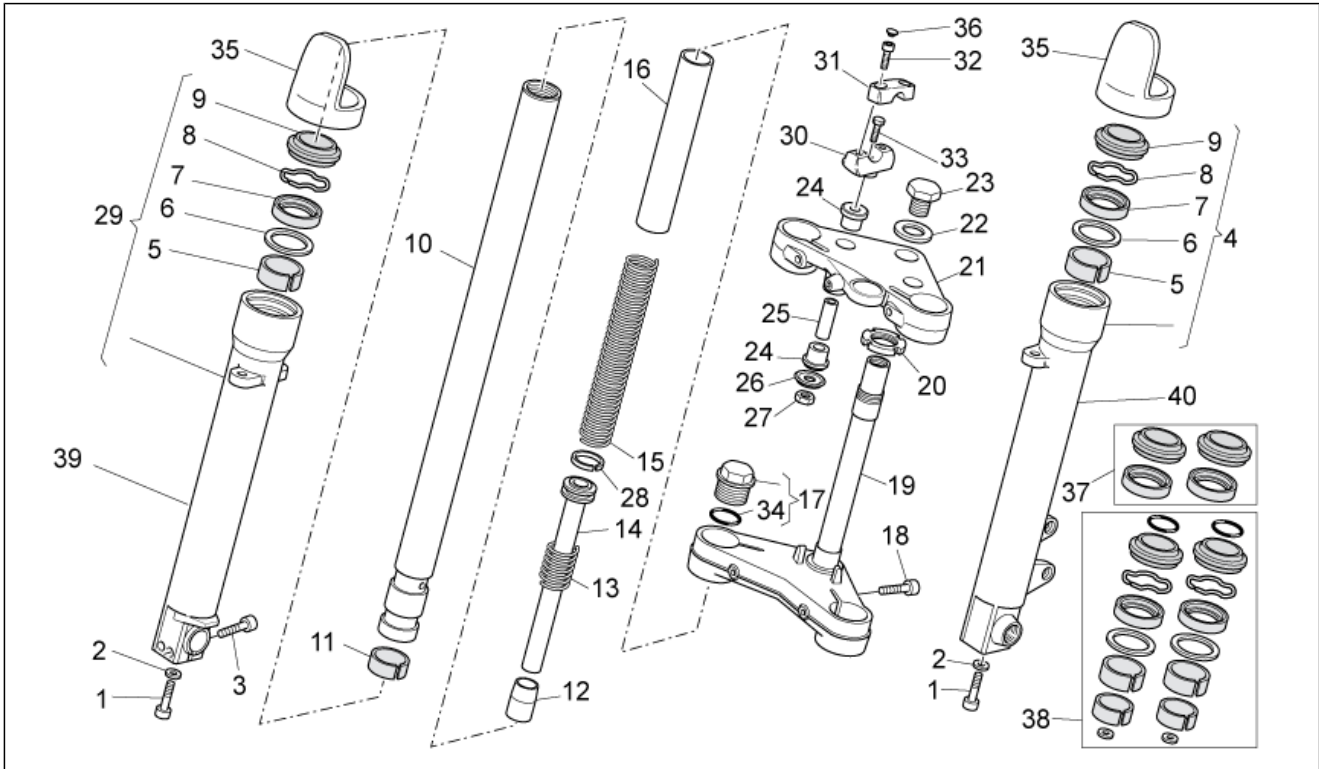
Pos.	Code	Description	Quant	Variants
1	887878	Vis M10x30	2	Spécifications techniques:Kaifa[K]
1	GU03530530	Vis M10x30	2	Spécifications techniques:Marzocchi[M]
2	887879	Rondelle	2	Spécifications techniques:Kaifa[K]
2	GU03530529	Rondelle	2	Spécifications techniques:Marzocchi[M]
3	887880	Vis	2	Spécifications techniques:Kaifa[K]
3	GU98620330	Vis	2	Spécifications techniques:Marzocchi[M]
4	978978	Fourreau G Black	1	Spécifications techniques:Marzocchi[M]
5	887882	Douille supérieure	2	Spécifications techniques:Kaifa[K]
5	GU30526761	Douille supérieure	2	Spécifications techniques:Marzocchi[M]
6	887883	Rondelle	2	Spécifications techniques:Kaifa[K]
6	GU01530568	Rondelle	2	Spécifications techniques:Marzocchi[M]
7	887884	Bague d'étanchéité	2	Spécifications techniques:Kaifa[K]
7	GU27530584	Bague d'étanchéité 40x52x9,5	2	Spécifications techniques:Marzocchi[M]
8	887885	Bague de butée	2	Spécifications techniques:Kaifa[K]
8	GU32530501	Bague de butée	2	Spécifications techniques:Marzocchi[M]
9	887886	Pare-poussière	2	Spécifications techniques:Kaifa[K]
9	GU01530571	Pare-poussière	2	Spécifications techniques:Marzocchi[M]
10	887887	Tige	2	Spécifications techniques:Kaifa[K]
10	GU32525410	Tige	2	Spécifications techniques:Marzocchi[M]
11	887888	Douille	2	Spécifications techniques:Kaifa[K]
11	GU30525861	Douille inférieure	2	Spécifications techniques:Marzocchi[M]
12	887889	Tampon	2	Spécifications techniques:Kaifa[K]
12	GU03530551	Tampon	2	Spécifications techniques:Marzocchi[M]
13	887890	Contre-ressort	2	Spécifications techniques:Kaifa[K]
13	GU32530502	Contre-ressort	2	Spécifications techniques:Marzocchi[M]
14	887891	Elém.pompage cpl	2	Spécifications techniques:Kaifa[K]
14	GU32530503	Elém.pompage cpl	2	Spécifications techniques:Marzocchi[M]
15	887892	Ressort	2	Spécifications techniques:Kaifa[K]

Groupe	CHASSIS
Code	33.08
Description	Fourche Av. II
Révision	1



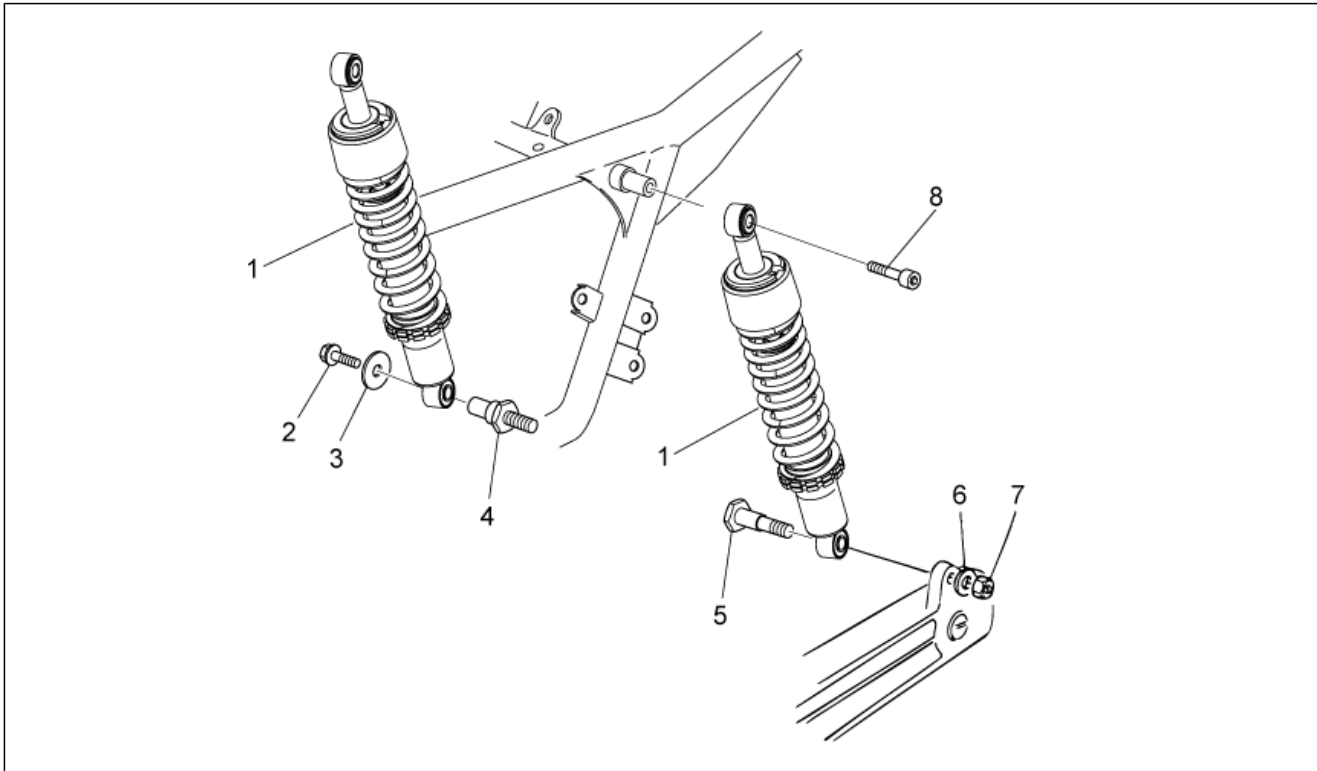
Pos.	Code	Description	Quant	Variants
15	GU32526610	Ressort	2	Spécifications techniques:Marzocchi[M]
16	887893	Tuyau	2	Spécifications techniques:Kaifa[K]
16	GU32526310	Tuyau	2	Spécifications techniques:Marzocchi[M]
17	887894	Gr. bouchon cpl.	2	Spécifications techniques:Kaifa[K]
17	GU31504583	Gr. bouchon cpl.	2	Spécifications techniques:Marzocchi[M]
18	887895	Vis	2	Spécifications techniques:Kaifa[K]
18	GU98620540	Vis	2	Spécifications techniques:Marzocchi[M]
19	887896	Base avec tube	1	Spécifications techniques:Kaifa[K]
19	978974	Base avec tube Black	1	Spécifications techniques:Marzocchi[M]
20	GU31513480	Bague M25X1	1	Spécifications techniques:Marzocchi[M]
21	887898	Plaque supérieure	1	Spécifications techniques:Kaifa[K]
21	978976	Plaque sup. fourche	1	Spécifications techniques:Marzocchi[M]
22	887899	Rondelle	1	Spécifications techniques:Kaifa[K]
22	GU27530510	Rondelle	1	Spécifications techniques:Marzocchi[M]
23	887900	Ecrou	1	Spécifications techniques:Kaifa[K]
23	GU30512830	Ecrou M20x1,5	1	Spécifications techniques:Marzocchi[M]
24	887901	Caoutchouc	2	Spécifications techniques:Kaifa[K]
24	GU32530506	Caoutchouc	4	Spécifications techniques:Marzocchi[M]
25	887902	Entretoise	2	Spécifications techniques:Kaifa[K]
25	GU91181039	Entretoise	2	Spécifications techniques:Marzocchi[M]
26	887903	Rondelle	2	Spécifications techniques:Kaifa[K]
26	GU27530505	Rondelle	2	Spécifications techniques:Marzocchi[M]
27	887904	Ecrou	2	Spécifications techniques:Kaifa[K]
27	GU27530506	Ecrou	2	Spécifications techniques:Marzocchi[M]
28	887905	Segment	2	Spécifications techniques:Kaifa[K]
28	GU32530504	Segment	2	Spécifications techniques:Marzocchi[M]
29	978977	Fourreau D	1	Spécifications techniques:Marzocchi[M]
30	887912	Cavalier inf.	2	Spécifications techniques:Kaifa[K]

Groupe	CHASSIS
Code	33.08
Description	Fourche Av. II
Révision	1



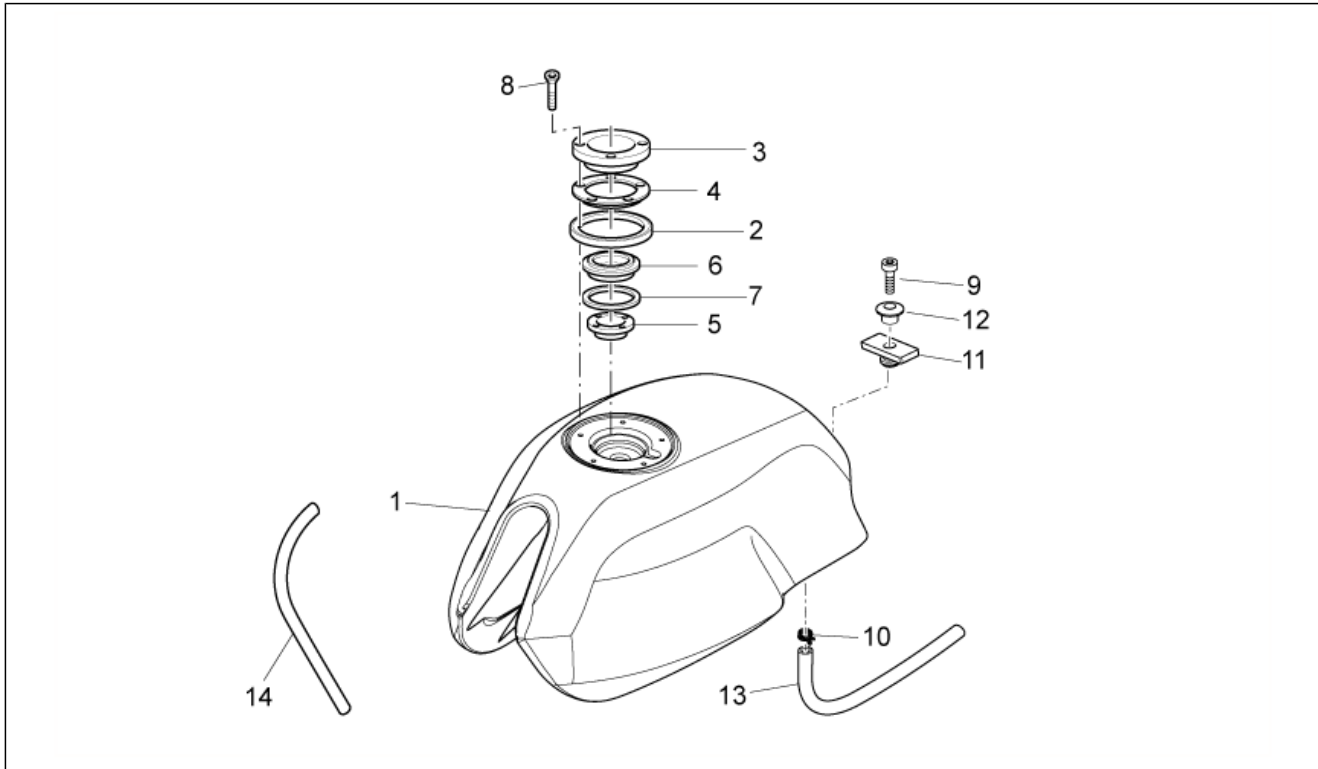
Pos.	Code	Description	Quant	Variants
30	978972	Cavalier inf.	2	Spécifications techniques:Marzocchi[M]
31	887913	Cavalier sup.	2	Spécifications techniques:Kaifa[K]
31	978973	Cavalier sup.	2	Spécifications techniques:Marzocchi[M]
32	887914	Vis M8x30	4	Spécifications techniques:Kaifa[K]
32	GU66530505	Vis M8x30	4	Spécifications techniques:Marzocchi[M]
33	887915	Vis M10x60	2	Spécifications techniques:Kaifa[K]
33	GU98052560	Vis M10x60	2	Spécifications techniques:Marzocchi[M]
34	887916	Joint torique 4118	2	Spécifications techniques:Kaifa[K]
34	GU32530505	Joint torique 4118	2	Spécifications techniques:Marzocchi[M]
35	887917	Prot. Tige	2	Spécifications techniques:Kaifa[K]
35	GU32504210	Prot. Tige	2	Spécifications techniques:Marzocchi[M]
36	887918	Bouchon	4	Spécifications techniques:Kaifa[K]
36	GU23943410	Bouchon	8	Spécifications techniques:Marzocchi[M]
37	GU32530610	Jeu de joints	1	Spécifications techniques:Marzocchi[M]
38	GU32530611	Kit moteur spi	1	Spécifications techniques:Marzocchi[M]
39	887906	Fourreau D	1	Spécifications techniques:Kaifa[K]
40	887881	Fourreau G	1	Spécifications techniques:Kaifa[K]

Groupe	CHASSIS
Code	33.11
Description	Amortisseur AR
Révision	1



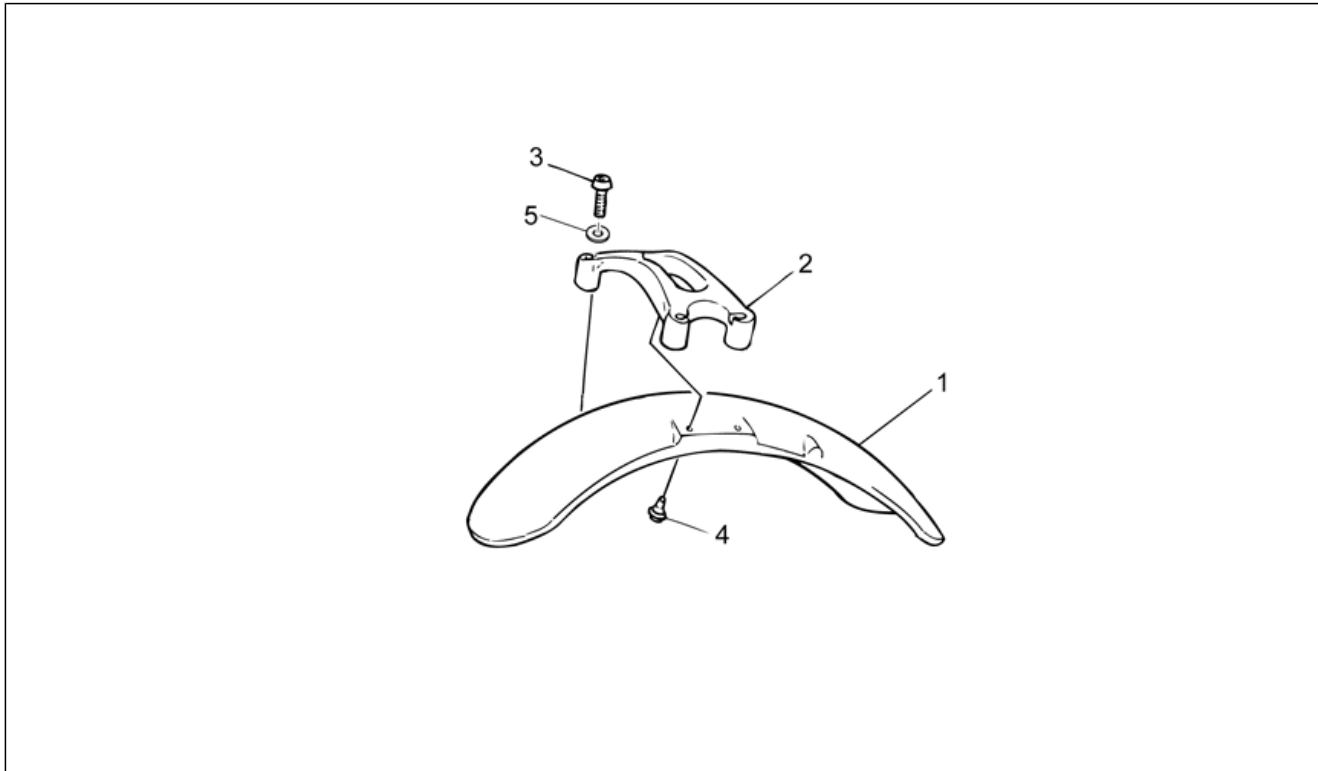
Pos.	Code	Description	Quant	Variants
1	884035	Amortisseur AR	2	Spécifications techniques:Sachs[S]
1	B063749	***Amortisseur	2	Spécifications techniques:Olle Amortidors SL[O]
2	AP8152278	Vis bride M6x16	1	
3	898164	Entretoise amortis.	1	
4	GU32555210	Pivot	1	
5	GU32555211	Pivot	1	
6	GU95129181	Rondelle	1	
7	GU92606210	Ecrou M10x1,5	1	
8	GU98690335	Vis	2	

Groupe	CHASSIS
Code	33.12
Description	Réservoir essence
Révision	1



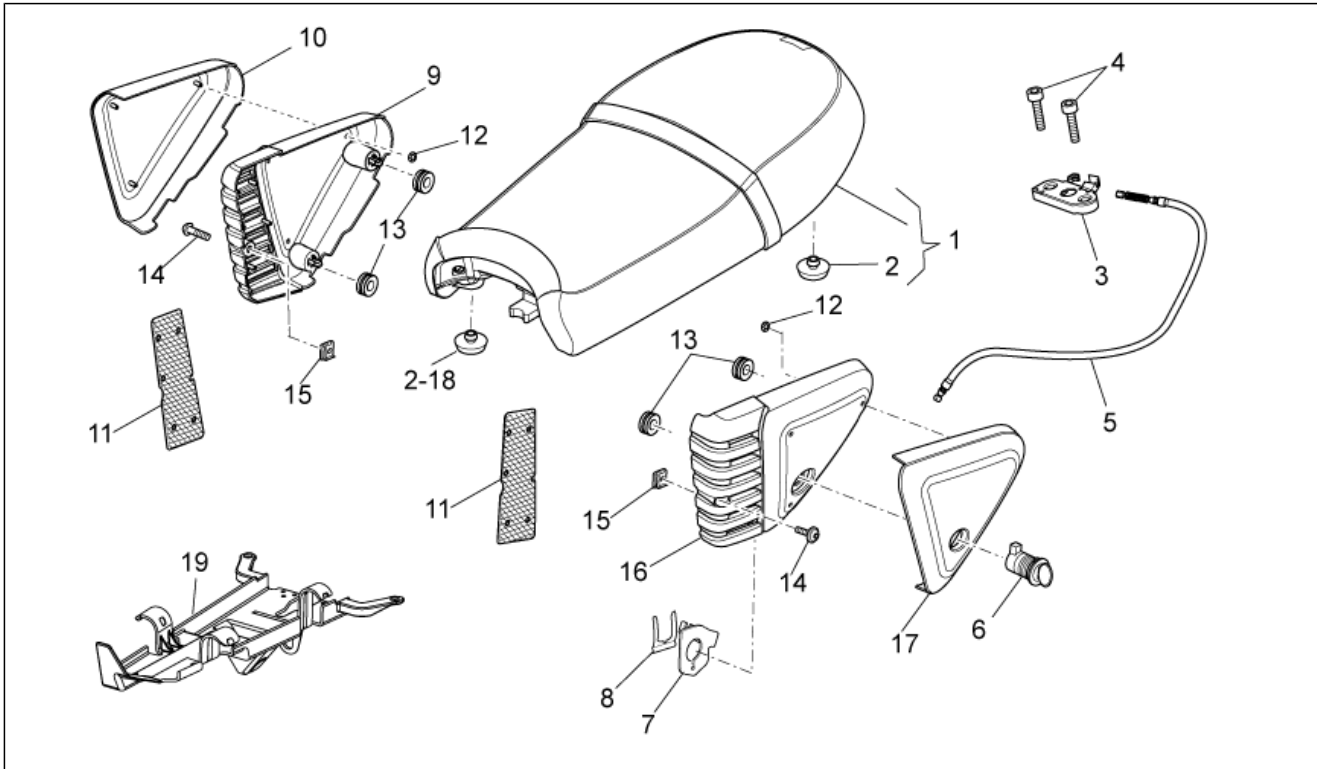
Pos.	Code	Description	Quant	Variants
1	887207	Serbatoio benz. grezzo	1	Pays: Australie[AUS], europa[EU], Angleterre[UK]
1	88793500Z1	Réservoir ess.p.rouge/blanc	1	Couleur véhicule: Red/White[r/bi] Pays: Australie[AUS], europa[EU], Angleterre[UK] Spécifications techniques: Versione "Special"[SP]
1	88793600Z1	Réservoir ess.p.rouge/blanc	1	Pays: Canadian[CDN], États Unis[USA] Spécifications techniques: Versione "Special"[SP]
1	88794000XN6	Réservoir noir	1	Spécifications techniques: Versione "Stone"[ST]
1	88794100XN6	Réservoir noir	1	Pays: Canadian[CDN], États Unis[USA]
1	887944	Réservoir brut	1	Pays: Canadian[CDN], États Unis[USA]
1	B06312300Z2	Réserv.ess.noir/jne	1	Couleur véhicule: Nero/Giallo[n/gi] Pays: Australie[AUS], europa[EU], Angleterre[UK] Spécifications techniques: Versione "Special"[SP]
2	GU03102400	Joint	1	
3	GU03101900	Bride	1	
4	GU03103500	Bague	1	
5	GU03101720	Reduction 38 mm	1	
6	GU03102200	Embout pour bouchon	1	
7	GU03101600	Joint	1	
8	GU03103200	Vis	5	
9	GU98682430	Vis M8x30	1	
10	AP8101595	Collier D10,1*	1	
11	AP8120557	Caoutchouc réserv.	1	
12	AP8121673	Douille en "T" *	1	
13	GU00823944050	Tuyau 5X9	1	
14	GU00823931070	Joint	1	

Groupe	CHASSIS
Code	33.13
Description	Carrosserie av. - Garde-boue AV
Révision	1



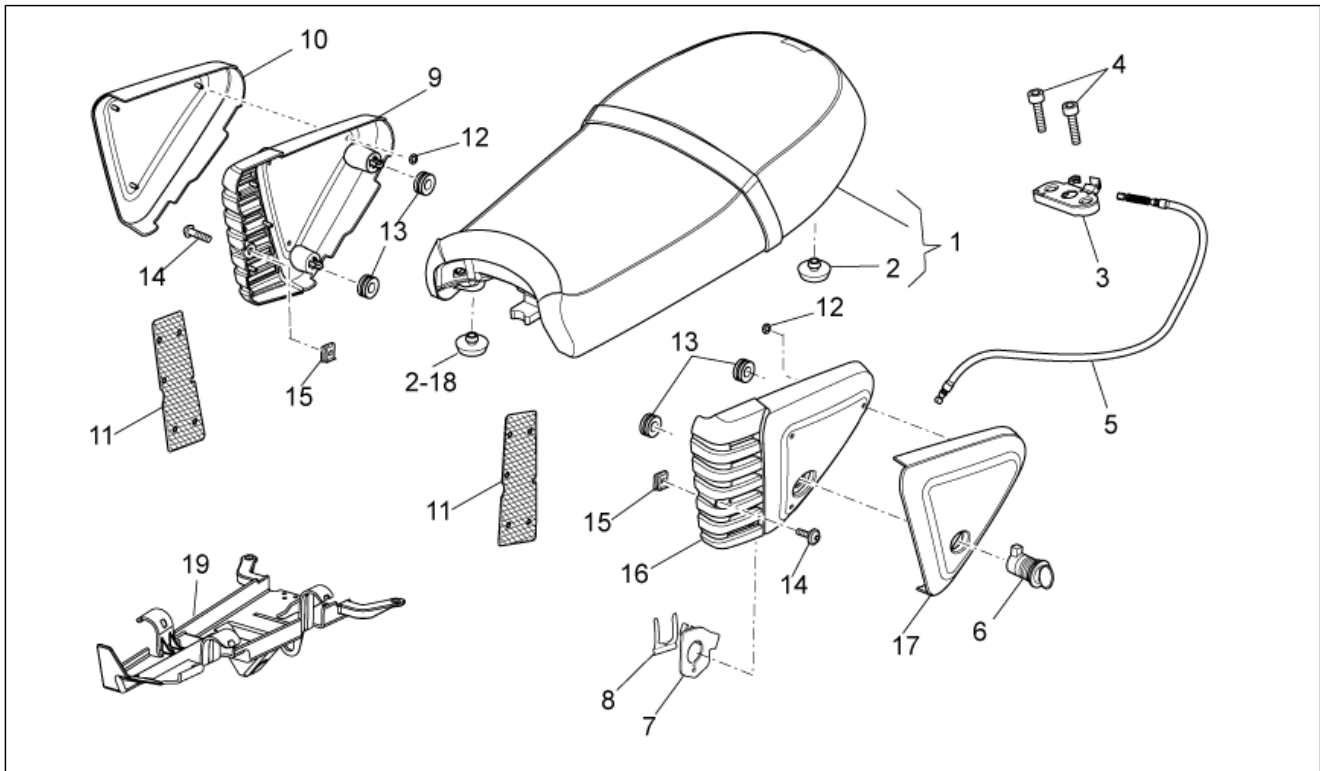
Pos.	Code	Description	Quant	Variants
	88635200XB3	Garde-boue avant blanc	1	Couleur véhicule: Bianco aprilia[ba] Spécifications techniques: Versione "Stone"[ST]
1	88635200XN2	Garde-boue AV noir	1	Couleur véhicule: Nero/Giallo[n/gi] Spécifications techniques: Versione "Special"[SP]
1	88635200XN6	Garde-boue AV noir	1	Couleur véhicule: Noir Diablo[nd] Spécifications techniques: Versione "Stone"[ST]
1	88635200XR7	Garde-boue avant peint rouge	1	Couleur véhicule: Red/White[r/bi] Spécifications techniques: Versione "Special"[SP]
1	GU32434460	Garde-boue av.brut	1	
2	883266	Plaque de stabilisation	1	
3	GU98370845	Vis	4	
4	GU31439565	Vis spéciale	4	
5	GU14615901	Rondelle 8,4X13X0,8	4	

Groupe	CHASSIS
Code	33.14
Description	Selle-Carosserie cent.
Révision	1



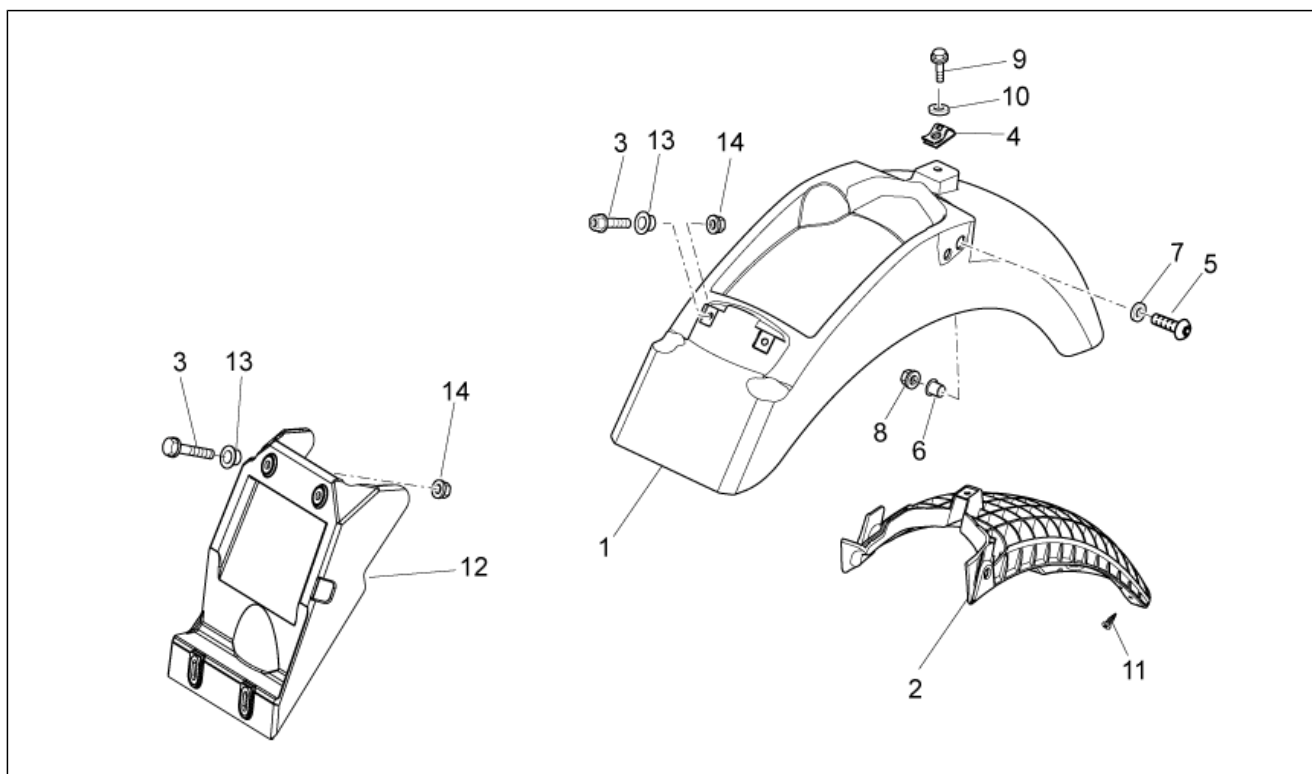
Pos.	Code	Description	Quant	Variants
1	88793900A1	Selle deux places	1	Spécifications techniques: Versione "Special"[SP]
1	978931	Selle deux places	1	Spécifications techniques: Versione "Stone"[ST]
2	GU32461610	Caoutchouc	8	Spécifications techniques: Versione "Special"[SP]
2	GU32461610	Caoutchouc	10	Spécifications techniques: Versione "Stone"[ST]
3	AP8102913	Pl.fix.selle pass.	1	
4	GU98370625	Vis	2	
5	883295	Transmission décrochement sell	1	
6	977527	Serrure selle	1	
7	AP8121420	Ressort à fourche	1	
8	978415	Plaque support câble	1	
9	978941	Support droite	1	
10	88793700XR7	Flanc D, rouge	1	Couleur véhicule: Red/White[r/bi] Spécifications techniques: Versione "Special"[SP]
10	88794200XN6	Flanc D, noir diablo	1	Couleur véhicule: Bianco aprilia[ba], Noir Diablo[nd] Spécifications techniques: Versione "Stone"[ST]
10	B06312500XN2	Flanc D, noir	1	Couleur véhicule: Nero/Giallo[n/gi] Spécifications techniques: Versione "Special"[SP]
11	978942	Grille	2	
12	AP8150450	Rondelle pour arbres D5	1	
13	GU91551086	Caoutchouc	4	
14	AP8152339	Vis bride M5x9	2	
15	AP8102375	Clip m5	2	
16	978944	Support gauche	1	
17	88793800XR7	Flanc G, rouge	1	Couleur véhicule: Red/White[r/bi] Spécifications techniques: Versione "Special"[SP]
17	88794300XN6	Flanc G, noir diablo	1	Couleur véhicule: Bianco aprilia[ba], Noir Diablo[nd] Spécifications techniques: Versione "Stone"[ST]
17	B06312600XN2	Flanc G, noir	1	Couleur véhicule: Nero/Giallo[n/gi] Spécifications techniques: Versione "Special"[SP]

Groupe	CHASSIS
Code	33.14
Description	Selle-Carosserie cent.
Révision	1



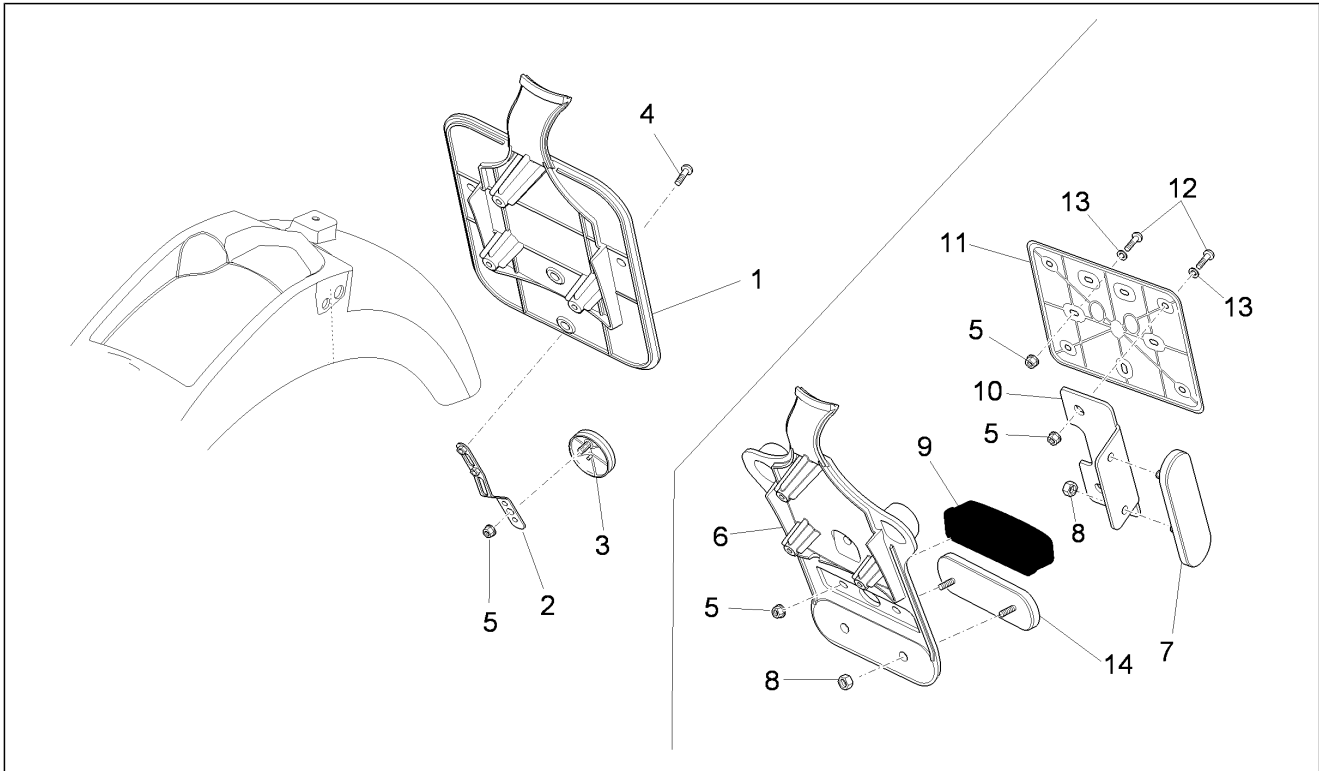
Pos.	Code	Description	Quant	Variants
18	B063429	Caoutchouc	2	Spécifications techniques:Versione "Special"[SP]
19	B063431	Protection	1	

Groupe	CHASSIS
Code	33.15
Description	Carrosserie arrière I- Garde-boue
Révision	1



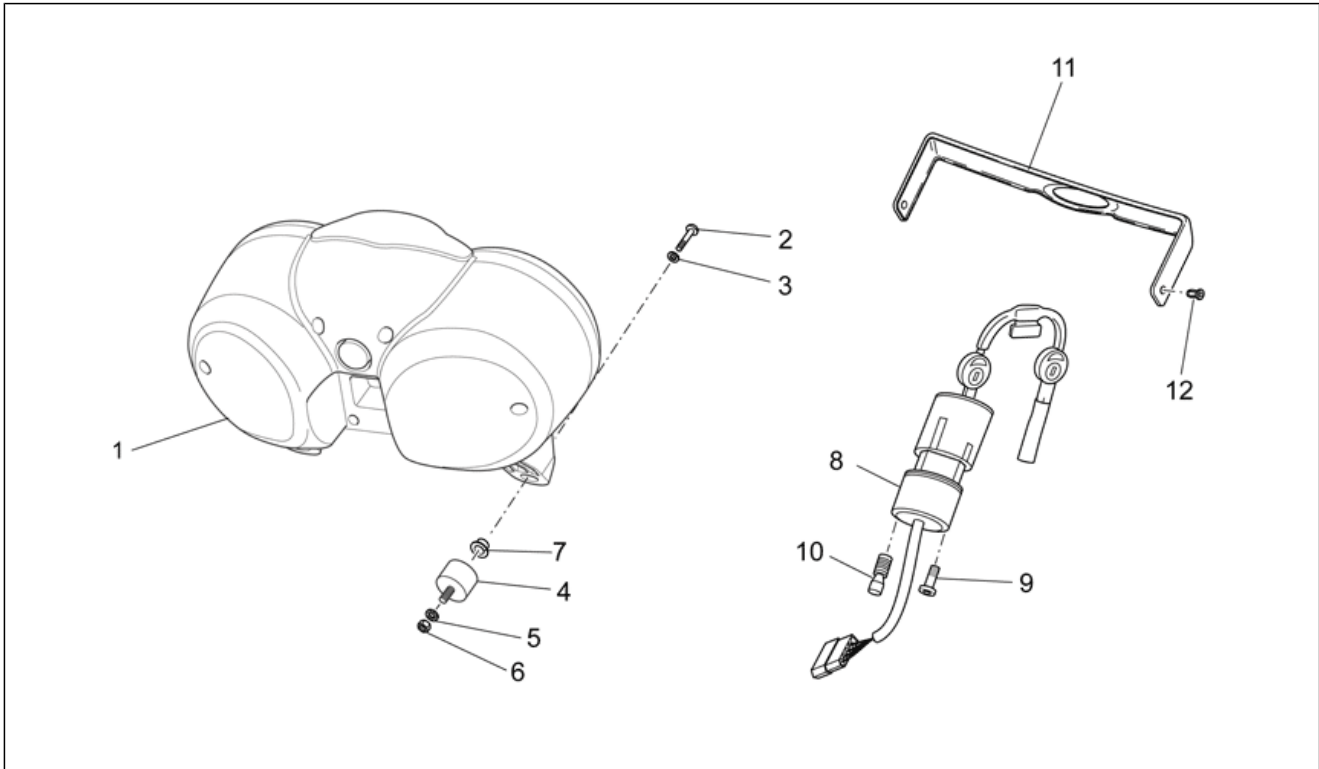
Pos.	Code	Description	Quant	Variants
1	978946	Garde-boue ar.brut	1	
1	97894600XB3	Garde-boue arrière blanc	1	Couleur véhicule: Bianco aprilia[ba] Spécifications techniques: Versione "Stone"[ST]
1	97894600XN2	Garde-boue arrière noir	1	Couleur véhicule: Nero/Giallo[n/gi] Spécifications techniques: Versione "Special"[SP]
1	97894600XN6	Garde-boue arrière noir	1	Couleur véhicule: Noir Diablo[nd] Spécifications techniques: Versione "Stone"[ST]
1	97894600XR7	Garde-boue AR, rouge	1	Couleur véhicule: Red/White[r/bi] Spécifications techniques: Versione "Special"[SP]
2	978947	Soutien	1	
3	AP8152278	Vis bride M6x16	4	
4	254485	Plaquette elastique M6	1	
5	GU98370831	Vis M8x30	2	
6	GU91120806	Entretoise	2	
7	GU95005310	Rondelle 8,4x18x2	2	
8	GU92640708	Ecrou M8	2	
9	AP8152279	Vis bride M6x20	2	
10	GU91180601	Entretoise 6,2x8x3	2	
11	AP8152329	Vis SWP crois. brid. M5x20	3	
12	B063167	Bavette anti-éclaboussures	1	
13	AP8121032	Douille	6	
14	AP8152299	Ecrou autobloqu. M6	6	

Groupe	CHASSIS
Code	33.16
Description	Carrosserie arrière II- Porte-plaque
Révision	1



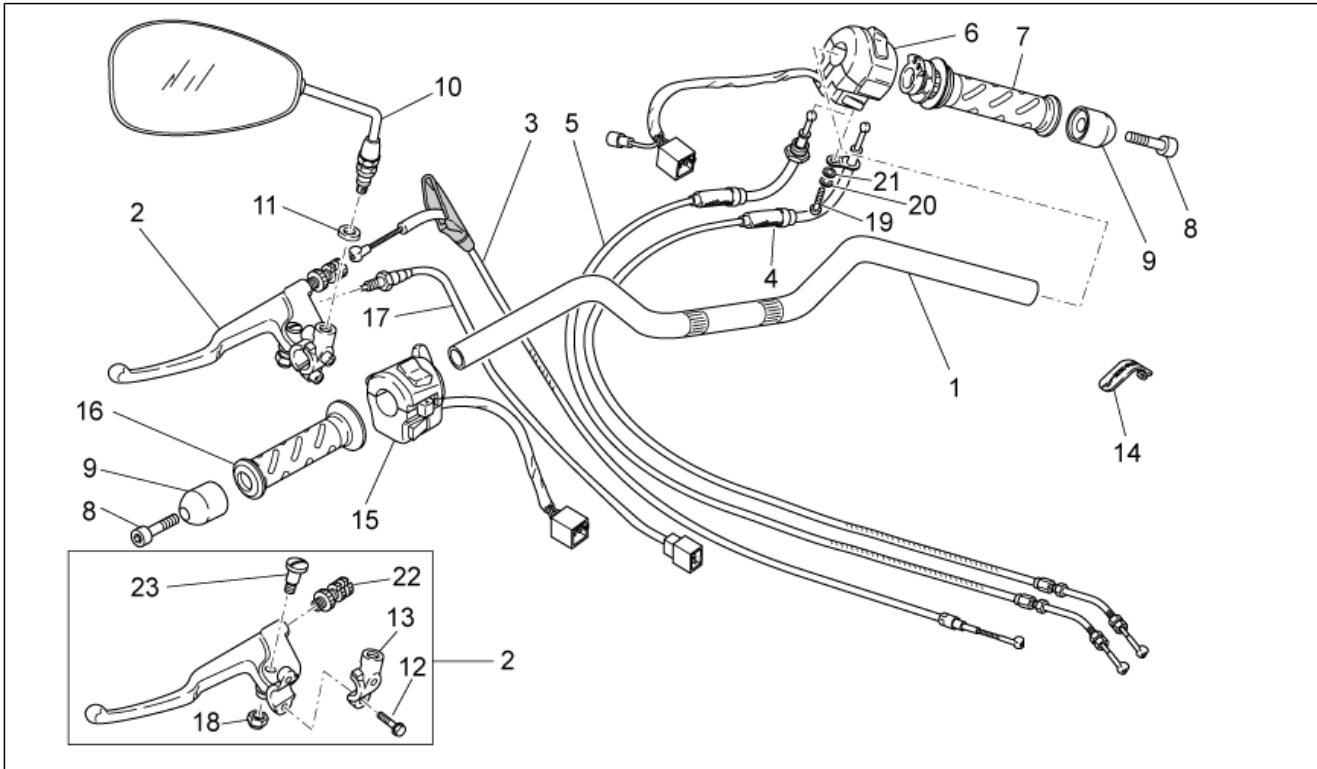
Pos.	Code	Description	Quant	Variants
1	978949	Porte-plaque	1	
2	AP8134448	Support catadioptr	1	
3	AP8224164	Catadioptr arrière, rouge	1	
4	GU98230510	Vis	1	
5	AP8152306	Ecrou autobloqu. m5	1	
6	883470	Porte-plaque	1	Pays:Canadian[CDN], États Unis[USA]
7	AP8124718	Catadioptr arrière, rouge	2	Pays:Canadian[CDN], États Unis[USA]
8	GU92630204	Ecrou	6	Pays:Canadian[CDN], États Unis[USA]
9	883480	Feu de plaque	1	Pays:Canadian[CDN], États Unis[USA]
10	GU32781910	Support catadioptr	2	Pays:Canadian[CDN], États Unis[USA]
11	AP8149034	Support plaque	1	Pays:Canadian[CDN], États Unis[USA]
12	AP8152268	Vis M5x16	7	Pays:Canadian[CDN], États Unis[USA]
13	AP8150248	Rondelle 5,5x15x1,6	7	Pays:Canadian[CDN], États Unis[USA]
14	GU05781630	Catadioptr, ambre	1	Pays:Canadian[CDN], États Unis[USA]

Groupe	CHASSIS
Code	33.17
Description	Tableau de bord
Révision	1



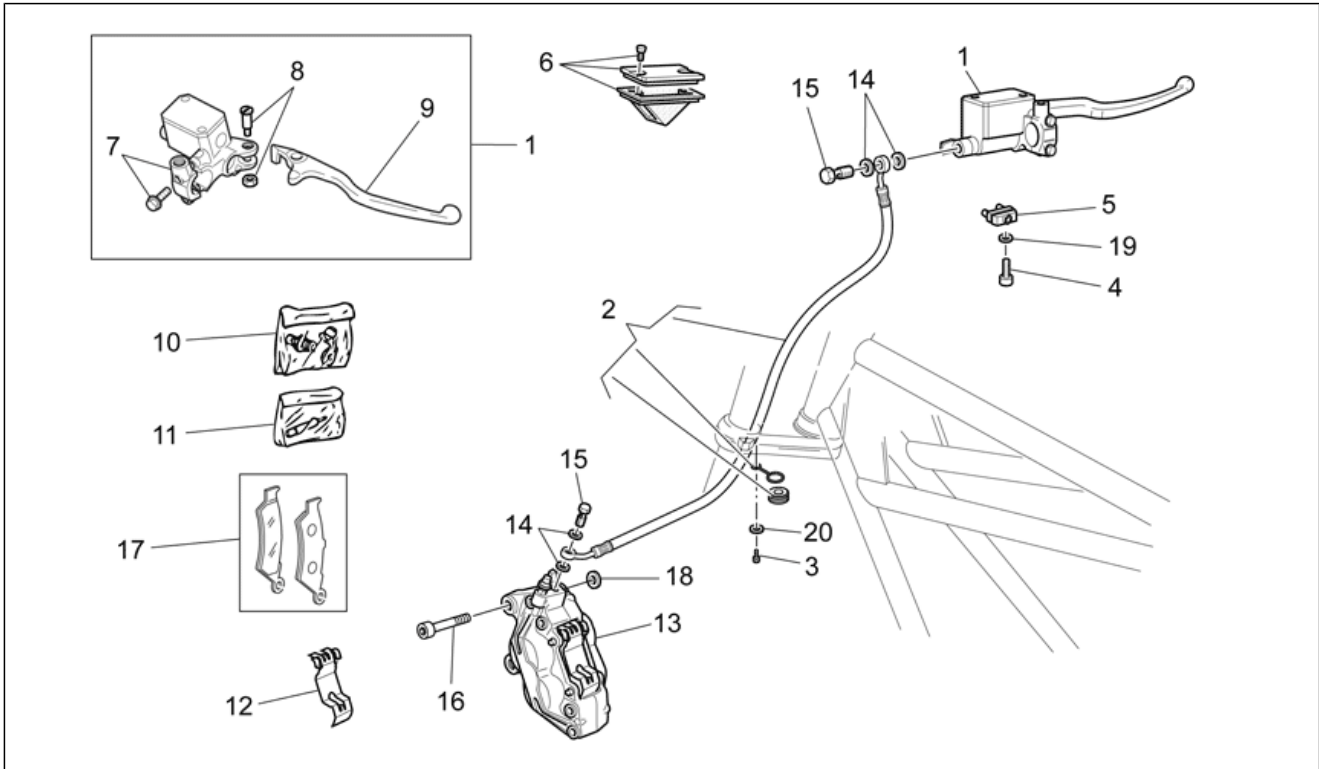
Pos.	Code	Description	Quant	Variants
1	887194	Tableau de bord	1	Pays:Australie[AUS], europa[EU]
1	887195	Tableau de bord MPH	1	Pays:Canadian[CDN], États Unis[USA]
2	GU98370609	Vis M6x10	3	
3	GU95005306	Rondelle 6,4x13x1,5	3	
4	GU93222023	Silentbloc	3	
5	GU95021206	Rondelle	3	
6	GU92606206	Ecrou	3	
7	AP8121032	Douille	3	
8	GU32782510	Bloc démarreur-bloc	1	
9	GU98682416	Vis M8x16	1	
10	AP8150349	Vis spéciale M8x15	1	
11	883569	Couvercle	1	
12	GU23922210	Pivot	2	

Groupe	CHASSIS
Code	33.18
Description	Guidon - Commandes
Révision	1



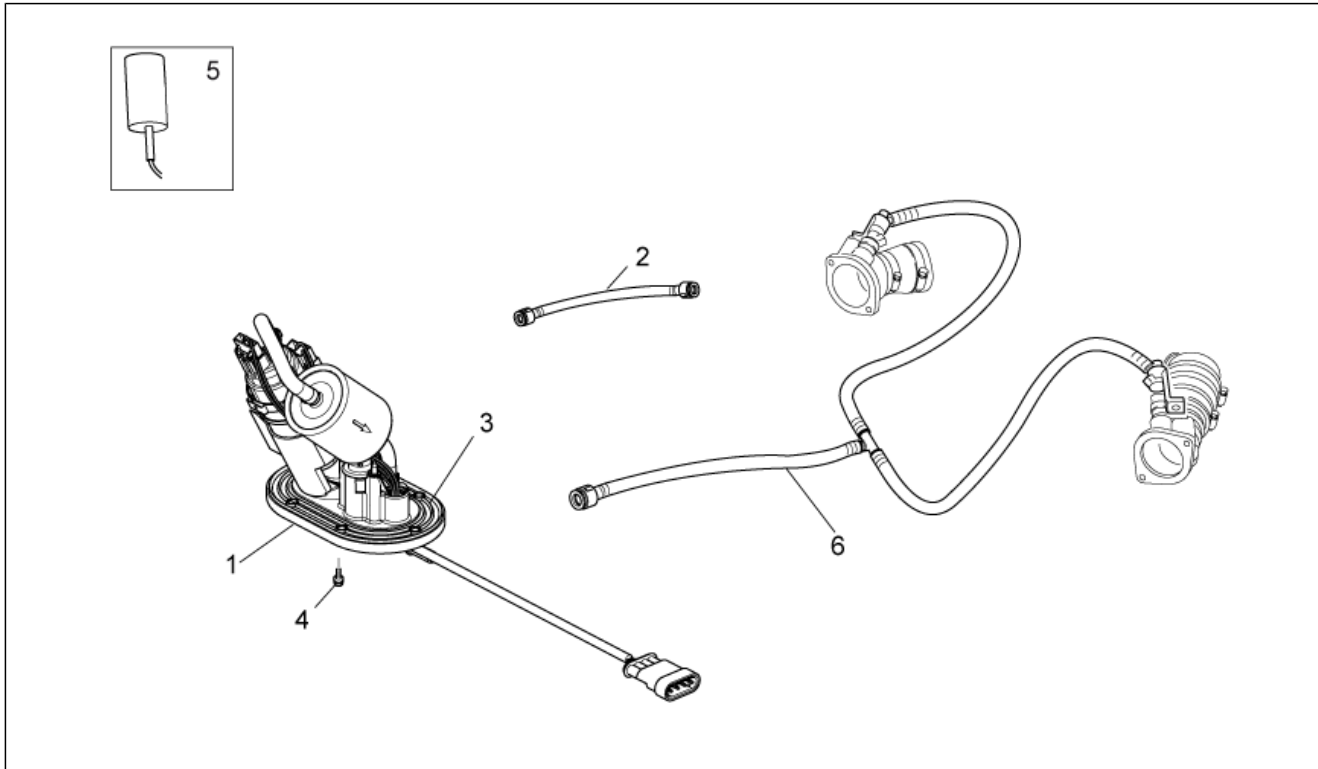
Pos.	Code	Description	Quant	Variants
1	978960	Guidon	1	
2	GU32605510	Levier embrayage	1	
3	883941	Câble embrayage	1	
4	887852	Câble ouverture gaz	1	
5	887853	Câble fermeture gaz	1	
6	B063135	Déviateur feux dte	1	
7	GU32603310	Poignée dr.	1	
8	GU98690335	Vis	2	
9	AP8104509	Masse antivibratile n	2	Spécifications techniques:Versione "Stone"[ST]
9	GU32602860	Masse antivibratile chr.	2	Spécifications techniques:Versione "Special"[SP]
10	883802	Miroir rétroviseur d/g	2	Spécifications techniques:marked "FU E11 81R-001047"[FU]
10	978570	Miroir rétroviseur d/g	2	Spécifications techniques:marked "FAR"[FAR]
11	GU91181003	Entretoise 10,25X20X4	2	
12	GU97202325	Vis bride noir M6x25	2	
13	GU30601060	Etrier	1	
14	GU01609630	Collier L46 mm	2	
14	GU03609600	Collier L36 mm	1	
15	887822	Déviateur feux gche	1	
16	GU32603010	Poignée gc.	1	
17	GU29759150	Interrupteur béquille	1	
18	AP8213388	Ecrou autobloqu.	1	
19	GU98230510	Vis	1	
20	GU95008305	Rondelle 5,3X10X1	1	
21	GU95021105	Rondelle évent.	1	
22	GU30602500	Réglage	1	
23	AP8213028	Vis	1	

Groupe	CHASSIS
Code	33.19
Description	Sys.frein avant
Révision	1



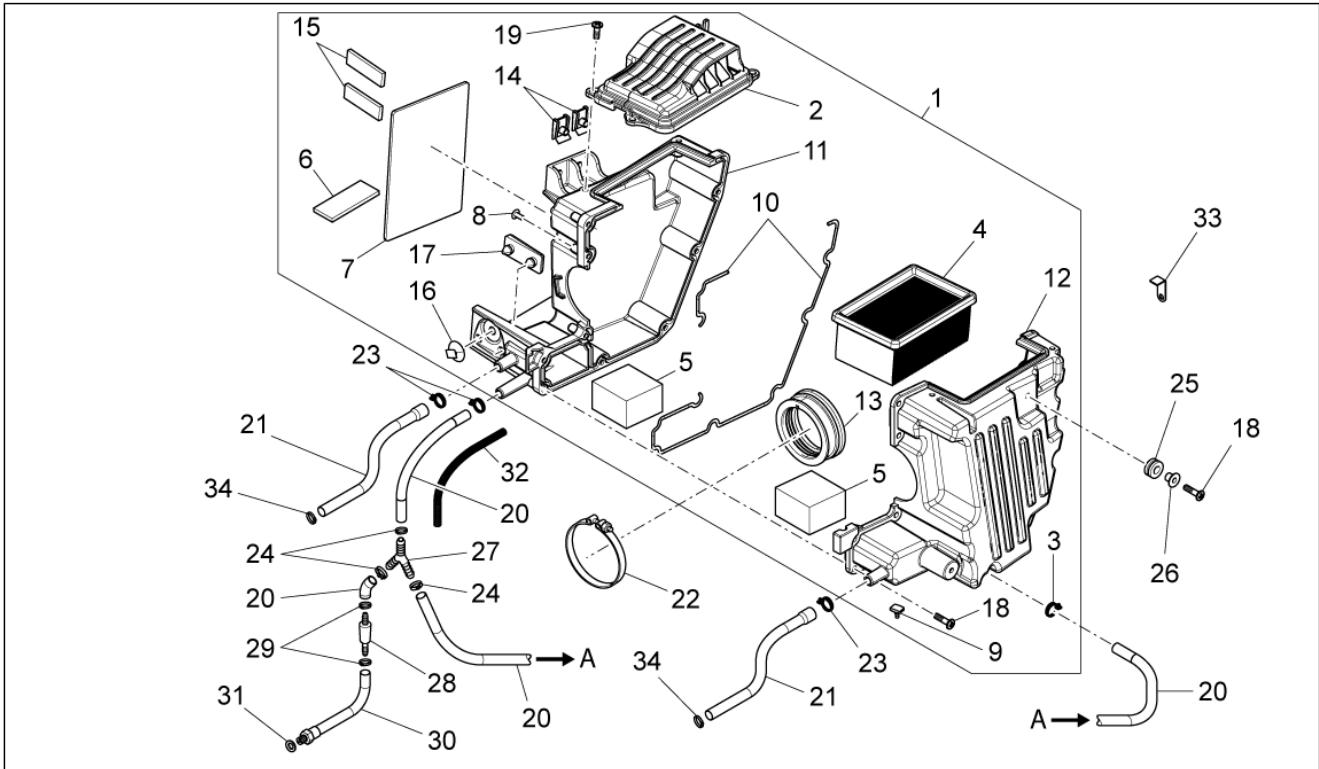
Pos.	Code	Description	Quant	Variants
1	GU03660145	Maît. cyl. frein AV	1	
2	GU32657110	Tube frein	1	
3	AP8152277	Vis bride M6x12	1	
4	GU98370412	Vis M4x12	1	
5	GU03749845	Contacteur de stop	1	
6	GU03661145	Couvercle pompe	1	
7	GU03664045	Cavalier	1	
8	GU03604845	Goujon de levier	1	
9	GU03605645	Levier frein	1	
10	GU05659230	Purge+capuchon	1	
11	GU01659130	Pivots+ressorts pince	1	
12	GU01659131	Ressort	1	
13	883303	Etrier frein AV g.noir	1	
14	AP8121915	Joint	4	
15	978323	Vis tuyau huile *	2	
16	AP8152385	Vis M10x1,25	2	
17	GU01654630	Plaquettes-paire	1	
18	GU91181003	Entretoise 10,25X20X4	2	
19	GU95021104	Rondelle 4,3x8x1,5	1	
20	GU95008306	Rondelle 6,4x12x1,2	1	

Groupe	CHASSIS
Code	33.21
Description	Pompe essence
Révision	1



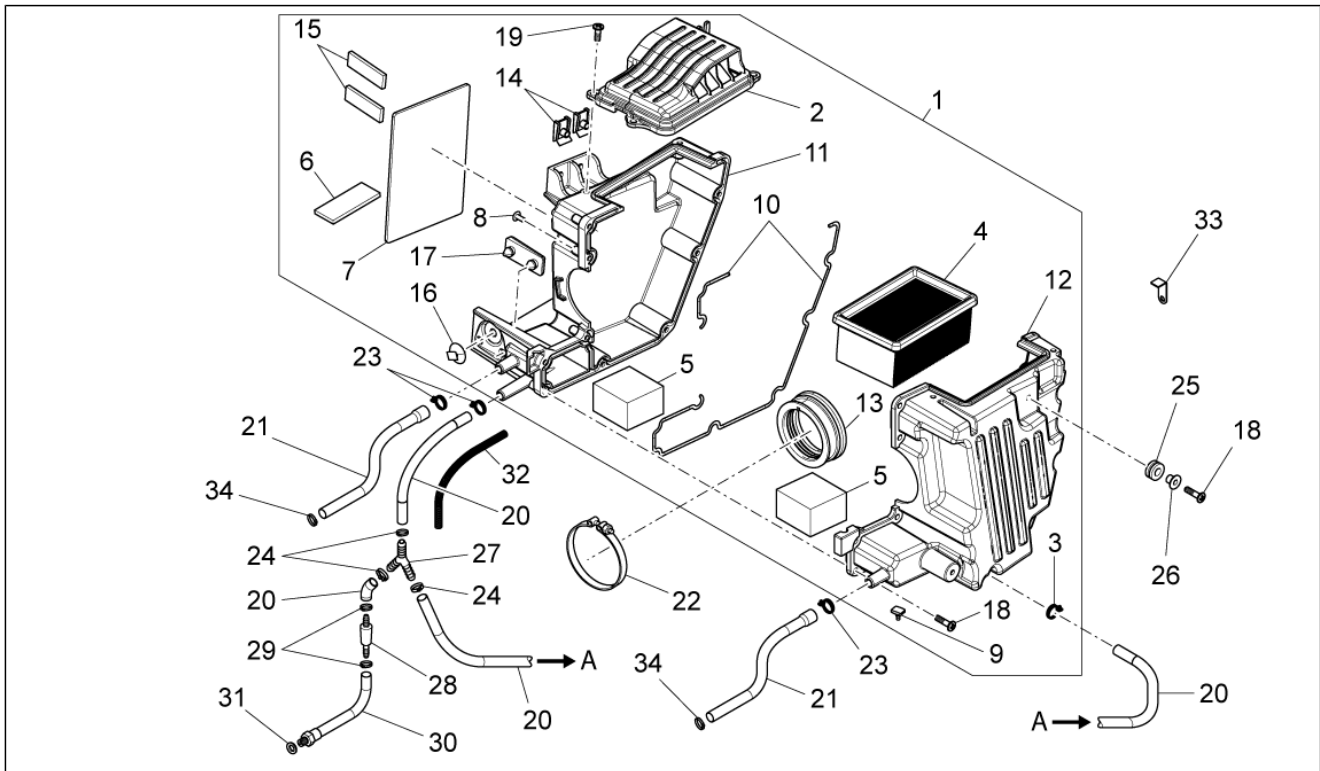
Pos.	Code	Description	Quant	Variants
1	887768	Pompe essence	1	
2	B063033	Tuyau essence	1	
3	GU05107430	Joint	1	
4	AP8152273	Vis bride	6	
5	887787	Détecteur niveau essence	1	
6	B063034	Tuyau essence	1	

Groupe	CHASSIS
Code	33.22
Description	Corps filtre
Révision	1



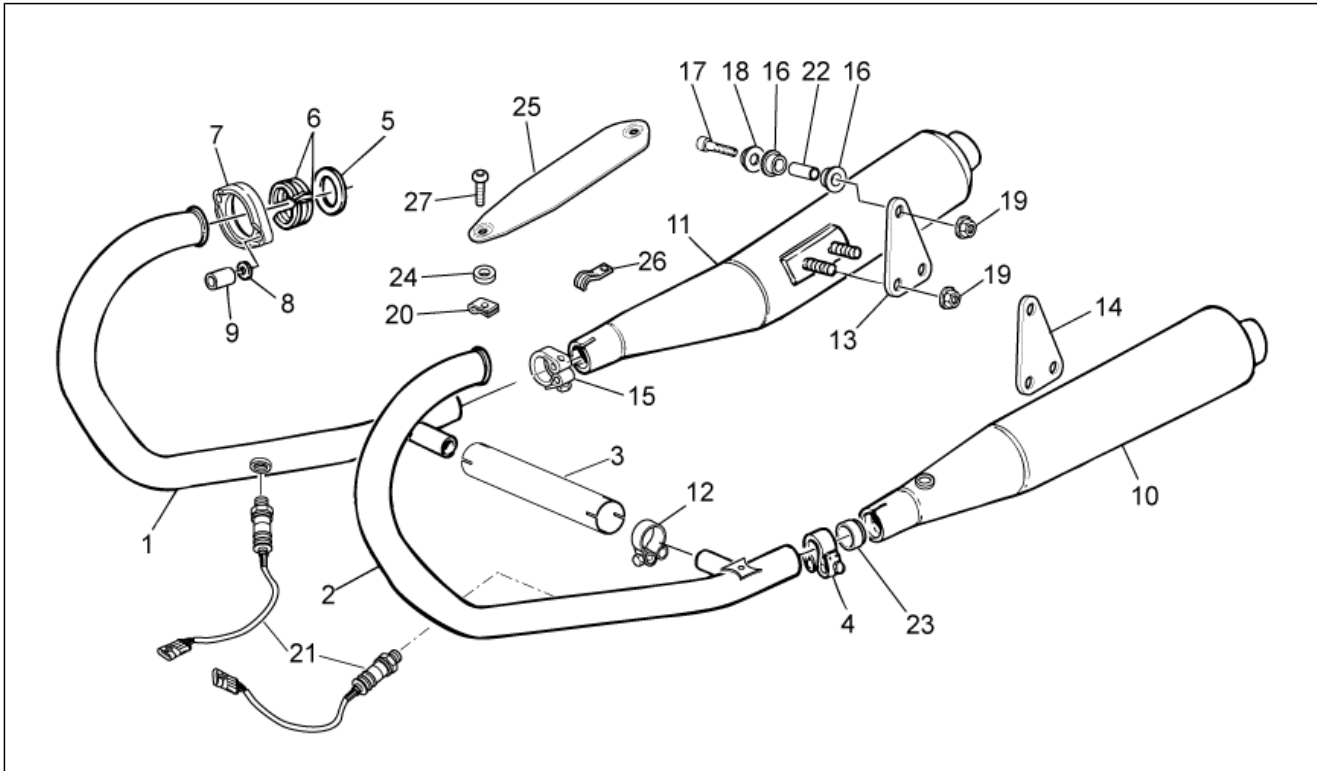
Pos.	Code	Description	Quant	Variants
1	8878421	Scatola filtro completa	1	
2	887843	Couvercle de filtre	1	
3	AP8201358	Collier D 11,9	1	
4	AP8104924	Filtre air	1	
5	AP8104525	Filtre blow-by	2	
6	883127	Coautouc pour support 5mm	1	
7	AP8144553	Coautouc pour support	1	
8	AP8120876	Bouchon de fermeture	2	
9	AP8120455	Caoutchouc	1	
10	AP8120615	Joint D3	2	
11	887844	Guscio dx cassa filtro	1	
12	887845	Guscio sx cassa filtro	1	
13	887815	Manchon d'aspiration	1	
14	254485	Plaquelette elastique M6	2	
15	AP8144538	Joint	2	
16	890760	Support instruments	1	
17	AP8144729	Tampon fin de course béquille	1	
18	AP8152329	Vis SWP crois. brid. M5x20	11	
19	AP8150509	Vis taraud 5x14	4	
20	AP8120772	Tuyau reniflard radiateur	3	
21	B063214	Tubazione blow-by	2	
22	GU93305061	Collier 61/65,5	1	
23	AP8102766	Collier	3	
24	AP8102159	Collier	3	
25	GU91551010	Caoutchouc	2	
26	AP8221023	Douille en "T" *	2	
27	AP8120116	Raccord 3 voies	1	
28	AP8104251	Soupape reniflard huile	1	

Groupe	CHASSIS
Code	33.22
Description	Corps filtre
Révision	1



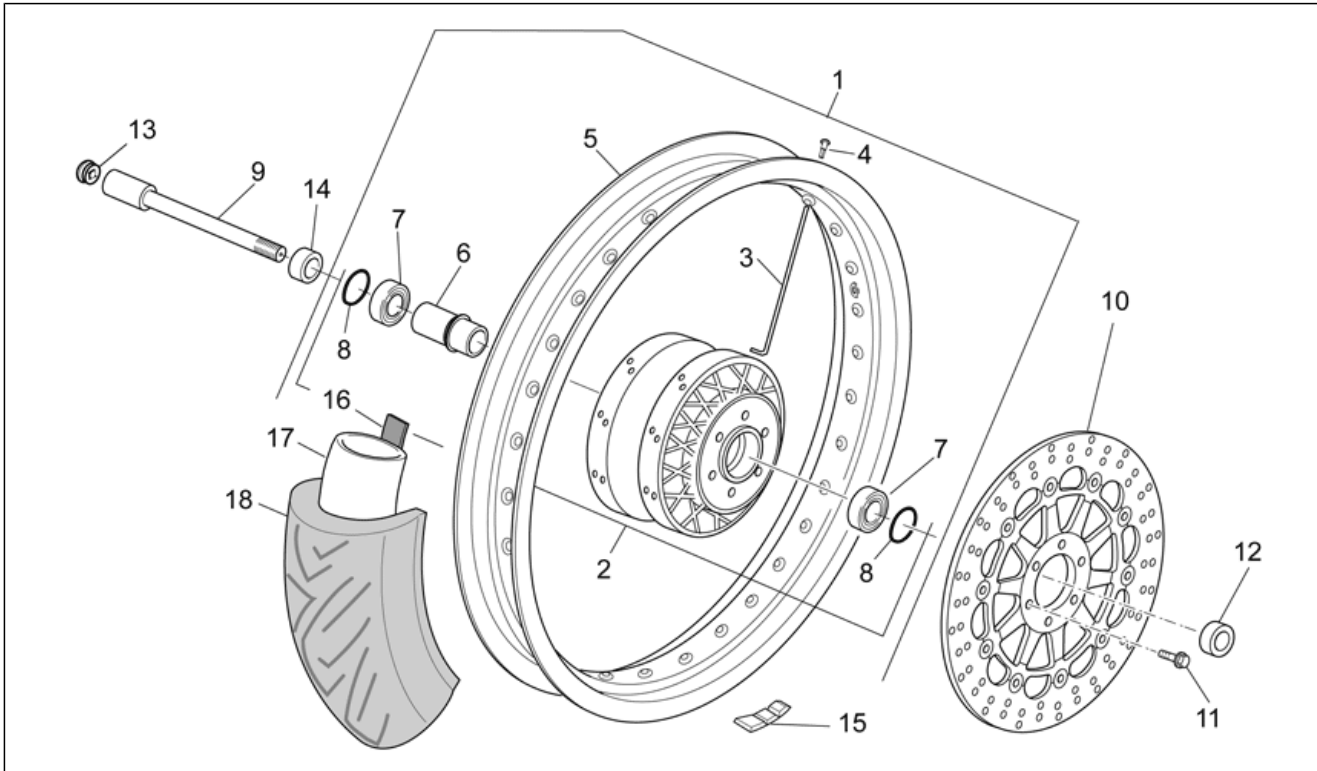
Pos.	Code	Description	Quant	Variants
29	AP8102159	Collier	2	
30	B063213	Reniflard	1	
31	GU90714082	Joint	1	
32	GU00823923140	Gaine thermique	1	
33	GU31112965	Equerre	1	
34	AP8201358	Collier D 11,9	2	

Groupe	CHASSIS
Code	33.23
Description	Groupe echappement
Révision	1



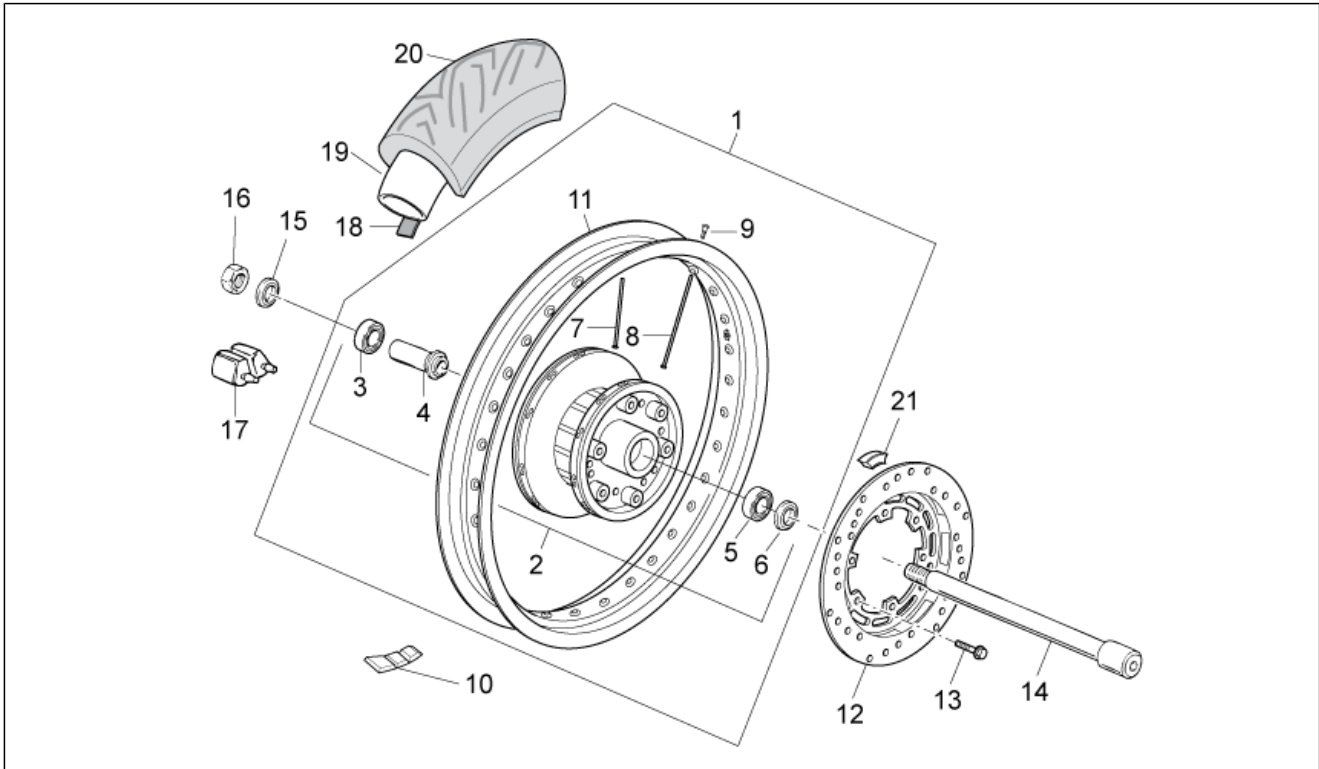
Pos.	Code	Description	Quant	Variants
1	887846	Tuyau échappement d.	1	
2	887847	Tuyau échappement gche	1	
3	B063022	Raccord collecteurs échap.	1	
4	883294	Collier silencieux gauche	1	
5	GU19025280	Joint	2	
6	GU19025460	Entretoise	4	
7	GU32121010	Bague	2	
8	GU03013800	Rondelle 6,4x12	4	
9	GU31121880	Ecrou	4	
10	884137	Silencieux G	1	
11	884136	Silencieux D	1	
12	978385	Collier	2	
13	883297	Plaque d.	1	
14	883298	Plaque g.	1	
15	883293	Collier silencieux droit	1	
16	AP8144071	Caoutchouc pot	4	
17	GU98680440	Vis M8x40	2	
18	AP8134378	Douille fixation silencieux	2	
19	GU92640508	Ecrou M8	6	
20	254485	Plaquette elastique M6	2	
21	896110	Sonde lamda l.660 mm	2	
22	AP8121072	Entretoise	2	
23	GU91113826	Douille	2	
24	AP8120870	Rondelle isolante	4	
25	883704	Grille protec. pot	2	
26	GU93301175	Cavalier	1	
27	GU98210612	Vis bride M6x12	4	

Groupe	CHASSIS
Code	33.24
Description	Roue Av. I
Révision	1



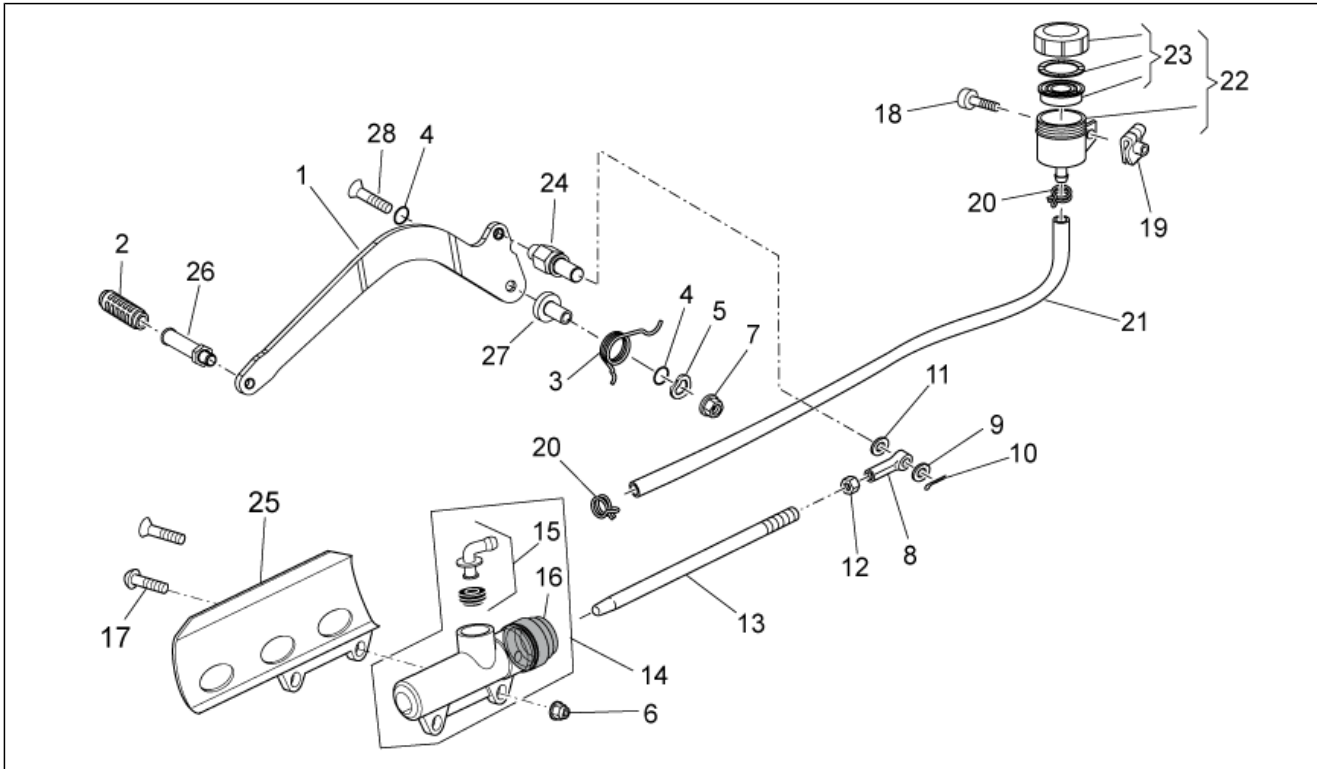
Pos.	Code	Description	Quant	Variants
1	887859	Roue AV cpl 2,5x18"	1	
2	GU32613160	Moyeu avant	1	
3	B063144	Rayon roue AV	36	
4	GU03631250	Nipples	36	
5	887858	Jante avant 2,5x18"	1	
6	GU31615283	Entretoise roulements	1	
7	GU92204221	Roulement	2	
8	GU90402642	Bague d'étanchéité	1	
9	GU31614183	Axe de roue AV	1	
10	883688	Disque frein avant 320	1	
11	AP8152286	Vis bride M8x20	6	
12	GU31616384	Entretoise G	1	
13	GU93180111	Bouchon 15 mm	1	
14	GU32615660	Entretoise D	1	
15	GU14616150	Contrepoids	1	
16	GU03612040	Pare clau	1	
17	GU31610160	Chambre à air MB 18	1	
18	886679	Pneu 100/90 18	1	

Groupe	CHASSIS
Code	33.25
Description	Roue arrière I
Révision	1



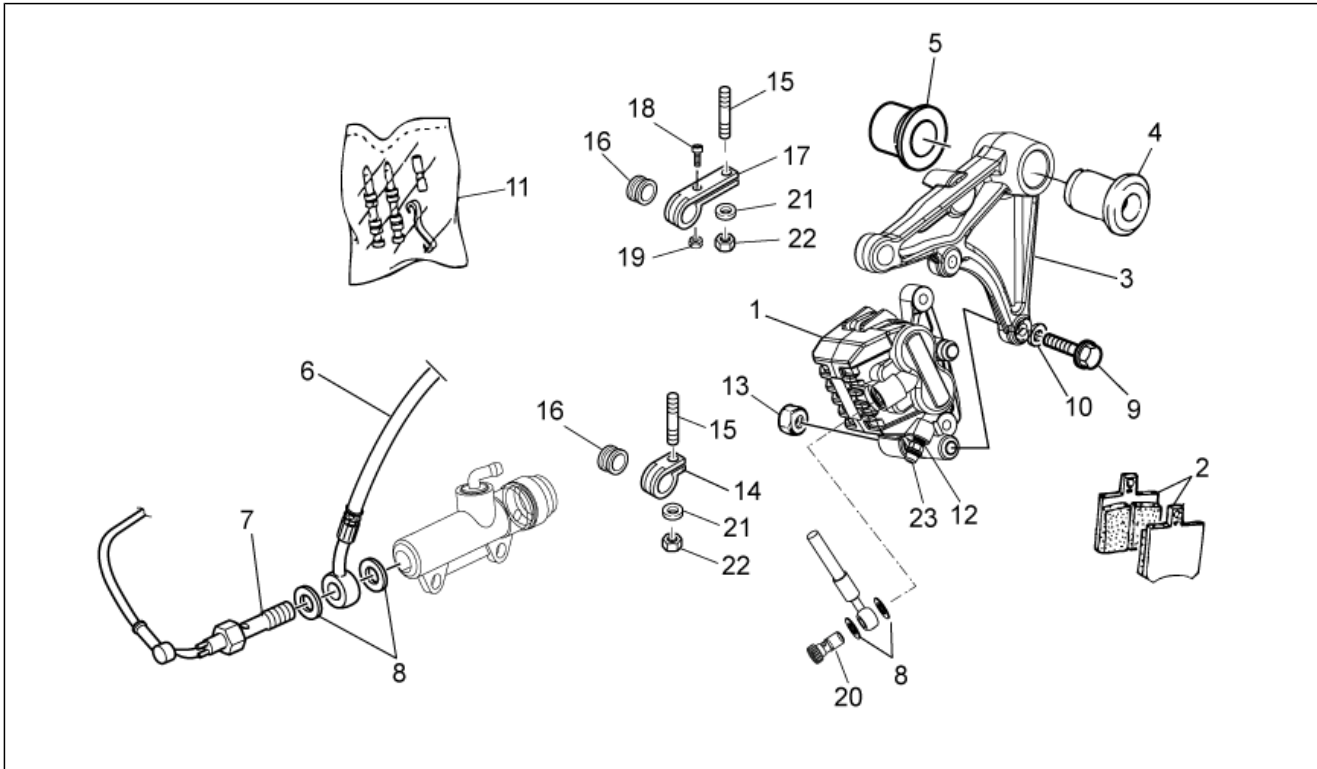
Pos.	Code	Description	Quant	Variants
1	887861	Roue AR cpl 3,5X17"	1	
2	GU32692260	Moyeu	1	
3	GU92204218	Roulement	1	
4	GU27633910	Entretoise	1	
5	GU92204217	Roulement	1	
6	GU90402538	Bague d'étanchéité 25x40x7	1	
7	883350	Rayon court	18	
8	883349	Rayon long mm 158	18	
9	GU03631250	Nipples	36	
10	GU14616150	Contrepoids	1	
11	887862	Cerchio ruota posteriore 3,5X17"	1	
12	887448	Disque frein	1	
13	894505	Vis bride M8x18	6	
14	GU32633360	Axe de roue AR	1	
15	GU31634481	Rondelle	1	
16	GU92606316	Ecrou M16x1,5	1	
17	GU32632510	Joint en caoutchouc	6	
18	GU28612033	Pare clau	1	
19	GU30630430	Chambre à air MD 17	1	
20	886680	Pneu 130/80 17	1	
21	GU32636160	Coatouhc pour support	1	

Groupe	CHASSIS
Code	33.26
Description	Maît.cyl. frein AR
Révision	1



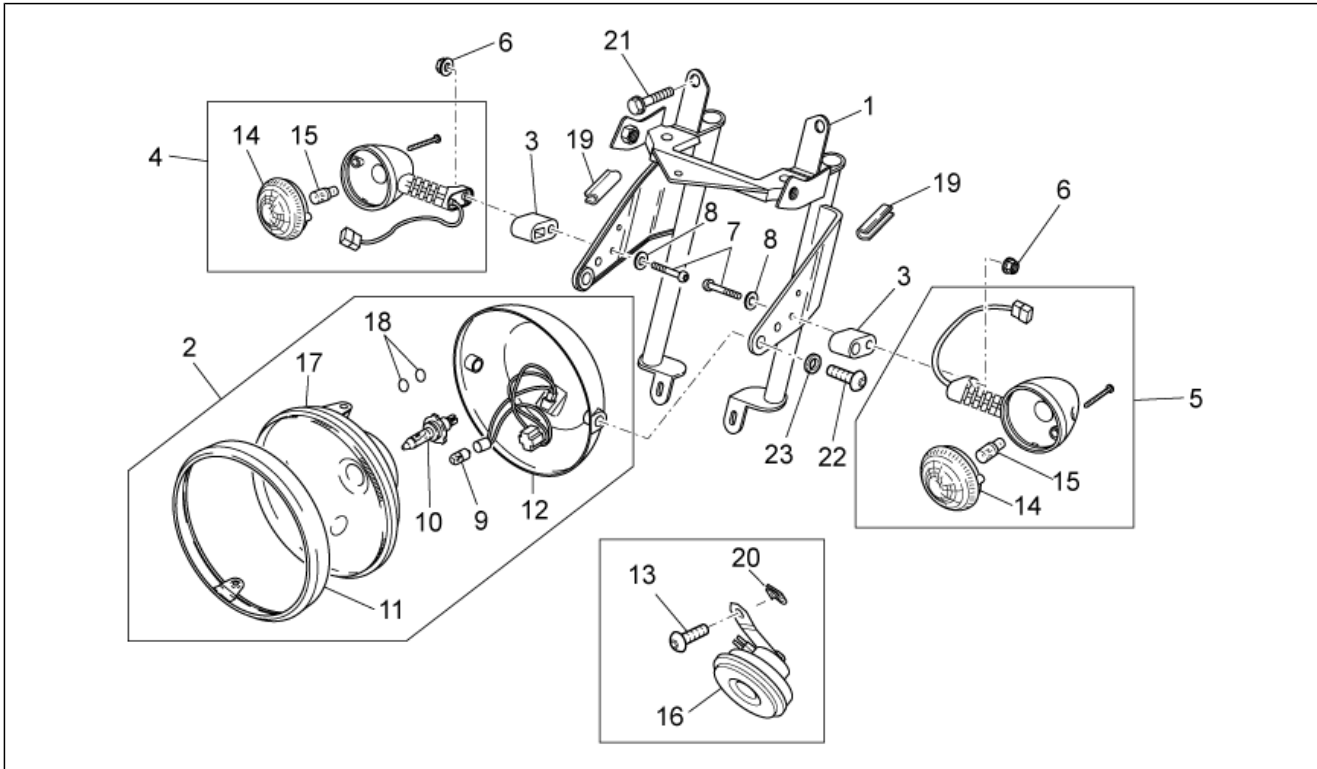
Pos.	Code	Description	Quant	Variants
1	887910	Levier frein	1	
2	AP8120912	Caoutchouc pour levier	1	
3	978969	Ressort	1	
4	AP8144007	Joint torique 11,11x1,78	2	
5	GU95005310	Rondelle 8,4x18x2	1	
6	GU92630206	Ecrou M6x1	2	
7	GU92660021	Ecrou bridé M8	1	
8	GU18257551	Bloc	1	
9	GU95005311	Rondelle	1	
10	GU95500221	Goupille	1	
11	GU03270300	Rondelle 8,4x15	1	
12	GU92609007	Ecrou	1	
13	978970	Poussoir cde mai-cyl.	1	
14	AP8133643	Maît.cyl. frein AR	1	
15	AP8213057	Raccord pompe arrière	1	
16	AP8113288	Soufflet en caoutchouc	1	
17	GU98370625	Vis	2	
18	AP8152298	Vis bride M5x16	1	
19	248419	Plaquette elastique m5	1	
20	AP8101594	Collier D10,1*	2	
21	GU00823950050	Tuyau huile	1	
22	AP8113241	Réserv.huile freins	1	
23	AP8113553	Bouchon réservoir	1	
24	887911	Pivot levier frein	1	
25	GU01665410	Protection maître cyl.noire	1	
26	887908	Pédale en caoutch.	1	
27	887952	Douille levier frein AR	1	
28	B063443	Vis FHC M8x50	1	

Groupe	CHASSIS
Code	33.27
Description	Pince frein AR
Révision	1



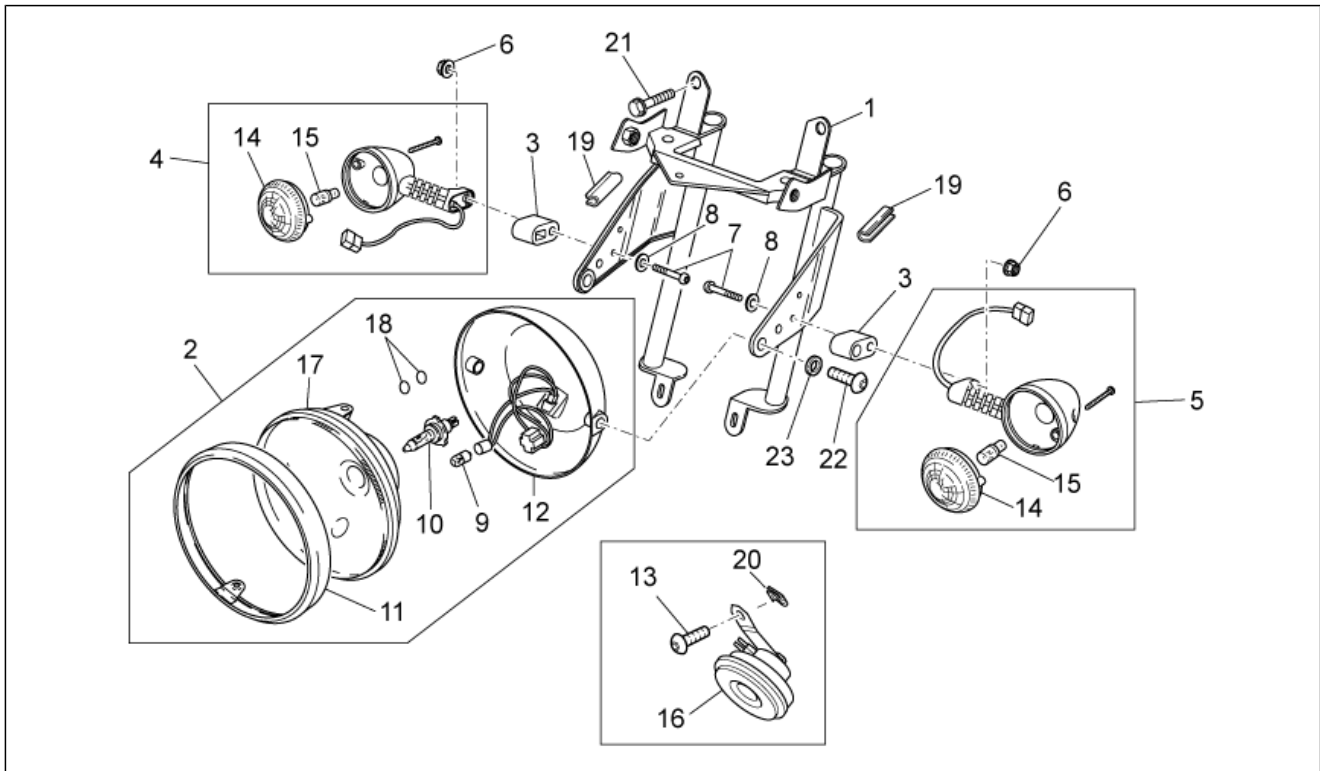
Pos.	Code	Description	Quant	Variants
1	887449	Pince frein arrière	1	
2	AP8133798	Plaquettes-paire	1	
3	887431	Plaque support étrier frein	1	
4	GU31634281	Douille	1	
5	GU32634160	Entretoise	1	
6	887457	Tuyau frein arrière	1	
7	883192	Interrupteur	1	
8	AP8121915	Joint	4	
9	AP8152288	Vis bride	2	
10	GU03270300	Rondelle 8,4x15	2	
11	AP8133799	Pivots+ressorts pince	1	
12	AP8133800	Purge air	1	
13	AP8152300	Ecrou autobloqu. M8	2	
14	GU03658430	Collier	1	
15	GU96451316	Vis sans tête	1	
16	GU03658201	Bague	2	
17	GU03658330	Collier	1	
18	GU98257410	Vis	1	
19	GU92630104	Ecrou M4x0,7	1	
20	AP8113003	Vis tuyau huile *	1	
21	GU95008306	Rondelle 6,4x12x1,2	2	
22	AP8152299	Ecrou autobloqu. M6	2	
23	AP8213575	Capuchon reniflard	1	

Groupe	CHASSIS
Code	33.28
Description	Feux avant
Révision	1



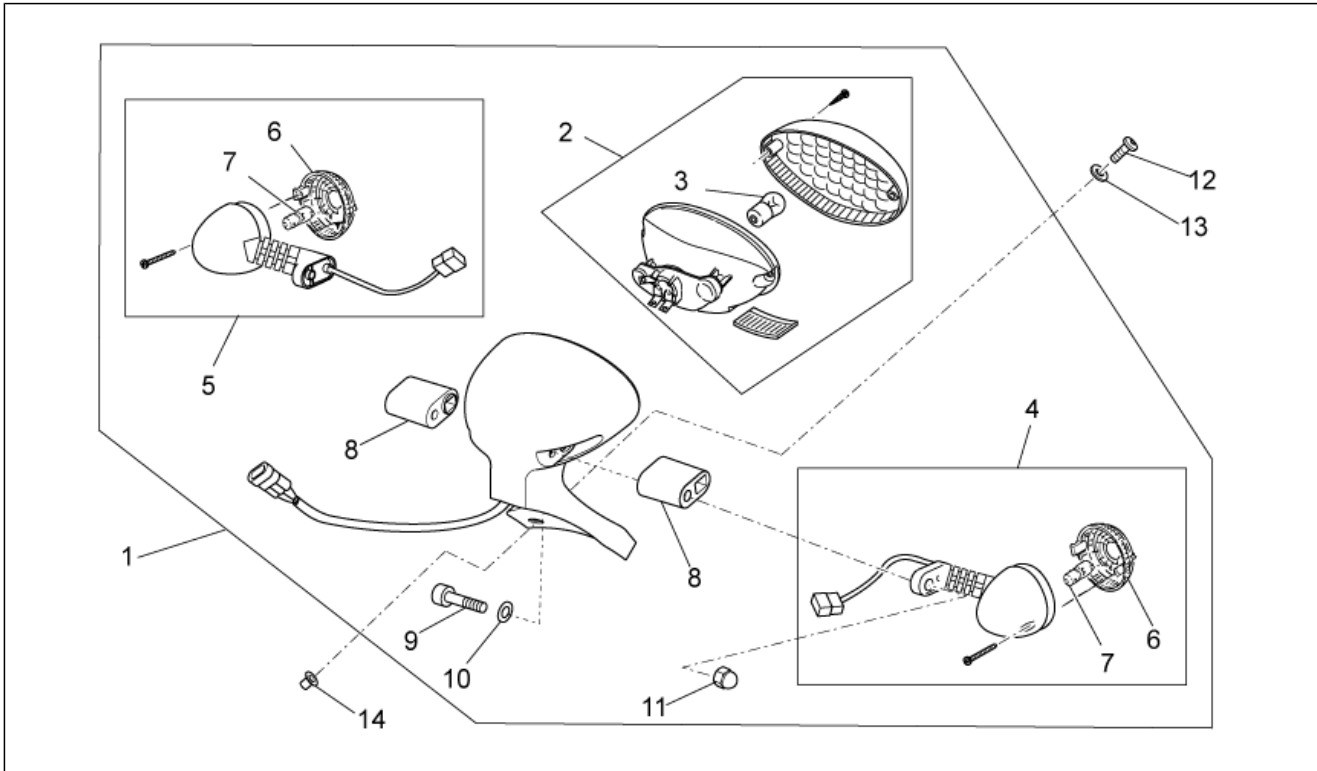
Pos.	Code	Description	Quant	Variants
1	GU32506360	Bride support feu	1	
2	978311	Phare avant	1	Pays:Canadian[CDN], europa[EU], États Unis[USA] Spécifications techniques:Versione "Stone"[ST]
2	978662	Projecteur av.complet gauche	1	Pays:Australie[AUS] Spécifications techniques:Versione "Stone"[ST]
2	GU06740500	Phare avant	1	Pays:Canadian[CDN], europa[EU], États Unis[USA] Spécifications techniques:Versione "Special"[SP]
2	GU06740501	Projecteur av.complet gauche	1	Pays:Australie[AUS] Spécifications techniques:Versione "Special"[SP]
3	GU32753410	Entretoise	2	
4	887826	Clignot.av.dr./arr.ga.	1	Pays:Australie[AUS], Japon[J]
4	B063800	***Clignotant AV droite	1	Pays:Canadian[CDN], États Unis[USA]
5	887827	Clignot.av.ga./arr.dr.	1	Pays:Australie[AUS], europa[EU]
5	B063801	***Clignotant avant gauche	1	Pays:Canadian[CDN], États Unis[USA]
6	GU92787006	Ecrou borgne M6x1	2	
7	GU98370655	Vis	2	
8	GU95021206	Rondelle	2	
9	GU93450105	Lampe (ou Ampoule)	1	
10	GU93450232	Lampe (ou Ampoule) 12V-55/60W	1	
11	GU31740383	Bague chromée	1	
12	981149	Calotte, noir	1	Spécifications techniques:Versione "Stone"[ST]
12	GU06740200	Calotte chr.feux avant	1	Spécifications techniques:Versione "Special"[SP]
13	AP8150377	Vis	2	
14	B063735	Vitre clignotant	2	
15	GU93450126	Lampe orange	2	
16	890979	Klaxon	1	
17	GU06740400	Groupe optique	1	Pays:europa[EU] Spécifications techniques:Versione "Special"[SP], Versione "Stone"[ST]
17	GU06740401	Groupe optique complet gauche	1	Pays:Australie[AUS]

Groupe	CHASSIS
Code	33.28
Description	Feux avant
Révision	1



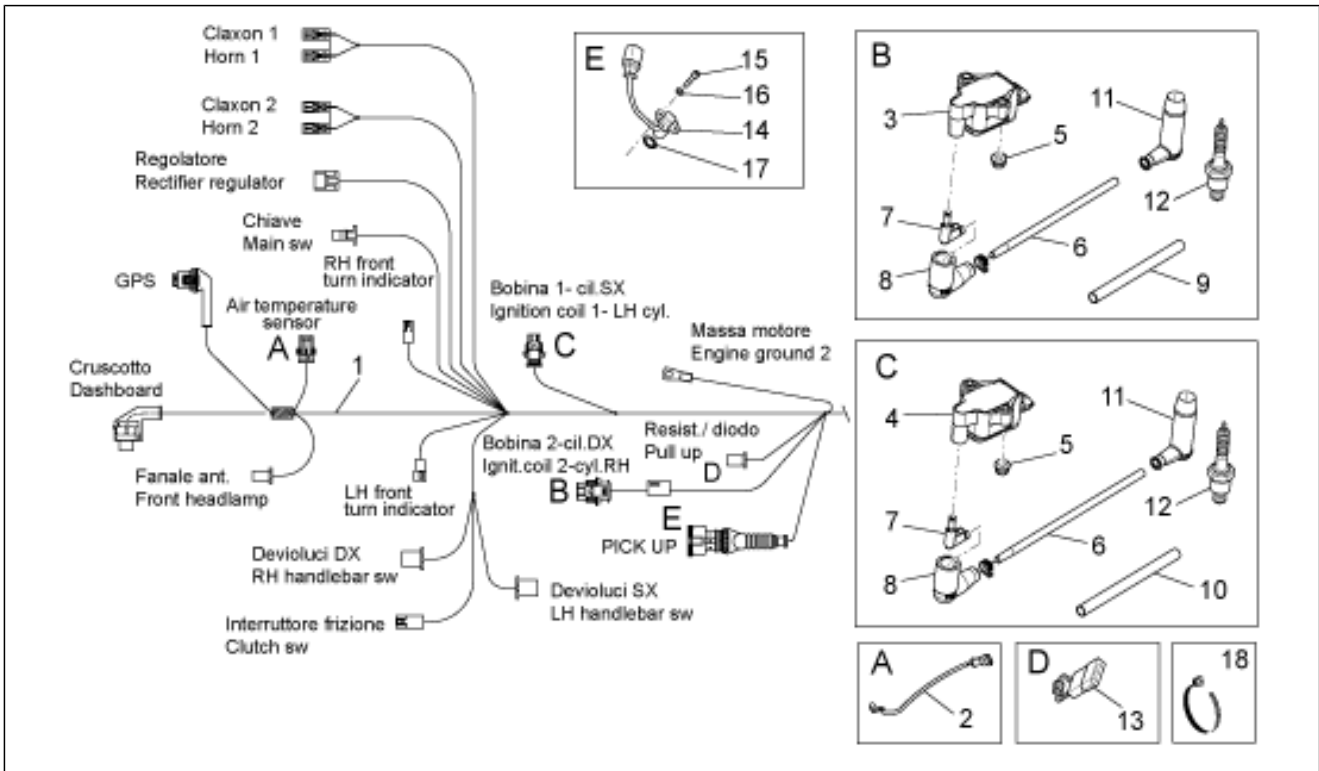
Pos.	Code	Description	Quant	Variants
				Spécifications techniques: Versione "Special"[SP]
18	883417	Joint torique	2	
19	GU00823931055	Joint	1	
20	254485	Plaque élastique M6	2	
21	GU98880540	Vis M10x40	2	
22	GU98370831	Vis M8x30	2	
23	GU95005308	Rondelle 8,4x14,57x1,6	2	

Groupe	CHASSIS
Code	33.29
Description	Feux arriere
Révision	1



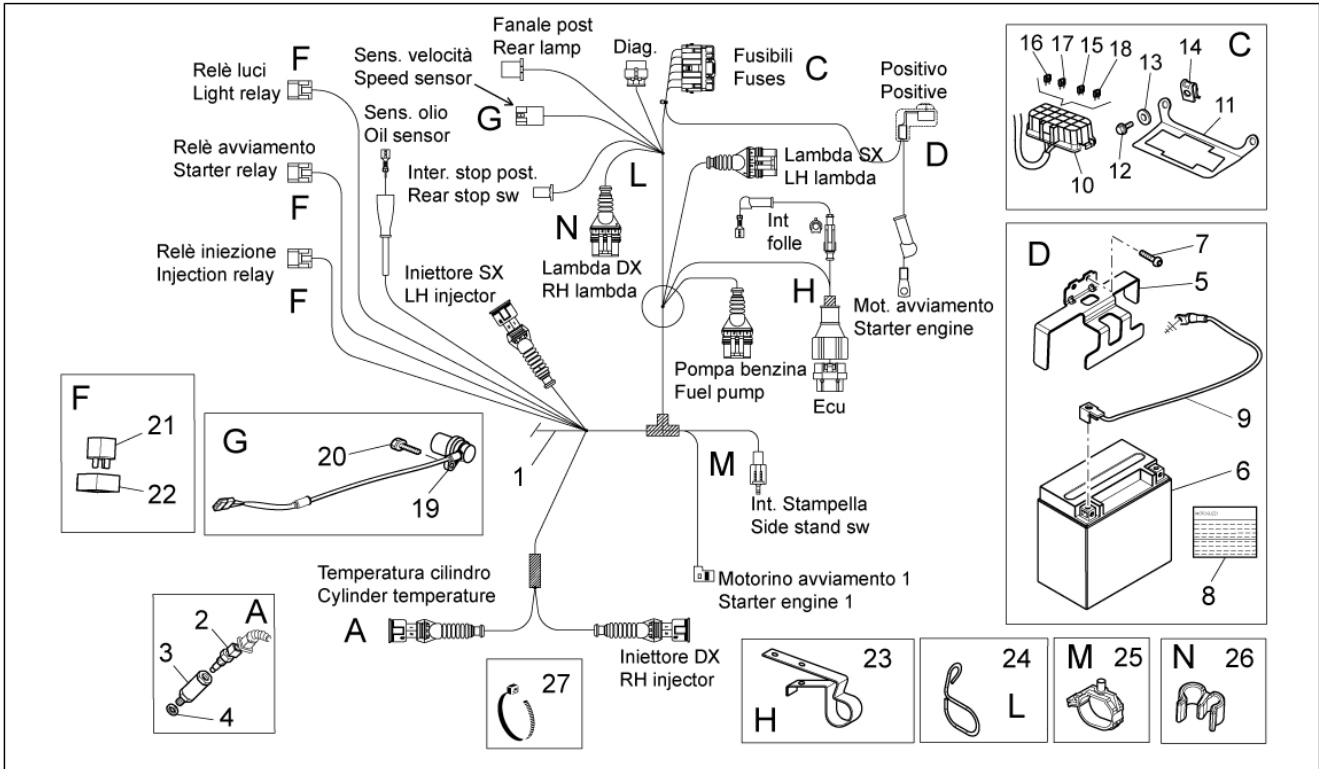
Pos.	Code	Description	Quant	Variants
1	883479	Phare AR cpl.	1	Pays:Canadian[CDN], États Unis[USA]
1	887877	Phare AR cpl.	1	Pays:Australie[AUS], europa[EU]
2	GU03740930	Feu arrière	1	
3	GU93450224	Lampe (ou Ampoule)	1	
4	887826	Clignot.av.dr./arr.ga.	1	Pays:Australie[AUS], europa[EU]
4	GU32750661	Clignot.av.dr./arr.ga.	1	Pays:Canadian[CDN], États Unis[USA]
5	883478	Clignot.av.ga./arr.dr.	1	Pays:Canadian[CDN], États Unis[USA]
5	887827	Clignot.av.ga./arr.dr.	1	Pays:Australie[AUS], europa[EU]
6	B063735	Vitre clignotant	2	Pays:Australie[AUS], europa[EU]
6	GU32753711	Vitre clignotant	1	Pays:Canadian[CDN], États Unis[USA]
7	GU93450126	Lampe orange	2	Pays:Australie[AUS], europa[EU]
7	GU93450127	Lampe (ou Ampoule)	1	Pays:Canadian[CDN], États Unis[USA]
8	GU32753410	Entretoise	2	
9	GU98370655	Vis	2	
10	GU95021206	Rondelle	2	
11	GU92787006	Ecrou borgne M6x1	2	
12	GU98350215	Vis	3	
13	GU30577800	Rondelle nylon 5,5X12X1	3	
14	GU93231605	Douille anti vibr.	3	

Groupe	CHASSIS
Code	33.30
Description	Circuit électrique I
Révision	1



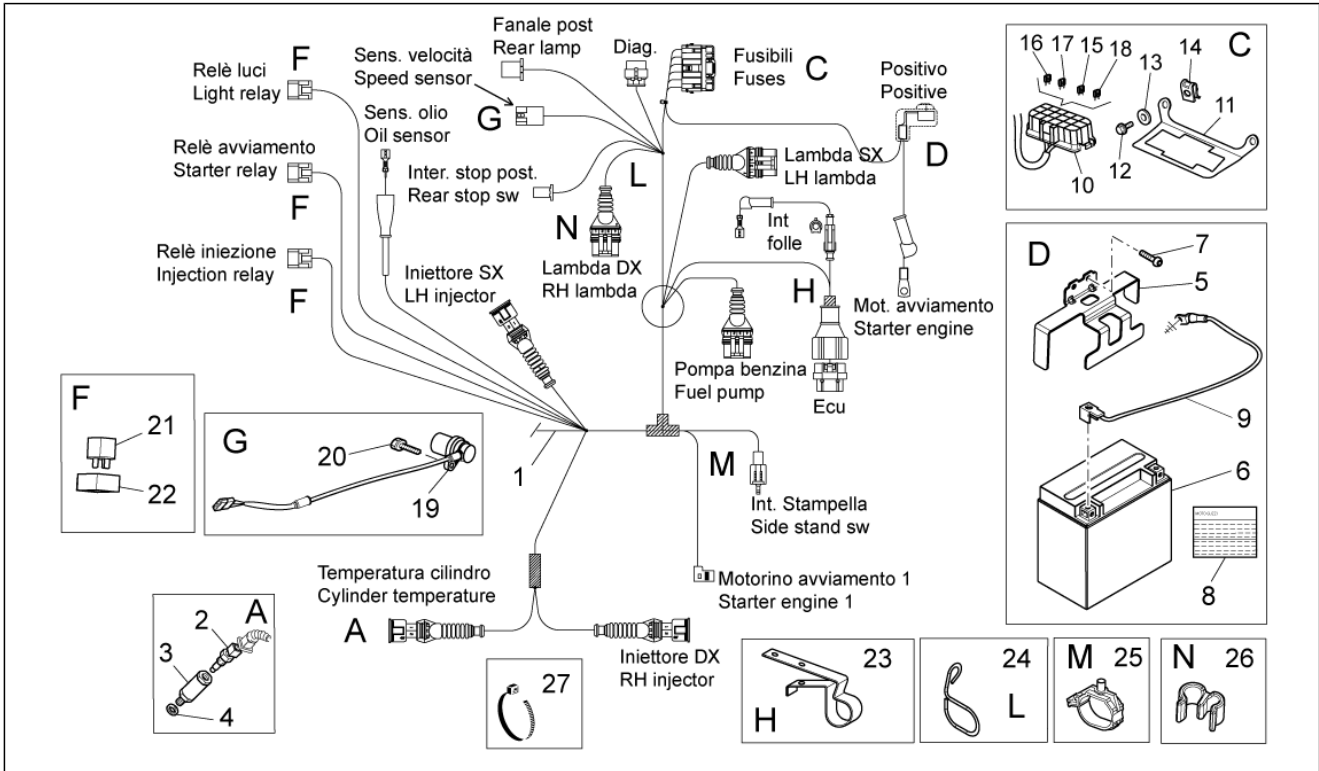
Pos.	Code	Description	Quant	Variants
1	887825	Câblage principal	1	
2	AP8124936	Détec. temper. air	1	
3	642034	Bobine HT DX	1	
4	641901	Bobine HT SX	1	
5	AP8152299	Ecrou autobloqu. M6	4	
6	080341	Cable HT	2	
7	641725	Terminale A.T.	2	
8	641040	Capuchon isolant	2	
9	CM007423	Gaine câble noire	1	
10	CM0074C9	Guaina cavo grigia	1	
11	GU02717450	Pipe bougie NGK	2	
12	828708	Bougie RG6YC (Champion)	2	
12	887481	Bougie NGK CPR8EB-9	2	
13	887948	Diode	1	
14	GU01721600	Capteur phase/tours	1	
15	GU98682212	Vis M5x12	2	
16	GU95008205	Rondelle 5,3x10x0,8	2	
17	GU90706141	Joint torique	1	
18	AP8120416	Collier, noir 178x4*	1	
18	GU14609650	Collier 3,6x20,6	31	
18	GU49609601	Collier 2,4x92	1	

Groupe	CHASSIS
Code	33.31
Description	Circuit électrique II
Révision	1



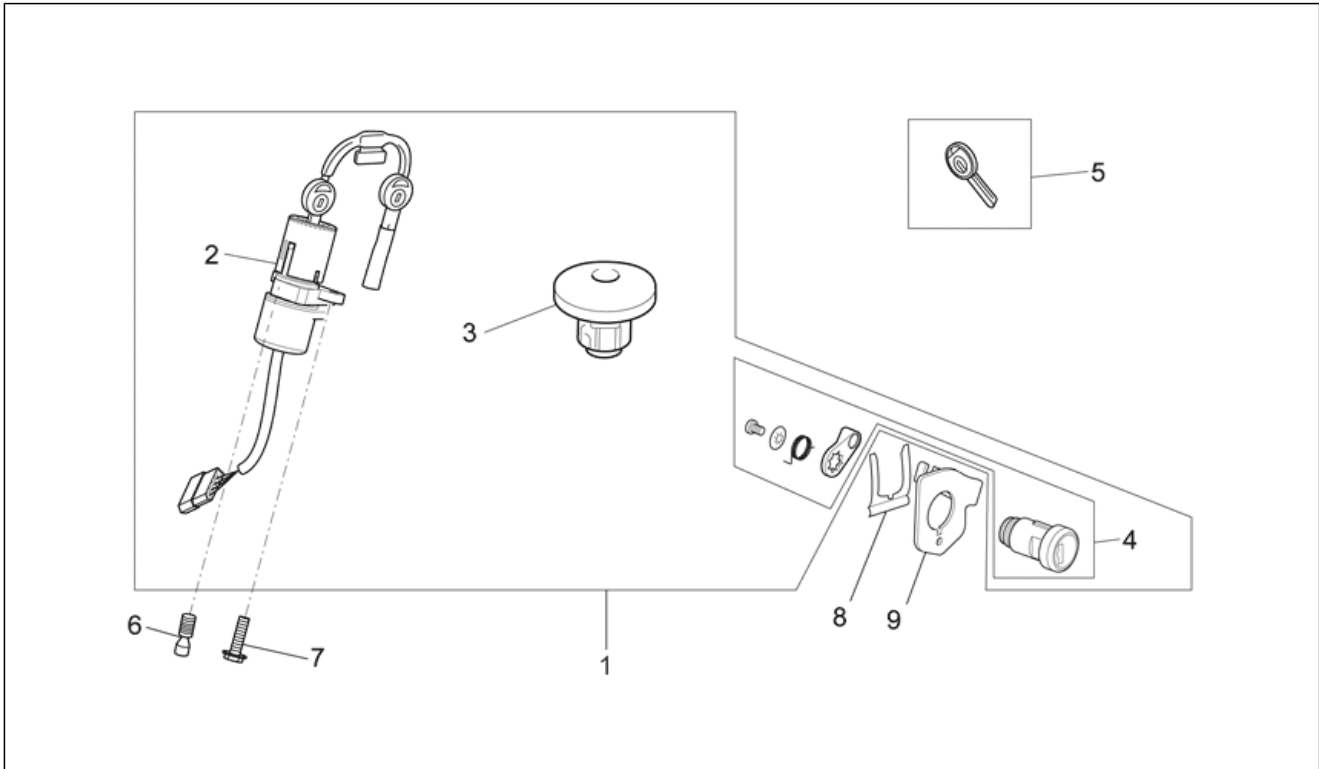
Pos.	Code	Description	Quant.	Variants
1	887825	Câblage principal	1	
2	GU29729461	Capteur température huile	1	
3	GU03163330	Support détecteur	1	
4	GU95004210	Rondelle 10,2x18x2	1	
5	B063233	Support batterie	1	
6	638733	Batterie Yuasa 12V-12Ah (150x85x145)	1	
7	GU98370616	Vis M6x16 inox	2	
8	GU32517710	Décalco "Battery service"	1	
9	GU32747910	Câblage masse-batterie	1	
10	584211	Boîte à fusibles	1	
11	883161	Support p-fusibles	1	
12	GU98682212	Vis M5x12	2	
13	GU95100059	Rondelle 5,25x14x1,5	2	
14	AP8102375	Clip m5	2	
15	CM225705	Fusible 5A	2	
16	CM225710	Fusible 10A	1	
17	CM225715	Fusible 15A	2	
18	CM225730	Fusible 30A	1	
19	893570	Capteur tachym. cpl.	1	
20	AP8150377	Vis	1	
21	AP8224462	Relais 12V/30A	3	
22	AP8220283	Caoutchouc *	3	
23	B043850	Collier	1	
24	AP8181140	Passe-câble	1	
25	CM013202	Molletta ritegno tubi/cavi	1	
26	894704	Passe-câble	1	
27	AP8120416	Collier, noir 178x4*	1	
27	GU14609650	Collier 3,6x20,6	21	

Groupe	CHASSIS
Code	33.31
Description	Circuit électrique II
Révision	1



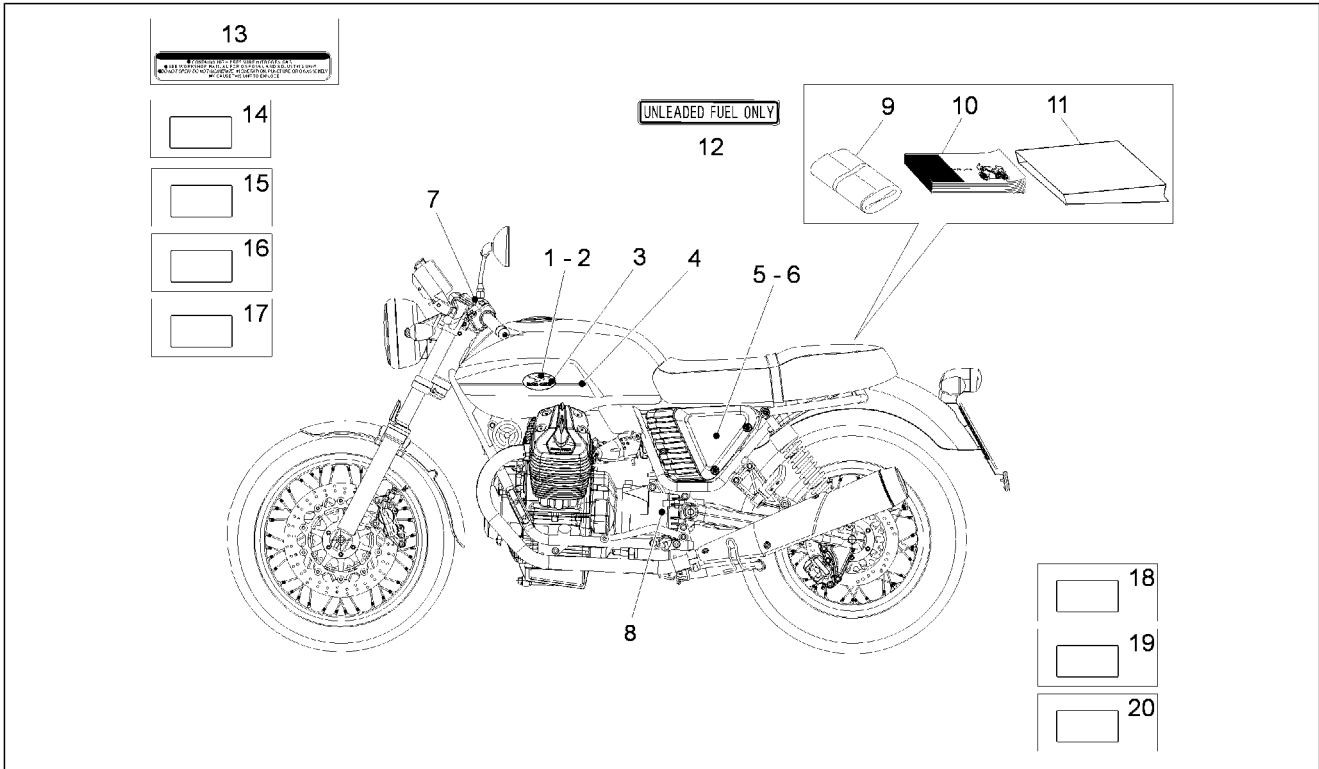
Pos.	Code	Description	Quant	Variants
27	GU49609601	Collier 2,4x92	1	

Groupe	CHASSIS
Code	33.32
Description	Kit serrure
Révision	1



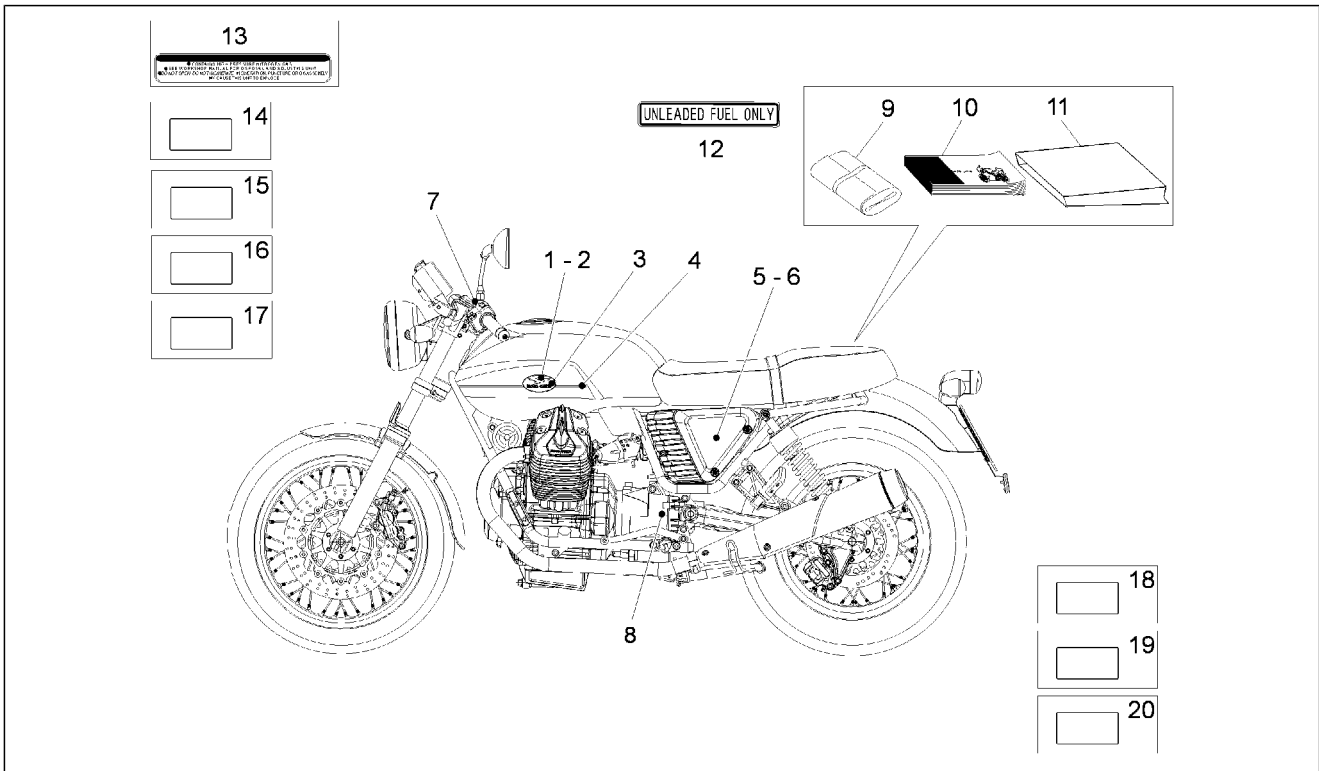
Pos.	Code	Description	Quant	Variants
1	883477	Kit serrures	1	Pays:Canadian[CDN], États Unis[USA]
1	887873	Kit serrures	1	Pays:Australie[AUS], europa[EU]
2	GU32782510	Bloc démarreur-bloc	1	
3	883476	Bouchon réservoir	1	Pays:Canadian[CDN], États Unis[USA]
3	887874	Bouchon réservoir	1	Pays:Australie[AUS], europa[EU]
4	977527	Serrure selle	1	
5	GU32735510	Clé pas cantée brut-coque go	1	
5	GU32735511	Clé pas cantée brut-coque cr	1	
6	AP8150349	Vis spéciale M8x15	1	
7	GU98682416	Vis M8x16	1	
8	AP8121420	Ressort à fourche	1	
9	978415	Plaque support câble	1	

Groupe	CHASSIS
Code	33.33
Description	Décalco et plaquettes
Révision	1



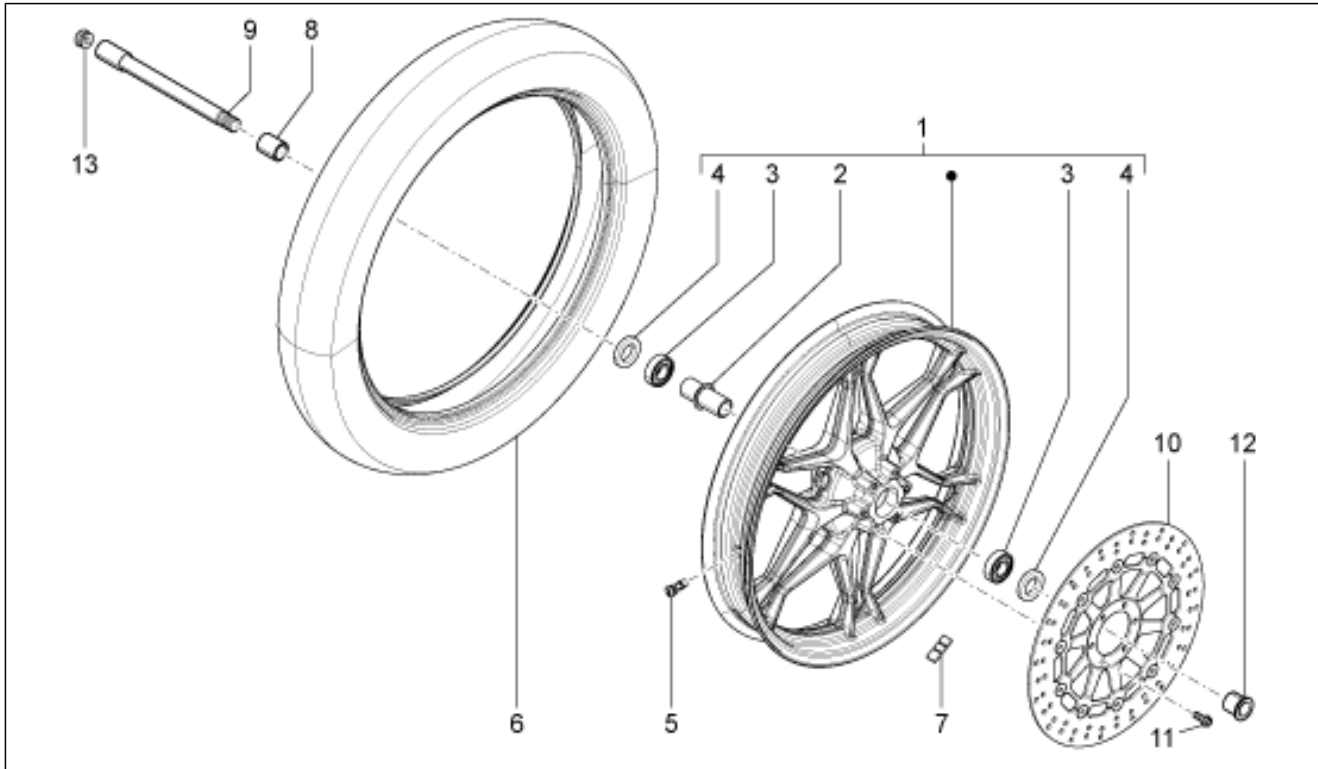
Pos.	Code	Description	Quant	Variants
1	886340	Plaque D. Aquila	1	Couleur véhicule: Bianco aprilia[ba], Noir Diablo[nd] Spécifications techniques: Versione "Stone"[ST]
1	GU06917300	Plaque D. rouge/or AL	1	Couleur véhicule: Nero/Giallo[n/gi], Red/White[r/bi] Spécifications techniques: Versione "Special"[SP]
2	887930	Plaque G. Aquila	1	Couleur véhicule: Bianco aprilia[ba], Noir Diablo[nd] Spécifications techniques: Versione "Stone"[ST]
2	GU06917400	Plaque G. rouge/or AL	1	Couleur véhicule: Nero/Giallo[n/gi], Red/White[r/bi] Spécifications techniques: Versione "Special"[SP]
3	887931	Plaque "Moto Guzzi"	2	Couleur véhicule: Bianco aprilia[ba], Noir Diablo[nd] Spécifications techniques: Versione "Stone"[ST]
4	887926	Décalco ligne argent sombre	2	Couleur véhicule: Red/White[r/bi] Spécifications techniques: Versione "Special"[SP]
4	B063120	Decalco filetto argento	2	Couleur véhicule: Nero/Giallo[n/gi] Spécifications techniques: Versione "Special"[SP]
5	887928	Décalco flanc D "V7 Special"	1	Couleur véhicule: Red/White[r/bi] Spécifications techniques: Versione "Special"[SP]
5	887933	Décalco flanc D "V7"	1	Couleur véhicule: Bianco aprilia[ba], Noir Diablo[nd] Spécifications techniques: Versione "Stone"[ST]
5	B063121	Décalco flanc D "V7 Special"	1	Couleur véhicule: Nero/Giallo[n/gi] Spécifications techniques: Versione "Special"[SP]
6	887929	Décalco flanc G "V7 Special"	1	Couleur véhicule: Red/White[r/bi] Spécifications techniques: Versione "Special"[SP]
6	887934	Décalco flanc G "V7"	1	Couleur véhicule: Bianco aprilia[ba], Noir Diablo[nd] Spécifications techniques: Versione "Stone"[ST]
6	B063122	Décalco flanc G "V7 Special"	1	Couleur véhicule: Nero/Giallo[n/gi] Spécifications techniques: Versione "Special"[SP]
7	883598	Décalco "Aquila"	1	
8	895839	Targhetta "Eni"	2	
9	887443	Trousse à outils	1	
10	887854	Manuel instructions I-F-D-NL-E-UK	1	
10	B063252	Manuel instr. -USA-	1	Pays: Canadian[CDN], États Unis[USA]

Groupe	CHASSIS
Code	33.33
Description	Décalco et plaquettes
Révision	1



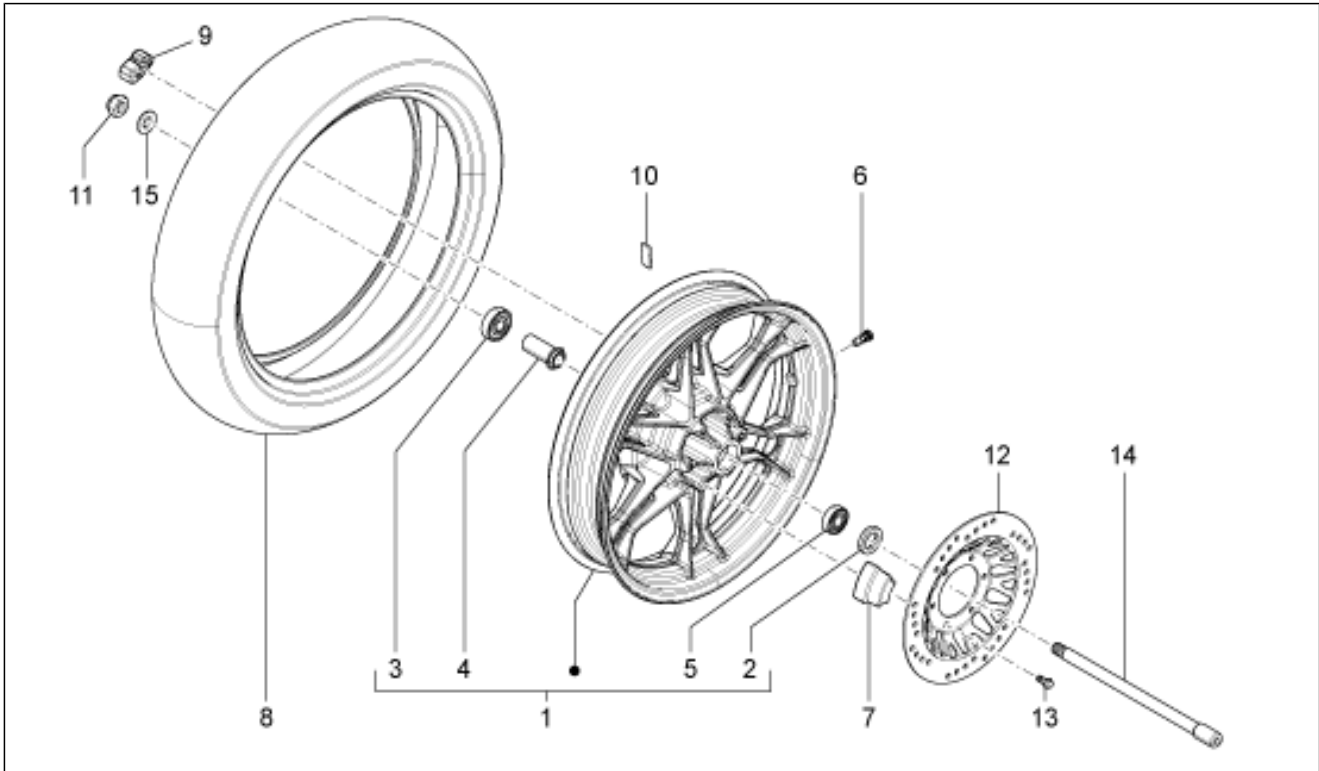
Pos.	Code	Description	Quant	Variants
11	GU05900130	Sachet pour documents	2	
12	GU03995730	Décalco "Unleaded Fuelonly"	1	Pays:Australie[AUS]
13	AP8157100	Décalco Shock Adsorber	1	Pays:Canadian[CDN], États Unis[USA]
14	AP8257742	Décalco WARNING	1	Pays:Canadian[CDN], États Unis[USA]
15	AP8257794	Décalco batterie	1	Pays:Canadian[CDN], États Unis[USA]
16	AP8257609	Décalco miroir	1	Pays:Canadian[CDN], États Unis[USA]
17	B045974	Décalco Essence E15	1	Pays:Canadian[CDN], États Unis[USA]
18	884346	Carbon filter sticker	1	Pays:Canadian[CDN], États Unis[USA]
19	884345	Emission control sticker	1	Pays:Canadian[CDN], États Unis[USA]
20	884344	Décalco émissions sonores	1	Pays:Canadian[CDN], États Unis[USA]

Groupe	CHASSIS
Code	33.34
Description	Roue Av. II
Révision	1



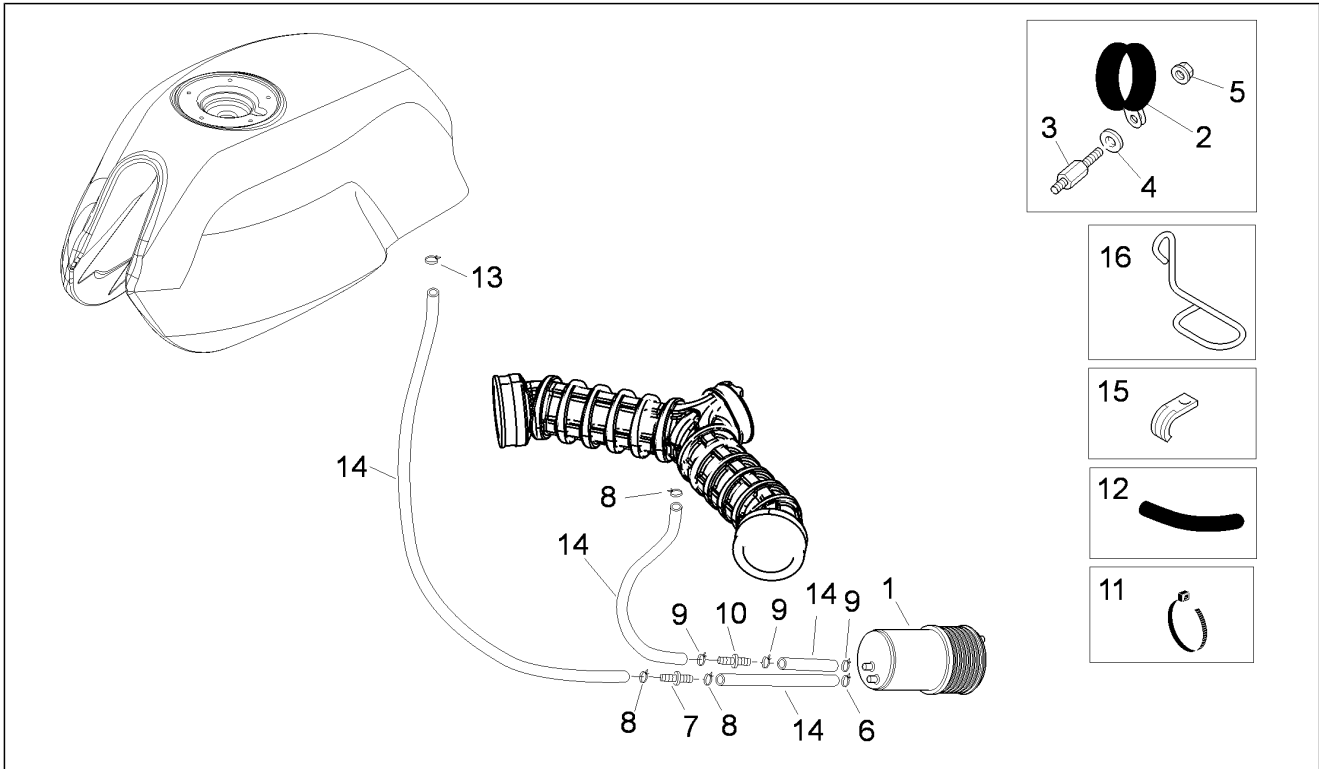
Pos.	Code	Description	Quant	Variants
1	887571	Roue 2.5X18"	1	
2	GU31615283	Entretoise roulements	1	
3	GU92204221	Roulement	2	
4	GU90402642	Bague d'étanchéité	2	
5	GU03617710	Soupape tubeless	1	
6	886679	Pneu 100/90 18	1	
7	GU14616150	Contrepoids	1	
8	GU32615660	Entretoise D	1	
9	GU31614183	Axe de roue AV	1	
10	883688	Disque frein avant 320	1	
11	AP8152286	Vis bride M8x20	6	
12	GU31616384	Entretoise G	1	
13	GU93180111	Bouchon 15 mm	1	

Groupe	CHASSIS
Code	33.35
Description	Roue arrière II
Révision	1



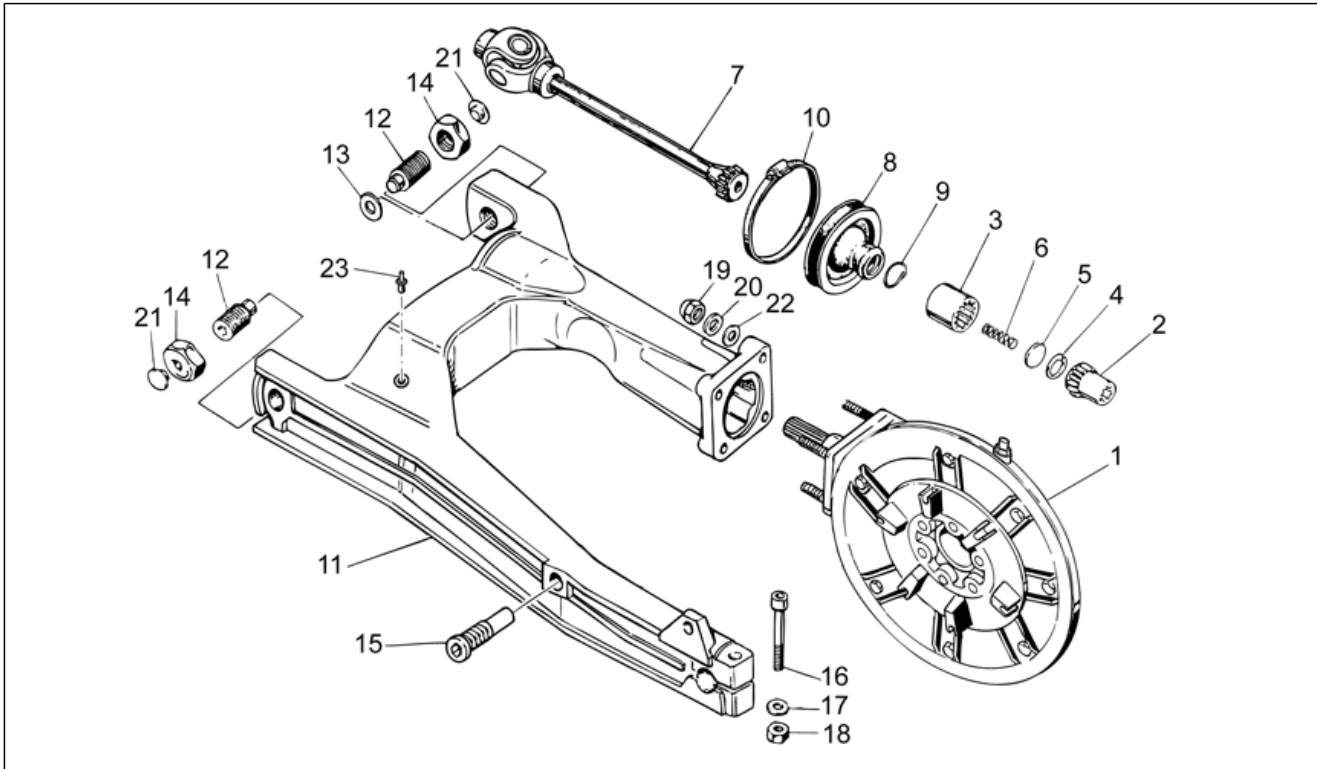
Pos.	Code	Description	Quant	Variants
1	887573	Jante roue 3.5x17"	1	
2	GU90402538	Bague d'étanchéité 25x40x7	1	
3	GU92204218	Roulement	1	
4	GU27633910	Entretoise	1	
5	GU92204217	Roulement	1	
6	GU03617710	Soupape tubeless	1	
7	GU32636160	Coatouchouc pour support	1	
8	886680	Pneu 130/80 17	1	
9	GU32632510	Joint en caoutchouc	6	
10	GU14616150	Contrepoids	1	
11	GU92606316	Ecrou M16x1,5	1	
12	887448	Disque frein	1	
13	894505	Vis bride M8x18	6	
14	GU32633360	Axe de roue AR	1	
15	GU31634481	Rondelle	1	

Groupe	CHASSIS
Code	33.48
Description	Sys.récup.vap.ess.
Révision	1



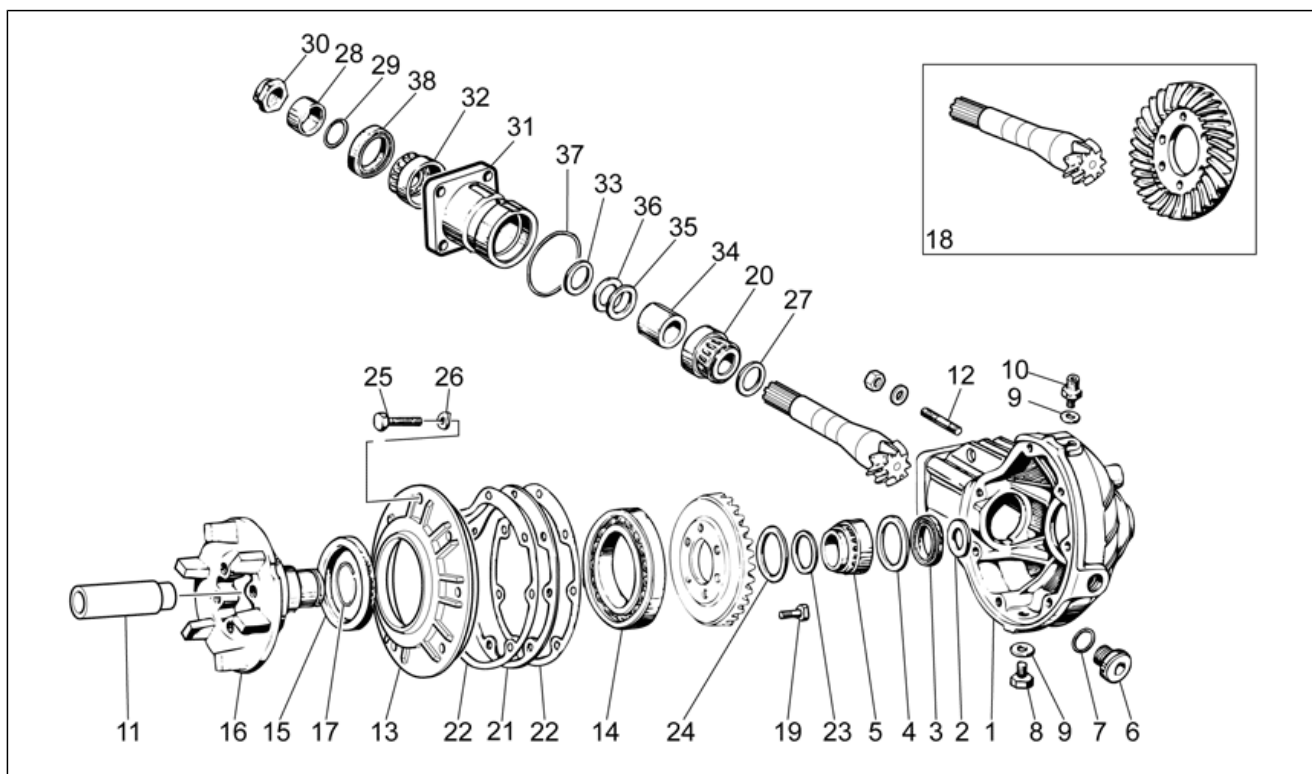
Pos.	Code	Description	Quant	Variants
1	AP8102678	Filtre à charbon	1	Pays:États Unis[USA]
2	AP8102688	Collier d.76	1	Pays:États Unis[USA]
3	GU32439260	Sup.canister USA	1	Pays:États Unis[USA]
4	GU95005311	Rondelle	1	Pays:États Unis[USA]
5	AP8152299	Ecrou autobloqu. M6	1	Pays:États Unis[USA]
6	AP8102159	Collier	1	Pays:États Unis[USA]
7	860138	Soupape	1	Pays:États Unis[USA]
8	GU28157950	Collier clic 12,5x8	4	Pays:États Unis[USA]
9	AP8120446	Collier clic, vert D11x6,6x1	2	Pays:États Unis[USA]
10	AP8121267	Queue de étranglement	1	Pays:États Unis[USA]
11	AP8120416	Collier, noir 178x4*	1	Pays:États Unis[USA]
12	GU00823923140	Gaine thermique	4	Pays:États Unis[USA]
13	AP8201358	Collier D 11,9	1	Pays:États Unis[USA]
14	856063	Tuyau SAE 30 d.12,7x6,35	3	Pays:États Unis[USA]
15	GU93301313	Cavalier	1	Pays:États Unis[USA]
16	AP8221114	Guide-câble	2	Pays:États Unis[USA]

Groupe	MOTEUR
Code	34.09
Description	Transmission cpl. I
Révision	1



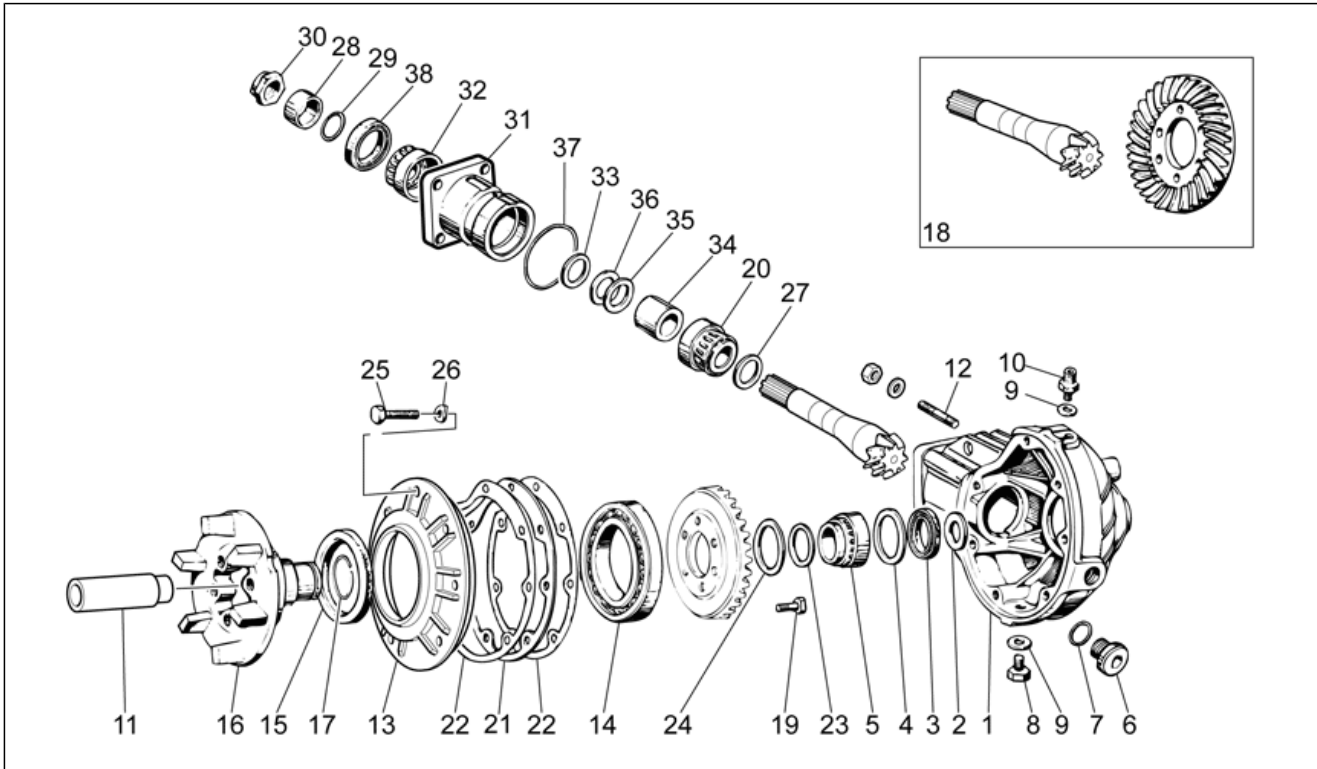
Pos.	Code	Description	Quant	Variants
1	976941	Boîte transm.cpl.noir	1	
2	GU31327783	Manchon	1	
3	GU19328801	Manchon	1	
4	GU90272023	Bague seeger	1	
5	GU19327601	Disque	1	
6	GU94321099	Ressort	1	
7	GU23328081	Joint	1	
8	GU23548080	Collier de protection	1	
9	GU23548180	Ressort	1	
10	AP8120246	Collier D=60-80	1	
11	883011	Fourche noire	1	
12	GU19547000	Pivot	2	
13	GU35214300	Cale	1	
14	GU31547882	Ecrou	2	
15	GU31544181	Pivot	1	
16	GU98680545	Vis M10x45	1	
17	GU95008210	Rondelle 10,2X18X2	1	
18	GU92606210	Ecrou M10x1,5	1	
19	860651	Ecrou borgne M8x1,25	4	
20	GU14615901	Rondelle 8,4X13X0,8	4	
21	GU93180105	Bouchon	2	
22	GU95005308	Rondelle 8,4x14,57x1,6	4	
23	GU03922280	Bouchon 5x9	1	

Groupe	MOTEUR
Code	34.10
Description	Transmission cpl. II
Révision	1



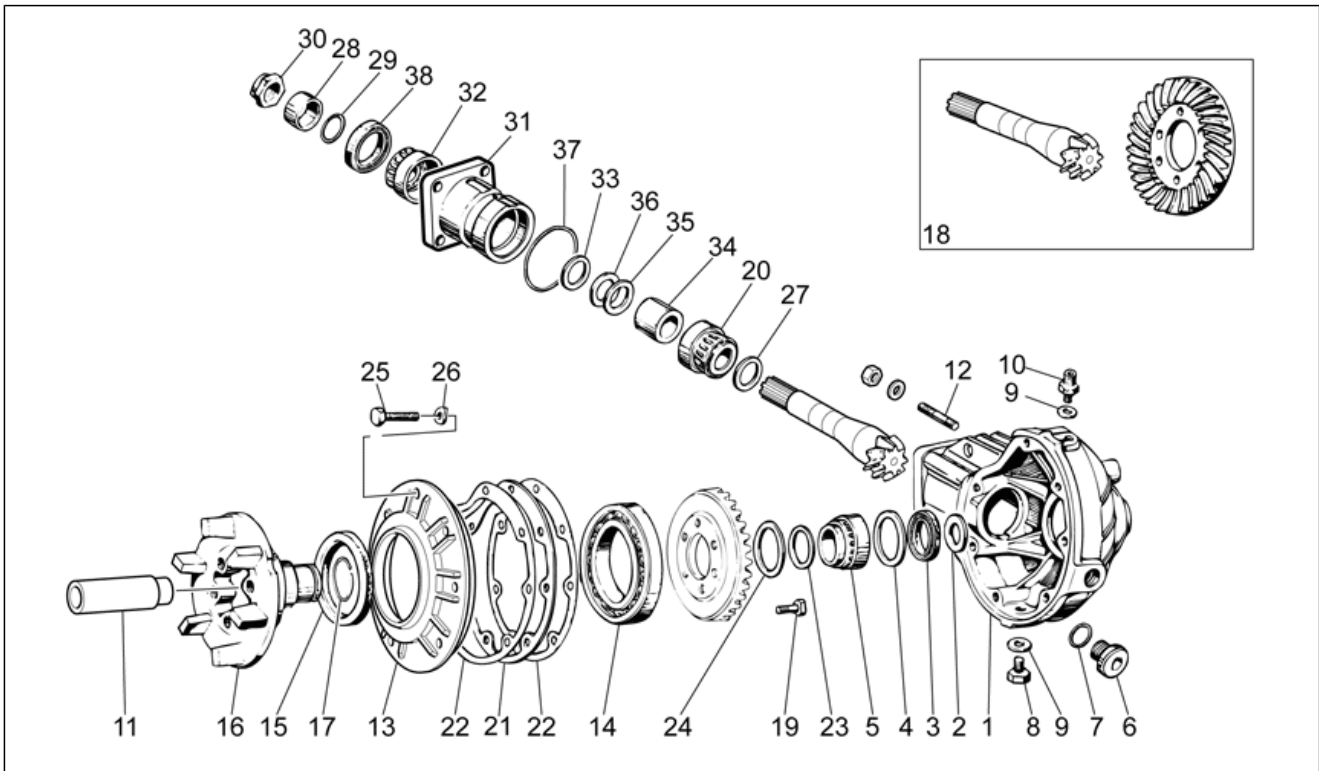
Pos.	Code	Description	Quant	Variants
1	976608	Carter de transmissionnoir	1	
2	GU19351900	Rondelle d'appui	1	
3	GU90403549	Bague d'étanchéité 35x47x7	1	
4	GU19351100	Rondelle d'appui	1	
5	GU92252235	Roulement à rouleaux 35x50x17	1	
6	GU12022600	Bouchon huile	1	
7	GU90706203	Joint torique 20,24X2,62	1	
8	GU31003766	Bouchon vid.huile M10x1	1	
9	GU01528930	Joint 10x18x1,5	2	
10	GU19206501	Bouchon purge	1	
11	GU32633560	Entretoise	1	
12	GU96508055	Vis sans tête	4	
13	GU32350410	Couvercle	1	
14	GU92201070	Roulement à billes 70x110x13	1	
15	GU90407591	Bague d'étanchéité 75x95x10	1	
16	GU32351410	Pivot	1	
17	GU90353030	Bague de butée	1	
18	GU32354610	Couple conique 8/33	1	
19	GU03067730	Vis M8x25	6	
20	GU92249227	Roulement roul.con. 25x5	1	
21	GU19355400	Cale 0,8 mm	1	
21	GU19355402	Cale 0,9 mm	1	
21	GU19355404	Cale 1 mm	1	
21	GU19355406	Cale 1,1 mm	1	
21	GU19355408	Cale 1,2 mm	1	
21	GU19355410	Cale 1,3 mm	1	
21	GU19355411	Cale 1,4 mm	1	
21	GU19355412	Cale 1,5 mm	1	

Groupe	MOTEUR
Code	34.10
Description	Transmission cpl. II
Révision	1



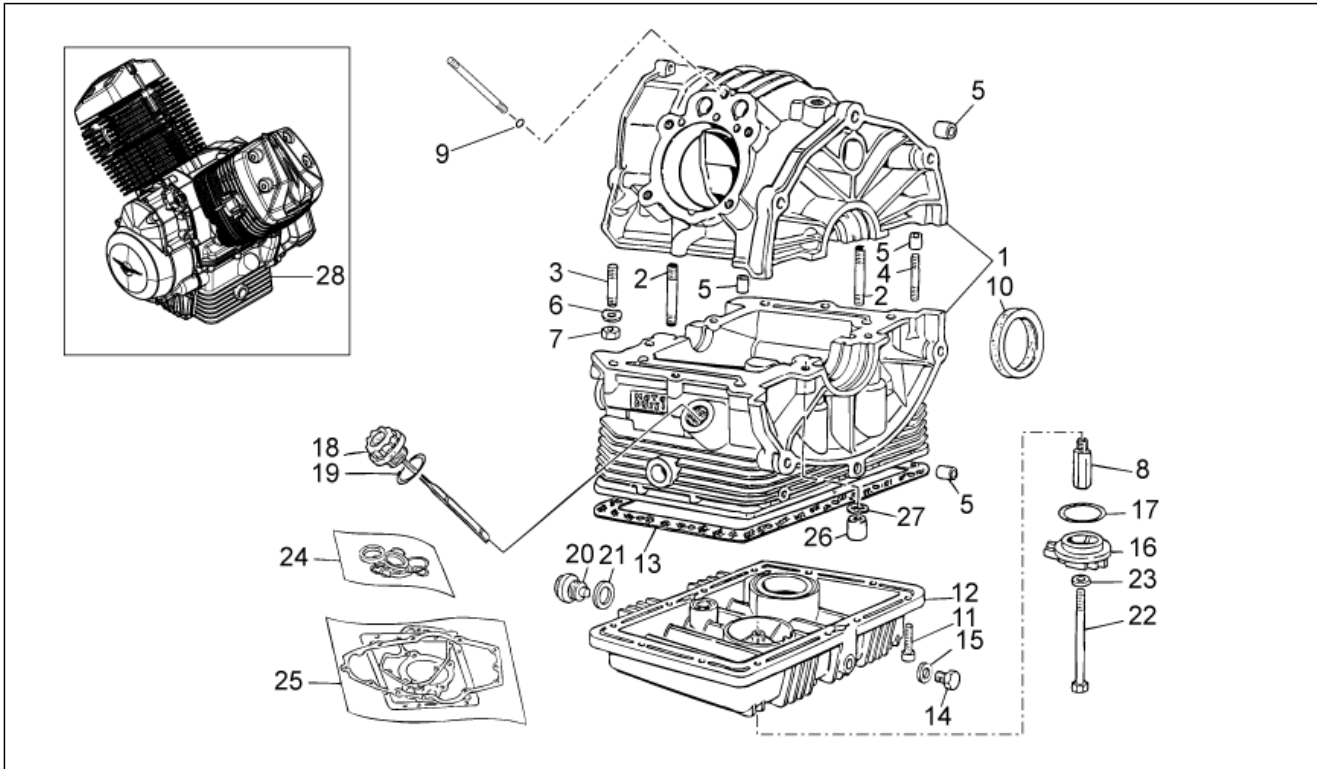
Pos.	Code	Description	Quant	Variants
21	GU19355413	Cale 1,6 mm	1	
22	GU19350700	Joint	2	
23	GU19352300	Rondelle éventail	1	
24	GU19353500	Rondelle éventail	1	
25	GU19357660	Vis	7	
26	GU61270300	Rondelle élastique 8x15x0,3	7	
27	GU19355320	Cale 1 mm	1	
27	GU19355321	Cale 1,1 mm	1	
27	GU19355322	Cale 1,2 mm	1	
27	GU19355323	Cale 1,3 mm	1	
27	GU19355324	Cale 1,4 mm	1	
27	GU19355325	Cale 1,5 mm	1	
27	GU19355326	Cale 1,6 mm	1	
27	GU19355327	Cale 1,7 mm	1	
27	GU19355328	Cale 1,8 mm	1	
27	GU19355329	Cale 1,9 mm	1	
28	GU19356801	Entretoise	1	
29	GU90706188	Bague d'étanchéité 18,77X1,78	1	
30	GU19356700	Ecrou	1	
31	GU20352421	Flasque	1	
32	GU92249220	Roulement à rouleaux 20x47x14	1	
33	GU19355300	Cale 1 mm	1	
33	GU19355301	Cale 1,1 mm	1	
33	GU19355302	Cale 1,2 mm	1	
33	GU19355303	Cale 1,3 mm	1	
33	GU19355304	Cale 1,4 mm	1	
33	GU19355305	Cale 1,5 mm	1	
33	GU19355306	Cale 1,6 mm	1	

Groupe	MOTEUR
Code	34.10
Description	Transmission cpl. II
Révision	1



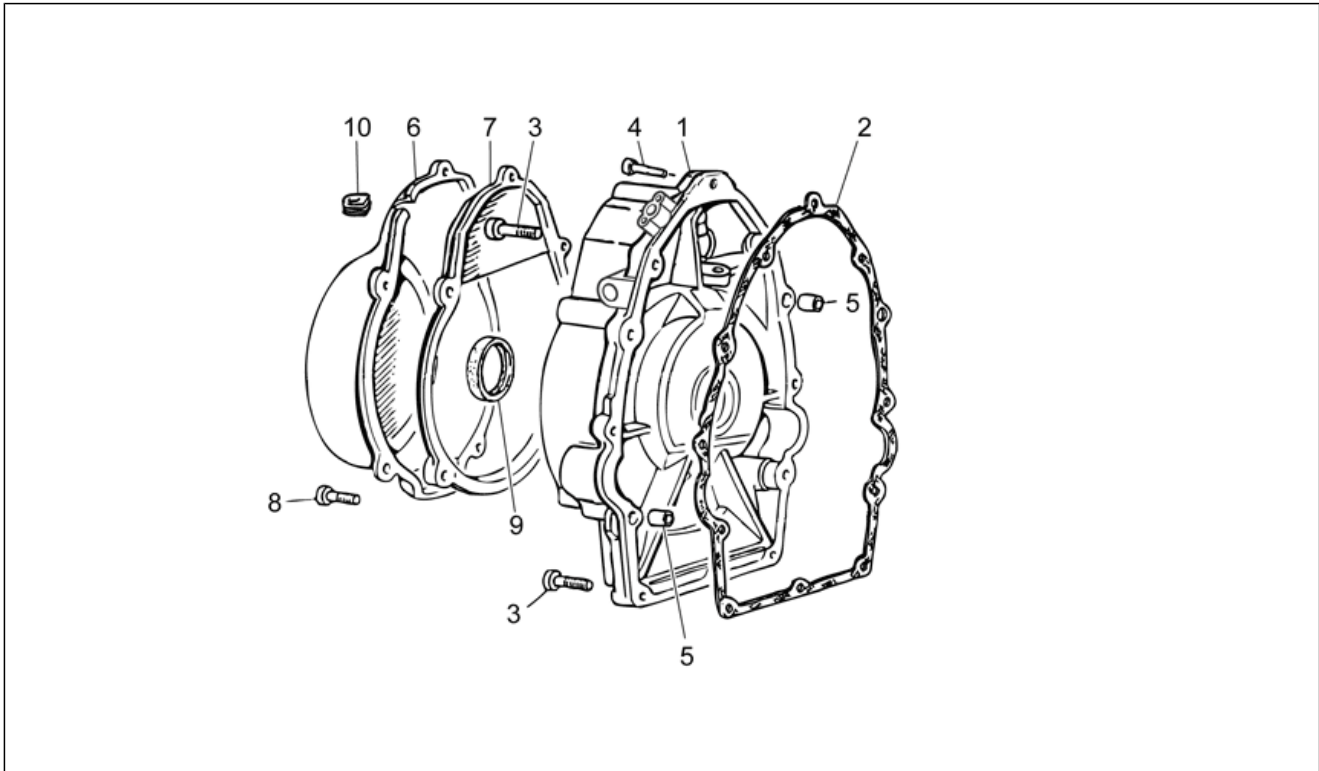
Pos.	Code	Description	Quant	Variants
33	GU19355307	Cale 1,7 mm	1	
33	GU19355308	Cale 1,8 mm	1	
33	GU19355309	Cale 1,9 mm	1	
34	GU20355121	Entretoise	1	
35	GU19355200	Rondelle ajustem. 0,1 mm	1	
36	GU19355202	Rondelle ajustem. 0,15 mm	1	
37	GU90706584	Joint 58,42x2,62	1	
38	GU90403251	Bague d'étanchéité 32x47x10	1	

Groupe	MOTEUR
Code	34.34
Description	Carter
Révision	1



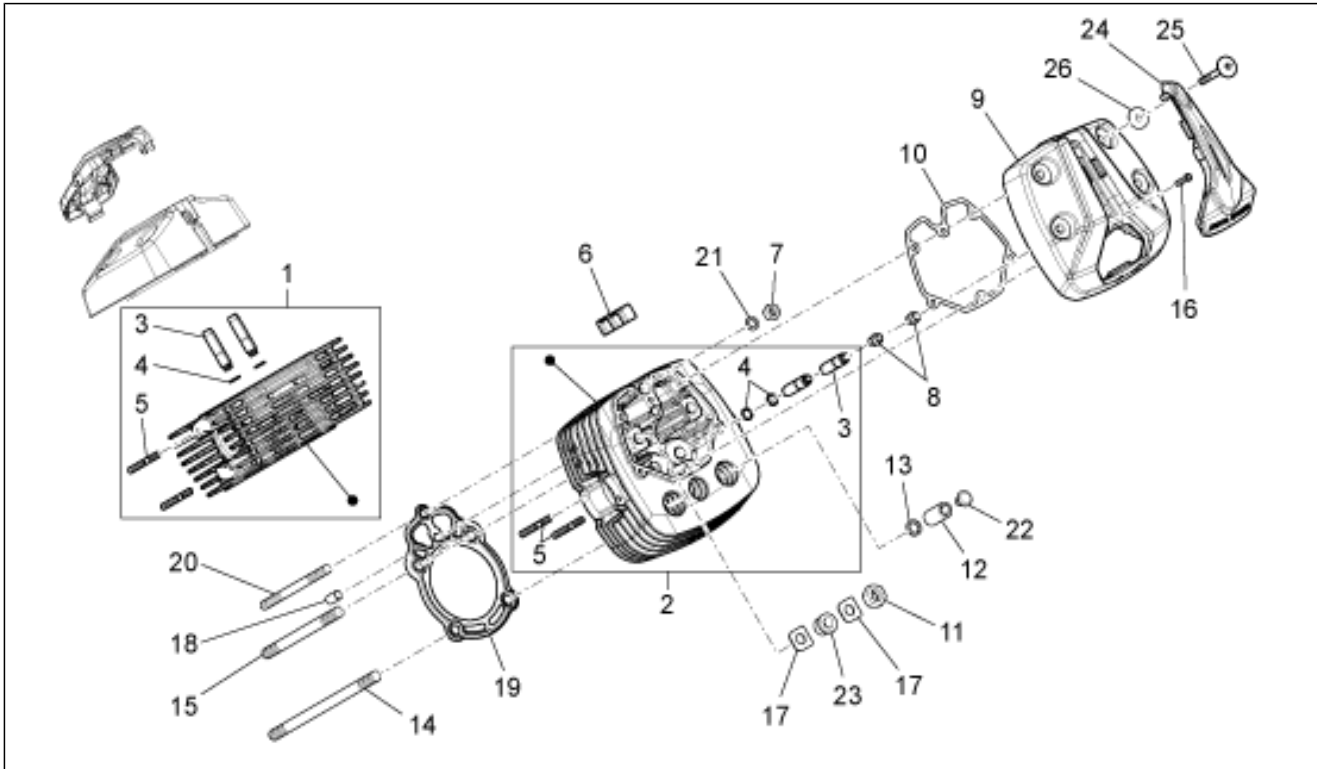
Pos.	Code	Description	Quant	Variants
1	976600	Carter moteur noir	1	
2	GU96451560	Vis sans tête	4	
3	GU96451430	Vis sans tête	4	
4	GU96508055	Vis sans tête	2	
5	GU19015020	Douille	4	
6	GU61270300	Rondelle élastique 8x15x0,3	6	
7	GU92606208	Ecrou M8x1,25	6	
8	GU19003800	Raccord	1	
9	GU90706076	Joint torique	2	
10	GU04000500	Bague d'étanchéité	1	
11	GU98682325	Vis M6x25	12	
12	976604	Carter huile noir	1	
13	887004	Joint carter huile	1	
14	GU31003766	Bouchon vid.huile M10x1	1	
15	GU10528900	Garniture	1	
16	976685	Petit couvercle	1	
17	GU90706444	Joint torique	1	
18	883826	Bouchon rempl. huile	1	
19	GU90706281	Joint torique 28,24x2,62	1	
20	GU12003702	Bouchon vid.huile	1	
21	GU95100709	Joint 20,1x28x2	1	
22	GU27152885	Boulon	1	
23	GU12154200	Joint 8,25x15x1	1	
24	GU32999510	Joint spy-série	1	
25	GU32999010	Joints-jeu	1	
26	GU13021900	Ecrou colonne	4	
27	GU95129180	Rondelle 10,5X18X0,8	4	
28	976991	Moteur comp.sansbo.vitesses	1	

Groupe	MOTEUR
Code	34.35
Description	Couvercle distribution
Révision	1



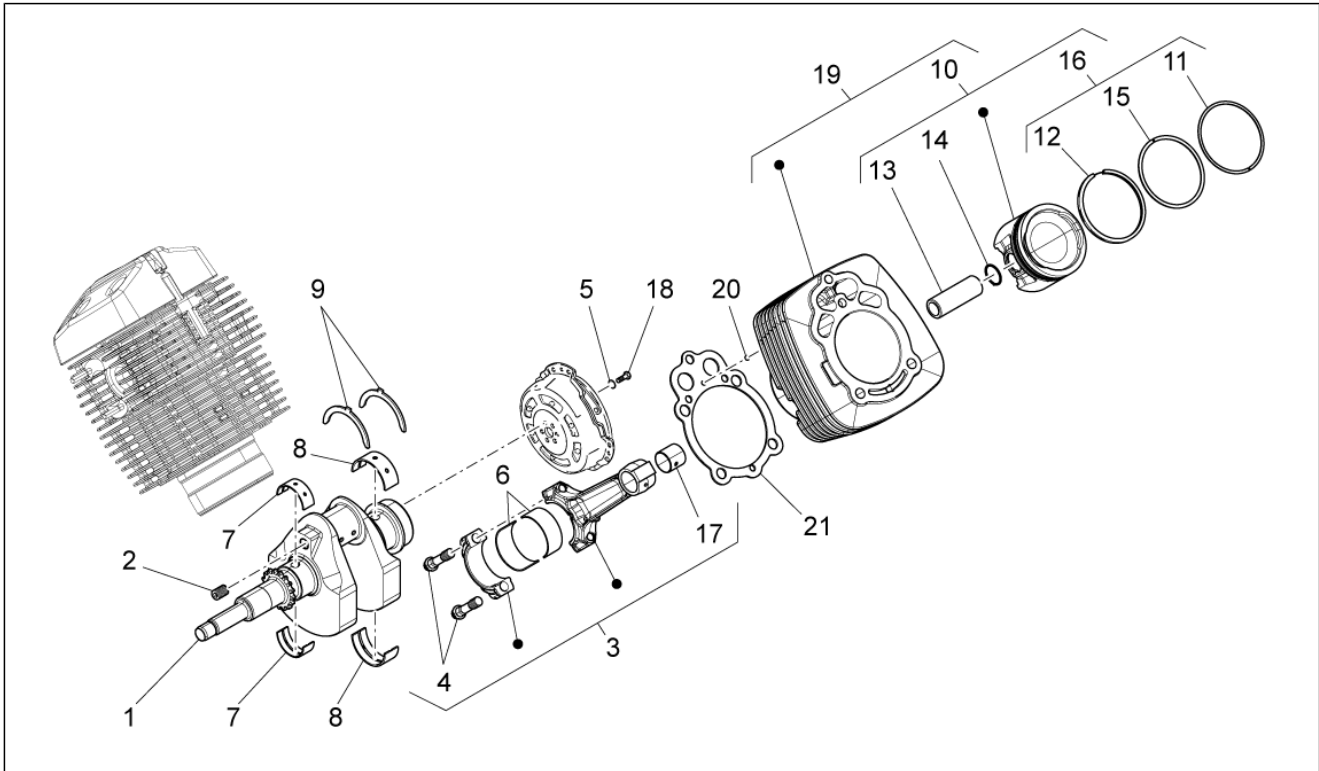
Pos.	Code	Description	Quant	Variants
1	976603	Couvercle de distribution noir	1	
2	887003	Joint couvercle	1	
3	GU98682325	Vis M6x25	10	
4	GU98682330	Vis M6x20	2	
5	GU19002020	Douille 6,6x9x13	2	
6	GU32001610	Couvercle	1	
7	GU27001136	Bride	1	
8	884039	Vis M6x35	4	
9	GU90402842	Bague d'étanchéité	1	
10	GU19007700	Caoutchouc	1	

Groupe	MOTEUR
Code	34.36
Description	Tête cylindre
Révision	1



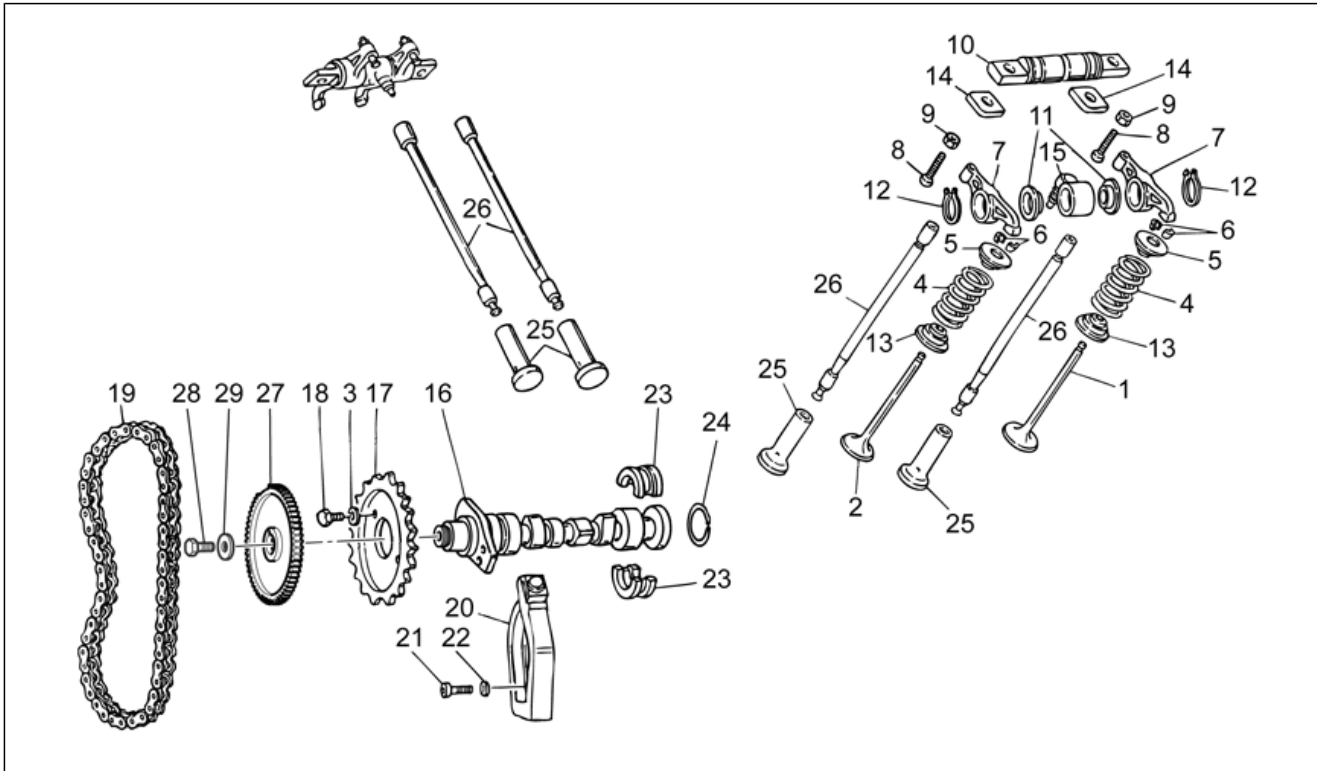
Pos.	Code	Description	Quant	Variants
1	8872724	Culasse d.	1	
2	8872754	Culasse g.	1	
3	GU61036801	Guide soupape	4	
4	GU90353009	Anneau élastique	4	
5	GU96506042	Vis sans tête	4	
6	B063111	Tassello antivibrante	4	
7	GU19021920	Ecrou	2	
8	GU19037820	Joint spi	4	
9	887523	Couvre-culasse	2	
10	887002	Joint couvercle-culasse	2	
11	GU92603010	Ecrou M10X1,5	4	
12	GU13021900	Ecrou colonne	4	
13	GU95129180	Rondelle 10,5X18X0,8	4	
14	GU96510214	Vis sans tête M10x214	4	
15	GU96510181	Vis sans tête M10x182	4	
16	GU98692325	Vis M6x25	4	
17	GU19032980	Cale	8	
18	GU19021360	Douille	2	
19	B063099	Joint tête-cylindre	2	
20	GU96508145	Vis sans tête M8x143	2	
21	GU61270300	Rondelle élastique 8x15x0,3	2	
22	GU93180245	Bouchon	4	
23	AP8144071	Caoutchouc pot	1	
24	887279	Couvercle bougie	2	
25	887483	Vite coperchio testa M6x52.5	8	
26	969973	Rondelle	8	

Groupe	MOTEUR
Code	34.37
Description	Arbre moteur cpl.
Révision	1



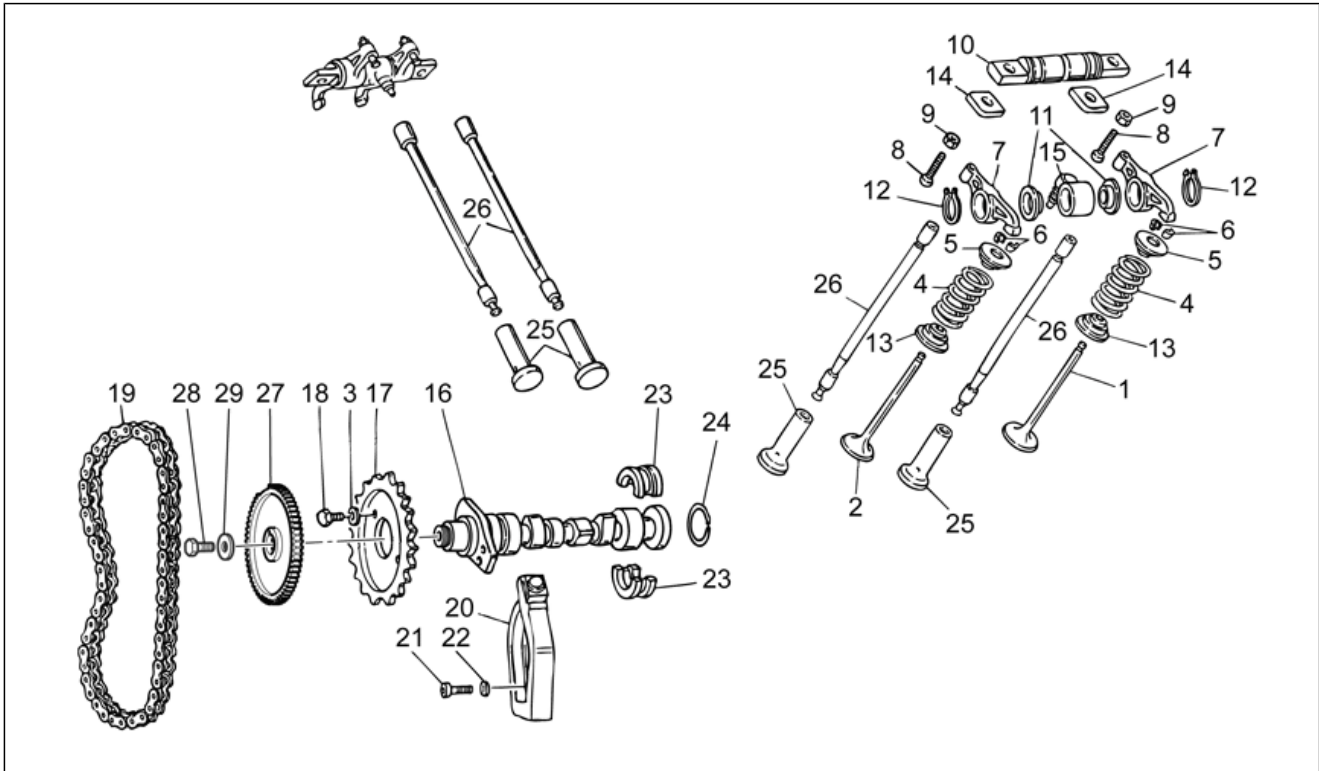
Pos.	Code	Description	Quant	Variants
1	GU320642104	Arbre moteur cpl.	1	
2	GU19065400	Bouchon	1	
3	GU27061585	Bielle cpl.	2	
4	GU19062261	Vis	4	
5	GU14615901	Rondelle 8,4X13X0,8	6	
6	GU27062060	Demi-coussinet	4	
7	GU27065660	Demi-couss.de vilebr.av.	2	
8	GU27066560	Demi-couss.de vilebr.ar.	2	
9	GU27066460	Demi-etau	2	
10	8872690001	[...]	1	
10	8872690002	***8872690002	1	
10	8872690003	***8872690003	1	
11	B063018	Segment d'étanchéité	2	
12	B063020	Segment raclear	2	
13	B063016	Axe	2	
14	874567	Bague de butée	4	
15	B063019	Segment d'étanchéité	2	
16	B063466	Ensemble de segments	2	
17	GU27061885	Douille	2	
18	GU19067700	Vis	6	
19	B063465	Cylindre av.piston cpl.	2	
20	GU61027200	Joint torique	2	
21	886670	Garniture cylindre	2	

Groupe	MOTEUR
Code	34.38
Description	Distribution
Révision	1



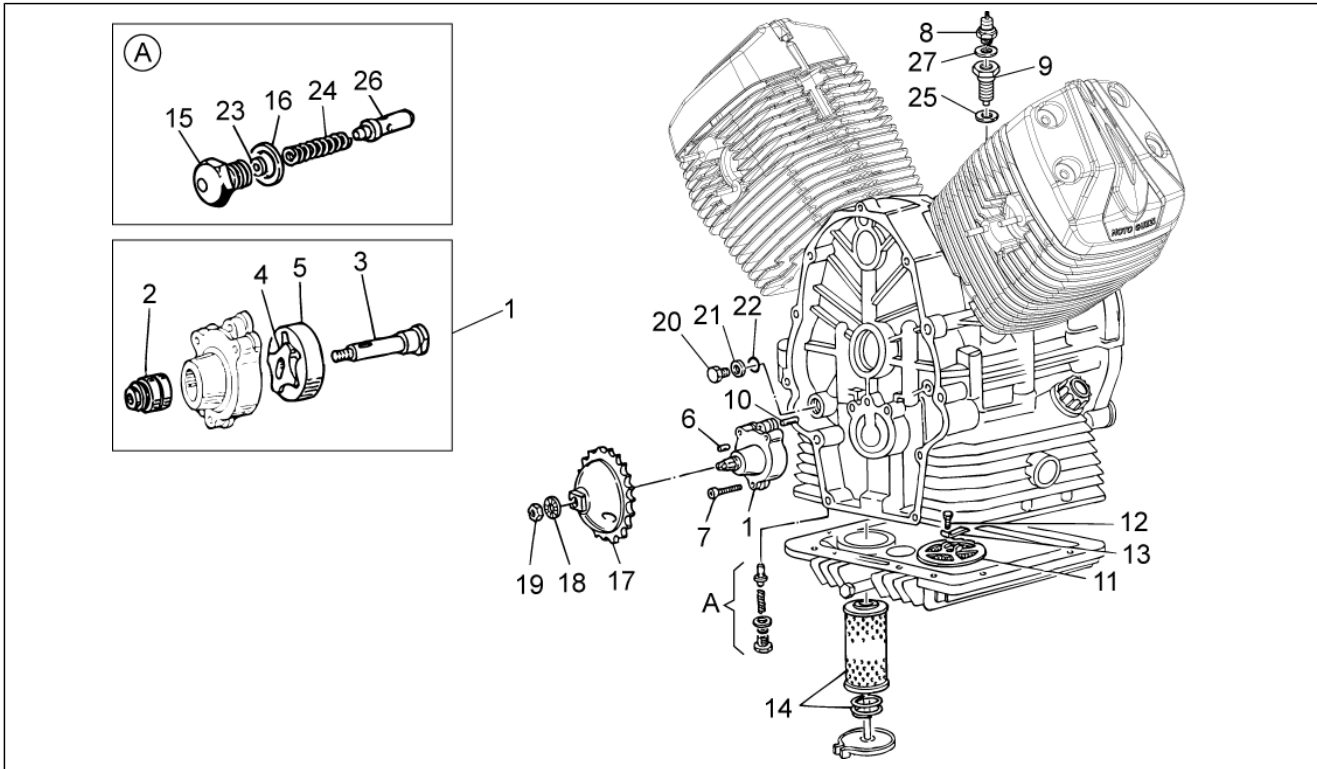
Pos.	Code	Description	Quant	Variants
1	GU20036020	Soupape d'admission	2	
2	GU20036120	Soupape d'échappement	2	
3	GU23217800	Rondelle de séreté	2	
4	GU27037521	Ressort	4	
5	GU31038015	Coupelle supérieur	4	
6	GU61038100	Demi-clavette	8	
7	GU19030500	Culbuteur	4	
8	GU19034000	Vis	4	
9	GU92602406	Ecrou M6x1	4	
10	GU19032080	Axe culbuteur	2	
11	GU32032310	Rondelle éventail	4	
12	GU90271018	Bague seeger	4	
13	GU31037015	Coupelle inférieure	4	
14	GU19032980	Cale	4	
15	GU19027500	Manchon	2	
16	GU32053410	Arbre à cames	1	
17	GU32054510	Engrenage distribution	1	
18	GU61054900	Boulon	2	
19	GU19058021	Chaîne de distribution	1	
20	GU19058220	Tendeur de chaîne	1	
21	GU98882316	Vis	1	
22	GU95129115	Rondelle	1	
23	GU19055700	Secteur	2	
24	GU90353029	Anneau élastique	1	
25	GU19045861	Poussoir	4	
26	GU31045015	Culbuteur tige	4	
27	887528	Wheel speed sensor, LH front	1	
28	GU98054422	Vis M8x22	1	

Groupe	MOTEUR
Code	34.38
Description	Distribution
Révision	1



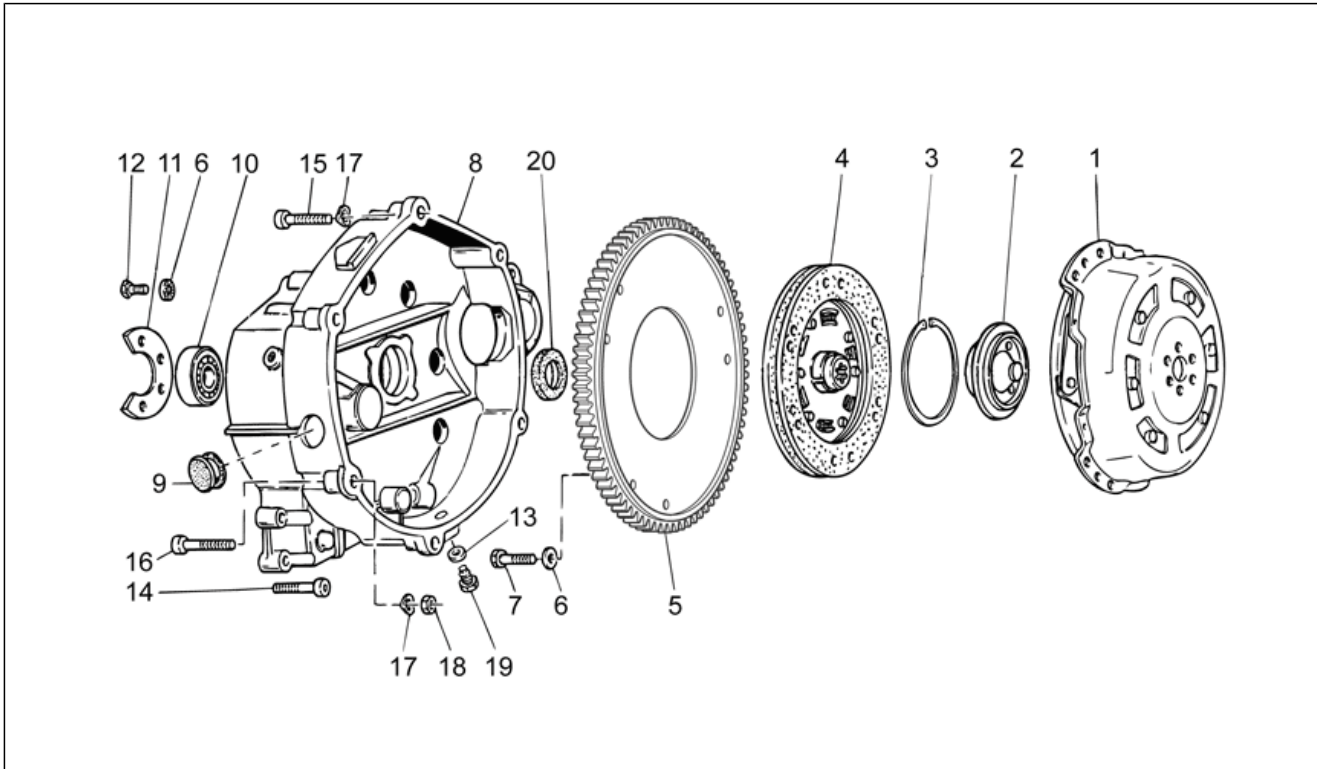
Pos.	Code	Description	Quant	Variants
29	GU95100244	Rondelle	1	

Groupe	MOTEUR
Code	34.39
Description	Pompe huile
Révision	1



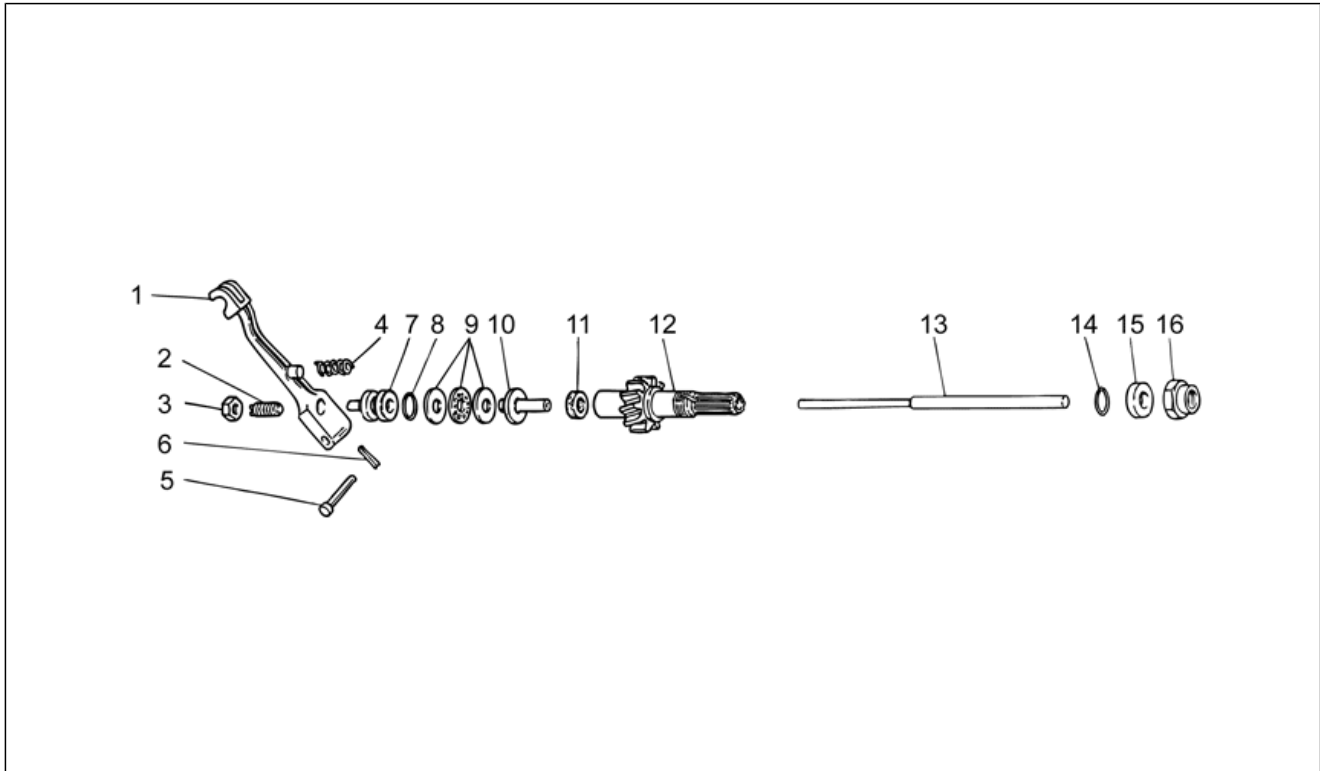
Pos.	Code	Description	Quant	Variants
1	GU19146422	Pompe huile	1	
2	GU92252210	Roulement à rouleaux 10x22x20	1	
3	GU20147810	Arbre pompe huile	1	
4	GU20148410	Rotor intérieur	1	
5	GU20148610	Rotor extérieur	1	
6	GU92296723	Rouleau	1	
7	884039	Vis M6x35	3	
8	641541	Oil pressure sensor	1	
9	887093	Raccord	1	
10	GU19018920	Goupille	2	
11	GU19152200	Filtre à huile	1	
12	GU98084314	Vis M6x14	1	
13	GU95187006	Plaquette	1	
14	GU27153085	Filtre à huile	1	
15	GU31159050	Bouchon	1	
16	GU18144350	Rondelle 18,25x24x1	3	
17	GU20147710	Pignon de pompe	1	
18	AP8152220	Rondelle	1	
19	GU92602510	Ecrou M10x1,25	1	
20	GU31016050	Bouchon	1	
21	GU18161150	Garniture 14,25	1	
22	GU90706111	Joint torique	1	
23	GU95008206	Rondelle 6,15x11x0,8	3	
24	GU94321079	Ressort	1	
25	GU95100602	Joint	1	
26	GU31150950	Piston	1	
27	GU95100309	Rondelle	1	

Groupe	MOTEUR
Code	34.40
Description	Embrague I
Révision	1



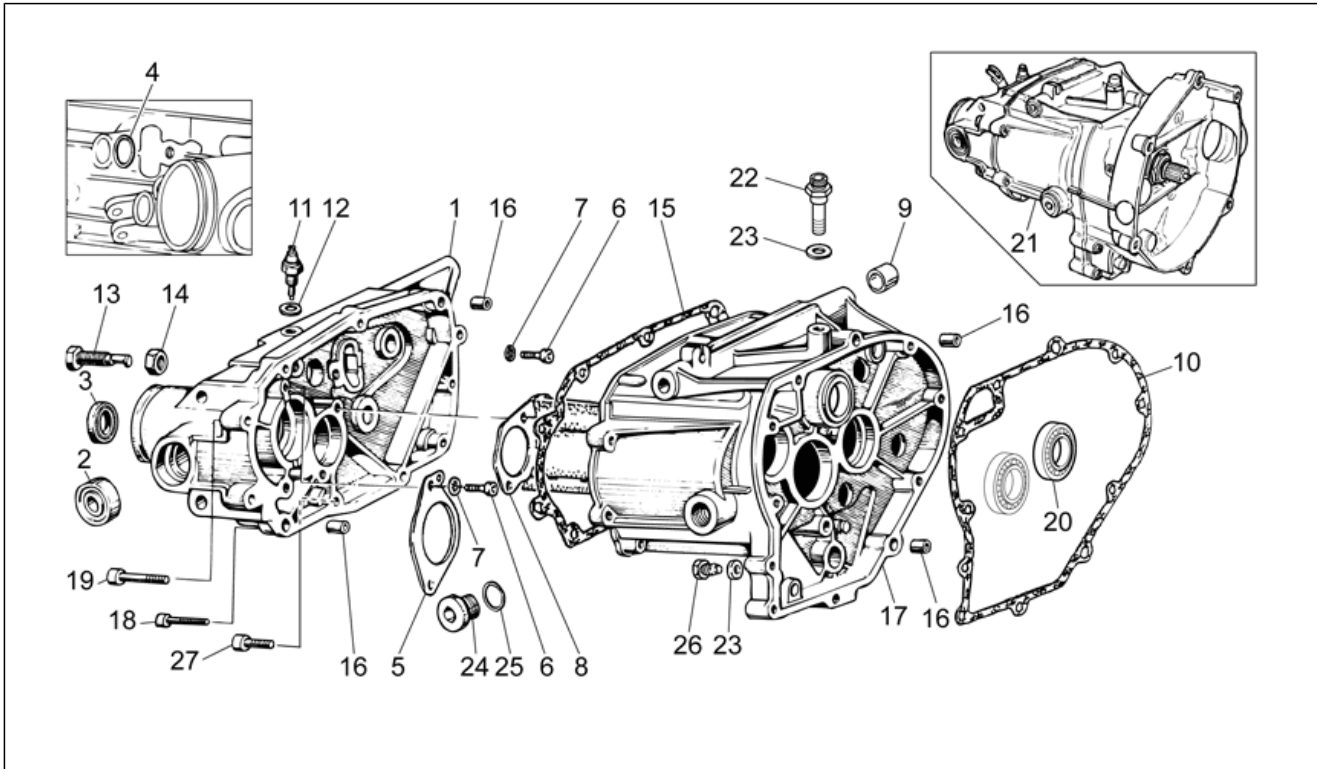
Pos.	Code	Description	Quant	Variants
1	GU32080310	Embrayage	1	
2	GU19083462	Cuvette	1	
3	GU90272075	Anneau élastique	1	
4	GU32084410	Disque embrayage mené	1	
5	GU32067910	Couronne	1	
6	GU14217901	Rondelle 6,4x10x0,7	9	
7	884038	Vis M6x16	6	
8	981070	Cloche embrayage	1	
9	GU93180220	Bouchon	1	
10	GU92201225	Roulement 25x52x15	1	
11	GU19203460	Plaque fixation palier	1	
12	GU98084314	Vis M6x14	3	
13	GU10528900	Garniture	1	
14	884032	Vis M6x30	11	
15	GU98680435	Vis M8x35	5	
16	GU98680450	Vis M8x50	1	
17	GU61270300	Rondelle élastique 8x15x0,3	6	
18	GU92606208	Ecrou M8x1,25	1	
19	GU31003766	Bouchon vid.huile M10x1	1	
20	AP9150435	Joint spi D32x45x6	1	
21	GU23204471	Getto per a.s.	1	
22	GU23204571	Getto per a.p.	1	

Groupe	MOTEUR
Code	34.41
Description	Embrague II
Révision	1



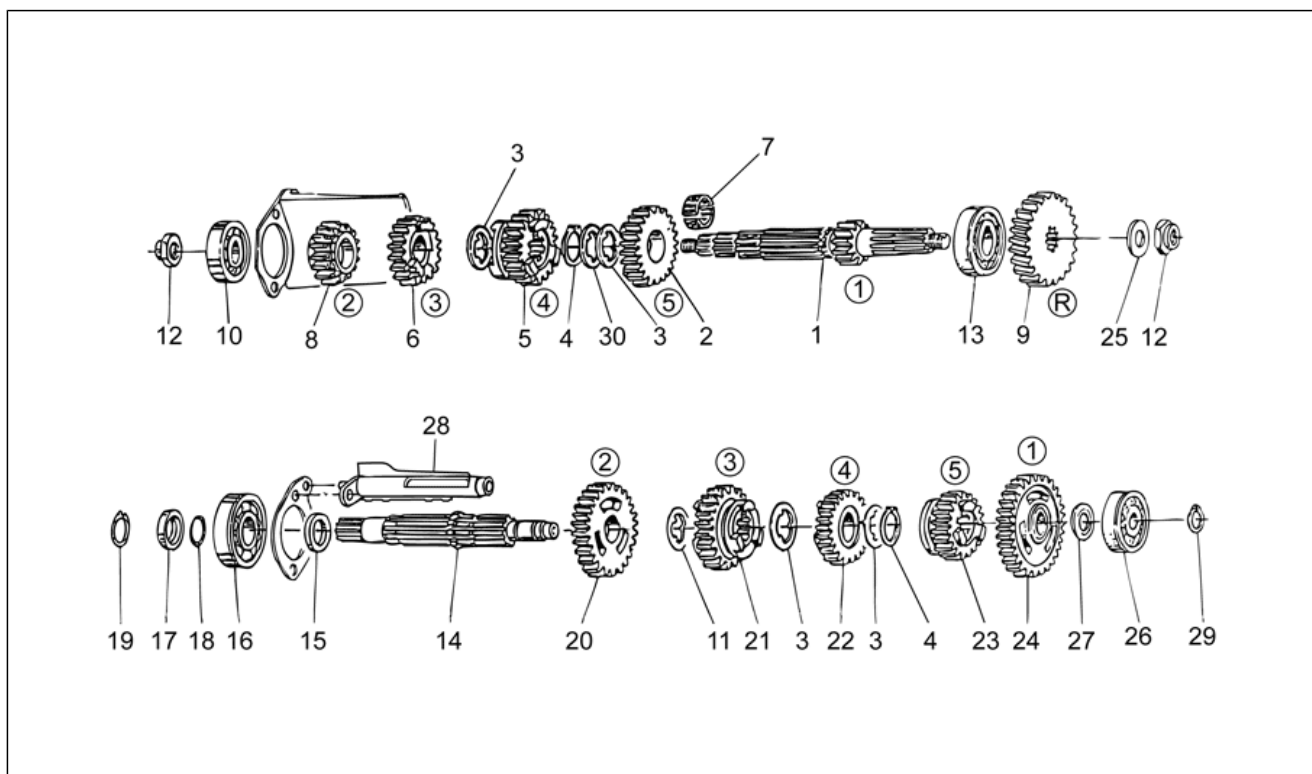
Pos.	Code	Description	Quant	Variants
1	GU14090201	Débrayage	1	
2	GU14090400	Vis embrayage	1	
3	GU92606508	Ecrou	1	
4	GU94321105	Retour levier démarrage	1	
5	GU95780271	Goupille 7x39	1	
6	GU95500222	Goupille	1	
7	GU14086100	Corps extérieur	1	
8	GU90706170	Joint torique 17,13x2,62	1	
9	GU12087001	Palier poussée	1	
10	GU14086000	Corps intérieur	1	
11	GU90400616	Bague d'étanchéité 6x16x7	1	
12	GU27210760	Arbre trnsmission Z=16	1	
13	GU20085720	Tige	1	
14	GU90706235	Joint torique 23,52x1,78	1	
15	GU19213760	Entretoise	1	
16	GU19356760	Ecrou	1	

Groupe	MOTEUR
Code	34.42
Description	Cartier de boîte vitesses
Révision	1



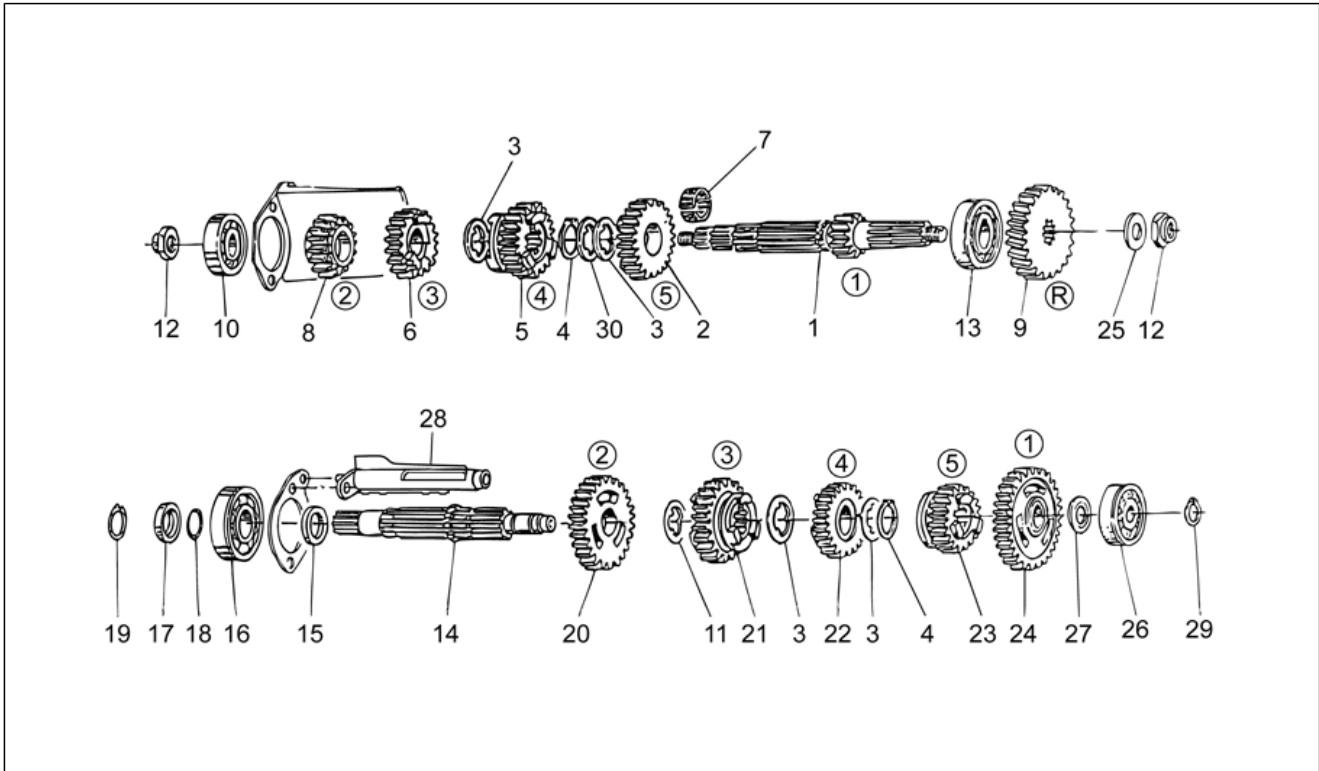
Pos.	Code	Description	Quant	Variants
1	887213	Couvercle changement	1	
2	GU92204215	Roulement 15x35x11	2	
3	886364	Bague d'étanchéité 28x40x7	1	
4	GU90706140	Joint torique 13,95x2,92	1	
5	GU32213810	Plaque	1	
6	884031	Vis M6x14	4	
7	GU14217901	Rondelle 6,4x10x0,7	4	
8	GU32208210	Huile cloison	1	
9	GU19202320	Douille 10,25x15,7x8	2	
10	887005	Joint	1	
11	B063269	Capteur	1	
12	GU12154200	Joint 8,25x15x1	1	
13	GU19237800	Vis M12x1,25	1	
14	GU92606512	Ecrou bas M12x1,25	1	
15	887006	Joint	1	
16	GU19002020	Douille 6,6x9x13	4	
17	887235	Cartier de boîte vitesses	1	
18	GU98682330	Vis M6x20	5	
19	GU98680435	Vis M8x35	4	
20	B063342	Roulement à billes 6004/C3	1	
21	976992	Boîte de vitesses cpl.	1	
22	GU32206510	Bouchon purge	1	
23	GU10528900	Garniture	2	
24	GU12022600	Bouchon huile	1	
25	GU90706203	Joint torique 20,24x2,62	1	
26	GU31003766	Bouchon vid.huile M10x1	1	
27	AP8150285	Vis	2	

Groupe	MOTEUR
Code	34.43
Description	Boîte de vitesses
Révision	1



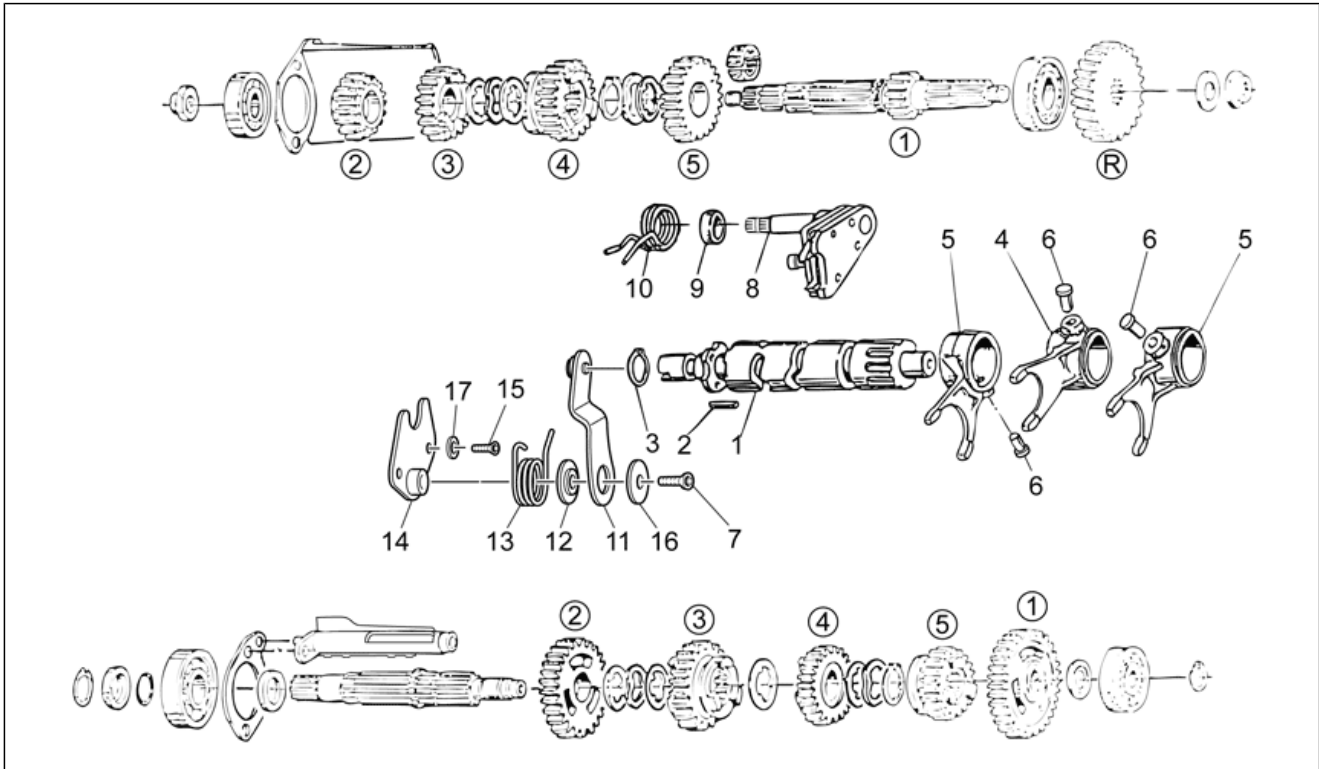
Pos.	Code	Description	Quant	Variants
1	GU32210510	Arbre primaire Z=11	1	
2	GU32212011	Engrenage 5a AP Z=25	1	
3	GU19215460	Rondelle éventail	3	
4	GU90271124	Bague seeger	2	
5	GU32211810	Engrenage 4a AP Z=18	1	
6	GU32211410	Engrenage 3a AP Z=18	1	
7	GU92251028	Cage à rouleaux	1	
8	GU23211372	Engrenage 2a AP Z=14	1	
9	GU32211110	Pignon interméd. AP Z=21	1	
10	GU92218417	Roulement AP 17x40x17,5	1	
11	GU19214660	Rondelle d'appui	2	
12	GU10054100	Ecrou	2	
13	GU92230320	Roulement AP 20x37x17	1	
14	GU32213610	Arbre secondaire	1	
15	GU19212900	Entretoise	1	
16	GU92201220	Roulement 20X47X14	1	
17	GU19213720	Entretoise	1	
18	GU90706188	Bague d'étanchéité 18,77X1,78	1	
19	GU90271121	Bague seeger	1	
20	GU32214510	Engrenage 2a AS Z=23	1	
21	GU32214810	Engrenage 3a AS Z=23	1	
22	GU32215010	Engrenage 4a AS Z=19	1	
23	GU32215210	Engrenage 5a AS Z=22	1	
24	GU32214010	Engrenage 1a AS Z=26	1	
25	GU39238100	Rondelle d'appui	1	
26	GU92234716	Roulement	1	
27	GU10214300	Cale 1,5 mm	1	
27	GU10214301	Cale 1,7 mm	1	

Groupe	MOTEUR
Code	34.43
Description	Boîte de vitesses
Révision	1



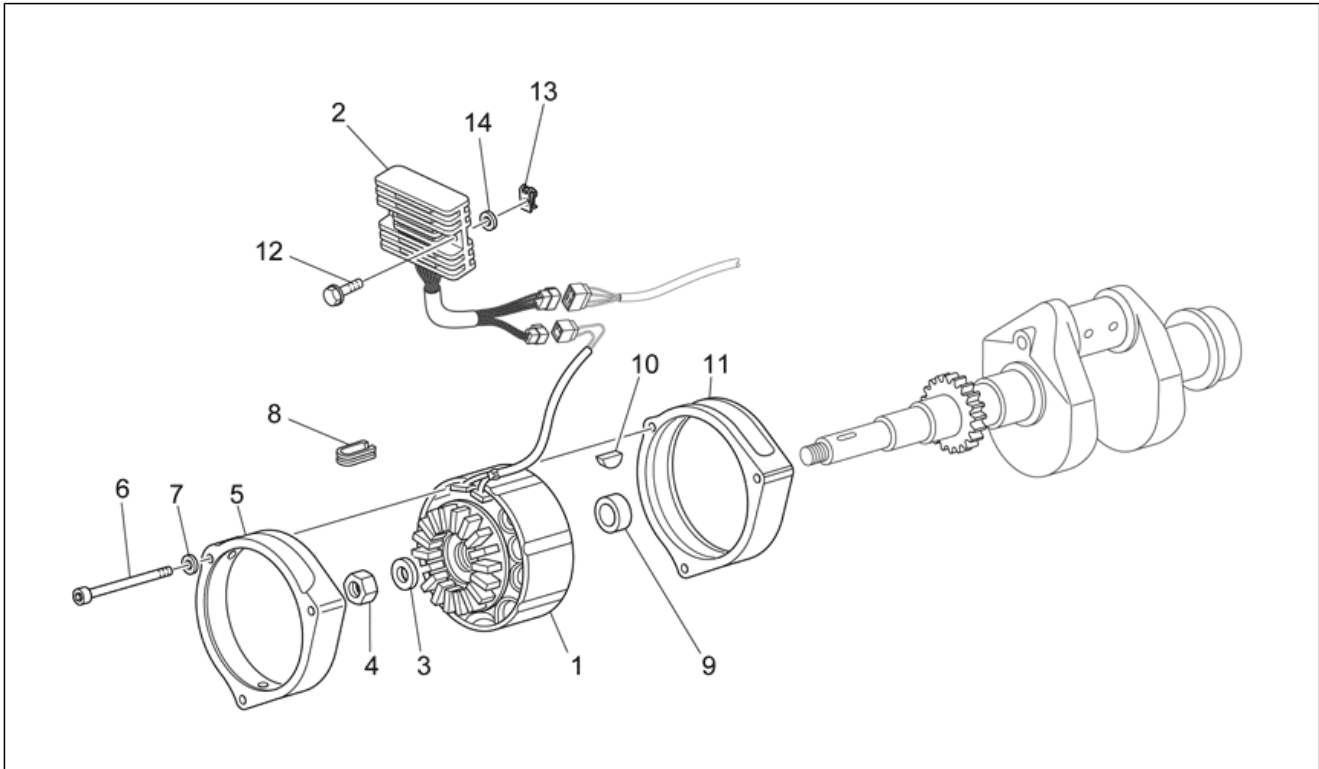
Pos.	Code	Description	Quant	Variants
27	GU10214302	Cale 1,8 mm	1	
27	GU10214303	Cale 1,9 mm	1	
27	GU10214304	Rondelle 2 mm	1	
27	GU10214305	Cale 2,1 mm	1	
28	GU32202010	Egouttoir	1	
29	GU90271117	Bague seeger	1	

Groupe	MOTEUR
Code	34.44
Description	Selecteur boîte de vitesses
Révision	1



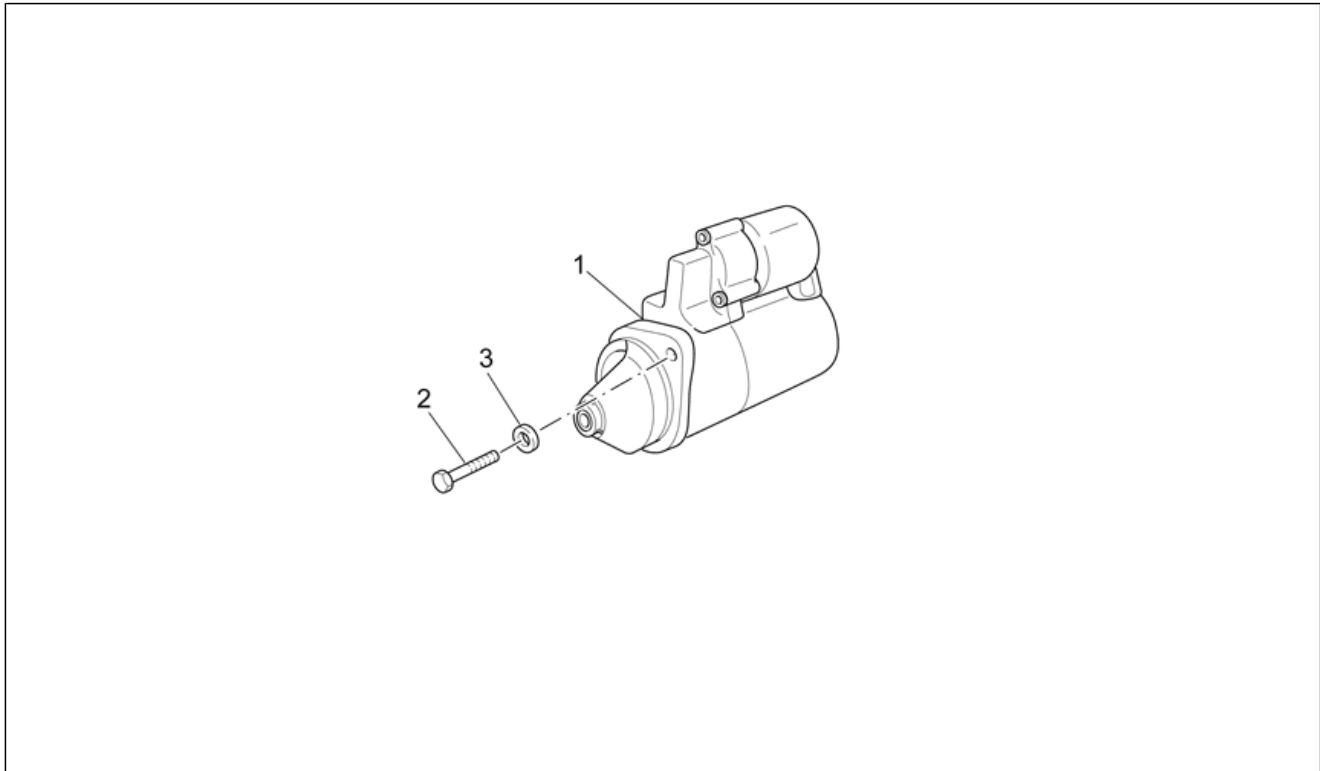
Pos.	Code	Description	Quant	Variants
1	GU32234410	Desmodromique	1	
2	GU19234600	Tige	4	
3	GU90274026	Anneau élastique	1	
4	GU32231210	Fourchette AP	1	
5	GU32231010	Fourchette AS	2	
6	GU32233010	Rouleau	3	
7	GU98230612	Vis	1	
8	887196	Preselecteur complet	1	
9	GU20208520	Entretoise	1	
10	GU32238210	Ressort	1	
11	GU32234710	Levier	1	
12	GU32234810	Rondelle	1	
13	GU32234110	Ressort	1	
14	GU32235710	Plaque	1	
15	GU98257618	Vis	2	
16	GU32234910	Rondelle 6,4x20x1	1	
17	GU14217901	Rondelle 6,4x10x0,7	2	

Groupe	MOTEUR
Code	34.45
Description	Alternateur - Régul.
Révision	1



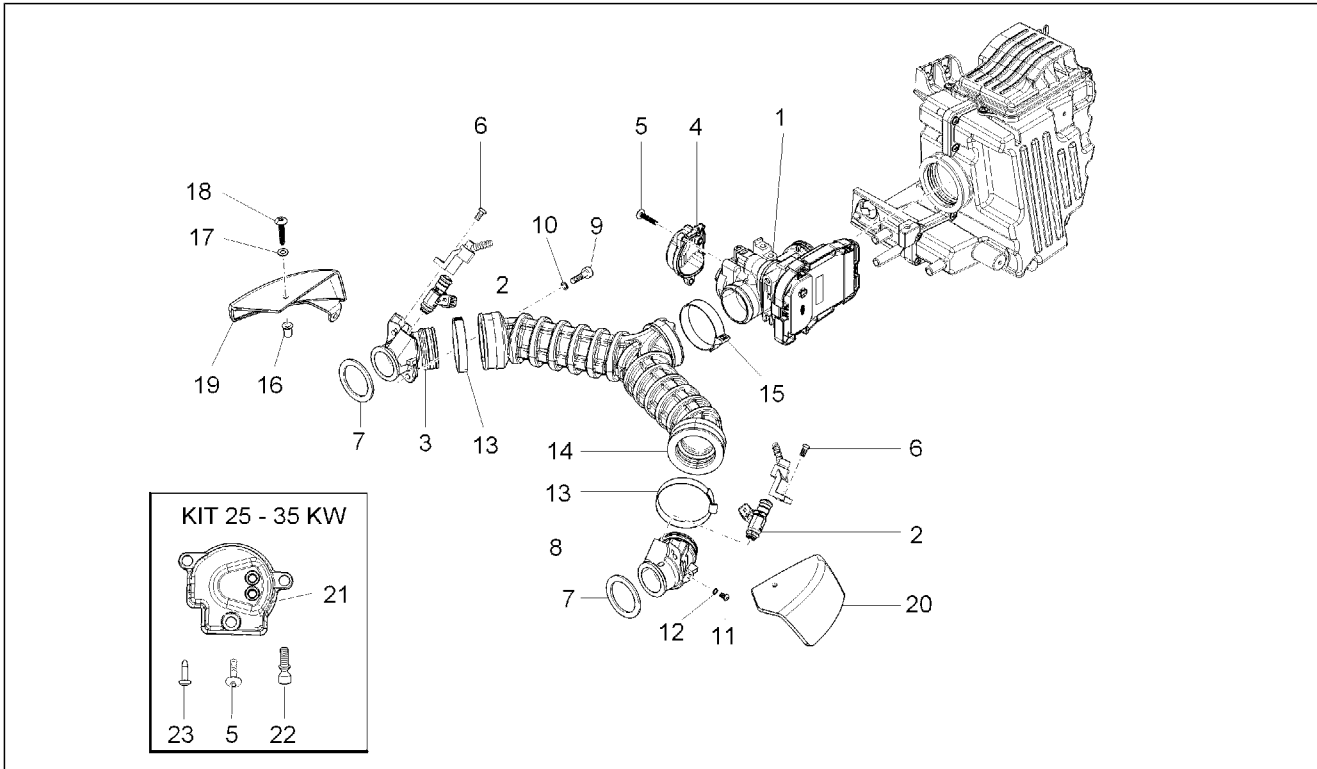
Pos.	Code	Description	Quant	Variants
1	883877	Alternateur	1	
2	883878	Régulateur de tension 35A	1	
3	GU30714201	Rondelle 16,25x24,5x5	1	
4	GU92606516	Ecrou M16	1	
5	GU29711460	Calotte av.	1	
6	GU98680265	Vis	3	
7	GU29217960	Rondelle 5,9X3X0,8	3	
8	GU19007700	Caoutchouc	1	
9	GU31712365	Entretoise	1	
10	887044	Languette 4x5	1	
11	GU29711960	Calotte arriere chromée	1	
12	AP8152281	Vis bride	2	
13	254485	Plaquette elastique M6	2	
14	GU95100125	Rondelle	2	

Groupe	MOTEUR
Code	34.46
Description	Démarrreur
Révision	1



Pos.	Code	Description	Quant	Variants
1	GU05730730	Démarrreur Bosch	1	
2	GU98682435	Vis	2	
3	GU95008208	Rondelle 8,4X15X1,5	2	

Groupe	MOTEUR
Code	34.47
Description	Corps à papillon
Révision	1



Pos.	Code	Description	Quant	Variants
1	CM228301	Centralina elettronica per iniezione	1	
2	B063049	Injecteur	2	
3	GU32115010	Pipe d.	1	
4	880260	Protection Corps à papillon	1	
5	875173	Vite testa bombata torx	3	
6	AP8152298	Vis bride M5x16	2	
7	GU32115510	Joint	2	
8	GU32115011	Pipe g.	1	
9	GU98682322	Vis M6x22	4	
10	GU03013800	Rondelle 6,4x12	4	
11	GU98310609	Vis M6x10	2	
12	GU95100116	Rondelle 6,25x10x1,5	2	
13	GU93305057	Collier 57x59,5x10	2	
14	887812	Manchon corps papil.	1	
15	GU93305061	Collier 61/65,5	1	
16	GU93231605	Douille anti vibr.	4	
17	GU30577800	Rondelle nylon 5,5X12X1	4	
18	GU98370515	Vis	4	
19	978938	Couvercle droit chromé	1	
20	978939	Couvercle gauche chromé	1	
21	B063840	Protection Corps à papillon 25-35 KW	1	
22	B063853	Vis à arrachement	1	
23	AP8220488	Caoutchouc champignon	1	



PIAGGIO & C.s.p.a.



CATALOGUS RESERVEONDERDELEN



V7 Special - Stone 750 2012-2013

Voorvoegsel frame: ZGULWG00, ZGULWE00, ZGULWU00

Voorvoegsel motor:



Inhoudsopgave

Afgewerkte producten.....	4
Alfanumerieke inhoudsopgave.....	5
FRAME.....	11
Tafel 33.01 - Frame I.....	11
Tafel 33.02 - Frame II.....	12
Tafel 33.03 - Lateral stand.....	13
Tafel 33.04 - Front footrests.....	14
Tafel 33.05 - Rear footrests.....	15
Tafel 33.06 - Gear lever.....	16
Tafel 33.07 - Front fork I.....	17
Tafel 33.08 - Front fork II.....	18
Tafel 33.11 - Rear shock absorber.....	21
Tafel 33.12 - Fuel tank.....	22
Tafel 33.13 - Front body - Front mudguard.....	23
Tafel 33.14 - Saddle-Central bod.....	24
Tafel 33.15 - Rear body I- Mudguard.....	26
Tafel 33.16 - Rear body II- Plate holder.....	27
Tafel 33.17 - Dashboard.....	28
Tafel 33.18 - Handlebar - Controls.....	29
Tafel 33.19 - Front brake system.....	30
Tafel 33.21 - Fuel pump.....	31
Tafel 33.22 - Air box.....	32
Tafel 33.23 - Exhaust unit.....	34
Tafel 33.24 - Front wheel I.....	36
Tafel 33.25 - Rear wheel I.....	37
Tafel 33.26 - Rear master cylinder.....	38
Tafel 33.27 - Rear brake caliper.....	39
Tafel 33.28 - Front lights.....	40
Tafel 33.29 - Rear lights.....	42
Tafel 33.30 - Electrical system I.....	43
Tafel 33.31 - Electrical system II.....	44
Tafel 33.32 - Lock hardware kit.....	46
Tafel 33.33 - Decal and plate set.....	47
Tafel 33.34 - Front wheel II.....	49
Tafel 33.35 - Rear wheel II.....	50
Tafel 33.48 - Fuel vapour recover system.....	51
ENGINE.....	52
Tafel 34.09 - Transmission complete I.....	52
Tafel 34.10 - Transmission complete II.....	53
Tafel 34.34 - Crank-case.....	56
Tafel 34.35 - Timing system cover.....	57
Tafel 34.36 - Cylinder head.....	58
Tafel 34.37 - Crankshaft cpl.....	59



Tafel 34.38 - Timing system.....	60
Tafel 34.39 - Oil pump.....	62
Tafel 34.40 - Clutch I.....	63
Tafel 34.41 - Clutch II.....	64
Tafel 34.42 - Transmission cage.....	65
Tafel 34.43 - Gear box.....	66
Tafel 34.44 - Gear box selector.....	68
Tafel 34.45 - Generator - Regulator.....	69
Tafel 34.46 - Starter motor.....	70
Tafel 34.47 - Throttle body.....	71



Afgewerkte producten

Code	Geldigheid
GU9032191AUC00	
GU9032191AUC01	
GU9032191AUC02	
GU9032191EUC00	
GU9032191EUC01	
GU9032191EUC02	
GU9032191GBC00	
GU9032191GBC01	
GU9032191GBC02	
GU9032192AUC00	
GU9032192AUC01	
GU9032192AUC02	
GU9032192EUC00	
GU9032192EUC01	
GU9032192EUC02	
GU9032192GBC00	
GU9032192GBC01	
GU9032192GBC02	



Code	N.Tafel	Pos.	Code	N.Tafel	Pos.	Code	N.Tafel	Pos.
080341	33.30	6	884346	33.33	18	887859	33.24	1
248419	33.26	19	886141	33.33	21	887861	33.25	1
254485	33.15	4	886340	33.33	1	887862	33.25	11
254485	33.22	14	88635200XB3	33.13		887873	33.32	1
254485	33.23	20	88635200XN2	33.13	1	887874	33.32	3
254485	33.28	20	88635200XN6	33.13	1	887877	33.29	1
254485	34.45	13	88635200XR7	33.13	1	887878	33.08	1
584211	33.31	10	886364	34.42	3	887879	33.08	2
638733	33.31	6	886670	34.37	21	887880	33.08	3
641040	33.30	8	886679	33.24	18	887881	33.08	40
641541	34.39	8	886679	33.34	6	887882	33.08	5
641725	33.30	7	886680	33.25	20	887883	33.08	6
641901	33.30	4	886680	33.35	8	887884	33.08	7
642034	33.30	3	887002	34.36	10	887885	33.08	8
828708	33.30	12	887003	34.35	2	887886	33.08	9
856063	33.48	14	887004	34.34	13	887887	33.08	10
860138	33.48	7	887005	34.42	10	887888	33.08	11
860651	34.09	19	887006	34.42	15	887889	33.08	12
874567	34.37	14	887044	34.45	10	887890	33.08	13
875173	34.47	5	887093	34.39	9	887891	33.08	14
880260	34.47	4	887194	33.17	1	887892	33.08	15
883011	34.09	11	887195	33.17	1	887893	33.08	16
883015	33.05	13	887196	34.44	8	887894	33.08	17
883019	33.05	12	887207	33.12	1	887895	33.08	18
883051	33.04	1	887213	34.42	1	887896	33.08	19
883052	33.04	2	887235	34.42	17	887898	33.08	21
883127	33.22	6	8872690001	34.37	10	887899	33.08	22
883161	33.31	11	8872690002	34.37	10	887900	33.08	23
883192	33.27	7	8872690003	34.37	10	887901	33.08	24
883266	33.13	2	8872724	34.36	1	887902	33.08	25
883293	33.23	15	8872754	34.36	2	887903	33.08	26
883294	33.23	4	887279	34.36	24	887904	33.08	27
883295	33.14	5	887431	33.27	3	887905	33.08	28
883297	33.23	13	887443	33.33	9	887906	33.08	39
883298	33.23	14	887448	33.25	12	887908	33.26	26
883303	33.19	13	887448	33.35	12	887910	33.26	1
883349	33.25	8	887449	33.27	1	887911	33.26	24
883350	33.25	7	887457	33.27	6	887912	33.08	30
883417	33.28	18	887481	33.30	12	887913	33.08	31
883470	33.16	6	887483	34.36	25	887914	33.08	32
883471	33.03	1	887523	34.36	9	887915	33.08	33
883476	33.32	3	887528	34.38	27	887916	33.08	34
883477	33.32	1	887571	33.34	1	887917	33.08	35
883478	33.29	5	887573	33.35	1	887918	33.08	36
883479	33.29	1	887768	33.21	1	887926	33.33	4
883480	33.16	9	887787	33.21	5	887928	33.33	5
883502	33.12	5	887812	34.47	14	887929	33.33	6
883569	33.17	11	887815	33.22	13	887930	33.33	2
883598	33.33	7	887822	33.18	15	887931	33.33	3
883688	33.24	10	887825	33.30	1	887933	33.33	5
883688	33.34	10	887825	33.31	1	887934	33.33	6
883704	33.23	25	887826	33.28	4	88793500Z1	33.12	1
883802	33.18	10	887826	33.29	4	88793600Z1	33.12	1
883826	34.34	18	887827	33.28	5	88793700XR7	33.14	10
883877	34.45	1	887827	33.29	5	88793800XR7	33.14	17
883878	34.45	2	887837	33.01	1	88793900A1	33.14	1
883941	33.18	3	8878421	33.22	1	88794000XN6	33.12	1
884031	34.42	6	887843	33.22	2	88794100XN6	33.12	1
884032	34.40	14	887844	33.22	11	88794200XN6	33.14	10
884035	33.11	1	887845	33.22	12	88794300XN6	33.14	17
884038	34.40	7	887846	33.23	1	887944	33.12	1
884039	34.35	8	887847	33.23	2	887948	33.30	13
884039	34.39	7	887851	33.06	1	887952	33.26	27
884136	33.23	11	887852	33.18	4	890760	33.22	16
884137	33.23	10	887853	33.18	5	890979	33.28	16
884344	33.33	20	887854	33.33	10	893570	33.31	19
884345	33.33	19	887858	33.24	5	894505	33.25	13



Code	N.Tafel	Pos.	Code	N.Tafel	Pos.	Code	N.Tafel	Pos.
894505	33.35	13	AP8104525	33.22	5	AP8150509	33.22	19
894704	33.31	26	AP8104924	33.22	4	AP8152220	33.02	11
895839	33.33	8	AP8113003	33.27	20	AP8152220	34.39	18
896110	33.23	21	AP8113241	33.26	22	AP8152268	33.16	12
898086	33.07	7	AP8113288	33.26	16	AP8152273	33.21	4
898164	33.11	3	AP8113553	33.26	23	AP8152277	33.04	7
967356	33.03	6	AP8120116	33.22	27	AP8152277	33.05	8
969973	34.36	26	AP8120246	34.09	10	AP8152277	33.19	3
976600	34.34	1	AP8120311	33.01	13	AP8152278	33.11	2
976603	34.35	1	AP8120416	33.30	18	AP8152278	33.15	3
976604	34.34	12	AP8120416	33.31	27	AP8152279	33.15	9
976608	34.10	1	AP8120416	33.48	11	AP8152281	34.45	12
976685	34.34	16	AP8120446	33.48	9	AP8152286	33.24	11
976941	34.09	1	AP8120455	33.22	9	AP8152286	33.34	11
976991	34.34	28	AP8120557	33.12	11	AP8152287	33.02	13
976992	34.42	21	AP8120615	33.22	10	AP8152288	33.02	15
97724R	33.07	1	AP8120772	33.22	20	AP8152288	33.27	9
977527	33.14	6	AP8120870	33.23	24	AP8152298	33.26	18
977527	33.32	4	AP8120876	33.22	8	AP8152298	34.47	6
978311	33.28	2	AP8120912	33.06	2	AP8152299	33.15	14
978323	33.19	15	AP8120912	33.26	2	AP8152299	33.27	22
978385	33.23	12	AP8121014	33.03	3	AP8152299	33.30	5
978415	33.14	8	AP8121032	33.15	13	AP8152299	33.48	5
978415	33.32	9	AP8121032	33.17	7	AP8152300	33.02	14
978570	33.18	10	AP8121072	33.23	22	AP8152300	33.27	13
978662	33.28	2	AP8121133	33.05	6	AP8152306	33.16	5
978931	33.14	1	AP8121267	33.48	10	AP8152329	33.15	11
978938	34.47	19	AP8121307	33.07	4	AP8152329	33.22	18
978939	34.47	20	AP8121367	33.02	10	AP8152339	33.14	14
978941	33.14	9	AP8121375	33.03	2	AP8152385	33.19	16
978942	33.14	11	AP8121420	33.14	7	AP8152409	33.04	9
978944	33.14	16	AP8121420	33.32	8	AP8152409	33.05	9
978946	33.15	1	AP8121607	33.03	2	AP8157100	33.33	13
97894600XB3	33.15	1	AP8121673	33.12	12	AP8181140	33.31	24
97894600XN2	33.15	1	AP8121915	33.19	14	AP8201358	33.22	3
97894600XN6	33.15	1	AP8121915	33.27	8	AP8201358	33.22	34
97894600XR7	33.15	1	AP8124718	33.16	7	AP8201358	33.48	13
978947	33.15	2	AP8124936	33.30	2	AP8213028	33.18	23
978949	33.16	1	AP8127856	33.03	8	AP8213057	33.26	15
978951	33.01	12	AP8133643	33.26	14	AP8213388	33.18	18
978952	33.01	16	AP8133798	33.27	2	AP8213575	33.27	23
978960	33.18	1	AP8133799	33.27	11	AP8220283	33.31	22
978969	33.26	3	AP8133800	33.27	12	AP8220460	33.07	6
978970	33.26	13	AP8134378	33.23	18	AP8220488	34.47	23
978972	33.08	30	AP8134448	33.16	2	AP8221023	33.22	26
978973	33.08	31	AP8134451	33.05	5	AP8221114	33.48	16
978974	33.08	19	AP8134829	33.04	8	AP8221197	33.03	5
978976	33.08	21	AP8134829	33.05	4	AP8221277	33.04	6
978977	33.08	29	AP8144007	33.26	4	AP8224164	33.16	3
978978	33.08	4	AP8144071	33.23	16	AP8224462	33.31	21
981070	34.40	8	AP8144071	34.36	23	AP8257609	33.33	16
981149	33.28	12	AP8144081	33.07	5	AP8257742	33.33	14
AP8101594	33.26	20	AP8144146	33.07	3	AP8257794	33.33	15
AP8101595	33.12	10	AP8144538	33.22	15	AP9150435	34.40	20
AP8101861	33.05	7	AP8144553	33.22	7	B043850	33.31	23
AP8102159	33.22	24	AP8144729	33.22	17	B045974	33.33	17
AP8102159	33.22	29	AP8145034	33.04	3	B063016	34.37	13
AP8102159	33.48	6	AP8145035	33.04	10	B063018	34.37	11
AP8102375	33.14	15	AP8149034	33.16	11	B063019	34.37	15
AP8102375	33.31	14	AP8150248	33.16	13	B063020	34.37	12
AP8102524	33.03	4	AP8150285	34.42	27	B063022	33.23	3
AP8102678	33.48	1	AP8150349	33.17	10	B063033	33.21	2
AP8102688	33.48	2	AP8150349	33.32	6	B063034	33.21	6
AP8102766	33.22	23	AP8150377	33.28	13	B063049	34.47	2
AP8102913	33.14	3	AP8150377	33.31	20	B063086	33.03	1
AP8104251	33.22	28	AP8150436	33.02	12	B063099	34.36	19
AP8104509	33.18	9	AP8150450	33.14	12	B063111	34.36	6



Code	N.Tafel	Pos.	Code	N.Tafel	Pos.	Code	N.Tafel	Pos.
B063120	33.33	4	GU03101900	33.12	3	GU14609650	33.30	18
B063121	33.33	5	GU03102200	33.12	6	GU14609650	33.31	27
B063122	33.33	6	GU03102400	33.12	2	GU14615901	33.05	15
B06312300Z2	33.12	1	GU03103200	33.12	8	GU14615901	33.13	5
B06312500XN2	33.14	10	GU03103500	33.12	4	GU14615901	34.09	20
B06312600XN2	33.14	17	GU03163330	33.31	3	GU14615901	34.37	5
B063132	33.04	13	GU03270300	33.26	11	GU14616150	33.24	15
B063135	33.18	6	GU03270300	33.27	10	GU14616150	33.25	10
B063144	33.24	3	GU03530529	33.08	2	GU14616150	33.34	7
B063167	33.15	12	GU03530530	33.08	1	GU14616150	33.35	10
B063197	33.02	1	GU03530551	33.08	12	GU18144350	34.39	16
B063198	33.02	2	GU03604845	33.19	8	GU18161150	34.39	21
B063213	33.22	30	GU03605645	33.19	9	GU18257551	33.26	8
B063214	33.22	21	GU03609600	33.18	14	GU19002020	34.35	5
B063233	33.31	5	GU03612040	33.24	16	GU19002020	34.42	16
B063252	33.33	10	GU03617710	33.34	5	GU19003800	34.34	8
B063269	34.42	11	GU03617710	33.35	6	GU19007700	34.35	10
B063287	33.01	4	GU03631250	33.24	4	GU19007700	34.45	8
B063342	34.42	20	GU03631250	33.25	9	GU19015020	34.34	5
B063429	33.14	18	GU03658201	33.27	16	GU19017000	33.02	4
B063431	33.14	19	GU03658330	33.27	17	GU19018920	34.39	10
B063443	33.26	28	GU03658430	33.27	14	GU19021360	34.36	18
B063465	34.37	19	GU03660145	33.19	1	GU19021920	34.36	7
B063466	34.37	16	GU03661145	33.19	6	GU19025280	33.23	5
B063735	33.28	14	GU03664045	33.19	7	GU19025460	33.23	6
B063735	33.29	6	GU03740930	33.29	2	GU19027500	34.38	15
B063749	33.11	1	GU03749845	33.19	5	GU19030500	34.38	7
B063800	33.28	4	GU03922280	34.09	23	GU19032080	34.38	10
B063801	33.28	5	GU03995730	33.33	12	GU19032980	34.36	17
B063840	34.47	21	GU04000500	34.34	10	GU19032980	34.38	14
B063853	34.47	22	GU05107430	33.21	3	GU19034000	34.38	8
B063854	33.23	1	GU05659230	33.19	10	GU19037820	34.36	8
B063855	33.23	2	GU05730730	34.46	1	GU19045861	34.38	25
CM001928	33.07	8	GU05781630	33.16	14	GU19055700	34.38	23
CM001929	33.07	9	GU05900130	33.33	11	GU19058021	34.38	19
CM007423	33.30	9	GU06740200	33.28	12	GU19058220	34.38	20
CM0074C9	33.30	10	GU06740400	33.28	17	GU19062261	34.37	4
CM013202	33.31	25	GU06740401	33.28	17	GU19065400	34.37	2
CM225705	33.31	15	GU06740500	33.28	2	GU19067700	34.37	18
CM225710	33.31	16	GU06740501	33.28	2	GU19083462	34.40	2
CM225715	33.31	17	GU06917300	33.33	1	GU19146422	34.39	1
CM225730	33.31	18	GU06917400	33.33	2	GU19152200	34.39	11
CM228301	34.47	1	GU10054100	34.43	12	GU19202320	34.42	9
CM228302	34.47	1	GU10214300	34.43	27	GU19203460	34.40	11
GU00823923140	33.03	7	GU10214301	34.43	27	GU19206501	34.10	10
GU00823923140	33.22	32	GU10214302	34.43	27	GU19212900	34.43	15
GU00823923140	33.48	12	GU10214303	34.43	27	GU19213720	34.43	17
GU00823931055	33.28	19	GU10214304	34.43	27	GU19213760	34.41	15
GU00823931070	33.12	14	GU10214305	34.43	27	GU19214660	34.43	11
GU00823944050	33.12	13	GU10528900	34.34	15	GU19215460	34.43	3
GU00823950050	33.26	21	GU10528900	34.40	13	GU19234600	34.44	2
GU01528930	34.10	9	GU10528900	34.42	23	GU19237800	34.42	13
GU01530568	33.08	6	GU12003702	34.34	20	GU19327601	34.09	5
GU01530571	33.08	9	GU12022600	34.10	6	GU19328801	34.09	3
GU01609630	33.18	14	GU12022600	34.42	24	GU19350700	34.10	22
GU01654630	33.19	17	GU12087001	34.41	9	GU19351100	34.10	4
GU01659130	33.19	11	GU12154200	34.34	23	GU19351900	34.10	2
GU01659131	33.19	12	GU12154200	34.42	12	GU19352300	34.10	23
GU01665410	33.26	25	GU13021900	34.34	26	GU19353500	34.10	24
GU01721600	33.30	14	GU13021900	34.36	12	GU19355200	34.10	35
GU02717450	33.30	11	GU14086000	34.41	10	GU19355202	34.10	36
GU03013800	33.06	7	GU14086100	34.41	7	GU19355300	34.10	33
GU03013800	33.23	8	GU14090201	34.41	1	GU19355301	34.10	33
GU03013800	34.47	10	GU14090400	34.41	2	GU19355302	34.10	33
GU03067730	34.10	19	GU14217901	34.40	6	GU19355303	34.10	33
GU03101600	33.12	7	GU14217901	34.42	7	GU19355304	34.10	33
GU03101720	33.12	5	GU14217901	34.44	17	GU19355305	34.10	33



Code	N.Tafel	Pos.	Code	N.Tafel	Pos.	Code	N.Tafel	Pos.
GU19355306	34.10	33	GU28612033	33.25	18	GU32214010	34.43	24
GU19355307	34.10	33	GU29217960	34.45	7	GU32214510	34.43	20
GU19355308	34.10	33	GU29711460	34.45	5	GU32214810	34.43	21
GU19355309	34.10	33	GU29711960	34.45	11	GU32215010	34.43	22
GU19355320	34.10	27	GU29729461	33.31	2	GU32215210	34.43	23
GU19355321	34.10	27	GU29759150	33.18	17	GU32231010	34.44	5
GU19355322	34.10	27	GU30512830	33.08	23	GU32231210	34.44	4
GU19355323	34.10	27	GU30525861	33.08	11	GU32233010	34.44	6
GU19355324	34.10	27	GU30526761	33.08	5	GU32234110	34.44	13
GU19355325	34.10	27	GU30577800	33.29	13	GU32234410	34.44	1
GU19355326	34.10	27	GU30577800	34.47	17	GU32234710	34.44	11
GU19355327	34.10	27	GU30601060	33.18	13	GU32234810	34.44	12
GU19355328	34.10	27	GU30602500	33.18	22	GU32234910	34.44	16
GU19355329	34.10	27	GU30630430	33.25	19	GU32235710	34.44	14
GU19355400	34.10	21	GU30714201	34.45	3	GU32238210	34.44	10
GU19355402	34.10	21	GU31003766	34.10	8	GU32256910	33.06	4
GU19355404	34.10	21	GU31003766	34.34	14	GU32257810	33.06	8
GU19355406	34.10	21	GU31003766	34.40	19	GU32350410	34.10	13
GU19355408	34.10	21	GU31003766	34.42	26	GU32351410	34.10	16
GU19355410	34.10	21	GU31016050	34.39	20	GU32354610	34.10	18
GU19355411	34.10	21	GU31037015	34.38	13	GU32431310	33.02	9
GU19355412	34.10	21	GU31038015	34.38	5	GU32432711	33.03	11
GU19355413	34.10	21	GU31045015	34.38	26	GU32433011	33.03	6
GU19356700	34.10	30	GU31112965	33.22	33	GU32434460	33.13	1
GU19356760	34.41	16	GU31121880	33.23	9	GU32439260	33.48	3
GU19356801	34.10	28	GU31150950	34.39	26	GU32441210	33.04	5
GU19357660	34.10	25	GU31159050	34.39	15	GU32441210	33.05	3
GU19547000	34.09	12	GU31327783	34.09	2	GU32442310	33.05	1
GU20036020	34.38	1	GU31439565	33.13	4	GU32442710	33.05	10
GU20036120	34.38	2	GU31504583	33.08	17	GU32443210	33.04	4
GU20085720	34.41	13	GU31513480	33.08	20	GU32443210	33.05	2
GU20147710	34.39	17	GU31544181	34.09	15	GU32443211	33.04	11
GU20147810	34.39	3	GU31547882	34.09	14	GU32443211	33.05	11
GU20148410	34.39	4	GU31610160	33.24	17	GU32457810	33.01	11
GU20148610	34.39	5	GU31614183	33.24	9	GU32461610	33.14	2
GU20208520	34.44	9	GU31614183	33.34	9	GU32461610	33.14	2
GU20258221	33.06	9	GU31615283	33.24	6	GU32504210	33.08	35
GU20352421	34.10	31	GU31615283	33.34	2	GU32506360	33.28	1
GU20355121	34.10	34	GU31616384	33.24	12	GU32517710	33.31	8
GU23204471	34.40	21	GU31616384	33.34	12	GU32525410	33.08	10
GU23204571	34.40	22	GU31634281	33.27	4	GU32526310	33.08	16
GU23211372	34.43	8	GU31634481	33.25	15	GU32526610	33.08	15
GU23217800	34.38	3	GU31634481	33.35	15	GU32530501	33.08	8
GU23328081	34.09	7	GU31712365	34.45	9	GU32530502	33.08	13
GU23548080	34.09	8	GU31740383	33.28	11	GU32530503	33.08	14
GU23548180	34.09	9	GU32001610	34.35	6	GU32530504	33.08	28
GU23922210	33.17	12	GU32032310	34.38	11	GU32530505	33.08	34
GU23943410	33.08	36	GU32053410	34.38	16	GU32530506	33.08	24
GU27001136	34.35	7	GU32054510	34.38	17	GU32530610	33.08	37
GU27037521	34.38	4	GU320642104	34.37	1	GU32530611	33.08	38
GU27061585	34.37	3	GU32067910	34.40	5	GU32555210	33.11	4
GU27061885	34.37	17	GU32080310	34.40	1	GU32555211	33.11	5
GU27062060	34.37	6	GU32084410	34.40	4	GU32602860	33.18	9
GU27065660	34.37	7	GU32115010	34.47	3	GU32603010	33.18	16
GU27066460	34.37	9	GU32115011	34.47	8	GU32603310	33.18	7
GU27066560	34.37	8	GU32115510	34.47	7	GU32605510	33.18	2
GU27152885	34.34	22	GU32121010	33.23	7	GU32613160	33.24	2
GU27153085	34.39	14	GU32202010	34.43	28	GU32615660	33.24	14
GU27210760	34.41	12	GU32206510	34.42	22	GU32615660	33.34	8
GU27530505	33.08	26	GU32208210	34.42	8	GU32632510	33.25	17
GU27530506	33.08	27	GU32210510	34.43	1	GU32632510	33.35	9
GU27530510	33.08	22	GU32211110	34.43	9	GU32633360	33.25	14
GU27530584	33.08	7	GU32211410	34.43	6	GU32633360	33.35	14
GU27633910	33.25	4	GU32211810	34.43	5	GU32633560	34.10	11
GU27633910	33.35	4	GU32212011	34.43	2	GU32634160	33.27	5
GU28157950	33.48	8	GU32213610	34.43	14	GU32636160	33.25	21
GU28252060	33.02	8	GU32213810	34.42	5	GU32636160	33.35	7

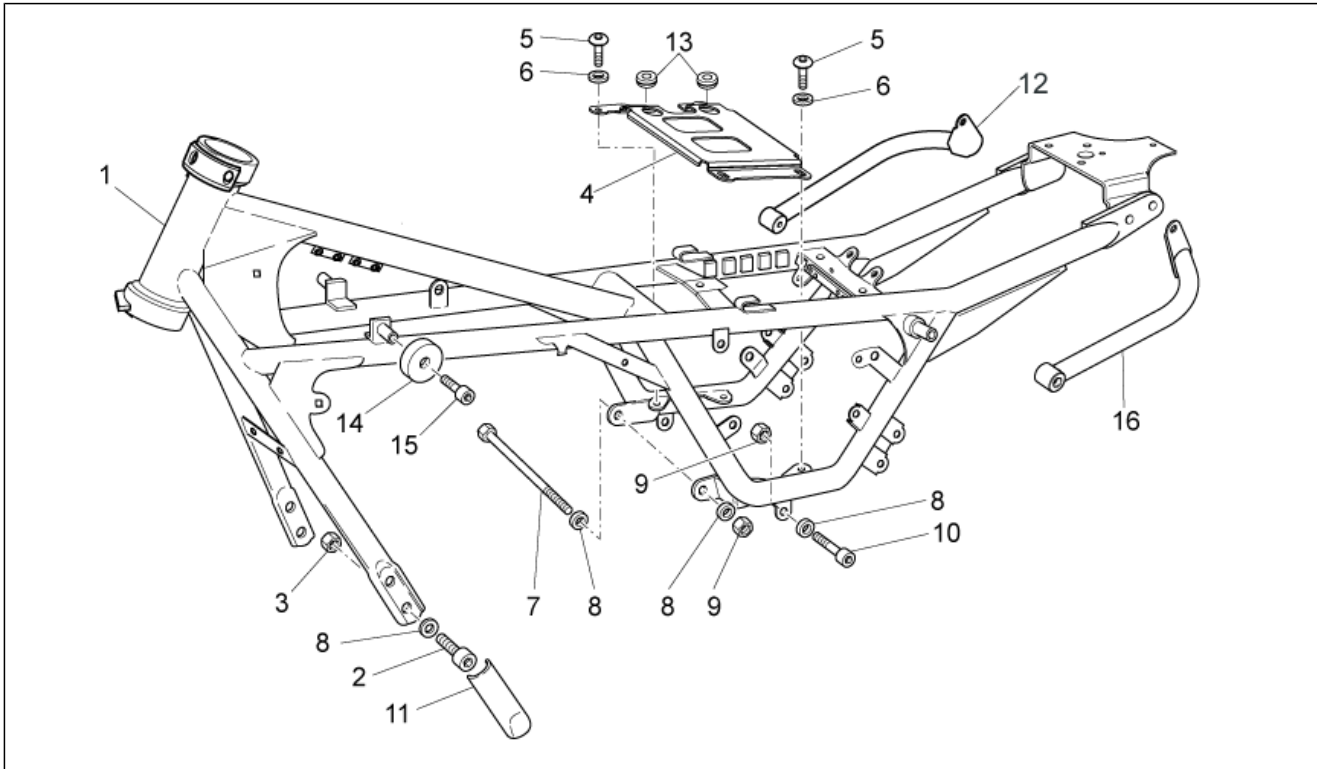


Code	N.Tafel	Pos.	Code	N.Tafel	Pos.	Code	N.Tafel	Pos.
GU32657110	33.19	2	GU91181039	33.08	25	GU93450232	33.28	10
GU32692260	33.25	2	GU91551010	33.22	25	GU94321079	34.39	24
GU32735510	33.32	5	GU91551086	33.14	13	GU94321099	34.09	6
GU32735511	33.32	5	GU92201070	34.10	14	GU94321105	34.41	4
GU32747910	33.31	9	GU92201220	34.43	16	GU95004210	33.31	4
GU32750661	33.29	4	GU92201225	34.40	10	GU95005306	33.17	3
GU32753410	33.28	3	GU92204215	34.42	2	GU95005308	33.28	23
GU32753410	33.29	8	GU92204217	33.25	5	GU95005308	34.09	22
GU32753711	33.29	6	GU92204217	33.35	5	GU95005310	33.15	7
GU32781910	33.16	10	GU92204218	33.25	3	GU95005310	33.26	5
GU32782510	33.17	8	GU92204218	33.35	3	GU95005311	33.26	9
GU32782510	33.32	2	GU92204221	33.24	7	GU95005311	33.48	4
GU32999010	34.34	25	GU92204221	33.34	3	GU95008205	33.30	16
GU32999510	34.34	24	GU92218417	34.43	10	GU95008206	34.39	23
GU35214300	34.09	13	GU92230320	34.43	13	GU95008208	33.01	6
GU39238100	34.43	25	GU92234716	34.43	26	GU95008208	34.46	3
GU49609601	33.30	18	GU92249220	34.10	32	GU95008210	33.01	8
GU49609601	33.31	27	GU92249225	33.07	2	GU95008210	33.02	6
GU53429500	33.02	3	GU92249227	34.10	20	GU95008210	34.09	17
GU61027200	34.37	20	GU92251028	34.43	7	GU95008305	33.18	20
GU61036801	34.36	3	GU92252210	34.39	2	GU95008306	33.19	20
GU61038100	34.38	6	GU92252235	34.10	5	GU95008306	33.27	21
GU61054900	34.38	18	GU92296723	34.39	6	GU95020105	33.03	10
GU61270300	34.10	26	GU92602406	34.38	9	GU95021104	33.19	19
GU61270300	34.34	6	GU92602510	34.39	19	GU95021105	33.18	21
GU61270300	34.36	21	GU92603010	34.36	11	GU95021206	33.17	5
GU61270300	34.40	17	GU92606206	33.17	6	GU95021206	33.28	8
GU66103415	33.01	14	GU92606208	34.34	7	GU95021206	33.29	10
GU66530505	33.08	32	GU92606208	34.40	18	GU95100059	33.31	13
GU90271018	34.38	12	GU92606210	33.01	9	GU95100116	34.47	12
GU90271117	34.43	29	GU92606210	33.02	5	GU95100125	34.45	14
GU90271121	34.43	19	GU92606210	33.11	7	GU95100244	34.38	29
GU90271124	34.43	4	GU92606210	34.09	18	GU95100309	34.39	27
GU90272023	34.09	4	GU92606316	33.25	16	GU95100602	34.39	25
GU90272075	34.40	3	GU92606316	33.35	11	GU95100709	34.34	21
GU90274026	34.44	3	GU92606508	34.41	3	GU95129115	34.38	22
GU90353009	34.36	4	GU92606512	34.42	14	GU95129180	34.34	27
GU90353029	34.38	24	GU92606516	34.45	4	GU95129180	34.36	13
GU90353030	34.10	17	GU92609007	33.26	12	GU95129181	33.11	6
GU90400616	34.41	11	GU92630104	33.27	19	GU95129260	33.06	3
GU90402538	33.25	6	GU92630204	33.16	8	GU95187006	34.39	13
GU90402538	33.35	2	GU92630206	33.26	6	GU95500221	33.26	10
GU90402642	33.24	8	GU92630510	33.01	3	GU95500222	34.41	6
GU90402642	33.34	4	GU92630707	33.06	5	GU95780271	34.41	5
GU90402842	34.35	9	GU92640508	33.23	19	GU96451316	33.27	15
GU90403251	34.10	38	GU92640708	33.15	8	GU96451430	34.34	3
GU90403549	34.10	3	GU92660021	33.26	7	GU96451560	34.34	2
GU90407591	34.10	15	GU92787006	33.28	6	GU96506042	34.36	5
GU90706076	34.34	9	GU92787006	33.29	11	GU96508055	34.10	12
GU90706111	34.39	22	GU93180105	34.09	21	GU96508055	34.34	4
GU90706140	34.42	4	GU93180111	33.24	13	GU96508145	34.36	20
GU90706141	33.30	17	GU93180111	33.34	13	GU96510181	34.36	15
GU90706170	34.41	8	GU93180220	34.40	9	GU96510214	34.36	14
GU90706188	34.10	29	GU93180245	34.36	22	GU97202325	33.18	12
GU90706188	34.43	18	GU93222023	33.17	4	GU98052560	33.08	33
GU90706203	34.10	7	GU93231605	33.29	14	GU98054422	34.38	28
GU90706203	34.42	25	GU93231605	34.47	16	GU98082565	33.02	7
GU90706235	34.41	14	GU93301175	33.23	26	GU98084314	34.39	12
GU90706281	34.34	19	GU93301313	33.48	15	GU98084314	34.40	12
GU90706444	34.34	17	GU93305057	34.47	13	GU98110199	33.01	7
GU90706584	34.10	37	GU93305061	33.22	22	GU98210612	33.23	27
GU90714082	33.22	31	GU93305061	34.47	15	GU98230510	33.16	4
GU91113826	33.23	23	GU93450105	33.28	9	GU98230510	33.18	19
GU91120806	33.15	6	GU93450126	33.28	15	GU98230612	34.44	7
GU91180601	33.15	10	GU93450126	33.29	7	GU98257410	33.27	18
GU91181003	33.18	11	GU93450127	33.29	7	GU98257618	34.44	15
GU91181003	33.19	18	GU93450224	33.29	3	GU98310609	34.47	11



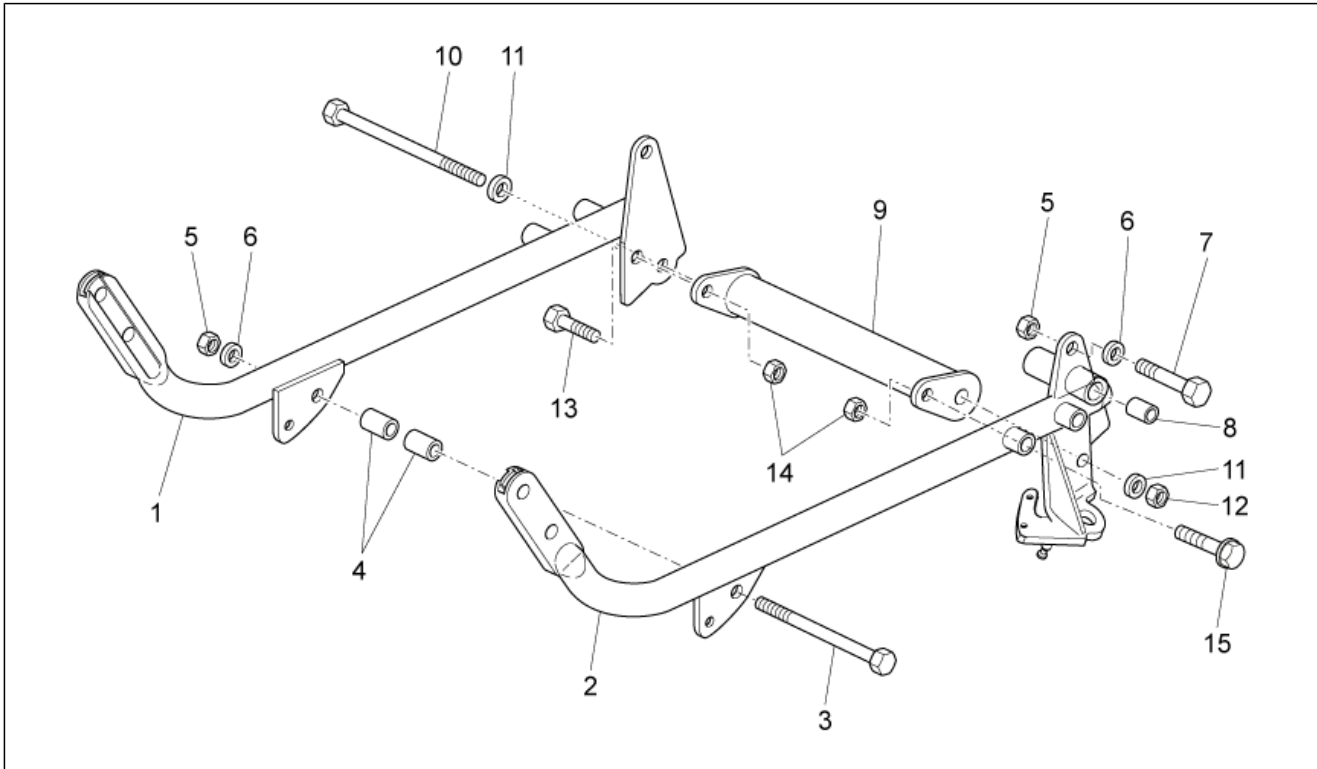
Code	N.Tafel	Pos.
GU98350215	33.29	12
GU98350416	33.01	5
GU98370412	33.19	4
GU98370515	34.47	18
GU98370609	33.17	2
GU98370616	33.31	7
GU98370625	33.14	4
GU98370625	33.26	17
GU98370655	33.28	7
GU98370655	33.29	9
GU98370831	33.15	5
GU98370831	33.28	22
GU98370845	33.13	3
GU98612216	33.03	9
GU98620330	33.08	3
GU98620540	33.08	18
GU98632322	33.06	6
GU98680265	34.45	6
GU98680435	34.40	15
GU98680435	34.42	19
GU98680440	33.23	17
GU98680450	34.40	16
GU98680545	34.09	16
GU98680555	33.01	10
GU98682212	33.30	15
GU98682212	33.31	12
GU98682322	34.47	9
GU98682325	34.34	11
GU98682325	34.35	3
GU98682330	34.35	4
GU98682330	34.42	18
GU98682414	33.01	15
GU98682416	33.04	12
GU98682416	33.05	14
GU98682416	33.17	9
GU98682416	33.32	7
GU98682430	33.12	9
GU98682435	34.46	2
GU98682530	33.01	2
GU98690335	33.11	8
GU98690335	33.18	8
GU98692325	34.36	16
GU98880540	33.28	21
GU98882316	34.38	21

Groep	FRAME
Code	33.01
Beschrijving	Frame l
Revisie	1



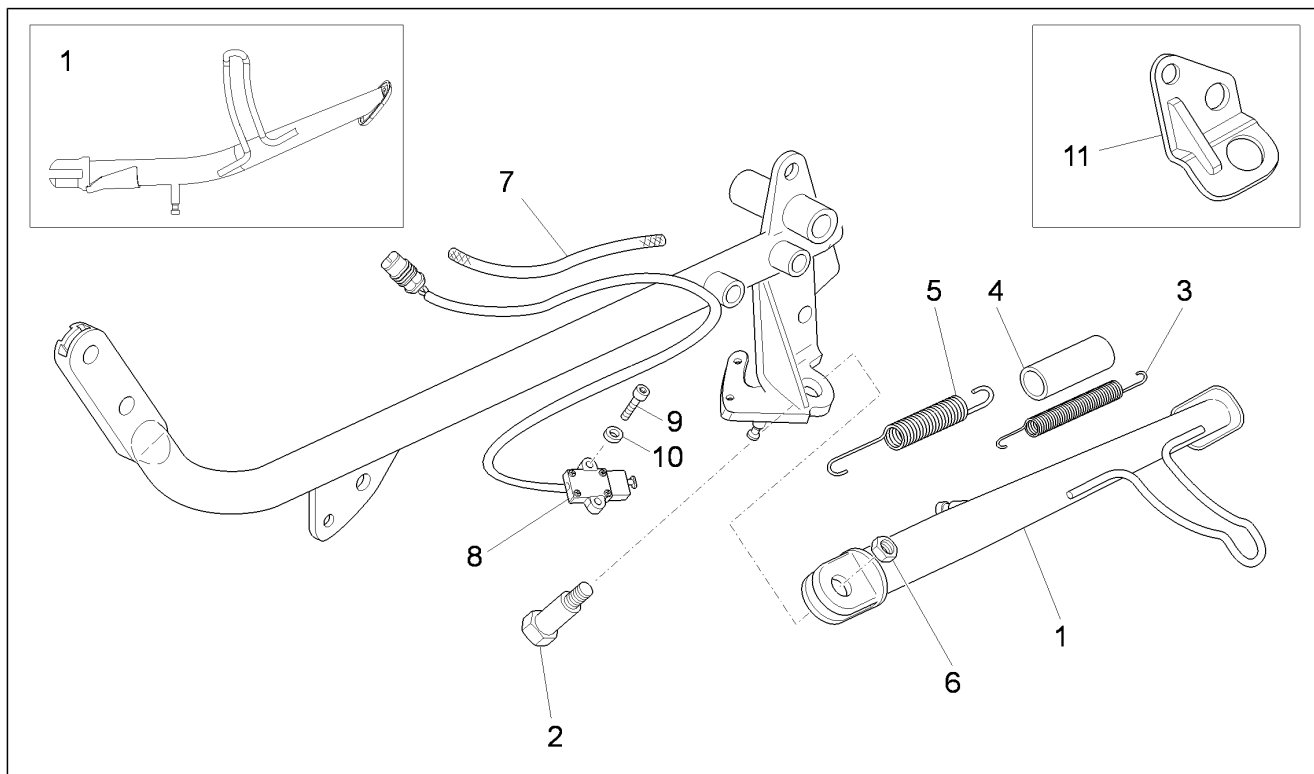
Pos.	Code	Beschrijving	Aant.	Varianten
1	887837	Frame v.	1	
2	GU98682530	Binnenzeskantbout M10x30	4	
3	GU92630510	Moer M10x1,5	4	
4	B063287	Piastra unione telaio	1	
5	GU98350416	Bolbout met binnenzeskant M8x16	4	
6	GU95008208	Sluitring 8,4X15X1,5	4	
7	GU98110199	Pin M10x205	1	
8	GU95008210	Sluitring 10,2X18X2	11	
9	GU92606210	Moer M10x1,5	3	
10	GU98680555	Bout M10x55	2	
11	GU32457810	Bescherming	2	
12	978951	Handgreep re	1	
13	AP8120311	Rubbetje *	2	
14	GU66103415	Rubbetje	2	
15	GU98682414	Binnenzeskantbout	2	
16	978952	Handgreep li	1	

Groep	FRAME
Code	33.02
Beschrijving	Frame II
Revisie	1



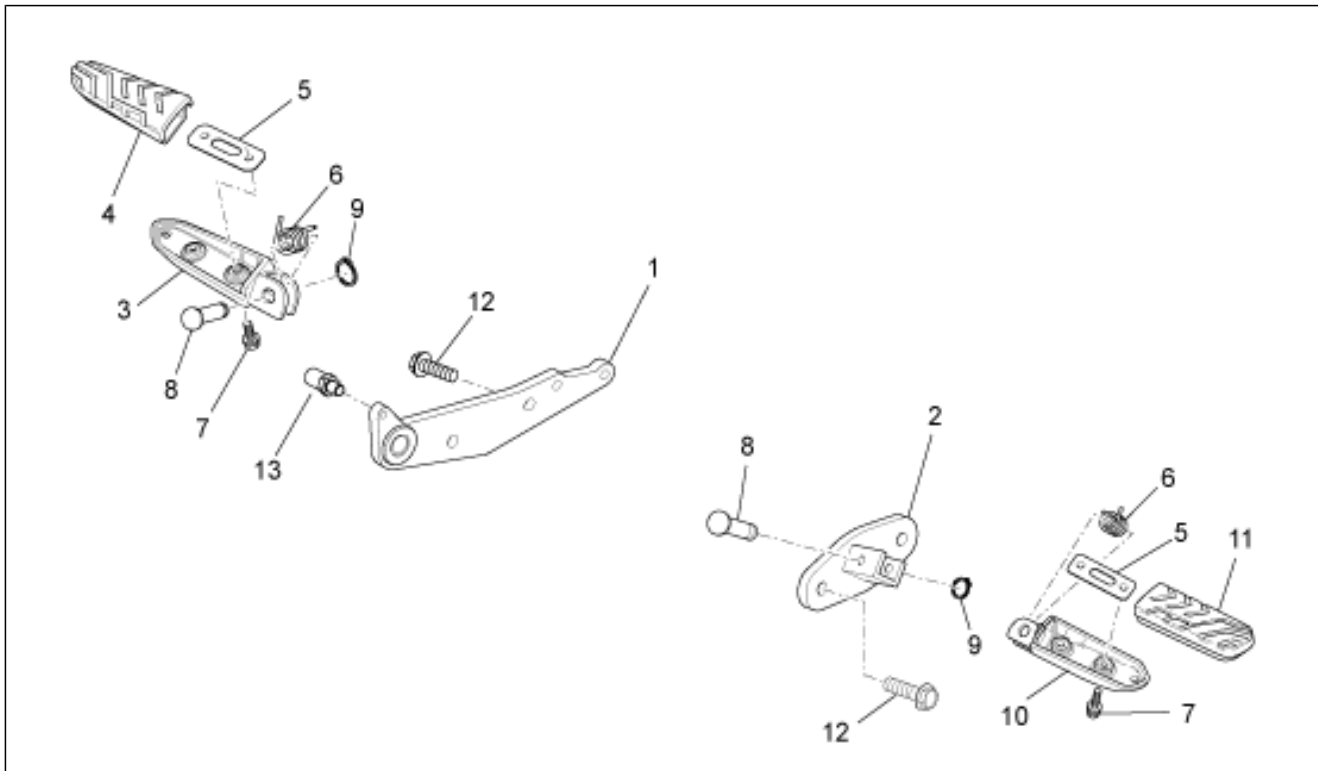
Pos.	Code	Beschrijving	Aant.	Varianten
1	B063197	Steun re	1	
2	B063198	Steun li	1	
3	GU53429500	Pin M10x250	1	
4	GU19017000	Beslagring	2	
5	GU92606210	Moer M10x1,5	3	
6	GU95008210	Sluitring 10,2X18X2	3	
7	GU98082565	Bout M10x65	2	
8	GU28252060	Huls 18 mm est.	2	
9	GU32431310	Balk armen steun	1	
10	AP8121367	Pin M10x260	1	
11	AP8152220	Gekart. sluitring	2	
12	AP8150436	Zelfborg. moer laag	1	
13	AP8152287	Zeskantbout geflenst M8x25	1	
14	AP8152300	Zelfborg.bout gefl. M8	1	
15	AP8152288	Zeskantbout geflenst	1	

Groep	FRAME
Code	33.03
Beschrijving	Lateral stand
Revisie	1



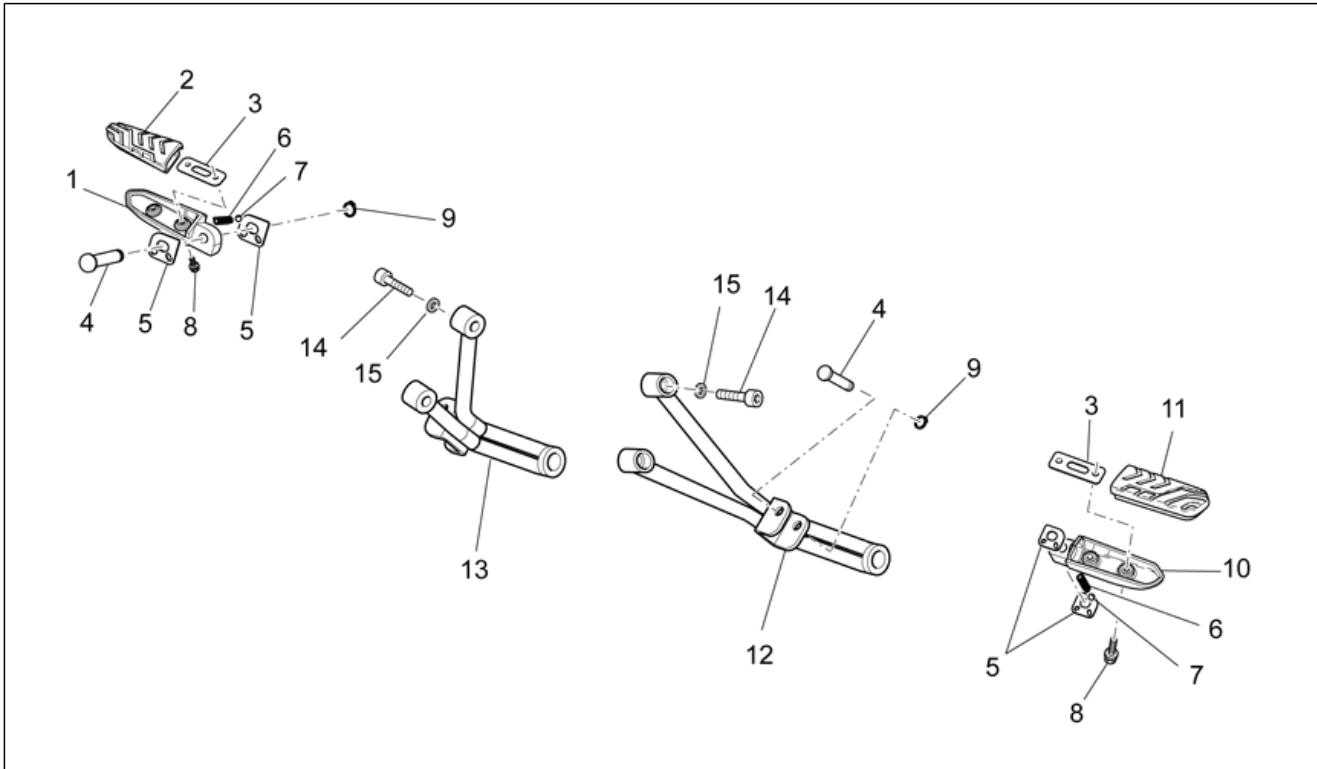
Pos.	Code	Beschrijving	Aant.	Varianten
1	883471	Zijstandaard zwart	1	LAND:Canadian[CDN], United States of America[USA]
1	B063086	Laterale standaard	1	LAND:Australia[AUS], europa[EU]
2	AP8121375	Bout standaard	1	LAND:Australia[AUS], europa[EU]
2	AP8121607	Bout standaard	1	LAND:Canadian[CDN], United States of America[USA]
3	AP8121014	Spiraalveer cilind.aandr. *	1	
4	AP8102524	Bescherming veer standaard	1	
5	AP8221197	Trekveer standaard	1	
6	967356	Moer geflenst M10x1,25	1	LAND:Australia[AUS], europa[EU]
6	GU32433011	Moer	1	LAND:Canadian[CDN], United States of America[USA]
7	GU00823923140	Thermische gaine	1	
8	AP8127856	Schakelaar standaard	1	
9	GU98612216	Binnenzeskantbout	2	
10	GU95020105	Sluitring 5,3x8,9x2,4	2	
11	GU32432711	Plaat	1	LAND:Canadian[CDN], United States of America[USA]

Groep	FRAME
Code	33.04
Beschrijving	Front footrests
Revisie	1



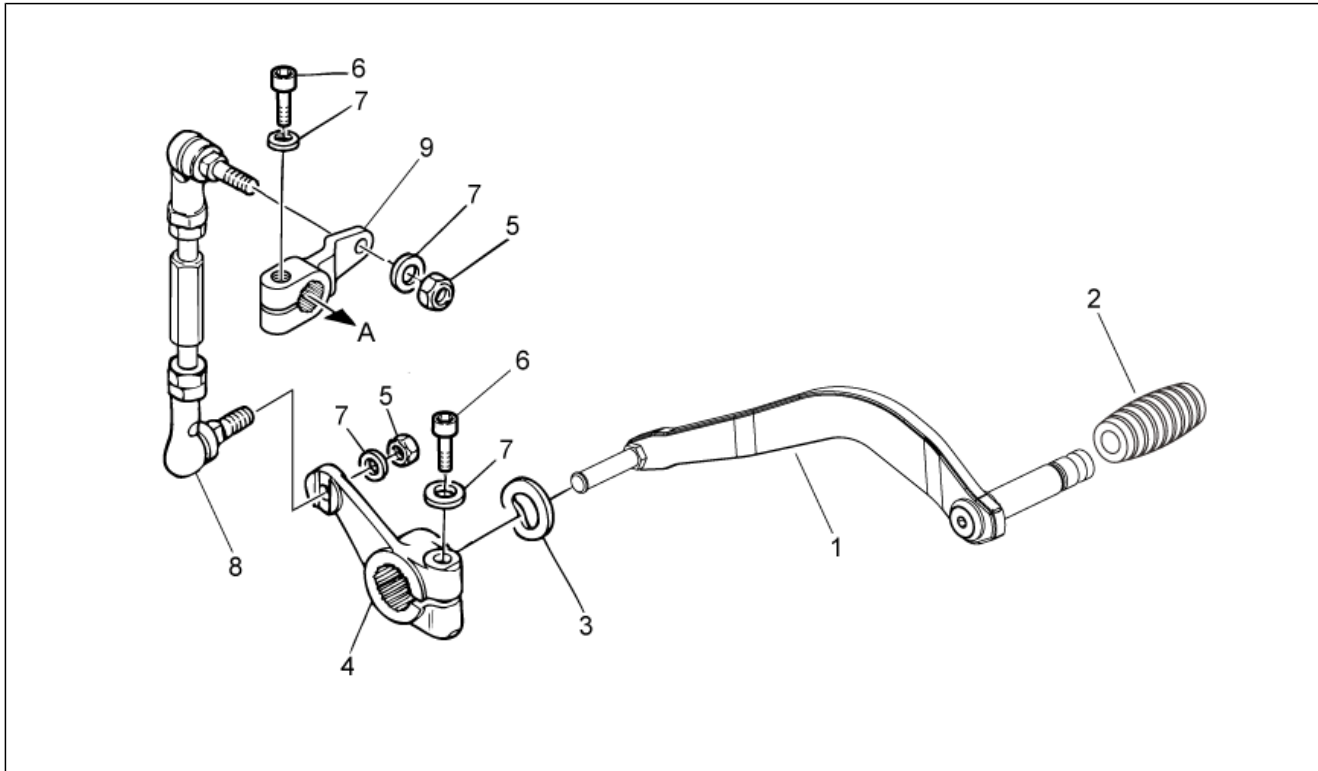
Pos.	Code	Beschrijving	Aant.	Varianten
1	883051	Steun voetenst. re	1	
2	883052	Steun voetenst. li	1	
3	AP8145034	Voetensteun bestuurder re	1	
4	GU32443210	Rubber	1	
5	GU32441210	Plaatje	2	
6	AP8221277	Trekveer voetensteun	2	
7	AP8152277	Zeskantbout geflenst M6x12	4	
8	AP8134829	Pin voetensteun	2	
9	AP8152409	Blokkeerring radiaal	2	
10	AP8145035	Voetensteun bestuurder li	1	
11	GU32443211	Rubber	1	
12	GU98682416	Binnenzeskantbout M8x16	4	
13	B063132	Limit stop	1	

Groep	FRAME
Code	33.05
Beschrijving	Rear footrests
Revisie	1



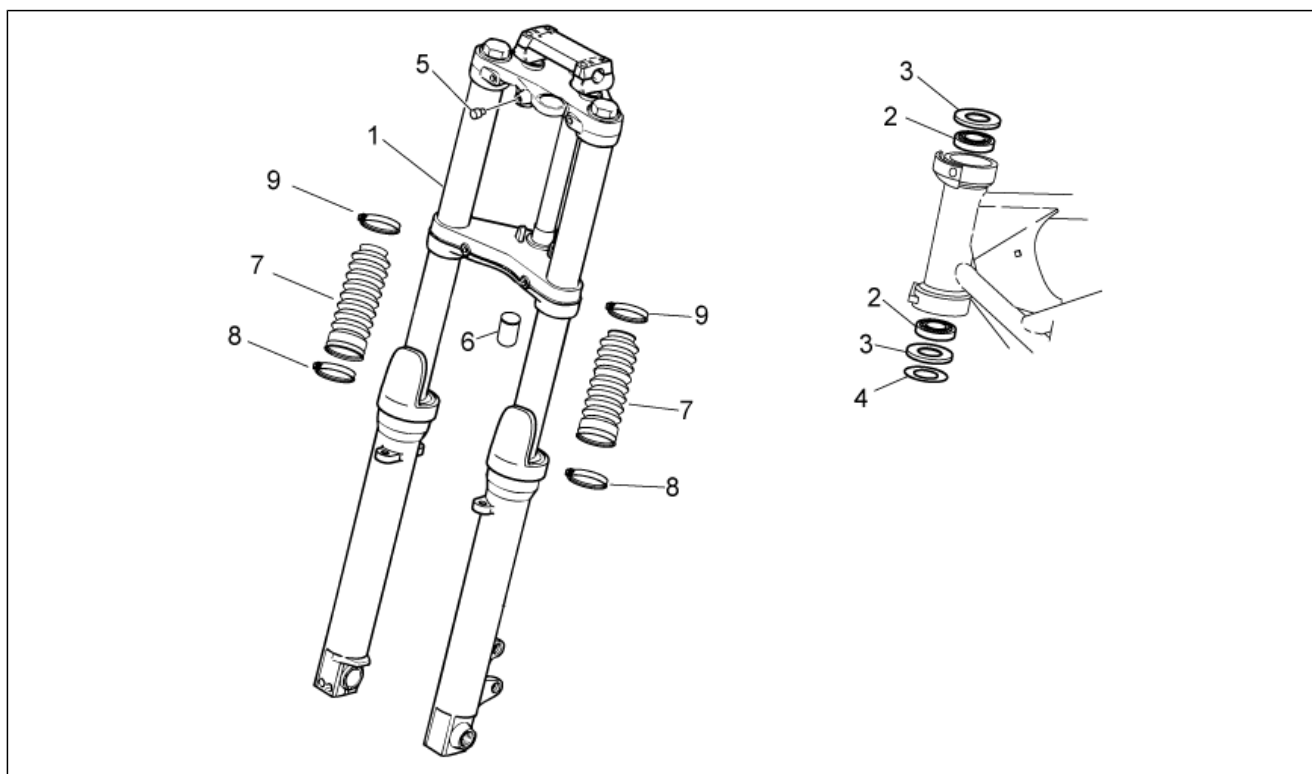
Pos.	Code	Beschrijving	Aant.	Varianten
1	GU32442310	Voetenst.pass. re	1	
2	GU32443210	Rubber	1	
3	GU32441210	Plaatje	2	
4	AP8134829	Pin voetensteun	2	
5	AP8134451	Plaat eindeloop voetensteun	4	
6	AP8121133	Spiraalveer cilind.compr.	2	
7	AP8101861	Bol D6,35	2	
8	AP8152277	Zeskantbout geflenst M6x12	4	
9	AP8152409	Blokkeerring radiaal	2	
10	GU32442710	Voetenst. pass.li	1	
11	GU32443211	Rubber	1	
12	883019	Steun voetenst. li	1	
13	883015	Steun voetenst. re	1	
14	GU98682416	Binnenzeskantbout M8x16	4	
15	GU14615901	Sluitring 8,4X13X0,8	4	

Groep	FRAME
Code	33.06
Beschrijving	Gear lever
Revisie	1



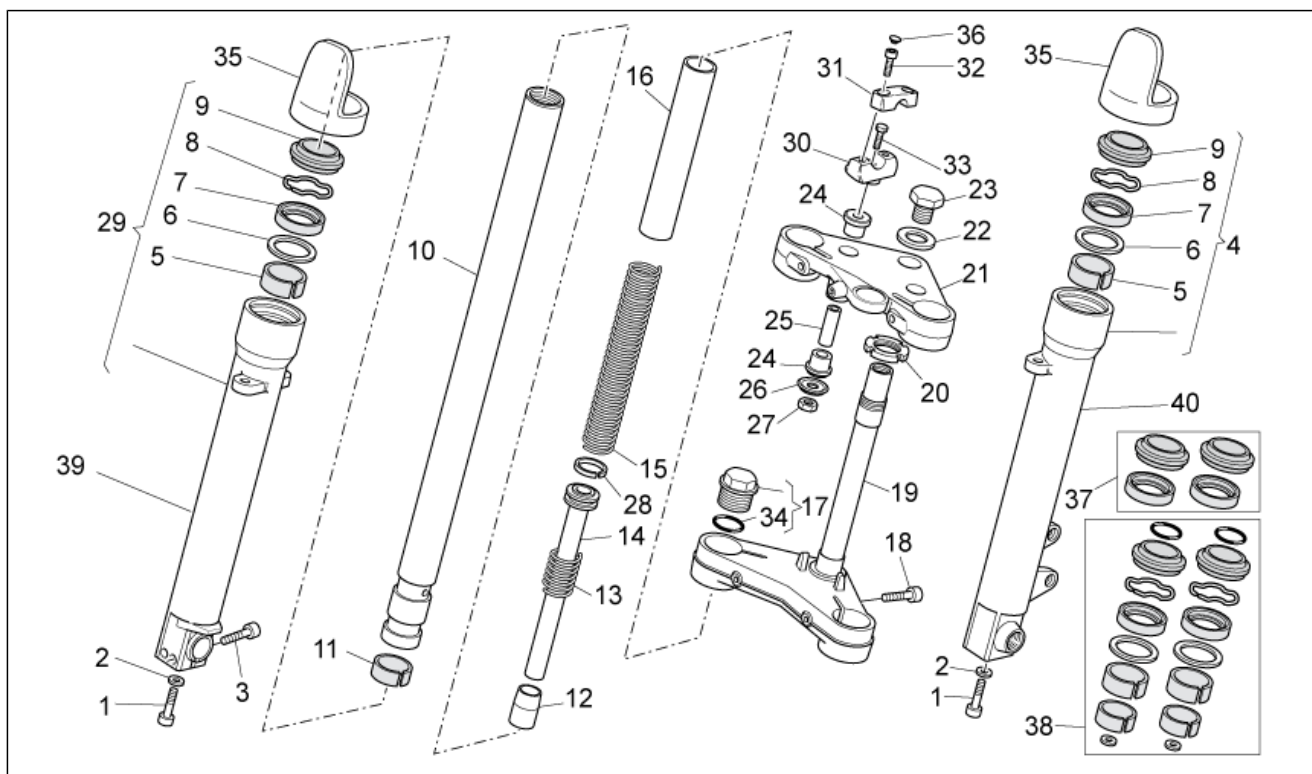
Pos.	Code	Beschrijving	Aant.	Varianten
1	887851	Versnellingshendel	1	
2	AP8120912	Rubbertje voor hendel	1	
3	GU95129260	Elastische sluitring	2	
4	GU32256910	Hendel overbrenging	1	
5	GU92630707	Moer	2	
6	GU98632322	Bout	2	
7	GU03013800	Sluitring 6,4x12	3	
8	GU32257810	Trekker cpl.	1	
9	GU20258221	Hendel voorschakelaar	1	

Groep	FRAME
Code	33.07
Beschrijving	Front fork I
Revisie	1



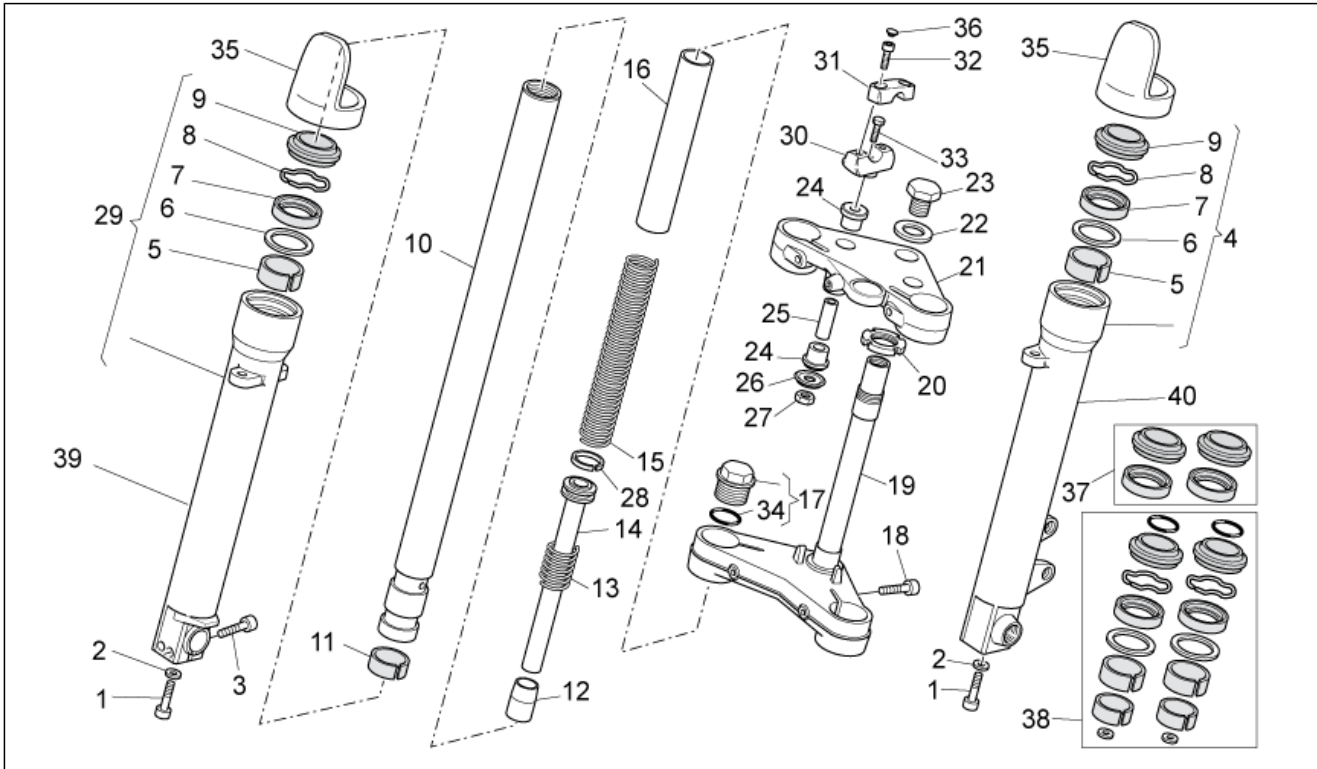
Pos.	Code	Beschrijving	Aant.	Varianten
1	97724R	Voorvork cpl.	1	
2	GU92249225	Conische kogellager	2	
3	AP8144146	Dichtingsring	1	
4	AP8121307	Sluitring	1	
5	AP8144081	Rubbertje	1	
6	AP8220460	Plaatje in rubber	1	
7	898086	Blower vork	2	Technical Specifications: Versione "Stone"[ST]
8	CM001928	Klembandje buis 44	2	Technical Specifications: Versione "Stone"[ST]
9	CM001929	Klembandje buis 36.5	2	Technical Specifications: Versione "Stone"[ST]

Groep	FRAME
Code	33.08
Beschrijving	Front fork II
Revisie	1



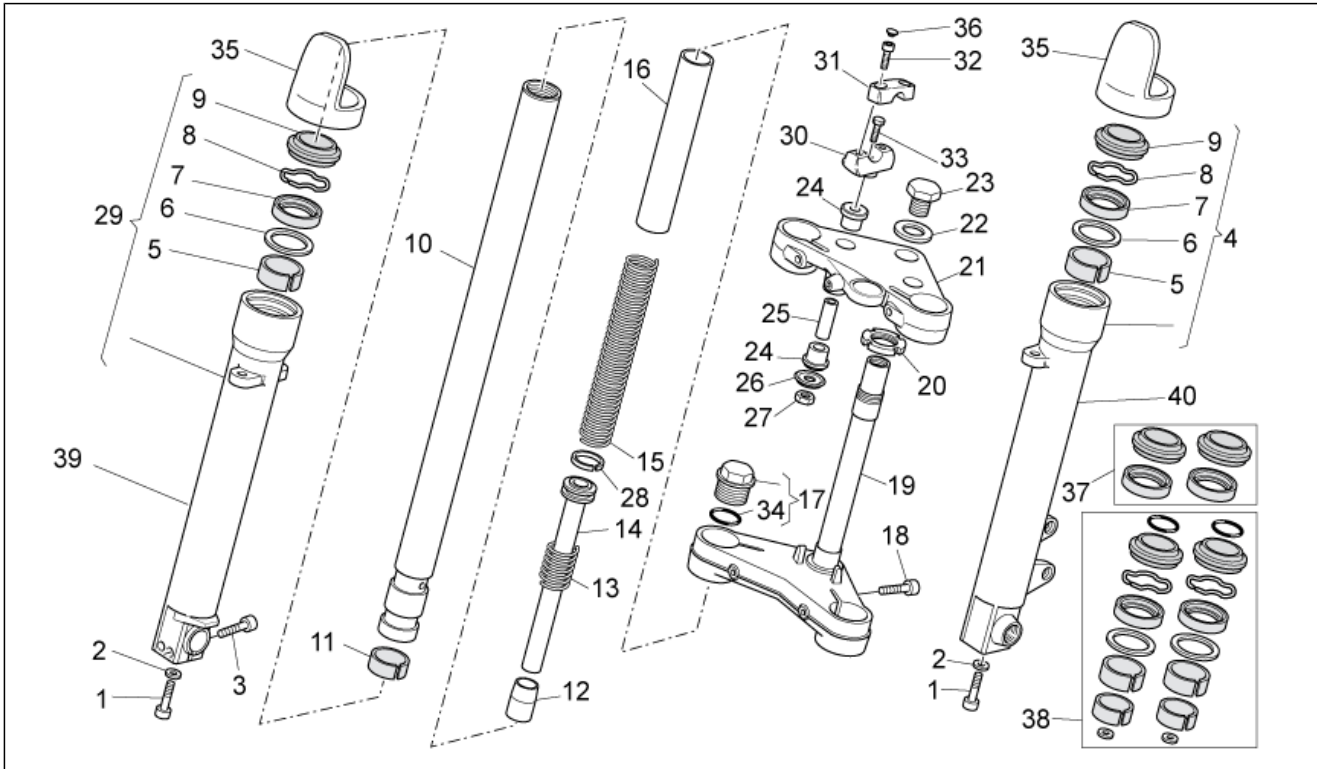
Pos.	Code	Beschrijving	Aant.	Varianten
1	887878	Bout M10x30	2	Technical Specifications:Kaifa[K]
1	GU03530530	Bout M10x30	2	Technical Specifications:Marzocchi[M]
2	887879	Sluitering	2	Technical Specifications:Kaifa[K]
2	GU03530529	Sluitering	2	Technical Specifications:Marzocchi[M]
3	887880	Bout	2	Technical Specifications:Kaifa[K]
3	GU98620330	Bout	2	Technical Specifications:Marzocchi[M]
4	978978	Huls li cpl. Black	1	Technical Specifications:Marzocchi[M]
5	887882	Huls bov.	2	Technical Specifications:Kaifa[K]
5	GU30526761	Huls bov.	2	Technical Specifications:Marzocchi[M]
6	887883	Sluitering	2	Technical Specifications:Kaifa[K]
6	GU01530568	Sluitering	2	Technical Specifications:Marzocchi[M]
7	887884	Dichtingsring	2	Technical Specifications:Kaifa[K]
7	GU27530584	Dichtingsring 40x52x9,5	2	Technical Specifications:Marzocchi[M]
8	887885	Blokkeerring	2	Technical Specifications:Kaifa[K]
8	GU32530501	Blokkeerring	2	Technical Specifications:Marzocchi[M]
9	887886	Stofkeerring	2	Technical Specifications:Kaifa[K]
9	GU01530571	Stofkeerring	2	Technical Specifications:Marzocchi[M]
10	887887	Stang	2	Technical Specifications:Kaifa[K]
10	GU32525410	Stang	2	Technical Specifications:Marzocchi[M]
11	887888	Huls	2	Technical Specifications:Kaifa[K]
11	GU30525861	Huls ond.	2	Technical Specifications:Marzocchi[M]
12	887889	Buffer	2	Technical Specifications:Kaifa[K]
12	GU03530551	Buffer	2	Technical Specifications:Marzocchi[M]
13	887890	Tegenveer	2	Technical Specifications:Kaifa[K]
13	GU32530502	Tegenveer	2	Technical Specifications:Marzocchi[M]
14	887891	Pompend deel cpl.	2	Technical Specifications:Kaifa[K]
14	GU32530503	Pompend deel cpl.	2	Technical Specifications:Marzocchi[M]
15	887892	Veer	2	Technical Specifications:Kaifa[K]

Groep	FRAME
Code	33.08
Beschrijving	Front fork II
Revisie	1



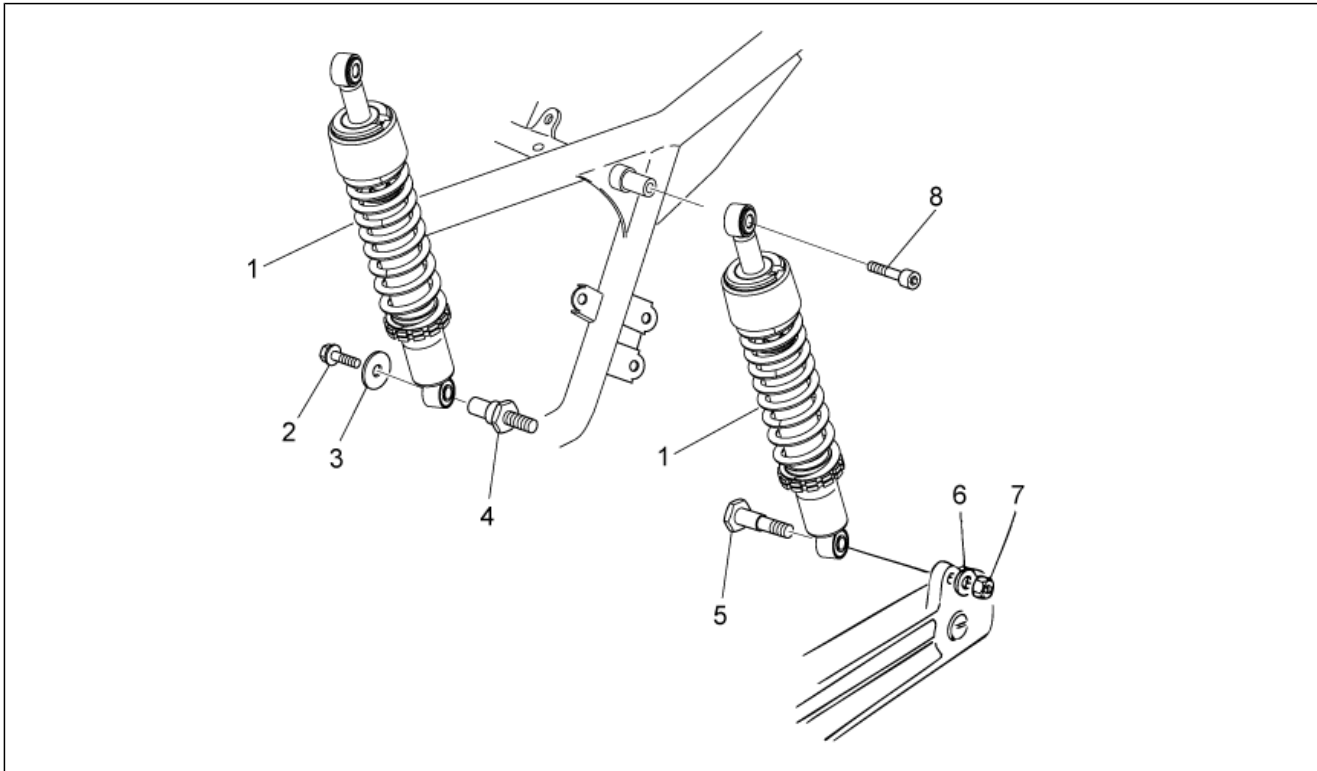
Pos.	Code	Beschrijving	Aant.	Varianten
15	GU32526610	Veer	2	Technical Specifications:Marzocchi[M]
16	887893	Buis	2	Technical Specifications:Kaifa[K]
16	GU32526310	Buis	2	Technical Specifications:Marzocchi[M]
17	887894	Dop cpl.	2	Technical Specifications:Kaifa[K]
17	GU31504583	Dop cpl.	2	Technical Specifications:Marzocchi[M]
18	887895	Bout	2	Technical Specifications:Kaifa[K]
18	GU98620540	Bout	2	Technical Specifications:Marzocchi[M]
19	887896	Basis met kop	1	Technical Specifications:Kaifa[K]
19	978974	Basis met kop Black	1	Technical Specifications:Marzocchi[M]
20	GU31513480	Moer M25X1	1	Technical Specifications:Marzocchi[M]
21	887898	Upper plate	1	Technical Specifications:Kaifa[K]
21	978976	Plaat bov.vork	1	Technical Specifications:Marzocchi[M]
22	887899	Sluitring	1	Technical Specifications:Kaifa[K]
22	GU27530510	Sluitring	1	Technical Specifications:Marzocchi[M]
23	887900	Moer	1	Technical Specifications:Kaifa[K]
23	GU30512830	Moer M20x1,5	1	Technical Specifications:Marzocchi[M]
24	887901	Rubbetje	2	Technical Specifications:Kaifa[K]
24	GU32530506	Rubbetje	4	Technical Specifications:Marzocchi[M]
25	887902	Afstandhouder	2	Technical Specifications:Kaifa[K]
25	GU91181039	Afstandhouder	2	Technical Specifications:Marzocchi[M]
26	887903	Plaatje	2	Technical Specifications:Kaifa[K]
26	GU27530505	Plaatje	2	Technical Specifications:Marzocchi[M]
27	887904	Moer	2	Technical Specifications:Kaifa[K]
27	GU27530506	Moer	2	Technical Specifications:Marzocchi[M]
28	887905	Segment	2	Technical Specifications:Kaifa[K]
28	GU32530504	Segment	2	Technical Specifications:Marzocchi[M]
29	978977	Huls re cpl.	1	Technical Specifications:Marzocchi[M]
30	887912	Beugel ond.	2	Technical Specifications:Kaifa[K]

Groep	FRAME
Code	33.08
Beschrijving	Front fork II
Revisie	1



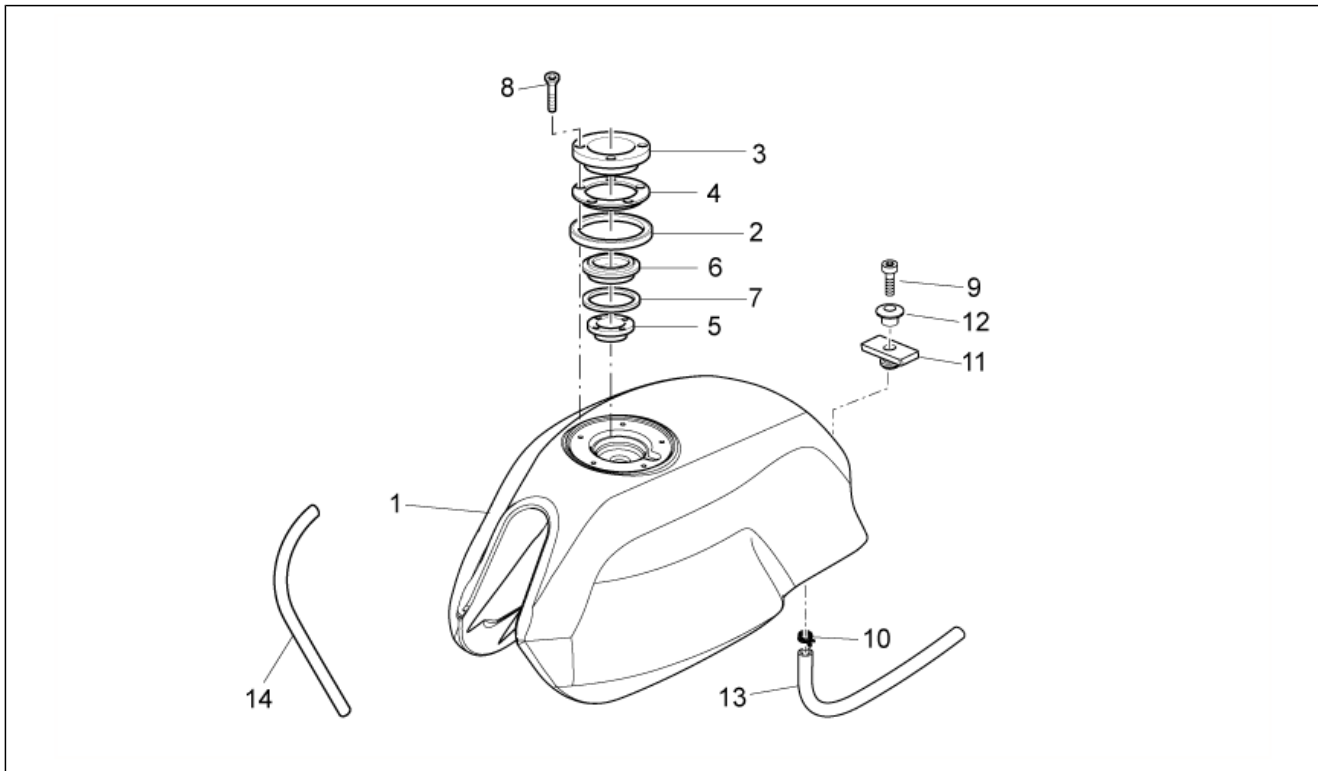
Pos.	Code	Beschrijving	Aant.	Varianten
30	978972	Beugel ond.	2	Technical Specifications:Marzocchi[M]
31	887913	Standaard bov.	2	Technical Specifications:Kaifa[K]
31	978973	Standaard bov.	2	Technical Specifications:Marzocchi[M]
32	887914	Bout M8x30	4	Technical Specifications:Kaifa[K]
32	GU66530505	Bout M8x30	4	Technical Specifications:Marzocchi[M]
33	887915	Bout M10x60	2	Technical Specifications:Kaifa[K]
33	GU98052560	Bout M10x60	2	Technical Specifications:Marzocchi[M]
34	887916	OR-ring 4118	2	Technical Specifications:Kaifa[K]
34	GU32530505	OR-ring 4118	2	Technical Specifications:Marzocchi[M]
35	887917	Bescherming stang	2	Technical Specifications:Kaifa[K]
35	GU32504210	Bescherming stang	2	Technical Specifications:Marzocchi[M]
36	887918	Dop verchr.	4	Technical Specifications:Kaifa[K]
36	GU23943410	Dop verchr.	8	Technical Specifications:Marzocchi[M]
37	GU32530610	Kit pakkingen	1	Technical Specifications:Marzocchi[M]
38	GU32530611	Kit oliekereringen	1	Technical Specifications:Marzocchi[M]
39	887906	Hulsel re	1	Technical Specifications:Kaifa[K]
40	887881	Hulsel li	1	Technical Specifications:Kaifa[K]

Groep	FRAME
Code	33.11
Beschrijving	Rear shock absorber
Revisie	1



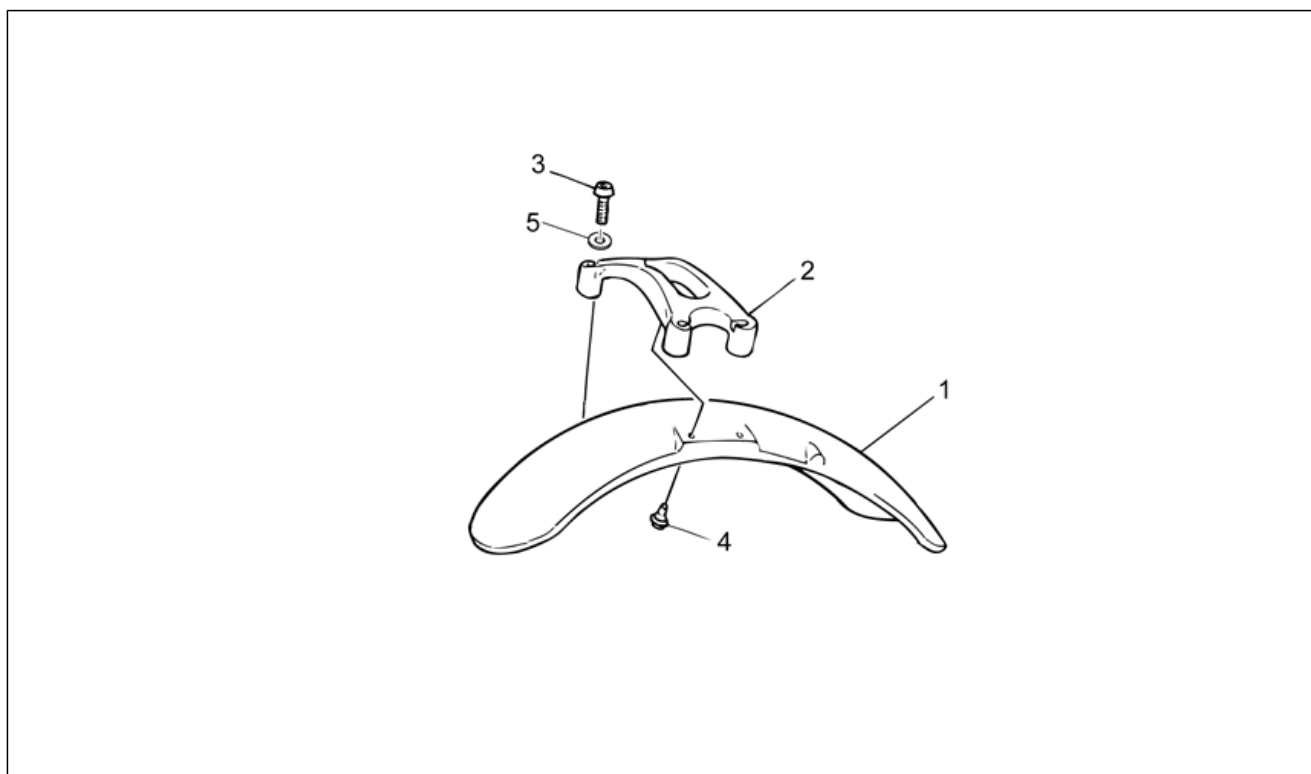
Pos.	Code	Beschrijving	Aant.	Varianten
1	884035	Schokdemper acht.	2	Technical Specifications:Sachs[S]
1	B063749	***Shock absorber	2	Technical Specifications:Olle Amortidors SL[O]
2	AP8152278	Zeskantbout geflenst M6x16	1	
3	898164	Afstandhouder schokdemper	1	
4	GU32555210	Pin	1	
5	GU32555211	Pin	1	
6	GU95129181	Sluitring gegolfd	1	
7	GU92606210	Moer M10x1,5	1	
8	GU98690335	Binnenzeskantbout	2	

Groep	FRAME
Code	33.12
Beschrijving	Fuel tank
Revisie	1



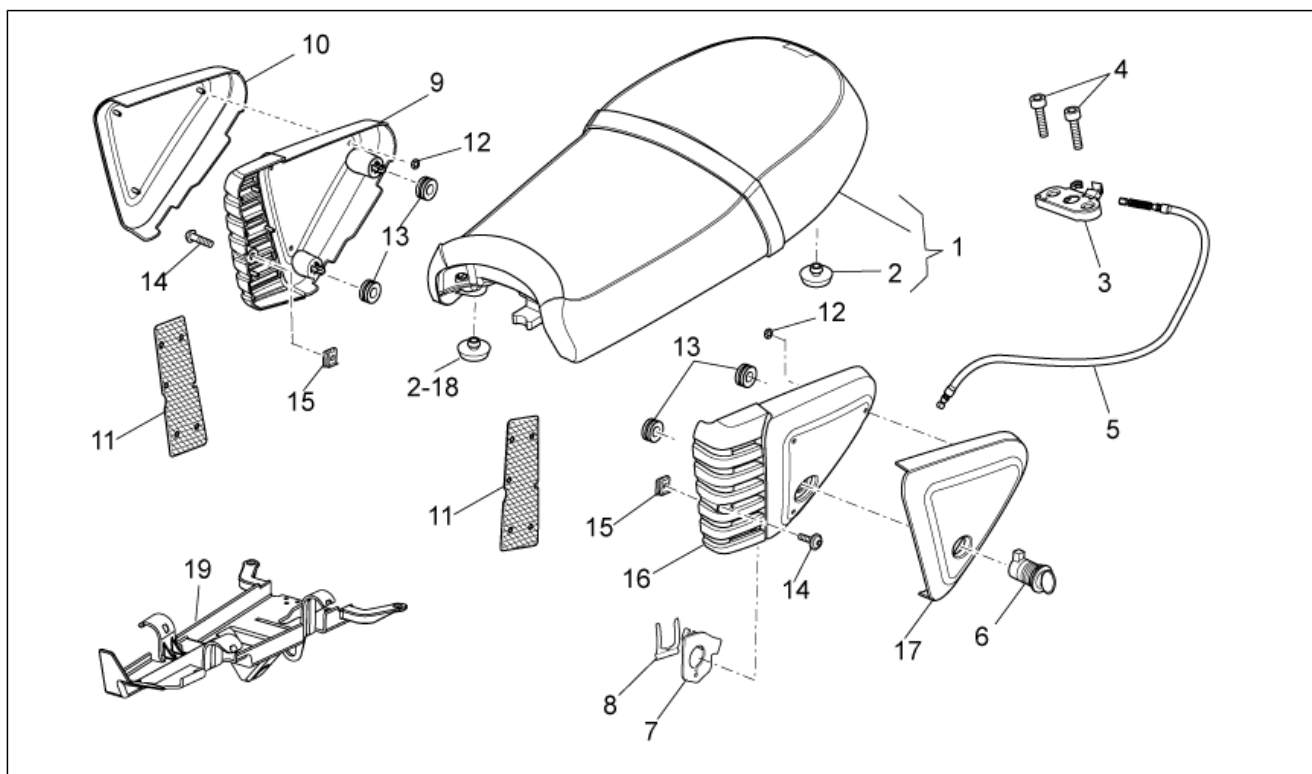
Pos.	Code	Beschrijving	Aant.	Varianten
1	887207	Serbatoio benz. grezzo	1	LAND:Australia[AUS], europa[EU], Great Britain[UK]
1	88793500Z1	Benzinetank v.rood/wit	1	Kleur van het voertuig:Red/White[r/bi] LAND:Australia[AUS], europa[EU], Great Britain[UK] Technical Specifications:Versione "Special"[SP]
1	88793600Z1	Benzinetank v.rood/wit	1	LAND:Canadian[CDN], United States of America[USA] Technical Specifications:Versione "Special"[SP]
1	88794000XN6	Benzinetank v.zwart	1	Technical Specifications:Versione "Stone"[ST]
1	88794100XN6	Brandstoftank zwart	1	LAND:Canadian[CDN], United States of America[USA]
1	887944	Brandstoftank ruw	1	LAND:Canadian[CDN], United States of America[USA]
1	B06312300Z2	Benzinetank v.zwart/geel	1	Kleur van het voertuig:Nero/Giallo[n/gi] LAND:Australia[AUS], europa[EU], Great Britain[UK] Technical Specifications:Versione "Special"[SP]
2	GU03102400	Pakking flens	1	
3	GU03101900	Flens	1	
4	GU03103500	Ring	1	
5	883502	Reductie 24 mm	1	LAND:United States of America[USA]
5	GU03101720	Reductie 38 mm	1	LAND:Australia[AUS], Canadian[CDN], europa[EU], Japan[J], Great Britain[UK]
6	GU03102200	Moer dop	1	
7	GU03101600	Pakking	2	
8	GU03103200	Bout	5	
9	GU98682430	Binnenzeskantbout M8x30	1	
10	AP8101595	Klemmetje D10,1*	1	
11	AP8120557	Rubbetje tank	1	
12	AP8121673	'T'-vormige huls *	1	
13	GU00823944050	Buis 5X9	1	
14	GU00823931070	Pakking	1	

Groep	FRAME
Code	33.13
Beschrijving	Front body - Front mudguard
Revisie	1



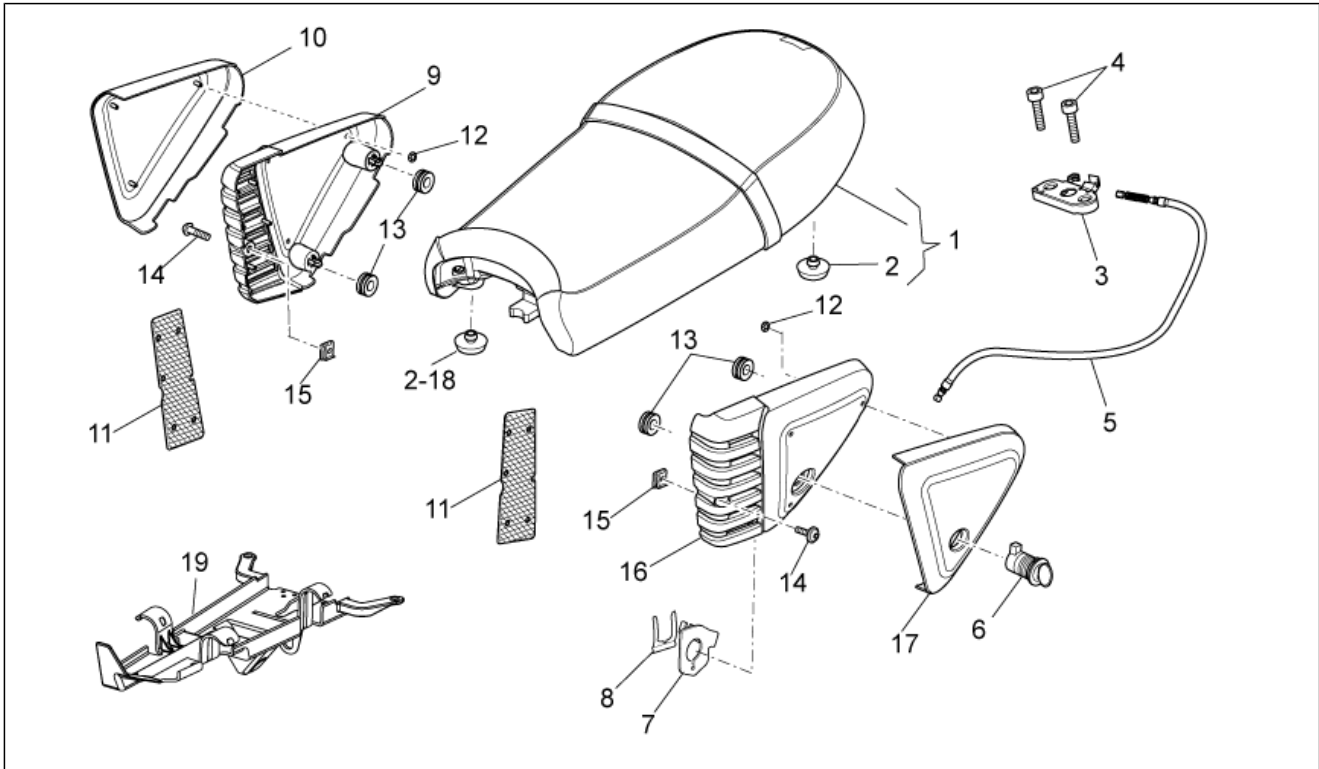
Pos.	Code	Beschrijving	Aant.	Varianten
	88635200XB3	Spatbord voor.v.wit	1	Kleur van het voertuig: Bianco aprilia[ba] Technical Specifications: Versione "Stone"[ST]
1	88635200XN2	Spatbord voor.v.zwart	1	Kleur van het voertuig: Nero/Giallo[r/gi] Technical Specifications: Versione "Special"[SP]
1	88635200XN6	Spatbord voor.v.zwart	1	Kleur van het voertuig: Diablo Black[nd] Technical Specifications: Versione "Stone"[ST]
1	88635200XR7	Spatbord voor.v.rood	1	Kleur van het voertuig: Red/White[r/bi] Technical Specifications: Versione "Special"[SP]
1	GU32434460	Spatbord voor.ruw	1	
2	883266	Stabiliseerplaat	1	
3	GU98370845	Bolbout met binnenzeskant	4	
4	GU31439565	Speciale bout	4	
5	GU14615901	Sluitring 8,4X13X0,8	4	

Groep	FRAME
Code	33.14
Beschrijving	Saddle-Central bod
Revisie	1



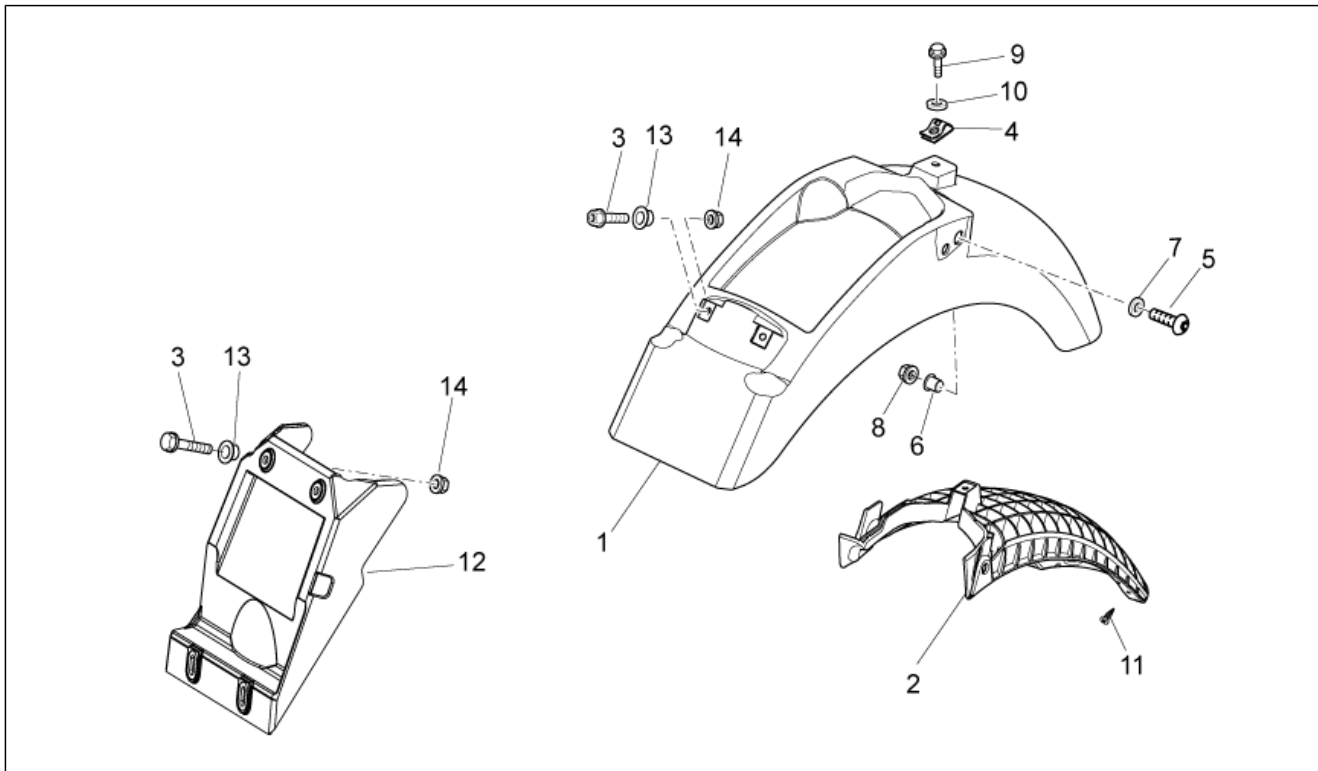
Pos.	Code	Beschrijving	Aant.	Varianten
1	88793900A1	Tweepersoonszadel	1	Technical Specifications: Versione "Special"[SP]
1	978931	Tweepersoonszadel	1	Technical Specifications: Versione "Stone"[ST]
2	GU32461610	Rubbetje	8	Technical Specifications: Versione "Special"[SP]
2	GU32461610	Rubbetje	10	Technical Specifications: Versione "Stone"[ST]
3	AP8102913	Koppelingsplaat zadel pass.	1	
4	GU98370625	Bolbout met binnenzeskant	2	
5	883295	Kabel slot zadel	1	
6	977527	Zadelslot	1	
7	AP8121420	Vorkveer	1	
8	978415	Plaatje steun kabel	1	
9	978941	Houder re	1	
10	88793700XR7	Zijplaatje re v. rood	1	Kleur van het voertuig: Red/White[r/bi] Technical Specifications: Versione "Special"[SP]
10	88794200XN6	Zijplaatje re v. zwart diablo	1	Kleur van het voertuig: Bianco aprilia[ba], Diablo Black[nd] Technical Specifications: Versione "Stone"[ST]
10	B06312500XN2	Zijplaatje re v. zwart	1	Kleur van het voertuig: Nero/Giallo[n/gi] Technical Specifications: Versione "Special"[SP]
11	978942	Net	2	
12	AP8150450	Sluitring voor assen D5	1	
13	GU91551086	Rubbetje	4	
14	AP8152339	Bolbout met binnenzeskant, geflenst M5x9	2	
15	AP8102375	Clip m5	2	
16	978944	Houder li	1	
17	88793800XR7	Zijplaatje li v. rood	1	Kleur van het voertuig: Red/White[r/bi] Technical Specifications: Versione "Special"[SP]
17	88794300XN6	Zijplaatje li v. zwart diablo	1	Kleur van het voertuig: Bianco aprilia[ba], Diablo Black[nd] Technical Specifications: Versione "Stone"[ST]
17	B06312600XN2	Zijplaatje li v. zwart	1	Kleur van het voertuig: Nero/Giallo[n/gi] Technical Specifications: Versione "Special"[SP]

Groep	FRAME
Code	33.14
Beschrijving	Saddle-Central bod
Revisie	1



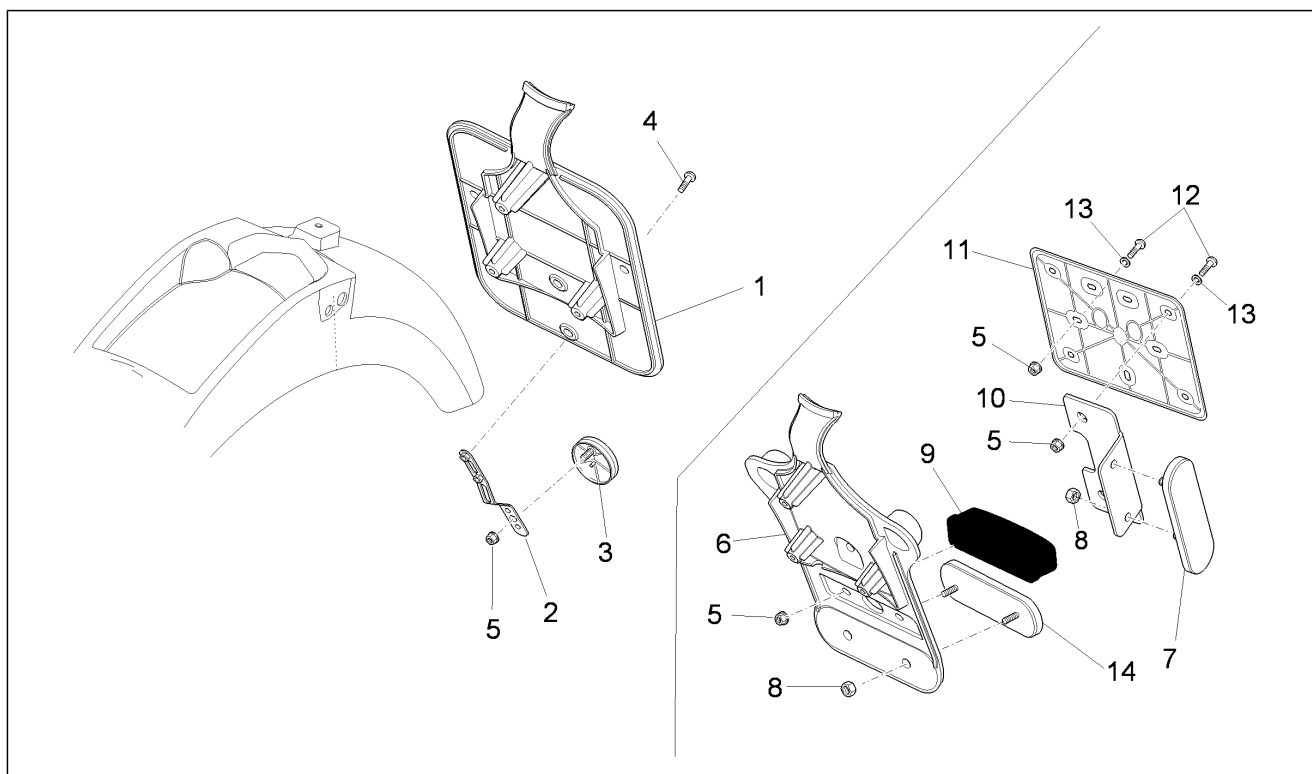
Pos.	Code	Beschrijving	Aant.	Varianten
18	B063429	Rubbertje	2	Technical Specifications:Versione "Special"[SP]
19	B063431	Wand	1	

Groep	FRAME
Code	33.15
Beschrijving	Rear body I- Mudguard
Revisie	1



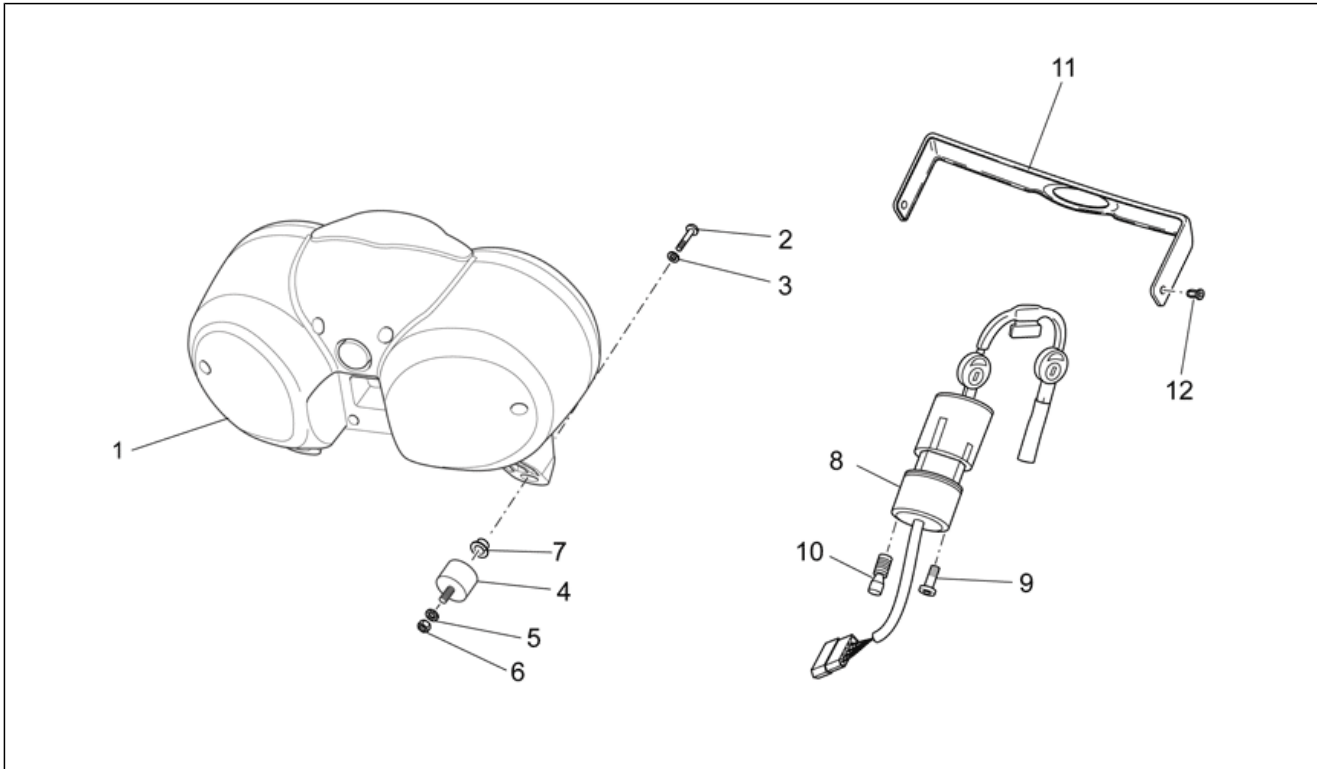
Pos.	Code	Beschrijving	Aant.	Varianten
1	978946	Spatbord acht. ruw	1	
1	97894600XB3	Spatbord acht.wit	1	Kleur van het voertuig: Bianco aprilia[ba] Technical Specifications: Versione "Stone"[ST]
1	97894600XN2	Spatbord acht.zwart	1	Kleur van het voertuig: Nero/Giallo[n/gi] Technical Specifications: Versione "Special"[SP]
1	97894600XN6	Spatbord acht.zwart	1	Kleur van het voertuig: Diablo Black[nd] Technical Specifications: Versione "Stone"[ST]
1	97894600XR7	Spatbord acht.rood	1	Kleur van het voertuig: Red/White[r/bi] Technical Specifications: Versione "Special"[SP]
2	978947	Versterking	1	
3	AP8152278	Zeskantbout geflenst M6x16	4	
4	254485	Spring plate M6	1	
5	GU98370831	Bolbout met binnenzeskant M8x30	2	
6	GU91120806	Afstandhouder	2	
7	GU95005310	Sluitring 8,4x18x2	2	
8	GU92640708	Moer M8	2	
9	AP8152279	Zeskantbout geflenst M6x20	2	
10	GU91180601	Afstandhouder 6,2x8x3	2	
11	AP8152329	Bout SWP kruiskop gefl. M5x20	3	
12	B063167	Spatbordjes	1	
13	AP8121032	Huls	6	
14	AP8152299	Zelfborg.bout gefl. M6	6	

Groep	FRAME
Code	33.16
Beschrijving	Rear body II- Plate holder
Revisie	1



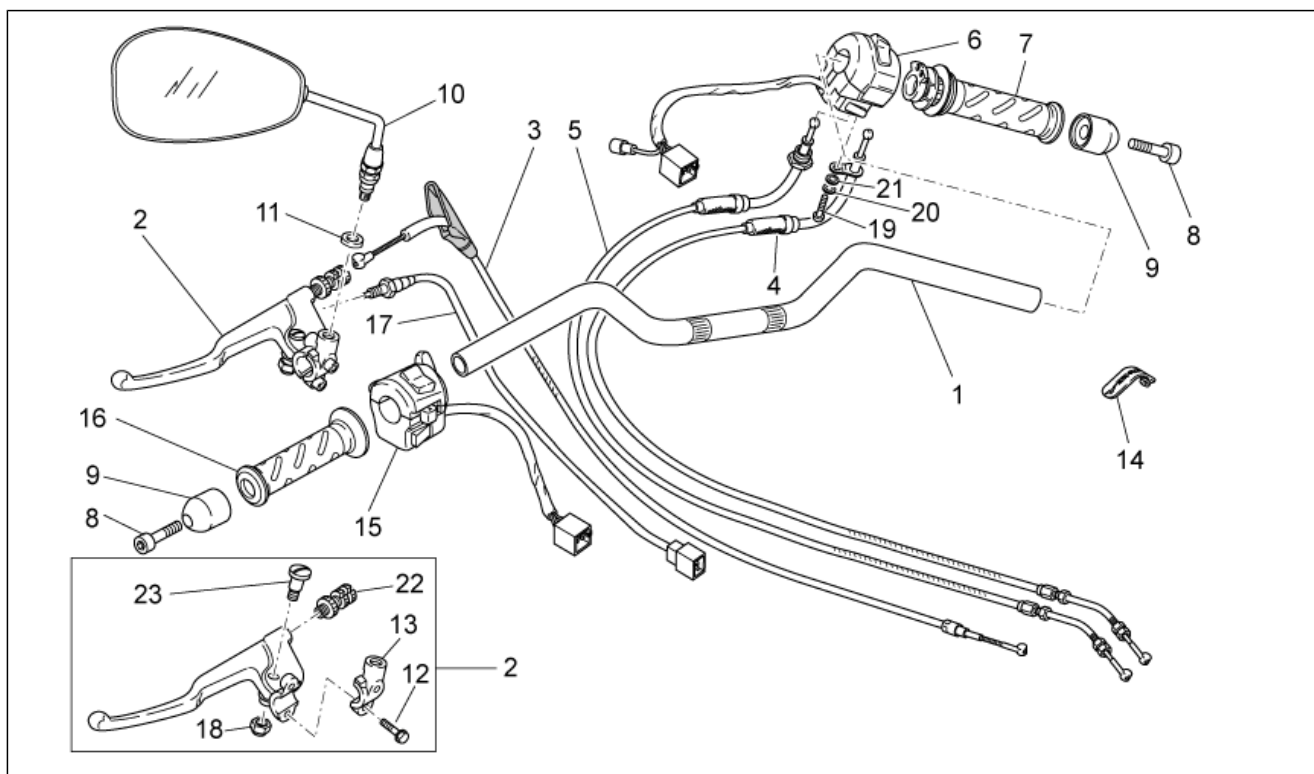
Pos.	Code	Beschrijving	Aant.	Varianten
1	978949	Nummerplaathouder	1	
2	AP8134448	Houder reflector	1	
3	AP8224164	Reflector rood	1	
4	GU98230510	Bolbout met binnenzeskant	1	
5	AP8152306	Zelfborg.bout gefl. m5	1	
6	883470	Nummerplaathouder	1	LAND:Canadian[CDN], United States of America[USA]
7	AP8124718	Reflector rood	2	LAND:Canadian[CDN], United States of America[USA]
8	GU92630204	Moer	6	LAND:Canadian[CDN], United States of America[USA]
9	883480	Licht nummerplaat	1	LAND:Canadian[CDN], United States of America[USA]
10	GU32781910	Houder reflector	2	LAND:Canadian[CDN], United States of America[USA]
11	AP8149034	Steun van de nummerplaat	1	LAND:Canadian[CDN], United States of America[USA]
12	AP8152268	Speciale bolbout met binnenzeskant M5x16	7	LAND:Canadian[CDN], United States of America[USA]
13	AP8150248	Sluitring 5,5x15x1,6	7	LAND:Canadian[CDN], United States of America[USA]
14	GU05781630	Reflector amber	1	LAND:Canadian[CDN], United States of America[USA]

Groep	FRAME
Code	33.17
Beschrijving	Dashboard
Revisie	1



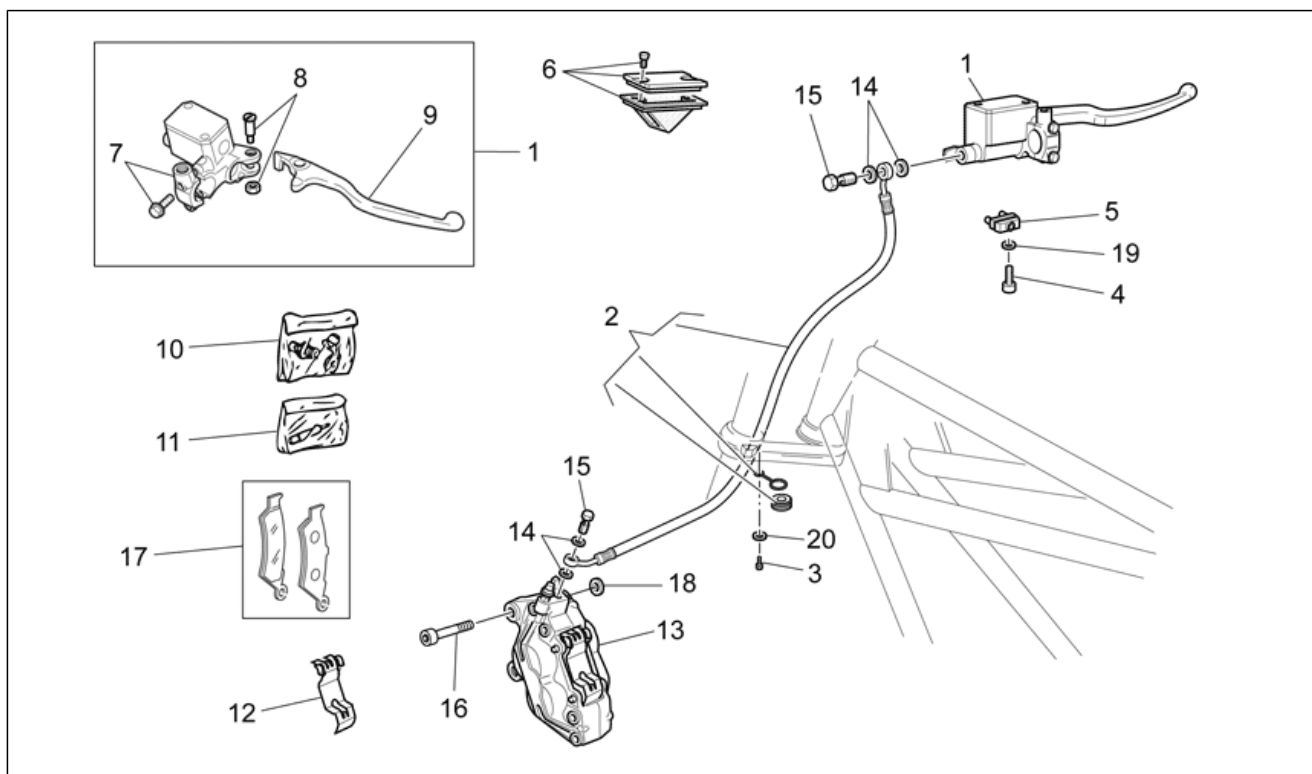
Pos.	Code	Beschrijving	Aant.	Varianten
1	887194	Dashboard cpl.	1	LAND:Australia[AUS], europa[EU]
1	887195	Dashboard cpl. MPH	1	LAND:Canadian[CDN], United States of America[USA]
2	GU98370609	Bolbout met binnenzeskant M6x10	3	
3	GU95005306	Sluitring 6,4x13x1,5	3	
4	GU93222023	Silent-block	3	
5	GU95021206	Sluitring	3	
6	GU92606206	Moer	3	
7	AP8121032	Huls	3	
8	GU32782510	Starblokje-blokk.	1	
9	GU98682416	Binnenzeskantbout M8x16	1	
10	AP8150349	Speciale bout M8x15	1	
11	883569	Bedekking	1	
12	GU23922210	Pin	2	

Groep	FRAME
Code	33.18
Beschrijving	Handlebar - Controls
Revisie	1



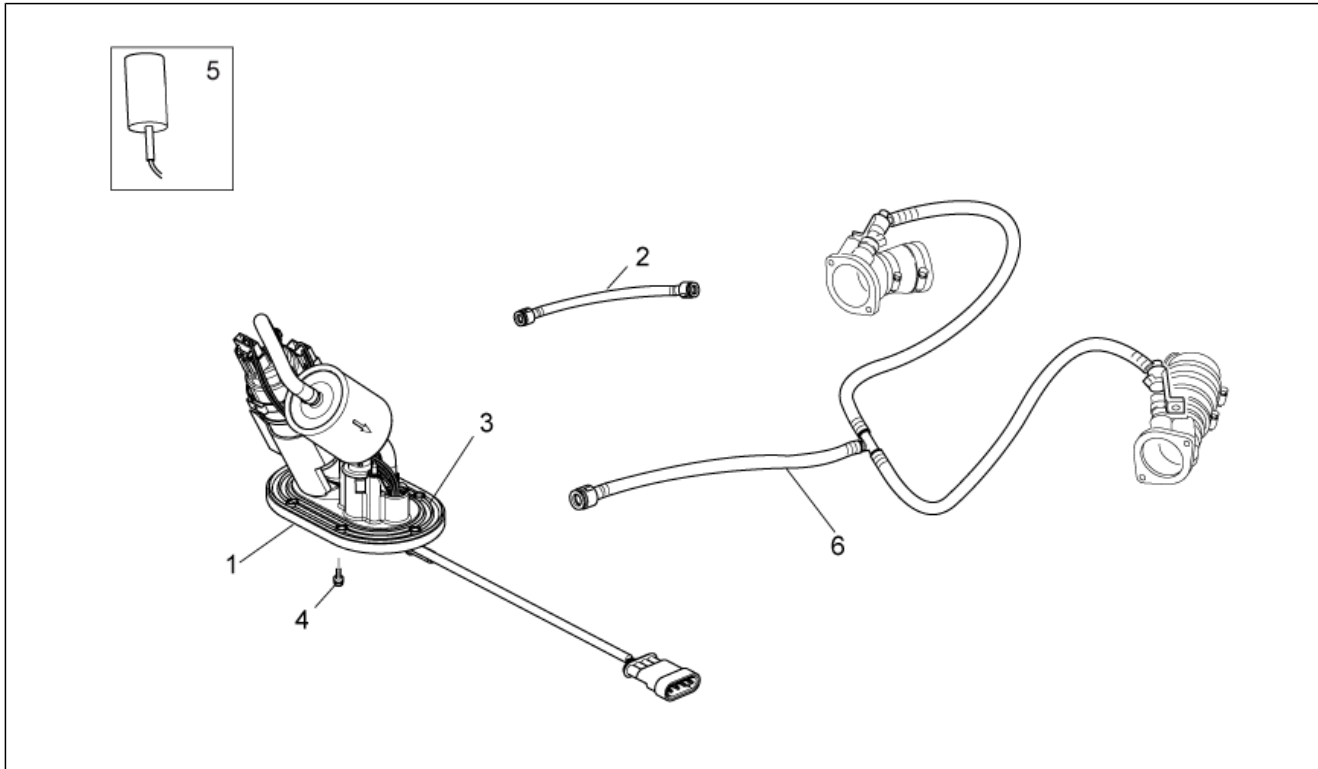
Pos.	Code	Beschrijving	Aant.	Varianten
1	978960	Stuur	1	
2	GU32605510	Koppelingshendel	1	
3	883941	Kabel koppeling	1	
4	887852	Kabel opening gas	1	
5	887853	Kabel sluiting gas	1	
6	B063135	Schak.lichten re	1	
7	GU32603310	Handvat re	1	
8	GU98690335	Binnenzeskantbout	2	
9	AP8104509	Antitrikgewicht v.zwart	2	Technical Specifications: Versione "Stone"[ST]
9	GU32602860	Antitrikgewicht v.cromo	2	Technical Specifications: Versione "Special"[SP]
10	883802	Achteruitkijkspiegel re/li	2	Technical Specifications: marked "FU E11 81R-001047"[FU]
10	978570	Achteruitkijkspiegel re/li	2	Technical Specifications: marked "FAR"[FAR]
11	GU91181003	Afstandhouder 10,25X20X4	2	
12	GU97202325	Zeskantbout gefl.zwart M6x25	2	
13	GU30601060	Klem	1	
14	GU01609630	Klemmetje L46 mm	2	
14	GU03609600	Klemmetje L36 mm	1	
15	887822	Schak.lichten li	1	
16	GU32603010	Handvat li	1	
17	GU29759150	Schakelaar standaard	1	
18	AP8213388	Zelfborg.moer	1	
19	GU98230510	Bolbout met binnenzeskant	1	
20	GU95008305	Sluitring 5,3X10X1	1	
21	GU95021105	Getande sluitring	1	
22	GU30602500	Register	1	
23	AP8213028	Bout	1	

Groep	FRAME
Code	33.19
Beschrijving	Front brake system
Revisie	1



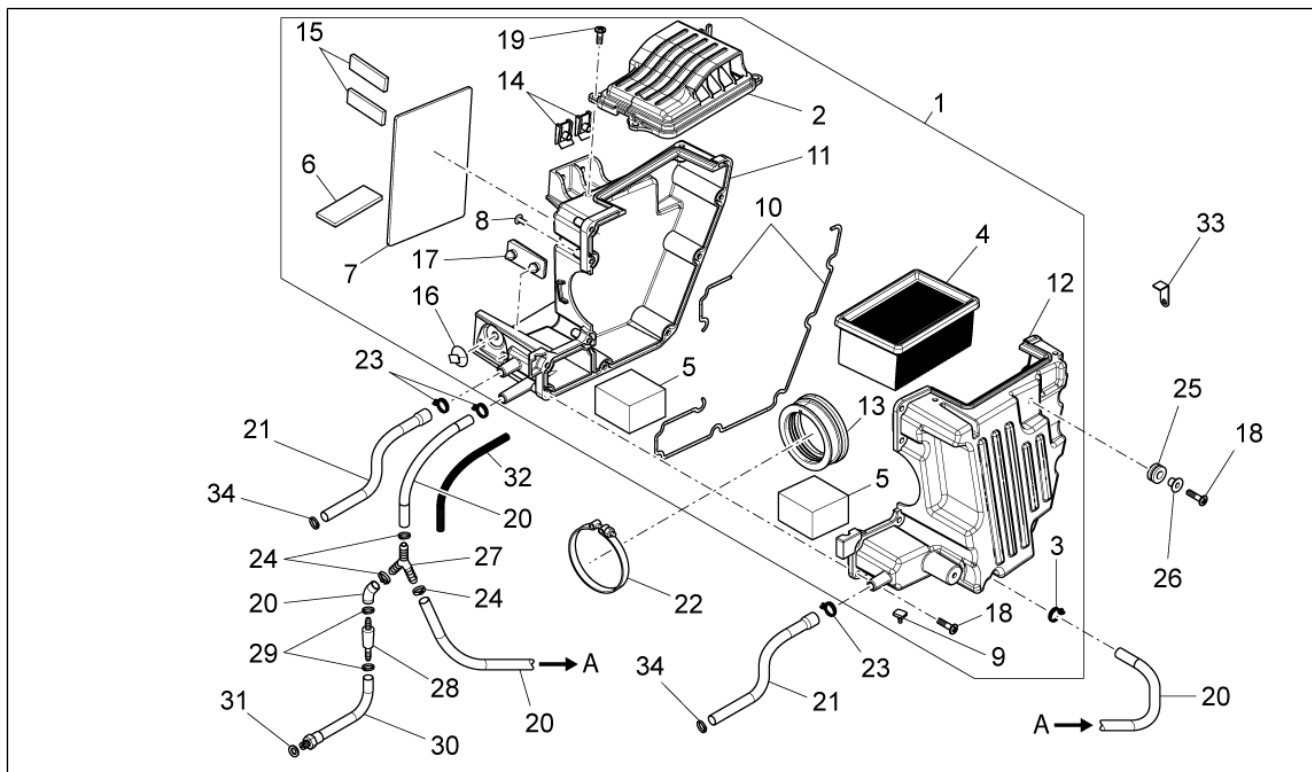
Pos.	Code	Beschrijving	Aant.	Varianten
1	GU03660145	Pomp voorrem	1	
2	GU32657110	Remleiding	1	
3	AP8152277	Zeskantbout geflenst M6x12	1	
4	GU98370412	Bolbout met binnenzeskant M4x12	1	
5	GU03749845	Stopschakelaar	1	
6	GU03661145	Bedekking pomp	1	
7	GU03664045	Beugel	1	
8	GU03604845	Pin hendel	1	
9	GU03605645	Remhendel	1	
10	GU05659230	Ontluchting+kapje	1	
11	GU01659130	Pinnen+Veren tang	1	
12	GU01659131	Veer	1	
13	883303	Tang voorrem li zwart	1	
14	AP8121915	Pakking	4	
15	978323	Bout olieleiding *	2	
16	AP8152385	Binnenzeskantbout M10x1,25	2	
17	GU01654630	Pastilles - koppel	1	
18	GU91181003	Afstandhouder 10,25X20X4	2	
19	GU95021104	Sluitring 4,3x8x1,5	1	
20	GU95008306	Sluitring 6,4x12x1,2	1	

Groep	FRAME
Code	33.21
Beschrijving	Fuel pump
Revisie	1



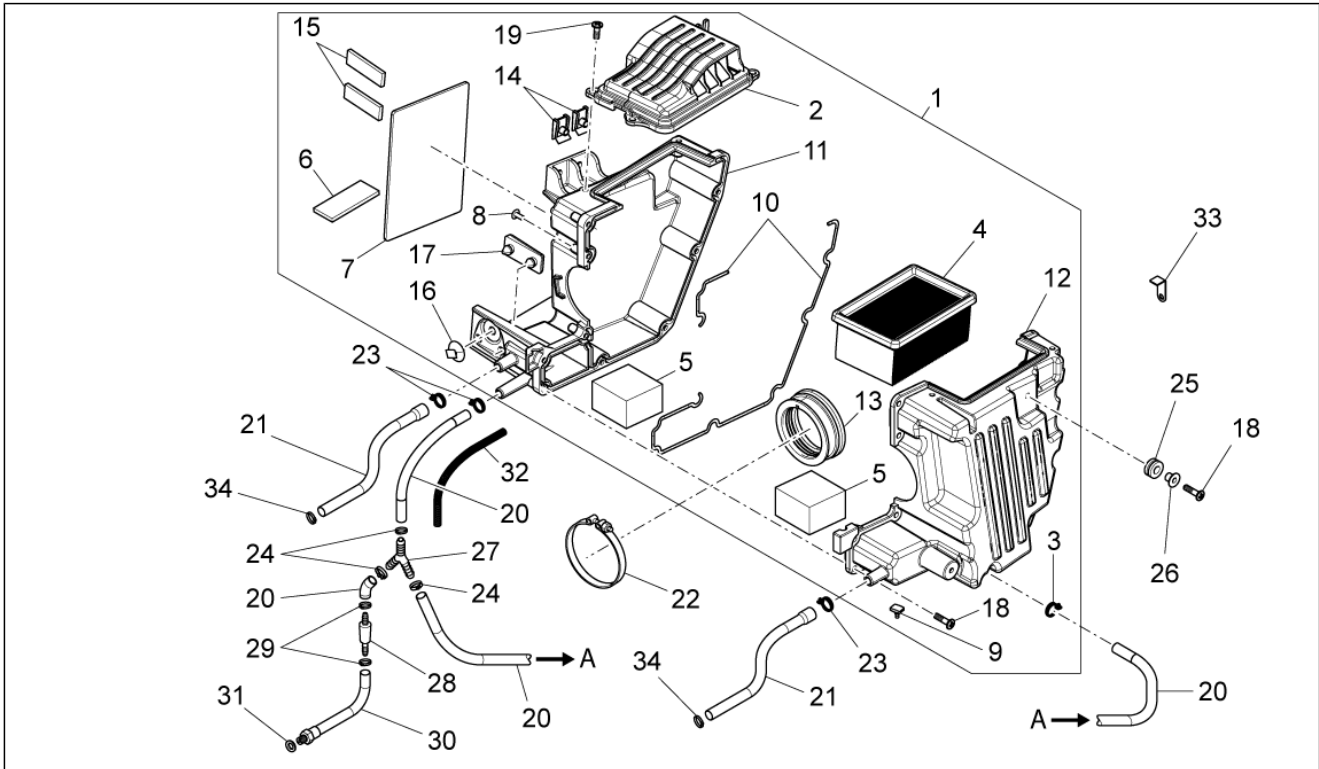
Pos.	Code	Beschrijving	Aant.	Varianten
1	887768	Benzinepomp	1	
2	B063033	Benzineleiding	1	
3	GU05107430	Pakking flens	1	
4	AP8152273	Geflenste bout	6	
5	887787	Sensor benzinepeil	1	
6	B063034	Benzineleiding	1	

Groep	FRAME
Code	33.22
Beschrijving	Air box
Revisie	1



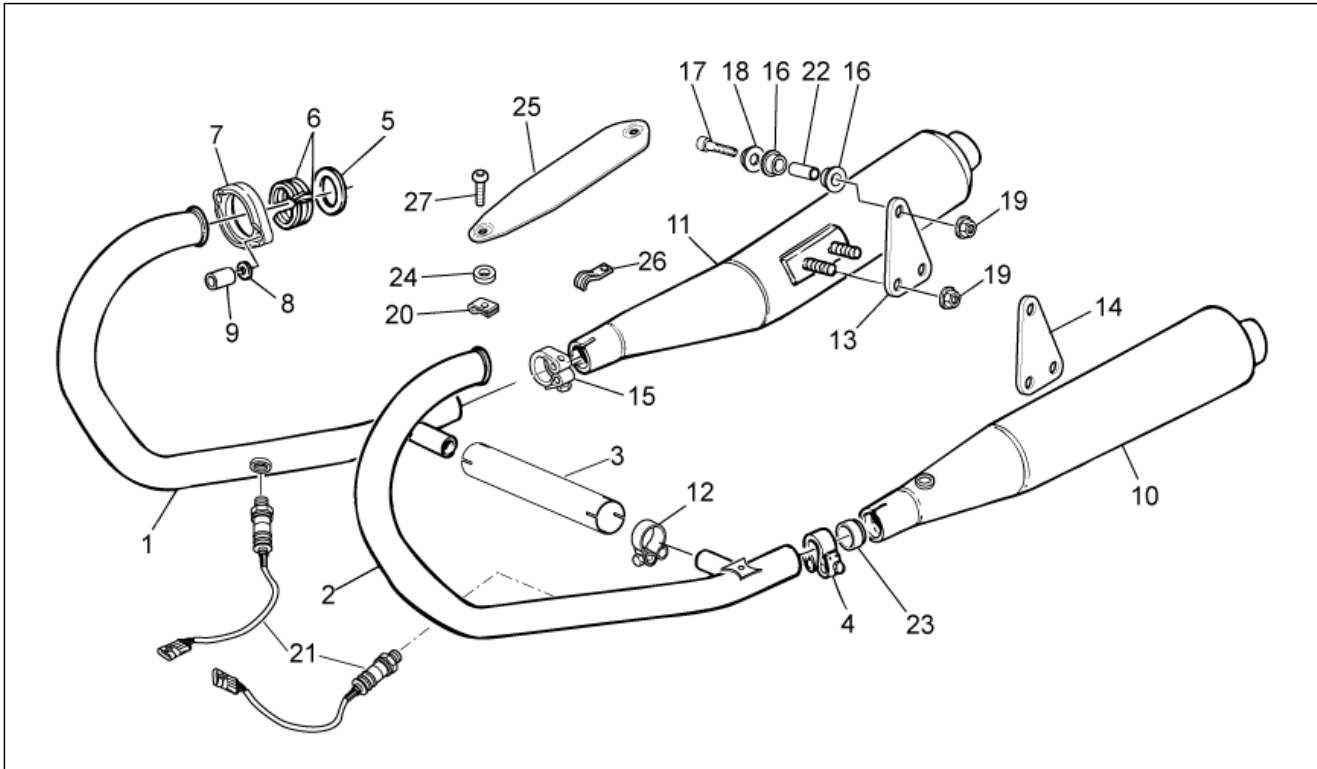
Pos.	Code	Beschrijving	Aant.	Varianten
1	8878421	Scatola filtro completa	1	
2	887843	Bedekking luchtfilter	1	
3	AP8201358	Klemmetje D 11,9	1	
4	AP8104924	Luchtfilter	1	
5	AP8104525	Filter blow-by	2	
6	883127	Rubber 5mm	1	
7	AP8144553	Rubber	1	
8	AP8120876	Sluitdop	2	
9	AP8120455	Rubbetje	1	
10	AP8120615	Pakking D3	2	
11	887844	Guscio dx cassa filtro	1	
12	887845	Guscio sx cassa filtro	1	
13	887815	Aanzuigingsmof	1	
14	254485	Spring plate M6	2	
15	AP8144538	Pakking	2	
16	890760	Steun connector	1	
17	AP8144729	Buffer eindeloop standaard	1	
18	AP8152329	Bout SWP kruiskop gefl. M5x20	11	
19	AP8150509	Zelftap. bout 5x14	4	
20	AP8120772	Ontluchtingsbuis	3	
21	B063214	Tubazione blow-by	2	
22	GU93305061	Klemmetje 61/65,5	1	
23	AP8102766	Klemmetje	3	
24	AP8102159	Klemmetje	3	
25	GU91551010	Rubbetje	2	
26	AP8221023	'T'-vormige huls *	2	
27	AP8120116	Driewegsverbinding	1	
28	AP8104251	Klep ontluchting olie	1	

Groep	FRAME
Code	33.22
Beschrijving	Air box
Revisie	1



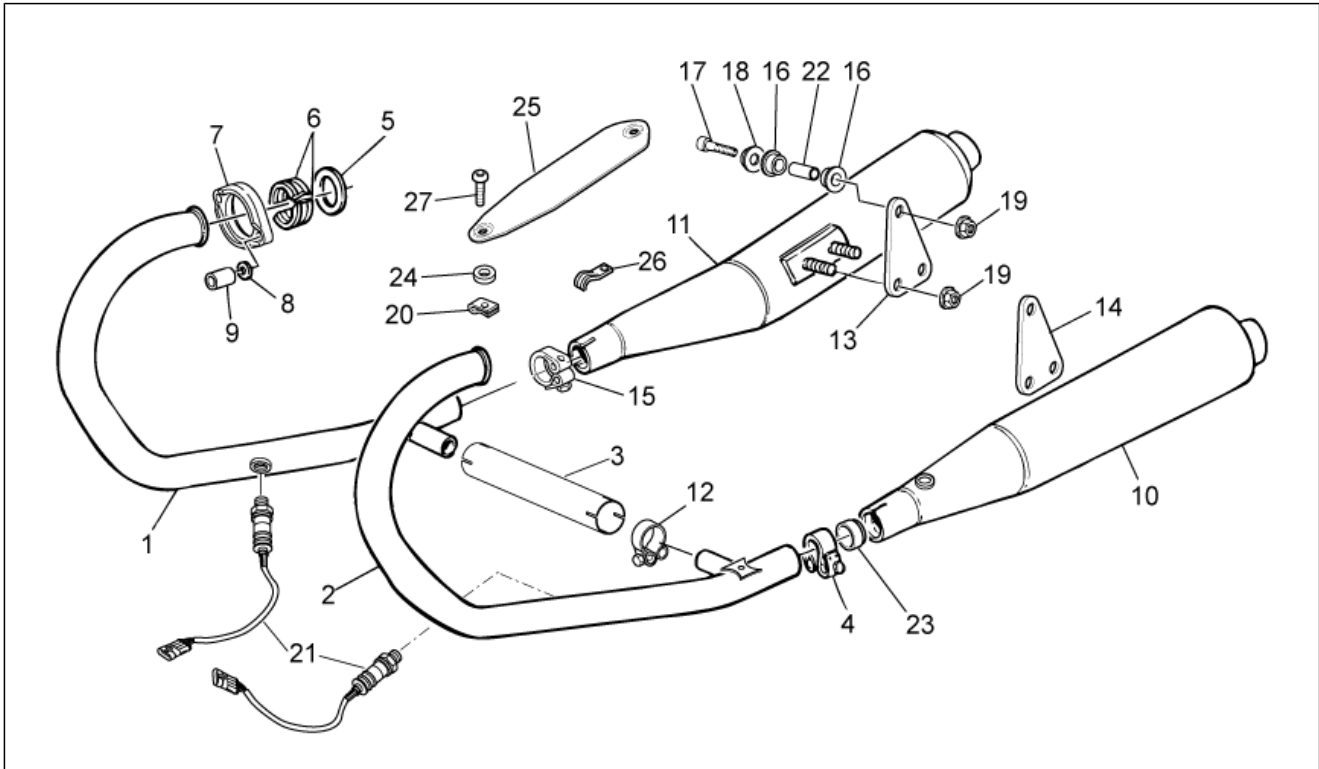
Pos.	Code	Beschrijving	Aant.	Varianten
29	AP8102159	Klemmetje	2	
30	B063213	Buis recup.olie	1	
31	GU90714082	Pakking	1	
32	GU00823923140	Thermische gaine	1	
33	GU31112965	Steunbeugel filter	1	
34	AP8201358	Klemmetje D 11,9	2	

Groep	FRAME
Code	33.23
Beschrijving	Exhaust unit
Revisie	1



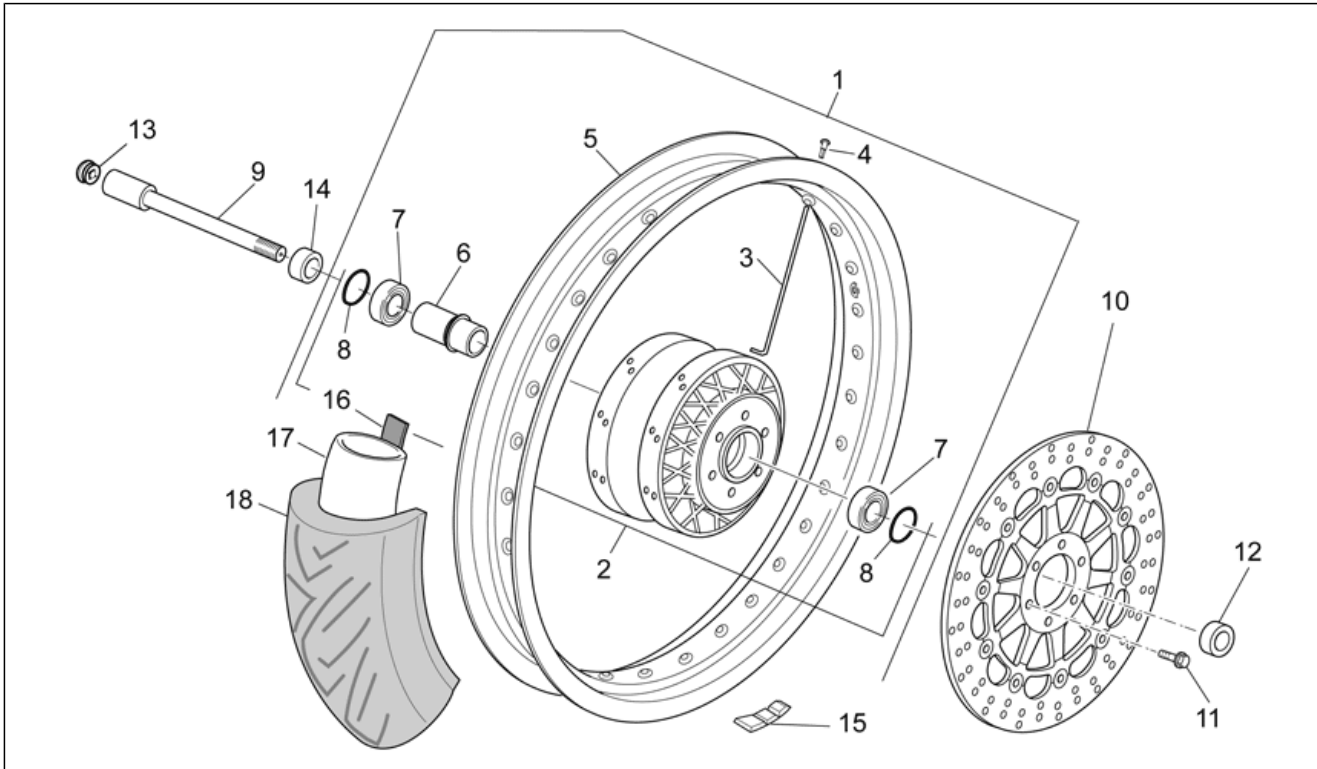
Pos.	Code	Beschrijving	Aant.	Varianten
1	887846	Buis afvoer re	1	LAND:Australia[AUS], Canadian[CDN], europa[EU], Great Britain[UK], United States of America[USA]
1	B063854	***RH Collecteur échapp.	1	LAND:Japan[J]
2	887847	Buis uitlaat li	1	LAND:Australia[AUS], Canadian[CDN], europa[EU], Great Britain[UK], United States of America[USA]
2	B063855	***LH Collecteur échapp.	1	LAND:Japan[J]
3	B063022	Verbinding collectoren uitlaat	1	
4	883294	Band geluiddemper li	1	
5	GU19025280	Pakking	2	
6	GU19025460	Afstandhouder	4	
7	GU32121010	Moer	2	
8	GU03013800	Sluitring 6,4x12	4	
9	GU31121880	Moer	4	
10	884137	Geluiddemper li	1	
11	884136	Geluiddemper re	1	
12	978385	Klemmetje	2	
13	883297	Plaat re	1	
14	883298	Plaat li	1	
15	883293	Band geluiddemper re	1	
16	AP8144071	Rubbertje uitlaat	4	
17	GU98680440	Binnenzeskantbout M8x40	2	
18	AP8134378	Huls bevestiging geluiddemper	2	
19	GU92640508	Moer M8	6	
20	254485	Spring plate M6	2	
21	896110	Lambdasonde l.660 mm	2	
22	AP8121072	Afstandhouder	2	
23	GU91113826	Beslagring	2	
24	AP8120870	Isolerende sluitring	4	

Groep	FRAME
Code	33.23
Beschrijving	Exhaust unit
Revisie	1



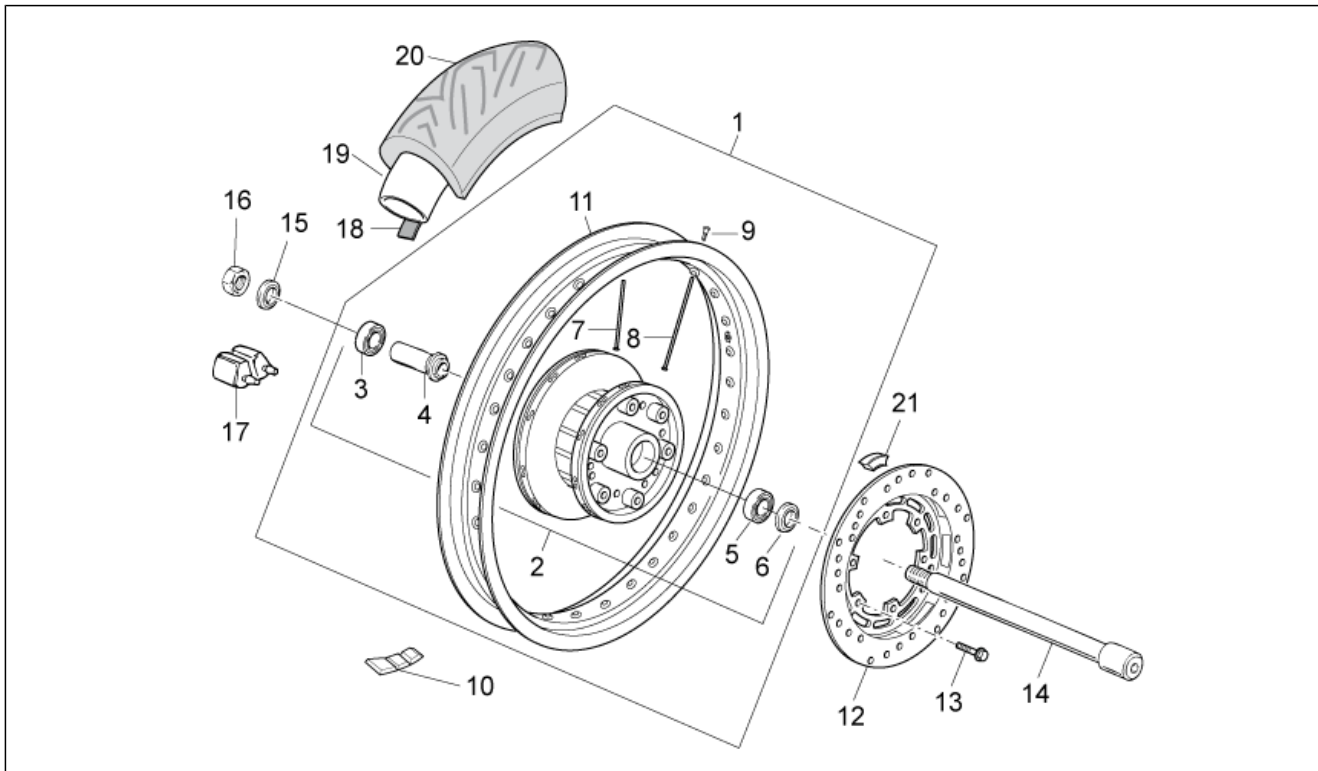
Pos.	Code	Beschrijving	Aant.	Varianten
25	883704	Hittewer.bescherming uitlaat	2	
26	GU93301175	Beugel	1	
27	GU98210612	Bolbout met binnenzeskant, geflenst M6x12	4	

Groep	FRAME
Code	33.24
Beschrijving	Front wheel I
Revisie	1



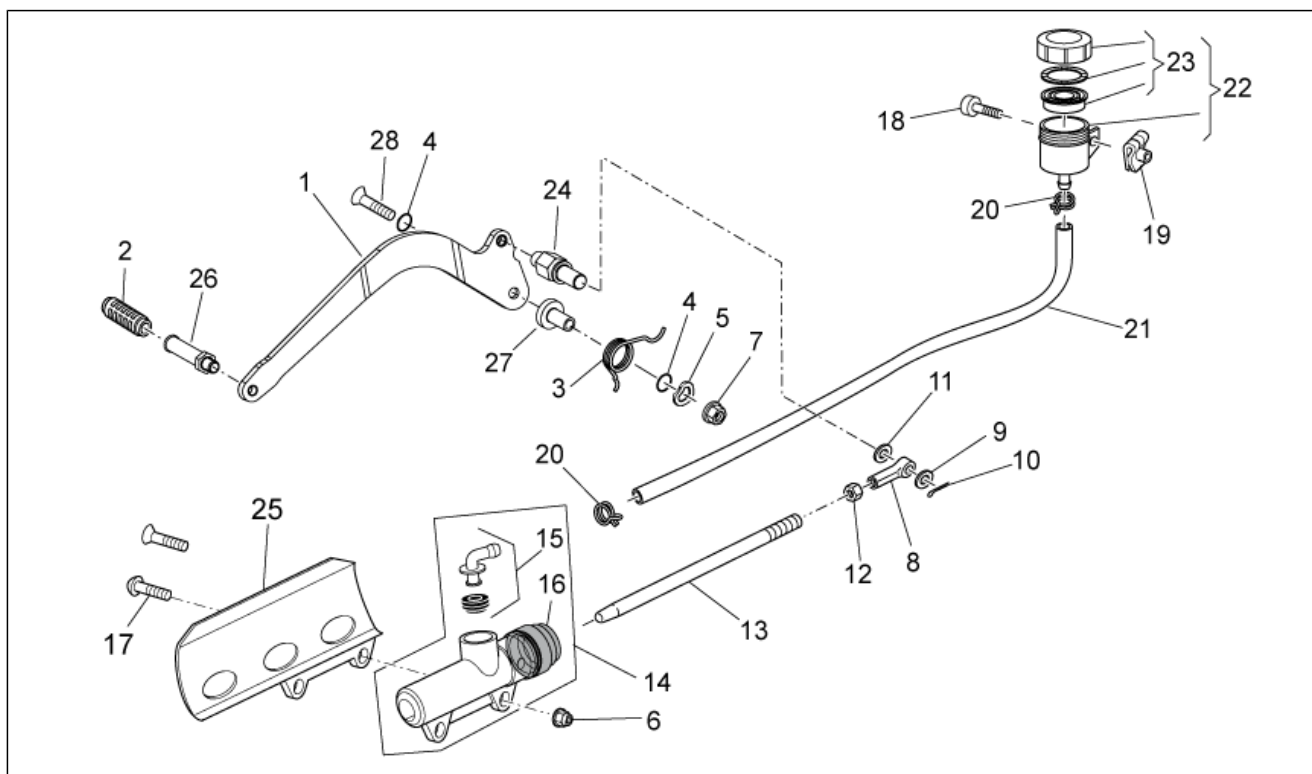
Pos.	Code	Beschrijving	Aant.	Varianten
1	887859	Voorwiel cpl. 2,5x18"	1	
2	GU32613160	Voornaaf	1	
3	B063144	Spaak voorwiel	36	
4	GU03631250	Nippels	36	
5	887858	Voorvelg 2,5x18"	1	
6	GU31615283	Afstandhouder lagere	1	
7	GU92204221	Lager	2	
8	GU90402642	Dichtingsring	1	
9	GU31614183	Pin voorwiel	1	
10	883688	Remschijf voor 320	1	
11	AP8152286	Zeskantbout geflenst M8x20	6	
12	GU31616384	Afstandhouder li	1	
13	GU93180111	Dop 15 mm	1	
14	GU32615660	Afstandhouder re	1	
15	GU14616150	Tegengewicht	1	
16	GU03612040	Tyre flap	1	
17	GU31610160	Binnenband MB 18	1	
18	886679	Tyre 100/90 18	1	

Groep	FRAME
Code	33.25
Beschrijving	Rear wheel I
Revisie	1



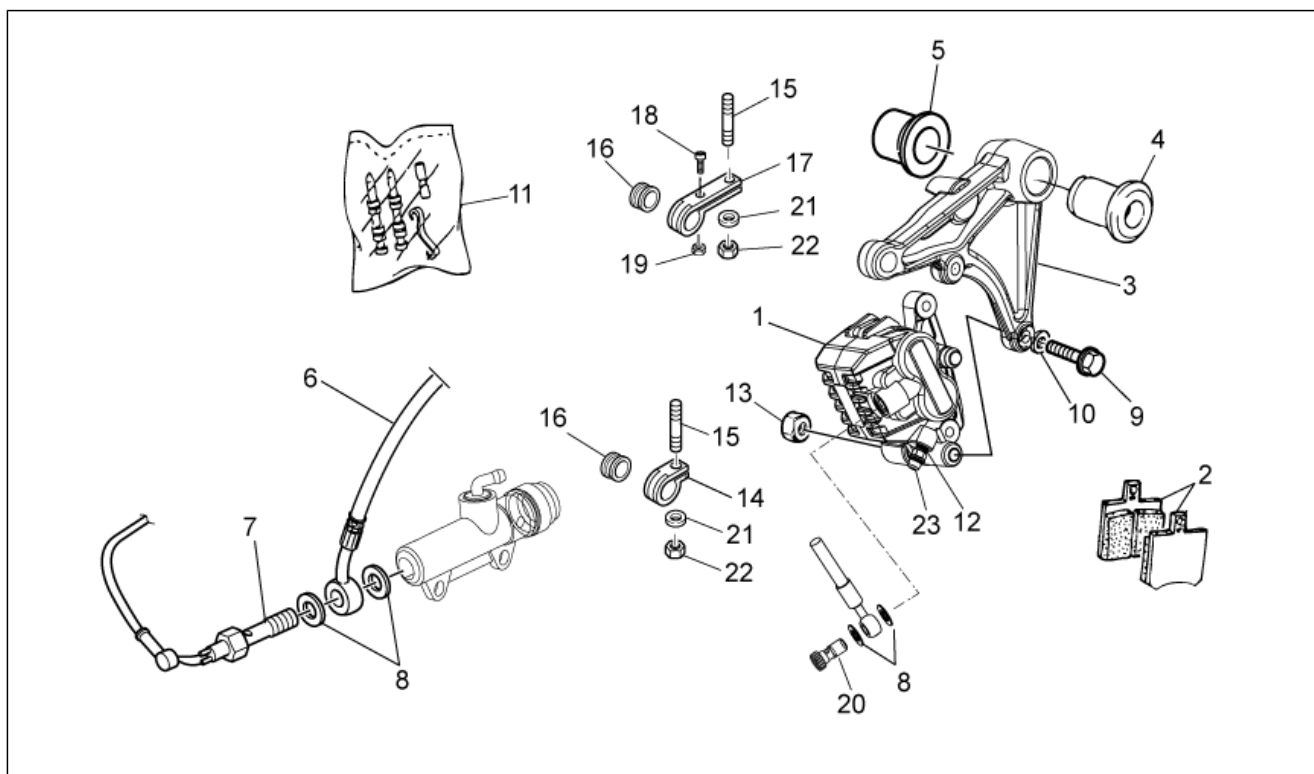
Pos.	Code	Beschrijving	Aant.	Varianten
1	887861	Achterwiel cpl. 3,5X17''	1	
2	GU32692260	Naaf	1	
3	GU92204218	Lager	1	
4	GU27633910	Afstandhouder	1	
5	GU92204217	Lager	1	
6	GU90402538	Dichtingsring 25x40x7	1	
7	883350	Spaak kort	18	
8	883349	Spaak lang mm 158	18	
9	GU03631250	Nippels	36	
10	GU14616150	Tegengewicht	1	
11	887862	Cerchio ruota posteriore 3,5X17''	1	
12	887448	Remschijf	1	
13	894505	Zeskantbout geflenst M8x18	6	
14	GU32633360	Pin achterwiel	1	
15	GU31634481	Sluitring	1	
16	GU92606316	Moer M16x1,5	1	
17	GU32632510	Element schokbesch.	6	
18	GU28612033	Tyre flap	1	
19	GU30630430	Binnenband MD 17	1	
20	886680	Tyre 130/80 17	1	
21	GU32636160	Rubber	1	

Groep	FRAME
Code	33.26
Beschrijving	Rear master cylinder
Revisie	1



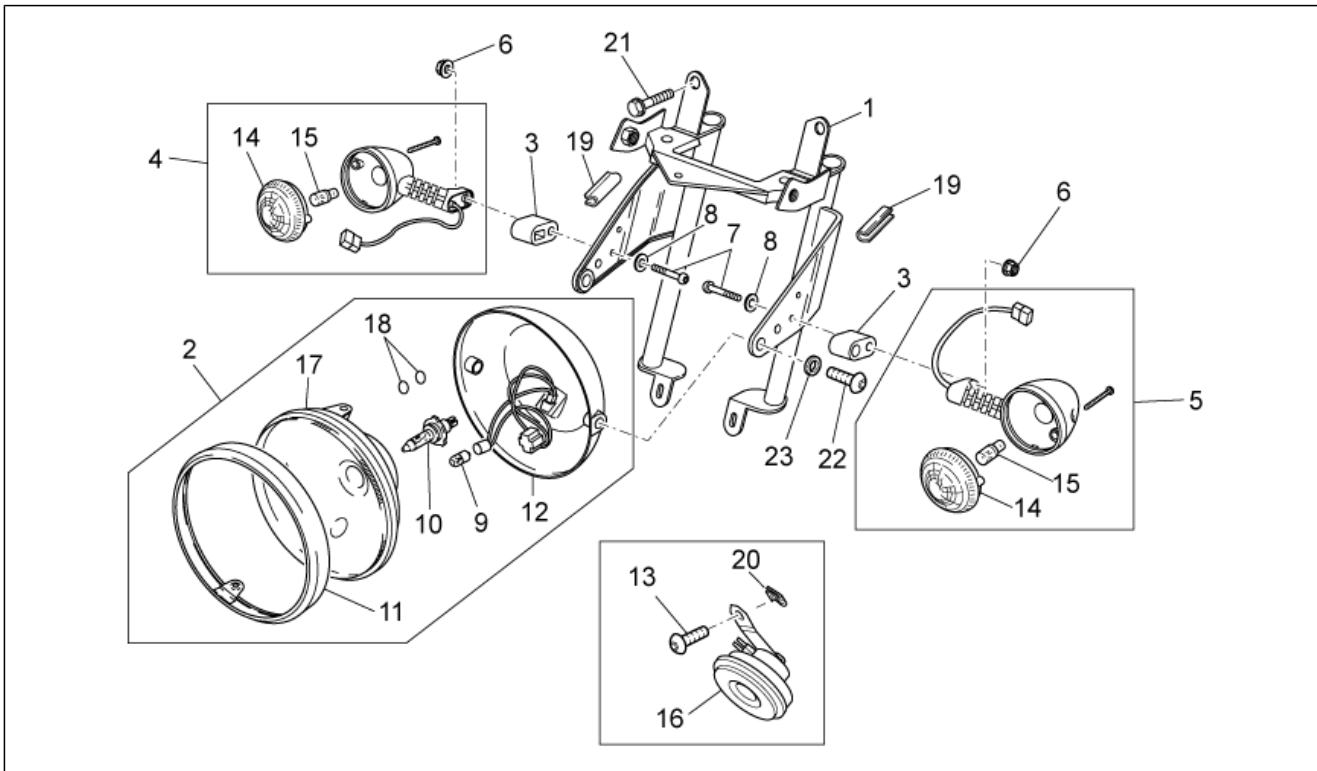
Pos.	Code	Beschrijving	Aant.	Varianten
1	887910	Remhendel	1	
2	AP8120912	Rubbertje voor hendel	1	
3	978969	Veer	1	
4	AP8144007	OR-ring 11,11x1,78	2	
5	GU95005310	Sluitring 8,4x18x2	1	
6	GU92630206	Moer M6x1	2	
7	GU92660021	Moer geflenst M8	1	
8	GU18257551	Blokje	1	
9	GU95005311	Sluitring	1	
10	GU95500221	Splitpen	1	
11	GU03270300	Sluitring 8,4x15	1	
12	GU92609007	Moer	1	
13	978970	Staaft pomp rem	1	
14	AP8133643	Pomp achterrem	1	
15	AP8213057	Verbinding pomp acht.	1	
16	AP8113288	Blower van rubber	1	
17	GU98370625	Bolbout met binnenzeskant	2	
18	AP8152298	Bolbout met binnenzeskant, geflenst M5x16	1	
19	248419	Spring plate m5	1	
20	AP8101594	Klemmetje D10,1*	2	
21	GU00823950050	Olieleiding	1	
22	AP8113241	Oliereservoir remmen cpl.	1	
23	AP8113553	Tankdop	1	
24	887911	Pin remhendel	1	
25	GU01665410	Bescherming rempomp zwart	1	
26	887908	Pedaaltje	1	
27	887952	Huls hendel achterrem	1	
28	B063443	Binnenzeskantbout met verzonken kop M8x50	1	

Groep	FRAME
Code	33.27
Beschrijving	Rear brake caliper
Revisie	1



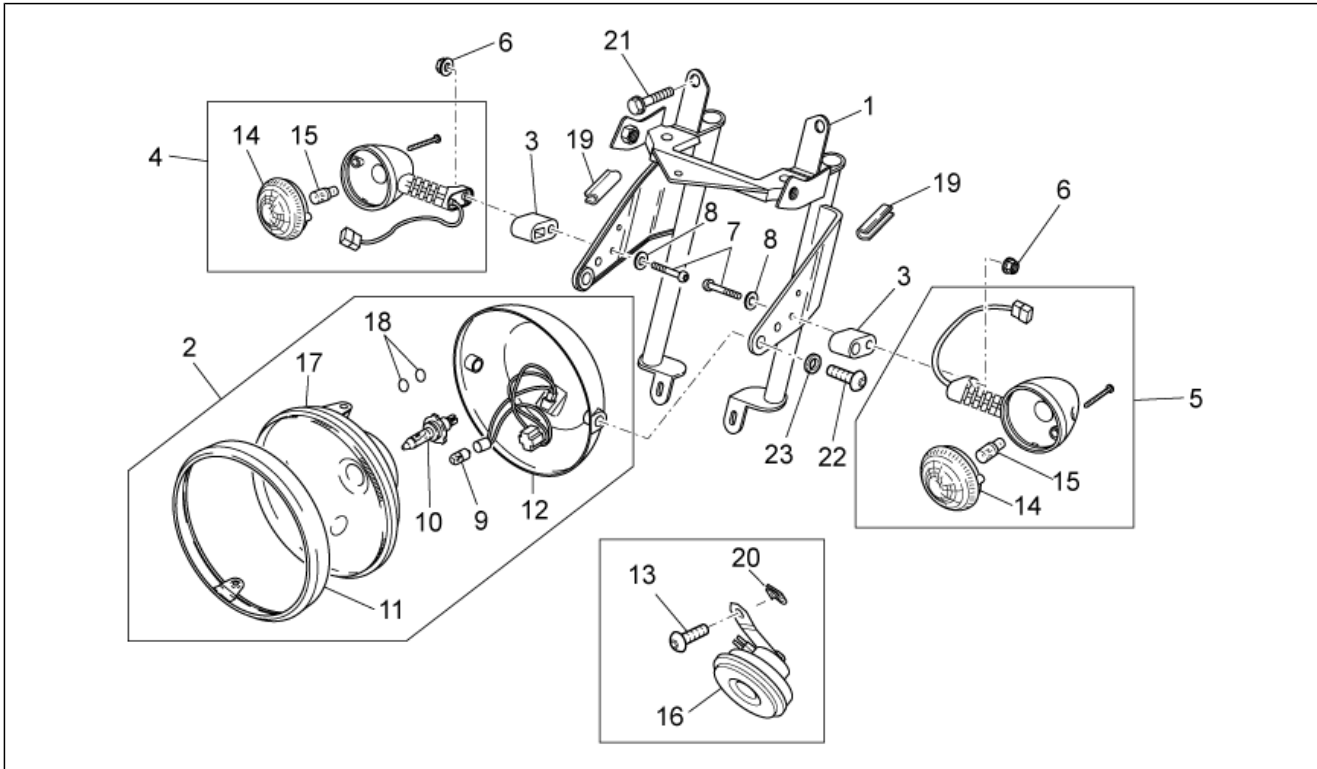
Pos.	Code	Beschrijving	Aant.	Varianten
1	887449	Tang van de achterrem	1	
2	AP8133798	Pastilles - koppel	1	
3	887431	Brake caliper support plate	1	
4	GU31634281	Beslagring	1	
5	GU32634160	Afstandhouder	1	
6	887457	Buis achterrem	1	
7	883192	Hydraulische schakelaar	1	
8	AP8121915	Pakking	4	
9	AP8152288	Zeskantbout geflenst	2	
10	GU03270300	Sluitring 8,4x15	2	
11	AP8133799	Pinnen+Veren tang	1	
12	AP8133800	Ontluchting	1	
13	AP8152300	Zelfborg.bout gefl. M8	2	
14	GU03658430	Klemmetje	1	
15	GU96451316	Stiftbout	1	
16	GU03658201	Ring	2	
17	GU03658330	Klemmetje	1	
18	GU98257410	Bout	1	
19	GU92630104	Moer M4x0,7	1	
20	AP8113003	Bout olieleiding *	1	
21	GU95008306	Sluitring 6,4x12x1,2	2	
22	AP8152299	Zelfborg.bout gefl. M6	2	
23	AP8213575	Kapje ontluchting	1	

Groep	FRAME
Code	33.28
Beschrijving	Front lights
Revisie	1



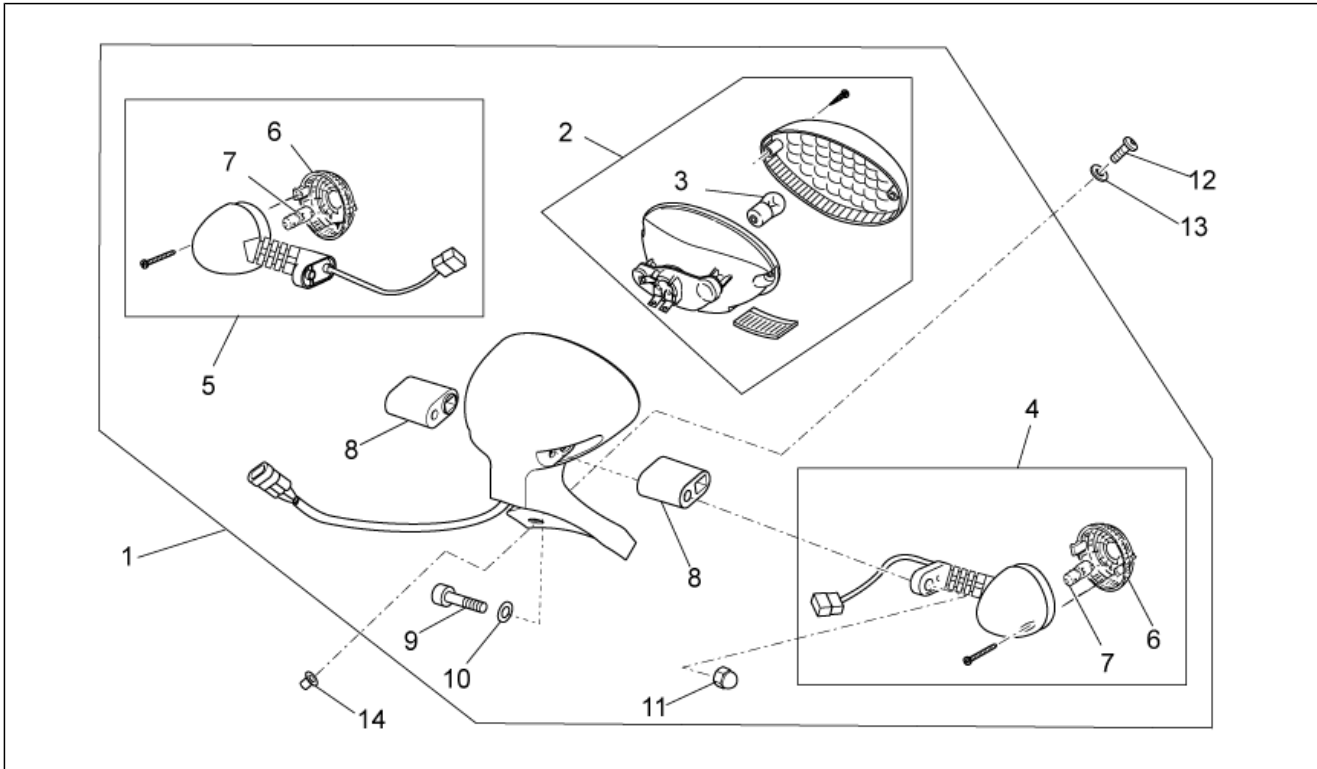
Pos.	Code	Beschrijving	Aant.	Varianten
1	GU32506360	Steunbeugel licht	1	
2	978311	Voorlicht	1	LAND:Canadian[CDN], europa[EU], United States of America[USA] Technical Specifications:Versione "Stone"[ST]
2	978662	Voorlicht m/o geleider li	1	LAND:Australia[AUS], Japan[J] Technical Specifications:Versione "Stone"[ST]
2	GU06740500	Voorlicht	1	LAND:Canadian[CDN], europa[EU], United States of America[USA] Technical Specifications:Versione "Special"[SP]
2	GU06740501	Voorlicht m/o geleider li	1	LAND:Australia[AUS], Japan[J] Technical Specifications:Versione "Special"[SP]
3	GU32753410	Afstandhouder	2	
4	887826	Richt.aanw. voor.re/acht.li	1	LAND:Australia[AUS], europa[EU], Japan[J]
4	B063800	Richtingsaanw.voor.re	1	LAND:Canadian[CDN], United States of America[USA]
5	887827	Richt.aanw. voor.li/acht.re	1	LAND:Australia[AUS], europa[EU], Japan[J]
5	B063801	Richtingaanw. voor. li	1	LAND:Canadian[CDN], United States of America[USA]
6	GU92787006	Moer blind M6x1	2	
7	GU98370655	Bolbout met binnenzeskant	2	
8	GU95021206	Sluitering	2	
9	GU93450105	Lamp	1	
10	GU93450232	Lamp 12V-55/60W	1	
11	GU31740383	Moer verchr.	1	
12	981149	Cap, black	1	Technical Specifications:Versione "Stone"[ST]
12	GU06740200	Kap verchr. voorlicht	1	Technical Specifications:Versione "Special"[SP]
13	AP8150377	Bout	2	
14	B063735	Glas richtingaanw.	2	
15	GU93450126	Lamp oranje	2	
16	890979	Claxon	1	
17	GU06740400	Optische groep	1	LAND:europa[EU]

Groep	FRAME
Code	33.28
Beschrijving	Front lights
Revisie	1



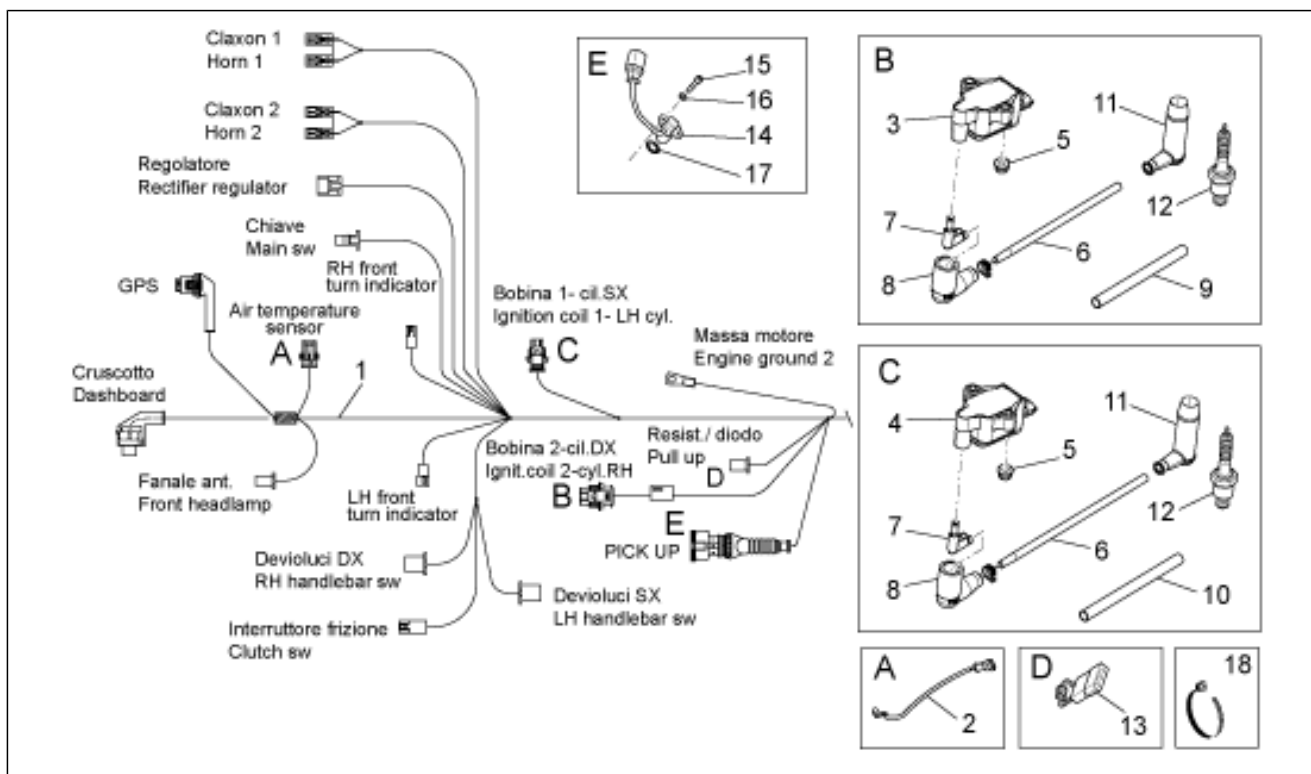
Pos.	Code	Beschrijving	Aant.	Varianten
				Technical Specifications: Versione "Special"[SP], Versione "Stone"[ST]
17	GU06740401	Optische groep m/o geleider li	1	LAND: Australia[AUS], Japan[J] Technical Specifications: Versione "Special"[SP]
18	883417	OR-ring	2	
19	GU00823931055	Pakking	1	
20	254485	Spring plate M6	2	
21	GU98880540	Bout M10x40	2	
22	GU98370831	Bolbout met binnenzeskant M8x30	2	
23	GU95005308	Sluitring 8,4x14,57x1,6	2	

Groep	FRAME
Code	33.29
Beschrijving	Rear lights
Revisie	1



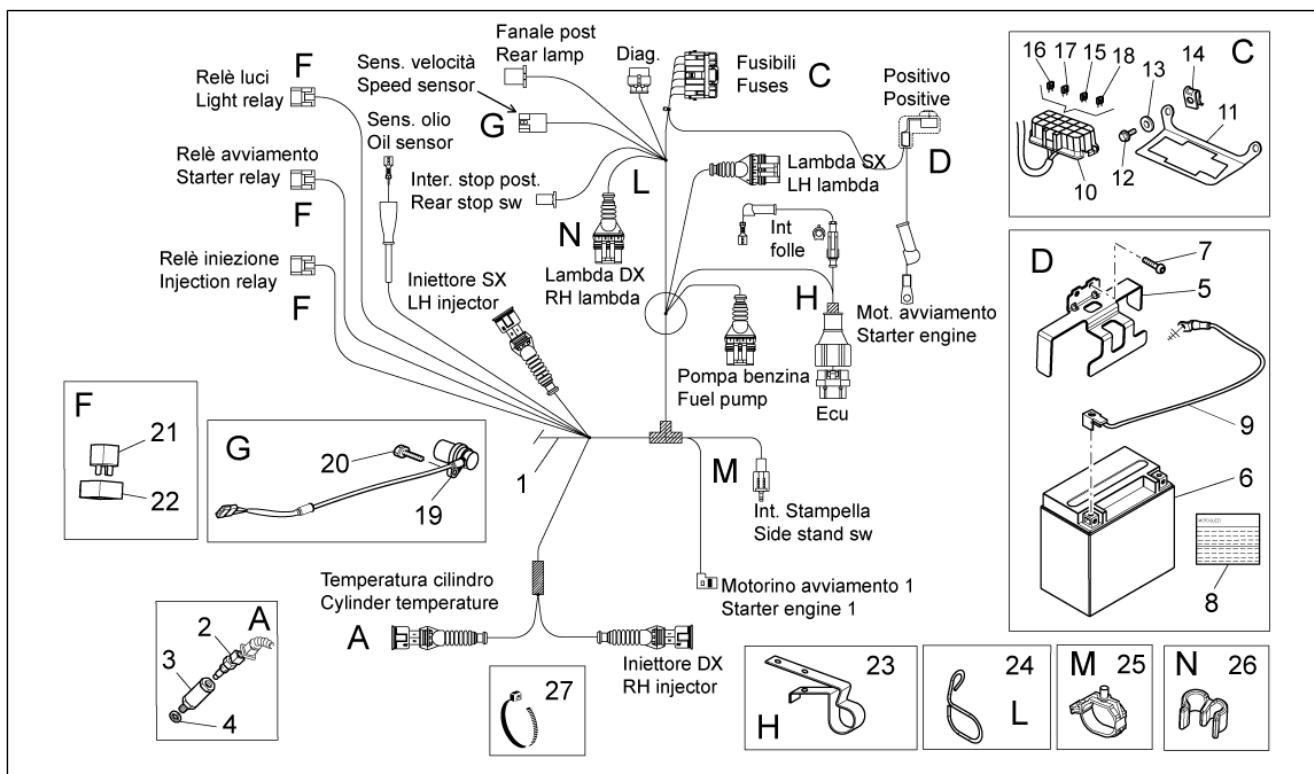
Pos.	Code	Beschrijving	Aant.	Varianten
1	883479	Achterlicht cpl.	1	LAND:Canadian[CDN], United States of America[USA]
1	887877	Achterlicht cpl.	1	LAND:Australia[AUS], europa[EU]
2	GU03740930	Achterlicht	1	
3	GU93450224	Lamp	1	
4	887826	Richt.aanw. voor.re/acht.li	1	LAND:Australia[AUS], europa[EU]
4	GU32750661	Richt.aanw. voor.re/acht.li	1	LAND:Canadian[CDN], United States of America[USA]
5	883478	Richt.aanw. voor.li/acht.re	1	LAND:Canadian[CDN], United States of America[USA]
5	887827	Richt.aanw. voor.li/acht.re	1	LAND:Australia[AUS], europa[EU]
6	B063735	Glas richtingaanw.	2	LAND:Australia[AUS], europa[EU]
6	GU32753711	Glas richtingaanw.	1	LAND:Canadian[CDN], United States of America[USA]
7	GU93450126	Lamp oranje	2	LAND:Australia[AUS], europa[EU]
7	GU93450127	Lamp	1	LAND:Canadian[CDN], United States of America[USA]
8	GU32753410	Afstandhouder	2	
9	GU98370655	Bolbout met binnenzeskant	2	
10	GU95021206	Sluitring	2	
11	GU92787006	Moer blind M6x1	2	
12	GU98350215	Bolbout met binnenzeskant	3	
13	GU30577800	Sluitring in nylon 5,5X12X1	3	
14	GU93231605	Huls antitrilling	3	

Groep	FRAME
Code	33.30
Beschrijving	Electrical system I
Revisie	1



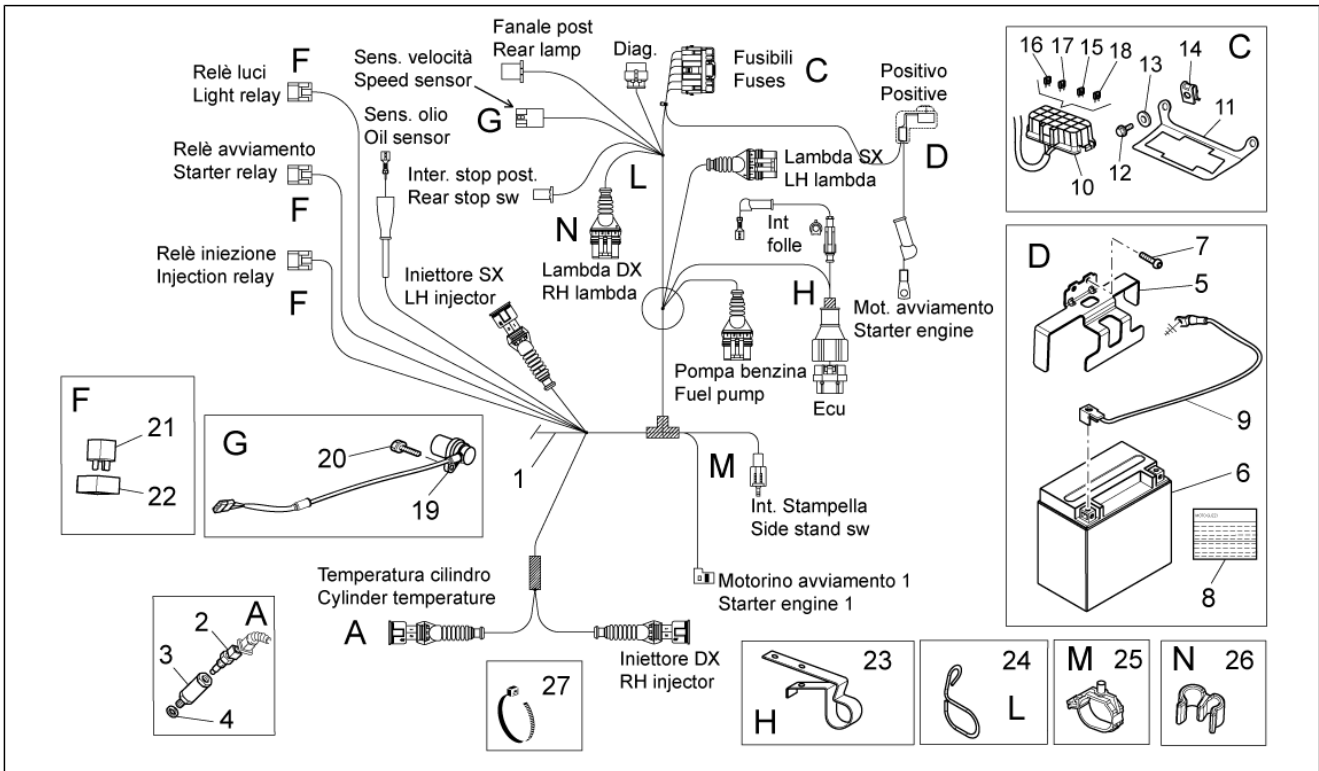
Pos.	Code	Beschrijving	Aant.	Varianten
1	887825	Hoofdzakelijke bekabeling	1	
2	AP8124936	Sensor luchttemperatuur	1	
3	642034	H.S. bobine DX	1	
4	641901	H.S. bobine SX	1	
5	AP8152299	Zelfborg.bout gefl. M6	4	
6	080341	H.S. kabel	2	
7	641725	Terminale A.T.	2	
8	641040	Isolerend kapje	2	
9	CM007423	Gaine kabel zwart	1	
10	CM0074C9	Guaina cavo grigia	1	
11	GU02717450	Pipet bougie NGK	2	
12	828708	Bougie RG6YC (Champion)	2	
12	887481	Bougie NGK CPR8EB-9	2	
13	887948	Diode	1	
14	GU01721600	Fasesensor	1	
15	GU98682212	Binnenzeskantbout M5x12	2	
16	GU95008205	Sluitring 5,3x10x0,8	2	
17	GU90706141	OR-ring	1	
18	AP8120416	Band zwart 178x4*	1	
18	GU14609650	Klemmetje 3,6x20,6	31	
18	GU49609601	Klemmetje 2,4x92	1	

Groep	FRAME
Code	33.31
Beschrijving	Electrical system II
Revisie	1



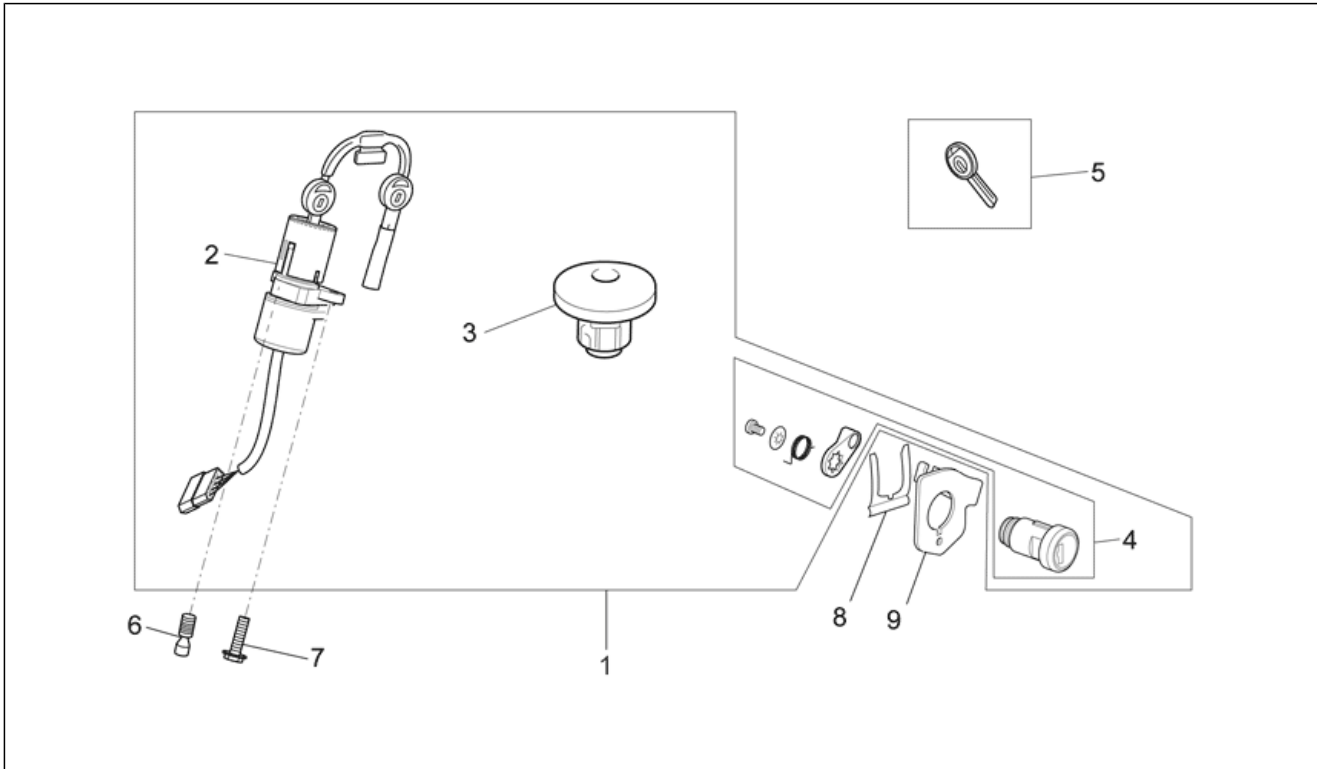
Pos.	Code	Beschrijving	Aant.	Varianten
1	887825	Hoofdzakelijke bekabeling	1	
2	GU29729461	Temperatuursensor olie	1	
3	GU03163330	Steun sensor	1	
4	GU95004210	Sluitring 10,2x18x2	1	
5	B063233	Battery bracket	1	
6	638733	Accu Yuasa 12V-12Ah (150x85x145)	1	
7	GU98370616	Bolbout met binnenzeskant M6x16 inox	2	
8	GU32517710	Plaat "Battery service"	1	
9	GU32747910	Bekabeling massa-accu	1	
10	584211	Zekeringendoos	1	
11	883161	Steun zek.houder	1	
12	GU98682212	Binnenzeskantbout M5x12	2	
13	GU95100059	Sluitring 5,25x14x1,5	2	
14	AP8102375	Clip m5	2	
15	CM225705	Zekering 5A	2	
16	CM225710	Zekering 10A	1	
17	CM225715	Zekering 15A	2	
18	CM225730	Zekering 30A	1	
19	893570	Sensor snelheidsmeter cpl.	1	
20	AP8150377	Bout	1	
21	AP8224462	Relais 12V/30A	3	
22	AP8220283	Rubbetje *	3	
23	B043850	Klemmetje	1	
24	AP8181140	Kabelwartel	1	
25	CM013202	Molletta ritegno tubi/cavi	1	
26	894704	Kabelwartel	1	
27	AP8120416	Band zwart 178x4*	1	
27	GU14609650	Klemmetje 3,6x20,6	21	

Groep	FRAME
Code	33.31
Beschrijving	Electrical system II
Revisie	1



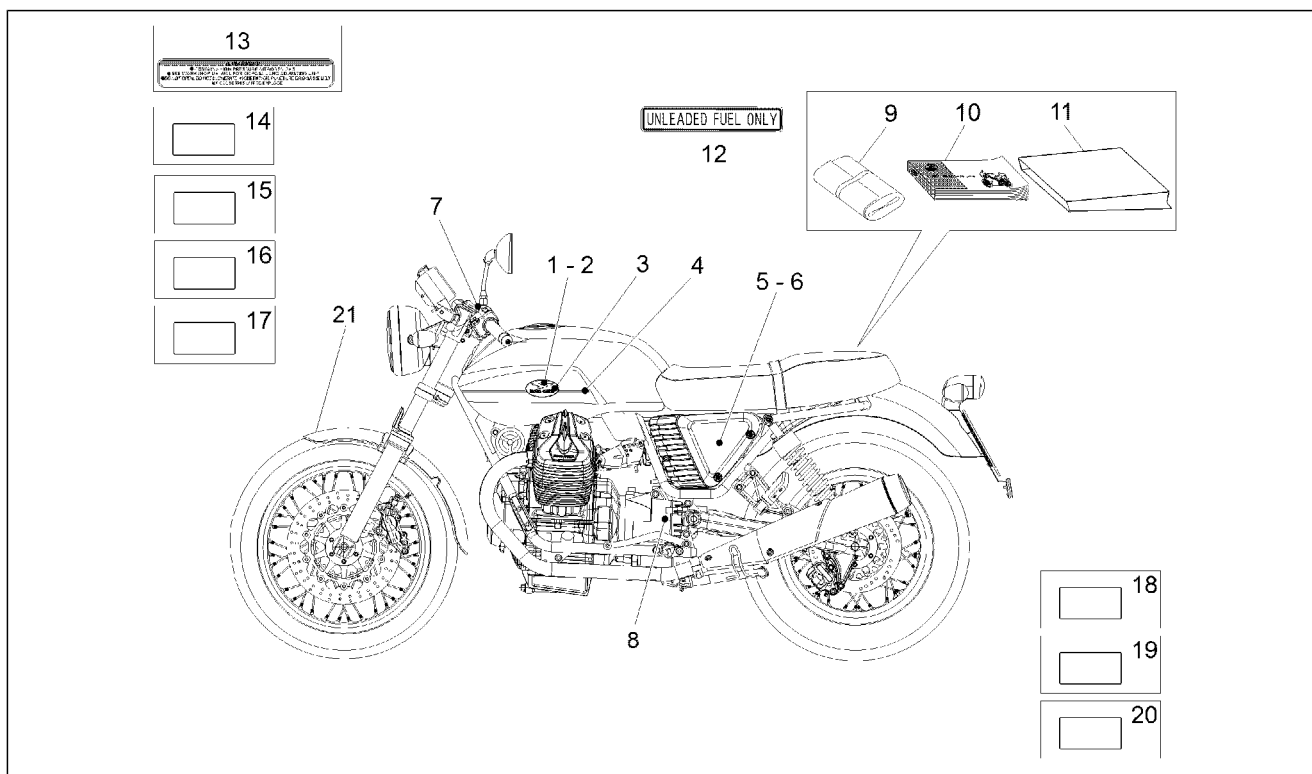
Pos.	Code	Beschrijving	Aant.	Varianten
27	GU49609601	Klemmetje 2,4x92	1	

Groep	FRAME
Code	33.32
Beschrijving	Lock hardware kit
Revisie	1



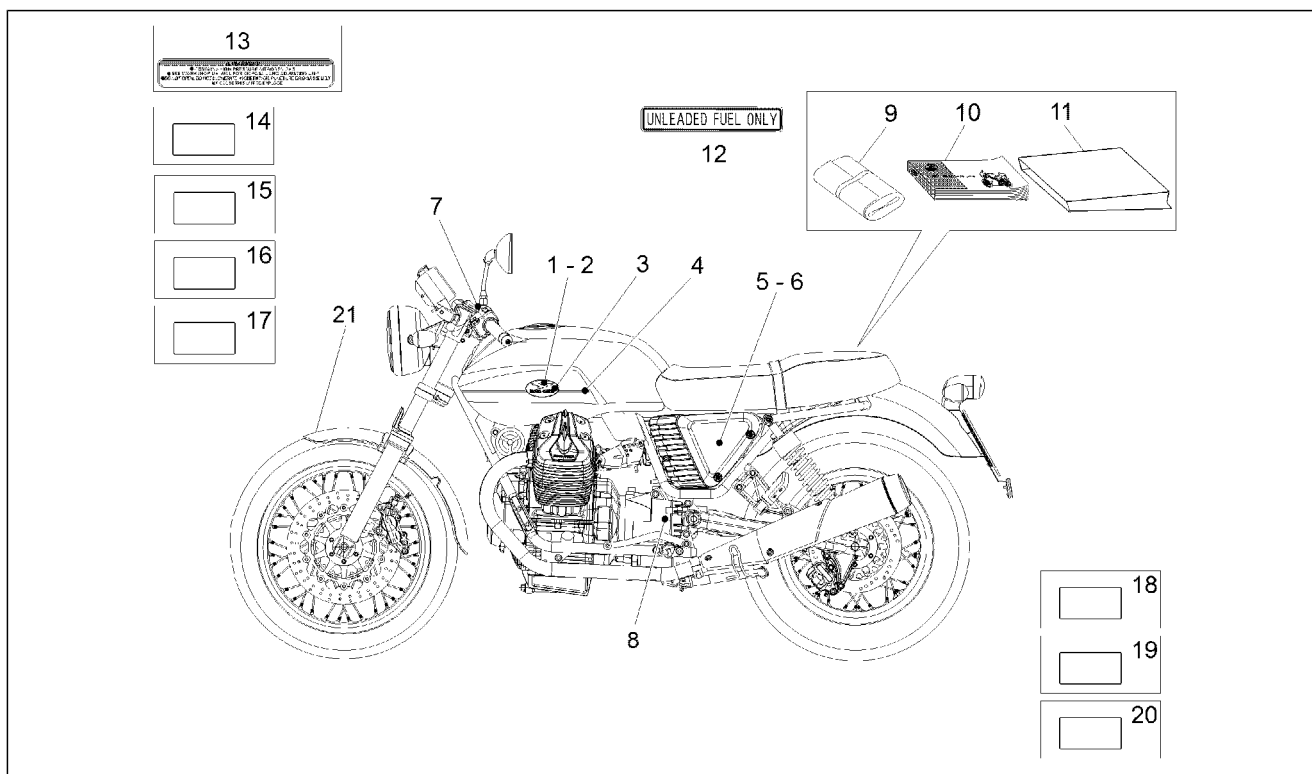
Pos.	Code	Beschrijving	Aant.	Varianten
1	883477	Kit sloten	1	LAND:Canadian[CDN], United States of America[USA]
1	887873	Kit sloten	1	LAND:Australia[AUS], europa[EU]
2	GU32782510	Starblokje-blokk.	1	
3	883476	Tankdop	1	LAND:Canadian[CDN], United States of America[USA]
3	887874	Tankdop	1	LAND:Australia[AUS], europa[EU]
4	977527	Zadelslot	1	
5	GU32735510	Sleutel glad ruw-dop go	1	
5	GU32735511	Sleutel glad ruw-dop cr	1	
6	AP8150349	Speciale bout M8x15	1	
7	GU98682416	Binnenzeskantbout M8x16	1	
8	AP8121420	Vorkveer	1	
9	978415	Plaatje steun kabel	1	

Groep	FRAME
Code	33.33
Beschrijving	Decal and plate set
Revisie	1



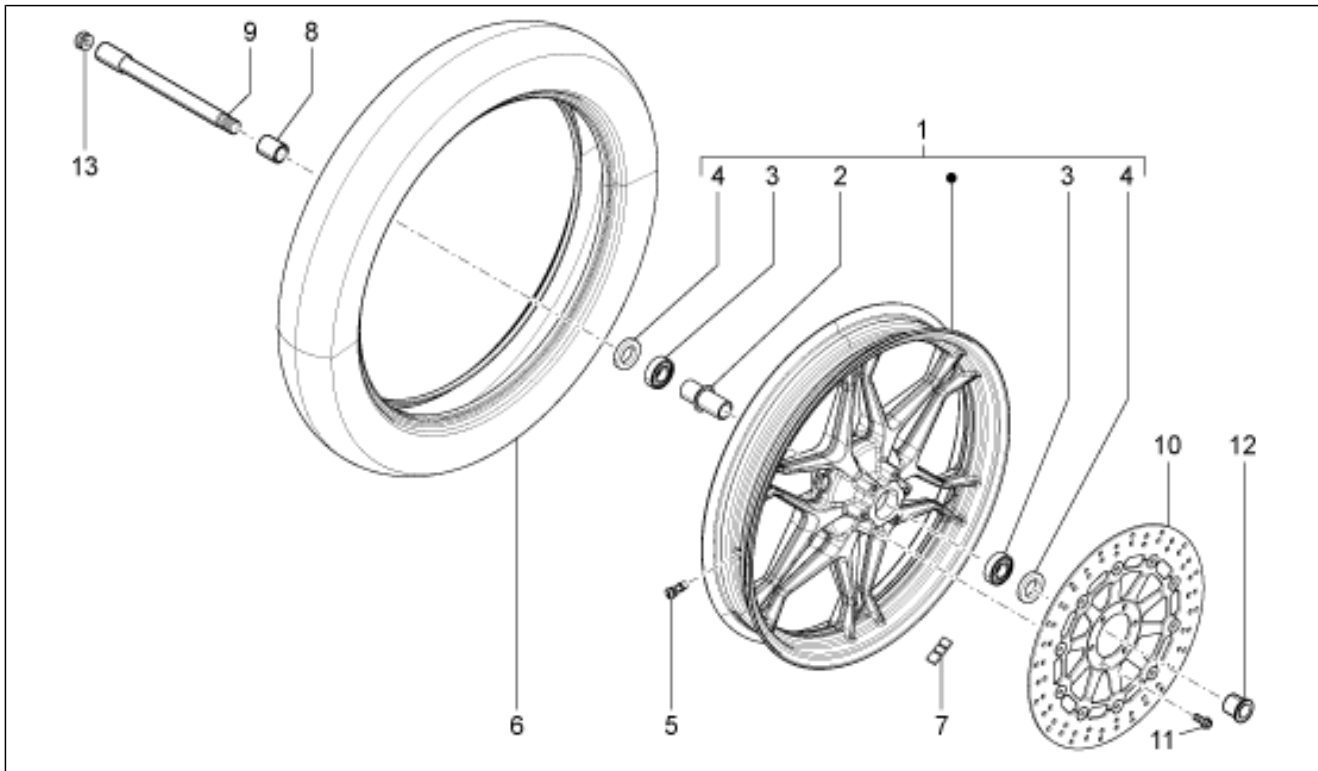
Pos.	Code	Beschrijving	Aant.	Varianten
1	886340	Plaatje re Aquila	1	Kleur van het voertuig: Bianco aprilia[ba], Diablo Black[nd] Technical Specifications: Versione "Stone"[ST]
1	GU06917300	Plaatje re rood/goud AL	1	Kleur van het voertuig: Nero/Giallo[n/gi], Red/White[r/bi] Technical Specifications: Versione "Special"[SP]
2	887930	Plaatje li Aquila	1	Kleur van het voertuig: Bianco aprilia[ba], Diablo Black[nd] Technical Specifications: Versione "Stone"[ST]
2	GU06917400	Plaatje li rood/goud AL	1	Kleur van het voertuig: Nero/Giallo[n/gi], Red/White[r/bi] Technical Specifications: Versione "Special"[SP]
3	887931	Plaatje "Moto Guzzi"	2	Kleur van het voertuig: Bianco aprilia[ba], Diablo Black[nd] Technical Specifications: Versione "Stone"[ST]
4	887926	Decalco schroefdr.grijs	2	Kleur van het voertuig: Red/White[r/bi] Technical Specifications: Versione "Special"[SP]
4	B063120	Decalco filetto argento	2	Kleur van het voertuig: Nero/Giallo[n/gi] Technical Specifications: Versione "Special"[SP]
5	887928	Decalco zijplaatje re "V7 Special"	1	Kleur van het voertuig: Red/White[r/bi] Technical Specifications: Versione "Special"[SP]
5	887933	Decalco zijplaatje re "V7"	1	Kleur van het voertuig: Bianco aprilia[ba], Diablo Black[nd] Technical Specifications: Versione "Stone"[ST]
5	B063121	Decalco zijplaatje re "V7 Special"	1	Kleur van het voertuig: Nero/Giallo[n/gi] Technical Specifications: Versione "Special"[SP]
6	887929	Decalco zijplaatje li "V7 Special"	1	Kleur van het voertuig: Red/White[r/bi] Technical Specifications: Versione "Special"[SP]
6	887934	Decalco zijplaatje li "V7"	1	Kleur van het voertuig: Bianco aprilia[ba], Diablo Black[nd] Technical Specifications: Versione "Stone"[ST]
6	B063122	Decalco zijplaatje li "V7 Special"	1	Kleur van het voertuig: Nero/Giallo[n/gi] Technical Specifications: Versione "Special"[SP]
7	883598	Decalco "Aquila"	1	
8	895839	Targhetta "Eni"	2	
9	887443	Gereedschapstas	1	
10	887854	Boekje gebruik/ond. I-F-D-NL-E-UK	1	
10	B063252	Boekje gebruik/ond.-USA-	1	LAND: Canadian[CDN], United States of America[USA]

Groep	FRAME
Code	33.33
Beschrijving	Decal and plate set
Revisie	1



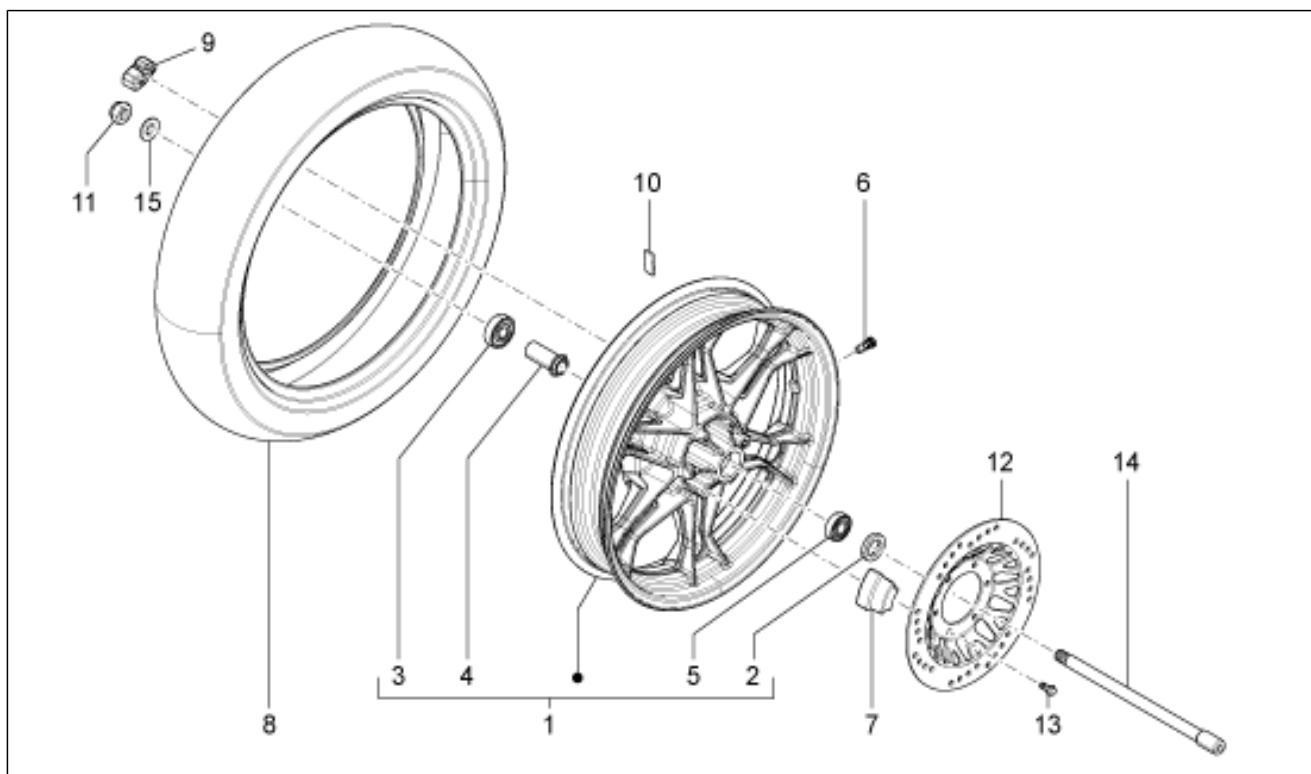
Pos.	Code	Beschrijving	Aant.	Varianten
11	GU05900130	Zakje voor documenten	2	
12	GU03995730	Plaat "Unleaded Fuelonly"	1	LAND:Australia[AUS]
13	AP8157100	Plaat Shock Adsorber	1	LAND:Canadian[CDN], United States of America[USA]
14	AP8257742	Keys warning decal	1	LAND:Canadian[CDN], United States of America[USA]
15	AP8257794	Battery decal	1	LAND:Canadian[CDN], United States of America[USA]
16	AP8257609	Mirror decal	1	LAND:Canadian[CDN], United States of America[USA]
17	B045974	Fuel decal E15	1	LAND:Canadian[CDN], United States of America[USA]
18	884346	Decalco koolfilter	1	LAND:Canadian[CDN], United States of America[USA]
19	884345	Decalco vervuilende emissie	1	LAND:Canadian[CDN], United States of America[USA]
20	884344	Decalco geluidsemissie	1	LAND:Canadian[CDN], United States of America[USA]
21	886141	Plaat "Aquila"	1	

Groep	FRAME
Code	33.34
Beschrijving	Front wheel II
Revisie	1



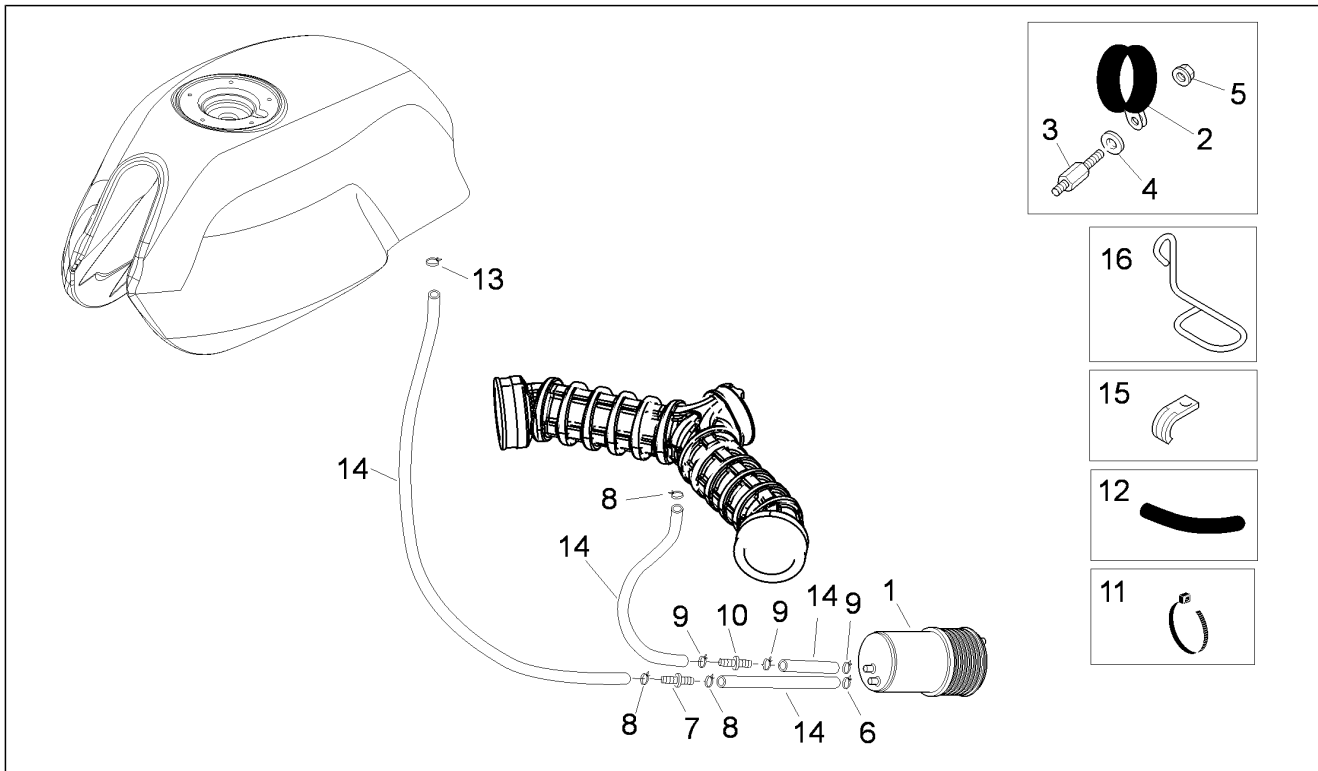
Pos.	Code	Beschrijving	Aant.	Varianten
1	887571	Wheel 2.5X18"	1	
2	GU31615283	Afstandhouder lagers	1	
3	GU92204221	Lager	2	
4	GU90402642	Dichtingsring	2	
5	GU03617710	Klep tubeless	1	
6	886679	Tyre 100/90 18	1	
7	GU14616150	Tegengewicht	1	
8	GU32615660	Afstandhouder re	1	
9	GU31614183	Pin voorwiel	1	
10	883688	Remschijf voor 320	1	
11	AP8152286	Zeskantbout geflenst M8x20	6	
12	GU31616384	Afstandhouder li	1	
13	GU93180111	Dop 15 mm	1	

Groep	FRAME
Code	33.35
Beschrijving	Rear wheel II
Revisie	1



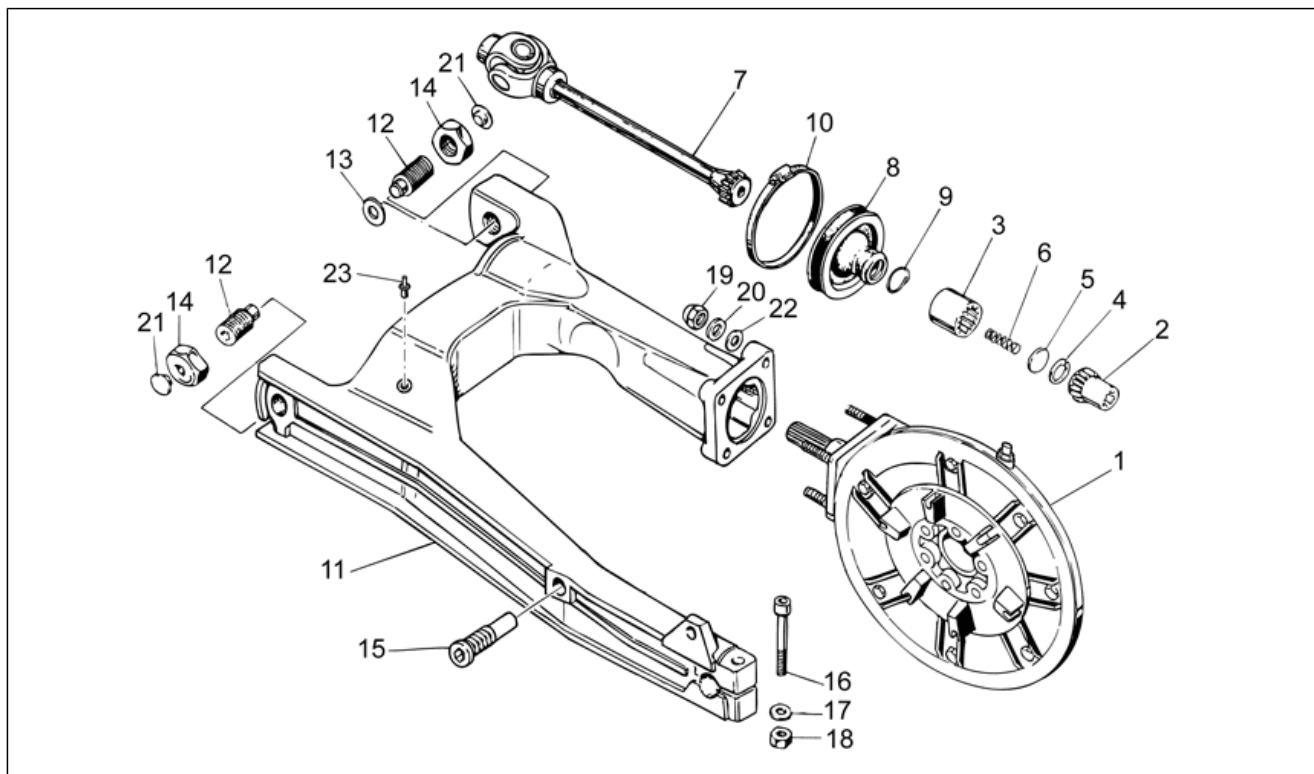
Pos.	Code	Beschrijving	Aant.	Varianten
1	887573	Wheel rim 3.5x17"	1	
2	GU90402538	Dichtingsring 25x40x7	1	
3	GU92204218	Lager	1	
4	GU27633910	Afstandhouder	1	
5	GU92204217	Lager	1	
6	GU03617710	Klep tubeless	1	
7	GU32636160	Rubber	1	
8	886680	Tyre 130/80 17	1	
9	GU32632510	Element schokbesch.	6	
10	GU14616150	Tegengewicht	1	
11	GU92606316	Moer M16x1,5	1	
12	887448	Remschijf	1	
13	894505	Zeskantbout geflenst M8x18	6	
14	GU32633360	Pin achterwiel	1	
15	GU31634481	Sluitring	1	

Groep	FRAME
Code	33.48
Beschrijving	Fuel vapour recover system
Revisie	1



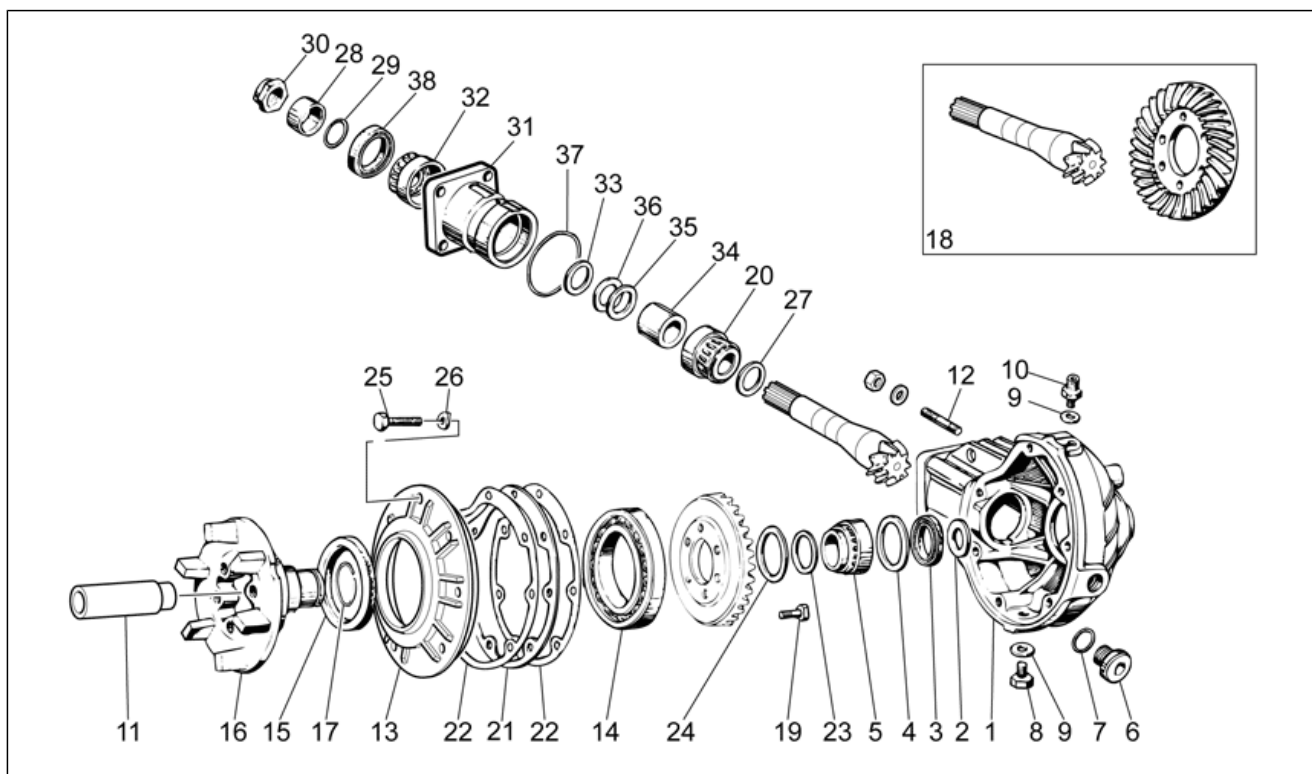
Pos.	Code	Beschrijving	Aant.	Varianten
1	AP8102678	Koolfilter	1	LAND:United States of America[USA]
2	AP8102688	Klemmetje d.76	1	LAND:United States of America[USA]
3	GU32439260	Houder canister USA	1	LAND:United States of America[USA]
4	GU95005311	Sluitring	1	LAND:United States of America[USA]
5	AP8152299	Zelfborg.bout gefl. M6	1	LAND:United States of America[USA]
6	AP8102159	Klemmetje	1	LAND:United States of America[USA]
7	860138	Klep	1	LAND:United States of America[USA]
8	GU28157950	Klikband 12,5x8	4	LAND:United States of America[USA]
9	AP8120446	Klikbandje groen D11x6,6x1	2	LAND:United States of America[USA]
10	AP8121267	Eindstuk vernauw.	1	LAND:United States of America[USA]
11	AP8120416	Band zwart 178x4*	1	LAND:United States of America[USA]
12	GU00823923140	Thermische gaine	4	LAND:United States of America[USA]
13	AP8201358	Klemmetje D 11,9	1	LAND:United States of America[USA]
14	856063	Buis SAE 30 d.12,7x6,35	3	LAND:United States of America[USA]
15	GU93301313	Beugel	1	LAND:United States of America[USA]
16	AP8221114	Kabelgeleider	2	LAND:United States of America[USA]

Groep	ENGINE
Code	34.09
Beschrijving	Transmission complete I
Revisie	1



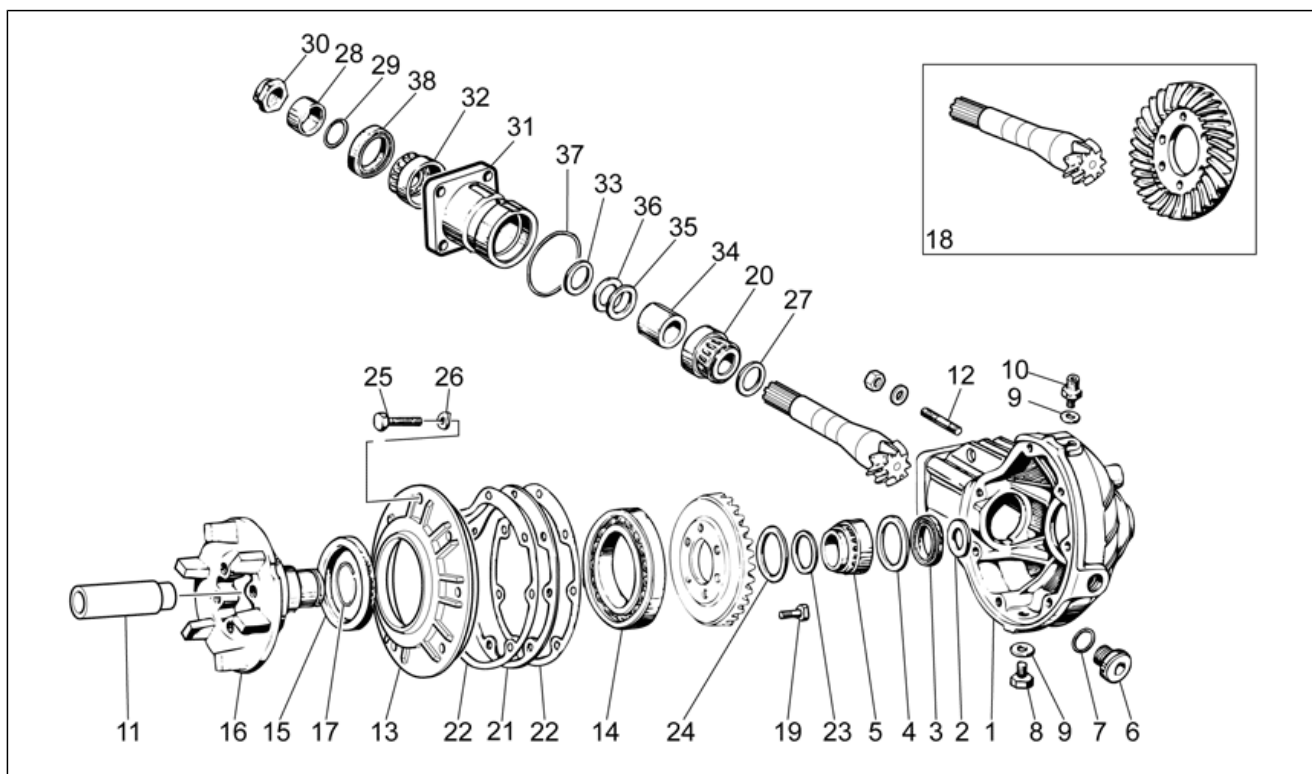
Pos.	Code	Beschrijving	Aant.	Varianten
1	976941	Transmissiedoos cpl. zwart	1	
2	GU31327783	Mof	1	
3	GU19328801	Mof	1	
4	GU90272023	Seegerring	1	
5	GU19327601	Schijf	1	
6	GU94321099	Veer	1	
7	GU23328081	Cardankoppeling	1	
8	GU23548080	Besch.band	1	
9	GU23548180	Veer	1	
10	AP8120246	Klemmetje D=60-80	1	
11	883011	Vork zwart	1	
12	GU19547000	Pin	2	
13	GU35214300	Dikte	1	
14	GU31547882	Moer	2	
15	GU31544181	Pin	1	
16	GU98680545	Bout M10x45	1	
17	GU95008210	Sluitring 10,2X18X2	1	
18	GU92606210	Moer M10x1,5	1	
19	860651	Moer blind M8x1,25	4	
20	GU14615901	Sluitring 8,4X13X0,8	4	
21	GU93180105	Dop	2	
22	GU95005308	Sluitring 8,4x14,57x1,6	4	
23	GU03922280	Dop 5x9	1	

Groep	ENGINE
Code	34.10
Beschrijving	Transmission complete II
Revisie	1



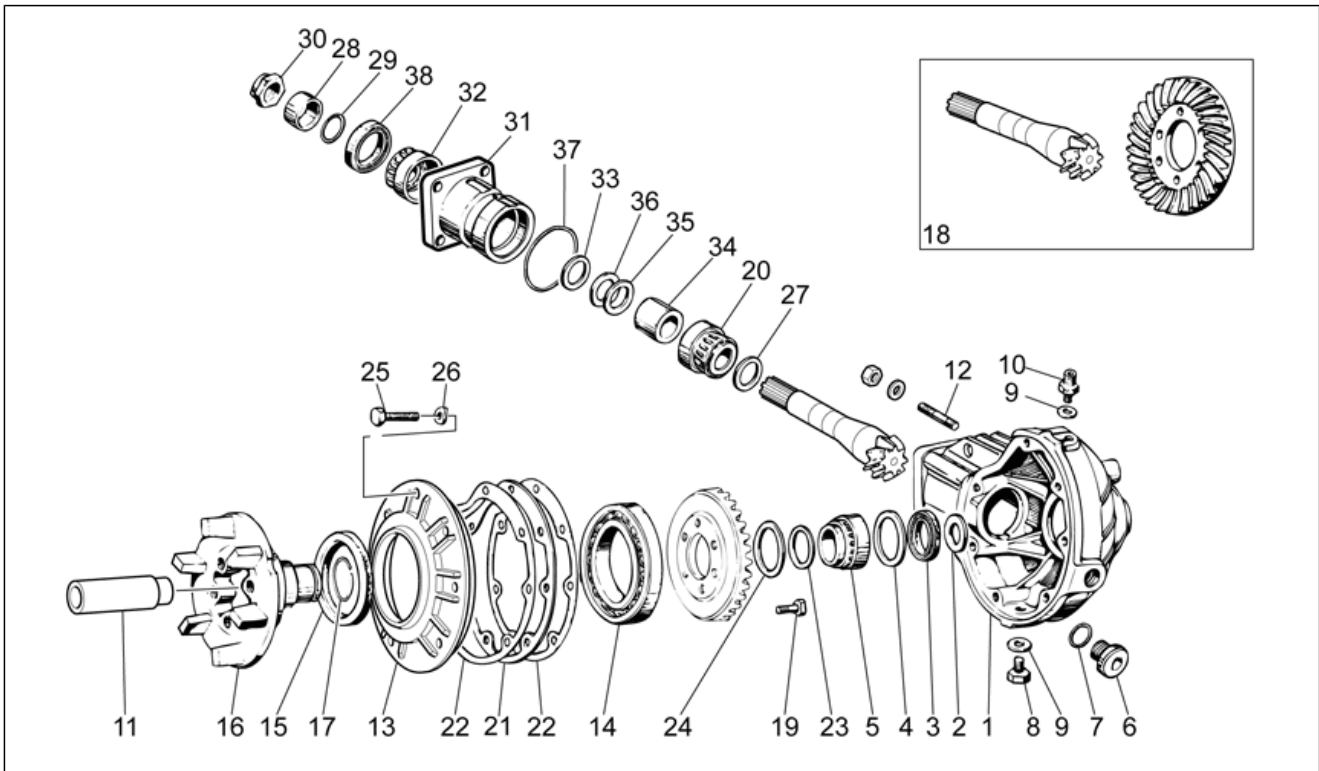
Pos.	Code	Beschrijving	Aant.	Varianten
1	976608	Doos transm. zwart	1	
2	GU19351900	Steunende sluitring	1	
3	GU90403549	Dichtingsring 35x47x7	1	
4	GU19351100	Steunende sluitring	1	
5	GU92252235	Rollager 35x50x17	1	
6	GU12022600	Oliedop	1	
7	GU90706203	OR-ring 20,24X2,62	1	
8	GU31003766	Afvoerdop olie M10x1	1	
9	GU01528930	Pakking 10x18x1,5	2	
10	GU19206501	Dop ontluchting	1	
11	GU32633560	Afstandhouder	1	
12	GU96508055	Stiftbout	4	
13	GU32350410	Bedekking	1	
14	GU92201070	Kogellager 70x110x13	1	
15	GU90407591	Dichtingsring 75x95x10	1	
16	GU32351410	Pin	1	
17	GU90353030	Blokkeerring	1	
18	GU32354610	Conisch koppel 8/33	1	
19	GU03067730	Bout M8x25	6	
20	GU92249227	Conische kogellager 25x5	1	
21	GU19355400	Dikte 0,8 mm	1	
21	GU19355402	Dikte 0,9 mm	1	
21	GU19355404	Dikte 1 mm	1	
21	GU19355406	Dikte 1,1 mm	1	
21	GU19355408	Dikte 1,2 mm	1	
21	GU19355410	Dikte 1,3 mm	1	
21	GU19355411	Dikte 1,4 mm	1	
21	GU19355412	Dikte 1,5 mm	1	

Groep	ENGINE
Code	34.10
Beschrijving	Transmission complete II
Revisie	1



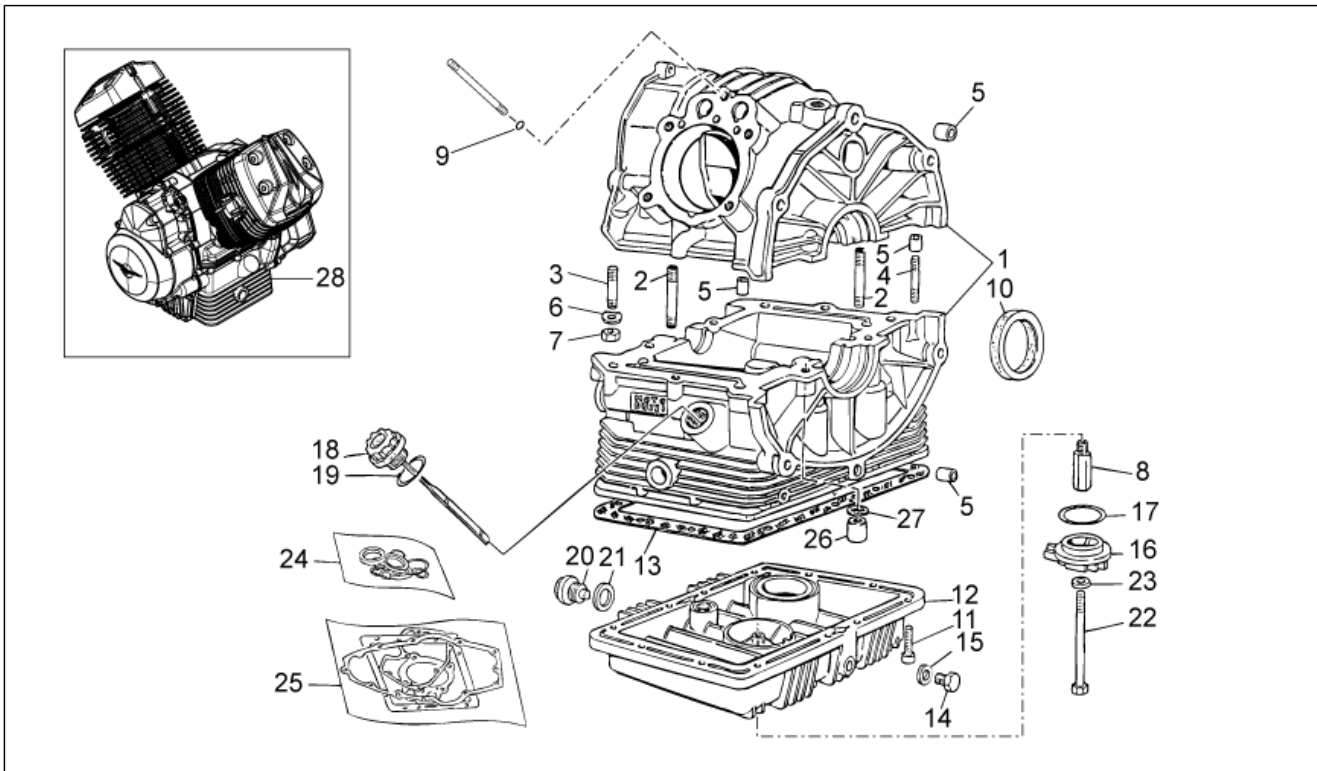
Pos.	Code	Beschrijving	Aant.	Varianten
21	GU19355413	Dikte 1,6 mm	1	
22	GU19350700	Pakking	2	
23	GU19352300	Schraapring	1	
24	GU19353500	Schraapring	1	
25	GU19357660	Bout	7	
26	GU61270300	Elastische sluitring 8x15x0,3	7	
27	GU19355320	Dikte 1 mm	1	
27	GU19355321	Dikte 1,1 mm	1	
27	GU19355322	Dikte 1,2 mm	1	
27	GU19355323	Dikte 1,3 mm	1	
27	GU19355324	Dikte 1,4 mm	1	
27	GU19355325	Dikte 1,5 mm	1	
27	GU19355326	Dikte 1,6 mm	1	
27	GU19355327	Dikte 1,7 mm	1	
27	GU19355328	Dikte 1,8 mm	1	
27	GU19355329	Dikte 1,9 mm	1	
28	GU19356801	Afstandhouder	1	
29	GU90706188	Dichtingsring 18,77X1,78	1	
30	GU19356700	Moer	1	
31	GU20352421	Cover	1	
32	GU92249220	Rollager 20x47x14	1	
33	GU19355300	Dikte 1 mm	1	
33	GU19355301	Dikte 1,1 mm	1	
33	GU19355302	Dikte 1,2 mm	1	
33	GU19355303	Dikte 1,3 mm	1	
33	GU19355304	Dikte 1,4 mm	1	
33	GU19355305	Dikte 1,5 mm	1	
33	GU19355306	Dikte 1,6 mm	1	

Groep	ENGINE
Code	34.10
Beschrijving	Transmission complete II
Revisie	1



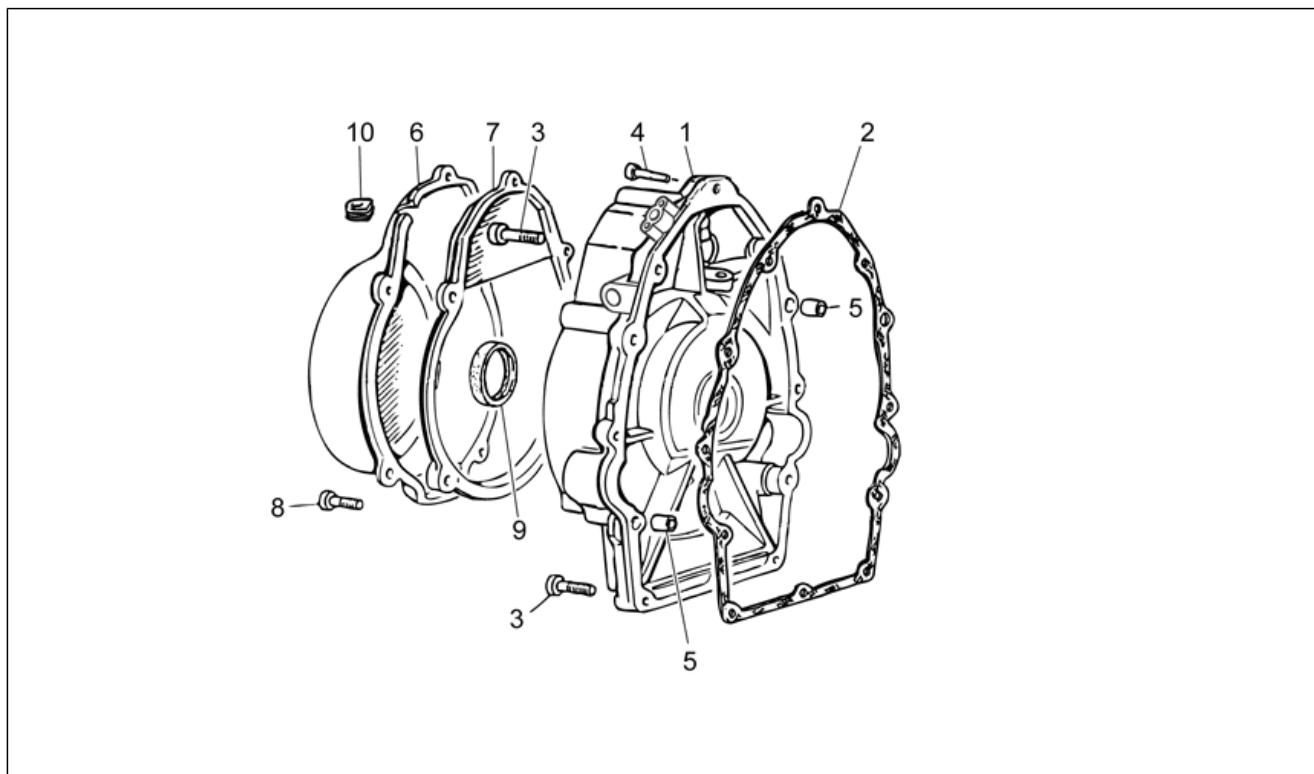
Pos.	Code	Beschrijving	Aant.	Varianten
33	GU19355307	Dikte 1,7 mm	1	
33	GU19355308	Dikte 1,8 mm	1	
33	GU19355309	Dikte 1,9 mm	1	
34	GU20355121	Afstandhouder	1	
35	GU19355200	Sluitring regel. 0,1 mm	1	
36	GU19355202	Sluitring regel. 0,15 mm	1	
37	GU90706584	Pakking 58,42x2,62	1	
38	GU90403251	Dichtingsring 32x47x10	1	

Groep	ENGINE
Code	34.34
Beschrijving	Crank-case
Revisie	1



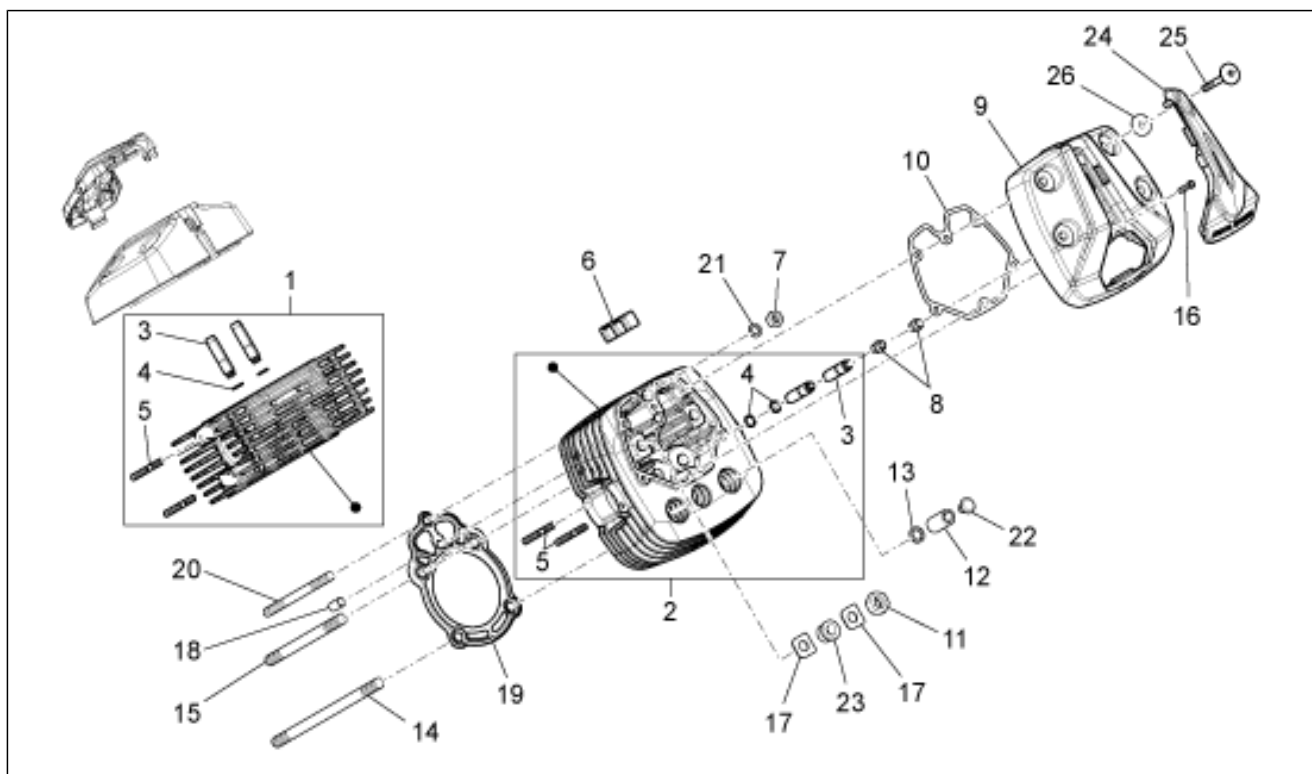
Pos.	Code	Beschrijving	Aant.	Varianten
1	976600	Onderstel motor zwart	1	
2	GU96451560	Stiftbout	4	
3	GU96451430	Stiftbout	4	
4	GU96508055	Stiftbout	2	
5	GU19015020	Beslagring	4	
6	GU61270300	Elastische sluitring 8x15x0,3	6	
7	GU92606208	Moer M8x1,25	6	
8	GU19003800	Verbinding	1	
9	GU90706076	OR-ring	2	
10	GU04000500	Dichtingsring	1	
11	GU98682325	Binnenzeskantbout M6x25	12	
12	976604	Oliecarter motor grijs	1	
13	887004	Pakking oliecarter	1	
14	GU31003766	Afvoerdop olie M10x1	1	
15	GU10528900	Pakking in aluminium	1	
16	976685	Bedekking	1	
17	GU90706444	OR-ring	1	
18	883826	Invoerdop olie	1	
19	GU90706281	OR-ring 28,24x2,62	1	
20	GU12003702	Afvoerdop olie	1	
21	GU95100709	Pakking 20,1x28x2	1	
22	GU27152885	Schroefbout	1	
23	GU12154200	Pakking 8,25x15x1	1	
24	GU32999510	Oliekeerringen-serie	1	
25	GU32999010	Pakkingen-serie	1	
26	GU13021900	Kolomv. moer	4	
27	GU95129180	Sluitring 10,5X18X0,8	4	
28	976991	Motor cpl. zonder versn.bak	1	

Groep	ENGINE
Code	34.35
Beschrijving	Timing system cover
Revisie	1



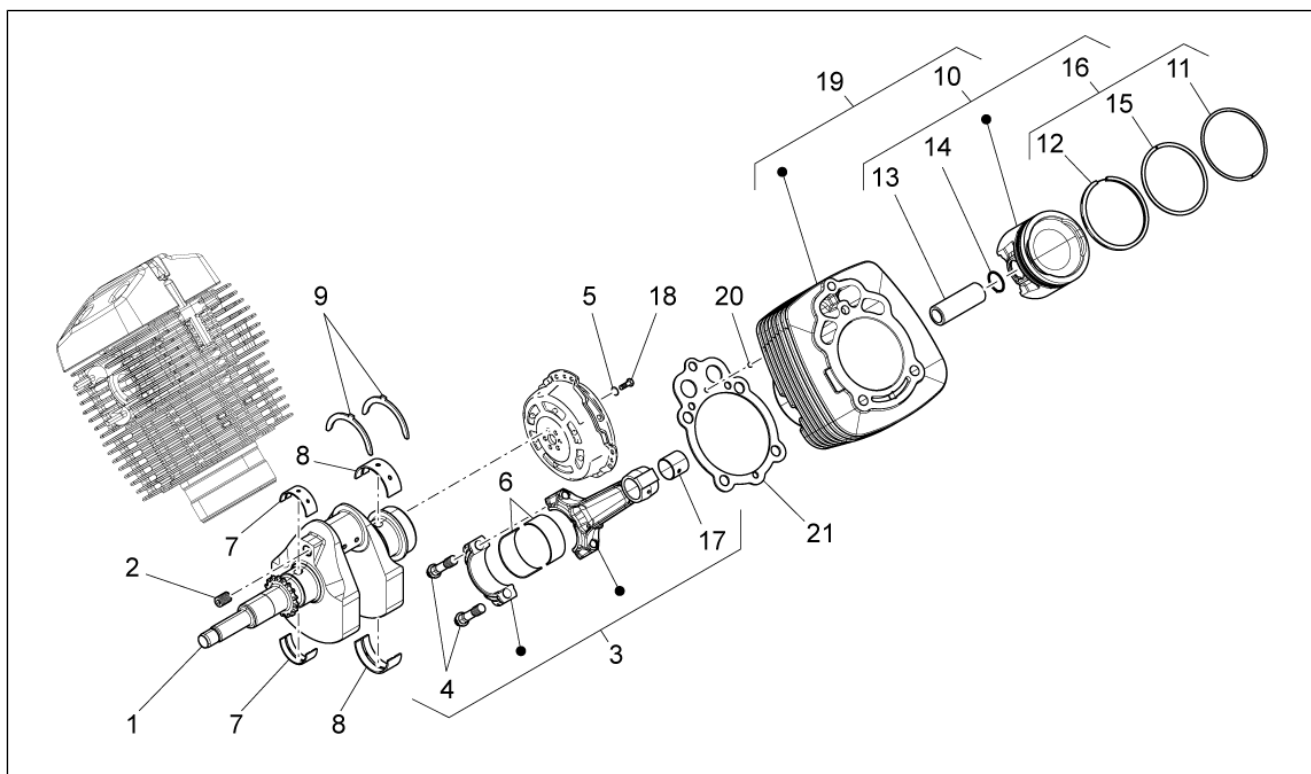
Pos.	Code	Beschrijving	Aant.	Varianten
1	976603	Bedekking distr. zwart	1	
2	887003	Pakking bedekking	1	
3	GU98682325	Binnenzeskantbout M6x25	10	
4	GU98682330	Binnenzeskantbout M6x20	2	
5	GU19002020	Beslagring 6,6x9x13	2	
6	GU32001610	Bedekking generator	1	
7	GU27001136	Flens bedekking alternator	1	
8	884039	Binnenzeskantbout M6x35	4	
9	GU90402842	Dichtingsring	1	
10	GU19007700	Rubbetje	1	

Groep	ENGINE
Code	34.36
Beschrijving	Cylinder head
Revisie	1



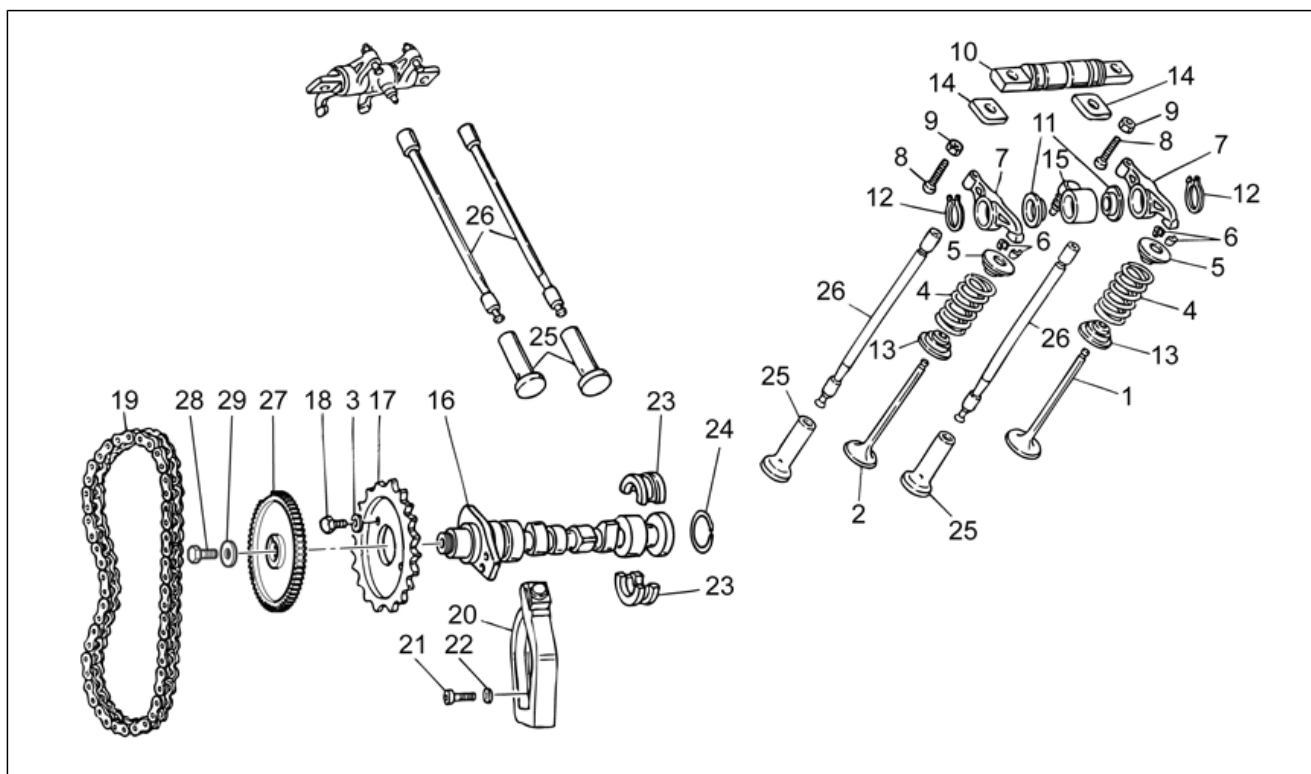
Pos.	Code	Beschrijving	Aant.	Varianten
1	8872724	Kop re	1	
2	8872754	Kop li	1	
3	GU61036801	Klepgeleider	4	
4	GU90353009	Elastische ring	4	
5	GU96506042	Stiftbout	4	
6	B063111	Tassello antivibrante	4	
7	GU19021920	Moer	2	
8	GU19037820	Oliekeerring	4	
9	887523	Kopdeksel	2	
10	887002	Pakking bedekking kop	2	
11	GU92603010	Moer M10X1,5	4	
12	GU13021900	Kolomv. moer	4	
13	GU95129180	Sluitring 10,5X18X0,8	4	
14	GU96510214	Stiftbout M10x214	4	
15	GU96510181	Stiftbout M10x182	4	
16	GU98692325	Binnenzeskantbout M6x25	4	
17	GU19032980	Dikte	8	
18	GU19021360	Beslagring	2	
19	B063099	Pakking kop-cilinder	2	
20	GU96508145	Stiftbout M8x143	2	
21	GU61270300	Elastische sluitring 8x15x0,3	2	
22	GU93180245	Dop	4	
23	AP8144071	Rubbertje uitlaat	1	
24	887279	Bedekking bougie	2	
25	887483	Vite coperchio testa M6x52.5	8	
26	969973	Sluitring	8	

Groep	ENGINE
Code	34.37
Beschrijving	Crankshaft cpl.
Revisie	1



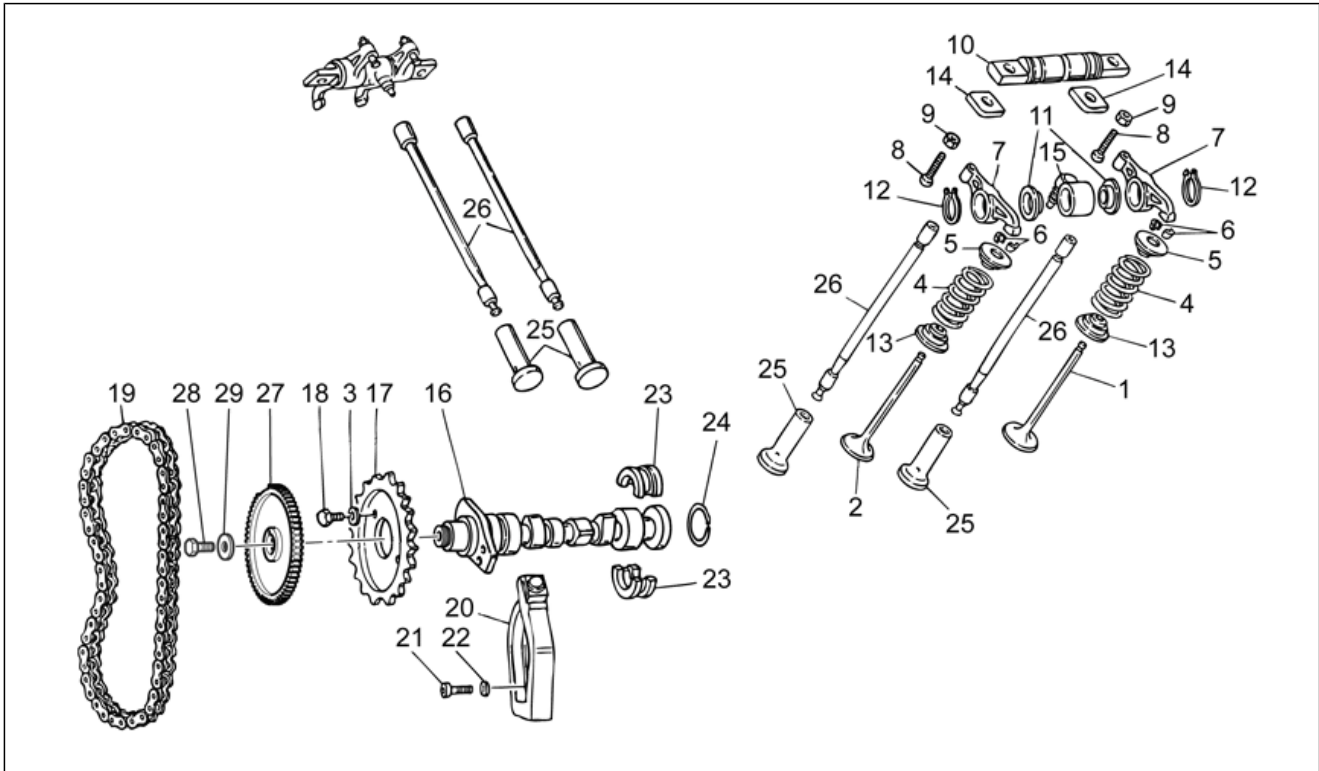
Pos.	Code	Beschrijving	Aant.	Varianten
1	GU320642104	Drijfjas cpl.	1	
2	GU19065400	Dop	1	
3	GU27061585	Drijfstang cpl.	2	
4	GU19062261	Bout	4	
5	GU14615901	Sluitring 8,4X13X0,8	6	
6	GU27062060	Halfdop kussenblok	4	
7	GU27065660	Halfdop kussenblok voor	2	
8	GU27066560	Halfdop kussenblok acht.	2	
9	GU27066460	Halfsluitring	2	
10	8872690001	[...]	1	
10	8872690002	***Piston assy	1	
10	8872690003	***Piston assy	1	
11	B063018	Holle elastische band 1e	2	
12	B063020	Band olieschaap	2	
13	B063016	Zuigerpen	2	
14	874567	Blokkeerring	4	
15	B063019	Holle elastische band 2e	2	
16	B063466	Kit elastische banden	2	
17	GU27061885	Beslagring	2	
18	GU19067700	Bout	6	
19	B063465	Cilinder met zuiger cpl.	2	
20	GU61027200	OR-ring	2	
21	886670	Cylinder gasket	2	

Groep	ENGINE
Code	34.38
Beschrijving	Timing system
Revisie	1



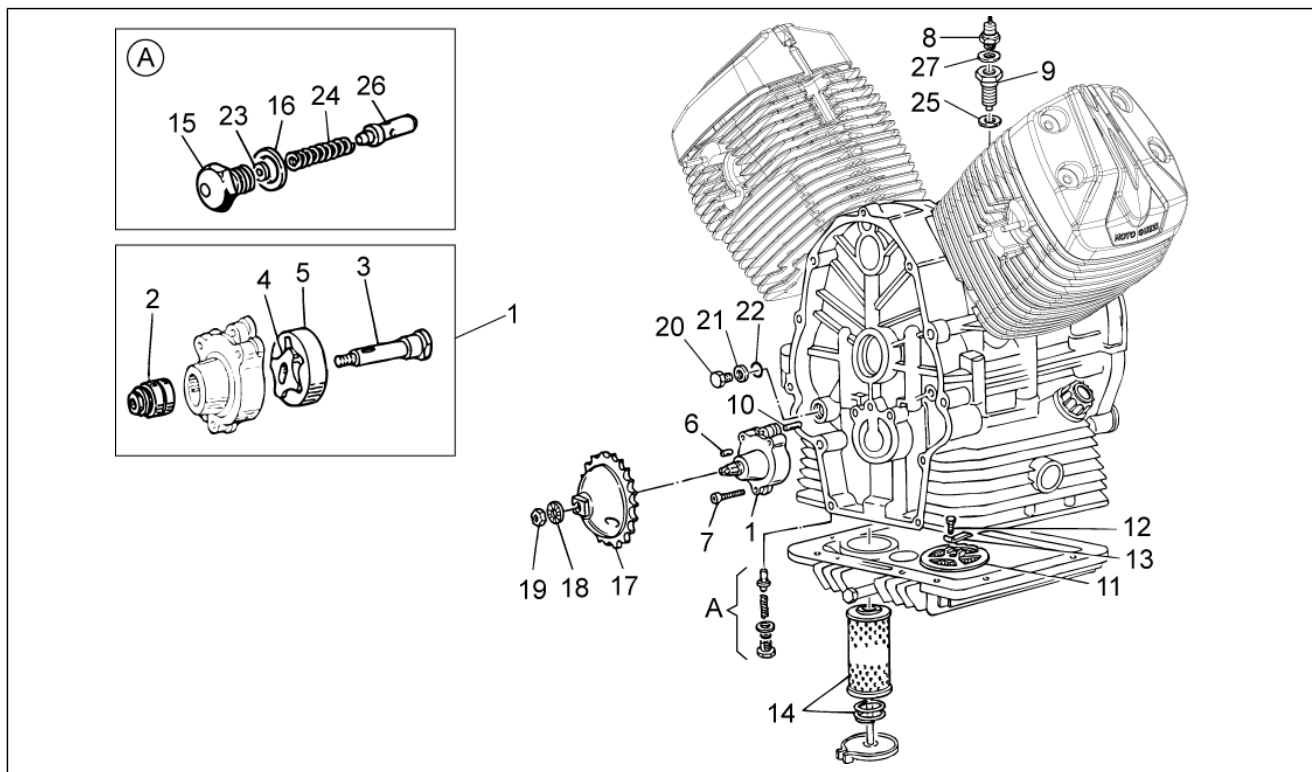
Pos.	Code	Beschrijving	Aant.	Varianten
1	GU20036020	Klep aanz.	2	
2	GU20036120	Klep uitl.	2	
3	GU23217800	Sluitering veiligheid	2	
4	GU27037521	Veer	4	
5	GU31038015	Schijf bov.	4	
6	GU61038100	Halfconus	8	
7	GU19030500	Balanceringen	4	
8	GU19034000	Bout	4	
9	GU92602406	Moer M6x1	4	
10	GU19032080	Pin balancering	2	
11	GU32032310	Schraapring	4	
12	GU90271018	Seegerring	4	
13	GU31037015	Schijf ond.	4	
14	GU19032980	Dikte	4	
15	GU19027500	Mof	2	
16	GU32053410	Nokkenas	1	
17	GU32054510	Raderw.distrib.	1	
18	GU61054900	Schroefbout	2	
19	GU19058021	Distributieketting	1	
20	GU19058220	Kettingspanner distr.	1	
21	GU98882316	Bout	1	
22	GU95129115	Sluitering	1	
23	GU19055700	Sector blokk.	2	
24	GU90353029	Elastische ring	1	
25	GU19045861	Kleplicht.	4	
26	GU31045015	Staaft balanceringen	4	
27	887528	Geluidswiel	1	
28	GU98054422	Bout M8x22	1	

Groep	ENGINE
Code	34.38
Beschrijving	Timing system
Revisie	1



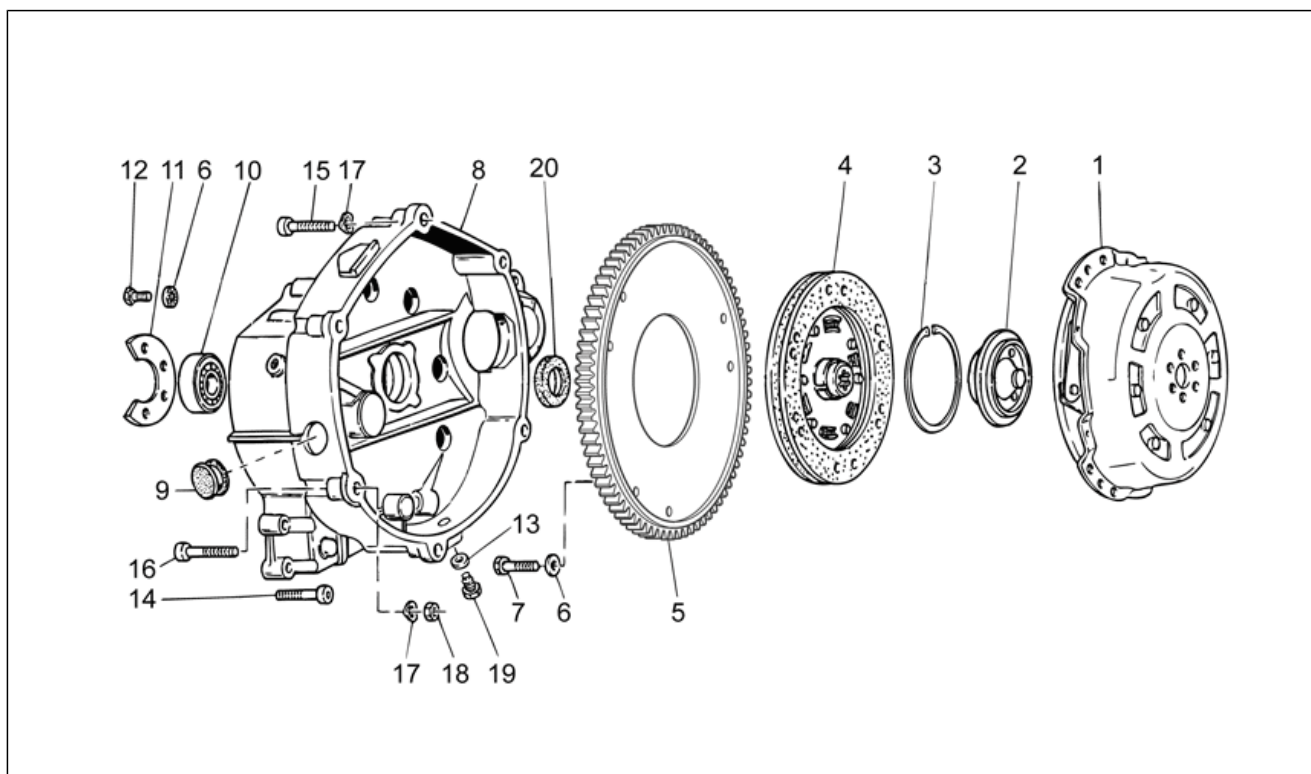
Pos.	Code	Beschrijving	Aant.	Varianten
29	GU95100244	Sluitring	1	

Groep	ENGINE
Code	34.39
Beschrijving	Oil pump
Revisie	1



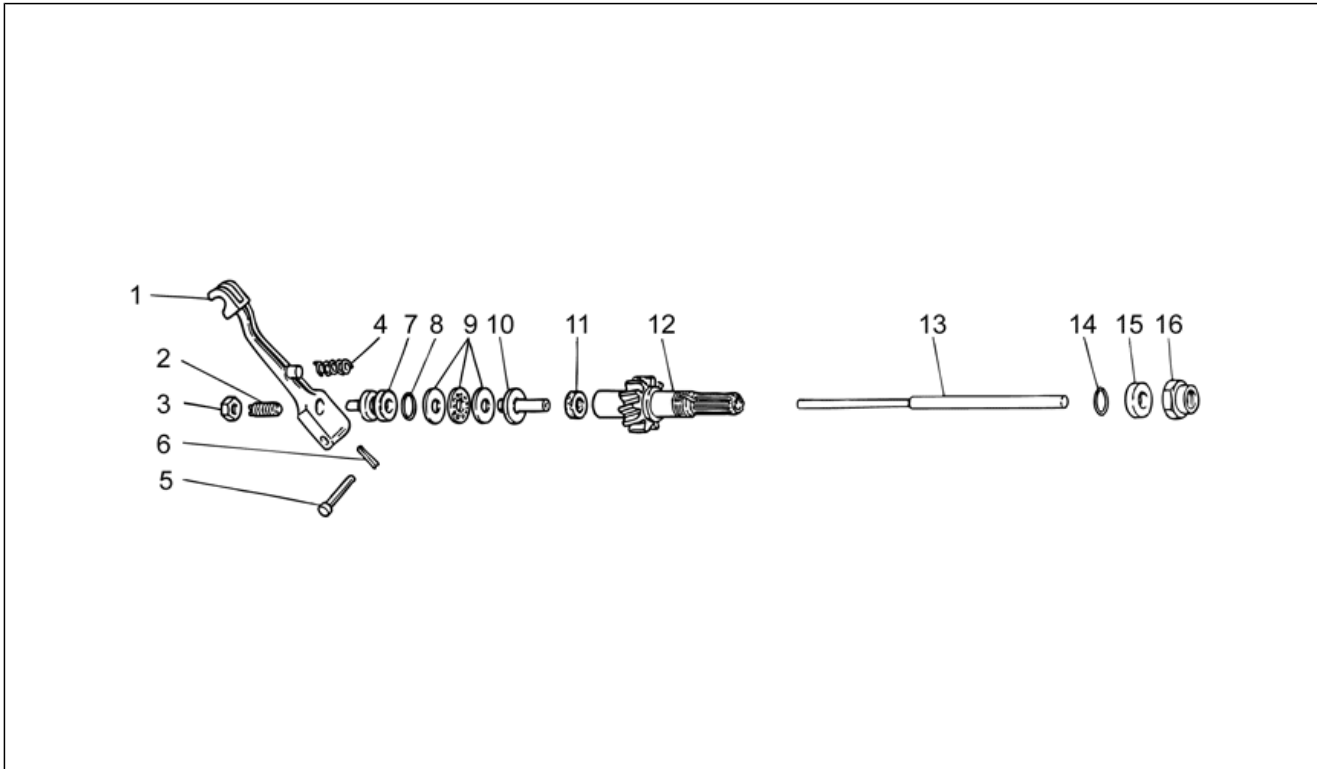
Pos.	Code	Beschrijving	Aant.	Varianten
1	GU19146422	Oliepomp	1	
2	GU92252210	Rollager 10x22x20	1	
3	GU20147810	As oliepom	1	
4	GU20148410	Rotor int.	1	
5	GU20148610	Rotor ext.	1	
6	GU92296723	Rol	1	
7	884039	Binnenzeskantbout M6x35	3	
8	641541	Oil pressure sensor	1	
9	887093	Verbinding zender	1	
10	GU19018920	Plug	2	
11	GU19152200	Oliefilter	1	
12	GU98084314	Zeskantbout M6x14	1	
13	GU95187006	Plaatje	1	
14	GU27153085	Oliefilter	1	
15	GU31159050	Dop	1	
16	GU18144350	Sluitring 18,25x24x1	3	
17	GU20147710	Raderw.pomp	1	
18	AP8152220	Gekart. sluitring	1	
19	GU92602510	Moer M10x1,25	1	
20	GU31016050	Dop	1	
21	GU18161150	Pakking in aluminium 14,25	1	
22	GU90706111	OR-ring	1	
23	GU95008206	Sluitring 6,15x11x0,8	3	
24	GU94321079	Veer	1	
25	GU95100602	Pakking	1	
26	GU31159050	Zuigertje	1	
27	GU95100309	Sluitring	1	

Groep	ENGINE
Code	34.40
Beschrijving	Clutch I
Revisie	1



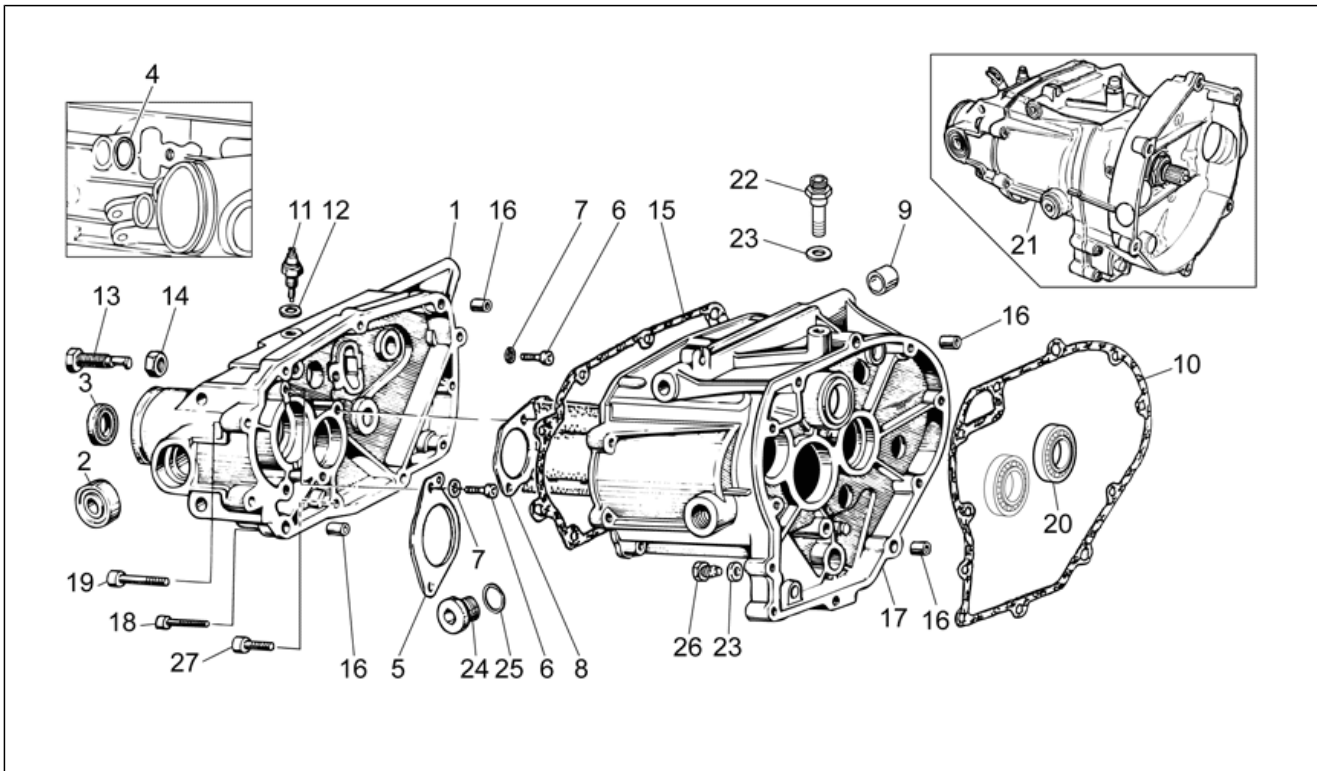
Pos.	Code	Beschrijving	Aant.	Varianten
1	GU32080310	Koppeling	1	
2	GU19083462	Plaatje koppeling	1	
3	GU90272075	Elastische ring	1	
4	GU32084410	Schijf koppeling geleid	1	
5	GU32067910	Kroon	1	
6	GU14217901	Gekart. sluitring 6,4x10x0,7	9	
7	884038	Zeskantbout M6x16	6	
8	981070	Koppelingsblok	1	
9	GU93180220	Dop	1	
10	GU92201225	Lager 25x52x15	1	
11	GU19203460	Bevestigingsplaat lager	1	
12	GU98084314	Zeskantbout M6x14	3	
13	GU10528900	Pakking in aluminium	1	
14	884032	Binnenzeskantbout M6x30	11	
15	GU98680435	Binnenzeskantbout M8x35	5	
16	GU98680450	Binnenzeskantbout M8x50	1	
17	GU61270300	Elastische sluitring 8x15x0,3	6	
18	GU92606208	Moer M8x1,25	1	
19	GU31003766	Afvoerdop olie M10x1	1	
20	AP9150435	Oliekeerring D32x45x6	1	
21	GU23204471	Getto per a.s.	1	
22	GU23204571	Getto per a.p.	1	

Groep	ENGINE
Code	34.41
Beschrijving	Clutch II
Revisie	1



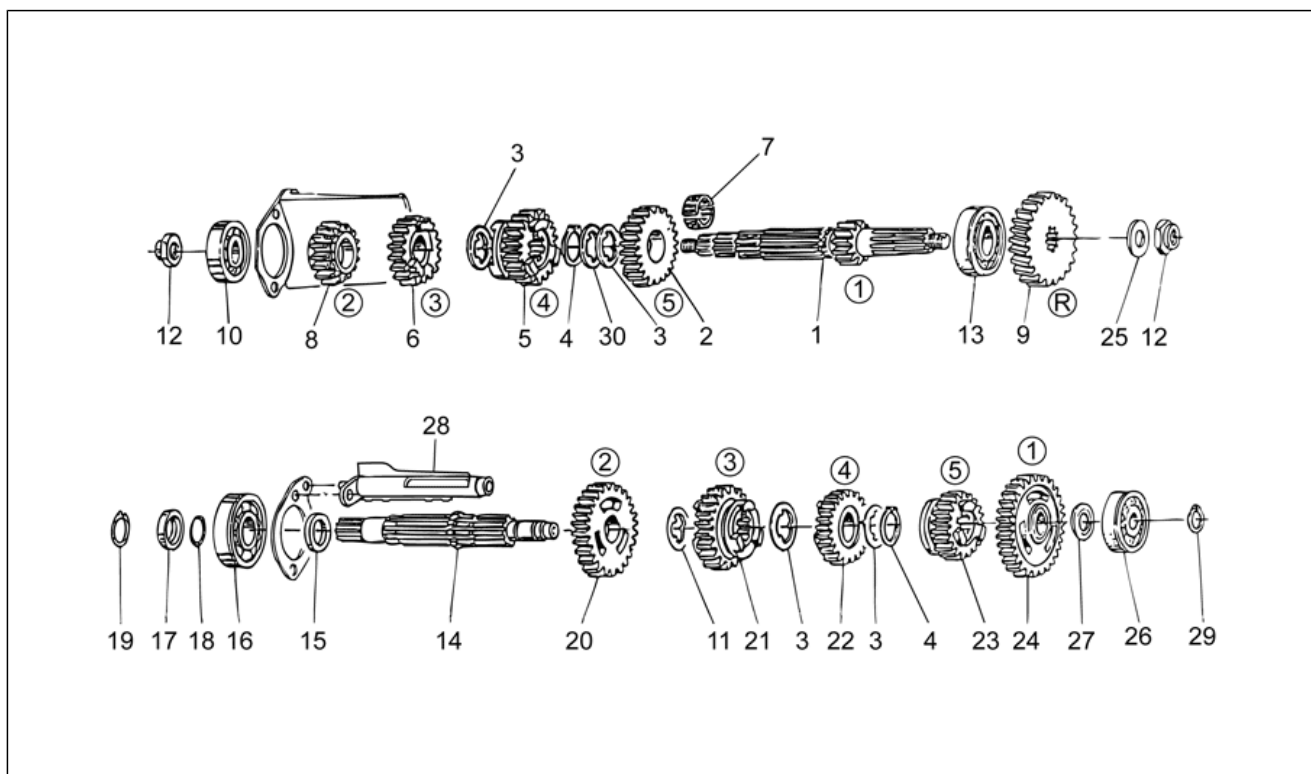
Pos.	Code	Beschrijving	Aant.	Varianten
1	GU14090201	Ontkoppelingshendel koppeling	1	
2	GU14090400	Registerbout	1	
3	GU92606508	Moer	1	
4	GU94321105	Trekveer hendel	1	
5	GU95780271	Plug 7x39	1	
6	GU95500222	Splitpen	1	
7	GU14086100	Externe romnp	1	
8	GU90706170	O-ring 17,13x2,62	1	
9	GU12087001	Lager drukst.	1	
10	GU14086000	Tussenromp	1	
11	GU90400616	Dichtingsring 6x16x7	1	
12	GU27210760	Overbrengingsas Z=16	1	
13	GU20085720	Staaaf schijfduwer	1	
14	GU90706235	O-ring 23,52x1,78	1	
15	GU19213760	Afstandhouder	1	
16	GU19356760	Veiligheidsmoer	1	

Groep	ENGINE
Code	34.42
Beschrijving	Transmission cage
Revisie	1



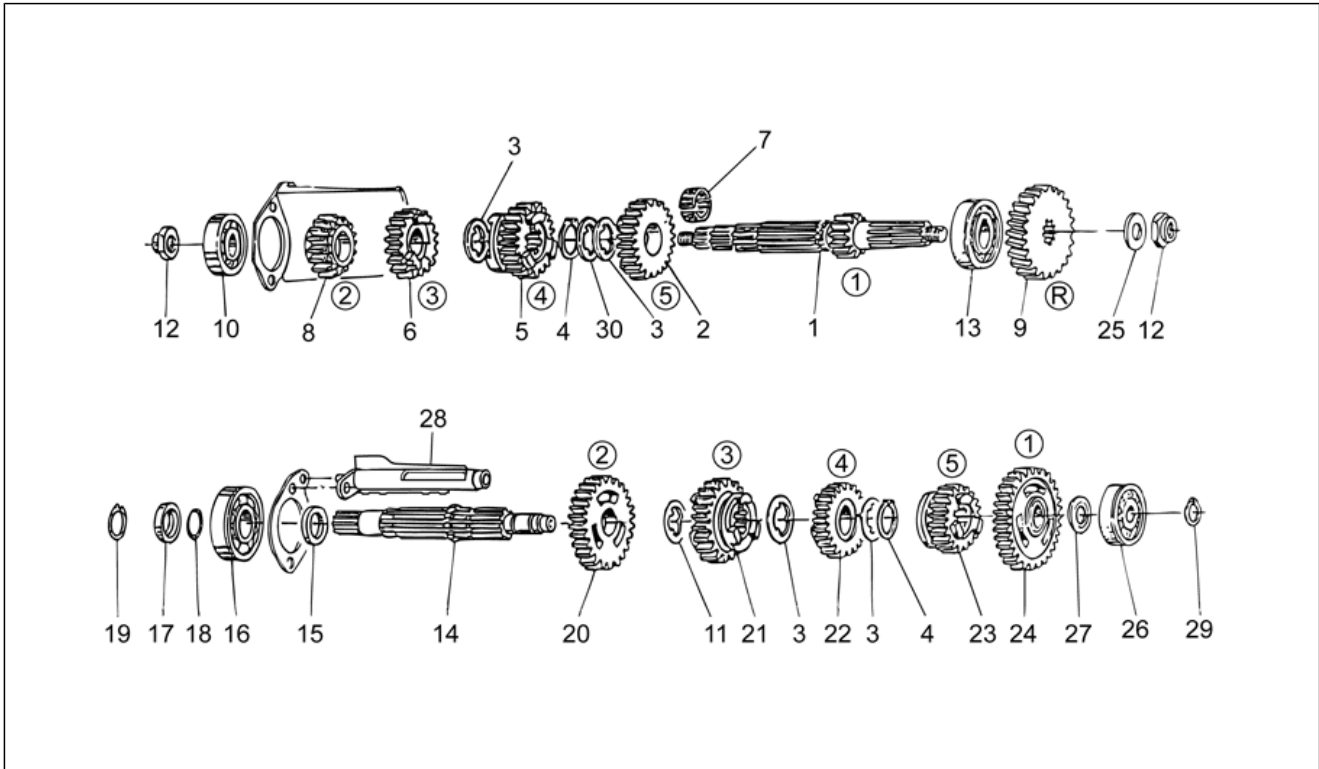
Pos.	Code	Beschrijving	Aant.	Varianten
1	887213	Bedekking vesnellingsbak	1	
2	GU92204215	Lager 15x35x11	2	
3	886364	Dichtingsring 28x40x7	1	
4	GU90706140	O-ring 13,95x2,92	1	
5	GU32213810	Bevest.plaat secund. as	1	
6	884031	Binnenzeskantbout M6x14	4	
7	GU14217901	Gekart. sluitring 6,4x10x0,7	4	
8	GU32208210	Wand olie	1	
9	GU19202320	Beslagring 10,25x15,7x8	2	
10	887005	Pakking	1	
11	B063269	Sensor vrij	1	
12	GU12154200	Pakking 8,25x15x1	1	
13	GU19237800	Bout met excentriek M12x1,25	1	
14	GU92606512	Moer laag M12x1,25	1	
15	887006	Pakking	1	
16	GU19002020	Beslagring 6,6x9x13	4	
17	887235	Doos versn.bak	1	
18	GU98682330	Binnenzeskantbout M6x20	5	
19	GU98680435	Binnenzeskantbout M8x35	4	
20	B063342	Kogellager 6004/C3	1	
21	976992	Versnellingsbak cpl.	1	
22	GU32206510	Dop ontluchting	1	
23	GU10528900	Pakking in aluminium	2	
24	GU12022600	Oliedop	1	
25	GU90706203	OR-ring 20,24X2,62	1	
26	GU31003766	Afvoerdop olie M10x1	1	
27	AP8150285	Binnenzeskantbout M6x35	2	

Groep	ENGINE
Code	34.43
Beschrijving	Gear box
Revisie	1



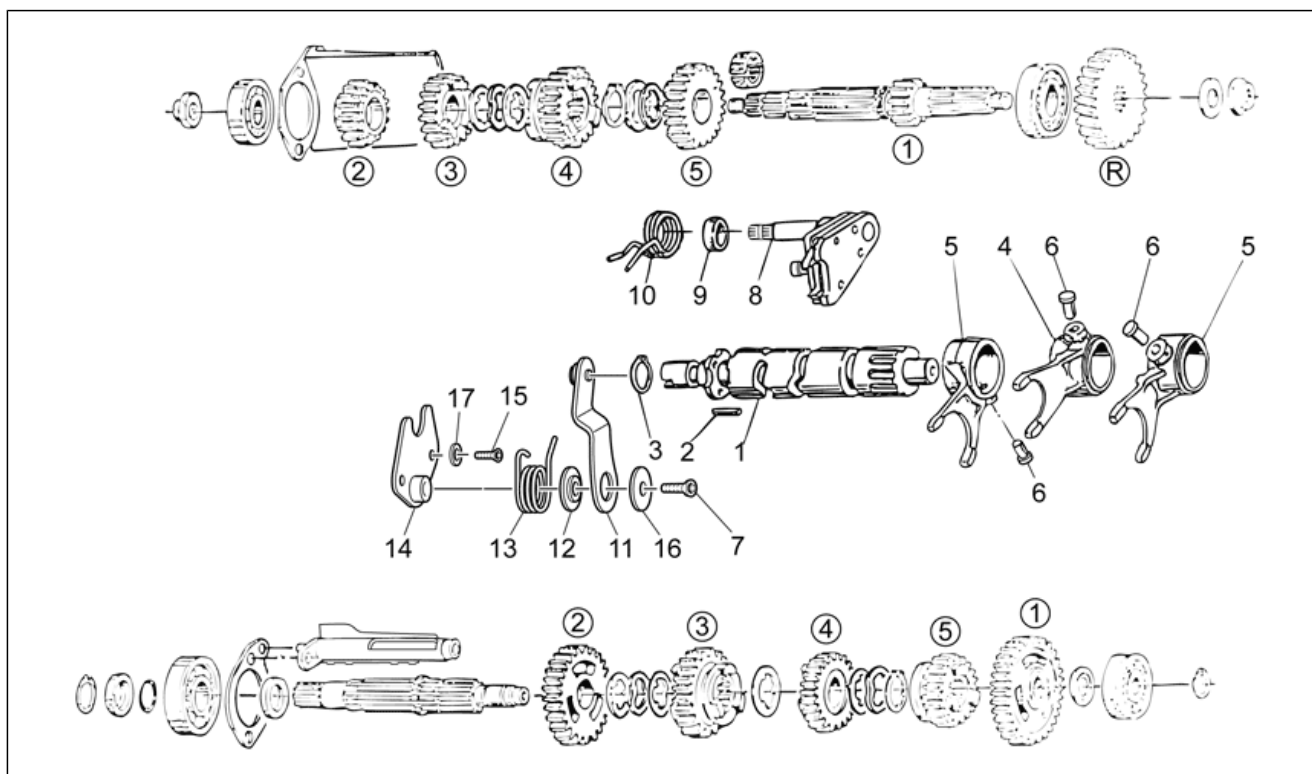
Pos.	Code	Beschrijving	Aant.	Varianten
1	GU32210510	Primaire as Z=11	1	
2	GU32212011	Raderwerk 5a AP Z=25	1	
3	GU19215460	Schraapring	3	
4	GU90271124	Seegerring	2	
5	GU32211810	Raderwerk 4a AP Z=18	1	
6	GU32211410	Raderwerk 3a AP Z=18	1	
7	GU92251028	Rollenkooi	1	
8	GU23211372	Raderwerk 2a AP Z=14	1	
9	GU32211110	Raderw. overbrenging AP Z=21	1	
10	GU92218417	Lager AP 17x40x17,5	1	
11	GU19214660	Steunende sluitring	2	
12	GU10054100	Veiligheidsmoer	2	
13	GU92230320	Lager AP 20x37x17	1	
14	GU32213610	Secundaire as	1	
15	GU19212900	Afstandhouder	1	
16	GU92201220	Lager 20X47X14	1	
17	GU19213720	Afstandhouder	1	
18	GU90706188	Dichtingsring 18,77X1,78	1	
19	GU90271121	Seegerring	1	
20	GU32214510	Raderwerk 2a AS Z=23	1	
21	GU32214810	Raderwerk 3a AS Z=23	1	
22	GU32215010	Raderwerk 4a AS Z=19	1	
23	GU32215210	Raderwerk 5a AS Z=22	1	
24	GU32214010	Raderwerk 1a AS Z=26	1	
25	GU39238100	Steunende sluitring	1	
26	GU92234716	Lager	1	
27	GU10214300	Dikte 1,5 mm	1	
27	GU10214301	Dikte 1,7 mm	1	

Groep	ENGINE
Code	34.43
Beschrijving	Gear box
Revisie	1



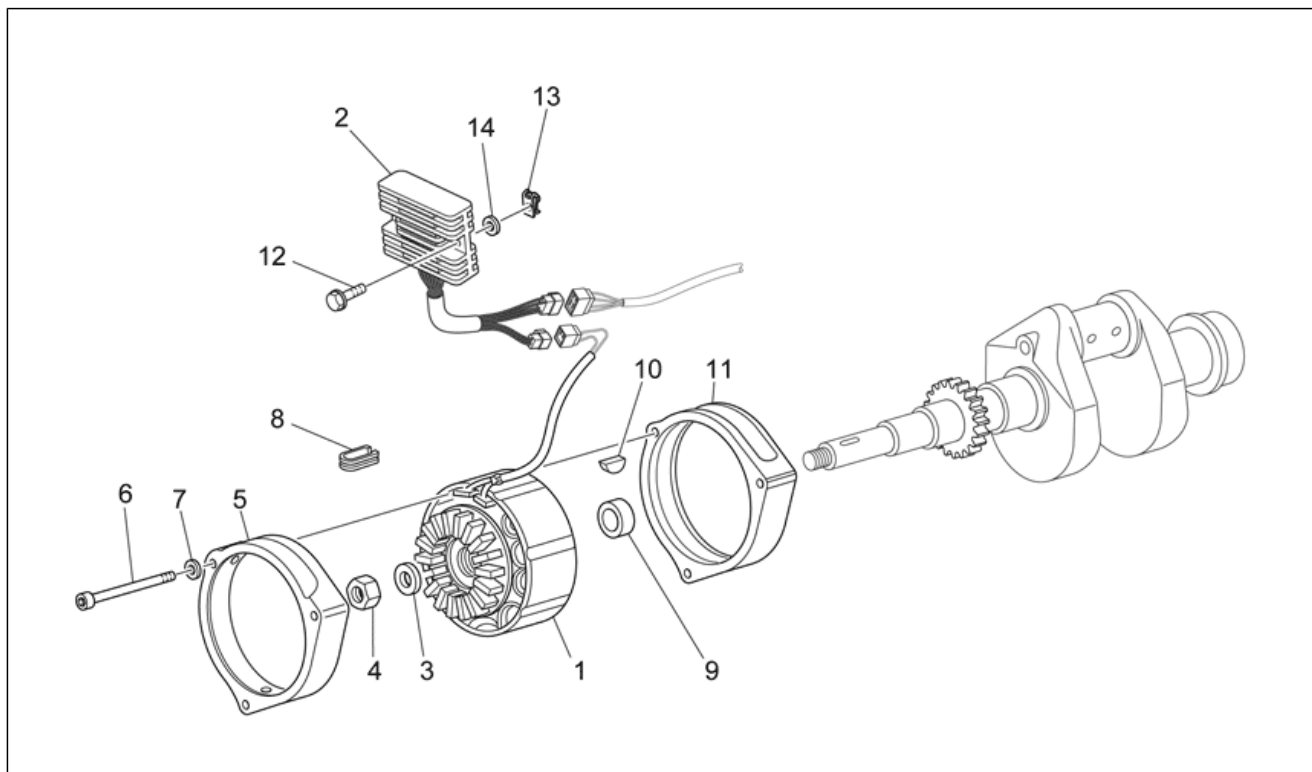
Pos.	Code	Beschrijving	Aant.	Varianten
27	GU10214302	Dikte 1,8 mm	1	
27	GU10214303	Dikte 1,9 mm	1	
27	GU10214304	Sluitring 2 mm	1	
27	GU10214305	Dikte 2,1 mm	1	
28	GU32202010	Druiper	1	
29	GU90271117	Seegerring	1	

Groep	ENGINE
Code	34.44
Beschrijving	Gear box selector
Revisie	1



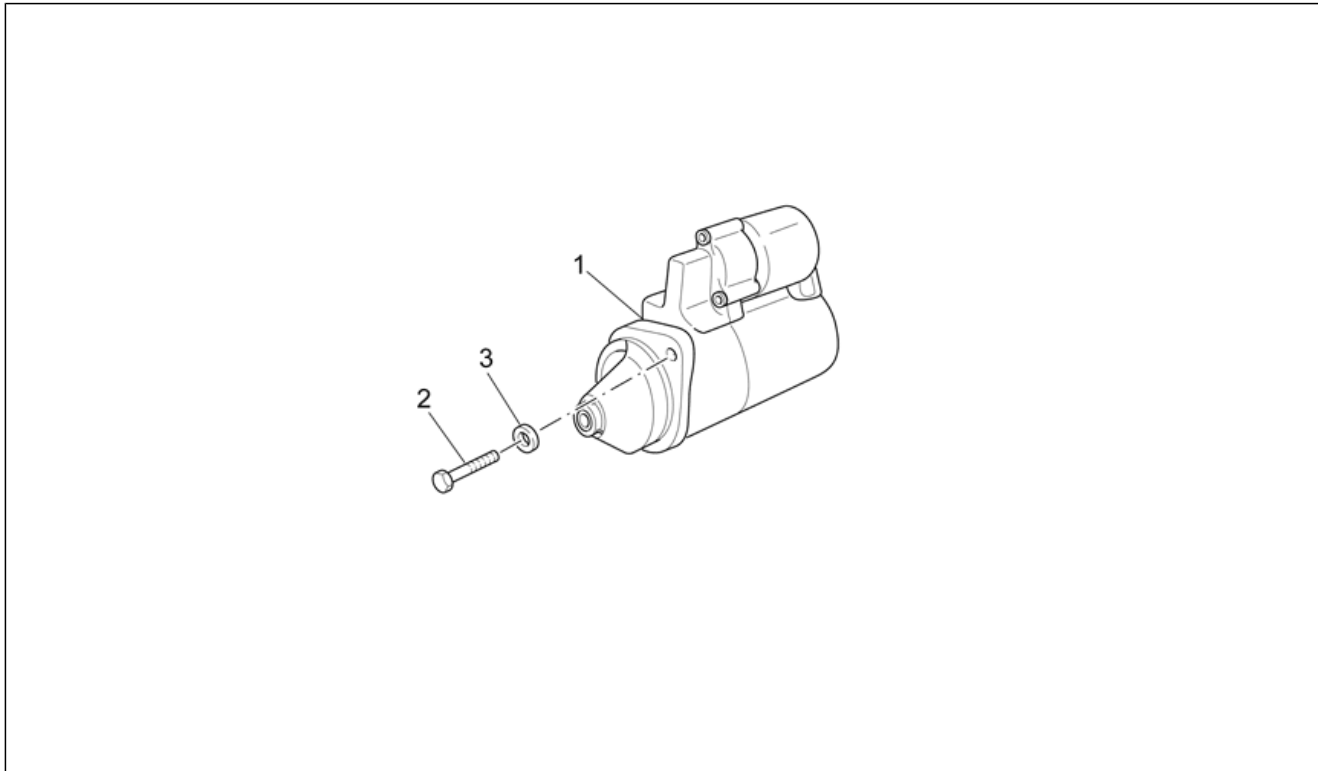
Pos.	Code	Beschrijving	Aant.	Varianten
1	GU32234410	Shift cam	1	
2	GU19234600	Pin	4	
3	GU90274026	Elastische ring	1	
4	GU32231210	Vork AP	1	
5	GU32231010	Vork AS	2	
6	GU32233010	Rol	3	
7	GU98230612	Bout	1	
8	887196	Voorschakelaar cpl.	1	
9	GU20208520	Afstandhouder	1	
10	GU32238210	Trekveer schakelaar	1	
11	GU32234710	Hendel	1	
12	GU32234810	Sluitring	1	
13	GU32234110	Veer	1	
14	GU32235710	Plaat	1	
15	GU98257618	Bout	2	
16	GU32234910	Sluitring 6,4x20x1	1	
17	GU14217901	Gekart. sluitring 6,4x10x0,7	2	

Groep	ENGINE
Code	34.45
Beschrijving	Generator - Regulator
Revisie	1



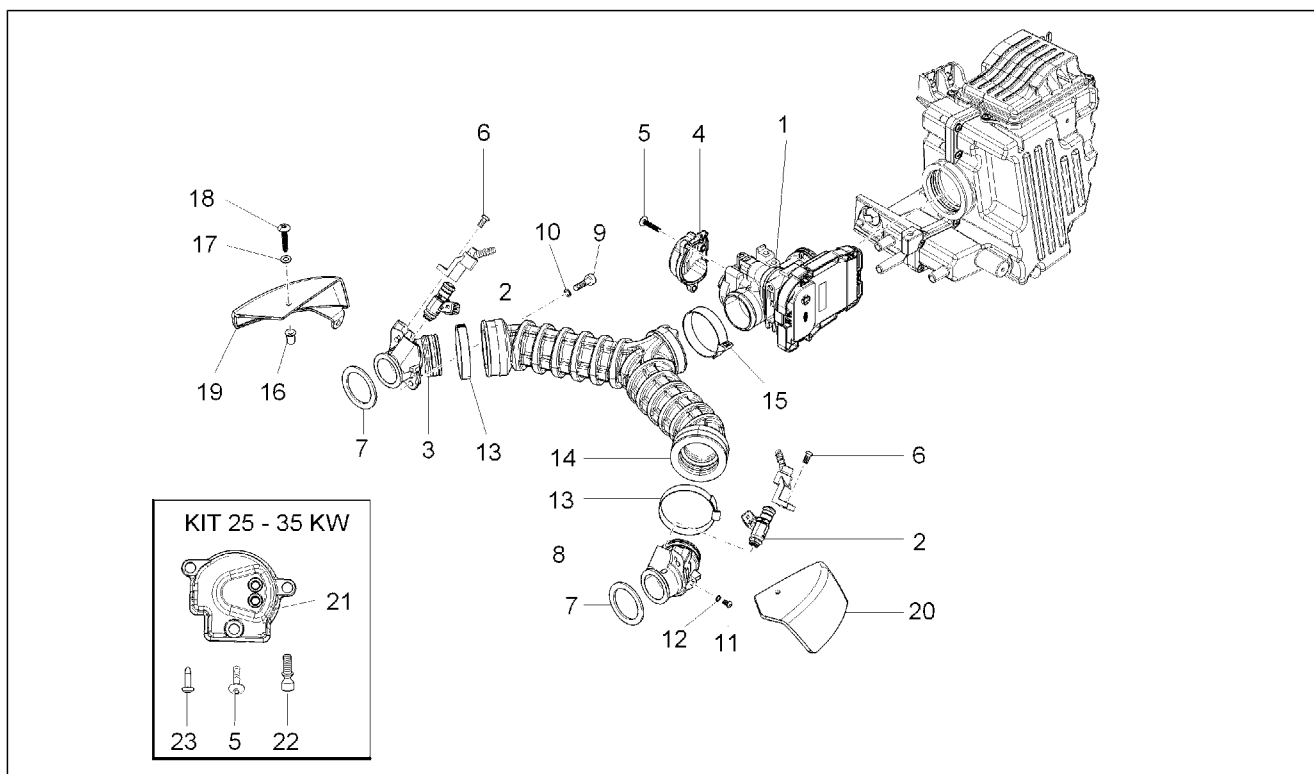
Pos.	Code	Beschrijving	Aant.	Varianten
1	883877	Alternator	1	
2	883878	Spanningsregelaar 35A	1	
3	GU30714201	Sluitring 16,25x24,5x5	1	
4	GU92606516	Moer M16	1	
5	GU29711460	Kap voor.	1	
6	GU98680265	Binnenzeskantbout	3	
7	GU29217960	Sluitring 5,9X3X0,8	3	
8	GU19007700	Rubbetje	1	
9	GU31712365	Afstandhouder	1	
10	887044	Lipje 4x5	1	
11	GU29711960	Kap acht.	1	
12	AP8152281	Zeskantbout geflenst M6x30	2	
13	254485	Spring plate M6	2	
14	GU95100125	Sluitring	2	

Groep	ENGINE
Code	34.46
Beschrijving	Starter motor
Revisie	1



Pos.	Code	Beschrijving	Aant.	Varianten
1	GU05730730	Startmotor Bosch	1	
2	GU98682435	Binnenzeskantbout	2	
3	GU95008208	Sluitring 8,4X15X1,5	2	

Groep	ENGINE
Code	34.47
Beschrijving	Throttle body
Revisie	1



Pos.	Code	Beschrijving	Aant.	Varianten
1	CM228301	Centralina elettronica per iniezione	1	LAND:Australia[AUS], Canadian[CDN], europa[EU], Great Britain[UK], United States of America[USA]
1	CM228302	Centralina elettronica per iniezione	1	LAND:Japan[J]
2	B063049	Injector	2	
3	GU32115010	Pijp aanz. re	1	
4	880260	Bescherming romp v.	1	
5	875173	Vite testa bombata torx	3	
6	AP8152298	Bolbout met binnenzeskant, geflenst M5x16	2	
7	GU32115510	Pakking	2	
8	GU32115011	Pijp aanz. li	1	
9	GU98682322	Binnenzeskantbout M6x22	4	
10	GU03013800	Sluitring 6,4x12	4	
11	GU98310609	Bout M6x10	2	
12	GU95100116	Sluitring 6,25x10x1,5	2	
13	GU93305057	Klemmetje 57x59,5x10	2	
14	887812	Mof smoorklephuis	1	
15	GU93305061	Klemmetje 61/65,5	1	
16	GU93231605	Huls antitrilling	4	
17	GU30577800	Sluitring in nylon 5,5X12X1	4	
18	GU98370515	Bout	4	
19	978938	Bedekking re verchr.	1	
20	978939	Bedekking li verchr.	1	
21	B063840	Bescherming romp v. 25-35 KW	1	
22	B063853	Trekbout	1	
23	AP8220488	Paddestoelv. rubberdje	1	



PIAGGIO & C.s.p.a.



SPARE PARTS CATALOGUE



V7 Special - Stone 750 2012-2013

Chassis prefix: ZGULWG00, ZGULWG01, ZGULWG02,
ZGULWE00, ZGULWE01, ZGULWE02, ZGULWU00,
ZGULWUA0, ZGULWUA1, ZGULWS00, ZGULWT00, ZGULWU01



PIAGGIO & C.s.p.a.



Engine prefix:

V7

GU101



Index

Finished products.....	5
Alphanumeric index.....	8
FRAME.....	14
Table 33.01 - Frame I.....	14
Table 33.02 - Frame II.....	15
Table 33.03 - Lateral stand.....	16
Table 33.04 - Front footrests.....	17
Table 33.05 - Rear footrests.....	18
Table 33.06 - Gear lever.....	19
Table 33.07 - Front fork I.....	20
Table 33.08 - Fron fork II.....	21
Table 33.11 - Rear shock absorber.....	24
Table 33.12 - Fuel tank.....	25
Table 33.13 - Front body - Front mudguard.....	28
Table 33.14 - Saddle-Central bod.....	29
Table 33.15 - Rear body I- Mudguard.....	31
Table 33.16 - Rear body II- Plate holder.....	32
Table 33.17 - Dashboard.....	33
Table 33.18 - Handlebar - Controls.....	34
Table 33.19 - Front brake system.....	35
Table 33.21 - Fuel pump.....	36
Table 33.22 - Air box.....	37
Table 33.23 - Exhaust unit.....	39
Table 33.24 - Front wheel I.....	41
Table 33.25 - Rear wheel I.....	42
Table 33.26 - Rear master cylinder.....	43
Table 33.27 - Rear brake caliper.....	44
Table 33.28 - Front lights.....	45
Table 33.29 - Rear lights.....	47
Table 33.30 - Electrical system I.....	48
Table 33.31 - Electrical system II.....	49
Table 33.32 - Lock hardware kit.....	51
Table 33.33 - Decal and plate set.....	52
Table 33.34 - Front wheel II.....	55
Table 33.35 - Rear wheel II.....	56
Table 33.48 - Fuel vapour recover system.....	57
ENGINE.....	58
Table 34.09 - Transmission complete I.....	58
Table 34.10 - Transmission complete II.....	59
Table 34.34 - Crank-case.....	62
Table 34.35 - Timing system cover.....	63
Table 34.36 - Cylinder head.....	64
Table 34.37 - Crankshaft cpl.....	65



Table 34.38 - Timing system.....	66
Table 34.39 - Oil pump.....	68
Table 34.40 - Clutch I.....	69
Table 34.41 - Clutch II.....	70
Table 34.42 - Transmission cage.....	71
Table 34.43 - Gear box.....	72
Table 34.44 - Gear box selector.....	74
Table 34.45 - Generator - Regulator.....	75
Table 34.46 - Starter motor.....	76
Table 34.47 - Throttle body.....	77



V 7
GU101 - V7 Special - Stone 750 2012-2013

Chassis prefix: ZGULWG00, ZGULWG01,
ZGULWG02, ZGULWE00, ZGULWE01,
ZGULWE02, ZGULWU00, ZGULWUA0,
ZGULWUA1, ZGULWS00, ZGULWT00,
ZGULWU01
Engine prefix:

Finished products

Code	Validity
GU9032191AUC00	
GU9032191AUC01	
GU9032191AUC02	
GU9032191CAD00	
GU9032191CAD01	
GU9032191CAD02	
GU9032191EUC00	
GU9032191EUC01	
GU9032191EUC02	
GU9032191GBC00	
GU9032191GBC01	
GU9032191GBC02	
GU9032191JPC00	
GU9032191JPC01	
GU9032191JPC02	
GU9032191USD00	
GU9032191USD01	
GU9032191USD02	
GU9032192AUC00	
GU9032192AUC01	
GU9032192AUC02	
GU9032192AUD00	
GU9032192AUD03	
GU9032192AUD04	
GU9032192CAD00	
GU9032192CAD01	
GU9032192CAD02	
GU9032192EUC00	
GU9032192EUC01	
GU9032192EUC02	
GU9032192EUD00	
GU9032192EUD03	
GU9032192EUD04	
GU9032192GBC00	
GU9032192GBC01	
GU9032192GBC02	
GU9032192GBD00	
GU9032192GBD03	
GU9032192GBD04	
GU9032192JPC00	
GU9032192JPC01	
GU9032192JPC02	



V 7
GU101 - V7 Special - Stone 750 2012-2013

Chassis prefix: ZGULWG00, ZGULWG01,
ZGULWG02, ZGULWE00, ZGULWE01,
ZGULWE02, ZGULWU00, ZGULWUA0,
ZGULWUA1, ZGULWS00, ZGULWT00,
ZGULWU01
Engine prefix:

Code	Validity
GU9032192USD00	
GU9032192USD01	
GU9032192USD02	
GU9032193AUD00	
GU9032193AUD01	
GU9032193AUD02	
GU9032193CAE00	
GU9032193CAE01	
GU9032193CAE02	
GU9032193EUD00	
GU9032193EUD01	
GU9032193EUD02	
GU9032193GBD00	
GU9032193GBD01	
GU9032193GBD02	
GU9032193JPD00	
GU9032193JPD01	
GU9032193JPD02	
GU9032193USE00	
GU9032193USE01	
GU9032193USE02	
GU9032194AUD00	
GU9032194AUD03	
GU9032194AUD04	
GU9032194CAE00	
GU9032194CAE03	
GU9032194CAE04	
GU9032194EUD00	
GU9032194EUD03	
GU9032194EUD04	
GU9032194GBD00	
GU9032194GBD03	
GU9032194GBD04	
GU9032194JPD00	
GU9032194JPD03	
GU9032194JPD04	
GU9032194USE00	
GU9032194USE03	
GU9032194USE04	
GU9032196EUD00	
GU9032196EUD01	
GU9032196EUD02	
GU9032196GBD00	
GU9032196GBD01	
GU9032196GBD02	



V 7
GU101 - V7 Special - Stone 750 2012-2013

Chassis prefix: ZGULWG00, ZGULWG01,
ZGULWG02, ZGULWE00, ZGULWE01,
ZGULWE02, ZGULWU00, ZGULWUA0,
ZGULWUA1, ZGULWS00, ZGULWT00,
ZGULWU01
Engine prefix:

Code	Validity
GU9032197EUD00	
GU9032197EUD03	
GU9032197EUD04	
GU9032197GBD00	
GU9032197GBD03	
GU9032197GBD04	



Code	No. table	Pos.	Code	No. table	Pos.	Code	No. table	Pos.
080341	33.30	6	883476	33.32	3	887571	33.34	1
248419	33.26	19	883477	33.32	1	887573	33.35	1
254485	33.15	4	883478	33.29	5	887787	33.21	5
254485	33.22	14	883479	33.29	1	887812	34.47	14
254485	33.23	20	883480	33.16	9	887815	33.22	13
254485	33.28	20	883502	33.12	5	887822	33.18	15
254485	34.45	13	883569	33.17	11	887825	33.30	1
2B000045	33.22	27	883598	33.33	7	887825	33.31	1
2B000176	33.23	11	883688	33.24	10	887826	33.28	4
2B000177	33.23	10	883688	33.34	10	887826	33.29	4
2B000433	33.33	20	883704	33.23	25	887827	33.28	5
2B000434	33.33	19	883802	33.18	10	887827	33.29	5
2B000435	33.33	18	883826	34.34	18	887837	33.01	1
2D000006	33.32	10	883877	34.45	1	8878421	33.22	1
2H000019000XN2	33.12	1	883878	34.45	2	887843	33.22	2
2H000020000XN2	33.12	1	884031	34.42	6	887844	33.22	11
2H000021000XN2	33.14	10	884032	34.40	14	887845	33.22	12
2H000022000XN2	33.14	17	884035	33.11	1	887846	33.23	1
2H000023	33.33	22	884038	34.40	7	887847	33.23	2
2H000024	33.33	23	884039	34.35	8	887851	33.06	1
2H000025	33.33	25	884039	34.39	7	887852	33.18	4
2H000026	33.33	24	884136	33.23	11	887853	33.18	5
2H000027	33.33	5	884137	33.23	10	887854	33.33	10
2H000028	33.33	6	884344	33.33	20	887858	33.24	5
2H000076000YE5	33.12	1	884345	33.33	19	887859	33.24	1
2H000077000YE5	33.12	1	884346	33.33	18	887861	33.25	1
2H000078000YE5	33.14	10	886141	33.33	21	887862	33.25	11
2H000079000YE5	33.14	17	886340	33.33	1	887873	33.32	1
2H000080	33.33	22	88635200XB3	33.13	1	887874	33.32	3
2H000081	33.33	23	88635200XN2	33.13	1	887877	33.29	1
2H000082	33.33	25	88635200XN6	33.13	1	887878	33.08	1
2H000083	33.33	24	88635200XR7	33.13	1	887879	33.08	2
2H000084	33.33	5	886364	34.42	3	887880	33.08	3
2H000085	33.33	6	886670	34.37	21	887881	33.08	40
2Q000006	33.33	10	886679	33.24	18	887882	33.08	5
584211	33.31	10	886679	33.34	6	887883	33.08	6
638733	33.31	6	886680	33.25	20	887884	33.08	7
641040	33.30	8	886680	33.35	8	887885	33.08	8
641541	34.39	8	887002	34.36	10	887886	33.08	9
641725	33.30	7	887003	34.35	2	887887	33.08	10
641901	33.30	4	887004	34.34	13	887888	33.08	11
642034	33.30	3	887005	34.42	10	887889	33.08	12
856063	33.48	14	887006	34.42	15	887890	33.08	13
860138	33.48	7	887044	34.45	10	887891	33.08	14
860651	34.09	19	887093	34.39	9	887892	33.08	15
874567	34.37	14	887194	33.17	1	887894	33.08	17
880260	34.47	4	887195	33.17	1	887895	33.08	18
883011	34.09	11	887196	34.44	8	887896	33.08	19
883015	33.05	13	887207	33.12	1	887898	33.08	21
883019	33.05	12	887213	34.42	1	887899	33.08	22
883051	33.04	1	887235	34.42	17	887900	33.08	23
883052	33.04	2	8872690001	34.37	10	887901	33.08	24
883127	33.22	6	8872690002	34.37	10	887902	33.08	25
883161	33.31	11	8872690003	34.37	10	887903	33.08	26
883192	33.27	7	8872724	34.36	1	887904	33.08	27
883266	33.13	2	8872754	34.36	2	887905	33.08	28
883293	33.23	15	887279	34.36	24	887906	33.08	39
883294	33.23	4	887431	33.27	3	887908	33.26	26
883295	33.14	5	887443	33.33	9	887910	33.26	1
883297	33.23	13	887448	33.25	12	887911	33.26	24
883298	33.23	14	887448	33.35	12	887912	33.08	30
883303	33.19	13	887449	33.27	1	887913	33.08	31
883349	33.25	8	887457	33.27	6	887914	33.08	32
883350	33.25	7	887481	33.30	12	887915	33.08	33
883417	33.28	18	887483	34.36	25	887916	33.08	34
883470	33.16	6	887523	34.36	9	887917	33.08	35
883471	33.03	1	887528	34.38	27	887918	33.08	41



Code	No. table	Pos.	Code	No. table	Pos.	Code	No. table	Pos.
887926	33.33	4	978952	33.01	16	AP8133800	33.27	12
887928	33.33	5	978960	33.18	1	AP8134378	33.23	18
887929	33.33	6	978969	33.26	3	AP8134448	33.16	2
887930	33.33	2	978970	33.26	13	AP8134451	33.05	5
887931	33.33	3	978972	33.08	30	AP8134829	33.04	8
887933	33.33	5	978973	33.08	31	AP8134829	33.05	4
887934	33.33	6	978974	33.08	19	AP8144007	33.26	4
88793500Z1	33.12	1	978976	33.08	21	AP8144071	33.23	16
88793600Z1	33.12	1	978977	33.08	29	AP8144071	34.36	23
88793700XR7	33.14	10	978978	33.08	4	AP8144081	33.07	5
88793800XR7	33.14	17	981070	34.40	8	AP8144146	33.07	3
88793900A1	33.14	1	981149	33.28	12	AP8144538	33.22	15
88794000XB3	33.12	1	AP8101594	33.26	20	AP8144553	33.22	7
88794000XN6	33.12	1	AP8101595	33.12	10	AP8144729	33.22	17
88794100XB3	33.12	1	AP8101861	33.05	7	AP8145034	33.04	3
88794100XN6	33.12	1	AP8102159	33.48	6	AP8145035	33.04	10
88794200XN6	33.14	10	AP8102375	33.14	15	AP8149034	33.16	11
88794300XN6	33.14	17	AP8102375	33.31	14	AP8150248	33.16	13
887944	33.12	1	AP8102524	33.03	4	AP8150285	34.42	27
887948	33.30	13	AP8102678	33.48	1	AP8150349	33.17	10
887952	33.26	27	AP8102688	33.48	2	AP8150349	33.32	6
890760	33.22	16	AP8102765	33.22	24	AP8150377	33.28	13
890979	33.28	16	AP8102766	33.22	23	AP8150377	33.31	20
893570	33.31	19	AP8102913	33.14	3	AP8150436	33.02	12
894505	33.25	13	AP8104509	33.18	9	AP8150450	33.14	12
894505	33.35	13	AP8104525	33.22	5	AP8150509	33.22	19
894704	33.31	26	AP8104924	33.22	4	AP8152220	33.02	11
895839	33.33	8	AP8104996	33.22	28	AP8152220	34.39	18
896110	33.23	21	AP8113003	33.27	20	AP8152268	33.16	12
898086	33.07	7	AP8113241	33.26	22	AP8152273	33.21	4
898164	33.11	3	AP8113288	33.26	16	AP8152277	33.04	7
967356	33.03	6	AP8113553	33.26	23	AP8152277	33.05	8
969973	34.36	26	AP8120246	34.09	10	AP8152277	33.19	3
976600	34.34	1	AP8120311	33.01	13	AP8152278	33.11	2
976603	34.35	1	AP8120416	33.30	18	AP8152278	33.15	3
976604	34.34	12	AP8120416	33.31	27	AP8152279	33.15	9
976608	34.10	1	AP8120416	33.48	11	AP8152281	34.45	12
976685	34.34	16	AP8120446	33.48	9	AP8152286	33.24	11
976941	34.09	1	AP8120455	33.22	9	AP8152286	33.34	11
976991	34.34	28	AP8120557	33.12	11	AP8152287	33.02	13
976992	34.42	21	AP8120615	33.22	10	AP8152288	33.02	15
97724R	33.07	1	AP8120772	33.22	20	AP8152288	33.27	9
977527	33.14	6	AP8120870	33.23	24	AP8152298	33.26	18
977527	33.32	4	AP8120876	33.22	8	AP8152298	34.47	6
978311	33.28	2	AP8120912	33.06	2	AP8152299	33.15	14
978323	33.19	15	AP8120912	33.26	2	AP8152299	33.27	22
978385	33.23	12	AP8121014	33.03	3	AP8152299	33.30	5
978415	33.14	8	AP8121032	33.15	13	AP8152299	33.48	5
978415	33.32	9	AP8121032	33.17	7	AP8152300	33.02	14
978570	33.18	10	AP8121072	33.23	22	AP8152300	33.27	13
978662	33.28	2	AP8121133	33.05	6	AP8152306	33.16	5
978931	33.14	1	AP8121267	33.48	10	AP8152329	33.15	11
978938	34.47	19	AP8121307	33.07	4	AP8152329	33.22	18
978939	34.47	20	AP8121367	33.02	10	AP8152339	33.14	14
978940	33.14	10	AP8121375	33.03	2	AP8152385	33.19	16
978941	33.14	9	AP8121420	33.14	7	AP8152409	33.04	9
978942	33.14	11	AP8121420	33.32	8	AP8152409	33.05	9
978943	33.14	17	AP8121607	33.03	2	AP8157100	33.33	13
978944	33.14	16	AP8121673	33.12	12	AP8181140	33.31	24
978946	33.15	1	AP8121915	33.19	14	AP8201358	33.22	3
97894600XB3	33.15	1	AP8121915	33.27	8	AP8201358	33.22	34
97894600XN2	33.15	1	AP8124718	33.16	7	AP8201358	33.48	13
97894600XN6	33.15	1	AP8124936	33.30	2	AP8213028	33.18	23
97894600XR7	33.15	1	AP8127856	33.03	8	AP8213057	33.26	15
978947	33.15	2	AP8133643	33.26	14	AP8213388	33.18	18
978949	33.16	1	AP8133798	33.27	2	AP8213575	33.27	23
978951	33.01	12	AP8133799	33.27	11	AP8220283	33.31	22



V7
GU101 - V7 Special - Stone 750 2012-2013

Chassis prefix: ZGULWG00, ZGULWG01,
ZGULWG02, ZGULWE00, ZGULWE01,
ZGULWE02, ZGULWU00, ZGULWUA0,
ZGULWUA1, ZGULWS00, ZGULWT00,
ZGULWU01
Engine prefix:

Code	No. table	Pos.	Code	No. table	Pos.	Code	No. table	Pos.
AP8220460	33.07	6	B063855	33.23	2	GU05730730	34.46	1
AP8220488	34.47	21	CM001928	33.07	8	GU05781630	33.16	14
AP8221023	33.22	26	CM001929	33.07	9	GU05900130	33.33	11
AP8221114	33.48	16	CM007423	33.30	9	GU06740200	33.28	12
AP8221197	33.03	5	CM0074C9	33.30	10	GU06740400	33.28	17
AP8221277	33.04	6	CM013202	33.31	25	GU06740401	33.28	17
AP8224164	33.16	3	CM225705	33.31	15	GU06740500	33.28	2
AP8224462	33.31	21	CM225710	33.31	16	GU06740501	33.28	2
AP8257609	33.33	16	CM225715	33.31	17	GU06917300	33.33	1
AP8257742	33.33	14	CM225730	33.31	18	GU06917400	33.33	2
AP8257794	33.33	15	CM228301	34.47	1	GU10054100	34.43	12
AP9150435	34.40	20	CM228302	34.47	1	GU10214300	34.43	27
B016796	34.47	5	GU00823923140	33.03	7	GU10214301	34.43	27
B043850	33.31	23	GU00823923140	33.22	32	GU10214302	34.43	27
B045974	33.33	17	GU00823923140	33.48	12	GU10214303	34.43	27
B063016	34.37	13	GU00823931055	33.28	19	GU10214304	34.43	27
B063018	34.37	11	GU00823931070	33.12	14	GU10214305	34.43	27
B063019	34.37	15	GU00823944050	33.12	13	GU10528900	34.34	15
B063020	34.37	12	GU00823950050	33.26	21	GU10528900	34.40	13
B063022	33.23	3	GU01528930	34.10	9	GU10528900	34.42	23
B063033	33.21	2	GU01530568	33.08	6	GU12003702	34.34	20
B063034	33.21	6	GU01530571	33.08	9	GU12022600	34.10	6
B063049	34.47	2	GU01609630	33.18	14	GU12022600	34.42	24
B063077	33.24	5	GU01654630	33.19	17	GU12087001	34.41	9
B063078	33.25	11	GU01659130	33.19	11	GU12154200	34.34	23
B063086	33.03	1	GU01659131	33.19	12	GU12154200	34.42	12
B063099	34.36	19	GU01665410	33.26	25	GU13021900	34.34	26
B063111	34.36	6	GU01721600	33.30	14	GU13021900	34.36	12
B063120	33.33	4	GU02717450	33.30	11	GU14086000	34.41	10
B063121	33.33	5	GU03013800	33.06	7	GU14086100	34.41	7
B063122	33.33	6	GU03013800	33.23	8	GU14090201	34.41	1
B06312300Z2	33.12	1	GU03013800	34.47	10	GU14090400	34.41	2
B06312400Z2	33.12	1	GU03067730	34.10	19	GU14217901	34.40	6
B06312500XN2	33.14	10	GU03101600	33.12	7	GU14217901	34.42	7
B06312600XN2	33.14	17	GU03101720	33.12	5	GU14217901	34.44	17
B063132	33.04	13	GU03101900	33.12	3	GU14609650	33.30	18
B063135	33.18	6	GU03102200	33.12	6	GU14609650	33.31	27
B063144	33.24	3	GU03102400	33.12	2	GU14615901	33.05	15
B063167	33.15	12	GU03103200	33.12	8	GU14615901	33.13	5
B063197	33.02	1	GU03103500	33.12	4	GU14615901	34.09	20
B063198	33.02	2	GU03163330	33.31	3	GU14615901	34.37	5
B063213	33.22	30	GU03270300	33.26	11	GU14616150	33.24	15
B063214	33.22	21	GU03270300	33.27	10	GU14616150	33.25	10
B063233	33.31	5	GU03530529	33.08	2	GU14616150	33.34	7
B063252	33.33	10	GU03530530	33.08	1	GU14616150	33.35	10
B063269	34.42	11	GU03530551	33.08	12	GU18144350	34.39	16
B063287	33.01	4	GU03604845	33.19	8	GU18161150	34.39	21
B063342	34.42	20	GU03605645	33.19	9	GU18257551	33.26	8
B063427	33.18	3	GU03609600	33.18	14	GU19002020	34.35	5
B063429	33.14	18	GU03612040	33.24	16	GU19002020	34.42	16
B063431	33.14	19	GU03617710	33.34	5	GU19003800	34.34	8
B063443	33.26	28	GU03617710	33.35	6	GU19007700	34.35	10
B063465	34.37	19	GU03631250	33.24	4	GU19007700	34.45	8
B063466	34.37	16	GU03631250	33.25	9	GU19015020	34.34	5
B063645	33.21	1	GU03658201	33.27	16	GU19017000	33.02	4
B063702	33.24	1	GU03658330	33.27	17	GU19018920	34.39	10
B063704	33.25	1	GU03658430	33.27	14	GU19021360	34.36	18
B063735	33.28	14	GU03660145	33.19	1	GU19021920	34.36	7
B063735	33.29	6	GU03661145	33.19	6	GU19025280	33.23	5
B063749	33.11	1	GU03664045	33.19	7	GU19025460	33.23	6
B063750	33.27	6	GU03740930	33.29	2	GU19027500	34.38	15
B063752	33.21	1	GU03749845	33.19	5	GU19030500	34.38	7
B063800	33.28	4	GU03922280	34.09	23	GU19032080	34.38	10
B063801	33.28	5	GU03995730	33.33	12	GU19032980	34.36	17
B063840	34.47	4	GU04000500	34.34	10	GU19032980	34.38	14
B063853	34.47	22	GU05107430	33.21	3	GU19034000	34.38	8
B063854	33.23	1	GU05659230	33.19	10	GU19037820	34.36	8

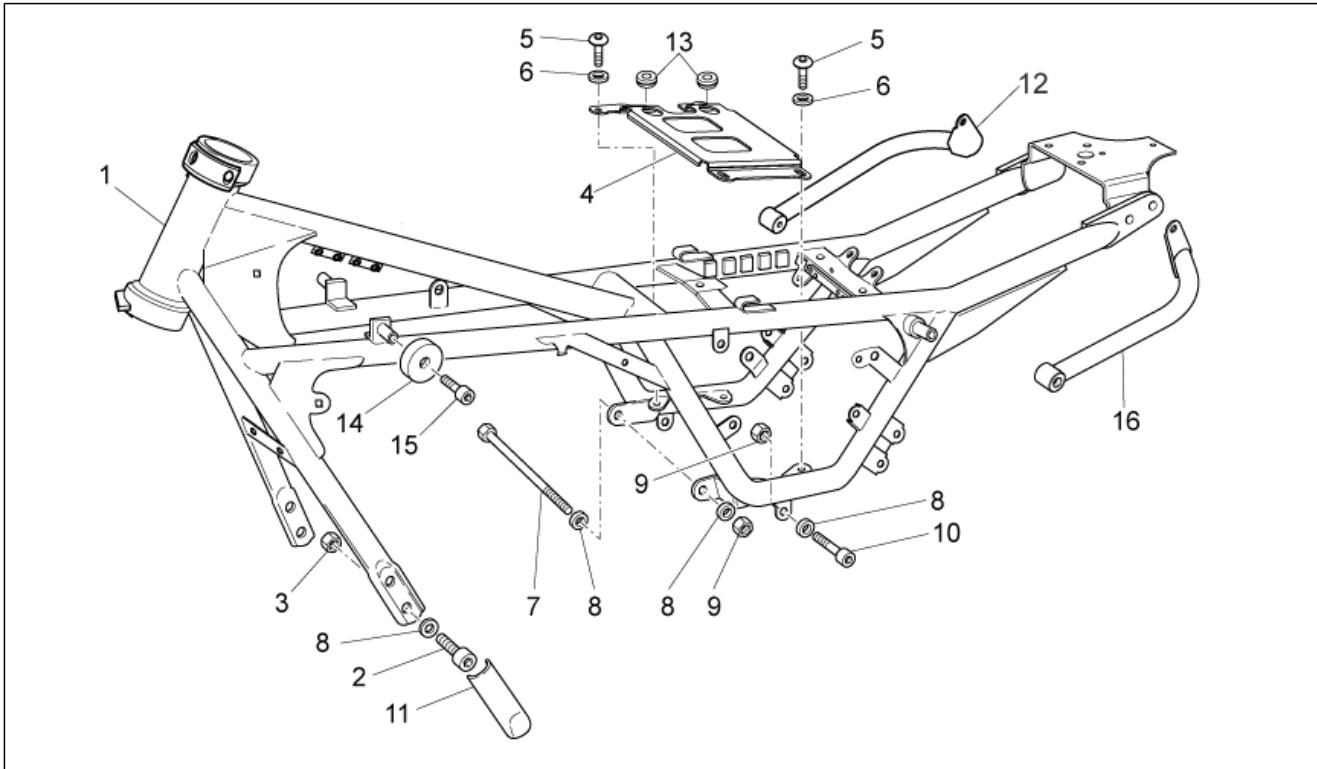


Code	No. table	Pos.	Code	No. table	Pos.	Code	No. table	Pos.
GU32443211	33.04	11	GU90271121	34.43	19	GU92606210	33.11	7
GU32443211	33.05	11	GU90271124	34.43	4	GU92606210	34.09	18
GU32457810	33.01	11	GU90272023	34.09	4	GU92606316	33.25	16
GU32461610	33.14	2	GU90272075	34.40	3	GU92606316	33.35	11
GU32461610	33.14	2	GU90274026	34.44	3	GU92606508	34.41	3
GU32504210	33.08	35	GU90353009	34.36	4	GU92606512	34.42	14
GU32506360	33.28	1	GU90353029	34.38	24	GU92606516	34.45	4
GU32517710	33.31	8	GU90353030	34.10	17	GU92609007	33.26	12
GU32525410	33.08	10	GU90400616	34.41	11	GU92630104	33.27	19
GU32526310	33.08	16	GU90402538	33.25	6	GU92630204	33.16	8
GU32526610	33.08	15	GU90402538	33.35	2	GU92630206	33.26	6
GU32530501	33.08	8	GU90402642	33.24	8	GU92630510	33.01	3
GU32530502	33.08	13	GU90402642	33.34	4	GU92630707	33.06	5
GU32530503	33.08	14	GU90402842	34.35	9	GU92640508	33.23	19
GU32530504	33.08	28	GU90403251	34.10	38	GU92640708	33.15	8
GU32530505	33.08	34	GU90403549	34.10	3	GU92660021	33.26	7
GU32530506	33.08	24	GU90407591	34.10	15	GU92787006	33.28	6
GU32530610	33.08	37	GU90706076	34.34	9	GU92787006	33.29	11
GU32530611	33.08	38	GU90706111	34.39	22	GU93180105	34.09	21
GU32555210	33.11	4	GU90706140	34.42	4	GU93180111	33.24	13
GU32555211	33.11	5	GU90706141	33.30	17	GU93180111	33.34	13
GU32602860	33.18	9	GU90706170	34.41	8	GU93180220	34.40	9
GU32603010	33.18	16	GU90706188	34.10	29	GU93180245	34.36	22
GU32603310	33.18	7	GU90706188	34.43	18	GU93222023	33.17	4
GU32605510	33.18	2	GU90706203	34.10	7	GU93231605	33.29	14
GU32613160	33.24	2	GU90706203	34.42	25	GU93231605	34.47	16
GU32615660	33.24	14	GU90706235	34.41	14	GU93301175	33.23	26
GU32615660	33.34	8	GU90706281	34.34	19	GU93301313	33.48	15
GU32632510	33.25	17	GU90706444	34.34	17	GU93305057	34.47	13
GU32632510	33.35	9	GU90706584	34.10	37	GU93305061	33.22	22
GU32633360	33.25	14	GU90714082	33.22	31	GU93305061	34.47	15
GU32633360	33.35	14	GU91113826	33.23	23	GU93450105	33.28	9
GU32633560	34.10	11	GU91120806	33.15	6	GU93450126	33.28	15
GU32634160	33.27	5	GU91180601	33.15	10	GU93450126	33.29	7
GU32636160	33.25	21	GU91181003	33.18	11	GU93450127	33.29	7
GU32636160	33.35	7	GU91181003	33.19	18	GU93450224	33.29	3
GU32657110	33.19	2	GU91181039	33.08	25	GU93450232	33.28	10
GU32692260	33.25	2	GU91551010	33.22	25	GU94321079	34.39	24
GU32735510	33.32	5	GU91551086	33.14	13	GU94321099	34.09	6
GU32735511	33.32	5	GU92201070	34.10	14	GU94321105	34.41	4
GU32747910	33.31	9	GU92201220	34.43	16	GU95004210	33.31	4
GU32750661	33.29	4	GU92201225	34.40	10	GU95005306	33.17	3
GU32753410	33.28	3	GU92204215	34.42	2	GU95005308	33.28	23
GU32753410	33.29	8	GU92204217	33.25	5	GU95005308	34.09	22
GU32753711	33.29	6	GU92204217	33.35	5	GU95005310	33.15	7
GU32781910	33.16	10	GU92204218	33.25	3	GU95005310	33.26	5
GU32782510	33.17	8	GU92204218	33.35	3	GU95005311	33.26	9
GU32782510	33.32	2	GU92204221	33.24	7	GU95005311	33.48	4
GU32999010	34.34	25	GU92204221	33.34	3	GU95008205	33.30	16
GU32999510	34.34	24	GU92218417	34.43	10	GU95008206	34.39	23
GU35214300	34.09	13	GU92230320	34.43	13	GU95008208	33.01	6
GU39238100	34.43	25	GU92234716	34.43	26	GU95008208	34.46	3
GU49609601	33.30	18	GU92249220	34.10	32	GU95008210	33.01	8
GU49609601	33.31	27	GU92249225	33.07	2	GU95008210	33.02	6
GU53429500	33.02	3	GU92249227	34.10	20	GU95008210	34.09	17
GU61027200	34.37	20	GU92251028	34.43	7	GU95008305	33.18	20
GU61036801	34.36	3	GU92252210	34.39	2	GU95008306	33.19	20
GU61038100	34.38	6	GU92252235	34.10	5	GU95008306	33.27	21
GU61054900	34.38	18	GU92296723	34.39	6	GU95020105	33.03	10
GU61270300	34.10	26	GU92602406	34.38	9	GU95021104	33.19	19
GU61270300	34.34	6	GU92602510	34.39	19	GU95021105	33.18	21
GU61270300	34.36	21	GU92603010	34.36	11	GU95021206	33.17	5
GU61270300	34.40	17	GU92606206	33.17	6	GU95021206	33.28	8
GU66103415	33.01	14	GU92606208	34.34	7	GU95021206	33.29	10
GU66530505	33.08	32	GU92606208	34.40	18	GU95100059	33.31	13
GU90271018	34.38	12	GU92606210	33.01	9	GU95100116	34.47	12
GU90271117	34.43	29	GU92606210	33.02	5	GU95100125	34.45	14



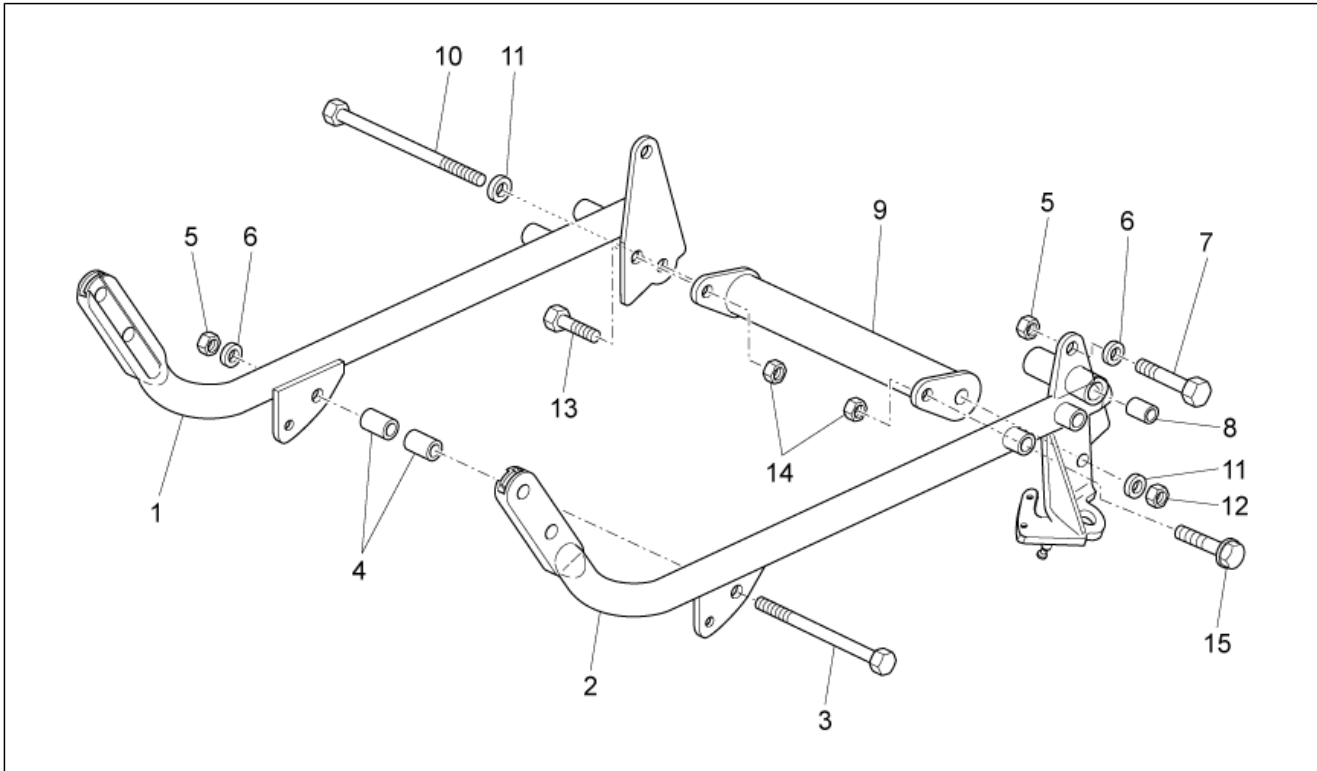
Code	No. table	Pos.	Code	No. table	Pos.
GU95100244	34.38	29	GU98682414	33.01	15
GU95100309	34.39	27	GU98682416	33.04	12
GU95100602	34.39	25	GU98682416	33.05	14
GU95100709	34.34	21	GU98682416	33.17	9
GU95129115	34.38	22	GU98682416	33.32	7
GU95129180	34.34	27	GU98682430	33.12	9
GU95129180	34.36	13	GU98682435	34.46	2
GU95129181	33.11	6	GU98682530	33.01	2
GU95129260	33.06	3	GU98690335	33.11	8
GU95187006	34.39	13	GU98690335	33.18	8
GU95500221	33.26	10	GU98692325	34.36	16
GU95500222	34.41	6	GU98880540	33.28	21
GU95780271	34.41	5	GU98882316	34.38	21
GU96451316	33.27	15			
GU96451430	34.34	3			
GU96451560	34.34	2			
GU96506042	34.36	5			
GU96508055	34.10	12			
GU96508055	34.34	4			
GU96508145	34.36	20			
GU96510181	34.36	15			
GU96510214	34.36	14			
GU97202325	33.18	12			
GU98052560	33.08	33			
GU98054422	34.38	28			
GU98082565	33.02	7			
GU98084314	34.39	12			
GU98084314	34.40	12			
GU98110199	33.01	7			
GU98210612	33.23	27			
GU98230510	33.16	4			
GU98230510	33.18	19			
GU98230612	34.44	7			
GU98257410	33.27	18			
GU98257618	34.44	15			
GU98310609	34.47	11			
GU98350215	33.29	12			
GU98350416	33.01	5			
GU98370412	33.19	4			
GU98370515	34.47	18			
GU98370609	33.17	2			
GU98370616	33.31	7			
GU98370625	33.14	4			
GU98370625	33.26	17			
GU98370655	33.28	7			
GU98370655	33.29	9			
GU98370831	33.15	5			
GU98370831	33.28	22			
GU98370845	33.13	3			
GU98612216	33.03	9			
GU98620330	33.08	3			
GU98620540	33.08	18			
GU98632322	33.06	6			
GU98680265	34.45	6			
GU98680435	34.40	15			
GU98680435	34.42	19			
GU98680440	33.23	17			
GU98680450	34.40	16			
GU98680545	34.09	16			
GU98680555	33.01	10			
GU98682212	33.30	15			
GU98682212	33.31	12			
GU98682322	34.47	9			
GU98682325	34.34	11			
GU98682325	34.35	3			
GU98682330	34.35	4			
GU98682330	34.42	18			

Group	FRAME
Code	33.01
Description	Frame I
Service	1



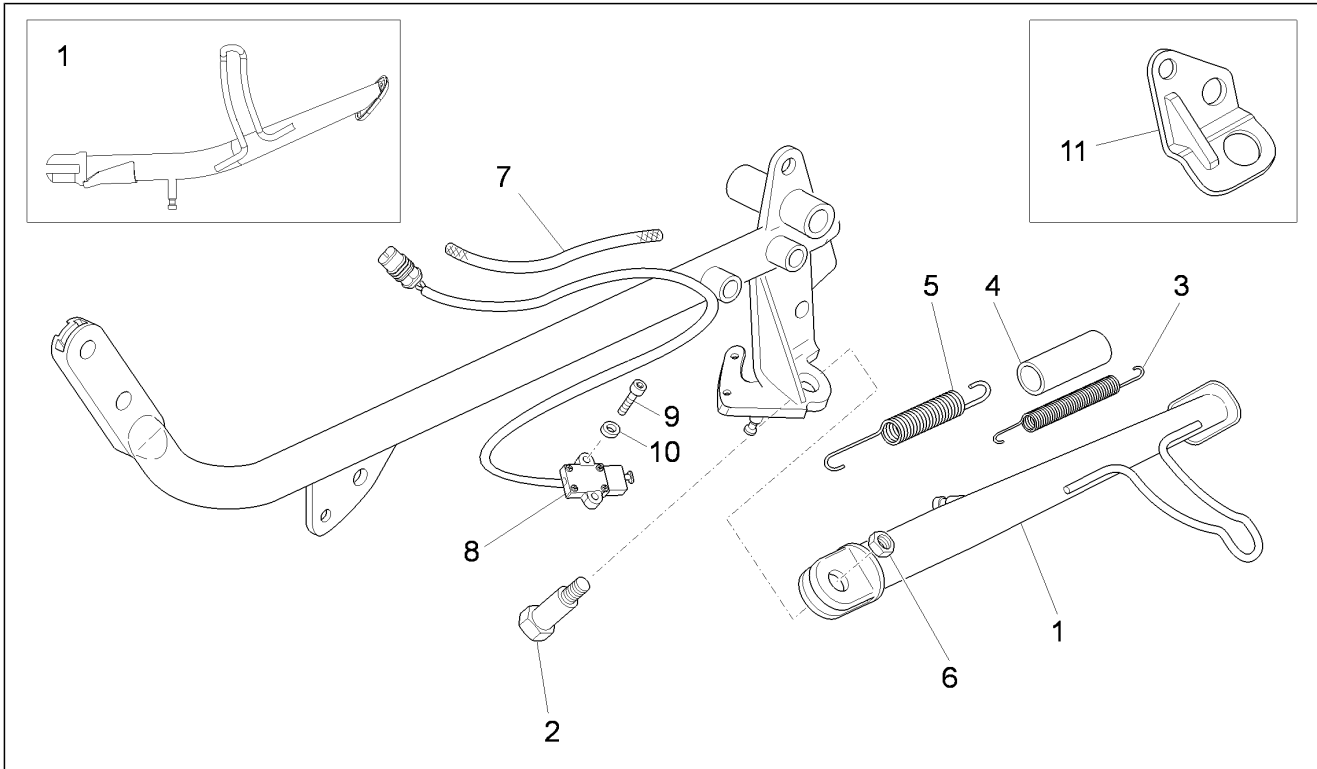
Pos.	Code	Description	Qty	Variants
1	887837	Frame p.	1	
2	GU98682530	Hex socket screw M10x30	4	
3	GU92630510	Nut M10x1,5	4	
4	B063287	Frame union plate	1	
5	GU98350416	Hex socket screw M8x16	4	
6	GU95008208	Washer 8,4X15X1,5	4	
7	GU98110199	Pin M10x205	1	
8	GU95008210	Washer 10,2X18X2	11	
9	GU92606210	Nut M10x1,5	3	
10	GU98680555	screw M10x55	2	
11	GU32457810	Guard	2	
12	978951	RH handle	1	
13	AP8120311	Rubber spacer *	2	
14	GU66103415	Rubber spacer	2	
15	GU98682414	Hex socket screw	2	
16	978952	left handle	1	

Group	FRAME
Code	33.02
Description	Frame II
Service	1



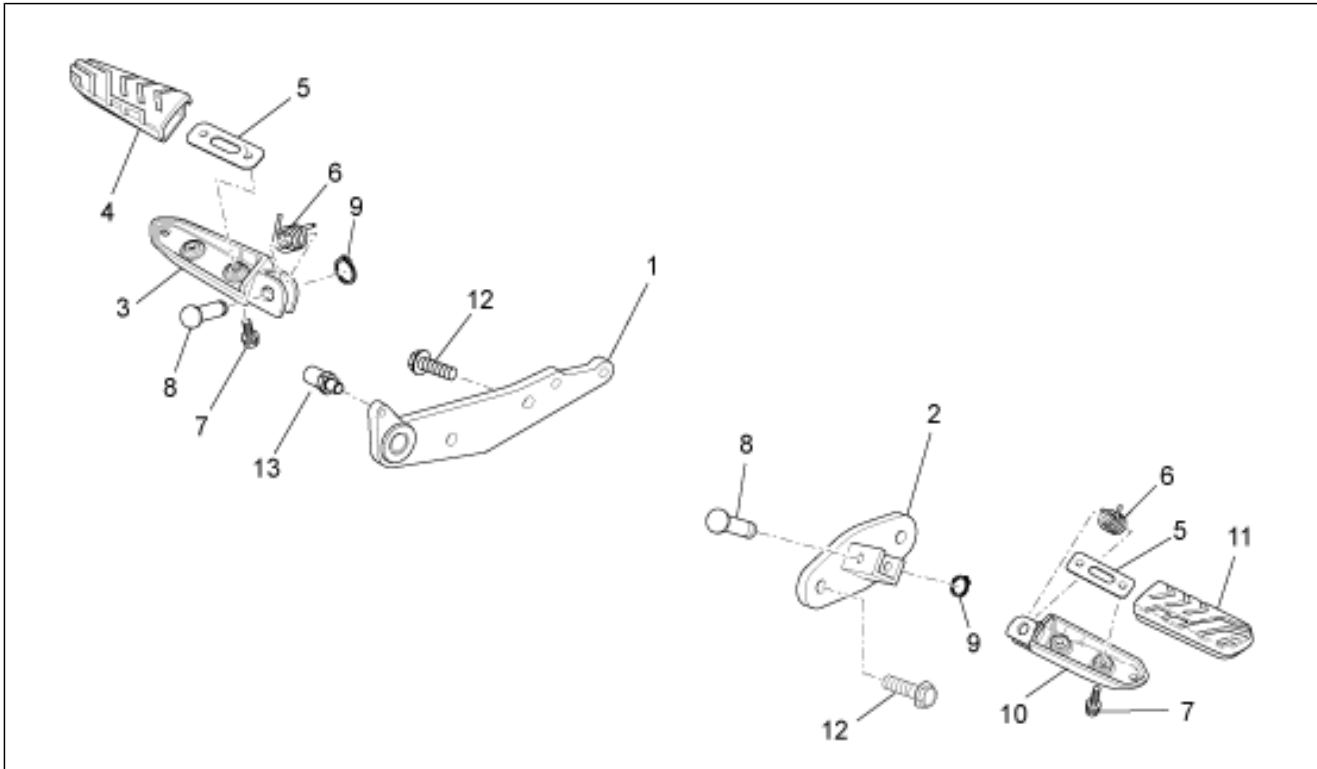
Pos.	Code	Description	Qty	Variants
1	B063197	RH cradle arm	1	
2	B063198	LH cradle arm	1	
3	GU53429500	Pin M10x250	1	
4	GU19017000	Bushing	2	
5	GU92606210	Nut M10x1,5	3	
6	GU95008210	Washer 10,2X18X2	3	
7	GU98082565	screw M10x65	2	
8	GU28252060	Bush 18 mm est.	2	
9	GU32431310	Cradle arms conn.crosspiece	1	
10	AP8121367	Pin M10x260	1	
11	AP8152220	Washer	2	
12	AP8150436	Low self-locking nut	1	
13	AP8152287	Screw w/ flange M8x25	1	
14	AP8152300	Self-locking nut M8	1	
15	AP8152288	Screw w/ flange	1	

Group	FRAME
Code	33.03
Description	Lateral stand
Service	1



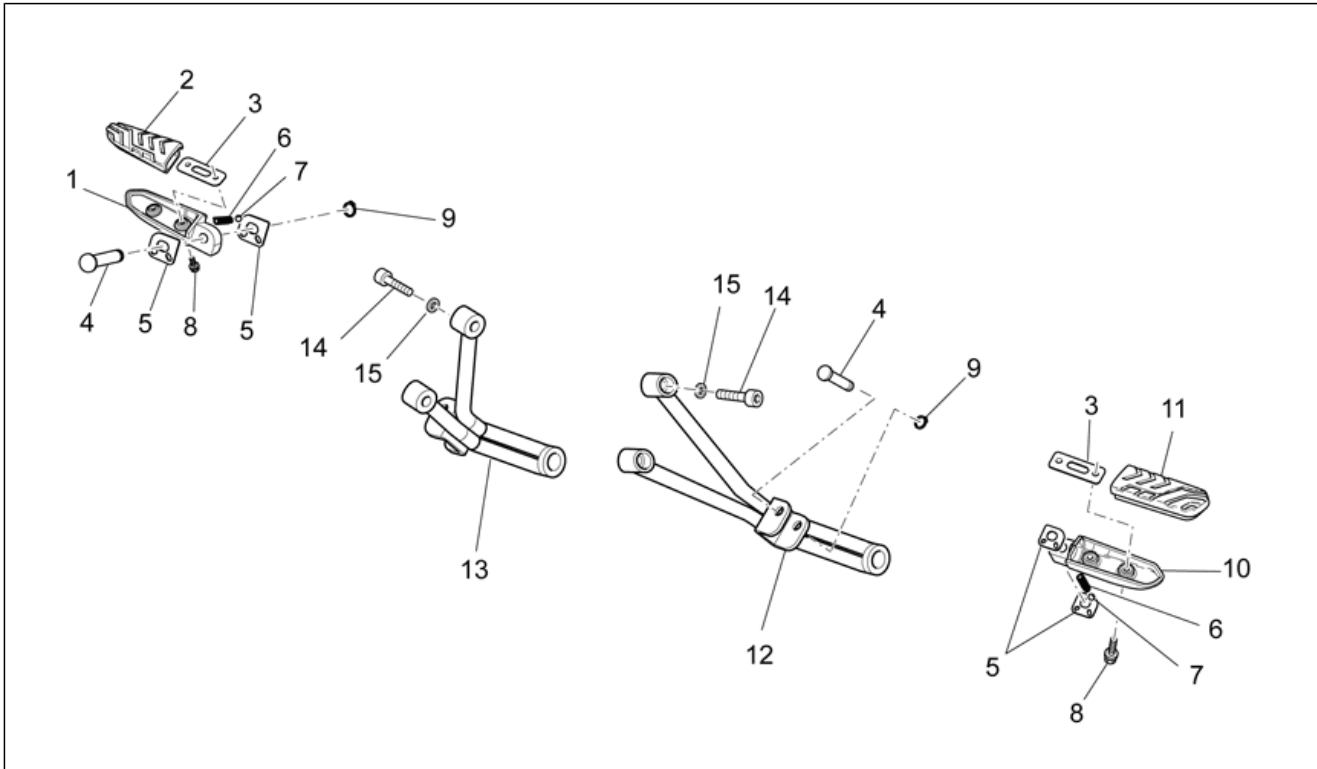
Pos.	Code	Description	Qty	Variants
1	883471	Side arm black	1	Country:Canadian[CDN], United States of America[USA]
1	B063086	Lateral stand	1	Country:Australia[AUS], europe[EU]
2	AP8121375	Central stand fixing screw	1	Country:Australia[AUS], europe[EU]
2	AP8121607	Central stand fixing screw	1	Country:Canadian[CDN], United States of America[USA]
3	AP8121014	Coil pull spring *	1	
4	AP8102524	Stand spring protection	1	
5	AP8221197	Lateral stand spring	1	
6	967356	Flanged nut M10x1,25	1	Country:Australia[AUS], europe[EU]
6	GU32433011	Nut	1	Country:Canadian[CDN], United States of America[USA]
7	GU00823923140	Thermal sheath	1	
8	AP8127856	Lateral stand switch	1	
9	GU98612216	Hex socket screw	2	
10	GU95020105	Washer 5,3x8,9x2,4	2	
11	GU32432711	plate	1	Country:Canadian[CDN], United States of America[USA]

Group	FRAME
Code	33.04
Description	Front footrests
Service	1



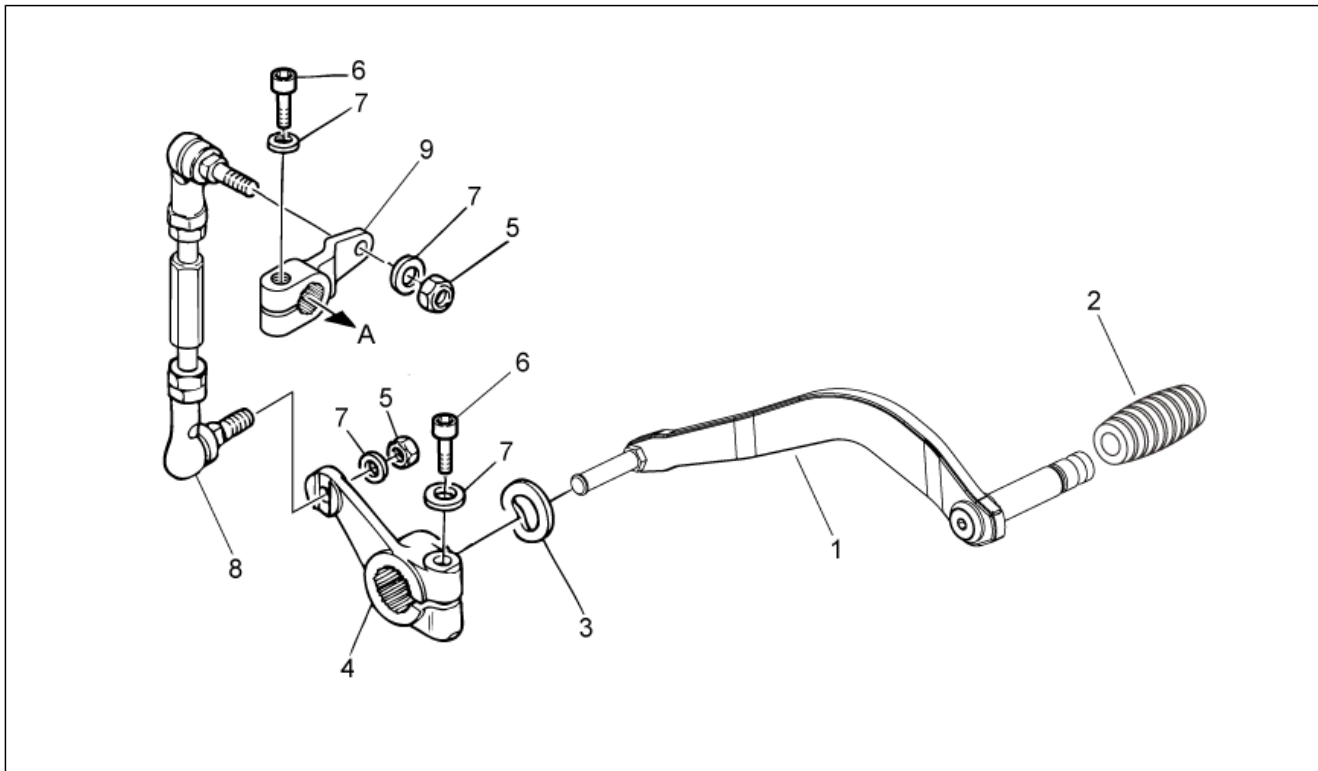
Pos.	Code	Description	Qty	Variants
1	883051	RH foot rest support	1	
2	883052	LH footrest support	1	
3	AP8145034	RH Foot rests	1	
4	GU32443210	Support rubber part	1	
5	GU32441210	Plate	2	
6	AP8221277	Footrest return spring	2	
7	AP8152277	Screw w/ flange M6x12	4	
8	AP8134829	Footrest pin	2	
9	AP8152409	Stop ring	2	
10	AP8145035	LH Foot rests	1	
11	GU32443211	Support rubber part	1	
12	GU98682416	Hex socket screw M8x16	4	
13	B063132	Limit stop	1	

Group	FRAME
Code	33.05
Description	Rear footrests
Service	1



Pos.	Code	Description	Qty	Variants
1	GU32442310	Rear footrest, RH	1	
2	GU32443210	Support rubber part	1	
3	GU32441210	Plate	2	
4	AP8134829	Footrest pin	2	
5	AP8134451	Footrest plate	4	
6	AP8121133	Coil compress. spring	2	
7	AP8101861	Ball D6,35	2	
8	AP8152277	Screw w/ flange M6x12	4	
9	AP8152409	Stop ring	2	
10	GU32442710	Rear footrest, LH	1	
11	GU32443211	Support rubber part	1	
12	883019	LH footrest support	1	
13	883015	RH foot rest support	1	
14	GU98682416	Hex socket screw M8x16	4	
15	GU14615901	Washer 8,4X13X0,8	4	

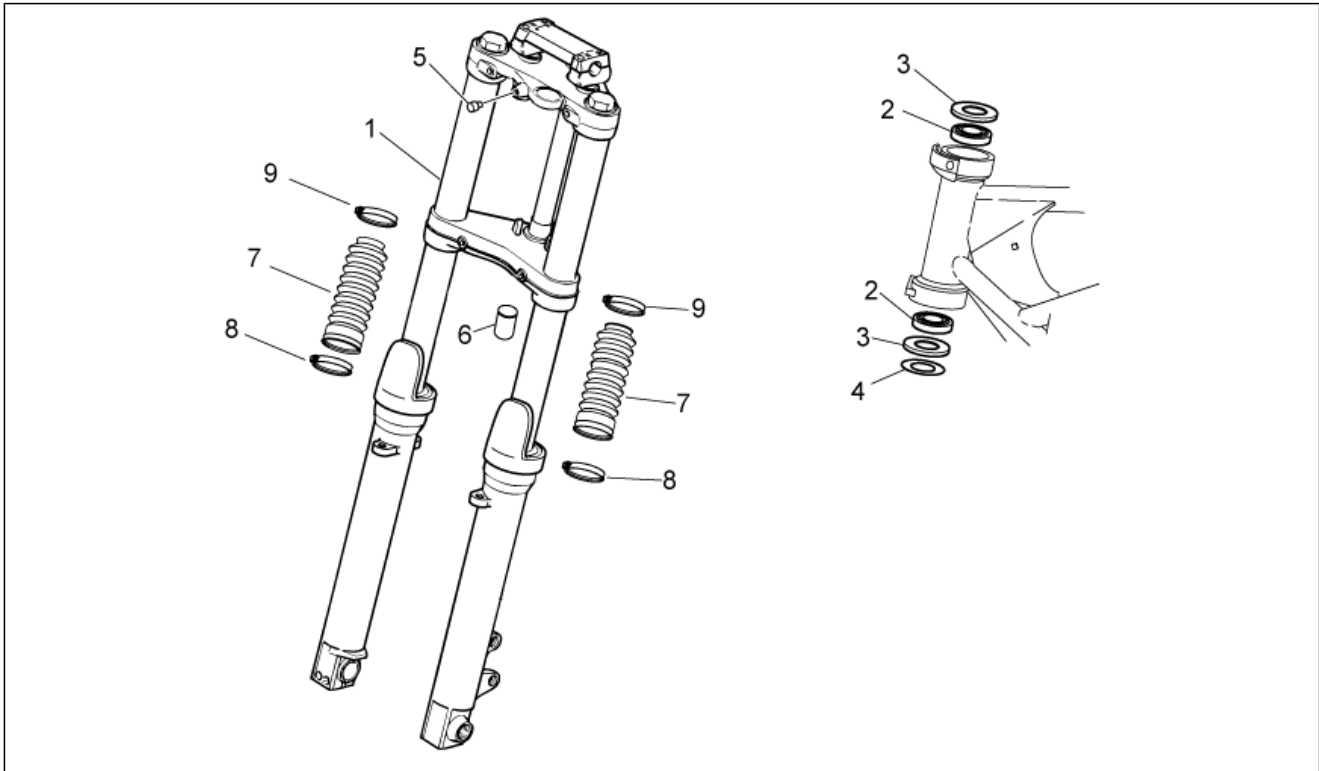
Group	FRAME
Code	33.06
Description	Gear lever
Service	1



Pos.	Code	Description	Qty	Variants
1	887851	Gear lever	1	
2	AP8120912	Lever rubber	1	
3	GU95129260	Spring washer	2	
4	GU32256910	Lever	1	
5	GU92630707	Nut	2	
6	GU98632322	screw	2	
7	GU03013800	Washer 6,4x12	3	
8	GU32257810	Change gear tie rod compl.	1	
9	GU20258221	Shift lever	1	

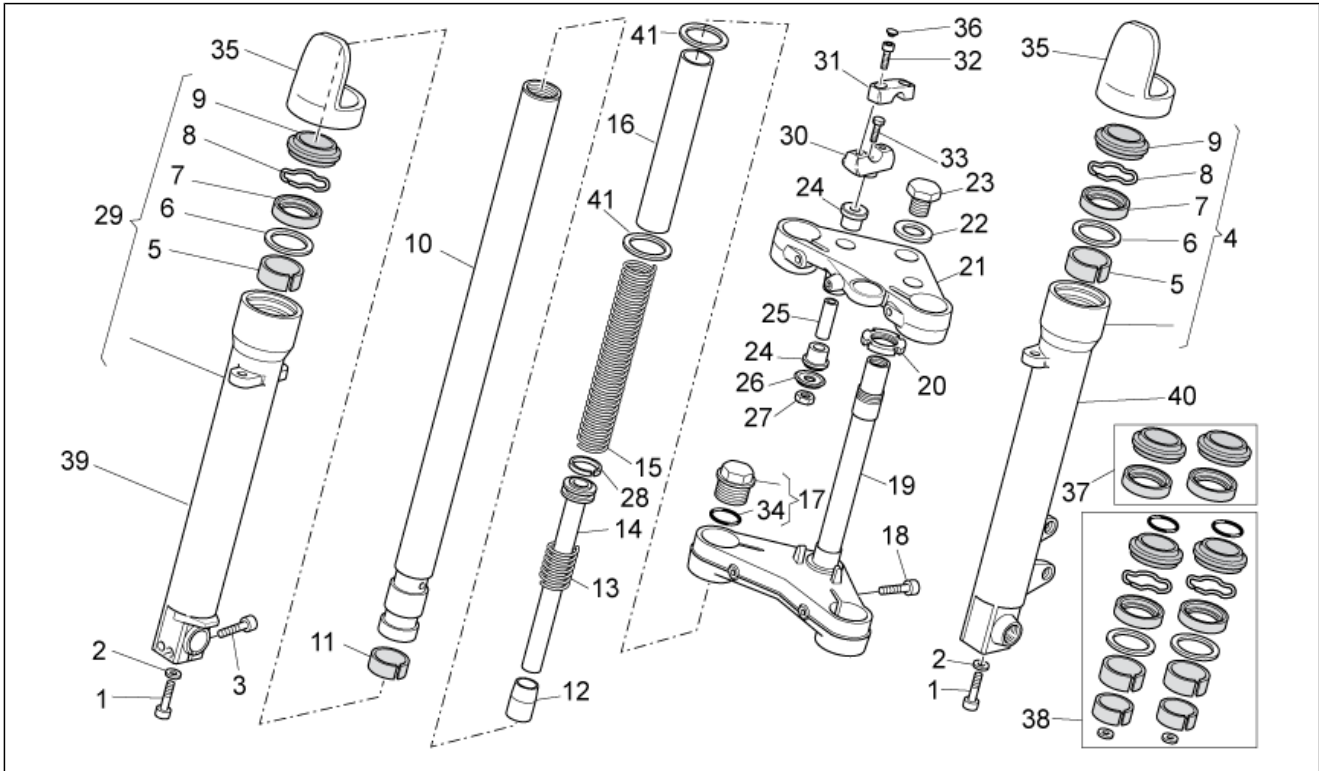


Group	FRAME
Code	33.07
Description	Front fork I
Service	1



Pos.	Code	Description	Qty	Variants
1	97724R	Front fork	1	
2	GU92249225	Tap.roller bearing	2	
3	AP8144146	Gasket ring	1	
4	AP8121307	Washer	1	
5	AP8144081	Rubber spacer	1	
6	AP8220460	Rubber cup	1	
7	898086	Anti-dust tube	2	Technical Specifications: ""Stone"" Version"[ST]
8	CM001928	Hose clamp 44	2	Technical Specifications: ""Stone"" Version"[ST]
9	CM001929	Fascetta stringitubo 63.5	2	Technical Specifications: ""Stone"" Version"[ST]

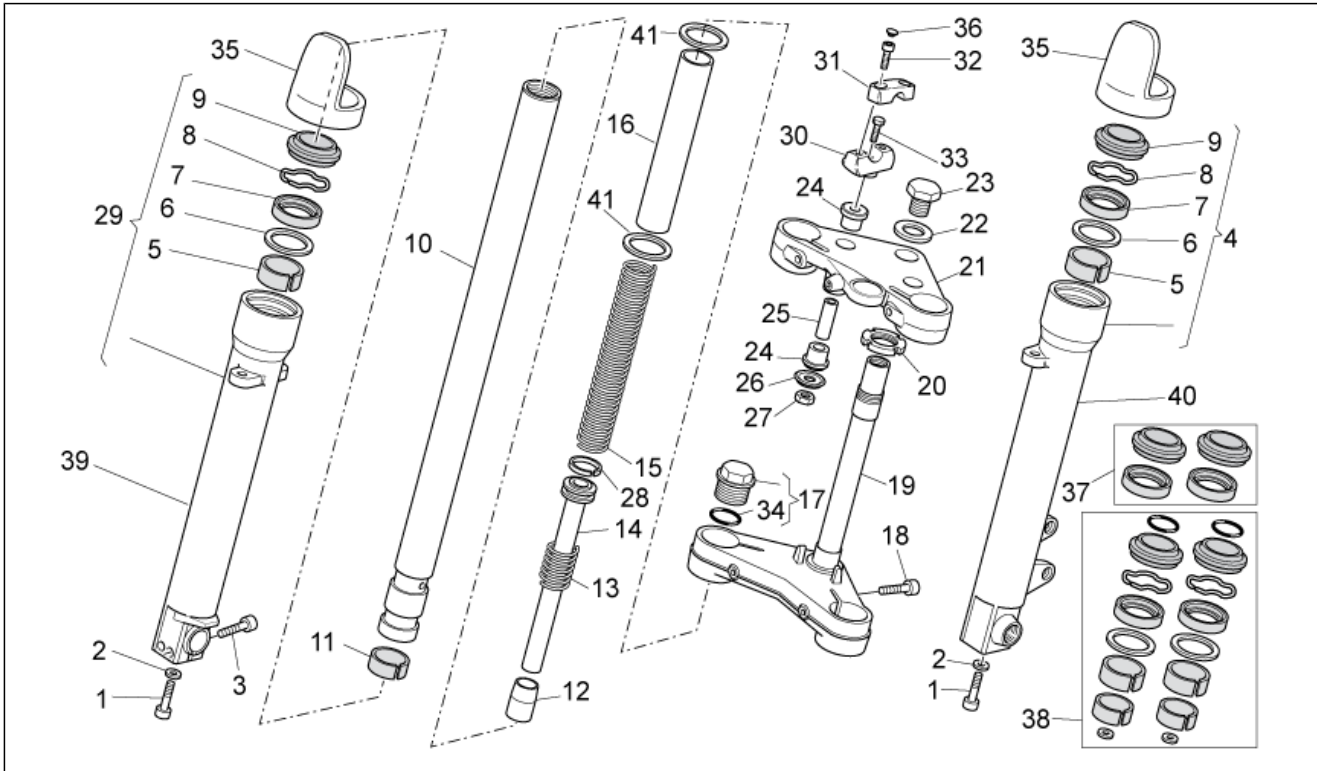
Group	FRAME
Code	33.08
Description	Fron fork II
Service	1



Pos.	Code	Description	Qty	Variants
1	887878	screw M10x30	2	Technical Specifications:Kaifa[K]
1	GU03530530	screw M10x30	2	Technical Specifications:Marzocchi[M]
2	887879	Washer	2	Technical Specifications:Kaifa[K]
2	GU03530529	Washer	2	Technical Specifications:Marzocchi[M]
3	887880	screw	2	Technical Specifications:Kaifa[K]
3	GU98620330	screw	2	Technical Specifications:Marzocchi[M]
4	978978	LH sleeve cpl. Black	1	Technical Specifications:Marzocchi[M]
5	887882	Upper bush	2	Technical Specifications:Kaifa[K]
5	GU30526761	Upper bush	2	Technical Specifications:Marzocchi[M]
6	887883	Washer	2	Technical Specifications:Kaifa[K]
6	GU01530568	Washer	2	Technical Specifications:Marzocchi[M]
7	887884	Gasket ring	2	Technical Specifications:Kaifa[K]
7	GU27530584	Gasket ring 40x52x9,5	2	Technical Specifications:Marzocchi[M]
8	887885	Stop ring	2	Technical Specifications:Kaifa[K]
8	GU32530501	Stop ring	2	Technical Specifications:Marzocchi[M]
9	887886	Dust cover	2	Technical Specifications:Kaifa[K]
9	GU01530571	Dust cover	2	Technical Specifications:Marzocchi[M]
10	887887	Sleeve	2	Technical Specifications:Kaifa[K]
10	GU32525410	Sleeve	2	Technical Specifications:Marzocchi[M]
11	887888	Bush	2	Technical Specifications:Kaifa[K]
11	GU30525861	Lower bush	2	Technical Specifications:Marzocchi[M]
12	887889	Pad	2	Technical Specifications:Kaifa[K]
12	GU03530551	Pad	2	Technical Specifications:Marzocchi[M]
13	887890	Return spring	2	Technical Specifications:Kaifa[K]
13	GU32530502	Return spring	2	Technical Specifications:Marzocchi[M]
14	887891	Plunger, complete	2	Technical Specifications:Kaifa[K]
14	GU32530503	Plunger, complete	2	Technical Specifications:Marzocchi[M]
15	887892	Spring	2	Technical Specifications:Kaifa[K]

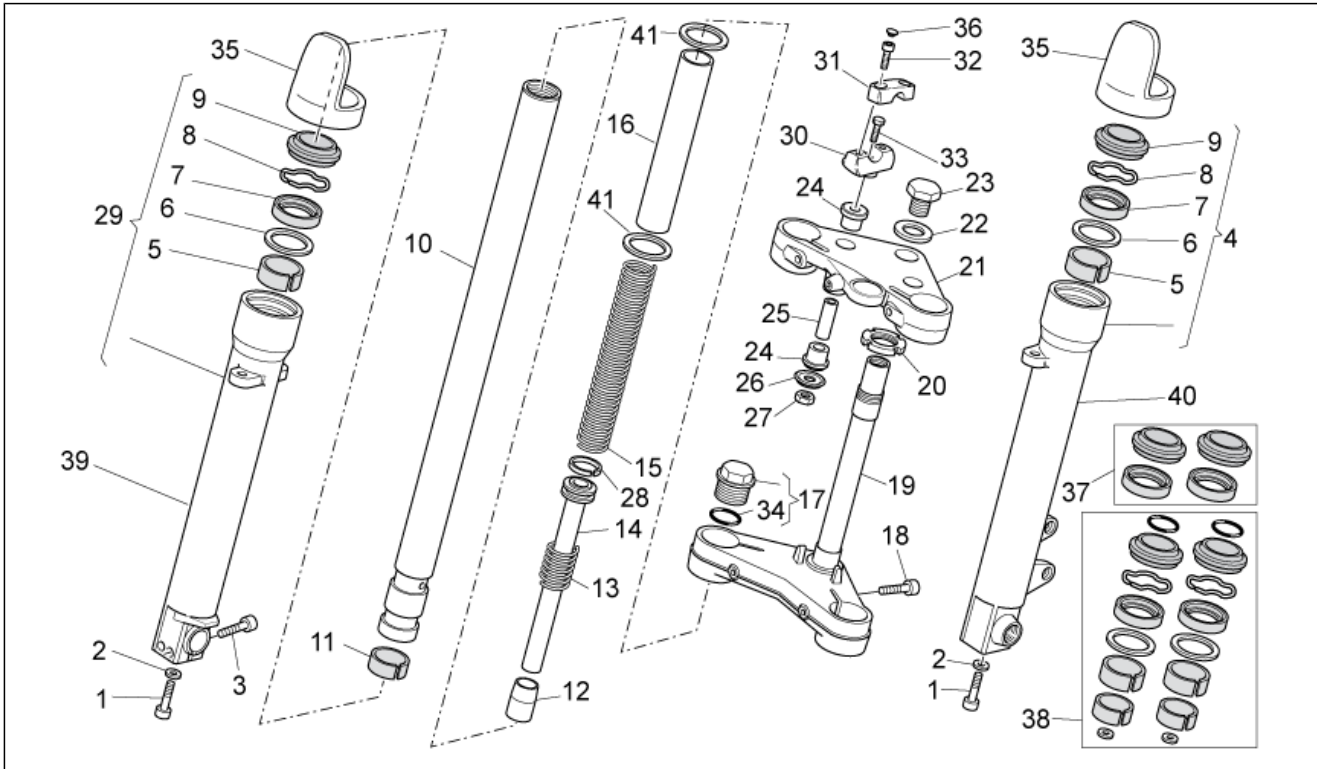


Group	FRAME
Code	33.08
Description	Fron fork II
Service	1



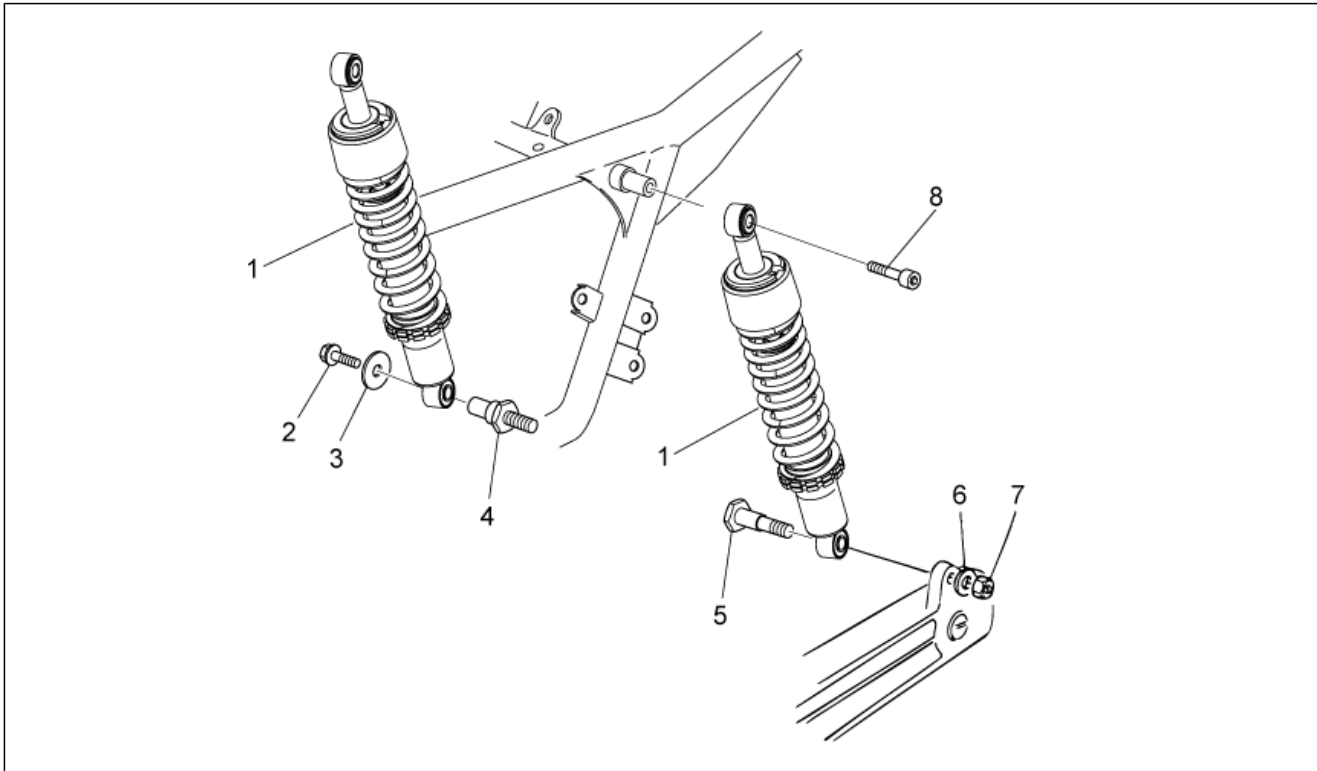
Pos.	Code	Description	Qty	Variants
15	GU32526610	Spring	2	Technical Specifications:Marzocchi[M]
16	GU32526310	pipe	2	
17	887894	Plug cpl.	2	Technical Specifications:Kaifa[K]
17	GU31504583	Plug cpl.	2	Technical Specifications:Marzocchi[M]
18	887895	screw	2	Technical Specifications:Kaifa[K]
18	GU98620540	screw	2	Technical Specifications:Marzocchi[M]
19	887896	Stem base	1	Technical Specifications:Kaifa[K]
19	978974	Stem base Black	1	Technical Specifications:Marzocchi[M]
20	GU31513480	Ring nut M25X1	1	Technical Specifications:Marzocchi[M]
21	887898	Upper plate	1	Technical Specifications:Kaifa[K]
21	978976	Fork upper plate	1	Technical Specifications:Marzocchi[M]
22	887899	Washer	1	Technical Specifications:Kaifa[K]
22	GU27530510	Washer	1	Technical Specifications:Marzocchi[M]
23	887900	Nut	1	Technical Specifications:Kaifa[K]
23	GU30512830	Nut M20x1,5	1	Technical Specifications:Marzocchi[M]
24	887901	Rubber spacer	2	Technical Specifications:Kaifa[K]
24	GU32530506	Rubber spacer	4	Technical Specifications:Marzocchi[M]
25	887902	Spacer	2	Technical Specifications:Kaifa[K]
25	GU91181039	Spacer	2	Technical Specifications:Marzocchi[M]
26	887903	Cup	2	Technical Specifications:Kaifa[K]
26	GU27530505	Cup	2	Technical Specifications:Marzocchi[M]
27	887904	Nut	2	Technical Specifications:Kaifa[K]
27	GU27530506	Nut	2	Technical Specifications:Marzocchi[M]
28	887905	Ring	2	Technical Specifications:Kaifa[K]
28	GU32530504	Ring	2	Technical Specifications:Marzocchi[M]
29	978977	RH sleeve cpl.	1	Technical Specifications:Marzocchi[M]
30	887912	Lower U-bolt	2	Technical Specifications:Kaifa[K]
30	978972	Lower U-bolt	2	Technical Specifications:Marzocchi[M]

Group	FRAME
Code	33.08
Description	Fron fork II
Service	1



Pos.	Code	Description	Qty	Variants
31	887913	Upper U-bolt	2	Technical Specifications:Kaifa[K]
31	978973	Upper U-bolt	2	Technical Specifications:Marzocchi[M]
32	887914	screw M8x30	4	Technical Specifications:Kaifa[K]
32	GU66530505	screw M8x30	4	Technical Specifications:Marzocchi[M]
33	887915	screw M10x60	2	Technical Specifications:Kaifa[K]
33	GU98052560	screw M10x60	2	Technical Specifications:Marzocchi[M]
34	887916	O-ring 4118	2	Technical Specifications:Kaifa[K]
34	GU32530505	O-ring 4118	2	Technical Specifications:Marzocchi[M]
35	887917	Sleeve protection	2	Technical Specifications:Kaifa[K]
35	GU32504210	Sleeve protection	2	Technical Specifications:Marzocchi[M]
36	GU23943410	Plug	8	Technical Specifications:Marzocchi[M]
37	GU32530610	Gaskets set	1	Technical Specifications:Marzocchi[M]
38	GU32530611	Engine oil seal kit	1	Technical Specifications:Marzocchi[M]
39	887906	RH sleeve	1	Technical Specifications:Kaifa[K]
40	887881	LH sleeve	1	Technical Specifications:Kaifa[K]
41	887918	Washer	4	Technical Specifications:Kaifa[K]

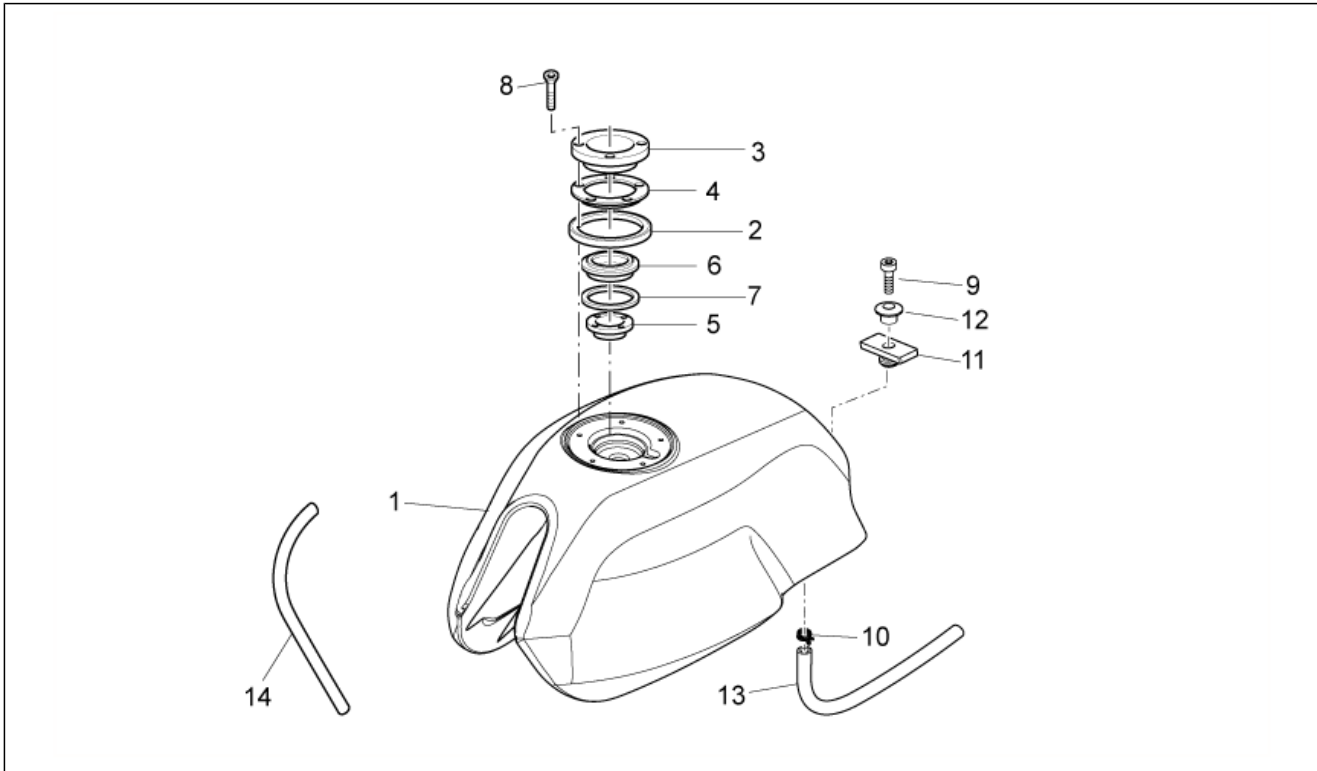
Group	FRAME
Code	33.11
Description	Rear shock absorber
Service	1



Pos.	Code	Description	Qty	Variants
1	884035	Rear shock absorber	2	Technical Specifications: Sachs[S]
1	B063749	Rear shock absorber	2	Technical Specifications: Olle Amortidors SL[O]
2	AP8152278	Screw w/ flange M6x16	1	
3	898164	Shock abs. spacer	1	
4	GU32555210	Pin	1	
5	GU32555211	Pin	1	
6	GU95129181	Washer	1	
7	GU92606210	Nut M10x1,5	1	
8	GU98690335	Hex socket screw	2	

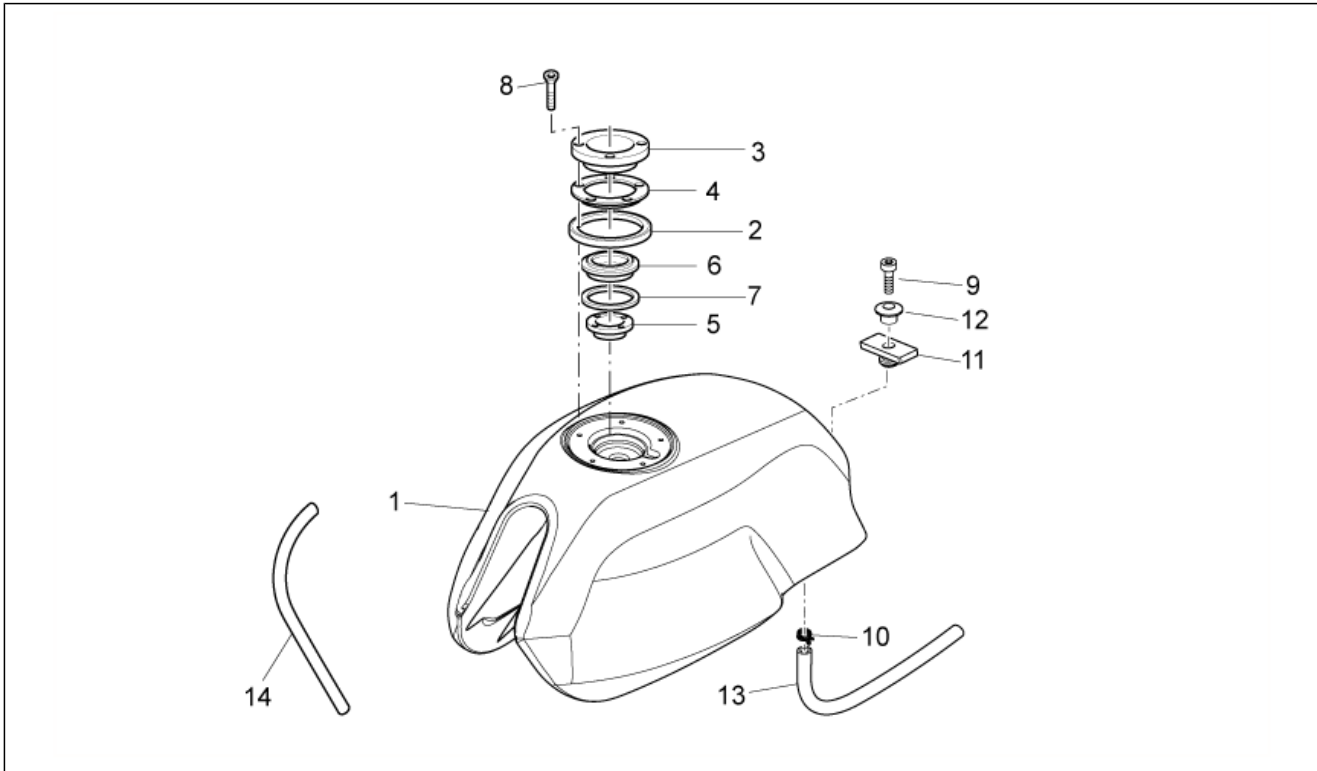


Group	FRAME
Code	33.12
Description	Fuel tank
Service	1



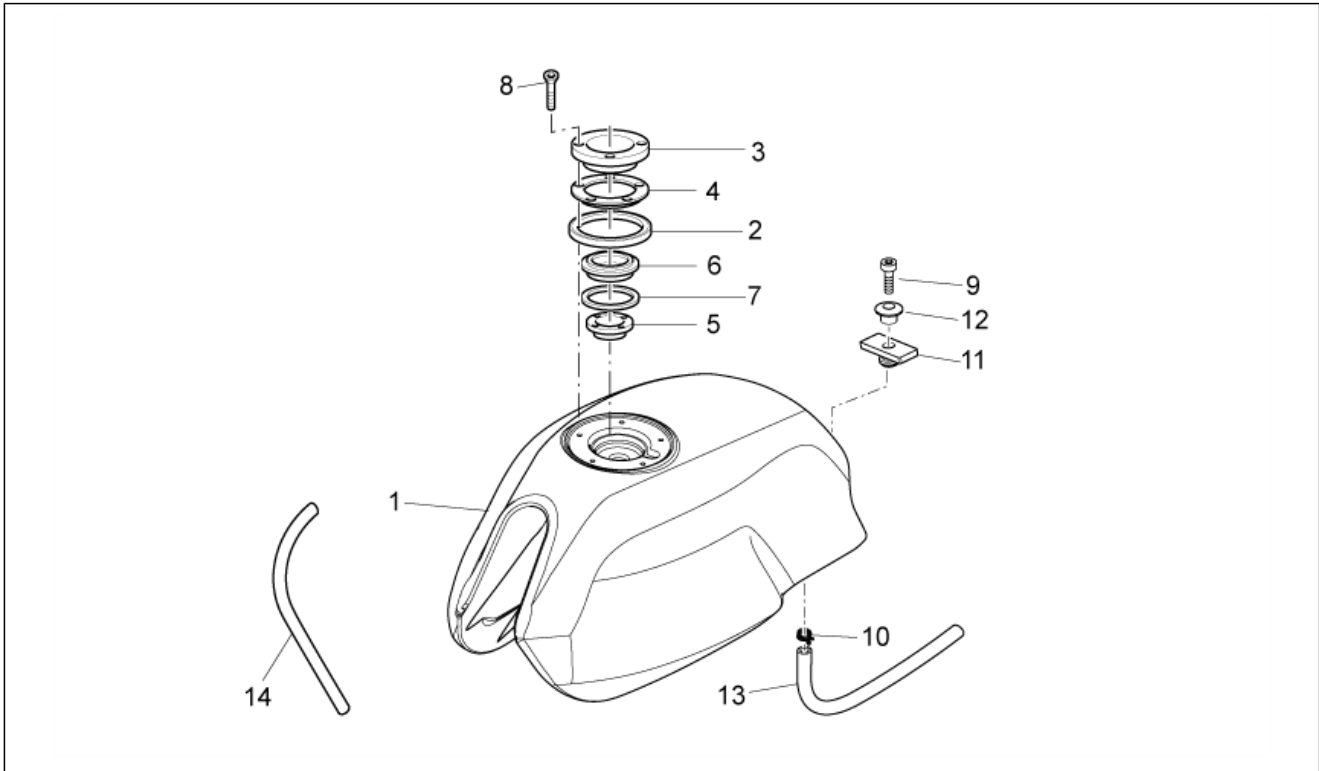
Pos.	Code	Description	Qty	Variants
1	2H000019000XN2	Fuel tank, black	1	Year:2013[D] Vehicle colour:Competition Black[nc] Country:Australia[AUS], europe[EU], Japan[J], Great Britain[UK] Technical Specifications:Decal[D], ""Special"" Version"[SP]
1	2H000020000XN2	Fuel tank, black	1	Year:2014[E] Vehicle colour:Competition Black[nc] Country:Canadian[CDN], United States of America[USA] Technical Specifications:Decal[D], ""Special"" Version"[SP]
1	2H000076000YE5	Fuel tank, m.grey	1	Year:2013[D] Vehicle colour:Metal grey[gm] Country:Australia[AUS], europe[EU], Japan[J], Great Britain[UK] Technical Specifications:Decal[D], ""Special"" Version"[SP]
1	2H000077000YE5	Fuel tank, grey	1	Year:2014[E] Vehicle colour:Metal grey[gm] Country:Canadian[CDN], United States of America[USA] Technical Specifications:Decal[D], ""Special"" Version"[SP]
1	887207	Unfinished fuel tank	1	Vehicle colour:Blank[gr] Country:Australia[AUS], europe[EU], Great Britain[UK]
1	88793500Z1	Fuel tank, red/white	1	Year:2012[C] Vehicle colour:Red/White[r/bi] Country:Australia[AUS], europe[EU], Great Britain[UK] Technical Specifications:Decal[D], ""Special"" Version"[SP]
1	88793600Z1	Fuel tank, red/white	1	Year:2013[D] Vehicle colour:Red/White[r/bi] Country:Canadian[CDN], United States of America[USA] Technical Specifications:Decal[D], ""Special"" Version"[SP]
1	88794000XB3	Fuel tank, white	1	Vehicle colour:Aprilia white[ba] Country:Australia[AUS], europe[EU], Japan[J], Great Britain[UK] Technical Specifications:Decal[D], ""Stone"" Version"[ST]
1	88794000XN6	Fuel tank, black	1	Vehicle colour:Diablo Black[nd] Country:Australia[AUS], europe[EU], Japan[J], Great Britain[UK]

Group	FRAME
Code	33.12
Description	Fuel tank
Service	1



Pos.	Code	Description	Qty	Variants
				Technical Specifications: Decal[D], ""Stone"" Version"[ST]
1	88794100XB3	Fuel tank, white	1	Year: 2013[D] Vehicle colour: Aprilia white[ba] Country: Canadian[CDN], United States of America[USA] Technical Specifications: Decal[D], ""Stone"" Version"[ST]
1	88794100XN6	Fuel tank, black	1	Year: 2013[D] Vehicle colour: Diablo Black[nd] Country: Canadian[CDN], United States of America[USA] Technical Specifications: Decal[D], ""Stone"" Version"[ST]
1	887944	Fuel tank blank	1	Vehicle colour: Blank[gr] Country: Canadian[CDN], United States of America[USA]
1	B06312300Z2	Fuel tank, black/yellow	1	Year: 2012[C] Vehicle colour: Black/Yellow[n/gi] Country: Australia[AUS], europe[EU], Great Britain[UK] Technical Specifications: Decal[D], ""Special"" Version"[SP]
1	B06312400Z2	Fuel tank, black/yellow	1	Year: 2013[D] Vehicle colour: Black/Yellow[n/gi] Country: Canadian[CDN], United States of America[USA] Technical Specifications: Decal[D], ""Special"" Version"[SP]
2	GU03102400	Gasket	1	
3	GU03101900	Flange	1	
4	GU03103500	Ring	1	
5	883502	Reduction 24 mm	1	Country: United States of America[USA]
5	GU03101720	Reduction 38 mm	1	Country: Australia[AUS], Canadian[CDN], europe[EU], Japan[J], Great Britain[UK]
6	GU03102200	Plug ring nut	1	
7	GU03101600	Gasket	2	
8	GU03103200	screw	5	
9	GU98682430	Hex socket screw M8x30	1	
10	AP8101595	Hose clamp D10,1	1	
11	AP8120557	Tank rubber	1	
12	AP8121673	T bush *	1	

Group	FRAME
Code	33.12
Description	Fuel tank
Service	1



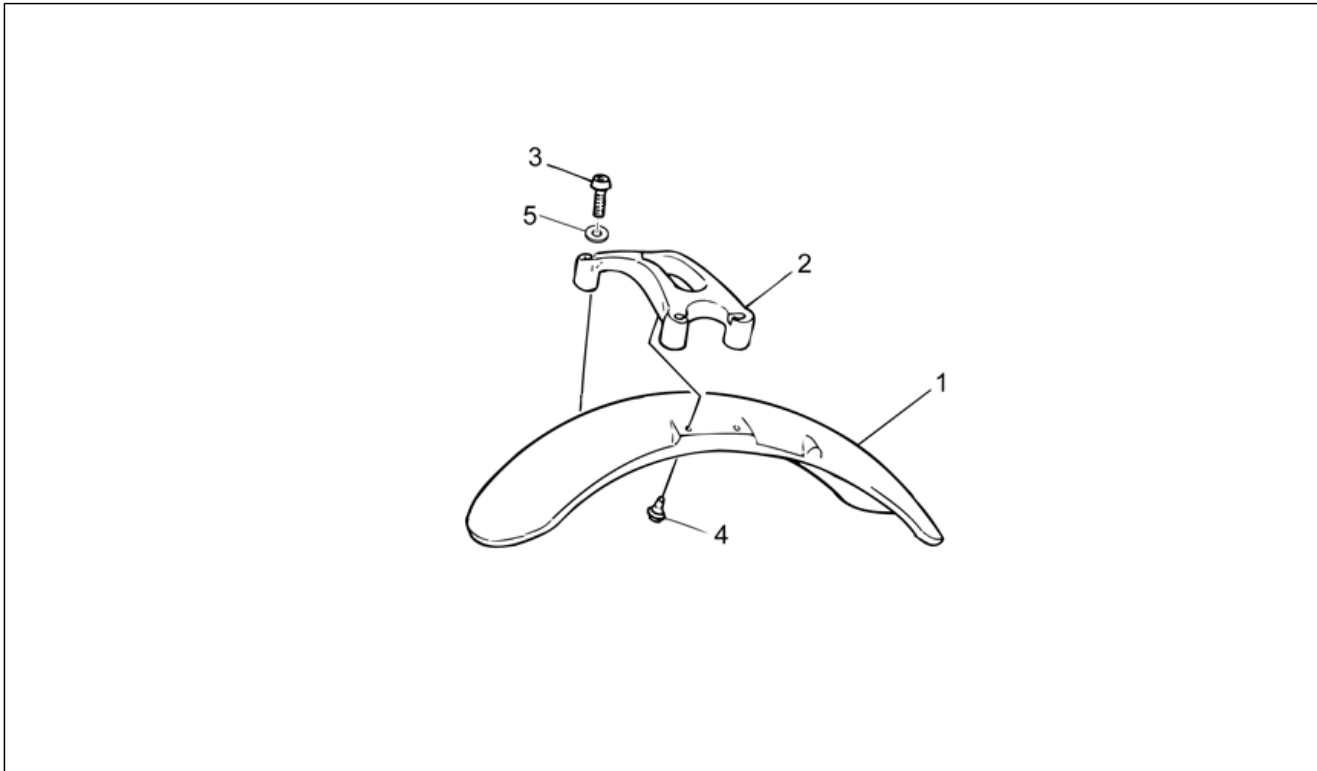
Pos.	Code	Description	Qty	Variants
13	GU00823944050	pipe 5X9	1	
14	GU00823931070	Gasket	1	



V 7
GU101 - V7 Special - Stone 750 2012-2013

Chassis prefix: ZGULWG00, ZGULWG01,
ZGULWG02, ZGULWE00, ZGULWE01,
ZGULWE02, ZGULWU00, ZGULWUA0,
ZGULWUA1, ZGULWS00, ZGULWT00,
ZGULWU01
Engine prefix:

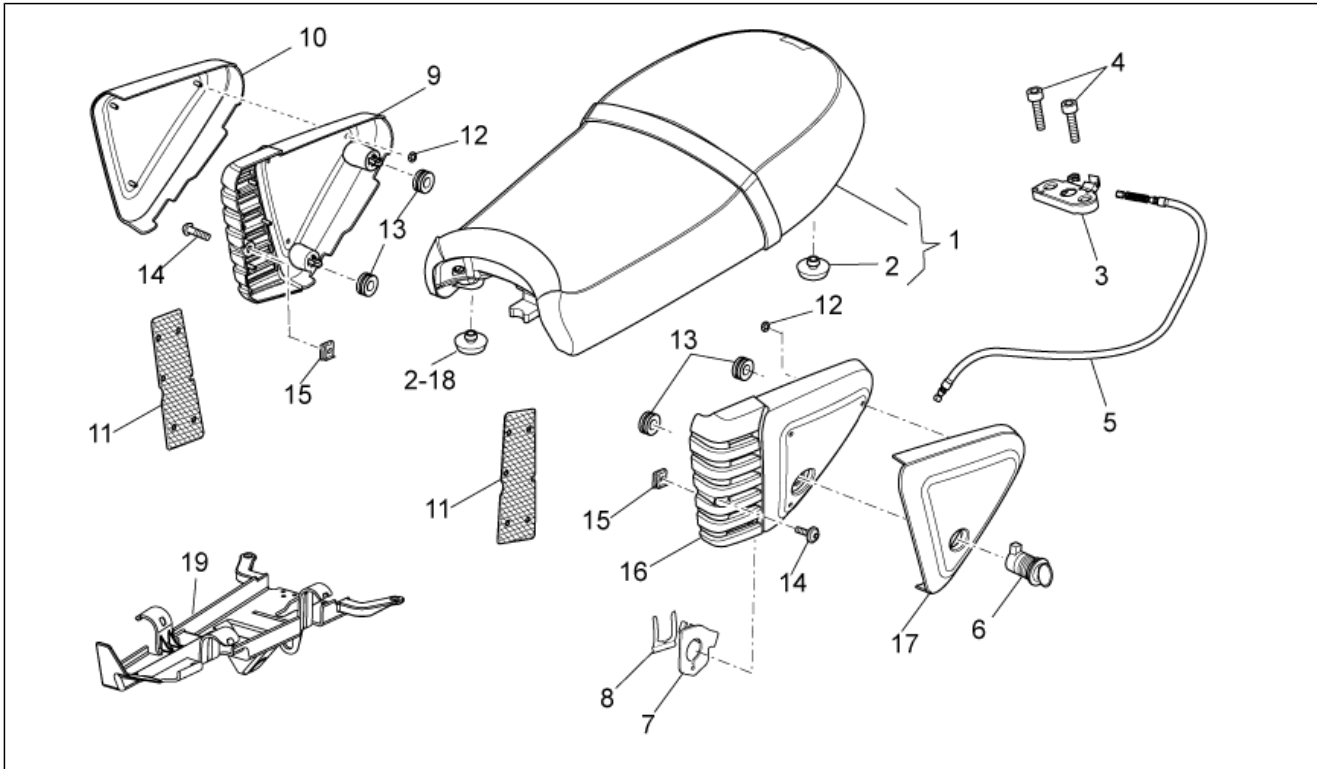
Group	FRAME
Code	33.13
Description	Front body - Front mudguard
Service	1



Pos.	Code	Description	Qty	Variants
1	88635200XB3	Front mudguard, white	1	Vehicle colour:Aprilia white[ba] Technical Specifications: ""Stone"" Version"[ST]
1	88635200XN2	Front mudguard, black	1	Vehicle colour:Black/Yellow[n/gi] Technical Specifications: ""Special"" Version"[SP]
1	88635200XN6	Front mudguard, black	1	Vehicle colour:Diablo Black[nd] Technical Specifications: ""Stone"" Version"[ST]
1	88635200XR7	Front mudguard, red	1	Vehicle colour:Red/White[r/bi] Technical Specifications: ""Special"" Version"[SP]
1	GU32434460	Front mudguard blank	1	
2	883266	Stabilization plate	1	
3	GU98370845	Hex socket screw	4	
4	GU31439565	Special screw	4	
5	GU14615901	Washer 8,4X13X0,8	4	

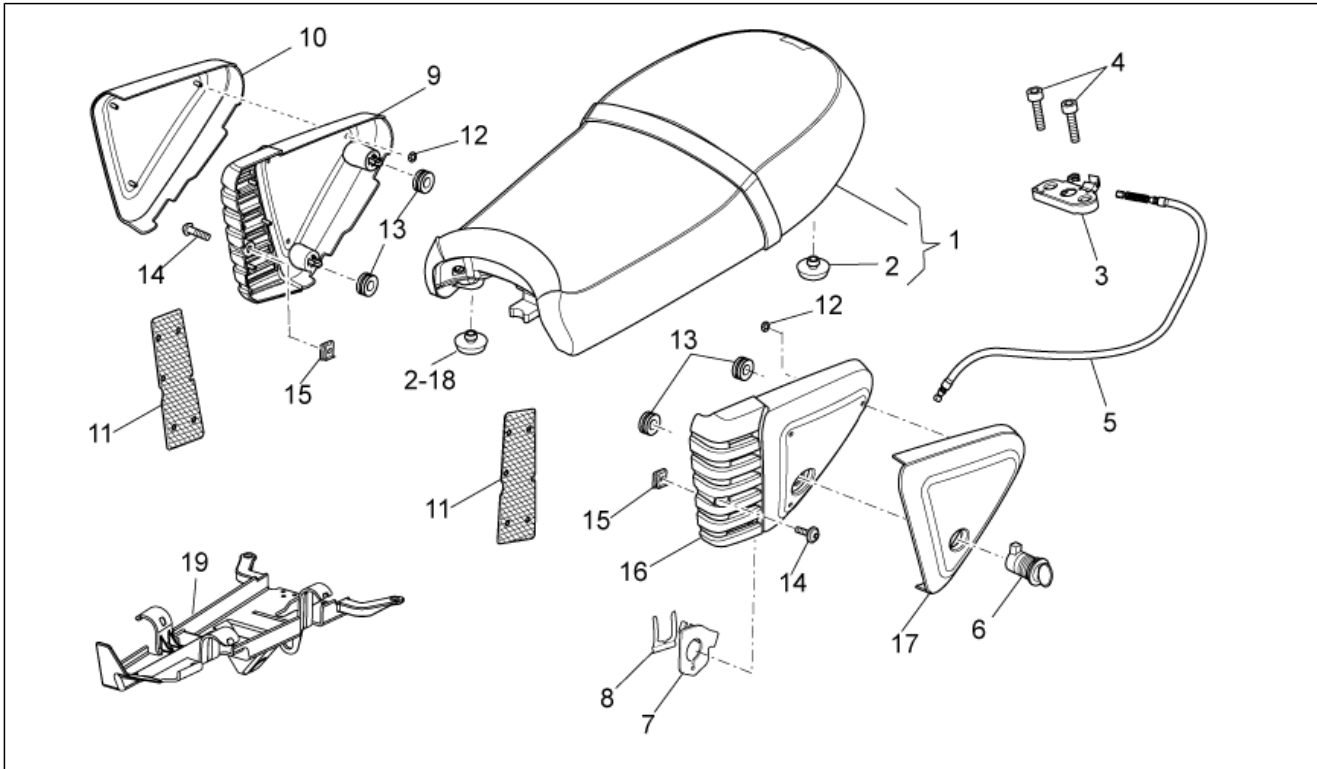


Group	FRAME
Code	33.14
Description	Saddle-Central bod
Service	1



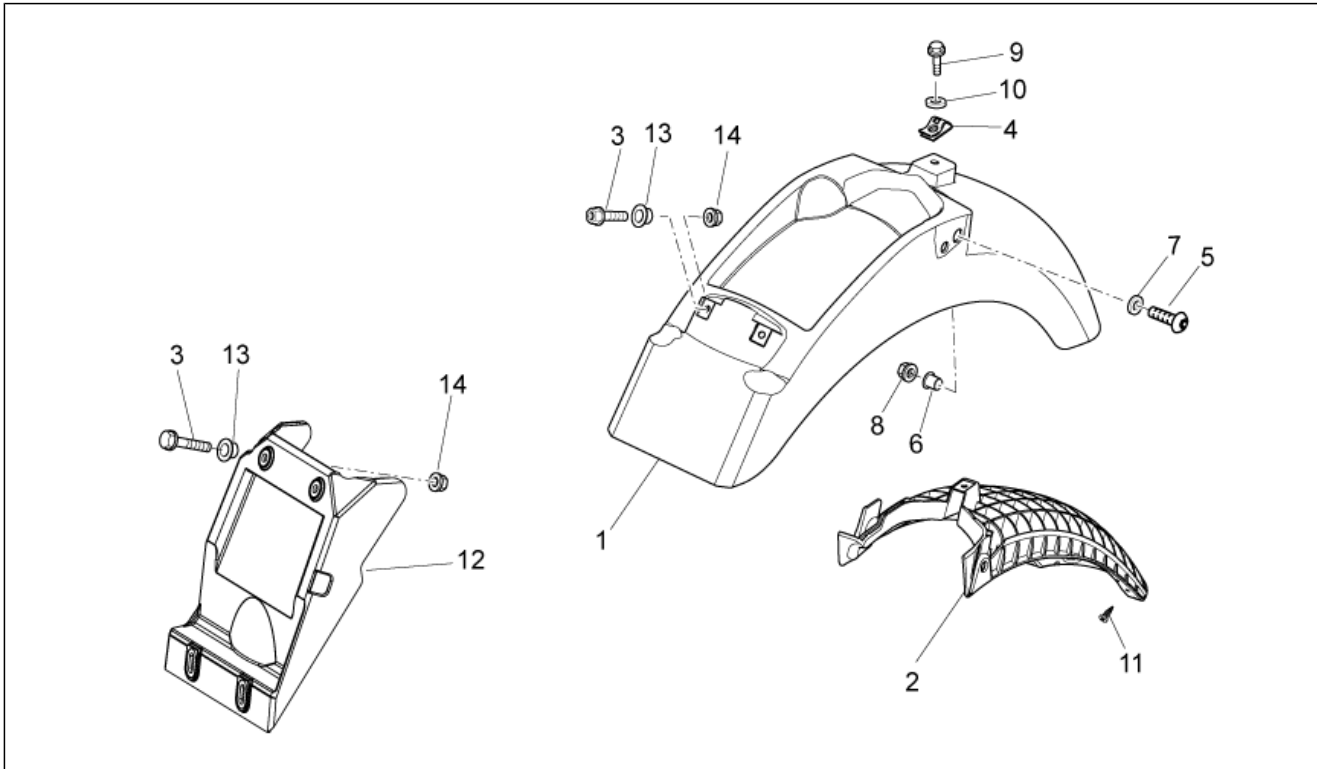
Pos.	Code	Description	Qty	Variants
1	88793900A1	Two-seat saddle	1	Technical Specifications: ""Special"" Version"[SP]
1	978931	Two-seat saddle	1	Technical Specifications: ""Stone"" Version"[ST]
2	GU32461610	Rubber spacer	8	Technical Specifications: ""Special"" Version"[SP]
2	GU32461610	Rubber spacer	10	Technical Specifications: ""Stone"" Version"[ST]
3	AP8102913	Pass.saddle connecting plate	1	
4	GU98370625	Hex socket screw	2	
5	883295	Saddle release cable	1	
6	977527	Locking complete with keys	1	
7	AP8121420	Fork spring	1	
8	978415	Cable fixing plate	1	
9	978941	RH support	1	
10	2H000021000XN2	RH side panel, black	1	Year:2013[D] Vehicle colour:Competition Black[nc] Technical Specifications:Decal[D], ""Special"" Version"[SP]
10	2H000078000YE5	RH side panel, grey	1	Year:2013[D] Vehicle colour:Metal grey[gm] Technical Specifications:Decal[D], ""Special"" Version"[SP]
10	88793700XR7	RH side panel, red	1	Year:2012[C] Vehicle colour:Red/White[r/bi] Technical Specifications:Decal[D], ""Special"" Version"[SP]
10	88794200XN6	RH side panel, black diablo	1	Year:2012[C] Vehicle colour:Aprilia white[ba], Diablo Black[nd] Technical Specifications:Decal[D], ""Stone"" Version"[ST]
10	978940	RH side panel, blank	1	
10	B06312500XN2	RH side panel, black	1	Year:2012[C] Vehicle colour:Black/Yellow[n/gi] Technical Specifications:Decal[D], ""Special"" Version"[SP]
11	978942	Guard	2	
12	AP8150450	Washer for shafts D5	1	
13	GU91551086	Rubber spacer	4	
14	AP8152339	Screw w/ flange M5x9	2	

Group	FRAME
Code	33.14
Description	Saddle-Central bod
Service	1



Pos.	Code	Description	Qty	Variants
15	AP8102375	Clip m5	2	
16	978944	LH support	1	
17	2H000022000XN2	LH side panel, black	1	Year:2013[D] Vehicle colour:Competition Black[nc] Technical Specifications:Decal[D], ""Special"" Version"[SP]
17	2H000079000YE5	LH side panel, grey	1	Year:2013[D] Vehicle colour:Metal grey[gm] Technical Specifications:Decal[D], ""Special"" Version"[SP]
17	88793800XR7	LH side panel, red	1	Year:2012[C] Vehicle colour:Red/White[r/bi] Technical Specifications:Decal[D], ""Special"" Version"[SP]
17	88794300XN6	LH side panel, black diablo	1	Year:2012[C] Vehicle colour:Aprilia white[ba], Diablo Black[nd] Technical Specifications:Decal[D], ""Stone"" Version"[ST]
17	978943	LH side panel, blank	1	
17	B06312600XN2	LH side panel, black	1	Year:2012[C] Vehicle colour:Black/Yellow[n/gi] Technical Specifications:Decal[D], ""Special"" Version"[SP]
18	B063429	Rubber spacer	2	Technical Specifications: ""Special"" Version"[SP]
19	B063431	Protection	1	

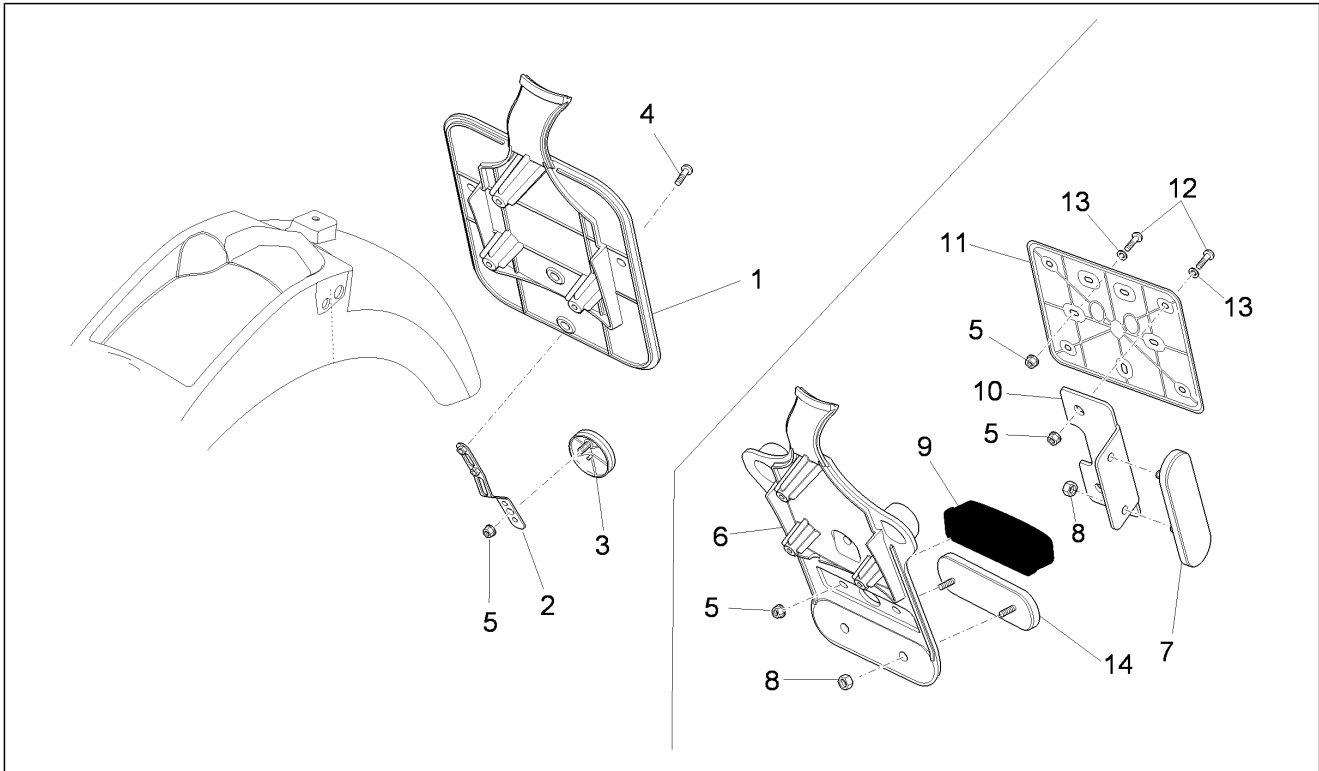
Group	FRAME
Code	33.15
Description	Rear body I- Mudguard
Service	1



Pos.	Code	Description	Qty	Variants
1	978946	Rear mudguard blank	1	
1	97894600XB3	Rear mudguard, white	1	Vehicle colour:Aprilia white[ba] Technical Specifications: ""Stone"" Version"[ST]
1	97894600XN2	Rear mudguard, black	1	Vehicle colour:Black/Yellow[n/gi] Technical Specifications: ""Special"" Version"[SP]
1	97894600XN6	Rear mudguard, black	1	Vehicle colour:Diablo Black[nd] Technical Specifications: ""Stone"" Version"[ST]
1	97894600XR7	Rear mudguard, red	1	Vehicle colour:Red/White[r/bi] Technical Specifications: ""Special"" Version"[SP]
2	978947	Support	1	
3	AP8152278	Screw w/ flange M6x16	4	
4	254485	Spring plate M6	1	
5	GU98370831	Hex socket screw M8x30	2	
6	GU91120806	Spacer	2	
7	GU95005310	Washer 8,4x18x2	2	
8	GU92640708	Nut M8	2	
9	AP8152279	Screw w/ flange M6x20	2	
10	GU91180601	Spacer 6,2x8x3	2	
11	AP8152329	Phillips screw, SWP M5x20	3	
12	B063167	Splash guard	1	
13	AP8121032	Bush	6	
14	AP8152299	Self-locking nut M6	6	

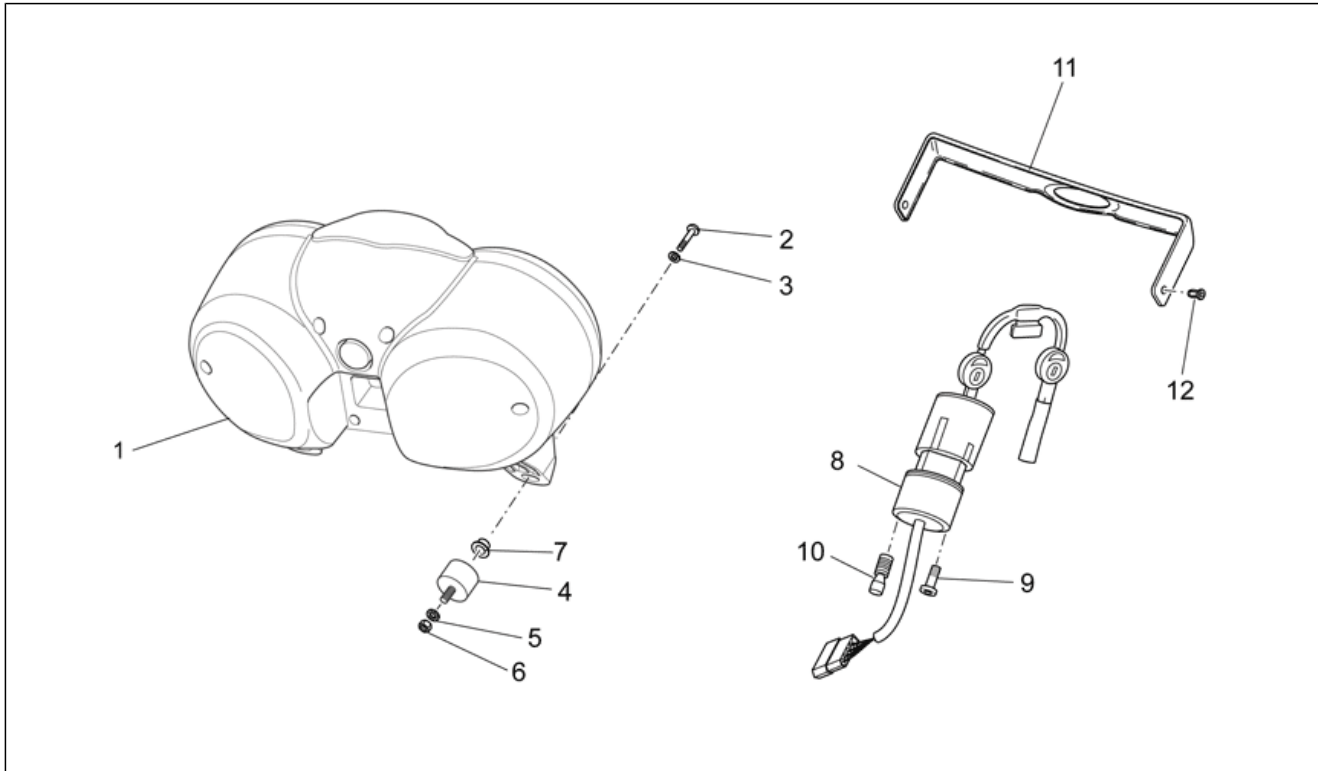


Group	FRAME
Code	33.16
Description	Rear body II- Plate holder
Service	1



Pos.	Code	Description	Qty	Variants
1	978949	Number plate holder	1	
2	AP8134448	Reflector support	1	
3	AP8224164	Rear reflector, red	1	
4	GU98230510	Hex socket screw	1	
5	AP8152306	Self-locking nut m5	1	
6	883470	Number plate holder	1	Country:Canadian[CDN], United States of America[USA]
7	AP8124718	Rear reflector, red	2	Country:Canadian[CDN], United States of America[USA]
8	GU92630204	Nut	6	Country:Canadian[CDN], United States of America[USA]
9	883480	Number-plate light	1	Country:Canadian[CDN], United States of America[USA]
10	GU32781910	Reflector support	2	Country:Canadian[CDN], United States of America[USA]
11	AP8149034	Number plate support	1	Country:Canadian[CDN], United States of America[USA]
12	AP8152268	Hex socket screw M5x16	7	Country:Canadian[CDN], United States of America[USA]
13	AP8150248	Washer 5,5x15x1,6	7	Country:Canadian[CDN], United States of America[USA]
14	GU05781630	Reflector, amber	1	Country:Canadian[CDN], United States of America[USA]

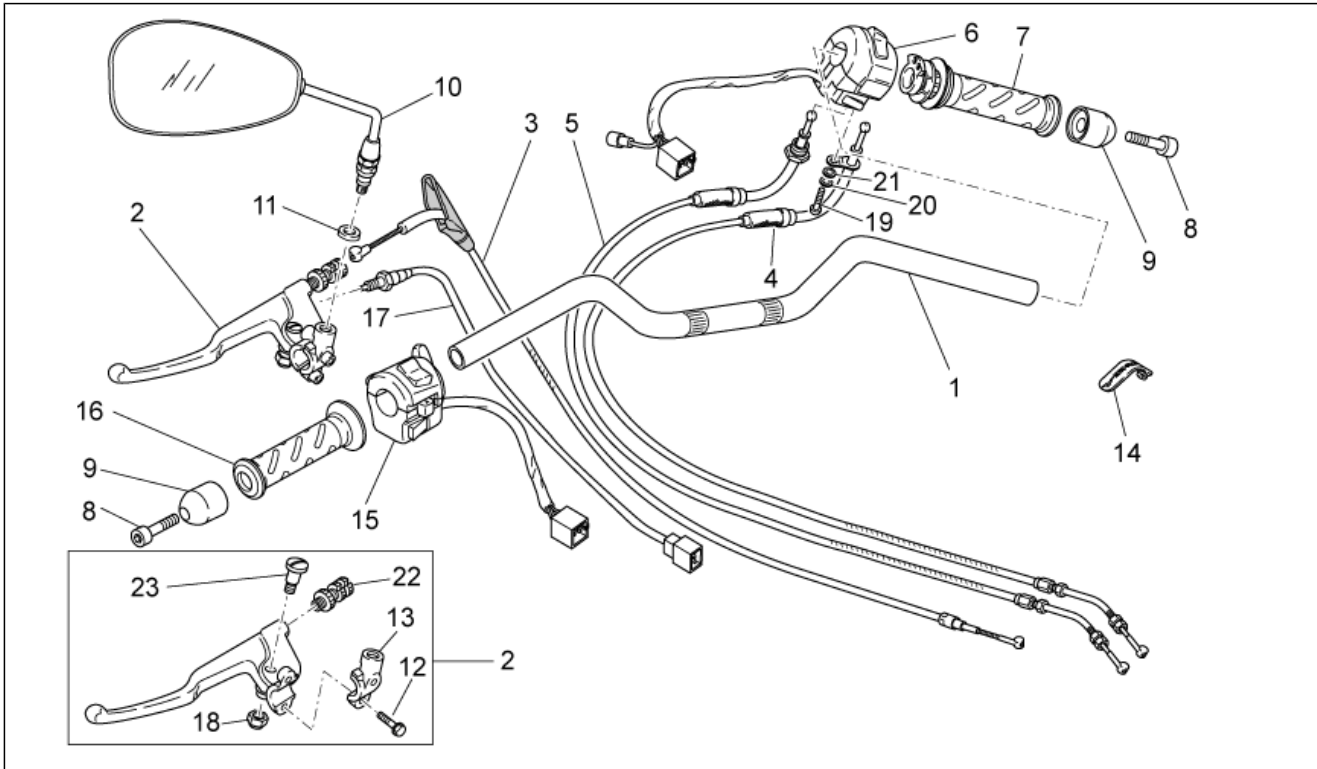
Group	FRAME
Code	33.17
Description	Dashboard
Service	1



Pos.	Code	Description	Qty	Variants
1	887194	Dashboard complete km/h	1	Country:Australia[AUS], Canadian[CDN], europe[EU]
1	887195	Dashboard complete MPH	1	Country:Great Britain[UK], United States of America[USA]
2	GU98370609	Hex socket screw M6x10	3	
3	GU95005306	Washer 6,4x13x1,5	3	
4	GU93222023	Silent-block	3	
5	GU95021206	Washer	3	
6	GU92606206	Nut	3	
7	AP8121032	Bush	3	
8	GU32782510	Main switch - steering lock	1	
9	GU98682416	Hex socket screw M8x16	1	
10	AP8150349	Special screw M8x15	1	
11	883569	Cover	1	
12	GU23922210	Pin	2	

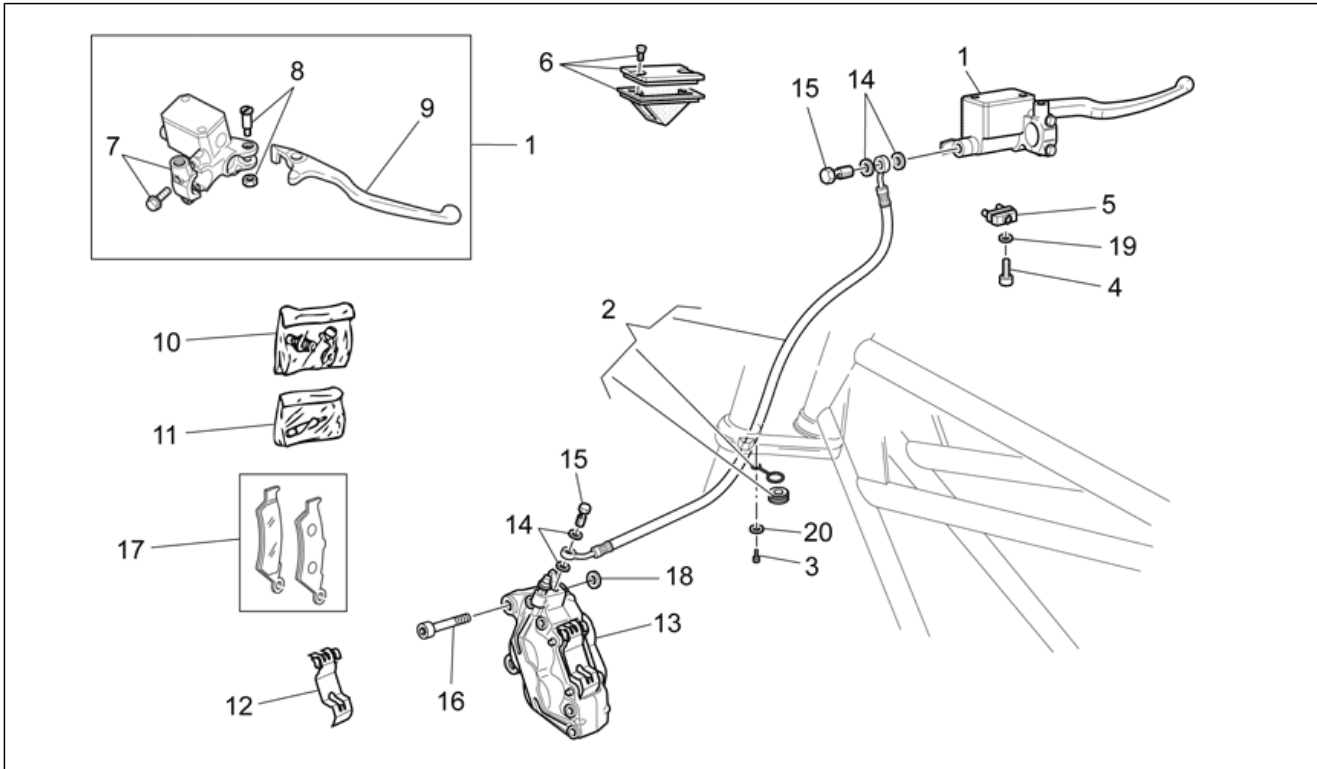


Group	FRAME
Code	33.18
Description	Handlebar - Controls
Service	1



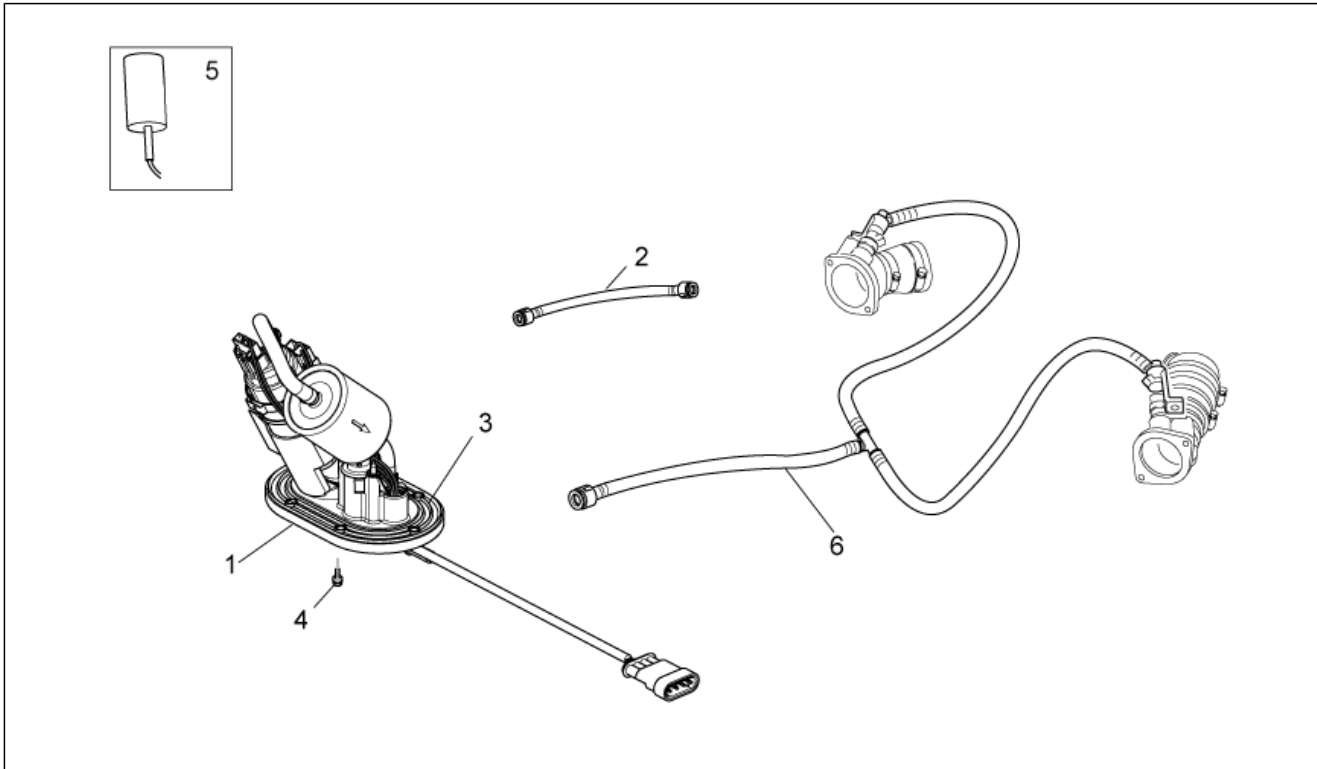
Pos.	Code	Description	Qty	Variants
1	978960	Handlebar	1	
2	GU32605510	Clutch lever	1	
3	B063427	Clutch cable	1	
4	887852	Gas trasmission delivery	1	
5	887853	Gas trasmission return	1	
6	B063135	RH lights selector	1	
7	GU32603310	RH hand grip	1	
8	GU98690335	Hex socket screw	2	
9	AP8104509	Anti.v weight, black	2	Technical Specifications: ""Stone"" Version"[ST]
9	GU32602860	Anti.v weight, chr.	2	Technical Specifications: ""Special"" Version"[SP]
10	883802	RH/LH rearview mirror	2	Technical Specifications: marked "FU E11 81R-001047"[FU]
10	978570	RH/LH rearview mirror	2	Technical Specifications: marked "FAR"[FAR]
11	GU91181003	Spacer 10,25X20X4	2	
12	GU97202325	Black screw w/ flange M6x25	2	
13	GU30601060	Clump	1	
14	GU01609630	Hose clamp L46 mm	2	
14	GU03609600	Hose clamp L36 mm	1	
15	887822	LH lights selector	1	
16	GU32603010	LH hand grip	1	
17	GU29759150	Lateral stand switch	1	
18	AP8213388	Self-locking nut	1	
19	GU98230510	Hex socket screw	1	
20	GU95008305	Washer 5,3X10X1	1	
21	GU95021105	Notched washer	1	
22	GU30602500	Register	1	
23	AP8213028	screw	1	

Group	FRAME
Code	33.19
Description	Front brake system
Service	1



Pos.	Code	Description	Qty	Variants
1	GU03660145	Front master cilinder	1	
2	GU32657110	Brake hose	1	
3	AP8152277	Screw w/ flange M6x12	1	
4	GU98370412	Hex socket screw M4x12	1	
5	GU03749845	Stop switch	1	
6	GU03661145	Pump cover	1	
7	GU03664045	U-bolt	1	
8	GU03604845	Lever pin	1	
9	GU03605645	Brake lever	1	
10	GU05659230	Bleeder+cap	1	
11	GU01659130	Pins+Caliper springs	1	
12	GU01659131	Spring	1	
13	883303	LH front brake caliper, black	1	
14	AP8121915	Gasket	4	
15	978323	Oil pipe screw *	2	
16	AP8152385	Hex socket screw M10x1,25	2	
17	GU01654630	Pads pair	1	
18	GU91181003	Spacer 10,25X20X4	2	
19	GU95021104	Washer 4,3x8x1,5	1	
20	GU95008306	Washer 6,4x12x1,2	1	

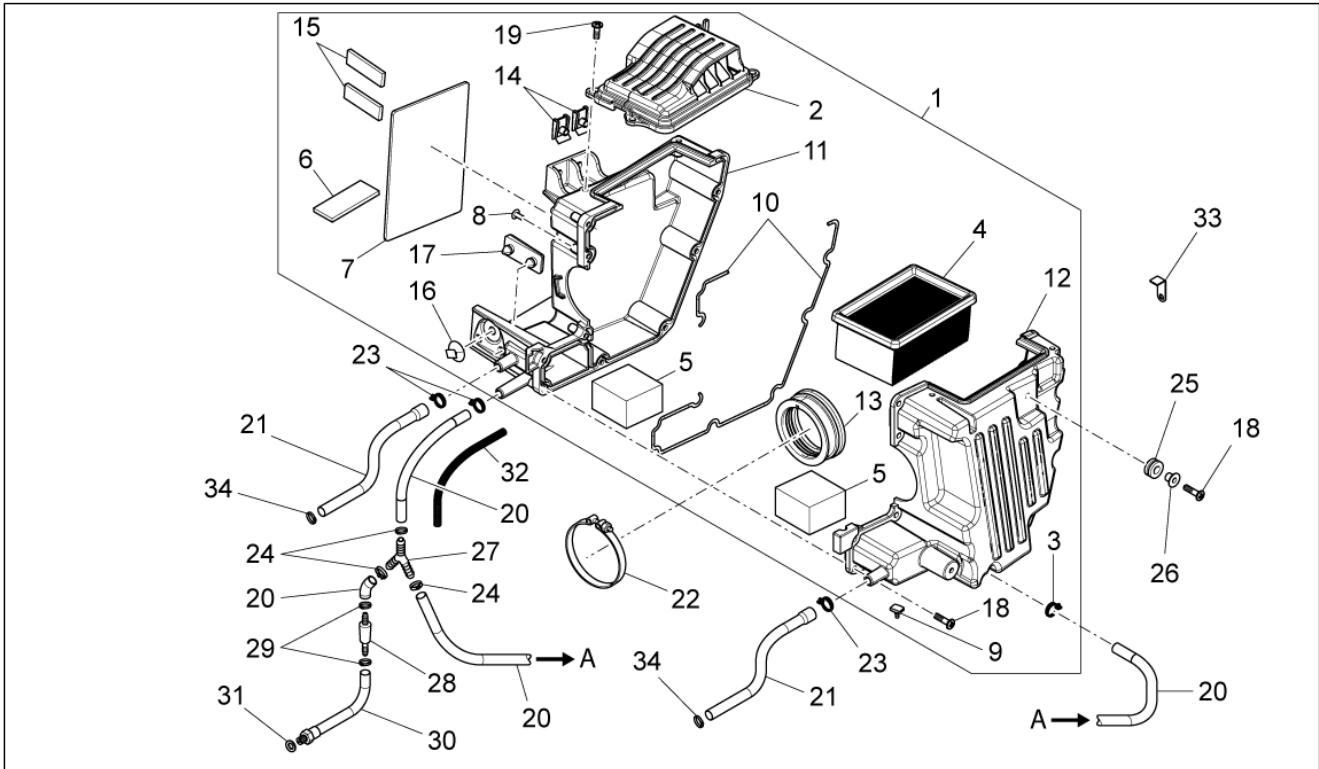
Group	FRAME
Code	33.21
Description	Fuel pump
Service	1



Pos.	Code	Description	Qty	Variants
1	B063645	Fuel intake unit	1	Country:Canadian[CDN], United States of America[USA]
1	B063752	Fuel pump	1	
2	B063033	Fuel pipe	1	
3	GU05107430	Gasket	1	
4	AP8152273	Screw w/ flange M5x16	6	
5	887787	Fuel level sensor	1	
6	B063034	Fuel pipe	1	

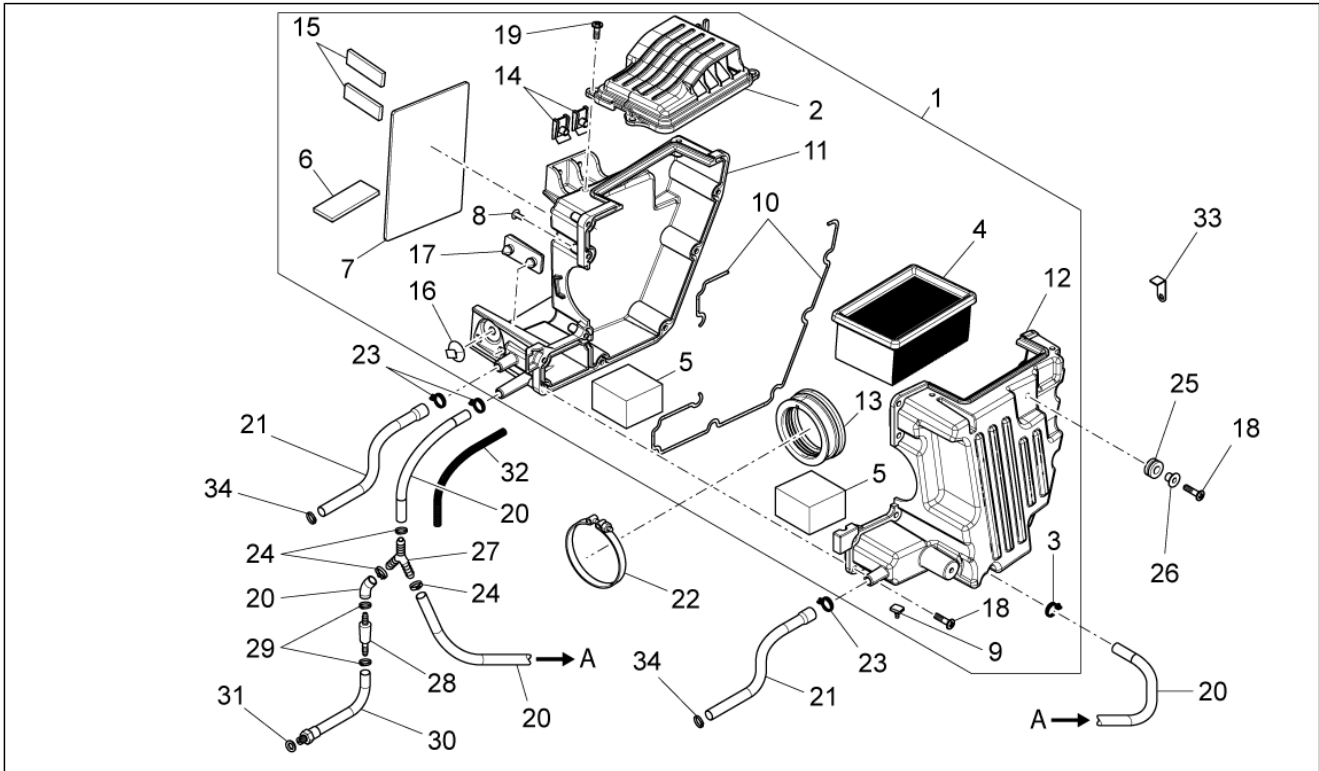


Group	FRAME
Code	33.22
Description	Air box
Service	1



Pos.	Code	Description	Qty	Variants
1	8878421	Complete filter box	1	
2	887843	Air filter cover	1	
3	AP8201358	Hose clamp D 11,9	1	
4	AP8104924	Air filter	1	
5	AP8104525	Filter blow-by	2	
6	883127	Support rubber part 5mm	1	
7	AP8144553	Support rubber part	1	
8	AP8120876	Plug	2	
9	AP8120455	Rubber spacer	1	
10	AP8120615	Gasket D3	2	
11	887844	Filter box right shell	1	
12	887845	Filter box left shell	1	
13	887815	Intake hose	1	
14	254485	Spring plate M6	2	
15	AP8144538	Gasket	2	
16	890760	Instrument support	1	
17	AP8144729	Stand end stop	1	
18	AP8152329	Phillips screw, SWP M5x20	11	
19	AP8150509	Self-tap screw 5x14	4	
20	AP8120772	Breather pipe	3	
21	B063214	Blow-by pipe	2	
22	GU93305061	Hose clamp 61/65,5	1	
23	AP8102766	Hose clamp	3	
24	AP8102765	White hose clip D.13,5x6	3	
25	GU91551010	Rubber spacer	2	
26	AP8221023	T bush	2	
27	2B000045	3-way union	1	
28	AP8104996	Anti-return valve	1	

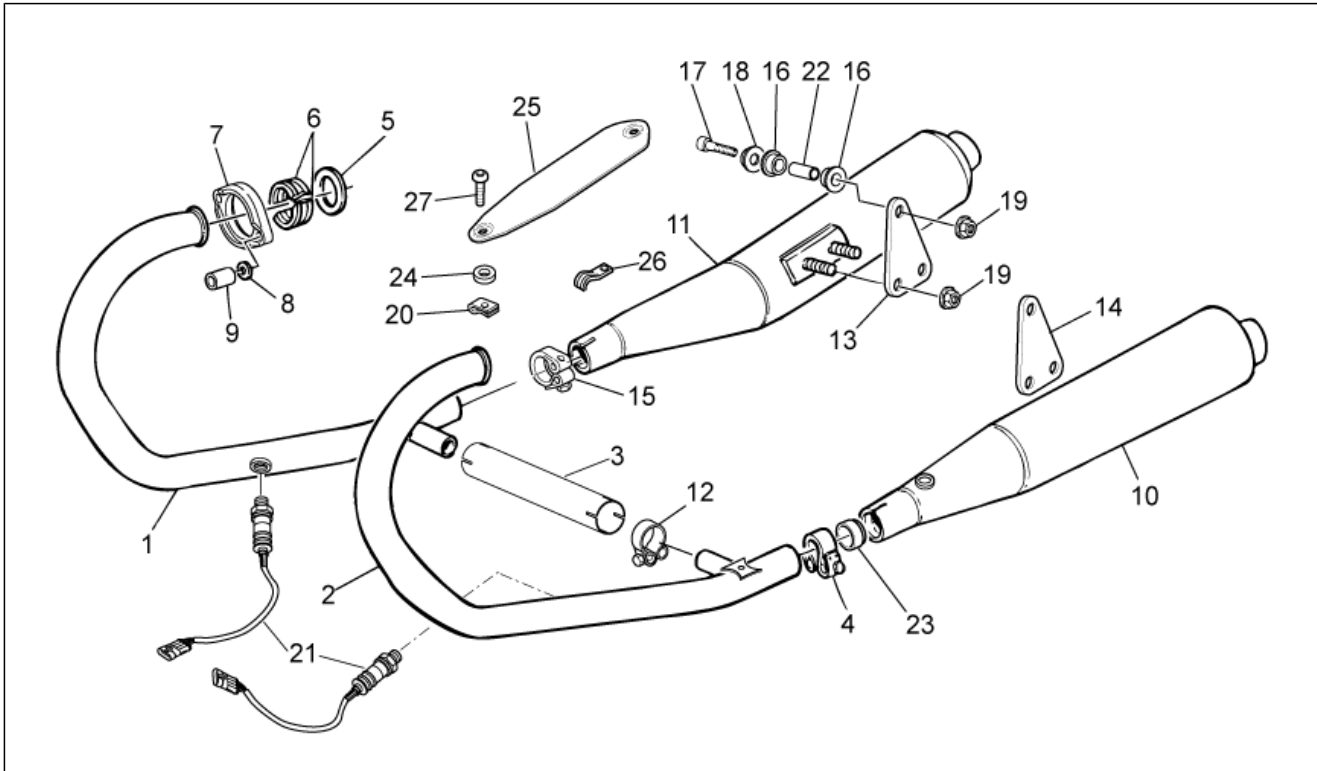
Group	FRAME
Code	33.22
Description	Air box
Service	1



Pos.	Code	Description	Qty	Variants
29	GU28157950	Hose clip 12,5x8	2	
30	B063213	Breather	1	
31	GU90714082	Gasket	1	
32	GU00823923140	Thermal sheath	1	
33	GU31112965	Square	1	
34	AP8201358	Hose clamp D 11,9	2	

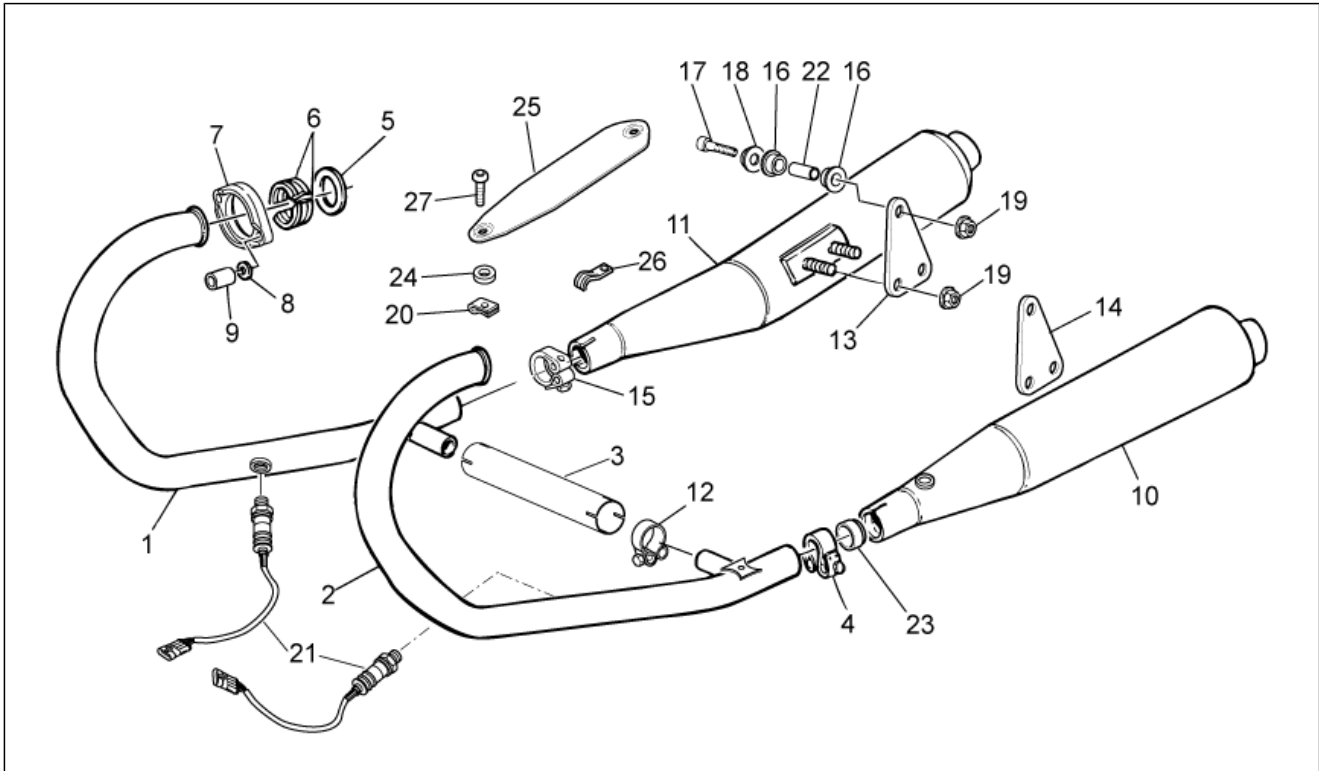


Group	FRAME
Code	33.23
Description	Exhaust unit
Service	1



Pos.	Code	Description	Qty	Variants
1	887846	RH exhaust pipe	1	Country:Australia[AUS], Canadian[CDN], europe[EU], Great Britain[UK], United States of America[USA]
1	B063854	RH exhaust pipe	1	Country:Japan[J]
2	887847	LH exhaust pipe	1	Country:Australia[AUS], Canadian[CDN], europe[EU], Great Britain[UK], United States of America[USA]
2	B063855	LH exhaust pipe	1	Country:Japan[J]
3	B063022	Exhaust manifold union	1	
4	883294	LH silencer clamp	1	
5	GU19025280	Gasket	2	
6	GU19025460	Spacer	4	
7	GU32121010	Ring nut	2	
8	GU03013800	Washer 6,4x12	4	
9	GU31121880	Nut	4	
10	2B000177	LH silencer	1	Year:2013[D]
10	884137	LH silencer	1	Year:2012[C], 2013[D]
11	2B000176	RH silencer	1	Year:2013[D]
11	884136	RH silencer	1	Year:2012[C], 2013[D]
12	978385	Hose clamp	2	
13	883297	RH plate	1	
14	883298	LH plate	1	
15	883293	RH silencer clamp	1	
16	AP8144071	Rubber exhaust	4	
17	GU98680440	Hex socket screw M8x40	2	
18	AP8134378	Silencer fixing bush	2	
19	GU92640508	Nut M8	6	
20	254485	Spring plate M6	2	
21	896110	Lamda sensor l.660 mm	2	
22	AP8121072	Spacer	2	

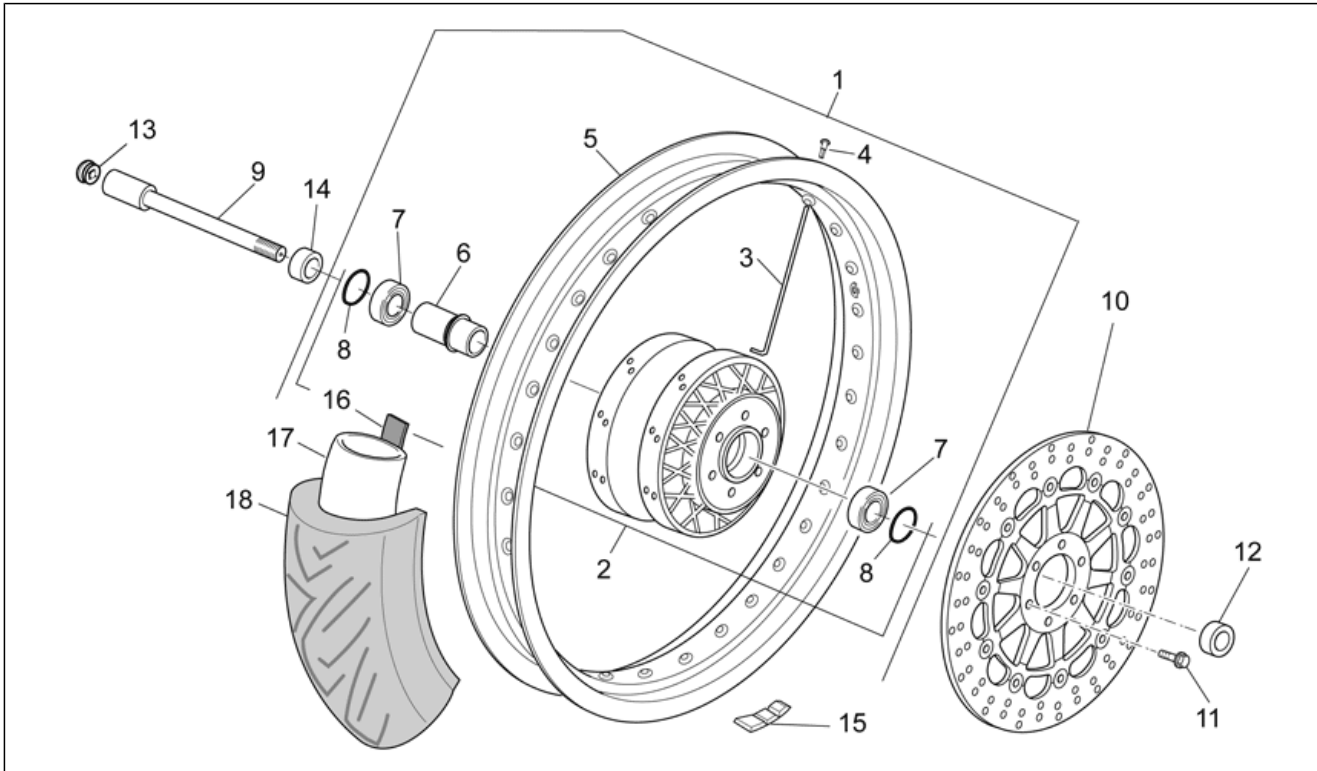
Group	FRAME
Code	33.23
Description	Exhaust unit
Service	1



Pos.	Code	Description	Qty	Variants
23	GU91113826	Bushing	2	
24	AP8120870	Insulating washer	4	
25	883704	Exhaust pipe heat prot.	2	
26	GU93301175	U-bolt	1	
27	GU98210612	Screw w/ flange M6x12	4	

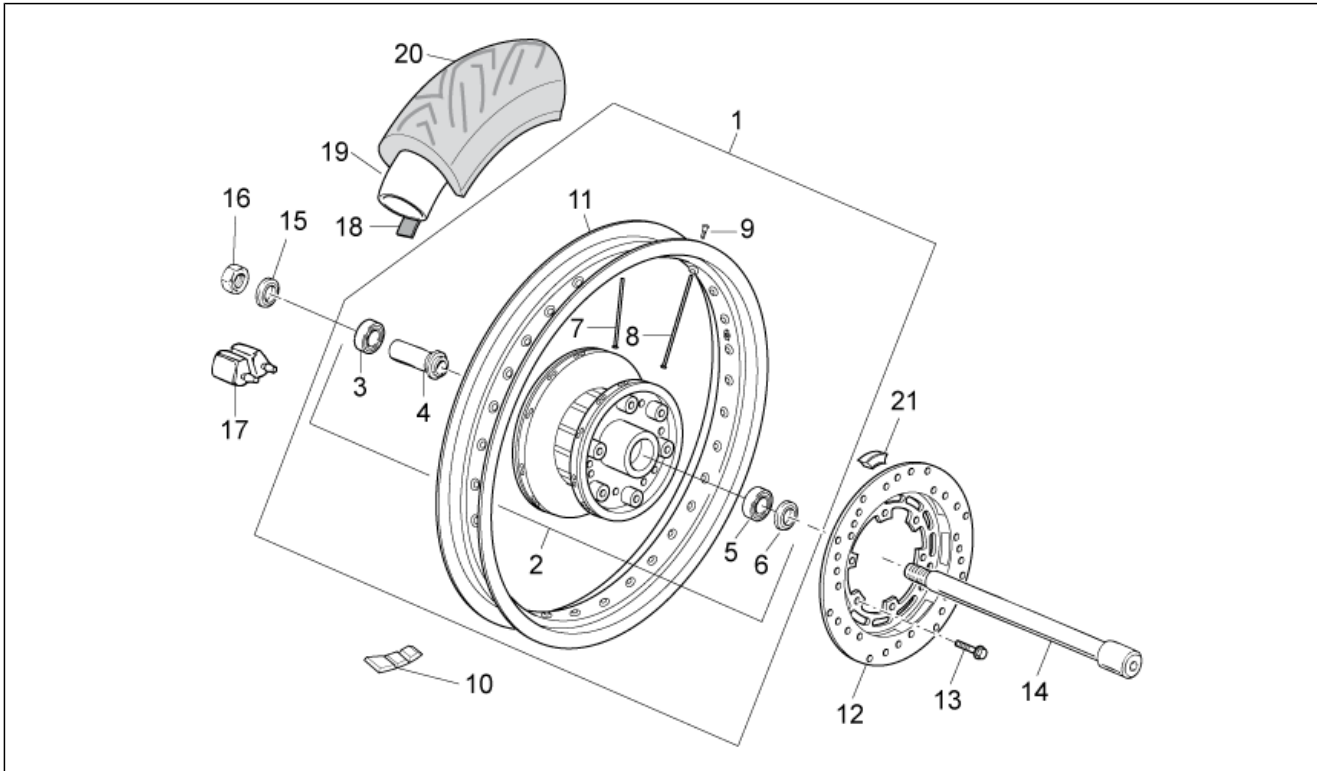


Group	FRAME
Code	33.24
Description	Front wheel I
Service	1



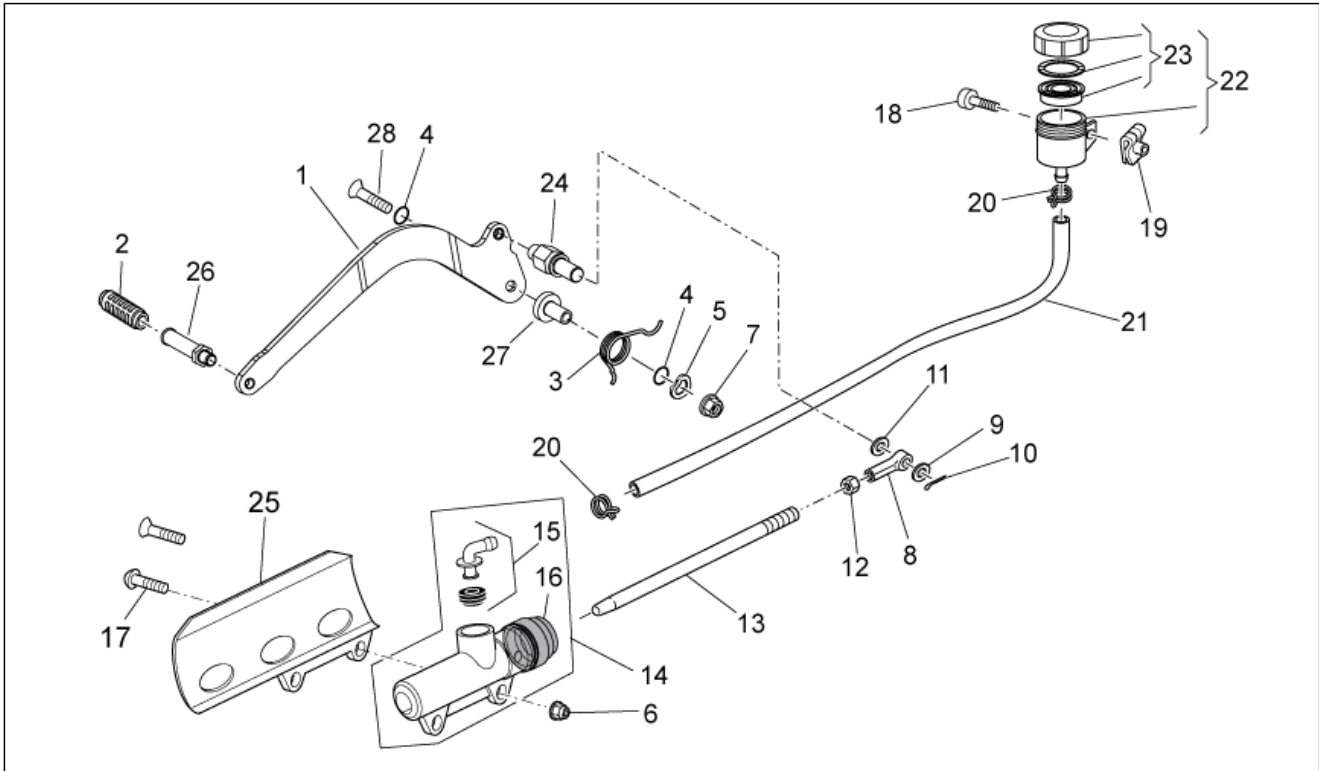
Pos.	Code	Description	Qty	Variants
1	887859	Front wheel(complete) 2,5x18"	1	Year:2012[C]
1	B063702	Front wheel 2,5x18" Black	1	Year:2013[D]
2	GU32613160	Front hub	1	
3	B063144	Front wheel spoke	36	
4	GU03631250	Nipples	36	
5	887858	Front wheel 2,5x18"	1	Year:2012[C]
5	B063077	Black front rim 2.5X18"	1	Year:2013[D]
6	GU31615283	Spacer	1	
7	GU92204221	Bearing	2	
8	GU90402642	Gasket ring	1	
9	GU31614183	Front wheel spindle	1	
10	883688	Front brake disc 320	1	
11	AP8152286	Screw w/ flange M8x20	6	
12	GU31616384	LH spacer	1	
13	GU93180111	Cover 15 mm	1	
14	GU32615660	RH spacer	1	
15	GU14616150	Counterweight	1	
16	GU03612040	Tyre flap	1	
17	GU31610160	Inner tube MB 18	1	
18	886679	Tyre 100/90 18	1	

Group	FRAME
Code	33.25
Description	Rear wheel I
Service	1



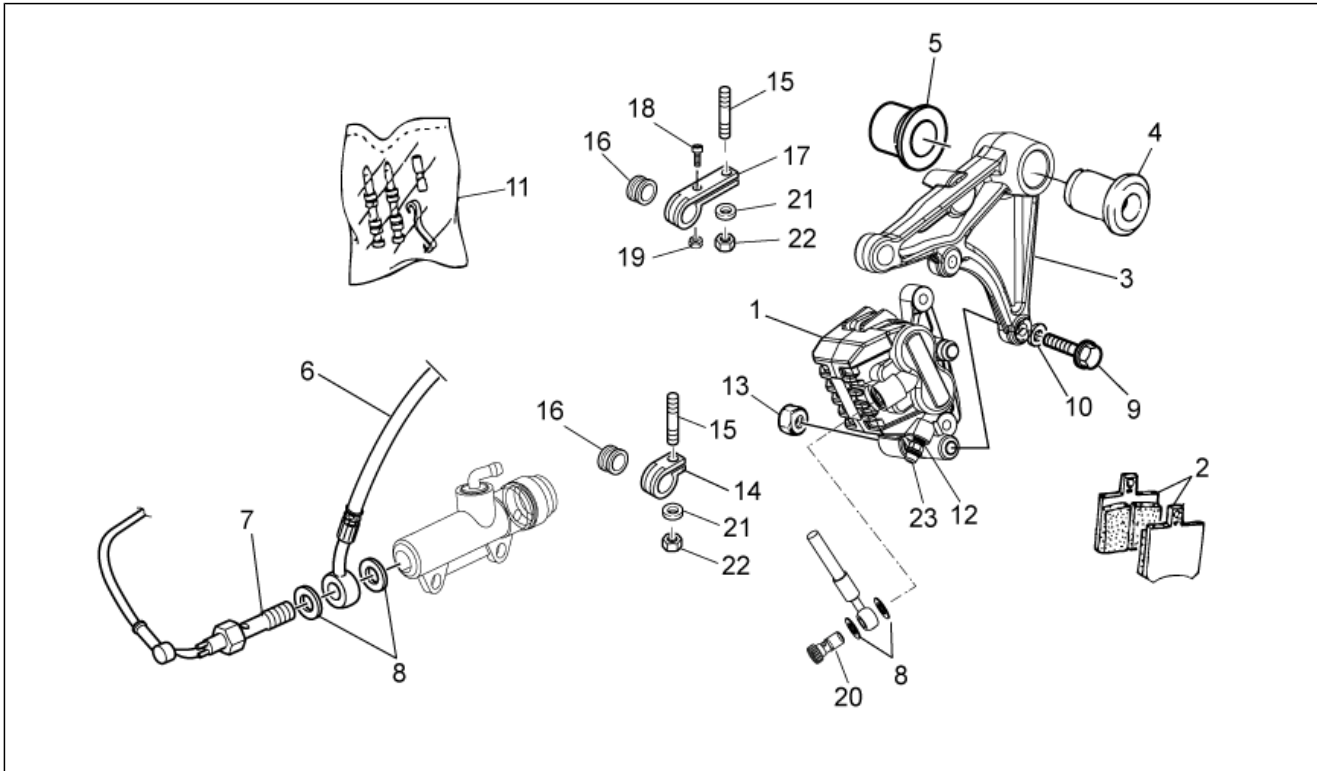
Pos.	Code	Description	Qty	Variants
1	887861	Rear wheel(complete) 3,5X17"	1	Year:2012[C]
1	B063704	Rear wheel(complete) 3,5x17" Black	1	Year:2013[D]
2	GU32692260	Hub	1	
3	GU92204218	Bearing	1	
4	GU27633910	Spacer	1	
5	GU92204217	Bearing	1	
6	GU90402538	Gasket ring 25x40x7	1	
7	883350	Short spoke	18	
8	883349	Long spoke mm 158	18	
9	GU03631250	Nipples	36	
10	GU14616150	Counterweight	1	
11	887862	Rear wheel rim 3,5X17"	1	Year:2012[C]
11	B063078	Rear wheel 3,5"x17" Black	1	Year:2013[D]
12	887448	Brake disc	1	
13	894505	Screw w/ flange M8x18	6	
14	GU32633360	Rear wheel spindle	1	
15	GU31634481	Washer	1	
16	GU92606316	Nut M16x1,5	1	
17	GU32632510	Rubber coupling	6	
18	GU28612033	Tyre flap	1	
19	GU30630430	Inner tube MD 17	1	
20	886680	Tyre 130/80 17	1	
21	GU32636160	Support rubber part	1	

Group	FRAME
Code	33.26
Description	Rear master cylinder
Service	1



Pos.	Code	Description	Qty	Variants
1	887910	Brake lever	1	
2	AP8120912	Lever rubber	1	
3	978969	Spring	1	
4	AP8144007	O-ring 11,11x1,78	2	
5	GU95005310	Washer 8,4x18x2	1	
6	GU92630206	Nut M6x1	2	
7	GU92660021	Flanged nut M8	1	
8	GU18257551	Block	1	
9	GU95005311	Washer	1	
10	GU95500221	Split pin	1	
11	GU03270300	Washer 8,4x15	1	
12	GU92609007	Nut	1	
13	978970	Master cylinder rod	1	
14	AP8133643	Rear master cylinder	1	
15	AP8213057	Rear brake pump union	1	
16	AP8113288	Rubber bellows	1	
17	GU98370625	Hex socket screw	2	
18	AP8152298	Screw w/ flange M5x16	1	
19	248419	Spring plate m5	1	
20	AP8101594	Hose clamp D10,1*	2	
21	GU00823950050	Oil pipe	1	
22	AP8113241	Brake oil tank complete	1	
23	AP8113553	Tank cap	1	
24	887911	Brake lever pin	1	
25	GU01665410	Brake m.cyl.protection, black	1	
26	887908	Rubber pedal	1	
27	887952	Rear brake lever bush	1	
28	B063443	Screw M8x50	1	

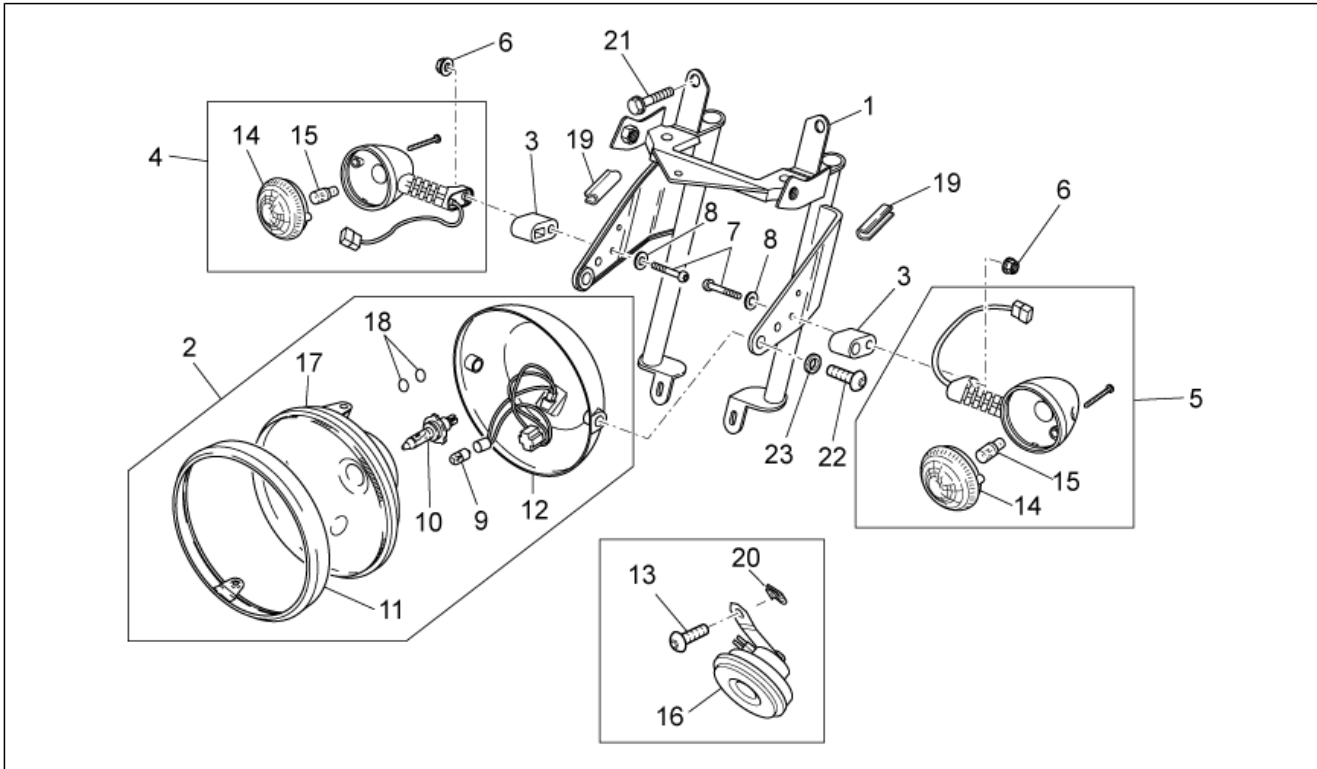
Group	FRAME
Code	33.27
Description	Rear brake caliper
Service	1



Pos.	Code	Description	Qty	Variants
1	887449	Rear brake caliper	1	
2	AP8133798	Pads pair	1	
3	887431	Brake caliper support plate	1	
4	GU31634281	Bushing	1	
5	GU32634160	Spacer	1	
6	887457	Rear braided brake pipe	1	
6	B063750	Rear rubber brake pipe	1	
7	883192	Switch	1	
8	AP8121915	Gasket	4	
9	AP8152288	Screw w/ flange	2	
10	GU03270300	Washer 8,4x15	2	
11	AP8133799	Pins+Caliper springs	1	
12	AP8133800	Air bleed valve	1	
13	AP8152300	Self-locking nut M8	2	
14	GU03658430	Hose clamp	1	
15	GU96451316	Stud bolt	1	
16	GU03658201	Ring	2	
17	GU03658330	Hose clamp	1	
18	GU98257410	screw	1	
19	GU92630104	Nut M4x0,7	1	
20	AP8113003	Oil pipe screw *	1	
21	GU95008306	Washer 6,4x12x1,2	2	
22	AP8152299	Self-locking nut M6	2	
23	AP8213575	Bleed valve cap	1	

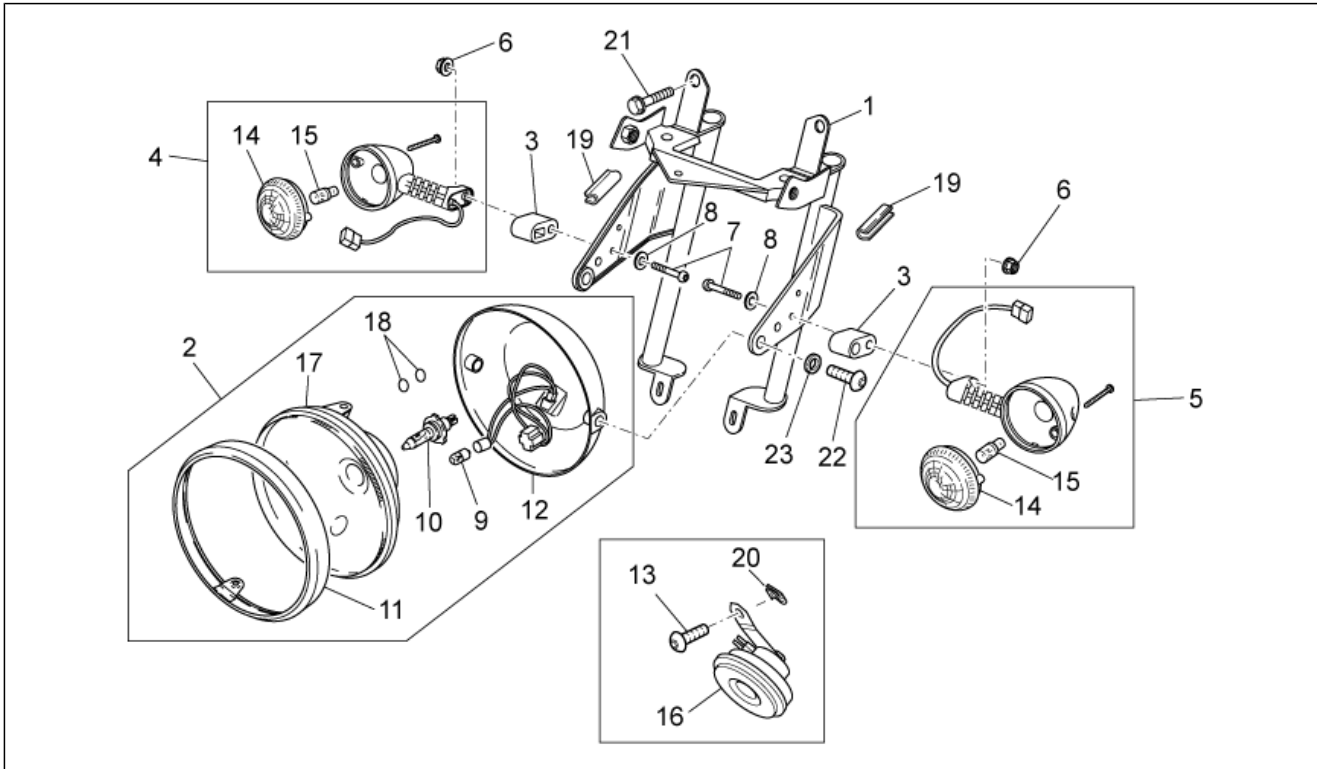


Group	FRAME
Code	33.28
Description	Front lights
Service	1



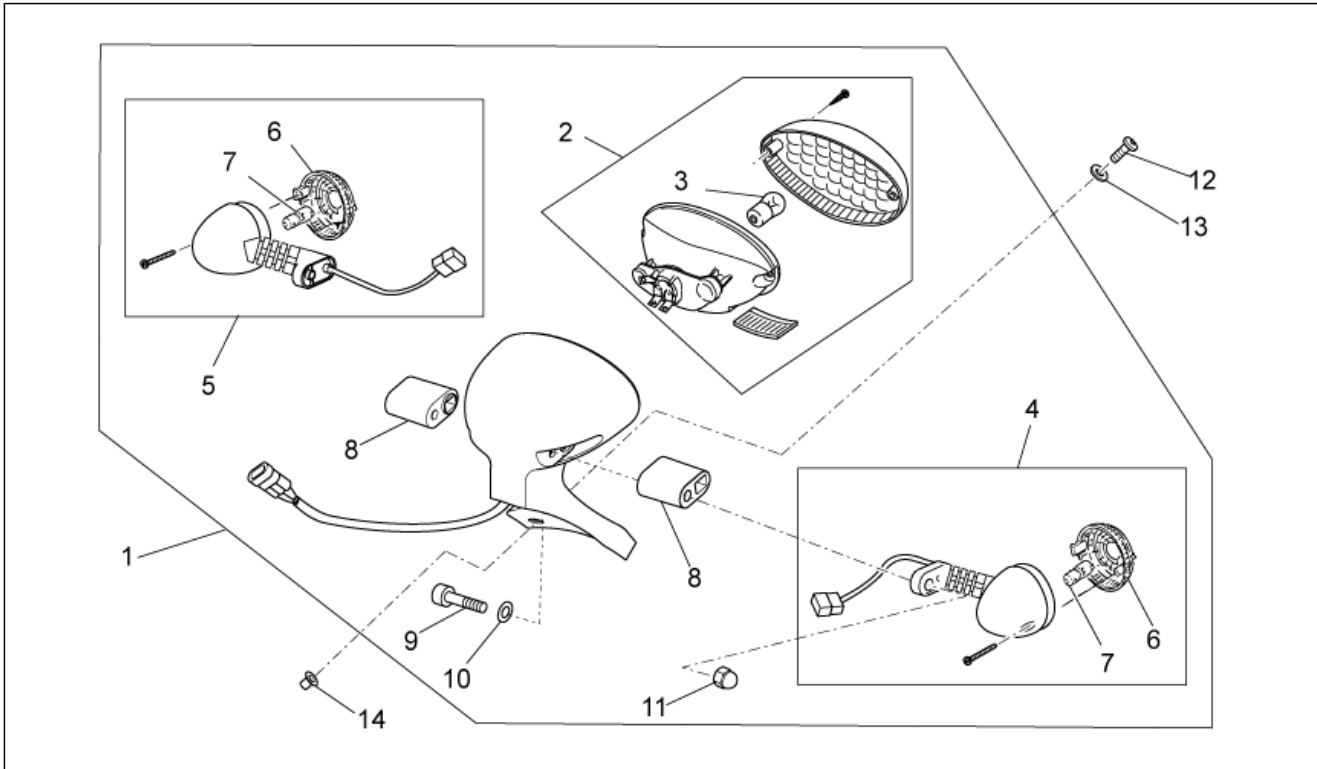
Pos.	Code	Description	Qty	Variants
1	GU32506360	Headlight support clamp	1	
2	978311	Headlight	1	Country:Canada[CDN], europe[EU], United States of America[USA] Technical Specifications: ""Stone"" Version"[ST]
2	978662	Cpl headlightsteering headligh	1	Country:Australia[AUS], Japan[J], Great Britain[UK] Technical Specifications: ""Stone"" Version"[ST]
2	GU06740500	Headlight	1	Country:Canada[CDN], europe[EU], United States of America[USA] Technical Specifications: ""Special"" Version"[SP]
2	GU06740501	Cpl headlightsteering headligh	1	Country:Australia[AUS], Japan[J] Technical Specifications: ""Special"" Version"[SP]
3	GU32753410	Spacer	2	
4	887826	RH front/LH rear turn indic.	1	Country:Australia[AUS], europe[EU], Japan[J]
4	B063800	RH front turn indicator	1	Country:Canada[CDN], United States of America[USA]
5	887827	LH front/RH rear turn indic.	1	Country:Australia[AUS], europe[EU], Japan[J]
5	B063801	LH front turn indicator	1	Country:Canada[CDN], United States of America[USA]
6	GU92787006	Cap nut M6x1	2	
7	GU98370655	Hex socket screw	2	
8	GU95021206	Washer	2	
9	GU93450105	Lamp	1	
10	GU93450232	Lamp 12V-55/60W	1	
11	GU31740383	Chromed ring nut	1	
12	981149	Cap, black	1	Technical Specifications: ""Stone"" Version"[ST]
12	GU06740200	Headlight cap, chr.	1	Technical Specifications: ""Special"" Version"[SP]
13	AP8150377	screw	2	
14	B063735	Turn indicator lens	2	
15	GU93450126	Lamp, orange	2	
16	890979	Horn	1	
17	GU06740400	Light assembly	1	Country:europe[EU]

Group	FRAME
Code	33.28
Description	Front lights
Service	1



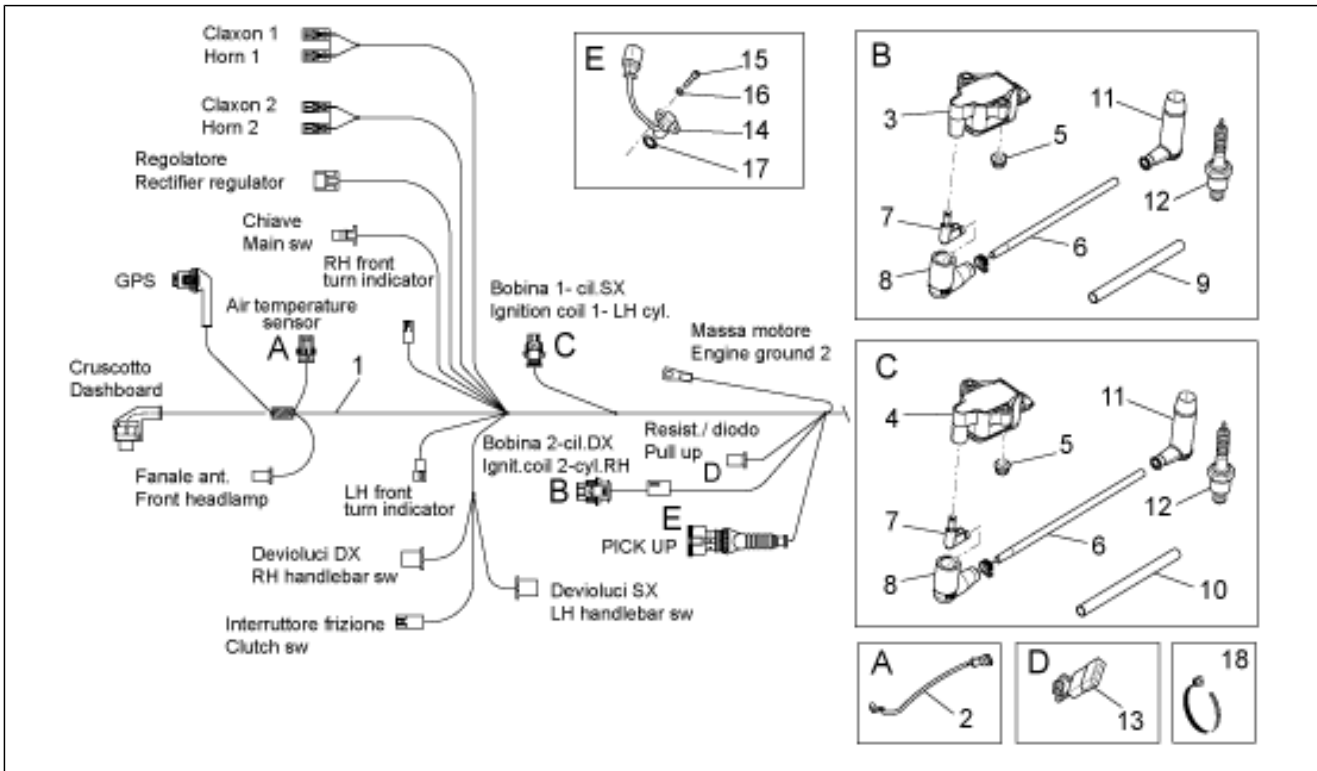
Pos.	Code	Description	Qty	Variants
				Technical Specifications: ""Special"" Version"[SP], ""Stone"" Version"[ST]
17	GU06740401	Optical group	1	Country: Australia[AUS], Japan[J] Technical Specifications: ""Special"" Version"[SP]
18	883417	O-ring	2	
19	GU00823931055	Gasket	1	
20	254485	Spring plate M6	2	
21	GU98880540	screw M10x40	2	
22	GU98370831	Hex socket screw M8x30	2	
23	GU95005308	Washer 8,4x14,57x1,6	2	

Group	FRAME
Code	33.29
Description	Rear lights
Service	1



Pos.	Code	Description	Qty	Variants
1	883479	Taillight assy	1	Country:Canadian[CDN], United States of America[USA]
1	887877	Taillight assy	1	Country:Australia[AUS], europe[EU]
2	GU03740930	Taillight	1	
3	GU93450224	Lamp	1	
4	887826	RH front/LH rear turn indic.	1	Country:Australia[AUS], europe[EU]
4	GU32750661	RH front/LH rear turn indic.	1	Country:Canadian[CDN], United States of America[USA]
5	883478	LH front/RH rear turn indic.	1	Country:Canadian[CDN], United States of America[USA]
5	887827	LH front/RH rear turn indic.	1	Country:Australia[AUS], europe[EU]
6	B063735	Turn indicator lens	2	Country:Australia[AUS], europe[EU]
6	GU32753711	Turn indicator lens	1	Country:Canadian[CDN], United States of America[USA]
7	GU93450126	Lamp, orange	2	Country:Australia[AUS], europe[EU]
7	GU93450127	Lamp	1	Country:Canadian[CDN], United States of America[USA]
8	GU32753410	Spacer	2	
9	GU98370655	Hex socket screw	2	
10	GU95021206	Washer	2	
11	GU92787006	Cap nut M6x1	2	
12	GU98350215	Hex socket screw	3	
13	GU30577800	Nylon washer 5,5X12X1	3	
14	GU93231605	Antivibration bush	3	

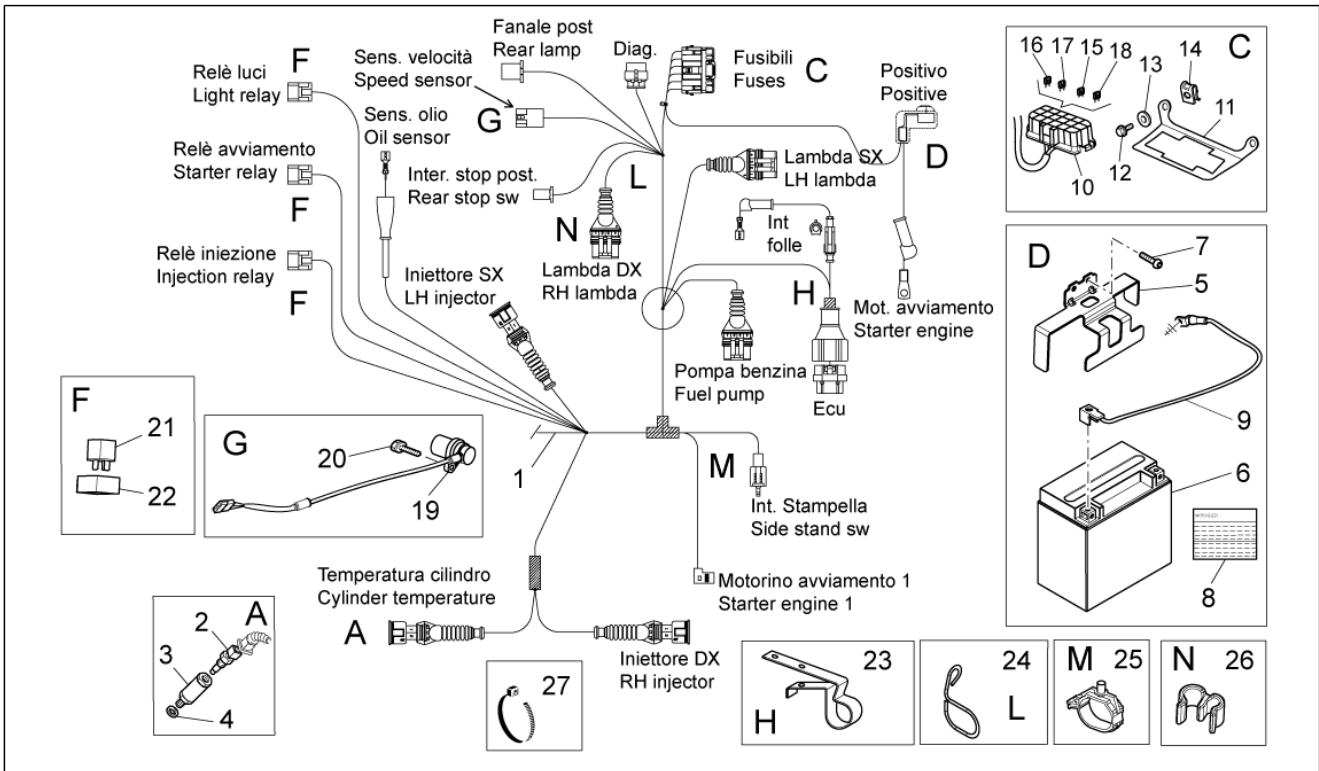
Group	FRAME
Code	33.30
Description	Electrical system I
Service	1



Pos.	Code	Description	Qty	Variants
1	887825	Main wiring harness	1	
2	AP8124936	Air temp. Sensor	1	
3	642034	HT coil DX	1	
4	641901	HT coil	1	
5	AP8152299	Self-locking nut M6	4	
6	080341	H.V. cable	2	
7	641725	HV terminal	2	
8	641040	Insulating cap	2	
9	CM007423	Casing	1	
10	CM0074C9	Grey cable casing D.8-S.0,5-L.435	1	
11	GU02717450	Sparkplug cap NGK	2	
12	887481	Spark plug NGK CPR8EB-9	2	
13	887948	Diode	1	
14	GU01721600	Phase/revolution sensor	1	
15	GU98682212	Hex socket screw M5x12	2	
16	GU95008205	Washer 5,3x10x0,8	2	
17	GU90706141	O-ring	1	
18	AP8120416	Black hose 178x4	1	
18	GU14609650	Hose clamp 3,6x20,6	31	
18	GU49609601	Hose clamp 2,4x92	1	



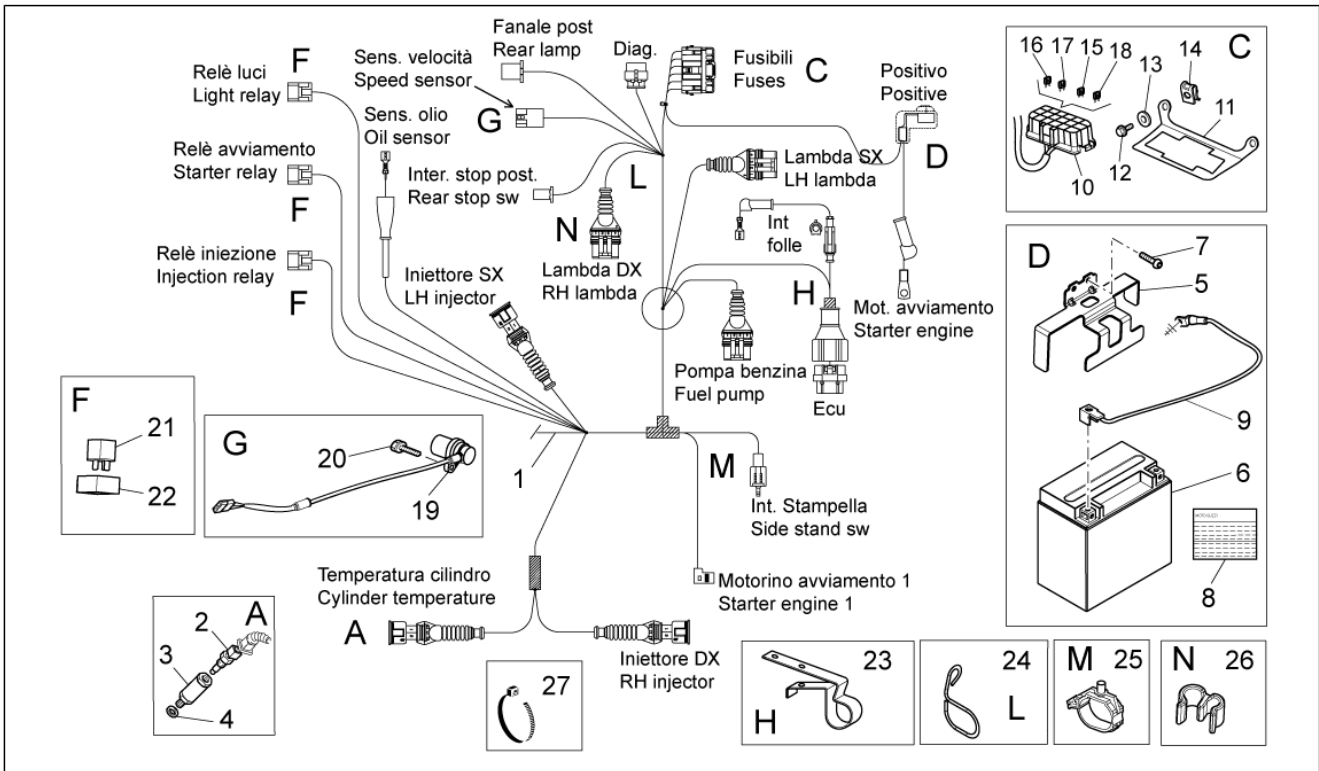
Group	FRAME
Code	33.31
Description	Electrical system II
Service	1



Pos.	Code	Description	Qty	Variants
1	887825	Main wiring harness	1	
2	GU29729461	Oil temperature sensor	1	
3	GU03163330	Sensor support	1	
4	GU95004210	Washer 10,2x18x2	1	
5	B063233	Battery bracket	1	
6	638733	Battery Yuasa 12V-12Ah (150x85x145)	1	
7	GU98370616	Hex socket screw M6x16 inox	2	
8	GU32517710	Decal "Battery service"	1	
9	GU32747910	Ground-battery lead	1	
10	584211	Fuse holder box	1	
11	883161	Fuse block support	1	
12	GU98682212	Hex socket screw M5x12	2	
13	GU95100059	Washer 5,25x14x1,5	2	
14	AP8102375	Clip m5	2	
15	CM225705	Fuse 5A	2	
16	CM225710	Fuse 10A	1	
17	CM225715	Fuse 15A	2	
18	CM225730	Fuse 30A	1	
19	893570	Speedometer sensor cpl.	1	
20	AP8150377	screw	1	
21	AP8224462	Relay 12V/30A	3	
22	AP8220283	Rubber spacer *	3	
23	B043850	Hose clamp	1	
24	AP8181140	Fairlead	1	
25	CM013202	Pipes/cables retainer spring	1	
26	894704	Fairlead	1	
27	AP8120416	Black hose 178x4	1	
27	GU14609650	Hose clamp 3,6x20,6	21	



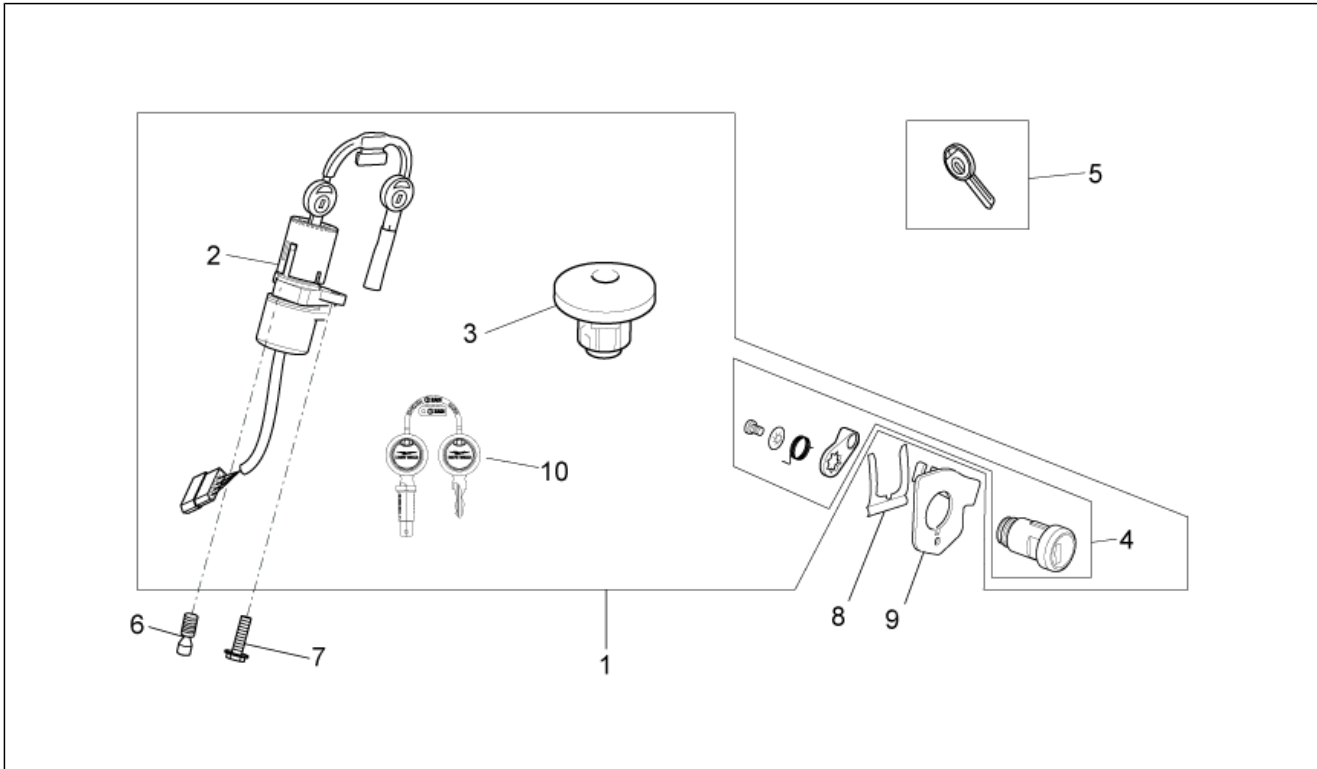
Group	FRAME
Code	33.31
Description	Electrical system II
Service	1



Pos.	Code	Description	Qty	Variants
27	GU49609601	Hose clamp 2,4x92	1	



Group	FRAME
Code	33.32
Description	Lock hardware kit
Service	1



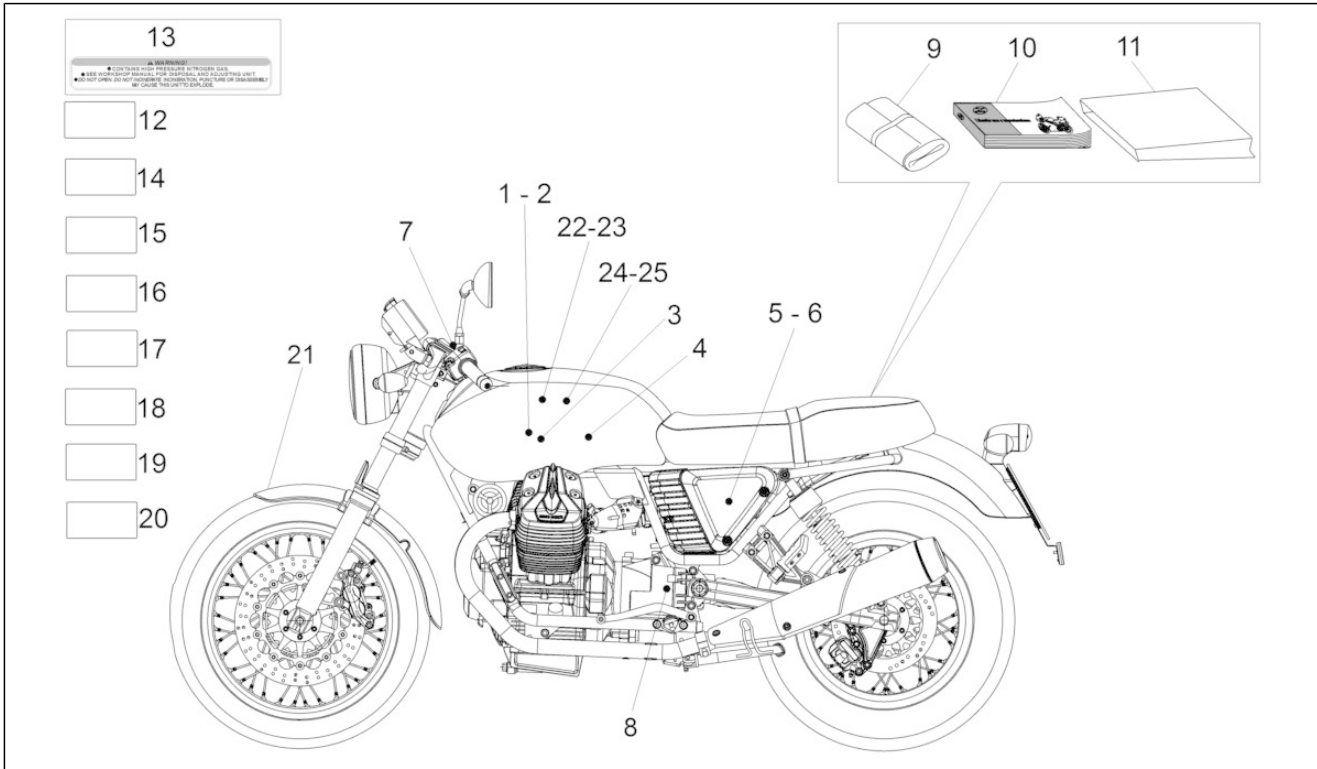
Pos.	Code	Description	Qty	Variants
1	883477	Lock kit	1	Country:Canadian[CDN], United States of America[USA]
1	887873	Lock kit	1	Country:Australia[AUS], europe[EU]
2	GU32782510	Main switch - steering lock	1	
3	883476	Tank cap	1	Country:Canadian[CDN], United States of America[USA]
3	887874	Tank cap	1	Country:Australia[AUS], europe[EU]
4	977527	Locking complete with keys	1	
5	GU32735510	Non indent.key blank-shell go	1	
5	GU32735511	Non indent.key blank-shell cr	1	
6	AP8150349	Special screw M8x15	1	
7	GU98682416	Hex socket screw M8x16	1	
8	AP8121420	Fork spring	1	
9	978415	Cable fixing plate	1	
10	2D000006	Locking cylinder with key for fuel cap	1	



V 7
GU101 - V7 Special - Stone 750 2012-2013

Chassis prefix: ZGULWG00, ZGULWG01,
ZGULWG02, ZGULWE00, ZGULWE01,
ZGULWE02, ZGULWU00, ZGULWUA0,
ZGULWUA1, ZGULWS00, ZGULWT00,
ZGULWU01
Engine prefix:

Group	FRAME
Code	33.33
Description	Decal and plate set
Service	1



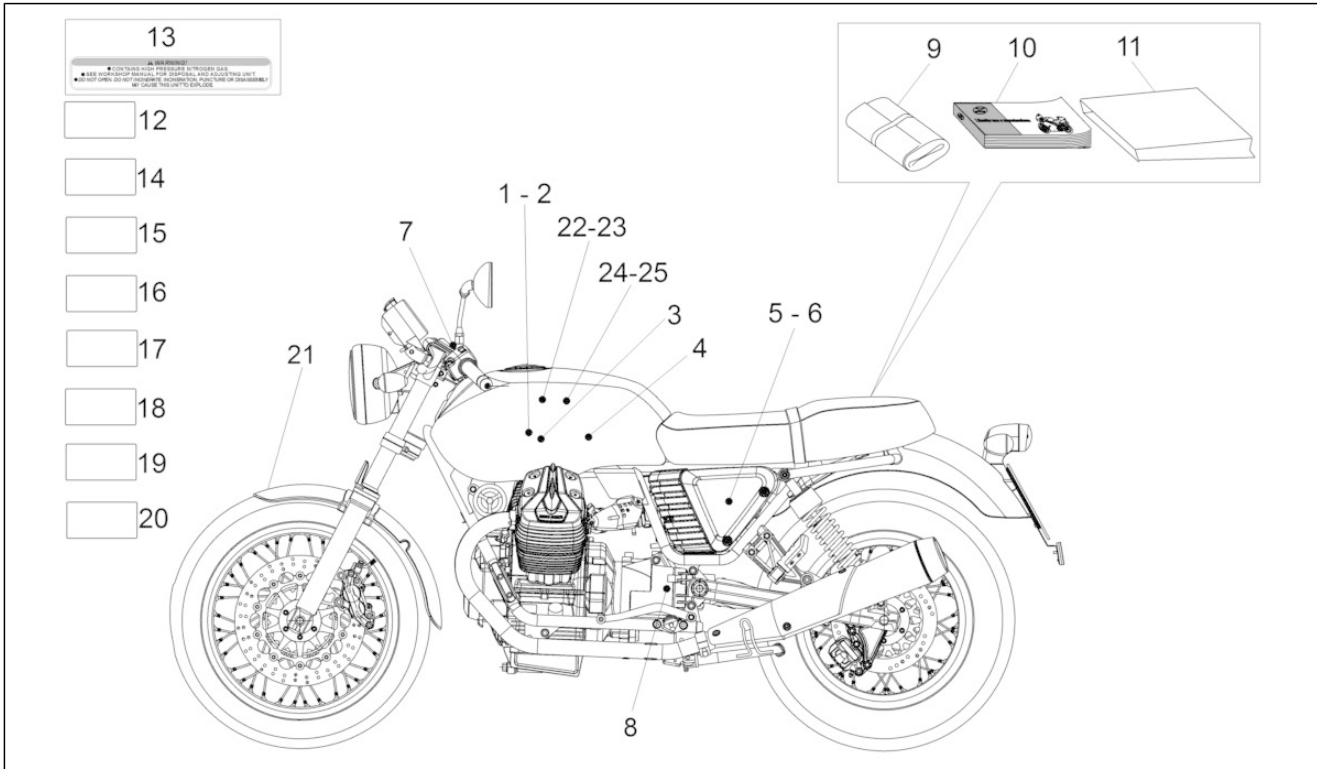
Pos.	Code	Description	Qty	Variants
1	886340	Name plate Aquila	1	Year:2012[C], 2013[D] Vehicle colour:Aprilia white[ba], Metal grey[gm], Competition Black[nc], Diablo Black[nd] Technical Specifications: ""Special"" Version"[SP], ""Stone"" Version"[ST]
1	GU06917300	RH Name plate,red/gold AL	1	Vehicle colour:Black/Yellow[n/gi], Red/White[r/bi] Technical Specifications: ""Special"" Version"[SP]
2	887930	LH Name plate Aquila	1	Year:2012[C], 2013[D] Vehicle colour:Aprilia white[ba], Metal grey[gm], Competition Black[nc], Diablo Black[nd] Technical Specifications: ""Special"" Version"[SP], ""Stone"" Version"[ST]
2	GU06917400	LH Name plate,red/gold AL	1	Vehicle colour:Black/Yellow[n/gi], Red/White[r/bi] Technical Specifications: ""Special"" Version"[SP]
3	887931	Name plate "Moto Guzzi"	2	Year:2012[C], 2013[D] Vehicle colour:Aprilia white[ba], Metal grey[gm], Competition Black[nc], Diablo Black[nd] Technical Specifications: ""Special"" Version"[SP], ""Stone"" Version"[ST]
4	887926	Sticker line dark silver	2	Vehicle colour:Red/White[r/bi] Technical Specifications: ""Special"" Version"[SP]
4	B063120	Silver thread decal	2	Vehicle colour:Black/Yellow[n/gi] Technical Specifications: ""Special"" Version"[SP]
5	2H000027	RH side panel decal	1	Year:2013[D] Vehicle colour:Competition Black[nc] Technical Specifications: ""Special"" Version"[SP]
5	2H000084	RH side panel decal	1	Year:2013[D] Vehicle colour:Metal grey[gm] Technical Specifications: ""Special"" Version"[SP]
5	887928	RH side panel decal "V7 Special"	1	Vehicle colour:Red/White[r/bi] Technical Specifications: ""Special"" Version"[SP]
5	887933	RH side panel decal "V7"	1	Vehicle colour:Aprilia white[ba], Diablo Black[nd] Technical Specifications: ""Stone"" Version"[ST]
5	B063121	RH side panel decal "V7 Special"	1	Vehicle colour:Black/Yellow[n/gi]



V 7
GU101 - V7 Special - Stone 750 2012-2013

Chassis prefix: ZGULWG00, ZGULWG01,
ZGULWG02, ZGULWE00, ZGULWE01,
ZGULWE02, ZGULWU00, ZGULWUA0,
ZGULWUA1, ZGULWS00, ZGULWT00,
ZGULWU01
Engine prefix:

Group	FRAME
Code	33.33
Description	Decal and plate set
Service	1



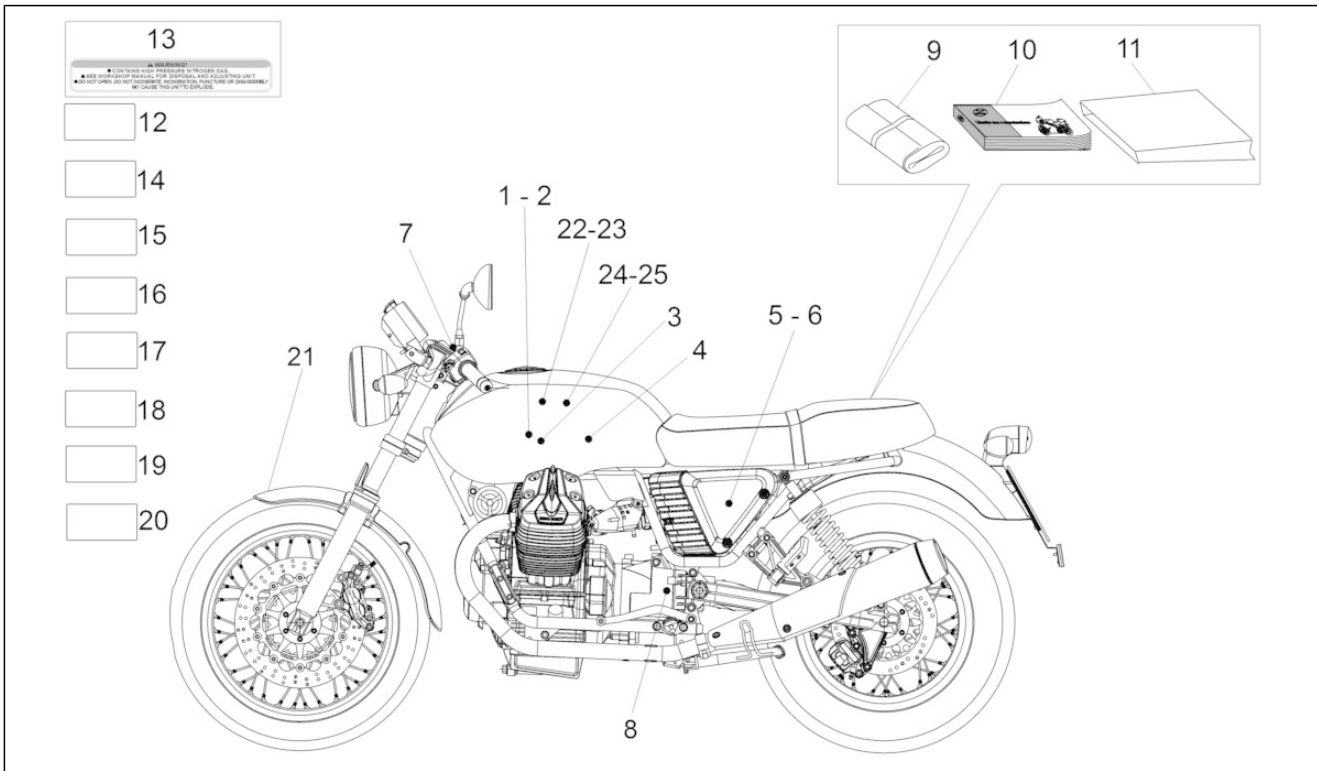
Pos.	Code	Description	Qty	Variants
				Technical Specifications: ""Special"" Version"[SP]
6	2H000028	LH side panel decal	1	Year: 2013[D] Vehicle colour: Competition Black[nc] Technical Specifications: ""Special"" Version"[SP]
6	2H000085	LH side panel decal	1	Year: 2013[D] Vehicle colour: Metal grey[gm] Technical Specifications: ""Special"" Version"[SP]
6	887929	LH side panel decal "V7 Special"	1	Vehicle colour: Red/White[r/bi] Technical Specifications: ""Special"" Version"[SP]
6	887934	LH side panel decal "V7"	1	Vehicle colour: Aprilia white[ba], Diablo Black[nd] Technical Specifications: ""Stone"" Version"[ST]
6	B063122	LH side panel decal "V7 Special"	1	Vehicle colour: Black/Yellow[n/gi] Technical Specifications: ""Special"" Version"[SP]
7	883598	"Aquila" decal	1	
8	895839	""Eni"" label"	2	
9	887443	Toolkit	1	
10	2Q000006	Use and maintenance manual JA	1	Country: Japan[J]
10	887854	Operator's handbook I-F-D-NL-E-UK	1	
10	B063252	Operator's handbook -USA-	1	Country: Canadian[CDN], United States of America[USA]
11	GU05900130	Bag for document	2	
12	GU03995730	Decal "Unleaded Fuelonly"	1	Country: Australia[AUS]
13	AP8157100	Decal Shock Adsorber	1	Country: Canadian[CDN], United States of America[USA]
14	AP8257742	Keys warning decal	1	Country: Canadian[CDN], United States of America[USA]
15	AP8257794	Battery decal	1	Country: Canadian[CDN], United States of America[USA]
16	AP8257609	Mirror decal	1	Country: Canadian[CDN], United States of America[USA]
17	B045974	Fuel decal E15	1	Country: Canadian[CDN], United States of America[USA]
18	2B000435	Carbon filter sticker	1	Year: 2014[E] Country: Canadian[CDN], United States of America[USA]
18	884346	Carbon filter sticker	1	Year: 2013[D] Country: Canadian[CDN], United States of America[USA]



V 7
GU101 - V7 Special - Stone 750 2012-2013

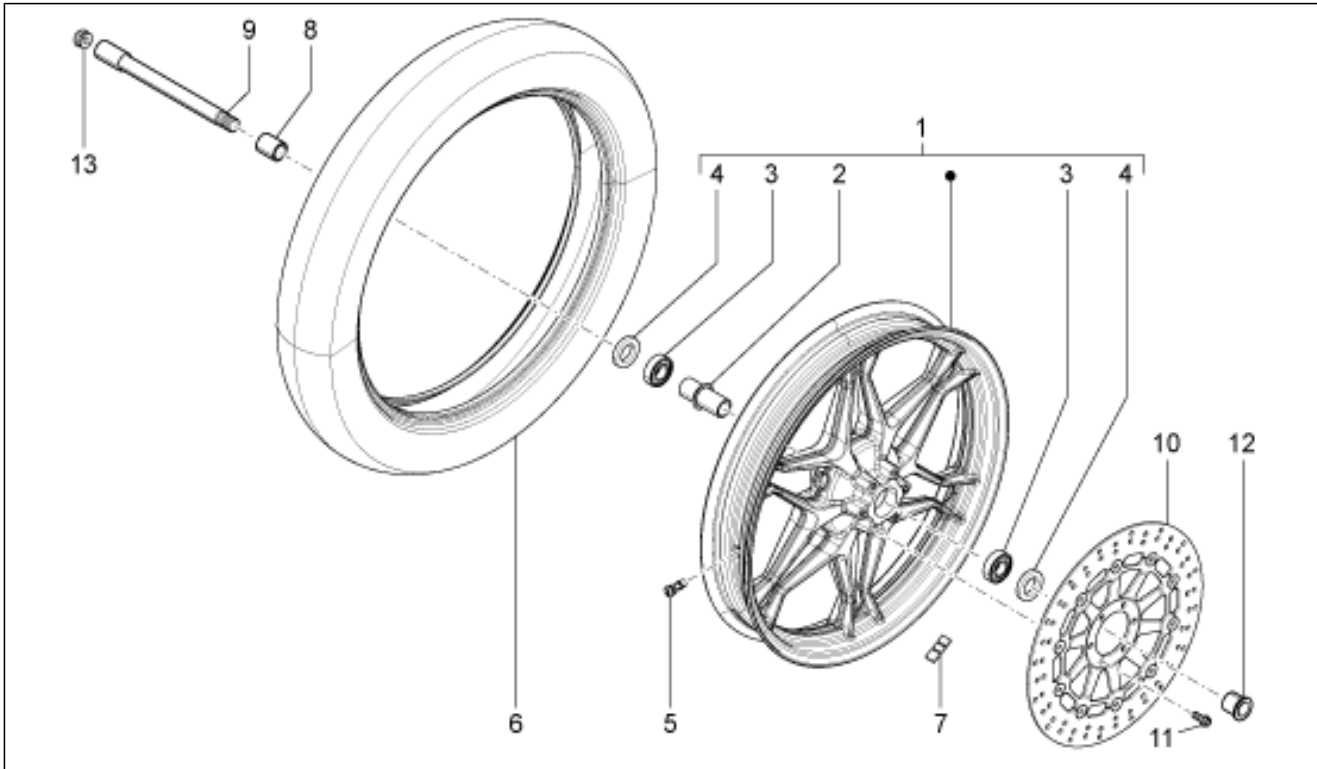
Chassis prefix: ZGULWG00, ZGULWG01,
ZGULWG02, ZGULWE00, ZGULWE01,
ZGULWE02, ZGULWU00, ZGULWUA0,
ZGULWUA1, ZGULWS00, ZGULWT00,
ZGULWU01
Engine prefix:

Group	FRAME
Code	33.33
Description	Decal and plate set
Service	1



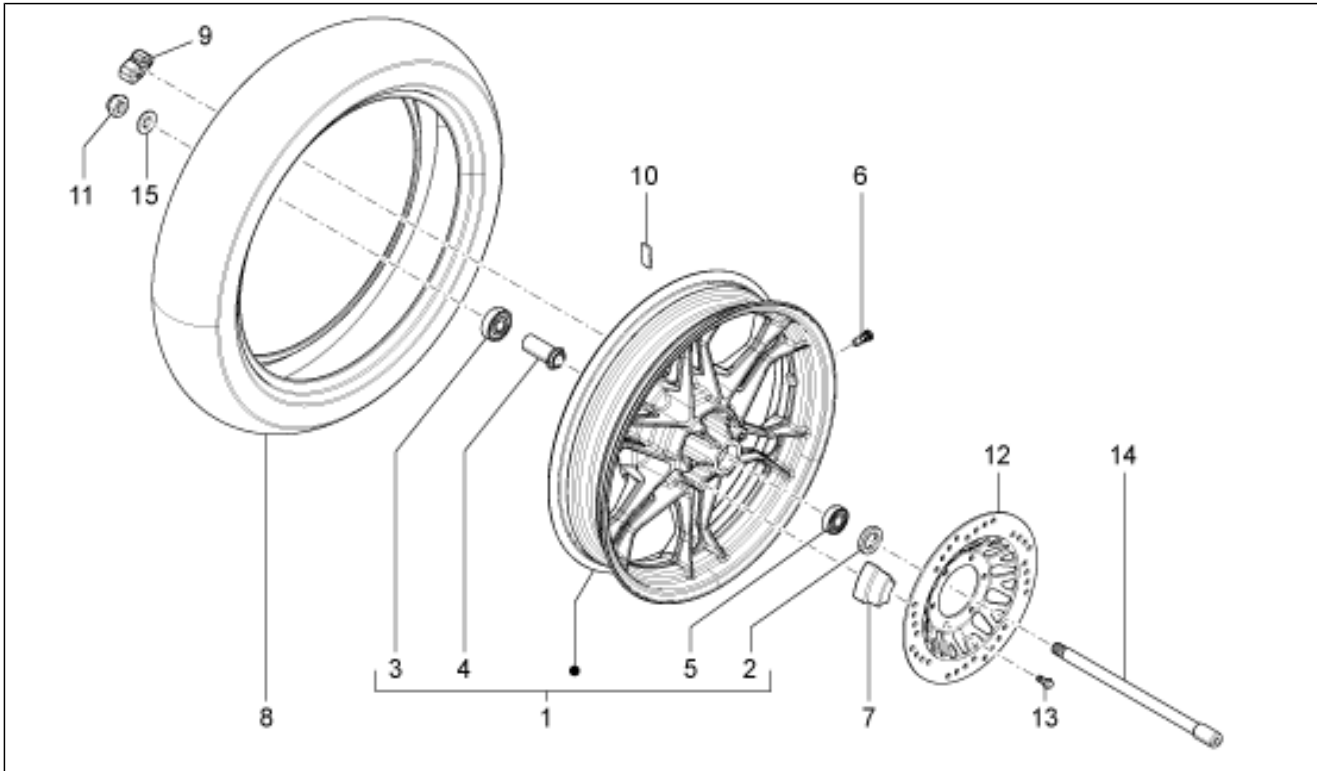
Pos.	Code	Description	Qty	Variants
19	2B000434	Emission control sticker	1	Year:2014[E] Country:Canadian[CDN], United States of America[USA]
19	884345	Emission control sticker	1	Year:2013[D] Country:Canadian[CDN], United States of America[USA]
20	2B000433	Noise emission sticker	1	Year:2014[E] Country:Canadian[CDN], United States of America[USA]
20	884344	Noise emission sticker	1	Year:2013[D] Country:Canadian[CDN], United States of America[USA]
21	886141	Decal "Aquila"	1	
22	2H000023	Tank right front band decal	1	Year:2013[D] Vehicle colour:Competition Black[nc] Technical Specifications:Special Version[SP]
22	2H000080	Tank right front band decal	1	Year:2013[D] Vehicle colour:Metal grey[gm] Technical Specifications:Special Version[SP]
23	2H000024	Tank left front band decal	1	Year:2013[D] Vehicle colour:Competition Black[nc] Technical Specifications:Special Version[SP]
23	2H000081	Tank left front band decal	1	Year:2013[D] Vehicle colour:Metal grey[gm] Technical Specifications:Special Version[SP]
24	2H000026	Tank left rear band decal	1	Year:2013[D] Vehicle colour:Competition Black[nc] Technical Specifications:Special Version[SP]
24	2H000083	Tank left rear band decal	1	Year:2013[D] Vehicle colour:Metal grey[gm] Technical Specifications:Special Version[SP]
25	2H000025	Tank right rear band decal	1	Year:2013[D] Vehicle colour:Competition Black[nc] Technical Specifications:Special Version[SP]
25	2H000082	Tank right rear band decal	1	Year:2013[D] Vehicle colour:Metal grey[gm] Technical Specifications:Special Version[SP]

Group	FRAME
Code	33.34
Description	Front wheel II
Service	1



Pos.	Code	Description	Qty	Variants
1	887571	Wheel 2.5X18"	1	
2	GU31615283	Spacer	1	
3	GU92204221	Bearing	2	
4	GU90402642	Gasket ring	2	
5	GU03617710	Tubeless tyre valve	1	
6	886679	Tyre 100/90 18	1	
7	GU14616150	Counterweight	1	
8	GU32615660	RH spacer	1	
9	GU31614183	Front wheel spindle	1	
10	883688	Front brake disc 320	1	
11	AP8152286	Screw w/ flange M8x20	6	
12	GU31616384	LH spacer	1	
13	GU93180111	Cover 15 mm	1	

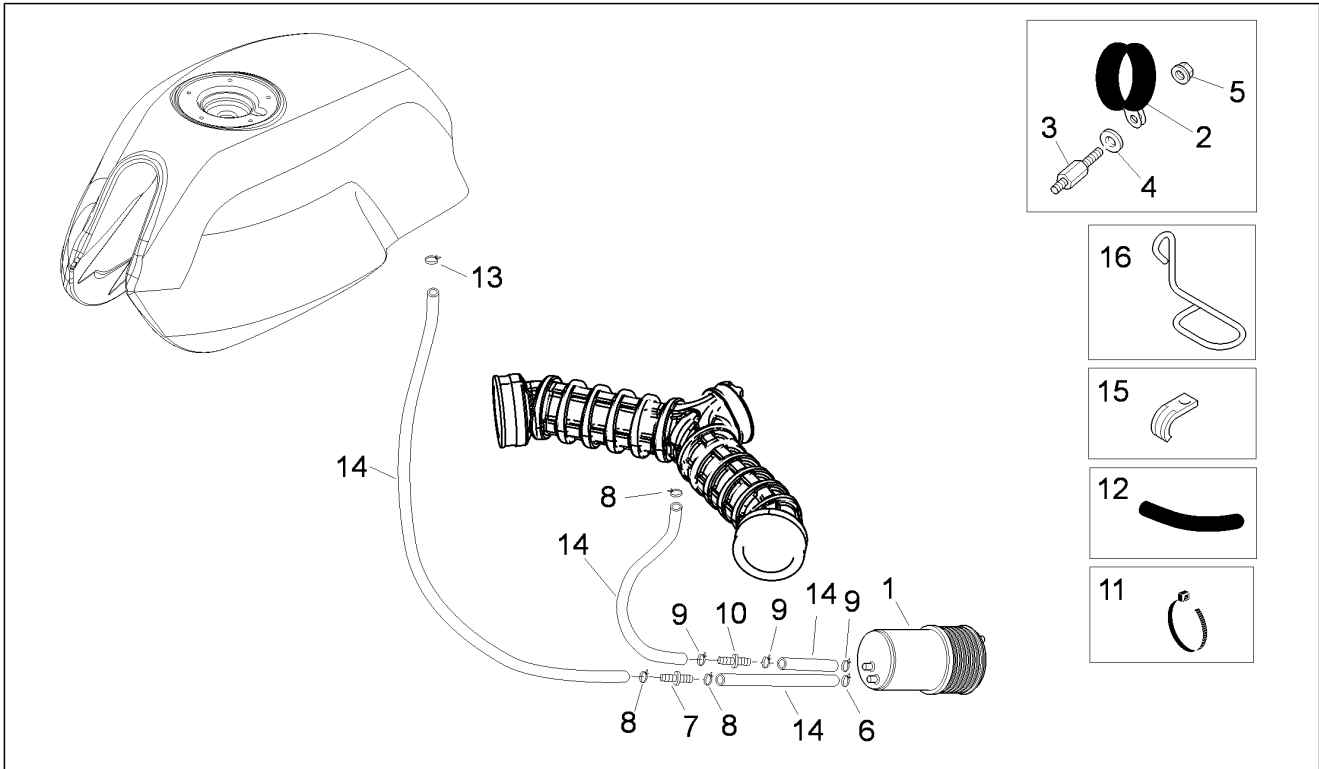
Group	FRAME
Code	33.35
Description	Rear wheel II
Service	1



Pos.	Code	Description	Qty	Variants
1	887573	Wheel rim 3.5x17"	1	
2	GU90402538	Gasket ring 25x40x7	1	
3	GU92204218	Bearing	1	
4	GU27633910	Spacer	1	
5	GU92204217	Bearing	1	
6	GU03617710	Tubeless tyre valve	1	
7	GU32636160	Support rubber part	1	
8	886680	Tyre 130/80 17	1	
9	GU32632510	Rubber coupling	6	
10	GU14616150	Counterweight	1	
11	GU92606316	Nut M16x1,5	1	
12	887448	Brake disc	1	
13	894505	Screw w/ flange M8x18	6	
14	GU32633360	Rear wheel spindle	1	
15	GU31634481	Washer	1	



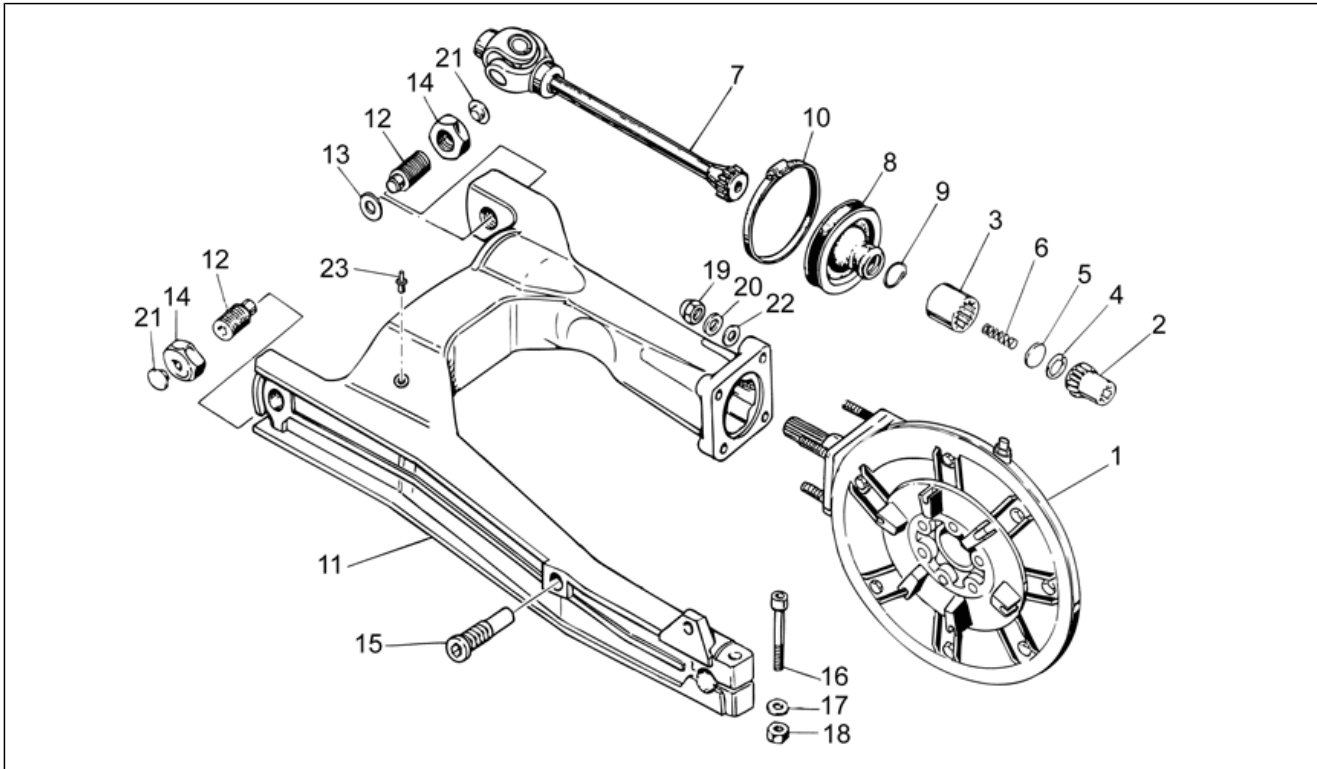
Group	FRAME
Code	33.48
Description	Fuel vapour recover system
Service	1



Pos.	Code	Description	Qty	Variants
1	AP8102678	Carbon filter	1	Country:United States of America[USA]
2	AP8102688	Hose clamp d.76	1	Country:United States of America[USA]
3	GU32439260	Canister support USA	1	Country:United States of America[USA]
4	GU95005311	Washer	1	Country:United States of America[USA]
5	AP8152299	Self-locking nut M6	1	Country:United States of America[USA]
6	AP8102159	Hose clamp	1	Country:United States of America[USA]
7	860138	Valve	1	Country:United States of America[USA]
8	GU28157950	Hose clip 12,5x8	4	Country:United States of America[USA]
9	AP8120446	Hose clip, green D11x6,6x1	2	Country:United States of America[USA]
10	AP8121267	Choke hold	1	Country:United States of America[USA]
11	AP8120416	Black hose 178x4	1	Country:United States of America[USA]
12	GU00823923140	Thermal sheath	4	Country:United States of America[USA]
13	AP8201358	Hose clamp D 11,9	1	Country:United States of America[USA]
14	856063	pipe SAE 30 d.12,7x6,35	3	Country:United States of America[USA]
15	GU93301313	U-bolt	1	Country:United States of America[USA]
16	AP8221114	Cable-guide	2	Country:United States of America[USA]

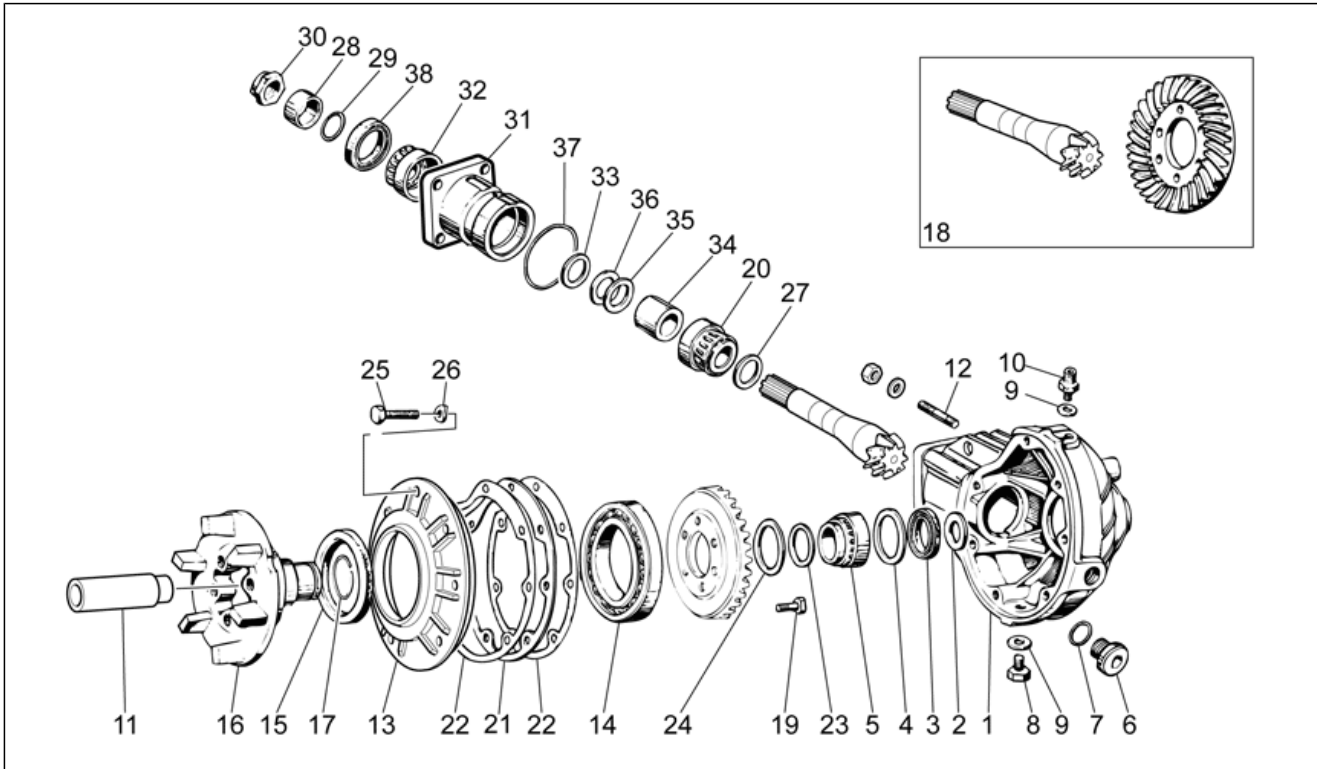


Group	ENGINE
Code	34.09
Description	Transmission complete I
Service	1



Pos.	Code	Description	Qty	Variants
1	976941	Transmission box assy., black	1	
2	GU31327783	Hose	1	
3	GU19328801	Hose	1	
4	GU90272023	Circlip	1	
5	GU19327601	Disc	1	
6	GU94321099	Spring	1	
7	GU23328081	Coupling	1	
8	GU23548080	Protection collar	1	
9	GU23548180	Spring	1	
10	AP8120246	Hose clamp D=60-80	1	
11	883011	Swing arm, black	1	
12	GU19547000	Pin	2	
13	GU35214300	Spacer	1	
14	GU31547882	Nut	2	
15	GU31544181	Pin	1	
16	GU98680545	screw M10x45	1	
17	GU95008210	Washer 10,2X18X2	1	
18	GU92606210	Nut M10x1,5	1	
19	860651	Cap nut M8x1,25	4	
20	GU14615901	Washer 8,4X13X0,8	4	
21	GU93180105	Cover	2	
22	GU95005308	Washer 8,4x14,57x1,6	4	
23	GU03922280	Cover 5x9	1	

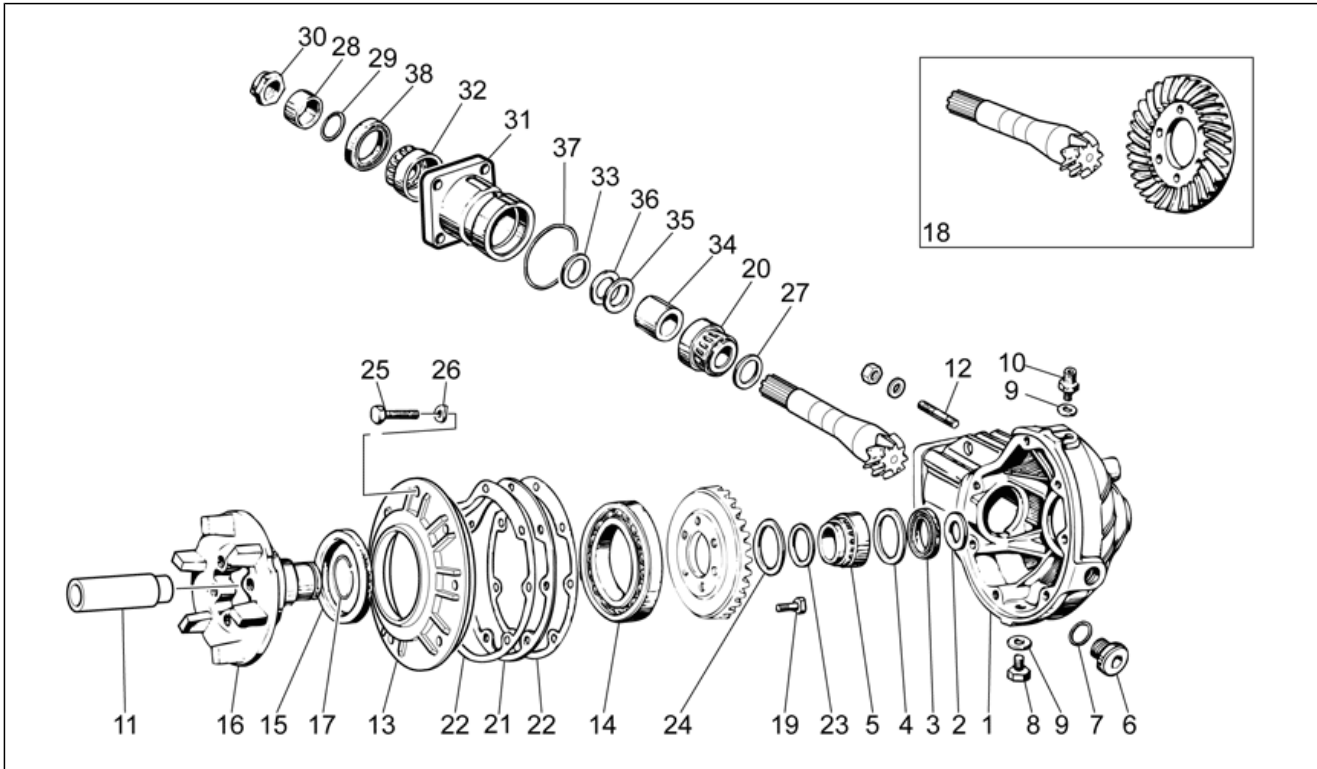
Group	ENGINE
Code	34.10
Description	Transmission complete II
Service	1



Pos.	Code	Description	Qty	Variants
1	976608	Transmission housingblack	1	
2	GU19351900	Clearance washer	1	
3	GU90403549	Gasket ring 35x47x7	1	
4	GU19351100	Clearance washer	1	
5	GU92252235	Roller bearing 35x50x17	1	
6	GU12022600	Oil plug	1	
7	GU90706203	O-ring 20,24x2,62	1	
8	GU31003766	Oil unload plug M10x1	1	
9	GU01528930	Gasket 10x18x1,5	2	
10	GU19206501	Breather plug	1	
11	GU32633560	Spacer	1	
12	GU96508055	Stud bolt	4	
13	GU32350410	Cover	1	
14	GU92201070	Ball bearing 70x110x13	1	
15	GU90407591	Gasket ring 75x95x10	1	
16	GU32351410	Pin	1	
17	GU90353030	Stop ring	1	
18	GU32354610	Bevel gear 8/33	1	
19	GU03067730	screw M8x25	6	
20	GU92249227	Tap.roller bearing 25x5	1	
21	GU19355400	Spacer 0,8 mm	1	
21	GU19355402	Spacer 0,9 mm	1	
21	GU19355404	Spacer 1 mm	1	
21	GU19355406	Spacer 1,1 mm	1	
21	GU19355408	Spacer 1,2 mm	1	
21	GU19355410	Spacer 1,3 mm	1	
21	GU19355411	Spacer 1,4 mm	1	
21	GU19355412	Spacer 1,5 mm	1	

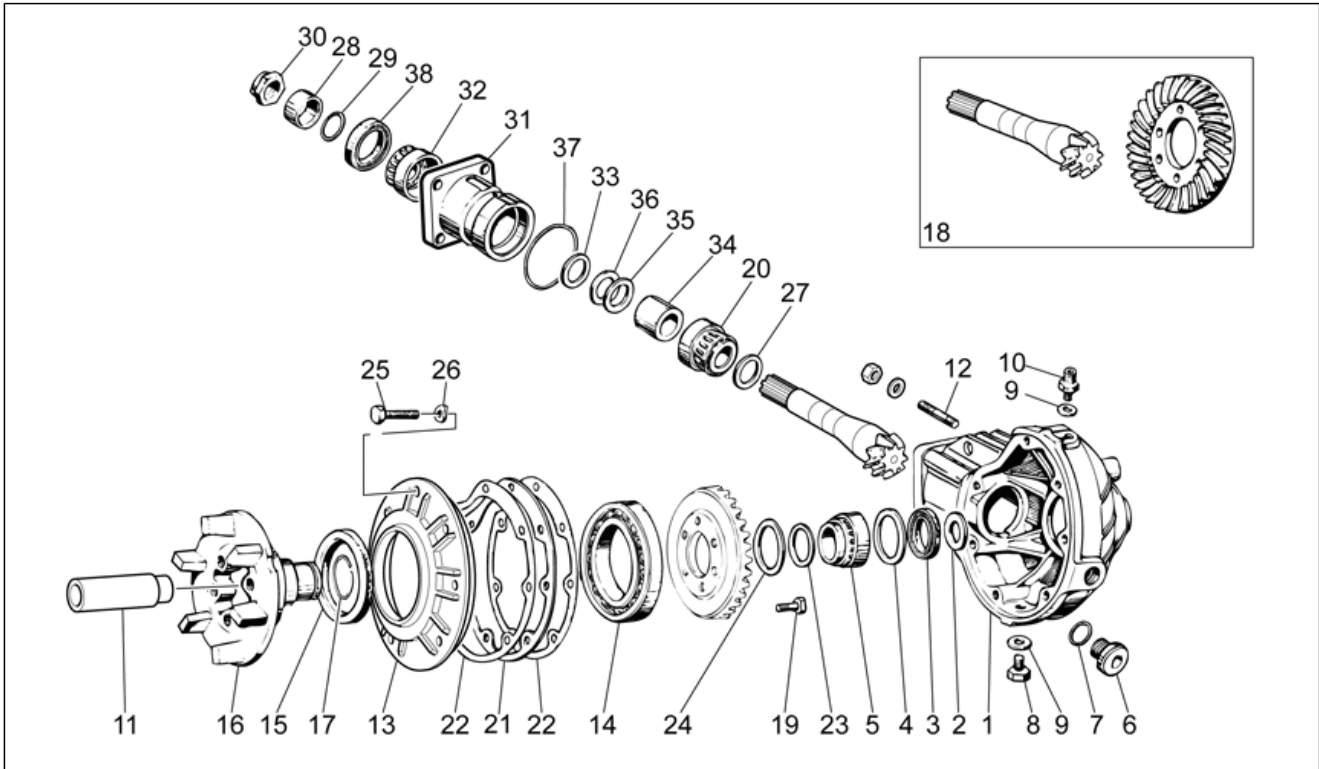


Group	ENGINE
Code	34.10
Description	Transmission complete II
Service	1



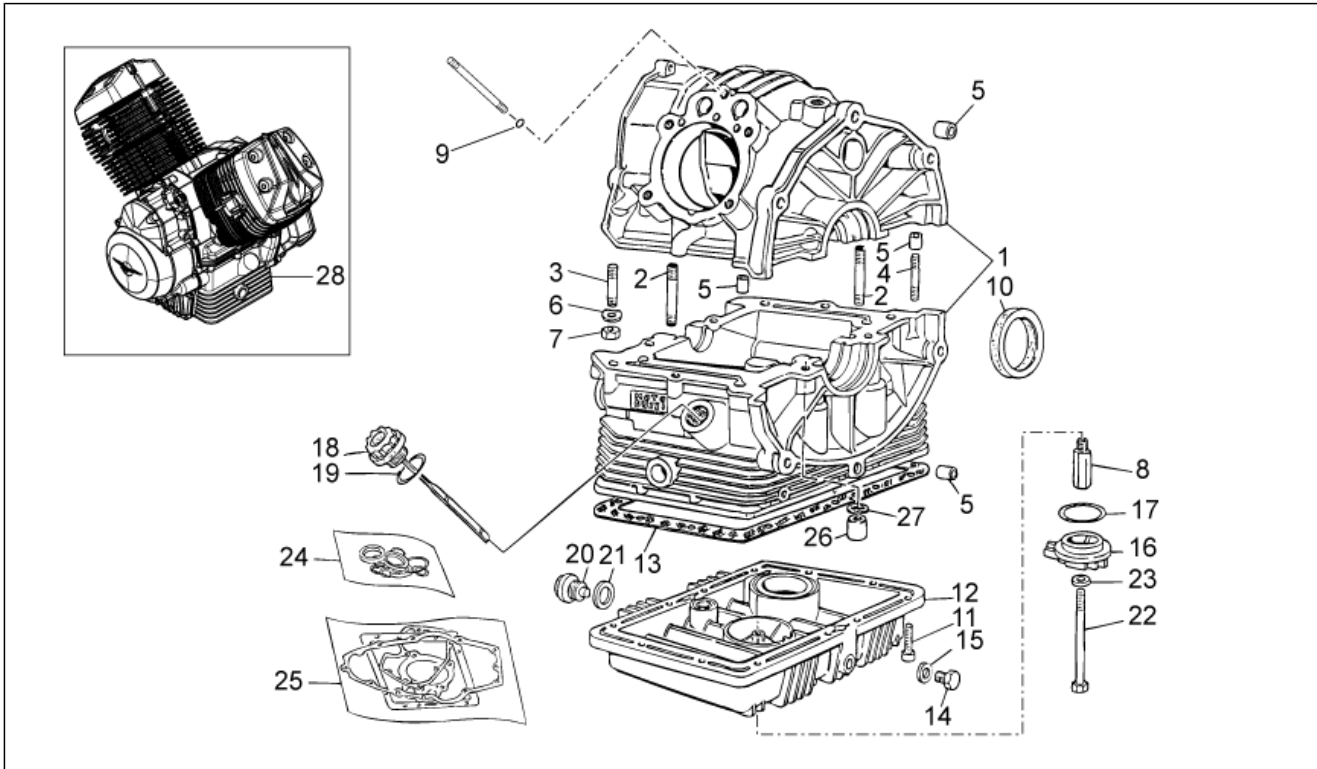
Pos.	Code	Description	Qty	Variants
21	GU19355413	Spacer 1,6 mm	1	
22	GU19350700	Gasket	2	
23	GU19352300	Thrust washer	1	
24	GU19353500	Thrust washer	1	
25	GU19357660	screw	7	
26	GU61270300	Spring washer 8x15x0,3	7	
27	GU19355320	Spacer 1 mm	1	
27	GU19355321	Spacer 1,1 mm	1	
27	GU19355322	Spacer 1,2 mm	1	
27	GU19355323	Spacer 1,3 mm	1	
27	GU19355324	Spacer 1,4 mm	1	
27	GU19355325	Spacer 1,5 mm	1	
27	GU19355326	Spacer 1,6 mm	1	
27	GU19355327	Spacer 1,7 mm	1	
27	GU19355328	Spacer 1,8 mm	1	
27	GU19355329	Spacer 1,9 mm	1	
28	GU19356801	Spacer	1	
29	GU90706188	Gasket ring 18,77X1,78	1	
30	GU19356700	Nut	1	
31	GU20352421	Flange	1	
32	GU92249220	Roller bearing 20x47x14	1	
33	GU19355300	Spacer 1 mm	1	
33	GU19355301	Spacer 1,1 mm	1	
33	GU19355302	Spacer 1,2 mm	1	
33	GU19355303	Spacer 1,3 mm	1	
33	GU19355304	Spacer 1,4 mm	1	
33	GU19355305	Spacer 1,5 mm	1	
33	GU19355306	Spacer 1,6 mm	1	

Group	ENGINE
Code	34.10
Description	Transmission complete II
Service	1



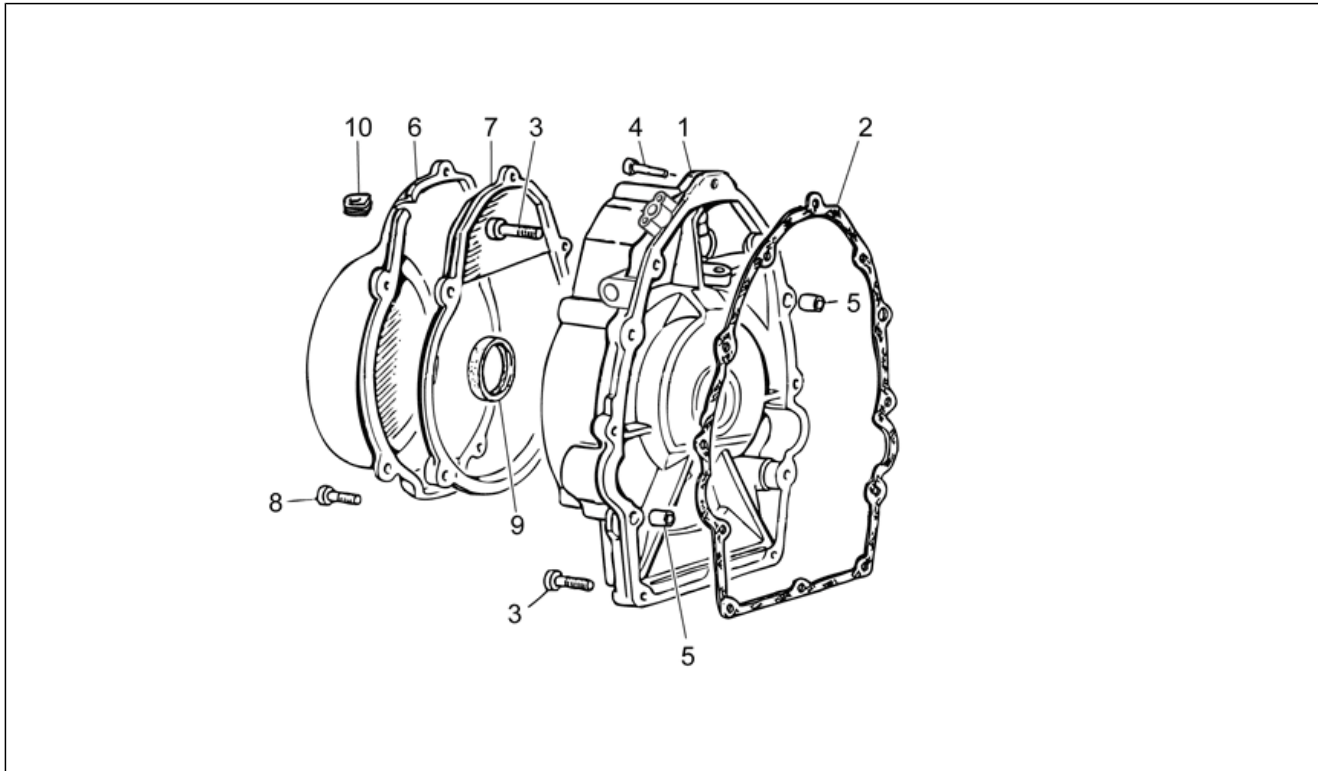
Pos.	Code	Description	Qty	Variants
33	GU19355307	Spacer 1,7 mm	1	
33	GU19355308	Spacer 1,8 mm	1	
33	GU19355309	Spacer 1,9 mm	1	
34	GU20355121	Spacer	1	
35	GU19355200	Shim 0,1 mm	1	
36	GU19355202	Shim 0,15 mm	1	
37	GU90706584	Gasket 58,42x2,62	1	
38	GU90403251	Gasket ring 32x47x10	1	

Group	ENGINE
Code	34.34
Description	Crank-case
Service	1



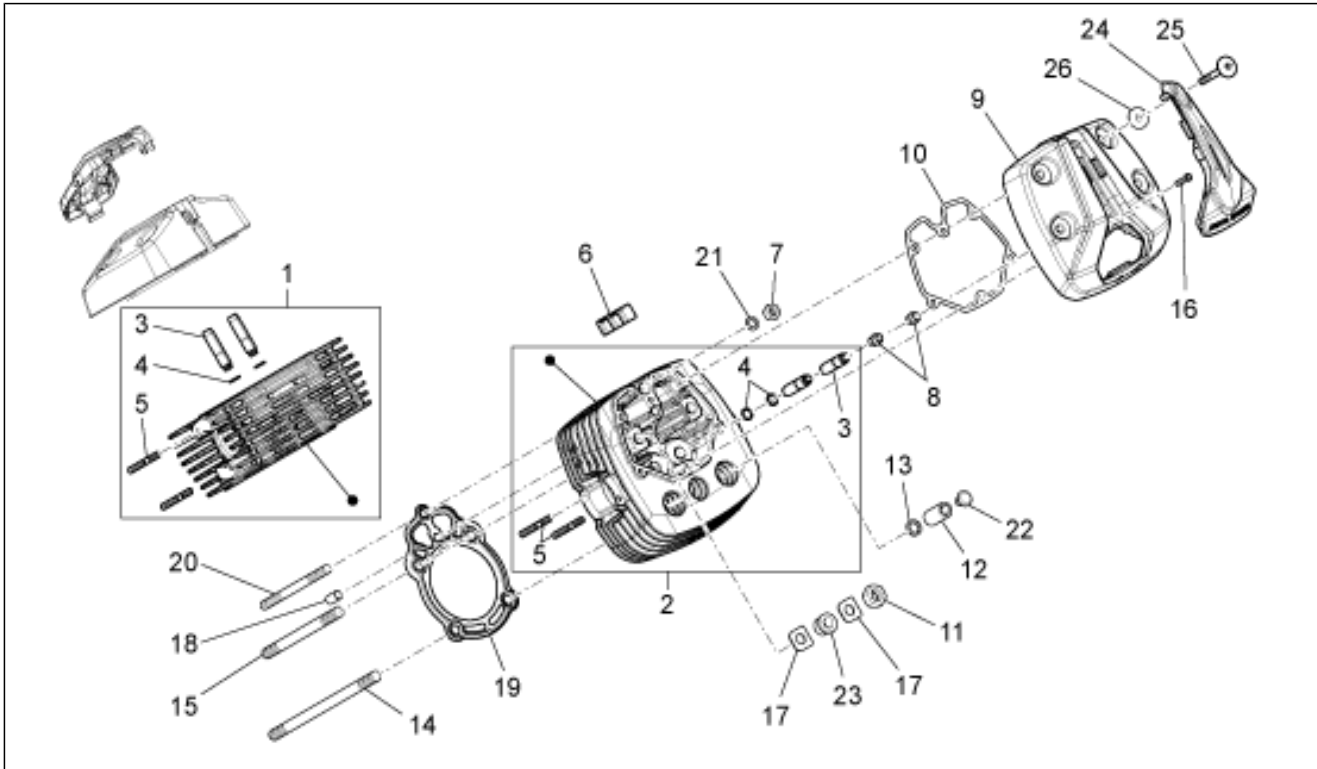
Pos.	Code	Description	Qty	Variants
1	976600	Crankcase black	1	
2	GU96451560	Stud bolt	4	
3	GU96451430	Stud bolt	4	
4	GU96508055	Stud bolt	2	
5	GU19015020	Bushing	4	
6	GU61270300	Spring washer 8x15x0,3	6	
7	GU92606208	Nut M8x1,25	6	
8	GU19003800	Joint	1	
9	GU90706076	O-ring	2	
10	GU04000500	Gasket ring	1	
11	GU98682325	Hex socket screw M6x25	12	
12	976604	Oil sump black	1	
13	887004	Sump gasket	1	
14	GU31003766	Oil unload plug M10x1	1	
15	GU10528900	Gasket	1	
16	976685	Plug	1	
17	GU90706444	O-ring	1	
18	883826	Oil load plug	1	
19	GU90706281	O-ring 28,24x2,62	1	
20	GU12003702	Oil unload plug	1	
21	GU95100709	Gasket 20,1x28x2	1	
22	GU27152885	Bolt	1	
23	GU12154200	Gasket 8,25x15x1	1	
24	GU32999510	Oil seals - set	1	
25	GU32999010	Gasket set	1	
26	GU13021900	Column nut	4	
27	GU95129180	Washer 10,5X18X0,8	4	
28	976991	Engine assy w/hout transm.	1	

Group	ENGINE
Code	34.35
Description	Timing system cover
Service	1



Pos.	Code	Description	Qty	Variants
1	976603	Timing cover black	1	
2	887003	Cover gasket	1	
3	GU98682325	Hex socket screw M6x25	10	
4	GU98682330	Hex socket screw M6x20	2	
5	GU19002020	Bushing 6,6x9x13	2	
6	GU32001610	Cover	1	
7	GU27001136	Flange	1	
8	884039	Hex socket screw M6x35	4	
9	GU90402842	Gasket ring	1	
10	GU19007700	Rubber spacer	1	

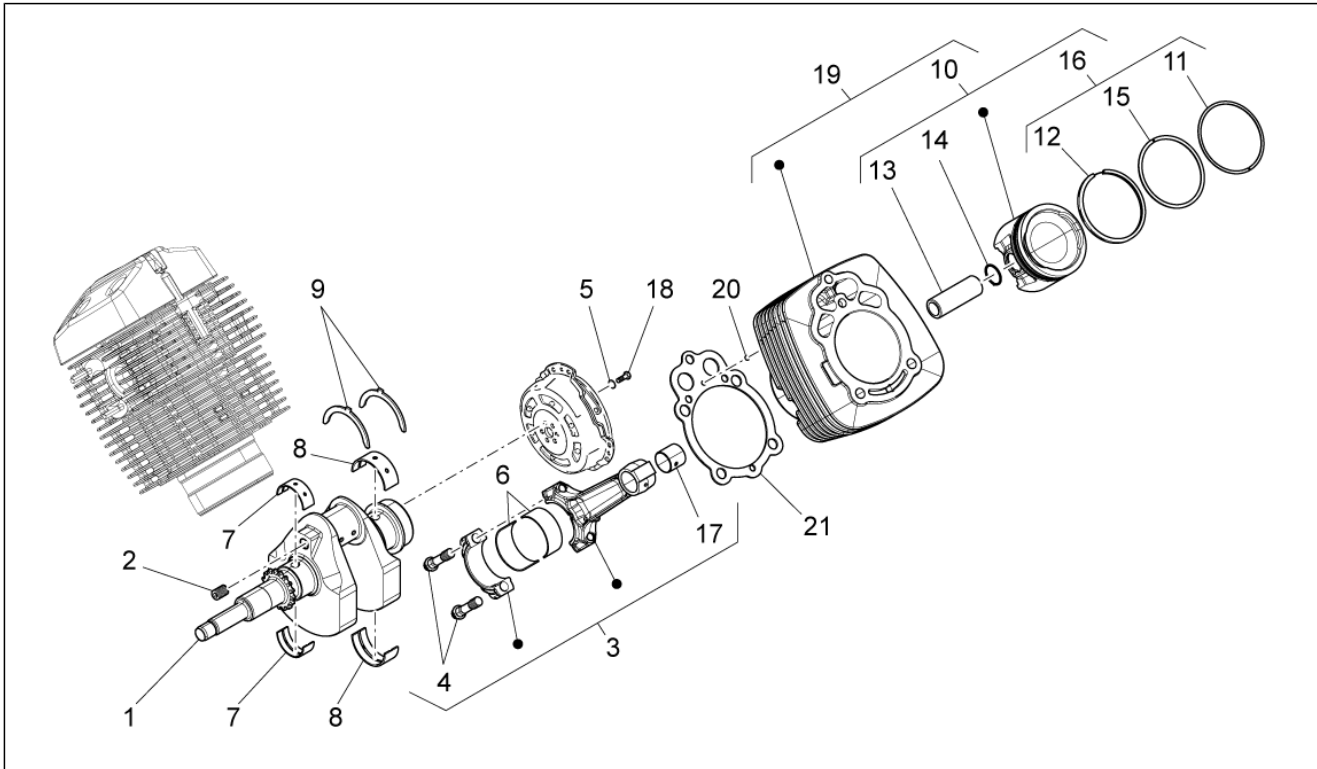
Group	ENGINE
Code	34.36
Description	Cylinder head
Service	1



Pos.	Code	Description	Qty	Variants
1	8872724	RH head	1	
2	8872754	LH head	1	
3	GU61036801	Valve guide	4	
4	GU90353009	Snap ring	4	
5	GU96506042	Stud bolt	4	
6	B063111	Damping plug	4	
7	GU19021920	Nut	2	
8	GU19037820	Oil seal	4	
9	887523	Head cover	2	
10	887002	Head cover gasket	2	
11	GU92603010	Nut M10X1,5	4	
12	GU13021900	Column nut	4	
13	GU95129180	Washer 10,5X18X0,8	4	
14	GU96510214	Stud bolt M10x214	4	
15	GU96510181	Stud bolt M10x182	4	
16	GU98692325	Hex socket screw M6x25	4	
17	GU19032980	Spacer	8	
18	GU19021360	Bushing	2	
19	B063099	Cylinder head gasket	2	
20	GU96508145	Stud bolt M8x143	2	
21	GU61270300	Spring washer 8x15x0,3	2	
22	GU93180245	Cover	4	
23	AP8144071	Rubber exhaust	1	
24	887279	Spark plug cover	2	
25	887483	Head cover screw M6x52.5	8	
26	969973	Washer	8	



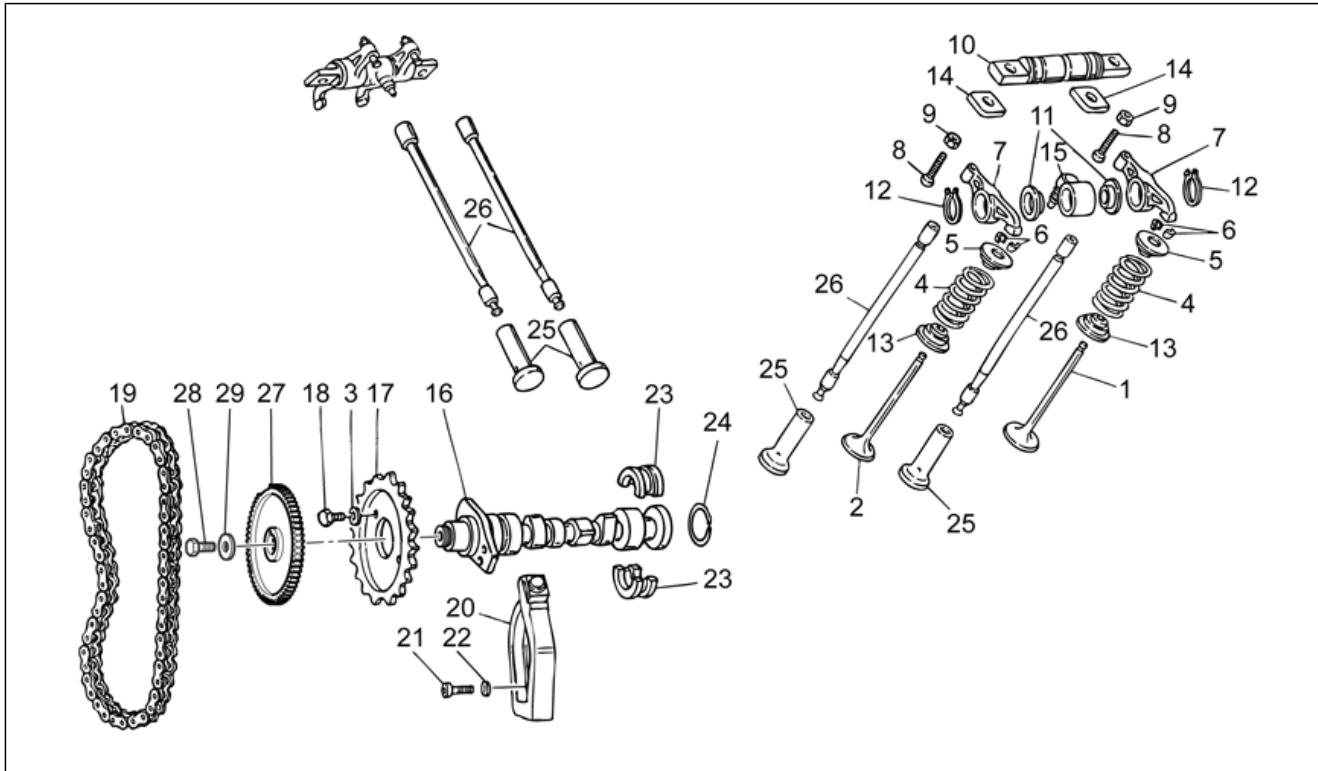
Group	ENGINE
Code	34.37
Description	Crankshaft cpl.
Service	1



Pos.	Code	Description	Qty	Variants
1	GU320642104	Crankshaft cpl.	1	
2	GU19065400	Cover	1	
3	GU27061585	Connecting rod cpl.	2	
4	GU19062261	screw	4	
5	GU14615901	Washer 8,4X13X0,8	6	
6	GU27062060	Bearing half-shell	4	
7	GU27065660	Front main half-bearing	2	
8	GU27066560	Rear main half-bearing	2	
9	GU27066460	Half-clamp	2	
10	8872690001	Piston complete with 80 Cat. D	1	
10	8872690002	Piston complete with 80 Cat. E	1	
10	8872690003	Piston complete with 80 Cat. F	1	
11	B063018	Slot piston ring	2	
12	B063020	Scraper ring	2	
13	B063016	Piston pin	2	
14	874567	Stop ring	4	
15	B063019	Slot piston ring	2	
16	B063466	Pistonring set	2	
17	GU27061885	Bushing	2	
18	GU19067700	screw	6	
19	B063465	Cylinder with piston	2	
20	GU61027200	O-ring	2	
21	886670	Cylinder gasket	2	



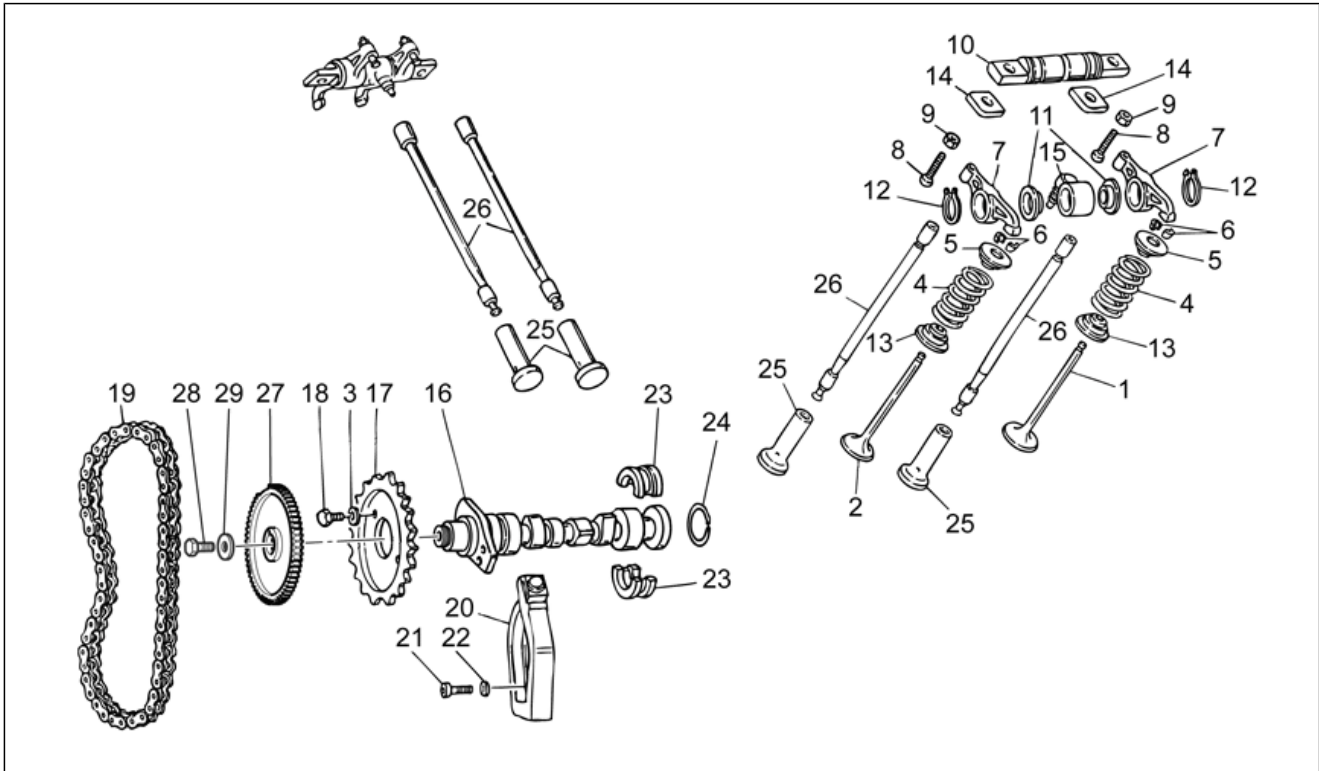
Group	ENGINE
Code	34.38
Description	Timing system
Service	1



Pos.	Code	Description	Qty	Variants
1	GU20036020	Intake valve	2	
2	GU20036120	Exhaust valve	2	
3	GU23217800	Safety washer	2	
4	GU27037521	Spring	4	
5	GU31038015	Upper cup	4	
6	GU61038100	Half-cone	8	
7	GU19030500	Rocker arm assy.	4	
8	GU19034000	screw	4	
9	GU92602406	Nut M6x1	4	
10	GU19032080	Rocker shaft	2	
11	GU32032310	Thrust washer	4	
12	GU90271018	Circlip	4	
13	GU31037015	Lower cup	4	
14	GU19032980	Spacer	4	
15	GU19027500	Hose	2	
16	GU32053410	Camshaft	1	
17	GU32054510	Timing system gear	1	
18	GU61054900	Bolt	2	
19	GU19058021	Camshaft chain	1	
20	GU19058220	Chain stretching drive	1	
21	GU98882316	screw	1	
22	GU95129115	Washer	1	
23	GU19055700	Sector	2	
24	GU90353029	Snap ring	1	
25	GU19045861	Tappet	4	
26	GU31045015	Rocker arm rod	4	
27	887528	Wheel speed sensor, left front	1	
28	GU98054422	screw M8x22	1	

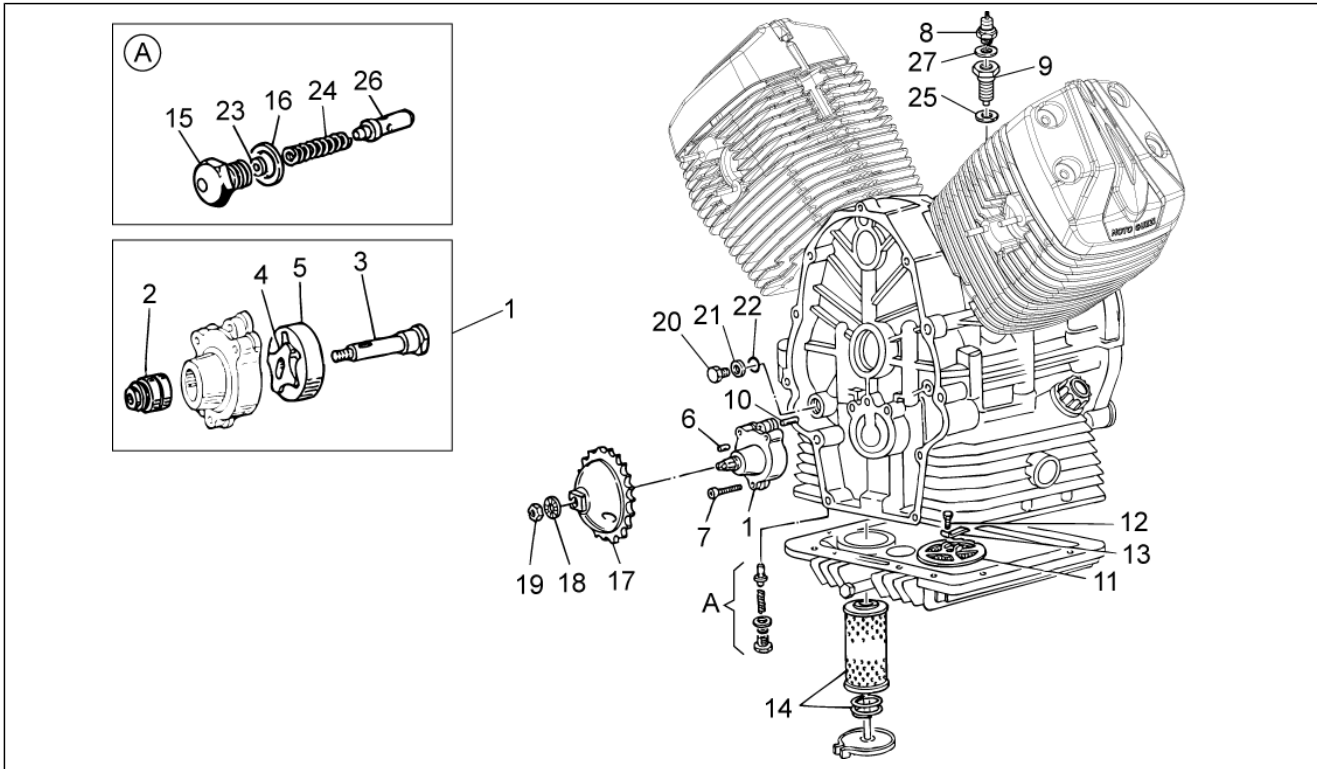


Group	ENGINE
Code	34.38
Description	Timing system
Service	1



Pos.	Code	Description	Qty	Variants
29	GU95100244	Washer	1	

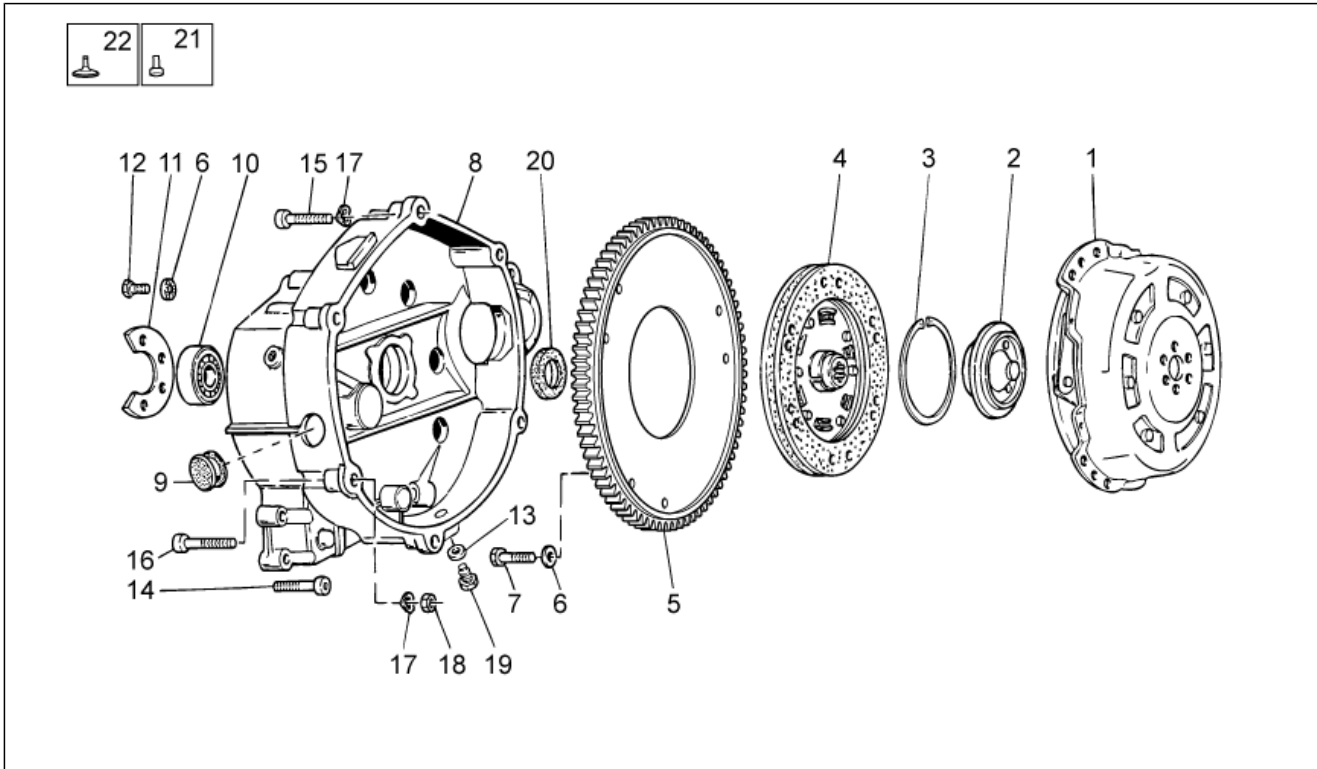
Group	ENGINE
Code	34.39
Description	Oil pump
Service	1



Pos.	Code	Description	Qty	Variants
1	GU19146422	Oil pump	1	
2	GU92252210	Roller bearing 10x22x20	1	
3	GU20147810	Oil pump shaft assy.	1	
4	GU20148410	Inner rotor	1	
5	GU20148610	Outer rotor	1	
6	GU92296723	Roller	1	
7	884039	Hex socket screw M6x35	3	
8	641541	Oil pressure sensor	1	
9	887093	Union	1	
10	GU19018920	Pin	2	
11	GU19152200	Oil filter	1	
12	GU98084314	Hex screw M6x14	1	
13	GU95187006	Plate	1	
14	GU27153085	Oil filter	1	
15	GU31159050	Cover	1	
16	GU18144350	Washer 18,25x24x1	3	
17	GU20147710	Pump gear	1	
18	AP8152220	Washer	1	
19	GU92602510	Nut M10x1,25	1	
20	GU31016050	Cover	1	
21	GU18161150	Gasket 14,25	1	
22	GU90706111	O-ring	1	
23	GU95008206	Washer 6,15x11x0,8	3	
24	GU94321079	Spring	1	
25	GU95100602	Gasket	1	
26	GU31159050	Piston	1	
27	GU95100309	Washer	1	

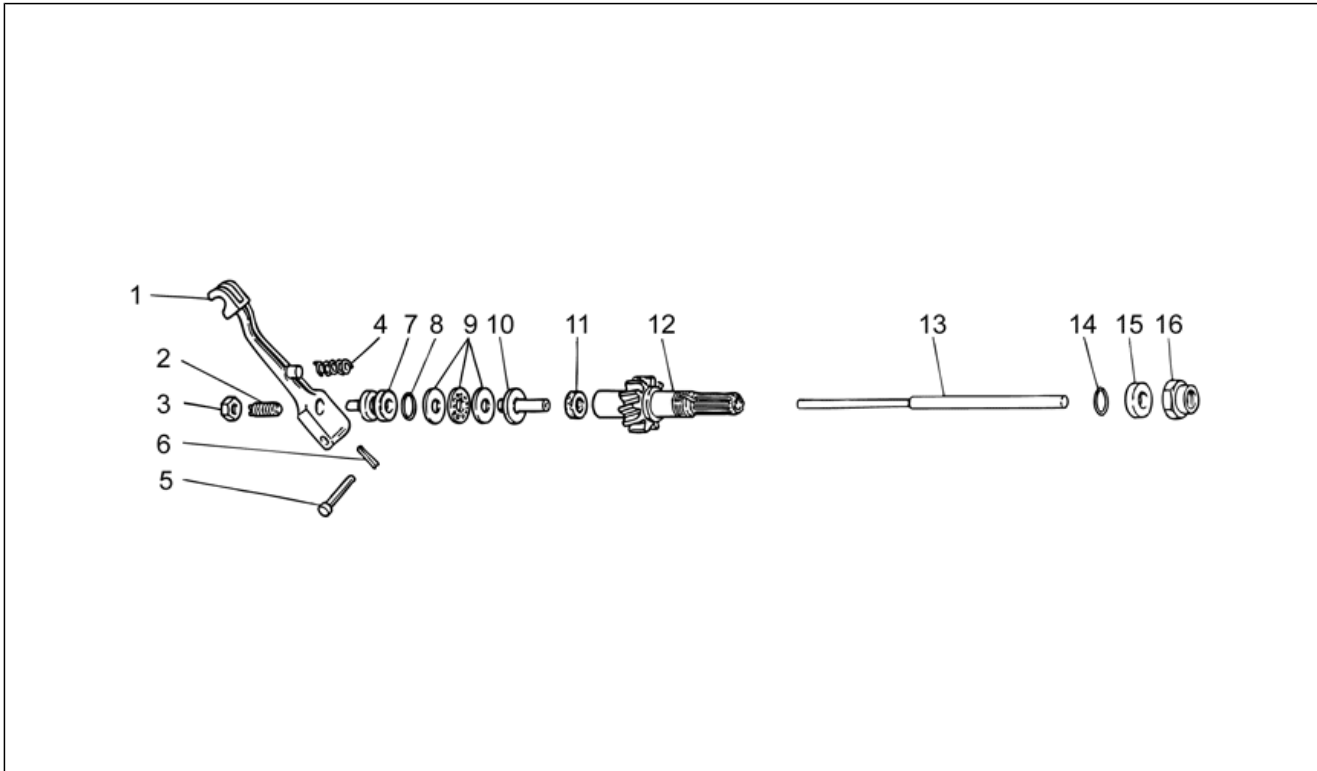


Group	ENGINE
Code	34.40
Description	Clutch I
Service	1



Pos.	Code	Description	Qty	Variants
1	GU32080310	Clutch	1	
2	GU19083462	New cup type	1	
3	GU90272075	Snap ring	1	
4	GU32084410	Driven clutch disc	1	
5	GU32067910	Chain ring	1	
6	GU14217901	Washer 6,4x10x0,7	9	
7	884038	Hex screw M6x16	6	
8	981070	Clutch drum	1	
9	GU93180220	Cover	1	
10	GU92201225	Bearing 25x52x15	1	
11	GU19203460	Bearing fixing plate	1	
12	GU98084314	Hex screw M6x14	3	
13	GU10528900	Gasket	1	
14	884032	Hex socket screw M6x30	11	
15	GU98680435	Hex socket screw M8x35	5	
16	GU98680450	Hex socket screw M8x50	1	
17	GU61270300	Spring washer 8x15x0,3	6	
18	GU92606208	Nut M8x1,25	1	
19	GU31003766	Oil unload plug M10x1	1	
20	AP9150435	Oil seal D32x45x6	1	
21	GU23204471	Jet	1	
22	GU23204571	Jet	1	

Group	ENGINE
Code	34.41
Description	Clutch II
Service	1



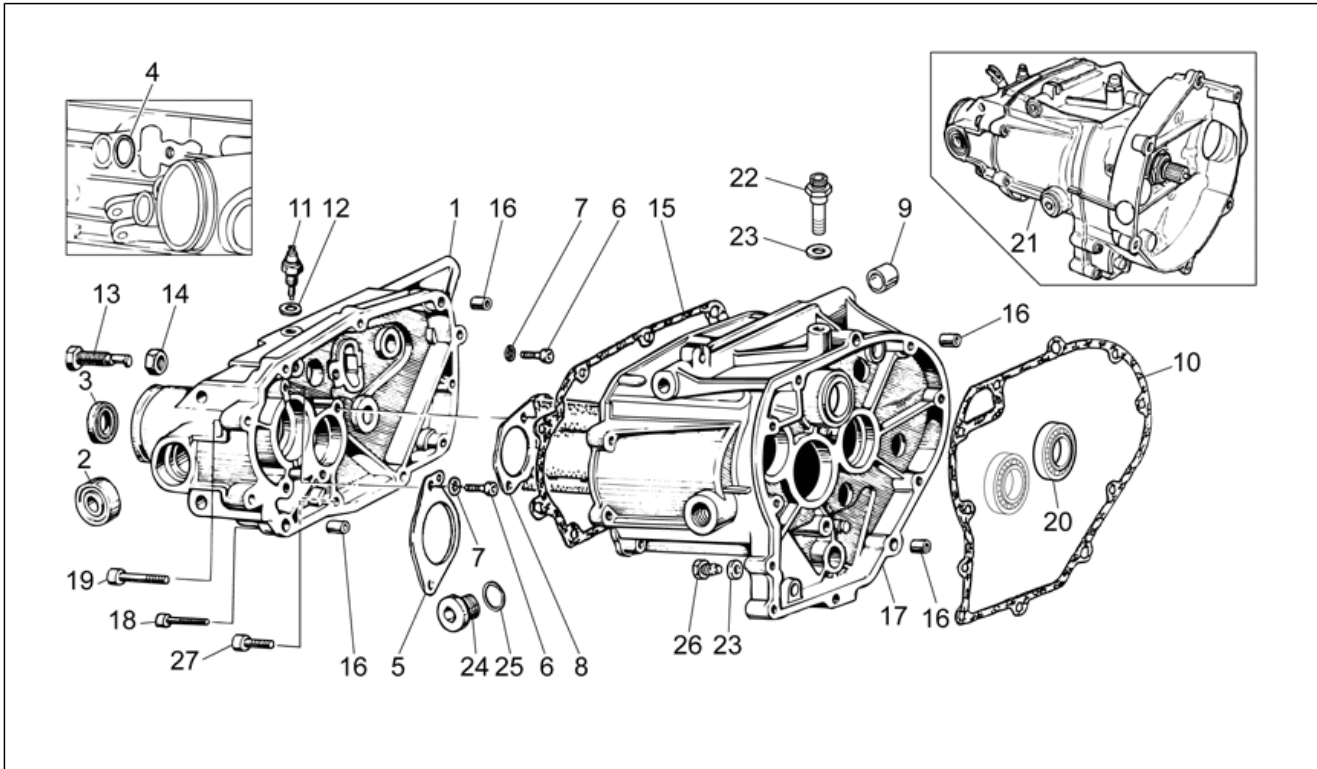
Pos.	Code	Description	Qty	Variants
1	GU14090201	Clutch release shaft	1	
2	GU14090400	Adjuster screw	1	
3	GU92606508	Nut	1	
4	GU94321105	Lever return spring	1	
5	GU95780271	Pin 7x39	1	
6	GU95500222	Split pin	1	
7	GU14086100	Outer body	1	
8	GU90706170	O-ring 17,13x2,62	1	
9	GU12087001	Thrust bearing	1	
10	GU14086000	Inner body	1	
11	GU90400616	Gasket ring 6x16x7	1	
12	GU27210760	Transmission shaft Z=16	1	
13	GU20085720	Rod	1	
14	GU90706235	O-ring 23,52x1,78	1	
15	GU19213760	Spacer	1	
16	GU19356760	Nut	1	



V 7
GU101 - V7 Special - Stone 750 2012-2013

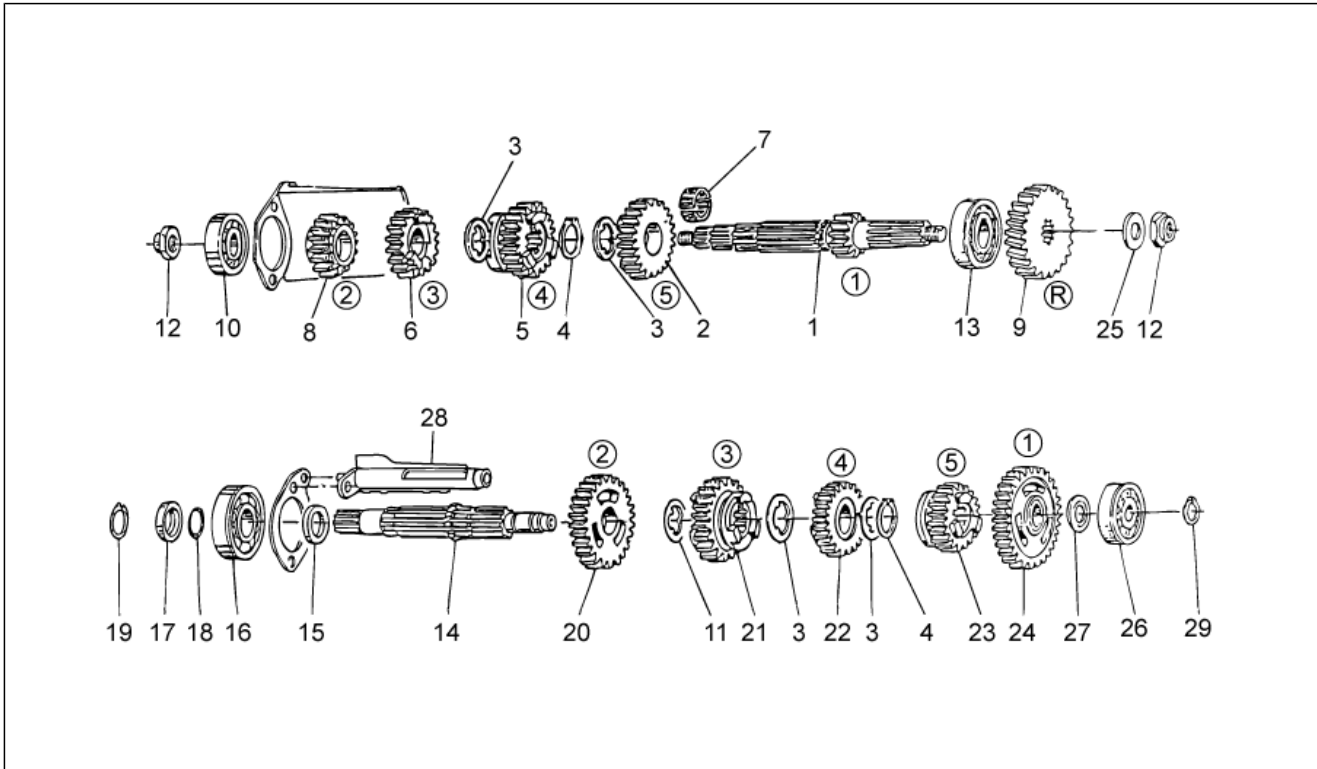
Chassis prefix: ZGULWG00, ZGULWG01,
ZGULWG02, ZGULWE00, ZGULWE01,
ZGULWE02, ZGULWU00, ZGULWUA0,
ZGULWUA1, ZGULWS00, ZGULWT00,
ZGULWU01
Engine prefix:

Group	ENGINE
Code	34.42
Description	Transmission cage
Service	1



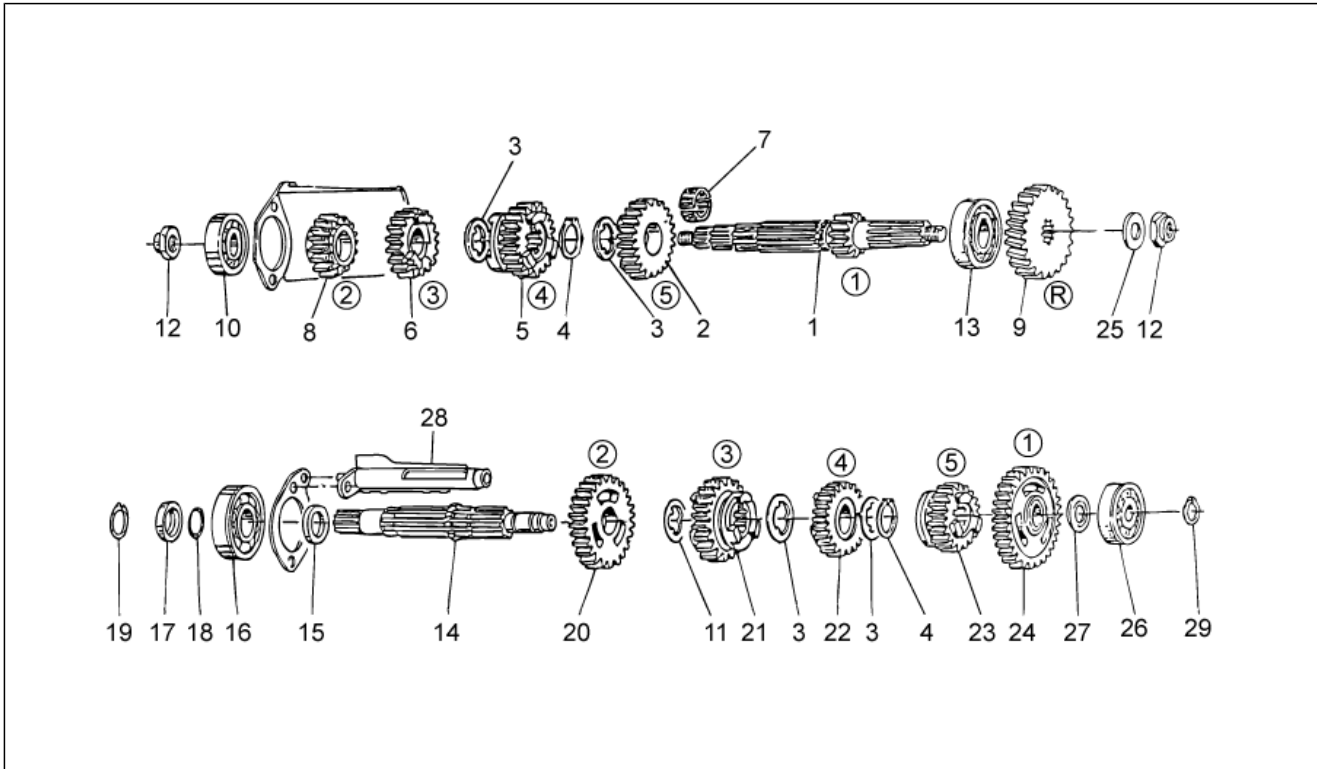
Pos.	Code	Description	Qty	Variants
1	887213	Gearbox cover	1	
2	GU92204215	Bearing 15x35x11	2	
3	886364	Gasket ring 28x40x7	1	
4	GU90706140	O-ring 13,95x2,92	1	
5	GU32213810	Plate	1	
6	884031	Hex socket screw M6x14	4	
7	GU14217901	Washer 6,4x10x0,7	4	
8	GU32208210	Oil bulhead	1	
9	GU19202320	Bushing 10,25x15,7x8	2	
10	887005	Gasket	1	
11	B063269	Sensor	1	
12	GU12154200	Gasket 8,25x15x1	1	
13	GU19237800	Screw M12x1,25	1	
14	GU92606512	Low nut M12x1,25	1	
15	887006	Gasket	1	
16	GU19002020	Bushing 6,6x9x13	4	
17	887235	Transmission cage	1	
18	GU98682330	Hex socket screw M6x20	5	
19	GU98680435	Hex socket screw M8x35	4	
20	B063342	Ball bearing 6004/C3	1	
21	976992	Gear box assy	1	
22	GU32206510	Breather plug	1	
23	GU10528900	Gasket	2	
24	GU12022600	Oil plug	1	
25	GU90706203	O-ring 20,24x2,62	1	
26	GU31003766	Oil unload plug M10x1	1	
27	AP8150285	Hex socket screw M6x35	2	

Group	ENGINE
Code	34.43
Description	Gear box
Service	1



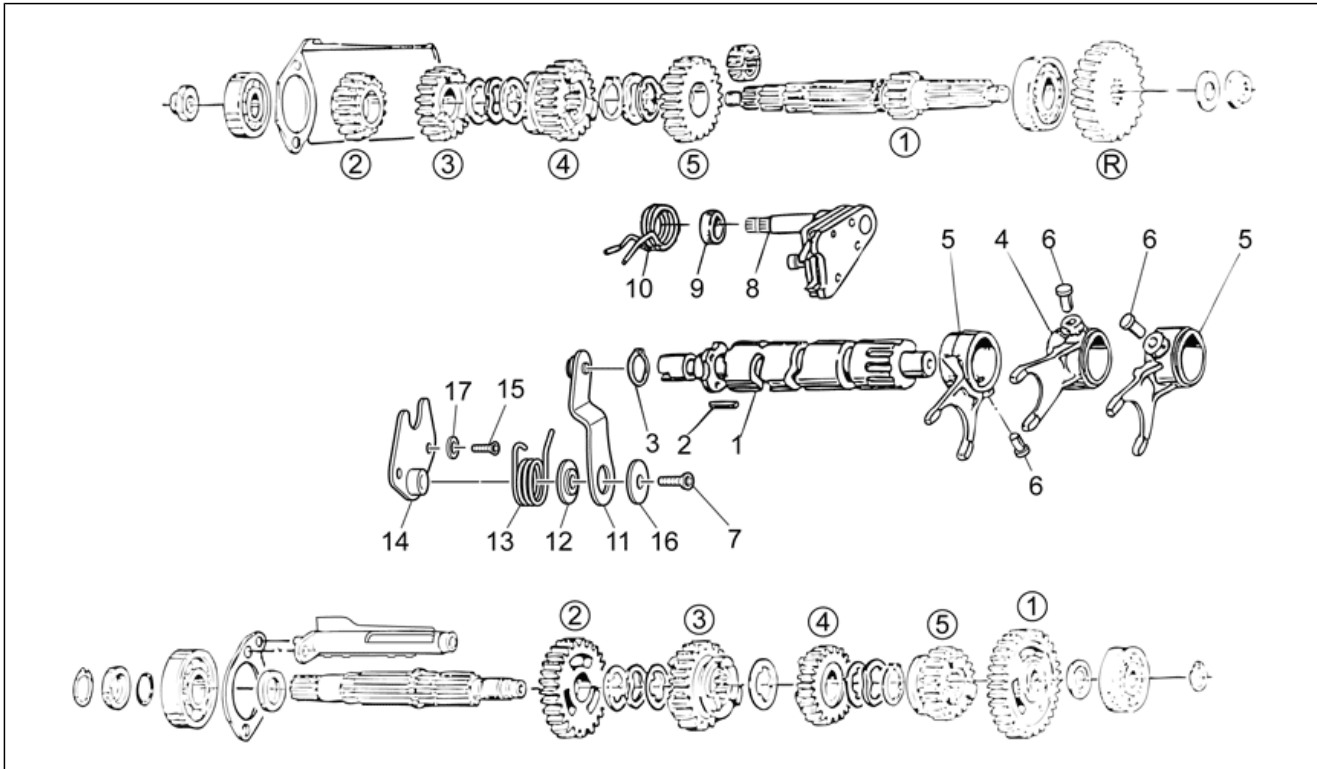
Pos.	Code	Description	Qty	Variants
1	GU32210510	Primary gear shaft Z=11	1	
2	GU32212011	Gear 5a AP Z=25	1	
3	GU19215460	Thrust washer	3	
4	GU90271124	Circlip	2	
5	GU32211810	Gear 4a AP Z=18	1	
6	GU32211410	Gear 3a AP Z=18	1	
7	GU92251028	Roller cage	1	
8	GU23211372	Gear 2a AP Z=14	1	
9	GU32211110	Idle gear AP Z=21	1	
10	GU92218417	Bearing AP 17x40x17,5	1	
11	GU19214660	Clearance washer	2	
12	GU10054100	Nut	2	
13	GU92230320	Bearing AP 20x37x17	1	
14	GU32213610	Driven shaft	1	
15	GU19212900	Spacer	1	
16	GU92201220	Bearing 20X47X14	1	
17	GU19213720	Spacer	1	
18	GU90706188	Gasket ring 18,77X1,78	1	
19	GU90271121	Circlip	1	
20	GU32214510	Gear 2a AS Z=23	1	
21	GU32214810	Gear 3a AS Z=23	1	
22	GU32215010	Gear 4a AS Z=19	1	
23	GU32215210	Gear 5a AS Z=22	1	
24	GU32214010	Gear 1a AS Z=26	1	
25	GU39238100	Clearance washer	1	
26	GU92234716	Bearing	1	
27	GU10214300	Spacer 1,5 mm	1	
27	GU10214301	Spacer 1,7 mm	1	

Group	ENGINE
Code	34.43
Description	Gear box
Service	1



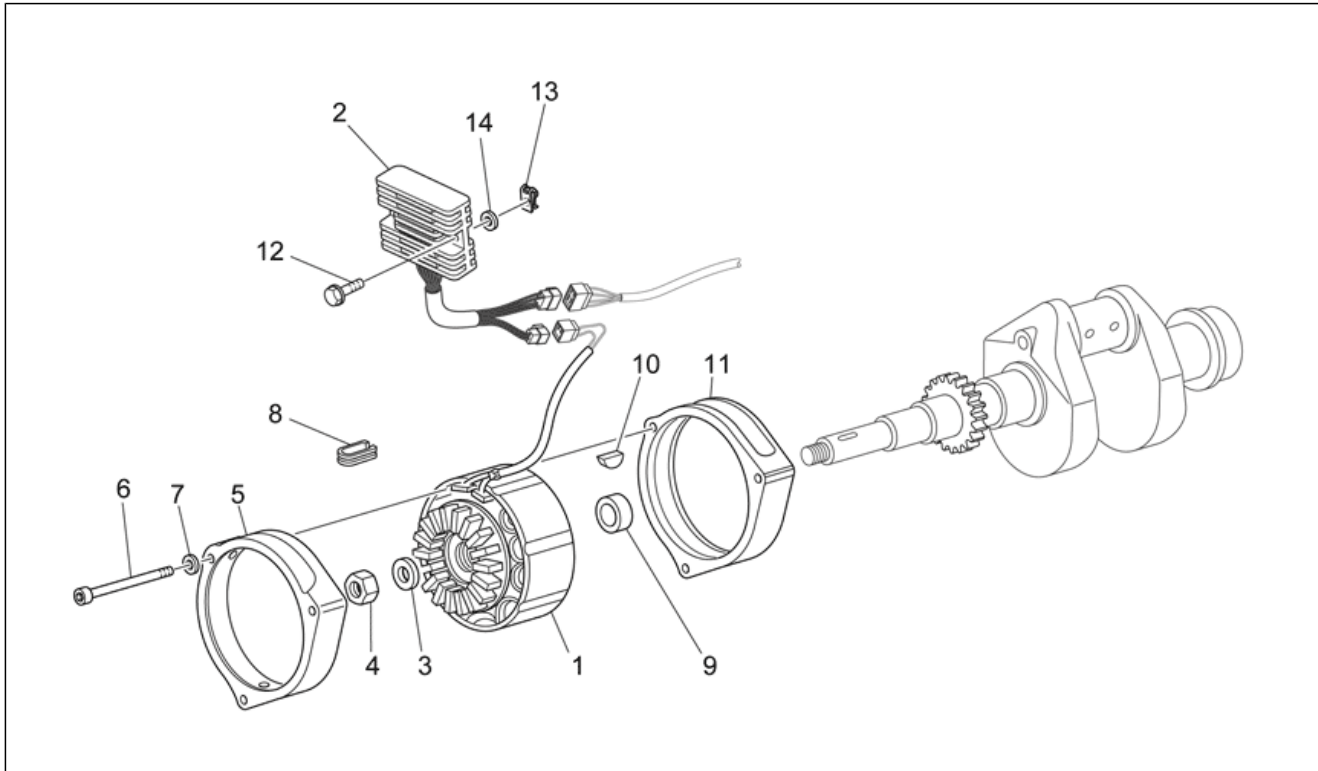
Pos.	Code	Description	Qty	Variants
27	GU10214302	Spacer 1,8 mm	1	
27	GU10214303	Spacer 1,9 mm	1	
27	GU10214304	Washer 2 mm	1	
27	GU10214305	Spacer 2,1 mm	1	
28	GU32202010	Gutter	1	
29	GU90271117	Circlip	1	

Group	ENGINE
Code	34.44
Description	Gear box selector
Service	1



Pos.	Code	Description	Qty	Variants
1	GU32234410	Shift cam	1	
2	GU19234600	Pin	4	
3	GU90274026	Snap ring	1	
4	GU32231210	Fork AP	1	
5	GU32231010	Fork AS	2	
6	GU32233010	Roller	3	
7	GU98230612	screw	1	
8	887196	Preselection complete	1	
9	GU20208520	Spacer	1	
10	GU32238210	Spring	1	
11	GU32234710	Lever	1	
12	GU32234810	Washer	1	
13	GU32234110	Spring	1	
14	GU32235710	plate	1	
15	GU98257618	Screw M6x18	2	
16	GU32234910	Washer 6,4x20x1	1	
17	GU14217901	Washer 6,4x10x0,7	2	

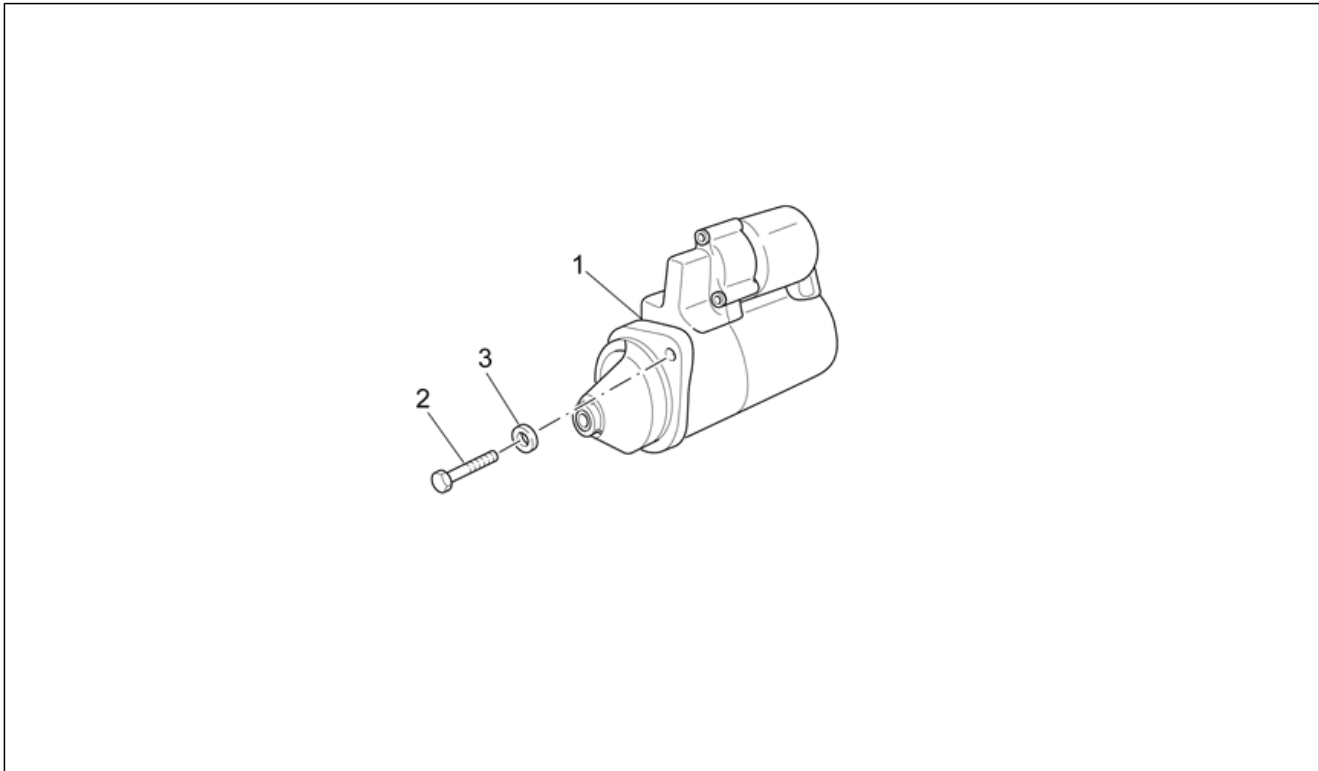
Group	ENGINE
Code	34.45
Description	Generator - Regulator
Service	1



Pos.	Code	Description	Qty	Variants
1	883877	Generator	1	
2	883878	Voltage regulator 35A	1	
3	GU30714201	Washer 16,25x24,5x5	1	
4	GU92606516	Nut M16	1	
5	GU29711460	Front calotte	1	
6	GU98680265	Hex socket screw	3	
7	GU29217960	Washer 5,9X3X0,8	3	
8	GU19007700	Rubber spacer	1	
9	GU31712365	Spacer	1	
10	887044	Tab 4x5	1	
11	GU29711960	Rear cap	1	
12	AP8152281	Screw w/ flange M6x30	2	
13	254485	Spring plate M6	2	
14	GU95100125	Washer	2	



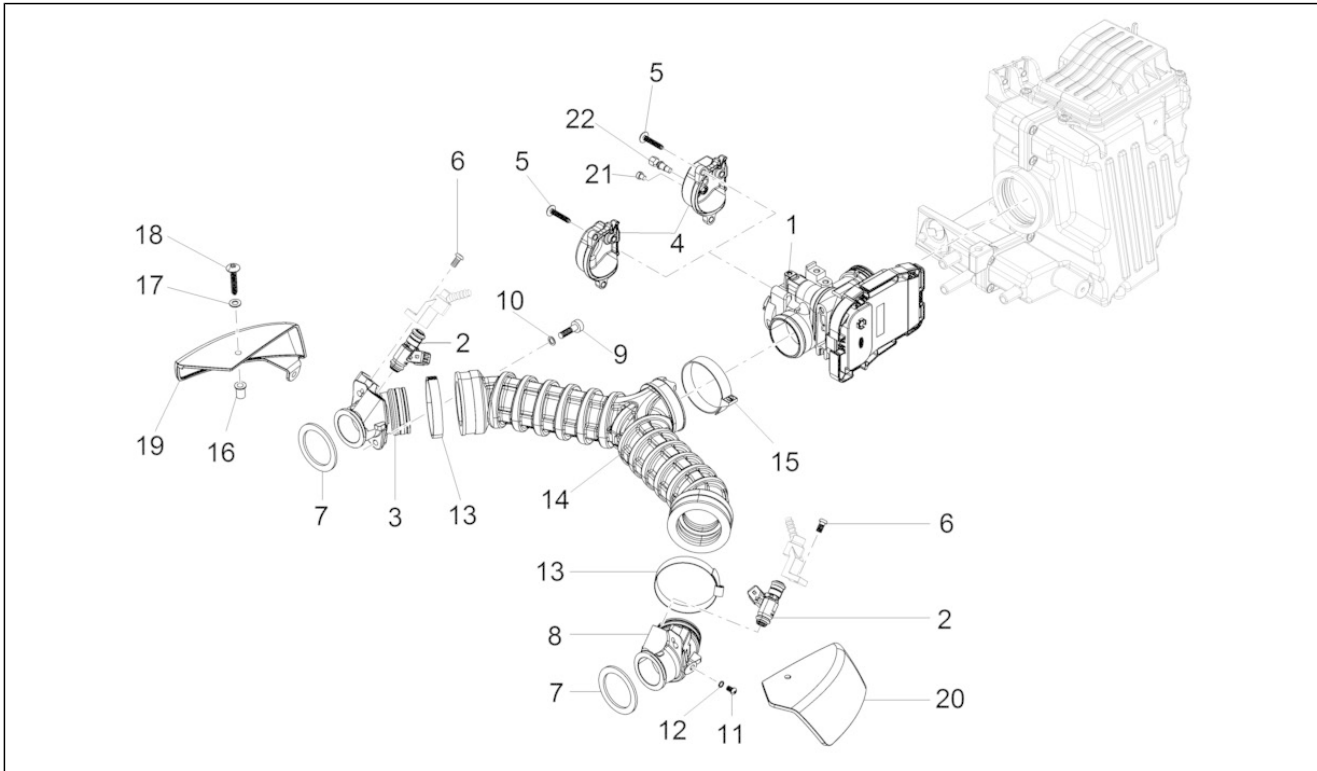
Group	ENGINE
Code	34.46
Description	Starter motor
Service	1



Pos.	Code	Description	Qty	Variants
1	GU05730730	Starter motor Bosch	1	
2	GU98682435	Hex socket screw	2	
3	GU95008208	Washer 8,4X15X1,5	2	



Group	ENGINE
Code	34.47
Description	Throttle body
Service	1



Pos.	Code	Description	Qty	Variants
1	CM228301	Electronic control unit ECU for injection	1	Country:Australia[AUS], Canadian[CDN], europe[EU], Great Britain[UK], United States of America[USA]
1	CM228302	Electronic control unit ECU for injection	1	Country:Japan[J]
2	B063049	Injector	2	
3	GU32115010	RH manifold	1	
4	880260	Throttle body Protection	1	Year:2012[C], 2013[D]
4	B063840	Throttle body Protection 25-35 KW	1	Year:2013[D] Technical Specifications:25-35 KW version[KW]
5	B016796	Torx convex big end screw	3	
6	AP8152298	Screw w/ flange M5x16	2	
7	GU32115510	Gasket	2	
8	GU32115011	LH manifold	1	
9	GU98682322	Hex socket screw M6x22	4	
10	GU03013800	Washer 6,4x12	4	
11	GU98310609	screw M6x10	2	
12	GU95100116	Washer 6,25x10x1,5	2	
13	GU93305057	Hose clamp 57x59,5x10	2	
14	887812	Throttle body hose	1	
15	GU93305061	Hose clamp 61/65,5	1	
16	GU93231605	Antivibration bush	4	
17	GU30577800	Nylon washer 5,5X12X1	4	
18	GU98370515	screw	4	
19	978938	RH cover chromium plated	1	
20	978939	LH cover	1	
21	AP8220488	Mushroom rubber	1	Technical Specifications:25-35 KW version[KW]
22	B063853	Shear rivet	1	Technical Specifications:25-35 KW version[KW]



PIAGGIO & C.s.p.a.



CATALOGUE DE PIÈCES DE RECHANGE



V7 Special 750 2014

Préfixe du cadre: ZGULWT01

Préfixe du moteur:

V7

GU107



Index

Produits finis.....	4
Index alphanumérique.....	5
CHASSIS.....	10
Tableau 33.01 - Chassis I.....	10
Tableau 33.02 - Chassis II.....	11
Tableau 33.03 - Béquille latérale.....	12
Tableau 33.04 - R-pied pilote.....	13
Tableau 33.05 - R-pied pass.....	14
Tableau 33.06 - Levier boîte de vitesses.....	15
Tableau 33.07 - Fourche Av. I.....	16
Tableau 33.08 - Fourche Av. II.....	17
Tableau 33.11 - Amortisseur AR.....	19
Tableau 33.12 - Réservoir essence.....	20
Tableau 33.13 - Carrosserie av. - Garde-boue AV.....	21
Tableau 33.14 - Selle-Carrosserie cent.....	22
Tableau 33.15 - Carrosserie arrière I- Garde-boue.....	23
Tableau 33.16 - Carrosserie arrière II- Porte-plaque.....	24
Tableau 33.17 - Tableau de bord.....	25
Tableau 33.18 - Guidon - Commandes.....	26
Tableau 33.19 - Sys.frein avant.....	27
Tableau 33.21 - Pompe essence.....	28
Tableau 33.22 - Corps filtre.....	29
Tableau 33.23 - Groupe echappement.....	31
Tableau 33.24 - Roue Av. I.....	33
Tableau 33.25 - Roue arrière I.....	34
Tableau 33.26 - Maît.cyl. frein AR.....	35
Tableau 33.27 - Pince frein AR.....	36
Tableau 33.28 - Feux avant.....	37
Tableau 33.29 - Feux arriere.....	38
Tableau 33.30 - Circuit électrique I.....	39
Tableau 33.31 - Circuit électrique II.....	40
Tableau 33.32 - Kit serrure.....	42
Tableau 33.33 - Décalco et plaquettes.....	43
Tableau 33.48 - Sys.récup.vap.ess.....	44
MOTEUR.....	45
Tableau 34.09 - Transmission cpl. I.....	45
Tableau 34.10 - Transmission cpl. II.....	46
Tableau 34.34 - Carter.....	49
Tableau 34.35 - Couvercle distribution.....	50
Tableau 34.36 - Tête cylindre.....	51
Tableau 34.37 - Arbre moteur cpl.....	52
Tableau 34.38 - Distribution.....	53
Tableau 34.39 - Pompe huile.....	55



Tableau 34.40 - Embrague I.....	56
Tableau 34.41 - Embrague II.....	57
Tableau 34.42 - Carter de boîte vitesses.....	58
Tableau 34.43 - Boîte de vitesses.....	59
Tableau 34.44 - Selecteur boîte de vitesses.....	61
Tableau 34.45 - Alternateur - Régul.....	62
Tableau 34.46 - Démarreur.....	63
Tableau 34.47 - Corps à papillon.....	64



Produits finis

Code	Validité
GU9032110AUE00	
GU9032110AUE03	
GU9032110AUE04	
GU9032110EUE00	
GU9032110EUE03	
GU9032110EUE04	
GU9032110GBE00	
GU9032110GBE04	
GU9032110JPE00	
GU9032110JPE03	
GU9032110JPE04	
GU9032110JPF00	
GU9032110JPF03	
GU9032110JPF04	
GU9032110ZCE00	
GU9032110ZCE03	



Code	N° de tableau	Pos.	Code	N° de tableau	Pos.	Code	N° de tableau	Pos.
080341	33.30	6	856063	33.48	14	8872754	34.36	2
248419	33.26	19	857206	34.45	4	887279	34.36	24
254485	33.15	4	860138	33.48	7	887431	33.27	3
254485	33.22	14	860651	34.09	19	887443	33.33	9
254485	33.23	20	874567	34.37	14	887448	33.25	12
254485	33.28	20	880260	34.47	4	887449	33.27	1
254485	34.45	10	883011	34.09	11	887481	33.30	12
2A000085	34.35	1	883015	33.05	13	887483	34.36	25
2A000097	34.42	2	883019	33.05	12	887523	34.36	9
2A000098	34.42	1	883051	33.04	1	887528	34.38	27
2A0000995	34.37	1	883052	33.04	2	887787	33.21	5
2A000106	34.40	8	883127	33.22	6	887812	34.47	14
2A000115	34.45	6	883161	33.31	11	887815	33.22	13
2A000129	34.45	7	883192	33.27	7	887825	33.30	1
2A000146	34.38	1	883266	33.13	2	887825	33.31	1
2A000147	34.38	2	883293	33.23	15	887826	33.28	4
2A0002355	34.34	1	883294	33.23	4	887826	33.29	4
2B000045	33.22	27	883295	33.14	5	887827	33.28	5
2B000176	33.23	11	883297	33.23	13	887827	33.29	5
2B000177	33.23	10	883298	33.23	14	887837	33.01	1
2B000348	33.05	13	883303	33.19	13	8878421	33.22	1
2B000349	33.05	12	883349	33.25	8	887843	33.22	2
2B000559	33.07	1	883350	33.25	7	887844	33.22	11
2B000840	33.14	16	883417	33.28	18	887845	33.22	12
2B000878	33.14	9	883470	33.16	6	887846	33.23	1
2B000970	33.21	2	883476	33.32	3	887847	33.23	2
2B000971	34.47	19	883477	33.32	1	887851	33.06	1
2B000972	34.47	20	883480	33.16	9	887852	33.18	4
2D000006	33.32	10	883502	33.12	5	887853	33.18	5
2D000024	34.45	1	883569	33.17	11	887873	33.32	1
2D000043	34.45	2	883598	33.33	7	887874	33.32	3
2G000013	33.33	16	883688	33.24	10	887877	33.29	1
2H000019000XN2	33.12	1	883704	33.23	25	887878	33.08	1
2H000020000XN2	33.12	1	883802	33.18	10	887879	33.08	2
2H000021000XN2	33.14	10	883826	34.34	18	887880	33.08	3
2H000022000XN2	33.14	17	884029	34.47	11	887882	33.08	5
2H000023	33.33	14	884031	34.42	6	887883	33.08	6
2H000024	33.33	13	884032	34.40	14	887884	33.08	7
2H000025	33.33	4	884035	33.11	1	887885	33.08	8
2H000026	33.33	12	884038	34.40	7	887886	33.08	9
2H000027	33.33	5	884039	34.39	7	887887	33.08	10
2H000028	33.33	6	884310	34.47	15	887888	33.08	11
2H000076000YE5	33.12	1	884311	34.47	13	887889	33.08	12
2H000077000YE5	33.12	1	886141	33.33	15	887890	33.08	13
2H000078000YE5	33.14	10	886340	33.33	1	887891	33.08	14
2H000079000YE5	33.14	17	88635200XN2	33.13	1	887892	33.08	15
2H000080	33.33	14	886364	34.42	3	887893	33.08	16
2H000081	33.33	13	886365	34.34	10	887894	33.08	17
2H000082	33.33	4	886629	34.40	20	887895	33.08	18
2H000083	33.33	12	886670	34.37	11	887896	33.08	19
2H000084	33.33	5	886679	33.24	18	887898	33.08	21
2H000085	33.33	6	886680	33.25	20	887899	33.08	22
2L0001895	34.34	28	887002	34.36	10	887900	33.08	23
2Q000043	33.33	10	887003	34.35	2	887901	33.08	24
2Q000045	33.33	10	887004	34.34	13	887902	33.08	25
2Q000054	33.33	10	887005	34.42	10	887903	33.08	26
2R000109	33.08	29	887006	34.42	15	887904	33.08	27
2R000110	33.08	4	887093	34.39	9	887905	33.08	28
584211	33.31	10	887194	33.17	1	887908	33.26	26
638733	33.31	6	887195	33.17	1	887910	33.26	1
641040	33.30	8	887196	34.44	8	887911	33.26	24
641541	34.39	8	887207	33.12	1	887912	33.08	30
641725	33.30	7	887235	34.42	17	887913	33.08	31
641901	33.30	4	8872690001	34.37	10	887914	33.08	32
642034	33.30	3	8872690002	34.37	10	887915	33.08	33
658837	33.26	11	8872690003	34.37	10	887916	33.08	34
832029	33.30	14	8872724	34.36	1	887930	33.33	2



Code	N° de tableau	Pos.	Code	N° de tableau	Pos.	Code	N° de tableau	Pos.
887931	33.33	3	AP8120446	33.48	9	AP8152281	34.45	9
88793900A1	33.14	1	AP8120455	33.22	9	AP8152286	33.24	11
887944	33.12	1	AP8120557	33.12	11	AP8152287	33.02	13
887948	33.30	13	AP8120615	33.22	10	AP8152288	33.02	15
887952	33.26	27	AP8120772	33.22	20	AP8152288	33.27	9
890760	33.22	16	AP8120870	33.23	24	AP8152298	33.26	18
890979	33.28	16	AP8120876	33.22	8	AP8152298	34.47	6
893570	33.31	19	AP8120912	33.06	2	AP8152299	33.15	14
894505	33.25	13	AP8120912	33.26	2	AP8152299	33.27	22
894704	33.31	26	AP8121014	33.03	3	AP8152299	33.30	5
895839	33.33	8	AP8121032	33.15	13	AP8152299	33.48	5
896110	33.23	21	AP8121032	33.17	7	AP8152300	33.02	14
897478	34.45	3	AP8121072	33.23	22	AP8152300	33.27	13
898164	33.11	3	AP8121133	33.05	6	AP8152306	33.16	5
967356	33.03	6	AP8121267	33.48	10	AP8152329	33.15	11
969973	34.36	26	AP8121307	33.07	4	AP8152329	33.22	18
976604	34.34	12	AP8121367	33.02	10	AP8152339	33.14	14
976608	34.10	1	AP8121375	33.03	2	AP8152385	33.19	16
976685	34.34	16	AP8121420	33.14	7	AP8152409	33.04	9
976898	34.36	20	AP8121420	33.32	8	AP8152409	33.05	9
976941	34.09	1	AP8121566	33.04	8	AP8181140	33.31	24
976992	34.42	21	AP8121566	33.05	4	AP8201358	33.22	3
977527	33.14	6	AP8121673	33.12	12	AP8201358	33.22	34
977527	33.32	4	AP8121915	33.19	14	AP8201358	33.48	13
978311	33.28	2	AP8121915	33.27	8	AP8213028	33.18	23
978323	33.19	15	AP8124718	33.16	7	AP8213057	33.26	15
978385	33.23	12	AP8124936	33.30	2	AP8213388	33.18	18
978415	33.14	8	AP8127856	33.03	8	AP8213575	33.27	23
978415	33.32	9	AP8133643	33.26	14	AP8220283	33.31	22
978570	33.18	10	AP8133798	33.27	2	AP8220460	33.07	6
978662	33.28	2	AP8133799	33.27	11	AP8221023	33.22	26
978940	33.14	10	AP8133800	33.27	12	AP8221114	33.48	16
978943	33.14	17	AP8134378	33.23	18	AP8221197	33.03	5
978946	33.15	1	AP8134448	33.16	2	AP8221277	33.04	6
97894600XN2	33.15	1	AP8134451	33.05	5	AP8224164	33.16	3
978947	33.15	2	AP8144007	33.26	4	AP8224462	33.31	21
978949	33.16	1	AP8144071	33.23	16	B016796	34.47	5
978951	33.01	12	AP8144071	34.36	23	B043850	33.31	23
978952	33.01	16	AP8144081	33.07	5	B063016	34.37	13
978960	33.18	1	AP8144146	33.07	3	B063022	33.23	3
978969	33.26	3	AP8144538	33.22	15	B063049	34.47	2
978970	33.26	13	AP8144553	33.22	7	B063077	33.24	5
981149	33.28	12	AP8144729	33.22	17	B063078	33.25	11
AP8101594	33.26	20	AP8145034	33.04	3	B063086	33.03	1
AP8101595	33.12	10	AP8145035	33.04	10	B063099	34.36	19
AP8101861	33.05	7	AP8149034	33.16	11	B063111	34.36	6
AP8102159	33.48	6	AP8150204	33.27	19	B063132	33.04	13
AP8102375	33.14	15	AP8150248	33.16	13	B063135	33.18	6
AP8102375	33.31	14	AP8150285	34.42	27	B063144	33.24	3
AP8102524	33.03	4	AP8150349	33.17	10	B063167	33.15	12
AP8102678	33.48	1	AP8150349	33.32	6	B063197	33.02	1
AP8102688	33.48	2	AP8150377	33.28	13	B063198	33.02	2
AP8102765	33.22	24	AP8150377	33.31	20	B063213	33.22	30
AP8102766	33.22	23	AP8150436	33.02	12	B063214	33.22	21
AP8102913	33.14	3	AP8150450	33.14	12	B063233	33.31	5
AP8104525	33.22	5	AP8150509	33.22	19	B063269	34.42	11
AP8104924	33.22	4	AP8152043	33.27	18	B063287	33.01	4
AP8104996	33.22	28	AP8152220	33.02	11	B063342	34.42	20
AP8113003	33.27	20	AP8152220	34.39	18	B063427	33.18	3
AP8113241	33.26	22	AP8152268	33.16	12	B063431	33.14	11
AP8113288	33.26	16	AP8152273	33.21	4	B063443	33.26	28
AP8113553	33.26	23	AP8152277	33.04	7	B063465	34.37	15
AP8120246	34.09	10	AP8152277	33.05	8	B063466	34.37	16
AP8120311	33.01	13	AP8152277	33.19	3	B063702	33.24	1
AP8120416	33.30	18	AP8152278	33.11	2	B063704	33.25	1
AP8120416	33.31	27	AP8152278	33.15	3	B063735	33.28	14
AP8120416	33.48	11	AP8152279	33.15	9	B063735	33.29	6



Code	N° de tableau	Pos.	Code	N° de tableau	Pos.	Code	N° de tableau	Pos.
B063749	33.11	1	GU10214302	34.43	27	GU19214660	34.43	11
B063750	33.27	6	GU10214303	34.43	27	GU19215460	34.43	3
B063752	33.21	1	GU10214304	34.43	27	GU19234600	34.44	2
B063854	33.23	1	GU10214305	34.43	27	GU19237800	34.42	13
B063855	33.23	2	GU10528900	34.34	15	GU19327601	34.09	5
B063975	33.18	15	GU10528900	34.40	13	GU19328801	34.09	3
CM0074C9	33.30	10	GU10528900	34.42	23	GU19350700	34.10	22
CM0074D0	33.30	9	GU12003702	34.34	20	GU19351100	34.10	4
CM013202	33.31	25	GU12022600	34.10	6	GU19351900	34.10	2
CM225705	33.31	15	GU12022600	34.42	24	GU19352300	34.10	23
CM225710	33.31	16	GU12087001	34.41	9	GU19353500	34.10	24
CM225715	33.31	17	GU12154200	34.34	23	GU19355200	34.10	35
CM225730	33.31	18	GU12154200	34.42	12	GU19355202	34.10	36
CM228303	34.47	1	GU13021900	34.34	26	GU19355300	34.10	33
CM228304	34.47	1	GU13021900	34.36	12	GU19355301	34.10	33
GU00823923140	33.03	7	GU14086000	34.41	10	GU19355302	34.10	33
GU00823923140	33.22	32	GU14086100	34.41	7	GU19355303	34.10	33
GU00823923140	33.48	12	GU14090201	34.41	1	GU19355304	34.10	33
GU00823931055	33.28	19	GU14090400	34.41	2	GU19355305	34.10	33
GU00823931070	33.12	14	GU14217901	34.40	6	GU19355306	34.10	33
GU00823944050	33.12	13	GU14217901	34.42	7	GU19355307	34.10	33
GU00823950050	33.26	21	GU14217901	34.44	17	GU19355308	34.10	33
GU01528930	34.10	9	GU14609650	33.30	18	GU19355309	34.10	33
GU01609630	33.18	14	GU14609650	33.31	27	GU19355320	34.10	27
GU01654630	33.19	17	GU14615901	33.05	15	GU19355321	34.10	27
GU01659130	33.19	11	GU14615901	33.13	5	GU19355322	34.10	27
GU01659131	33.19	12	GU14615901	34.09	20	GU19355323	34.10	27
GU01665410	33.26	25	GU14615901	34.37	5	GU19355324	34.10	27
GU02717450	33.30	11	GU14616150	33.24	15	GU19355325	34.10	27
GU03013800	33.06	7	GU14616150	33.25	10	GU19355326	34.10	27
GU03013800	33.23	8	GU18144350	34.39	16	GU19355327	34.10	27
GU03013800	34.47	10	GU18161150	34.39	21	GU19355328	34.10	27
GU03067730	34.10	19	GU18257551	33.26	8	GU19355329	34.10	27
GU03101600	33.12	7	GU19002020	34.35	5	GU19355400	34.10	21
GU03101720	33.12	5	GU19002020	34.42	16	GU19355402	34.10	21
GU03101900	33.12	3	GU19003800	34.34	8	GU19355404	34.10	21
GU03102200	33.12	6	GU19007700	34.45	8	GU19355406	34.10	21
GU03102400	33.12	2	GU19015020	34.34	5	GU19355408	34.10	21
GU03103200	33.12	8	GU19017000	33.02	4	GU19355410	34.10	21
GU03103500	33.12	4	GU19018920	34.39	10	GU19355411	34.10	21
GU03163330	33.31	3	GU19021360	34.36	18	GU19355412	34.10	21
GU03270300	33.27	10	GU19021920	34.36	7	GU19355413	34.10	21
GU03604845	33.19	8	GU19025280	33.23	5	GU19356700	34.10	30
GU03605645	33.19	9	GU19025460	33.23	6	GU19356760	34.41	16
GU03609600	33.18	14	GU19027500	34.38	15	GU19356801	34.10	28
GU03612040	33.24	16	GU19030500	34.38	7	GU19357660	34.10	25
GU03631250	33.24	4	GU19032080	34.38	10	GU19547000	34.09	12
GU03631250	33.25	9	GU19032980	34.36	17	GU20085720	34.41	13
GU03658201	33.27	16	GU19032980	34.38	14	GU20147710	34.39	17
GU03658330	33.27	17	GU19034000	34.38	8	GU20147810	34.39	3
GU03658430	33.27	14	GU19037820	34.36	8	GU20148410	34.39	4
GU03660145	33.19	1	GU19045861	34.38	25	GU20148610	34.39	5
GU03661145	33.19	6	GU19055700	34.38	23	GU20208520	34.44	9
GU03664045	33.19	7	GU19058021	34.38	19	GU20258221	33.06	9
GU03740930	33.29	2	GU19058220	34.38	20	GU20352421	34.10	31
GU03749845	33.19	5	GU19062261	34.37	4	GU20355121	34.10	34
GU03922280	34.09	23	GU19065400	34.37	2	GU23204471	34.40	21
GU03995730	33.33	16	GU19067700	34.37	18	GU23204571	34.40	22
GU05107430	33.21	3	GU19083462	34.40	2	GU23211372	34.43	8
GU05659230	33.19	10	GU19146422	34.39	1	GU23217800	34.38	3
GU05730730	34.46	1	GU19152200	34.39	11	GU23328081	34.09	7
GU05781630	33.16	14	GU19202320	34.42	9	GU23548080	34.09	8
GU05900130	33.33	11	GU19203460	34.40	11	GU23548180	34.09	9
GU06740400	33.28	17	GU19206501	34.10	10	GU23922210	33.17	12
GU10054100	34.43	12	GU19212900	34.43	15	GU23943410	33.08	35
GU10214300	34.43	27	GU19213720	34.43	17	GU27037521	34.38	4
GU10214301	34.43	27	GU19213760	34.41	15	GU27061585	34.37	3

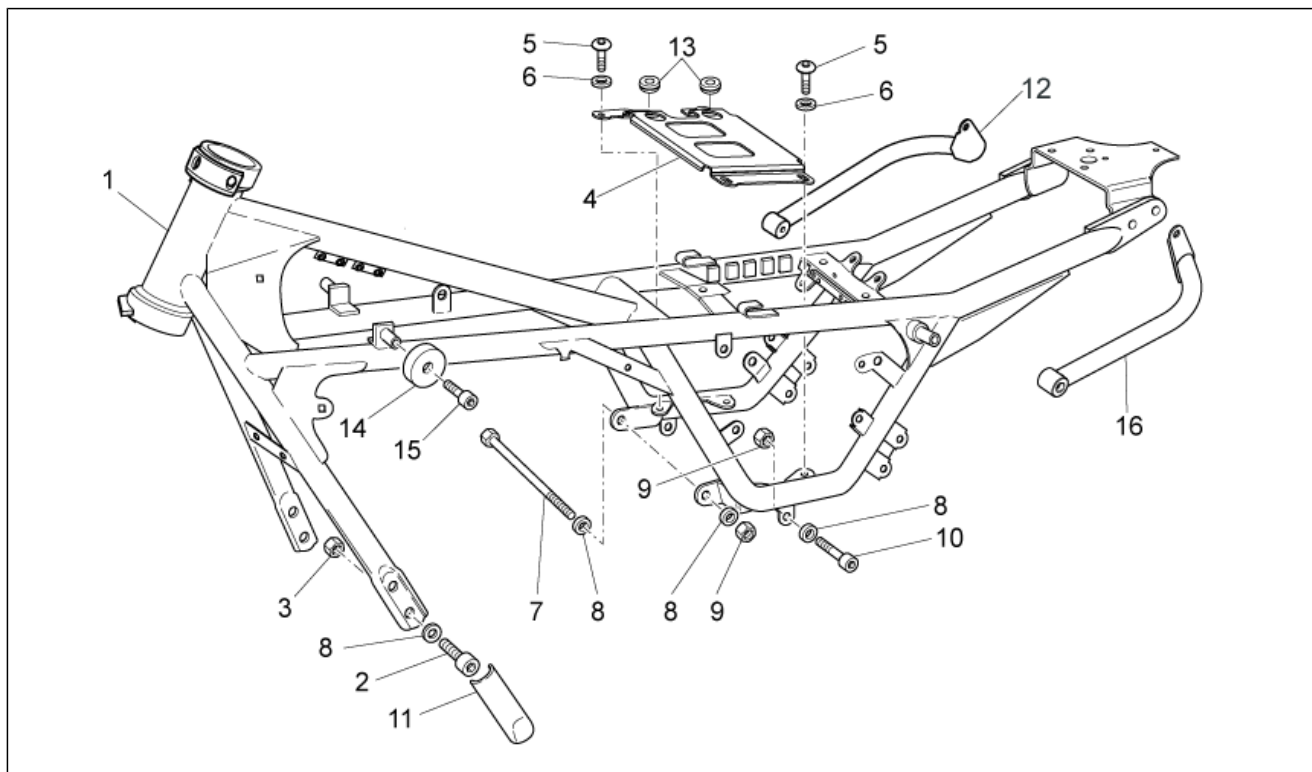


Code	N° de tableau	Pos.	Code	N° de tableau	Pos.	Code	N° de tableau	Pos.
GU27061885	34.37	17	GU32215010	34.43	22	GU61270300	34.10	26
GU27062060	34.37	6	GU32215210	34.43	23	GU61270300	34.34	6
GU27065660	34.37	7	GU32231010	34.44	5	GU61270300	34.36	21
GU27066460	34.37	9	GU32231210	34.44	4	GU61270300	34.40	17
GU27066560	34.37	8	GU32233010	34.44	6	GU66103415	33.01	14
GU27152885	34.34	22	GU32234110	34.44	13	GU90271018	34.38	12
GU27153085	34.39	14	GU32234410	34.44	1	GU90271117	34.43	29
GU27210760	34.41	12	GU32234710	34.44	11	GU90271121	34.43	19
GU27633910	33.25	4	GU32234810	34.44	12	GU90271124	34.43	4
GU28157950	33.22	29	GU32234910	34.44	16	GU90272023	34.09	4
GU28157950	33.48	8	GU32235710	34.44	14	GU90272075	34.40	3
GU28252060	33.02	8	GU32238210	34.44	10	GU90274026	34.44	3
GU28612033	33.25	18	GU32256910	33.06	4	GU90353009	34.36	4
GU29729461	33.31	2	GU32257810	33.06	8	GU90353029	34.38	24
GU29759150	33.18	17	GU32350410	34.10	13	GU90353030	34.10	17
GU30577800	33.29	13	GU32351410	34.10	16	GU90400616	34.41	11
GU30577800	34.47	17	GU32354610	34.10	18	GU90402538	33.25	6
GU30601060	33.18	13	GU32431310	33.02	9	GU90402642	33.24	8
GU30602500	33.18	22	GU32434460	33.13	1	GU90403251	34.10	38
GU30630430	33.25	19	GU32439260	33.48	3	GU90403549	34.10	3
GU31003766	34.10	8	GU32441210	33.04	5	GU90407591	34.10	15
GU31003766	34.34	14	GU32441210	33.05	3	GU90706076	34.34	9
GU31003766	34.40	19	GU32442310	33.05	1	GU90706111	34.39	22
GU31003766	34.42	26	GU32442710	33.05	10	GU90706140	34.42	4
GU31016050	34.39	20	GU32443210	33.04	4	GU90706141	33.30	17
GU31037015	34.38	13	GU32443210	33.05	2	GU90706170	34.41	8
GU31038015	34.38	5	GU32443211	33.04	11	GU90706188	34.10	29
GU31045015	34.38	26	GU32443211	33.05	11	GU90706188	34.43	18
GU31112965	33.22	33	GU32457810	33.01	11	GU90706203	34.10	7
GU31121880	33.23	9	GU32461610	33.14	2	GU90706203	34.42	25
GU31150950	34.39	26	GU32504210	33.08	36	GU90706235	34.41	14
GU31159050	34.39	15	GU32506360	33.28	1	GU90706281	34.34	19
GU31327783	34.09	2	GU32517710	33.31	8	GU90706444	34.34	17
GU31439565	33.13	4	GU32555210	33.11	4	GU90706584	34.10	37
GU31513480	33.08	20	GU32555211	33.11	5	GU90714082	33.22	31
GU31544181	34.09	15	GU32602860	33.18	9	GU91113826	33.23	23
GU31547882	34.09	14	GU32603010	33.18	16	GU91120806	33.15	6
GU31610160	33.24	17	GU32603310	33.18	7	GU91180601	33.15	10
GU31614183	33.24	9	GU32605510	33.18	2	GU91181003	33.18	11
GU31615283	33.24	6	GU32613160	33.24	2	GU91181003	33.19	18
GU31616384	33.24	12	GU32615660	33.24	14	GU91551010	33.22	25
GU31634281	33.27	4	GU32632510	33.25	17	GU91551086	33.14	13
GU31634481	33.25	15	GU32633360	33.25	14	GU92201070	34.10	14
GU31740383	33.28	11	GU32633560	34.10	11	GU92201220	34.43	16
GU32032310	34.38	11	GU32634160	33.27	5	GU92201225	34.40	10
GU32053410	34.38	16	GU32636160	33.25	21	GU92204217	33.25	5
GU32054510	34.38	17	GU32657110	33.19	2	GU92204218	33.25	3
GU32067910	34.40	5	GU32692260	33.25	2	GU92204221	33.24	7
GU32080310	34.40	1	GU32735510	33.32	5	GU92218417	34.43	10
GU32084410	34.40	4	GU32747910	33.31	9	GU92230320	34.43	13
GU32115010	34.47	3	GU32753410	33.28	3	GU92234716	34.43	26
GU32115011	34.47	8	GU32753410	33.29	8	GU92249220	34.10	32
GU32115510	34.47	7	GU32781910	33.16	10	GU92249225	33.07	2
GU32121010	33.23	7	GU32782510	33.17	8	GU92249227	34.10	20
GU32202010	34.43	28	GU32782510	33.32	2	GU92251028	34.43	7
GU32206510	34.42	22	GU32944310	33.33	17	GU92252210	34.39	2
GU32208210	34.42	8	GU32999010	34.34	25	GU92252235	34.10	5
GU32210510	34.43	1	GU32999510	34.34	24	GU92296723	34.39	6
GU32211110	34.43	9	GU35214300	34.09	13	GU92602406	34.38	9
GU32211410	34.43	6	GU39238100	34.43	25	GU92602510	34.39	19
GU32211810	34.43	5	GU49609601	33.30	18	GU92603010	34.36	11
GU32212011	34.43	2	GU49609601	33.31	27	GU92606206	33.17	6
GU32213610	34.43	14	GU53429500	33.02	3	GU92606208	34.34	7
GU32213810	34.42	5	GU61027200	34.37	12	GU92606208	34.40	18
GU32214010	34.43	24	GU61036801	34.36	3	GU92606210	33.01	9
GU32214510	34.43	20	GU61038100	34.38	6	GU92606210	33.02	5
GU32214810	34.43	21	GU61054900	34.38	18	GU92606210	33.11	7



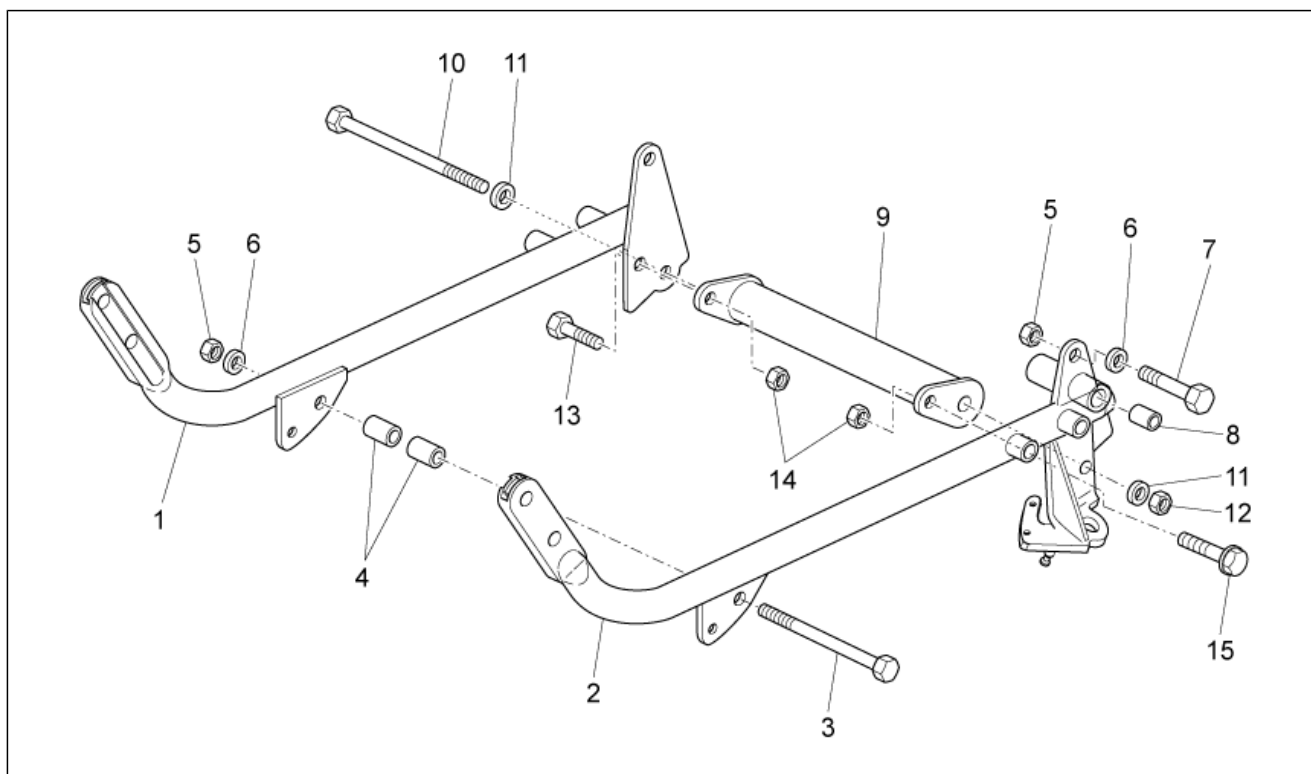
Code	N° de tableau	Pos.	Code	N° de tableau	Pos.
GU92606210	34.09	18	GU95129260	33.06	3
GU92606316	33.25	16	GU95187006	34.39	13
GU92606508	34.41	3	GU95500221	33.26	10
GU92606512	34.42	14	GU95500222	34.41	6
GU92609007	33.26	12	GU95780271	34.41	5
GU92630108	33.15	8	GU96451316	33.27	15
GU92630204	33.16	8	GU96451430	34.34	3
GU92630206	33.26	6	GU96451560	34.34	2
GU92630510	33.01	3	GU96506042	34.36	5
GU92630707	33.06	5	GU96508055	34.10	12
GU92640508	33.23	19	GU96508055	34.34	4
GU92660021	33.26	7	GU96510181	34.36	15
GU92787006	33.28	6	GU96510214	34.36	14
GU92787006	33.29	11	GU97202325	33.18	12
GU93180105	34.09	21	GU98054422	34.38	28
GU93180111	33.24	13	GU98082565	33.02	7
GU93180220	34.40	9	GU98084314	34.39	12
GU93180245	34.36	22	GU98084314	34.40	12
GU93222023	33.17	4	GU98110199	33.01	7
GU93231605	33.29	14	GU98210612	33.23	27
GU93231605	34.47	16	GU98230510	33.16	4
GU93301175	33.23	26	GU98230510	33.18	19
GU93301313	33.48	15	GU98230612	34.44	7
GU93305061	33.22	22	GU98257618	34.44	15
GU93450105	33.28	9	GU98350215	33.29	12
GU93450126	33.28	15	GU98350416	33.01	5
GU93450126	33.29	7	GU98370412	33.19	4
GU93450224	33.29	3	GU98370515	34.47	18
GU93450232	33.28	10	GU98370609	33.17	2
GU94321079	34.39	24	GU98370616	33.31	7
GU94321099	34.09	6	GU98370625	33.14	4
GU94321105	34.41	4	GU98370625	33.26	17
GU95004210	33.31	4	GU98370655	33.28	7
GU95005306	33.17	3	GU98370655	33.29	9
GU95005308	33.26	9	GU98370831	33.15	5
GU95005308	33.28	23	GU98370845	33.13	3
GU95005308	33.48	4	GU98612216	33.03	9
GU95005308	34.09	22	GU98622322	34.47	9
GU95005310	33.15	7	GU98632322	33.06	6
GU95005310	33.26	5	GU98680435	34.40	15
GU95008205	33.30	16	GU98680435	34.42	19
GU95008206	34.39	23	GU98680450	34.40	16
GU95008208	33.01	6	GU98680545	34.09	16
GU95008208	34.46	3	GU98680555	33.01	10
GU95008210	33.01	8	GU98682212	33.30	15
GU95008210	33.02	6	GU98682212	33.31	12
GU95008210	34.09	17	GU98682212	34.45	5
GU95008305	33.18	20	GU98682325	34.34	11
GU95008306	33.19	20	GU98682325	34.35	3
GU95008306	33.27	21	GU98682330	34.35	4
GU95020105	33.03	10	GU98682330	34.42	18
GU95021104	33.19	19	GU98682414	33.01	15
GU95021105	33.18	21	GU98682416	33.04	12
GU95021206	33.17	5	GU98682416	33.05	14
GU95021206	33.28	8	GU98682416	33.17	9
GU95021206	33.29	10	GU98682416	33.32	7
GU95100059	33.31	13	GU98682430	33.12	9
GU95100116	34.47	12	GU98682435	34.46	2
GU95100125	34.45	11	GU98682530	33.01	2
GU95100244	34.38	29	GU98690335	33.11	8
GU95100309	34.39	27	GU98690335	33.18	8
GU95100602	34.39	25	GU98690440	33.23	17
GU95100709	34.34	21	GU98692325	34.36	16
GU95129115	34.38	22	GU98692420	33.28	22
GU95129180	34.34	27	GU98880540	33.28	21
GU95129180	34.36	13	GU98882316	34.38	21
GU95129181	33.11	6			

Groupe	CHASSIS
Code	33.01
Description	Chassis I
Révision	1



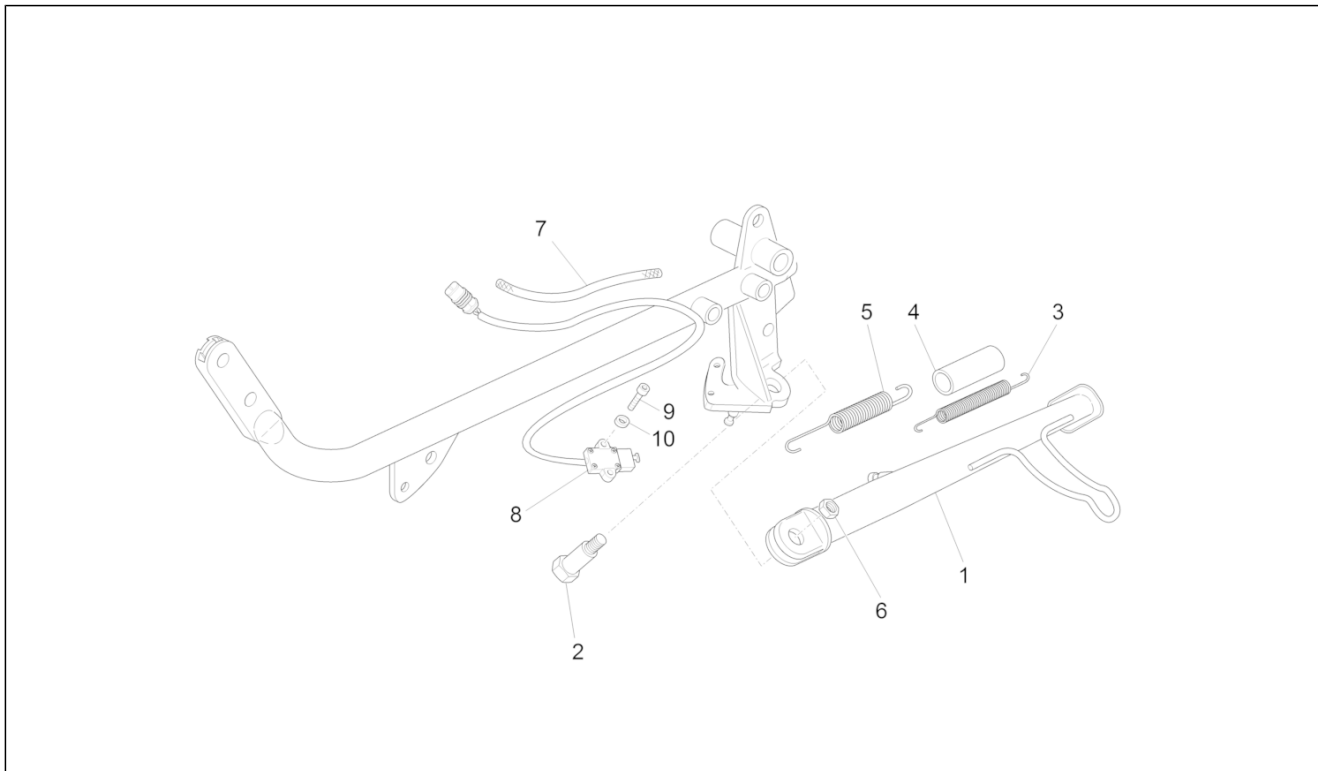
Pos.	Code	Description	Quant	Variants
1	887837	Châssis v.	1	
2	GU98682530	Vis M10x30	4	
3	GU92630510	Ecrou M10x1,5	4	
4	B063287	Plaque de liaison du cadre	1	
5	GU98350416	Vis M8x16	4	
6	GU95008208	Rondelle 8,4X15X1,5	4	
7	GU98110199	Pivot M10x205	1	
8	GU95008210	Rondelle 10,2X18X2	11	
9	GU92606210	Ecrou M10x1,5	3	
10	GU98680555	Vis M10x55	2	
11	GU32457810	Protection	2	
12	978951	Poignée D	1	
13	AP8120311	Caoutchouc *	2	
14	GU66103415	Caoutchouc	2	
15	GU98682414	Vis	2	
16	978952	Poignée g.	1	

Groupe	CHASSIS
Code	33.02
Description	Chassis II
Révision	1



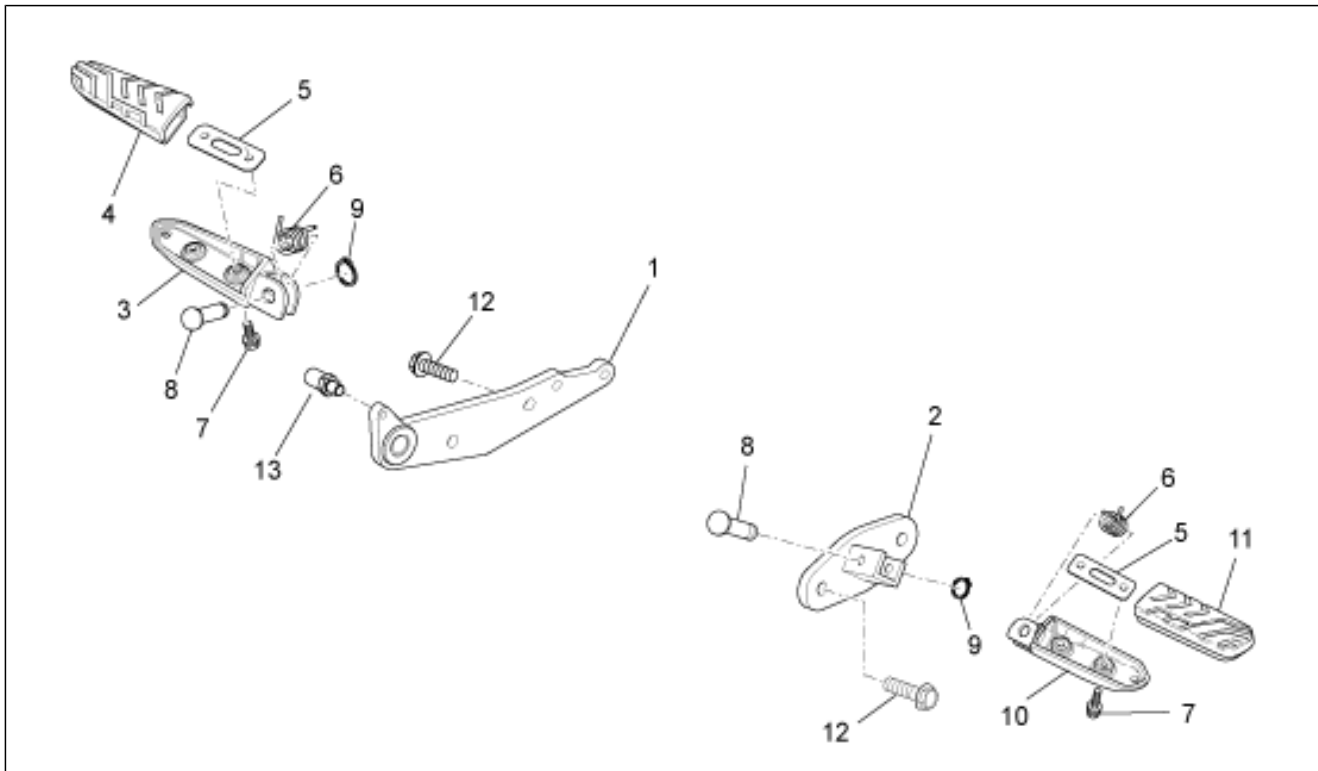
Pos.	Code	Description	Quant	Variants
1	B063197	Bras d.	1	
2	B063198	Bras g.	1	
3	GU53429500	Pivot M10x250	1	
4	GU19017000	Douille	2	
5	GU92606210	Ecrou M10x1,5	3	
6	GU95008210	Rondelle 10,2X18X2	3	
7	GU98082565	Vis M10x65	2	
8	GU28252060	Douille 18 mm est.	2	
9	GU32431310	Traverse comm.bras duberceau	1	
10	AP8121367	Pivot M10x260	1	
11	AP8152220	Rondelle	2	
12	AP8150436	Ecrou autofr. bas	1	
13	AP8152287	Vis bride M8x25	1	
14	AP8152300	Ecrou autobloqu. M8	1	
15	AP8152288	Vis bride	1	

Groupe	CHASSIS
Code	33.03
Description	Béquille latérale
Révision	1



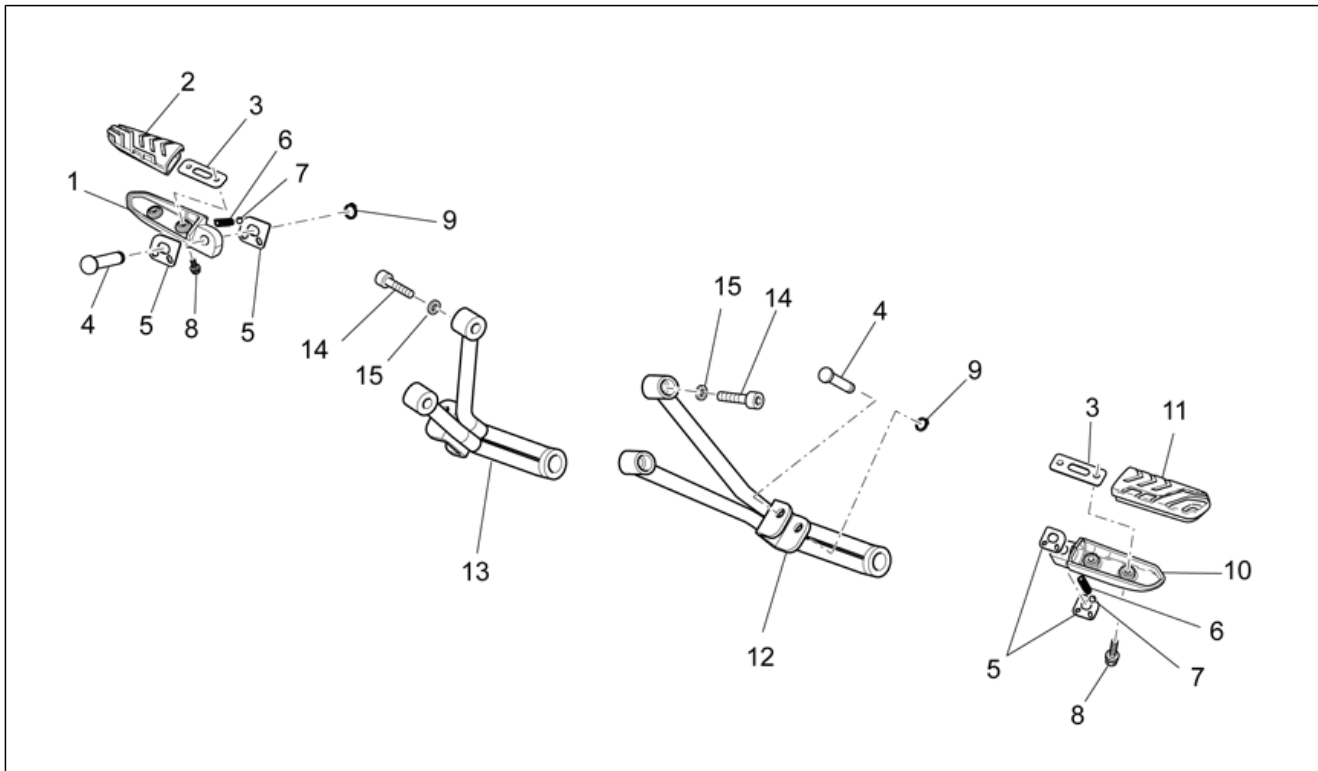
Pos.	Code	Description	Quant	Variants
1	B063086	Béquille latérale	1	
2	AP8121375	Vis fix. béquille	1	
3	AP8121014	Ress.hél.cyl.tract. *	1	
4	AP8102524	Protec.ress.béquille	1	
5	AP8221197	Ressort rappel béq.	1	
6	967356	Ecrou bridé M10x1,25	1	
7	GU00823923140	Gaine thermique	1	
8	AP8127856	Interrupteur béquille	1	
9	GU98612216	Vis	2	
10	GU95020105	Rondelle 5,3x8,9x2,4	2	

Groupe	CHASSIS
Code	33.04
Description	R-pied pilote
Révision	1



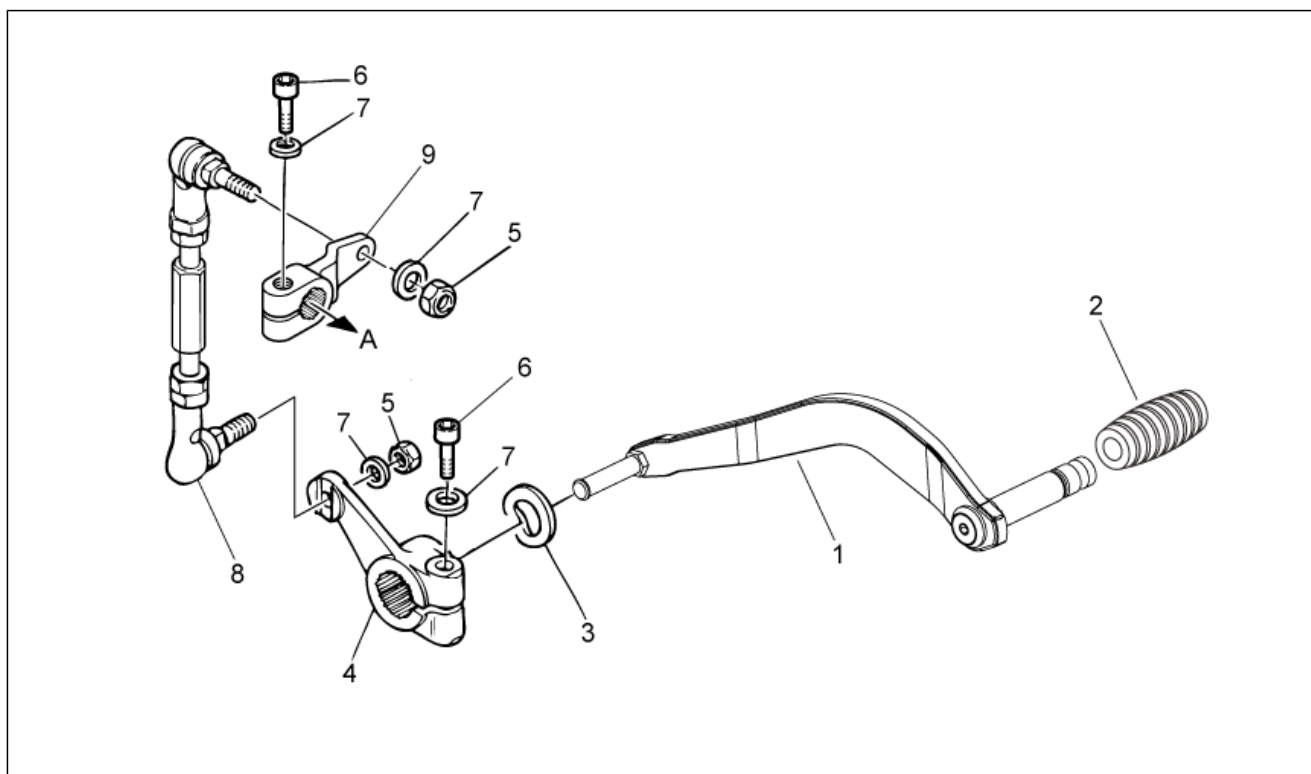
Pos.	Code	Description	Quant	Variants
1	883051	Support repose-pieds dte	1	
2	883052	Support r-p. G	1	
3	AP8145034	R-pied pilote D	1	
4	GU32443210	Coautchouc pour support	1	
5	GU32441210	Plaquette	2	
6	AP8221277	Ressort retour repose-pieds	2	
7	AP8152277	Vis bride M6x12	4	
8	AP8121566	Pivot repose-pieds	2	
9	AP8152409	Anneau d'arrêt rad.	2	
10	AP8145035	R-pied pilote G	1	
11	GU32443211	Coautchouc pour support	1	
12	GU98682416	Vis M8x16	4	
13	B063132	Utée	1	

Groupe	CHASSIS
Code	33.05
Description	R-pied pass.
Révision	1



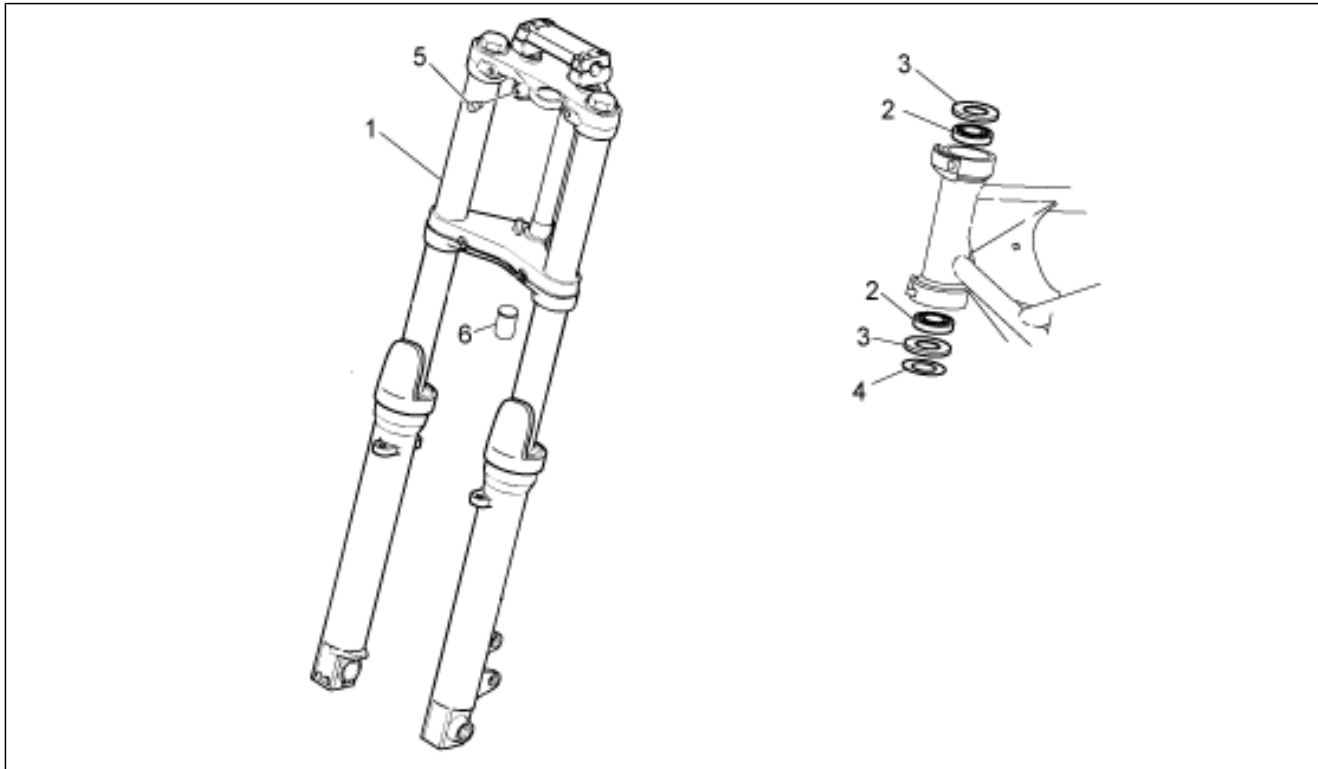
Pos.	Code	Description	Quant	Variants
1	GU32442310	Rep-pieds pass.dte	1	
2	GU32443210	Coautochouc pour support	1	
3	GU32441210	Plaquette	2	
4	AP8121566	Pivot repose-pieds	2	
5	AP8134451	Plaque fdc r-pied	4	
6	AP8121133	Res. hélic. compr	2	
7	AP8101861	Bille D6,35	2	
8	AP8152277	Vis bride M6x12	4	
9	AP8152409	Anneau d'arrêt rad.	2	
10	GU32442710	Rep-p. pass.gche	1	
11	GU32443211	Coautochouc pour support	1	
12	2B000349	Supporto pedane passeggero sx con Pi	1	
12	883019	Support r-p. G	1	
13	2B000348	Supporto pedane passeggero dx con PI	1	
13	883015	Support repose-pieds dte	1	
14	GU98682416	Vis M8x16	4	
15	GU14615901	Rondelle 8,4X13X0,8	4	

Groupe	CHASSIS
Code	33.06
Description	Levier boîte de vitesses
Révision	1



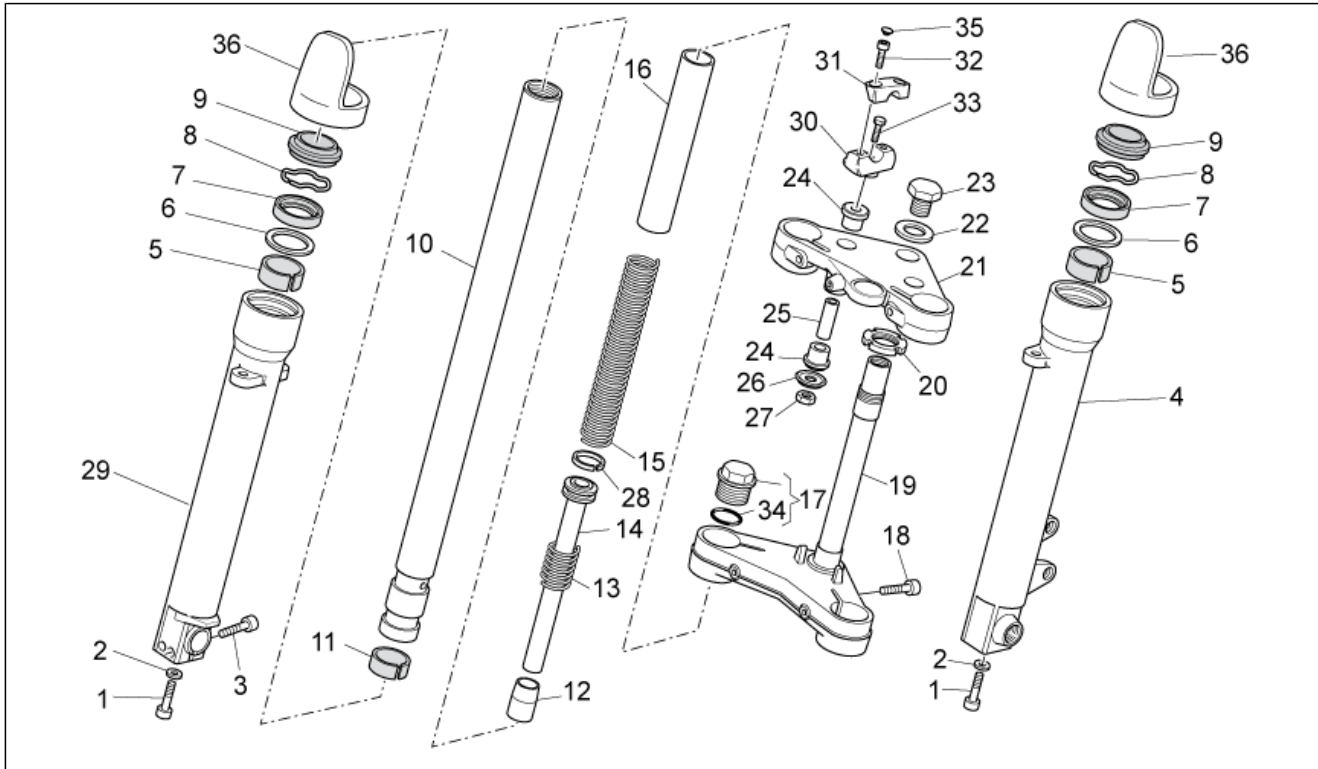
Pos.	Code	Description	Quant	Variants
1	887851	Levier boîte de vitesses	1	
2	AP8120912	Caoutchouc pour levier	1	
3	GU95129260	Rondelle élastique	2	
4	GU32256910	Levier	1	
5	GU92630707	Ecrou	2	
6	GU98632322	Vis	2	
7	GU03013800	Rondelle 6,4x12	3	
8	GU32257810	Tirant pour boîte vitesse cpl.	1	
9	GU20258221	Levier de commande	1	

Groupe	CHASSIS
Code	33.07
Description	Fourche Av. I
Révision	1



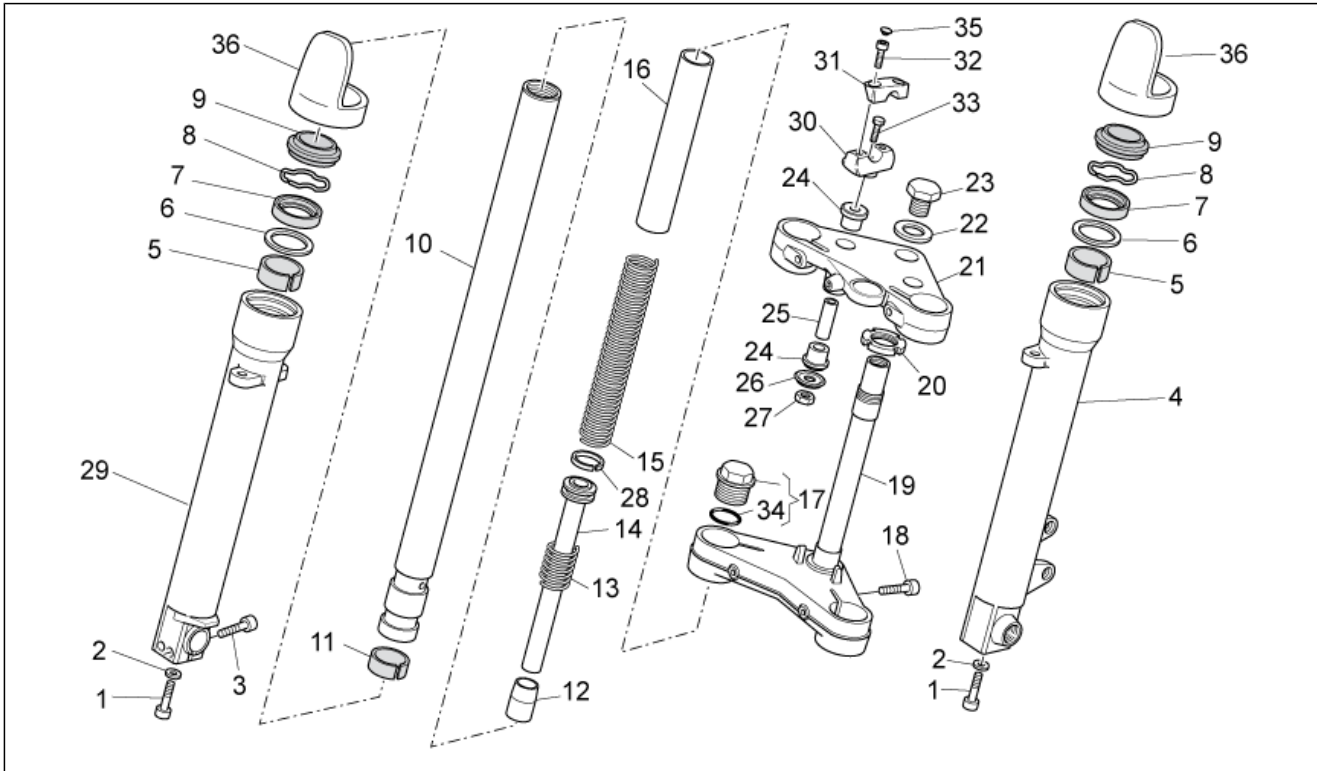
Pos.	Code	Description	Quant	Variants
1	2B000559	Fourche complète	1	
2	GU92249225	Roulement roul.con.	2	
3	AP8144146	Bague d'étanchéité	1	
4	AP8121307	Rondelle	1	
5	AP8144081	Caoutchouc	1	
6	AP8220460	Rondelle en caoutchouc	1	

Groupe	CHASSIS
Code	33.08
Description	Fourche Av. II
Révision	1



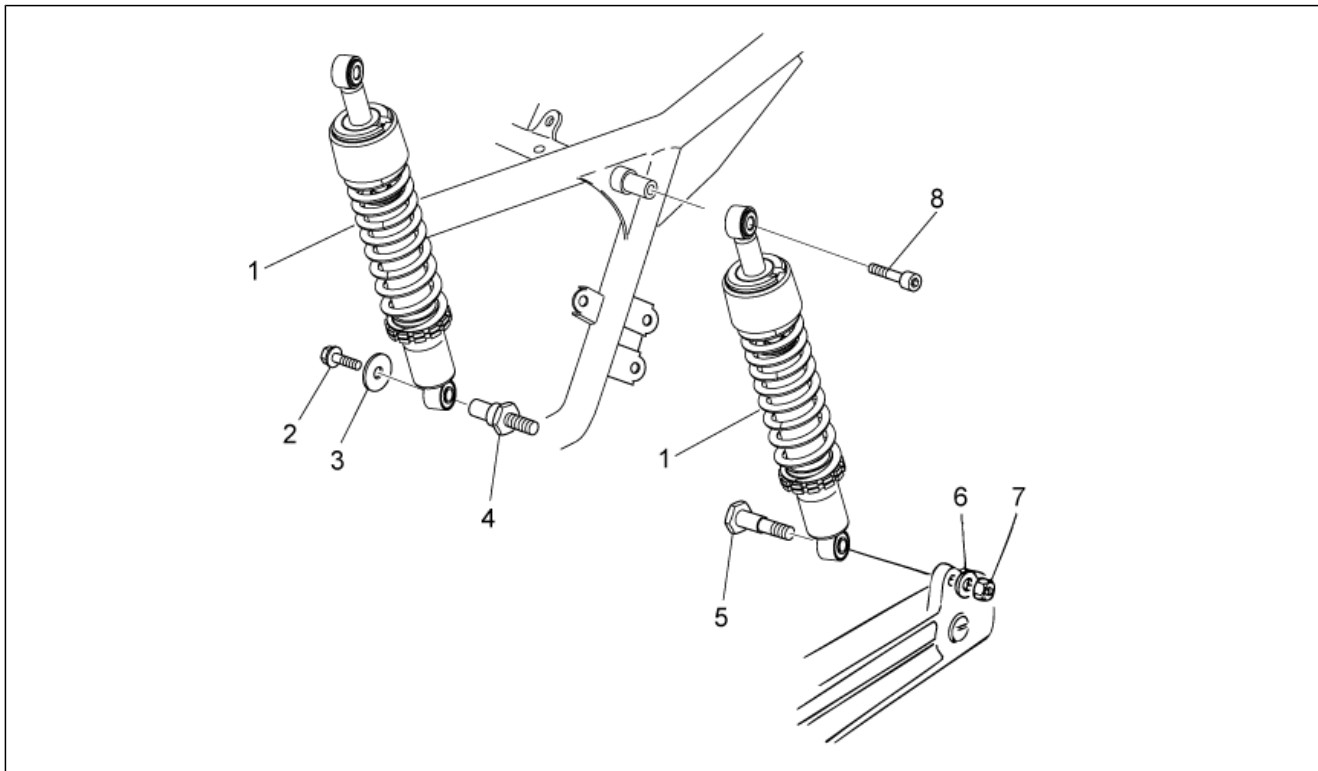
Pos.	Code	Description	Quant	Variants
1	887878	Vis M10x30	2	
2	887879	Rondelle	2	
3	887880	Vis	2	
4	2R000110	Fourreau G	1	
5	887882	Douille supérieure	2	
6	887883	Rondelle	2	
7	887884	Bague d'étanchéité	2	
8	887885	Bague de butée	2	
9	887886	Pare-poussière	2	
10	887887	Tige	2	
11	887888	Douille	2	
12	887889	Tampon	2	
13	887890	Contre-ressort	2	
14	887891	Elém.pompage cpl	2	
15	887892	Ressort	2	
16	887893	Tuyau	2	
17	887894	Gr. bouchon cpl.	2	
18	887895	Vis	2	
19	887896	Base avec tube	1	
20	GU31513480	Bague M25X1	1	
21	887898	Plaque supérieure	1	
22	887899	Rondelle	1	
23	887900	Ecrou	1	
24	887901	Caoutchouc	4	
25	887902	Entretoise	2	
26	887903	Rondelle	2	
27	887904	Ecrou	2	
28	887905	Segment	2	

Groupe	CHASSIS
Code	33.08
Description	Fourche Av. II
Révision	1



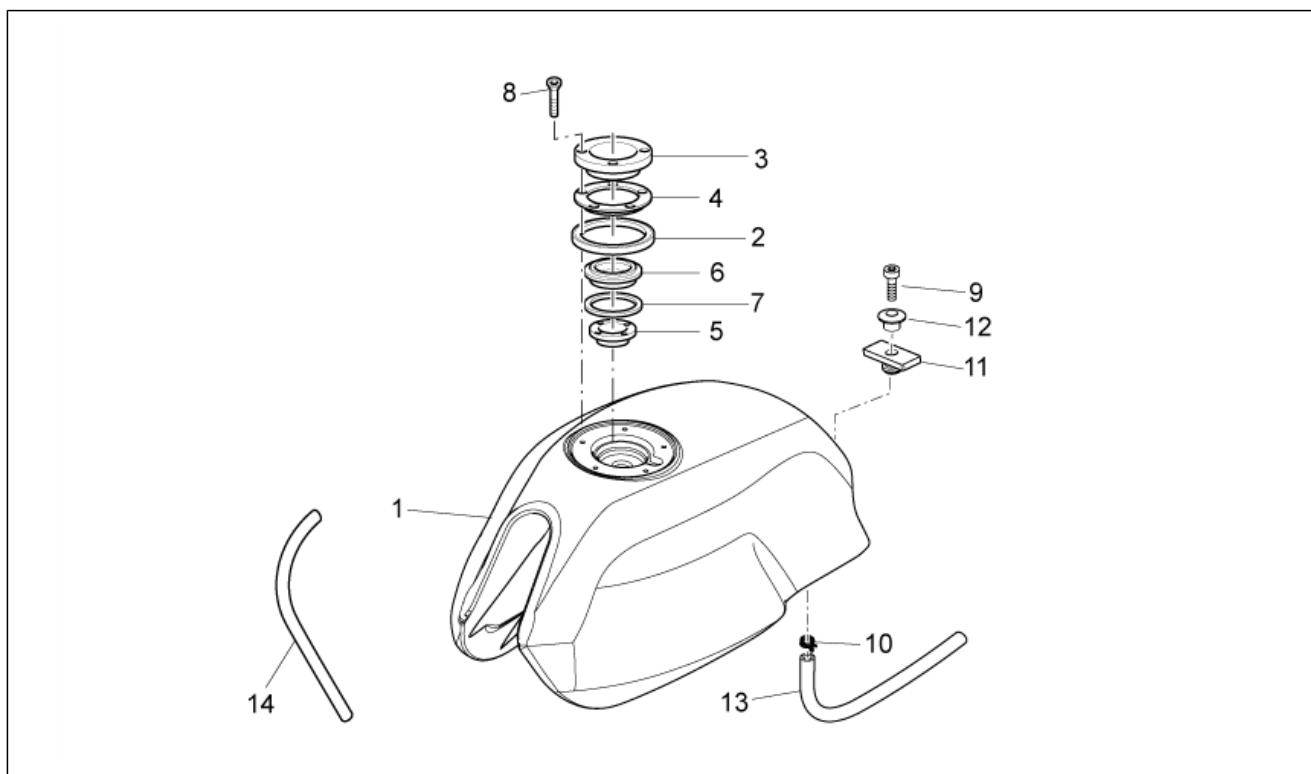
Pos.	Code	Description	Quant	Variants
29	2R000109	Fourreau D	1	
30	887912	Cavalier inf.	2	
31	887913	Cavalier sup.	2	
32	887914	Vis M8x30	4	
33	887915	Vis M10x60	2	
34	887916	Joint torique 4118	2	
35	GU23943410	Bouchon	4	
36	GU32504210	Prot. Tige	2	

Groupe	CHASSIS
Code	33.11
Description	Amortisseur AR
Révision	1



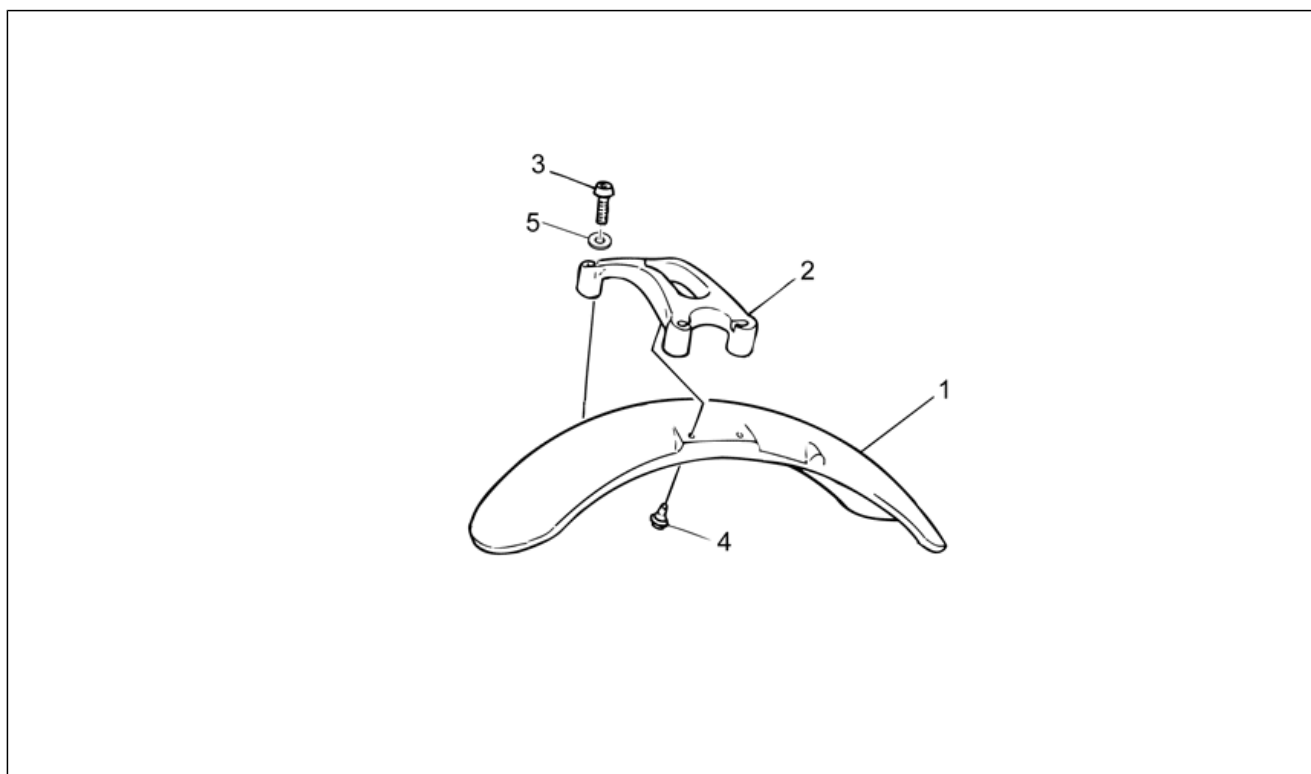
Pos.	Code	Description	Quant	Variants
1	884035	Amortisseur AR	2	Spécifications techniques:
1	B063749	Amortisseur AR	2	Spécifications techniques: Olle Amortidors SL[O]
2	AP8152278	Vis bride M6x16	1	
3	898164	Entretoise amortis.	1	
4	GU32555210	Pivot	1	
5	GU32555211	Pivot	1	
6	GU95129181	Rondelle	1	
7	GU92606210	Ecrou M10x1,5	1	
8	GU98690335	Vis	2	

Groupe	CHASSIS
Code	33.12
Description	Réservoir essence
Révision	1



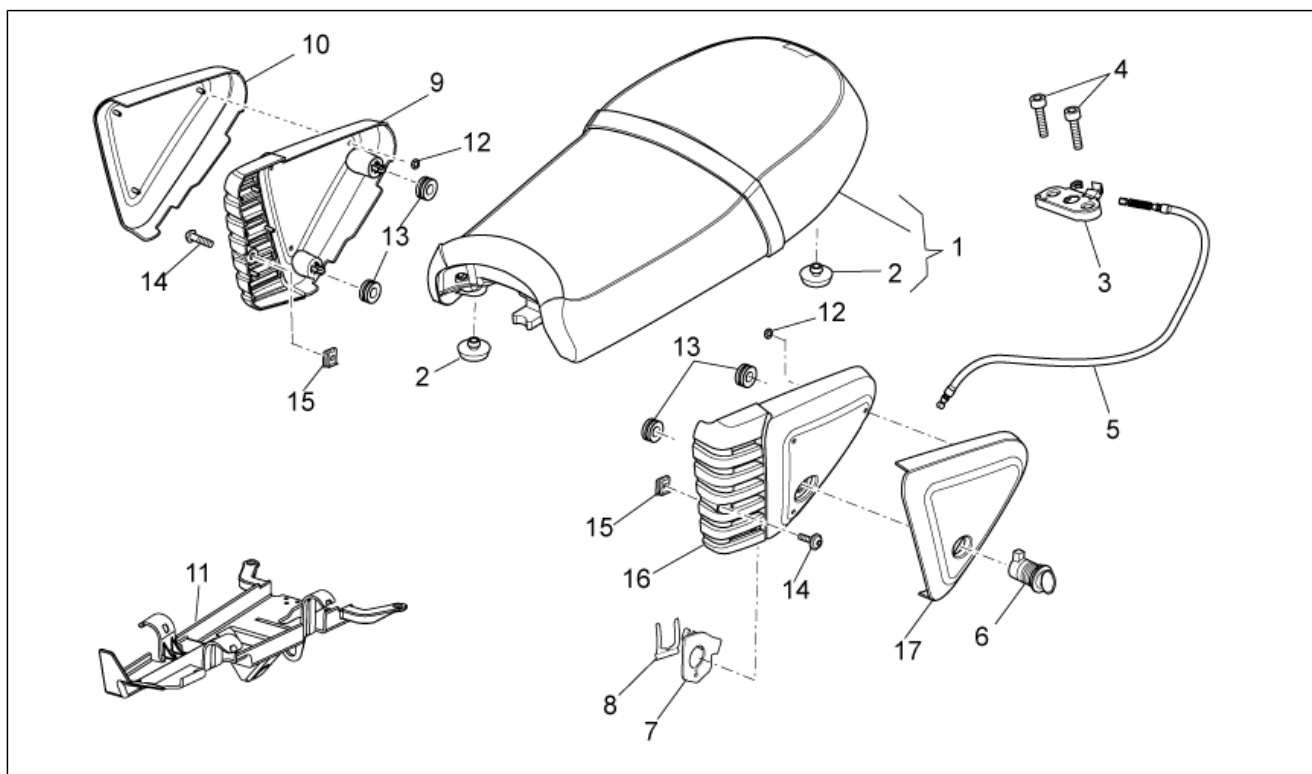
Pos.	Code	Description	Quant	Variants
1	2H000019000XN2	Réservoir noir	1	Couleur véhicule: Noir Competition[nc] Spécifications techniques: Avec autocollant[D]
1	2H000020000XN2	Réservoir noir	1	Couleur véhicule: Noir Competition[nc] Pays: Chine[CN] Spécifications techniques: Avec autocollant[D]
1	2H000076000YE5	Réservoir ess.p.g.m.	1	Couleur véhicule: Gris Métal[gm] Spécifications techniques: Avec autocollant[D]
1	2H000077000YE5	Réservoir essence peint gris	1	Couleur véhicule: Gris Métal[gm] Pays: Chine[CN] Spécifications techniques: Avec autocollant[D]
1	887207	Réservoir d'ess. écru	1	Couleur véhicule: Brut[gr]
1	887944	Réservoir brut	1	Couleur véhicule: Brut[gr] Pays: Chine[CN]
2	GU03102400	Joint	1	
3	GU03101900	Bride	1	
4	GU03103500	Bague	1	
5	883502	Reduction 24 mm	1	Pays: Chine[CN]
5	GU03101720	Reduction 38 mm	1	
6	GU03102200	Embout pour bouchon	1	
7	GU03101600	Joint	2	
8	GU03103200	Vis	5	
9	GU98682430	Vis M8x30	1	
10	AP8101595	Collier D10,1	1	
11	AP8120557	Caoutchouc réserv.	1	
12	AP8121673	Douille en "T" *	1	
13	GU00823944050	Tuyau 5X9	1	
14	GU00823931070	Joint	1	

Groupe	CHASSIS
Code	33.13
Description	Carrosserie av. - Garde-boue AV
Révision	1



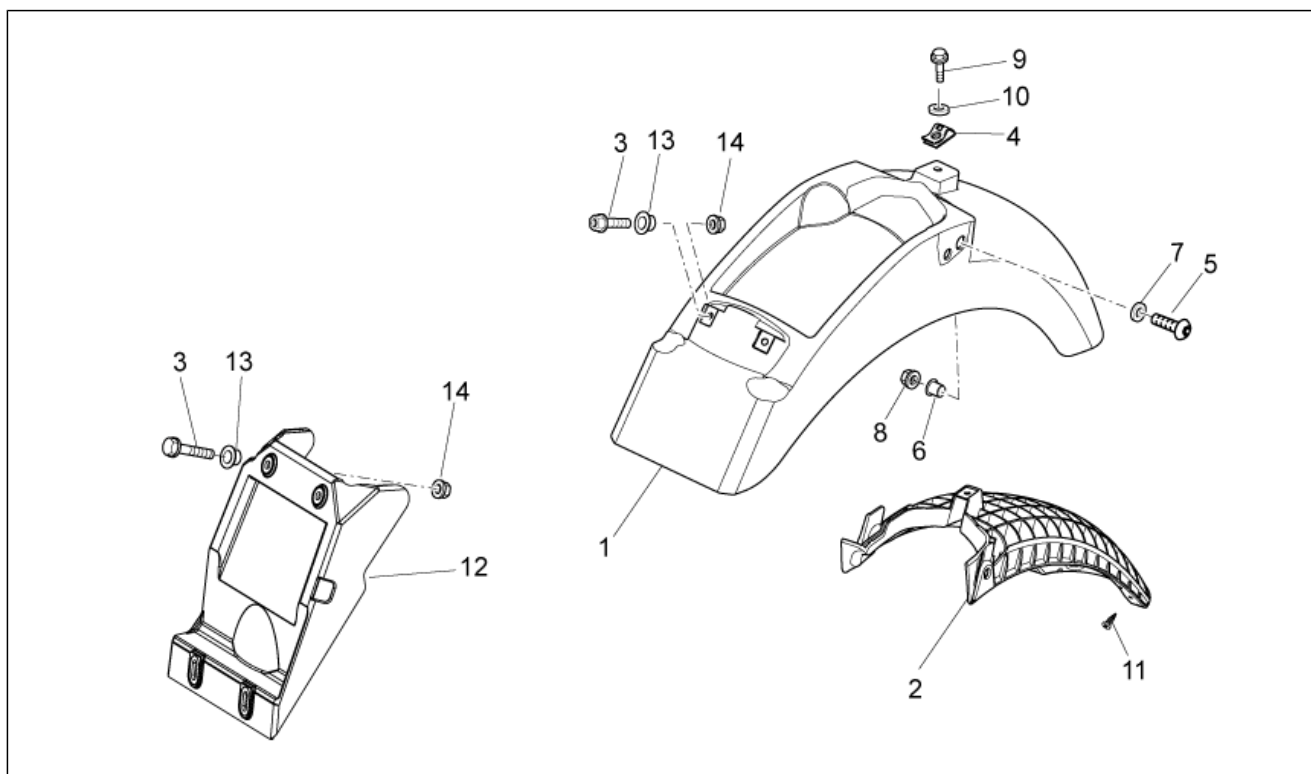
Pos.	Code	Description	Quant	Variants
1	88635200XN2	Garde-boue AV noir	1	Couleur véhicule: Gris Métal[gm], Noir Competition[nc] Spécifications techniques:
1	GU32434460	Garde-boue av.brut	1	Couleur véhicule: Brut[gr]
2	883266	Plaque de stabilisation	1	
3	GU98370845	Vis	4	
4	GU31439565	Vis spéciale	4	
5	GU14615901	Rondelle 8,4X13X0,8	4	

Groupe	CHASSIS
Code	33.14
Description	Selle-Carosserie cent.
Révision	1



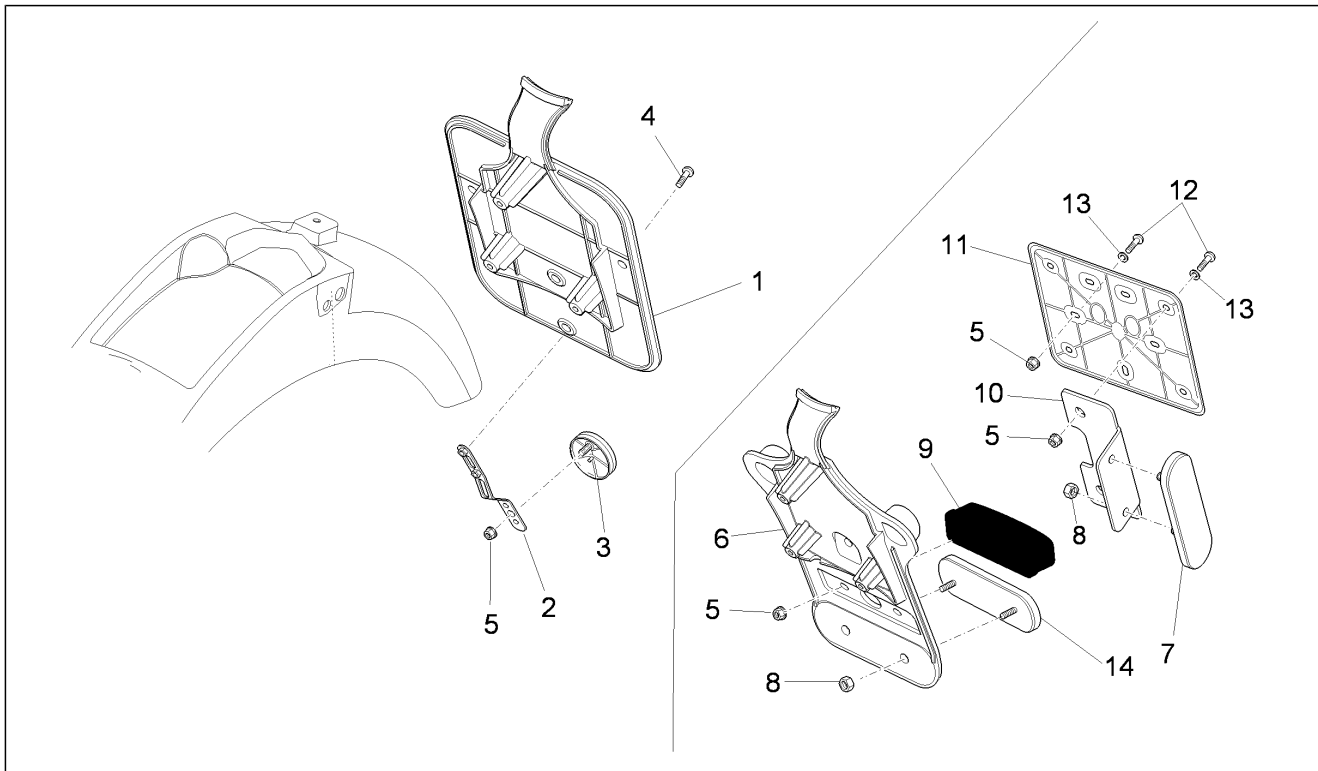
Pos.	Code	Description	Quant	Variants
1	88793900A1	Selle deux places	1	
2	GU32461610	Caoutchouc	8	
3	AP8102913	Pl.fix.selle pass.	1	
4	GU98370625	Vis	2	
5	883295	Transmission décrochement sell	1	
6	977527	Serrure avec clés	1	
7	AP8121420	Ressort à fourche	1	
8	978415	Plaque support câble	1	
9	2B000878	Flanc D	1	
10	2H000021000XN2	Flanc D, noir	1	Couleur véhicule:Noir Competition[nc] Spécifications techniques:Avec autocollant[D]
10	2H000078000YE5	Flanc D, grise	1	Couleur véhicule:Gris Métal[gm] Spécifications techniques:Avec autocollant[D]
10	978940	Flanc D, brute	1	Couleur véhicule:Brut[gr]
11	B063431	Protection	1	
12	AP8150450	Rondelle pour arbres D5	1	
13	GU91551086	Caoutchouc	4	
14	AP8152339	Vis bride M5x9	2	
15	AP8102375	Clip m5	2	
16	2B000840	Flanc G	1	
17	2H000022000XN2	Flanc G, noir	1	Couleur véhicule:Noir Competition[nc] Spécifications techniques:Avec autocollant[D]
17	2H000079000YE5	Flanc g. grise	1	Couleur véhicule:Gris Métal[gm] Spécifications techniques:Avec autocollant[D]
17	978943	Flanc G, brute	1	Couleur véhicule:Brut[gr]

Groupe	CHASSIS
Code	33.15
Description	Carrosserie arrière I- Garde-boue
Révision	1



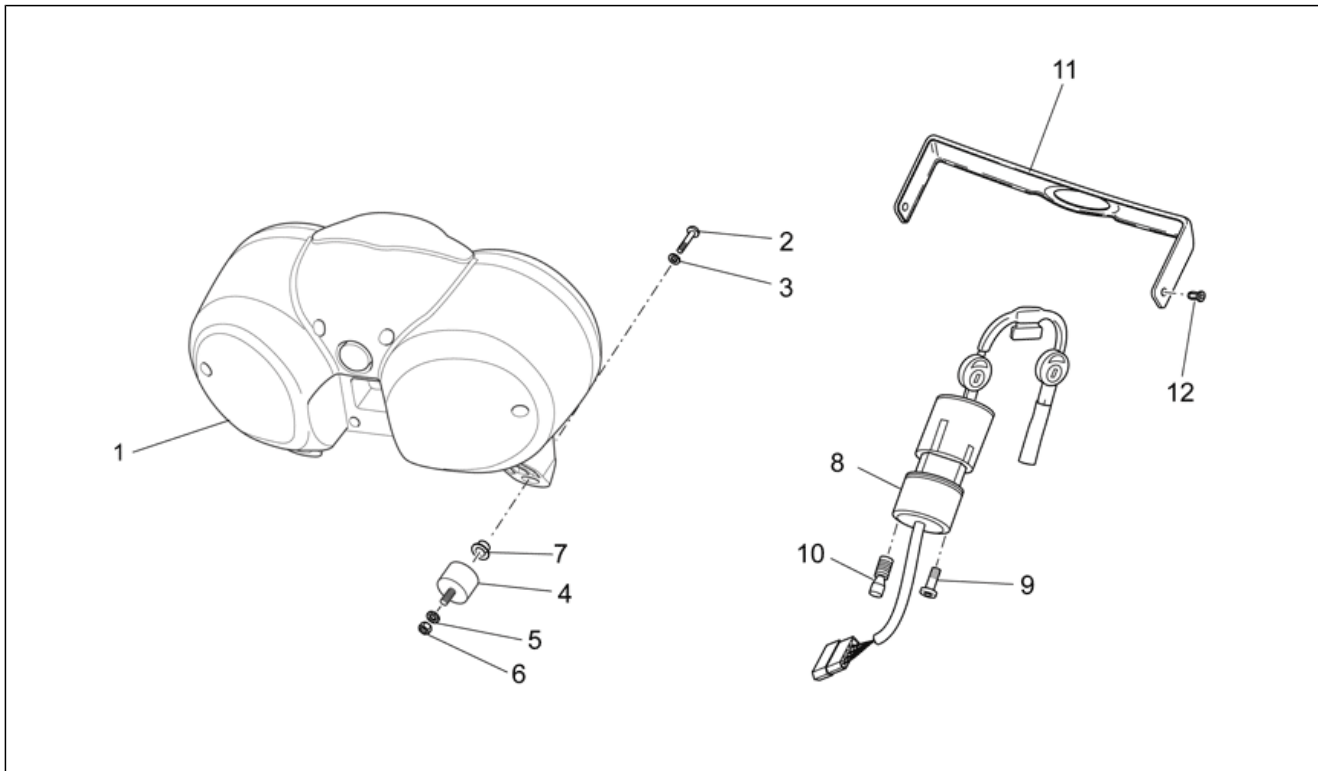
Pos.	Code	Description	Quant	Variants
1	978946	Garde-boue ar.brut	1	Couleur véhicule:Brut[gr]
1	97894600XN2	Garde-boue arrière noir	1	Couleur véhicule:Gris Métal[gm], Noir Competition[nc]
2	978947	Soutien	1	
3	AP8152278	Vis bride M6x16	4	
4	254485	Plaque élastique M6	1	
5	GU98370831	Vis M8x30	2	
6	GU91120806	Entretoise	2	
7	GU95005310	Rondelle 8,4x18x2	2	
8	GU92630108	Ecrou	2	
9	AP8152279	Vis bride M6x20	2	
10	GU91180601	Entretoise 6,2x8x3	2	
11	AP8152329	Vis SWP crois. brid. M5x20	3	
12	B063167	Bavette anti-éclaboussures	1	
13	AP8121032	Douille	6	
14	AP8152299	Ecrou autobloqu. M6	6	

Groupe	CHASSIS
Code	33.16
Description	Carrosserie arrière II- Porte-plaque
Révision	1



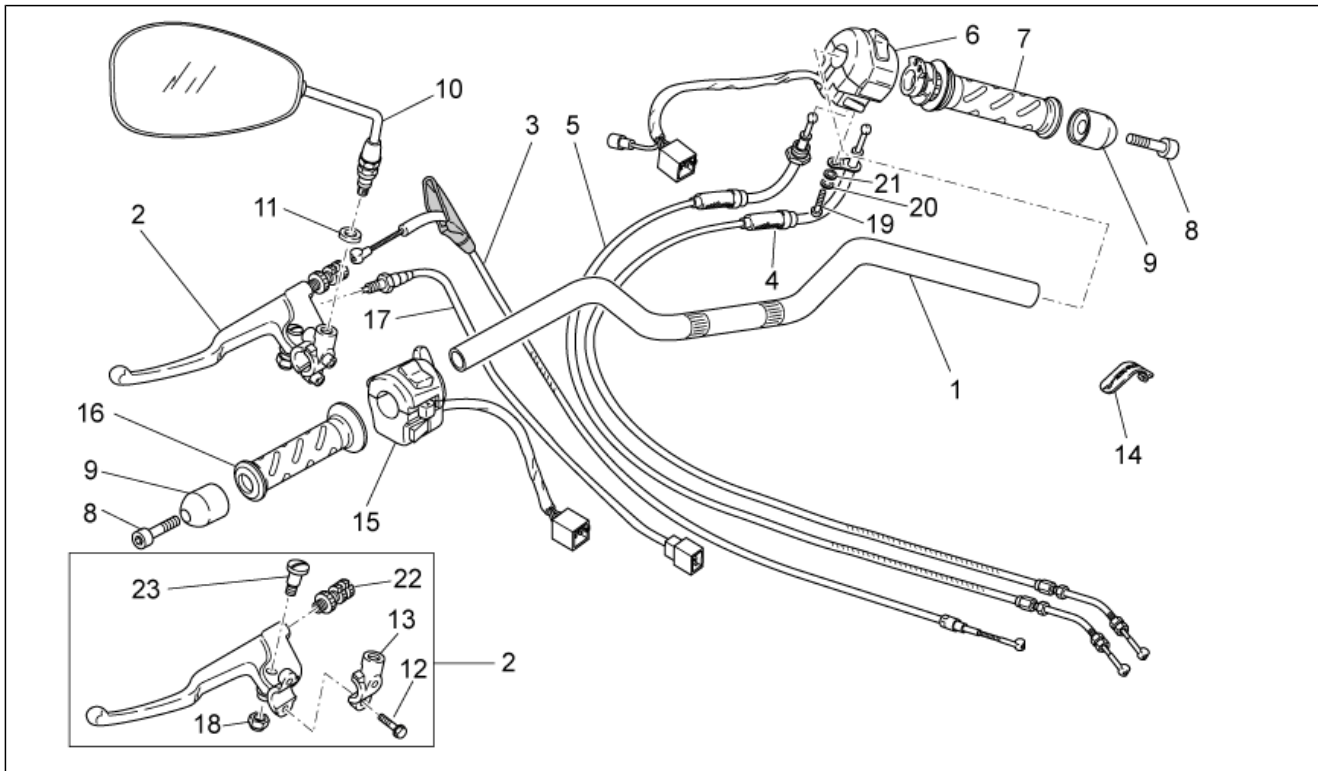
Pos.	Code	Description	Quant	Variants
1	978949	Porte-plaque	1	
2	AP8134448	Support catadioptré	1	
3	AP8224164	Catadioptré arrière, rouge	1	
4	GU98230510	Vis	1	
5	AP8152306	Ecrou autobloqu. m5	1	
6	883470	Porte-plaque	1	Pays:Chine[CN]
7	AP8124718	Catadioptré arrière, rouge	2	Pays:Chine[CN]
8	GU92630204	Ecrou	6	Pays:Chine[CN]
9	883480	Feu de plaque	1	Pays:Chine[CN]
10	GU32781910	Support catadioptré	2	Pays:Chine[CN]
11	AP8149034	Support plaque	1	Pays:Chine[CN]
12	AP8152268	Vis M5x16	7	Pays:Chine[CN]
13	AP8150248	Rondelle 5,5x15x1,6	7	Pays:Chine[CN]
14	GU05781630	Catadioptré, ambre	1	Pays:Chine[CN]

Groupe	CHASSIS
Code	33.17
Description	Tableau de bord
Révision	1



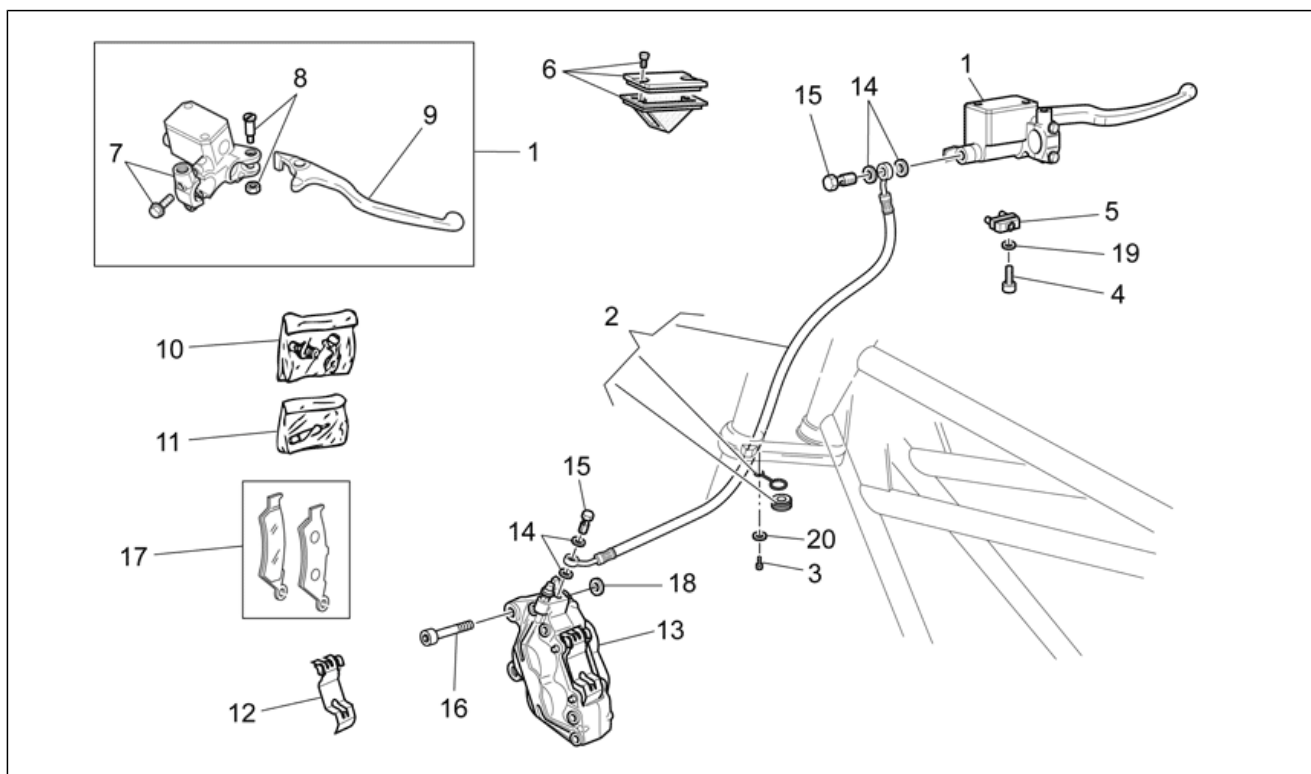
Pos.	Code	Description	Quant	Variants
1	887194	Tableau de bord km/h	1	Pays:Australie[AUS], Europe[EU]
1	887195	Tableau de bord MPH	1	Pays:Angleterre[UK]
2	GU98370609	Vis M6x10	3	
3	GU95005306	Rondelle 6,4x13x1,5	3	
4	GU93222023	Silentbloc	3	
5	GU95021206	Rondelle	3	
6	GU92606206	Ecrou	3	
7	AP8121032	Douille	3	
8	GU32782510	Bloc démarreur-bloc	1	
9	GU98682416	Vis M8x16	1	
10	AP8150349	Vis spéciale M8x15	1	
11	883569	Couvercle	1	
12	GU23922210	Pivot	2	

Groupe	CHASSIS
Code	33.18
Description	Guidon - Commandes
Révision	1



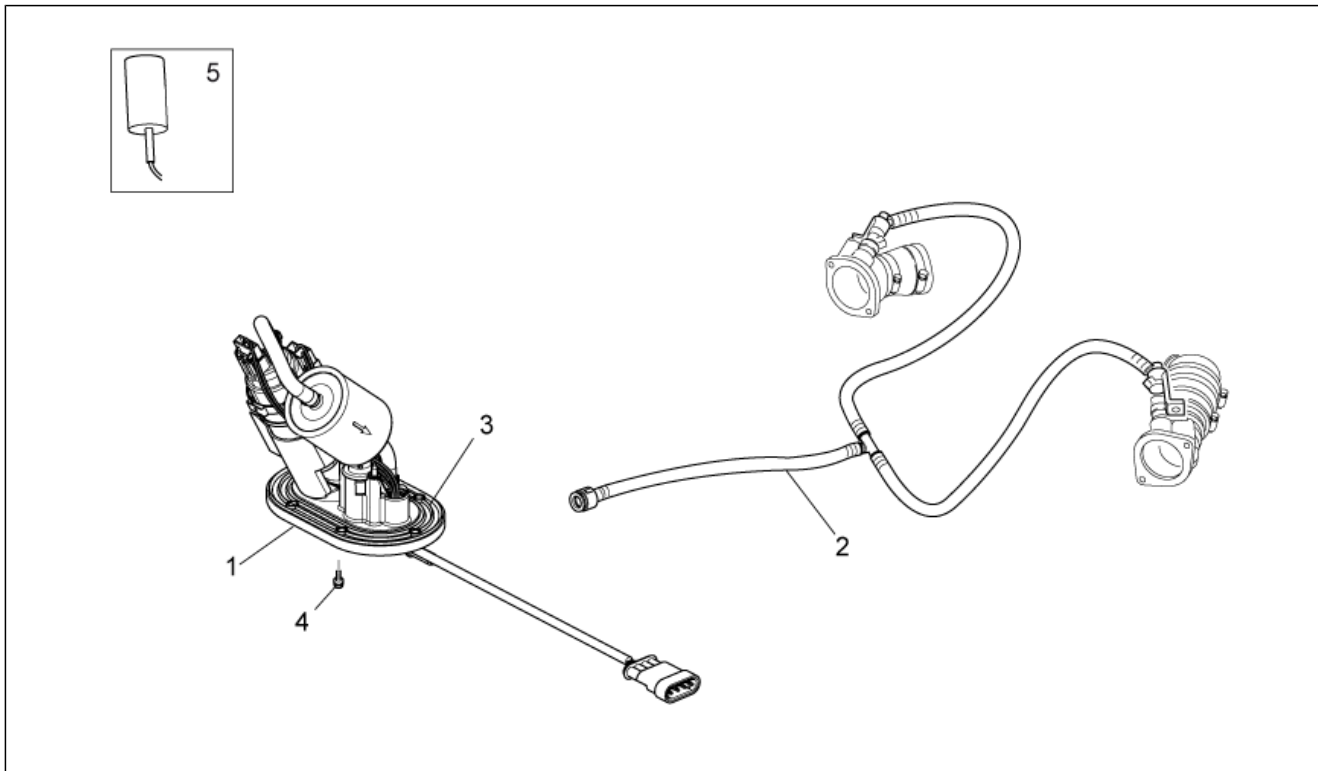
Pos.	Code	Description	Quant	Variants
1	978960	Guidon	1	
2	GU32605510	Levier embrayage	1	
3	B063427	Câble embrayage	1	
4	887852	Câble ouverture gaz	1	
5	887853	Câble fermeture gaz	1	
6	B063135	Déviateur feux dte	1	
7	GU32603310	Poignée dr.	1	
8	GU98690335	Vis	2	
9	GU32602860	Masse antivibratile chr.	2	
10	883802	Miroir rétroviseur d/g	2	Spécifications techniques: Marqué « FU E11 81R-001047 »[FU]
10	978570	Miroir rétroviseur d/g	2	Spécifications techniques: marqué « FAR »[FAR]
11	GU91181003	Entretoise 10,25X20X4	2	
12	GU97202325	Vis bride noir M6x25	2	
13	GU30601060	Etrier	1	
14	GU01609630	Collier L46 mm	2	
14	GU03609600	Collier L36 mm	1	
15	B063975	Déviateur feux gche	1	
16	GU32603010	Poignée gc.	1	
17	GU29759150	Interrupteur béquille	1	
18	AP8213388	Ecrou autobloqu.	1	
19	GU98230510	Vis	1	
20	GU95008305	Rondelle 5,3X10X1	1	
21	GU95021105	Rondelle évent.	1	
22	GU30602500	Réglage	1	
23	AP8213028	Vis	1	

Groupe	CHASSIS
Code	33.19
Description	Sys.frein avant
Révision	1



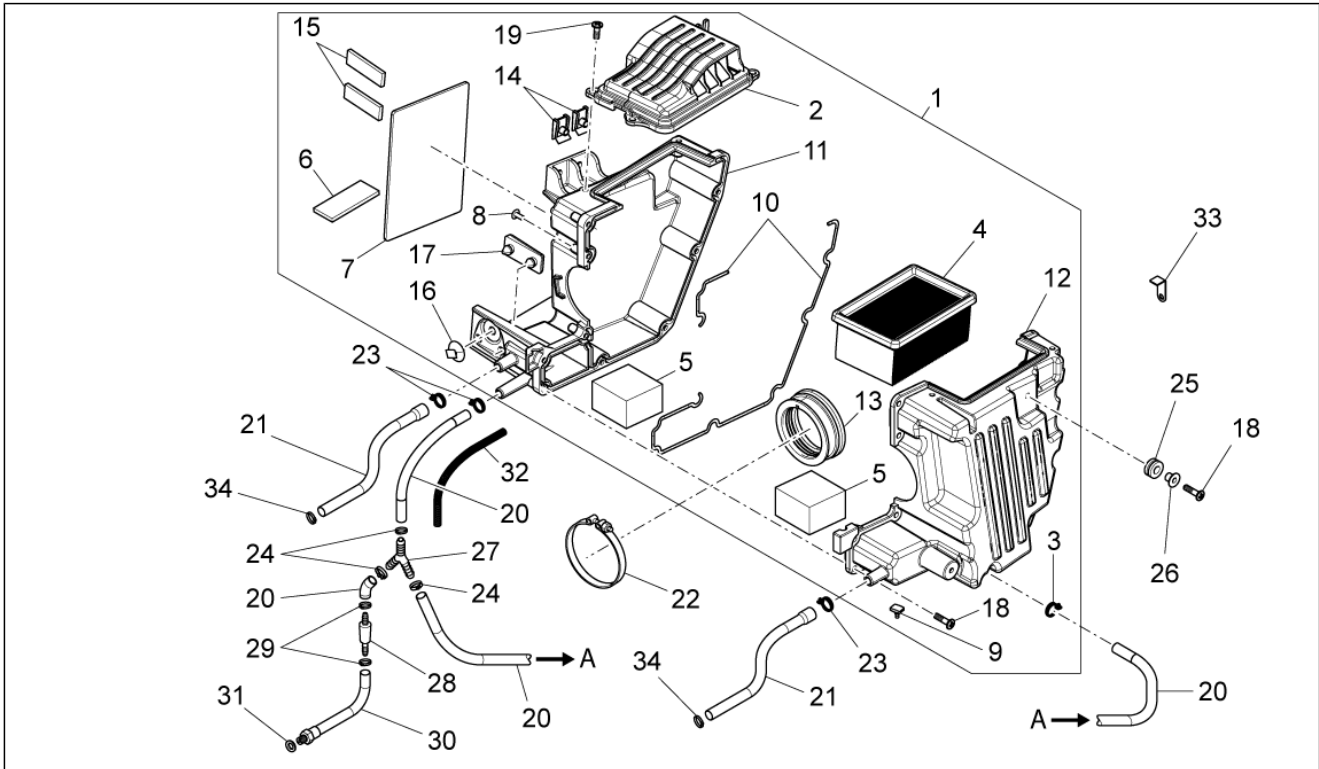
Pos.	Code	Description	Quant	Variants
1	GU03660145	Maît. cyl. frein AV	1	
2	GU32657110	Tube frein	1	
3	AP8152277	Vis bride M6x12	1	
4	GU98370412	Vis M4x12	1	
5	GU03749845	Contacteur de stop	1	
6	GU03661145	Couvercle pompe	1	
7	GU03664045	Cavalier	1	
8	GU03604845	Goujon de levier	1	
9	GU03605645	Levier frein	1	
10	GU05659230	Purge+capuchon	1	
11	GU01659130	Pivots+ressorts pince	1	
12	GU01659131	Ressort	1	
13	883303	Etrier frein AV g.noir	1	
14	AP8121915	Joint	4	
15	978323	Vis tuyau huile *	2	
16	AP8152385	Vis M10x1,25	2	
17	GU01654630	Plaquettes-paire	1	
18	GU91181003	Entretoise 10,25X20X4	2	
19	GU95021104	Rondelle 4,3x8x1,5	1	
20	GU95008306	Rondelle 6,4x12x1,2	1	

Groupe	CHASSIS
Code	33.21
Description	Pompe essence
Révision	1



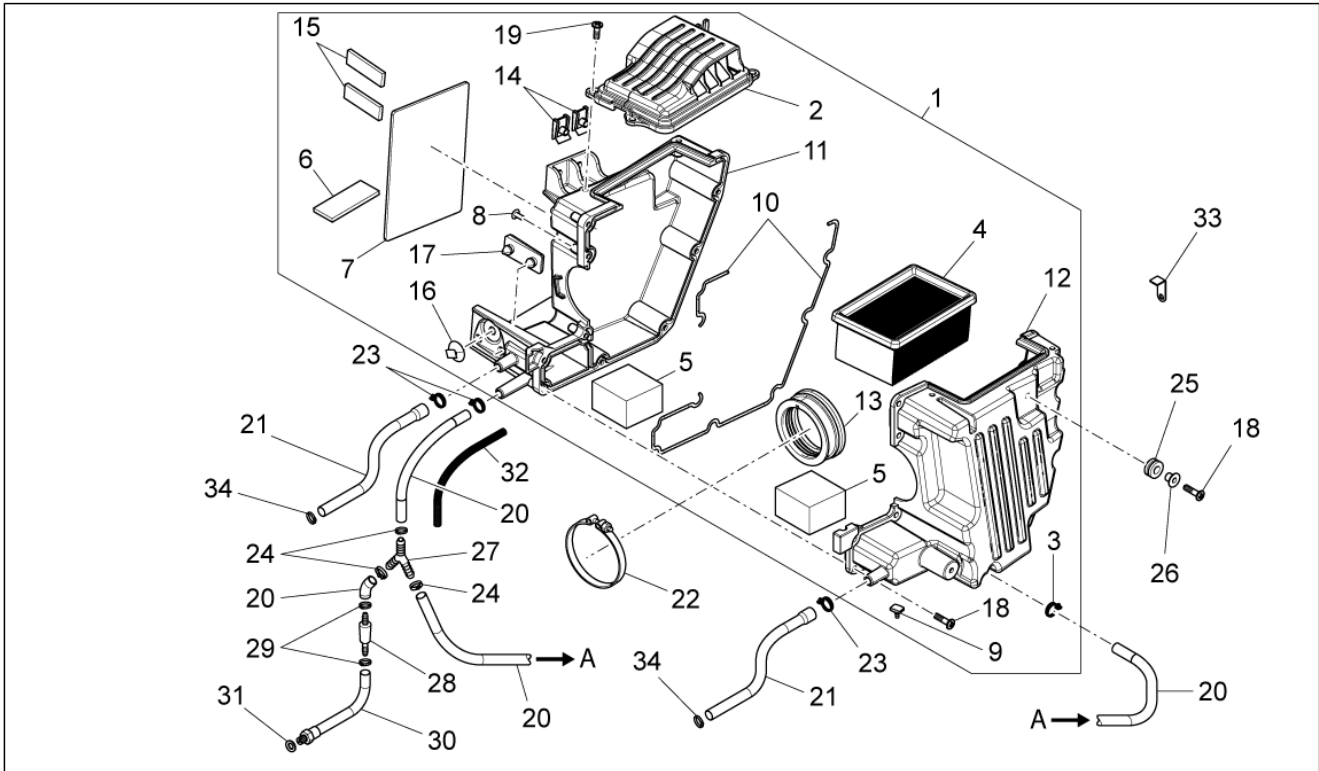
Pos.	Code	Description	Quant	Variants
1	B063752	Pompe carburant	1	
2	2B000970	Tuyau essence	1	
3	GU05107430	Joint	1	
4	AP8152273	Vis bride M5X15	6	
5	887787	Détecteur niveau essence	1	

Groupe	CHASSIS
Code	33.22
Description	Corps filtre
Révision	1



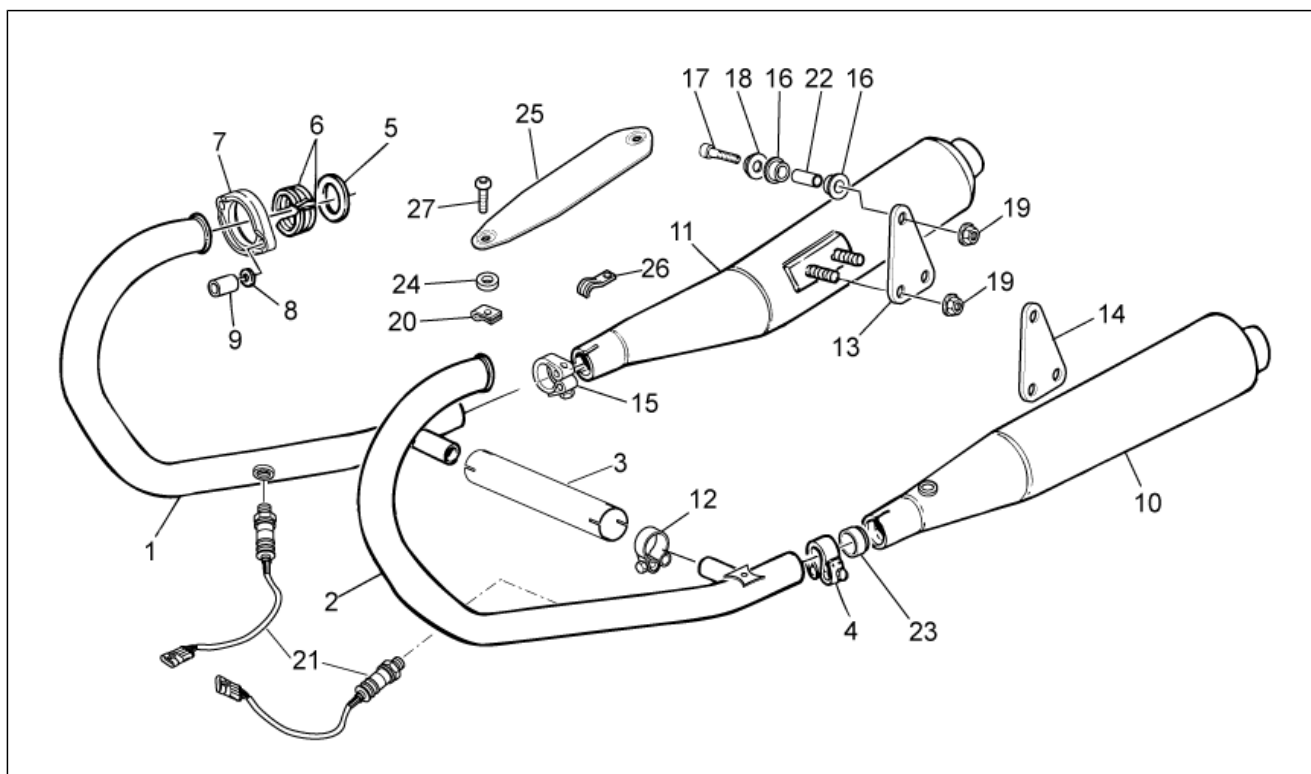
Pos.	Code	Description	Quant	Variants
1	8878421	Boîtier filtre complet	1	
2	887843	Couvercle de filtre	1	
3	AP8201358	Collier D 11,9	1	
4	AP8104924	Filtre air	1	
5	AP8104525	Filtre blow-by	2	
6	883127	Coautchouc pour support 5mm	1	
7	AP8144553	Coautchouc pour support	1	
8	AP8120876	Bouchon de fermeture	2	
9	AP8120455	Caoutchouc	1	
10	AP8120615	Joint D3	2	
11	887844	Coquille D de boîtier de filtre	1	
12	887845	Coquille G de boîtier de filtre	1	
13	887815	Manchon d'aspiration	1	
14	254485	Plaquelette elastique M6	2	
15	AP8144538	Joint	2	
16	890760	Support instruments	1	
17	AP8144729	Tampon fin de course béquille	1	
18	AP8152329	Vis SWP crois. brid. M5x20	11	
19	AP8150509	Vis taraud 5x14	4	
20	AP8120772	Tuyau reniflard radiateur	3	
21	B063214	Tuyau Blow-by	2	
22	GU93305061	Collier 61/65,5	1	
23	AP8102766	Collier	3	
24	AP8102765	Collier clic, blanc D.13,5x6	3	
25	GU91551010	Caoutchouc	2	
26	AP8221023	Douille en "T"	2	
27	2B000045	Raccord 3 voies	1	
28	AP8104996	Soupape de retenue	1	

Groupe	CHASSIS
Code	33.22
Description	Corps filtre
Révision	1



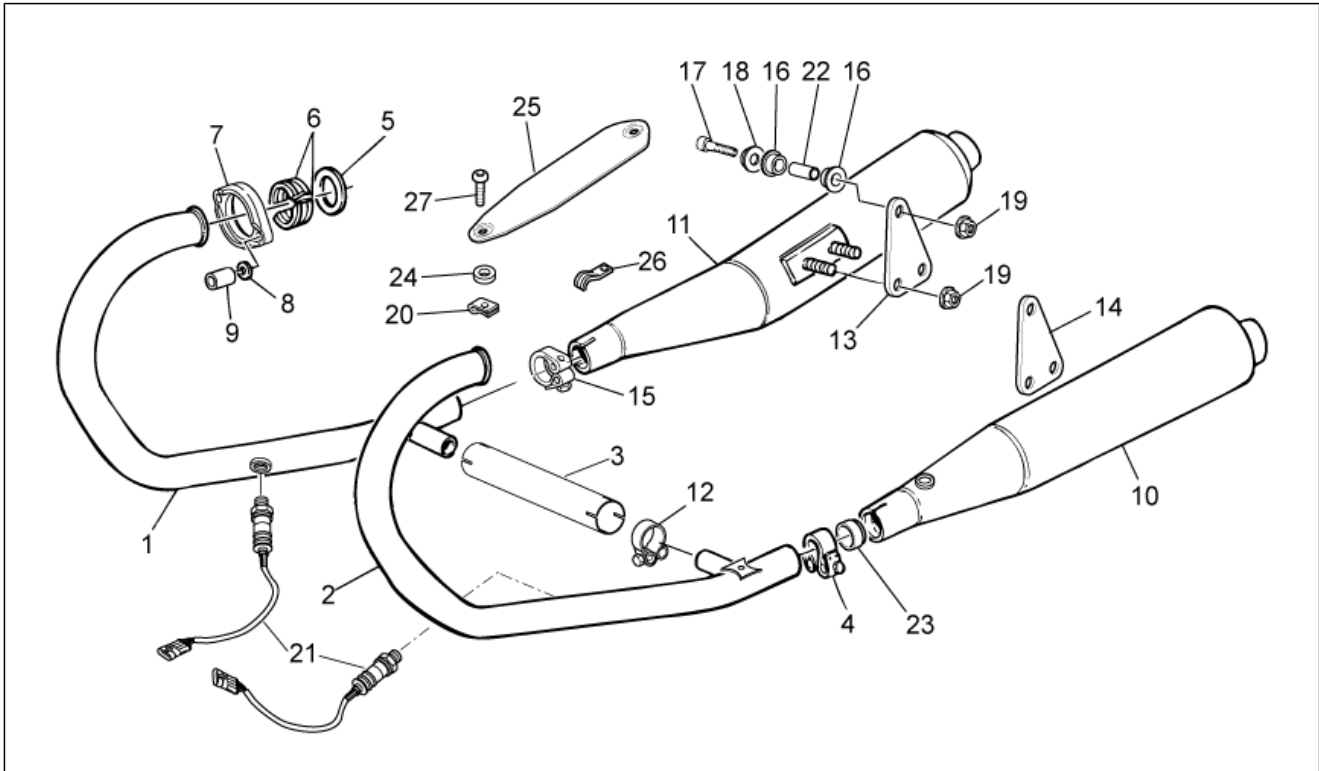
Pos.	Code	Description	Quant	Variants
29	GU28157950	Collier clic 12,5x8	2	
30	B063213	Reniflard	1	
31	GU90714082	Joint	1	
32	GU00823923140	Gaine thermique	1	
33	GU31112965	Equerre	1	
34	AP8201358	Collier D 11,9	2	

Groupe	CHASSIS
Code	33.23
Description	Groupe echappement
Révision	1



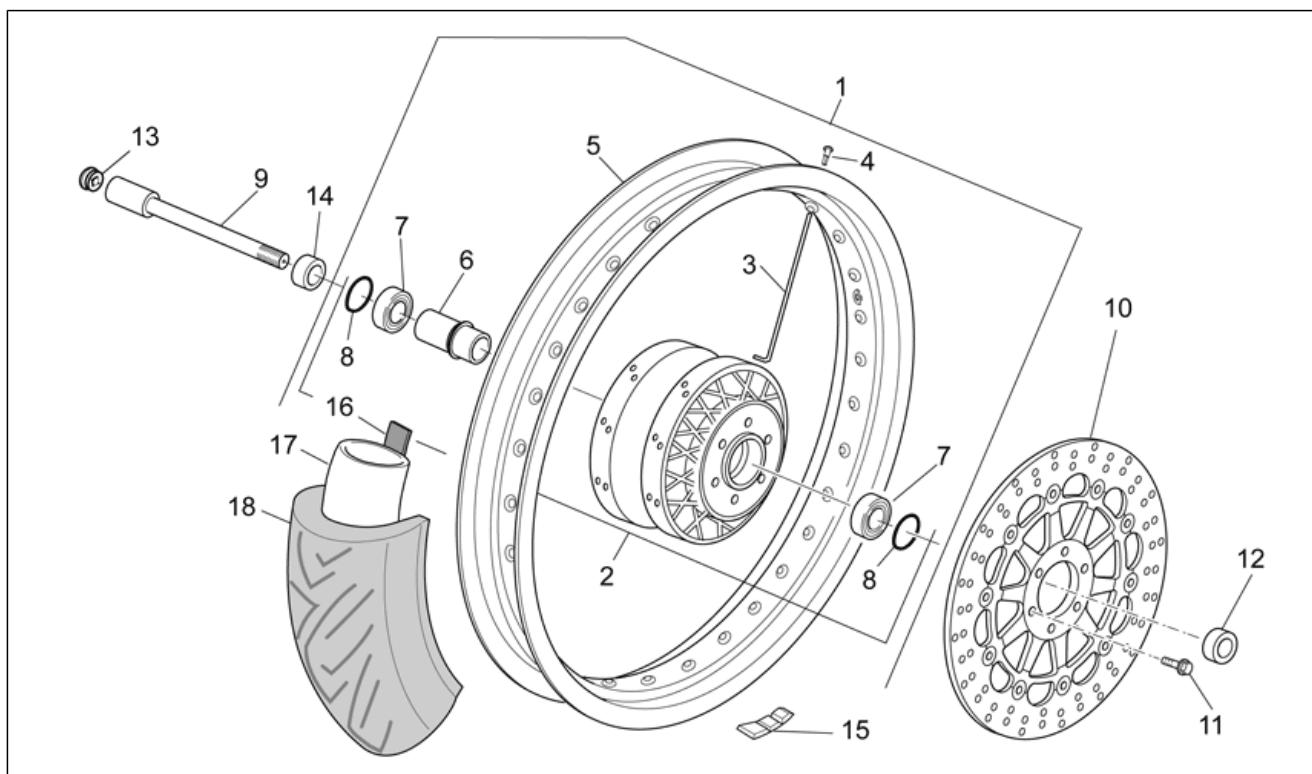
Pos.	Code	Description	Quant	Variants
1	887846	Tuyau échappement d.	1	Pays:Australie[AUS], Europe[EU], Angleterre[UK]
1	B063854	Tuyau échappement d.	1	Pays:Japon[J]
2	887847	Tuyau échappement gche	1	Pays:Australie[AUS], Chine[CN], Europe[EU], Japon[J], Angleterre[UK]
2	B063855	Tuyau échappement gche	1	Pays:Japon[J]
3	B063022	Raccord collecteurs échap.	1	
4	883294	Collier silencieux gauche	1	
5	GU19025280	Joint	2	
6	GU19025460	Entretoise	4	
7	GU32121010	Bague	2	
8	GU03013800	Rondelle 6,4x12	4	
9	GU31121880	Ecrou	4	
10	2B000177	Silencieux G	1	
11	2B000176	Silencieux D	1	
12	978385	Collier	2	
13	883297	Plaque d.	1	
14	883298	Plaque g.	1	
15	883293	Collier silencieux droit	1	
16	AP8144071	Caoutchouc pot	4	
17	GU98690440	Vis TCEI M8x40	2	
18	AP8134378	Douille fixation silencieux	2	
19	GU92640508	Ecrou M8	6	
20	254485	Plaquette elastique M6	2	
21	896110	Sonde lamda l.660 mm	2	
22	AP8121072	Entretoise	2	
23	GU91113826	Douille	2	
24	AP8120870	Rondelle isolante	4	
25	883704	Grille protec. pot	2	

Groupe	CHASSIS
Code	33.23
Description	Groupe echappement
Révision	1



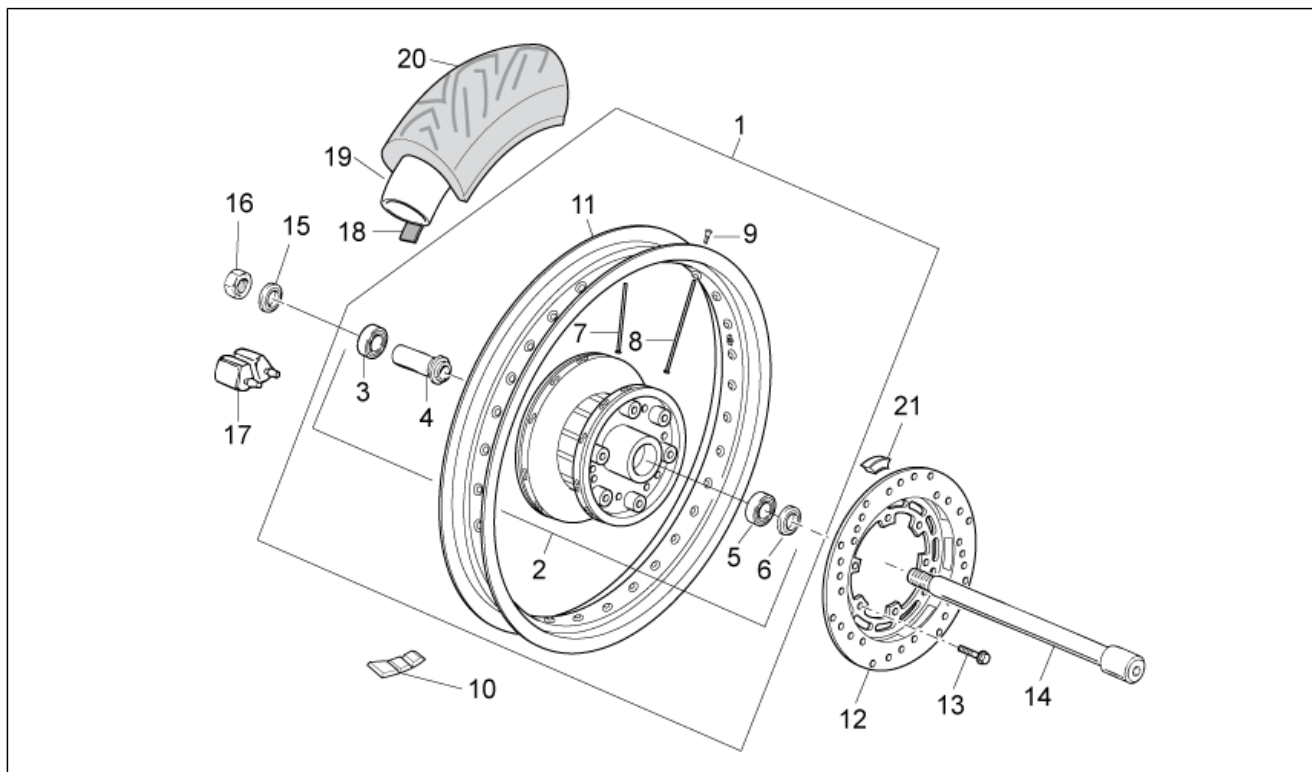
Pos.	Code	Description	Quant	Variants
26	GU93301175	Cavalier	1	
27	GU98210612	Vis bride M6x12	4	

Groupe	CHASSIS
Code	33.24
Description	Roue Av. I
Révision	1



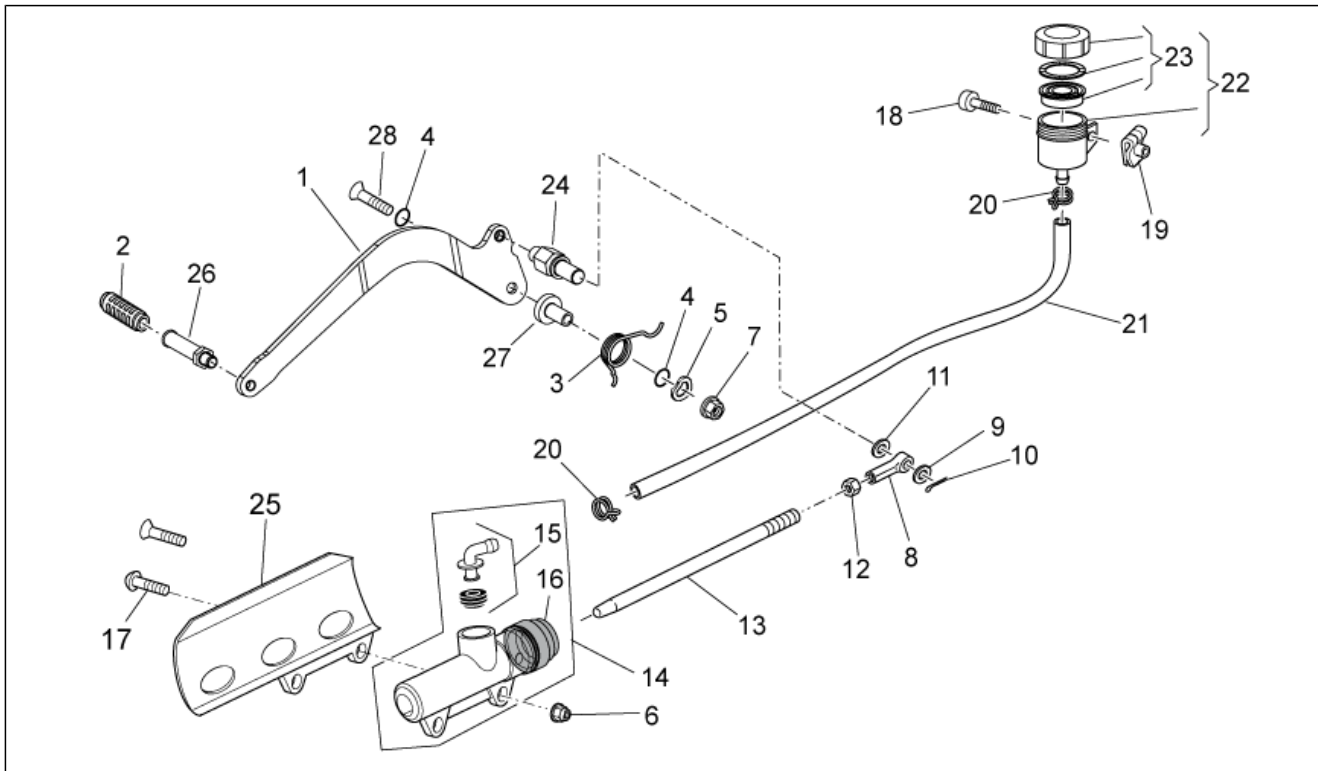
Pos.	Code	Description	Quant	Variants
1	B063702	Roue AV 2,5x18" Black	1	
2	GU32613160	Moyeu avant	1	
3	B063144	Rayon roue AV	36	
4	GU03631250	Nipples	36	
5	B063077	Jante AV noire 2.5X18"	1	
6	GU31615283	Entretoise roulements	1	
7	GU92204221	Roulement	2	
8	GU90402642	Bague d'étanchéité	1	
9	GU31614183	Axe de roue AV	1	
10	883688	Disque frein avant 320	1	
11	AP8152286	Vis bride M8x20	6	
12	GU31616384	Entretoise G	1	
13	GU93180111	Bouchon 15 mm	1	
14	GU32615660	Entretoise D	1	
15	GU14616150	Contrepoids	1	
16	GU03612040	Pare clau	1	
17	GU31610160	Chambre à air MB 18	1	
18	886679	Pneu 100/90 18	1	

Groupe	CHASSIS
Code	33.25
Description	Roue arrière I
Révision	1



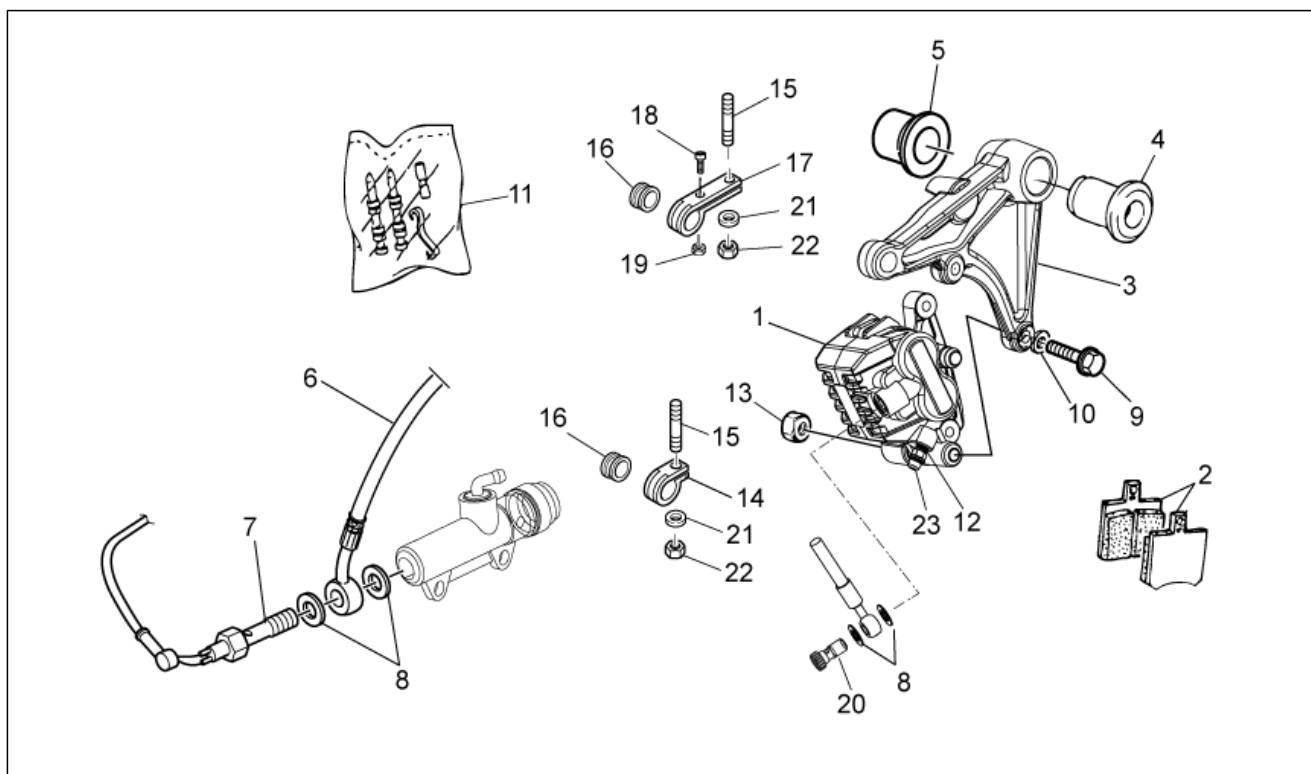
Pos.	Code	Description	Quant	Variants
1	B063704	Roue AR cpl 3,5x17" Black	1	
2	GU32692260	Moyeu	1	
3	GU92204218	Roulement	1	
4	GU27633910	Entretoise	1	
5	GU92204217	Roulement	1	
6	GU90402538	Bague d'étanchéité 25x40x7	1	
7	883350	Rayon court	18	
8	883349	Rayon long mm 158	18	
9	GU03631250	Nipples	36	
10	GU14616150	Contrepoids	1	
11	B063078	Jante arrière 3,5"x17" Black	1	
12	887448	Disque frein	1	
13	894505	Vis bride M8x18	6	
14	GU32633360	Axe de roue AR	1	
15	GU31634481	Rondelle	1	
16	GU92606316	Ecrou M16x1,5	1	
17	GU32632510	Joint en caoutchouc	6	
18	GU28612033	Pare clau	1	
19	GU30630430	Chambre à air MD 17	1	
20	886680	Pneu 130/80 17	1	
21	GU32636160	Coatouch pour support	1	

Groupe	CHASSIS
Code	33.26
Description	Maît.cyl. frein AR
Révision	1



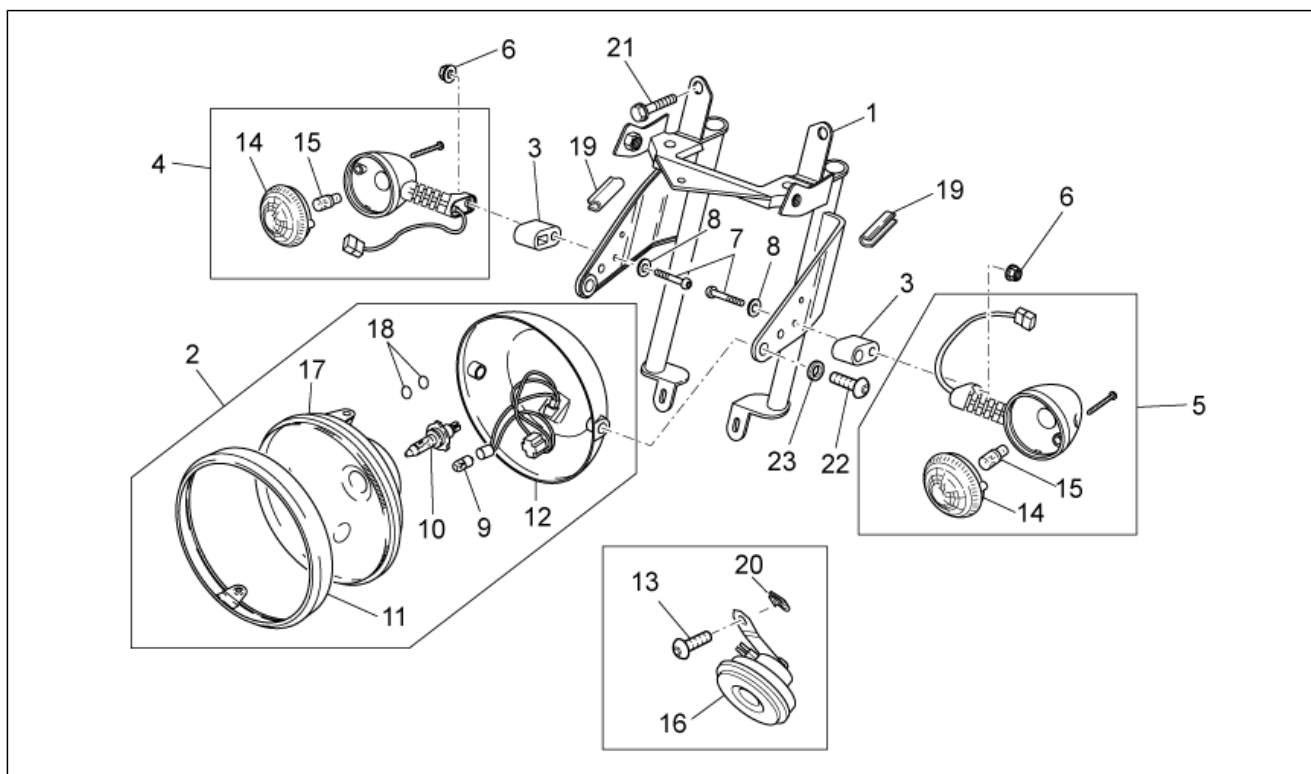
Pos.	Code	Description	Quant	Variants
1	887910	Levier frein	1	
2	AP8120912	Caoutchouc pour levier	1	
3	978969	Ressort	1	
4	AP8144007	Joint torique 11,11x1,78	2	
5	GU95005310	Rondelle 8,4x18x2	1	
6	GU92630206	Ecrou M6x1	2	
7	GU92660021	Ecrou bridé M8	1	
8	GU18257551	Bloc	1	
9	GU95005308	Rondelle 8,4x14,57x1,6	1	
10	GU95500221	Goupille	1	
11	658837	Rondelle élastique ondulée D15 F8,4 S1,5 - INOX	1	
12	GU92609007	Ecrou	1	
13	978970	Poussoir cde mai-cyl.	1	
14	AP8133643	Maît.cyl. frein AR	1	
15	AP8213057	Raccord pompe arrière	1	
16	AP8113288	Soufflet en caoutchouc	1	
17	GU98370625	Vis	2	
18	AP8152298	Vis bride M5x16	1	
19	248419	Plaquette elastique m5	1	
20	AP8101594	Collier D10,1*	2	
21	GU00823950050	Tuyau huile	1	
22	AP8113241	Réserv.huile freins	1	
23	AP8113553	Bouchon réservoir	1	
24	887911	Pivot levier frein	1	
25	GU01665410	Protection maître cyl.noire	1	
26	887908	Pédale en caoutch.	1	
27	887952	Douille levier frein AR	1	
28	B063443	Vis FHC M8x50	1	

Groupe	CHASSIS
Code	33.27
Description	Pince frein AR
Révision	1



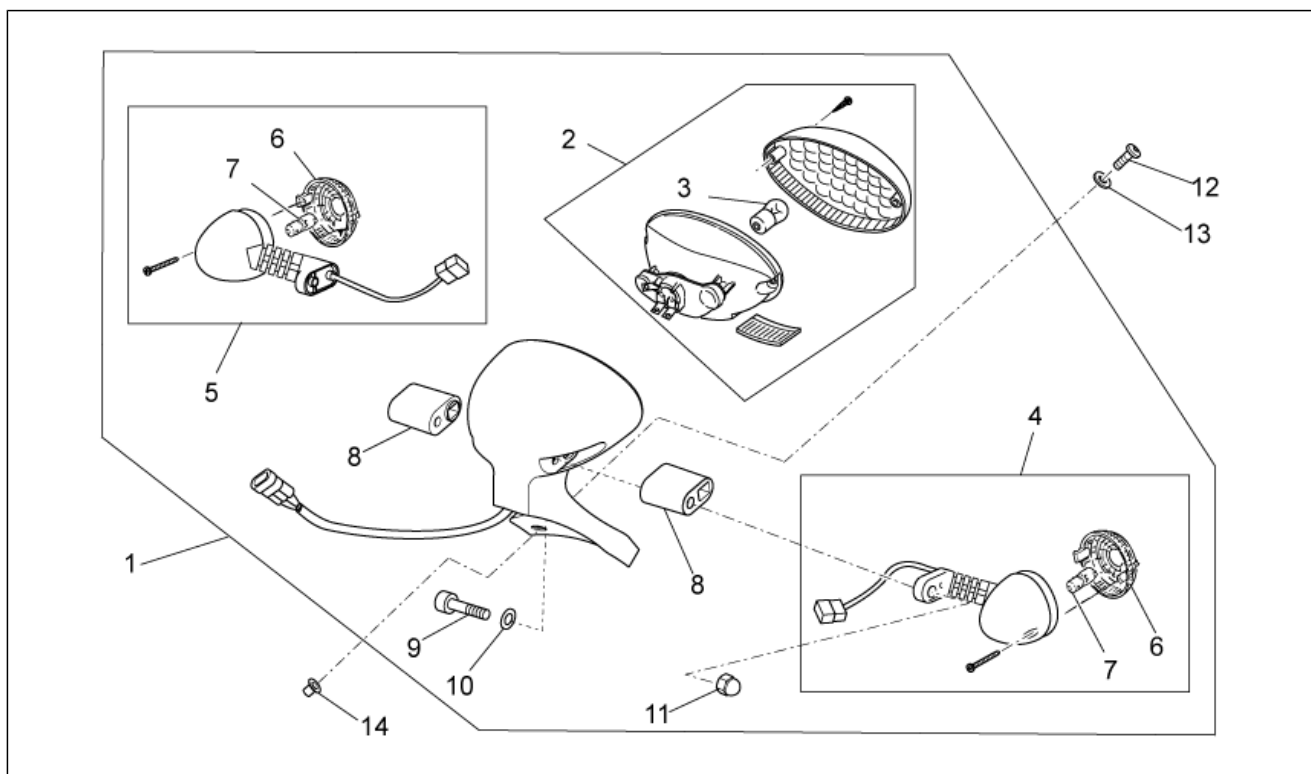
Pos.	Code	Description	Quant	Variants
1	887449	Pince frein arrière	1	
2	AP8133798	Plaquettes-paire	1	
3	887431	Plaque support étrier frein	1	
4	GU31634281	Douille	1	
5	GU32634160	Entretoise	1	
6	B063750	Tuyau de frein arrière en caoutchouc	1	
7	883192	Interrupteur	1	
8	AP8121915	Joint	4	
9	AP8152288	Vis bride	2	
10	GU03270300	Rondelle 8,4x15	2	
11	AP8133799	Pivots+ressorts pince	1	
12	AP8133800	Purge air	1	
13	AP8152300	Ecrou autobloqu. M8	2	
14	GU03658430	Collier	1	
15	GU96451316	Vis sans tête	1	
16	GU03658201	Bague	2	
17	GU03658330	Collier	1	
18	AP8152043	Vis M4x10	1	
19	AP8150204	Ecrou M4	1	
20	AP8113003	Vis tuyau huile *	1	
21	GU95008306	Rondelle 6,4x12x1,2	2	
22	AP8152299	Ecrou autobloqu. M6	2	
23	AP8213575	Capuchon reniflard	1	

Groupe	CHASSIS
Code	33.28
Description	Feux avant
Révision	1



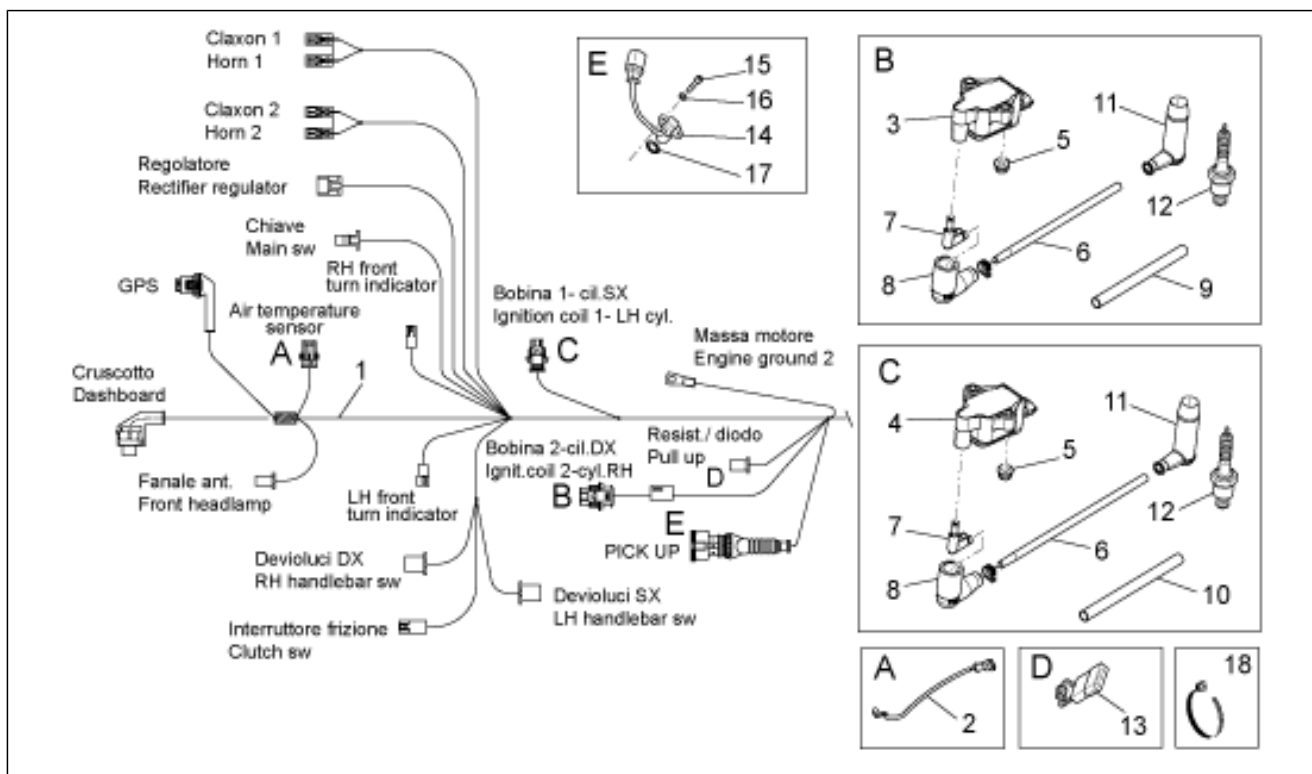
Pos.	Code	Description	Quant	Variants
1	GU32506360	Bride support feu	1	
2	978311	Phare avant	1	
2	978662	Projecteur av.complet gauche	1	Pays:Australie[AUS], Japon[J]
3	GU32753410	Entretoise	2	
4	887826	Clignot.av.dr./arr.ga.	1	
5	887827	Clignot.av.ga./arr.dr.	1	
6	GU92787006	Ecrou borgne M6x1	2	
7	GU98370655	Vis	2	
8	GU95021206	Rondelle	2	
9	GU93450105	Lampe (ou Ampoule)	1	
10	GU93450232	Lampe (ou Ampoule) 12V-55/60W	1	
11	GU31740383	Bague chromée	1	
12	981149	Calotte, noir	1	
13	AP8150377	Vis	2	
14	B063735	Vitre clignotant	2	
15	GU93450126	Lampe orange	2	
16	890979	Klaxon	1	
17	GU06740400	Groupe optique	1	
18	883417	Joint torique	2	
19	GU00823931055	Joint	1	
20	254485	Plaquette elastique M6	2	
21	GU98880540	Vis M10x40	2	
22	GU98692420	Vis M8x20	2	
23	GU95005308	Rondelle 8,4x14,57x1,6	2	

Groupe	CHASSIS
Code	33.29
Description	Feux arriere
Révision	1



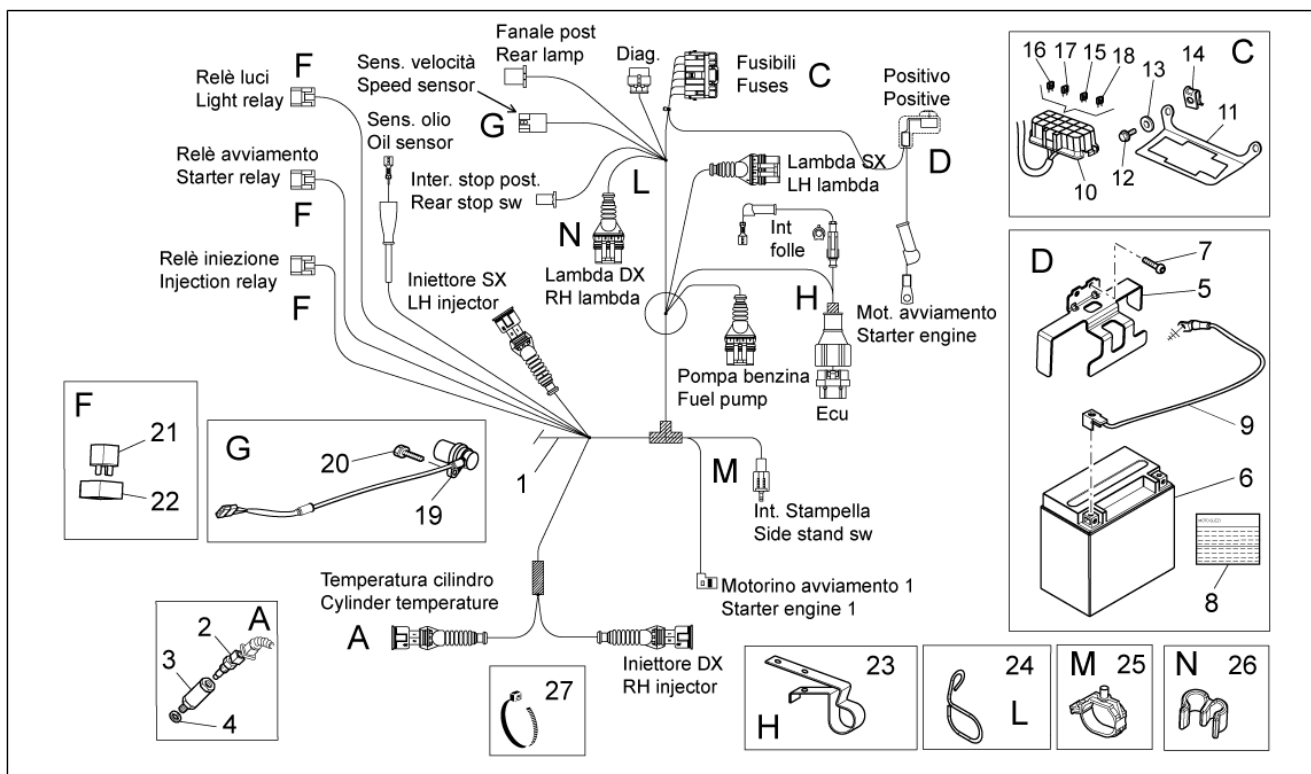
Pos.	Code	Description	Quant	Variants
1	887877	Phare AR cpl.	1	
2	GU03740930	Feu arrière	1	
3	GU93450224	Lampe (ou Ampoule)	1	
4	887826	Clignot.av.dr./arr.ga.	1	
5	887827	Clignot.av.ga./arr.dr.	1	
6	B063735	Vitre clignotant	2	
7	GU93450126	Lampe orange	2	
8	GU32753410	Entretoise	2	
9	GU98370655	Vis	2	
10	GU95021206	Rondelle	2	
11	GU92787006	Ecrou borgne M6x1	2	
12	GU98350215	Vis	3	
13	GU30577800	Rondelle nylon 5,5X12X1	3	
14	GU93231605	Douille anti vibr.	3	

Groupe	CHASSIS
Code	33.30
Description	Circuit électrique I
Révision	1



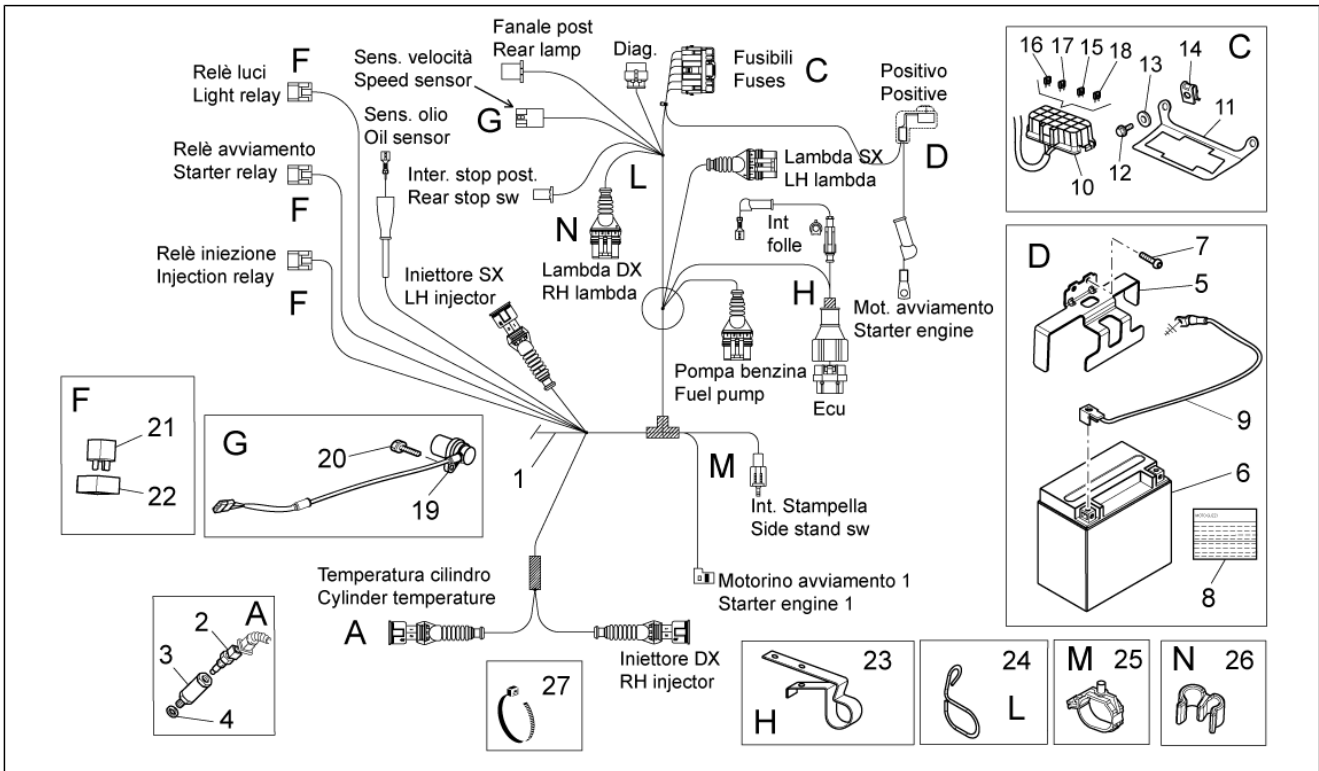
Pos.	Code	Description	Quant	Variants
1	887825	Câblage principal	1	
2	AP8124936	Détéc. temper. air	1	
3	642034	Bobine HT DX	1	
4	641901	Bobine HT	1	
5	AP8152299	Ecrou autobloqu. M6	4	
6	080341	Câble de base H.T.	2	
7	641725	Borne H.T.	2	
8	641040	Capuchon isolant	2	
9	CM0074D0	Gaine D.8-S.0,5-L.370	1	
10	CM0074C9	Gaine de câble grise D.8-S.0,5-L.435	1	
11	GU02717450	Pipe bougie NGK	2	
12	887481	Bougie NGK CPR8EB-9	2	
13	887948	Diode	1	
14	832029	Capteur codeur	1	
15	GU98682212	Vis M5x12	2	
16	GU95008205	Rondelle 5,3x10x0,8	2	
17	GU90706141	Joint torique	1	
18	AP8120416	Collier, noir 178x4	1	
18	GU14609650	Collier 3,6x20,6	31	
18	GU49609601	Collier 2,4x92	1	

Groupe	CHASSIS
Code	33.31
Description	Circuit électrique II
Révision	1



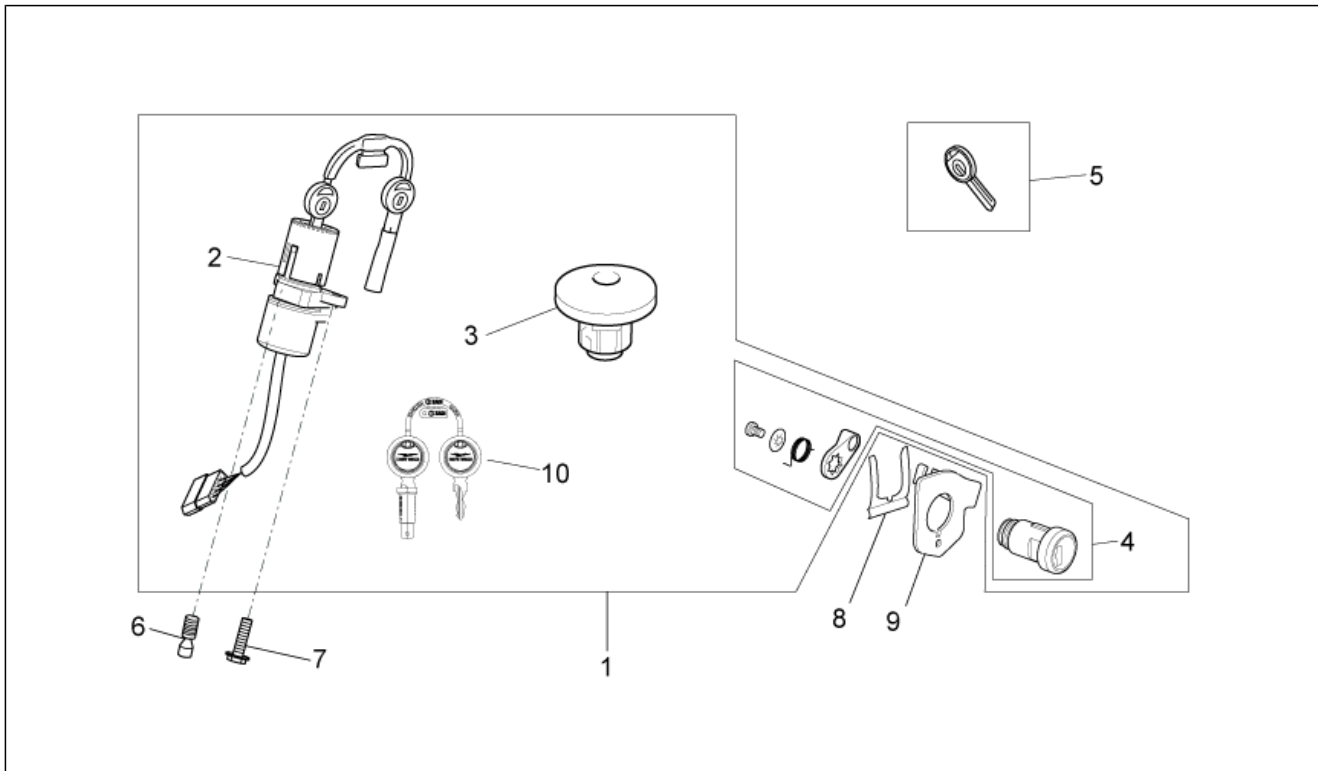
Pos.	Code	Description	Quant	Variants
1	887825	Câblage principal	1	
2	GU29729461	Capteur température huile	1	
3	GU03163330	Support détecteur	1	
4	GU95004210	Rondelle 10,2x18x2	1	
5	B063233	Support batterie	1	
6	638733	Batterie Yuasa 12V-12Ah (150x85x145)	1	
7	GU98370616	Vis M6x16 inox	2	
8	GU32517710	Décalco "Battery service"	1	
9	GU32747910	Câblage masse-batterie	1	
10	584211	Boîte à fusibles	1	
11	883161	Support p-fusibles	1	
12	GU98682212	Vis M5x12	2	
13	GU95100059	Rondelle 5,25x14x1,5	2	
14	AP8102375	Clip m5	2	
15	CM225705	Fusible 5A	2	
16	CM225710	Fusible 10A	1	
17	CM225715	Fusible 15A	2	
18	CM225730	Fusible 30A	1	
19	893570	Capteur tachym. cpl.	1	
20	AP8150377	Vis	1	
21	AP8224462	Relais 12V/30A	3	
22	AP8220283	Caoutchouc *	3	
23	B043850	Collier	1	
24	AP8181140	Passe-câble	1	
25	CM013202	Clip d'arrêt des tuyaux/câbles	1	
26	894704	Passe-câble	1	
27	AP8120416	Collier, noir 178x4	1	
27	GU14609650	Collier 3,6x20,6	21	

Groupe	CHASSIS
Code	33.31
Description	Circuit électrique II
Révision	1



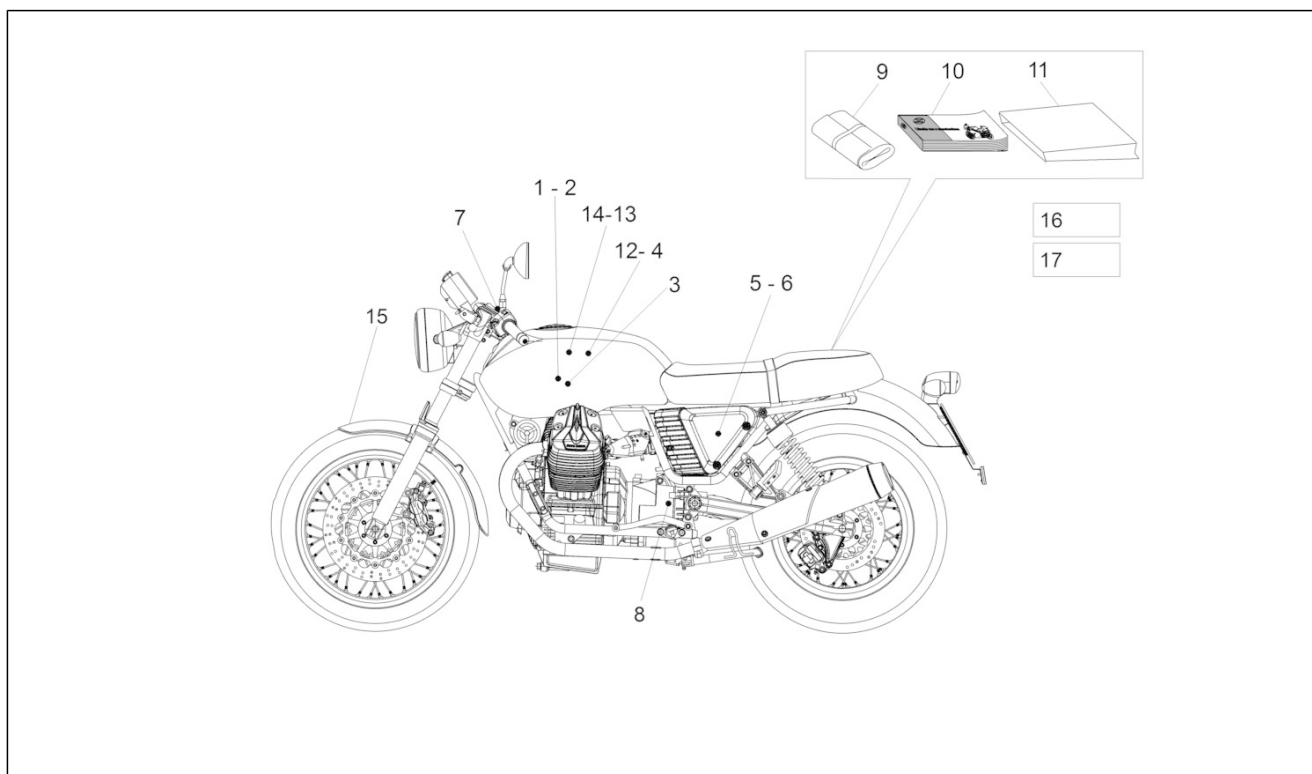
Pos.	Code	Description	Quant	Variants
27	GU49609601	Collier 2,4x92	1	

Groupe	CHASSIS
Code	33.32
Description	Kit serrure
Révision	1



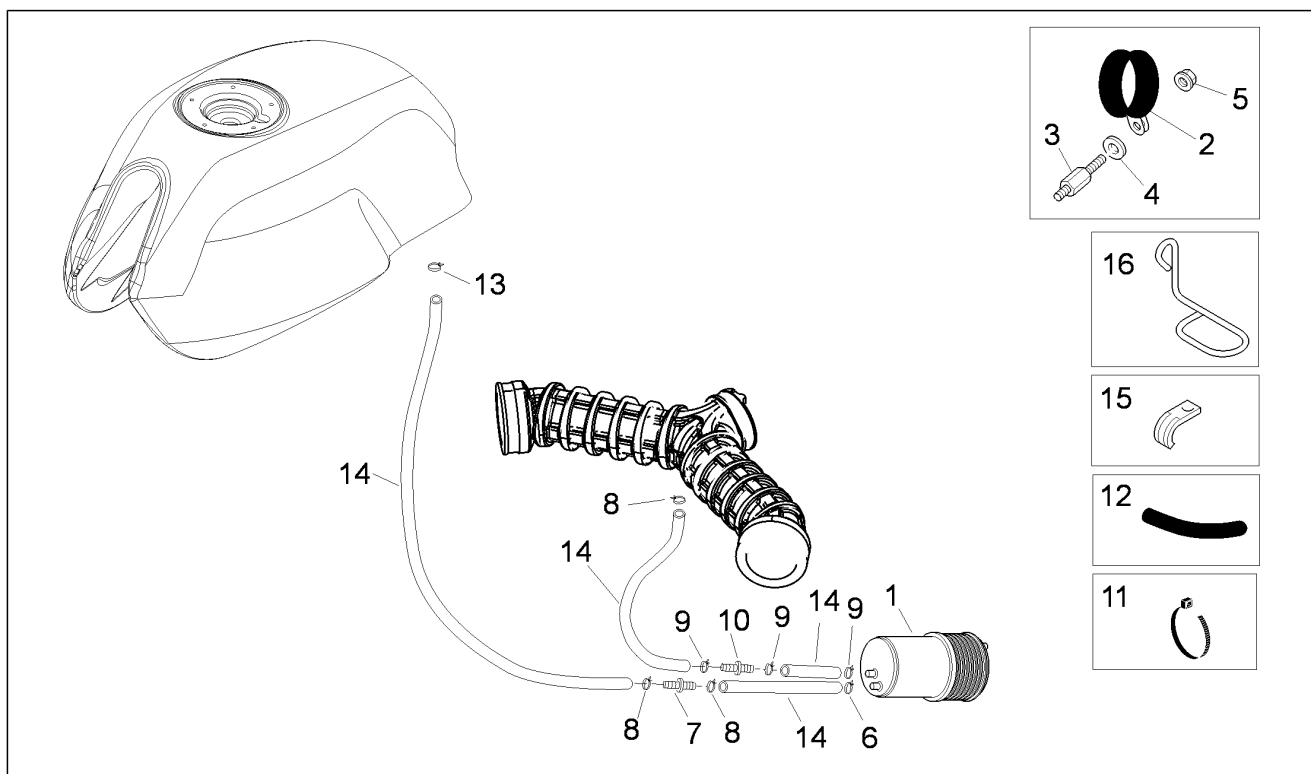
Pos.	Code	Description	Quant	Variants
1	883477	Kit serrures	1	Pays:Chine[CN]
1	887873	Kit serrures	1	
2	GU32782510	Bloc démarreur-bloc	1	
3	883476	Bouchon réservoir	1	Pays:Chine[CN]
3	887874	Bouchon réservoir	1	
4	977527	Serrure avec clés	1	
5	GU32735510	Clé pas cantée brut-coque go	1	
6	AP8150349	Vis spéciale M8x15	1	
7	GU98682416	Vis M8x16	1	
8	AP8121420	Ressort à fourche	1	
9	978415	Plaque support câble	1	
10	2D000006	Cylindre de serrure avec clé pour bouchon d'essence	1	

Groupe	CHASSIS
Code	33.33
Description	Décalco et plaquettes
Révision	1



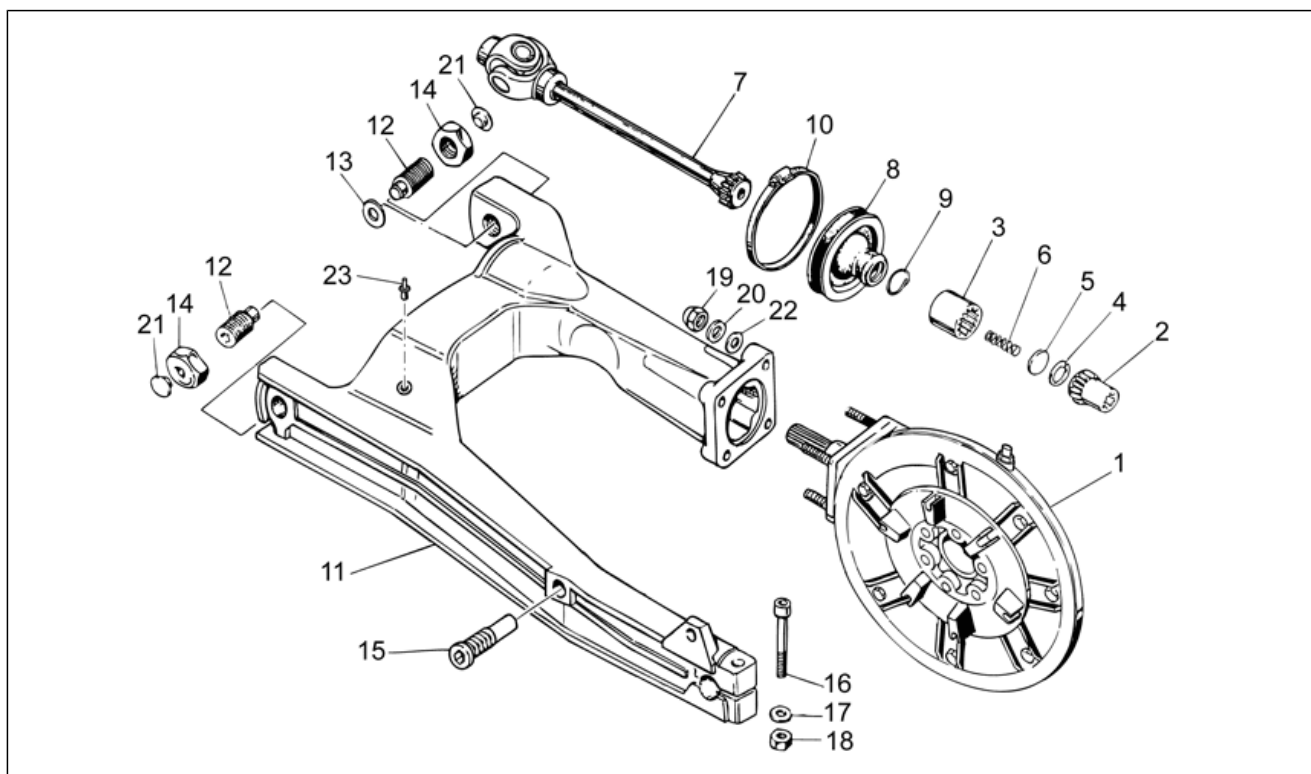
Pos.	Code	Description	Quant	Variants
1	886340	Plaque Aquila	1	
2	887930	Plaque G. Aquila	1	
3	887931	Plaque "Moto Guzzi"	2	
4	2H000025	Bande autocollante AR D pour réservoir	1	Couleur véhicule:Noir Competition[nc]
4	2H000082	Bande autocollante AR D pour réservoir	1	Couleur véhicule:Gris Métal[gm]
5	2H000027	Décalco flanc D	1	Couleur véhicule:Noir Competition[nc]
5	2H000084	Décalco flanc D	1	Couleur véhicule:Gris Métal[gm]
6	2H000028	Décalco flanc G	1	Couleur véhicule:Noir Competition[nc]
6	2H000085	Décalco flanc G	1	Couleur véhicule:Gris Métal[gm]
7	883598	Décalco "Aquila"	1	
8	895839	Plaque « Eni »	2	
9	887443	Trousse à outils	1	
10	2Q000043	Livret d'util.et entret. I-F-D-NL-E-UK	1	
10	2Q000045	Libretto uso e manutenzione JP-EN	1	Pays:Japon[J], Angleterre[UK]
10	2Q000054	Libretto uso e manutenzione ZN-EN-IT-DE	1	Pays:Chine[CN]
11	GU05900130	Sachet pour documents	2	
12	2H000026	Bande autocollante AR G pour réservoir	1	Couleur véhicule:Noir Competition[nc]
12	2H000083	Bande autocollante AR G pour réservoir	1	Couleur véhicule:Gris Métal[gm]
13	2H000024	Bande autocollante AV G pour réservoir	1	Couleur véhicule:Noir Competition[nc]
13	2H000081	Bande autocollante AV G pour réservoir	1	Couleur véhicule:Gris Métal[gm]
14	2H000023	Bande autocollante AV D pour réservoir	1	Couleur véhicule:Noir Competition[nc]
14	2H000080	Bande autocollante AV D pour réservoir	1	Couleur véhicule:Gris Métal[gm]
15	886141	Décalco "Aquila"	1	
16	2G000013	Décalco shed	1	Pays:Chine[CN]
16	GU03995730	Décalco "Unleaded Fuelonly"	1	Pays:Australie[AUS]
17	GU32944310	Décalco protect.	2	

Groupe	CHASSIS
Code	33.48
Description	Sys.récup.vap.ess.
Révision	1



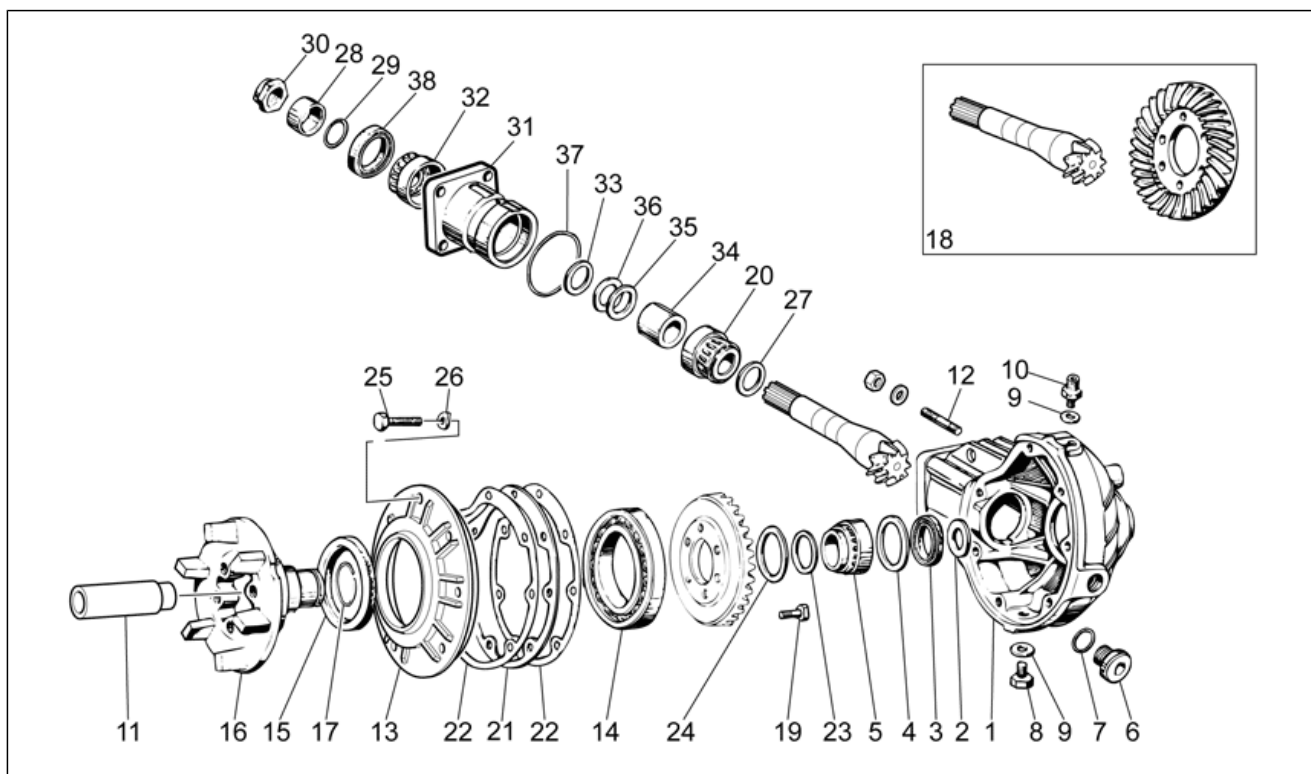
Pos.	Code	Description	Quant	Variants
1	AP8102678	Filtre à charbon	1	
2	AP8102688	Collier d.76	1	
3	GU32439260	Sup.canister USA	1	
4	GU95005308	Rondelle 8,4x14,57x1,6	1	
5	AP8152299	Ecrou autobloqu. M6	1	
6	AP8102159	Collier	1	
7	860138	Soupape	1	
8	GU28157950	Collier clic 12,5x8	4	
9	AP8120446	Collier clic, vert D11x6,6x1	2	
10	AP8121267	Queue de étranglement	1	
11	AP8120416	Collier, noir 178x4	1	
12	GU00823923140	Gaine thermique	4	
13	AP8201358	Collier D 11,9	1	
14	856063	Tuyau SAE 30 d.12,7x6,35	3	
15	GU93301313	Cavalier	1	
16	AP8221114	Guide-câble	2	

Groupe	MOTEUR
Code	34.09
Description	Transmission cpl. I
Révision	1



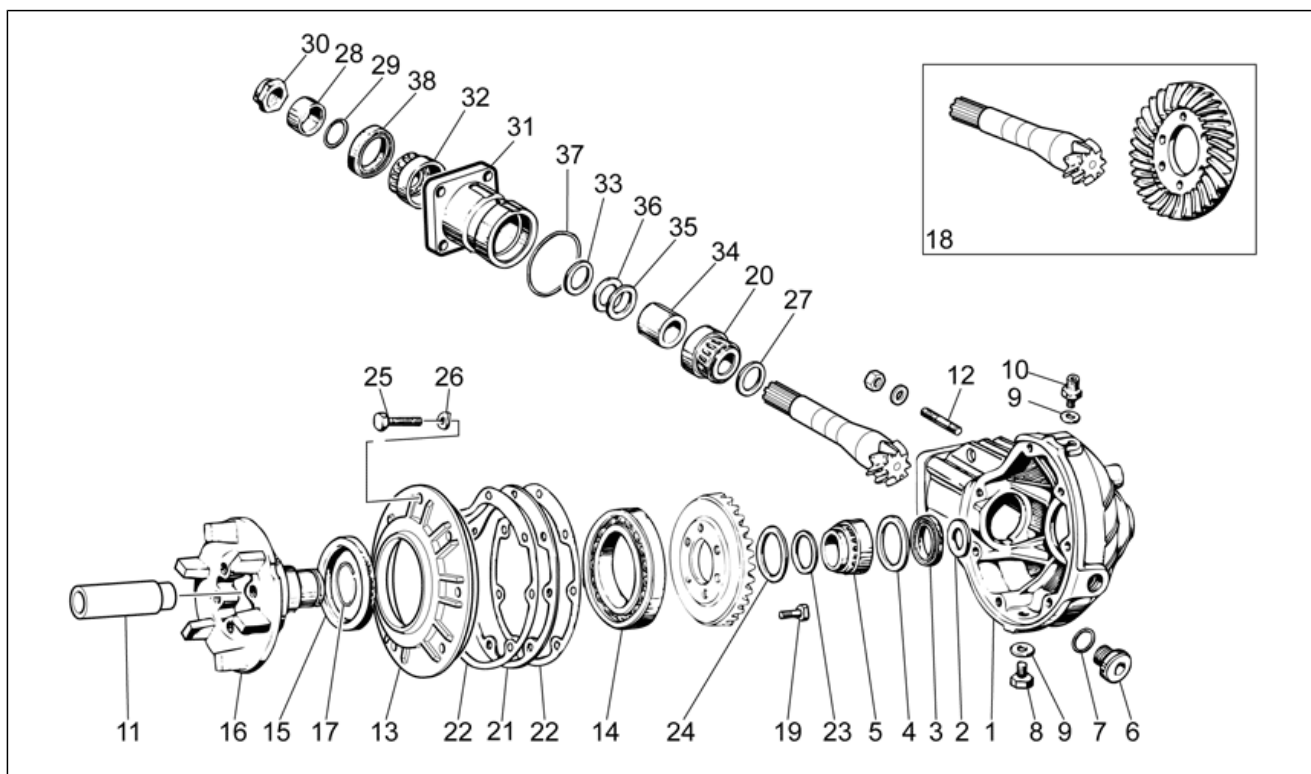
Pos.	Code	Description	Quant	Variants
1	976941	Boîte transm.cpl.noir	1	
2	GU31327783	Manchon	1	
3	GU19328801	Manchon	1	
4	GU90272023	Bague seeger	1	
5	GU19327601	Disque	1	
6	GU94321099	Ressort	1	
7	GU23328081	Joint	1	
8	GU23548080	Collier de protection	1	
9	GU23548180	Ressort	1	
10	AP8120246	Collier D=60-80	1	
11	883011	Fourche noire	1	
12	GU19547000	Pivot	2	
13	GU35214300	Cale	1	
14	GU31547882	Ecrou	2	
15	GU31544181	Pivot	1	
16	GU98680545	Vis M10x45	1	
17	GU95008210	Rondelle 10,2X18X2	1	
18	GU92606210	Ecrou M10x1,5	1	
19	860651	Ecrou borgne M8x1,25	4	
20	GU14615901	Rondelle 8,4X13X0,8	4	
21	GU93180105	Bouchon	2	
22	GU95005308	Rondelle 8,4x14,57x1,6	4	
23	GU03922280	Bouchon 5x9	1	

Groupe	MOTEUR
Code	34.10
Description	Transmission cpl. II
Révision	1



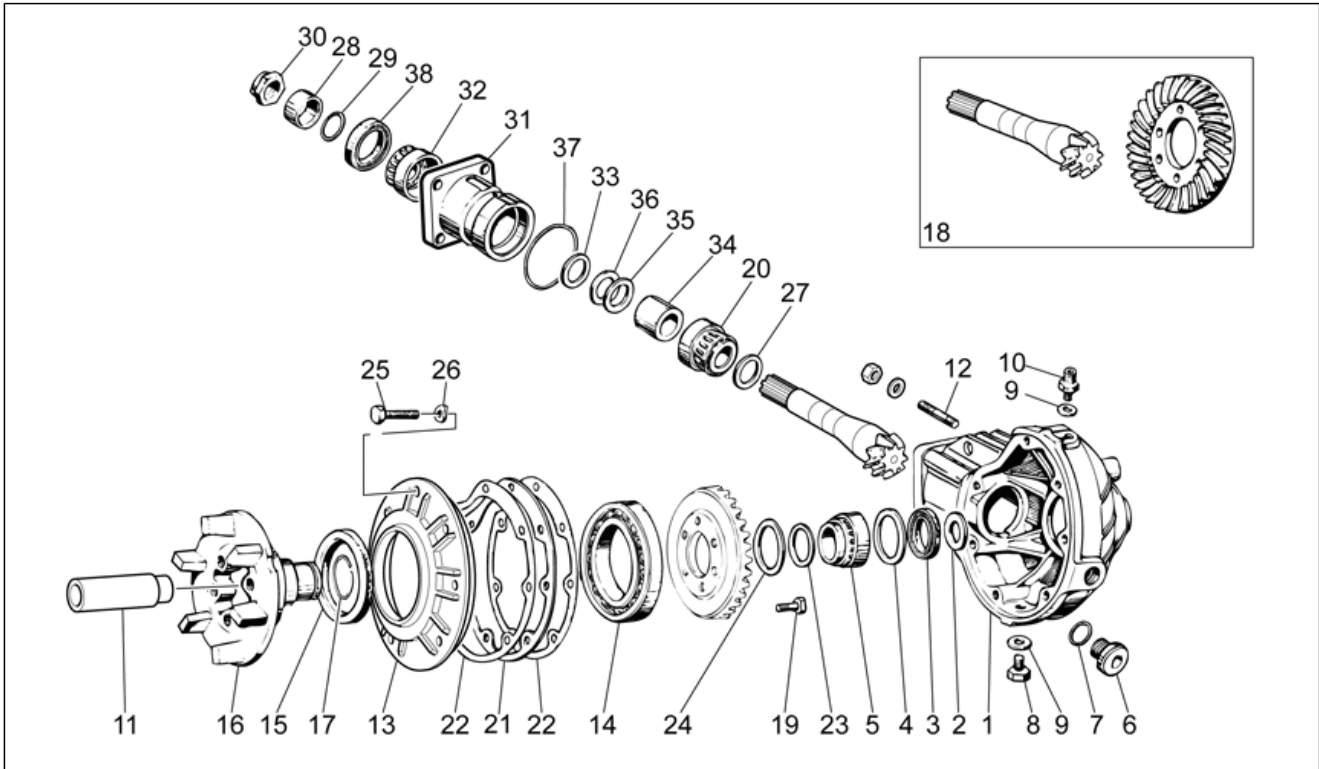
Pos.	Code	Description	Quant	Variants
1	976608	Carter de transmissionnoir	1	
2	GU19351900	Rondelle d'appui	1	
3	GU90403549	Bague d'étanchéité 35x47x7	1	
4	GU19351100	Rondelle d'appui	1	
5	GU92252235	Roulement à rouleaux 35x50x17	1	
6	GU12022600	Bouchon huile	1	
7	GU90706203	Joint torique 20,24X2,62	1	
8	GU31003766	Bouchon vid.huile M10x1	1	
9	GU01528930	Joint 10x18x1,5	2	
10	GU19206501	Bouchon purge	1	
11	GU32633560	Entretoise	1	
12	GU96508055	Vis sans tête	4	
13	GU32350410	Couvercle	1	
14	GU92201070	Roulement à billes 70x110x13	1	
15	GU90407591	Bague d'étanchéité 75x95x10	1	
16	GU32351410	Pivot	1	
17	GU90353030	Bague de butée	1	
18	GU32354610	Couple conique 8/33	1	
19	GU03067730	Vis M8x25	6	
20	GU92249227	Roulement roul.con. 25x5	1	
21	GU19355400	Cale 0,8 mm	1	
21	GU19355402	Cale 0,9 mm	1	
21	GU19355404	Cale 1 mm	1	
21	GU19355406	Cale 1,1 mm	1	
21	GU19355408	Cale 1,2 mm	1	
21	GU19355410	Cale 1,3 mm	1	
21	GU19355411	Cale 1,4 mm	1	
21	GU19355412	Cale 1,5 mm	1	

Groupe	MOTEUR
Code	34.10
Description	Transmission cpl. II
Révision	1



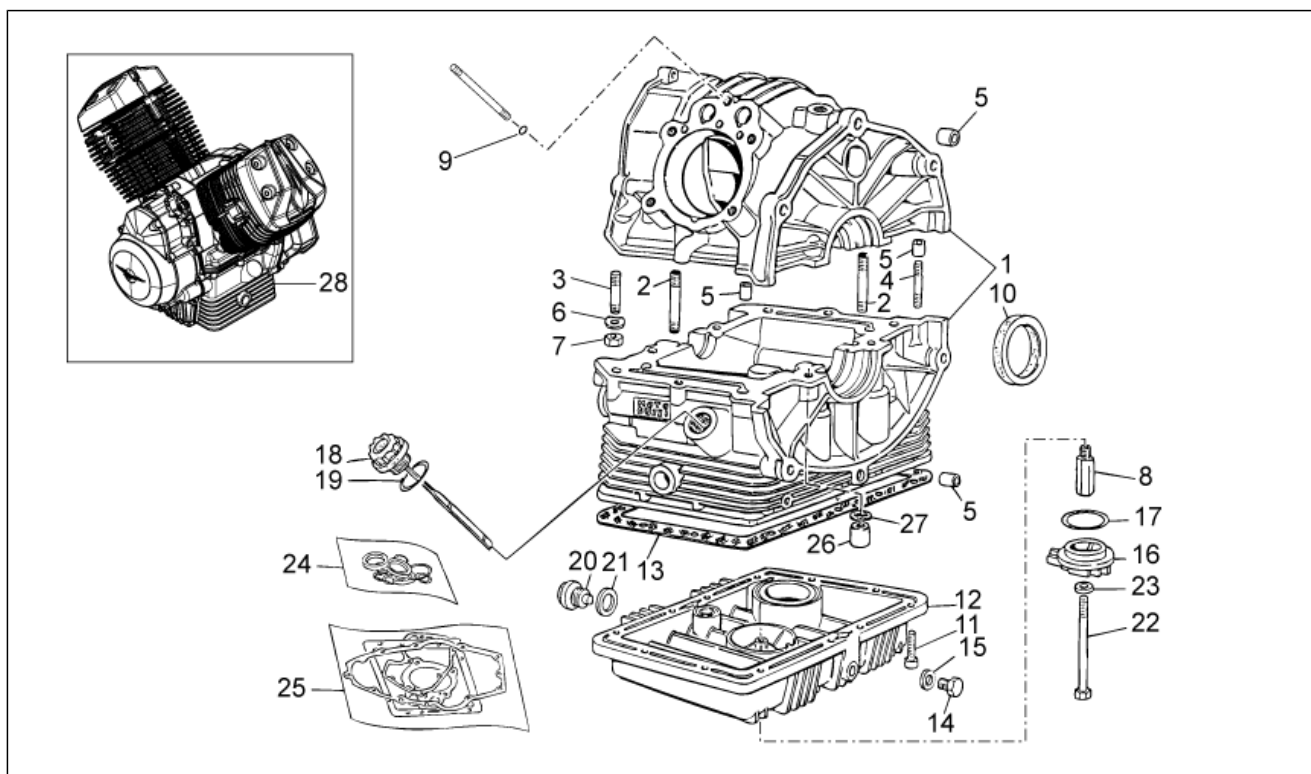
Pos.	Code	Description	Quant	Variants
21	GU19355413	Cale 1,6 mm	1	
22	GU19350700	Joint	2	
23	GU19352300	Rondelle éventail	1	
24	GU19353500	Rondelle éventail	1	
25	GU19357660	Vis	7	
26	GU61270300	Rondelle élastique 8x15x0,3	7	
27	GU19355320	Cale 1 mm	1	
27	GU19355321	Cale 1,1 mm	1	
27	GU19355322	Cale 1,2 mm	1	
27	GU19355323	Cale 1,3 mm	1	
27	GU19355324	Cale 1,4 mm	1	
27	GU19355325	Cale 1,5 mm	1	
27	GU19355326	Cale 1,6 mm	1	
27	GU19355327	Cale 1,7 mm	1	
27	GU19355328	Cale 1,8 mm	1	
27	GU19355329	Cale 1,9 mm	1	
28	GU19356801	Entretoise	1	
29	GU90706188	Bague d'étanchéité 18,77X1,78	1	
30	GU19356700	Ecrou	1	
31	GU20352421	Flasque	1	
32	GU92249220	Roulement à rouleaux 20x47x14	1	
33	GU19355300	Cale 1 mm	1	
33	GU19355301	Cale 1,1 mm	1	
33	GU19355302	Cale 1,2 mm	1	
33	GU19355303	Cale 1,3 mm	1	
33	GU19355304	Cale 1,4 mm	1	
33	GU19355305	Cale 1,5 mm	1	
33	GU19355306	Cale 1,6 mm	1	

Groupe	MOTEUR
Code	34.10
Description	Transmission cpl. II
Révision	1



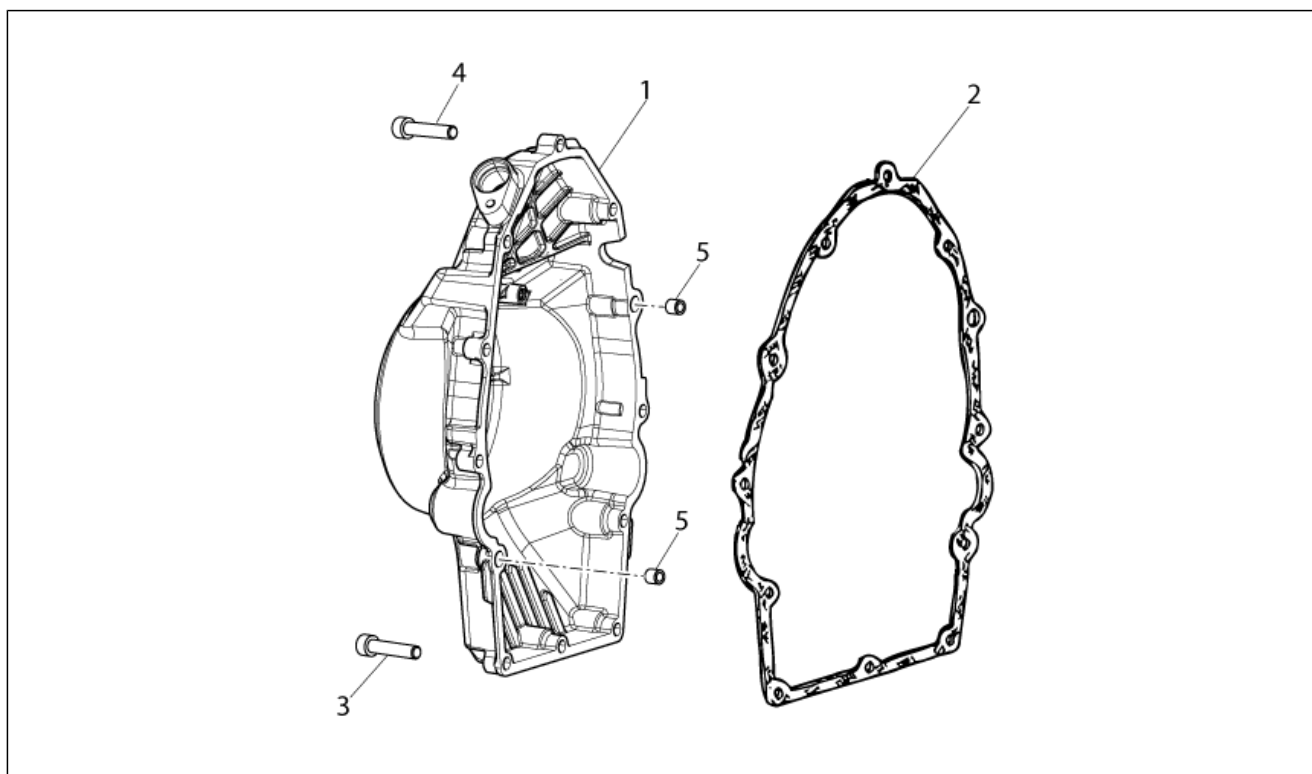
Pos.	Code	Description	Quant	Variants
33	GU19355307	Cale 1,7 mm	1	
33	GU19355308	Cale 1,8 mm	1	
33	GU19355309	Cale 1,9 mm	1	
34	GU20355121	Entretoise	1	
35	GU19355200	Rondelle ajustem. 0,1 mm	1	
36	GU19355202	Rondelle ajustem. 0,15 mm	1	
37	GU90706584	Joint 58,42x2,62	1	
38	GU90403251	Bague d'étanchéité 32x47x10	1	

Groupe	MOTEUR
Code	34.34
Description	Carter
Révision	1



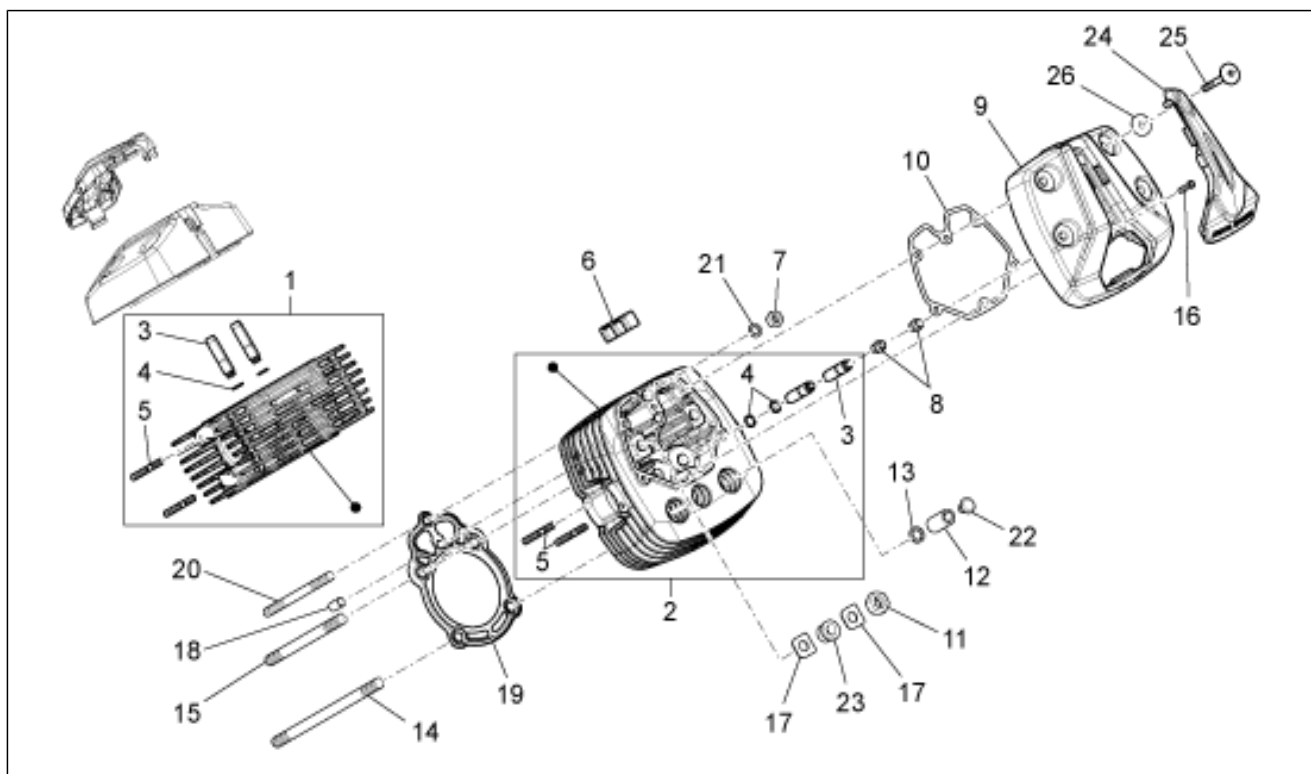
Pos.	Code	Description	Quant	Variants
1	2A0002355	Carter	1	
2	GU96451560	Vis sans tête	4	
3	GU96451430	Vis sans tête	4	
4	GU96508055	Vis sans tête	2	
5	GU19015020	Douille	4	
6	GU61270300	Rondelle élastique 8x15x0,3	6	
7	GU92606208	Ecrou M8x1,25	6	
8	GU19003800	Raccord	1	
9	GU90706076	Joint torique	2	
10	886365	Bague d'étanchéité	1	
11	GU98682325	Vis M6x25	12	
12	976604	Carter huile noir	1	
13	887004	Joint carter huile	1	
14	GU31003766	Bouchon vid.huile M10x1	1	
15	GU10528900	Garniture	1	
16	976685	Petit couvercle	1	
17	GU90706444	Joint torique	1	
18	883826	Bouchon rempl. huile	1	
19	GU90706281	Joint torique 28,24x2,62	1	
20	GU12003702	Bouchon vid.huile	1	
21	GU95100709	Joint 20,1x28x2	1	
22	GU27152885	Boulon	1	
23	GU12154200	Joint 8,25x15x1	1	
24	GU32999510	Joint spy-série	1	
25	GU32999010	Joints-jeu	1	
26	GU13021900	Ecrou colonne	4	
27	GU95129180	Rondelle 10,5X18X0,8	4	
28	2L0001895	Moteur comp.sansbo.vitesses	1	

Groupe	MOTEUR
Code	34.35
Description	Couvercle distribution
Révision	1



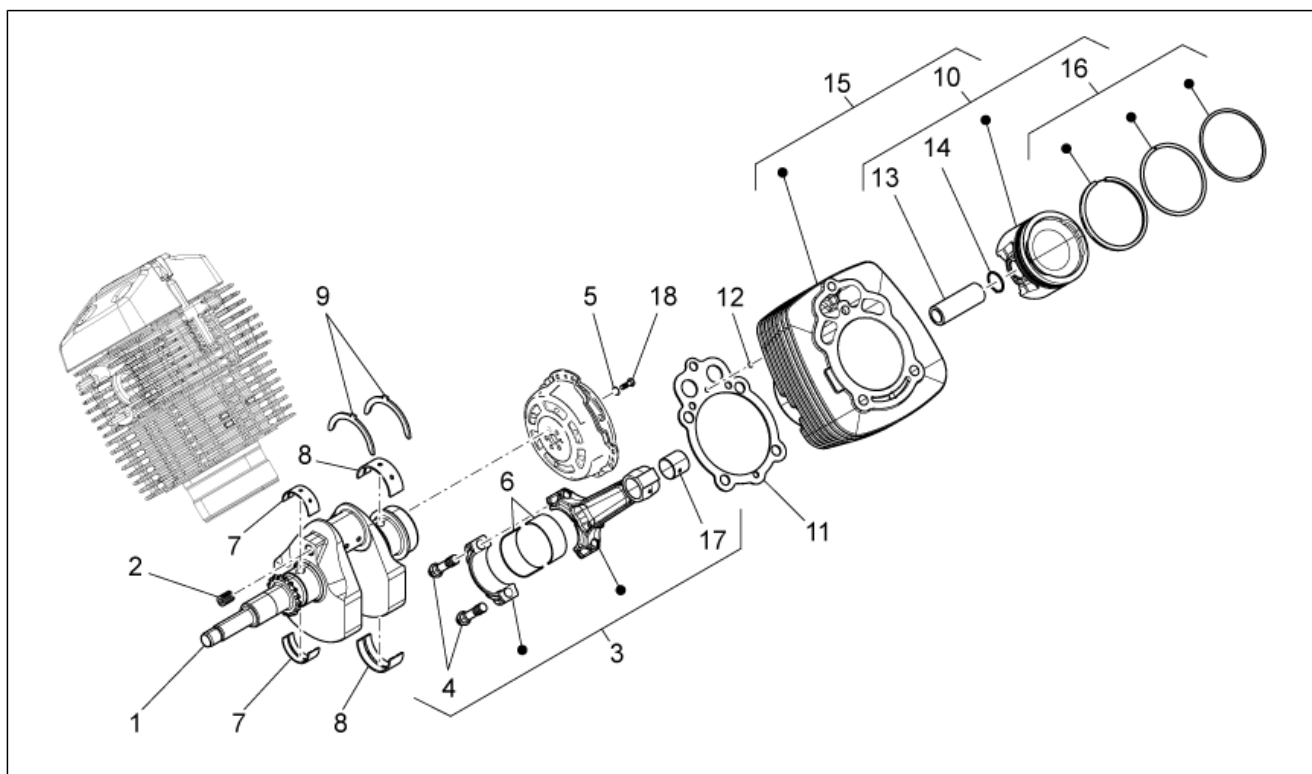
Pos.	Code	Description	Quant	Variants
1	2A000085	Couvercle	1	
2	887003	Joint couvercle	1	
3	GU98682325	Vis M6x25	10	
4	GU98682330	Vis M6x20	2	
5	GU19002020	Douille 6,6x9x13	2	

Groupe	MOTEUR
Code	34.36
Description	Tête cylindre
Révision	1



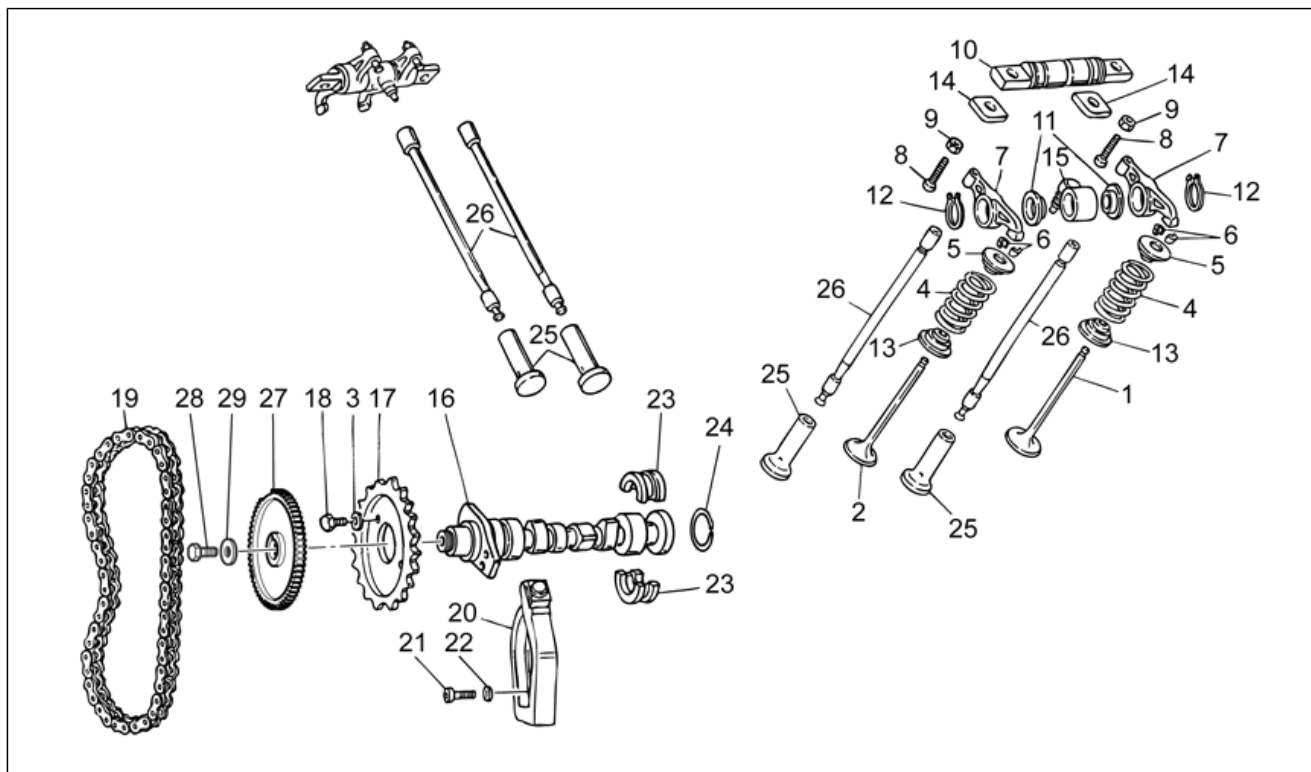
Pos.	Code	Description	Quant	Variants
1	8872724	Culasse d.	1	
2	8872754	Culasse g.	1	
3	GU61036801	Guide soupape	4	
4	GU90353009	Anneau élastique	4	
5	GU96506042	Vis sans tête	4	
6	B063111	Tasseau antivibration	4	
7	GU19021920	Ecrou	2	
8	GU19037820	Joint spi	4	
9	887523	Couvre-culasse	2	
10	887002	Joint couvercle-culasse	2	
11	GU92603010	Ecrou M10X1,5	4	
12	GU13021900	Ecrou colonne	4	
13	GU95129180	Rondelle 10,5X18X0,8	4	
14	GU96510214	Vis sans tête M10x214	4	
15	GU96510181	Vis sans tête M10x182	4	
16	GU98692325	Vis M6x25	4	
17	GU19032980	Cale	8	
18	GU19021360	Douille	2	
19	B063099	Joint tête-cylindre	2	
20	976898	Vis sans tête M8x140	2	
21	GU61270300	Rondelle élastique 8x15x0,3	2	
22	GU93180245	Bouchon	4	
23	AP8144071	Caoutchouc pot	1	
24	887279	Couvercle bougie	2	
25	887483	Vis de couvre-culasse M6x2.5	8	
26	969973	Rondelle	8	

Groupe	MOTEUR
Code	34.37
Description	Arbre moteur cpl.
Révision	1



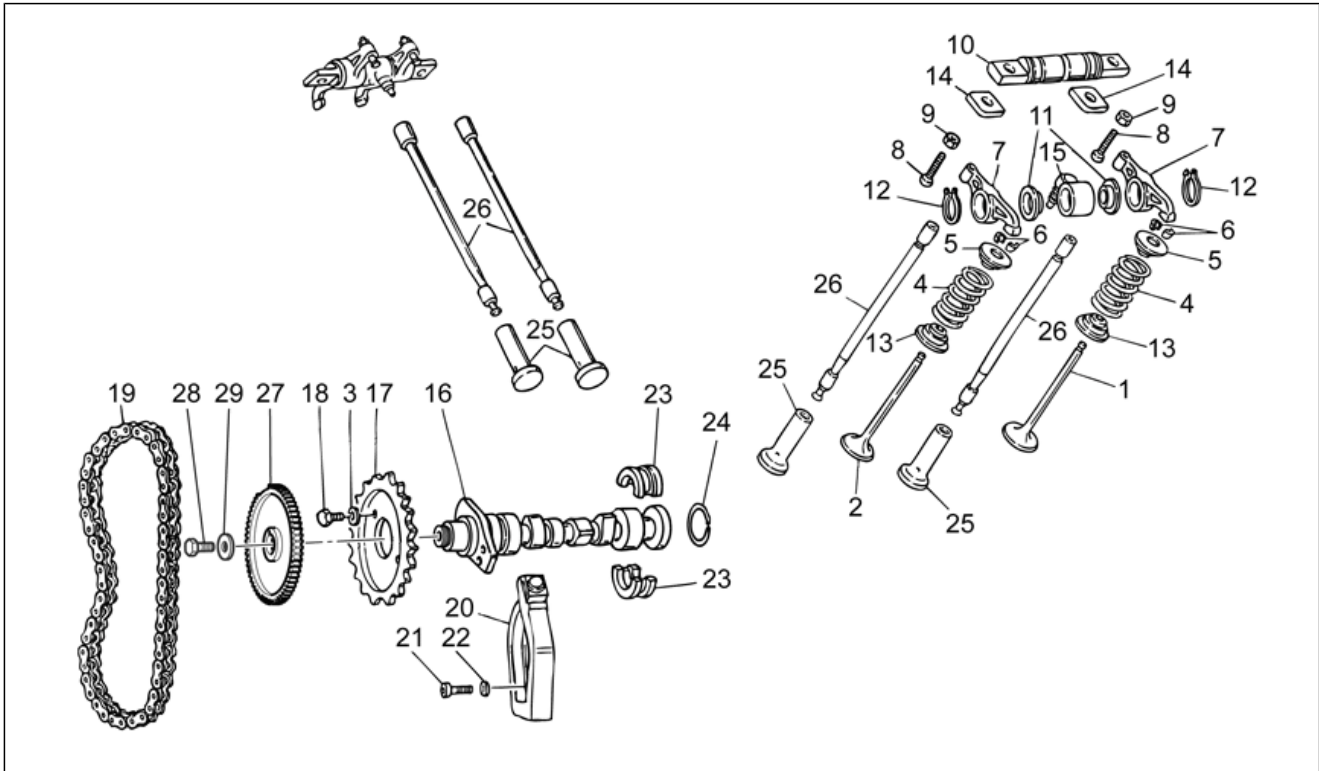
Pos.	Code	Description	Quant	Variants
1	2A0000995	Arbre moteur	1	
2	GU19065400	Bouchon	1	
3	GU27061585	Bielle cpl.	2	
4	GU19062261	Vis	4	
5	GU14615901	Rondelle 8,4X13X0,8	6	
6	GU27062060	Demi-coussinet	4	
7	GU27065660	Demi-couss.de vilebr.av.	2	
8	GU27066560	Demi-couss.de vilebr.ar.	2	
9	GU27066460	Demi-etau	2	
10	8872690001	Piston compl. d.80 Cat. D	1	
10	8872690002	Piston compl. d.80 Cat. E	1	
10	8872690003	Piston compl. d.80 Cat. F	1	
11	886670	Garniture cylindre	2	
12	GU61027200	Joint torique	2	
13	B063016	Axe	2	
14	874567	Bague de butée	4	
15	B063465	Cylindre av.piston cpl.	2	
16	B063466	Ensemble de segments	2	
17	GU27061885	Douille	2	
18	GU19067700	Vis	6	

Groupe	MOTEUR
Code	34.38
Description	Distribution
Révision	1



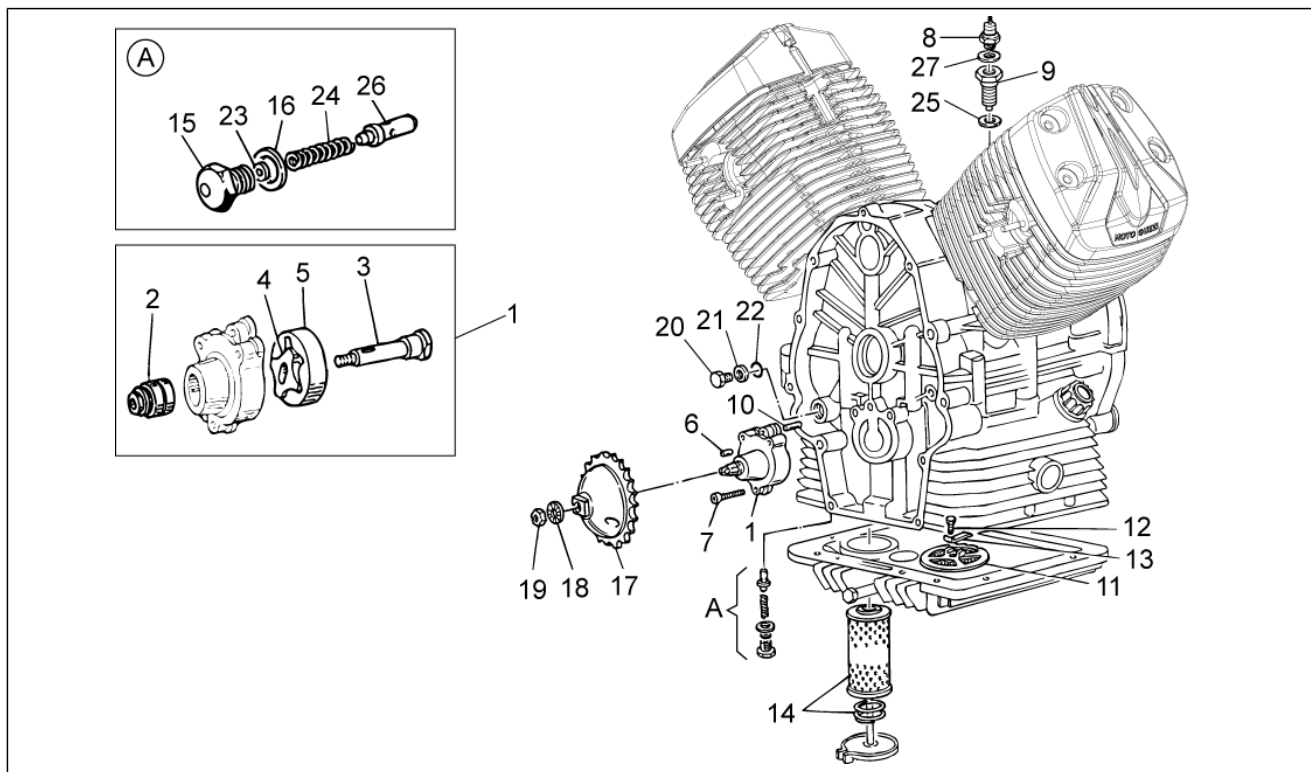
Pos.	Code	Description	Quant	Variants
1	2A000146	Soupape d'admission	2	
2	2A000147	Soupape decharge	2	
3	GU23217800	Rondelle de séreté	2	
4	GU27037521	Ressort	4	
5	GU31038015	Coupelle supérieur	4	
6	GU61038100	Demi-clavette	8	
7	GU19030500	Culbuteur	4	
8	GU19034000	Vis	4	
9	GU92602406	Ecrou M6x1	4	
10	GU19032080	Axe culbuteur	2	
11	GU32032310	Rondelle éventail	4	
12	GU90271018	Bague seeger	4	
13	GU31037015	Coupelle inférieure	4	
14	GU19032980	Cale	4	
15	GU19027500	Manchon	2	
16	GU32053410	Arbre à cames	1	
17	GU32054510	Engrenage distribution	1	
18	GU61054900	Boulon	2	
19	GU19058021	Chaîne de distribution	1	
20	GU19058220	Tendeur de chaine	1	
21	GU98882316	Vis	1	
22	GU95129115	Rondelle	1	
23	GU19055700	Secteur	2	
24	GU90353029	Anneau élastique	1	
25	GU19045861	Poussoir	4	
26	GU31045015	Culbuteur tige	4	
27	887528	Wheel speed sensor, LH front	1	
28	GU98054422	Vis M8x22	1	

Groupe	MOTEUR
Code	34.38
Description	Distribution
Révision	1



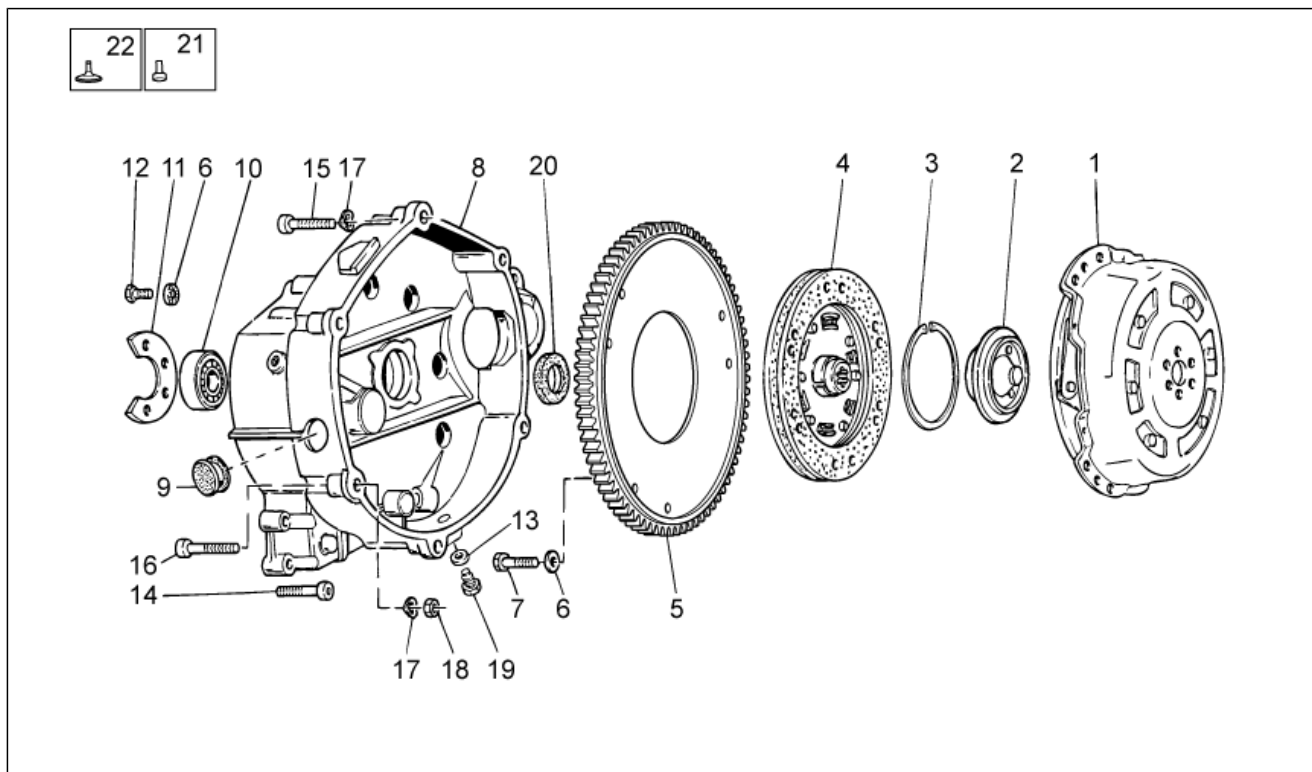
Pos.	Code	Description	Quant	Variants
29	GU95100244	Rondelle	1	

Groupe	MOTEUR
Code	34.39
Description	Pompe huile
Révision	1



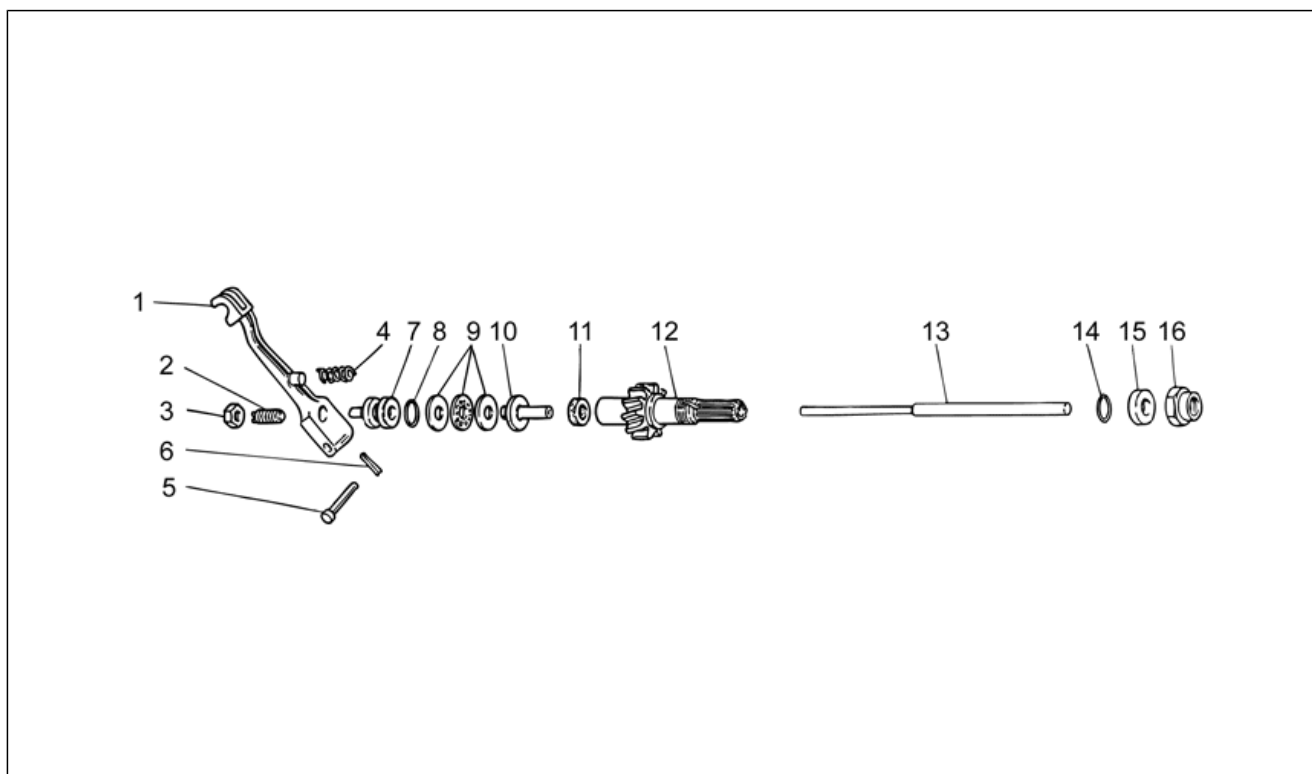
Pos.	Code	Description	Quant	Variants
1	GU19146422	Pompe huile	1	
2	GU92252210	Roulement à rouleaux 10x22x20	1	
3	GU20147810	Arbre pompe huile	1	
4	GU20148410	Rotor intérieur	1	
5	GU20148610	Rotor extérieur	1	
6	GU92296723	Rouleau	1	
7	884039	Vis M6x35	3	
8	641541	Capteur de pression d'huile	1	
9	887093	Raccord	1	
10	GU19018920	Goupille	2	
11	GU19152200	Filtre à huile	1	
12	GU98084314	Vis M6x14	1	
13	GU95187006	Plaquette	1	
14	GU27153085	Filtre à huile	1	
15	GU31159050	Bouchon	1	
16	GU18144350	Rondelle 18,25x24x1	3	
17	GU20147710	Pignon de pompe	1	
18	AP8152220	Rondelle	1	
19	GU92602510	Ecrou M10x1,25	1	
20	GU31016050	Bouchon	1	
21	GU18161150	Garniture 14,25	1	
22	GU90706111	Joint torique	1	
23	GU95008206	Rondelle 6,15x11x0,8	3	
24	GU94321079	Ressort	1	
25	GU95100602	Joint	1	
26	GU31159050	Piston	1	
27	GU95100309	Rondelle	1	

Groupe	MOTEUR
Code	34.40
Description	Embrague I
Révision	1



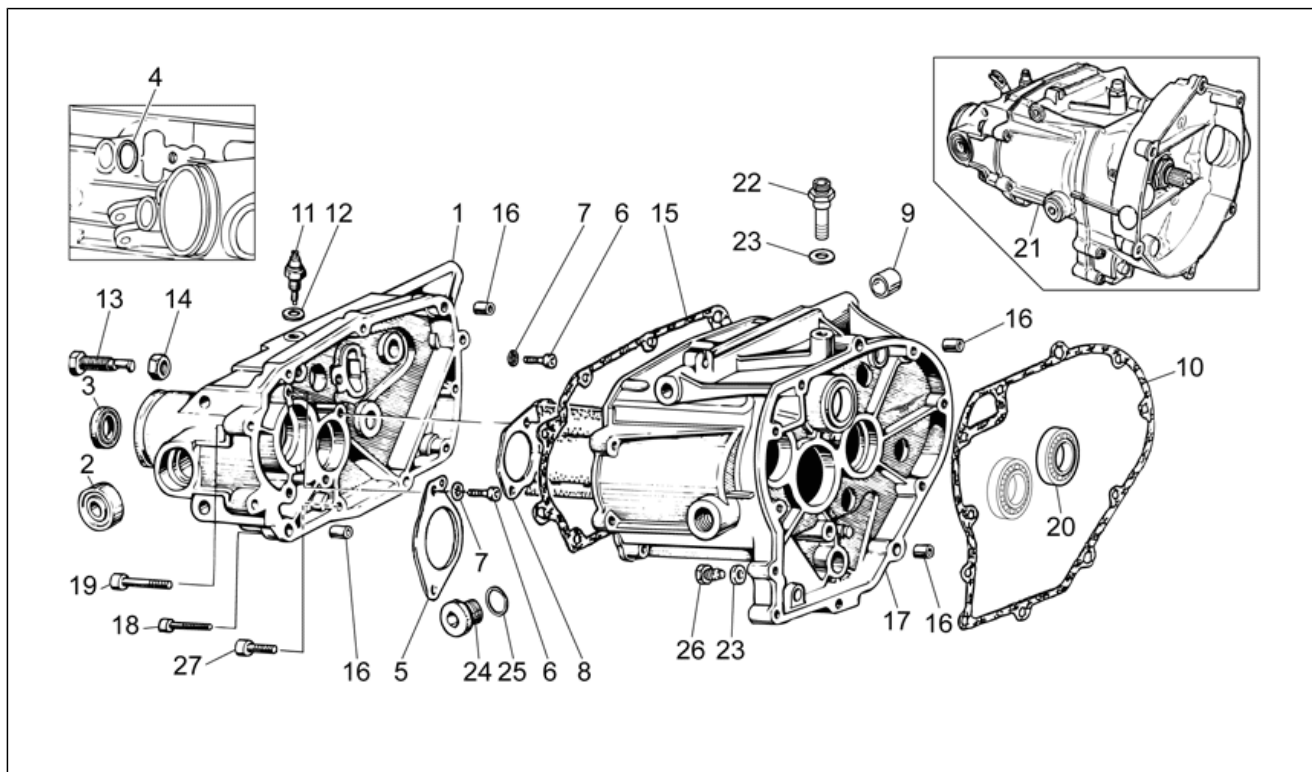
Pos.	Code	Description	Quant	Variants
1	GU32080310	Embrayage	1	
2	GU19083462	Cuvette	1	
3	GU90272075	Anneau élastique	1	
4	GU32084410	Disque embrayage mené	1	
5	GU32067910	Couronne	1	
6	GU14217901	Rondelle 6,4x10x0,7	9	
7	884038	Vis M6x16	6	
8	2A000106	Cloche embrayage	1	
9	GU93180220	Bouchon	1	
10	GU92201225	Roulement 25x52x15	1	
11	GU19203460	Plaque fixation palier	1	
12	GU98084314	Vis M6x14	3	
13	GU10528900	Garniture	1	
14	884032	Vis M6x30	11	
15	GU98680435	Vis M8x35	5	
16	GU98680450	Vis M8x50	1	
17	GU61270300	Rondelle élastique 8x15x0,3	6	
18	GU92606208	Ecrou M8x1,25	1	
19	GU31003766	Bouchon vid.huile M10x1	1	
20	886629	Bague d'étanchéité	1	
21	GU23204471	Gicleur	1	
22	GU23204571	Gicleur	1	

Groupe	MOTEUR
Code	34.41
Description	Embrague II
Révision	1



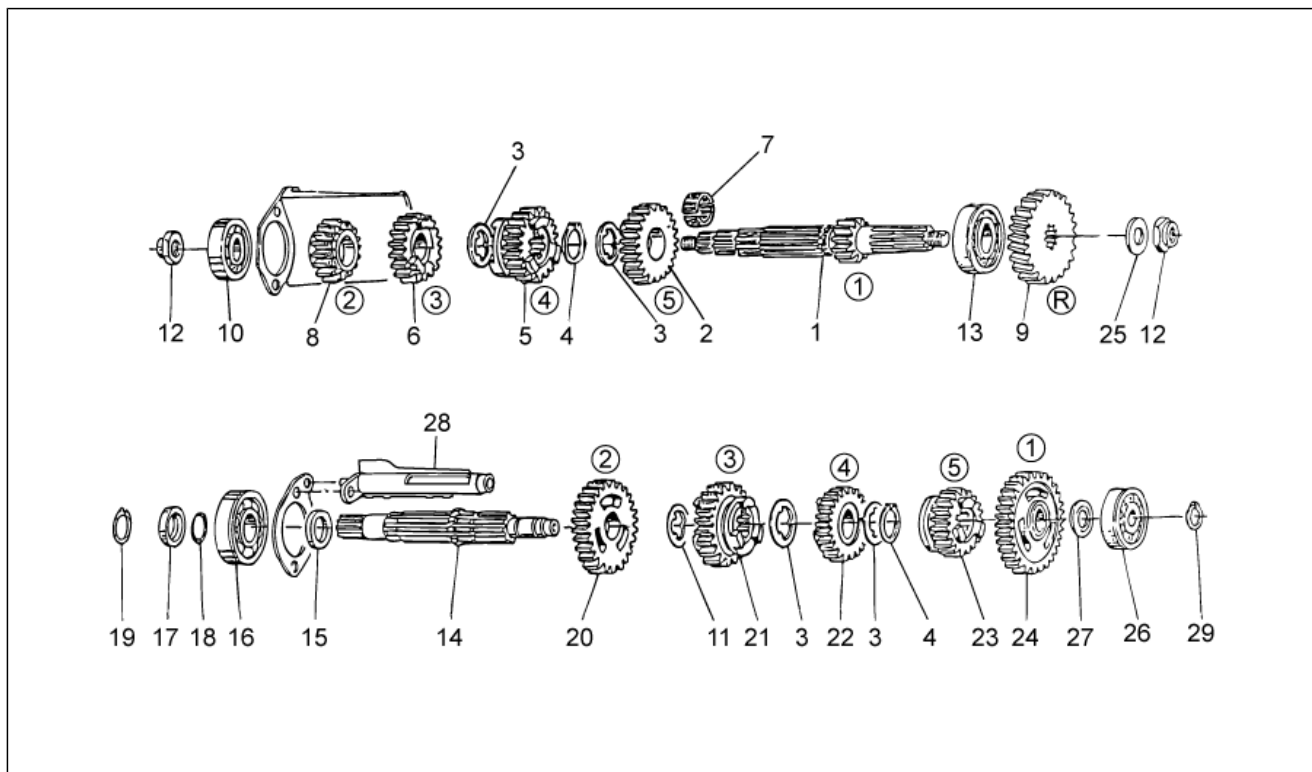
Pos.	Code	Description	Quant	Variants
1	GU14090201	Débrayage	1	
2	GU14090400	Vis embrayage	1	
3	GU92606508	Ecrou	1	
4	GU94321105	Retour levier démarrage	1	
5	GU95780271	Goupille 7x39	1	
6	GU95500222	Goupille	1	
7	GU14086100	Corps extérieur	1	
8	GU90706170	Joint torique 17,13x2,62	1	
9	GU12087001	Palier poussée	1	
10	GU14086000	Corps intérieur	1	
11	GU90400616	Bague d'étanchéité 6x16x7	1	
12	GU27210760	Arbre trnsmission Z=16	1	
13	GU20085720	Tige	1	
14	GU90706235	Joint torique 23,52x1,78	1	
15	GU19213760	Entretoise	1	
16	GU19356760	Ecrou	1	

Groupe	MOTEUR
Code	34.42
Description	Cartier de boîte vitesses
Révision	1



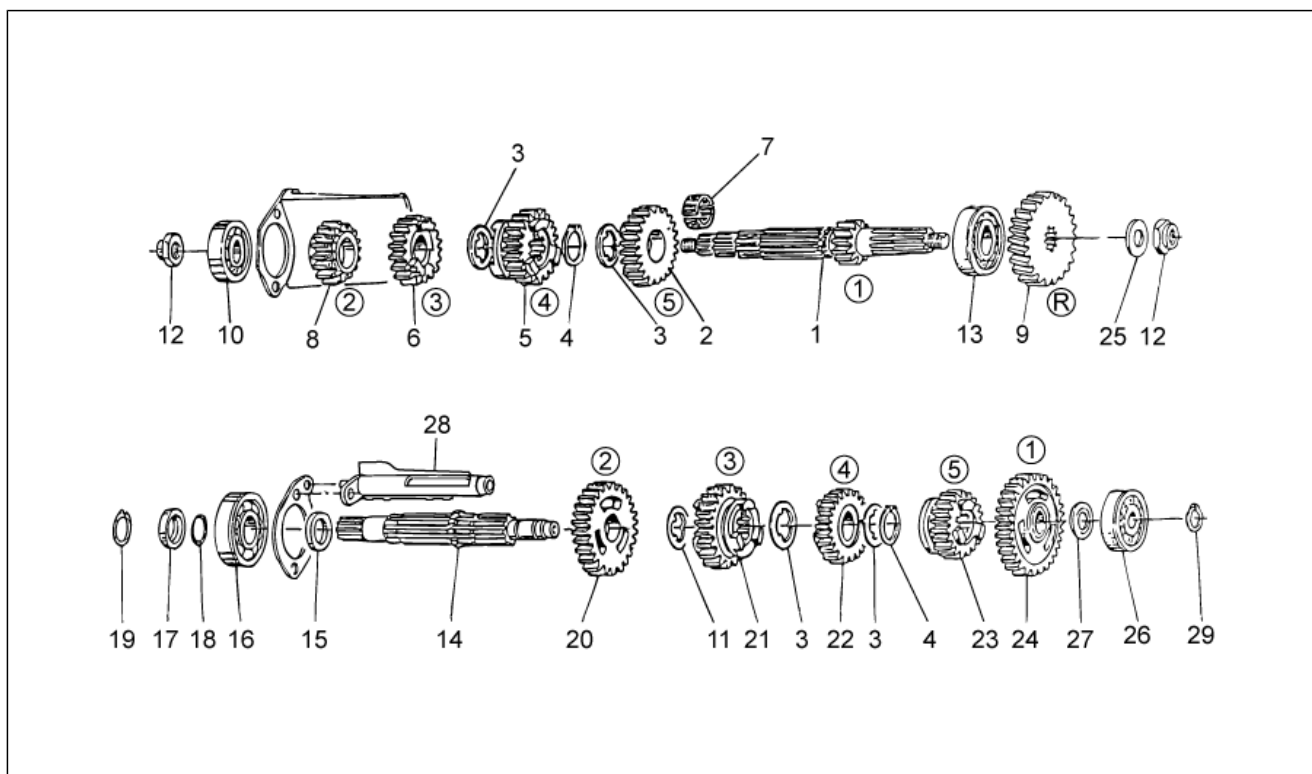
Pos.	Code	Description	Quant	Variants
1	2A000098	Couvercle boîte de vitesses	1	
2	2A000097	Roulement à billes 6202-2RSH/C3 LHT23	2	
3	886364	Bague d'étanchéité 28x40x7	1	
4	GU90706140	Joint torique 13,95x2,92	1	
5	GU32213810	Plaque	1	
6	884031	Vis M6x14	4	
7	GU14217901	Rondelle 6,4x10x0,7	4	
8	GU32208210	Huile cloison	1	
9	GU19202320	Douille 10,25x15,7x8	2	
10	887005	Joint	1	
11	B063269	Capteur	1	
12	GU12154200	Joint 8,25x15x1	1	
13	GU19237800	Vis M12x1,25	1	
14	GU92606512	Ecrou bas M12x1,25	1	
15	887006	Joint	1	
16	GU19002020	Douille 6,6x9x13	4	
17	887235	Cartier de boîte vitesses	1	
18	GU98682330	Vis M6x20	5	
19	GU98680435	Vis M8x35	4	
20	B063342	Roulement à billes 6004/C3	1	
21	976992	Boîte de vitesses cpl.	1	
22	GU32206510	Bouchon purge	1	
23	GU10528900	Garniture	2	
24	GU12022600	Bouchon huile	1	
25	GU90706203	Joint torique 20,24x2,62	1	
26	GU31003766	Bouchon vid.huile M10x1	1	
27	AP8150285	Vis M6x35	2	

Groupe	MOTEUR
Code	34.43
Description	Boîte de vitesses
Révision	1



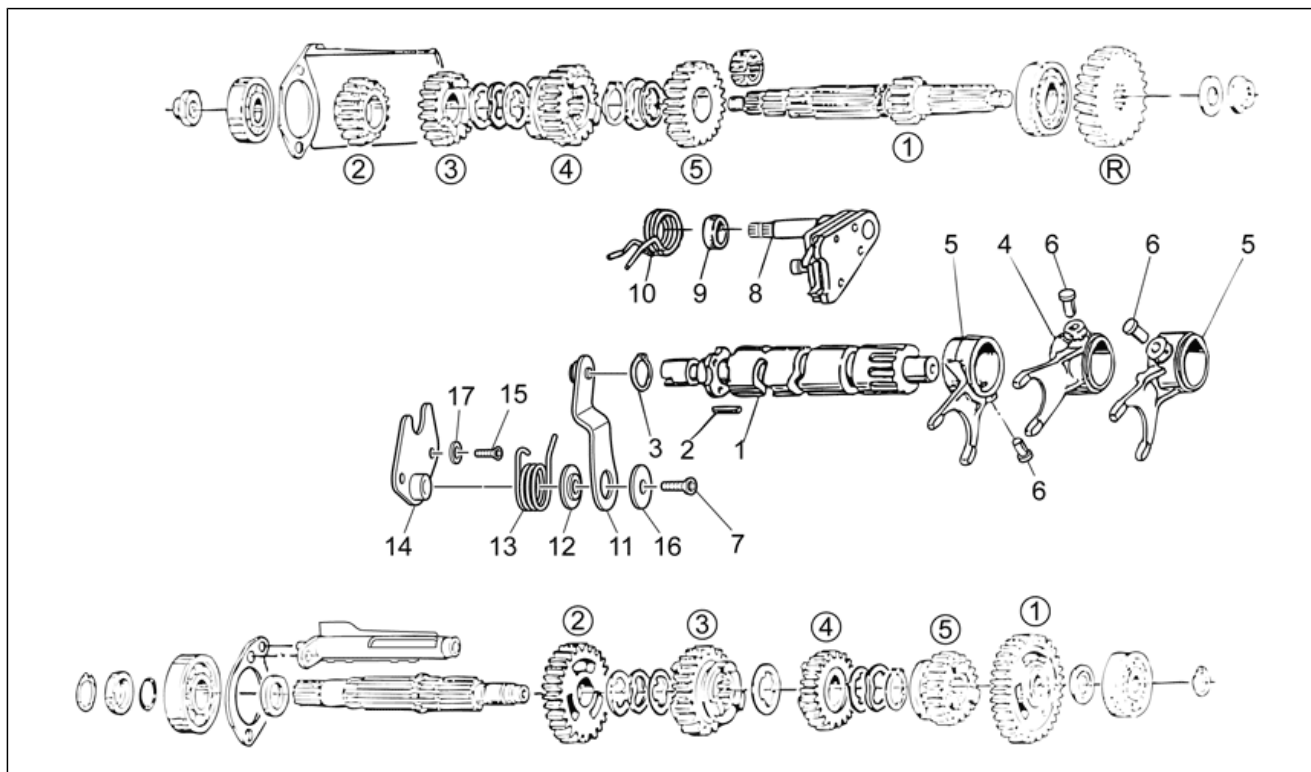
Pos.	Code	Description	Quant	Variants
1	GU32210510	Arbre primaire Z=11	1	
2	GU32212011	Engrenage 5a AP Z=25	1	
3	GU19215460	Rondelle éventail	3	
4	GU90271124	Bague seeger	2	
5	GU32211810	Engrenage 4a AP Z=18	1	
6	GU32211410	Engrenage 3a AP Z=18	1	
7	GU92251028	Cage à rouleaux	1	
8	GU23211372	Engrenage 2a AP Z=14	1	
9	GU32211110	Pignon interméd. AP Z=21	1	
10	GU92218417	Roulement AP 17x40x17,5	1	
11	GU19214660	Rondelle d'appui	2	
12	GU10054100	Ecrou	2	
13	GU92230320	Roulement AP 20x37x17	1	
14	GU32213610	Arbre secondaire	1	
15	GU19212900	Entretoise	1	
16	GU92201220	Roulement 20X47X14	1	
17	GU19213720	Entretoise	1	
18	GU90706188	Bague d'étanchéité 18,77X1,78	1	
19	GU90271121	Bague seeger	1	
20	GU32214510	Engrenage 2a AS Z=23	1	
21	GU32214810	Engrenage 3a AS Z=23	1	
22	GU32215010	Engrenage 4a AS Z=19	1	
23	GU32215210	Engrenage 5a AS Z=22	1	
24	GU32214010	Engrenage 1a AS Z=26	1	
25	GU39238100	Rondelle d'appui	1	
26	GU92234716	Roulement	1	
27	GU10214300	Cale 1,5 mm	1	
27	GU10214301	Cale 1,7 mm	1	

Groupe	MOTEUR
Code	34.43
Description	Boîte de vitesses
Révision	1



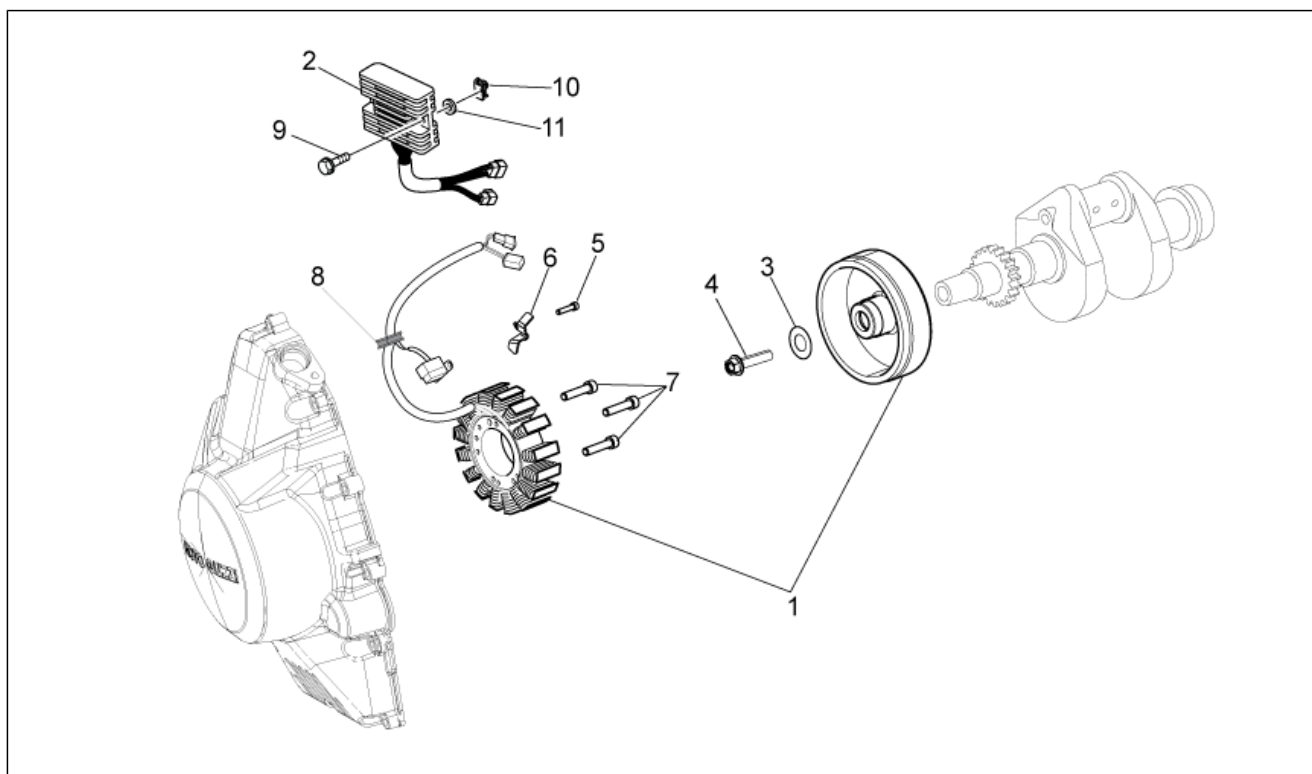
Pos.	Code	Description	Quant	Variants
27	GU10214302	Cale 1,8 mm	1	
27	GU10214303	Cale 1,9 mm	1	
27	GU10214304	Rondelle 2 mm	1	
27	GU10214305	Cale 2,1 mm	1	
28	GU32202010	Egouttoir	1	
29	GU90271117	Bague seeger	1	

Groupe	MOTEUR
Code	34.44
Description	Selecteur boîte de vitesses
Révision	1



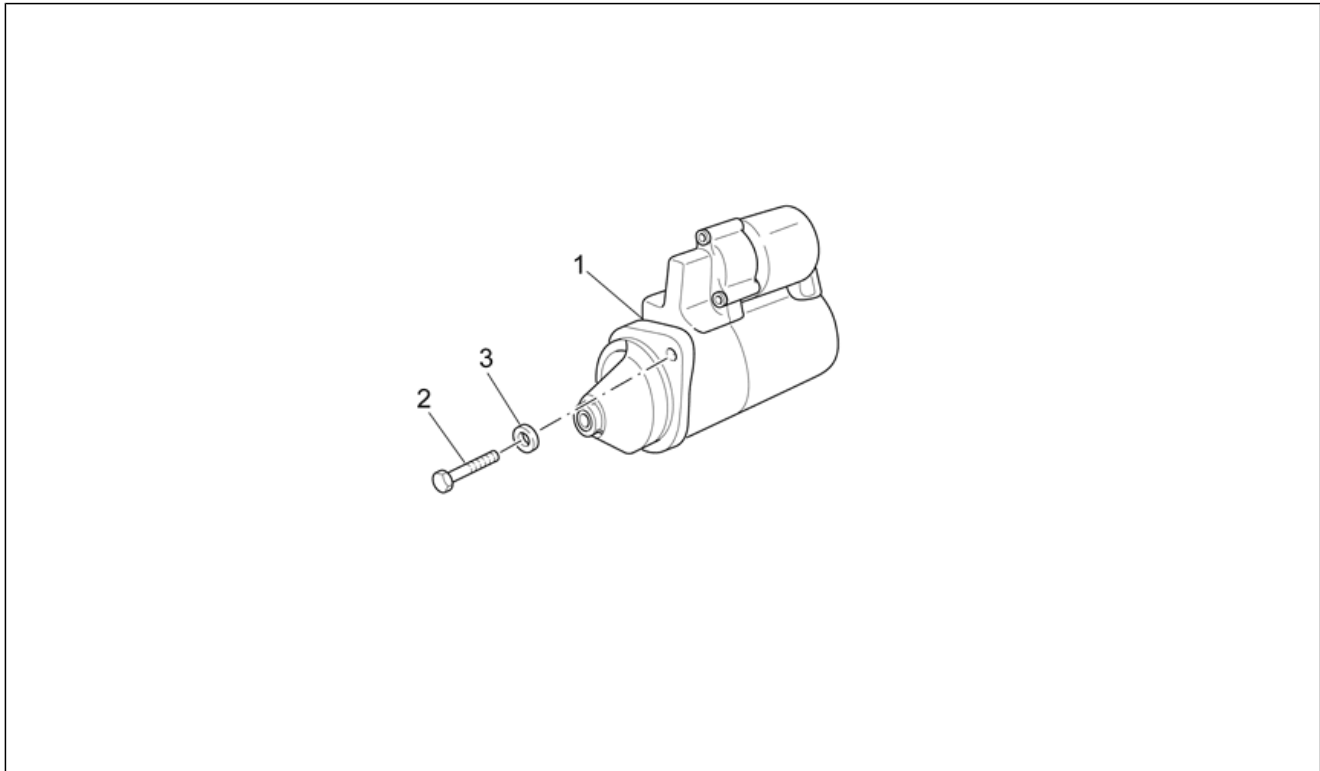
Pos.	Code	Description	Quant	Variants
1	GU32234410	Desmodromique	1	
2	GU19234600	Tige	4	
3	GU90274026	Anneau élastique	1	
4	GU32231210	Fourchette AP	1	
5	GU32231010	Fourchette AS	2	
6	GU32233010	Rouleau	3	
7	GU98230612	Vis	1	
8	887196	Preselecteur complet	1	
9	GU20208520	Entretoise	1	
10	GU32238210	Ressort	1	
11	GU32234710	Levier	1	
12	GU32234810	Rondelle	1	
13	GU32234110	Ressort	1	
14	GU32235710	Plaque	1	
15	GU98257618	Vis FHC M6x18	2	
16	GU32234910	Rondelle 6,4x20x1	1	
17	GU14217901	Rondelle 6,4x10x0,7	2	

Groupe	MOTEUR
Code	34.45
Description	Alternateur - Régul.
Révision	1



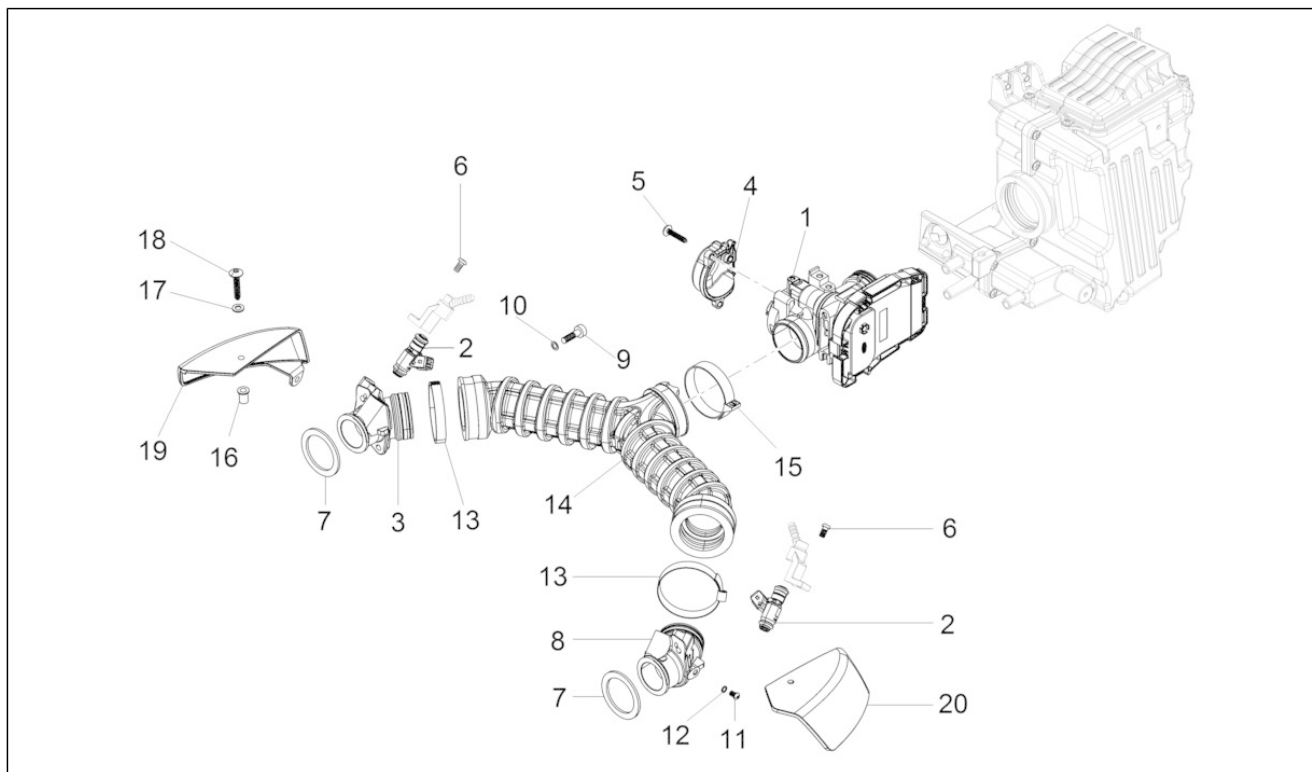
Pos.	Code	Description	Quant	Variants
1	2D000024	Volant magnétique compl.	1	
2	2D000043	Régulateur de tension	1	
3	897478	Rondelle 12x26.5x3	1	
4	857206	Vis bride M12X1,25X50	1	
5	GU98682212	Vis M5x12	1	
6	2A000115	Plaquette	1	
7	2A000129	Vis TCHC basse M6x35	3	
8	GU19007700	Caoutchouc	1	
9	AP8152281	Vis bride M6x30	2	
10	254485	Plaquette elastique M6	2	
11	GU95100125	Rondelle	2	

Groupe	MOTEUR
Code	34.46
Description	Démarrreur
Révision	1



Pos.	Code	Description	Quant	Variants
1	GU05730730	Démarrreur Bosch	1	
2	GU98682435	Vis	2	
3	GU95008208	Rondelle 8,4X15X1,5	2	

Groupe	MOTEUR
Code	34.47
Description	Corps à papillon
Révision	1



Pos.	Code	Description	Quant	Variants
1	CM228303	Centrale électronique d'injection	1	Pays:Japon[J]
1	CM228304	Centrale électronique d'injection	1	
2	B063049	Injecteur	2	
3	GU32115010	Pipe d.	1	
4	880260	Protection Corps à papillon	1	
5	B016796	Vis à tête bombée Torx	3	
6	AP8152298	Vis bride M5x16	2	
7	GU32115510	Joint	2	
8	GU32115011	Pipe g.	1	
9	GU98622322	Vis	4	
10	GU03013800	Rondelle 6,4x12	4	
11	884029	Vis M6x10	2	
12	GU95100116	Rondelle 6,25x10x1,5	2	
13	884311	Collier D.61	2	
14	887812	Manchon corps papil.	1	
15	884310	Collier D.55	1	
16	GU93231605	Douille anti vibr.	4	
17	GU30577800	Rondelle nylon 5,5X12X1	4	
18	GU98370515	Vis	4	
19	2B000971	Couvercle D	1	
20	2B000972	Couvercle G	1	



PIAGGIO & C.s.p.a.



SPARE PARTS CATALOGUE

V7 Special 750 USA/CND 2015

Chassis prefix: ZGULWUA1

Engine prefix:



Index

Finished products.....	4
Alphanumeric index.....	5
FRAME.....	10
Table 33.01 - Frame I.....	10
Table 33.02 - Frame II.....	11
Table 33.03 - Lateral stand.....	12
Table 33.04 - Front footrests.....	13
Table 33.05 - Rear footrests.....	14
Table 33.06 - Gear lever.....	15
Table 33.07 - Front fork I.....	16
Table 33.08 - Fron fork II.....	17
Table 33.11 - Rear shock absorber.....	19
Table 33.12 - Fuel tank.....	20
Table 33.13 - Front body - Front mudguard.....	21
Table 33.14 - Saddle-Central bod.....	22
Table 33.15 - Rear body I- Mudguard.....	23
Table 33.16 - Rear body II- Plate holder.....	24
Table 33.17 - Dashboard.....	25
Table 33.18 - Handlebar - Controls.....	26
Table 33.19 - Front brake system.....	27
Table 33.21 - Fuel pump.....	28
Table 33.22 - Air box.....	29
Table 33.23 - Exhaust unit.....	31
Table 33.24 - Front wheel I.....	33
Table 33.25 - Rear wheel I.....	34
Table 33.26 - Rear master cylinder.....	35
Table 33.27 - Rear brake caliper.....	36
Table 33.28 - Front lights.....	37
Table 33.29 - Rear lights.....	38
Table 33.30 - Electrical system I.....	39
Table 33.31 - Electrical system II.....	40
Table 33.32 - Lock hardware kit.....	42
Table 33.33 - Decal and plate set.....	43
Table 33.48 - Fuel vapour recover system.....	44
ENGINE.....	45
Table 34.09 - Transmission complete I.....	45
Table 34.10 - Transmission complete II.....	46
Table 34.34 - Crank-case.....	49
Table 34.35 - Timing system cover.....	50
Table 34.36 - Cylinder head.....	51
Table 34.37 - Crankshaft cpl.....	52
Table 34.38 - Timing system.....	53
Table 34.39 - Oil pump.....	55



Table 34.40 - Clutch I.....	56
Table 34.41 - Clutch II.....	57
Table 34.42 - Transmission cage.....	58
Table 34.43 - Gear box.....	59
Table 34.44 - Gear box selector.....	61
Table 34.45 - Generator - Regulator.....	62
Table 34.46 - Starter motor.....	63
Table 34.47 - Throttle body.....	64



Finished products

Code	Validity
GU9032110CAF00	
GU9032110CAF03	
GU9032110CAF04	
GU9032110USF00	
GU9032110USF03	
GU9032110USF04	



Code	No. table	Pos.	Code	No. table	Pos.	Code	No. table	Pos.
080341	33.30	6	860651	34.09	19	887279	34.36	24
248419	33.26	19	874567	34.37	14	887431	33.27	3
254485	33.15	4	880260	34.47	4	887443	33.33	9
254485	33.22	14	883011	34.09	11	887448	33.25	12
254485	33.23	20	883015	33.05	13	887449	33.27	1
254485	33.28	20	883019	33.05	12	887481	33.30	12
254485	34.45	10	883051	33.04	1	887483	34.36	25
2A000085	34.35	1	883052	33.04	2	887523	34.36	9
2A000097	34.42	2	883127	33.22	6	887528	34.38	27
2A000098	34.42	1	883161	33.31	11	887787	33.21	5
2A0000995	34.37	1	883192	33.27	7	887812	34.47	14
2A000106	34.40	8	883266	33.13	2	887815	33.22	13
2A000115	34.45	6	883293	33.23	15	887825	33.30	1
2A000129	34.45	7	883294	33.23	4	887825	33.31	1
2A000146	34.38	1	883295	33.14	5	887837	33.01	1
2A000147	34.38	2	883297	33.23	13	8878421	33.22	1
2A000235	34.34	1	883298	33.23	14	887843	33.22	2
2B000045	33.22	27	883303	33.19	13	887844	33.22	11
2B000176	33.23	11	883349	33.25	8	887845	33.22	12
2B000177	33.23	10	883350	33.25	7	887846	33.23	1
2B000348	33.05	13	883417	33.28	18	887847	33.23	2
2B000349	33.05	12	883470	33.16	6	887851	33.06	1
2B000559	33.07	1	883471	33.03	1	887852	33.18	4
2B000840	33.14	16	883476	33.32	3	887853	33.18	5
2B000878	33.14	9	883477	33.32	1	887878	33.08	1
2B000971	34.47	19	883478	33.29	5	887879	33.08	2
2B000972	34.47	20	883479	33.29	1	887880	33.08	3
2D000006	33.32	10	883480	33.16	9	887882	33.08	5
2D000024	34.45	1	883502	33.12	5	887883	33.08	6
2D000043	34.45	2	883569	33.17	11	887884	33.08	7
2G000011	33.33	16	883598	33.33	7	887885	33.08	8
2G000012	33.33	17	883688	33.24	10	887886	33.08	9
2G000013	33.33	18	883704	33.23	25	887887	33.08	10
2H000020000XN2	33.12	1	883802	33.18	10	887888	33.08	11
2H000021000XN2	33.14	10	883826	34.34	18	887889	33.08	12
2H000022000XN2	33.14	17	884029	34.47	11	887890	33.08	13
2H000023	33.33	14	884031	34.42	6	887891	33.08	14
2H000024	33.33	13	884032	34.40	14	887892	33.08	15
2H000025	33.33	4	884035	33.11	1	887893	33.08	16
2H000026	33.33	12	884038	34.40	7	887894	33.08	17
2H000027	33.33	5	884039	34.39	7	887895	33.08	18
2H000028	33.33	6	884310	34.47	15	887896	33.08	19
2H000077000YE5	33.12	1	884311	34.47	13	887898	33.08	21
2H000078000YE5	33.14	10	886141	33.33	15	887899	33.08	22
2H000079000YE5	33.14	17	886340	33.33	1	887900	33.08	23
2H000080	33.33	14	88635200XN2	33.13	1	887901	33.08	24
2H000081	33.33	13	886364	34.42	3	887902	33.08	25
2H000082	33.33	4	886365	34.34	10	887903	33.08	26
2H000083	33.33	12	886629	34.40	20	887904	33.08	27
2H000084	33.33	5	886670	34.37	11	887905	33.08	28
2H000085	33.33	6	886679	33.24	18	887908	33.26	26
2L0001895	34.34	28	886680	33.25	20	887910	33.26	1
2Q000044	33.33	10	887002	34.36	10	887911	33.26	24
2R000109	33.08	29	887003	34.35	2	887912	33.08	30
2R000110	33.08	4	887004	34.34	13	887913	33.08	31
584211	33.31	10	887005	34.42	10	887914	33.08	32
638733	33.31	6	887006	34.42	15	887915	33.08	33
641040	33.30	8	887093	34.39	9	887916	33.08	34
641541	34.39	8	887194	33.17	1	887930	33.33	2
641725	33.30	7	887195	33.17	1	887931	33.33	3
641901	33.30	4	887196	34.44	8	88793900A1	33.14	1
642034	33.30	3	887235	34.42	17	887944	33.12	1
658837	33.26	11	8872690001	34.37	10	887948	33.30	13
832029	33.30	14	8872690002	34.37	10	887952	33.26	27
856063	33.48	14	8872690003	34.37	10	890760	33.22	16
857206	34.45	4	8872724	34.36	1	890979	33.28	16
860138	33.48	7	8872754	34.36	2	893570	33.31	19



Code	No. table	Pos.	Code	No. table	Pos.	Code	No. table	Pos.
894505	33.25	13	AP8121032	33.17	7	AP8152300	33.27	13
894704	33.31	26	AP8121072	33.23	22	AP8152306	33.16	5
895839	33.33	8	AP8121133	33.05	6	AP8152329	33.15	11
896110	33.23	21	AP8121267	33.48	10	AP8152329	33.22	18
897478	34.45	3	AP8121307	33.07	4	AP8152339	33.14	14
898164	33.11	3	AP8121367	33.02	10	AP8152385	33.19	16
969973	34.36	26	AP8121420	33.14	7	AP8152409	33.04	9
976604	34.34	12	AP8121420	33.32	8	AP8152409	33.05	9
976608	34.10	1	AP8121566	33.04	8	AP8181140	33.31	24
976685	34.34	16	AP8121566	33.05	4	AP8201358	33.22	3
976898	34.36	20	AP8121607	33.03	2	AP8201358	33.22	34
976941	34.09	1	AP8121673	33.12	12	AP8201358	33.48	13
976992	34.42	21	AP8121915	33.19	14	AP8213028	33.18	23
977527	33.14	6	AP8121915	33.27	8	AP8213057	33.26	15
977527	33.32	4	AP8124718	33.16	7	AP8213388	33.18	18
978311	33.28	2	AP8124936	33.30	2	AP8213575	33.27	23
978323	33.19	15	AP8127856	33.03	8	AP8220283	33.31	22
978385	33.23	12	AP8133643	33.26	14	AP8220460	33.07	6
978415	33.14	8	AP8133798	33.27	2	AP8221023	33.22	26
978415	33.32	9	AP8133799	33.27	11	AP8221114	33.48	16
978570	33.18	10	AP8133800	33.27	12	AP8221197	33.03	5
978940	33.14	10	AP8134378	33.23	18	AP8221277	33.04	6
978943	33.14	17	AP8134451	33.05	5	AP8224462	33.31	21
978946	33.15	1	AP8144007	33.26	4	AP8257742	33.33	21
97894600XN2	33.15	1	AP8144071	33.23	16	AP8257794	33.33	20
978947	33.15	2	AP8144071	34.36	23	B016796	34.47	5
978951	33.01	12	AP8144081	33.07	5	B043850	33.31	23
978952	33.01	16	AP8144146	33.07	3	B045974	33.33	19
978960	33.18	1	AP8144538	33.22	15	B063016	34.37	13
978969	33.26	3	AP8144553	33.22	7	B063022	33.23	3
978970	33.26	13	AP8144729	33.22	17	B063033	33.21	2
981149	33.28	12	AP8145034	33.04	3	B063034	33.21	6
AP8101594	33.26	20	AP8145035	33.04	10	B063049	34.47	2
AP8101595	33.12	10	AP8149034	33.16	4	B063077	33.24	5
AP8101861	33.05	7	AP8150204	33.27	19	B063078	33.25	11
AP8102159	33.48	6	AP8150248	33.16	2	B063099	34.36	19
AP8102375	33.14	15	AP8150285	34.42	27	B063111	34.36	6
AP8102375	33.31	14	AP8150349	33.17	10	B063132	33.04	13
AP8102524	33.03	4	AP8150349	33.32	6	B063135	33.18	6
AP8102678	33.48	1	AP8150377	33.28	13	B063144	33.24	3
AP8102688	33.48	2	AP8150377	33.31	20	B063167	33.15	12
AP8102765	33.22	24	AP8150436	33.02	12	B063197	33.02	1
AP8102766	33.22	23	AP8150450	33.14	12	B063198	33.02	2
AP8102913	33.14	3	AP8150509	33.22	19	B063213	33.22	30
AP8104525	33.22	5	AP8152043	33.27	18	B063214	33.22	21
AP8104924	33.22	4	AP8152220	33.02	11	B063233	33.31	5
AP8104996	33.22	28	AP8152220	34.39	18	B063269	34.42	11
AP8113003	33.27	20	AP8152268	33.16	3	B063287	33.01	4
AP8113241	33.26	22	AP8152273	33.21	4	B063342	34.42	20
AP8113288	33.26	16	AP8152277	33.04	7	B063427	33.18	3
AP8113553	33.26	23	AP8152277	33.05	8	B063431	33.14	11
AP8120246	34.09	10	AP8152277	33.19	3	B063443	33.26	28
AP8120311	33.01	13	AP8152278	33.11	2	B063465	34.37	15
AP8120416	33.30	18	AP8152278	33.15	3	B063466	34.37	16
AP8120416	33.31	27	AP8152279	33.15	9	B063702	33.24	1
AP8120416	33.48	11	AP8152281	34.45	9	B063704	33.25	1
AP8120446	33.48	9	AP8152286	33.24	11	B063735	33.28	14
AP8120455	33.22	9	AP8152287	33.02	13	B063749	33.11	1
AP8120557	33.12	11	AP8152288	33.02	15	B063750	33.27	6
AP8120615	33.22	10	AP8152288	33.27	9	B063752	33.21	1
AP8120772	33.22	20	AP8152298	33.26	18	B063800	33.28	4
AP8120870	33.23	24	AP8152298	34.47	6	B063801	33.28	5
AP8120876	33.22	8	AP8152299	33.15	14	B063854	33.23	1
AP8120912	33.06	2	AP8152299	33.27	22	B063855	33.23	2
AP8120912	33.26	2	AP8152299	33.30	5	B063975	33.18	15
AP8121014	33.03	3	AP8152299	33.48	5	CM0074C9	33.30	10
AP8121032	33.15	13	AP8152300	33.02	14	CM0074D0	33.30	9



Code	No. table	Pos.	Code	No. table	Pos.	Code	No. table	Pos.
CM013202	33.31	25	GU12087001	34.41	9	GU19353500	34.10	24
CM225705	33.31	15	GU12154200	34.34	23	GU19355200	34.10	35
CM225710	33.31	16	GU12154200	34.42	12	GU19355202	34.10	36
CM225715	33.31	17	GU13021900	34.34	26	GU19355300	34.10	33
CM225730	33.31	18	GU13021900	34.36	12	GU19355301	34.10	33
CM228303	34.47	1	GU14086000	34.41	10	GU19355302	34.10	33
CM228304	34.47	1	GU14086100	34.41	7	GU19355303	34.10	33
GU00823923140	33.03	7	GU14090201	34.41	1	GU19355304	34.10	33
GU00823923140	33.22	32	GU14090400	34.41	2	GU19355305	34.10	33
GU00823923140	33.48	12	GU14217901	34.40	6	GU19355306	34.10	33
GU00823931055	33.28	19	GU14217901	34.42	7	GU19355307	34.10	33
GU00823931070	33.12	14	GU14217901	34.44	17	GU19355308	34.10	33
GU00823944050	33.12	13	GU14609650	33.30	18	GU19355309	34.10	33
GU00823950050	33.26	21	GU14609650	33.31	27	GU19355320	34.10	27
GU01528930	34.10	9	GU14615901	33.05	15	GU19355321	34.10	27
GU01609630	33.18	14	GU14615901	33.13	5	GU19355322	34.10	27
GU01654630	33.19	17	GU14615901	34.09	20	GU19355323	34.10	27
GU01659130	33.19	11	GU14615901	34.37	5	GU19355324	34.10	27
GU01659131	33.19	12	GU14616150	33.24	15	GU19355325	34.10	27
GU01665410	33.26	25	GU14616150	33.25	10	GU19355326	34.10	27
GU02717450	33.30	11	GU18144350	34.39	16	GU19355327	34.10	27
GU03013800	33.06	7	GU18161150	34.39	21	GU19355328	34.10	27
GU03013800	33.23	8	GU18257551	33.26	8	GU19355329	34.10	27
GU03013800	34.47	10	GU19002020	34.35	5	GU19355400	34.10	21
GU03067730	34.10	19	GU19002020	34.42	16	GU19355402	34.10	21
GU03101600	33.12	7	GU19003800	34.34	8	GU19355404	34.10	21
GU03101900	33.12	3	GU19007700	34.45	8	GU19355406	34.10	21
GU03102200	33.12	6	GU19015020	34.34	5	GU19355408	34.10	21
GU03102400	33.12	2	GU19017000	33.02	4	GU19355410	34.10	21
GU03103200	33.12	8	GU19018920	34.39	10	GU19355411	34.10	21
GU03103500	33.12	4	GU19021360	34.36	18	GU19355412	34.10	21
GU03163330	33.31	3	GU19021920	34.36	7	GU19355413	34.10	21
GU03270300	33.27	10	GU19025280	33.23	5	GU19356700	34.10	30
GU03604845	33.19	8	GU19025460	33.23	6	GU19356760	34.41	16
GU03605645	33.19	9	GU19027500	34.38	15	GU19356801	34.10	28
GU03609600	33.18	14	GU19030500	34.38	7	GU19357660	34.10	25
GU03612040	33.24	16	GU19032080	34.38	10	GU19547000	34.09	12
GU03631250	33.24	4	GU19032980	34.36	17	GU20085720	34.41	13
GU03631250	33.25	9	GU19032980	34.38	14	GU20147710	34.39	17
GU03658201	33.27	16	GU19034000	34.38	8	GU20147810	34.39	3
GU03658330	33.27	17	GU19037820	34.36	8	GU20148410	34.39	4
GU03658430	33.27	14	GU19045861	34.38	25	GU20148610	34.39	5
GU03660145	33.19	1	GU19055700	34.38	23	GU20208520	34.44	9
GU03661145	33.19	6	GU19058021	34.38	19	GU20258221	33.06	9
GU03664045	33.19	7	GU19058220	34.38	20	GU20352421	34.10	31
GU03740930	33.29	2	GU19062261	34.37	4	GU20355121	34.10	34
GU03749845	33.19	5	GU19065400	34.37	2	GU23204471	34.40	21
GU03922280	34.09	23	GU19067700	34.37	18	GU23204571	34.40	22
GU05107430	33.21	3	GU19083462	34.40	2	GU23211372	34.43	8
GU05659230	33.19	10	GU19146422	34.39	1	GU23217800	34.38	3
GU05730730	34.46	1	GU19152200	34.39	11	GU23328081	34.09	7
GU05781630	33.16	1	GU19202320	34.42	9	GU23548080	34.09	8
GU05900130	33.33	11	GU19203460	34.40	11	GU23548180	34.09	9
GU06740400	33.28	17	GU19206501	34.10	10	GU23922210	33.17	12
GU10054100	34.43	12	GU19212900	34.43	15	GU23943410	33.08	35
GU10214300	34.43	27	GU19213720	34.43	17	GU27037521	34.38	4
GU10214301	34.43	27	GU19213760	34.41	15	GU27061585	34.37	3
GU10214302	34.43	27	GU19214660	34.43	11	GU27061885	34.37	17
GU10214303	34.43	27	GU19215460	34.43	3	GU27062060	34.37	6
GU10214304	34.43	27	GU19234600	34.44	2	GU27065660	34.37	7
GU10214305	34.43	27	GU19237800	34.42	13	GU27066460	34.37	9
GU10528900	34.34	15	GU19327601	34.09	5	GU27066560	34.37	8
GU10528900	34.40	13	GU19328801	34.09	3	GU27152885	34.34	22
GU10528900	34.42	23	GU19350700	34.10	22	GU27153085	34.39	14
GU12003702	34.34	20	GU19351100	34.10	4	GU27210760	34.41	12
GU12022600	34.10	6	GU19351900	34.10	2	GU27633910	33.25	4
GU12022600	34.42	24	GU19352300	34.10	23	GU28157950	33.22	29

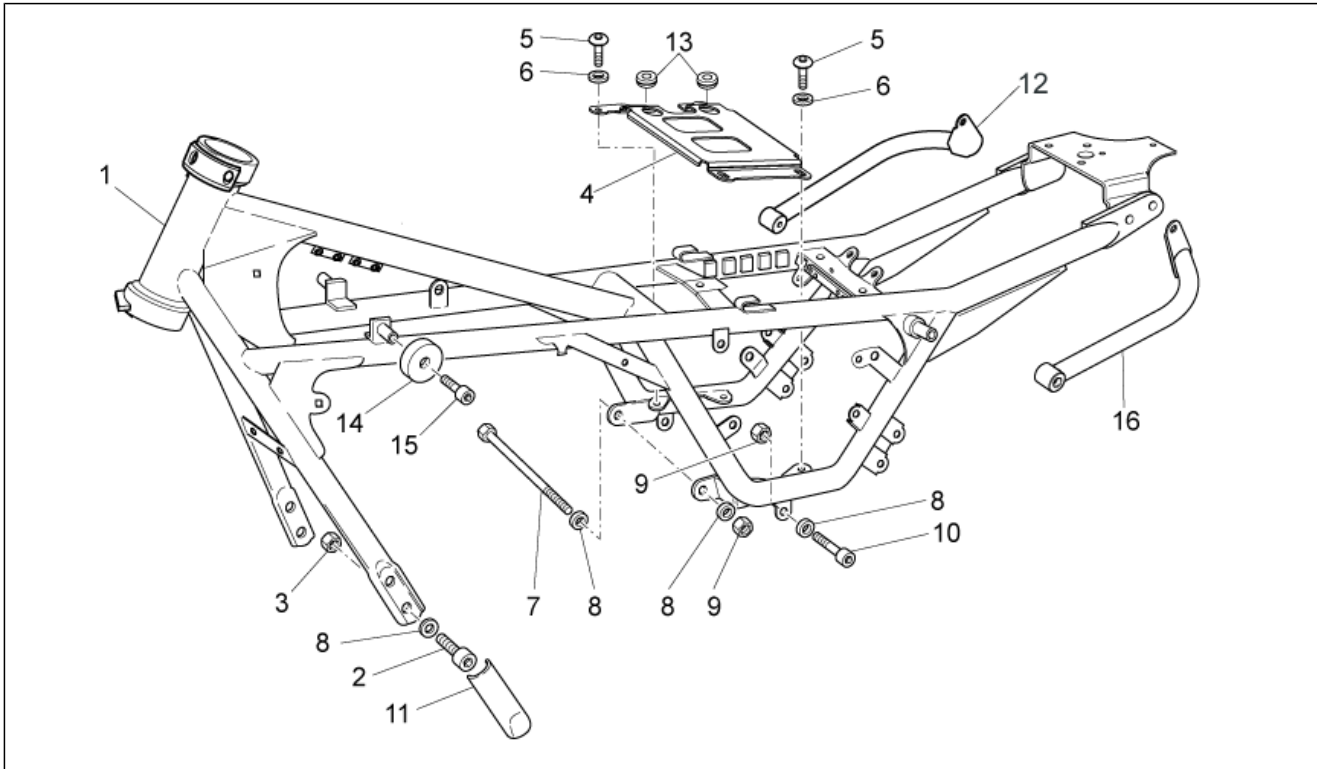


Code	No. table	Pos.	Code	No. table	Pos.	Code	No. table	Pos.
GU28157950	33.48	8	GU32235710	34.44	14	GU90271121	34.43	19
GU28252060	33.02	8	GU32238210	34.44	10	GU90271124	34.43	4
GU28612033	33.25	18	GU32256910	33.06	4	GU90272023	34.09	4
GU29729461	33.31	2	GU32257810	33.06	8	GU90272075	34.40	3
GU29759150	33.18	17	GU32350410	34.10	13	GU90274026	34.44	3
GU30577800	33.29	13	GU32351410	34.10	16	GU90353009	34.36	4
GU30577800	34.47	17	GU32354610	34.10	18	GU90353029	34.38	24
GU30601060	33.18	13	GU32431310	33.02	9	GU90353030	34.10	17
GU30602500	33.18	22	GU32432711	33.03	11	GU90400616	34.41	11
GU30630430	33.25	19	GU32433011	33.03	6	GU90402538	33.25	6
GU31003766	34.10	8	GU32434460	33.13	1	GU90402642	33.24	8
GU31003766	34.34	14	GU32439260	33.48	3	GU90403251	34.10	38
GU31003766	34.40	19	GU32441210	33.04	5	GU90403549	34.10	3
GU31003766	34.42	26	GU32441210	33.05	3	GU90407591	34.10	15
GU31016050	34.39	20	GU32442310	33.05	1	GU90706076	34.34	9
GU31037015	34.38	13	GU32442710	33.05	10	GU90706111	34.39	22
GU31038015	34.38	5	GU32443210	33.04	4	GU90706140	34.42	4
GU31045015	34.38	26	GU32443210	33.05	2	GU90706141	33.30	17
GU31112965	33.22	33	GU32443211	33.04	11	GU90706170	34.41	8
GU31121880	33.23	9	GU32443211	33.05	11	GU90706188	34.10	29
GU31150950	34.39	26	GU32457810	33.01	11	GU90706188	34.43	18
GU31159050	34.39	15	GU32461610	33.14	2	GU90706203	34.10	7
GU31327783	34.09	2	GU32504210	33.08	36	GU90706203	34.42	25
GU31439565	33.13	4	GU32506360	33.28	1	GU90706235	34.41	14
GU31513480	33.08	20	GU32517710	33.31	8	GU90706281	34.34	19
GU31544181	34.09	15	GU32555210	33.11	4	GU90706444	34.34	17
GU31547882	34.09	14	GU32555211	33.11	5	GU90706584	34.10	37
GU31610160	33.24	17	GU32602860	33.18	9	GU90714082	33.22	31
GU31614183	33.24	9	GU32603010	33.18	16	GU91113826	33.23	23
GU31615283	33.24	6	GU32603310	33.18	7	GU91120806	33.15	6
GU31616384	33.24	12	GU32605510	33.18	2	GU91180601	33.15	10
GU31634281	33.27	4	GU32613160	33.24	2	GU91181003	33.18	11
GU31634481	33.25	15	GU32615660	33.24	14	GU91181003	33.19	18
GU31740383	33.28	11	GU32632510	33.25	17	GU91551010	33.22	25
GU32032310	34.38	11	GU32633360	33.25	14	GU91551086	33.14	13
GU32053410	34.38	16	GU32633560	34.10	11	GU92201070	34.10	14
GU32054510	34.38	17	GU32634160	33.27	5	GU92201220	34.43	16
GU32067910	34.40	5	GU32636160	33.25	21	GU92201225	34.40	10
GU32080310	34.40	1	GU32657110	33.19	2	GU92204217	33.25	5
GU32084410	34.40	4	GU32692260	33.25	2	GU92204218	33.25	3
GU32115010	34.47	3	GU32735510	33.32	5	GU92204221	33.24	7
GU32115011	34.47	8	GU32747910	33.31	9	GU92218417	34.43	10
GU32115510	34.47	7	GU32750661	33.29	4	GU92230320	34.43	13
GU32121010	33.23	7	GU32753410	33.28	3	GU92234716	34.43	26
GU32202010	34.43	28	GU32753410	33.29	8	GU92249220	34.10	32
GU32206510	34.42	22	GU32753711	33.29	6	GU92249225	33.07	2
GU32208210	34.42	8	GU32781910	33.16	10	GU92249227	34.10	20
GU32210510	34.43	1	GU32782510	33.17	8	GU92251028	34.43	7
GU32211110	34.43	9	GU32782510	33.32	2	GU92252210	34.39	2
GU32211410	34.43	6	GU32999010	34.34	25	GU92252235	34.10	5
GU32211810	34.43	5	GU32999510	34.34	24	GU92296723	34.39	6
GU32212011	34.43	2	GU35214300	34.09	13	GU92602406	34.38	9
GU32213610	34.43	14	GU39238100	34.43	25	GU92602510	34.39	19
GU32213810	34.42	5	GU49609601	33.30	18	GU92603010	34.36	11
GU32214010	34.43	24	GU49609601	33.31	27	GU92606206	33.17	6
GU32214510	34.43	20	GU53429500	33.02	3	GU92606208	34.34	7
GU32214810	34.43	21	GU61027200	34.37	12	GU92606208	34.40	18
GU32215010	34.43	22	GU61036801	34.36	3	GU92606210	33.01	9
GU32215210	34.43	23	GU61038100	34.38	6	GU92606210	33.02	5
GU32231010	34.44	5	GU61054900	34.38	18	GU92606210	33.11	7
GU32231210	34.44	4	GU61270300	34.10	26	GU92606210	34.09	18
GU32233010	34.44	6	GU61270300	34.34	6	GU92606316	33.25	16
GU32234110	34.44	13	GU61270300	34.36	21	GU92606508	34.41	3
GU32234410	34.44	1	GU61270300	34.40	17	GU92606512	34.42	14
GU32234710	34.44	11	GU66103415	33.01	14	GU92609007	33.26	12
GU32234810	34.44	12	GU90271018	34.38	12	GU92630108	33.15	8
GU32234910	34.44	16	GU90271117	34.43	29	GU92630204	33.16	8



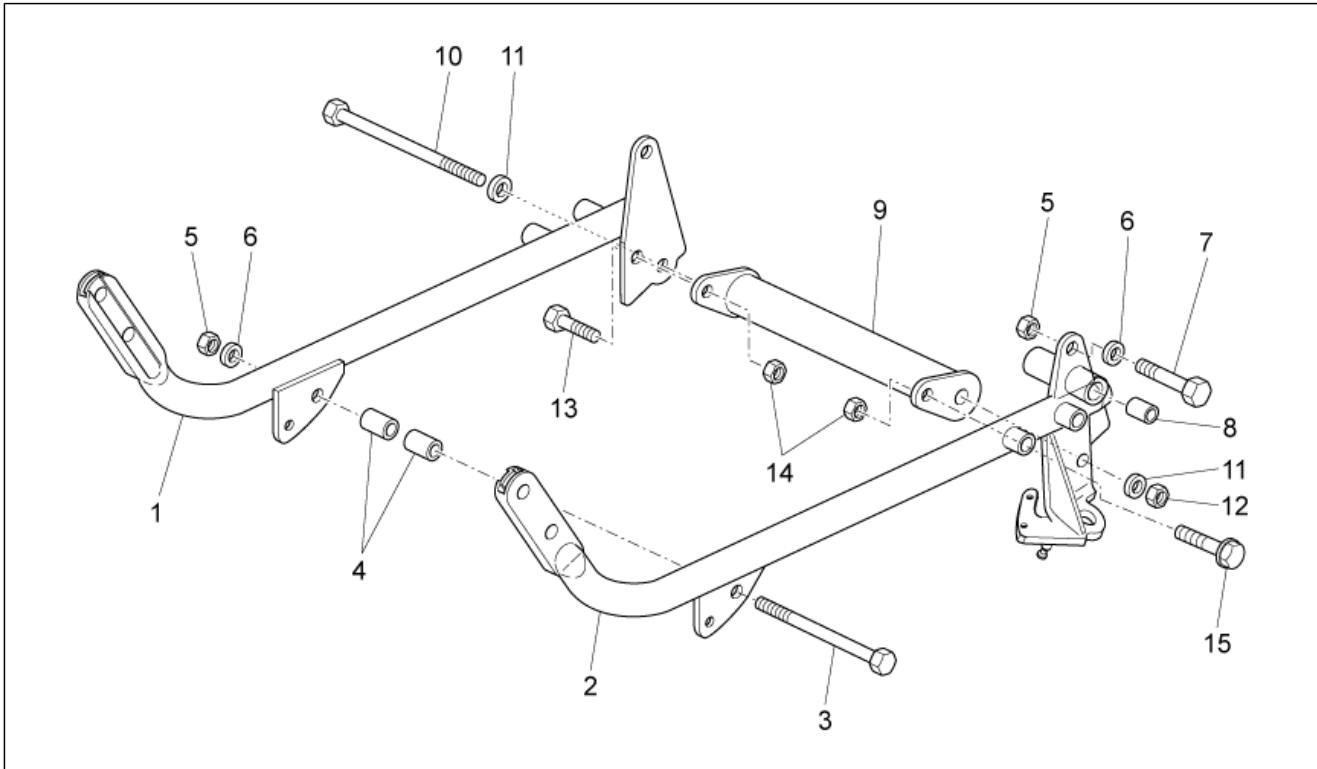
Code	No. table	Pos.	Code	No. table	Pos.
GU92630206	33.26	6	GU96451560	34.34	2
GU92630510	33.01	3	GU96506042	34.36	5
GU92630707	33.06	5	GU96508055	34.10	12
GU92640508	33.23	19	GU96508055	34.34	4
GU92660021	33.26	7	GU96510181	34.36	15
GU92787006	33.28	6	GU96510214	34.36	14
GU92787006	33.29	11	GU97202325	33.18	12
GU93180105	34.09	21	GU98054422	34.38	28
GU93180111	33.24	13	GU98082565	33.02	7
GU93180220	34.40	9	GU98084314	34.39	12
GU93180245	34.36	22	GU98084314	34.40	12
GU93222023	33.17	4	GU98110199	33.01	7
GU93231605	33.29	14	GU98210612	33.23	27
GU93231605	34.47	16	GU98230510	33.18	19
GU93301175	33.23	26	GU98230612	34.44	7
GU93301313	33.48	15	GU98257618	34.44	15
GU93305061	33.22	22	GU98350215	33.29	12
GU93450105	33.28	9	GU98350416	33.01	5
GU93450126	33.28	15	GU98370412	33.19	4
GU93450127	33.29	7	GU98370515	34.47	18
GU93450224	33.29	3	GU98370609	33.17	2
GU93450232	33.28	10	GU98370616	33.31	7
GU94321079	34.39	24	GU98370625	33.14	4
GU94321099	34.09	6	GU98370625	33.26	17
GU94321105	34.41	4	GU98370655	33.28	7
GU95004210	33.31	4	GU98370655	33.29	9
GU95005306	33.17	3	GU98370831	33.15	5
GU95005308	33.26	9	GU98370845	33.13	3
GU95005308	33.28	23	GU98612216	33.03	9
GU95005308	34.09	22	GU98622322	34.47	9
GU95005310	33.15	7	GU98632322	33.06	6
GU95005310	33.26	5	GU98680435	34.40	15
GU95005311	33.48	4	GU98680435	34.42	19
GU95008205	33.30	16	GU98680450	34.40	16
GU95008206	34.39	23	GU98680545	34.09	16
GU95008208	33.01	6	GU98680555	33.01	10
GU95008208	34.46	3	GU98682212	33.30	15
GU95008210	33.01	8	GU98682212	33.31	12
GU95008210	33.02	6	GU98682212	34.45	5
GU95008210	34.09	17	GU98682325	34.34	11
GU95008305	33.18	20	GU98682325	34.35	3
GU95008306	33.19	20	GU98682330	34.35	4
GU95008306	33.27	21	GU98682330	34.42	18
GU95020105	33.03	10	GU98682414	33.01	15
GU95021104	33.19	19	GU98682416	33.04	12
GU95021105	33.18	21	GU98682416	33.05	14
GU95021206	33.17	5	GU98682416	33.17	9
GU95021206	33.28	8	GU98682416	33.32	7
GU95021206	33.29	10	GU98682430	33.12	9
GU95100059	33.31	13	GU98682435	34.46	2
GU95100116	34.47	12	GU98682530	33.01	2
GU95100125	34.45	11	GU98690335	33.11	8
GU95100244	34.38	29	GU98690335	33.18	8
GU95100309	34.39	27	GU98690440	33.23	17
GU95100602	34.39	25	GU98692325	34.36	16
GU95100709	34.34	21	GU98692420	33.28	22
GU95129115	34.38	22	GU98880540	33.28	21
GU95129180	34.34	27	GU98882316	34.38	21
GU95129180	34.36	13			
GU95129181	33.11	6			
GU95129260	33.06	3			
GU95187006	34.39	13			
GU95500221	33.26	10			
GU95500222	34.41	6			
GU95780271	34.41	5			
GU96451316	33.27	15			
GU96451430	34.34	3			

Group	FRAME
Code	33.01
Description	Frame I
Service	1



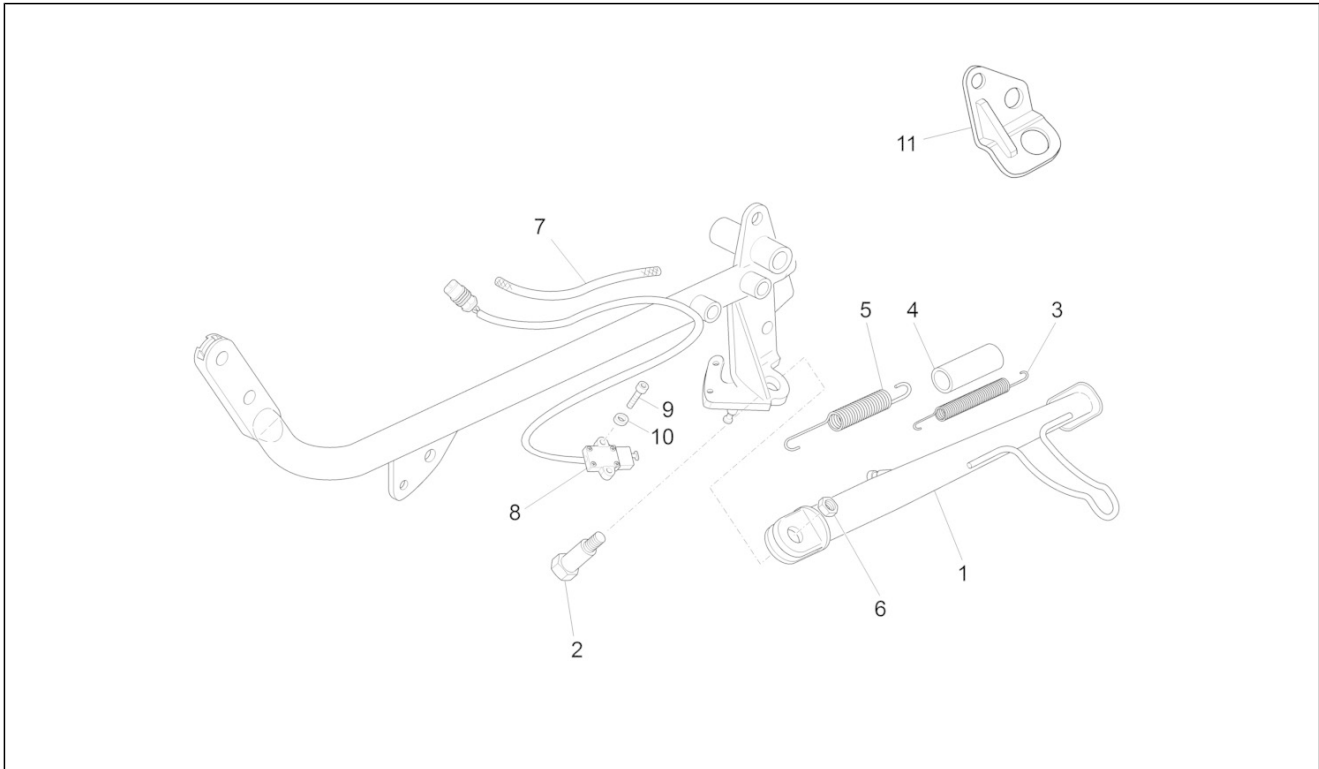
Pos.	Code	Description	Qty	Variants
1	887837	Frame p.	1	
2	GU98682530	Hex socket screw M10x30	4	
3	GU92630510	Nut M10x1,5	4	
4	B063287	Frame union plate	1	
5	GU98350416	Hex socket screw M8x16	4	
6	GU95008208	Washer 8,4X15X1,5	4	
7	GU98110199	Pin M10x205	1	
8	GU95008210	Washer 10,2X18X2	11	
9	GU92606210	Nut M10x1,5	3	
10	GU98680555	screw M10x55	2	
11	GU32457810	Guard	2	
12	978951	RH handle	1	
13	AP8120311	Rubber spacer *	2	
14	GU66103415	Rubber spacer	2	
15	GU98682414	Hex socket screw	2	
16	978952	left handle	1	

Group	FRAME
Code	33.02
Description	Frame II
Service	1



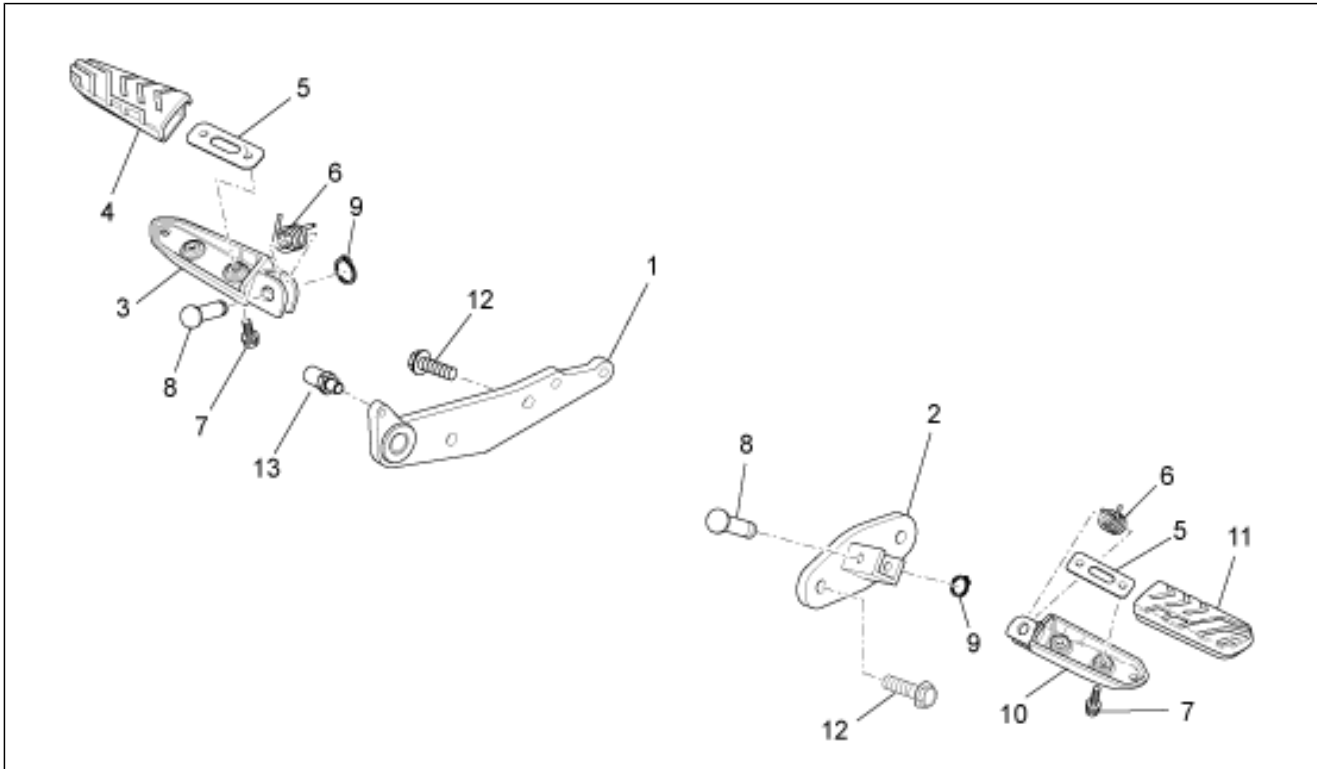
Pos.	Code	Description	Qty	Variants
1	B063197	RH cradle arm	1	
2	B063198	LH cradle arm	1	
3	GU53429500	Pin M10x250	1	
4	GU19017000	Bushing	2	
5	GU92606210	Nut M10x1,5	3	
6	GU95008210	Washer 10,2X18X2	3	
7	GU98082565	screw M10x65	2	
8	GU28252060	Bush 18 mm est.	2	
9	GU32431310	Cradle arms conn.crosspiece	1	
10	AP8121367	Pin M10x260	1	
11	AP8152220	Washer	2	
12	AP8150436	Low self-locking nut	1	
13	AP8152287	Screw w/ flange M8x25	1	
14	AP8152300	Self-locking nut M8	1	
15	AP8152288	Screw w/ flange	1	

Group	FRAME
Code	33.03
Description	Lateral stand
Service	1



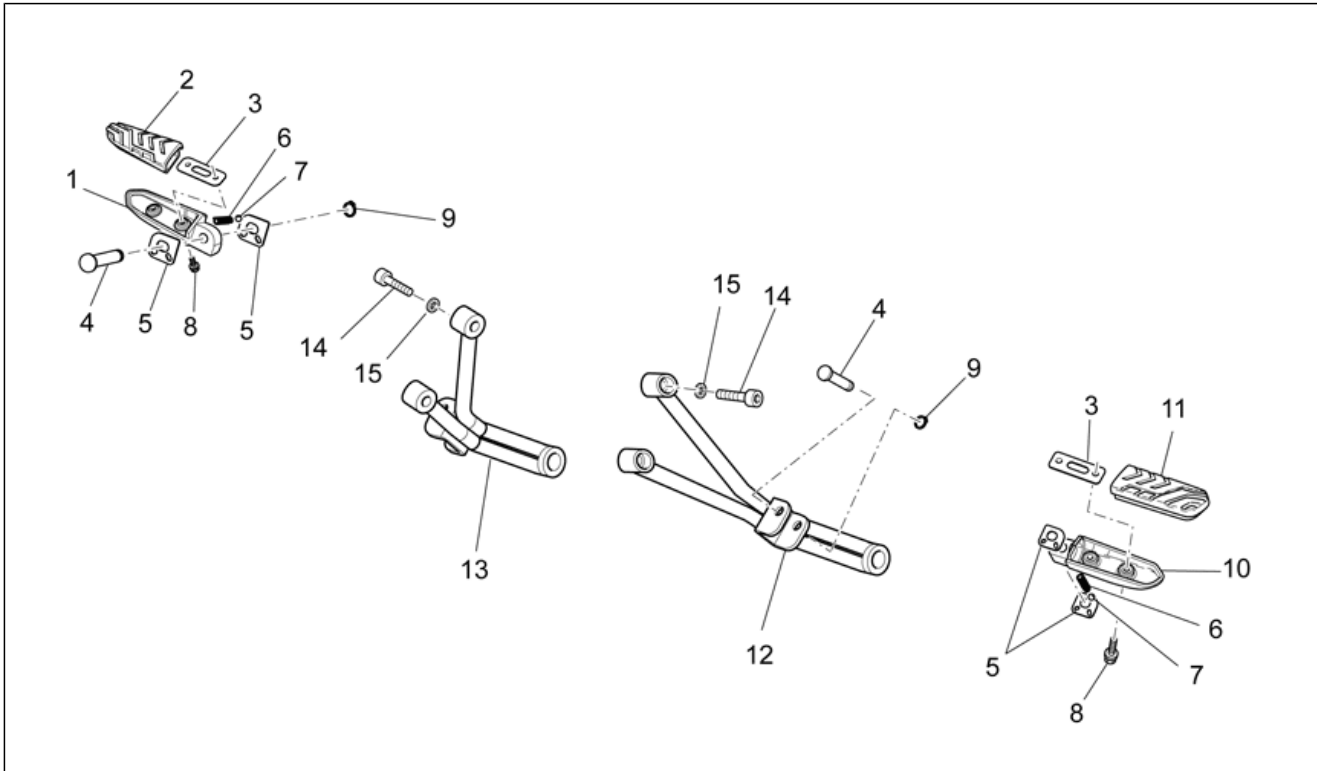
Pos.	Code	Description	Qty	Variants
1	883471	Side arm black	1	
2	AP8121607	Central stand fixing screw	1	
3	AP8121014	Coil pull spring *	1	
4	AP8102524	Stand spring protection	1	
5	AP8221197	Lateral stand spring	1	
6	GU32433011	Nut	1	
7	GU00823923140	Thermal sheath	1	
8	AP8127856	Lateral stand switch	1	
9	GU98612216	Hex socket screw	2	
10	GU95020105	Washer 5,3x8,9x2,4	2	
11	GU32432711	plate	1	

Group	FRAME
Code	33.04
Description	Front footrests
Service	1



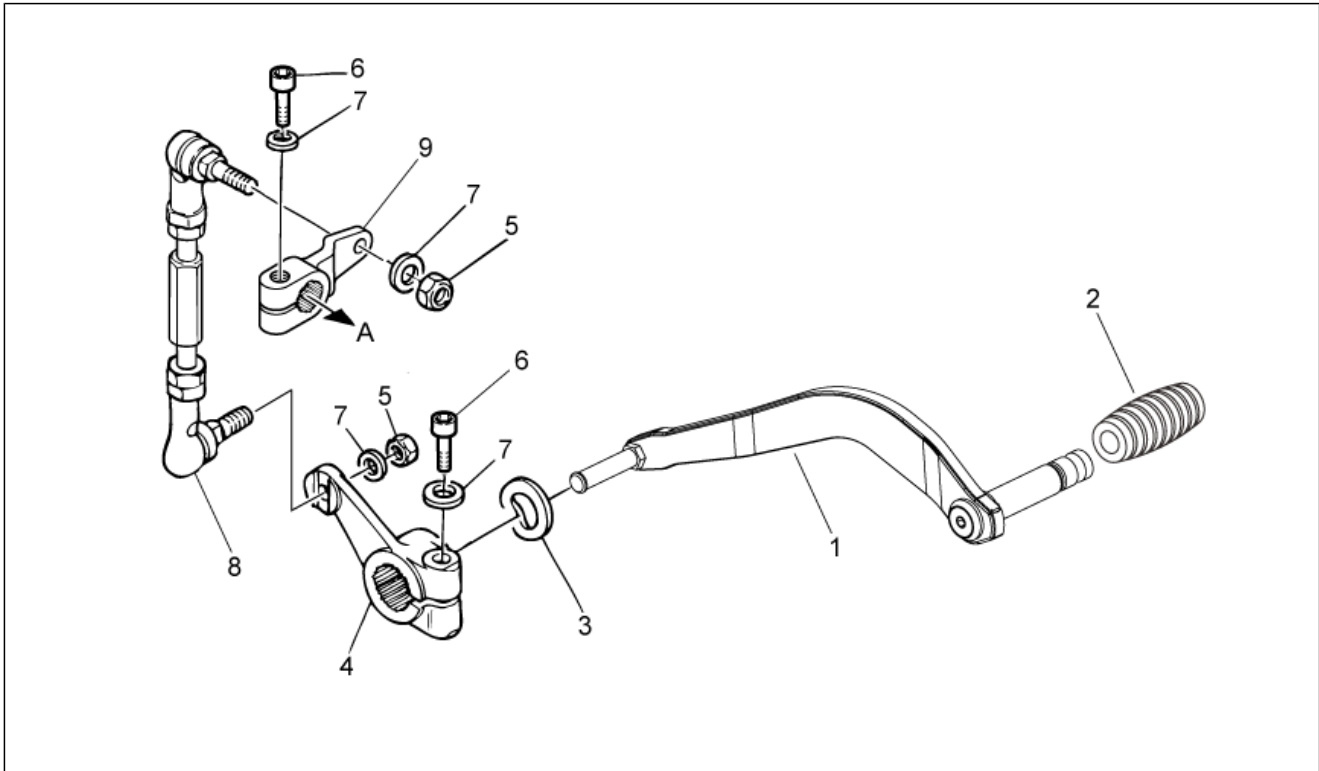
Pos.	Code	Description	Qty	Variants
1	883051	RH foot rest support	1	
2	883052	LH footrest support	1	
3	AP8145034	RH Foot rests	1	
4	GU32443210	Support rubber part	1	
5	GU32441210	Plate	2	
6	AP8221277	Footrest return spring	2	
7	AP8152277	Screw w/ flange M6x12	4	
8	AP8121566	Footrest pin	2	
9	AP8152409	Stop ring	2	
10	AP8145035	LH Foot rests	1	
11	GU32443211	Support rubber part	1	
12	GU98682416	Hex socket screw M8x16	4	
13	B063132	Limit stop	1	

Group	FRAME
Code	33.05
Description	Rear footrests
Service	1



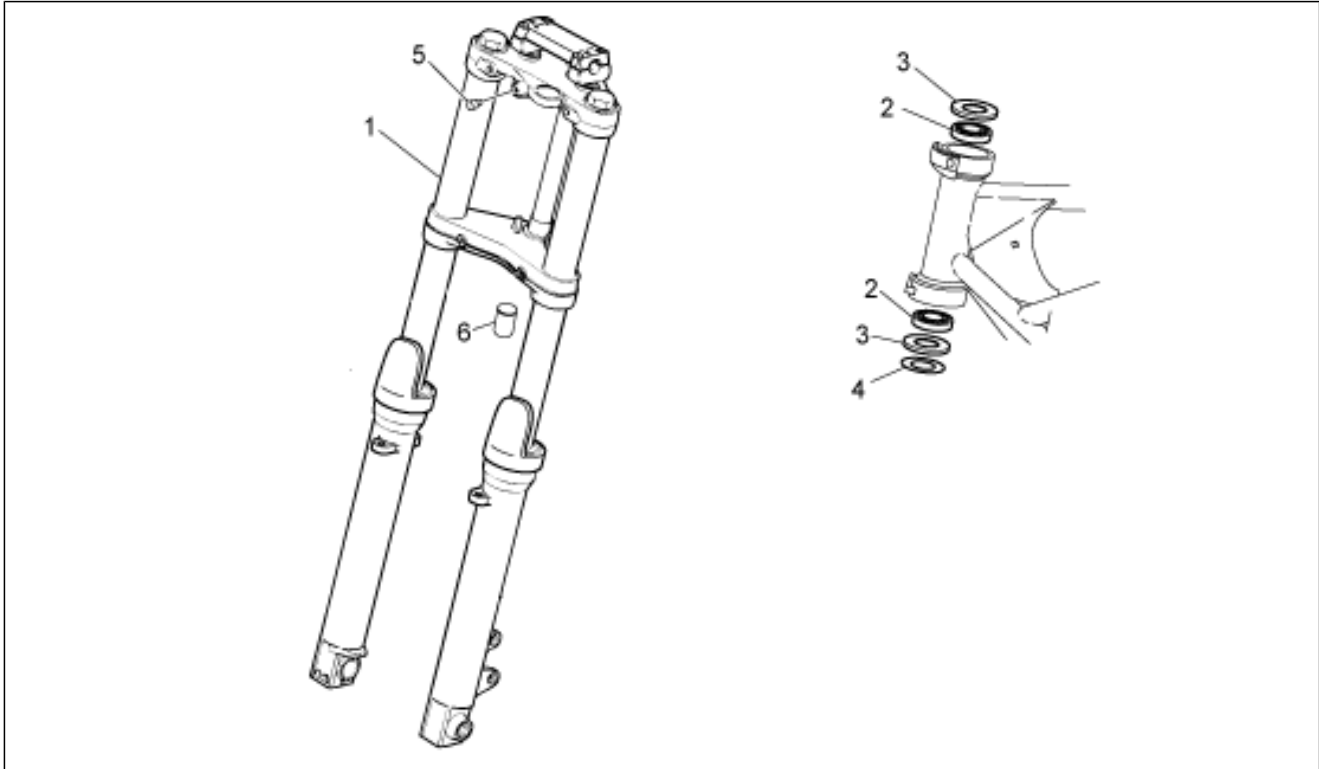
Pos.	Code	Description	Qty	Variants
1	GU32442310	Rear footrest, RH	1	
2	GU32443210	Support rubber part	1	
3	GU32441210	Plate	2	
4	AP8121566	Footrest pin	2	
5	AP8134451	Footrest plate	4	
6	AP8121133	Coil compress. spring	2	
7	AP8101861	Ball D6,35	2	
8	AP8152277	Screw w/ flange M6x12	4	
9	AP8152409	Stop ring	2	
10	GU32442710	Rear footrest, LH	1	
11	GU32443211	Support rubber part	1	
12	2B000349	Supporto pedane passeggero sx con Pi	1	
12	883019	LH footrest support	1	
13	2B000348	Supporto pedane passeggero dx con PI	1	
13	883015	RH foot rest support	1	
14	GU98682416	Hex socket screw M8x16	4	
15	GU14615901	Washer 8,4X13X0,8	4	

Group	FRAME
Code	33.06
Description	Gear lever
Service	1



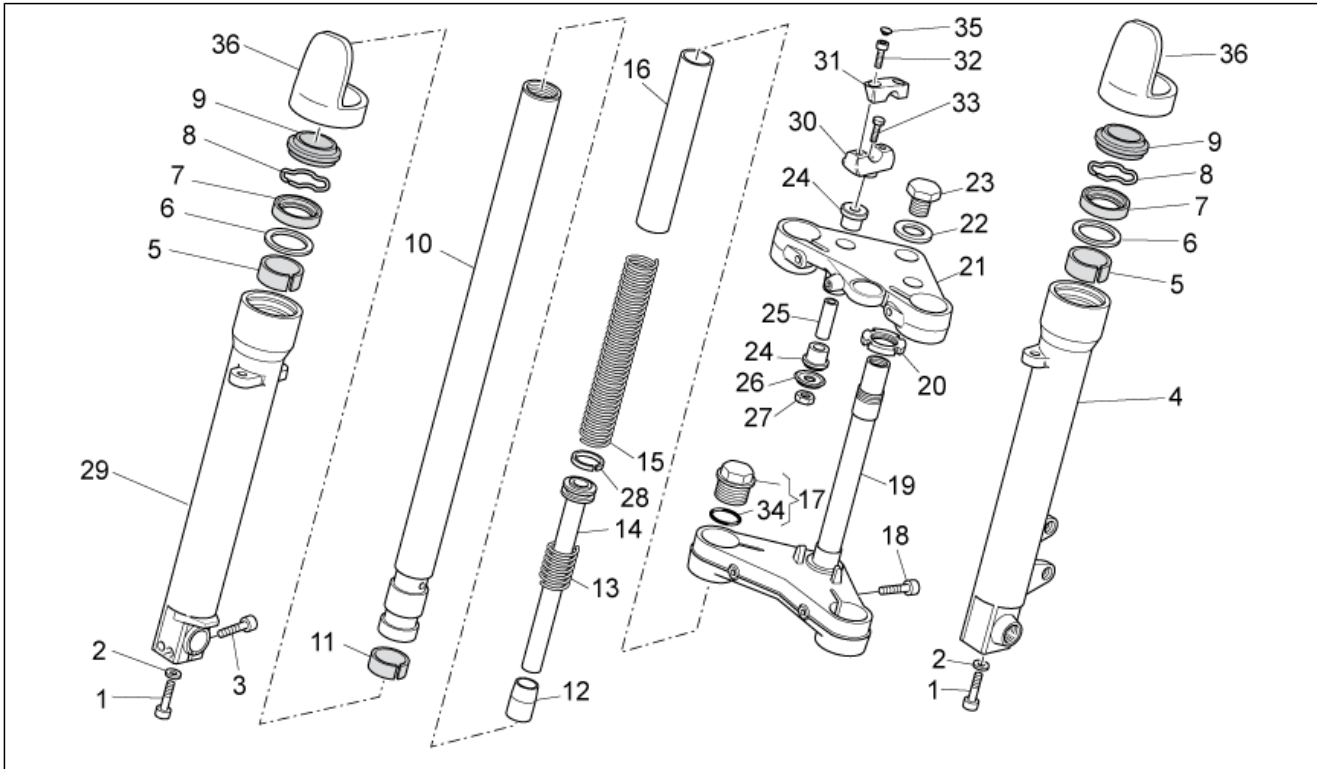
Pos.	Code	Description	Qty	Variants
1	887851	Gear lever	1	
2	AP8120912	Lever rubber	1	
3	GU95129260	Spring washer	2	
4	GU32256910	Lever	1	
5	GU92630707	Nut	2	
6	GU98632322	screw	2	
7	GU03013800	Washer 6,4x12	3	
8	GU32257810	Change gear tie rod compl.	1	
9	GU20258221	Shift lever	1	

Group	FRAME
Code	33.07
Description	Front fork I
Service	1



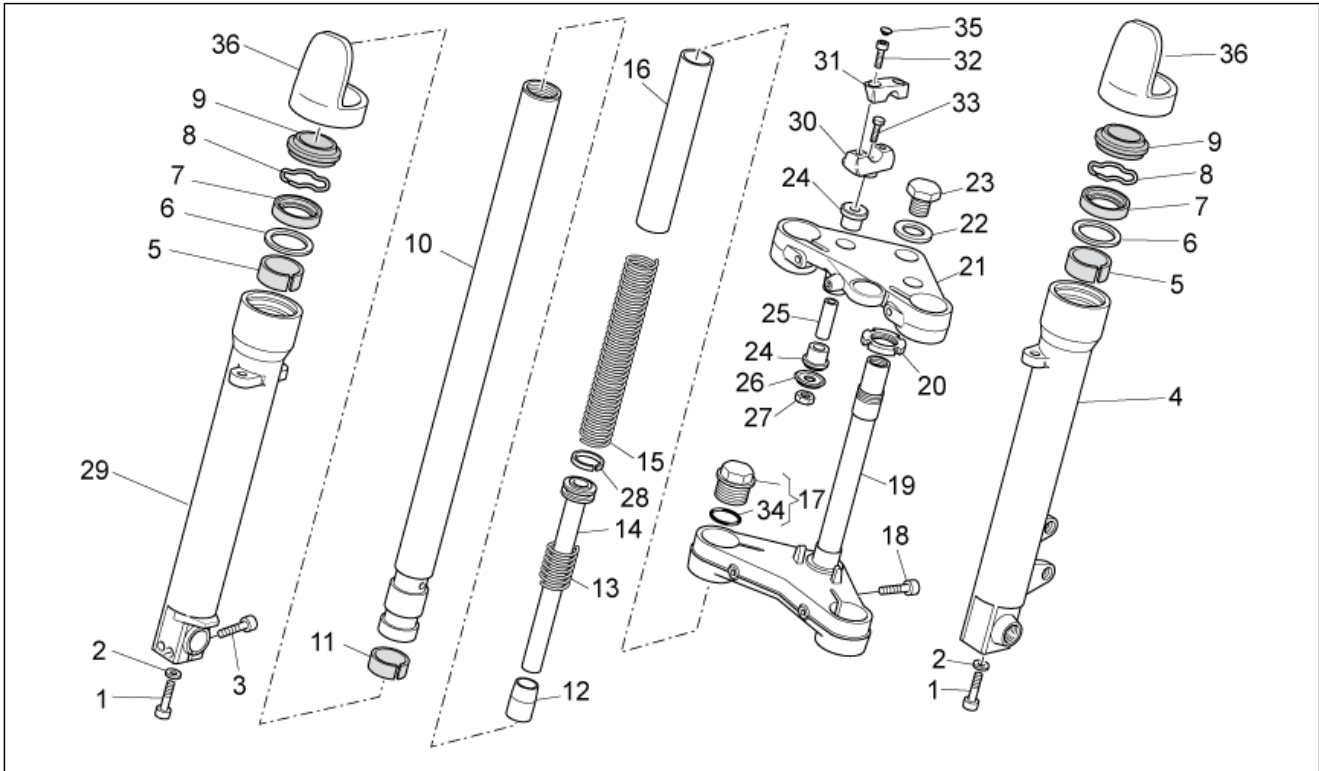
Pos.	Code	Description	Qty	Variants
1	2B000559	Front fork	1	
2	GU92249225	Tap.roller bearing	2	
3	AP8144146	Gasket ring	1	
4	AP8121307	Washer	1	
5	AP8144081	Rubber spacer	1	
6	AP8220460	Rubber cup	1	

Group	FRAME
Code	33.08
Description	Fron fork II
Service	1



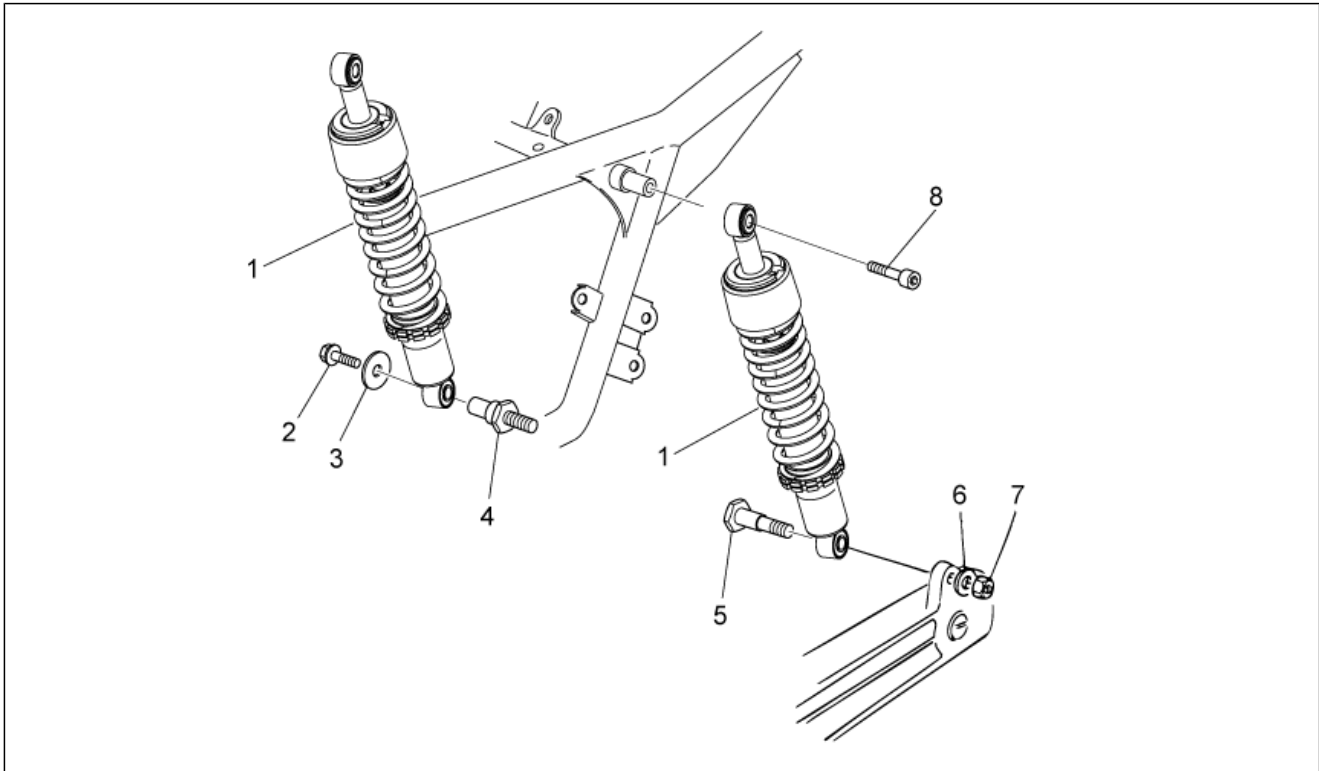
Pos.	Code	Description	Qty	Variants
1	887878	screw M10x30	2	
2	887879	Washer	2	
3	887880	screw	2	
4	2R000110	LH sleeve	1	
5	887882	Upper bush	2	
6	887883	Washer	2	
7	887884	Gasket ring	2	
8	887885	Stop ring	2	
9	887886	Dust cover	2	
10	887887	Sleeve	2	
11	887888	Bush	2	
12	887889	Pad	2	
13	887890	Return spring	2	
14	887891	Plunger, complete	2	
15	887892	Spring	2	
16	887893	pipe	2	
17	887894	Plug cpl.	2	
18	887895	screw	2	
19	887896	Stem base	1	
20	GU31513480	Ring nut M25X1	1	
21	887898	Upper plate	1	
22	887899	Washer	1	
23	887900	Nut	1	
24	887901	Rubber spacer	4	
25	887902	Spacer	2	
26	887903	Cup	2	
27	887904	Nut	2	
28	887905	Ring	2	

Group	FRAME
Code	33.08
Description	Fron fork II
Service	1



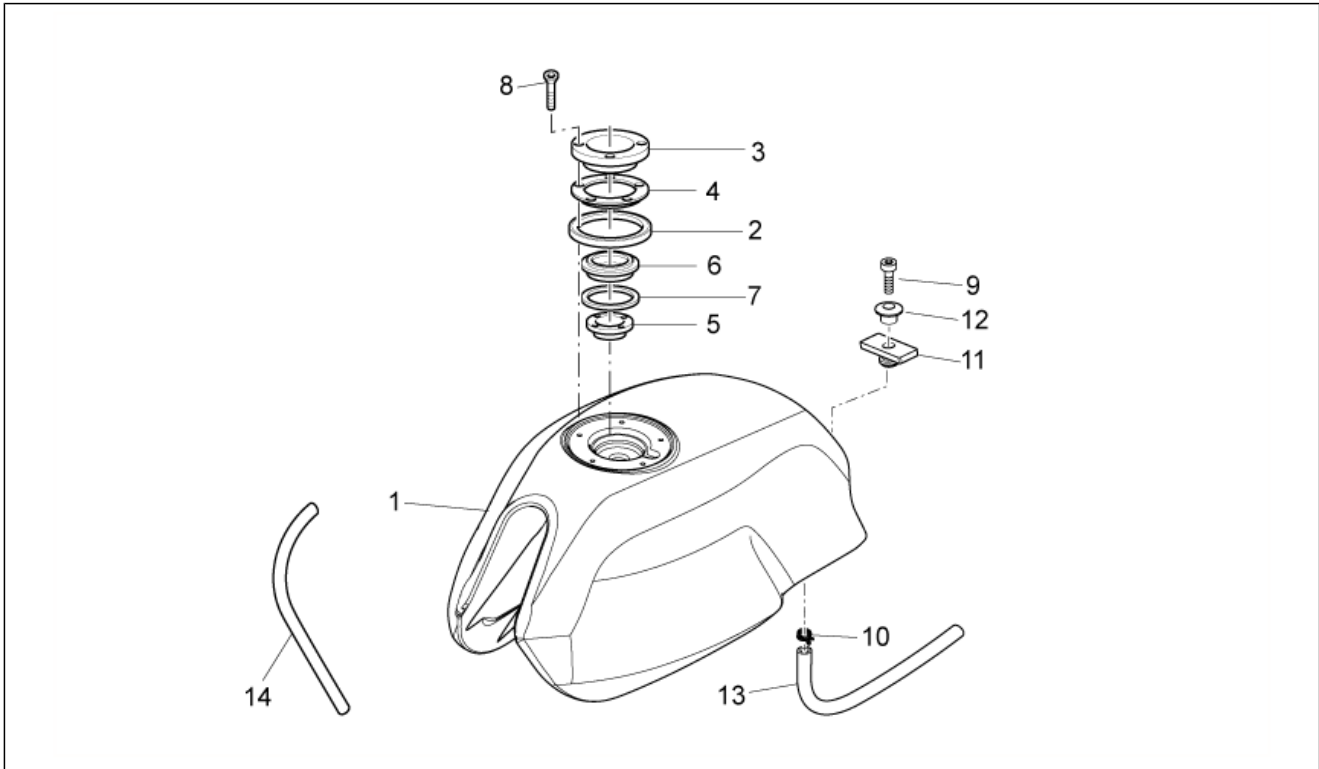
Pos.	Code	Description	Qty	Variants
29	2R000109	RH sleeve	1	
30	887912	Lower U-bolt	2	
31	887913	Upper U-bolt	2	
32	887914	screw M8x30	4	
33	887915	screw M10x60	2	
34	887916	O-ring 4118	2	
35	GU23943410	Plug	4	
36	GU32504210	Sleeve protection	2	

Group	FRAME
Code	33.11
Description	Rear shock absorber
Service	1



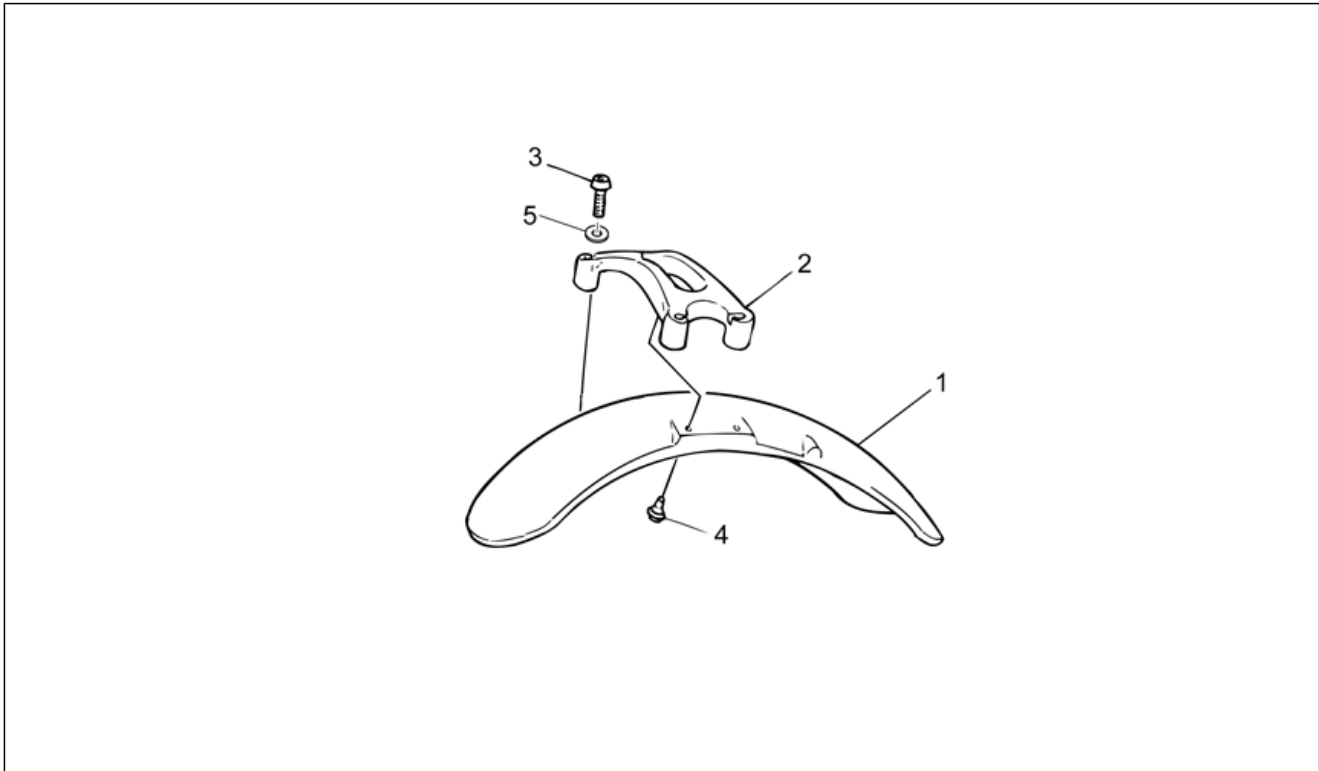
Pos.	Code	Description	Qty	Variants
1	884035	Rear shock absorber	2	Technical Specifications:
1	B063749	Rear shock absorber	2	Technical Specifications: Olle Amortidors SL[O]
2	AP8152278	Screw w/ flange M6x16	1	
3	898164	Shock abs. spacer	1	
4	GU32555210	Pin	1	
5	GU32555211	Pin	1	
6	GU95129181	Washer	1	
7	GU92606210	Nut M10x1,5	1	
8	GU98690335	Hex socket screw	2	

Group	FRAME
Code	33.12
Description	Fuel tank
Service	1



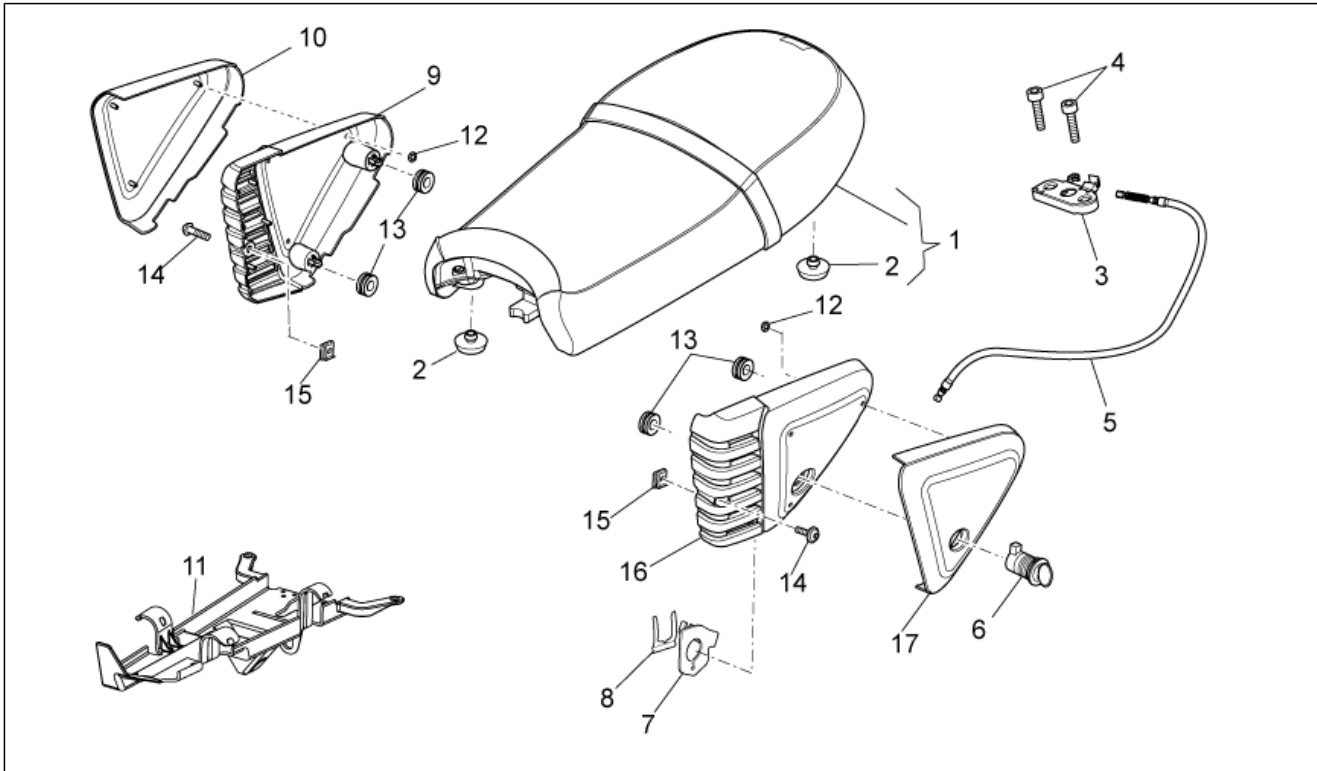
Pos.	Code	Description	Qty	Variants
1	2H000020000XN2	Fuel tank, black	1	Vehicle colour:Competition Black[nc]
1	2H000077000YE5	Fuel tank, grey	1	Vehicle colour:Metal grey[gm]
1	887944	Fuel tank blank	1	
2	GU03102400	Gasket	1	
3	GU03101900	Flange	1	
4	GU03103500	Ring	1	
5	883502	Reduction 24 mm	1	
6	GU03102200	Plug ring nut	1	
7	GU03101600	Gasket	2	
8	GU03103200	screw	5	
9	GU98682430	Hex socket screw M8x30	1	
10	AP8101595	Hose clamp D10,1	1	
11	AP8120557	Tank rubber	1	
12	AP8121673	T bush *	1	
13	GU00823944050	pipe 5X9	1	
14	GU00823931070	Gasket	1	

Group	FRAME
Code	33.13
Description	Front body - Front mudguard
Service	1



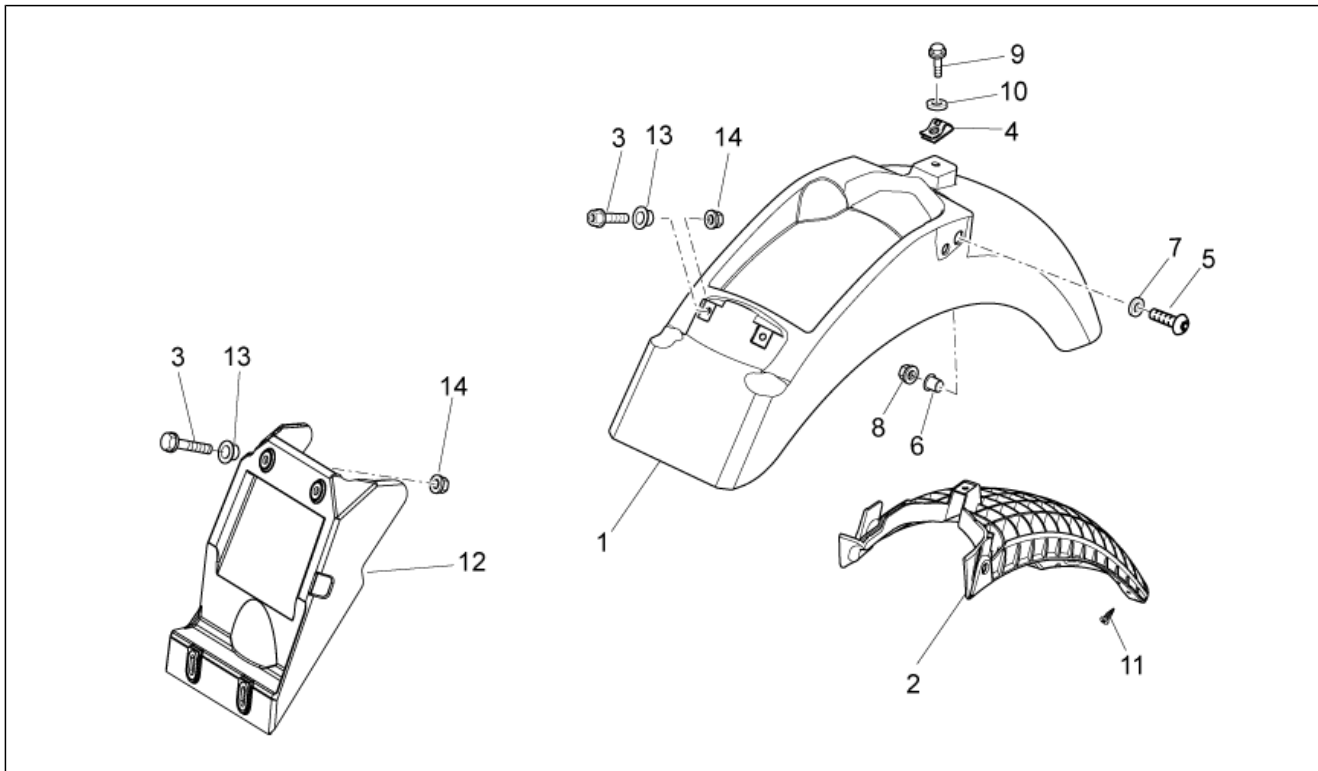
Pos.	Code	Description	Qty	Variants
1	88635200XN2	Front mudguard, black	1	Vehicle colour: Metal grey[gm], Competition Black[nc] Technical Specifications:
1	GU32434460	Front mudguard blank	1	Vehicle colour: Blank[gr]
2	883266	Stabilization plate	1	
3	GU98370845	Hex socket screw	4	
4	GU31439565	Special screw	4	
5	GU14615901	Washer 8,4X13X0,8	4	

Group	FRAME
Code	33.14
Description	Saddle-Central bod
Service	1



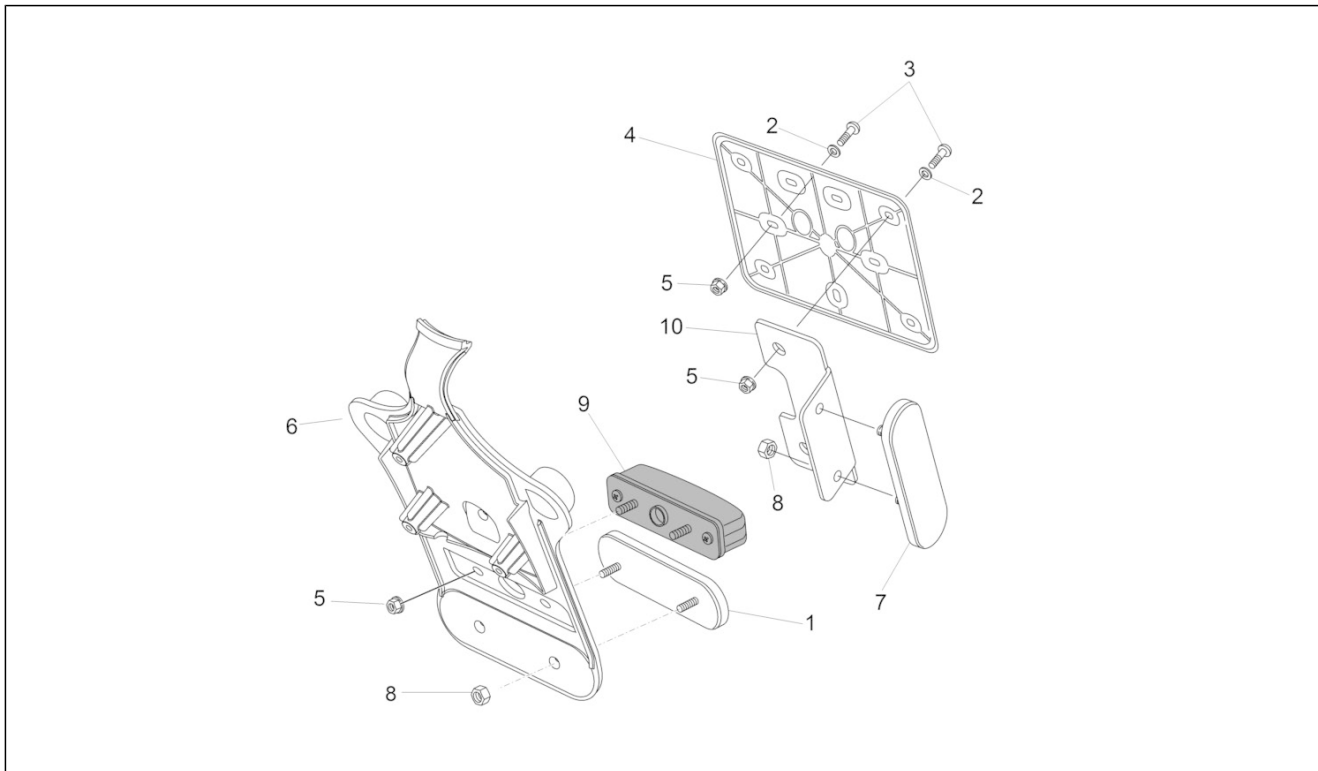
Pos.	Code	Description	Qty	Variants
1	88793900A1	Two-seat saddle	1	
2	GU32461610	Rubber spacer	8	
3	AP8102913	Pass.saddle connecting plate	1	
4	GU98370625	Hex socket screw	2	
5	883295	Saddle release cable	1	
6	977527	Locking complete with keys	1	
7	AP8121420	Fork spring	1	
8	978415	Cable fixing plate	1	
9	2B000878	RH side panel	1	
10	2H000021000XN2	RH side panel, black	1	Vehicle colour:Competition Black[nc] Technical Specifications:Decal[D]
10	2H000078000YE5	RH side panel, grey	1	Vehicle colour:Metal grey[gm] Technical Specifications:Decal[D]
10	978940	RH side panel, blank	1	Vehicle colour:Blank[gr]
11	B063431	Protection	1	
12	AP8150450	Washer for shafts D5	1	
13	GU91551086	Rubber spacer	4	
14	AP8152339	Screw w/ flange M5x9	2	
15	AP8102375	Clip m5	2	
16	2B000840	LH side panel	1	
17	2H000022000XN2	LH side panel, black	1	Vehicle colour:Competition Black[nc] Technical Specifications:Decal[D]
17	2H000079000YE5	LH side panel, grey	1	Vehicle colour:Metal grey[gm] Technical Specifications:Decal[D]
17	978943	LH side panel, blank	1	Vehicle colour:Blank[gr]

Group	FRAME
Code	33.15
Description	Rear body I- Mudguard
Service	1



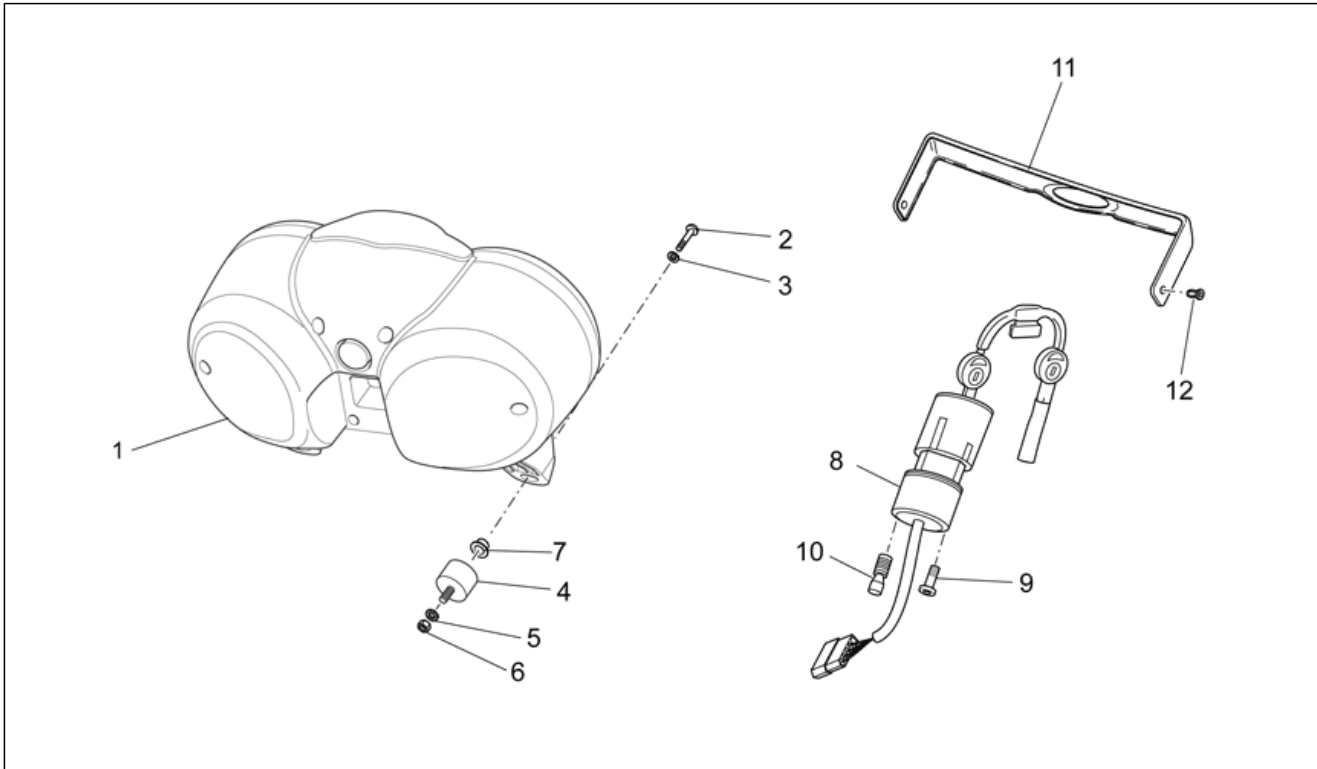
Pos.	Code	Description	Qty	Variants
1	978946	Rear mudguard blank	1	Vehicle colour:Blank[gr]
1	97894600XN2	Rear mudguard, black	1	Vehicle colour:Metal grey[gm], Competition Black[nc]
2	978947	Support	1	
3	AP8152278	Screw w/ flange M6x16	4	
4	254485	Spring plate M6	1	
5	GU98370831	Hex socket screw M8x30	2	
6	GU91120806	Spacer	2	
7	GU95005310	Washer 8,4x18x2	2	
8	GU92630108	Nut	2	
9	AP8152279	Screw w/ flange M6x20	2	
10	GU91180601	Spacer 6,2x8x3	2	
11	AP8152329	Phillips screw, SWP M5x20	3	
12	B063167	Splash guard	1	
13	AP8121032	Bush	6	
14	AP8152299	Self-locking nut M6	6	

Group	FRAME
Code	33.16
Description	Rear body II- Plate holder
Service	1



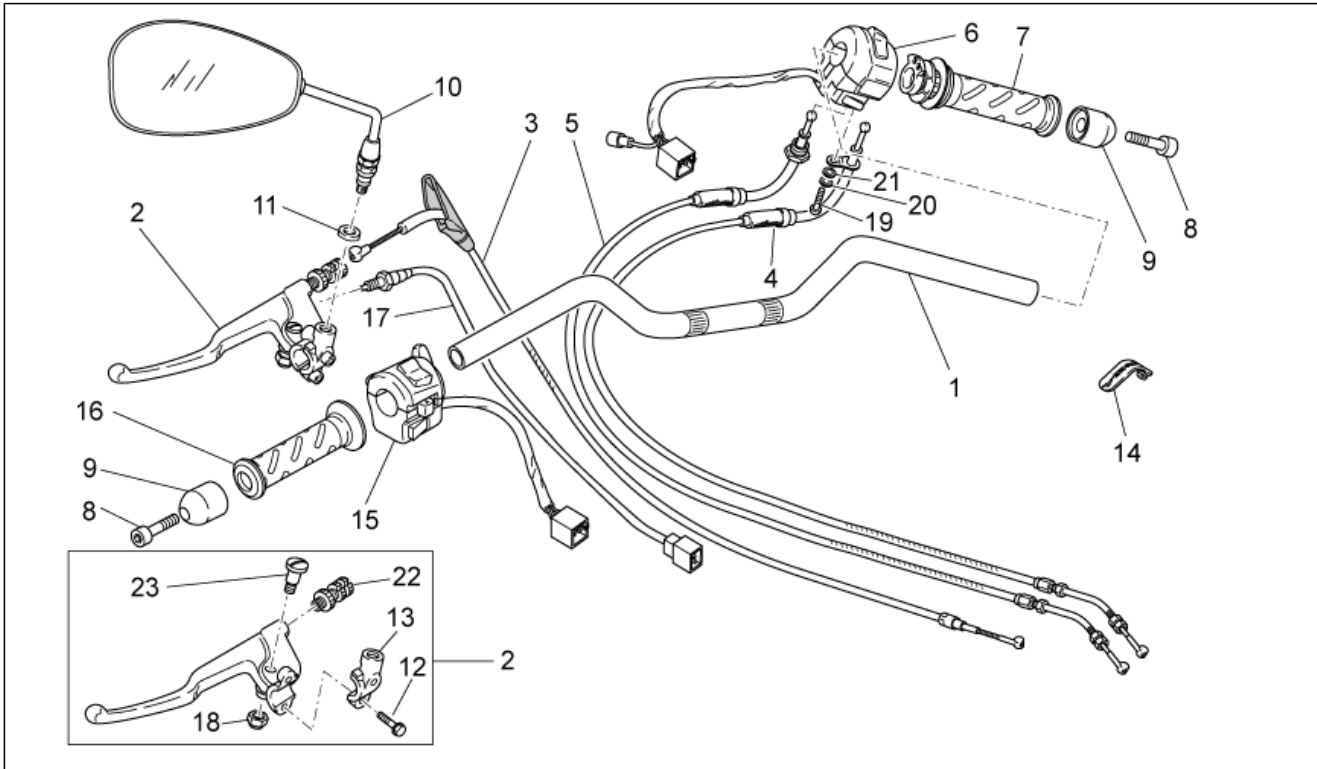
Pos.	Code	Description	Qty	Variants
1	GU05781630	Reflector, amber	1	
2	AP8150248	Washer 5,5x15x1,6	7	
3	AP8152268	Hex socket screw M5x16	7	
4	AP8149034	Number plate support	1	
5	AP8152306	Self-locking nut m5	1	
6	883470	Number plate holder	1	
7	AP8124718	Rear reflector, red	2	
8	GU92630204	Nut	6	
9	883480	Number-plate light	1	
10	GU32781910	Reflector support	2	

Group	FRAME
Code	33.17
Description	Dashboard
Service	1



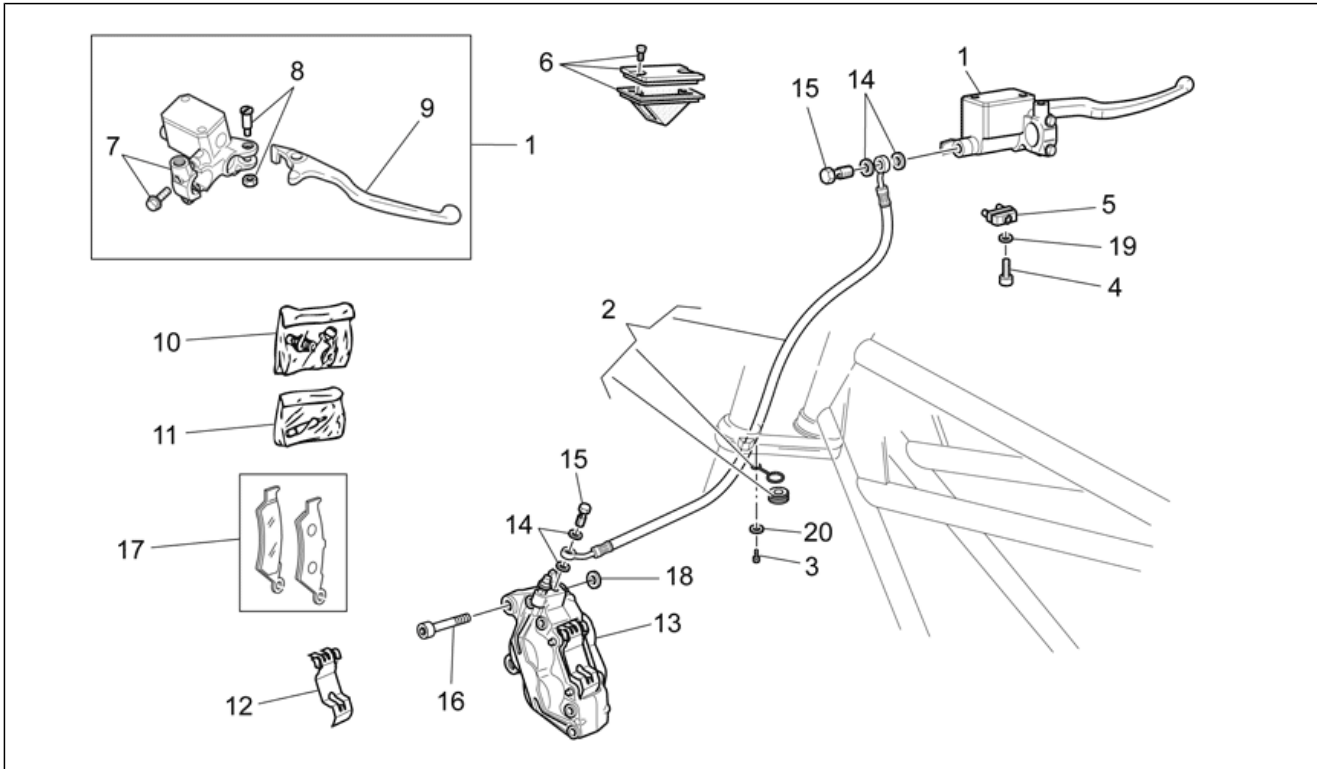
Pos.	Code	Description	Qty	Variants
1	887194	Dashboard complete km/h	1	Country:Canadian[CND]
1	887195	Dashboard complete MPH	1	Country:United States of America[USA]
2	GU98370609	Hex socket screw M6x10	3	
3	GU95005306	Washer 6,4x13x1,5	3	
4	GU93222023	Silent-block	3	
5	GU95021206	Washer	3	
6	GU92606206	Nut	3	
7	AP8121032	Bush	3	
8	GU32782510	Main switch - steering lock	1	
9	GU98682416	Hex socket screw M8x16	1	
10	AP8150349	Special screw M8x15	1	
11	883569	Cover	1	
12	GU23922210	Pin	2	

Group	FRAME
Code	33.18
Description	Handlebar - Controls
Service	1



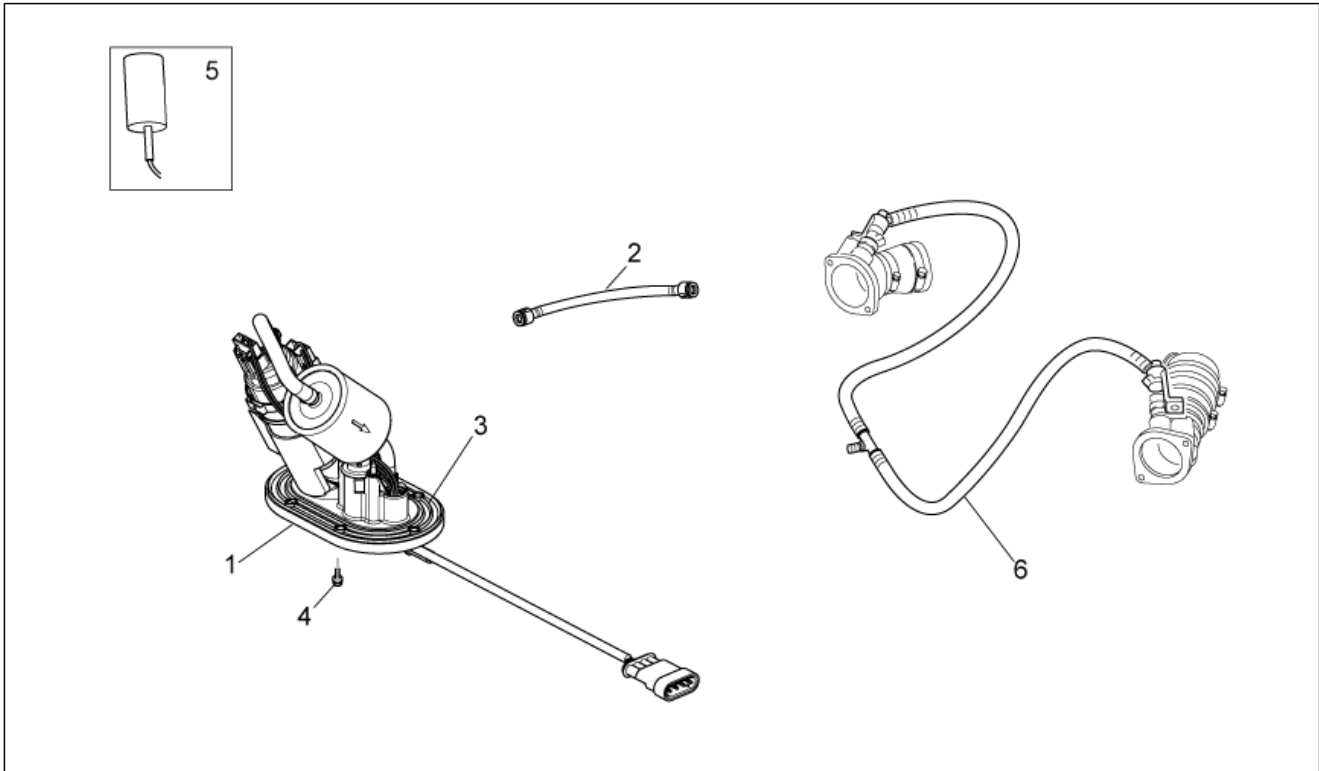
Pos.	Code	Description	Qty	Variants
1	978960	Handlebar	1	
2	GU32605510	Clutch lever	1	
3	B063427	Clutch cable	1	
4	887852	Gas trasmission delivery	1	
5	887853	Gas trasmission return	1	
6	B063135	RH lights selector	1	
7	GU32603310	RH hand grip	1	
8	GU98690335	Hex socket screw	2	
9	GU32602860	Anti.v weight, chr.	2	
10	883802	RH/LH rearview mirror	2	Technical Specifications:marked "FU E11 81R-001047"[FU]
10	978570	RH/LH rearview mirror	2	Technical Specifications:marked "FAR"[FAR]
11	GU91181003	Spacer 10,25X20X4	2	
12	GU97202325	Black screw w/ flange M6x25	2	
13	GU30601060	Clump	1	
14	GU01609630	Hose clamp L46 mm	2	
14	GU03609600	Hose clamp L36 mm	1	
15	B063975	LH lights selector	1	
16	GU32603010	LH hand grip	1	
17	GU29759150	Lateral stand switch	1	
18	AP8213388	Self-locking nut	1	
19	GU98230510	Hex socket screw	1	
20	GU95008305	Washer 5,3X10X1	1	
21	GU95021105	Notched washer	1	
22	GU30602500	Register	1	
23	AP8213028	screw	1	

Group	FRAME
Code	33.19
Description	Front brake system
Service	1



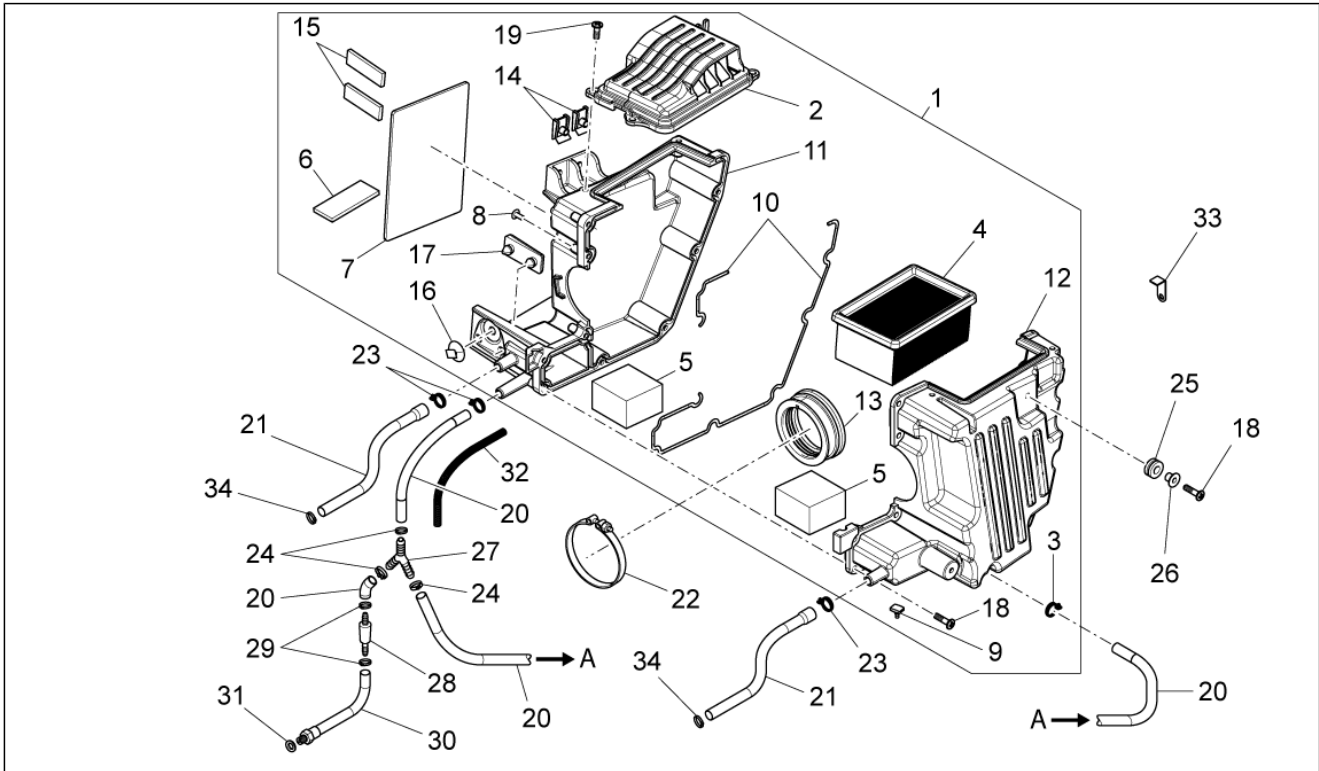
Pos.	Code	Description	Qty	Variants
1	GU03660145	Front master cilinder	1	
2	GU32657110	Brake hose	1	
3	AP8152277	Screw w/ flange M6x12	1	
4	GU98370412	Hex socket screw M4x12	1	
5	GU03749845	Stop switch	1	
6	GU03661145	Pump cover	1	
7	GU03664045	U-bolt	1	
8	GU03604845	Lever pin	1	
9	GU03605645	Brake lever	1	
10	GU05659230	Bleeder+cap	1	
11	GU01659130	Pins+Caliper springs	1	
12	GU01659131	Spring	1	
13	883303	LH front brake caliper, black	1	
14	AP8121915	Gasket	4	
15	978323	Oil pipe screw *	2	
16	AP8152385	Hex socket screw M10x1,25	2	
17	GU01654630	Pads pair	1	
18	GU91181003	Spacer 10,25X20X4	2	
19	GU95021104	Washer 4,3x8x1,5	1	
20	GU95008306	Washer 6,4x12x1,2	1	

Group	FRAME
Code	33.21
Description	Fuel pump
Service	1



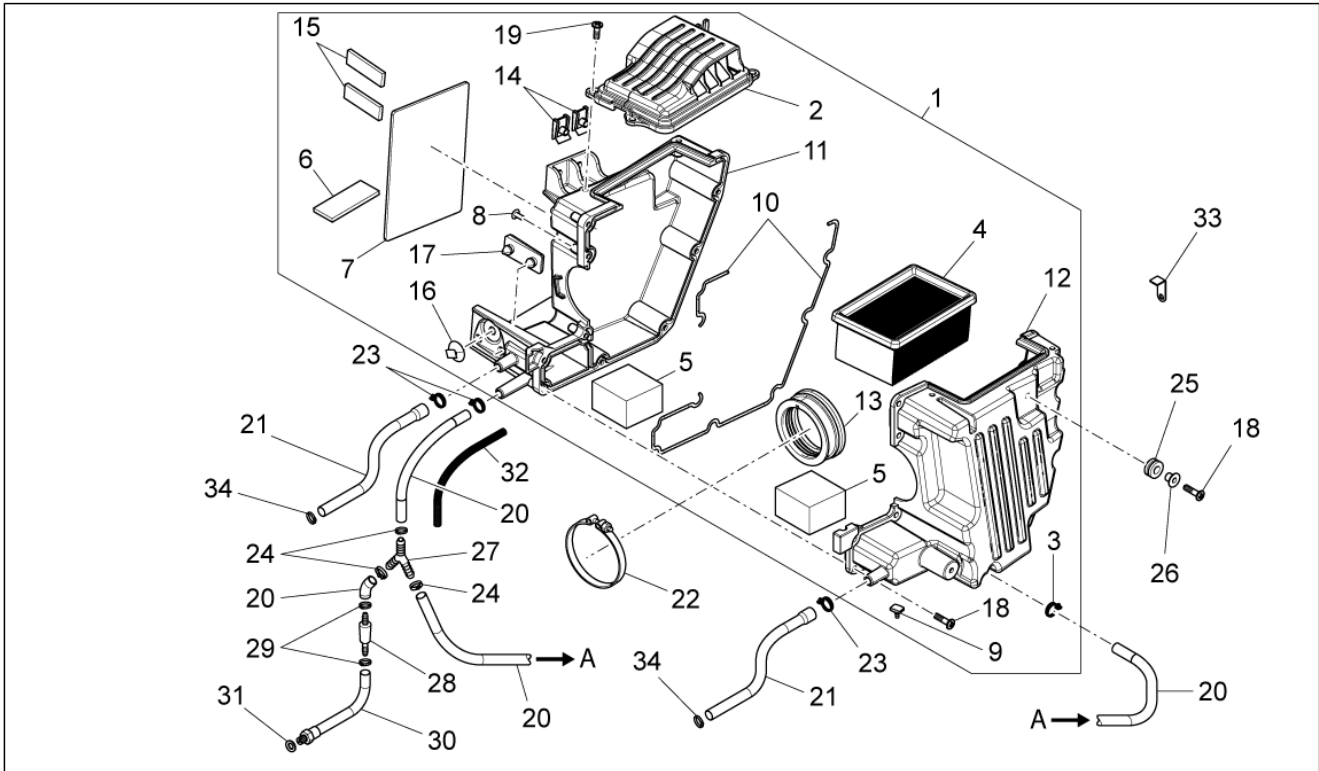
Pos.	Code	Description	Qty	Variants
1	B063752	Fuel pump	1	
2	B063033	Fuel pipe	1	
3	GU05107430	Gasket	1	
4	AP8152273	Screw w/ flange M5X15	6	
5	887787	Fuel level sensor	1	
6	B063034	Fuel pipe	1	

Group	FRAME
Code	33.22
Description	Air box
Service	1



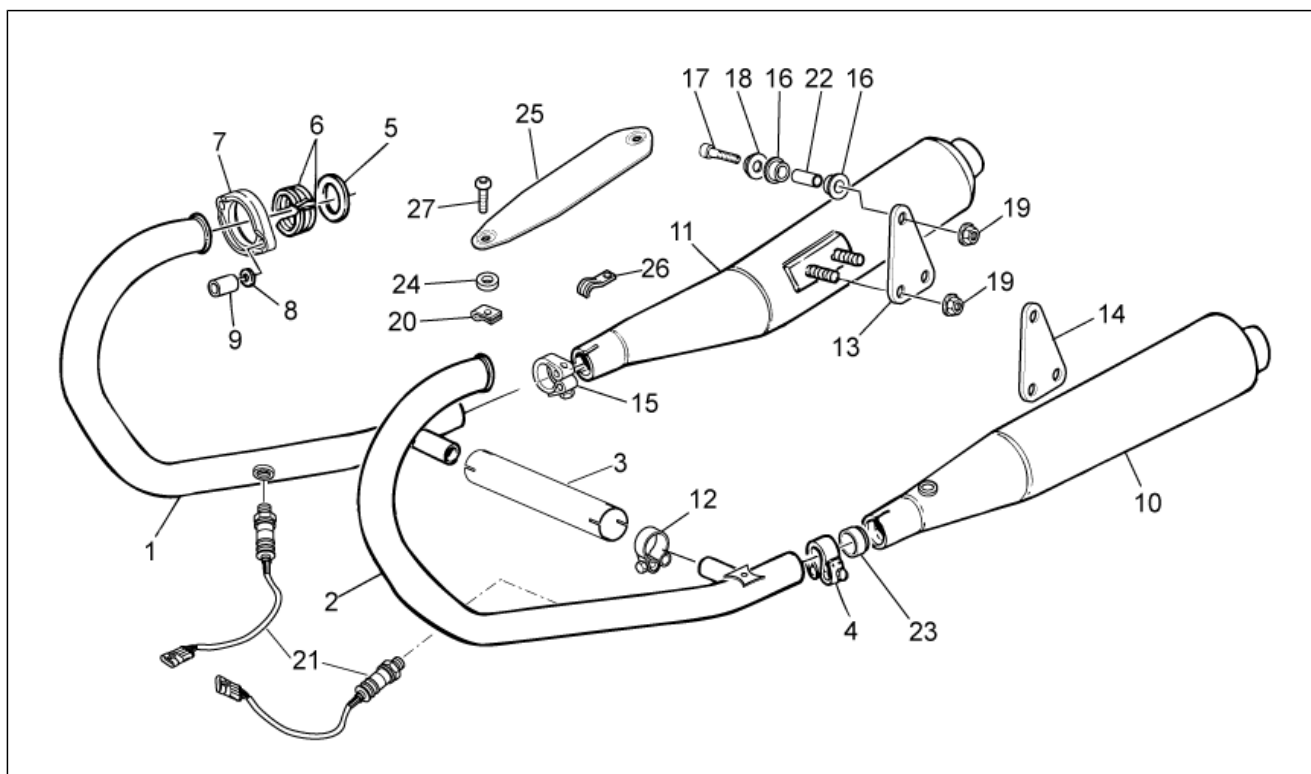
Pos.	Code	Description	Qty	Variants
1	8878421	Complete filter box	1	
2	887843	Air filter cover	1	
3	AP8201358	Hose clamp D 11,9	1	
4	AP8104924	Air filter	1	
5	AP8104525	Filter blow-by	2	
6	883127	Support rubber part 5mm	1	
7	AP8144553	Support rubber part	1	
8	AP8120876	Plug	2	
9	AP8120455	Rubber spacer	1	
10	AP8120615	Gasket D3	2	
11	887844	Filter box right shell	1	
12	887845	Filter box left shell	1	
13	887815	Intake hose	1	
14	254485	Spring plate M6	2	
15	AP8144538	Gasket	2	
16	890760	Instrument support	1	
17	AP8144729	Stand end stop	1	
18	AP8152329	Phillips screw, SWP M5x20	11	
19	AP8150509	Self-tap screw 5x14	4	
20	AP8120772	Breather pipe	3	
21	B063214	Blow-by pipe	2	
22	GU93305061	Hose clamp 61/65,5	1	
23	AP8102766	Hose clamp	3	
24	AP8102765	White hose clip D.13,5x6	3	
25	GU91551010	Rubber spacer	2	
26	AP8221023	T bush	2	
27	2B000045	3-way union	1	
28	AP8104996	Anti-return valve	1	

Group	FRAME
Code	33.22
Description	Air box
Service	1



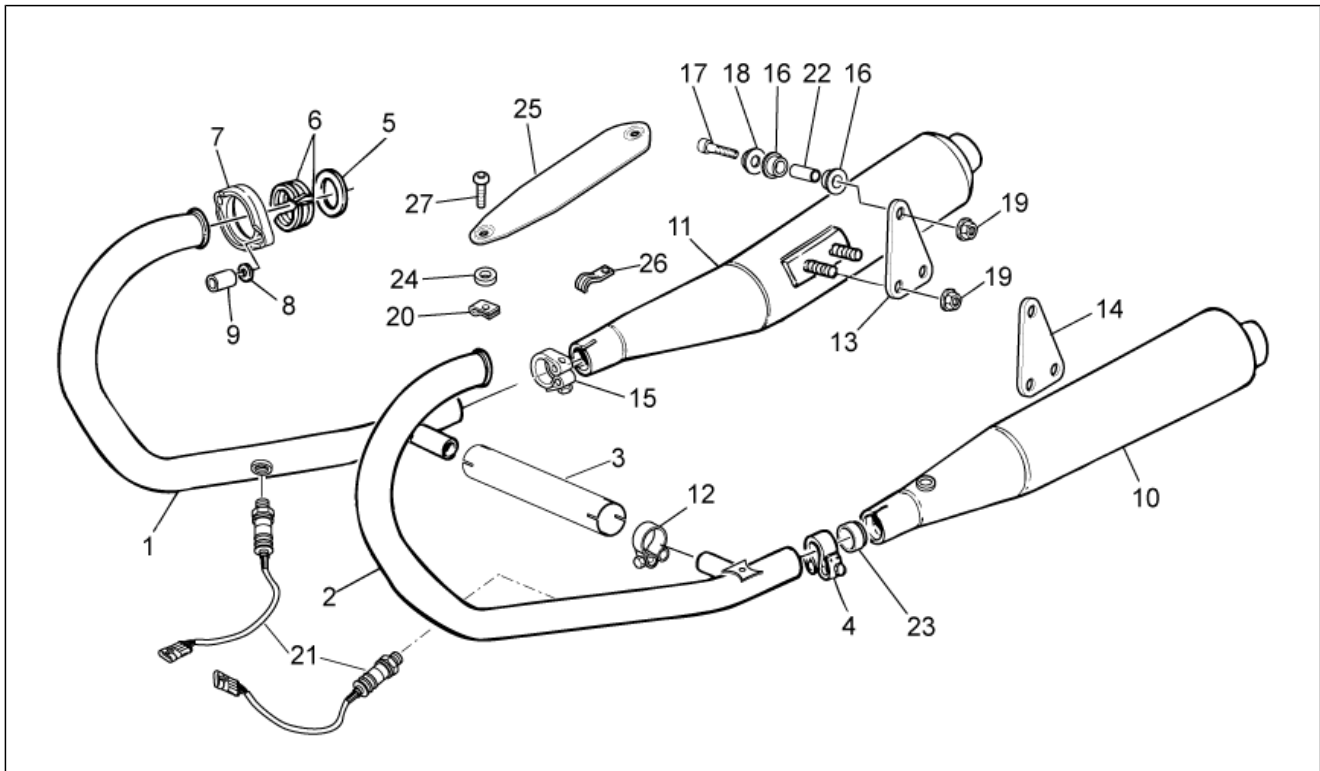
Pos.	Code	Description	Qty	Variants
29	GU28157950	Hose clip 12,5x8	2	
30	B063213	Breather	1	
31	GU90714082	Gasket	1	
32	GU00823923140	Thermal sheath	1	
33	GU31112965	Square	1	
34	AP8201358	Hose clamp D 11,9	2	

Group	FRAME
Code	33.23
Description	Exhaust unit
Service	1



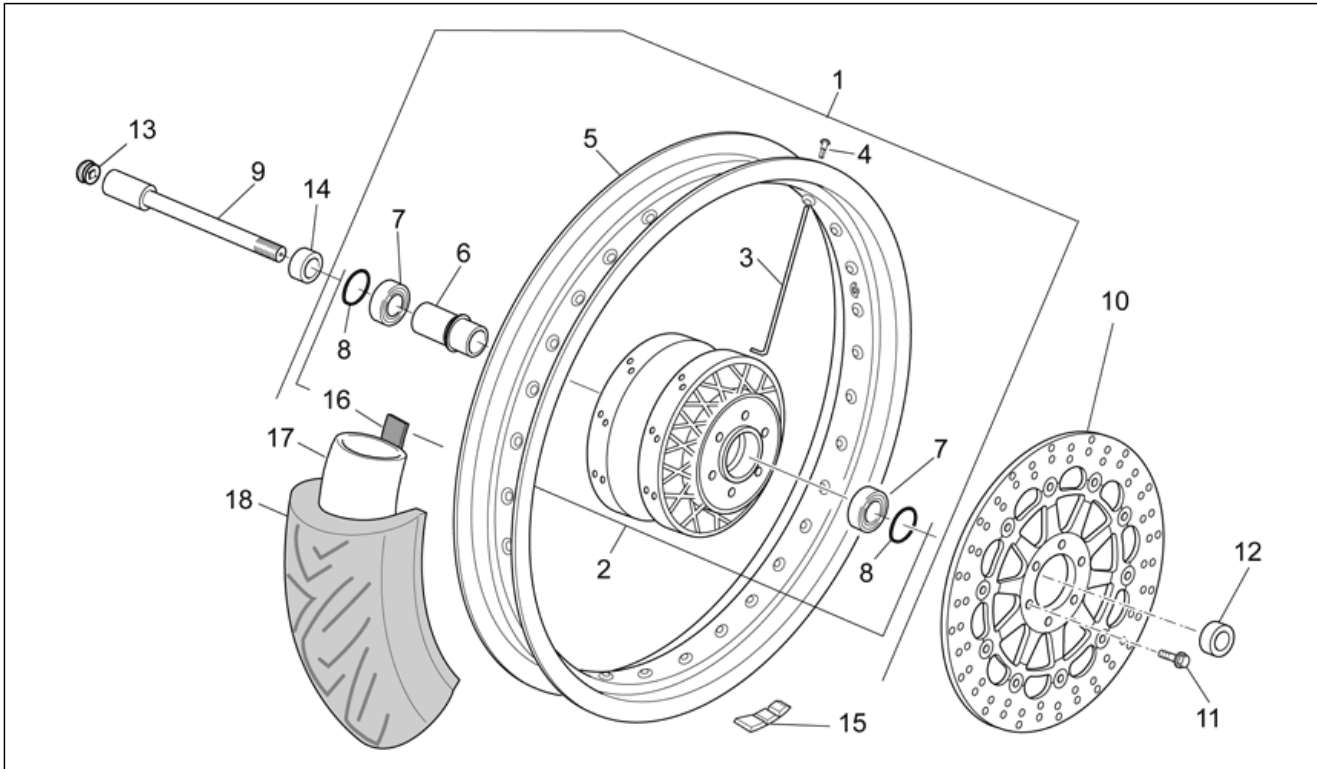
Pos.	Code	Description	Qty	Variants
1	887846	RH exhaust pipe	1	Country:
1	B063854	RH exhaust pipe	1	Country:
2	887847	LH exhaust pipe	1	Country:
2	B063855	LH exhaust pipe	1	Country:
3	B063022	Exhaust manifold union	1	
4	883294	LH silencer clamp	1	
5	GU19025280	Gasket	2	
6	GU19025460	Spacer	4	
7	GU32121010	Ring nut	2	
8	GU03013800	Washer 6,4x12	4	
9	GU31121880	Nut	4	
10	2B000177	LH silencer	1	
11	2B000176	RH silencer	1	
12	978385	Hose clamp	2	
13	883297	RH plate	1	
14	883298	LH plate	1	
15	883293	RH silencer clamp	1	
16	AP8144071	Rubber exhaust	4	
17	GU98690440	screw TCEI M8x40	2	
18	AP8134378	Silencer fixing bush	2	
19	GU92640508	Nut M8	6	
20	254485	Spring plate M6	2	
21	896110	Lamda sensor l.660 mm	2	
22	AP8121072	Spacer	2	
23	GU91113826	Bushing	2	
24	AP8120870	Insulating washer	4	
25	883704	Exhaust pipe heat prot.	2	
26	GU93301175	U-bolt	1	

Group	FRAME
Code	33.23
Description	Exhaust unit
Service	1



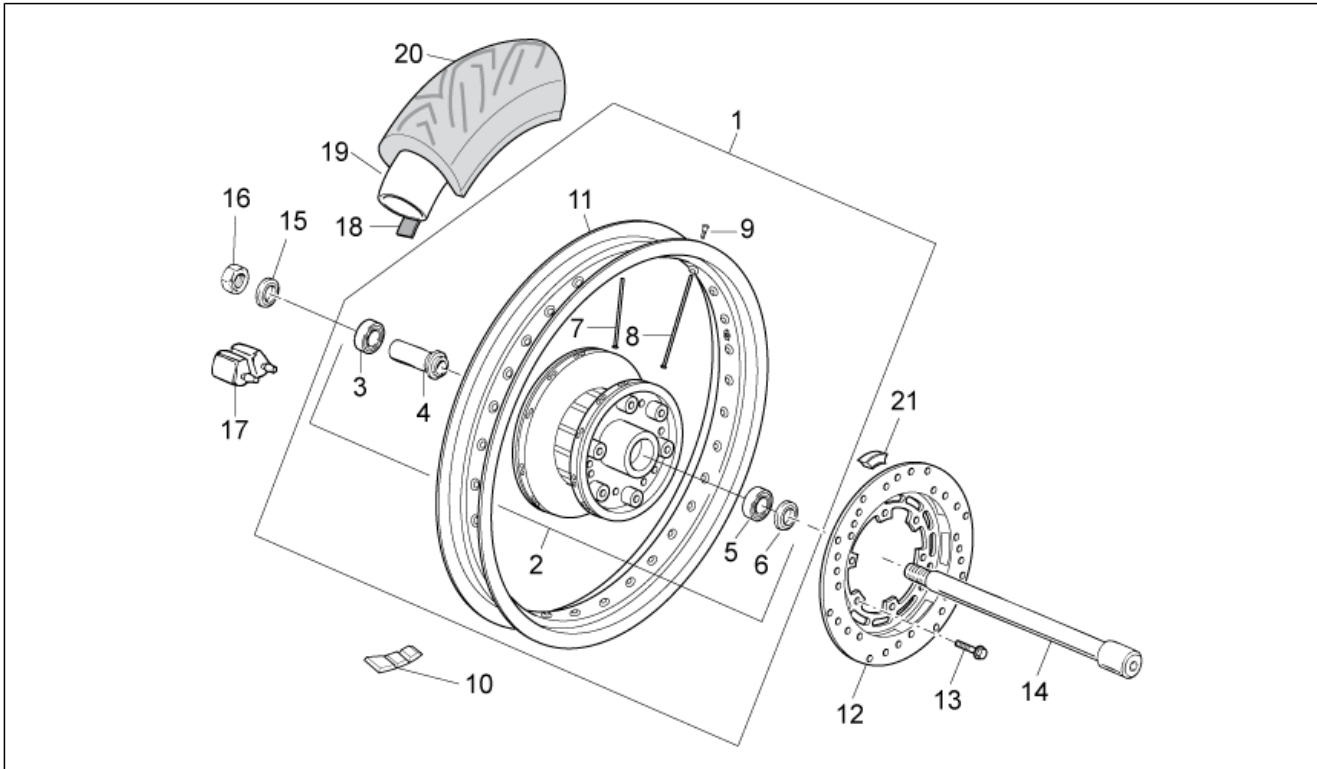
Pos.	Code	Description	Qty	Variants
27	GU98210612	Screw w/ flange M6x12	4	

Group	FRAME
Code	33.24
Description	Front wheel I
Service	1



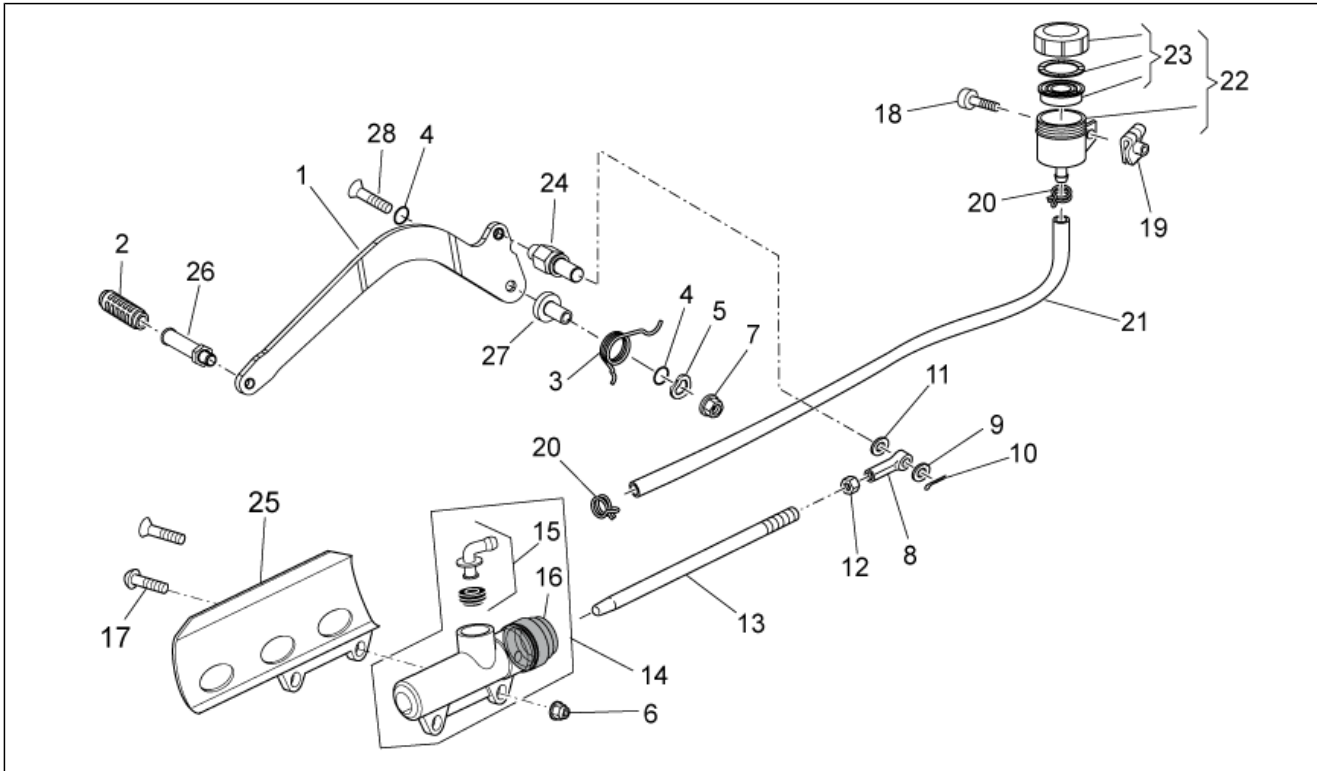
Pos.	Code	Description	Qty	Variants
1	B063702	Front wheel 2,5x18" Black	1	
2	GU32613160	Front hub	1	
3	B063144	Front wheel spoke	36	
4	GU03631250	Nipples	36	
5	B063077	Black front rim 2.5X18"	1	
6	GU31615283	Spacer	1	
7	GU92204221	Bearing	2	
8	GU90402642	Gasket ring	1	
9	GU31614183	Front wheel spindle	1	
10	883688	Front brake disc 320	1	
11	AP8152286	Screw w/ flange M8x20	6	
12	GU31616384	LH spacer	1	
13	GU93180111	Cover 15 mm	1	
14	GU32615660	RH spacer	1	
15	GU14616150	Counterweight	1	
16	GU03612040	Tyre flap	1	
17	GU31610160	Inner tube MB 18	1	
18	886679	Tyre 100/90 18	1	

Group	FRAME
Code	33.25
Description	Rear wheel I
Service	1



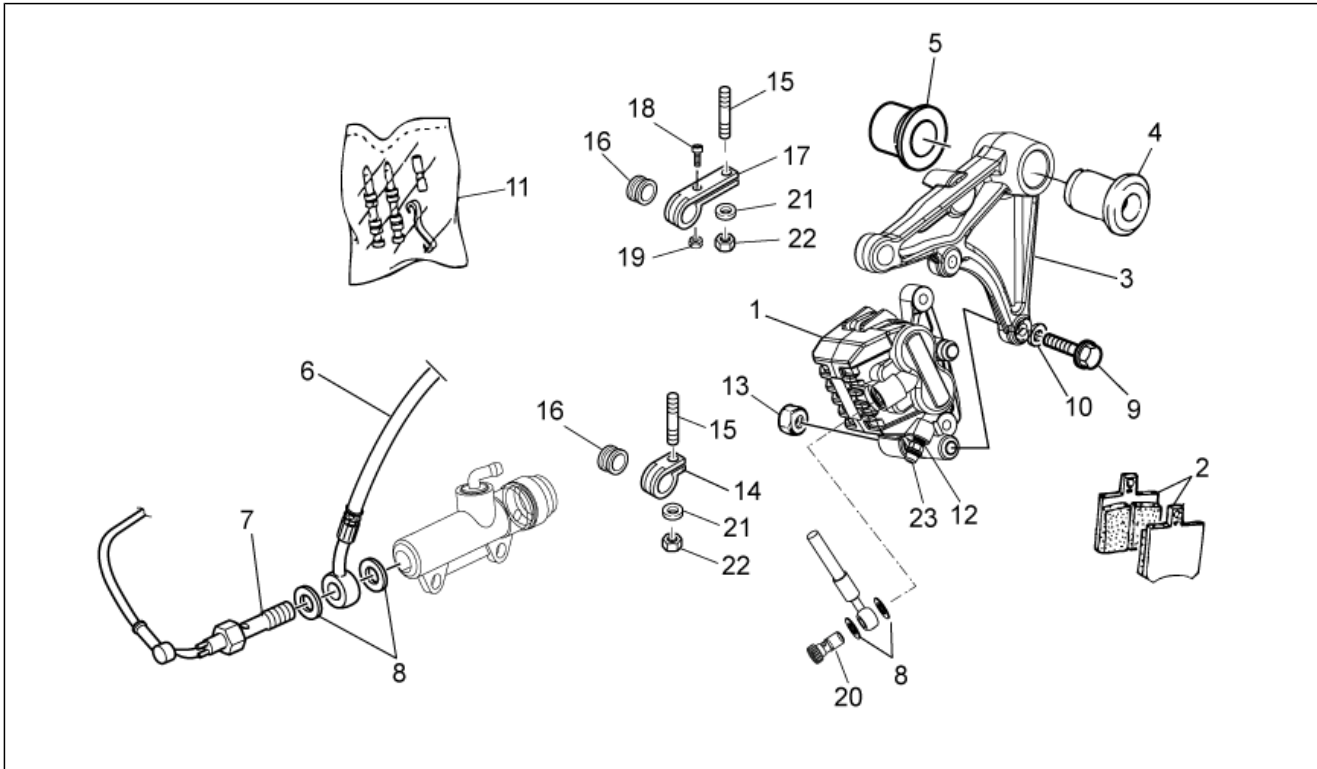
Pos.	Code	Description	Qty	Variants
1	B063704	Rear wheel(complete) 3,5x17" Black	1	
2	GU32692260	Hub	1	
3	GU92204218	Bearing	1	
4	GU27633910	Spacer	1	
5	GU92204217	Bearing	1	
6	GU90402538	Gasket ring 25x40x7	1	
7	883350	Short spoke	18	
8	883349	Long spoke mm 158	18	
9	GU03631250	Nipples	36	
10	GU14616150	Counterweight	1	
11	B063078	Rear wheel 3,5"x17" Black	1	
12	887448	Brake disc	1	
13	894505	Screw w/ flange M8x18	6	
14	GU32633360	Rear wheel spindle	1	
15	GU31634481	Washer	1	
16	GU92606316	Nut M16x1,5	1	
17	GU32632510	Rubber coupling	6	
18	GU28612033	Tyre flap	1	
19	GU30630430	Inner tube MD 17	1	
20	886680	Tyre 130/80 17	1	
21	GU32636160	Support rubber part	1	

Group	FRAME
Code	33.26
Description	Rear master cylinder
Service	1



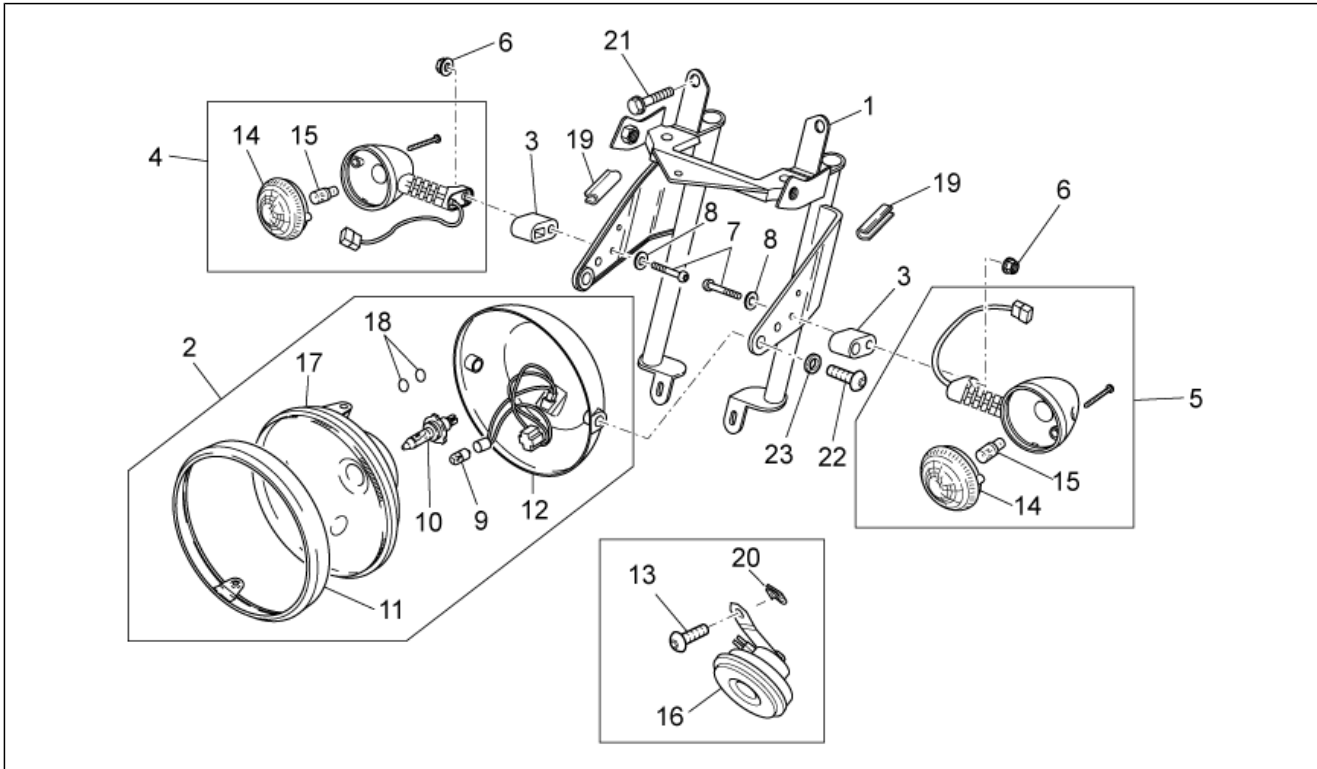
Pos.	Code	Description	Qty	Variants
1	887910	Brake lever	1	
2	AP8120912	Lever rubber	1	
3	978969	Spring	1	
4	AP8144007	O-ring 11,11x1,78	2	
5	GU95005310	Washer 8,4x18x2	1	
6	GU92630206	Nut M6x1	2	
7	GU92660021	Flanged nut M8	1	
8	GU18257551	Block	1	
9	GU95005308	Washer 8,4x14,57x1,6	1	
10	GU95500221	Split pin	1	
11	658837	Crinkle washer D15 F8,4 S1,5 - INOX	1	
12	GU92609007	Nut	1	
13	978970	Master cylinder rod	1	
14	AP8133643	Rear master cylinder	1	
15	AP8213057	Rear brake pump union	1	
16	AP8113288	Rubber bellows	1	
17	GU98370625	Hex socket screw	2	
18	AP8152298	Screw w/ flange M5x16	1	
19	248419	Spring plate m5	1	
20	AP8101594	Hose clamp D10,1*	2	
21	GU00823950050	Oil pipe	1	
22	AP8113241	Brake oil tank complete	1	
23	AP8113553	Tank cap	1	
24	887911	Brake lever pin	1	
25	GU01665410	Brake m.cyl.protection, black	1	
26	887908	Rubber pedal	1	
27	887952	Rear brake lever bush	1	
28	B063443	Screw M8x50	1	

Group	FRAME
Code	33.27
Description	Rear brake caliper
Service	1



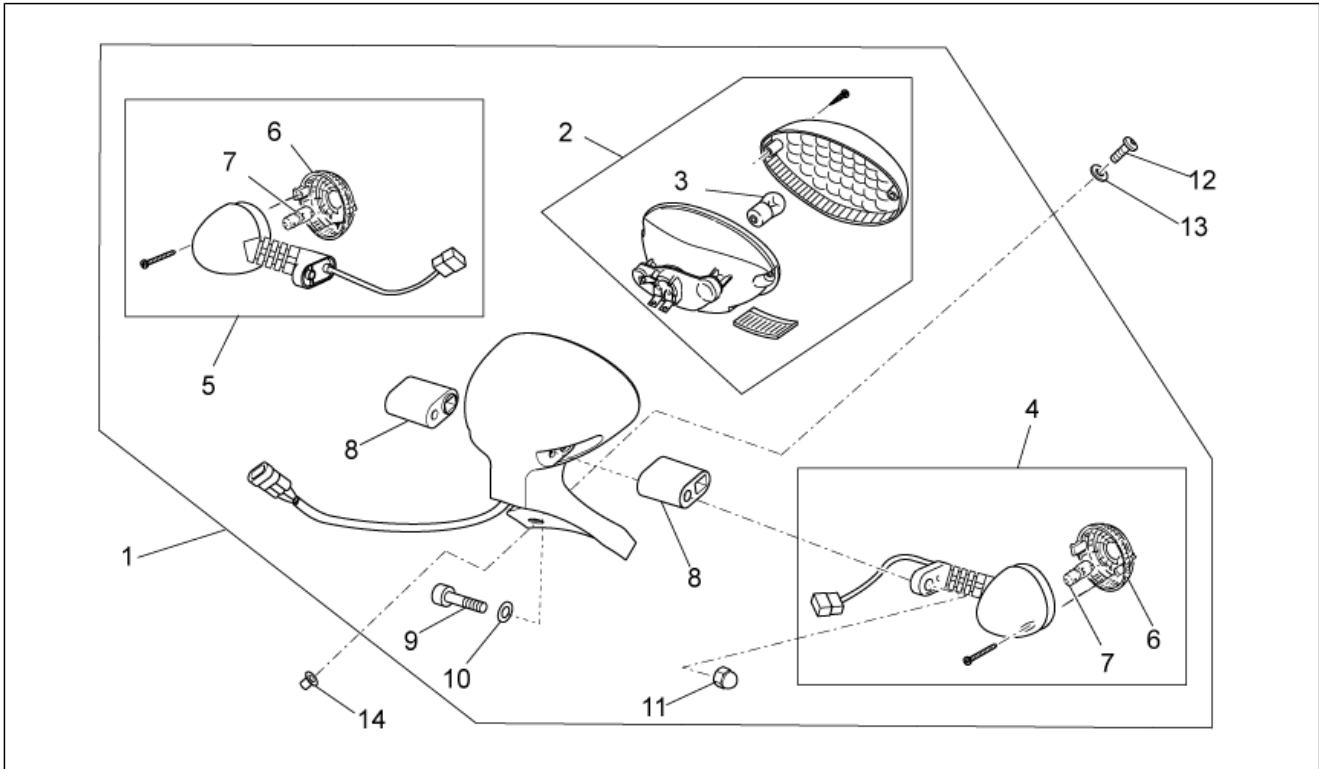
Pos.	Code	Description	Qty	Variants
1	887449	Rear brake caliper	1	
2	AP8133798	Pads pair	1	
3	887431	Brake caliper support plate	1	
4	GU31634281	Bushing	1	
5	GU32634160	Spacer	1	
6	B063750	Rear rubber brake pipe	1	
7	883192	Switch	1	
8	AP8121915	Gasket	4	
9	AP8152288	Screw w/ flange	2	
10	GU03270300	Washer 8,4x15	2	
11	AP8133799	Pins+Caliper springs	1	
12	AP8133800	Air bleed valve	1	
13	AP8152300	Self-locking nut M8	2	
14	GU03658430	Hose clamp	1	
15	GU96451316	Stud bolt	1	
16	GU03658201	Ring	2	
17	GU03658330	Hose clamp	1	
18	AP8152043	Hex socket screw M4x10	1	
19	AP8150204	Nut M4	1	
20	AP8113003	Oil pipe screw *	1	
21	GU95008306	Washer 6,4x12x1,2	2	
22	AP8152299	Self-locking nut M6	2	
23	AP8213575	Bleed valve cap	1	

Group	FRAME
Code	33.28
Description	Front lights
Service	1



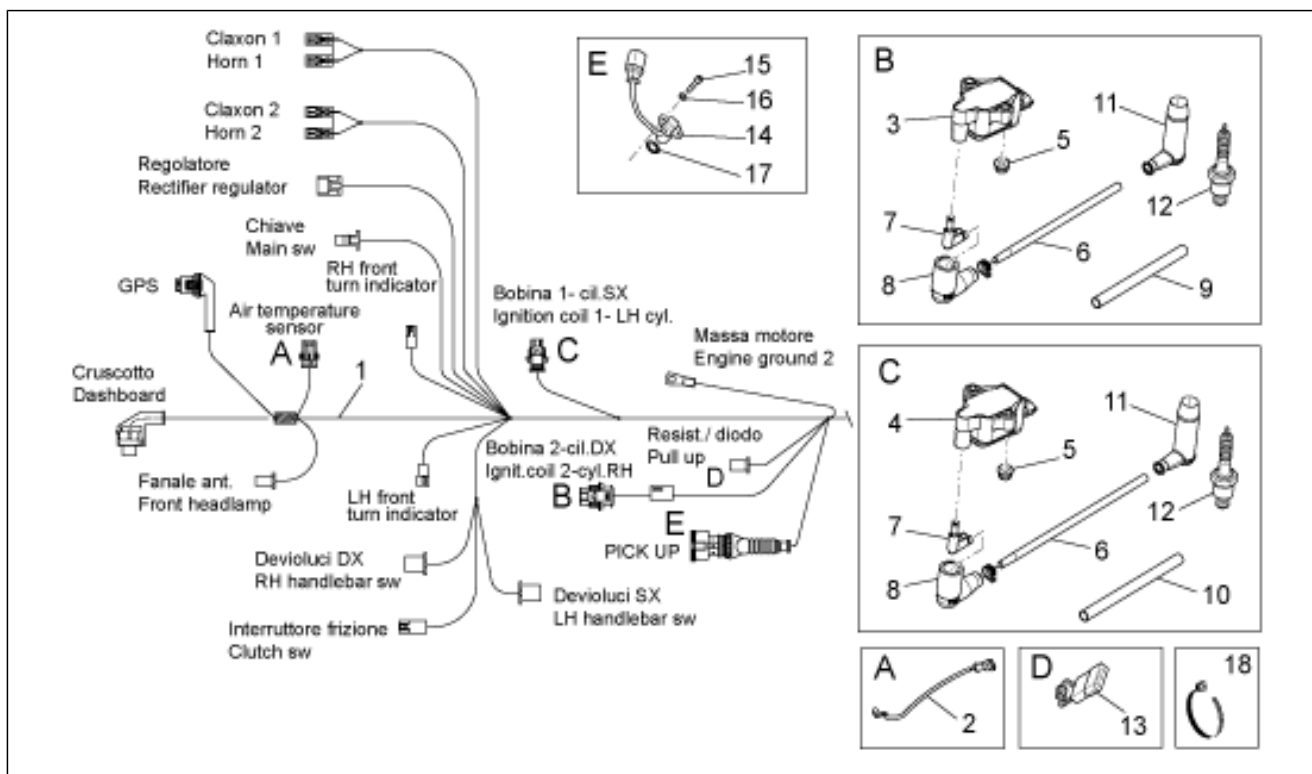
Pos.	Code	Description	Qty	Variants
1	GU32506360	Headlight support clamp	1	
2	978311	Headlight	1	
3	GU32753410	Spacer	2	
4	B063800	RH front/LH rear turn indic.	1	
5	B063801	LH front/RH rear turn indic.	1	
6	GU92787006	Cap nut M6x1	2	
7	GU98370655	Hex socket screw	2	
8	GU95021206	Washer	2	
9	GU93450105	Lamp	1	
10	GU93450232	Lamp 12V-55/60W	1	
11	GU31740383	Chromed ring nut	1	
12	981149	Cap, black	1	
13	AP8150377	screw	2	
14	B063735	Turn indicator lens	2	
15	GU93450126	Lamp, orange	2	
16	890979	Horn	1	
17	GU06740400	Light assembly	1	
18	883417	O-ring	2	
19	GU00823931055	Gasket	1	
20	254485	Spring plate M6	2	
21	GU98880540	screw M10x40	2	
22	GU98692420	Hex socket screw M8x20	2	
23	GU95005308	Washer 8,4x14,57x1,6	2	

Group	FRAME
Code	33.29
Description	Rear lights
Service	1



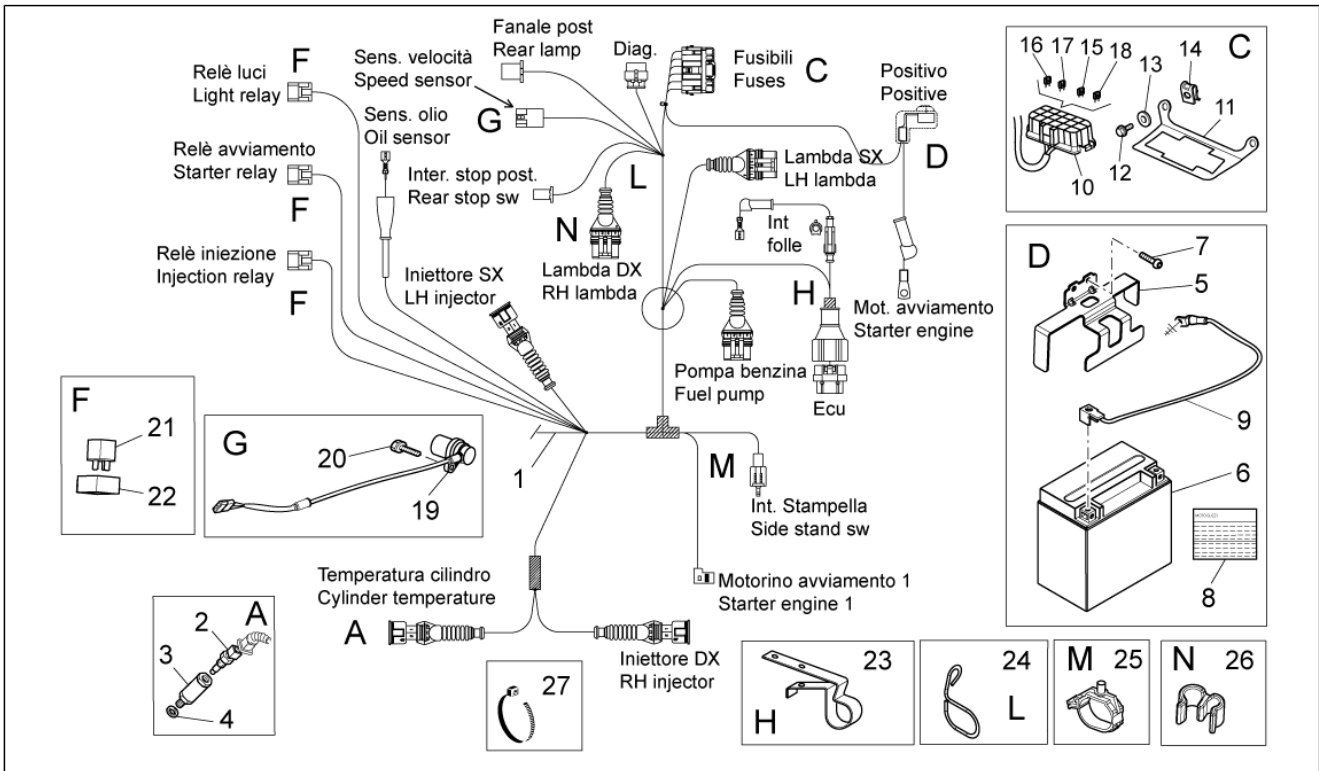
Pos.	Code	Description	Qty	Variants
1	883479	Taillight assy	1	
2	GU03740930	Taillight	1	
3	GU93450224	Lamp	1	
4	GU32750661	RH front/LH rear turn indic.	1	
5	883478	LH front/RH rear turn indic.	1	
6	GU32753711	Turn indicator lens	2	
7	GU93450127	Lamp	2	
8	GU32753410	Spacer	2	
9	GU98370655	Hex socket screw	2	
10	GU95021206	Washer	2	
11	GU92787006	Cap nut M6x1	2	
12	GU98350215	Hex socket screw	3	
13	GU30577800	Nylon washer 5,5X12X1	3	
14	GU93231605	Antivibration bush	3	

Group	FRAME
Code	33.30
Description	Electrical system I
Service	1



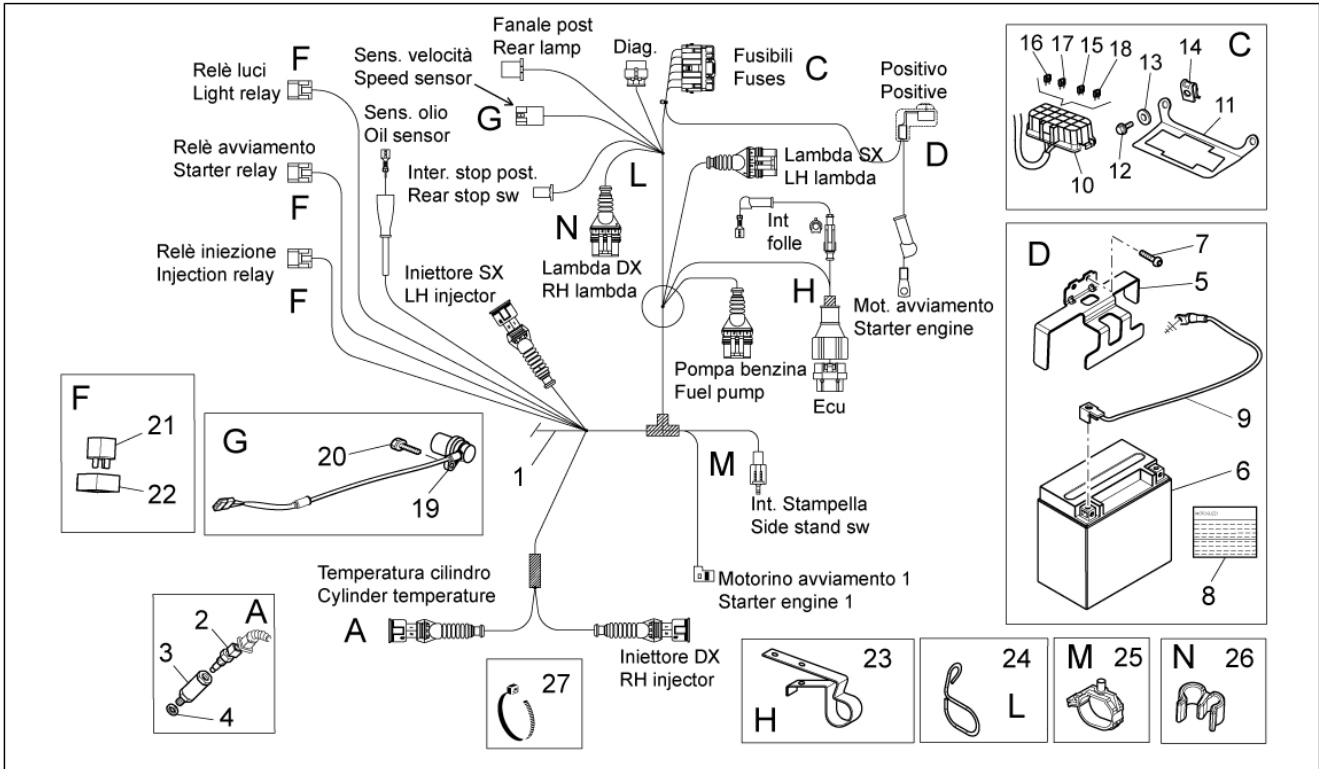
Pos.	Code	Description	Qty	Variants
1	887825	Main wiring harness	1	
2	AP8124936	Air temp. Sensor	1	
3	642034	HT coil DX	1	
4	641901	HT coil	1	
5	AP8152299	Self-locking nut M6	4	
6	080341	H.V. cable	2	
7	641725	HV terminal	2	
8	641040	Insulating cap	2	
9	CM0074D0	Sheath D.8-S.0,5-L.370	1	
10	CM0074C9	Grey cable casing D.8-S.0,5-L.435	1	
11	GU02717450	Sparkplug cap NGK	2	
12	887481	Spark plug NGK CPR8EB-9	2	
13	887948	Diode	1	
14	832029	Encoder sensor	1	
15	GU98682212	Hex socket screw M5x12	2	
16	GU95008205	Washer 5,3x10x0,8	2	
17	GU90706141	O-ring	1	
18	AP8120416	Black hose 178x4	1	
18	GU14609650	Hose clamp 3,6x20,6	31	
18	GU49609601	Hose clamp 2,4x92	1	

Group	FRAME
Code	33.31
Description	Electrical system II
Service	1



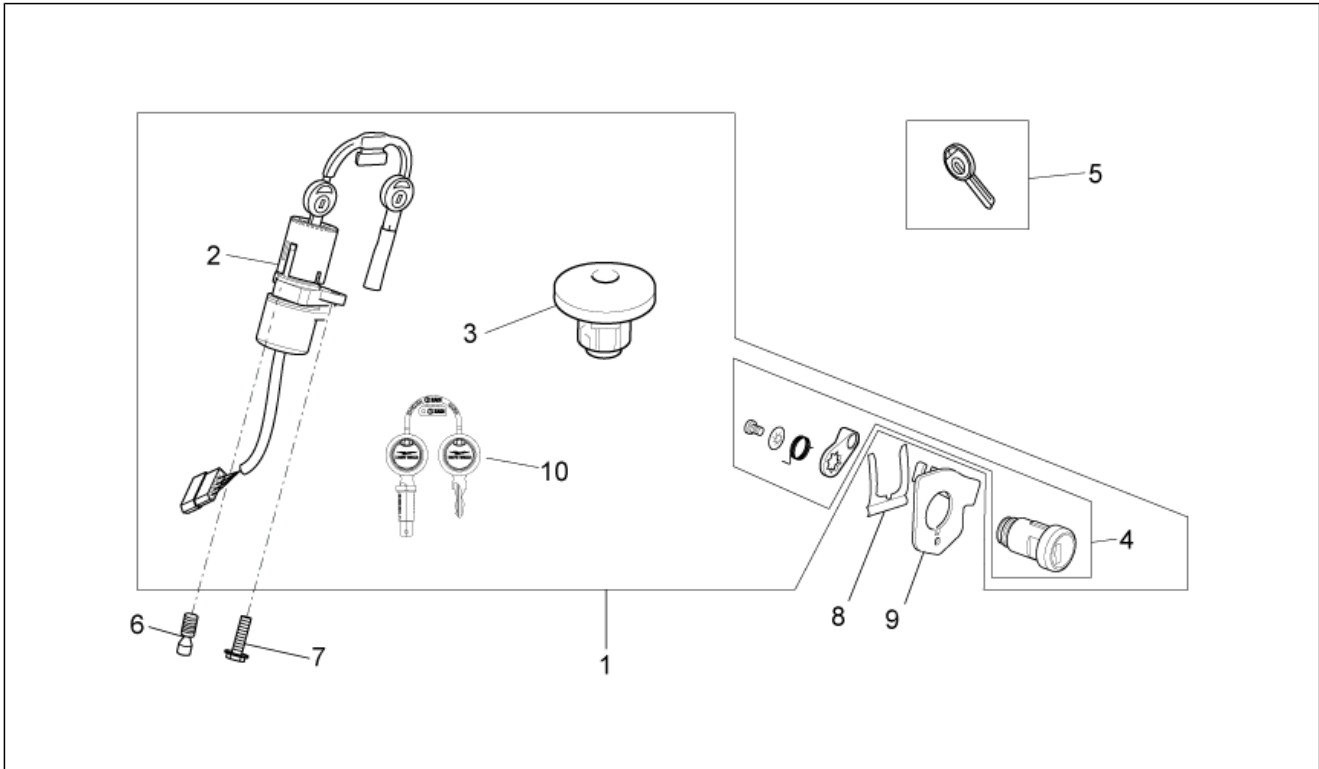
Pos.	Code	Description	Qty	Variants
1	887825	Main wiring harness	1	
2	GU29729461	Oil temperature sensor	1	
3	GU03163330	Sensor support	1	
4	GU95004210	Washer 10,2x18x2	1	
5	B063233	Battery bracket	1	
6	638733	Battery Yuasa 12V-12Ah (150x85x145)	1	
7	GU98370616	Hex socket screw M6x16 inox	2	
8	GU32517710	Decal "Battery service"	1	
9	GU32747910	Ground-battery lead	1	
10	584211	Fuse holder box	1	
11	883161	Fuse block support	1	
12	GU98682212	Hex socket screw M5x12	2	
13	GU95100059	Washer 5,25x14x1,5	2	
14	AP8102375	Clip m5	2	
15	CM225705	Fuse 5A	2	
16	CM225710	Fuse 10A	1	
17	CM225715	Fuse 15A	2	
18	CM225730	Fuse 30A	1	
19	893570	Speedometer sensor cpl.	1	
20	AP8150377	screw	1	
21	AP8224462	Relay 12V/30A	3	
22	AP8220283	Rubber spacer *	3	
23	B043850	Hose clamp	1	
24	AP8181140	Fairlead	1	
25	CM013202	Pipes/cables retainer spring	1	
26	894704	Fairlead	1	
27	AP8120416	Black hose 178x4	1	
27	GU14609650	Hose clamp 3,6x20,6	21	

Group	FRAME
Code	33.31
Description	Electrical system II
Service	1



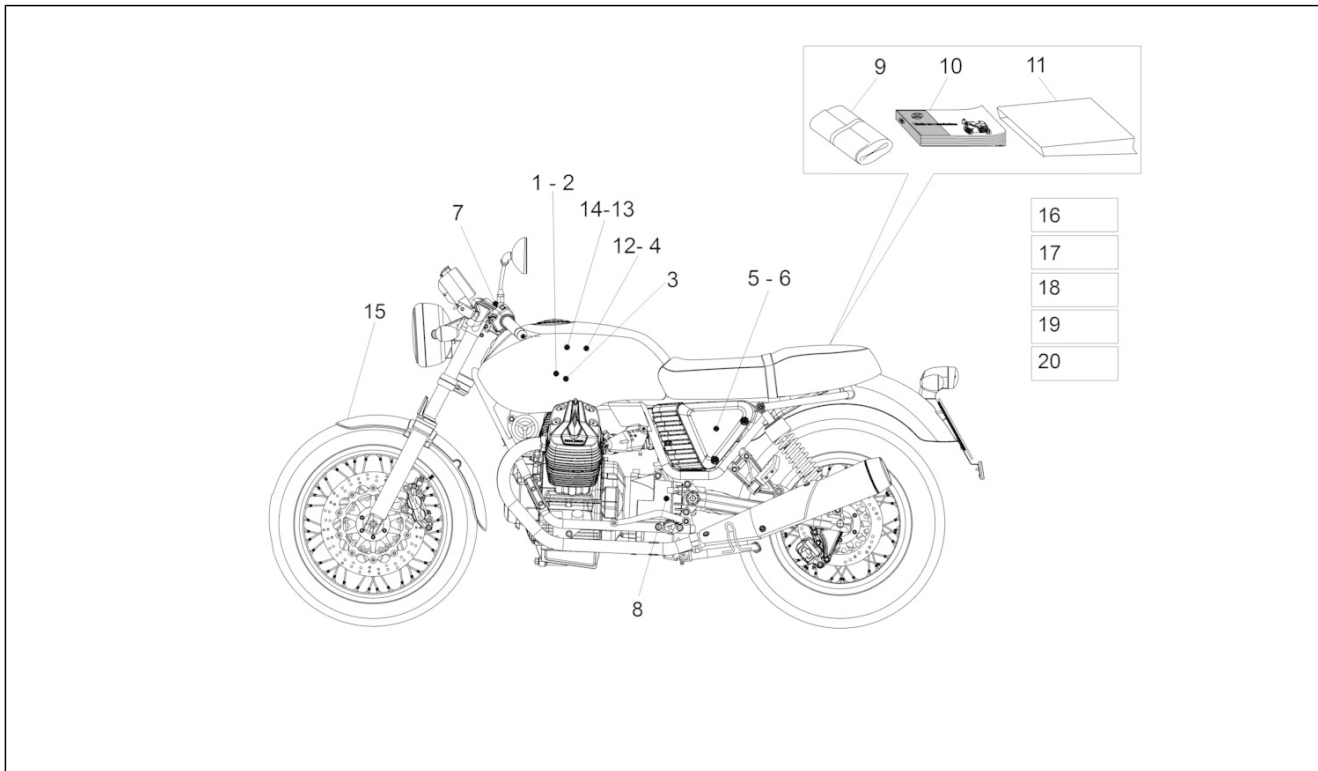
Pos.	Code	Description	Qty	Variants
27	GU49609601	Hose clamp 2,4x92	1	

Group	FRAME
Code	33.32
Description	Lock hardware kit
Service	1



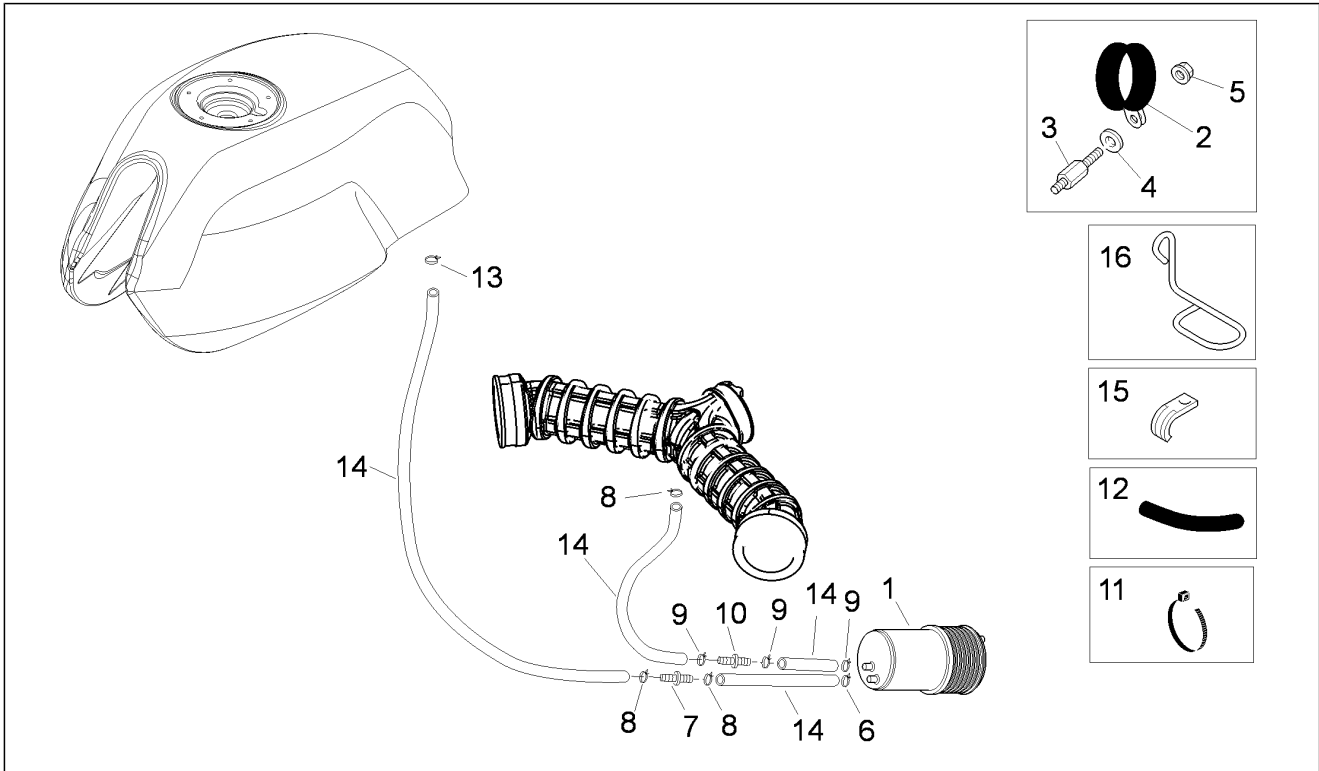
Pos.	Code	Description	Qty	Variants
1	883477	Lock kit	1	
2	GU32782510	Main switch - steering lock	1	
3	883476	Tank cap	1	
4	977527	Locking complete with keys	1	
5	GU32735510	Non indent.key blank-shell go	1	
6	AP8150349	Special screw M8x15	1	
7	GU98682416	Hex socket screw M8x16	1	
8	AP8121420	Fork spring	1	
9	978415	Cable fixing plate	1	
10	2D000006	Locking cylinder with key for fuel cap	1	

Group	FRAME
Code	33.33
Description	Decal and plate set
Service	1



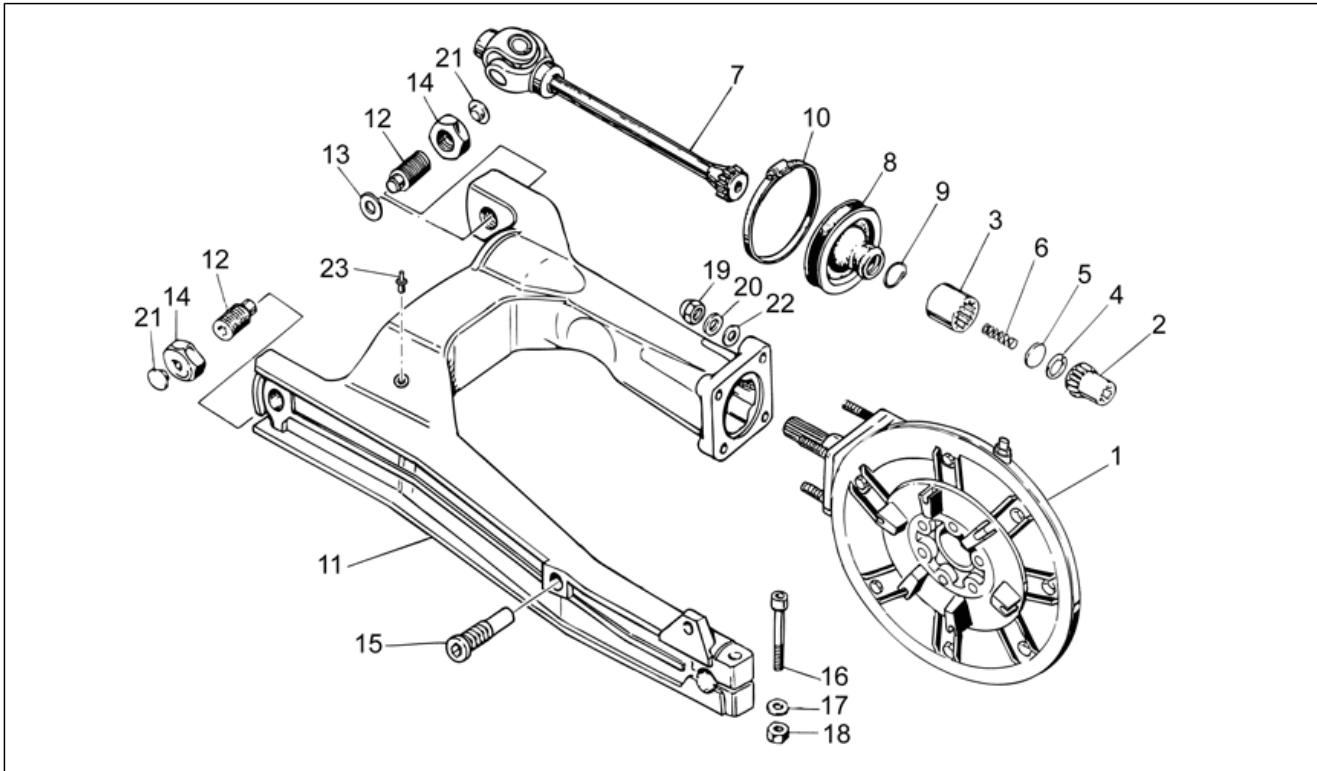
Pos.	Code	Description	Qty	Variants
1	886340	Name plate Aquila	1	
2	887930	LH Name plate Aquila	1	
3	887931	Name plate "Moto Guzzi"	2	
4	2H000025	Tank right rear band decal	1	Vehicle colour:Competition Black[nc]
4	2H000082	Tank right rear band decal	1	Vehicle colour:Metal grey[gm]
5	2H000027	RH side panel decal	1	Vehicle colour:Competition Black[nc]
5	2H000084	RH side panel decal	1	Vehicle colour:Metal grey[gm]
6	2H000028	LH side panel decal	1	Vehicle colour:Competition Black[nc]
6	2H000085	LH side panel decal	1	Vehicle colour:Metal grey[gm]
7	883598	"Aquila" decal	1	
8	895839	""Eni"" label"	2	
9	887443	Toolkit	1	
10	2Q000044	Libretto uso e manutenzione USA-FR-ES-IT	1	
11	GU05900130	Bag for document	2	
12	2H000026	Tank left rear band decal	1	Vehicle colour:Competition Black[nc]
12	2H000083	Tank left rear band decal	1	Vehicle colour:Metal grey[gm]
13	2H000024	Tank left front band decal	1	Vehicle colour:Competition Black[nc]
13	2H000081	Tank left front band decal	1	Vehicle colour:Metal grey[gm]
14	2H000023	Tank right front band decal	1	Vehicle colour:Competition Black[nc]
14	2H000080	Tank right front band decal	1	Vehicle colour:Metal grey[gm]
15	886141	Decal "Aquila"	1	
16	2G000011	Noise emission sticker	1	
17	2G000012	Emission control sticker	1	
18	2G000013	Shed scheme decal	1	
19	B045974	Fuel decal E15	1	
20	AP8257794	Battery decal	1	
21	AP8257742	Keys warning decal	1	

Group	FRAME
Code	33.48
Description	Fuel vapour recover system
Service	1



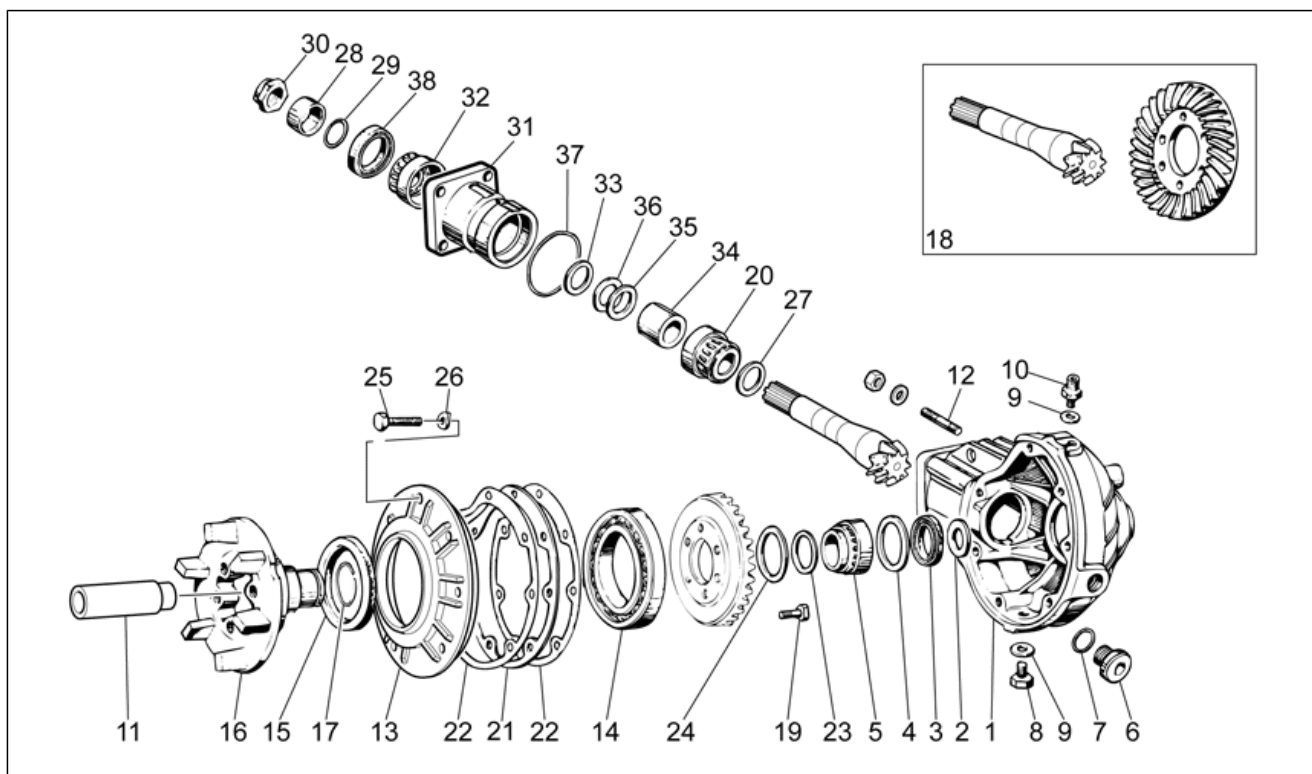
Pos.	Code	Description	Qty	Variants
1	AP8102678	Carbon filter	1	
2	AP8102688	Hose clamp d.76	1	
3	GU32439260	Canister support USA	1	
4	GU95005311	Washer	1	
5	AP8152299	Self-locking nut M6	1	
6	AP8102159	Hose clamp	1	
7	860138	Valve	1	
8	GU28157950	Hose clip 12,5x8	4	
9	AP8120446	Hose clip, green D11x6,6x1	2	
10	AP8121267	Choke hold	1	
11	AP8120416	Black hose 178x4	1	
12	GU00823923140	Thermal sheath	4	
13	AP8201358	Hose clamp D 11,9	1	
14	856063	pipe SAE 30 d.12,7x6,35	3	
15	GU93301313	U-bolt	1	
16	AP8221114	Cable-guide	2	

Group	ENGINE
Code	34.09
Description	Transmission complete I
Service	1



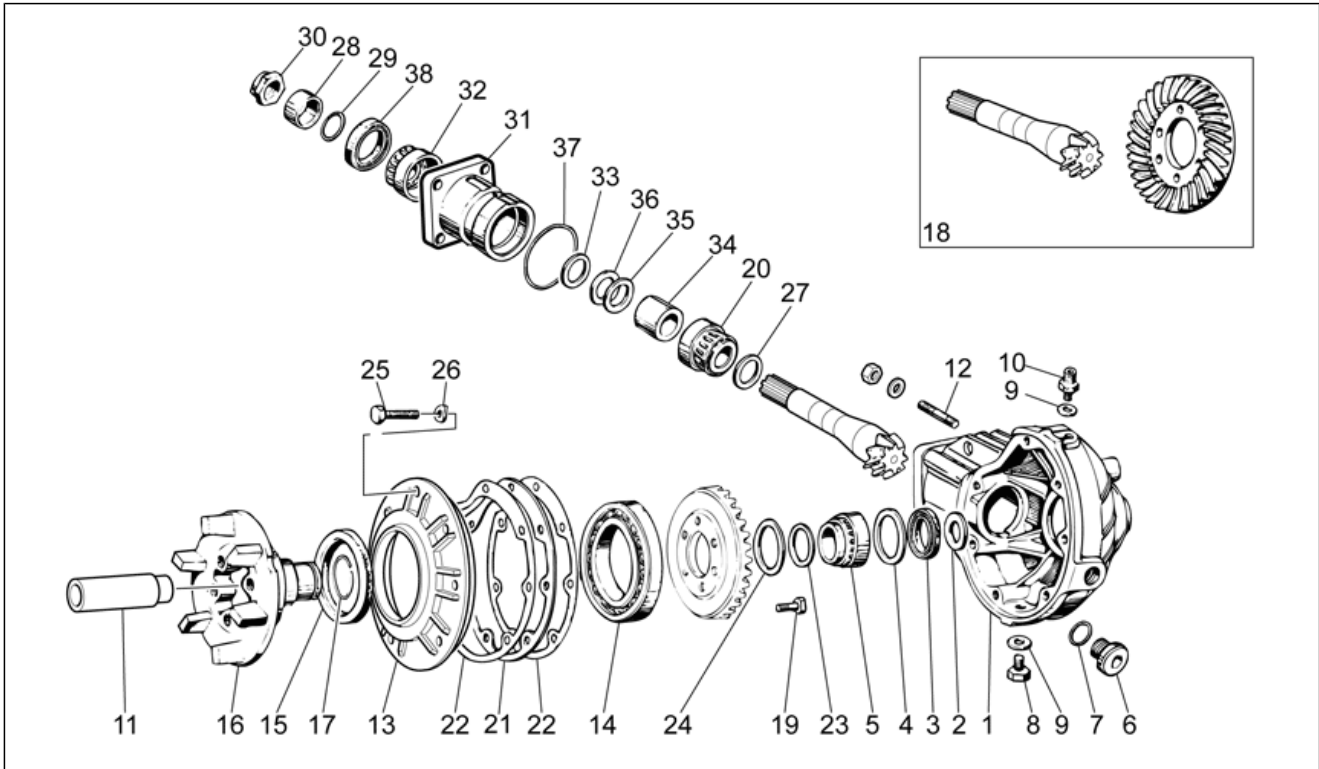
Pos.	Code	Description	Qty	Variants
1	976941	Transmission box assy., black	1	
2	GU31327783	Hose	1	
3	GU19328801	Hose	1	
4	GU90272023	Circlip	1	
5	GU19327601	Disc	1	
6	GU94321099	Spring	1	
7	GU23328081	Coupling	1	
8	GU23548080	Protection collar	1	
9	GU23548180	Spring	1	
10	AP8120246	Hose clamp D=60-80	1	
11	883011	Swing arm, black	1	
12	GU19547000	Pin	2	
13	GU35214300	Spacer	1	
14	GU31547882	Nut	2	
15	GU31544181	Pin	1	
16	GU98680545	screw M10x45	1	
17	GU95008210	Washer 10,2X18X2	1	
18	GU92606210	Nut M10x1,5	1	
19	860651	Cap nut M8x1,25	4	
20	GU14615901	Washer 8,4X13X0,8	4	
21	GU93180105	Cover	2	
22	GU95005308	Washer 8,4x14,57x1,6	4	
23	GU03922280	Cover 5x9	1	

Group	ENGINE
Code	34.10
Description	Transmission complete II
Service	1



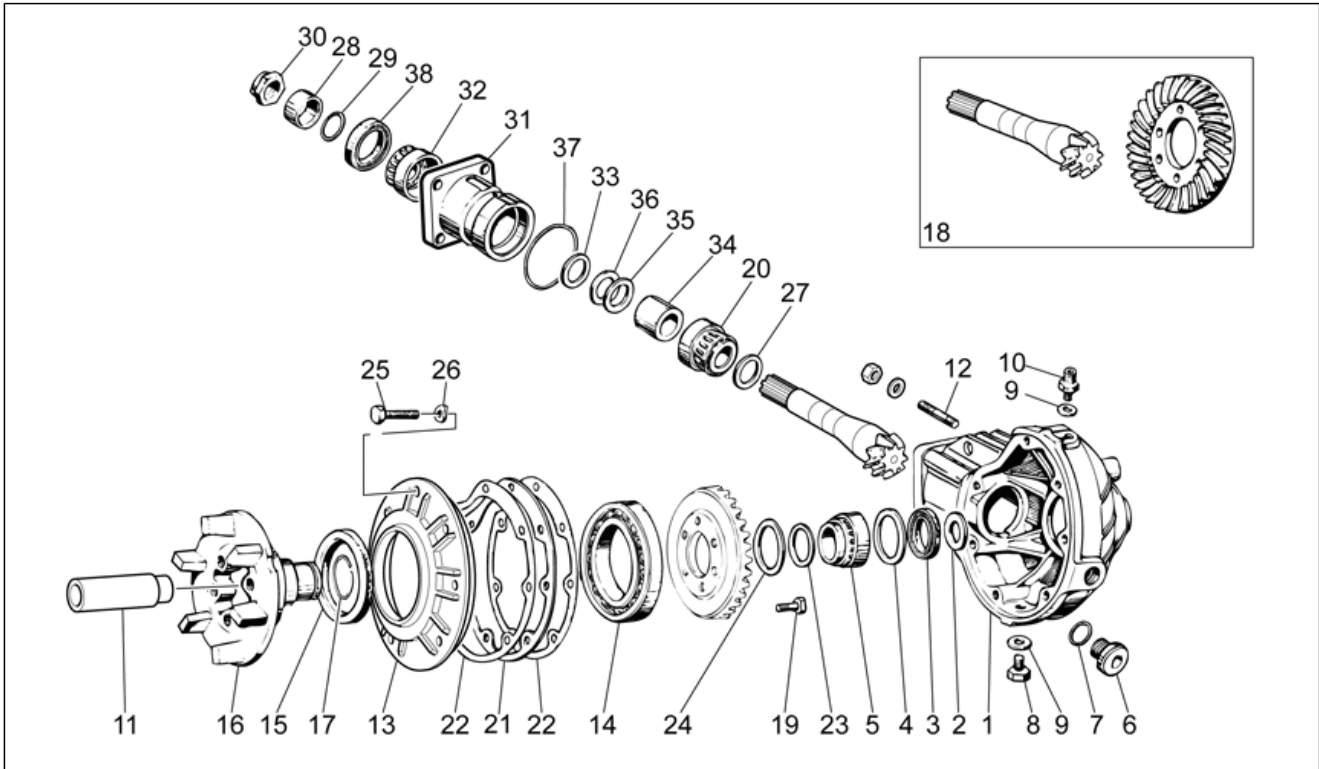
Pos.	Code	Description	Qty	Variants
1	976608	Transmission housingblack	1	
2	GU19351900	Clearance washer	1	
3	GU90403549	Gasket ring 35x47x7	1	
4	GU19351100	Clearance washer	1	
5	GU92252235	Roller bearing 35x50x17	1	
6	GU12022600	Oil plug	1	
7	GU90706203	O-ring 20,24x2,62	1	
8	GU31003766	Oil unload plug M10x1	1	
9	GU01528930	Gasket 10x18x1,5	2	
10	GU19206501	Breather plug	1	
11	GU32633560	Spacer	1	
12	GU96508055	Stud bolt	4	
13	GU32350410	Cover	1	
14	GU92201070	Ball bearing 70x110x13	1	
15	GU90407591	Gasket ring 75x95x10	1	
16	GU32351410	Pin	1	
17	GU90353030	Stop ring	1	
18	GU32354610	Bevel gear 8/33	1	
19	GU03067730	screw M8x25	6	
20	GU92249227	Tap.roller bearing 25x5	1	
21	GU19355400	Spacer 0,8 mm	1	
21	GU19355402	Spacer 0,9 mm	1	
21	GU19355404	Spacer 1 mm	1	
21	GU19355406	Spacer 1,1 mm	1	
21	GU19355408	Spacer 1,2 mm	1	
21	GU19355410	Spacer 1,3 mm	1	
21	GU19355411	Spacer 1,4 mm	1	
21	GU19355412	Spacer 1,5 mm	1	

Group	ENGINE
Code	34.10
Description	Transmission complete II
Service	1



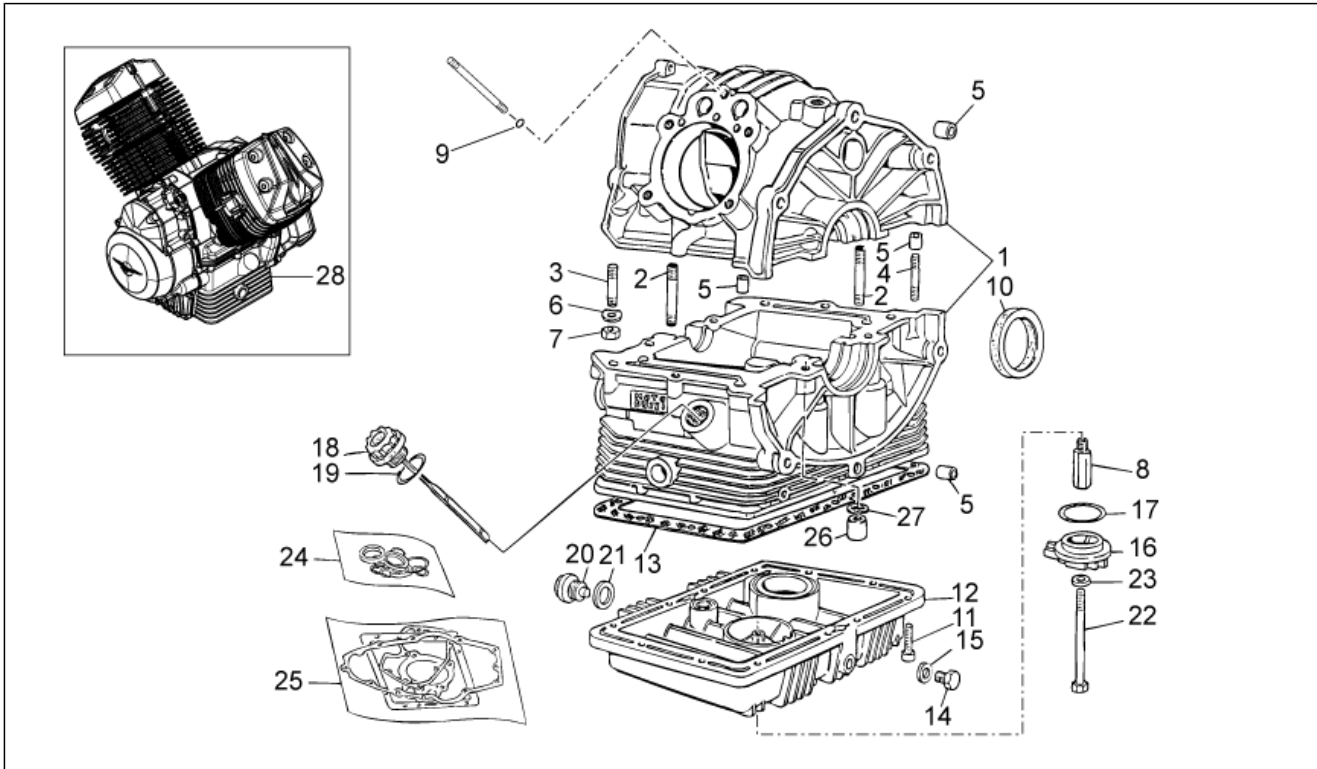
Pos.	Code	Description	Qty	Variants
21	GU19355413	Spacer 1,6 mm	1	
22	GU19350700	Gasket	2	
23	GU19352300	Thrust washer	1	
24	GU19353500	Thrust washer	1	
25	GU19357660	screw	7	
26	GU61270300	Spring washer 8x15x0,3	7	
27	GU19355320	Spacer 1 mm	1	
27	GU19355321	Spacer 1,1 mm	1	
27	GU19355322	Spacer 1,2 mm	1	
27	GU19355323	Spacer 1,3 mm	1	
27	GU19355324	Spacer 1,4 mm	1	
27	GU19355325	Spacer 1,5 mm	1	
27	GU19355326	Spacer 1,6 mm	1	
27	GU19355327	Spacer 1,7 mm	1	
27	GU19355328	Spacer 1,8 mm	1	
27	GU19355329	Spacer 1,9 mm	1	
28	GU19356801	Spacer	1	
29	GU90706188	Gasket ring 18,77X1,78	1	
30	GU19356700	Nut	1	
31	GU20352421	Flange	1	
32	GU92249220	Roller bearing 20x47x14	1	
33	GU19355300	Spacer 1 mm	1	
33	GU19355301	Spacer 1,1 mm	1	
33	GU19355302	Spacer 1,2 mm	1	
33	GU19355303	Spacer 1,3 mm	1	
33	GU19355304	Spacer 1,4 mm	1	
33	GU19355305	Spacer 1,5 mm	1	
33	GU19355306	Spacer 1,6 mm	1	

Group	ENGINE
Code	34.10
Description	Transmission complete II
Service	1



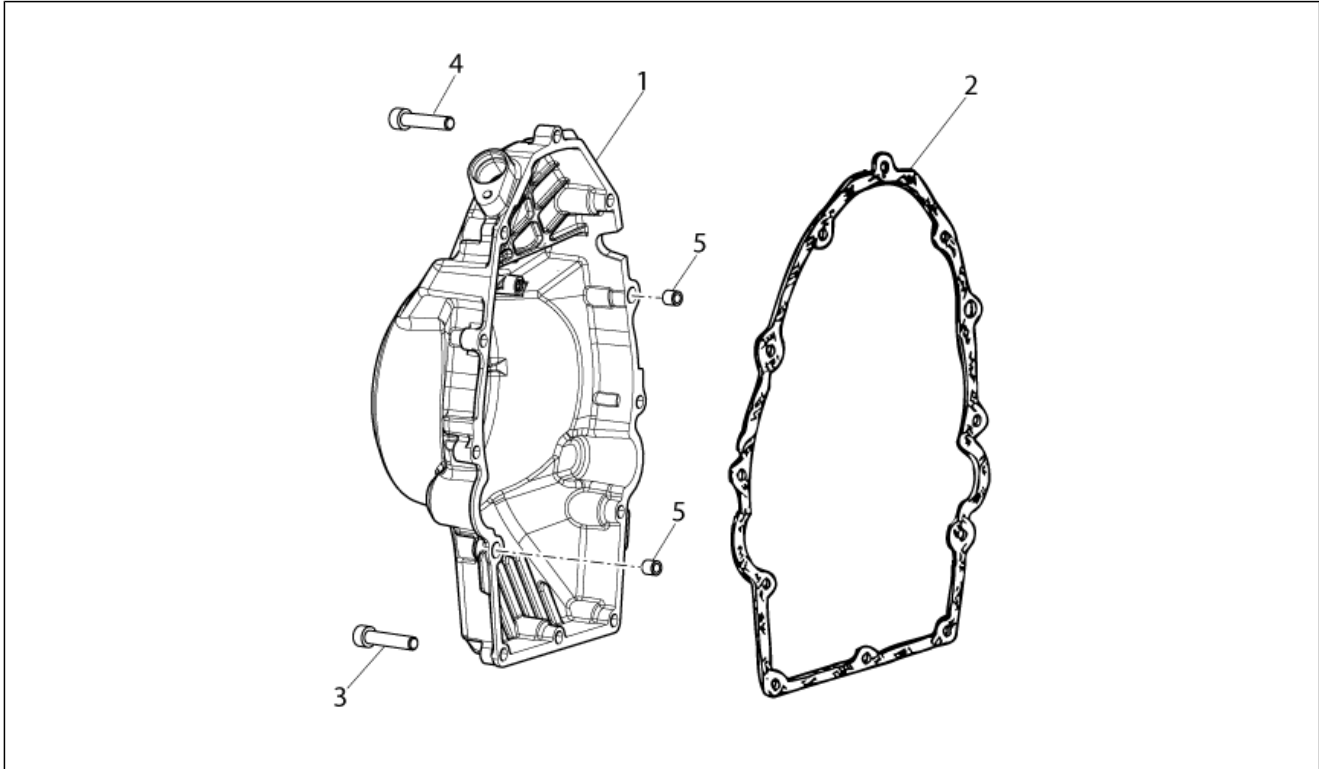
Pos.	Code	Description	Qty	Variants
33	GU19355307	Spacer 1,7 mm	1	
33	GU19355308	Spacer 1,8 mm	1	
33	GU19355309	Spacer 1,9 mm	1	
34	GU20355121	Spacer	1	
35	GU19355200	Shim 0,1 mm	1	
36	GU19355202	Shim 0,15 mm	1	
37	GU90706584	Gasket 58,42x2,62	1	
38	GU90403251	Gasket ring 32x47x10	1	

Group	ENGINE
Code	34.34
Description	Crank-case
Service	1



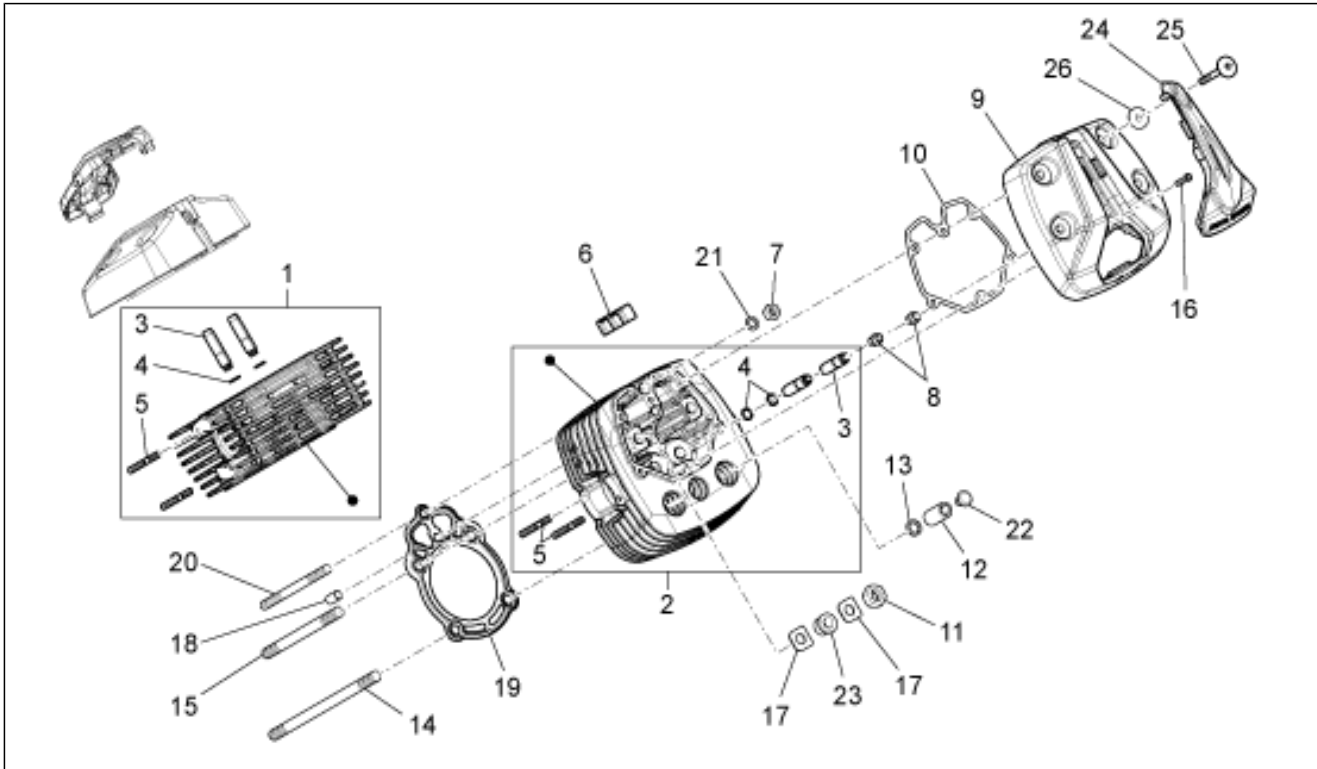
Pos.	Code	Description	Qty	Variants
1	2A000235	***COMPLETE CRANKCASE	1	
2	GU96451560	Stud bolt	4	
3	GU96451430	Stud bolt	4	
4	GU96508055	Stud bolt	2	
5	GU19015020	Bushing	4	
6	GU61270300	Spring washer 8x15x0,3	6	
7	GU92606208	Nut M8x1,25	6	
8	GU19003800	Joint	1	
9	GU90706076	O-ring	2	
10	886365	Gasket ring	1	
11	GU98682325	Hex socket screw M6x25	12	
12	976604	Oil sump black	1	
13	887004	Sump gasket	1	
14	GU31003766	Oil unload plug M10x1	1	
15	GU10528900	Gasket	1	
16	976685	Plug	1	
17	GU90706444	O-ring	1	
18	883826	Oil load plug	1	
19	GU90706281	O-ring 28,24x2,62	1	
20	GU12003702	Oil unload plug	1	
21	GU95100709	Gasket 20,1x28x2	1	
22	GU27152885	Bolt	1	
23	GU12154200	Gasket 8,25x15x1	1	
24	GU32999510	Oil seals - set	1	
25	GU32999010	Gasket set	1	
26	GU13021900	Column nut	4	
27	GU95129180	Washer 10,5X18X0,8	4	
28	2L0001895	Engine assy w/hout transm.	1	

Group	ENGINE
Code	34.35
Description	Timing system cover
Service	1



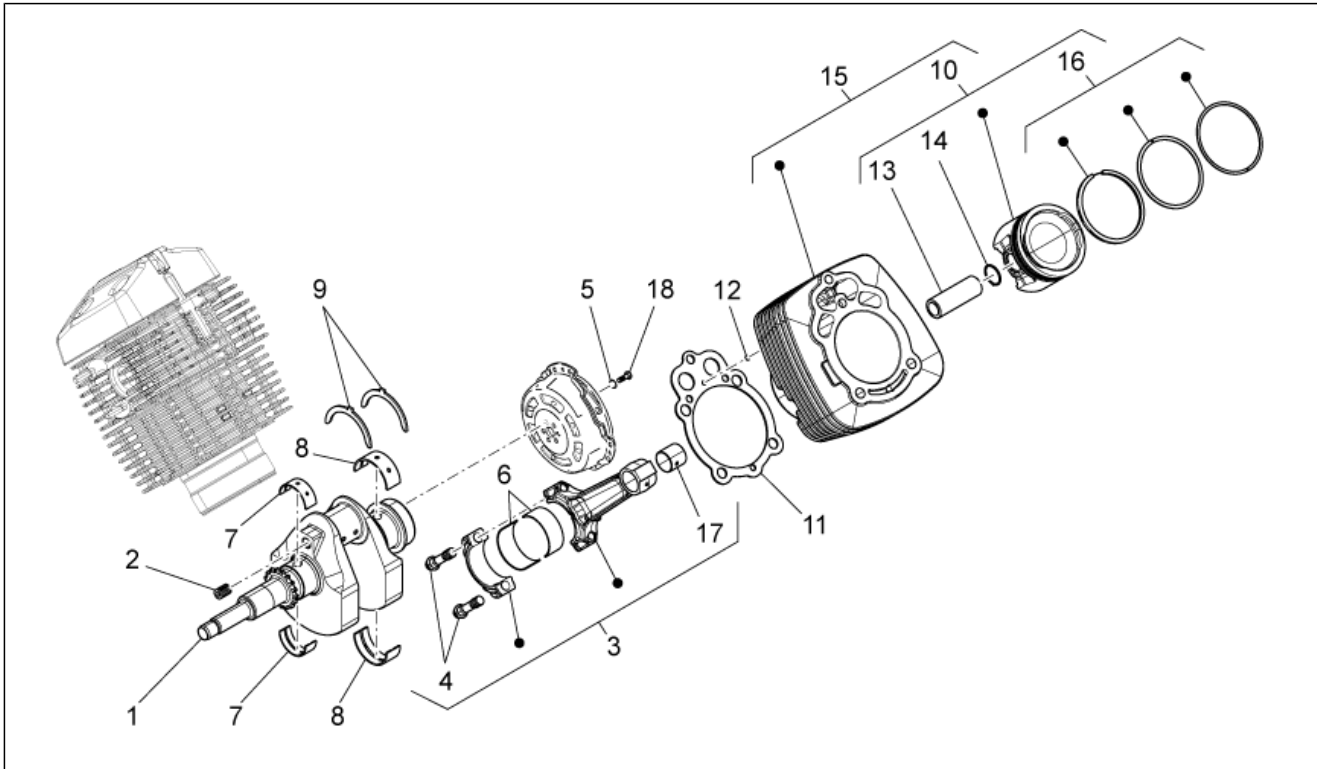
Pos.	Code	Description	Qty	Variants
1	2A000085	Cover	1	
2	887003	Cover gasket	1	
3	GU98682325	Hex socket screw M6x25	10	
4	GU98682330	Hex socket screw M6x20	2	
5	GU19002020	Bushing 6,6x9x13	2	

Group	ENGINE
Code	34.36
Description	Cylinder head
Service	1



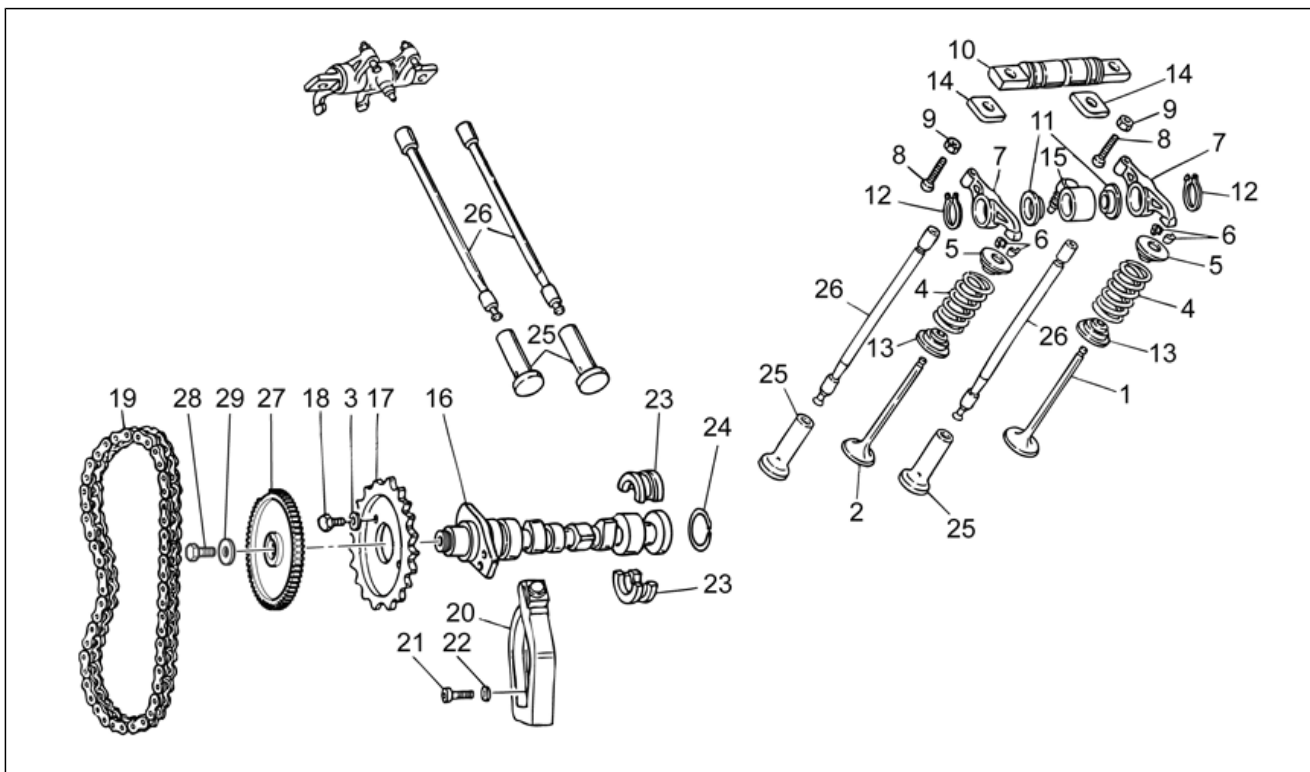
Pos.	Code	Description	Qty	Variants
1	8872724	RH head	1	
2	8872754	LH head	1	
3	GU61036801	Valve guide	4	
4	GU90353009	Snap ring	4	
5	GU96506042	Stud bolt	4	
6	B063111	Damping plug	4	
7	GU19021920	Nut	2	
8	GU19037820	Oil seal	4	
9	887523	Head cover	2	
10	887002	Head cover gasket	2	
11	GU92603010	Nut M10X1,5	4	
12	GU13021900	Column nut	4	
13	GU95129180	Washer 10,5X18X0,8	4	
14	GU96510214	Stud bolt M10x214	4	
15	GU96510181	Stud bolt M10x182	4	
16	GU98692325	Hex socket screw M6x25	4	
17	GU19032980	Spacer	8	
18	GU19021360	Bushing	2	
19	B063099	Cylinder head gasket	2	
20	976898	Stud bolt M8x140	2	
21	GU61270300	Spring washer 8x15x0,3	2	
22	GU93180245	Cover	4	
23	AP8144071	Rubber exhaust	1	
24	887279	Spark plug cover	2	
25	887483	Head cover screw M6x52,5	8	
26	969973	Washer	8	

Group	ENGINE
Code	34.37
Description	Crankshaft cpl.
Service	1



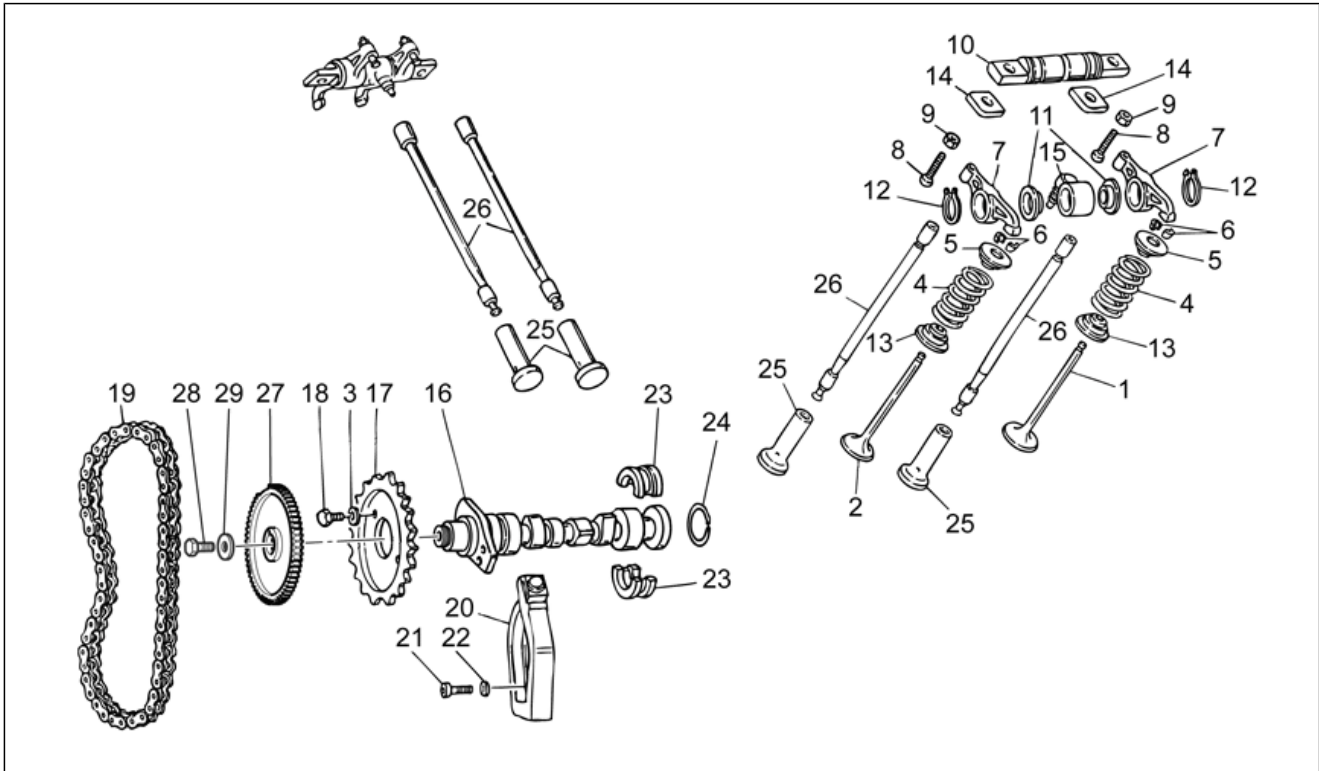
Pos.	Code	Description	Qty	Variants
1	2A0000995	Drive shaft	1	
2	GU19065400	Cover	1	
3	GU27061585	Connecting rod cpl.	2	
4	GU19062261	screw	4	
5	GU14615901	Washer 8,4X13X0,8	6	
6	GU27062060	Bearing half-shell	4	
7	GU27065660	Front main half-bearing	2	
8	GU27066560	Rear main half-bearing	2	
9	GU27066460	Half-clamp	2	
10	8872690001	Piston complete with 80 Cat. D	1	
10	8872690002	Piston complete with 80 Cat. E	1	
10	8872690003	Piston complete with 80 Cat. F	1	
11	886670	Cylinder gasket	2	
12	GU61027200	O-ring	2	
13	B063016	Piston pin	2	
14	874567	Stop ring	4	
15	B063465	Cylinder with piston	2	
16	B063466	Pistonring set	2	
17	GU27061885	Bushing	2	
18	GU19067700	screw	6	

Group	ENGINE
Code	34.38
Description	Timing system
Service	1



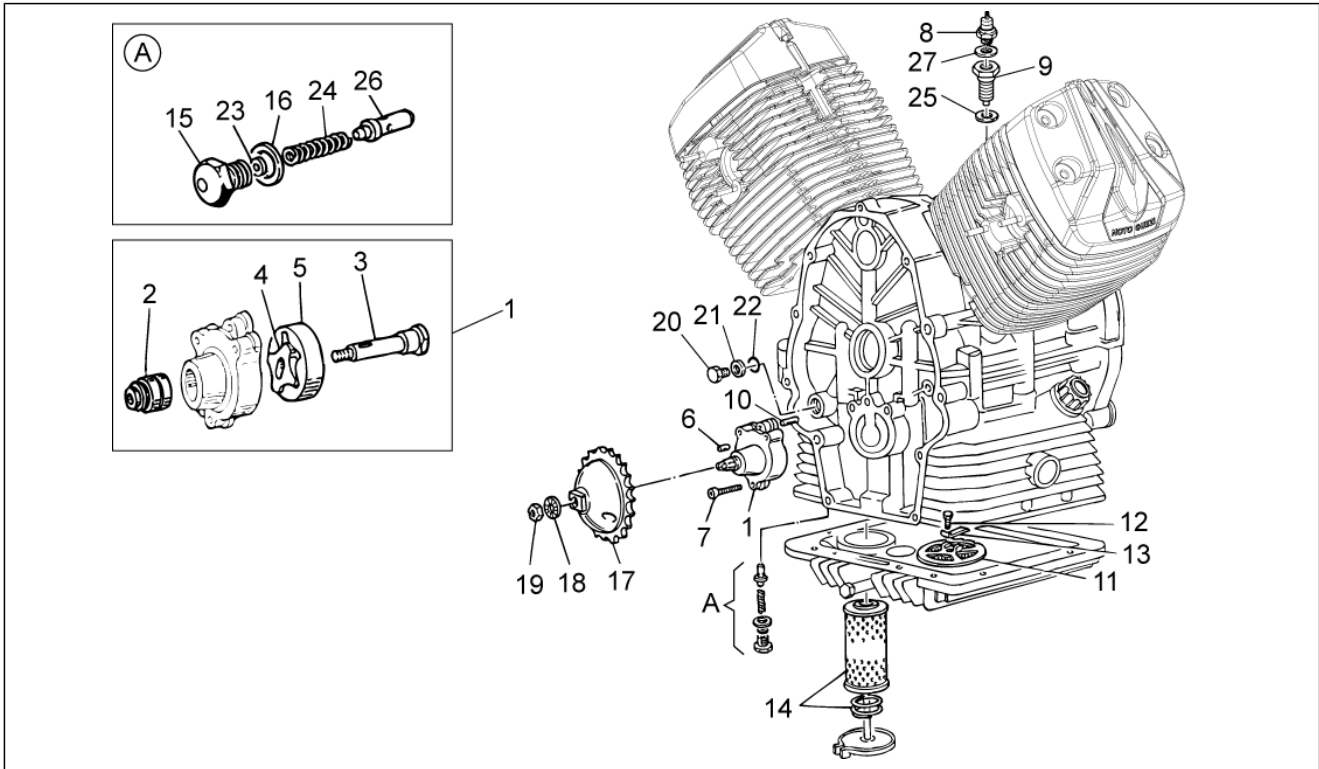
Pos.	Code	Description	Qty	Variants
1	2A000146	Valve, in	2	
2	2A000147	Exhaust valve	2	
3	GU23217800	Safety washer	2	
4	GU27037521	Spring	4	
5	GU31038015	Upper cup	4	
6	GU61038100	Half-cone	8	
7	GU19030500	Rocker arm assy.	4	
8	GU19034000	screw	4	
9	GU92602406	Nut M6x1	4	
10	GU19032080	Rocker shaft	2	
11	GU32032310	Thrust washer	4	
12	GU90271018	Circlip	4	
13	GU31037015	Lower cup	4	
14	GU19032980	Spacer	4	
15	GU19027500	Hose	2	
16	GU32053410	Camshaft	1	
17	GU32054510	Timing system gear	1	
18	GU61054900	Bolt	2	
19	GU19058021	Camshaft chain	1	
20	GU19058220	Chain stretching drive	1	
21	GU98882316	screw	1	
22	GU95129115	Washer	1	
23	GU19055700	Sector	2	
24	GU90353029	Snap ring	1	
25	GU19045861	Tappet	4	
26	GU31045015	Rocker arm rod	4	
27	887528	Wheel speed sensor, left front	1	
28	GU98054422	screw M8x22	1	

Group	ENGINE
Code	34.38
Description	Timing system
Service	1



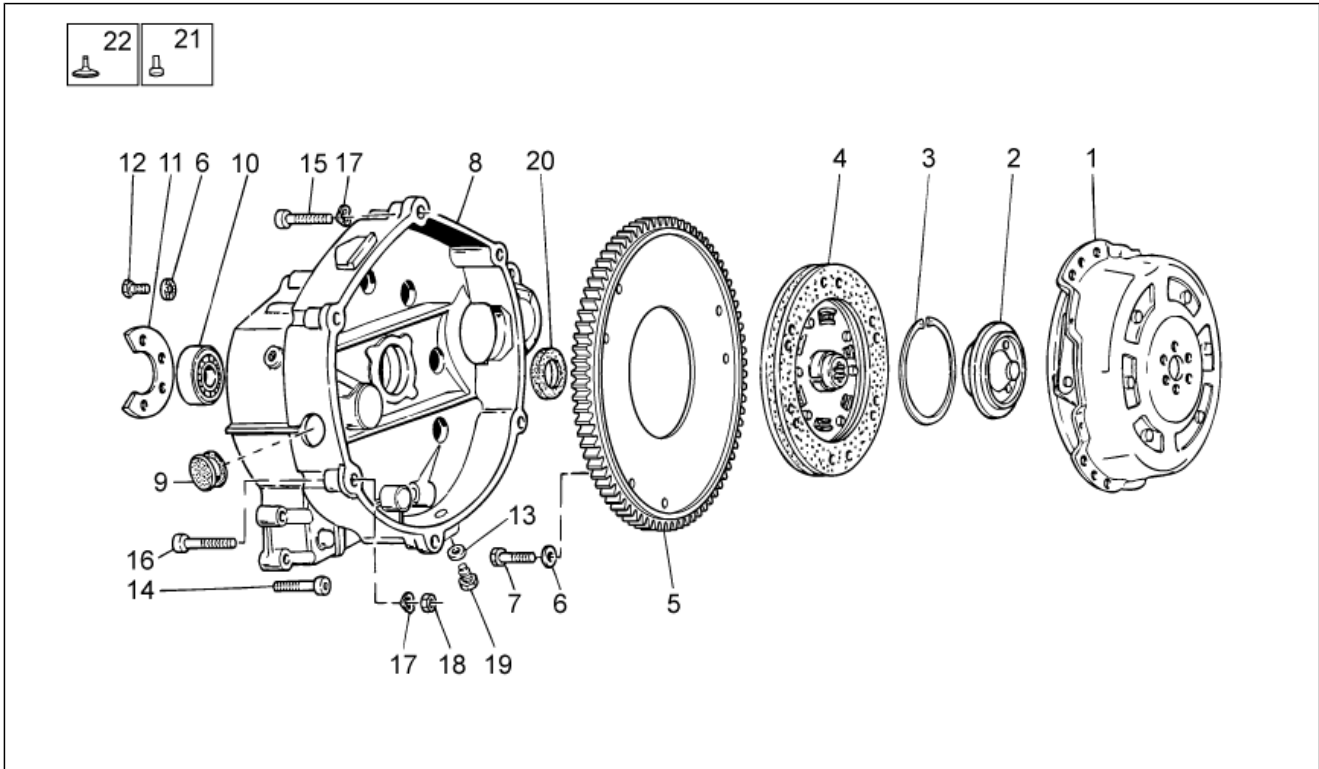
Pos.	Code	Description	Qty	Variants
29	GU95100244	Washer	1	

Group	ENGINE
Code	34.39
Description	Oil pump
Service	1



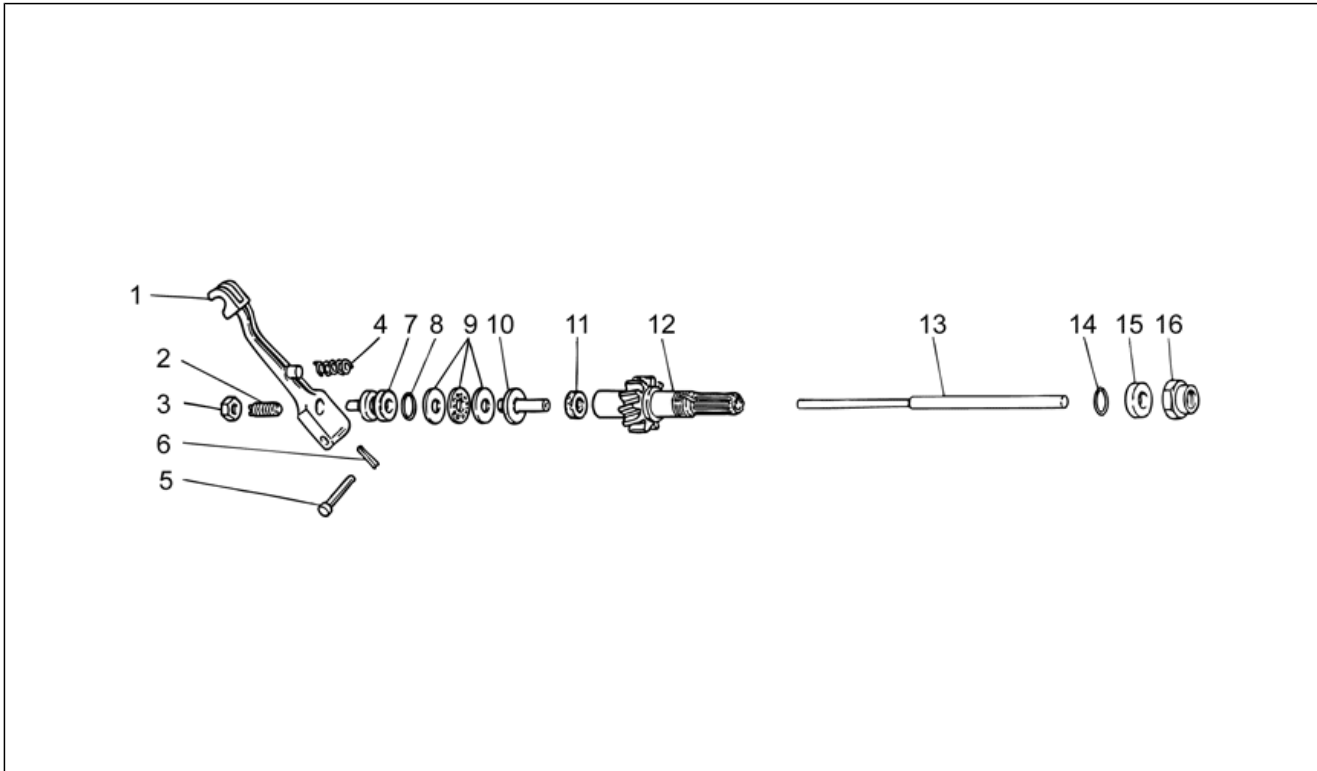
Pos.	Code	Description	Qty	Variants
1	GU19146422	Oil pump	1	
2	GU92252210	Roller bearing 10x22x20	1	
3	GU20147810	Oil pump shaft assy.	1	
4	GU20148410	Inner rotor	1	
5	GU20148610	Outer rotor	1	
6	GU92296723	Roller	1	
7	884039	Hex socket screw M6x35	3	
8	641541	Oil pressure sensor	1	
9	887093	Union	1	
10	GU19018920	Pin	2	
11	GU19152200	Oil filter	1	
12	GU98084314	Hex screw M6x14	1	
13	GU95187006	Plate	1	
14	GU27153085	Oil filter	1	
15	GU31159050	Cover	1	
16	GU18144350	Washer 18,25x24x1	3	
17	GU20147710	Pump gear	1	
18	AP8152220	Washer	1	
19	GU92602510	Nut M10x1,25	1	
20	GU31016050	Cover	1	
21	GU18161150	Gasket 14,25	1	
22	GU90706111	O-ring	1	
23	GU95008206	Washer 6,15x11x0,8	3	
24	GU94321079	Spring	1	
25	GU95100602	Gasket	1	
26	GU31159050	Piston	1	
27	GU95100309	Washer	1	

Group	ENGINE
Code	34.40
Description	Clutch I
Service	1



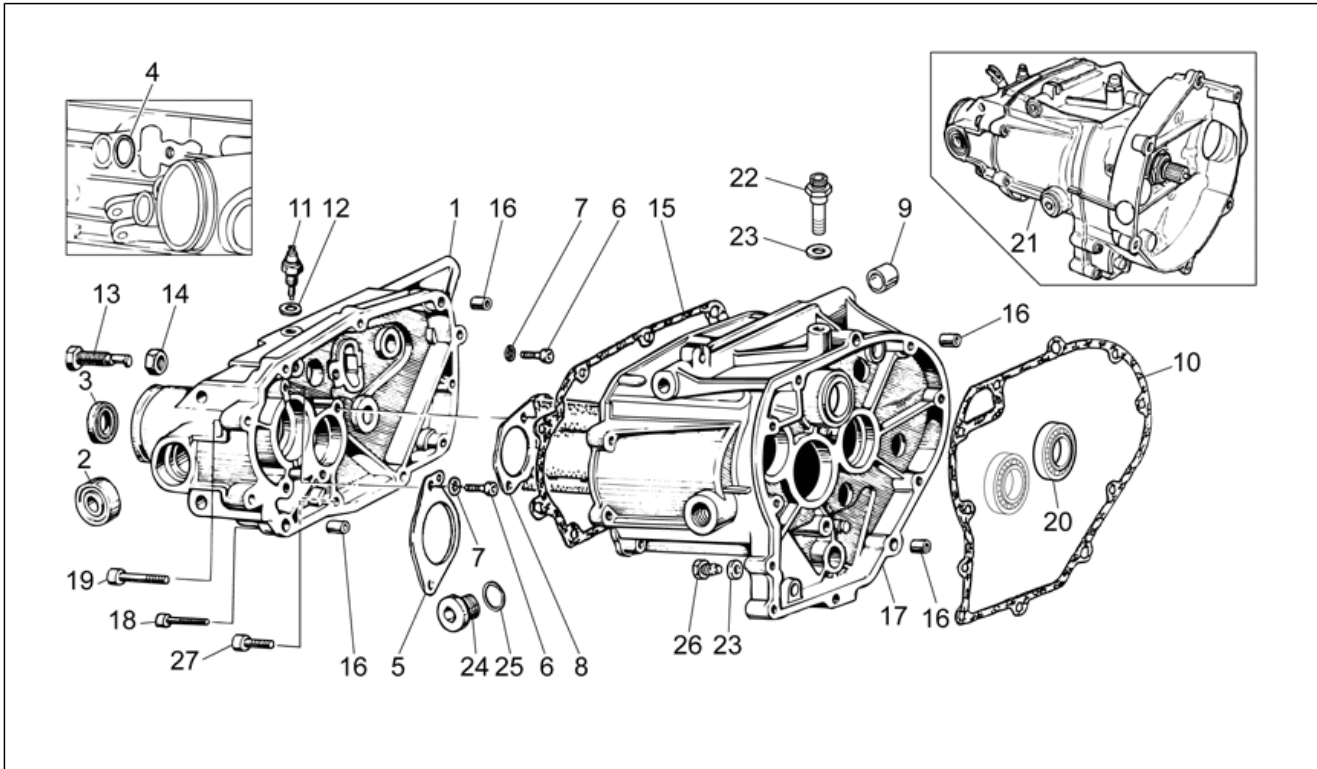
Pos.	Code	Description	Qty	Variants
1	GU32080310	Clutch	1	
2	GU19083462	New cup type	1	
3	GU90272075	Snap ring	1	
4	GU32084410	Driven clutch disc	1	
5	GU32067910	Chain ring	1	
6	GU14217901	Washer 6,4x10x0,7	9	
7	884038	Hex screw M6x16	6	
8	2A000106	Clutch drum	1	
9	GU93180220	Cover	1	
10	GU92201225	Bearing 25x52x15	1	
11	GU19203460	Bearing fixing plate	1	
12	GU98084314	Hex screw M6x14	3	
13	GU10528900	Gasket	1	
14	884032	Hex socket screw M6x30	11	
15	GU98680435	Hex socket screw M8x35	5	
16	GU98680450	Hex socket screw M8x50	1	
17	GU61270300	Spring washer 8x15x0,3	6	
18	GU92606208	Nut M8x1,25	1	
19	GU31003766	Oil unload plug M10x1	1	
20	886629	Gasket ring	1	
21	GU23204471	Jet	1	
22	GU23204571	Jet	1	

Group	ENGINE
Code	34.41
Description	Clutch II
Service	1



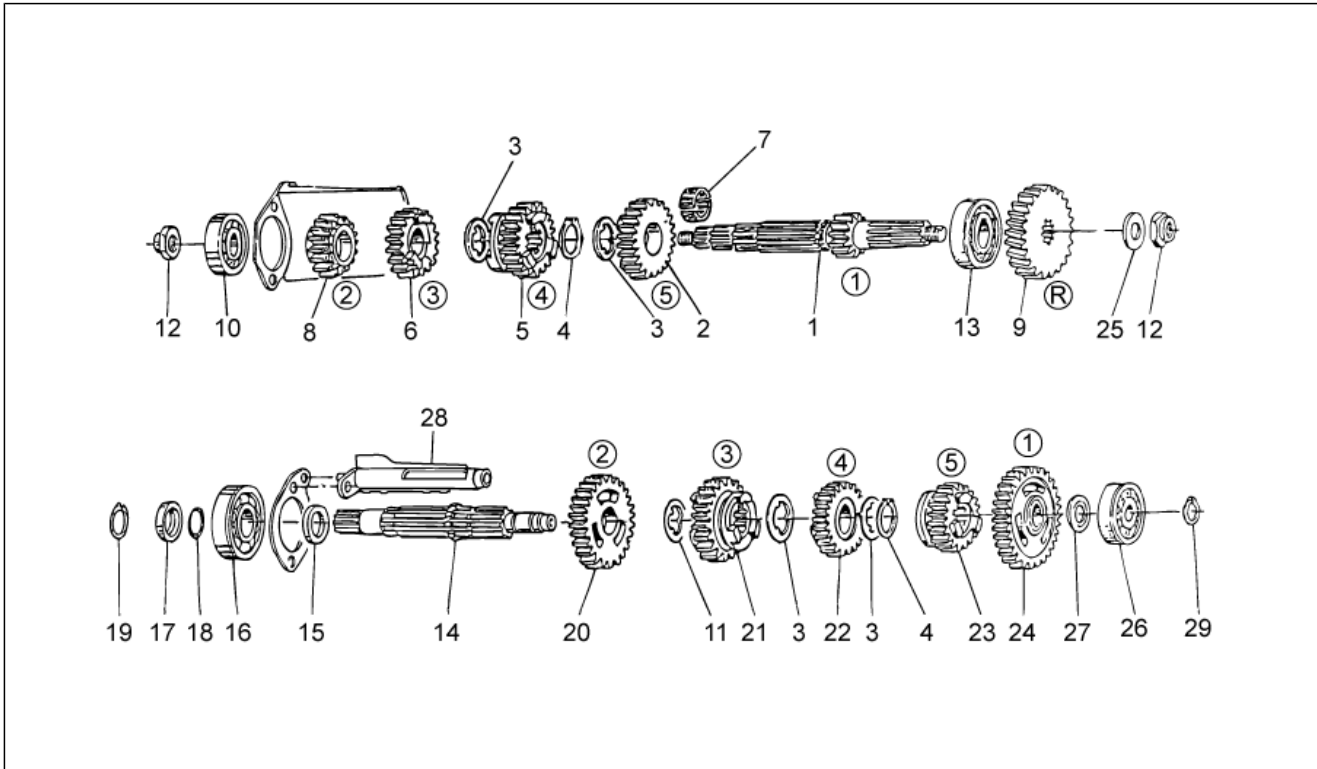
Pos.	Code	Description	Qty	Variants
1	GU14090201	Clutch release shaft	1	
2	GU14090400	Adjuster screw	1	
3	GU92606508	Nut	1	
4	GU94321105	Lever return spring	1	
5	GU95780271	Pin 7x39	1	
6	GU95500222	Split pin	1	
7	GU14086100	Outer body	1	
8	GU90706170	O-ring 17,13x2,62	1	
9	GU12087001	Thrust bearing	1	
10	GU14086000	Inner body	1	
11	GU90400616	Gasket ring 6x16x7	1	
12	GU27210760	Transmission shaft Z=16	1	
13	GU20085720	Rod	1	
14	GU90706235	O-ring 23,52x1,78	1	
15	GU19213760	Spacer	1	
16	GU19356760	Nut	1	

Group	ENGINE
Code	34.42
Description	Transmission cage
Service	1



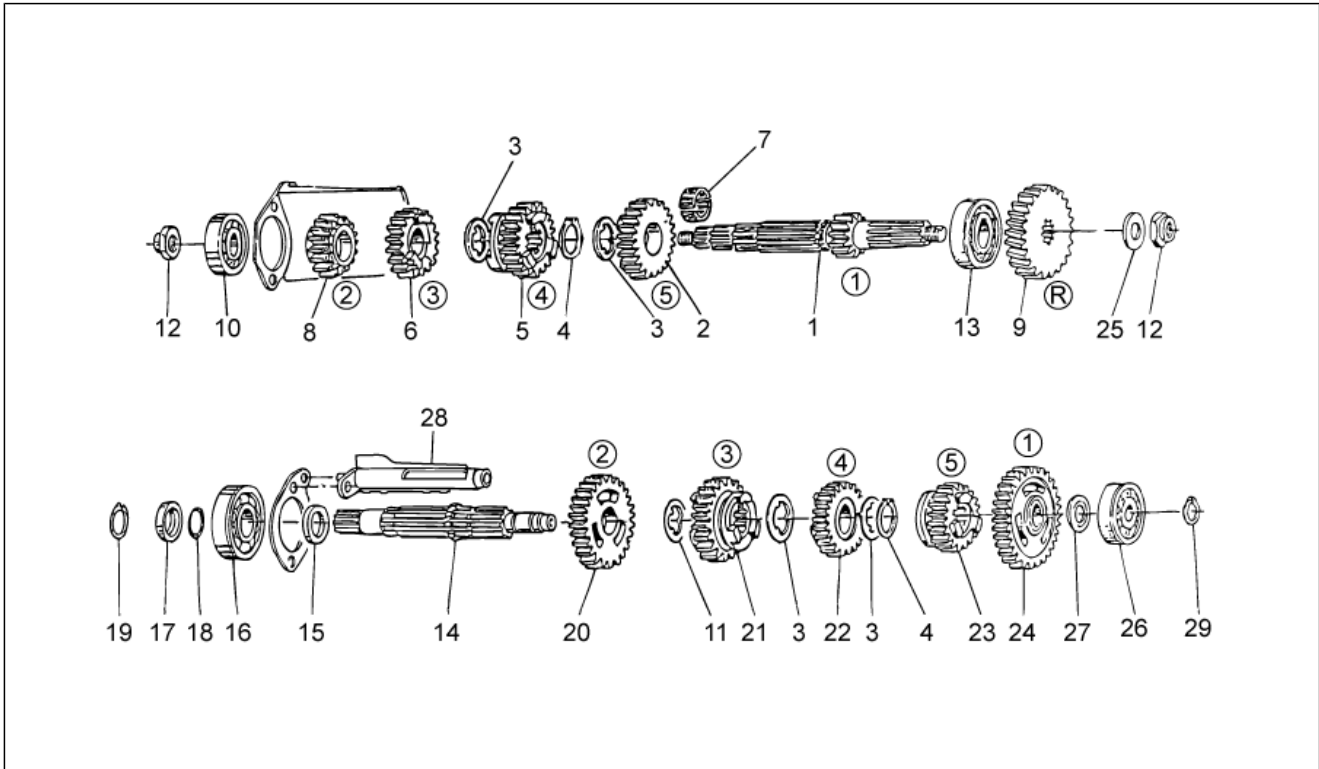
Pos.	Code	Description	Qty	Variants
1	2A000098	Gearbox cover	1	
2	2A000097	Ball bearing 6202-2RSH/C3 LHT23	2	
3	886364	Gasket ring 28x40x7	1	
4	GU90706140	O-ring 13,95x2,92	1	
5	GU32213810	Plate	1	
6	884031	Hex socket screw M6x14	4	
7	GU14217901	Washer 6,4x10x0,7	4	
8	GU32208210	Oil bulhead	1	
9	GU19202320	Bushing 10,25x15,7x8	2	
10	887005	Gasket	1	
11	B063269	Sensor	1	
12	GU12154200	Gasket 8,25x15x1	1	
13	GU19237800	Screw M12x1,25	1	
14	GU92606512	Low nut M12x1,25	1	
15	887006	Gasket	1	
16	GU19002020	Bushing 6,6x9x13	4	
17	887235	Transmission cage	1	
18	GU98682330	Hex socket screw M6x20	5	
19	GU98680435	Hex socket screw M8x35	4	
20	B063342	Ball bearing 6004/C3	1	
21	976992	Gear box assy	1	
22	GU32206510	Breather plug	1	
23	GU10528900	Gasket	2	
24	GU12022600	Oil plug	1	
25	GU90706203	O-ring 20,24x2,62	1	
26	GU31003766	Oil unload plug M10x1	1	
27	AP8150285	Hex socket screw M6x35	2	

Group	ENGINE
Code	34.43
Description	Gear box
Service	1



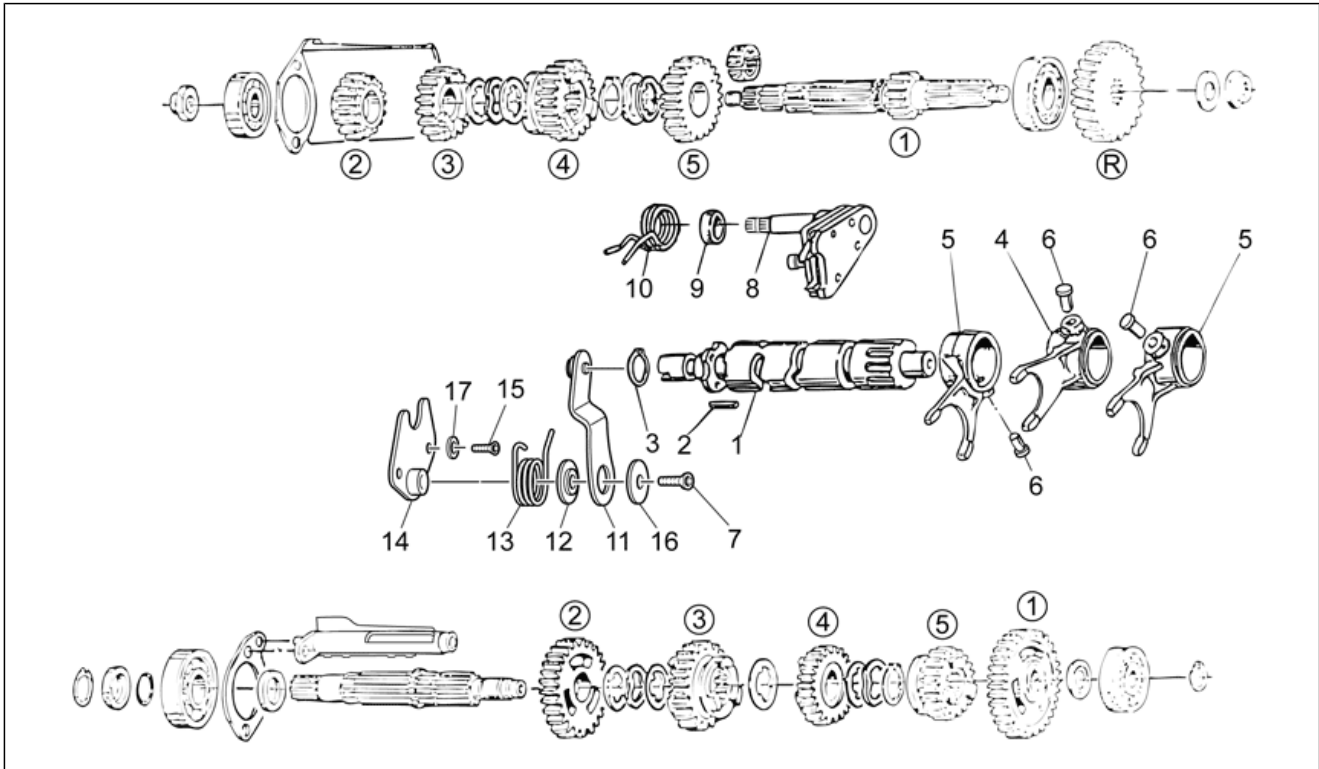
Pos.	Code	Description	Qty	Variants
1	GU32210510	Primary gear shaft Z=11	1	
2	GU32212011	Gear 5a AP Z=25	1	
3	GU19215460	Thrust washer	3	
4	GU90271124	Circlip	2	
5	GU32211810	Gear 4a AP Z=18	1	
6	GU32211410	Gear 3a AP Z=18	1	
7	GU92251028	Roller cage	1	
8	GU23211372	Gear 2a AP Z=14	1	
9	GU32211110	Idle gear AP Z=21	1	
10	GU92218417	Bearing AP 17x40x17,5	1	
11	GU19214660	Clearance washer	2	
12	GU10054100	Nut	2	
13	GU92230320	Bearing AP 20x37x17	1	
14	GU32213610	Driven shaft	1	
15	GU19212900	Spacer	1	
16	GU92201220	Bearing 20X47X14	1	
17	GU19213720	Spacer	1	
18	GU90706188	Gasket ring 18,77X1,78	1	
19	GU90271121	Circlip	1	
20	GU32214510	Gear 2a AS Z=23	1	
21	GU32214810	Gear 3a AS Z=23	1	
22	GU32215010	Gear 4a AS Z=19	1	
23	GU32215210	Gear 5a AS Z=22	1	
24	GU32214010	Gear 1a AS Z=26	1	
25	GU39238100	Clearance washer	1	
26	GU92234716	Bearing	1	
27	GU10214300	Spacer 1,5 mm	1	
27	GU10214301	Spacer 1,7 mm	1	

Group	ENGINE
Code	34.43
Description	Gear box
Service	1



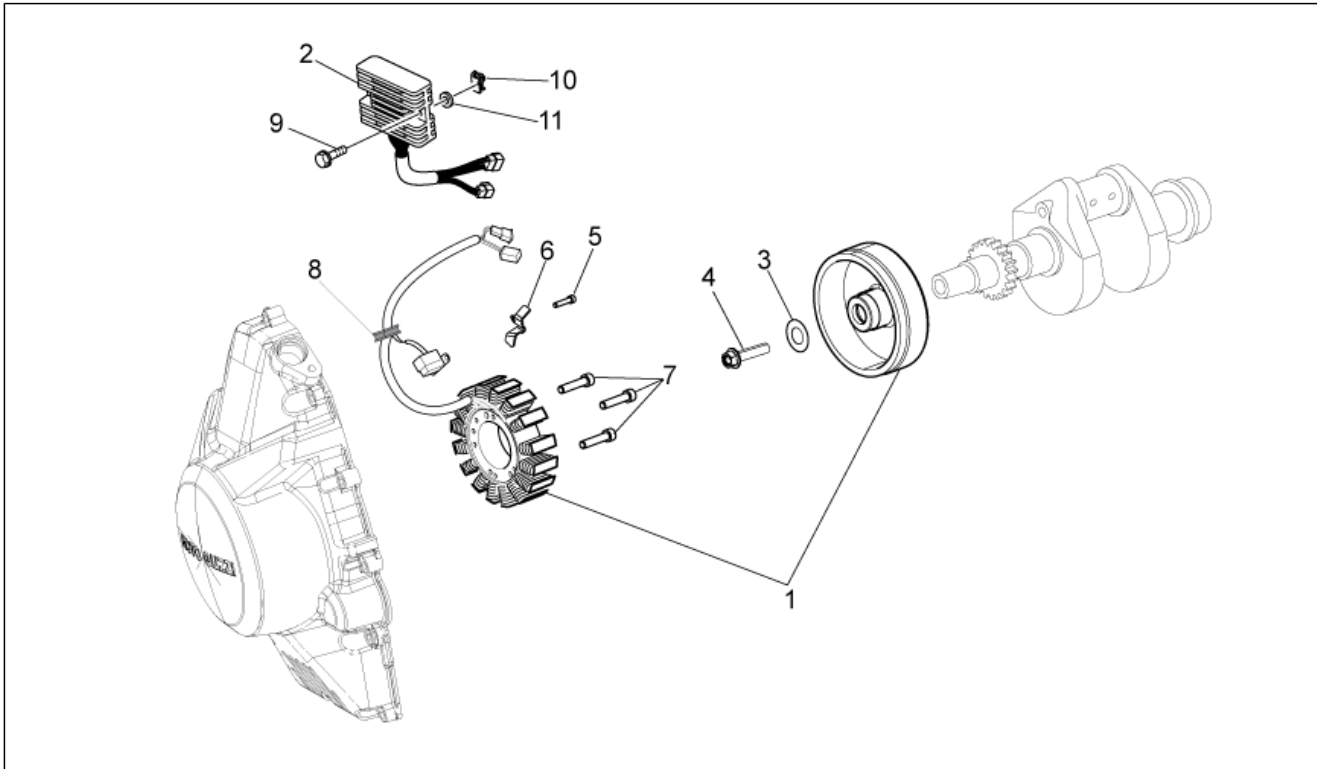
Pos.	Code	Description	Qty	Variants
27	GU10214302	Spacer 1,8 mm	1	
27	GU10214303	Spacer 1,9 mm	1	
27	GU10214304	Washer 2 mm	1	
27	GU10214305	Spacer 2,1 mm	1	
28	GU32202010	Gutter	1	
29	GU90271117	Circlip	1	

Group	ENGINE
Code	34.44
Description	Gear box selector
Service	1



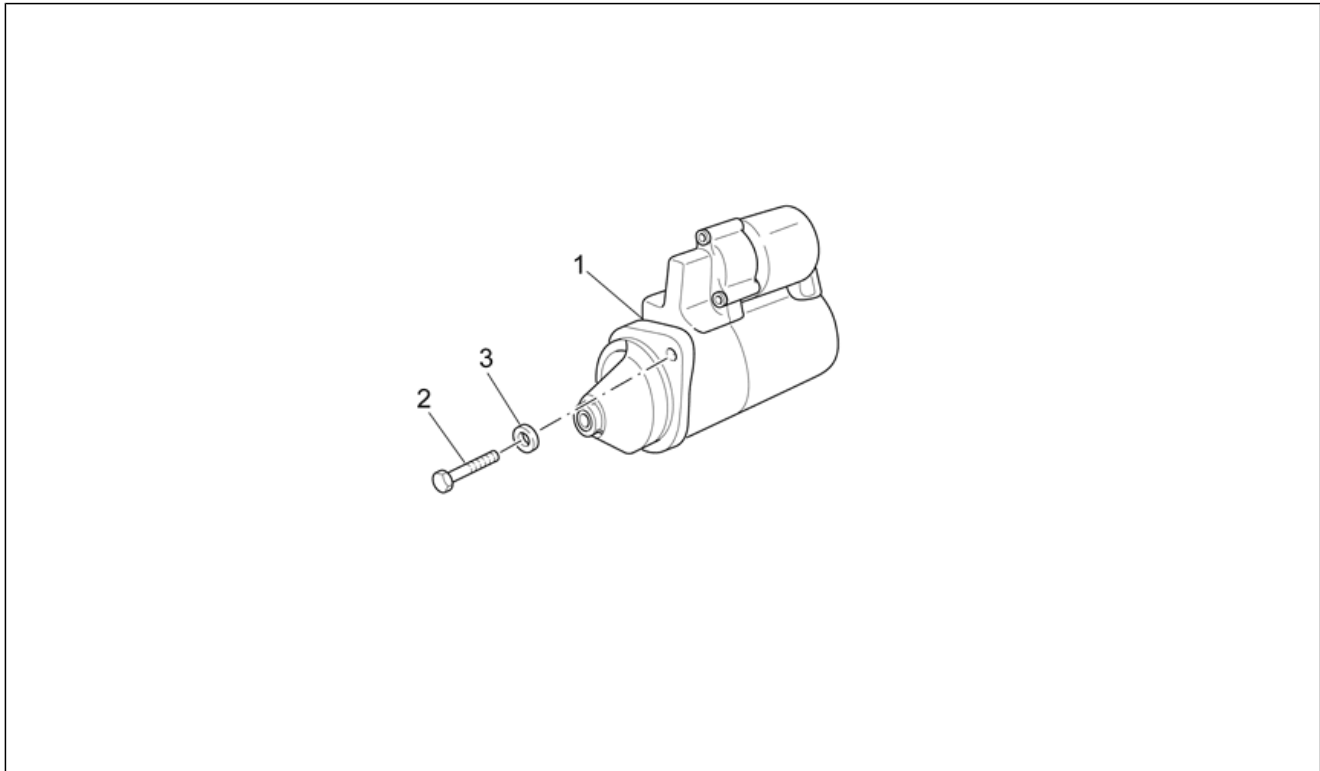
Pos.	Code	Description	Qty	Variants
1	GU32234410	Shift cam	1	
2	GU19234600	Pin	4	
3	GU90274026	Snap ring	1	
4	GU32231210	Fork AP	1	
5	GU32231010	Fork AS	2	
6	GU32233010	Roller	3	
7	GU98230612	screw	1	
8	887196	Preselection complete	1	
9	GU20208520	Spacer	1	
10	GU32238210	Spring	1	
11	GU32234710	Lever	1	
12	GU32234810	Washer	1	
13	GU32234110	Spring	1	
14	GU32235710	plate	1	
15	GU98257618	Screw M6x18	2	
16	GU32234910	Washer 6,4x20x1	1	
17	GU14217901	Washer 6,4x10x0,7	2	

Group	ENGINE
Code	34.45
Description	Generator - Regulator
Service	1



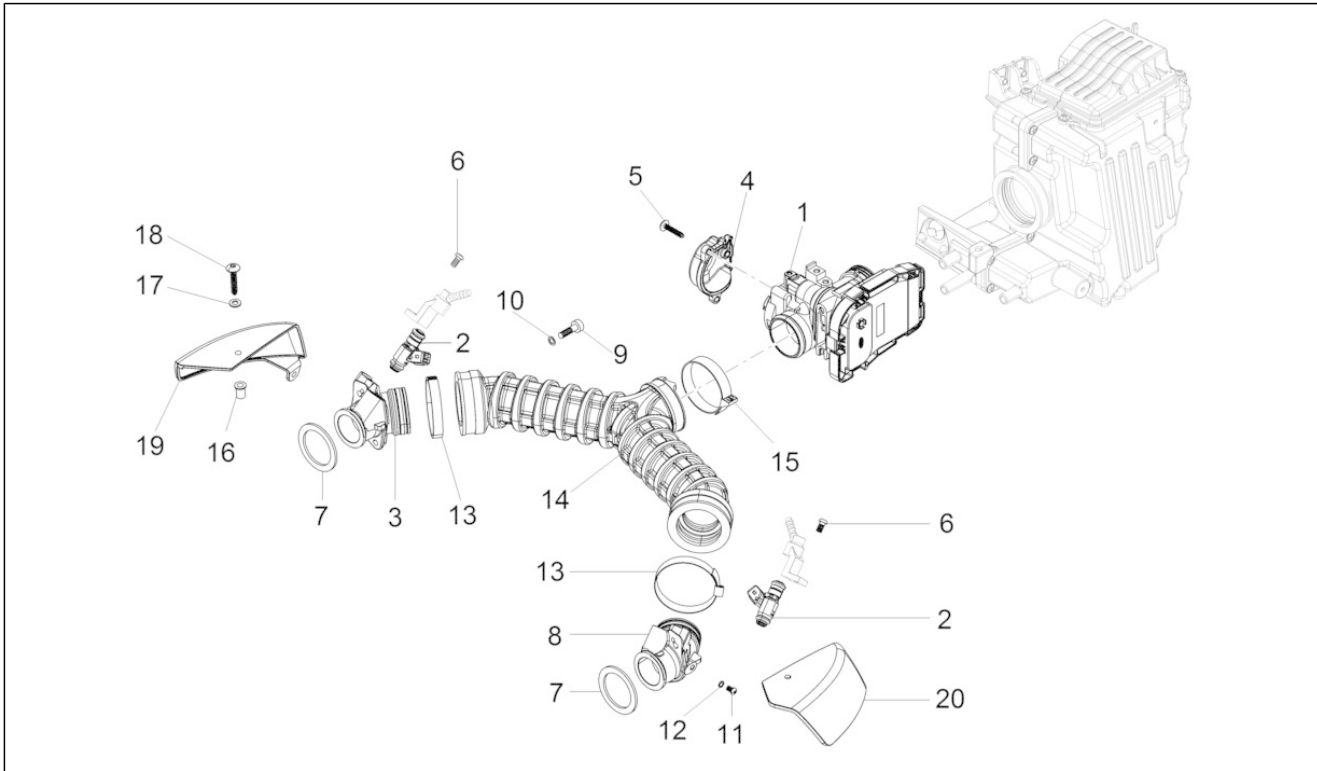
Pos.	Code	Description	Qty	Variants
1	2D000024	Cdi magneto assy	1	
2	2D000043	Voltage regulator	1	
3	897478	Washer 12x26.5x3	1	
4	857206	Screw w/ flange M12X1,25X50	1	
5	GU98682212	Hex socket screw M5x12	1	
6	2A000115	Plate	1	
7	2A000129	Low head socket screw M6x35	3	
8	GU19007700	Rubber spacer	1	
9	AP8152281	Screw w/ flange M6x30	2	
10	254485	Spring plate M6	2	
11	GU95100125	Washer	2	

Group	ENGINE
Code	34.46
Description	Starter motor
Service	1



Pos.	Code	Description	Qty	Variants
1	GU05730730	Starter motor Bosch	1	
2	GU98682435	Hex socket screw	2	
3	GU95008208	Washer 8,4X15X1,5	2	

Group	ENGINE
Code	34.47
Description	Throttle body
Service	1



Pos.	Code	Description	Qty	Variants
1	CM228303	Electronic control unit ECU for injection	1	Country:
1	CM228304	Electronic control unit ECU for injection	1	
2	B063049	Injector	2	
3	GU32115010	RH manifold	1	
4	880260	Throttle body Protection	1	
5	B016796	Torx convex big end screw	3	
6	AP8152298	Screw w/ flange M5x16	2	
7	GU32115510	Gasket	2	
8	GU32115011	LH manifold	1	
9	GU98622322	screw	4	
10	GU03013800	Washer 6,4x12	4	
11	884029	Hex socket screw M6x10	2	
12	GU95100116	Washer 6,25x10x1,5	2	
13	884311	Hose clamp D.61	2	
14	887812	Throttle body hose	1	
15	884310	Hose clamp D.55	1	
16	GU93231605	Antivibration bush	4	
17	GU30577800	Nylon washer 5,5X12X1	4	
18	GU98370515	screw	4	
19	2B000971	RH cover	1	
20	2B000972	LH cover	1	



PIAGGIO & C.s.p.a.



SPARE PARTS CATALOGUE

V7 Special 750 USA/CND 2015

Chassis prefix: ZGULWUA1

Engine prefix:



Index

Finished products.....	4
Alphanumeric index.....	5
FRAME.....	10
Table 33.01 - Frame I.....	10
Table 33.02 - Frame II.....	11
Table 33.03 - Lateral stand.....	12
Table 33.04 - Front footrests.....	13
Table 33.05 - Rear footrests.....	14
Table 33.06 - Gear lever.....	15
Table 33.07 - Front fork I.....	16
Table 33.08 - Fron fork II.....	17
Table 33.11 - Rear shock absorber.....	19
Table 33.12 - Fuel tank.....	20
Table 33.13 - Front body - Front mudguard.....	21
Table 33.14 - Saddle-Central bod.....	22
Table 33.15 - Rear body I- Mudguard.....	23
Table 33.16 - Rear body II- Plate holder.....	24
Table 33.17 - Dashboard.....	25
Table 33.18 - Handlebar - Controls.....	26
Table 33.19 - Front brake system.....	27
Table 33.21 - Fuel pump.....	28
Table 33.22 - Air box.....	29
Table 33.23 - Exhaust unit.....	31
Table 33.24 - Front wheel I.....	33
Table 33.25 - Rear wheel I.....	34
Table 33.26 - Rear master cylinder.....	35
Table 33.27 - Rear brake caliper.....	36
Table 33.28 - Front lights.....	37
Table 33.29 - Rear lights.....	38
Table 33.30 - Electrical system I.....	39
Table 33.31 - Electrical system II.....	40
Table 33.32 - Lock hardware kit.....	42
Table 33.33 - Decal and plate set.....	43
Table 33.48 - Fuel vapour recover system.....	44
ENGINE.....	45
Table 34.09 - Transmission complete I.....	45
Table 34.10 - Transmission complete II.....	46
Table 34.34 - Crank-case.....	49
Table 34.35 - Timing system cover.....	50
Table 34.36 - Cylinder head.....	51
Table 34.37 - Crankshaft cpl.....	52
Table 34.38 - Timing system.....	53
Table 34.39 - Oil pump.....	55



Table 34.40 - Clutch I.....	56
Table 34.41 - Clutch II.....	57
Table 34.42 - Transmission cage.....	58
Table 34.43 - Gear box.....	59
Table 34.44 - Gear box selector.....	61
Table 34.45 - Generator - Regulator.....	62
Table 34.46 - Starter motor.....	63
Table 34.47 - Throttle body.....	64



Finished products

Code	Validity
GU9032110CAF00	
GU9032110CAF03	
GU9032110CAF04	
GU9032110USF00	
GU9032110USF03	
GU9032110USF04	



Code	No. table	Pos.	Code	No. table	Pos.	Code	No. table	Pos.
080341	33.30	6	860651	34.09	19	887279	34.36	24
248419	33.26	19	874567	34.37	14	887431	33.27	3
254485	33.15	4	880260	34.47	4	887443	33.33	9
254485	33.22	14	883011	34.09	11	887448	33.25	12
254485	33.23	20	883015	33.05	13	887449	33.27	1
254485	33.28	20	883019	33.05	12	887481	33.30	12
254485	34.45	10	883051	33.04	1	887483	34.36	25
2A000085	34.35	1	883052	33.04	2	887523	34.36	9
2A000097	34.42	2	883127	33.22	6	887528	34.38	27
2A000098	34.42	1	883161	33.31	11	887787	33.21	5
2A0000995	34.37	1	883192	33.27	7	887812	34.47	14
2A000106	34.40	8	883266	33.13	2	887815	33.22	13
2A000115	34.45	6	883293	33.23	15	887825	33.30	1
2A000129	34.45	7	883294	33.23	4	887825	33.31	1
2A000146	34.38	1	883295	33.14	5	887837	33.01	1
2A000147	34.38	2	883297	33.23	13	8878421	33.22	1
2A000235	34.34	1	883298	33.23	14	887843	33.22	2
2B000045	33.22	27	883303	33.19	13	887844	33.22	11
2B000176	33.23	11	883349	33.25	8	887845	33.22	12
2B000177	33.23	10	883350	33.25	7	887846	33.23	1
2B000348	33.05	13	883417	33.28	18	887847	33.23	2
2B000349	33.05	12	883470	33.16	6	887851	33.06	1
2B000559	33.07	1	883471	33.03	1	887852	33.18	4
2B000840	33.14	16	883476	33.32	3	887853	33.18	5
2B000878	33.14	9	883477	33.32	1	887878	33.08	1
2B000971	34.47	19	883478	33.29	5	887879	33.08	2
2B000972	34.47	20	883479	33.29	1	887880	33.08	3
2D000006	33.32	10	883480	33.16	9	887882	33.08	5
2D000024	34.45	1	883502	33.12	5	887883	33.08	6
2D000043	34.45	2	883569	33.17	11	887884	33.08	7
2G000011	33.33	16	883598	33.33	7	887885	33.08	8
2G000012	33.33	17	883688	33.24	10	887886	33.08	9
2G000013	33.33	18	883704	33.23	25	887887	33.08	10
2H000020000XN2	33.12	1	883802	33.18	10	887888	33.08	11
2H000021000XN2	33.14	10	883826	34.34	18	887889	33.08	12
2H000022000XN2	33.14	17	884029	34.47	11	887890	33.08	13
2H000023	33.33	14	884031	34.42	6	887891	33.08	14
2H000024	33.33	13	884032	34.40	14	887892	33.08	15
2H000025	33.33	4	884035	33.11	1	887893	33.08	16
2H000026	33.33	12	884038	34.40	7	887894	33.08	17
2H000027	33.33	5	884039	34.39	7	887895	33.08	18
2H000028	33.33	6	884310	34.47	15	887896	33.08	19
2H000077000YE5	33.12	1	884311	34.47	13	887898	33.08	21
2H000078000YE5	33.14	10	886141	33.33	15	887899	33.08	22
2H000079000YE5	33.14	17	886340	33.33	1	887900	33.08	23
2H000080	33.33	14	88635200XN2	33.13	1	887901	33.08	24
2H000081	33.33	13	886364	34.42	3	887902	33.08	25
2H000082	33.33	4	886365	34.34	10	887903	33.08	26
2H000083	33.33	12	886629	34.40	20	887904	33.08	27
2H000084	33.33	5	886670	34.37	11	887905	33.08	28
2H000085	33.33	6	886679	33.24	18	887908	33.26	26
2L0001895	34.34	28	886680	33.25	20	887910	33.26	1
2Q000044	33.33	10	887002	34.36	10	887911	33.26	24
2R000109	33.08	29	887003	34.35	2	887912	33.08	30
2R000110	33.08	4	887004	34.34	13	887913	33.08	31
584211	33.31	10	887005	34.42	10	887914	33.08	32
638733	33.31	6	887006	34.42	15	887915	33.08	33
641040	33.30	8	887093	34.39	9	887916	33.08	34
641541	34.39	8	887194	33.17	1	887930	33.33	2
641725	33.30	7	887195	33.17	1	887931	33.33	3
641901	33.30	4	887196	34.44	8	88793900A1	33.14	1
642034	33.30	3	887235	34.42	17	887944	33.12	1
658837	33.26	11	8872690001	34.37	10	887948	33.30	13
832029	33.30	14	8872690002	34.37	10	887952	33.26	27
856063	33.48	14	8872690003	34.37	10	890760	33.22	16
857206	34.45	4	8872724	34.36	1	890979	33.28	16
860138	33.48	7	8872754	34.36	2	893570	33.31	19



Code	No. table	Pos.	Code	No. table	Pos.	Code	No. table	Pos.
894505	33.25	13	AP8121032	33.17	7	AP8152300	33.27	13
894704	33.31	26	AP8121072	33.23	22	AP8152306	33.16	5
895839	33.33	8	AP8121133	33.05	6	AP8152329	33.15	11
896110	33.23	21	AP8121267	33.48	10	AP8152329	33.22	18
897478	34.45	3	AP8121307	33.07	4	AP8152339	33.14	14
898164	33.11	3	AP8121367	33.02	10	AP8152385	33.19	16
969973	34.36	26	AP8121420	33.14	7	AP8152409	33.04	9
976604	34.34	12	AP8121420	33.32	8	AP8152409	33.05	9
976608	34.10	1	AP8121566	33.04	8	AP8181140	33.31	24
976685	34.34	16	AP8121566	33.05	4	AP8201358	33.22	3
976898	34.36	20	AP8121607	33.03	2	AP8201358	33.22	34
976941	34.09	1	AP8121673	33.12	12	AP8201358	33.48	13
976992	34.42	21	AP8121915	33.19	14	AP8213028	33.18	23
977527	33.14	6	AP8121915	33.27	8	AP8213057	33.26	15
977527	33.32	4	AP8124718	33.16	7	AP8213388	33.18	18
978311	33.28	2	AP8124936	33.30	2	AP8213575	33.27	23
978323	33.19	15	AP8127856	33.03	8	AP8220283	33.31	22
978385	33.23	12	AP8133643	33.26	14	AP8220460	33.07	6
978415	33.14	8	AP8133798	33.27	2	AP8221023	33.22	26
978415	33.32	9	AP8133799	33.27	11	AP8221114	33.48	16
978570	33.18	10	AP8133800	33.27	12	AP8221197	33.03	5
978940	33.14	10	AP8134378	33.23	18	AP8221277	33.04	6
978943	33.14	17	AP8134451	33.05	5	AP8224462	33.31	21
978946	33.15	1	AP8144007	33.26	4	AP8257742	33.33	21
97894600XN2	33.15	1	AP8144071	33.23	16	AP8257794	33.33	20
978947	33.15	2	AP8144071	34.36	23	B016796	34.47	5
978951	33.01	12	AP8144081	33.07	5	B043850	33.31	23
978952	33.01	16	AP8144146	33.07	3	B045974	33.33	19
978960	33.18	1	AP8144538	33.22	15	B063016	34.37	13
978969	33.26	3	AP8144553	33.22	7	B063022	33.23	3
978970	33.26	13	AP8144729	33.22	17	B063033	33.21	2
981149	33.28	12	AP8145034	33.04	3	B063034	33.21	6
AP8101594	33.26	20	AP8145035	33.04	10	B063049	34.47	2
AP8101595	33.12	10	AP8149034	33.16	4	B063077	33.24	5
AP8101861	33.05	7	AP8150204	33.27	19	B063078	33.25	11
AP8102159	33.48	6	AP8150248	33.16	2	B063099	34.36	19
AP8102375	33.14	15	AP8150285	34.42	27	B063111	34.36	6
AP8102375	33.31	14	AP8150349	33.17	10	B063132	33.04	13
AP8102524	33.03	4	AP8150349	33.32	6	B063135	33.18	6
AP8102678	33.48	1	AP8150377	33.28	13	B063144	33.24	3
AP8102688	33.48	2	AP8150377	33.31	20	B063167	33.15	12
AP8102765	33.22	24	AP8150436	33.02	12	B063197	33.02	1
AP8102766	33.22	23	AP8150450	33.14	12	B063198	33.02	2
AP8102913	33.14	3	AP8150509	33.22	19	B063213	33.22	30
AP8104525	33.22	5	AP8152043	33.27	18	B063214	33.22	21
AP8104924	33.22	4	AP8152220	33.02	11	B063233	33.31	5
AP8104996	33.22	28	AP8152220	34.39	18	B063269	34.42	11
AP8113003	33.27	20	AP8152268	33.16	3	B063287	33.01	4
AP8113241	33.26	22	AP8152273	33.21	4	B063342	34.42	20
AP8113288	33.26	16	AP8152277	33.04	7	B063427	33.18	3
AP8113553	33.26	23	AP8152277	33.05	8	B063431	33.14	11
AP8120246	34.09	10	AP8152277	33.19	3	B063443	33.26	28
AP8120311	33.01	13	AP8152278	33.11	2	B063465	34.37	15
AP8120416	33.30	18	AP8152278	33.15	3	B063466	34.37	16
AP8120416	33.31	27	AP8152279	33.15	9	B063702	33.24	1
AP8120416	33.48	11	AP8152281	34.45	9	B063704	33.25	1
AP8120446	33.48	9	AP8152286	33.24	11	B063735	33.28	14
AP8120455	33.22	9	AP8152287	33.02	13	B063749	33.11	1
AP8120557	33.12	11	AP8152288	33.02	15	B063750	33.27	6
AP8120615	33.22	10	AP8152288	33.27	9	B063752	33.21	1
AP8120772	33.22	20	AP8152298	33.26	18	B063800	33.28	4
AP8120870	33.23	24	AP8152298	34.47	6	B063801	33.28	5
AP8120876	33.22	8	AP8152299	33.15	14	B063854	33.23	1
AP8120912	33.06	2	AP8152299	33.27	22	B063855	33.23	2
AP8120912	33.26	2	AP8152299	33.30	5	B063975	33.18	15
AP8121014	33.03	3	AP8152299	33.48	5	CM0074C9	33.30	10
AP8121032	33.15	13	AP8152300	33.02	14	CM0074D0	33.30	9



Code	No. table	Pos.	Code	No. table	Pos.	Code	No. table	Pos.
CM013202	33.31	25	GU12087001	34.41	9	GU19353500	34.10	24
CM225705	33.31	15	GU12154200	34.34	23	GU19355200	34.10	35
CM225710	33.31	16	GU12154200	34.42	12	GU19355202	34.10	36
CM225715	33.31	17	GU13021900	34.34	26	GU19355300	34.10	33
CM225730	33.31	18	GU13021900	34.36	12	GU19355301	34.10	33
CM228303	34.47	1	GU14086000	34.41	10	GU19355302	34.10	33
CM228304	34.47	1	GU14086100	34.41	7	GU19355303	34.10	33
GU00823923140	33.03	7	GU14090201	34.41	1	GU19355304	34.10	33
GU00823923140	33.22	32	GU14090400	34.41	2	GU19355305	34.10	33
GU00823923140	33.48	12	GU14217901	34.40	6	GU19355306	34.10	33
GU00823931055	33.28	19	GU14217901	34.42	7	GU19355307	34.10	33
GU00823931070	33.12	14	GU14217901	34.44	17	GU19355308	34.10	33
GU00823944050	33.12	13	GU14609650	33.30	18	GU19355309	34.10	33
GU00823950050	33.26	21	GU14609650	33.31	27	GU19355320	34.10	27
GU01528930	34.10	9	GU14615901	33.05	15	GU19355321	34.10	27
GU01609630	33.18	14	GU14615901	33.13	5	GU19355322	34.10	27
GU01654630	33.19	17	GU14615901	34.09	20	GU19355323	34.10	27
GU01659130	33.19	11	GU14615901	34.37	5	GU19355324	34.10	27
GU01659131	33.19	12	GU14616150	33.24	15	GU19355325	34.10	27
GU01665410	33.26	25	GU14616150	33.25	10	GU19355326	34.10	27
GU02717450	33.30	11	GU18144350	34.39	16	GU19355327	34.10	27
GU03013800	33.06	7	GU18161150	34.39	21	GU19355328	34.10	27
GU03013800	33.23	8	GU18257551	33.26	8	GU19355329	34.10	27
GU03013800	34.47	10	GU19002020	34.35	5	GU19355400	34.10	21
GU03067730	34.10	19	GU19002020	34.42	16	GU19355402	34.10	21
GU03101600	33.12	7	GU19003800	34.34	8	GU19355404	34.10	21
GU03101900	33.12	3	GU19007700	34.45	8	GU19355406	34.10	21
GU03102200	33.12	6	GU19015020	34.34	5	GU19355408	34.10	21
GU03102400	33.12	2	GU19017000	33.02	4	GU19355410	34.10	21
GU03103200	33.12	8	GU19018920	34.39	10	GU19355411	34.10	21
GU03103500	33.12	4	GU19021360	34.36	18	GU19355412	34.10	21
GU03163330	33.31	3	GU19021920	34.36	7	GU19355413	34.10	21
GU03270300	33.27	10	GU19025280	33.23	5	GU19356700	34.10	30
GU03604845	33.19	8	GU19025460	33.23	6	GU19356760	34.41	16
GU03605645	33.19	9	GU19027500	34.38	15	GU19356801	34.10	28
GU03609600	33.18	14	GU19030500	34.38	7	GU19357660	34.10	25
GU03612040	33.24	16	GU19032080	34.38	10	GU19547000	34.09	12
GU03631250	33.24	4	GU19032980	34.36	17	GU20085720	34.41	13
GU03631250	33.25	9	GU19032980	34.38	14	GU20147710	34.39	17
GU03658201	33.27	16	GU19034000	34.38	8	GU20147810	34.39	3
GU03658330	33.27	17	GU19037820	34.36	8	GU20148410	34.39	4
GU03658430	33.27	14	GU19045861	34.38	25	GU20148610	34.39	5
GU03660145	33.19	1	GU19055700	34.38	23	GU20208520	34.44	9
GU03661145	33.19	6	GU19058021	34.38	19	GU20258221	33.06	9
GU03664045	33.19	7	GU19058220	34.38	20	GU20352421	34.10	31
GU03740930	33.29	2	GU19062261	34.37	4	GU20355121	34.10	34
GU03749845	33.19	5	GU19065400	34.37	2	GU23204471	34.40	21
GU03922280	34.09	23	GU19067700	34.37	18	GU23204571	34.40	22
GU05107430	33.21	3	GU19083462	34.40	2	GU23211372	34.43	8
GU05659230	33.19	10	GU19146422	34.39	1	GU23217800	34.38	3
GU05730730	34.46	1	GU19152200	34.39	11	GU23328081	34.09	7
GU05781630	33.16	1	GU19202320	34.42	9	GU23548080	34.09	8
GU05900130	33.33	11	GU19203460	34.40	11	GU23548180	34.09	9
GU06740400	33.28	17	GU19206501	34.10	10	GU23922210	33.17	12
GU10054100	34.43	12	GU19212900	34.43	15	GU23943410	33.08	35
GU10214300	34.43	27	GU19213720	34.43	17	GU27037521	34.38	4
GU10214301	34.43	27	GU19213760	34.41	15	GU27061585	34.37	3
GU10214302	34.43	27	GU19214660	34.43	11	GU27061885	34.37	17
GU10214303	34.43	27	GU19215460	34.43	3	GU27062060	34.37	6
GU10214304	34.43	27	GU19234600	34.44	2	GU27065660	34.37	7
GU10214305	34.43	27	GU19237800	34.42	13	GU27066460	34.37	9
GU10528900	34.34	15	GU19327601	34.09	5	GU27066560	34.37	8
GU10528900	34.40	13	GU19328801	34.09	3	GU27152885	34.34	22
GU10528900	34.42	23	GU19350700	34.10	22	GU27153085	34.39	14
GU12003702	34.34	20	GU19351100	34.10	4	GU27210760	34.41	12
GU12022600	34.10	6	GU19351900	34.10	2	GU27633910	33.25	4
GU12022600	34.42	24	GU19352300	34.10	23	GU28157950	33.22	29

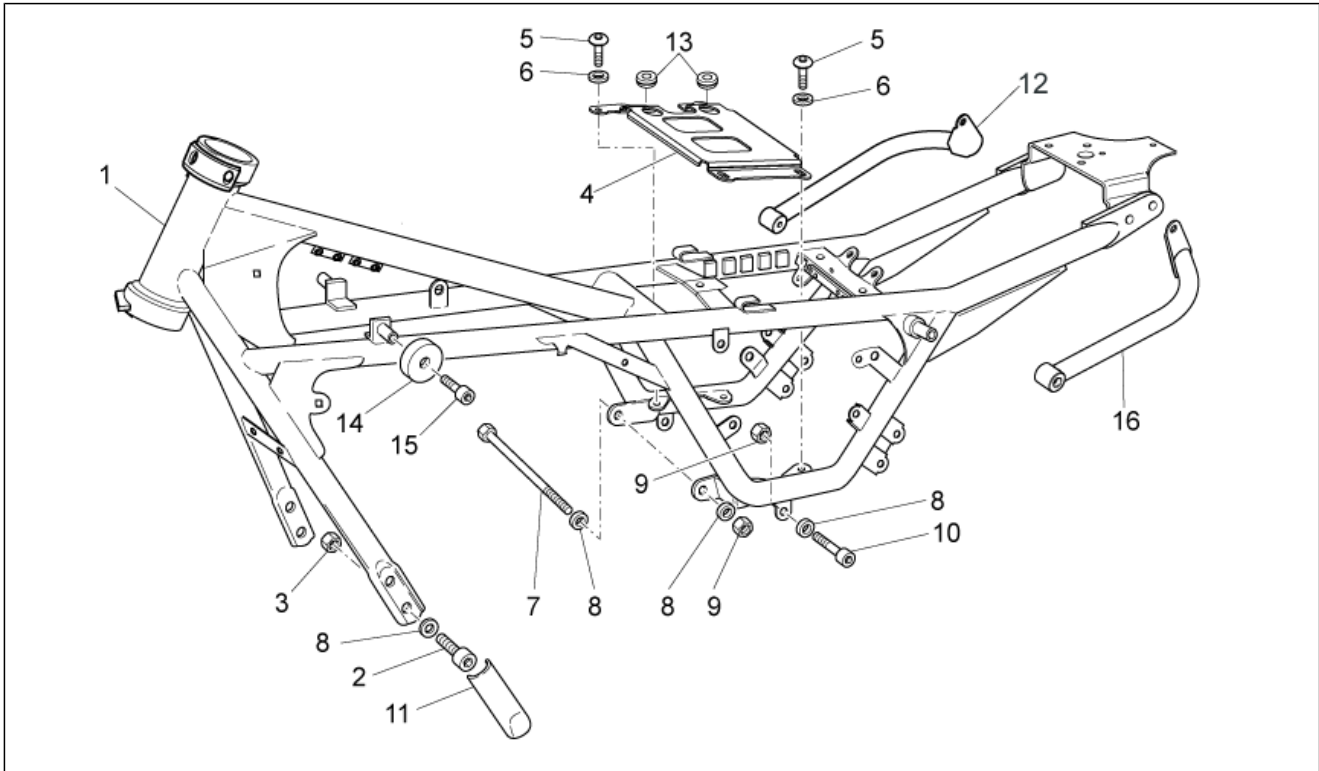


Code	No. table	Pos.	Code	No. table	Pos.	Code	No. table	Pos.
GU28157950	33.48	8	GU32235710	34.44	14	GU90271121	34.43	19
GU28252060	33.02	8	GU32238210	34.44	10	GU90271124	34.43	4
GU28612033	33.25	18	GU32256910	33.06	4	GU90272023	34.09	4
GU29729461	33.31	2	GU32257810	33.06	8	GU90272075	34.40	3
GU29759150	33.18	17	GU32350410	34.10	13	GU90274026	34.44	3
GU30577800	33.29	13	GU32351410	34.10	16	GU90353009	34.36	4
GU30577800	34.47	17	GU32354610	34.10	18	GU90353029	34.38	24
GU30601060	33.18	13	GU32431310	33.02	9	GU90353030	34.10	17
GU30602500	33.18	22	GU32432711	33.03	11	GU90400616	34.41	11
GU30630430	33.25	19	GU32433011	33.03	6	GU90402538	33.25	6
GU31003766	34.10	8	GU32434460	33.13	1	GU90402642	33.24	8
GU31003766	34.34	14	GU32439260	33.48	3	GU90403251	34.10	38
GU31003766	34.40	19	GU32441210	33.04	5	GU90403549	34.10	3
GU31003766	34.42	26	GU32441210	33.05	3	GU90407591	34.10	15
GU31016050	34.39	20	GU32442310	33.05	1	GU90706076	34.34	9
GU31037015	34.38	13	GU32442710	33.05	10	GU90706111	34.39	22
GU31038015	34.38	5	GU32443210	33.04	4	GU90706140	34.42	4
GU31045015	34.38	26	GU32443210	33.05	2	GU90706141	33.30	17
GU31112965	33.22	33	GU32443211	33.04	11	GU90706170	34.41	8
GU31121880	33.23	9	GU32443211	33.05	11	GU90706188	34.10	29
GU31150950	34.39	26	GU32457810	33.01	11	GU90706188	34.43	18
GU31159050	34.39	15	GU32461610	33.14	2	GU90706203	34.10	7
GU31327783	34.09	2	GU32504210	33.08	36	GU90706203	34.42	25
GU31439565	33.13	4	GU32506360	33.28	1	GU90706235	34.41	14
GU31513480	33.08	20	GU32517710	33.31	8	GU90706281	34.34	19
GU31544181	34.09	15	GU32555210	33.11	4	GU90706444	34.34	17
GU31547882	34.09	14	GU32555211	33.11	5	GU90706584	34.10	37
GU31610160	33.24	17	GU32602860	33.18	9	GU90714082	33.22	31
GU31614183	33.24	9	GU32603010	33.18	16	GU91113826	33.23	23
GU31615283	33.24	6	GU32603310	33.18	7	GU91120806	33.15	6
GU31616384	33.24	12	GU32605510	33.18	2	GU91180601	33.15	10
GU31634281	33.27	4	GU32613160	33.24	2	GU91181003	33.18	11
GU31634481	33.25	15	GU32615660	33.24	14	GU91181003	33.19	18
GU31740383	33.28	11	GU32632510	33.25	17	GU91551010	33.22	25
GU32032310	34.38	11	GU32633360	33.25	14	GU91551086	33.14	13
GU32053410	34.38	16	GU32633560	34.10	11	GU92201070	34.10	14
GU32054510	34.38	17	GU32634160	33.27	5	GU92201220	34.43	16
GU32067910	34.40	5	GU32636160	33.25	21	GU92201225	34.40	10
GU32080310	34.40	1	GU32657110	33.19	2	GU92204217	33.25	5
GU32084410	34.40	4	GU32692260	33.25	2	GU92204218	33.25	3
GU32115010	34.47	3	GU32735510	33.32	5	GU92204221	33.24	7
GU32115011	34.47	8	GU32747910	33.31	9	GU92218417	34.43	10
GU32115510	34.47	7	GU32750661	33.29	4	GU92230320	34.43	13
GU32121010	33.23	7	GU32753410	33.28	3	GU92234716	34.43	26
GU32202010	34.43	28	GU32753410	33.29	8	GU92249220	34.10	32
GU32206510	34.42	22	GU32753711	33.29	6	GU92249225	33.07	2
GU32208210	34.42	8	GU32781910	33.16	10	GU92249227	34.10	20
GU32210510	34.43	1	GU32782510	33.17	8	GU92251028	34.43	7
GU32211110	34.43	9	GU32782510	33.32	2	GU92252210	34.39	2
GU32211410	34.43	6	GU32999010	34.34	25	GU92252235	34.10	5
GU32211810	34.43	5	GU32999510	34.34	24	GU92296723	34.39	6
GU32212011	34.43	2	GU35214300	34.09	13	GU92602406	34.38	9
GU32213610	34.43	14	GU39238100	34.43	25	GU92602510	34.39	19
GU32213810	34.42	5	GU49609601	33.30	18	GU92603010	34.36	11
GU32214010	34.43	24	GU49609601	33.31	27	GU92606206	33.17	6
GU32214510	34.43	20	GU53429500	33.02	3	GU92606208	34.34	7
GU32214810	34.43	21	GU61027200	34.37	12	GU92606208	34.40	18
GU32215010	34.43	22	GU61036801	34.36	3	GU92606210	33.01	9
GU32215210	34.43	23	GU61038100	34.38	6	GU92606210	33.02	5
GU32231010	34.44	5	GU61054900	34.38	18	GU92606210	33.11	7
GU32231210	34.44	4	GU61270300	34.10	26	GU92606210	34.09	18
GU32233010	34.44	6	GU61270300	34.34	6	GU92606316	33.25	16
GU32234110	34.44	13	GU61270300	34.36	21	GU92606508	34.41	3
GU32234410	34.44	1	GU61270300	34.40	17	GU92606512	34.42	14
GU32234710	34.44	11	GU66103415	33.01	14	GU92609007	33.26	12
GU32234810	34.44	12	GU90271018	34.38	12	GU92630108	33.15	8
GU32234910	34.44	16	GU90271117	34.43	29	GU92630204	33.16	8



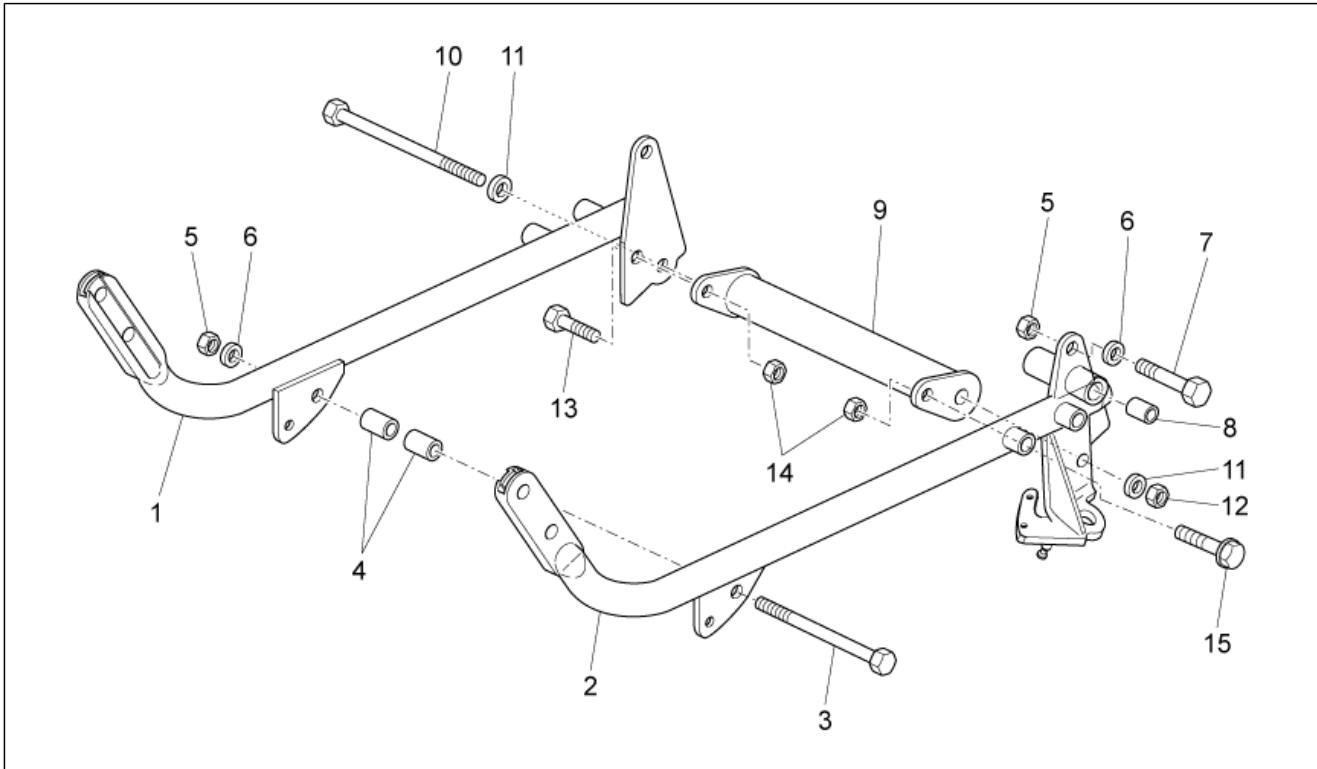
Code	No. table	Pos.	Code	No. table	Pos.
GU92630206	33.26	6	GU96451560	34.34	2
GU92630510	33.01	3	GU96506042	34.36	5
GU92630707	33.06	5	GU96508055	34.10	12
GU92640508	33.23	19	GU96508055	34.34	4
GU92660021	33.26	7	GU96510181	34.36	15
GU92787006	33.28	6	GU96510214	34.36	14
GU92787006	33.29	11	GU97202325	33.18	12
GU93180105	34.09	21	GU98054422	34.38	28
GU93180111	33.24	13	GU98082565	33.02	7
GU93180220	34.40	9	GU98084314	34.39	12
GU93180245	34.36	22	GU98084314	34.40	12
GU93222023	33.17	4	GU98110199	33.01	7
GU93231605	33.29	14	GU98210612	33.23	27
GU93231605	34.47	16	GU98230510	33.18	19
GU93301175	33.23	26	GU98230612	34.44	7
GU93301313	33.48	15	GU98257618	34.44	15
GU93305061	33.22	22	GU98350215	33.29	12
GU93450105	33.28	9	GU98350416	33.01	5
GU93450126	33.28	15	GU98370412	33.19	4
GU93450127	33.29	7	GU98370515	34.47	18
GU93450224	33.29	3	GU98370609	33.17	2
GU93450232	33.28	10	GU98370616	33.31	7
GU94321079	34.39	24	GU98370625	33.14	4
GU94321099	34.09	6	GU98370625	33.26	17
GU94321105	34.41	4	GU98370655	33.28	7
GU95004210	33.31	4	GU98370655	33.29	9
GU95005306	33.17	3	GU98370831	33.15	5
GU95005308	33.26	9	GU98370845	33.13	3
GU95005308	33.28	23	GU98612216	33.03	9
GU95005308	34.09	22	GU98622322	34.47	9
GU95005310	33.15	7	GU98632322	33.06	6
GU95005310	33.26	5	GU98680435	34.40	15
GU95005311	33.48	4	GU98680435	34.42	19
GU95008205	33.30	16	GU98680450	34.40	16
GU95008206	34.39	23	GU98680545	34.09	16
GU95008208	33.01	6	GU98680555	33.01	10
GU95008208	34.46	3	GU98682212	33.30	15
GU95008210	33.01	8	GU98682212	33.31	12
GU95008210	33.02	6	GU98682212	34.45	5
GU95008210	34.09	17	GU98682325	34.34	11
GU95008305	33.18	20	GU98682325	34.35	3
GU95008306	33.19	20	GU98682330	34.35	4
GU95008306	33.27	21	GU98682330	34.42	18
GU95020105	33.03	10	GU98682414	33.01	15
GU95021104	33.19	19	GU98682416	33.04	12
GU95021105	33.18	21	GU98682416	33.05	14
GU95021206	33.17	5	GU98682416	33.17	9
GU95021206	33.28	8	GU98682416	33.32	7
GU95021206	33.29	10	GU98682430	33.12	9
GU95100059	33.31	13	GU98682435	34.46	2
GU95100116	34.47	12	GU98682530	33.01	2
GU95100125	34.45	11	GU98690335	33.11	8
GU95100244	34.38	29	GU98690335	33.18	8
GU95100309	34.39	27	GU98690440	33.23	17
GU95100602	34.39	25	GU98692325	34.36	16
GU95100709	34.34	21	GU98692420	33.28	22
GU95129115	34.38	22	GU98880540	33.28	21
GU95129180	34.34	27	GU98882316	34.38	21
GU95129180	34.36	13			
GU95129181	33.11	6			
GU95129260	33.06	3			
GU95187006	34.39	13			
GU95500221	33.26	10			
GU95500222	34.41	6			
GU95780271	34.41	5			
GU96451316	33.27	15			
GU96451430	34.34	3			

Group	FRAME
Code	33.01
Description	Frame I
Service	1



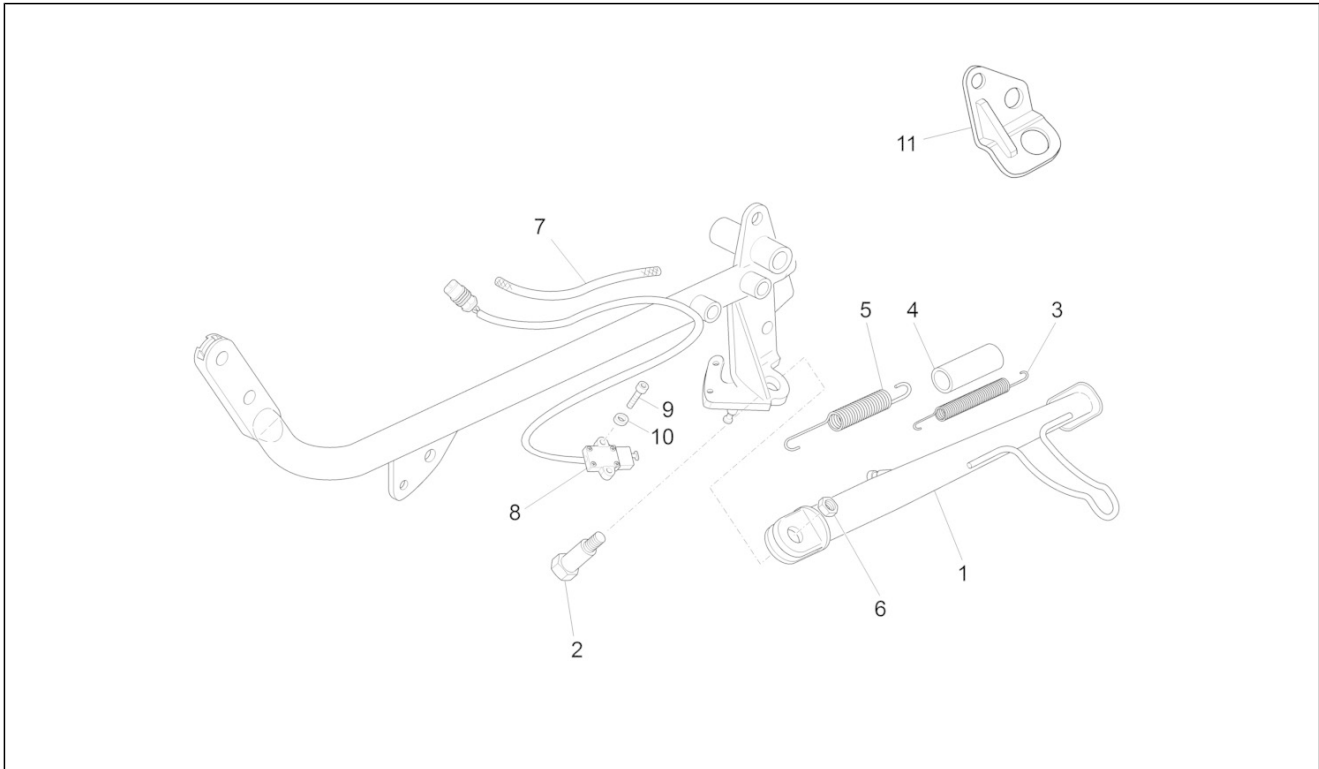
Pos.	Code	Description	Qty	Variants
1	887837	Frame p.	1	
2	GU98682530	Hex socket screw M10x30	4	
3	GU92630510	Nut M10x1,5	4	
4	B063287	Frame union plate	1	
5	GU98350416	Hex socket screw M8x16	4	
6	GU95008208	Washer 8,4X15X1,5	4	
7	GU98110199	Pin M10x205	1	
8	GU95008210	Washer 10,2X18X2	11	
9	GU92606210	Nut M10x1,5	3	
10	GU98680555	screw M10x55	2	
11	GU32457810	Guard	2	
12	978951	RH handle	1	
13	AP8120311	Rubber spacer *	2	
14	GU66103415	Rubber spacer	2	
15	GU98682414	Hex socket screw	2	
16	978952	left handle	1	

Group	FRAME
Code	33.02
Description	Frame II
Service	1



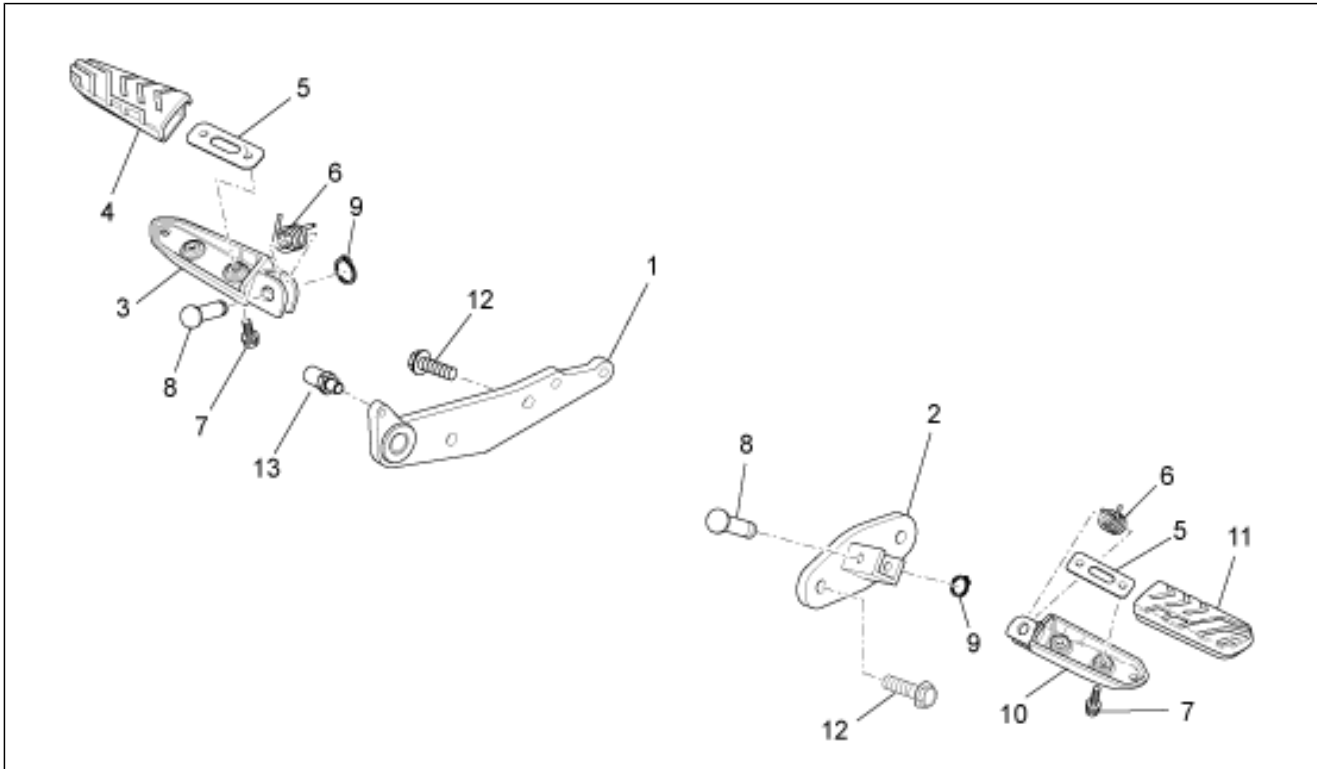
Pos.	Code	Description	Qty	Variants
1	B063197	RH cradle arm	1	
2	B063198	LH cradle arm	1	
3	GU53429500	Pin M10x250	1	
4	GU19017000	Bushing	2	
5	GU92606210	Nut M10x1,5	3	
6	GU95008210	Washer 10,2X18X2	3	
7	GU98082565	screw M10x65	2	
8	GU28252060	Bush 18 mm est.	2	
9	GU32431310	Cradle arms conn.crosspiece	1	
10	AP8121367	Pin M10x260	1	
11	AP8152220	Washer	2	
12	AP8150436	Low self-locking nut	1	
13	AP8152287	Screw w/ flange M8x25	1	
14	AP8152300	Self-locking nut M8	1	
15	AP8152288	Screw w/ flange	1	

Group	FRAME
Code	33.03
Description	Lateral stand
Service	1



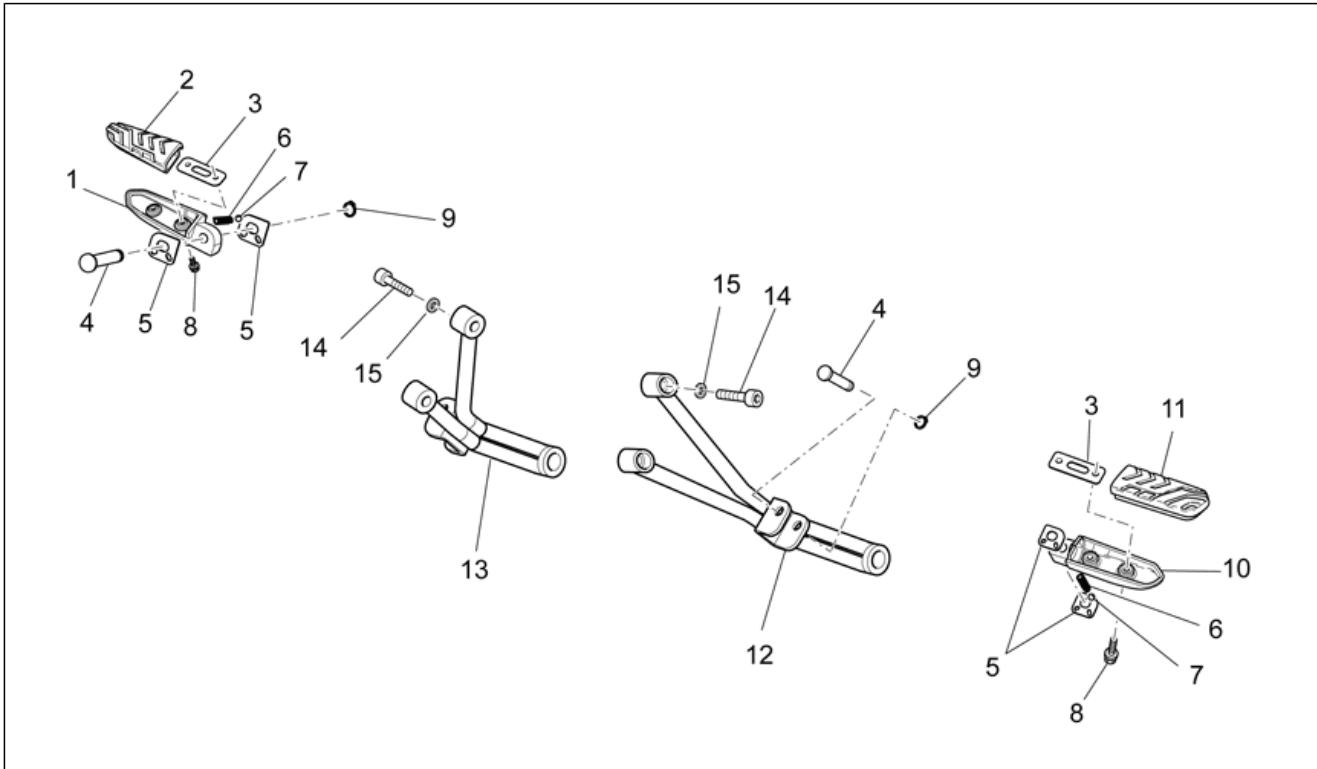
Pos.	Code	Description	Qty	Variants
1	883471	Side arm black	1	
2	AP8121607	Central stand fixing screw	1	
3	AP8121014	Coil pull spring *	1	
4	AP8102524	Stand spring protection	1	
5	AP8221197	Lateral stand spring	1	
6	GU32433011	Nut	1	
7	GU00823923140	Thermal sheath	1	
8	AP8127856	Lateral stand switch	1	
9	GU98612216	Hex socket screw	2	
10	GU95020105	Washer 5,3x8,9x2,4	2	
11	GU32432711	plate	1	

Group	FRAME
Code	33.04
Description	Front footrests
Service	1



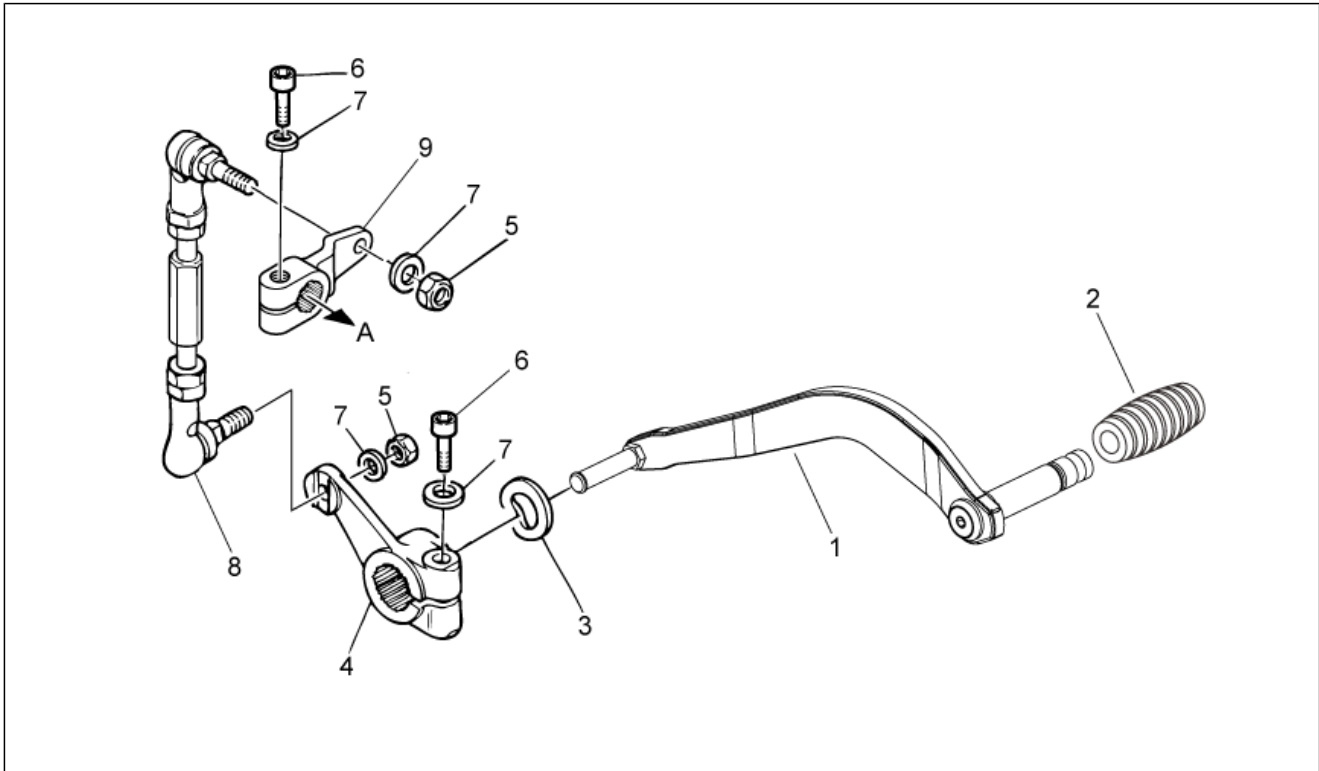
Pos.	Code	Description	Qty	Variants
1	883051	RH foot rest support	1	
2	883052	LH footrest support	1	
3	AP8145034	RH Foot rests	1	
4	GU32443210	Support rubber part	1	
5	GU32441210	Plate	2	
6	AP8221277	Footrest return spring	2	
7	AP8152277	Screw w/ flange M6x12	4	
8	AP8121566	Footrest pin	2	
9	AP8152409	Stop ring	2	
10	AP8145035	LH Foot rests	1	
11	GU32443211	Support rubber part	1	
12	GU98682416	Hex socket screw M8x16	4	
13	B063132	Limit stop	1	

Group	FRAME
Code	33.05
Description	Rear footrests
Service	1



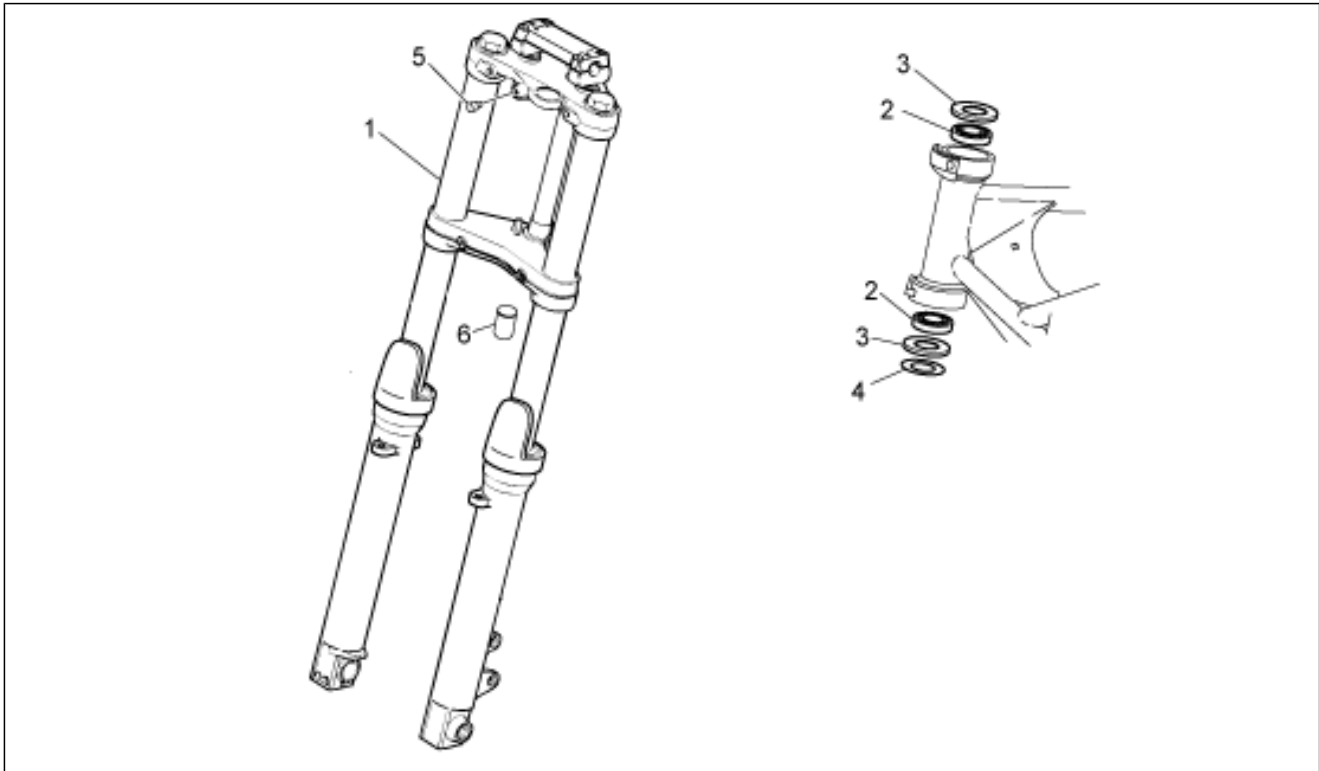
Pos.	Code	Description	Qty	Variants
1	GU32442310	Rear footrest, RH	1	
2	GU32443210	Support rubber part	1	
3	GU32441210	Plate	2	
4	AP8121566	Footrest pin	2	
5	AP8134451	Footrest plate	4	
6	AP8121133	Coil compress. spring	2	
7	AP8101861	Ball D6,35	2	
8	AP8152277	Screw w/ flange M6x12	4	
9	AP8152409	Stop ring	2	
10	GU32442710	Rear footrest, LH	1	
11	GU32443211	Support rubber part	1	
12	2B000349	Supporto pedane passeggero sx con Pi	1	
12	883019	LH footrest support	1	
13	2B000348	Supporto pedane passeggero dx con PI	1	
13	883015	RH foot rest support	1	
14	GU98682416	Hex socket screw M8x16	4	
15	GU14615901	Washer 8,4X13X0,8	4	

Group	FRAME
Code	33.06
Description	Gear lever
Service	1



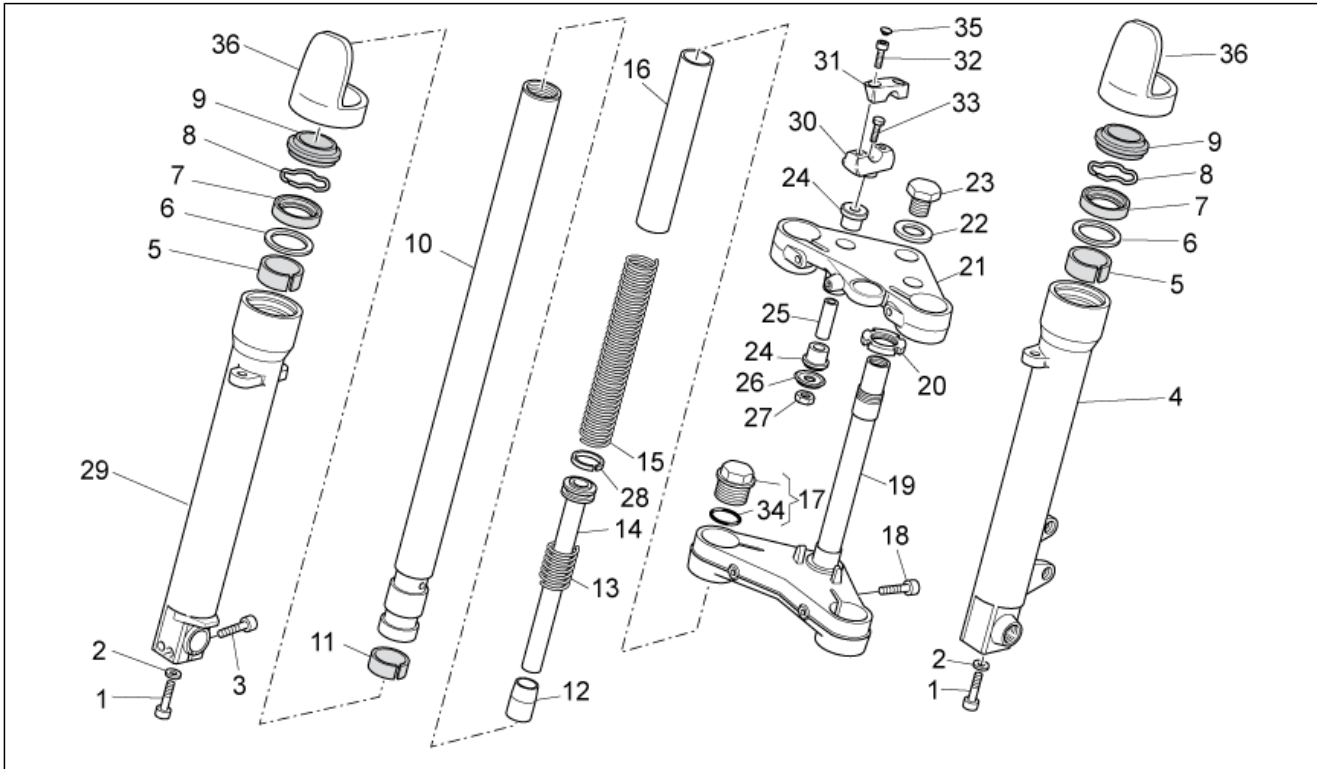
Pos.	Code	Description	Qty	Variants
1	887851	Gear lever	1	
2	AP8120912	Lever rubber	1	
3	GU95129260	Spring washer	2	
4	GU32256910	Lever	1	
5	GU92630707	Nut	2	
6	GU98632322	screw	2	
7	GU03013800	Washer 6,4x12	3	
8	GU32257810	Change gear tie rod compl.	1	
9	GU20258221	Shift lever	1	

Group	FRAME
Code	33.07
Description	Front fork I
Service	1



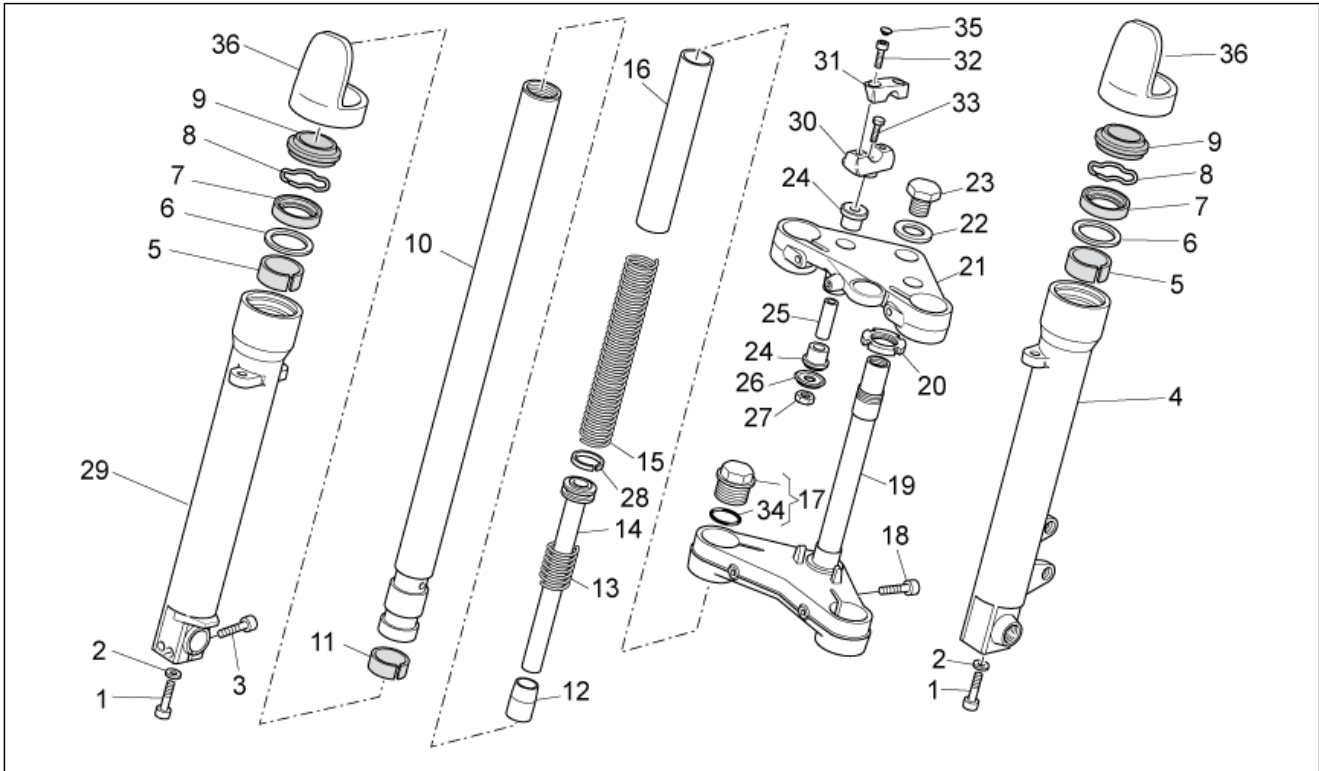
Pos.	Code	Description	Qty	Variants
1	2B000559	Front fork	1	
2	GU92249225	Tap.roller bearing	2	
3	AP8144146	Gasket ring	1	
4	AP8121307	Washer	1	
5	AP8144081	Rubber spacer	1	
6	AP8220460	Rubber cup	1	

Group	FRAME
Code	33.08
Description	Fron fork II
Service	1



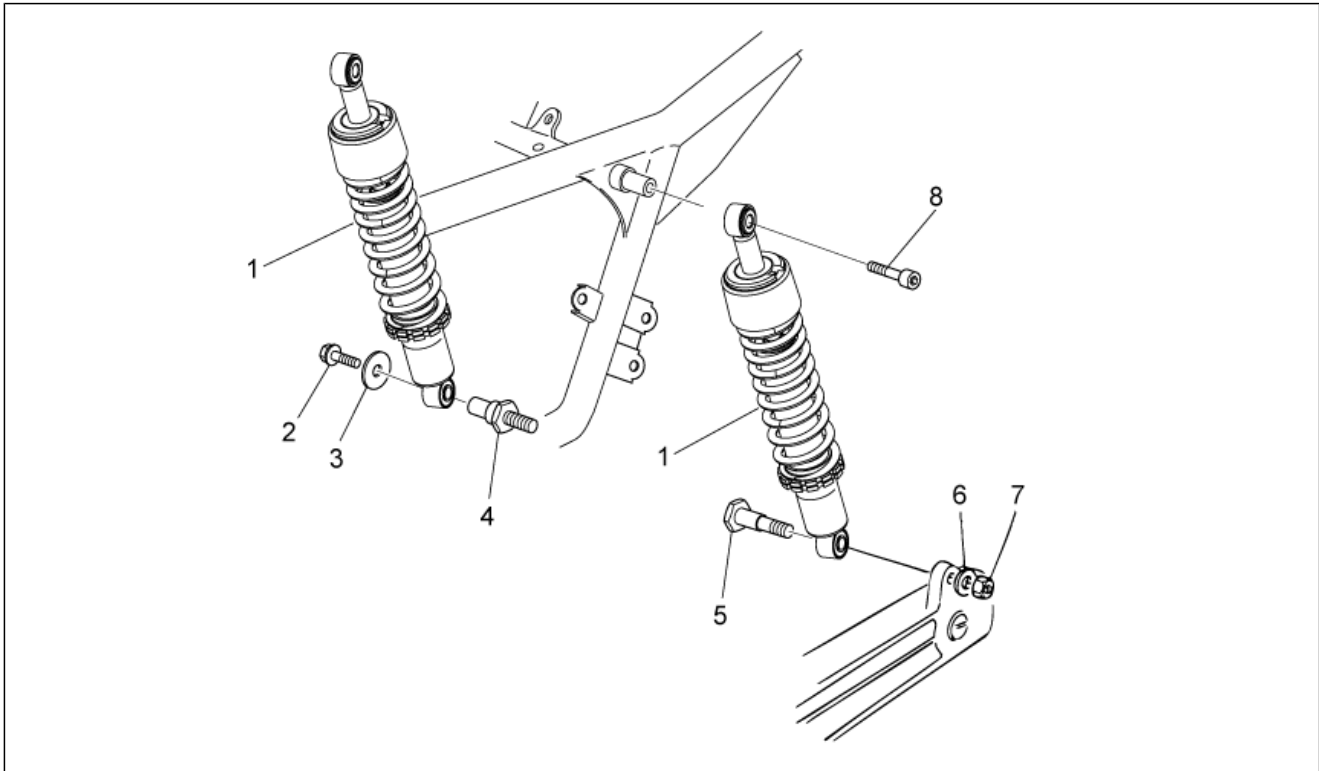
Pos.	Code	Description	Qty	Variants
1	887878	screw M10x30	2	
2	887879	Washer	2	
3	887880	screw	2	
4	2R000110	LH sleeve	1	
5	887882	Upper bush	2	
6	887883	Washer	2	
7	887884	Gasket ring	2	
8	887885	Stop ring	2	
9	887886	Dust cover	2	
10	887887	Sleeve	2	
11	887888	Bush	2	
12	887889	Pad	2	
13	887890	Return spring	2	
14	887891	Plunger, complete	2	
15	887892	Spring	2	
16	887893	pipe	2	
17	887894	Plug cpl.	2	
18	887895	screw	2	
19	887896	Stem base	1	
20	GU31513480	Ring nut M25X1	1	
21	887898	Upper plate	1	
22	887899	Washer	1	
23	887900	Nut	1	
24	887901	Rubber spacer	4	
25	887902	Spacer	2	
26	887903	Cup	2	
27	887904	Nut	2	
28	887905	Ring	2	

Group	FRAME
Code	33.08
Description	Fron fork II
Service	1



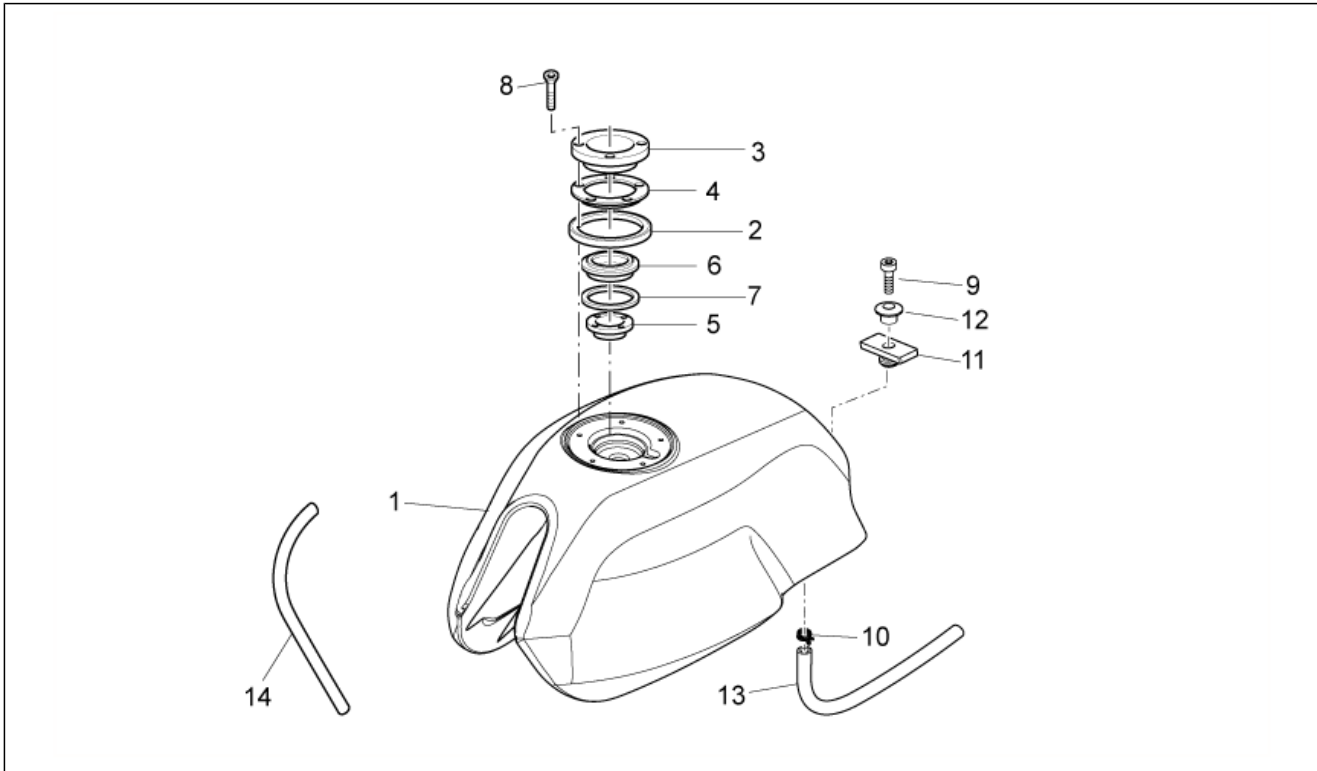
Pos.	Code	Description	Qty	Variants
29	2R000109	RH sleeve	1	
30	887912	Lower U-bolt	2	
31	887913	Upper U-bolt	2	
32	887914	screw M8x30	4	
33	887915	screw M10x60	2	
34	887916	O-ring 4118	2	
35	GU23943410	Plug	4	
36	GU32504210	Sleeve protection	2	

Group	FRAME
Code	33.11
Description	Rear shock absorber
Service	1



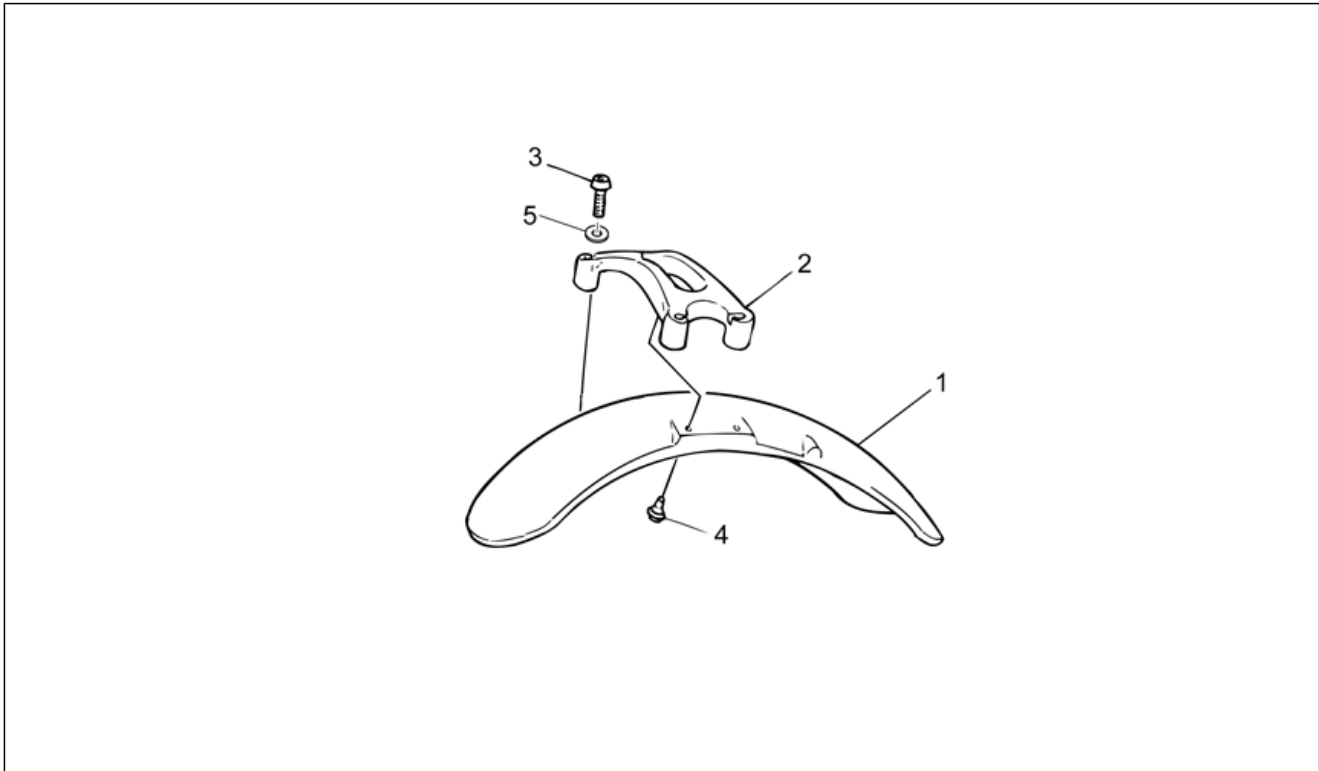
Pos.	Code	Description	Qty	Variants
1	884035	Rear shock absorber	2	Technical Specifications:
1	B063749	Rear shock absorber	2	Technical Specifications: Olle Amortidors SL[O]
2	AP8152278	Screw w/ flange M6x16	1	
3	898164	Shock abs. spacer	1	
4	GU32555210	Pin	1	
5	GU32555211	Pin	1	
6	GU95129181	Washer	1	
7	GU92606210	Nut M10x1,5	1	
8	GU98690335	Hex socket screw	2	

Group	FRAME
Code	33.12
Description	Fuel tank
Service	1



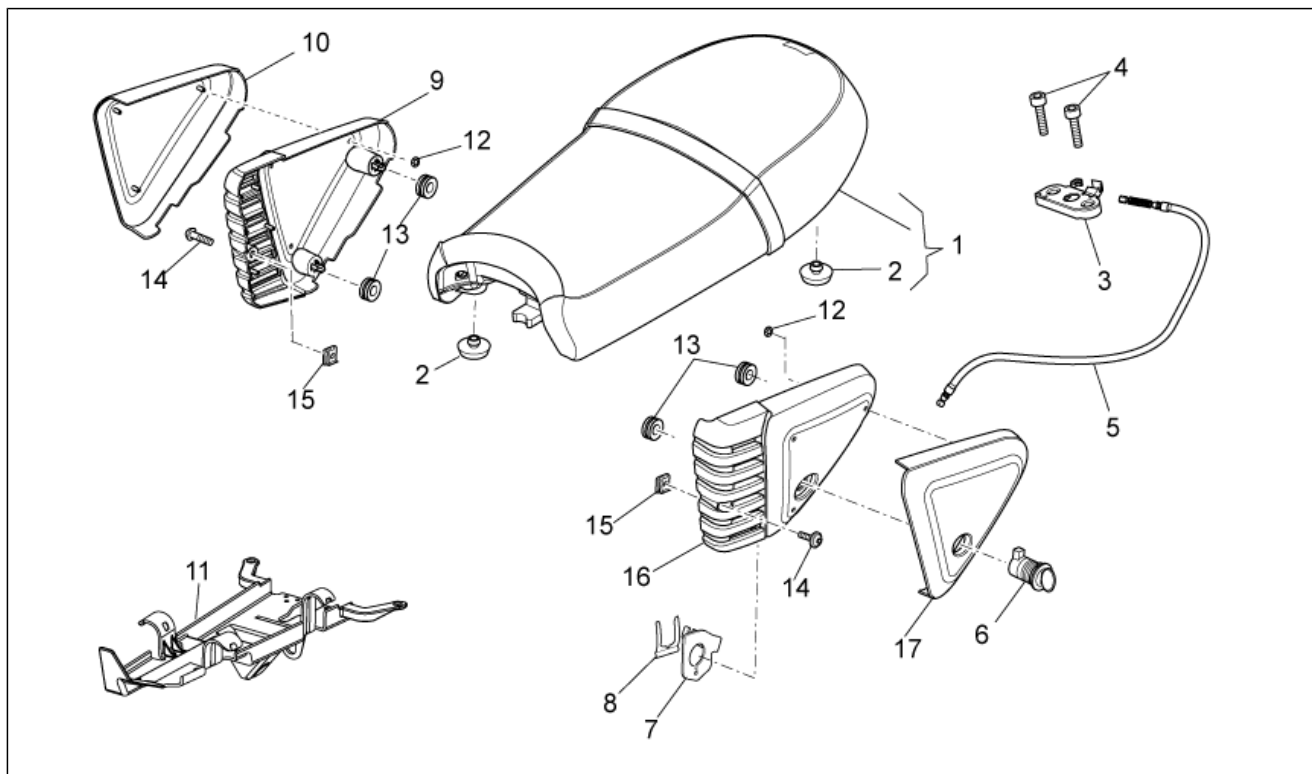
Pos.	Code	Description	Qty	Variants
1	2H000020000XN2	Fuel tank, black	1	Vehicle colour:Competition Black[nc]
1	2H000077000YE5	Fuel tank, grey	1	Vehicle colour:Metal grey[gm]
1	887944	Fuel tank blank	1	
2	GU03102400	Gasket	1	
3	GU03101900	Flange	1	
4	GU03103500	Ring	1	
5	883502	Reduction 24 mm	1	
6	GU03102200	Plug ring nut	1	
7	GU03101600	Gasket	2	
8	GU03103200	screw	5	
9	GU98682430	Hex socket screw M8x30	1	
10	AP8101595	Hose clamp D10,1	1	
11	AP8120557	Tank rubber	1	
12	AP8121673	T bush *	1	
13	GU00823944050	pipe 5X9	1	
14	GU00823931070	Gasket	1	

Group	FRAME
Code	33.13
Description	Front body - Front mudguard
Service	1



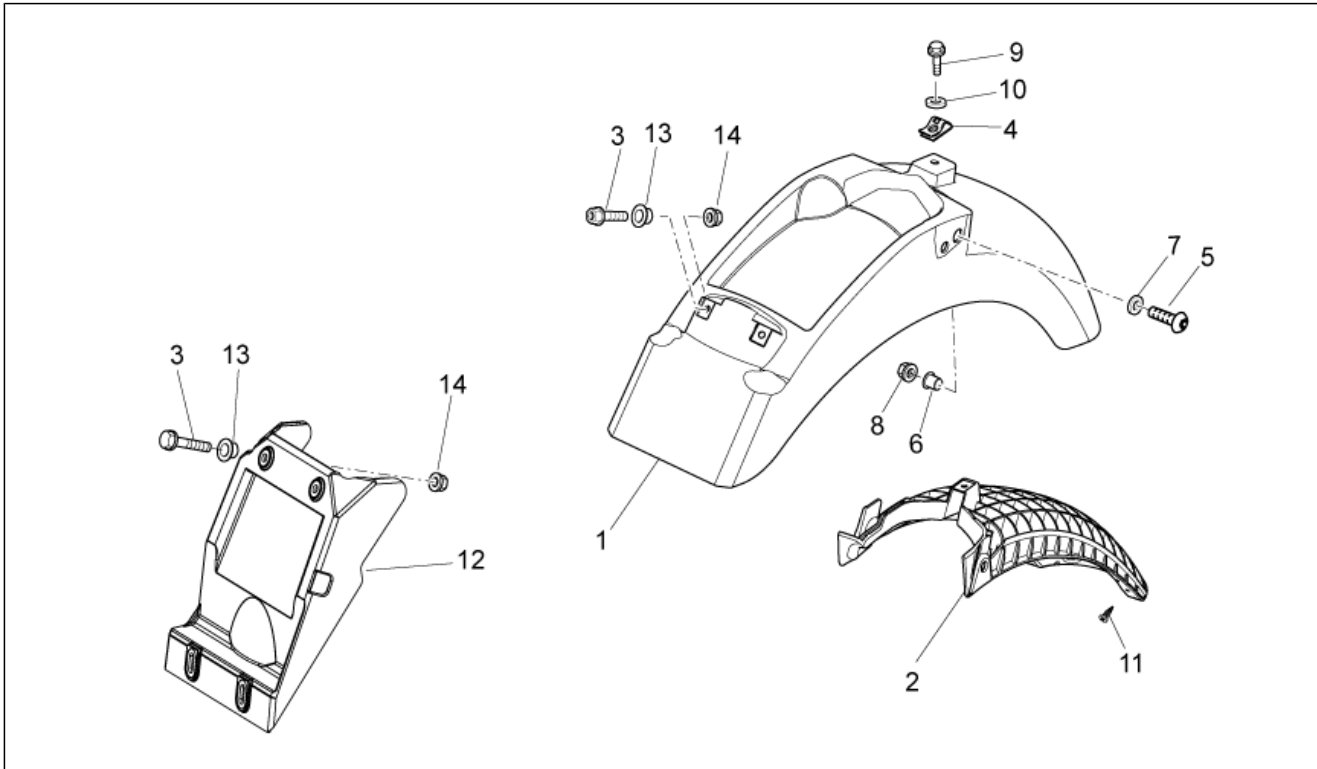
Pos.	Code	Description	Qty	Variants
1	88635200XN2	Front mudguard, black	1	Vehicle colour: Metal grey[gm], Competition Black[nc] Technical Specifications:
1	GU32434460	Front mudguard blank	1	Vehicle colour: Blank[gr]
2	883266	Stabilization plate	1	
3	GU98370845	Hex socket screw	4	
4	GU31439565	Special screw	4	
5	GU14615901	Washer 8,4X13X0,8	4	

Group	FRAME
Code	33.14
Description	Saddle-Central bod
Service	1



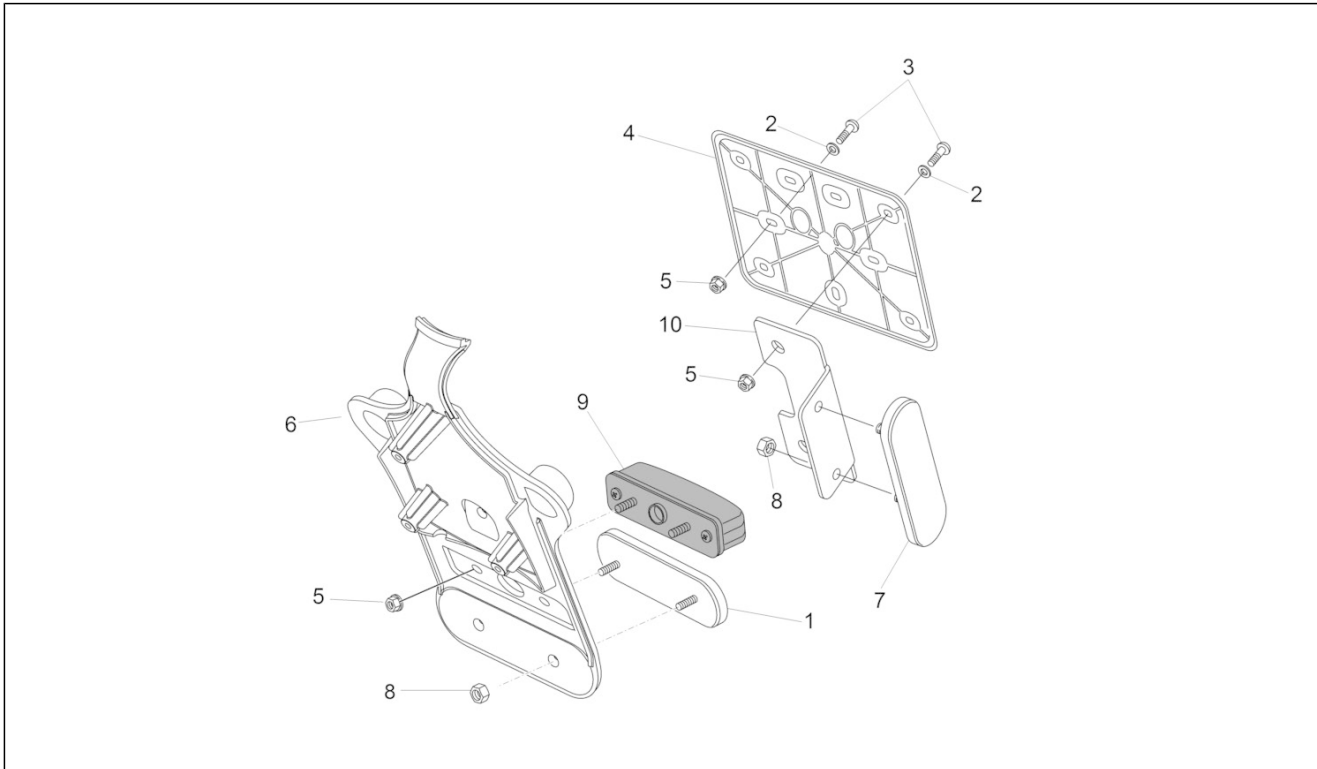
Pos.	Code	Description	Qty	Variants
1	88793900A1	Two-seat saddle	1	
2	GU32461610	Rubber spacer	8	
3	AP8102913	Pass.saddle connecting plate	1	
4	GU98370625	Hex socket screw	2	
5	883295	Saddle release cable	1	
6	977527	Locking complete with keys	1	
7	AP8121420	Fork spring	1	
8	978415	Cable fixing plate	1	
9	2B000878	RH side panel	1	
10	2H000021000XN2	RH side panel, black	1	Vehicle colour:Competition Black[nc] Technical Specifications:Decal[D]
10	2H000078000YE5	RH side panel, grey	1	Vehicle colour:Metal grey[gm] Technical Specifications:Decal[D]
10	978940	RH side panel, blank	1	Vehicle colour:Blank[gr]
11	B063431	Protection	1	
12	AP8150450	Washer for shafts D5	1	
13	GU91551086	Rubber spacer	4	
14	AP8152339	Screw w/ flange M5x9	2	
15	AP8102375	Clip m5	2	
16	2B000840	LH side panel	1	
17	2H000022000XN2	LH side panel, black	1	Vehicle colour:Competition Black[nc] Technical Specifications:Decal[D]
17	2H000079000YE5	LH side panel, grey	1	Vehicle colour:Metal grey[gm] Technical Specifications:Decal[D]
17	978943	LH side panel, blank	1	Vehicle colour:Blank[gr]

Group	FRAME
Code	33.15
Description	Rear body I- Mudguard
Service	1



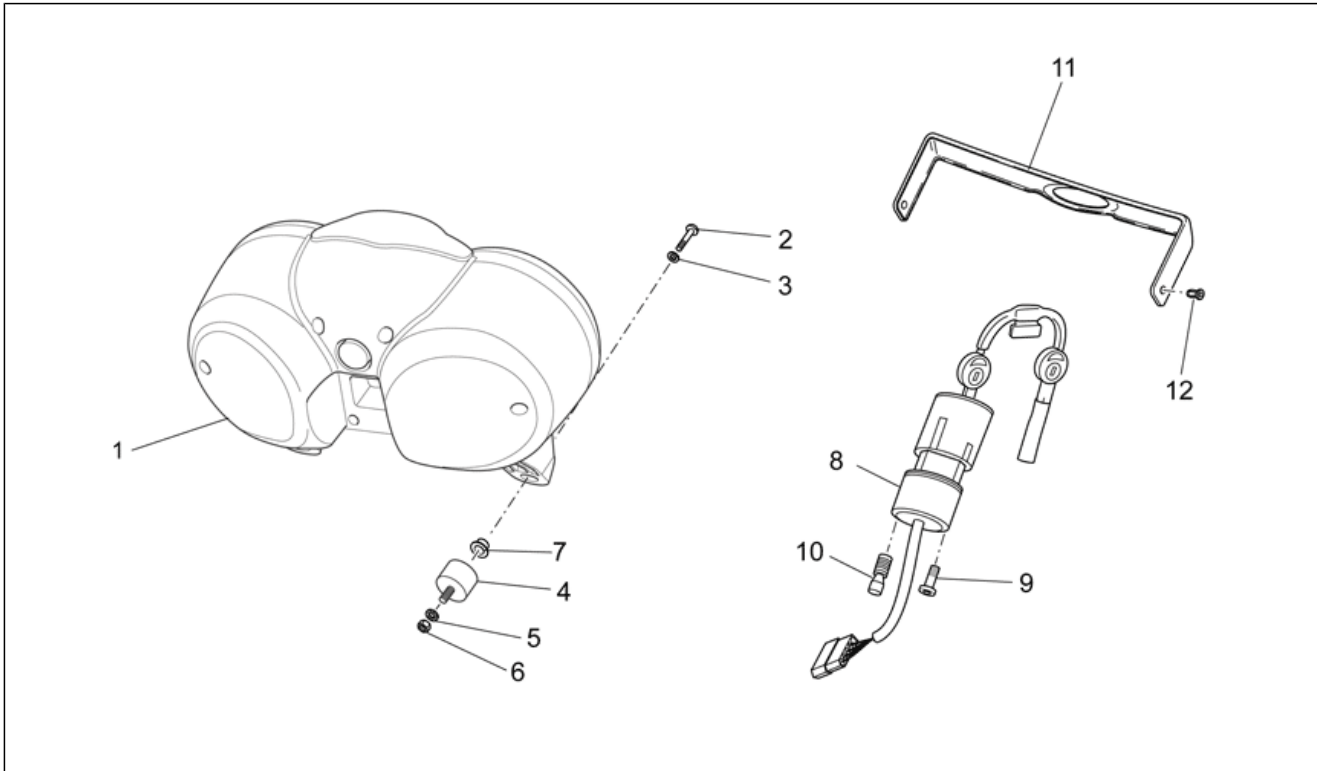
Pos.	Code	Description	Qty	Variants
1	978946	Rear mudguard blank	1	Vehicle colour:Blank[gr]
1	97894600XN2	Rear mudguard, black	1	Vehicle colour:Metal grey[gm], Competition Black[nc]
2	978947	Support	1	
3	AP8152278	Screw w/ flange M6x16	4	
4	254485	Spring plate M6	1	
5	GU98370831	Hex socket screw M8x30	2	
6	GU91120806	Spacer	2	
7	GU95005310	Washer 8,4x18x2	2	
8	GU92630108	Nut	2	
9	AP8152279	Screw w/ flange M6x20	2	
10	GU91180601	Spacer 6,2x8x3	2	
11	AP8152329	Phillips screw, SWP M5x20	3	
12	B063167	Splash guard	1	
13	AP8121032	Bush	6	
14	AP8152299	Self-locking nut M6	6	

Group	FRAME
Code	33.16
Description	Rear body II- Plate holder
Service	1



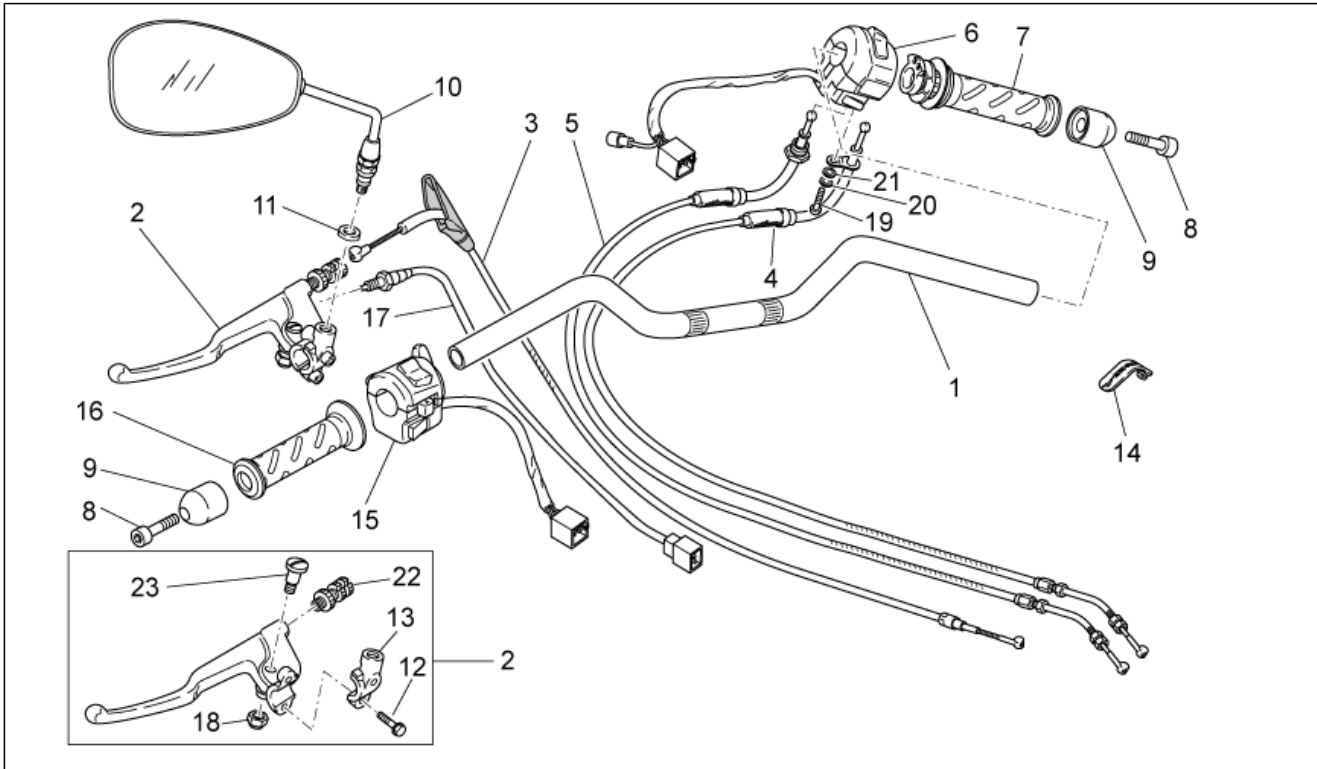
Pos.	Code	Description	Qty	Variants
1	GU05781630	Reflector, amber	1	
2	AP8150248	Washer 5,5x15x1,6	7	
3	AP8152268	Hex socket screw M5x16	7	
4	AP8149034	Number plate support	1	
5	AP8152306	Self-locking nut m5	1	
6	883470	Number plate holder	1	
7	AP8124718	Rear reflector, red	2	
8	GU92630204	Nut	6	
9	883480	Number-plate light	1	
10	GU32781910	Reflector support	2	

Group	FRAME
Code	33.17
Description	Dashboard
Service	1



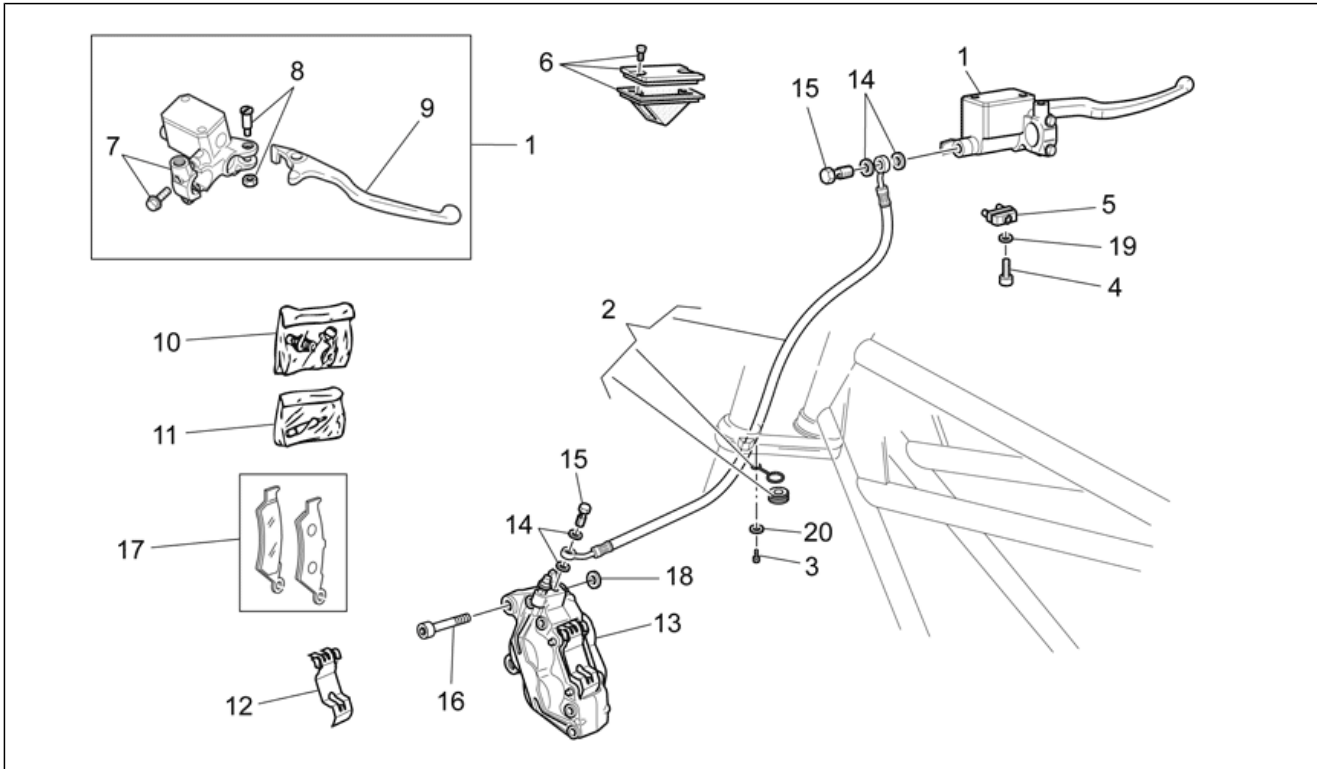
Pos.	Code	Description	Qty	Variants
1	887194	Dashboard complete km/h	1	Country:Canadian[CND]
1	887195	Dashboard complete MPH	1	Country:United States of America[USA]
2	GU98370609	Hex socket screw M6x10	3	
3	GU95005306	Washer 6,4x13x1,5	3	
4	GU93222023	Silent-block	3	
5	GU95021206	Washer	3	
6	GU92606206	Nut	3	
7	AP8121032	Bush	3	
8	GU32782510	Main switch - steering lock	1	
9	GU98682416	Hex socket screw M8x16	1	
10	AP8150349	Special screw M8x15	1	
11	883569	Cover	1	
12	GU23922210	Pin	2	

Group	FRAME
Code	33.18
Description	Handlebar - Controls
Service	1



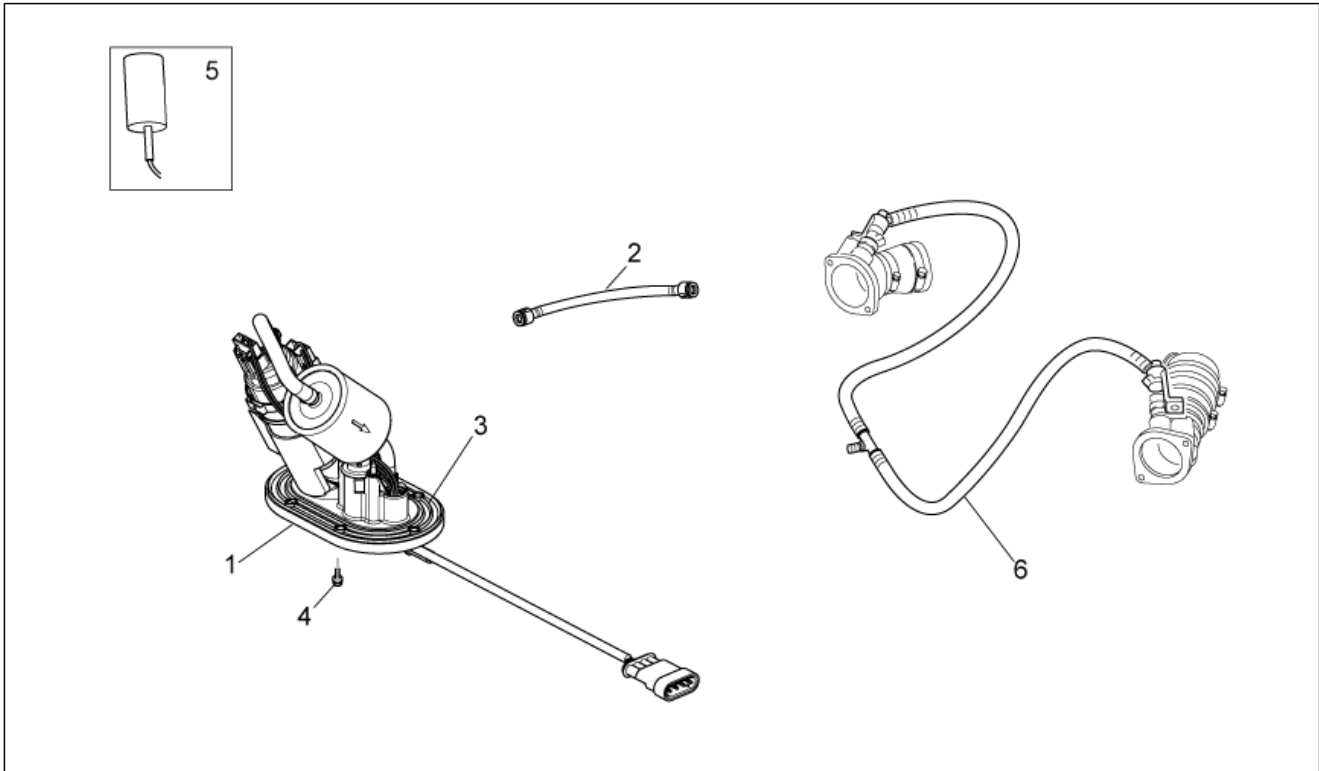
Pos.	Code	Description	Qty	Variants
1	978960	Handlebar	1	
2	GU32605510	Clutch lever	1	
3	B063427	Clutch cable	1	
4	887852	Gas trasmission delivery	1	
5	887853	Gas trasmission return	1	
6	B063135	RH lights selector	1	
7	GU32603310	RH hand grip	1	
8	GU98690335	Hex socket screw	2	
9	GU32602860	Anti.v weight, chr.	2	
10	883802	RH/LH rearview mirror	2	Technical Specifications:marked "FU E11 81R-001047"[FU]
10	978570	RH/LH rearview mirror	2	Technical Specifications:marked "FAR"[FAR]
11	GU91181003	Spacer 10,25X20X4	2	
12	GU97202325	Black screw w/ flange M6x25	2	
13	GU30601060	Clump	1	
14	GU01609630	Hose clamp L46 mm	2	
14	GU03609600	Hose clamp L36 mm	1	
15	B063975	LH lights selector	1	
16	GU32603010	LH hand grip	1	
17	GU29759150	Lateral stand switch	1	
18	AP8213388	Self-locking nut	1	
19	GU98230510	Hex socket screw	1	
20	GU95008305	Washer 5,3X10X1	1	
21	GU95021105	Notched washer	1	
22	GU30602500	Register	1	
23	AP8213028	screw	1	

Group	FRAME
Code	33.19
Description	Front brake system
Service	1



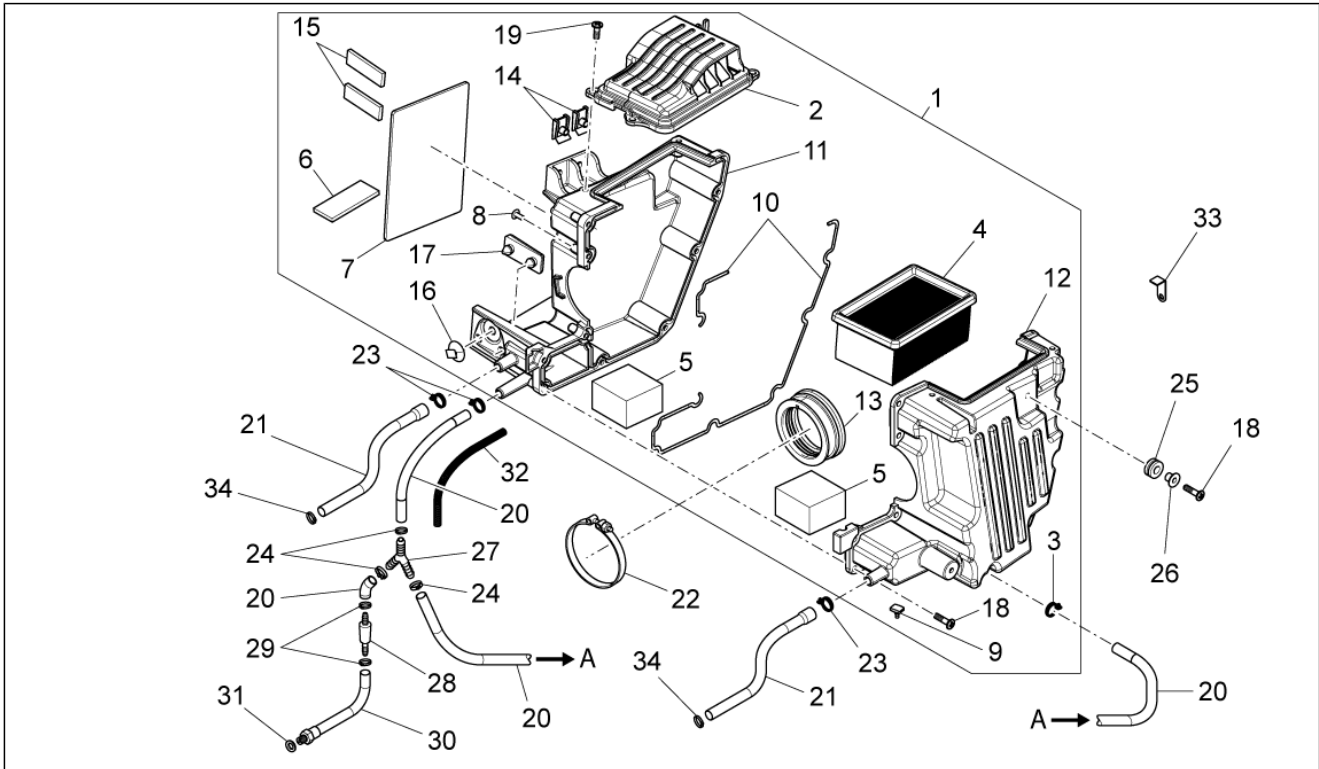
Pos.	Code	Description	Qty	Variants
1	GU03660145	Front master cilinder	1	
2	GU32657110	Brake hose	1	
3	AP8152277	Screw w/ flange M6x12	1	
4	GU98370412	Hex socket screw M4x12	1	
5	GU03749845	Stop switch	1	
6	GU03661145	Pump cover	1	
7	GU03664045	U-bolt	1	
8	GU03604845	Lever pin	1	
9	GU03605645	Brake lever	1	
10	GU05659230	Bleeder+cap	1	
11	GU01659130	Pins+Caliper springs	1	
12	GU01659131	Spring	1	
13	883303	LH front brake caliper, black	1	
14	AP8121915	Gasket	4	
15	978323	Oil pipe screw *	2	
16	AP8152385	Hex socket screw M10x1,25	2	
17	GU01654630	Pads pair	1	
18	GU91181003	Spacer 10,25X20X4	2	
19	GU95021104	Washer 4,3x8x1,5	1	
20	GU95008306	Washer 6,4x12x1,2	1	

Group	FRAME
Code	33.21
Description	Fuel pump
Service	1



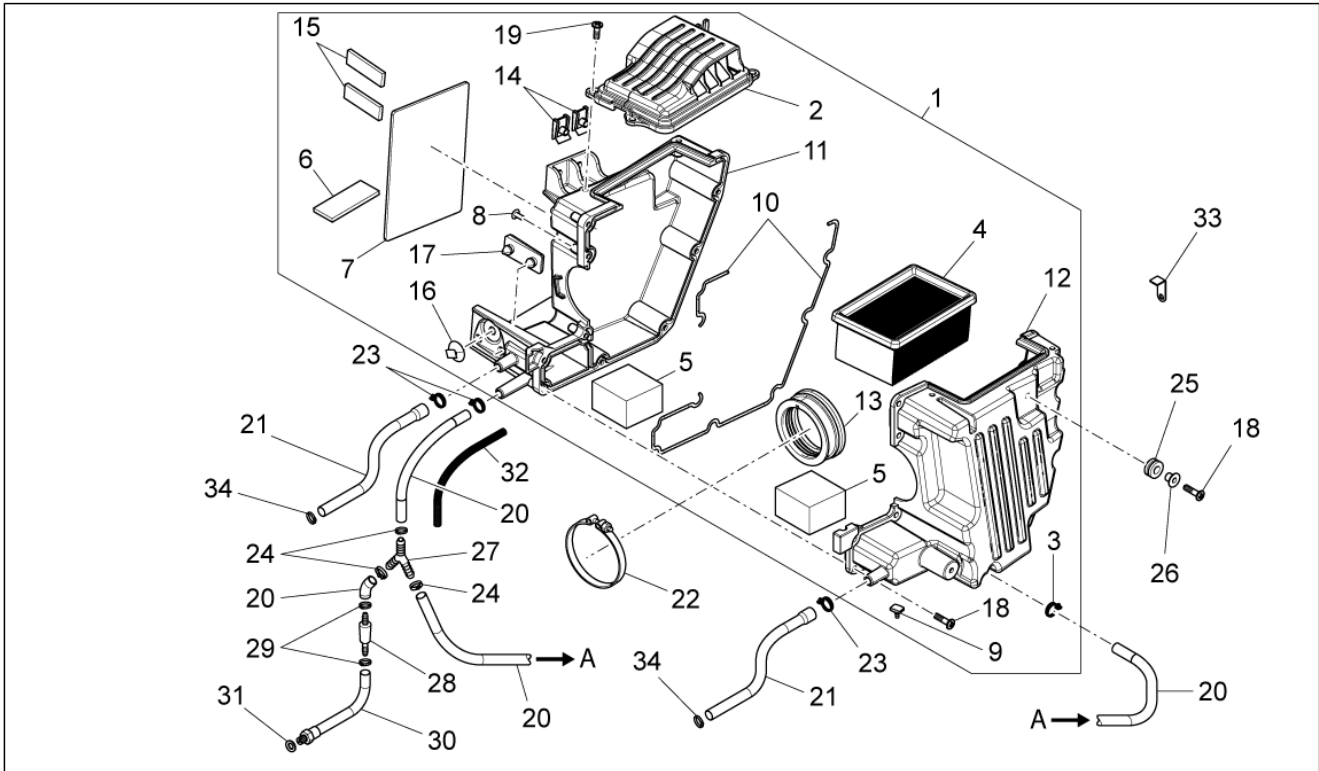
Pos.	Code	Description	Qty	Variants
1	B063752	Fuel pump	1	
2	B063033	Fuel pipe	1	
3	GU05107430	Gasket	1	
4	AP8152273	Screw w/ flange M5X15	6	
5	887787	Fuel level sensor	1	
6	B063034	Fuel pipe	1	

Group	FRAME
Code	33.22
Description	Air box
Service	1



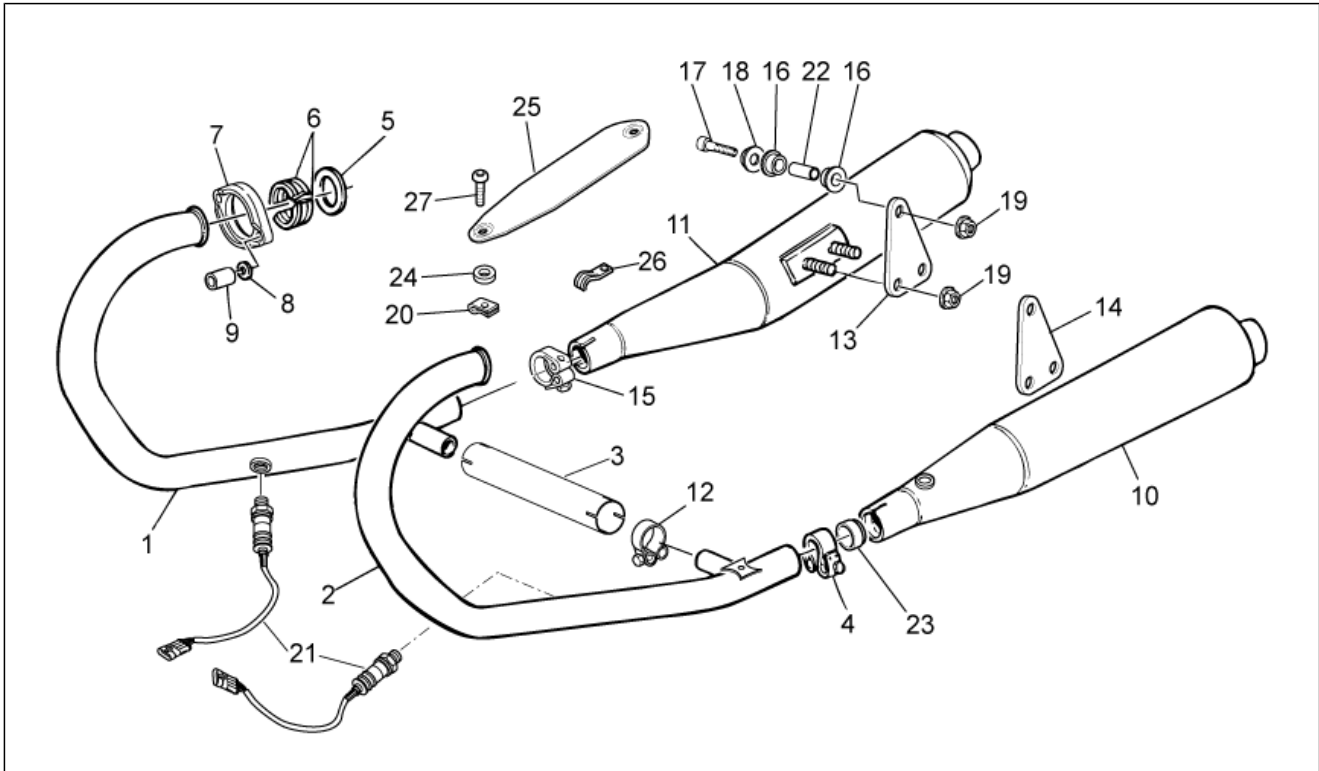
Pos.	Code	Description	Qty	Variants
1	8878421	Complete filter box	1	
2	887843	Air filter cover	1	
3	AP8201358	Hose clamp D 11,9	1	
4	AP8104924	Air filter	1	
5	AP8104525	Filter blow-by	2	
6	883127	Support rubber part 5mm	1	
7	AP8144553	Support rubber part	1	
8	AP8120876	Plug	2	
9	AP8120455	Rubber spacer	1	
10	AP8120615	Gasket D3	2	
11	887844	Filter box right shell	1	
12	887845	Filter box left shell	1	
13	887815	Intake hose	1	
14	254485	Spring plate M6	2	
15	AP8144538	Gasket	2	
16	890760	Instrument support	1	
17	AP8144729	Stand end stop	1	
18	AP8152329	Phillips screw, SWP M5x20	11	
19	AP8150509	Self-tap screw 5x14	4	
20	AP8120772	Breather pipe	3	
21	B063214	Blow-by pipe	2	
22	GU93305061	Hose clamp 61/65,5	1	
23	AP8102766	Hose clamp	3	
24	AP8102765	White hose clip D.13,5x6	3	
25	GU91551010	Rubber spacer	2	
26	AP8221023	T bush	2	
27	2B000045	3-way union	1	
28	AP8104996	Anti-return valve	1	

Group	FRAME
Code	33.22
Description	Air box
Service	1



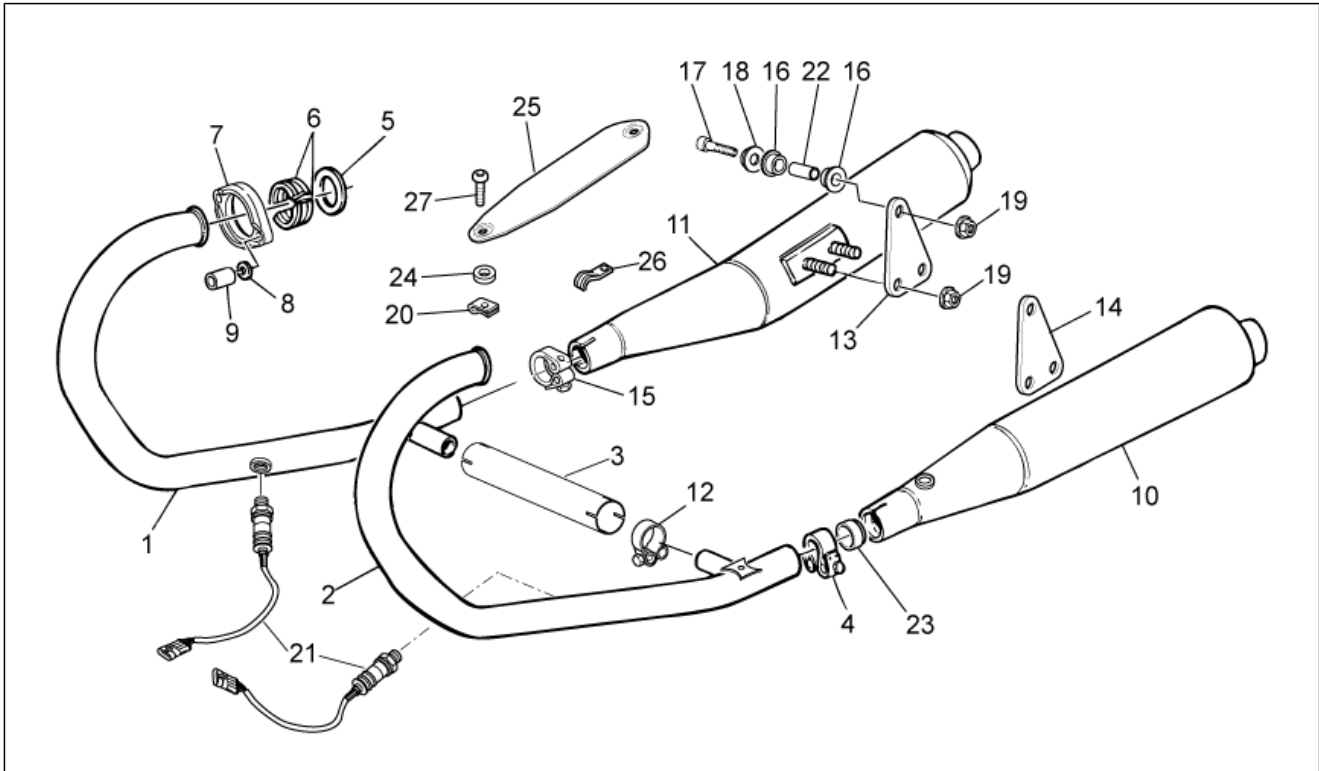
Pos.	Code	Description	Qty	Variants
29	GU28157950	Hose clip 12,5x8	2	
30	B063213	Breather	1	
31	GU90714082	Gasket	1	
32	GU00823923140	Thermal sheath	1	
33	GU31112965	Square	1	
34	AP8201358	Hose clamp D 11,9	2	

Group	FRAME
Code	33.23
Description	Exhaust unit
Service	1



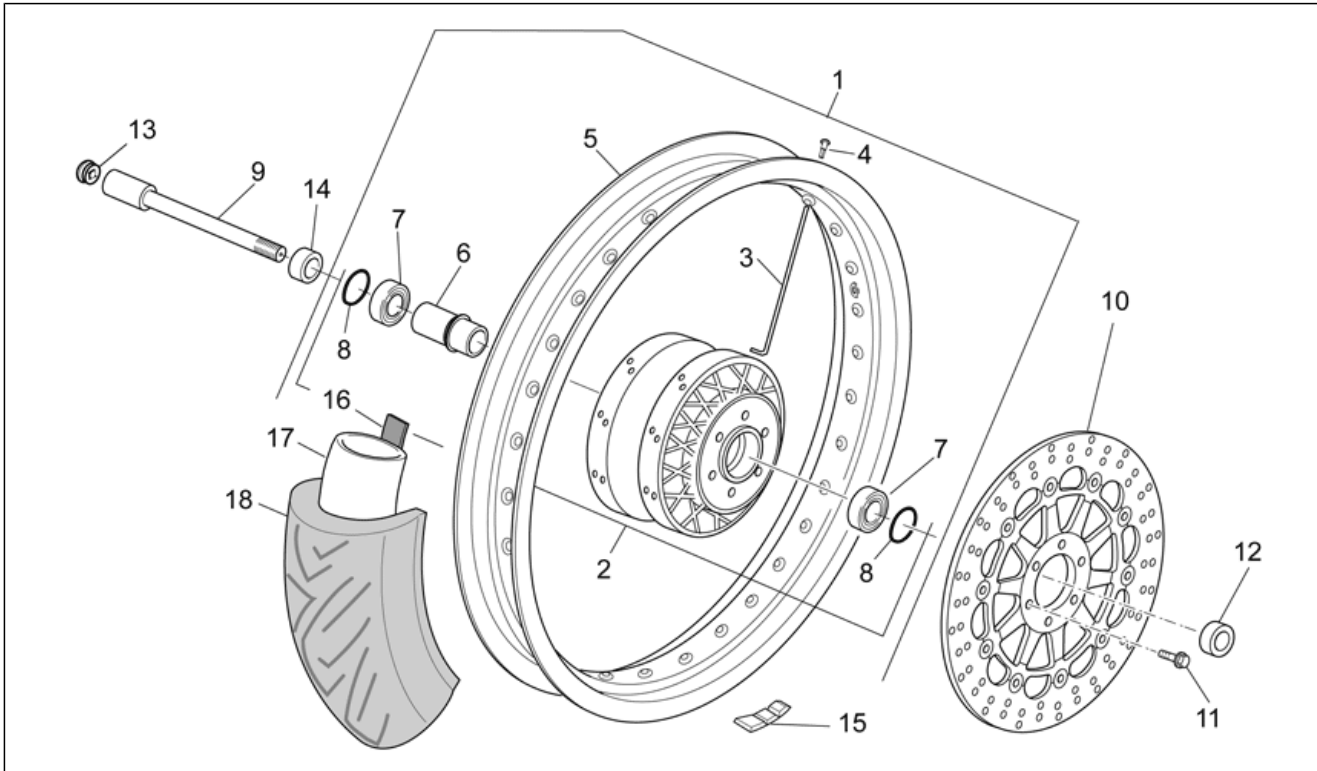
Pos.	Code	Description	Qty	Variants
1	887846	RH exhaust pipe	1	Country:
1	B063854	RH exhaust pipe	1	Country:
2	887847	LH exhaust pipe	1	Country:
2	B063855	LH exhaust pipe	1	Country:
3	B063022	Exhaust manifold union	1	
4	883294	LH silencer clamp	1	
5	GU19025280	Gasket	2	
6	GU19025460	Spacer	4	
7	GU32121010	Ring nut	2	
8	GU03013800	Washer 6,4x12	4	
9	GU31121880	Nut	4	
10	2B000177	LH silencer	1	
11	2B000176	RH silencer	1	
12	978385	Hose clamp	2	
13	883297	RH plate	1	
14	883298	LH plate	1	
15	883293	RH silencer clamp	1	
16	AP8144071	Rubber exhaust	4	
17	GU98690440	screw TCEI M8x40	2	
18	AP8134378	Silencer fixing bush	2	
19	GU92640508	Nut M8	6	
20	254485	Spring plate M6	2	
21	896110	Lambda sensor l.660 mm	2	
22	AP8121072	Spacer	2	
23	GU91113826	Bushing	2	
24	AP8120870	Insulating washer	4	
25	883704	Exhaust pipe heat prot.	2	
26	GU93301175	U-bolt	1	

Group	FRAME
Code	33.23
Description	Exhaust unit
Service	1



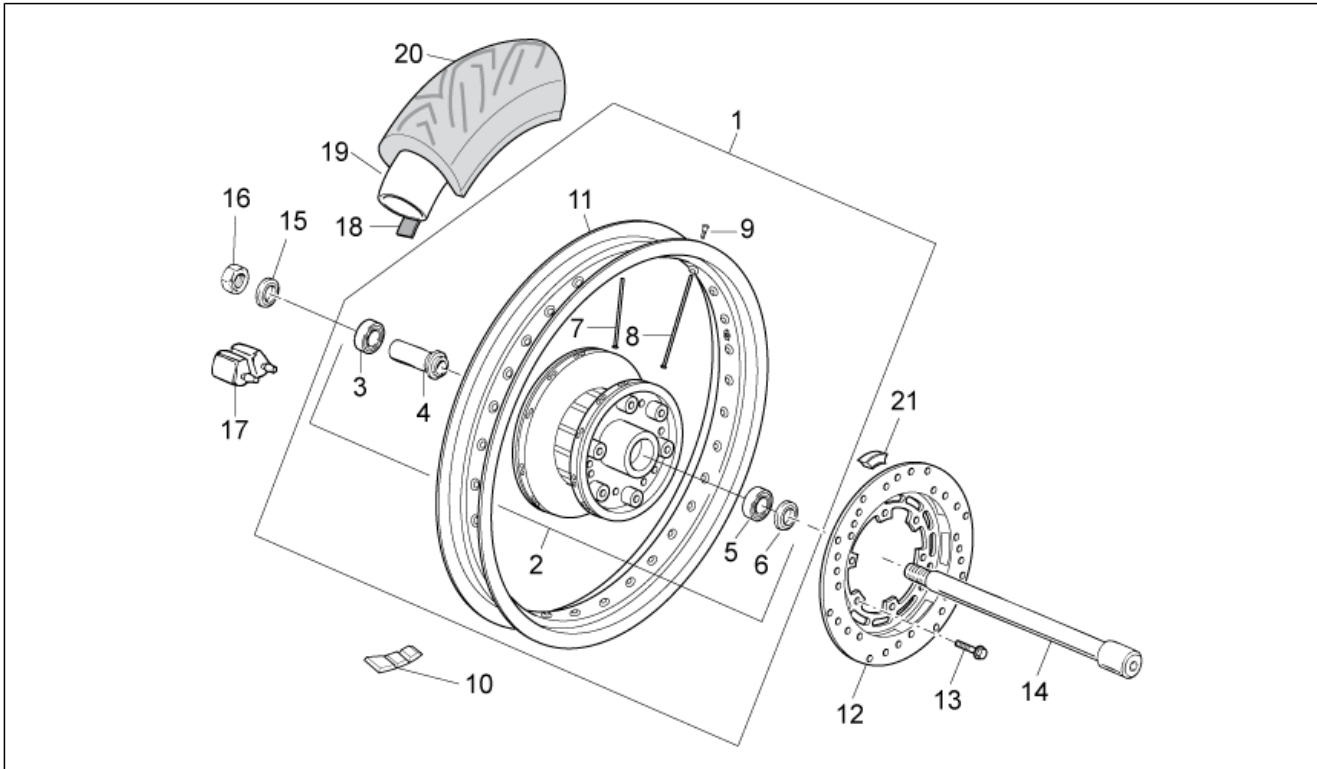
Pos.	Code	Description	Qty	Variants
27	GU98210612	Screw w/ flange M6x12	4	

Group	FRAME
Code	33.24
Description	Front wheel I
Service	1



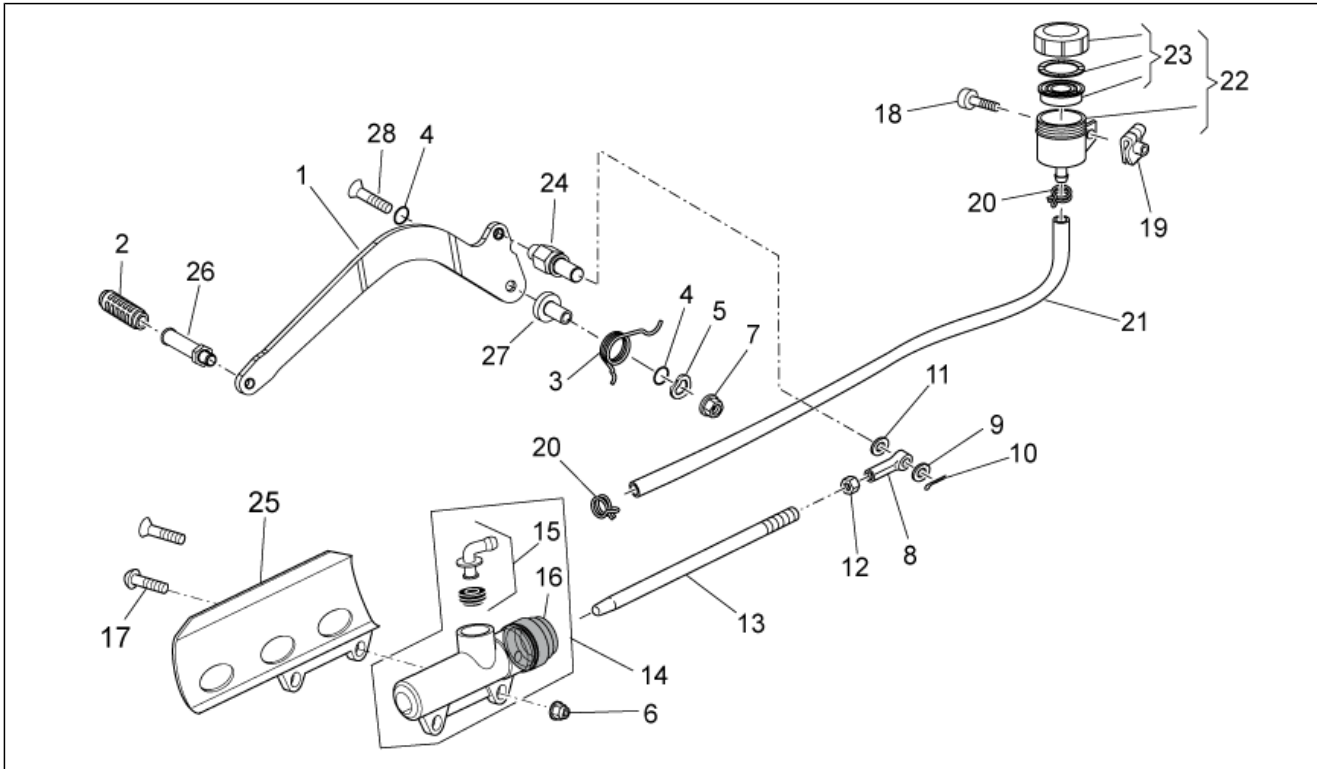
Pos.	Code	Description	Qty	Variants
1	B063702	Front wheel 2,5x18" Black	1	
2	GU32613160	Front hub	1	
3	B063144	Front wheel spoke	36	
4	GU03631250	Nipples	36	
5	B063077	Black front rim 2.5X18"	1	
6	GU31615283	Spacer	1	
7	GU92204221	Bearing	2	
8	GU90402642	Gasket ring	1	
9	GU31614183	Front wheel spindle	1	
10	883688	Front brake disc 320	1	
11	AP8152286	Screw w/ flange M8x20	6	
12	GU31616384	LH spacer	1	
13	GU93180111	Cover 15 mm	1	
14	GU32615660	RH spacer	1	
15	GU14616150	Counterweight	1	
16	GU03612040	Tyre flap	1	
17	GU31610160	Inner tube MB 18	1	
18	886679	Tyre 100/90 18	1	

Group	FRAME
Code	33.25
Description	Rear wheel I
Service	1



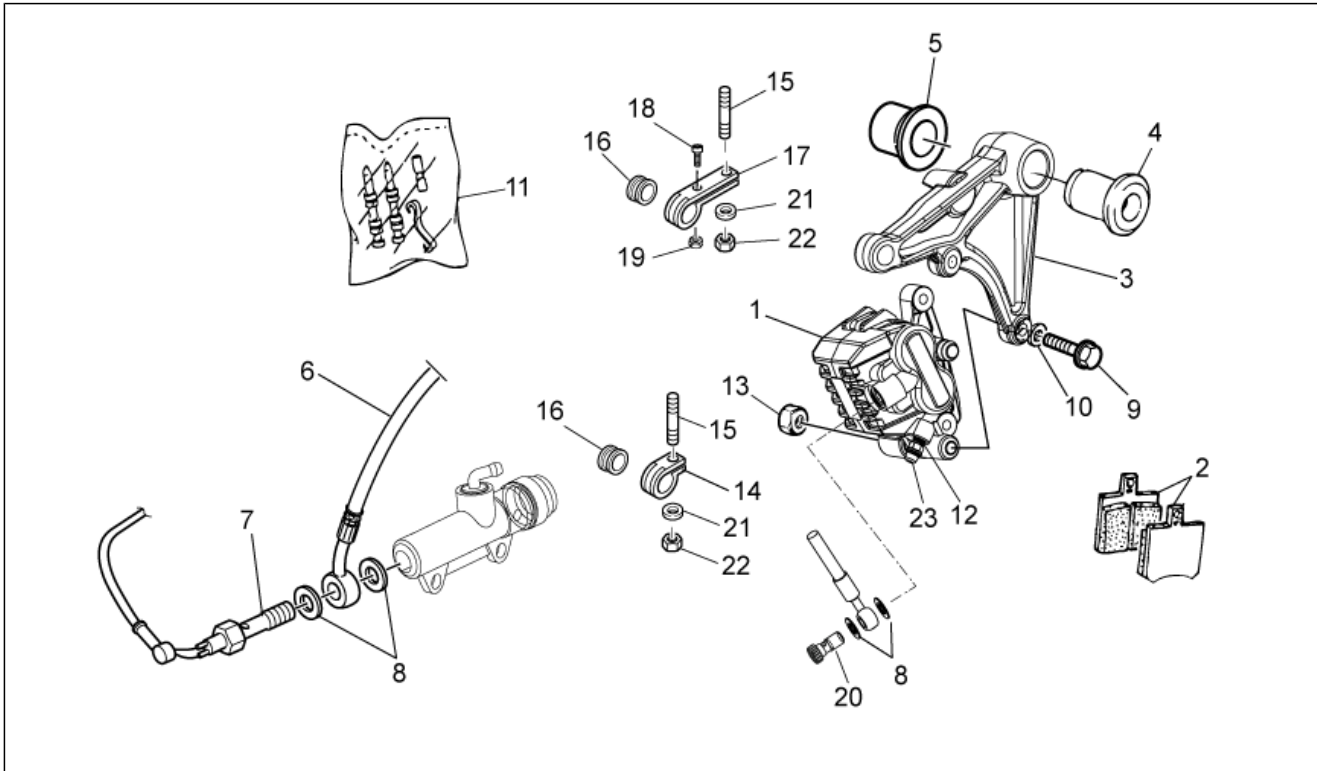
Pos.	Code	Description	Qty	Variants
1	B063704	Rear wheel(complete) 3,5x17" Black	1	
2	GU32692260	Hub	1	
3	GU92204218	Bearing	1	
4	GU27633910	Spacer	1	
5	GU92204217	Bearing	1	
6	GU90402538	Gasket ring 25x40x7	1	
7	883350	Short spoke	18	
8	883349	Long spoke mm 158	18	
9	GU03631250	Nipples	36	
10	GU14616150	Counterweight	1	
11	B063078	Rear wheel 3,5"x17" Black	1	
12	887448	Brake disc	1	
13	894505	Screw w/ flange M8x18	6	
14	GU32633360	Rear wheel spindle	1	
15	GU31634481	Washer	1	
16	GU92606316	Nut M16x1,5	1	
17	GU32632510	Rubber coupling	6	
18	GU28612033	Tyre flap	1	
19	GU30630430	Inner tube MD 17	1	
20	886680	Tyre 130/80 17	1	
21	GU32636160	Support rubber part	1	

Group	FRAME
Code	33.26
Description	Rear master cylinder
Service	1



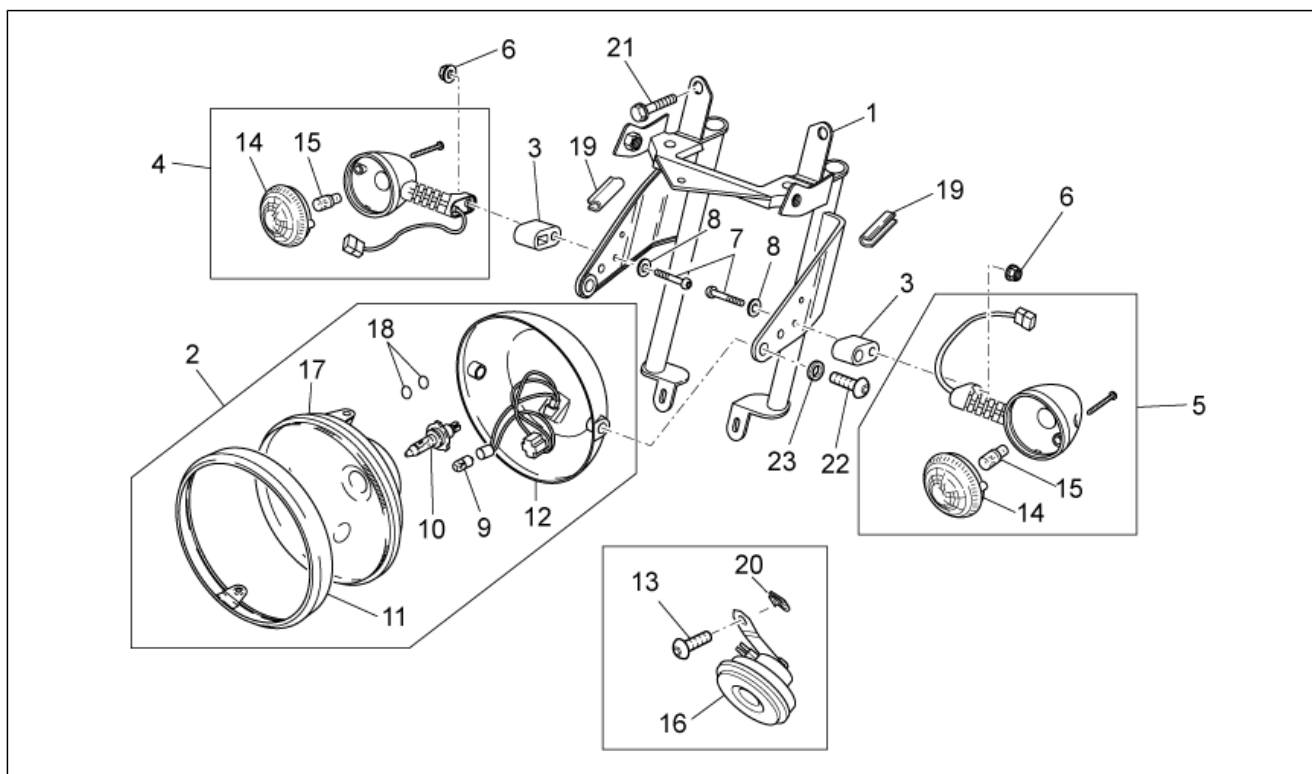
Pos.	Code	Description	Qty	Variants
1	887910	Brake lever	1	
2	AP8120912	Lever rubber	1	
3	978969	Spring	1	
4	AP8144007	O-ring 11,11x1,78	2	
5	GU95005310	Washer 8,4x18x2	1	
6	GU92630206	Nut M6x1	2	
7	GU92660021	Flanged nut M8	1	
8	GU18257551	Block	1	
9	GU95005308	Washer 8,4x14,57x1,6	1	
10	GU95500221	Split pin	1	
11	658837	Crinkle washer D15 F8,4 S1,5 - INOX	1	
12	GU92609007	Nut	1	
13	978970	Master cylinder rod	1	
14	AP8133643	Rear master cylinder	1	
15	AP8213057	Rear brake pump union	1	
16	AP8113288	Rubber bellows	1	
17	GU98370625	Hex socket screw	2	
18	AP8152298	Screw w/ flange M5x16	1	
19	248419	Spring plate m5	1	
20	AP8101594	Hose clamp D10,1*	2	
21	GU00823950050	Oil pipe	1	
22	AP8113241	Brake oil tank complete	1	
23	AP8113553	Tank cap	1	
24	887911	Brake lever pin	1	
25	GU01665410	Brake m.cyl.protection, black	1	
26	887908	Rubber pedal	1	
27	887952	Rear brake lever bush	1	
28	B063443	Screw M8x50	1	

Group	FRAME
Code	33.27
Description	Rear brake caliper
Service	1



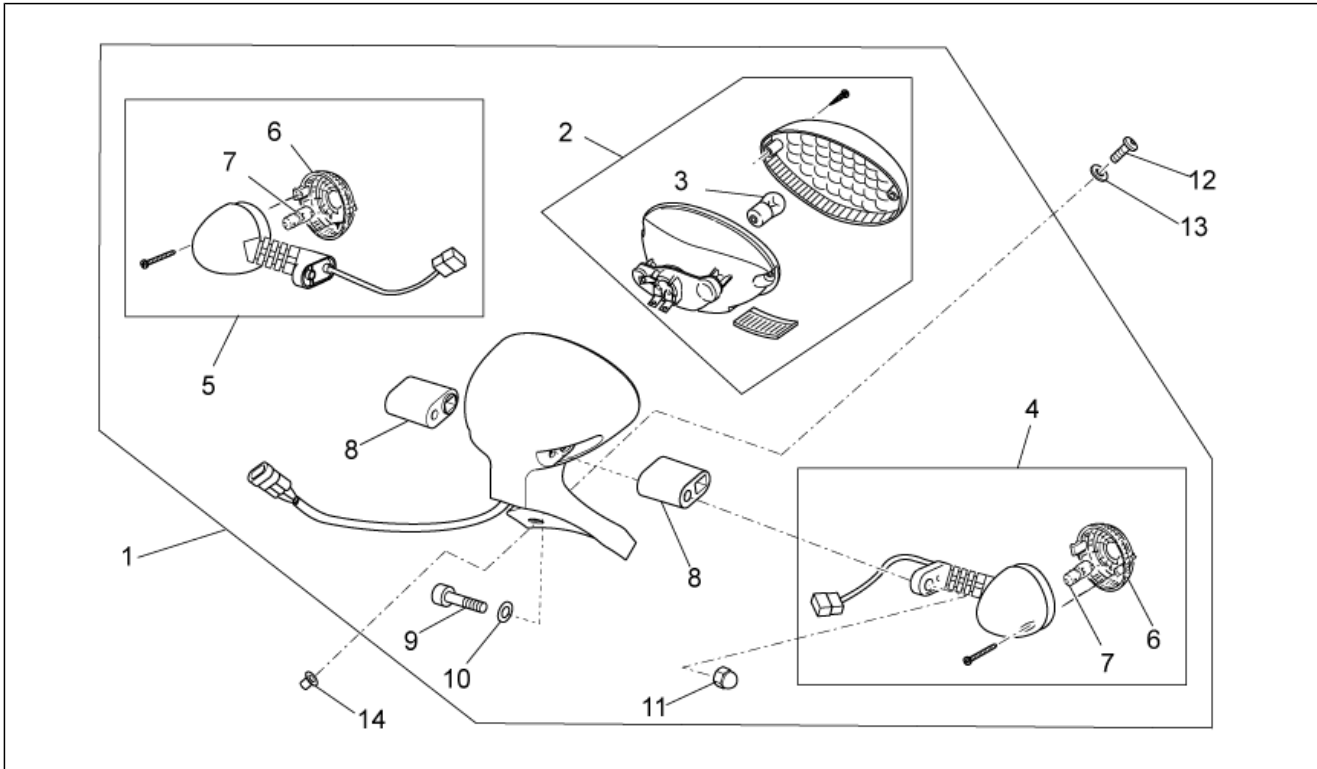
Pos.	Code	Description	Qty	Variants
1	887449	Rear brake caliper	1	
2	AP8133798	Pads pair	1	
3	887431	Brake caliper support plate	1	
4	GU31634281	Bushing	1	
5	GU32634160	Spacer	1	
6	B063750	Rear rubber brake pipe	1	
7	883192	Switch	1	
8	AP8121915	Gasket	4	
9	AP8152288	Screw w/ flange	2	
10	GU03270300	Washer 8,4x15	2	
11	AP8133799	Pins+Caliper springs	1	
12	AP8133800	Air bleed valve	1	
13	AP8152300	Self-locking nut M8	2	
14	GU03658430	Hose clamp	1	
15	GU96451316	Stud bolt	1	
16	GU03658201	Ring	2	
17	GU03658330	Hose clamp	1	
18	AP8152043	Hex socket screw M4x10	1	
19	AP8150204	Nut M4	1	
20	AP8113003	Oil pipe screw *	1	
21	GU95008306	Washer 6,4x12x1,2	2	
22	AP8152299	Self-locking nut M6	2	
23	AP8213575	Bleed valve cap	1	

Group	FRAME
Code	33.28
Description	Front lights
Service	1



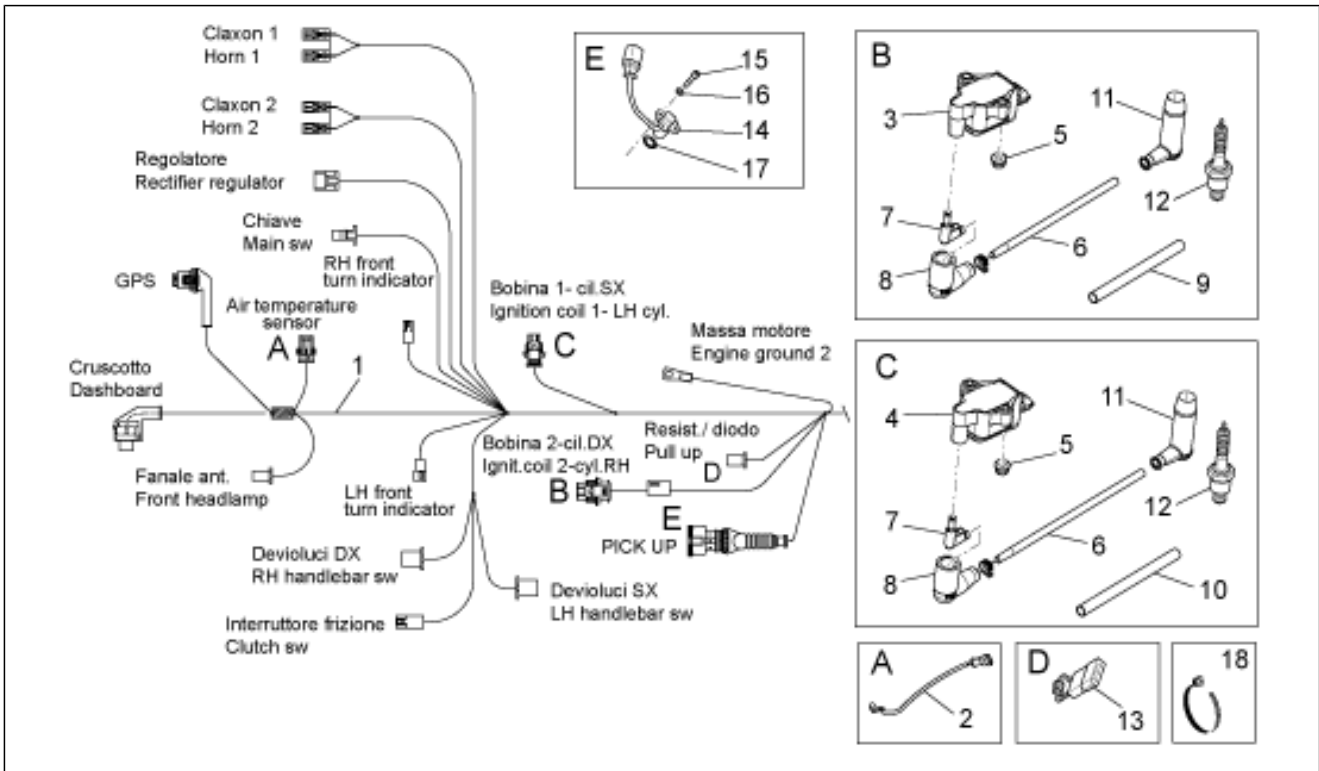
Pos.	Code	Description	Qty	Variants
1	GU32506360	Headlight support clamp	1	
2	978311	Headlight	1	
3	GU32753410	Spacer	2	
4	B063800	RH front/LH rear turn indic.	1	
5	B063801	LH front/RH rear turn indic.	1	
6	GU92787006	Cap nut M6x1	2	
7	GU98370655	Hex socket screw	2	
8	GU95021206	Washer	2	
9	GU93450105	Lamp	1	
10	GU93450232	Lamp 12V-55/60W	1	
11	GU31740383	Chromed ring nut	1	
12	981149	Cap, black	1	
13	AP8150377	screw	2	
14	B063735	Turn indicator lens	2	
15	GU93450126	Lamp, orange	2	
16	890979	Horn	1	
17	GU06740400	Light assembly	1	
18	883417	O-ring	2	
19	GU00823931055	Gasket	1	
20	254485	Spring plate M6	2	
21	GU98880540	screw M10x40	2	
22	GU98692420	Hex socket screw M8x20	2	
23	GU95005308	Washer 8,4x14,57x1,6	2	

Group	FRAME
Code	33.29
Description	Rear lights
Service	1



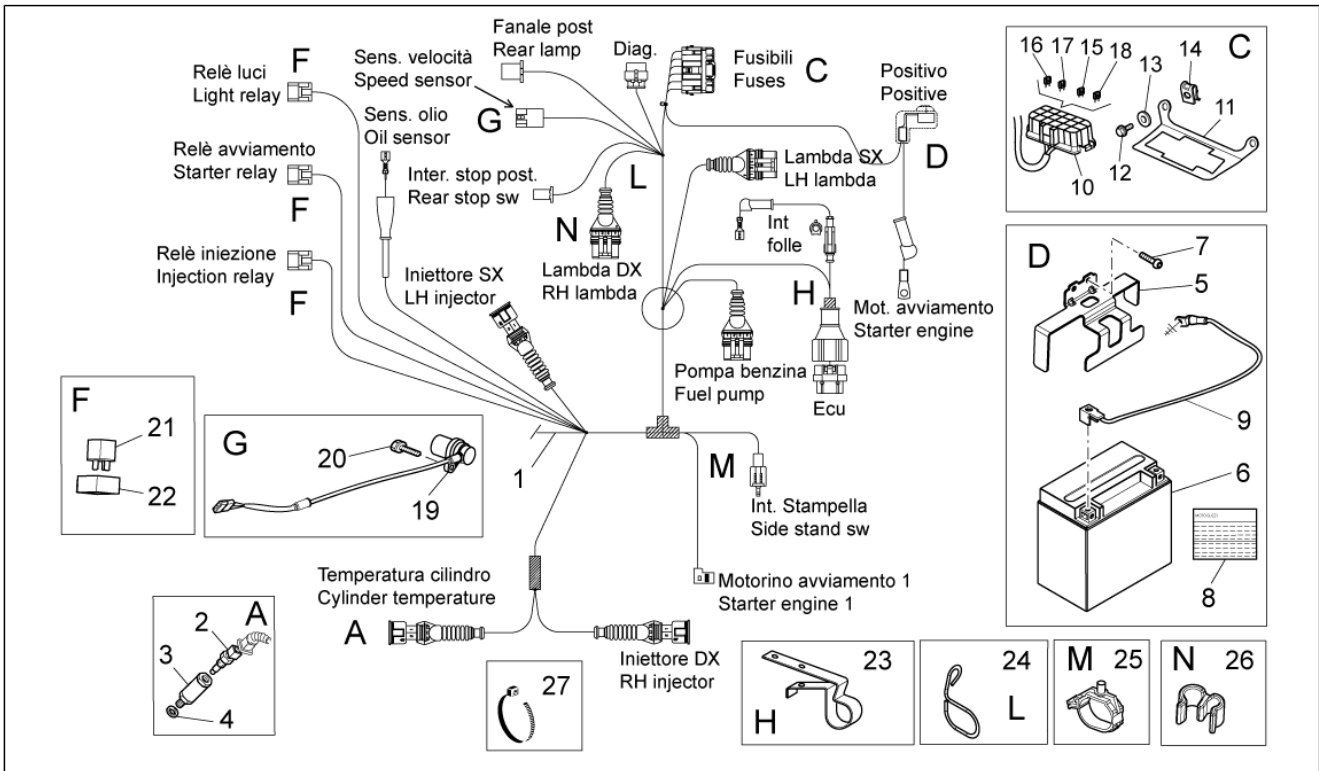
Pos.	Code	Description	Qty	Variants
1	883479	Taillight assy	1	
2	GU03740930	Taillight	1	
3	GU93450224	Lamp	1	
4	GU32750661	RH front/LH rear turn indic.	1	
5	883478	LH front/RH rear turn indic.	1	
6	GU32753711	Turn indicator lens	2	
7	GU93450127	Lamp	2	
8	GU32753410	Spacer	2	
9	GU98370655	Hex socket screw	2	
10	GU95021206	Washer	2	
11	GU92787006	Cap nut M6x1	2	
12	GU98350215	Hex socket screw	3	
13	GU30577800	Nylon washer 5,5X12X1	3	
14	GU93231605	Antivibration bush	3	

Group	FRAME
Code	33.30
Description	Electrical system I
Service	1



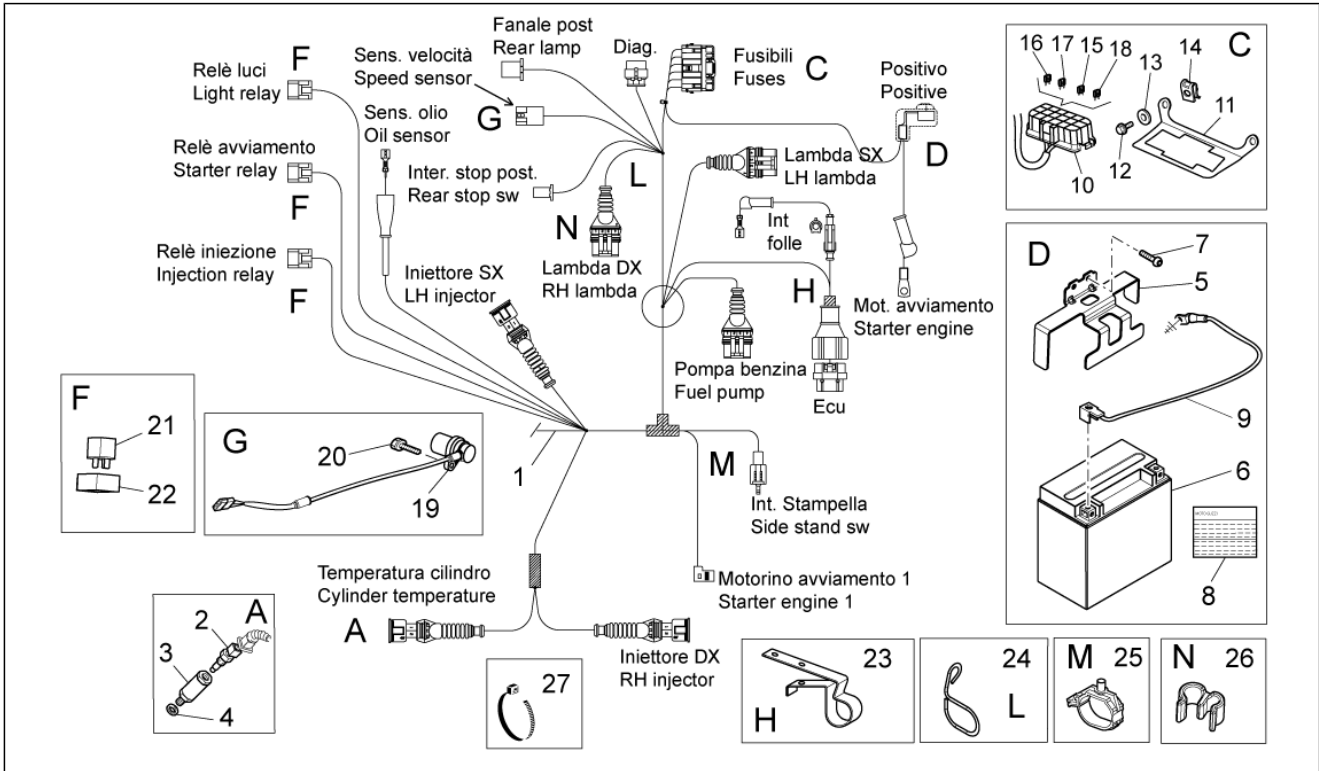
Pos.	Code	Description	Qty	Variants
1	887825	Main wiring harness	1	
2	AP8124936	Air temp. Sensor	1	
3	642034	HT coil DX	1	
4	641901	HT coil	1	
5	AP8152299	Self-locking nut M6	4	
6	080341	H.V. cable	2	
7	641725	HV terminal	2	
8	641040	Insulating cap	2	
9	CM0074D0	Sheath D.8-S.0,5-L.370	1	
10	CM0074C9	Grey cable casing D.8-S.0,5-L.435	1	
11	GU02717450	Sparkplug cap NGK	2	
12	887481	Spark plug NGK CPR8EB-9	2	
13	887948	Diode	1	
14	832029	Encoder sensor	1	
15	GU98682212	Hex socket screw M5x12	2	
16	GU95008205	Washer 5,3x10x0,8	2	
17	GU90706141	O-ring	1	
18	AP8120416	Black hose 178x4	1	
18	GU14609650	Hose clamp 3,6x20,6	31	
18	GU49609601	Hose clamp 2,4x92	1	

Group	FRAME
Code	33.31
Description	Electrical system II
Service	1



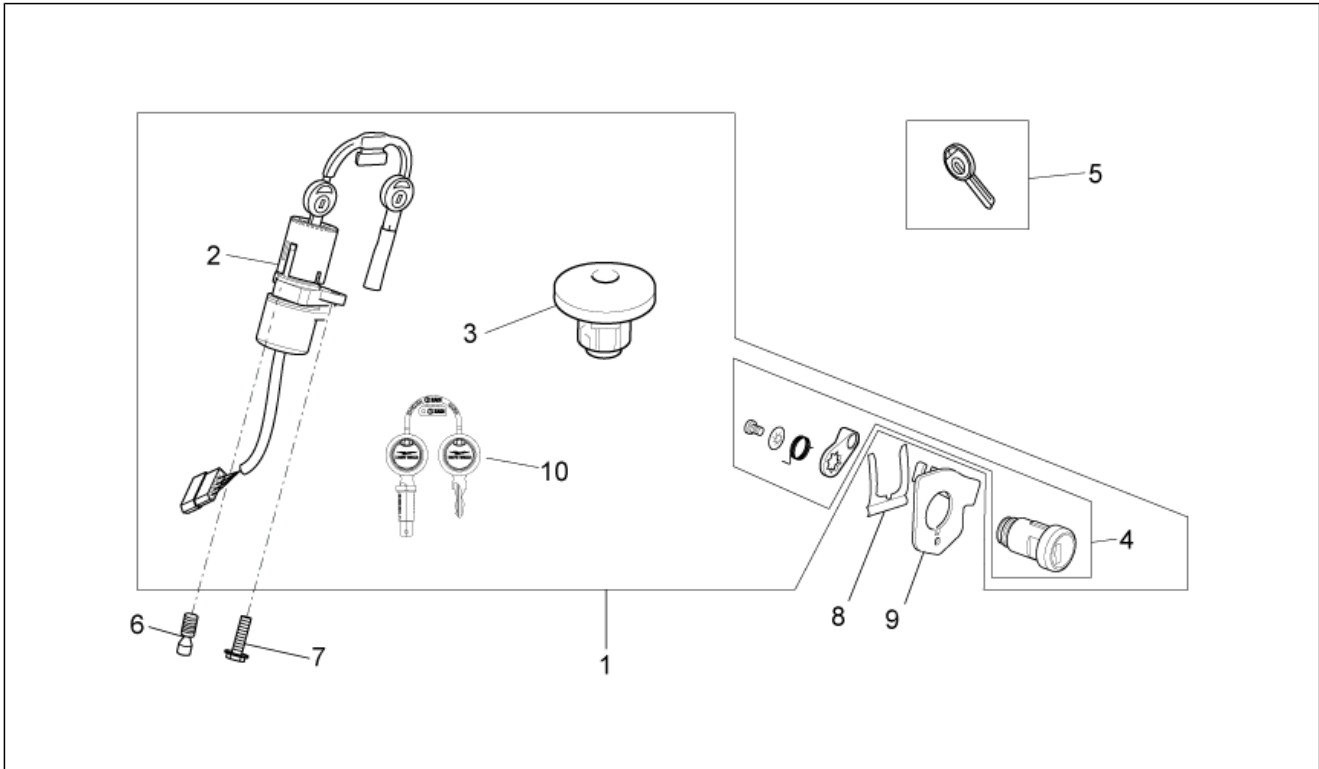
Pos.	Code	Description	Qty	Variants
1	887825	Main wiring harness	1	
2	GU29729461	Oil temperature sensor	1	
3	GU03163330	Sensor support	1	
4	GU95004210	Washer 10,2x18x2	1	
5	B063233	Battery bracket	1	
6	638733	Battery Yuasa 12V-12Ah (150x85x145)	1	
7	GU98370616	Hex socket screw M6x16 inox	2	
8	GU32517710	Decal "Battery service"	1	
9	GU32747910	Ground-battery lead	1	
10	584211	Fuse holder box	1	
11	883161	Fuse block support	1	
12	GU98682212	Hex socket screw M5x12	2	
13	GU95100059	Washer 5,25x14x1,5	2	
14	AP8102375	Clip m5	2	
15	CM225705	Fuse 5A	2	
16	CM225710	Fuse 10A	1	
17	CM225715	Fuse 15A	2	
18	CM225730	Fuse 30A	1	
19	893570	Speedometer sensor cpl.	1	
20	AP8150377	screw	1	
21	AP8224462	Relay 12V/30A	3	
22	AP8220283	Rubber spacer *	3	
23	B043850	Hose clamp	1	
24	AP8181140	Fairlead	1	
25	CM013202	Pipes/cables retainer spring	1	
26	894704	Fairlead	1	
27	AP8120416	Black hose 178x4	1	
27	GU14609650	Hose clamp 3,6x20,6	21	

Group	FRAME
Code	33.31
Description	Electrical system II
Service	1



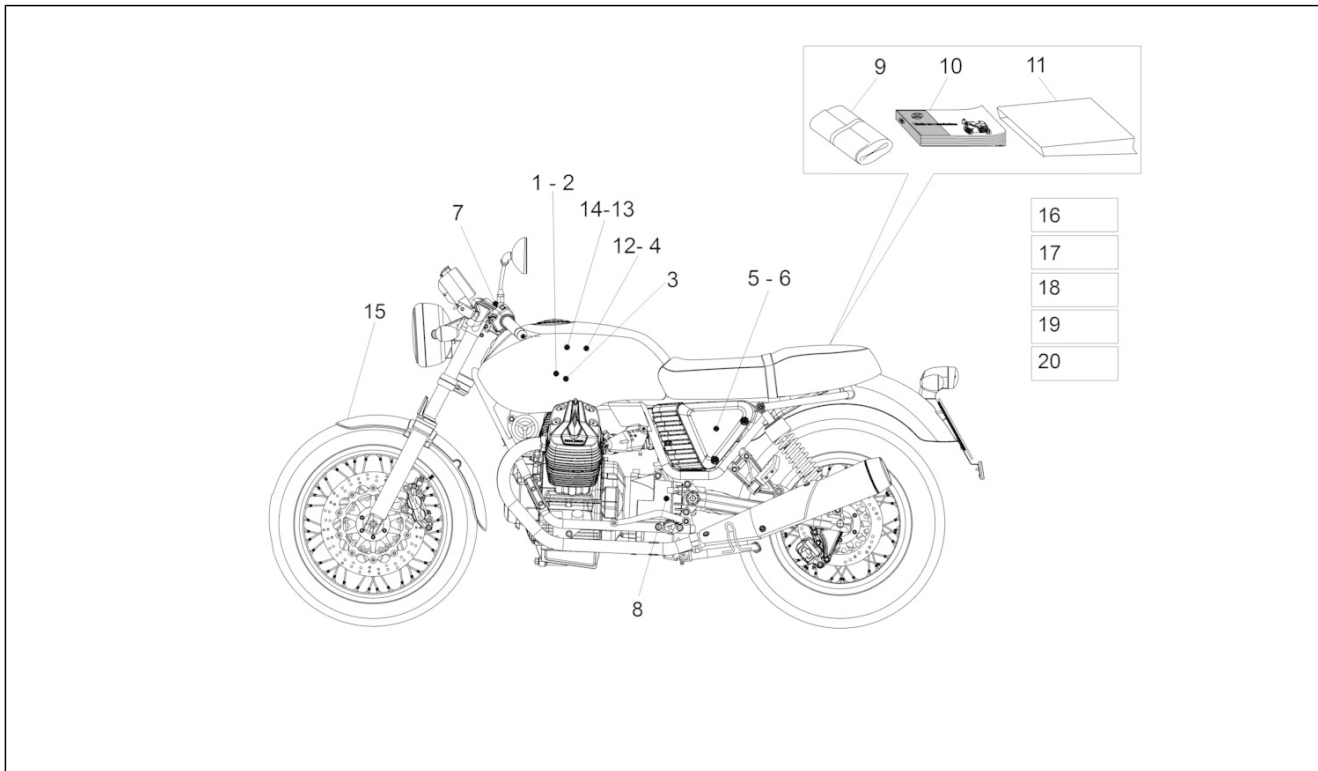
Pos.	Code	Description	Qty	Variants
27	GU49609601	Hose clamp 2,4x92	1	

Group	FRAME
Code	33.32
Description	Lock hardware kit
Service	1



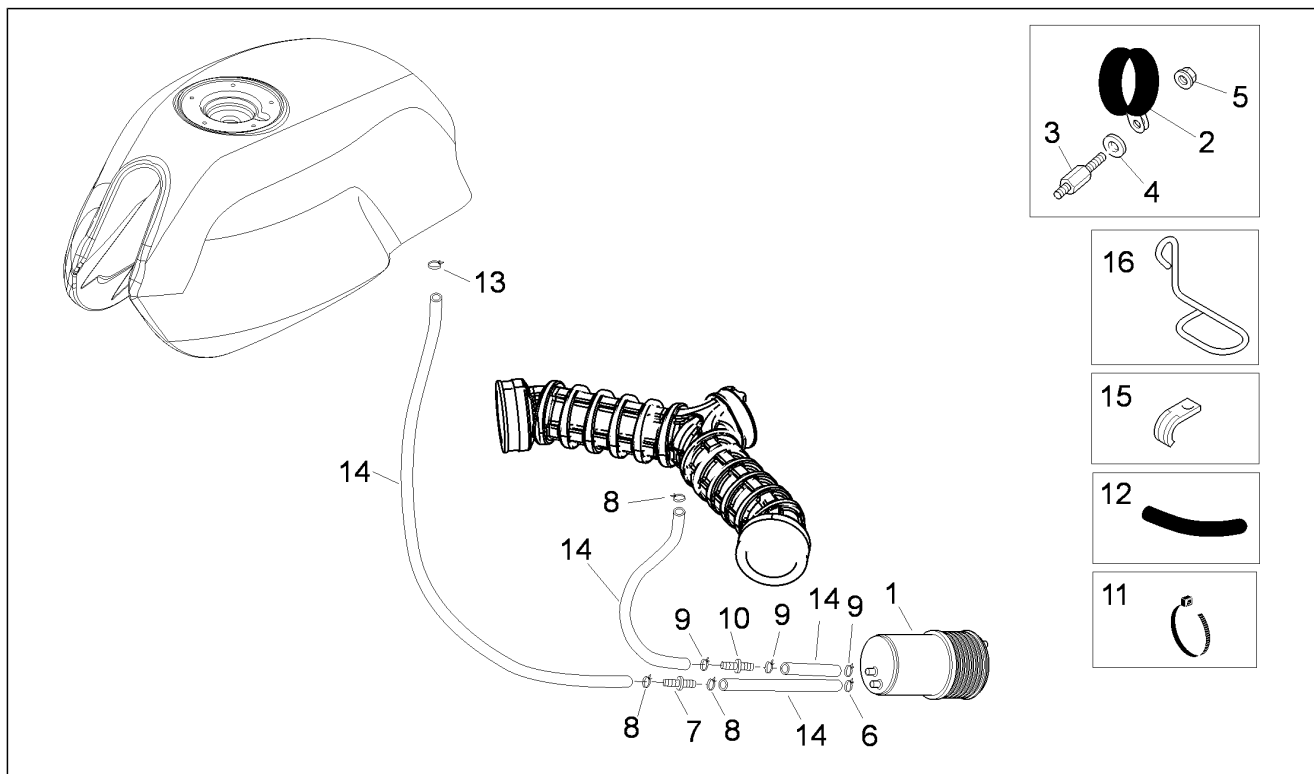
Pos.	Code	Description	Qty	Variants
1	883477	Lock kit	1	
2	GU32782510	Main switch - steering lock	1	
3	883476	Tank cap	1	
4	977527	Locking complete with keys	1	
5	GU32735510	Non indent.key blank-shell go	1	
6	AP8150349	Special screw M8x15	1	
7	GU98682416	Hex socket screw M8x16	1	
8	AP8121420	Fork spring	1	
9	978415	Cable fixing plate	1	
10	2D000006	Locking cylinder with key for fuel cap	1	

Group	FRAME
Code	33.33
Description	Decal and plate set
Service	1



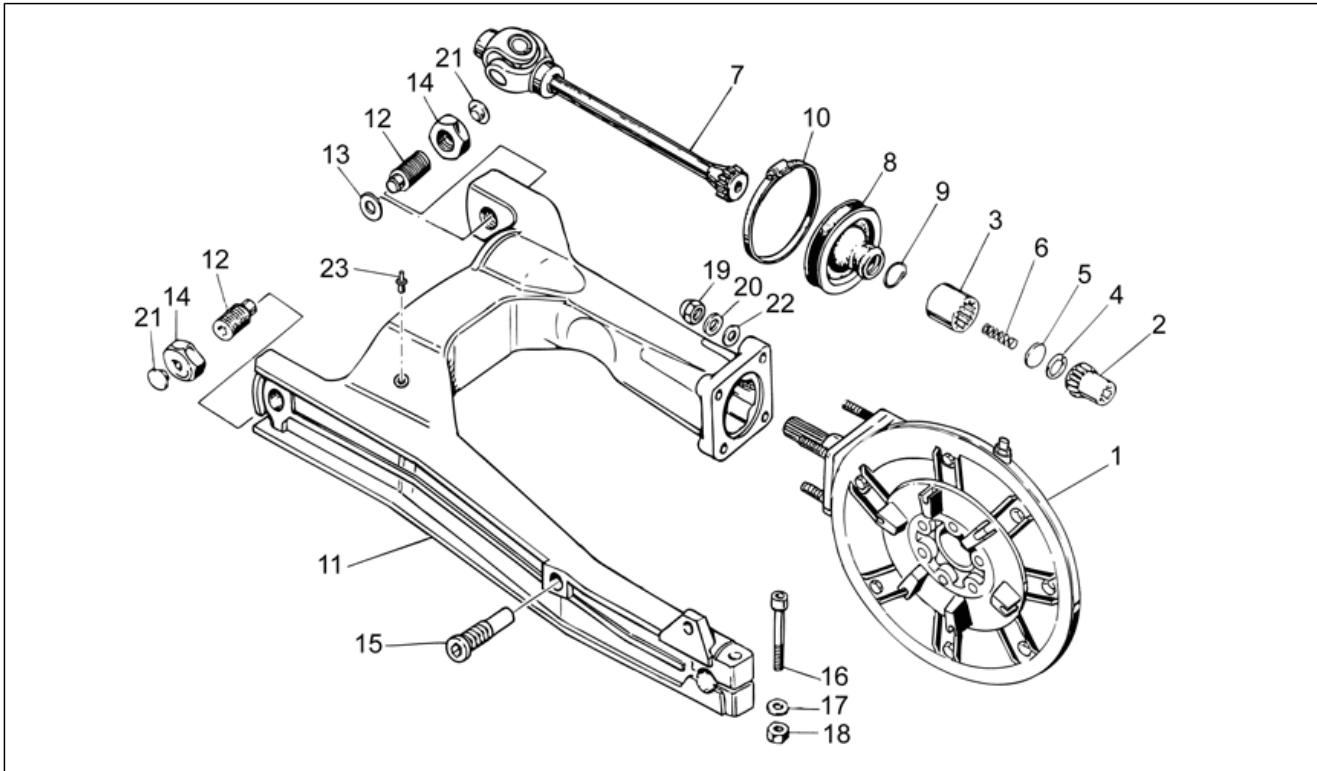
Pos.	Code	Description	Qty	Variants
1	886340	Name plate Aquila	1	
2	887930	LH Name plate Aquila	1	
3	887931	Name plate "Moto Guzzi"	2	
4	2H000025	Tank right rear band decal	1	Vehicle colour:Competition Black[nc]
4	2H000082	Tank right rear band decal	1	Vehicle colour:Metal grey[gm]
5	2H000027	RH side panel decal	1	Vehicle colour:Competition Black[nc]
5	2H000084	RH side panel decal	1	Vehicle colour:Metal grey[gm]
6	2H000028	LH side panel decal	1	Vehicle colour:Competition Black[nc]
6	2H000085	LH side panel decal	1	Vehicle colour:Metal grey[gm]
7	883598	"Aquila" decal	1	
8	895839	""Eni"" label"	2	
9	887443	Toolkit	1	
10	2Q000044	Libretto uso e manutenzione USA-FR-ES-IT	1	
11	GU05900130	Bag for document	2	
12	2H000026	Tank left rear band decal	1	Vehicle colour:Competition Black[nc]
12	2H000083	Tank left rear band decal	1	Vehicle colour:Metal grey[gm]
13	2H000024	Tank left front band decal	1	Vehicle colour:Competition Black[nc]
13	2H000081	Tank left front band decal	1	Vehicle colour:Metal grey[gm]
14	2H000023	Tank right front band decal	1	Vehicle colour:Competition Black[nc]
14	2H000080	Tank right front band decal	1	Vehicle colour:Metal grey[gm]
15	886141	Decal "Aquila"	1	
16	2G000011	Noise emission sticker	1	
17	2G000012	Emission control sticker	1	
18	2G000013	Shed scheme decal	1	
19	B045974	Fuel decal E15	1	
20	AP8257794	Battery decal	1	
21	AP8257742	Keys warning decal	1	

Group	FRAME
Code	33.48
Description	Fuel vapour recover system
Service	1



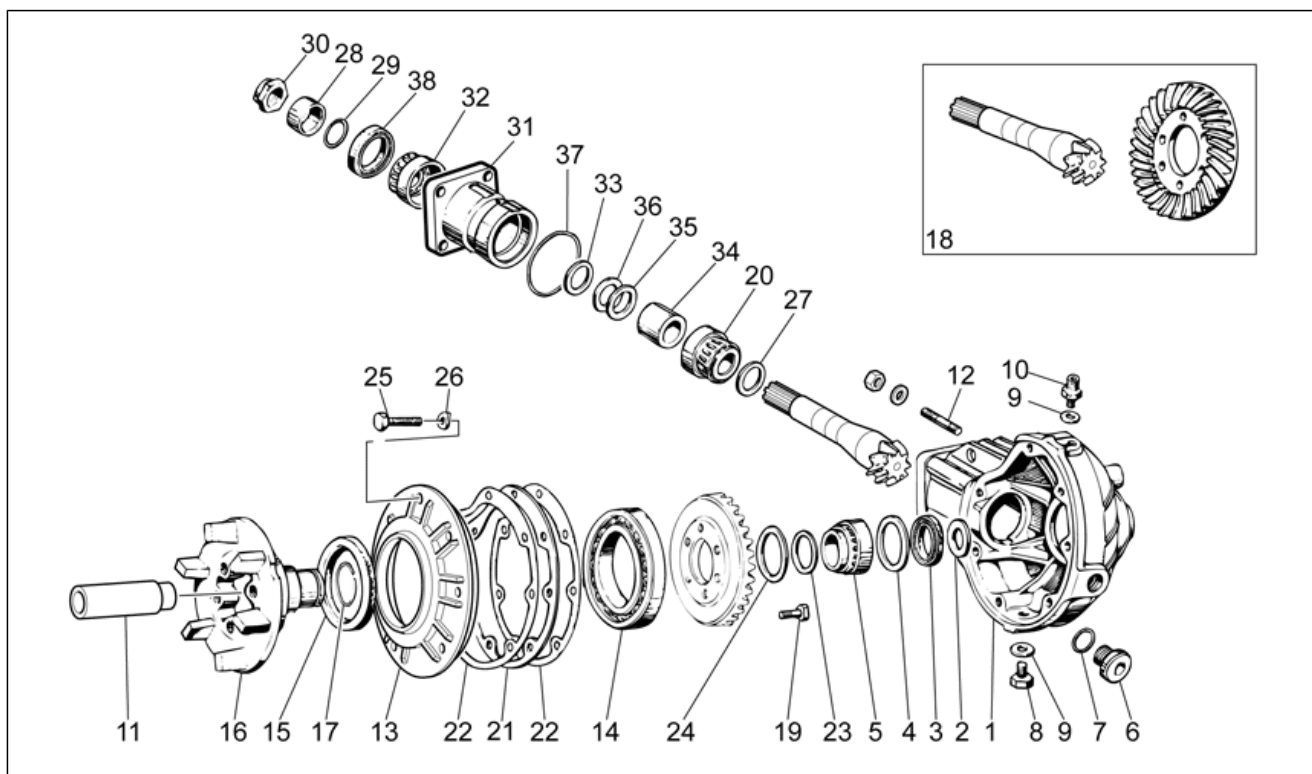
Pos.	Code	Description	Qty	Variants
1	AP8102678	Carbon filter	1	
2	AP8102688	Hose clamp d.76	1	
3	GU32439260	Canister support USA	1	
4	GU95005311	Washer	1	
5	AP8152299	Self-locking nut M6	1	
6	AP8102159	Hose clamp	1	
7	860138	Valve	1	
8	GU28157950	Hose clip 12,5x8	4	
9	AP8120446	Hose clip, green D11x6,6x1	2	
10	AP8121267	Choke hold	1	
11	AP8120416	Black hose 178x4	1	
12	GU00823923140	Thermal sheath	4	
13	AP8201358	Hose clamp D 11,9	1	
14	856063	pipe SAE 30 d.12,7x6,35	3	
15	GU93301313	U-bolt	1	
16	AP8221114	Cable-guide	2	

Group	ENGINE
Code	34.09
Description	Transmission complete I
Service	1



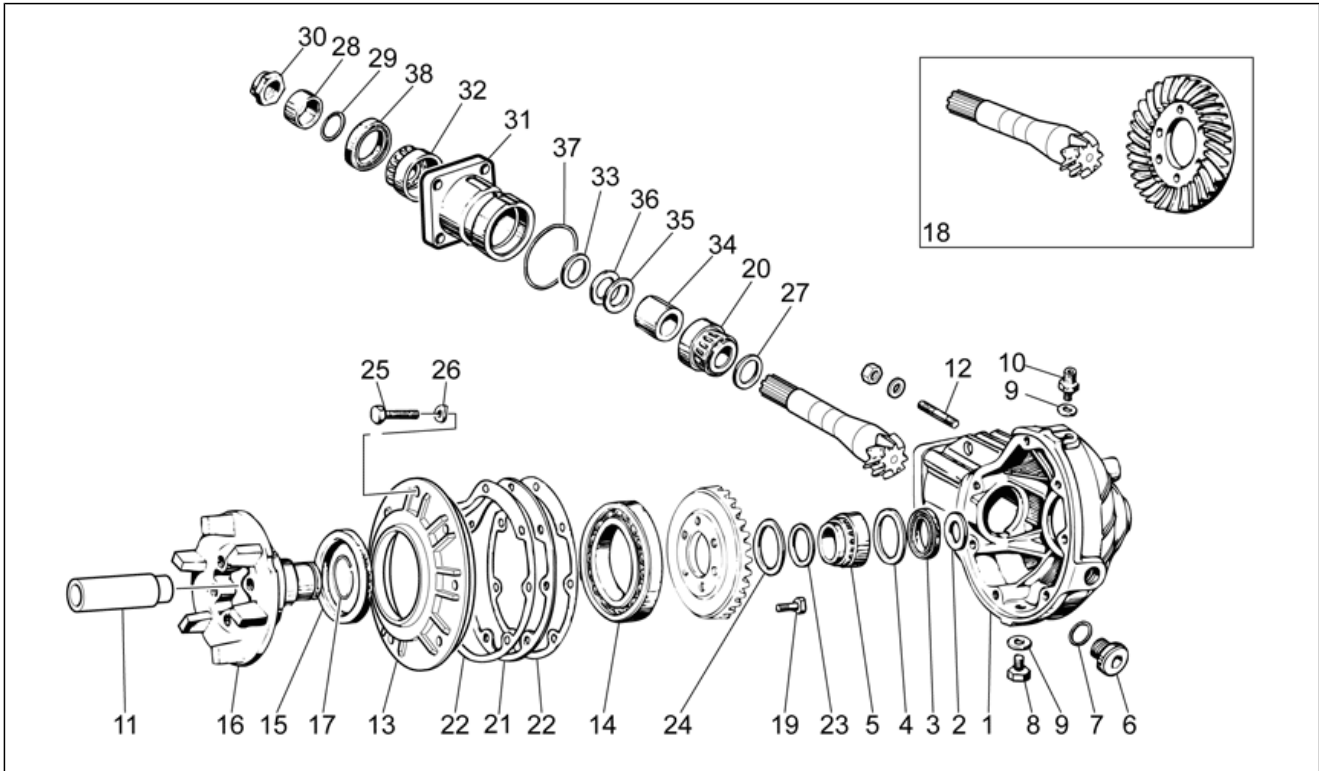
Pos.	Code	Description	Qty	Variants
1	976941	Transmission box assy., black	1	
2	GU31327783	Hose	1	
3	GU19328801	Hose	1	
4	GU90272023	Circlip	1	
5	GU19327601	Disc	1	
6	GU94321099	Spring	1	
7	GU23328081	Coupling	1	
8	GU23548080	Protection collar	1	
9	GU23548180	Spring	1	
10	AP8120246	Hose clamp D=60-80	1	
11	883011	Swing arm, black	1	
12	GU19547000	Pin	2	
13	GU35214300	Spacer	1	
14	GU31547882	Nut	2	
15	GU31544181	Pin	1	
16	GU98680545	screw M10x45	1	
17	GU95008210	Washer 10,2X18X2	1	
18	GU92606210	Nut M10x1,5	1	
19	860651	Cap nut M8x1,25	4	
20	GU14615901	Washer 8,4X13X0,8	4	
21	GU93180105	Cover	2	
22	GU95005308	Washer 8,4x14,57x1,6	4	
23	GU03922280	Cover 5x9	1	

Group	ENGINE
Code	34.10
Description	Transmission complete II
Service	1



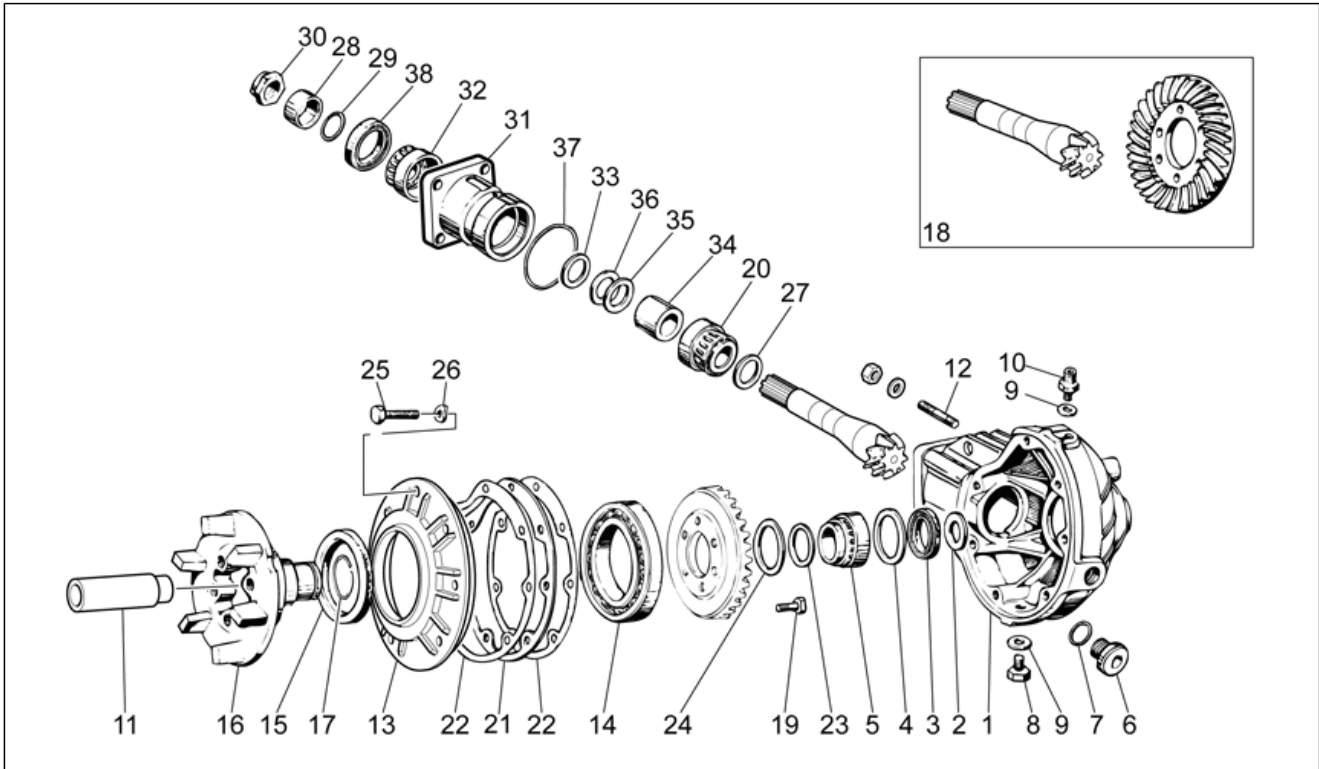
Pos.	Code	Description	Qty	Variants
1	976608	Transmission housingblack	1	
2	GU19351900	Clearance washer	1	
3	GU90403549	Gasket ring 35x47x7	1	
4	GU19351100	Clearance washer	1	
5	GU92252235	Roller bearing 35x50x17	1	
6	GU12022600	Oil plug	1	
7	GU90706203	O-ring 20,24x2,62	1	
8	GU31003766	Oil unload plug M10x1	1	
9	GU01528930	Gasket 10x18x1,5	2	
10	GU19206501	Breather plug	1	
11	GU32633560	Spacer	1	
12	GU96508055	Stud bolt	4	
13	GU32350410	Cover	1	
14	GU92201070	Ball bearing 70x110x13	1	
15	GU90407591	Gasket ring 75x95x10	1	
16	GU32351410	Pin	1	
17	GU90353030	Stop ring	1	
18	GU32354610	Bevel gear 8/33	1	
19	GU03067730	screw M8x25	6	
20	GU92249227	Tap.roller bearing 25x5	1	
21	GU19355400	Spacer 0,8 mm	1	
21	GU19355402	Spacer 0,9 mm	1	
21	GU19355404	Spacer 1 mm	1	
21	GU19355406	Spacer 1,1 mm	1	
21	GU19355408	Spacer 1,2 mm	1	
21	GU19355410	Spacer 1,3 mm	1	
21	GU19355411	Spacer 1,4 mm	1	
21	GU19355412	Spacer 1,5 mm	1	

Group	ENGINE
Code	34.10
Description	Transmission complete II
Service	1



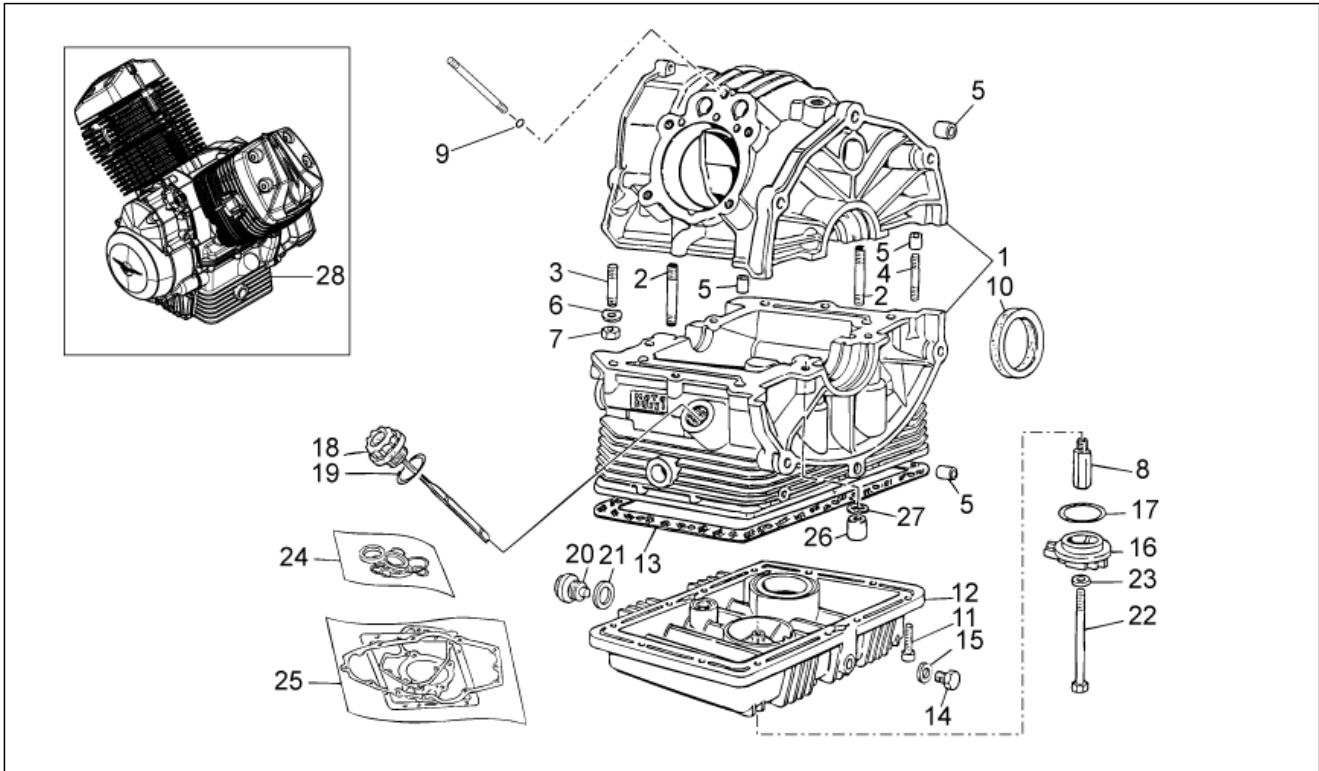
Pos.	Code	Description	Qty	Variants
21	GU19355413	Spacer 1,6 mm	1	
22	GU19350700	Gasket	2	
23	GU19352300	Thrust washer	1	
24	GU19353500	Thrust washer	1	
25	GU19357660	screw	7	
26	GU61270300	Spring washer 8x15x0,3	7	
27	GU19355320	Spacer 1 mm	1	
27	GU19355321	Spacer 1,1 mm	1	
27	GU19355322	Spacer 1,2 mm	1	
27	GU19355323	Spacer 1,3 mm	1	
27	GU19355324	Spacer 1,4 mm	1	
27	GU19355325	Spacer 1,5 mm	1	
27	GU19355326	Spacer 1,6 mm	1	
27	GU19355327	Spacer 1,7 mm	1	
27	GU19355328	Spacer 1,8 mm	1	
27	GU19355329	Spacer 1,9 mm	1	
28	GU19356801	Spacer	1	
29	GU90706188	Gasket ring 18,77X1,78	1	
30	GU19356700	Nut	1	
31	GU20352421	Flange	1	
32	GU92249220	Roller bearing 20x47x14	1	
33	GU19355300	Spacer 1 mm	1	
33	GU19355301	Spacer 1,1 mm	1	
33	GU19355302	Spacer 1,2 mm	1	
33	GU19355303	Spacer 1,3 mm	1	
33	GU19355304	Spacer 1,4 mm	1	
33	GU19355305	Spacer 1,5 mm	1	
33	GU19355306	Spacer 1,6 mm	1	

Group	ENGINE
Code	34.10
Description	Transmission complete II
Service	1



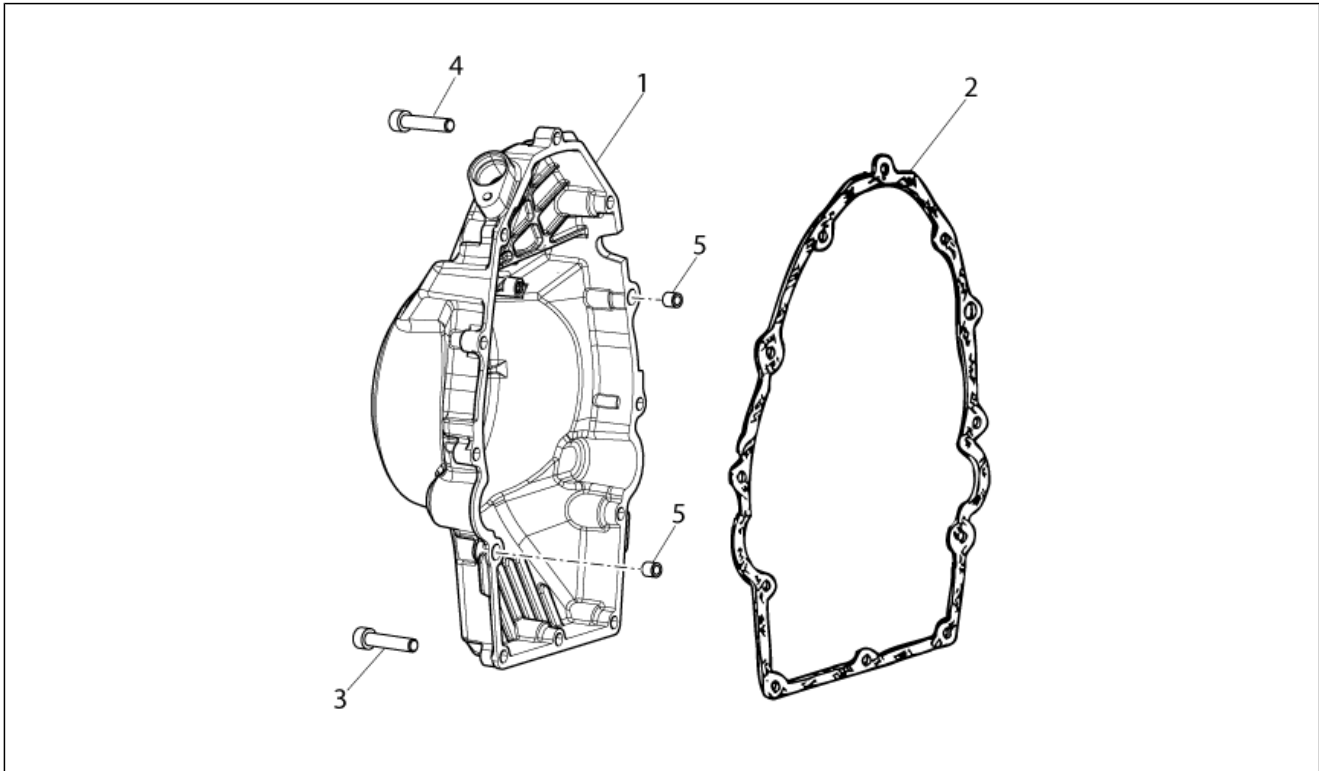
Pos.	Code	Description	Qty	Variants
33	GU19355307	Spacer 1,7 mm	1	
33	GU19355308	Spacer 1,8 mm	1	
33	GU19355309	Spacer 1,9 mm	1	
34	GU20355121	Spacer	1	
35	GU19355200	Shim 0,1 mm	1	
36	GU19355202	Shim 0,15 mm	1	
37	GU90706584	Gasket 58,42x2,62	1	
38	GU90403251	Gasket ring 32x47x10	1	

Group	ENGINE
Code	34.34
Description	Crank-case
Service	1



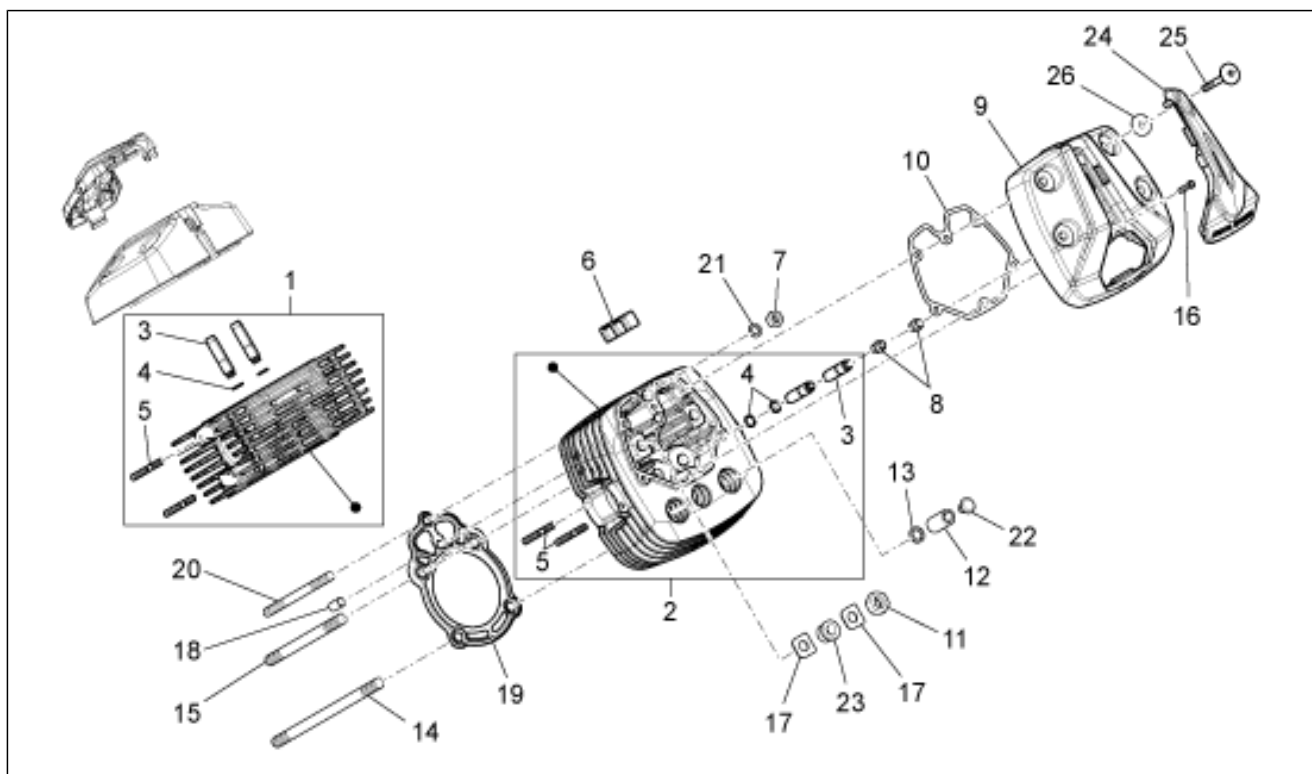
Pos.	Code	Description	Qty	Variants
1	2A000235	***COMPLETE CRANKCASE	1	
2	GU96451560	Stud bolt	4	
3	GU96451430	Stud bolt	4	
4	GU96508055	Stud bolt	2	
5	GU19015020	Bushing	4	
6	GU61270300	Spring washer 8x15x0,3	6	
7	GU92606208	Nut M8x1,25	6	
8	GU19003800	Joint	1	
9	GU90706076	O-ring	2	
10	886365	Gasket ring	1	
11	GU98682325	Hex socket screw M6x25	12	
12	976604	Oil sump black	1	
13	887004	Sump gasket	1	
14	GU31003766	Oil unload plug M10x1	1	
15	GU10528900	Gasket	1	
16	976685	Plug	1	
17	GU90706444	O-ring	1	
18	883826	Oil load plug	1	
19	GU90706281	O-ring 28,24x2,62	1	
20	GU12003702	Oil unload plug	1	
21	GU95100709	Gasket 20,1x28x2	1	
22	GU27152885	Bolt	1	
23	GU12154200	Gasket 8,25x15x1	1	
24	GU32999510	Oil seals - set	1	
25	GU32999010	Gasket set	1	
26	GU13021900	Column nut	4	
27	GU95129180	Washer 10,5X18X0,8	4	
28	2L0001895	Engine assy w/hout transm.	1	

Group	ENGINE
Code	34.35
Description	Timing system cover
Service	1



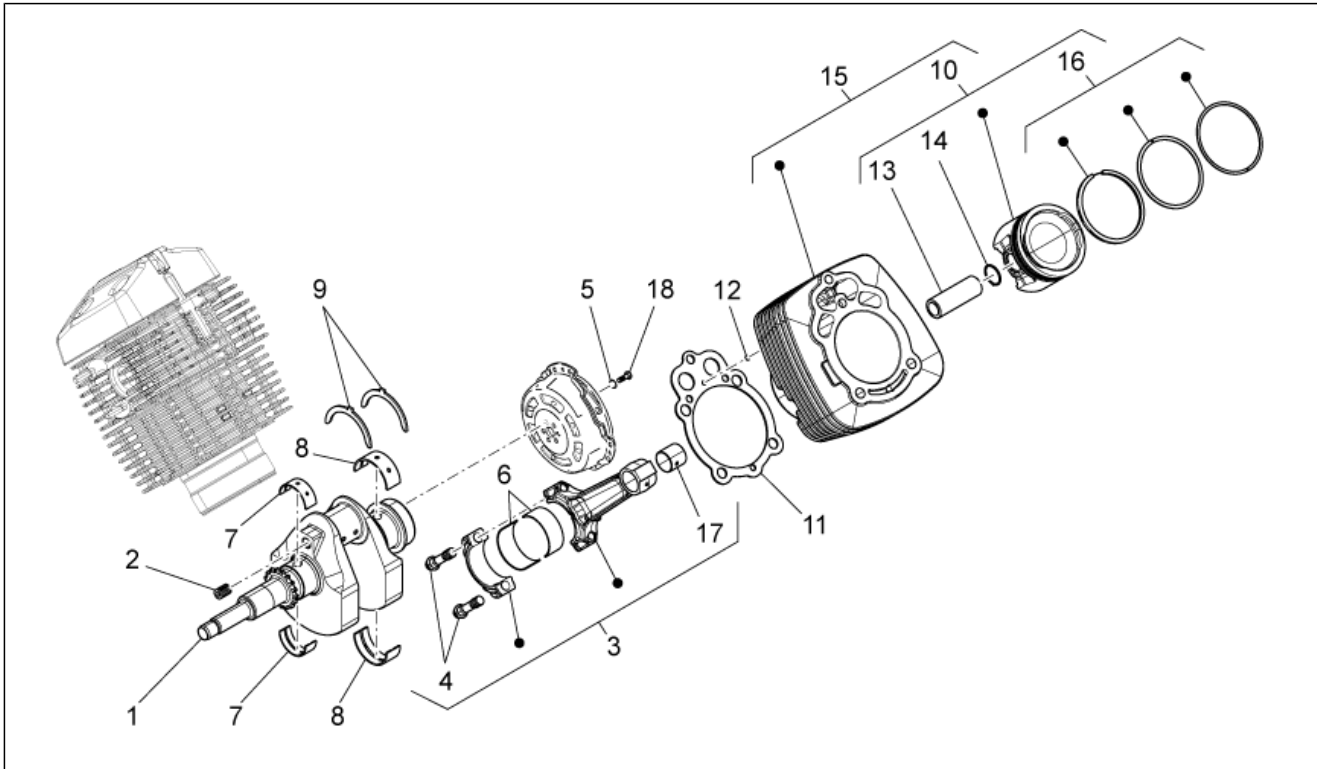
Pos.	Code	Description	Qty	Variants
1	2A000085	Cover	1	
2	887003	Cover gasket	1	
3	GU98682325	Hex socket screw M6x25	10	
4	GU98682330	Hex socket screw M6x20	2	
5	GU19002020	Bushing 6,6x9x13	2	

Group	ENGINE
Code	34.36
Description	Cylinder head
Service	1



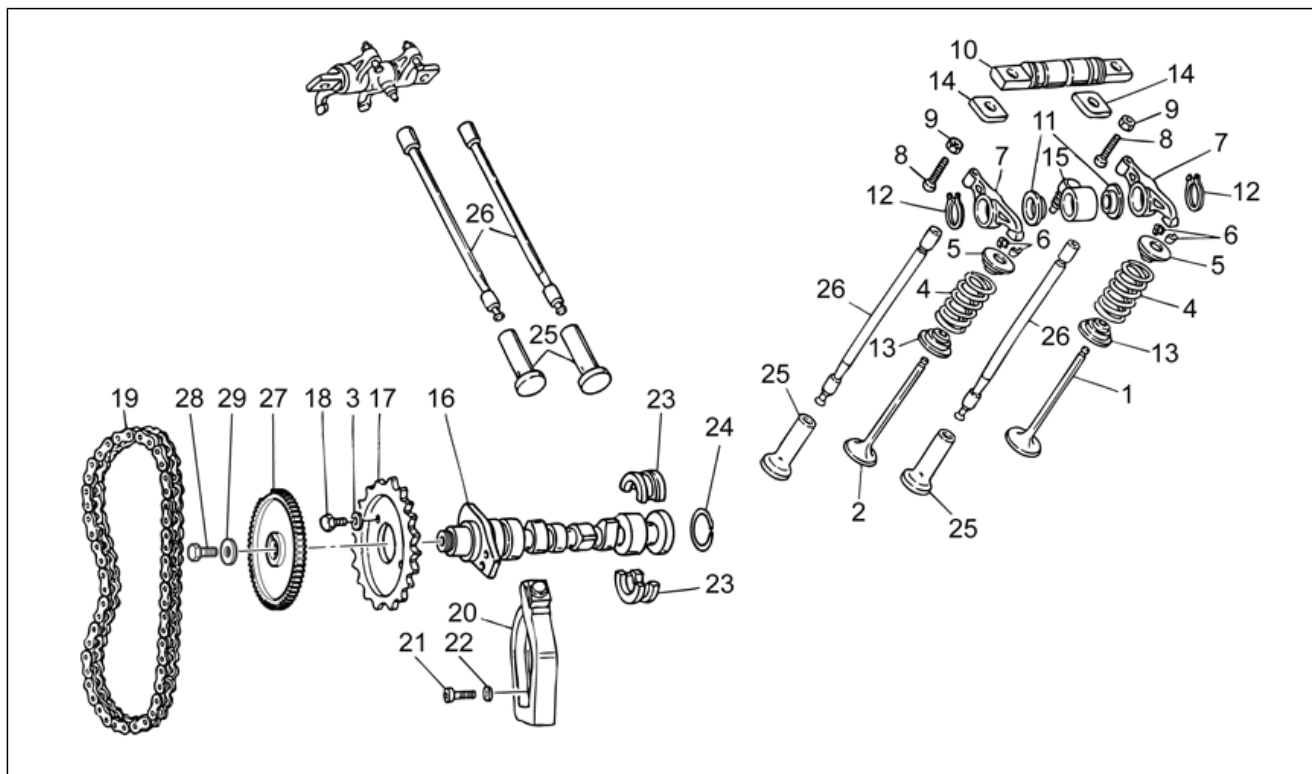
Pos.	Code	Description	Qty	Variants
1	8872724	RH head	1	
2	8872754	LH head	1	
3	GU61036801	Valve guide	4	
4	GU90353009	Snap ring	4	
5	GU96506042	Stud bolt	4	
6	B063111	Damping plug	4	
7	GU19021920	Nut	2	
8	GU19037820	Oil seal	4	
9	887523	Head cover	2	
10	887002	Head cover gasket	2	
11	GU92603010	Nut M10X1,5	4	
12	GU13021900	Column nut	4	
13	GU95129180	Washer 10,5X18X0,8	4	
14	GU96510214	Stud bolt M10x214	4	
15	GU96510181	Stud bolt M10x182	4	
16	GU98692325	Hex socket screw M6x25	4	
17	GU19032980	Spacer	8	
18	GU19021360	Bushing	2	
19	B063099	Cylinder head gasket	2	
20	976898	Stud bolt M8x140	2	
21	GU61270300	Spring washer 8x15x0,3	2	
22	GU93180245	Cover	4	
23	AP8144071	Rubber exhaust	1	
24	887279	Spark plug cover	2	
25	887483	Head cover screw M6x52,5	8	
26	969973	Washer	8	

Group	ENGINE
Code	34.37
Description	Crankshaft cpl.
Service	1



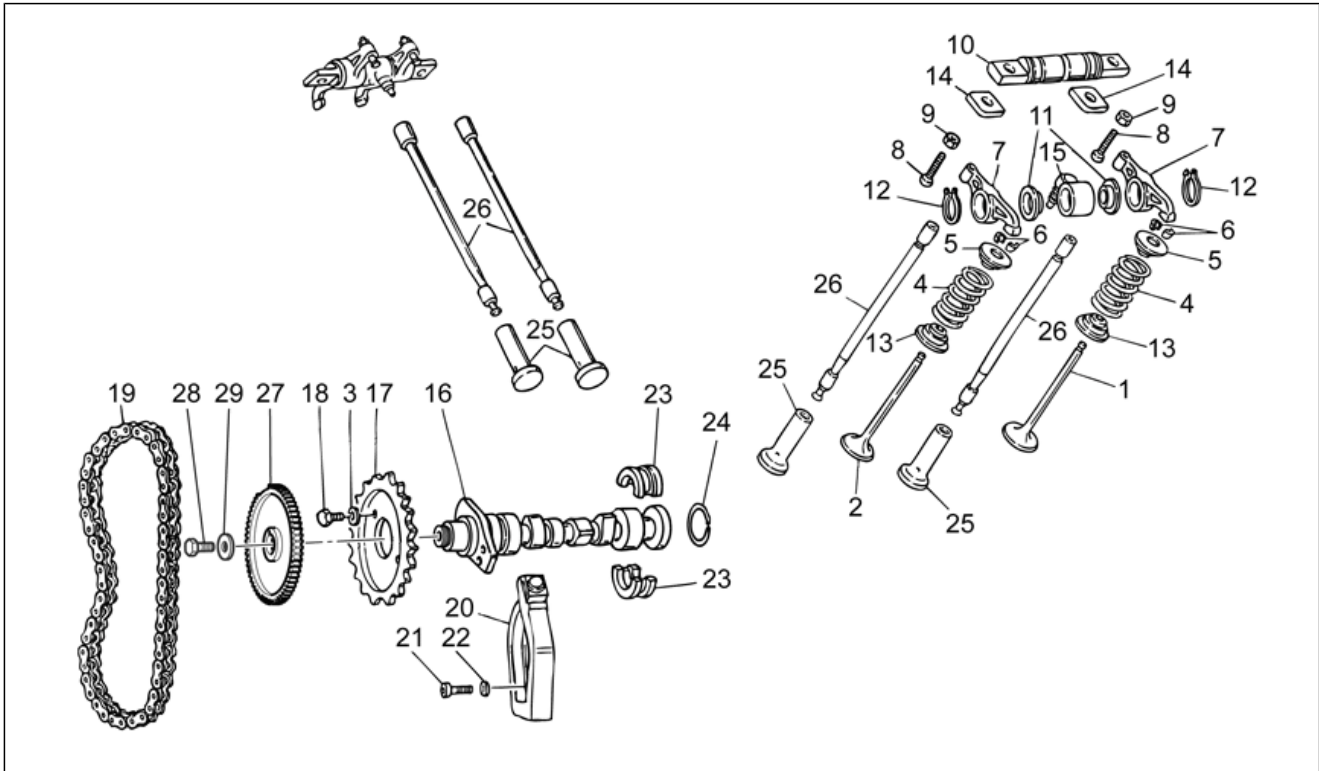
Pos.	Code	Description	Qty	Variants
1	2A0000995	Drive shaft	1	
2	GU19065400	Cover	1	
3	GU27061585	Connecting rod cpl.	2	
4	GU19062261	screw	4	
5	GU14615901	Washer 8,4X13X0,8	6	
6	GU27062060	Bearing half-shell	4	
7	GU27065660	Front main half-bearing	2	
8	GU27066560	Rear main half-bearing	2	
9	GU27066460	Half-clamp	2	
10	8872690001	Piston complete with 80 Cat. D	1	
10	8872690002	Piston complete with 80 Cat. E	1	
10	8872690003	Piston complete with 80 Cat. F	1	
11	886670	Cylinder gasket	2	
12	GU61027200	O-ring	2	
13	B063016	Piston pin	2	
14	874567	Stop ring	4	
15	B063465	Cylinder with piston	2	
16	B063466	Pistonring set	2	
17	GU27061885	Bushing	2	
18	GU19067700	screw	6	

Group	ENGINE
Code	34.38
Description	Timing system
Service	1



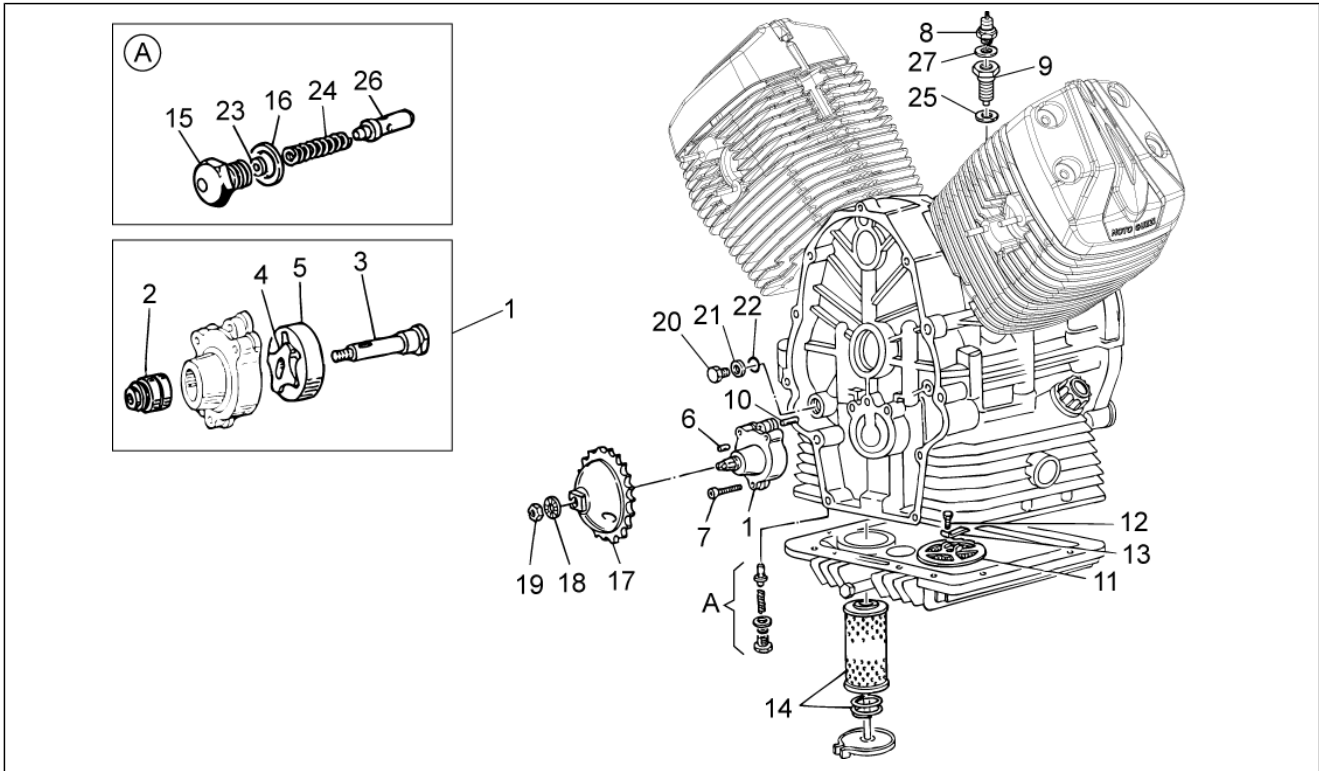
Pos.	Code	Description	Qty	Variants
1	2A000146	Valve, in	2	
2	2A000147	Exhaust valve	2	
3	GU23217800	Safety washer	2	
4	GU27037521	Spring	4	
5	GU31038015	Upper cup	4	
6	GU61038100	Half-cone	8	
7	GU19030500	Rocker arm assy.	4	
8	GU19034000	screw	4	
9	GU92602406	Nut M6x1	4	
10	GU19032080	Rocker shaft	2	
11	GU32032310	Thrust washer	4	
12	GU90271018	Circlip	4	
13	GU31037015	Lower cup	4	
14	GU19032980	Spacer	4	
15	GU19027500	Hose	2	
16	GU32053410	Camshaft	1	
17	GU32054510	Timing system gear	1	
18	GU61054900	Bolt	2	
19	GU19058021	Camshaft chain	1	
20	GU19058220	Chain stretching drive	1	
21	GU98882316	screw	1	
22	GU95129115	Washer	1	
23	GU19055700	Sector	2	
24	GU90353029	Snap ring	1	
25	GU19045861	Tappet	4	
26	GU31045015	Rocker arm rod	4	
27	887528	Wheel speed sensor, left front	1	
28	GU98054422	screw M8x22	1	

Group	ENGINE
Code	34.38
Description	Timing system
Service	1



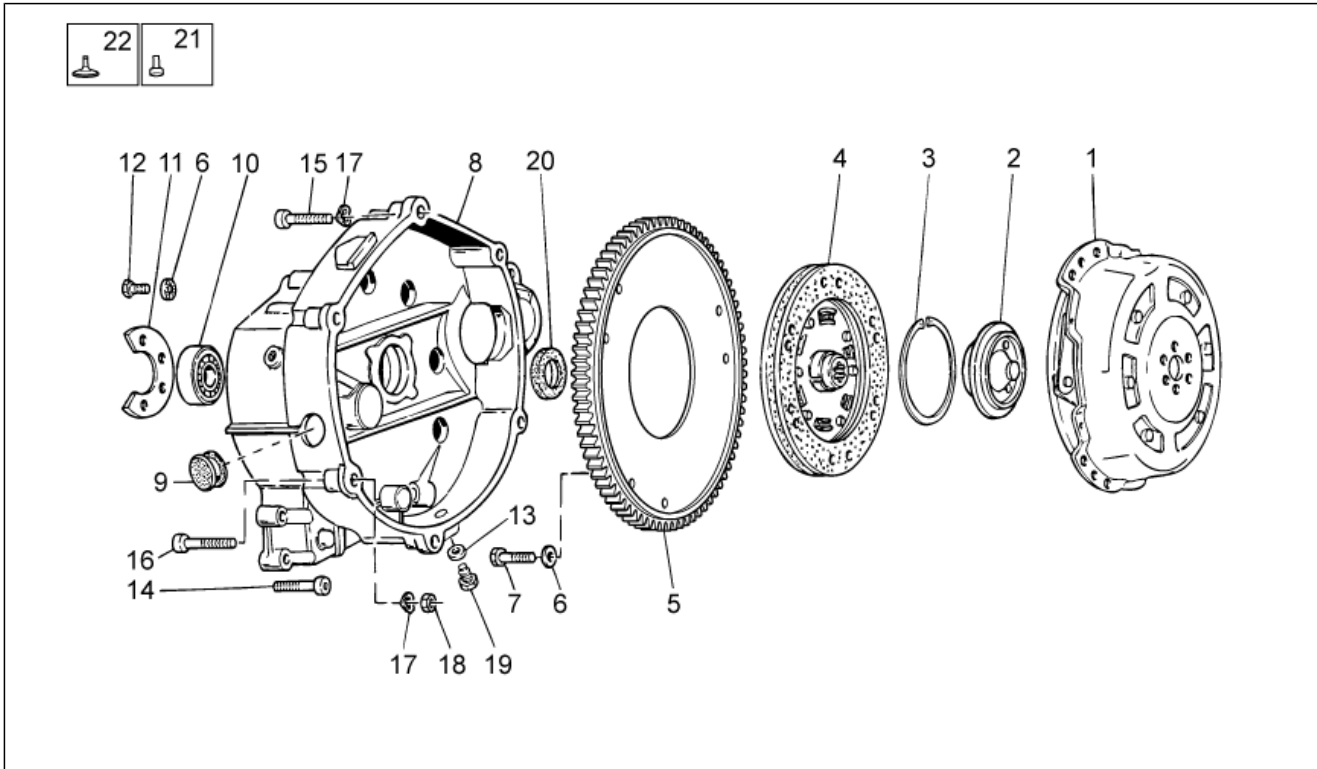
Pos.	Code	Description	Qty	Variants
29	GU95100244	Washer	1	

Group	ENGINE
Code	34.39
Description	Oil pump
Service	1



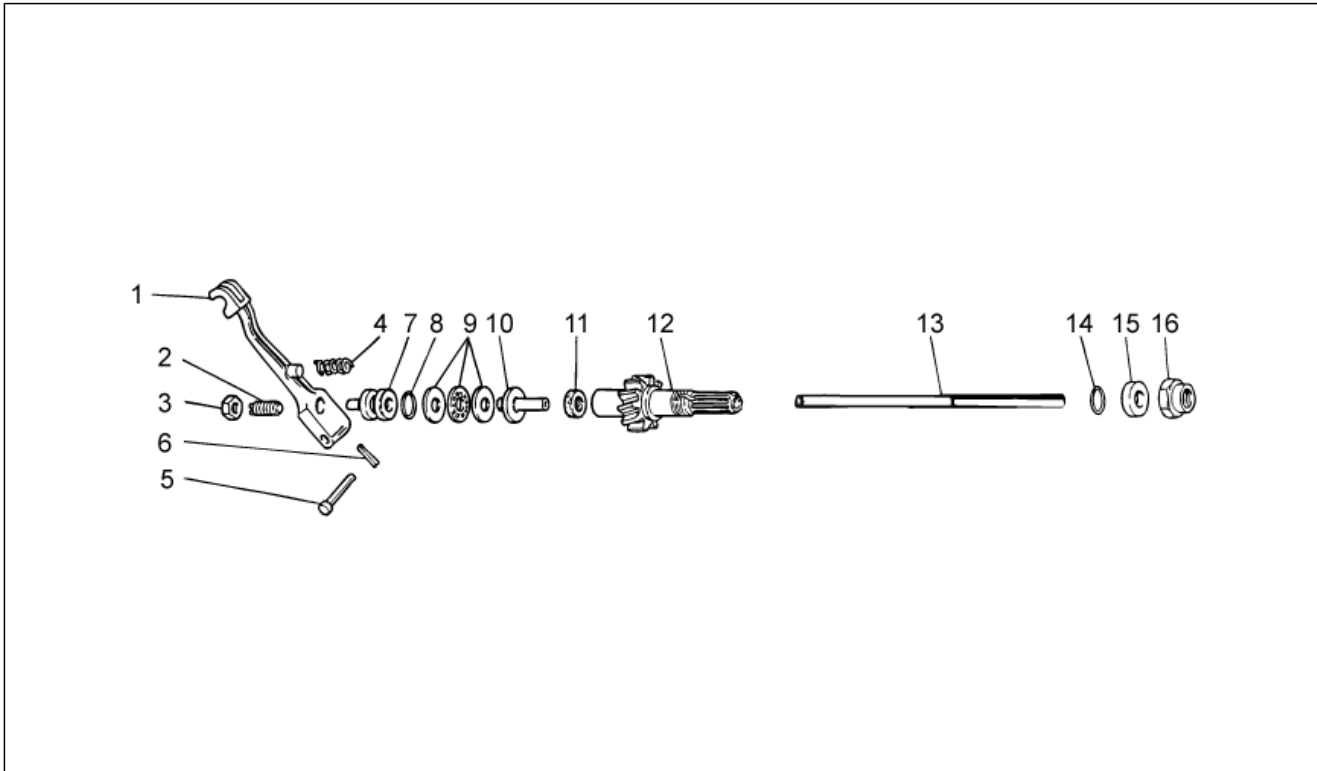
Pos.	Code	Description	Qty	Variants
1	GU19146422	Oil pump	1	
2	GU92252210	Roller bearing 10x22x20	1	
3	GU20147810	Oil pump shaft assy.	1	
4	GU20148410	Inner rotor	1	
5	GU20148610	Outer rotor	1	
6	GU92296723	Roller	1	
7	884039	Hex socket screw M6x35	3	
8	641541	Oil pressure sensor	1	
9	887093	Union	1	
10	GU19018920	Pin	2	
11	GU19152200	Oil filter	1	
12	GU98084314	Hex screw M6x14	1	
13	GU95187006	Plate	1	
14	GU27153085	Oil filter	1	
15	GU31159050	Cover	1	
16	GU18144350	Washer 18,25x24x1	3	
17	GU20147710	Pump gear	1	
18	AP8152220	Washer	1	
19	GU92602510	Nut M10x1,25	1	
20	GU31016050	Cover	1	
21	GU18161150	Gasket 14,25	1	
22	GU90706111	O-ring	1	
23	GU95008206	Washer 6,15x11x0,8	3	
24	GU94321079	Spring	1	
25	GU95100602	Gasket	1	
26	GU31159050	Piston	1	
27	GU95100309	Washer	1	

Group	ENGINE
Code	34.40
Description	Clutch I
Service	1



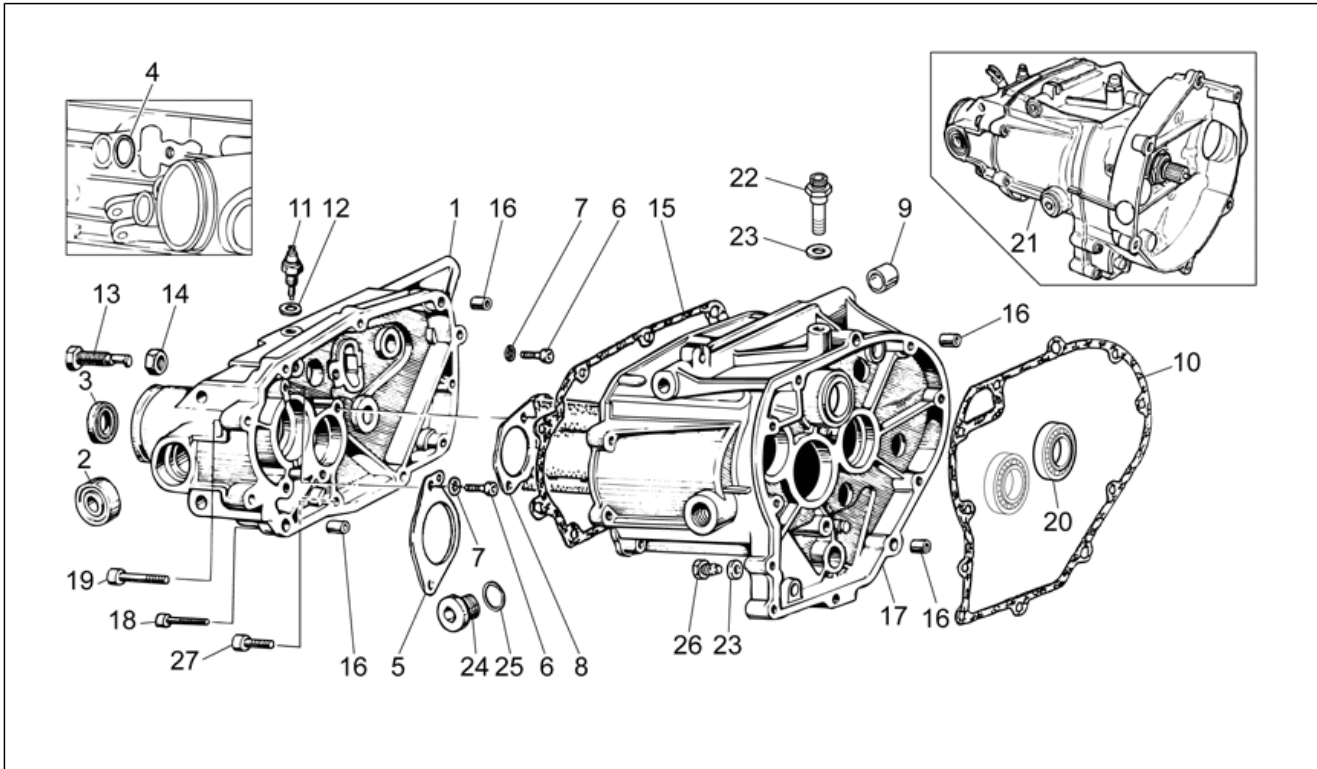
Pos.	Code	Description	Qty	Variants
1	GU32080310	Clutch	1	
2	GU19083462	New cup type	1	
3	GU90272075	Snap ring	1	
4	GU32084410	Driven clutch disc	1	
5	GU32067910	Chain ring	1	
6	GU14217901	Washer 6,4x10x0,7	9	
7	884038	Hex screw M6x16	6	
8	2A000106	Clutch drum	1	
9	GU93180220	Cover	1	
10	GU92201225	Bearing 25x52x15	1	
11	GU19203460	Bearing fixing plate	1	
12	GU98084314	Hex screw M6x14	3	
13	GU10528900	Gasket	1	
14	884032	Hex socket screw M6x30	11	
15	GU98680435	Hex socket screw M8x35	5	
16	GU98680450	Hex socket screw M8x50	1	
17	GU61270300	Spring washer 8x15x0,3	6	
18	GU92606208	Nut M8x1,25	1	
19	GU31003766	Oil unload plug M10x1	1	
20	886629	Gasket ring	1	
21	GU23204471	Jet	1	
22	GU23204571	Jet	1	

Group	ENGINE
Code	34.41
Description	Clutch II
Service	1



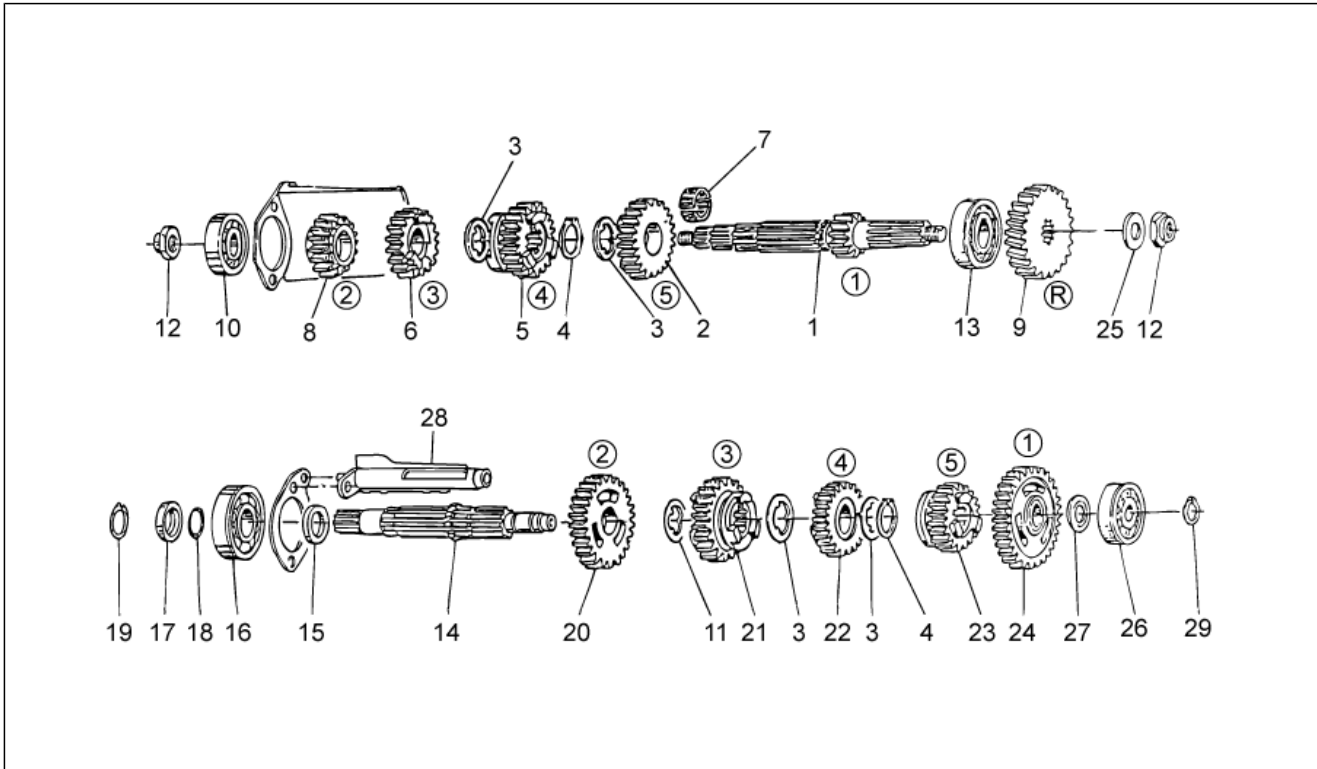
Pos.	Code	Description	Qty	Variants
1	GU14090201	Clutch relese shaft	1	
2	GU14090400	Adjuster screw	1	
3	GU92606508	Nut	1	
4	GU94321105	Lever return spring	1	
5	GU95780271	Pin 7x39	1	
6	GU95500222	Split pin	1	
7	GU14086100	Outer body	1	
8	GU90706170	O-ring 17,13x2,62	1	
9	GU12087001	Thrust bearing	1	
10	GU14086000	Inner body	1	
11	GU90400616	Gasket ring 6x16x7	1	
12	GU27210760	Transmission shaft Z=16	1	
13	GU20085720	Rod	1	
14	GU90706235	O-ring 23,52x1,78	1	
15	GU19213760	Spacer	1	
16	GU19356760	Nut	1	

Group	ENGINE
Code	34.42
Description	Transmission cage
Service	1



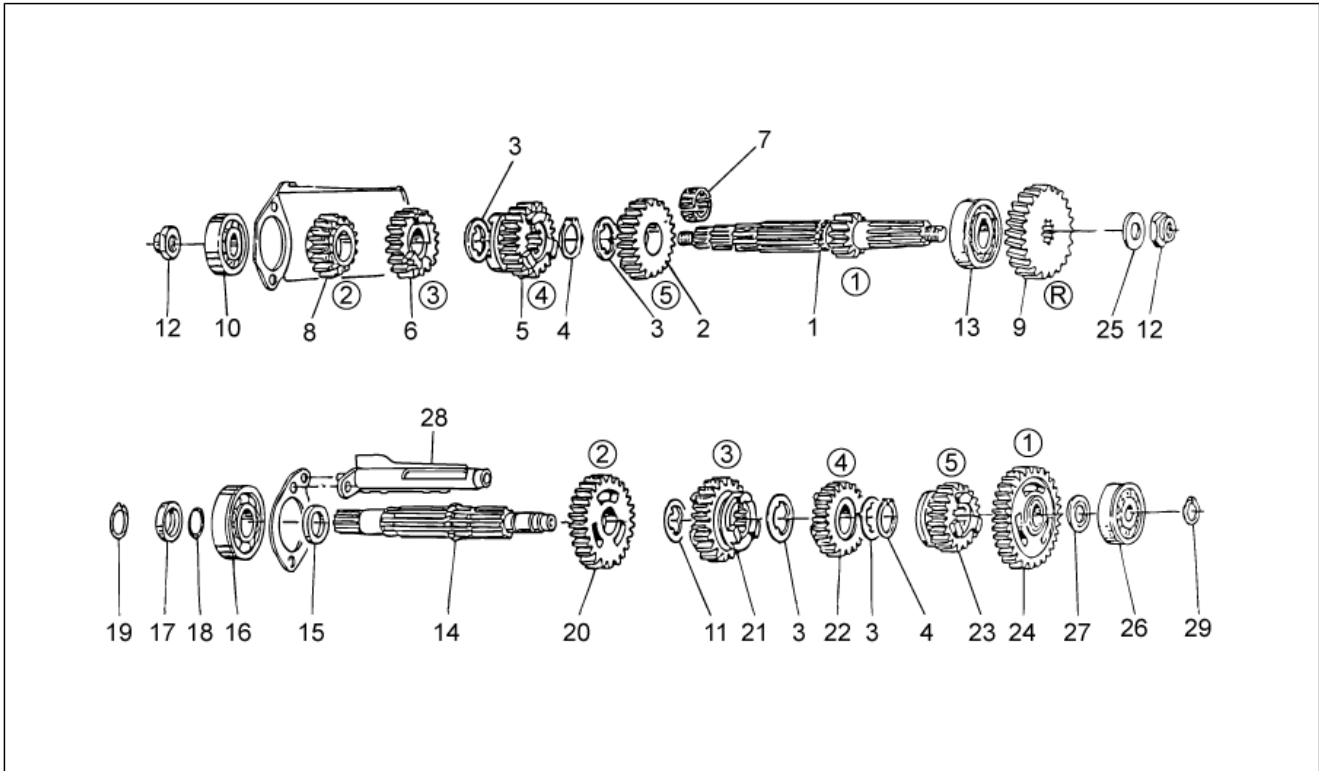
Pos.	Code	Description	Qty	Variants
1	2A000098	Gearbox cover	1	
2	2A000097	Ball bearing 6202-2RSH/C3 LHT23	2	
3	886364	Gasket ring 28x40x7	1	
4	GU90706140	O-ring 13,95x2,92	1	
5	GU32213810	Plate	1	
6	884031	Hex socket screw M6x14	4	
7	GU14217901	Washer 6,4x10x0,7	4	
8	GU32208210	Oil bulhead	1	
9	GU19202320	Bushing 10,25x15,7x8	2	
10	887005	Gasket	1	
11	B063269	Sensor	1	
12	GU12154200	Gasket 8,25x15x1	1	
13	GU19237800	Screw M12x1,25	1	
14	GU92606512	Low nut M12x1,25	1	
15	887006	Gasket	1	
16	GU19002020	Bushing 6,6x9x13	4	
17	887235	Transmission cage	1	
18	GU98682330	Hex socket screw M6x20	5	
19	GU98680435	Hex socket screw M8x35	4	
20	B063342	Ball bearing 6004/C3	1	
21	976992	Gear box assy	1	
22	GU32206510	Breather plug	1	
23	GU10528900	Gasket	2	
24	GU12022600	Oil plug	1	
25	GU90706203	O-ring 20,24x2,62	1	
26	GU31003766	Oil unload plug M10x1	1	
27	AP8150285	Hex socket screw M6x35	2	

Group	ENGINE
Code	34.43
Description	Gear box
Service	1



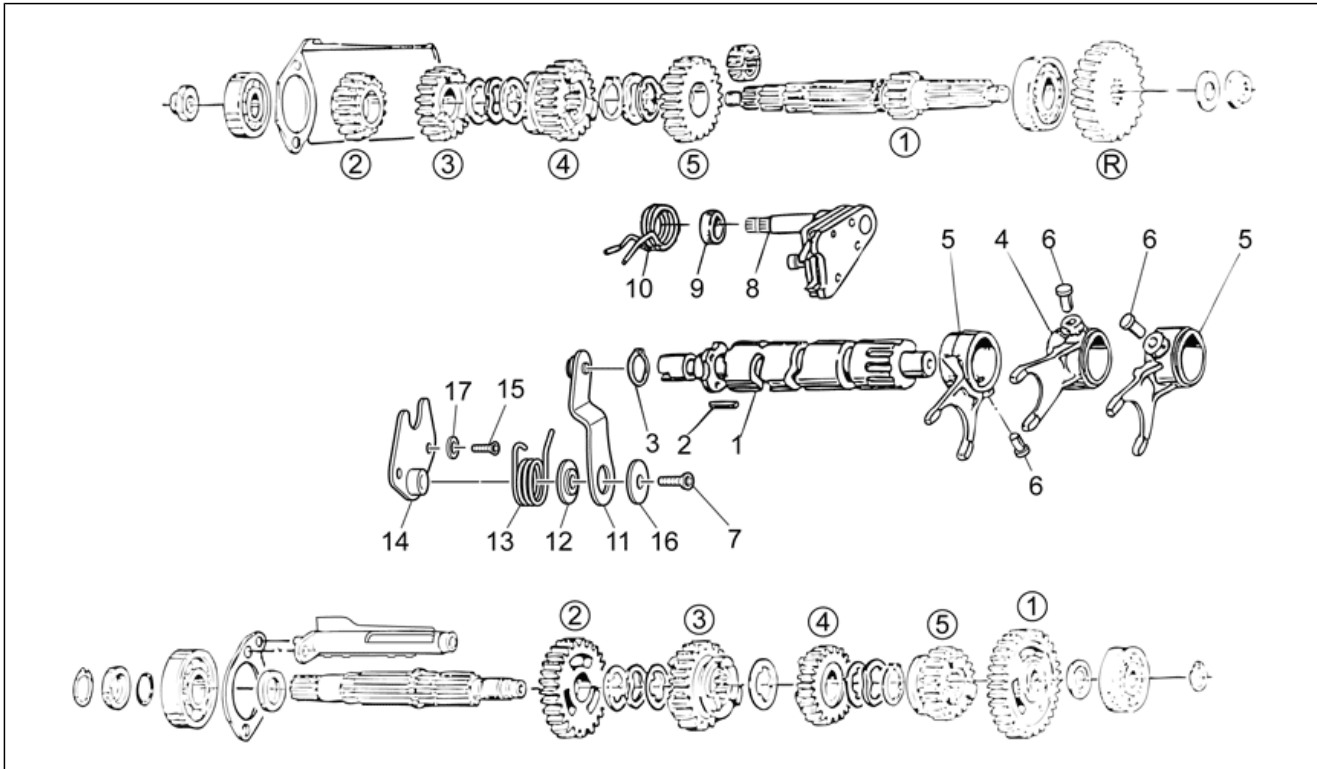
Pos.	Code	Description	Qty	Variants
1	GU32210510	Primary gear shaft Z=11	1	
2	GU32212011	Gear 5a AP Z=25	1	
3	GU19215460	Thrust washer	3	
4	GU90271124	Circlip	2	
5	GU32211810	Gear 4a AP Z=18	1	
6	GU32211410	Gear 3a AP Z=18	1	
7	GU92251028	Roller cage	1	
8	GU23211372	Gear 2a AP Z=14	1	
9	GU32211110	Idle gear AP Z=21	1	
10	GU92218417	Bearing AP 17x40x17,5	1	
11	GU19214660	Clearance washer	2	
12	GU10054100	Nut	2	
13	GU92230320	Bearing AP 20x37x17	1	
14	GU32213610	Driven shaft	1	
15	GU19212900	Spacer	1	
16	GU92201220	Bearing 20X47X14	1	
17	GU19213720	Spacer	1	
18	GU90706188	Gasket ring 18,77X1,78	1	
19	GU90271121	Circlip	1	
20	GU32214510	Gear 2a AS Z=23	1	
21	GU32214810	Gear 3a AS Z=23	1	
22	GU32215010	Gear 4a AS Z=19	1	
23	GU32215210	Gear 5a AS Z=22	1	
24	GU32214010	Gear 1a AS Z=26	1	
25	GU39238100	Clearance washer	1	
26	GU92234716	Bearing	1	
27	GU10214300	Spacer 1,5 mm	1	
27	GU10214301	Spacer 1,7 mm	1	

Group	ENGINE
Code	34.43
Description	Gear box
Service	1



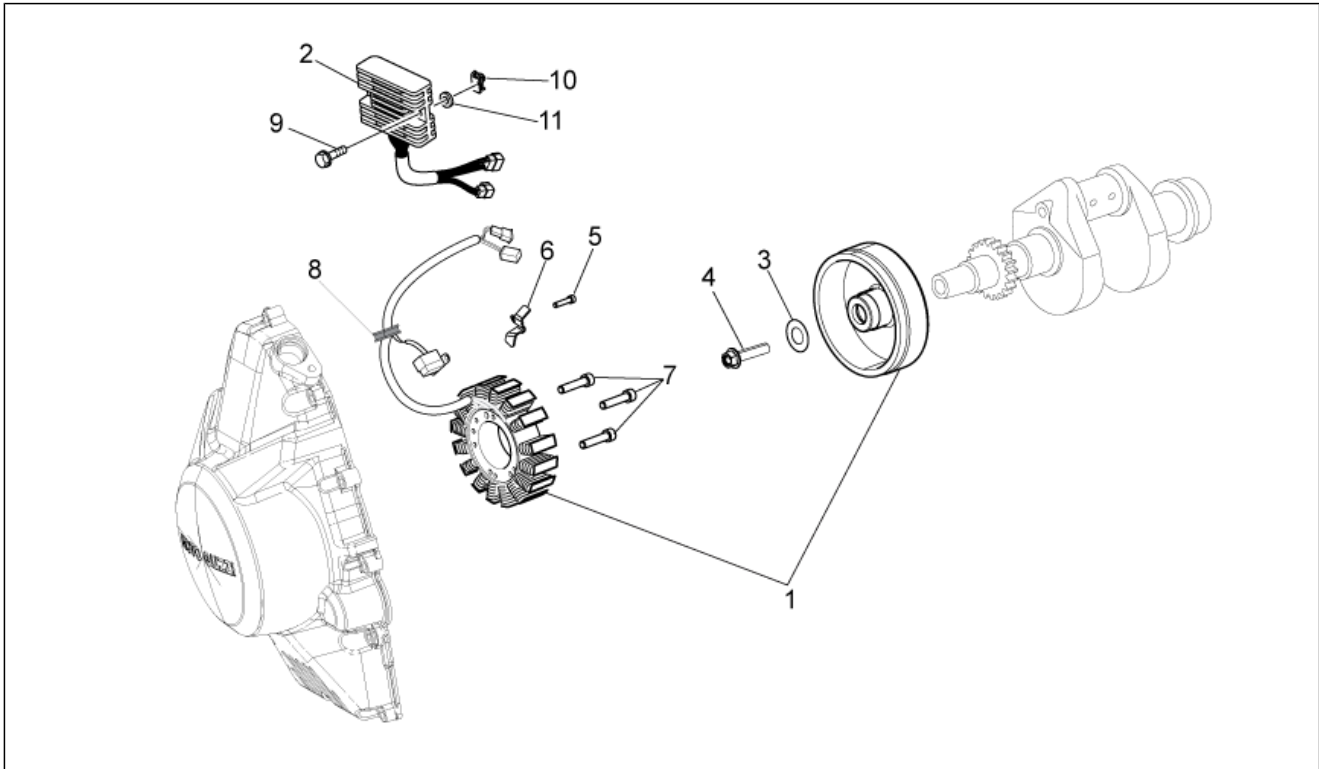
Pos.	Code	Description	Qty	Variants
27	GU10214302	Spacer 1,8 mm	1	
27	GU10214303	Spacer 1,9 mm	1	
27	GU10214304	Washer 2 mm	1	
27	GU10214305	Spacer 2,1 mm	1	
28	GU32202010	Gutter	1	
29	GU90271117	Circlip	1	

Group	ENGINE
Code	34.44
Description	Gear box selector
Service	1



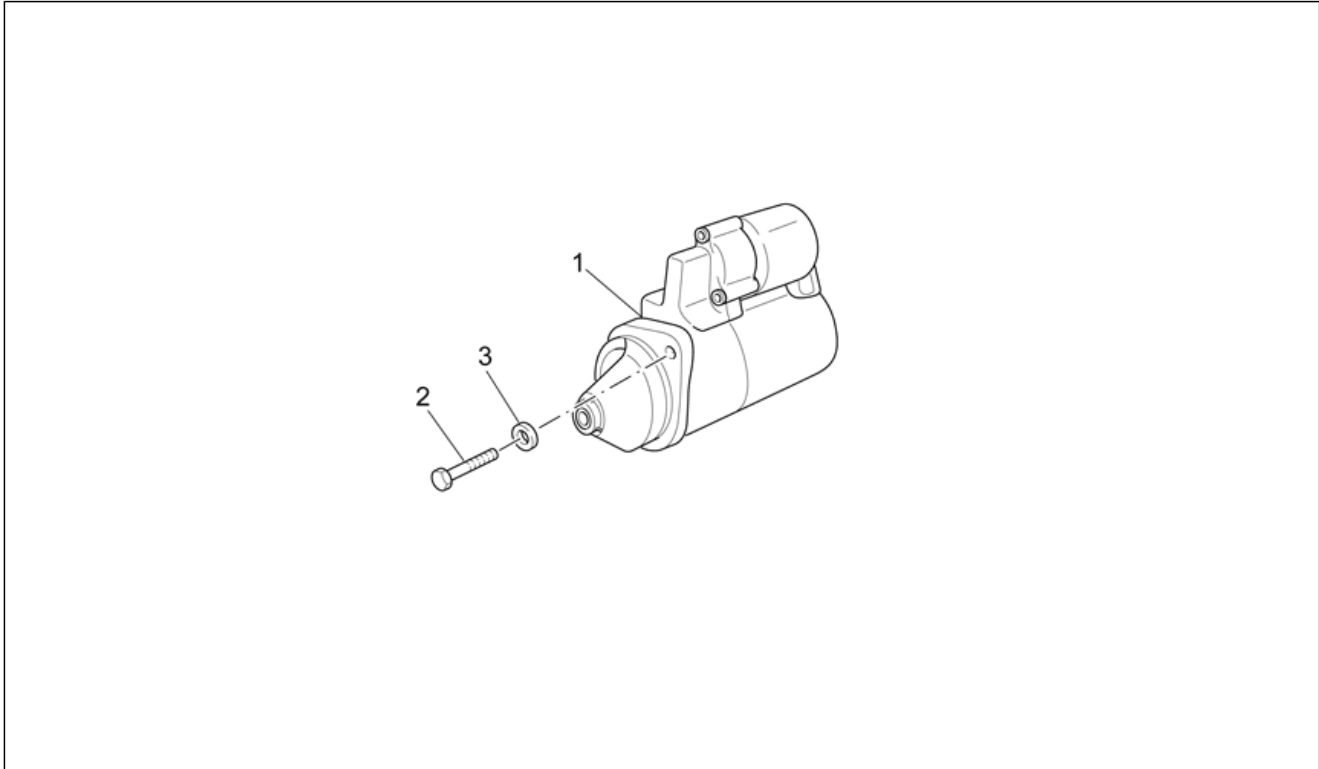
Pos.	Code	Description	Qty	Variants
1	GU32234410	Shift cam	1	
2	GU19234600	Pin	4	
3	GU90274026	Snap ring	1	
4	GU32231210	Fork AP	1	
5	GU32231010	Fork AS	2	
6	GU32233010	Roller	3	
7	GU98230612	screw	1	
8	887196	Preselection complete	1	
9	GU20208520	Spacer	1	
10	GU32238210	Spring	1	
11	GU32234710	Lever	1	
12	GU32234810	Washer	1	
13	GU32234110	Spring	1	
14	GU32235710	plate	1	
15	GU98257618	Screw M6x18	2	
16	GU32234910	Washer 6,4x20x1	1	
17	GU14217901	Washer 6,4x10x0,7	2	

Group	ENGINE
Code	34.45
Description	Generator - Regulator
Service	1



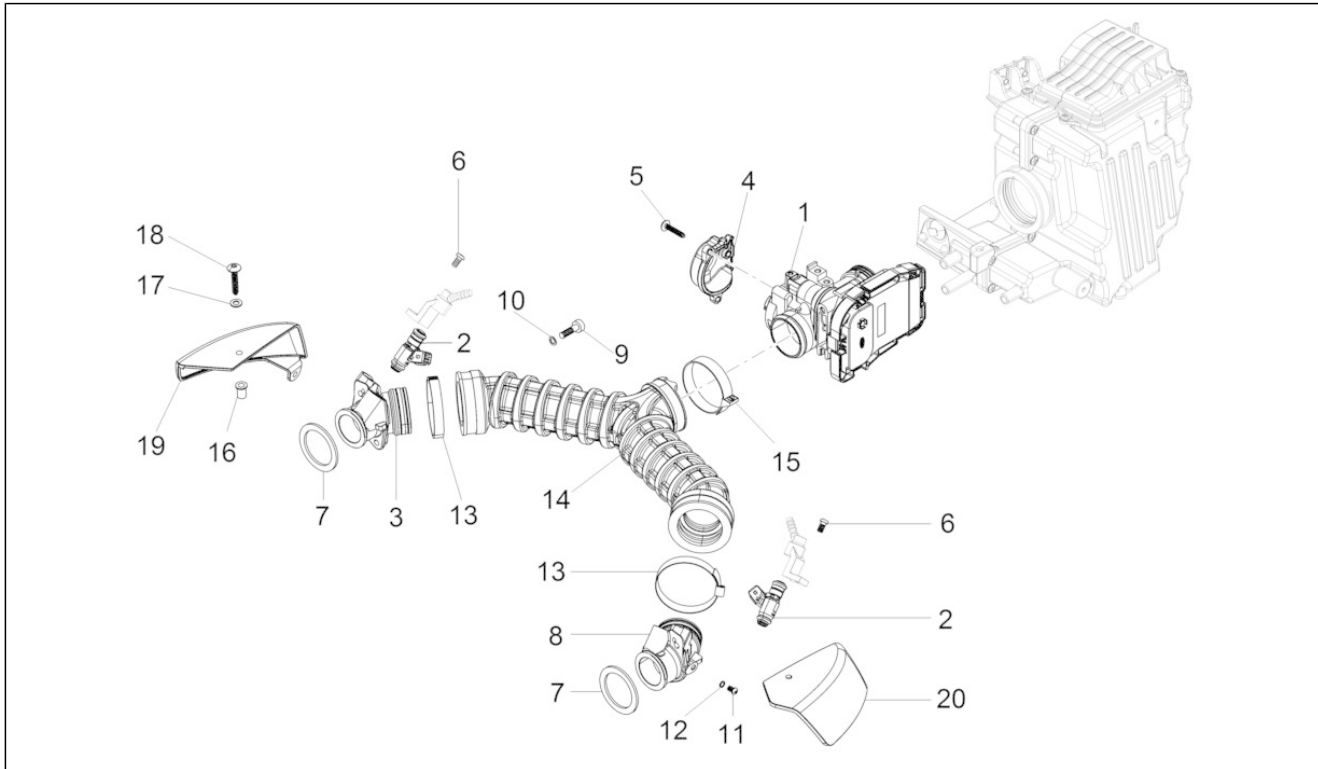
Pos.	Code	Description	Qty	Variants
1	2D000024	Cdi magneto assy	1	
2	2D000043	Voltage regulator	1	
3	897478	Washer 12x26.5x3	1	
4	857206	Screw w/ flange M12X1,25X50	1	
5	GU98682212	Hex socket screw M5x12	1	
6	2A000115	Plate	1	
7	2A000129	Low head socket screw M6x35	3	
8	GU19007700	Rubber spacer	1	
9	AP8152281	Screw w/ flange M6x30	2	
10	254485	Spring plate M6	2	
11	GU95100125	Washer	2	

Group	ENGINE
Code	34.46
Description	Starter motor
Service	1



Pos.	Code	Description	Qty	Variants
1	GU05730730	Starter motor Bosch	1	
2	GU98682435	Hex socket screw	2	
3	GU95008208	Washer 8,4X15X1,5	2	

Group	ENGINE
Code	34.47
Description	Throttle body
Service	1



Pos.	Code	Description	Qty	Variants
1	CM228303	Electronic control unit ECU for injection	1	Country:
1	CM228304	Electronic control unit ECU for injection	1	
2	B063049	Injector	2	
3	GU32115010	RH manifold	1	
4	880260	Throttle body Protection	1	
5	B016796	Torx convex big end screw	3	
6	AP8152298	Screw w/ flange M5x16	2	
7	GU32115510	Gasket	2	
8	GU32115011	LH manifold	1	
9	GU98622322	screw	4	
10	GU03013800	Washer 6,4x12	4	
11	884029	Hex socket screw M6x10	2	
12	GU95100116	Washer 6,25x10x1,5	2	
13	884311	Hose clamp D.61	2	
14	887812	Throttle body hose	1	
15	884310	Hose clamp D.55	1	
16	GU93231605	Antivibration bush	4	
17	GU30577800	Nylon washer 5,5X12X1	4	
18	GU98370515	screw	4	
19	2B000971	RH cover	1	
20	2B000972	LH cover	1	



PIAGGIO & C.s.p.a.



CATALOGUE DE PIÈCES DE RECHANGE



V7 Stone 750 2014

Préfixe du cadre: ZGULWS01

Préfixe du moteur:

V7

GU108



Index

Produits finis.....	4
Index alphanumérique.....	5
CHASSIS.....	10
Tableau 33.01 - Chassis I.....	10
Tableau 33.02 - Chassis II.....	11
Tableau 33.03 - Béquille latérale.....	12
Tableau 33.04 - R-pied pilote.....	13
Tableau 33.05 - R-pied pass.....	14
Tableau 33.06 - Levier boîte de vitesses.....	15
Tableau 33.07 - Fourche Av. I.....	16
Tableau 33.08 - Fourche Av. II.....	17
Tableau 33.11 - Amortisseur AR.....	19
Tableau 33.12 - Réservoir essence.....	20
Tableau 33.13 - Carrosserie av. - Garde-boue AV.....	22
Tableau 33.14 - Selle-Carrosserie cent.....	23
Tableau 33.15 - Carrosserie arrière I- Garde-boue.....	24
Tableau 33.16 - Carrosserie arrière II- Porte-plaque.....	25
Tableau 33.17 - Tableau de bord.....	26
Tableau 33.18 - Guidon - Commandes.....	27
Tableau 33.19 - Sys.frein avant.....	28
Tableau 33.21 - Pompe essence.....	29
Tableau 33.22 - Corps filtre.....	30
Tableau 33.23 - Groupe echappement.....	32
Tableau 33.26 - Maît.cyl. frein AR.....	34
Tableau 33.27 - Pince frein AR.....	35
Tableau 33.28 - Feux avant.....	36
Tableau 33.29 - Feux arriere.....	37
Tableau 33.30 - Circuit électrique I.....	38
Tableau 33.31 - Circuit électrique II.....	39
Tableau 33.32 - Kit serrure.....	41
Tableau 33.33 - Décalco et plaquettes.....	42
Tableau 33.34 - Roue Av. II.....	43
Tableau 33.35 - Roue arrière II.....	44
Tableau 33.48 - Sys.récup.vap.ess.....	45
MOTEUR.....	46
Tableau 34.09 - Transmission cpl. I.....	46
Tableau 34.10 - Transmission cpl. II.....	47
Tableau 34.34 - Carter.....	50
Tableau 34.35 - Couvercle distribution.....	51
Tableau 34.36 - Tête cylindre.....	52
Tableau 34.37 - Arbre moteur cpl.....	53
Tableau 34.38 - Distribution.....	54
Tableau 34.39 - Pompe huile.....	56



Tableau 34.40 - Embrague I.....	57
Tableau 34.41 - Embrague II.....	58
Tableau 34.42 - Carter de boîte vitesses.....	59
Tableau 34.43 - Boîte de vitesses.....	60
Tableau 34.44 - Selecteur boîte de vitesses.....	62
Tableau 34.45 - Alternateur - Régul.....	63
Tableau 34.46 - Démarreur.....	64
Tableau 34.47 - Corps à papillon.....	65



Produits finis

Code	Validité
GU9032111AUE00	
GU9032111AUE01	
GU9032111AUE03	
GU9032111AUE04	
GU9032111EUE00	
GU9032111EUE01	
GU9032111EUE03	
GU9032111EUE04	
GU9032111GBE00	
GU9032111GBE01	
GU9032111GBE03	
GU9032111GBE04	
GU9032111JPBDG	
GU9032111JPE00	
GU9032111JPE01	
GU9032111JPE03	
GU9032111JPE04	
GU9032111JPF00	
GU9032111JPF01	
GU9032111ZCE00	
GU9032111ZCE01	
GU9032112AUBDG	
GU9032191EUC00	



Code	N° de tableau	Pos.	Code	N° de tableau	Pos.	Code	N° de tableau	Pos.
080341	33.30	6	883011	34.09	11	887571	33.34	1
248419	33.26	19	883015	33.05	13	887573	33.35	1
254485	33.15	4	883019	33.05	12	887787	33.21	5
254485	33.22	14	883051	33.04	1	887812	34.47	14
254485	33.23	20	883052	33.04	2	887815	33.22	13
254485	33.28	20	883127	33.22	6	887825	33.30	1
254485	34.45	10	883161	33.31	11	887825	33.31	1
2A000085	34.35	1	883192	33.27	7	887826	33.28	4
2A000097	34.42	2	883266	33.13	2	887826	33.29	4
2A000098	34.42	1	883293	33.23	15	887827	33.28	5
2A0000995	34.37	1	883294	33.23	4	887827	33.29	5
2A000106	34.40	8	883295	33.14	5	887837	33.01	1
2A000115	34.45	6	883297	33.23	13	8878421	33.22	1
2A000129	34.45	7	883298	33.23	14	887843	33.22	2
2A000146	34.38	1	883303	33.19	13	887844	33.22	11
2A000147	34.38	2	883417	33.28	18	887845	33.22	12
2A0002355	34.34	1	883470	33.16	6	887846	33.23	1
2B000045	33.22	27	883476	33.32	3	887847	33.23	2
2B000176	33.23	11	883477	33.32	1	887851	33.06	1
2B000177	33.23	10	883480	33.16	9	887852	33.18	4
2B000348	33.05	13	883502	33.12	5	887853	33.18	5
2B000349	33.05	12	883569	33.17	11	887873	33.32	1
2B000558	33.07	1	883598	33.33	7	887874	33.32	3
2B000671	33.18	1	883688	33.34	10	887877	33.29	1
2B000840	33.14	16	883704	33.23	25	887878	33.08	1
2B000878	33.14	9	883826	34.34	18	887879	33.08	2
2B000880	33.14	1	884029	34.47	11	887880	33.08	3
2B000899	33.11	1	884031	34.42	6	887882	33.08	5
2B000970	33.21	2	884032	34.40	14	887883	33.08	6
2B000971	34.47	19	884038	34.40	7	887884	33.08	7
2B000972	34.47	20	884039	34.39	7	887885	33.08	8
2B001048	33.18	10	884310	34.47	15	887886	33.08	9
2B001049	33.18	24	884311	34.47	13	887887	33.08	10
2D000006	33.32	10	886141	33.33	5	887888	33.08	11
2D000024	34.45	1	886340	33.33	1	887889	33.08	12
2D000043	34.45	2	88635200XN6	33.13	1	887890	33.08	13
2G000013	33.33	11	886364	34.42	3	887891	33.08	14
2H000384000XN6	33.14	10	886365	34.34	10	887892	33.08	15
2H000385000XN6	33.14	17	886629	34.40	20	887893	33.08	16
2H000389	33.33	4	886670	34.37	11	887894	33.08	17
2H000413	33.33	3	886679	33.34	6	887895	33.08	18
2H000414000XN6	33.12	1	886680	33.35	8	887896	33.08	19
2H000414000XV6	33.12	1	887002	34.36	10	887898	33.08	21
2H000414000YR4	33.12	1	887003	34.35	2	887899	33.08	22
2H000415000XN6	33.12	1	887004	34.34	13	887900	33.08	23
2H000415000YR4	33.12	1	887005	34.42	10	887901	33.08	24
2L0001895	34.34	28	887006	34.42	15	887902	33.08	25
2Q000043	33.33	10	887093	34.39	9	887903	33.08	26
2Q000045	33.33	10	887194	33.17	1	887904	33.08	27
2Q000054	33.33	10	887195	33.17	1	887905	33.08	28
2R000109	33.08	29	887196	34.44	8	887908	33.26	26
2R000110	33.08	4	887207	33.12	1	887910	33.26	1
584211	33.31	10	887235	34.42	17	887911	33.26	24
638733	33.31	6	8872690001	34.37	10	887912	33.08	30
641040	33.30	8	8872690002	34.37	10	887913	33.08	31
641541	34.39	8	8872690003	34.37	10	887914	33.08	32
641725	33.30	7	8872724	34.36	1	887915	33.08	33
641901	33.30	4	8872754	34.36	2	887916	33.08	34
642034	33.30	3	887279	34.36	24	887930	33.33	2
658837	33.26	11	887431	33.27	3	887944	33.12	1
832029	33.30	14	887443	33.33	9	887948	33.30	13
856063	33.48	14	887448	33.35	12	887952	33.26	27
857206	34.45	4	887449	33.27	1	890760	33.22	16
860138	33.48	7	887481	33.30	12	890979	33.28	16
860651	34.09	19	887483	34.36	25	893570	33.31	19
874567	34.37	14	887523	34.36	9	894505	33.35	13
880260	34.47	4	887528	34.38	27	894704	33.31	26



Code	N° de tableau	Pos.	Code	N° de tableau	Pos.	Code	N° de tableau	Pos.
895839	33.33	8	AP8121072	33.23	22	AP8152300	33.27	13
896110	33.23	21	AP8121133	33.05	6	AP8152306	33.16	5
897478	34.45	3	AP8121267	33.48	10	AP8152329	33.15	11
898086	33.07	7	AP8121307	33.07	4	AP8152329	33.22	18
898164	33.11	3	AP8121367	33.02	10	AP8152339	33.14	14
967356	33.03	6	AP8121375	33.03	2	AP8152385	33.19	16
969973	34.36	26	AP8121420	33.14	7	AP8152409	33.04	9
976604	34.34	12	AP8121420	33.32	8	AP8152409	33.05	9
976608	34.10	1	AP8121566	33.04	8	AP8181140	33.31	24
976685	34.34	16	AP8121566	33.05	4	AP8201358	33.22	3
976898	34.36	20	AP8121673	33.12	12	AP8201358	33.22	34
976941	34.09	1	AP8121915	33.19	14	AP8201358	33.48	13
976992	34.42	21	AP8121915	33.27	8	AP8213028	33.18	23
977527	33.14	6	AP8124718	33.16	7	AP8213057	33.26	15
977527	33.32	4	AP8124936	33.30	2	AP8213388	33.18	18
978311	33.28	2	AP8127856	33.03	8	AP8213575	33.27	23
978323	33.19	15	AP8133643	33.26	14	AP8220283	33.31	22
978385	33.23	12	AP8133798	33.27	2	AP8220460	33.07	6
978415	33.14	8	AP8133799	33.27	11	AP8221023	33.22	26
978415	33.32	9	AP8133800	33.27	12	AP8221114	33.48	16
978662	33.28	2	AP8134378	33.23	18	AP8221197	33.03	5
978940	33.14	10	AP8134448	33.16	2	AP8221277	33.04	6
978943	33.14	17	AP8134451	33.05	5	AP8224164	33.16	3
978946	33.15	1	AP8144007	33.26	4	AP8224462	33.31	21
97894600XN6	33.15	1	AP8144071	33.23	16	B016796	34.47	5
978947	33.15	2	AP8144071	34.36	23	B043850	33.31	23
978949	33.16	1	AP8144081	33.07	5	B063016	34.37	13
978969	33.26	3	AP8144146	33.07	3	B063022	33.23	3
978970	33.26	13	AP8144538	33.22	15	B063049	34.47	2
981149	33.28	12	AP8144553	33.22	7	B063086	33.03	1
AP8101594	33.26	20	AP8144729	33.22	17	B063099	34.36	19
AP8101595	33.12	10	AP8145034	33.04	3	B063111	34.36	6
AP8101861	33.05	7	AP8145035	33.04	10	B063132	33.04	13
AP8102159	33.48	6	AP8149034	33.16	11	B063135	33.18	6
AP8102375	33.14	15	AP8150204	33.27	19	B063167	33.15	12
AP8102375	33.31	14	AP8150248	33.16	13	B063197	33.02	1
AP8102524	33.03	4	AP8150285	34.42	27	B063198	33.02	2
AP8102678	33.48	1	AP8150349	33.17	10	B063213	33.22	30
AP8102688	33.48	2	AP8150349	33.32	6	B063214	33.22	21
AP8102765	33.22	24	AP8150377	33.28	13	B063233	33.31	5
AP8102766	33.22	23	AP8150377	33.31	20	B063269	34.42	11
AP8102913	33.14	3	AP8150436	33.02	12	B063287	33.01	4
AP8104509	33.18	9	AP8150450	33.14	12	B063342	34.42	20
AP8104525	33.22	5	AP8150509	33.22	19	B063427	33.18	3
AP8104924	33.22	4	AP8152043	33.27	18	B063431	33.14	11
AP8104996	33.22	28	AP8152220	33.02	11	B063443	33.26	28
AP8113003	33.27	20	AP8152220	34.39	18	B063465	34.37	15
AP8113241	33.26	22	AP8152268	33.16	12	B063466	34.37	16
AP8113288	33.26	16	AP8152273	33.21	4	B063735	33.28	14
AP8113553	33.26	23	AP8152277	33.04	7	B063735	33.29	6
AP8120246	34.09	10	AP8152277	33.05	8	B063750	33.27	6
AP8120311	33.01	13	AP8152277	33.19	3	B063752	33.21	1
AP8120416	33.30	18	AP8152278	33.11	2	B063854	33.23	1
AP8120416	33.31	27	AP8152278	33.15	3	B063855	33.23	2
AP8120416	33.48	11	AP8152279	33.15	9	B063975	33.18	15
AP8120446	33.48	9	AP8152281	34.45	9	CM001928	33.07	8
AP8120455	33.22	9	AP8152286	33.34	11	CM001929	33.07	9
AP8120557	33.12	11	AP8152287	33.02	13	CM0074C9	33.30	10
AP8120615	33.22	10	AP8152288	33.02	15	CM0074D0	33.30	9
AP8120772	33.22	20	AP8152288	33.27	9	CM013202	33.31	25
AP8120870	33.23	24	AP8152298	33.26	18	CM225705	33.31	15
AP8120876	33.22	8	AP8152298	34.47	6	CM225710	33.31	16
AP8120912	33.06	2	AP8152299	33.15	14	CM225715	33.31	17
AP8120912	33.26	2	AP8152299	33.27	22	CM225730	33.31	18
AP8121014	33.03	3	AP8152299	33.30	5	CM228303	34.47	1
AP8121032	33.15	13	AP8152299	33.48	5	CM228304	34.47	1
AP8121032	33.17	7	AP8152300	33.02	14	GU00823923140	33.03	7



Code	N° de tableau	Pos.	Code	N° de tableau	Pos.	Code	N° de tableau	Pos.
GU00823923140	33.22	32	GU14090201	34.41	1	GU19355304	34.10	33
GU00823923140	33.48	12	GU14090400	34.41	2	GU19355305	34.10	33
GU00823931055	33.28	19	GU14217901	34.40	6	GU19355306	34.10	33
GU00823931070	33.12	14	GU14217901	34.42	7	GU19355307	34.10	33
GU00823944050	33.12	13	GU14217901	34.44	17	GU19355308	34.10	33
GU00823950050	33.26	21	GU14609650	33.30	18	GU19355309	34.10	33
GU01528930	34.10	9	GU14609650	33.31	27	GU19355320	34.10	27
GU01609630	33.18	14	GU14615901	33.05	15	GU19355321	34.10	27
GU01654630	33.19	17	GU14615901	33.13	5	GU19355322	34.10	27
GU01659130	33.19	11	GU14615901	34.09	20	GU19355323	34.10	27
GU01659131	33.19	12	GU14615901	34.37	5	GU19355324	34.10	27
GU01665410	33.26	25	GU14616150	33.34	7	GU19355325	34.10	27
GU02717450	33.30	11	GU14616150	33.35	10	GU19355326	34.10	27
GU03013800	33.06	7	GU18144350	34.39	16	GU19355327	34.10	27
GU03013800	33.23	8	GU18161150	34.39	21	GU19355328	34.10	27
GU03013800	34.47	10	GU18257551	33.26	8	GU19355329	34.10	27
GU03067730	34.10	19	GU19002020	34.35	5	GU19355400	34.10	21
GU03101600	33.12	7	GU19002020	34.42	16	GU19355402	34.10	21
GU03101720	33.12	5	GU19003800	34.34	8	GU19355404	34.10	21
GU03101900	33.12	3	GU19007700	34.45	8	GU19355406	34.10	21
GU03102200	33.12	6	GU19015020	34.34	5	GU19355408	34.10	21
GU03102400	33.12	2	GU19017000	33.02	4	GU19355410	34.10	21
GU03103200	33.12	8	GU19018920	34.39	10	GU19355411	34.10	21
GU03103500	33.12	4	GU19021360	34.36	18	GU19355412	34.10	21
GU03163330	33.31	3	GU19021920	34.36	7	GU19355413	34.10	21
GU03270300	33.27	10	GU19025280	33.23	5	GU19356700	34.10	30
GU03604845	33.19	8	GU19025460	33.23	6	GU19356760	34.41	16
GU03605645	33.19	9	GU19027500	34.38	15	GU19356801	34.10	28
GU03609600	33.18	14	GU19030500	34.38	7	GU19357660	34.10	25
GU03617710	33.34	5	GU19032080	34.38	10	GU19547000	34.09	12
GU03617710	33.35	6	GU19032980	34.36	17	GU20085720	34.41	13
GU03658201	33.27	16	GU19032980	34.38	14	GU20147710	34.39	17
GU03658330	33.27	17	GU19034000	34.38	8	GU20147810	34.39	3
GU03658430	33.27	14	GU19037820	34.36	8	GU20148410	34.39	4
GU03660145	33.19	1	GU19045861	34.38	25	GU20148610	34.39	5
GU03661145	33.19	6	GU19055700	34.38	23	GU20208520	34.44	9
GU03664045	33.19	7	GU19058021	34.38	19	GU20258221	33.06	9
GU03740930	33.29	2	GU19058220	34.38	20	GU20352421	34.10	31
GU03749845	33.19	5	GU19062261	34.37	4	GU20355121	34.10	34
GU03922280	34.09	23	GU19065400	34.37	2	GU23204471	34.40	21
GU03995730	33.33	11	GU19067700	34.37	18	GU23204571	34.40	22
GU05107430	33.21	3	GU19083462	34.40	2	GU23211372	34.43	8
GU05659230	33.19	10	GU19146422	34.39	1	GU23217800	34.38	3
GU05730730	34.46	1	GU19152200	34.39	11	GU23328081	34.09	7
GU05781630	33.16	14	GU19202320	34.42	9	GU23548080	34.09	8
GU05900130	33.33	6	GU19203460	34.40	11	GU23548180	34.09	9
GU06740400	33.28	17	GU19206501	34.10	10	GU23922210	33.17	12
GU10054100	34.43	12	GU19212900	34.43	15	GU23943410	33.08	35
GU10214300	34.43	27	GU19213720	34.43	17	GU27037521	34.38	4
GU10214301	34.43	27	GU19213760	34.41	15	GU27061585	34.37	3
GU10214302	34.43	27	GU19214660	34.43	11	GU27061885	34.37	17
GU10214303	34.43	27	GU19215460	34.43	3	GU27062060	34.37	6
GU10214304	34.43	27	GU19234600	34.44	2	GU27065660	34.37	7
GU10214305	34.43	27	GU19237800	34.42	13	GU27066460	34.37	9
GU10528900	34.34	15	GU19327601	34.09	5	GU27066560	34.37	8
GU10528900	34.40	13	GU19328801	34.09	3	GU27152885	34.34	22
GU10528900	34.42	23	GU19350700	34.10	22	GU27153085	34.39	14
GU12003702	34.34	20	GU19351100	34.10	4	GU27210760	34.41	12
GU12022600	34.10	6	GU19351900	34.10	2	GU27633910	33.35	4
GU12022600	34.42	24	GU19352300	34.10	23	GU28157950	33.22	29
GU12087001	34.41	9	GU19353500	34.10	24	GU28157950	33.48	8
GU12154200	34.34	23	GU19355200	34.10	35	GU28252060	33.02	8
GU12154200	34.42	12	GU19355202	34.10	36	GU29729461	33.31	2
GU13021900	34.34	26	GU19355300	34.10	33	GU29759150	33.18	17
GU13021900	34.36	12	GU19355301	34.10	33	GU30577800	33.29	13
GU14086000	34.41	10	GU19355302	34.10	33	GU30577800	34.47	17
GU14086100	34.41	7	GU19355303	34.10	33	GU30601060	33.18	13

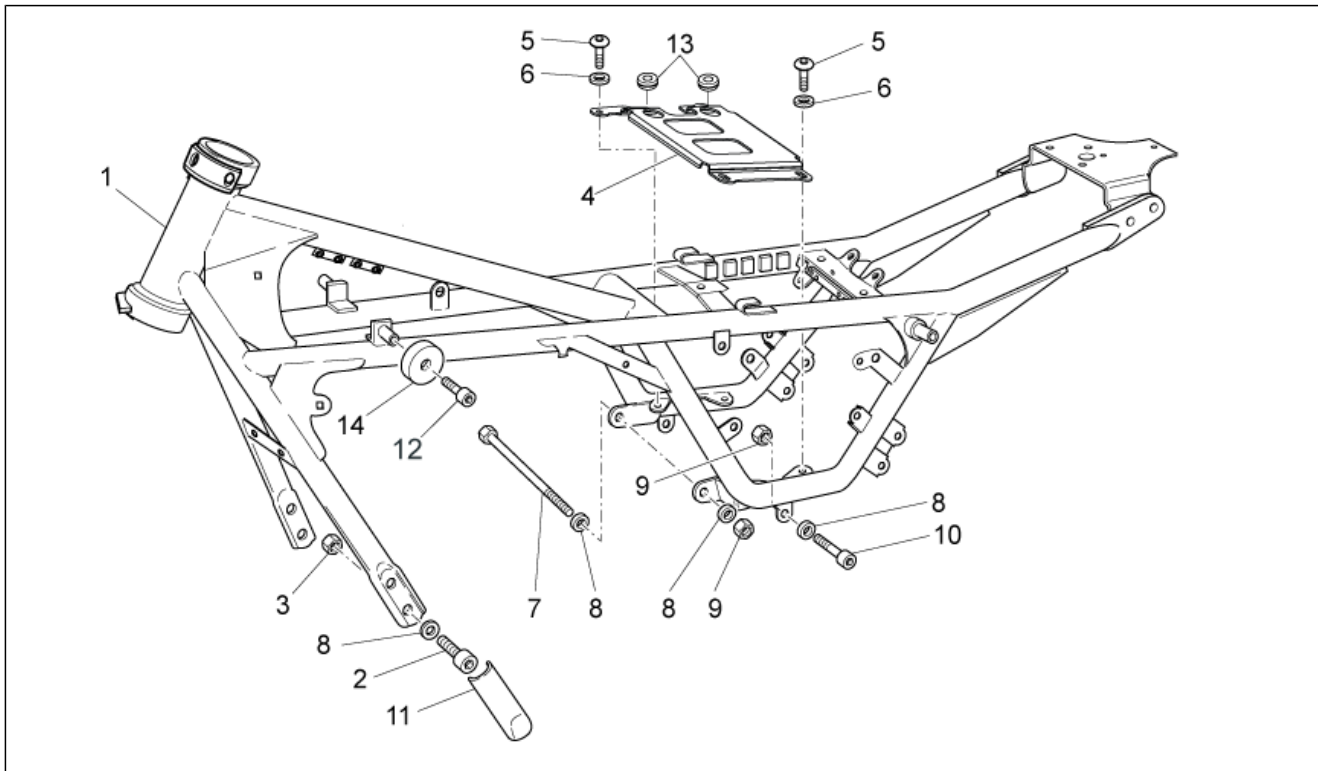


Code	N° de tableau	Pos.	Code	N° de tableau	Pos.	Code	N° de tableau	Pos.
GU30602500	33.18	22	GU32441210	33.04	5	GU90706141	33.30	17
GU31003766	34.10	8	GU32441210	33.05	3	GU90706170	34.41	8
GU31003766	34.34	14	GU32442310	33.05	1	GU90706188	34.10	29
GU31003766	34.40	19	GU32442710	33.05	10	GU90706188	34.43	18
GU31003766	34.42	26	GU32443210	33.04	4	GU90706203	34.10	7
GU31016050	34.39	20	GU32443210	33.05	2	GU90706203	34.42	25
GU31037015	34.38	13	GU32443211	33.04	11	GU90706235	34.41	14
GU31038015	34.38	5	GU32443211	33.05	11	GU90706281	34.34	19
GU31045015	34.38	26	GU32457810	33.01	11	GU90706444	34.34	17
GU31112965	33.22	33	GU32461610	33.14	2	GU90706584	34.10	37
GU31121880	33.23	9	GU32506360	33.28	1	GU90714082	33.22	31
GU31150950	34.39	26	GU32517710	33.31	8	GU91113826	33.23	23
GU31159050	34.39	15	GU32555210	33.11	4	GU91120806	33.15	6
GU31327783	34.09	2	GU32555211	33.11	5	GU91180601	33.15	10
GU31439565	33.13	4	GU32603010	33.18	16	GU91181003	33.18	11
GU31513480	33.08	20	GU32603310	33.18	7	GU91181003	33.19	18
GU31544181	34.09	15	GU32605510	33.18	2	GU91551010	33.22	25
GU31547882	34.09	14	GU32615660	33.34	8	GU91551086	33.14	13
GU31614183	33.34	9	GU32632510	33.35	9	GU92201070	34.10	14
GU31615283	33.34	2	GU32633360	33.35	14	GU92201220	34.43	16
GU31616384	33.34	12	GU32633560	34.10	11	GU92201225	34.40	10
GU31634281	33.27	4	GU32634160	33.27	5	GU92204217	33.35	5
GU31634481	33.35	15	GU32636160	33.35	7	GU92204218	33.35	3
GU31740383	33.28	11	GU32657110	33.19	2	GU92204221	33.34	3
GU32032310	34.38	11	GU32735510	33.32	5	GU92218417	34.43	10
GU32053410	34.38	16	GU32747910	33.31	9	GU92230320	34.43	13
GU32054510	34.38	17	GU32753410	33.28	3	GU92234716	34.43	26
GU32067910	34.40	5	GU32753410	33.29	8	GU92249220	34.10	32
GU32080310	34.40	1	GU32781910	33.16	10	GU92249225	33.07	2
GU32084410	34.40	4	GU32782510	33.17	8	GU92249227	34.10	20
GU32115010	34.47	3	GU32782510	33.32	2	GU92251028	34.43	7
GU32115011	34.47	8	GU32944310	33.33	12	GU92252210	34.39	2
GU32115510	34.47	7	GU32999010	34.34	25	GU92252235	34.10	5
GU32121010	33.23	7	GU32999510	34.34	24	GU92296723	34.39	6
GU32202010	34.43	28	GU35214300	34.09	13	GU92602406	34.38	9
GU32206510	34.42	22	GU39238100	34.43	25	GU92602510	34.39	19
GU32208210	34.42	8	GU49609601	33.30	18	GU92603010	34.36	11
GU32210510	34.43	1	GU49609601	33.31	27	GU92606206	33.17	6
GU32211110	34.43	9	GU53429500	33.02	3	GU92606208	34.34	7
GU32211410	34.43	6	GU61027200	34.37	12	GU92606208	34.40	18
GU32211810	34.43	5	GU61036801	34.36	3	GU92606210	33.01	9
GU32212011	34.43	2	GU61038100	34.38	6	GU92606210	33.02	5
GU32213610	34.43	14	GU61054900	34.38	18	GU92606210	33.11	7
GU32213810	34.42	5	GU61270300	34.10	26	GU92606210	34.09	18
GU32214010	34.43	24	GU61270300	34.34	6	GU92606316	33.35	11
GU32214510	34.43	20	GU61270300	34.36	21	GU92606508	34.41	3
GU32214810	34.43	21	GU61270300	34.40	17	GU92606512	34.42	14
GU32215010	34.43	22	GU66103415	33.01	14	GU92609007	33.26	12
GU32215210	34.43	23	GU90271018	34.38	12	GU92630108	33.15	8
GU32231010	34.44	5	GU90271117	34.43	29	GU92630204	33.16	8
GU32231210	34.44	4	GU90271121	34.43	19	GU92630206	33.26	6
GU32233010	34.44	6	GU90271124	34.43	4	GU92630510	33.01	3
GU32234110	34.44	13	GU90272023	34.09	4	GU92630707	33.06	5
GU32234410	34.44	1	GU90272075	34.40	3	GU92640508	33.23	19
GU32234710	34.44	11	GU90274026	34.44	3	GU92660021	33.26	7
GU32234810	34.44	12	GU90353009	34.36	4	GU92787006	33.28	6
GU32234910	34.44	16	GU90353029	34.38	24	GU92787006	33.29	11
GU32235710	34.44	14	GU90353030	34.10	17	GU93180105	34.09	21
GU32238210	34.44	10	GU90400616	34.41	11	GU93180111	33.34	13
GU32256910	33.06	4	GU90402538	33.35	2	GU93180220	34.40	9
GU32257810	33.06	8	GU90402642	33.34	4	GU93180245	34.36	22
GU32350410	34.10	13	GU90403251	34.10	38	GU93222023	33.17	4
GU32351410	34.10	16	GU90403549	34.10	3	GU93231605	33.29	14
GU32354610	34.10	18	GU90407591	34.10	15	GU93231605	34.47	16
GU32431310	33.02	9	GU90706076	34.34	9	GU93301175	33.23	26
GU32434460	33.13	1	GU90706111	34.39	22	GU93301313	33.48	15
GU32439260	33.48	3	GU90706140	34.42	4	GU93305061	33.22	22



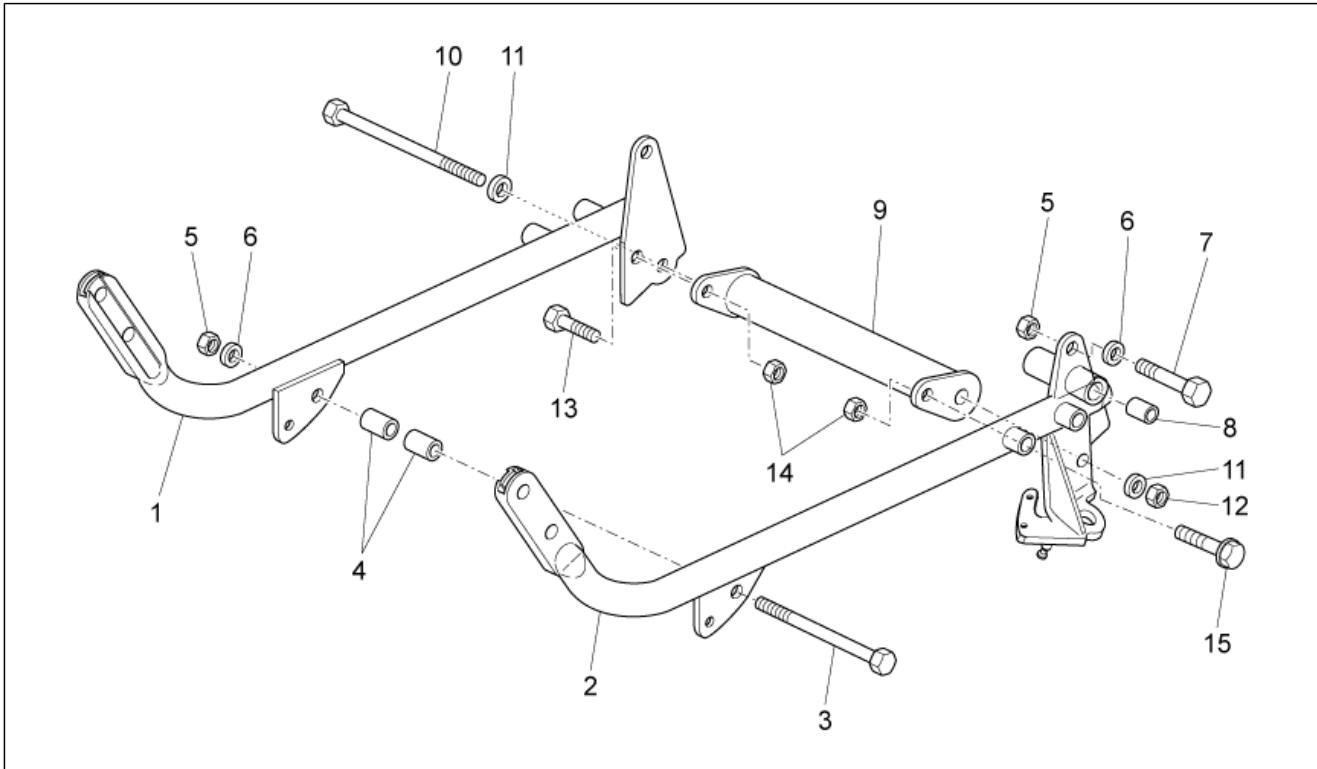
Code	N° de tableau	Pos.	Code	N° de tableau	Pos.
GU93450105	33.28	9	GU98350215	33.29	12
GU93450126	33.28	15	GU98370412	33.19	4
GU93450126	33.29	7	GU98370515	34.47	18
GU93450224	33.29	3	GU98370609	33.17	2
GU93450232	33.28	10	GU98370616	33.31	7
GU94321079	34.39	24	GU98370625	33.14	4
GU94321099	34.09	6	GU98370625	33.26	17
GU94321105	34.41	4	GU98370655	33.28	7
GU95004210	33.31	4	GU98370655	33.29	9
GU95005306	33.17	3	GU98370831	33.15	5
GU95005308	33.26	9	GU98370845	33.13	3
GU95005308	33.28	23	GU98612216	33.03	9
GU95005308	33.48	4	GU98622322	34.47	9
GU95005308	34.09	22	GU98632322	33.06	6
GU95005310	33.15	7	GU98680435	34.40	15
GU95005310	33.26	5	GU98680435	34.42	19
GU95008205	33.30	16	GU98680450	34.40	16
GU95008206	34.39	23	GU98680545	34.09	16
GU95008208	33.01	6	GU98680555	33.01	10
GU95008208	34.46	3	GU98682212	33.30	15
GU95008210	33.01	8	GU98682212	33.31	12
GU95008210	33.02	6	GU98682212	34.45	5
GU95008210	34.09	17	GU98682325	34.34	11
GU95008305	33.18	20	GU98682325	34.35	3
GU95008306	33.19	20	GU98682330	34.35	4
GU95008306	33.27	21	GU98682330	34.42	18
GU95020105	33.03	10	GU98682414	33.01	12
GU95021104	33.19	19	GU98682416	33.01	5
GU95021105	33.18	21	GU98682416	33.04	12
GU95021206	33.17	5	GU98682416	33.05	14
GU95021206	33.28	8	GU98682416	33.17	9
GU95021206	33.29	10	GU98682416	33.32	7
GU95100059	33.31	13	GU98682430	33.12	9
GU95100116	34.47	12	GU98682435	34.46	2
GU95100125	34.45	11	GU98682530	33.01	2
GU95100244	34.38	29	GU98690335	33.11	8
GU95100309	34.39	27	GU98690335	33.18	8
GU95100602	34.39	25	GU98690440	33.23	17
GU95100709	34.34	21	GU98692325	34.36	16
GU95129115	34.38	22	GU98692420	33.28	22
GU95129180	34.34	27	GU98880540	33.28	21
GU95129180	34.36	13	GU98882316	34.38	21
GU95129181	33.11	6			
GU95129260	33.06	3			
GU95187006	34.39	13			
GU95500221	33.26	10			
GU95500222	34.41	6			
GU95780271	34.41	5			
GU96451316	33.27	15			
GU96451430	34.34	3			
GU96451560	34.34	2			
GU96506042	34.36	5			
GU96508055	34.10	12			
GU96508055	34.34	4			
GU96510181	34.36	15			
GU96510214	34.36	14			
GU97202325	33.18	12			
GU98054422	34.38	28			
GU98082565	33.02	7			
GU98084314	34.39	12			
GU98084314	34.40	12			
GU98110199	33.01	7			
GU98210612	33.23	27			
GU98230510	33.16	4			
GU98230510	33.18	19			
GU98230612	34.44	7			
GU98257618	34.44	15			

Groupe	CHASSIS
Code	33.01
Description	Chassis I
Révision	1



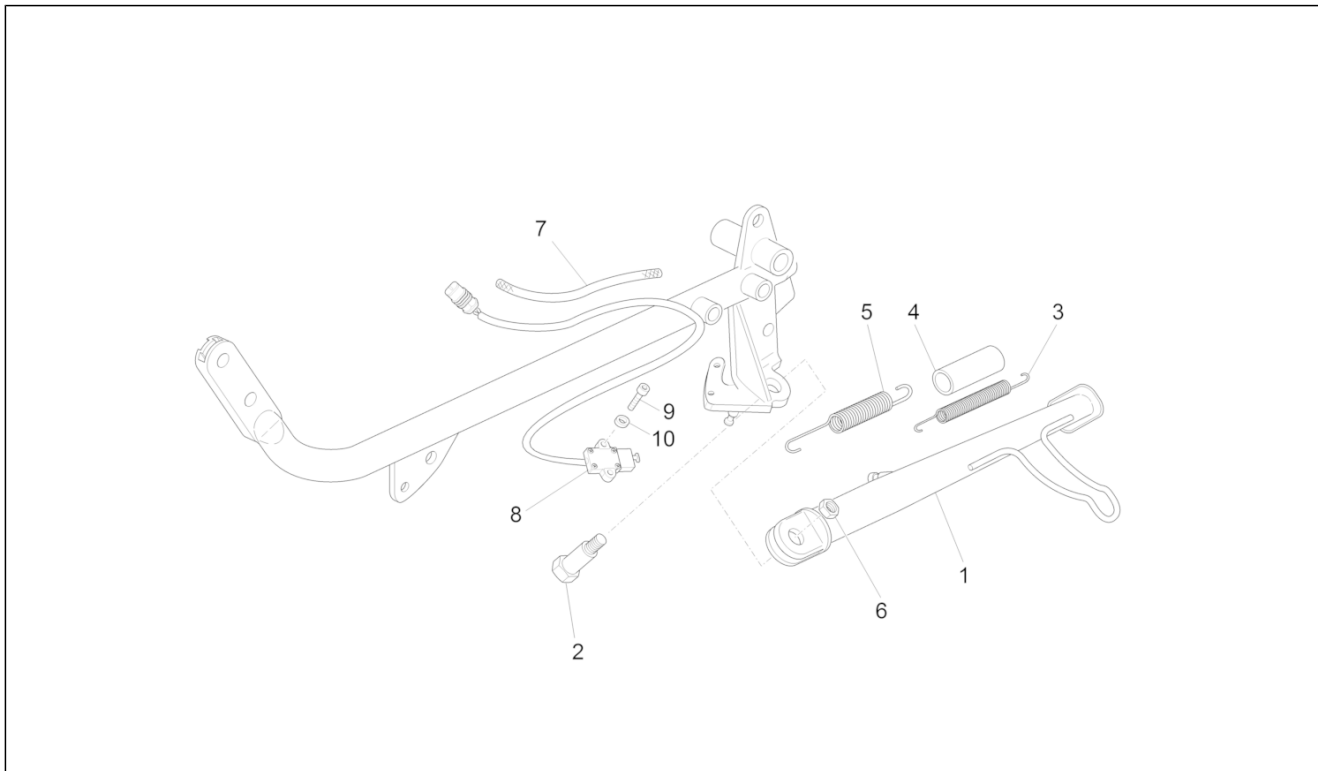
Pos.	Code	Description	Quant	Variants
1	887837	Châssis v.	1	
2	GU98682530	Vis M10x30	4	
3	GU92630510	Ecrou M10x1,5	4	
4	B063287	Plaque de liaison du cadre	1	
5	GU98682416	Vis M8x16	4	
6	GU95008208	Rondelle 8,4X15X1,5	4	
7	GU98110199	Pivot M10x205	1	
8	GU95008210	Rondelle 10,2X18X2	11	
9	GU92606210	Ecrou M10x1,5	3	
10	GU98680555	Vis M10x55	2	
11	GU32457810	Protection	2	
12	GU98682414	Vis	2	
13	AP8120311	Caoutchouc *	2	
14	GU66103415	Caoutchouc	2	

Groupe	CHASSIS
Code	33.02
Description	Chassis II
Révision	1



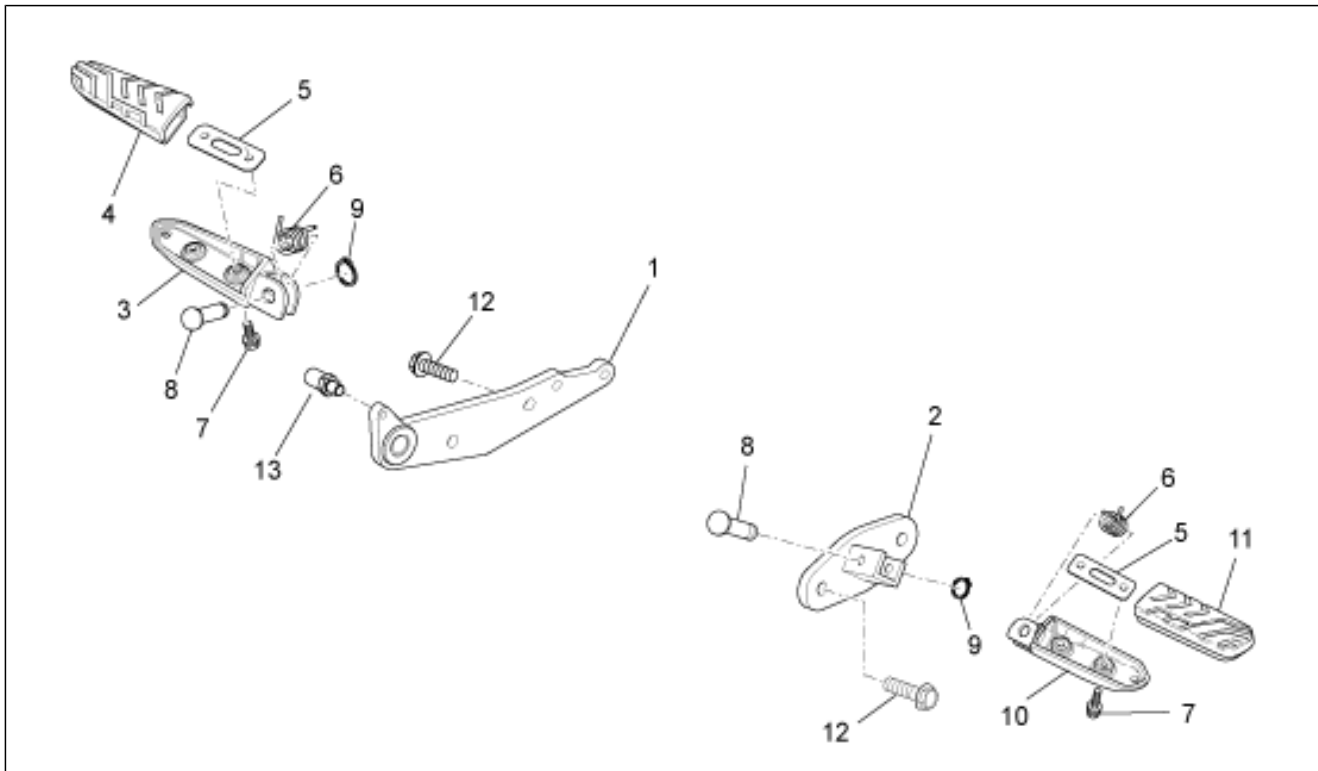
Pos.	Code	Description	Quant	Variants
1	B063197	Bras d.	1	
2	B063198	Bras g.	1	
3	GU53429500	Pivot M10x250	1	
4	GU19017000	Douille	2	
5	GU92606210	Ecrou M10x1,5	3	
6	GU95008210	Rondelle 10,2X18X2	3	
7	GU98082565	Vis M10x65	2	
8	GU28252060	Douille 18 mm est.	2	
9	GU32431310	Traverse comm.bras duberceau	1	
10	AP8121367	Pivot M10x260	1	
11	AP8152220	Rondelle	2	
12	AP8150436	Ecrou autofr. bas	1	
13	AP8152287	Vis bride M8x25	1	
14	AP8152300	Ecrou autobloqu. M8	1	
15	AP8152288	Vis bride	1	

Groupe	CHASSIS
Code	33.03
Description	Béquille latérale
Révision	1



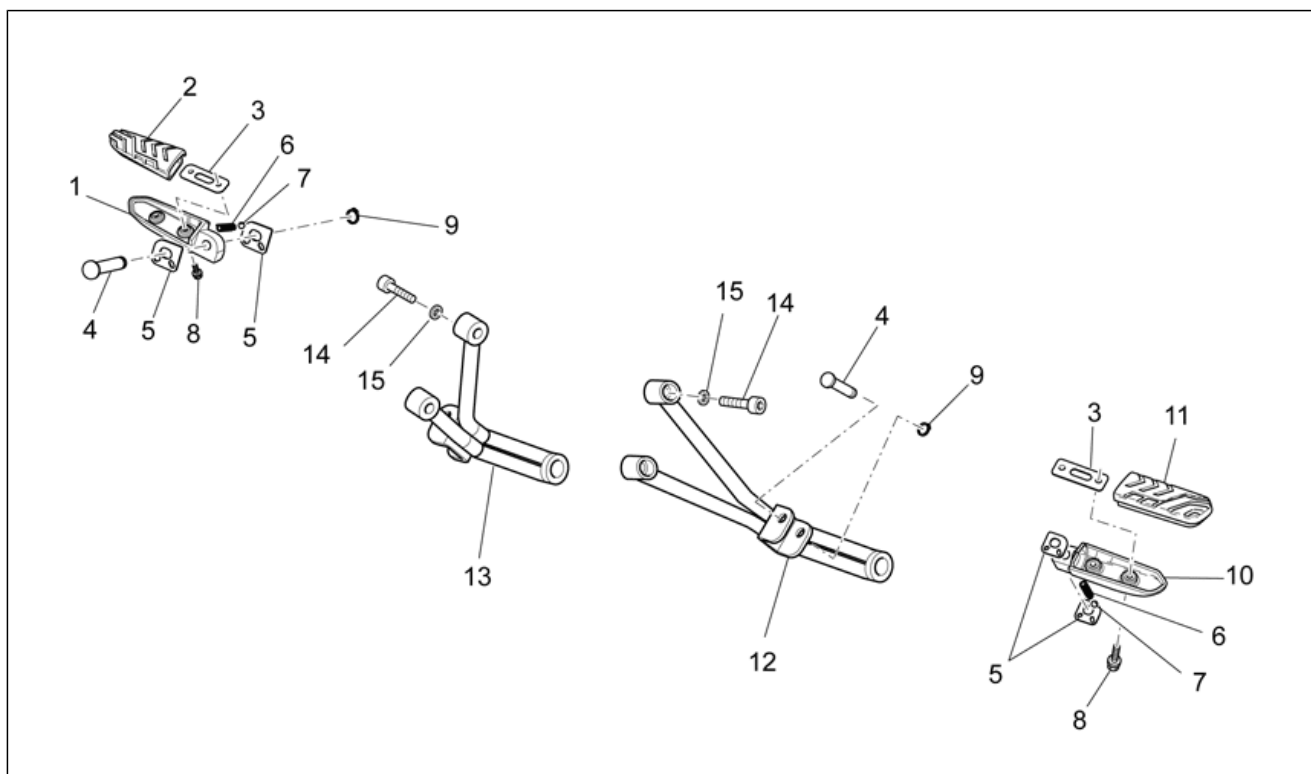
Pos.	Code	Description	Quant	Variants
1	B063086	Béquille latérale	1	
2	AP8121375	Vis fix. béquille	1	
3	AP8121014	Ress.hél.cyl.tract. *	1	
4	AP8102524	Protec.ress.béquille	1	
5	AP8221197	Ressort rappel béq.	1	
6	967356	Ecrou bridé M10x1,25	1	
7	GU00823923140	Gaine thermique	1	
8	AP8127856	Interrupteur béquille	1	
9	GU98612216	Vis	2	
10	GU95020105	Rondelle 5,3x8,9x2,4	2	

Groupe	CHASSIS
Code	33.04
Description	R-pied pilote
Révision	1



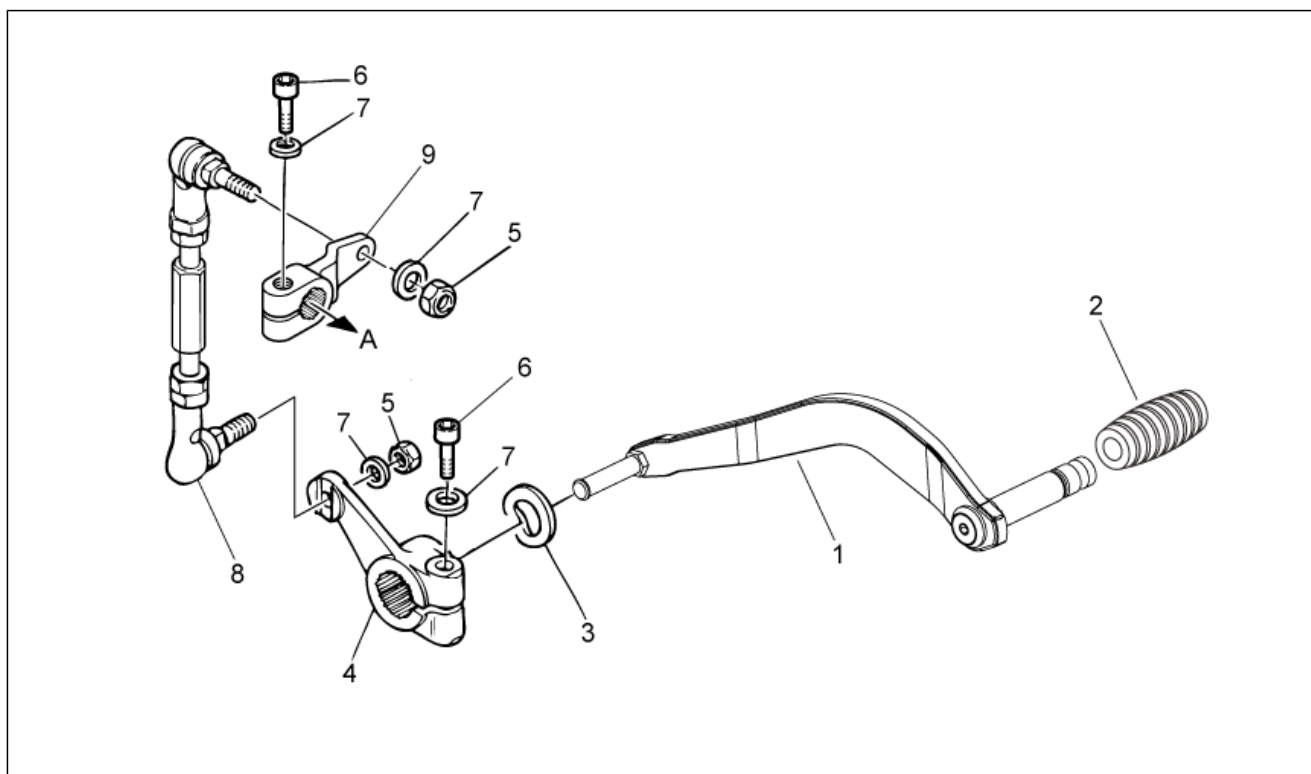
Pos.	Code	Description	Quant	Variants
1	883051	Support repose-pieds dte	1	
2	883052	Support r-p. G	1	
3	AP8145034	R-pied pilote D	1	
4	GU32443210	Coautchouc pour support	1	
5	GU32441210	Plaquette	2	
6	AP8221277	Ressort retour repose-pieds	2	
7	AP8152277	Vis bride M6x12	4	
8	AP8121566	Pivot repose-pieds	2	
9	AP8152409	Anneau d'arrêt rad.	2	
10	AP8145035	R-pied pilote G	1	
11	GU32443211	Coautchouc pour support	1	
12	GU98682416	Vis M8x16	4	
13	B063132	Utée	1	

Groupe	CHASSIS
Code	33.05
Description	R-pied pass.
Révision	1



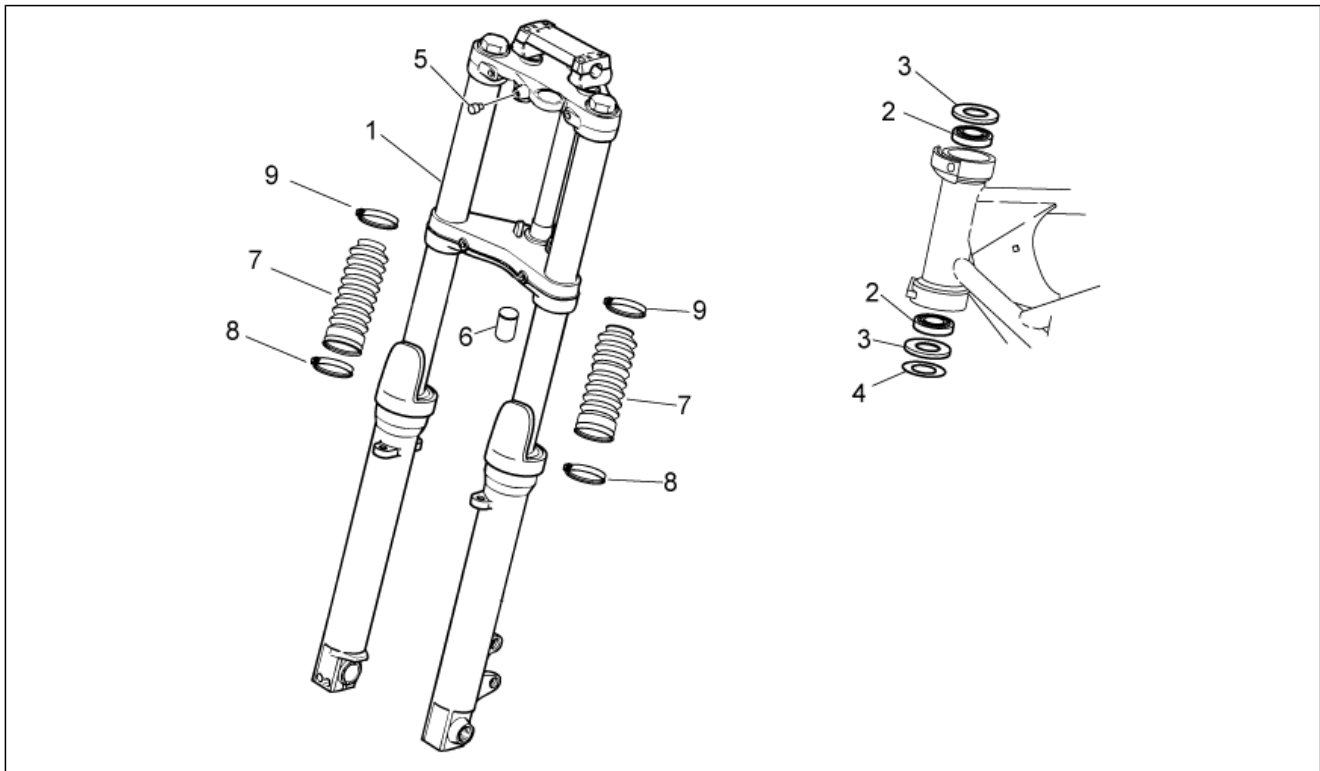
Pos.	Code	Description	Quant	Variants
1	GU32442310	Rep-pieds pass.dte	1	
2	GU32443210	Coautochouc pour support	1	
3	GU32441210	Plaquette	2	
4	AP8121566	Pivot repose-pieds	2	
5	AP8134451	Plaque fdc r-pied	4	
6	AP8121133	Res. hélic. compr	2	
7	AP8101861	Bille D6,35	2	
8	AP8152277	Vis bride M6x12	4	
9	AP8152409	Anneau d'arrêt rad.	2	
10	GU32442710	Rep-p. pass.gche	1	
11	GU32443211	Coautochouc pour support	1	
12	2B000349	Supporto pedane passeggero sx con Pi	1	
12	883019	Support r-p. G	1	
13	2B000348	Supporto pedane passeggero dx con PI	1	
13	883015	Support repose-pieds dte	1	
14	GU98682416	Vis M8x16	4	
15	GU14615901	Rondelle 8,4X13X0,8	4	

Groupe	CHASSIS
Code	33.06
Description	Levier boîte de vitesses
Révision	1



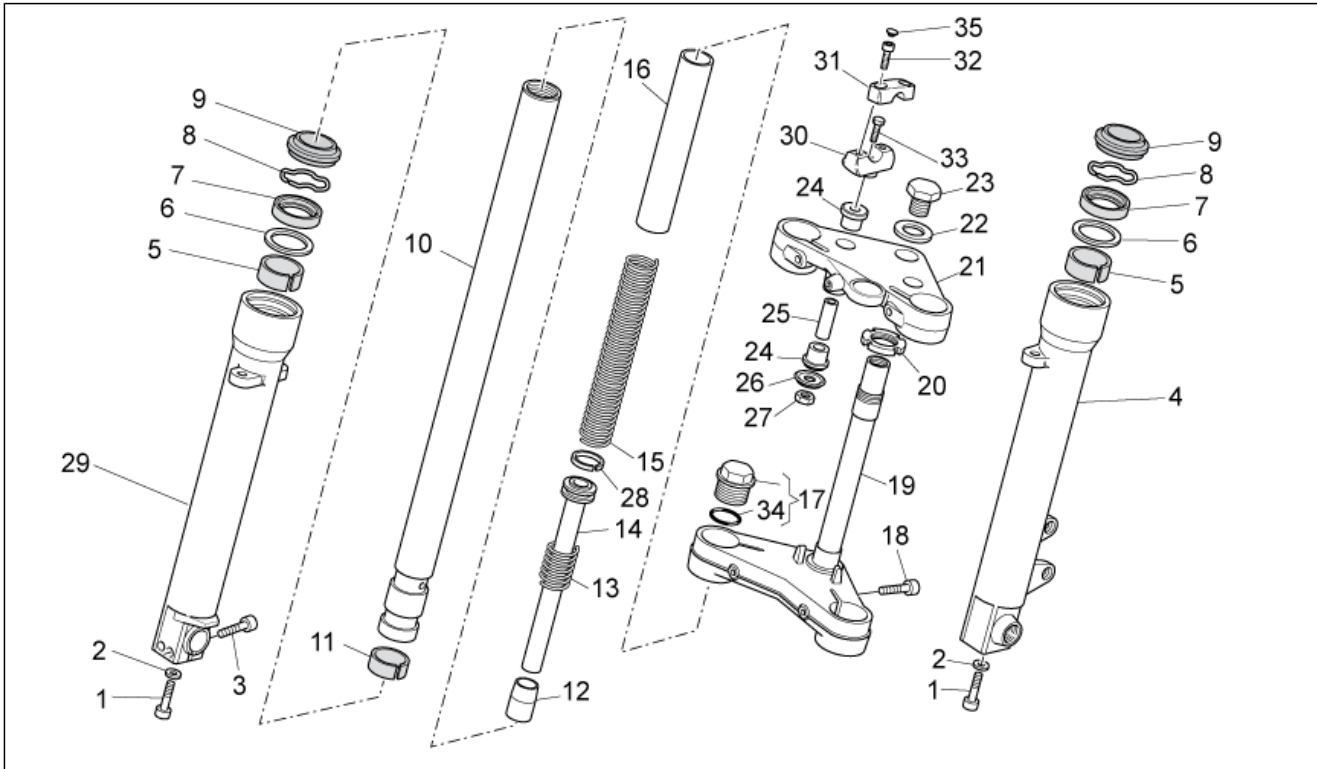
Pos.	Code	Description	Quant	Variants
1	887851	Levier boîte de vitesses	1	
2	AP8120912	Caoutchouc pour levier	1	
3	GU95129260	Rondelle élastique	2	
4	GU32256910	Levier	1	
5	GU92630707	Ecrou	2	
6	GU98632322	Vis	2	
7	GU03013800	Rondelle 6,4x12	3	
8	GU32257810	Tirant pour boîte vitesse cpl.	1	
9	GU20258221	Levier de commande	1	

Groupe	CHASSIS
Code	33.07
Description	Fourche Av. I
Révision	1



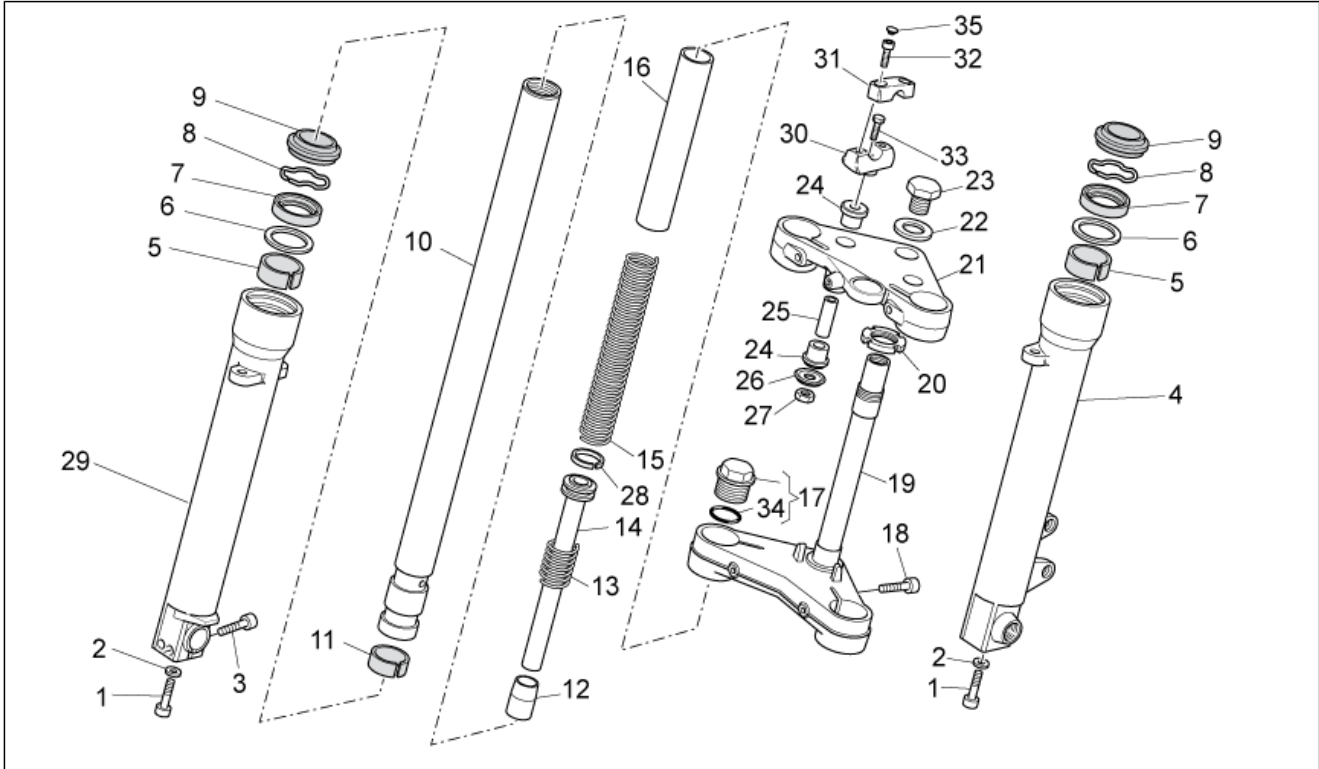
Pos.	Code	Description	Quant.	Variants
1	2B000558	Fourche complète	1	
2	GU92249225	Roulement roul.con.	2	
3	AP8144146	Bague d'étanchéité	1	
4	AP8121307	Rondelle	1	
5	AP8144081	Caoutchouc	1	
6	AP8220460	Rondelle en caoutchouc	1	
7	898086	Soufflet fourche	2	
8	CM001928	Collier serr. Tube 44	2	
9	CM001929	Fascetta stringitubo 63.5	2	

Groupe	CHASSIS
Code	33.08
Description	Fourche Av. II
Révision	1



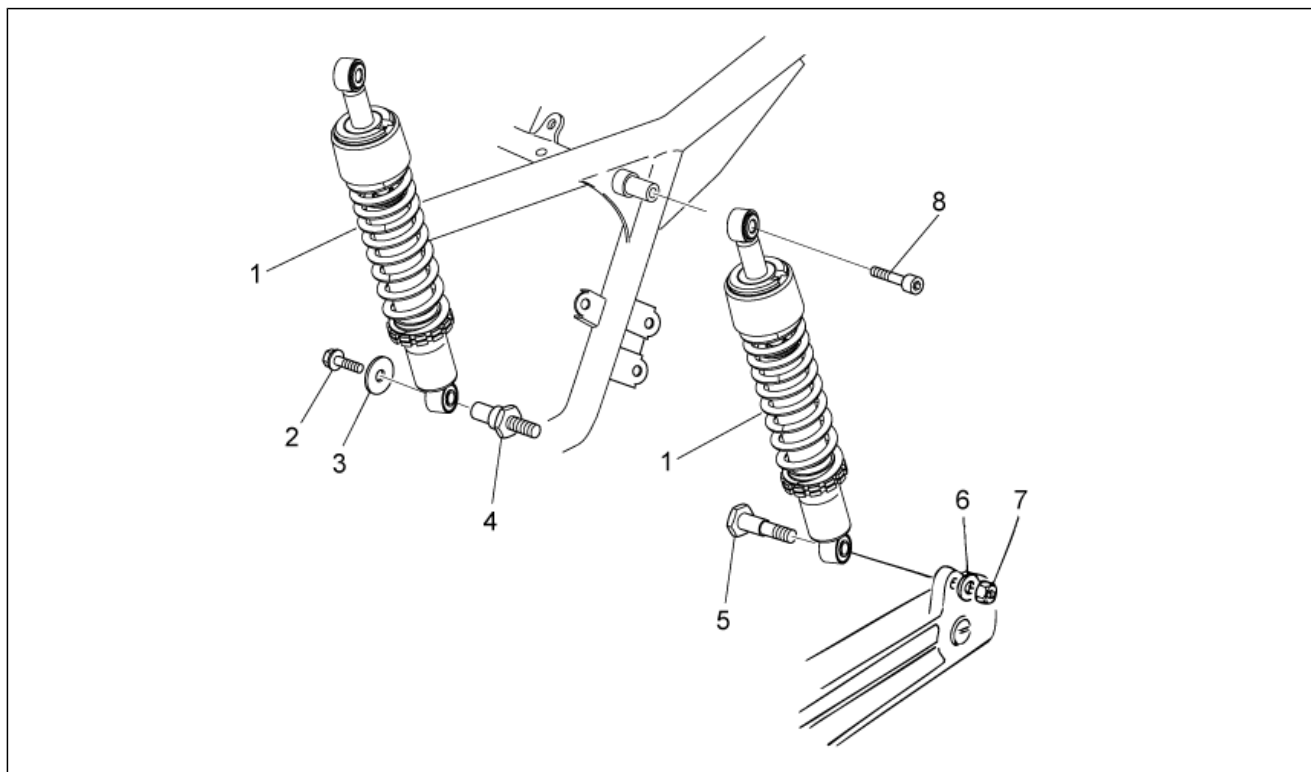
Pos.	Code	Description	Quant	Variants
1	887878	Vis M10x30	2	
2	887879	Rondelle	2	
3	887880	Vis	2	
4	2R000110	Fourreau G	1	
5	887882	Douille supérieure	2	
6	887883	Rondelle	2	
7	887884	Bague d'étanchéité	2	
8	887885	Bague de butée	2	
9	887886	Pare-poussière	2	
10	887887	Tige	2	
11	887888	Douille	2	
12	887889	Tampon	2	
13	887890	Contre-ressort	2	
14	887891	Elém.pompage cpl	2	
15	887892	Ressort	2	
16	887893	Tuyau	2	
17	887894	Gr. bouchon cpl.	2	
18	887895	Vis	2	
19	887896	Base avec tube	1	
20	GU31513480	Bague M25X1	1	
21	887898	Plaque supérieure	1	
22	887899	Rondelle	1	
23	887900	Ecrou	1	
24	887901	Caoutchouc	4	
25	887902	Entretoise	2	
26	887903	Rondelle	2	
27	887904	Ecrou	2	
28	887905	Segment	2	

Groupe	CHASSIS
Code	33.08
Description	Fourche Av. II
Révision	1



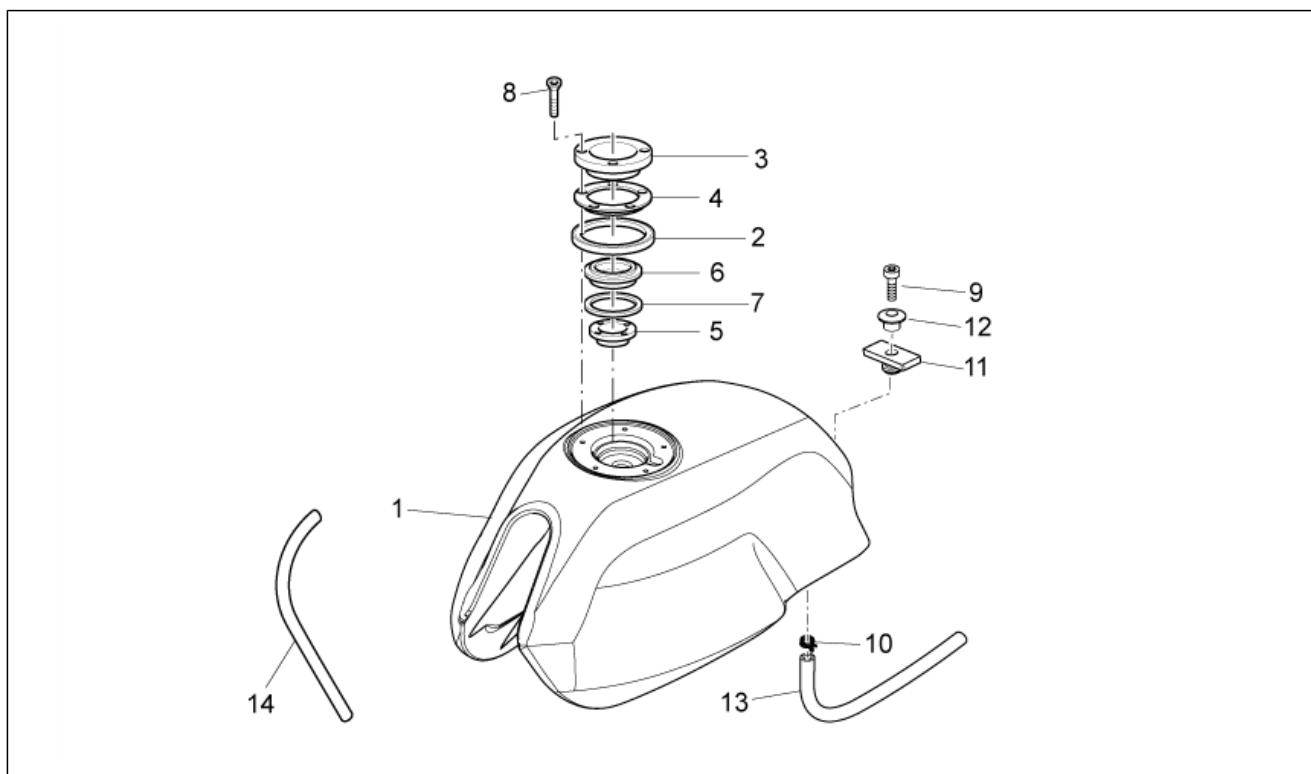
Pos.	Code	Description	Quant	Variants
29	2R000109	Fourreau D	1	
30	887912	Cavalier inf.	2	
31	887913	Cavalier sup.	2	
32	887914	Vis M8x30	4	
33	887915	Vis M10x60	2	
34	887916	Joint torique 4118	2	
35	GU23943410	Bouchon	4	

Groupe	CHASSIS
Code	33.11
Description	Amortisseur AR
Révision	1



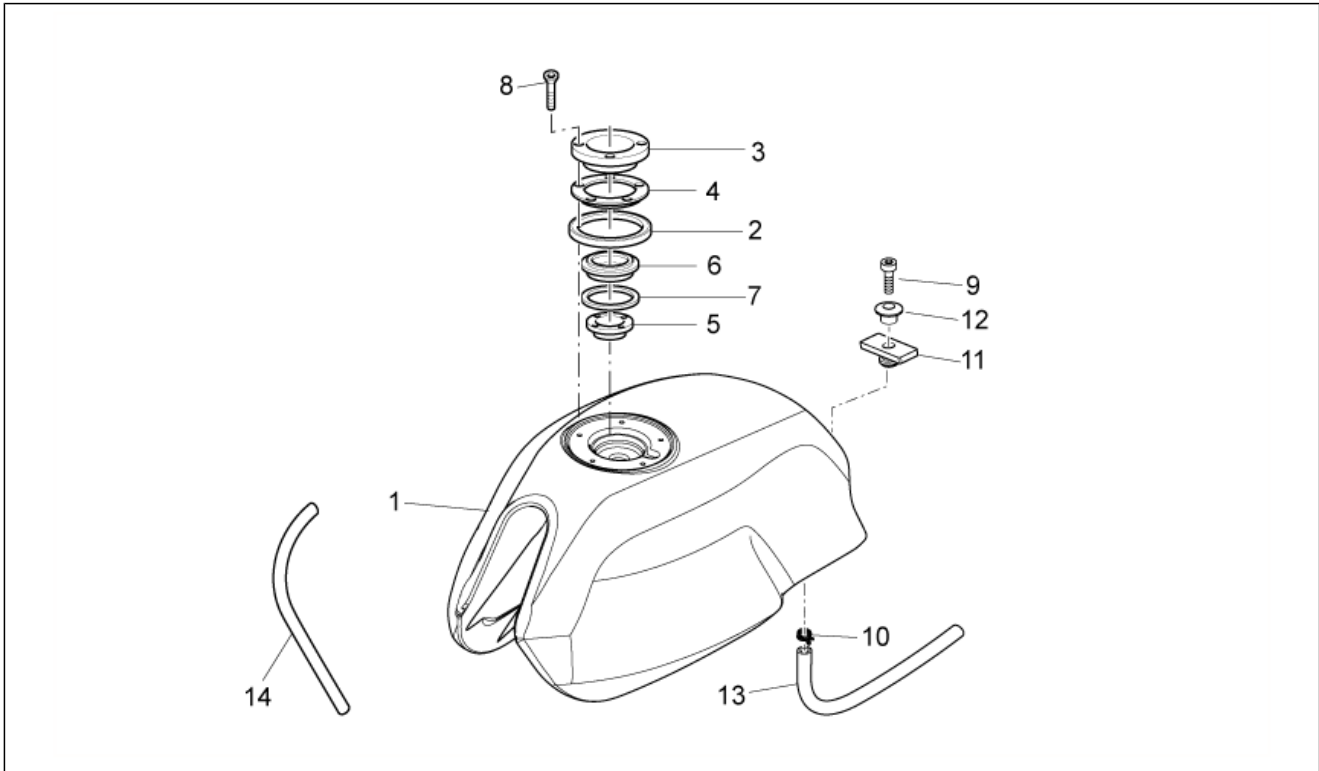
Pos.	Code	Description	Quant	Variants
1	2B000899	Amortisseur AR	2	
2	AP8152278	Vis bride M6x16	1	
3	898164	Entretoise amortis.	1	
4	GU32555210	Pivot	1	
5	GU32555211	Pivot	1	
6	GU95129181	Rondelle	1	
7	GU92606210	Ecrou M10x1,5	1	
8	GU98690335	Vis	2	

Groupe	CHASSIS
Code	33.12
Description	Réservoir essence
Révision	1



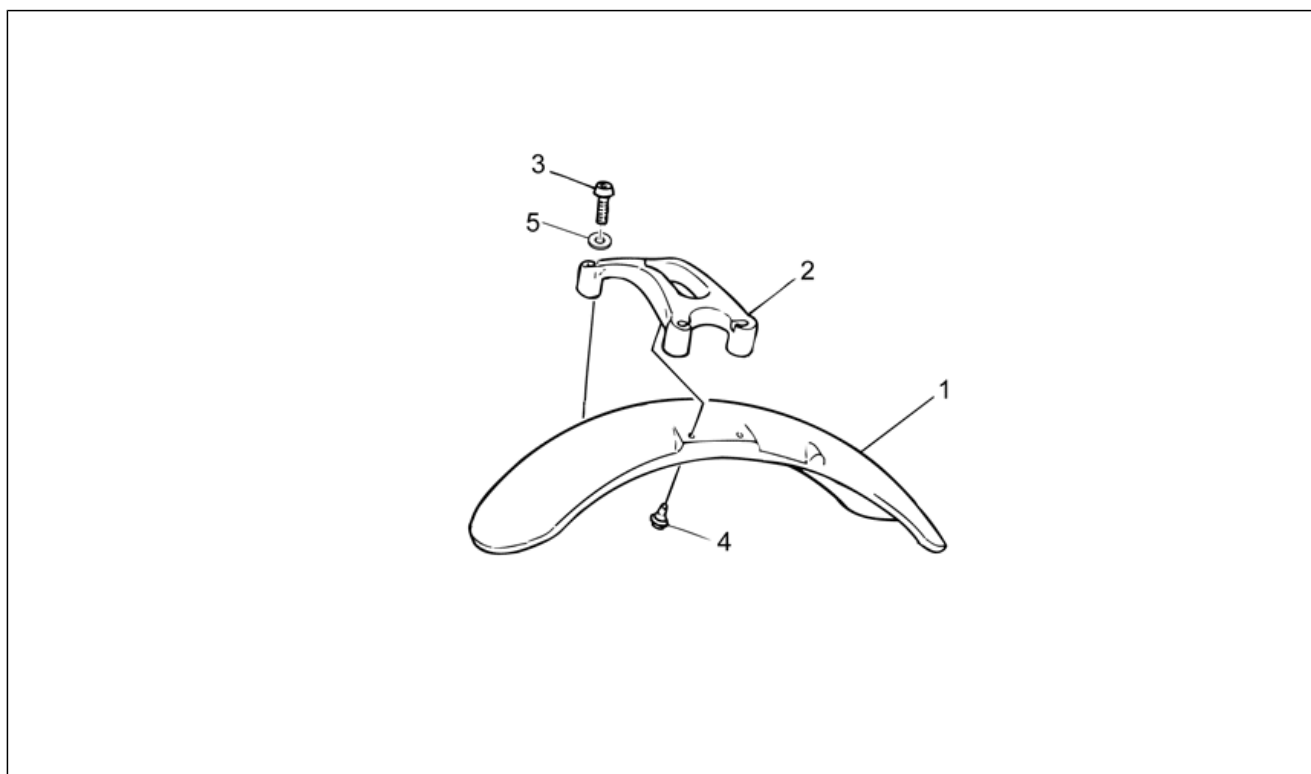
Pos.	Code	Description	Quant	Variants
1	2H000414000XN6	Réservoir noir	1	Année:2014[E] Couleur véhicule:Noir Diablo[ND] Spécifications techniques:Avec autocollant[D]
1	2H000414000XV6	Réservoir essence peint vert	1	Année:2014[E] Couleur véhicule:Verde Raptor opaco [VR] Spécifications techniques:Avec autocollant[D]
1	2H000414000YR4	Réservoir essence peint rouge	1	Année:2014[E] Couleur véhicule:Rosso Ventone[RV] Spécifications techniques:Avec autocollant[D]
1	2H000415000XN6	Réservoir noir	1	Couleur véhicule:Noir Diablo[ND] Pays:Chine[CN] Spécifications techniques:Avec autocollant[D]
1	2H000415000YR4	Réservoir essence peint rouge	1	Couleur véhicule:Rosso Ventone[RV] Pays:Chine[CN] Spécifications techniques:Avec autocollant[D]
1	887207	Réservoir d'ess. écru	1	Couleur véhicule:
1	887944	Réservoir brut	1	Couleur véhicule:Brut[GR] Pays:Chine[CN]
2	GU03102400	Joint	1	
3	GU03101900	Bride	1	
4	GU03103500	Bague	1	
5	883502	Reduction 24 mm	1	Pays:Chine[CN]
5	GU03101720	Reduction 38 mm	1	
6	GU03102200	Embout pour bouchon	1	
7	GU03101600	Joint	2	
8	GU03103200	Vis	5	
9	GU98682430	Vis M8x30	1	
10	AP8101595	Collier D10,1	1	
11	AP8120557	Caoutchouc réserv.	1	
12	AP8121673	Douille en "T" *	1	
13	GU00823944050	Tuyau 5X9	1	

Groupe	CHASSIS
Code	33.12
Description	Réservoir essence
Révision	1



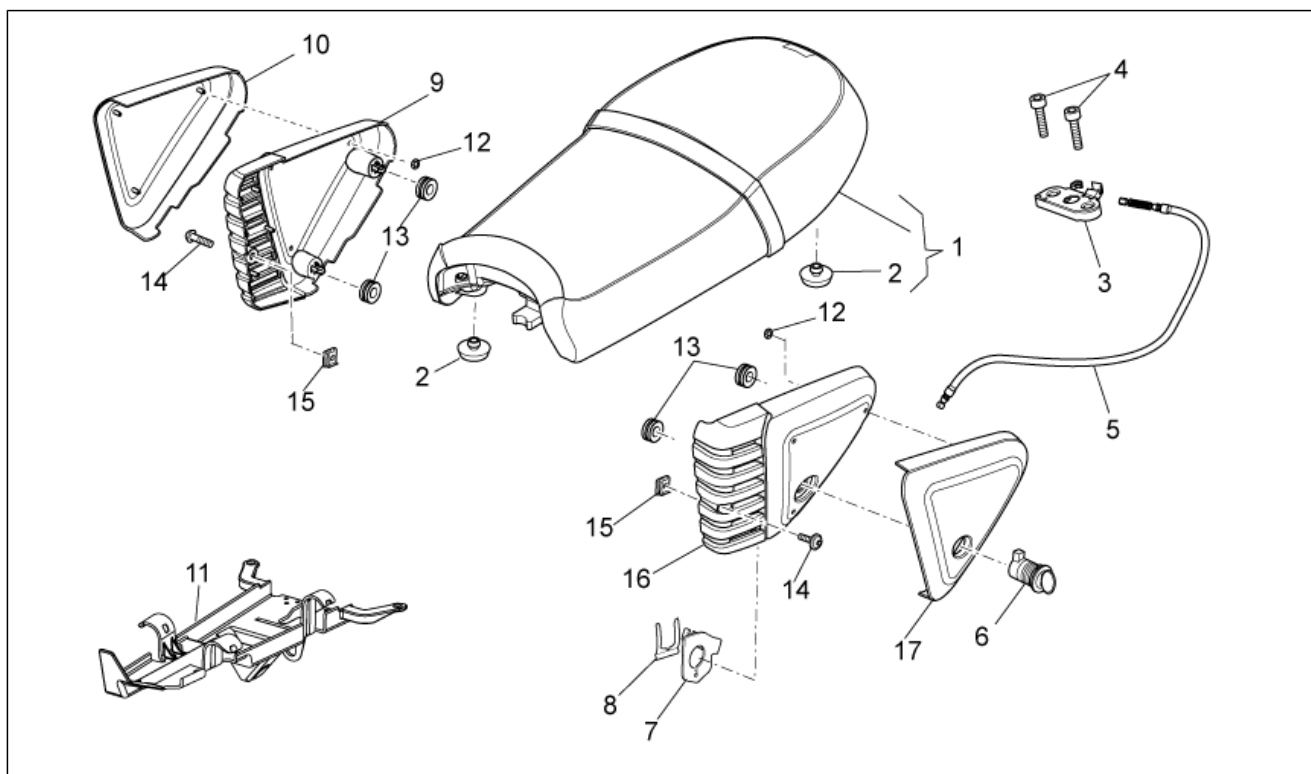
Pos.	Code	Description	Quant	Variants
14	GU00823931070	Joint	1	

Groupe	CHASSIS
Code	33.13
Description	Carrosserie av. - Garde-boue AV
Révision	1



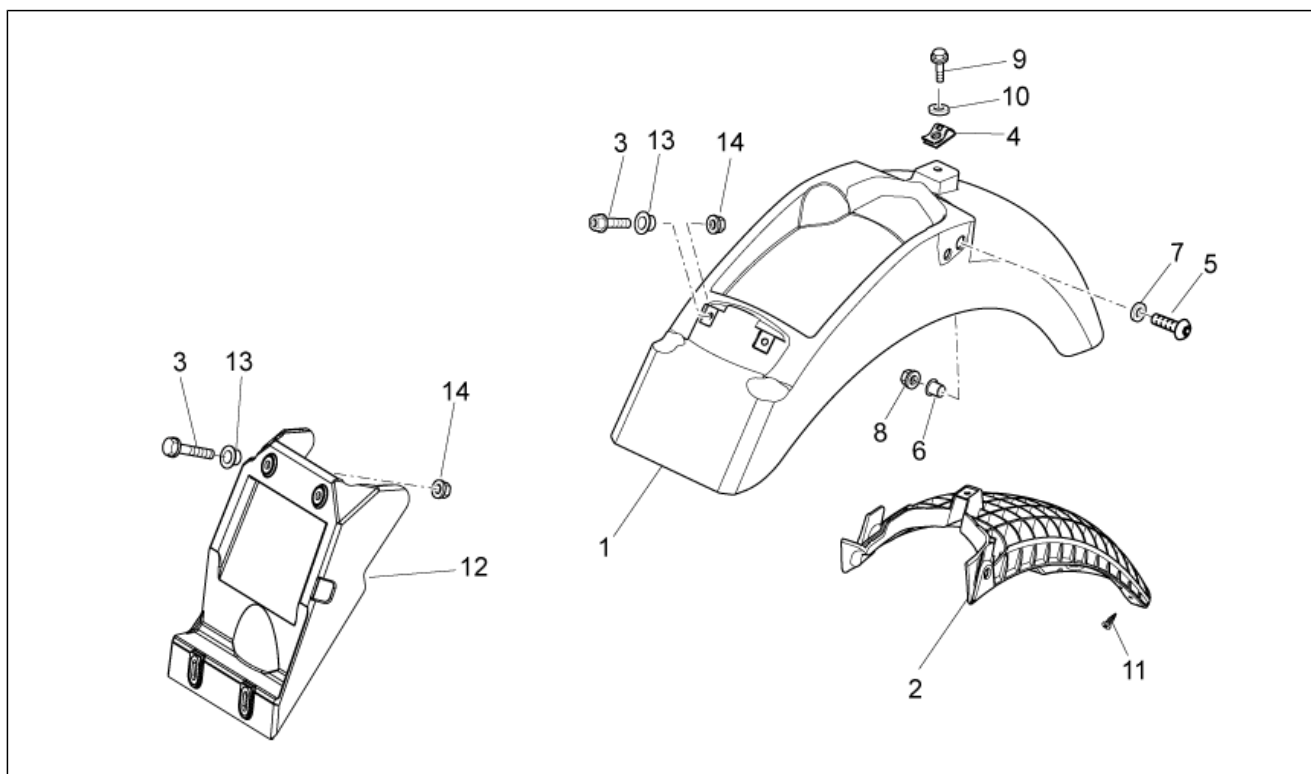
Pos.	Code	Description	Quant	Variants
1	88635200XN6	Garde-boue AV noir	1	
1	GU32434460	Garde-boue av.brut	1	Couleur véhicule:Brut[GR]
2	883266	Plaque de stabilisation	1	
3	GU98370845	Vis	4	
4	GU31439565	Vis spéciale	4	
5	GU14615901	Rondelle 8,4X13X0,8	4	

Groupe	CHASSIS
Code	33.14
Description	Selle-Carosserie cent.
Révision	1



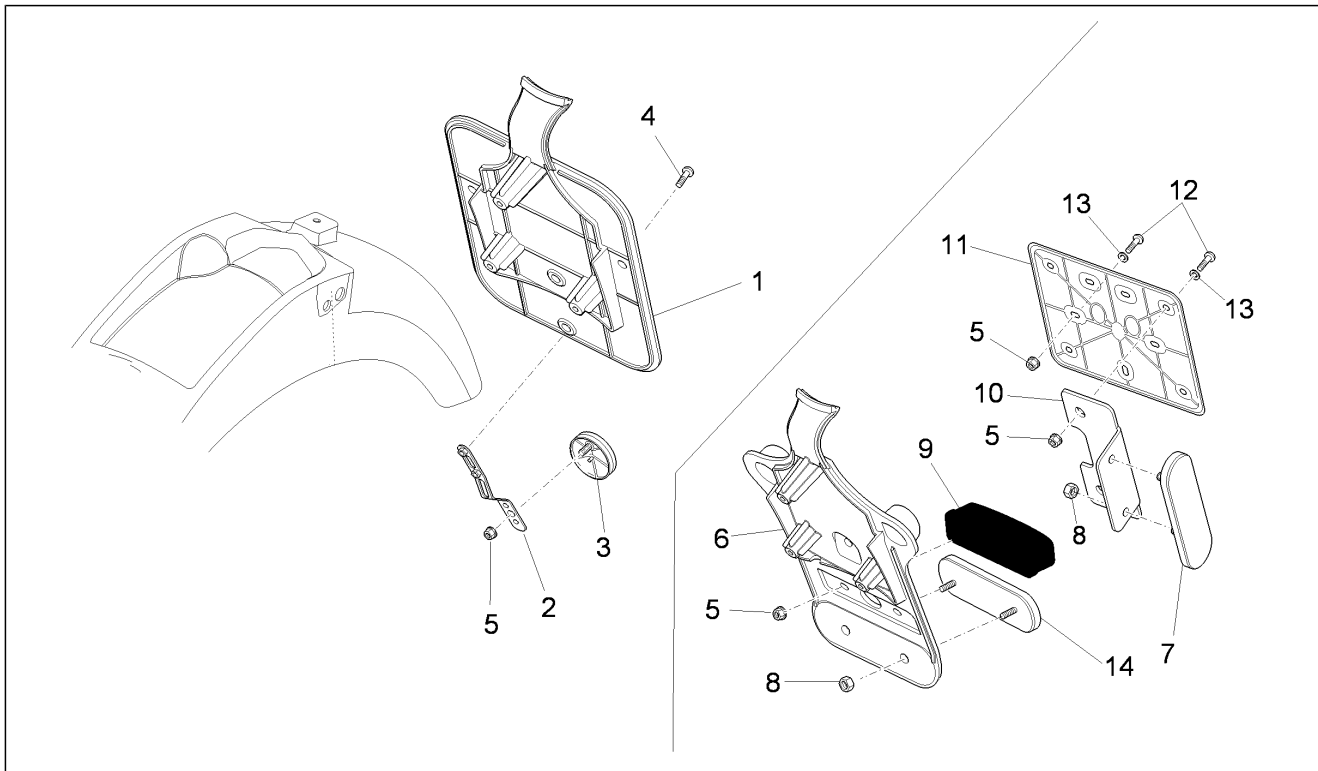
Pos.	Code	Description	Quant	Variants
1	2B000880	Selle deux places	1	Année:2014[E] Couleur véhicule:Noir Diablo[ND], Rosso Ventone[RV], Verde Raptor opaco [VR]
2	GU32461610	Caoutchouc	8	
3	AP8102913	Pl.fix.selle pass.	1	
4	GU98370625	Vis	2	
5	883295	Transmission décrochement sell	1	
6	977527	Serrure avec clés	1	
7	AP8121420	Ressort à fourche	1	
8	978415	Plaque support câble	1	
9	2B000878	Flanc D	1	
10	2H000384000XN6	Flanc D, noir	1	Année:2014[E] Couleur véhicule:Noir Diablo[ND], Rosso Ventone[RV], Verde Raptor opaco [VR] Spécifications techniques:Avec autocollant[D]
10	978940	Flanc D, brute	1	Couleur véhicule:Brut[GR]
11	B063431	Protection	1	
12	AP8150450	Rondelle pour arbres D5	1	
13	GU91551086	Caoutchouc	4	
14	AP8152339	Vis bride M5x9	2	
15	AP8102375	Clip m5	2	
16	2B000840	Flanc G	1	
17	2H000385000XN6	Flanc G, noir	1	Année:2014[E] Couleur véhicule:Noir Diablo[ND], Rosso Ventone[RV], Verde Raptor opaco [VR] Spécifications techniques:Avec autocollant[D]
17	978943	Flanc G, brute	1	Couleur véhicule:Brut[GR]

Groupe	CHASSIS
Code	33.15
Description	Carrosserie arrière I- Garde-boue
Révision	1



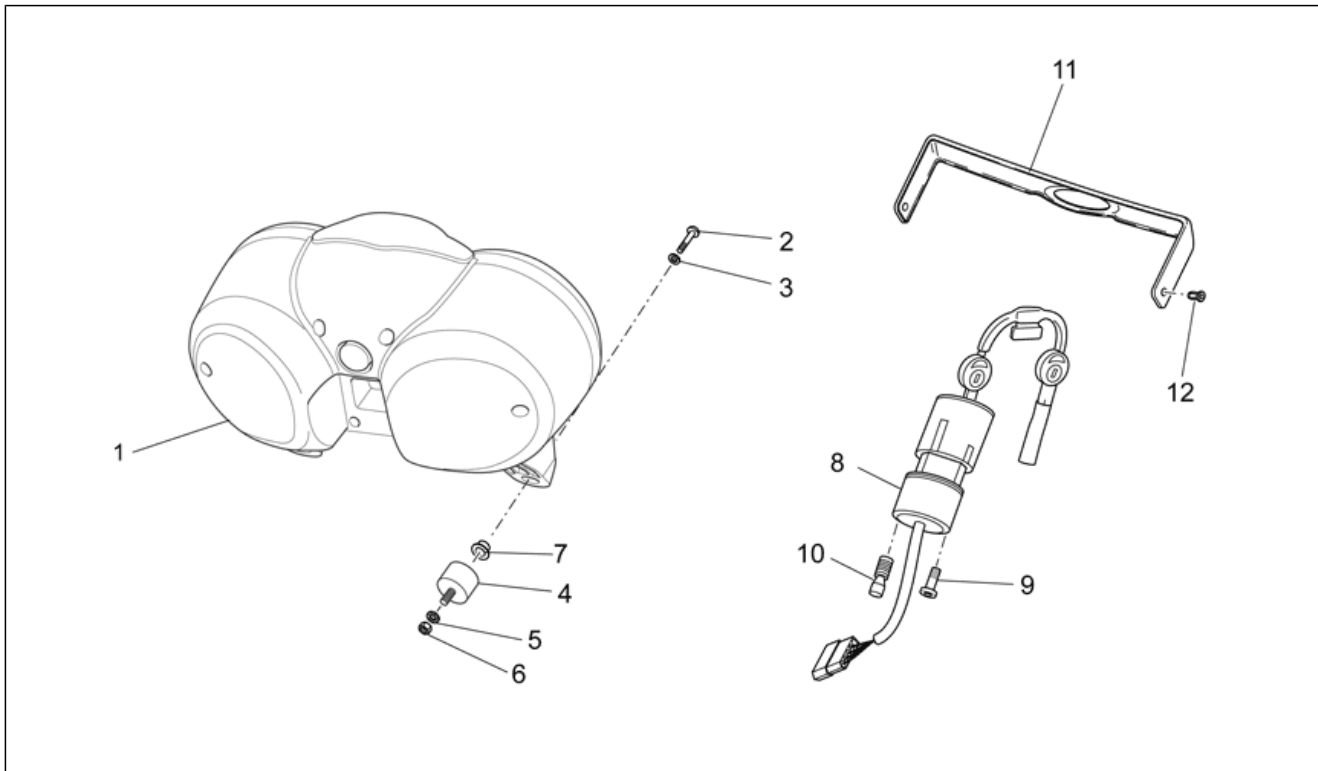
Pos.	Code	Description	Quant	Variants
1	978946	Garde-boue ar.brut	1	
1	97894600XN6	Garde-boue arrière noir	1	Année:2014[E] Couleur véhicule:Noir Diablo[ND], Rosso Ventone[RV], Verde Raptor opaco [VR]
2	978947	Soutien	1	
3	AP8152278	Vis bride M6x16	4	
4	254485	Plaquette elastique M6	1	
5	GU98370831	Vis M8x30	2	
6	GU91120806	Entretoise	2	
7	GU95005310	Rondelle 8,4x18x2	2	
8	GU92630108	Ecrou	2	
9	AP8152279	Vis bride M6x20	2	
10	GU91180601	Entretoise 6,2x8x3	2	
11	AP8152329	Vis SWP crois. brid. M5x20	3	
12	B063167	Bavette anti-éclaboussures	1	
13	AP8121032	Douille	6	
14	AP8152299	Ecrou autobloqu. M6	6	

Groupe	CHASSIS
Code	33.16
Description	Carrosserie arrière II- Porte-plaque
Révision	1



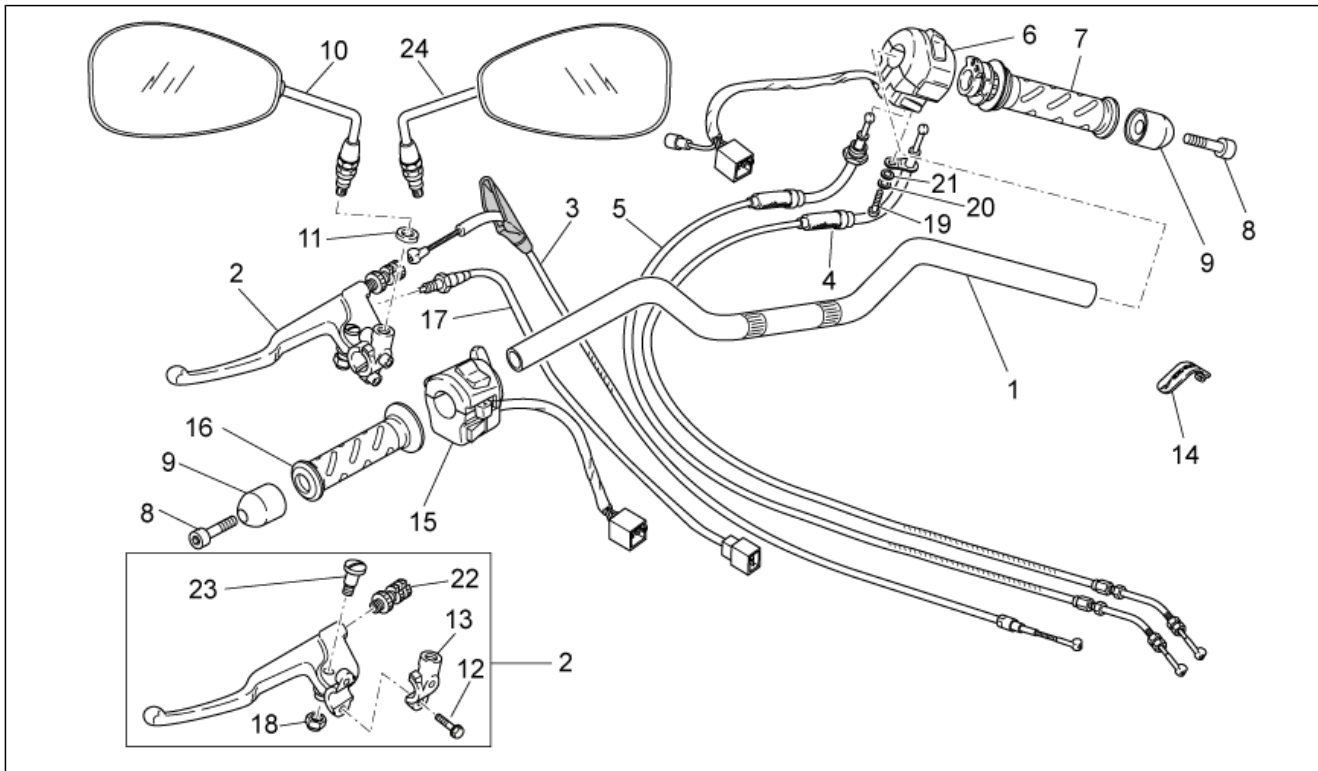
Pos.	Code	Description	Quant	Variants
1	978949	Porte-plaque	1	
2	AP8134448	Support catadioptré	1	
3	AP8224164	Catadioptré arrière, rouge	1	
4	GU98230510	Vis	1	
5	AP8152306	Ecrou autobloqu. m5	1	
6	883470	Porte-plaque	1	Pays:Chine[CN]
7	AP8124718	Catadioptré arrière, rouge	2	Pays:Chine[CN]
8	GU92630204	Ecrou	6	Pays:Chine[CN]
9	883480	Feu de plaque	1	Pays:Chine[CN]
10	GU32781910	Support catadioptré	2	Pays:Chine[CN]
11	AP8149034	Support plaque	1	Pays:Chine[CN]
12	AP8152268	Vis M5x16	7	Pays:Chine[CN]
13	AP8150248	Rondelle 5,5x15x1,6	7	Pays:Chine[CN]
14	GU05781630	Catadioptré, ambre	1	Pays:Chine[CN]

Groupe	CHASSIS
Code	33.17
Description	Tableau de bord
Révision	1



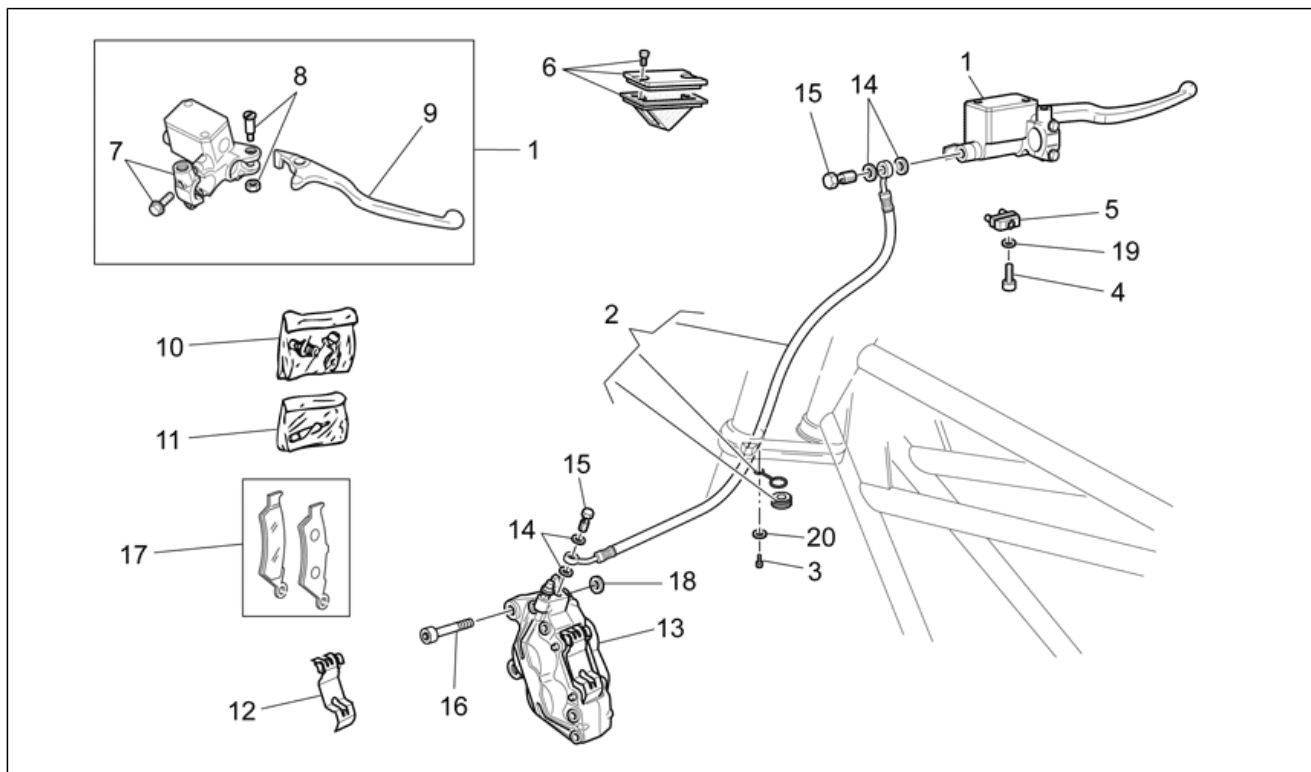
Pos.	Code	Description	Quant	Variants
1	887194	Tableau de bord km/h	1	Pays:Australie[AUS], Europe[EU]
1	887195	Tableau de bord MPH	1	Pays:Angleterre[UK]
2	GU98370609	Vis M6x10	3	
3	GU95005306	Rondelle 6,4x13x1,5	3	
4	GU93222023	Silentbloc	3	
5	GU95021206	Rondelle	3	
6	GU92606206	Ecrou	3	
7	AP8121032	Douille	3	
8	GU32782510	Bloc démarreur-bloc	1	
9	GU98682416	Vis M8x16	1	
10	AP8150349	Vis spéciale M8x15	1	
11	883569	Couvercle	1	
12	GU23922210	Pivot	2	

Groupe	CHASSIS
Code	33.18
Description	Guidon - Commandes
Révision	1



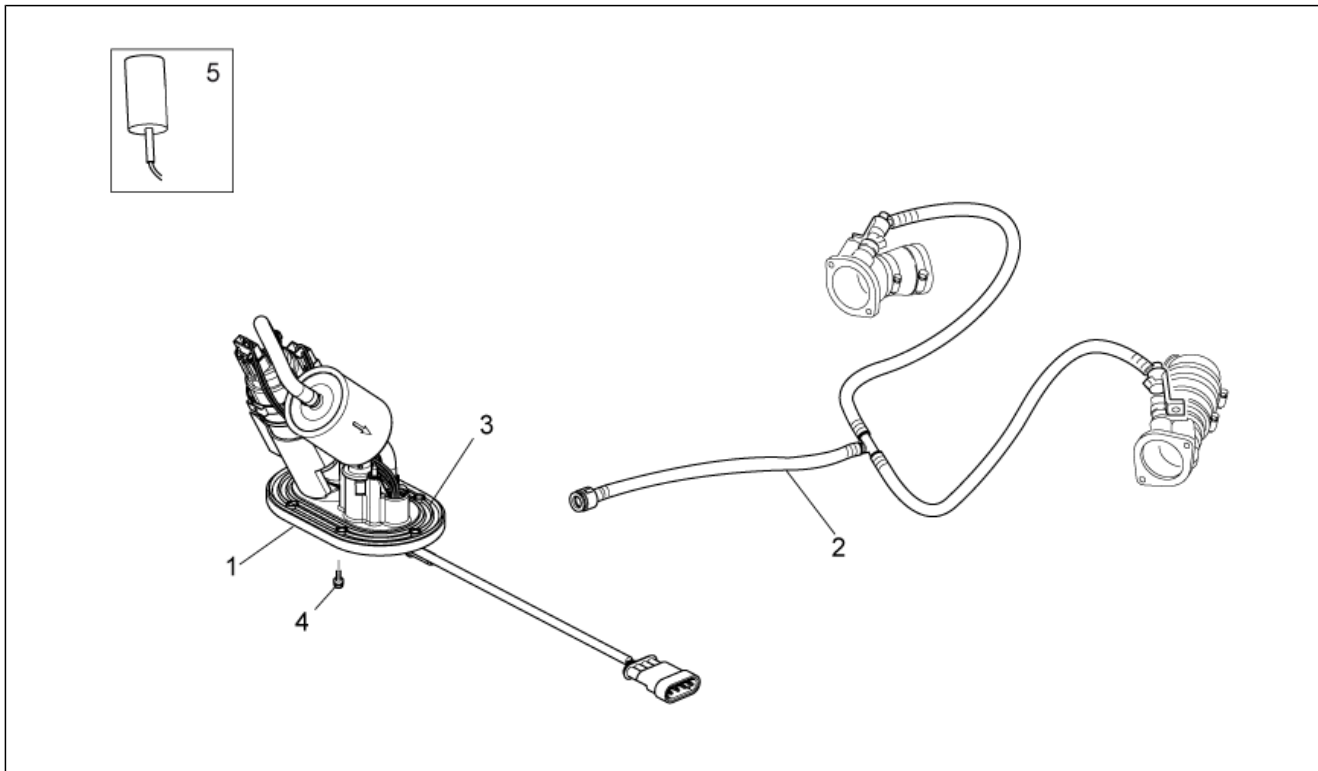
Pos.	Code	Description	Quant	Variants
1	2B000671	Guidon	1	
2	GU32605510	Levier embrayage	1	
3	B063427	Câble embrayage	1	
4	887852	Câble ouverture gaz	1	
5	887853	Câble fermeture gaz	1	
6	B063135	Déviateur feux dte	1	
7	GU32603310	Poignée dr.	1	
8	GU98690335	Vis	2	
9	AP8104509	Masse antivibratile n	2	
10	2B001048	Miroir rétroviseur dte	1	
11	GU91181003	Entretoise 10,25X20X4	2	
12	GU97202325	Vis bride noir M6x25	2	
13	GU30601060	Etrier	1	
14	GU01609630	Collier L46 mm	2	
14	GU03609600	Collier L36 mm	1	
15	B063975	Déviateur feux gche	1	
16	GU32603010	Poignée gc.	1	
17	GU29759150	Interrupteur béquille	1	
18	AP8213388	Ecrou autobloqu.	1	
19	GU98230510	Vis	1	
20	GU95008305	Rondelle 5,3X10X1	1	
21	GU95021105	Rondelle évent.	1	
22	GU30602500	Réglage	1	
23	AP8213028	Vis	1	
24	2B001049	Miroir rétroviseur gche	1	

Groupe	CHASSIS
Code	33.19
Description	Sys.frein avant
Révision	1



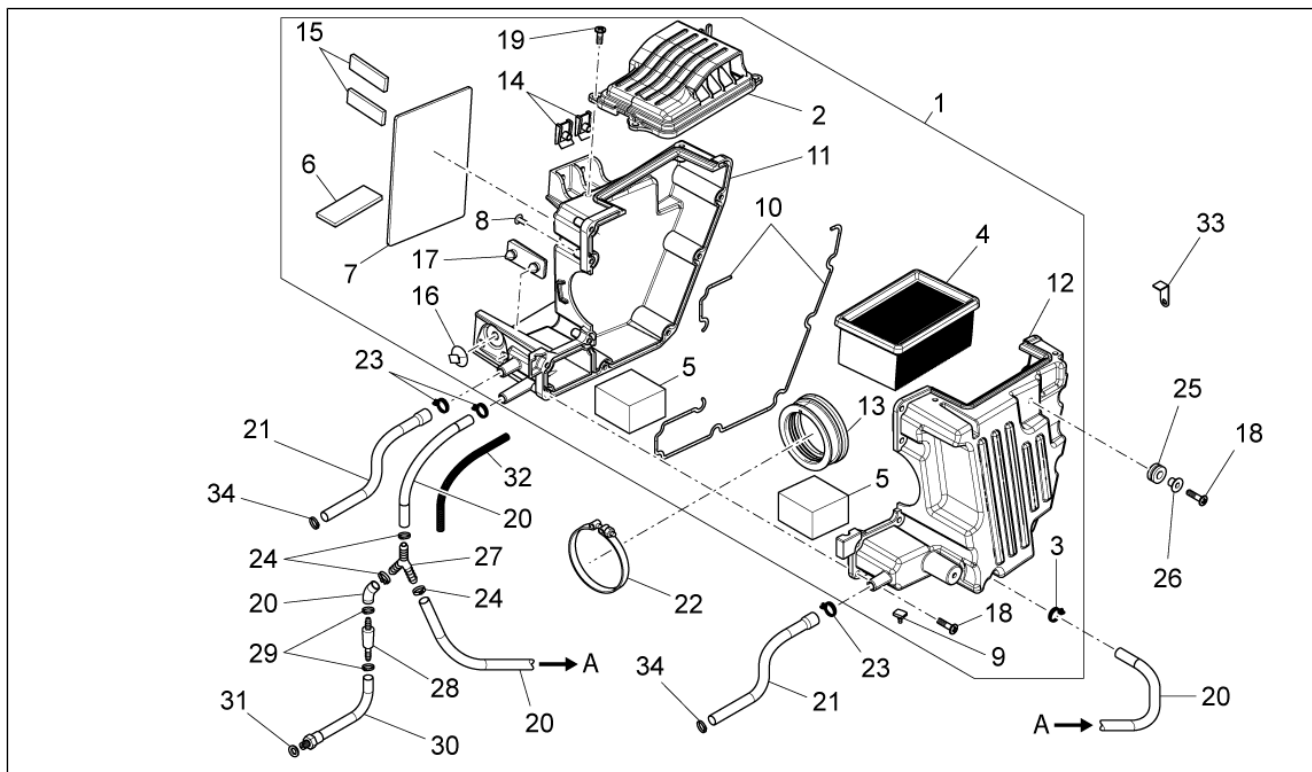
Pos.	Code	Description	Quant	Variants
1	GU03660145	Maît. cyl. frein AV	1	
2	GU32657110	Tube frein	1	
3	AP8152277	Vis bride M6x12	1	
4	GU98370412	Vis M4x12	1	
5	GU03749845	Contacteur de stop	1	
6	GU03661145	Couvercle pompe	1	
7	GU03664045	Cavalier	1	
8	GU03604845	Goujon de levier	1	
9	GU03605645	Levier frein	1	
10	GU05659230	Purge+capuchon	1	
11	GU01659130	Pivots+ressorts pince	1	
12	GU01659131	Ressort	1	
13	883303	Etrier frein AV g.noir	1	
14	AP8121915	Joint	4	
15	978323	Vis tuyau huile *	2	
16	AP8152385	Vis M10x1,25	2	
17	GU01654630	Plaquettes-paire	1	
18	GU91181003	Entretoise 10,25X20X4	2	
19	GU95021104	Rondelle 4,3x8x1,5	1	
20	GU95008306	Rondelle 6,4x12x1,2	1	

Groupe	CHASSIS
Code	33.21
Description	Pompe essence
Révision	1



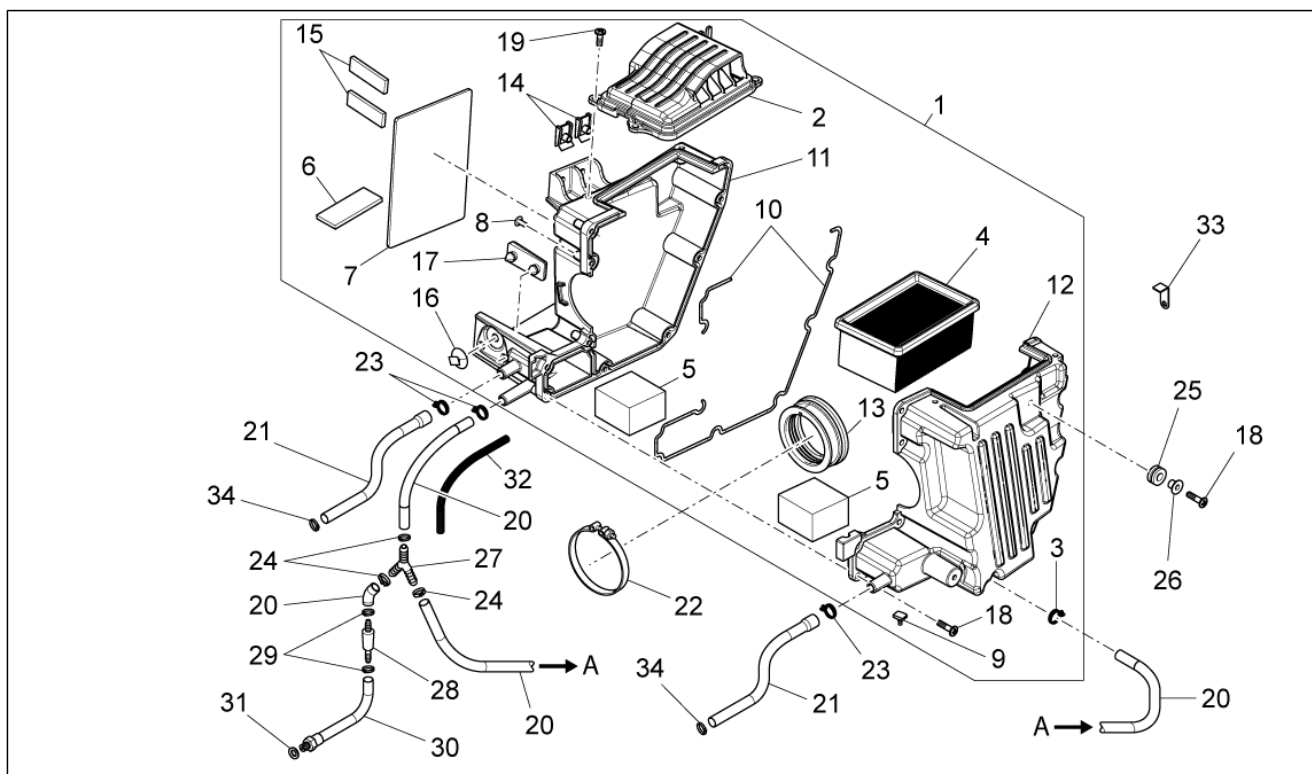
Pos.	Code	Description	Quant	Variants
1	B063752	Pompe carburant	1	
2	2B000970	Tuyau essence	1	
3	GU05107430	Joint	1	
4	AP8152273	Vis bride M5X15	6	
5	887787	Détecteur niveau essence	1	

Groupe	CHASSIS
Code	33.22
Description	Corps filtre
Révision	1



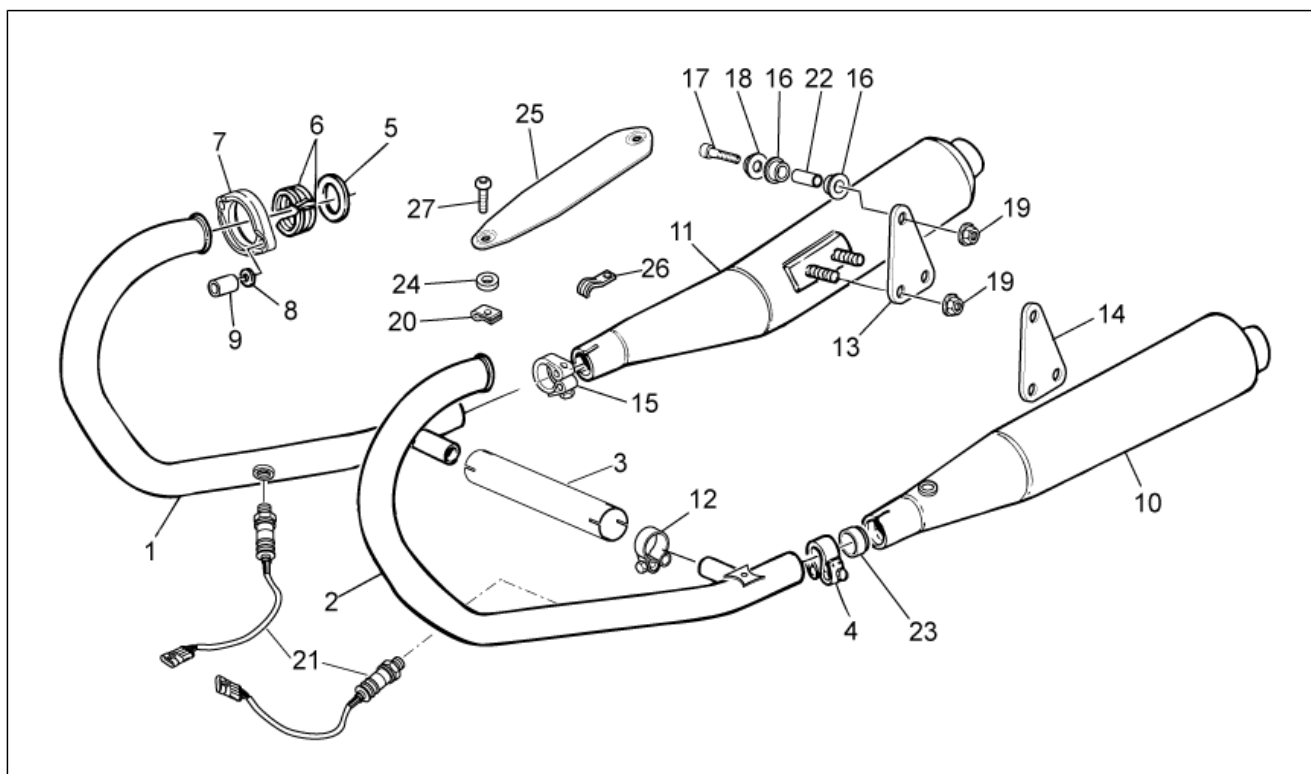
Pos.	Code	Description	Quant	Variants
1	8878421	Boîtier filtre complet	1	
2	887843	Couvercle de filtre	1	
3	AP8201358	Collier D 11,9	1	
4	AP8104924	Filtre air	1	
5	AP8104525	Filtre blow-by	2	
6	883127	Coautchouc pour support 5mm	1	
7	AP8144553	Coautchouc pour support	1	
8	AP8120876	Bouchon de fermeture	2	
9	AP8120455	Caoutchouc	1	
10	AP8120615	Joint D3	2	
11	887844	Coquille D de boîtier de filtre	1	
12	887845	Coquille G de boîtier de filtre	1	
13	887815	Manchon d'aspiration	1	
14	254485	Plaquelette elastique M6	2	
15	AP8144538	Joint	2	
16	890760	Support instruments	1	
17	AP8144729	Tampon fin de course béquille	1	
18	AP8152329	Vis SWP crois. brid. M5x20	11	
19	AP8150509	Vis taraud 5x14	4	
20	AP8120772	Tuyau reniflard radiateur	3	
21	B063214	Tuyau Blow-by	2	
22	GU93305061	Collier 61/65,5	1	
23	AP8102766	Collier	3	
24	AP8102765	Collier clic, blanc D.13,5x6	3	
25	GU91551010	Caoutchouc	2	
26	AP8221023	Douille en "T"	2	
27	2B000045	Raccord 3 voies	1	
28	AP8104996	Soupape de retenue	1	

Groupe	CHASSIS
Code	33.22
Description	Corps filtre
Révision	1



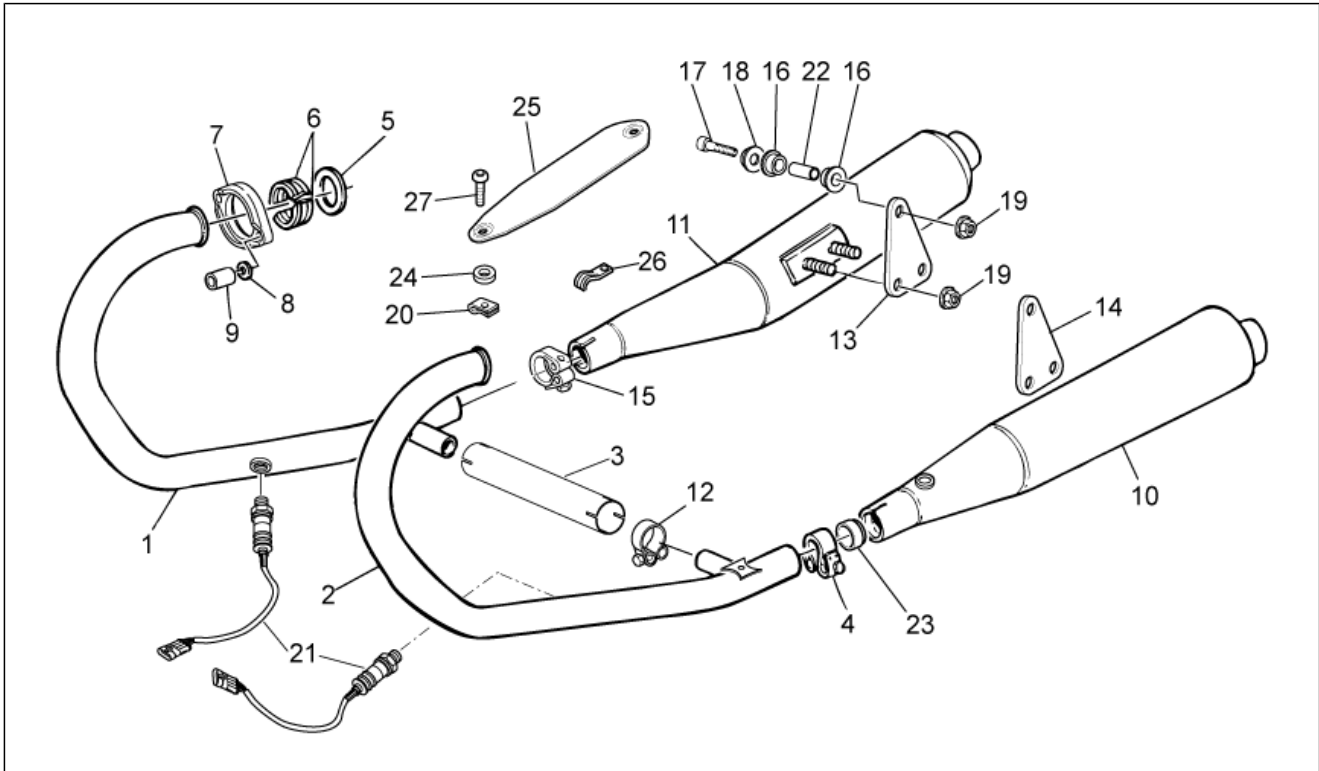
Pos.	Code	Description	Quant	Variants
29	GU28157950	Collier clic 12,5x8	2	
30	B063213	Reniflard	1	
31	GU90714082	Joint	1	
32	GU00823923140	Gaine thermique	1	
33	GU31112965	Equerre	1	
34	AP8201358	Collier D 11,9	2	

Groupe	CHASSIS
Code	33.23
Description	Groupe echappement
Révision	1



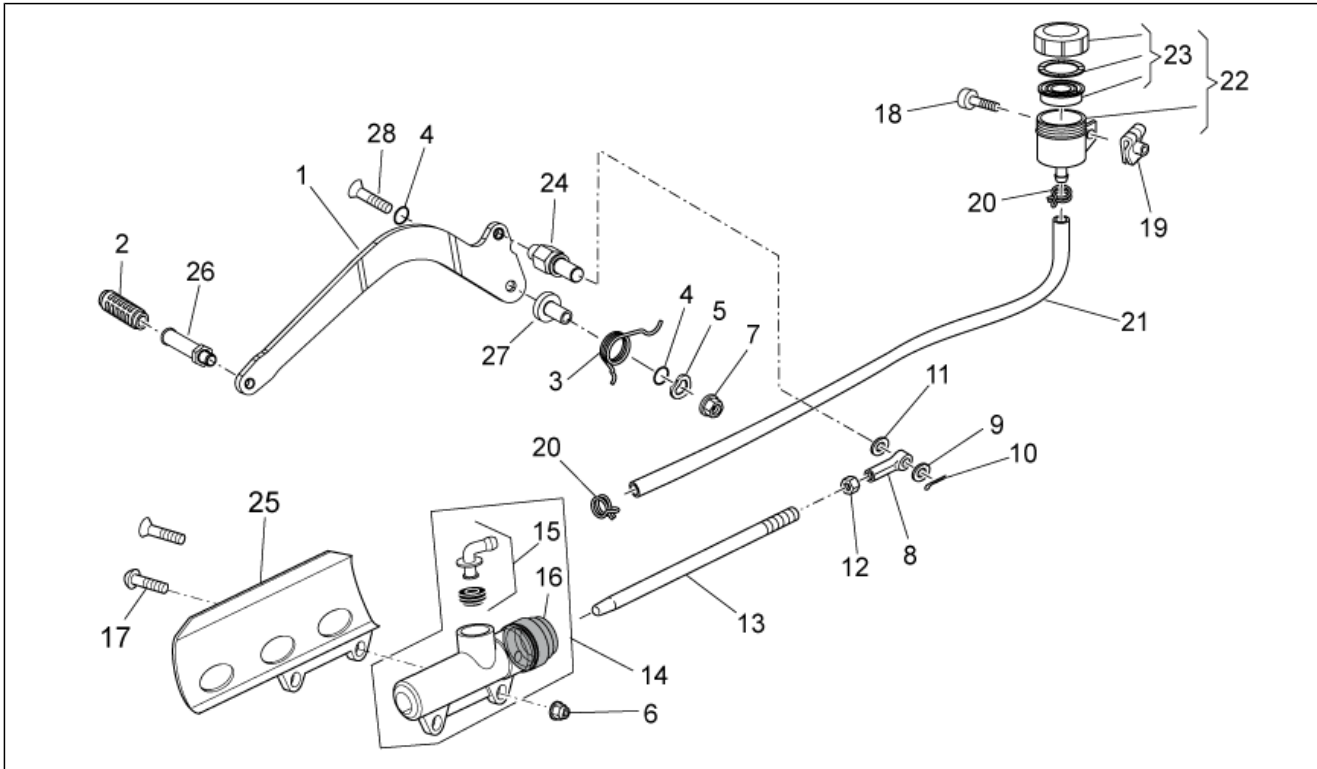
Pos.	Code	Description	Quant	Variants
1	887846	Tuyau échappement d.	1	Pays:Australie[AUS], Chine[CN], Europe[EU], Japon[J], Angleterre[UK]
1	B063854	Tuyau échappement d.	1	Pays:Japon[J]
2	887847	Tuyau échappement gche	1	Pays:Australie[AUS], Chine[CN], Europe[EU], Japon[J], Angleterre[UK]
2	B063855	Tuyau échappement gche	1	Pays:Japon[J]
3	B063022	Raccord collecteurs échap.	1	
4	883294	Collier silencieux gauche	1	
5	GU19025280	Joint	2	
6	GU19025460	Entretoise	4	
7	GU32121010	Bague	2	
8	GU03013800	Rondelle 6,4x12	4	
9	GU31121880	Ecrou	4	
10	2B000177	Silencieux G	1	
11	2B000176	Silencieux D	1	
12	978385	Collier	2	
13	883297	Plaque d.	1	
14	883298	Plaque g.	1	
15	883293	Collier silencieux droit	1	
16	AP8144071	Caoutchouc pot	4	
17	GU98690440	Vis TCEI M8x40	2	
18	AP8134378	Douille fixation silencieux	2	
19	GU92640508	Ecrou M8	6	
20	254485	Plaquette elastique M6	2	
21	896110	Sonde lamda l.660 mm	2	
22	AP8121072	Entretoise	2	
23	GU91113826	Douille	2	
24	AP8120870	Rondelle isolante	4	

Groupe	CHASSIS
Code	33.23
Description	Groupe echappement
Révision	1



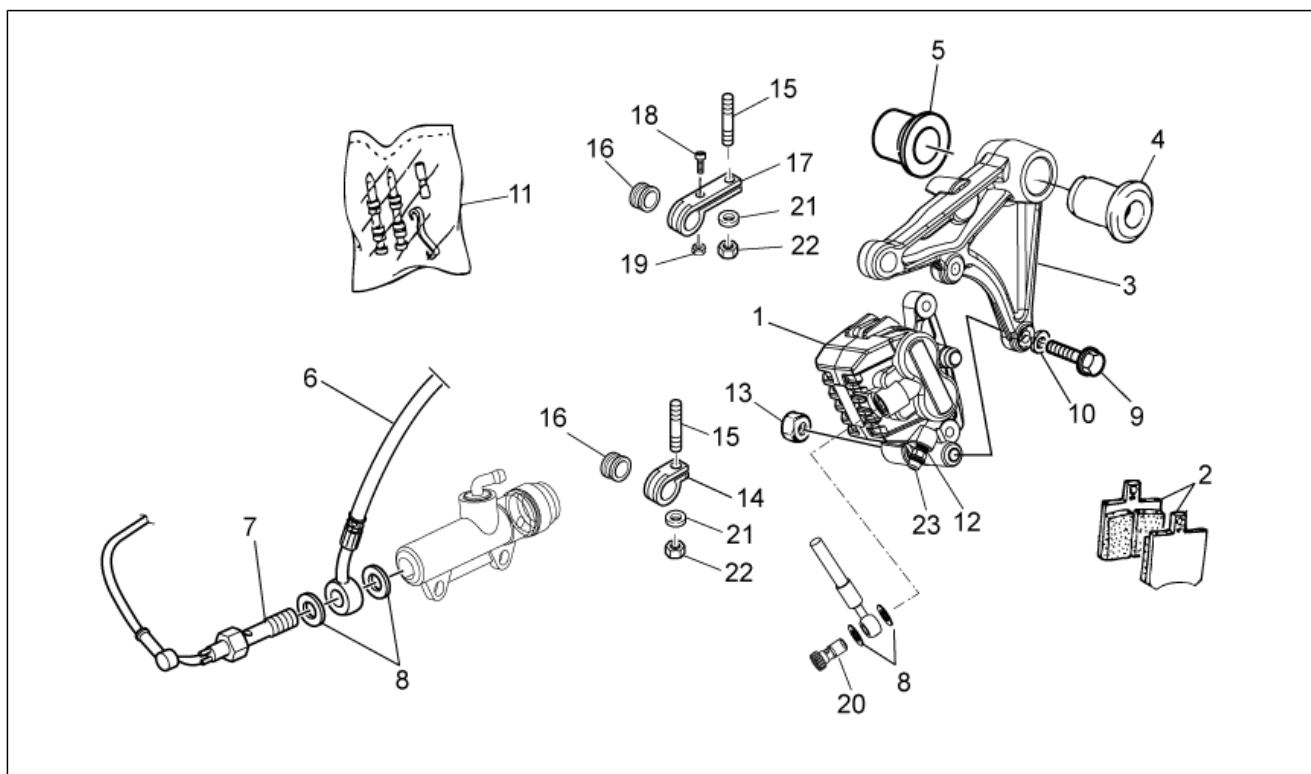
Pos.	Code	Description	Quant	Variants
25	883704	Grille protec. pot	2	
26	GU93301175	Cavalier	1	
27	GU98210612	Vis bride M6x12	4	

Groupe	CHASSIS
Code	33.26
Description	Maît.cyl. frein AR
Révision	1



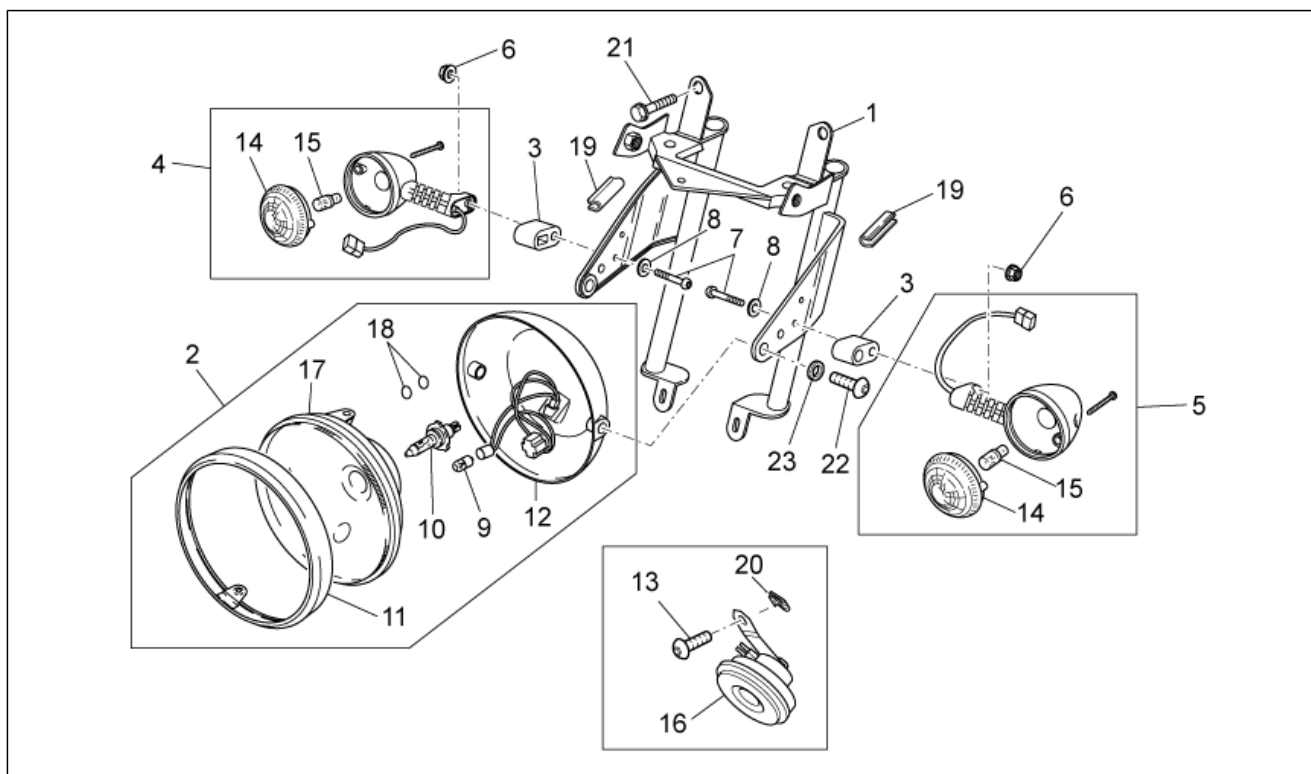
Pos.	Code	Description	Quant	Variants
1	887910	Levier frein	1	
2	AP8120912	Caoutchouc pour levier	1	
3	978969	Ressort	1	
4	AP8144007	Joint torique 11,11x1,78	2	
5	GU95005310	Rondelle 8,4x18x2	1	
6	GU92630206	Ecrou M6x1	2	
7	GU92660021	Ecrou bridé M8	1	
8	GU18257551	Bloc	1	
9	GU95005308	Rondelle 8,4x14,57x1,6	1	
10	GU95500221	Goupille	1	
11	658837	Rondelle élastique ondulée D15 F8,4 S1,5 - INOX	1	
12	GU92609007	Ecrou	1	
13	978970	Poussoir cde mai-cyl.	1	
14	AP8133643	Maît.cyl. frein AR	1	
15	AP8213057	Raccord pompe arrière	1	
16	AP8113288	Soufflet en caoutchouc	1	
17	GU98370625	Vis	2	
18	AP8152298	Vis bride M5x16	1	
19	248419	Plaquette elastique m5	1	
20	AP8101594	Collier D10,1*	2	
21	GU00823950050	Tuyau huile	1	
22	AP8113241	Réserv.huile freins	1	
23	AP8113553	Bouchon réservoir	1	
24	887911	Pivot levier frein	1	
25	GU01665410	Protection maître cyl.noire	1	
26	887908	Pédale en caoutch.	1	
27	887952	Douille levier frein AR	1	
28	B063443	Vis FHC M8x50	1	

Groupe	CHASSIS
Code	33.27
Description	Pince frein AR
Révision	1



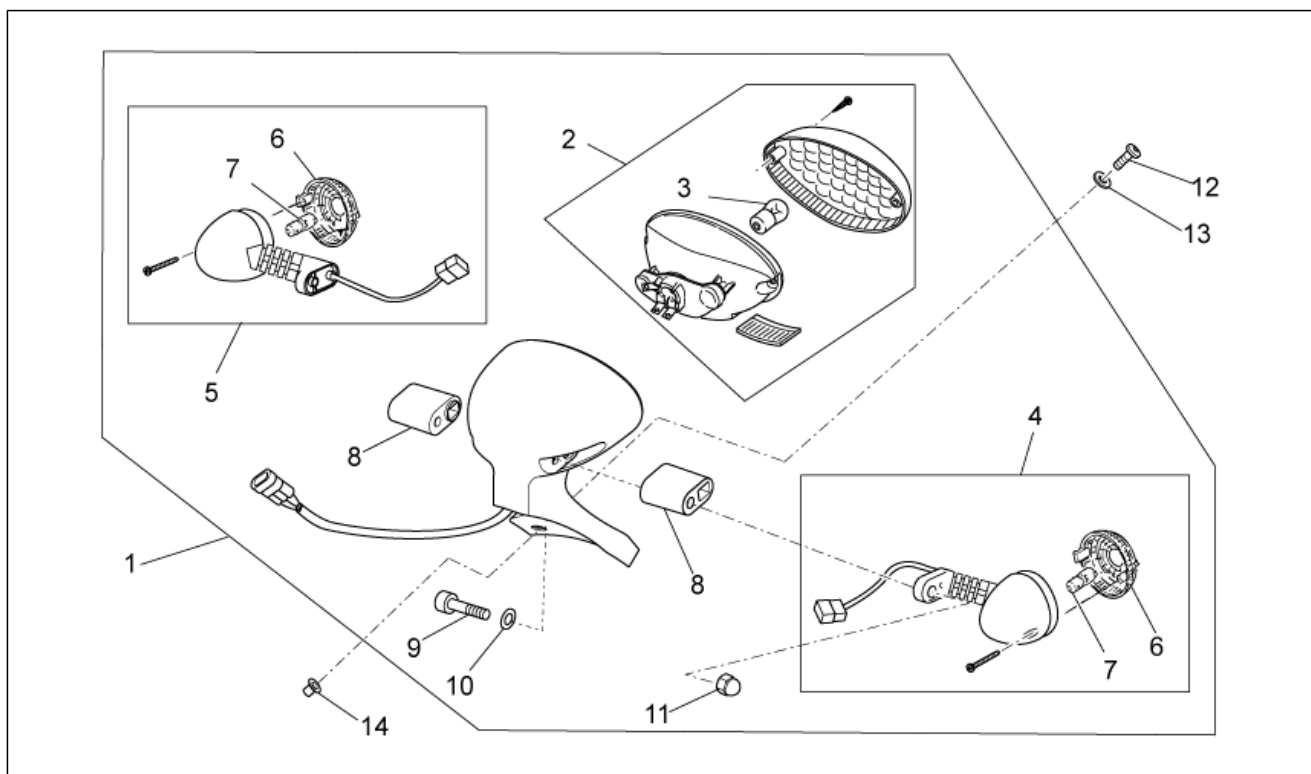
Pos.	Code	Description	Quant	Variants
1	887449	Pince frein arrière	1	
2	AP8133798	Plaquettes-paire	1	
3	887431	Plaque support étrier frein	1	
4	GU31634281	Douille	1	
5	GU32634160	Entretoise	1	
6	B063750	Tuyau de frein arrière en caoutchouc	1	
7	883192	Interrupteur	1	
8	AP8121915	Joint	4	
9	AP8152288	Vis bride	2	
10	GU03270300	Rondelle 8,4x15	2	
11	AP8133799	Pivots+ressorts pince	1	
12	AP8133800	Purge air	1	
13	AP8152300	Ecrou autobloqu. M8	2	
14	GU03658430	Collier	1	
15	GU96451316	Vis sans tête	1	
16	GU03658201	Bague	2	
17	GU03658330	Collier	1	
18	AP8152043	Vis M4x10	1	
19	AP8150204	Ecrou M4	1	
20	AP8113003	Vis tuyau huile *	1	
21	GU95008306	Rondelle 6,4x12x1,2	2	
22	AP8152299	Ecrou autobloqu. M6	2	
23	AP8213575	Capuchon reniflard	1	

Groupe	CHASSIS
Code	33.28
Description	Feux avant
Révision	1



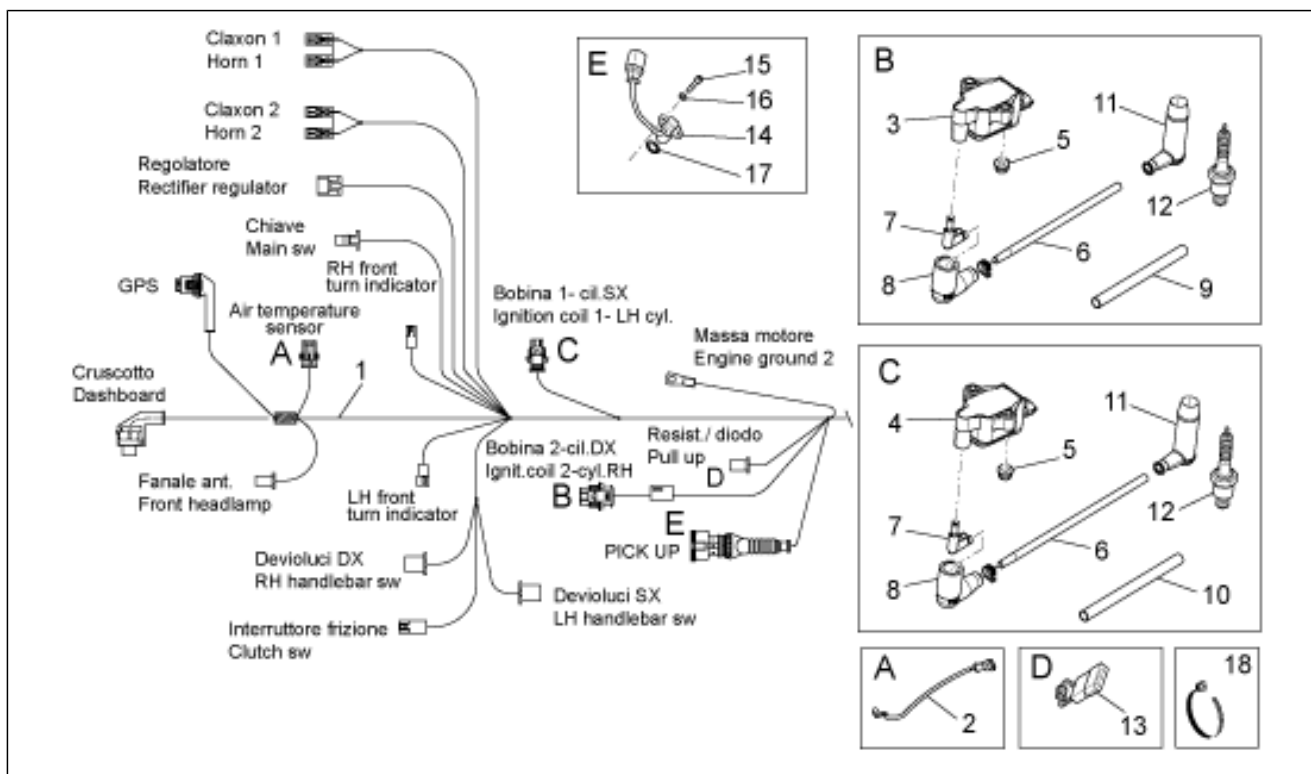
Pos.	Code	Description	Quant	Variants
1	GU32506360	Bride support feu	1	
2	978311	Phare avant	1	
2	978662	Projecteur av.complet gauche	1	Pays:Australie[AUS], Japon[J]
3	GU32753410	Entretoise	2	
4	887826	Clignot.av.dr./arr.ga.	1	
5	887827	Clignot.av.ga./arr.dr.	1	
6	GU92787006	Ecrou borgne M6x1	2	
7	GU98370655	Vis	2	
8	GU95021206	Rondelle	2	
9	GU93450105	Lampe (ou Ampoule)	1	
10	GU93450232	Lampe (ou Ampoule) 12V-55/60W	1	
11	GU31740383	Bague chromée	1	
12	981149	Calotte, noir	1	
13	AP8150377	Vis	2	
14	B063735	Vitre clignotant	2	
15	GU93450126	Lampe orange	2	
16	890979	Klaxon	1	
17	GU06740400	Groupe optique	1	
18	883417	Joint torique	2	
19	GU00823931055	Joint	1	
20	254485	Plaquette elastique M6	2	
21	GU98880540	Vis M10x40	2	
22	GU98692420	Vis M8x20	2	
23	GU95005308	Rondelle 8,4x14,57x1,6	2	

Groupe	CHASSIS
Code	33.29
Description	Feux arriere
Révision	1



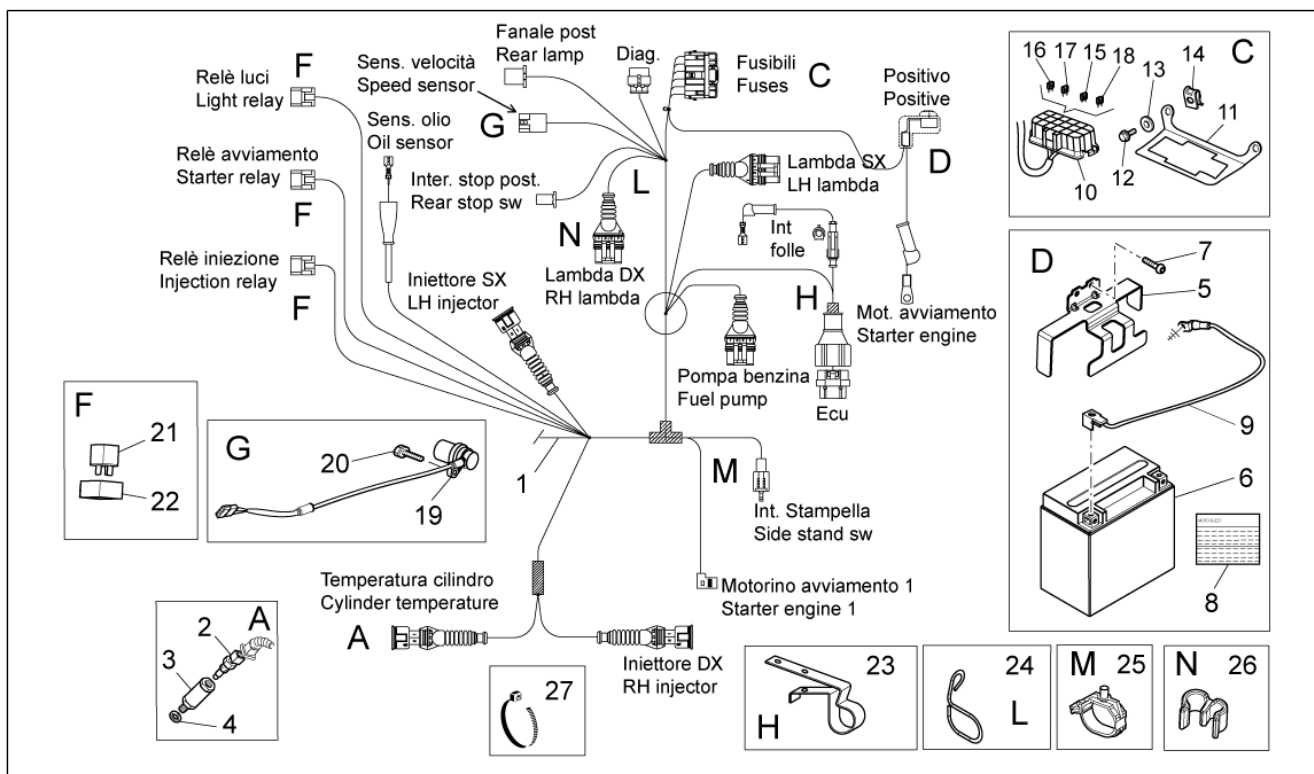
Pos.	Code	Description	Quant	Variants
1	887877	Phare AR cpl.	1	
2	GU03740930	Feu arrière	1	
3	GU93450224	Lampe (ou Ampoule)	1	
4	887826	Clignot.av.dr./arr.ga.	1	
5	887827	Clignot.av.ga./arr.dr.	1	
6	B063735	Vitre clignotant	2	
7	GU93450126	Lampe orange	2	
8	GU32753410	Entretoise	2	
9	GU98370655	Vis	2	
10	GU95021206	Rondelle	2	
11	GU92787006	Ecrou borgne M6x1	2	
12	GU98350215	Vis	3	
13	GU30577800	Rondelle nylon 5,5X12X1	3	
14	GU93231605	Douille anti vibr.	3	

Groupe	CHASSIS
Code	33.30
Description	Circuit électrique I
Révision	1



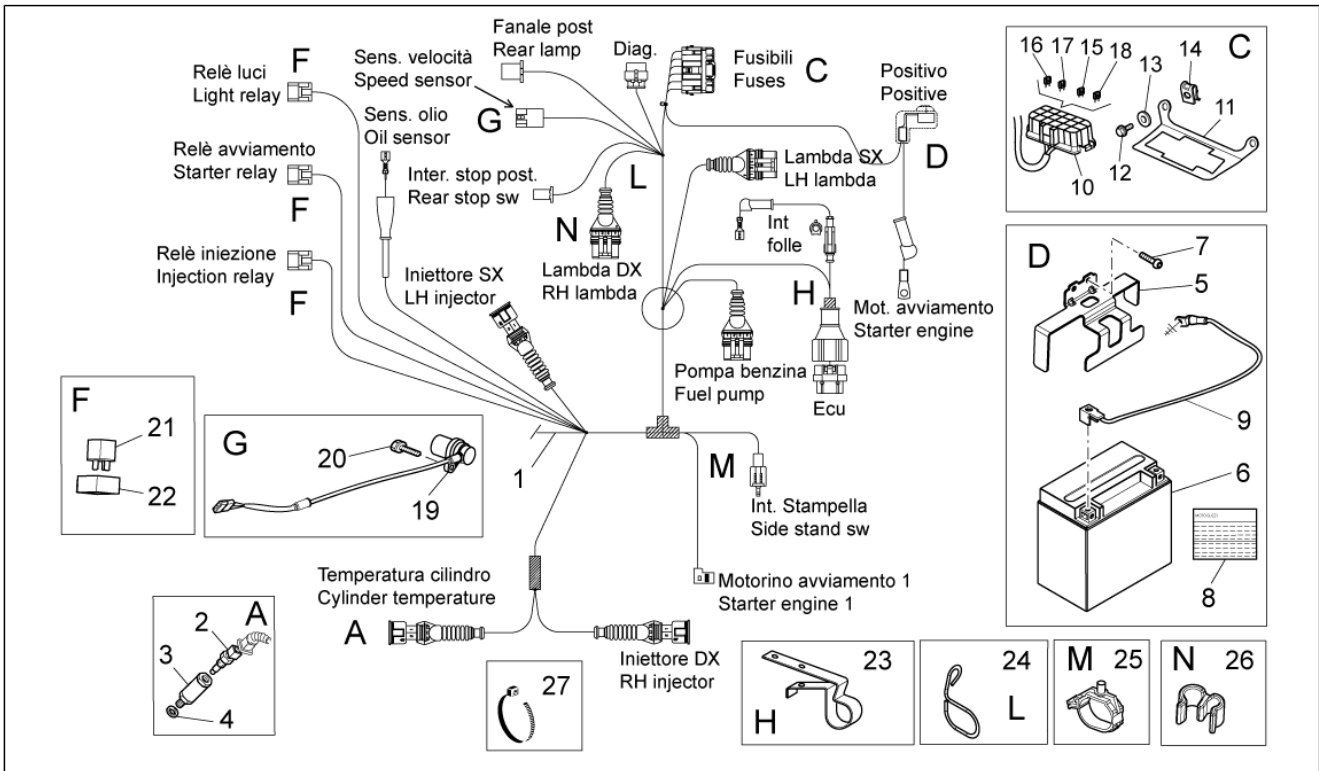
Pos.	Code	Description	Quant	Variants
1	887825	Câblage principal	1	
2	AP8124936	Détéc. temper. air	1	
3	642034	Bobine HT DX	1	
4	641901	Bobine HT	1	
5	AP8152299	Ecrou autobloqu. M6	4	
6	080341	Câble de base H.T.	2	
7	641725	Borne H.T.	2	
8	641040	Capuchon isolant	2	
9	CM0074D0	Gaine D.8-S.0,5-L.370	1	
10	CM0074C9	Gaine de câble grise D.8-S.0,5-L.435	1	
11	GU02717450	Pipe bougie NGK	2	
12	887481	Bougie NGK CPR8EB-9	2	
13	887948	Diode	1	
14	832029	Capteur codeur	1	
15	GU98682212	Vis M5x12	2	
16	GU95008205	Rondelle 5,3x10x0,8	2	
17	GU90706141	Joint torique	1	
18	AP8120416	Collier, noir 178x4	1	
18	GU14609650	Collier 3,6x20,6	31	
18	GU49609601	Collier 2,4x92	1	

Groupe	CHASSIS
Code	33.31
Description	Circuit électrique II
Révision	1



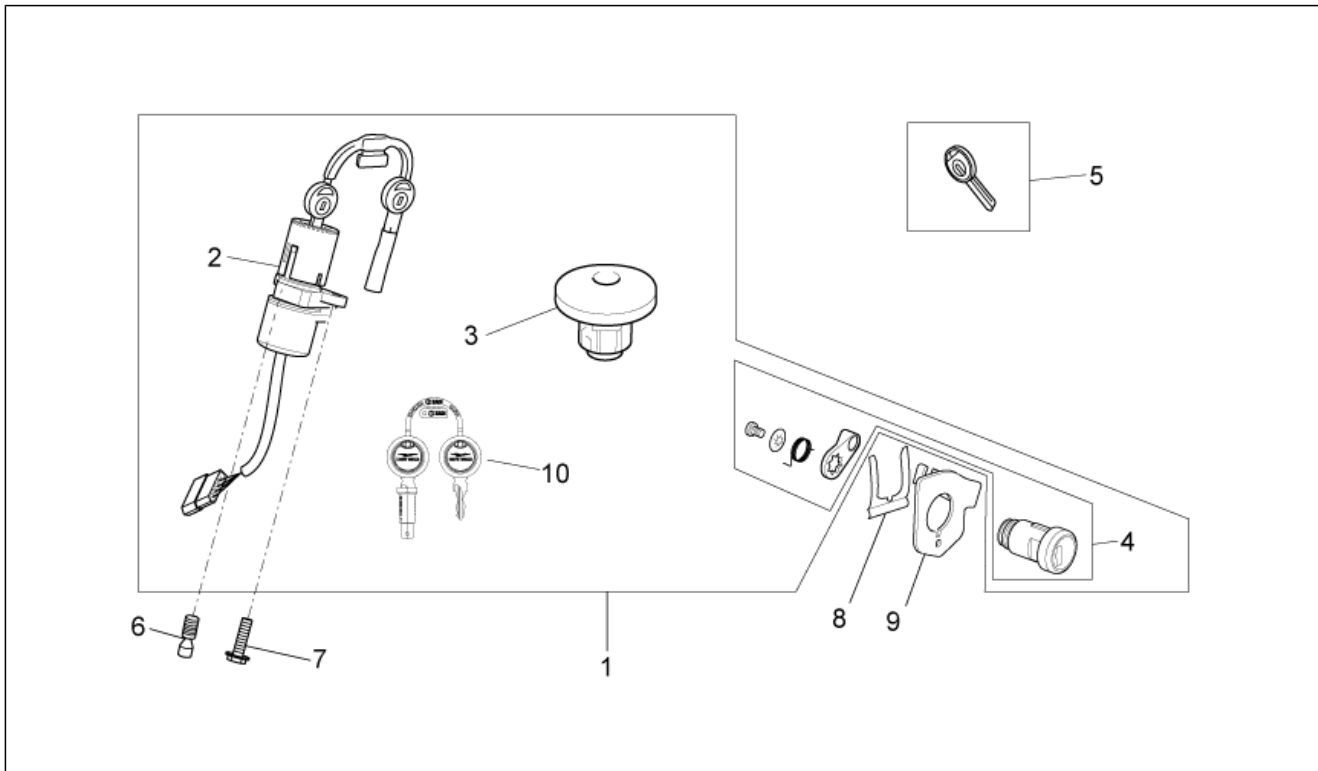
Pos.	Code	Description	Quant.	Variants
1	887825	Câblage principal	1	
2	GU29729461	Capteur température huile	1	
3	GU03163330	Support détecteur	1	
4	GU95004210	Rondelle 10,2x18x2	1	
5	B063233	Support batterie	1	
6	638733	Batterie Yuasa 12V-12Ah (150x85x145)	1	
7	GU98370616	Vis M6x16 inox	2	
8	GU32517710	Décalco "Battery service"	1	
9	GU32747910	Câblage masse-batterie	1	
10	584211	Boîte à fusibles	1	
11	883161	Support p-fusibles	1	
12	GU98682212	Vis M5x12	2	
13	GU95100059	Rondelle 5,25x14x1,5	2	
14	AP8102375	Clip m5	2	
15	CM225705	Fusible 5A	2	
16	CM225710	Fusible 10A	1	
17	CM225715	Fusible 15A	2	
18	CM225730	Fusible 30A	1	
19	893570	Capteur tachym. cpl.	1	
20	AP8150377	Vis	1	
21	AP8224462	Relais 12V/30A	3	
22	AP8220283	Caoutchouc *	3	
23	B043850	Collier	1	
24	AP8181140	Passe-câble	1	
25	CM013202	Clip d'arrêt des tuyaux/câbles	1	
26	894704	Passe-câble	1	
27	AP8120416	Collier, noir 178x4	1	
27	GU14609650	Collier 3,6x20,6	21	

Groupe	CHASSIS
Code	33.31
Description	Circuit électrique II
Révision	1



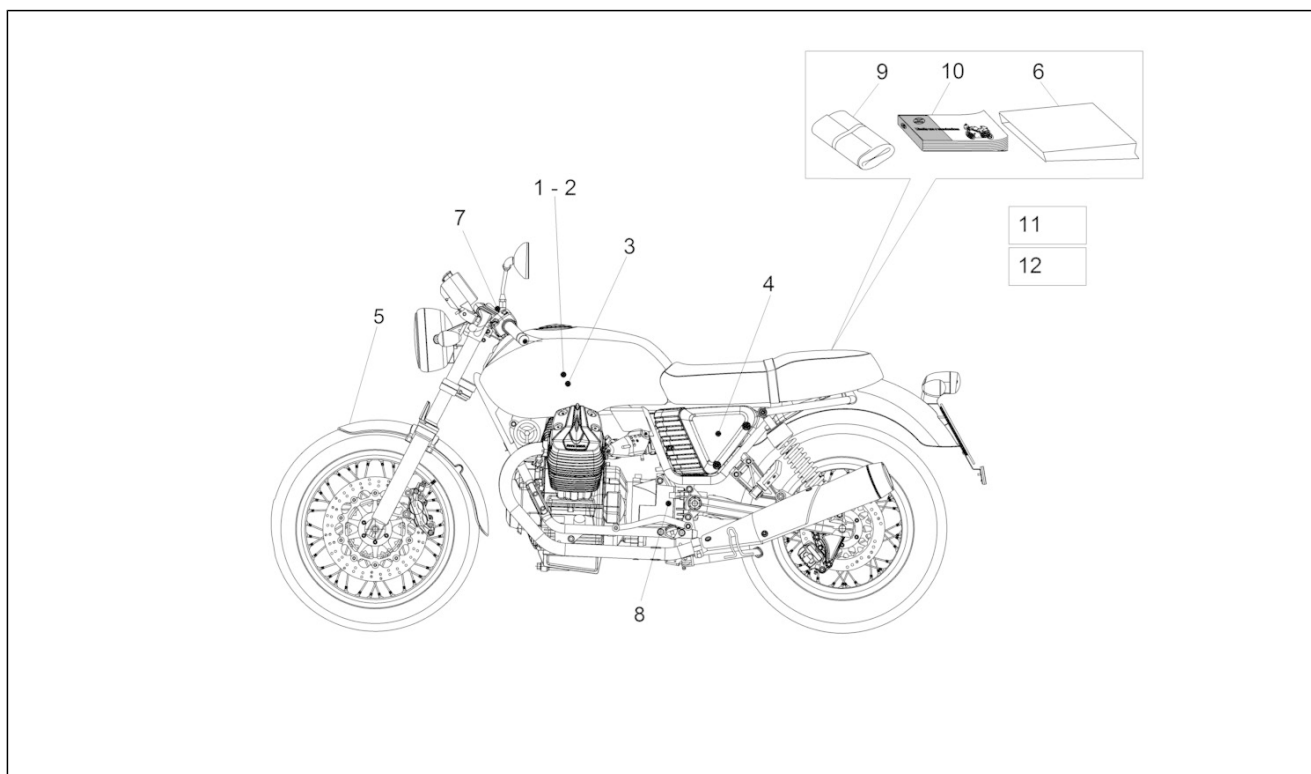
Pos.	Code	Description	Quant	Variants
27	GU49609601	Collier 2,4x92	1	

Groupe	CHASSIS
Code	33.32
Description	Kit serrure
Révision	1



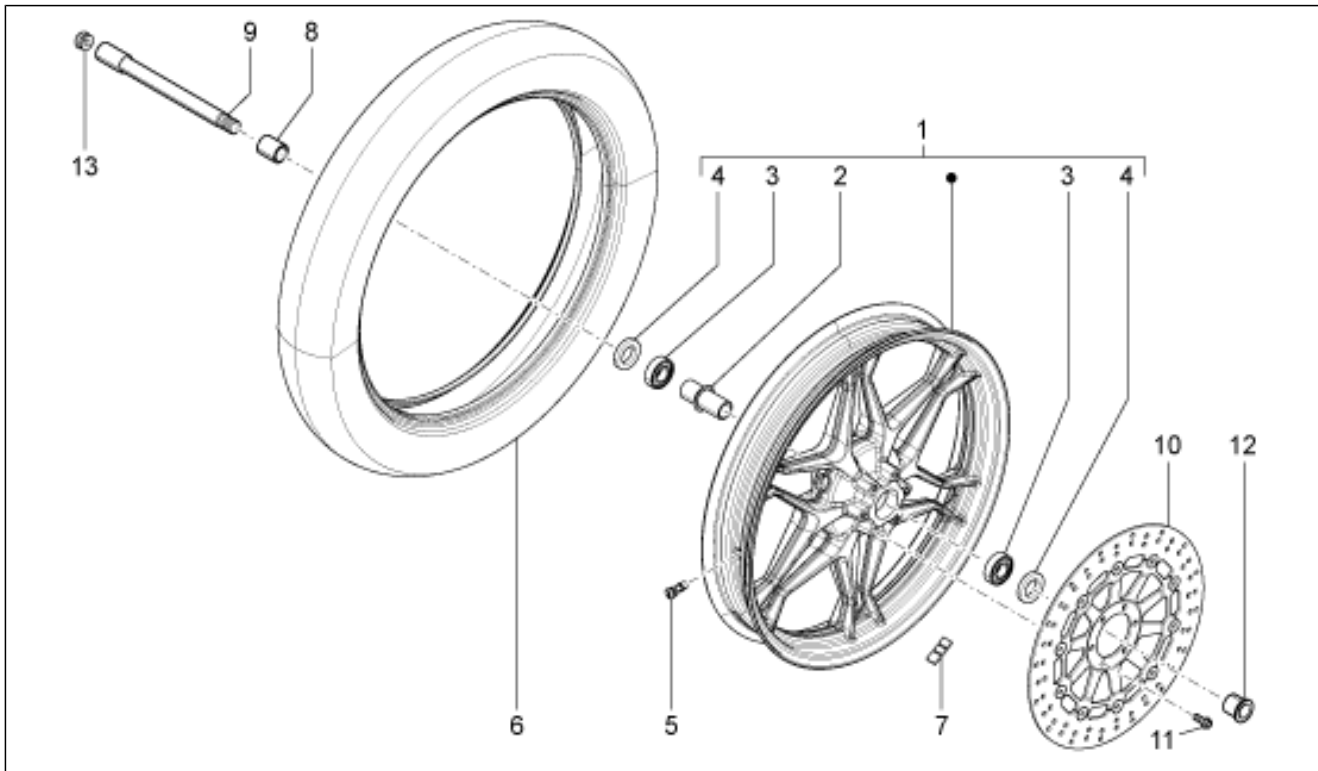
Pos.	Code	Description	Quant	Variants
1	883477	Kit serrures	1	Pays:Chine[CN]
1	887873	Kit serrures	1	
2	GU32782510	Bloc démarreur-bloc	1	
3	883476	Bouchon réservoir	1	Pays:Chine[CN]
3	887874	Bouchon réservoir	1	
4	977527	Serrure avec clés	1	
5	GU32735510	Clé pas cantée brut-coque go	1	
6	AP8150349	Vis spéciale M8x15	1	
7	GU98682416	Vis M8x16	1	
8	AP8121420	Ressort à fourche	1	
9	978415	Plaque support câble	1	
10	2D000006	Cylindre de serrure avec clé pour bouchon d'essence	1	

Groupe	CHASSIS
Code	33.33
Description	Décalco et plaquettes
Révision	1



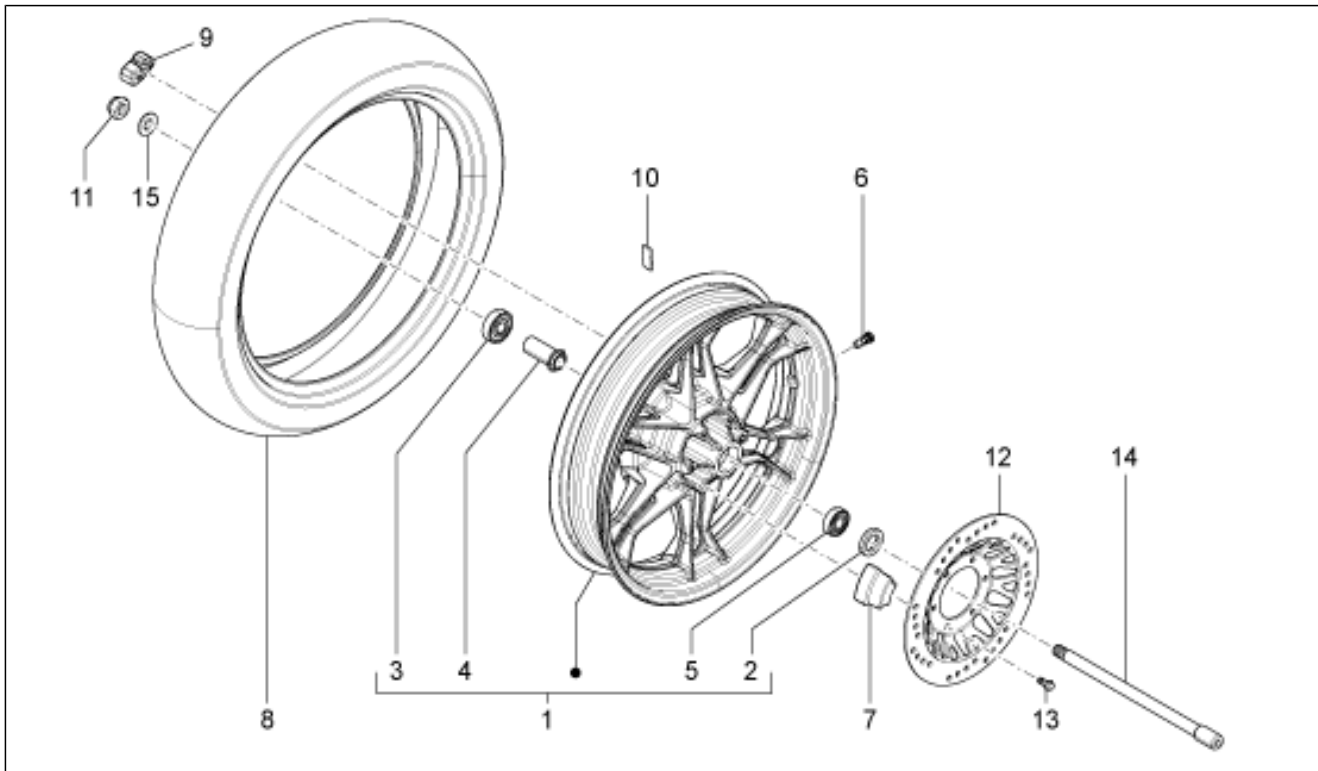
Pos.	Code	Description	Quant	Variants
1	886340	Plaque Aquila	1	Couleur véhicule: Noir Diablo[ND], Rosso Ventone[RV], Verde Raptor opaco [VR]
2	887930	Plaque G. Aquila	1	Couleur véhicule: Noir Diablo[ND], Rosso Ventone[RV], Verde Raptor opaco [VR]
3	2H000413	Décalco Moto Guzzi dx-sx	2	Couleur véhicule: Noir Diablo[ND], Rosso Ventone[RV], Verde Raptor opaco [VR]
4	2H000389	Autocollant pour carénage dx-sx V7	2	Couleur véhicule: Noir Diablo[ND], Rosso Ventone[RV], Verde Raptor opaco [VR]
5	886141	Décalco "Aquila"	1	Couleur véhicule: Noir Diablo[ND], Rosso Ventone[RV], Verde Raptor opaco [VR]
6	GU05900130	Sachet pour documents	2	
7	883598	Décalco "Aquila"	1	Couleur véhicule: Noir Diablo[ND], Rosso Ventone[RV], Verde Raptor opaco [VR]
8	895839	Plaque « Eni »	2	
9	887443	Trousse à outils	1	
10	2Q000043	Livret d'util.et entret. I-F-D-NL-E-UK	1	
10	2Q000045	Libretto uso e manutenzione JP-EN	1	Pays: Japon[J]
10	2Q000054	Libretto uso e manutenzione ZN-EN-IT-DE	1	Pays: Chine[CN]
11	2G000013	Décalco shed	1	Pays: Chine[CN]
11	GU03995730	Décalco "Unleaded Fuelonly"	1	Pays: Australie[AUS]
12	GU32944310	Décalco protect.	2	

Groupe	CHASSIS
Code	33.34
Description	Roue Av. II
Révision	1



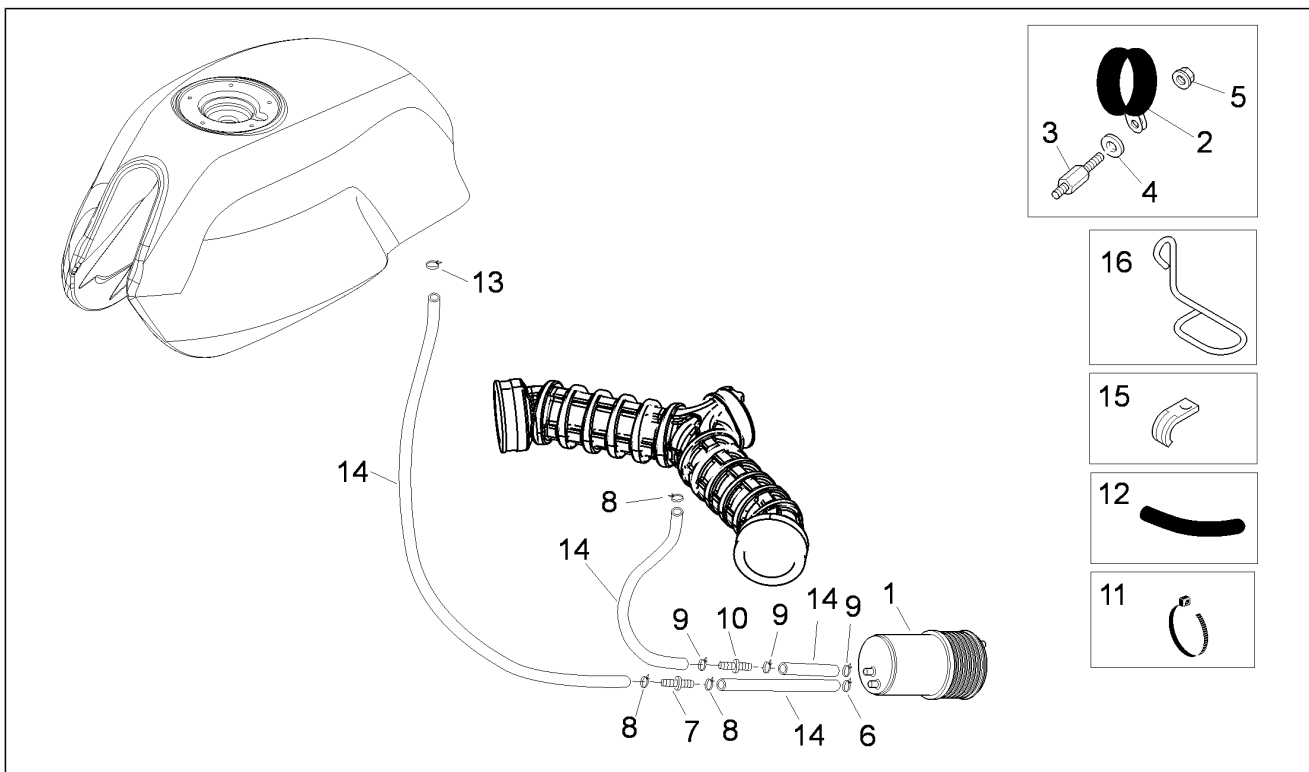
Pos.	Code	Description	Quant	Variants
1	887571	Roue 2.5X18"	1	
2	GU31615283	Entretoise roulements	1	
3	GU92204221	Roulement	2	
4	GU90402642	Bague d'étanchéité	2	
5	GU03617710	Soupape tubeless	1	
6	886679	Pneu 100/90 18	1	
7	GU14616150	Contrepoids	1	
8	GU32615660	Entretoise D	1	
9	GU31614183	Axe de roue AV	1	
10	883688	Disque frein avant 320	1	
11	AP8152286	Vis bride M8x20	6	
12	GU31616384	Entretoise G	1	
13	GU93180111	Bouchon 15 mm	1	

Groupe	CHASSIS
Code	33.35
Description	Roue arrière II
Révision	1



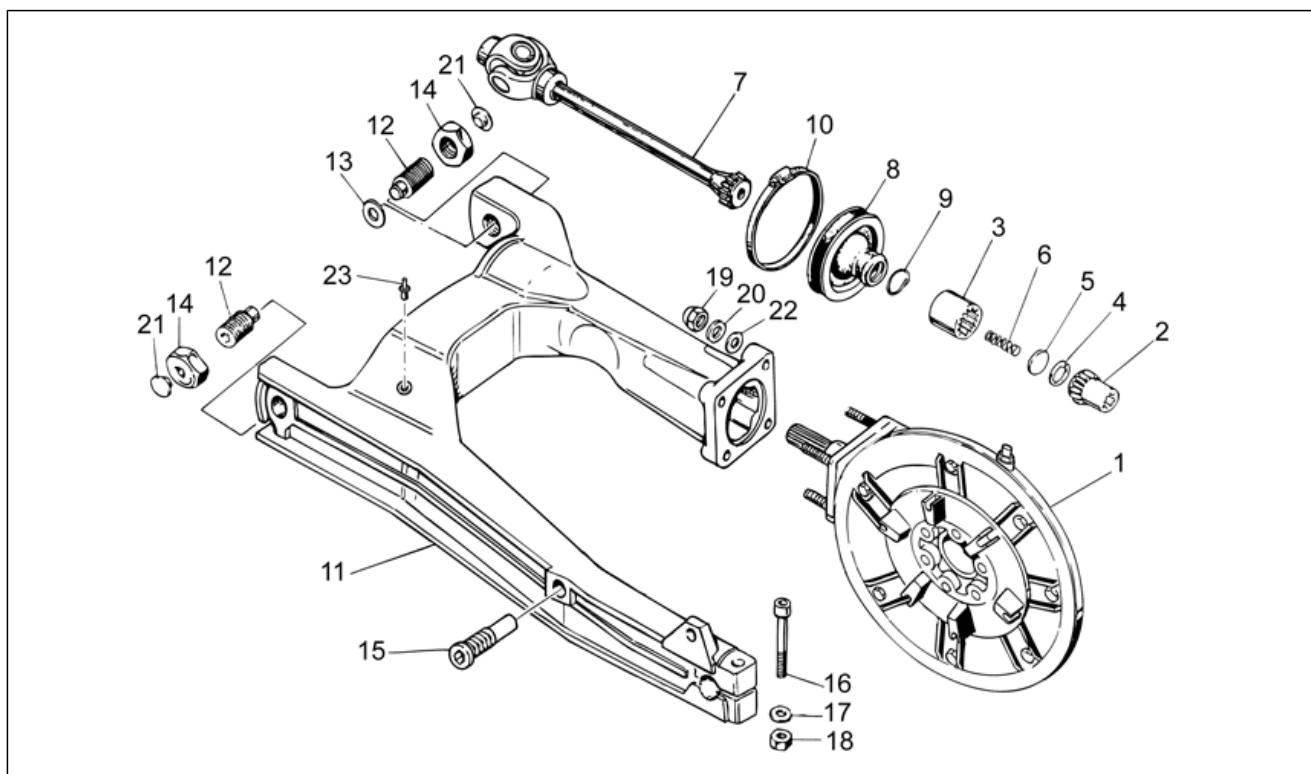
Pos.	Code	Description	Quant	Variants
1	887573	Jante roue 3.5x17"	1	
2	GU90402538	Bague d'étanchéité 25x40x7	1	
3	GU92204218	Roulement	1	
4	GU27633910	Entretoise	1	
5	GU92204217	Roulement	1	
6	GU03617710	Soupape tubeless	1	
7	GU32636160	Coatoucou pour support	1	
8	886680	Pneu 130/80 17	1	
9	GU32632510	Joint en caoutchouc	6	
10	GU14616150	Contrepoids	1	
11	GU92606316	Ecrou M16x1,5	1	
12	887448	Disque frein	1	
13	894505	Vis bride M8x18	6	
14	GU32633360	Axe de roue AR	1	
15	GU31634481	Rondelle	1	

Groupe	CHASSIS
Code	33.48
Description	Sys.récup.vap.ess.
Révision	1



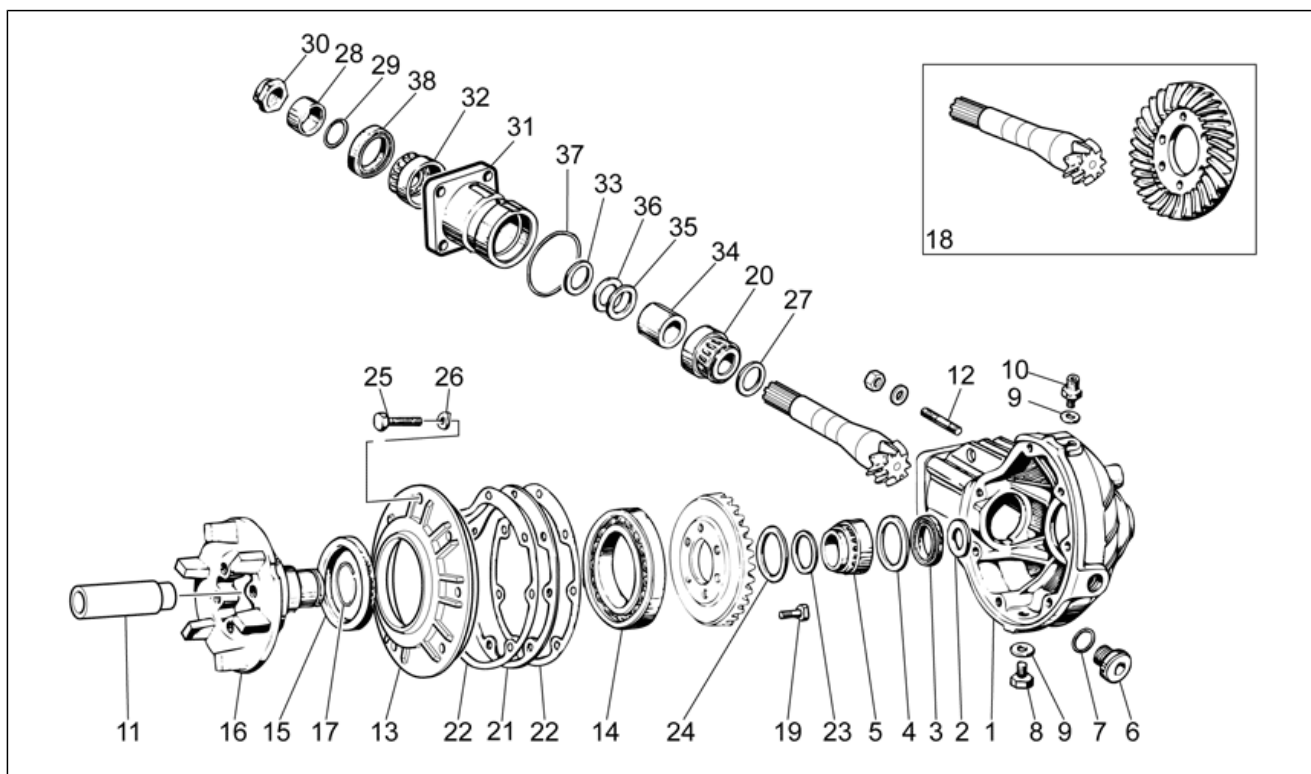
Pos.	Code	Description	Quant	Variants
1	AP8102678	Filtre à charbon	1	
2	AP8102688	Collier d.76	1	
3	GU32439260	Sup.canister USA	1	
4	GU95005308	Rondelle 8,4x14,57x1,6	1	
5	AP8152299	Ecrou autobloqu. M6	1	
6	AP8102159	Collier	1	
7	860138	Soupape	1	
8	GU28157950	Collier clic 12,5x8	4	
9	AP8120446	Collier clic, vert D11x6,6x1	2	
10	AP8121267	Queue de étranglement	1	
11	AP8120416	Collier, noir 178x4	1	
12	GU00823923140	Gaine thermique	4	
13	AP8201358	Collier D 11,9	1	
14	856063	Tuyau SAE 30 d.12,7x6,35	3	
15	GU93301313	Cavalier	1	
16	AP8221114	Guide-câble	2	

Groupe	MOTEUR
Code	34.09
Description	Transmission cpl. I
Révision	1



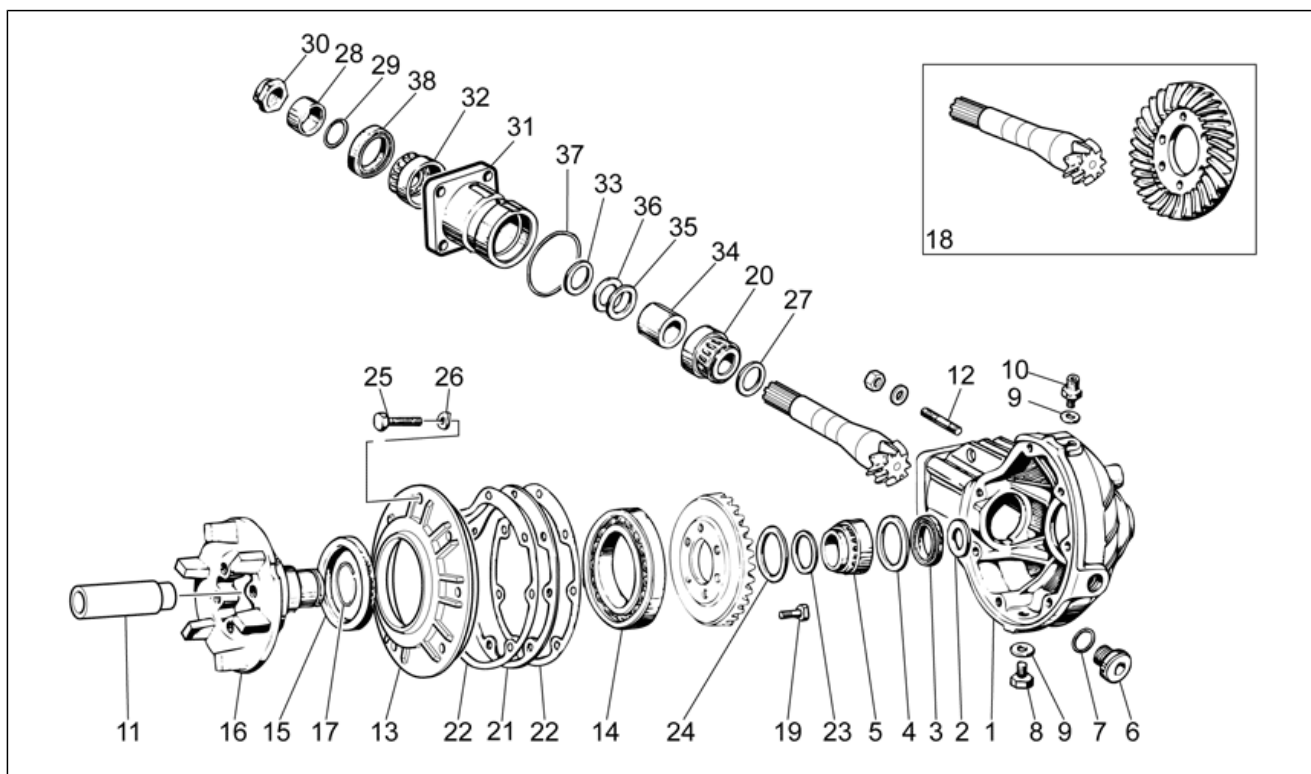
Pos.	Code	Description	Quant	Variants
1	976941	Boîte transm.cpl.noir	1	
2	GU31327783	Manchon	1	
3	GU19328801	Manchon	1	
4	GU90272023	Bague seeger	1	
5	GU19327601	Disque	1	
6	GU94321099	Ressort	1	
7	GU23328081	Joint	1	
8	GU23548080	Collier de protection	1	
9	GU23548180	Ressort	1	
10	AP8120246	Collier D=60-80	1	
11	883011	Fourche noire	1	
12	GU19547000	Pivot	2	
13	GU35214300	Cale	1	
14	GU31547882	Ecrou	2	
15	GU31544181	Pivot	1	
16	GU98680545	Vis M10x45	1	
17	GU95008210	Rondelle 10,2X18X2	1	
18	GU92606210	Ecrou M10x1,5	1	
19	860651	Ecrou borgne M8x1,25	4	
20	GU14615901	Rondelle 8,4X13X0,8	4	
21	GU93180105	Bouchon	2	
22	GU95005308	Rondelle 8,4x14,57x1,6	4	
23	GU03922280	Bouchon 5x9	1	

Groupe	MOTEUR
Code	34.10
Description	Transmission cpl. II
Révision	1



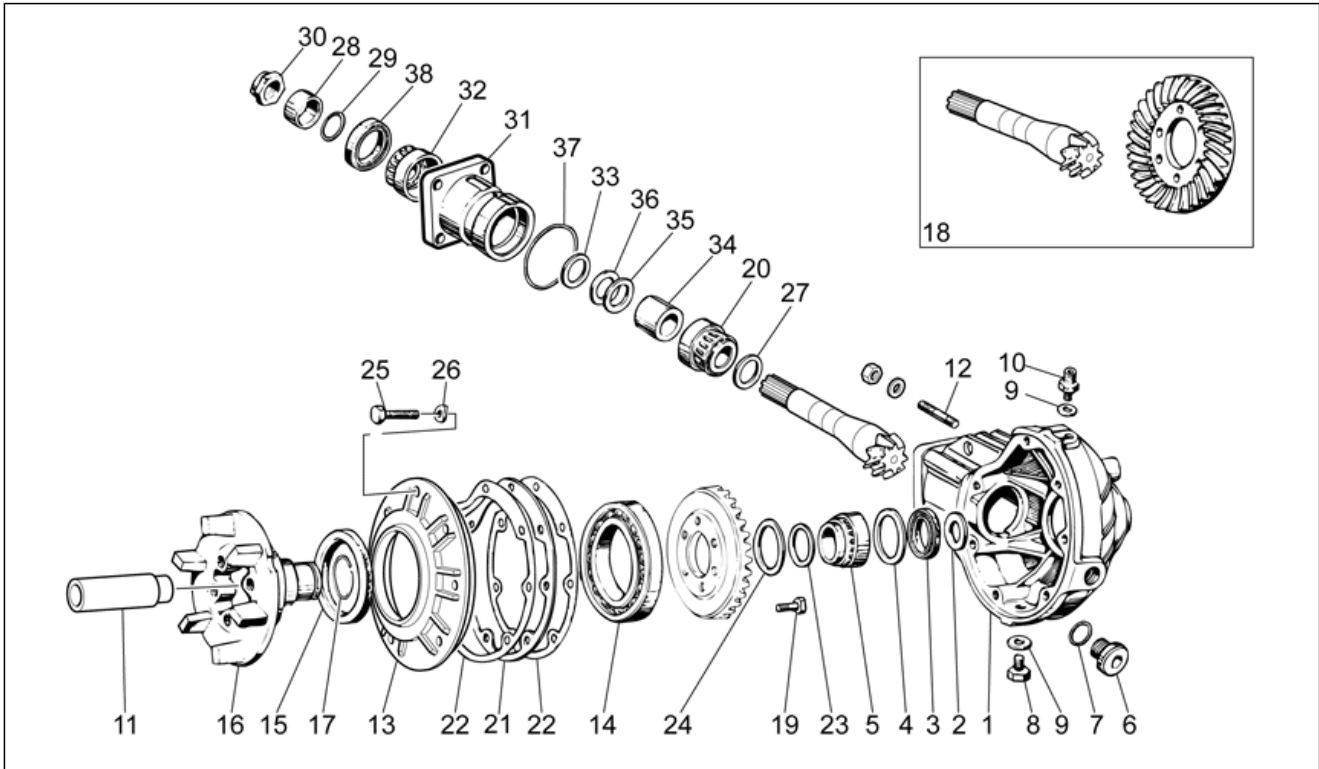
Pos.	Code	Description	Quant	Variants
1	976608	Carter de transmissionnoir	1	
2	GU19351900	Rondelle d'appui	1	
3	GU90403549	Bague d'étanchéité 35x47x7	1	
4	GU19351100	Rondelle d'appui	1	
5	GU92252235	Roulement à rouleaux 35x50x17	1	
6	GU12022600	Bouchon huile	1	
7	GU90706203	Joint torique 20,24X2,62	1	
8	GU31003766	Bouchon vid.huile M10x1	1	
9	GU01528930	Joint 10x18x1,5	2	
10	GU19206501	Bouchon purge	1	
11	GU32633560	Entretoise	1	
12	GU96508055	Vis sans tête	4	
13	GU32350410	Couvercle	1	
14	GU92201070	Roulement à billes 70x110x13	1	
15	GU90407591	Bague d'étanchéité 75x95x10	1	
16	GU32351410	Pivot	1	
17	GU90353030	Bague de butée	1	
18	GU32354610	Couple conique 8/33	1	
19	GU03067730	Vis M8x25	6	
20	GU92249227	Roulement roul.con. 25x5	1	
21	GU19355400	Cale 0,8 mm	1	
21	GU19355402	Cale 0,9 mm	1	
21	GU19355404	Cale 1 mm	1	
21	GU19355406	Cale 1,1 mm	1	
21	GU19355408	Cale 1,2 mm	1	
21	GU19355410	Cale 1,3 mm	1	
21	GU19355411	Cale 1,4 mm	1	
21	GU19355412	Cale 1,5 mm	1	

Groupe	MOTEUR
Code	34.10
Description	Transmission cpl. II
Révision	1



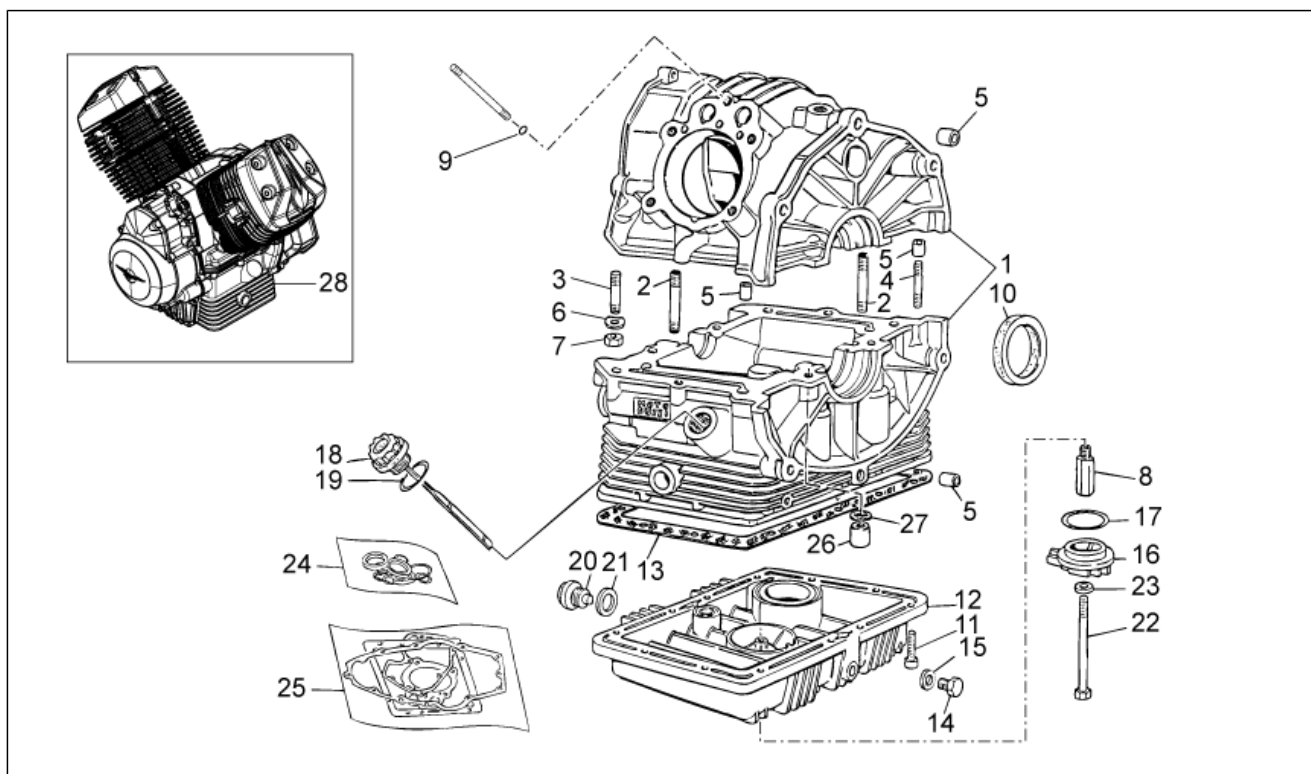
Pos.	Code	Description	Quant	Variants
21	GU19355413	Cale 1,6 mm	1	
22	GU19350700	Joint	2	
23	GU19352300	Rondelle éventail	1	
24	GU19353500	Rondelle éventail	1	
25	GU19357660	Vis	7	
26	GU61270300	Rondelle élastique 8x15x0,3	7	
27	GU19355320	Cale 1 mm	1	
27	GU19355321	Cale 1,1 mm	1	
27	GU19355322	Cale 1,2 mm	1	
27	GU19355323	Cale 1,3 mm	1	
27	GU19355324	Cale 1,4 mm	1	
27	GU19355325	Cale 1,5 mm	1	
27	GU19355326	Cale 1,6 mm	1	
27	GU19355327	Cale 1,7 mm	1	
27	GU19355328	Cale 1,8 mm	1	
27	GU19355329	Cale 1,9 mm	1	
28	GU19356801	Entretoise	1	
29	GU90706188	Bague d'étanchéité 18,77X1,78	1	
30	GU19356700	Ecrou	1	
31	GU20352421	Flasque	1	
32	GU92249220	Roulement à rouleaux 20x47x14	1	
33	GU19355300	Cale 1 mm	1	
33	GU19355301	Cale 1,1 mm	1	
33	GU19355302	Cale 1,2 mm	1	
33	GU19355303	Cale 1,3 mm	1	
33	GU19355304	Cale 1,4 mm	1	
33	GU19355305	Cale 1,5 mm	1	
33	GU19355306	Cale 1,6 mm	1	

Groupe	MOTEUR
Code	34.10
Description	Transmission cpl. II
Révision	1



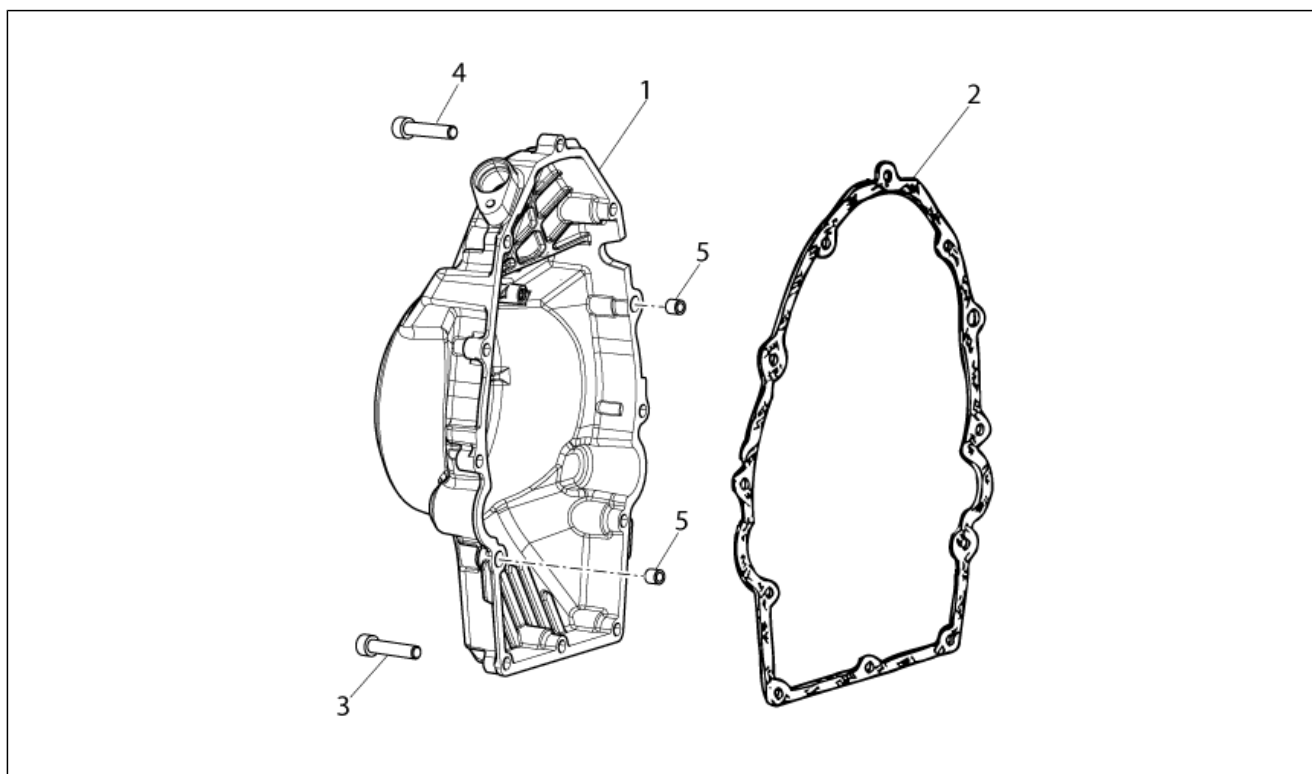
Pos.	Code	Description	Quant	Variants
33	GU19355307	Cale 1,7 mm	1	
33	GU19355308	Cale 1,8 mm	1	
33	GU19355309	Cale 1,9 mm	1	
34	GU20355121	Entretoise	1	
35	GU19355200	Rondelle ajustem. 0,1 mm	1	
36	GU19355202	Rondelle ajustem. 0,15 mm	1	
37	GU90706584	Joint 58,42x2,62	1	
38	GU90403251	Bague d'étanchéité 32x47x10	1	

Groupe	MOTEUR
Code	34.34
Description	Carter
Révision	1



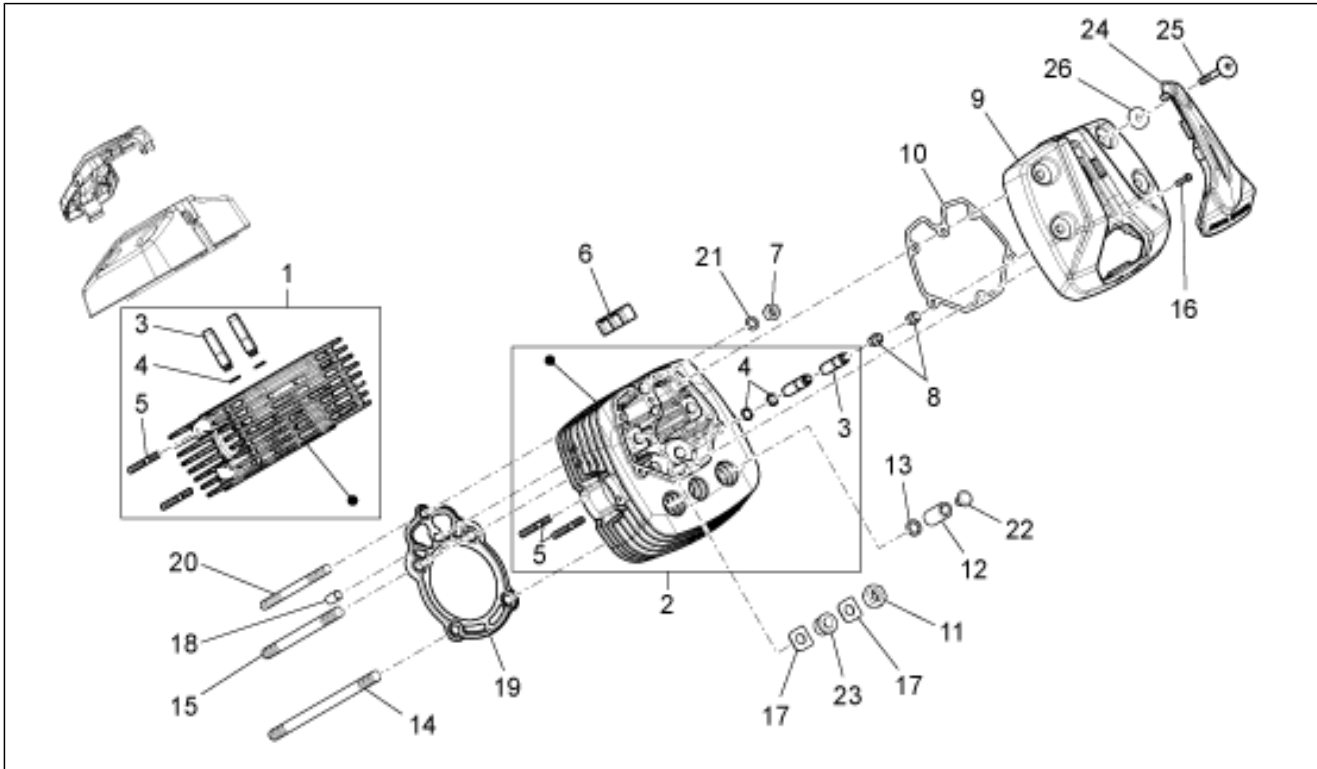
Pos.	Code	Description	Quant	Variants
1	2A0002355	Carter	1	
2	GU96451560	Vis sans tête	4	
3	GU96451430	Vis sans tête	4	
4	GU96508055	Vis sans tête	2	
5	GU19015020	Douille	4	
6	GU61270300	Rondelle élastique 8x15x0,3	6	
7	GU92606208	Ecrou M8x1,25	6	
8	GU19003800	Raccord	1	
9	GU90706076	Joint torique	2	
10	886365	Bague d'étanchéité	1	
11	GU98682325	Vis M6x25	12	
12	976604	Carter huile noir	1	
13	887004	Joint carter huile	1	
14	GU31003766	Bouchon vid.huile M10x1	1	
15	GU10528900	Garniture	1	
16	976685	Petit couvercle	1	
17	GU90706444	Joint torique	1	
18	883826	Bouchon rempl. huile	1	
19	GU90706281	Joint torique 28,24x2,62	1	
20	GU12003702	Bouchon vid.huile	1	
21	GU95100709	Joint 20,1x28x2	1	
22	GU27152885	Boulon	1	
23	GU12154200	Joint 8,25x15x1	1	
24	GU32999510	Joint spy-série	1	
25	GU32999010	Joints-jeu	1	
26	GU13021900	Ecrou colonne	4	
27	GU95129180	Rondelle 10,5X18X0,8	4	
28	2L0001895	Moteur comp.sansbo.vitesses	1	

Groupe	MOTEUR
Code	34.35
Description	Couvercle distribution
Révision	1



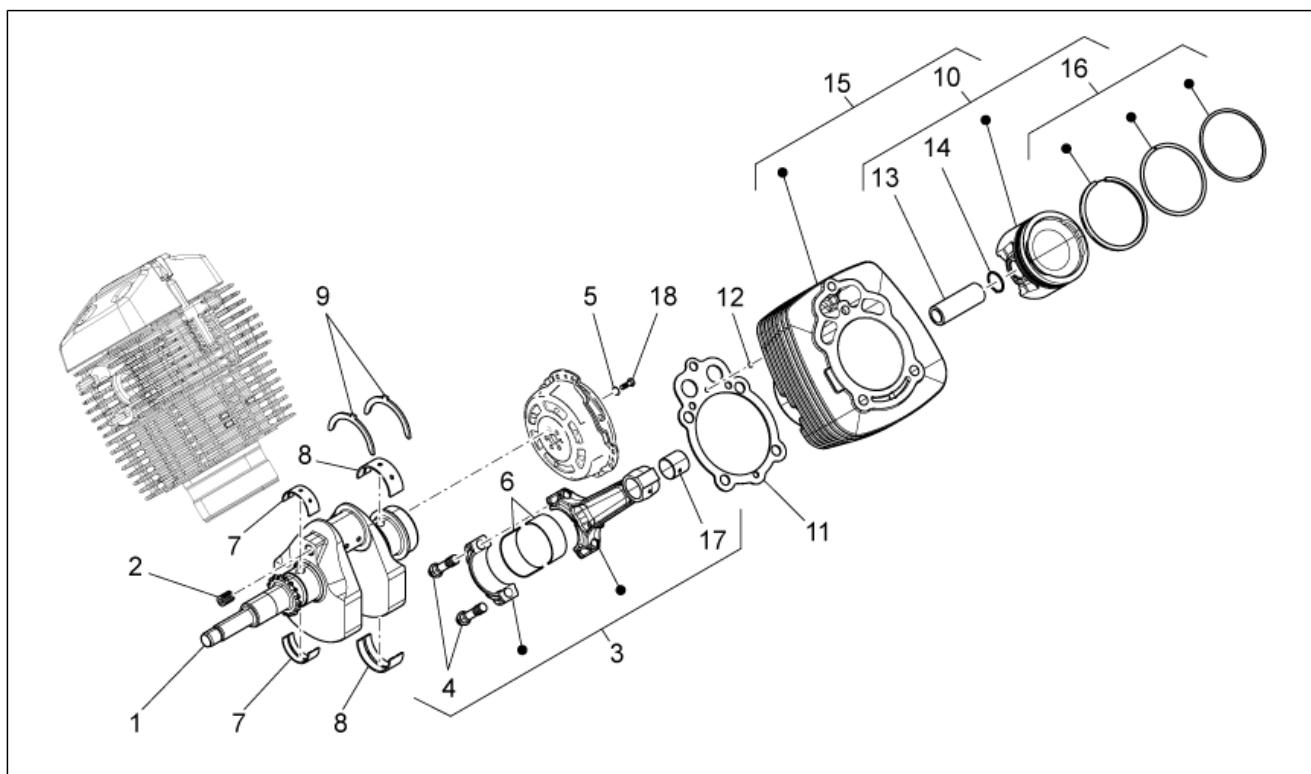
Pos.	Code	Description	Quant	Variants
1	2A000085	Couvercle	1	
2	887003	Joint couvercle	1	
3	GU98682325	Vis M6x25	10	
4	GU98682330	Vis M6x20	2	
5	GU19002020	Douille 6,6x9x13	2	

Groupe	MOTEUR
Code	34.36
Description	Tête cylindre
Révision	1



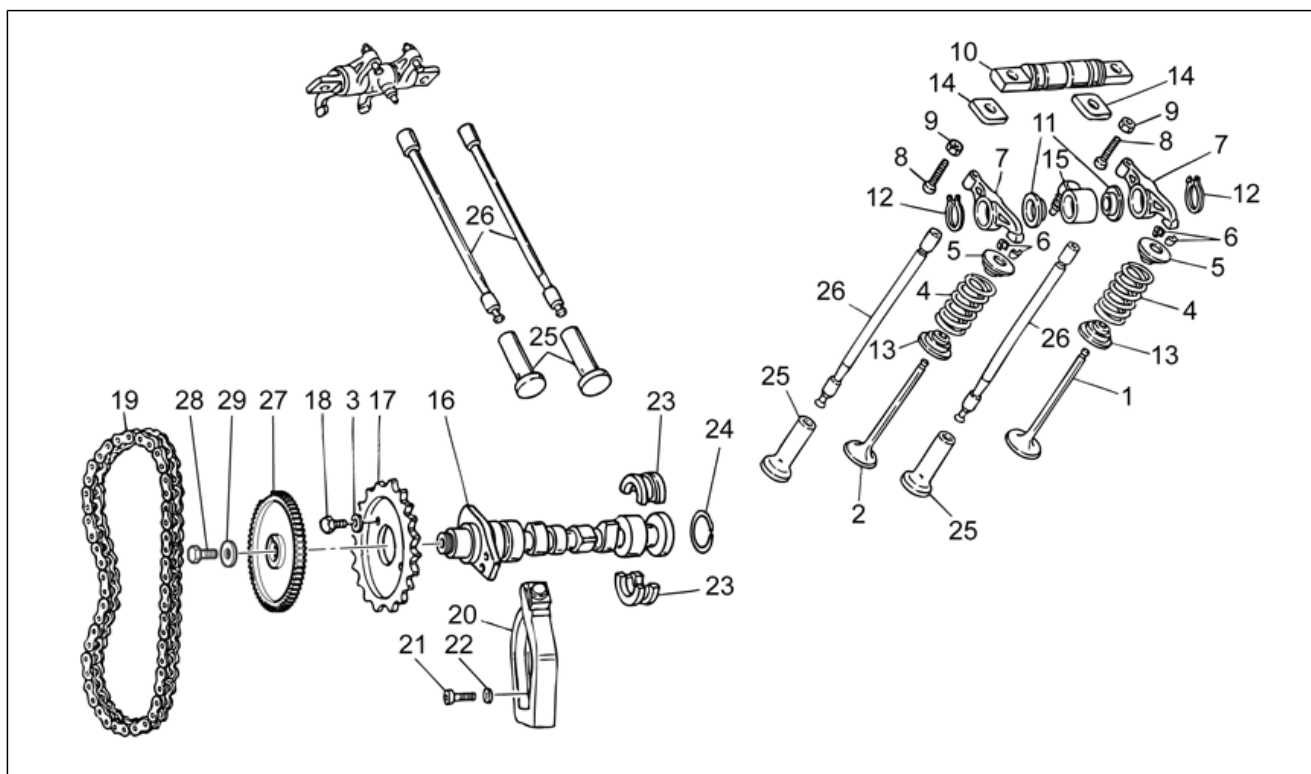
Pos.	Code	Description	Quant	Variants
1	8872724	Culasse d.	1	
2	8872754	Culasse g.	1	
3	GU61036801	Guide soupape	4	
4	GU90353009	Anneau élastique	4	
5	GU96506042	Vis sans tête	4	
6	B063111	Tasseau antivibration	4	
7	GU19021920	Ecrou	2	
8	GU19037820	Joint spi	4	
9	887523	Couvre-culasse	2	
10	887002	Joint couvercle-culasse	2	
11	GU92603010	Ecrou M10X1,5	4	
12	GU13021900	Ecrou colonne	4	
13	GU95129180	Rondelle 10,5X18X0,8	4	
14	GU96510214	Vis sans tête M10x214	4	
15	GU96510181	Vis sans tête M10x182	4	
16	GU98692325	Vis M6x25	4	
17	GU19032980	Cale	8	
18	GU19021360	Douille	2	
19	B063099	Joint tête-cylindre	2	
20	976898	Vis sans tête M8x140	2	
21	GU61270300	Rondelle élastique 8x15x0,3	2	
22	GU93180245	Bouchon	4	
23	AP8144071	Caoutchouc pot	1	
24	887279	Couvercle bougie	2	
25	887483	Vis de couvre-culasse M6x2.5	8	
26	969973	Rondelle	8	

Groupe	MOTEUR
Code	34.37
Description	Arbre moteur cpl.
Révision	1



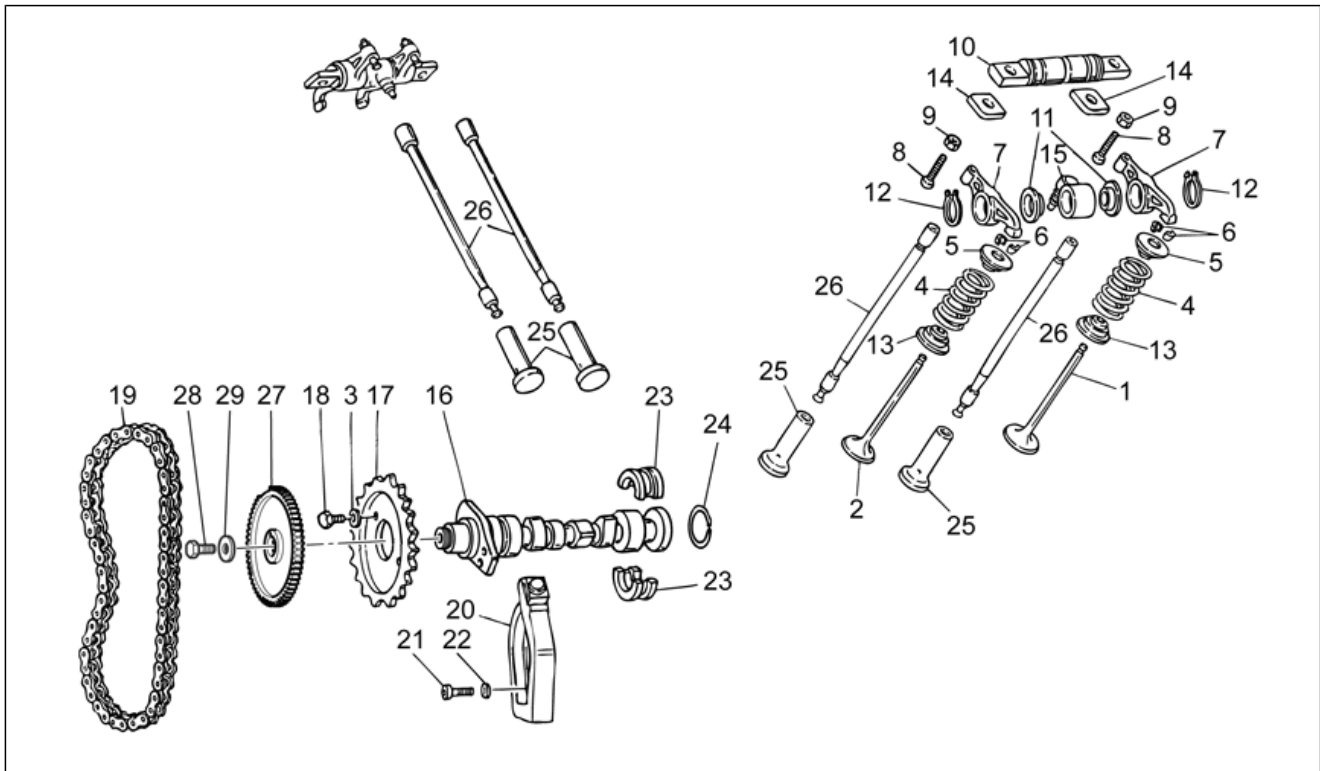
Pos.	Code	Description	Quant	Variants
1	2A0000995	Arbre moteur	1	
2	GU19065400	Bouchon	1	
3	GU27061585	Bielle cpl.	2	
4	GU19062261	Vis	4	
5	GU14615901	Rondelle 8,4X13X0,8	6	
6	GU27062060	Demi-coussinet	4	
7	GU27065660	Demi-couss.de vilebr.av.	2	
8	GU27066560	Demi-couss.de vilebr.ar.	2	
9	GU27066460	Demi-etau	2	
10	8872690001	Piston compl. d.80 Cat. D	1	
10	8872690002	Piston compl. d.80 Cat. E	1	
10	8872690003	Piston compl. d.80 Cat. F	1	
11	886670	Garniture cylindre	2	
12	GU61027200	Joint torique	2	
13	B063016	Axe	2	
14	874567	Bague de butée	4	
15	B063465	Cylindre av.piston cpl.	2	
16	B063466	Ensemble de segments	2	
17	GU27061885	Douille	2	
18	GU19067700	Vis	6	

Groupe	MOTEUR
Code	34.38
Description	Distribution
Révision	1



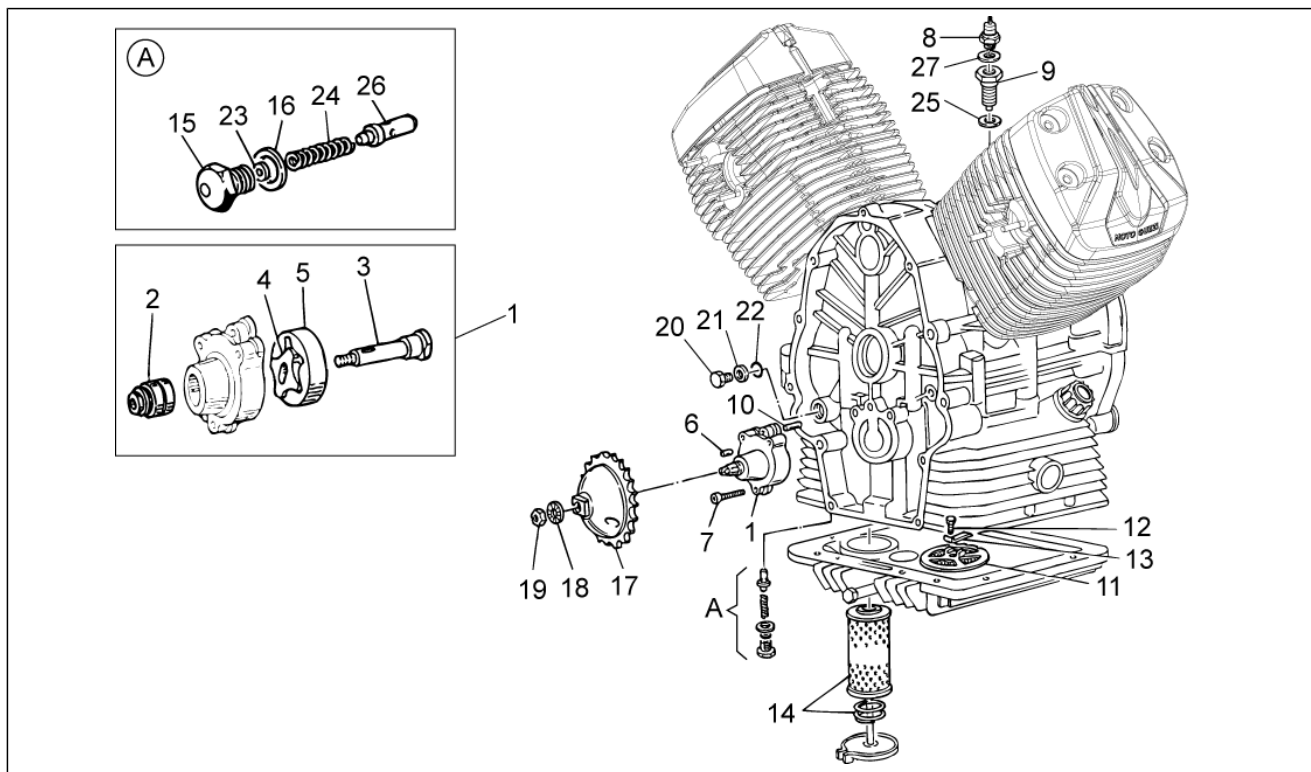
Pos.	Code	Description	Quant	Variants
1	2A000146	Soupape d'admission	2	
2	2A000147	Soupape decharge	2	
3	GU23217800	Rondelle de séreté	2	
4	GU27037521	Ressort	4	
5	GU31038015	Coupelle supérieur	4	
6	GU61038100	Demi-clavette	8	
7	GU19030500	Culbuteur	4	
8	GU19034000	Vis	4	
9	GU92602406	Ecrou M6x1	4	
10	GU19032080	Axe culbuteur	2	
11	GU32032310	Rondelle éventail	4	
12	GU90271018	Bague seeger	4	
13	GU31037015	Coupelle inférieure	4	
14	GU19032980	Cale	4	
15	GU19027500	Manchon	2	
16	GU32053410	Arbre à cames	1	
17	GU32054510	Engrenage distribution	1	
18	GU61054900	Boulon	2	
19	GU19058021	Chaîne de distribution	1	
20	GU19058220	Tendeur de chaine	1	
21	GU98882316	Vis	1	
22	GU95129115	Rondelle	1	
23	GU19055700	Secteur	2	
24	GU90353029	Anneau élastique	1	
25	GU19045861	Poussoir	4	
26	GU31045015	Culbuteur tige	4	
27	887528	Wheel speed sensor, LH front	1	
28	GU98054422	Vis M8x22	1	

Groupe	MOTEUR
Code	34.38
Description	Distribution
Révision	1



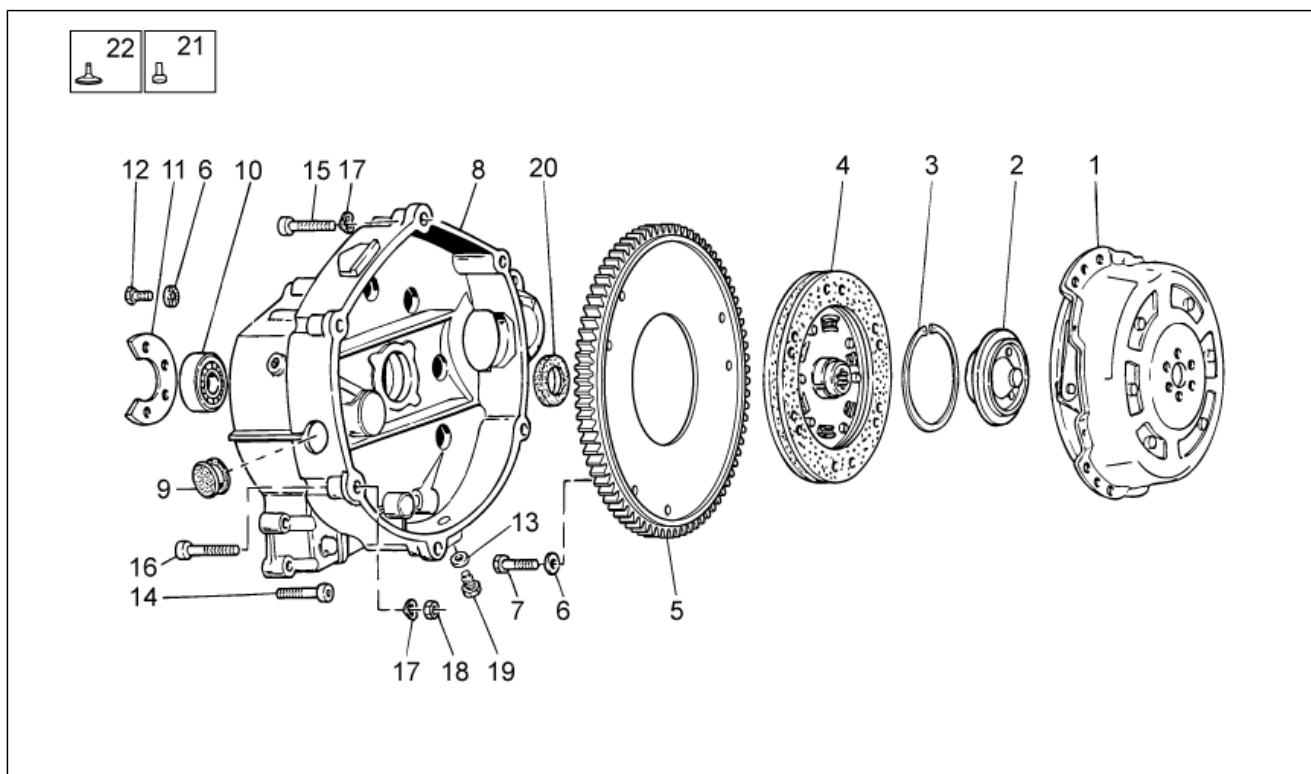
Pos.	Code	Description	Quant	Variants
29	GU95100244	Rondelle	1	

Groupe	MOTEUR
Code	34.39
Description	Pompe huile
Révision	1



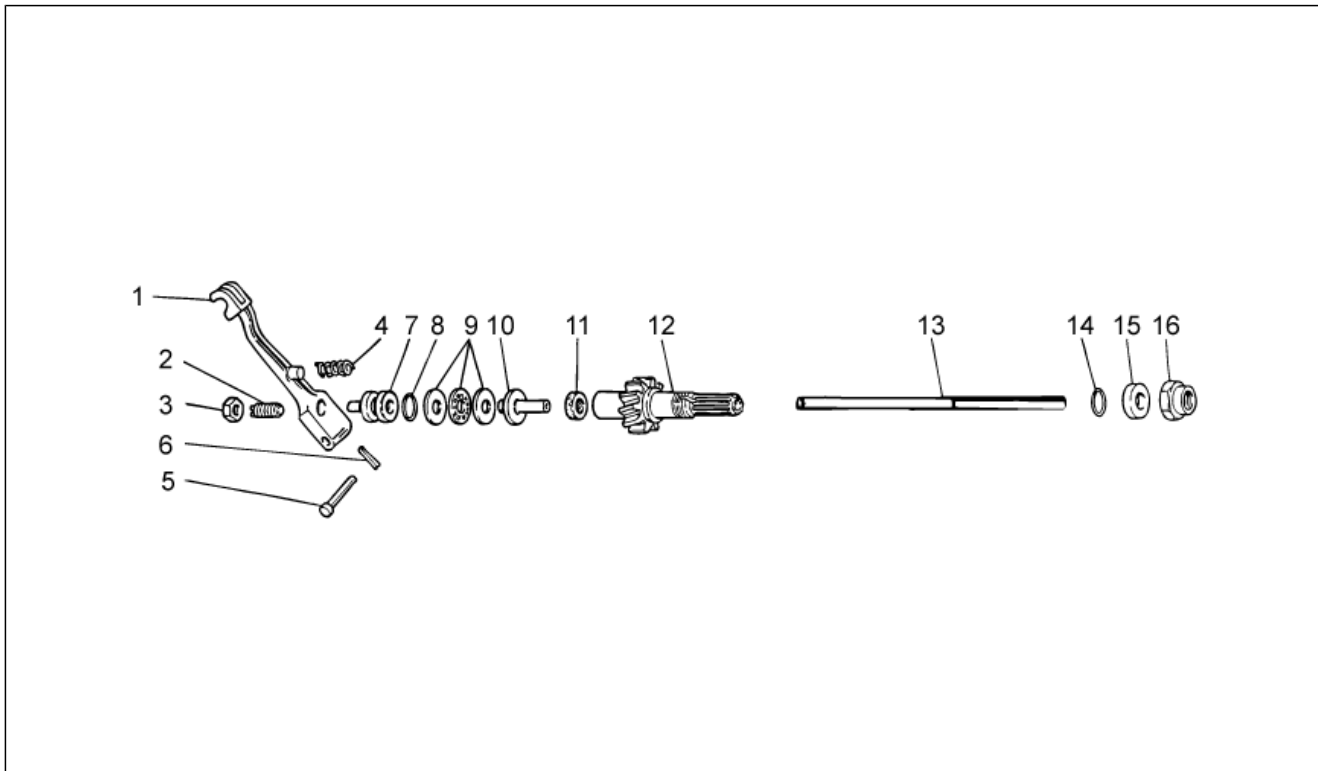
Pos.	Code	Description	Quant	Variants
1	GU19146422	Pompe huile	1	
2	GU92252210	Roulement à rouleaux 10x22x20	1	
3	GU20147810	Arbre pompe huile	1	
4	GU20148410	Rotor intérieur	1	
5	GU20148610	Rotor extérieur	1	
6	GU92296723	Rouleau	1	
7	884039	Vis M6x35	3	
8	641541	Capteur de pression d'huile	1	
9	887093	Raccord	1	
10	GU19018920	Goupille	2	
11	GU19152200	Filtre à huile	1	
12	GU98084314	Vis M6x14	1	
13	GU95187006	Plaquette	1	
14	GU27153085	Filtre à huile	1	
15	GU31159050	Bouchon	1	
16	GU18144350	Rondelle 18,25x24x1	3	
17	GU20147710	Pignon de pompe	1	
18	AP8152220	Rondelle	1	
19	GU92602510	Ecrou M10x1,25	1	
20	GU31016050	Bouchon	1	
21	GU18161150	Garniture 14,25	1	
22	GU90706111	Joint torique	1	
23	GU95008206	Rondelle 6,15x11x0,8	3	
24	GU94321079	Ressort	1	
25	GU95100602	Joint	1	
26	GU31159050	Piston	1	
27	GU95100309	Rondelle	1	

Groupe	MOTEUR
Code	34.40
Description	Embrague I
Révision	1



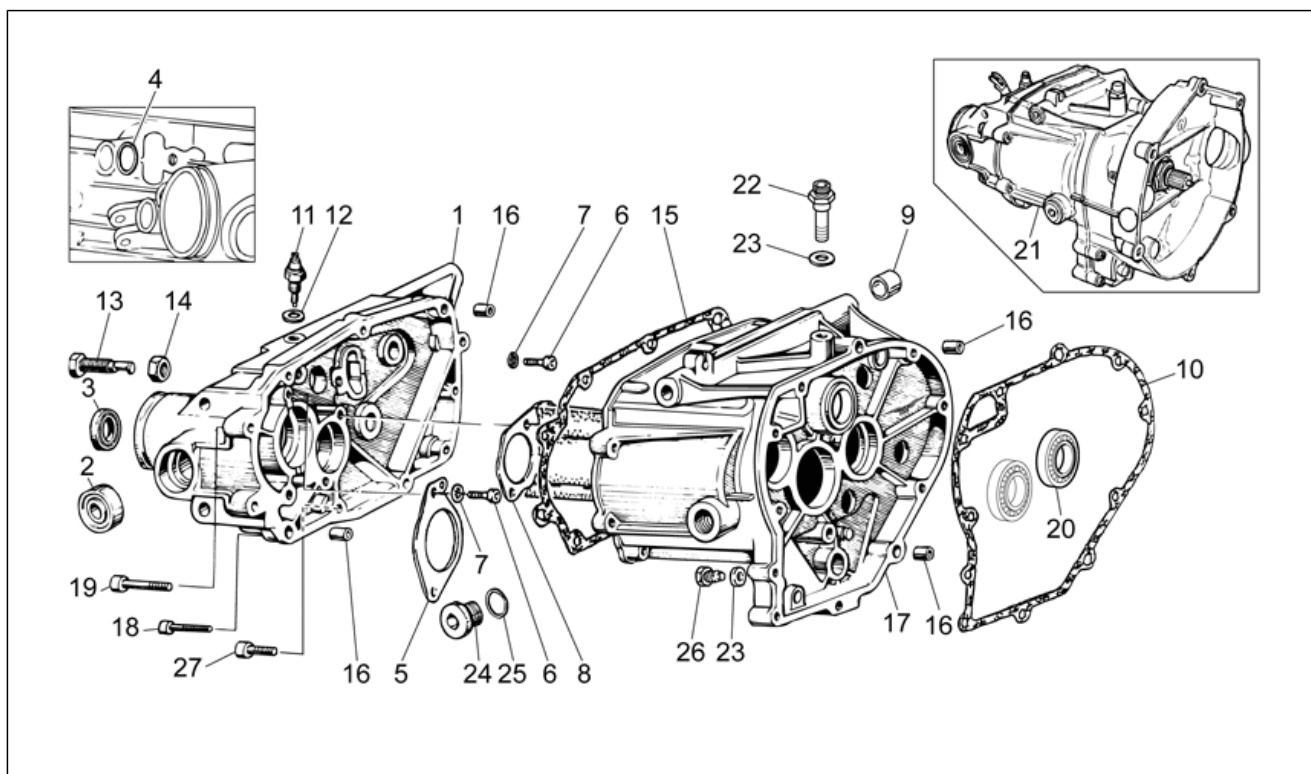
Pos.	Code	Description	Quant	Variants
1	GU32080310	Embrayage	1	
2	GU19083462	Cuvette	1	
3	GU90272075	Anneau élastique	1	
4	GU32084410	Disque embrayage mené	1	
5	GU32067910	Couronne	1	
6	GU14217901	Rondelle 6,4x10x0,7	9	
7	884038	Vis M6x16	6	
8	2A000106	Cloche embrayage	1	
9	GU93180220	Bouchon	1	
10	GU92201225	Roulement 25x52x15	1	
11	GU19203460	Plaque fixation palier	1	
12	GU98084314	Vis M6x14	3	
13	GU10528900	Garniture	1	
14	884032	Vis M6x30	11	
15	GU98680435	Vis M8x35	5	
16	GU98680450	Vis M8x50	1	
17	GU61270300	Rondelle élastique 8x15x0,3	6	
18	GU92606208	Ecrou M8x1,25	1	
19	GU31003766	Bouchon vid.huile M10x1	1	
20	886629	Bague d'étanchéité	1	
21	GU23204471	Gicleur	1	
22	GU23204571	Gicleur	1	

Groupe	MOTEUR
Code	34.41
Description	Embrague II
Révision	1



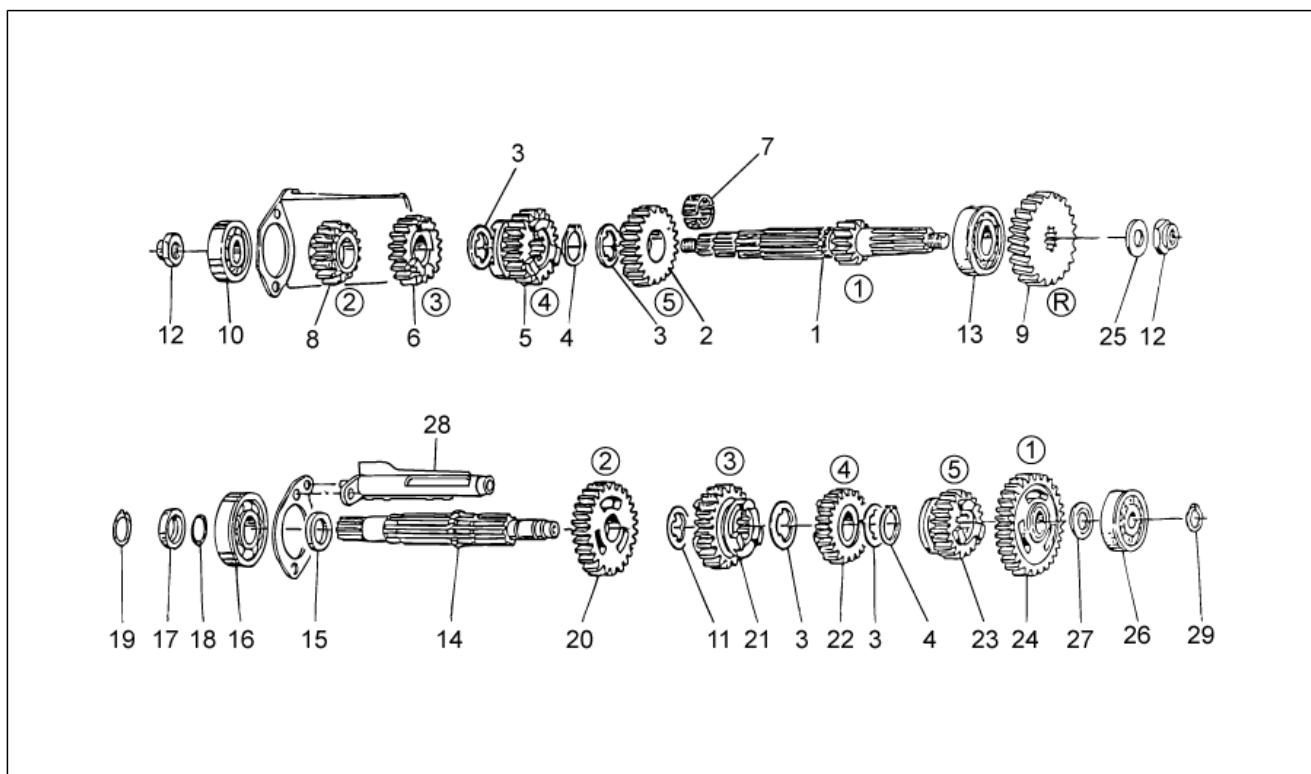
Pos.	Code	Description	Quant	Variants
1	GU14090201	Débrayage	1	
2	GU14090400	Vis embrayage	1	
3	GU92606508	Ecrou	1	
4	GU94321105	Retour levier démarrage	1	
5	GU95780271	Goupille 7x39	1	
6	GU95500222	Goupille	1	
7	GU14086100	Corps extérieur	1	
8	GU90706170	Joint torique 17,13x2,62	1	
9	GU12087001	Palier poussée	1	
10	GU14086000	Corps intérieur	1	
11	GU90400616	Bague d'étanchéité 6x16x7	1	
12	GU27210760	Arbre trnsmission Z=16	1	
13	GU20085720	Tige	1	
14	GU90706235	Joint torique 23,52x1,78	1	
15	GU19213760	Entretoise	1	
16	GU19356760	Ecrou	1	

Groupe	MOTEUR
Code	34.42
Description	Cartier de boîte vitesses
Révision	1



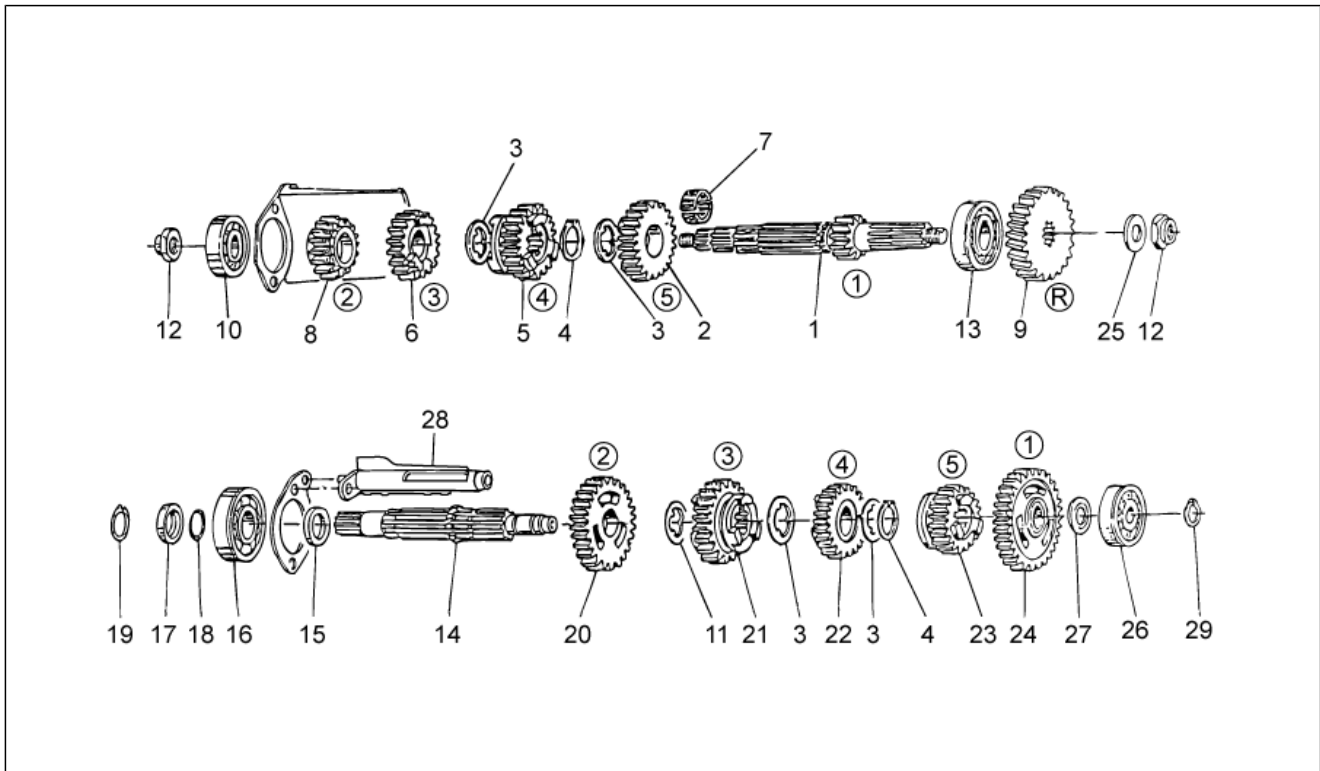
Pos.	Code	Description	Quant	Variants
1	2A000098	Couvercle boîte de vitesses	1	
2	2A000097	Roulement à billes 6202-2RSH/C3 LHT23	2	
3	886364	Bague d'étanchéité 28x40x7	1	
4	GU90706140	Joint torique 13,95x2,92	1	
5	GU32213810	Plaque	1	
6	884031	Vis M6x14	4	
7	GU14217901	Rondelle 6,4x10x0,7	4	
8	GU32208210	Huile cloison	1	
9	GU19202320	Douille 10,25x15,7x8	2	
10	887005	Joint	1	
11	B063269	Capteur	1	
12	GU12154200	Joint 8,25x15x1	1	
13	GU19237800	Vis M12x1,25	1	
14	GU92606512	Ecrou bas M12x1,25	1	
15	887006	Joint	1	
16	GU19002020	Douille 6,6x9x13	4	
17	887235	Cartier de boîte vitesses	1	
18	GU98682330	Vis M6x20	5	
19	GU98680435	Vis M8x35	4	
20	B063342	Roulement à billes 6004/C3	1	
21	976992	Boîte de vitesses cpl.	1	
22	GU32206510	Bouchon purge	1	
23	GU10528900	Garniture	2	
24	GU12022600	Bouchon huile	1	
25	GU90706203	Joint torique 20,24x2,62	1	
26	GU31003766	Bouchon vid.huile M10x1	1	
27	AP8150285	Vis M6x35	2	

Groupe	MOTEUR
Code	34.43
Description	Boîte de vitesses
Révision	1



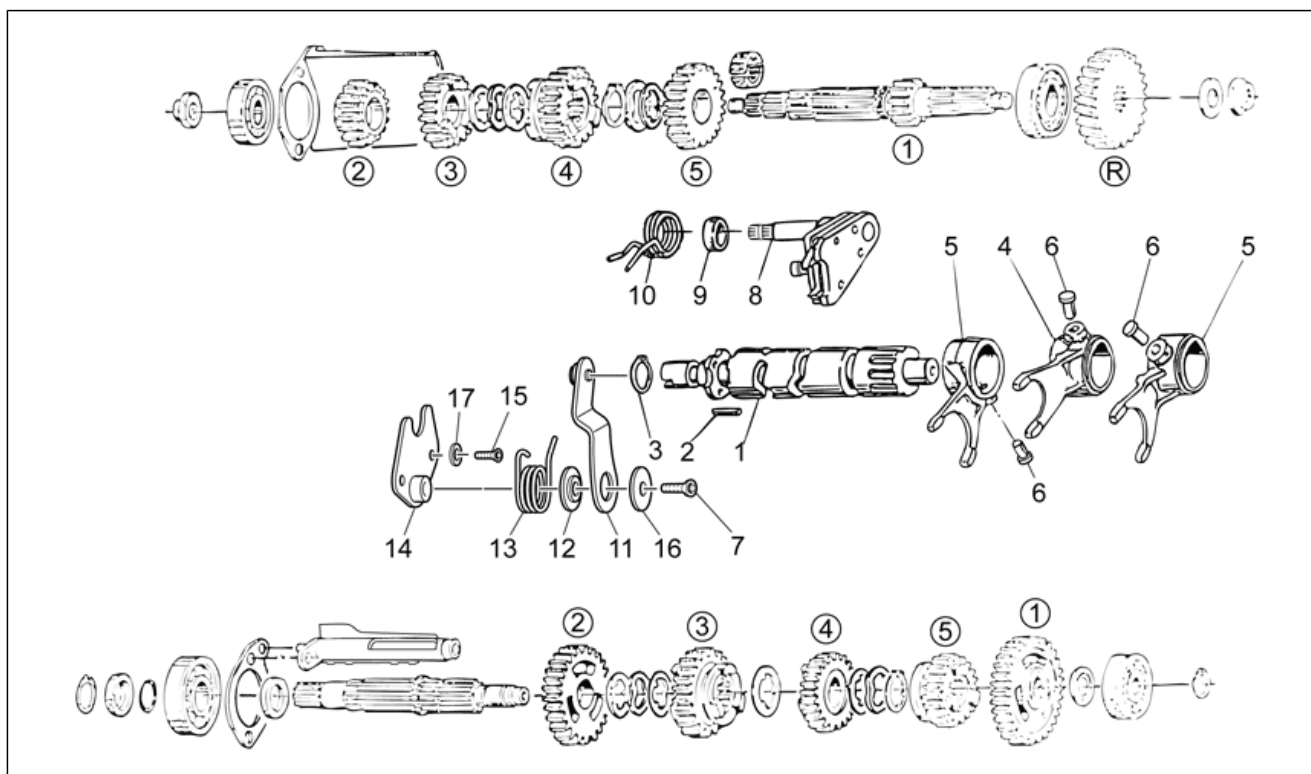
Pos.	Code	Description	Quant	Variants
1	GU32210510	Arbre primaire Z=11	1	
2	GU32212011	Engrenage 5a AP Z=25	1	
3	GU19215460	Rondelle éventail	3	
4	GU90271124	Bague seeger	2	
5	GU32211810	Engrenage 4a AP Z=18	1	
6	GU32211410	Engrenage 3a AP Z=18	1	
7	GU92251028	Cage à rouleaux	1	
8	GU23211372	Engrenage 2a AP Z=14	1	
9	GU32211110	Pignon interméd. AP Z=21	1	
10	GU92218417	Roulement AP 17x40x17,5	1	
11	GU19214660	Rondelle d'appui	2	
12	GU10054100	Ecrou	2	
13	GU92230320	Roulement AP 20x37x17	1	
14	GU32213610	Arbre secondaire	1	
15	GU19212900	Entretoise	1	
16	GU92201220	Roulement 20X47X14	1	
17	GU19213720	Entretoise	1	
18	GU90706188	Bague d'étanchéité 18,77X1,78	1	
19	GU90271121	Bague seeger	1	
20	GU32214510	Engrenage 2a AS Z=23	1	
21	GU32214810	Engrenage 3a AS Z=23	1	
22	GU32215010	Engrenage 4a AS Z=19	1	
23	GU32215210	Engrenage 5a AS Z=22	1	
24	GU32214010	Engrenage 1a AS Z=26	1	
25	GU39238100	Rondelle d'appui	1	
26	GU92234716	Roulement	1	
27	GU10214300	Cale 1,5 mm	1	
27	GU10214301	Cale 1,7 mm	1	

Groupe	MOTEUR
Code	34.43
Description	Boîte de vitesses
Révision	1



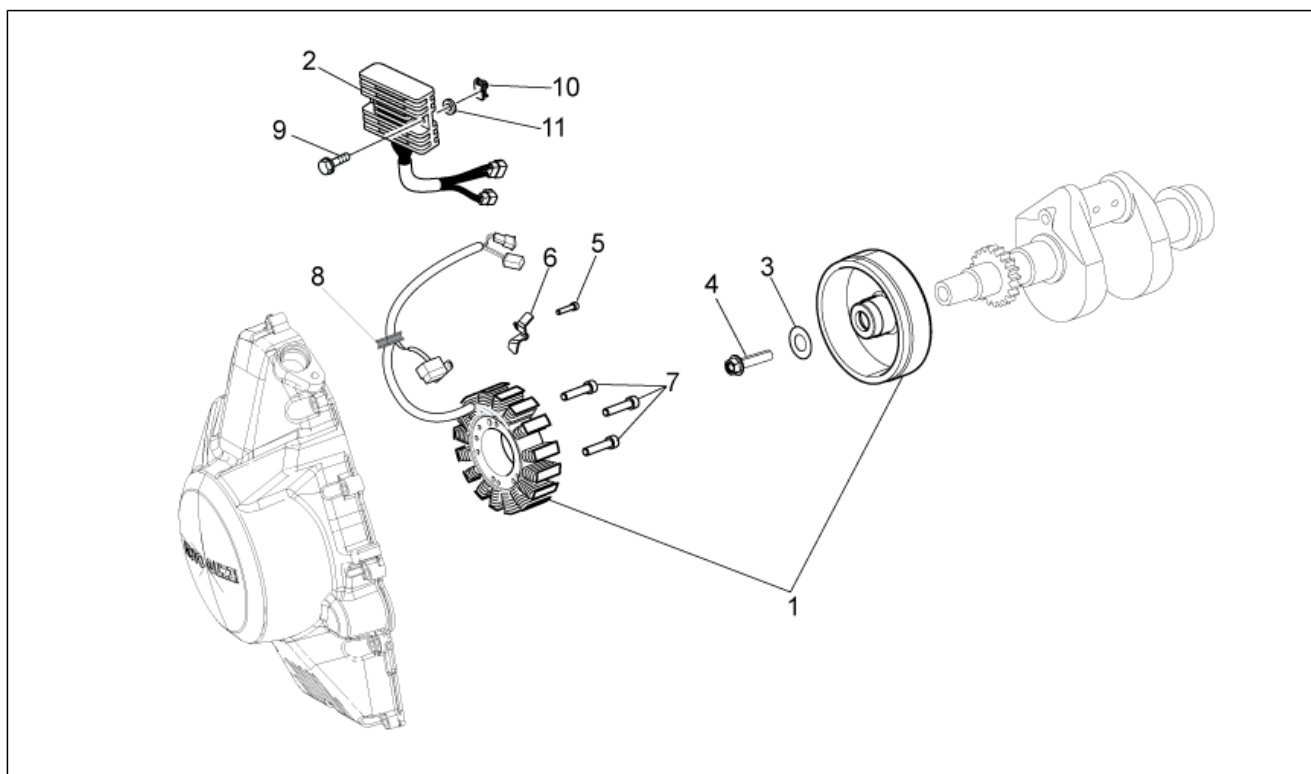
Pos.	Code	Description	Quant	Variants
27	GU10214302	Cale 1,8 mm	1	
27	GU10214303	Cale 1,9 mm	1	
27	GU10214304	Rondelle 2 mm	1	
27	GU10214305	Cale 2,1 mm	1	
28	GU32202010	Egouttoir	1	
29	GU90271117	Bague seeger	1	

Groupe	MOTEUR
Code	34.44
Description	Selecteur boîte de vitesses
Révision	1



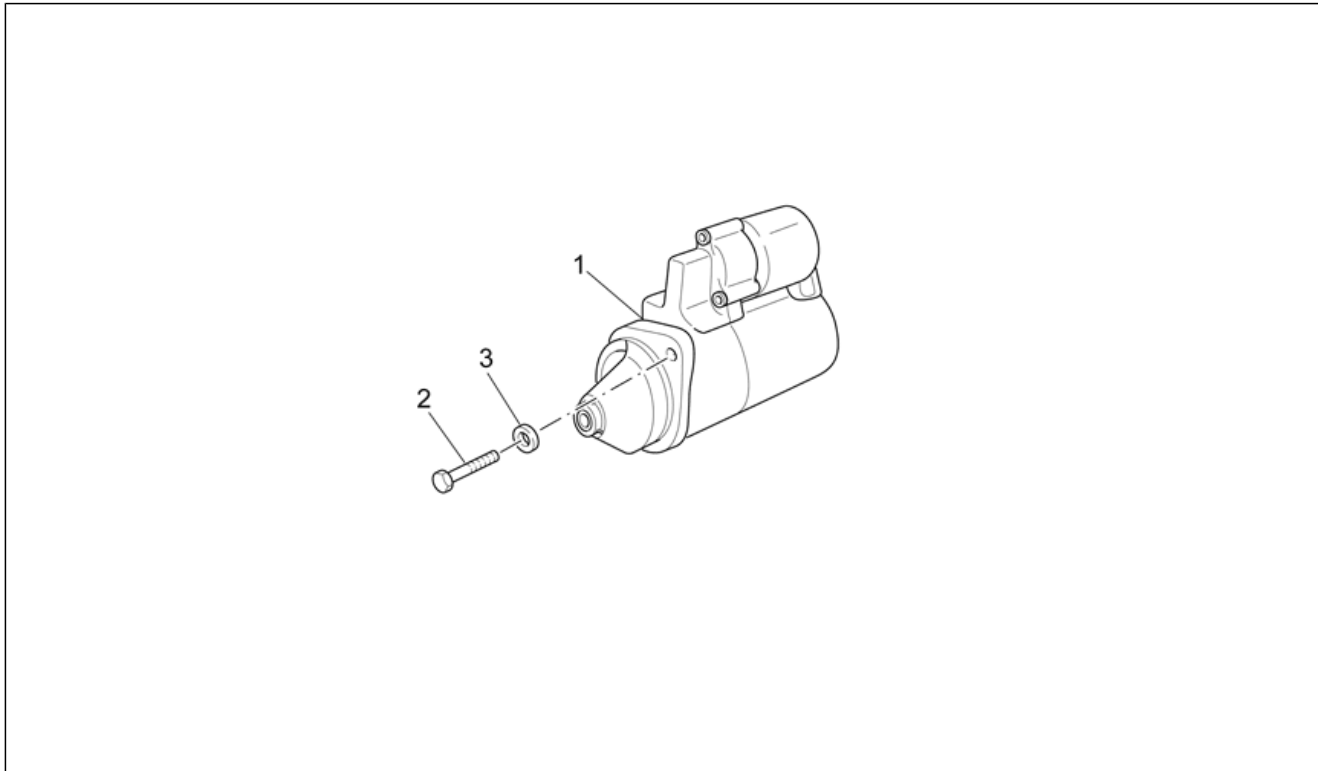
Pos.	Code	Description	Quant	Variants
1	GU32234410	Desmodromique	1	
2	GU19234600	Tige	4	
3	GU90274026	Anneau élastique	1	
4	GU32231210	Fourchette AP	1	
5	GU32231010	Fourchette AS	2	
6	GU32233010	Rouleau	3	
7	GU98230612	Vis	1	
8	887196	Preselecteur complet	1	
9	GU20208520	Entretoise	1	
10	GU32238210	Ressort	1	
11	GU32234710	Levier	1	
12	GU32234810	Rondelle	1	
13	GU32234110	Ressort	1	
14	GU32235710	Plaque	1	
15	GU98257618	Vis FHC M6x18	2	
16	GU32234910	Rondelle 6,4x20x1	1	
17	GU14217901	Rondelle 6,4x10x0,7	2	

Groupe	MOTEUR
Code	34.45
Description	Alternateur - Régul.
Révision	1



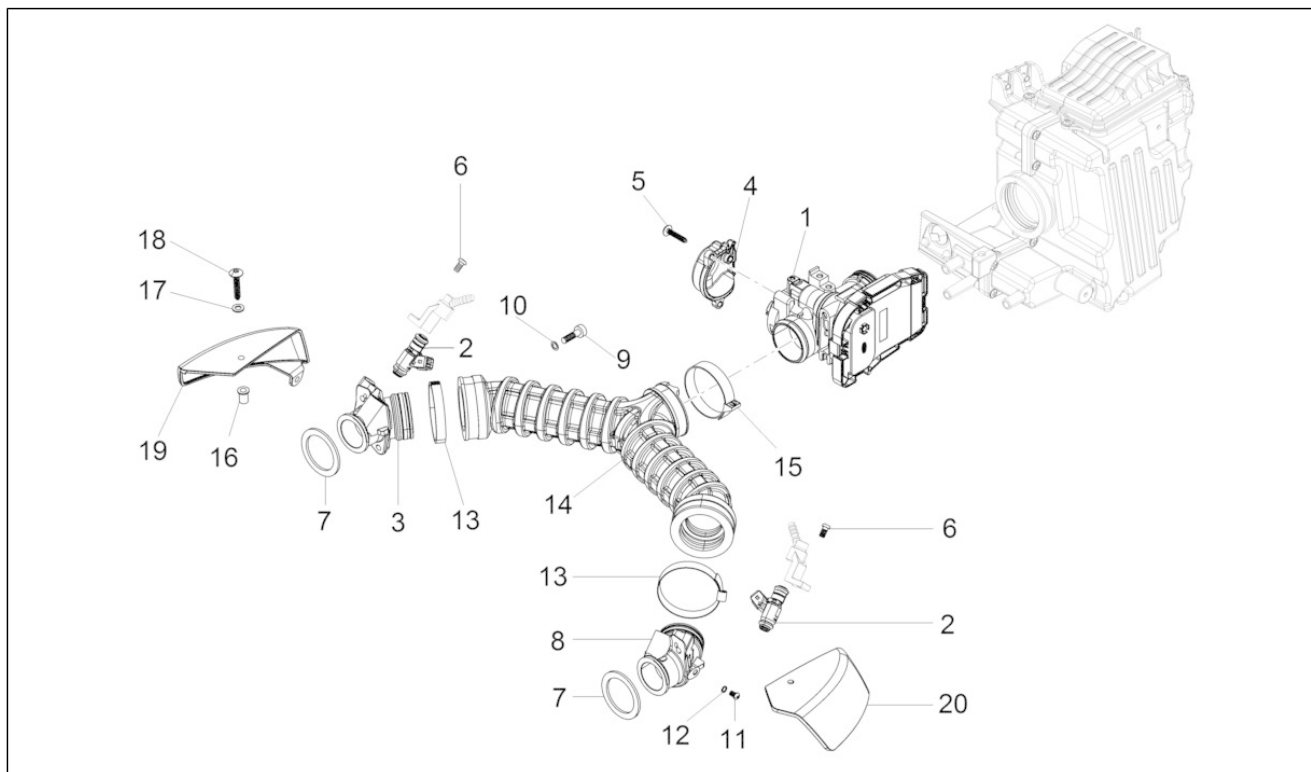
Pos.	Code	Description	Quant	Variants
1	2D000024	Volant magnétique compl.	1	
2	2D000043	Régulateur de tension	1	
3	897478	Rondelle 12x26.5x3	1	
4	857206	Vis bride M12X1,25X50	1	
5	GU98682212	Vis M5x12	1	
6	2A000115	Plaquette	1	
7	2A000129	Vis TCHC basse M6x35	3	
8	GU19007700	Caoutchouc	1	
9	AP8152281	Vis bride M6x30	2	
10	254485	Plaquette elastique M6	2	
11	GU95100125	Rondelle	2	

Groupe	MOTEUR
Code	34.46
Description	Démarrreur
Révision	1



Pos.	Code	Description	Quant	Variants
1	GU05730730	Démarrreur Bosch	1	
2	GU98682435	Vis	2	
3	GU95008208	Rondelle 8,4X15X1,5	2	

Groupe	MOTEUR
Code	34.47
Description	Corps à papillon
Révision	1



Pos.	Code	Description	Quant	Variants
1	CM228303	Centrale électronique d'injection	1	Pays:Japon[J]
1	CM228304	Centrale électronique d'injection	1	
2	B063049	Injecteur	2	
3	GU32115010	Pipe d.	1	
4	880260	Protection Corps à papillon	1	
5	B016796	Vis à tête bombée Torx	3	
6	AP8152298	Vis bride M5x16	2	
7	GU32115510	Joint	2	
8	GU32115011	Pipe g.	1	
9	GU98622322	Vis	4	
10	GU03013800	Rondelle 6,4x12	4	
11	884029	Vis M6x10	2	
12	GU95100116	Rondelle 6,25x10x1,5	2	
13	884311	Collier D.61	2	
14	887812	Manchon corps papil.	1	
15	884310	Collier D.55	1	
16	GU93231605	Douille anti vibr.	4	
17	GU30577800	Rondelle nylon 5,5X12X1	4	
18	GU98370515	Vis	4	
19	2B000971	Couvercle D	1	
20	2B000972	Couvercle G	1	



PIAGGIO & C.s.p.a.



SPARE PARTS CATALOGUE

V7 Stone 750 USA-CND 2015

Chassis prefix: ZGULWS01

Engine prefix:



Index

Finished products.....	4
Alphanumeric index.....	5
FRAME.....	10
Table 33.01 - Frame I.....	10
Table 33.02 - Frame II.....	11
Table 33.03 - Lateral stand.....	12
Table 33.04 - Front footrests.....	13
Table 33.05 - Rear footrests.....	14
Table 33.06 - Gear lever.....	15
Table 33.07 - Front fork I.....	16
Table 33.08 - Fron fork II.....	17
Table 33.11 - Rear shock absorber.....	19
Table 33.12 - Fuel tank.....	20
Table 33.13 - Front body - Front mudguard.....	21
Table 33.14 - Saddle-Central bod.....	22
Table 33.15 - Rear body I- Mudguard.....	23
Table 33.16 - Rear body II- Plate holder.....	24
Table 33.17 - Dashboard.....	25
Table 33.18 - Handlebar - Controls.....	26
Table 33.19 - Front brake system.....	27
Table 33.21 - Fuel pump.....	28
Table 33.22 - Air box.....	29
Table 33.23 - Exhaust unit.....	31
Table 33.26 - Rear master cylinder.....	33
Table 33.27 - Rear brake caliper.....	34
Table 33.28 - Front lights.....	35
Table 33.29 - Rear lights.....	36
Table 33.30 - Electrical system I.....	37
Table 33.31 - Electrical system II.....	38
Table 33.32 - Lock hardware kit.....	40
Table 33.33 - Decal and plate set.....	41
Table 33.34 - Front wheel II.....	42
Table 33.35 - Rear wheel II.....	43
ENGINE.....	44
Table 34.09 - Transmission complete I.....	44
Table 34.10 - Transmission complete II.....	45
Table 34.34 - Crank-case.....	48
Table 34.35 - Timing system cover.....	49
Table 34.36 - Cylinder head.....	50
Table 34.37 - Crankshaft cpl.....	51
Table 34.38 - Timing system.....	52
Table 34.39 - Oil pump.....	54
Table 34.40 - Clutch I.....	55



Table 34.41 - Clutch II.....	56
Table 34.42 - Transmission cage.....	57
Table 34.43 - Gear box.....	58
Table 34.44 - Gear box selector.....	60
Table 34.45 - Generator - Regulator.....	61
Table 34.46 - Starter motor.....	62
Table 34.47 - Throttle body.....	63



Finished products

Code	Validity
GU9032111CAF00	
GU9032111CAF01	
GU9032111CAF03	
GU9032111CAF04	
GU9032111USF00	
GU9032111USF01	
GU9032111USF03	



Code	No. table	Pos.	Code	No. table	Pos.	Code	No. table	Pos.
080341	33.30	6	883052	33.04	2	887815	33.22	13
248419	33.26	19	883127	33.22	6	887825	33.30	1
254485	33.15	4	883161	33.31	11	887825	33.31	1
254485	33.22	14	883192	33.27	7	887837	33.01	1
254485	33.23	20	883266	33.13	2	8878421	33.22	1
254485	33.28	20	883293	33.23	15	887843	33.22	2
254485	34.45	10	883294	33.23	4	887844	33.22	11
2A000085	34.35	1	883295	33.14	5	887845	33.22	12
2A000097	34.42	2	883297	33.23	13	887846	33.23	1
2A000098	34.42	1	883298	33.23	14	887847	33.23	2
2A0000995	34.37	1	883303	33.19	13	887851	33.06	1
2A000106	34.40	8	883417	33.28	18	887852	33.18	4
2A000115	34.45	6	883470	33.16	6	887853	33.18	5
2A000129	34.45	7	883471	33.03	1	887873	33.32	1
2A000146	34.38	1	883478	33.29	5	887874	33.32	3
2A000147	34.38	2	883479	33.29	1	887878	33.08	1
2A000235	34.34	1	883480	33.16	9	887879	33.08	2
2B000045	33.22	27	883502	33.12	5	887880	33.08	3
2B000176	33.23	11	883569	33.17	11	887882	33.08	5
2B000177	33.23	10	883598	33.33	7	887883	33.08	6
2B000348	33.05	13	883688	33.34	10	887884	33.08	7
2B000349	33.05	12	883704	33.23	25	887885	33.08	8
2B000558	33.07	1	883826	34.34	18	887886	33.08	9
2B000671	33.18	1	884029	34.47	11	887887	33.08	10
2B000840	33.14	16	884031	34.42	6	887888	33.08	11
2B000878	33.14	9	884032	34.40	14	887889	33.08	12
2B000880	33.14	1	884038	34.40	7	887890	33.08	13
2B000899	33.11	1	884039	34.39	7	887891	33.08	14
2B000970	33.21	2	884310	34.47	15	887892	33.08	15
2B000971	34.47	19	884311	34.47	13	887893	33.08	16
2B000972	34.47	20	886141	33.33	5	887894	33.08	17
2B001048	33.18	10	886340	33.33	1	887895	33.08	18
2B001049	33.18	24	88635200XN6	33.13	1	887896	33.08	19
2D000006	33.32	10	886364	34.42	3	887898	33.08	21
2D000024	34.45	1	886365	34.34	10	887899	33.08	22
2D000043	34.45	2	886629	34.40	20	887900	33.08	23
2G000011	33.33	11	886670	34.37	11	887901	33.08	24
2G000012	33.33	12	886679	33.34	6	887902	33.08	25
2G000013	33.33	13	886680	33.35	8	887903	33.08	26
2H000384000XN6	33.14	10	887002	34.36	10	887904	33.08	27
2H000385000XN6	33.14	17	887003	34.35	2	887905	33.08	28
2H000389	33.33	4	887004	34.34	13	887908	33.26	26
2H000413	33.33	3	887005	34.42	10	887910	33.26	1
2H000415000XN6	33.12	1	887006	34.42	15	887911	33.26	24
2H000415000XV6	33.12	1	887093	34.39	9	887912	33.08	30
2H000415000YR4	33.12	1	887194	33.17	1	887913	33.08	31
2L0001895	34.34	28	887195	33.17	1	887914	33.08	32
2Q000044	33.33	10	887196	34.44	8	887915	33.08	33
2R000109	33.08	29	887235	34.42	17	887916	33.08	34
2R000110	33.08	4	8872690001	34.37	10	887930	33.33	2
584211	33.31	10	8872690002	34.37	10	887944	33.12	1
638733	33.31	6	8872690003	34.37	10	887948	33.30	13
641040	33.30	8	8872724	34.36	1	887952	33.26	27
641541	34.39	8	8872754	34.36	2	890760	33.22	16
641725	33.30	7	887279	34.36	24	890979	33.28	16
641901	33.30	4	887431	33.27	3	893570	33.31	19
642034	33.30	3	887443	33.33	9	894505	33.35	13
658837	33.26	11	887448	33.35	12	894704	33.31	26
832029	33.30	14	887449	33.27	1	895839	33.33	8
857206	34.45	4	887481	33.30	12	896110	33.23	21
860651	34.09	19	887483	34.36	25	897478	34.45	3
874567	34.37	14	887523	34.36	9	898086	33.07	7
880260	34.47	4	887528	34.38	27	898164	33.11	3
883011	34.09	11	887571	33.34	1	969973	34.36	26
883015	33.05	13	887573	33.35	1	976604	34.34	12
883019	33.05	12	887787	33.21	5	976608	34.10	1
883051	33.04	1	887812	34.47	14	976685	34.34	16



Code	No. table	Pos.	Code	No. table	Pos.	Code	No. table	Pos.
976898	34.36	20	AP8133799	33.27	11	AP8224462	33.31	21
976941	34.09	1	AP8133800	33.27	12	AP8257742	33.33	16
976992	34.42	21	AP8134378	33.23	18	AP8257794	33.33	15
977527	33.14	6	AP8134451	33.05	5	B016796	34.47	5
977527	33.32	4	AP8144007	33.26	4	B043850	33.31	23
978311	33.28	2	AP8144071	33.23	16	B045974	33.33	14
978323	33.19	15	AP8144071	34.36	23	B063016	34.37	13
978385	33.23	12	AP8144081	33.07	5	B063022	33.23	3
978415	33.14	8	AP8144146	33.07	3	B063049	34.47	2
978415	33.32	9	AP8144538	33.22	15	B063099	34.36	19
978940	33.14	10	AP8144553	33.22	7	B063111	34.36	6
978943	33.14	17	AP8144729	33.22	17	B063132	33.04	13
978946	33.15	1	AP8145034	33.04	3	B063135	33.18	6
97894600XN6	33.15	1	AP8145035	33.04	10	B063167	33.15	12
978947	33.15	2	AP8149034	33.16	4	B063197	33.02	1
978969	33.26	3	AP8150204	33.27	19	B063198	33.02	2
978970	33.26	13	AP8150248	33.16	2	B063213	33.22	30
981149	33.28	12	AP8150285	34.42	27	B063214	33.22	21
AP8101594	33.26	20	AP8150349	33.17	10	B063233	33.31	5
AP8101595	33.12	10	AP8150349	33.32	6	B063269	34.42	11
AP8101861	33.05	7	AP8150377	33.28	13	B063287	33.01	4
AP8102375	33.14	15	AP8150377	33.31	20	B063342	34.42	20
AP8102375	33.31	14	AP8150436	33.02	12	B063427	33.18	3
AP8102524	33.03	4	AP8150450	33.14	12	B063431	33.14	11
AP8102765	33.22	24	AP8150509	33.22	19	B063443	33.26	28
AP8102766	33.22	23	AP8152043	33.27	18	B063465	34.37	15
AP8102913	33.14	3	AP8152220	33.02	11	B063466	34.37	16
AP8104509	33.18	9	AP8152220	34.39	18	B063735	33.28	14
AP8104525	33.22	5	AP8152268	33.16	3	B063750	33.27	6
AP8104924	33.22	4	AP8152273	33.21	4	B063752	33.21	1
AP8104996	33.22	28	AP8152277	33.04	7	B063800	33.28	4
AP8113003	33.27	20	AP8152277	33.05	8	B063801	33.28	5
AP8113241	33.26	22	AP8152277	33.19	3	B063854	33.23	1
AP8113288	33.26	16	AP8152278	33.11	2	B063855	33.23	2
AP8113553	33.26	23	AP8152278	33.15	3	B063975	33.18	15
AP8120246	34.09	10	AP8152279	33.15	9	CM001928	33.07	8
AP8120311	33.01	13	AP8152281	34.45	9	CM001929	33.07	9
AP8120416	33.30	18	AP8152286	33.34	11	CM0074C9	33.30	10
AP8120416	33.31	27	AP8152287	33.02	13	CM0074D0	33.30	9
AP8120455	33.22	9	AP8152288	33.02	15	CM013202	33.31	25
AP8120557	33.12	11	AP8152288	33.27	9	CM225705	33.31	15
AP8120615	33.22	10	AP8152298	33.26	18	CM225710	33.31	16
AP8120772	33.22	20	AP8152298	34.47	6	CM225715	33.31	17
AP8120870	33.23	24	AP8152299	33.15	14	CM225730	33.31	18
AP8120876	33.22	8	AP8152299	33.27	22	CM228303	34.47	1
AP8120912	33.06	2	AP8152299	33.30	5	CM228304	34.47	1
AP8120912	33.26	2	AP8152300	33.02	14	GU00823923140	33.03	7
AP8121014	33.03	3	AP8152300	33.27	13	GU00823923140	33.22	32
AP8121032	33.15	13	AP8152306	33.16	5	GU00823931055	33.28	19
AP8121032	33.17	7	AP8152329	33.15	11	GU00823931070	33.12	14
AP8121072	33.23	22	AP8152329	33.22	18	GU00823944050	33.12	13
AP8121133	33.05	6	AP8152339	33.14	14	GU00823950050	33.26	21
AP8121307	33.07	4	AP8152385	33.19	16	GU01528930	34.10	9
AP8121367	33.02	10	AP8152409	33.04	9	GU01609630	33.18	14
AP8121420	33.14	7	AP8152409	33.05	9	GU01654630	33.19	17
AP8121420	33.32	8	AP8181140	33.31	24	GU01659130	33.19	11
AP8121566	33.04	8	AP8201358	33.22	3	GU01659131	33.19	12
AP8121566	33.05	4	AP8201358	33.22	34	GU01665410	33.26	25
AP8121607	33.03	2	AP8213028	33.18	23	GU02717450	33.30	11
AP8121673	33.12	12	AP8213057	33.26	15	GU03013800	33.06	7
AP8121915	33.19	14	AP8213388	33.18	18	GU03013800	33.23	8
AP8121915	33.27	8	AP8213575	33.27	23	GU03013800	34.47	10
AP8124718	33.16	7	AP8220283	33.31	22	GU03067730	34.10	19
AP8124936	33.30	2	AP8220460	33.07	6	GU03101600	33.12	7
AP8127856	33.03	8	AP8221023	33.22	26	GU03101900	33.12	3
AP8133643	33.26	14	AP8221197	33.03	5	GU03102200	33.12	6
AP8133798	33.27	2	AP8221277	33.04	6	GU03102400	33.12	2



Code	No. table	Pos.	Code	No. table	Pos.	Code	No. table	Pos.
GU03103200	33.12	8	GU19021360	34.36	18	GU19355412	34.10	21
GU03103500	33.12	4	GU19021920	34.36	7	GU19355413	34.10	21
GU03163330	33.31	3	GU19025280	33.23	5	GU19356700	34.10	30
GU03270300	33.27	10	GU19025460	33.23	6	GU19356760	34.41	16
GU03604845	33.19	8	GU19027500	34.38	15	GU19356801	34.10	28
GU03605645	33.19	9	GU19030500	34.38	7	GU19357660	34.10	25
GU03609600	33.18	14	GU19032080	34.38	10	GU19547000	34.09	12
GU03617710	33.34	5	GU19032980	34.36	17	GU20085720	34.41	13
GU03617710	33.35	6	GU19032980	34.38	14	GU20147710	34.39	17
GU03658201	33.27	16	GU19034000	34.38	8	GU20147810	34.39	3
GU03658330	33.27	17	GU19037820	34.36	8	GU20148410	34.39	4
GU03658430	33.27	14	GU19045861	34.38	25	GU20148610	34.39	5
GU03660145	33.19	1	GU19055700	34.38	23	GU20208520	34.44	9
GU03661145	33.19	6	GU19058021	34.38	19	GU20258221	33.06	9
GU03664045	33.19	7	GU19058220	34.38	20	GU20352421	34.10	31
GU03740930	33.29	2	GU19062261	34.37	4	GU20355121	34.10	34
GU03749845	33.19	5	GU19065400	34.37	2	GU23204471	34.40	21
GU03922280	34.09	23	GU19067700	34.37	18	GU23204571	34.40	22
GU05107430	33.21	3	GU19083462	34.40	2	GU23211372	34.43	8
GU05659230	33.19	10	GU19146422	34.39	1	GU23217800	34.38	3
GU05730730	34.46	1	GU19152200	34.39	11	GU23328081	34.09	7
GU05781630	33.16	1	GU19202320	34.42	9	GU23548080	34.09	8
GU05900130	33.33	6	GU19203460	34.40	11	GU23548180	34.09	9
GU06740400	33.28	17	GU19206501	34.10	10	GU23922210	33.17	12
GU10054100	34.43	12	GU19212900	34.43	15	GU23943410	33.08	35
GU10214300	34.43	27	GU19213720	34.43	17	GU27037521	34.38	4
GU10214301	34.43	27	GU19213760	34.41	15	GU27061585	34.37	3
GU10214302	34.43	27	GU19214660	34.43	11	GU27061885	34.37	17
GU10214303	34.43	27	GU19215460	34.43	3	GU27062060	34.37	6
GU10214304	34.43	27	GU19234600	34.44	2	GU27065660	34.37	7
GU10214305	34.43	27	GU19237800	34.42	13	GU27066460	34.37	9
GU10528900	34.34	15	GU19327601	34.09	5	GU27066560	34.37	8
GU10528900	34.40	13	GU19328801	34.09	3	GU27152885	34.34	22
GU10528900	34.42	23	GU19350700	34.10	22	GU27153085	34.39	14
GU12003702	34.34	20	GU19351100	34.10	4	GU27210760	34.41	12
GU12022600	34.10	6	GU19351900	34.10	2	GU27633910	33.35	4
GU12022600	34.42	24	GU19352300	34.10	23	GU28157950	33.22	29
GU12087001	34.41	9	GU19353500	34.10	24	GU28252060	33.02	8
GU12154200	34.34	23	GU19355200	34.10	35	GU29729461	33.31	2
GU12154200	34.42	12	GU19355202	34.10	36	GU29759150	33.18	17
GU13021900	34.34	26	GU19355300	34.10	33	GU30577800	33.29	13
GU13021900	34.36	12	GU19355301	34.10	33	GU30577800	34.47	17
GU14086000	34.41	10	GU19355302	34.10	33	GU30601060	33.18	13
GU14086100	34.41	7	GU19355303	34.10	33	GU30602500	33.18	22
GU14090201	34.41	1	GU19355304	34.10	33	GU31003766	34.10	8
GU14090400	34.41	2	GU19355305	34.10	33	GU31003766	34.34	14
GU14217901	34.40	6	GU19355306	34.10	33	GU31003766	34.40	19
GU14217901	34.42	7	GU19355307	34.10	33	GU31003766	34.42	26
GU14217901	34.44	17	GU19355308	34.10	33	GU31016050	34.39	20
GU14609650	33.30	18	GU19355309	34.10	33	GU31037015	34.38	13
GU14609650	33.31	27	GU19355320	34.10	27	GU31038015	34.38	5
GU14615901	33.05	15	GU19355321	34.10	27	GU31045015	34.38	26
GU14615901	33.13	5	GU19355322	34.10	27	GU31112965	33.22	33
GU14615901	34.09	20	GU19355323	34.10	27	GU31121880	33.23	9
GU14615901	34.37	5	GU19355324	34.10	27	GU31150950	34.39	26
GU14616150	33.34	7	GU19355325	34.10	27	GU31159050	34.39	15
GU14616150	33.35	10	GU19355326	34.10	27	GU31327783	34.09	2
GU18144350	34.39	16	GU19355327	34.10	27	GU31439565	33.13	4
GU18161150	34.39	21	GU19355328	34.10	27	GU31513480	33.08	20
GU18257551	33.26	8	GU19355329	34.10	27	GU31544181	34.09	15
GU19002020	34.35	5	GU19355400	34.10	21	GU31547882	34.09	14
GU19002020	34.42	16	GU19355402	34.10	21	GU31614183	33.34	9
GU19003800	34.34	8	GU19355404	34.10	21	GU31615283	33.34	2
GU19007700	34.45	8	GU19355406	34.10	21	GU31616384	33.34	12
GU19015020	34.34	5	GU19355408	34.10	21	GU31634281	33.27	4
GU19017000	33.02	4	GU19355410	34.10	21	GU31634481	33.35	15
GU19018920	34.39	10	GU19355411	34.10	21	GU31740383	33.28	11

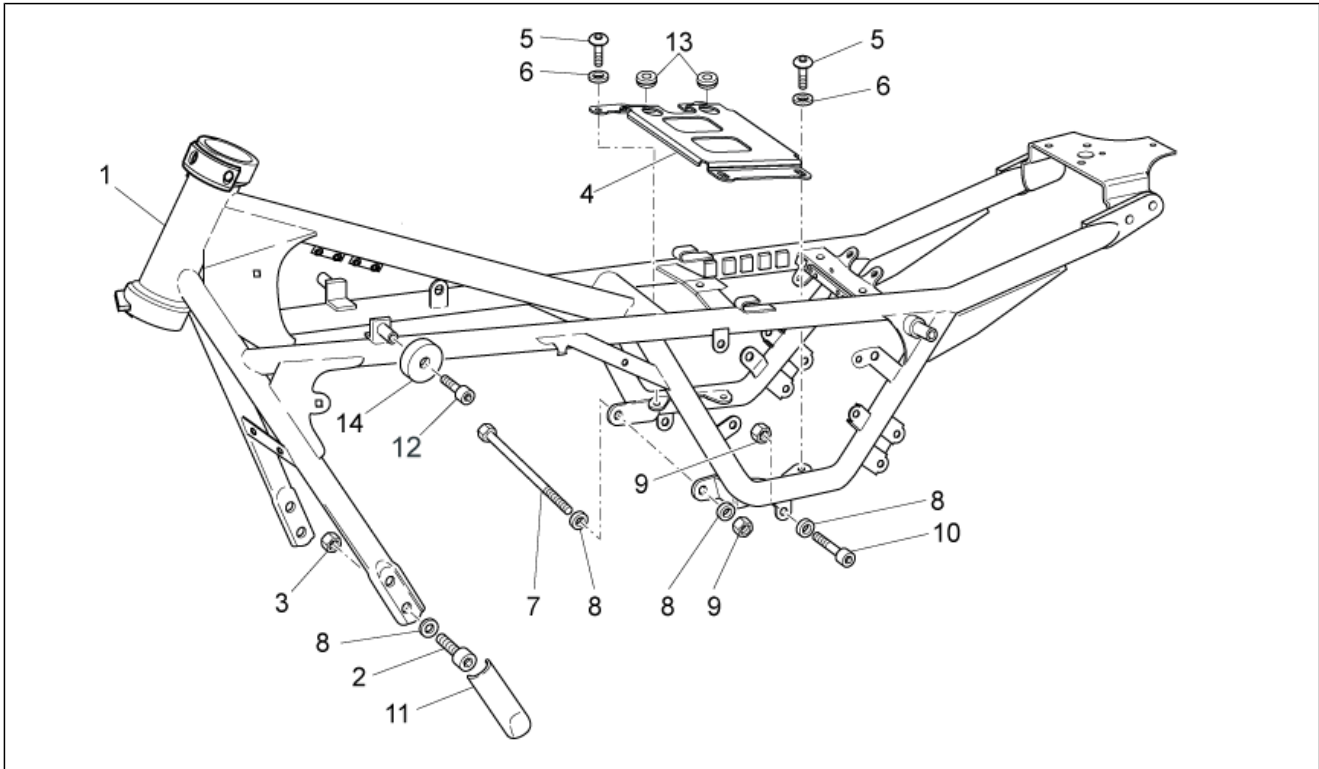


Code	No. table	Pos.	Code	No. table	Pos.	Code	No. table	Pos.
GU32032310	34.38	11	GU32657110	33.19	2	GU92204218	33.35	3
GU32053410	34.38	16	GU32735510	33.32	5	GU92204221	33.34	3
GU32054510	34.38	17	GU32747910	33.31	9	GU92218417	34.43	10
GU32067910	34.40	5	GU32750661	33.29	4	GU92230320	34.43	13
GU32080310	34.40	1	GU32753410	33.28	3	GU92234716	34.43	26
GU32084410	34.40	4	GU32753410	33.29	8	GU92249220	34.10	32
GU32115010	34.47	3	GU32753711	33.29	6	GU92249225	33.07	2
GU32115011	34.47	8	GU32781910	33.16	10	GU92249227	34.10	20
GU32115510	34.47	7	GU32782510	33.17	8	GU92251028	34.43	7
GU32121010	33.23	7	GU32782510	33.32	2	GU92252210	34.39	2
GU32202010	34.43	28	GU32999010	34.34	25	GU92252235	34.10	5
GU32206510	34.42	22	GU32999510	34.34	24	GU92296723	34.39	6
GU32208210	34.42	8	GU35214300	34.09	13	GU92602406	34.38	9
GU32210510	34.43	1	GU39238100	34.43	25	GU92602510	34.39	19
GU32211110	34.43	9	GU49609601	33.30	18	GU92603010	34.36	11
GU32211410	34.43	6	GU49609601	33.31	27	GU92606206	33.17	6
GU32211810	34.43	5	GU53429500	33.02	3	GU92606208	34.34	7
GU32212011	34.43	2	GU61027200	34.37	12	GU92606208	34.40	18
GU32213610	34.43	14	GU61036801	34.36	3	GU92606210	33.01	9
GU32213810	34.42	5	GU61038100	34.38	6	GU92606210	33.02	5
GU32214010	34.43	24	GU61054900	34.38	18	GU92606210	33.11	7
GU32214510	34.43	20	GU61270300	34.10	26	GU92606210	34.09	18
GU32214810	34.43	21	GU61270300	34.34	6	GU92606316	33.35	11
GU32215010	34.43	22	GU61270300	34.36	21	GU92606508	34.41	3
GU32215210	34.43	23	GU61270300	34.40	17	GU92606512	34.42	14
GU32231010	34.44	5	GU66103415	33.01	14	GU92609007	33.26	12
GU32231210	34.44	4	GU90271018	34.38	12	GU92630108	33.15	8
GU32233010	34.44	6	GU90271117	34.43	29	GU92630204	33.16	8
GU32234110	34.44	13	GU90271121	34.43	19	GU92630206	33.26	6
GU32234410	34.44	1	GU90271124	34.43	4	GU92630510	33.01	3
GU32234710	34.44	11	GU90272023	34.09	4	GU92630707	33.06	5
GU32234810	34.44	12	GU90272075	34.40	3	GU92640508	33.23	19
GU32234910	34.44	16	GU90274026	34.44	3	GU92660021	33.26	7
GU32235710	34.44	14	GU90353009	34.36	4	GU92787006	33.28	6
GU32238210	34.44	10	GU90353029	34.38	24	GU92787006	33.29	11
GU32256910	33.06	4	GU90353030	34.10	17	GU93180105	34.09	21
GU32257810	33.06	8	GU90400616	34.41	11	GU93180111	33.34	13
GU32350410	34.10	13	GU90402538	33.35	2	GU93180220	34.40	9
GU32351410	34.10	16	GU90402642	33.34	4	GU93180245	34.36	22
GU32354610	34.10	18	GU90403251	34.10	38	GU93222023	33.17	4
GU32431310	33.02	9	GU90403549	34.10	3	GU93231605	33.29	14
GU32432711	33.03	11	GU90407591	34.10	15	GU93231605	34.47	16
GU32433011	33.03	6	GU90706076	34.34	9	GU93301175	33.23	26
GU32434460	33.13	1	GU90706111	34.39	22	GU93305061	33.22	22
GU32441210	33.04	5	GU90706140	34.42	4	GU93450105	33.28	9
GU32441210	33.05	3	GU90706141	33.30	17	GU93450126	33.28	15
GU32442310	33.05	1	GU90706170	34.41	8	GU93450127	33.29	7
GU32442710	33.05	10	GU90706188	34.10	29	GU93450224	33.29	3
GU32443210	33.04	4	GU90706188	34.43	18	GU93450232	33.28	10
GU32443210	33.05	2	GU90706203	34.10	7	GU94321079	34.39	24
GU32443211	33.04	11	GU90706203	34.42	25	GU94321099	34.09	6
GU32443211	33.05	11	GU90706235	34.41	14	GU94321105	34.41	4
GU32457810	33.01	11	GU90706281	34.34	19	GU95004210	33.31	4
GU32461610	33.14	2	GU90706444	34.34	17	GU95005306	33.17	3
GU32506360	33.28	1	GU90706584	34.10	37	GU95005308	33.26	9
GU32517710	33.31	8	GU90714082	33.22	31	GU95005308	33.28	23
GU32555210	33.11	4	GU91113826	33.23	23	GU95005308	34.09	22
GU32555211	33.11	5	GU91120806	33.15	6	GU95005310	33.15	7
GU32603010	33.18	16	GU91180601	33.15	10	GU95005310	33.26	5
GU32603310	33.18	7	GU91181003	33.18	11	GU95008205	33.30	16
GU32605510	33.18	2	GU91181003	33.19	18	GU95008206	34.39	23
GU32615660	33.34	8	GU91551010	33.22	25	GU95008208	33.01	6
GU32632510	33.35	9	GU91551086	33.14	13	GU95008208	34.46	3
GU32633360	33.35	14	GU92201070	34.10	14	GU95008210	33.01	8
GU32633560	34.10	11	GU92201220	34.43	16	GU95008210	33.02	6
GU32634160	33.27	5	GU92201225	34.40	10	GU95008210	34.09	17
GU32636160	33.35	7	GU92204217	33.35	5	GU95008305	33.18	20



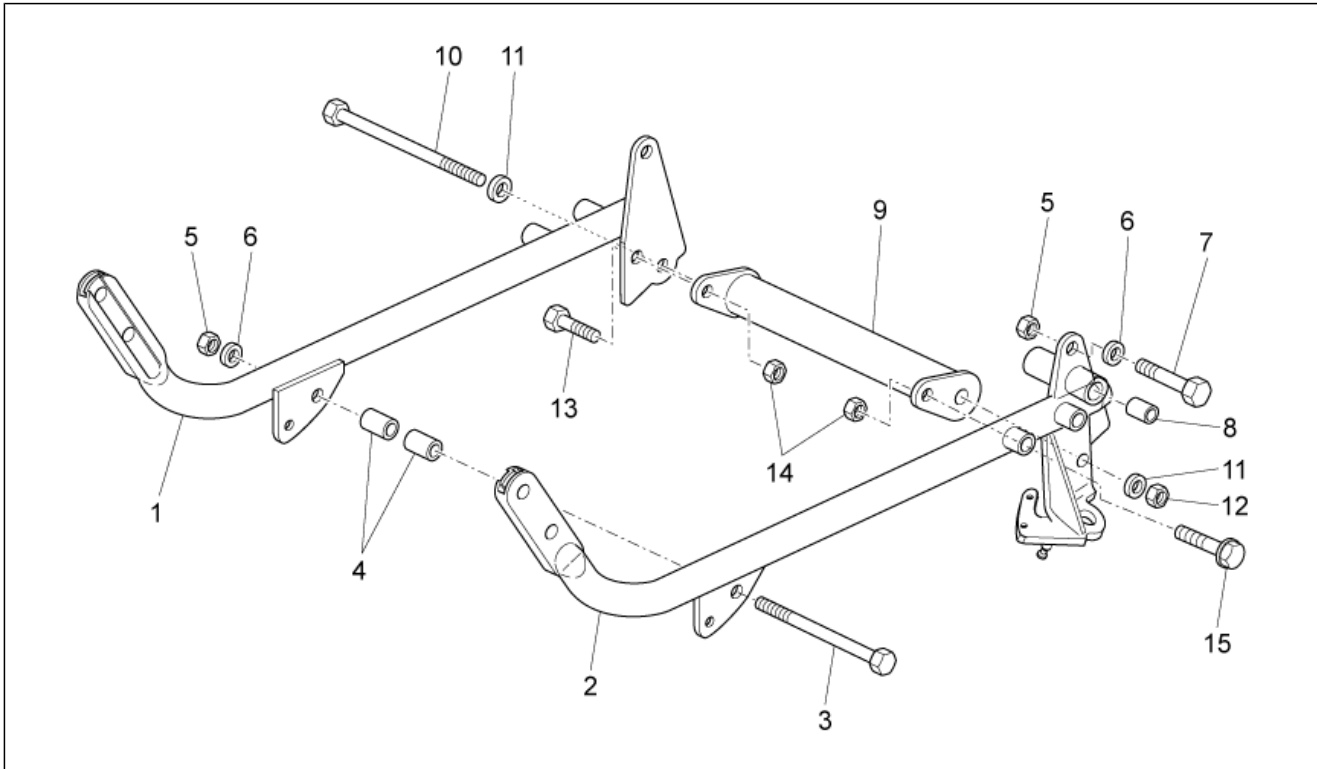
Code	No. table	Pos.	Code	No. table	Pos.
GU95008306	33.19	20	GU98682330	34.42	18
GU95008306	33.27	21	GU98682414	33.01	12
GU95020105	33.03	10	GU98682416	33.01	5
GU95021104	33.19	19	GU98682416	33.04	12
GU95021105	33.18	21	GU98682416	33.05	14
GU95021206	33.17	5	GU98682416	33.17	9
GU95021206	33.28	8	GU98682416	33.32	7
GU95021206	33.29	10	GU98682430	33.12	9
GU95100059	33.31	13	GU98682435	34.46	2
GU95100116	34.47	12	GU98682530	33.01	2
GU95100125	34.45	11	GU98690335	33.11	8
GU95100244	34.38	29	GU98690335	33.18	8
GU95100309	34.39	27	GU98690440	33.23	17
GU95100602	34.39	25	GU98692325	34.36	16
GU95100709	34.34	21	GU98692420	33.28	22
GU95129115	34.38	22	GU98880540	33.28	21
GU95129180	34.34	27	GU98882316	34.38	21
GU95129180	34.36	13			
GU95129181	33.11	6			
GU95129260	33.06	3			
GU95187006	34.39	13			
GU95500221	33.26	10			
GU95500222	34.41	6			
GU95780271	34.41	5			
GU96451316	33.27	15			
GU96451430	34.34	3			
GU96451560	34.34	2			
GU96506042	34.36	5			
GU96508055	34.10	12			
GU96508055	34.34	4			
GU96510181	34.36	15			
GU96510214	34.36	14			
GU97202325	33.18	12			
GU98054422	34.38	28			
GU98082565	33.02	7			
GU98084314	34.39	12			
GU98084314	34.40	12			
GU98110199	33.01	7			
GU98210612	33.23	27			
GU98230510	33.18	19			
GU98230612	34.44	7			
GU98257618	34.44	15			
GU98350215	33.29	12			
GU98370412	33.19	4			
GU98370515	34.47	18			
GU98370609	33.17	2			
GU98370616	33.31	7			
GU98370625	33.14	4			
GU98370625	33.26	17			
GU98370655	33.28	7			
GU98370655	33.29	9			
GU98370831	33.15	5			
GU98370845	33.13	3			
GU98612216	33.03	9			
GU98622322	34.47	9			
GU98632322	33.06	6			
GU98680435	34.40	15			
GU98680435	34.42	19			
GU98680450	34.40	16			
GU98680545	34.09	16			
GU98680555	33.01	10			
GU98682212	33.30	15			
GU98682212	33.31	12			
GU98682212	34.45	5			
GU98682325	34.34	11			
GU98682325	34.35	3			
GU98682330	34.35	4			

Group	FRAME
Code	33.01
Description	Frame I
Service	1



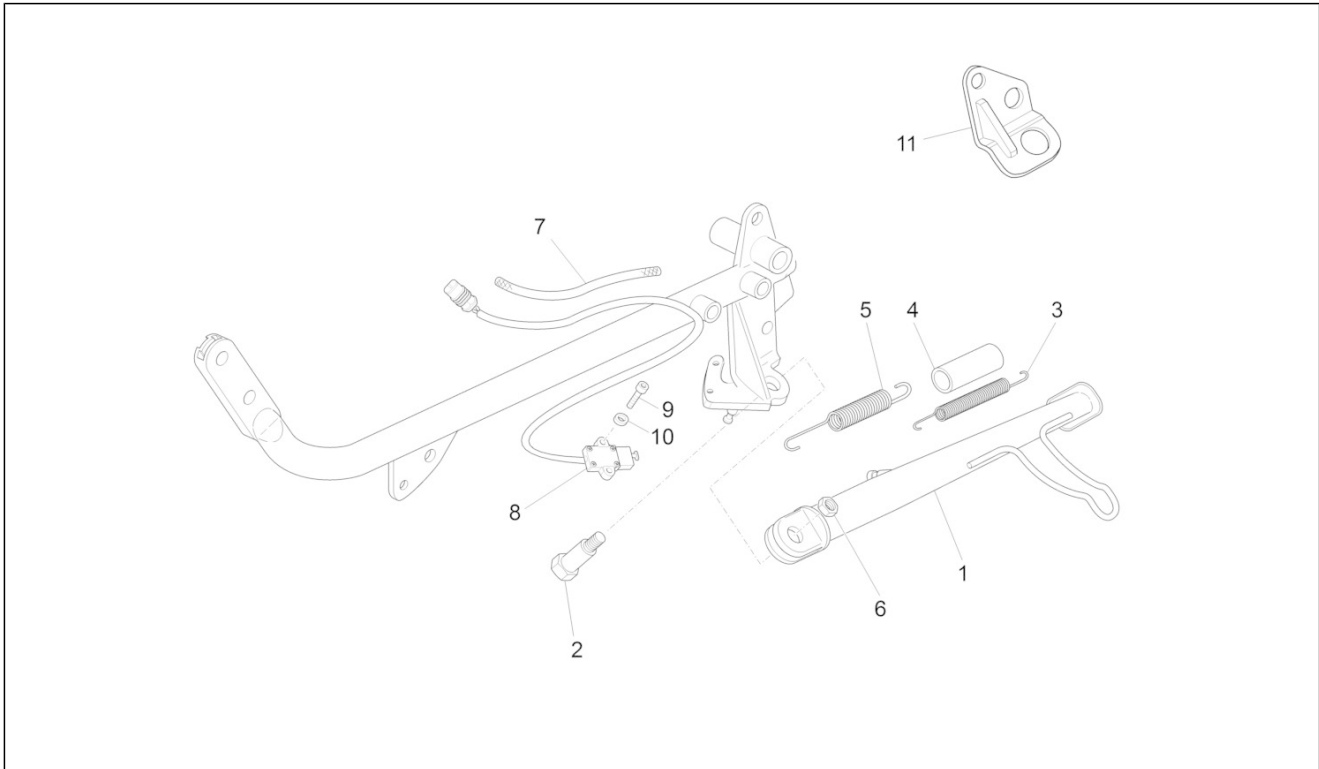
Pos.	Code	Description	Qty	Variants
1	887837	Frame p.	1	
2	GU98682530	Hex socket screw M10x30	4	
3	GU92630510	Nut M10x1,5	4	
4	B063287	Frame union plate	1	
5	GU98682416	Hex socket screw M8x16	4	
6	GU95008208	Washer 8,4X15X1,5	4	
7	GU98110199	Pin M10x205	1	
8	GU95008210	Washer 10,2X18X2	11	
9	GU92606210	Nut M10x1,5	3	
10	GU98680555	screw M10x55	2	
11	GU32457810	Guard	2	
12	GU98682414	Hex socket screw	2	
13	AP8120311	Rubber spacer *	2	
14	GU66103415	Rubber spacer	2	

Group	FRAME
Code	33.02
Description	Frame II
Service	1



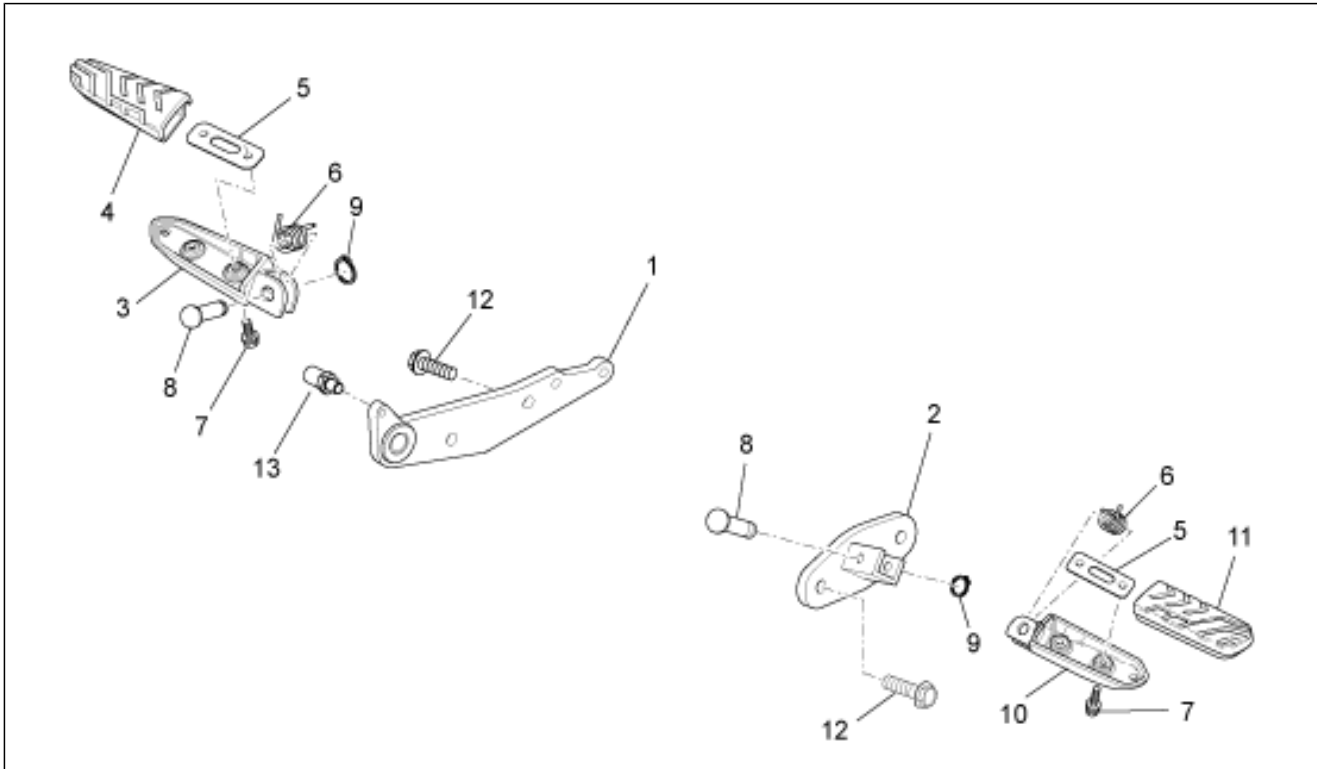
Pos.	Code	Description	Qty	Variants
1	B063197	RH cradle arm	1	
2	B063198	LH cradle arm	1	
3	GU53429500	Pin M10x250	1	
4	GU19017000	Bushing	2	
5	GU92606210	Nut M10x1,5	3	
6	GU95008210	Washer 10,2X18X2	3	
7	GU98082565	screw M10x65	2	
8	GU28252060	Bush 18 mm est.	2	
9	GU32431310	Cradle arms conn.crosspiece	1	
10	AP8121367	Pin M10x260	1	
11	AP8152220	Washer	2	
12	AP8150436	Low self-locking nut	1	
13	AP8152287	Screw w/ flange M8x25	1	
14	AP8152300	Self-locking nut M8	1	
15	AP8152288	Screw w/ flange	1	

Group	FRAME
Code	33.03
Description	Lateral stand
Service	1



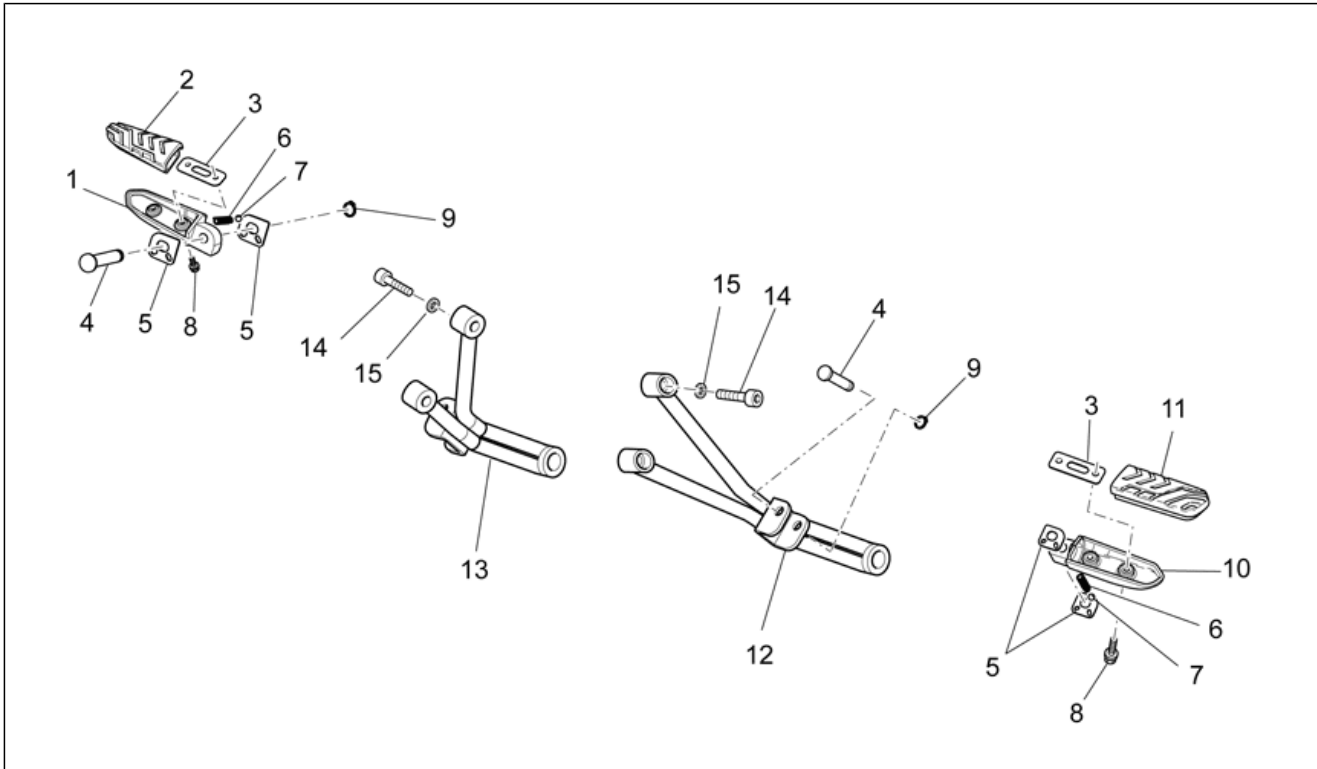
Pos.	Code	Description	Qty	Variants
1	883471	Side arm black	1	
2	AP8121607	Central stand fixing screw	1	
3	AP8121014	Coil pull spring *	1	
4	AP8102524	Stand spring protection	1	
5	AP8221197	Lateral stand spring	1	
6	GU32433011	Nut	1	
7	GU00823923140	Thermal sheath	1	
8	AP8127856	Lateral stand switch	1	
9	GU98612216	Hex socket screw	2	
10	GU95020105	Washer 5,3x8,9x2,4	2	
11	GU32432711	plate	1	

Group	FRAME
Code	33.04
Description	Front footrests
Service	1



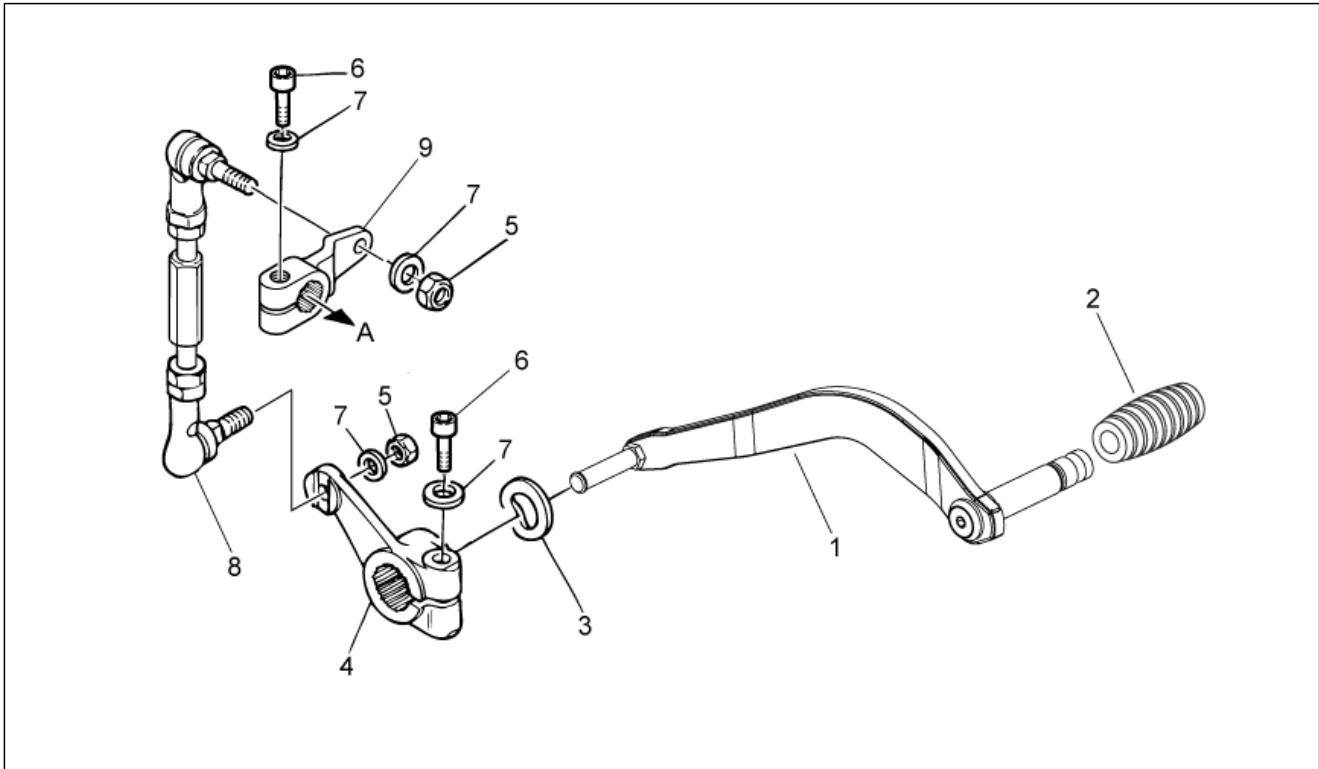
Pos.	Code	Description	Qty	Variants
1	883051	RH foot rest support	1	
2	883052	LH footrest support	1	
3	AP8145034	RH Foot rests	1	
4	GU32443210	Support rubber part	1	
5	GU32441210	Plate	2	
6	AP8221277	Footrest return spring	2	
7	AP8152277	Screw w/ flange M6x12	4	
8	AP8121566	Footrest pin	2	
9	AP8152409	Stop ring	2	
10	AP8145035	LH Foot rests	1	
11	GU32443211	Support rubber part	1	
12	GU98682416	Hex socket screw M8x16	4	
13	B063132	Limit stop	1	

Group	FRAME
Code	33.05
Description	Rear footrests
Service	1



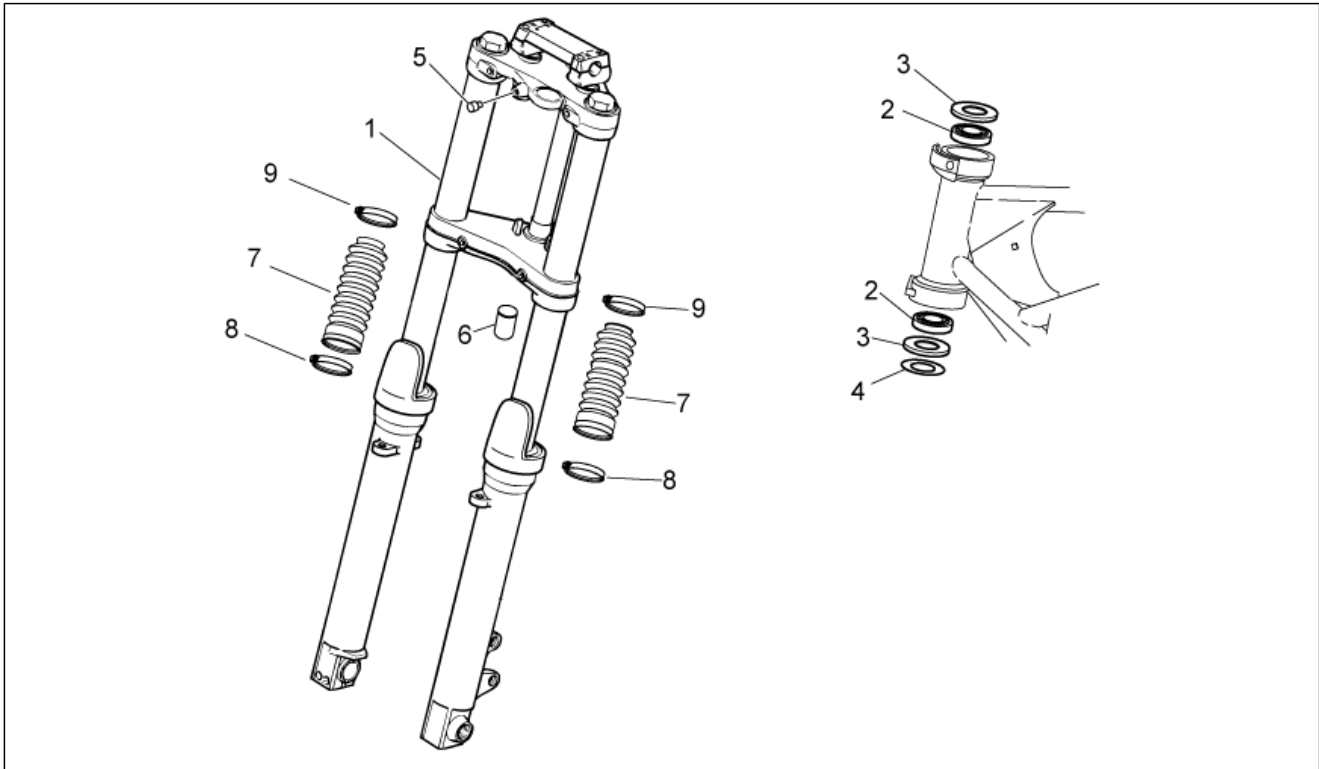
Pos.	Code	Description	Qty	Variants
1	GU32442310	Rear footrest, RH	1	
2	GU32443210	Support rubber part	1	
3	GU32441210	Plate	2	
4	AP8121566	Footrest pin	2	
5	AP8134451	Footrest plate	4	
6	AP8121133	Coil compress. spring	2	
7	AP8101861	Ball D6,35	2	
8	AP8152277	Screw w/ flange M6x12	4	
9	AP8152409	Stop ring	2	
10	GU32442710	Rear footrest, LH	1	
11	GU32443211	Support rubber part	1	
12	2B000349	Supporto pedane passeggero sx con Pi	1	
12	883019	LH footrest support	1	
13	2B000348	Supporto pedane passeggero dx con PI	1	
13	883015	RH foot rest support	1	
14	GU98682416	Hex socket screw M8x16	4	
15	GU14615901	Washer 8,4X13X0,8	4	

Group	FRAME
Code	33.06
Description	Gear lever
Service	1



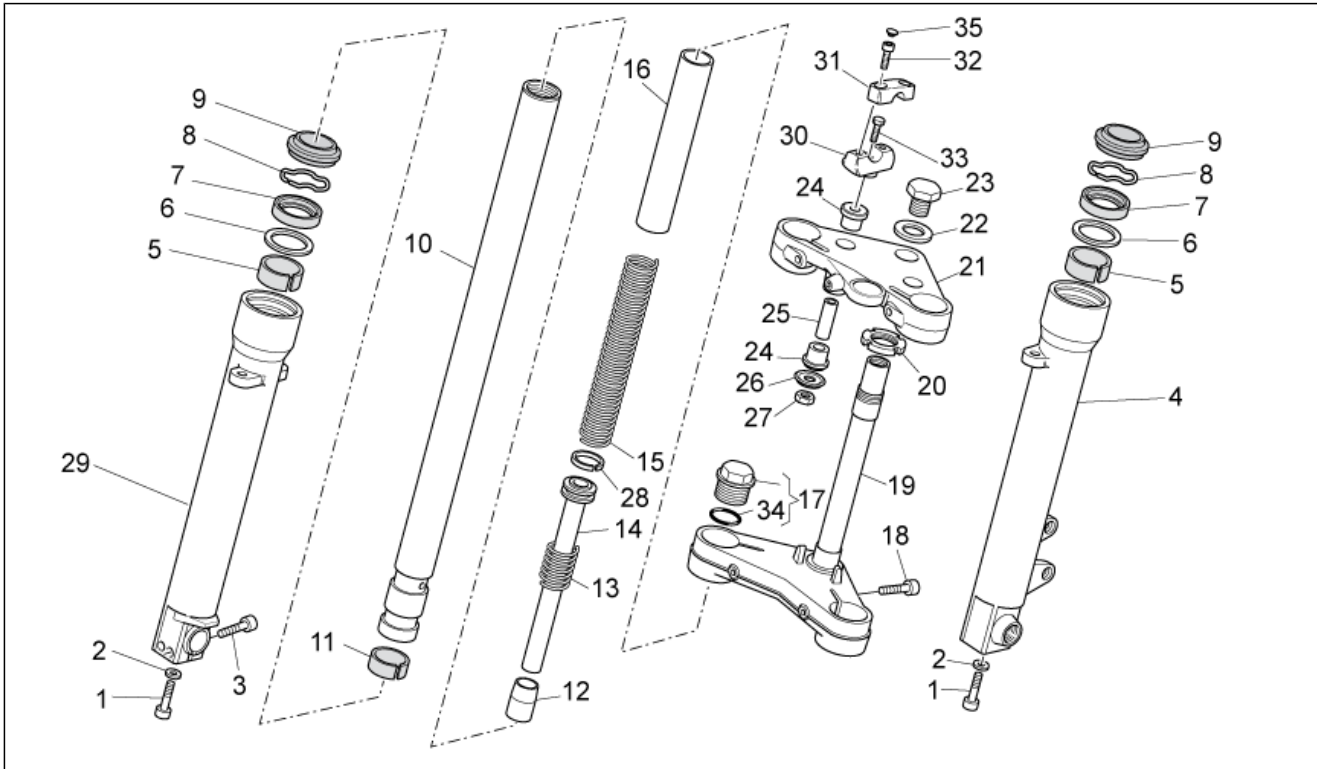
Pos.	Code	Description	Qty	Variants
1	887851	Gear lever	1	
2	AP8120912	Lever rubber	1	
3	GU95129260	Spring washer	2	
4	GU32256910	Lever	1	
5	GU92630707	Nut	2	
6	GU98632322	screw	2	
7	GU03013800	Washer 6,4x12	3	
8	GU32257810	Change gear tie rod compl.	1	
9	GU20258221	Shift lever	1	

Group	FRAME
Code	33.07
Description	Front fork I
Service	1



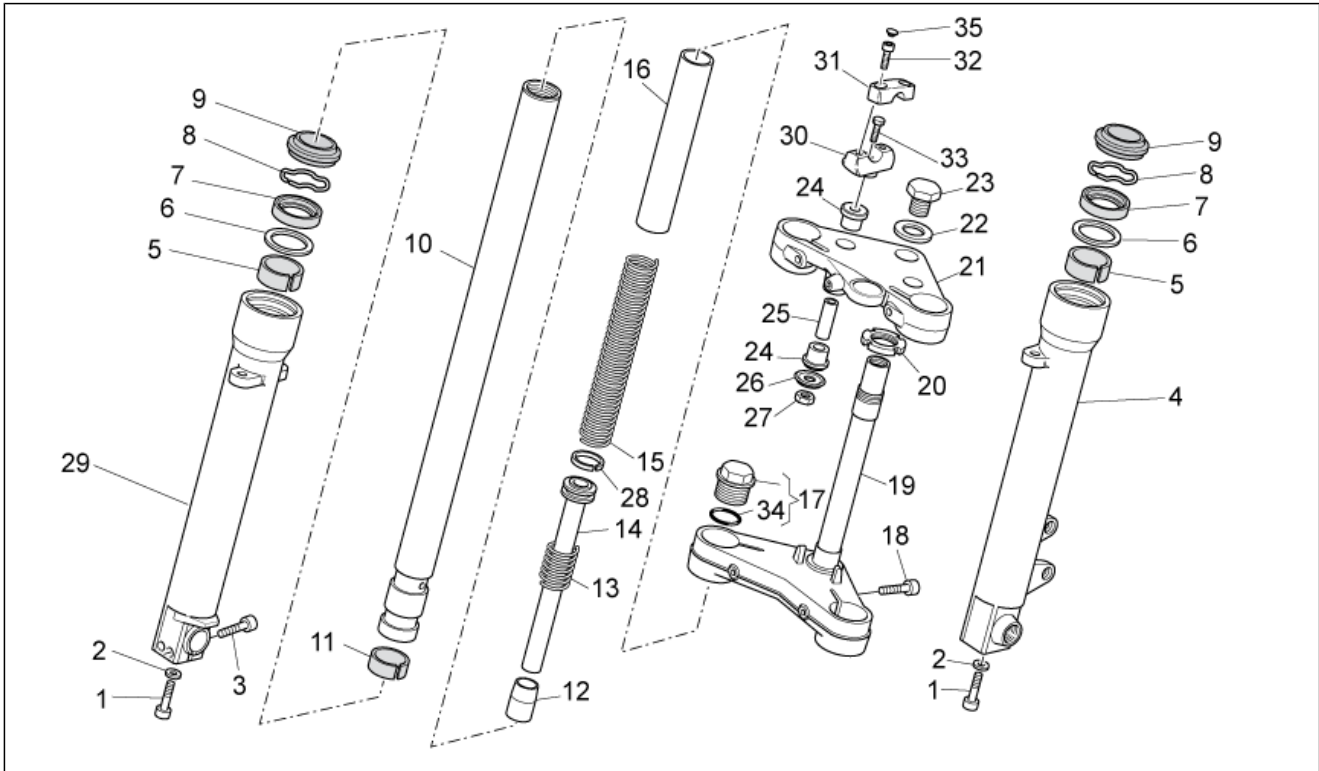
Pos.	Code	Description	Qty	Variants
1	2B000558	Front fork	1	
2	GU92249225	Tap.roller bearing	2	
3	AP8144146	Gasket ring	1	
4	AP8121307	Washer	1	
5	AP8144081	Rubber spacer	1	
6	AP8220460	Rubber cup	1	
7	898086	Anti-dust tube	2	
8	CM001928	Hose clamp 44	2	
9	CM001929	Fascetta stringitubo 63.5	2	

Group	FRAME
Code	33.08
Description	Fron fork II
Service	1



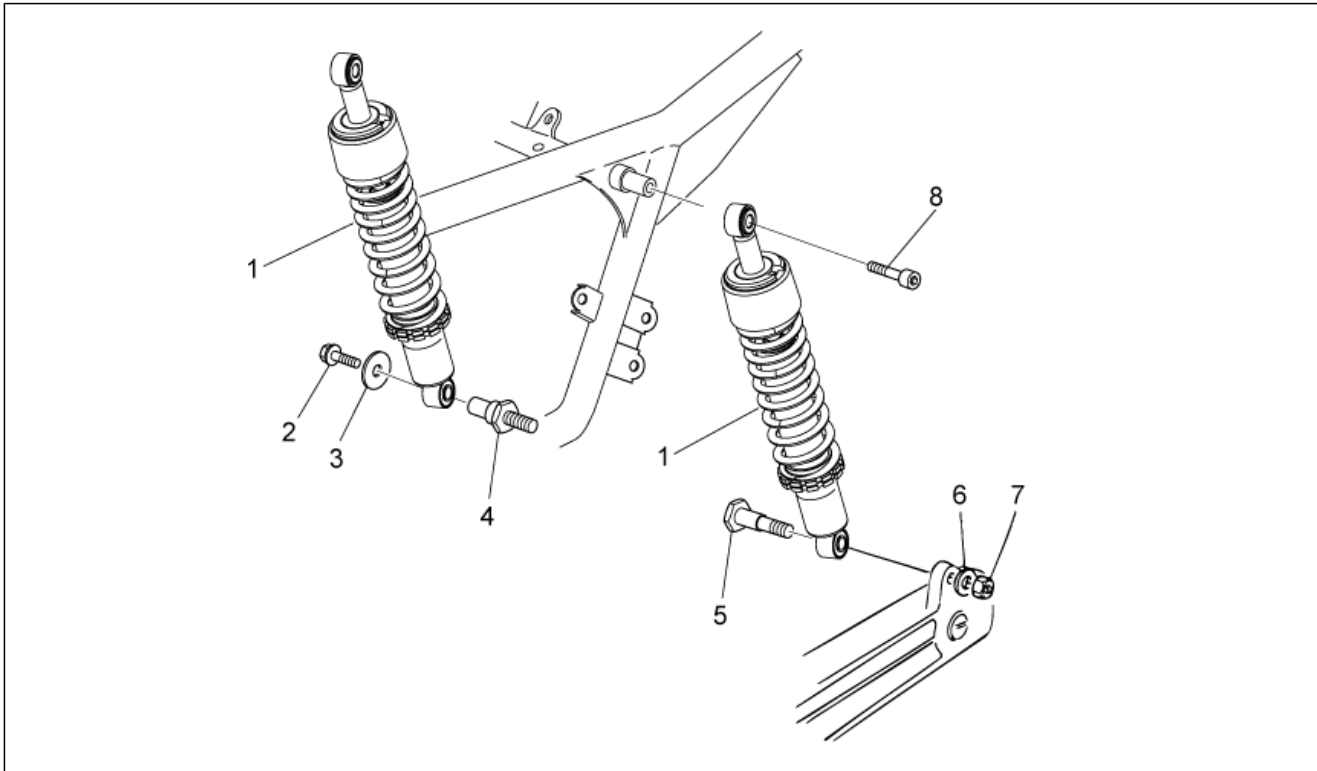
Pos.	Code	Description	Qty	Variants
1	887878	screw M10x30	2	
2	887879	Washer	2	
3	887880	screw	2	
4	2R000110	LH sleeve	1	
5	887882	Upper bush	2	
6	887883	Washer	2	
7	887884	Gasket ring	2	
8	887885	Stop ring	2	
9	887886	Dust cover	2	
10	887887	Sleeve	2	
11	887888	Bush	2	
12	887889	Pad	2	
13	887890	Return spring	2	
14	887891	Plunger, complete	2	
15	887892	Spring	2	
16	887893	pipe	2	
17	887894	Plug cpl.	2	
18	887895	screw	2	
19	887896	Stem base	1	
20	GU31513480	Ring nut M25X1	1	
21	887898	Upper plate	1	
22	887899	Washer	1	
23	887900	Nut	1	
24	887901	Rubber spacer	4	
25	887902	Spacer	2	
26	887903	Cup	2	
27	887904	Nut	2	
28	887905	Ring	2	

Group	FRAME
Code	33.08
Description	Fron fork II
Service	1



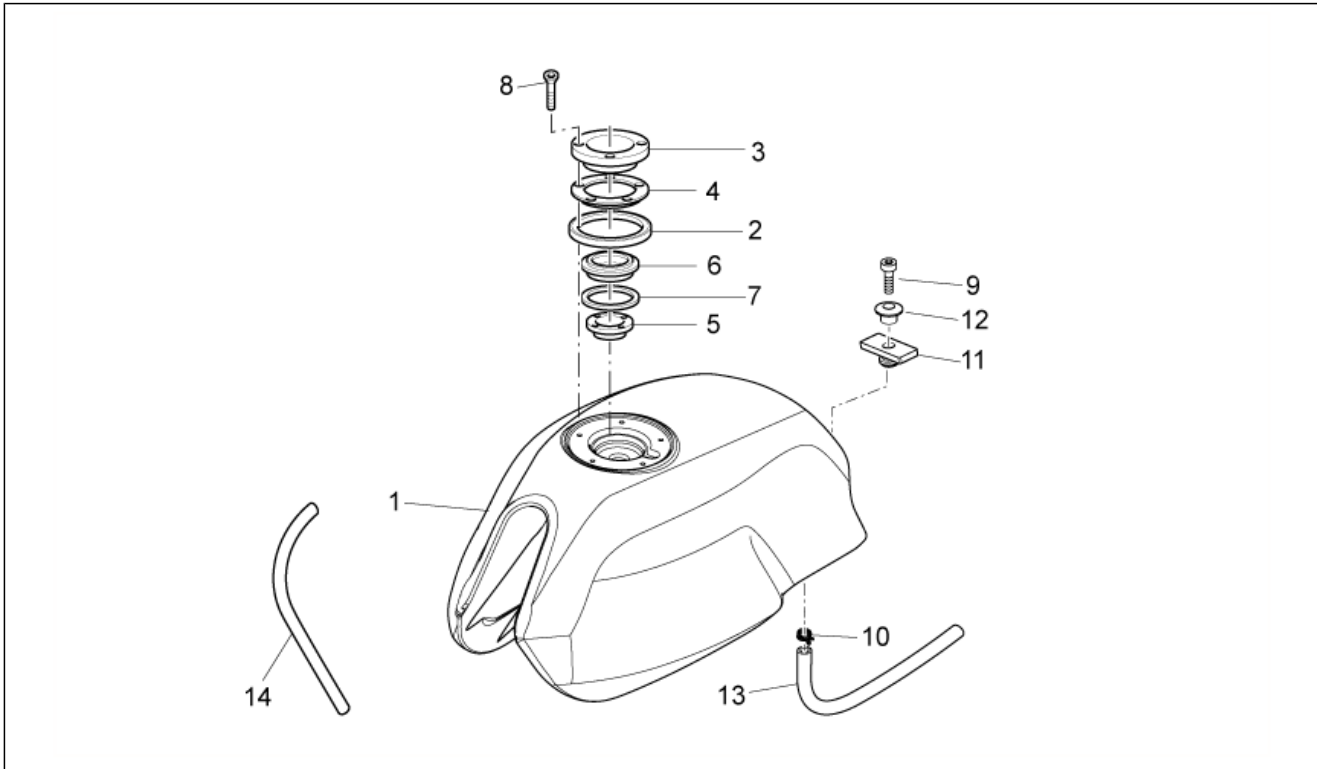
Pos.	Code	Description	Qty	Variants
29	2R000109	RH sleeve	1	
30	887912	Lower U-bolt	2	
31	887913	Upper U-bolt	2	
32	887914	screw M8x30	4	
33	887915	screw M10x60	2	
34	887916	O-ring 4118	2	
35	GU23943410	Plug	4	

Group	FRAME
Code	33.11
Description	Rear shock absorber
Service	1



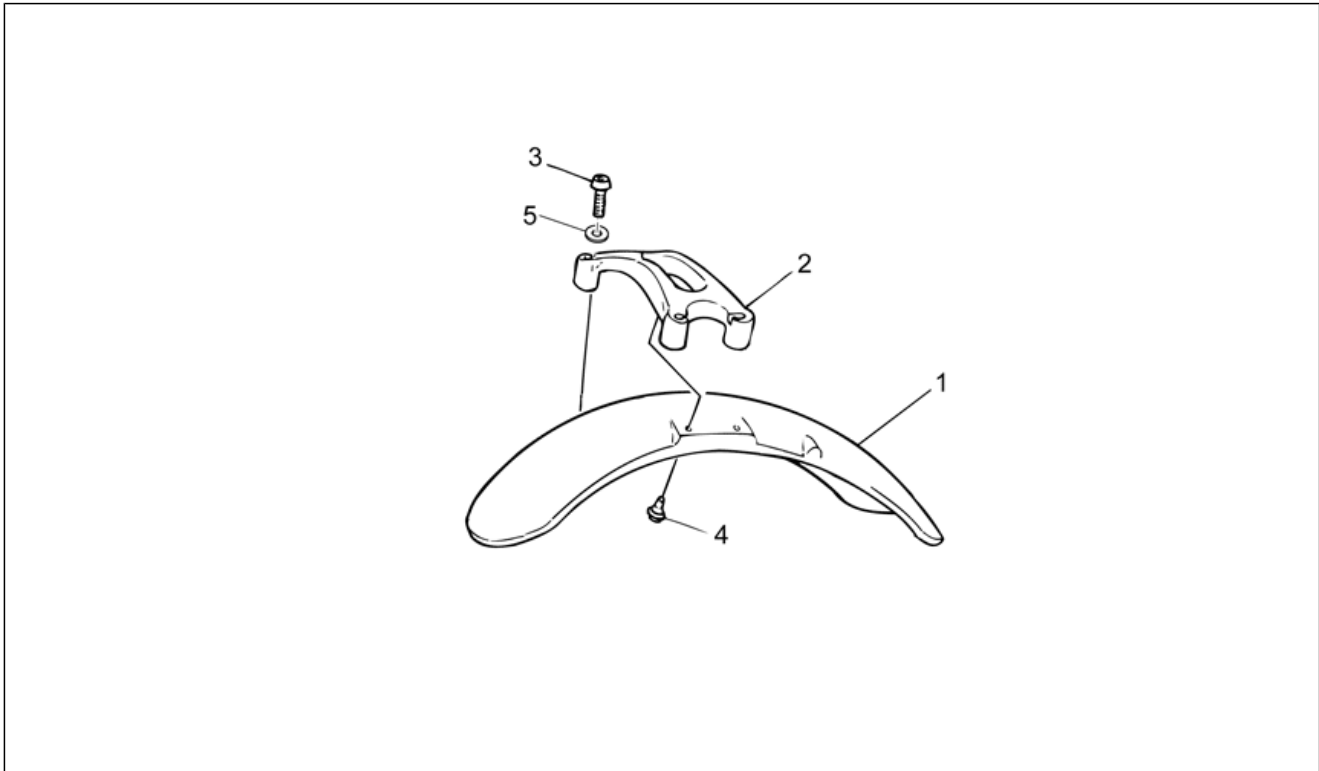
Pos.	Code	Description	Qty	Variants
1	2B000899	Rear shock absorber	2	
2	AP8152278	Screw w/ flange M6x16	1	
3	898164	Shock abs. spacer	1	
4	GU32555210	Pin	1	
5	GU32555211	Pin	1	
6	GU95129181	Washer	1	
7	GU92606210	Nut M10x1,5	1	
8	GU98690335	Hex socket screw	2	

Group	FRAME
Code	33.12
Description	Fuel tank
Service	1



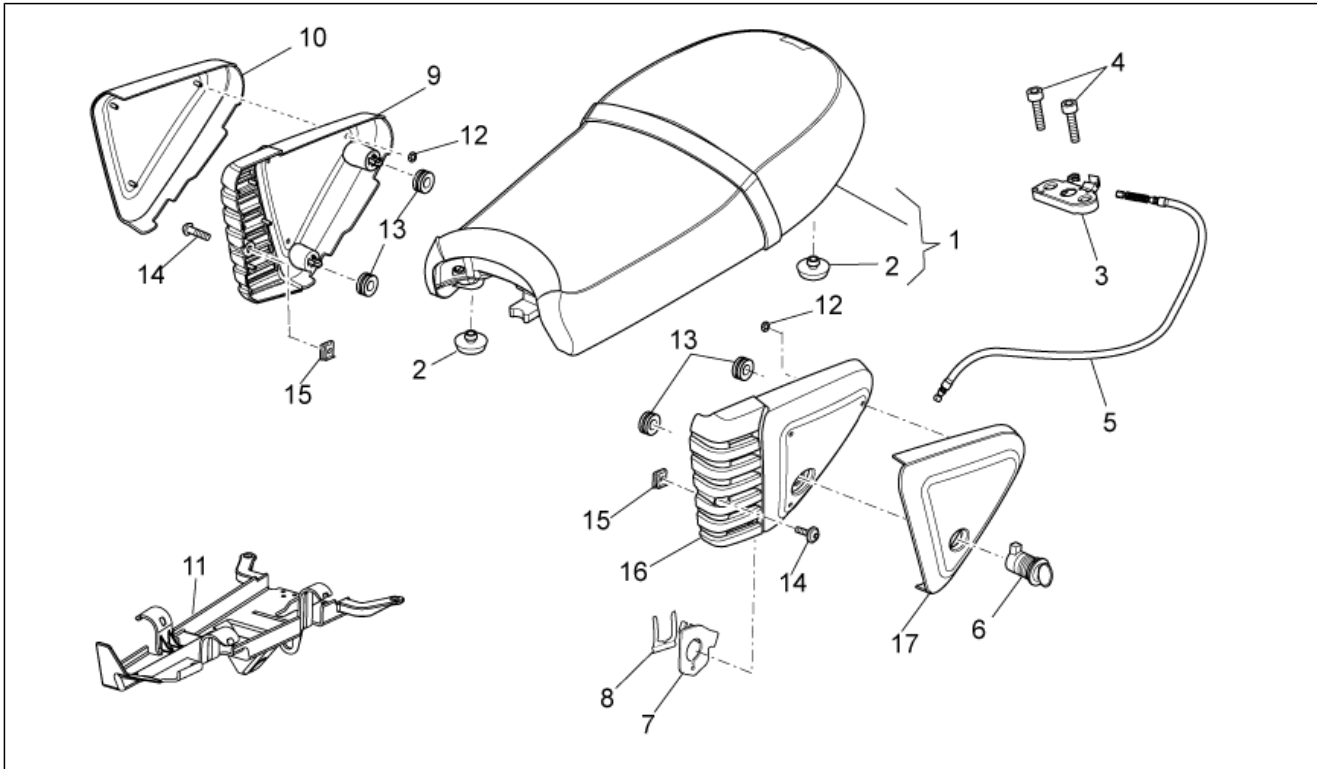
Pos.	Code	Description	Qty	Variants
1	2H000415000XN6	Fuel tank, black	1	Vehicle colour:Diablo Black[ND]
1	2H000415000XV6	***Fuel tank, black	1	Vehicle colour:Verde Raptor opaco [VR]
1	2H000415000YR4	Fuel tank, red	1	Vehicle colour:Rosso Ventone[RV]
1	887944	Fuel tank blank	1	Vehicle colour:Blank[GR]
2	GU03102400	Gasket	1	
3	GU03101900	Flange	1	
4	GU03103500	Ring	1	
5	883502	Reduction 24 mm	1	
6	GU03102200	Plug ring nut	1	
7	GU03101600	Gasket	2	
8	GU03103200	screw	5	
9	GU98682430	Hex socket screw M8x30	1	
10	AP8101595	Hose clamp D10,1	1	
11	AP8120557	Tank rubber	1	
12	AP8121673	T bush *	1	
13	GU00823944050	pipe 5X9	1	
14	GU00823931070	Gasket	1	

Group	FRAME
Code	33.13
Description	Front body - Front mudguard
Service	1



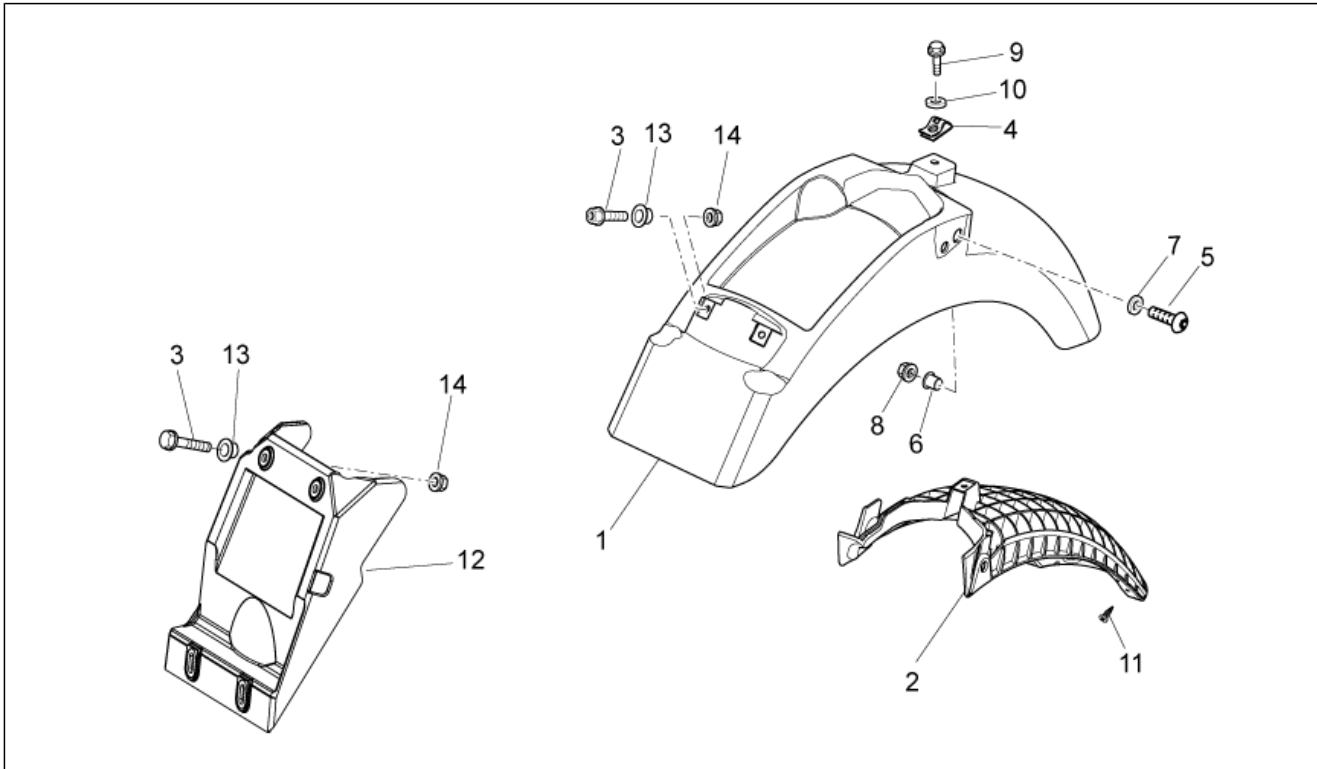
Pos.	Code	Description	Qty	Variants
1	88635200XN6	Front mudguard, black	1	
1	GU32434460	Front mudguard blank	1	Vehicle colour:Blank[GR]
2	883266	Stabilization plate	1	
3	GU98370845	Hex socket screw	4	
4	GU31439565	Special screw	4	
5	GU14615901	Washer 8,4X13X0,8	4	

Group	FRAME
Code	33.14
Description	Saddle-Central bod
Service	1



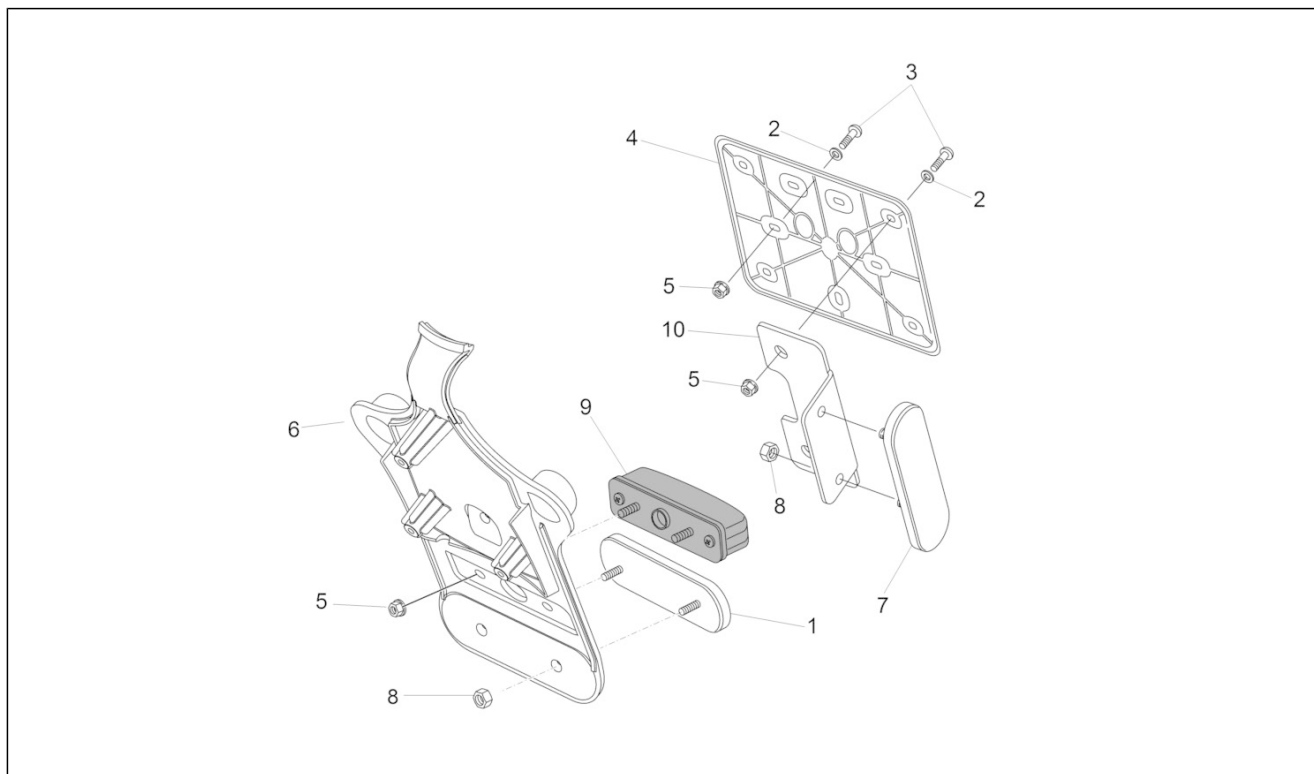
Pos.	Code	Description	Qty	Variants
1	2B000880	Two-seat saddle	1	Year: Vehicle colour: Diablo Black[ND], Rosso Ventone[RV], Verde Raptor opaco [VR]
2	GU32461610	Rubber spacer	8	
3	AP8102913	Pass.saddle connecting plate	1	
4	GU98370625	Hex socket screw	2	
5	883295	Saddle release cable	1	
6	977527	Locking complete with keys	1	
7	AP8121420	Fork spring	1	
8	978415	Cable fixing plate	1	
9	2B000878	RH side panel	1	
10	2H000384000XN6	RH side panel, black	1	Year: Vehicle colour: Diablo Black[ND], Rosso Ventone[RV], Verde Raptor opaco [VR] Technical Specifications: Decal[D]
10	978940	RH side panel, blank	1	Vehicle colour: Blank[GR]
11	B063431	Protection	1	
12	AP8150450	Washer for shafts D5	1	
13	GU91551086	Rubber spacer	4	
14	AP8152339	Screw w/ flange M5x9	2	
15	AP8102375	Clip m5	2	
16	2B000840	LH side panel	1	
17	2H000385000XN6	LH side panel, black	1	Year: Vehicle colour: Diablo Black[ND], Rosso Ventone[RV], Verde Raptor opaco [VR] Technical Specifications: Decal[D]
17	978943	LH side panel, blank	1	Vehicle colour: Blank[GR]

Group	FRAME
Code	33.15
Description	Rear body I- Mudguard
Service	1



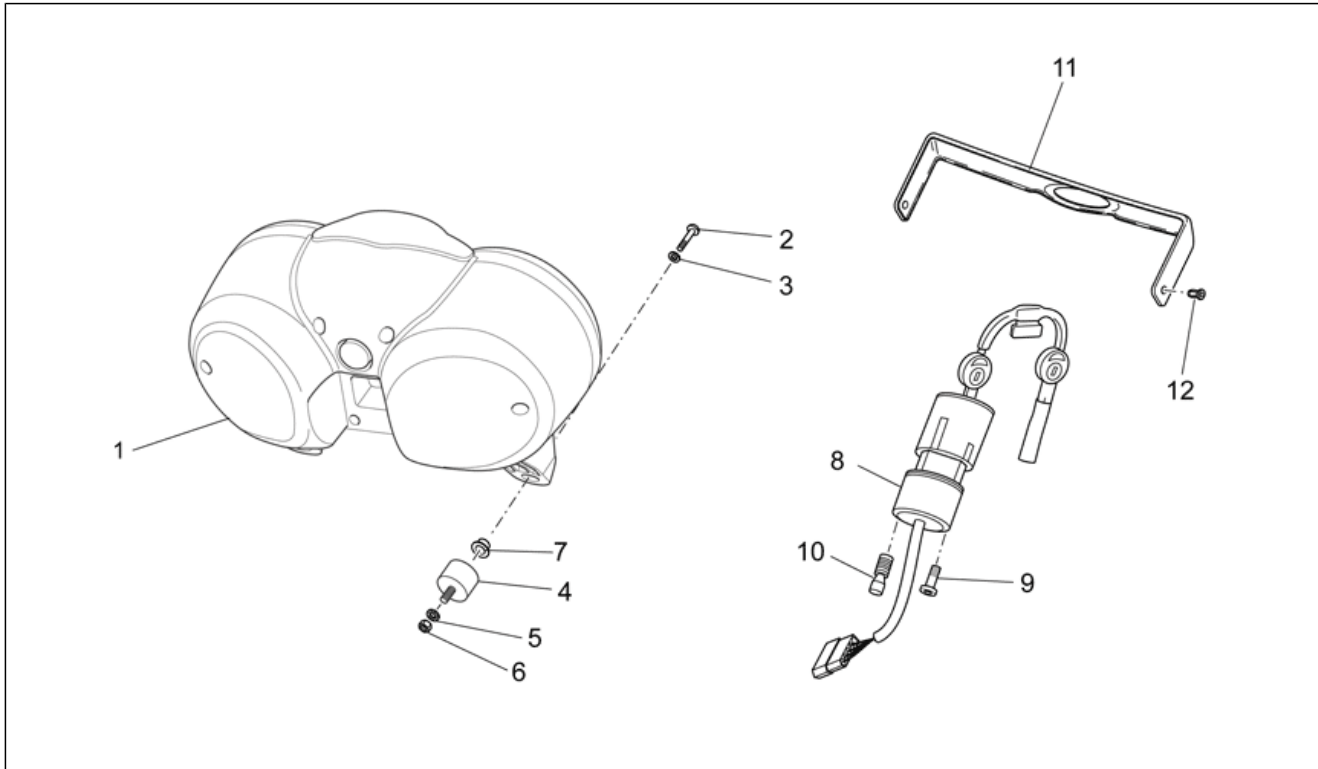
Pos.	Code	Description	Qty	Variants
1	978946	Rear mudguard blank	1	
1	97894600XN6	Rear mudguard, black	1	Year: Vehicle colour: Diablo Black[ND], Rosso Ventone[RV], Verde Raptor opaco [VR]
2	978947	Support	1	
3	AP8152278	Screw w/ flange M6x16	4	
4	254485	Spring plate M6	1	
5	GU98370831	Hex socket screw M8x30	2	
6	GU91120806	Spacer	2	
7	GU95005310	Washer 8,4x18x2	2	
8	GU92630108	Nut	2	
9	AP8152279	Screw w/ flange M6x20	2	
10	GU91180601	Spacer 6,2x8x3	2	
11	AP8152329	Phillips screw, SWP M5x20	3	
12	B063167	Splash guard	1	
13	AP8121032	Bush	6	
14	AP8152299	Self-locking nut M6	6	

Group	FRAME
Code	33.16
Description	Rear body II- Plate holder
Service	1



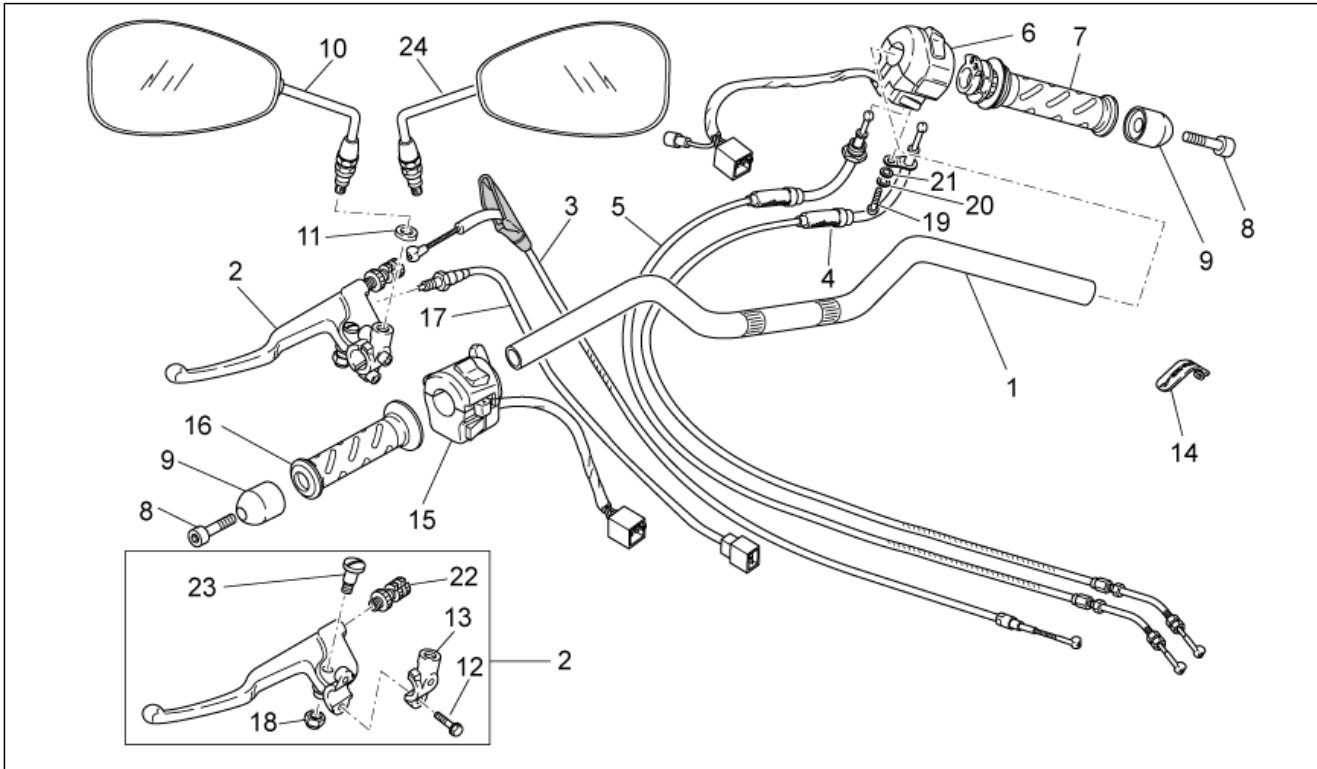
Pos.	Code	Description	Qty	Variants
1	GU05781630	Reflector, amber	1	
2	AP8150248	Washer 5,5x15x1,6	7	
3	AP8152268	Hex socket screw M5x16	7	
4	AP8149034	Number plate support	1	
5	AP8152306	Self-locking nut m5	1	
6	883470	Number plate holder	1	
7	AP8124718	Rear reflector, red	2	
8	GU92630204	Nut	6	
9	883480	Number-plate light	1	
10	GU32781910	Reflector support	2	

Group	FRAME
Code	33.17
Description	Dashboard
Service	1



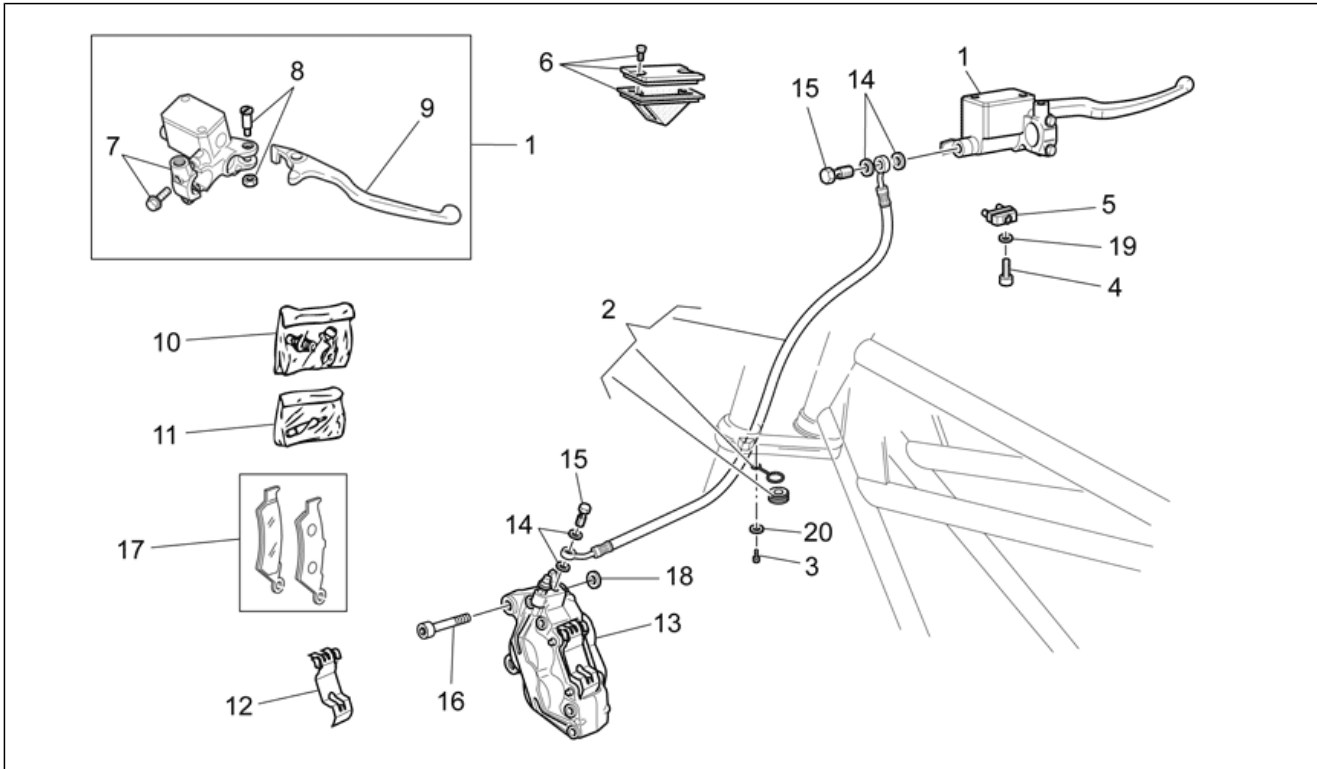
Pos.	Code	Description	Qty	Variants
1	887194	Dashboard complete km/h	1	Country:Canadian[CND]
1	887195	Dashboard complete MPH	1	Country:United States of America[USA]
2	GU98370609	Hex socket screw M6x10	3	
3	GU95005306	Washer 6,4x13x1,5	3	
4	GU93222023	Silent-block	3	
5	GU95021206	Washer	3	
6	GU92606206	Nut	3	
7	AP8121032	Bush	3	
8	GU32782510	Main switch - steering lock	1	
9	GU98682416	Hex socket screw M8x16	1	
10	AP8150349	Special screw M8x15	1	
11	883569	Cover	1	
12	GU23922210	Pin	2	

Group	FRAME
Code	33.18
Description	Handlebar - Controls
Service	1



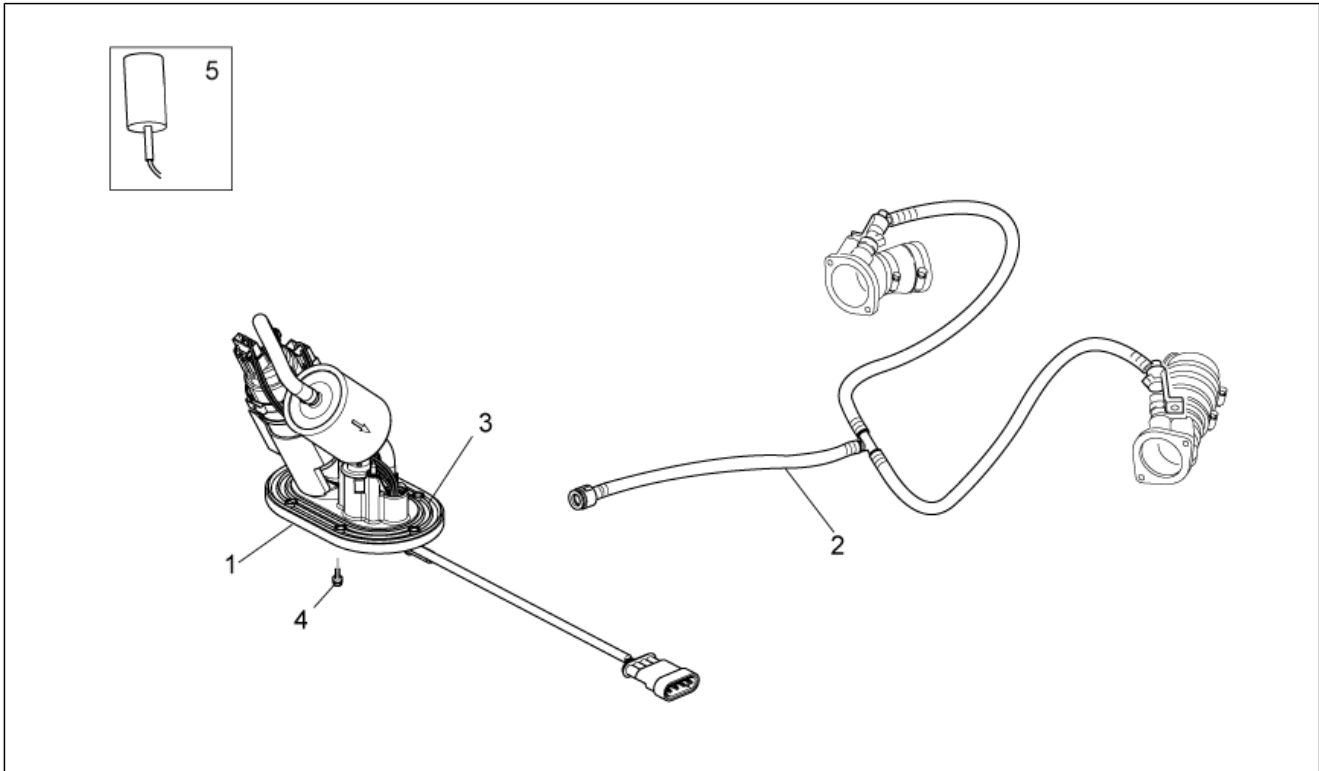
Pos.	Code	Description	Qty	Variants
1	2B000671	Handlebar	1	
2	GU32605510	Clutch lever	1	
3	B063427	Clutch cable	1	
4	887852	Gas trasmission delivery	1	
5	887853	Gas trasmission return	1	
6	B063135	RH lights selector	1	
7	GU32603310	RH hand grip	1	
8	GU98690335	Hex socket screw	2	
9	AP8104509	Anti.v weight, black	2	
10	2B001048	RH rearview mirror	1	
11	GU91181003	Spacer 10,25X20X4	2	
12	GU97202325	Black screw w/ flange M6x25	2	
13	GU30601060	Clump	1	
14	GU01609630	Hose clamp L46 mm	2	
14	GU03609600	Hose clamp L36 mm	1	
15	B063975	LH lights selector	1	
16	GU32603010	LH hand grip	1	
17	GU29759150	Lateral stand switch	1	
18	AP8213388	Self-locking nut	1	
19	GU98230510	Hex socket screw	1	
20	GU95008305	Washer 5,3X10X1	1	
21	GU95021105	Notched washer	1	
22	GU30602500	Register	1	
23	AP8213028	screw	1	
24	2B001049	LH rearview mirror	1	

Group	FRAME
Code	33.19
Description	Front brake system
Service	1



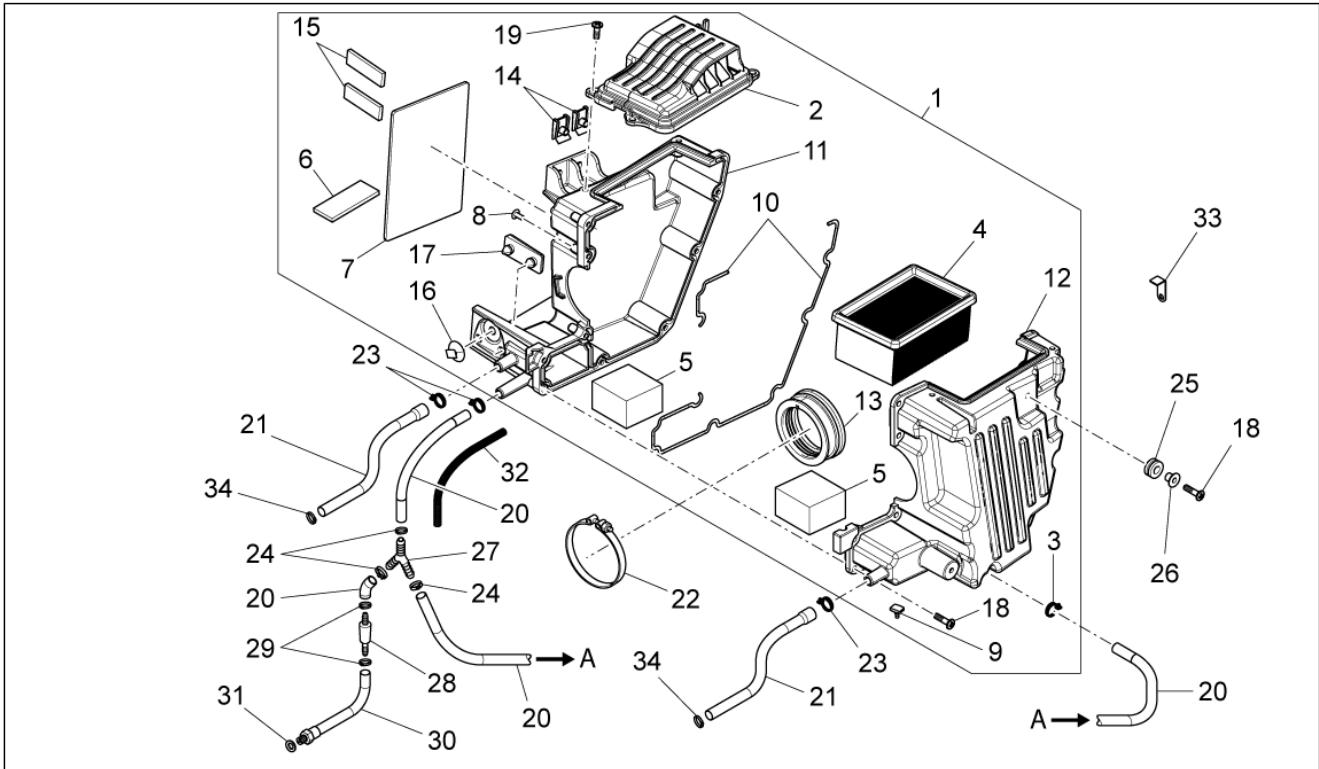
Pos.	Code	Description	Qty	Variants
1	GU03660145	Front master cilinder	1	
2	GU32657110	Brake hose	1	
3	AP8152277	Screw w/ flange M6x12	1	
4	GU98370412	Hex socket screw M4x12	1	
5	GU03749845	Stop switch	1	
6	GU03661145	Pump cover	1	
7	GU03664045	U-bolt	1	
8	GU03604845	Lever pin	1	
9	GU03605645	Brake lever	1	
10	GU05659230	Bleeder+cap	1	
11	GU01659130	Pins+Caliper springs	1	
12	GU01659131	Spring	1	
13	883303	LH front brake caliper, black	1	
14	AP8121915	Gasket	4	
15	978323	Oil pipe screw *	2	
16	AP8152385	Hex socket screw M10x1,25	2	
17	GU01654630	Pads pair	1	
18	GU91181003	Spacer 10,25X20X4	2	
19	GU95021104	Washer 4,3x8x1,5	1	
20	GU95008306	Washer 6,4x12x1,2	1	

Group	FRAME
Code	33.21
Description	Fuel pump
Service	1



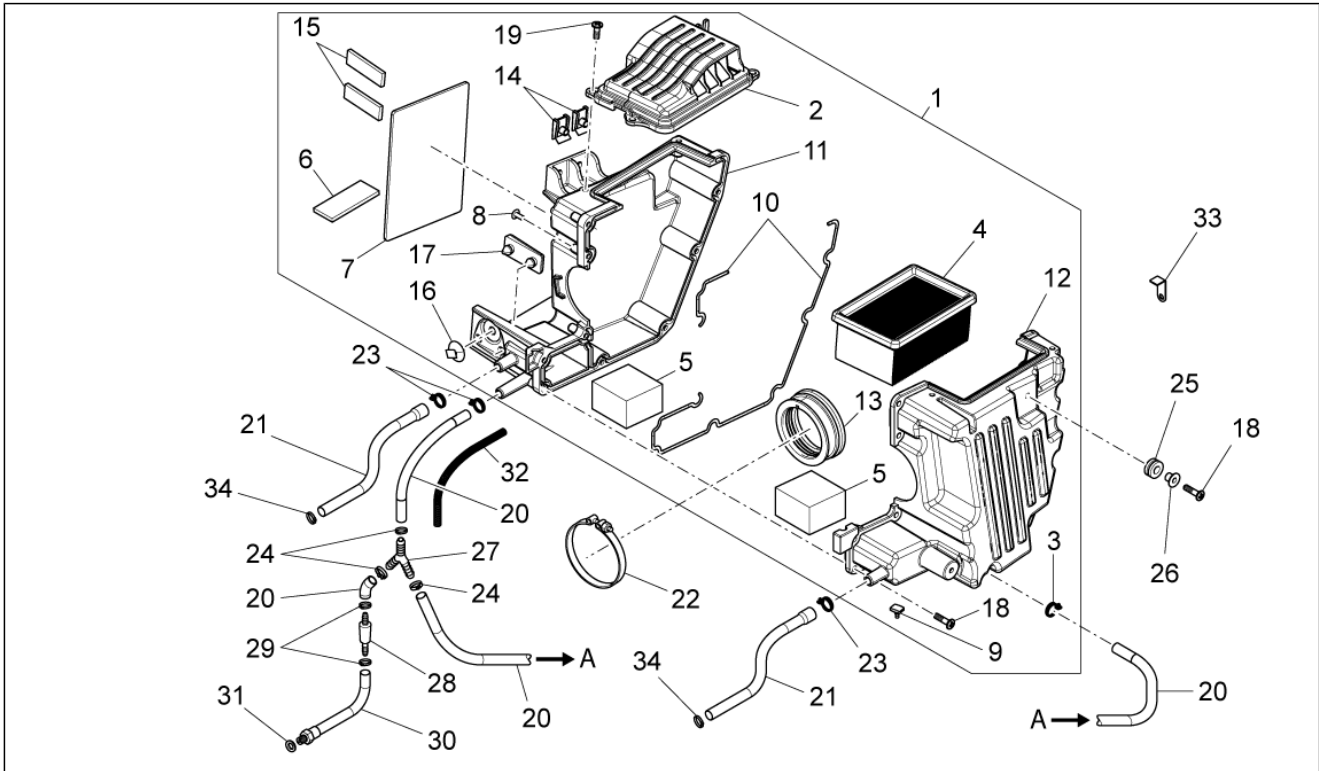
Pos.	Code	Description	Qty	Variants
1	B063752	Fuel pump	1	
2	2B000970	Fuel pipe	1	
3	GU05107430	Gasket	1	
4	AP8152273	Screw w/ flange M5X15	6	
5	887787	Fuel level sensor	1	

Group	FRAME
Code	33.22
Description	Air box
Service	1



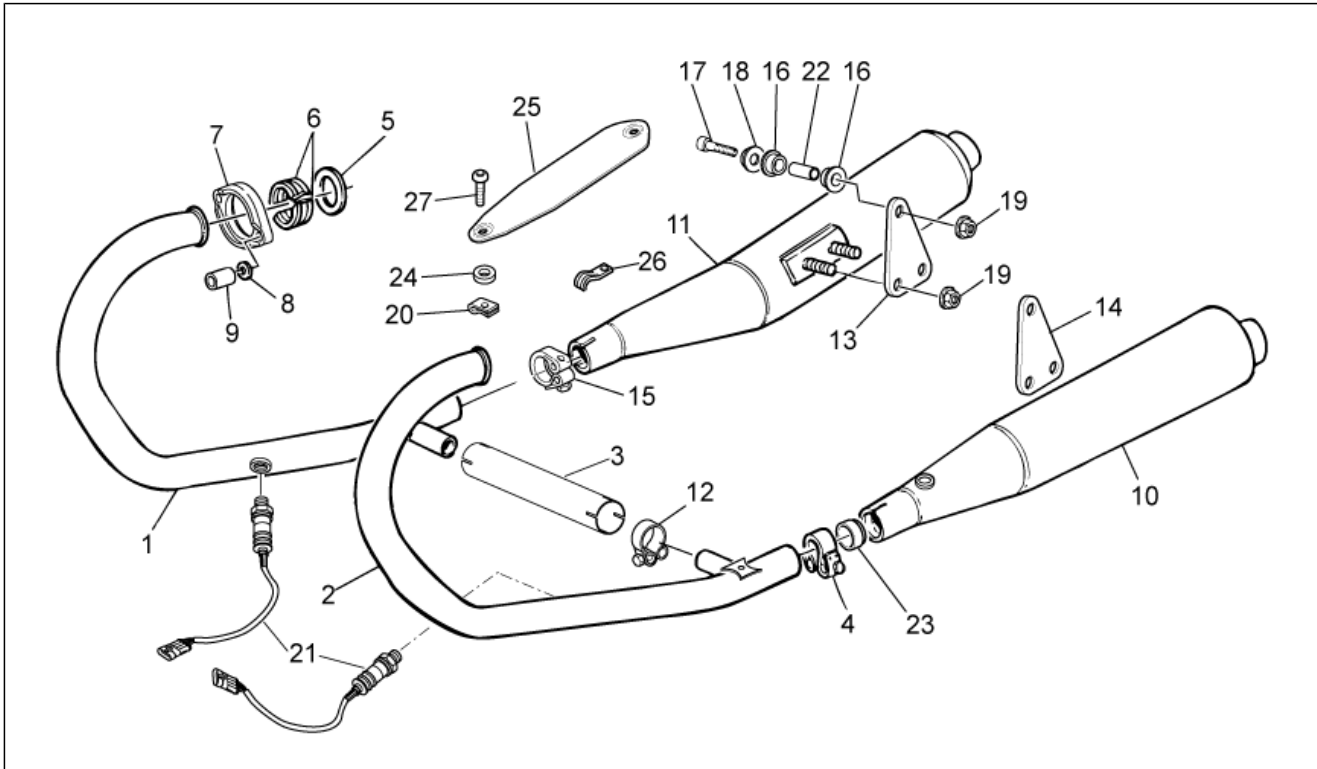
Pos.	Code	Description	Qty	Variants
1	8878421	Complete filter box	1	
2	887843	Air filter cover	1	
3	AP8201358	Hose clamp D 11,9	1	
4	AP8104924	Air filter	1	
5	AP8104525	Filter blow-by	2	
6	883127	Support rubber part 5mm	1	
7	AP8144553	Support rubber part	1	
8	AP8120876	Plug	2	
9	AP8120455	Rubber spacer	1	
10	AP8120615	Gasket D3	2	
11	887844	Filter box right shell	1	
12	887845	Filter box left shell	1	
13	887815	Intake hose	1	
14	254485	Spring plate M6	2	
15	AP8144538	Gasket	2	
16	890760	Instrument support	1	
17	AP8144729	Stand end stop	1	
18	AP8152329	Phillips screw, SWP M5x20	11	
19	AP8150509	Self-tap screw 5x14	4	
20	AP8120772	Breather pipe	3	
21	B063214	Blow-by pipe	2	
22	GU93305061	Hose clamp 61/65,5	1	
23	AP8102766	Hose clamp	3	
24	AP8102765	White hose clip D.13,5x6	3	
25	GU91551010	Rubber spacer	2	
26	AP8221023	T bush	2	
27	2B000045	3-way union	1	
28	AP8104996	Anti-return valve	1	

Group	FRAME
Code	33.22
Description	Air box
Service	1



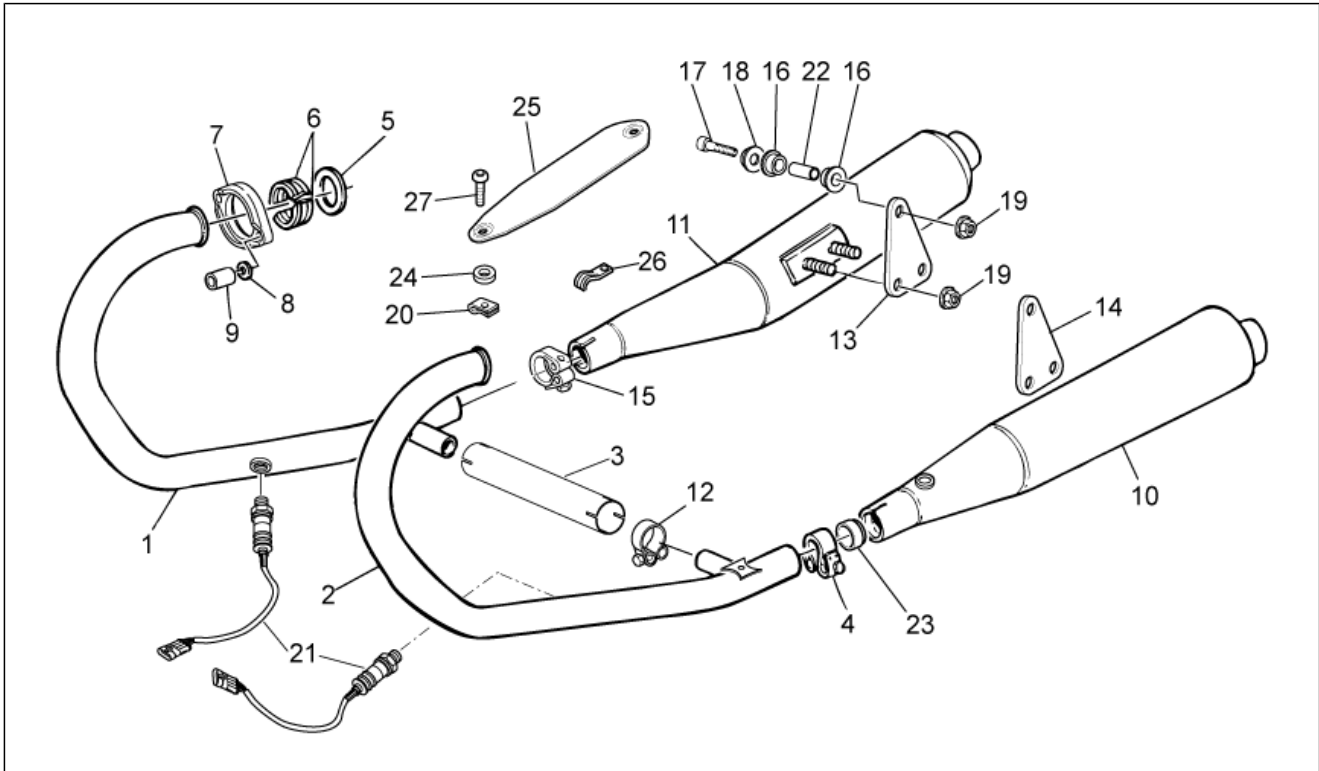
Pos.	Code	Description	Qty	Variants
29	GU28157950	Hose clip 12,5x8	2	
30	B063213	Breather	1	
31	GU90714082	Gasket	1	
32	GU00823923140	Thermal sheath	1	
33	GU31112965	Square	1	
34	AP8201358	Hose clamp D 11,9	2	

Group	FRAME
Code	33.23
Description	Exhaust unit
Service	1



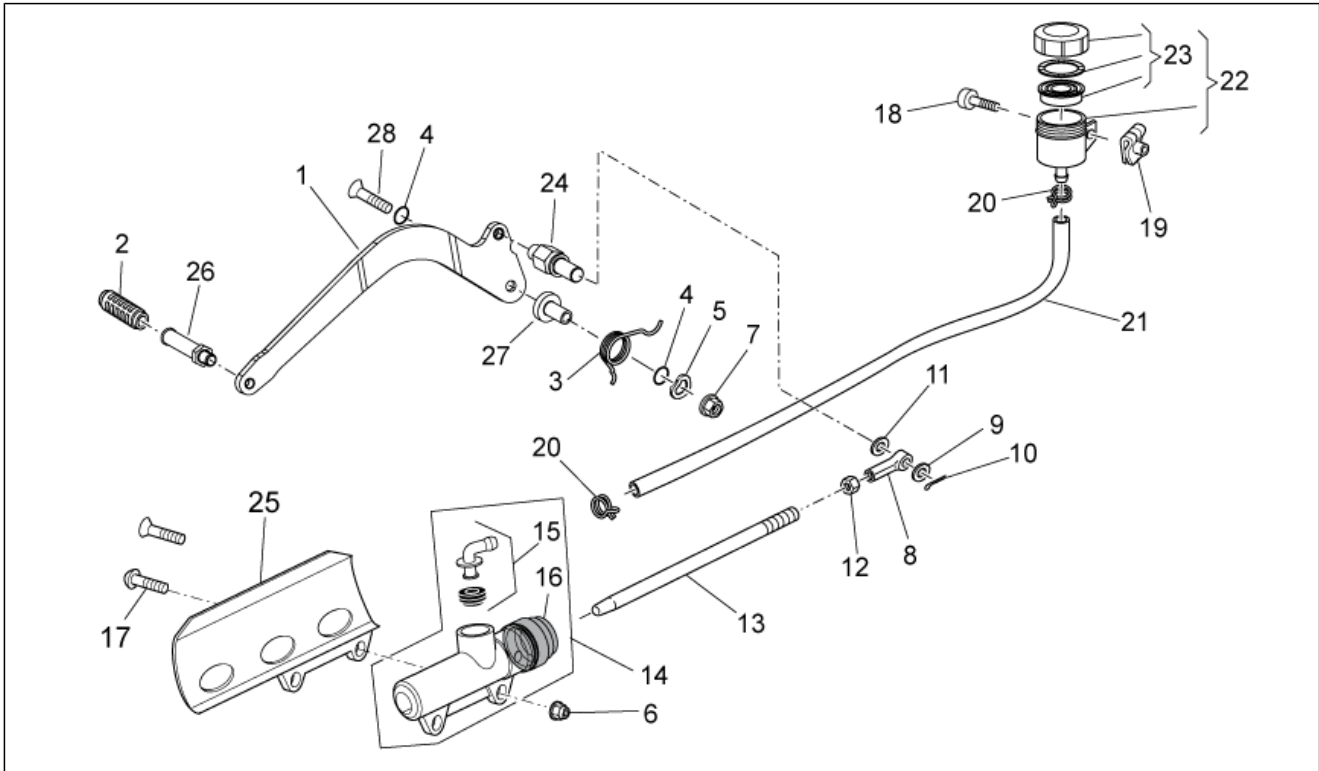
Pos.	Code	Description	Qty	Variants
1	887846	RH exhaust pipe	1	
1	B063854	RH exhaust pipe	1	Country:
2	887847	LH exhaust pipe	1	
2	B063855	LH exhaust pipe	1	Country:
3	B063022	Exhaust manifold union	1	
4	883294	LH silencer clamp	1	
5	GU19025280	Gasket	2	
6	GU19025460	Spacer	4	
7	GU32121010	Ring nut	2	
8	GU03013800	Washer 6,4x12	4	
9	GU31121880	Nut	4	
10	2B000177	LH silencer	1	
11	2B000176	RH silencer	1	
12	978385	Hose clamp	2	
13	883297	RH plate	1	
14	883298	LH plate	1	
15	883293	RH silencer clamp	1	
16	AP8144071	Rubber exhaust	4	
17	GU98690440	screw TCEI M8x40	2	
18	AP8134378	Silencer fixing bush	2	
19	GU92640508	Nut M8	6	
20	254485	Spring plate M6	2	
21	896110	Lamda sensor l.660 mm	2	
22	AP8121072	Spacer	2	
23	GU91113826	Bushing	2	
24	AP8120870	Insulating washer	4	
25	883704	Exhaust pipe heat prot.	2	
26	GU93301175	U-bolt	1	

Group	FRAME
Code	33.23
Description	Exhaust unit
Service	1



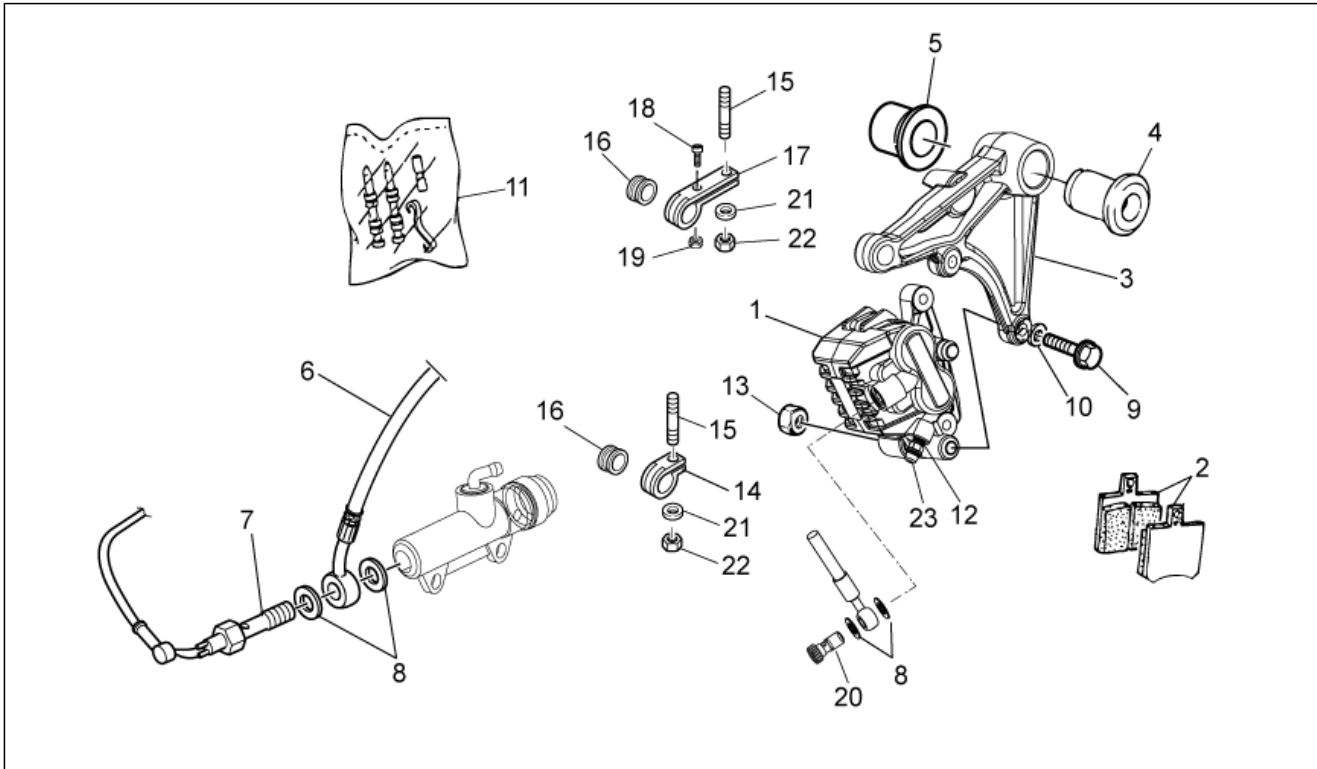
Pos.	Code	Description	Qty	Variants
27	GU98210612	Screw w/ flange M6x12	4	

Group	FRAME
Code	33.26
Description	Rear master cylinder
Service	1



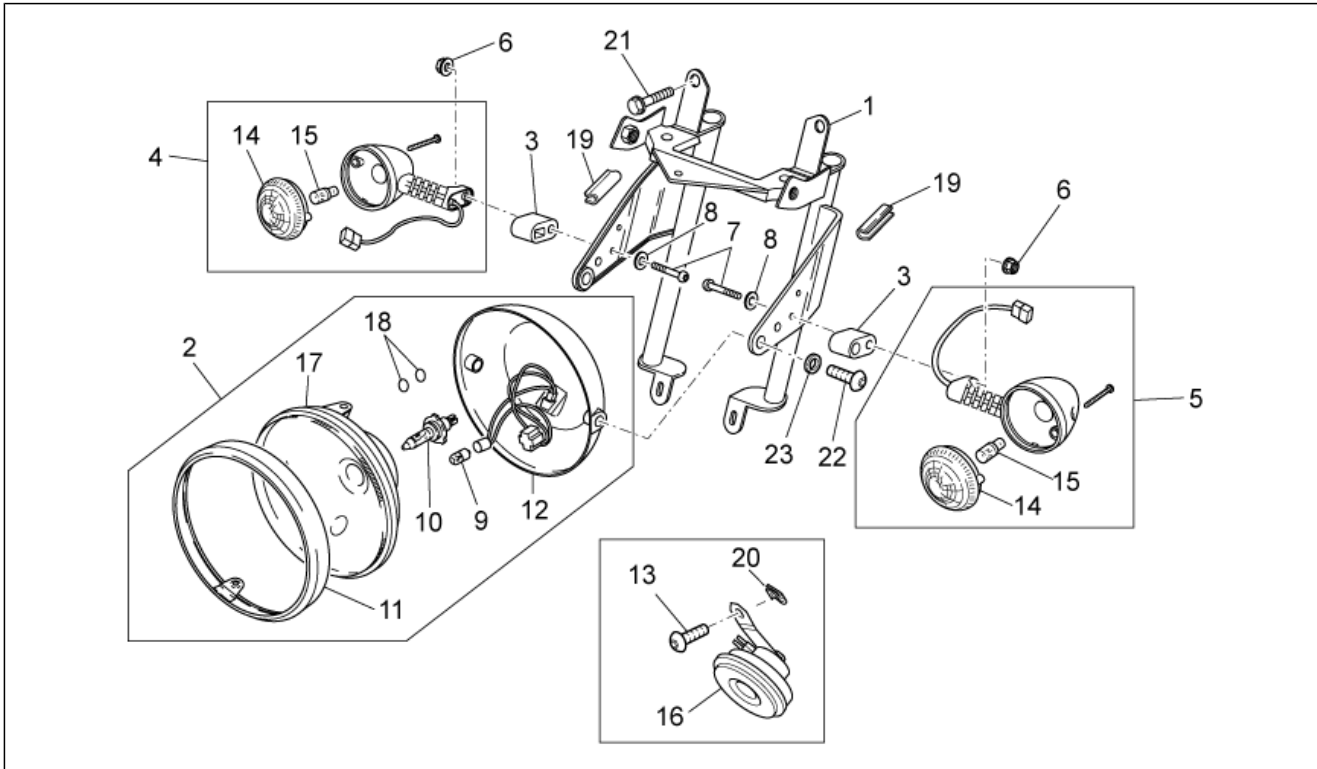
Pos.	Code	Description	Qty	Variants
1	887910	Brake lever	1	
2	AP8120912	Lever rubber	1	
3	978969	Spring	1	
4	AP8144007	O-ring 11,11x1,78	2	
5	GU95005310	Washer 8,4x18x2	1	
6	GU92630206	Nut M6x1	2	
7	GU92660021	Flanged nut M8	1	
8	GU18257551	Block	1	
9	GU95005308	Washer 8,4x14,57x1,6	1	
10	GU95500221	Split pin	1	
11	658837	Crinkle washer D15 F8,4 S1,5 - INOX	1	
12	GU92609007	Nut	1	
13	978970	Master cylinder rod	1	
14	AP8133643	Rear master cylinder	1	
15	AP8213057	Rear brake pump union	1	
16	AP8113288	Rubber bellows	1	
17	GU98370625	Hex socket screw	2	
18	AP8152298	Screw w/ flange M5x16	1	
19	248419	Spring plate m5	1	
20	AP8101594	Hose clamp D10,1*	2	
21	GU00823950050	Oil pipe	1	
22	AP8113241	Brake oil tank complete	1	
23	AP8113553	Tank cap	1	
24	887911	Brake lever pin	1	
25	GU01665410	Brake m.cyl.protection, black	1	
26	887908	Rubber pedal	1	
27	887952	Rear brake lever bush	1	
28	B063443	Screw M8x50	1	

Group	FRAME
Code	33.27
Description	Rear brake caliper
Service	1



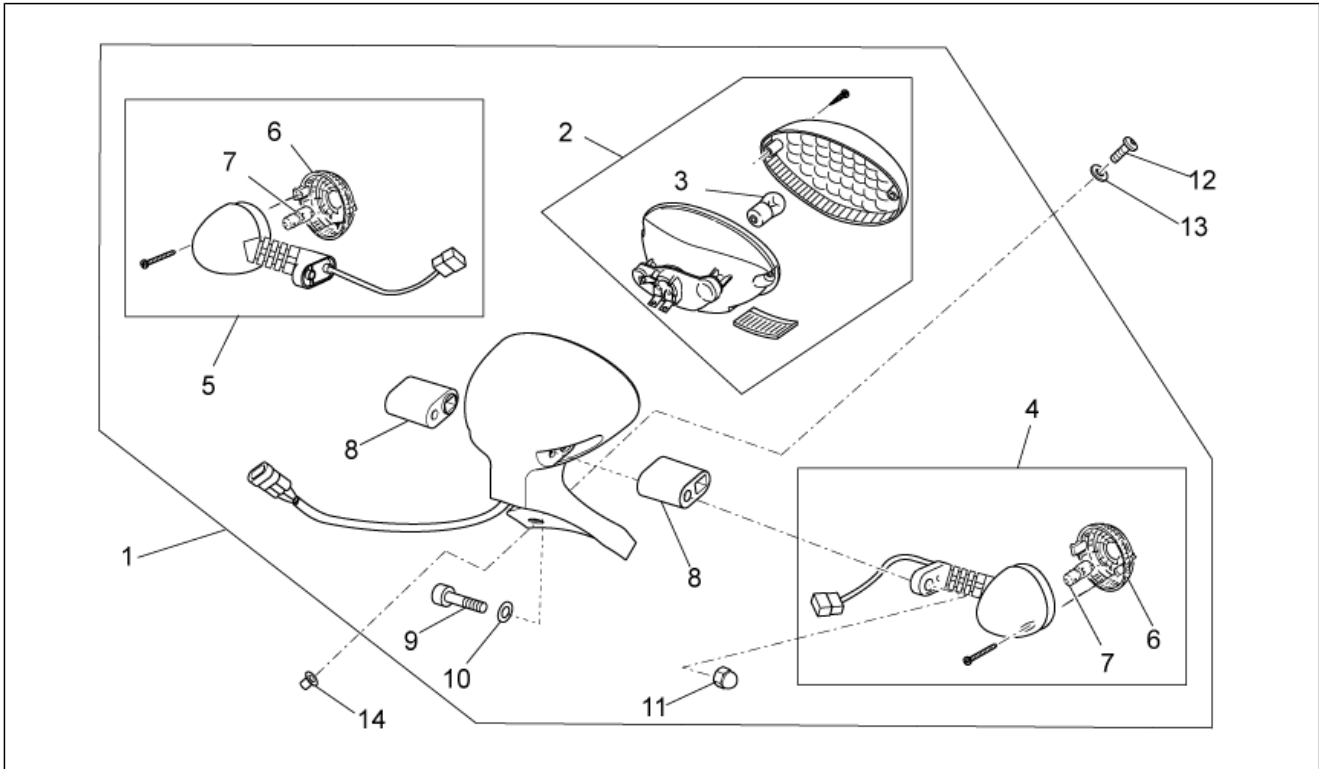
Pos.	Code	Description	Qty	Variants
1	887449	Rear brake caliper	1	
2	AP8133798	Pads pair	1	
3	887431	Brake caliper support plate	1	
4	GU31634281	Bushing	1	
5	GU32634160	Spacer	1	
6	B063750	Rear rubber brake pipe	1	
7	883192	Switch	1	
8	AP8121915	Gasket	4	
9	AP8152288	Screw w/ flange	2	
10	GU03270300	Washer 8,4x15	2	
11	AP8133799	Pins+Caliper springs	1	
12	AP8133800	Air bleed valve	1	
13	AP8152300	Self-locking nut M8	2	
14	GU03658430	Hose clamp	1	
15	GU96451316	Stud bolt	1	
16	GU03658201	Ring	2	
17	GU03658330	Hose clamp	1	
18	AP8152043	Hex socket screw M4x10	1	
19	AP8150204	Nut M4	1	
20	AP8113003	Oil pipe screw *	1	
21	GU95008306	Washer 6,4x12x1,2	2	
22	AP8152299	Self-locking nut M6	2	
23	AP8213575	Bleed valve cap	1	

Group	FRAME
Code	33.28
Description	Front lights
Service	1



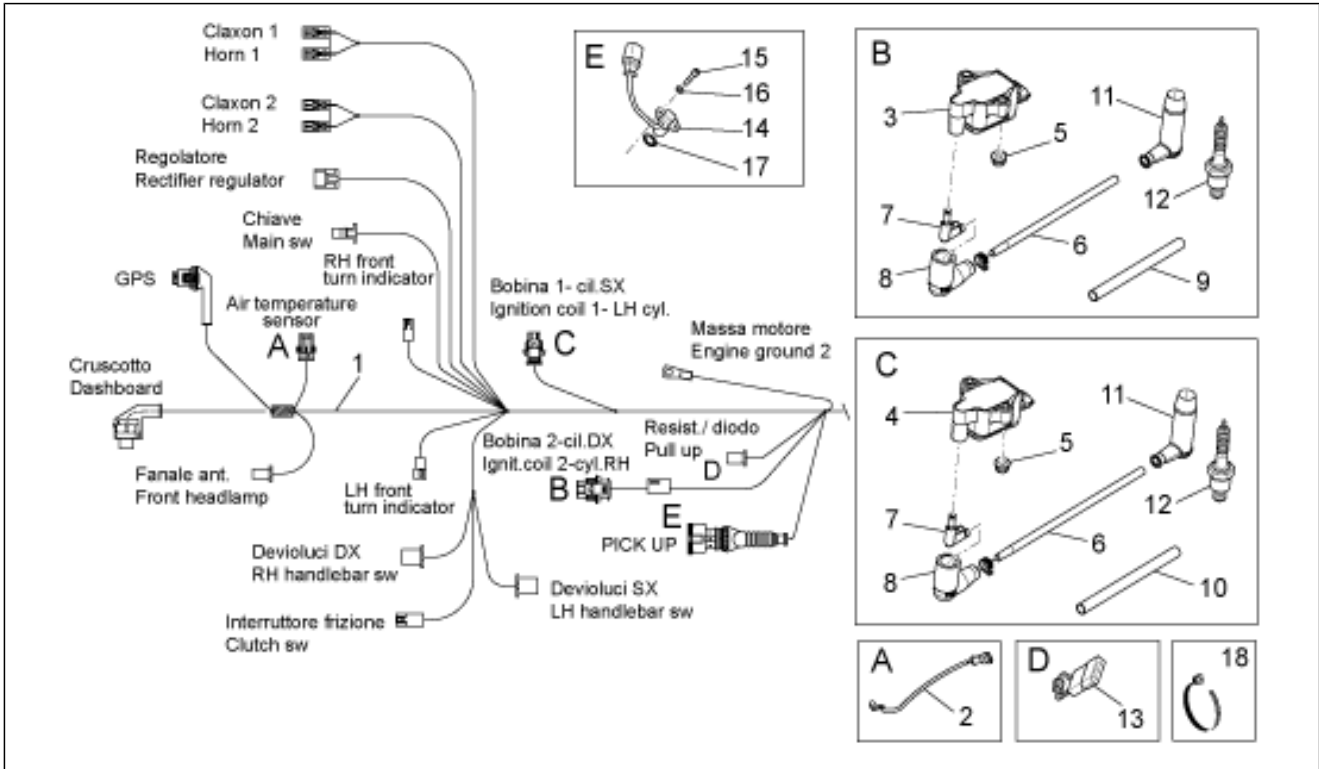
Pos.	Code	Description	Qty	Variants
1	GU32506360	Headlight support clamp	1	
2	978311	Headlight	1	
3	GU32753410	Spacer	2	
4	B063800	RH front/LH rear turn indic.	1	
5	B063801	LH front/RH rear turn indic.	1	
6	GU92787006	Cap nut M6x1	2	
7	GU98370655	Hex socket screw	2	
8	GU95021206	Washer	2	
9	GU93450105	Lamp	1	
10	GU93450232	Lamp 12V-55/60W	1	
11	GU31740383	Chromed ring nut	1	
12	981149	Cap, black	1	
13	AP8150377	screw	2	
14	B063735	Turn indicator lens	2	
15	GU93450126	Lamp, orange	2	
16	890979	Horn	1	
17	GU06740400	Light assembly	1	
18	883417	O-ring	2	
19	GU00823931055	Gasket	1	
20	254485	Spring plate M6	2	
21	GU98880540	screw M10x40	2	
22	GU98692420	Hex socket screw M8x20	2	
23	GU95005308	Washer 8,4x14,57x1,6	2	

Group	FRAME
Code	33.29
Description	Rear lights
Service	1



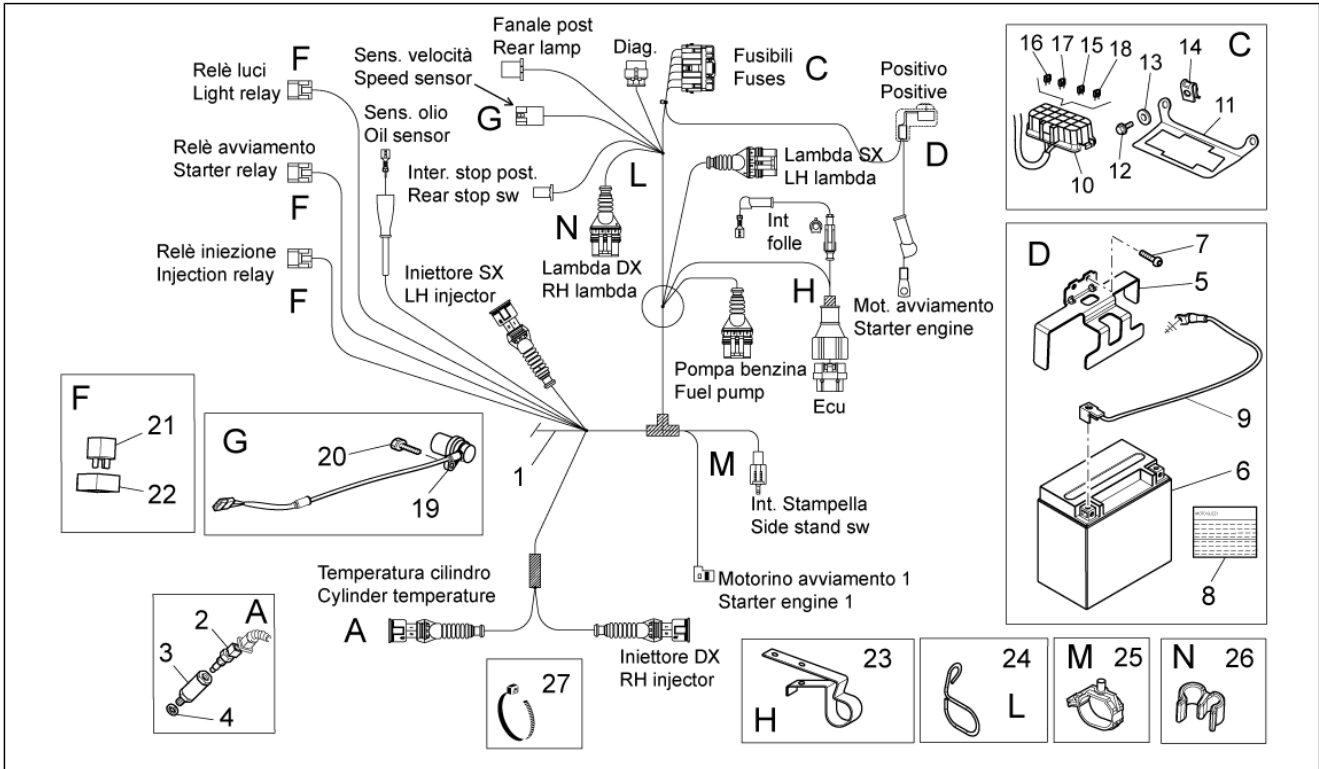
Pos.	Code	Description	Qty	Variants
1	883479	Taillight assy	1	
2	GU03740930	Taillight	1	
3	GU93450224	Lamp	1	
4	GU32750661	RH front/LH rear turn indic.	1	
5	883478	LH front/RH rear turn indic.	1	
6	GU32753711	Turn indicator lens	2	
7	GU93450127	Lamp	2	
8	GU32753410	Spacer	2	
9	GU98370655	Hex socket screw	2	
10	GU95021206	Washer	2	
11	GU92787006	Cap nut M6x1	2	
12	GU98350215	Hex socket screw	3	
13	GU30577800	Nylon washer 5,5X12X1	3	
14	GU93231605	Antivibration bush	3	

Group	FRAME
Code	33.30
Description	Electrical system I
Service	1



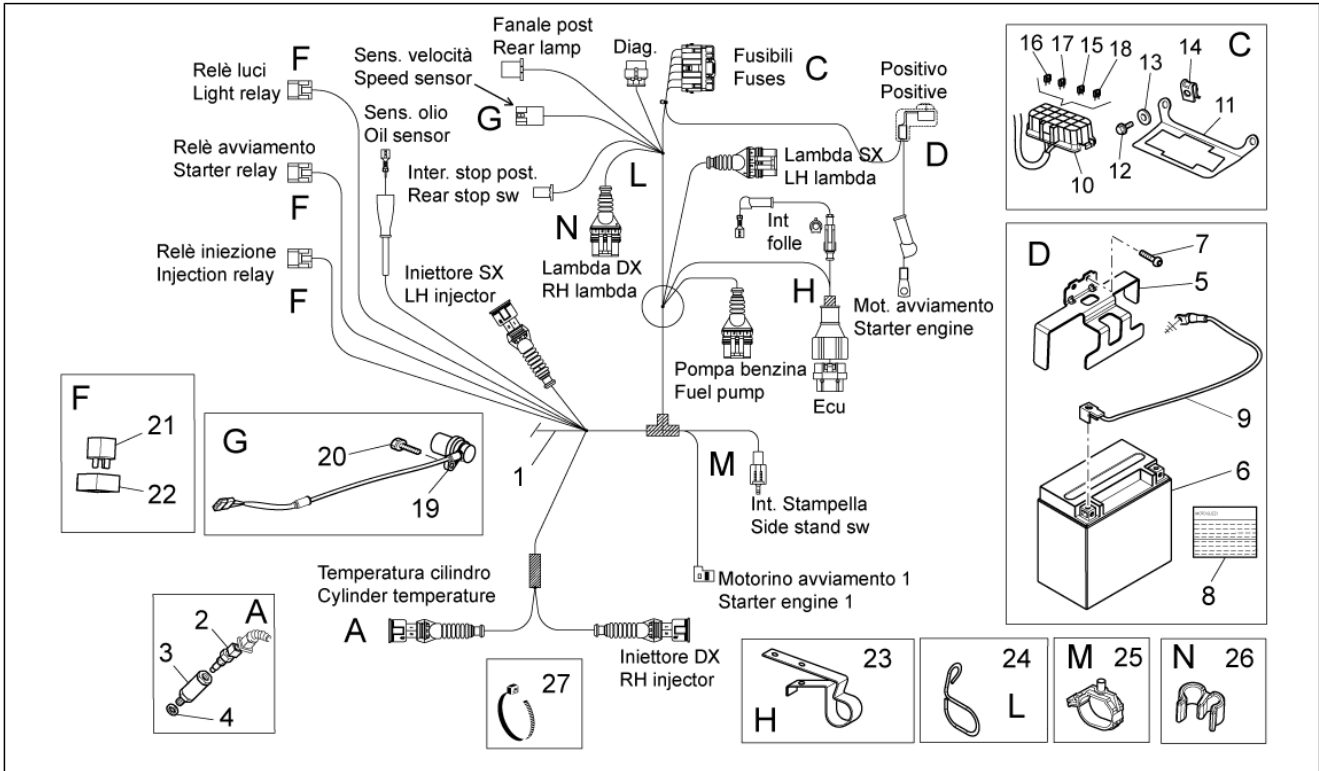
Pos.	Code	Description	Qty	Variants
1	887825	Main wiring harness	1	
2	AP8124936	Air temp. Sensor	1	
3	642034	HT coil DX	1	
4	641901	HT coil	1	
5	AP8152299	Self-locking nut M6	4	
6	080341	H.V. cable	2	
7	641725	HV terminal	2	
8	641040	Insulating cap	2	
9	CM0074D0	Sheath D.8-S.0,5-L.370	1	
10	CM0074C9	Grey cable casing D.8-S.0,5-L.435	1	
11	GU02717450	Sparkplug cap NGK	2	
12	887481	Spark plug NGK CPR8EB-9	2	
13	887948	Diode	1	
14	832029	Encoder sensor	1	
15	GU98682212	Hex socket screw M5x12	2	
16	GU95008205	Washer 5,3x10x0,8	2	
17	GU90706141	O-ring	1	
18	AP8120416	Black hose 178x4	1	
18	GU14609650	Hose clamp 3,6x20,6	31	
18	GU49609601	Hose clamp 2,4x92	1	

Group	FRAME
Code	33.31
Description	Electrical system II
Service	1



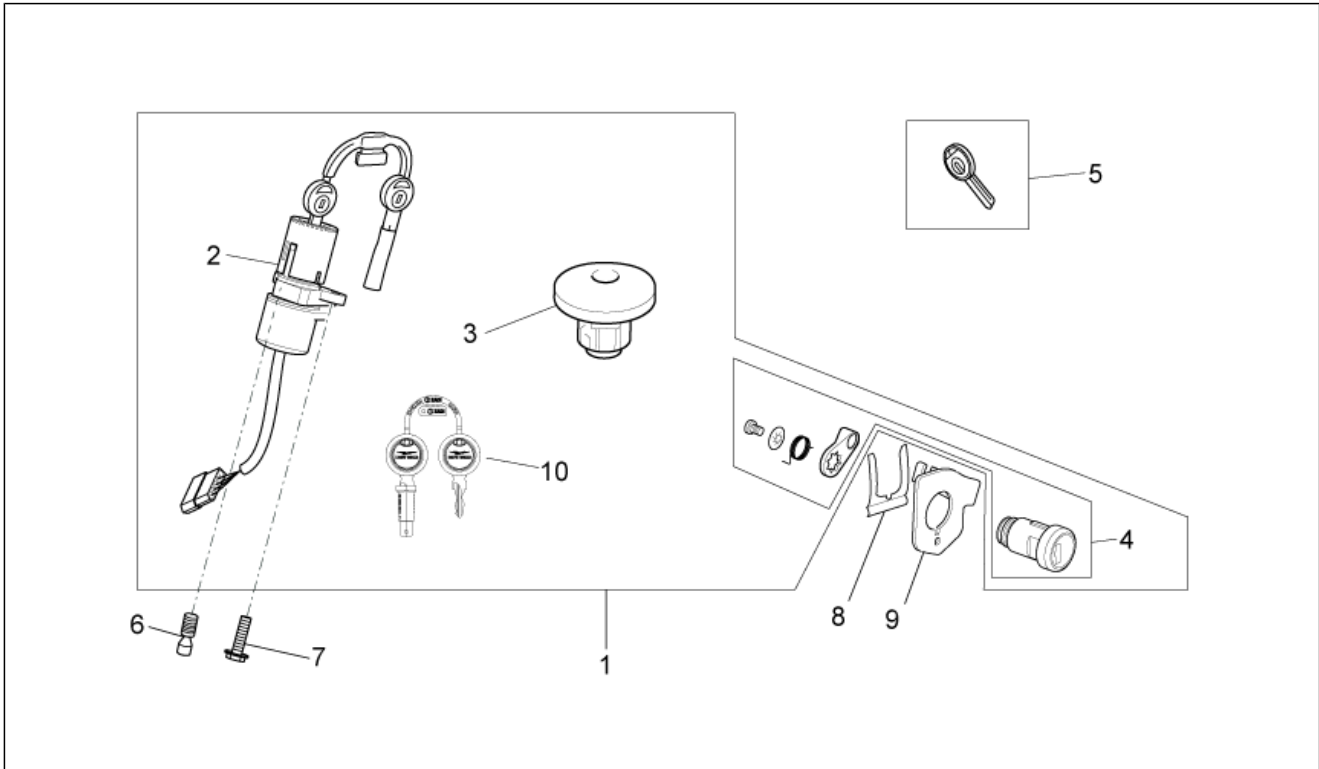
Pos.	Code	Description	Qty	Variants
1	887825	Main wiring harness	1	
2	GU29729461	Oil temperature sensor	1	
3	GU03163330	Sensor support	1	
4	GU95004210	Washer 10,2x18x2	1	
5	B063233	Battery bracket	1	
6	638733	Battery Yuasa 12V-12Ah (150x85x145)	1	
7	GU98370616	Hex socket screw M6x16 inox	2	
8	GU32517710	Decal "Battery service"	1	
9	GU32747910	Ground-battery lead	1	
10	584211	Fuse holder box	1	
11	883161	Fuse block support	1	
12	GU98682212	Hex socket screw M5x12	2	
13	GU95100059	Washer 5,25x14x1,5	2	
14	AP8102375	Clip m5	2	
15	CM225705	Fuse 5A	2	
16	CM225710	Fuse 10A	1	
17	CM225715	Fuse 15A	2	
18	CM225730	Fuse 30A	1	
19	893570	Speedometer sensor cpl.	1	
20	AP8150377	screw	1	
21	AP8224462	Relay 12V/30A	3	
22	AP8220283	Rubber spacer *	3	
23	B043850	Hose clamp	1	
24	AP8181140	Fairlead	1	
25	CM013202	Pipes/cables retainer spring	1	
26	894704	Fairlead	1	
27	AP8120416	Black hose 178x4	1	
27	GU14609650	Hose clamp 3,6x20,6	21	

Group	FRAME
Code	33.31
Description	Electrical system II
Service	1



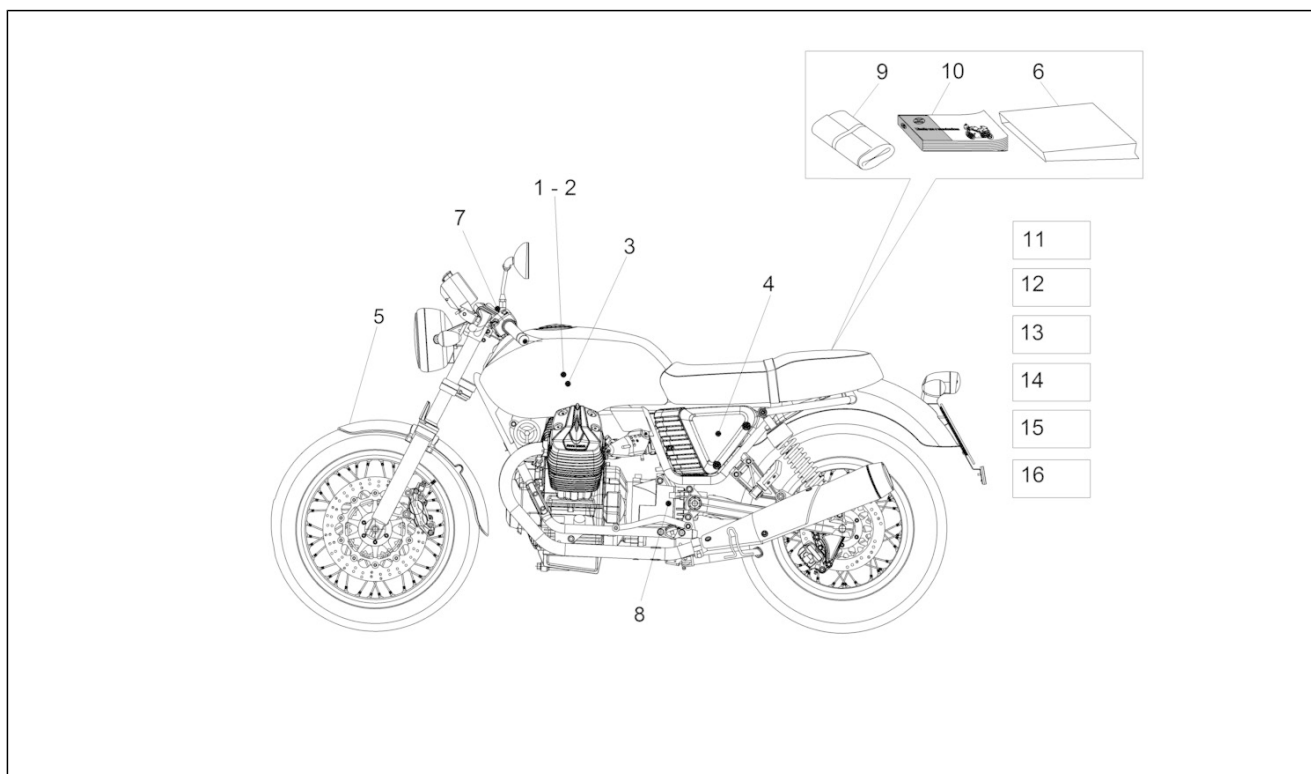
Pos.	Code	Description	Qty	Variants
27	GU49609601	Hose clamp 2,4x92	1	

Group	FRAME
Code	33.32
Description	Lock hardware kit
Service	1



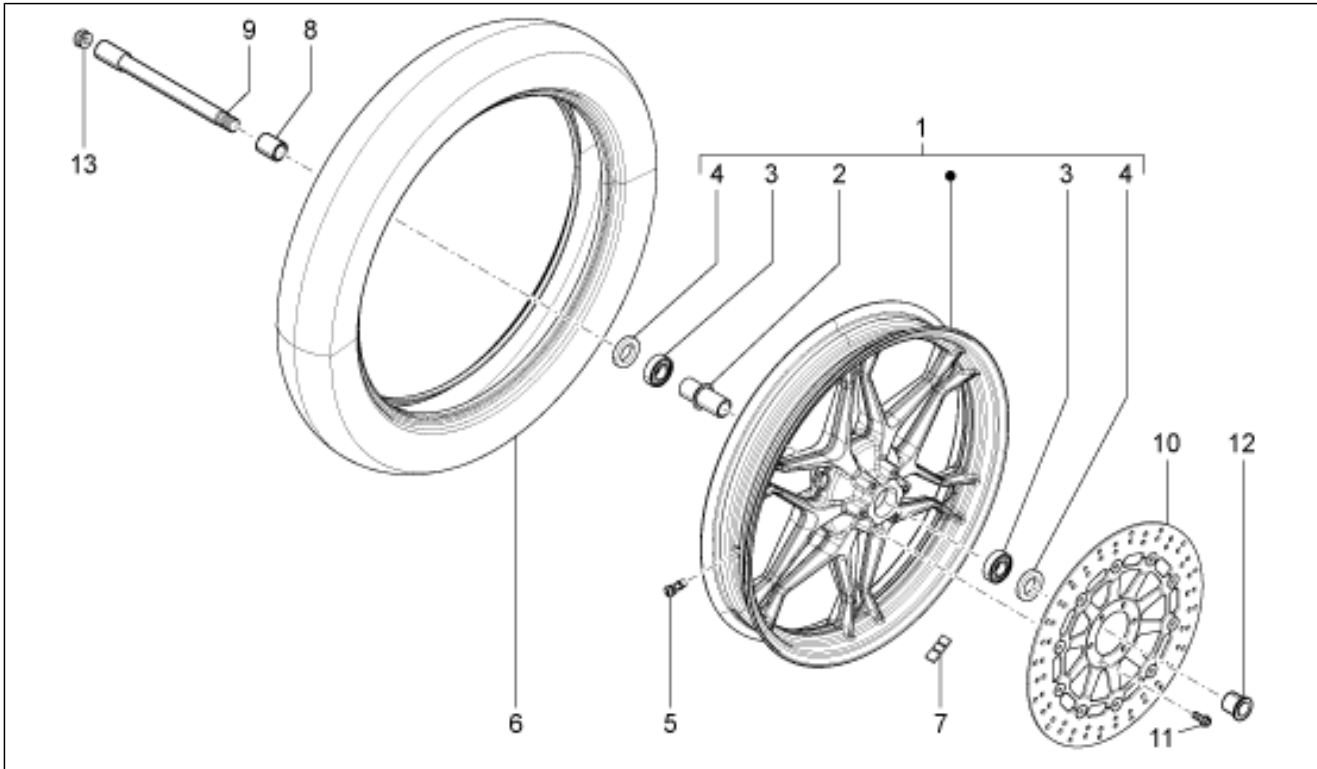
Pos.	Code	Description	Qty	Variants
1	887873	Lock kit	1	
2	GU32782510	Main switch - steering lock	1	
3	887874	Tank cap	1	
4	977527	Locking complete with keys	1	
5	GU32735510	Non indent.key blank-shell go	1	
6	AP8150349	Special screw M8x15	1	
7	GU98682416	Hex socket screw M8x16	1	
8	AP8121420	Fork spring	1	
9	978415	Cable fixing plate	1	
10	2D000006	Locking cylinder with key for fuel cap	1	

Group	FRAME
Code	33.33
Description	Decal and plate set
Service	1



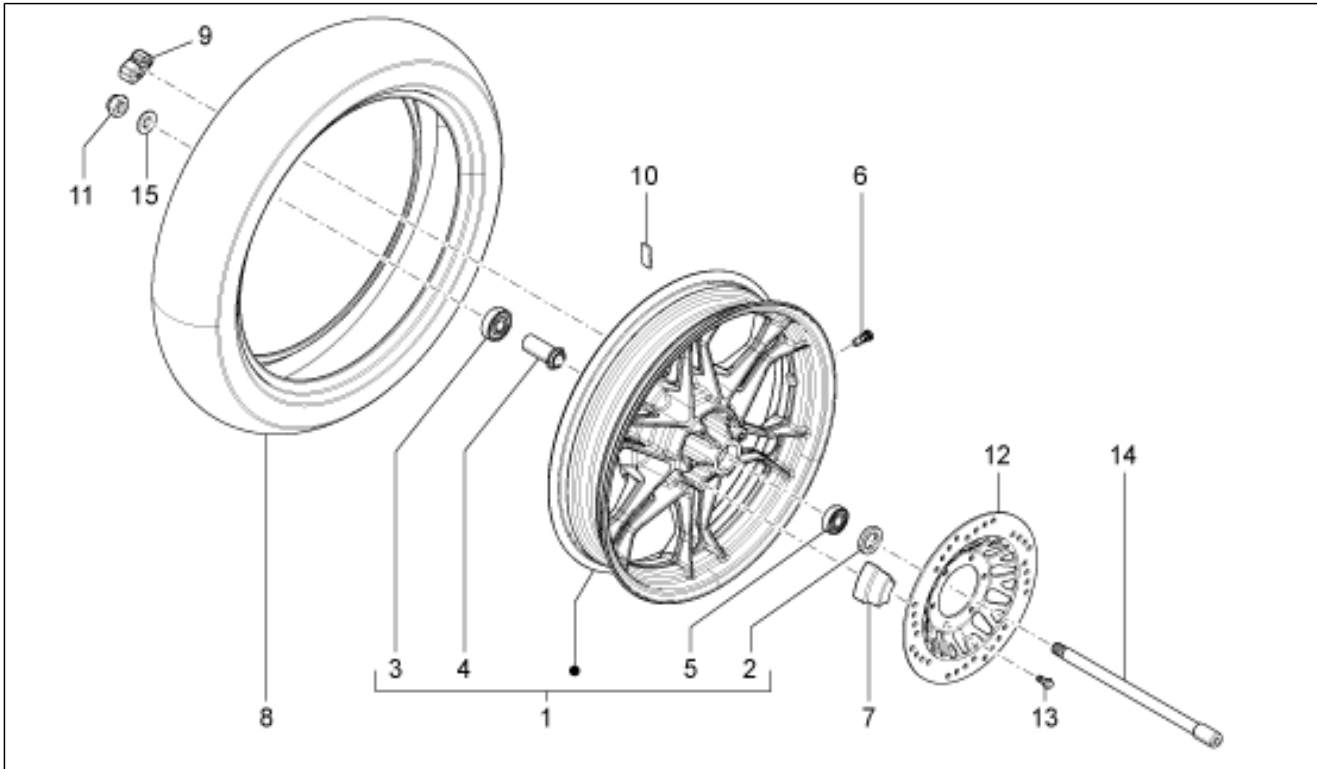
Pos.	Code	Description	Qty	Variants
1	886340	Name plate Aquila	1	Vehicle colour: Diablo Black[ND], Rosso Ventone[RV], Verde Raptor opaco [VR]
2	887930	LH Name plate Aquila	1	Vehicle colour: Diablo Black[ND], Rosso Ventone[RV], Verde Raptor opaco [VR]
3	2H000413	Decal Moto Guzzi dx-sx	2	Vehicle colour: Diablo Black[ND], Rosso Ventone[RV], Verde Raptor opaco [VR]
4	2H000389	Fairing decal dx-sx V7	2	Vehicle colour: Diablo Black[ND], Rosso Ventone[RV], Verde Raptor opaco [VR]
5	886141	Decal "Aquila"	1	Vehicle colour: Diablo Black[ND], Rosso Ventone[RV], Verde Raptor opaco [VR]
6	GU05900130	Bag for document	2	
7	883598	"Aquila" decal	1	Vehicle colour: Diablo Black[ND], Rosso Ventone[RV], Verde Raptor opaco [VR]
8	895839	""Eni"" label"	2	
9	887443	Toolkit	1	
10	2Q000044	Libretto uso e manutenzione USA-FR-ES-IT	1	
11	2G000011	Noise emission sticker	1	Country:
12	2G000012	Emission control sticker	1	
13	2G000013	Shed scheme decal	1	
14	B045974	Fuel decal E15	1	
15	AP8257794	Battery decal	1	
16	AP8257742	Keys warning decal	1	

Group	FRAME
Code	33.34
Description	Front wheel II
Service	1



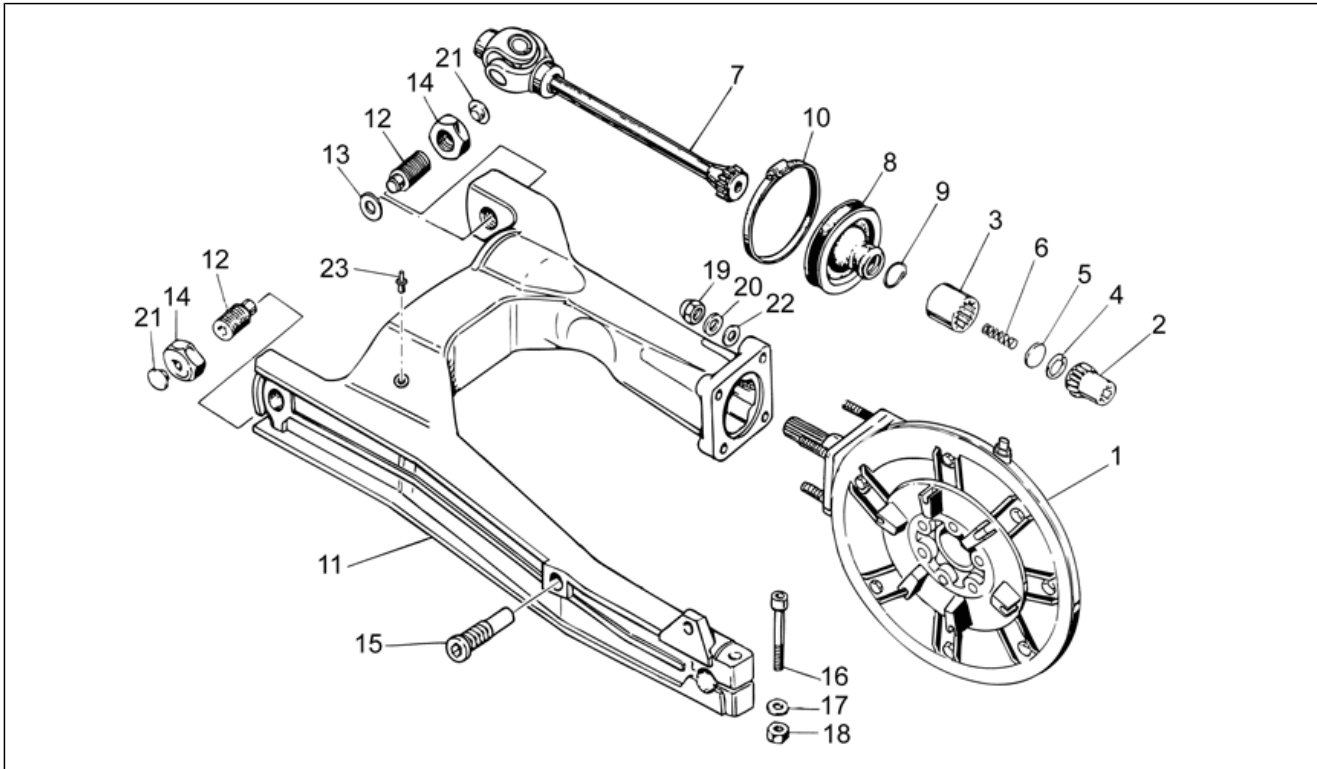
Pos.	Code	Description	Qty	Variants
1	887571	Wheel 2.5X18"	1	
2	GU31615283	Spacer	1	
3	GU92204221	Bearing	2	
4	GU90402642	Gasket ring	2	
5	GU03617710	Tubeless tyre valve	1	
6	886679	Tyre 100/90 18	1	
7	GU14616150	Counterweight	1	
8	GU32615660	RH spacer	1	
9	GU31614183	Front wheel spindle	1	
10	883688	Front brake disc 320	1	
11	AP8152286	Screw w/ flange M8x20	6	
12	GU31616384	LH spacer	1	
13	GU93180111	Cover 15 mm	1	

Group	FRAME
Code	33.35
Description	Rear wheel II
Service	1



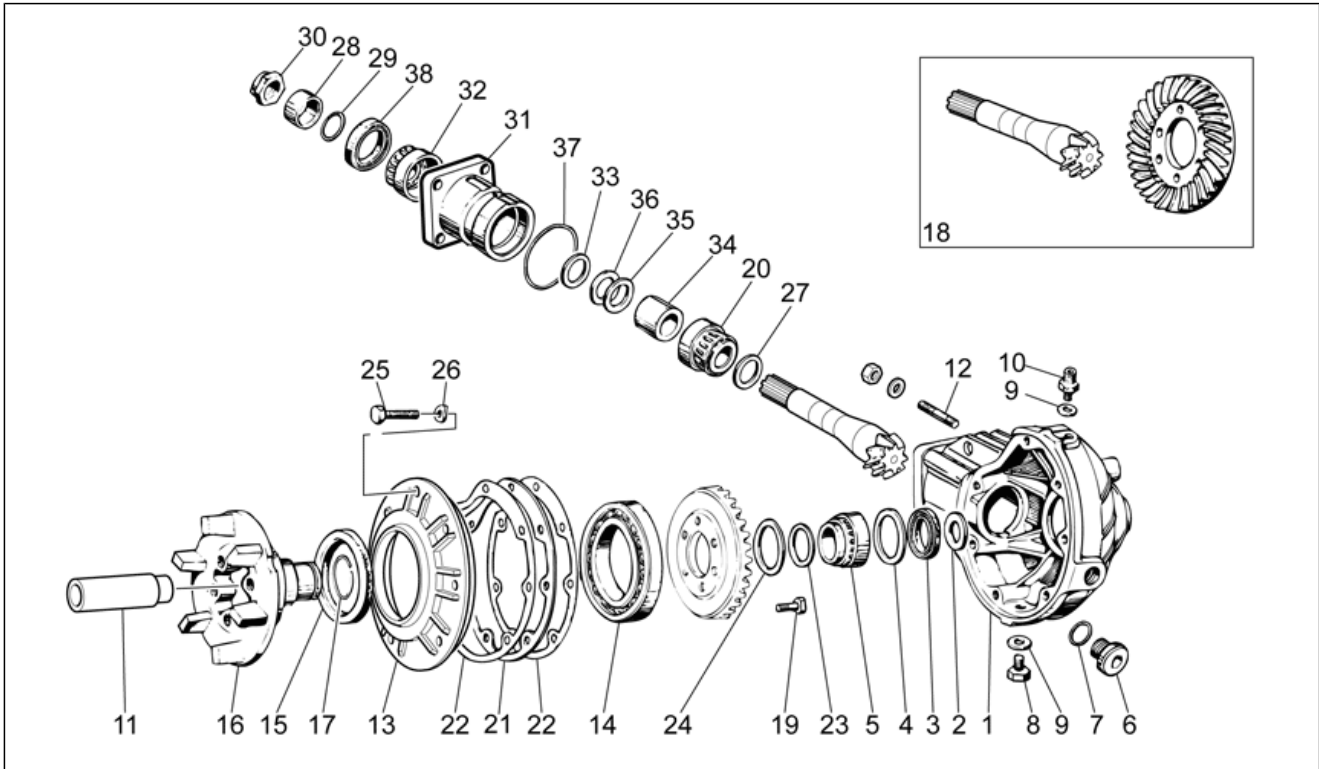
Pos.	Code	Description	Qty	Variants
1	887573	Wheel rim 3.5x17"	1	
2	GU90402538	Gasket ring 25x40x7	1	
3	GU92204218	Bearing	1	
4	GU27633910	Spacer	1	
5	GU92204217	Bearing	1	
6	GU03617710	Tubeless tyre valve	1	
7	GU32636160	Support rubber part	1	
8	886680	Tyre 130/80 17	1	
9	GU32632510	Rubber coupling	6	
10	GU14616150	Counterweight	1	
11	GU92606316	Nut M16x1,5	1	
12	887448	Brake disc	1	
13	894505	Screw w/ flange M8x18	6	
14	GU32633360	Rear wheel spindle	1	
15	GU31634481	Washer	1	

Group	ENGINE
Code	34.09
Description	Transmission complete I
Service	1



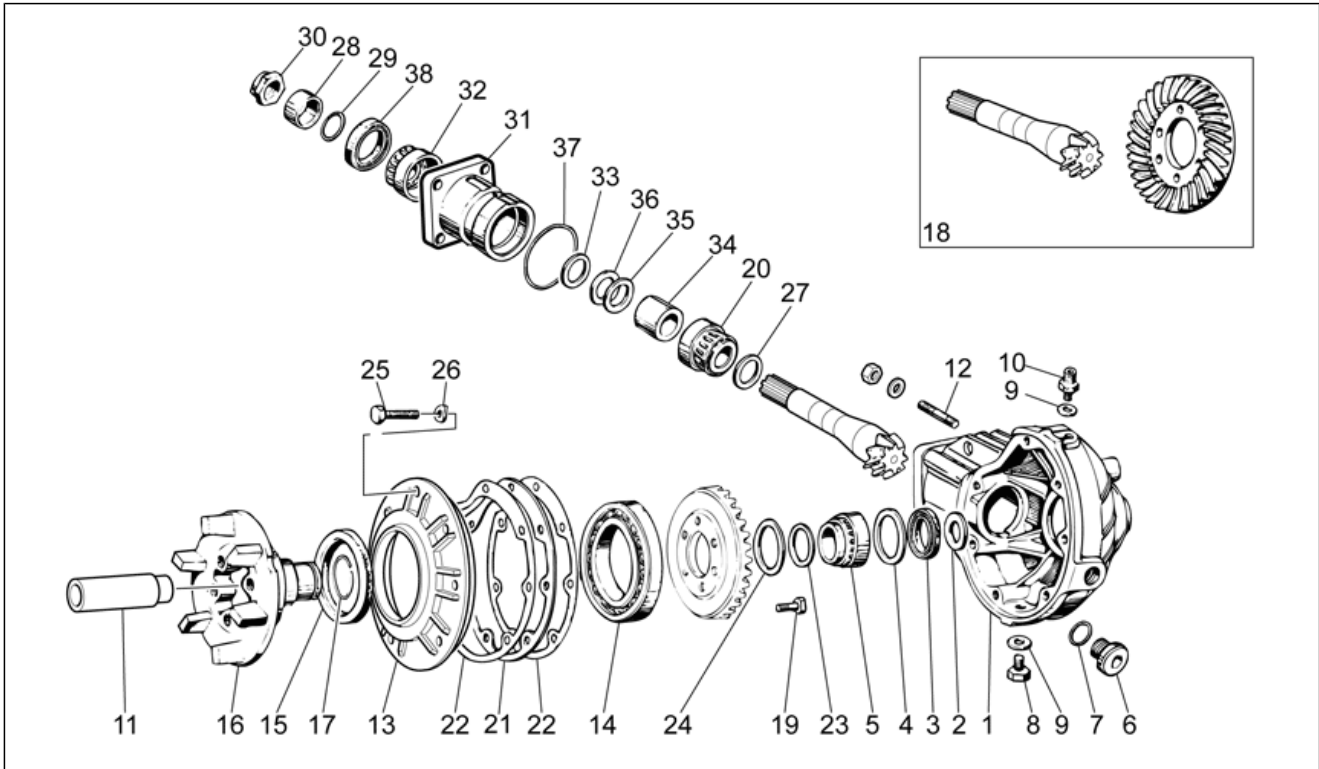
Pos.	Code	Description	Qty	Variants
1	976941	Transmission box assy., black	1	
2	GU31327783	Hose	1	
3	GU19328801	Hose	1	
4	GU90272023	Circlip	1	
5	GU19327601	Disc	1	
6	GU94321099	Spring	1	
7	GU23328081	Coupling	1	
8	GU23548080	Protection collar	1	
9	GU23548180	Spring	1	
10	AP8120246	Hose clamp D=60-80	1	
11	883011	Swing arm, black	1	
12	GU19547000	Pin	2	
13	GU35214300	Spacer	1	
14	GU31547882	Nut	2	
15	GU31544181	Pin	1	
16	GU98680545	screw M10x45	1	
17	GU95008210	Washer 10,2X18X2	1	
18	GU92606210	Nut M10x1,5	1	
19	860651	Cap nut M8x1,25	4	
20	GU14615901	Washer 8,4X13X0,8	4	
21	GU93180105	Cover	2	
22	GU95005308	Washer 8,4x14,57x1,6	4	
23	GU03922280	Cover 5x9	1	

Group	ENGINE
Code	34.10
Description	Transmission complete II
Service	1



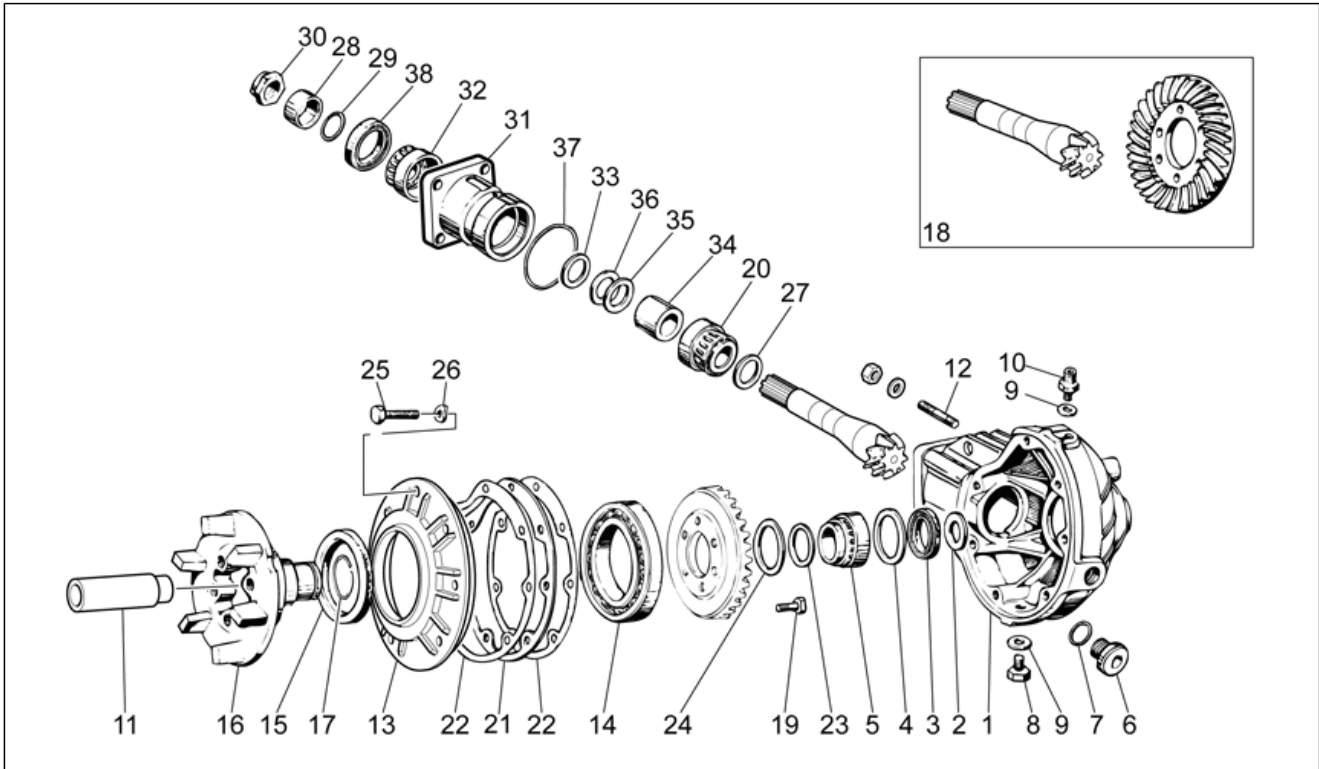
Pos.	Code	Description	Qty	Variants
1	976608	Transmission housingblack	1	
2	GU19351900	Clearance washer	1	
3	GU90403549	Gasket ring 35x47x7	1	
4	GU19351100	Clearance washer	1	
5	GU92252235	Roller bearing 35x50x17	1	
6	GU12022600	Oil plug	1	
7	GU90706203	O-ring 20,24x2,62	1	
8	GU31003766	Oil unload plug M10x1	1	
9	GU01528930	Gasket 10x18x1,5	2	
10	GU19206501	Breather plug	1	
11	GU32633560	Spacer	1	
12	GU96508055	Stud bolt	4	
13	GU32350410	Cover	1	
14	GU92201070	Ball bearing 70x110x13	1	
15	GU90407591	Gasket ring 75x95x10	1	
16	GU32351410	Pin	1	
17	GU90353030	Stop ring	1	
18	GU32354610	Bevel gear 8/33	1	
19	GU03067730	screw M8x25	6	
20	GU92249227	Tap.roller bearing 25x5	1	
21	GU19355400	Spacer 0,8 mm	1	
21	GU19355402	Spacer 0,9 mm	1	
21	GU19355404	Spacer 1 mm	1	
21	GU19355406	Spacer 1,1 mm	1	
21	GU19355408	Spacer 1,2 mm	1	
21	GU19355410	Spacer 1,3 mm	1	
21	GU19355411	Spacer 1,4 mm	1	
21	GU19355412	Spacer 1,5 mm	1	

Group	ENGINE
Code	34.10
Description	Transmission complete II
Service	1



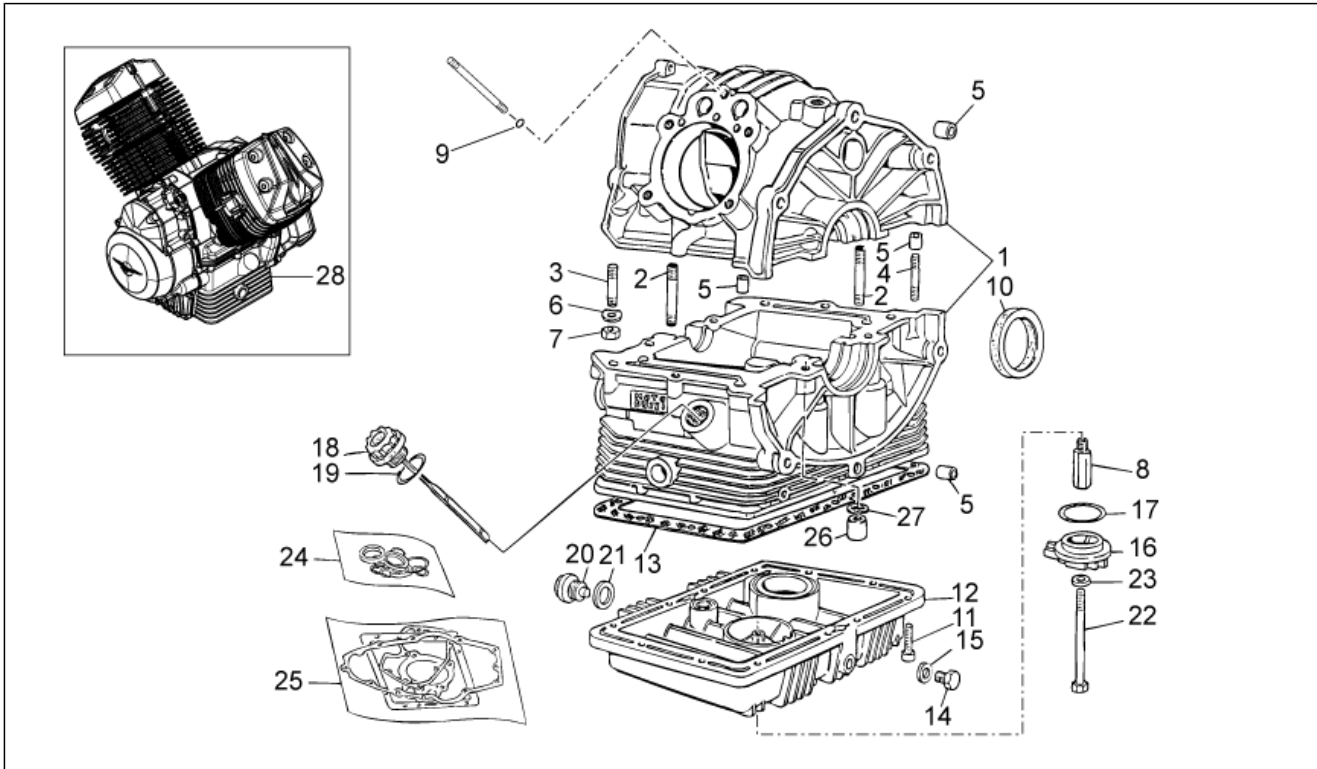
Pos.	Code	Description	Qty	Variants
21	GU19355413	Spacer 1,6 mm	1	
22	GU19350700	Gasket	2	
23	GU19352300	Thrust washer	1	
24	GU19353500	Thrust washer	1	
25	GU19357660	screw	7	
26	GU61270300	Spring washer 8x15x0,3	7	
27	GU19355320	Spacer 1 mm	1	
27	GU19355321	Spacer 1,1 mm	1	
27	GU19355322	Spacer 1,2 mm	1	
27	GU19355323	Spacer 1,3 mm	1	
27	GU19355324	Spacer 1,4 mm	1	
27	GU19355325	Spacer 1,5 mm	1	
27	GU19355326	Spacer 1,6 mm	1	
27	GU19355327	Spacer 1,7 mm	1	
27	GU19355328	Spacer 1,8 mm	1	
27	GU19355329	Spacer 1,9 mm	1	
28	GU19356801	Spacer	1	
29	GU90706188	Gasket ring 18,77X1,78	1	
30	GU19356700	Nut	1	
31	GU20352421	Flange	1	
32	GU92249220	Roller bearing 20x47x14	1	
33	GU19355300	Spacer 1 mm	1	
33	GU19355301	Spacer 1,1 mm	1	
33	GU19355302	Spacer 1,2 mm	1	
33	GU19355303	Spacer 1,3 mm	1	
33	GU19355304	Spacer 1,4 mm	1	
33	GU19355305	Spacer 1,5 mm	1	
33	GU19355306	Spacer 1,6 mm	1	

Group	ENGINE
Code	34.10
Description	Transmission complete II
Service	1



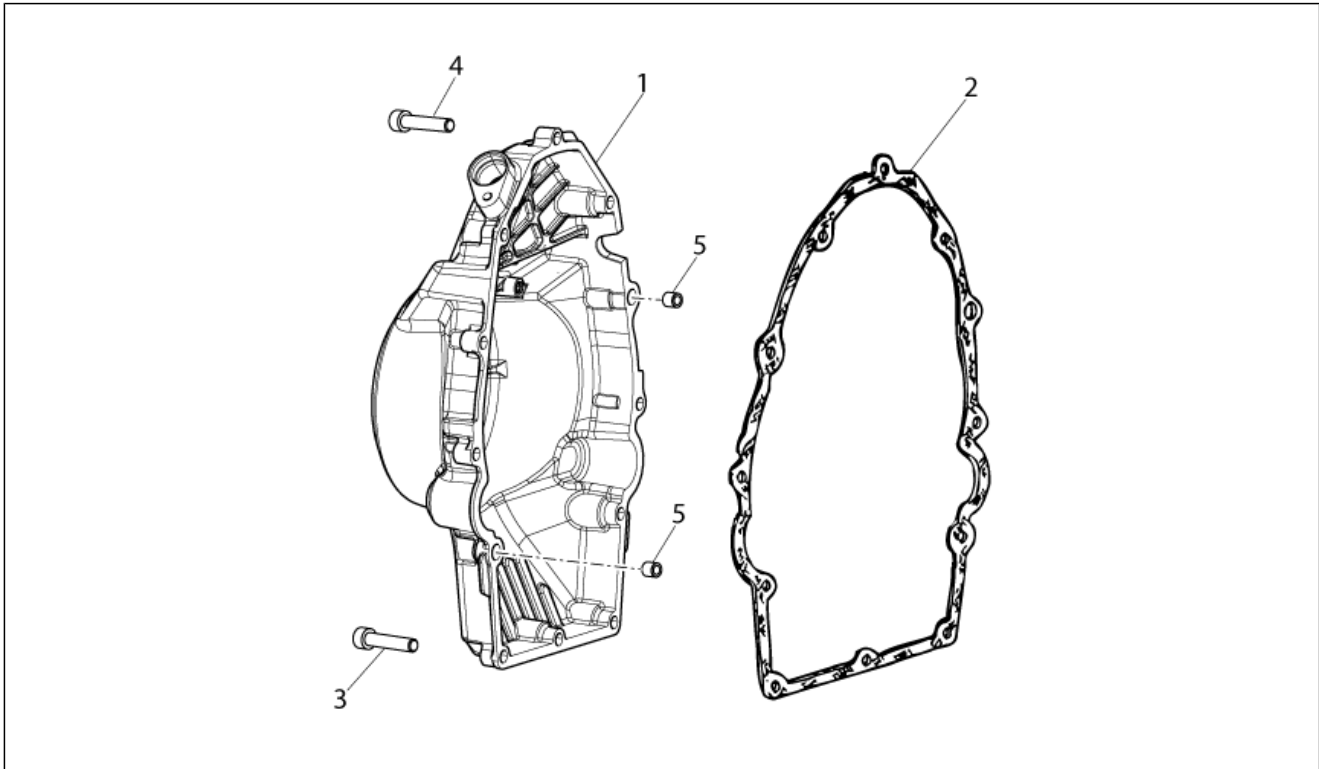
Pos.	Code	Description	Qty	Variants
33	GU19355307	Spacer 1,7 mm	1	
33	GU19355308	Spacer 1,8 mm	1	
33	GU19355309	Spacer 1,9 mm	1	
34	GU20355121	Spacer	1	
35	GU19355200	Shim 0,1 mm	1	
36	GU19355202	Shim 0,15 mm	1	
37	GU90706584	Gasket 58,42x2,62	1	
38	GU90403251	Gasket ring 32x47x10	1	

Group	ENGINE
Code	34.34
Description	Crank-case
Service	1



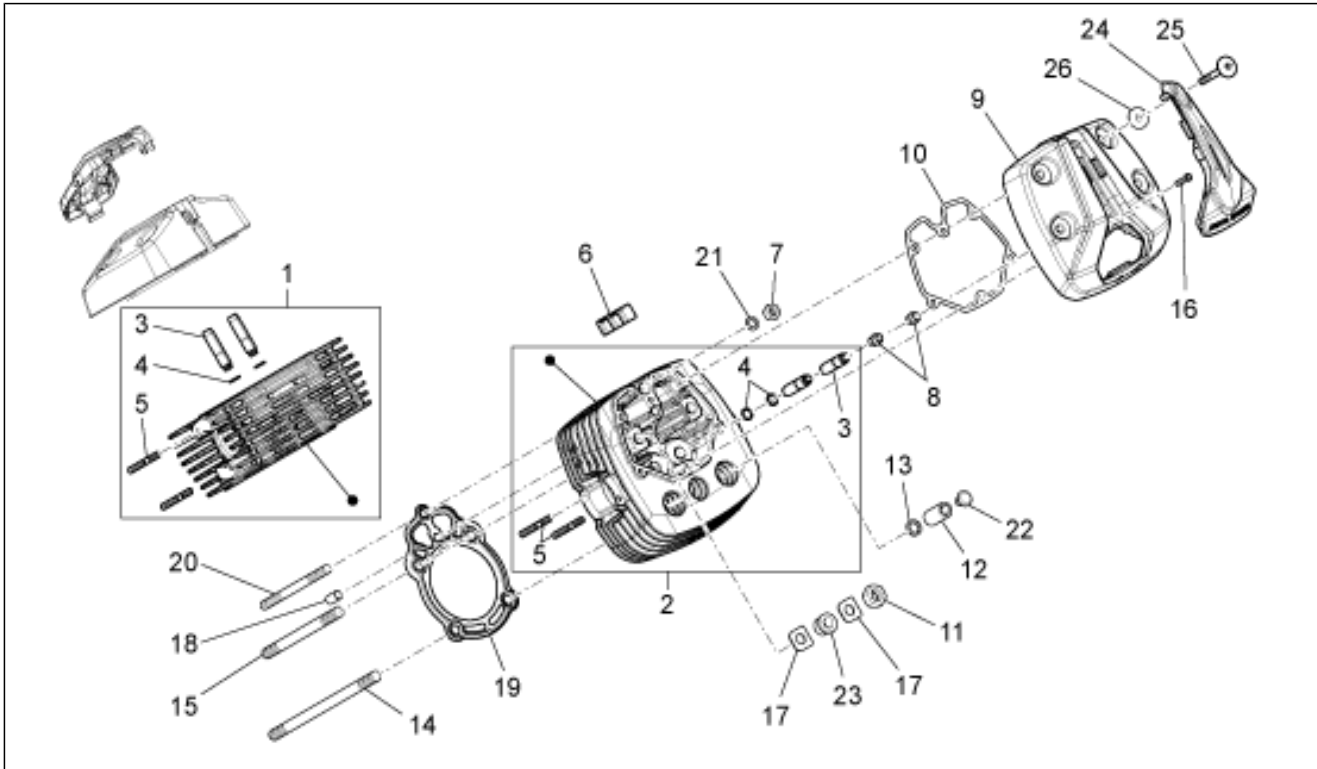
Pos.	Code	Description	Qty	Variants
1	2A000235	***COMPLETE CRANKCASE	1	
2	GU96451560	Stud bolt	4	
3	GU96451430	Stud bolt	4	
4	GU96508055	Stud bolt	2	
5	GU19015020	Bushing	4	
6	GU61270300	Spring washer 8x15x0,3	6	
7	GU92606208	Nut M8x1,25	6	
8	GU19003800	Joint	1	
9	GU90706076	O-ring	2	
10	886365	Gasket ring	1	
11	GU98682325	Hex socket screw M6x25	12	
12	976604	Oil sump black	1	
13	887004	Sump gasket	1	
14	GU31003766	Oil unload plug M10x1	1	
15	GU10528900	Gasket	1	
16	976685	Plug	1	
17	GU90706444	O-ring	1	
18	883826	Oil load plug	1	
19	GU90706281	O-ring 28,24x2,62	1	
20	GU12003702	Oil unload plug	1	
21	GU95100709	Gasket 20,1x28x2	1	
22	GU27152885	Bolt	1	
23	GU12154200	Gasket 8,25x15x1	1	
24	GU32999510	Oil seals - set	1	
25	GU32999010	Gasket set	1	
26	GU13021900	Column nut	4	
27	GU95129180	Washer 10,5X18X0,8	4	
28	2L0001895	Engine assy w/hout transm.	1	

Group	ENGINE
Code	34.35
Description	Timing system cover
Service	1



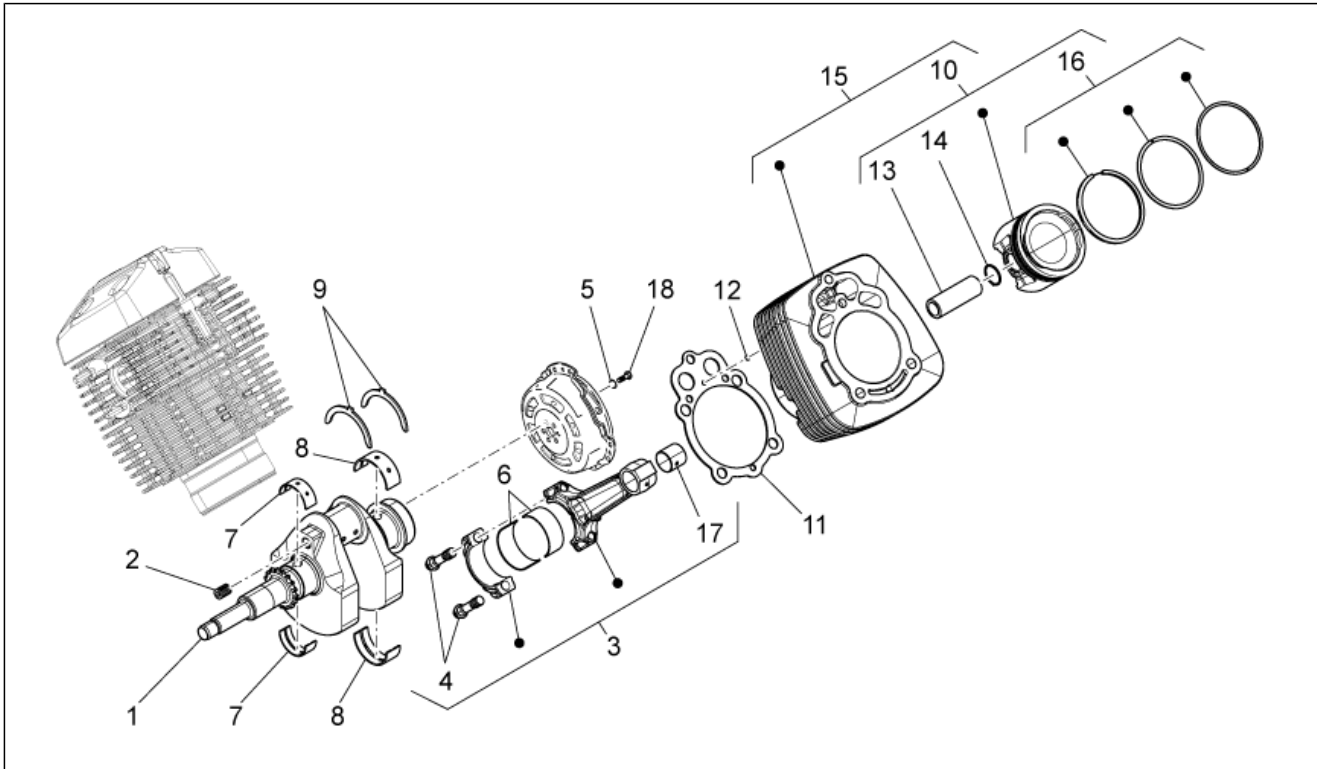
Pos.	Code	Description	Qty	Variants
1	2A000085	Cover	1	
2	887003	Cover gasket	1	
3	GU98682325	Hex socket screw M6x25	10	
4	GU98682330	Hex socket screw M6x20	2	
5	GU19002020	Bushing 6,6x9x13	2	

Group	ENGINE
Code	34.36
Description	Cylinder head
Service	1



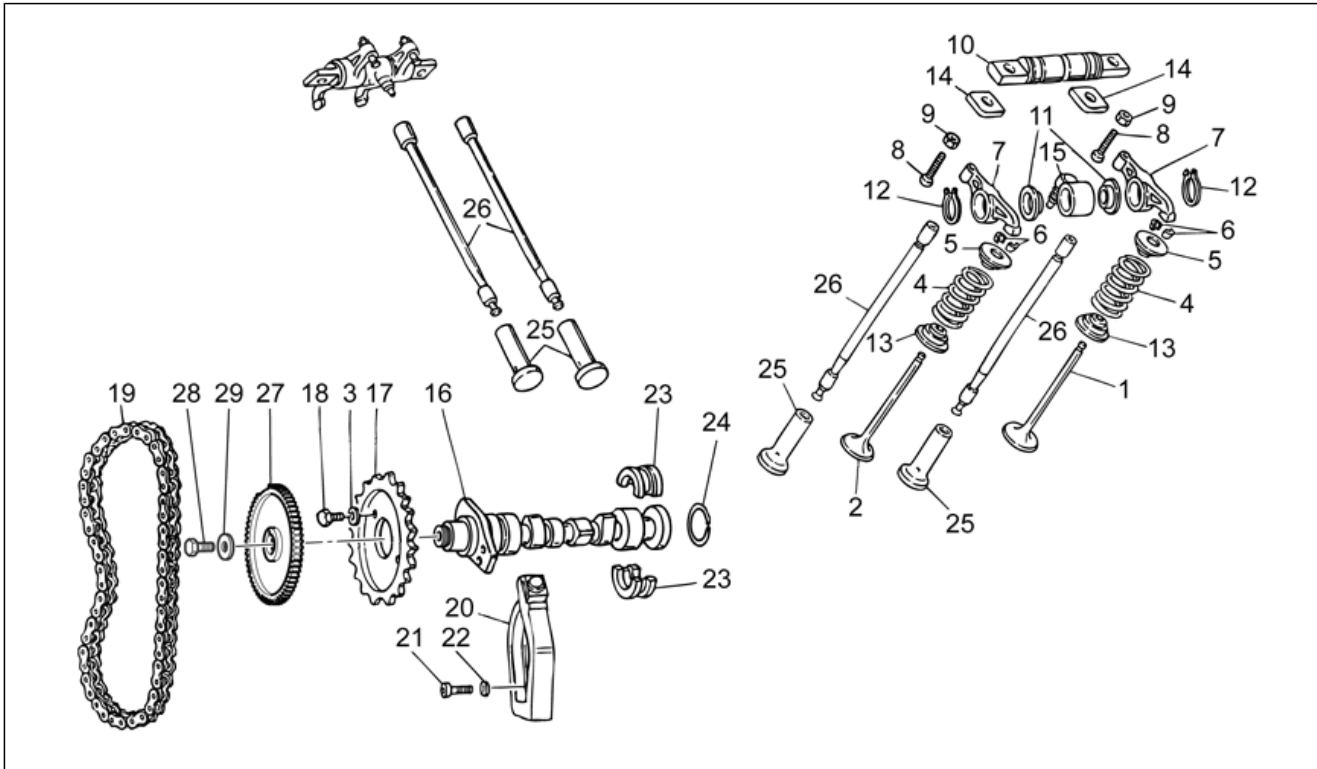
Pos.	Code	Description	Qty	Variants
1	8872724	RH head	1	
2	8872754	LH head	1	
3	GU61036801	Valve guide	4	
4	GU90353009	Snap ring	4	
5	GU96506042	Stud bolt	4	
6	B063111	Damping plug	4	
7	GU19021920	Nut	2	
8	GU19037820	Oil seal	4	
9	887523	Head cover	2	
10	887002	Head cover gasket	2	
11	GU92603010	Nut M10X1,5	4	
12	GU13021900	Column nut	4	
13	GU95129180	Washer 10,5X18X0,8	4	
14	GU96510214	Stud bolt M10x214	4	
15	GU96510181	Stud bolt M10x182	4	
16	GU98692325	Hex socket screw M6x25	4	
17	GU19032980	Spacer	8	
18	GU19021360	Bushing	2	
19	B063099	Cylinder head gasket	2	
20	976898	Stud bolt M8x140	2	
21	GU61270300	Spring washer 8x15x0,3	2	
22	GU93180245	Cover	4	
23	AP8144071	Rubber exhaust	1	
24	887279	Spark plug cover	2	
25	887483	Head cover screw M6x52.5	8	
26	969973	Washer	8	

Group	ENGINE
Code	34.37
Description	Crankshaft cpl.
Service	1



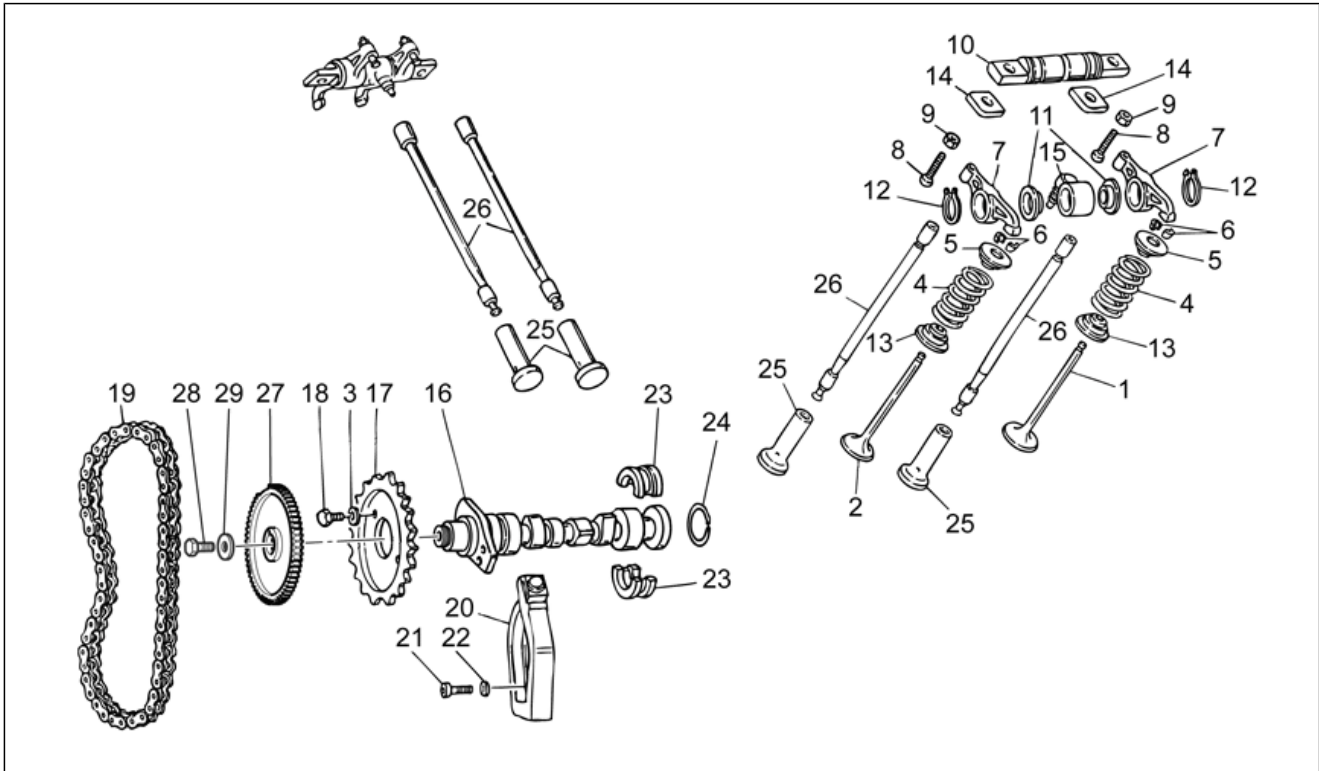
Pos.	Code	Description	Qty	Variants
1	2A0000995	Drive shaft	1	
2	GU19065400	Cover	1	
3	GU27061585	Connecting rod cpl.	2	
4	GU19062261	screw	4	
5	GU14615901	Washer 8,4X13X0,8	6	
6	GU27062060	Bearing half-shell	4	
7	GU27065660	Front main half-bearing	2	
8	GU27066560	Rear main half-bearing	2	
9	GU27066460	Half-clamp	2	
10	8872690001	Piston complete with 80 Cat. D	1	
10	8872690002	Piston complete with 80 Cat. E	1	
10	8872690003	Piston complete with 80 Cat. F	1	
11	886670	Cylinder gasket	2	
12	GU61027200	O-ring	2	
13	B063016	Piston pin	2	
14	874567	Stop ring	4	
15	B063465	Cylinder with piston	2	
16	B063466	Pistonring set	2	
17	GU27061885	Bushing	2	
18	GU19067700	screw	6	

Group	ENGINE
Code	34.38
Description	Timing system
Service	1



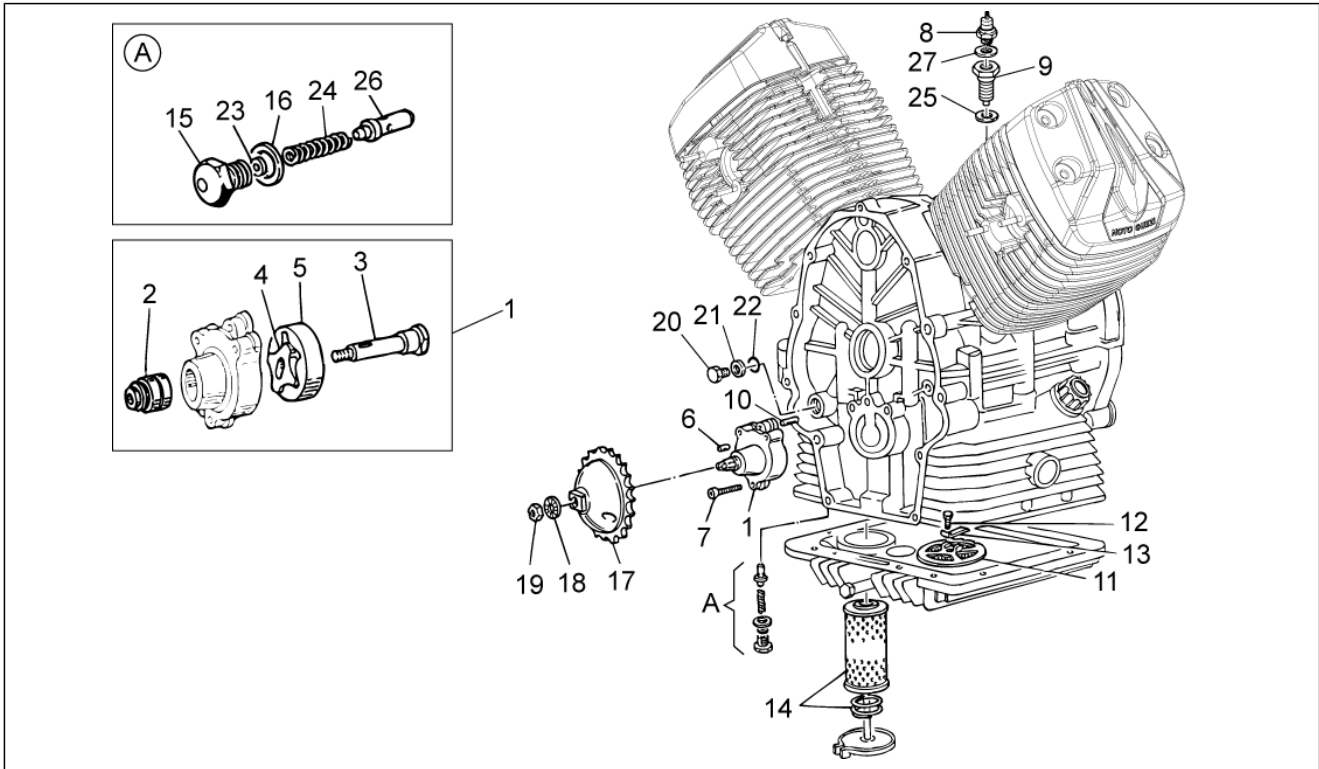
Pos.	Code	Description	Qty	Variants
1	2A000146	Valve, in	2	
2	2A000147	Exhaust valve	2	
3	GU23217800	Safety washer	2	
4	GU27037521	Spring	4	
5	GU31038015	Upper cup	4	
6	GU61038100	Half-cone	8	
7	GU19030500	Rocker arm assy.	4	
8	GU19034000	screw	4	
9	GU92602406	Nut M6x1	4	
10	GU19032080	Rocker shaft	2	
11	GU32032310	Thrust washer	4	
12	GU90271018	Circlip	4	
13	GU31037015	Lower cup	4	
14	GU19032980	Spacer	4	
15	GU19027500	Hose	2	
16	GU32053410	Camshaft	1	
17	GU32054510	Timing system gear	1	
18	GU61054900	Bolt	2	
19	GU19058021	Camshaft chain	1	
20	GU19058220	Chain stretching drive	1	
21	GU98882316	screw	1	
22	GU95129115	Washer	1	
23	GU19055700	Sector	2	
24	GU90353029	Snap ring	1	
25	GU19045861	Tappet	4	
26	GU31045015	Rocker arm rod	4	
27	887528	Wheel speed sensor, left front	1	
28	GU98054422	screw M8x22	1	

Group	ENGINE
Code	34.38
Description	Timing system
Service	1



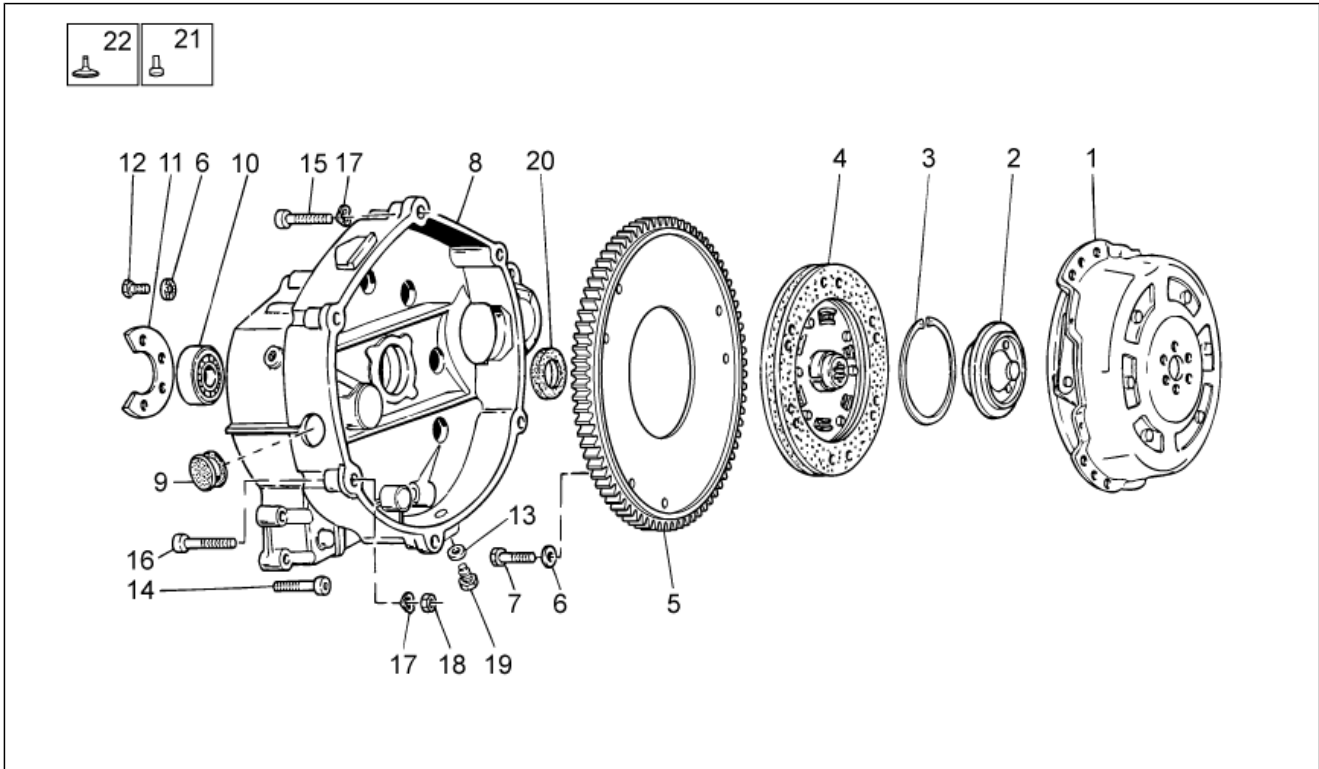
Pos.	Code	Description	Qty	Variants
29	GU95100244	Washer	1	

Group	ENGINE
Code	34.39
Description	Oil pump
Service	1



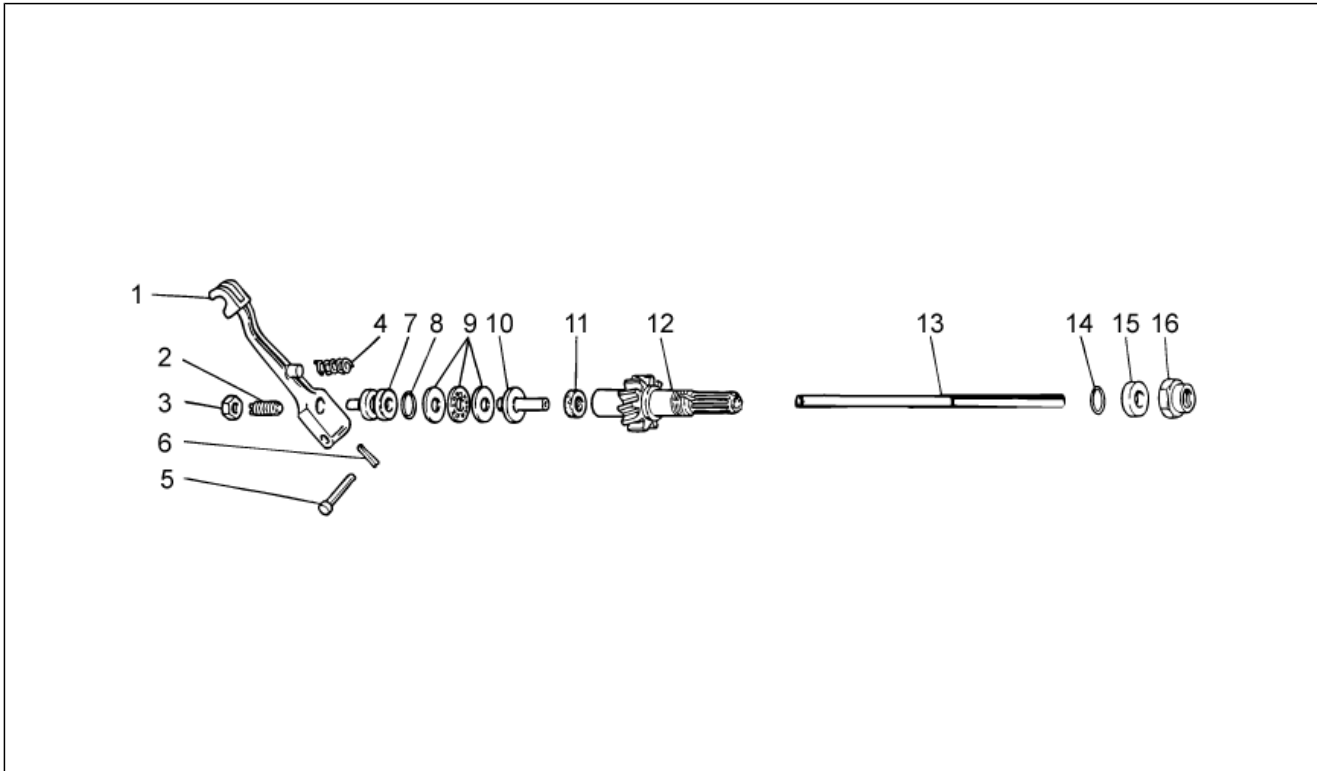
Pos.	Code	Description	Qty	Variants
1	GU19146422	Oil pump	1	
2	GU92252210	Roller bearing 10x22x20	1	
3	GU20147810	Oil pump shaft assy.	1	
4	GU20148410	Inner rotor	1	
5	GU20148610	Outer rotor	1	
6	GU92296723	Roller	1	
7	884039	Hex socket screw M6x35	3	
8	641541	Oil pressure sensor	1	
9	887093	Union	1	
10	GU19018920	Pin	2	
11	GU19152200	Oil filter	1	
12	GU98084314	Hex screw M6x14	1	
13	GU95187006	Plate	1	
14	GU27153085	Oil filter	1	
15	GU31159050	Cover	1	
16	GU18144350	Washer 18,25x24x1	3	
17	GU20147710	Pump gear	1	
18	AP8152220	Washer	1	
19	GU92602510	Nut M10x1,25	1	
20	GU31016050	Cover	1	
21	GU18161150	Gasket 14,25	1	
22	GU90706111	O-ring	1	
23	GU95008206	Washer 6,15x11x0,8	3	
24	GU94321079	Spring	1	
25	GU95100602	Gasket	1	
26	GU31159050	Piston	1	
27	GU95100309	Washer	1	

Group	ENGINE
Code	34.40
Description	Clutch I
Service	1



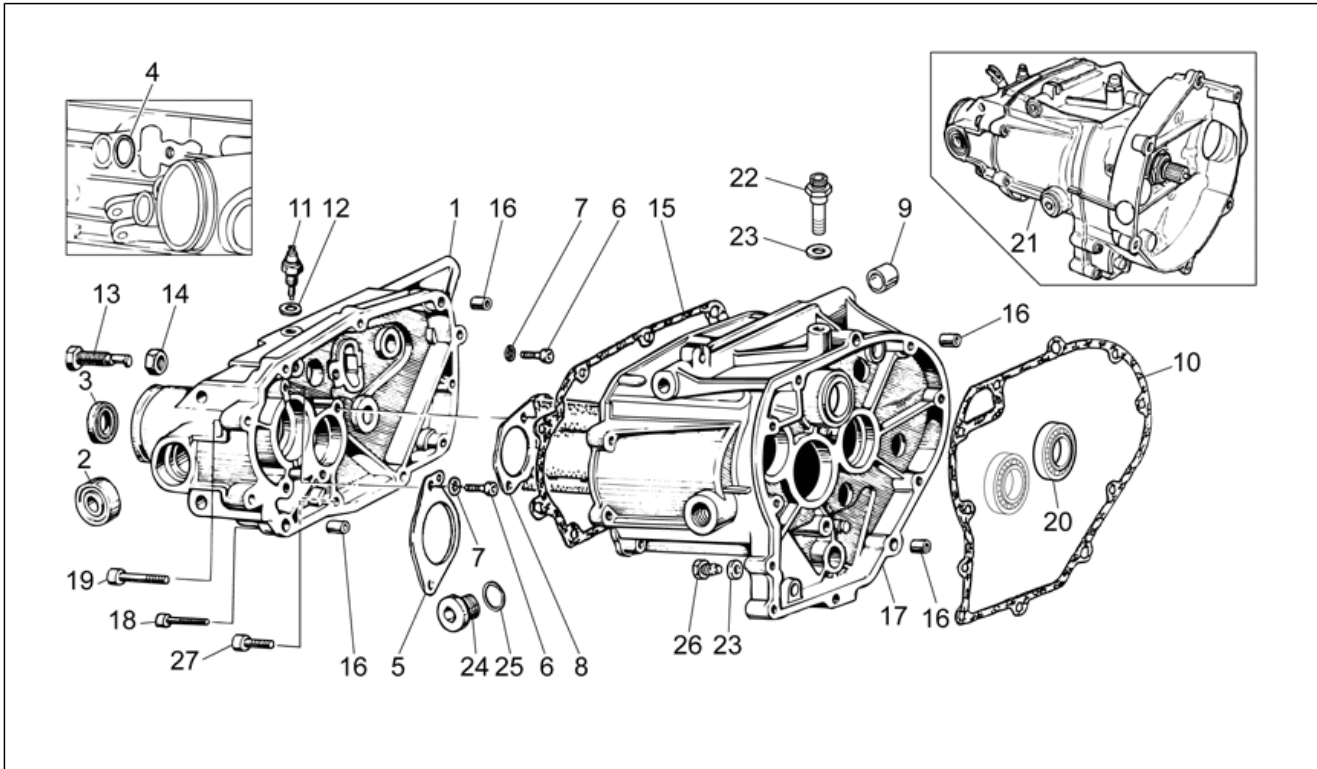
Pos.	Code	Description	Qty	Variants
1	GU32080310	Clutch	1	
2	GU19083462	New cup type	1	
3	GU90272075	Snap ring	1	
4	GU32084410	Driven clutch disc	1	
5	GU32067910	Chain ring	1	
6	GU14217901	Washer 6,4x10x0,7	9	
7	884038	Hex screw M6x16	6	
8	2A000106	Clutch drum	1	
9	GU93180220	Cover	1	
10	GU92201225	Bearing 25x52x15	1	
11	GU19203460	Bearing fixing plate	1	
12	GU98084314	Hex screw M6x14	3	
13	GU10528900	Gasket	1	
14	884032	Hex socket screw M6x30	11	
15	GU98680435	Hex socket screw M8x35	5	
16	GU98680450	Hex socket screw M8x50	1	
17	GU61270300	Spring washer 8x15x0,3	6	
18	GU92606208	Nut M8x1,25	1	
19	GU31003766	Oil unload plug M10x1	1	
20	886629	Gasket ring	1	
21	GU23204471	Jet	1	
22	GU23204571	Jet	1	

Group	ENGINE
Code	34.41
Description	Clutch II
Service	1



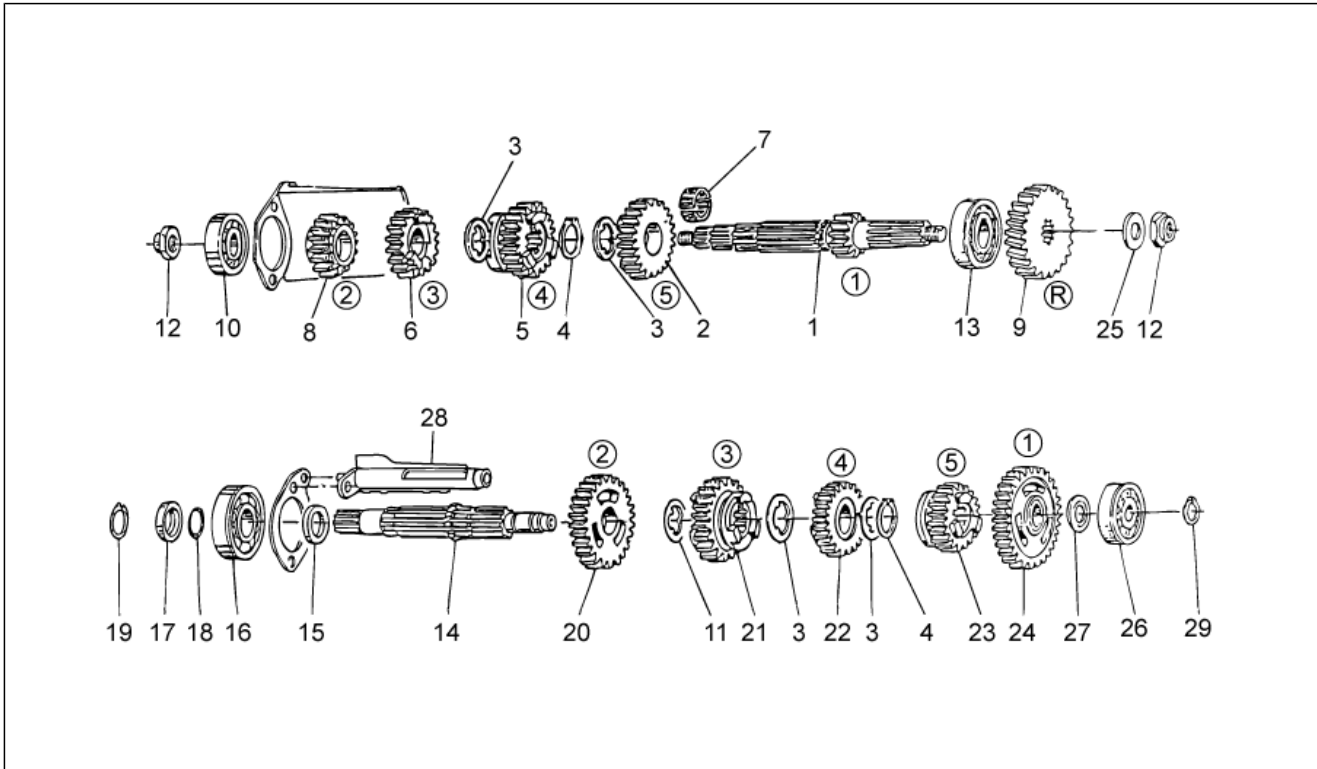
Pos.	Code	Description	Qty	Variants
1	GU14090201	Clutch relese shaft	1	
2	GU14090400	Adjuster screw	1	
3	GU92606508	Nut	1	
4	GU94321105	Lever return spring	1	
5	GU95780271	Pin 7x39	1	
6	GU95500222	Split pin	1	
7	GU14086100	Outer body	1	
8	GU90706170	O-ring 17,13x2,62	1	
9	GU12087001	Thrust bearing	1	
10	GU14086000	Inner body	1	
11	GU90400616	Gasket ring 6x16x7	1	
12	GU27210760	Transmission shaft Z=16	1	
13	GU20085720	Rod	1	
14	GU90706235	O-ring 23,52x1,78	1	
15	GU19213760	Spacer	1	
16	GU19356760	Nut	1	

Group	ENGINE
Code	34.42
Description	Transmission cage
Service	1



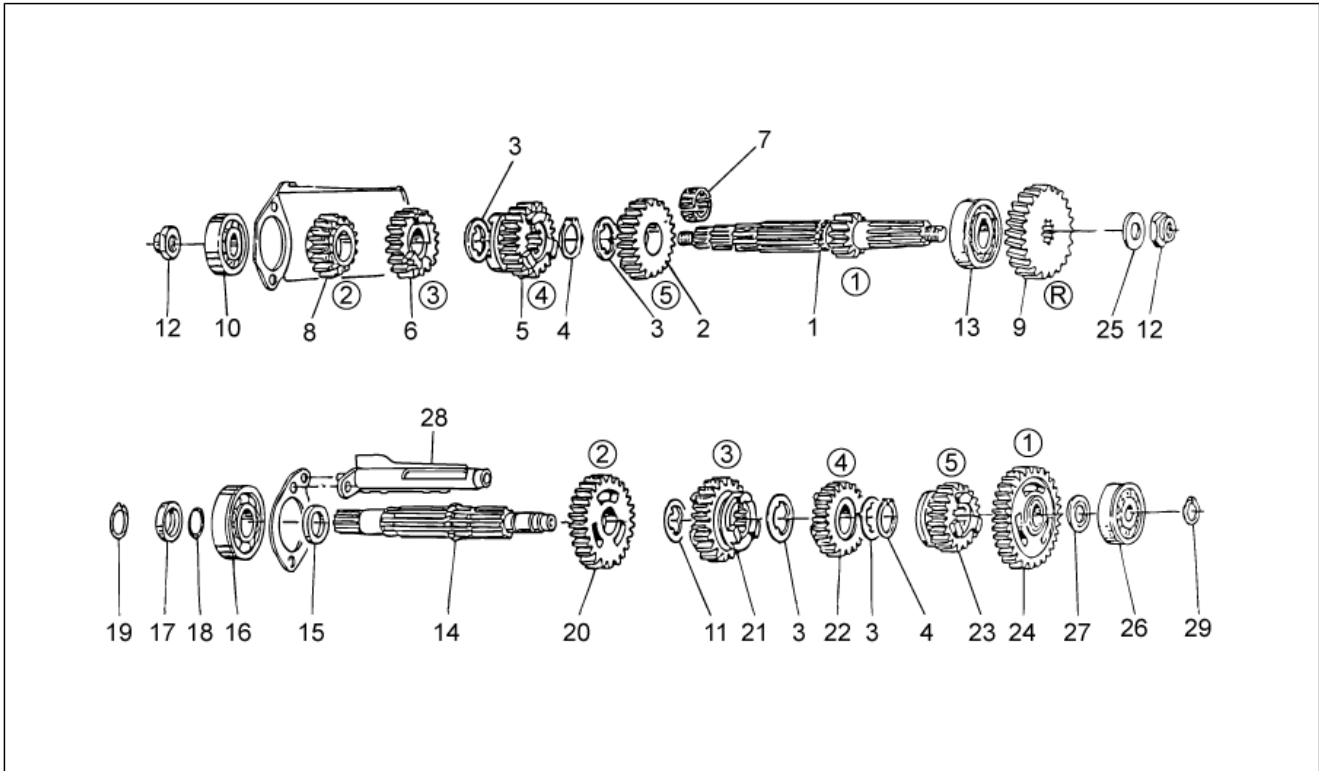
Pos.	Code	Description	Qty	Variants
1	2A000098	Gearbox cover	1	
2	2A000097	Ball bearing 6202-2RSH/C3 LHT23	2	
3	886364	Gasket ring 28x40x7	1	
4	GU90706140	O-ring 13,95x2,92	1	
5	GU32213810	Plate	1	
6	884031	Hex socket screw M6x14	4	
7	GU14217901	Washer 6,4x10x0,7	4	
8	GU32208210	Oil bulhead	1	
9	GU19202320	Bushing 10,25x15,7x8	2	
10	887005	Gasket	1	
11	B063269	Sensor	1	
12	GU12154200	Gasket 8,25x15x1	1	
13	GU19237800	Screw M12x1,25	1	
14	GU92606512	Low nut M12x1,25	1	
15	887006	Gasket	1	
16	GU19002020	Bushing 6,6x9x13	4	
17	887235	Transmission cage	1	
18	GU98682330	Hex socket screw M6x20	5	
19	GU98680435	Hex socket screw M8x35	4	
20	B063342	Ball bearing 6004/C3	1	
21	976992	Gear box assy	1	
22	GU32206510	Breather plug	1	
23	GU10528900	Gasket	2	
24	GU12022600	Oil plug	1	
25	GU90706203	O-ring 20,24x2,62	1	
26	GU31003766	Oil unload plug M10x1	1	
27	AP8150285	Hex socket screw M6x35	2	

Group	ENGINE
Code	34.43
Description	Gear box
Service	1



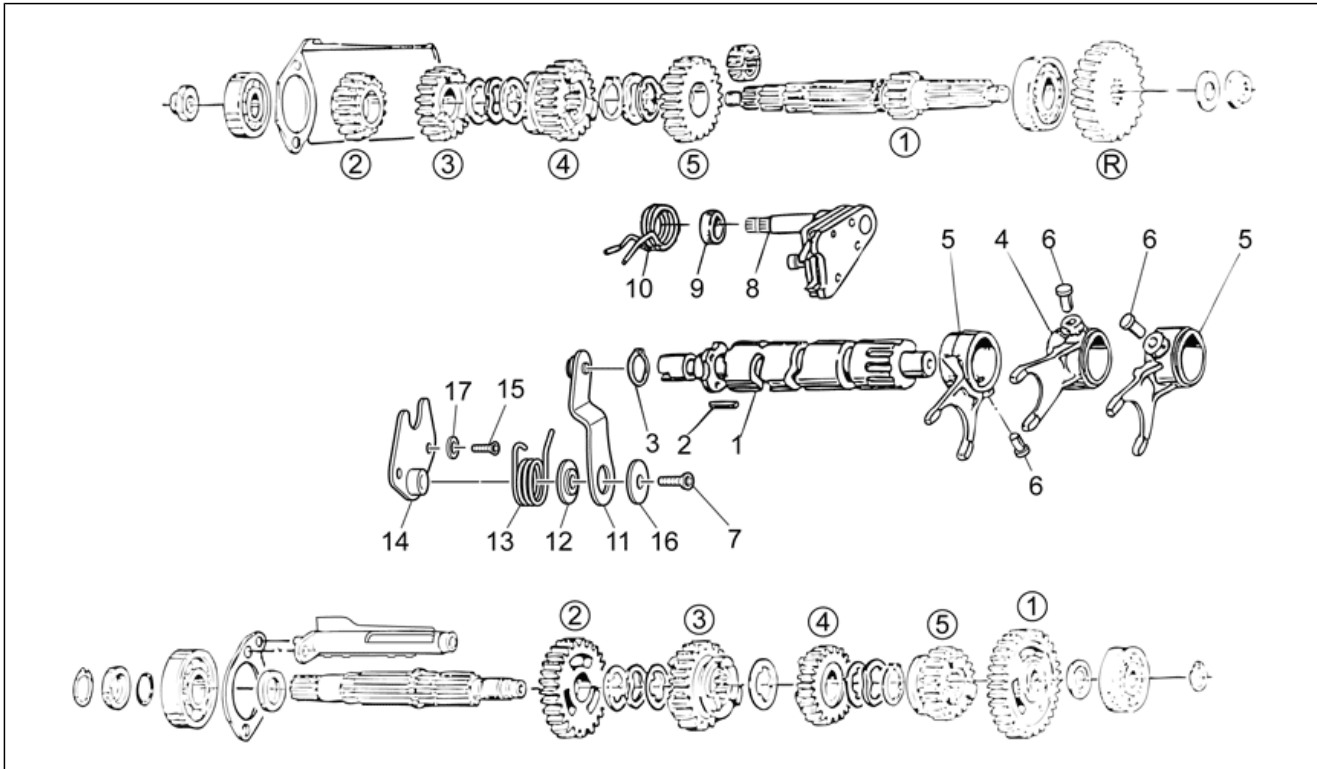
Pos.	Code	Description	Qty	Variants
1	GU32210510	Primary gear shaft Z=11	1	
2	GU32212011	Gear 5a AP Z=25	1	
3	GU19215460	Thrust washer	3	
4	GU90271124	Circlip	2	
5	GU32211810	Gear 4a AP Z=18	1	
6	GU32211410	Gear 3a AP Z=18	1	
7	GU92251028	Roller cage	1	
8	GU23211372	Gear 2a AP Z=14	1	
9	GU32211110	Idle gear AP Z=21	1	
10	GU92218417	Bearing AP 17x40x17,5	1	
11	GU19214660	Clearance washer	2	
12	GU10054100	Nut	2	
13	GU92230320	Bearing AP 20x37x17	1	
14	GU32213610	Driven shaft	1	
15	GU19212900	Spacer	1	
16	GU92201220	Bearing 20X47X14	1	
17	GU19213720	Spacer	1	
18	GU90706188	Gasket ring 18,77X1,78	1	
19	GU90271121	Circlip	1	
20	GU32214510	Gear 2a AS Z=23	1	
21	GU32214810	Gear 3a AS Z=23	1	
22	GU32215010	Gear 4a AS Z=19	1	
23	GU32215210	Gear 5a AS Z=22	1	
24	GU32214010	Gear 1a AS Z=26	1	
25	GU39238100	Clearance washer	1	
26	GU92234716	Bearing	1	
27	GU10214300	Spacer 1,5 mm	1	
27	GU10214301	Spacer 1,7 mm	1	

Group	ENGINE
Code	34.43
Description	Gear box
Service	1



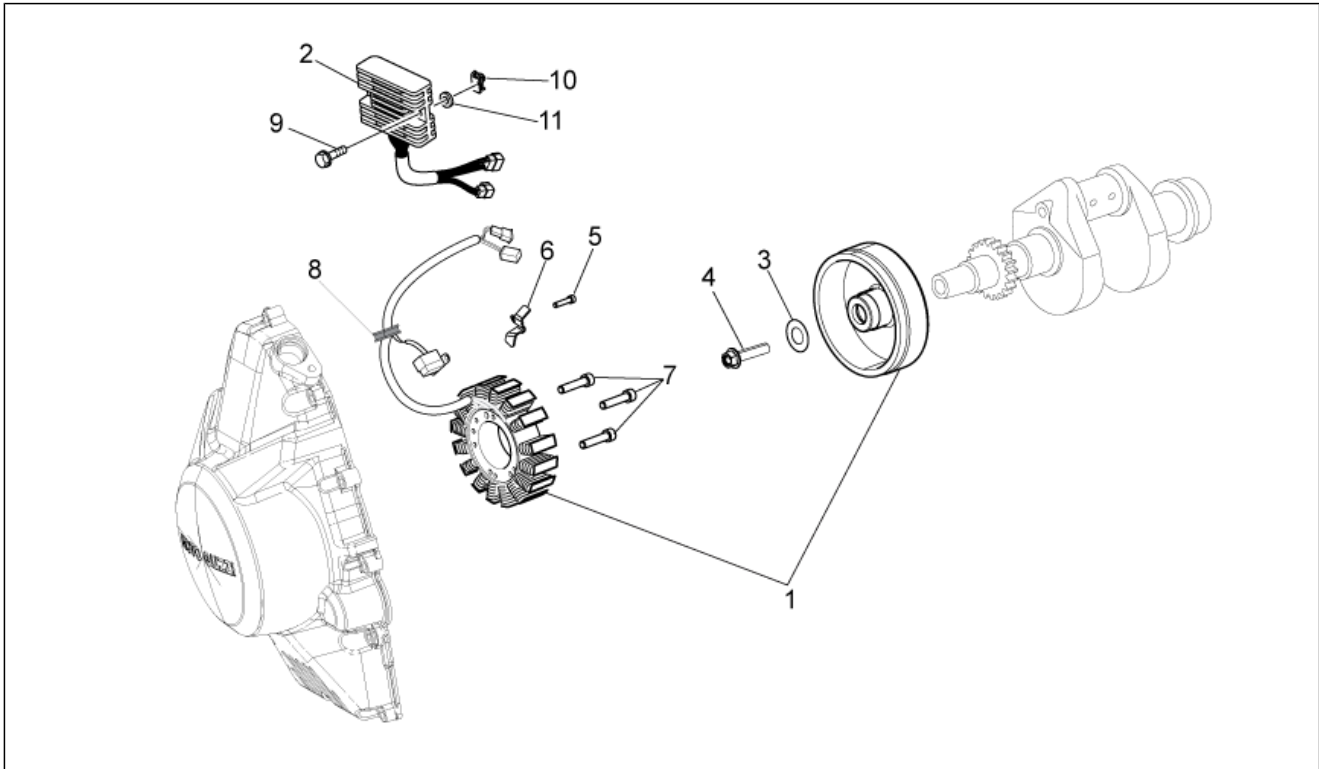
Pos.	Code	Description	Qty	Variants
27	GU10214302	Spacer 1,8 mm	1	
27	GU10214303	Spacer 1,9 mm	1	
27	GU10214304	Washer 2 mm	1	
27	GU10214305	Spacer 2,1 mm	1	
28	GU32202010	Gutter	1	
29	GU90271117	Circlip	1	

Group	ENGINE
Code	34.44
Description	Gear box selector
Service	1



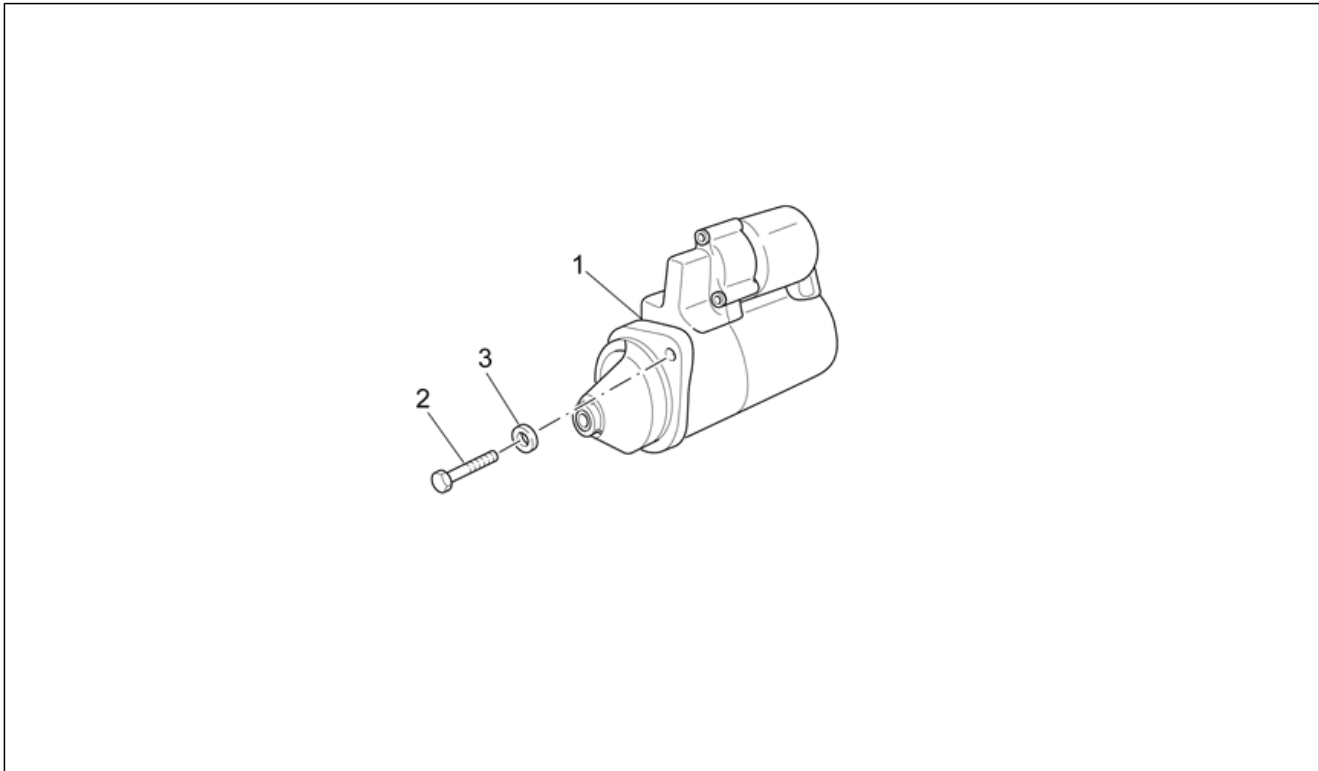
Pos.	Code	Description	Qty	Variants
1	GU32234410	Shift cam	1	
2	GU19234600	Pin	4	
3	GU90274026	Snap ring	1	
4	GU32231210	Fork AP	1	
5	GU32231010	Fork AS	2	
6	GU32233010	Roller	3	
7	GU98230612	screw	1	
8	887196	Preselection complete	1	
9	GU20208520	Spacer	1	
10	GU32238210	Spring	1	
11	GU32234710	Lever	1	
12	GU32234810	Washer	1	
13	GU32234110	Spring	1	
14	GU32235710	plate	1	
15	GU98257618	Screw M6x18	2	
16	GU32234910	Washer 6,4x20x1	1	
17	GU14217901	Washer 6,4x10x0,7	2	

Group	ENGINE
Code	34.45
Description	Generator - Regulator
Service	1



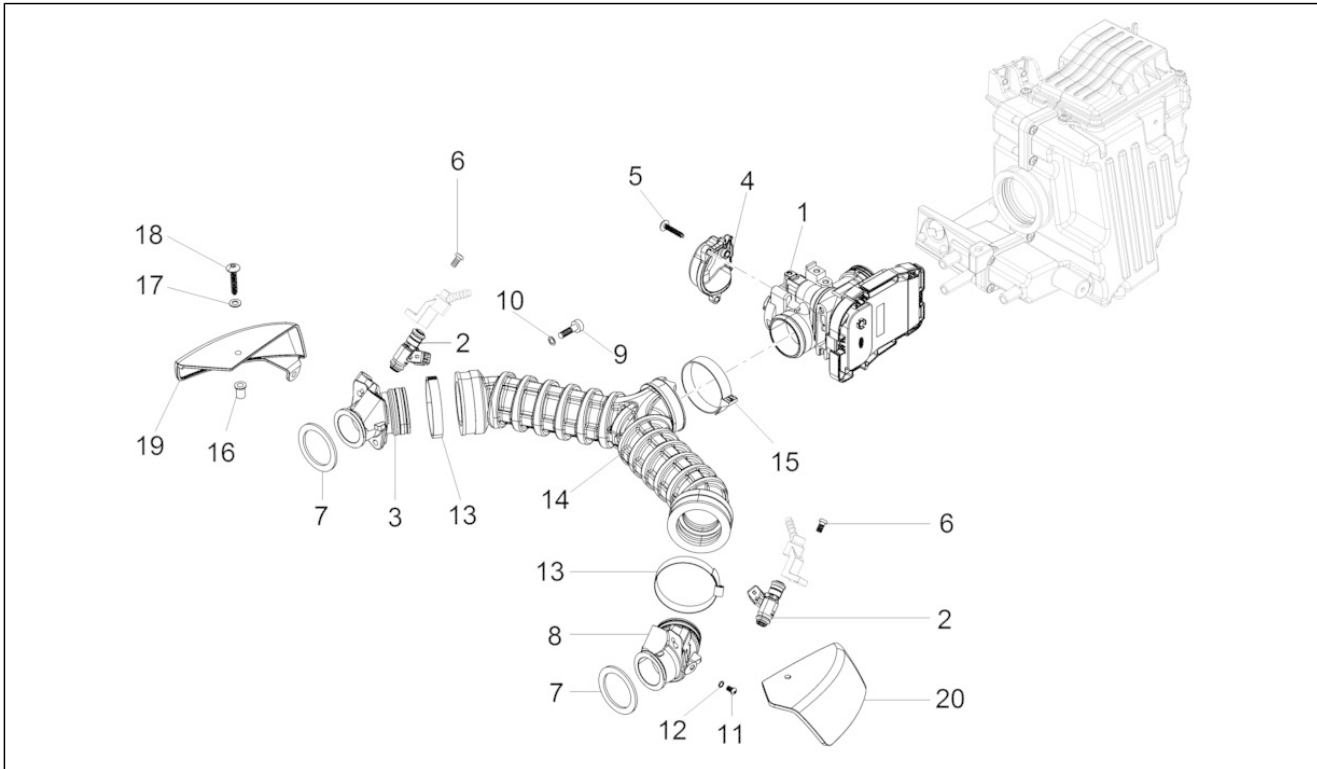
Pos.	Code	Description	Qty	Variants
1	2D000024	Cdi magneto assy	1	
2	2D000043	Voltage regulator	1	
3	897478	Washer 12x26.5x3	1	
4	857206	Screw w/ flange M12X1,25X50	1	
5	GU98682212	Hex socket screw M5x12	1	
6	2A000115	Plate	1	
7	2A000129	Low head socket screw M6x35	3	
8	GU19007700	Rubber spacer	1	
9	AP8152281	Screw w/ flange M6x30	2	
10	254485	Spring plate M6	2	
11	GU95100125	Washer	2	

Group	ENGINE
Code	34.46
Description	Starter motor
Service	1



Pos.	Code	Description	Qty	Variants
1	GU05730730	Starter motor Bosch	1	
2	GU98682435	Hex socket screw	2	
3	GU95008208	Washer 8,4X15X1,5	2	

Group	ENGINE
Code	34.47
Description	Throttle body
Service	1



Pos.	Code	Description	Qty	Variants
1	CM228303	Electronic control unit ECU for injection	1	Country:
1	CM228304	Electronic control unit ECU for injection	1	
2	B063049	Injector	2	
3	GU32115010	RH manifold	1	
4	880260	Throttle body Protection	1	
5	B016796	Torx convex big end screw	3	
6	AP8152298	Screw w/ flange M5x16	2	
7	GU32115510	Gasket	2	
8	GU32115011	LH manifold	1	
9	GU98622322	screw	4	
10	GU03013800	Washer 6,4x12	4	
11	884029	Hex socket screw M6x10	2	
12	GU95100116	Washer 6,25x10x1,5	2	
13	884311	Hose clamp D.61	2	
14	887812	Throttle body hose	1	
15	884310	Hose clamp D.55	1	
16	GU93231605	Antivibration bush	4	
17	GU30577800	Nylon washer 5,5X12X1	4	
18	GU98370515	screw	4	
19	2B000971	RH cover	1	
20	2B000972	LH cover	1	



PIAGGIO & C.s.p.a.



SPARE PARTS CATALOGUE

V7 Stone 750 USA-CND 2015

Chassis prefix: ZGULWS01

Engine prefix:



Index

Finished products.....	4
Alphanumeric index.....	5
FRAME.....	10
Table 33.01 - Frame I.....	10
Table 33.02 - Frame II.....	11
Table 33.03 - Lateral stand.....	12
Table 33.04 - Front footrests.....	13
Table 33.05 - Rear footrests.....	14
Table 33.06 - Gear lever.....	15
Table 33.07 - Front fork I.....	16
Table 33.08 - Fron fork II.....	17
Table 33.11 - Rear shock absorber.....	19
Table 33.12 - Fuel tank.....	20
Table 33.13 - Front body - Front mudguard.....	21
Table 33.14 - Saddle-Central bod.....	22
Table 33.15 - Rear body I- Mudguard.....	23
Table 33.16 - Rear body II- Plate holder.....	24
Table 33.17 - Dashboard.....	25
Table 33.18 - Handlebar - Controls.....	26
Table 33.19 - Front brake system.....	27
Table 33.21 - Fuel pump.....	28
Table 33.22 - Air box.....	29
Table 33.23 - Exhaust unit.....	31
Table 33.26 - Rear master cylinder.....	33
Table 33.27 - Rear brake caliper.....	34
Table 33.28 - Front lights.....	35
Table 33.29 - Rear lights.....	36
Table 33.30 - Electrical system I.....	37
Table 33.31 - Electrical system II.....	38
Table 33.32 - Lock hardware kit.....	40
Table 33.33 - Decal and plate set.....	41
Table 33.34 - Front wheel II.....	42
Table 33.35 - Rear wheel II.....	43
Table 33.48 - Fuel vapour recover system.....	44
ENGINE.....	45
Table 34.09 - Transmission complete I.....	45
Table 34.10 - Transmission complete II.....	46
Table 34.34 - Crank-case.....	49
Table 34.35 - Timing system cover.....	50
Table 34.36 - Cylinder head.....	51
Table 34.37 - Crankshaft cpl.....	52
Table 34.38 - Timing system.....	53
Table 34.39 - Oil pump.....	55



Table 34.40 - Clutch I.....	56
Table 34.41 - Clutch II.....	57
Table 34.42 - Transmission cage.....	58
Table 34.43 - Gear box.....	59
Table 34.44 - Gear box selector.....	61
Table 34.45 - Generator - Regulator.....	62
Table 34.46 - Starter motor.....	63
Table 34.47 - Throttle body.....	64



Finished products

Code	Validity
GU9032111CAF00	
GU9032111CAF01	
GU9032111CAF03	
GU9032111CAF04	
GU9032111USF00	
GU9032111USF01	
GU9032111USF03	



Code	No. table	Pos.	Code	No. table	Pos.	Code	No. table	Pos.
080341	33.30	6	883019	33.05	12	887571	33.34	1
248419	33.26	19	883051	33.04	1	887573	33.35	1
254485	33.15	4	883052	33.04	2	887787	33.21	5
254485	33.22	14	883127	33.22	6	887812	34.47	14
254485	33.23	20	883161	33.31	11	887815	33.22	13
254485	33.28	20	883192	33.27	7	887825	33.30	1
254485	34.45	10	883266	33.13	2	887825	33.31	1
2A000085	34.35	1	883293	33.23	15	887837	33.01	1
2A000097	34.42	2	883294	33.23	4	8878421	33.22	1
2A000098	34.42	1	883295	33.14	5	887843	33.22	2
2A0000995	34.37	1	883297	33.23	13	887844	33.22	11
2A000106	34.40	8	883298	33.23	14	887845	33.22	12
2A000115	34.45	6	883303	33.19	13	887846	33.23	1
2A000129	34.45	7	883417	33.28	18	887847	33.23	2
2A000146	34.38	1	883470	33.16	6	887851	33.06	1
2A000147	34.38	2	883471	33.03	1	887852	33.18	4
2A000235	34.34	1	883476	33.32	3	887853	33.18	5
2B000045	33.22	27	883477	33.32	1	887878	33.08	1
2B000176	33.23	11	883478	33.29	5	887879	33.08	2
2B000177	33.23	10	883479	33.29	1	887880	33.08	3
2B000348	33.05	13	883480	33.16	9	887882	33.08	5
2B000349	33.05	12	883502	33.12	5	887883	33.08	6
2B000558	33.07	1	883569	33.17	11	887884	33.08	7
2B000671	33.18	1	883598	33.33	7	887885	33.08	8
2B000840	33.14	16	883688	33.34	10	887886	33.08	9
2B000878	33.14	9	883704	33.23	25	887887	33.08	10
2B000880	33.14	1	883826	34.34	18	887888	33.08	11
2B000899	33.11	1	884029	34.47	11	887889	33.08	12
2B000970	33.21	2	884031	34.42	6	887890	33.08	13
2B000971	34.47	19	884032	34.40	14	887891	33.08	14
2B000972	34.47	20	884038	34.40	7	887892	33.08	15
2B001048	33.18	10	884039	34.39	7	887893	33.08	16
2B001049	33.18	24	884310	34.47	15	887894	33.08	17
2D000006	33.32	10	884311	34.47	13	887895	33.08	18
2D000024	34.45	1	886141	33.33	5	887896	33.08	19
2D000043	34.45	2	886340	33.33	1	887898	33.08	21
2G000011	33.33	11	88635200XN6	33.13	1	887899	33.08	22
2G000012	33.33	12	886364	34.42	3	887900	33.08	23
2G000013	33.33	13	886365	34.34	10	887901	33.08	24
2H000384000XN6	33.14	10	886629	34.40	20	887902	33.08	25
2H000385000XN6	33.14	17	886670	34.37	11	887903	33.08	26
2H000389	33.33	4	886679	33.34	6	887904	33.08	27
2H000413	33.33	3	886680	33.35	8	887905	33.08	28
2H000415000XN6	33.12	1	887002	34.36	10	887908	33.26	26
2H000415000XV6	33.12	1	887003	34.35	2	887910	33.26	1
2H000415000YR4	33.12	1	887004	34.34	13	887911	33.26	24
2L0001895	34.34	28	887005	34.42	10	887912	33.08	30
2Q000044	33.33	10	887006	34.42	15	887913	33.08	31
2R000109	33.08	29	887093	34.39	9	887914	33.08	32
2R000110	33.08	4	887194	33.17	1	887915	33.08	33
584211	33.31	10	887195	33.17	1	887916	33.08	34
638733	33.31	6	887196	34.44	8	887930	33.33	2
641040	33.30	8	887235	34.42	17	887944	33.12	1
641541	34.39	8	8872690001	34.37	10	887948	33.30	13
641725	33.30	7	8872690002	34.37	10	887952	33.26	27
641901	33.30	4	8872690003	34.37	10	890760	33.22	16
642034	33.30	3	8872724	34.36	1	890979	33.28	16
658837	33.26	11	8872754	34.36	2	893570	33.31	19
832029	33.30	14	887279	34.36	24	894505	33.35	13
856063	33.48	14	887431	33.27	3	894704	33.31	26
857206	34.45	4	887443	33.33	9	895839	33.33	8
860138	33.48	7	887448	33.35	12	896110	33.23	21
860651	34.09	19	887449	33.27	1	897478	34.45	3
874567	34.37	14	887481	33.30	12	898086	33.07	7
880260	34.47	4	887483	34.36	25	898164	33.11	3
883011	34.09	11	887523	34.36	9	969973	34.36	26
883015	33.05	13	887528	34.38	27	976604	34.34	12



Code	No. table	Pos.	Code	No. table	Pos.	Code	No. table	Pos.
976608	34.10	1	AP8121673	33.12	12	AP8201358	33.48	13
976685	34.34	16	AP8121915	33.19	14	AP8213028	33.18	23
976898	34.36	20	AP8121915	33.27	8	AP8213057	33.26	15
976941	34.09	1	AP8124718	33.16	7	AP8213388	33.18	18
976992	34.42	21	AP8124936	33.30	2	AP8213575	33.27	23
977527	33.14	6	AP8127856	33.03	8	AP8220283	33.31	22
977527	33.32	4	AP8133643	33.26	14	AP8220460	33.07	6
978311	33.28	2	AP8133798	33.27	2	AP8221023	33.22	26
978323	33.19	15	AP8133799	33.27	11	AP8221114	33.48	16
978385	33.23	12	AP8133800	33.27	12	AP8221197	33.03	5
978415	33.14	8	AP8134378	33.23	18	AP8221277	33.04	6
978415	33.32	9	AP8134451	33.05	5	AP8224462	33.31	21
978940	33.14	10	AP8144007	33.26	4	AP8257742	33.33	16
978943	33.14	17	AP8144071	33.23	16	AP8257794	33.33	15
978946	33.15	1	AP8144071	34.36	23	B016796	34.47	5
97894600XN6	33.15	1	AP8144081	33.07	5	B043850	33.31	23
978947	33.15	2	AP8144146	33.07	3	B045974	33.33	14
978969	33.26	3	AP8144538	33.22	15	B063016	34.37	13
978970	33.26	13	AP8144553	33.22	7	B063022	33.23	3
981149	33.28	12	AP8144729	33.22	17	B063049	34.47	2
AP8101594	33.26	20	AP8145034	33.04	3	B063099	34.36	19
AP8101595	33.12	10	AP8145035	33.04	10	B063111	34.36	6
AP8101861	33.05	7	AP8149034	33.16	4	B063132	33.04	13
AP8102159	33.48	6	AP8150204	33.27	19	B063135	33.18	6
AP8102375	33.14	15	AP8150248	33.16	2	B063167	33.15	12
AP8102375	33.31	14	AP8150285	34.42	27	B063197	33.02	1
AP8102524	33.03	4	AP8150349	33.17	10	B063198	33.02	2
AP8102678	33.48	1	AP8150349	33.32	6	B063213	33.22	30
AP8102688	33.48	2	AP8150377	33.28	13	B063214	33.22	21
AP8102765	33.22	24	AP8150377	33.31	20	B063233	33.31	5
AP8102766	33.22	23	AP8150436	33.02	12	B063269	34.42	11
AP8102913	33.14	3	AP8150450	33.14	12	B063287	33.01	4
AP8104509	33.18	9	AP8150509	33.22	19	B063342	34.42	20
AP8104525	33.22	5	AP8152043	33.27	18	B063427	33.18	3
AP8104924	33.22	4	AP8152220	33.02	11	B063431	33.14	11
AP8104996	33.22	28	AP8152220	34.39	18	B063443	33.26	28
AP8113003	33.27	20	AP8152268	33.16	3	B063465	34.37	15
AP8113241	33.26	22	AP8152273	33.21	4	B063466	34.37	16
AP8113288	33.26	16	AP8152277	33.04	7	B063750	33.27	6
AP8113553	33.26	23	AP8152277	33.05	8	B063752	33.21	1
AP8120246	34.09	10	AP8152277	33.19	3	B063800	33.28	4
AP8120311	33.01	13	AP8152278	33.11	2	B063801	33.28	5
AP8120416	33.30	18	AP8152278	33.15	3	B063854	33.23	1
AP8120416	33.31	27	AP8152279	33.15	9	B063855	33.23	2
AP8120416	33.48	11	AP8152281	34.45	9	B063975	33.18	15
AP8120446	33.48	9	AP8152286	33.34	11	CM001928	33.07	8
AP8120455	33.22	9	AP8152287	33.02	13	CM001929	33.07	9
AP8120557	33.12	11	AP8152288	33.02	15	CM0074C9	33.30	10
AP8120615	33.22	10	AP8152288	33.27	9	CM0074D0	33.30	9
AP8120772	33.22	20	AP8152298	33.26	18	CM013202	33.31	25
AP8120870	33.23	24	AP8152298	34.47	6	CM225705	33.31	15
AP8120876	33.22	8	AP8152299	33.15	14	CM225710	33.31	16
AP8120912	33.06	2	AP8152299	33.27	22	CM225715	33.31	17
AP8120912	33.26	2	AP8152299	33.30	5	CM225730	33.31	18
AP8121014	33.03	3	AP8152299	33.48	5	CM228303	34.47	1
AP8121032	33.15	13	AP8152300	33.02	14	CM228304	34.47	1
AP8121032	33.17	7	AP8152300	33.27	13	GU00823923140	33.03	7
AP8121072	33.23	22	AP8152306	33.16	5	GU00823923140	33.22	32
AP8121133	33.05	6	AP8152329	33.15	11	GU00823923140	33.48	12
AP8121267	33.48	10	AP8152329	33.22	18	GU00823931055	33.28	19
AP8121307	33.07	4	AP8152339	33.14	14	GU00823931070	33.12	14
AP8121367	33.02	10	AP8152385	33.19	16	GU00823944050	33.12	13
AP8121420	33.14	7	AP8152409	33.04	9	GU00823950050	33.26	21
AP8121420	33.32	8	AP8152409	33.05	9	GU01528930	34.10	9
AP8121566	33.04	8	AP8181140	33.31	24	GU01609630	33.18	14
AP8121566	33.05	4	AP8201358	33.22	3	GU01654630	33.19	17
AP8121607	33.03	2	AP8201358	33.22	34	GU01659130	33.19	11



Code	No. table	Pos.	Code	No. table	Pos.	Code	No. table	Pos.
GU01659131	33.19	12	GU14616150	33.35	10	GU19355326	34.10	27
GU01665410	33.26	25	GU18144350	34.39	16	GU19355327	34.10	27
GU02717450	33.30	11	GU18161150	34.39	21	GU19355328	34.10	27
GU03013800	33.06	7	GU18257551	33.26	8	GU19355329	34.10	27
GU03013800	33.23	8	GU19002020	34.35	5	GU19355400	34.10	21
GU03013800	34.47	10	GU19002020	34.42	16	GU19355402	34.10	21
GU03067730	34.10	19	GU19003800	34.34	8	GU19355404	34.10	21
GU03101600	33.12	7	GU19007700	34.45	8	GU19355406	34.10	21
GU03101900	33.12	3	GU19015020	34.34	5	GU19355408	34.10	21
GU03102200	33.12	6	GU19017000	33.02	4	GU19355410	34.10	21
GU03102400	33.12	2	GU19018920	34.39	10	GU19355411	34.10	21
GU03103200	33.12	8	GU19021360	34.36	18	GU19355412	34.10	21
GU03103500	33.12	4	GU19021920	34.36	7	GU19355413	34.10	21
GU03163330	33.31	3	GU19025280	33.23	5	GU19356700	34.10	30
GU03270300	33.27	10	GU19025460	33.23	6	GU19356760	34.41	16
GU03604845	33.19	8	GU19027500	34.38	15	GU19356801	34.10	28
GU03605645	33.19	9	GU19030500	34.38	7	GU19357660	34.10	25
GU03609600	33.18	14	GU19032080	34.38	10	GU19547000	34.09	12
GU03617710	33.34	5	GU19032980	34.36	17	GU20085720	34.41	13
GU03617710	33.35	6	GU19032980	34.38	14	GU20147710	34.39	17
GU03658201	33.27	16	GU19034000	34.38	8	GU20147810	34.39	3
GU03658330	33.27	17	GU19037820	34.36	8	GU20148410	34.39	4
GU03658430	33.27	14	GU19045861	34.38	25	GU20148610	34.39	5
GU03660145	33.19	1	GU19055700	34.38	23	GU20208520	34.44	9
GU03661145	33.19	6	GU19058021	34.38	19	GU20258221	33.06	9
GU03664045	33.19	7	GU19058220	34.38	20	GU20352421	34.10	31
GU03740930	33.29	2	GU19062261	34.37	4	GU20355121	34.10	34
GU03749845	33.19	5	GU19065400	34.37	2	GU23204471	34.40	21
GU03922280	34.09	23	GU19067700	34.37	18	GU23204571	34.40	22
GU05107430	33.21	3	GU19083462	34.40	2	GU23211372	34.43	8
GU05659230	33.19	10	GU19146422	34.39	1	GU23217800	34.38	3
GU05730730	34.46	1	GU19152200	34.39	11	GU23328081	34.09	7
GU05781630	33.16	1	GU19202320	34.42	9	GU23548080	34.09	8
GU05900130	33.33	6	GU19203460	34.40	11	GU23548180	34.09	9
GU06740400	33.28	17	GU19206501	34.10	10	GU23922210	33.17	12
GU10054100	34.43	12	GU19212900	34.43	15	GU23943410	33.08	35
GU10214300	34.43	27	GU19213720	34.43	17	GU27037521	34.38	4
GU10214301	34.43	27	GU19213760	34.41	15	GU27061585	34.37	3
GU10214302	34.43	27	GU19214660	34.43	11	GU27061885	34.37	17
GU10214303	34.43	27	GU19215460	34.43	3	GU27062060	34.37	6
GU10214304	34.43	27	GU19234600	34.44	2	GU27065660	34.37	7
GU10214305	34.43	27	GU19237800	34.42	13	GU27066460	34.37	9
GU10528900	34.34	15	GU19327601	34.09	5	GU27066560	34.37	8
GU10528900	34.40	13	GU19328801	34.09	3	GU27152885	34.34	22
GU10528900	34.42	23	GU19350700	34.10	22	GU27153085	34.39	14
GU12003702	34.34	20	GU19351100	34.10	4	GU27210760	34.41	12
GU12022600	34.10	6	GU19351900	34.10	2	GU27633910	33.35	4
GU12022600	34.42	24	GU19352300	34.10	23	GU28157950	33.22	29
GU12087001	34.41	9	GU19353500	34.10	24	GU28157950	33.48	8
GU12154200	34.34	23	GU19355200	34.10	35	GU28252060	33.02	8
GU12154200	34.42	12	GU19355202	34.10	36	GU29729461	33.31	2
GU13021900	34.34	26	GU19355300	34.10	33	GU29759150	33.18	17
GU13021900	34.36	12	GU19355301	34.10	33	GU30577800	33.29	13
GU14086000	34.41	10	GU19355302	34.10	33	GU30577800	34.47	17
GU14086100	34.41	7	GU19355303	34.10	33	GU30601060	33.18	13
GU14090201	34.41	1	GU19355304	34.10	33	GU30602500	33.18	22
GU14090400	34.41	2	GU19355305	34.10	33	GU31003766	34.10	8
GU14217901	34.40	6	GU19355306	34.10	33	GU31003766	34.34	14
GU14217901	34.42	7	GU19355307	34.10	33	GU31003766	34.40	19
GU14217901	34.44	17	GU19355308	34.10	33	GU31003766	34.42	26
GU14609650	33.30	18	GU19355309	34.10	33	GU31016050	34.39	20
GU14609650	33.31	27	GU19355320	34.10	27	GU31037015	34.38	13
GU14615901	33.05	15	GU19355321	34.10	27	GU31038015	34.38	5
GU14615901	33.13	5	GU19355322	34.10	27	GU31045015	34.38	26
GU14615901	34.09	20	GU19355323	34.10	27	GU31112965	33.22	33
GU14615901	34.37	5	GU19355324	34.10	27	GU31121880	33.23	9
GU14616150	33.34	7	GU19355325	34.10	27	GU31150950	34.39	26

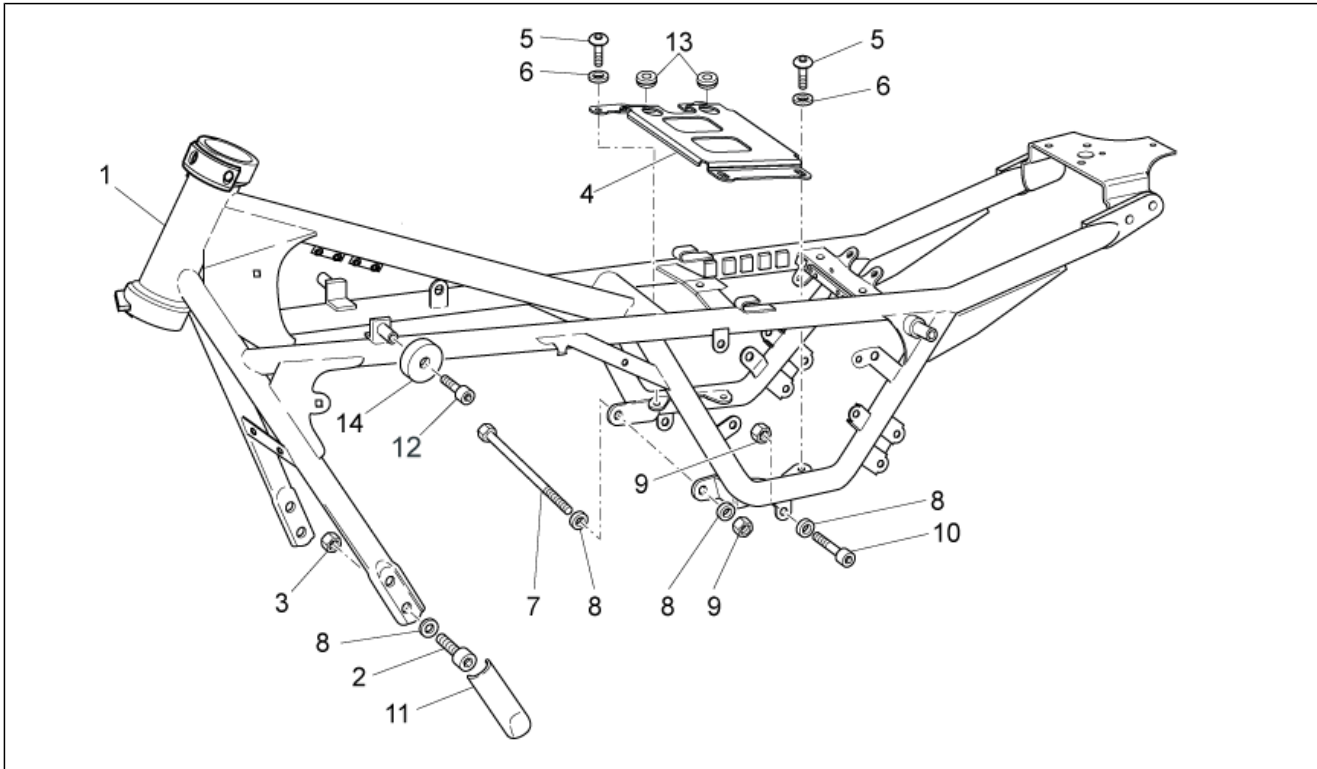


Code	No. table	Pos.	Code	No. table	Pos.	Code	No. table	Pos.
GU31159050	34.39	15	GU32506360	33.28	1	GU90706281	34.34	19
GU31327783	34.09	2	GU32517710	33.31	8	GU90706444	34.34	17
GU31439565	33.13	4	GU32555210	33.11	4	GU90706584	34.10	37
GU31513480	33.08	20	GU32555211	33.11	5	GU90714082	33.22	31
GU31544181	34.09	15	GU32603010	33.18	16	GU91113826	33.23	23
GU31547882	34.09	14	GU32603310	33.18	7	GU91120806	33.15	6
GU31614183	33.34	9	GU32605510	33.18	2	GU91180601	33.15	10
GU31615283	33.34	2	GU32615660	33.34	8	GU91181003	33.18	11
GU31616384	33.34	12	GU32632510	33.35	9	GU91181003	33.19	18
GU31634281	33.27	4	GU32633360	33.35	14	GU91551010	33.22	25
GU31634481	33.35	15	GU32633560	34.10	11	GU91551086	33.14	13
GU31740383	33.28	11	GU32634160	33.27	5	GU92201070	34.10	14
GU32032310	34.38	11	GU32636160	33.35	7	GU92201220	34.43	16
GU32053410	34.38	16	GU32657110	33.19	2	GU92201225	34.40	10
GU32054510	34.38	17	GU32735510	33.32	5	GU92204217	33.35	5
GU32067910	34.40	5	GU32747910	33.31	9	GU92204218	33.35	3
GU32080310	34.40	1	GU32750661	33.29	4	GU92204221	33.34	3
GU32084410	34.40	4	GU32753410	33.28	3	GU92218417	34.43	10
GU32115010	34.47	3	GU32753410	33.29	8	GU92230320	34.43	13
GU32115011	34.47	8	GU32753711	33.28	14	GU92234716	34.43	26
GU32115510	34.47	7	GU32753711	33.29	6	GU92249220	34.10	32
GU32121010	33.23	7	GU32781910	33.16	10	GU92249225	33.07	2
GU32202010	34.43	28	GU32782510	33.17	8	GU92249227	34.10	20
GU32206510	34.42	22	GU32782510	33.32	2	GU92251028	34.43	7
GU32208210	34.42	8	GU32944310	33.33	17	GU92252210	34.39	2
GU32210510	34.43	1	GU32999010	34.34	25	GU92252235	34.10	5
GU32211110	34.43	9	GU32999510	34.34	24	GU92296723	34.39	6
GU32211410	34.43	6	GU35214300	34.09	13	GU92602406	34.38	9
GU32211810	34.43	5	GU39238100	34.43	25	GU92602510	34.39	19
GU32212011	34.43	2	GU49609601	33.30	18	GU92603010	34.36	11
GU32213610	34.43	14	GU49609601	33.31	27	GU92606206	33.17	6
GU32213810	34.42	5	GU53429500	33.02	3	GU92606208	34.34	7
GU32214010	34.43	24	GU61027200	34.37	12	GU92606208	34.40	18
GU32214510	34.43	20	GU61036801	34.36	3	GU92606210	33.01	9
GU32214810	34.43	21	GU61038100	34.38	6	GU92606210	33.02	5
GU32215010	34.43	22	GU61054900	34.38	18	GU92606210	33.11	7
GU32215210	34.43	23	GU61270300	34.10	26	GU92606210	34.09	18
GU32231010	34.44	5	GU61270300	34.34	6	GU92606316	33.35	11
GU32231210	34.44	4	GU61270300	34.36	21	GU92606508	34.41	3
GU32233010	34.44	6	GU61270300	34.40	17	GU92606512	34.42	14
GU32234110	34.44	13	GU66103415	33.01	14	GU92609007	33.26	12
GU32234410	34.44	1	GU90271018	34.38	12	GU92630108	33.15	8
GU32234710	34.44	11	GU90271117	34.43	29	GU92630204	33.16	8
GU32234810	34.44	12	GU90271121	34.43	19	GU92630206	33.26	6
GU32234910	34.44	16	GU90271124	34.43	4	GU92630510	33.01	3
GU32235710	34.44	14	GU90272023	34.09	4	GU92630707	33.06	5
GU32238210	34.44	10	GU90272075	34.40	3	GU92640508	33.23	19
GU32256910	33.06	4	GU90274026	34.44	3	GU92660021	33.26	7
GU32257810	33.06	8	GU90353009	34.36	4	GU92787006	33.28	6
GU32350410	34.10	13	GU90353029	34.38	24	GU92787006	33.29	11
GU32351410	34.10	16	GU90353030	34.10	17	GU93180105	34.09	21
GU32354610	34.10	18	GU90400616	34.41	11	GU93180111	33.34	13
GU32431310	33.02	9	GU90402538	33.35	2	GU93180220	34.40	9
GU32432711	33.03	11	GU90402642	33.34	4	GU93180245	34.36	22
GU32433011	33.03	6	GU90403251	34.10	38	GU93222023	33.17	4
GU32434460	33.13	1	GU90403549	34.10	3	GU93231605	33.29	14
GU32439260	33.48	3	GU90407591	34.10	15	GU93231605	34.47	16
GU32441210	33.04	5	GU90706076	34.34	9	GU93301175	33.23	26
GU32441210	33.05	3	GU90706111	34.39	22	GU93301313	33.48	15
GU32442310	33.05	1	GU90706140	34.42	4	GU93305061	33.22	22
GU32442710	33.05	10	GU90706141	33.30	17	GU93450105	33.28	9
GU32443210	33.04	4	GU90706170	34.41	8	GU93450127	33.28	15
GU32443210	33.05	2	GU90706188	34.10	29	GU93450127	33.29	7
GU32443211	33.04	11	GU90706188	34.43	18	GU93450224	33.29	3
GU32443211	33.05	11	GU90706203	34.10	7	GU93450232	33.28	10
GU32457810	33.01	11	GU90706203	34.42	25	GU94321079	34.39	24
GU32461610	33.14	2	GU90706235	34.41	14	GU94321099	34.09	6



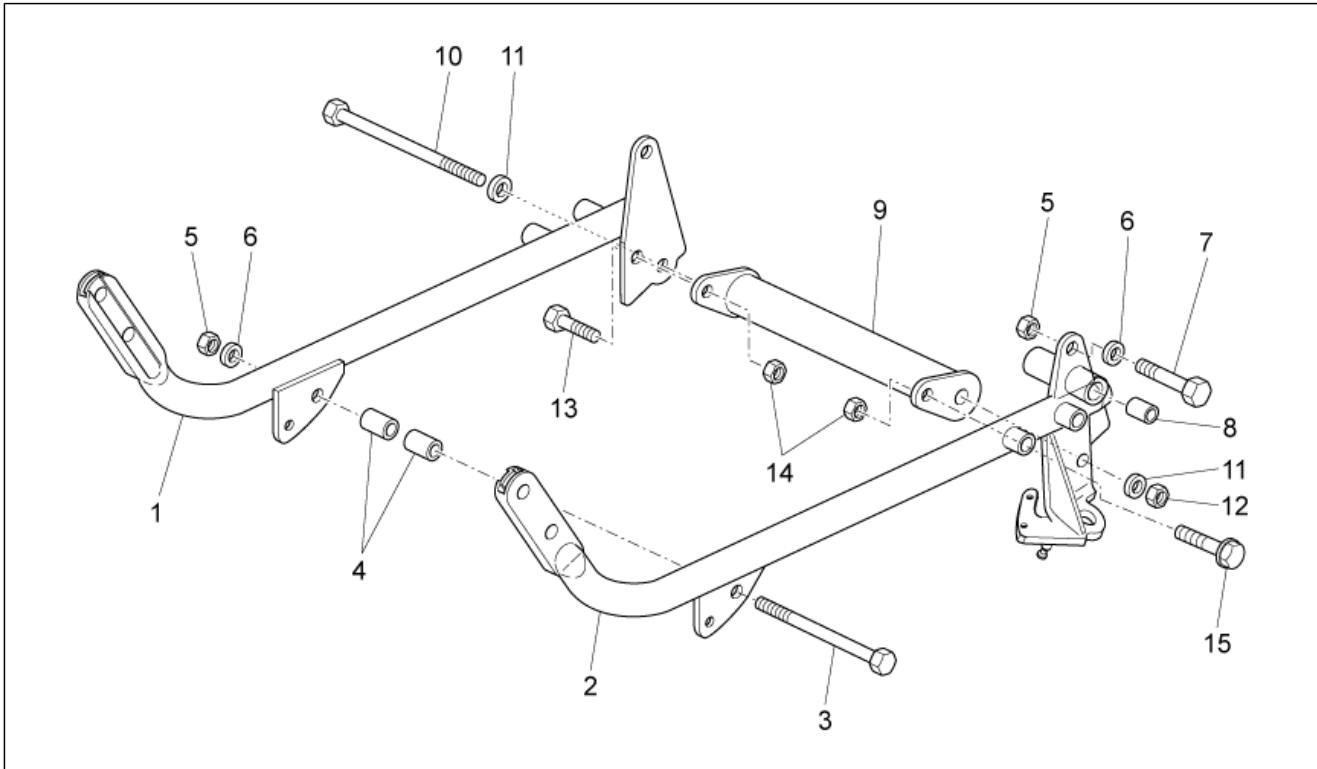
Code	No. table	Pos.	Code	No. table	Pos.
GU94321105	34.41	4	GU98370655	33.29	9
GU95004210	33.31	4	GU98370831	33.15	5
GU95005306	33.17	3	GU98370845	33.13	3
GU95005308	33.26	9	GU98612216	33.03	9
GU95005308	33.28	23	GU98622322	34.47	9
GU95005308	34.09	22	GU98632322	33.06	6
GU95005310	33.15	7	GU98680435	34.40	15
GU95005310	33.26	5	GU98680435	34.42	19
GU95005311	33.48	4	GU98680450	34.40	16
GU95008205	33.30	16	GU98680545	34.09	16
GU95008206	34.39	23	GU98680555	33.01	10
GU95008208	33.01	6	GU98682212	33.30	15
GU95008208	34.46	3	GU98682212	33.31	12
GU95008210	33.01	8	GU98682212	34.45	5
GU95008210	33.02	6	GU98682325	34.34	11
GU95008210	34.09	17	GU98682325	34.35	3
GU95008305	33.18	20	GU98682330	34.35	4
GU95008306	33.19	20	GU98682330	34.42	18
GU95008306	33.27	21	GU98682414	33.01	12
GU95020105	33.03	10	GU98682416	33.01	5
GU95021104	33.19	19	GU98682416	33.04	12
GU95021105	33.18	21	GU98682416	33.05	14
GU95021206	33.17	5	GU98682416	33.17	9
GU95021206	33.28	8	GU98682416	33.32	7
GU95021206	33.29	10	GU98682430	33.12	9
GU95100059	33.31	13	GU98682435	34.46	2
GU95100116	34.47	12	GU98682530	33.01	2
GU95100125	34.45	11	GU98690335	33.11	8
GU95100244	34.38	29	GU98690335	33.18	8
GU95100309	34.39	27	GU98690440	33.23	17
GU95100602	34.39	25	GU98692325	34.36	16
GU95100709	34.34	21	GU98692420	33.28	22
GU95129115	34.38	22	GU98880540	33.28	21
GU95129180	34.34	27	GU98882316	34.38	21
GU95129180	34.36	13			
GU95129181	33.11	6			
GU95129260	33.06	3			
GU95187006	34.39	13			
GU95500221	33.26	10			
GU95500222	34.41	6			
GU95780271	34.41	5			
GU96451316	33.27	15			
GU96451430	34.34	3			
GU96451560	34.34	2			
GU96506042	34.36	5			
GU96508055	34.10	12			
GU96508055	34.34	4			
GU96510181	34.36	15			
GU96510214	34.36	14			
GU97202325	33.18	12			
GU98054422	34.38	28			
GU98082565	33.02	7			
GU98084314	34.39	12			
GU98084314	34.40	12			
GU98110199	33.01	7			
GU98210612	33.23	27			
GU98230510	33.18	19			
GU98230612	34.44	7			
GU98257618	34.44	15			
GU98350215	33.29	12			
GU98370412	33.19	4			
GU98370515	34.47	18			
GU98370609	33.17	2			
GU98370616	33.31	7			
GU98370625	33.14	4			
GU98370625	33.26	17			
GU98370655	33.28	7			

Group	FRAME
Code	33.01
Description	Frame I
Service	1



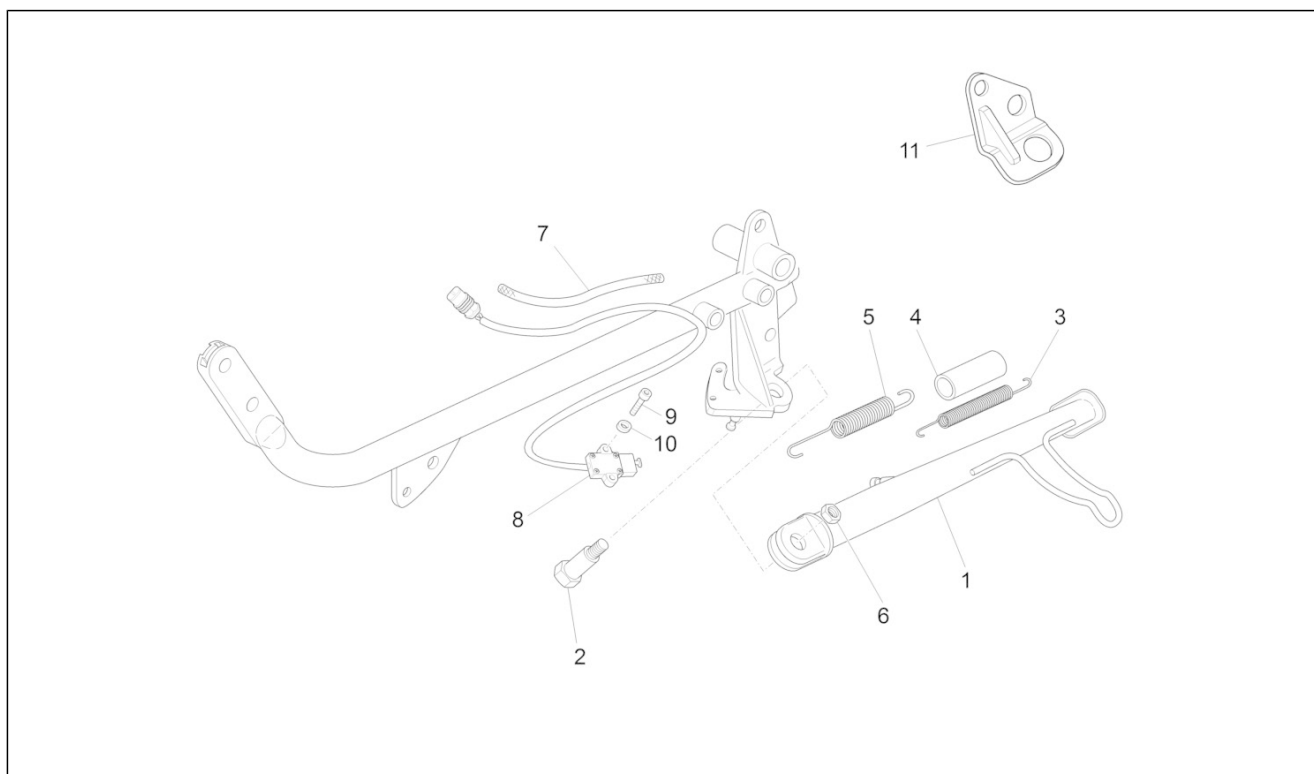
Pos.	Code	Description	Qty	Variants
1	887837	Frame p.	1	
2	GU98682530	Hex socket screw M10x30	4	
3	GU92630510	Nut M10x1,5	4	
4	B063287	Frame union plate	1	
5	GU98682416	Hex socket screw M8x16	4	
6	GU95008208	Washer 8,4X15X1,5	4	
7	GU98110199	Pin M10x205	1	
8	GU95008210	Washer 10,2X18X2	11	
9	GU92606210	Nut M10x1,5	3	
10	GU98680555	screw M10x55	2	
11	GU32457810	Guard	2	
12	GU98682414	Hex socket screw	2	
13	AP8120311	Rubber spacer *	2	
14	GU66103415	Rubber spacer	2	

Group	FRAME
Code	33.02
Description	Frame II
Service	1



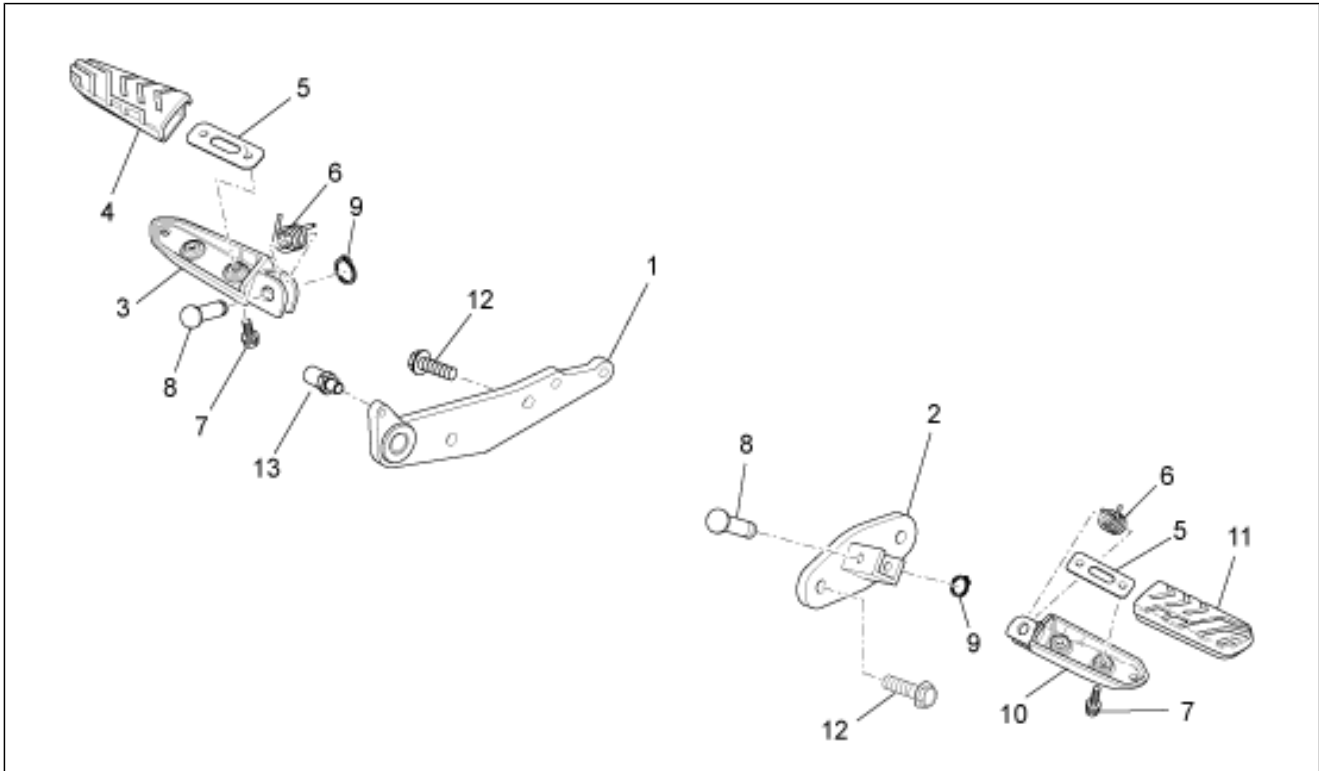
Pos.	Code	Description	Qty	Variants
1	B063197	RH cradle arm	1	
2	B063198	LH cradle arm	1	
3	GU53429500	Pin M10x250	1	
4	GU19017000	Bushing	2	
5	GU92606210	Nut M10x1,5	3	
6	GU95008210	Washer 10,2X18X2	3	
7	GU98082565	screw M10x65	2	
8	GU28252060	Bush 18 mm est.	2	
9	GU32431310	Cradle arms conn.crosspiece	1	
10	AP8121367	Pin M10x260	1	
11	AP8152220	Washer	2	
12	AP8150436	Low self-locking nut	1	
13	AP8152287	Screw w/ flange M8x25	1	
14	AP8152300	Self-locking nut M8	1	
15	AP8152288	Screw w/ flange	1	

Group	FRAME
Code	33.03
Description	Lateral stand
Service	1



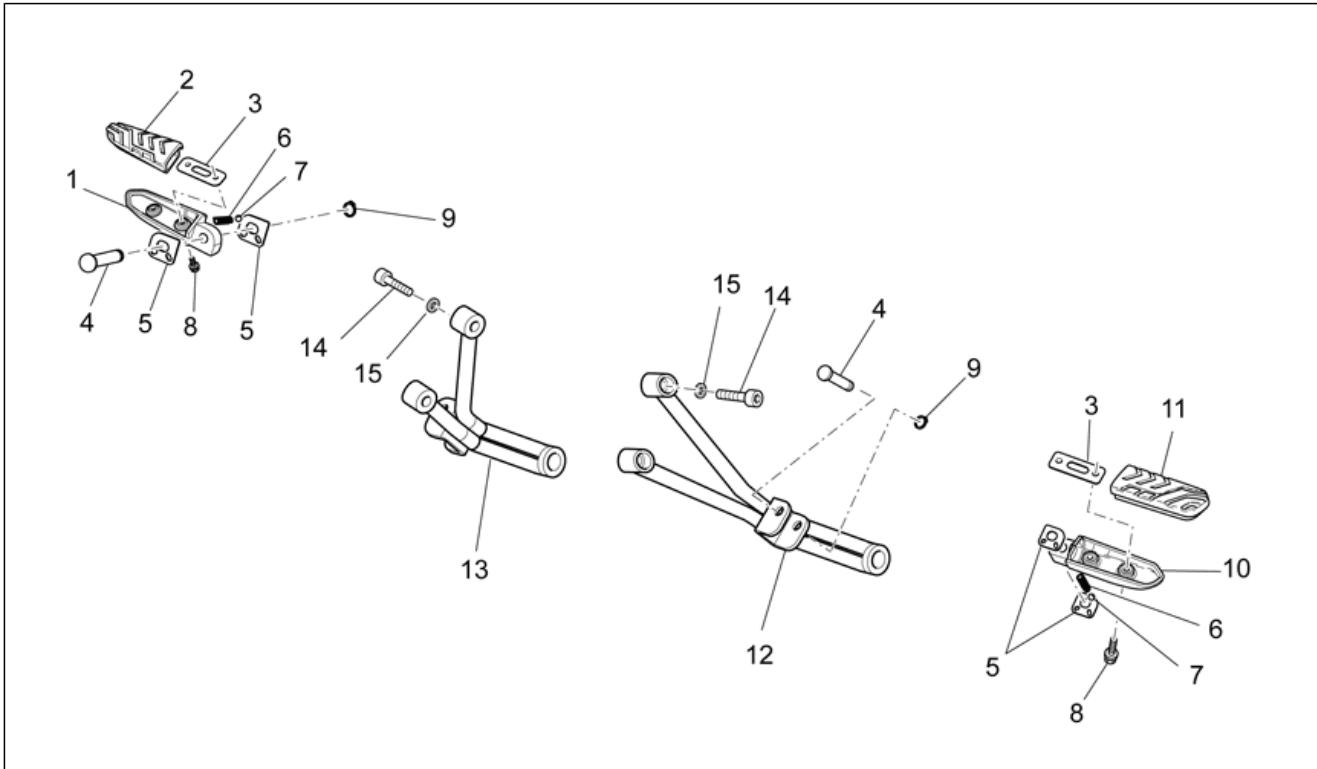
Pos.	Code	Description	Qty	Variants
1	883471	Side arm black	1	
2	AP8121607	Central stand fixing screw	1	
3	AP8121014	Coil pull spring *	1	
4	AP8102524	Stand spring protection	1	
5	AP8221197	Lateral stand spring	1	
6	GU32433011	Nut	1	
7	GU00823923140	Thermal sheath	1	
8	AP8127856	Lateral stand switch	1	
9	GU98612216	Hex socket screw	2	
10	GU95020105	Washer 5,3x8,9x2,4	2	
11	GU32432711	plate	1	

Group	FRAME
Code	33.04
Description	Front footrests
Service	1



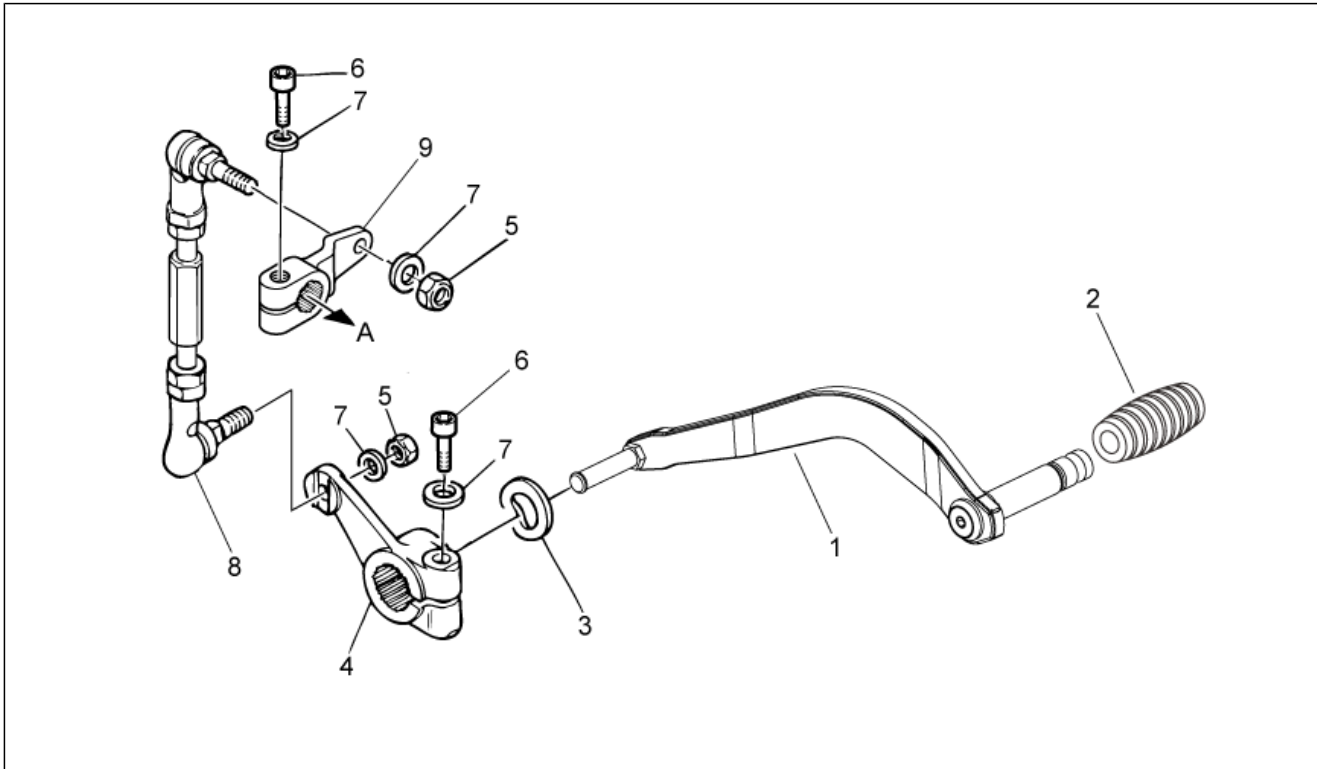
Pos.	Code	Description	Qty	Variants
1	883051	RH foot rest support	1	
2	883052	LH footrest support	1	
3	AP8145034	RH Foot rests	1	
4	GU32443210	Support rubber part	1	
5	GU32441210	Plate	2	
6	AP8221277	Footrest return spring	2	
7	AP8152277	Screw w/ flange M6x12	4	
8	AP8121566	Footrest pin	2	
9	AP8152409	Stop ring	2	
10	AP8145035	LH Foot rests	1	
11	GU32443211	Support rubber part	1	
12	GU98682416	Hex socket screw M8x16	4	
13	B063132	Limit stop	1	

Group	FRAME
Code	33.05
Description	Rear footrests
Service	1



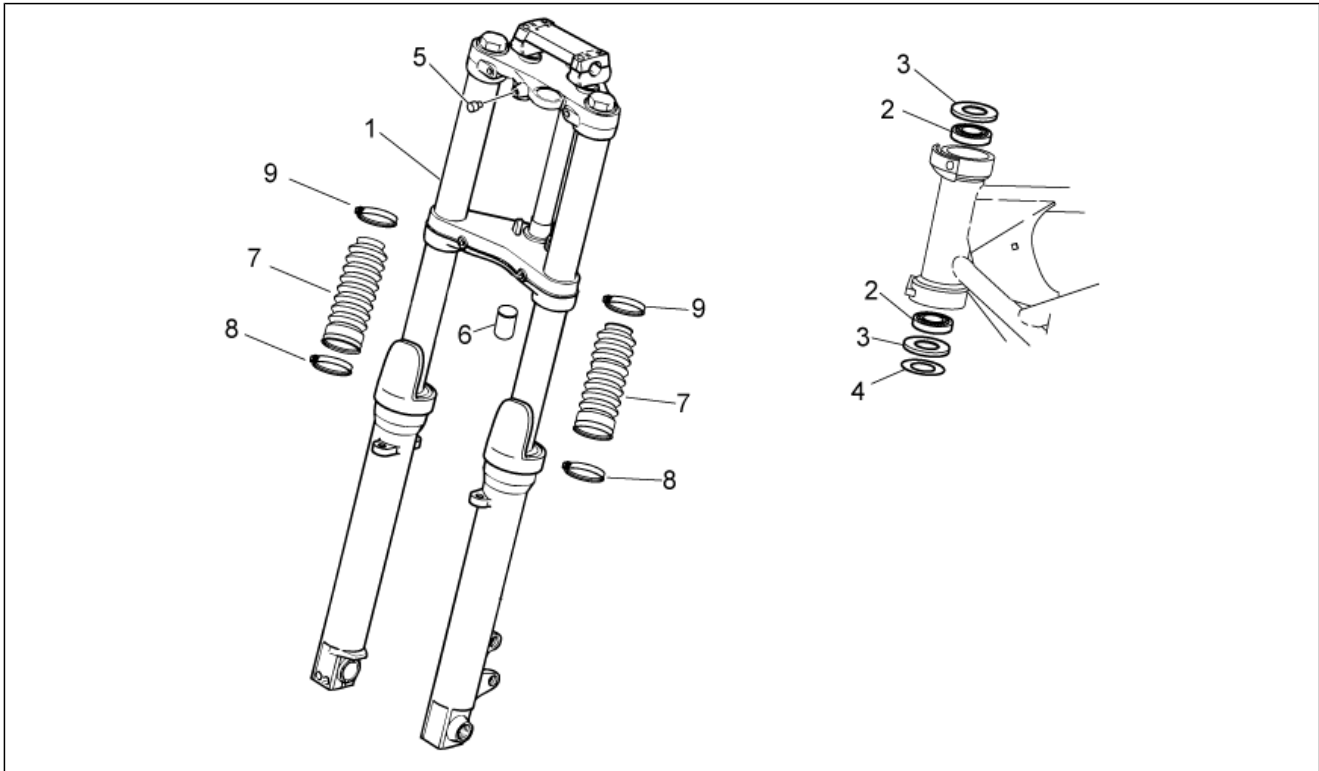
Pos.	Code	Description	Qty	Variants
1	GU32442310	Rear footrest, RH	1	
2	GU32443210	Support rubber part	1	
3	GU32441210	Plate	2	
4	AP8121566	Footrest pin	2	
5	AP8134451	Footrest plate	4	
6	AP8121133	Coil compress. spring	2	
7	AP8101861	Ball D6,35	2	
8	AP8152277	Screw w/ flange M6x12	4	
9	AP8152409	Stop ring	2	
10	GU32442710	Rear footrest, LH	1	
11	GU32443211	Support rubber part	1	
12	2B000349	Supporto pedane passeggero sx con Pi	1	
12	883019	LH footrest support	1	
13	2B000348	Supporto pedane passeggero dx con PI	1	
13	883015	RH foot rest support	1	
14	GU98682416	Hex socket screw M8x16	4	
15	GU14615901	Washer 8,4X13X0,8	4	

Group	FRAME
Code	33.06
Description	Gear lever
Service	1



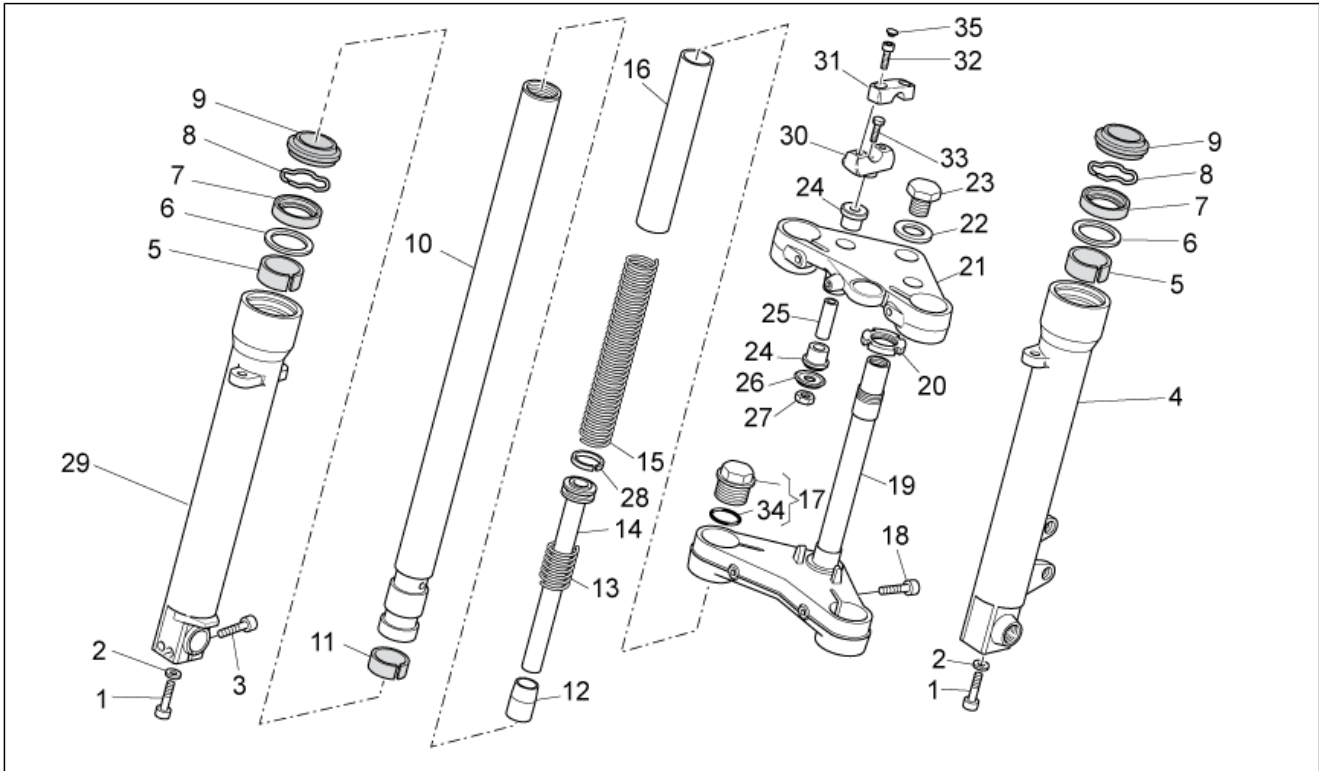
Pos.	Code	Description	Qty	Variants
1	887851	Gear lever	1	
2	AP8120912	Lever rubber	1	
3	GU95129260	Spring washer	2	
4	GU32256910	Lever	1	
5	GU92630707	Nut	2	
6	GU98632322	screw	2	
7	GU03013800	Washer 6,4x12	3	
8	GU32257810	Change gear tie rod compl.	1	
9	GU20258221	Shift lever	1	

Group	FRAME
Code	33.07
Description	Front fork I
Service	1



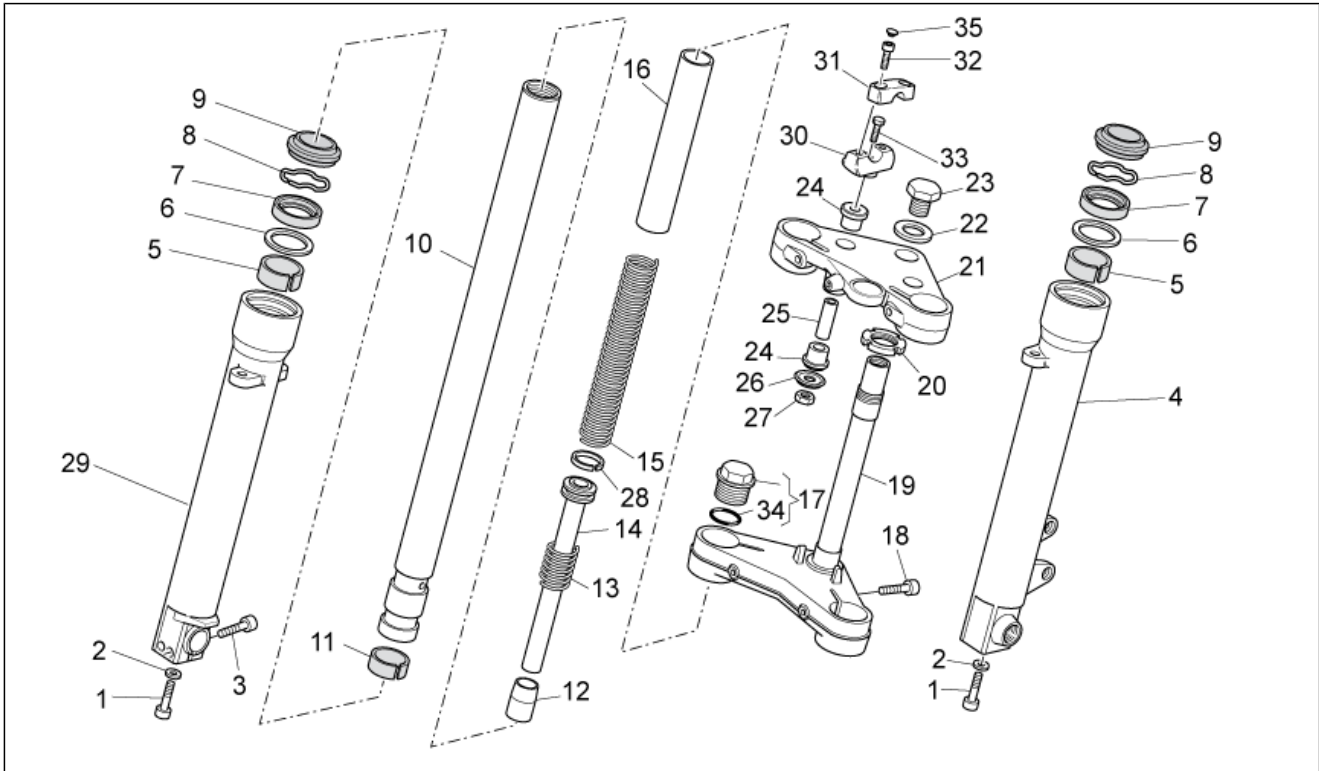
Pos.	Code	Description	Qty	Variants
1	2B000558	Front fork	1	
2	GU92249225	Tap.roller bearing	2	
3	AP8144146	Gasket ring	1	
4	AP8121307	Washer	1	
5	AP8144081	Rubber spacer	1	
6	AP8220460	Rubber cup	1	
7	898086	Anti-dust tube	2	
8	CM001928	Hose clamp 44	2	
9	CM001929	Fascetta stringitubo 63.5	2	

Group	FRAME
Code	33.08
Description	Fron fork II
Service	1



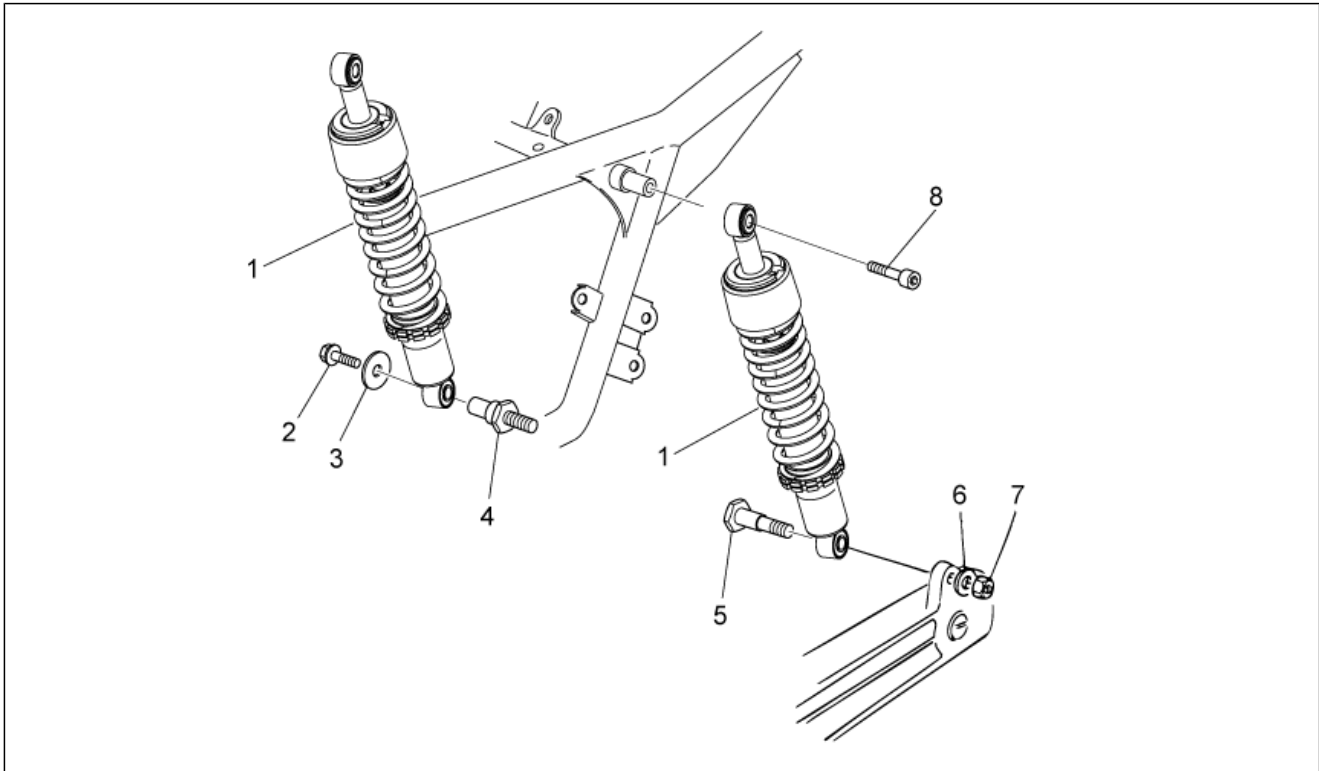
Pos.	Code	Description	Qty	Variants
1	887878	screw M10x30	2	
2	887879	Washer	2	
3	887880	screw	2	
4	2R000110	LH sleeve	1	
5	887882	Upper bush	2	
6	887883	Washer	2	
7	887884	Gasket ring	2	
8	887885	Stop ring	2	
9	887886	Dust cover	2	
10	887887	Sleeve	2	
11	887888	Bush	2	
12	887889	Pad	2	
13	887890	Return spring	2	
14	887891	Plunger, complete	2	
15	887892	Spring	2	
16	887893	pipe	2	
17	887894	Plug cpl.	2	
18	887895	screw	2	
19	887896	Stem base	1	
20	GU31513480	Ring nut M25X1	1	
21	887898	Upper plate	1	
22	887899	Washer	1	
23	887900	Nut	1	
24	887901	Rubber spacer	4	
25	887902	Spacer	2	
26	887903	Cup	2	
27	887904	Nut	2	
28	887905	Ring	2	

Group	FRAME
Code	33.08
Description	Fron fork II
Service	1



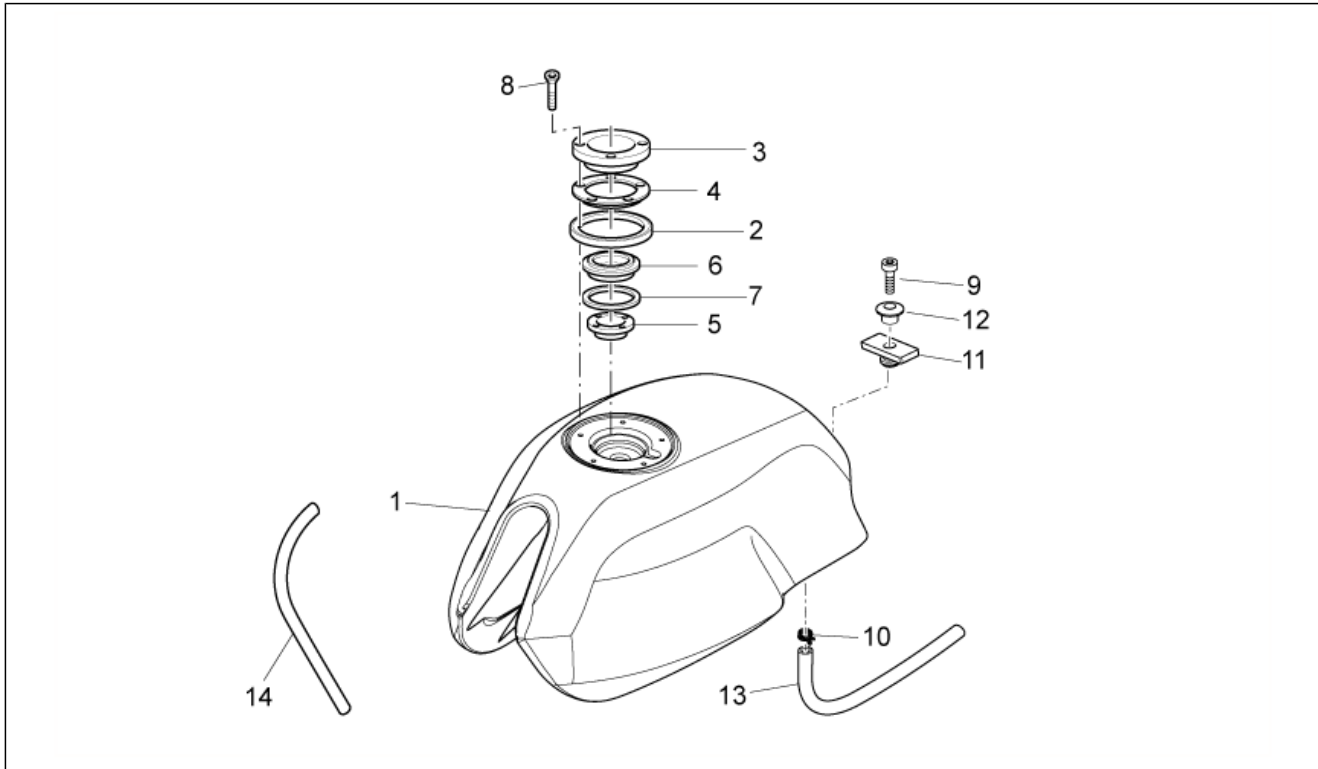
Pos.	Code	Description	Qty	Variants
29	2R000109	RH sleeve	1	
30	887912	Lower U-bolt	2	
31	887913	Upper U-bolt	2	
32	887914	screw M8x30	4	
33	887915	screw M10x60	2	
34	887916	O-ring 4118	2	
35	GU23943410	Plug	4	

Group	FRAME
Code	33.11
Description	Rear shock absorber
Service	1



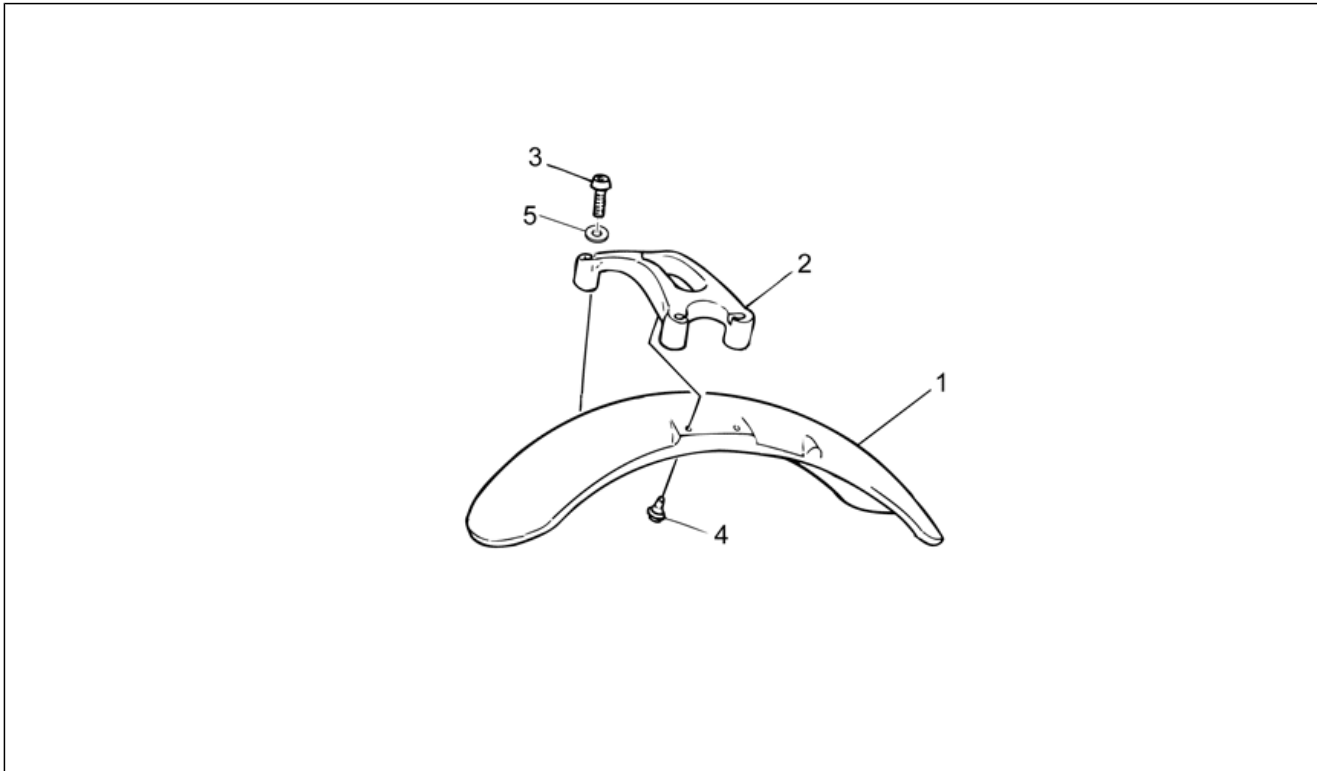
Pos.	Code	Description	Qty	Variants
1	2B000899	Rear shock absorber	2	
2	AP8152278	Screw w/ flange M6x16	1	
3	898164	Shock abs. spacer	1	
4	GU32555210	Pin	1	
5	GU32555211	Pin	1	
6	GU95129181	Washer	1	
7	GU92606210	Nut M10x1,5	1	
8	GU98690335	Hex socket screw	2	

Group	FRAME
Code	33.12
Description	Fuel tank
Service	1



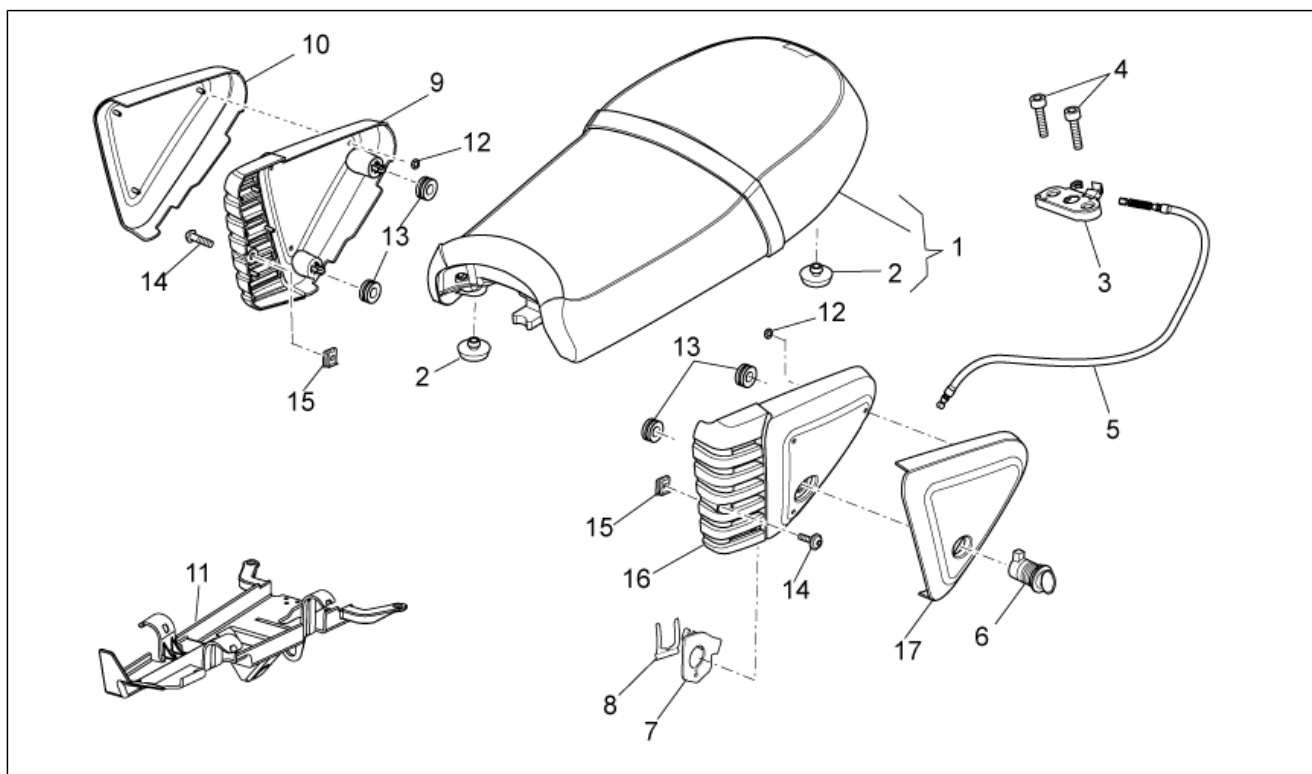
Pos.	Code	Description	Qty	Variants
1	2H000415000XN6	Fuel tank, black	1	Vehicle colour:Diablo Black[ND]
1	2H000415000XV6	Fuel tank, green	1	Vehicle colour:Verde Raptor opaco [VR]
1	2H000415000YR4	Fuel tank, red	1	Vehicle colour:Rosso Ventone[RV]
1	887944	Fuel tank blank	1	Vehicle colour:Blank[GR]
2	GU03102400	Gasket	1	
3	GU03101900	Flange	1	
4	GU03103500	Ring	1	
5	883502	Reduction 24 mm	1	
6	GU03102200	Plug ring nut	1	
7	GU03101600	Gasket	2	
8	GU03103200	screw	5	
9	GU98682430	Hex socket screw M8x30	1	
10	AP8101595	Hose clamp D10,1	1	
11	AP8120557	Tank rubber	1	
12	AP8121673	T bush *	1	
13	GU00823944050	pipe 5X9	1	
14	GU00823931070	Gasket	1	

Group	FRAME
Code	33.13
Description	Front body - Front mudguard
Service	1



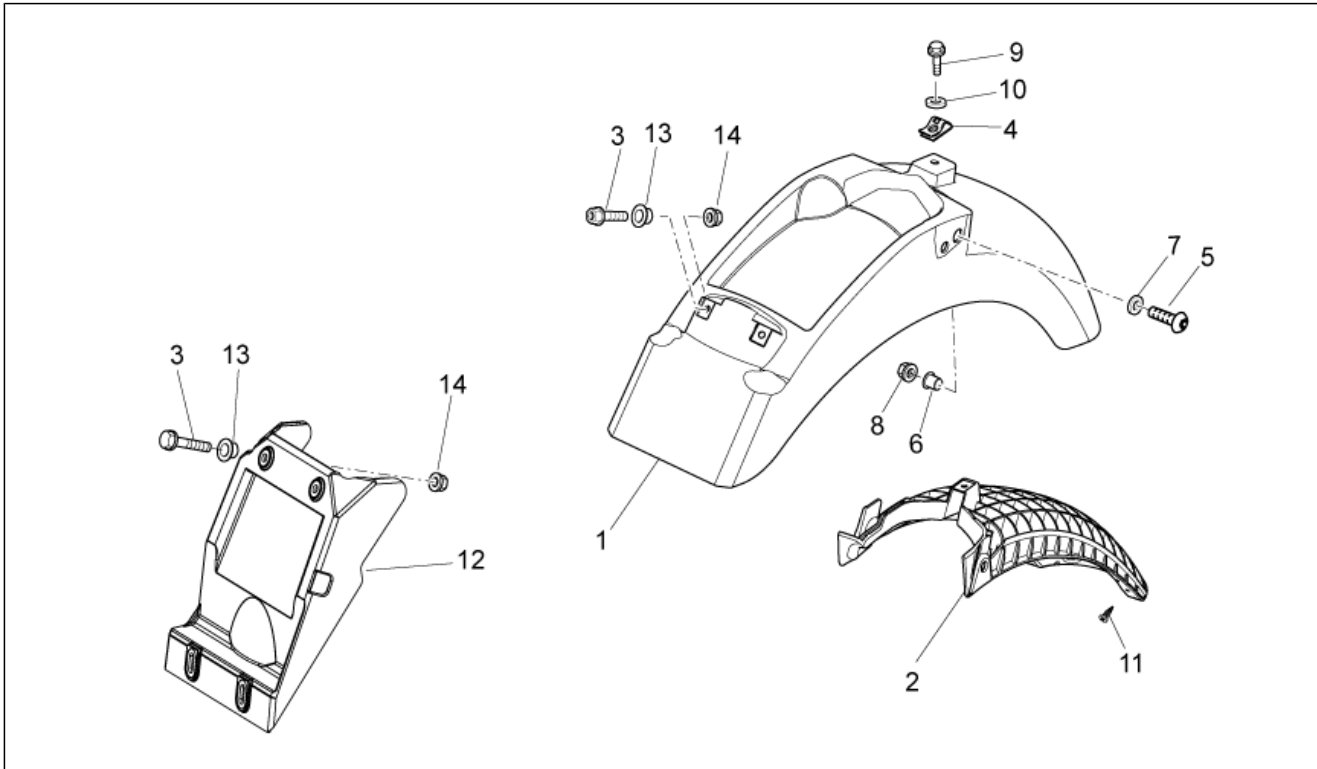
Pos.	Code	Description	Qty	Variants
1	88635200XN6	Front mudguard, black	1	
1	GU32434460	Front mudguard blank	1	Vehicle colour:Blank[GR]
2	883266	Stabilization plate	1	
3	GU98370845	Hex socket screw	4	
4	GU31439565	Special screw	4	
5	GU14615901	Washer 8,4X13X0,8	4	

Group	FRAME
Code	33.14
Description	Saddle-Central bod
Service	1



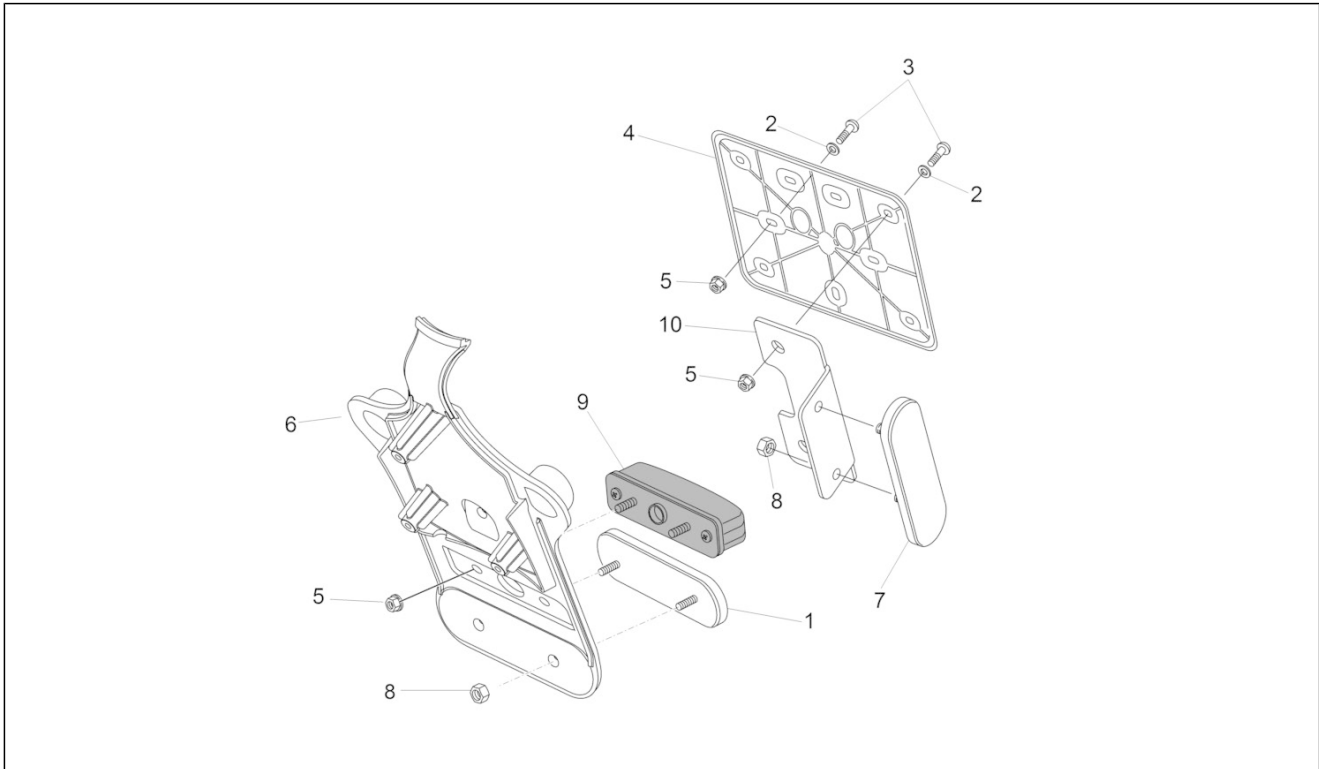
Pos.	Code	Description	Qty	Variants
1	2B000880	Two-seat saddle	1	Year: Vehicle colour: Diablo Black[ND], Rosso Ventone[RV], Verde Raptor opaco [VR]
2	GU32461610	Rubber spacer	8	
3	AP8102913	Pass.saddle connecting plate	1	
4	GU98370625	Hex socket screw	2	
5	883295	Saddle release cable	1	
6	977527	Locking complete with keys	1	
7	AP8121420	Fork spring	1	
8	978415	Cable fixing plate	1	
9	2B000878	RH side panel	1	
10	2H000384000XN6	RH side panel, black	1	Year: Vehicle colour: Diablo Black[ND], Rosso Ventone[RV], Verde Raptor opaco [VR] Technical Specifications: Decal[D]
10	978940	RH side panel, blank	1	Vehicle colour: Blank[GR]
11	B063431	Protection	1	
12	AP8150450	Washer for shafts D5	1	
13	GU91551086	Rubber spacer	4	
14	AP8152339	Screw w/ flange M5x9	2	
15	AP8102375	Clip m5	2	
16	2B000840	LH side panel	1	
17	2H000385000XN6	LH side panel, black	1	Year: Vehicle colour: Diablo Black[ND], Rosso Ventone[RV], Verde Raptor opaco [VR] Technical Specifications: Decal[D]
17	978943	LH side panel, blank	1	Vehicle colour: Blank[GR]

Group	FRAME
Code	33.15
Description	Rear body I- Mudguard
Service	1



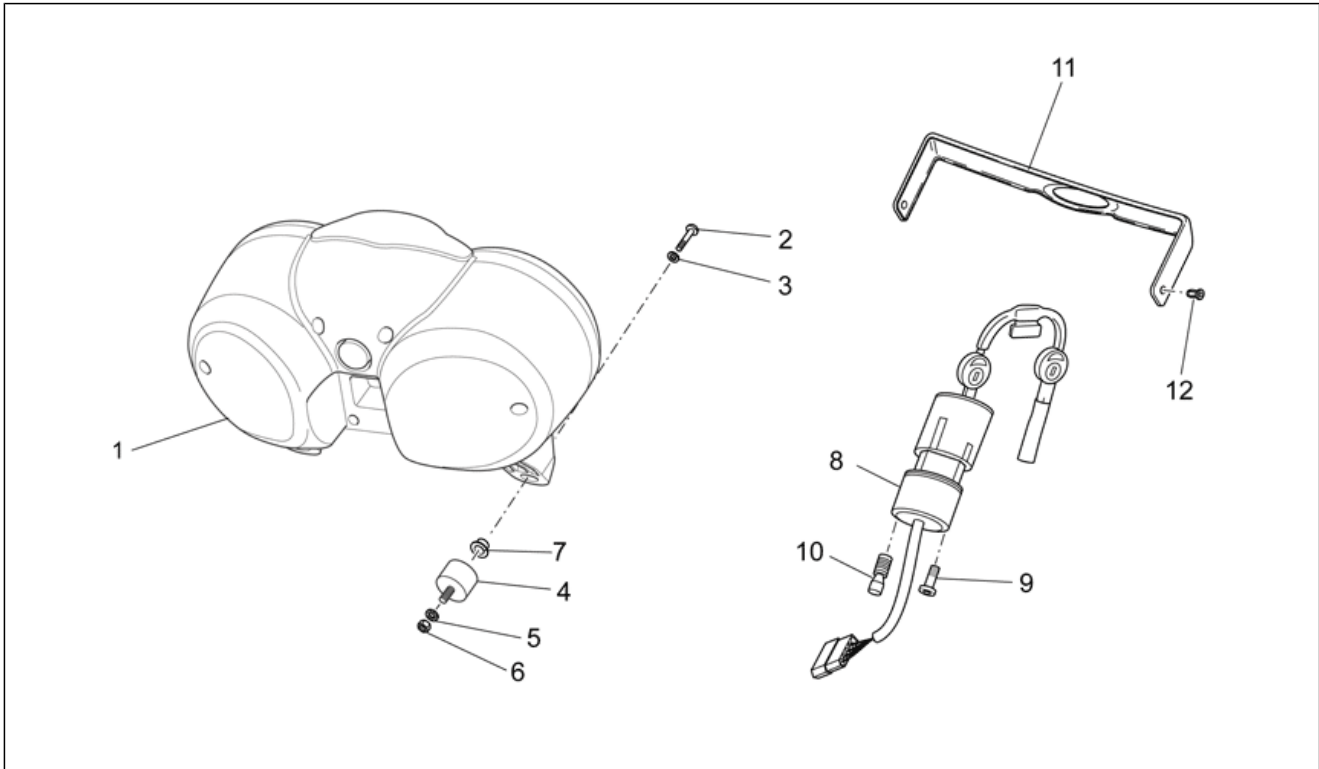
Pos.	Code	Description	Qty	Variants
1	978946	Rear mudguard blank	1	
1	97894600XN6	Rear mudguard, black	1	Year: Vehicle colour: Diablo Black[ND], Rosso Ventone[RV], Verde Raptor opaco [VR]
2	978947	Support	1	
3	AP8152278	Screw w/ flange M6x16	4	
4	254485	Spring plate M6	1	
5	GU98370831	Hex socket screw M8x30	2	
6	GU91120806	Spacer	2	
7	GU95005310	Washer 8,4x18x2	2	
8	GU92630108	Nut	2	
9	AP8152279	Screw w/ flange M6x20	2	
10	GU91180601	Spacer 6,2x8x3	2	
11	AP8152329	Phillips screw, SWP M5x20	3	
12	B063167	Splash guard	1	
13	AP8121032	Bush	6	
14	AP8152299	Self-locking nut M6	6	

Group	FRAME
Code	33.16
Description	Rear body II- Plate holder
Service	1



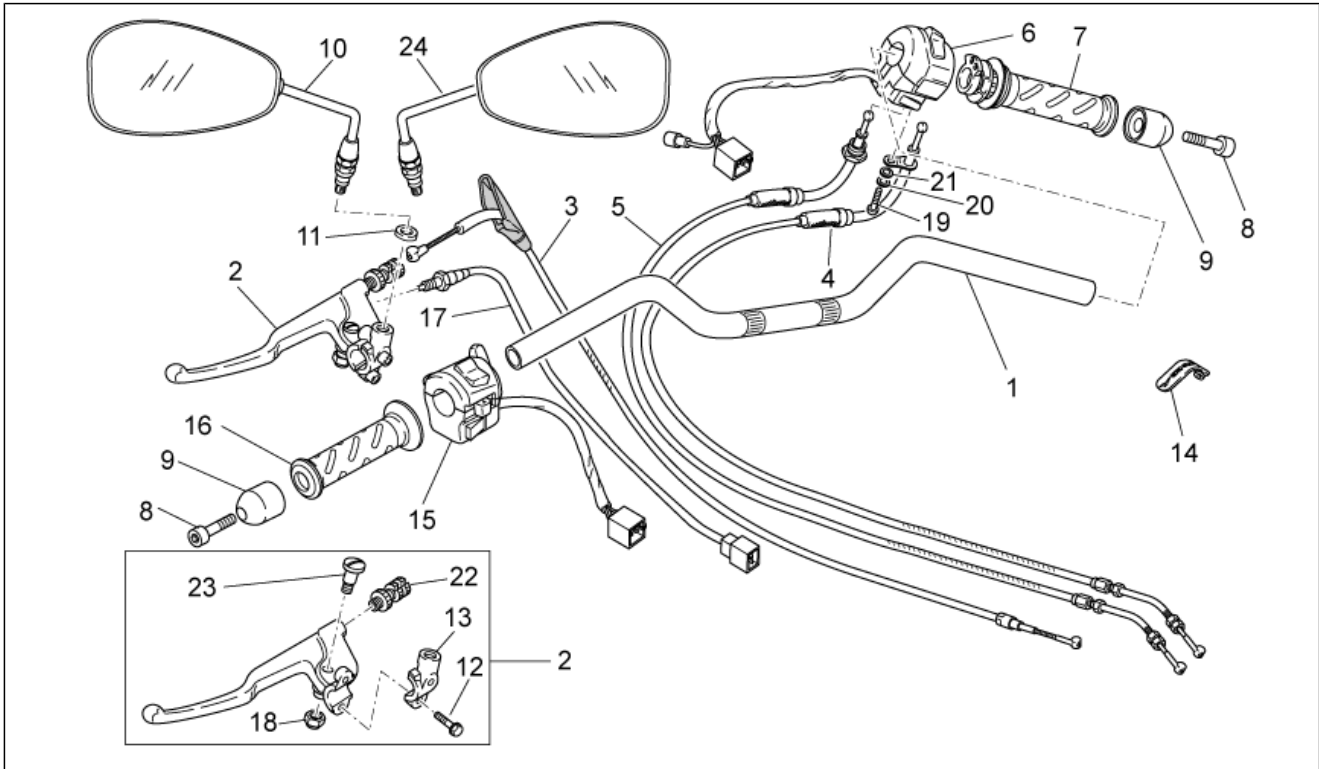
Pos.	Code	Description	Qty	Variants
1	GU05781630	Reflector, amber	1	
2	AP8150248	Washer 5,5x15x1,6	7	
3	AP8152268	Hex socket screw M5x16	7	
4	AP8149034	Number plate support	1	
5	AP8152306	Self-locking nut m5	1	
6	883470	Number plate holder	1	
7	AP8124718	Rear reflector, red	2	
8	GU92630204	Nut	6	
9	883480	Number-plate light	1	
10	GU32781910	Reflector support	2	

Group	FRAME
Code	33.17
Description	Dashboard
Service	1



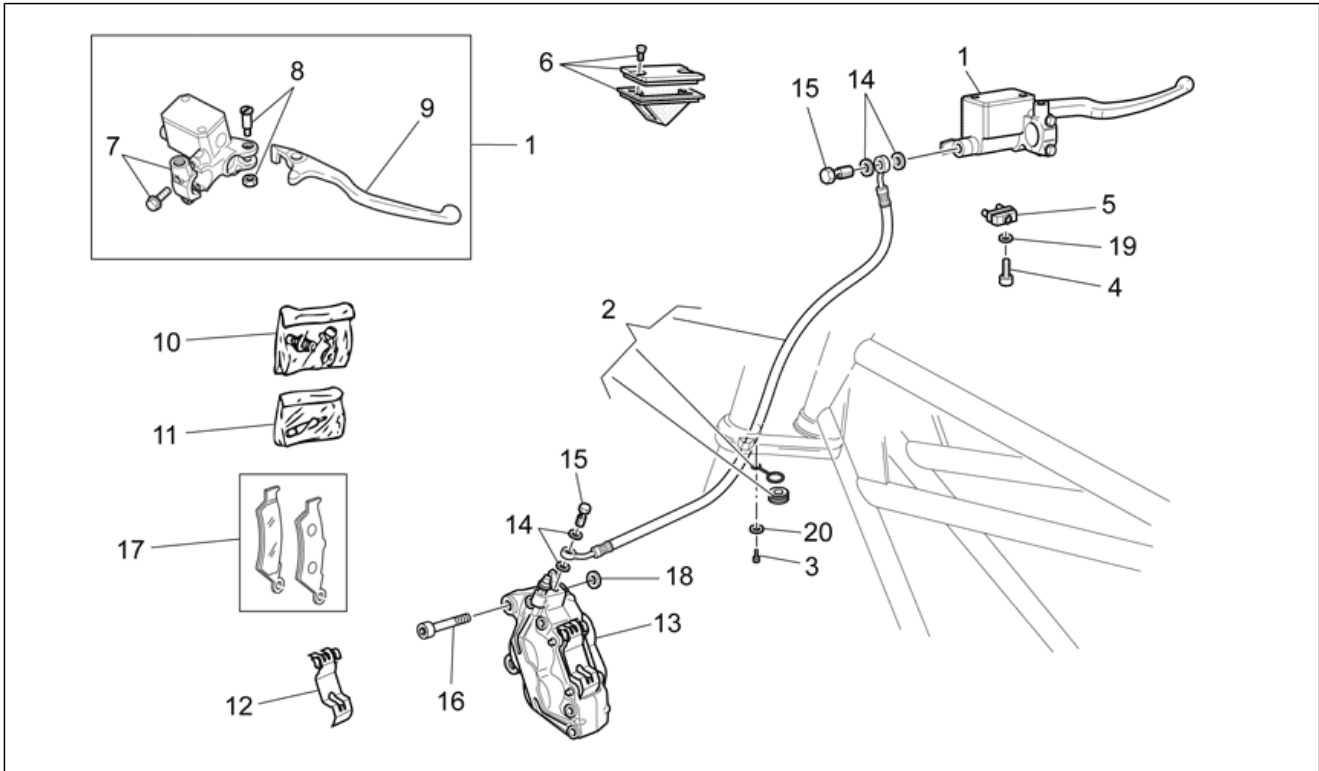
Pos.	Code	Description	Qty	Variants
1	887194	Dashboard complete km/h	1	Country:Canadian[CND]
1	887195	Dashboard complete MPH	1	Country:United States of America[USA]
2	GU98370609	Hex socket screw M6x10	3	
3	GU95005306	Washer 6,4x13x1,5	3	
4	GU93222023	Silent-block	3	
5	GU95021206	Washer	3	
6	GU92606206	Nut	3	
7	AP8121032	Bush	3	
8	GU32782510	Main switch - steering lock	1	
9	GU98682416	Hex socket screw M8x16	1	
10	AP8150349	Special screw M8x15	1	
11	883569	Cover	1	
12	GU23922210	Pin	2	

Group	FRAME
Code	33.18
Description	Handlebar - Controls
Service	1



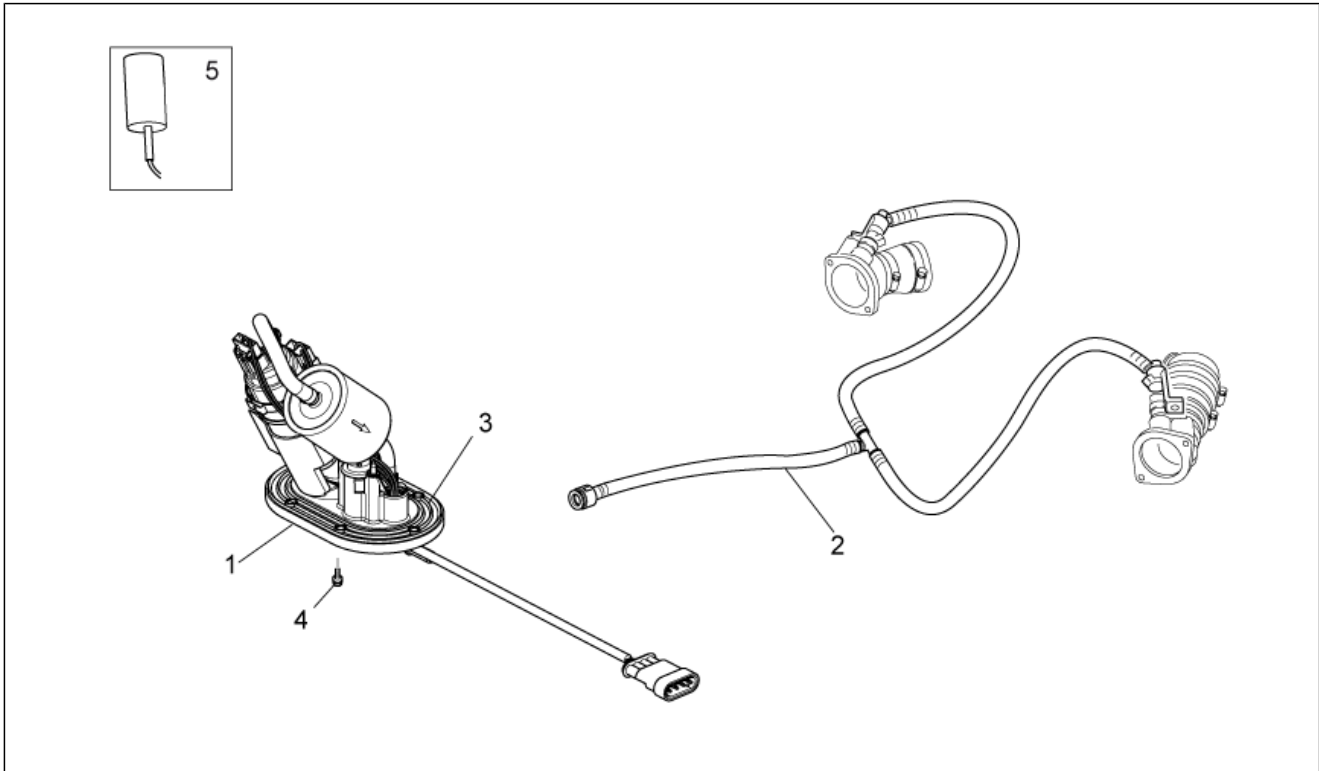
Pos.	Code	Description	Qty	Variants
1	2B000671	Handlebar	1	
2	GU32605510	Clutch lever	1	
3	B063427	Clutch cable	1	
4	887852	Gas trasmission delivery	1	
5	887853	Gas trasmission return	1	
6	B063135	RH lights selector	1	
7	GU32603310	RH hand grip	1	
8	GU98690335	Hex socket screw	2	
9	AP8104509	Anti.v weight, black	2	
10	2B001048	RH rearview mirror	1	
11	GU91181003	Spacer 10,25X20X4	2	
12	GU97202325	Black screw w/ flange M6x25	2	
13	GU30601060	Clump	1	
14	GU01609630	Hose clamp L46 mm	2	
14	GU03609600	Hose clamp L36 mm	1	
15	B063975	LH lights selector	1	
16	GU32603010	LH hand grip	1	
17	GU29759150	Lateral stand switch	1	
18	AP8213388	Self-locking nut	1	
19	GU98230510	Hex socket screw	1	
20	GU95008305	Washer 5,3X10X1	1	
21	GU95021105	Notched washer	1	
22	GU30602500	Register	1	
23	AP8213028	screw	1	
24	2B001049	LH rearview mirror	1	

Group	FRAME
Code	33.19
Description	Front brake system
Service	1



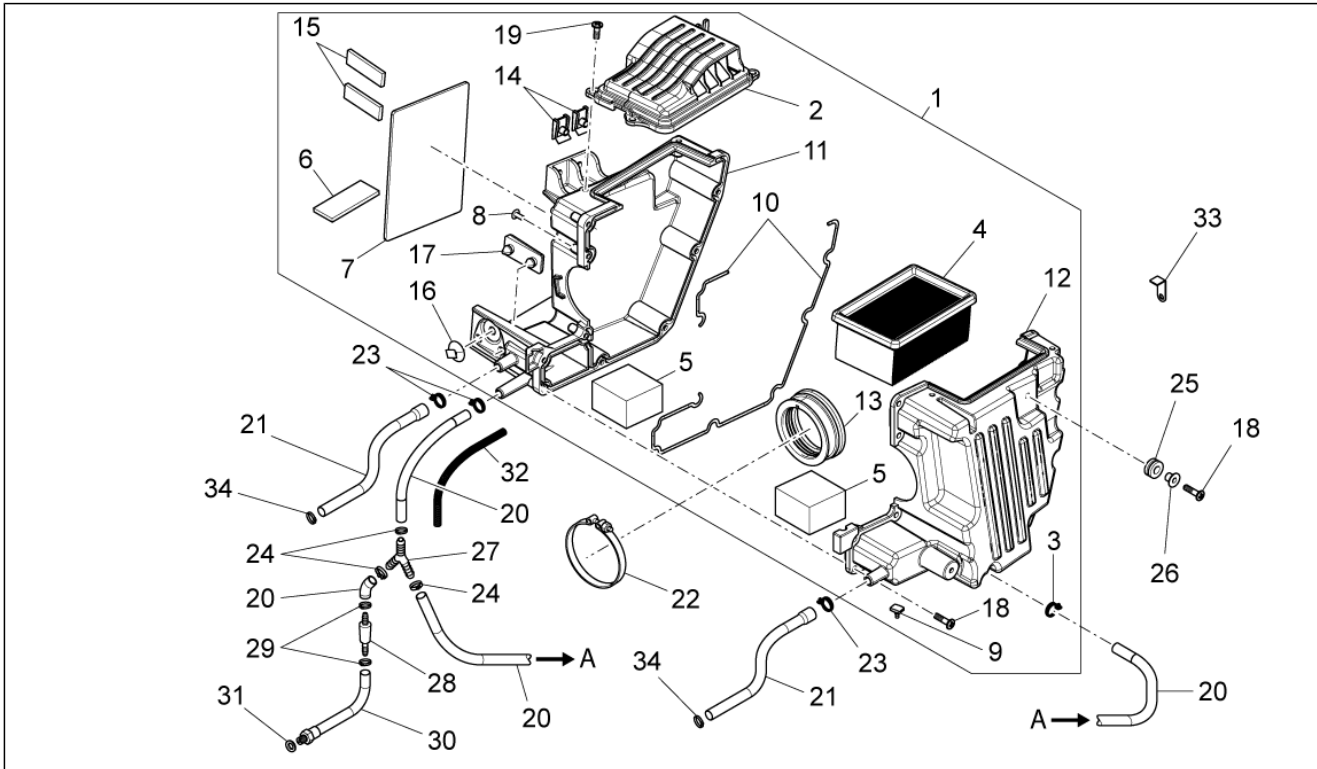
Pos.	Code	Description	Qty	Variants
1	GU03660145	Front master cilinder	1	
2	GU32657110	Brake hose	1	
3	AP8152277	Screw w/ flange M6x12	1	
4	GU98370412	Hex socket screw M4x12	1	
5	GU03749845	Stop switch	1	
6	GU03661145	Pump cover	1	
7	GU03664045	U-bolt	1	
8	GU03604845	Lever pin	1	
9	GU03605645	Brake lever	1	
10	GU05659230	Bleeder+cap	1	
11	GU01659130	Pins+Caliper springs	1	
12	GU01659131	Spring	1	
13	883303	LH front brake caliper, black	1	
14	AP8121915	Gasket	4	
15	978323	Oil pipe screw *	2	
16	AP8152385	Hex socket screw M10x1,25	2	
17	GU01654630	Pads pair	1	
18	GU91181003	Spacer 10,25X20X4	2	
19	GU95021104	Washer 4,3x8x1,5	1	
20	GU95008306	Washer 6,4x12x1,2	1	

Group	FRAME
Code	33.21
Description	Fuel pump
Service	1



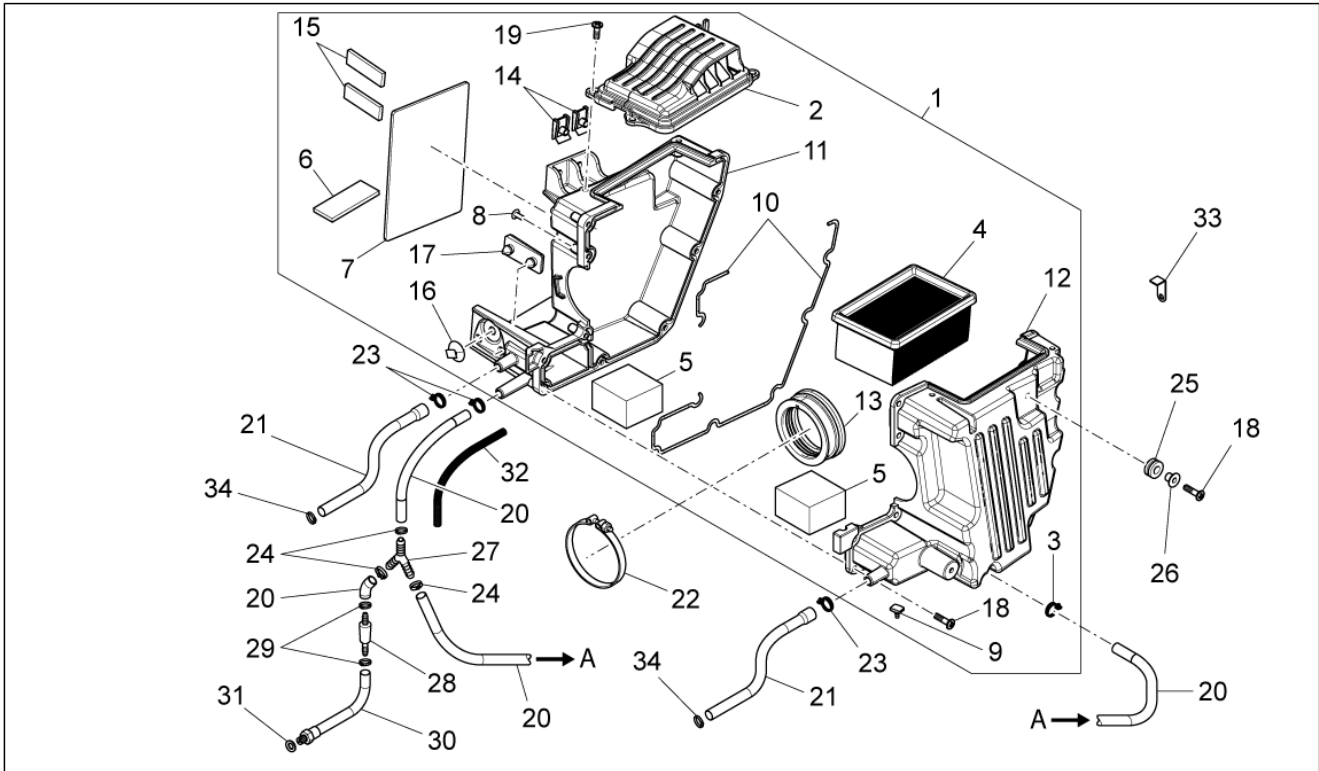
Pos.	Code	Description	Qty	Variants
1	B063752	Fuel pump	1	
2	2B000970	Fuel pipe	1	
3	GU05107430	Gasket	1	
4	AP8152273	Screw w/ flange M5X15	6	
5	887787	Fuel level sensor	1	

Group	FRAME
Code	33.22
Description	Air box
Service	1



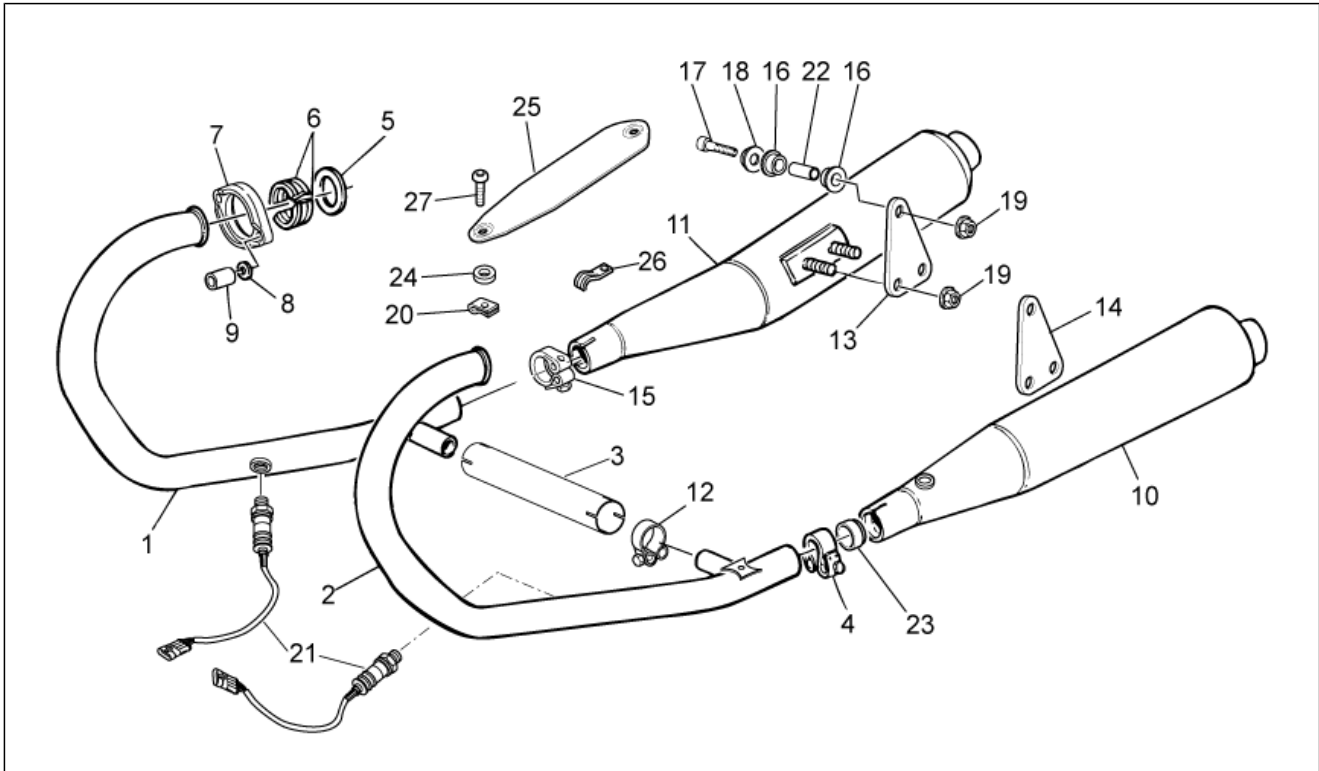
Pos.	Code	Description	Qty	Variants
1	8878421	Complete filter box	1	
2	887843	Air filter cover	1	
3	AP8201358	Hose clamp D 11,9	1	
4	AP8104924	Air filter	1	
5	AP8104525	Filter blow-by	2	
6	883127	Support rubber part 5mm	1	
7	AP8144553	Support rubber part	1	
8	AP8120876	Plug	2	
9	AP8120455	Rubber spacer	1	
10	AP8120615	Gasket D3	2	
11	887844	Filter box right shell	1	
12	887845	Filter box left shell	1	
13	887815	Intake hose	1	
14	254485	Spring plate M6	2	
15	AP8144538	Gasket	2	
16	890760	Instrument support	1	
17	AP8144729	Stand end stop	1	
18	AP8152329	Phillips screw, SWP M5x20	11	
19	AP8150509	Self-tap screw 5x14	4	
20	AP8120772	Breather pipe	3	
21	B063214	Blow-by pipe	2	
22	GU93305061	Hose clamp 61/65,5	1	
23	AP8102766	Hose clamp	3	
24	AP8102765	White hose clip D.13,5x6	3	
25	GU91551010	Rubber spacer	2	
26	AP8221023	T bush	2	
27	2B000045	3-way union	1	
28	AP8104996	Anti-return valve	1	

Group	FRAME
Code	33.22
Description	Air box
Service	1



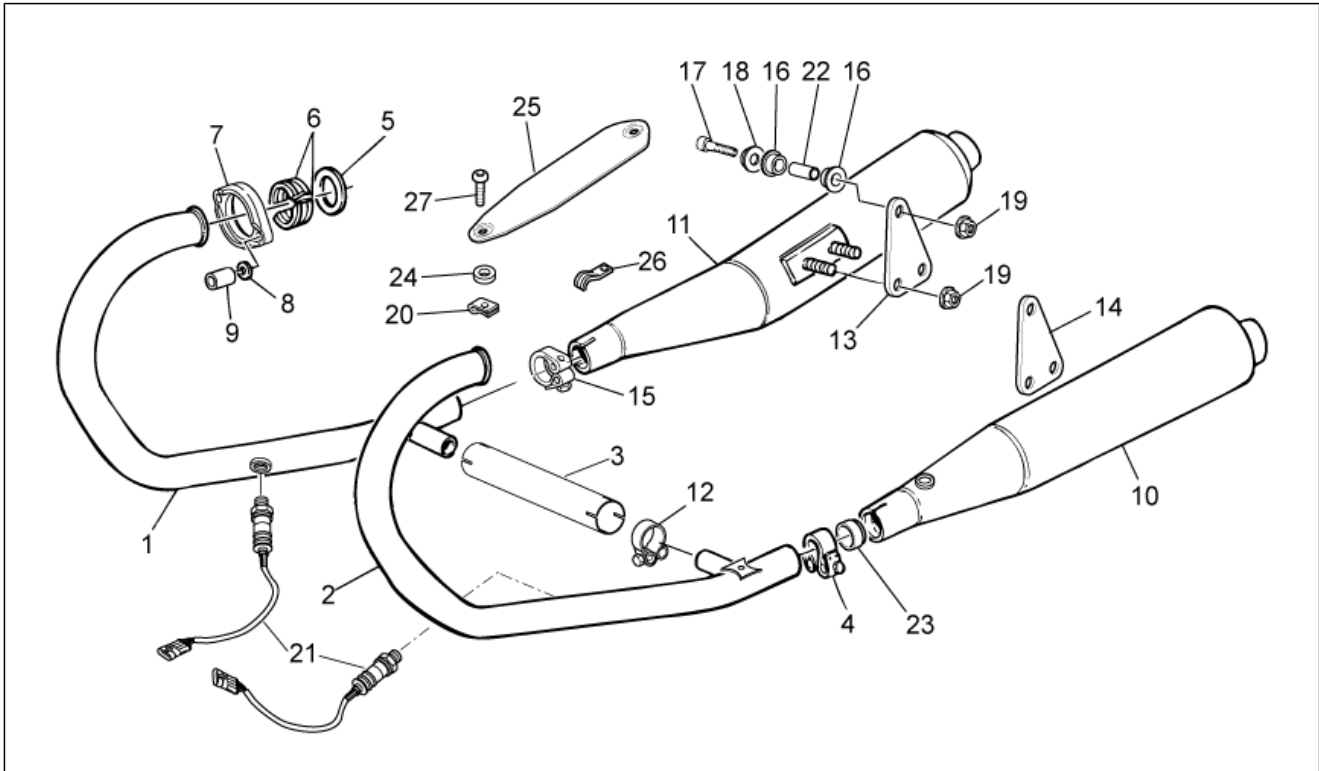
Pos.	Code	Description	Qty	Variants
29	GU28157950	Hose clip 12,5x8	2	
30	B063213	Breather	1	
31	GU90714082	Gasket	1	
32	GU00823923140	Thermal sheath	1	
33	GU31112965	Square	1	
34	AP8201358	Hose clamp D 11,9	2	

Group	FRAME
Code	33.23
Description	Exhaust unit
Service	1



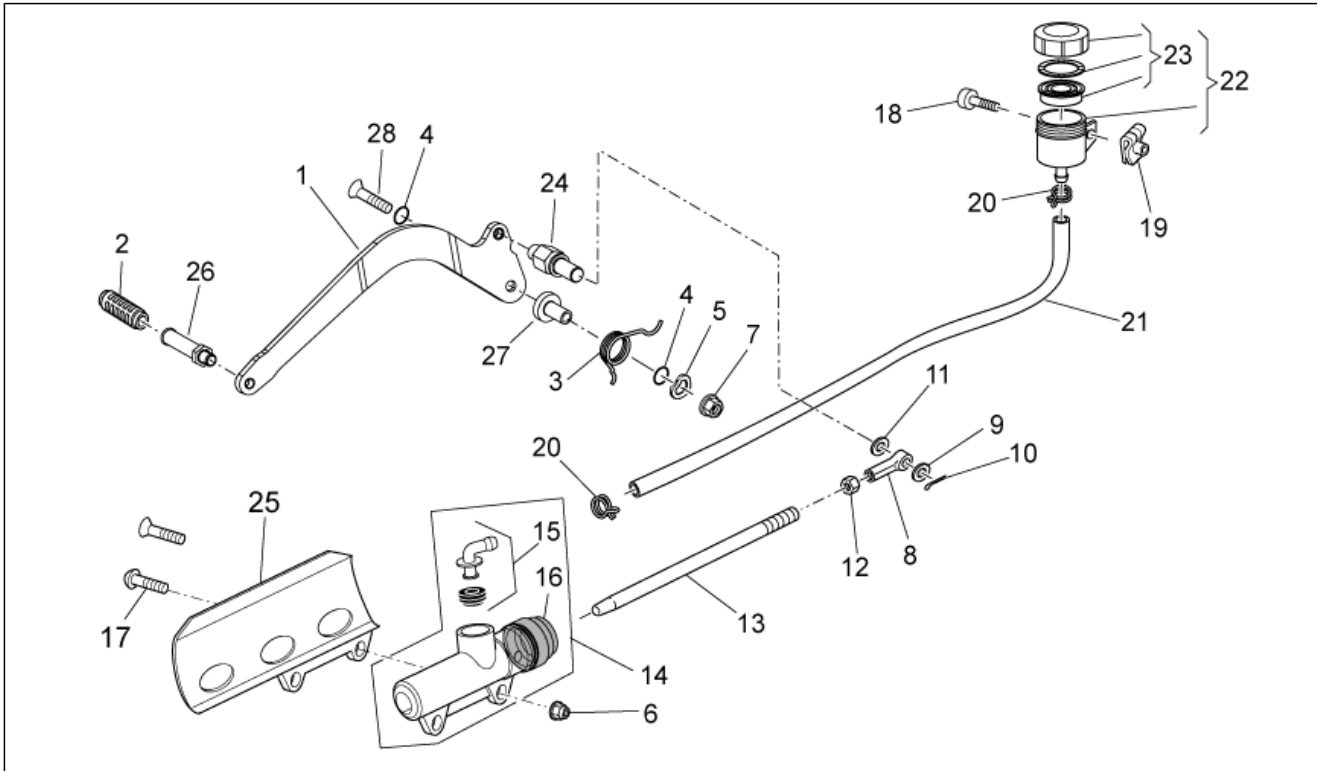
Pos.	Code	Description	Qty	Variants
1	887846	RH exhaust pipe	1	
1	B063854	RH exhaust pipe	1	Country:
2	887847	LH exhaust pipe	1	
2	B063855	LH exhaust pipe	1	Country:
3	B063022	Exhaust manifold union	1	
4	883294	LH silencer clamp	1	
5	GU19025280	Gasket	2	
6	GU19025460	Spacer	4	
7	GU32121010	Ring nut	2	
8	GU03013800	Washer 6,4x12	4	
9	GU31121880	Nut	4	
10	2B000177	LH silencer	1	
11	2B000176	RH silencer	1	
12	978385	Hose clamp	2	
13	883297	RH plate	1	
14	883298	LH plate	1	
15	883293	RH silencer clamp	1	
16	AP8144071	Rubber exhaust	4	
17	GU98690440	screw TCEI M8x40	2	
18	AP8134378	Silencer fixing bush	2	
19	GU92640508	Nut M8	6	
20	254485	Spring plate M6	2	
21	896110	Lamda sensor l.660 mm	2	
22	AP8121072	Spacer	2	
23	GU91113826	Bushing	2	
24	AP8120870	Insulating washer	4	
25	883704	Exhaust pipe heat prot.	2	
26	GU93301175	U-bolt	1	

Group	FRAME
Code	33.23
Description	Exhaust unit
Service	1



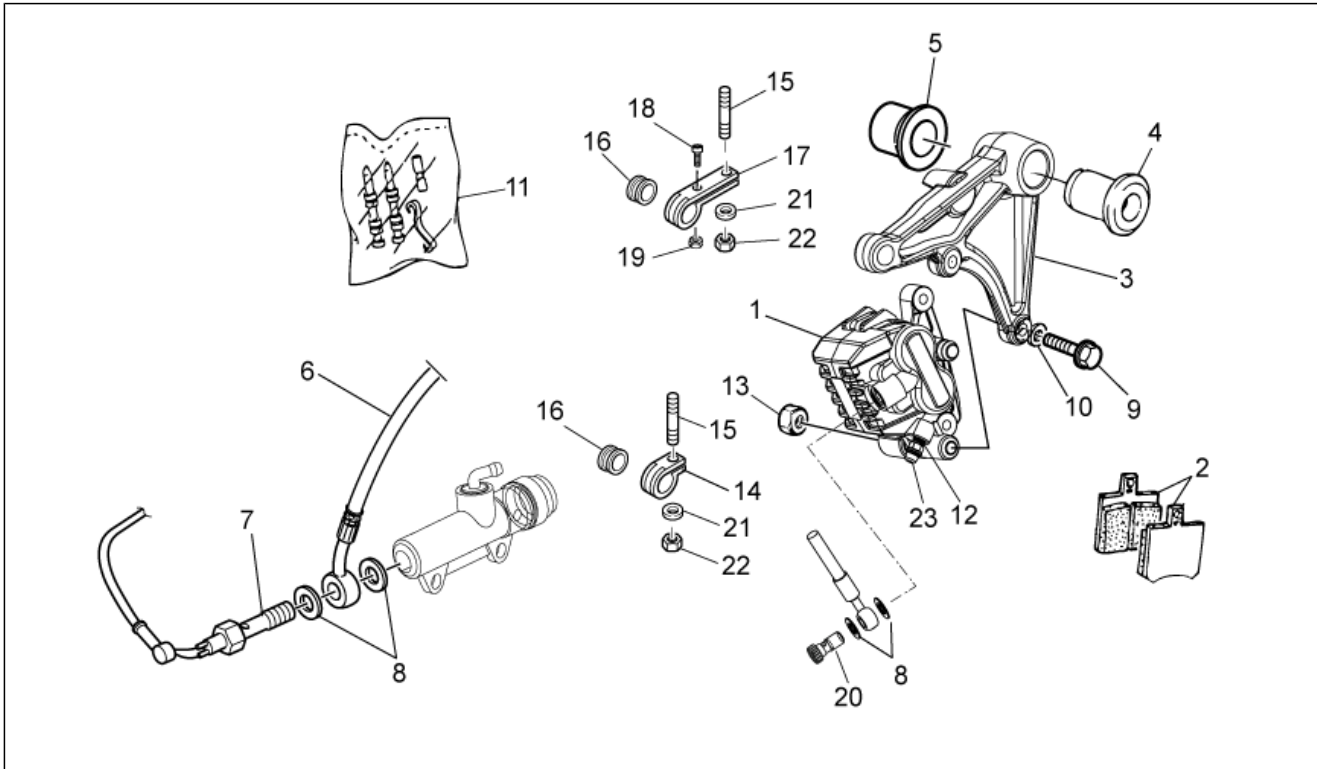
Pos.	Code	Description	Qty	Variants
27	GU98210612	Screw w/ flange M6x12	4	

Group	FRAME
Code	33.26
Description	Rear master cylinder
Service	1



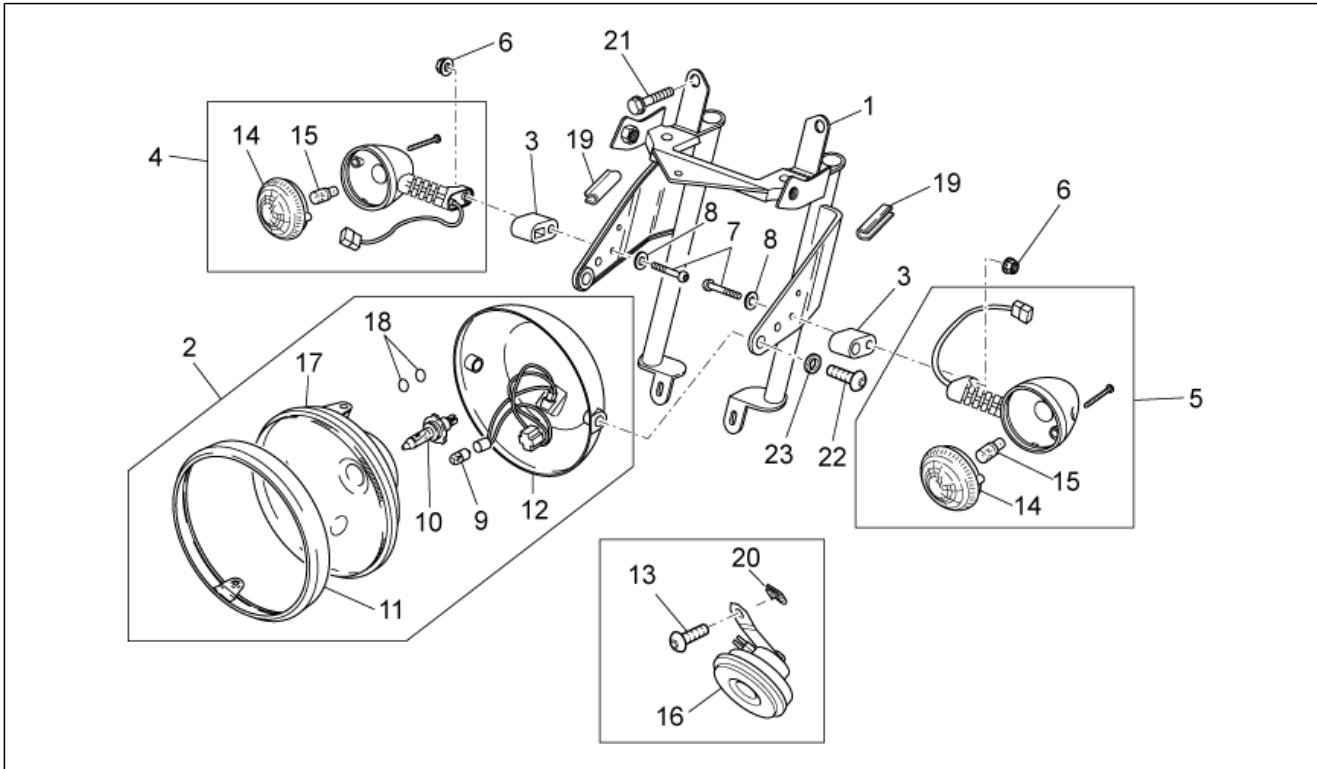
Pos.	Code	Description	Qty	Variants
1	887910	Brake lever	1	
2	AP8120912	Lever rubber	1	
3	978969	Spring	1	
4	AP8144007	O-ring 11,11x1,78	2	
5	GU95005310	Washer 8,4x18x2	1	
6	GU92630206	Nut M6x1	2	
7	GU92660021	Flanged nut M8	1	
8	GU18257551	Block	1	
9	GU95005308	Washer 8,4x14,57x1,6	1	
10	GU95500221	Split pin	1	
11	658837	Crinkle washer D15 F8,4 S1,5 - INOX	1	
12	GU92609007	Nut	1	
13	978970	Master cylinder rod	1	
14	AP8133643	Rear master cylinder	1	
15	AP8213057	Rear brake pump union	1	
16	AP8113288	Rubber bellows	1	
17	GU98370625	Hex socket screw	2	
18	AP8152298	Screw w/ flange M5x16	1	
19	248419	Spring plate m5	1	
20	AP8101594	Hose clamp D10,1*	2	
21	GU00823950050	Oil pipe	1	
22	AP8113241	Brake oil tank complete	1	
23	AP8113553	Tank cap	1	
24	887911	Brake lever pin	1	
25	GU01665410	Brake m.cyl.protection, black	1	
26	887908	Rubber pedal	1	
27	887952	Rear brake lever bush	1	
28	B063443	Screw M8x50	1	

Group	FRAME
Code	33.27
Description	Rear brake caliper
Service	1



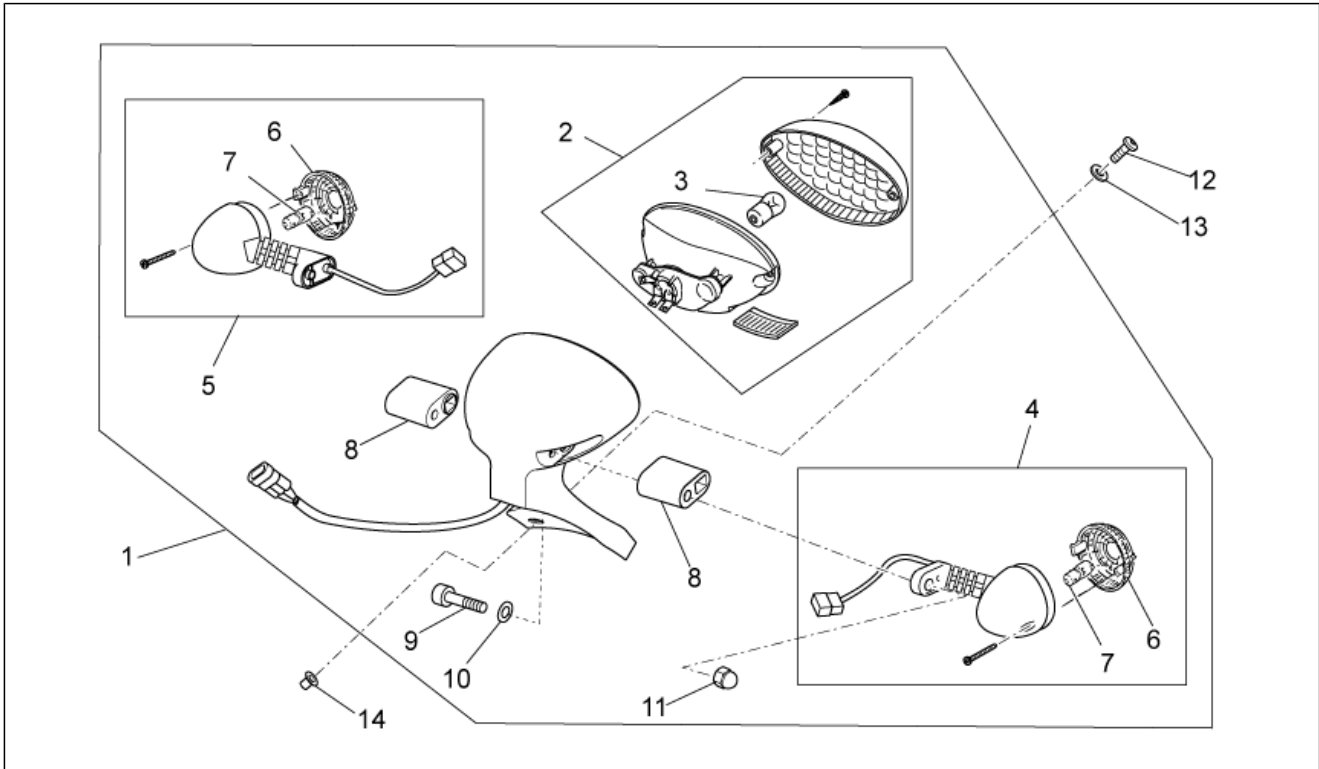
Pos.	Code	Description	Qty	Variants
1	887449	Rear brake caliper	1	
2	AP8133798	Pads pair	1	
3	887431	Brake caliper support plate	1	
4	GU31634281	Bushing	1	
5	GU32634160	Spacer	1	
6	B063750	Rear rubber brake pipe	1	
7	883192	Switch	1	
8	AP8121915	Gasket	4	
9	AP8152288	Screw w/ flange	2	
10	GU03270300	Washer 8,4x15	2	
11	AP8133799	Pins+Caliper springs	1	
12	AP8133800	Air bleed valve	1	
13	AP8152300	Self-locking nut M8	2	
14	GU03658430	Hose clamp	1	
15	GU96451316	Stud bolt	1	
16	GU03658201	Ring	2	
17	GU03658330	Hose clamp	1	
18	AP8152043	Hex socket screw M4x10	1	
19	AP8150204	Nut M4	1	
20	AP8113003	Oil pipe screw *	1	
21	GU95008306	Washer 6,4x12x1,2	2	
22	AP8152299	Self-locking nut M6	2	
23	AP8213575	Bleed valve cap	1	

Group	FRAME
Code	33.28
Description	Front lights
Service	1



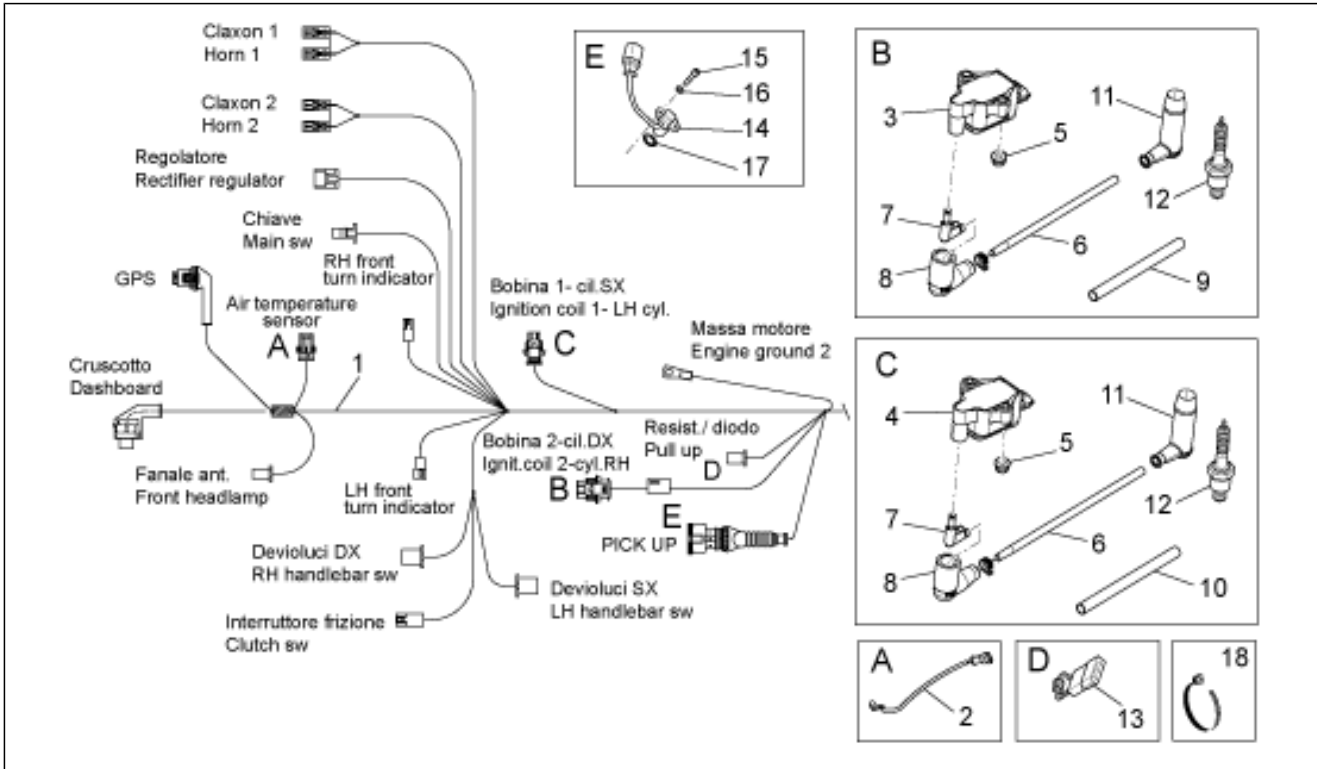
Pos.	Code	Description	Qty	Variants
1	GU32506360	Headlight support clamp	1	
2	978311	Headlight	1	
3	GU32753410	Spacer	2	
4	B063800	RH front/LH rear turn indic.	1	
5	B063801	LH front/RH rear turn indic.	1	
6	GU92787006	Cap nut M6x1	2	
7	GU98370655	Hex socket screw	2	
8	GU95021206	Washer	2	
9	GU93450105	Lamp	1	
10	GU93450232	Lamp 12V-55/60W	1	
11	GU31740383	Chromed ring nut	1	
12	981149	Cap, black	1	
13	AP8150377	screw	2	
14	GU32753711	Turn indicator lens	2	
15	GU93450127	Lamp	2	
16	890979	Horn	1	
17	GU06740400	Light assembly	1	
18	883417	O-ring	2	
19	GU00823931055	Gasket	1	
20	254485	Spring plate M6	2	
21	GU98880540	screw M10x40	2	
22	GU98692420	Hex socket screw M8x20	2	
23	GU95005308	Washer 8,4x14,57x1,6	2	

Group	FRAME
Code	33.29
Description	Rear lights
Service	1



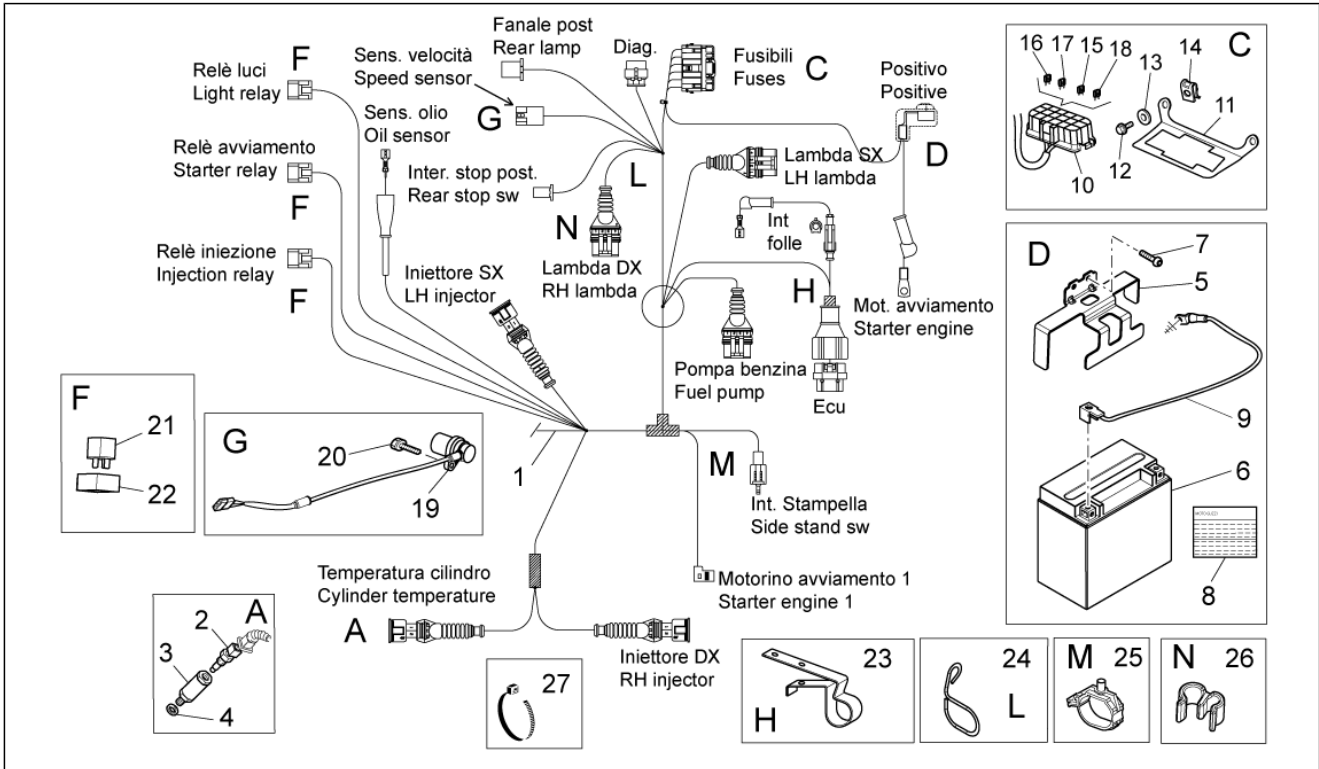
Pos.	Code	Description	Qty	Variants
1	883479	Taillight assy	1	
2	GU03740930	Taillight	1	
3	GU93450224	Lamp	1	
4	GU32750661	RH front/LH rear turn indic.	1	
5	883478	LH front/RH rear turn indic.	1	
6	GU32753711	Turn indicator lens	2	
7	GU93450127	Lamp	2	
8	GU32753410	Spacer	2	
9	GU98370655	Hex socket screw	2	
10	GU95021206	Washer	2	
11	GU92787006	Cap nut M6x1	2	
12	GU98350215	Hex socket screw	3	
13	GU30577800	Nylon washer 5,5X12X1	3	
14	GU93231605	Antivibration bush	3	

Group	FRAME
Code	33.30
Description	Electrical system I
Service	1



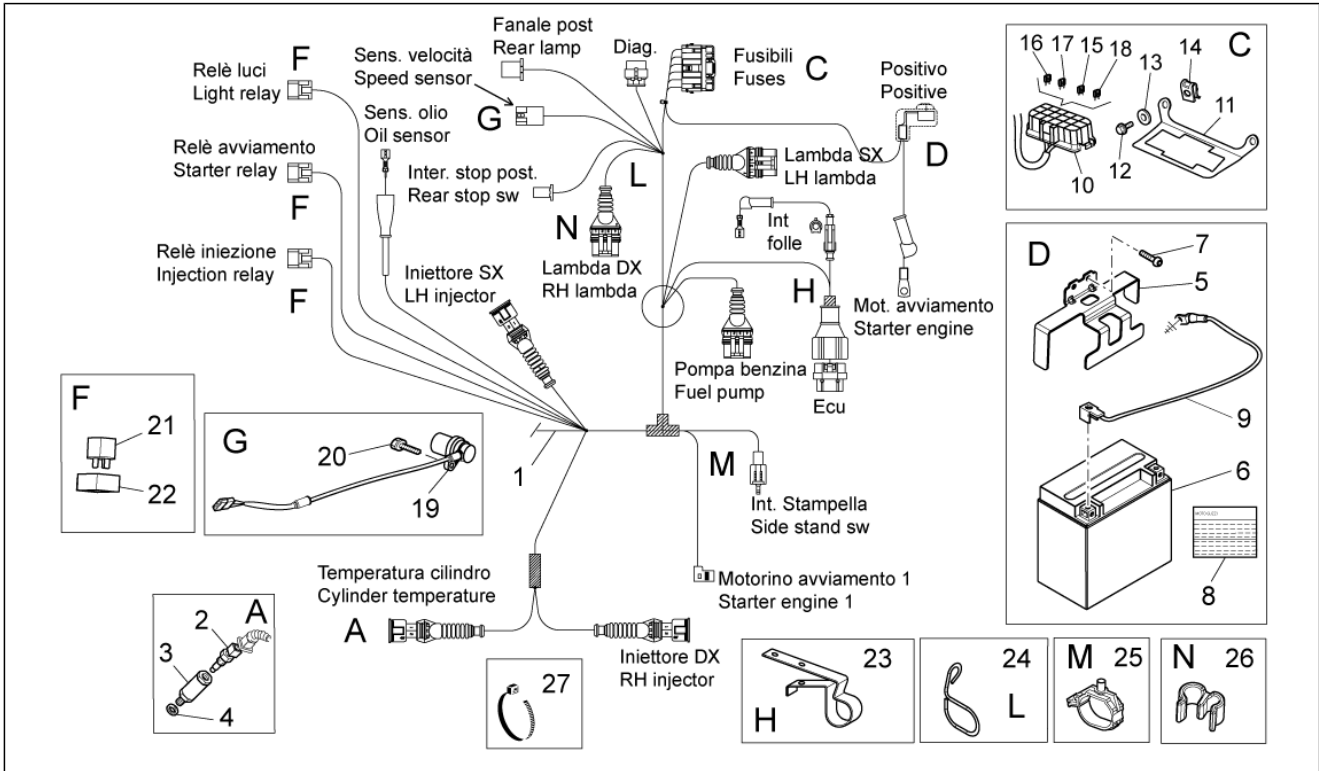
Pos.	Code	Description	Qty	Variants
1	887825	Main wiring harness	1	
2	AP8124936	Air temp. Sensor	1	
3	642034	HT coil DX	1	
4	641901	HT coil	1	
5	AP8152299	Self-locking nut M6	4	
6	080341	H.V. cable	2	
7	641725	HV terminal	2	
8	641040	Insulating cap	2	
9	CM0074D0	Sheath D.8-S.0,5-L.370	1	
10	CM0074C9	Grey cable casing D.8-S.0,5-L.435	1	
11	GU02717450	Sparkplug cap NGK	2	
12	887481	Spark plug NGK CPR8EB-9	2	
13	887948	Diode	1	
14	832029	Encoder sensor	1	
15	GU98682212	Hex socket screw M5x12	2	
16	GU95008205	Washer 5,3x10x0,8	2	
17	GU90706141	O-ring	1	
18	AP8120416	Black hose 178x4	1	
18	GU14609650	Hose clamp 3,6x20,6	31	
18	GU49609601	Hose clamp 2,4x92	1	

Group	FRAME
Code	33.31
Description	Electrical system II
Service	1



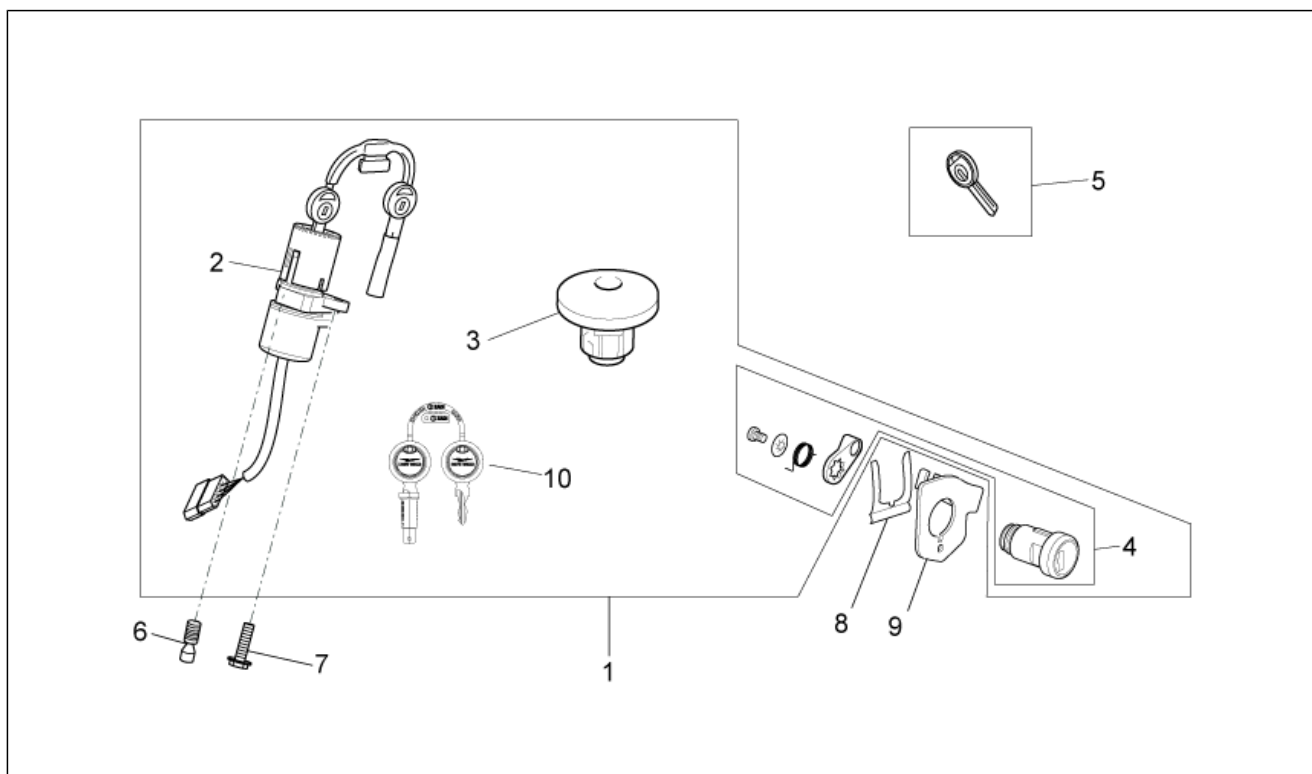
Pos.	Code	Description	Qty	Variants
1	887825	Main wiring harness	1	
2	GU29729461	Oil temperature sensor	1	
3	GU03163330	Sensor support	1	
4	GU95004210	Washer 10,2x18x2	1	
5	B063233	Battery bracket	1	
6	638733	Battery Yuasa 12V-12Ah (150x85x145)	1	
7	GU98370616	Hex socket screw M6x16 inox	2	
8	GU32517710	Decal "Battery service"	1	
9	GU32747910	Ground-battery lead	1	
10	584211	Fuse holder box	1	
11	883161	Fuse block support	1	
12	GU98682212	Hex socket screw M5x12	2	
13	GU95100059	Washer 5,25x14x1,5	2	
14	AP8102375	Clip m5	2	
15	CM225705	Fuse 5A	2	
16	CM225710	Fuse 10A	1	
17	CM225715	Fuse 15A	2	
18	CM225730	Fuse 30A	1	
19	893570	Speedometer sensor cpl.	1	
20	AP8150377	screw	1	
21	AP8224462	Relay 12V/30A	3	
22	AP8220283	Rubber spacer *	3	
23	B043850	Hose clamp	1	
24	AP8181140	Fairlead	1	
25	CM013202	Pipes/cables retainer spring	1	
26	894704	Fairlead	1	
27	AP8120416	Black hose 178x4	1	
27	GU14609650	Hose clamp 3,6x20,6	21	

Group	FRAME
Code	33.31
Description	Electrical system II
Service	1



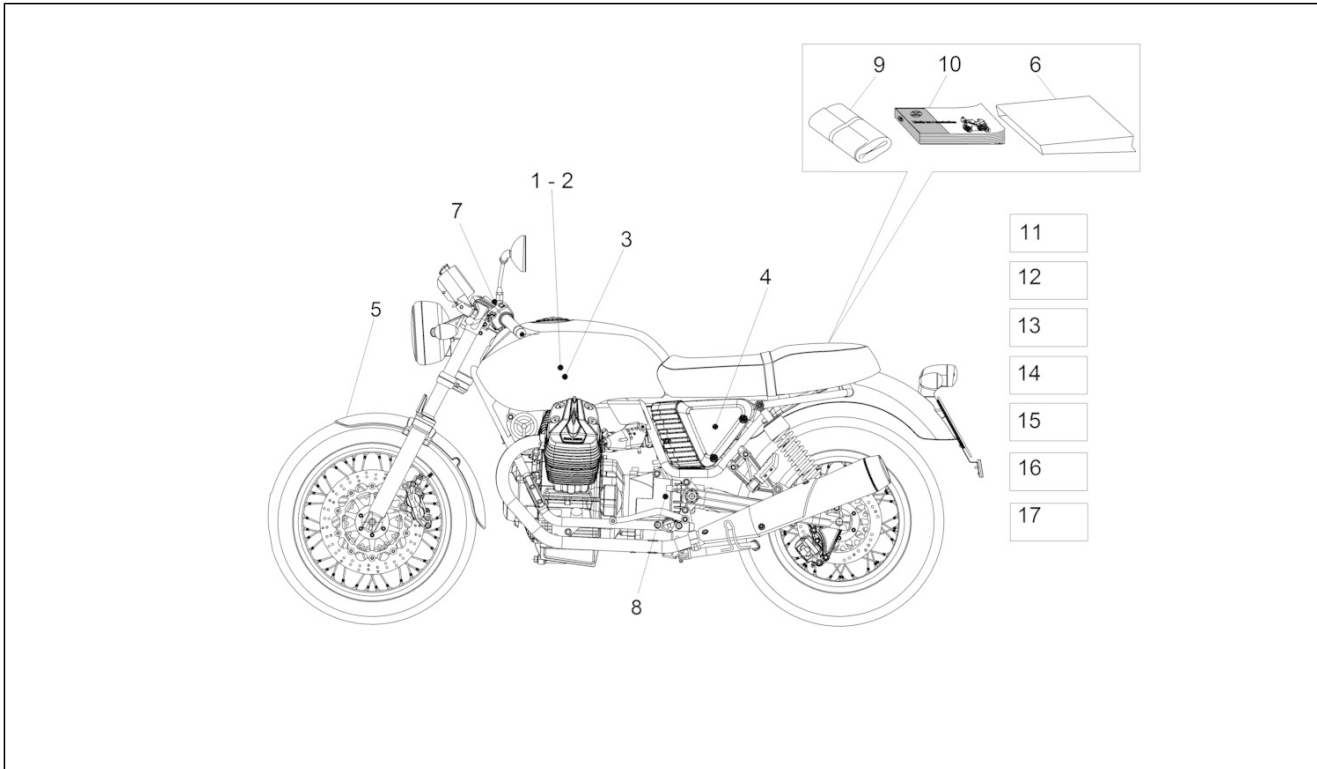
Pos.	Code	Description	Qty	Variants
27	GU49609601	Hose clamp 2,4x92	1	

Group	FRAME
Code	33.32
Description	Lock hardware kit
Service	1



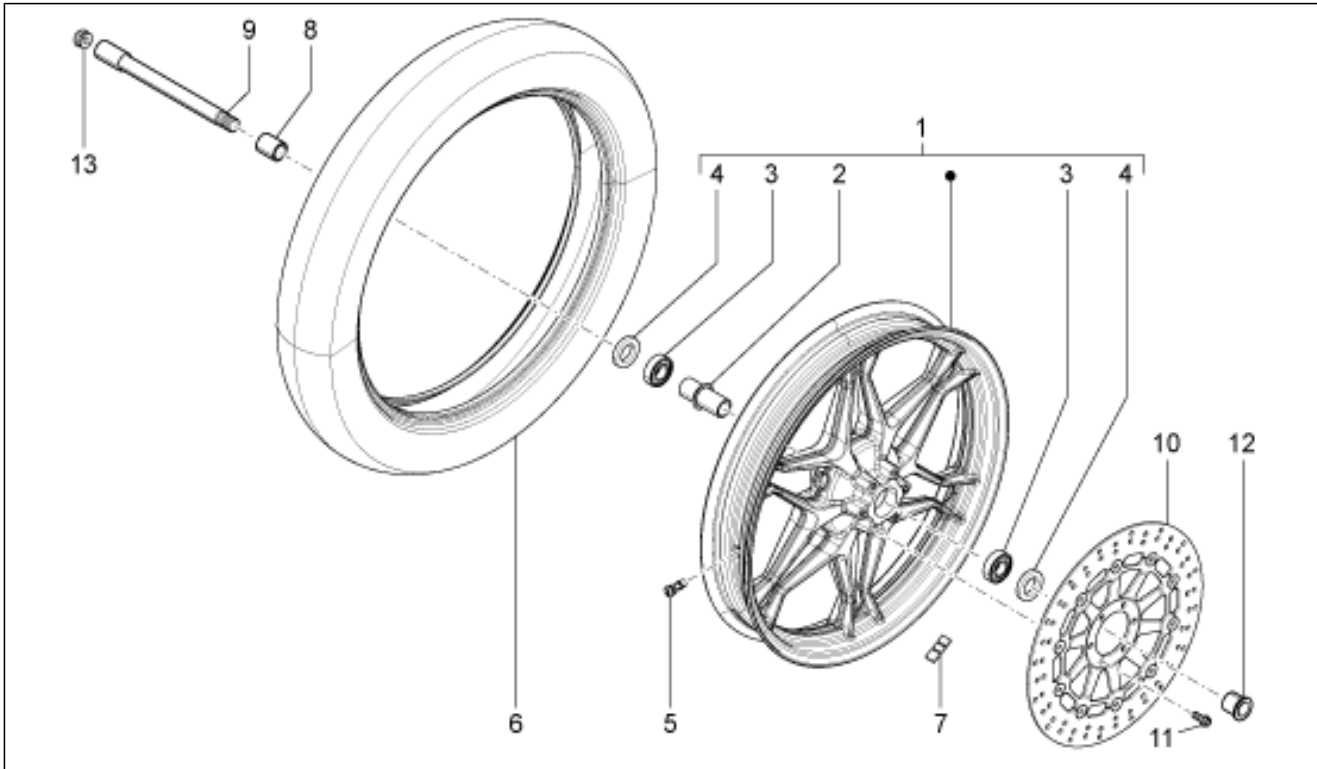
Pos.	Code	Description	Qty	Variants
1	883477	Lock kit	1	
2	GU32782510	Main switch - steering lock	1	
3	883476	Tank cap	1	
4	977527	Locking complete with keys	1	
5	GU32735510	Non indent.key blank-shell go	1	
6	AP8150349	Special screw M8x15	1	
7	GU98682416	Hex socket screw M8x16	1	
8	AP8121420	Fork spring	1	
9	978415	Cable fixing plate	1	
10	2D000006	Locking cylinder with key for fuel cap	1	

Group	FRAME
Code	33.33
Description	Decal and plate set
Service	1



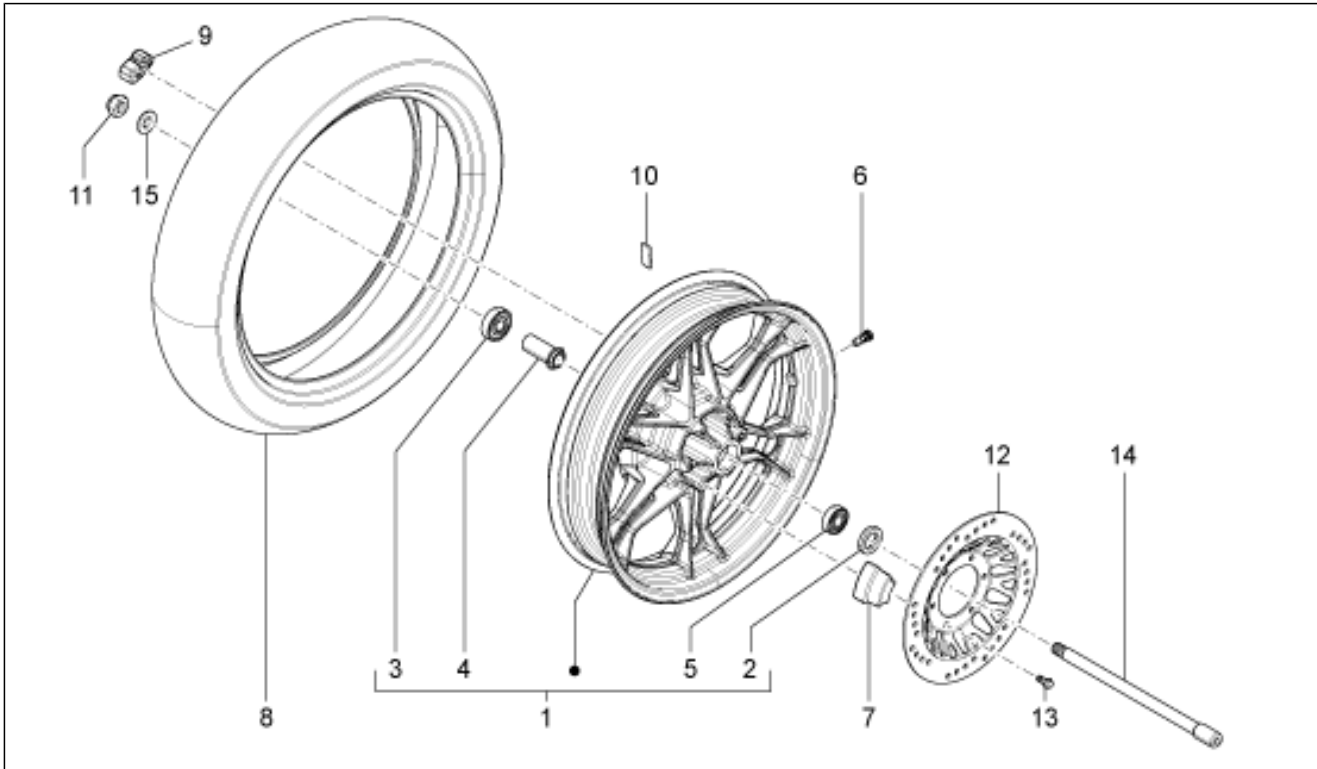
Pos.	Code	Description	Qty	Variants
1	886340	Name plate Aquila	1	Vehicle colour: Diablo Black[ND], Rosso Ventone[RV], Verde Raptor opaco [VR]
2	887930	LH Name plate Aquila	1	Vehicle colour: Diablo Black[ND], Rosso Ventone[RV], Verde Raptor opaco [VR]
3	2H000413	Decal Moto Guzzi dx-sx	2	Vehicle colour: Diablo Black[ND], Rosso Ventone[RV], Verde Raptor opaco [VR]
4	2H000389	Fairing decal dx-sx V7	2	Vehicle colour: Diablo Black[ND], Rosso Ventone[RV], Verde Raptor opaco [VR]
5	886141	Decal "Aquila"	1	Vehicle colour: Diablo Black[ND], Rosso Ventone[RV], Verde Raptor opaco [VR]
6	GU05900130	Bag for document	2	
7	883598	"Aquila" decal	1	Vehicle colour: Diablo Black[ND], Rosso Ventone[RV], Verde Raptor opaco [VR]
8	895839	""Eni"" label"	2	
9	887443	Toolkit	1	
10	2Q000044	Libretto uso e manutenzione USA-FR-ES-IT	1	
11	2G000011	Noise emission sticker	1	Country:
12	2G000012	Emission control sticker	1	
13	2G000013	Shed scheme decal	1	
14	B045974	Fuel decal E15	1	
15	AP8257794	Battery decal	1	
16	AP8257742	Keys warning decal	1	
17	GU32944310	Guard decal	1	

Group	FRAME
Code	33.34
Description	Front wheel II
Service	1



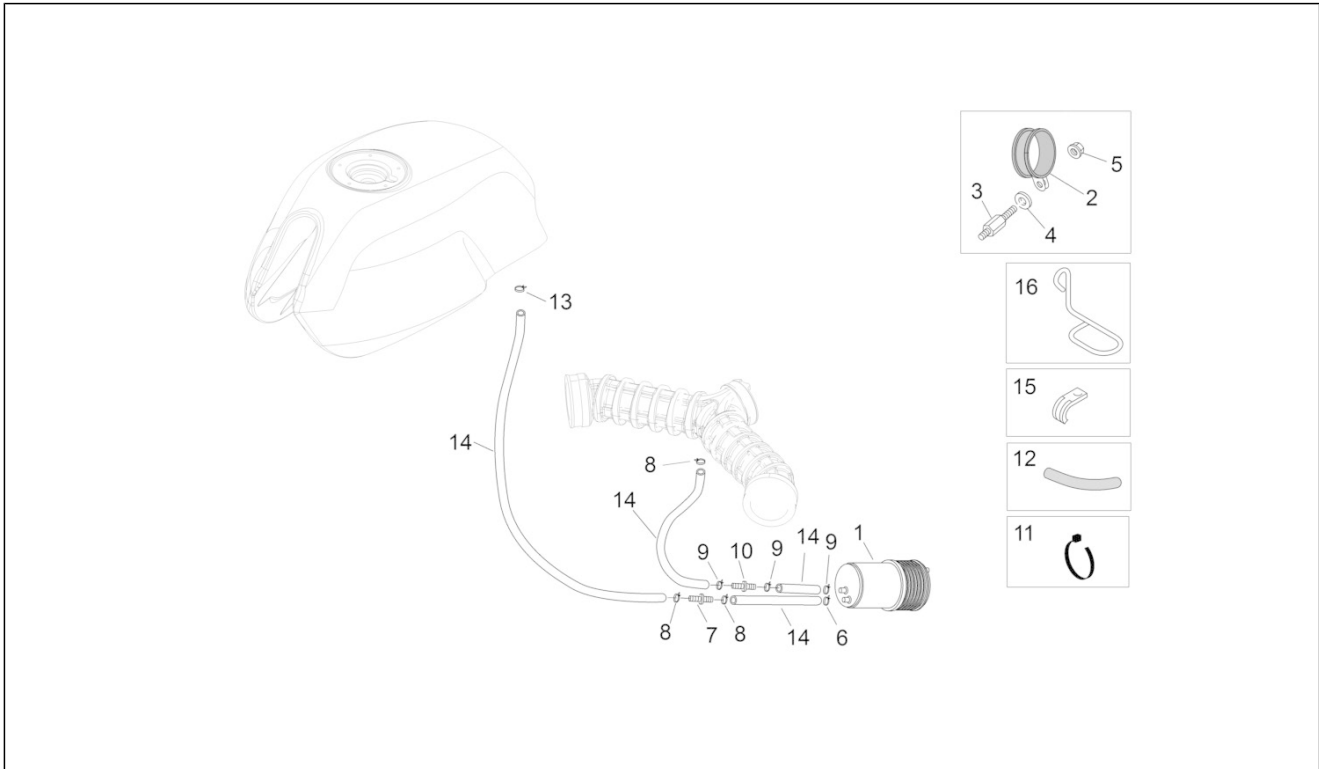
Pos.	Code	Description	Qty	Variants
1	887571	Wheel 2.5X18"	1	
2	GU31615283	Spacer	1	
3	GU92204221	Bearing	2	
4	GU90402642	Gasket ring	2	
5	GU03617710	Tubeless tyre valve	1	
6	886679	Tyre 100/90 18	1	
7	GU14616150	Counterweight	1	
8	GU32615660	RH spacer	1	
9	GU31614183	Front wheel spindle	1	
10	883688	Front brake disc 320	1	
11	AP8152286	Screw w/ flange M8x20	6	
12	GU31616384	LH spacer	1	
13	GU93180111	Cover 15 mm	1	

Group	FRAME
Code	33.35
Description	Rear wheel II
Service	1



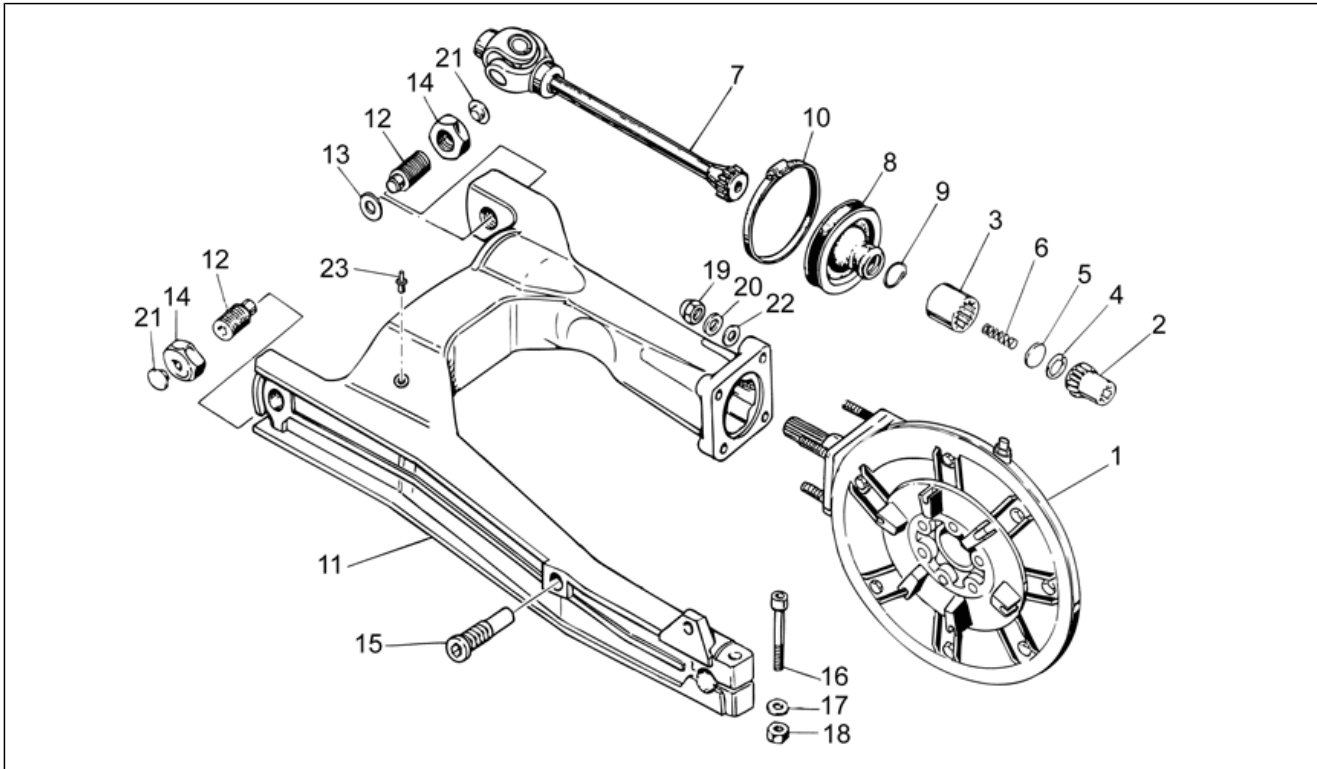
Pos.	Code	Description	Qty	Variants
1	887573	Wheel rim 3.5x17"	1	
2	GU90402538	Gasket ring 25x40x7	1	
3	GU92204218	Bearing	1	
4	GU27633910	Spacer	1	
5	GU92204217	Bearing	1	
6	GU03617710	Tubeless tyre valve	1	
7	GU32636160	Support rubber part	1	
8	886680	Tyre 130/80 17	1	
9	GU32632510	Rubber coupling	6	
10	GU14616150	Counterweight	1	
11	GU92606316	Nut M16x1,5	1	
12	887448	Brake disc	1	
13	894505	Screw w/ flange M8x18	6	
14	GU32633360	Rear wheel spindle	1	
15	GU31634481	Washer	1	

Group	FRAME
Code	33.48
Description	Fuel vapour recover system
Service	1



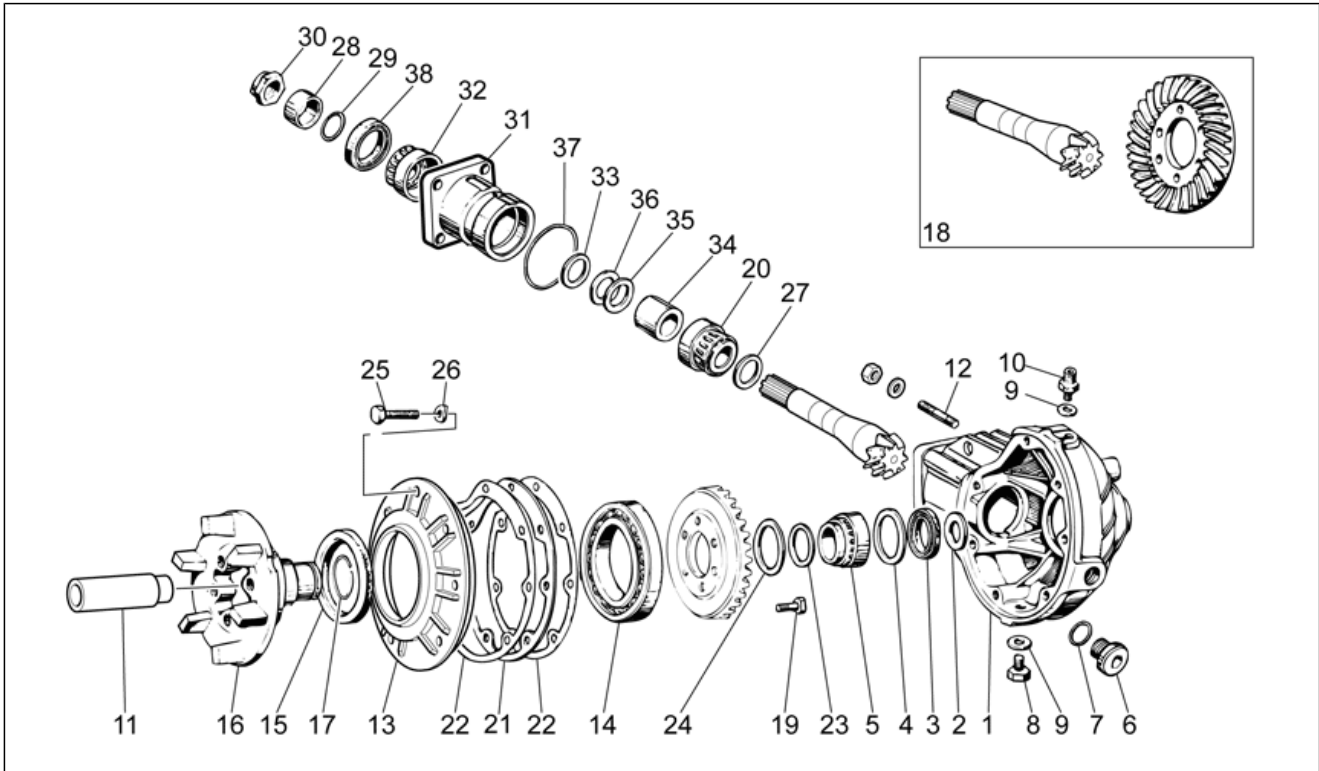
Pos.	Code	Description	Qty	Variants
1	AP8102678	Carbon filter	1	
2	AP8102688	Hose clamp d.76	1	
3	GU32439260	Canister support USA	1	
4	GU95005311	Washer	1	
5	AP8152299	Self-locking nut M6	1	
6	AP8102159	Hose clamp	1	
7	860138	Valve	1	
8	GU28157950	Hose clip 12,5x8	4	
9	AP8120446	Hose clip, green D11x6,6x1	2	
10	AP8121267	Choke hold	1	
11	AP8120416	Black hose 178x4	1	
12	GU00823923140	Thermal sheath	4	
13	AP8201358	Hose clamp D 11,9	1	
14	856063	pipe SAE 30 d.12,7x6,35	3	
15	GU93301313	U-bolt	1	
16	AP8221114	Cable-guide	2	

Group	ENGINE
Code	34.09
Description	Transmission complete I
Service	1



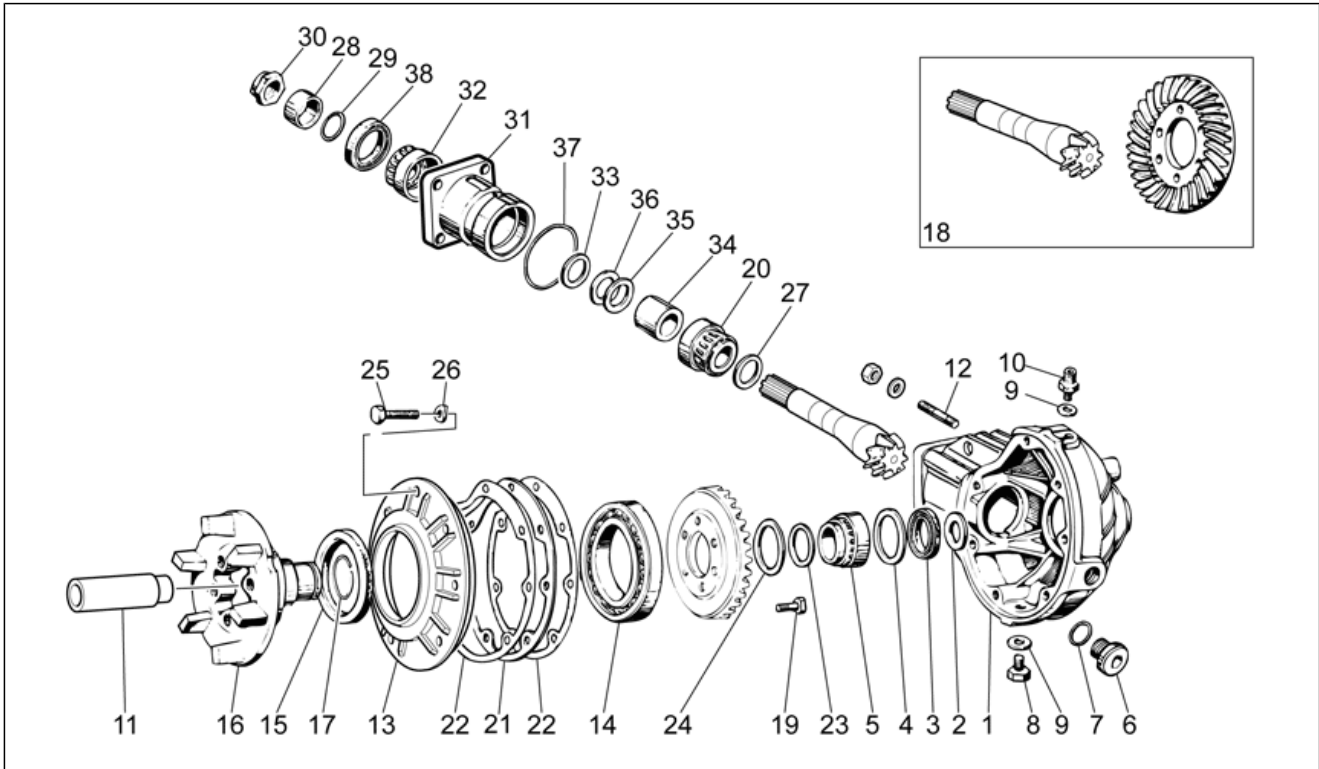
Pos.	Code	Description	Qty	Variants
1	976941	Transmission box assy., black	1	
2	GU31327783	Hose	1	
3	GU19328801	Hose	1	
4	GU90272023	Circlip	1	
5	GU19327601	Disc	1	
6	GU94321099	Spring	1	
7	GU23328081	Coupling	1	
8	GU23548080	Protection collar	1	
9	GU23548180	Spring	1	
10	AP8120246	Hose clamp D=60-80	1	
11	883011	Swing arm, black	1	
12	GU19547000	Pin	2	
13	GU35214300	Spacer	1	
14	GU31547882	Nut	2	
15	GU31544181	Pin	1	
16	GU98680545	screw M10x45	1	
17	GU95008210	Washer 10,2X18X2	1	
18	GU92606210	Nut M10x1,5	1	
19	860651	Cap nut M8x1,25	4	
20	GU14615901	Washer 8,4X13X0,8	4	
21	GU93180105	Cover	2	
22	GU95005308	Washer 8,4x14,57x1,6	4	
23	GU03922280	Cover 5x9	1	

Group	ENGINE
Code	34.10
Description	Transmission complete II
Service	1



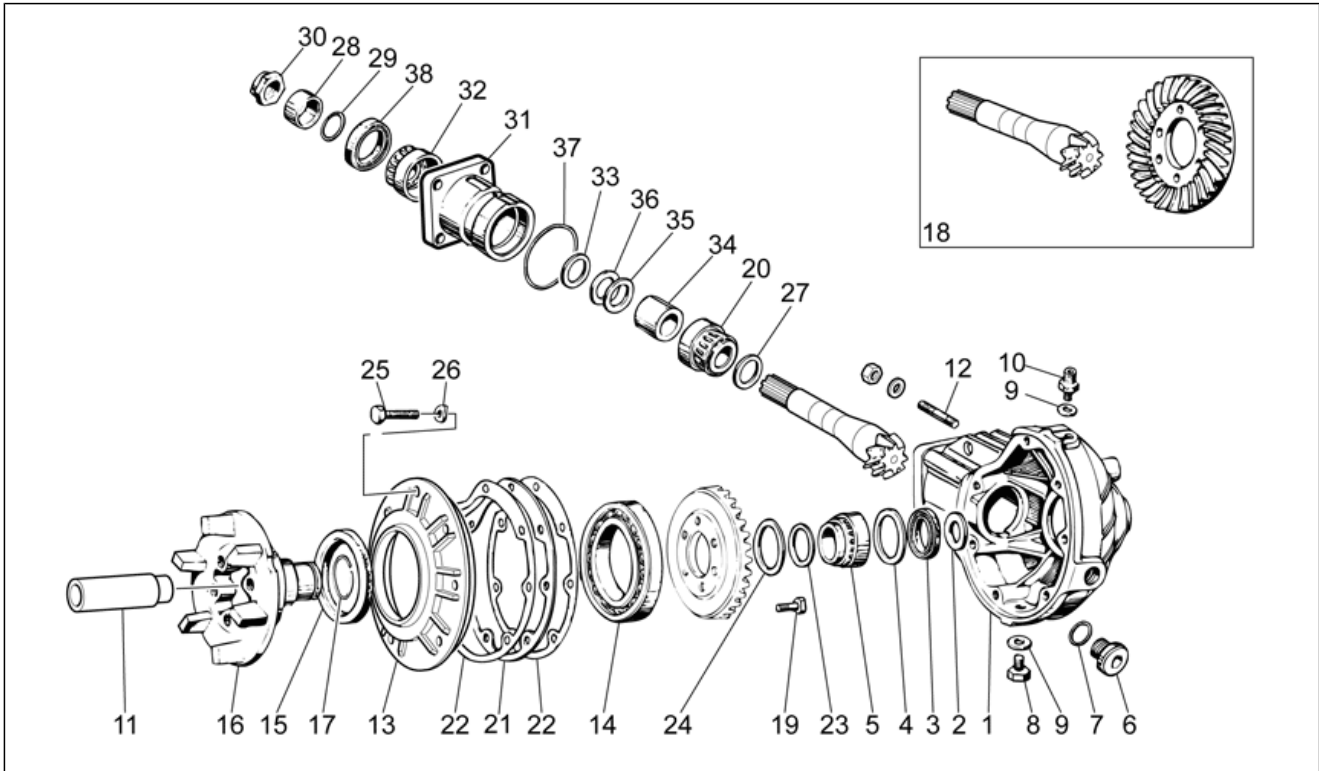
Pos.	Code	Description	Qty	Variants
1	976608	Transmission housingblack	1	
2	GU19351900	Clearance washer	1	
3	GU90403549	Gasket ring 35x47x7	1	
4	GU19351100	Clearance washer	1	
5	GU92252235	Roller bearing 35x50x17	1	
6	GU12022600	Oil plug	1	
7	GU90706203	O-ring 20,24x2,62	1	
8	GU31003766	Oil unload plug M10x1	1	
9	GU01528930	Gasket 10x18x1,5	2	
10	GU19206501	Breather plug	1	
11	GU32633560	Spacer	1	
12	GU96508055	Stud bolt	4	
13	GU32350410	Cover	1	
14	GU92201070	Ball bearing 70x110x13	1	
15	GU90407591	Gasket ring 75x95x10	1	
16	GU32351410	Pin	1	
17	GU90353030	Stop ring	1	
18	GU32354610	Bevel gear 8/33	1	
19	GU03067730	screw M8x25	6	
20	GU92249227	Tap.roller bearing 25x5	1	
21	GU19355400	Spacer 0,8 mm	1	
21	GU19355402	Spacer 0,9 mm	1	
21	GU19355404	Spacer 1 mm	1	
21	GU19355406	Spacer 1,1 mm	1	
21	GU19355408	Spacer 1,2 mm	1	
21	GU19355410	Spacer 1,3 mm	1	
21	GU19355411	Spacer 1,4 mm	1	
21	GU19355412	Spacer 1,5 mm	1	

Group	ENGINE
Code	34.10
Description	Transmission complete II
Service	1



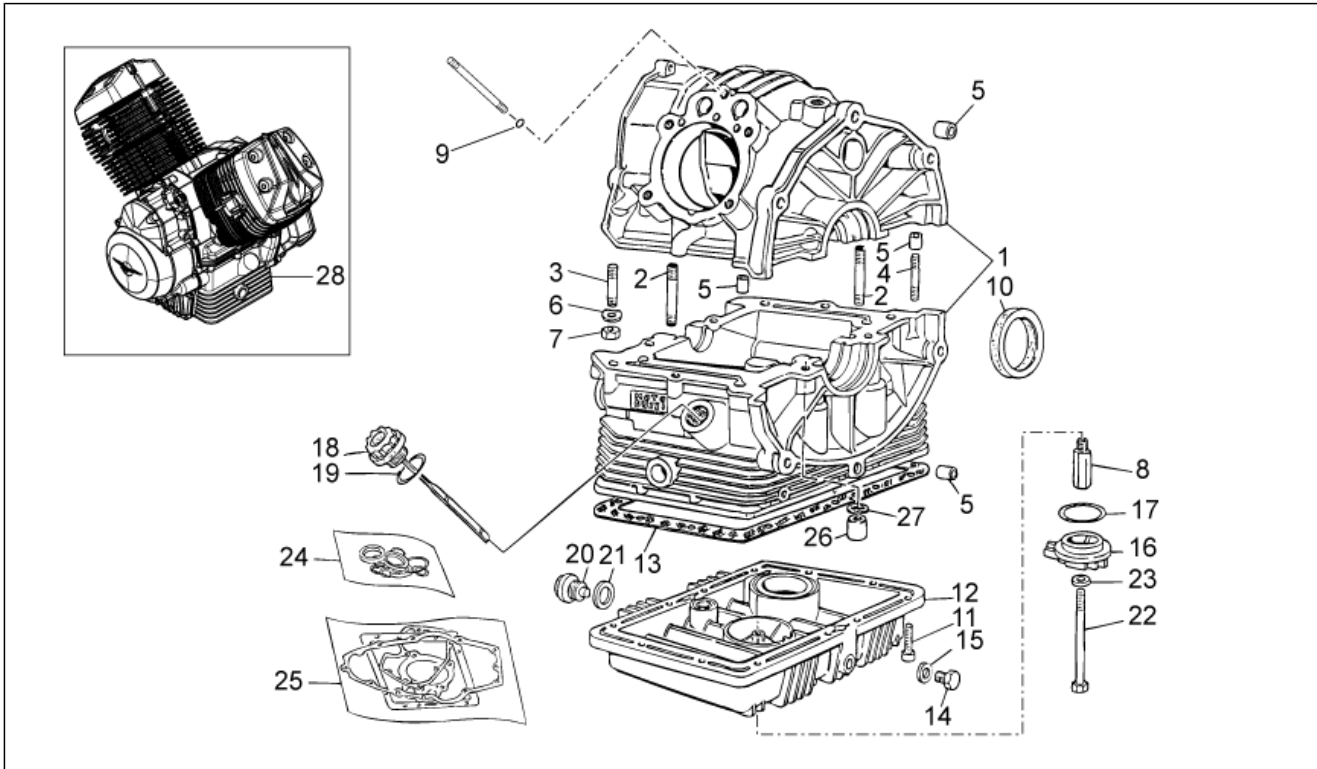
Pos.	Code	Description	Qty	Variants
21	GU19355413	Spacer 1,6 mm	1	
22	GU19350700	Gasket	2	
23	GU19352300	Thrust washer	1	
24	GU19353500	Thrust washer	1	
25	GU19357660	screw	7	
26	GU61270300	Spring washer 8x15x0,3	7	
27	GU19355320	Spacer 1 mm	1	
27	GU19355321	Spacer 1,1 mm	1	
27	GU19355322	Spacer 1,2 mm	1	
27	GU19355323	Spacer 1,3 mm	1	
27	GU19355324	Spacer 1,4 mm	1	
27	GU19355325	Spacer 1,5 mm	1	
27	GU19355326	Spacer 1,6 mm	1	
27	GU19355327	Spacer 1,7 mm	1	
27	GU19355328	Spacer 1,8 mm	1	
27	GU19355329	Spacer 1,9 mm	1	
28	GU19356801	Spacer	1	
29	GU90706188	Gasket ring 18,77X1,78	1	
30	GU19356700	Nut	1	
31	GU20352421	Flange	1	
32	GU92249220	Roller bearing 20x47x14	1	
33	GU19355300	Spacer 1 mm	1	
33	GU19355301	Spacer 1,1 mm	1	
33	GU19355302	Spacer 1,2 mm	1	
33	GU19355303	Spacer 1,3 mm	1	
33	GU19355304	Spacer 1,4 mm	1	
33	GU19355305	Spacer 1,5 mm	1	
33	GU19355306	Spacer 1,6 mm	1	

Group	ENGINE
Code	34.10
Description	Transmission complete II
Service	1



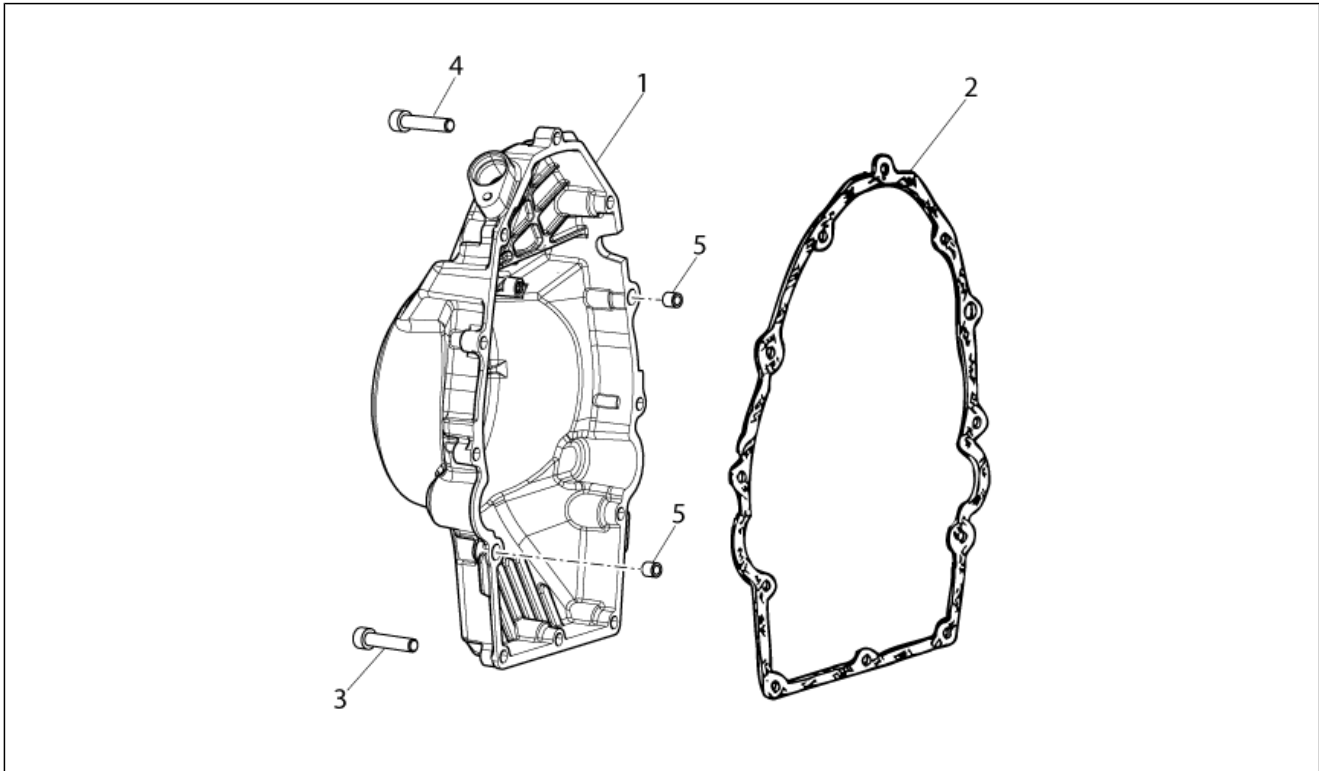
Pos.	Code	Description	Qty	Variants
33	GU19355307	Spacer 1,7 mm	1	
33	GU19355308	Spacer 1,8 mm	1	
33	GU19355309	Spacer 1,9 mm	1	
34	GU20355121	Spacer	1	
35	GU19355200	Shim 0,1 mm	1	
36	GU19355202	Shim 0,15 mm	1	
37	GU90706584	Gasket 58,42x2,62	1	
38	GU90403251	Gasket ring 32x47x10	1	

Group	ENGINE
Code	34.34
Description	Crank-case
Service	1



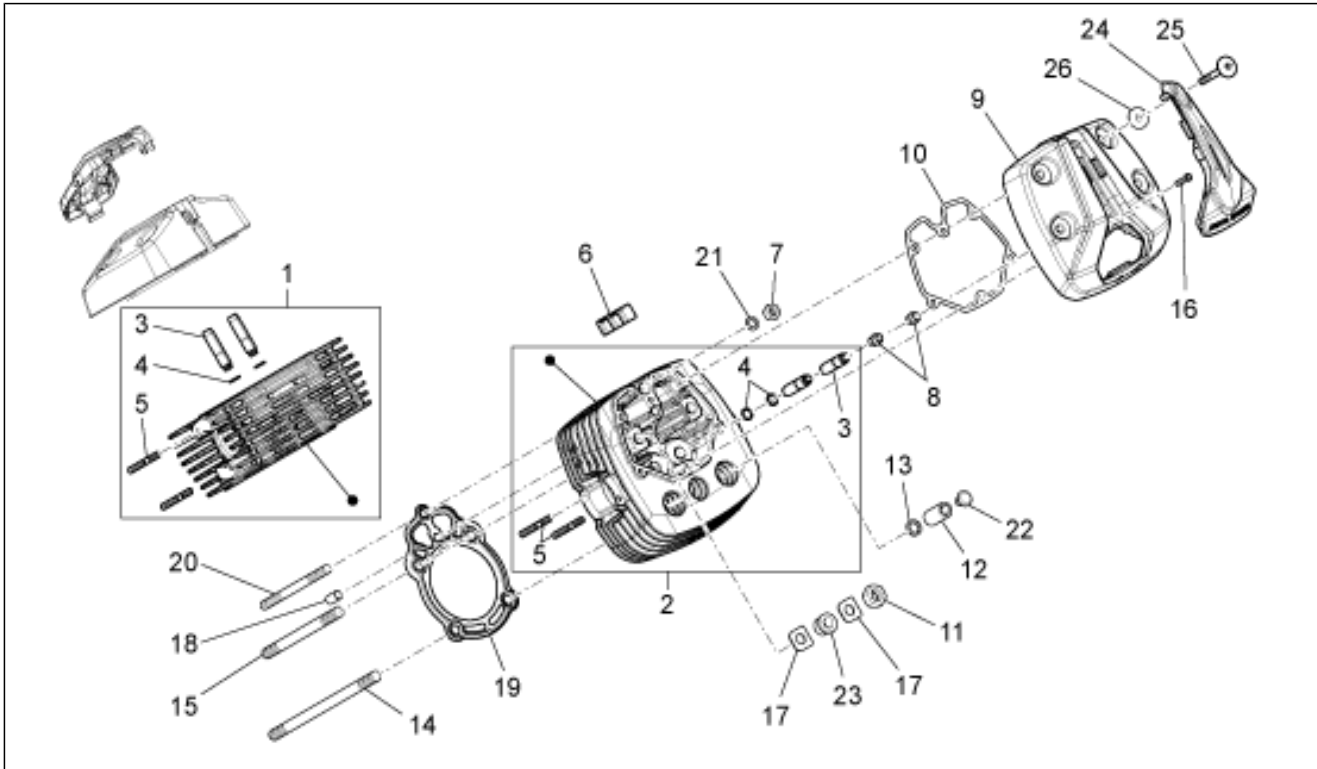
Pos.	Code	Description	Qty	Variants
1	2A000235	***COMPLETE CRANKCASE	1	
2	GU96451560	Stud bolt	4	
3	GU96451430	Stud bolt	4	
4	GU96508055	Stud bolt	2	
5	GU19015020	Bushing	4	
6	GU61270300	Spring washer 8x15x0,3	6	
7	GU92606208	Nut M8x1,25	6	
8	GU19003800	Joint	1	
9	GU90706076	O-ring	2	
10	886365	Gasket ring	1	
11	GU98682325	Hex socket screw M6x25	12	
12	976604	Oil sump black	1	
13	887004	Sump gasket	1	
14	GU31003766	Oil unload plug M10x1	1	
15	GU10528900	Gasket	1	
16	976685	Plug	1	
17	GU90706444	O-ring	1	
18	883826	Oil load plug	1	
19	GU90706281	O-ring 28,24x2,62	1	
20	GU12003702	Oil unload plug	1	
21	GU95100709	Gasket 20,1x28x2	1	
22	GU27152885	Bolt	1	
23	GU12154200	Gasket 8,25x15x1	1	
24	GU32999510	Oil seals - set	1	
25	GU32999010	Gasket set	1	
26	GU13021900	Column nut	4	
27	GU95129180	Washer 10,5X18X0,8	4	
28	2L0001895	Engine assy w/hout transm.	1	

Group	ENGINE
Code	34.35
Description	Timing system cover
Service	1



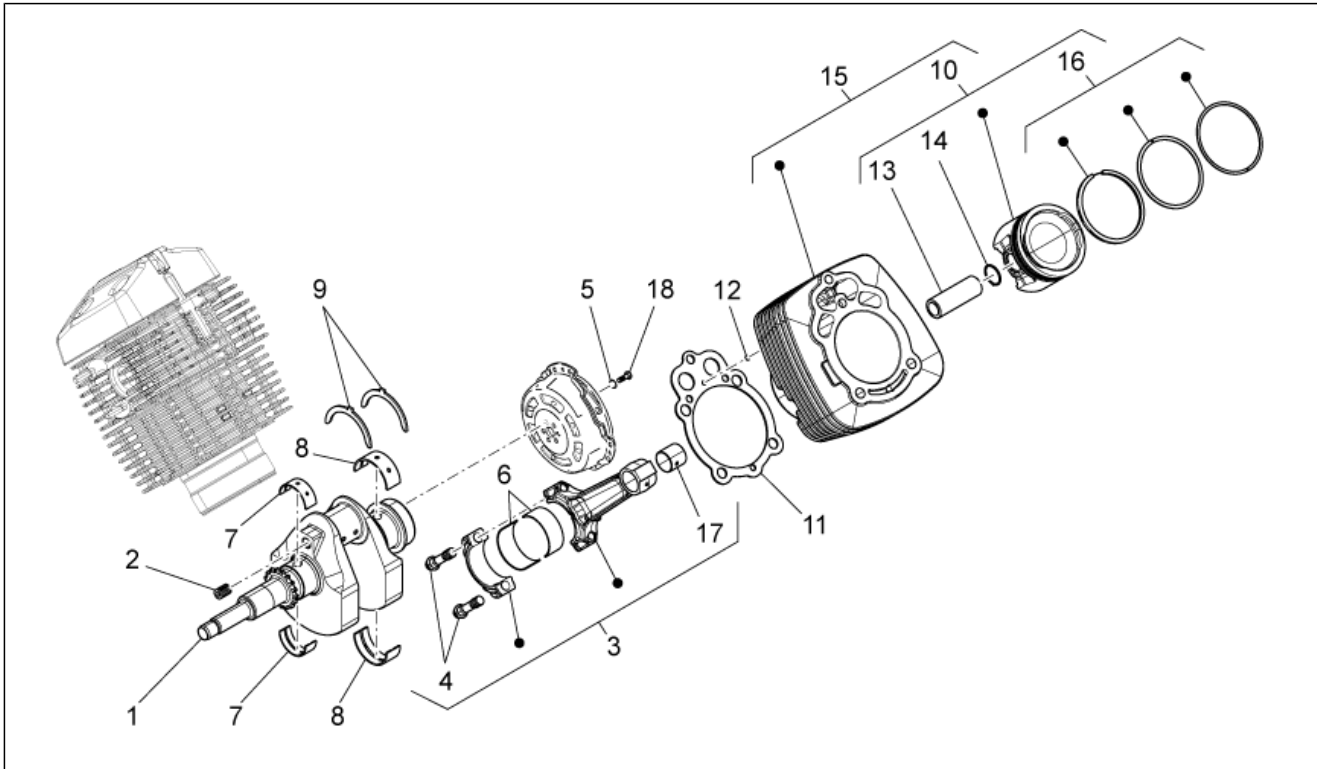
Pos.	Code	Description	Qty	Variants
1	2A000085	Cover	1	
2	887003	Cover gasket	1	
3	GU98682325	Hex socket screw M6x25	10	
4	GU98682330	Hex socket screw M6x20	2	
5	GU19002020	Bushing 6,6x9x13	2	

Group	ENGINE
Code	34.36
Description	Cylinder head
Service	1



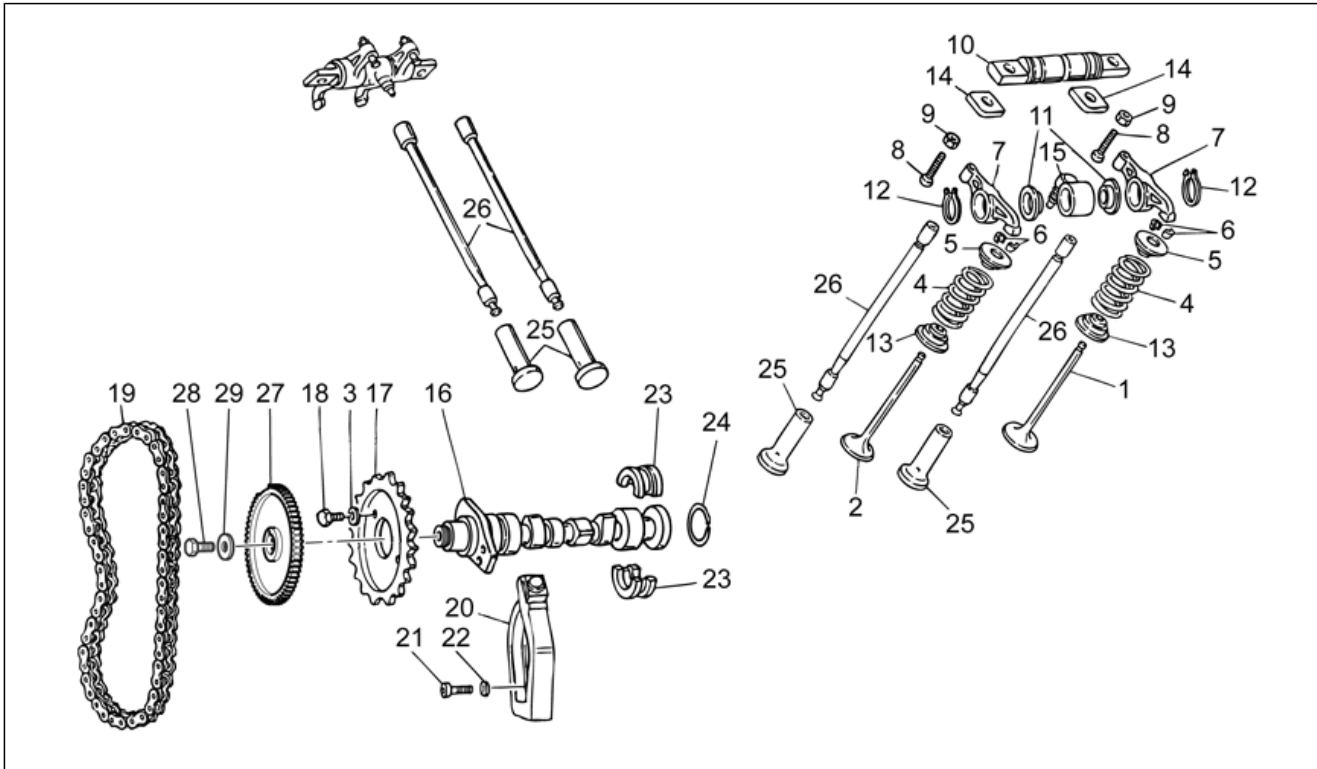
Pos.	Code	Description	Qty	Variants
1	8872724	RH head	1	
2	8872754	LH head	1	
3	GU61036801	Valve guide	4	
4	GU90353009	Snap ring	4	
5	GU96506042	Stud bolt	4	
6	B063111	Damping plug	4	
7	GU19021920	Nut	2	
8	GU19037820	Oil seal	4	
9	887523	Head cover	2	
10	887002	Head cover gasket	2	
11	GU92603010	Nut M10X1,5	4	
12	GU13021900	Column nut	4	
13	GU95129180	Washer 10,5X18X0,8	4	
14	GU96510214	Stud bolt M10x214	4	
15	GU96510181	Stud bolt M10x182	4	
16	GU98692325	Hex socket screw M6x25	4	
17	GU19032980	Spacer	8	
18	GU19021360	Bushing	2	
19	B063099	Cylinder head gasket	2	
20	976898	Stud bolt M8x140	2	
21	GU61270300	Spring washer 8x15x0,3	2	
22	GU93180245	Cover	4	
23	AP8144071	Rubber exhaust	1	
24	887279	Spark plug cover	2	
25	887483	Head cover screw M6x52.5	8	
26	969973	Washer	8	

Group	ENGINE
Code	34.37
Description	Crankshaft cpl.
Service	1



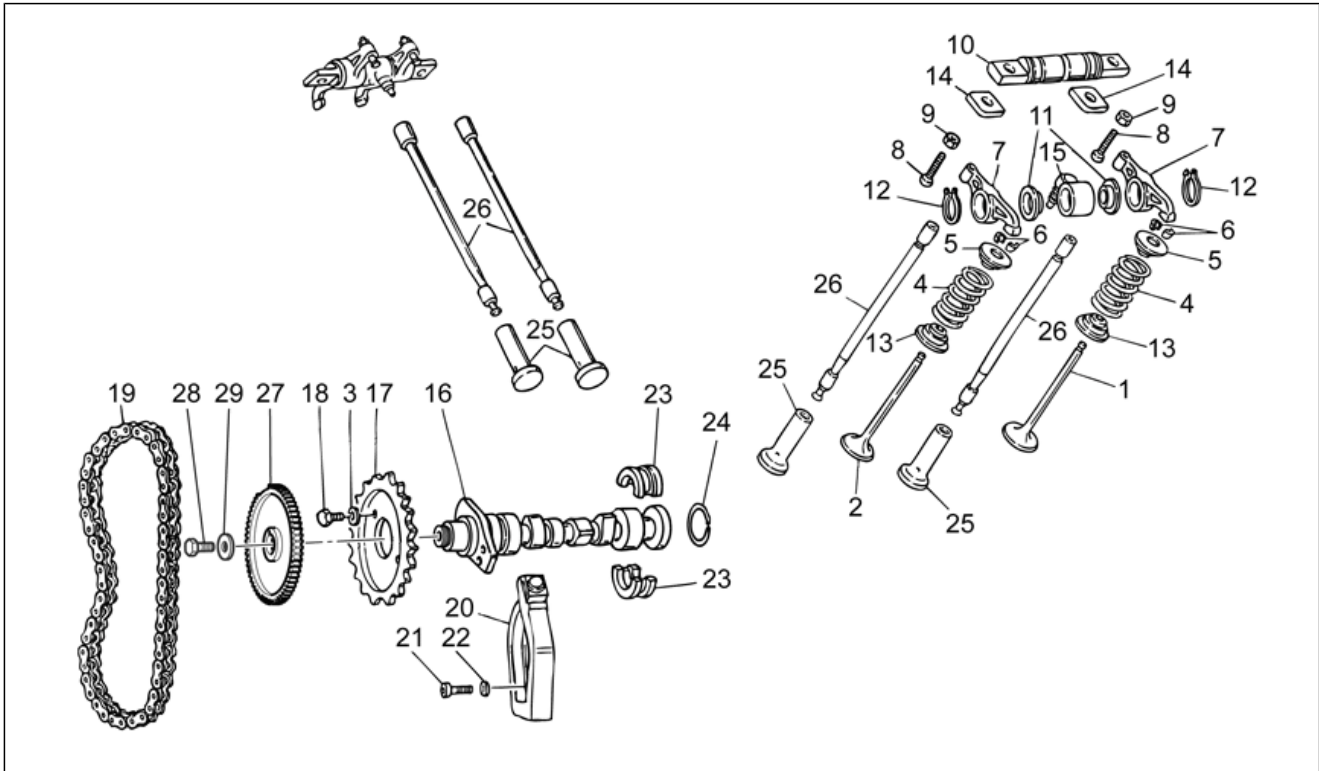
Pos.	Code	Description	Qty	Variants
1	2A0000995	Drive shaft	1	
2	GU19065400	Cover	1	
3	GU27061585	Connecting rod cpl.	2	
4	GU19062261	screw	4	
5	GU14615901	Washer 8,4X13X0,8	6	
6	GU27062060	Bearing half-shell	4	
7	GU27065660	Front main half-bearing	2	
8	GU27066560	Rear main half-bearing	2	
9	GU27066460	Half-clamp	2	
10	8872690001	Piston complete with 80 Cat. D	1	
10	8872690002	Piston complete with 80 Cat. E	1	
10	8872690003	Piston complete with 80 Cat. F	1	
11	886670	Cylinder gasket	2	
12	GU61027200	O-ring	2	
13	B063016	Piston pin	2	
14	874567	Stop ring	4	
15	B063465	Cylinder with piston	2	
16	B063466	Pistonring set	2	
17	GU27061885	Bushing	2	
18	GU19067700	screw	6	

Group	ENGINE
Code	34.38
Description	Timing system
Service	1



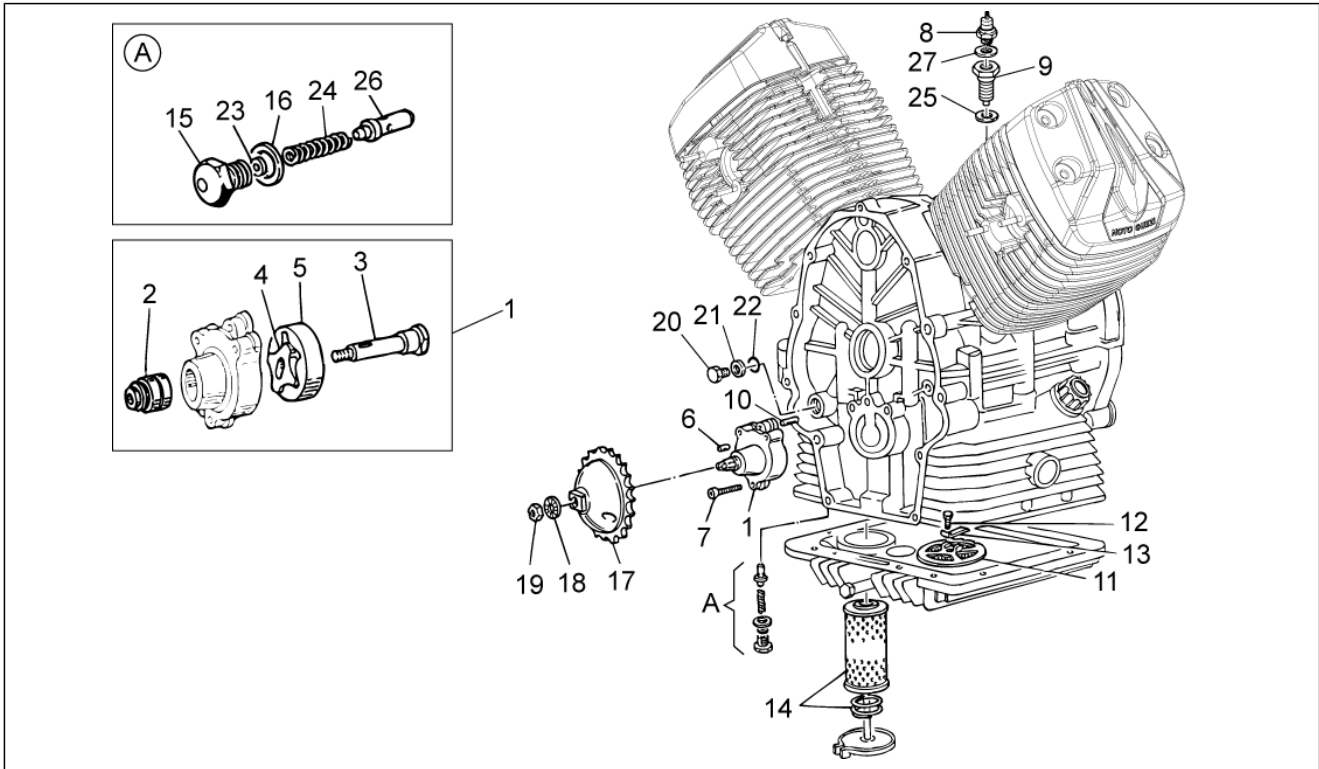
Pos.	Code	Description	Qty	Variants
1	2A000146	Valve, in	2	
2	2A000147	Exhaust valve	2	
3	GU23217800	Safety washer	2	
4	GU27037521	Spring	4	
5	GU31038015	Upper cup	4	
6	GU61038100	Half-cone	8	
7	GU19030500	Rocker arm assy.	4	
8	GU19034000	screw	4	
9	GU92602406	Nut M6x1	4	
10	GU19032080	Rocker shaft	2	
11	GU32032310	Thrust washer	4	
12	GU90271018	Circlip	4	
13	GU31037015	Lower cup	4	
14	GU19032980	Spacer	4	
15	GU19027500	Hose	2	
16	GU32053410	Camshaft	1	
17	GU32054510	Timing system gear	1	
18	GU61054900	Bolt	2	
19	GU19058021	Camshaft chain	1	
20	GU19058220	Chain stretching drive	1	
21	GU98882316	screw	1	
22	GU95129115	Washer	1	
23	GU19055700	Sector	2	
24	GU90353029	Snap ring	1	
25	GU19045861	Tappet	4	
26	GU31045015	Rocker arm rod	4	
27	887528	Wheel speed sensor, left front	1	
28	GU98054422	screw M8x22	1	

Group	ENGINE
Code	34.38
Description	Timing system
Service	1



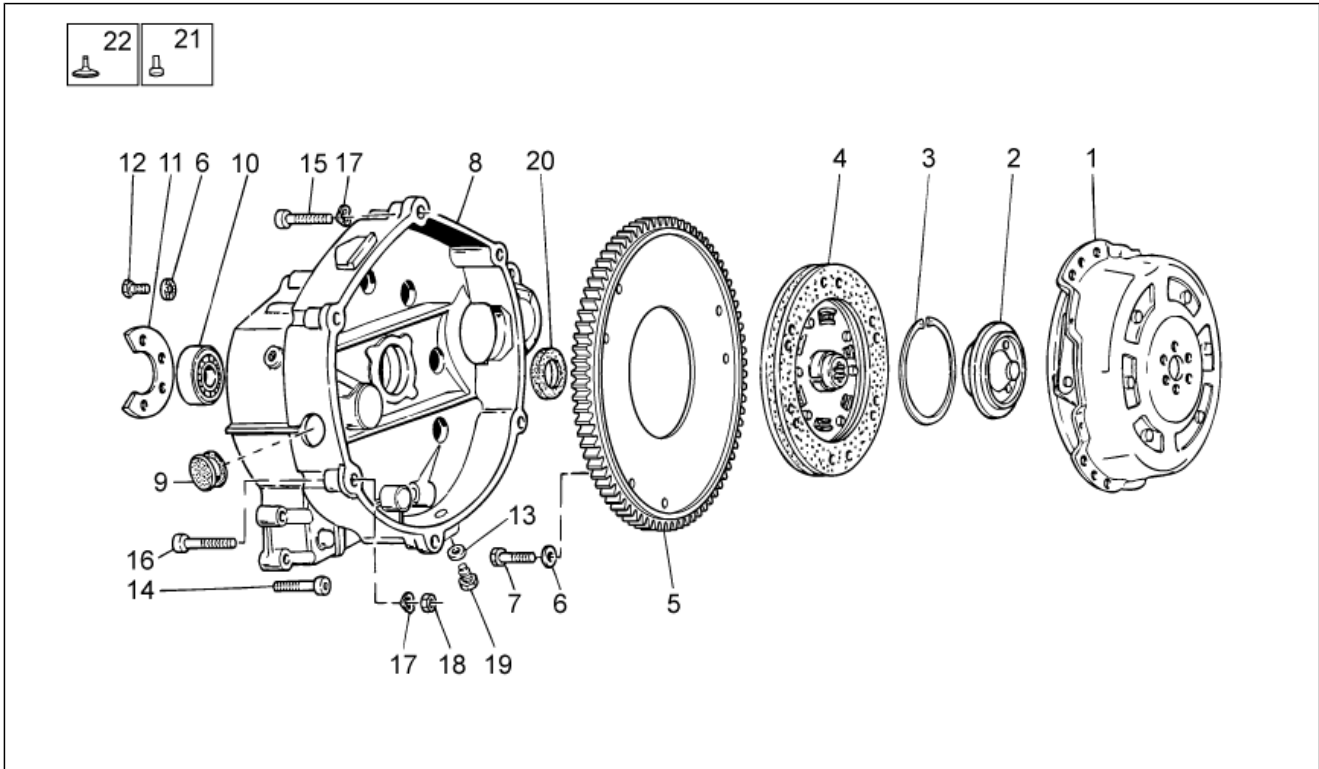
Pos.	Code	Description	Qty	Variants
29	GU95100244	Washer	1	

Group	ENGINE
Code	34.39
Description	Oil pump
Service	1



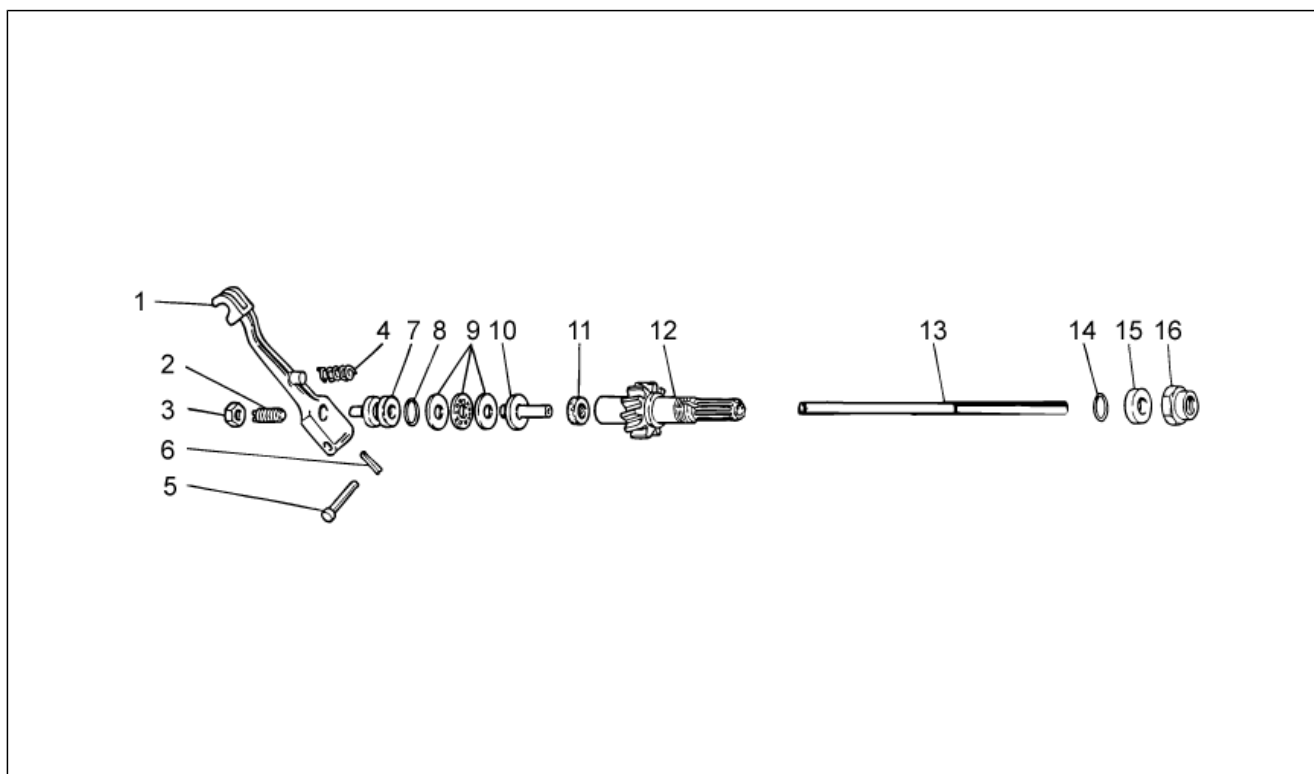
Pos.	Code	Description	Qty	Variants
1	GU19146422	Oil pump	1	
2	GU92252210	Roller bearing 10x22x20	1	
3	GU20147810	Oil pump shaft assy.	1	
4	GU20148410	Inner rotor	1	
5	GU20148610	Outer rotor	1	
6	GU92296723	Roller	1	
7	884039	Hex socket screw M6x35	3	
8	641541	Oil pressure sensor	1	
9	887093	Union	1	
10	GU19018920	Pin	2	
11	GU19152200	Oil filter	1	
12	GU98084314	Hex screw M6x14	1	
13	GU95187006	Plate	1	
14	GU27153085	Oil filter	1	
15	GU31159050	Cover	1	
16	GU18144350	Washer 18,25x24x1	3	
17	GU20147710	Pump gear	1	
18	AP8152220	Washer	1	
19	GU92602510	Nut M10x1,25	1	
20	GU31016050	Cover	1	
21	GU18161150	Gasket 14,25	1	
22	GU90706111	O-ring	1	
23	GU95008206	Washer 6,15x11x0,8	3	
24	GU94321079	Spring	1	
25	GU95100602	Gasket	1	
26	GU31159050	Piston	1	
27	GU95100309	Washer	1	

Group	ENGINE
Code	34.40
Description	Clutch I
Service	1



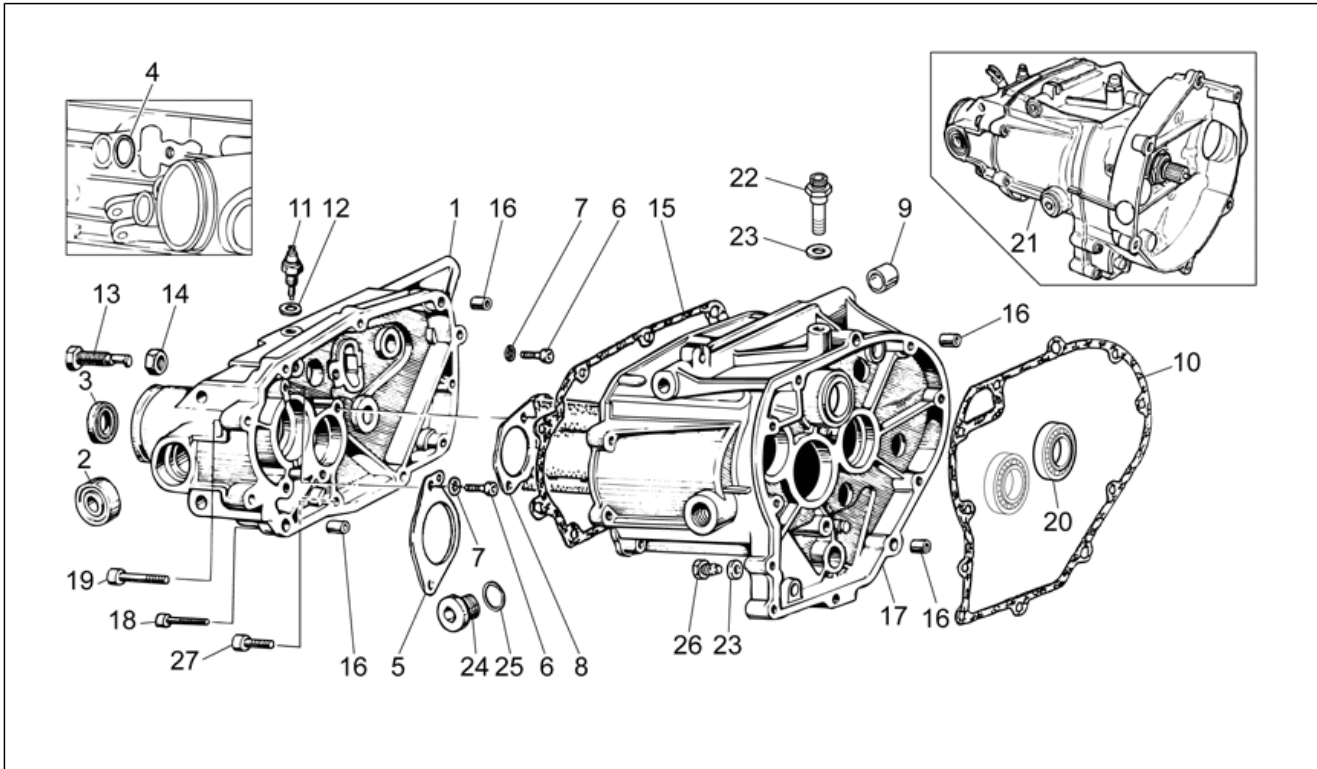
Pos.	Code	Description	Qty	Variants
1	GU32080310	Clutch	1	
2	GU19083462	New cup type	1	
3	GU90272075	Snap ring	1	
4	GU32084410	Driven clutch disc	1	
5	GU32067910	Chain ring	1	
6	GU14217901	Washer 6,4x10x0,7	9	
7	884038	Hex screw M6x16	6	
8	2A000106	Clutch drum	1	
9	GU93180220	Cover	1	
10	GU92201225	Bearing 25x52x15	1	
11	GU19203460	Bearing fixing plate	1	
12	GU98084314	Hex screw M6x14	3	
13	GU10528900	Gasket	1	
14	884032	Hex socket screw M6x30	11	
15	GU98680435	Hex socket screw M8x35	5	
16	GU98680450	Hex socket screw M8x50	1	
17	GU61270300	Spring washer 8x15x0,3	6	
18	GU92606208	Nut M8x1,25	1	
19	GU31003766	Oil unload plug M10x1	1	
20	886629	Gasket ring	1	
21	GU23204471	Jet	1	
22	GU23204571	Jet	1	

Group	ENGINE
Code	34.41
Description	Clutch II
Service	1



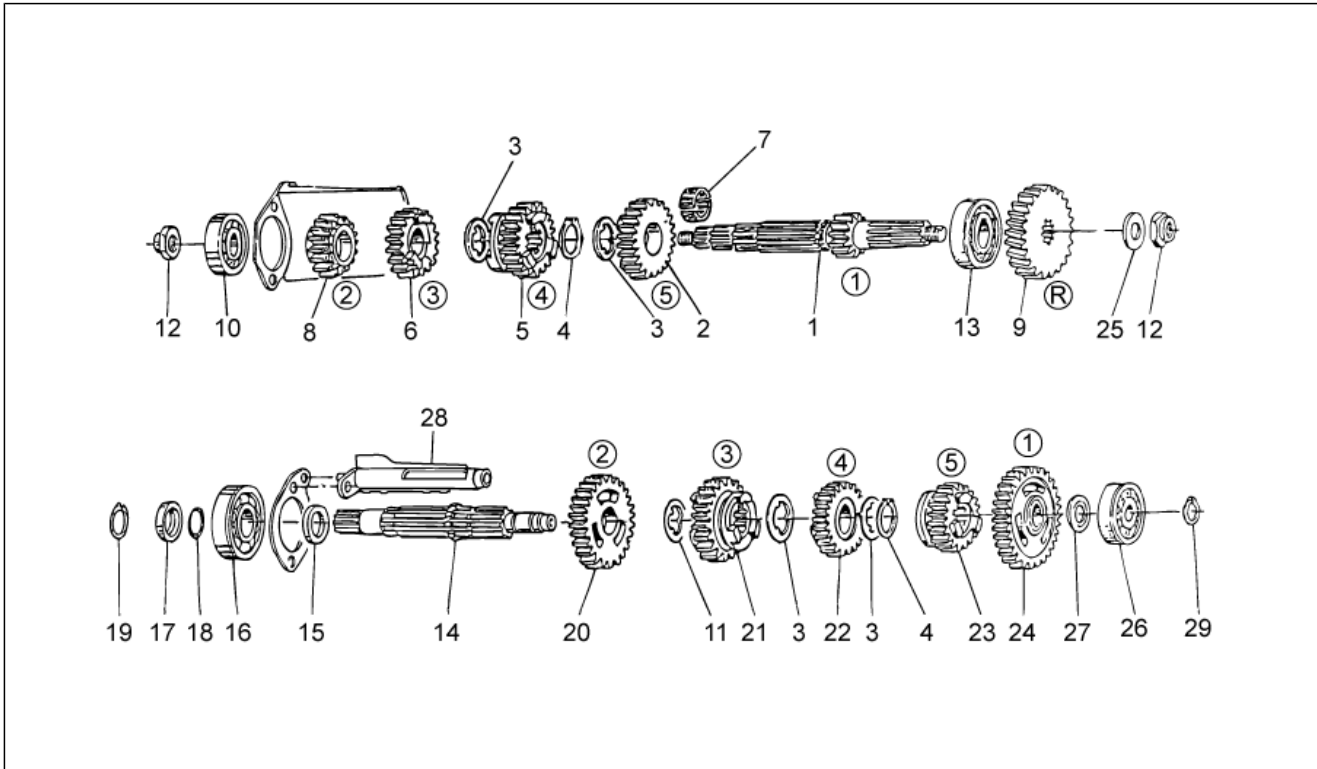
Pos.	Code	Description	Qty	Variants
1	GU14090201	Clutch release shaft	1	
2	GU14090400	Adjuster screw	1	
3	GU92606508	Nut	1	
4	GU94321105	Lever return spring	1	
5	GU95780271	Pin 7x39	1	
6	GU95500222	Split pin	1	
7	GU14086100	Outer body	1	
8	GU90706170	O-ring 17,13x2,62	1	
9	GU12087001	Thrust bearing	1	
10	GU14086000	Inner body	1	
11	GU90400616	Gasket ring 6x16x7	1	
12	GU27210760	Transmission shaft Z=16	1	
13	GU20085720	Rod	1	
14	GU90706235	O-ring 23,52x1,78	1	
15	GU19213760	Spacer	1	
16	GU19356760	Nut	1	

Group	ENGINE
Code	34.42
Description	Transmission cage
Service	1



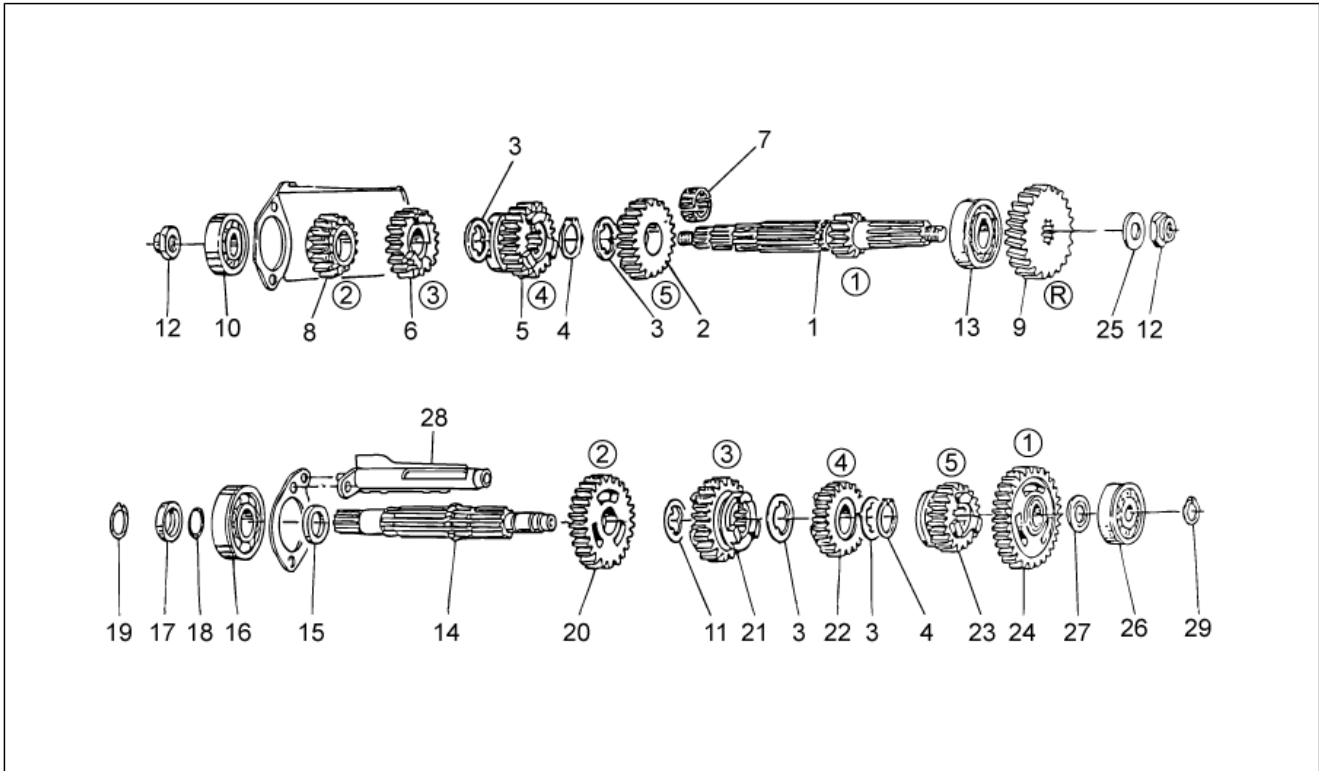
Pos.	Code	Description	Qty	Variants
1	2A000098	Gearbox cover	1	
2	2A000097	Ball bearing 6202-2RSH/C3 LHT23	2	
3	886364	Gasket ring 28x40x7	1	
4	GU90706140	O-ring 13,95x2,92	1	
5	GU32213810	Plate	1	
6	884031	Hex socket screw M6x14	4	
7	GU14217901	Washer 6,4x10x0,7	4	
8	GU32208210	Oil bulhead	1	
9	GU19202320	Bushing 10,25x15,7x8	2	
10	887005	Gasket	1	
11	B063269	Sensor	1	
12	GU12154200	Gasket 8,25x15x1	1	
13	GU19237800	Screw M12x1,25	1	
14	GU92606512	Low nut M12x1,25	1	
15	887006	Gasket	1	
16	GU19002020	Bushing 6,6x9x13	4	
17	887235	Transmission cage	1	
18	GU98682330	Hex socket screw M6x20	5	
19	GU98680435	Hex socket screw M8x35	4	
20	B063342	Ball bearing 6004/C3	1	
21	976992	Gear box assy	1	
22	GU32206510	Breather plug	1	
23	GU10528900	Gasket	2	
24	GU12022600	Oil plug	1	
25	GU90706203	O-ring 20,24x2,62	1	
26	GU31003766	Oil unload plug M10x1	1	
27	AP8150285	Hex socket screw M6x35	2	

Group	ENGINE
Code	34.43
Description	Gear box
Service	1



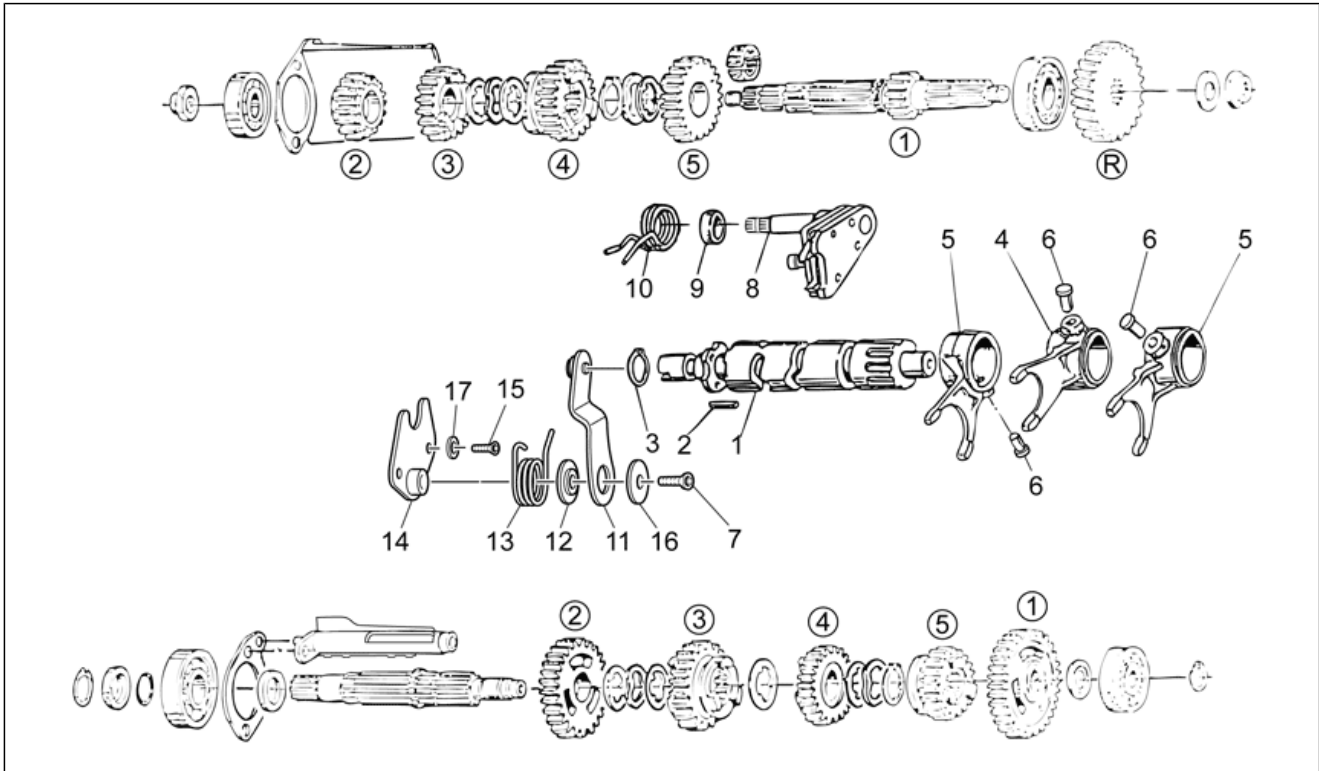
Pos.	Code	Description	Qty	Variants
1	GU32210510	Primary gear shaft Z=11	1	
2	GU32212011	Gear 5a AP Z=25	1	
3	GU19215460	Thrust washer	3	
4	GU90271124	Circlip	2	
5	GU32211810	Gear 4a AP Z=18	1	
6	GU32211410	Gear 3a AP Z=18	1	
7	GU92251028	Roller cage	1	
8	GU23211372	Gear 2a AP Z=14	1	
9	GU32211110	Idle gear AP Z=21	1	
10	GU92218417	Bearing AP 17x40x17,5	1	
11	GU19214660	Clearance washer	2	
12	GU10054100	Nut	2	
13	GU92230320	Bearing AP 20x37x17	1	
14	GU32213610	Driven shaft	1	
15	GU19212900	Spacer	1	
16	GU92201220	Bearing 20X47X14	1	
17	GU19213720	Spacer	1	
18	GU90706188	Gasket ring 18,77X1,78	1	
19	GU90271121	Circlip	1	
20	GU32214510	Gear 2a AS Z=23	1	
21	GU32214810	Gear 3a AS Z=23	1	
22	GU32215010	Gear 4a AS Z=19	1	
23	GU32215210	Gear 5a AS Z=22	1	
24	GU32214010	Gear 1a AS Z=26	1	
25	GU39238100	Clearance washer	1	
26	GU92234716	Bearing	1	
27	GU10214300	Spacer 1,5 mm	1	
27	GU10214301	Spacer 1,7 mm	1	

Group	ENGINE
Code	34.43
Description	Gear box
Service	1



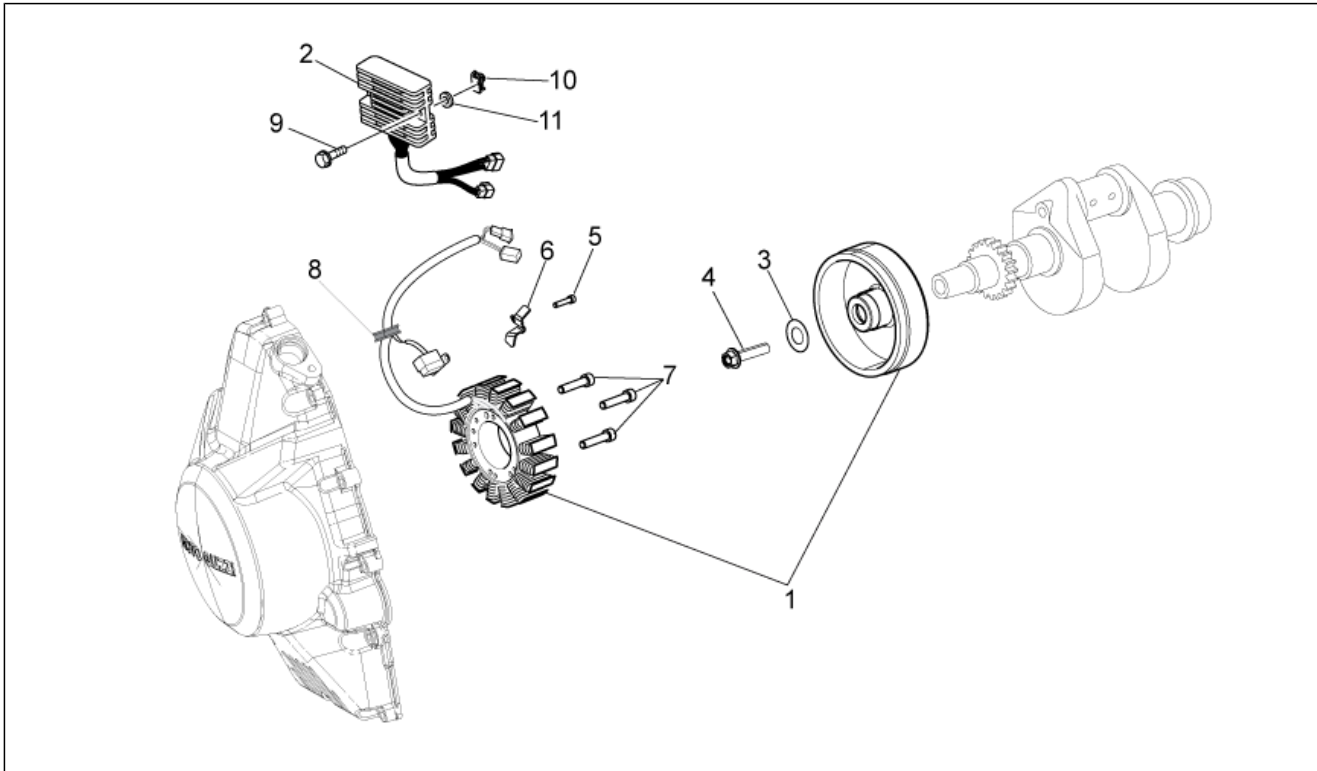
Pos.	Code	Description	Qty	Variants
27	GU10214302	Spacer 1,8 mm	1	
27	GU10214303	Spacer 1,9 mm	1	
27	GU10214304	Washer 2 mm	1	
27	GU10214305	Spacer 2,1 mm	1	
28	GU32202010	Gutter	1	
29	GU90271117	Circlip	1	

Group	ENGINE
Code	34.44
Description	Gear box selector
Service	1



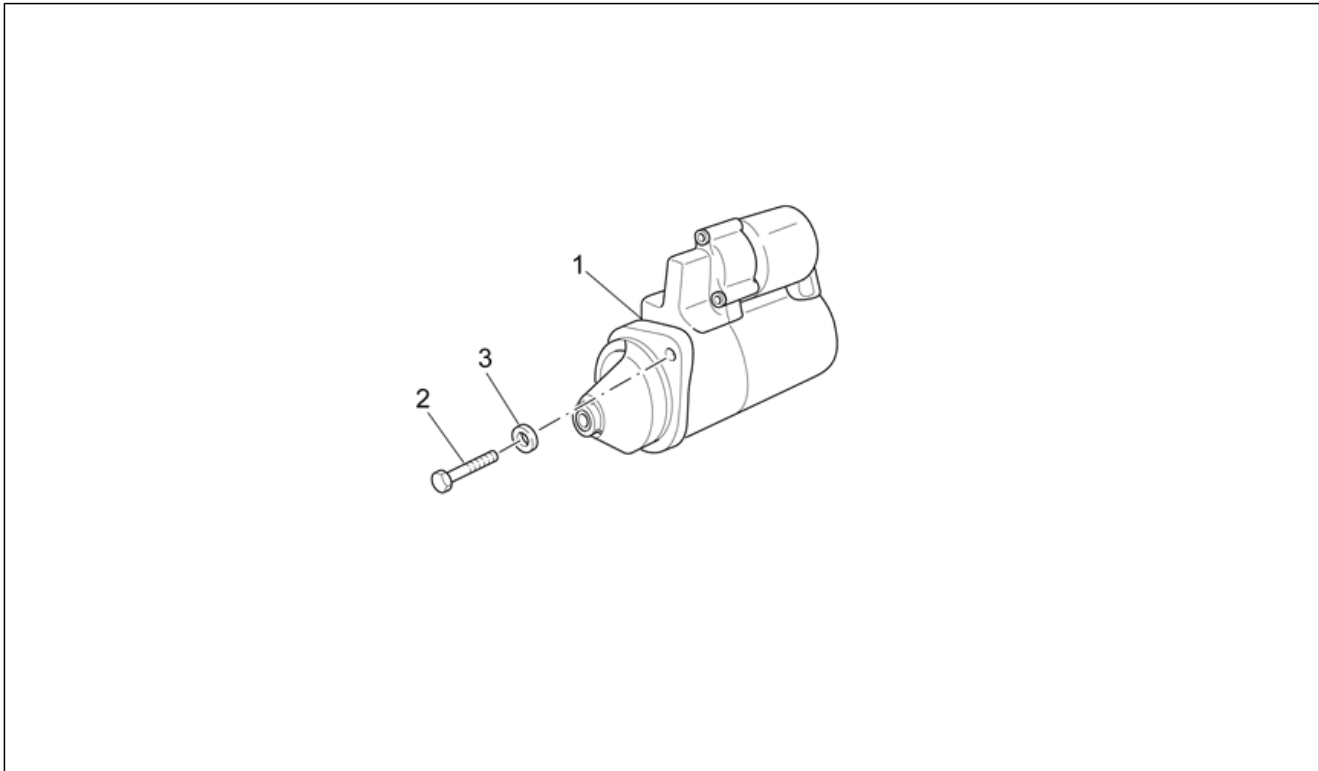
Pos.	Code	Description	Qty	Variants
1	GU32234410	Shift cam	1	
2	GU19234600	Pin	4	
3	GU90274026	Snap ring	1	
4	GU32231210	Fork AP	1	
5	GU32231010	Fork AS	2	
6	GU32233010	Roller	3	
7	GU98230612	screw	1	
8	887196	Preselection complete	1	
9	GU20208520	Spacer	1	
10	GU32238210	Spring	1	
11	GU32234710	Lever	1	
12	GU32234810	Washer	1	
13	GU32234110	Spring	1	
14	GU32235710	plate	1	
15	GU98257618	Screw M6x18	2	
16	GU32234910	Washer 6,4x20x1	1	
17	GU14217901	Washer 6,4x10x0,7	2	

Group	ENGINE
Code	34.45
Description	Generator - Regulator
Service	1



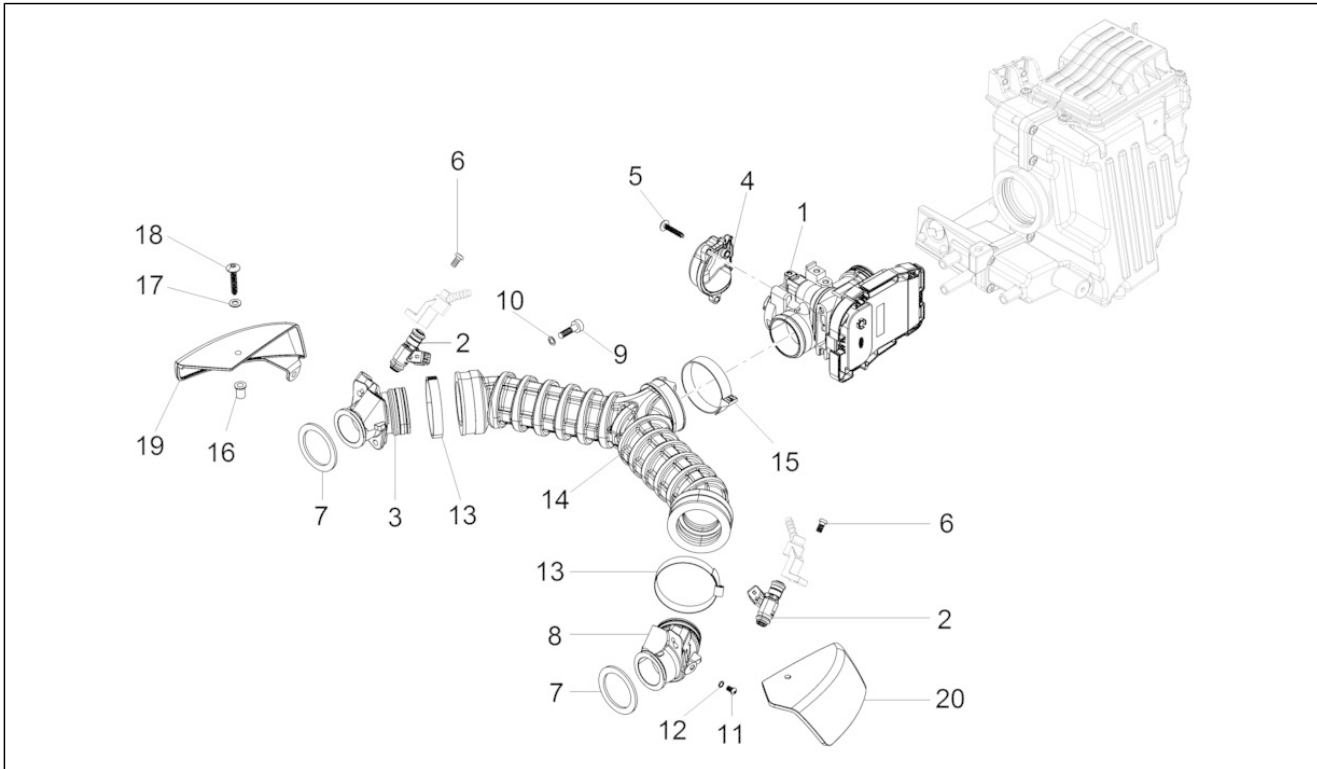
Pos.	Code	Description	Qty	Variants
1	2D000024	Cdi magneto assy	1	
2	2D000043	Voltage regulator	1	
3	897478	Washer 12x26.5x3	1	
4	857206	Screw w/ flange M12X1,25X50	1	
5	GU98682212	Hex socket screw M5x12	1	
6	2A000115	Plate	1	
7	2A000129	Low head socket screw M6x35	3	
8	GU19007700	Rubber spacer	1	
9	AP8152281	Screw w/ flange M6x30	2	
10	254485	Spring plate M6	2	
11	GU95100125	Washer	2	

Group	ENGINE
Code	34.46
Description	Starter motor
Service	1



Pos.	Code	Description	Qty	Variants
1	GU05730730	Starter motor Bosch	1	
2	GU98682435	Hex socket screw	2	
3	GU95008208	Washer 8,4X15X1,5	2	

Group	ENGINE
Code	34.47
Description	Throttle body
Service	1



Pos.	Code	Description	Qty	Variants
1	CM228303	Electronic control unit ECU for injection	1	Country:
1	CM228304	Electronic control unit ECU for injection	1	
2	B063049	Injector	2	
3	GU32115010	RH manifold	1	
4	880260	Throttle body Protection	1	
5	B016796	Torx convex big end screw	3	
6	AP8152298	Screw w/ flange M5x16	2	
7	GU32115510	Gasket	2	
8	GU32115011	LH manifold	1	
9	GU98622322	screw	4	
10	GU03013800	Washer 6,4x12	4	
11	884029	Hex socket screw M6x10	2	
12	GU95100116	Washer 6,25x10x1,5	2	
13	884311	Hose clamp D.61	2	
14	887812	Throttle body hose	1	
15	884310	Hose clamp D.55	1	
16	GU93231605	Antivibration bush	4	
17	GU30577800	Nylon washer 5,5X12X1	4	
18	GU98370515	screw	4	
19	2B000971	RH cover	1	
20	2B000972	LH cover	1	