

APAC = Asia + Pacific

EMEA = Europe + Middle-East + Africa

AMER = North + Central + South America

NAFTA = North America Free Trade Agreement = USA + Canada


MOTO GUZZI®

ERSATZTEILKATALOG



V9 Bobber 2016 (APAC)

Vorsatzcode Fahrgestell: ZGULHA00

Vorsatzcode Motor:

Inhaltsverzeichnis

Fertige Produkte.....	4
Alphanumerisches Verzeichnis.....	5
Rahmen.....	10
Tafel 01.010 - Rahmen.....	10
Tafel 01.020 - Fussrasten.....	11
Tafel 01.030 - Hauptständer.....	12
Tafel 01.040 - Schutz.....	13
Tafel 01.050 - Schwinge.....	14
Aufbau.....	15
Tafel 02.030 - Vorderes Schutzblech-Stütze.....	15
Tafel 02.100 - Mittlerer Aufbau.....	16
Tafel 02.120 - Sitz.....	17
Tafel 02.150 - Hinteres schutzblech.....	18
Tafel 02.170 - Schlösser.....	19
Tafel 02.190 - Deko.....	20
Motor.....	21
Tafel 03.010 - Motor-Fertigstellung.....	21
Tafel 03.020 - Schalthebel.....	22
Tafel 03.030 - Gehäuse I.....	24
Tafel 03.050 - Filtergehäuse.....	25
Tafel 03.060 - Klappenkörper.....	26
Tafel 03.090 - Kopfdeckel.....	27
Tafel 03.100 - Zylinderkopf - ventile.....	28
Tafel 03.120 - Steuer.....	29
Tafel 03.150 - Zylinder - Kolben.....	30
Tafel 03.160 - Kurbelwelle.....	31
Tafel 03.170 - Schaltgetriebe / Schaltgabel / Desmodrom.....	32
Tafel 03.180 - Schaltgetriebe - Zahnräder.....	34
Tafel 03.190 - Schmierung.....	36
Tafel 03.196 - Anlage Blow-by.....	38
Tafel 03.230 - Kupplung.....	39
Tafel 03.270 - Zuenderdeckel.....	41
Tafel 03.290 - Zündung / Elektrischer Anfang.....	42
Tafel 03.300 - Schwungmagnetstarter / Zündung.....	43
Tafel 03.320 - Secondary air.....	44
Tafel 03.330 - Auspuffrohr.....	45
Tafel 03.340 - Getriebe kpl.....	46
Tafel 03.350 - Getriebedeckel.....	47
Radaufhängungen.....	49
Tafel 04.060 - Vorderradgabel Kaifa.....	49
Tafel 04.080 - Stoßdämpfer.....	50
Räder.....	51
Tafel 05.010 - Vorderrad.....	51

Tafel 05.020 - Hinterrad.....	52
Bremsanlage	53
Tafel 06.010 - Vorderradbremspumpe.....	53
Tafel 06.020 - Vorderradbremzange.....	54
Tafel 06.030 - Hinterradbremspumpe.....	55
Tafel 06.040 - Hinterradbremzange.....	57
Tafel 06.050 - Bremsanlage ABS.....	58
Lenkstange - Schaltungen.....	59
Tafel 07.010 - Lenkung.....	59
Tafel 07.020 - Lenkstange - Schaltungen.....	60
Tafel 07.030 - Kupplungssteuerung.....	61
Vorderer lichter - Instrumente.....	62
Tafel 08.010 - Vorderer lichter.....	62
Tafel 08.020 - Instrumente.....	63
Tafel 08.030 - Hinterer lichter.....	64
Tank.....	66
Tafel 09.010 - Kraftstofftank.....	66
Tafel 09.020 - Benzindampfrückf.-Anlage.....	67
Elektrische Anlage.....	68
Tafel 11.010 - Vorder Elektrische Anlage.....	68
Tafel 11.020 - Mitt. elektrische Anlage.....	69
Tafel 11.030 - Hint.Elektrische Anlage.....	70

Fertige Produkte

Code	Gültigkeit
GU9032251AUG01	
GU9032251AUG02	
GU9032251AUG99	
GU9032251IDG01	
GU9032251IDG02	
GU9032251JPG01	
GU9032251JPG99	
GU9032251VTG01	
GU9032251ZCG01	
GU9032251ZCG99	

Code	Nr. der Tafel	Pos.	Code	Nr. der Tafel	Pos.	Code	Nr. der Tafel	Pos.
	08.010	15	1A0066355	03.010	1	2A000496	03.120	4
006630	03.270	8	1A0066655	03.030	8	2A000521	03.120	9
00H02402282	06.050	5	1A0066656	03.030	7	2A000527	03.120	27
013763	03.190	14	1A0066659	03.100	12	2A000528	03.120	8
013763	08.020	7	1A0066680G	03.160	3	2A000565	03.090	1
070286	08.030	30	1A0066680N	03.160	3	2A000579	03.120	5
070286	11.030	3	1A0066680V	03.160	3	2A000591	03.170	37
080341	11.020	19	1A0066690G	03.160	8	2A000597	03.320	3
122675	11.010	12	1A0066690N	03.160	8	2A000608	03.060	8
1A000360	03.180	7	1A0066690V	03.160	8	2A000609	03.060	3
1A000365	03.180	16	1A006671AA	03.160	7	2A000612	03.060	7
1A000366	03.180	22	1A006671BB	03.160	7	2A000620	03.090	6
1A000367	03.180	27	1A006716	03.090	4	2A000627	03.180	13
1A000368	03.180	28	1A006860	03.030	19	2A000629	03.180	30
1A000369	03.180	29	1A006861	03.120	16	2A000631	03.230	21
1A000370	03.180	25	1A0068695	03.100	10	2A000633	03.190	5
1A000436	03.180	10	1A0068705	03.100	11	2A000638	03.230	30
1A000566	03.180	4	1A0068960B	03.160	2	2A000659	03.090	2
1A002604	03.180	24	1A0068960G	03.160	2	2A000724	03.230	4
1A002604	03.180	9	1A0068960R	03.160	2	2A000727	03.180	5
1A003444	11.020	14	1A007008	03.190	22	2A000741	03.230	31
1A003452	03.100	5	1A007070	03.150	2	2A0007425	03.170	19
1A004442	03.190	15	1A007111	03.150	9	2A0007505	03.170	6
1A004530	03.030	10	1A008576	03.120	25	2A000767	03.230	23
1A004549	03.190	11	1C001499	01.030	8	2A000770	03.230	28
1A004550	03.030	1	1C001499	05.020	19	2A000774	03.230	6
1A004660	03.100	1	1D001393	03.060	2	2A000792	03.230	7
1A004661	03.100	1	1D001450	09.010	8	2B000221	11.010	3
1A004662	03.100	1	1D001549	11.010	7	2B000225	05.020	15
1A004750	03.100	8	224566	03.170	44	2B000377	05.020	18
1A004751	03.100	4	224566	03.350	8	2B000404	03.350	2
1A004752	03.100	6	237553	03.190	12	2B000525	06.040	1
1A004903	03.120	13	248419	01.040	12	2B001009	03.020	15
1A004905	03.120	12	254485	03.330	19	2B001035	01.010	17
1A004907	03.120	14	254485	11.010	5	2B001048	07.020	11
1A004953	03.150	8	285536	03.170	3	2B001049	07.020	10
1A004954	03.150	7	292022	08.010	3	2B001052	07.010	3
1A004955	03.150	6	292723	08.010	2	2B001055	01.010	1
1A004956	03.150	5	2A000097	03.170	41	2B001073	05.010	9
1A005199	03.190	3	2A000115	03.300	5	2B001083	03.330	6
1A005211	03.030	2	2A000129	03.300	4	2B001084	03.330	5
1A005257	03.190	13	2A000203	03.180	20	2B001088	01.030	5
1A0052625	03.030	21	2A000216	03.230	8	2B0010995	03.330	1
1A005325AA	03.160	6	2A000219	03.170	12	2B0011005	03.330	2
1A005325BB	03.160	6	2A000222	03.170	38	2B001114	05.020	3
1A005382	11.020	5	2A000224	03.170	20	2B001139	05.010	1
1A005424	03.100	2	2A000225	03.170	23	2B001141	02.030	1
1A005425	03.100	9	2A000226	03.170	21	2B001147	02.030	2
1A005712	03.120	1	2A000227	03.170	22	2B0011535	03.340	1
1A0057145	03.120	24	2A000241	03.170	27	2B001154	08.020	3
1A005951	03.120	7	2A000241	03.170	28	2B001182	08.010	17
1A005955	03.120	19	2A000241	03.180	32	2B001223	08.020	2
1A006047	03.030	4	2A000306	03.170	27	2B001231	08.010	16
1A006053	03.190	27	2A000339	03.090	3	2B001279	05.020	7
1A006055	03.190	25	2A0003535	03.120	6	2B001301	01.050	1
1A006056	03.190	24	2A000375	03.230	14	2B001303	03.350	25
1A006064	03.190	23	2A000376	03.230	16	2B001307	03.350	11
1A006119	03.120	22	2A000378	03.230	32	2B001310	05.020	1
1A006127	03.120	23	2A000384	03.230	18	2B001311	03.350	3
1A006243	03.120	21	2A000385	03.230	19	2B001561	05.010	17
1A006272AA	03.150	10	2A000415	03.170	24	2B001564	06.050	17
1A006272BB	03.150	10	2A000418	03.230	29	2B001612	01.010	16
1A006272CC	03.150	10	2A000419	03.230	1	2B001614	06.050	14
1A006272DD	03.150	10	2A00042115	03.170	1	2B001618	02.100	2
1A006283	03.030	17	2A000438	03.170	43	2B001619	02.100	1
1A006284	03.030	18	2A000438	03.350	22	2B001629	09.010	1
1A006298	03.270	4	2A000467	03.170	15	2B001708	05.010	18

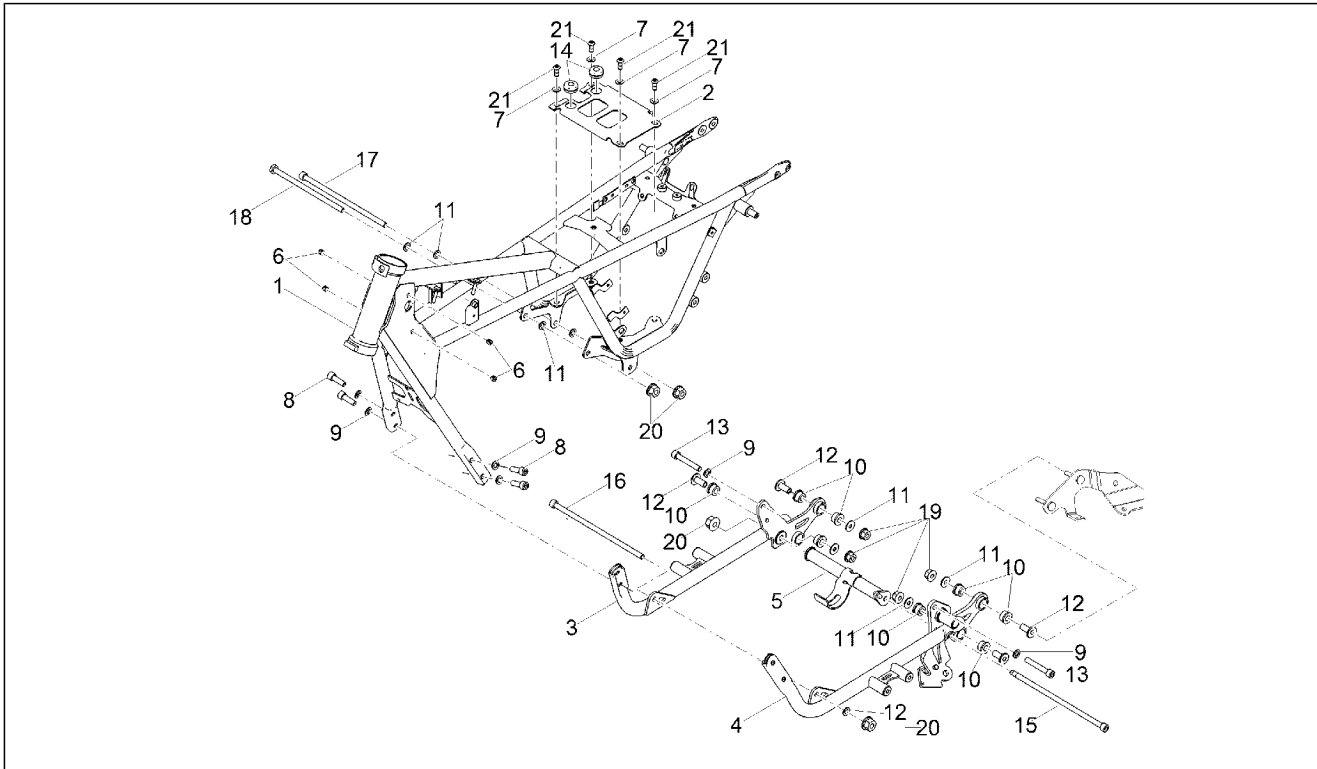
Code	Nr. der Tafel	Pos.	Code	Nr. der Tafel	Pos.	Code	Nr. der Tafel	Pos.
2B001762	05.010	5	2B002781	11.030	8	2D000024	03.300	1
2B001783	02.100	5	2B002799	01.040	1	2D000099	08.020	1
2B001823	03.060	12	2B002805	06.050	10	2D000100	08.010	1
2B001929	06.010	6	2B002806	06.050	16	2D000102	06.050	1
2B001930	06.010	4	2B002807	03.350	21	2D000163	07.020	19
2B001935	03.330	24	2B002810	01.010	5	2D000209	11.010	1
2B001941	03.020	18	2B002817	01.010	15	2D000209	11.020	1
2B001953	06.040	3	2B002832	03.050	2	2D000209	11.030	1
2B001956	05.020	13	2B002843	07.020	9	2D000218	07.020	20
2B002011	08.010	11	2B002844	07.020	8	2D000225	08.010	1
2B002043	02.170	3	2B002851	03.050	5	2D000225	08.020	1
2B002090	07.020	14	2B002852	07.020	1	2D000226	07.020	3
2B002091	07.020	13	2B002875	07.020	17	2D000227	07.020	2
2B002171	01.020	21	2B002900	05.020	2	2D000245	11.030	2
2B002171	03.350	27	2B002901	11.020	12	2D000255	08.030	11
2B002187	03.330	15	2B002936	02.170	11	2D000256	08.030	12
2B002189	06.030	1	2B002937	01.040	10	2D000261	08.010	4
2B002192	04.060	1	2B002940	02.170	1	2D000262	08.010	5
2B002195	07.020	7	2B002943	01.040	9	2D0002805	06.030	9
2B002200	03.350	15	2B002944	09.010	6	2D0002885	07.030	9
2B002205	01.050	6	2B002959	03.050	14	2D000299	02.170	2
2B002218	01.020	1	2B002961	07.030	8	2D000355	11.020	21
2B002219	01.020	2	2B002988	04.080	1	2H001260	02.190	2
2B002225	01.020	5	2B002991	06.050	9	2H001433000NI	09.010	1
2B002233	06.030	13	2B003039	06.010	5	2H001434000NI	02.030	1
2B002269	06.010	1	2B003040	06.010	3	2H001439	02.190	5
2B0022925	03.330	4	2B003041	06.010	2	2H001442	02.190	8
2B0022935	03.330	3	2B003042	09.020	3	2H001443	02.190	4
2B002294	04.060	3	2B003052	11.020	13	2H001445	02.190	3
2B002295	04.060	2	2B003056	06.050	2	2H001466000NI	02.150	1
2B002298	03.340	2	2B003076	01.020	4	2H001467	02.190	6
2B002311	01.010	21	2B003077	01.020	3	2H001468	02.190	7
2B002311	02.150	4	2B003078	01.010	12	2H001469	02.190	1
2B002321	02.150	5	2B003089	02.150	6	2H001470	02.190	9
2B002325	01.010	3	2B003102	01.040	3	2H001476000EQ	09.010	1
2B002326	01.010	4	2B003103	01.040	4	2H001477000EQ	02.030	1
2B002364	07.020	5	2B003105	03.196	3	2H001478000NI	02.150	1
2B002365	08.030	1	2B003111	04.080	2	2H001480	02.190	5
2B002369	03.020	3	2B003164	08.010	13	2H001481	02.190	8
2B002378	01.040	2	2B003165	08.010	14	2H001482	02.190	1
2B002383	05.010	4	2B003204	03.196	2	2H001483	02.190	9
2B002386	02.150	3	2B003212	01.050	5	2H001658000NI	02.030	1
2B002390	07.030	2	2B003271	06.020	1	2H001659000EQ	02.030	1
2B002391	07.030	1	2B003284	03.330	25	2Q000110	02.190	10
2B002443	08.030	3	2B003292	07.010	15	2R000109	04.060	7
2B002483	08.030	4	2B003313	06.020	6	2R000110	04.060	23
2B002484	08.030	7	2B003367	08.020	6	2R000243	04.060	19
2B002486	09.010	9	2B0033875	03.350	23	2R000248	06.040	5
2B002502000C1	02.120	1	2B003682	02.030	1	319165	02.170	9
2B002529	03.320	7	2B003742	04.060	14	478533	11.020	11
2B002530	03.320	9	2B003743	07.010	1	479175	08.030	13
2B002531	03.320	8	2B004042	06.030	24	484993	03.030	20
2B002532	03.330	13	2B004043	03.020	28	584211	11.030	4
2B002533	03.330	12	2B004044	01.020	22	584332	08.010	6
2B002535	03.350	24	2B004050	06.030	37	584332	08.030	15
2B002536	03.350	18	2B004053	03.020	3	598839	02.100	6
2B002537	02.150	1	2B004062	03.020	2	638733	11.030	9
2B002541	08.030	21	2B004062	06.030	30	639338	08.010	7
2B002602	03.196	4	2B004063	06.030	27	639338	08.030	16
2B002615	08.030	29	2B004064	06.030	29	641040	11.020	8
2B002621	01.040	6	2B004076	06.030	34	641901	11.020	15
2B002622	01.040	5	2B004107	06.030	36	642034	11.020	16
2B002632	09.020	1	2B004109	03.020	9	643090	03.190	16
2B002680	03.020	9	2B004111	06.030	32	643277	11.010	2
2B002681	06.050	11	2B004112	03.020	27	648708	05.020	5
2B002699	03.340	3	2B004112	06.030	21	658778	06.030	23
2B002705	01.030	1	2D000004	02.170	4	658837	03.030	5

Code	Nr. der Tafel	Pos.	Code	Nr. der Tafel	Pos.	Code	Nr. der Tafel	Pos.
658837	06.030	35	887891	04.060	16	AP8120615	03.050	6
680212	11.020	9	887893	04.060	20	AP8120876	03.050	11
825694	03.100	13	887894	04.060	22	AP8120912	03.020	1
831135	03.030	11	887905	04.060	18	AP8120912	06.030	17
832029	11.010	10	887908	03.020	2	AP8120912	06.030	31
834764	03.170	33	887908	06.030	16	AP8121014	01.030	3
834951	03.330	20	887916	04.060	21	AP8121032	02.100	7
840509	08.030	14	890760	03.050	13	AP8121133	01.020	19
848650	03.180	17	890760	07.010	14	AP8121199	08.010	10
849308	03.180	21	894704	11.030	15	AP8121205	07.010	4
849308	03.180	6	895328	03.020	5	AP8121420	02.170	6
849309	03.180	23	895328	06.030	10	AP8121509	03.020	26
849310	03.180	26	895709	06.050	20	AP8121567	01.020	15
849396	03.180	14	896110	03.330	7	AP8121725	08.030	25
849424	03.180	8	896174	01.040	8	AP8121882	06.050	18
852090	03.330	11	897478	03.300	2	AP8121927	06.030	15
854827	07.020	16	898268	03.270	6	AP8121927	06.030	25
856063	09.020	7	898269	03.270	7	AP8123641	07.010	6
857045	03.320	2	898283	03.020	11	AP8123642	07.010	10
857046	03.320	5	898286	06.030	28	AP8123643	07.010	11
857047	03.320	1	898396	03.020	14	AP8123644	07.010	8
857181	03.320	10	898397	03.020	7	AP8124936	11.010	6
857206	03.300	3	959559	06.050	13	AP8125687	05.020	6
857250	03.170	29	967356	01.030	6	AP8127601	09.020	10
859792	05.010	16	967363	01.010	20	AP8127856	01.030	7
859792	05.020	17	967384	01.020	24	AP8134448	08.030	18
859946	06.030	11	967384	06.030	22	AP8134451	01.020	18
859946	06.030	14	974162	03.180	12	AP8144007	03.020	4
871640	03.100	7	974165	03.180	15	AP8144007	06.030	19
873905	03.170	26	976591	03.090	5	AP8144071	01.010	10
873928	03.180	2	976614	02.100	3	AP8144222	07.020	15
874567	03.150	4	976649	03.350	1	AP8144552	11.030	19
874957	03.330	9	97729R	03.290	1	AP8145034	01.020	6
876879	03.330	16	977527	02.170	5	AP8145035	01.020	7
880260	03.060	4	978415	02.170	7	AP8150009	01.010	7
883161	11.030	5	AP8101861	01.020	20	AP8150012	06.030	12
883688	05.010	12	AP8102159	09.020	6	AP8150015	06.050	6
883826	03.030	13	AP8102239	09.020	4	AP8150018	01.010	11
884031	04.080	4	AP8102375	02.100	4	AP8150018	03.020	24
884033	06.030	18	AP8102520	03.050	15	AP8150018	09.010	4
884310	03.060	11	AP8102520	09.020	9	AP8150026	03.020	19
886365	03.030	15	AP8102524	01.030	4	AP8150048	01.010	13
886629	03.230	11	AP8102671	01.010	6	AP8150049	07.020	18
887003	03.270	5	AP8102671	01.040	14	AP8150053	08.030	9
887093	03.190	18	AP8102738	09.020	2	AP8150115	03.020	12
887421	11.020	20	AP8102913	02.170	12	AP8150178	05.010	19
887448	05.020	14	AP8104509	07.020	6	AP8150285	06.030	7
887481	11.020	7	AP8104525	03.050	4	AP8150377	11.010	4
887762	05.010	14	AP8104924	03.050	7	AP8150413	01.040	13
887762	05.020	16	AP8110053	03.020	16	AP8150413	08.030	22
887815	03.050	8	AP8110077	07.010	7	AP8150451	06.050	15
887831	07.010	9	AP8110109	05.020	10	AP8150500	01.040	11
887832	07.010	12	AP8113003	06.050	3	AP8150500	03.060	6
887843	03.050	9	AP8113004	06.050	4	AP8150509	03.050	10
887844	03.050	12	AP8113081	06.030	4	AP8150536	08.030	8
887875	05.010	13	AP8113082	06.030	5	AP8150538	02.030	4
887878	04.060	4	AP8118579	07.020	4	AP8150540	07.010	13
887879	04.060	5	AP8120001	01.040	15	AP8150540	07.020	12
887880	04.060	6	AP8120001	11.030	11	AP8150543	07.010	2
887882	04.060	8	AP8120030	06.050	7	AP8152043	06.010	8
887883	04.060	9	AP8120178	06.030	3	AP8152055	03.330	21
887884	04.060	10	AP8120278	08.030	6	AP8152138	03.020	17
887885	04.060	11	AP8120311	01.010	14	AP8152220	03.190	20
887886	04.060	12	AP8120455	03.050	3	AP8152229	02.170	8
887888	04.060	13	AP8120455	03.330	14	AP8152267	03.090	7
887889	04.060	15	AP8120455	09.010	3	AP8152272	03.120	10
887890	04.060	17	AP8120573	01.020	17	AP8152273	02.150	7

Code	Nr. der Tafel	Pos.	Code	Nr. der Tafel	Pos.	Code	Nr. der Tafel	Pos.
AP8152273	09.010	7	GU01659131	06.020	4	GU27152885	03.190	1
AP8152277	01.020	11	GU03013800	03.020	22	GU30601060	07.030	3
AP8152288	06.040	2	GU03013800	03.060	10	GU30602500	07.030	4
AP8152288	09.010	2	GU03617710	05.010	10	GU31003766	03.030	22
AP8152299	02.100	8	GU03617710	05.020	11	GU31003766	03.350	7
AP8152299	02.150	2	GU03658201	06.050	21	GU31150950	03.190	10
AP8152299	08.010	12	GU03658330	06.050	19	GU31159050	03.190	6
AP8152299	08.030	31	GU03749845	06.010	7	GU31256881	03.020	10
AP8152299	11.020	6	GU04355100	03.350	20	GU31544181	06.040	4
AP8152306	08.030	19	GU04355101	03.350	20	GU31547882	01.050	3
AP8152329	03.050	1	GU04355102	03.350	20	GU31616384	05.010	15
AP8152384	07.010	5	GU04355103	03.350	20	GU31659181	06.040	7
AP8152385	06.020	2	GU04355104	03.350	20	GU31659281	06.040	6
AP8161054	03.050	16	GU04355105	03.350	20	GU32441210	01.020	10
AP8181140	11.030	13	GU04355106	03.350	20	GU32442310	01.020	8
AP8201755	08.030	24	GU05217630	03.230	26	GU32442710	01.020	9
AP8210007	03.020	20	GU05234230	03.170	9	GU32517710	11.030	12
AP8213028	07.030	5	GU05234631	03.170	31	GU32615660	05.010	3
AP8213388	07.030	6	GU05235531	03.170	30	GU32632510	05.020	20
AP8220186	08.030	5	GU05238231	03.170	13	GU32944310	02.190	11
AP8221023	03.050	18	GU05238431	03.170	11	GU37359005	03.350	10
AP8221023	06.050	8	GU05239330	03.170	16	GU49609601	11.010	8
AP8221197	01.030	2	GU05351230	03.350	9	GU49609601	11.020	2
AP8221277	01.020	16	GU05659230	06.020	3	GU49609601	11.030	18
AP8224164	08.030	17	GU05781630	04.060	24	GU61027200	03.150	1
AP8224462	11.020	4	GU10034100	03.120	15	GU66103415	09.010	10
AP8702101	02.170	10	GU10528900	03.030	23	GU90271014	03.170	17
AP9100053	08.030	27	GU12022600	03.170	35	GU90271022	03.170	32
AP9100477	01.020	23	GU12154200	03.190	2	GU90272047	05.020	9
B013037	03.230	15	GU12351100	03.350	13	GU90353014	03.170	8
B013608	03.170	25	GU14085900	03.230	25	GU90353029	03.120	17
B013608	03.180	3	GU14086100	03.230	17	GU90401424	03.170	18
B014598	01.050	7	GU14217901	03.230	5	GU90402642	05.010	6
B015040	03.180	11	GU14609650	11.010	9	GU90412541	03.180	18
B015598	03.170	2	GU14609650	11.020	3	GU90413850	03.350	12
B016796	03.060	5	GU14609650	11.030	17	GU90706141	11.010	11
B016796	08.030	23	GU14615901	03.230	3	GU90706170	03.230	27
B017406	03.170	5	GU14615901	03.330	18	GU90706188	03.350	4
B017636	03.100	3	GU14615901	03.330	22	GU90706203	03.170	34
B018020	03.170	4	GU14615901	03.350	26	GU90706235	03.230	10
B018448	03.180	31	GU14615901	07.020	22	GU90706281	03.030	25
B043850	11.030	16	GU14616150	05.010	11	GU90706444	03.190	4
B063025	03.170	39	GU14616150	05.020	12	GU90706584	03.350	5
B063174	04.080	3	GU18144350	03.190	8	GU90706958	03.350	19
B063233	11.030	10	GU19002020	03.170	36	GU91113826	03.330	10
B063269	03.170	40	GU19002020	03.270	3	GU91181003	07.020	21
B063287	01.010	2	GU19003800	03.030	3	GU91551010	01.010	19
B063292	03.330	8	GU19015020	03.030	14	GU91551010	03.050	19
B063907	01.020	12	GU19018920	03.030	9	GU91551131	09.010	5
B063956	03.170	14	GU19018920	03.190	28	GU92201226	03.180	19
B064023	02.120	2	GU19021360	03.150	3	GU92201226	03.230	9
B064112	03.170	10	GU19045861	03.120	3	GU92201822	03.180	1
B064113	03.170	7	GU19055700	03.120	2	GU92204220	05.020	4
B064304	03.350	16	GU19058021	03.120	20	GU92204221	05.010	7
CM013202	11.030	14	GU19058220	03.120	11	GU92254340	03.350	14
CM178609	08.020	4	GU19062261	03.160	1	GU92296723	03.190	30
CM179008	09.020	5	GU19065400	03.160	9	GU92602510	03.190	19
CM226902	03.196	1	GU19067700	03.230	2	GU92606206	03.020	8
CM226902	03.320	6	GU19213760	03.230	12	GU92606206	06.030	2
CM228401	01.020	14	GU19351100	03.350	17	GU92606206	06.030	26
CM258301	03.060	13	GU19356760	03.230	13	GU92606208	03.030	6
CM258303	03.050	17	GU19547000	01.050	2	GU92606508	03.230	24
CM275402	03.060	1	GU20147710	03.190	21	GU92630206	06.030	6
CM277101	11.020	17	GU20147810	03.190	26	GU92630207	05.010	8
CM277102	11.020	18	GU20258221	03.020	23	GU92630510	03.020	25
GU01528930	03.350	6	GU27061885	03.160	4	GU92630707	06.030	33
GU01659130	06.020	5	GU27066460	03.160	5	GU92660021	03.330	17

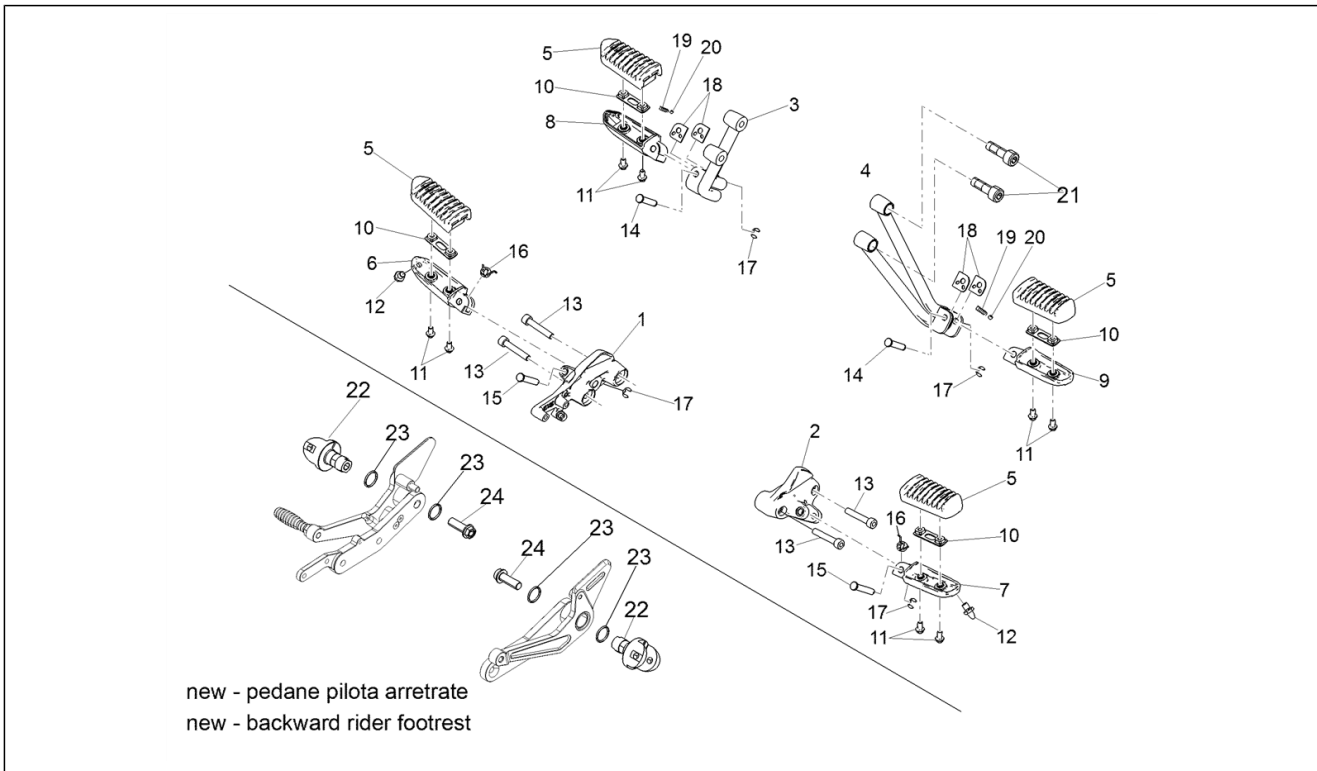
Code	Nr. der Tafel	Pos.
GU93180105	01.050	4
GU93180111	05.010	2
GU93180220	03.170	42
GU93304360	09.020	8
GU93450224	08.030	2
GU94321079	03.190	9
GU94321105	03.230	22
GU95005304	11.020	10
GU95005310	08.030	20
GU95008206	03.190	7
GU95008208	03.290	2
GU95008208	03.330	23
GU95008210	01.010	9
GU95020105	01.030	9
GU95100059	11.030	7
GU95100309	03.190	17
GU95100602	03.190	29
GU95129115	03.120	18
GU95500222	03.230	20
GU96451316	06.050	12
GU96451430	03.030	12
GU96508055	03.030	16
GU97202325	07.030	7
GU98110199	01.010	18
GU98210610	08.020	5
GU98210616	07.010	16
GU98210616	08.030	28
GU98370625	06.030	20
GU98612216	03.320	4
GU98612320	08.010	8
GU98612320	08.030	10
GU98620330	01.040	7
GU98622322	03.060	9
GU98632322	03.020	21
GU98680445	01.020	13
GU98680445	06.030	8
GU98680460	03.020	6
GU98682212	03.300	6
GU98682212	11.030	6
GU98682312	05.020	8
GU98682325	03.030	24
GU98682325	03.270	1
GU98682330	03.270	2
GU98682330	08.030	26
GU98682416	09.010	11
GU98682435	03.290	3
GU98682530	01.010	8
GU98690445	02.030	3
GU98690445	08.010	9
GU98692318	03.020	13
GU98882316	03.120	26

Einheit	Rahmen
Code	01.010
Beschreibung	Rahmen
Inspektion	1



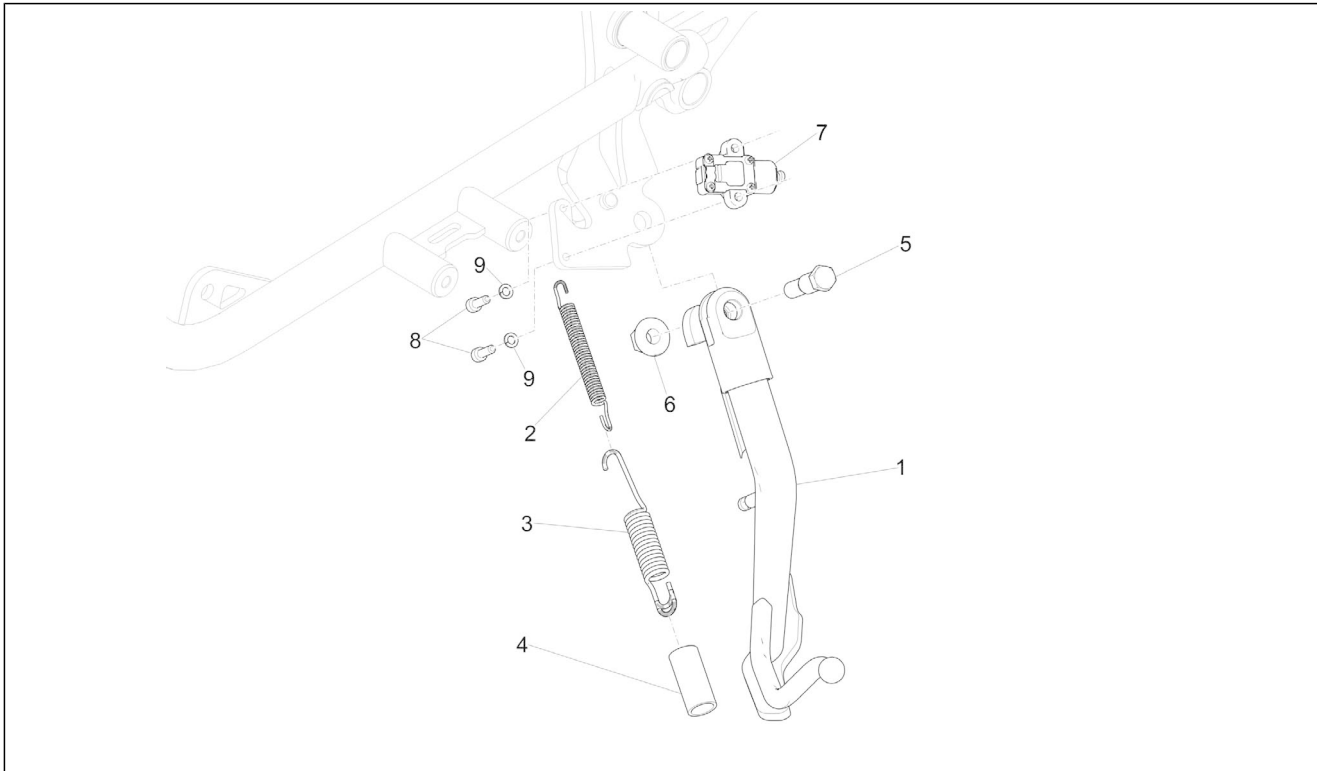
Pos.	Code	Beschreibung	Menge	Varianten
1	2B001055	Fahrgestell	1	
2	B063287	Verbindungsplatte Rahmen	1	
3	2B002325	Arm Rahmenschleife rechts	1	
4	2B002326	Arm Rahmenschleife links	1	
5	2B002810	Rahmenträger	1	
6	AP8102671	Kunststoffniet	4	
7	AP8150009	Scheibe	4	
8	GU98682530	TCEI Schraube M10x30	4	
9	GU95008210	Ausgleichscheibe 10,2X18X2	6	
10	AP8144071	Gummi auspuffrohr	8	
11	AP8150018	Ausgleichscheibe	4	
12	2B003078	Distanzscheibe	4	
13	AP8150048	TCEI Schraube	2	
14	AP8120311	Gummi	2	
15	2B002817	Zapfen M10	1	
16	2B001612	Bolzen M10X253	1	
17	2B001035	Bolzen 234X10	1	
18	GU98110199	Bolzen M10x205	1	
19	GU91551010	Gummi 10X20X10	2	
20	967363	Mutter M8x1,25	4	
21	2B002311	Linsenschraube Torx M8X20	4	

Einheit	Rahmen
Code	01.020
Beschreibung	Fussrasten
Inspektion	1



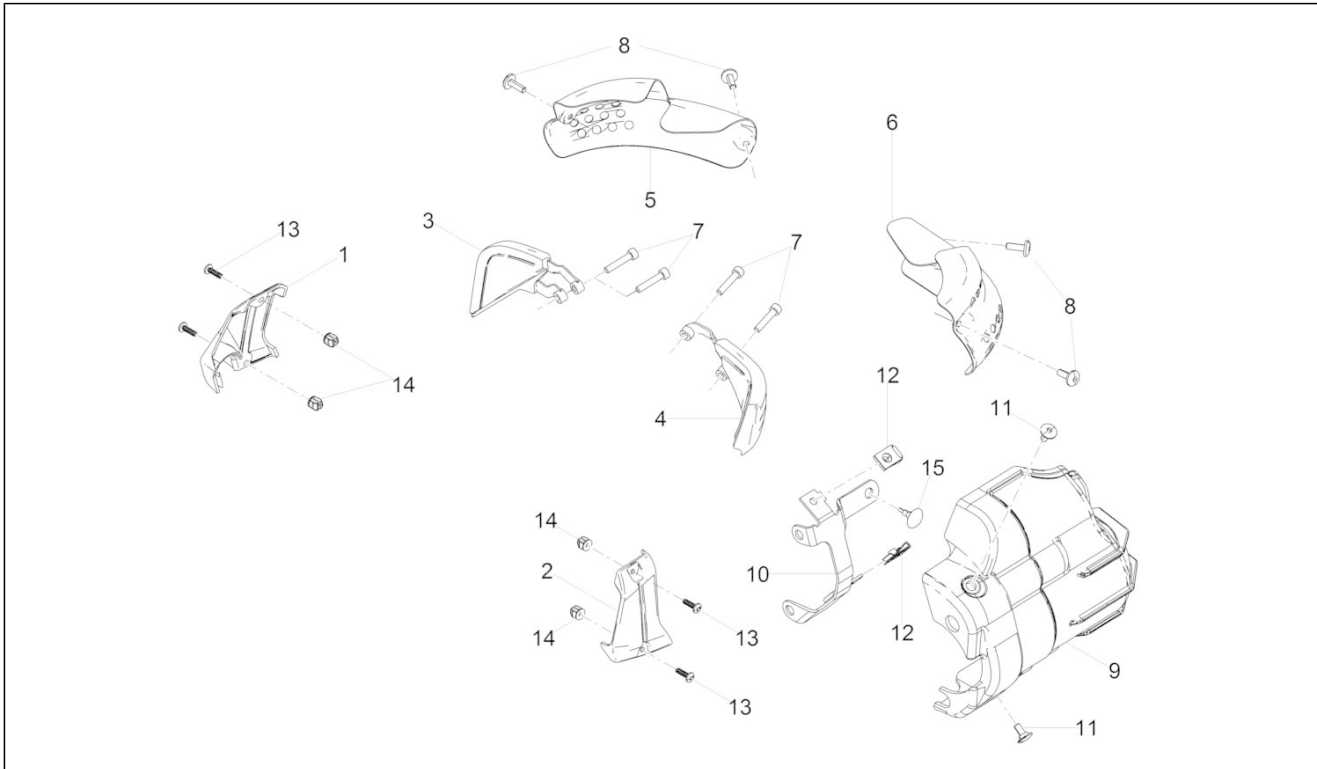
Pos.	Code	Beschreibung	Menge	Varianten
1	2B002218	Fußrastenhalter Fahrer rechts	1	Technische Spezifikation: standard rider footrest[old]
2	2B002219	Fußrastenhalter Fahrer links	1	Technische Spezifikation: standard rider footrest[old]
3	2B003077	Fußrasten-Halterung Beif. rechts	1	
4	2B003076	Fußrasten-Halterung Beif. links	1	
5	2B002225	Gummiraste	4	
6	AP8145034	Fussrasten r.	1	
7	AP8145035	Fussrasten l.	1	
8	GU32442310	Soziusraste rechts	1	
9	GU32442710	Soziusraste links	1	
10	GU32441210	Platte	4	
11	AP8152277	TE Schr. m. Flansch M6x12	8	
12	B063907	Rastenbolzen	2	
13	GU98680445	TCEI Schraube	4	Technische Spezifikation: standard rider footrest[old]
14	CM228401	Rastenbolzen	2	
15	AP8121567	Bolzen	2	
16	AP8221277	Rückholfeder	2	
17	AP8120573	Sperring	4	
18	AP8134451	Fixierplatte	4	
19	AP8121133	Schraubenfederkompr.	2	
20	AP8101861	Kugel D6,35	2	
21	2B002171	TC Schraube 8x25	4	
22	2B004044	Halterung Fahrertrittbrett	2	Technische Spezifikation: backward rider footrest[new]
23	AP9100477	O-Ring 18x2	4	Technische Spezifikation: backward rider footrest[new]
24	967384	Schraube TEF M10X45	2	Technische Spezifikation: backward rider footrest[new]

Einheit	Rahmen
Code	01.030
Beschreibung	Hauptständer
Inspektion	1



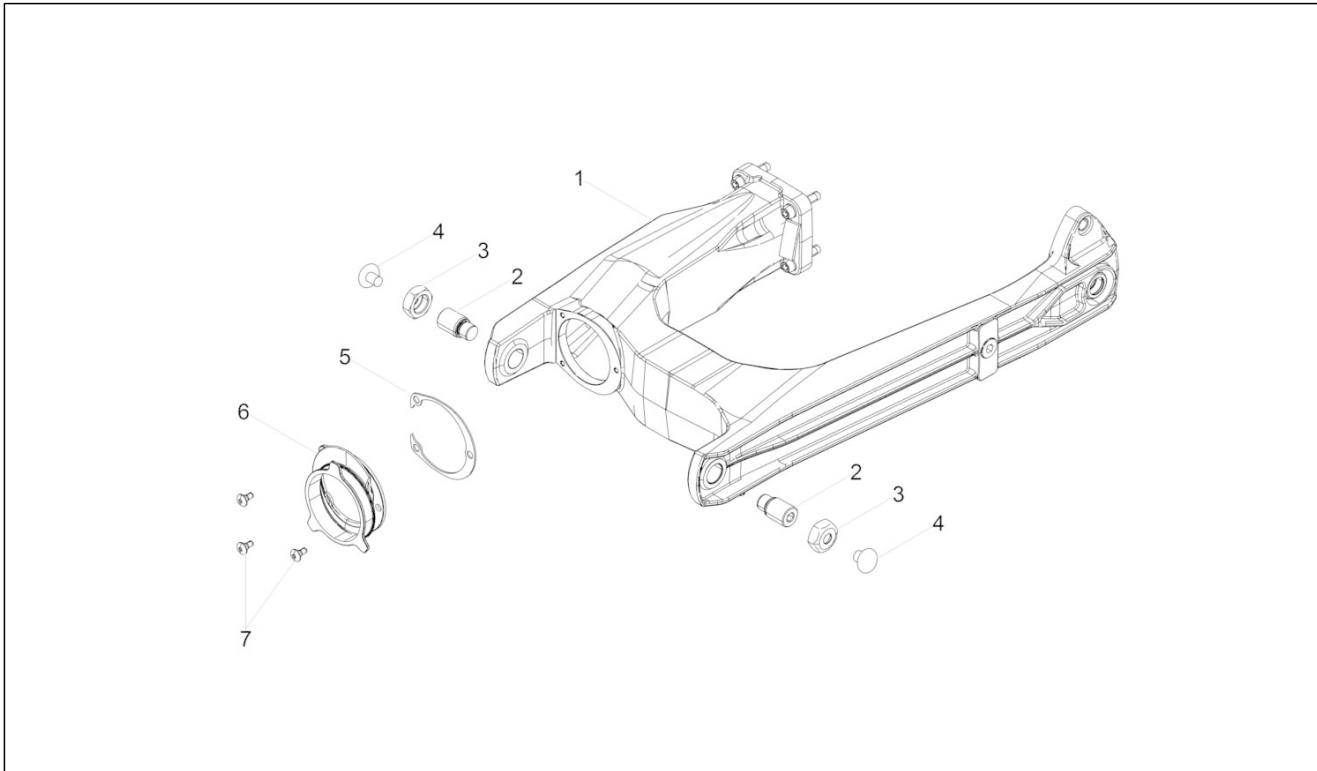
Pos.	Code	Beschreibung	Menge	Varianten
1	2B002705	Seitenständer	1	
2	AP8221197	Hauptständer Schraubenfeder	1	
3	AP8121014	Schraubenfeder	1	
4	AP8102524	Schutz f. Ständerfeder	1	
5	2B001088	Ständerbolzen	1	
6	967356	Geflanschte Mutter M10x1,25	1	
7	AP8127856	Ständer lichtschalter	1	
8	1C001499	Schraube TBEI TORX M5x16 INOX	2	
9	GU95020105	Ausgleichscheibe 5,3x8,9x2,4	2	

Einheit	Rahmen
Code	01.040
Beschreibung	Schutz
Inspektion	1



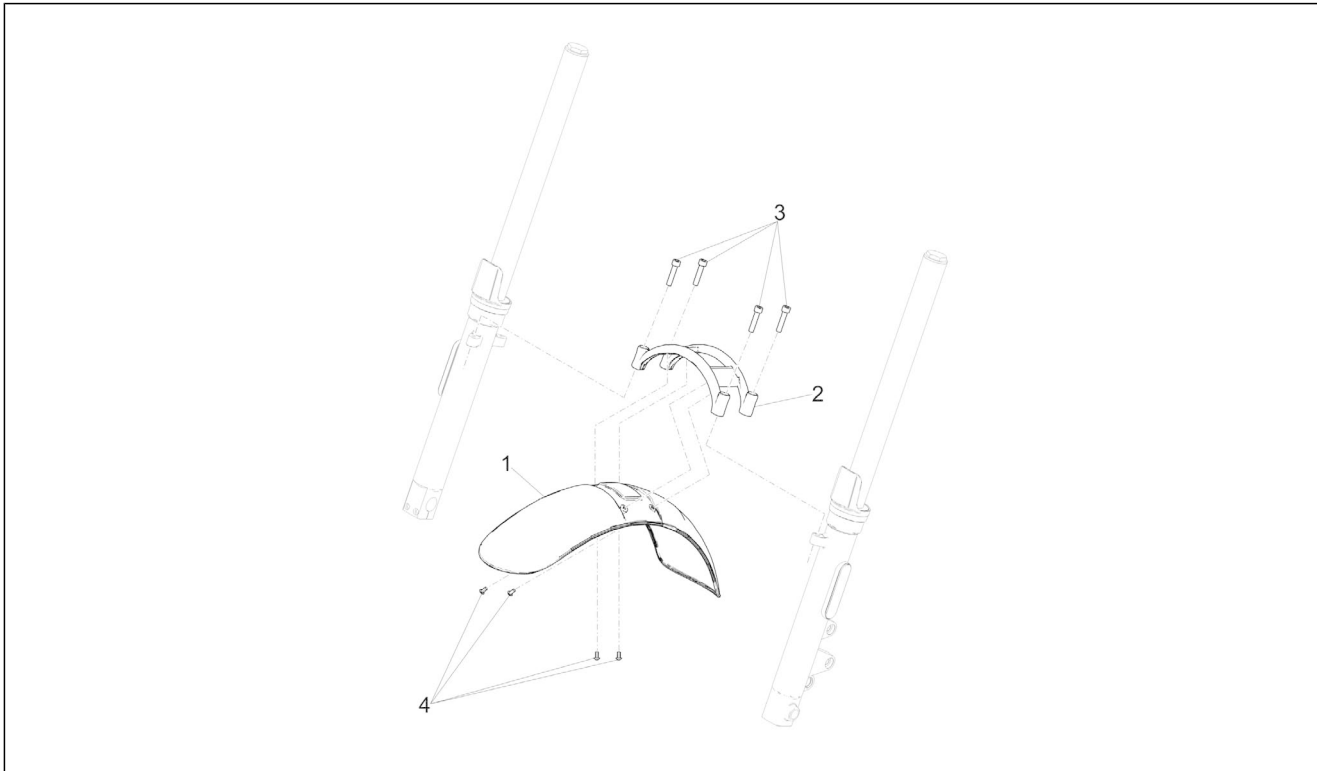
Pos.	Code	Beschreibung	Menge	Varianten
1	2B002799	Rahmenschutz rechts	1	
2	2B002378	Rahmenschutz links	1	
3	2B003102	Knieschutz rechts	1	
4	2B003103	Knieschutz links	1	
5	2B002622	Einspritzdüsenabdeckung rechts	1	
6	2B002621	Einspritzdüsenabdeckung links	1	
7	GU98620330	Schraube	4	
8	896174	Schraube TBEI Schwarz M5x12	4	
9	2B002943	Abdeckung anlassermotor	1	
10	2B002937	Haltebügel Abdeckung	1	
11	AP8150500	TBEI Schraube M5x9	2	
12	248419	Plattchen M5	2	
13	AP8150413	Gew.schr. 3,9x14	1	
14	AP8102671	Kunststoffniet	2	
15	AP8120001	Gummi	1	

Einheit	Rahmen
Code	01.050
Beschreibung	Schwinge
Inspektion	1



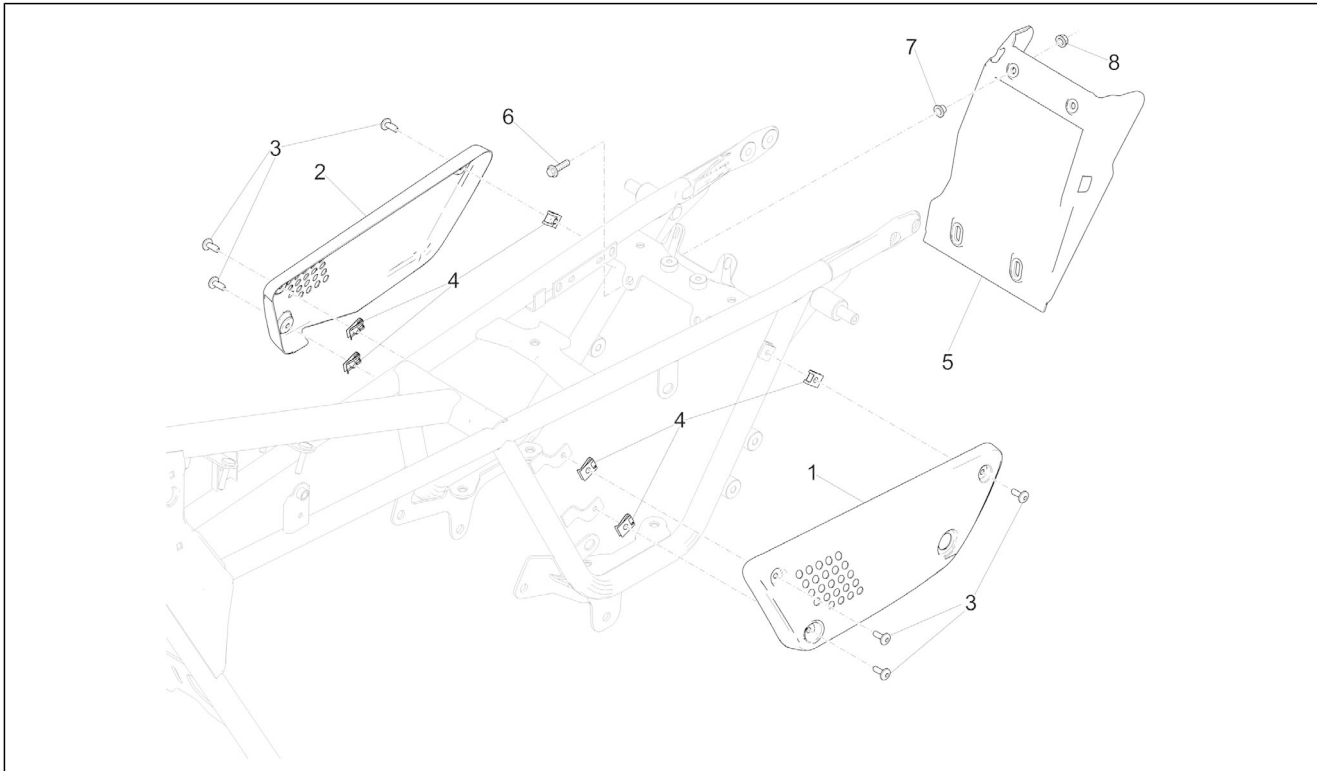
Pos.	Code	Beschreibung	Menge	Varianten
1	2B001301	Schwinge	1	
2	GU19547000	Bolzen	2	
3	GU31547882	Mutter	2	
4	GU93180105	Deckel	2	
5	2B003212	Fixierplatte	1	
6	2B002205	Gummibalg	1	
7	B014598	Torx Schraube M5x12	3	

Einheit	Aufbau
Code	02.030
Beschreibung	Vorderes Schutzblech-Stütze
Inspektion	1



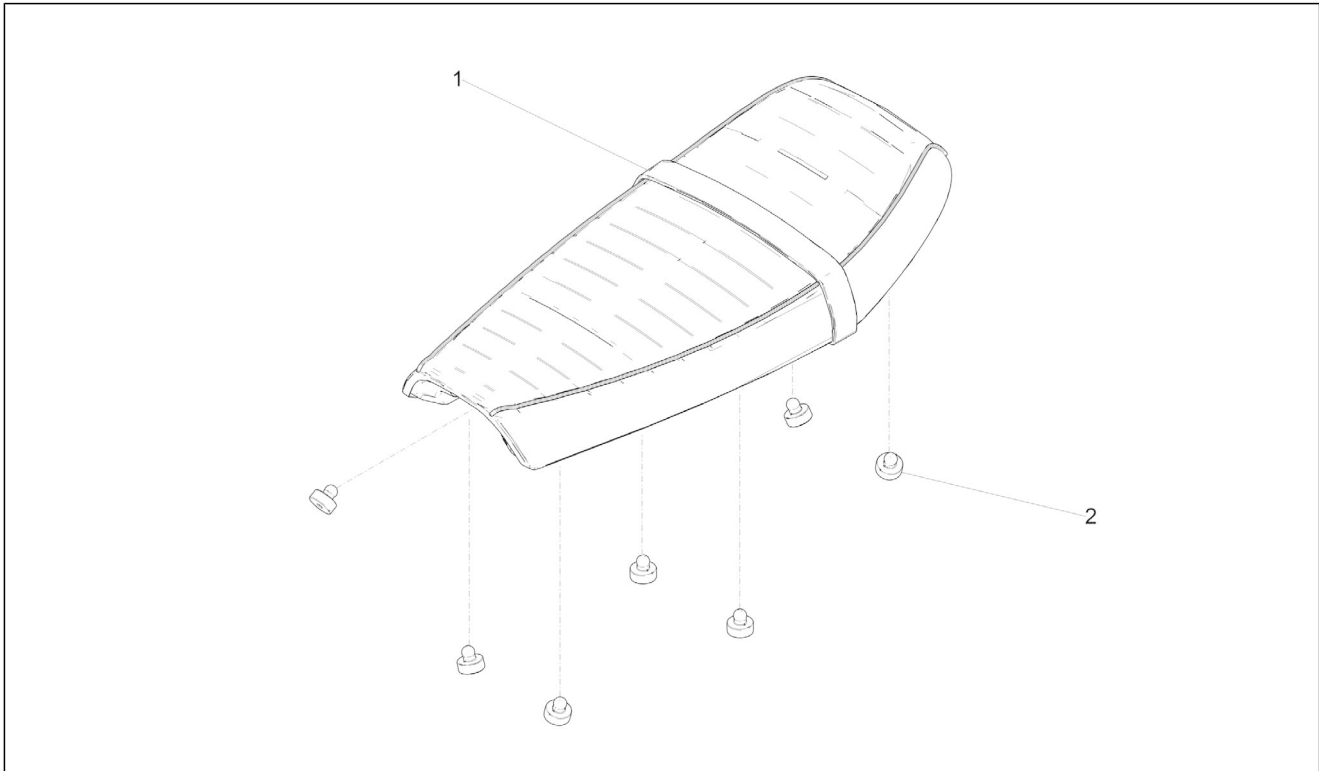
Pos.	Code	Beschreibung	Menge	Varianten
1	2H001659000EQ	V. Schutzblech, schwarz	1	Farbe: Mattgrau Blade[GB] Land: Australien[AU] Technische Spezifikation: Mit Aufkleber[D]
1	2H001434000NI	V. Schutzblech, schwarz	1	Farbe: Matt Competition Schwarz[NC] Land: Indonesien[ID] Japan[JP] Korea[KO] Singapur[SI] Vietnam.[VT] Technische Spezifikation: Mit Aufkleber[D]
1	2B003682	Vorder Schutzblech ohne farbe	1	Land: Australien[AU] Farbe: Unlackiert[GR]
1	2B001141	Vorderes Schutzblech	1	Farbe: Unlackiert[GR] Land: Indonesien[ID] Japan[JP] Korea[KO] Singapur[SI] Vietnam.[VT]
1	2H001658000NI	V. Schutzblech, schwarz	1	Farbe: Matt Competition Schwarz[NC] Land: Australien[AU] Technische Spezifikation: Mit Aufkleber[D]
1	2H001477000EQ	V. Schutzblech, grau	1	Farbe: Mattgrau Blade[GB] Land: Indonesien[ID] Korea[KO] Japan[JP] Singapur[SI] Vietnam.[VT] Technische Spezifikation: Mit Aufkleber[D]
2	2B001147	Schutzblechhalterung	1	
3	GU98690445	Schraube M8x45	4	
4	AP8150538	TBEI Schraube M5x10	4	

Einheit	Aufbau
Code	02.100
Beschreibung	Mittlerer Aufbau
Inspektion	1



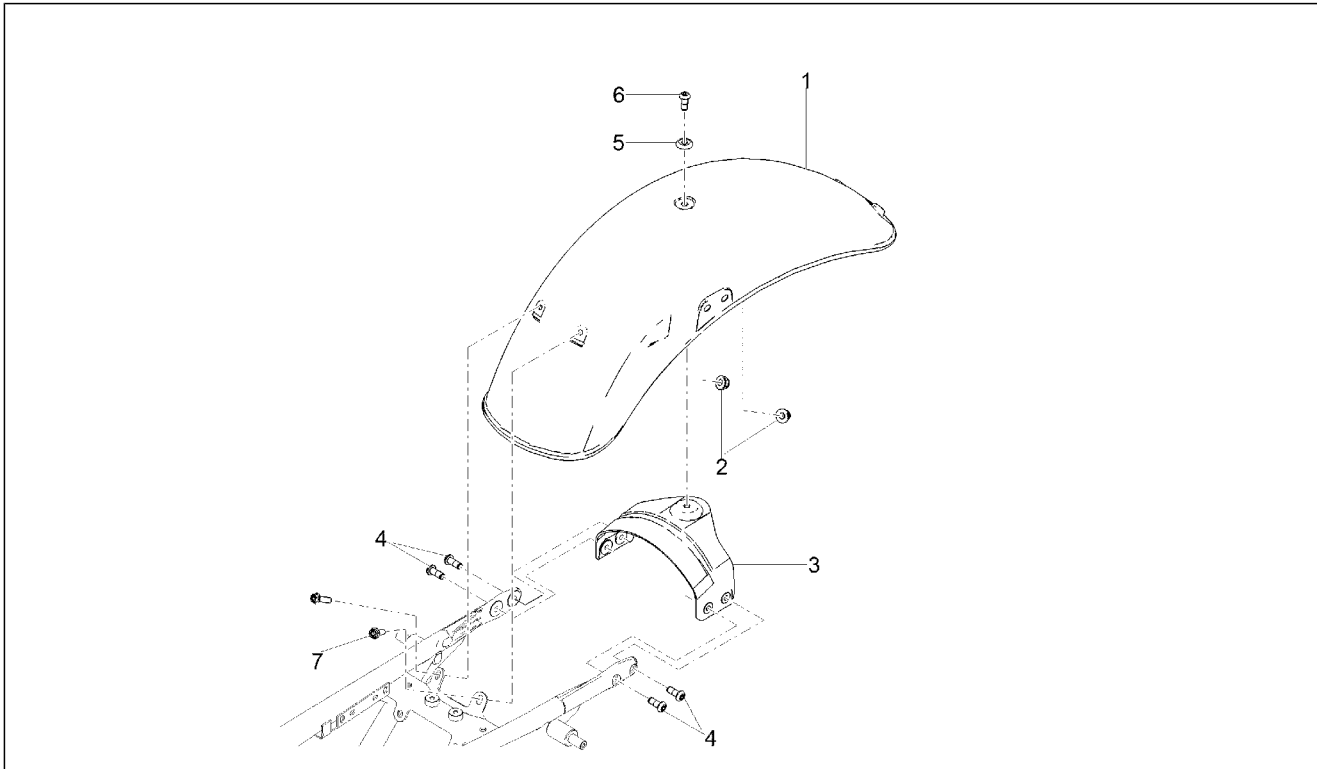
Pos.	Code	Beschreibung	Menge	Varianten
1	2B001619	L. kl. Seitenteil	1	
2	2B001618	R. kl. Seitenteil	1	
3	976614	TBEI Schraube M5x15	6	
4	AP8102375	Klammer M5	6	
5	2B001783	Hinteres, Spritzschutz	1	
6	598839	TE Schr. m. Flansch	2	
7	AP8121032	Buchse	2	
8	AP8152299	Selbstsperrende Mutter M6	2	

Einheit	Aufbau
Code	02.120
Beschreibung	Sitz
Inspektion	1



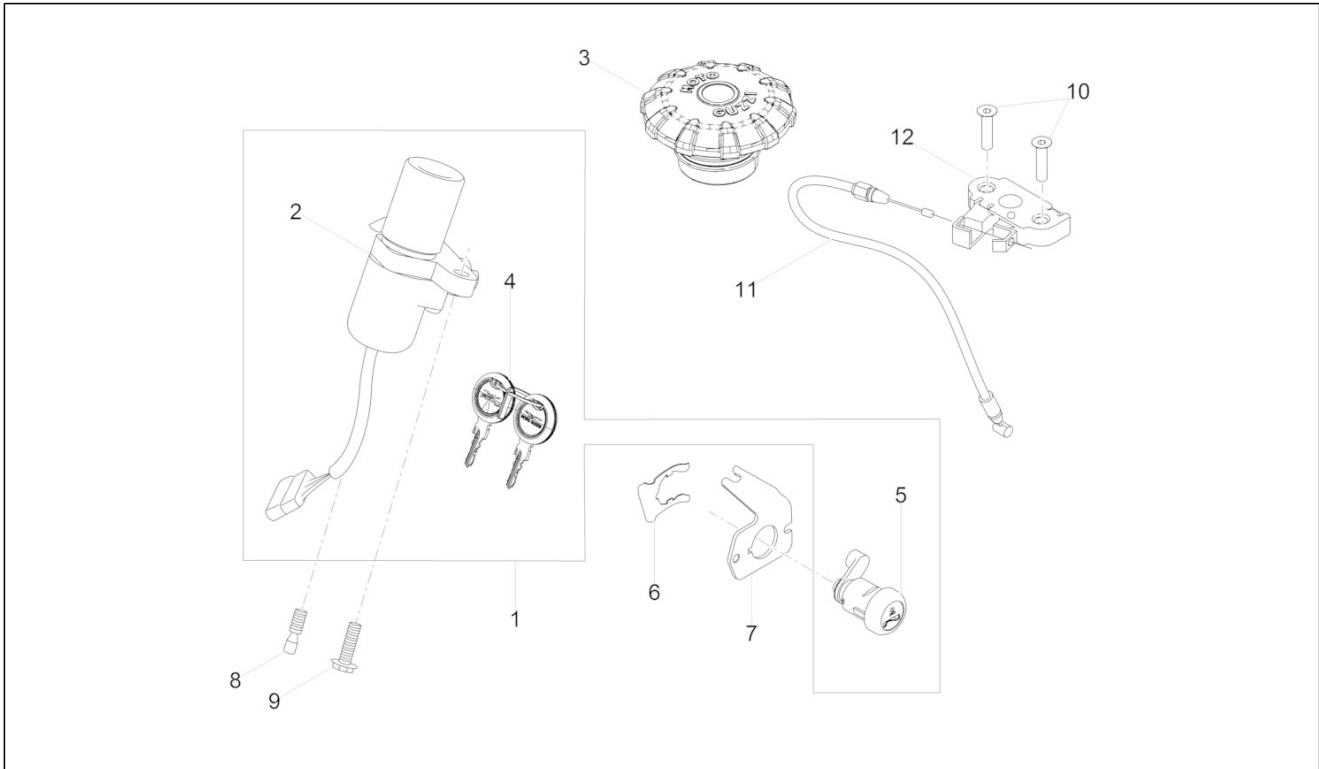
Pos.	Code	Beschreibung	Menge	Varianten
1	2B002502000C1	Sitz mit Riemen	1	
2	B064023	Sitz-Auflagegummi	7	

Einheit	Aufbau
Code	02.150
Beschreibung	Hinteres Schutzblech
Inspektion	1



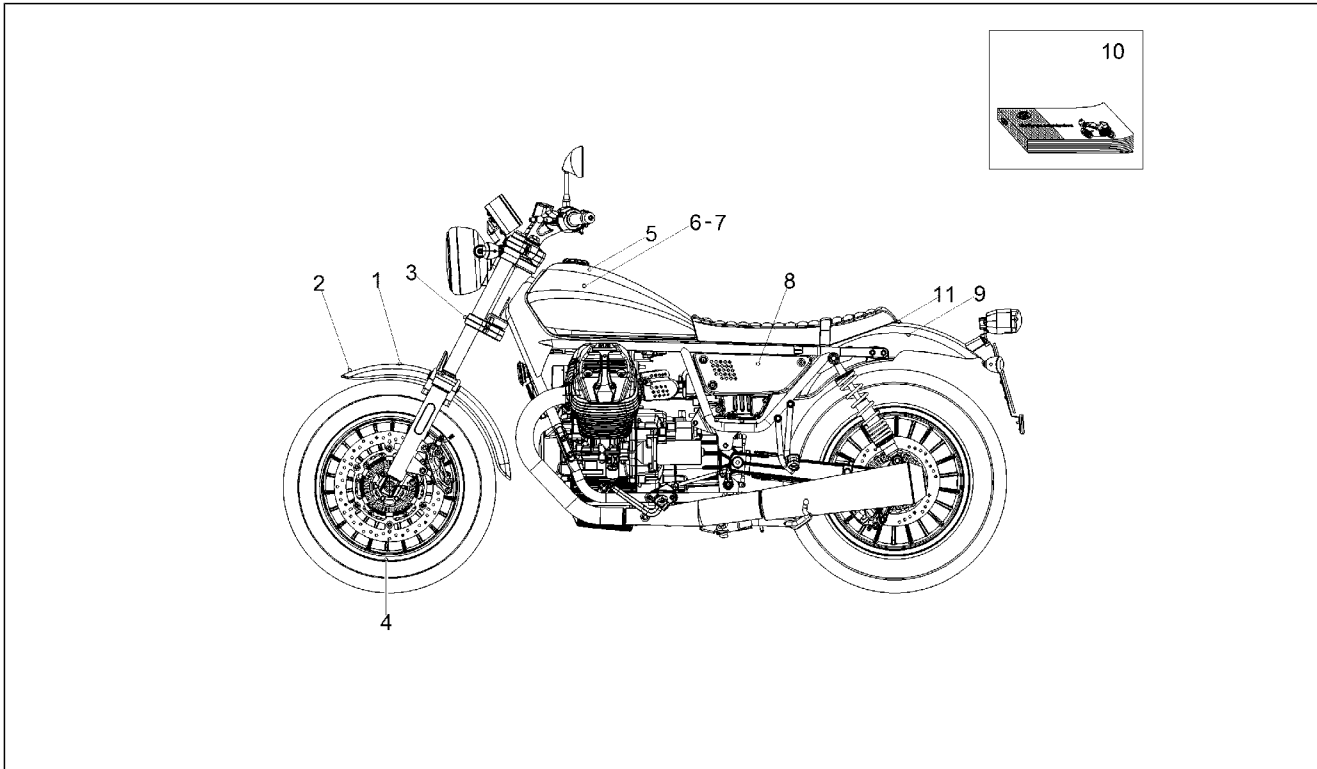
Pos.	Code	Beschreibung	Menge	Varianten
1	2H001478000NI	H. Schutzblech, schwarz	1	Baujahr: 2016[G] Farbe: Mattgrau Blade[GB] Land: [EU][UK] Technische Spezifikation: Mit Aufkleber[D]
1	2H001466000NI	Heckkotflügel Schwarz Competition	1	Baujahr: 2016[G] Farbe: Matt Competition Schwarz[NC] Land: [EU][UK] Technische Spezifikation: Mit Aufkleber[D]
1	2B002537	Heckkotflügel Bobber	1	Baujahr: 2016[G] Farbe: Unlackiert[GR] Land: [EU][UK]
2	AP8152299	Selbstsperrende Mutter M6	2	
3	2B002386	Hintere Kotflügelhalterung	1	
4	2B002311	Linsenschraube Torx M8X20	4	
5	2B002321	Buchse für Schraube	1	
6	2B003089	Schraube TCC TORX M8x16	1	
7	AP8152273	Flanschschraube M5x15	2	

Einheit	Aufbau
Code	02.170
Beschreibung	Schlösser
Inspektion	1



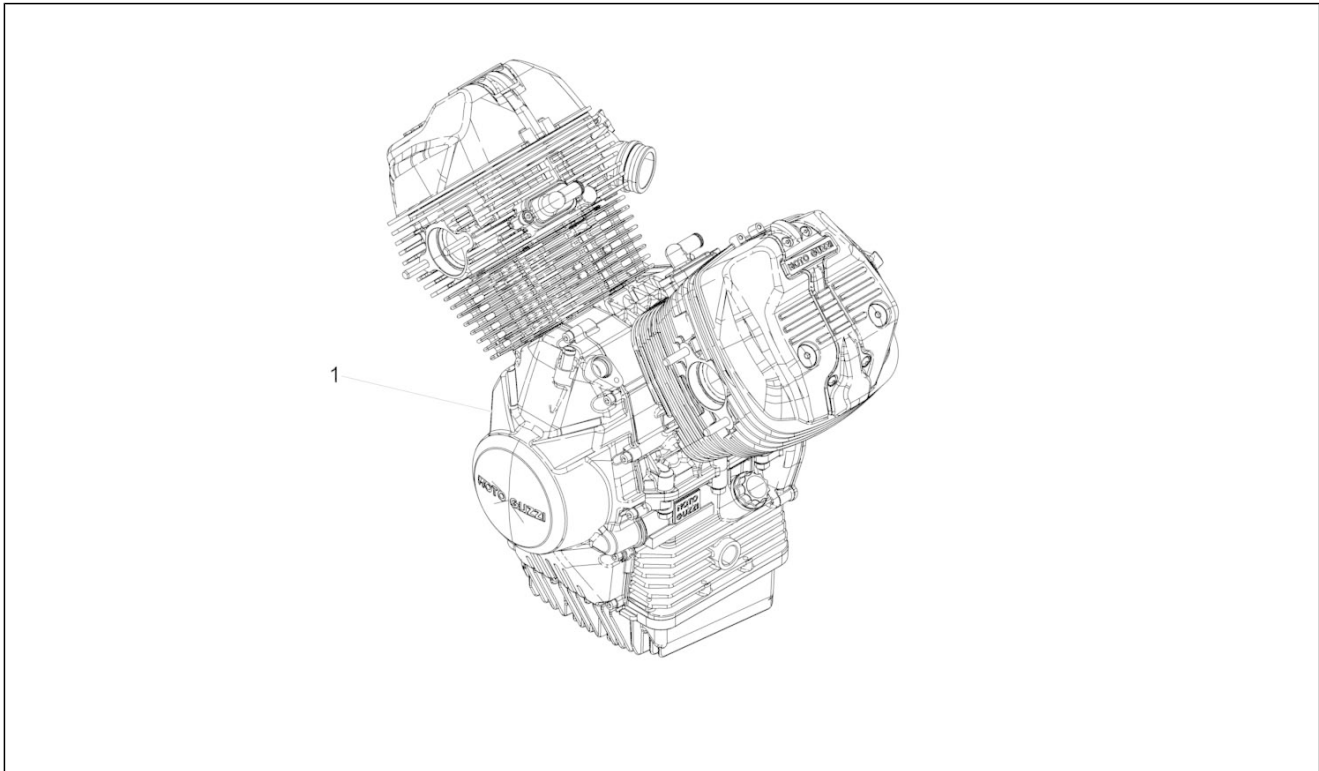
Pos.	Code	Beschreibung	Menge	Varianten
1	2B002940	Kit Schließvorrichtungen	1	
2	2D000299	Umschalter mit Schlüssel	1	
3	2B002043	Tankfüllschraube	1	
4	2D000004	Transponderschlüssel glatt	1	
5	977527	Schloss komplett mit Schlüsseln	1	
6	AP8121420	Gabelfeder	1	
7	978415	Kabelplatte	1	
8	AP8152229	Reißschraube M8x20	1	
9	319165	Schraube	1	
10	AP8702101	Schraube M6x25	2	
11	2B002936	Bowdenzug Sitzbank	1	
12	AP8102913	Fixierplatte Soziussitz	1	

Einheit	Aufbau
Code	02.190
Beschreibung	Deko
Inspektion	1



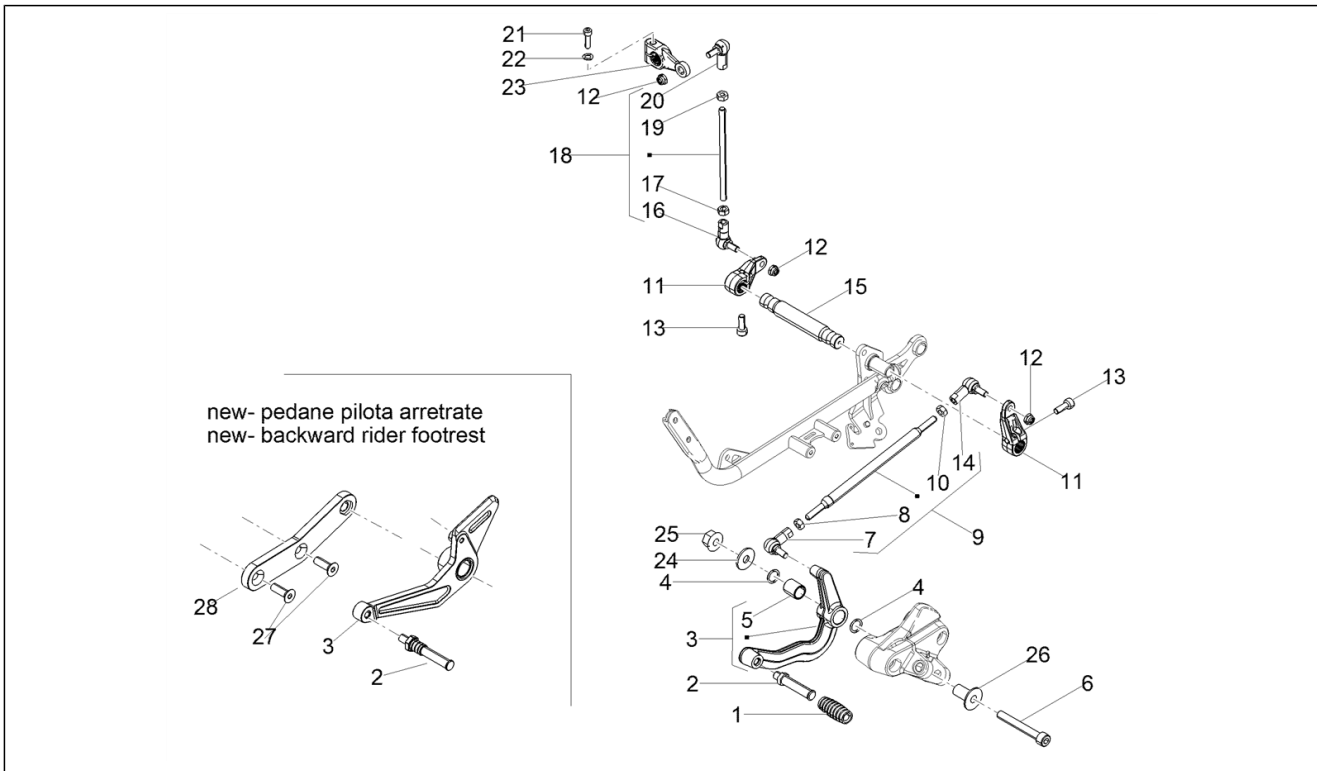
Pos.	Code	Beschreibung	Menge	Varianten
1	2H001482	Aufkleber Schachmuster	1	Baujahr: 2016[G] Farbe: Mattgrau Blade[GB] Land: [EU][UK]
1	2H001469	Aufkleber Schachmuster	1	Baujahr: 2016[G] Farbe: Matt Competition Schwarz[NC] Land: [EU][UK]
2	2H001260	Aufkleber "Adler"	1	
3	2H001445	Schild "Moto Guzzi"	1	
4	2H001443	Deko "Moto Guzzi"	2	
5	2H001480	Aufkleber Tank	1	Baujahr: 2016[G] Farbe: Mattgrau Blade[GB] Land: [EU][UK]
5	2H001439	Aufkleber Tank	1	Baujahr: 2016[G] Farbe: Matt Competition Schwarz[NC] Land: [EU][UK]
6	2H001467	Rechtes Schild "Aquila"	1	
7	2H001468	L.Schild "Aquila"	1	
8	2H001442	Schild "V9 Bobber"	2	
8	2H001481	Schild "V9 Bobber"	2	
9	2H001470	Aufkleber Schachmuster	1	Baujahr: 2016[G] Farbe: Matt Competition Schwarz[NC] Land: [EU][UK]
9	2H001483	Aufkleber Schachmuster	1	Baujahr: 2016[G] Farbe: Mattgrau Blade[GB] Land: [EU][UK]
10	2Q000110	Bed./Wart.-Anl.I-D-F-E-UK-NL I-F-D-NL-E-UK	1	
11	GU32944310	Deko schutz	1	Farbe: Mattgrau Blade[GB] Matt Competition Schwarz[NC]

Einheit	Motor
Code	03.010
Beschreibung	Motor-Fertigstellung
Inspektion	1



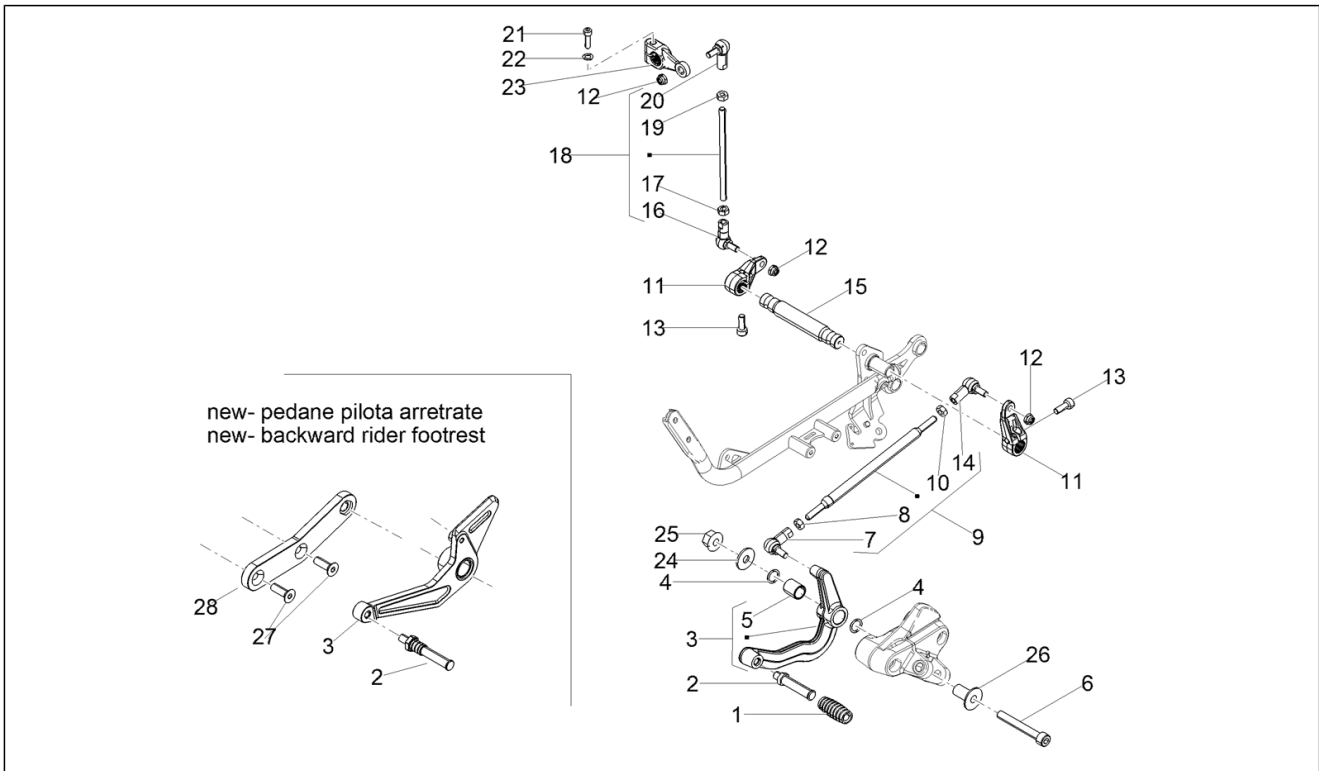
Pos.	Code	Beschreibung	Menge	Varianten
1	1A0066355	Motor kpl.ohneSchaltgetriebe	1	

Einheit	Motor
Code	03.020
Beschreibung	Schalthebel
Inspektion	1



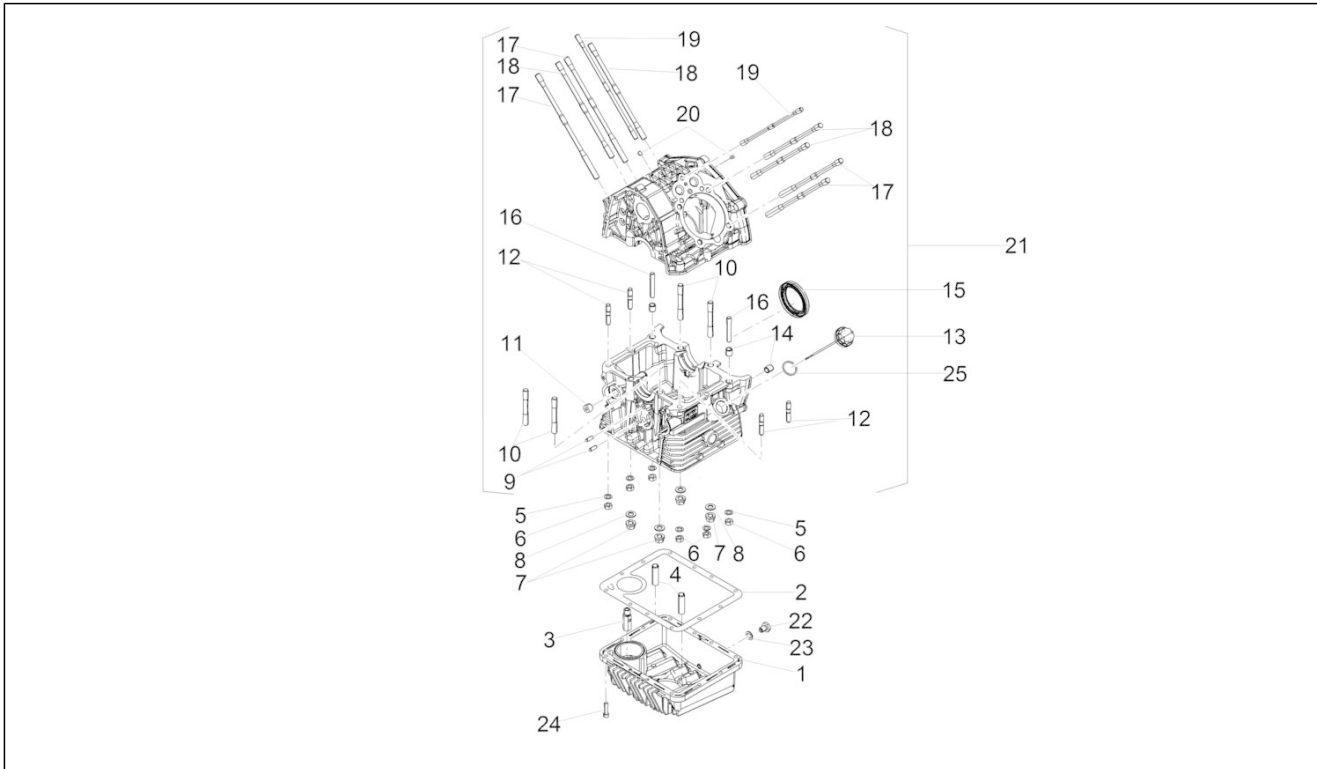
Pos.	Code	Beschreibung	Menge	Varianten
1	AP8120912	Gummi für Hebel	1	
2	887908	Gummigleitschutze	1	Technische Spezifikation: standard rider footrest[old]
2	2B004062	Gummigleitschutze	1	Technische Spezifikation: backward rider footrest[new]
3	2B002369	Schalthebel kpl.	1	Technische Spezifikation: standard rider footrest[old]
3	2B004053	Schalthebel kpl.	1	Technische Spezifikation: backward rider footrest[new]
4	AP8144007	O-Ring 11,11x1,78	2	
5	895328	Buchse gesintert	1	
6	GU98680460	TCEI Schraube M8x60	1	
7	898397	Kugelgelenk links M6	1	
8	GU92606206	Mutter	1	
9	2B002680	Zugstange Schaltzug cpl.	1	Technische Spezifikation: standard rider footrest[old]
9	2B004109	Tirante comando cambio cpl.	1	Technische Spezifikation: backward rider footrest[new]
10	GU31256881	Mutter Linksgewinde M6	1	
11	898283	Schalthebel	2	
12	AP8150115	Selbstsperr.mut Unt. M6	2	
13	GU98692318	TCEI Schraube	2	
14	898396	Kugelgelenk rechts M6	1	
15	2B001009	Hebelbolzen	1	
16	AP8110053	Kugelgelenk links M6	1	
17	AP8152138	Mutter	1	
18	2B001941	Zugstange Schaltzug	1	
19	AP8150026	Mutter M6	1	
20	AP8210007	Kugelgelenk rechts M6	1	
21	GU98632322	Schraube	1	
22	GU03013800	Ausgleichscheibe 6,4x12	1	
23	GU20258221	Schalthebel	1	
24	AP8150018	Ausgleichscheibe	1	
25	GU92630510	Mutter M10x1,5	1	

Einheit	Motor
Code	03.020
Beschreibung	Schalthebel
Inspektion	1



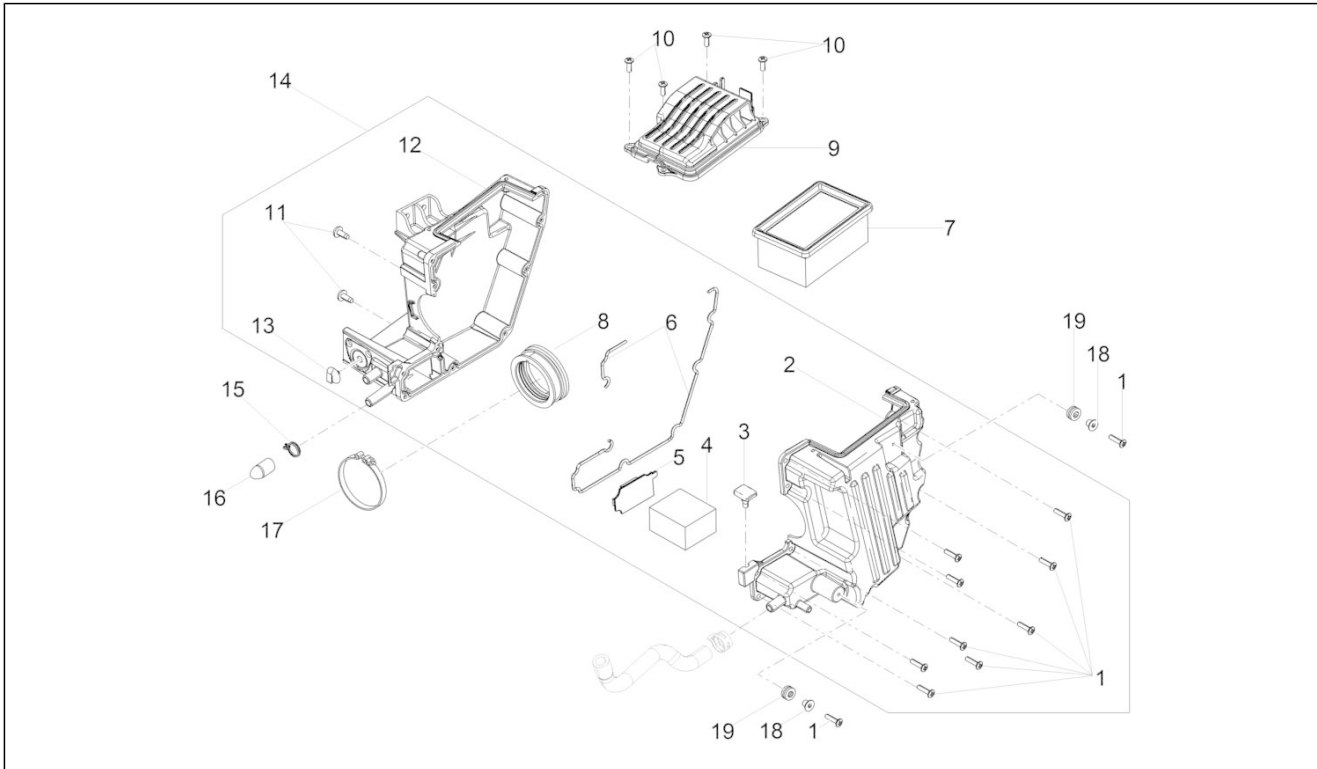
Pos.	Code	Beschreibung	Menge	Varianten
26	AP8121509	Buchse	1	
27	2B004112	Schraube TSPEI IX M8X25	2	Technische Spezifikation: backward rider footrest[new]
28	2B004043	Piastra pedana pilota sx	1	Technische Spezifikation: backward rider footrest[new]

Einheit	Motor
Code	03.030
Beschreibung	Gehäuse I
Inspektion	1



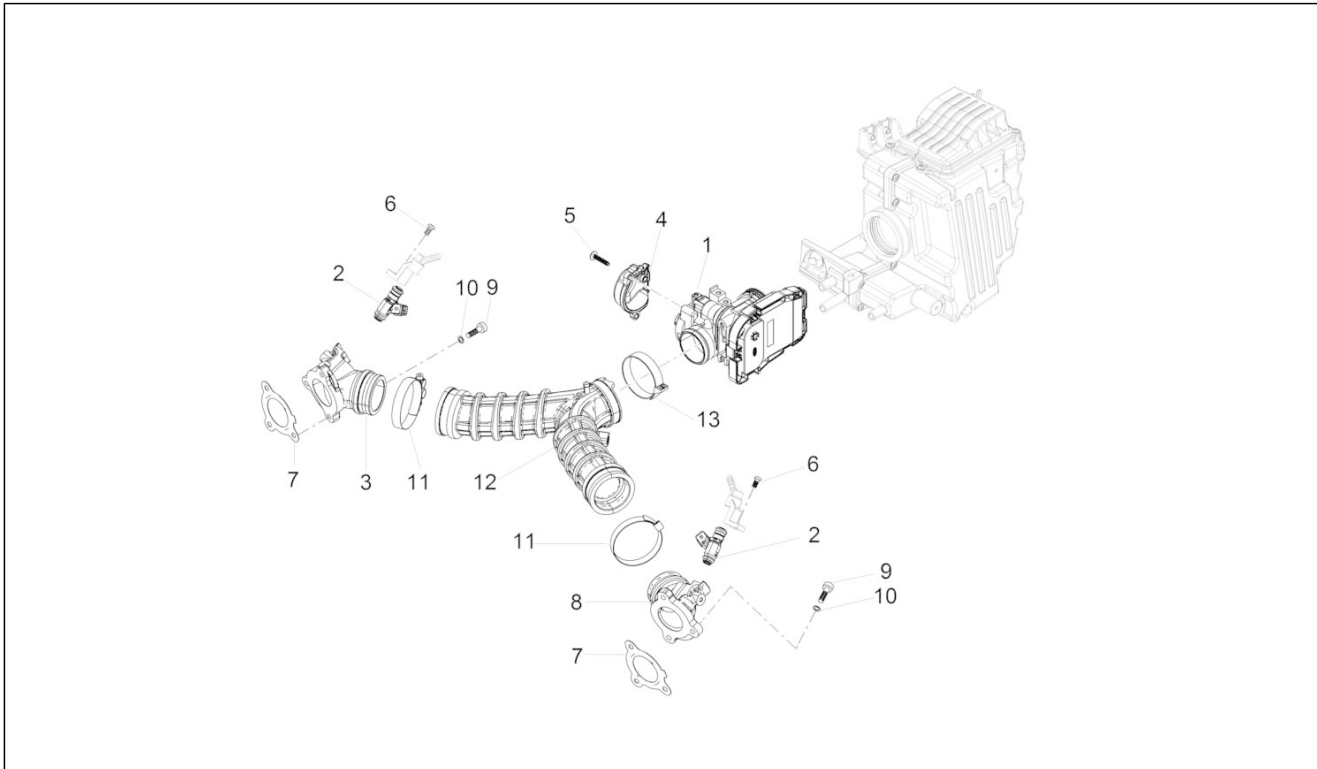
Pos.	Code	Beschreibung	Menge	Varianten
1	1A004550	Pfropfen	1	
2	1A005211	Ölwannendichtung	1	
3	GU19003800	Anschluss	1	
4	1A006047	Anschlußschlauch	2	
5	658837	Gewellte Sprengscheibe D15 F8,4 S1,5 - INOX	6	
6	GU92606208	Mutter M8x1,25	6	
7	1A006656	Geflanschte Mutter M10x1	4	
8	1A006655	Flachscheibe	4	
9	GU19018920	Stift	2	
10	1A004530	Stiftschraube	4	
11	831135	Verschlusschraube M14x1,5	1	
12	GU96451430	Stiftschraube	4	
13	883826	Öleinfüllschraube	1	
14	GU19015020	Buchse	2	
15	886365	Gasket ring	1	
16	GU96508055	Stiftschraube	2	
17	1A006283	Stiftschraube langer Kopf	4	
18	1A006284	Stiftschraube kurzer Kopf	4	
19	1A006860	Stiftschraube zentraler Kopf	2	
20	484993	Haltestein	2	
21	1A0052625	Gekoppelte Kurbelgehäuse	1	
22	GU31003766	Ölablaßschraube M10x1	1	
23	GU10528900	Dichtung	1	
24	GU98682325	TCEI Schraube M6x25	12	
25	GU90706281	O-Ring 28,24x2,62	1	

Einheit	Motor
Code	03.050
Beschreibung	Filtergehäuse
Inspektion	1



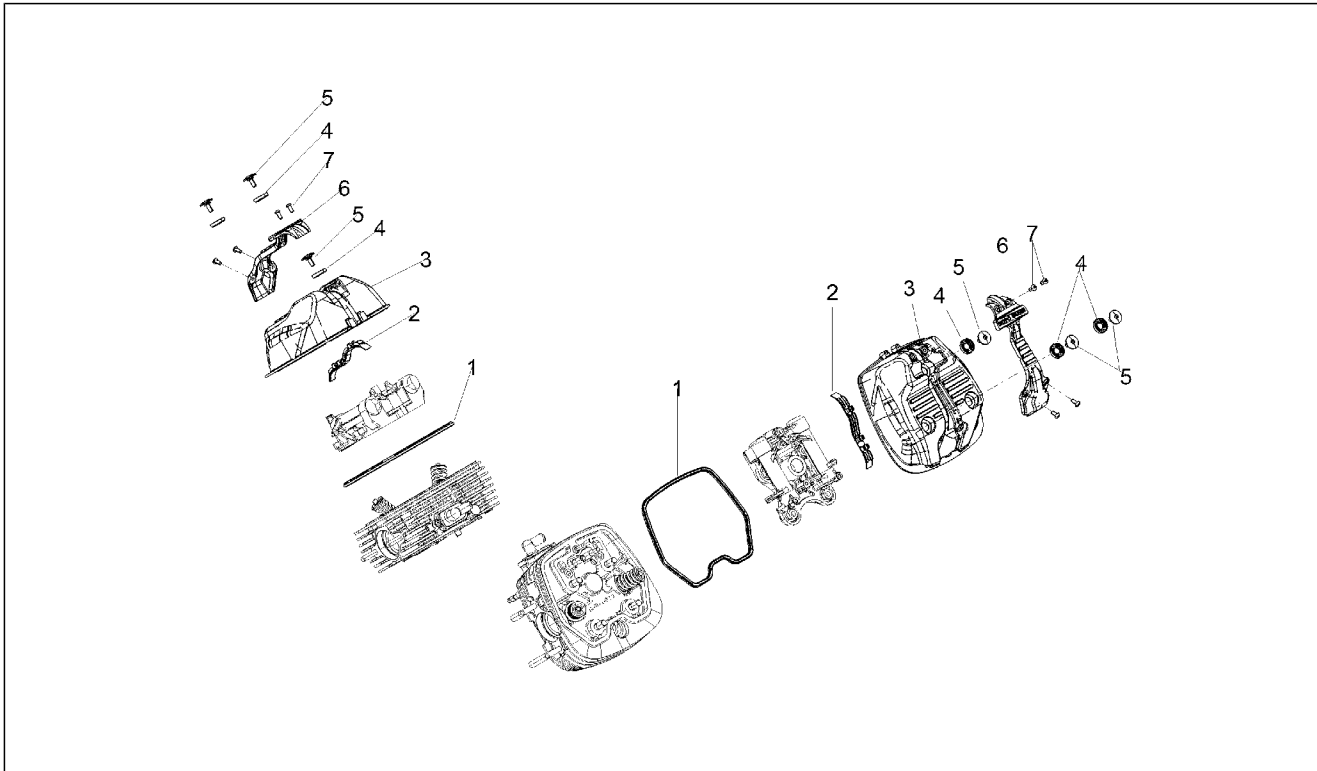
Pos.	Code	Beschreibung	Menge	Varianten
1	AP8152329	Kreuz.schl.flnschschr. M5x20	9	
2	2B002832	L.deckel Filtergehäuse	1	
3	AP8120455	Gummi	1	
4	AP8104525	Filter blow-by	2	
5	2B002851	Membran	1	
6	AP8120615	Dichtung D3	1	
7	AP8104924	Luftfilter	1	
8	887815	Ansaugmuffe	1	
9	887843	Luftfilterdeck	1	
10	AP8150509	Gew.schr. 5x14	4	
11	AP8120876	Verschlussschraube	2	
12	887844	Schale re Filtergehäuse	1	
13	890760	Halterung Instrumente	1	
14	2B002959	Sicherungskasten	1	
15	AP8102520	Schlauchschelle	2	
16	AP8161054	Kappe	2	
17	CM258303	Schelle 63	1	
18	AP8221023	T-Buchse	2	
19	GU91551010	Gummi 10X20X10	2	

Einheit	Motor
Code	03.060
Beschreibung	Klappenkörper
Inspektion	1



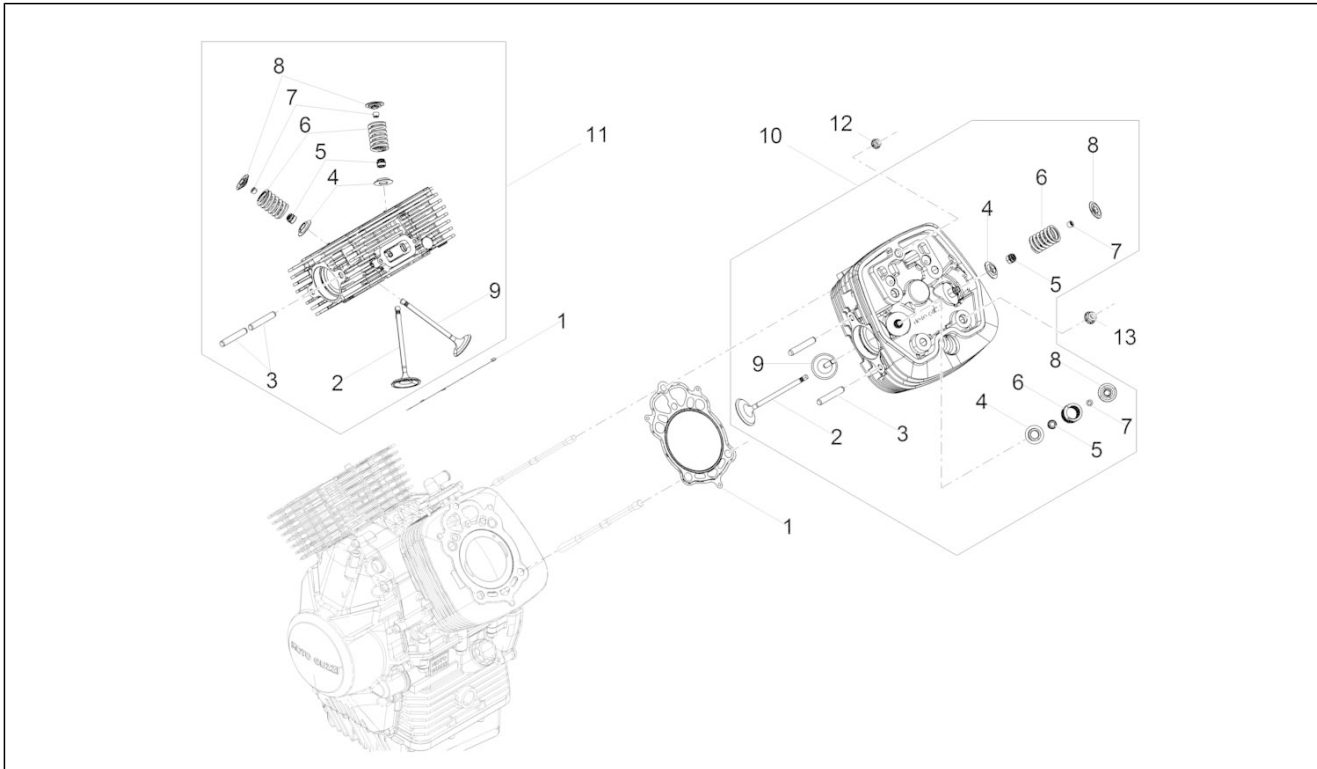
Pos.	Code	Beschreibung	Menge	Varianten
1	CM275402	Drosselkörper mit ECU (MIU)	1	
2	1D001393	Injektor	2	
3	2A000609	Anschluß re.	1	
4	880260	Klappenkörper Schutz	1	
5	B016796	Linsenkopfschraube Torx	3	
6	AP8150500	TBEI Schraube M5x9	2	
7	2A000612	Dichtung Einlassanschluss	2	
8	2A000608	Anschluß li.	1	
9	GU98622322	Schraube	6	
10	GU03013800	Ausgleichscheibe 6,4x12	6	
11	884310	Schelle D.55	2	
12	2B001823	Muffe Drosselklappe	1	
13	CM258301	Schelle	1	

Einheit	Motor
Code	03.090
Beschreibung	Kopfdeckel
Inspektion	1



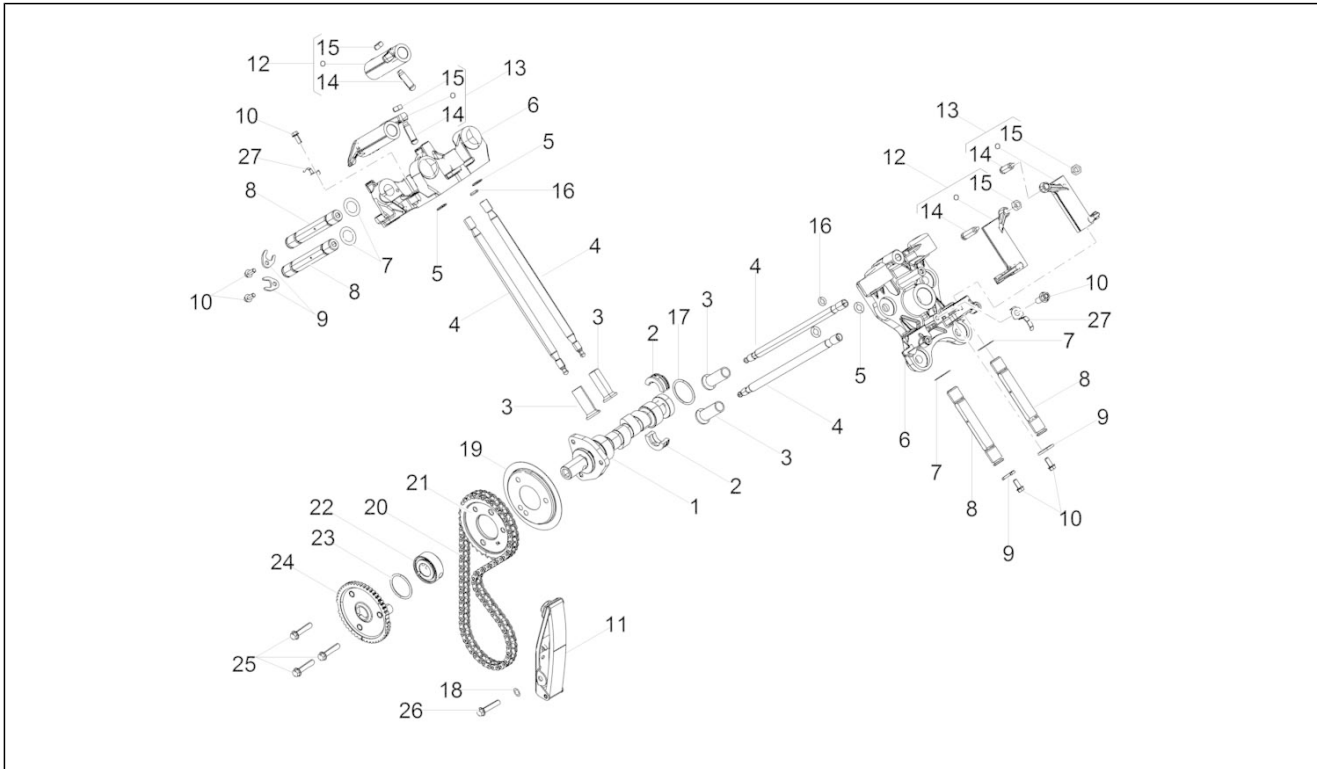
Pos.	Code	Beschreibung	Menge	Varianten
1	2A000565	Kopf Deckel Dichtung	2	
2	2A000659	Kabelführung	2	
3	2A000339	Kopfdeckel	2	
4	1A006716	Stopfen dämpfer	6	
5	976591	Spezialschraube	6	
6	2A000620	Zündkerzedeckel	2	
7	AP8152267	TBEI Spez.schr. M5x12	8	

Einheit	Motor
Code	03.100
Beschreibung	Zylinderkopf - ventile
Inspektion	1



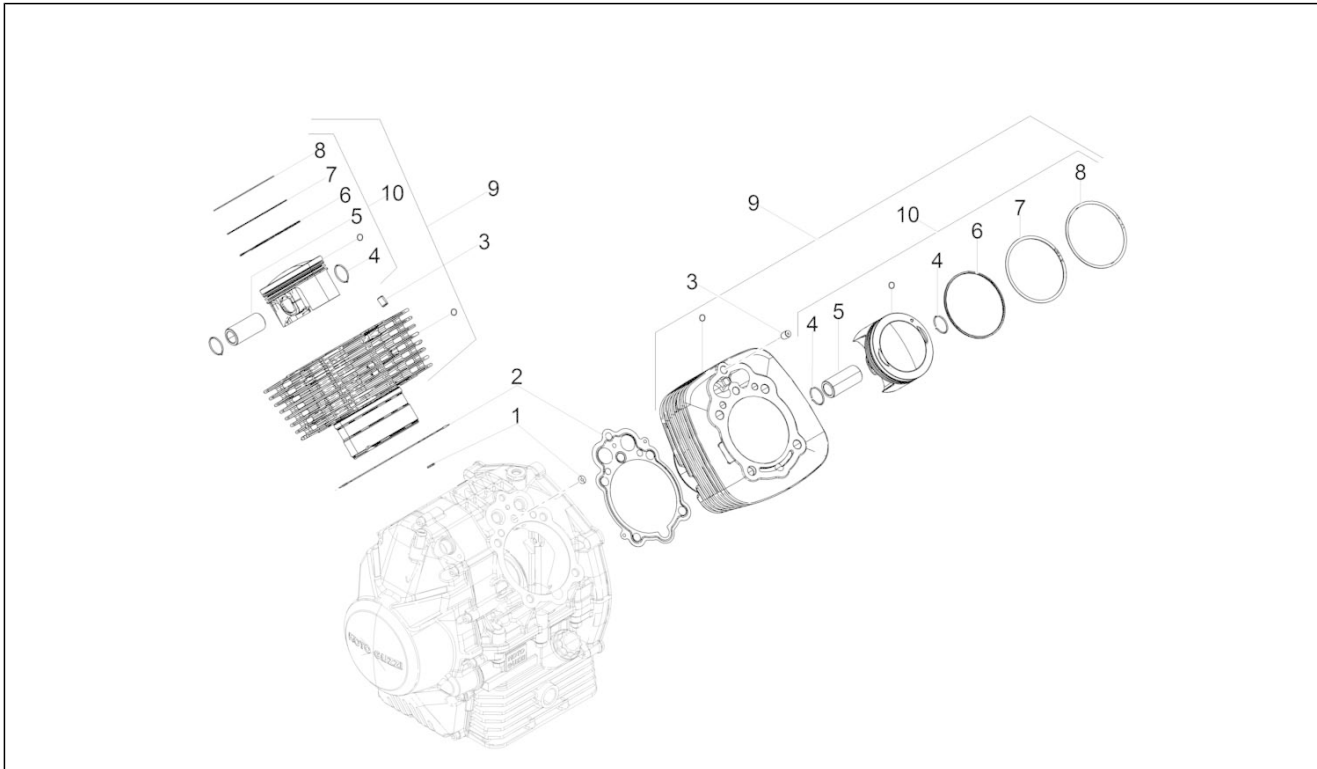
Pos.	Code	Beschreibung	Menge	Varianten
1	1A004661	Zylinder/Kopf Dichtung SP. 0.8 mm	1	
1	1A004660	Zylinder/Kopf Dichtung sp. 0,6 mm	1	
1	1A004662	Zylinder/Kopf Dichtung SP. 10 mm	1	
2	1A005424	Ein. ventil	1	
3	B017636	Auspufftopf Stiftschraube	2	
4	1A004751	Federteller unten	4	
5	1A003452	Ventil Dichtring	2	
6	1A004752	Rückzugsfeder	2	
7	871640	Halbkegel	8	
8	1A004750	Federteller oben	4	
9	1A005425	Auslassventil	1	
10	1A0068695	L.Kopf kpl.mitVentilführungen	1	
11	1A0068705	R.Kopf kpl.mitVentilführungen	1	
12	1A006659	Geflanschte Mutter M8x1.25	1	
13	825694	Mutter M10x1,25	1	

Einheit	Motor
Code	03.120
Beschreibung	Steuer
Inspektion	1



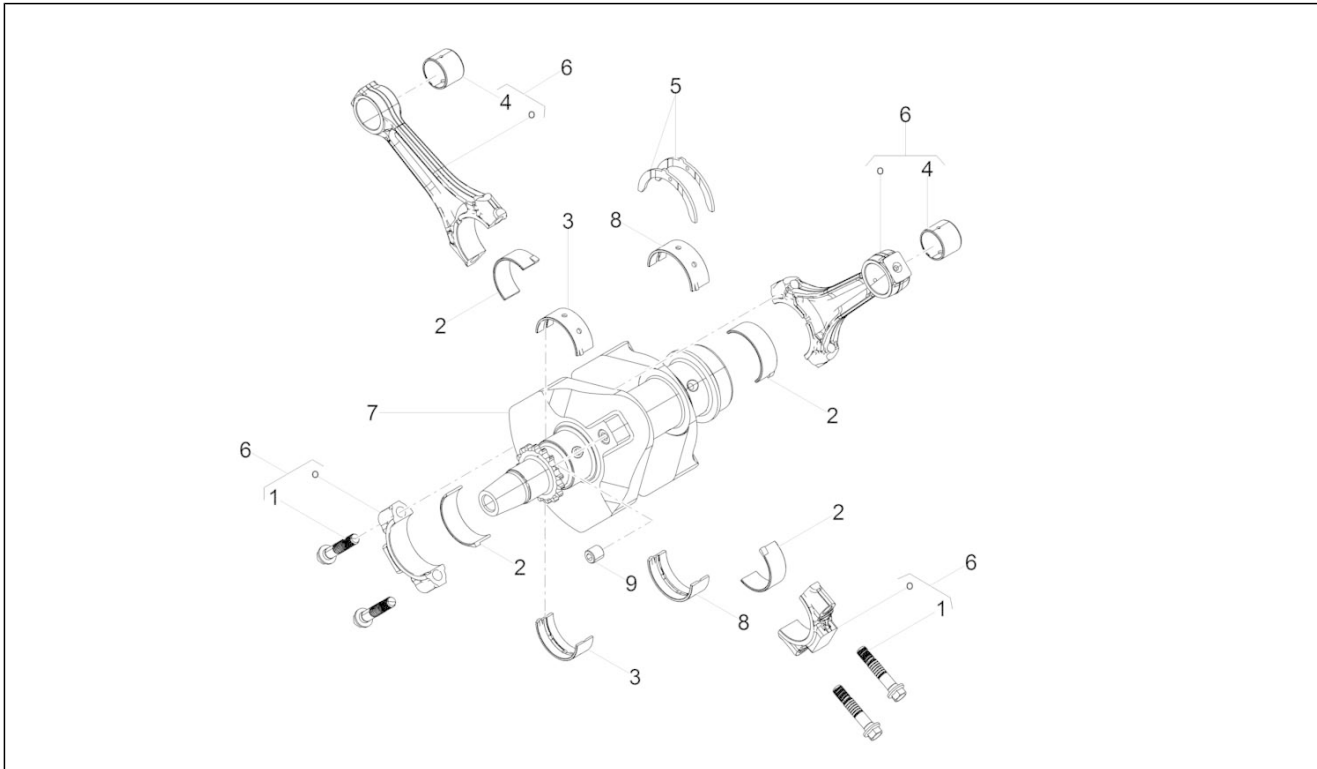
Pos.	Code	Beschreibung	Menge	Varianten
1	1A005712	Nockenwelle	1	
2	GU19055700	Sektor	2	
3	GU19045861	Ventilstässel	4	
4	2A000496	Kipphebelstange	4	
5	2A000579	Dichtungsring O-Ring 2,62x9.19	4	
6	2A0003535	Kippbellager	2	
7	1A005951	Gebogene Sprengscheibe	4	
8	2A000528	Kipphebel-Federwelle	4	
9	2A000521	Schaltgabel	4	
10	AP8152272	TE Schr. m. Flansch M5x12	4	
11	GU19058220	Kettenspanner	1	
12	1A004905	Kipphebel Einlass re Auslass li	2	
13	1A004903	Kipphebel Einlass li Auslass re	2	
14	1A004907	Einstellschraube	2	
15	GU10034100	Mutter	2	
16	1A006861	Gasket ring	2	
17	GU90353029	Sprengring	1	
18	GU95129115	Ausgleichscheibe	1	
19	1A005955	Platte	2	
20	GU19058021	Steuerkette	1	
21	1A006243	Steuer Zahnkranz	1	
22	1A006119	Distanzscheibe	1	
23	1A006127	O-Ring	1	
24	1A0057145	Phonic wheel	0	
25	1A008576	***TE Schr. m. Flansch	3	
26	GU98882316	Schraube	1	
27	2A000527	Platte	2	

Einheit	Motor
Code	03.150
Beschreibung	Zylinder - Kolben
Inspektion	1



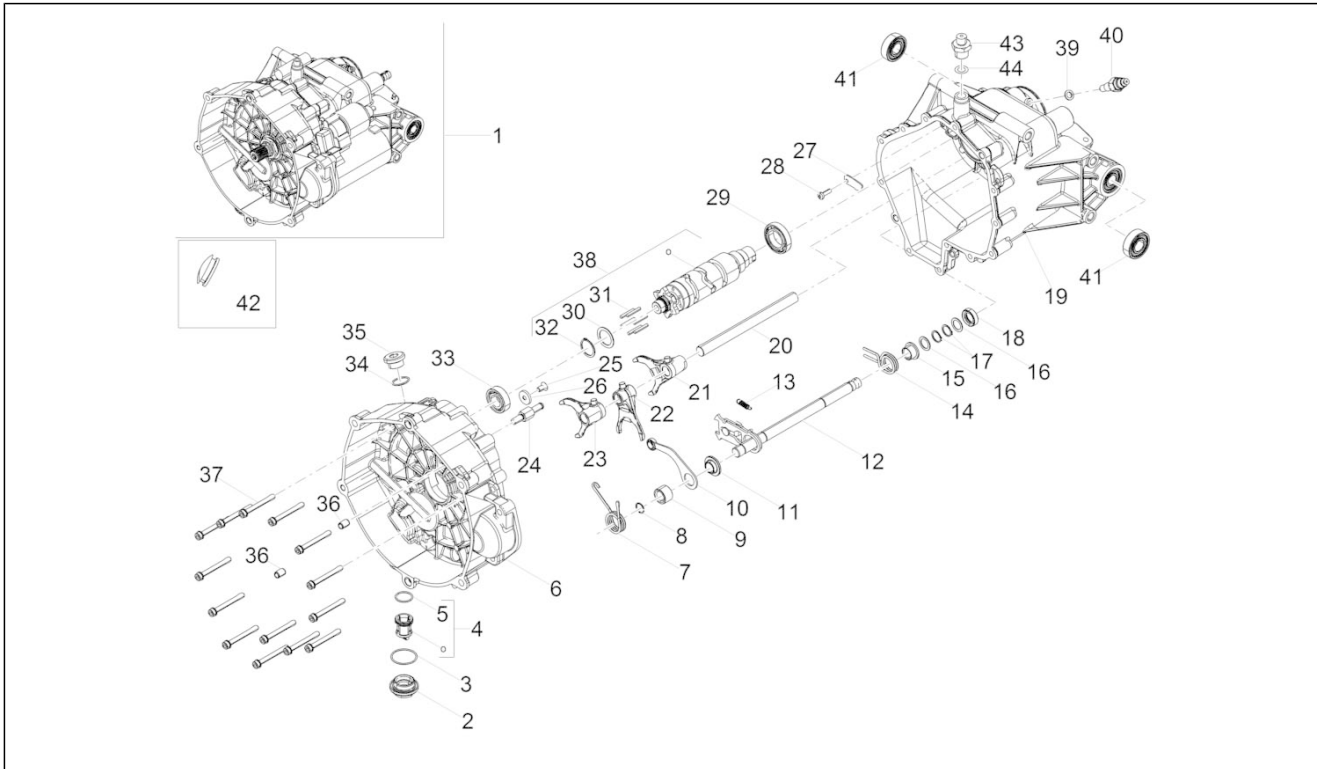
Pos.	Code	Beschreibung	Menge	Varianten
1	GU61027200	O-Ring	2	
2	1A007070	Dichtung Zylinder/Gehäuse	2	
3	GU19021360	Buchse	2	
4	874567	Sperring	4	
5	1A004956	Bolzen	2	
6	1A004955	Ölabstreifer	2	
7	1A004954	Kompressions-kolbenring	2	
8	1A004953	Kompressions-kolbenring	2	
9	1A007111	Kolben mit Zylinder kpl.	1	
10	1A006272AA	Kolben kpl. Auswahl "G"	1	
10	1A006272BB	Kolben kpl. Auswahl "H"	1	
10	1A006272CC	Kolben kpl. Auswahl "L"	1	
10	1A006272DD	Kolben kpl. Auswahl "M"	1	

Einheit	Motor
Code	03.160
Beschreibung	Kurbelwelle
Inspektion	1



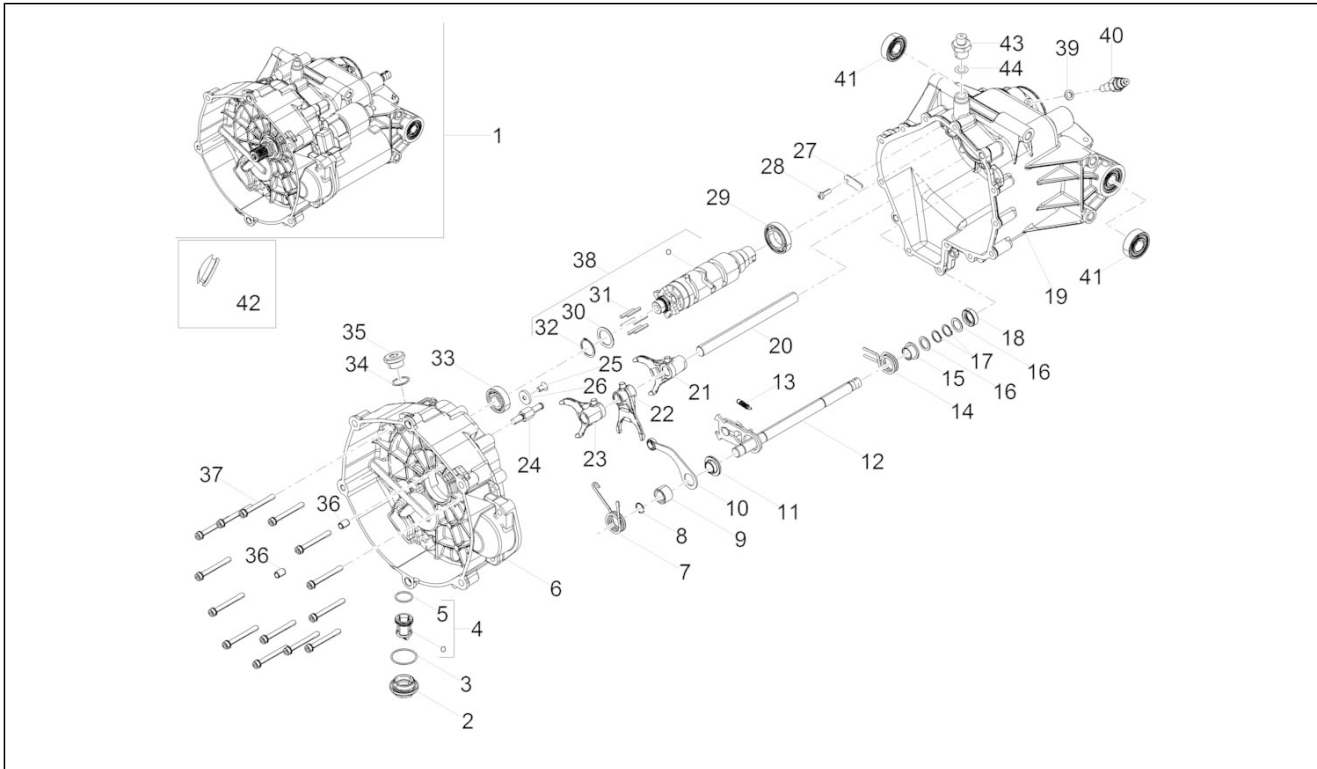
Pos.	Code	Beschreibung	Menge	Varianten
1	GU19062261	Schraube	4	
2	1A0068960R	Pleuellagerschale Rot	4	
2	1A0068960B	Pleuellagerschale blau	4	
2	1A0068960G	Pleuellagerschale gelb	4	
3	1A0066680N	Hauptlagerschale vorne Schwarz	1	
3	1A0066680V	Hauptlagerschale vorne Grün	1	
3	1A0066680G	Hauptlagerschale vorne gelb	1	
4	GU27061885	Buchse	2	
5	GU27066460	Halb-Klemme	2	
6	1A005325BB	Pleuel Auswahlklasse "B"	1	
6	1A005325AA	Pleuel Auswahlklasse "A"	1	
7	1A006671BB	Kurbelwelle, komplett kat. 2	1	
7	1A006671AA	Kurbelwelle kpl.,cat.1	1	
8	1A0066690V	Hauptlagerschale hinten Grün	2	
8	1A0066690N	Hauptlagerschale hinten Schwarz	2	
8	1A0066690G	Hauptlagerschale hinten gelb	2	
9	GU19065400	Deckel	1	

Einheit	Motor
Code	03.170
Beschreibung	Schaltgetriebe / Schaltgabel / Desmodrom.
Inspektion	1



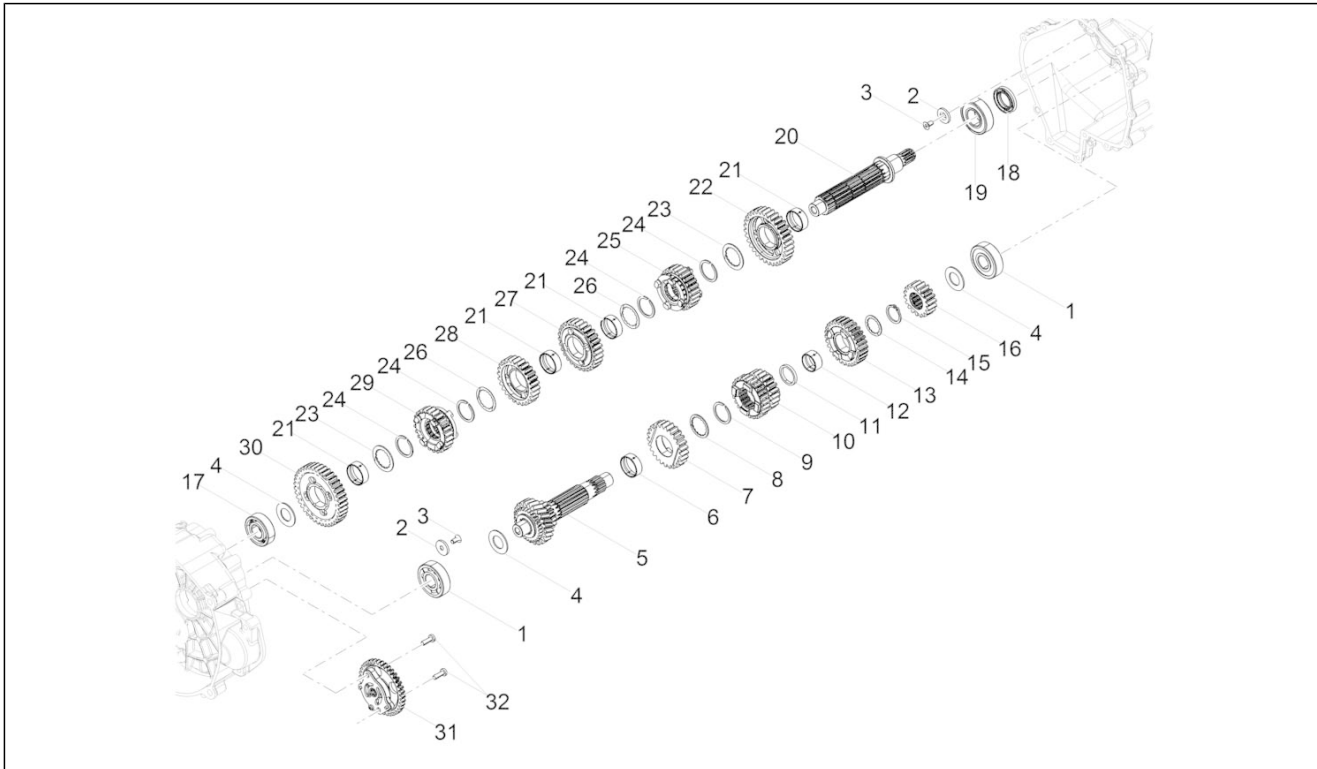
Pos.	Code	Beschreibung	Menge	Varianten
1	2A00042115	Getriebe komplett	1	
2	B015598	Ölfilter Verschuß	1	
3	285536	O-Ring 31,47x1,78	1	
4	B018020	Ölfiltereinsatz kpl.	1	
5	B017406	O-Ring 20.35x1.78	1	
6	2A0007505	Kupplungsglocke	1	
7	B064113	Index feder	1	
8	GU90353014	Seegerring	1	
9	GU05234230	Distanzscheibe	1	
10	B064112	Indexhebel kpl.	1	
11	GU05238431	Buchse	1	
12	2A000219	Schaltautomat	1	
13	GU05238231	Feder	1	
14	B063956	Feder	1	
15	2A000467	Distanzscheibe	1	
16	GU05239330	Anlaufscheibe	2	
17	GU90271014	Seegerring	2	
18	GU90401424	Gasket ring 14x24x7	1	
19	2A0007425	Not available	1	
20	2A000224	Stange	1	
21	2A000226	Schaltgabel 2-3 Gang	1	
22	2A000227	Gabel 5.-6. Gang	1	
23	2A000225	Gabel für Sekundärwelle	1	
24	2A000415	Anschlagschraube	1	
25	B013608	Schraube	1	
26	873905	Unterlegscheibe	1	
27	2A000306	Anschlagplatte	1	
27	2A000241	Schraube M5x16	1	

Einheit	Motor
Code	03.170
Beschreibung	Schaltgetriebe / Schaltgabel / Desmodrom.
Inspektion	1



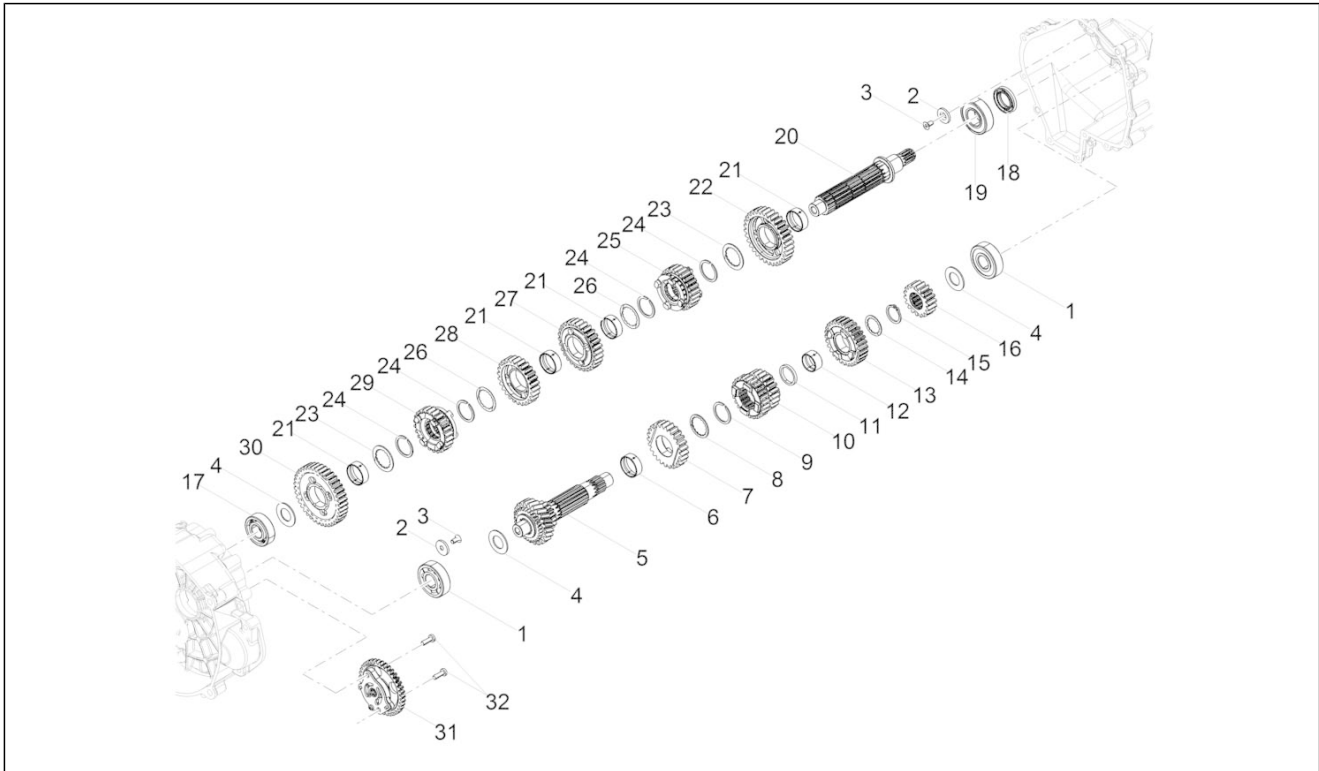
Pos.	Code	Beschreibung	Menge	Varianten
28	2A000241	Schraube M5x16	1	
29	857250	Kugellager 25x42x9	1	
30	GU05235531	Scheibe	1	
31	GU05234631	Stift	6	
32	GU90271022	Seegerring	1	
33	834764	Lager	1	
34	GU90706203	O-Ring 20,24X2,62	1	
35	GU12022600	Ölschraube	1	
36	GU19002020	Buchse 6,6x9x13	2	
37	2A000591	Zylinderschraube M6x55	14	
38	2A000222	Verschiebenocken kplt.	1	
39	B063025	Dichtung 8,7x14,2x1,3	1	
40	B063269	Sensor	1	
41	2A000097	Kugellager 6202-2RSH/C3 LHT23	2	
42	GU93180220	Deckel	1	
43	2A000438	Entlüftungsschraube	1	
44	224566	Unterlegscheibe	1	

Einheit	Motor
Code	03.180
Beschreibung	Schaltgetriebe - Zahnräder
Inspektion	1



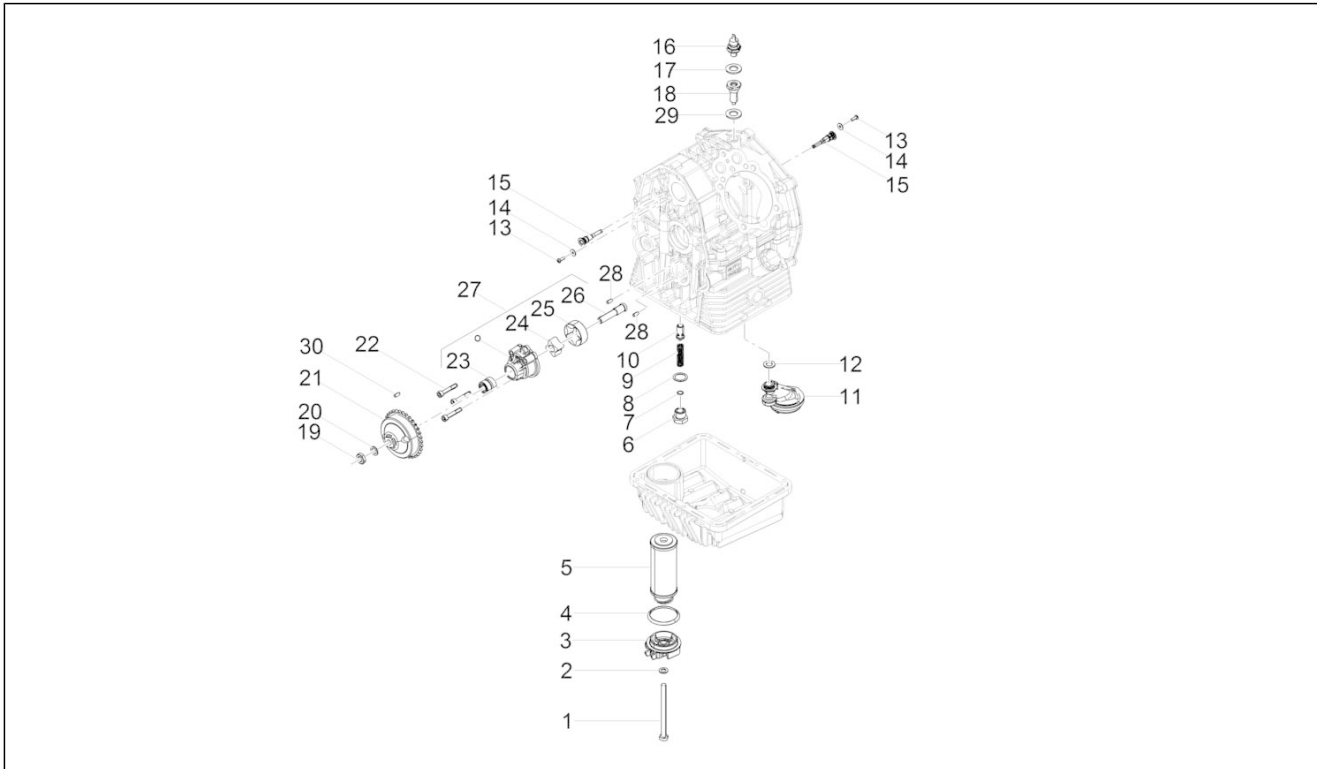
Pos.	Code	Beschreibung	Menge	Varianten
1	GU92201822	Kugellager 20x52x15	2	
2	873928	Unterlegscheibe	2	
3	B013608	Schraube	2	
4	1A000566	Ausgleichsscheibe	1	
5	2A000727	Vorgelegewelle	1	
6	849308	Buchse Beweglich	1	
7	1A000360	Schnellgangrad	1	
8	849424	Bundscheibe	1	
9	1A002604	Welle Sprengring	1	
10	1A000436	Zahnrad 3a - 4a vel.	1	
11	B015040	Ausgleichsscheibe	1	
12	974162	Buchse Beweglich	1	
13	2A000627	Zahnrad 6. Gang	1	
14	849396	Bundscheibe	1	
15	974165	Sprengring	1	
16	1A000365	Zahnrad 2.Hauptwelle	1	
17	848650	Kugellager 20x47x14	1	
18	GU90412541	Gasket ring 25X40X7	1	
19	GU92201226	Kugellager 25x52x15	1	
20	2A000203	Nebentriebewelle	1	
21	849308	Buchse Beweglich	4	
22	1A000366	Wechselrad 2. gang Z=32	1	
23	849309	Bundscheibe	2	
24	1A002604	Welle Sprengring	4	
25	1A000370	Zahnrad 6. Gang Z=24	1	
26	849310	Bundscheibe	2	
27	1A000367	Wechselrad 3. gang Z=28	1	
28	1A000368	Wechselrad 4. gang Z=26	1	

Einheit	Motor
Code	03.180
Beschreibung	Schaltgetriebe - Zahnräder
Inspektion	1



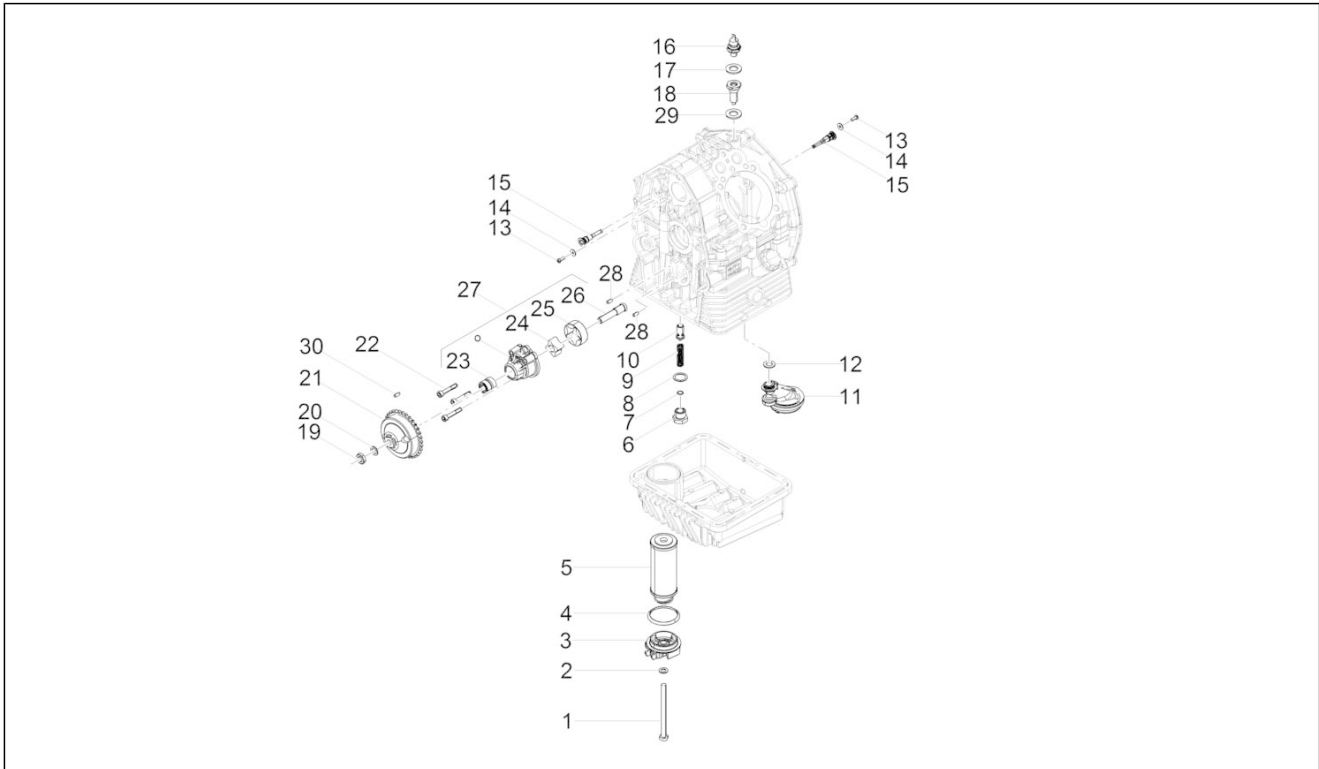
Pos.	Code	Beschreibung	Menge	Varianten
29	1A000369	Wechselrad 5. gang Z=24	1	
30	2A000629	Zahnrad 1.gang	1	
31	B018448	Ölpumpe	1	
32	2A000241	Schraube M5x16	2	

Einheit	Motor
Code	03.190
Beschreibung	Schmierung
Inspektion	1



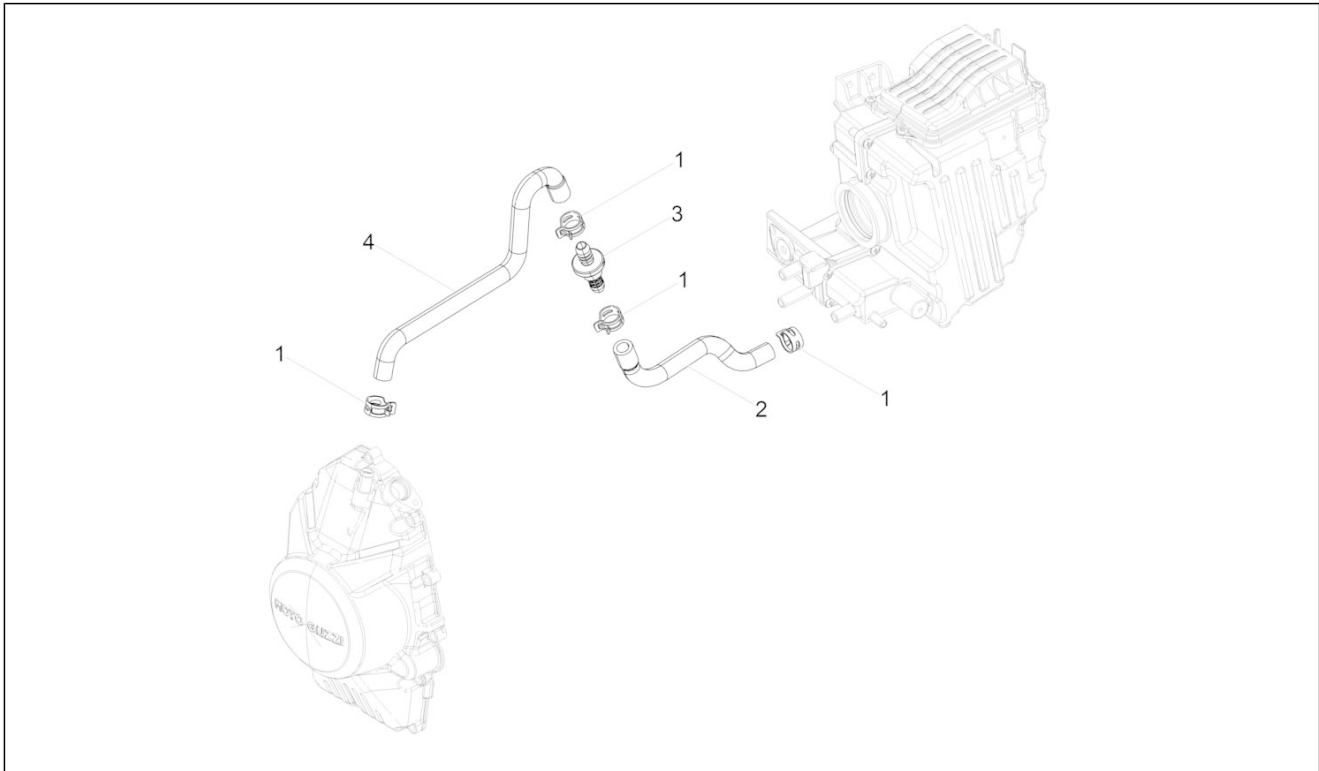
Pos.	Code	Beschreibung	Menge	Varianten
1	GU27152885	Schraubbolzen	1	
2	GU12154200	Dichtung 8,25x15x1	1	
3	1A005199	Ölfilterdeckel	1	
4	GU90706444	O-Ring	1	
5	2A000633	Ölfiltereinsatz	1	
6	GU31159050	Deckel	1	
7	GU95008206	Ausgleichscheibe 6,15x11x0,8	1	
8	GU18144350	Ausgleichscheibe 18,25x24x1	3	
9	GU94321079	Feder	1	
10	GU31150950	Kolben	1	
11	1A004549	Oil strainer	1	
12	237553	O-Ring	1	
13	1A005257	Linsenschraube	2	
14	013763	Flachscheibe 4,2x12x1	2	
15	1A004442	Kühldüse Kolben	2	
16	643090	Öldrucksensor	1	
17	GU95100309	Ausgleichscheibe	1	
18	887093	Anschluß	1	
19	GU92602510	Mutter M10x1,25	1	
20	AP8152220	Scheibe	1	
21	GU20147710	Zahnrad pumpe	1	
22	1A007008	TCEI Schraube M6x35 preimpregnata	3	
23	1A006064	Rollenlager	1	
24	1A006056	Innenrotor	1	
25	1A006055	Außenrotor	1	
26	GU20147810	Ölpumpenwelle	1	
27	1A006053	Ölpumpe komplett	1	
28	GU19018920	Stift	2	

Einheit	Motor
Code	03.190
Beschreibung	Schmierung
Inspektion	1



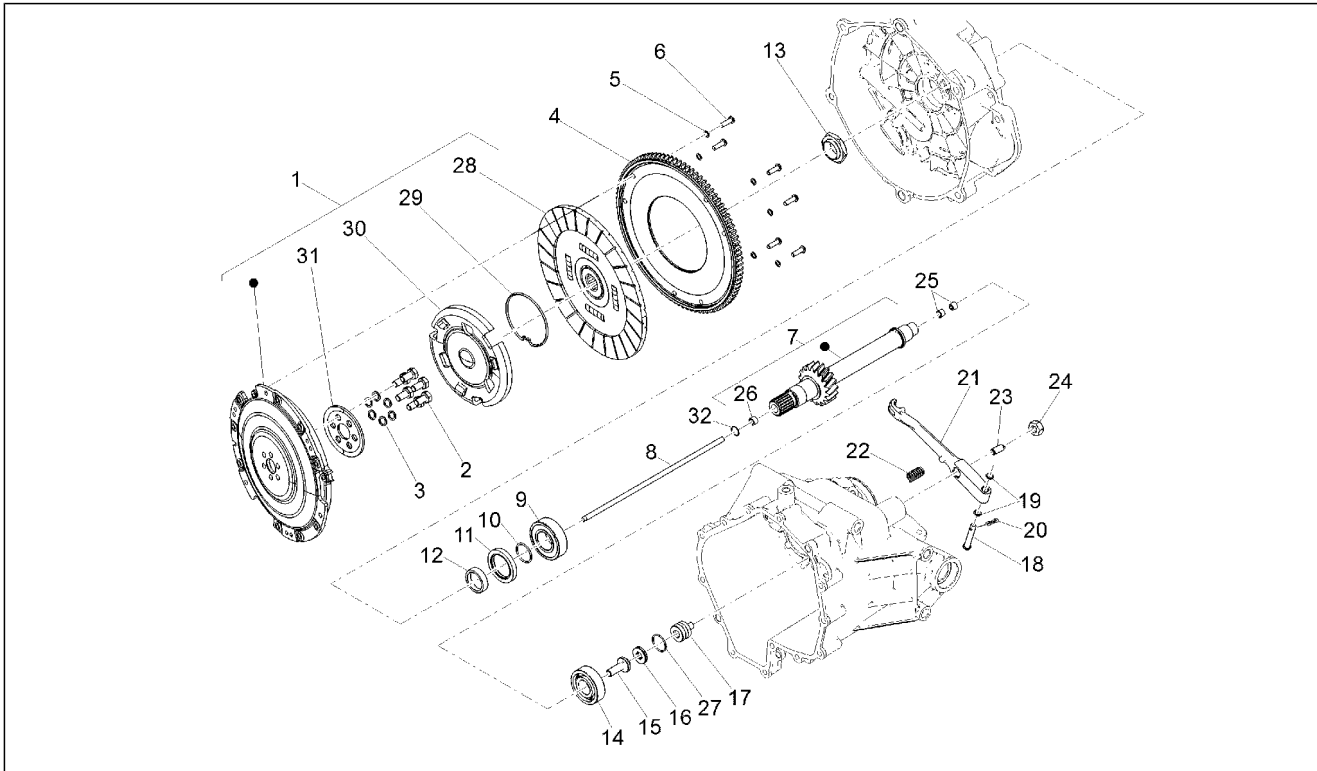
Pos.	Code	Beschreibung	Menge	Varianten
29	GU95100602	Dichtung	1	
30	GU92296723	Rolle	1	

Einheit	Motor
Code	03.196
Beschreibung	Anlage Blow-by
Inspektion	1



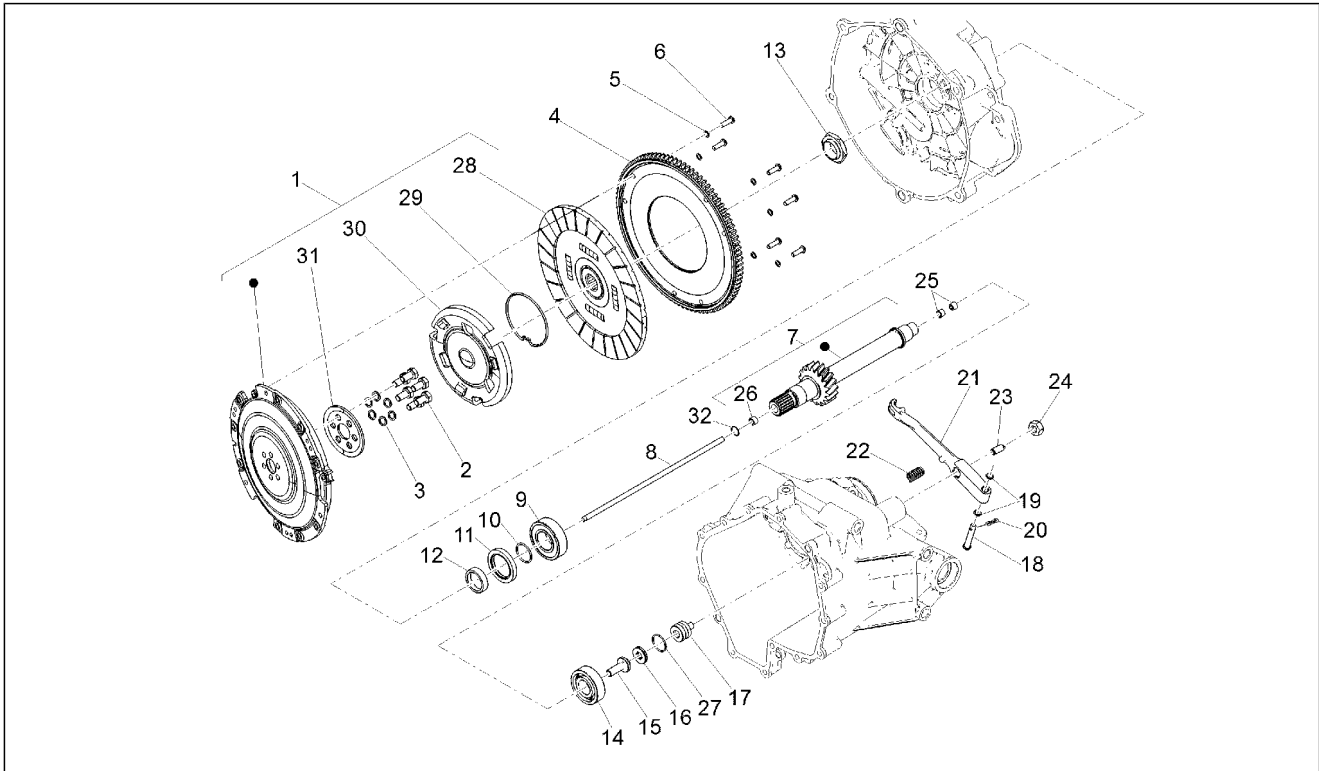
Pos.	Code	Beschreibung	Menge	Varianten
1	CM226902	Federschelle 19/12	4	
2	2B003204	Blow-By-Leitung	1	
3	2B003105	Rückstauventil	1	
4	2B002602	Blow-By-Leitung	1	

Einheit	Motor
Code	03.230
Beschreibung	Kupplung
Inspektion	1



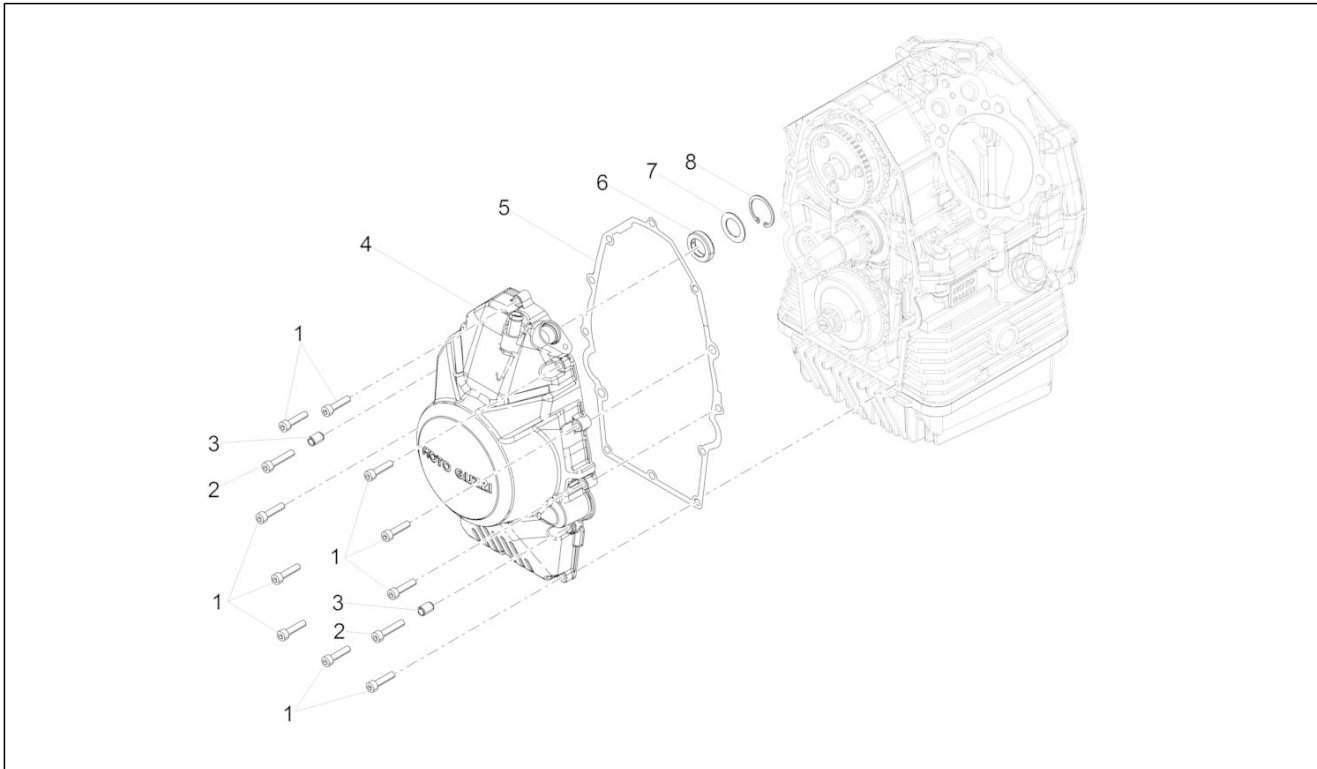
Pos.	Code	Beschreibung	Menge	Varianten
1	2A000419	Einscheiben-Kupplungseinheit komplett	1	
2	GU19067700	Schraube	6	
3	GU14615901	Ausgleichscheibe 8,4X13X0,8	6	
4	2A000724	Anlasserzahnkranz	1	
5	GU14217901	Scheibe 6,4x10x0,7	6	
6	2A000774		6	
7	2A000792	Kupplungswelle Kpl. Z=21	1	
8	2A000216	Regelstange	1	
9	GU92201226	Kugellager 25x52x15	1	
10	GU90706235	O-Ring 23,52x1,78	1	
11	886629	Gasket ring	1	
12	GU19213760	Distanzscheibe	2	
13	GU19356760	Mutter	1	
14	2A000375	Kugellager	1	
15	B013037	Kupplungswelle	1	
16	2A000376	Drucklager	1	
17	GU14086100	Aussengehäuse	1	
18	2A000384	Hebelbolzen	1	
19	2A000385	O-Ring 6.5x1.5	2	
20	GU95500222	Splint	1	
21	2A000631	Ausrueckwelle	1	
22	GU94321105	Rückholfeder Starterhebel	1	
23	2A000767	Regelschraube	1	
24	GU92606508	Mutter	1	
25	GU14085900	Buchse	2	
26	GU05217630	Buchse	1	
27	GU90706170	O-Ring 17,13x2,62	1	
28	2A000770	Getriebene Kuppl.scheibe	1	

Einheit	Motor
Code	03.230
Beschreibung	Kupplung
Inspektion	1



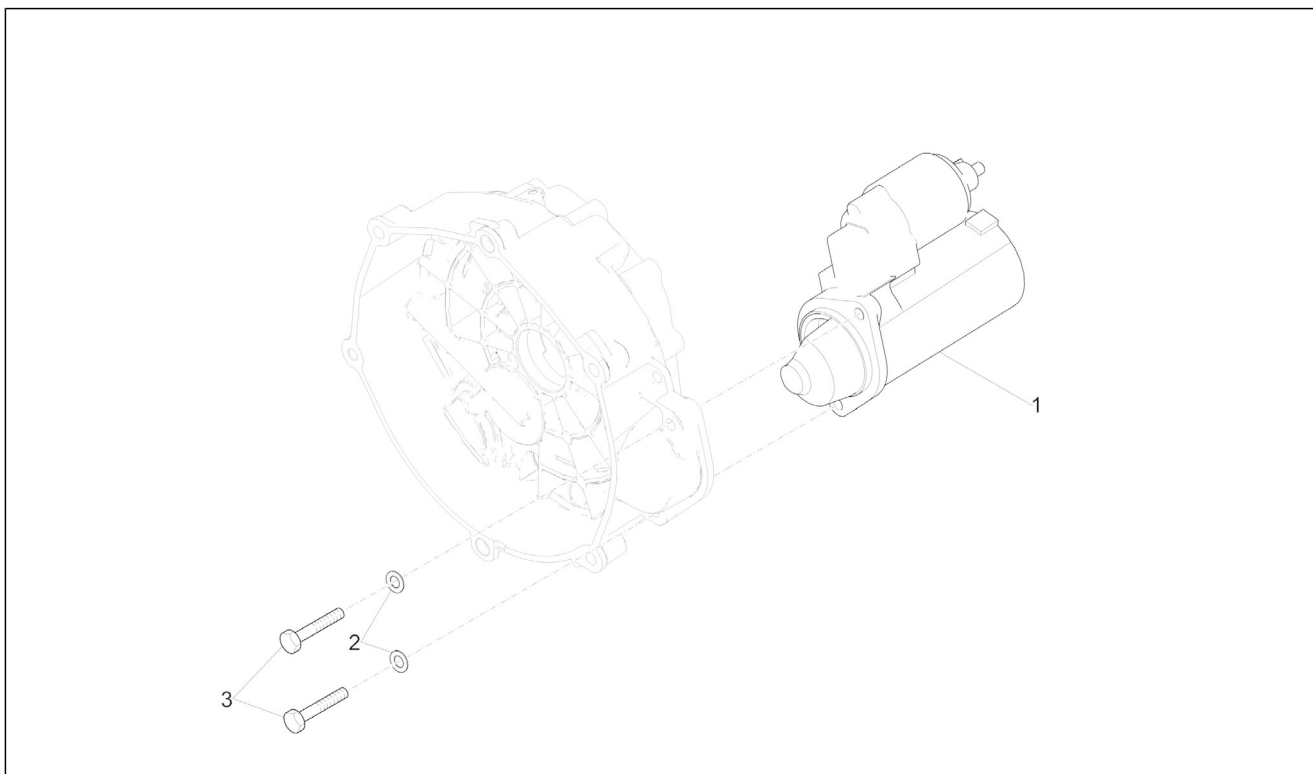
Pos.	Code	Beschreibung	Menge	Varianten
29	2A000418	Ring	1	
30	2A000638	Federteller	1	
31	2A000741	Stütze	1	
32	2A000378	Gasket ring	1	

Einheit	Motor
Code	03.270
Beschreibung	Zuenderdeckel
Inspektion	1



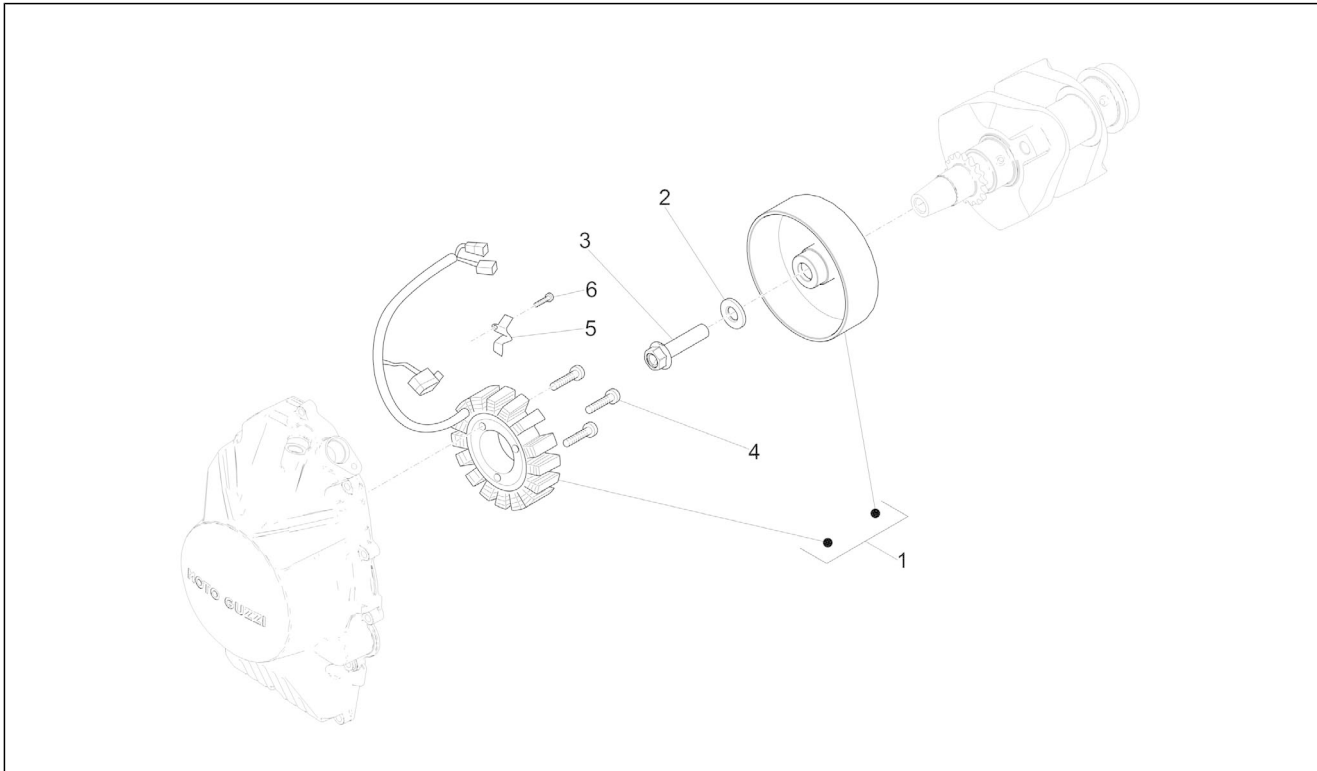
Pos.	Code	Beschreibung	Menge	Varianten
1	GU98682325	TCEI Schraube M6x25	10	
2	GU98682330	TCEI Schraube M6x20	2	
3	GU19002020	Buchse 6,6x9x13	2	
4	1A006298	Deckel	1	
5	887003	Deckeldichtung Kupplungsseite	1	
6	898268	Gasket ring 18x30x7	1	
7	898269	Bundscheibe	1	
8	006630	Sprengring	1	

Einheit	Motor
Code	03.290
Beschreibung	Zündung / Elektrischer Anfang
Inspektion	1



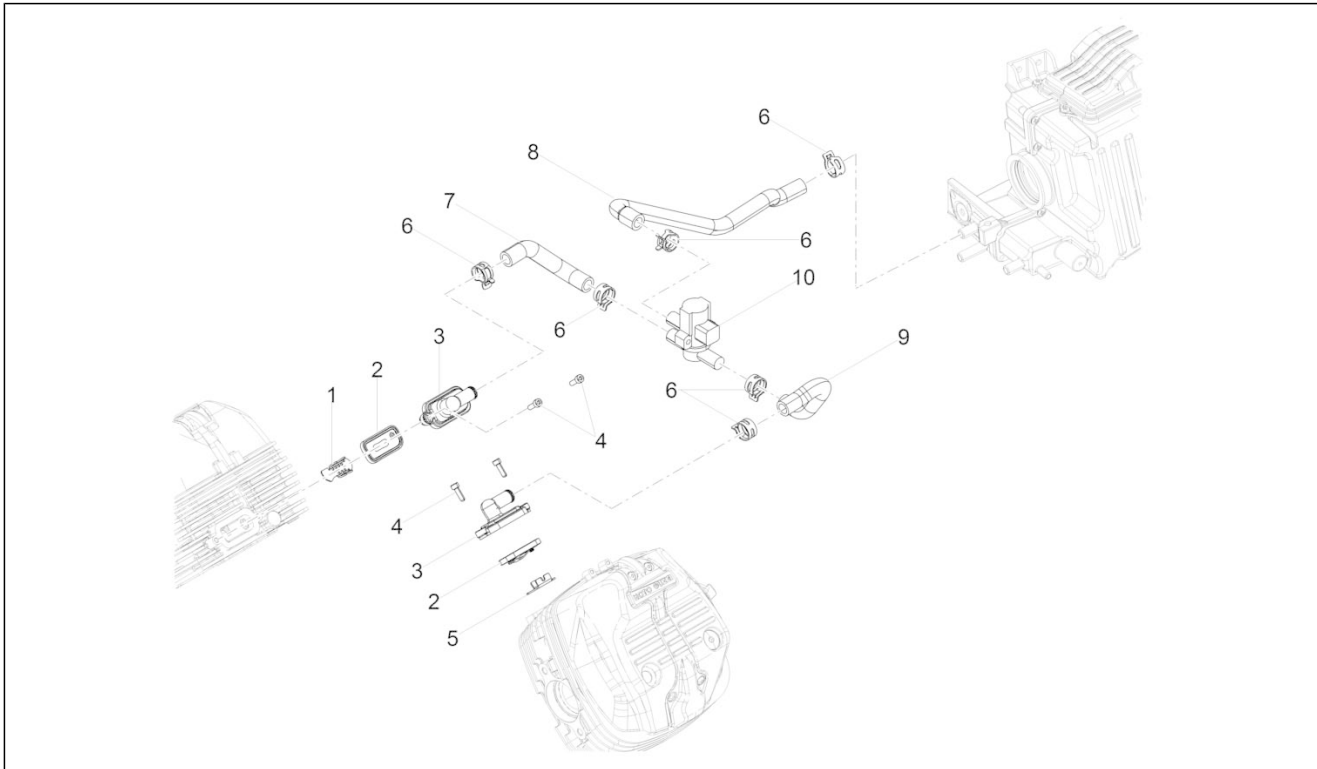
Pos.	Code	Beschreibung	Menge	Varianten
1	97729R	Startermotor	1	
2	GU95008208	Ausgleichscheibe 8,4X15X1,5	2	
3	GU98682435	TCEI Schraube	2	

Einheit	Motor
Code	03.300
Beschreibung	Schwungradmagnetstarter / Zündung
Inspektion	1



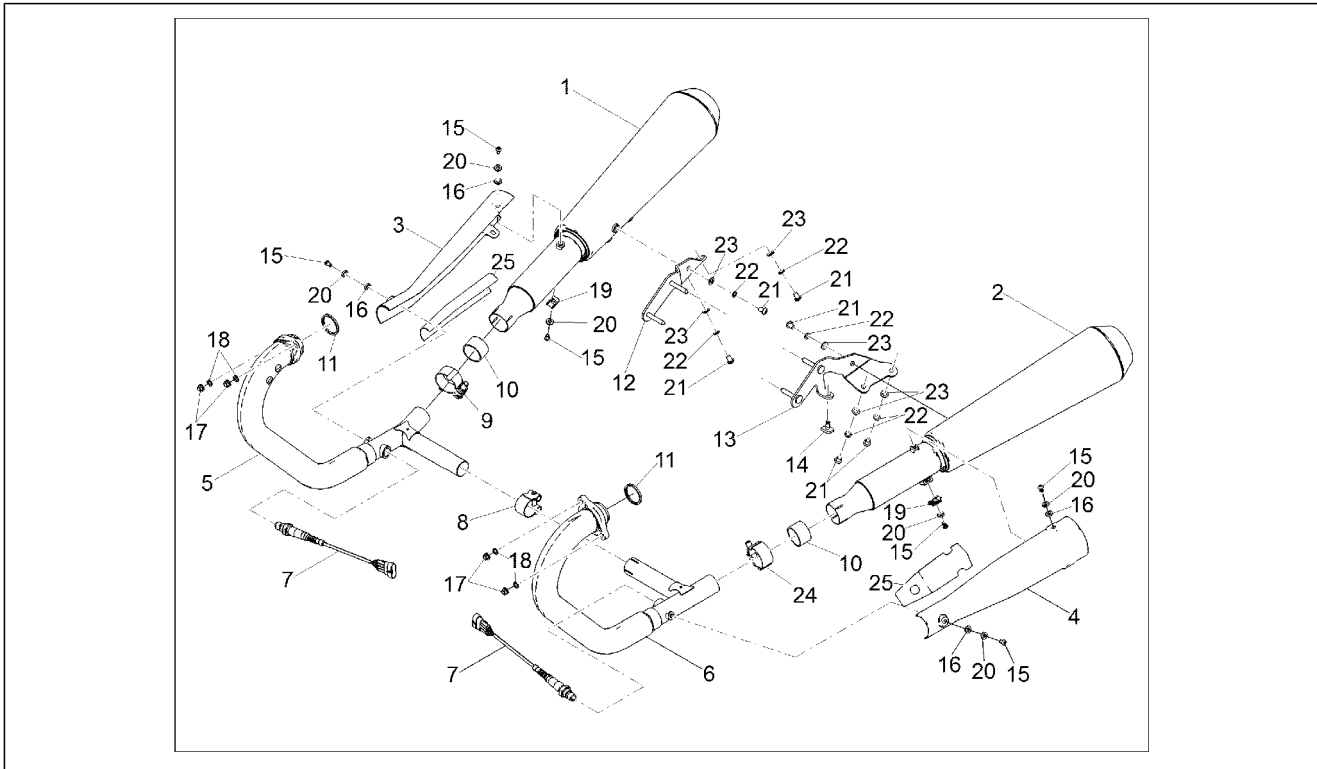
Pos.	Code	Beschreibung	Menge	Varianten
1	2D000024	Schwungrad Mag. klp.	1	
2	897478	Unterlegscheibe 12x26.5x3	1	
3	857206	TE Schr. m. Flansch M12X1,25X50	1	
4	2A000129	Flache Innensechskantschraube M6x35	3	
5	2A000115	Platte	1	
6	GU98682212	TCEI Schraube M5x12	1	

Einheit	Motor
Code	03.320
Beschreibung	Secondary air
Inspektion	1



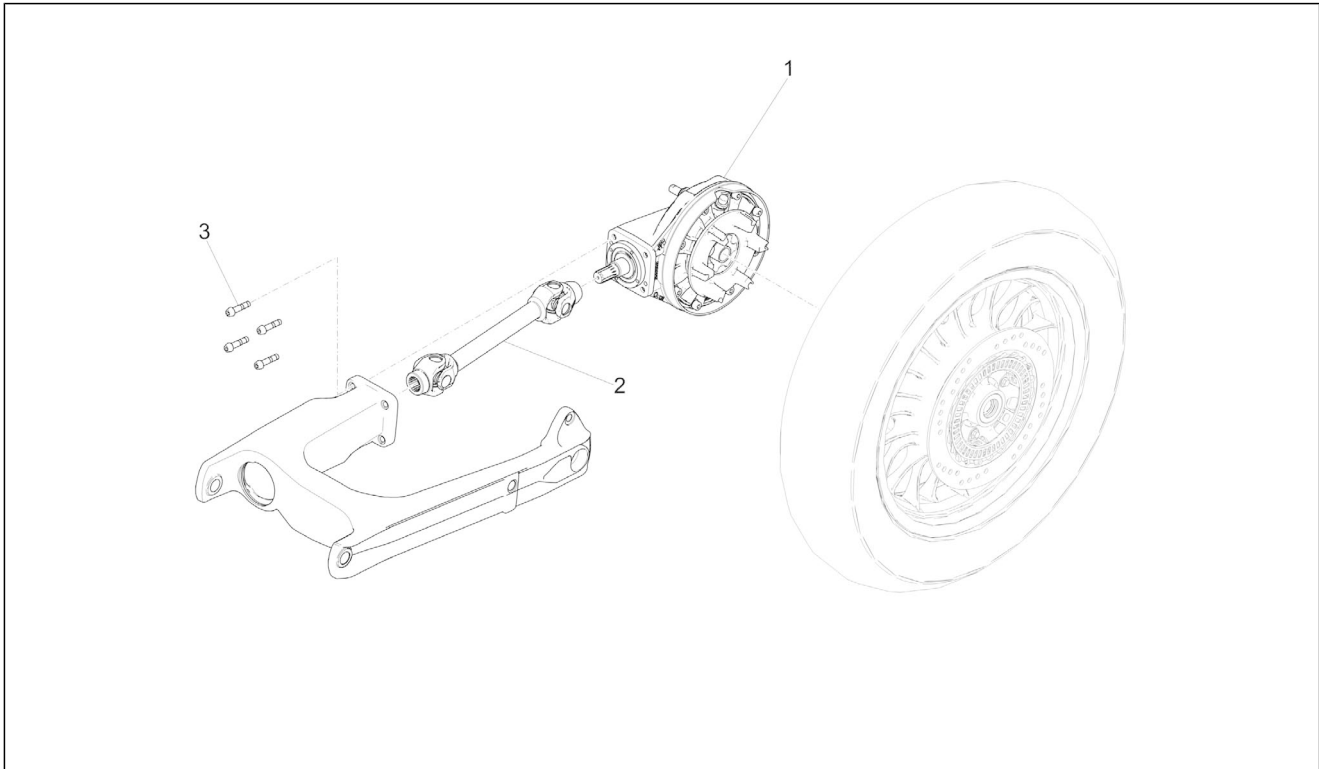
Pos.	Code	Beschreibung	Menge	Varianten
1	857047	Spark arrester	1	
2	857045	Reed valve	2	
3	2A000597	Abdeckung	1	
4	GU98612216	TCEI Schraube	2	
5	857046	Spark arrester	1	
6	CM226902	Federschelle 19/12	6	
7	2B002529	Schlauch rechts "S.A.S."	1	
8	2B002531	Leitung Filtergehäuse "S.A.S."	1	
9	2B002530	Schlauch links "S.A.S."	1	
10	857181	SAS ventil	1	

Einheit	Motor
Code	03.330
Beschreibung	Auspuffrohr
Inspektion	1



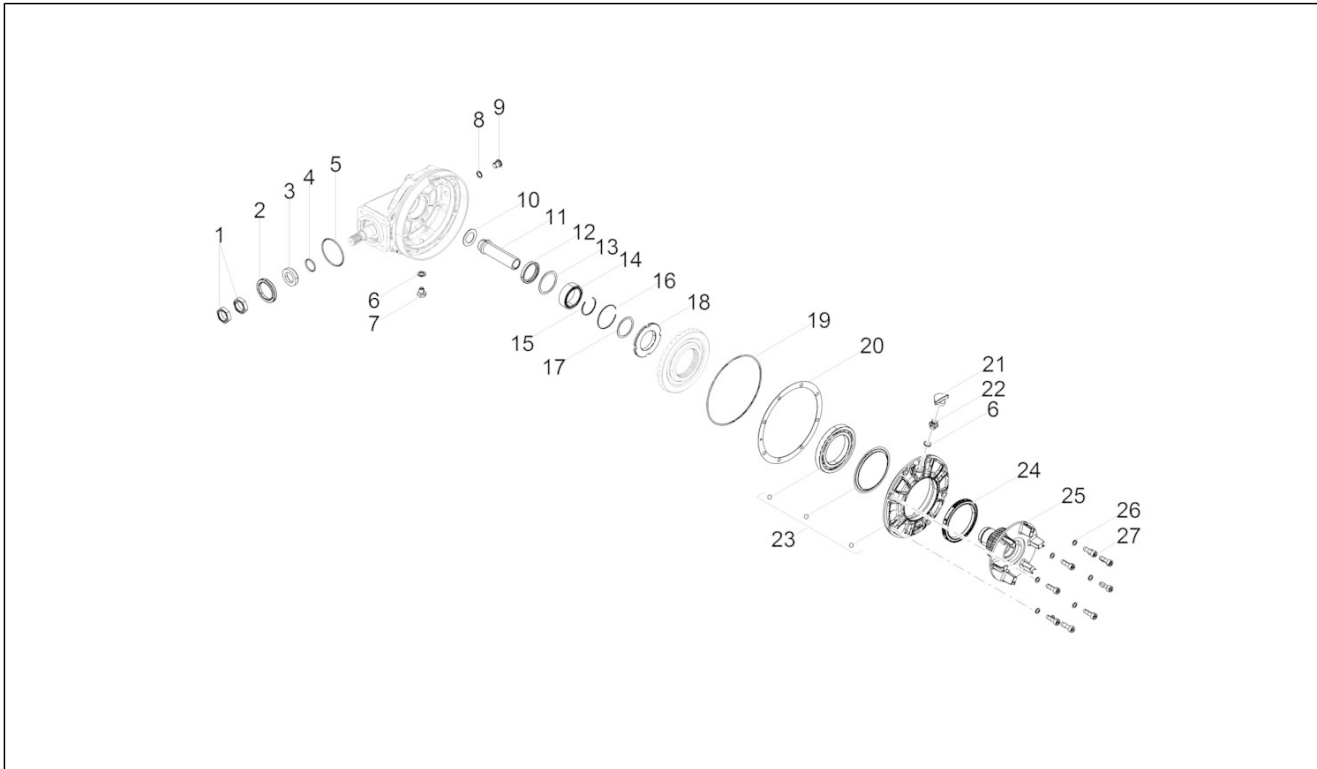
Pos.	Code	Beschreibung	Menge	Varianten
1	2B0010995	Auspufftopf rechts	1	
2	2B0011005	Auspufftopf links	1	
3	2B0022935	R.Schalldämpferschutz	1	
4	2B0022925	L.Schalldämpferschutz	1	
5	2B001084	Auspuffkrümmer rechts	1	
6	2B001083	Auspuffkrümmer links	1	
7	896110	Lamdasonde l.660 mm	2	
8	B063292	Schelle D.37	1	
9	874957	Schelle	1	
10	GU91113826	Buchse	2	
11	852090	Dichtung Auspuffrohr	2	
12	2B002533	Haltebügel Schalldämpfer rechts mit Innenteilen	1	
13	2B002532	Haltebügel Schalldämpfer links mit Innenteilen	1	
14	AP8120455	Gummi	1	
15	2B002187	TBEI Schraube M6x10	6	
16	876879	Abstandhalter	4	
17	GU92660021	Geflanschte Mutter M8	4	
18	GU14615901	Ausgleichscheibe 8,4X13X0,8	4	
19	254485	Plattchen M6	2	
20	834951	Kegelscheibe	6	
21	AP8152055	TBEI Schraube M8x12	6	
22	GU14615901	Ausgleichscheibe 8,4X13X0,8	6	
23	GU95008208	Ausgleichscheibe 8,4X15X1,5	6	
24	2B001935	Schelle	1	
25	2B003284	Wärmeschutz	2	

Einheit	Motor
Code	03.340
Beschreibung	Getriebe kpl.
Inspektion	1



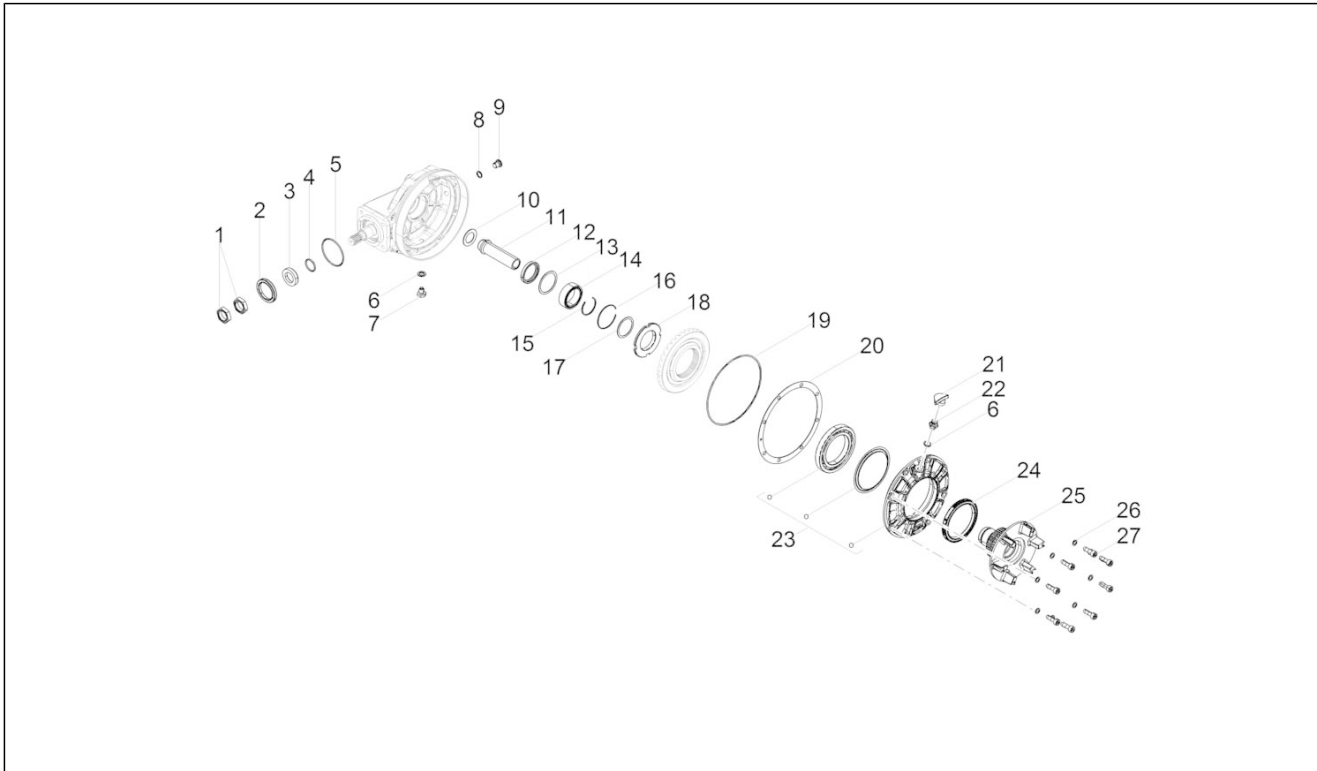
Pos.	Code	Beschreibung	Menge	Varianten
1	2B0011535	Kraftübertragung, kpl.	1	
2	2B002298	Getriebe	1	
3	2B002699	Schraube TCC Torx M8x35 mit vorimpr. Bund	4	

Einheit	Motor
Code	03.350
Beschreibung	Getriebedeckel
Inspektion	1



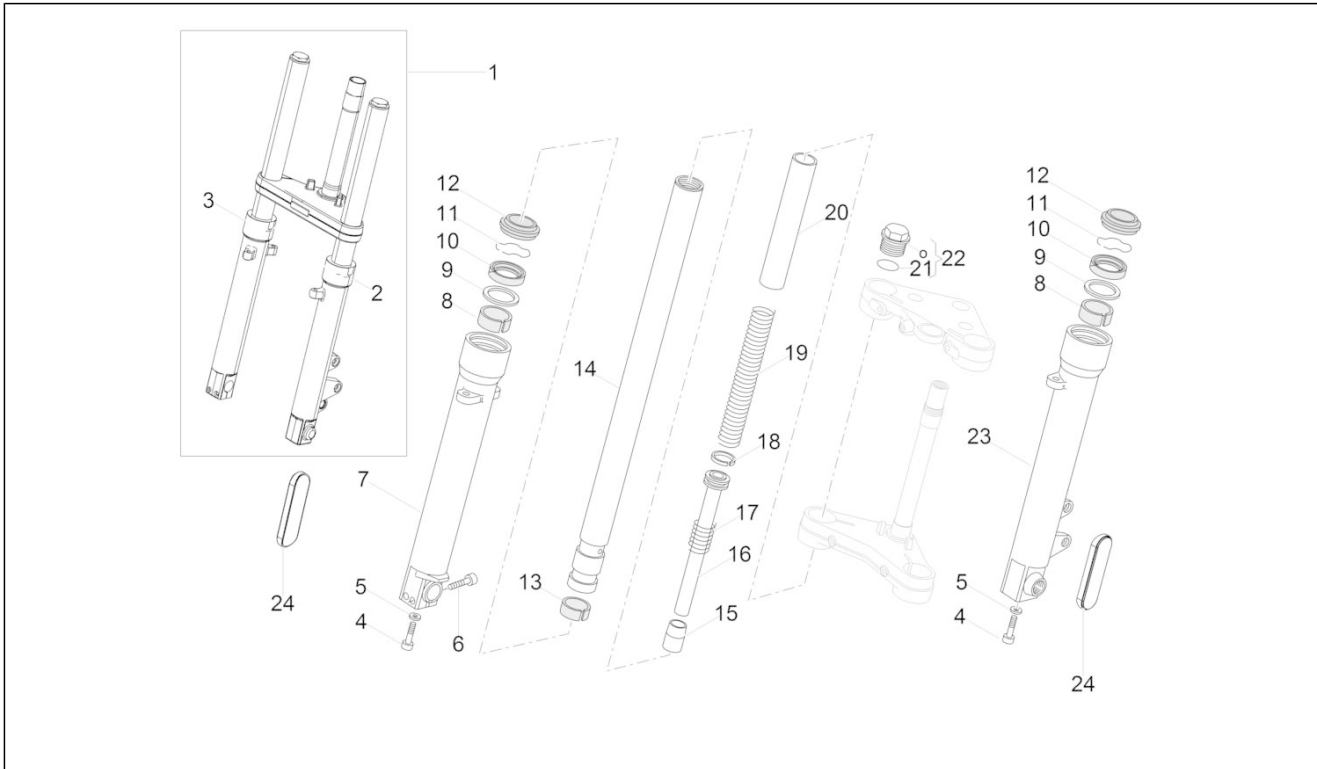
Pos.	Code	Beschreibung	Menge	Varianten
1	976649	Mutter M25x1,5	2	
2	2B000404	Gasket ring	1	
3	2B001311	Distanzscheibe	1	
4	GU90706188	Gasket ring 18,77X1,78	1	
5	GU90706584	Dichtung 58,42x2,62	1	
6	GU01528930	Dichtung 10x18x1,5	2	
7	GU31003766	Ölablaßschraube M10x1	1	
8	224566	Unterlegscheibe	1	
9	GU05351230	Ölschraube M12x1,5	1	
10	GU37359005	Ausgleichscheibe	1	
11	2B001307	Distanzscheibe	1	
12	GU90413850	Gasket ring 38X50X7	1	
13	GU12351100	Gasket ring	1	
14	GU92254340	Rollenlager 40x55x17	1	
15	2B002200	Wellenscheibe	1	
16	B064304	Seegerring	1	
17	GU19351100	Bundscheibe	1	
18	2B002536	Gewinding Befestigung Zahnkranz	1	
19	GU90706958	O-Ring 158,42X2,62	1	
20	GU04355104	Scheibe 1 mm	1	
20	GU04355103	Scheibe 0,9 mm	1	
20	GU04355106	Scheibe 1,2 mm	1	
20	GU04355105	Scheibe 1,1 mm	1	
20	GU04355100	Scheibe 0,6 mm	1	
20	GU04355101	Scheibe 0,7 mm	1	
20	GU04355102	Scheibe 0,8 mm	1	
21	2B002807	Kappe	1	
22	2A000438	Entlüftungsschraube	1	

Einheit	Motor
Code	03.350
Beschreibung	Getriebedeckel
Inspektion	1



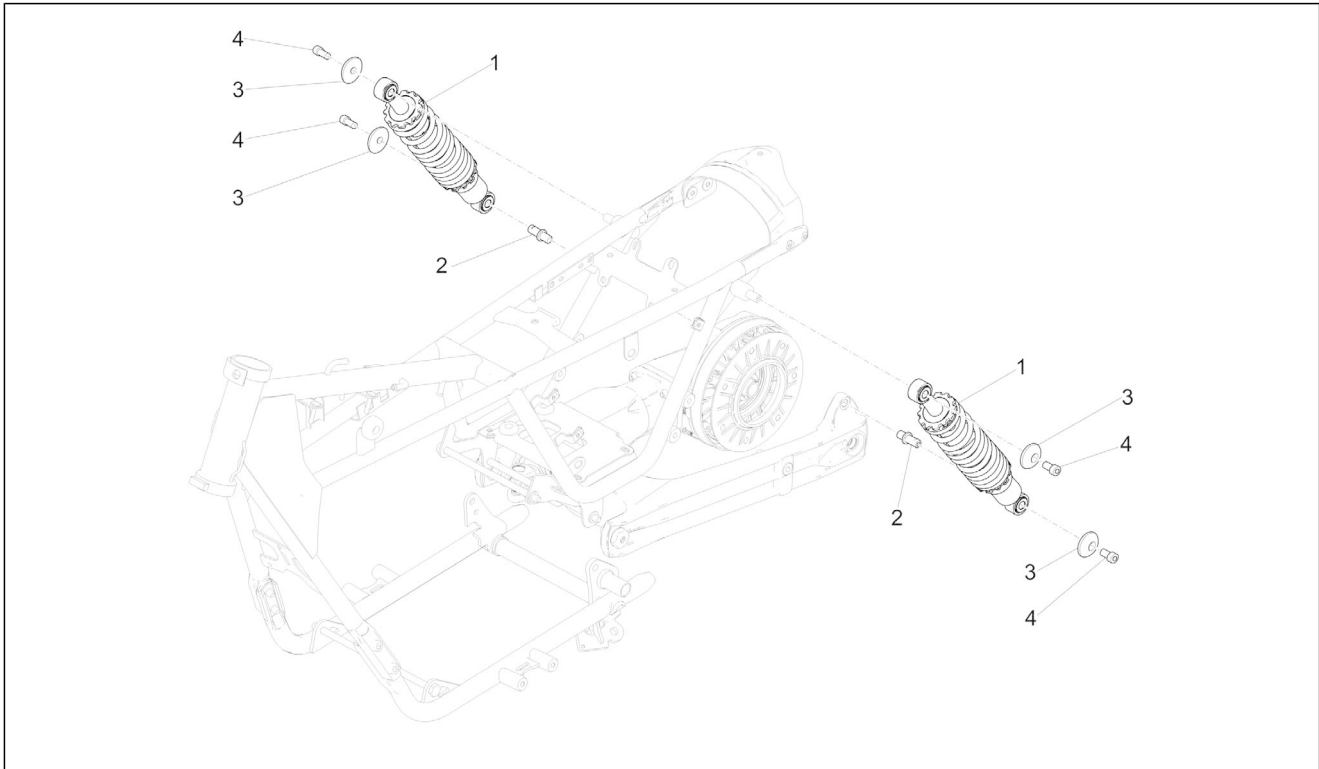
Pos.	Code	Beschreibung	Menge	Varianten
23	2B0033875	Flansch komplett	1	
24	2B002535	Gasket ring 80x100x10	1	
25	2B001303	Dämpfernabe	1	
26	GU14615901	Ausgleichscheibe 8,4X13X0,8	8	
27	2B002171	TC Schraube 8x25	8	

Einheit	Radaufhängungen
Code	04.060
Beschreibung	Vorderradgabel Kaifa
Inspektion	1



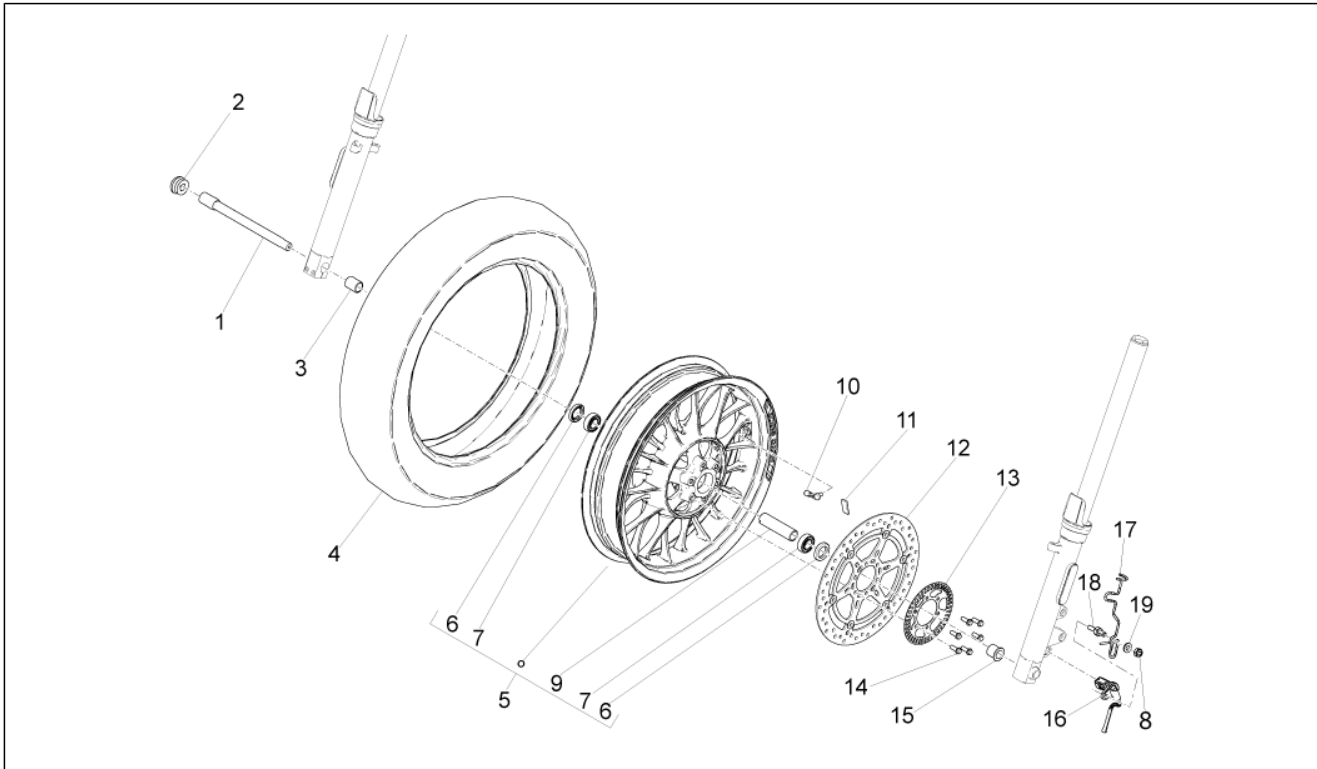
Pos.	Code	Beschreibung	Menge	Varianten
1	2B002192	Vorderradgabel komplett	1	
2	2B002295	Kolbenstange mit Boden lks.	1	
3	2B002294	Kolbenstange mit Boden rch.	1	
4	887878	Schraube M10x30	2	
5	887879	Ausgleichscheibe	2	
6	887880	Schraube	2	
7	2R000109	Rechte Hülse	1	
8	887882	Obere Buchse	2	
9	887883	Ausgleichscheibe	2	
10	887884	Gasket ring	2	
11	887885	Sperring	2	
12	887886	Staubschutz	2	
13	887888	Buchse	2	
14	2B003742	Schaft rechts-links	1	
15	887889	Puffer	2	
16	887891	Pumpenrad kplt.	2	
17	887890	Gegenfeder	2	
18	887905	Kolbenring	2	
19	2R000243	Feder	2	
20	887893	Leitung	2	
21	887916	O-Ring 4118	2	
22	887894	Verschlussschraube kplt.	2	
23	2R000110	Linke Hülse	1	
24	GU05781630	Rückstrahler, gelb	2	

Einheit	Radaufhängungen
Code	04.080
Beschreibung	Stoßdämpfer
Inspektion	1



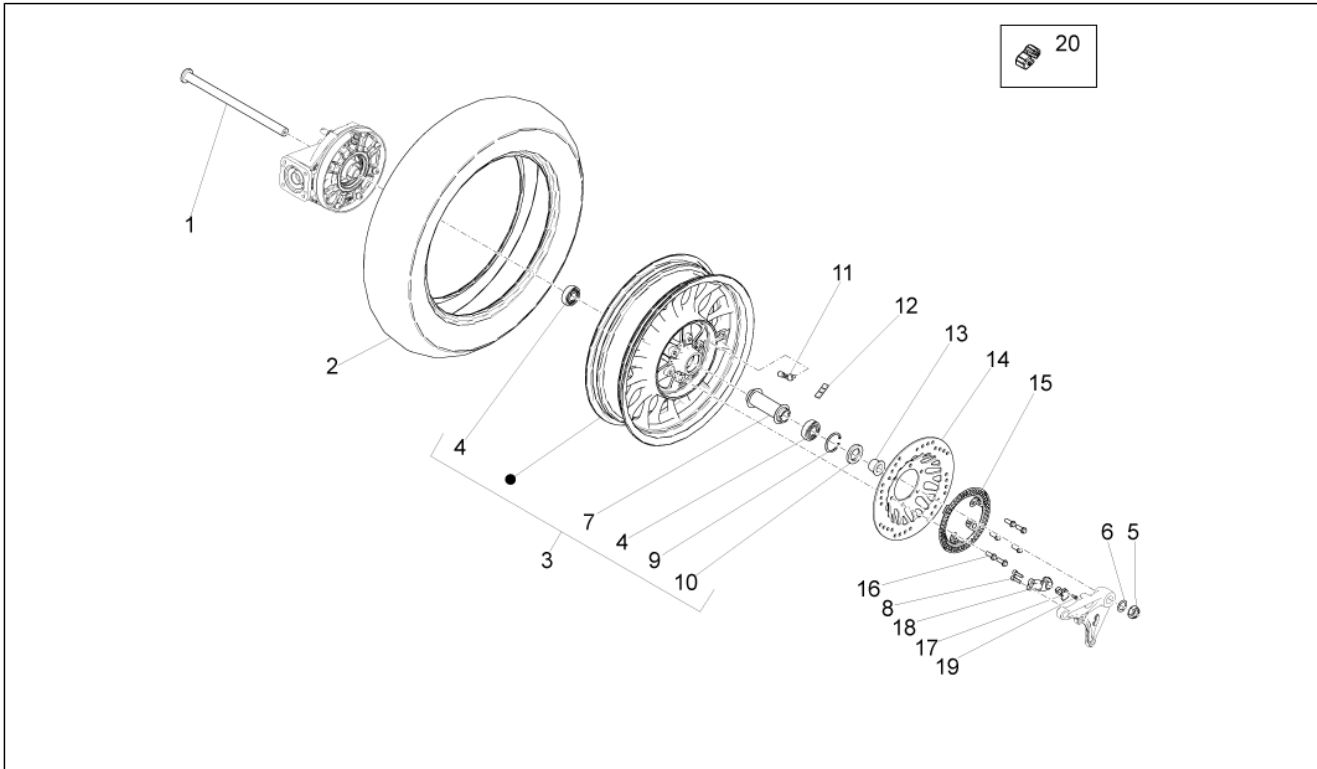
Pos.	Code	Beschreibung	Menge	Varianten
1	2B002988	Hinterer Stoßdämpfer	2	
2	2B003111	Stoßdämpfer-Bolzen	2	
3	B063174	Buchse	4	
4	884031	TCEI Schraube M6x14	4	

Einheit	Räder
Code	05.010
Beschreibung	Vorderrad
Inspektion	1



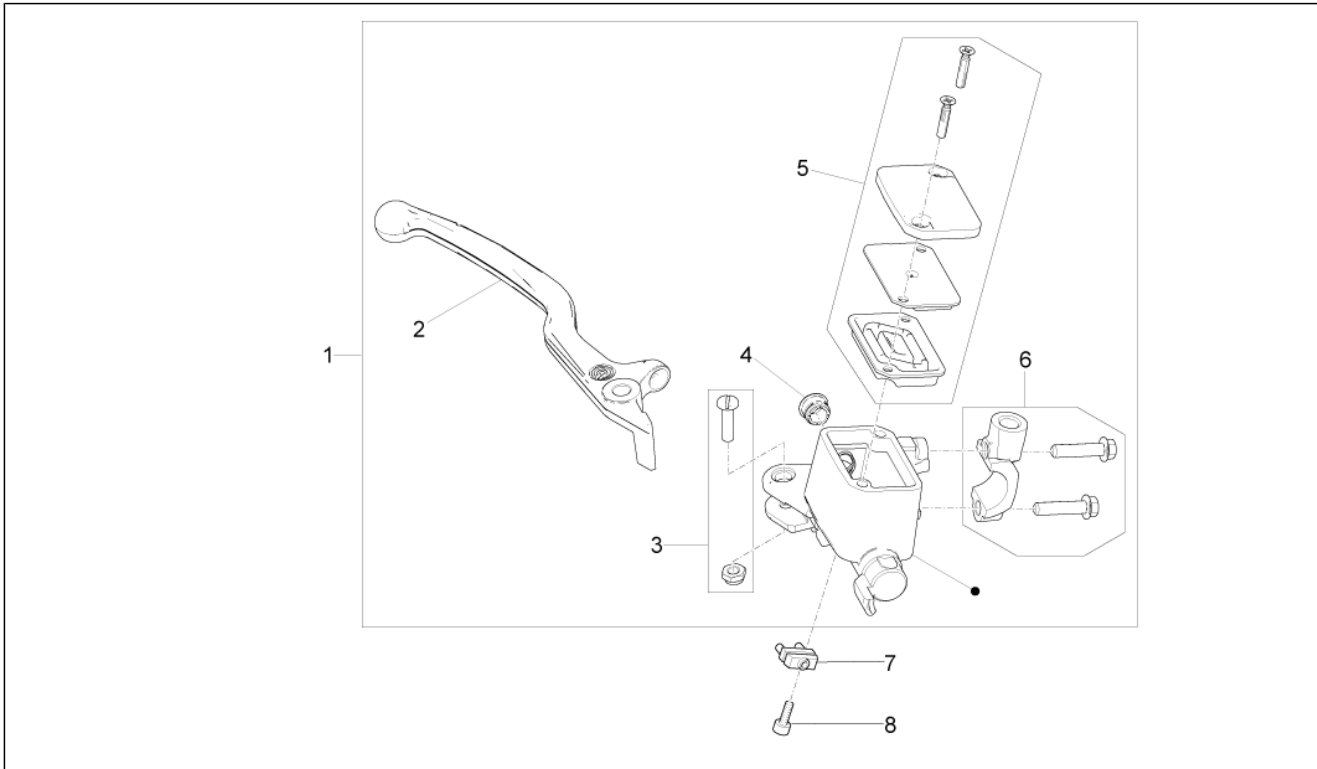
Pos.	Code	Beschreibung	Menge	Varianten
1	2B001139	Vorderradbolzen	1	
2	GU93180111	Deckel 15 mm	1	
3	GU32615660	R. Distanzscheibe	1	
4	2B002383	Vorderreifen 130/90 - 16"	1	
5	2B001762	Vorderrad 3.5X16 mit Lager	1	
6	GU90402642	Gasket ring	2	
7	GU92204221	Lager	2	
8	GU92630207	Mutter	1	
9	2B001073	Innerer Abstandhalter Vorderrad	1	
10	GU03617710	Schlauchloses Reifenventil	1	
11	GU14616150	Gegengewicht	1	
12	883688	Vorderradbremsscheibe 320	1	
13	887875	Phonic wheel	1	
14	887762	Flanschschraube TE M8x22	6	
15	GU31616384	L. Distanzscheibe	1	
16	859792	Sensor ABS	2	
17	2B001561	Kabelführung	1	
18	2B001708	Distanzscheibe	1	
19	AP8150178	Ausgleichscheibe 6,4x12,5*	1	

Einheit	Räder
Code	05.020
Beschreibung	Hinterrad
Inspektion	1



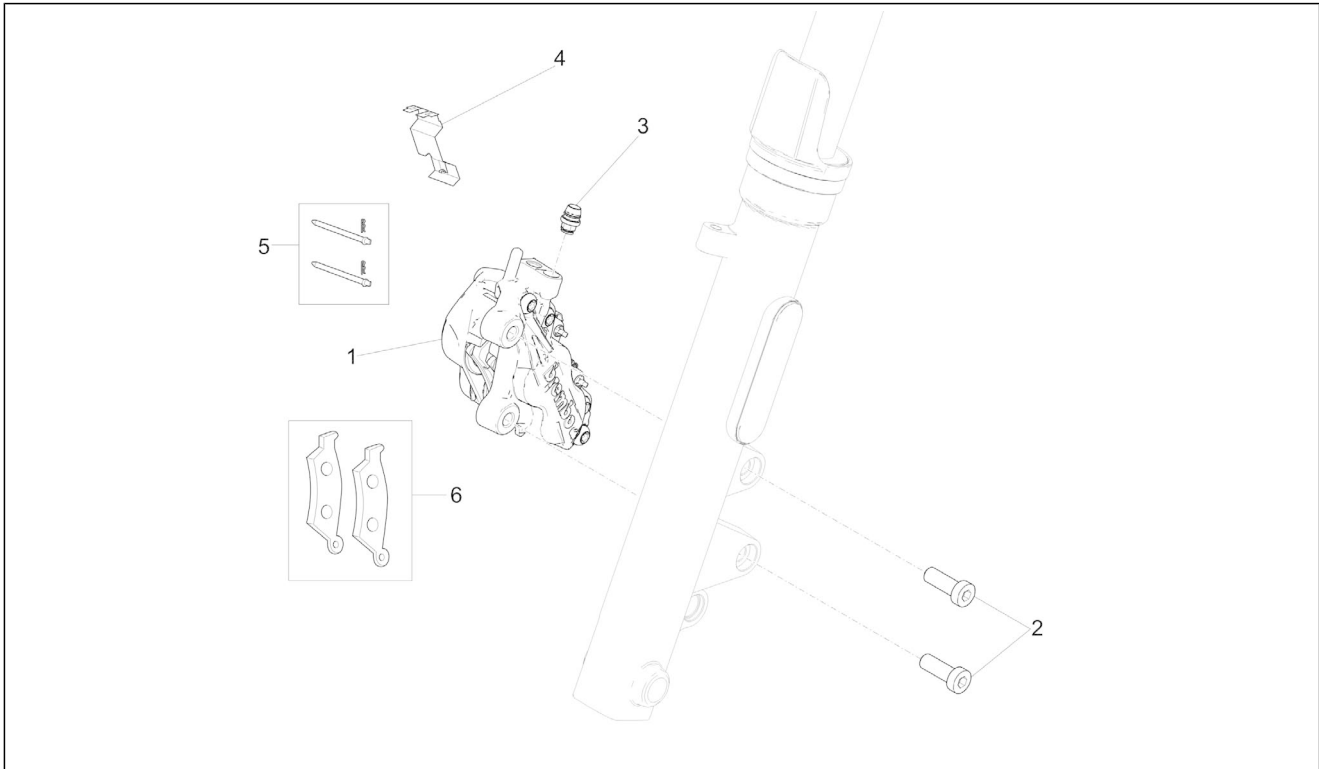
Pos.	Code	Beschreibung	Menge	Varianten
1	2B001310	Hinterradbolzen	1	
2	2B002900	Hinterer Reifen 150/80 16"	1	
3	2B001114	Hint. Felge 4X16" mit Lager	1	
4	GU92204220	Kugellager 20X47X14	2	
5	648708	Hinterradbolzen mut.	1	
6	AP8125687	U-scheibe Hint.radbolz	1	
7	2B001279	Baugruppe Distanzscheibe Hinterrad	1	
8	GU98682312	TCEI Schraube M6x12	2	
9	GU90272047	Seegerring 47X50,5	1	
10	AP8110109	Gasket ring 28X47X7	1	
11	GU03617710	Schlauchloses Reifenventil	1	
12	GU14616150	Gegengewicht	1	
13	2B001956	Hinterrad Distanzscheibe	1	
14	887448	Bremsscheibe	1	
15	2B000225	Phonic wheel	1	
16	887762	Flanschschraube TE M8x22	6	
17	859792	Sensor ABS	2	
18	2B000377	Halter Sensor ABS	1	
19	1C001499	Schraube TBEI TORX M5x16 INOX	1	
20	GU32632510	Gummikupplung	6	

Einheit	Bremsanlage
Code	06.010
Beschreibung	Vorderradbremspumpe
Inspektion	1



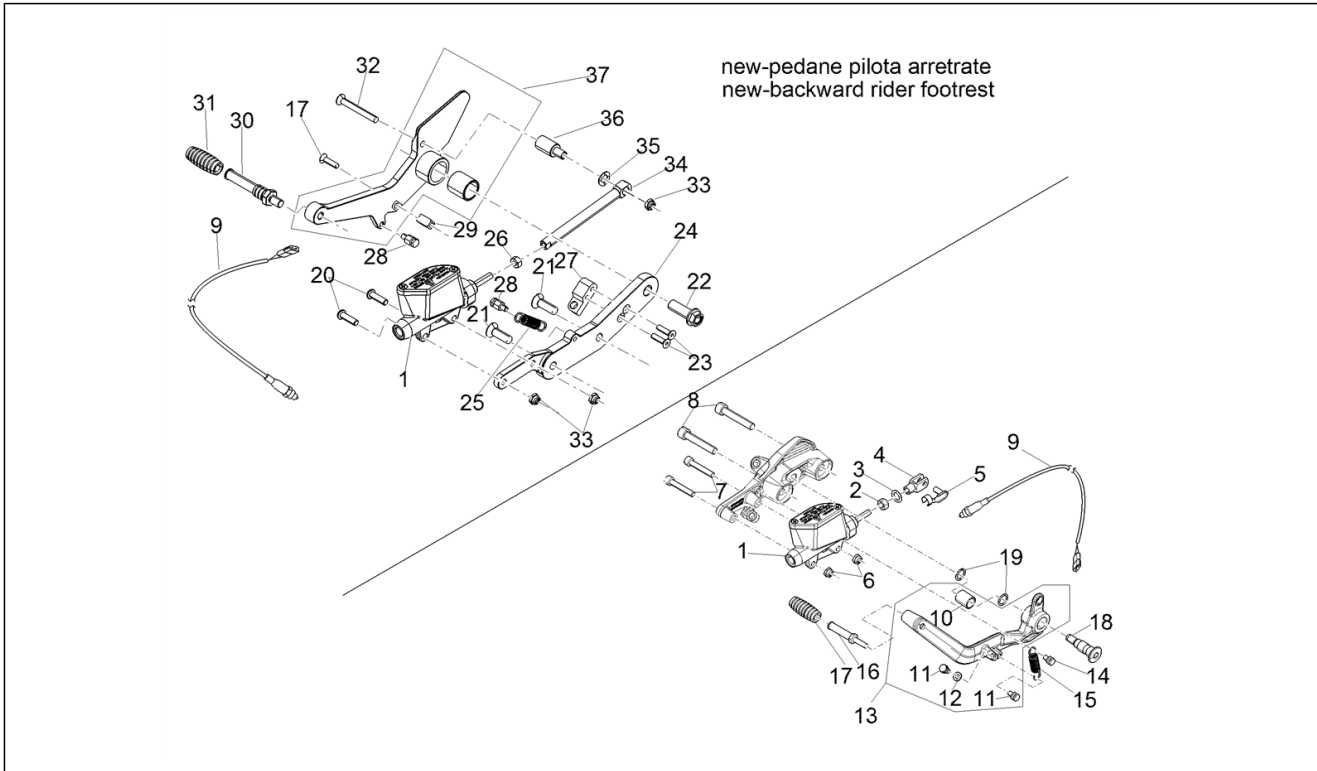
Pos.	Code	Beschreibung	Menge	Varianten
1	2B002269	Vorderradbremspumpe	1	
2	2B003041	Ersatzteil Hebel	1	
3	2B003040	Ersatzteil Hebelbolzen kpl. mit Mutter	1	
4	2B001930	Ersatzteil Schauglas vordere Bremspumpe	1	
5	2B003039	Ersatzteil Deckel kpl. mit Membran und Schrauben	1	
6	2B001929	Klemmschelle Bremsarmatur	1	
7	GU03749845	Bremslichtschalter	1	
8	AP8152043	TCEI Schraube M4x10	1	

Einheit	Bremsanlage
Code	06.020
Beschreibung	Vorderradbremzange
Inspektion	1



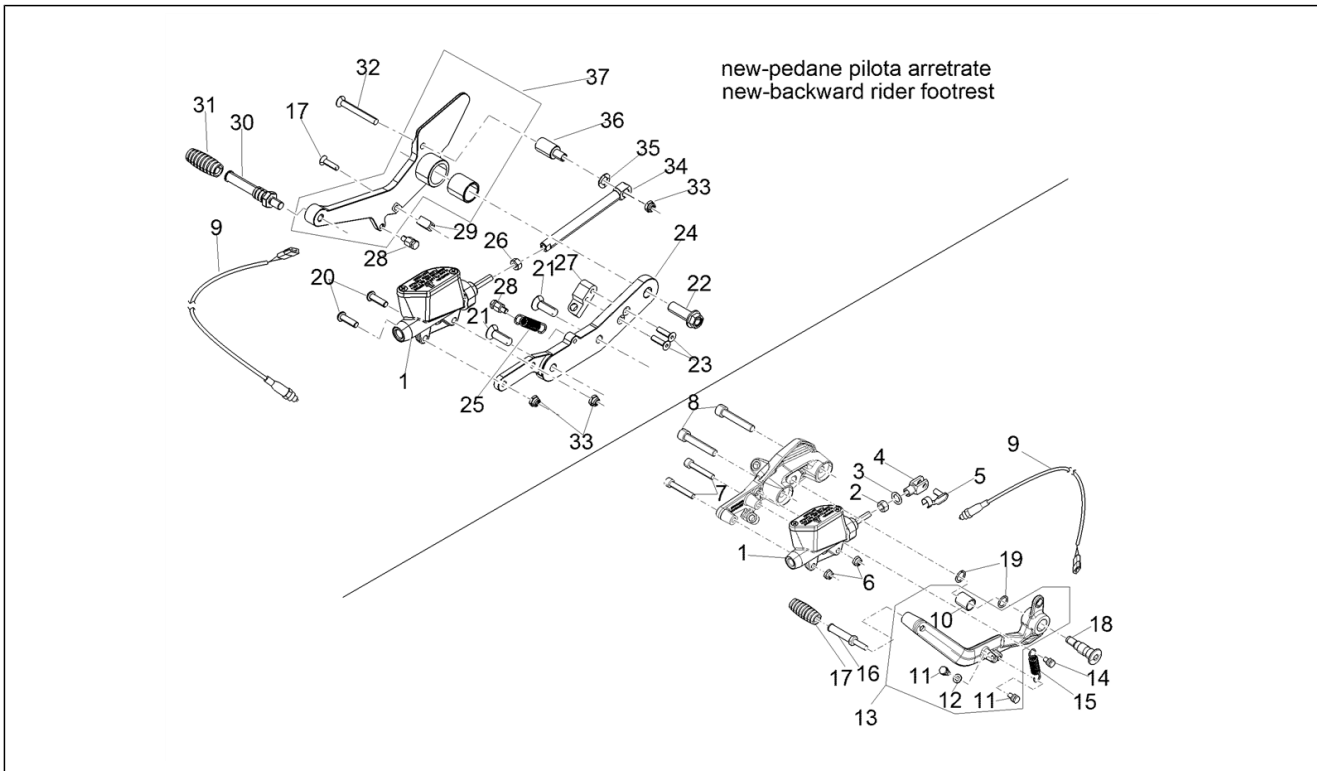
Pos.	Code	Beschreibung	Menge	Varianten
1	2B003271	Vorderradbremzange l.	1	
2	AP8152385	TCEI Schraube M10x1,25	2	
3	GU05659230	Entlüftung+Haube	1	
4	GU01659131	Feder	1	
5	GU01659130	Stifte-Federn Bremzange	1	
6	2B003313	Beläge (Paar)	1	

Einheit	Bremsanlage
Code	06.030
Beschreibung	Hinterradbremspumpe
Inspektion	1



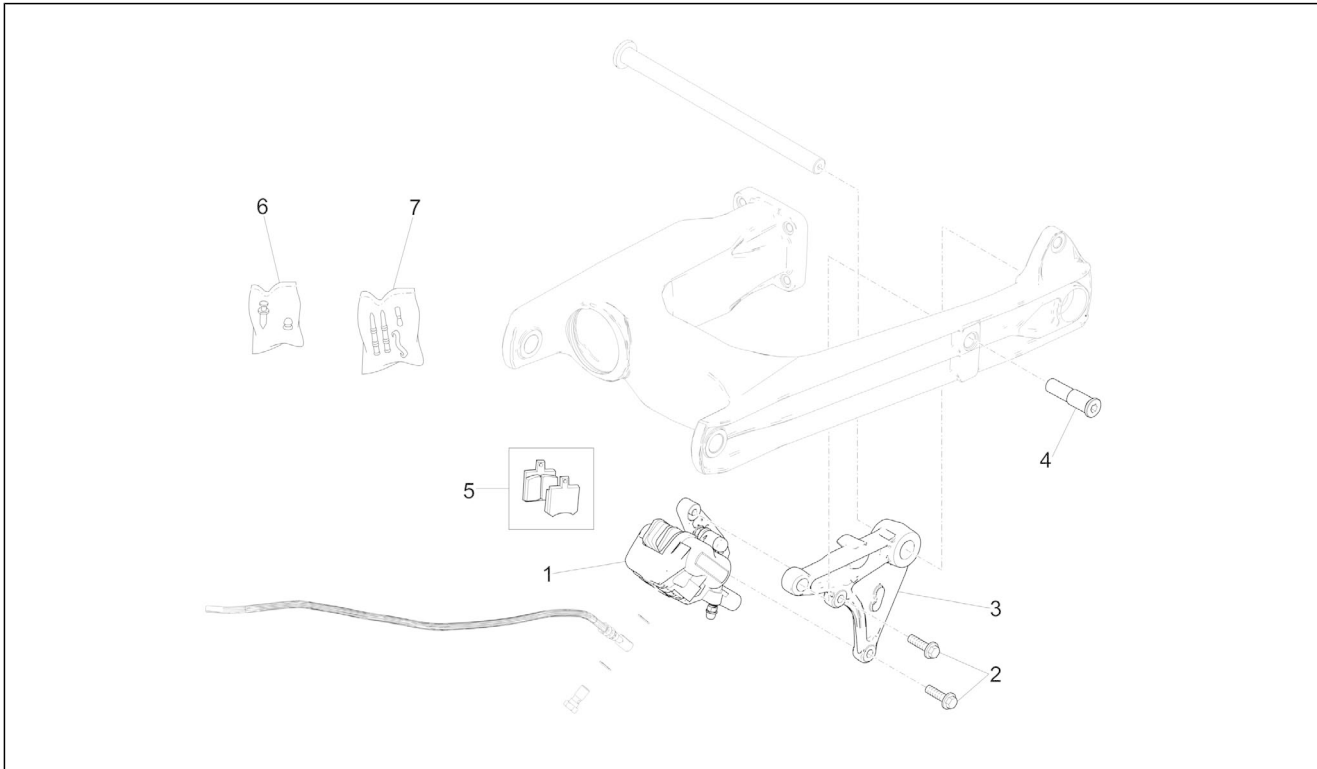
Pos.	Code	Beschreibung	Menge	Varianten
1	2B002189	Hintere Bremspumpe mit Behälter	1	
2	GU92606206	Mutter	1	Technische Spezifikation:standard rider footrest[old]
3	AP8120178	O-Ring OR112	1	Technische Spezifikation:standard rider footrest[old]
4	AP8113081	Schaltgabel	1	Technische Spezifikation:standard rider footrest[old]
5	AP8113082	Klemmen für Schaltgabel	1	Technische Spezifikation:standard rider footrest[old]
6	GU92630206	Dado autobloccante M6x1	2	Technische Spezifikation:standard rider footrest[old]
7	AP8150285	TCEI Schraube M6x35	2	Technische Spezifikation:standard rider footrest[old]
8	GU98680445	TCEI Schraube	2	Technische Spezifikation:standard rider footrest[old]
9	2D0002805	Knopf stop	1	
10	895328	Buchse gesintert	1	Technische Spezifikation:standard rider footrest[old]
11	859946	Befestigungsbolzen	2	Technische Spezifikation:standard rider footrest[old]
12	AP8150012	Ausgleichscheibe 5,3x10x1*	1	Technische Spezifikation:standard rider footrest[old]
13	2B002233	Hebel Hinterradbremse komplett	1	Technische Spezifikation:standard rider footrest[old]
14	859946	Befestigungsbolzen	1	Technische Spezifikation:standard rider footrest[old]
15	AP8121927	Feder Hinterradbremsh.	1	Technische Spezifikation:standard rider footrest[old]
16	887908	Gummigleitschutze	1	Technische Spezifikation:standard rider footrest[old]
17	AP8120912	Gummi für Hebel	1	Technische Spezifikation:standard rider footrest[old]
18	884033	Hebelbolzen	1	Technische Spezifikation:standard rider footrest[old]
19	AP8144007	O-Ring 11,11x1,78	2	Technische Spezifikation:standard rider footrest[old]
20	GU98370625	TBEI Schraube M6x25	1	Technische Spezifikation:backward rider footrest[new]
21	2B004112	Schraube TSPEI IX M8X25	2	Technische Spezifikation:backward rider footrest[new]
22	967384	Schraube TEF M10X45	1	Technische Spezifikation:backward rider footrest[new]
23	658778	Schraube TSPEI M5x20	3	Technische Spezifikation:backward rider footrest[new]
24	2B004042	Piastra pedana pilota dx	1	Technische Spezifikation:backward rider footrest[new]
25	AP8121927	Feder Hinterradbremsh.	1	Technische Spezifikation:backward rider footrest[new]
26	GU92606206	Mutter	1	Technische Spezifikation:backward rider footrest[new]
27	2B004063	Supporto interruttore stop	1	Technische Spezifikation:backward rider footrest[new]
28	898286	Federn Fixierstift	2	Technische Spezifikation:backward rider footrest[new]

Einheit	Bremsanlage
Code	06.030
Beschreibung	Hinterradbremspumpe
Inspektion	1



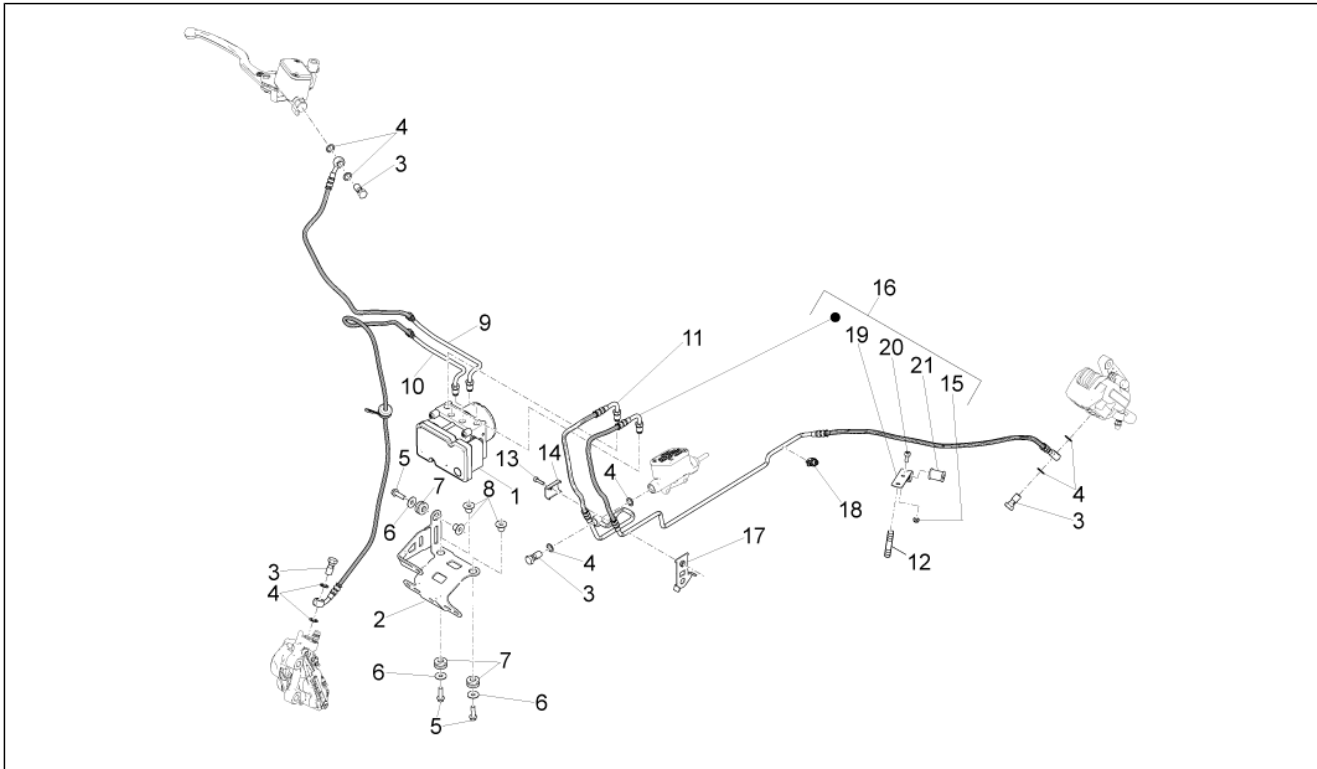
Pos.	Code	Beschreibung	Menge	Varianten
29	2B004064	Fermacorsa pedale freno post.	1	Technische Spezifikation: backward rider footrest[new]
30	2B004062	Gummigleitschutze	1	Technische Spezifikation: backward rider footrest[new]
31	AP8120912	Gummi für Hebel	1	Technische Spezifikation: backward rider footrest[new]
32	2B004111	Schraube TSPEI M6x50	1	Technische Spezifikation: backward rider footrest[new]
33	GU92630707	Mutter M6	3	Technische Spezifikation: backward rider footrest[new]
34	2B004076	Pumpenstange H. brems	1	Technische Spezifikation: backward rider footrest[new]
35	658837	Gewellte Sprengscheibe D15 F8,4 S1,5 - INOX	1	Technische Spezifikation: backward rider footrest[new]
36	2B004107	Distanzscheibe	1	Technische Spezifikation: backward rider footrest[new]
37	2B004050	Hebel Hinterradbremse komplett	1	Technische Spezifikation: backward rider footrest[new]

Einheit	Bremsanlage
Code	06.040
Beschreibung	Hinterradbremzange
Inspektion	1



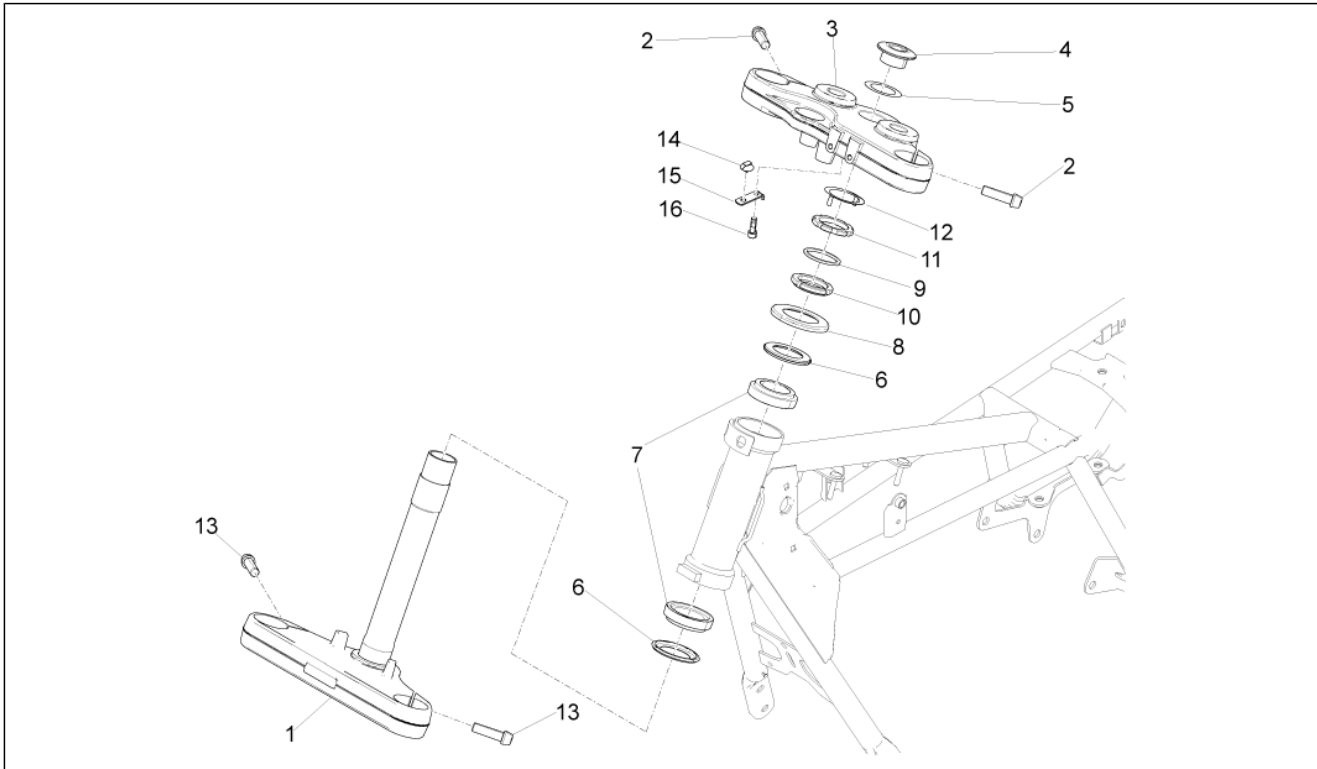
Pos.	Code	Beschreibung	Menge	Varianten
1	2B000525	Hinterradbremzange	1	
2	AP8152288	TE Schr. m. Flansch M8x30	1	
3	2B001953	Halter. H.radbremzange	1	
4	GU31544181	Bolzen	1	
5	2R000248	Paar Bremsklötze	1	
6	GU31659281	Entlüftung+Haube	1	
7	GU31659181	Stifte+Feder kit	1	

Einheit	Bremsanlage
Code	06.050
Beschreibung	Bremsanlage ABS
Inspektion	1



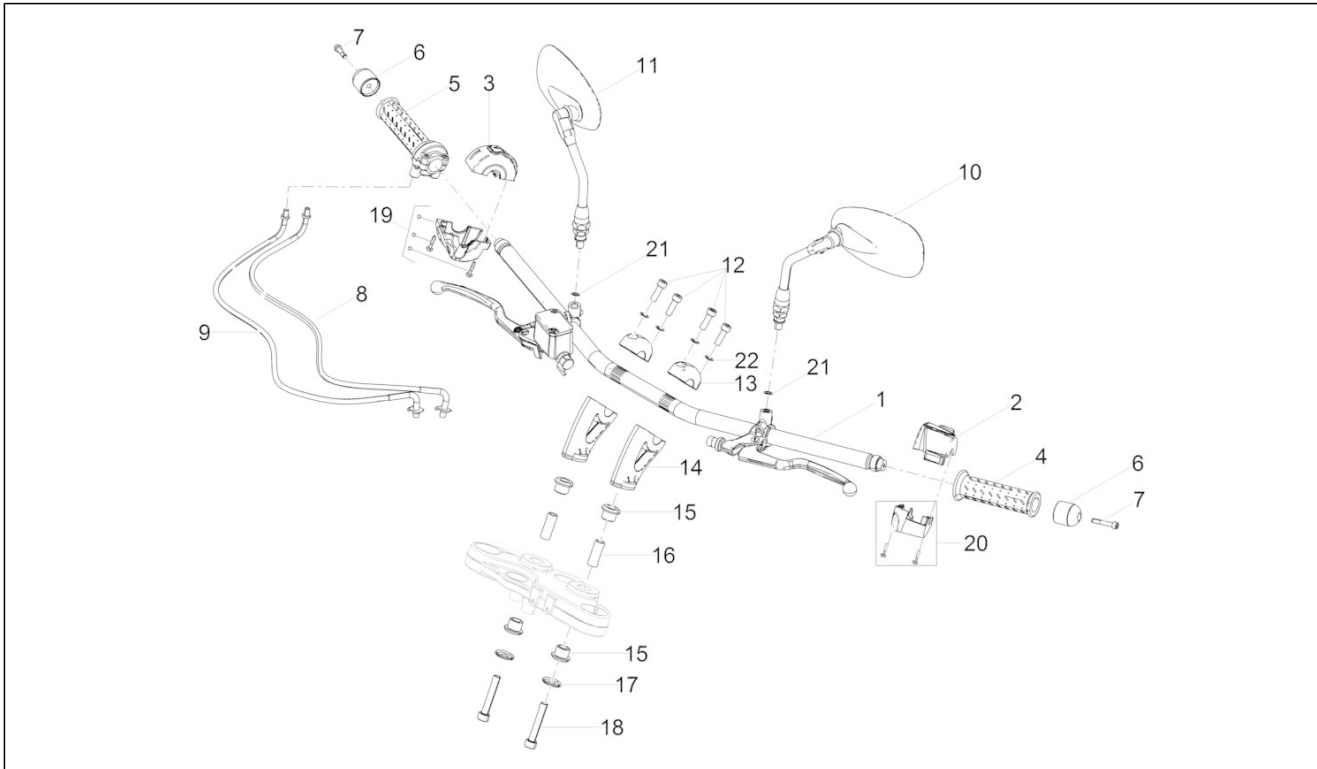
Pos.	Code	Beschreibung	Menge	Varianten
1	2D000102	ABS-Steuergerät	1	
2	2B003056	Halterbügel Steuerung	1	
3	AP8113003	Fixierschraube Ölschlauch	4	
4	AP8113004	Ausgleichscheibe 10x14x1,6*	8	
5	00H02402282	Schraube 6X20	3	
6	AP8150015	Ausgleichscheibe 6,6x18x1,6*	3	
7	AP8120030	Gummi	3	
8	AP8221023	T-Buchse	2	
9	2B002991	ABS HECU Leitung - Pumpe vorne	1	
10	2B002805	ABS HECU Leitung - Bremssattel Vorderradbremse	1	
11	2B002681	ABS HECU Leitung - Pumpe hinten	1	
12	GU96451316	Stiftschraube	1	
13	959559	TCEI Schraube M4x16	1	
14	2B001614	Fixierplatte Führungs	1	
15	AP8150451	Selbstsperr.mut Unt.	1	
16	2B002806	Leitung ABS HECU - Bremssattel hinten	1	
17	2B001564	Halteplatte Bremsschlauch	1	
18	AP8121882	Kabelführungs	1	
19	GU03658330	Schelle	1	
20	895709	TCEI Schraube M5x12	1	
21	GU03658201	Ring	1	

Einheit	Lenkstange - Schaltungen
Code	07.010
Beschreibung	Lenkung
Inspektion	1



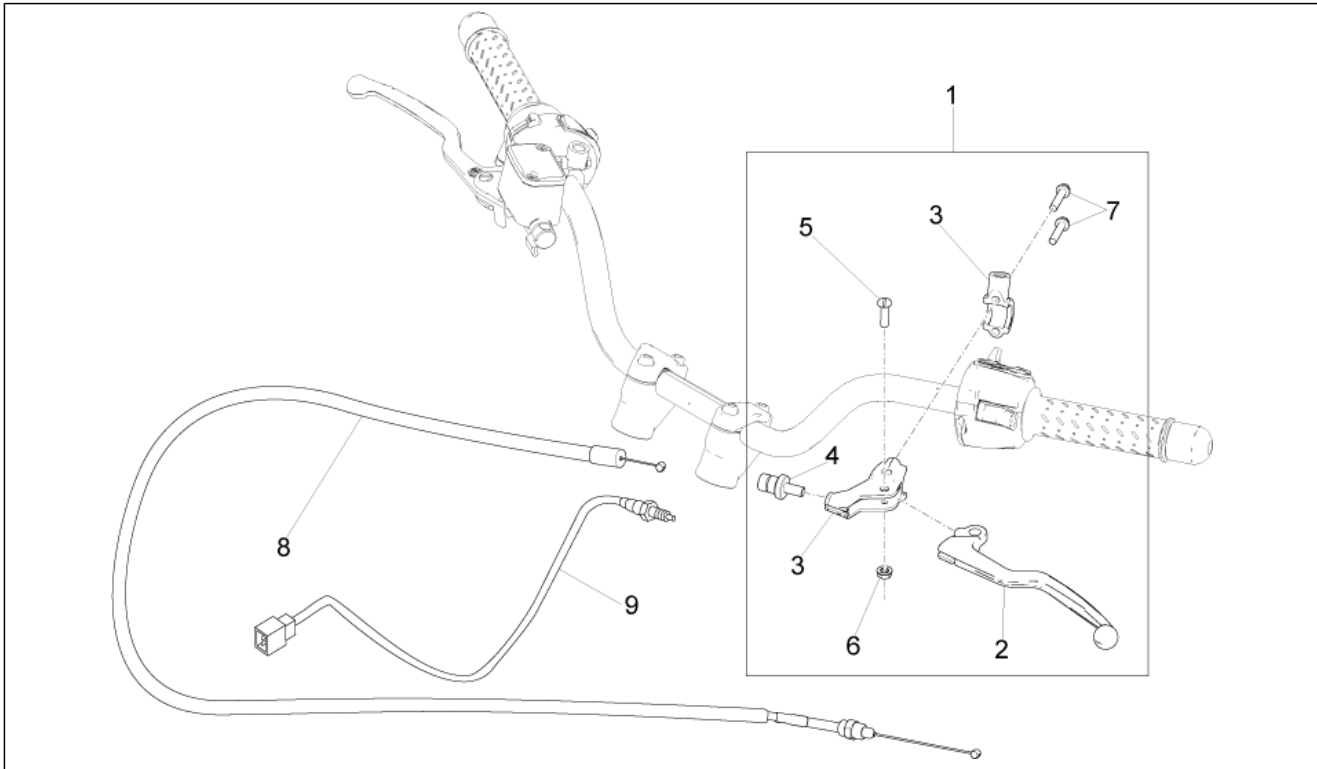
Pos.	Code	Beschreibung	Menge	Varianten
1	2B003743	Untere Gabelplatte	1	
2	AP8150543	Zylinderschraube M8x35	2	
3	2B001052	Obere Gabelplatte	1	
4	AP8121205	Fixierbuchse ob. Platte	1	
5	AP8152384	Scheibe Lenkkopf	1	
6	AP8123641	Staubschutzring	2	
7	AP8110077	Axialkugellager	2	
8	AP8123644	Staubschutzring	1	
9	887831	Gummischeibe	1	
10	AP8123642	Nutmutter	1	
11	AP8123643	Gegenmutter	1	
12	887832	Sicherheitspl. Lenkung	1	
13	AP8150540	Zylinderschraube	2	
14	890760	Halterung Instrumente	1	
15	2B003292	Platte	1	
16	GU98210616	TBEI Schraube m.Flansch M6x16 inox	1	

Einheit	Lenkstange - Schaltungen
Code	07.020
Beschreibung	Lenkstange - Schaltungen
Inspektion	1



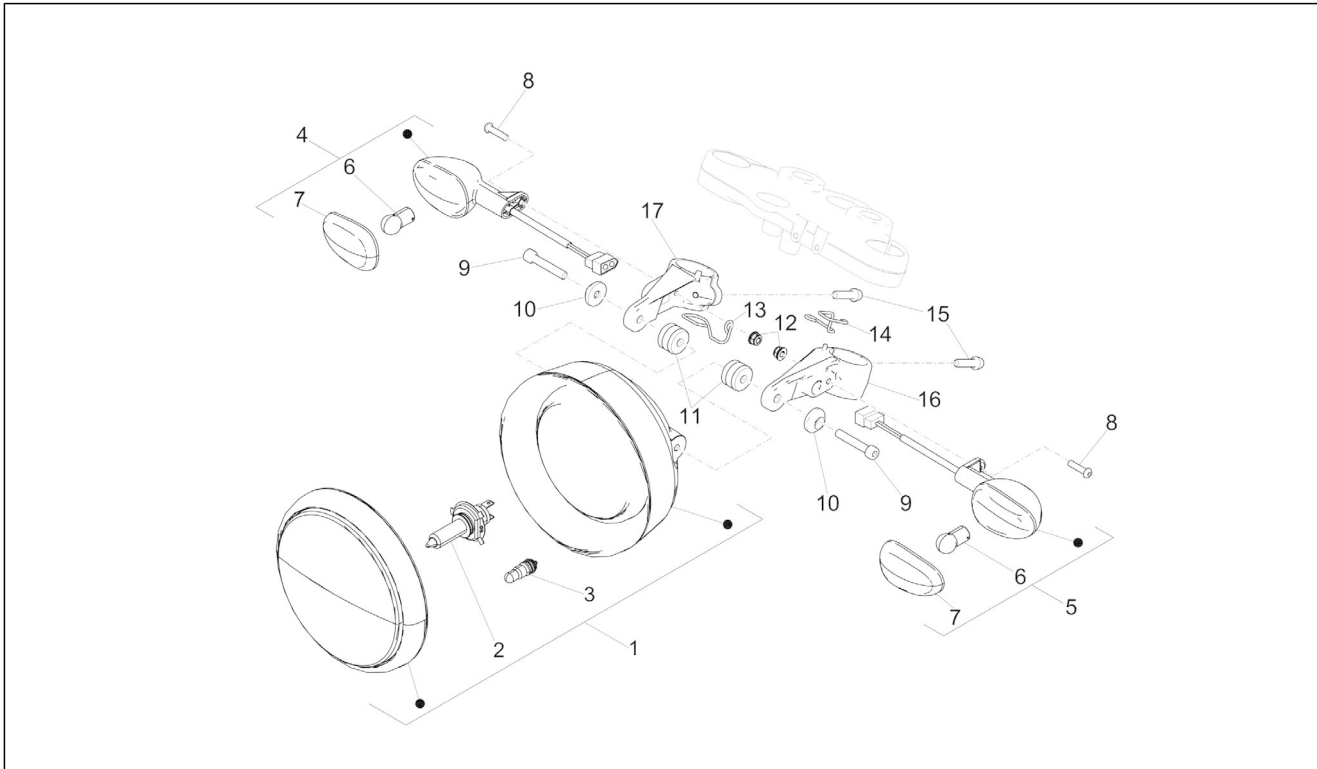
Pos.	Code	Beschreibung	Menge	Varianten
1	2B002852	Lenkstange	1	
2	2D000227	Bedienelement Lenker links	1	
3	2D000226	Bedienelement Lenker rechts	1	
4	AP8118579	Links griff	1	
5	2B002364	Rechts griff	1	
6	AP8104509	Schwingschutzgewicht schwarz	2	
7	2B002195	Schraube TCEI IX M6X35 vorimprägniert	2	
8	2B002844	Verschuß Gaszugkabel	1	
9	2B002843	Öffnungswinkel Gaszugkabel	1	
10	2B001049	Rückspiegel links	1	
11	2B001048	Rückspiegel rechts	1	
12	AP8150540	Zylinderschraube	4	
13	2B002091	Obere Klemme Lenker	2	
14	2B002090	Untere Klemme Lenker	2	
15	AP8144222	Gummi	4	
16	854827	Distanzscheibe 10,1x14,1x38	2	
17	2B002875	Becher	2	
18	AP8150049	Schraube M10x60	2	
19	2D000163	Untere Schale DX	1	
20	2D000218	Untere Schale SX	1	
21	GU91181003	Distanzscheibe 10,25X20X4	2	
22	GU14615901	Ausgleichscheibe 8,4X13X0,8	4	

Einheit	Lenkstange - Schaltungen
Code	07.030
Beschreibung	Kupplungssteuerung
Inspektion	1



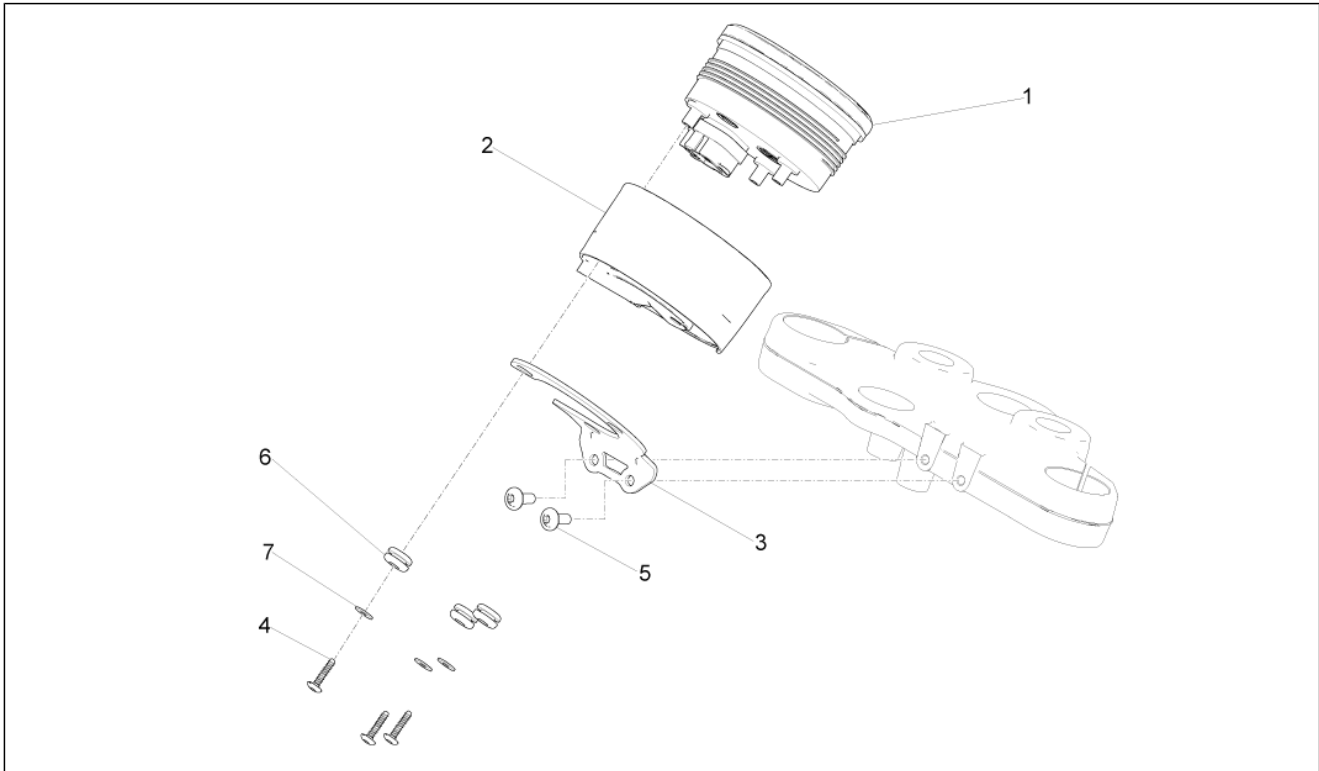
Pos.	Code	Beschreibung	Menge	Varianten
1	2B002391	Gruppe Kupplungshebel	1	
2	2B002390	Hebel Kupplungssteuer.	1	
3	GU30601060	Feder	1	
4	GU30602500	Einstellschraube	1	
5	AP8213028	Schraube	1	
6	AP8213388	Selbstsperrende Mutter	1	
7	GU97202325	TE Schr. m. Flansch schw. M6x25	2	
8	2B002961	Kupplungskabel	1	
9	2D0002885	Kupplungsschalter	1	

Einheit	Vorderer Lichter - Instrumente
Code	08.010
Beschreibung	Vorderer Lichter
Inspektion	1



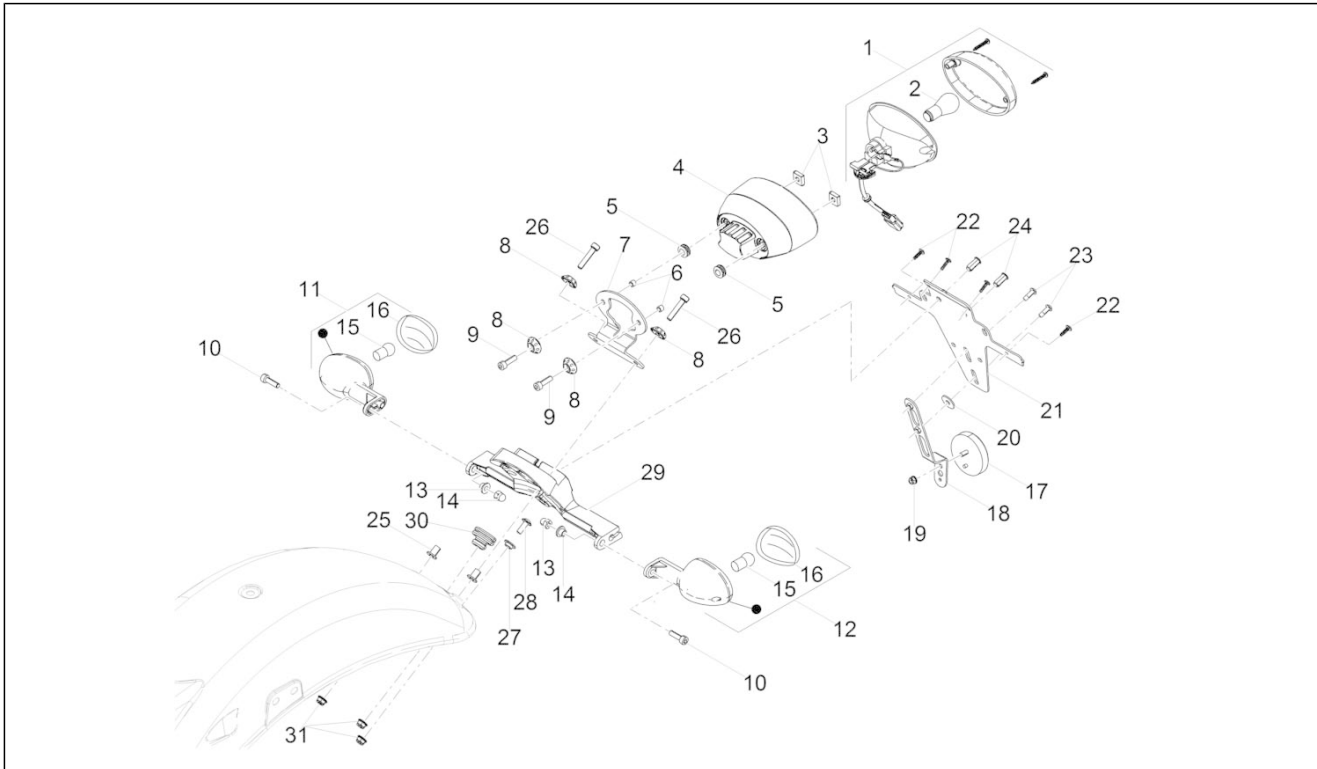
Pos.	Code	Beschreibung	Menge	Varianten
1	2D000225	Scheinwerfer	1	Land:Indonesien[ID]
1	2D000100	Scheinwerfer	1	Land:Australien[AU] Japan[JP] Korea[KO] Singapur[SI] Vietnam.[VT]
2	292723	Lampen H4 12V-60/55W	1	
3	292022	Lampen 12V-5W	1	
4	2D000261	Blinker vorne RE	1	
5	2D000262	Blinker vorne LI	1	
6	584332	Lampen 12V-10W	2	
7	639338	Blinkerglas	2	
8	GU98612320	TCEI Schraube M6x20	2	
9	GU98690445	Schraube M8x45	2	
10	AP8121199	Buchse	2	
11	2B002011	Abstandhalter Frontscheinwerfer	2	
12	AP8152299	Selbstsperrende Mutter M6	2	
13	2B003164	Kabelführung	1	
14	2B003165	Kabelführung	1	
15		[...]	2	
16	2B001231	Linke Halterung Frontscheinwerfer	1	
17	2B001182	Rechte Halterung Frontscheinwerfer	1	

Einheit	Vorderer Lichter - Instrumente
Code	08.020
Beschreibung	Instrumente
Inspektion	1



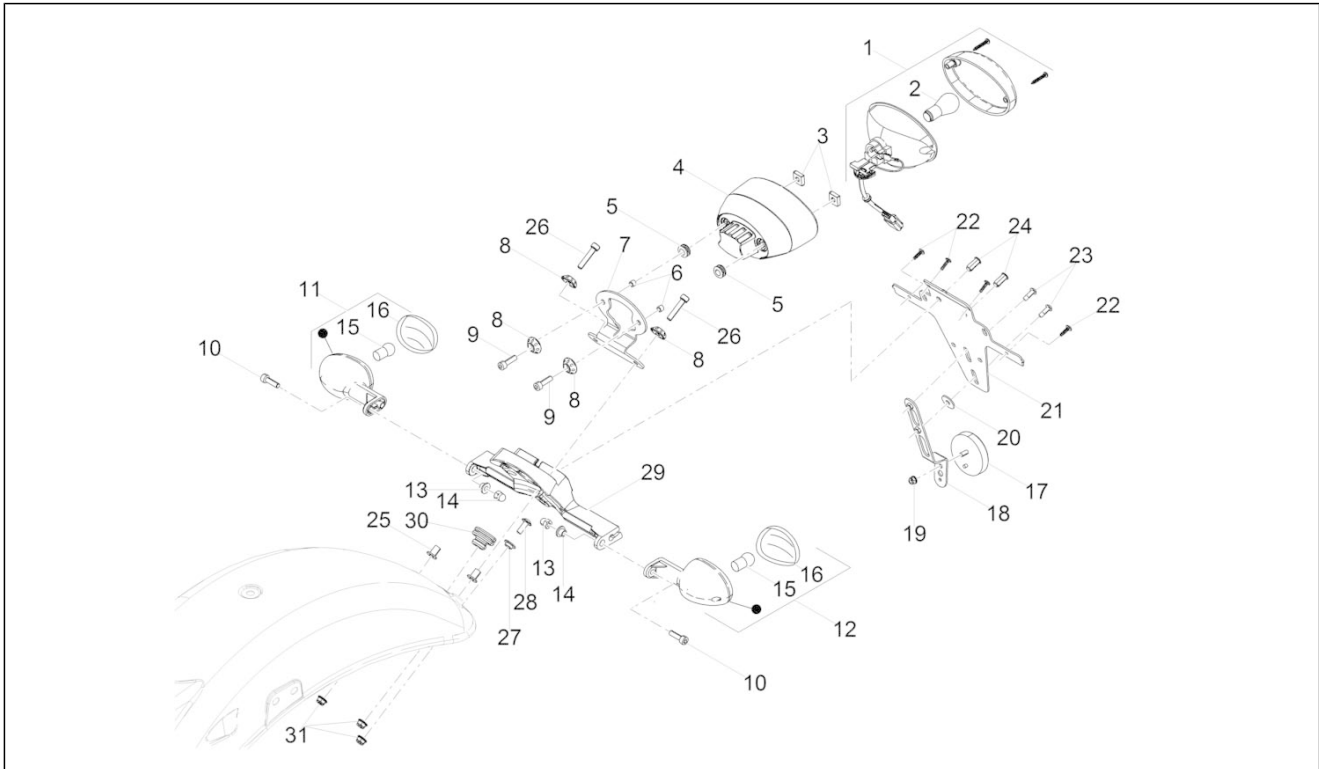
Pos.	Code	Beschreibung	Menge	Varianten
1	2D000099	Instrumententafel	1	Land:Vietnam.[VT] Singapur[SI] Korea[KO]
1	2D000225	Scheinwerfer	1	Land:Australien[AU] Japan[JP] Indonesien[ID]
2	2B001223	Abdeckung Armaturenbrett	1	
3	2B001154	Instrumentenhalterung	1	
4	CM178609	Gew.schr.	3	
5	GU98210610	Schraube	2	
6	2B003367	Kabelführung	3	
7	013763	Flachscheibe 4,2x12x1	3	

Einheit	Vorderer Lichter - Instrumente
Code	08.030
Beschreibung	Hinterer Lichter
Inspektion	1



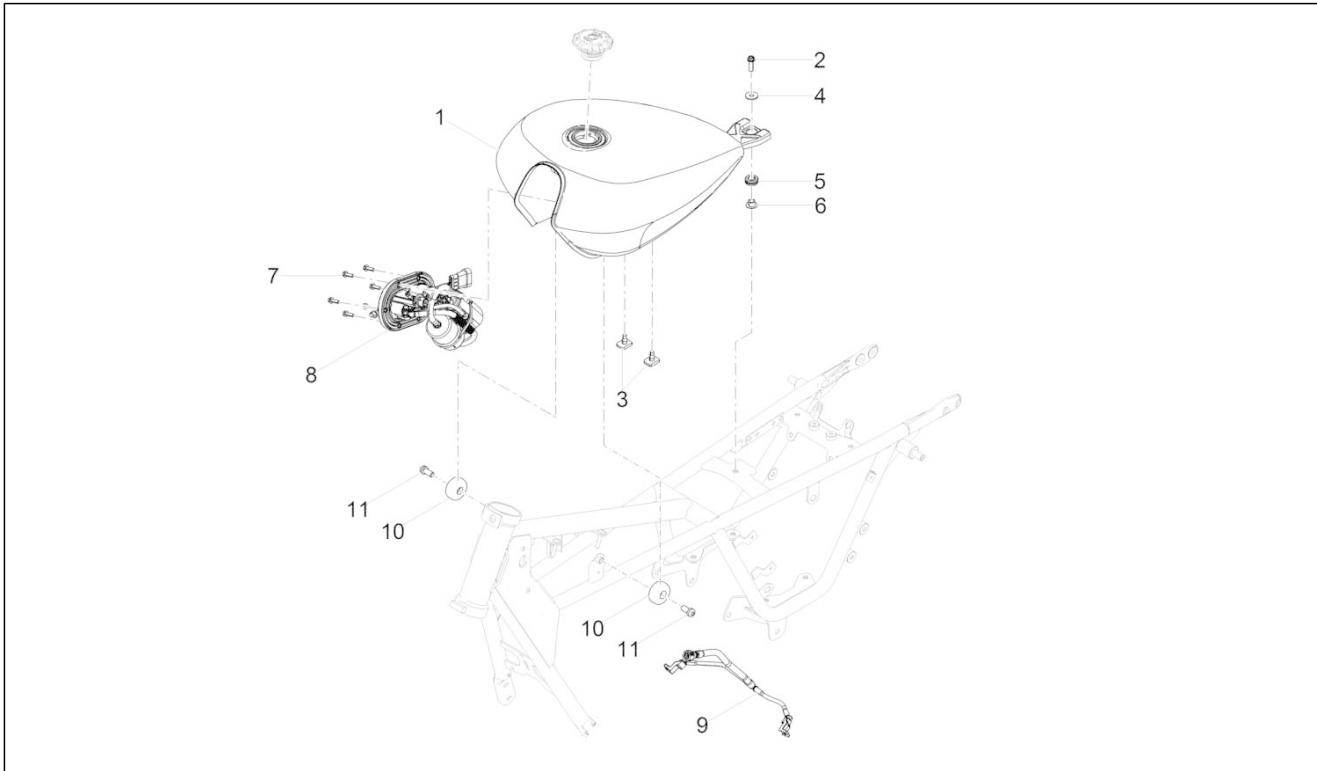
Pos.	Code	Beschreibung	Menge	Varianten
1	2B002365	Rücklicht	1	
2	GU93450224	Lampen	1	
3	2B002443	Vierkantmutter M6	1	
4	2B002483	Halteschale Scheinwerfer hinten	2	
5	AP8220186	Gummi	2	
6	AP8120278	Distanzscheibe	2	
7	2B002484	Rücklichthalterung	1	
8	AP8150536	Spezial-U-scheibe	4	
9	AP8150053	TCEI Schraube M6x25	2	
10	GU98612320	TCEI Schraube M6x20	2	
11	2D000255	Hinterer Blinker Re	1	
12	2D000256	Hinterer Blinker Li	1	
13	479175	Hutmutter	2	
14	840509	Distanzscheibe	2	
15	584332	Lampen 12V-10W	2	
16	639338	Blinkerglas	2	
17	AP8224164	Rückstrahler Rücklicht, rot	1	
18	AP8134448	Rückstrahler-Fixierung	1	
19	AP8152306	Selbstsperrende Mutter M5	1	
20	GU95005310	Ausgleichscheibe 8,4x18x2	1	
21	2B002541	Abschluss Nummernschildhalter	1	
22	AP8150413	Gew.schr. 3,9x14	4	
23	B016796	Linsenkopfschraube Torx	2	
24	AP8201755	Geschnitten Kunststoffniet	2	
25	AP8121725	T-Buchse *	2	
26	GU98682330	TCEI Schraube M6x20	2	
27	AP9100053	Buchse d.10-h.3,5	1	
28	GU98210616	TBEI Schraube m.Flansch M6x16 inox	1	

Einheit	Vorderer Lichter - Instrumente
Code	08.030
Beschreibung	Hinterer Lichter
Inspektion	1



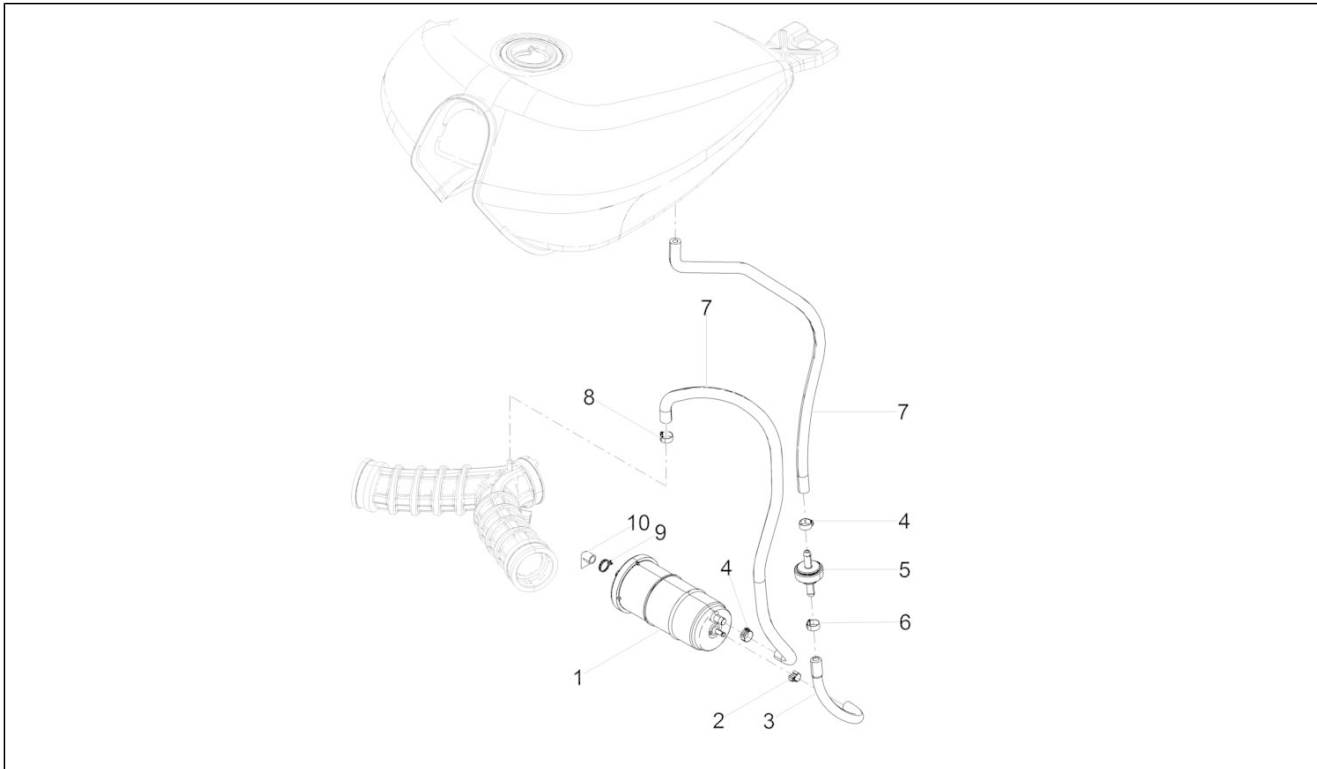
Pos.	Code	Beschreibung	Menge	Varianten
29	2B002615	Blinkerhalterung	1	
30	070286	Kabelführung	1	
31	AP8152299	Selbstsperrende Mutter M6	3	

Einheit	Tank
Code	09.010
Beschreibung	Kraftstofftank
Inspektion	1



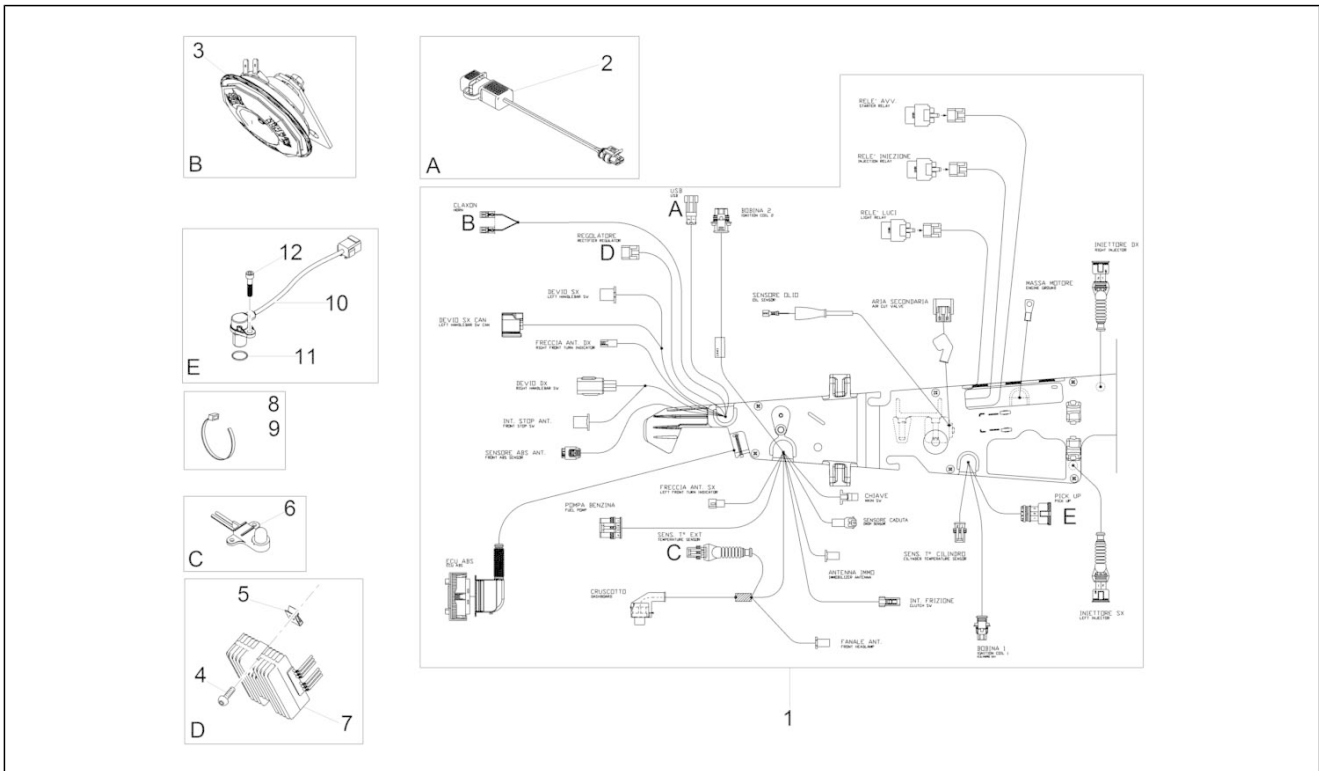
Pos.	Code	Beschreibung	Menge	Varianten
1	2H001433000NI	Kraftstofftank, schwarz	1	Baujahr: 2016[G] Farbe: Matt Competition Schwarz[NC] Land: [EU][UK] Technische Spezifikation: Mit Aufkleber[D]
1	2H001476000EQ	Kraftstofftank, grau	1	Baujahr: 2016[G] Farbe: Mattgrau Blade[GB] Land: [EU][UK] Technische Spezifikation: Mit Aufkleber[D]
1	2B001629	Kraftstofftank	1	Farbe: Unlackiert[GR]
2	AP8152288	TE Schr. m. Flansch M8x30	2	
3	AP8120455	Gummi	2	
4	AP8150018	Ausgleichscheibe	1	
5	GU91551131	Gummi	1	
6	2B002944	T-Buchse	1	
7	AP8152273	Flanschschraube M5x15	6	
8	1D001450	Kraftstoffpumpe	1	
9	2B002486	Kraftstoffleitungen	1	
10	GU66103415	Gummi	2	
11	GU98682416	TCEI Schraube M8x16	1	

Einheit	Tank
Code	09.020
Beschreibung	Benzindampfrückf.-Anlage
Inspektion	1



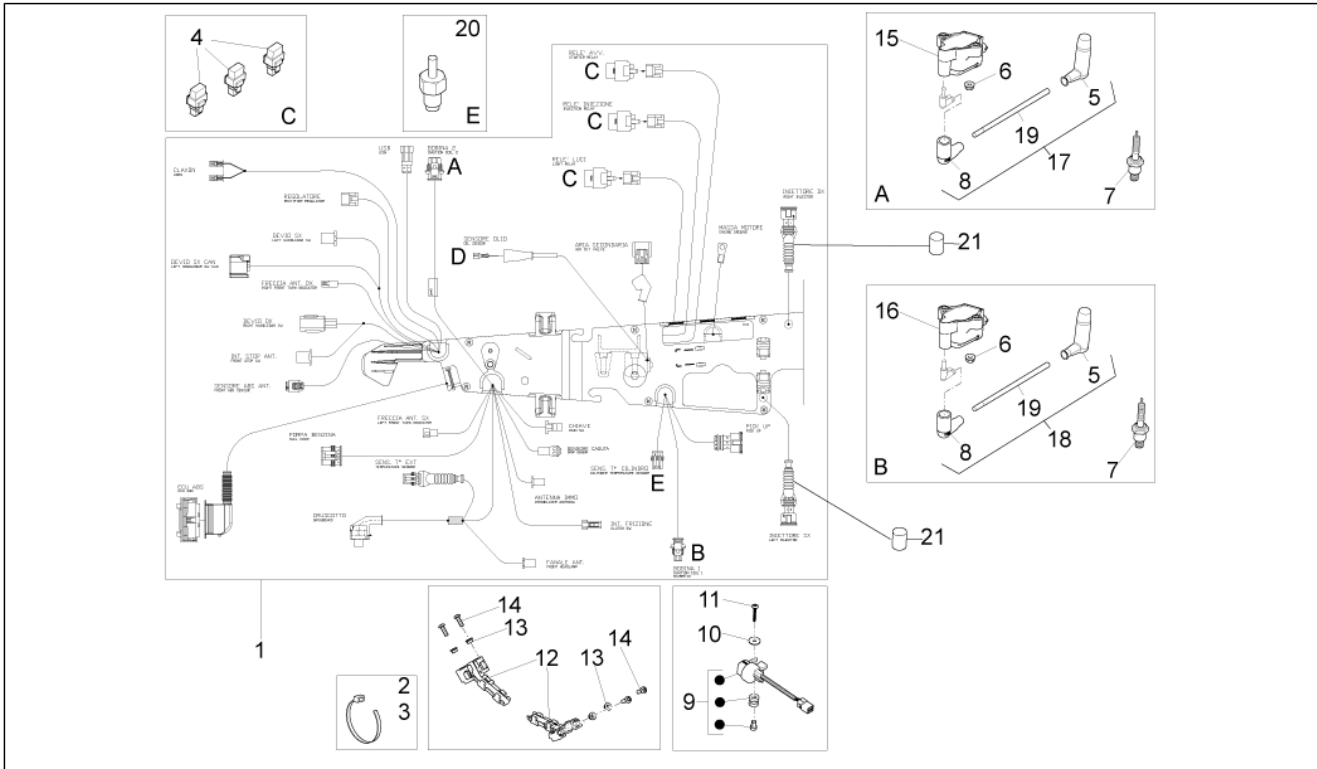
Pos.	Code	Beschreibung	Menge	Varianten
1	2B002632	Kohlefilter	1	
2	AP8102738	Schlauchschelle	1	
3	2B003042	Leitung SAE 30 R12A-3/16	1	
4	AP8102239	Schelle 12,5x8	2	
5	CM179008	Sicherheitsventil	1	
6	AP8102159	Schelle	1	
7	856063	Leitung SAE 30 d.12,7x6,35	2	
8	GU93304360	Schelle 7,6x380	1	
9	AP8102520	Schlauchschelle	1	
10	AP8127601	Lüftungsröhrchen	1	

Einheit	Elektrische Anlage
Code	11.010
Beschreibung	Vorder Elektrische Anlage
Inspektion	1



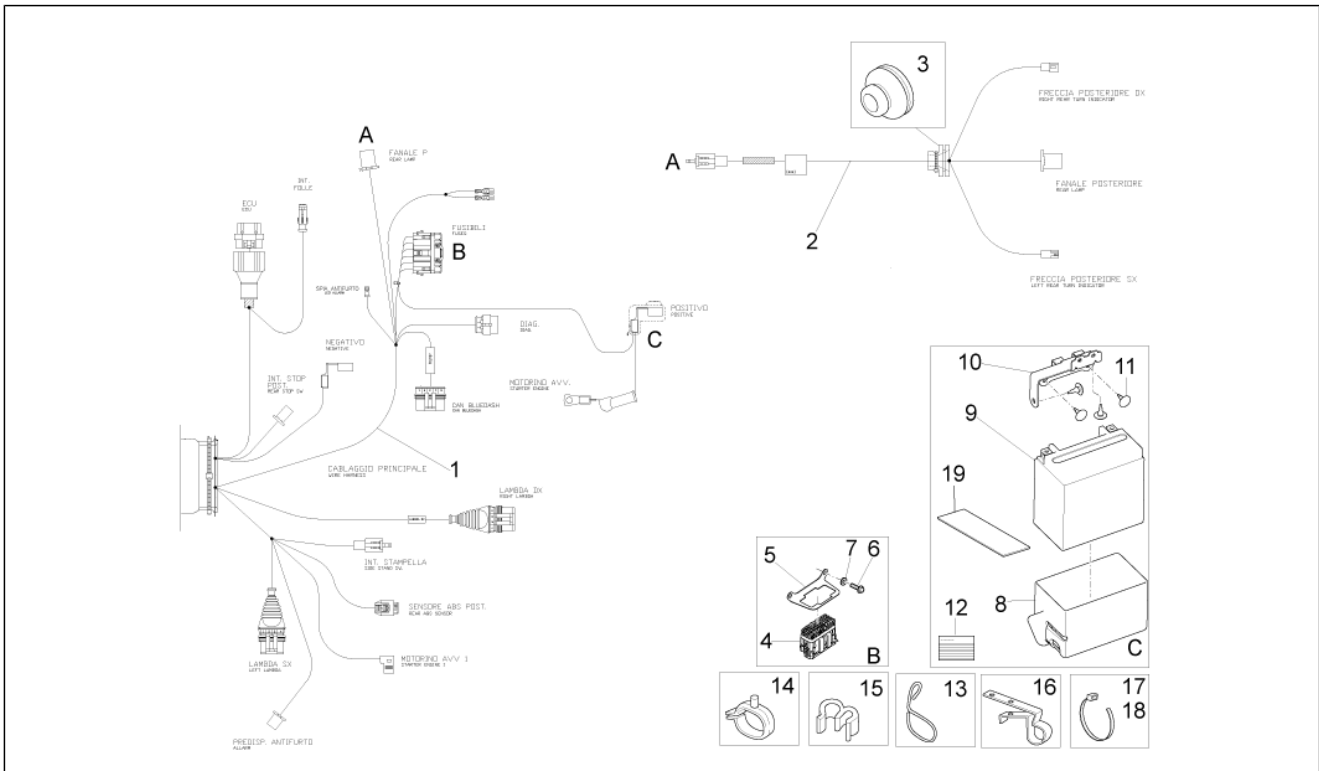
Pos.	Code	Beschreibung	Menge	Varianten
1	2D000209	Kabelast	1	
2	643277	Klemmbrett USB	1	
3	2B000221	Hupe	1	
4	AP8150377	Vite TCB M6x16	1	
5	254485	Plattchen M6	1	
6	AP8124936	Lufttemperaturfühler	1	
7	1D001549	Spannungsregler	1	
8	GU49609601	Schelle 2,4x92	1	
9	GU14609650	Schelle 3,6x20,6	24	
10	832029	Tonrad sensor	1	
11	GU90706141	O-Ring	1	
12	122675	TCEI Schraube	1	

Einheit	Elektrische Anlage
Code	11.020
Beschreibung	Mitt. elektrische Anlage
Inspektion	1



Pos.	Code	Beschreibung	Menge	Varianten
1	2D000209	Kabelast	1	
2	GU49609601	Schelle 2,4x92	1	
3	GU14609650	Schelle 3,6x20,6	24	
4	AP8224462	Zündrelais 12V-30A	3	
5	1A005382	Zündkerzenstecker	2	
6	AP8152299	Selbstsperrende Mutter M6	4	
7	887481	Zündkerze NGK CPR8EB-9	2	
8	641040	Isolierhaube	2	
9	680212	Kippsensor	1	
10	GU95005304	Ausgleichscheibe 5,2x18x1,5	1	
11	478533	Gew.schr.	1	
12	2B002901	Halterung Zündkerzenkabel	2	
13	2B003052	T-Buchse	4	
14	1A003444	Linsenschraube	4	
15	641901	Zuendtransform.cpl.	1	
16	642034	Zuendtransform.cpl. DX	1	
17	CM277101	Zuendkabel (450 mm)	1	
18	CM277102	Zuendkabel (580 mm)	1	
19	080341	Kabel Zündspulensockel	1	
20	887421	Temperaturfühler	1	
21	2D000355	Cappuccio termorestringente	1	

Einheit	Elektrische Anlage
Code	11.030
Beschreibung	Hint.Elektrische Anlage
Inspektion	1



Pos.	Code	Beschreibung	Menge	Varianten
1	2D000209	Kabelast	1	
2	2D000245	Gruppe Kabel Rücklicht	1	
3	070286	Kabelführung	1	
4	584211	Sicherungskasten	1	
5	883161	Hltr. Sicherungsblock	1	
6	GU98682212	TCEI Schraube M5x12	2	
7	GU95100059	Ausgleichscheibe 5,25x14x1,5	2	
8	2B002781	Batterieabdeckung	1	
9	638733	Batterie Yuasa YTX14-BS 12V-12Ah (150x87x145)	1	
10	B063233	Batteriehalterung	1	
11	AP8120001	Gummi	4	
12	GU32517710	Deko "Battery service"	1	
13	AP8181140	Kabelführung	1	
14	CM013202	Rückhaltefeder Leitungen/Kabel	1	
15	894704	Kabelführung	9	
16	B043850	Schelle	1	
17	GU14609650	Schelle 3,6x20,6	24	
18	GU49609601	Schelle 2,4x92	1	
19	AP8144552	seit. Gummiaufkl. Batterie	1	


MOTO GUZZI®

ERSATZTEILKATALOG



V9 Bobber 850 E4 2017 (APAC)

Vorsatzcode Fahrgestell: ZGULHE00

Vorsatzcode Motor:

Inhaltsverzeichnis

Fertige Produkte.....	4
Alphanumerisches Verzeichnis.....	5
Rahmen.....	10
Tafel 01.010 - Rahmen.....	10
Tafel 01.020 - Fussrasten.....	11
Tafel 01.030 - Hauptständer.....	12
Tafel 01.040 - Schutz.....	13
Tafel 01.050 - Schwinge.....	14
Aufbau.....	15
Tafel 02.030 - Vorderes Schutzblech-Stütze.....	15
Tafel 02.100 - Mittlerer Aufbau.....	16
Tafel 02.120 - Sitz.....	17
Tafel 02.150 - Hinteres schutzblech.....	18
Tafel 02.170 - Schlösser.....	19
Tafel 02.190 - Deko.....	20
Motor.....	21
Tafel 03.010 - Motor-Fertigstellung.....	21
Tafel 03.020 - Schalthebel.....	22
Tafel 03.030 - Gehäuse I.....	23
Tafel 03.050 - Filtergehäuse.....	24
Tafel 03.060 - Klappenkörper.....	25
Tafel 03.090 - Kopfdeckel.....	26
Tafel 03.100 - Zylinderkopf - ventile.....	27
Tafel 03.120 - Steuer.....	28
Tafel 03.150 - Zylinder - Kolben.....	29
Tafel 03.160 - Kurbelwelle.....	30
Tafel 03.170 - Schaltgetriebe / Schaltgabel / Desmodrom.....	31
Tafel 03.180 - Schaltgetriebe - Zahnräder.....	33
Tafel 03.190 - Schmierung.....	35
Tafel 03.196 - Anlage Blow-by.....	36
Tafel 03.230 - Kupplung.....	37
Tafel 03.270 - Zuenderdeckel.....	39
Tafel 03.290 - Zündung / Elektrischer Anfang.....	40
Tafel 03.300 - Schwungmagnetstarter / Zündung.....	41
Tafel 03.320 - Secondary air.....	42
Tafel 03.330 - Auspuffrohr.....	43
Tafel 03.340 - Getriebe kpl.....	44
Tafel 03.350 - Getriebedeckel.....	45
Radaufhängungen.....	47
Tafel 04.060 - Vorderradgabel Kaifa.....	47
Tafel 04.080 - Stoßdämpfer.....	48
Räder.....	49
Tafel 05.010 - Vorderrad.....	49

Tafel 05.020 - Hinterrad.....	50
Bremsanlage	51
Tafel 06.010 - Vorderradbremspumpe.....	51
Tafel 06.020 - Vorderradbremzange.....	52
Tafel 06.030 - Hinterradbremspumpe.....	53
Tafel 06.040 - Hinterradbremzange.....	54
Tafel 06.050 - Bremsanlage ABS.....	55
Lenkstange - Schaltungen.....	56
Tafel 07.010 - Lenkung.....	56
Tafel 07.020 - Lenkstange - Schaltungen.....	57
Tafel 07.030 - Kupplungssteuerung.....	58
Vorderer lichter - Instrumente.....	59
Tafel 08.010 - Vorderer lichter.....	59
Tafel 08.020 - Instrumente.....	60
Tafel 08.030 - Hinterer lichter.....	61
Tank.....	63
Tafel 09.010 - Kraftstofftank.....	63
Tafel 09.020 - Benzindampfrückf.-Anlage.....	64
Elektrische Anlage.....	65
Tafel 11.010 - Vorder Elektrische Anlage.....	65
Tafel 11.020 - Mitt. elektrische Anlage.....	66
Tafel 11.030 - Hint.Elektrische Anlage.....	67

Fertige Produkte

Code	Gültigkeit
GU9032253ASH01	
GU9032253ASH02	

Code	Nr. der Tafel	Pos.	Code	Nr. der Tafel	Pos.	Code	Nr. der Tafel	Pos.
006630	03.270	8	1A0066680V	03.160	3	2A000565	03.090	1
00H02402282	06.050	5	1A0066690G	03.160	8	2A000579	03.120	5
013763	03.190	14	1A0066690N	03.160	8	2A000591	03.170	37
013763	08.020	7	1A0066690V	03.160	8	2A000597	03.320	3
070286	08.030	30	1A006671AA	03.160	7	2A000608	03.060	8
070286	11.030	3	1A006671BB	03.160	7	2A000609	03.060	3
080341	11.020	19	1A006716	03.090	4	2A000612	03.060	7
122675	11.010	12	1A006860	03.030	19	2A000620	03.090	6
1A000360	03.180	7	1A006861	03.120	16	2A000627	03.180	13
1A000365	03.180	16	1A006869S	03.100	10	2A000629	03.180	30
1A000366	03.180	22	1A006870S	03.100	11	2A000631	03.230	21
1A000367	03.180	27	1A0068960B	03.160	2	2A000633	03.190	5
1A000368	03.180	28	1A0068960G	03.160	2	2A000638	03.230	30
1A000369	03.180	29	1A0068960R	03.160	2	2A000659	03.090	2
1A000370	03.180	25	1A006933S	03.030	21	2A000724	03.230	4
1A000436	03.180	10	1A007008	03.190	22	2A000727	03.180	5
1A000566	03.180	4	1A007070	03.150	2	2A000741	03.230	31
1A002604	03.180	24	1A007111	03.150	9	2A000767	03.230	23
1A002604	03.180	9	1A008576	03.120	25	2A000770	03.230	28
1A003444	11.020	14	1A008732	03.090	3	2A000792	03.230	7
1A003452	03.100	5	1A008913S	03.010	1	2A000908S	03.170	19
1A004442	03.190	15	1C001499	01.030	8	2A000910S	03.170	6
1A004530	03.030	10	1C001499	05.020	19	2A000914S	03.170	1
1A004549	03.190	11	1D001393	03.060	2	2B000221	11.010	3
1A004550	03.030	1	1D001450	09.010	8	2B000225	05.020	15
1A004660	03.100	1	1D001549	11.010	7	2B000377	05.020	18
1A004661	03.100	1	224566	03.170	44	2B000404	03.350	2
1A004662	03.100	1	224566	03.350	8	2B000525	06.040	1
1A004750	03.100	8	237553	03.190	12	2B001009	03.020	15
1A004751	03.100	4	248419	01.040	12	2B001035	01.010	17
1A004752	03.100	6	254485	03.330	19	2B001048	07.020	11
1A004903	03.120	13	254485	11.010	5	2B001049	07.020	10
1A004905	03.120	12	285536	03.170	3	2B001052	07.010	3
1A004907	03.120	14	285536	03.190	24	2B001055	01.010	1
1A004953	03.150	8	292022	08.010	3	2B001073	05.010	9
1A004954	03.150	7	292723	08.010	2	2B001083	03.330	6
1A004955	03.150	6	2A000097	03.170	41	2B001084	03.330	5
1A004956	03.150	5	2A000115	03.300	5	2B001088	01.030	5
1A005199	03.190	3	2A000129	03.300	4	2B001099S	03.330	1
1A005211	03.030	2	2A000203	03.180	20	2B001100S	03.330	2
1A005257	03.190	13	2A000216	03.230	8	2B001114	05.020	3
1A005325AA	03.160	6	2A000219	03.170	12	2B001139	05.010	1
1A005325BB	03.160	6	2A000222	03.170	38	2B001141	02.030	1
1A005382	11.020	5	2A000224	03.170	20	2B001147	02.030	2
1A005424	03.100	2	2A000225	03.170	23	2B001153S	03.340	1
1A005425	03.100	9	2A000226	03.170	21	2B001154	08.020	3
1A005712	03.120	1	2A000227	03.170	22	2B001182	08.010	17
1A005714S	03.120	24	2A000241	03.170	27	2B001223	08.020	2
1A005951	03.120	7	2A000241	03.170	28	2B001231	08.010	16
1A005955	03.120	19	2A000241	03.180	32	2B001279	05.020	7
1A006047	03.030	4	2A000306	03.170	27	2B001301	01.050	1
1A006053	03.190	27	2A000353S	03.120	6	2B001303	03.350	25
1A006119	03.120	22	2A000375	03.230	14	2B001307	03.350	11
1A006127	03.120	23	2A000376	03.230	16	2B001310	05.020	1
1A006243	03.120	21	2A000378	03.230	32	2B001311	03.350	3
1A006272AA	03.150	10	2A000384	03.230	18	2B001561	05.010	17
1A006272BB	03.150	10	2A000385	03.230	19	2B001564	06.050	17
1A006272CC	03.150	10	2A000415	03.170	24	2B001612	01.010	16
1A006272DD	03.150	10	2A000418	03.230	29	2B001614	06.050	14
1A006283	03.030	17	2A000419	03.230	1	2B001618	02.100	2
1A006284	03.030	18	2A000438	03.170	43	2B001619	02.100	1
1A006298	03.270	4	2A000438	03.350	22	2B001629	09.010	1
1A006655	03.030	8	2A000467	03.170	15	2B001708	05.010	18
1A006656	03.030	7	2A000496	03.120	4	2B001762	05.010	5
1A006659	03.100	12	2A000521	03.120	9	2B001783	02.100	5
1A0066680G	03.160	3	2A000527	03.120	27	2B001823	03.060	12
1A0066680N	03.160	3	2A000528	03.120	8	2B001929	06.010	6

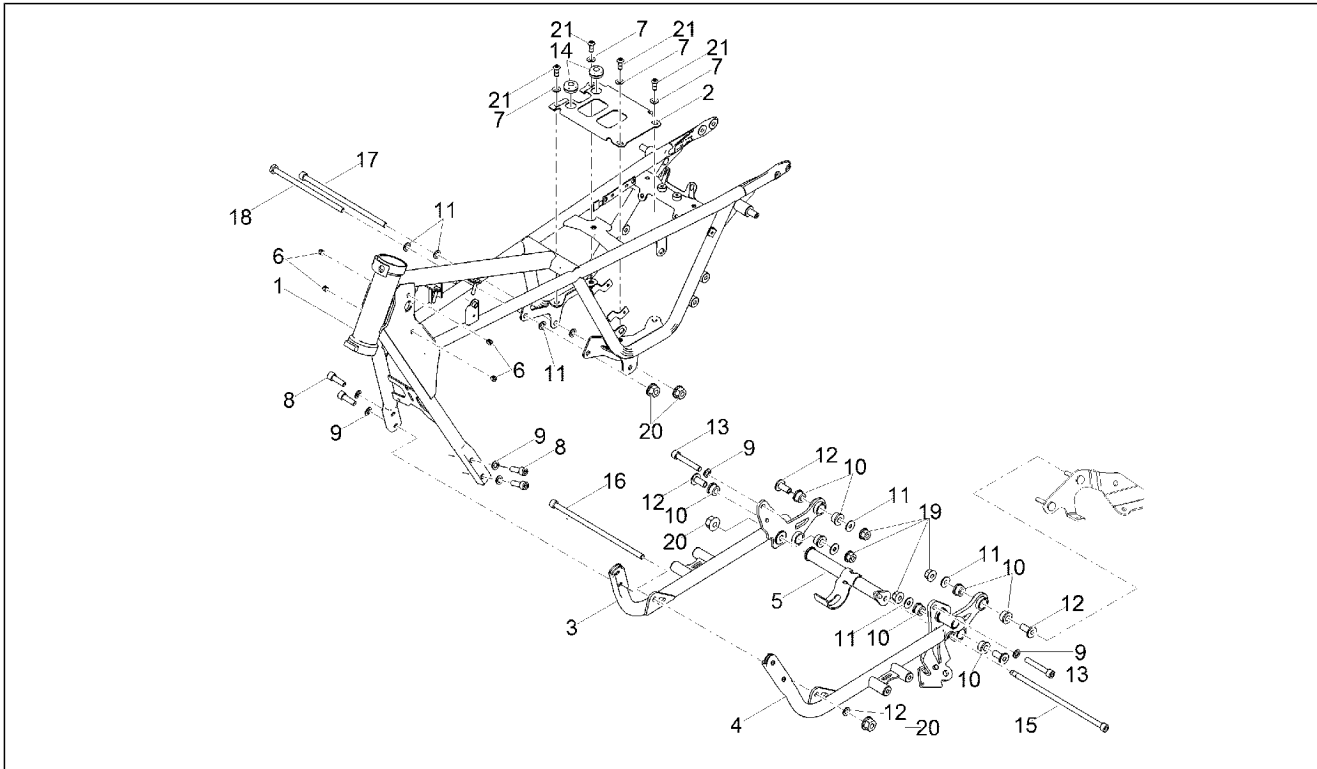
Code	Nr. der Tafel	Pos.	Code	Nr. der Tafel	Pos.	Code	Nr. der Tafel	Pos.
2B001930	06.010	4	2B002844	07.020	8	2D000218	07.020	20
2B001935	03.330	24	2B002851	03.050	5	2D000225	08.010	1
2B001941	03.020	18	2B002852	07.020	1	2D000226	07.020	3
2B001953	06.040	3	2B002875	07.020	17	2D000227	07.020	2
2B001956	05.020	13	2B002900	05.020	2	2D000245	11.030	2
2B002011	08.010	11	2B002901	11.020	12	2D000255	08.030	11
2B002043	02.170	3	2B002936	02.170	11	2D000256	08.030	12
2B002090	07.020	14	2B002937	01.040	10	2D000261	08.010	4
2B002091	07.020	13	2B002940	02.170	1	2D000262	08.010	5
2B002171	01.020	21	2B002943	01.040	9	2D0002805	06.030	9
2B002171	03.350	27	2B002944	09.010	6	2D0002885	07.030	9
2B002187	03.330	15	2B002959	03.050	14	2D000299	02.170	2
2B002189	06.030	14	2B002961	07.030	8	2D000355	11.020	21
2B002192	04.060	1	2B002988	04.080	1	2H001260	02.190	2
2B002195	07.020	7	2B002991	06.050	9	2H001433000NI	09.010	1
2B002200	03.350	15	2B003039	06.010	5	2H001434000NI	02.030	1
2B002205	01.050	6	2B003040	06.010	3	2H001439	02.190	5
2B002225	01.020	5	2B003041	06.010	2	2H001442	02.190	8
2B002269	06.010	1	2B003042	09.020	3	2H001443	02.190	4
2B0022925	03.330	4	2B003052	11.020	13	2H001445	02.190	3
2B0022935	03.330	3	2B003056	06.050	2	2H001467	02.190	6
2B002294	04.060	3	2B003076	01.020	4	2H001468	02.190	7
2B002295	04.060	2	2B003077	01.020	3	2H001469	02.190	1
2B002298	03.340	2	2B003078	01.010	12	2H001470	02.190	9
2B002311	01.010	21	2B003089	02.150	6	2H001476000EQ	09.010	1
2B002311	02.150	4	2B003102	01.040	3	2H001477000EQ	02.030	1
2B002321	02.150	5	2B003103	01.040	4	2H001480	02.190	5
2B002325	01.010	3	2B003105	03.196	3	2H001481	02.190	8
2B002326	01.010	4	2B003111	04.080	2	2H001482	02.190	1
2B002364	07.020	5	2B003164	08.010	13	2H001483	02.190	9
2B002365	08.030	1	2B003165	08.010	14	2Q000263	02.190	10
2B002378	01.040	2	2B003204	03.196	2	2Q000268	02.190	10
2B002383	05.010	4	2B003212	01.050	5	2R000109	04.060	7
2B002386	02.150	3	2B003271	06.020	1	2R000110	04.060	23
2B002390	07.030	2	2B003284	03.330	25	2R000243	04.060	19
2B002391	07.030	1	2B003292	07.010	15	2R000248	06.040	5
2B002443	08.030	3	2B003313	06.020	6	319165	02.170	9
2B002483	08.030	4	2B003367	08.020	6	478533	11.020	11
2B002484	08.030	7	2B0033875	03.350	23	479175	08.030	13
2B002486	09.010	9	2B003742	04.060	14	484993	03.030	20
2B002529	03.320	7	2B003743	07.010	1	584211	11.030	4
2B002530	03.320	9	2B004027000C1	02.120	1	584332	08.010	6
2B002531	03.320	8	2B004028000C1	02.120	2	584332	08.030	15
2B002532	03.330	13	2B004042	06.030	16	598839	02.100	6
2B002533	03.330	12	2B004043	03.020	5	623920	03.230	6
2B002535	03.350	24	2B004044	01.020	1	638733	11.030	9
2B002536	03.350	18	2B004050	06.030	1	639338	08.010	7
2B002537	02.150	1	2B004053	03.020	3	639338	08.030	16
2B002537500NI	02.150	1	2B004062	03.020	2	641040	11.020	8
2B002541	08.030	21	2B004062	06.030	8	641901	11.020	15
2B002602	03.196	4	2B004063	06.030	12	642034	11.020	16
2B002615	08.030	29	2B004064	06.030	10	643090	03.190	16
2B002621	01.040	6	2B004076	06.030	4	643277	11.010	2
2B002622	01.040	5	2B004077	01.020	12	648708	05.020	5
2B002632	09.020	1	2B004107	06.030	2	658778	06.030	17
2B002681	06.050	11	2B004109	03.020	9	658837	03.030	5
2B002699	03.340	3	2B004111	06.030	6	658837	06.030	3
2B002705	01.030	1	2B004112	03.020	4	680212	11.020	9
2B002781	11.030	8	2B004112	06.030	19	825694	03.100	13
2B002799	01.040	1	2D000004	02.170	4	826165	03.190	23
2B002805	06.050	10	2D000024	03.300	1	831135	03.030	11
2B002806	06.050	16	2D000099	08.020	1	832029	11.010	10
2B002807	03.350	21	2D000102	06.050	1	834764	03.170	33
2B002810	01.010	5	2D000163	07.020	19	834951	03.330	20
2B002817	01.010	15	2D000209	11.010	1	840509	08.030	14
2B002832	03.050	2	2D000209	11.020	1	848650	03.180	17
2B002843	07.020	9	2D000209	11.030	1	849308	03.180	21

Code	Nr. der Tafel	Pos.	Code	Nr. der Tafel	Pos.	Code	Nr. der Tafel	Pos.
849308	03.180	6	898283	03.020	11	AP8127601	09.020	10
849309	03.180	23	898286	06.030	11	AP8127856	01.030	7
849310	03.180	26	898396	03.020	14	AP8134448	08.030	18
849396	03.180	14	898397	03.020	7	AP8134451	01.020	18
849424	03.180	8	959559	06.050	13	AP8144071	01.010	10
852090	03.330	11	967356	01.030	6	AP8144222	07.020	15
854827	07.020	16	967363	01.010	20	AP8144552	11.030	19
856063	09.020	7	967384	01.020	13	AP81450345	01.020	6
857045	03.320	2	967384	06.030	18	AP81450355	01.020	7
857046	03.320	5	974162	03.180	12	AP8150009	01.010	7
857047	03.320	1	974165	03.180	15	AP8150015	06.050	6
857181	03.320	10	976591	03.090	5	AP8150018	01.010	11
857206	03.300	3	976614	01.040	8	AP8150018	09.010	4
857250	03.170	29	976614	02.100	3	AP8150026	03.020	19
859792	05.010	16	976649	03.350	1	AP8150048	01.010	13
859792	05.020	17	97729R	03.290	1	AP8150049	07.020	18
871640	03.100	7	977527	02.170	5	AP8150053	08.010	15
873905	03.170	26	978415	02.170	7	AP8150053	08.030	9
873928	03.180	2	AP8101861	01.020	20	AP8150178	05.010	19
874567	03.150	4	AP8102159	09.020	6	AP8150377	11.010	4
874957	03.330	9	AP8102239	09.020	4	AP8150413	01.040	13
876879	03.330	16	AP8102375	02.100	4	AP8150413	08.030	22
880260	03.060	4	AP8102520	03.050	15	AP8150430	03.020	12
883161	11.030	5	AP8102520	09.020	9	AP8150451	06.050	15
883688	05.010	12	AP8102524	01.030	4	AP8150500	01.040	11
883826	03.030	13	AP8102671	01.010	6	AP8150500	03.060	6
884031	04.080	4	AP8102671	01.040	14	AP8150509	03.050	10
884310	03.060	11	AP8102738	09.020	2	AP8150536	08.030	8
886365	03.030	15	AP8102913	02.170	12	AP8150538	02.030	4
886629	03.230	11	AP8104509	07.020	6	AP8150540	07.010	13
887003	03.270	5	AP8104525	03.050	4	AP8150540	07.020	12
887093	03.190	18	AP8104924	03.050	7	AP8150543	07.010	2
887421	11.020	20	AP8110053	03.020	16	AP8152043	06.010	8
887448	05.020	14	AP8110077	07.010	7	AP8152055	03.330	21
887481	11.020	7	AP8110109	05.020	10	AP8152138	03.020	17
887762	05.010	14	AP8113003	06.050	3	AP8152220	03.190	20
887762	05.020	16	AP8113004	06.050	4	AP8152229	02.170	8
887815	03.050	8	AP8118579	07.020	4	AP8152267	03.090	7
887831	07.010	9	AP8120001	01.040	15	AP8152272	03.120	10
887832	07.010	12	AP8120001	11.030	11	AP8152273	02.150	7
887843	03.050	9	AP8120030	06.050	7	AP8152273	09.010	7
887844	03.050	12	AP8120278	08.030	6	AP8152277	01.020	11
887875	05.010	13	AP8120311	01.010	14	AP8152288	06.040	2
887878	04.060	4	AP8120455	03.050	3	AP8152288	09.010	2
887879	04.060	5	AP8120455	03.330	14	AP8152299	02.100	8
887880	04.060	6	AP8120455	09.010	3	AP8152299	02.150	2
887882	04.060	8	AP8120573	01.020	17	AP8152299	08.010	12
887883	04.060	9	AP8120615	03.050	6	AP8152299	08.030	31
887884	04.060	10	AP8120876	03.050	11	AP8152299	11.020	6
887885	04.060	11	AP8120912	03.020	1	AP8152306	08.030	19
887886	04.060	12	AP8120912	06.030	7	AP8152329	03.050	1
887888	04.060	13	AP8121014	01.030	3	AP8152384	07.010	5
887889	04.060	15	AP8121032	02.100	7	AP8152385	06.020	2
887890	04.060	17	AP8121133	01.020	19	AP8161054	03.050	16
887891	04.060	16	AP8121199	08.010	10	AP8181140	11.030	13
887893	04.060	20	AP8121205	07.010	4	AP8201755	08.030	24
887894	04.060	22	AP8121420	02.170	6	AP8210007	03.020	20
887905	04.060	18	AP8121567	01.020	15	AP8213028	07.030	5
887916	04.060	21	AP8121725	08.030	25	AP8213388	07.030	6
890760	03.050	13	AP8121882	06.050	18	AP8220186	08.030	5
890760	07.010	14	AP8121927	06.030	15	AP8221023	03.050	18
894704	11.030	15	AP8123641	07.010	6	AP8221023	06.050	8
895709	06.050	20	AP8123642	07.010	10	AP8221197	01.030	2
896110	03.330	7	AP8123643	07.010	11	AP8221277	01.020	16
897478	03.300	2	AP8123644	07.010	8	AP8224164	08.030	17
898268	03.270	6	AP8124936	11.010	6	AP8224462	11.020	4
898269	03.270	7	AP8125687	05.020	6	AP8702101	02.170	10

Code	Nr. der Tafel	Pos.	Code	Nr. der Tafel	Pos.	Code	Nr. der Tafel	Pos.
AP9100053	08.030	27	GU12154200	03.190	2	GU90353014	03.170	8
AP9100477	01.020	2	GU12351100	03.350	13	GU90353029	03.120	17
B013037	03.230	15	GU14085900	03.230	25	GU90401424	03.170	18
B013608	03.170	25	GU14086100	03.230	17	GU90402642	05.010	6
B013608	03.180	3	GU14217901	03.230	5	GU90412541	03.180	18
B014598	01.050	7	GU14609650	11.010	9	GU90413850	03.350	12
B015040	03.180	11	GU14609650	11.020	3	GU90706141	11.010	11
B015598	03.170	2	GU14609650	11.030	17	GU90706170	03.230	27
B016796	08.030	23	GU14615901	03.230	3	GU90706188	03.350	4
B0167965	03.060	5	GU14615901	03.330	18	GU90706203	03.170	34
B017406	03.170	5	GU14615901	03.330	22	GU90706235	03.230	10
B017636	03.100	3	GU14615901	03.350	26	GU90706281	03.030	25
B018020	03.170	4	GU14615901	07.020	22	GU90706444	03.190	4
B018448	03.180	31	GU14616150	05.010	11	GU90706584	03.350	5
B043850	11.030	16	GU14616150	05.020	12	GU90706958	03.350	19
B063025	03.170	39	GU18144350	03.190	8	GU91113826	03.330	10
B063174	04.080	3	GU19002020	03.170	36	GU91181003	07.020	21
B063233	11.030	10	GU19002020	03.270	3	GU91551010	01.010	19
B063269	03.170	40	GU19003800	03.030	3	GU91551010	03.050	19
B063287	01.010	2	GU19015020	03.030	14	GU91551131	09.010	5
B063292	03.330	8	GU19018920	03.030	9	GU92201226	03.180	19
B063956	03.170	14	GU19018920	03.190	28	GU92201226	03.230	9
B064023	02.120	3	GU19021360	03.150	3	GU92201822	03.180	1
B064112	03.170	10	GU19045861	03.120	3	GU92204220	05.020	4
B064113	03.170	7	GU19055700	03.120	2	GU92204221	05.010	7
B064304	03.350	16	GU19058021	03.120	20	GU92254340	03.350	14
CM013202	11.030	14	GU19058220	03.120	11	GU92296723	03.190	25
CM178609	08.020	4	GU19062261	03.160	1	GU92602510	03.190	19
CM179008	09.020	5	GU19065400	03.160	9	GU92606206	03.020	8
CM226902	03.196	1	GU19067700	03.230	2	GU92606206	06.030	13
CM226902	03.320	6	GU19213760	03.230	12	GU92606208	03.030	6
CM228401	01.020	14	GU19351100	03.350	17	GU92606508	03.230	24
CM258301	03.060	13	GU19356760	03.230	13	GU92630207	05.010	8
CM258303	03.050	17	GU19547000	01.050	2	GU92630707	06.030	5
CM275402	03.060	1	GU20147710	03.190	21	GU92660021	03.330	17
CM277101	11.020	17	GU20258221	03.020	6	GU93180105	01.050	4
CM277102	11.020	18	GU27061885	03.160	4	GU93180111	05.010	2
GU01528930	03.350	6	GU27066460	03.160	5	GU93180220	03.170	42
GU01659130	06.020	5	GU27152885	03.190	1	GU93304360	09.020	8
GU01659131	06.020	4	GU30601060	07.030	3	GU93450224	08.030	2
GU03013800	03.020	22	GU30602500	07.030	4	GU94321079	03.190	9
GU03013800	03.060	10	GU31003766	03.030	22	GU94321105	03.230	22
GU03617710	05.010	10	GU31003766	03.350	7	GU95005304	11.020	10
GU03617710	05.020	11	GU31150950	03.190	10	GU95005310	08.030	20
GU03658201	06.050	21	GU31159050	03.190	6	GU95008206	03.190	7
GU03658330	06.050	19	GU31256881	03.020	10	GU95008208	03.290	2
GU03749845	06.010	7	GU31544181	06.040	4	GU95008208	03.330	23
GU04355100	03.350	20	GU31547882	01.050	3	GU95008210	01.010	9
GU04355101	03.350	20	GU31616384	05.010	15	GU95020105	01.030	9
GU04355102	03.350	20	GU31659181	06.040	7	GU95100059	11.030	7
GU04355103	03.350	20	GU31659281	06.040	6	GU95100309	03.190	17
GU04355104	03.350	20	GU32441210	01.020	10	GU95100602	03.190	26
GU04355105	03.350	20	GU32442310	01.020	8	GU95129115	03.120	18
GU04355106	03.350	20	GU32442710	01.020	9	GU95500222	03.230	20
GU05217630	03.230	26	GU32517710	11.030	12	GU96451316	06.050	12
GU05234230	03.170	9	GU32615660	05.010	3	GU96451430	03.030	12
GU05234631	03.170	31	GU32632510	05.020	20	GU96508055	03.030	16
GU05235531	03.170	30	GU32944310	02.190	11	GU97202325	07.030	7
GU05238231	03.170	13	GU37359005	03.350	10	GU98110199	01.010	18
GU05238431	03.170	11	GU49609601	11.010	8	GU98210610	08.020	5
GU05239330	03.170	16	GU49609601	11.020	2	GU98210616	07.010	16
GU05351230	03.350	9	GU49609601	11.030	18	GU98210616	08.030	28
GU05659230	06.020	3	GU61027200	03.150	1	GU98370625	06.030	20
GU05781630	04.060	24	GU66103415	09.010	10	GU98612216	03.320	4
GU10034100	03.120	15	GU90271014	03.170	17	GU98612320	08.010	8
GU10528900	03.030	23	GU90271022	03.170	32	GU98612320	08.030	10
GU12022600	03.170	35	GU90272047	05.020	9	GU98620330	01.040	7

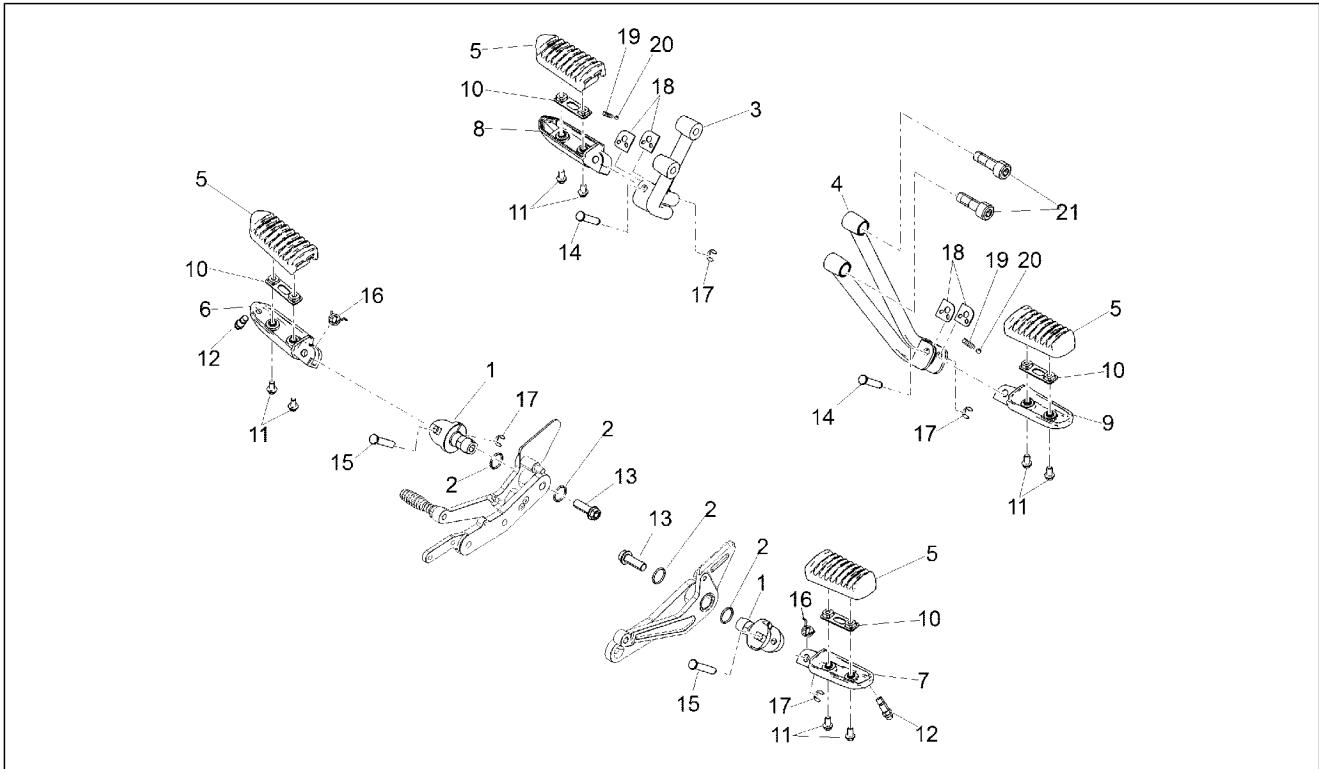
Code	Nr. der Tafel	Pos.
GU98622322	03.060	9
GU98632322	03.020	21
GU98682212	03.300	6
GU98682212	11.030	6
GU98682312	05.020	8
GU98682325	03.030	24
GU98682325	03.270	1
GU98682330	03.270	2
GU98682330	08.030	26
GU98682416	09.010	11
GU98682435	03.290	3
GU98682530	01.010	8
GU98690445	02.030	3
GU98690445	08.010	9
GU98692318	03.020	13
GU98882316	03.120	26

Einheit	Rahmen
Code	01.010
Beschreibung	Rahmen
Inspektion	1



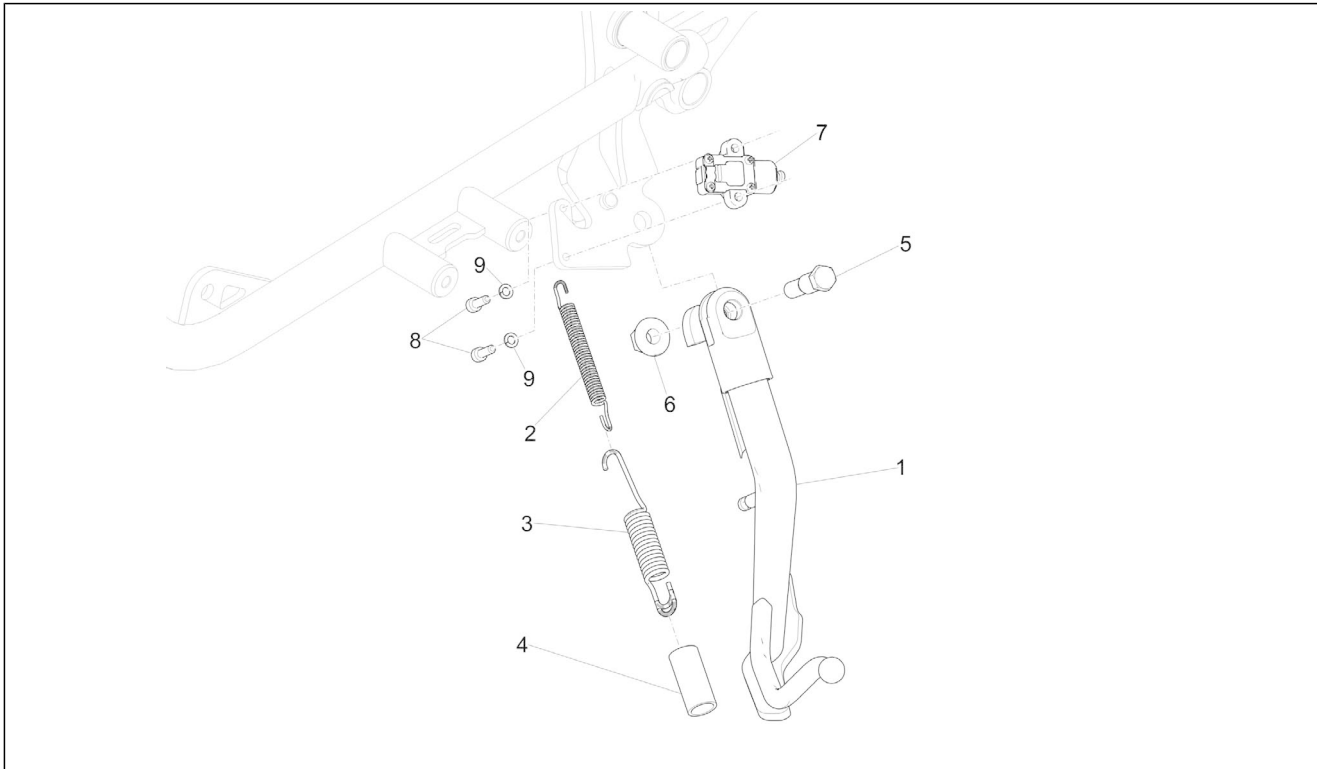
Pos.	Code	Beschreibung	Menge	Varianten
1	2B001055	Fahrgestell	1	
2	B063287	Verbindungsplatte Rahmen	1	
3	2B002325	Arm Rahmenschleife rechts	1	
4	2B002326	Arm Rahmenschleife links	1	
5	2B002810	Rahmenträger	1	
6	AP8102671	Kunststoffniet	4	
7	AP8150009	Scheibe	4	
8	GU98682530	TCEI Schraube M10x30	4	
9	GU95008210	Ausgleichscheibe 10,2X18X2	6	
10	AP8144071	Gummi auspuffrohr	8	
11	AP8150018	Ausgleichscheibe	4	
12	2B003078	Distanzscheibe	4	
13	AP8150048	TCEI Schraube	2	
14	AP8120311	Gummi	2	
15	2B002817	Zapfen M10	1	
16	2B001612	Bolzen M10X253	1	
17	2B001035	Bolzen 234X10	1	
18	GU98110199	Bolzen M10x205	1	
19	GU91551010	Gummi 10X20X10	2	
20	967363	Mutter M8x1,25	4	
21	2B002311	Linsenschraube Torx M8X20	4	

Einheit	Rahmen
Code	01.020
Beschreibung	Fussrasten
Inspektion	1



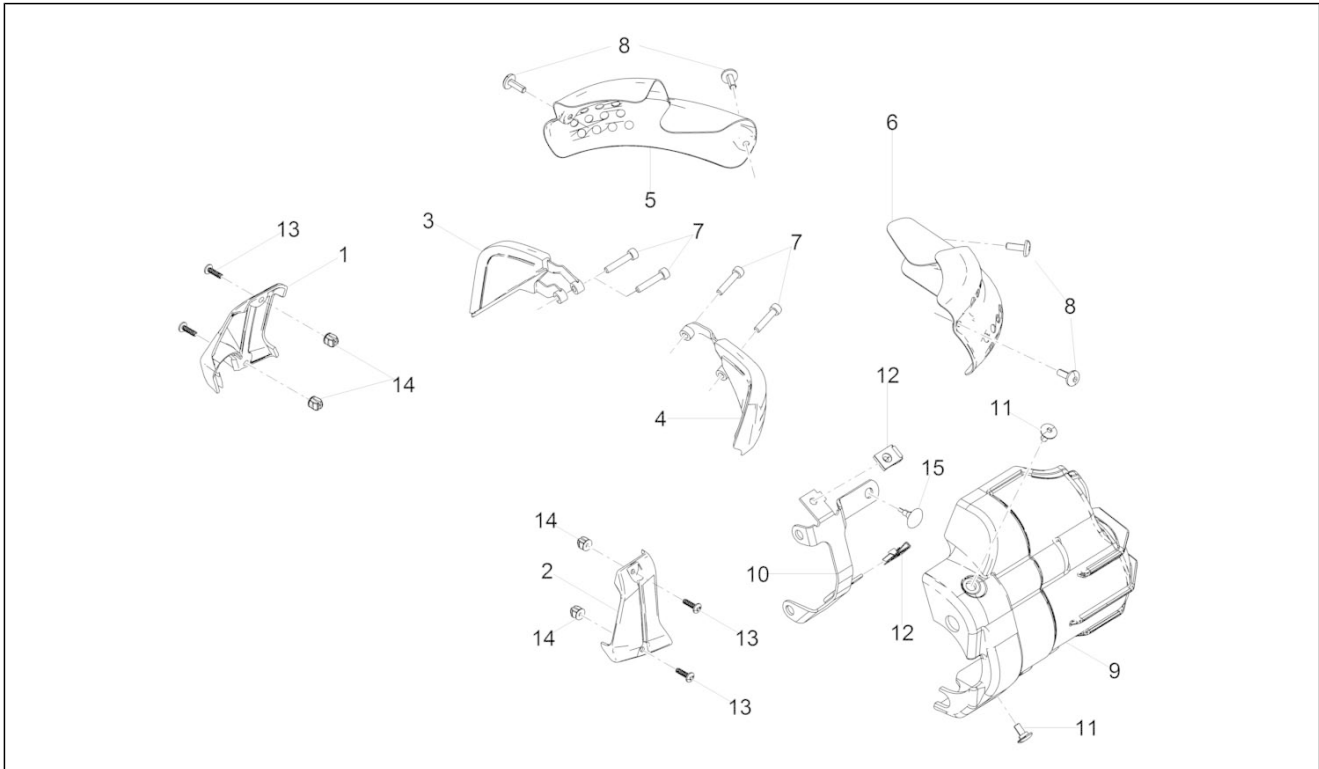
Pos.	Code	Beschreibung	Menge	Varianten
1	2B004044	Halterung Fahrertrittbrett	2	
2	AP9100477	O-Ring 18x2	4	
3	2B003077	Fußrasten-Halterung Beif. rechts	1	
4	2B003076	Fußrasten-Halterung Beif. links	1	
5	2B002225	Gummiraste	4	
6	AP81450345	Fussrasten r.	1	
7	AP81450355	Fussrasten l.	1	
8	GU32442310	Soziusraste rechts	1	
9	GU32442710	Soziusraste links	1	
10	GU32441210	Platte	4	
11	AP8152277	TE Schr. m. Flansch M6x12	8	
12	2B004077	Rastenbolzen	2	
13	967384	Schraube TEF M10X45	2	
14	CM228401	Rastenbolzen	2	
15	AP8121567	Bolzen	2	
16	AP8221277	Rückholfeder	2	
17	AP8120573	Sperring	4	
18	AP8134451	Fixierplatte	4	
19	AP8121133	Schraubenfederkompr.	2	
20	AP8101861	Kugel D6,35	2	
21	2B002171	TC Schraube 8x25	4	

Einheit	Rahmen
Code	01.030
Beschreibung	Hauptständer
Inspektion	1



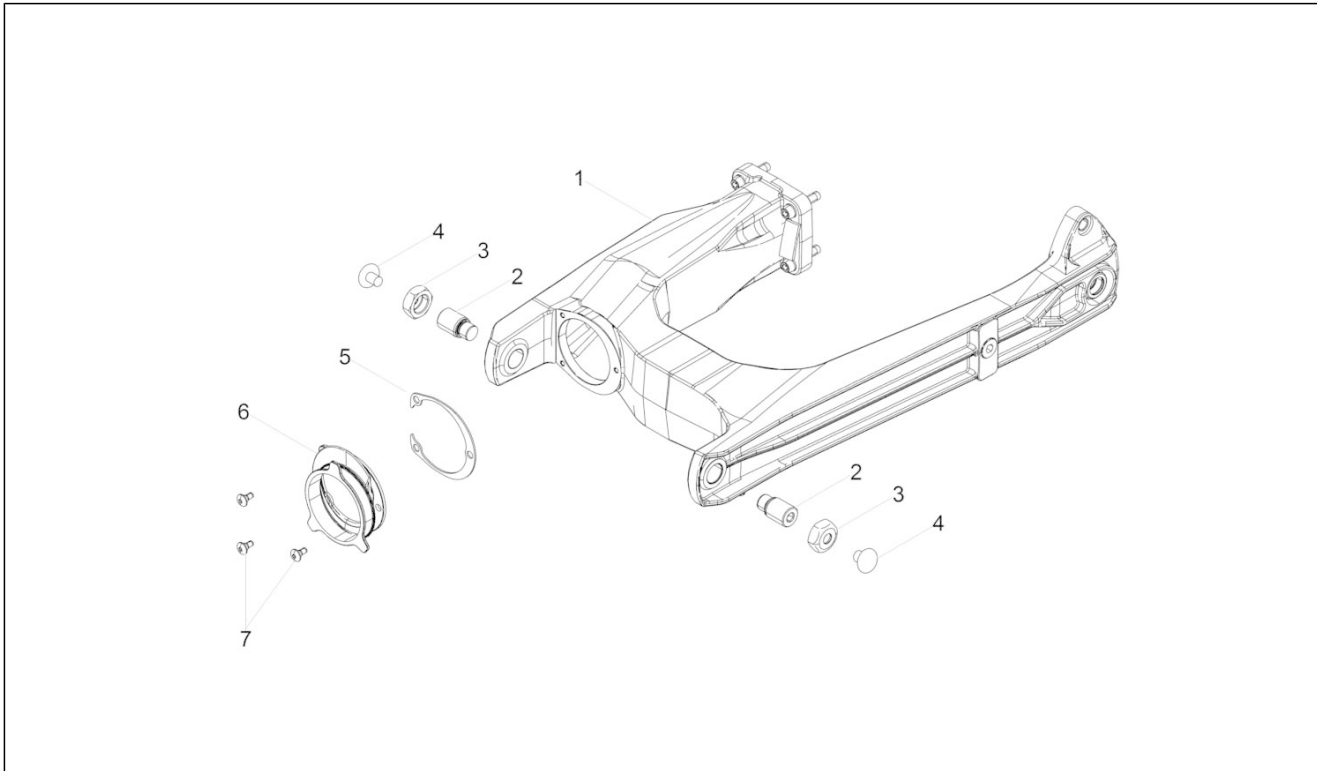
Pos.	Code	Beschreibung	Menge	Varianten
1	2B002705	Seitenständer	1	
2	AP8221197	Hauptständer Schraubenfeder	1	
3	AP8121014	Schraubenfeder	1	
4	AP8102524	Schutz f. Ständerfeder	1	
5	2B001088	Ständerbolzen	1	
6	967356	Geflanschte Mutter M10x1,25	1	
7	AP8127856	Ständer lichtschalter	1	
8	1C001499	Schraube TBEI TORX M5x16 INOX	2	
9	GU95020105	Ausgleichscheibe 5,3x8,9x2,4	2	

Einheit	Rahmen
Code	01.040
Beschreibung	Schutz
Inspektion	1



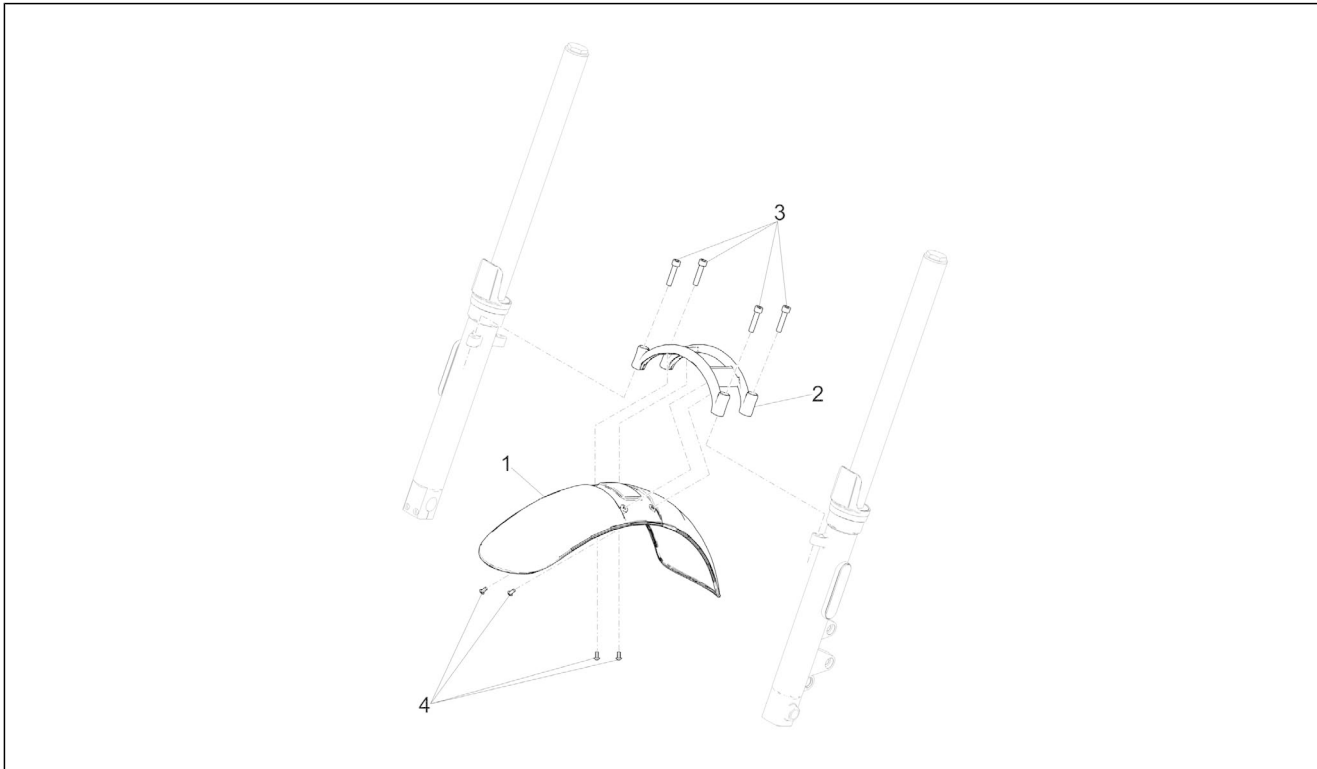
Pos.	Code	Beschreibung	Menge	Varianten
1	2B002799	Rahmenschutz rechts	1	
2	2B002378	Rahmenschutz links	1	
3	2B003102	Knieschutz rechts	1	
4	2B003103	Knieschutz links	1	
5	2B002622	Einspritzdüsenabdeckung rechts	1	
6	2B002621	Einspritzdüsenabdeckung links	1	
7	GU98620330	Schraube	4	
8	976614	TBEI Schraube M5x15	4	
9	2B002943	Abdeckung anlassermotor	1	
10	2B002937	Haltebügel Abdeckung	1	
11	AP8150500	TBEI Schraube M5x9	2	
12	248419	Plattchen M5	2	
13	AP8150413	Gew.schr. 3,9x14	1	
14	AP8102671	Kunststoffniet	2	
15	AP8120001	Gummi	1	

Einheit	Rahmen
Code	01.050
Beschreibung	Schwinge
Inspektion	1



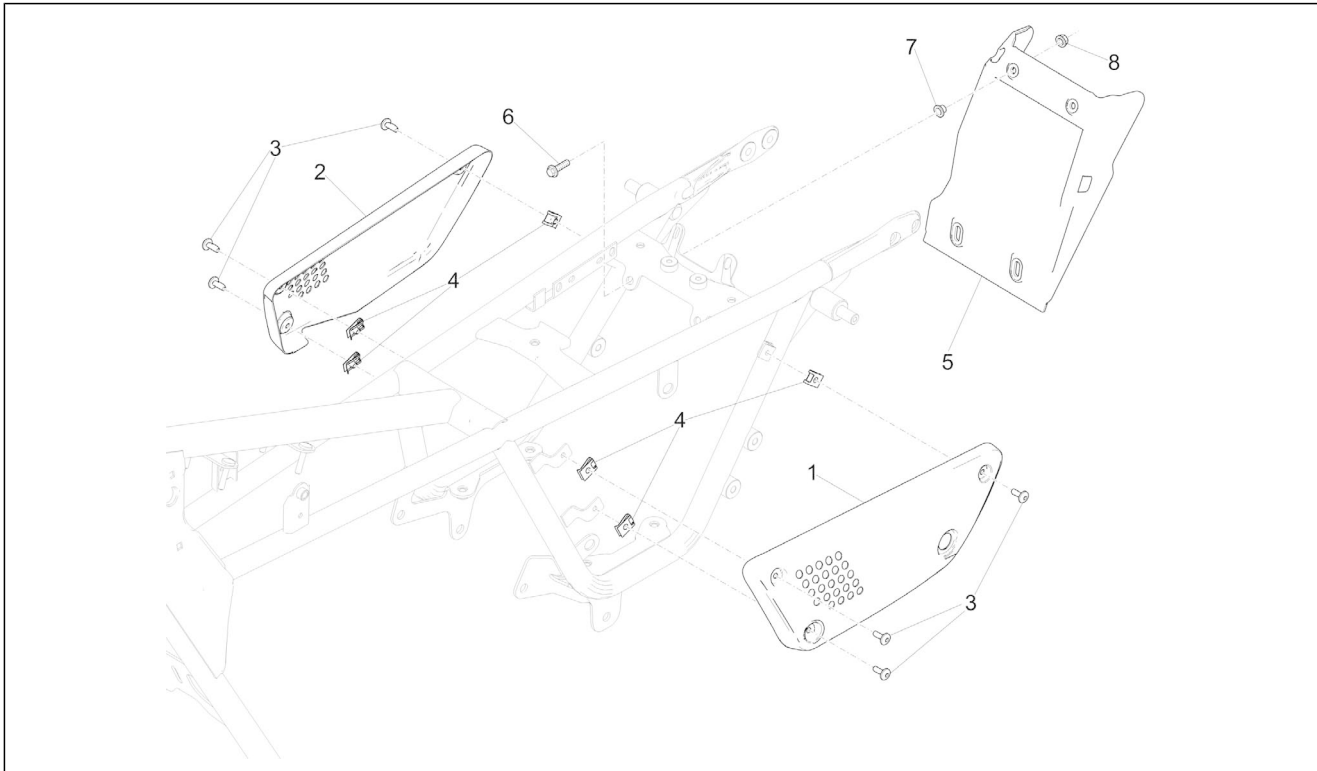
Pos.	Code	Beschreibung	Menge	Varianten
1	2B001301	Schwinge	1	
2	GU19547000	Bolzen	2	
3	GU31547882	Mutter	2	
4	GU93180105	Deckel	2	
5	2B003212	Fixierplatte	1	
6	2B002205	Gummibalg	1	
7	B014598	Torx Schraube M5x12	3	

Einheit	Aufbau
Code	02.030
Beschreibung	Vorderes Schutzblech-Stütze
Inspektion	1



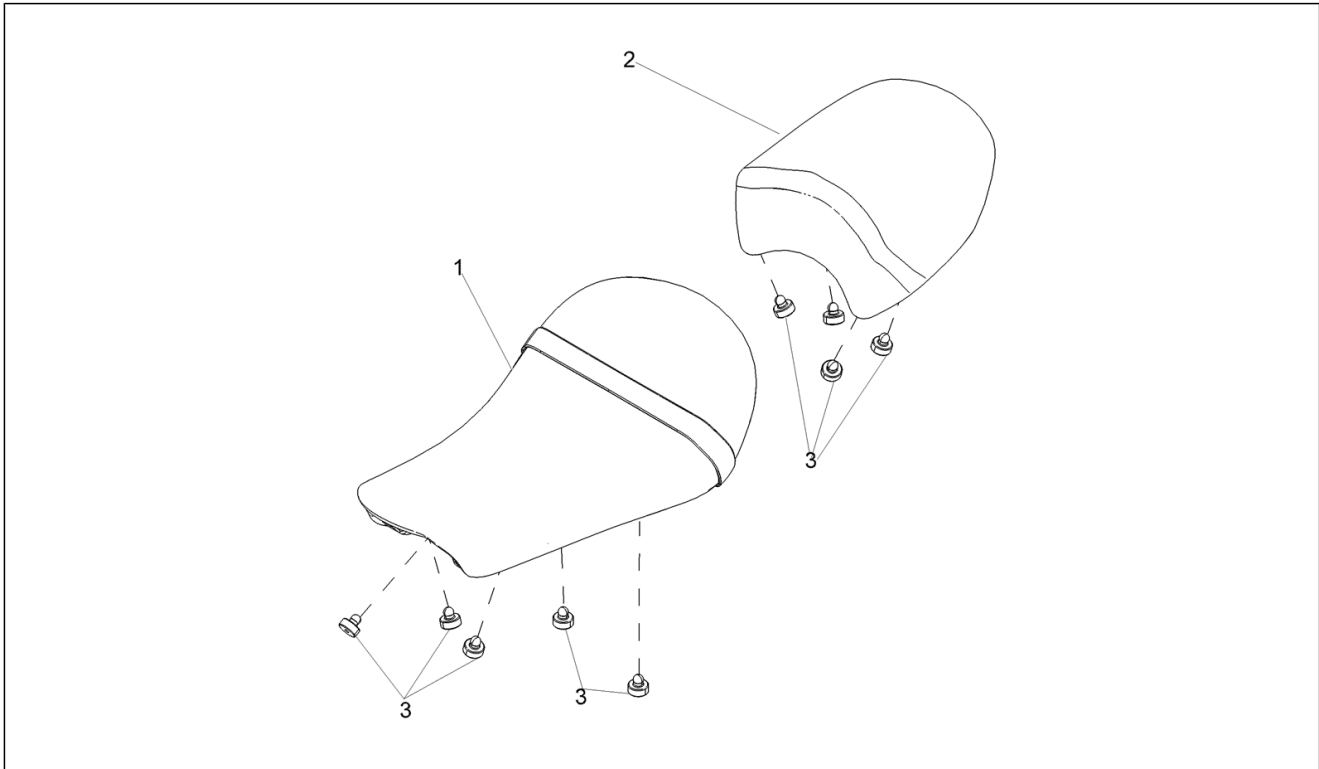
Pos.	Code	Beschreibung	Menge	Varianten
1	2B001141	Vorderes Schutzblech	1	
1	2H001434000NI	V. Schutzblech, schwarz	1	
1	2H001477000EQ	V. Schutzblech, grau	1	
2	2B001147	Schutzblechhalterung	1	
3	GU98690445	Schraube M8x45	4	
4	AP8150538	TBEI Schraube M5x10	4	

Einheit	Aufbau
Code	02.100
Beschreibung	Mittlerer Aufbau
Inspektion	1



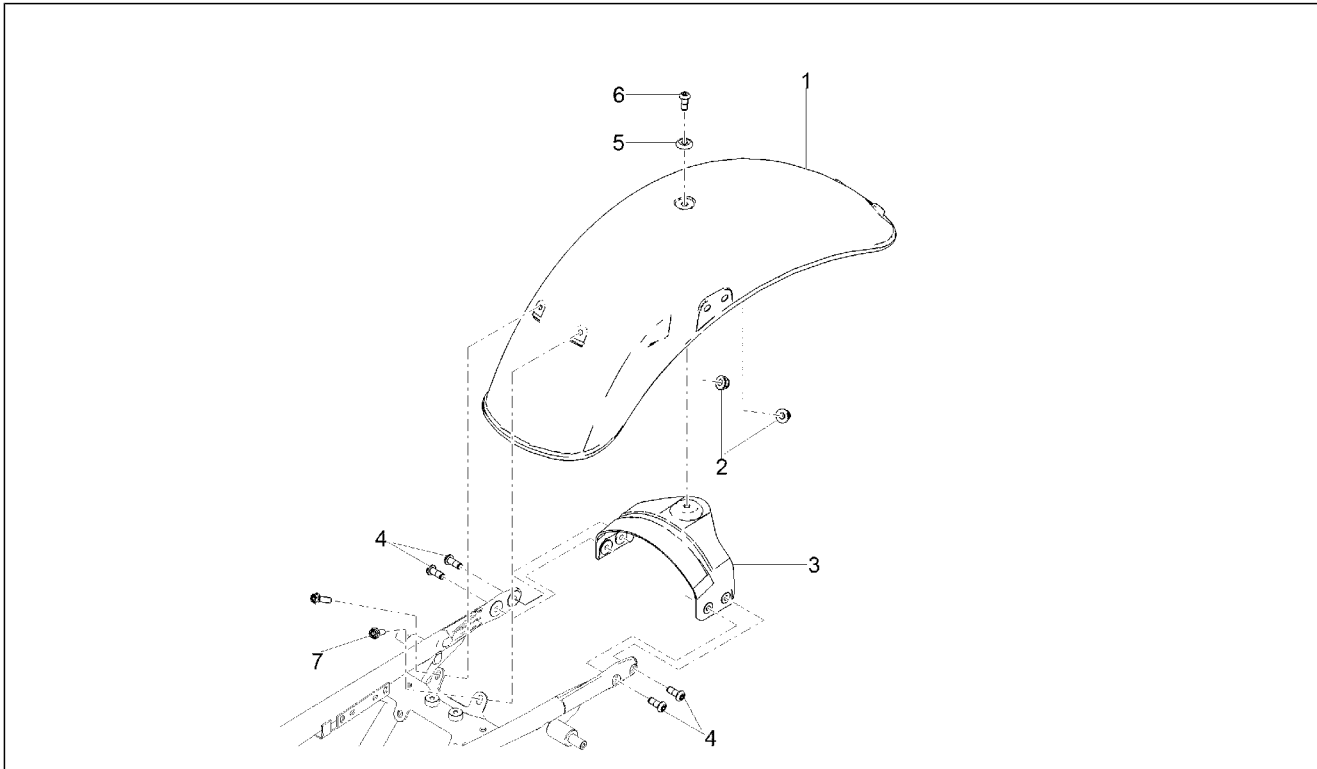
Pos.	Code	Beschreibung	Menge	Varianten
1	2B001619	L. kl. Seitenteil	1	
2	2B001618	R. kl. Seitenteil	1	
3	976614	TBEI Schraube M5x15	6	
4	AP8102375	Klammer M5	6	
5	2B001783	Hinteres, Spritzschutz	1	
6	598839	TE Schr. m. Flansch	2	
7	AP8121032	Buchse	2	
8	AP8152299	Selbstsperrende Mutter M6	2	

Einheit	Aufbau
Code	02.120
Beschreibung	Sitz
Inspektion	1



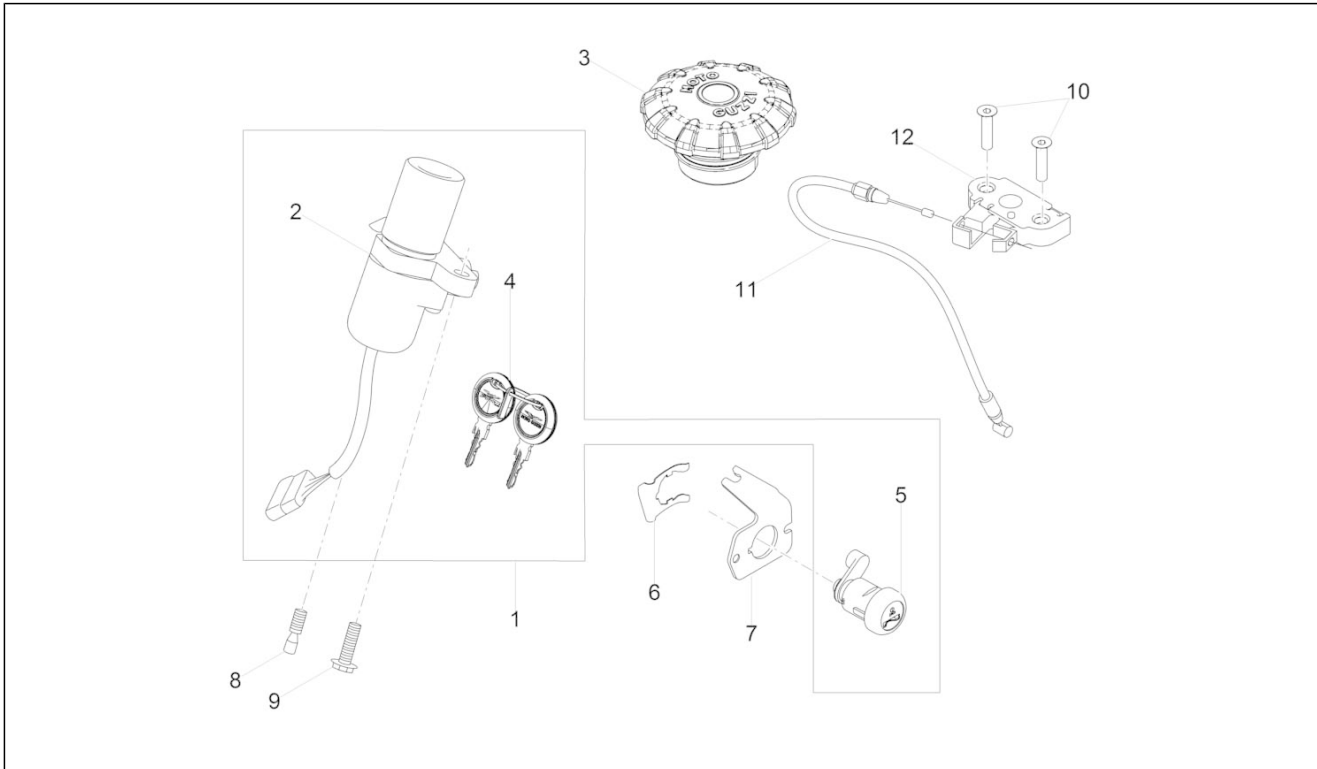
Pos.	Code	Beschreibung	Menge	Varianten
1	2B004027000C1	Sitz mit Riemen	1	
2	2B004028000C1	Soziussitz	1	
3	B064023	Sitz-Auflagegummi	9	

Einheit	Aufbau
Code	02.150
Beschreibung	Hinteres Schutzblech
Inspektion	1



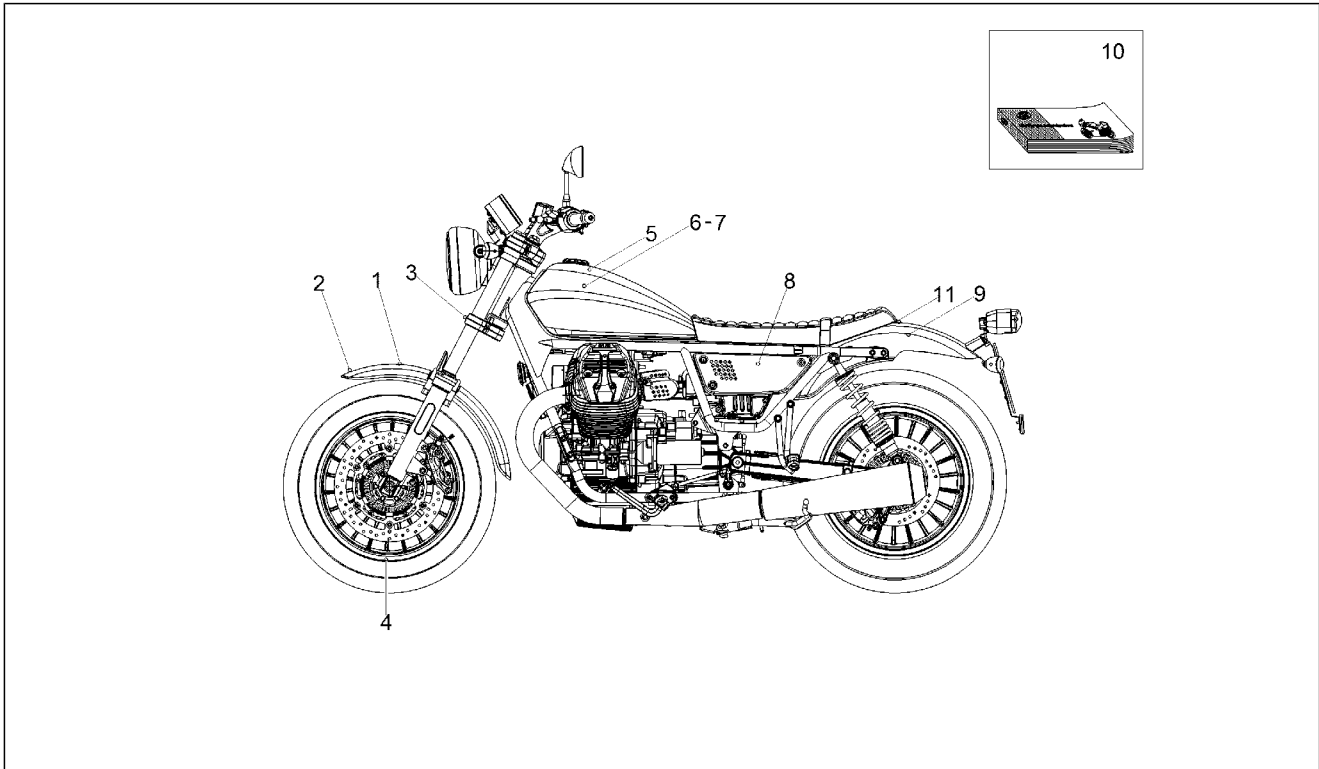
Pos.	Code	Beschreibung	Menge	Varianten
1	2B002537	Heckkotflügel Bobber	1	
1	2B002537500NI	Parafango post.v.nero comp.	1	
2	AP8152299	Selbstsperrende Mutter M6	2	
3	2B002386	Hintere Kotflügelhalterung	1	
4	2B002311	Linsenschraube Torx M8X20	4	
5	2B002321	Buchse für Schraube	1	
6	2B003089	Schraube TCC TORX M8x16	1	
7	AP8152273	Flanschschraube M5x15	2	

Einheit	Aufbau
Code	02.170
Beschreibung	Schlösser
Inspektion	1



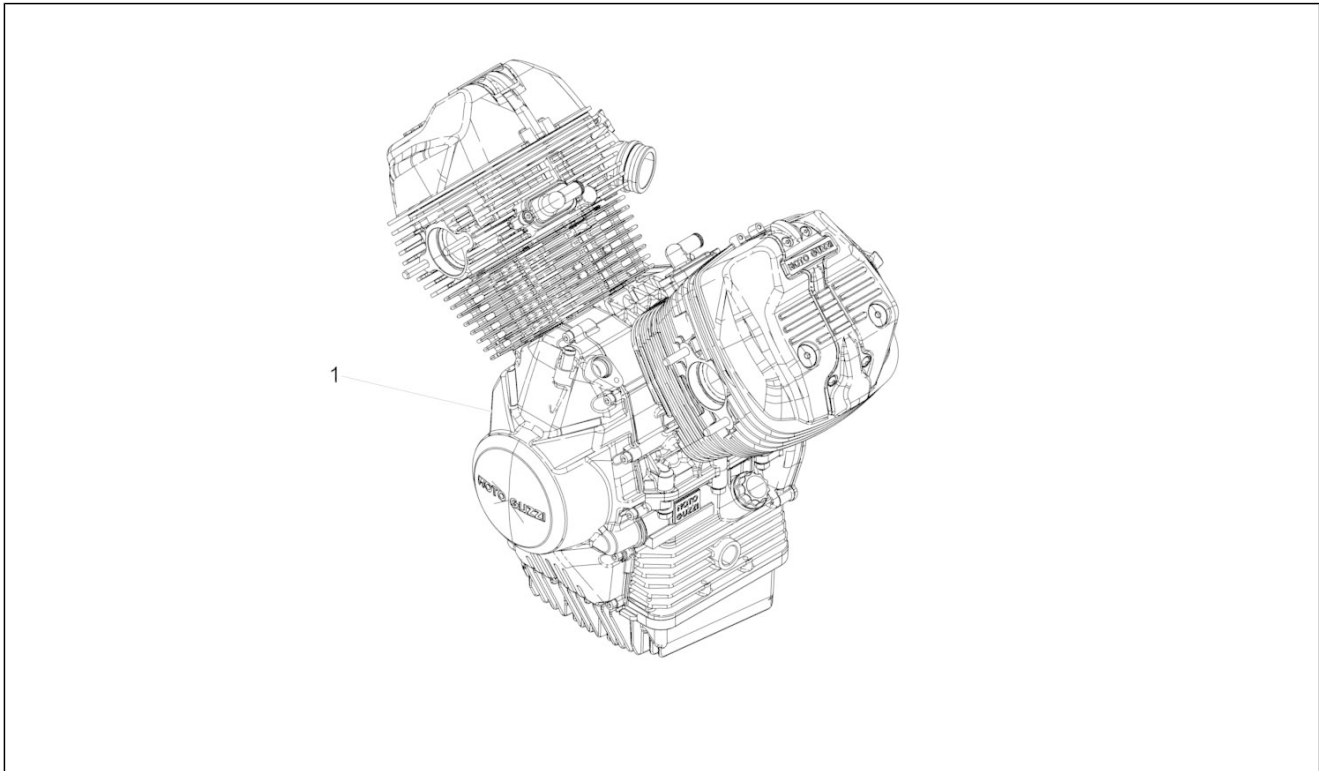
Pos.	Code	Beschreibung	Menge	Varianten
1	2B002940	Kit Schließvorrichtungen	1	
2	2D000299	Umschalter mit Schlüssel	1	
3	2B002043	Tankfüllschraube	1	
4	2D000004	Transponderschlüssel glatt	1	
5	977527	Schloss komplett mit Schlüsseln	1	
6	AP8121420	Gabelfeder	1	
7	978415	Kabelplatte	1	
8	AP8152229	Reißschraube M8x20	1	
9	319165	Schraube	1	
10	AP8702101	Schraube M6x25	2	
11	2B002936	Bowdenzug Sitzbank	1	
12	AP8102913	Fixierplatte Soziussitz	1	

Einheit	Aufbau
Code	02.190
Beschreibung	Deko
Inspektion	1



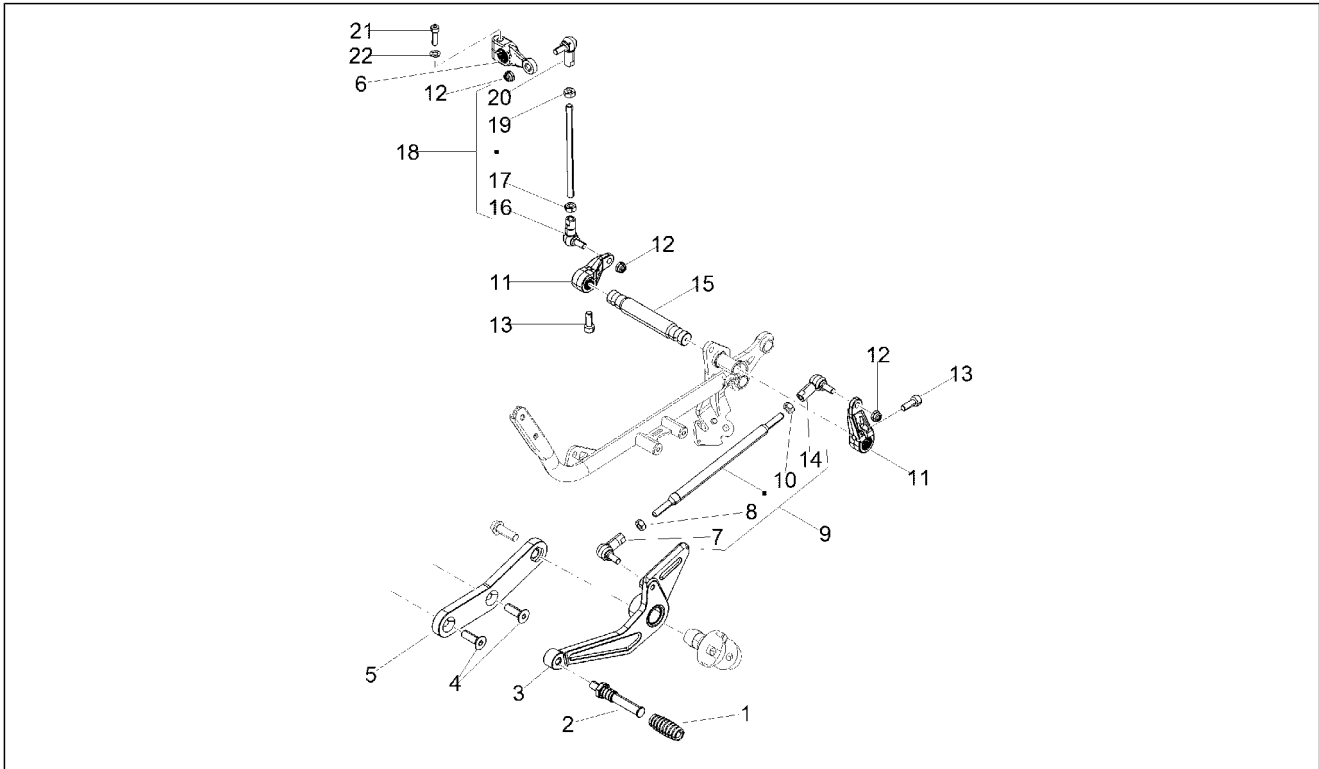
Pos.	Code	Beschreibung	Menge	Varianten
1	2H001469	Aufkleber Schachmuster	1	
1	2H001482	Aufkleber Schachmuster	1	
2	2H001260	Aufkleber "Adler"	1	
3	2H001445	Schild "Moto Guzzi"	1	
4	2H001443	Deko "Moto Guzzi"	2	
5	2H001439	Aufkleber Tank	1	
5	2H001480	Aufkleber Tank	1	
6	2H001467	Rechtes Schild "Aquila"	1	
7	2H001468	L.Schild "Aquila"	1	
8	2H001442	Schild "V9 Bobber"	2	
8	2H001481	Schild "V9 Bobber"	2	
9	2H001470	Aufkleber Schachmuster	1	
9	2H001483	Aufkleber Schachmuster	1	
10	2Q000263	LUM V9 Roamer-Bobber My 2017 IFRDENLESEN	1	Land:Hongkong[HK]
10	2Q000268	LUM V9 Roamer-Bobber My '17 ZN-EN-IT-DE	1	Land:China[CN]
11	GU32944310	Deko schutz	1	

Einheit	Motor
Code	03.010
Beschreibung	Motor-Fertigstellung
Inspektion	1



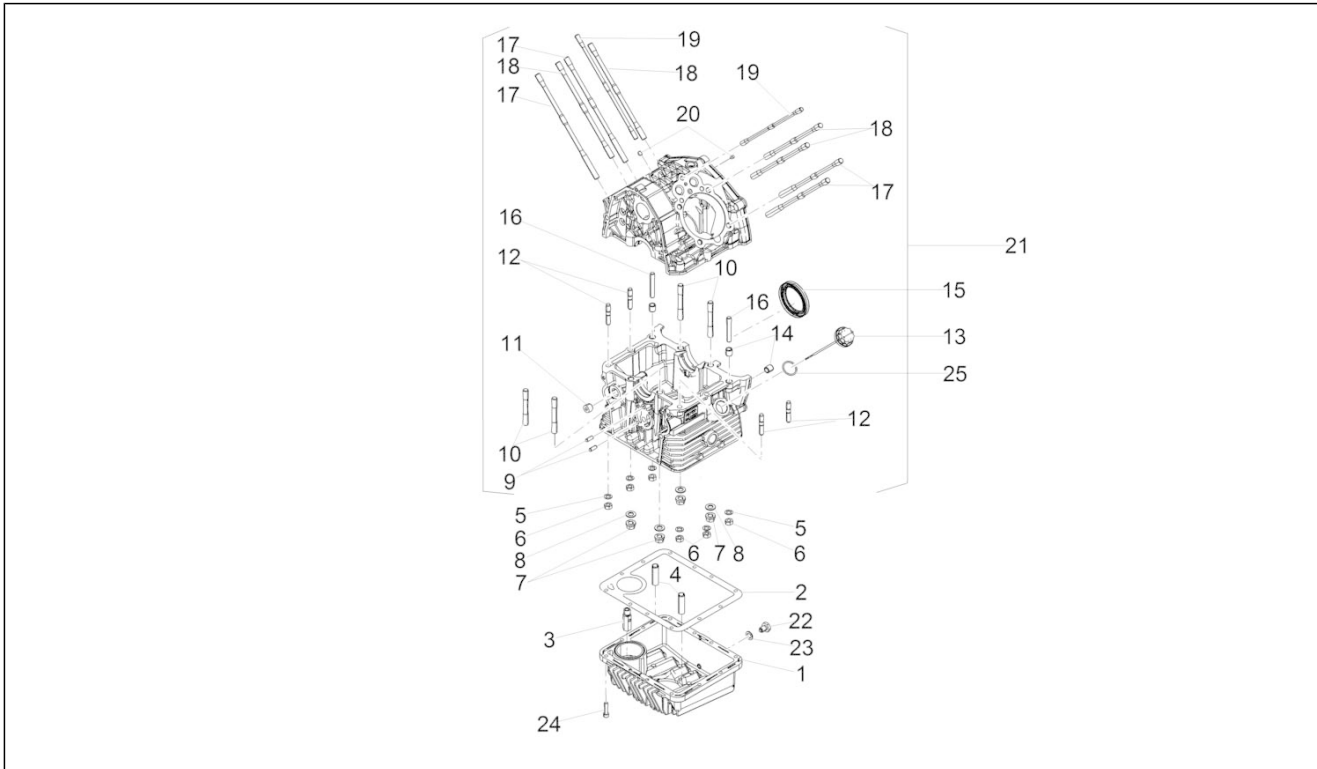
Pos.	Code	Beschreibung	Menge	Varianten
1	1A0089135	Motor kpl.ohneSchaltgetriebe	1	

Einheit	Motor
Code	03.020
Beschreibung	Schalthebel
Inspektion	1



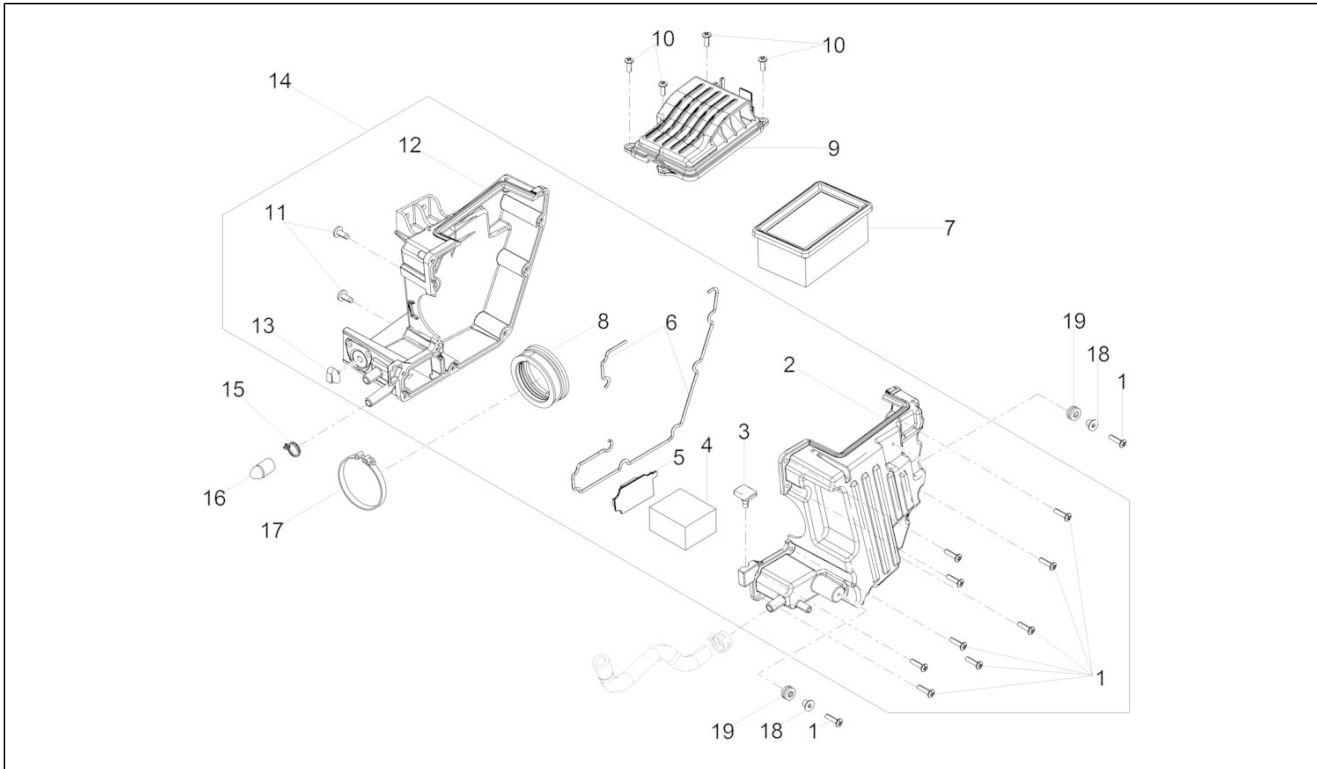
Pos.	Code	Beschreibung	Menge	Varianten
1	AP8120912	Gummi für Hebel	1	
2	2B004062	Gummigleitschutze	1	
3	2B004053	Schalthebel kpl.	1	
4	2B004112	Schraube TSPEI IX M8X25	2	
5	2B004043	Piastra pedana pilota sx	1	
6	GU20258221	Schalthebel	1	
7	898397	Kugelgelenk links M6	1	
8	GU92606206	Mutter	1	
9	2B004109	Tirante comando cambio cpl.	1	
10	GU31256881	Mutter Linksgewinde M6	1	
11	898283	Schalthebel	2	
12	AP8150430	Selbstsperr.mut Unt.	2	
13	GU98692318	TCEI Schraube	2	
14	898396	Kugelgelenk rechts M6	1	
15	2B001009	Hebelbolzen	1	
16	AP8110053	Kugelgelenk links M6	1	
17	AP8152138	Mutter	1	
18	2B001941	Zugstange Schaltzug	1	
19	AP8150026	Mutter M6	1	
20	AP8210007	Kugelgelenk rechts M6	1	
21	GU98632322	Schraube	1	
22	GU03013800	Ausgleichscheibe 6,4x12	1	

Einheit	Motor
Code	03.030
Beschreibung	Gehäuse I
Inspektion	1



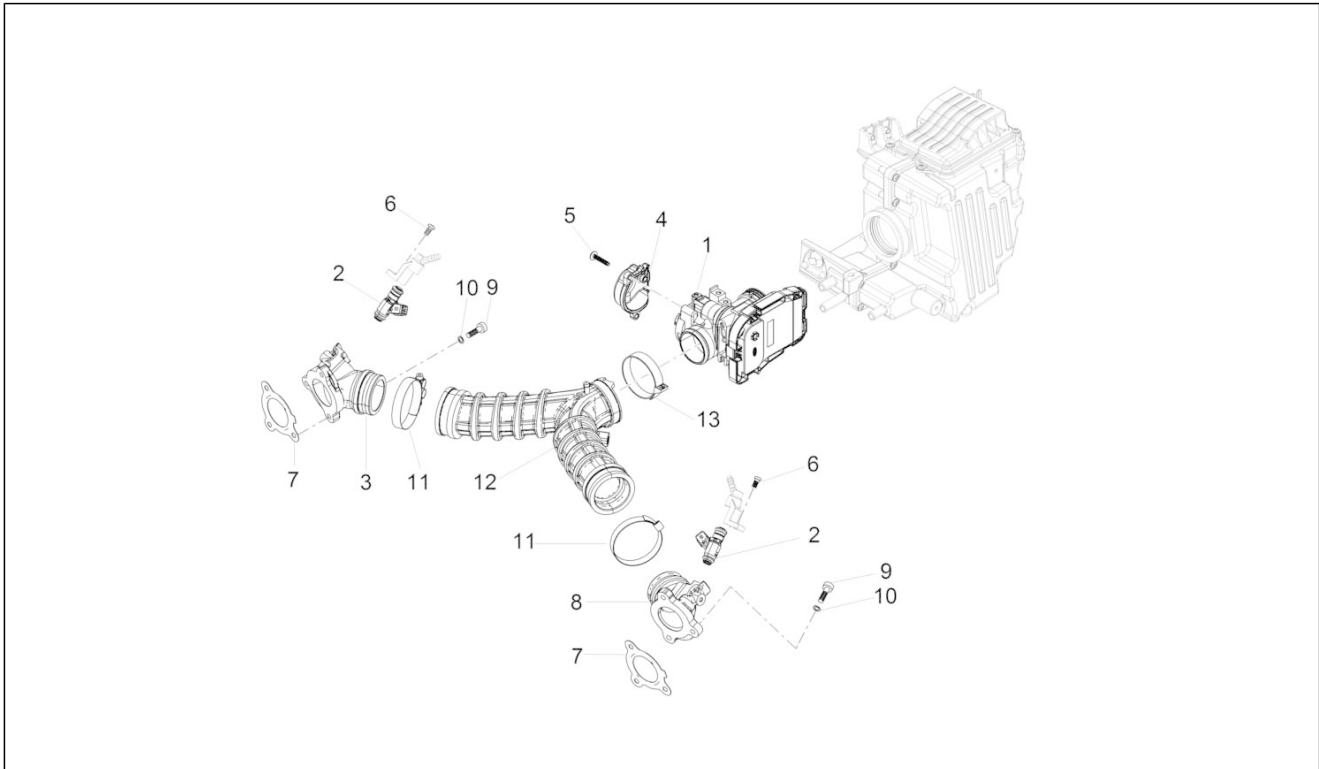
Pos.	Code	Beschreibung	Menge	Varianten
1	1A004550	Pfropfen	1	
2	1A005211	Ölwannendichtung	1	
3	GU19003800	Anschluss	1	
4	1A006047	Anschlußschlauch	2	
5	658837	Gewellte Sprengscheibe D15 F8,4 S1,5 - INOX	6	
6	GU92606208	Mutter M8x1,25	6	
7	1A006656	Geflanschte Mutter M10x1	4	
8	1A006655	Flachscheibe	4	
9	GU19018920	Stift	2	
10	1A004530	Stiftschraube	4	
11	831135	Verschlusschraube M14x1,5	1	
12	GU96451430	Stiftschraube	4	
13	883826	Öleinfüllschraube	1	
14	GU19015020	Buchse	2	
15	886365	Gasket ring	1	
16	GU96508055	Stiftschraube	2	
17	1A006283	Stiftschraube langer Kopf	4	
18	1A006284	Stiftschraube kurzer Kopf	4	
19	1A006860	Stiftschraube zentraler Kopf	2	
20	484993	Haltestein	2	
21	1A0069335	Gekoppelte Kurbelgehäuse	1	
22	GU31003766	Ölablaßschraube M10x1	1	
23	GU10528900	Dichtung	1	
24	GU98682325	TCEI Schraube M6x25	12	
25	GU90706281	O-Ring 28,24x2,62	1	

Einheit	Motor
Code	03.050
Beschreibung	Filtergehäuse
Inspektion	1



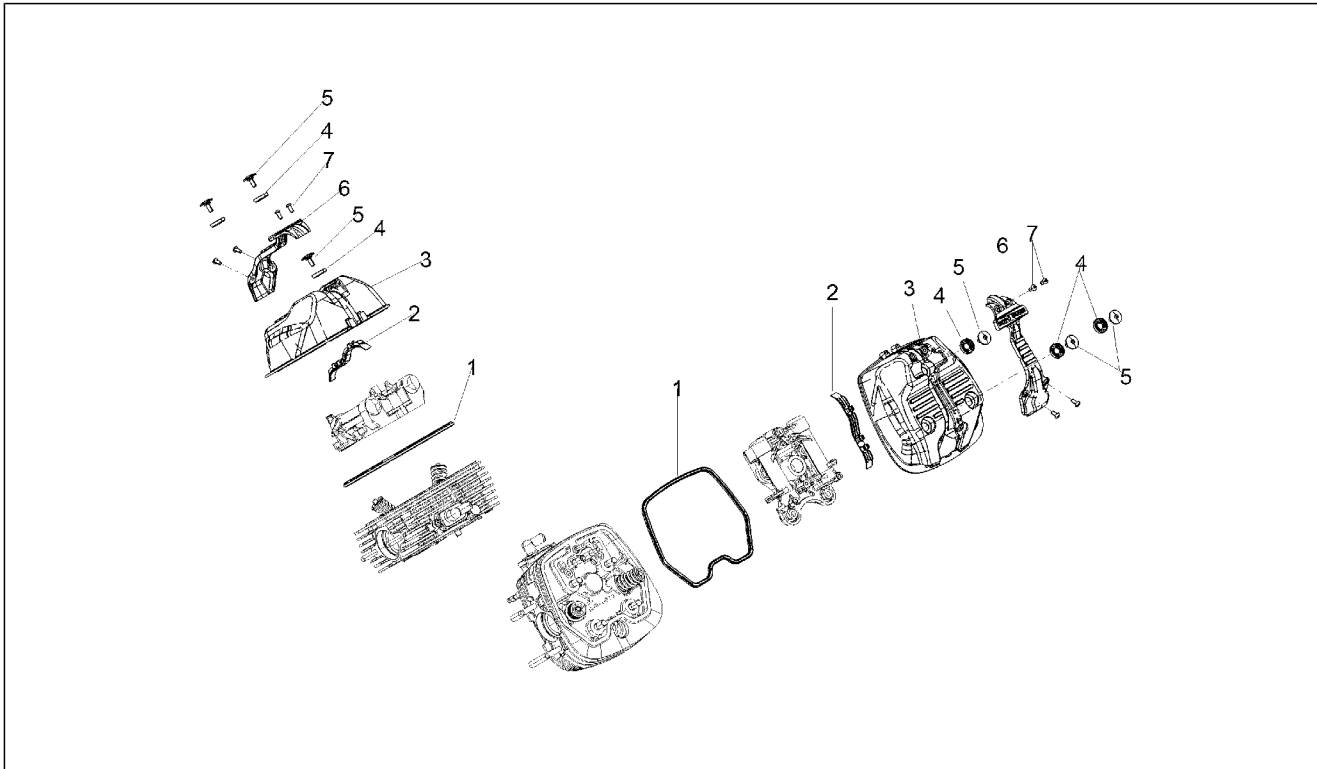
Pos.	Code	Beschreibung	Menge	Varianten
1	AP8152329	Kreuz.schl.flnschschr. M5x20	9	
2	2B002832	L.deckel Filtergehäuse	1	
3	AP8120455	Gummi	1	
4	AP8104525	Filter blow-by	2	
5	2B002851	Membran	1	
6	AP8120615	Dichtung D3	1	
7	AP8104924	Luftfilter	1	
8	887815	Ansaugmuffe	1	
9	887843	Luftfilterdeck	1	
10	AP8150509	Gew.schr. 5x14	4	
11	AP8120876	Verschlussschraube	2	
12	887844	Schale re Filtergehäuse	1	
13	890760	Halterung Instrumente	1	
14	2B002959	Sicherungskasten	1	
15	AP8102520	Schlauchschelle	2	
16	AP8161054	Kappe	2	
17	CM258303	Schelle 63	1	
18	AP8221023	T-Buchse	2	
19	GU91551010	Gummi 10X20X10	2	

Einheit	Motor
Code	03.060
Beschreibung	Klappenkörper
Inspektion	1



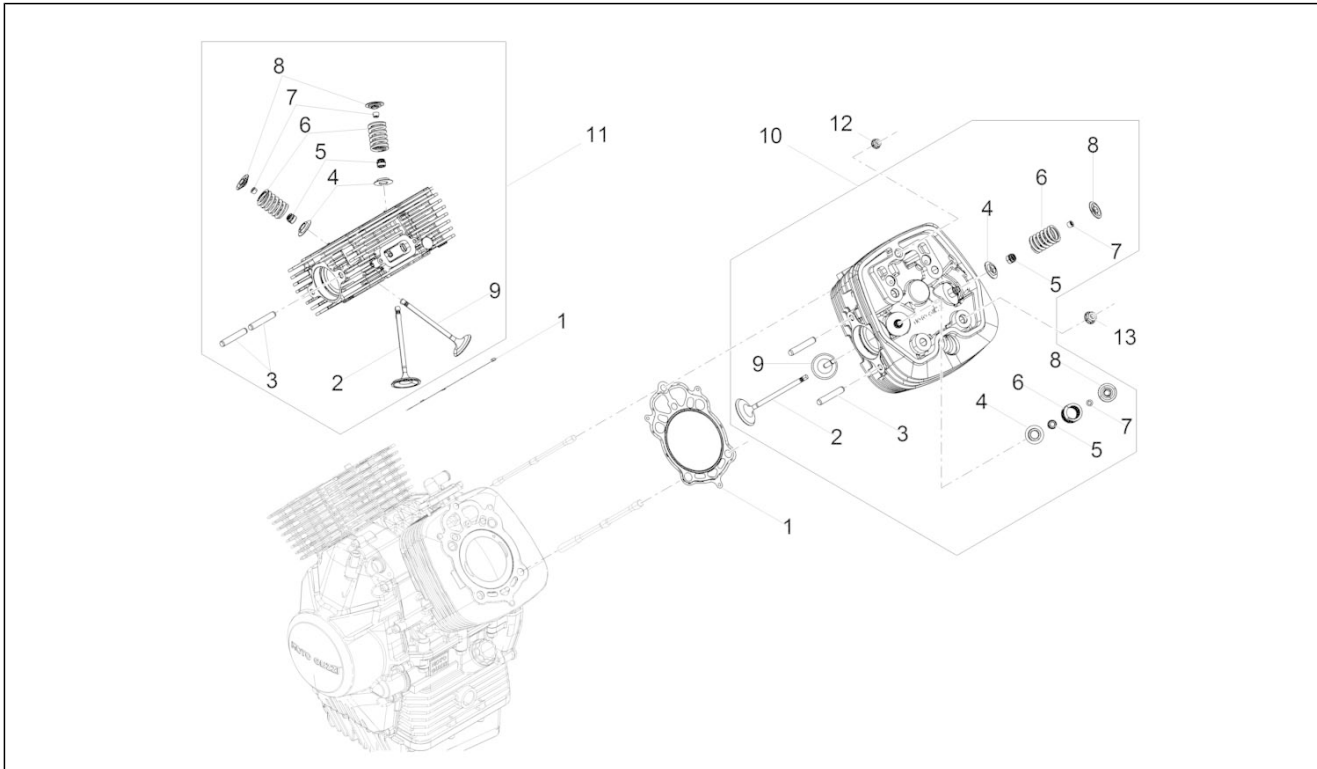
Pos.	Code	Beschreibung	Menge	Varianten
1	CM275402	Drosselkörper mit ECU (MIU)	1	
2	1D001393	Injektor	2	
3	2A000609	Anschluß re.	1	
4	880260	Klappenkörper Schutz	1	
5	B0167965	Linsenkopfschraube Torx M5x16	3	
6	AP8150500	TBEI Schraube M5x9	2	
7	2A000612	Dichtung Einlassanschluss	2	
8	2A000608	Anschluß li.	1	
9	GU98622322	Schraube	6	
10	GU03013800	Ausgleichscheibe 6,4x12	6	
11	884310	Schelle D.55	2	
12	2B001823	Muffe Drosselklappe	1	
13	CM258301	Schelle	1	

Einheit	Motor
Code	03.090
Beschreibung	Kopfdeckel
Inspektion	1



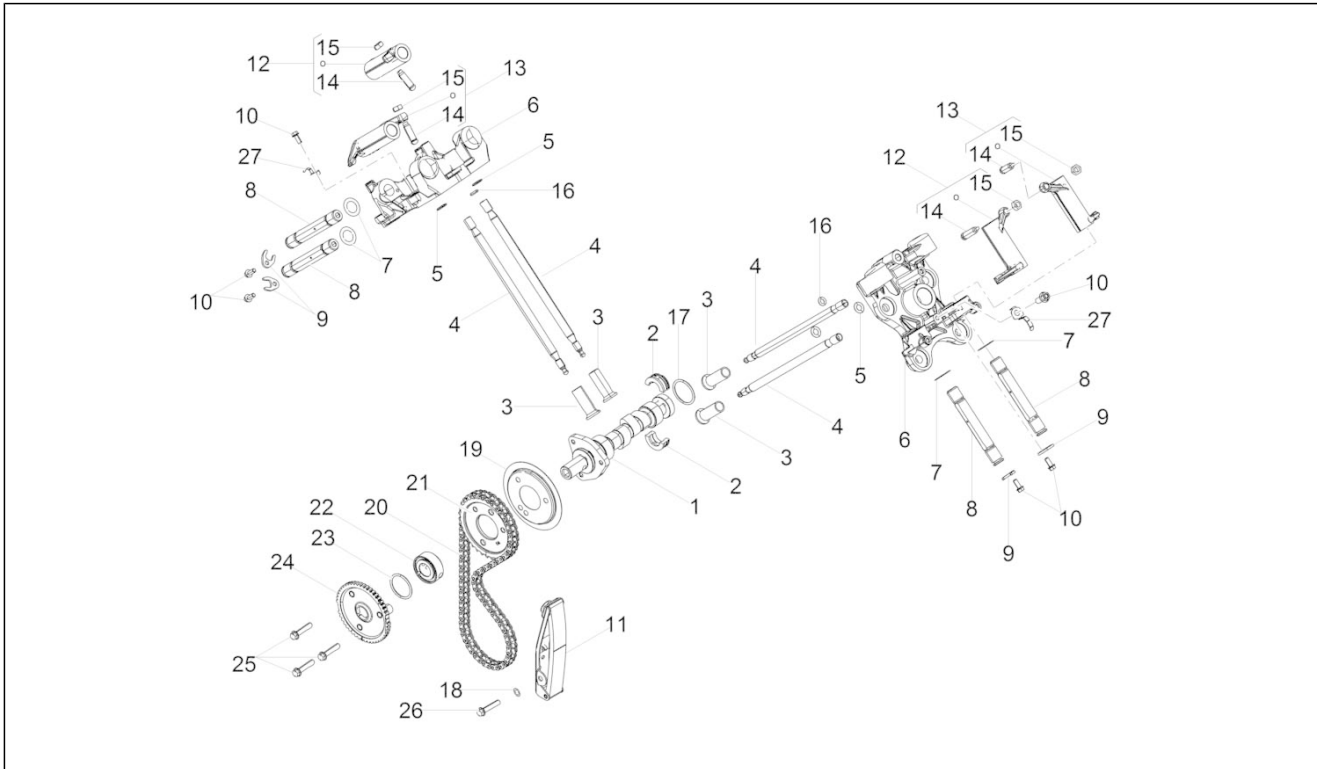
Pos.	Code	Beschreibung	Menge	Varianten
1	2A000565	Kopf Deckel Dichtung	2	
2	2A000659	Kabelführung	2	
3	1A008732	Kopfdeckel	2	
4	1A006716	Stopfen dämpfer	6	
5	976591	Spezialschraube	6	
6	2A000620	Zündkerzedeckel	2	
7	AP8152267	TBEI Spez.schr. M5x12	8	

Einheit	Motor
Code	03.100
Beschreibung	Zylinderkopf - ventile
Inspektion	1



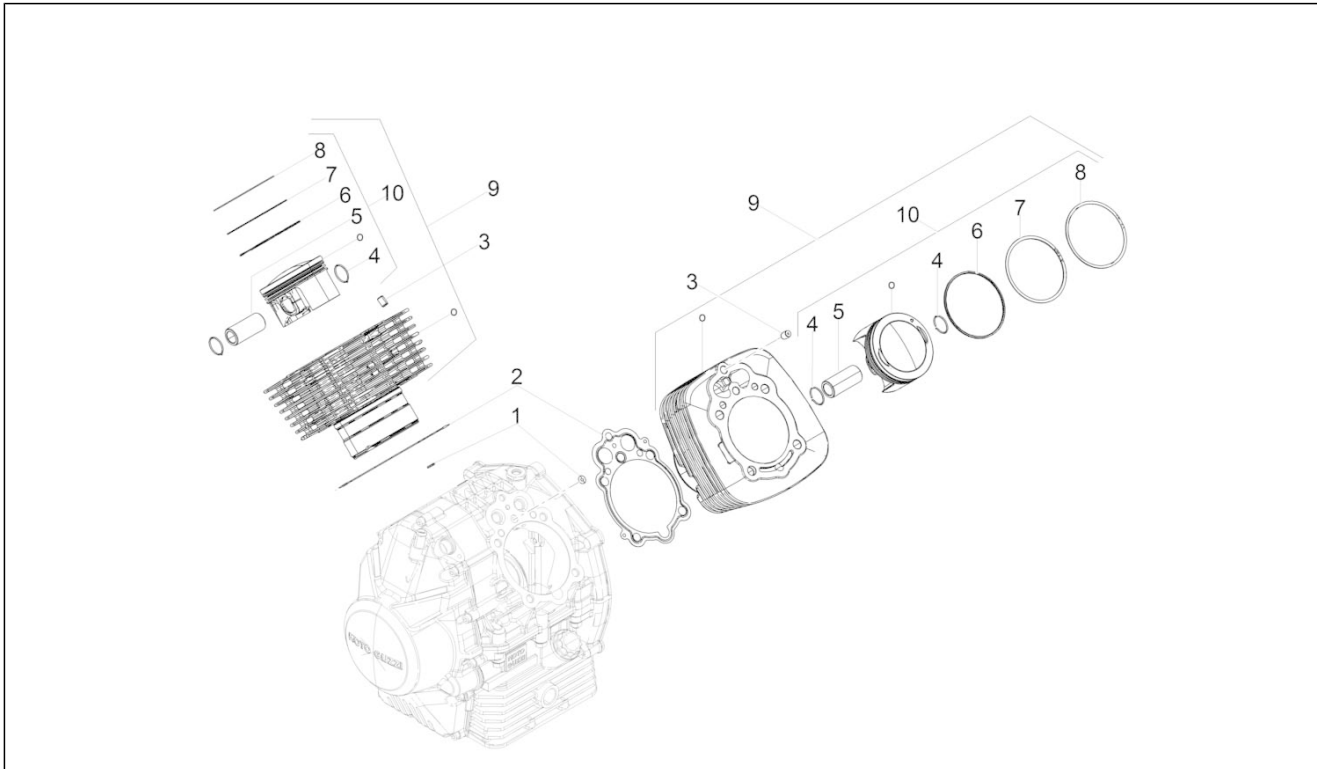
Pos.	Code	Beschreibung	Menge	Varianten
1	1A004660	Zylinder/Kopf Dichtung sp. 0,6 mm	66	
1	1A004661	Zylinder/Kopf Dichtung SP. 0.8 mm	66	
1	1A004662	Zylinder/Kopf Dichtung SP. 10 mm	1	
2	1A005424	Ein. ventil	1	
3	B017636	Auspufftopf Stiftschraube	2	
4	1A004751	Federteller unten	4	
5	1A003452	Ventil Dichtring	2	
6	1A004752	Rückzugsfeder	2	
7	871640	Halbkegel	8	
8	1A004750	Federteller oben	4	
9	1A005425	Auslassventil	1	
10	1A0068695	L.Kopf kpl.mitVentilführungen	1	
11	1A0068705	R.Kopf kpl.mitVentilführungen	1	
12	1A006659	Geflanschte Mutter M8x1.25	1	
13	825694	Mutter M10x1,25	1	

Einheit	Motor
Code	03.120
Beschreibung	Steuer
Inspektion	1



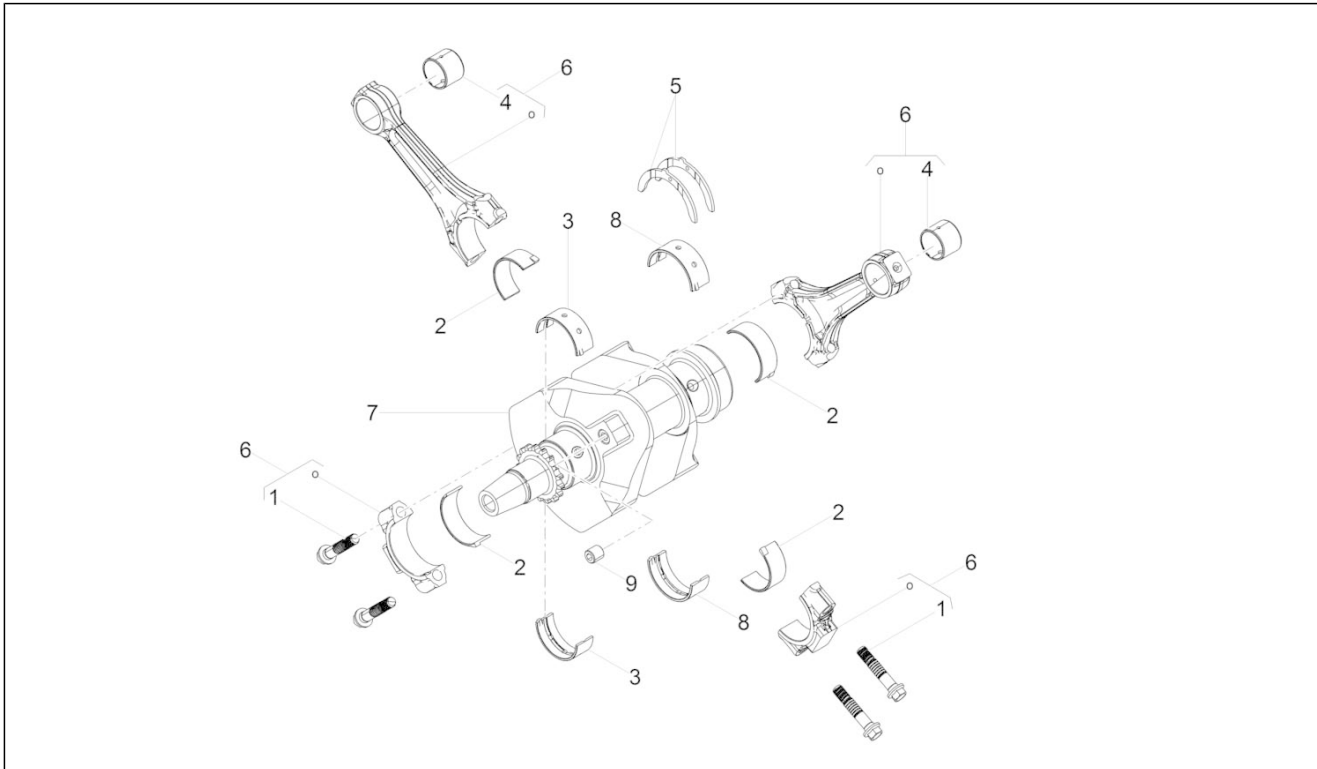
Pos.	Code	Beschreibung	Menge	Varianten
1	1A005712	Nockenwelle	1	
2	GU19055700	Sektor	2	
3	GU19045861	Ventilstässel	4	
4	2A000496	Kipphebelstange	4	
5	2A000579	Dichtungsring O-Ring 2,62x9.19	4	
6	2A0003535	Kippbellager	2	
7	1A005951	Gebogene Sprengscheibe	4	
8	2A000528	Kipphebel-Federwelle	4	
9	2A000521	Schaltgabel	4	
10	AP8152272	TE Schr. m. Flansch M5x12	4	
11	GU19058220	Kettenspanner	1	
12	1A004905	Kipphebel Einlass re Auslass li	2	
13	1A004903	Kipphebel Einlass li Auslass re	2	
14	1A004907	Einstellschraube	2	
15	GU10034100	Mutter	2	
16	1A006861	Gasket ring	2	
17	GU90353029	Sprengring	1	
18	GU95129115	Ausgleichscheibe	1	
19	1A005955	Platte	2	
20	GU19058021	Steuerkette	1	
21	1A006243	Steuer Zahnkranz	1	
22	1A006119	Distanzscheibe	1	
23	1A006127	O-Ring	1	
24	1A0057145	Phonic wheel	0	
25	1A008576	***TE Schr. m. Flansch	3	
26	GU98882316	Schraube	1	
27	2A000527	Platte	2	

Einheit	Motor
Code	03.150
Beschreibung	Zylinder - Kolben
Inspektion	1



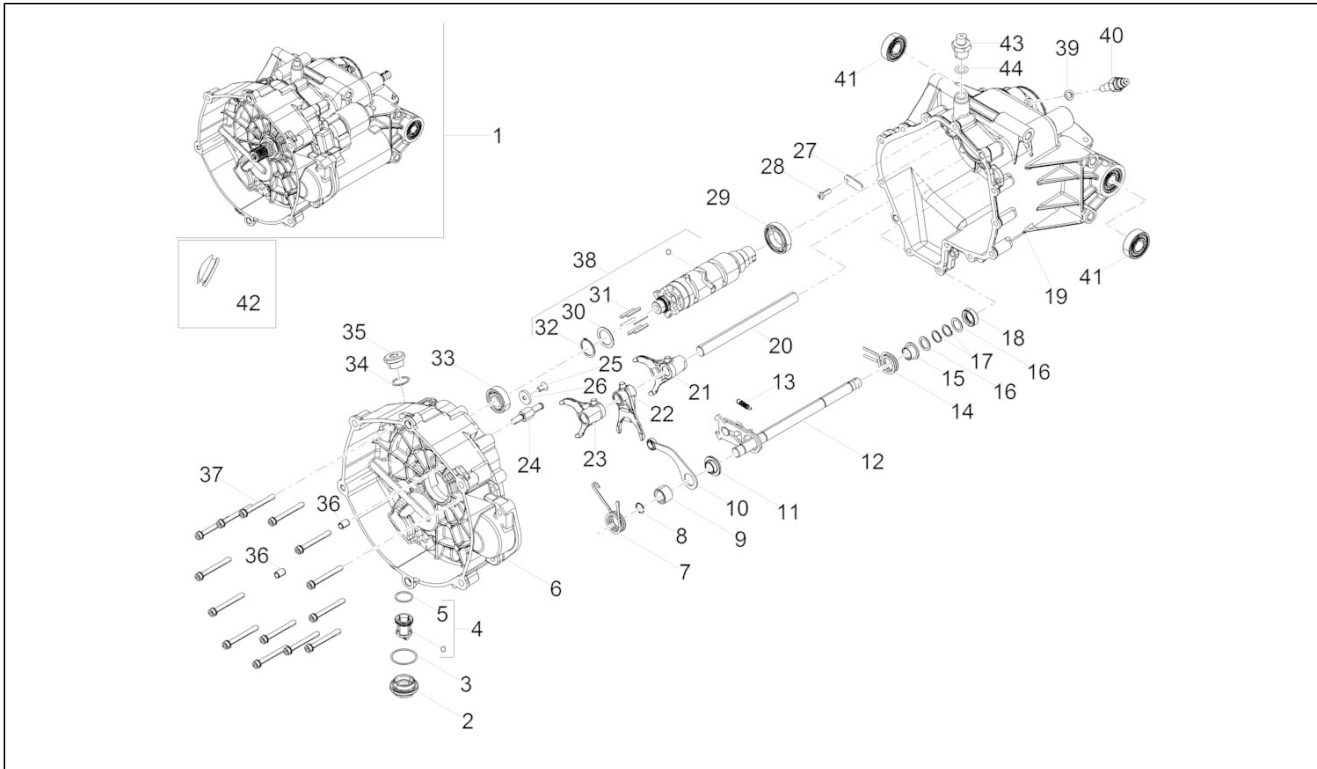
Pos.	Code	Beschreibung	Menge	Varianten
1	GU61027200	O-Ring	2	
2	1A007070	Dichtung Zylinder/Gehäuse	2	
3	GU19021360	Buchse	2	
4	874567	Sperring	4	
5	1A004956	Bolzen	2	
6	1A004955	Ölabstreifer	2	
7	1A004954	Kompressions-kolbenring	2	
8	1A004953	Kompressions-kolbenring	2	
9	1A007111	Kolben mit Zylinder kpl.	1	
10	1A006272AA	Kolben kpl. Auswahl "G"	1	
10	1A006272BB	Kolben kpl. Auswahl "H"	1	
10	1A006272CC	Kolben kpl. Auswahl "L"	1	
10	1A006272DD	Kolben kpl. Auswahl "M"	1	

Einheit	Motor
Code	03.160
Beschreibung	Kurbelwelle
Inspektion	1



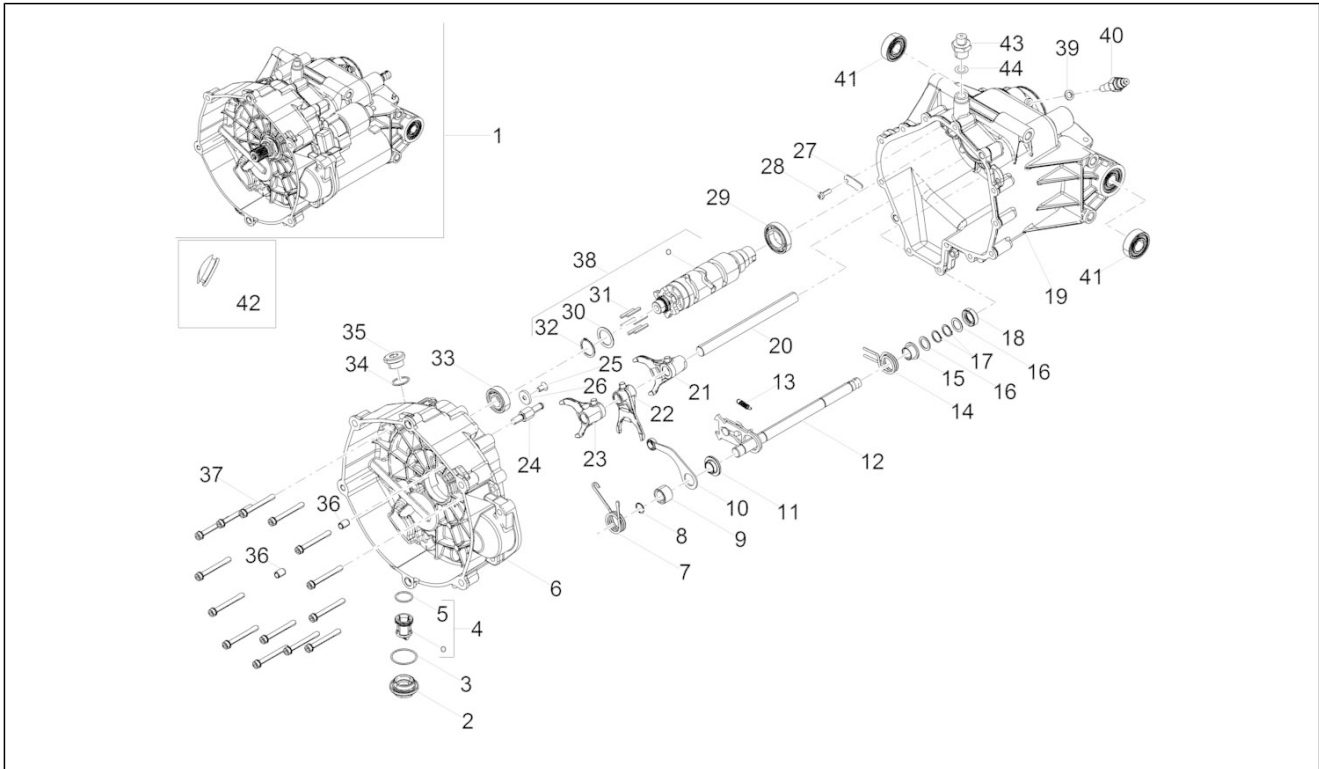
Pos.	Code	Beschreibung	Menge	Varianten
1	GU19062261	Schraube	4	
2	1A0068960B	Pleuellagerschale blau	4	
2	1A0068960G	Pleuellagerschale gelb	4	
2	1A0068960R	Pleuellagerschale Rot	4	
3	1A0066680G	Hauptlagerschale vorne gelb	1	
3	1A0066680N	Hauptlagerschale vorne Schwarz	1	
3	1A0066680V	Hauptlagerschale vorne Grün	1	
4	GU27061885	Buchse	2	
5	GU27066460	Halb-Klemme	2	
6	1A005325AA	Pleuel Auswahlklasse "A"	1	
6	1A005325BB	Pleuel Auswahlklasse "B"	1	
7	1A006671AA	Kurbelwelle kpl.,cat.1	1	
7	1A006671BB	Kurbelwelle, komplett kat. 2	1	
8	1A0066690G	Hauptlagerschale hinten gelb	2	
8	1A0066690N	Hauptlagerschale hinten Schwarz	2	
8	1A0066690V	Hauptlagerschale hinten Grün	2	
9	GU19065400	Deckel	1	

Einheit	Motor
Code	03.170
Beschreibung	Schaltgetriebe / Schaltgabel / Desmodrom.
Inspektion	1



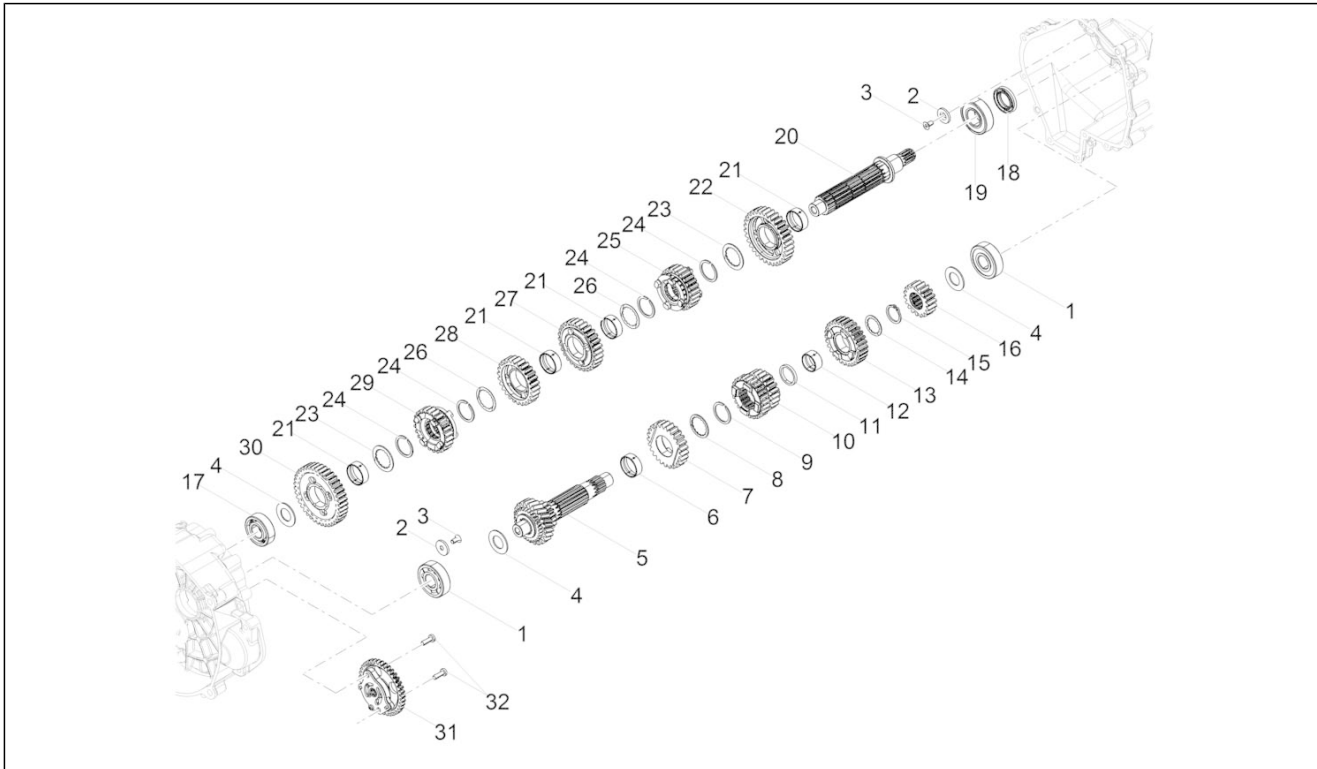
Pos.	Code	Beschreibung	Menge	Varianten
1	2A0009145	Schaltgetriebe kpl.	1	
2	B015598	Ölfilter Verschuß	1	
3	285536	O-Ring 31,47x1,78	1	
4	B018020	Ölfiltereinsatz kpl.	1	
5	B017406	O-Ring 20.35x1.78	1	
6	2A0009105	Kupplungsglocke	1	
7	B064113	Index feder	1	
8	GU90353014	Seegerring	1	
9	GU05234230	Distanzscheibe	1	
10	B064112	Indexhebel kpl.	1	
11	GU05238431	Buchse	1	
12	2A000219	Schaltautomat	1	
13	GU05238231	Feder	1	
14	B063956	Feder	1	
15	2A000467	Distanzscheibe	1	
16	GU05239330	Anlaufscheibe	2	
17	GU90271014	Seegerring	2	
18	GU90401424	Gasket ring 14x24x7	1	
19	2A0009085	Not available	1	
20	2A000224	Stange	1	
21	2A000226	Schaltgabel 2-3 Gang	1	
22	2A000227	Gabel 5.-6. Gang	1	
23	2A000225	Gabel für Sekundärwelle	1	
24	2A000415	Anschlagschraube	1	
25	B013608	Schraube	1	
26	873905	Unterlegscheibe	1	
27	2A000241	Schraube M5x16	1	
27	2A000306	Anschlagplatte	1	

Einheit	Motor
Code	03.170
Beschreibung	Schaltgetriebe / Schaltgabel / Desmodrom.
Inspektion	1



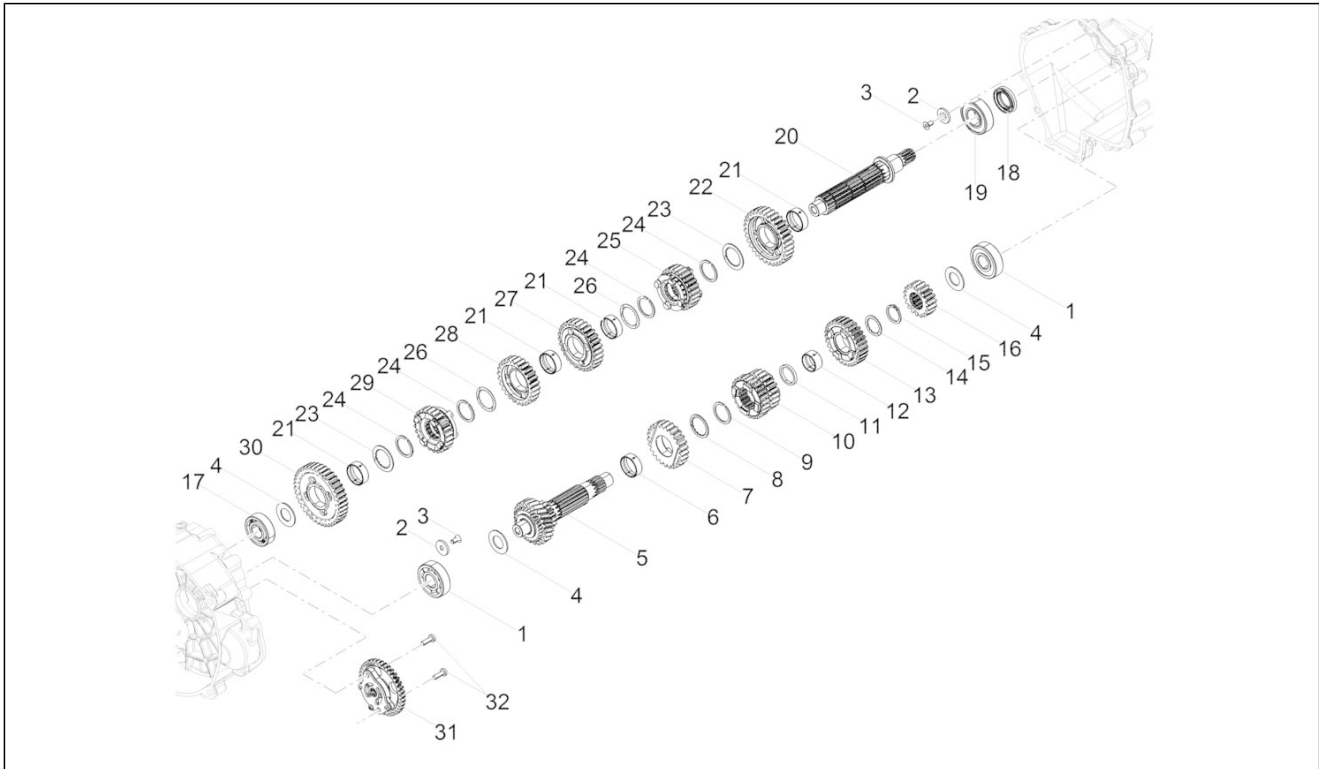
Pos.	Code	Beschreibung	Menge	Varianten
28	2A000241	Schraube M5x16	1	
29	857250	Kugellager 25x42x9	1	
30	GU05235531	Scheibe	1	
31	GU05234631	Stift	6	
32	GU90271022	Seegerring	1	
33	834764	Lager	1	
34	GU90706203	O-Ring 20,24X2,62	1	
35	GU12022600	Ölschraube	1	
36	GU19002020	Buchse 6,6x9x13	2	
37	2A000591	Zylinderschraube M6x55	14	
38	2A000222	Verschiebenocken kplt.	1	
39	B063025	Dichtung 8,7x14,2x1,3	1	
40	B063269	Sensor	1	
41	2A000097	Kugellager 6202-2RSH/C3 LHT23	2	
42	GU93180220	Deckel	1	
43	2A000438	Entlüftungsschraube	1	
44	224566	Unterlegscheibe	1	

Einheit	Motor
Code	03.180
Beschreibung	Schaltgetriebe - Zahnräder
Inspektion	1



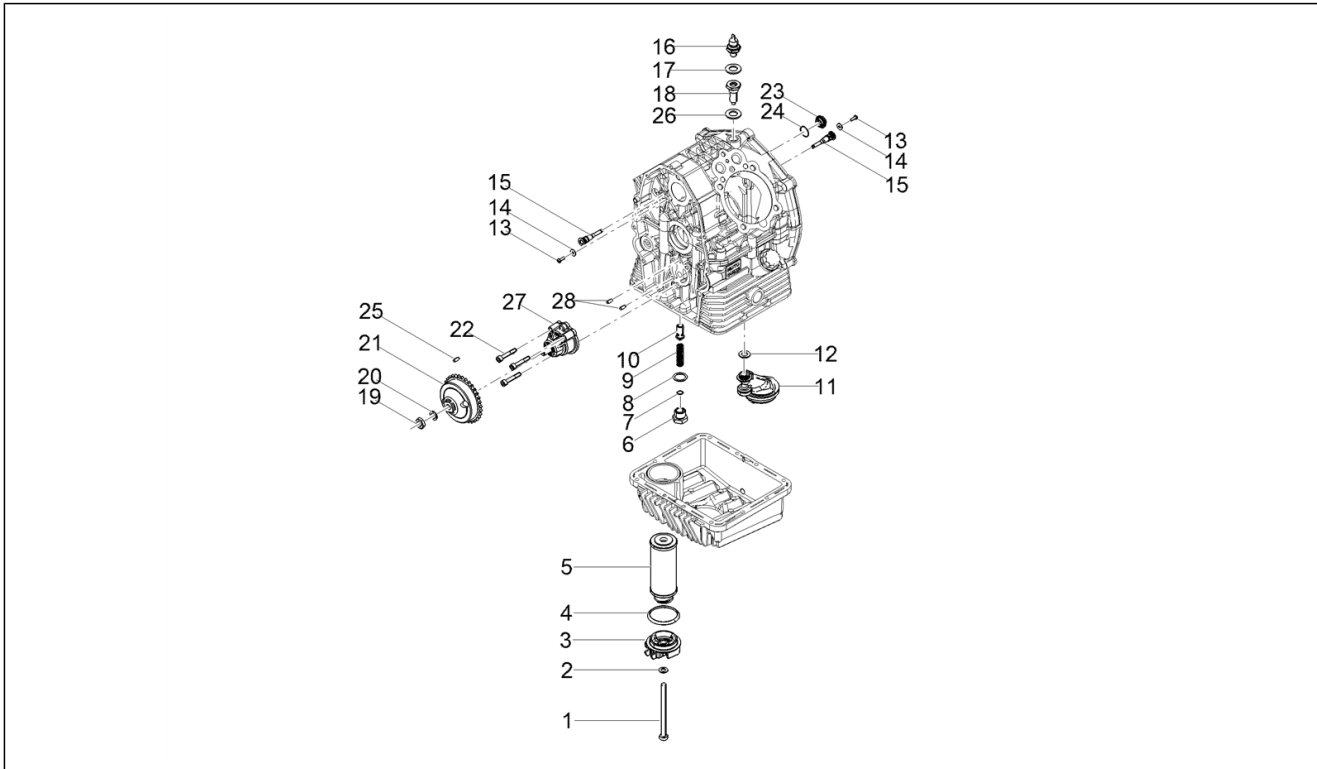
Pos.	Code	Beschreibung	Menge	Varianten
1	GU92201822	Kugellager 20x52x15	2	
2	873928	Unterlegscheibe	2	
3	B013608	Schraube	2	
4	1A000566	Ausgleichsscheibe	1	
5	2A000727	Vorgelegewelle	1	
6	849308	Buchse Beweglich	1	
7	1A000360	Schnellgangrad	1	
8	849424	Bundscheibe	1	
9	1A002604	Welle Sprengring	1	
10	1A000436	Zahnrad 3a - 4a vel.	1	
11	B015040	Ausgleichsscheibe	1	
12	974162	Buchse Beweglich	1	
13	2A000627	Zahnrad 6. Gang	1	
14	849396	Bundscheibe	1	
15	974165	Sprengring	1	
16	1A000365	Zahnrad 2.Hauptwelle	1	
17	848650	Kugellager 20x47x14	1	
18	GU90412541	Gasket ring 25X40X7	1	
19	GU92201226	Kugellager 25x52x15	1	
20	2A000203	Nebentriebewelle	1	
21	849308	Buchse Beweglich	4	
22	1A000366	Wechselrad 2. gang Z=32	1	
23	849309	Bundscheibe	2	
24	1A002604	Welle Sprengring	4	
25	1A000370	Zahnrad 6. Gang Z=24	1	
26	849310	Bundscheibe	2	
27	1A000367	Wechselrad 3. gang Z=28	1	
28	1A000368	Wechselrad 4. gang Z=26	1	

Einheit	Motor
Code	03.180
Beschreibung	Schaltgetriebe - Zahnräder
Inspektion	1



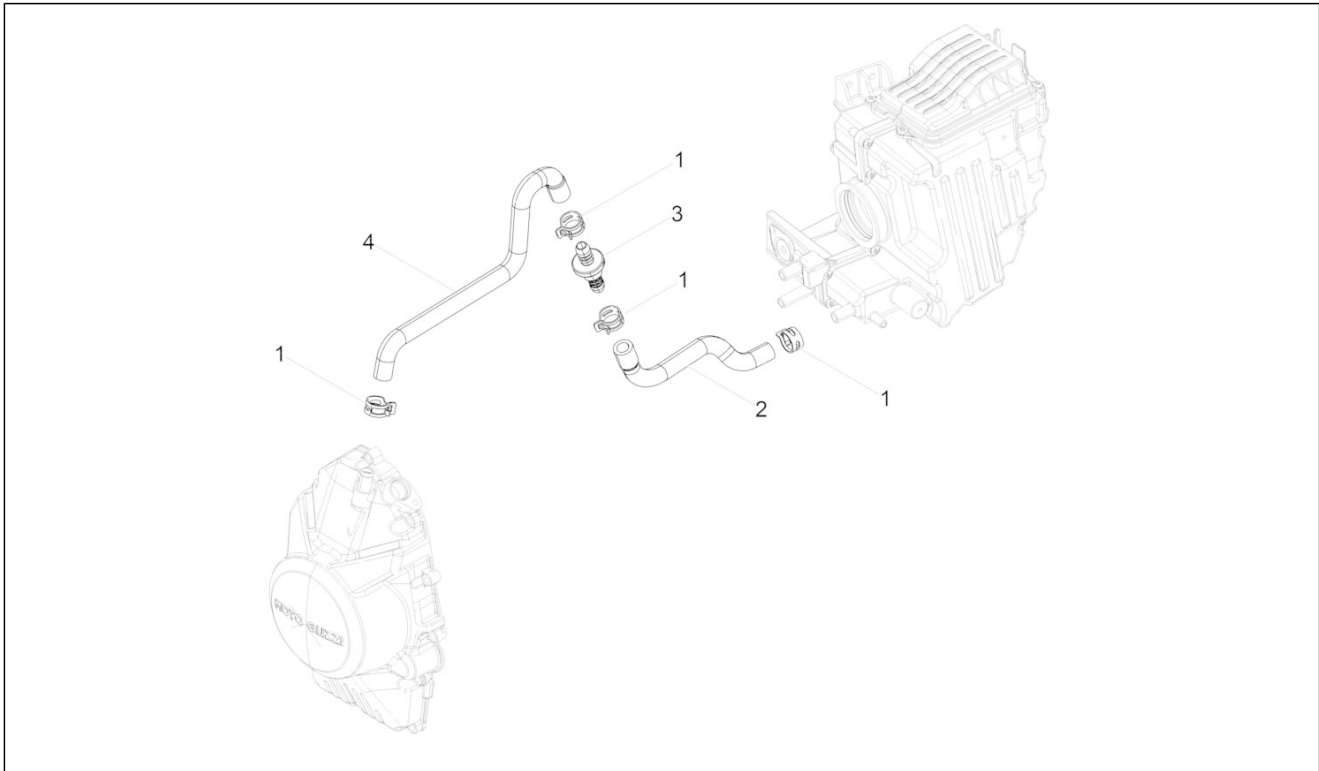
Pos.	Code	Beschreibung	Menge	Varianten
29	1A000369	Wechselrad 5. gang Z=24	1	
30	2A000629	Zahnrad 1.gang	1	
31	B018448	Ölpumpe	1	
32	2A000241	Schraube M5x16	2	

Einheit	Motor
Code	03.190
Beschreibung	Schmierung
Inspektion	1



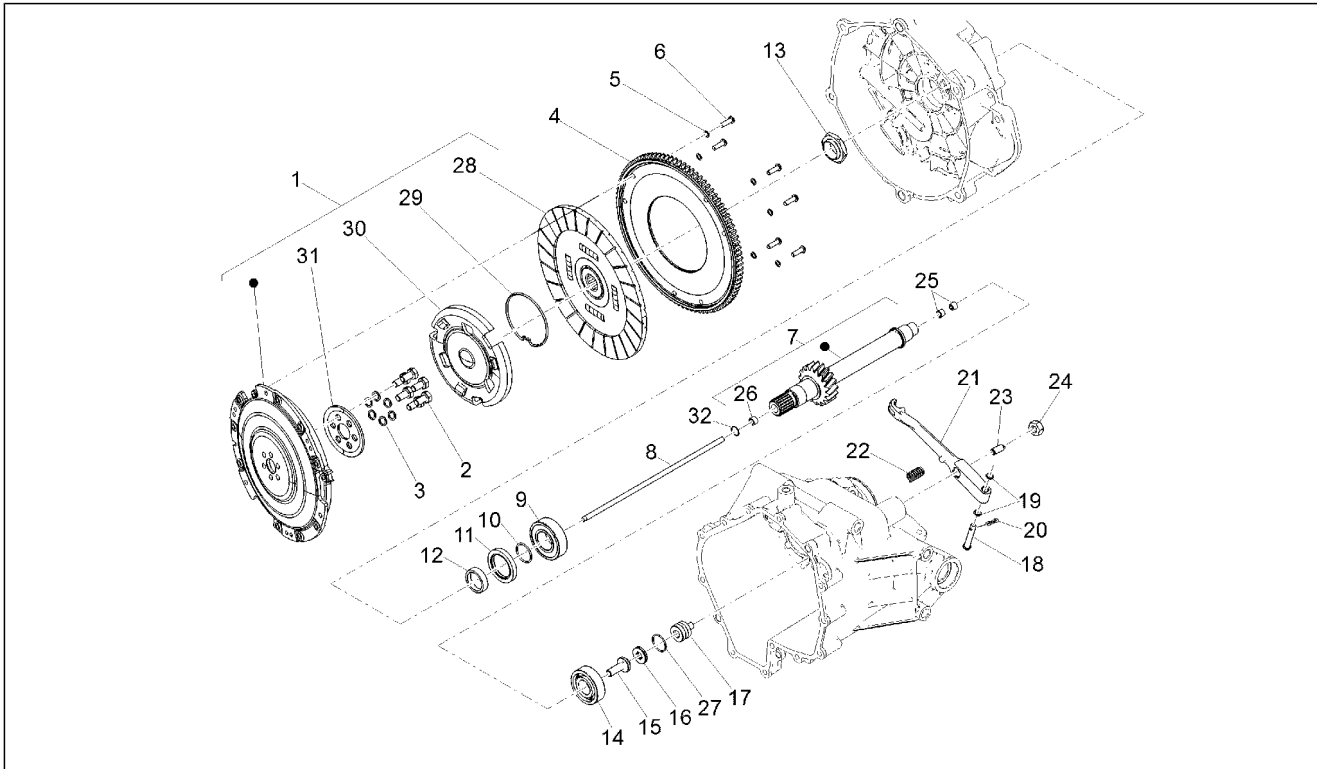
Pos.	Code	Beschreibung	Menge	Varianten
1	GU27152885	Schraubbolzen	1	
2	GU12154200	Dichtung 8,25x15x1	1	
3	1A005199	Ölfilterdeckel	1	
4	GU90706444	O-Ring	1	
5	2A000633	Ölfiltereinsatz	1	
6	GU31159050	Deckel	1	
7	GU95008206	Ausgleichscheibe 6,15x11x0,8	1	
8	GU18144350	Ausgleichscheibe 18,25x24x1	3	
9	GU94321079	Feder	1	
10	GU31150950	Kolben	1	
11	1A004549	Oil strainer	1	
12	237553	O-Ring	1	
13	1A005257	Linsenschraube	2	
14	013763	Flachscheibe 4,2x12x1	2	
15	1A004442	Kühldüse Kolben	2	
16	643090	Öldrucksensor	1	
17	GU95100309	Ausgleichscheibe	1	
18	887093	Anschluß	1	
19	GU92602510	Mutter M10x1,25	1	
20	AP8152220	Scheibe	1	
21	GU20147710	Zahnrad pumpe	1	
22	1A007008	TCEI Schraube M6x35 preimpregnata	3	
23	826165	Ölfilter Verschuß	1	
24	285536	O-Ring 31,47x1,78	1	
25	GU92296723	Rolle	1	
26	GU95100602	Dichtung	1	
27	1A006053	Ölpumpe komplett	1	
28	GU19018920	Stift	2	

Einheit	Motor
Code	03.196
Beschreibung	Anlage Blow-by
Inspektion	1



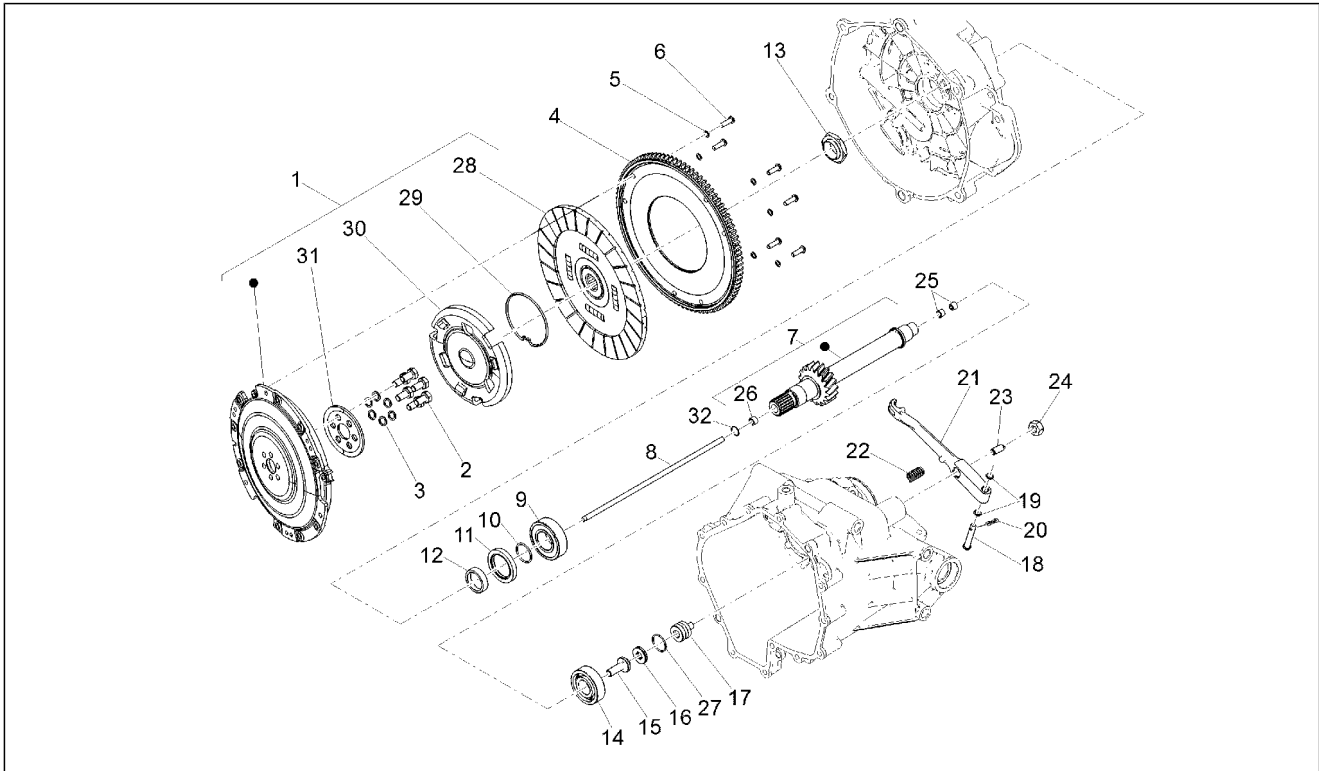
Pos.	Code	Beschreibung	Menge	Varianten
1	CM226902	Federschelle 19/12	4	
2	2B003204	Blow-By-Leitung	1	
3	2B003105	Rückstauventil	1	
4	2B002602	Blow-By-Leitung	1	

Einheit	Motor
Code	03.230
Beschreibung	Kupplung
Inspektion	1



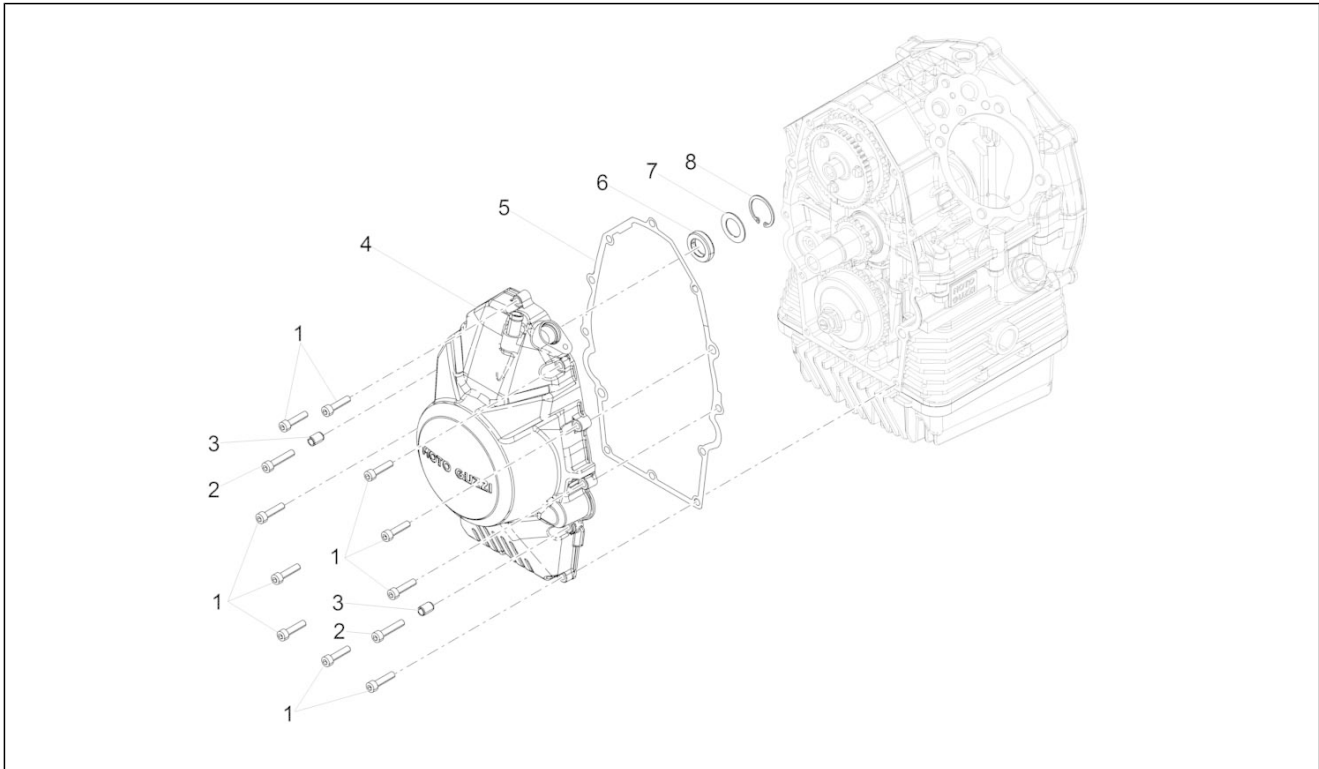
Pos.	Code	Beschreibung	Menge	Varianten
1	2A000419	Einscheiben-Kupplungseinheit komplett	1	
2	GU19067700	Schraube	6	
3	GU14615901	Ausgleichscheibe 8,4X13X0,8	6	
4	2A000724	Anlasserzahnkranz	1	
5	GU14217901	Scheibe 6,4x10x0,7	6	
6	623920	Schraube torx	6	
7	2A000792	Kupplungswelle Kpl. Z=21	1	
8	2A000216	Regelstange	1	
9	GU92201226	Kugellager 25x52x15	1	
10	GU90706235	O-Ring 23,52x1,78	1	
11	886629	Gasket ring	1	
12	GU19213760	Distanzscheibe	2	
13	GU19356760	Mutter	1	
14	2A000375	Kugellager	1	
15	B013037	Kupplungswelle	1	
16	2A000376	Drucklager	1	
17	GU14086100	Aussengehäuse	1	
18	2A000384	Hebelbolzen	1	
19	2A000385	O-Ring 6.5x1.5	2	
20	GU95500222	Splint	1	
21	2A000631	Ausrueckwelle	1	
22	GU94321105	Rückholfeder Starterhebel	1	
23	2A000767	Regelschraube	1	
24	GU92606508	Mutter	1	
25	GU14085900	Buchse	2	
26	GU05217630	Buchse	1	
27	GU90706170	O-Ring 17,13x2,62	1	
28	2A000770	Getriebene Kuppl.scheibe	1	

Einheit	Motor
Code	03.230
Beschreibung	Kupplung
Inspektion	1



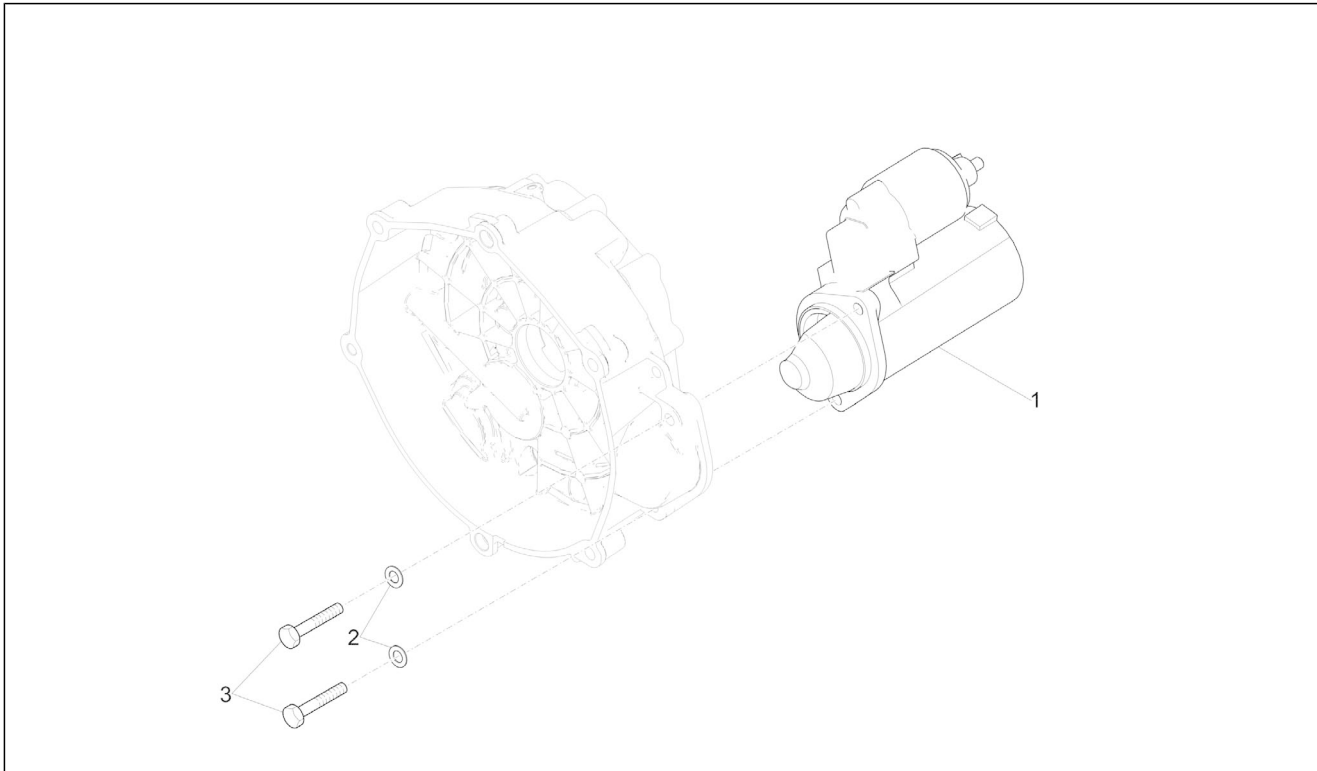
Pos.	Code	Beschreibung	Menge	Varianten
29	2A000418	Ring	1	
30	2A000638	Federteller	1	
31	2A000741	Stütze	1	
32	2A000378	Gasket ring	1	

Einheit	Motor
Code	03.270
Beschreibung	Zuenderdeckel
Inspektion	1



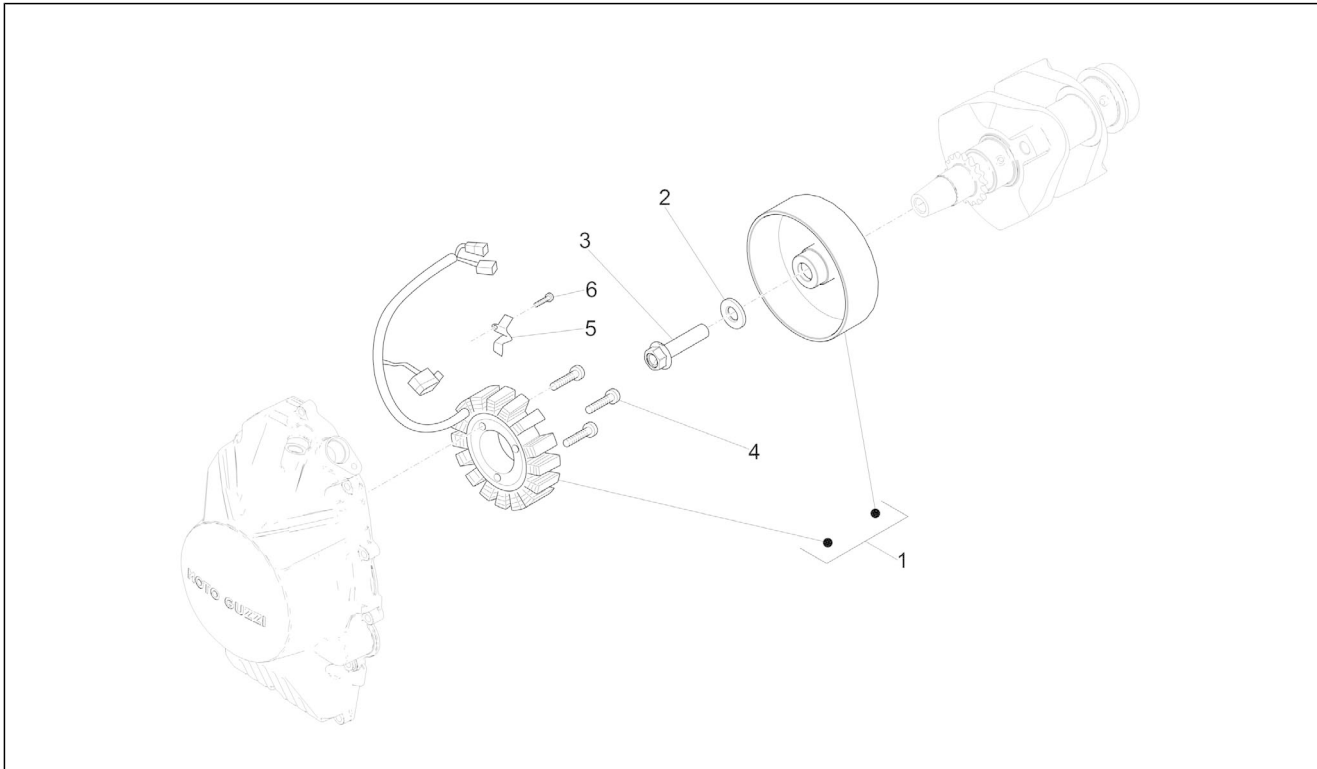
Pos.	Code	Beschreibung	Menge	Varianten
1	GU98682325	TCEI Schraube M6x25	10	
2	GU98682330	TCEI Schraube M6x20	2	
3	GU19002020	Buchse 6,6x9x13	2	
4	1A006298	Deckel	1	
5	887003	Deckeldichtung Kupplungsseite	1	
6	898268	Gasket ring 18x30x7	1	
7	898269	Bundscheibe	1	
8	006630	Sprengring	1	

Einheit	Motor
Code	03.290
Beschreibung	Zündung / Elektrischer Anfang
Inspektion	1



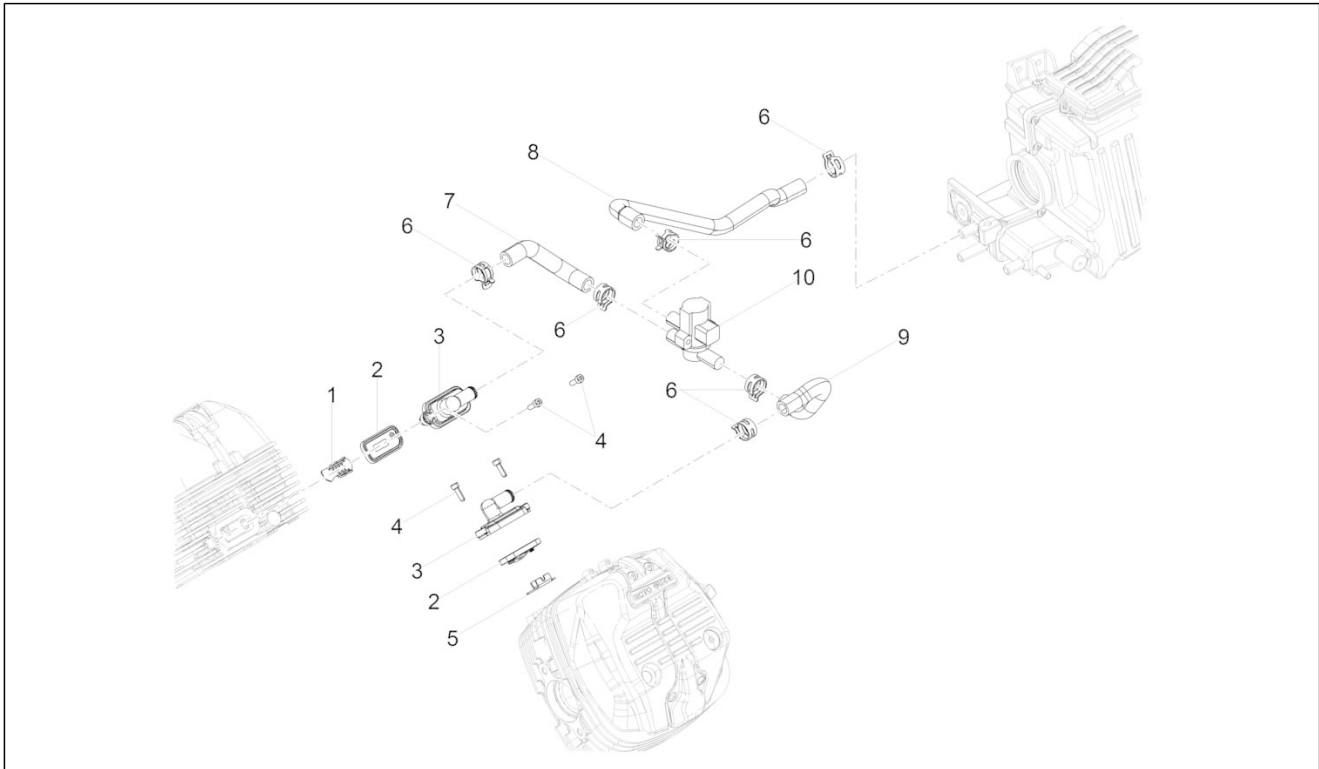
Pos.	Code	Beschreibung	Menge	Varianten
1	97729R	Startermotor	1	
2	GU95008208	Ausgleichscheibe 8,4X15X1,5	2	
3	GU98682435	TCEI Schraube	2	

Einheit	Motor
Code	03.300
Beschreibung	Schwungradmagnetstarter / Zündung
Inspektion	1



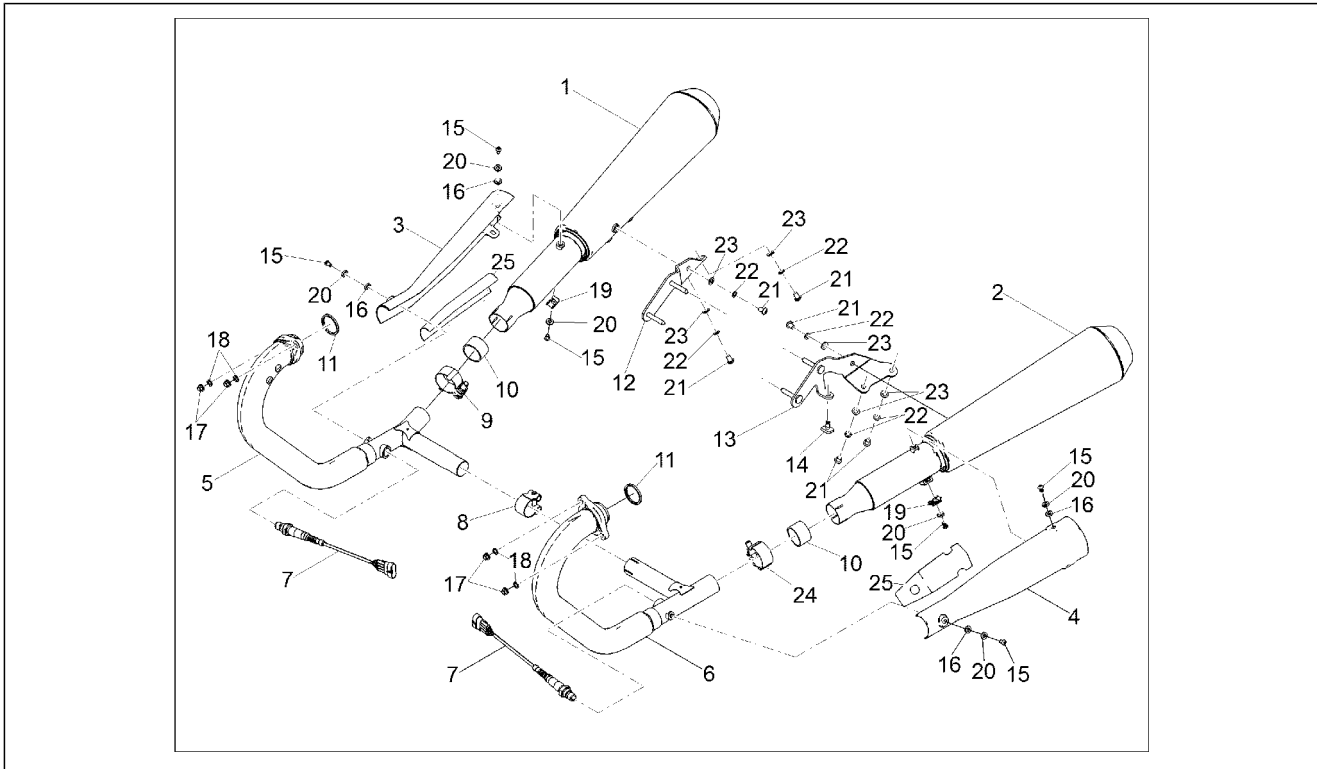
Pos.	Code	Beschreibung	Menge	Varianten
1	2D000024	Schwungrad Mag. klp.	1	
2	897478	Unterlegscheibe 12x26.5x3	1	
3	857206	TE Schr. m. Flansch M12X1,25X50	1	
4	2A000129	Flache Innensechskantschraube M6x35	3	
5	2A000115	Platte	1	
6	GU98682212	TCEI Schraube M5x12	1	

Einheit	Motor
Code	03.320
Beschreibung	Secondary air
Inspektion	1



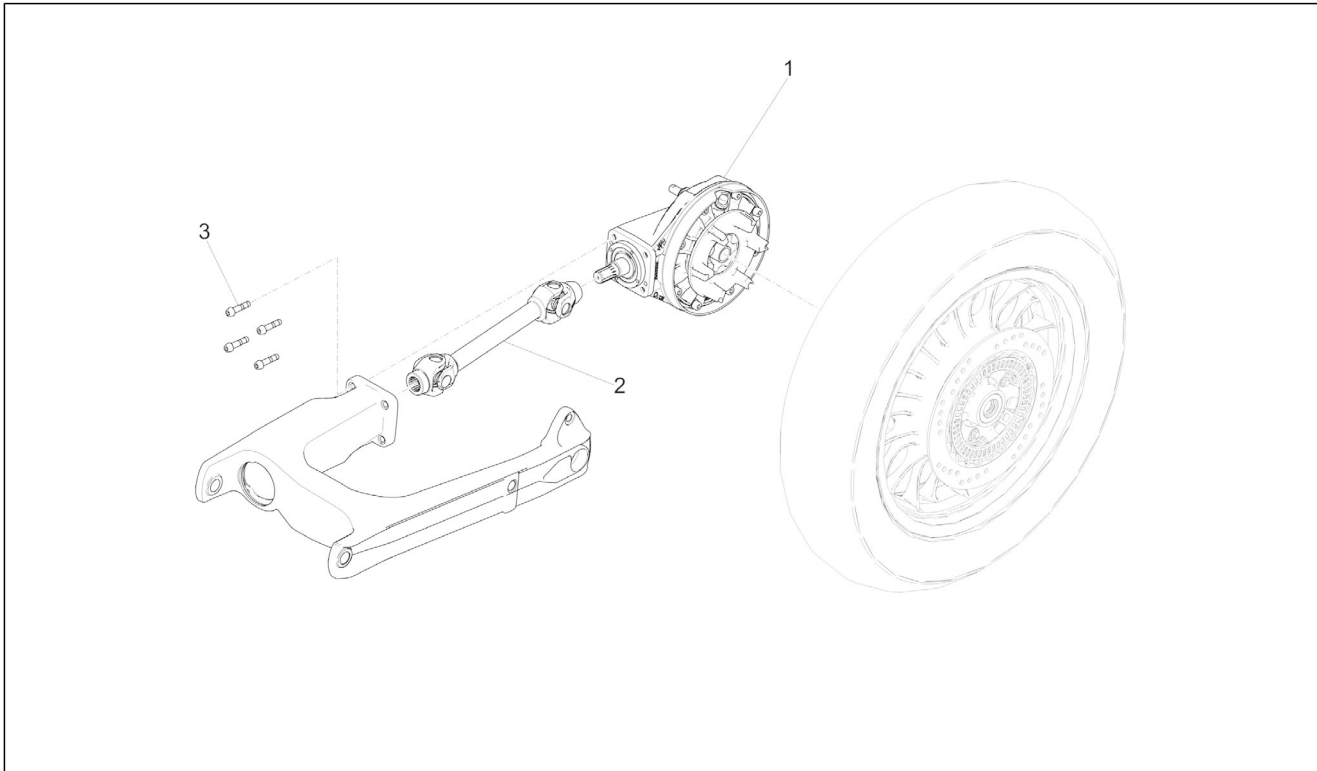
Pos.	Code	Beschreibung	Menge	Varianten
1	857047	Spark arrester	1	
2	857045	Reed valve	2	
3	2A000597	Abdeckung	1	
4	GU98612216	TCEI Schraube	2	
5	857046	Spark arrester	1	
6	CM226902	Federschelle 19/12	6	
7	2B002529	Schlauch rechts "S.A.S."	1	
8	2B002531	Leitung Filtergehäuse "S.A.S."	1	
9	2B002530	Schlauch links "S.A.S."	1	
10	857181	SAS ventil	1	

Einheit	Motor
Code	03.330
Beschreibung	Auspuffrohr
Inspektion	1



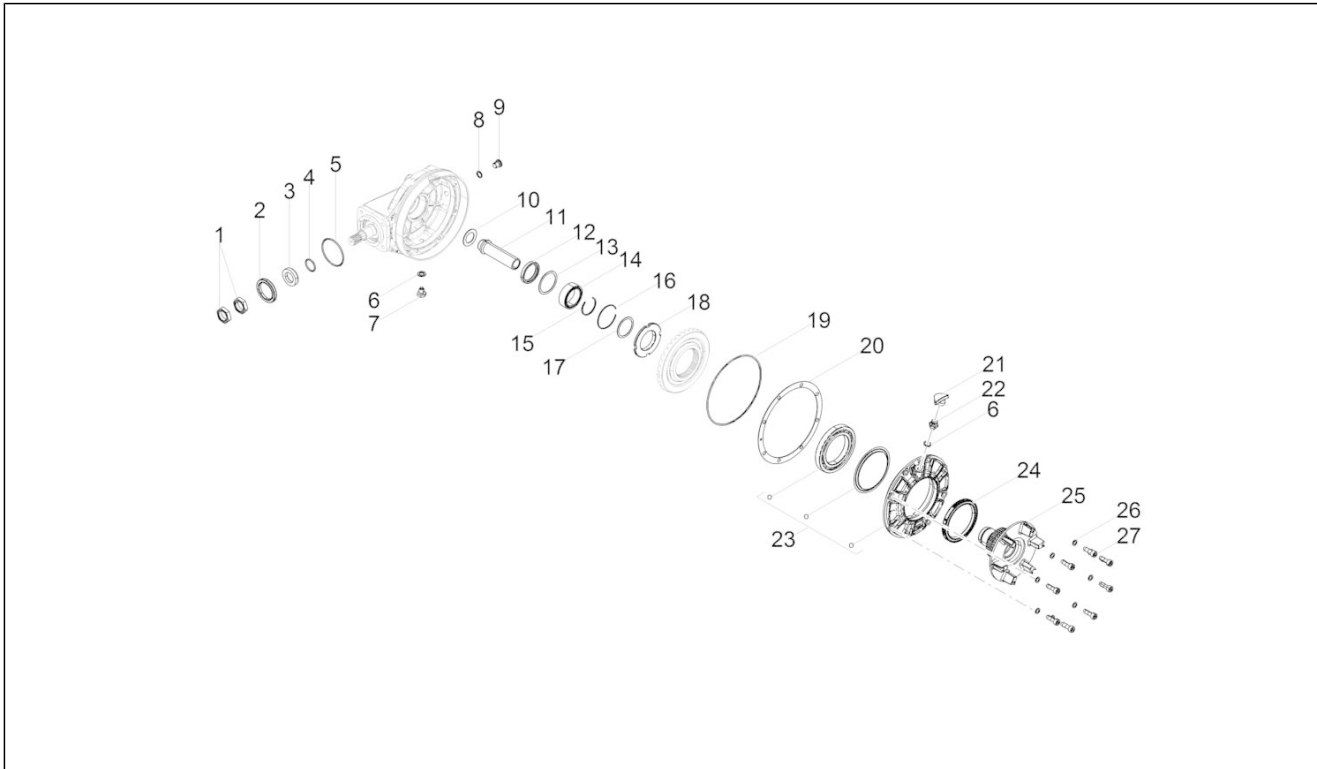
Pos.	Code	Beschreibung	Menge	Varianten
1	2B0010995	Auspufftopf rechts	1	
2	2B0011005	Auspufftopf links	1	
3	2B0022935	R.Schalldämpferschutz	1	
4	2B0022925	L.Schalldämpferschutz	1	
5	2B001084	Auspuffkrümmer rechts	1	
6	2B001083	Auspuffkrümmer links	1	
7	896110	Lamdasonde l.660 mm	2	
8	B063292	Schelle D.37	1	
9	874957	Schelle	1	
10	GU91113826	Buchse	2	
11	852090	Dichtung Auspuffrohr	2	
12	2B002533	Haltebügel Schalldämpfer rechts mit Innenteilen	1	
13	2B002532	Haltebügel Schalldämpfer links mit Innenteilen	1	
14	AP8120455	Gummi	1	
15	2B002187	TBEI Schraube M6x10	6	
16	876879	Abstandhalter	4	
17	GU92660021	Geflanschte Mutter M8	4	
18	GU14615901	Ausgleichscheibe 8,4X13X0,8	4	
19	254485	Plattchen M6	2	
20	834951	Kegelscheibe	6	
21	AP8152055	TBEI Schraube M8x12	6	
22	GU14615901	Ausgleichscheibe 8,4X13X0,8	6	
23	GU95008208	Ausgleichscheibe 8,4X15X1,5	6	
24	2B001935	Schelle	1	
25	2B003284	Wärmeschutz	2	

Einheit	Motor
Code	03.340
Beschreibung	Getriebe kpl.
Inspektion	1



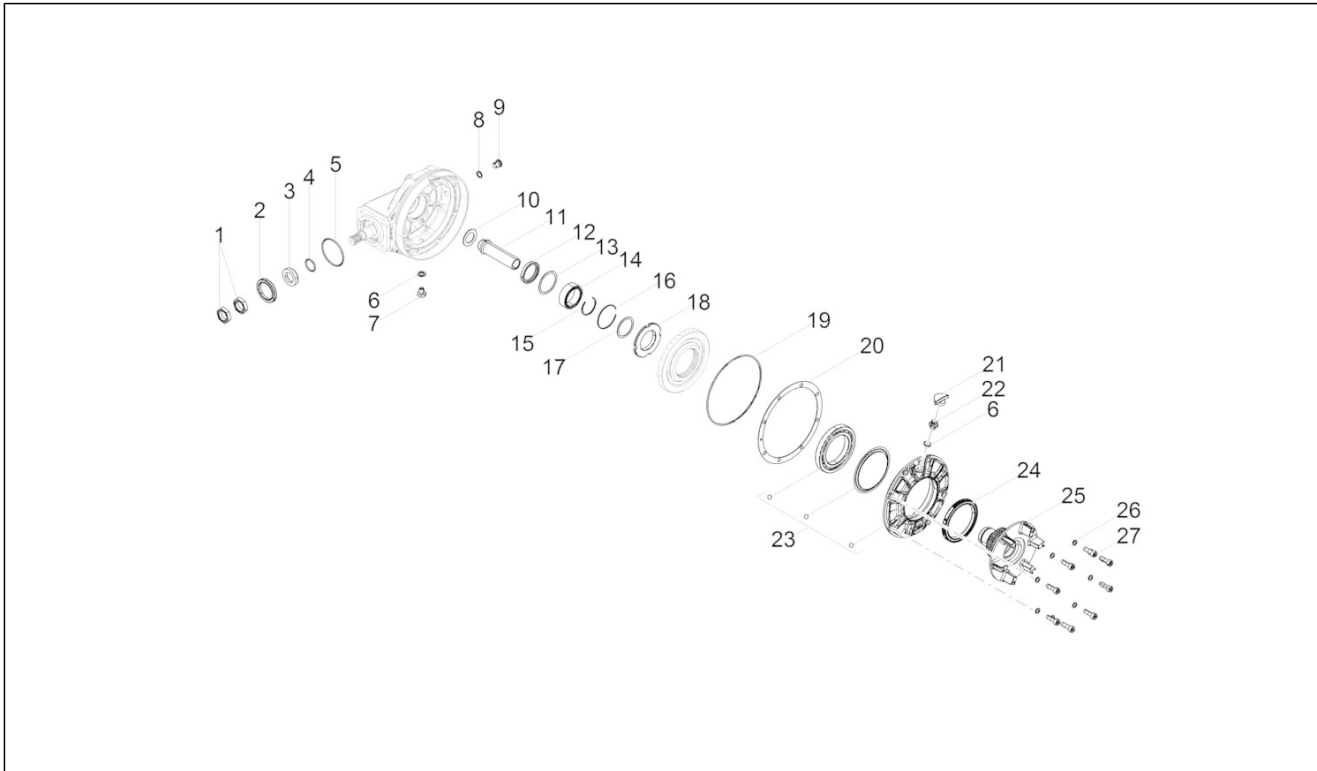
Pos.	Code	Beschreibung	Menge	Varianten
1	2B0011535	Kraftübertragung, kpl.	1	
2	2B002298	Getriebe	1	
3	2B002699	Schraube TCC Torx M8x35 mit vorimpr. Bund	4	

Einheit	Motor
Code	03.350
Beschreibung	Getriebedeckel
Inspektion	1



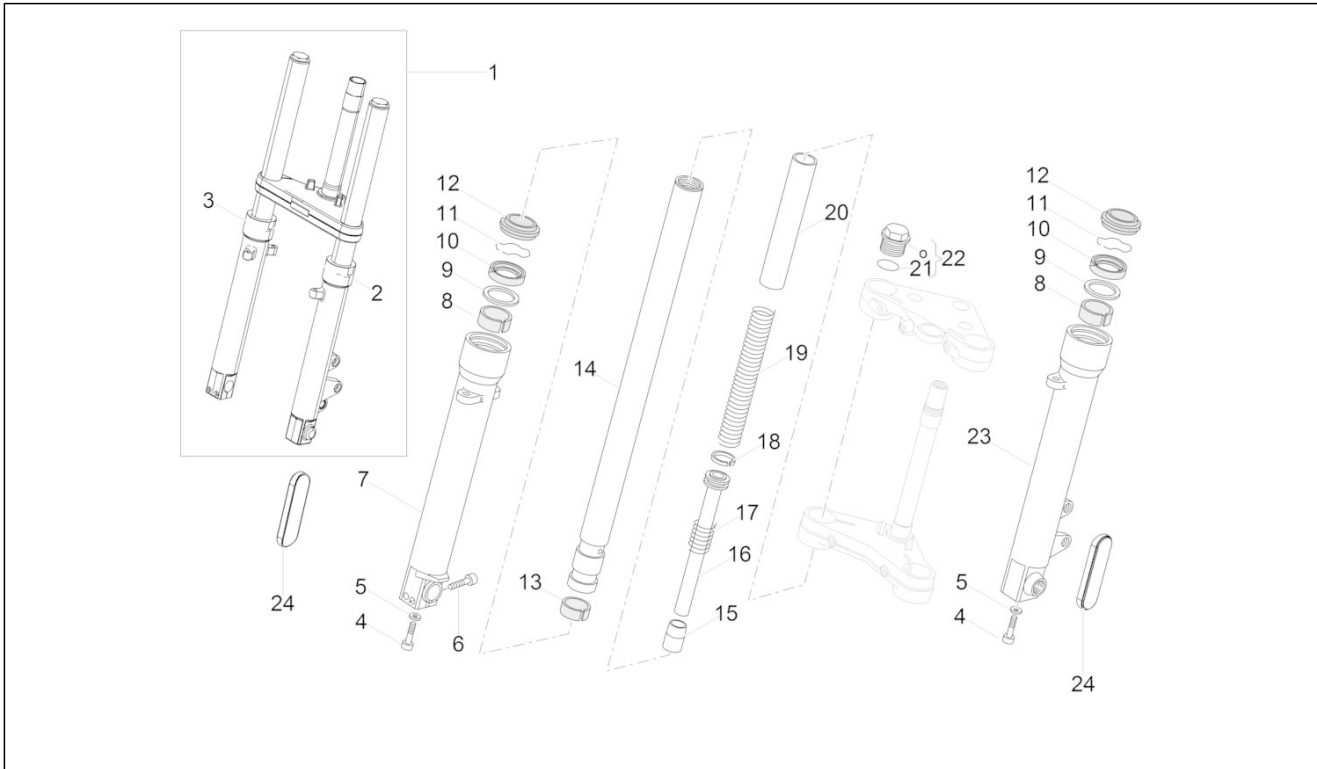
Pos.	Code	Beschreibung	Menge	Varianten
1	976649	Mutter M25x1,5	2	
2	2B000404	Gasket ring	1	
3	2B001311	Distanzscheibe	1	
4	GU90706188	Gasket ring 18,77X1,78	1	
5	GU90706584	Dichtung 58,42x2,62	1	
6	GU01528930	Dichtung 10x18x1,5	2	
7	GU31003766	Ölablaßschraube M10x1	1	
8	224566	Unterlegscheibe	1	
9	GU05351230	Ölschraube M12x1,5	1	
10	GU37359005	Ausgleichscheibe	1	
11	2B001307	Distanzscheibe	1	
12	GU90413850	Gasket ring 38X50X7	1	
13	GU12351100	Gasket ring	1	
14	GU92254340	Rollenlager 40x55x17	1	
15	2B002200	Wellenscheibe	1	
16	B064304	Seegerring	1	
17	GU19351100	Bundscheibe	1	
18	2B002536	Gewinding Befestigung Zahnkranz	1	
19	GU90706958	O-Ring 158,42X2,62	1	
20	GU04355106	Scheibe 1,2 mm	1	
20	GU04355100	Scheibe 0,6 mm	1	
20	GU04355101	Scheibe 0,7 mm	1	
20	GU04355102	Scheibe 0,8 mm	1	
20	GU04355103	Scheibe 0,9 mm	1	
20	GU04355104	Scheibe 1 mm	1	
20	GU04355105	Scheibe 1,1 mm	1	
21	2B002807	Kappe	1	
22	2A000438	Entlüftungsschraube	1	

Einheit	Motor
Code	03.350
Beschreibung	Getriebedeckel
Inspektion	1



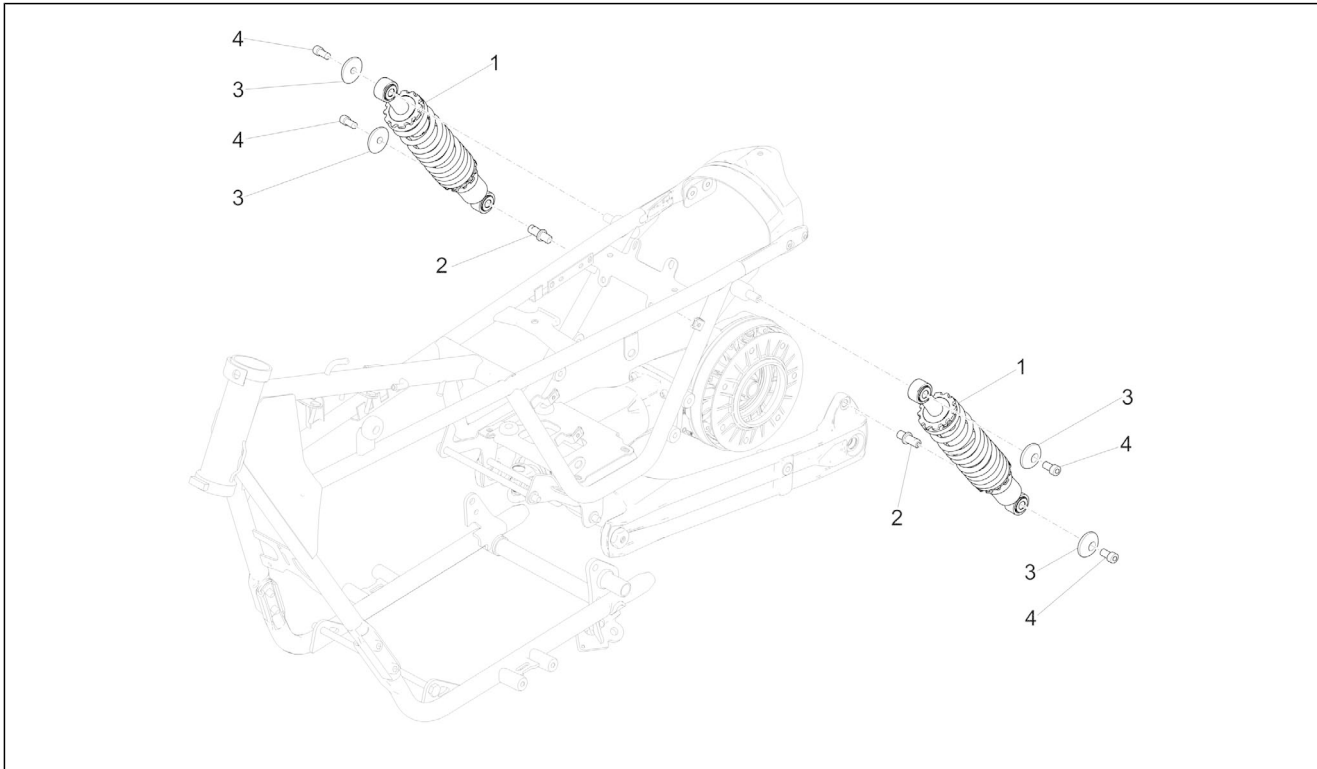
Pos.	Code	Beschreibung	Menge	Varianten
23	2B0033875	Flansch komplett	1	
24	2B002535	Gasket ring 80x100x10	1	
25	2B001303	Dämpfernabe	1	
26	GU14615901	Ausgleichscheibe 8,4X13X0,8	8	
27	2B002171	TC Schraube 8x25	8	

Einheit	Radaufhängungen
Code	04.060
Beschreibung	Vorderradgabel Kaifa
Inspektion	1



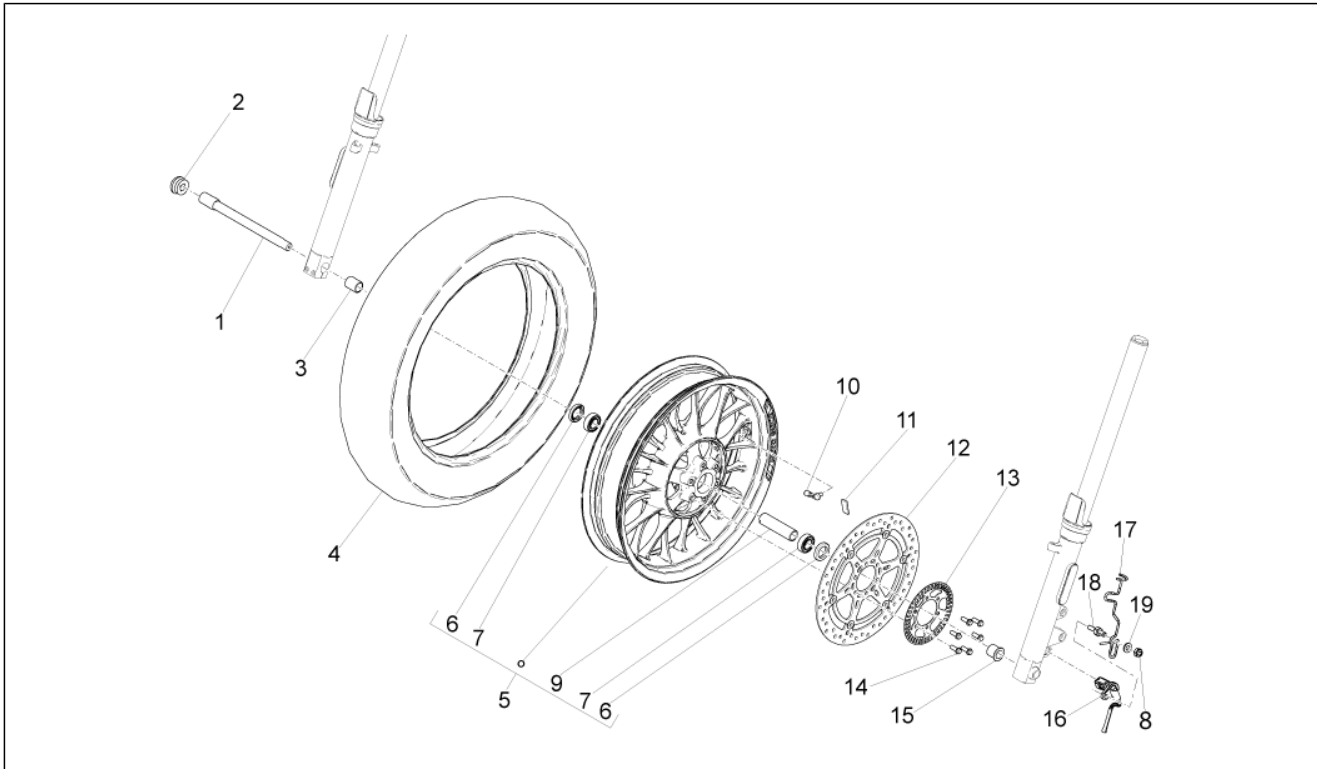
Pos.	Code	Beschreibung	Menge	Varianten
1	2B002192	Vorderradgabel komplett	1	
2	2B002295	Kolbenstange mit Boden lks.	1	
3	2B002294	Kolbenstange mit Boden rch.	1	
4	887878	Schraube M10x30	2	
5	887879	Ausgleichscheibe	2	
6	887880	Schraube	2	
7	2R000109	Rechte Hülse	1	
8	887882	Obere Buchse	2	
9	887883	Ausgleichscheibe	2	
10	887884	Gasket ring	2	
11	887885	Sperring	2	
12	887886	Staubschutz	2	
13	887888	Buchse	2	
14	2B003742	Schaft rechts-links	1	
15	887889	Puffer	2	
16	887891	Pumpenrad kplt.	2	
17	887890	Gegenfeder	2	
18	887905	Kolbenring	2	
19	2R000243	Feder	2	
20	887893	Leitung	2	
21	887916	O-Ring 4118	2	
22	887894	Verschlussschraube kplt.	2	
23	2R000110	Linke Hülse	1	
24	GU05781630	Rückstrahler, gelb	2	

Einheit	Radaufhängungen
Code	04.080
Beschreibung	Stoßdämpfer
Inspektion	1



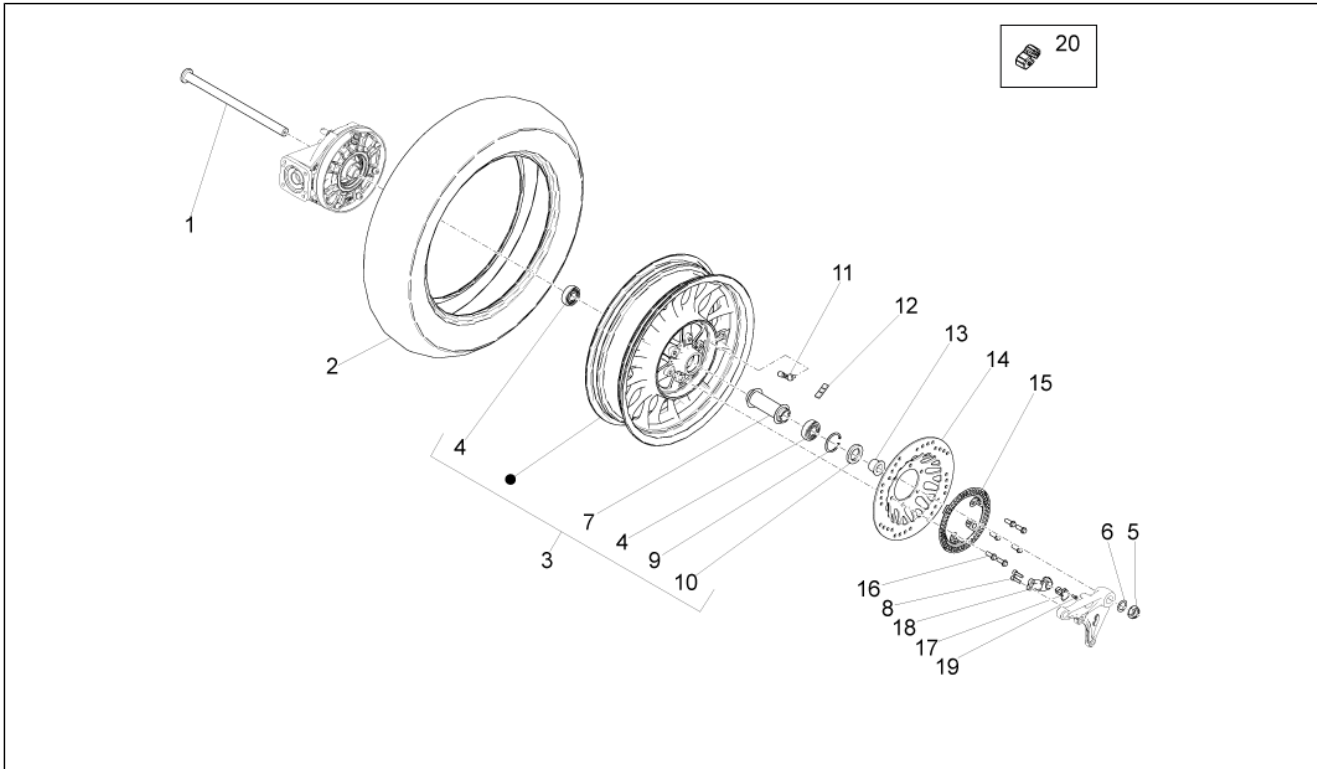
Pos.	Code	Beschreibung	Menge	Varianten
1	2B002988	Hinterer Stoßdämpfer	2	
2	2B003111	Stoßdämpfer-Bolzen	2	
3	B063174	Buchse	4	
4	884031	TCEI Schraube M6x14	4	

Einheit	Räder
Code	05.010
Beschreibung	Vorderrad
Inspektion	1



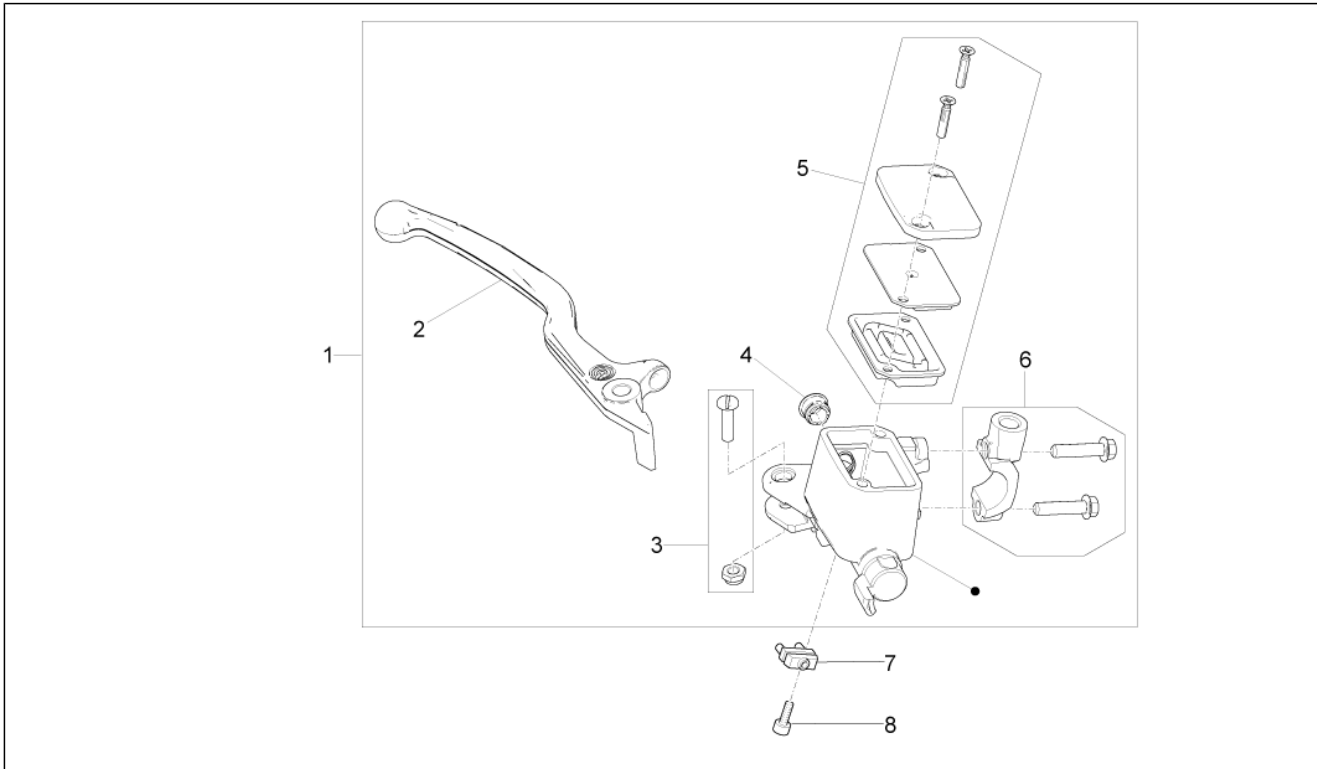
Pos.	Code	Beschreibung	Menge	Varianten
1	2B001139	Vorderradbolzen	1	
2	GU93180111	Deckel 15 mm	1	
3	GU32615660	R. Distanzscheibe	1	
4	2B002383	Vorderreifen 130/90 - 16"	1	
5	2B001762	Vorderrad 3.5X16 mit Lager	1	
6	GU90402642	Gasket ring	2	
7	GU92204221	Lager	2	
8	GU92630207	Mutter	1	
9	2B001073	Innerer Abstandhalter Vorderrad	1	
10	GU03617710	Schlauchloses Reifenventil	1	
11	GU14616150	Gegengewicht	1	
12	883688	Vorderradbremsscheibe 320	1	
13	887875	Phonic wheel	1	
14	887762	Flanschschraube TE M8x22	6	
15	GU31616384	L. Distanzscheibe	1	
16	859792	Sensor ABS	2	
17	2B001561	Kabelführung	1	
18	2B001708	Distanzscheibe	1	
19	AP8150178	Ausgleichscheibe 6,4x12,5*	1	

Einheit	Räder
Code	05.020
Beschreibung	Hinterrad
Inspektion	1



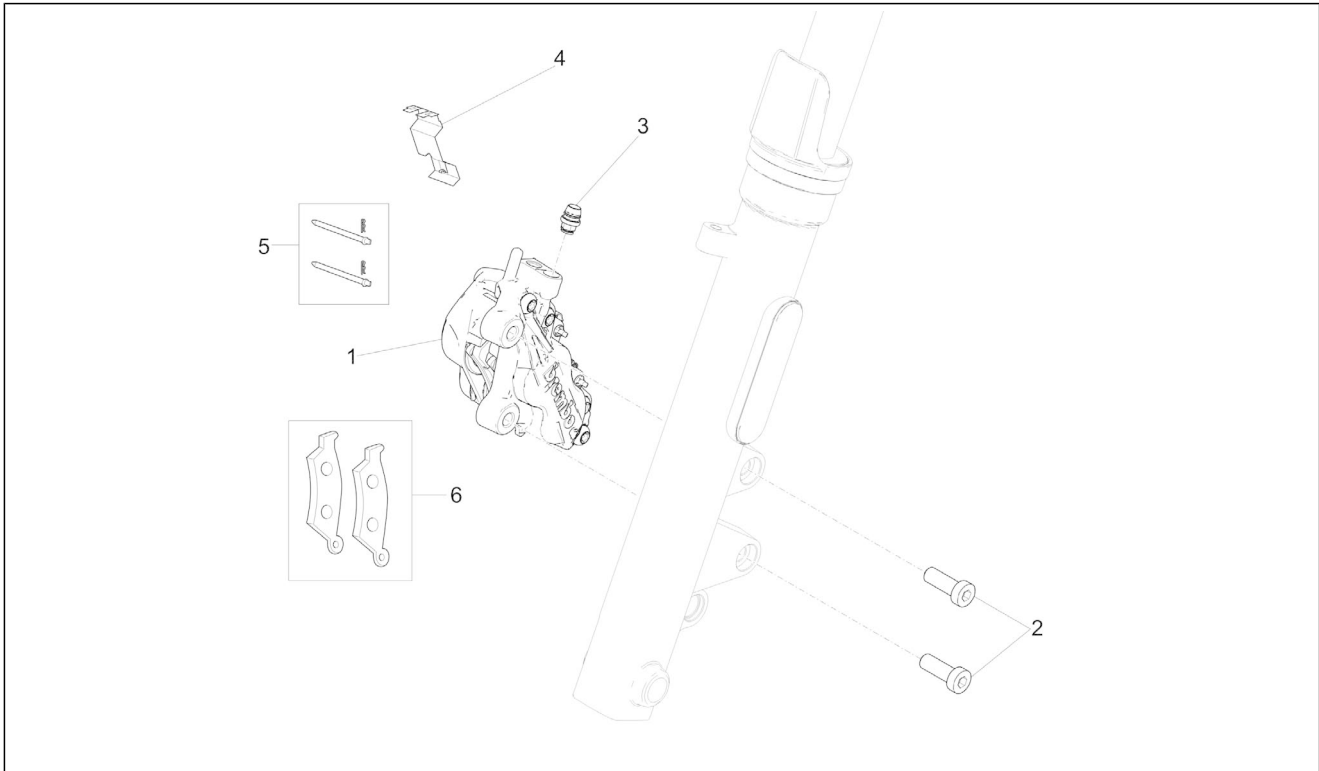
Pos.	Code	Beschreibung	Menge	Varianten
1	2B001310	Hinterradbolzen	1	
2	2B002900	Hinterer Reifen 150/80 16"	1	
3	2B001114	Hint. Felge 4X16" mit Lager	1	
4	GU92204220	Kugellager 20X47X14	2	
5	648708	Hinterradbolzen mut.	1	
6	AP8125687	U-scheibe Hint.radbolz	1	
7	2B001279	Baugruppe Distanzscheibe Hinterrad	1	
8	GU98682312	TCEI Schraube M6x12	2	
9	GU90272047	Seegerring 47X50,5	1	
10	AP8110109	Gasket ring 28X47X7	1	
11	GU03617710	Schlauchloses Reifenventil	1	
12	GU14616150	Gegengewicht	1	
13	2B001956	Hinterrad Distanzscheibe	1	
14	887448	Bremsscheibe	1	
15	2B000225	Phonic wheel	1	
16	887762	Flanschschraube TE M8x22	6	
17	859792	Sensor ABS	2	
18	2B000377	Halter Sensor ABS	1	
19	1C001499	Schraube TBEI TORX M5x16 INOX	1	
20	GU32632510	Gummikupplung	6	

Einheit	Bremsanlage
Code	06.010
Beschreibung	Vorderradbremspumpe
Inspektion	1



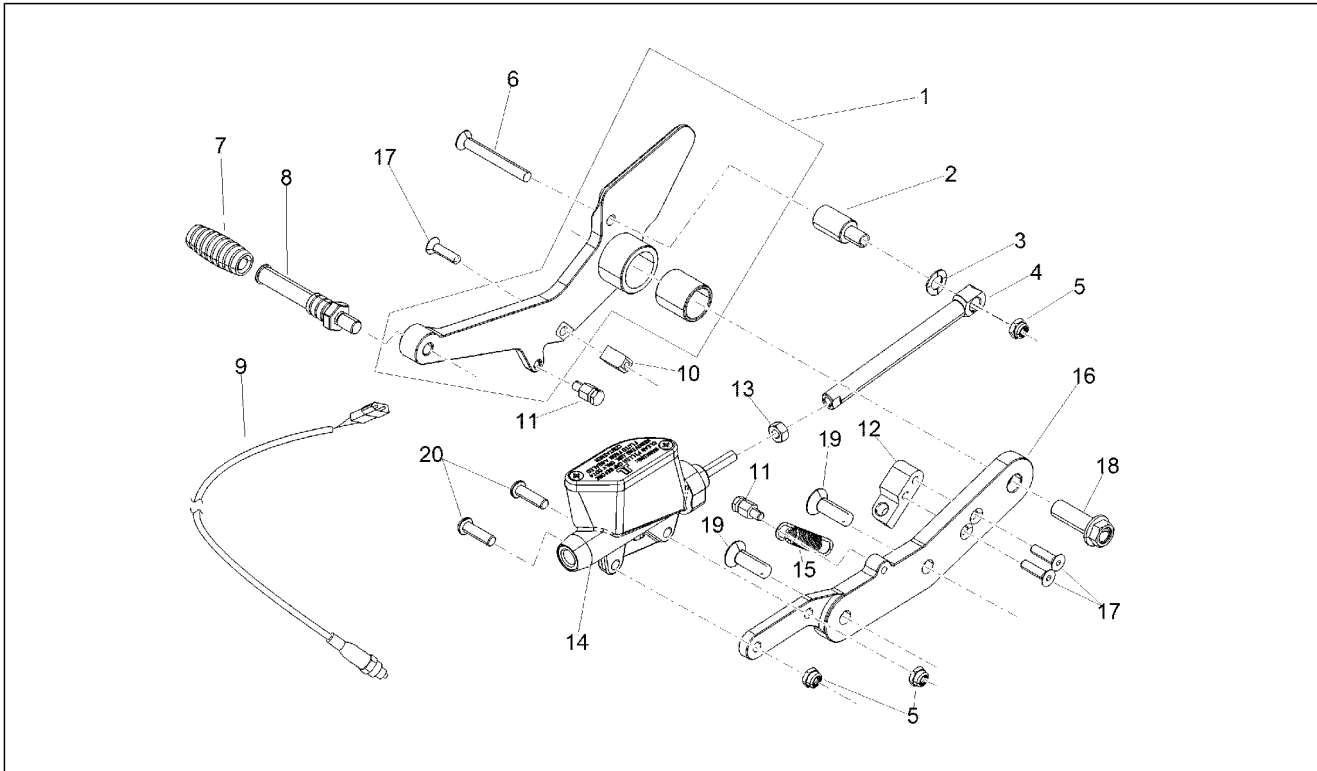
Pos.	Code	Beschreibung	Menge	Varianten
1	2B002269	Vorderradbremspumpe	1	
2	2B003041	Ersatzteil Hebel	1	
3	2B003040	Ersatzteil Hebelbolzen kpl. mit Mutter	1	
4	2B001930	Ersatzteil Schauglas vordere Bremspumpe	1	
5	2B003039	Ersatzteil Deckel kpl. mit Membran und Schrauben	1	
6	2B001929	Klemmschelle Bremsarmatur	1	
7	GU03749845	Bremslichtschalter	1	
8	AP8152043	TCEI Schraube M4x10	1	

Einheit	Bremsanlage
Code	06.020
Beschreibung	Vorderradbremzange
Inspektion	1



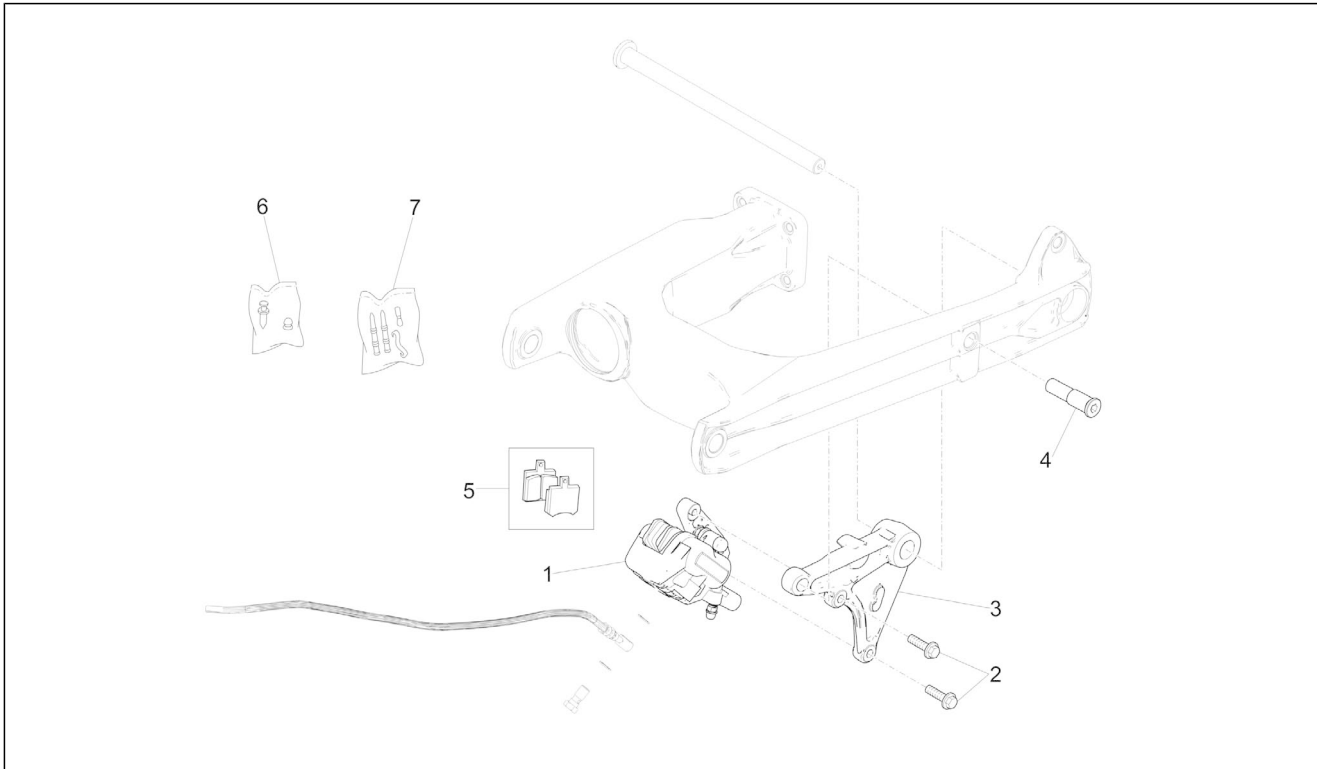
Pos.	Code	Beschreibung	Menge	Varianten
1	2B003271	Vorderradbremzange l.	1	
2	AP8152385	TCEI Schraube M10x1,25	2	
3	GU05659230	Entlüftung+Haube	1	
4	GU01659131	Feder	1	
5	GU01659130	Stifte-Federn Bremzange	1	
6	2B003313	Beläge (Paar)	1	

Einheit	Bremsanlage
Code	06.030
Beschreibung	Hinterradbremspumpe
Inspektion	1



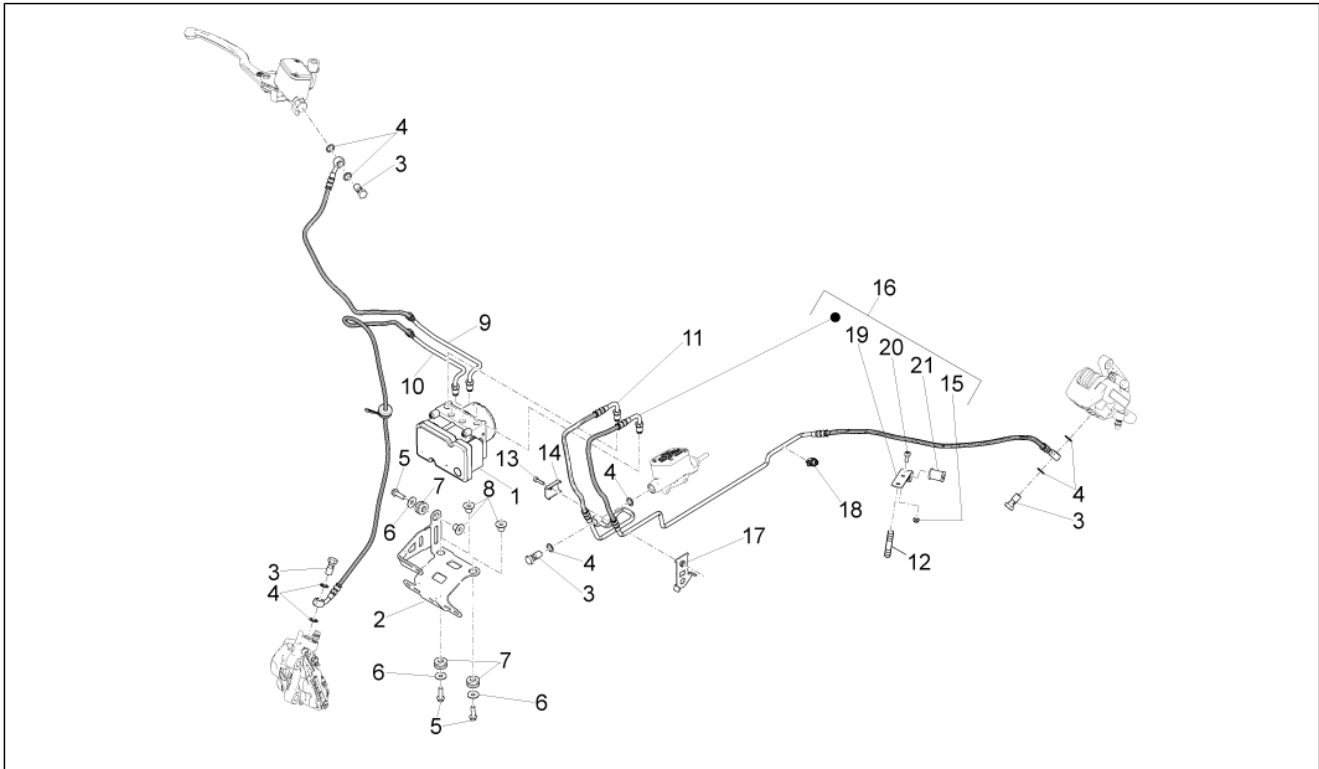
Pos.	Code	Beschreibung	Menge	Varianten
1	2B004050	Hebel Hinterradbremse komplett	1	
2	2B004107	Distanzscheibe	1	
3	658837	Gewellte Sprengscheibe D15 F8,4 S1,5 - INOX	1	
4	2B004076	Pumpenstange H. Bremse	1	
5	GU92630707	Mutter M6	3	
6	2B004111	Schraube TSPEI M6x50	1	
7	AP8120912	Gummi für Hebel	1	
8	2B004062	Gummigleitschutze	1	
9	2D0002805	Knopf stop	1	
10	2B004064	Fermacorsa pedale freno post.	1	
11	898286	Federn Fixierstift	2	
12	2B004063	Supporto interruttore stop	1	
13	GU92606206	Mutter	1	
14	2B002189	Hintere Bremspumpe mit Behälter	1	
15	AP8121927	Feder Hinterradbremsh.	1	
16	2B004042	Piastra pedana pilota dx	1	
17	658778	Schraube TSPEI M5x20	3	
18	967384	Schraube TEF M10X45	1	
19	2B004112	Schraube TSPEI IX M8X25	2	
20	GU98370625	TBEI Schraube M6x25	2	

Einheit	Bremsanlage
Code	06.040
Beschreibung	Hinterradbremzange
Inspektion	1



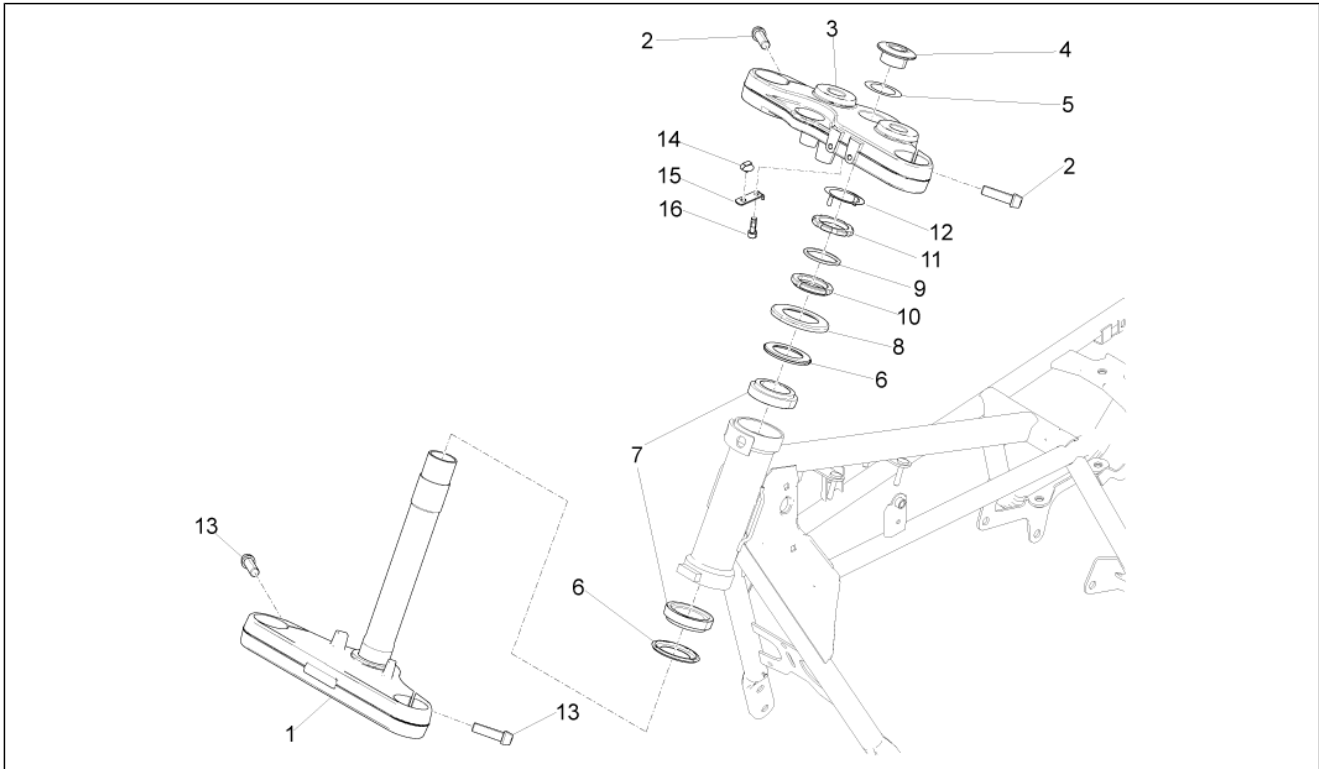
Pos.	Code	Beschreibung	Menge	Varianten
1	2B000525	Hinterradbremzange	1	
2	AP8152288	TE Schr. m. Flansch M8x30	1	
3	2B001953	Halter. H.radbremzange	1	
4	GU31544181	Bolzen	1	
5	2R000248	Paar Bremsklötze	1	
6	GU31659281	Entlüftung+Haube	1	
7	GU31659181	Stifte+Feder kit	1	

Einheit	Bremsanlage
Code	06.050
Beschreibung	Bremsanlage ABS
Inspektion	1



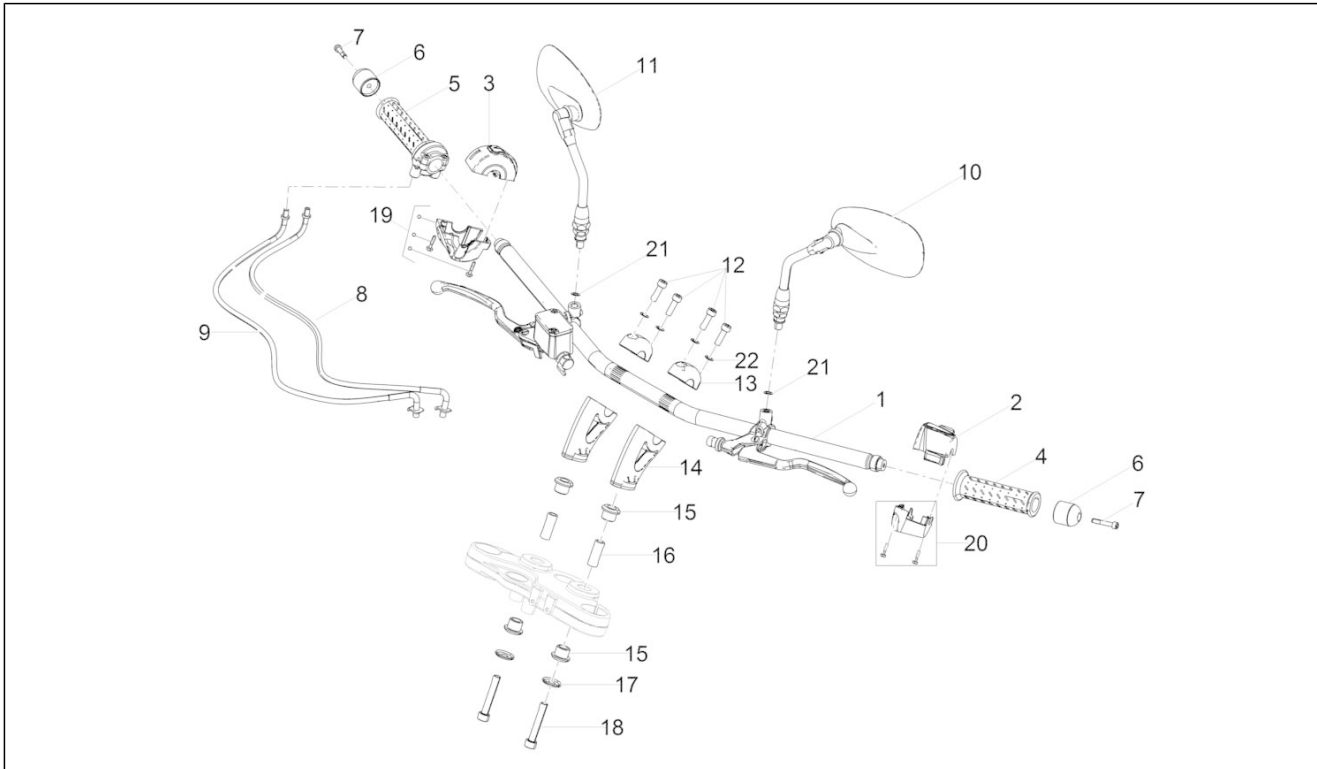
Pos.	Code	Beschreibung	Menge	Varianten
1	2D000102	ABS-Steuergerät	1	
2	2B003056	Halterbügel Steuerung	1	
3	AP8113003	Fixierschraube Ölschlauch	4	
4	AP8113004	Ausgleichscheibe 10x14x1,6*	8	
5	00H02402282	Schraube 6X20	3	
6	AP8150015	Ausgleichscheibe 6,6x18x1,6*	3	
7	AP8120030	Gummi	3	
8	AP8221023	T-Buchse	2	
9	2B002991	ABS HECU Leitung - Pumpe vorne	1	
10	2B002805	ABS HECU Leitung - Bremssattel Vorderradbremse	1	
11	2B002681	ABS HECU Leitung - Pumpe hinten	1	
12	GU96451316	Stiftschraube	1	
13	959559	TCEI Schraube M4x16	1	
14	2B001614	Fixierplatte Führungs	1	
15	AP8150451	Selbstsperr.mut Unt.	1	
16	2B002806	Leitung ABS HECU - Bremssattel hinten	1	
17	2B001564	Halteplatte Bremsschlauch	1	
18	AP8121882	Kabelführungs	1	
19	GU03658330	Schelle	1	
20	895709	TCEI Schraube M5x12	1	
21	GU03658201	Ring	1	

Einheit	Lenkstange - Schaltungen
Code	07.010
Beschreibung	Lenkung
Inspektion	1



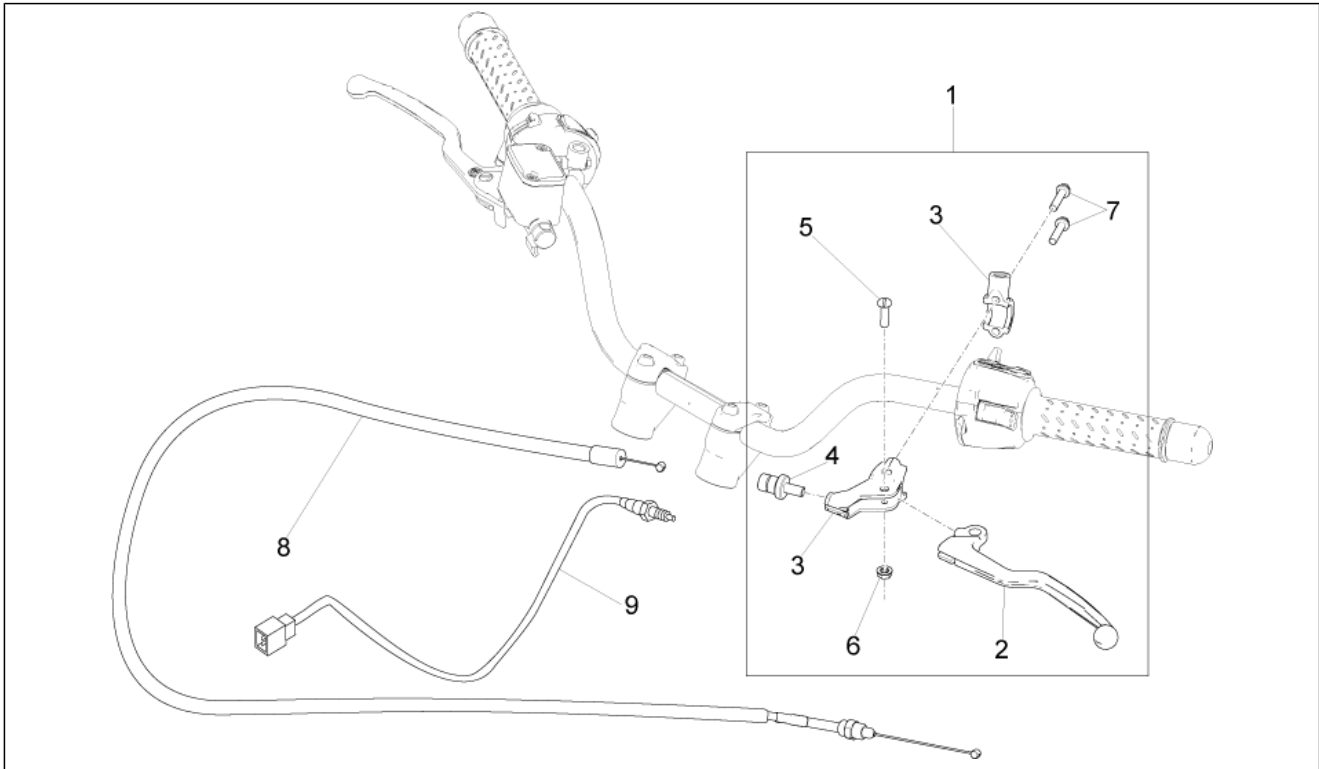
Pos.	Code	Beschreibung	Menge	Varianten
1	2B003743	Untere Gabelplatte	1	
2	AP8150543	Zylinderschraube M8x35	2	
3	2B001052	Obere Gabelplatte	1	
4	AP8121205	Fixierbuchse ob. Platte	1	
5	AP8152384	Scheibe Lenkkopf	1	
6	AP8123641	Staubschutzring	2	
7	AP8110077	Axialkugellager	2	
8	AP8123644	Staubschutzring	1	
9	887831	Gummischeibe	1	
10	AP8123642	Nutmutter	1	
11	AP8123643	Gegenmutter	1	
12	887832	Sicherheitspl. Lenkung	1	
13	AP8150540	Zylinderschraube	2	
14	890760	Halterung Instrumente	1	
15	2B003292	Platte	1	
16	GU98210616	TBEI Schraube m.Flansch M6x16 inox	1	

Einheit	Lenkstange - Schaltungen
Code	07.020
Beschreibung	Lenkstange - Schaltungen
Inspektion	1



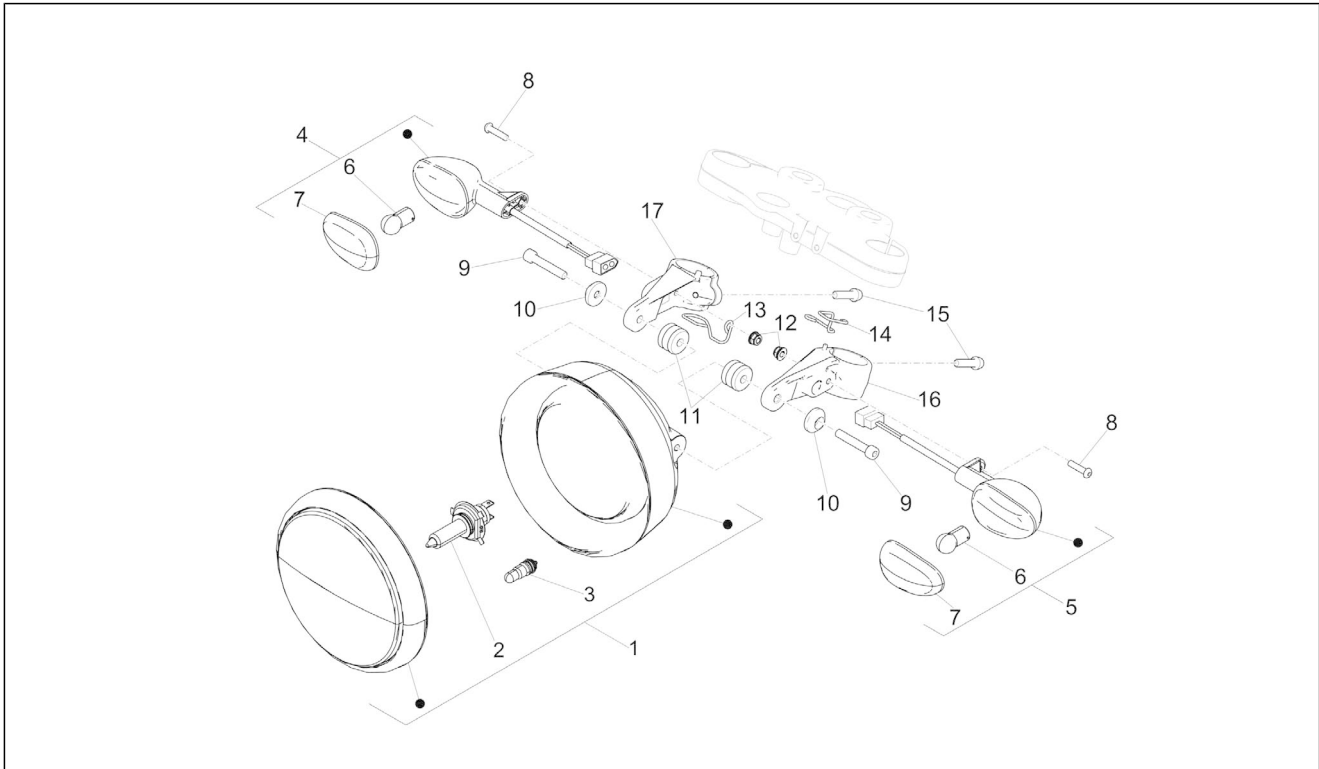
Pos.	Code	Beschreibung	Menge	Varianten
1	2B002852	Lenkstange	1	
2	2D000227	Bedienelement Lenker links	1	
3	2D000226	Bedienelement Lenker rechts	1	
4	AP8118579	Links griff	1	
5	2B002364	Rechts griff	1	
6	AP8104509	Schwingschutzgewicht schwarz	2	
7	2B002195	Schraube TCEI IX M6X35 vorimprägniert	2	
8	2B002844	Verschuß Gaszugkabel	1	
9	2B002843	Öffnungswinkel Gaszugkabel	1	
10	2B001049	Rückspiegel links	1	
11	2B001048	Rückspiegel rechts	1	
12	AP8150540	Zylinderschraube	4	
13	2B002091	Obere Klemme Lenker	2	
14	2B002090	Untere Klemme Lenker	2	
15	AP8144222	Gummi	4	
16	854827	Distanzscheibe 10,1x14,1x38	2	
17	2B002875	Becher	2	
18	AP8150049	Schraube M10x60	2	
19	2D000163	Untere Schale DX	1	
20	2D000218	Untere Schale SX	1	
21	GU91181003	Distanzscheibe 10,25X20X4	2	
22	GU14615901	Ausgleichscheibe 8,4X13X0,8	4	

Einheit	Lenkstange - Schaltungen
Code	07.030
Beschreibung	Kupplungssteuerung
Inspektion	1



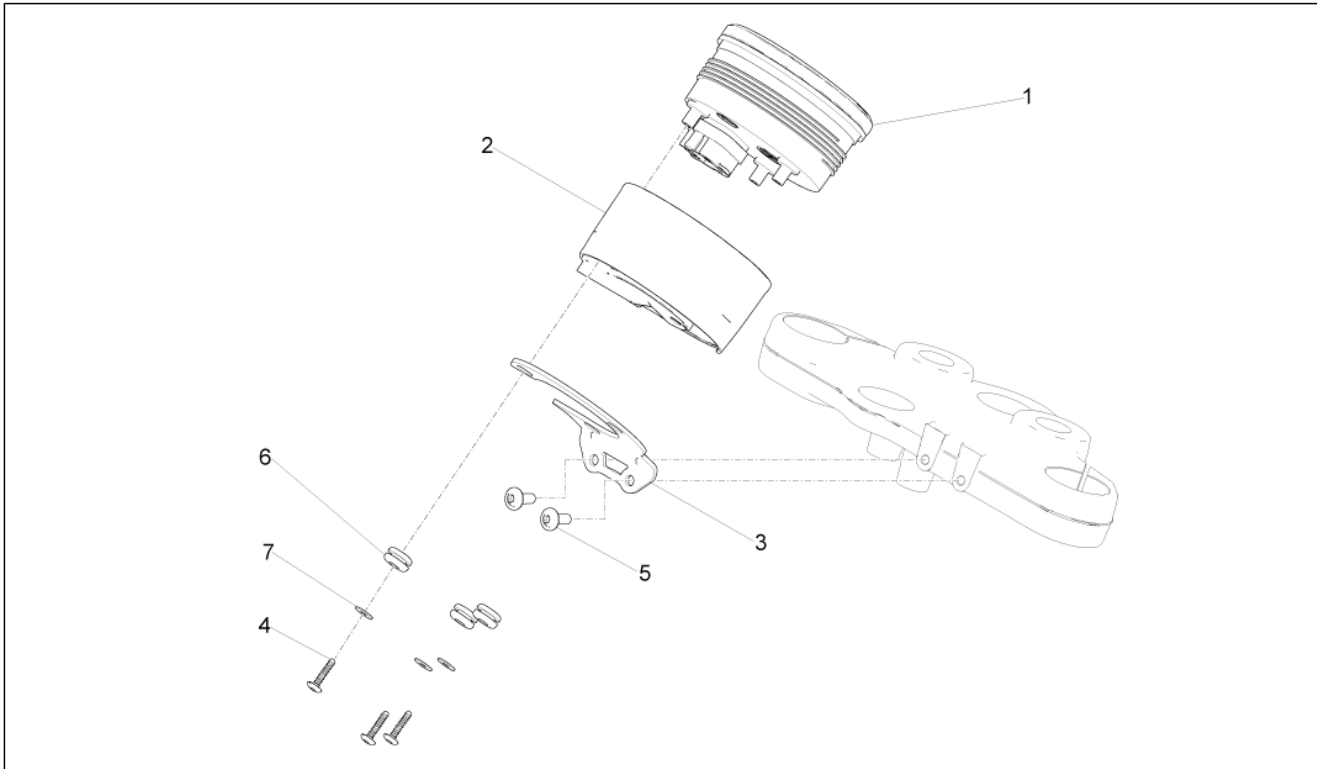
Pos.	Code	Beschreibung	Menge	Varianten
1	2B002391	Gruppe Kupplungshebel	1	
2	2B002390	Hebel Kupplungssteuer.	1	
3	GU30601060	Feder	1	
4	GU30602500	Einstellschraube	1	
5	AP8213028	Schraube	1	
6	AP8213388	Selbstsperrende Mutter	1	
7	GU97202325	TE Schr. m. Flansch schw. M6x25	2	
8	2B002961	Kupplungskabel	1	
9	2D0002885	Kupplungsschalter	1	

Einheit	Vorderer Lichter - Instrumente
Code	08.010
Beschreibung	Vorderer Lichter
Inspektion	1



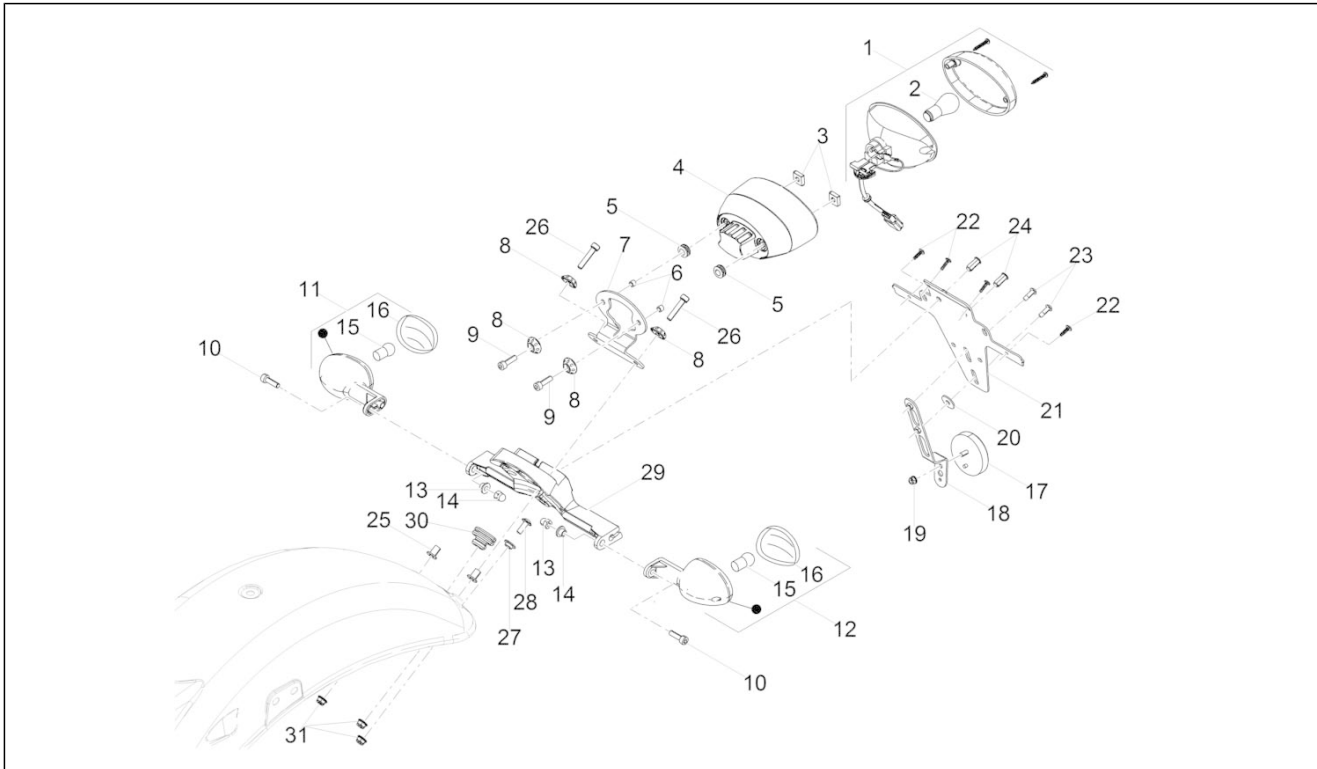
Pos.	Code	Beschreibung	Menge	Varianten
1	2D000225	Scheinwerfer	1	
2	292723	Lampen H4 12V-60/55W	1	
3	292022	Lampen 12V-5W	1	
4	2D000261	Blinker vorne RE	1	
5	2D000262	Blinker vorne LI	1	
6	584332	Lampen 12V-10W	2	
7	639338	Blinkerglas	2	
8	GU98612320	TCEI Schraube M6x20	2	
9	GU98690445	Schraube M8x45	2	
10	AP8121199	Buchse	2	
11	2B002011	Abstandhalter Frontscheinwerfer	2	
12	AP8152299	Selbstsperrende Mutter M6	2	
13	2B003164	Kabelführung	1	
14	2B003165	Kabelführung	1	
15	AP8150053	TCEI Schraube M6x25	2	
16	2B001231	Linke Halterung Frontscheinwerfer	1	
17	2B001182	Rechte Halterung Frontscheinwerfer	1	

Einheit	Vorderer Lichter - Instrumente
Code	08.020
Beschreibung	Instrumente
Inspektion	1



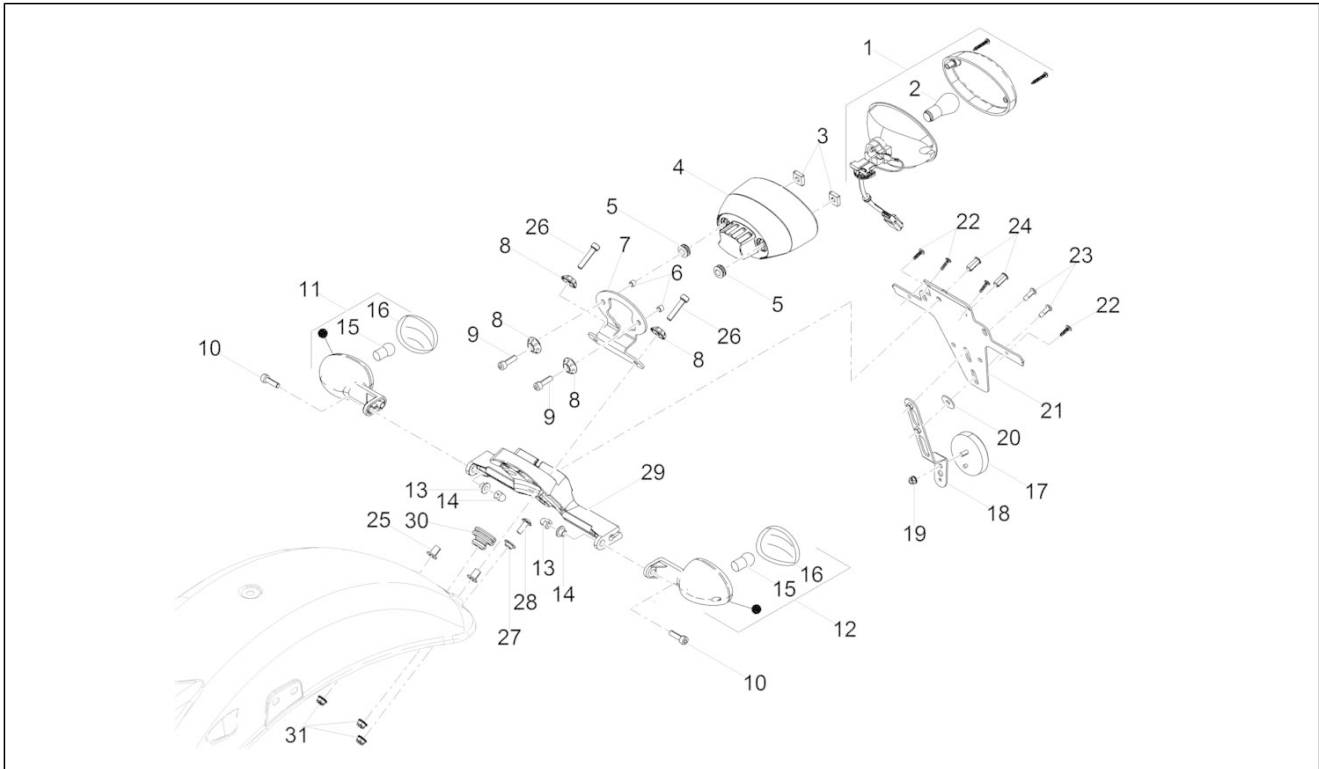
Pos.	Code	Beschreibung	Menge	Varianten
1	2D000099	Instrumententafel	1	
2	2B001223	Abdeckung Armaturenbrett	1	
3	2B001154	Instrumentenhalterung	1	
4	CM178609	Gew.schr.	3	
5	GU98210610	Schraube	2	
6	2B003367	Kabelführung	3	
7	013763	Flachscheibe 4,2x12x1	3	

Einheit	Vorderer Lichter - Instrumente
Code	08.030
Beschreibung	Hinterer Lichter
Inspektion	1



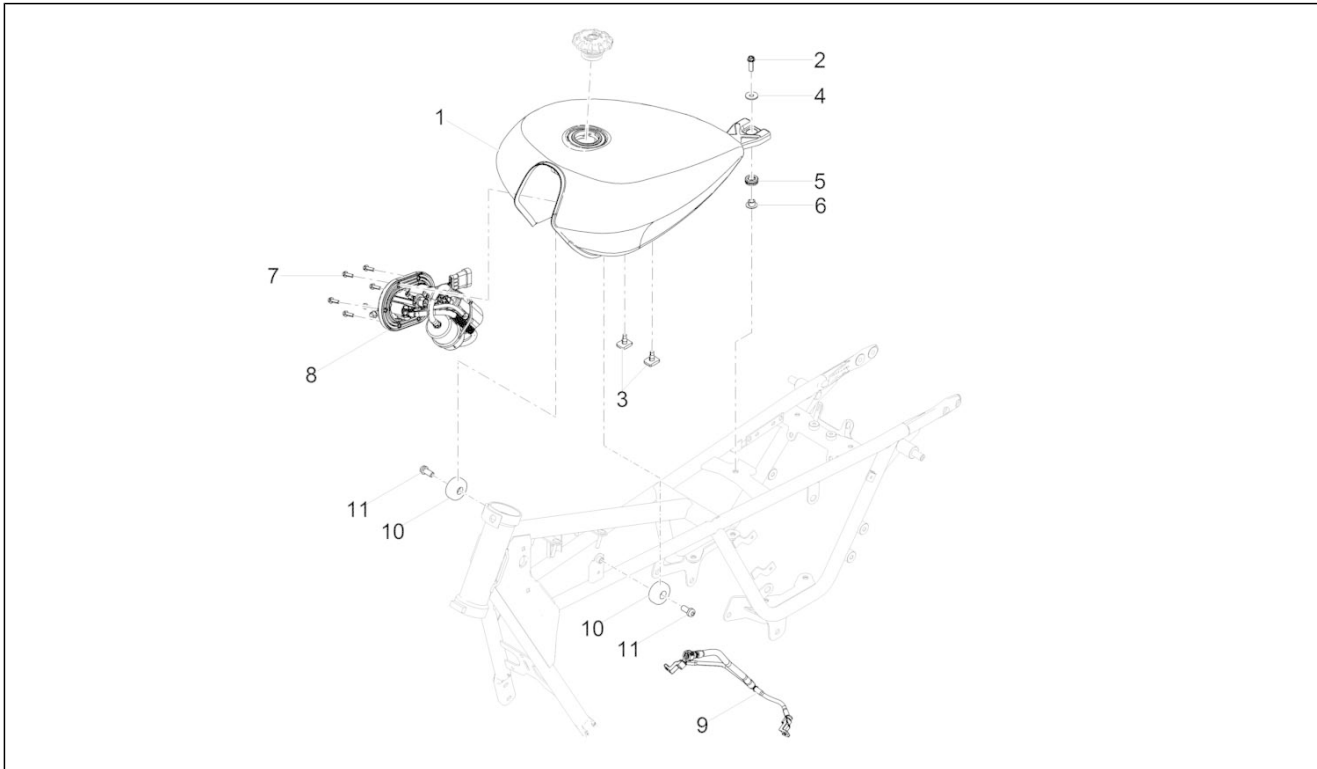
Pos.	Code	Beschreibung	Menge	Varianten
1	2B002365	Rücklicht	1	
2	GU93450224	Lampen	1	
3	2B002443	Vierkantmutter M6	1	
4	2B002483	Halteschale Scheinwerfer hinten	2	
5	AP8220186	Gummi	2	
6	AP8120278	Distanzscheibe	2	
7	2B002484	Rücklichthalterung	1	
8	AP8150536	Spezial-U-scheibe	4	
9	AP8150053	TCEI Schraube M6x25	2	
10	GU98612320	TCEI Schraube M6x20	2	
11	2D000255	Hinterer Blinker Re	1	
12	2D000256	Hinterer Blinker Li	1	
13	479175	Hutmutter	2	
14	840509	Distanzscheibe	2	
15	584332	Lampen 12V-10W	2	
16	639338	Blinkerglas	2	
17	AP8224164	Rückstrahler Rücklicht, rot	1	
18	AP8134448	Rückstrahler-Fixierung	1	
19	AP8152306	Selbstsperrende Mutter M5	1	
20	GU95005310	Ausgleichscheibe 8,4x18x2	1	
21	2B002541	Abschluss Nummernschildhalter	1	
22	AP8150413	Gew.schr. 3,9x14	4	
23	B016796	Linsenkopfschraube Torx	2	
24	AP8201755	Geschnitten Kunststoffniet	2	
25	AP8121725	T-Buchse *	2	
26	GU98682330	TCEI Schraube M6x20	2	
27	AP9100053	Buchse d.10-h.3,5	1	
28	GU98210616	TBEI Schraube m.Flansch M6x16 inox	1	

Einheit	Vorderer Lichter - Instrumente
Code	08.030
Beschreibung	Hinterer Lichter
Inspektion	1



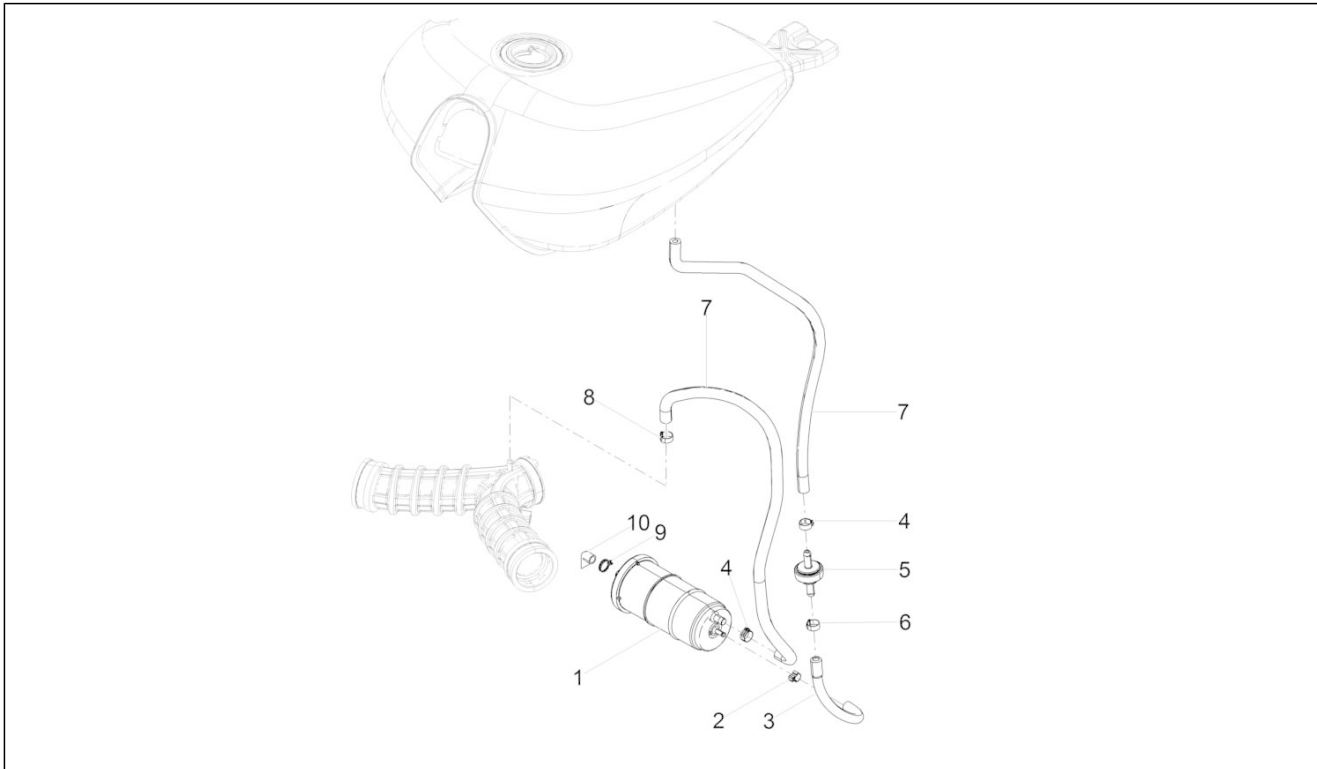
Pos.	Code	Beschreibung	Menge	Varianten
29	2B002615	Blinkerhalterung	1	
30	070286	Kabelführung	1	
31	AP8152299	Selbstsperrende Mutter M6	3	

Einheit	Tank
Code	09.010
Beschreibung	Kraftstofftank
Inspektion	1



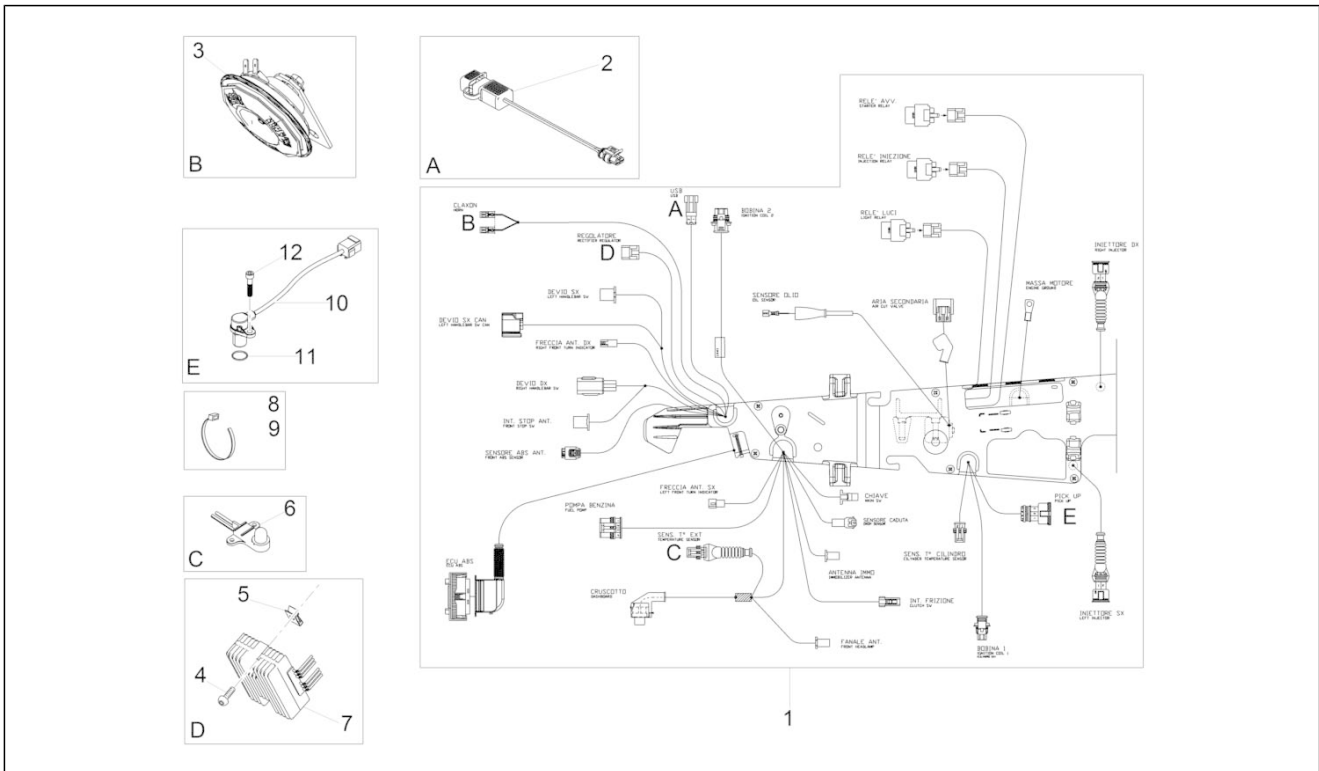
Pos.	Code	Beschreibung	Menge	Varianten
1	2H001433000NI	Kraftstofftank, schwarz	1	
1	2H001476000EQ	Kraftstofftank, grau	1	
1	2B001629	Kraftstofftank	1	
2	AP8152288	TE Schr. m. Flansch M8x30	2	
3	AP8120455	Gummi	2	
4	AP8150018	Ausgleichscheibe	1	
5	GU91551131	Gummi	1	
6	2B002944	T-Buchse	1	
7	AP8152273	Flanschschraube M5x15	6	
8	1D001450	Kraftstoffpumpe	1	
9	2B002486	Kraftstoffleitungen	1	
10	GU66103415	Gummi	2	
11	GU98682416	TCEI Schraube M8x16	1	

Einheit	Tank
Code	09.020
Beschreibung	Benzindampfrückf.-Anlage
Inspektion	1



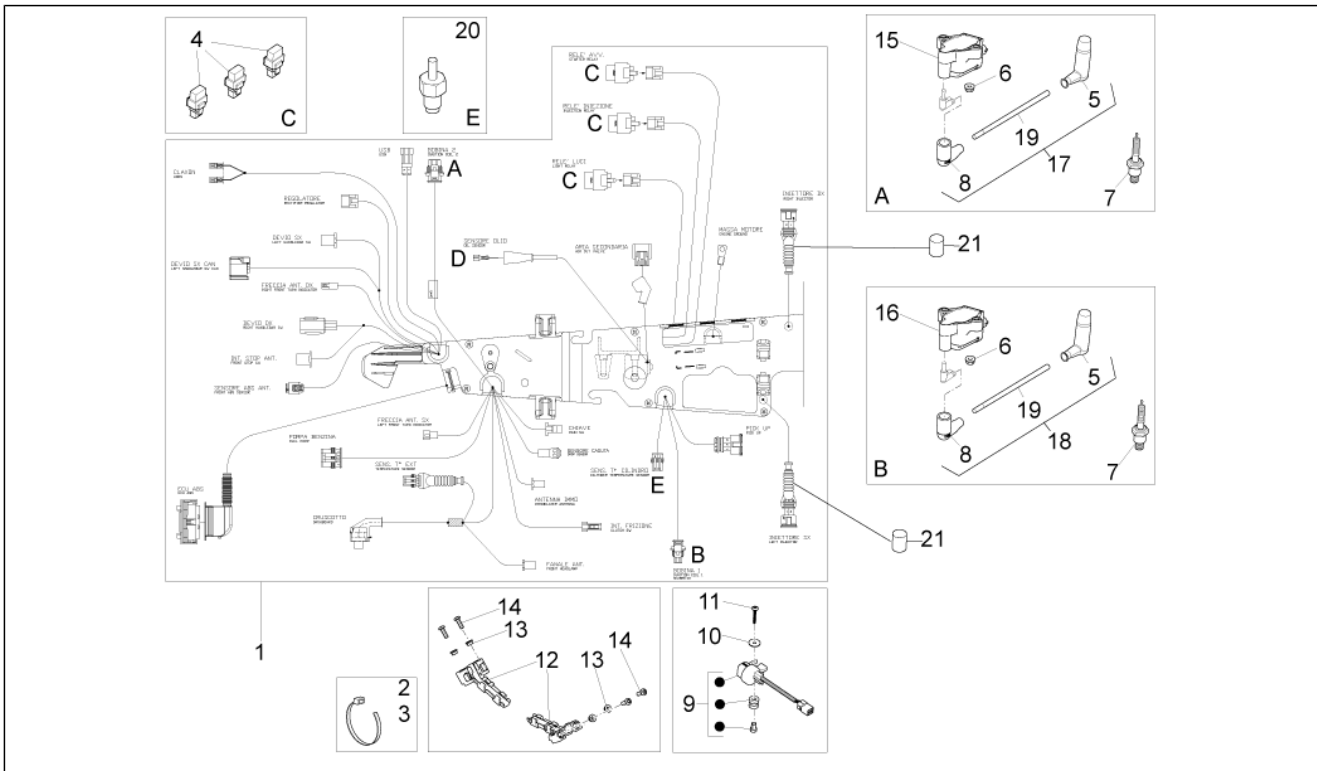
Pos.	Code	Beschreibung	Menge	Varianten
1	2B002632	Kohlefilter	1	
2	AP8102738	Schlauchschelle	1	
3	2B003042	Leitung SAE 30 R12A-3/16	1	
4	AP8102239	Schelle 12,5x8	2	
5	CM179008	Sicherheitsventil	1	
6	AP8102159	Schelle	1	
7	856063	Leitung SAE 30 d.12,7x6,35	2	
8	GU93304360	Schelle 7,6x380	1	
9	AP8102520	Schlauchschelle	1	
10	AP8127601	Lüftungsröhrchen	1	

Einheit	Elektrische Anlage
Code	11.010
Beschreibung	Vorder Elektrische Anlage
Inspektion	1



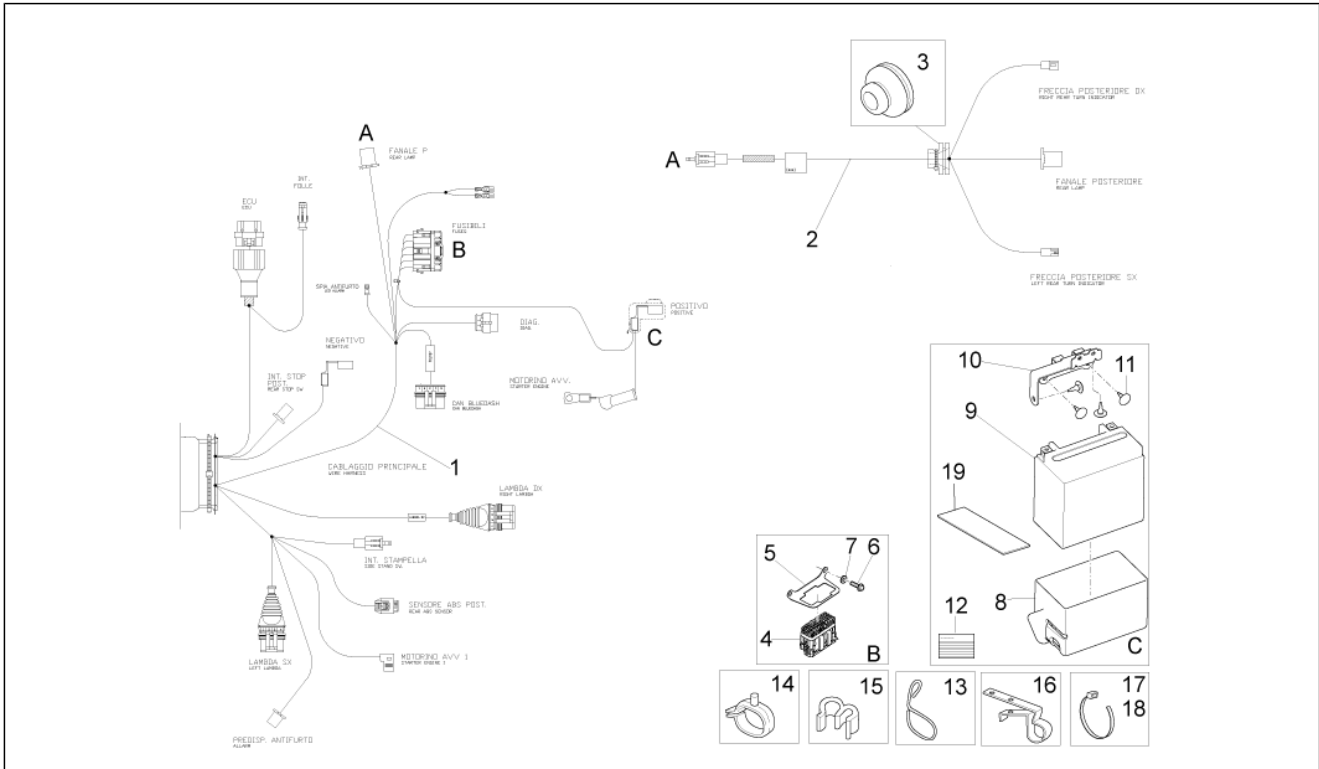
Pos.	Code	Beschreibung	Menge	Varianten
1	2D000209	Kabelast	1	
2	643277	Klembrett USB	1	
3	2B000221	Hupe	1	
4	AP8150377	Vite TCB M6x16	1	
5	254485	Plattchen M6	1	
6	AP8124936	Lufttemperaturfühler	1	
7	1D001549	Spannungsregler	1	
8	GU49609601	Schelle 2,4x92	1	
9	GU14609650	Schelle 3,6x20,6	24	
10	832029	Tonrad sensor	1	
11	GU90706141	O-Ring	1	
12	122675	TCEI Schraube	1	

Einheit	Elektrische Anlage
Code	11.020
Beschreibung	Mitt. elektrische Anlage
Inspektion	1



Pos.	Code	Beschreibung	Menge	Varianten
1	2D000209	Kabelast	1	
2	GU49609601	Schelle 2,4x92	1	
3	GU14609650	Schelle 3,6x20,6	24	
4	AP8224462	Zündrelais 12V-30A	3	
5	1A005382	Zündkerzenstecker	2	
6	AP8152299	Selbstsperrende Mutter M6	4	
7	887481	Zündkerze NGK CPR8EB-9	2	
8	641040	Isolierhaube	2	
9	680212	Kippsensor	1	
10	GU95005304	Ausgleichscheibe 5,2x18x1,5	1	
11	478533	Gew.schr.	1	
12	2B002901	Halterung Zündkerzenkabel	2	
13	2B003052	T-Buchse	4	
14	1A003444	Linsenschraube	4	
15	641901	Zuendtransform.cpl.	1	
16	642034	Zuendtransform.cpl. DX	1	
17	CM277101	Zuendkabel (450 mm)	1	
18	CM277102	Zuendkabel (580 mm)	1	
19	080341	Kabel Zündspulensockel	1	
20	887421	Temperaturfühler	1	
21	2D000355	Cappuccio termorestringente	1	

Einheit	Elektrische Anlage
Code	11.030
Beschreibung	Hint.Elektrische Anlage
Inspektion	1



Pos.	Code	Beschreibung	Menge	Varianten
1	2D000209	Kabelast	1	
2	2D000245	Gruppe Kabel Rücklicht	1	
3	070286	Kabelführung	1	
4	584211	Sicherungskasten	1	
5	883161	Hltr. Sicherungsblock	1	
6	GU98682212	TCEI Schraube M5x12	2	
7	GU95100059	Ausgleichscheibe 5,25x14x1,5	2	
8	2B002781	Batterieabdeckung	1	
9	638733	Batterie Yuasa YTX14-BS 12V-12Ah (150x87x145)	1	
10	B063233	Batteriehalterung	1	
11	AP8120001	Gummi	4	
12	GU32517710	Deko "Battery service"	1	
13	AP8181140	Kabelführung	1	
14	CM013202	Rückhaltefeder Leitungen/Kabel	1	
15	894704	Kabelführung	9	
16	B043850	Schelle	1	
17	GU14609650	Schelle 3,6x20,6	24	
18	GU49609601	Schelle 2,4x92	1	
19	AP8144552	seit. Gummiaufkl. Batterie	1	


MOTO GUZZI®

ERSATZTEILKATALOG



V9 Roamer 2016 (APAC)

Vorsatzcode Fahrgestell: ZGULH000

Vorsatzcode Motor:

Inhaltsverzeichnis

Fertige Produkte.....	4
Alphanumerisches Verzeichnis.....	5
Rahmen.....	10
Tafel 01.010 - Rahmen.....	10
Tafel 01.020 - Fussrasten.....	11
Tafel 01.030 - Hauptständer.....	12
Tafel 01.040 - Schutz.....	13
Tafel 01.050 - Schwinge.....	14
Aufbau.....	15
Tafel 02.030 - Vorderes Schutzblech-Stütze.....	15
Tafel 02.100 - Mittlerer Aufbau.....	16
Tafel 02.120 - Sitz.....	17
Tafel 02.150 - Hinteres schutzblech.....	18
Tafel 02.170 - Schlösser.....	19
Tafel 02.190 - Deko.....	20
Motor.....	22
Tafel 03.010 - Motor-Fertigstellung.....	22
Tafel 03.020 - Schalthebel.....	23
Tafel 03.030 - Gehäuse I.....	25
Tafel 03.050 - Filtergehäuse.....	26
Tafel 03.060 - Klappenkörper.....	27
Tafel 03.090 - Kopfdeckel.....	28
Tafel 03.100 - Zylinderkopf - ventile.....	29
Tafel 03.120 - Steuer.....	30
Tafel 03.150 - Zylinder - Kolben.....	31
Tafel 03.160 - Kurbelwelle.....	32
Tafel 03.170 - Schaltgetriebe / Schaltgabel / Desmodrom.....	33
Tafel 03.180 - Schaltgetriebe - Zahnräder.....	35
Tafel 03.190 - Schmierung.....	37
Tafel 03.196 - Anlage Blow-by.....	39
Tafel 03.230 - Kupplung.....	40
Tafel 03.270 - Zuenderdeckel.....	42
Tafel 03.290 - Zündung / Elektrischer Anfang.....	43
Tafel 03.300 - Schwungmagnetstarter / Zündung.....	44
Tafel 03.320 - Secondary air.....	45
Tafel 03.330 - Auspuffrohr.....	46
Tafel 03.340 - Getriebe kpl.....	47
Tafel 03.350 - Getriebedeckel.....	48
Radaufhängungen.....	50
Tafel 04.060 - Vorderradgabel Kaifa.....	50
Tafel 04.080 - Stoßdämpfer.....	51
Räder.....	52
Tafel 05.010 - Vorderrad.....	52

Tafel 05.020 - Hinterrad.....	53
Bremsanlage	54
Tafel 06.010 - Vorderradbremspumpe.....	54
Tafel 06.020 - Vorderradbremzange.....	55
Tafel 06.030 - Hinterradbremspumpe.....	56
Tafel 06.040 - Hinterradbremzange.....	58
Tafel 06.050 - Bremsanlage ABS.....	59
Lenkstange - Schaltungen.....	60
Tafel 07.010 - Lenkung.....	60
Tafel 07.020 - Lenkstange - Schaltungen.....	61
Tafel 07.030 - Kupplungssteuerung.....	62
Vorderer lichter - Instrumente.....	63
Tafel 08.010 - Vorderer lichter.....	63
Tafel 08.020 - Instrumente.....	64
Tafel 08.030 - Hinterer lichter.....	65
Tank.....	67
Tafel 09.010 - Kraftstofftank.....	67
Tafel 09.020 - Benzindampfdruckf.-Anlage.....	68
Elektrische Anlage.....	69
Tafel 11.010 - Vorder Elektrische Anlage.....	69
Tafel 11.020 - Mitt. elektrische Anlage.....	70
Tafel 11.030 - Hint.Elektrische Anlage.....	71

Fertige Produkte

Code	Gültigkeit
GU9032250AUG01	
GU9032250AUG02	
GU9032250AUG03	
GU9032250IDG01	
GU9032250IDG02	
GU9032250IDG03	
GU9032250JPG01	
GU9032250JPG99	
GU9032250ZCG01	
GU9032250ZCG99	

Code	Nr. der Tafel	Pos.	Code	Nr. der Tafel	Pos.	Code	Nr. der Tafel	Pos.
006630	03.270	8	1A006655	03.030	8	2A000521	03.120	9
00H02402282	06.050	5	1A006656	03.030	7	2A000527	03.120	27
013763	03.190	14	1A006659	03.100	12	2A000528	03.120	8
013763	08.020	7	1A0066680G	03.160	3	2A000565	03.090	1
070286	08.030	30	1A0066680N	03.160	3	2A000579	03.120	5
070286	11.030	3	1A0066680V	03.160	3	2A000591	03.170	37
080341	11.020	19	1A0066690G	03.160	8	2A000597	03.320	3
122675	11.010	12	1A0066690N	03.160	8	2A000608	03.060	8
1A000360	03.180	7	1A0066690V	03.160	8	2A000609	03.060	3
1A000365	03.180	16	1A006671AA	03.160	7	2A000612	03.060	7
1A000366	03.180	22	1A006671BB	03.160	7	2A000620	03.090	6
1A000367	03.180	27	1A006716	03.090	4	2A000627	03.180	13
1A000368	03.180	28	1A006860	03.030	19	2A000629	03.180	30
1A000369	03.180	29	1A006861	03.120	16	2A000631	03.230	21
1A000370	03.180	25	1A0068695	03.100	10	2A000633	03.190	5
1A000436	03.180	10	1A0068705	03.100	11	2A000638	03.230	30
1A000566	03.180	4	1A0068960B	03.160	2	2A000659	03.090	2
1A002604	03.180	24	1A0068960G	03.160	2	2A000724	03.230	4
1A002604	03.180	9	1A0068960R	03.160	2	2A000727	03.180	5
1A003444	11.020	14	1A007008	03.190	22	2A000741	03.230	31
1A003452	03.100	5	1A007070	03.150	2	2A0007425	03.170	19
1A004442	03.190	15	1A007111	03.150	9	2A0007505	03.170	6
1A004530	03.030	10	1A008576	03.120	25	2A000767	03.230	23
1A004549	03.190	11	1C001499	01.030	8	2A000770	03.230	28
1A004550	03.030	1	1C001499	05.020	19	2A000774	03.230	6
1A004660	03.100	1	1D001393	03.060	2	2A000792	03.230	7
1A004661	03.100	1	1D001450	09.010	8	2B000215	03.330	15
1A004662	03.100	1	1D001549	11.010	7	2B000221	11.010	3
1A004750	03.100	8	224566	03.170	44	2B000225	05.020	11
1A004751	03.100	4	224566	03.350	8	2B000377	05.020	14
1A004752	03.100	6	237553	03.190	12	2B000404	03.350	2
1A004903	03.120	13	248419	01.040	12	2B000525	06.040	1
1A004905	03.120	12	254485	03.330	19	2B001009	03.020	15
1A004907	03.120	14	254485	11.010	5	2B001035	01.010	17
1A004953	03.150	8	285536	03.170	3	2B001052	07.010	3
1A004954	03.150	7	292022	08.010	3	2B001055	01.010	1
1A004955	03.150	6	292723	08.010	2	2B001058	05.010	5
1A004956	03.150	5	2A000097	03.170	41	2B001073	05.010	9
1A005199	03.190	3	2A000115	03.300	5	2B001088	01.030	5
1A005211	03.030	2	2A000129	03.300	4	2B001139	05.010	1
1A005257	03.190	13	2A000203	03.180	20	2B001141	02.030	1
1A0052625	03.030	21	2A000216	03.230	8	2B001147	02.030	2
1A005325AA	03.160	6	2A000219	03.170	12	2B001148	07.020	12
1A005325BB	03.160	6	2A000222	03.170	38	2B0011535	03.340	1
1A005382	11.020	5	2A000224	03.170	20	2B001154	08.020	3
1A005424	03.100	2	2A000225	03.170	23	2B001163	07.020	1
1A005425	03.100	9	2A000226	03.170	21	2B001182	08.010	17
1A005712	03.120	1	2A000227	03.170	22	2B001223	08.020	2
1A0057145	03.120	24	2A000241	03.170	27	2B001231	08.010	16
1A005951	03.120	7	2A000241	03.170	28	2B001279	05.020	18
1A005955	03.120	19	2A000241	03.180	32	2B001301	01.050	1
1A006047	03.030	4	2A000306	03.170	27	2B001303	03.350	25
1A006053	03.190	27	2A000339	03.090	3	2B001307	03.350	11
1A006055	03.190	25	2A0003535	03.120	6	2B001310	05.020	1
1A006056	03.190	24	2A000375	03.230	14	2B001311	03.350	3
1A006064	03.190	23	2A000376	03.230	16	2B001406	02.150	1
1A006119	03.120	22	2A000378	03.230	32	2B001561	05.010	17
1A006127	03.120	23	2A000384	03.230	18	2B001564	06.050	17
1A006243	03.120	21	2A000385	03.230	19	2B001612	01.010	16
1A006272AA	03.150	10	2A000415	03.170	24	2B001614	06.050	14
1A006272BB	03.150	10	2A000418	03.230	29	2B001618	02.100	2
1A006272CC	03.150	10	2A000419	03.230	1	2B001619	02.100	1
1A006272DD	03.150	10	2A00042115	03.170	1	2B001629	09.010	1
1A006283	03.030	17	2A000438	03.170	43	2B001708	05.010	18
1A006284	03.030	18	2A000438	03.350	22	2B001783	02.100	5
1A006298	03.270	4	2A000467	03.170	15	2B001823	03.060	12
1A0066355	03.010	1	2A000496	03.120	4	2B001929	06.010	6

Code	Nr. der Tafel	Pos.	Code	Nr. der Tafel	Pos.	Code	Nr. der Tafel	Pos.
2B001930	06.010	4	2B002705	01.030	1	2D000159	08.020	1
2B001935	03.330	24	2B002781	11.030	8	2D000163	07.020	19
2B001941	03.020	18	2B002799	01.040	1	2D000209	11.010	1
2B001953	06.040	3	2B002804	06.050	9	2D000209	11.020	1
2B001956	05.020	9	2B002805	06.050	10	2D000209	11.030	1
2B002011	08.010	11	2B002806	06.050	16	2D000218	07.020	20
2B002043	02.170	3	2B002807	03.350	21	2D000225	08.010	1
2B002171	01.020	21	2B002810	01.010	5	2D000226	07.020	3
2B002171	03.350	27	2B002817	01.010	15	2D000227	07.020	2
2B002189	06.030	1	2B002832	03.050	2	2D000245	11.030	2
2B002192	04.060	1	2B002842	07.030	8	2D000255	08.030	11
2B002195	07.020	7	2B002851	03.050	5	2D000256	08.030	12
2B002200	03.350	15	2B002875	07.020	16	2D000261	08.010	4
2B002205	01.050	6	2B002901	11.020	12	2D000262	08.010	5
2B002218	01.020	1	2B002936	02.170	11	2D0002805	06.030	9
2B002219	01.020	2	2B002937	01.040	10	2D0002885	07.030	9
2B002225	01.020	5	2B002940	02.170	1	2D000299	02.170	2
2B002233	06.030	13	2B002943	01.040	9	2D000355	11.020	21
2B002269	06.010	1	2B002944	09.010	6	2H001249500YG3	09.010	1
2B002294	04.060	3	2B002959	03.050	14	2H001250500YG3	02.030	1
2B002295	04.060	2	2B002989	04.080	1	2H001253	02.190	8
2B002298	03.340	2	2B003039	06.010	5	2H001254	02.190	7
2B002311	01.010	21	2B003040	06.010	3	2H001255	02.190	12
2B002311	02.150	4	2B003041	06.010	2	2H001256	02.190	11
2B002321	02.150	5	2B003042	09.020	3	2H001257	02.190	6
2B002325	01.010	3	2B003052	11.020	13	2H001258	02.190	5
2B002326	01.010	4	2B003056	06.050	2	2H001259	02.190	14
2B002359000C1	02.120	1	2B003076	01.020	4	2H001260	02.190	13
2B002364	07.020	5	2B003077	01.020	3	2H001366500YG3	02.150	1
2B002365	08.030	1	2B003078	01.010	12	2H001367	02.190	10
2B002366	08.030	29	2B003089	02.150	6	2H001368	02.190	9
2B002369	03.020	3	2B003102	01.040	3	2H001369	02.190	2
2B002378	01.040	2	2B003103	01.040	4	2H001370	02.190	1
2B002380	05.010	4	2B003105	03.196	3	2H001371	02.190	4
2B002381	05.020	2	2B003111	04.080	2	2H001372	02.190	3
2B002386	02.150	3	2B003164	08.010	13	2H001401500Q4	09.010	1
2B002390	07.030	2	2B003165	08.010	14	2H001402500Q4	02.030	1
2B002391	07.030	1	2B003204	03.196	2	2H001403500Q4	02.150	1
2B002443	08.030	3	2B003212	01.050	5	2H001404	02.190	8
2B002448	05.020	3	2B003271	06.020	1	2H001405	02.190	7
2B002471	07.020	13	2B003284	03.330	25	2H001406	02.190	10
2B002483	08.030	4	2B003292	07.010	15	2H001407	02.190	9
2B002484	08.030	7	2B003313	06.020	6	2H001408	02.190	2
2B002486	09.010	9	2B003367	08.020	6	2H001409	02.190	1
2B002495	03.330	6	2B0033875	03.350	23	2H001410	02.190	4
2B002496	03.330	5	2B003742	04.060	14	2H001411	02.190	3
2B0024975	03.330	1	2B003743	07.010	1	2H001412	02.190	6
2B0024985	03.330	2	2B004042	06.030	24	2H001413	02.190	5
2B002529	03.320	7	2B004043	03.020	28	2H001445	02.190	16
2B002530	03.320	9	2B004044	01.020	22	2H001446500XR7	09.010	1
2B002531	03.320	8	2B004050	06.030	37	2H001447500XR7	02.030	1
2B002532	03.330	13	2B004053	03.020	3	2H001448500XR7	02.150	1
2B002533	03.330	12	2B004062	03.020	2	2H001450	02.190	8
2B002535	03.350	24	2B004062	06.030	30	2H001451	02.190	7
2B002536	03.350	18	2B004063	06.030	27	2H001452	02.190	10
2B002541	08.030	21	2B004064	06.030	29	2H001453	02.190	9
2B002602	03.196	4	2B004076	06.030	34	2H001454	02.190	2
2B0026135	03.330	4	2B004107	06.030	36	2H001455	02.190	1
2B0026145	03.330	3	2B004109	03.020	9	2H001456	02.190	4
2B002621	01.040	6	2B004111	06.030	32	2H001457	02.190	3
2B002622	01.040	5	2B004112	03.020	27	2H001458	02.190	6
2B002632	09.020	1	2B004112	06.030	21	2H001459	02.190	5
2B002680	03.020	9	2D000004	02.170	4	2Q000110	02.190	15
2B002681	06.050	11	2D000024	03.300	1	2R000109	04.060	7
2B002699	03.340	3	2D000099	08.020	1	2R000110	04.060	23
2B002701	07.020	9	2D000100	08.010	1	2R000243	04.060	19
2B002702	07.020	8	2D000102	06.050	1	2R000248	06.040	5

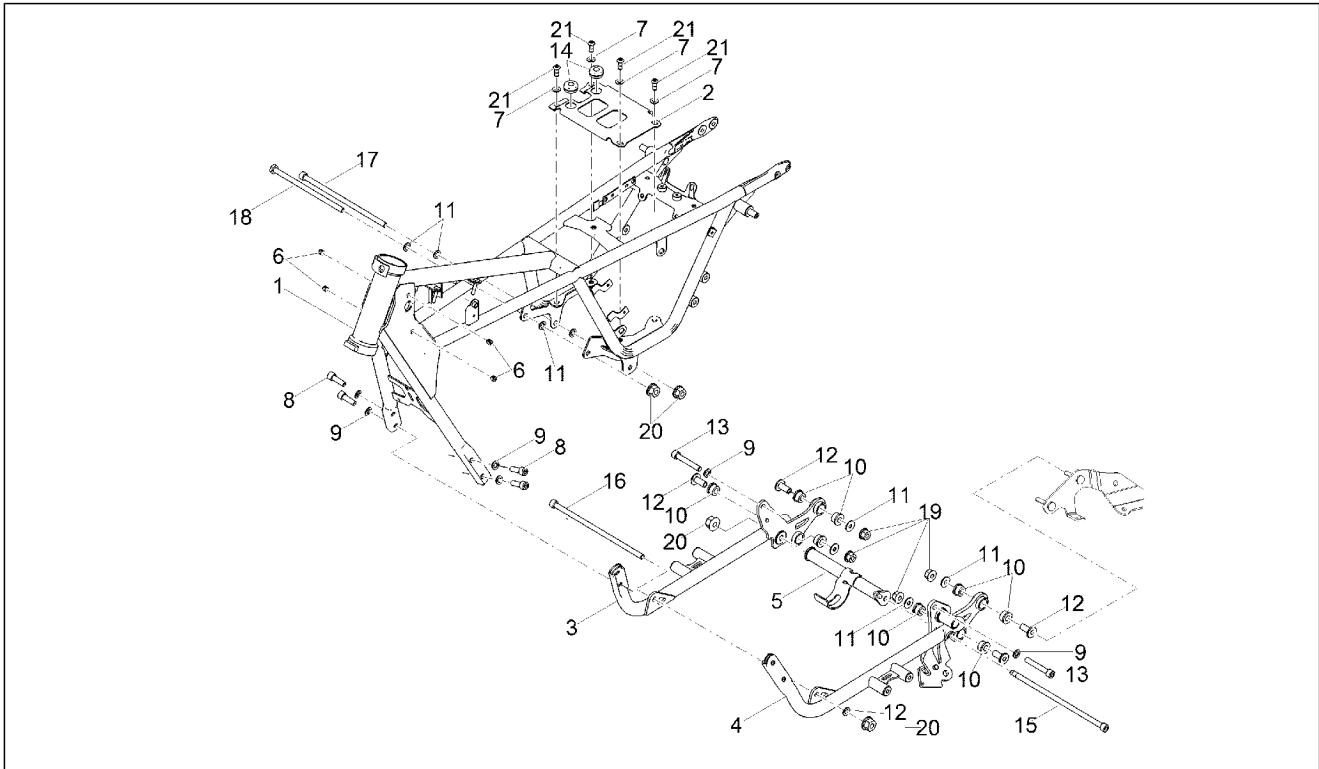
Code	Nr. der Tafel	Pos.	Code	Nr. der Tafel	Pos.	Code	Nr. der Tafel	Pos.
319165	02.170	9	887762	05.010	14	AP8104924	03.050	7
478533	11.020	11	887762	05.020	12	AP8110053	03.020	16
479175	08.030	13	887815	03.050	8	AP8110077	07.010	7
484993	03.030	20	887831	07.010	9	AP8110109	05.020	6
584211	11.030	4	887832	07.010	12	AP8113003	06.050	3
584332	08.010	6	887843	03.050	9	AP8113004	06.050	4
584332	08.030	15	887844	03.050	12	AP8113081	06.030	4
638733	11.030	9	887875	05.010	8	AP8113082	06.030	5
639338	08.010	7	887878	04.060	4	AP8118579	07.020	4
639338	08.030	16	887879	04.060	5	AP8120001	01.040	15
641040	11.020	8	887880	04.060	6	AP8120001	11.030	11
641901	11.020	15	887882	04.060	8	AP8120030	06.050	7
642034	11.020	16	887883	04.060	9	AP8120178	06.030	3
643090	03.190	16	887884	04.060	10	AP8120278	08.030	6
643277	11.010	2	887885	04.060	11	AP8120311	01.010	14
648708	05.020	17	887886	04.060	12	AP8120455	03.050	3
658778	06.030	23	887888	04.060	13	AP8120455	03.330	14
658837	03.030	5	887889	04.060	15	AP8120455	09.010	3
658837	06.030	35	887890	04.060	17	AP8120573	01.020	17
680212	11.020	9	887891	04.060	16	AP8120615	03.050	6
825694	03.100	13	887893	04.060	20	AP8120876	03.050	11
831135	03.030	11	887894	04.060	22	AP8120912	03.020	1
832029	11.010	10	887905	04.060	18	AP8120912	06.030	17
834764	03.170	33	887908	03.020	2	AP8120912	06.030	31
834951	03.330	20	887908	06.030	16	AP8121014	01.030	3
840509	08.030	14	887916	04.060	21	AP8121032	02.100	7
848650	03.180	17	890760	03.050	13	AP8121133	01.020	19
849308	03.180	21	890760	07.010	14	AP8121199	08.010	10
849308	03.180	6	894704	11.030	15	AP8121205	07.010	4
849309	03.180	23	895328	03.020	5	AP8121420	02.170	6
849310	03.180	26	895328	06.030	10	AP8121509	03.020	26
849396	03.180	14	895709	06.050	20	AP8121567	01.020	15
849424	03.180	8	896110	03.330	7	AP8121725	08.030	25
852090	03.330	11	897478	03.300	2	AP8121882	06.050	18
854827	07.020	15	898268	03.270	6	AP8121927	06.030	15
856063	09.020	7	898269	03.270	7	AP8121927	06.030	25
857045	03.320	2	898283	03.020	11	AP8123641	07.010	6
857046	03.320	5	898286	06.030	28	AP8123642	07.010	10
857047	03.320	1	898396	03.020	14	AP8123643	07.010	11
857181	03.320	10	898397	03.020	7	AP8123644	07.010	8
857206	03.300	3	959559	06.050	13	AP8124936	11.010	6
857250	03.170	29	967356	01.030	6	AP8125687	05.020	16
859792	05.010	16	967363	01.010	20	AP8127601	09.020	10
859792	05.020	15	967384	01.020	24	AP8127856	01.030	7
859946	06.030	11	967384	06.030	22	AP8134448	08.030	18
859946	06.030	14	974162	03.180	12	AP8134451	01.020	18
871640	03.100	7	974165	03.180	15	AP8144007	03.020	4
873905	03.170	26	976591	03.090	5	AP8144007	06.030	19
873928	03.180	2	976614	01.040	8	AP8144071	01.010	10
874567	03.150	4	976614	02.100	3	AP8144222	07.020	14
874957	03.330	9	976649	03.350	1	AP8144552	11.030	19
876879	03.330	16	97729R	03.290	1	AP8145034	01.020	6
880260	03.060	4	977527	02.170	5	AP8145035	01.020	7
883161	11.030	5	978415	02.170	7	AP8150009	01.010	7
883688	05.010	12	978570	07.020	10	AP8150012	06.030	12
883802	07.020	10	AP8101861	01.020	20	AP8150015	06.050	6
883826	03.030	13	AP8102159	09.020	6	AP8150018	01.010	11
884031	04.080	4	AP8102239	09.020	4	AP8150018	03.020	24
884033	06.030	18	AP8102375	02.100	4	AP8150018	09.010	4
884310	03.060	11	AP8102520	03.050	15	AP8150026	03.020	19
886365	03.030	15	AP8102520	09.020	9	AP8150048	01.010	13
886629	03.230	11	AP8102524	01.030	4	AP8150049	07.020	17
887003	03.270	5	AP8102671	01.010	6	AP8150053	08.010	15
887093	03.190	18	AP8102671	01.040	14	AP8150053	08.030	9
887421	11.020	20	AP8102738	09.020	2	AP8150115	03.020	12
887448	05.020	10	AP8102913	02.170	12	AP8150178	05.010	19
887481	11.020	7	AP8104525	03.050	4	AP8150285	06.030	7

Code	Nr. der Tafel	Pos.	Code	Nr. der Tafel	Pos.	Code	Nr. der Tafel	Pos.
AP8150377	11.010	4	B063956	03.170	14	GU19015020	03.030	14
AP8150413	01.040	13	B064023	02.120	2	GU19018920	03.030	9
AP8150413	08.030	22	B064112	03.170	10	GU19018920	03.190	28
AP8150451	06.050	15	B064113	03.170	7	GU19021360	03.150	3
AP8150500	01.040	11	B064304	03.350	16	GU19045861	03.120	3
AP8150500	03.060	6	CM013202	11.030	14	GU19055700	03.120	2
AP8150509	03.050	10	CM178609	08.020	4	GU19058021	03.120	20
AP8150536	08.030	8	CM179008	09.020	5	GU19058220	03.120	11
AP8150538	02.030	4	CM179301	02.100	6	GU19062261	03.160	1
AP8150540	07.010	13	CM226902	03.196	1	GU19065400	03.160	9
AP8150543	07.010	2	CM226902	03.320	6	GU19067700	03.230	2
AP8152043	06.010	8	CM228401	01.020	14	GU19213760	03.230	12
AP8152055	03.330	21	CM258301	03.060	13	GU19351100	03.350	17
AP8152138	03.020	17	CM258303	03.050	17	GU19356760	03.230	13
AP8152220	03.190	20	CM275401	03.060	1	GU19547000	01.050	2
AP8152267	03.090	7	CM277101	11.020	17	GU20147710	03.190	21
AP8152272	03.120	10	CM277102	11.020	18	GU20147810	03.190	26
AP8152273	02.150	7	GU01528930	03.350	28	GU20258221	03.020	23
AP8152273	09.010	7	GU01528930	03.350	6	GU27061885	03.160	4
AP8152277	01.020	11	GU01659130	06.020	5	GU27066460	03.160	5
AP8152288	06.040	2	GU01659131	06.020	4	GU27152885	03.190	1
AP8152288	09.010	2	GU03013800	03.020	22	GU30601060	07.030	3
AP8152299	02.100	8	GU03013800	03.060	10	GU30602500	07.030	4
AP8152299	02.150	2	GU03617710	05.010	10	GU31003766	03.030	22
AP8152299	08.010	12	GU03617710	05.020	7	GU31003766	03.350	7
AP8152299	08.030	31	GU03658201	06.050	21	GU31150950	03.190	10
AP8152299	11.020	6	GU03658330	06.050	19	GU31159050	03.190	6
AP8152306	08.030	19	GU03749845	06.010	7	GU31256881	03.020	10
AP8152329	03.050	1	GU04355100	03.350	20	GU31544181	06.040	4
AP8152384	07.010	5	GU04355101	03.350	20	GU31547882	01.050	3
AP8152385	06.020	2	GU04355102	03.350	20	GU31616384	05.010	15
AP8161054	03.050	16	GU04355103	03.350	20	GU31659181	06.040	7
AP8181140	11.030	13	GU04355104	03.350	20	GU31659281	06.040	6
AP8201755	08.030	24	GU04355105	03.350	20	GU32441210	01.020	10
AP8210007	03.020	20	GU04355106	03.350	20	GU32442310	01.020	8
AP8213028	07.030	5	GU05217630	03.230	26	GU32442710	01.020	9
AP8213388	07.030	6	GU05234230	03.170	9	GU32517710	11.030	12
AP8220186	08.030	5	GU05234631	03.170	31	GU32602860	07.020	6
AP8221023	03.050	18	GU05235531	03.170	30	GU32615660	05.010	3
AP8221023	06.050	8	GU05238231	03.170	13	GU32632510	05.020	20
AP8221197	01.030	2	GU05238431	03.170	11	GU32944310	02.190	17
AP8221277	01.020	16	GU05239330	03.170	16	GU37359005	03.350	10
AP8224164	08.030	17	GU05351230	03.350	9	GU49609601	11.020	2
AP8224462	11.020	4	GU05659230	06.020	3	GU61027200	03.150	1
AP8702101	02.170	10	GU05781630	04.060	24	GU66103415	09.010	10
AP9100053	08.030	27	GU10034100	03.120	15	GU90271014	03.170	17
AP9100477	01.020	23	GU10528900	03.030	23	GU90271022	03.170	32
B013037	03.230	15	GU12022600	03.170	35	GU90272047	05.020	5
B013608	03.170	25	GU12154200	03.190	2	GU90353014	03.170	8
B013608	03.180	3	GU12351100	03.350	13	GU90353029	03.120	17
B014598	01.050	7	GU14085900	03.230	25	GU90401424	03.170	18
B015040	03.180	11	GU14086100	03.230	17	GU90402642	05.010	6
B015598	03.170	2	GU14217901	03.230	5	GU90412541	03.180	18
B016796	03.060	5	GU14609650	11.010	9	GU90413850	03.350	12
B016796	08.030	23	GU14609650	11.020	3	GU90706141	11.010	11
B017406	03.170	5	GU14609650	11.030	17	GU90706170	03.230	27
B017636	03.100	3	GU14615901	03.230	3	GU90706188	03.350	4
B018020	03.170	4	GU14615901	03.330	18	GU90706203	03.170	34
B018448	03.180	31	GU14615901	03.330	22	GU90706235	03.230	10
B043850	11.030	16	GU14615901	03.350	26	GU90706281	03.030	25
B063025	03.170	39	GU14615901	07.020	18	GU90706444	03.190	4
B063174	04.080	3	GU14616150	05.010	11	GU90706584	03.350	5
B063233	11.030	10	GU14616150	05.020	8	GU90706958	03.350	19
B063269	03.170	40	GU18144350	03.190	8	GU91113826	03.330	10
B063287	01.010	2	GU19002020	03.170	36	GU91181003	07.020	21
B063292	03.330	8	GU19002020	03.270	3	GU91551010	01.010	19
B063907	01.020	12	GU19003800	03.030	3	GU91551010	03.050	19

Code	Nr. der Tafel	Pos.
GU91551131	09.010	5
GU92201226	03.180	19
GU92201226	03.230	9
GU92201822	03.180	1
GU92204220	05.020	4
GU92204221	05.010	7
GU92254340	03.350	14
GU92296723	03.190	30
GU92602510	03.190	19
GU92606206	03.020	8
GU92606206	06.030	2
GU92606206	06.030	26
GU92606208	03.030	6
GU92606508	03.230	24
GU92630206	06.030	6
GU92630207	05.010	20
GU92630510	03.020	25
GU92630707	06.030	33
GU92660021	03.330	17
GU93180105	01.050	4
GU93180111	05.010	2
GU93180220	03.170	42
GU93304360	09.020	8
GU93304390	11.010	8
GU93304390	11.030	18
GU93450224	08.030	2
GU94321079	03.190	9
GU94321105	03.230	22
GU95005304	11.020	10
GU95005310	08.030	20
GU95008206	03.190	7
GU95008208	03.290	2
GU95008208	03.330	23
GU95008210	01.010	9
GU95008306	08.030	32
GU95020105	01.030	9
GU95100059	11.030	7
GU95100309	03.190	17
GU95100602	03.190	29
GU95129115	03.120	18
GU95500222	03.230	20
GU96451316	06.050	12
GU96451430	03.030	12
GU96508055	03.030	16
GU97202325	07.030	7
GU98110199	01.010	18
GU98210610	08.020	5
GU98210616	07.010	16
GU98210616	08.030	28
GU98370625	06.030	20
GU98612216	03.320	4
GU98612320	08.010	8
GU98612320	08.030	10
GU98620330	01.040	7
GU98622322	03.060	9
GU98632322	03.020	21
GU98680445	01.020	13
GU98680445	06.030	8
GU98680460	03.020	6
GU98682212	03.300	6
GU98682212	11.030	6
GU98682312	05.020	13
GU98682325	03.030	24
GU98682325	03.270	1
GU98682330	03.270	2
GU98682330	08.030	26
GU98682416	02.170	8

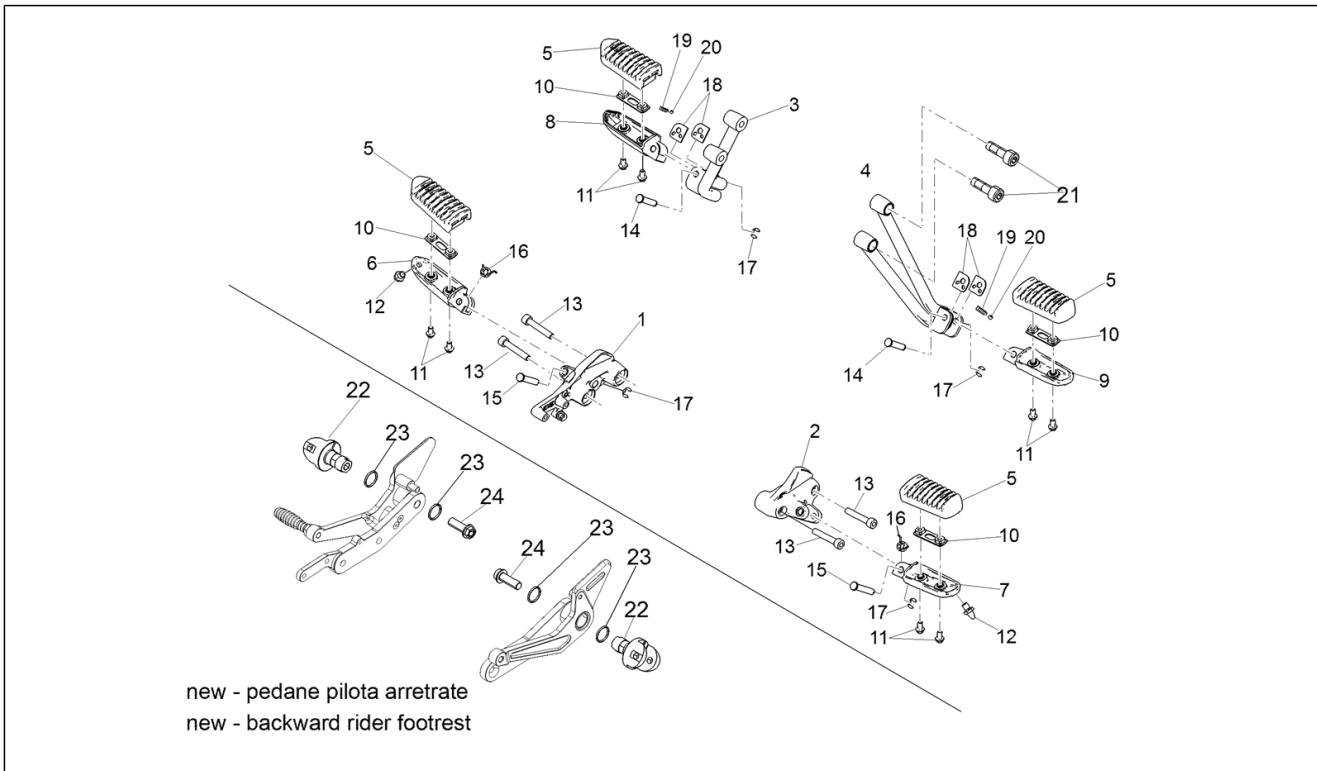
Code	Nr. der Tafel	Pos.
GU98682416	09.010	11
GU98682435	03.290	3
GU98682530	01.010	8
GU98690445	02.030	3
GU98690445	08.010	9
GU98692318	03.020	13
GU98692425	07.020	11
GU98882316	03.120	26

Einheit	Rahmen
Code	01.010
Beschreibung	Rahmen
Inspektion	1



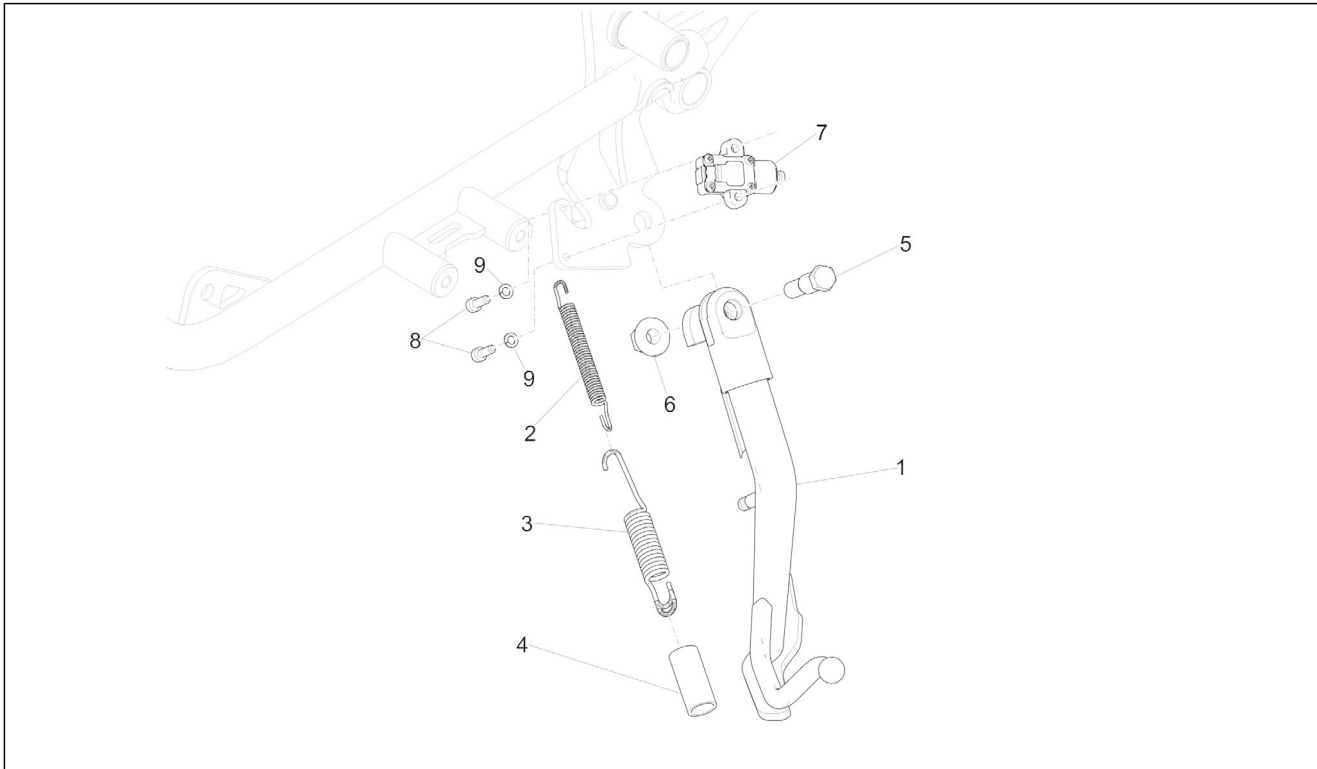
Pos.	Code	Beschreibung	Menge	Varianten
1	2B001055	Fahrgestell	1	
2	B063287	Verbindungsplatte Rahmen	1	
3	2B002325	Arm Rahmenschleife rechts	1	
4	2B002326	Arm Rahmenschleife links	1	
5	2B002810	Rahmenträger	1	
6	AP8102671	Kunststoffniet	4	
7	AP8150009	Scheibe	4	
8	GU98682530	TCEI Schraube M10x30	4	
9	GU95008210	Ausgleichscheibe 10,2X18X2	6	
10	AP8144071	Gummi auspuffrohr	8	
11	AP8150018	Ausgleichscheibe	4	
12	2B003078	Distanzscheibe	4	
13	AP8150048	TCEI Schraube	2	
14	AP8120311	Gummi	2	
15	2B002817	Zapfen M10	1	
16	2B001612	Bolzen M10X253	1	
17	2B001035	Bolzen 234X10	1	
18	GU98110199	Bolzen M10x205	1	
19	GU91551010	Gummi 10X20X10	2	
20	967363	Mutter M8x1,25	4	
21	2B002311	Linsenschraube Torx M8X20	4	

Einheit	Rahmen
Code	01.020
Beschreibung	Fussrasten
Inspektion	1



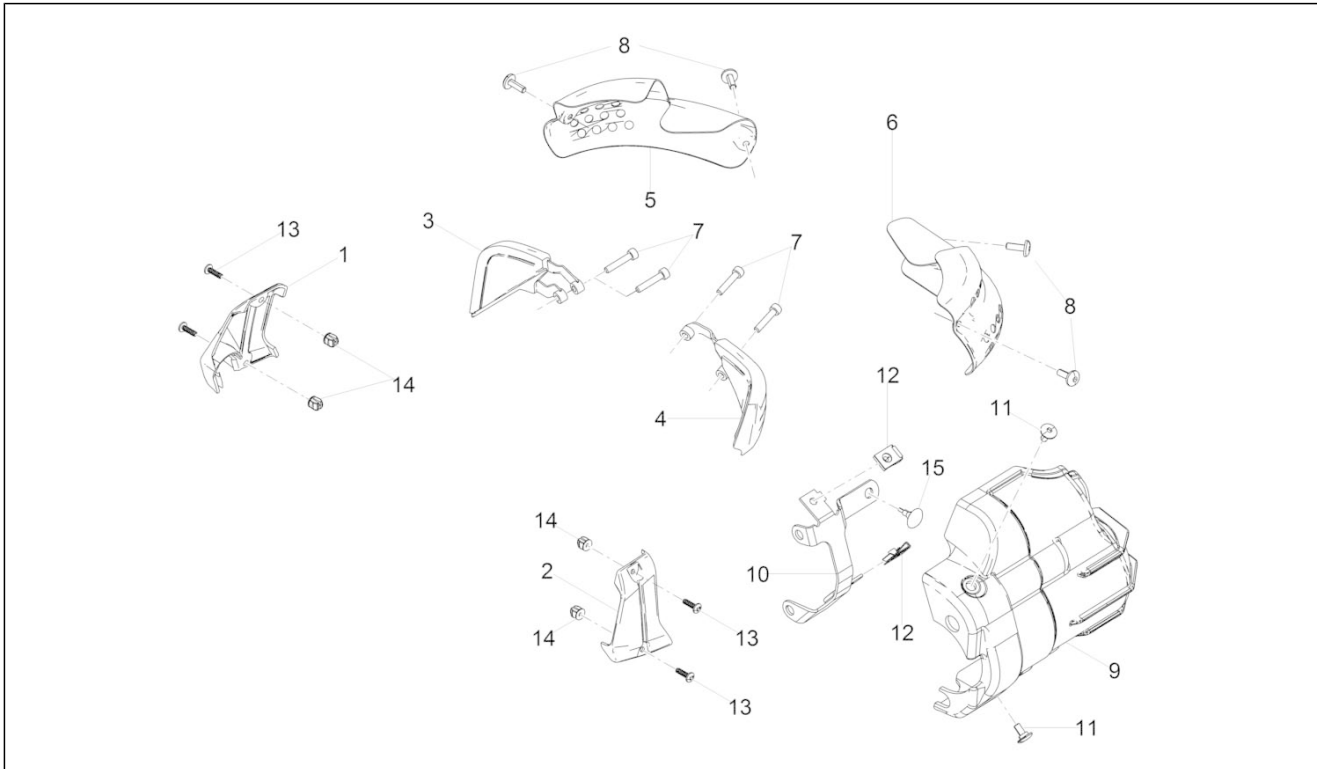
Pos.	Code	Beschreibung	Menge	Varianten
1	2B002218	Fußrastenhalter Fahrer rechts	1	Technische Spezifikation: standard rider footrest[old]
2	2B002219	Fußrastenhalter Fahrer links	1	Technische Spezifikation: standard rider footrest[old]
3	2B003077	Fußrasten-Halterung Beif. rechts	1	
4	2B003076	Fußrasten-Halterung Beif. links	1	
5	2B002225	Gummiraste	4	
6	AP8145034	Fussrasten r.	1	
7	AP8145035	Fussrasten l.	1	
8	GU32442310	Soziusraste rechts	1	
9	GU32442710	Soziusraste links	1	
10	GU32441210	Platte	4	
11	AP8152277	TE Schr. m. Flansch M6x12	8	
12	B063907	Rastenbolzen	2	
13	GU98680445	TCEI Schraube	4	Technische Spezifikation: standard rider footrest[old]
14	CM228401	Rastenbolzen	2	
15	AP8121567	Bolzen	2	
16	AP8221277	Rückholfeder	2	
17	AP8120573	Sperring	4	
18	AP8134451	Fixierplatte	4	
19	AP8121133	Schraubenfederkompr.	2	
20	AP8101861	Kugel D6,35	2	
21	2B002171	TC Schraube 8x25	4	
22	2B004044	Halterung Fahrertrittbrett	2	Technische Spezifikation: backward rider footrest[new]
23	AP9100477	O-Ring 18x2	4	Technische Spezifikation: backward rider footrest[new]
24	967384	Schraube TEF M10X45	2	Technische Spezifikation: backward rider footrest[new]

Einheit	Rahmen
Code	01.030
Beschreibung	Hauptständer
Inspektion	1



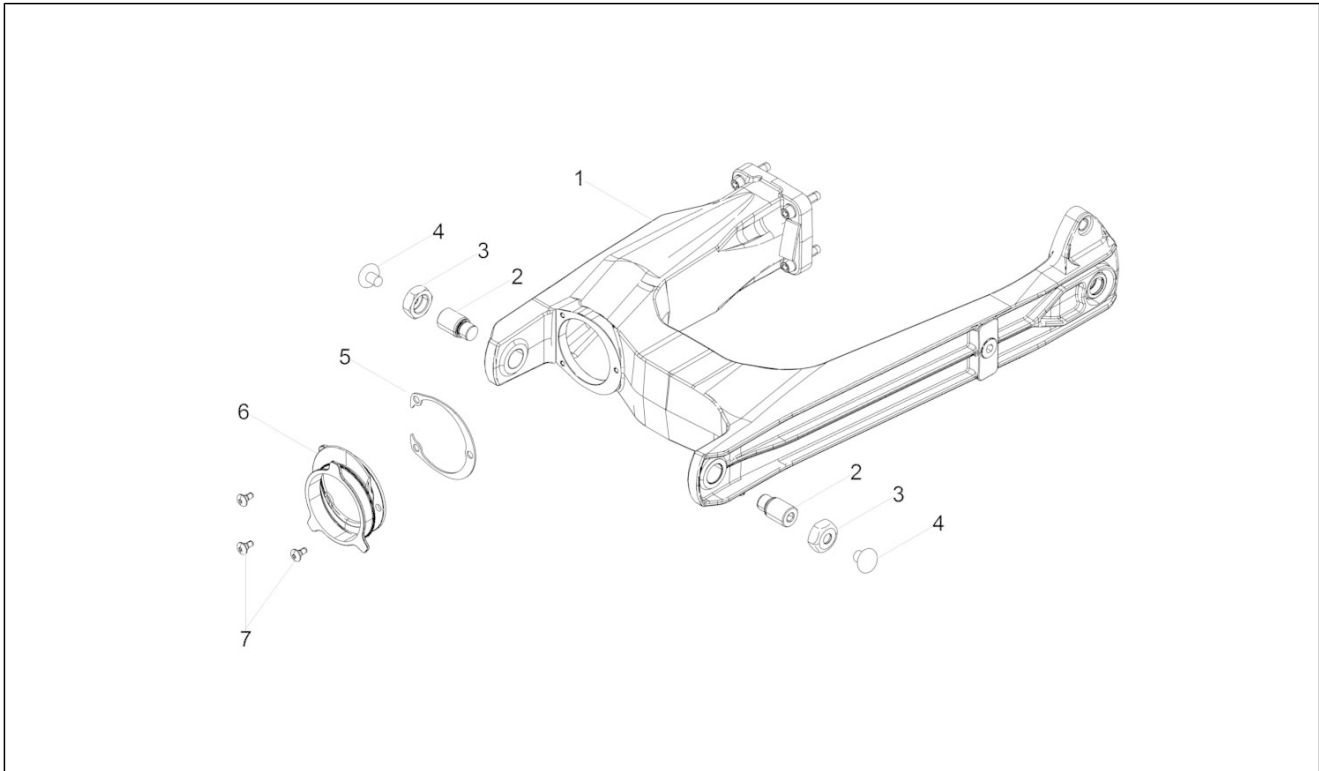
Pos.	Code	Beschreibung	Menge	Varianten
1	2B002705	Seitenständer	1	
2	AP8221197	Hauptständer Schraubenfeder	1	
3	AP8121014	Schraubenfeder	1	
4	AP8102524	Schutz f. Ständerfeder	1	
5	2B001088	Ständerbolzen	1	
6	967356	Geflanschte Mutter M10x1,25	1	
7	AP8127856	Ständer lichtschalter	1	
8	1C001499	Schraube TBEI TORX M5x16 INOX	2	
9	GU95020105	Ausgleichscheibe 5,3x8,9x2,4	2	

Einheit	Rahmen
Code	01.040
Beschreibung	Schutz
Inspektion	1



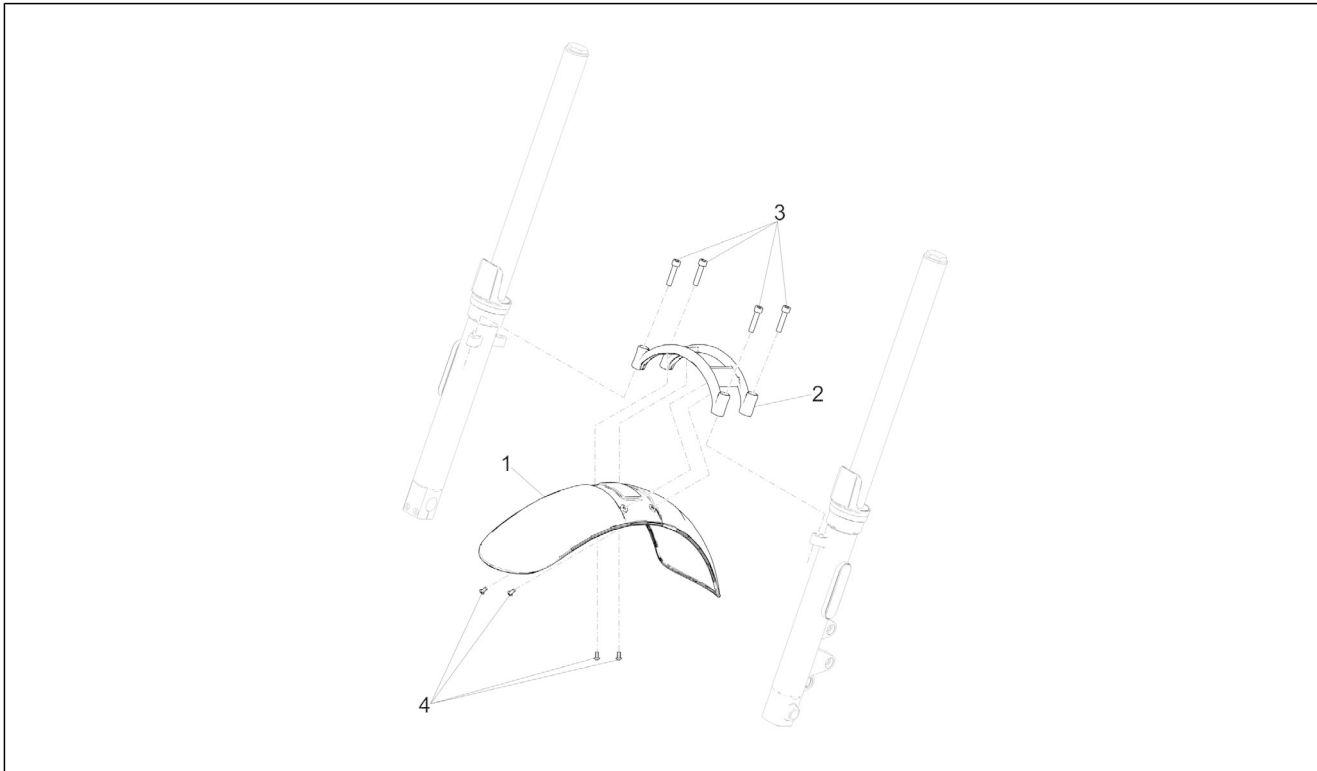
Pos.	Code	Beschreibung	Menge	Varianten
1	2B002799	Rahmenschutz rechts	1	
2	2B002378	Rahmenschutz links	1	
3	2B003102	Knieschutz rechts	1	
4	2B003103	Knieschutz links	1	
5	2B002622	Einspritzdüsenabdeckung rechts	1	
6	2B002621	Einspritzdüsenabdeckung links	1	
7	GU98620330	Schraube	4	
8	976614	TBEI Schraube M5x15	4	
9	2B002943	Abdeckung anlassermotor	1	
10	2B002937	Haltebügel Abdeckung	1	
11	AP8150500	TBEI Schraube M5x9	2	
12	248419	Plattchen M5	2	
13	AP8150413	Gew.schr. 3,9x14	1	
14	AP8102671	Kunststoffniet	2	
15	AP8120001	Gummi	1	

Einheit	Rahmen
Code	01.050
Beschreibung	Schwinge
Inspektion	1



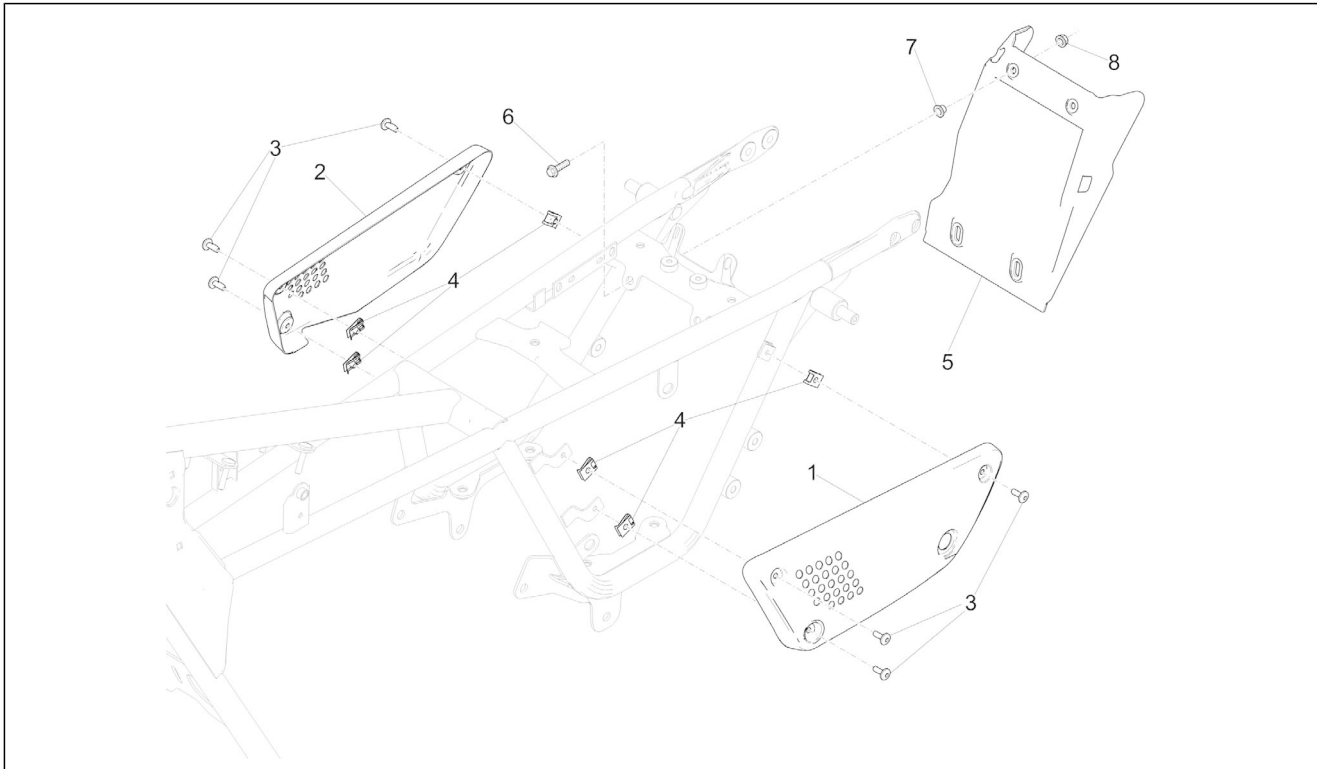
Pos.	Code	Beschreibung	Menge	Varianten
1	2B001301	Schwinge	1	
2	GU19547000	Bolzen	2	
3	GU31547882	Mutter	2	
4	GU93180105	Deckel	2	
5	2B003212	Fixierplatte	1	
6	2B002205	Gummibalg	1	
7	B014598	Torx Schraube M5x12	3	

Einheit	Aufbau
Code	02.030
Beschreibung	Vorderes Schutzblech-Stütze
Inspektion	1



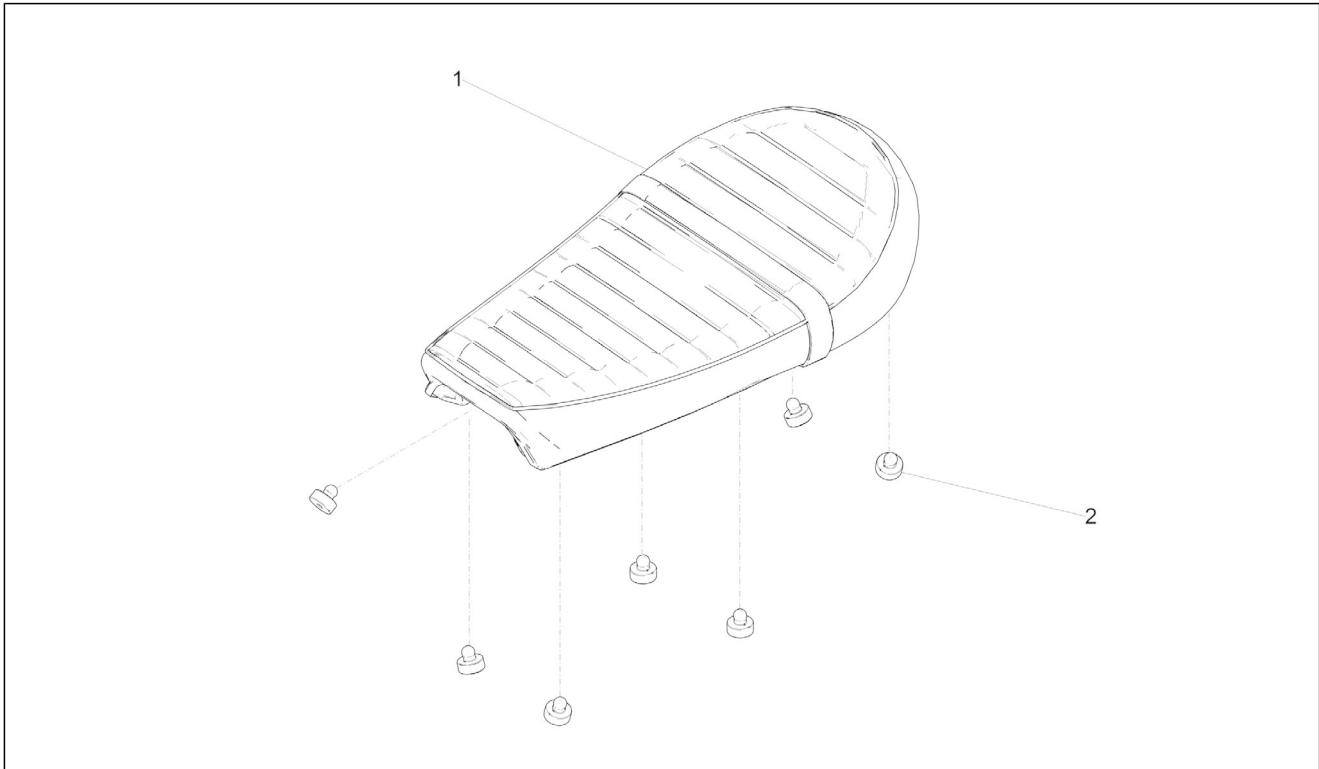
Pos.	Code	Beschreibung	Menge	Varianten
1	2H001447500XR7	V. Schutzblech, rot	1	Farbe: Rot Ibis[RI]
1	2H001250500YG3	Schutzblech v.gelb	1	Farbe: Gelb Brio[YB]
1	2B001141	Vorderes Schutzblech	1	
1	2H001402500Q4	V. Schutzblech, weiß	1	Farbe: Weiß Tech[BT]
2	2B001147	Schutzblechhalterung	1	
3	GU98690445	Schraube M8x45	4	
4	AP8150538	TBEI Schraube M5x10	4	

Einheit	Aufbau
Code	02.100
Beschreibung	Mittlerer Aufbau
Inspektion	1



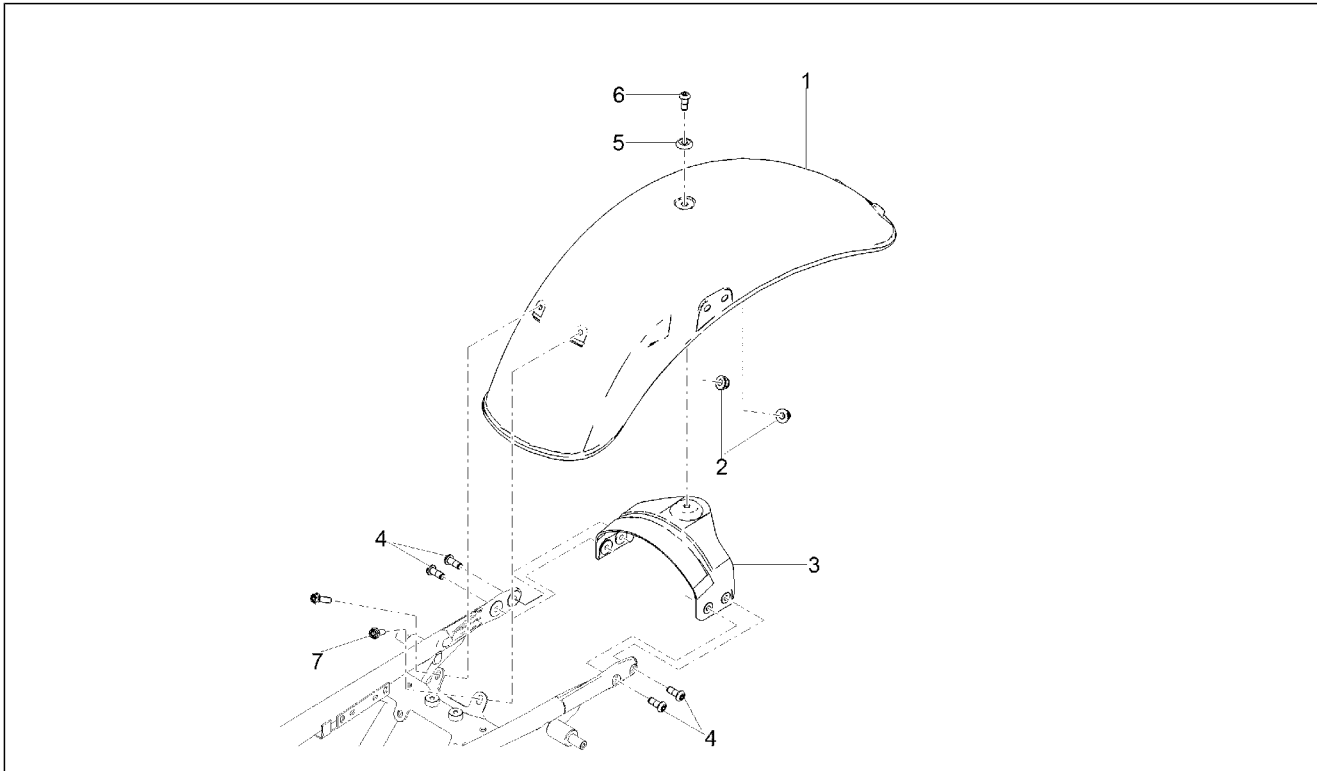
Pos.	Code	Beschreibung	Menge	Varianten
1	2B001619	L. kl. Seitenteil	1	
2	2B001618	R. kl. Seitenteil	1	
3	976614	TBEI Schraube M5x15	6	
4	AP8102375	Klammer M5	6	
5	2B001783	Hinteres, Spritzschutz	1	
6	CM179301	Schraube M6x16	2	
7	AP8121032	Buchse	2	
8	AP8152299	Selbstsperrende Mutter M6	2	

Einheit	Aufbau
Code	02.120
Beschreibung	Sitz
Inspektion	1



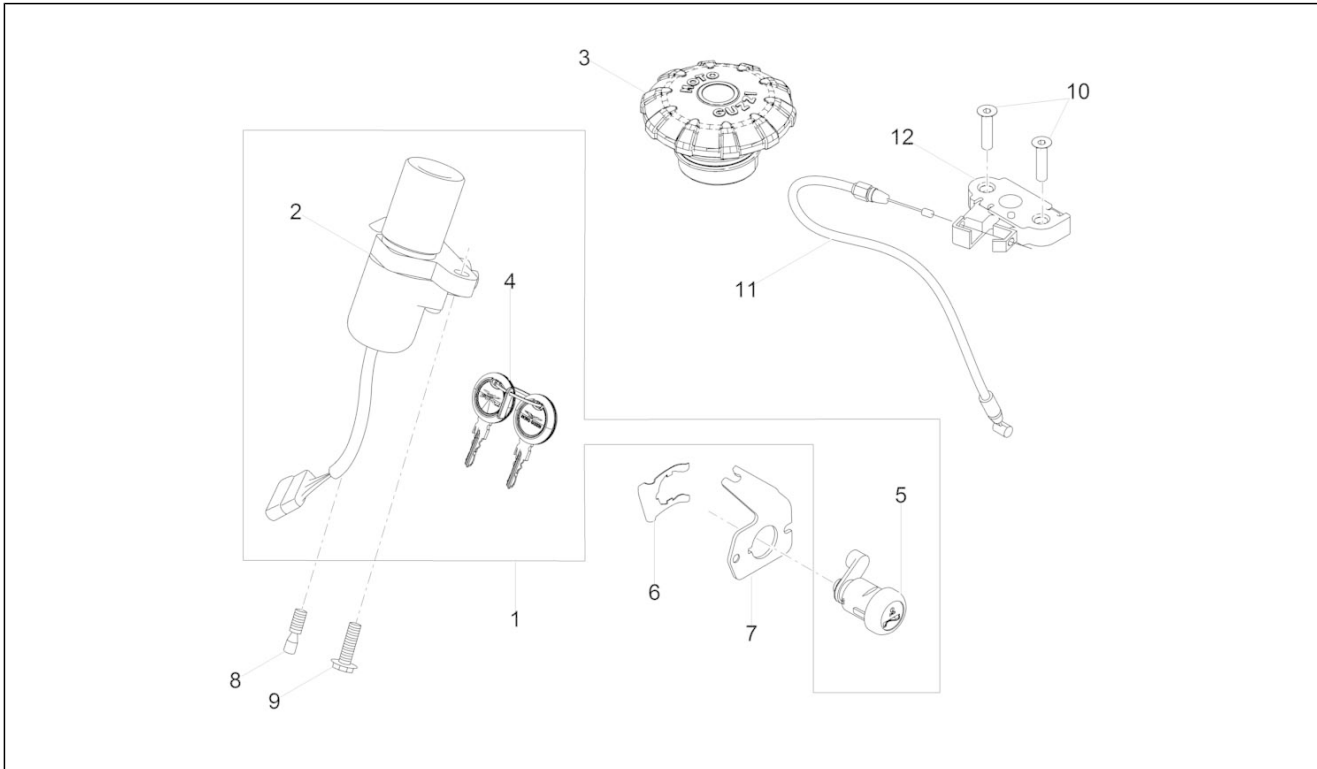
Pos.	Code	Beschreibung	Menge	Varianten
1	2B002359000C1	Sitzbank Custom	1	Farbe:Weiß Tech[BT] Rot Ibis[RI] Gelb Brio[YB]
2	B064023	Sitz-Auflagegummi	7	

Einheit	Aufbau
Code	02.150
Beschreibung	Hinteres Schutzblech
Inspektion	1



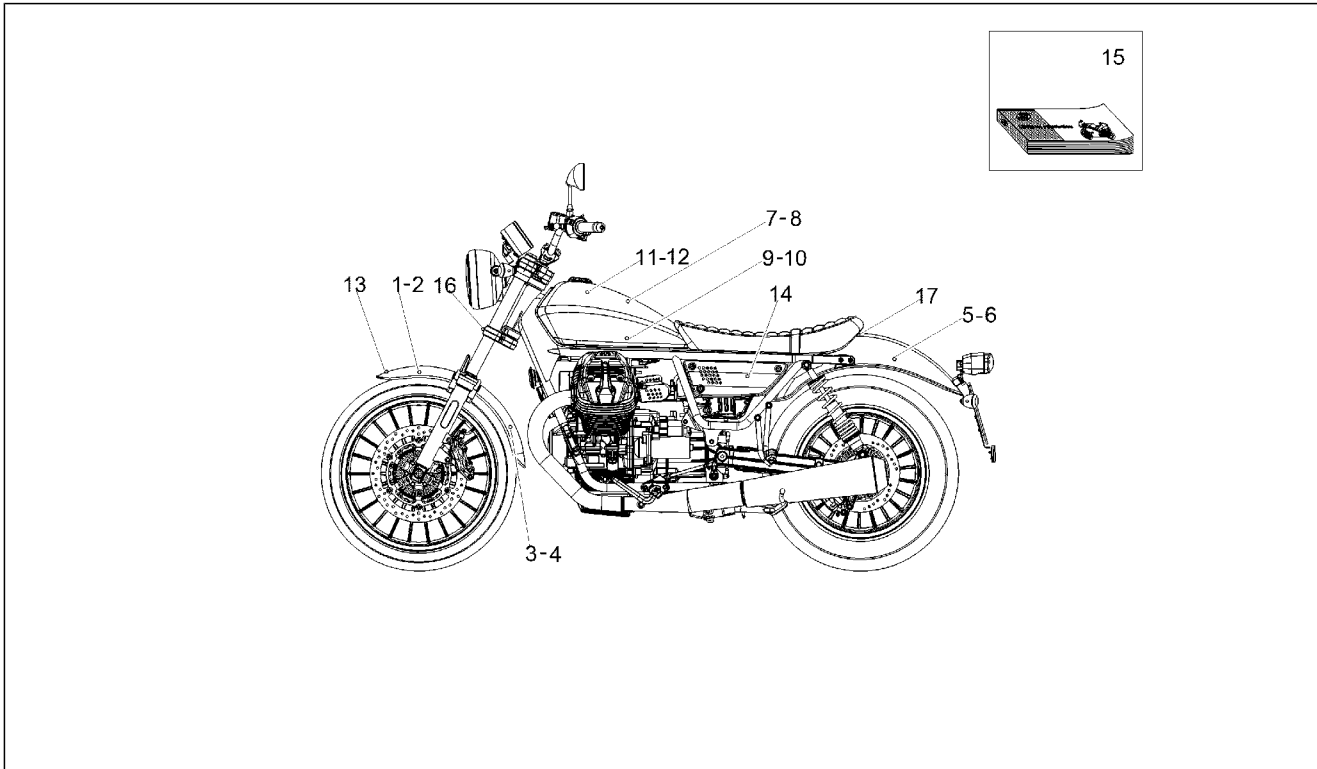
Pos.	Code	Beschreibung	Menge	Varianten
1	2H001448500XR7	H. Schutzblech, rot	1	Farbe: Rot Ibis[RI] Technische Spezifikation: Einzelteil mit Aufkleber[D]
1	2H001403500Q4	H. Schutzblech, weiß	1	Farbe: Weiß Tech[BT] Technische Spezifikation: Einzelteil mit Aufkleber[D]
1	2H001366500YG3	H.Schutzblech gelb lack.	1	Farbe: Gelb Brio[YB] Technische Spezifikation: Einzelteil mit Aufkleber[D]
1	2B001406	Hinteres Schutzblech	1	Farbe: Unlackiert[GR]
2	AP8152299	Selbstsperrende Mutter M6	2	
3	2B002386	Hintere Kotflügelhalterung	1	
4	2B002311	Linsenschraube Torx M8X20	4	
5	2B002321	Buchse für Schraube	1	
6	2B003089	Schraube TCC TORX M8x16	1	
7	AP8152273	Flanschschraube M5x15	2	

Einheit	Aufbau
Code	02.170
Beschreibung	Schlösser
Inspektion	1



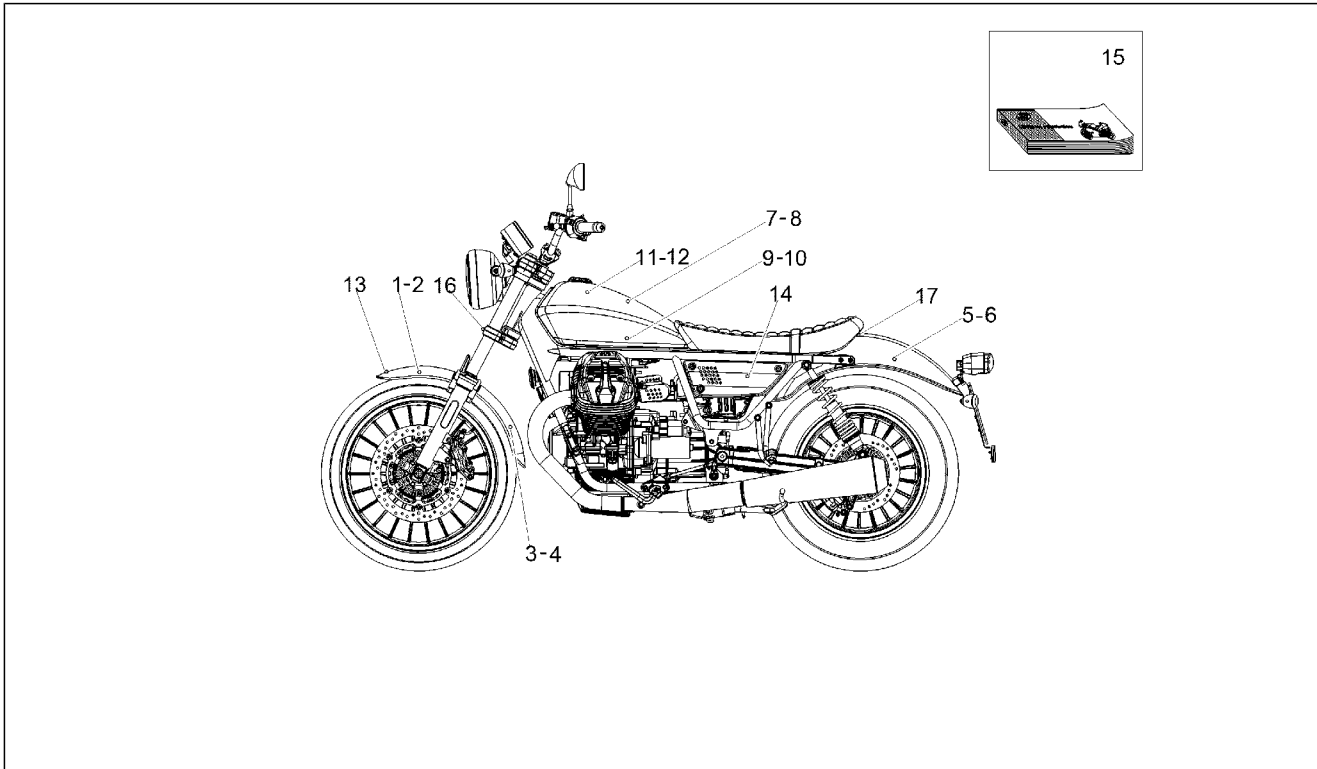
Pos.	Code	Beschreibung	Menge	Varianten
1	2B002940	Kit Schließvorrichtungen	1	
2	2D000299	Umschalter mit Schlüssel	1	
3	2B002043	Tankfüllschraube	1	
4	2D000004	Transponderschlüssel glatt	1	
5	977527	Schloss komplett mit Schlüsseln	1	
6	AP8121420	Gabelfeder	1	
7	978415	Kabelplatte	1	
8	GU98682416	TCEI Schraube M8x16	1	
9	319165	Schraube	1	
10	AP8702101	Schraube M6x25	2	
11	2B002936	Bowdenzug Sitzbank	1	
12	AP8102913	Fixierplatte Soziussitz	1	

Einheit	Aufbau
Code	02.190
Beschreibung	Deko
Inspektion	1



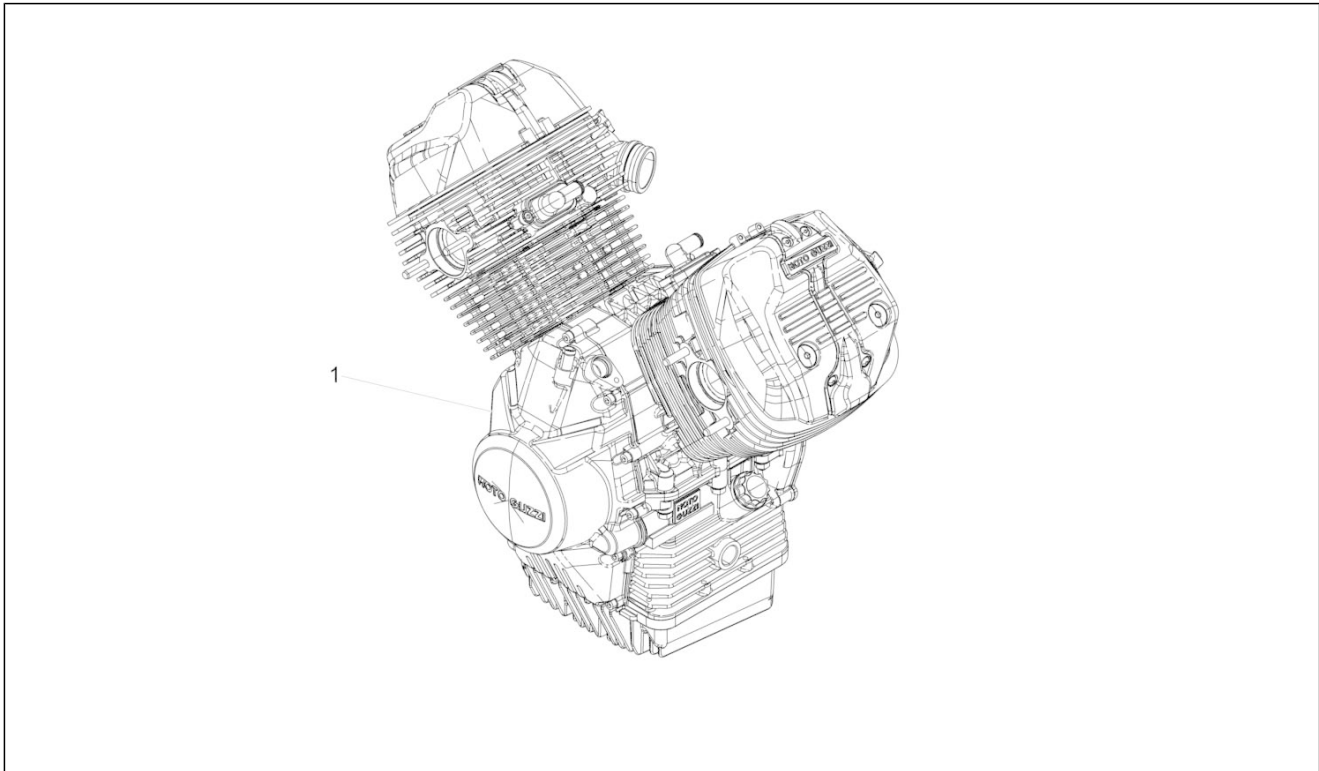
Pos.	Code	Beschreibung	Menge	Varianten
1	2H001370	Aufkleber Schutzblech v. SX	1	Farbe:Gelb Brio[YB]
1	2H001455	Aufkleber Schutzblech v. SX	1	Farbe:Rot Ibis[RI]
1	2H001409	Aufkleber Schutzblech v. SX	1	Farbe:Weiß Tech[BT]
2	2H001454	Aufkleber Schutzblech v. DX	1	Farbe:Rot Ibis[RI]
2	2H001408	Aufkleber Schutzblech v. DX	1	Farbe:Weiß Tech[BT]
2	2H001369	Aufkleber Schutzblech v. DX	1	Farbe:Gelb Brio[YB]
3	2H001372	Aufkleber Schutzblech v. SX	1	Farbe:Gelb Brio[YB]
3	2H001457	Aufkleber Schutzblech v. SX	1	Farbe:Rot Ibis[RI]
3	2H001411	Aufkleber Schutzblech v. SX	1	Farbe:Weiß Tech[BT]
4	2H001456	Aufkleber Schutzblech v. DX	1	Farbe:Rot Ibis[RI]
4	2H001371	Aufkleber Schutzblech v. DX	1	Farbe:Gelb Brio[YB]
4	2H001410	Aufkleber Schutzblech v. DX	1	Farbe:Weiß Tech[BT]
5	2H001459	Aufkl.hint.Schutzblech SX	1	Farbe:Rot Ibis[RI]
5	2H001258	Aufkl.hint.Schutzblech	1	Farbe:Gelb Brio[YB]
5	2H001413	Aufkl.hint.Schutzblech SX	1	Farbe:Weiß Tech[BT]
6	2H001412	Aufkl.hint.Schutzblech DX	1	Farbe:Weiß Tech[BT]
6	2H001257	Aufkl.hint.Schutzblech DX	1	Farbe:Gelb Brio[YB]
6	2H001458	Aufkl.hint.Schutzblech DX	1	Farbe:Rot Ibis[RI]
7	2H001254	Aufkleber linie L.blau lord	1	Farbe:Gelb Brio[YB]
7	2H001405	Aufkleber linie L.blau lord	1	Farbe:Weiß Tech[BT]
7	2H001451	Aufkleber linie L.blau lord	1	Farbe:Rot Ibis[RI]
8	2H001404	Aufkleber Streifen re Tank	1	Farbe:Weiß Tech[BT]
8	2H001253	Aufkleber Streifen re Tank	1	Farbe:Gelb Brio[YB]
8	2H001450	Aufkleber Streifen re Tank	1	Farbe:Rot Ibis[RI]
9	2H001453	Aufkleber unterer Streifen links	1	Farbe:Rot Ibis[RI]
9	2H001407	Aufkleber unterer Streifen links	1	Farbe:Weiß Tech[BT]
9	2H001368	Aufkleber unterer Streifen links	1	Farbe:Gelb Brio[YB]
10	2H001452	Aufkleber unterer Streifen rechts	1	Farbe:Rot Ibis[RI]

Einheit	Aufbau
Code	02.190
Beschreibung	Deko
Inspektion	1



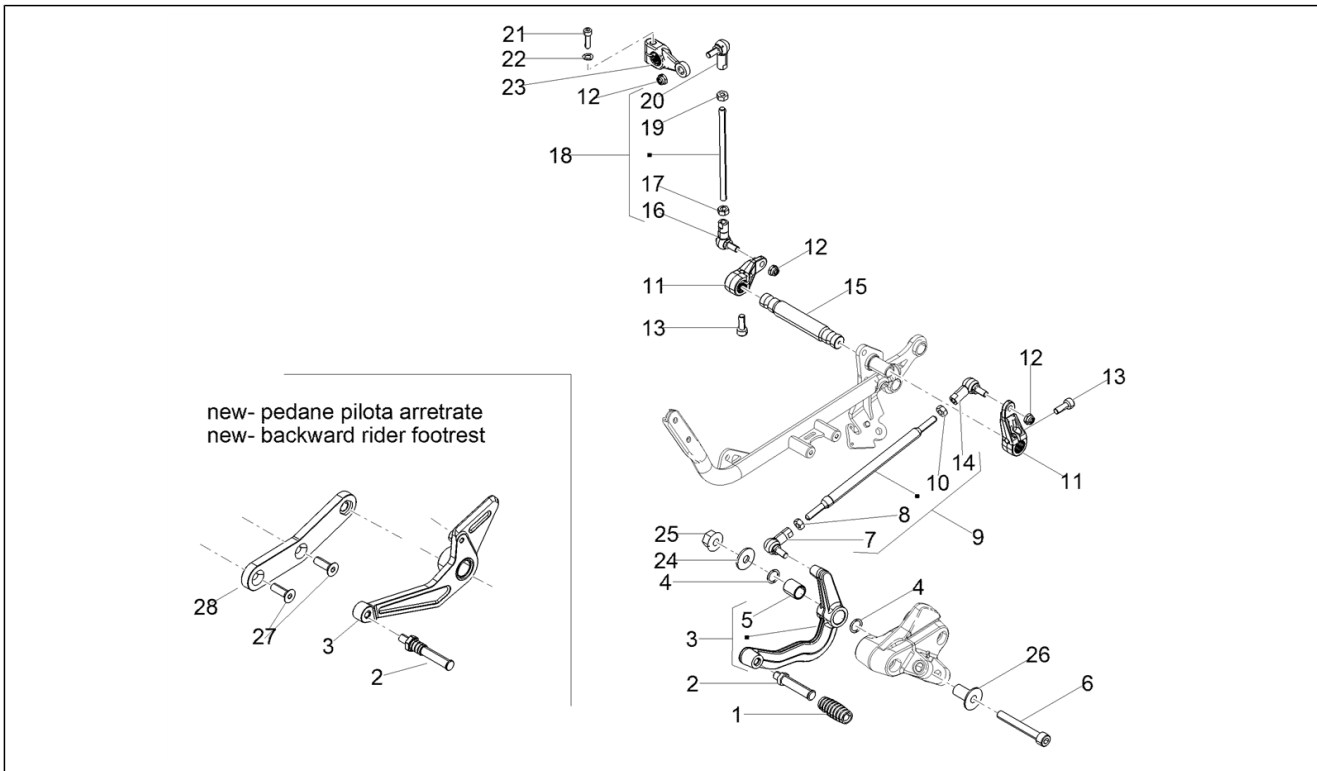
Pos.	Code	Beschreibung	Menge	Varianten
10	2H001406	Aufkleber unterer Streifen rechts	1	Farbe:Weiß Tech[BT]
10	2H001367	Aufkleber unterer Streifen rechts	1	Farbe:Gelb Brio[YB]
11	2H001256	Aufkleber "Adler" SX	1	Farbe:Gelb Brio[YB] Rot Ibis[RI] Weiß Tech[BT]
12	2H001255	Aufkleber "Adler" DX	1	Farbe:Gelb Brio[YB] Rot Ibis[RI] Weiß Tech[BT]
13	2H001260	Aufkleber "Adler"	1	Farbe:Gelb Brio[YB] Weiß Tech[BT] Rot Ibis[RI]
14	2H001259	Schild "V9 Roamer" DX-SX	2	Farbe:Gelb Brio[YB] Weiß Tech[BT] Rot Ibis[RI]
15	2Q000110	Bed./Wart.-Anl.I-D-F-E-UK-NL I-F-D-NL-E-UK	1	
16	2H001445	Schild "Moto Guzzi"	1	
17	GU32944310	Deko schutz	1	Farbe:Gelb Brio[YB] Rot Ibis[RI]

Einheit	Motor
Code	03.010
Beschreibung	Motor-Fertigstellung
Inspektion	1



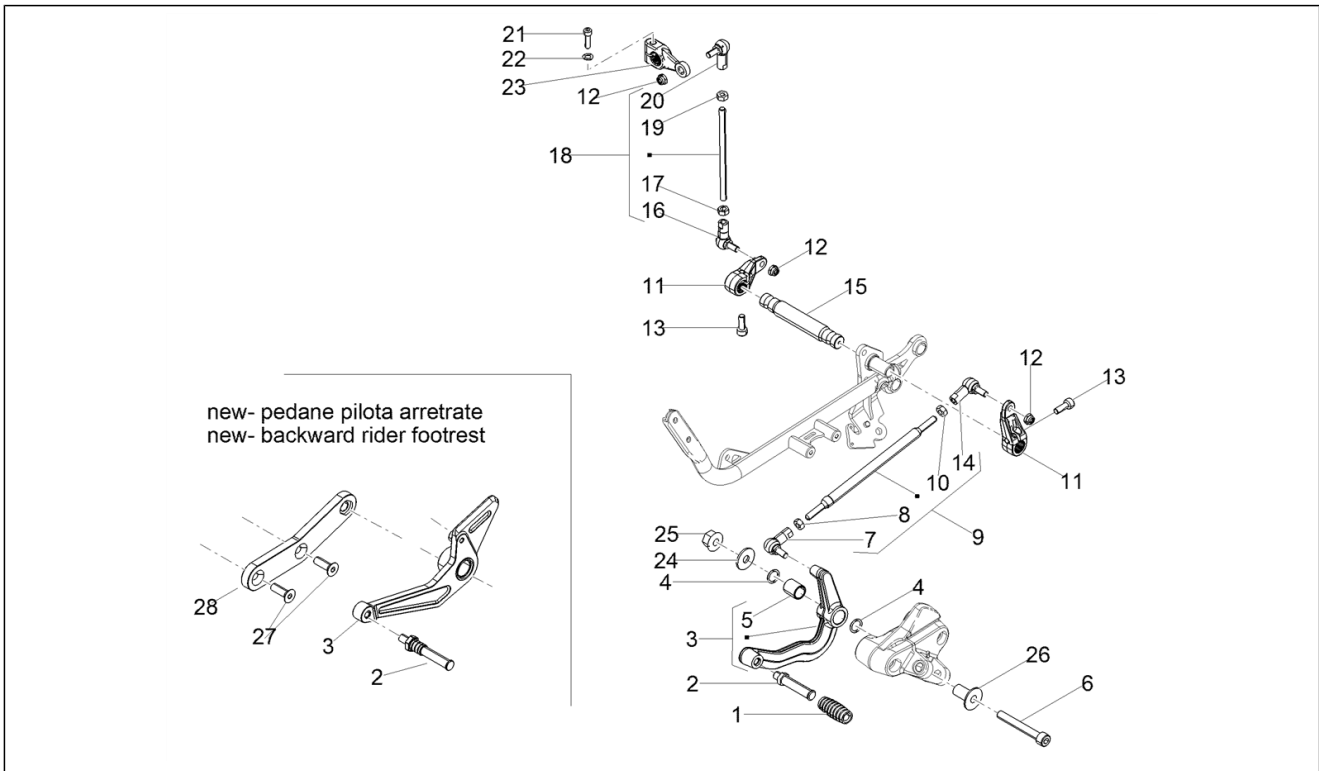
Pos.	Code	Beschreibung	Menge	Varianten
1	1A0066355	Motor kpl.ohneSchaltgetriebe	1	

Einheit	Motor
Code	03.020
Beschreibung	Schalthebel
Inspektion	1



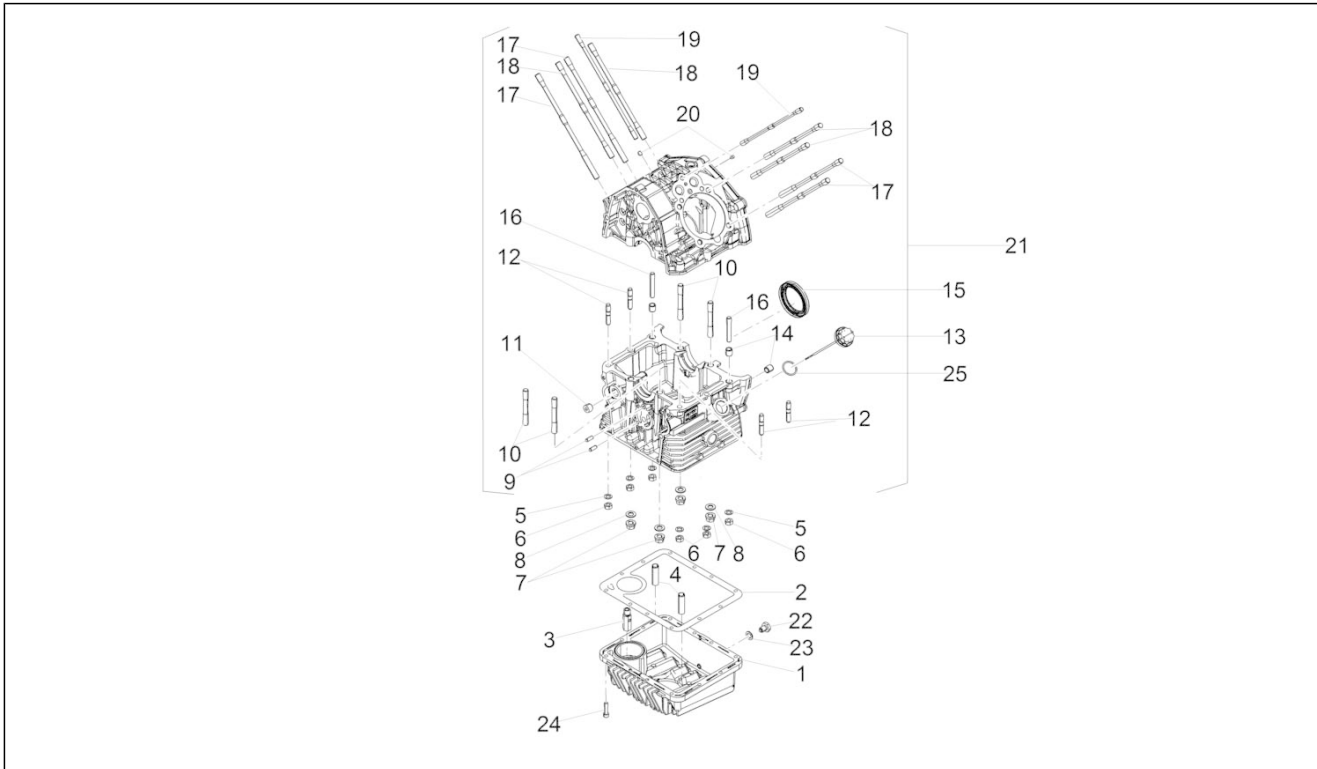
Pos.	Code	Beschreibung	Menge	Varianten
1	AP8120912	Gummi für Hebel	1	
2	887908	Gummigleitschutze	1	Technische Spezifikation: standard rider footrest[old]
2	2B004062	Gummigleitschutze	1	Technische Spezifikation: backward rider footrest[new]
3	2B002369	Schalthebel kpl.	1	Technische Spezifikation: standard rider footrest[old]
3	2B004053	Schalthebel kpl.	1	Technische Spezifikation: backward rider footrest[new]
4	AP8144007	O-Ring 11,11x1,78	2	
5	895328	Buchse gesintert	1	
6	GU98680460	TCEI Schraube M8x60	1	
7	898397	Kugelgelenk links M6	1	
8	GU92606206	Mutter	1	
9	2B002680	Zugstange Schaltzug cpl.	1	Technische Spezifikation: standard rider footrest[old]
9	2B004109	Tirante comando cambio cpl.	1	Technische Spezifikation: backward rider footrest[new]
10	GU31256881	Mutter Linksgewinde M6	1	
11	898283	Schalthebel	2	
12	AP8150115	Selbstsperr.mut Unt. M6	2	
13	GU98692318	TCEI Schraube	2	
14	898396	Kugelgelenk rechts M6	1	
15	2B001009	Hebelbolzen	1	
16	AP8110053	Kugelgelenk links M6	1	
17	AP8152138	Mutter	1	
18	2B001941	Zugstange Schaltzug	1	
19	AP8150026	Mutter M6	1	
20	AP8210007	Kugelgelenk rechts M6	1	
21	GU98632322	Schraube	1	
22	GU03013800	Ausgleichscheibe 6,4x12	1	
23	GU20258221	Schalthebel	1	
24	AP8150018	Ausgleichscheibe	1	
25	GU92630510	Mutter M10x1,5	1	

Einheit	Motor
Code	03.020
Beschreibung	Schalthebel
Inspektion	1



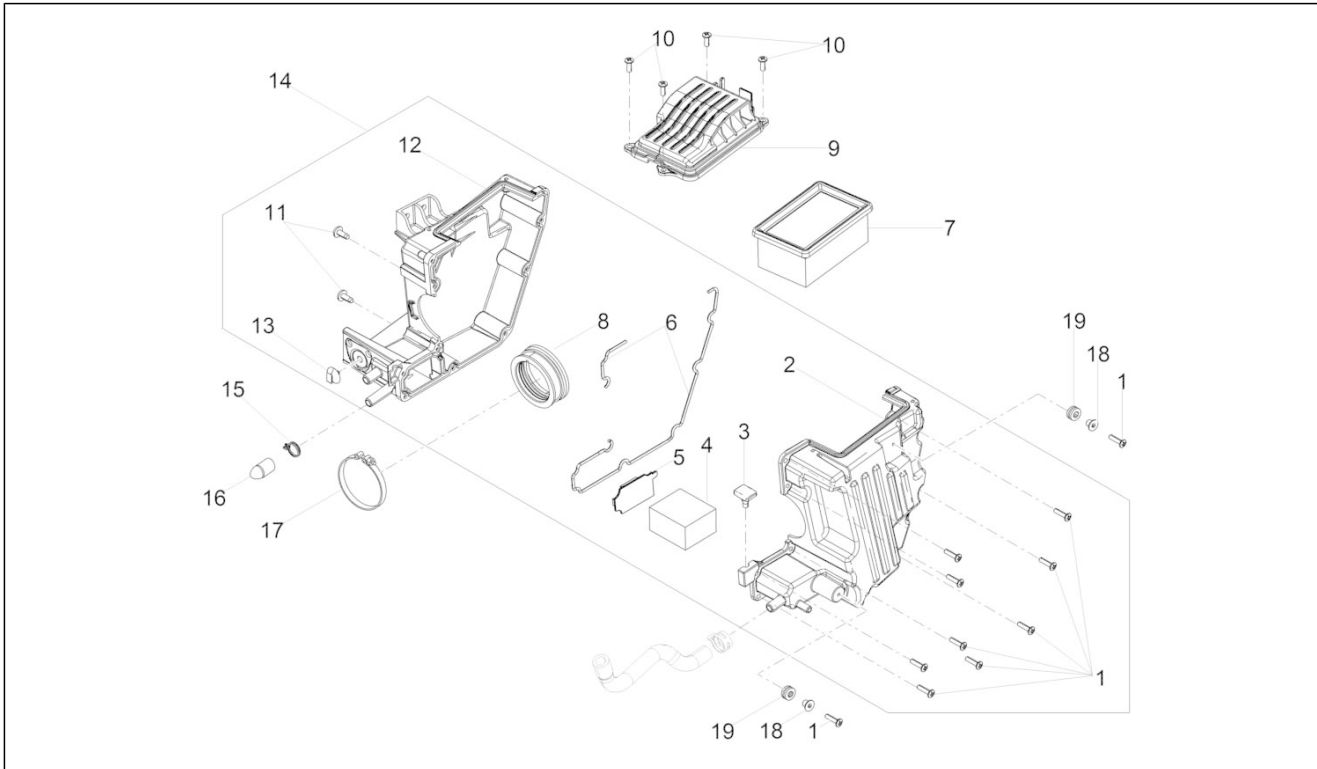
Pos.	Code	Beschreibung	Menge	Varianten
26	AP8121509	Buchse	1	
27	2B004112	Schraube TSPEI IX M8X25	2	Technische Spezifikation: backward rider footrest[new]
28	2B004043	Piastra pedana pilota sx	1	Technische Spezifikation: backward rider footrest[new]

Einheit	Motor
Code	03.030
Beschreibung	Gehäuse I
Inspektion	1



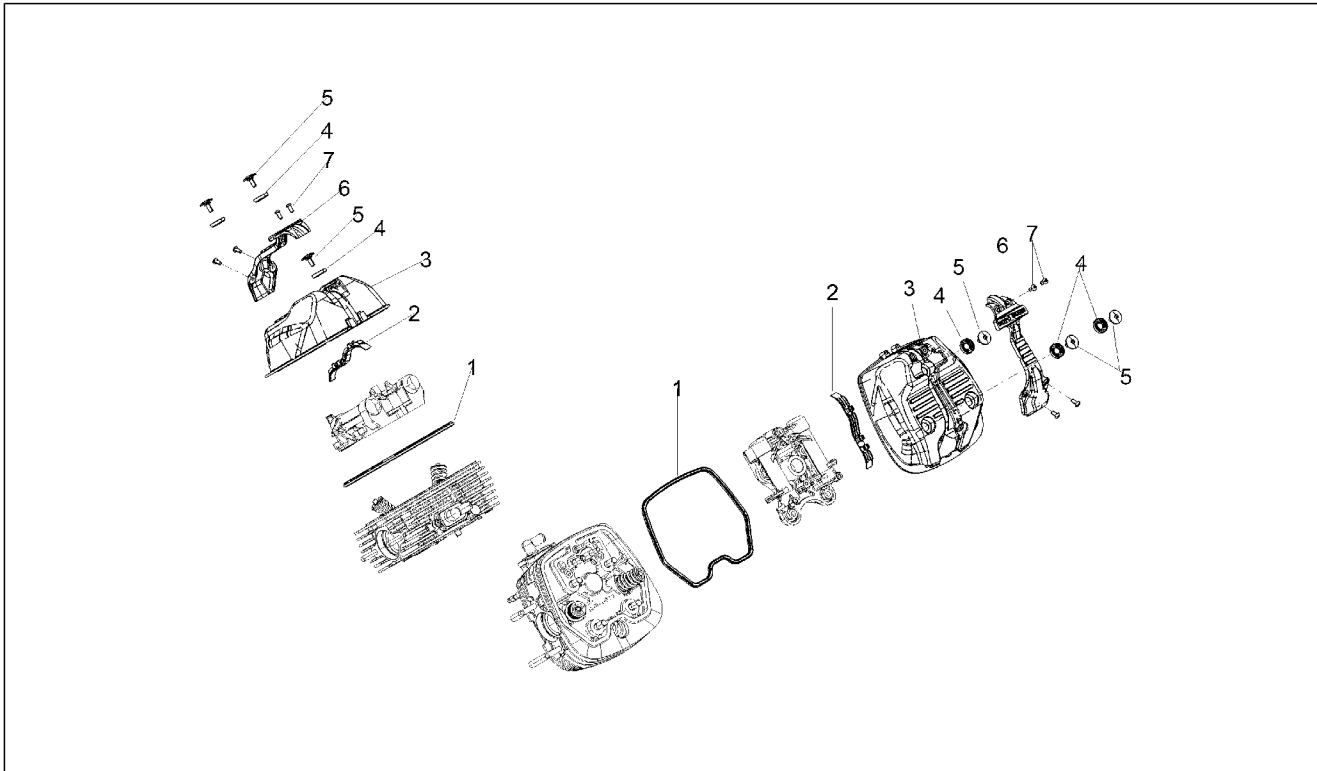
Pos.	Code	Beschreibung	Menge	Varianten
1	1A004550	Pfropfen	1	
2	1A005211	Ölwannendichtung	1	
3	GU19003800	Anschluss	1	
4	1A006047	Anschlußschlauch	2	
5	658837	Gewellte Sprengscheibe D15 F8,4 S1,5 - INOX	6	
6	GU92606208	Mutter M8x1,25	6	
7	1A006656	Geflanschte Mutter M10x1	4	
8	1A006655	Flachscheibe	4	
9	GU19018920	Stift	2	
10	1A004530	Stiftschraube	4	
11	831135	Verschlusschraube M14x1,5	1	
12	GU96451430	Stiftschraube	4	
13	883826	Öleinfüllschraube	1	
14	GU19015020	Buchse	2	
15	886365	Gasket ring	1	
16	GU96508055	Stiftschraube	2	
17	1A006283	Stiftschraube langer Kopf	4	
18	1A006284	Stiftschraube kurzer Kopf	4	
19	1A006860	Stiftschraube zentraler Kopf	2	
20	484993	Haltestein	2	
21	1A0052625	Gekoppelte Kurbelgehäuse	1	
22	GU31003766	Ölablaßschraube M10x1	1	
23	GU10528900	Dichtung	1	
24	GU98682325	TCEI Schraube M6x25	12	
25	GU90706281	O-Ring 28,24x2,62	1	

Einheit	Motor
Code	03.050
Beschreibung	Filtergehäuse
Inspektion	1



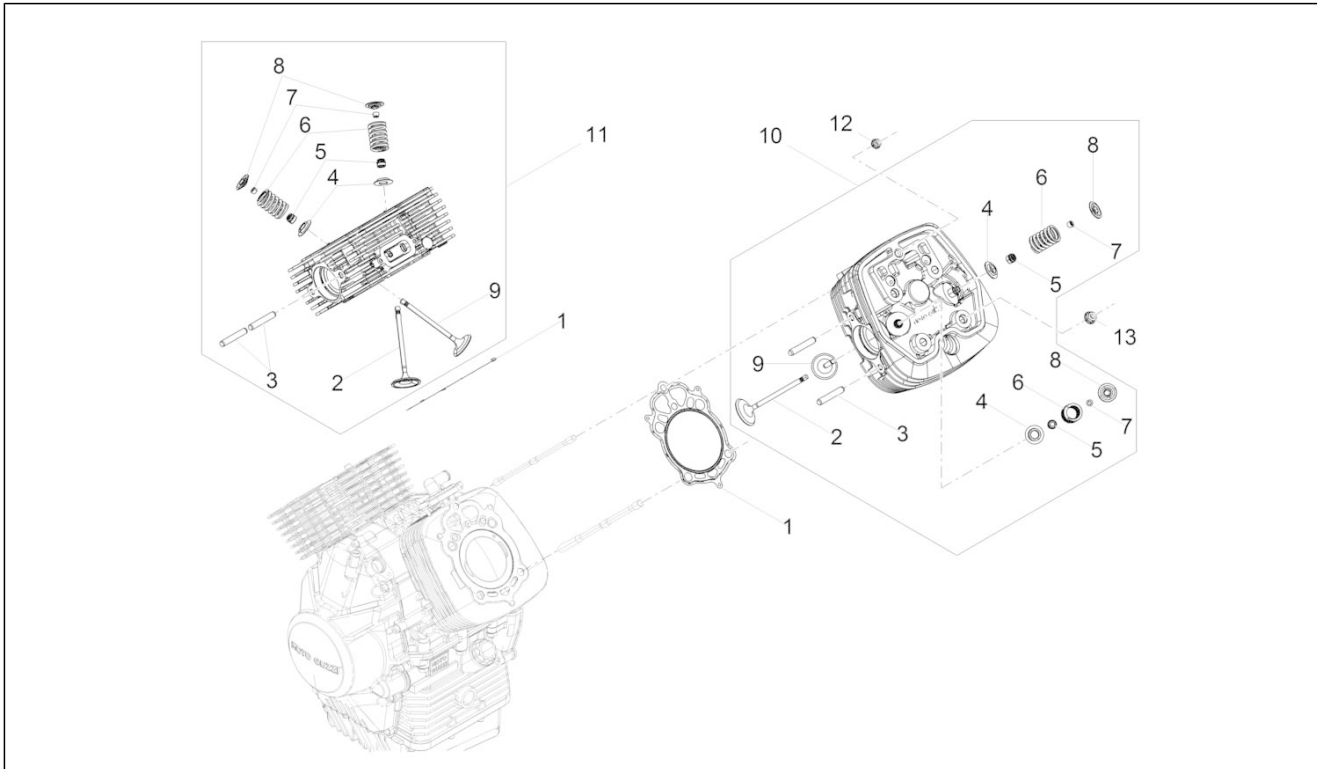
Pos.	Code	Beschreibung	Menge	Varianten
1	AP8152329	Kreuz.schl.flnschschr. M5x20	9	
2	2B002832	L.deckel Filtergehäuse	1	
3	AP8120455	Gummi	1	
4	AP8104525	Filter blow-by	2	
5	2B002851	Membran	1	
6	AP8120615	Dichtung D3	1	
7	AP8104924	Luftfilter	1	
8	887815	Ansaugmuffe	1	
9	887843	Luftfilterdeck	1	
10	AP8150509	Gew.schr. 5x14	4	
11	AP8120876	Verschlussschraube	2	
12	887844	Schale re Filtergehäuse	1	
13	890760	Halterung Instrumente	1	
14	2B002959	Sicherungskasten	1	
15	AP8102520	Schlauchschelle	2	
16	AP8161054	Kappe	2	
17	CM258303	Schelle 63	1	
18	AP8221023	T-Buchse	2	
19	GU91551010	Gummi 10X20X10	2	

Einheit	Motor
Code	03.090
Beschreibung	Kopfdeckel
Inspektion	1



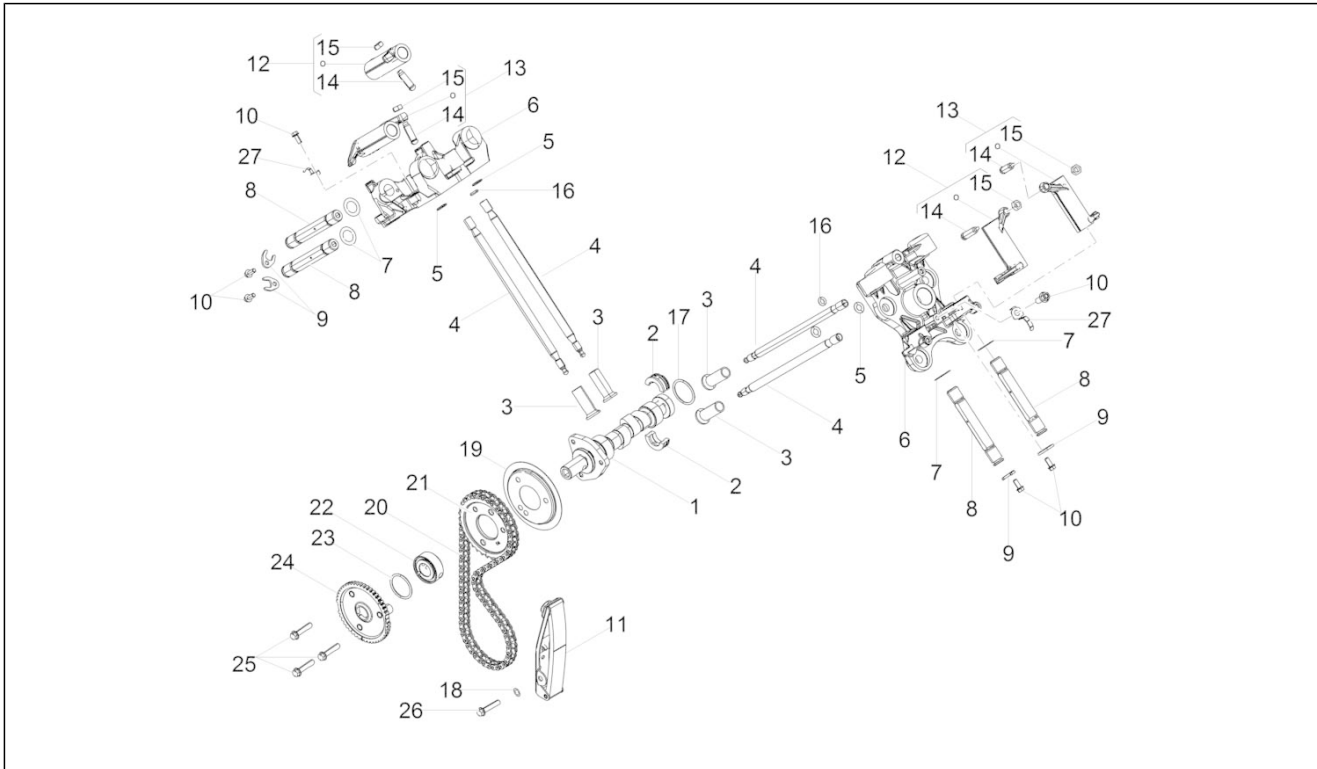
Pos.	Code	Beschreibung	Menge	Varianten
1	2A000565	Kopf Deckel Dichtung	2	
2	2A000659	Kabelführung	2	
3	2A000339	Kopfdeckel	2	
4	1A006716	Stopfen dämpfer	6	
5	976591	Spezialschraube	6	
6	2A000620	Zündkerzedeckel	2	
7	AP8152267	TBEI Spez.schr. M5x12	8	

Einheit	Motor
Code	03.100
Beschreibung	Zylinderkopf - ventile
Inspektion	1



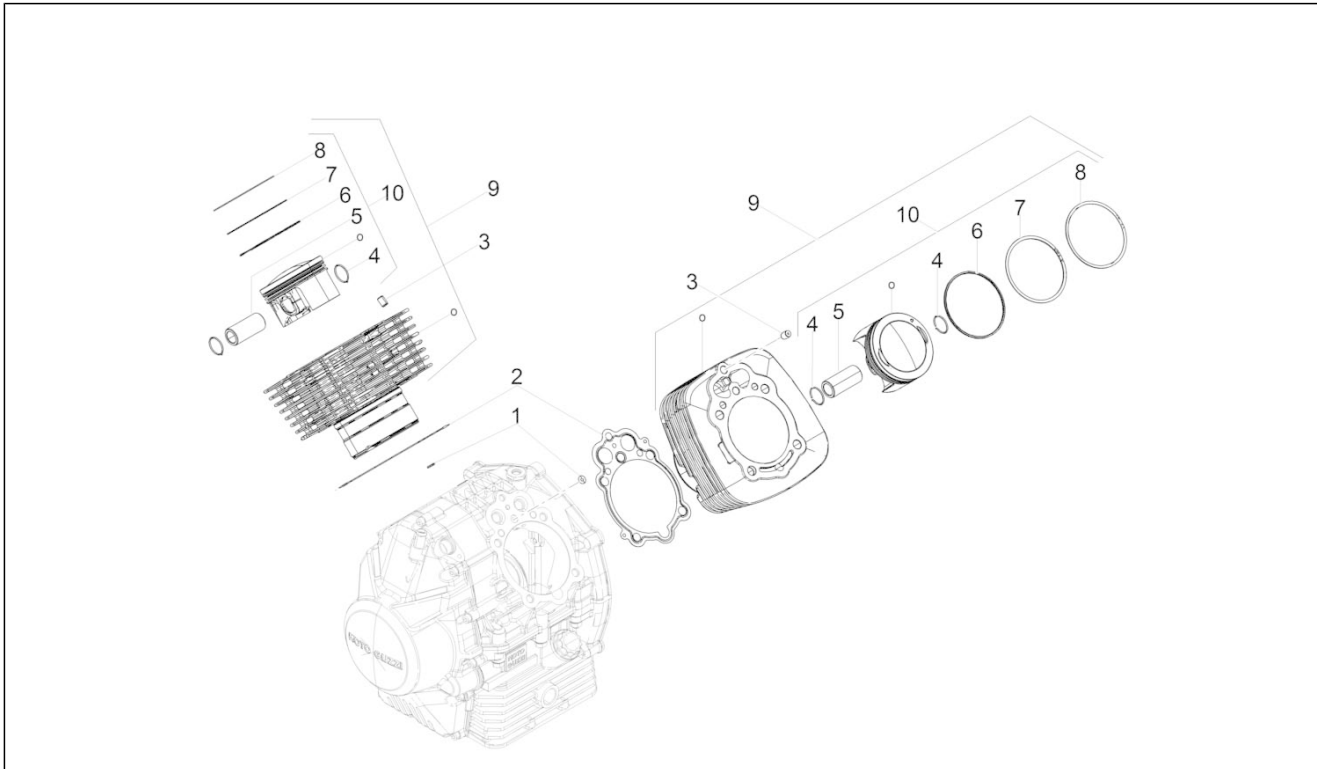
Pos.	Code	Beschreibung	Menge	Varianten
1	1A004661	Zylinder/Kopf Dichtung SP. 0.8 mm	1	
1	1A004660	Zylinder/Kopf Dichtung sp. 0,6 mm	1	
1	1A004662	Zylinder/Kopf Dichtung SP. 10 mm	1	
2	1A005424	Ein. ventil	1	
3	B017636	Auspufftopf Stiftschraube	2	
4	1A004751	Federteller unten	4	
5	1A003452	Ventil Dichtring	2	
6	1A004752	Rückzugsfeder	2	
7	871640	Halbkegel	8	
8	1A004750	Federteller oben	4	
9	1A005425	Auslassventil	1	
10	1A0068695	L.Kopf kpl.mitVentilführungen	1	
11	1A0068705	R.Kopf kpl.mitVentilführungen	1	
12	1A006659	Geflanschte Mutter M8x1.25	1	
13	825694	Mutter M10x1,25	1	

Einheit	Motor
Code	03.120
Beschreibung	Steuer
Inspektion	1



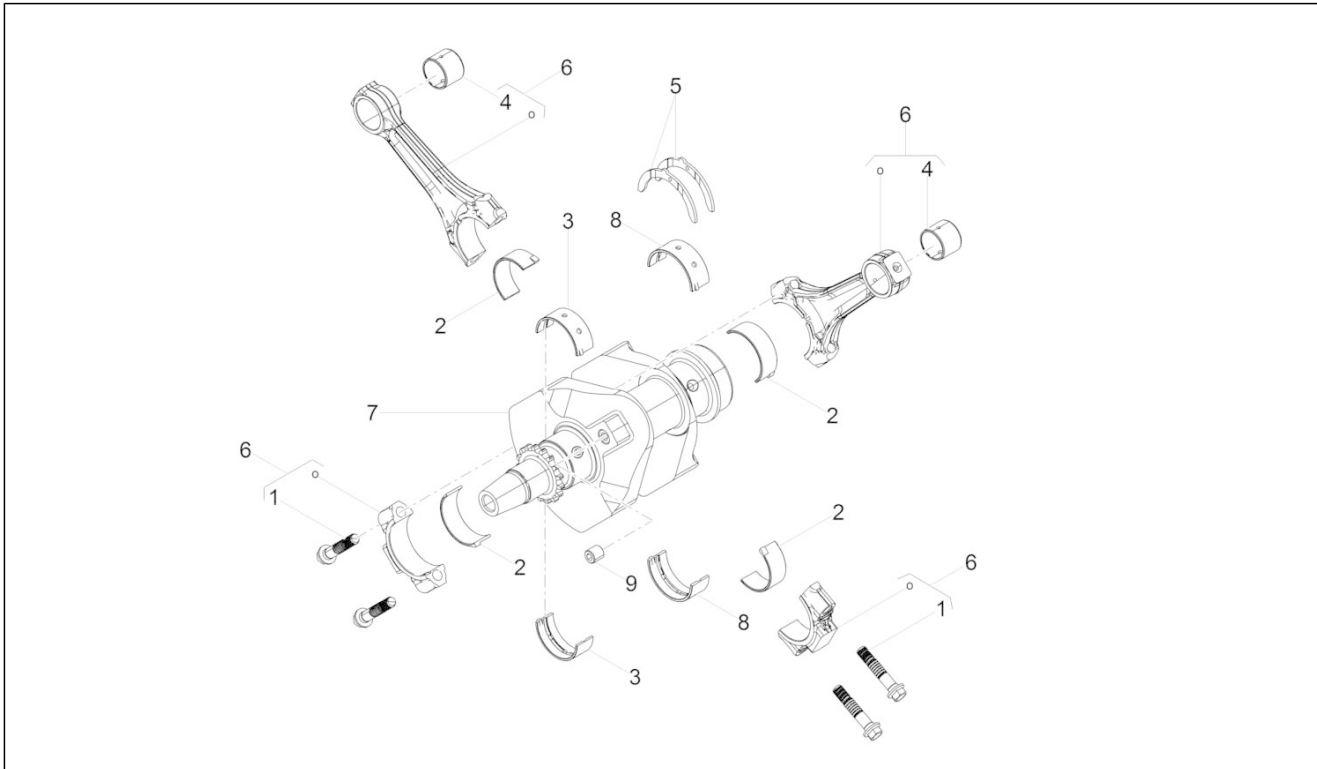
Pos.	Code	Beschreibung	Menge	Varianten
1	1A005712	Nockenwelle	1	
2	GU19055700	Sektor	2	
3	GU19045861	Ventilstässel	4	
4	2A000496	Kipphebelstange	4	
5	2A000579	Dichtungsring O-Ring 2,62x9.19	4	
6	2A0003535	Kippbellager	2	
7	1A005951	Gebogene Sprengscheibe	4	
8	2A000528	Kipphebel-Federwelle	4	
9	2A000521	Schaltgabel	4	
10	AP8152272	TE Schr. m. Flansch M5x12	4	
11	GU19058220	Kettenspanner	1	
12	1A004905	Kipphebel Einlass re Auslass li	2	
13	1A004903	Kipphebel Einlass li Auslass re	2	
14	1A004907	Einstellschraube	2	
15	GU10034100	Mutter	2	
16	1A006861	Gasket ring	2	
17	GU90353029	Sprengring	1	
18	GU95129115	Ausgleichscheibe	1	
19	1A005955	Platte	2	
20	GU19058021	Steuerkette	1	
21	1A006243	Steuer Zahnkranz	1	
22	1A006119	Distanzscheibe	1	
23	1A006127	O-Ring	1	
24	1A0057145	Phonic wheel	0	
25	1A008576	***TE Schr. m. Flansch	3	
26	GU98882316	Schraube	1	
27	2A000527	Platte	2	

Einheit	Motor
Code	03.150
Beschreibung	Zylinder - Kolben
Inspektion	1



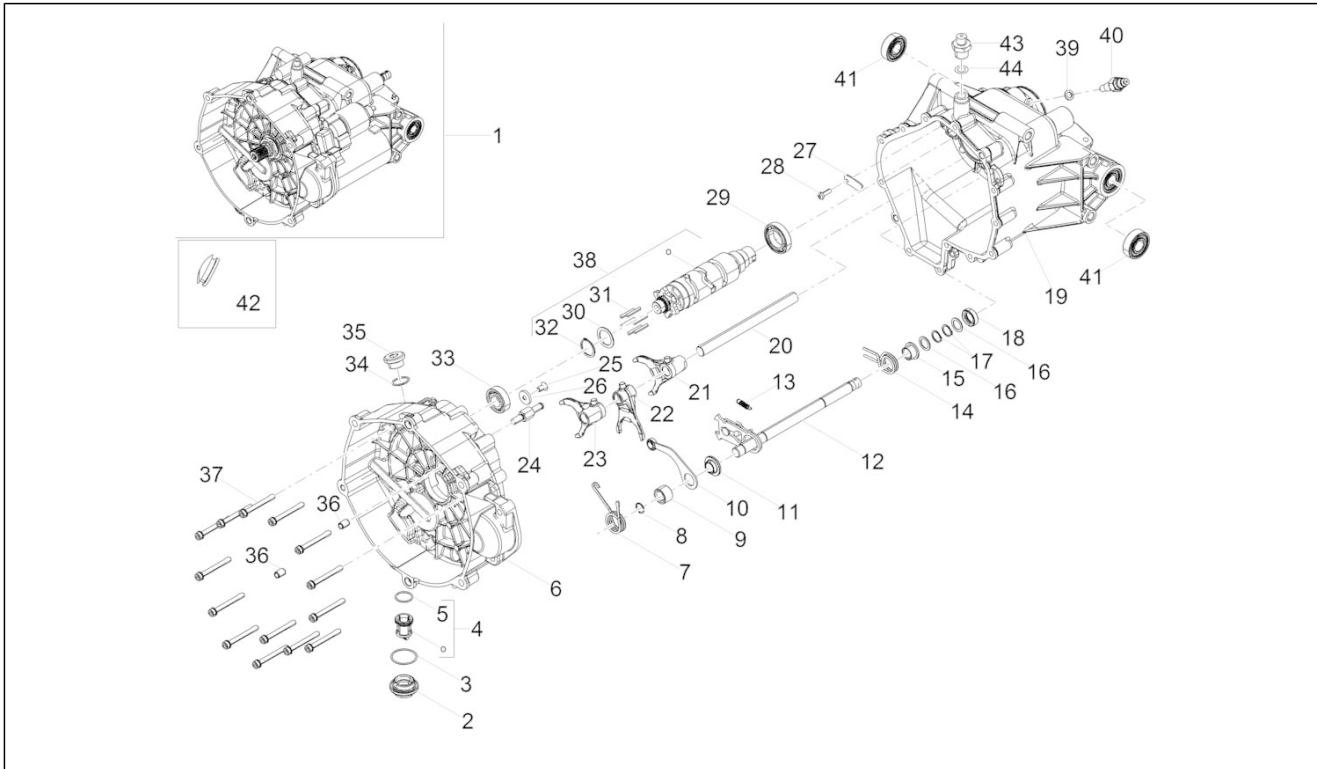
Pos.	Code	Beschreibung	Menge	Varianten
1	GU61027200	O-Ring	2	
2	1A007070	Dichtung Zylinder/Gehäuse	2	
3	GU19021360	Buchse	2	
4	874567	Sperring	4	
5	1A004956	Bolzen	2	
6	1A004955	Ölabstreifer	2	
7	1A004954	Kompressions-kolbenring	2	
8	1A004953	Kompressions-kolbenring	2	
9	1A007111	Kolben mit Zylinder kpl.	1	
10	1A006272AA	Kolben kpl. Auswahl "G"	1	
10	1A006272BB	Kolben kpl. Auswahl "H"	1	
10	1A006272CC	Kolben kpl. Auswahl "L"	1	
10	1A006272DD	Kolben kpl. Auswahl "M"	1	

Einheit	Motor
Code	03.160
Beschreibung	Kurbelwelle
Inspektion	1



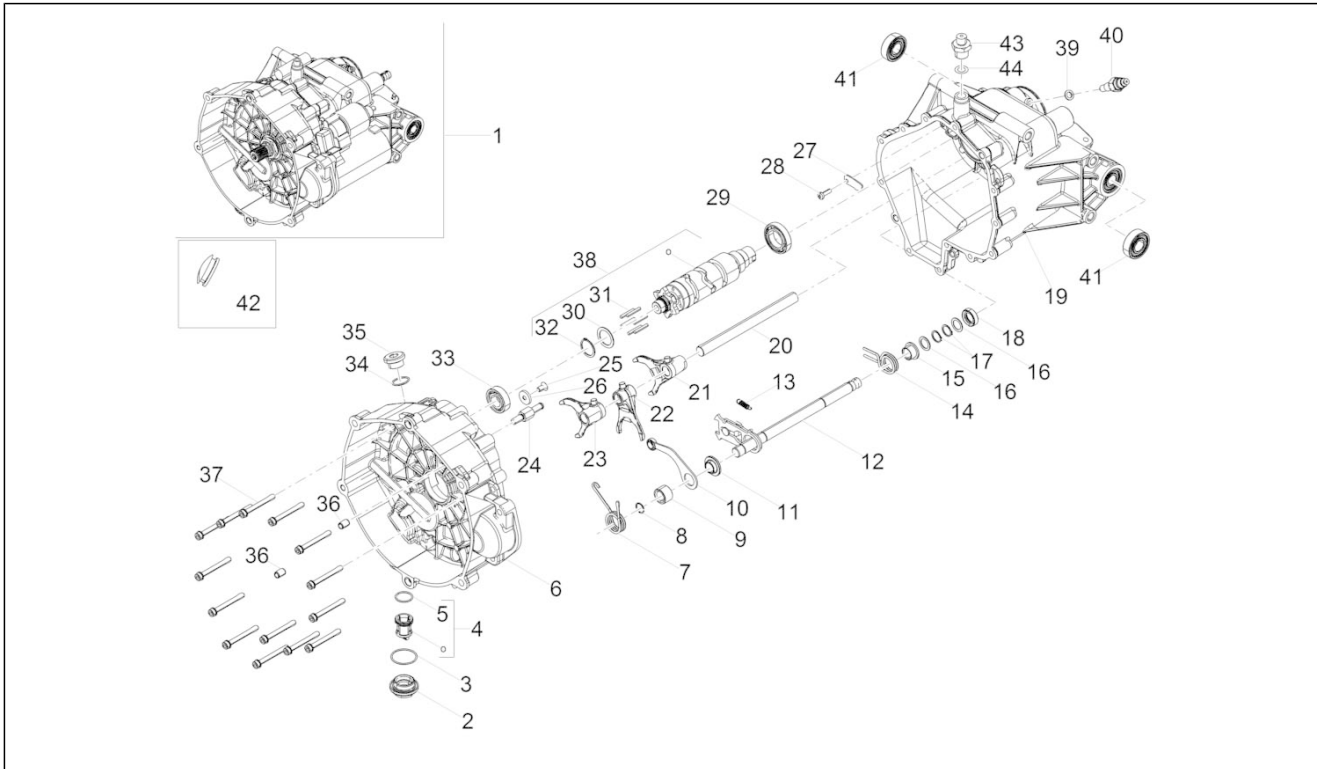
Pos.	Code	Beschreibung	Menge	Varianten
1	GU19062261	Schraube	4	
2	1A0068960R	Pleuellagerschale Rot	4	
2	1A0068960B	Pleuellagerschale blau	4	
2	1A0068960G	Pleuellagerschale gelb	4	
3	1A0066680N	Hauptlagerschale vorne Schwarz	1	
3	1A0066680V	Hauptlagerschale vorne Grün	1	
3	1A0066680G	Hauptlagerschale vorne gelb	1	
4	GU27061885	Buchse	2	
5	GU27066460	Halb-Klemme	2	
6	1A005325BB	Pleuel Auswahlklasse "B"	1	
6	1A005325AA	Pleuel Auswahlklasse "A"	1	
7	1A006671BB	Kurbelwelle, komplett kat. 2	1	
7	1A006671AA	Kurbelwelle kpl.,cat.1	1	
8	1A0066690V	Hauptlagerschale hinten Grün	2	
8	1A0066690N	Hauptlagerschale hinten Schwarz	2	
8	1A0066690G	Hauptlagerschale hinten gelb	2	
9	GU19065400	Deckel	1	

Einheit	Motor
Code	03.170
Beschreibung	Schaltgetriebe / Schaltgabel / Desmodrom.
Inspektion	1



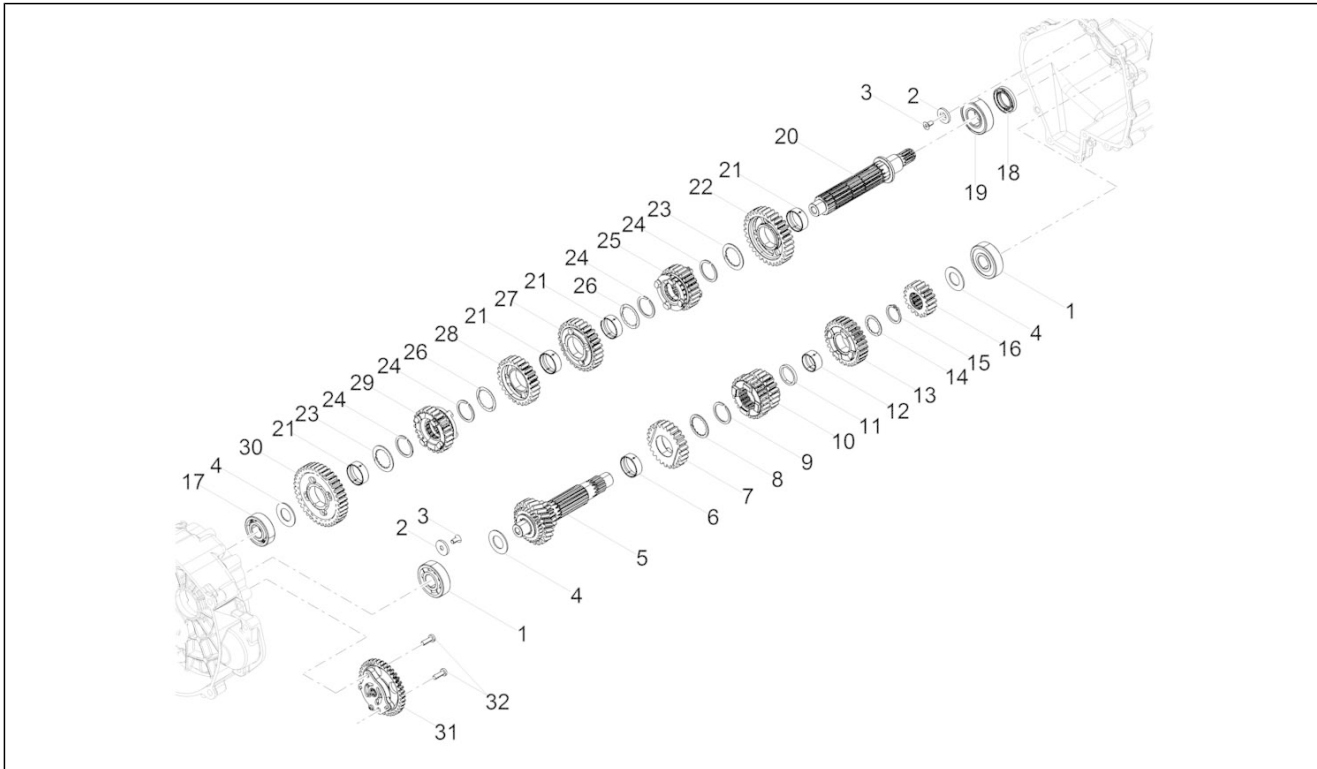
Pos.	Code	Beschreibung	Menge	Varianten
1	2A00042115	Getriebe komplett	1	
2	B015598	Ölfilter Verschuß	1	
3	285536	O-Ring 31,47x1,78	1	
4	B018020	Ölfiltereinsatz kpl.	1	
5	B017406	O-Ring 20.35x1.78	1	
6	2A0007505	Kupplungsglocke	1	
7	B064113	Index feder	1	
8	GU90353014	Seegerring	1	
9	GU05234230	Distanzscheibe	1	
10	B064112	Indexhebel kpl.	1	
11	GU05238431	Buchse	1	
12	2A000219	Schaltautomat	1	
13	GU05238231	Feder	1	
14	B063956	Feder	1	
15	2A000467	Distanzscheibe	1	
16	GU05239330	Anlaufscheibe	2	
17	GU90271014	Seegerring	2	
18	GU90401424	Gasket ring 14x24x7	1	
19	2A0007425	Not available	1	
20	2A000224	Stange	1	
21	2A000226	Schaltgabel 2-3 Gang	1	
22	2A000227	Gabel 5.-6. Gang	1	
23	2A000225	Gabel für Sekundärwelle	1	
24	2A000415	Anschlagschraube	1	
25	B013608	Schraube	1	
26	873905	Unterlegscheibe	1	
27	2A000306	Anschlagplatte	1	
27	2A000241	Schraube M5x16	1	

Einheit	Motor
Code	03.170
Beschreibung	Schaltgetriebe / Schaltgabel / Desmodrom.
Inspektion	1



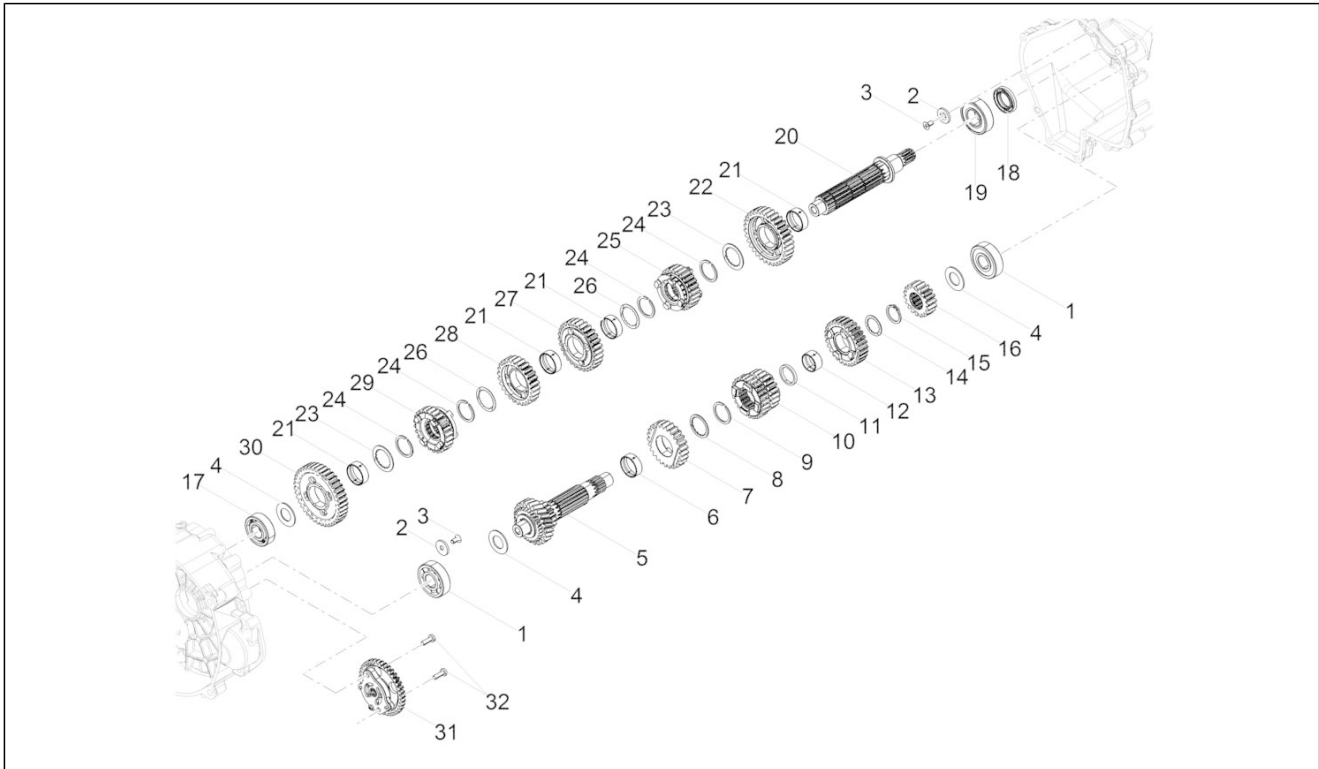
Pos.	Code	Beschreibung	Menge	Varianten
28	2A000241	Schraube M5x16	1	
29	857250	Kugellager 25x42x9	1	
30	GU05235531	Scheibe	1	
31	GU05234631	Stift	6	
32	GU90271022	Seegerring	1	
33	834764	Lager	1	
34	GU90706203	O-Ring 20,24X2,62	1	
35	GU12022600	Ölschraube	1	
36	GU19002020	Buchse 6,6x9x13	2	
37	2A000591	Zylinderschraube M6x55	14	
38	2A000222	Verschiebenocken kplt.	1	
39	B063025	Dichtung 8,7x14,2x1,3	1	
40	B063269	Sensor	1	
41	2A000097	Kugellager 6202-2RSH/C3 LHT23	2	
42	GU93180220	Deckel	1	
43	2A000438	Entlüftungsschraube	1	
44	224566	Unterlegscheibe	1	

Einheit	Motor
Code	03.180
Beschreibung	Schaltgetriebe - Zahnräder
Inspektion	1



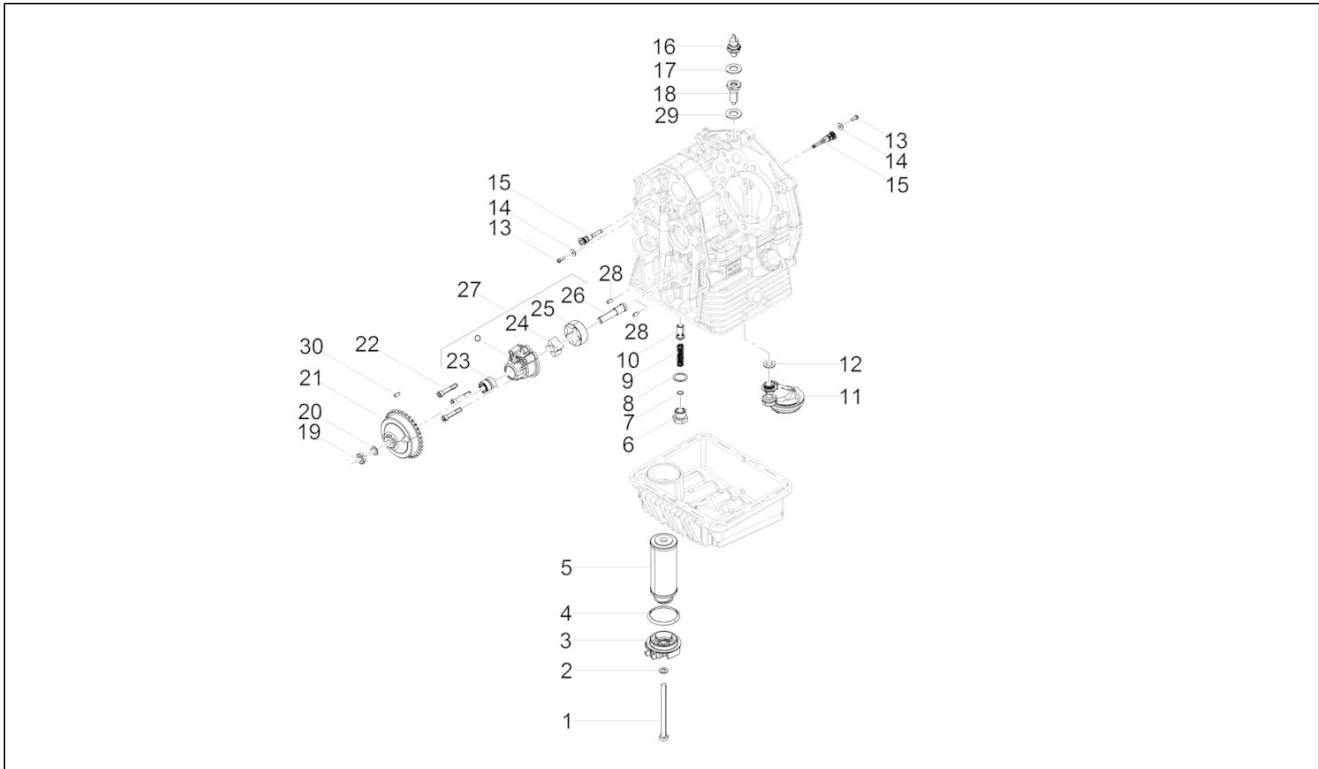
Pos.	Code	Beschreibung	Menge	Varianten
1	GU92201822	Kugellager 20x52x15	2	
2	873928	Unterlegscheibe	2	
3	B013608	Schraube	2	
4	1A000566	Ausgleichsscheibe	1	
5	2A000727	Vorgelegewelle	1	
6	849308	Buchse Beweglich	1	
7	1A000360	Schnellgangrad	1	
8	849424	Bundscheibe	1	
9	1A002604	Welle Sprengring	1	
10	1A000436	Zahnrad 3a - 4a vel.	1	
11	B015040	Ausgleichsscheibe	1	
12	974162	Buchse Beweglich	1	
13	2A000627	Zahnrad 6. Gang	1	
14	849396	Bundscheibe	1	
15	974165	Sprengring	1	
16	1A000365	Zahnrad 2.Hauptwelle	1	
17	848650	Kugellager 20x47x14	1	
18	GU90412541	Gasket ring 25X40X7	1	
19	GU92201226	Kugellager 25x52x15	1	
20	2A000203	Nebentriebewelle	1	
21	849308	Buchse Beweglich	4	
22	1A000366	Wechselrad 2. gang Z=32	1	
23	849309	Bundscheibe	2	
24	1A002604	Welle Sprengring	4	
25	1A000370	Zahnrad 6. Gang Z=24	1	
26	849310	Bundscheibe	2	
27	1A000367	Wechselrad 3. gang Z=28	1	
28	1A000368	Wechselrad 4. gang Z=26	1	

Einheit	Motor
Code	03.180
Beschreibung	Schaltgetriebe - Zahnräder
Inspektion	1



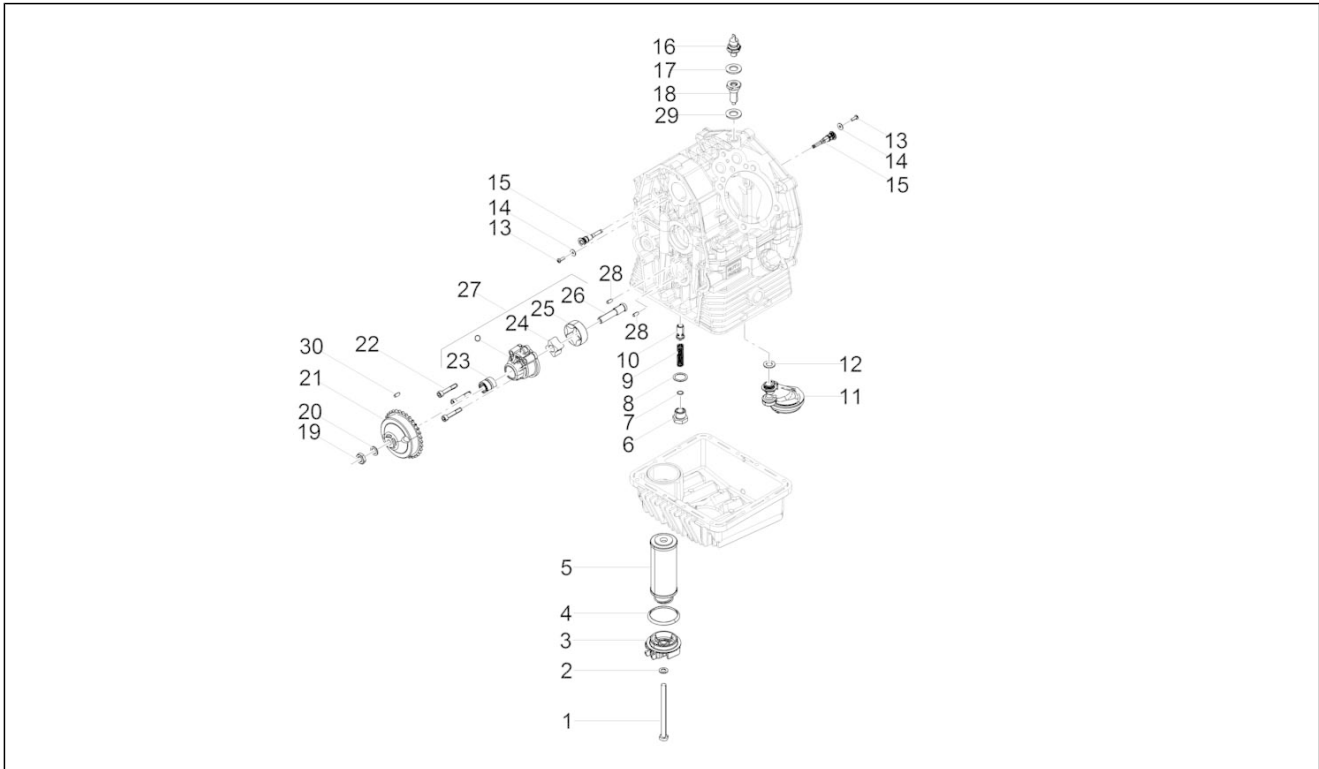
Pos.	Code	Beschreibung	Menge	Varianten
29	1A000369	Wechselrad 5. gang Z=24	1	
30	2A000629	Zahnrad 1.gang	1	
31	B018448	Ölpumpe	1	
32	2A000241	Schraube M5x16	2	

Einheit	Motor
Code	03.190
Beschreibung	Schmierung
Inspektion	1



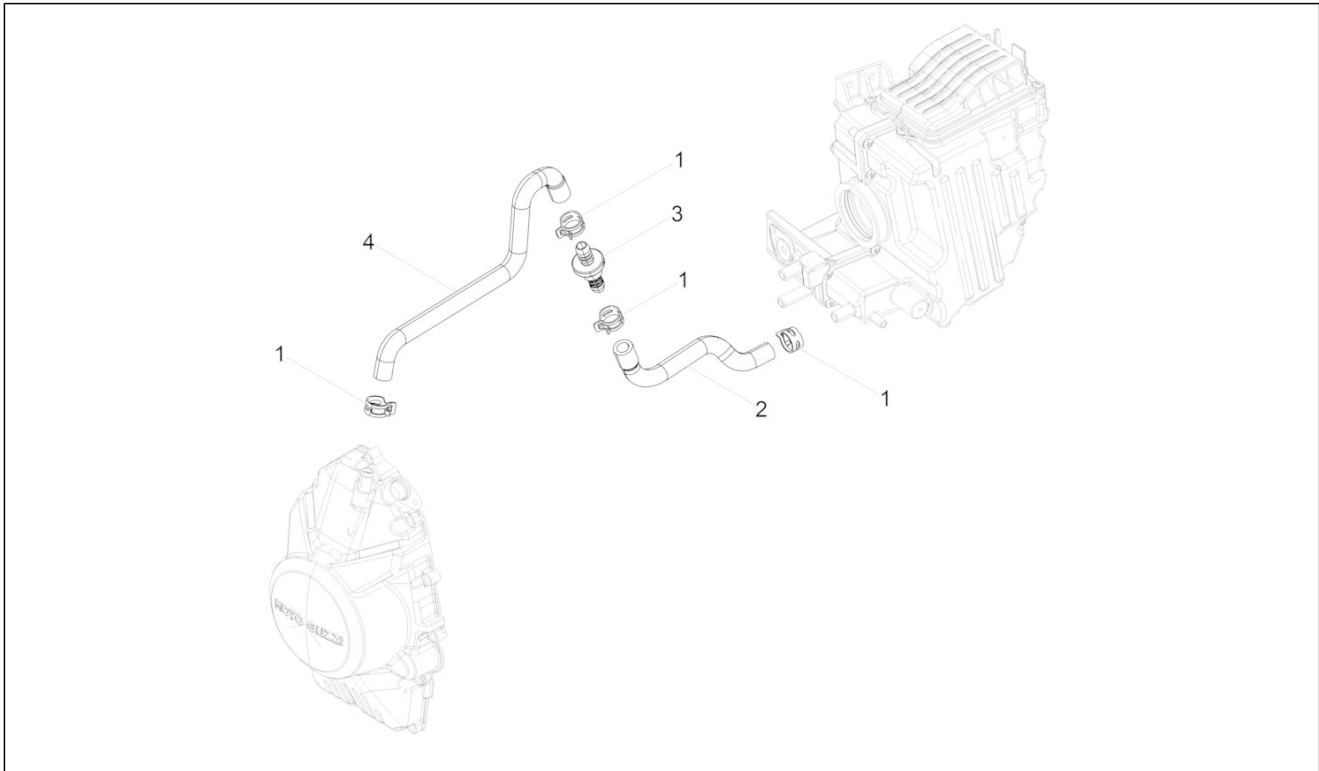
Pos.	Code	Beschreibung	Menge	Varianten
1	GU27152885	Schraubbolzen	1	
2	GU12154200	Dichtung 8,25x15x1	1	
3	1A005199	Ölfilterdeckel	1	
4	GU90706444	O-Ring	1	
5	2A000633	Ölfiltereinsatz	1	
6	GU31159050	Deckel	1	
7	GU95008206	Ausgleichscheibe 6,15x11x0,8	1	
8	GU18144350	Ausgleichscheibe 18,25x24x1	3	
9	GU94321079	Feder	1	
10	GU31150950	Kolben	1	
11	1A004549	Oil strainer	1	
12	237553	O-Ring	1	
13	1A005257	Linsenschraube	2	
14	013763	Flachscheibe 4,2x12x1	2	
15	1A004442	Kühldüse Kolben	2	
16	643090	Öldrucksensor	1	
17	GU95100309	Ausgleichscheibe	1	
18	887093	Anschluß	1	
19	GU92602510	Mutter M10x1,25	1	
20	AP8152220	Scheibe	1	
21	GU20147710	Zahnrad pumpe	1	
22	1A007008	TCEI Schraube M6x35 preimpregnata	3	
23	1A006064	Rollenlager	1	
24	1A006056	Innenrotor	1	
25	1A006055	Außenrotor	1	
26	GU20147810	Ölpumpenwelle	1	
27	1A006053	Ölpumpe komplett	1	
28	GU19018920	Stift	2	

Einheit	Motor
Code	03.190
Beschreibung	Schmierung
Inspektion	1



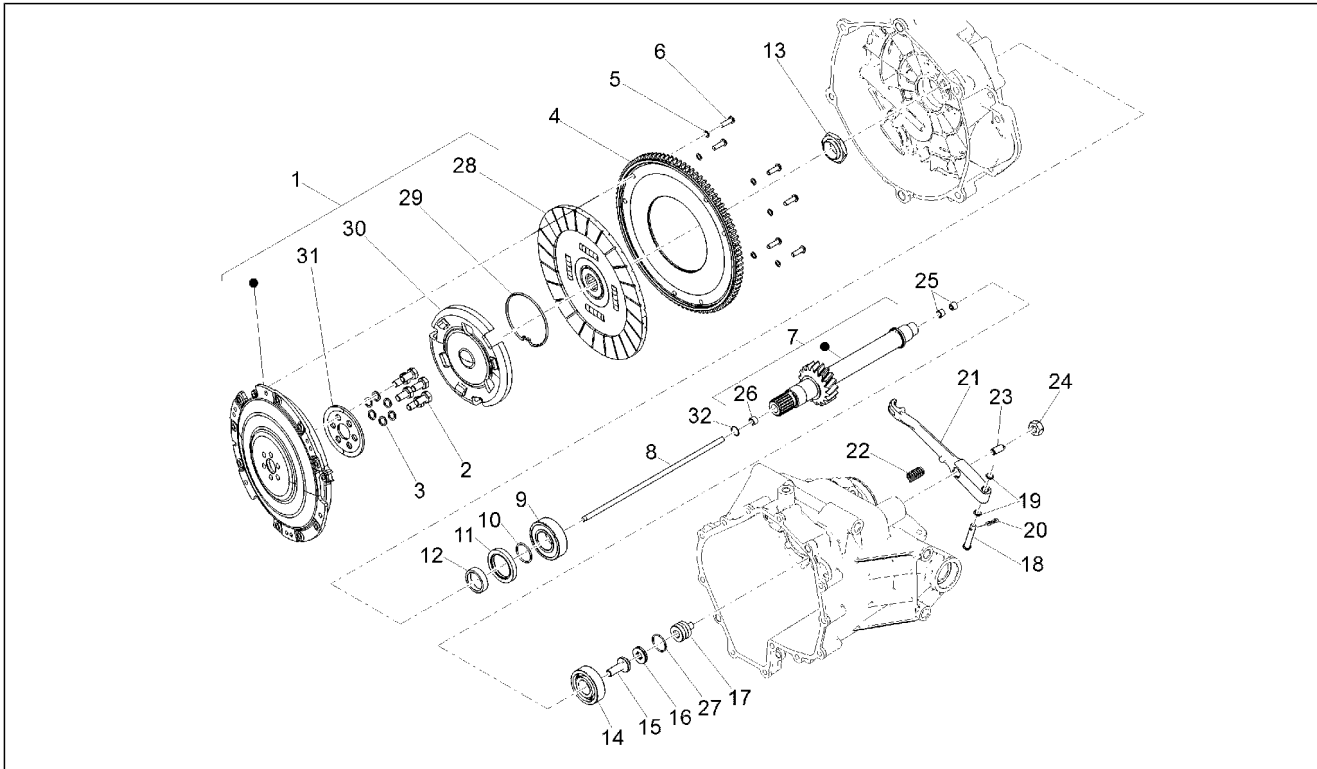
Pos.	Code	Beschreibung	Menge	Varianten
29	GU95100602	Dichtung	1	
30	GU92296723	Rolle	1	

Einheit	Motor
Code	03.196
Beschreibung	Anlage Blow-by
Inspektion	1



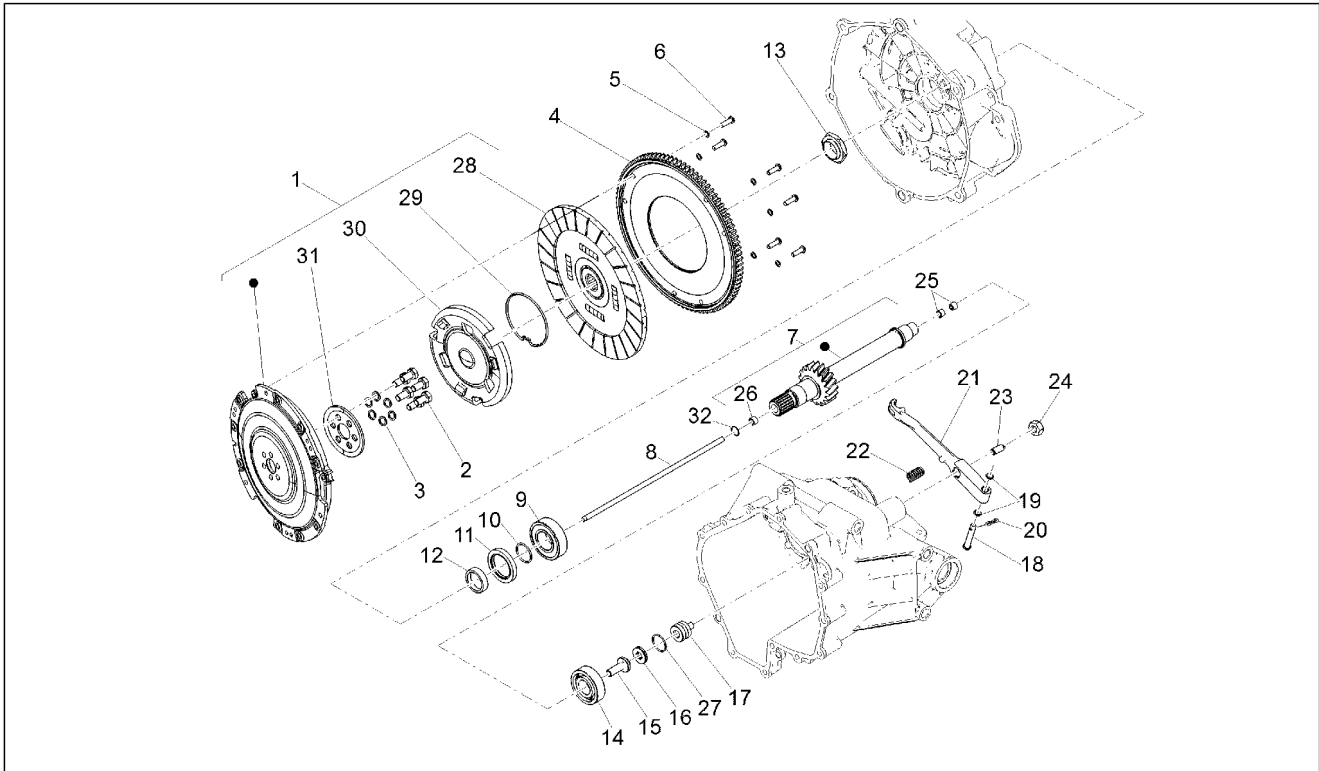
Pos.	Code	Beschreibung	Menge	Varianten
1	CM226902	Federschelle 19/12	4	
2	2B003204	Blow-By-Leitung	1	
3	2B003105	Rückstauventil	1	
4	2B002602	Blow-By-Leitung	1	

Einheit	Motor
Code	03.230
Beschreibung	Kupplung
Inspektion	1



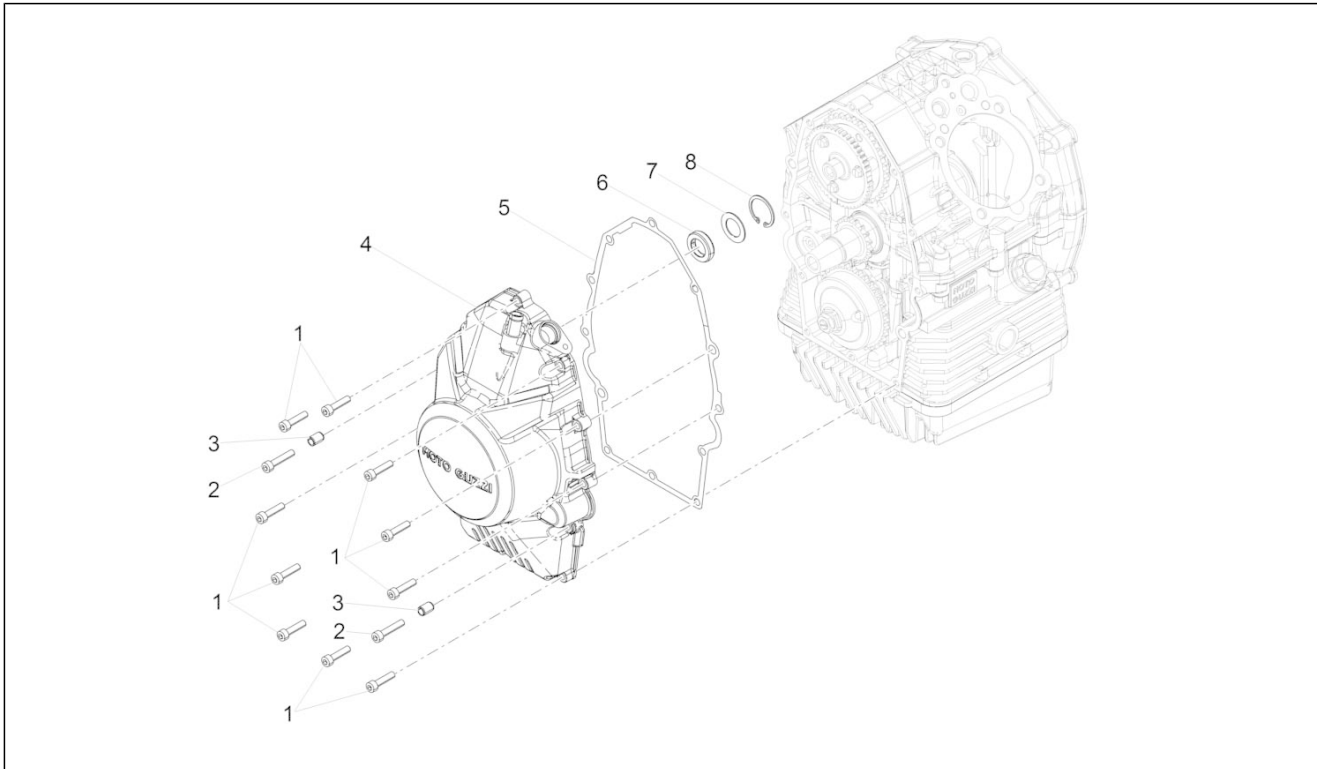
Pos.	Code	Beschreibung	Menge	Varianten
1	2A000419	Einscheiben-Kupplungseinheit komplett	1	
2	GU19067700	Schraube	6	
3	GU14615901	Ausgleichscheibe 8,4X13X0,8	6	
4	2A000724	Anlasserzahnkranz	1	
5	GU14217901	Scheibe 6,4x10x0,7	6	
6	2A000774		6	
7	2A000792	Kupplungswelle Kpl. Z=21	1	
8	2A000216	Regelstange	1	
9	GU92201226	Kugellager 25x52x15	1	
10	GU90706235	O-Ring 23,52x1,78	1	
11	886629	Gasket ring	1	
12	GU19213760	Distanzscheibe	2	
13	GU19356760	Mutter	1	
14	2A000375	Kugellager	1	
15	B013037	Kupplungswelle	1	
16	2A000376	Drucklager	1	
17	GU14086100	Aussengehäuse	1	
18	2A000384	Hebelbolzen	1	
19	2A000385	O-Ring 6.5x1.5	2	
20	GU95500222	Splint	1	
21	2A000631	Ausrueckwelle	1	
22	GU94321105	Rückholfeder Starterhebel	1	
23	2A000767	Regelschraube	1	
24	GU92606508	Mutter	1	
25	GU14085900	Buchse	2	
26	GU05217630	Buchse	1	
27	GU90706170	O-Ring 17,13x2,62	1	
28	2A000770	Getriebene Kuppl.scheibe	1	

Einheit	Motor
Code	03.230
Beschreibung	Kupplung
Inspektion	1



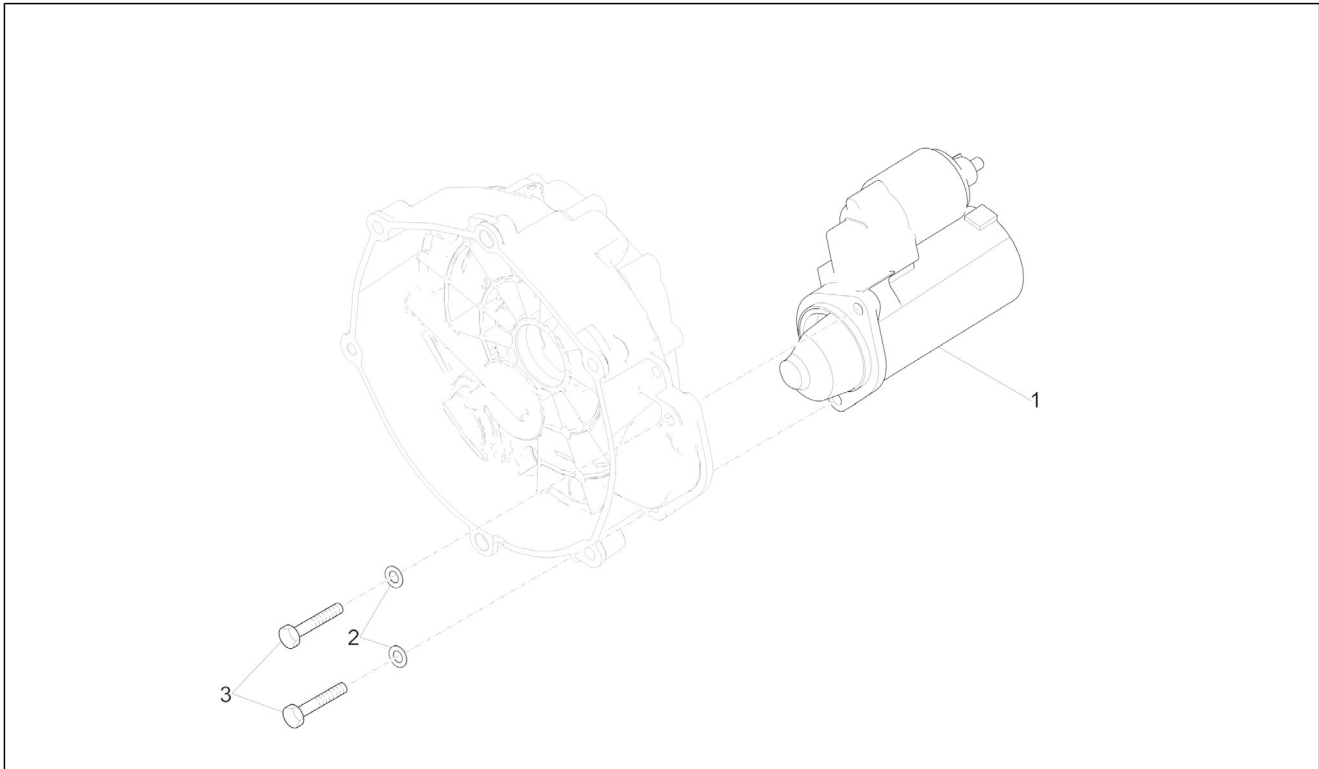
Pos.	Code	Beschreibung	Menge	Varianten
29	2A000418	Ring	1	
30	2A000638	Federteller	1	
31	2A000741	Stütze	1	
32	2A000378	Gasket ring	1	

Einheit	Motor
Code	03.270
Beschreibung	Zuenderdeckel
Inspektion	1



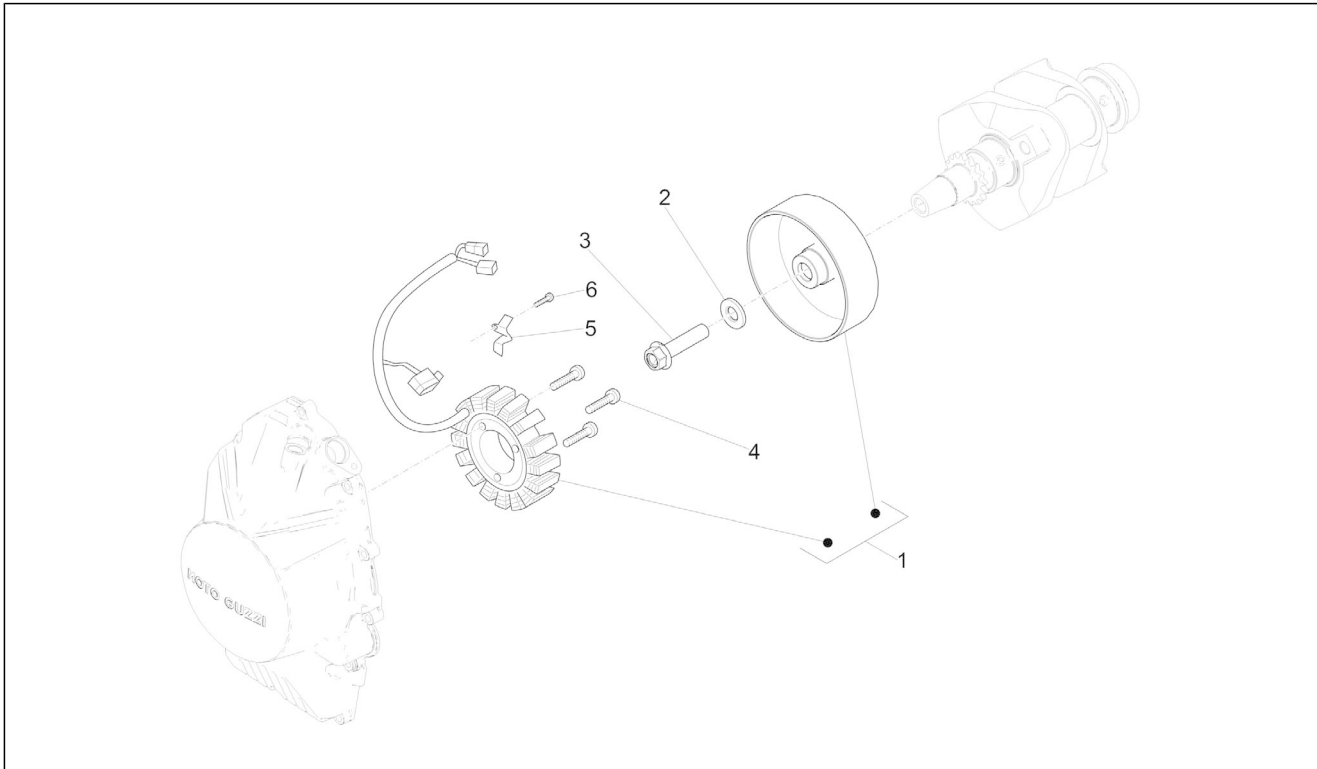
Pos.	Code	Beschreibung	Menge	Varianten
1	GU98682325	TCEI Schraube M6x25	10	
2	GU98682330	TCEI Schraube M6x20	2	
3	GU19002020	Buchse 6,6x9x13	2	
4	1A006298	Deckel	1	
5	887003	Deckeldichtung Kupplungsseite	1	
6	898268	Gasket ring 18x30x7	1	
7	898269	Bundscheibe	1	
8	006630	Sprengring	1	

Einheit	Motor
Code	03.290
Beschreibung	Zündung / Elektrischer Anfang
Inspektion	1



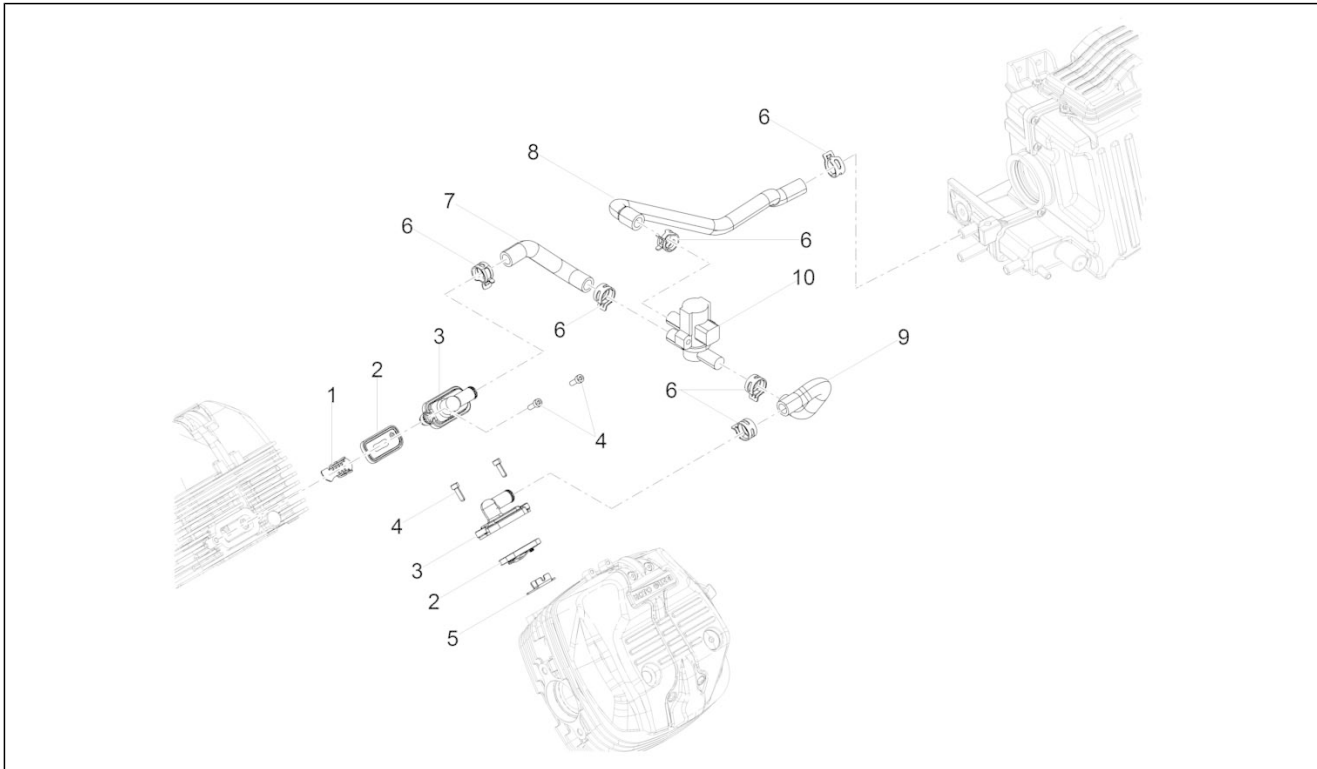
Pos.	Code	Beschreibung	Menge	Varianten
1	97729R	Startermotor	1	
2	GU95008208	Ausgleichscheibe 8,4X15X1,5	2	
3	GU98682435	TCEI Schraube	2	

Einheit	Motor
Code	03.300
Beschreibung	Schwungradmagnetstarter / Zündung
Inspektion	1



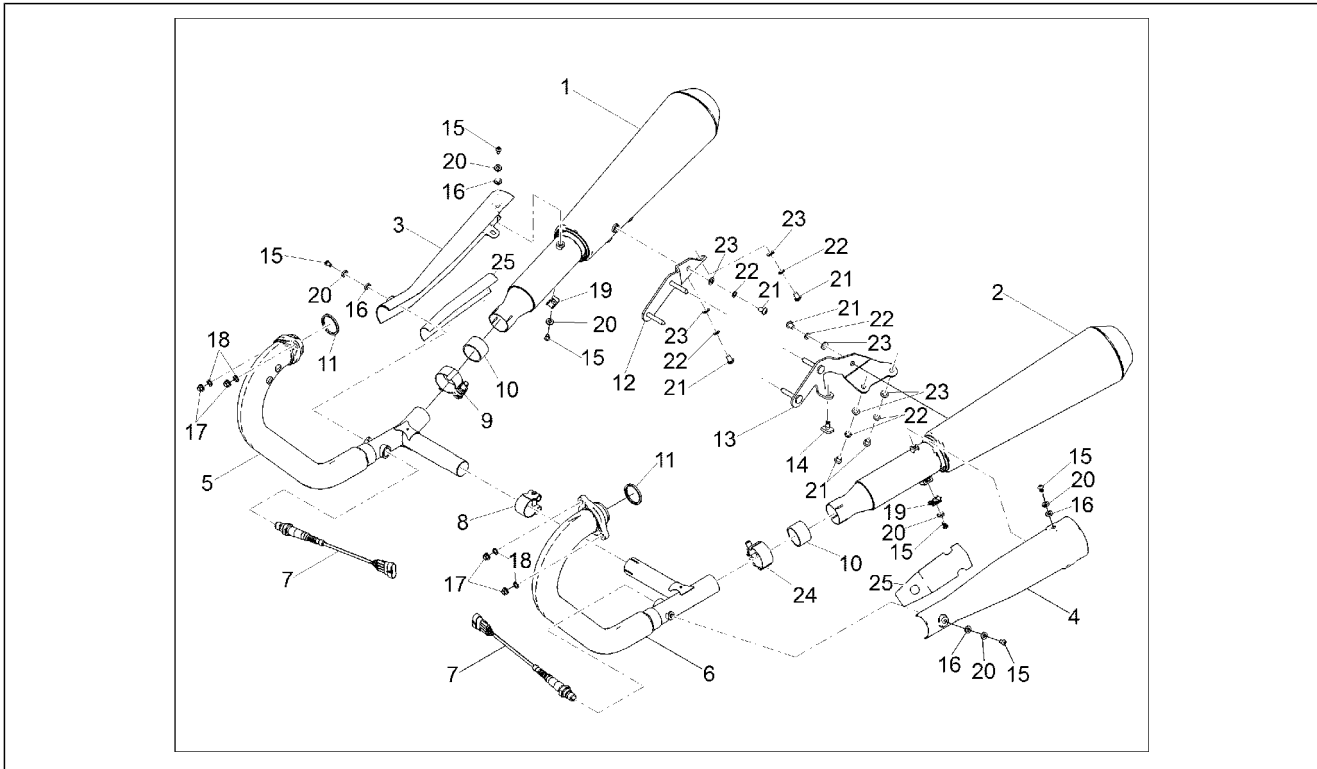
Pos.	Code	Beschreibung	Menge	Varianten
1	2D000024	Schwungrad Mag. klp.	1	
2	897478	Unterlegscheibe 12x26.5x3	1	
3	857206	TE Schr. m. Flansch M12X1,25X50	1	
4	2A000129	Flache Innensechskantschraube M6x35	3	
5	2A000115	Platte	1	
6	GU98682212	TCEI Schraube M5x12	1	

Einheit	Motor
Code	03.320
Beschreibung	Secondary air
Inspektion	1



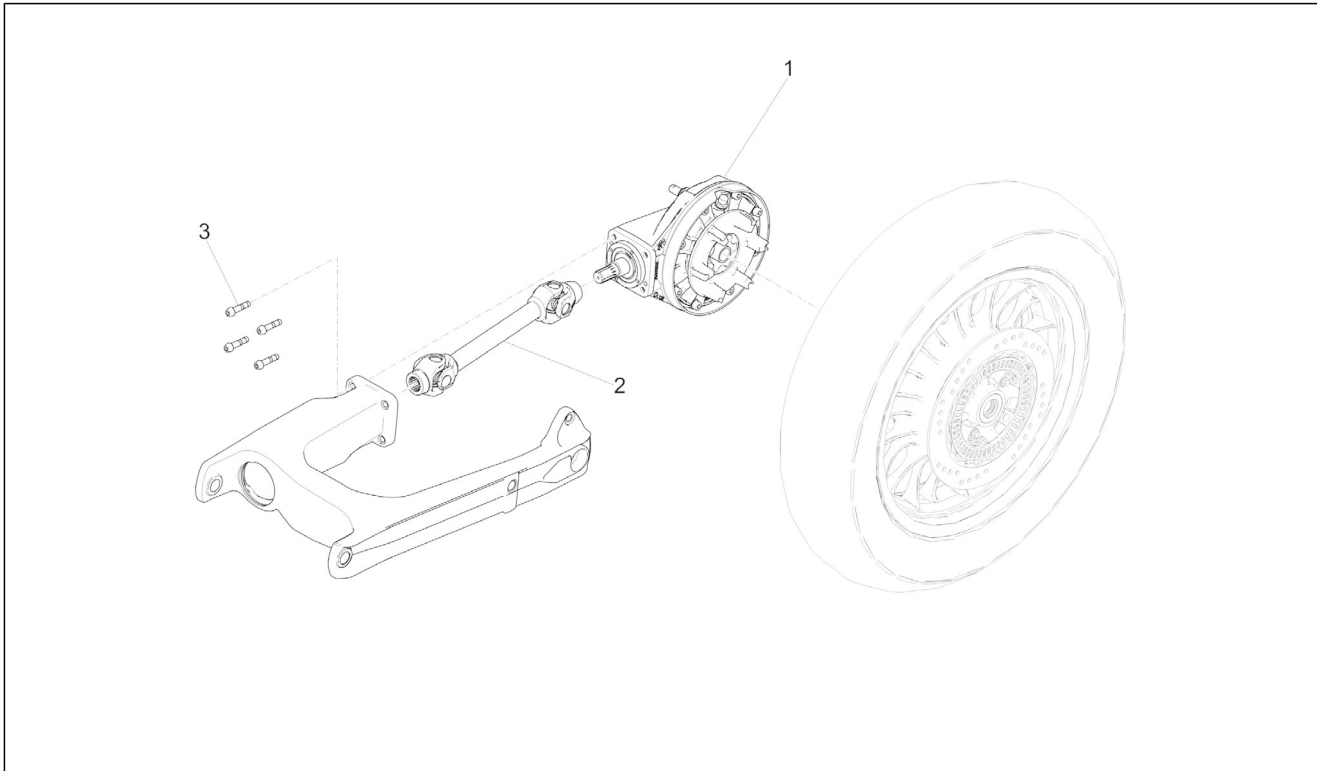
Pos.	Code	Beschreibung	Menge	Varianten
1	857047	Spark arrester	1	
2	857045	Reed valve	2	
3	2A000597	Abdeckung	1	
4	GU98612216	TCEI Schraube	2	
5	857046	Spark arrester	1	
6	CM226902	Federschelle 19/12	6	
7	2B002529	Schlauch rechts "S.A.S."	1	
8	2B002531	Leitung Filtergehäuse "S.A.S."	1	
9	2B002530	Schlauch links "S.A.S."	1	
10	857181	SAS ventil	1	

Einheit	Motor
Code	03.330
Beschreibung	Auspuffrohr
Inspektion	1



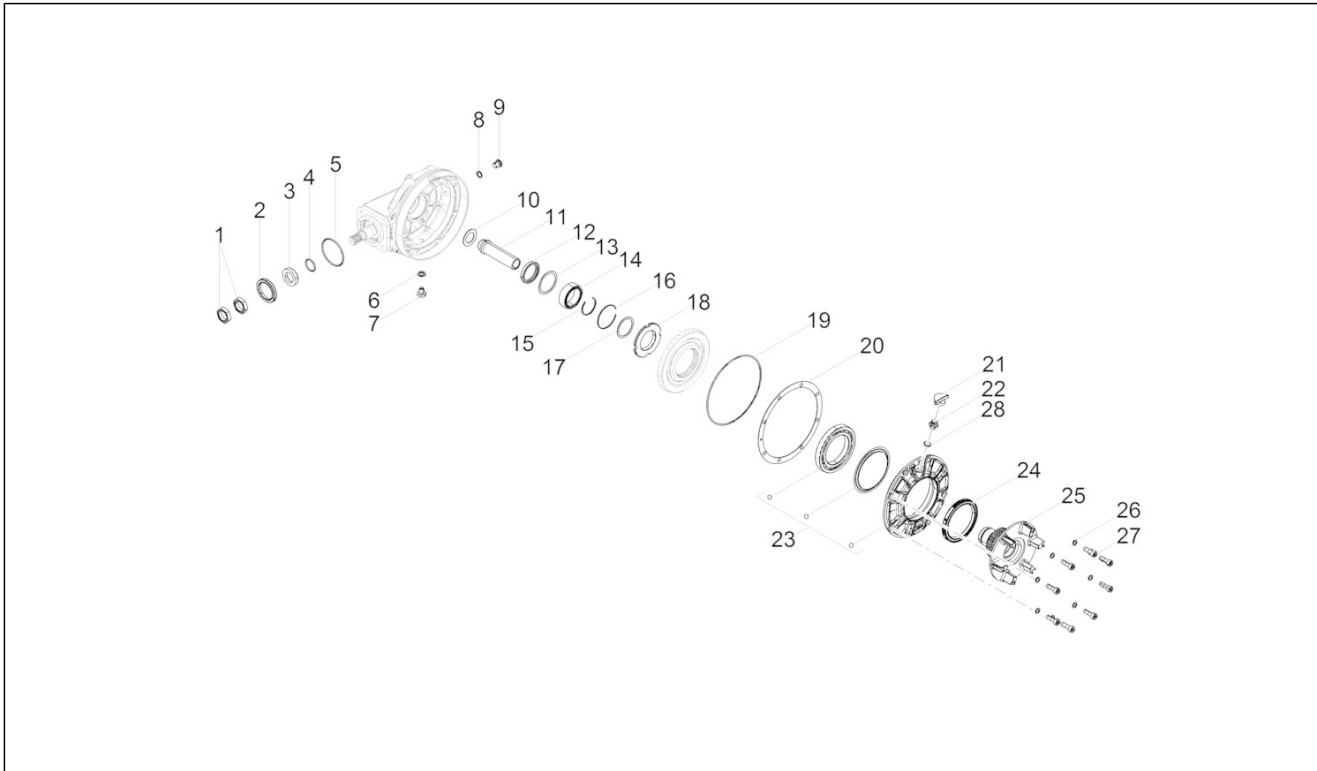
Pos.	Code	Beschreibung	Menge	Varianten
1	2B0024975	Re. Schalldämpfer verchromt	1	
2	2B0024985	Li. Schalldämpfer verchromt	1	
3	2B0026145	Auspuffverkleidung rechts verchromt	1	
4	2B0026135	Auspuffverkleidung links verchromt	1	
5	2B002496	Auspuffkrümmer rechts	1	
6	2B002495	Auspuffkrümmer links	1	
7	896110	Lamdasonde l.660 mm	2	
8	B063292	Schelle D.37	1	
9	874957	Schelle	1	
10	GU91113826	Buchse	2	
11	852090	Dichtung Auspuffrohr	2	
12	2B002533	Haltebügel Schalldämpfer rechts mit Innenteilen	1	
13	2B002532	Haltebügel Schalldämpfer links mit Innenteilen	1	
14	AP8120455	Gummi	1	
15	2B000215	TBEI Schraube m.Flansch M6x10	6	
16	876879	Abstandhalter	4	
17	GU92660021	Geflanschte Mutter M8	4	
18	GU14615901	Ausgleichscheibe 8,4X13X0,8	4	
19	254485	Plattchen M6	2	
20	834951	Kegelscheibe	6	
21	AP8152055	TBEI Schraube M8x12	6	
22	GU14615901	Ausgleichscheibe 8,4X13X0,8	6	
23	GU95008208	Ausgleichscheibe 8,4X15X1,5	6	
24	2B001935	Schelle	1	
25	2B003284	Wärmeschutz	2	

Einheit	Motor
Code	03.340
Beschreibung	Getriebe kpl.
Inspektion	1



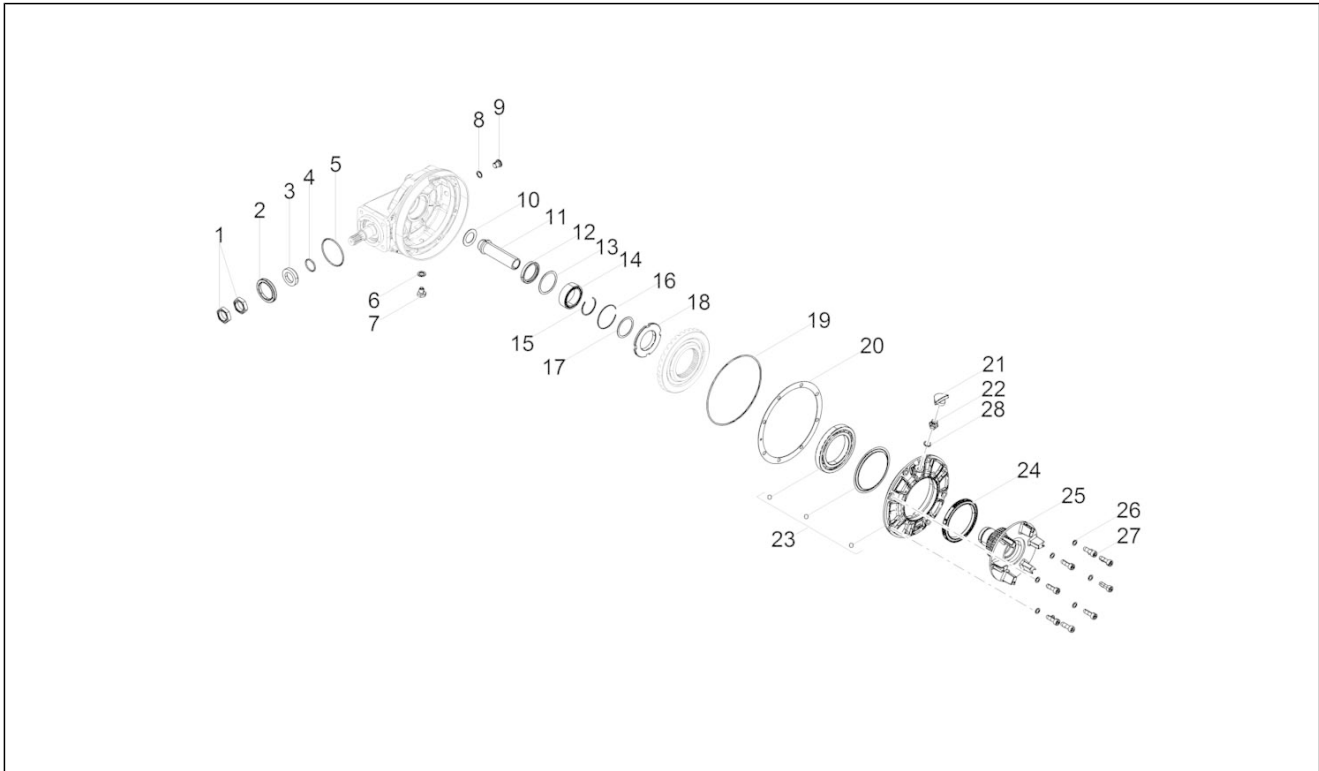
Pos.	Code	Beschreibung	Menge	Varianten
1	2B0011535	Kraftübertragung, kpl.	1	
2	2B002298	Getriebe	1	
3	2B002699	Schraube TCC Torx M8x35 mit vorimpr. Bund	4	

Einheit	Motor
Code	03.350
Beschreibung	Getriebedeckel
Inspektion	1



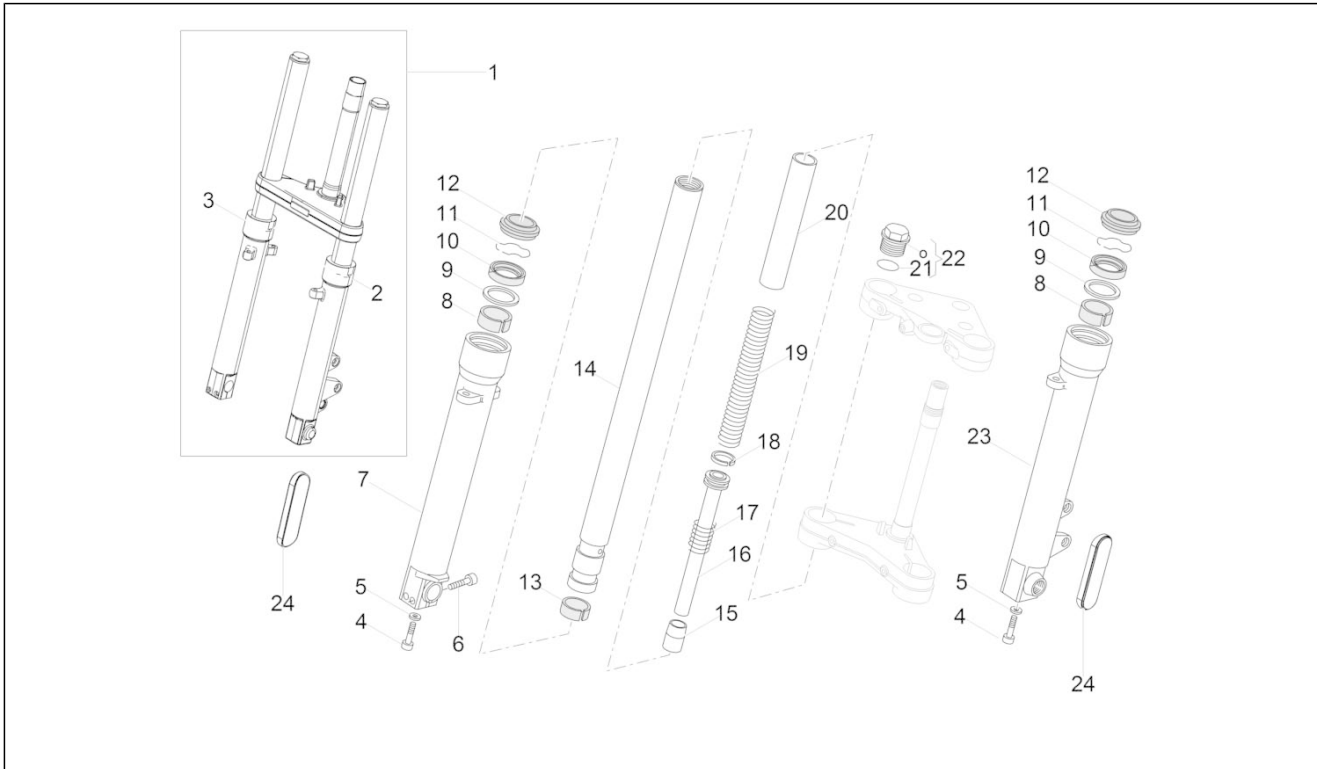
Pos.	Code	Beschreibung	Menge	Varianten
1	976649	Mutter M25x1,5	2	
2	2B000404	Gasket ring	1	
3	2B001311	Distanzscheibe	1	
4	GU90706188	Gasket ring 18,77X1,78	1	
5	GU90706584	Dichtung 58,42x2,62	1	
6	GU01528930	Dichtung 10x18x1,5	1	
7	GU31003766	Ölablaßschraube M10x1	1	
8	224566	Unterlegscheibe	1	
9	GU05351230	Ölschraube M12x1,5	1	
10	GU37359005	Ausgleichscheibe	1	
11	2B001307	Distanzscheibe	1	
12	GU90413850	Gasket ring 38X50X7	1	
13	GU12351100	Gasket ring	1	
14	GU92254340	Rollenlager 40x55x17	1	
15	2B002200	Wellenscheibe	1	
16	B064304	Seegerring	1	
17	GU19351100	Bundscheibe	1	
18	2B002536	Gewinding Befestigung Zahnkranz	1	
19	GU90706958	O-Ring 158,42X2,62	1	
20	GU04355106	Scheibe 1,2 mm	1	
20	GU04355105	Scheibe 1,1 mm	1	
20	GU04355100	Scheibe 0,6 mm	1	
20	GU04355101	Scheibe 0,7 mm	1	
20	GU04355102	Scheibe 0,8 mm	1	
20	GU04355104	Scheibe 1 mm	1	
20	GU04355103	Scheibe 0,9 mm	1	
21	2B002807	Kappe	1	
22	2A000438	Entlüftungsschraube	1	

Einheit	Motor
Code	03.350
Beschreibung	Getriebedeckel
Inspektion	1



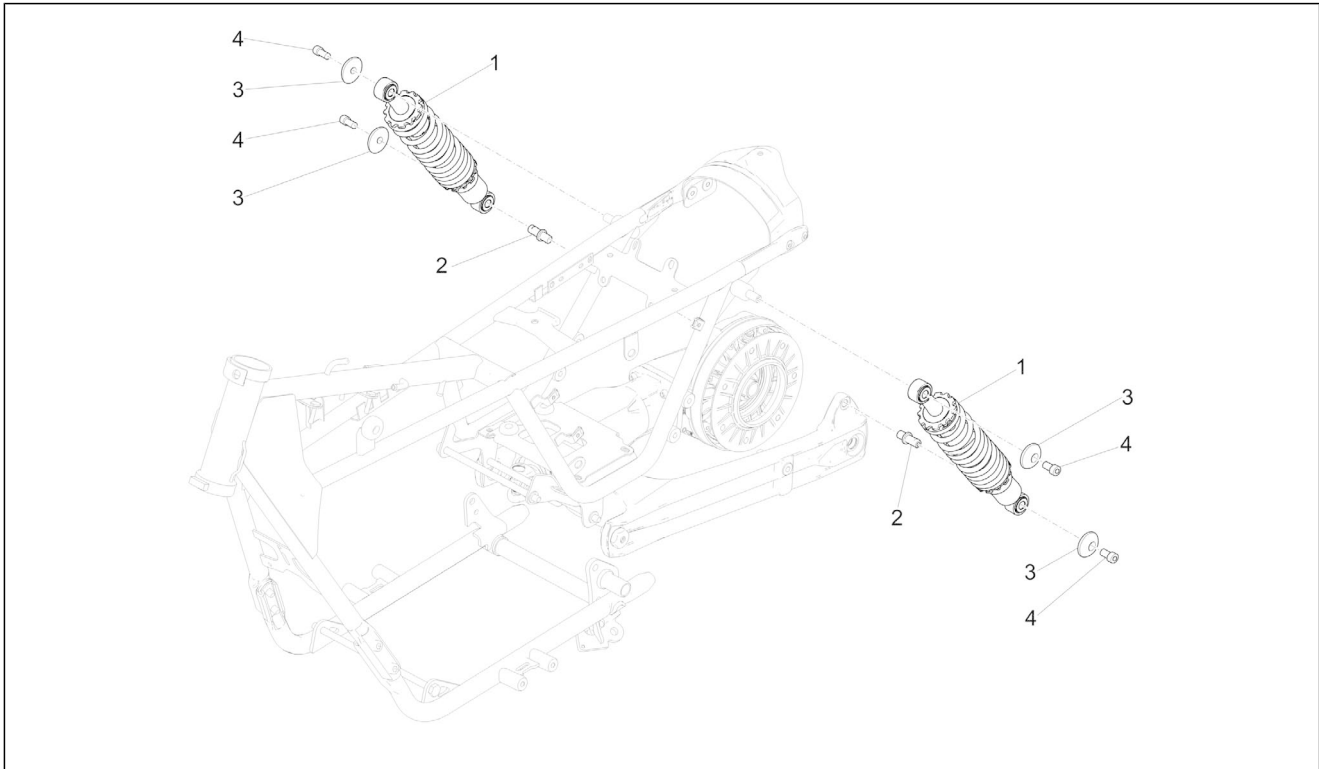
Pos.	Code	Beschreibung	Menge	Varianten
23	2B0033875	Flansch komplett	1	
24	2B002535	Gasket ring 80x100x10	1	
25	2B001303	Dämpfernabe	1	
26	GU14615901	Ausgleichscheibe 8,4X13X0,8	8	
27	2B002171	TC Schraube 8x25	8	
28	GU01528930	Dichtung 10x18x1,5	1	

Einheit	Radaufhängungen
Code	04.060
Beschreibung	Vorderradgabel Kaifa
Inspektion	1



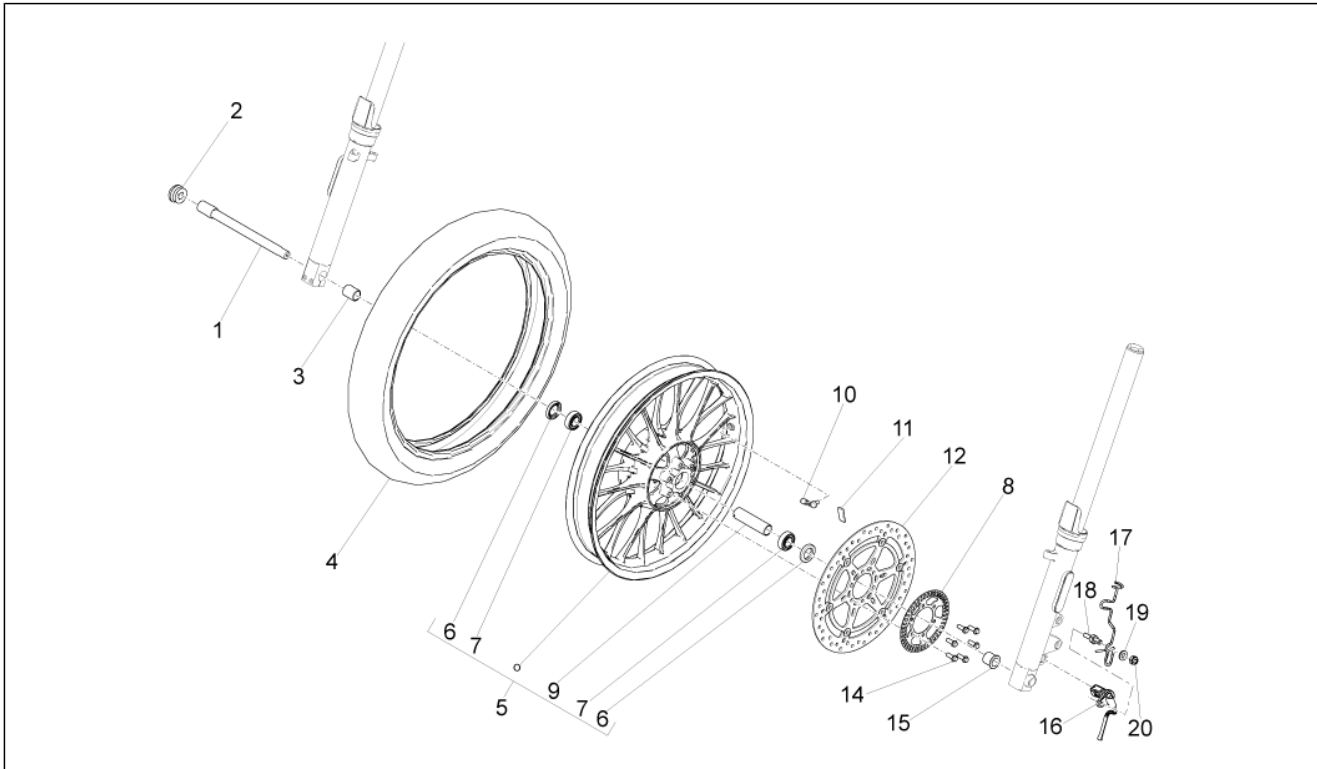
Pos.	Code	Beschreibung	Menge	Varianten
1	2B002192	Vorderradgabel komplett	1	
2	2B002295	Kolbenstange mit Boden lks.	1	
3	2B002294	Kolbenstange mit Boden rch.	1	
4	887878	Schraube M10x30	2	
5	887879	Ausgleichscheibe	2	
6	887880	Schraube	2	
7	2R000109	Rechte Hülse	1	
8	887882	Obere Buchse	2	
9	887883	Ausgleichscheibe	2	
10	887884	Gasket ring	2	
11	887885	Sperring	2	
12	887886	Staubschutz	2	
13	887888	Buchse	2	
14	2B003742	Schaft rechts-links	1	
15	887889	Puffer	2	
16	887891	Pumpenrad kplt.	2	
17	887890	Gegenfeder	2	
18	887905	Kolbenring	2	
19	2R000243	Feder	2	
20	887893	Leitung	2	
21	887916	O-Ring 4118	2	
22	887894	Verschlussschraube kplt.	2	
23	2R000110	Linke Hülse	1	
24	GU05781630	Rückstrahler, gelb	2	

Einheit	Radaufhängungen
Code	04.080
Beschreibung	Stoßdämpfer
Inspektion	1



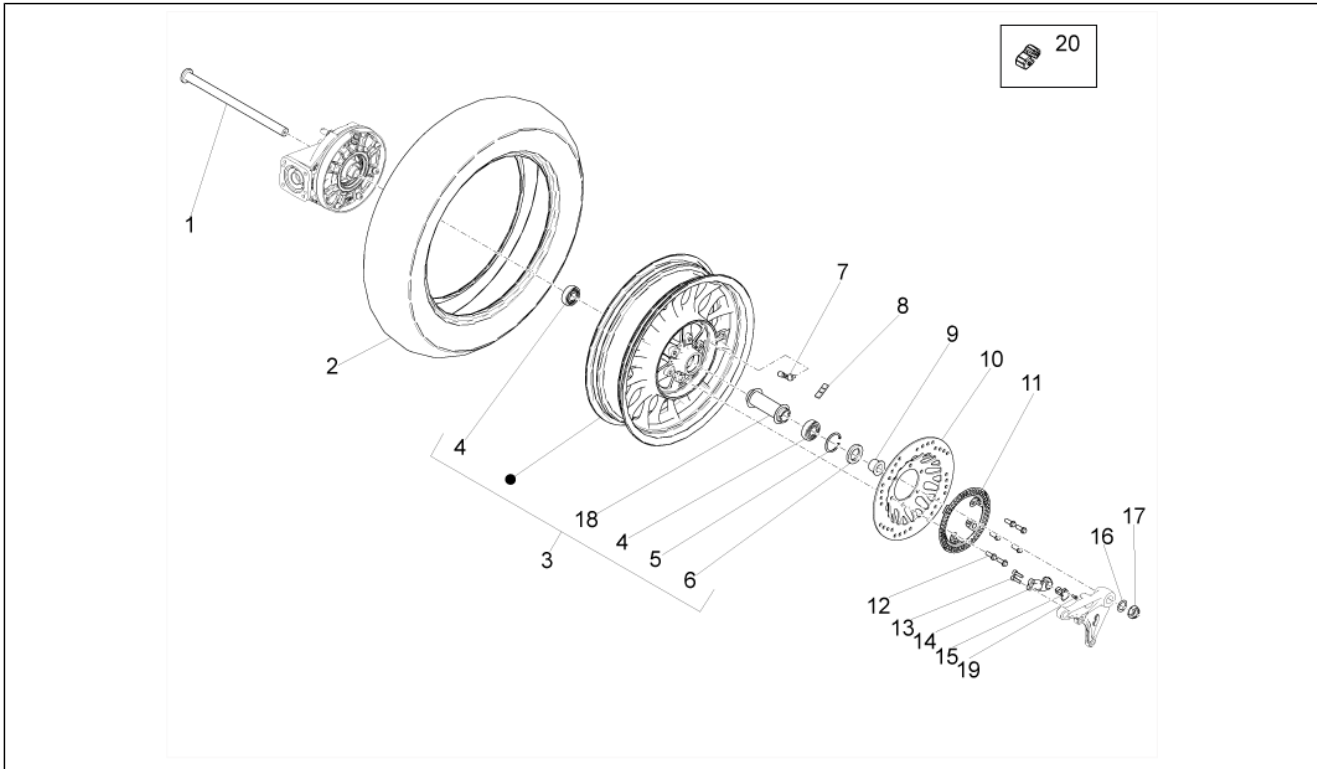
Pos.	Code	Beschreibung	Menge	Varianten
1	2B002989	Hinterer Stoßdämpfer	2	
2	2B003111	Stoßdämpfer-Bolzen	2	
3	B063174	Buchse	4	
4	884031	TCEI Schraube M6x14	4	

Einheit	Räder
Code	05.010
Beschreibung	Vorderrad
Inspektion	1



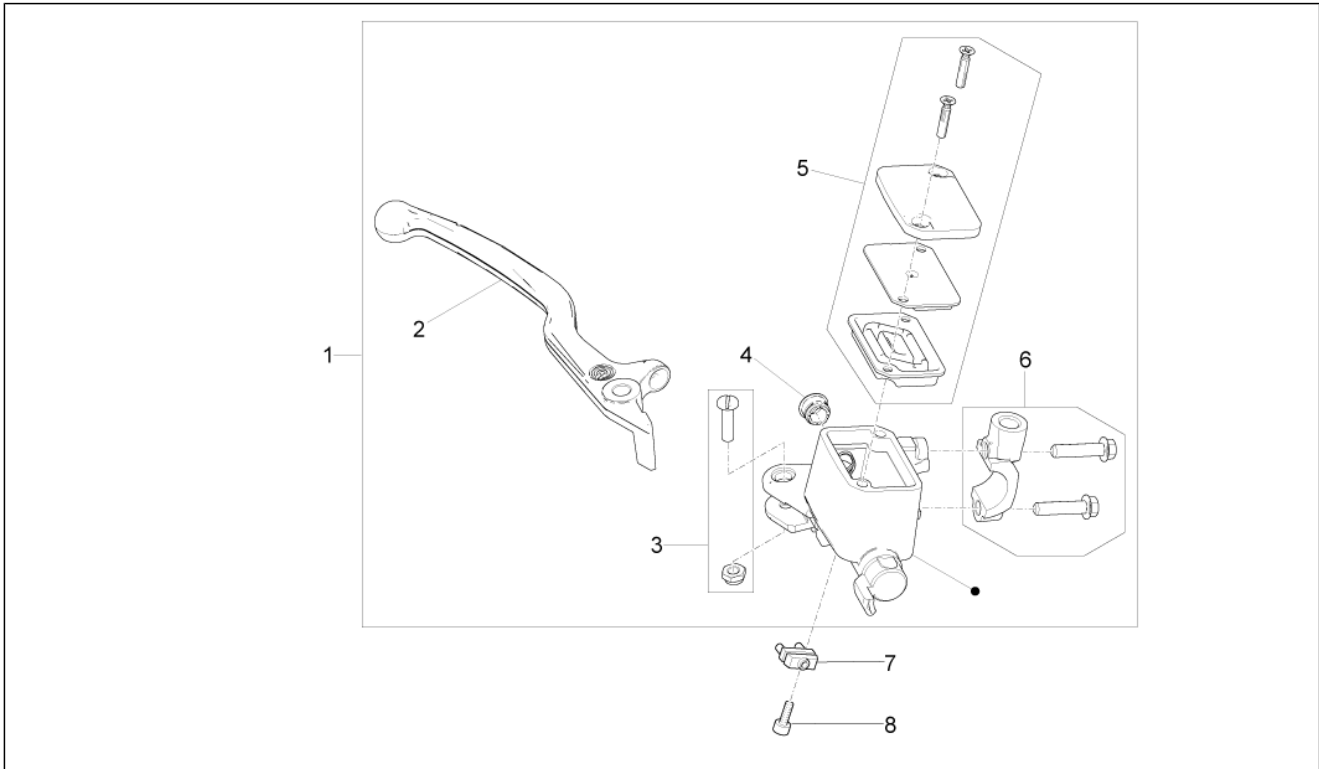
Pos.	Code	Beschreibung	Menge	Varianten
1	2B001139	Vorderradbolzen	1	
2	GU93180111	Deckel 15 mm	1	
3	GU32615660	R. Distanzscheibe	1	
4	2B002380	Vorderreifen 100/90 - 19"	1	
5	2B001058	Vorderrad 2.5X19 mit Lager	1	
6	GU90402642	Gasket ring	2	
7	GU92204221	Lager	2	
8	887875	Phonic wheel	1	
9	2B001073	Innerer Abstandhalter Vorderrad	1	
10	GU03617710	Schlauchloses Reifenventil	1	
11	GU14616150	Gegengewicht	1	
12	883688	Vorderradbremsscheibe 320	1	
14	887762	Flanschschraube TE M8x22	6	
15	GU31616384	L. Distanzscheibe	1	
16	859792	Sensor ABS	2	
17	2B001561	Kabelführung	1	
18	2B001708	Distanzscheibe	1	
19	AP8150178	Ausgleichscheibe 6,4x12,5*	2	
20	GU92630207	Mutter	1	

Einheit	Räder
Code	05.020
Beschreibung	Hinterrad
Inspektion	1



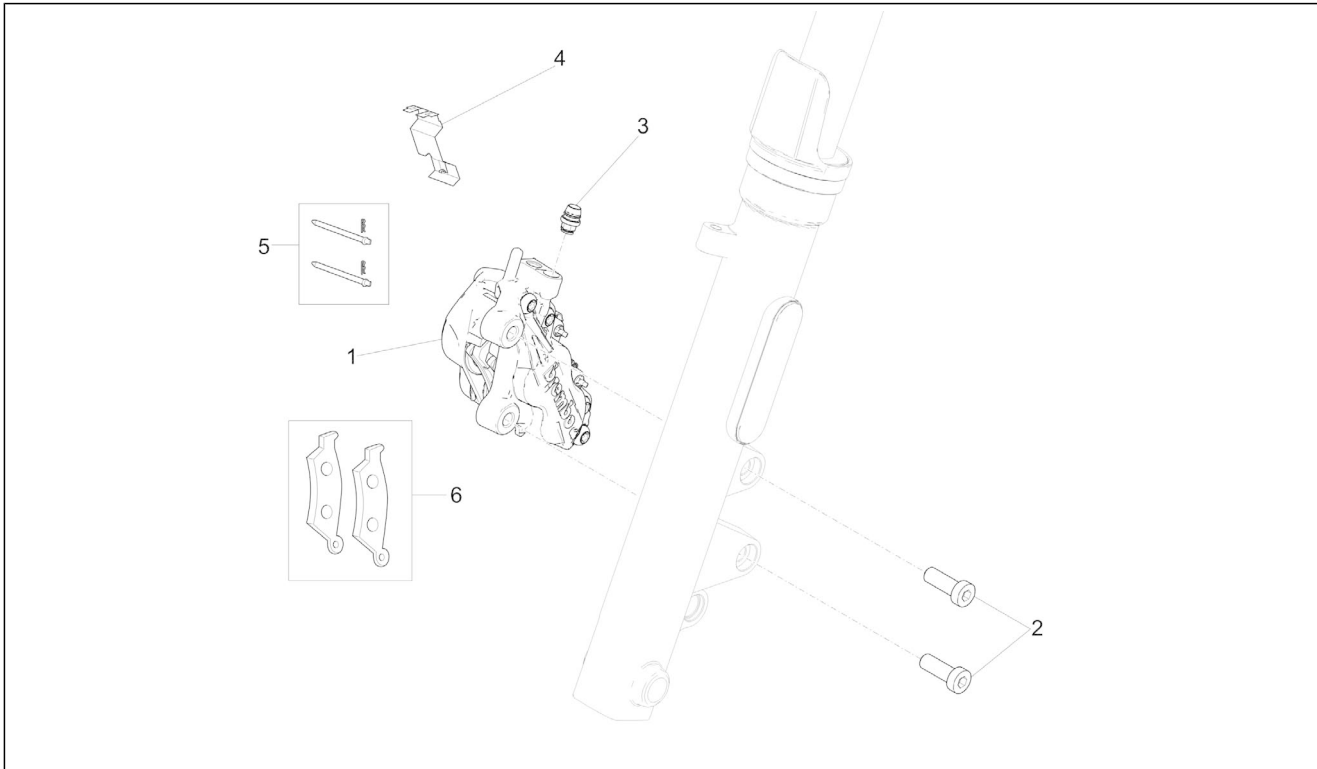
Pos.	Code	Beschreibung	Menge	Varianten
1	2B001310	Hinterradbolzen	1	
2	2B002381	Hinterer Reifen 150/80 - 16	1	
3	2B002448	Hint. Felge 4X16" mit Lager	1	
4	GU92204220	Kugellager 20X47X14	2	
5	GU90272047	Seegerring 47X50,5	1	
6	AP8110109	Gasket ring 28X47X7	1	
7	GU03617710	Schlauchloses Reifenventil	1	
8	GU14616150	Gegengewicht	1	
9	2B001956	Hinterrad Distanzscheibe	1	
10	887448	Bremsscheibe	1	
11	2B000225	Phonic wheel	1	
12	887762	Flanschschraube TE M8x22	6	
13	GU98682312	TCEI Schraube M6x12	2	
14	2B000377	Halter Sensor ABS	1	
15	859792	Sensor ABS	2	
16	AP8125687	U-scheibe Hint.radbolzen	1	
17	648708	Hinterradbolzen mut.	1	
18	2B001279	Baugruppe Distanzscheibe Hinterrad	1	
19	1C001499	Schraube TBEI TORX M5x16 INOX	1	
20	GU32632510	Gummikupplung	6	

Einheit	Bremsanlage
Code	06.010
Beschreibung	Vorderradbremspumpe
Inspektion	1



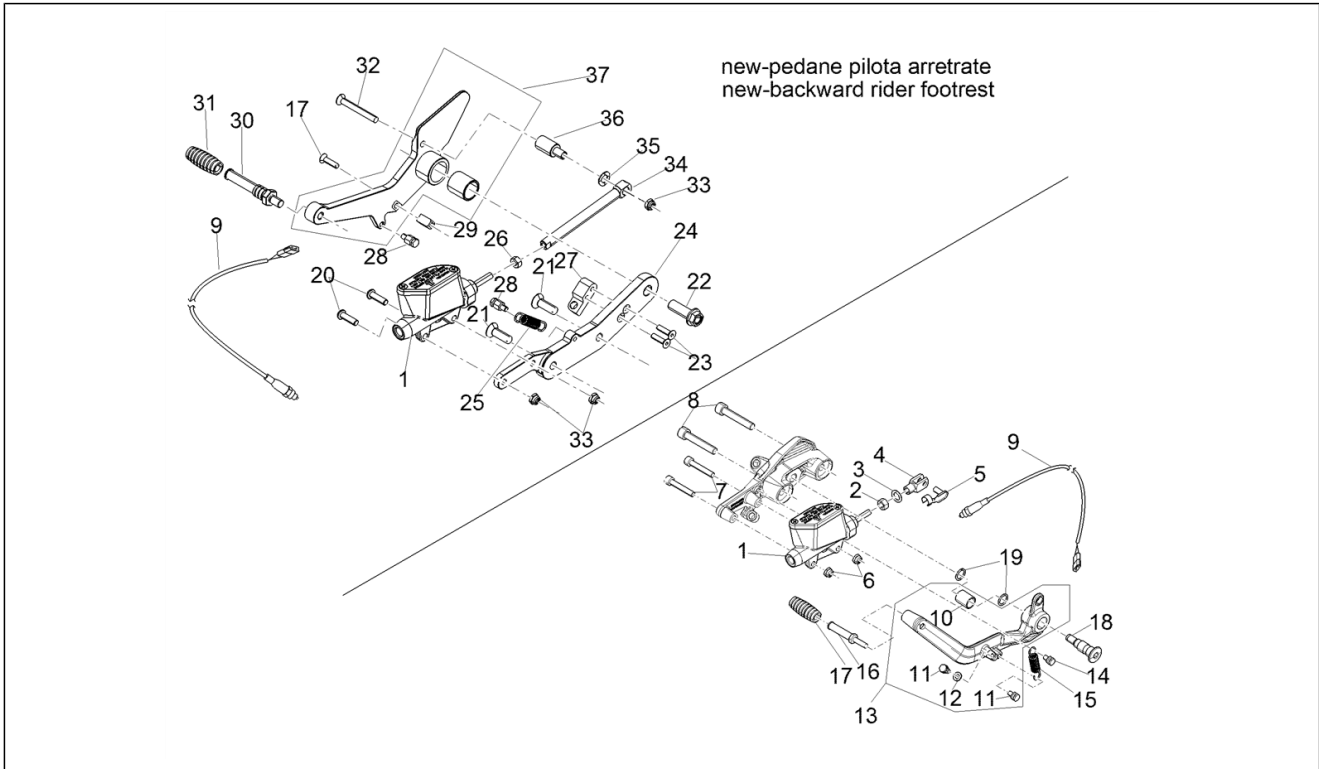
Pos.	Code	Beschreibung	Menge	Varianten
1	2B002269	Vorderradbremspumpe	1	
2	2B003041	Ersatzteil Hebel	1	
3	2B003040	Ersatzteil Hebelbolzen kpl. mit Mutter	1	
4	2B001930	Ersatzteil Schauglas vordere Bremspumpe	1	
5	2B003039	Ersatzteil Deckel kpl. mit Membran und Schrauben	1	
6	2B001929	Klemmschelle Bremsarmatur	1	
7	GU03749845	Bremslichtschalter	1	
8	AP8152043	TCEI Schraube M4x10	1	

Einheit	Bremsanlage
Code	06.020
Beschreibung	Vorderradbremzange
Inspektion	1



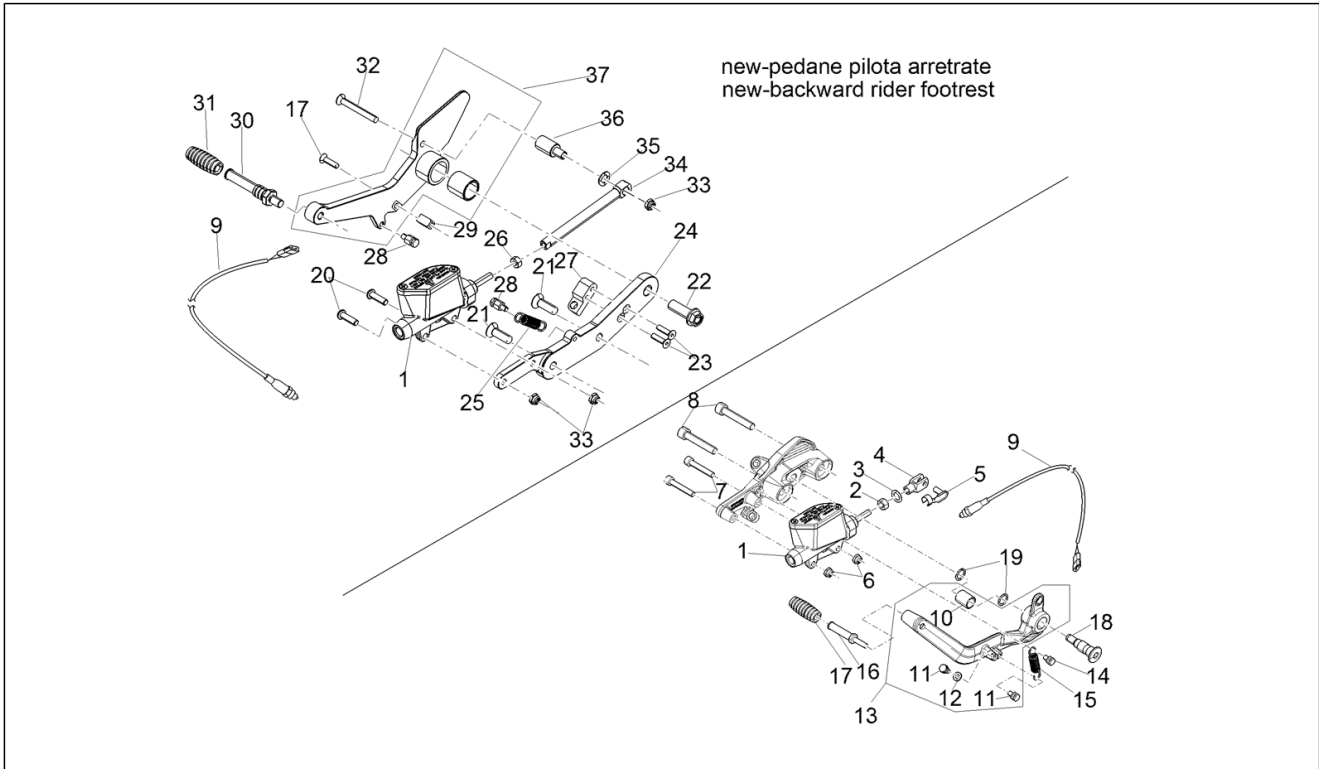
Pos.	Code	Beschreibung	Menge	Varianten
1	2B003271	Vorderradbremzange l.	1	
2	AP8152385	TCEI Schraube M10x1,25	2	
3	GU05659230	Entlüftung+Haube	1	
4	GU01659131	Feder	1	
5	GU01659130	Stifte-Federn Bremszange	1	
6	2B003313	Beläge (Paar)	1	

Einheit	Bremsanlage
Code	06.030
Beschreibung	Hinterradbremspumpe
Inspektion	1



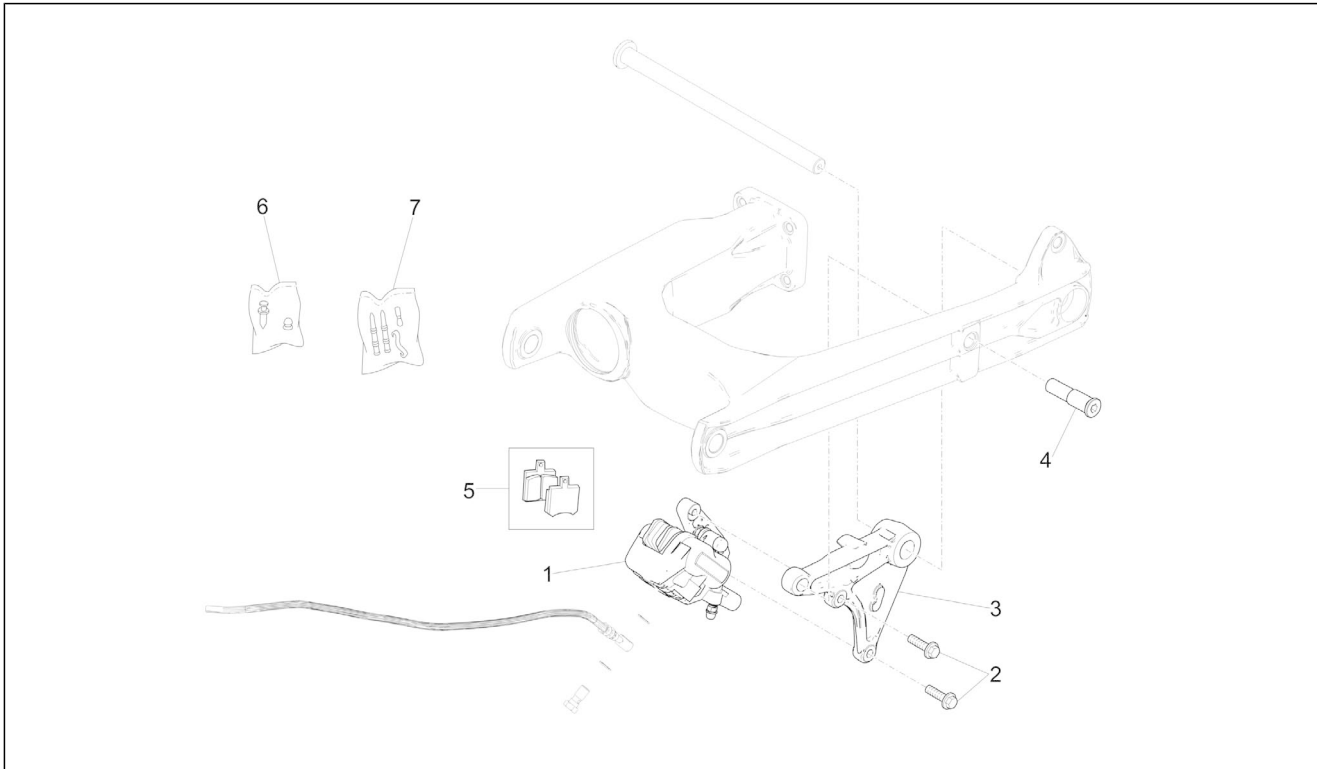
Pos.	Code	Beschreibung	Menge	Varianten
1	2B002189	Hintere Bremspumpe mit Behälter	1	
2	GU92606206	Mutter	1	Technische Spezifikation:standard rider footrest[old]
3	AP8120178	O-Ring OR112	1	Technische Spezifikation:standard rider footrest[old]
4	AP8113081	Schaltgabel	1	Technische Spezifikation:standard rider footrest[old]
5	AP8113082	Klemmen für Schaltgabel	1	Technische Spezifikation:standard rider footrest[old]
6	GU92630206	Dado autobloccante M6x1	2	Technische Spezifikation:standard rider footrest[old]
7	AP8150285	TCEI Schraube M6x35	2	Technische Spezifikation:standard rider footrest[old]
8	GU98680445	TCEI Schraube	2	Technische Spezifikation:standard rider footrest[old]
9	2D0002805	Knopf stop	1	
10	895328	Buchse gesintert	1	Technische Spezifikation:standard rider footrest[old]
11	859946	Befestigungsbolzen	2	Technische Spezifikation:standard rider footrest[old]
12	AP8150012	Ausgleichscheibe 5,3x10x1*	1	Technische Spezifikation:standard rider footrest[old]
13	2B002233	Hebel Hinterradbremse komplett	1	Technische Spezifikation:standard rider footrest[old]
14	859946	Befestigungsbolzen	1	Technische Spezifikation:standard rider footrest[old]
15	AP8121927	Feder Hinterradbremsh.	1	Technische Spezifikation:standard rider footrest[old]
16	887908	Gummigleitschutze	1	Technische Spezifikation:standard rider footrest[old]
17	AP8120912	Gummi für Hebel	1	Technische Spezifikation:standard rider footrest[old]
18	884033	Hebelbolzen	1	Technische Spezifikation:standard rider footrest[old]
19	AP8144007	O-Ring 11,11x1,78	2	Technische Spezifikation:standard rider footrest[old]
20	GU98370625	TBEI Schraube M6x25	1	Technische Spezifikation:backward rider footrest[new]
21	2B004112	Schraube TSPEI IX M8X25	2	Technische Spezifikation:backward rider footrest[new]
22	967384	Schraube TEF M10X45	1	Technische Spezifikation:backward rider footrest[new]
23	658778	Schraube TSPEI M5x20	3	Technische Spezifikation:backward rider footrest[new]
24	2B004042	Piastra pedana pilota dx	1	Technische Spezifikation:backward rider footrest[new]
25	AP8121927	Feder Hinterradbremsh.	1	Technische Spezifikation:backward rider footrest[new]
26	GU92606206	Mutter	1	Technische Spezifikation:backward rider footrest[new]
27	2B004063	Supporto interruttore stop	1	Technische Spezifikation:backward rider footrest[new]
28	898286	Federn Fixierstift	2	Technische Spezifikation:backward rider footrest[new]

Einheit	Bremsanlage
Code	06.030
Beschreibung	Hinterradbremspumpe
Inspektion	1



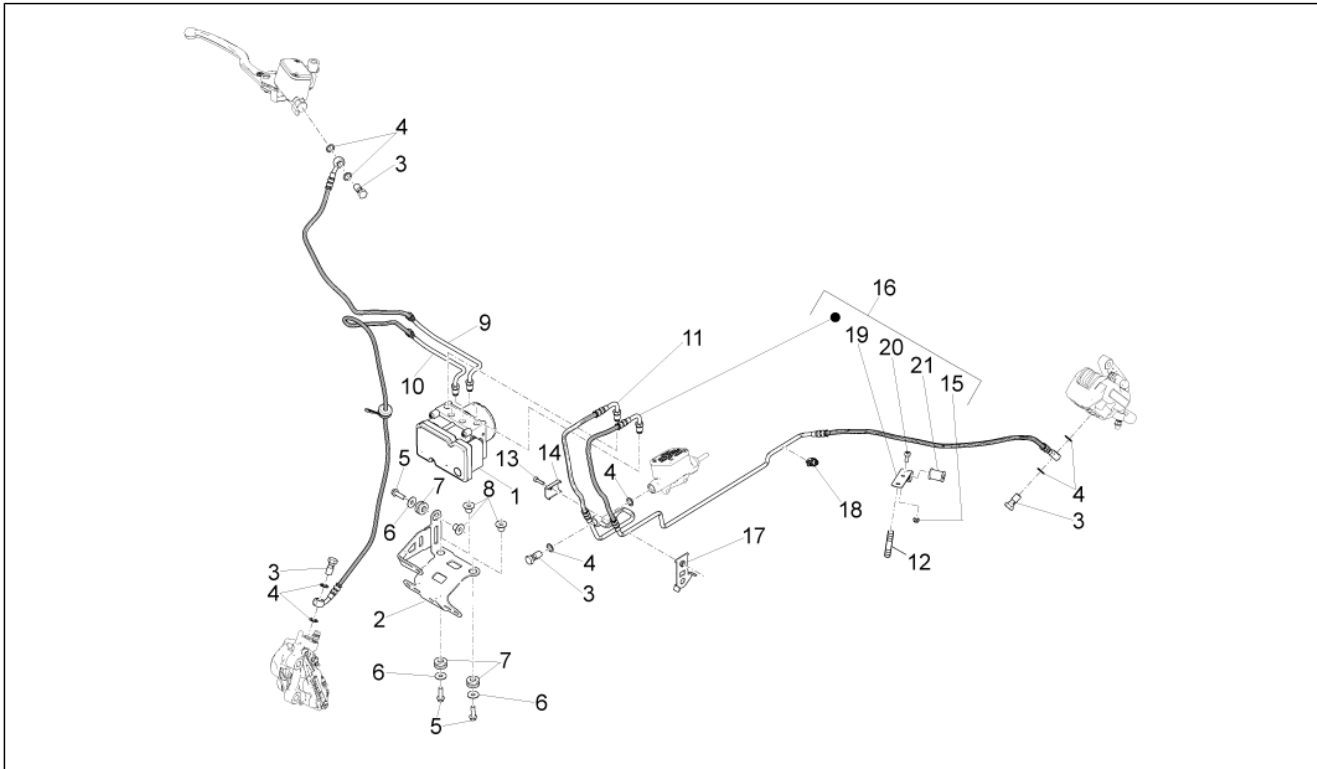
Pos.	Code	Beschreibung	Menge	Varianten
29	2B004064	Fermacorsa pedale freno post.	1	Technische Spezifikation: backward rider footrest[new]
30	2B004062	Gummigleitschutze	1	Technische Spezifikation: backward rider footrest[new]
31	AP8120912	Gummi für Hebel	1	Technische Spezifikation: backward rider footrest[new]
32	2B004111	Schraube TSPEI M6x50	1	Technische Spezifikation: backward rider footrest[new]
33	GU92630707	Mutter M6	3	Technische Spezifikation: backward rider footrest[new]
34	2B004076	Pumpenstange H. brems	1	Technische Spezifikation: backward rider footrest[new]
35	658837	Gewellte Sprengscheibe D15 F8,4 S1,5 - INOX	1	Technische Spezifikation: backward rider footrest[new]
36	2B004107	Distanzscheibe	1	Technische Spezifikation: backward rider footrest[new]
37	2B004050	Hebel Hinterradbremse komplett	1	Technische Spezifikation: backward rider footrest[new]

Einheit	Bremsanlage
Code	06.040
Beschreibung	Hinterradbremzange
Inspektion	1



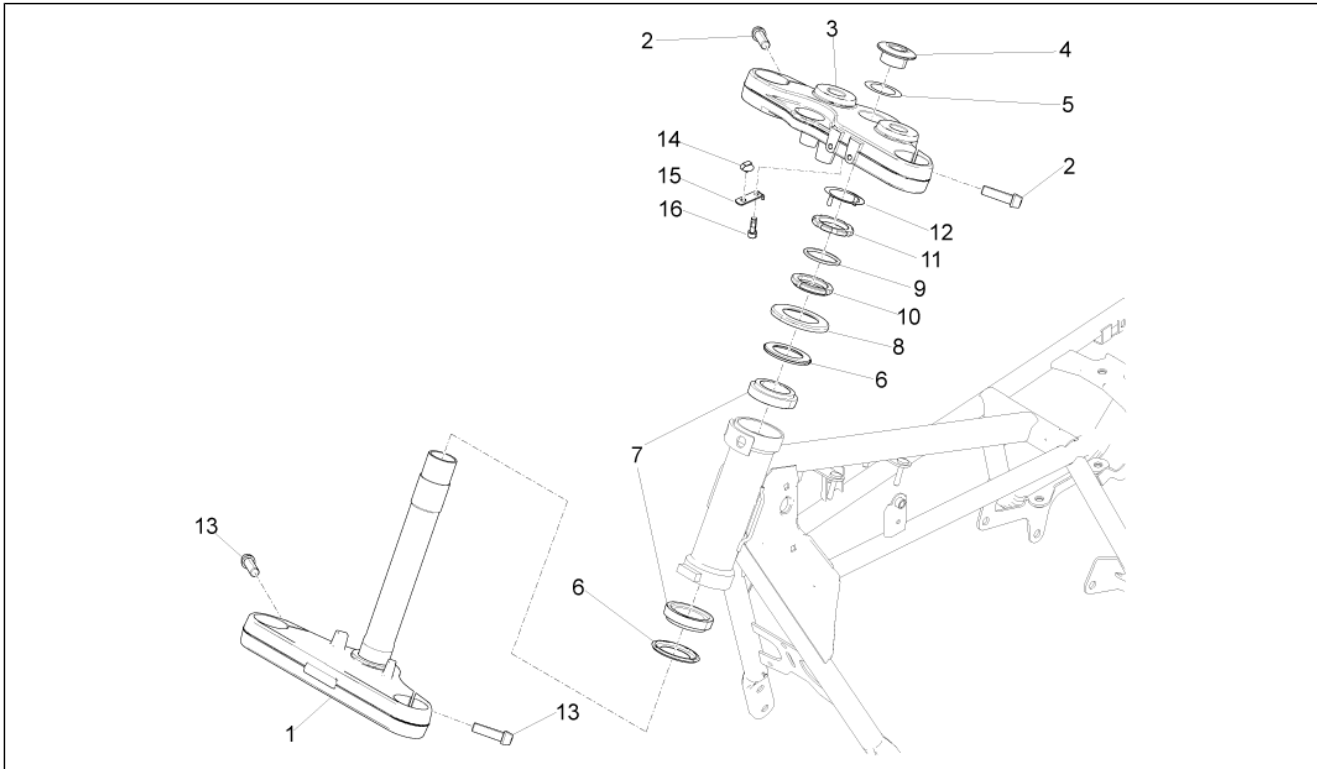
Pos.	Code	Beschreibung	Menge	Varianten
1	2B000525	Hinterradbremzange	1	
2	AP8152288	TE Schr. m. Flansch M8x30	1	
3	2B001953	Halter. H.radbremzange	1	
4	GU31544181	Bolzen	1	
5	2R000248	Paar Bremsklötze	1	
6	GU31659281	Entlüftung+Haube	1	
7	GU31659181	Stifte+Feder kit	1	

Einheit	Bremsanlage
Code	06.050
Beschreibung	Bremsanlage ABS
Inspektion	1



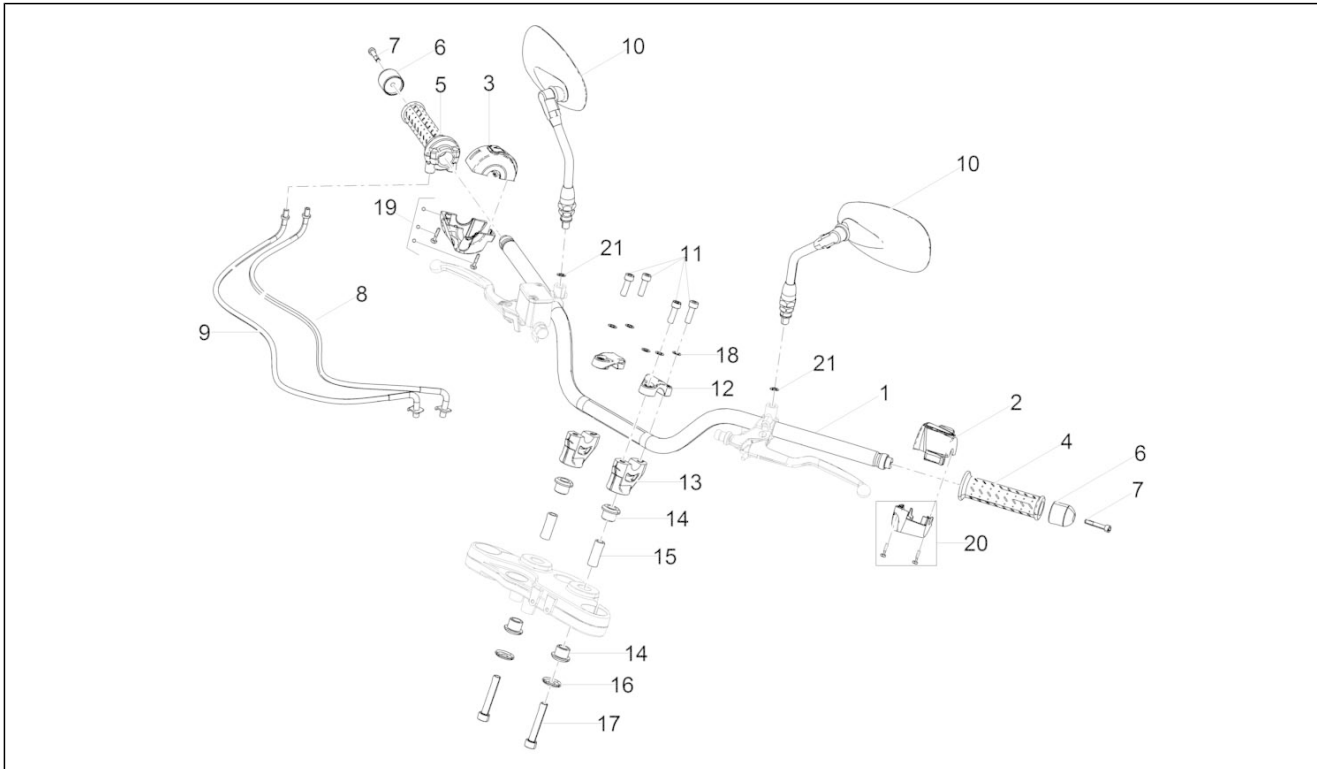
Pos.	Code	Beschreibung	Menge	Varianten
1	2D000102	ABS-Steuergerät	1	
2	2B003056	Halterbügel Steuerung	1	
3	AP8113003	Fixierschraube Ölschlauch	4	
4	AP8113004	Ausgleichscheibe 10x14x1,6*	8	
5	00H02402282	Schraube 6X20	3	
6	AP8150015	Ausgleichscheibe 6,6x18x1,6*	3	
7	AP8120030	Gummi	3	
8	AP8221023	T-Buchse	2	
9	2B002804	ABS HECU Leitung - Pumpe vorne	1	
10	2B002805	ABS HECU Leitung - Bremssattel Vorderradbremse	1	
11	2B002681	ABS HECU Leitung - Pumpe hinten	1	
12	GU96451316	Stiftschraube	1	
13	959559	TCEI Schraube M4x16	1	
14	2B001614	Fixierplatte Führungs	1	
15	AP8150451	Selbstsperr.mut Unt.	1	
16	2B002806	Leitung ABS HECU - Bremssattel hinten	1	
17	2B001564	Halteplatte Bremsschlauch	1	
18	AP8121882	Kabelführungs	1	
19	GU03658330	Schelle	1	
20	895709	TCEI Schraube M5x12	1	
21	GU03658201	Ring	1	

Einheit	Lenkstange - Schaltungen
Code	07.010
Beschreibung	Lenkung
Inspektion	1



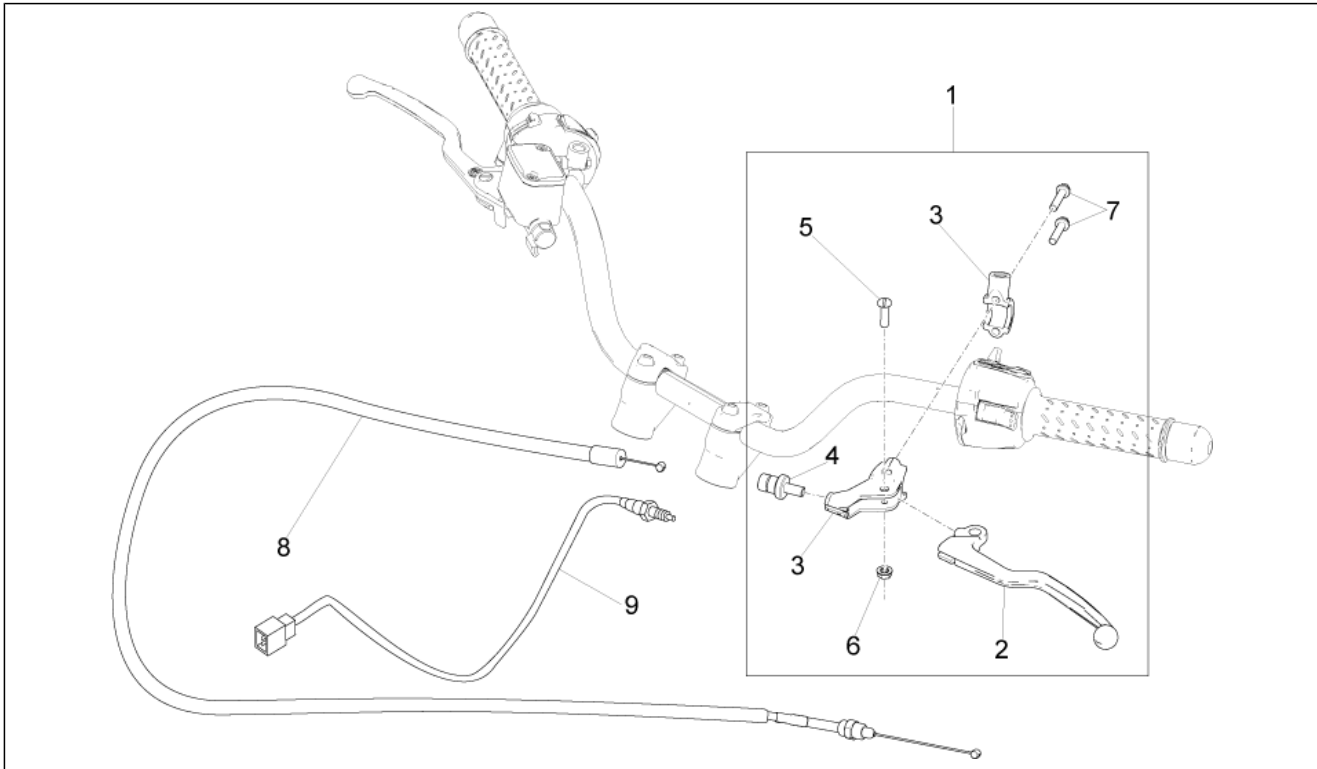
Pos.	Code	Beschreibung	Menge	Varianten
1	2B003743	Untere Gabelplatte	1	
2	AP8150543	Zylinderschraube M8x35	2	
3	2B001052	Obere Gabelplatte	1	
4	AP8121205	Fixierbuchse ob. Platte	1	
5	AP8152384	Scheibe Lenkkopf	1	
6	AP8123641	Staubschutzring	2	
7	AP8110077	Axialkugellager	2	
8	AP8123644	Staubschutzring	1	
9	887831	Gummischeibe	1	
10	AP8123642	Nutmutter	1	
11	AP8123643	Gegenmutter	1	
12	887832	Sicherheitspl. Lenkung	1	
13	AP8150540	Zylinderschraube	2	
14	890760	Halterung Instrumente	1	
15	2B003292	Platte	1	
16	GU98210616	TBEI Schraube m.Flansch M6x16 inox	1	

Einheit	Lenkstange - Schaltungen
Code	07.020
Beschreibung	Lenkstange - Schaltungen
Inspektion	1



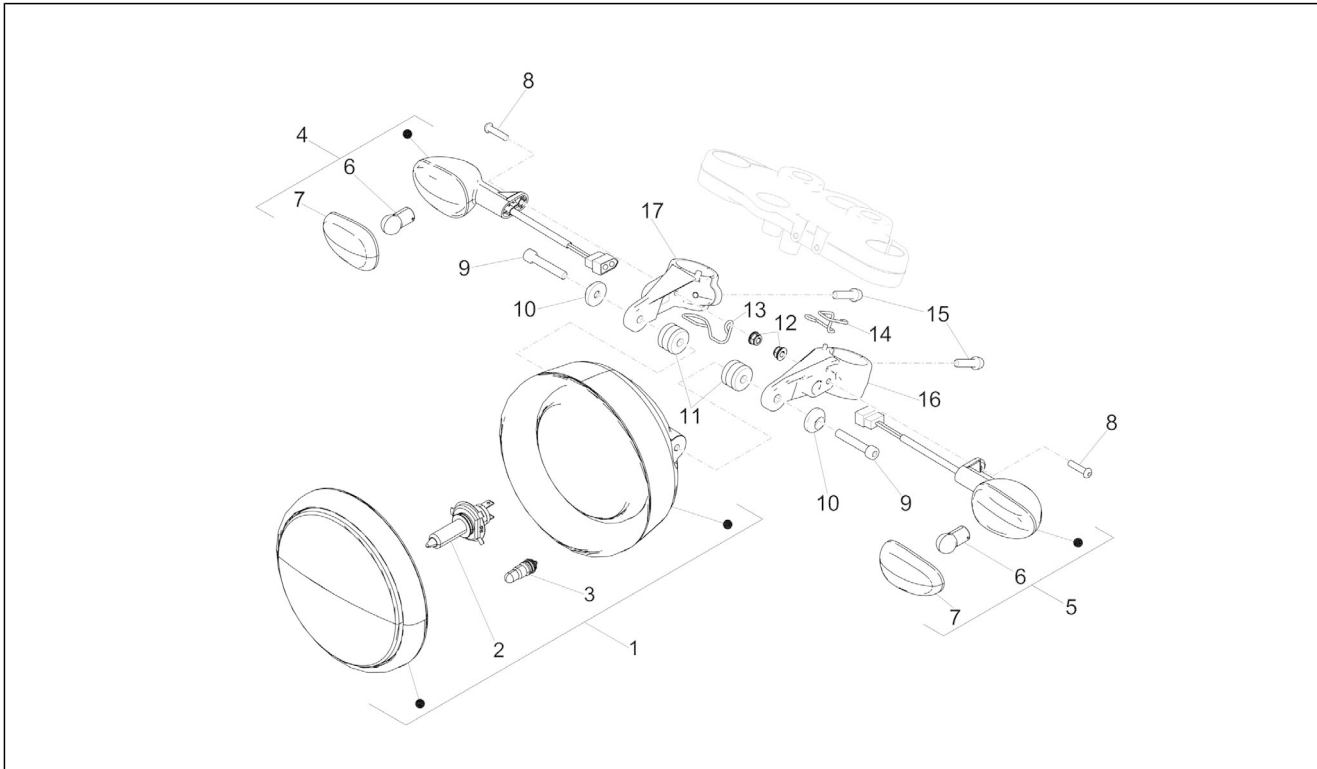
Pos.	Code	Beschreibung	Menge	Varianten
1	2B001163	Lenkstange	1	
2	2D000227	Bedienelement Lenker links	1	
3	2D000226	Bedienelement Lenker rechts	1	
4	AP8118579	Links griff	1	
5	2B002364	Rechts griff	1	
6	GU32602860	Schwingschutzgewicht chr.	2	
7	2B002195	Schraube TCEI IX M6X35 vorimprägniert	2	
8	2B002702	Gas trasmission return	1	
9	2B002701	Gas trasmission delivery	1	
10	978570	Rückspiegel	2	Technische Spezifikation: "mit Kennzeichnung ""FAR""[FAR]
10	883802	Rückspiegel rechts/links	2	Technische Spezifikation: "Gekennzeichnet mit ""FU E11 81R-001047""[FU]
11	GU98692425	TCEI Schraube M8x25	4	
12	2B001148	Klemme Lenker	2	
13	2B002471	Unter.Bügelbolzen	2	
14	AP8144222	Gummi	4	
15	854827	Distanzscheibe 10,1x14,1x38	2	
16	2B002875	Becher	2	
17	AP8150049	Schraube M10x60	2	
18	GU14615901	Ausgleichscheibe 8,4X13X0,8	4	
19	2D000163	Untere Schale DX	1	
20	2D000218	Untere Schale SX	1	
21	GU91181003	Distanzscheibe 10,25X20X4	2	

Einheit	Lenkstange - Schaltungen
Code	07.030
Beschreibung	Kupplungssteuerung
Inspektion	1



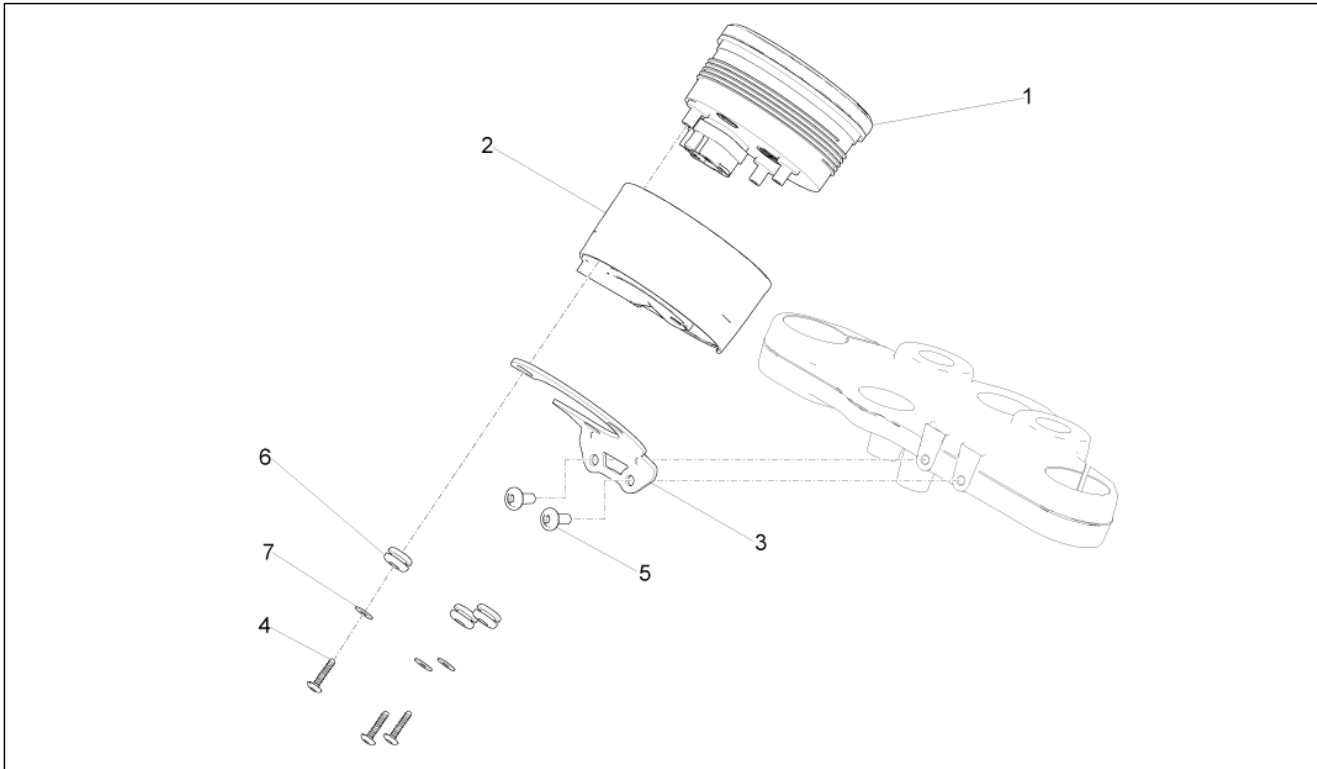
Pos.	Code	Beschreibung	Menge	Varianten
1	2B002391	Gruppe Kupplungshebel	1	
2	2B002390	Hebel Kupplungssteuer.	1	
3	GU30601060	Feder	1	
4	GU30602500	Einstellschraube	1	
5	AP8213028	Schraube	1	
6	AP8213388	Selbstsperrende Mutter	1	
7	GU97202325	TE Schr. m. Flansch schw. M6x25	2	
8	2B002842	Kupplungskabel	1	
9	2D0002885	Kupplungsschalter	1	

Einheit	Vorderer Lichter - Instrumente
Code	08.010
Beschreibung	Vorderer Lichter
Inspektion	1



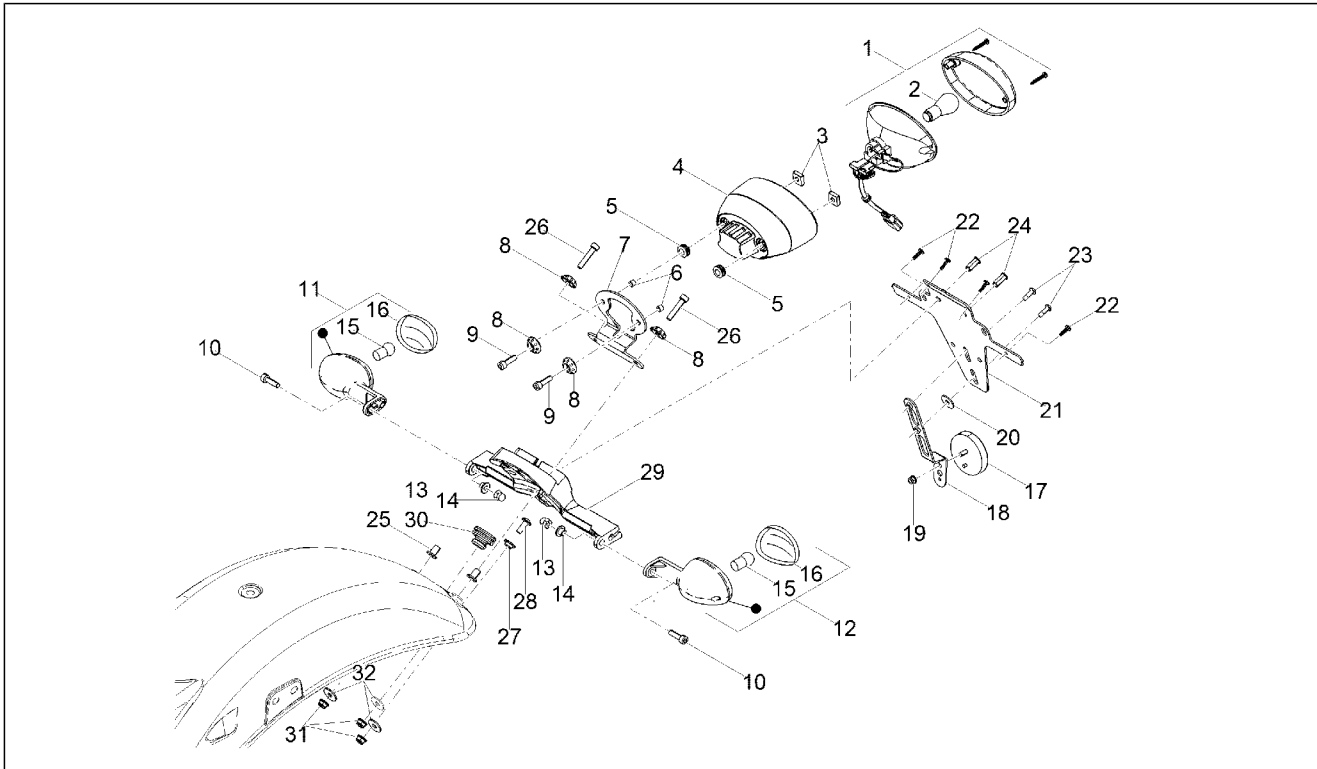
Pos.	Code	Beschreibung	Menge	Varianten
1	2D000225	Scheinwerfer	1	Land:Australien[AU] Neuseeland[NZ] Japan[JP]
1	2D000100	Scheinwerfer	1	Land:Indonesien[IN] Korea[KO] China[CN] Singapur[SI] Vietnam.[VT]
2	292723	Lampen H4 12V-60/55W	1	
3	292022	Lampen 12V-5W	1	
4	2D000261	Blinker vorne RE	1	
5	2D000262	Blinker vorne LI	1	
6	584332	Lampen 12V-10W	2	
7	639338	Blinkerglas	2	
8	GU98612320	TCEI Schraube M6x20	2	
9	GU98690445	Schraube M8x45	2	
10	AP8121199	Buchse	2	
11	2B002011	Abstandhalter Frontscheinwerfer	2	
12	AP8152299	Selbstsperrende Mutter M6	2	
13	2B003164	Kabelführung	1	
14	2B003165	Kabelführung	1	
15	AP8150053	TCEI Schraube M6x25	2	
16	2B001231	Linke Halterung Frontscheinwerfer	1	
17	2B001182	Rechte Halterung Frontscheinwerfer	1	

Einheit	Vorderer Lichter - Instrumente
Code	08.020
Beschreibung	Instrumente
Inspektion	1



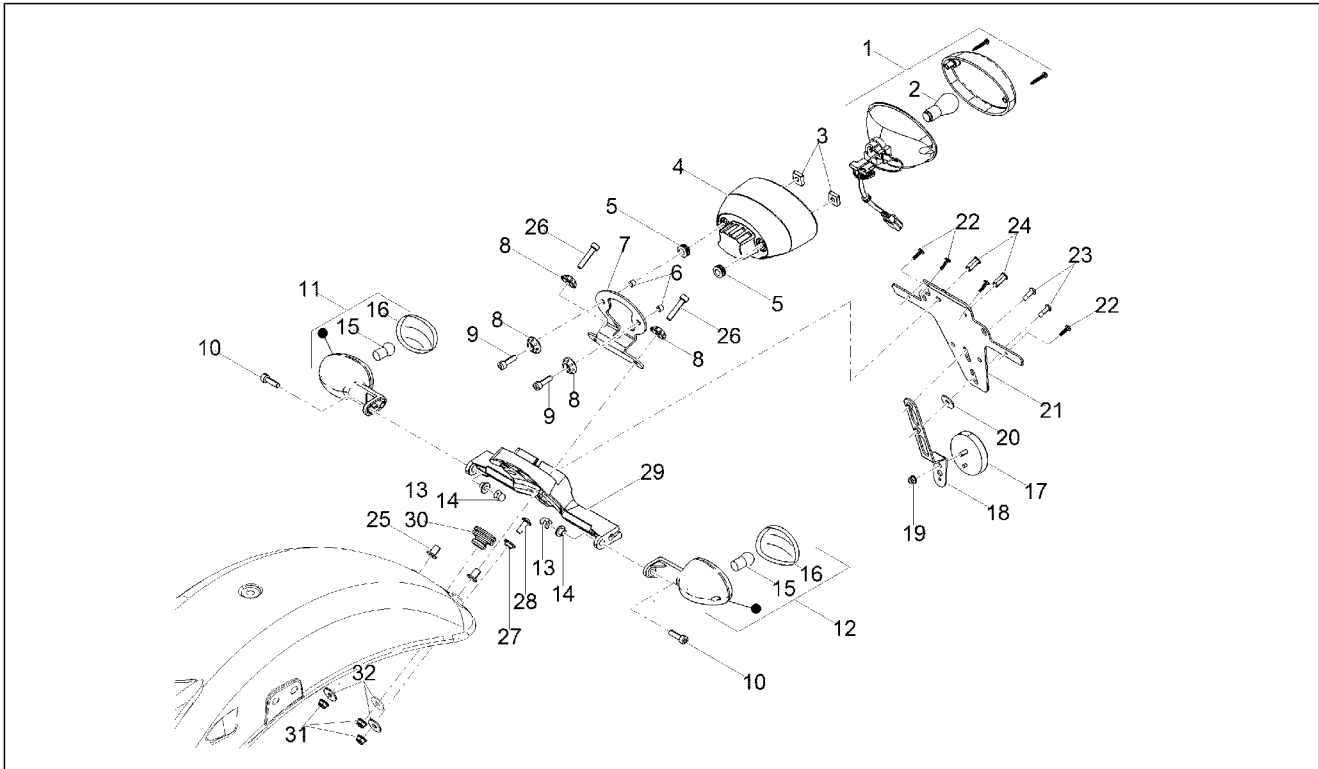
Pos.	Code	Beschreibung	Menge	Varianten
1	2D000099	Instrumententafel	1	
1	2D000159	Armaturen Brett D105 MPH	1	
2	2B001223	Abdeckung Armaturen Brett	1	
3	2B001154	Instrumentenhalterung	1	
4	CM178609	Gew.schr.	3	
5	GU98210610	Schraube	2	
6	2B003367	Kabelführung	3	
7	013763	Flachscheibe 4,2x12x1	3	

Einheit	Vorderer Lichter - Instrumente
Code	08.030
Beschreibung	Hinterer Lichter
Inspektion	1



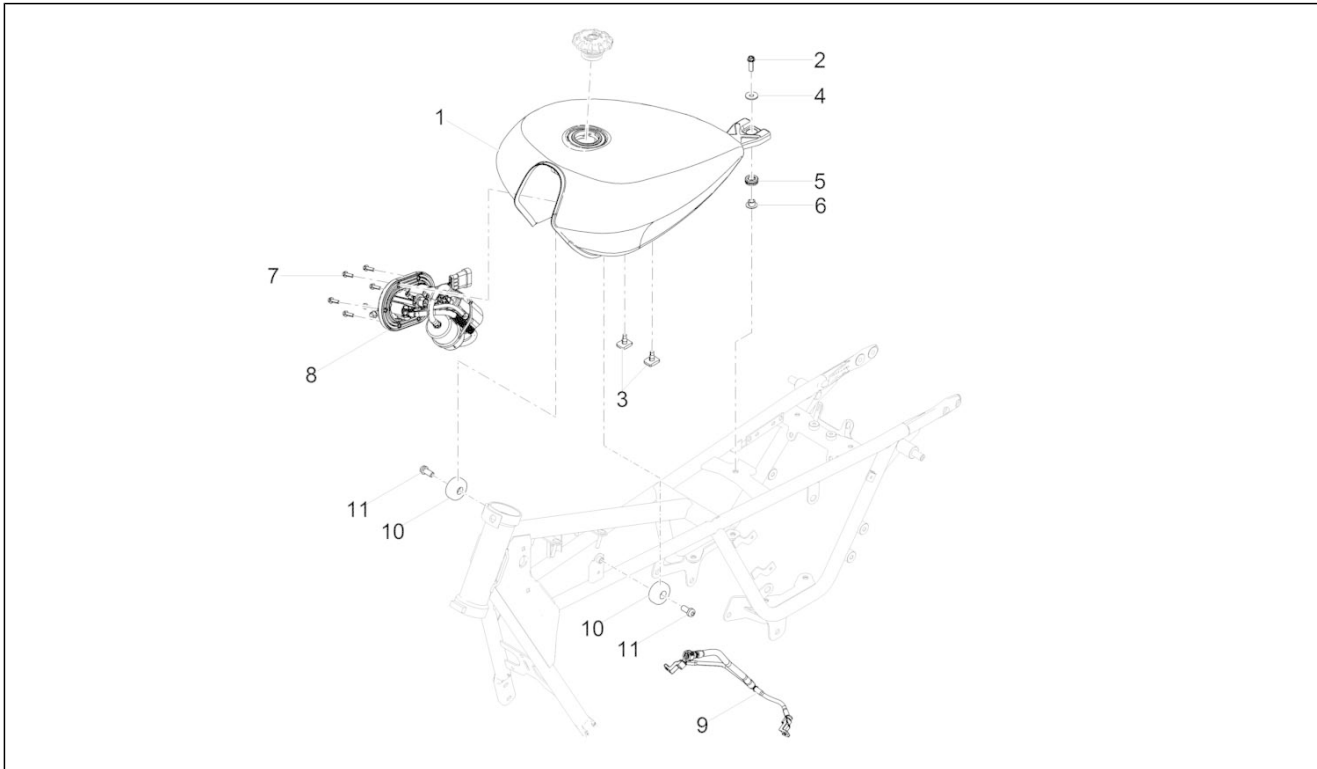
Pos.	Code	Beschreibung	Menge	Varianten
1	2B002365	Rücklicht	1	
2	GU93450224	Lampen	1	
3	2B002443	Vierkantmutter M6	1	
4	2B002483	Halteschale Scheinwerfer hinten	2	
5	AP8220186	Gummi	2	
6	AP8120278	Distanzscheibe	2	
7	2B002484	Rücklichthalterung	1	
8	AP8150536	Spezial-U-scheibe	4	
9	AP8150053	TCEI Schraube M6x25	2	
10	GU98612320	TCEI Schraube M6x20	2	
11	2D000255	Hinterer Blinker Re	1	
12	2D000256	Hinterer Blinker Li	1	
13	479175	Hutmutter	2	
14	840509	Distanzscheibe	2	
15	584332	Lampen 12V-10W	2	
16	639338	Blinkerglas	2	
17	AP8224164	Rückstrahler Rücklicht, rot	1	
18	AP8134448	Rückstrahler-Fixierung	1	
19	AP8152306	Selbstsperrende Mutter M5	1	
20	GU95005310	Ausgleichscheibe 8,4x18x2	1	
21	2B002541	Abschluss Nummernschildhalter	1	
22	AP8150413	Gew.schr. 3,9x14	4	
23	B016796	Linsenkopfschraube Torx	2	
24	AP8201755	Geschnitten Kunststoffniet	2	
25	AP8121725	T-Buchse *	2	
26	GU98682330	TCEI Schraube M6x20	2	
27	AP9100053	Buchse d.10-h.3,5	1	
28	GU98210616	TBEI Schraube m.Flansch M6x16 inox	1	

Einheit	Vorderer Lichter - Instrumente
Code	08.030
Beschreibung	Hinterer Lichter
Inspektion	1



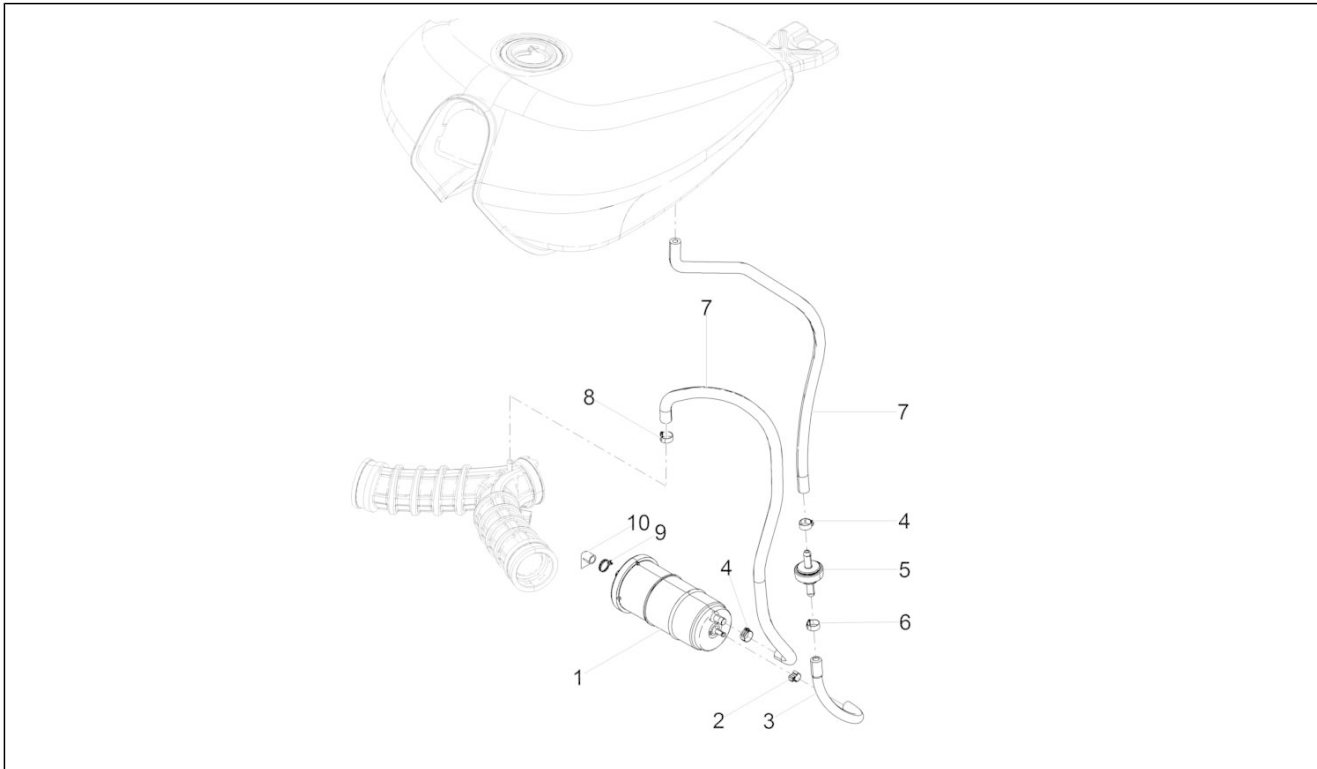
Pos.	Code	Beschreibung	Menge	Varianten
29	2B002366	Halterung Blinker	1	
30	070286	Kabelführung	1	
31	AP8152299	Selbstsperrende Mutter M6	3	
32	GU95008306	Ausgleichscheibe 6,4x12x1,2	3	

Einheit	Tank
Code	09.010
Beschreibung	Kraftstofftank
Inspektion	1



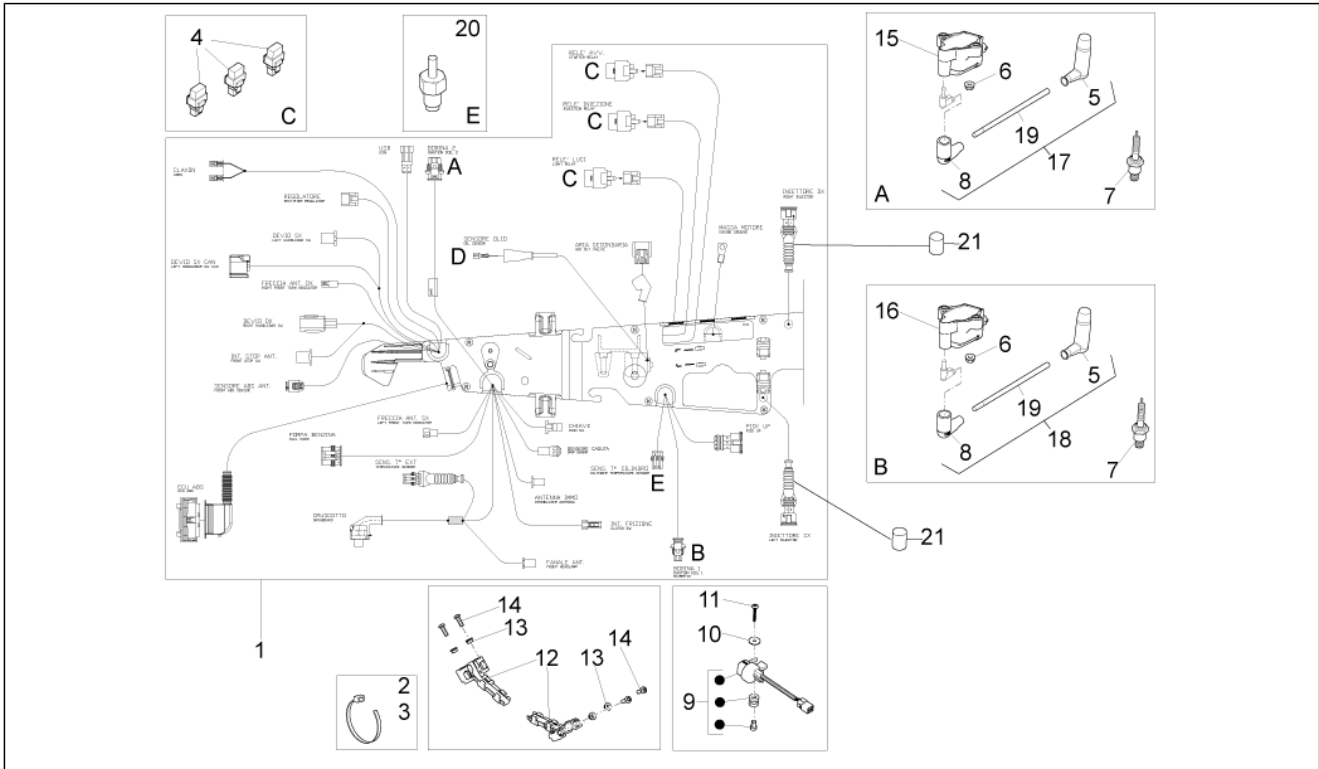
Pos.	Code	Beschreibung	Menge	Varianten
1	2H001446500XR7	Kraftstofftank, rot	1	Farbe: Rot Ibis[RI]
1	2H001249500YG3	Tankabdeckung, gelb	1	Farbe: Gelb Brio[YB]
1	2H001401500Q4	Kraftstoffbehälter weiss	1	Farbe: Weiß Tech[BT]
1	2B001629	Kraftstofftank	1	Farbe: Unlackiert[GR]
2	AP8152288	TE Schr. m. Flansch M8x30	2	
3	AP8120455	Gummi	2	
4	AP8150018	Ausgleichscheibe	1	
5	GU91551131	Gummi	1	
6	2B002944	T-Buchse	1	
7	AP8152273	Flanschschraube M5x15	6	
8	1D001450	Kraftstoffpumpe	1	
9	2B002486	Kraftstoffleitungen	1	
10	GU66103415	Gummi	2	
11	GU98682416	TCEI Schraube M8x16	1	

Einheit	Tank
Code	09.020
Beschreibung	Benzindampfrückf.-Anlage
Inspektion	1



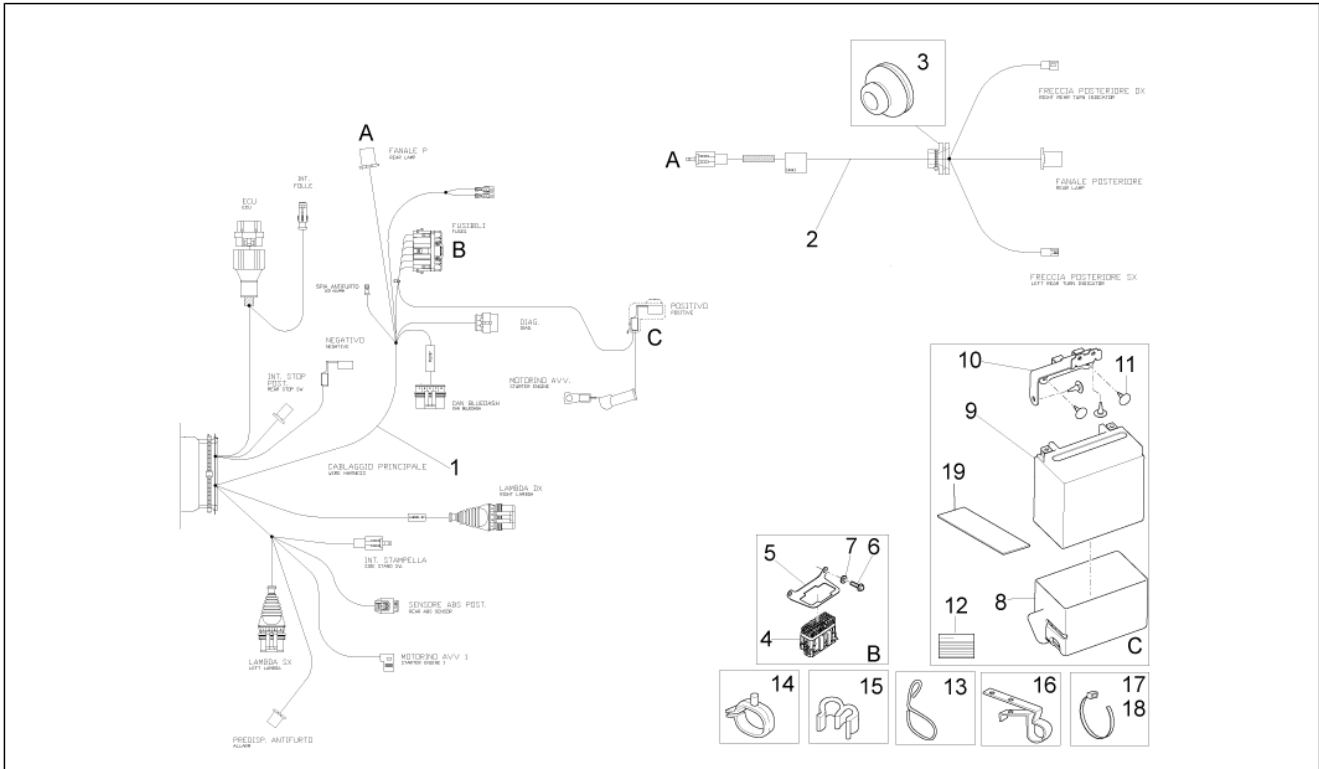
Pos.	Code	Beschreibung	Menge	Varianten
1	2B002632	Kohlefilter	1	
2	AP8102738	Schlauchschelle	1	
3	2B003042	Leitung SAE 30 R12A-3/16	1	
4	AP8102239	Schelle 12,5x8	2	
5	CM179008	Sicherheitsventil	1	
6	AP8102159	Schelle	1	
7	856063	Leitung SAE 30 d.12,7x6,35	2	
8	GU93304360	Schelle 7,6x380	1	
9	AP8102520	Schlauchschelle	1	
10	AP8127601	Lüftungsröhrchen	1	

Einheit	Elektrische Anlage
Code	11.020
Beschreibung	Mitt. elektrische Anlage
Inspektion	1



Pos.	Code	Beschreibung	Menge	Varianten
1	2D000209	Kabelast	1	
2	GU49609601	Schelle 2,4x92	1	
3	GU14609650	Schelle 3,6x20,6	24	
4	AP8224462	Zündrelais 12V-30A	3	
5	1A005382	Zündkerzenstecker	2	
6	AP8152299	Selbstsperrende Mutter M6	4	
7	887481	Zündkerze NGK CPR8EB-9	2	
8	641040	Isolierhaube	2	
9	680212	Kippsensor	1	
10	GU95005304	Ausgleichscheibe 5,2x18x1,5	1	
11	478533	Gew.schr.	1	
12	2B002901	Halterung Zündkerzenkabel	2	
13	2B003052	T-Buchse	4	
14	1A003444	Linsenschraube	4	
15	641901	Zuendtransform.cpl.	1	
16	642034	Zuendtransform.cpl. DX	1	
17	CM277101	Zuendkabel (450 mm)	1	
18	CM277102	Zuendkabel (580 mm)	1	
19	080341	Kabel Zündspulensockel	1	
20	887421	Temperaturfühler	1	
21	2D000355	Cappuccio termorestringente	1	

Einheit	Elektrische Anlage
Code	11.030
Beschreibung	Hint.Elektrische Anlage
Inspektion	1



Pos.	Code	Beschreibung	Menge	Varianten
1	2D000209	Kabelast	1	
2	2D000245	Gruppe Kabel Rücklicht	1	
3	070286	Kabelführung	1	
4	584211	Sicherungskasten	1	
5	883161	Hltr. Sicherungsblock	1	
6	GU98682212	TCEI Schraube M5x12	2	
7	GU95100059	Ausgleichscheibe 5,25x14x1,5	2	
8	2B002781	Batterieabdeckung	1	
9	638733	Batterie Yuasa YTX14-BS 12V-12Ah (150x87x145)	1	
10	B063233	Batteriehalterung	1	
11	AP8120001	Gummi	4	
12	GU32517710	Deko "Battery service"	1	
13	AP8181140	Kabelführung	1	
14	CM013202	Rückhaltefeder Leitungen/Kabel	1	
15	894704	Kabelführung	9	
16	B043850	Schelle	1	
17	GU14609650	Schelle 3,6x20,6	24	
18	GU93304390	Schelle 3,6x375	2	
19	AP8144552	seit. Gummiaufkl. Batterie	1	


MOTO GUZZI®

ERSATZTEILKATALOG



V9 Roamer 850 E4 2017 (APAC)

Vorsatzcode Fahrgestell: ZGULHB00

Vorsatzcode Motor:

Inhaltsverzeichnis

Fertige Produkte.....	4
Alphanumerisches Verzeichnis.....	5
Rahmen.....	10
Tafel 01.010 - Rahmen.....	10
Tafel 01.020 - Fussrasten.....	11
Tafel 01.030 - Hauptständer.....	12
Tafel 01.040 - Schutz.....	13
Tafel 01.050 - Schwinge.....	14
Aufbau.....	15
Tafel 02.030 - Vorderes Schutzblech-Stütze.....	15
Tafel 02.100 - Mittlerer Aufbau.....	16
Tafel 02.120 - Sitz.....	17
Tafel 02.150 - Hinteres schutzblech.....	18
Tafel 02.170 - Schlösser.....	19
Tafel 02.190 - Deko.....	20
Motor.....	22
Tafel 03.010 - Motor-Fertigstellung.....	22
Tafel 03.020 - Schalthebel.....	23
Tafel 03.030 - Gehäuse I.....	24
Tafel 03.050 - Filtergehäuse.....	25
Tafel 03.060 - Klappenkörper.....	26
Tafel 03.090 - Kopfdeckel.....	27
Tafel 03.100 - Zylinderkopf - ventile.....	28
Tafel 03.120 - Steuer.....	29
Tafel 03.150 - Zylinder - Kolben.....	30
Tafel 03.160 - Kurbelwelle.....	31
Tafel 03.170 - Schaltgetriebe / Schaltgabel / Desmodrom.....	32
Tafel 03.180 - Schaltgetriebe - Zahnräder.....	34
Tafel 03.190 - Schmierung.....	36
Tafel 03.196 - Anlage Blow-by.....	37
Tafel 03.230 - Kupplung.....	38
Tafel 03.270 - Zuenderdeckel.....	40
Tafel 03.290 - Zündung / Elektrischer Anfang.....	41
Tafel 03.300 - Schwungmagnetstarter / Zündung.....	42
Tafel 03.320 - Secondary air.....	43
Tafel 03.330 - Auspuffrohr.....	44
Tafel 03.340 - Getriebe kpl.....	45
Tafel 03.350 - Getriebedeckel.....	46
Radaufhängungen.....	48
Tafel 04.060 - Vorderradgabel Kaifa.....	48
Tafel 04.080 - Stoßdämpfer.....	49
Räder.....	50
Tafel 05.010 - Vorderrad.....	50

Tafel 05.020 - Hinterrad.....	51
Bremsanlage	52
Tafel 06.010 - Vorderradbremspumpe.....	52
Tafel 06.020 - Vorderradbremzange.....	53
Tafel 06.030 - Hinterradbremspumpe.....	54
Tafel 06.040 - Hinterradbremzange.....	55
Tafel 06.050 - Bremsanlage ABS.....	56
Lenkstange - Schaltungen.....	57
Tafel 07.010 - Lenkung.....	57
Tafel 07.020 - Lenkstange - Schaltungen.....	58
Tafel 07.030 - Kupplungssteuerung.....	59
Vorderer lichter - Instrumente.....	60
Tafel 08.010 - Vorderer lichter.....	60
Tafel 08.020 - Instrumente.....	61
Tafel 08.030 - Hinterer lichter.....	62
Tank.....	64
Tafel 09.010 - Kraftstofftank.....	64
Tafel 09.020 - Benzindampfrückf.-Anlage.....	65
Elektrische Anlage.....	66
Tafel 11.010 - Vorder Elektrische Anlage.....	66
Tafel 11.020 - Mitt. elektrische Anlage.....	67
Tafel 11.030 - Hint.Elektrische Anlage.....	68

Fertige Produkte

Code	Gültigkeit
GU9032252ASH01	
GU9032252ASH02	

Code	Nr. der Tafel	Pos.	Code	Nr. der Tafel	Pos.	Code	Nr. der Tafel	Pos.
006630	03.270	8	1A0066680V	03.160	3	2A000528	03.120	8
00H02402282	06.050	5	1A0066690G	03.160	8	2A000565	03.090	1
013763	03.190	14	1A0066690N	03.160	8	2A000579	03.120	5
013763	08.020	7	1A0066690V	03.160	8	2A000591	03.170	37
070286	08.030	30	1A006671AA	03.160	7	2A000597	03.320	3
070286	11.030	3	1A006671BB	03.160	7	2A000608	03.060	8
080341	11.020	19	1A006716	03.090	4	2A000609	03.060	3
122675	11.010	12	1A006860	03.030	19	2A000612	03.060	7
1A000360	03.180	7	1A006861	03.120	16	2A000620	03.090	6
1A000365	03.180	16	1A006869S	03.100	10	2A000627	03.180	13
1A000366	03.180	22	1A006870S	03.100	11	2A000629	03.180	30
1A000367	03.180	27	1A0068960B	03.160	2	2A000631	03.230	21
1A000368	03.180	28	1A0068960G	03.160	2	2A000633	03.190	5
1A000369	03.180	29	1A0068960R	03.160	2	2A000638	03.230	30
1A000370	03.180	25	1A006933S	03.030	21	2A000659	03.090	2
1A000436	03.180	10	1A007008	03.190	22	2A000724	03.230	4
1A000566	03.180	4	1A007070	03.150	2	2A000727	03.180	5
1A002604	03.180	24	1A007111	03.150	9	2A000741	03.230	31
1A002604	03.180	9	1A008576	03.120	25	2A000767	03.230	23
1A003444	11.020	14	1A008732	03.090	3	2A000770	03.230	28
1A003452	03.100	5	1A008913S	03.010	1	2A000792	03.230	7
1A004442	03.190	15	1C001499	01.030	8	2A000908S	03.170	19
1A004530	03.030	10	1C001499	05.020	19	2A000910S	03.170	6
1A004549	03.190	11	1D001393	03.060	2	2B000221	11.010	3
1A004550	03.030	1	1D001450	09.010	8	2B000225	05.020	15
1A004660	03.100	1	1D001549	11.010	7	2B000377	05.020	18
1A004661	03.100	1	224566	03.170	44	2B000404	03.350	2
1A004662	03.100	1	224566	03.350	8	2B000525	06.040	1
1A004750	03.100	8	237553	03.190	12	2B001009	03.020	15
1A004751	03.100	4	248419	01.040	12	2B001035	01.010	17
1A004752	03.100	6	254485	03.330	19	2B001048	07.020	11
1A004903	03.120	13	254485	11.010	5	2B001049	07.020	10
1A004905	03.120	12	285536	03.170	3	2B001052	07.010	3
1A004907	03.120	14	285536	03.190	24	2B001055	01.010	1
1A004953	03.150	8	292022	08.010	3	2B001073	05.010	9
1A004954	03.150	7	292723	08.010	2	2B001083	03.330	6
1A004955	03.150	6	2A000097	03.170	41	2B001084	03.330	5
1A004956	03.150	5	2A000115	03.300	5	2B001088	01.030	5
1A005199	03.190	3	2A000129	03.300	4	2B001099S	03.330	1
1A005211	03.030	2	2A000203	03.180	20	2B001100S	03.330	2
1A005257	03.190	13	2A000216	03.230	8	2B001114	05.020	3
1A005325AA	03.160	6	2A000219	03.170	12	2B001139	05.010	1
1A005325BB	03.160	6	2A000222	03.170	38	2B001141	02.030	1
1A005382	11.020	5	2A000224	03.170	20	2B001147	02.030	2
1A005424	03.100	2	2A000225	03.170	23	2B001153S	03.340	1
1A005425	03.100	9	2A000226	03.170	21	2B001154	08.020	3
1A005712	03.120	1	2A000227	03.170	22	2B001182	08.010	17
1A005714S	03.120	24	2A000241	03.170	27	2B001223	08.020	2
1A005951	03.120	7	2A000241	03.170	28	2B001231	08.010	16
1A005955	03.120	19	2A000241	03.180	32	2B001279	05.020	7
1A006047	03.030	4	2A000306	03.170	27	2B001301	01.050	1
1A006053	03.190	27	2A000353S	03.120	6	2B001303	03.350	25
1A006119	03.120	22	2A000375	03.230	14	2B001307	03.350	11
1A006127	03.120	23	2A000376	03.230	16	2B001310	05.020	1
1A006243	03.120	21	2A000378	03.230	32	2B001311	03.350	3
1A006272AA	03.150	10	2A000384	03.230	18	2B001406	02.150	1
1A006272BB	03.150	10	2A000385	03.230	19	2B001561	05.010	17
1A006272CC	03.150	10	2A000415	03.170	24	2B001564	06.050	17
1A006272DD	03.150	10	2A000418	03.230	29	2B001612	01.010	16
1A006283	03.030	17	2A000419	03.230	1	2B001614	06.050	14
1A006284	03.030	18	2A0004211S	03.170	1	2B001618	02.100	2
1A006298	03.270	4	2A000438	03.170	43	2B001619	02.100	1
1A006655	03.030	8	2A000438	03.350	22	2B001629	09.010	1
1A006656	03.030	7	2A000467	03.170	15	2B001708	05.010	18
1A006659	03.100	12	2A000496	03.120	4	2B001762	05.010	5
1A0066680G	03.160	3	2A000521	03.120	9	2B001783	02.100	5
1A0066680N	03.160	3	2A000527	03.120	27	2B001823	03.060	12

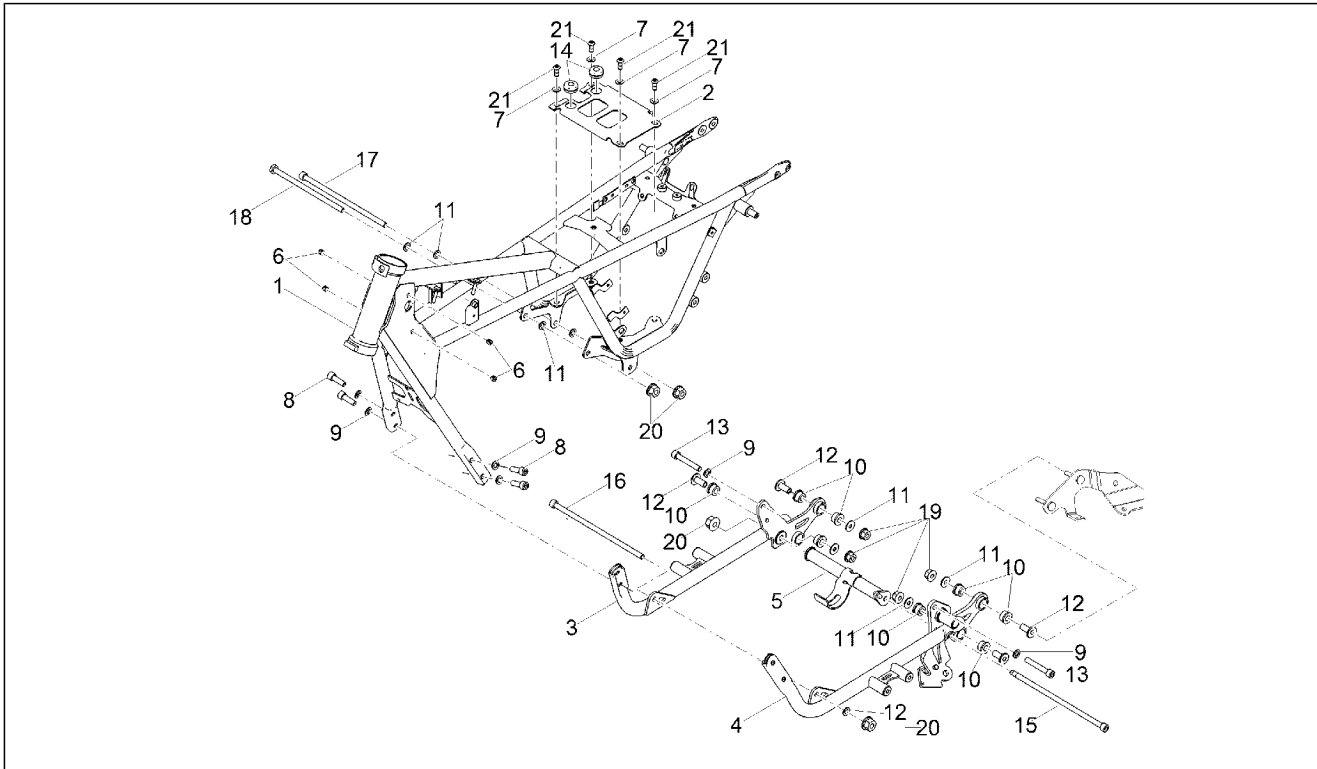
Code	Nr. der Tafel	Pos.	Code	Nr. der Tafel	Pos.	Code	Nr. der Tafel	Pos.
2B001929	06.010	6	2B002844	07.020	8	2D000226	07.020	3
2B001930	06.010	4	2B002851	03.050	5	2D000227	07.020	2
2B001935	03.330	24	2B002852	07.020	1	2D000245	11.030	2
2B001941	03.020	18	2B002875	07.020	17	2D000255	08.030	11
2B001953	06.040	3	2B002900	05.020	2	2D000256	08.030	12
2B001956	05.020	13	2B002901	11.020	12	2D000261	08.010	4
2B002011	08.010	11	2B002936	02.170	11	2D000262	08.010	5
2B002043	02.170	3	2B002937	01.040	10	2D0002805	06.030	9
2B002090	07.020	14	2B002940	02.170	1	2D0002885	07.030	9
2B002091	07.020	13	2B002943	01.040	9	2D000299	02.170	2
2B002171	01.020	21	2B002944	09.010	6	2D000355	11.020	21
2B002171	03.350	27	2B002959	03.050	14	2H001249500YG3	09.010	1
2B002187	03.330	15	2B002988	04.080	1	2H001250500YG3	02.030	1
2B002189	06.030	14	2B002991	06.050	9	2H001253	02.190	8
2B002192	04.060	1	2B003039	06.010	5	2H001254	02.190	7
2B002195	07.020	7	2B003040	06.010	3	2H001255	02.190	12
2B002200	03.350	15	2B003041	06.010	2	2H001256	02.190	11
2B002205	01.050	6	2B003042	09.020	3	2H001257	02.190	6
2B002225	01.020	5	2B003052	11.020	13	2H001258	02.190	5
2B002269	06.010	1	2B003056	06.050	2	2H001259	02.190	14
2B0022925	03.330	4	2B003076	01.020	4	2H001260	02.190	13
2B0022935	03.330	3	2B003077	01.020	3	2H001366500YG3	02.150	1
2B002294	04.060	3	2B003078	01.010	12	2H001367	02.190	10
2B002295	04.060	2	2B003089	02.150	6	2H001368	02.190	9
2B002298	03.340	2	2B003102	01.040	3	2H001369	02.190	2
2B002311	01.010	21	2B003103	01.040	4	2H001370	02.190	1
2B002311	02.150	4	2B003105	03.196	3	2H001371	02.190	4
2B002321	02.150	5	2B003111	04.080	2	2H001372	02.190	3
2B002325	01.010	3	2B003164	08.010	13	2H001401500Q4	09.010	1
2B002326	01.010	4	2B003165	08.010	14	2H001402500Q4	02.030	1
2B002364	07.020	5	2B003204	03.196	2	2H001403500Q4	02.150	1
2B002365	08.030	1	2B003212	01.050	5	2H001404	02.190	8
2B002378	01.040	2	2B003271	06.020	1	2H001405	02.190	7
2B002383	05.010	4	2B003284	03.330	25	2H001406	02.190	10
2B002386	02.150	3	2B003292	07.010	15	2H001407	02.190	9
2B002390	07.030	2	2B003313	06.020	6	2H001408	02.190	2
2B002391	07.030	1	2B003367	08.020	6	2H001409	02.190	1
2B002443	08.030	3	2B0033875	03.350	23	2H001410	02.190	4
2B002483	08.030	4	2B003742	04.060	14	2H001411	02.190	3
2B002484	08.030	7	2B003743	07.010	1	2H001412	02.190	6
2B002486	09.010	9	2B004021000C1	02.120	1	2H001413	02.190	5
2B002529	03.320	7	2B004042	06.030	16	2H001445	02.190	16
2B002530	03.320	9	2B004043	03.020	5	2H001446500XR7	09.010	1
2B002531	03.320	8	2B004044	01.020	1	2H001447500XR7	02.030	1
2B002532	03.330	13	2B004050	06.030	1	2H001448500XR7	02.150	1
2B002533	03.330	12	2B004053	03.020	3	2H001450	02.190	8
2B002535	03.350	24	2B004062	03.020	2	2H001451	02.190	7
2B002536	03.350	18	2B004062	06.030	8	2H001452	02.190	10
2B002541	08.030	21	2B004063	06.030	12	2H001453	02.190	9
2B002602	03.196	4	2B004064	06.030	10	2H001454	02.190	2
2B002615	08.030	29	2B004076	06.030	4	2H001455	02.190	1
2B002621	01.040	6	2B004077	01.020	12	2H001456	02.190	4
2B002622	01.040	5	2B004107	06.030	2	2H001457	02.190	3
2B002632	09.020	1	2B004109	03.020	9	2H001458	02.190	6
2B002681	06.050	11	2B004111	06.030	6	2H001459	02.190	5
2B002699	03.340	3	2B004112	03.020	4	2Q000263	02.190	15
2B002705	01.030	1	2B004112	06.030	19	2Q000268	02.190	15
2B002781	11.030	8	2D000004	02.170	4	2R000109	04.060	7
2B002799	01.040	1	2D000024	03.300	1	2R000110	04.060	23
2B002805	06.050	10	2D000099	08.020	1	2R000243	04.060	19
2B002806	06.050	16	2D000102	06.050	1	2R000248	06.040	5
2B002807	03.350	21	2D000163	07.020	19	319165	02.170	9
2B002810	01.010	5	2D000209	11.010	1	478533	11.020	11
2B002817	01.010	15	2D000209	11.020	1	479175	08.030	13
2B002832	03.050	2	2D000209	11.030	1	484993	03.030	20
2B002842	07.030	8	2D000218	07.020	20	584211	11.030	4
2B002843	07.020	9	2D000225	08.010	1	584332	08.010	6

Code	Nr. der Tafel	Pos.	Code	Nr. der Tafel	Pos.	Code	Nr. der Tafel	Pos.
584332	08.030	15	887878	04.060	4	AP8120455	03.330	14
623920	03.230	6	887879	04.060	5	AP8120455	09.010	3
638733	11.030	9	887880	04.060	6	AP8120573	01.020	17
639338	08.010	7	887882	04.060	8	AP8120615	03.050	6
639338	08.030	16	887883	04.060	9	AP8120876	03.050	11
641040	11.020	8	887884	04.060	10	AP8120912	03.020	1
641901	11.020	15	887885	04.060	11	AP8120912	06.030	7
642034	11.020	16	887886	04.060	12	AP8121014	01.030	3
643090	03.190	16	887888	04.060	13	AP8121032	02.100	7
643277	11.010	2	887889	04.060	15	AP8121133	01.020	19
648708	05.020	5	887890	04.060	17	AP8121199	08.010	10
658778	06.030	17	887891	04.060	16	AP8121205	07.010	4
658837	03.030	5	887893	04.060	20	AP8121420	02.170	6
658837	06.030	3	887894	04.060	22	AP8121567	01.020	15
680212	11.020	9	887905	04.060	18	AP8121725	08.030	25
825694	03.100	13	887916	04.060	21	AP8121882	06.050	18
826165	03.190	23	890760	03.050	13	AP8121927	06.030	15
831135	03.030	11	890760	07.010	14	AP8123641	07.010	6
832029	11.010	10	894704	11.030	15	AP8123642	07.010	10
834764	03.170	33	895709	06.050	20	AP8123643	07.010	11
834951	03.330	20	896110	03.330	7	AP8123644	07.010	8
840509	08.030	14	896174	01.040	8	AP8124936	11.010	6
848650	03.180	17	897478	03.300	2	AP8125687	05.020	6
849308	03.180	21	898268	03.270	6	AP8127601	09.020	10
849308	03.180	6	898269	03.270	7	AP8127856	01.030	7
849309	03.180	23	898283	03.020	11	AP8134448	08.030	18
849310	03.180	26	898286	06.030	11	AP8134451	01.020	18
849396	03.180	14	898396	03.020	14	AP8144071	01.010	10
849424	03.180	8	898397	03.020	7	AP8144222	07.020	15
852090	03.330	11	959559	06.050	13	AP8144552	11.030	19
854827	07.020	16	967356	01.030	6	AP81450345	01.020	6
856063	09.020	7	967384	01.020	13	AP81450355	01.020	7
857045	03.320	2	967384	06.030	18	AP8150009	01.010	7
857046	03.320	5	974162	03.180	12	AP8150015	06.050	6
857047	03.320	1	974165	03.180	15	AP8150018	01.010	11
857181	03.320	10	976591	03.090	5	AP8150018	09.010	4
857206	03.300	3	976614	02.100	3	AP8150026	03.020	19
857250	03.170	29	976649	03.350	1	AP8150048	01.010	13
859792	05.010	16	97729R	03.290	1	AP8150049	07.020	18
859792	05.020	17	977527	02.170	5	AP8150053	08.010	15
871640	03.100	7	978415	02.170	7	AP8150053	08.030	9
873905	03.170	26	AP8101861	01.020	20	AP8150178	05.010	19
873928	03.180	2	AP8102159	09.020	6	AP8150377	11.010	4
874567	03.150	4	AP8102239	09.020	4	AP8150413	01.040	13
874957	03.330	9	AP8102375	02.100	4	AP8150413	08.030	22
876879	03.330	16	AP8102520	03.050	15	AP8150430	03.020	12
880260	03.060	4	AP8102520	09.020	9	AP8150451	06.050	15
883161	11.030	5	AP8102524	01.030	4	AP8150500	01.040	11
883688	05.010	12	AP8102671	01.010	6	AP8150500	03.060	6
883826	03.030	13	AP8102671	01.040	14	AP8150509	03.050	10
884031	04.080	4	AP8102738	09.020	2	AP8150536	08.030	8
884310	03.060	11	AP8102913	02.170	12	AP8150538	02.030	4
886365	03.030	15	AP8104509	07.020	6	AP8150540	07.010	13
886629	03.230	11	AP8104525	03.050	4	AP8150540	07.020	12
887003	03.270	5	AP8104924	03.050	7	AP8150543	07.010	2
887093	03.190	18	AP8110053	03.020	16	AP8152043	06.010	8
887421	11.020	20	AP8110077	07.010	7	AP8152055	03.330	21
887448	05.020	14	AP8110109	05.020	10	AP8152138	03.020	17
887481	11.020	7	AP8113003	06.050	3	AP8152220	03.190	20
887762	05.010	14	AP8113004	06.050	4	AP8152267	03.090	7
887762	05.020	16	AP8118579	07.020	4	AP8152272	03.120	10
887815	03.050	8	AP8120001	01.040	15	AP8152273	02.150	7
887831	07.010	9	AP8120001	11.030	11	AP8152273	09.010	7
887832	07.010	12	AP8120030	06.050	7	AP8152277	01.020	11
887843	03.050	9	AP8120278	08.030	6	AP8152288	06.040	2
887844	03.050	12	AP8120311	01.010	14	AP8152288	09.010	2
887875	05.010	13	AP8120455	03.050	3	AP8152299	02.100	8

Code	Nr. der Tafel	Pos.	Code	Nr. der Tafel	Pos.	Code	Nr. der Tafel	Pos.
AP8152299	02.150	2	GU03658201	06.050	21	GU31159050	03.190	6
AP8152299	08.010	12	GU03658330	06.050	19	GU31256881	03.020	10
AP8152299	08.030	31	GU03749845	06.010	7	GU31544181	06.040	4
AP8152299	11.020	6	GU04355100	03.350	20	GU31547882	01.050	3
AP8152306	08.030	19	GU04355101	03.350	20	GU31616384	05.010	15
AP8152329	03.050	1	GU04355102	03.350	20	GU31659181	06.040	7
AP8152384	07.010	5	GU04355103	03.350	20	GU31659281	06.040	6
AP8152385	06.020	2	GU04355104	03.350	20	GU32441210	01.020	10
AP8161054	03.050	16	GU04355105	03.350	20	GU32442310	01.020	8
AP8181140	11.030	13	GU04355106	03.350	20	GU32442710	01.020	9
AP8201755	08.030	24	GU05217630	03.230	26	GU32517710	11.030	12
AP8210007	03.020	20	GU05234230	03.170	9	GU32615660	05.010	3
AP8213028	07.030	5	GU05234631	03.170	31	GU32632510	05.020	20
AP8213388	07.030	6	GU05235531	03.170	30	GU32944310	02.190	17
AP8220186	08.030	5	GU05238231	03.170	13	GU37359005	03.350	10
AP8221023	03.050	18	GU05238431	03.170	11	GU49609601	11.010	8
AP8221023	06.050	8	GU05239330	03.170	16	GU49609601	11.020	2
AP8221197	01.030	2	GU05351230	03.350	9	GU49609601	11.030	18
AP8221277	01.020	16	GU05659230	06.020	3	GU61027200	03.150	1
AP8224164	08.030	17	GU05781630	04.060	24	GU66103415	09.010	10
AP8224462	11.020	4	GU10034100	03.120	15	GU90271014	03.170	17
AP8702101	02.170	10	GU10528900	03.030	23	GU90271022	03.170	32
AP9100053	08.030	27	GU12022600	03.170	35	GU90272047	05.020	9
AP9100477	01.020	2	GU12154200	03.190	2	GU90353014	03.170	8
B013037	03.230	15	GU12351100	03.350	13	GU90353029	03.120	17
B013608	03.170	25	GU14085900	03.230	25	GU90401424	03.170	18
B013608	03.180	3	GU14086100	03.230	17	GU90402642	05.010	6
B014598	01.050	7	GU14217901	03.230	5	GU90412541	03.180	18
B015040	03.180	11	GU14609650	11.010	9	GU90413850	03.350	12
B015598	03.170	2	GU14609650	11.020	3	GU90706141	11.010	11
B016796	08.030	23	GU14609650	11.030	17	GU90706170	03.230	27
B0167965	03.060	5	GU14615901	03.230	3	GU90706188	03.350	4
B017406	03.170	5	GU14615901	03.330	18	GU90706203	03.170	34
B017636	03.100	3	GU14615901	03.330	22	GU90706235	03.230	10
B018020	03.170	4	GU14615901	03.350	26	GU90706281	03.030	25
B018448	03.180	31	GU14615901	07.020	22	GU90706444	03.190	4
B043850	11.030	16	GU14616150	05.010	11	GU90706584	03.350	5
B063025	03.170	39	GU14616150	05.020	12	GU90706958	03.350	19
B063174	04.080	3	GU18144350	03.190	8	GU91113826	03.330	10
B063233	11.030	10	GU19002020	03.170	36	GU91181003	07.020	21
B063269	03.170	40	GU19002020	03.270	3	GU91551010	01.010	19
B063287	01.010	2	GU19003800	03.030	3	GU91551010	03.050	19
B063292	03.330	8	GU19015020	03.030	14	GU91551131	09.010	5
B063956	03.170	14	GU19018920	03.030	9	GU92201226	03.180	19
B064023	02.120	2	GU19018920	03.190	28	GU92201226	03.230	9
B064112	03.170	10	GU19021360	03.150	3	GU92201822	03.180	1
B064113	03.170	7	GU19045861	03.120	3	GU92204220	05.020	4
B064304	03.350	16	GU19055700	03.120	2	GU92204221	05.010	7
CM013202	11.030	14	GU19058021	03.120	20	GU92254340	03.350	14
CM178609	08.020	4	GU19058220	03.120	11	GU92296723	03.190	25
CM179008	09.020	5	GU19062261	03.160	1	GU92602510	03.190	19
CM179301	02.100	6	GU19065400	03.160	9	GU92606206	03.020	8
CM226902	03.196	1	GU19067700	03.230	2	GU92606206	06.030	13
CM226902	03.320	6	GU19213760	03.230	12	GU92606208	03.030	6
CM228401	01.020	14	GU19351100	03.350	17	GU92606508	03.230	24
CM258301	03.060	13	GU19356760	03.230	13	GU92630207	05.010	8
CM258303	03.050	17	GU19547000	01.050	2	GU92630510	01.010	20
CM275401	03.060	1	GU20147710	03.190	21	GU92630707	06.030	5
CM277101	11.020	17	GU20258221	03.020	6	GU92660021	03.330	17
CM277102	11.020	18	GU27061885	03.160	4	GU93180105	01.050	4
GU01528930	03.350	6	GU27066460	03.160	5	GU93180111	05.010	2
GU01659130	06.020	5	GU27152885	03.190	1	GU93180220	03.170	42
GU01659131	06.020	4	GU30601060	07.030	3	GU93304360	09.020	8
GU03013800	03.020	22	GU30602500	07.030	4	GU93450224	08.030	2
GU03013800	03.060	10	GU31003766	03.030	22	GU94321079	03.190	9
GU03617710	05.010	10	GU31003766	03.350	7	GU94321105	03.230	22
GU03617710	05.020	11	GU31150950	03.190	10	GU95005304	11.020	10

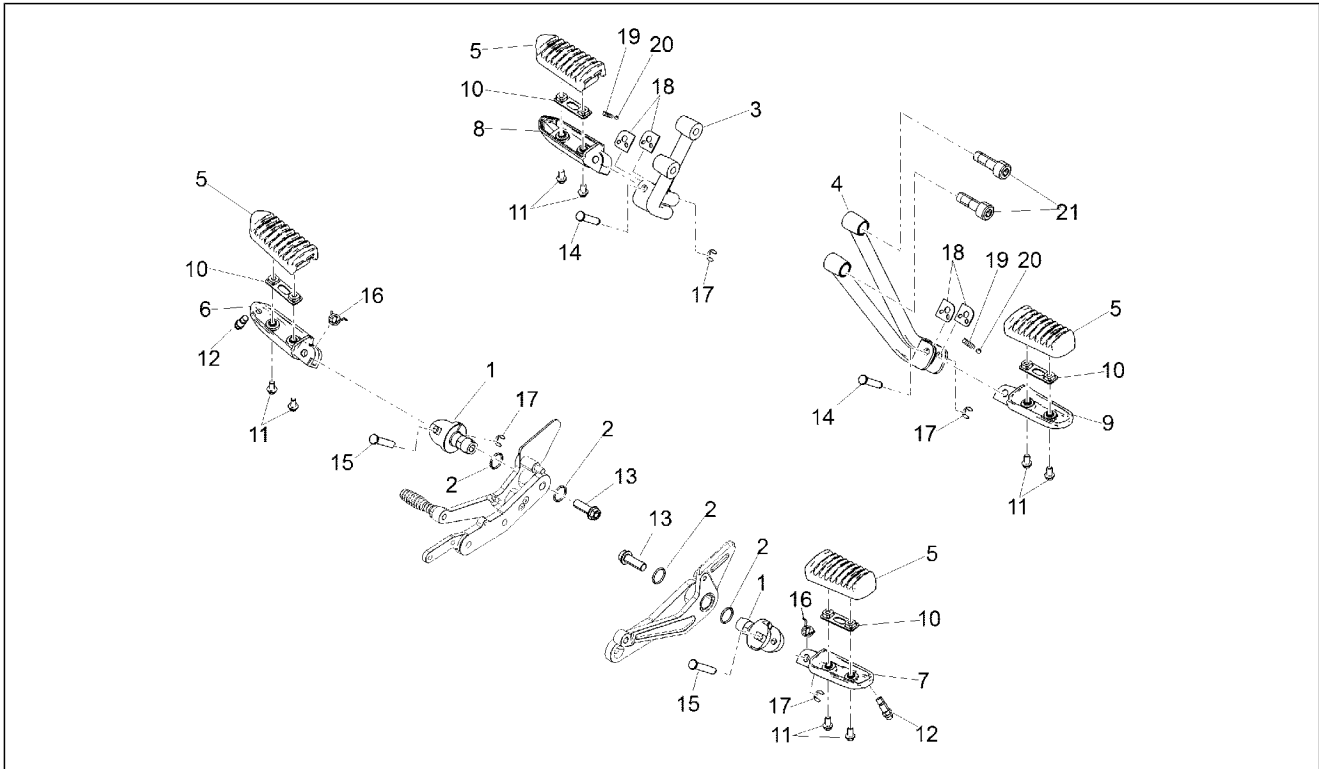
Code	Nr. der Tafel	Pos.
GU95005310	08.030	20
GU95008206	03.190	7
GU95008208	03.290	2
GU95008208	03.330	23
GU95008210	01.010	9
GU95020105	01.030	9
GU95100059	11.030	7
GU95100309	03.190	17
GU95100602	03.190	26
GU95129115	03.120	18
GU95500222	03.230	20
GU96451316	06.050	12
GU96451430	03.030	12
GU96508055	03.030	16
GU97202325	07.030	7
GU98110199	01.010	18
GU98210610	08.020	5
GU98210616	07.010	16
GU98210616	08.030	28
GU98370625	06.030	20
GU98612216	03.320	4
GU98612320	08.010	8
GU98612320	08.030	10
GU98620330	01.040	7
GU98622322	03.060	9
GU98632322	03.020	21
GU98682212	03.300	6
GU98682212	11.030	6
GU98682312	05.020	8
GU98682325	03.030	24
GU98682325	03.270	1
GU98682330	03.270	2
GU98682330	08.030	26
GU98682416	02.170	8
GU98682416	09.010	11
GU98682435	03.290	3
GU98682530	01.010	8
GU98690445	02.030	3
GU98690445	08.010	9
GU98692318	03.020	13
GU98882316	03.120	26

Einheit	Rahmen
Code	01.010
Beschreibung	Rahmen
Inspektion	1



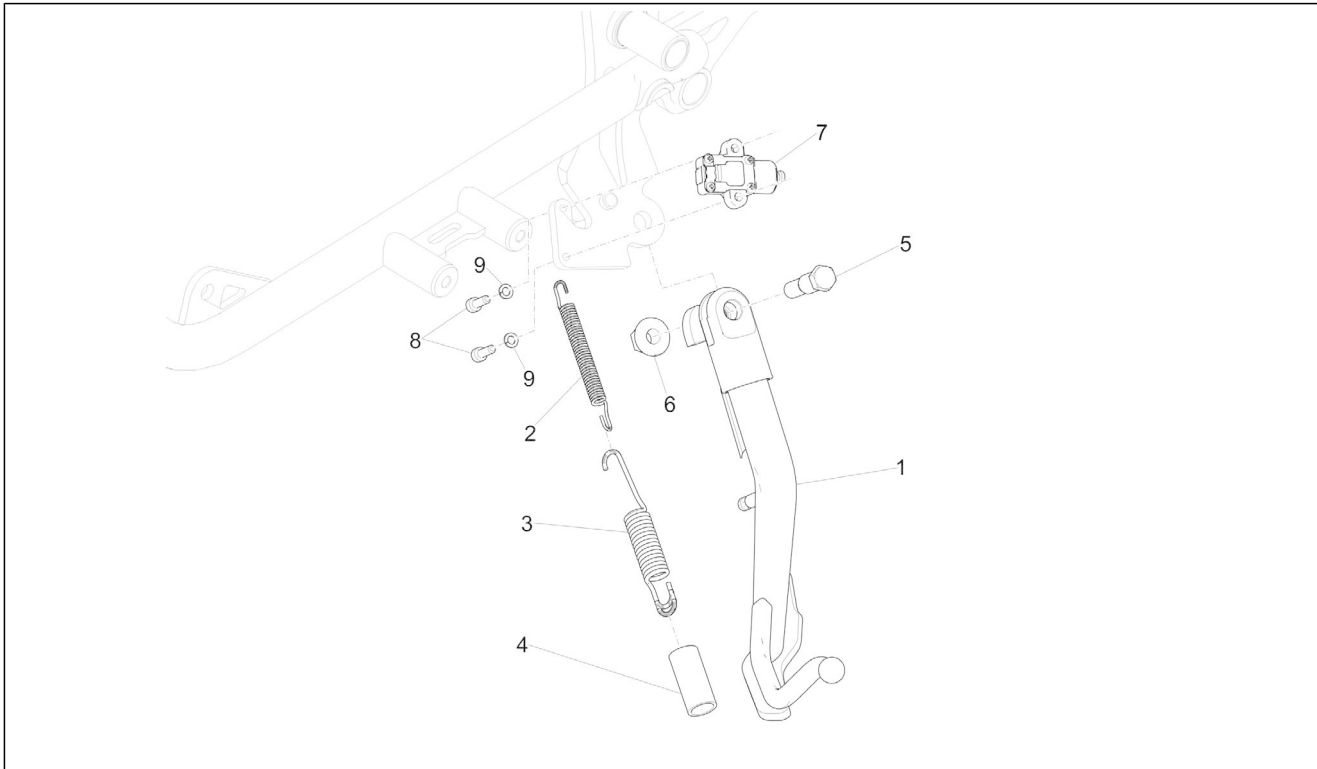
Pos.	Code	Beschreibung	Menge	Varianten
1	2B001055	Fahrgestell	1	
2	B063287	Verbindungsplatte Rahmen	1	
3	2B002325	Arm Rahmenschleife rechts	1	
4	2B002326	Arm Rahmenschleife links	1	
5	2B002810	Rahmenträger	1	
6	AP8102671	Kunststoffniet	4	
7	AP8150009	Scheibe	4	
8	GU98682530	TCEI Schraube M10x30	4	
9	GU95008210	Ausgleichscheibe 10,2X18X2	6	
10	AP8144071	Gummi auspuffrohr	8	
11	AP8150018	Ausgleichscheibe	4	
12	2B003078	Distanzscheibe	4	
13	AP8150048	TCEI Schraube	2	
14	AP8120311	Gummi	2	
15	2B002817	Zapfen M10	1	
16	2B001612	Bolzen M10X253	1	
17	2B001035	Bolzen 234X10	1	
18	GU98110199	Bolzen M10x205	1	
19	GU91551010	Gummi 10X20X10	2	
20	GU92630510	Mutter M10x1,5	4	
21	2B002311	Linsenschraube Torx M8X20	4	

Einheit	Rahmen
Code	01.020
Beschreibung	Fussrasten
Inspektion	1



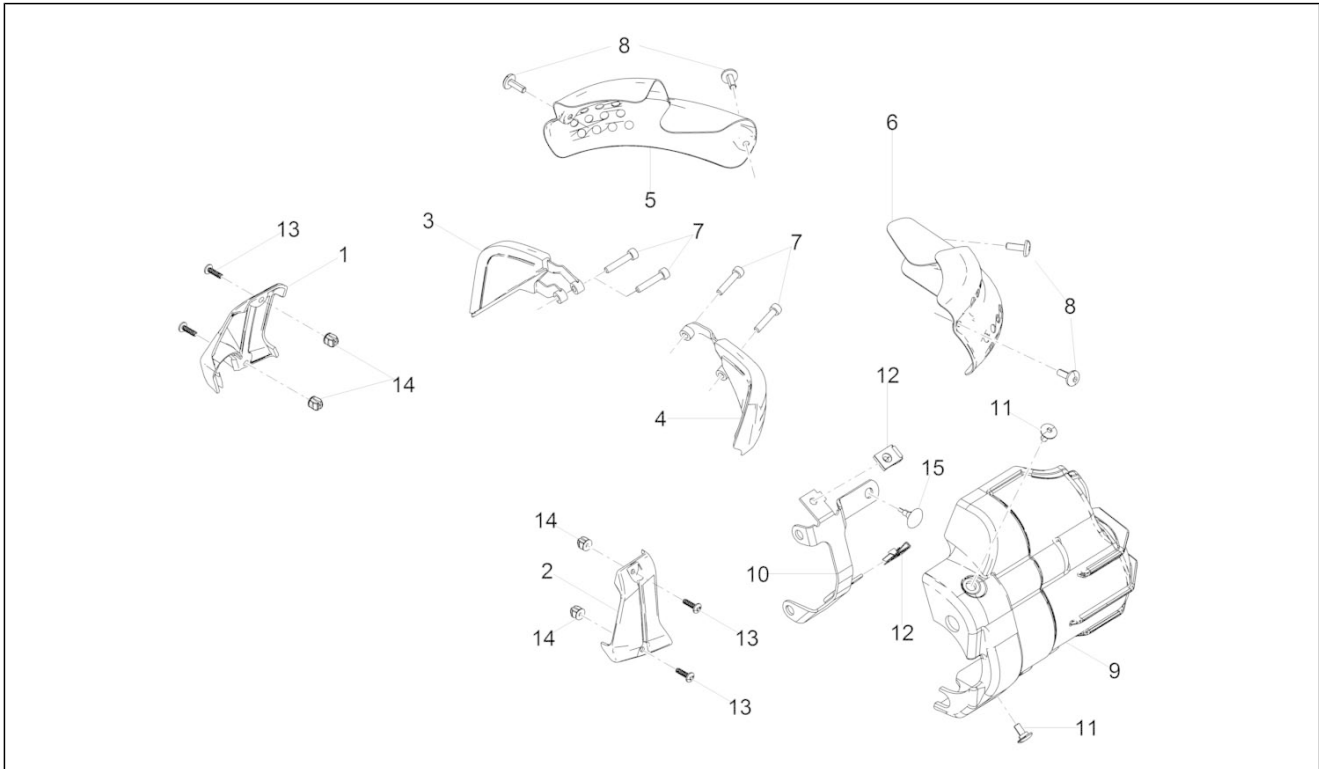
Pos.	Code	Beschreibung	Menge	Varianten
1	2B004044	Halterung Fahrertrittbrett	2	
2	AP9100477	O-Ring 18x2	4	
3	2B003077	Fußraster-Halterung Beif. rechts	1	
4	2B003076	Fußraster-Halterung Beif. links	1	
5	2B002225	Gummiraste	4	
6	AP81450345	Fussrasten r.	1	
7	AP81450355	Fussrasten l.	1	
8	GU32442310	Soziusraste rechts	1	
9	GU32442710	Soziusraste links	1	
10	GU32441210	Platte	4	
11	AP8152277	TE Schr. m. Flansch M6x12	8	
12	2B004077	Rastenbolzen	2	
13	967384	Schraube TEF M10X45	2	
14	CM228401	Rastenbolzen	2	
15	AP8121567	Bolzen	2	
16	AP8221277	Rückholfeder	2	
17	AP8120573	Sperring	4	
18	AP8134451	Fixierplatte	4	
19	AP8121133	Schraubenfederkompr.	2	
20	AP8101861	Kugel D6,35	2	
21	2B002171	TC Schraube 8x25	4	

Einheit	Rahmen
Code	01.030
Beschreibung	Hauptständer
Inspektion	1



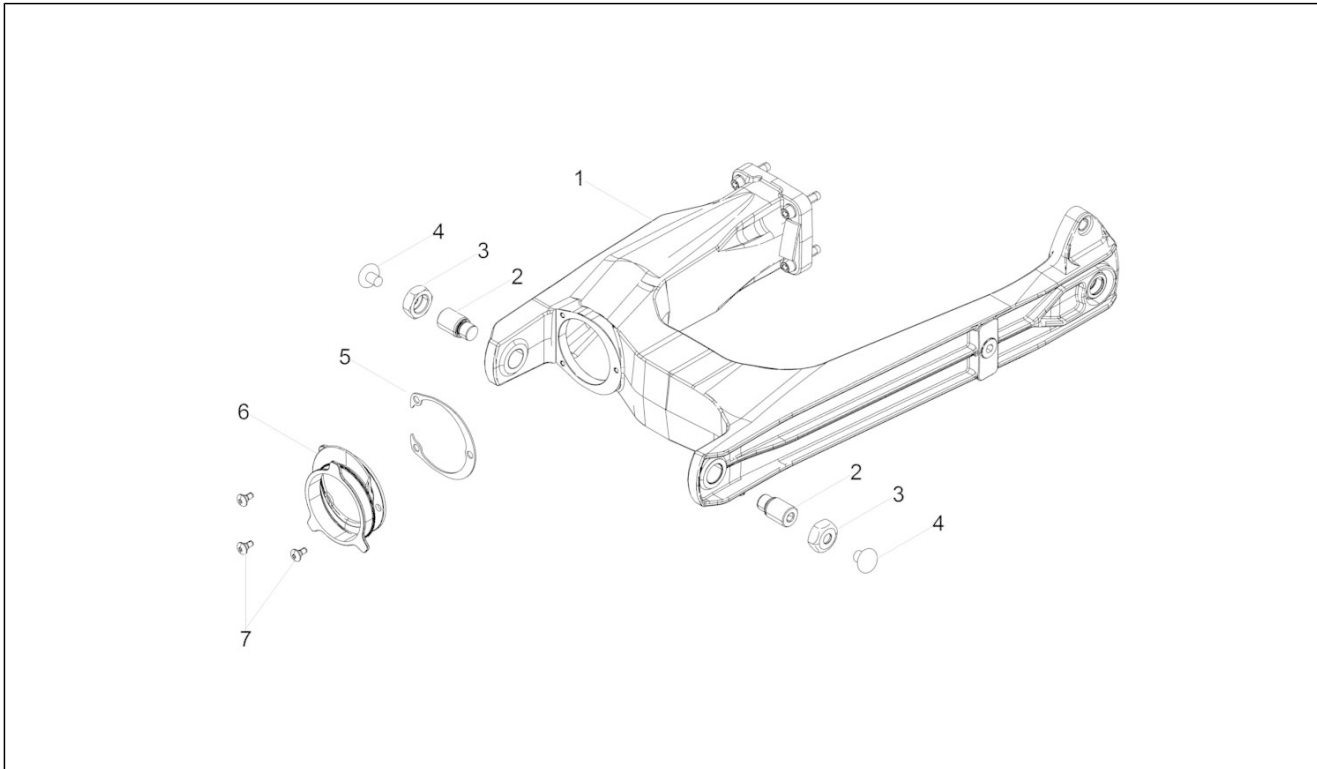
Pos.	Code	Beschreibung	Menge	Varianten
1	2B002705	Seitenständer	1	
2	AP8221197	Hauptständer Schraubenfeder	1	
3	AP8121014	Schraubenfeder	1	
4	AP8102524	Schutz f. Ständerfeder	1	
5	2B001088	Ständerbolzen	1	
6	967356	Geflanschte Mutter M10x1,25	1	
7	AP8127856	Ständer lichtschalter	1	
8	1C001499	Schraube TBEI TORX M5x16 INOX	2	
9	GU95020105	Ausgleichscheibe 5,3x8,9x2,4	2	

Einheit	Rahmen
Code	01.040
Beschreibung	Schutz
Inspektion	1



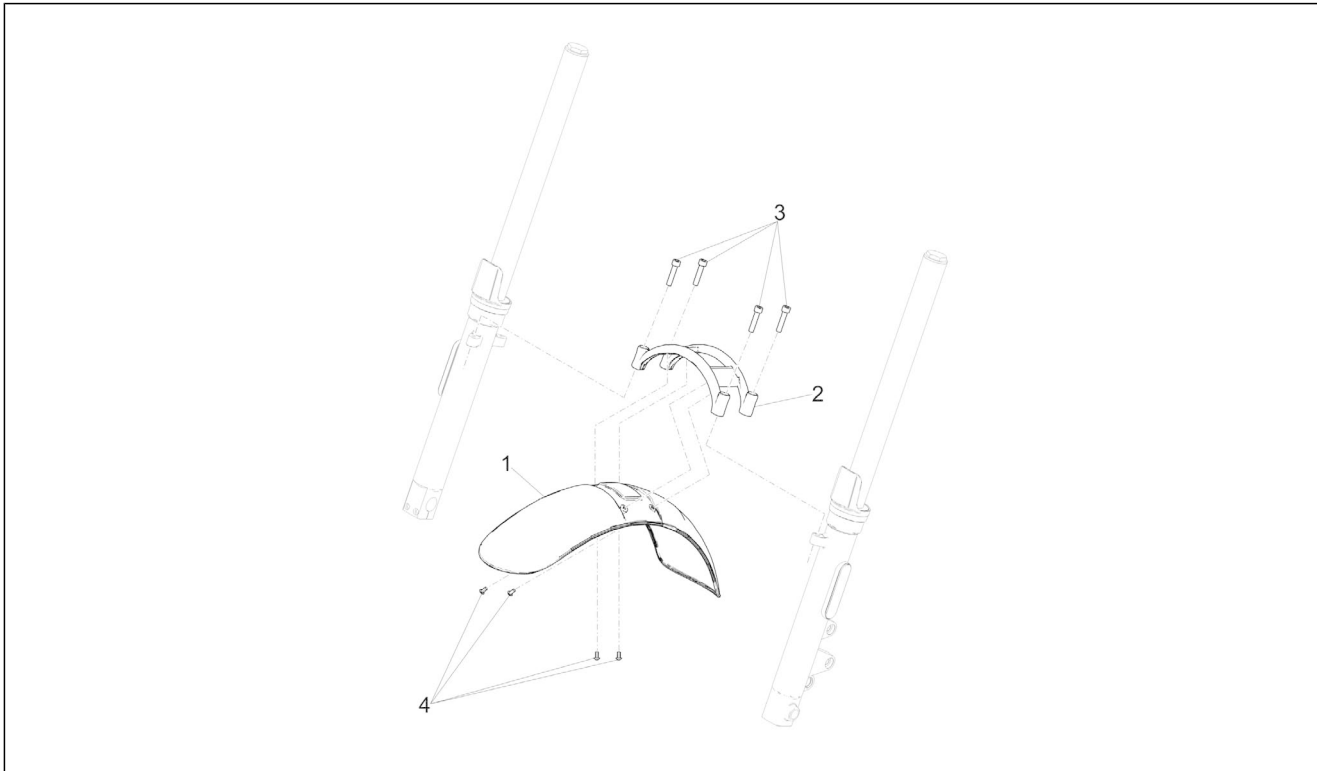
Pos.	Code	Beschreibung	Menge	Varianten
1	2B002799	Rahmenschutz rechts	1	
2	2B002378	Rahmenschutz links	1	
3	2B003102	Knieschutz rechts	1	
4	2B003103	Knieschutz links	1	
5	2B002622	Einspritzdüsenabdeckung rechts	1	
6	2B002621	Einspritzdüsenabdeckung links	1	
7	GU98620330	Schraube	4	
8	896174	Schraube TBEI Schwarz M5x12	4	
9	2B002943	Abdeckung anlassermotor	1	
10	2B002937	Haltebügel Abdeckung	1	
11	AP8150500	TBEI Schraube M5x9	2	
12	248419	Plattchen M5	2	
13	AP8150413	Gew.schr. 3,9x14	1	
14	AP8102671	Kunststoffniet	2	
15	AP8120001	Gummi	1	

Einheit	Rahmen
Code	01.050
Beschreibung	Schwinge
Inspektion	1



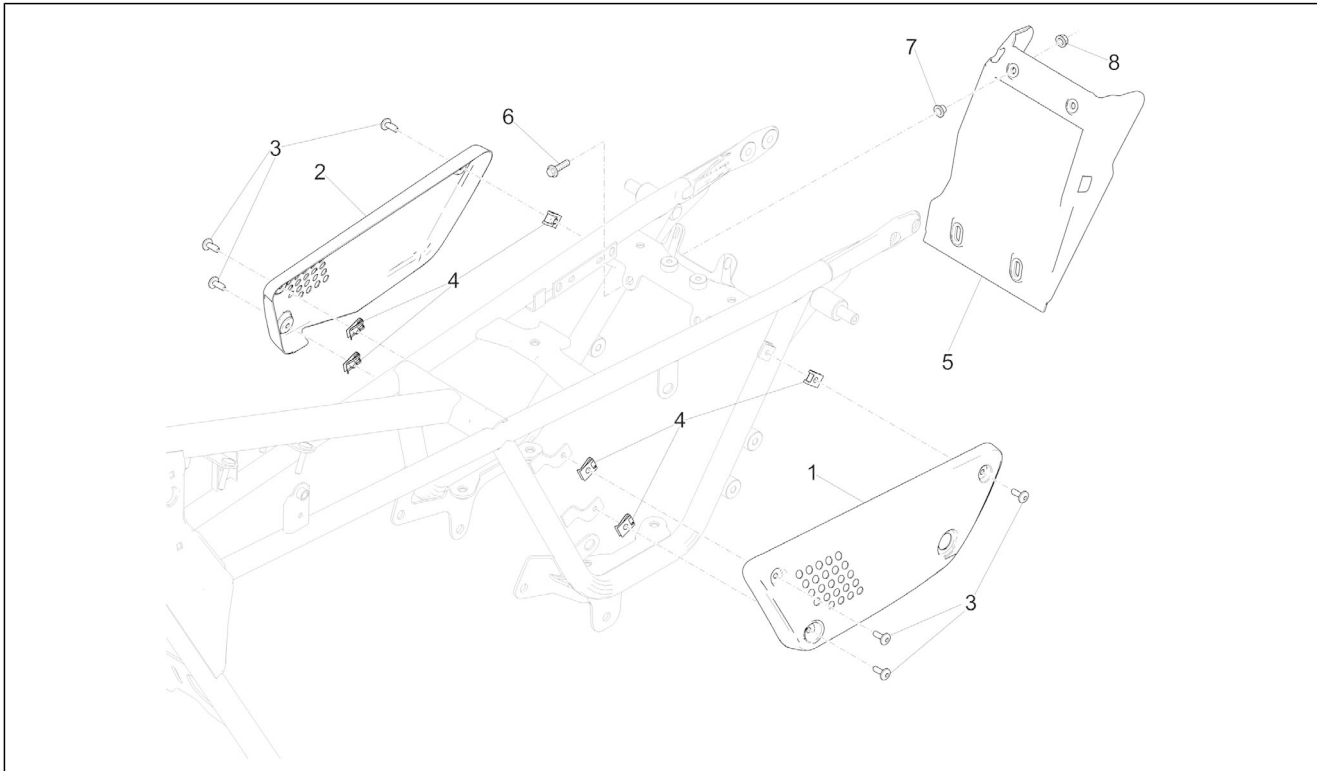
Pos.	Code	Beschreibung	Menge	Varianten
1	2B001301	Schwinge	1	
2	GU19547000	Bolzen	2	
3	GU31547882	Mutter	2	
4	GU93180105	Deckel	2	
5	2B003212	Fixierplatte	1	
6	2B002205	Gummibalg	1	
7	B014598	Torx Schraube M5x12	3	

Einheit	Aufbau
Code	02.030
Beschreibung	Vorderes Schutzblech-Stütze
Inspektion	1



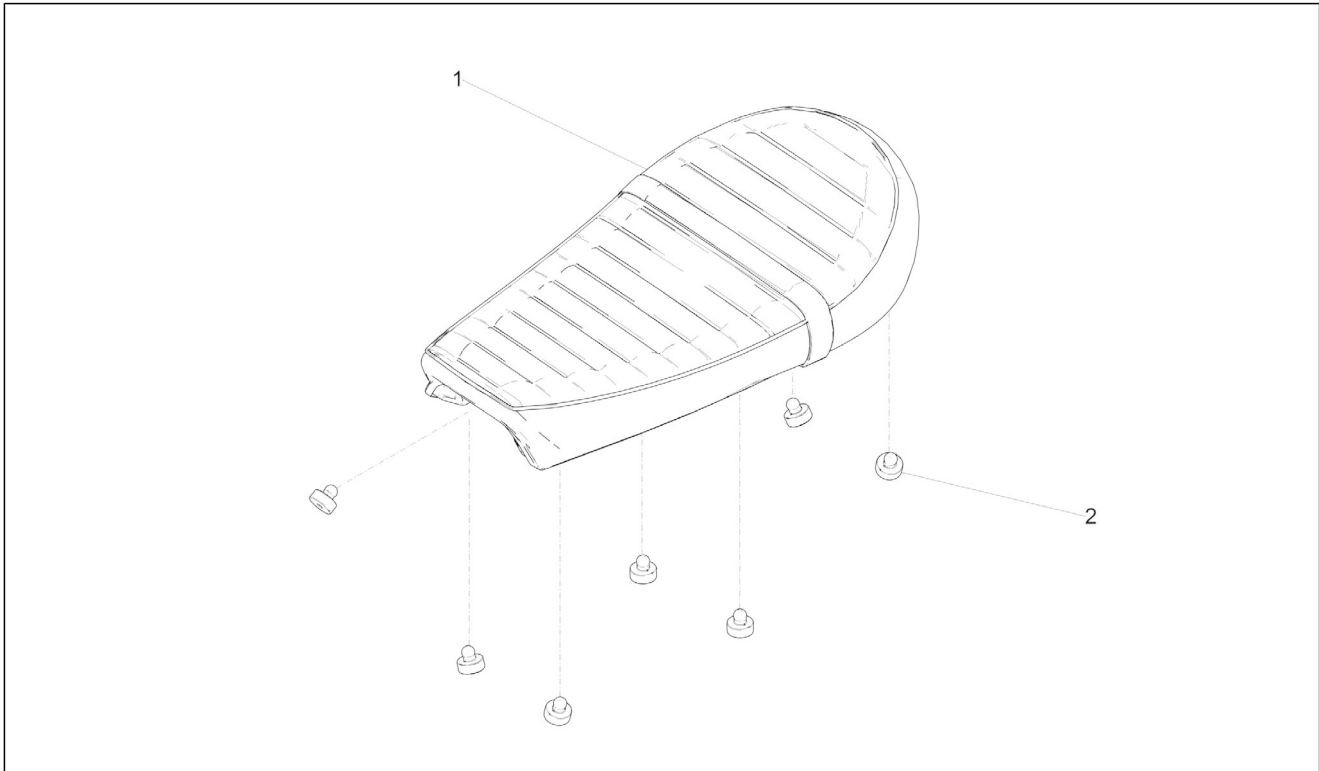
Pos.	Code	Beschreibung	Menge	Varianten
1	2B001141	Vorderes Schutzblech	1	
1	2H001250500YG3	Schutzblech v.gelb	1	
1	2H001402500Q4	V. Schutzblech, weiß	1	
1	2H001447500XR7	V. Schutzblech, rot	1	
2	2B001147	Schutzblechhalterung	1	
3	GU98690445	Schraube M8x45	4	
4	AP8150538	TBEI Schraube M5x10	4	

Einheit	Aufbau
Code	02.100
Beschreibung	Mittlerer Aufbau
Inspektion	1



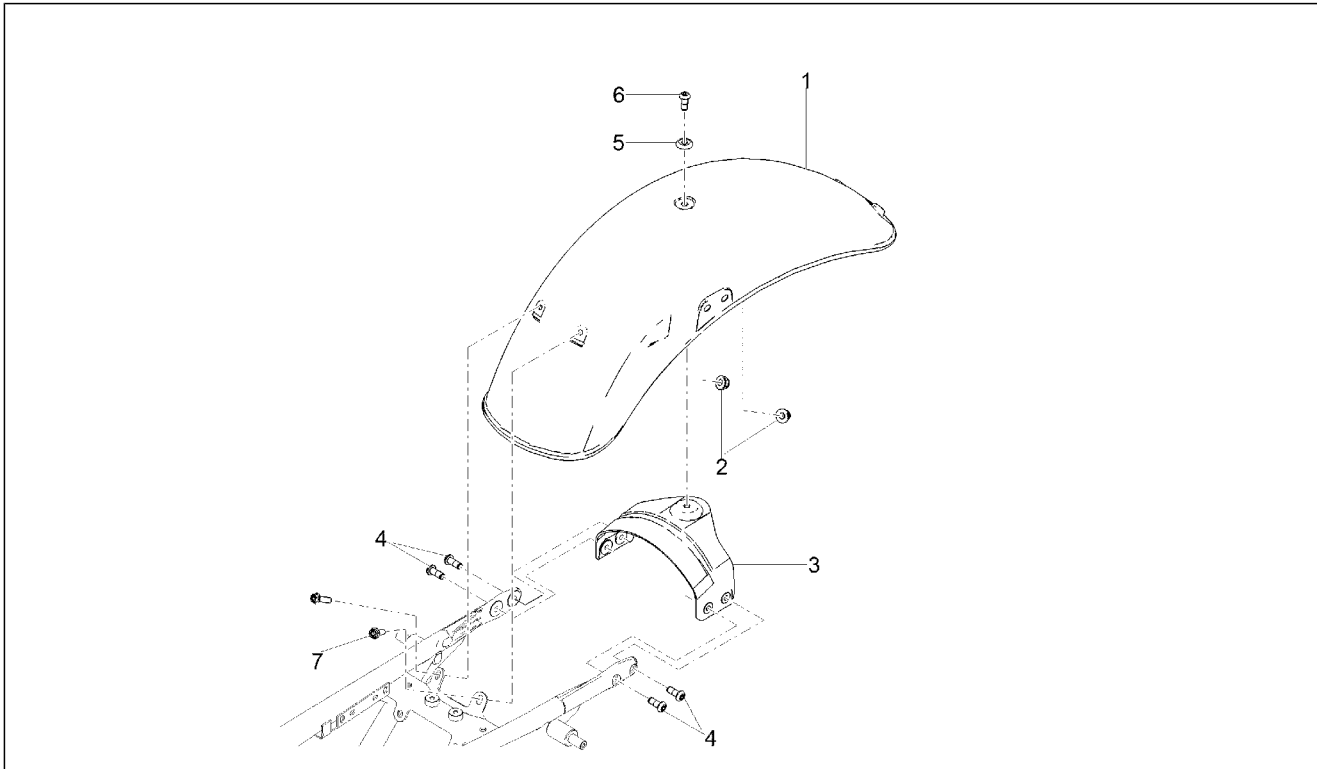
Pos.	Code	Beschreibung	Menge	Varianten
1	2B001619	L. kl. Seitenteil	1	
2	2B001618	R. kl. Seitenteil	1	
3	976614	TBEI Schraube M5x15	6	
4	AP8102375	Klammer M5	6	
5	2B001783	Hinteres, Spritzschutz	1	
6	CM179301	Schraube M6x16	2	
7	AP8121032	Buchse	2	
8	AP8152299	Selbstsperrende Mutter M6	2	

Einheit	Aufbau
Code	02.120
Beschreibung	Sitz
Inspektion	1



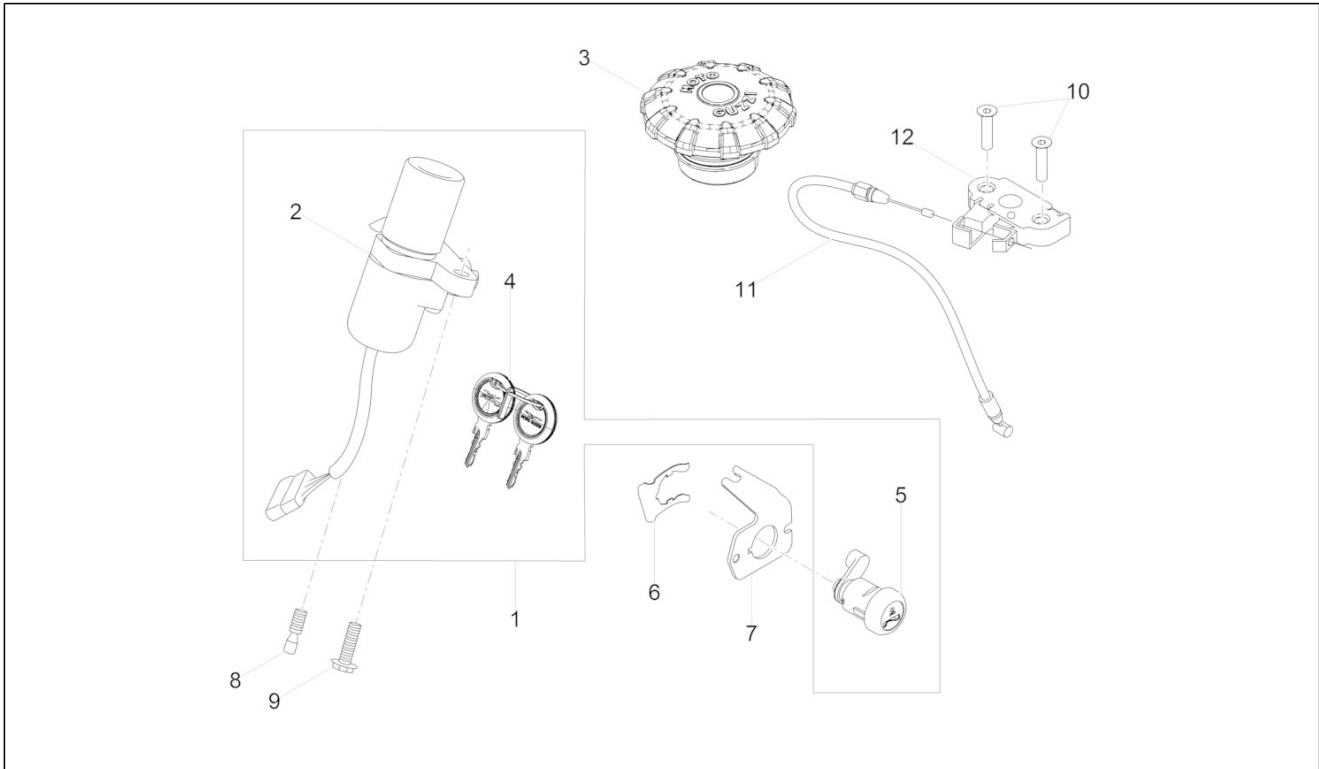
Pos.	Code	Beschreibung	Menge	Varianten
1	2B004021000C1	Sella confort	1	
2	B064023	Sitz-Auflagegummi	7	

Einheit	Aufbau
Code	02.150
Beschreibung	Hinteres Schutzblech
Inspektion	1



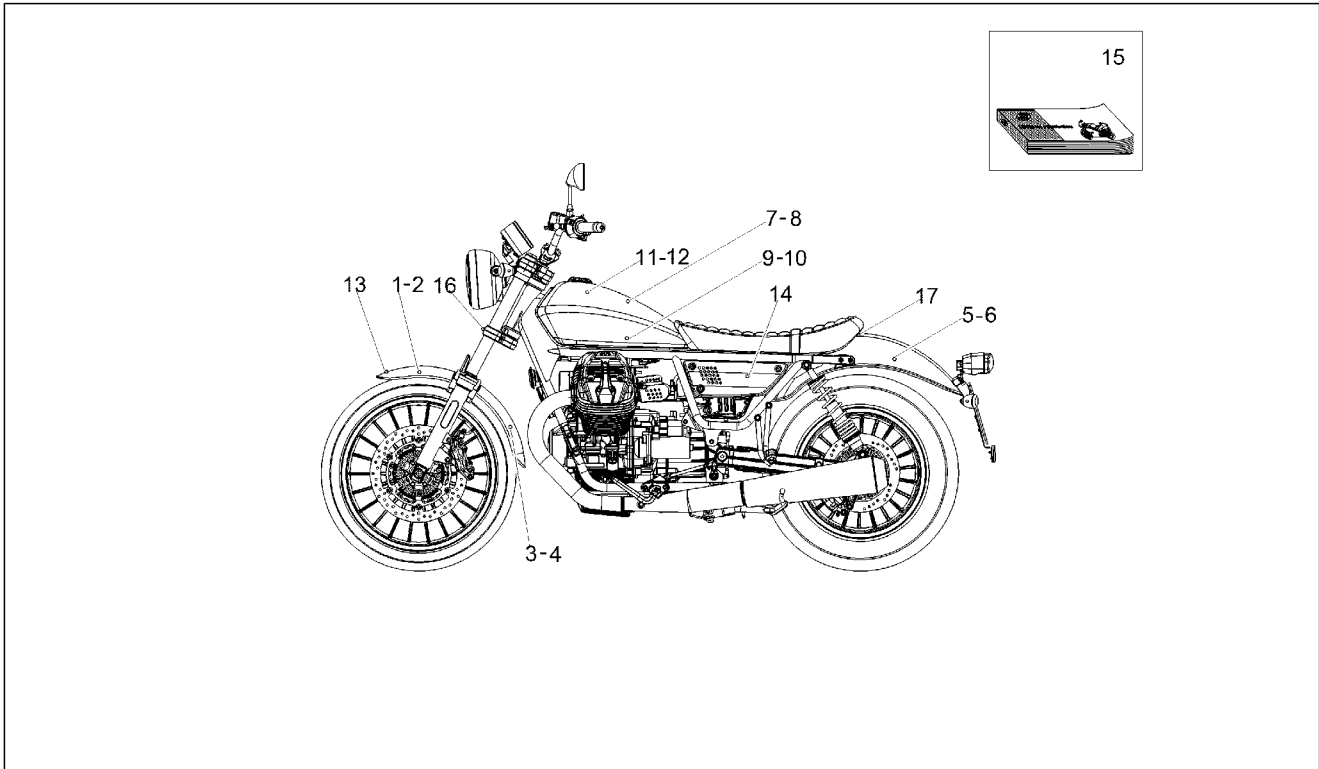
Pos.	Code	Beschreibung	Menge	Varianten
1	2B001406	Hinteres Schutzblech	1	
1	2H001366500YG3	H.Schutzblech gelb lack.	1	
1	2H001403500Q4	H. Schutzblech, weiß	1	
1	2H001448500XR7	H. Schutzblech, rot	1	
2	AP8152299	Selbstsperrende Mutter M6	2	
3	2B002386	Hintere Kotflügelhalterung	1	
4	2B002311	Linsenschraube Torx M8X20	4	
5	2B002321	Buchse für Schraube	1	
6	2B003089	Schraube TCC TORX M8x16	1	
7	AP8152273	Flanschschraube M5x15	2	

Einheit	Aufbau
Code	02.170
Beschreibung	Schlösser
Inspektion	1



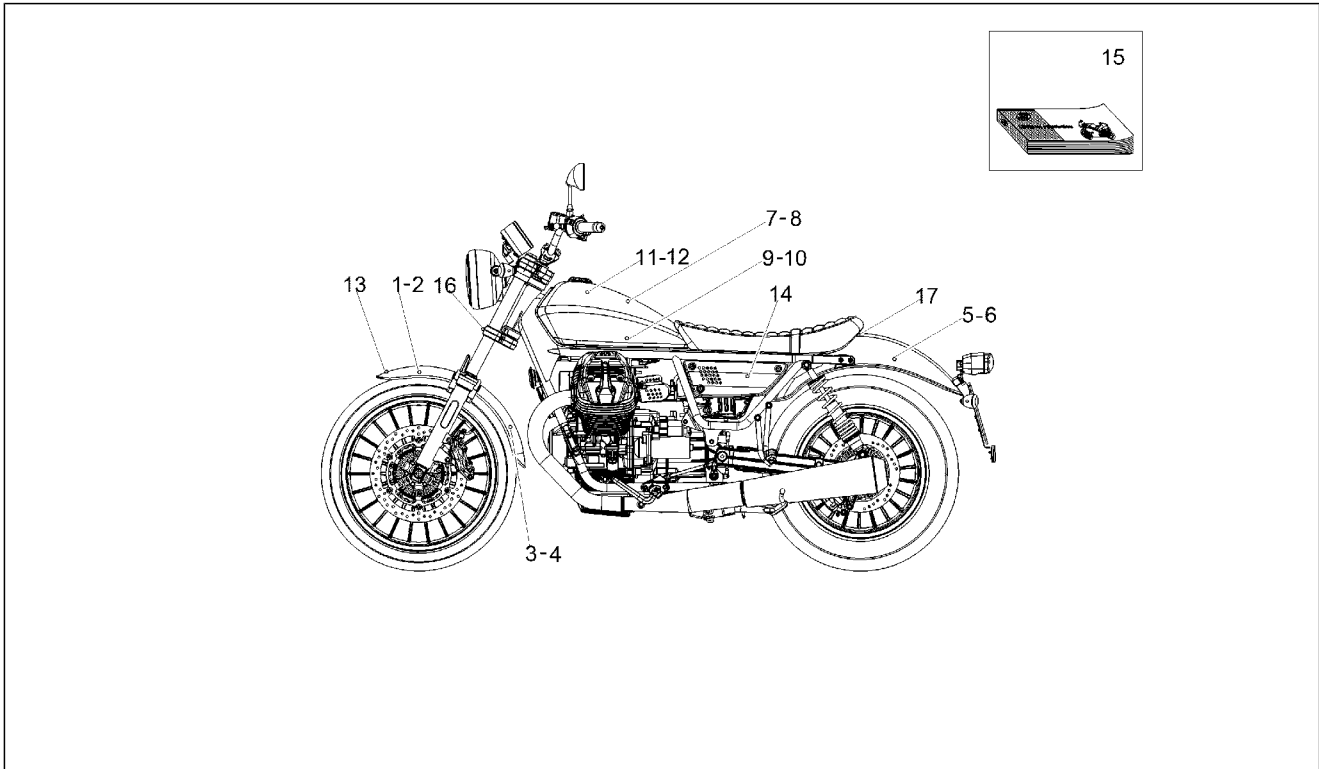
Pos.	Code	Beschreibung	Menge	Varianten
1	2B002940	Kit Schließvorrichtungen	1	
2	2D000299	Umschalter mit Schlüssel	1	
3	2B002043	Tankfüllschraube	1	
4	2D000004	Transponderschlüssel glatt	1	
5	977527	Schloss komplett mit Schlüsseln	1	
6	AP8121420	Gabelfeder	1	
7	978415	Kabelplatte	1	
8	GU98682416	TCEI Schraube M8x16	1	
9	319165	Schraube	1	
10	AP8702101	Schraube M6x25	2	
11	2B002936	Bowdenzug Sitzbank	1	
12	AP8102913	Fixierplatte Soziussitz	1	

Einheit	Aufbau
Code	02.190
Beschreibung	Deko
Inspektion	1



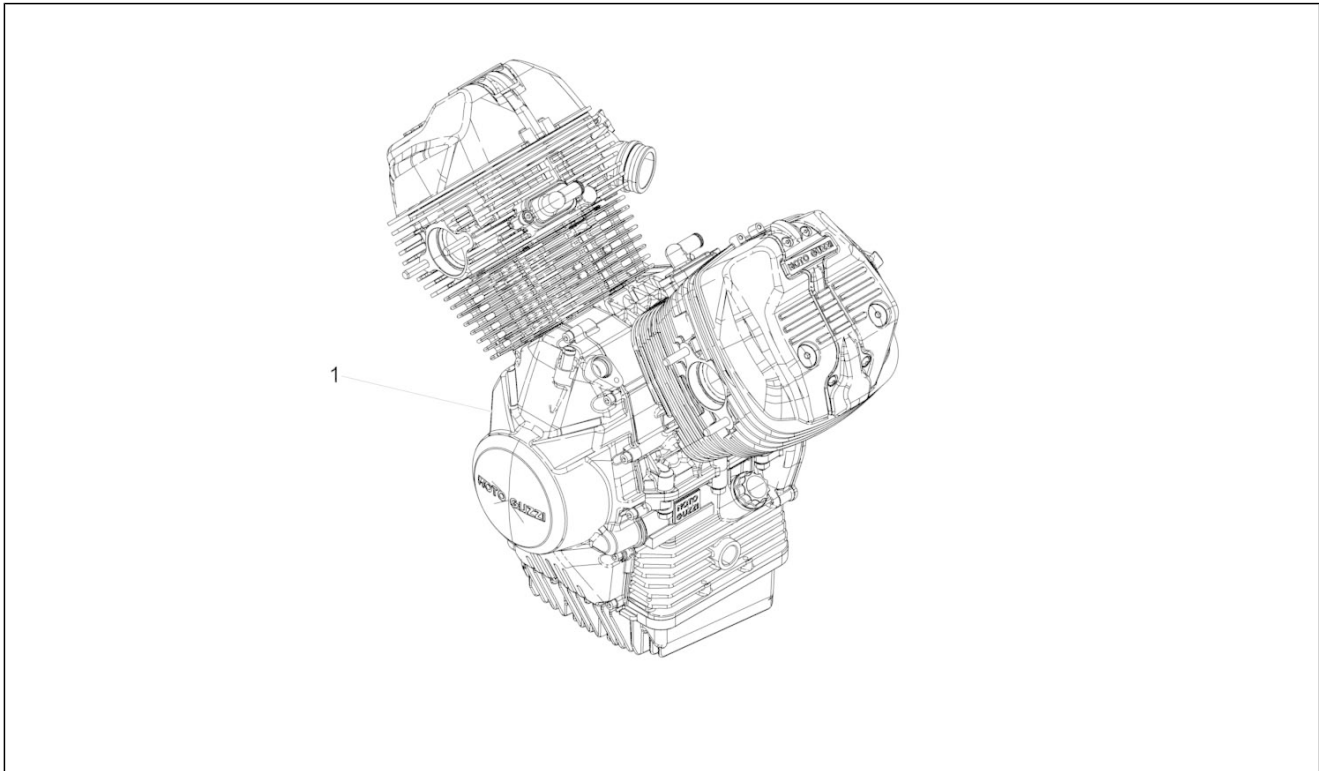
Pos.	Code	Beschreibung	Menge	Varianten
1	2H001370	Aufkleber Schutzblech v. SX	1	
1	2H001409	Aufkleber Schutzblech v. SX	1	
1	2H001455	Aufkleber Schutzblech v. SX	1	
2	2H001369	Aufkleber Schutzblech v. DX	1	
2	2H001408	Aufkleber Schutzblech v. DX	1	
2	2H001454	Aufkleber Schutzblech v. DX	1	
3	2H001372	Aufkleber Schutzblech v. SX	1	
3	2H001411	Aufkleber Schutzblech v. SX	1	
3	2H001457	Aufkleber Schutzblech v. SX	1	
4	2H001371	Aufkleber Schutzblech v. DX	1	
4	2H001410	Aufkleber Schutzblech v. DX	1	
4	2H001456	Aufkleber Schutzblech v. DX	1	
5	2H001258	Aufkl.hint.Schutzblech	1	
5	2H001413	Aufkl.hint.Schutzblech SX	1	
5	2H001459	Aufkl.hint.Schutzblech SX	1	
6	2H001257	Aufkl.hint.Schutzblech DX	1	
6	2H001412	Aufkl.hint.Schutzblech DX	1	
6	2H001458	Aufkl.hint.Schutzblech DX	1	
7	2H001254	Aufkleber linie L.blau lord	1	
7	2H001405	Aufkleber linie L.blau lord	1	
7	2H001451	Aufkleber linie L.blau lord	1	
8	2H001253	Aufkleber Streifen re Tank	1	
8	2H001404	Aufkleber Streifen re Tank	1	
8	2H001450	Aufkleber Streifen re Tank	1	
9	2H001368	Aufkleber unterer Streifen links	1	
9	2H001407	Aufkleber unterer Streifen links	1	
9	2H001453	Aufkleber unterer Streifen links	1	
10	2H001367	Aufkleber unterer Streifen rechts	1	

Einheit	Aufbau
Code	02.190
Beschreibung	Deko
Inspektion	1



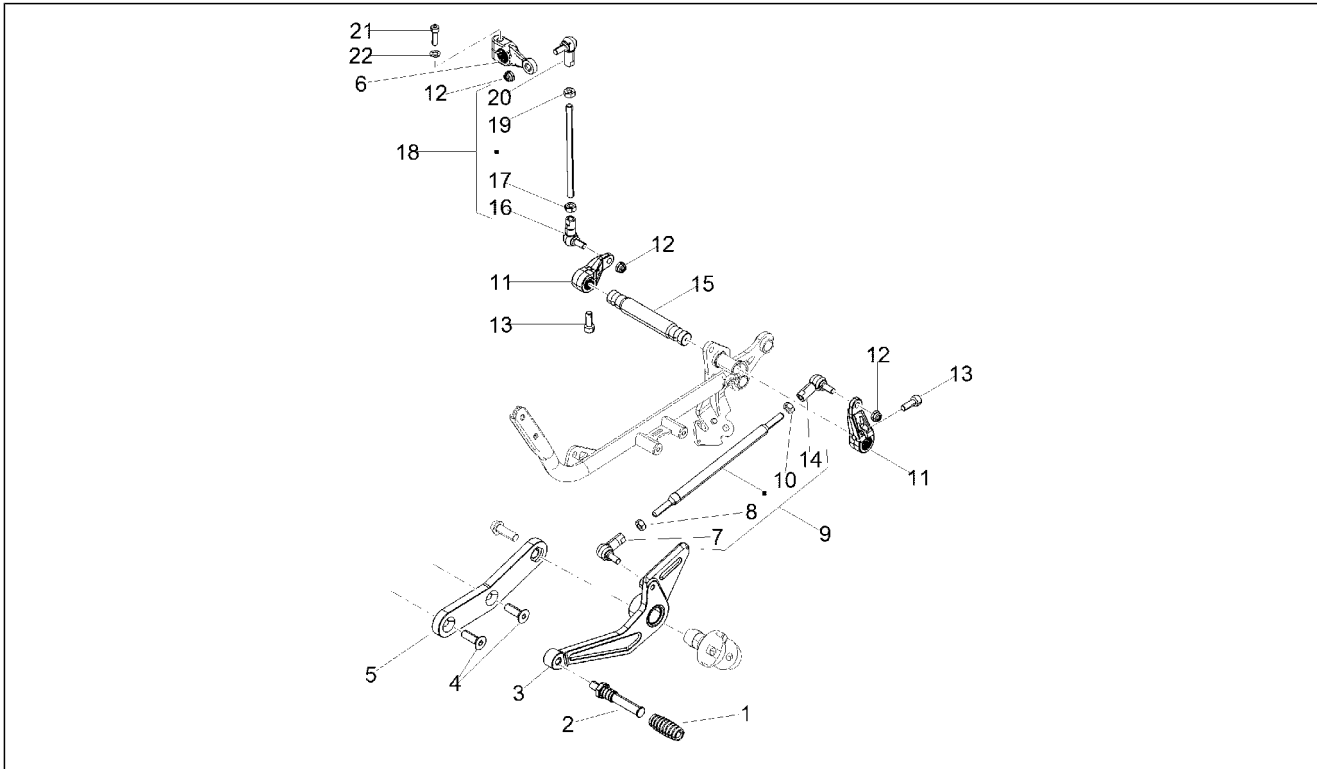
Pos.	Code	Beschreibung	Menge	Varianten
10	2H001406	Aufkleber unterer Streifen rechts	1	
10	2H001452	Aufkleber unterer Streifen rechts	1	
11	2H001256	Aufkleber "Adler" SX	1	
12	2H001255	Aufkleber "Adler" DX	1	
13	2H001260	Aufkleber "Adler"	1	
14	2H001259	Schild "V9 Roamer" DX-SX	2	
15	2Q000263	LUM V9 Roamer-Bobber My 2017 IFRDENLESEN	1	Land:Hongkong[HK]
15	2Q000268	LUM V9 Roamer-Bobber My '17 ZN-EN-IT-DE	1	Land:China[CN]
16	2H001445	Schild "Moto Guzzi"	1	
17	GU32944310	Deko schutz	1	

Einheit	Motor
Code	03.010
Beschreibung	Motor-Fertigstellung
Inspektion	1



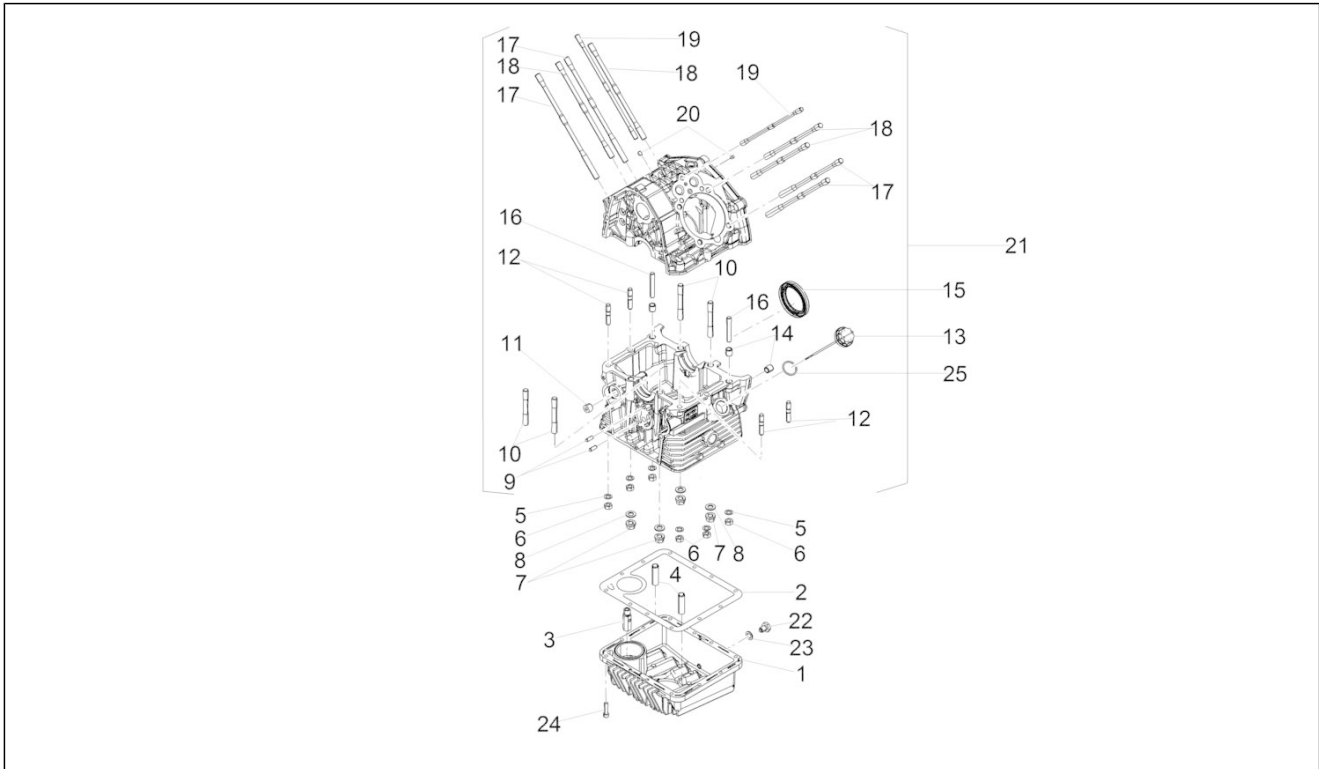
Pos.	Code	Beschreibung	Menge	Varianten
1	1A0089135	Motor kpl.ohneSchaltgetriebe	1	

Einheit	Motor
Code	03.020
Beschreibung	Schalthebel
Inspektion	1



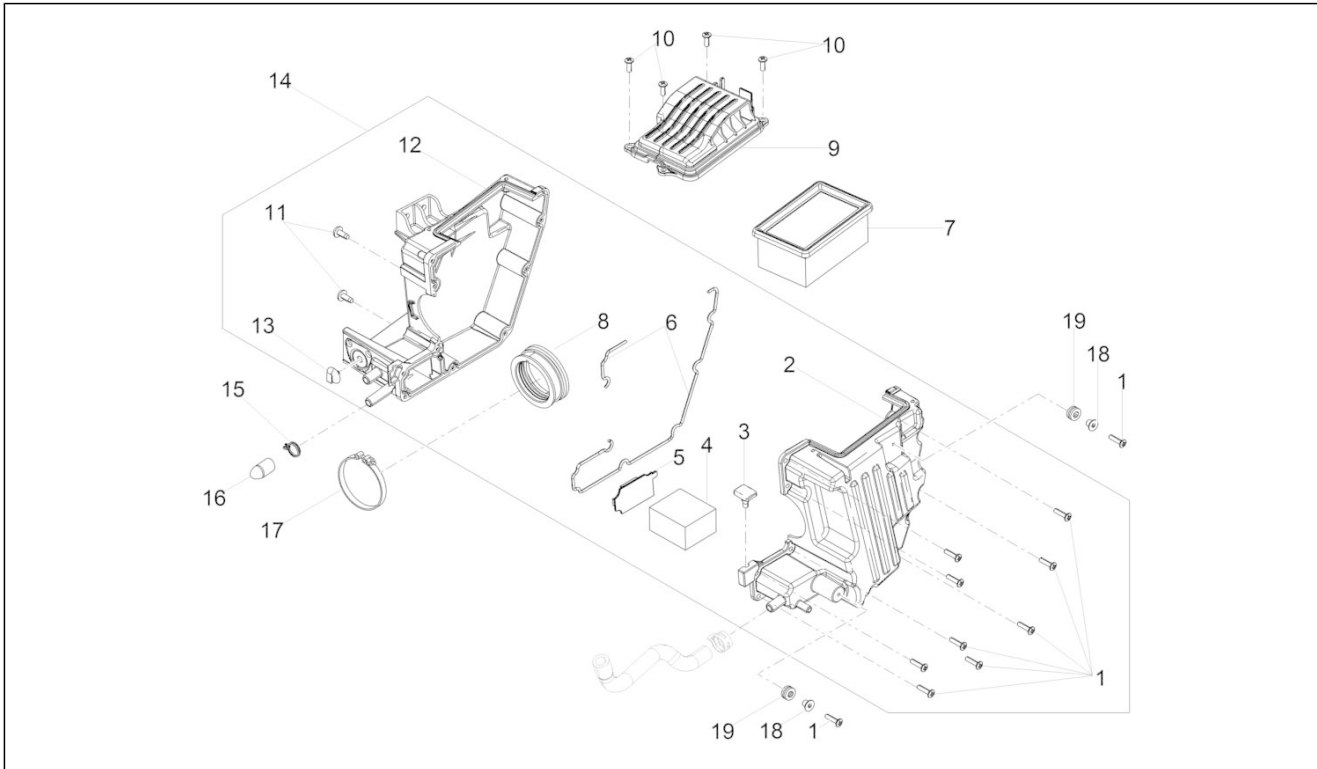
Pos.	Code	Beschreibung	Menge	Varianten
1	AP8120912	Gummi für Hebel	1	
2	2B004062	Gummigleitschutze	1	
3	2B004053	Schalthebel kpl.	1	
4	2B004112	Schraube TSPEI IX M8X25	2	
5	2B004043	Piastra pedana pilota sx	1	
6	GU20258221	Schalthebel	1	
7	898397	Kugelgelenk links M6	1	
8	GU92606206	Mutter	1	
9	2B004109	Tirante comando cambio cpl.	1	
10	GU31256881	Mutter Linksgewinde M6	1	
11	898283	Schalthebel	2	
12	AP8150430	Selbstsperr.mut Unt.	2	
13	GU98692318	TCEI Schraube	2	
14	898396	Kugelgelenk rechts M6	1	
15	2B001009	Hebelbolzen	1	
16	AP8110053	Kugelgelenk links M6	1	
17	AP8152138	Mutter	1	
18	2B001941	Zugstange Schaltzug	1	
19	AP8150026	Mutter M6	1	
20	AP8210007	Kugelgelenk rechts M6	1	
21	GU98632322	Schraube	1	
22	GU03013800	Ausgleichscheibe 6,4x12	1	

Einheit	Motor
Code	03.030
Beschreibung	Gehäuse I
Inspektion	1



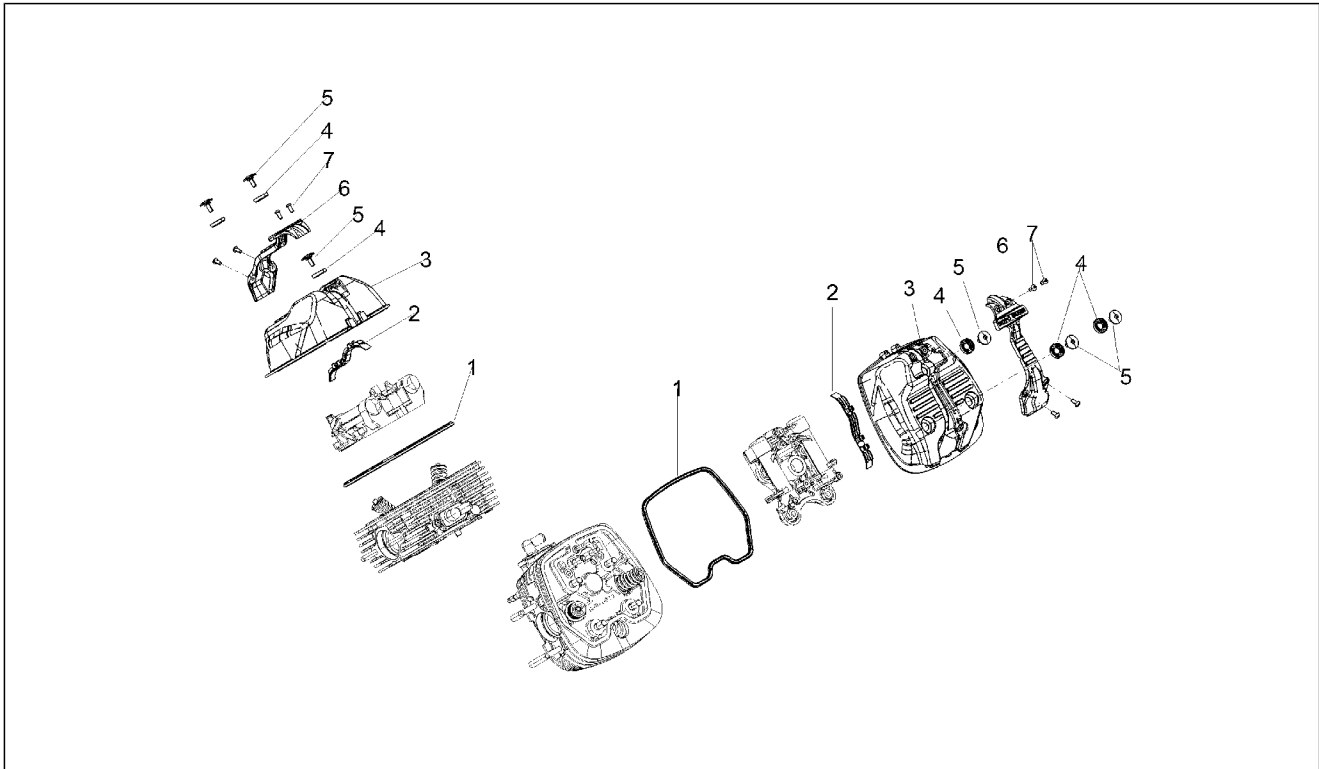
Pos.	Code	Beschreibung	Menge	Varianten
1	1A004550	Pfropfen	1	
2	1A005211	Ölwannendichtung	1	
3	GU19003800	Anschluss	1	
4	1A006047	Anschlußschlauch	2	
5	658837	Gewellte Sprengscheibe D15 F8,4 S1,5 - INOX	6	
6	GU92606208	Mutter M8x1,25	6	
7	1A006656	Geflanschte Mutter M10x1	4	
8	1A006655	Flachscheibe	4	
9	GU19018920	Stift	2	
10	1A004530	Stiftschraube	4	
11	831135	Verschlusschraube M14x1,5	1	
12	GU96451430	Stiftschraube	4	
13	883826	Öleinfüllschraube	1	
14	GU19015020	Buchse	2	
15	886365	Gasket ring	1	
16	GU96508055	Stiftschraube	2	
17	1A006283	Stiftschraube langer Kopf	4	
18	1A006284	Stiftschraube kurzer Kopf	4	
19	1A006860	Stiftschraube zentraler Kopf	2	
20	484993	Haltestein	2	
21	1A0069335	Gekoppelte Kurbelgehäuse	1	
22	GU31003766	Ölablaßschraube M10x1	1	
23	GU10528900	Dichtung	1	
24	GU98682325	TCEI Schraube M6x25	12	
25	GU90706281	O-Ring 28,24x2,62	1	

Einheit	Motor
Code	03.050
Beschreibung	Filtergehäuse
Inspektion	1



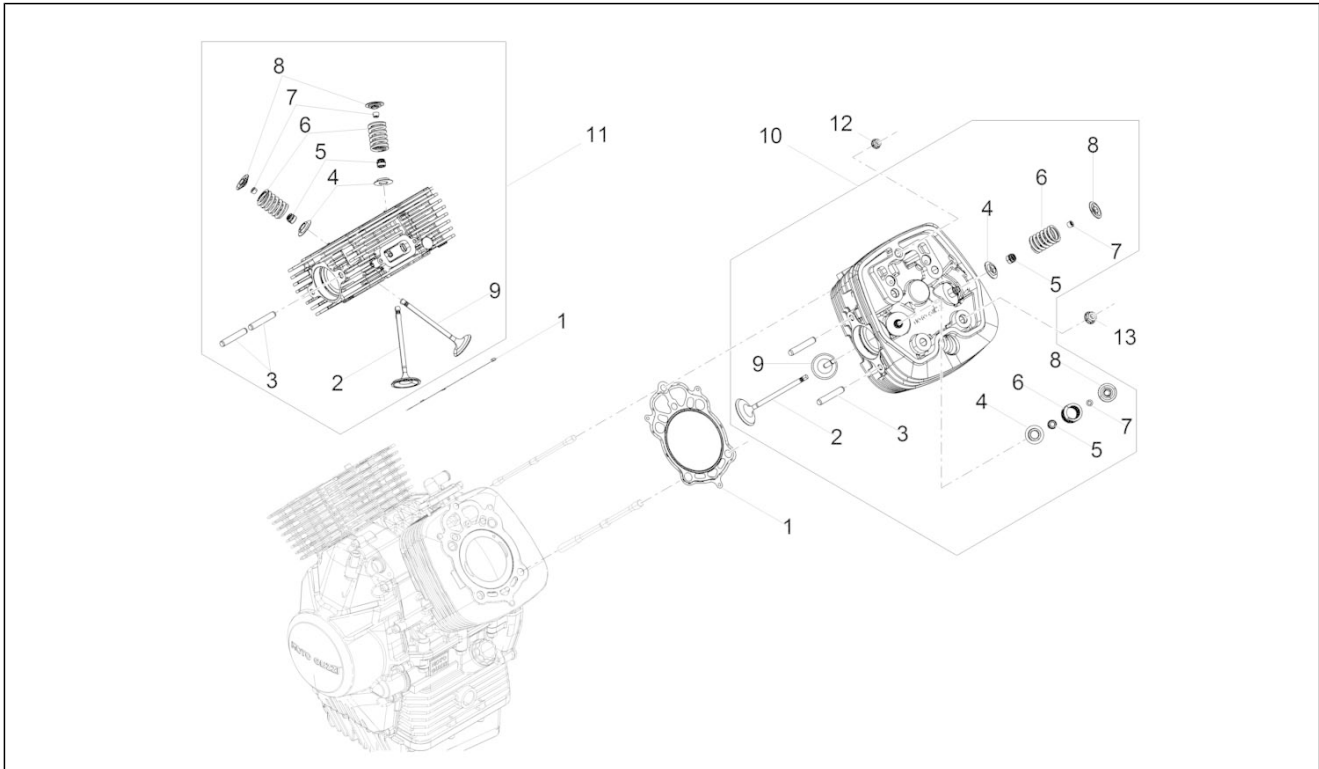
Pos.	Code	Beschreibung	Menge	Varianten
1	AP8152329	Kreuz.schl.flnschschr. M5x20	9	
2	2B002832	L.deckel Filtergehäuse	1	
3	AP8120455	Gummi	1	
4	AP8104525	Filter blow-by	2	
5	2B002851	Membran	1	
6	AP8120615	Dichtung D3	1	
7	AP8104924	Luftfilter	1	
8	887815	Ansaugmuffe	1	
9	887843	Luftfilterdeck	1	
10	AP8150509	Gew.schr. 5x14	4	
11	AP8120876	Verschlussschraube	2	
12	887844	Schale re Filtergehäuse	1	
13	890760	Halterung Instrumente	1	
14	2B002959	Sicherungskasten	1	
15	AP8102520	Schlauchschelle	2	
16	AP8161054	Kappe	2	
17	CM258303	Schelle 63	1	
18	AP8221023	T-Buchse	2	
19	GU91551010	Gummi 10X20X10	2	

Einheit	Motor
Code	03.090
Beschreibung	Kopfdeckel
Inspektion	1



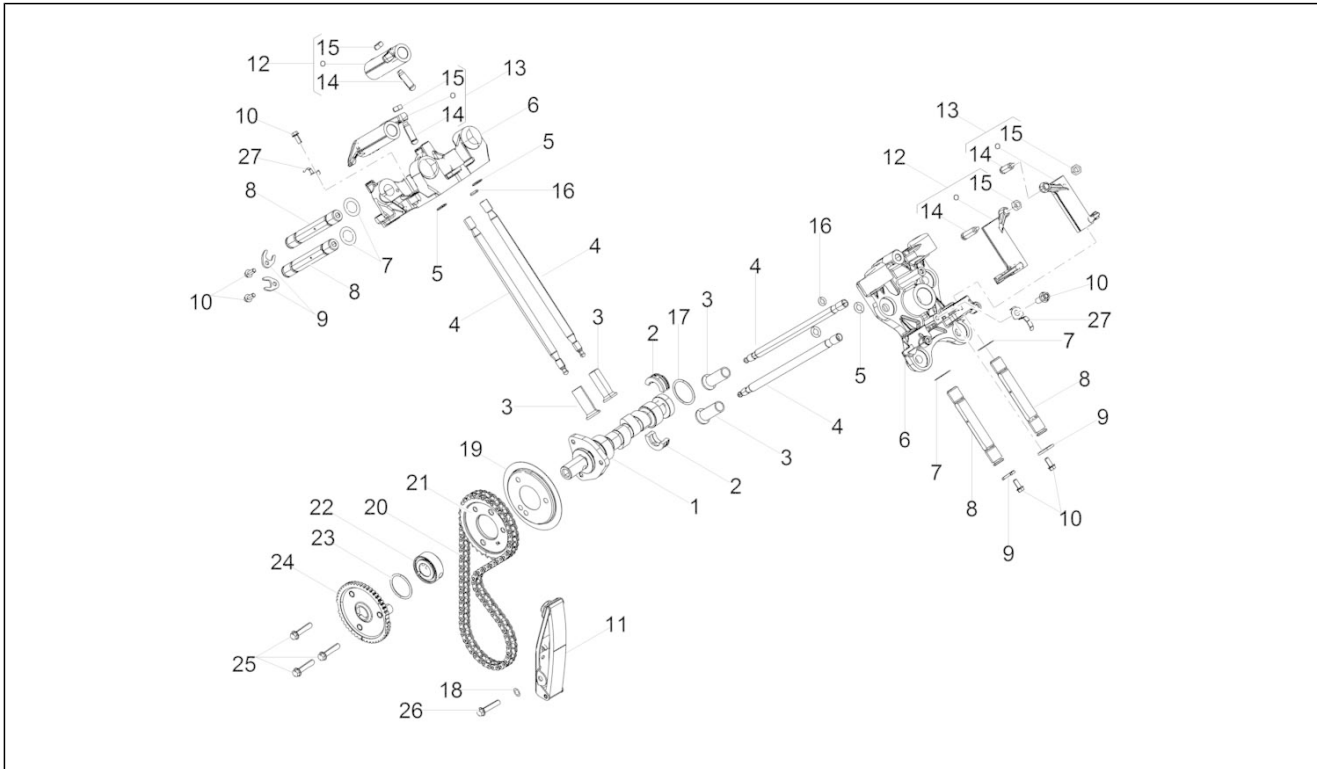
Pos.	Code	Beschreibung	Menge	Varianten
1	2A000565	Kopf Deckel Dichtung	2	
2	2A000659	Kabelführung	2	
3	1A008732	Kopfdeckel	2	
4	1A006716	Stopfen dämpfer	6	
5	976591	Spezialschraube	6	
6	2A000620	Zündkerzedeckel	2	
7	AP8152267	TBEI Spez.schr. M5x12	8	

Einheit	Motor
Code	03.100
Beschreibung	Zylinderkopf - ventile
Inspektion	1



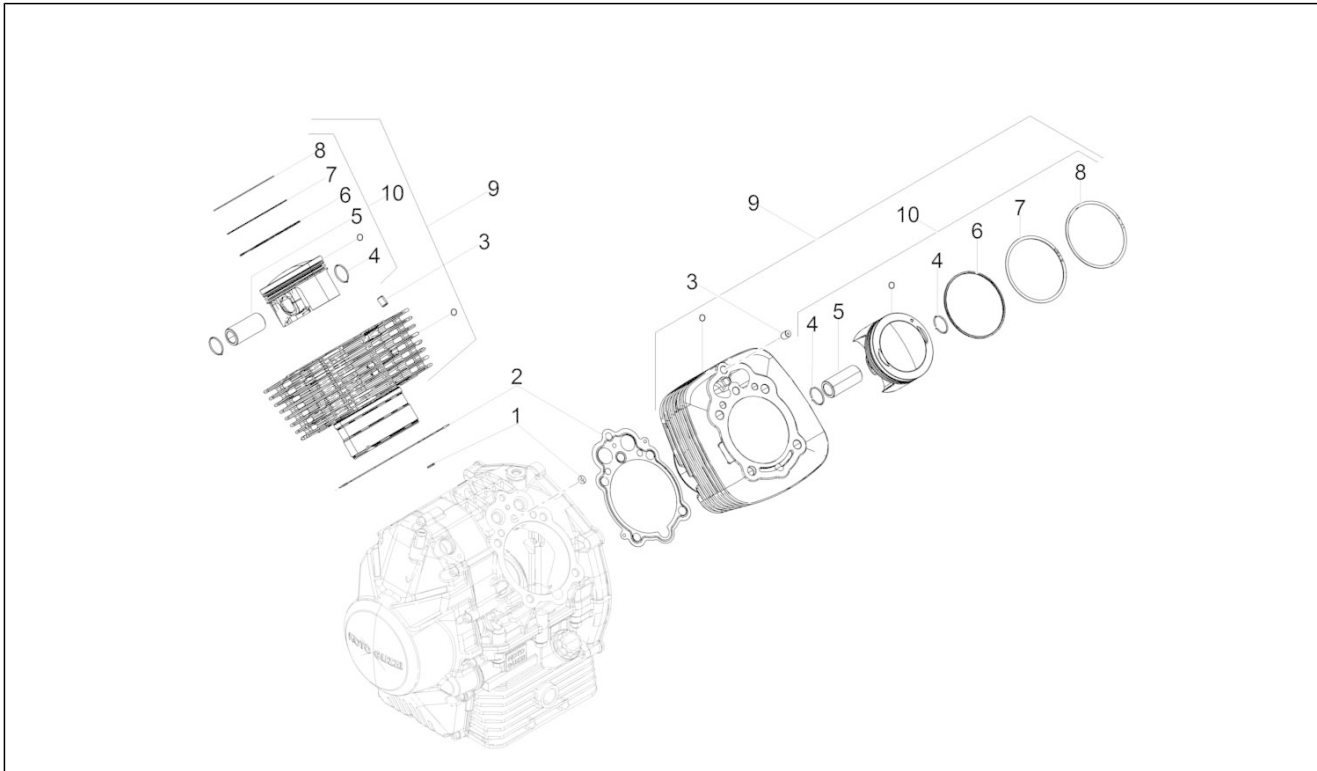
Pos.	Code	Beschreibung	Menge	Varianten
1	1A004660	Zylinder/Kopf Dichtung sp. 0,6 mm	66	
1	1A004661	Zylinder/Kopf Dichtung SP. 0.8 mm	66	
1	1A004662	Zylinder/Kopf Dichtung SP. 10 mm	1	
2	1A005424	Ein. ventil	1	
3	B017636	Auspufftopf Stiftschraube	2	
4	1A004751	Federteller unten	4	
5	1A003452	Ventil Dichtring	2	
6	1A004752	Rückzugsfeder	2	
7	871640	Halbkegel	8	
8	1A004750	Federteller oben	4	
9	1A005425	Auslassventil	1	
10	1A0068695	L.Kopf kpl.mitVentilführungen	1	
11	1A0068705	R.Kopf kpl.mitVentilführungen	1	
12	1A006659	Geflanschte Mutter M8x1.25	1	
13	825694	Mutter M10x1,25	1	

Einheit	Motor
Code	03.120
Beschreibung	Steuer
Inspektion	1



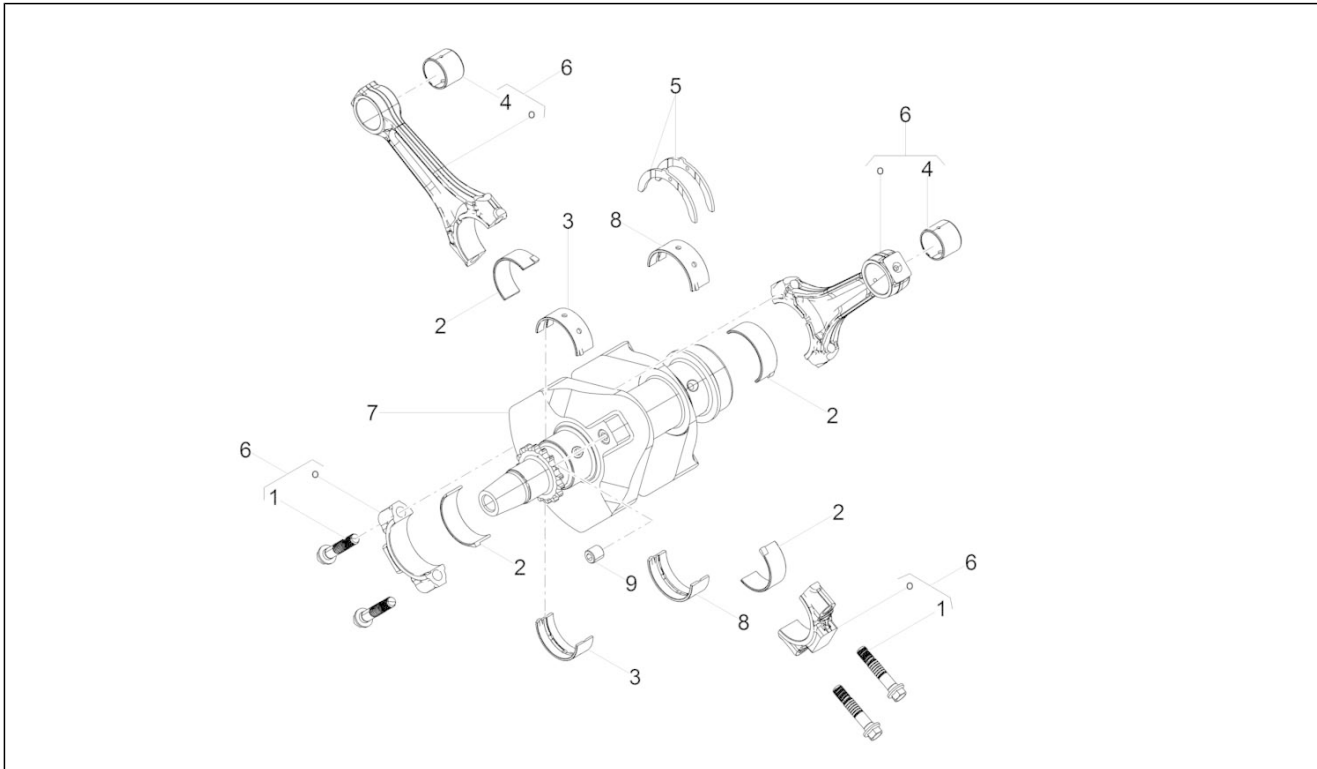
Pos.	Code	Beschreibung	Menge	Varianten
1	1A005712	Nockenwelle	1	
2	GU19055700	Sektor	2	
3	GU19045861	Ventilstässel	4	
4	2A000496	Kipphebelstange	4	
5	2A000579	Dichtungsring O-Ring 2,62x9.19	4	
6	2A0003535	Kipphebellager	2	
7	1A005951	Gebogene Sprengscheibe	4	
8	2A000528	Kipphebel-Federwelle	4	
9	2A000521	Schaltgabel	4	
10	AP8152272	TE Schr. m. Flansch M5x12	4	
11	GU19058220	Kettenspanner	1	
12	1A004905	Kipphebel Einlass re Auslass li	2	
13	1A004903	Kipphebel Einlass li Auslass re	2	
14	1A004907	Einstellschraube	2	
15	GU10034100	Mutter	2	
16	1A006861	Gasket ring	2	
17	GU90353029	Sprengring	1	
18	GU95129115	Ausgleichscheibe	1	
19	1A005955	Platte	2	
20	GU19058021	Steuerkette	1	
21	1A006243	Steuer Zahnkranz	1	
22	1A006119	Distanzscheibe	1	
23	1A006127	O-Ring	1	
24	1A0057145	Phonic wheel	0	
25	1A008576	***TE Schr. m. Flansch	3	
26	GU98882316	Schraube	1	
27	2A000527	Platte	2	

Einheit	Motor
Code	03.150
Beschreibung	Zylinder - Kolben
Inspektion	1



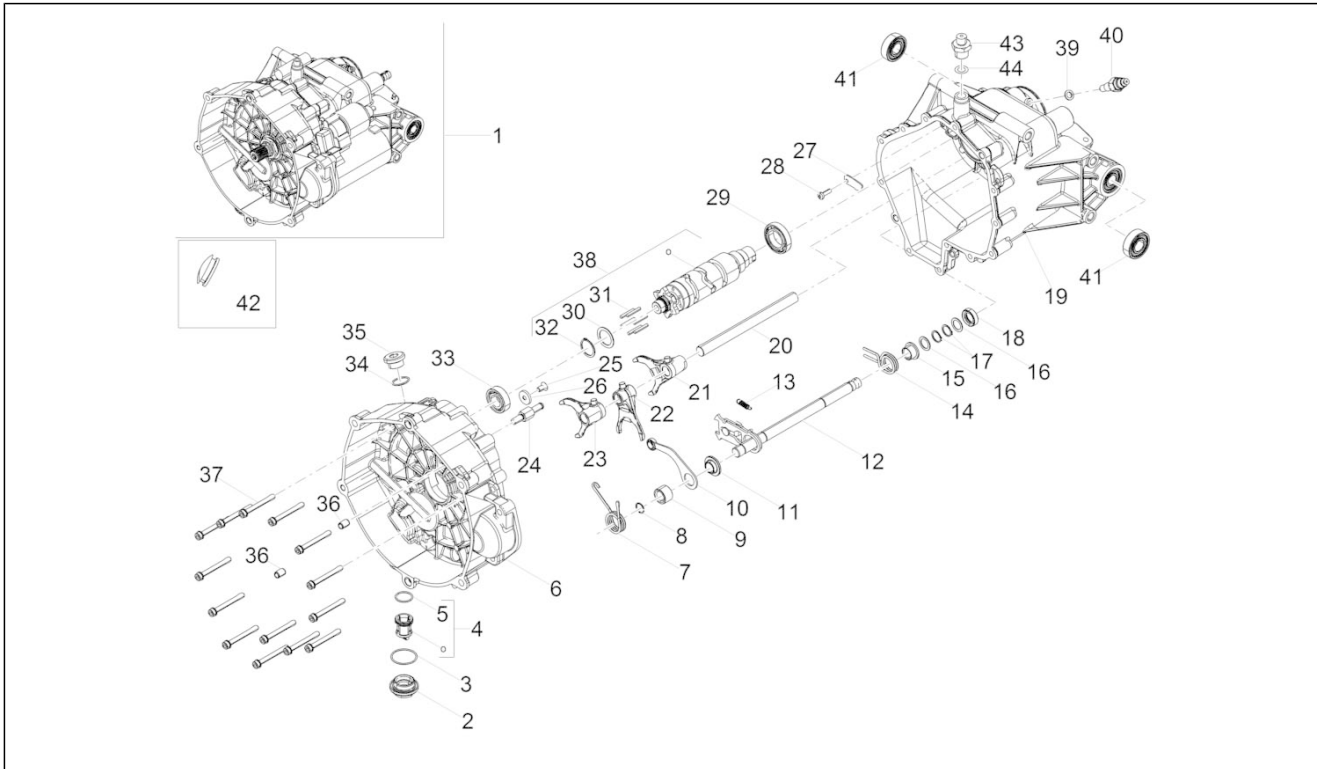
Pos.	Code	Beschreibung	Menge	Varianten
1	GU61027200	O-Ring	2	
2	1A007070	Dichtung Zylinder/Gehäuse	2	
3	GU19021360	Buchse	2	
4	874567	Sperring	4	
5	1A004956	Bolzen	2	
6	1A004955	Ölabstreifer	2	
7	1A004954	Kompressions-kolbenring	2	
8	1A004953	Kompressions-kolbenring	2	
9	1A007111	Kolben mit Zylinder kpl.	1	
10	1A006272BB	Kolben kpl. Auswahl "H"	1	
10	1A006272CC	Kolben kpl. Auswahl "L"	1	
10	1A006272DD	Kolben kpl. Auswahl "M"	1	
10	1A006272AA	Kolben kpl. Auswahl "G"	1	

Einheit	Motor
Code	03.160
Beschreibung	Kurbelwelle
Inspektion	1



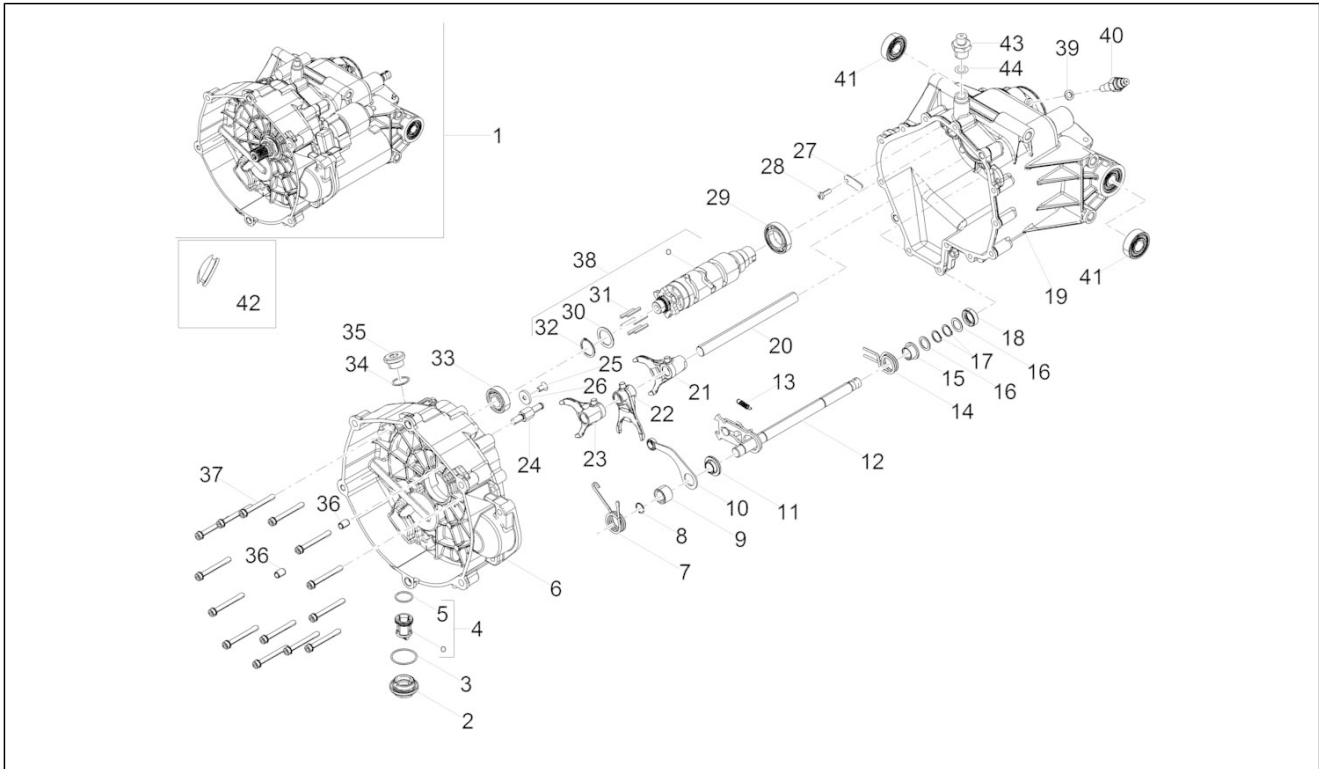
Pos.	Code	Beschreibung	Menge	Varianten
1	GU19062261	Schraube	4	
2	1A0068960B	Pleuellagerschale blau	4	
2	1A0068960G	Pleuellagerschale gelb	4	
2	1A0068960R	Pleuellagerschale Rot	4	
3	1A0066680G	Hauptlagerschale vorne gelb	1	
3	1A0066680N	Hauptlagerschale vorne Schwarz	1	
3	1A0066680V	Hauptlagerschale vorne Grün	1	
4	GU27061885	Buchse	2	
5	GU27066460	Halb-Klemme	2	
6	1A005325AA	Pleuel Auswahlklasse "A"	1	
6	1A005325BB	Pleuel Auswahlklasse "B"	1	
7	1A006671AA	Kurbelwelle kpl.,cat.1	1	
7	1A006671BB	Kurbelwelle, komplett kat. 2	1	
8	1A0066690G	Hauptlagerschale hinten gelb	2	
8	1A0066690N	Hauptlagerschale hinten Schwarz	2	
8	1A0066690V	Hauptlagerschale hinten Grün	2	
9	GU19065400	Deckel	1	

Einheit	Motor
Code	03.170
Beschreibung	Schaltgetriebe / Schaltgabel / Desmodrom.
Inspektion	1



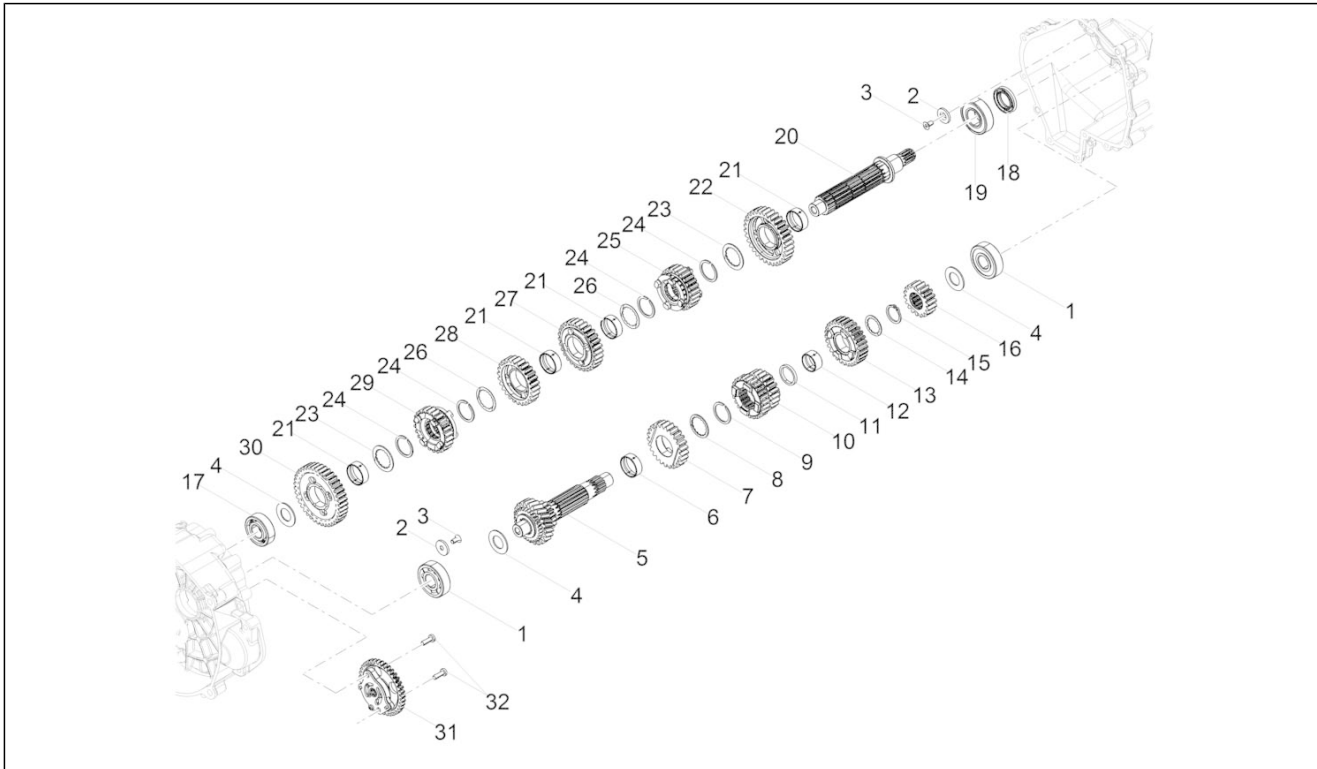
Pos.	Code	Beschreibung	Menge	Varianten
1	2A00042115	Getriebe komplett	1	
2	B015598	Ölfilter Verschuß	1	
3	285536	O-Ring 31,47x1,78	1	
4	B018020	Ölfiltereinsatz kpl.	1	
5	B017406	O-Ring 20.35x1.78	1	
6	2A0009105	Kupplungsglocke	1	
7	B064113	Index feder	1	
8	GU90353014	Seegerring	1	
9	GU05234230	Distanzscheibe	1	
10	B064112	Indexhebel kpl.	1	
11	GU05238431	Buchse	1	
12	2A000219	Schaltautomat	1	
13	GU05238231	Feder	1	
14	B063956	Feder	1	
15	2A000467	Distanzscheibe	1	
16	GU05239330	Anlaufscheibe	2	
17	GU90271014	Seegerring	2	
18	GU90401424	Gasket ring 14x24x7	1	
19	2A0009085	Not available	1	
20	2A000224	Stange	1	
21	2A000226	Schaltgabel 2-3 Gang	1	
22	2A000227	Gabel 5.-6. Gang	1	
23	2A000225	Gabel für Sekundärwelle	1	
24	2A000415	Anschlagschraube	1	
25	B013608	Schraube	1	
26	873905	Unterlegscheibe	1	
27	2A000241	Schraube M5x16	1	
27	2A000306	Anschlagplatte	1	

Einheit	Motor
Code	03.170
Beschreibung	Schaltgetriebe / Schaltgabel / Desmodrom.
Inspektion	1



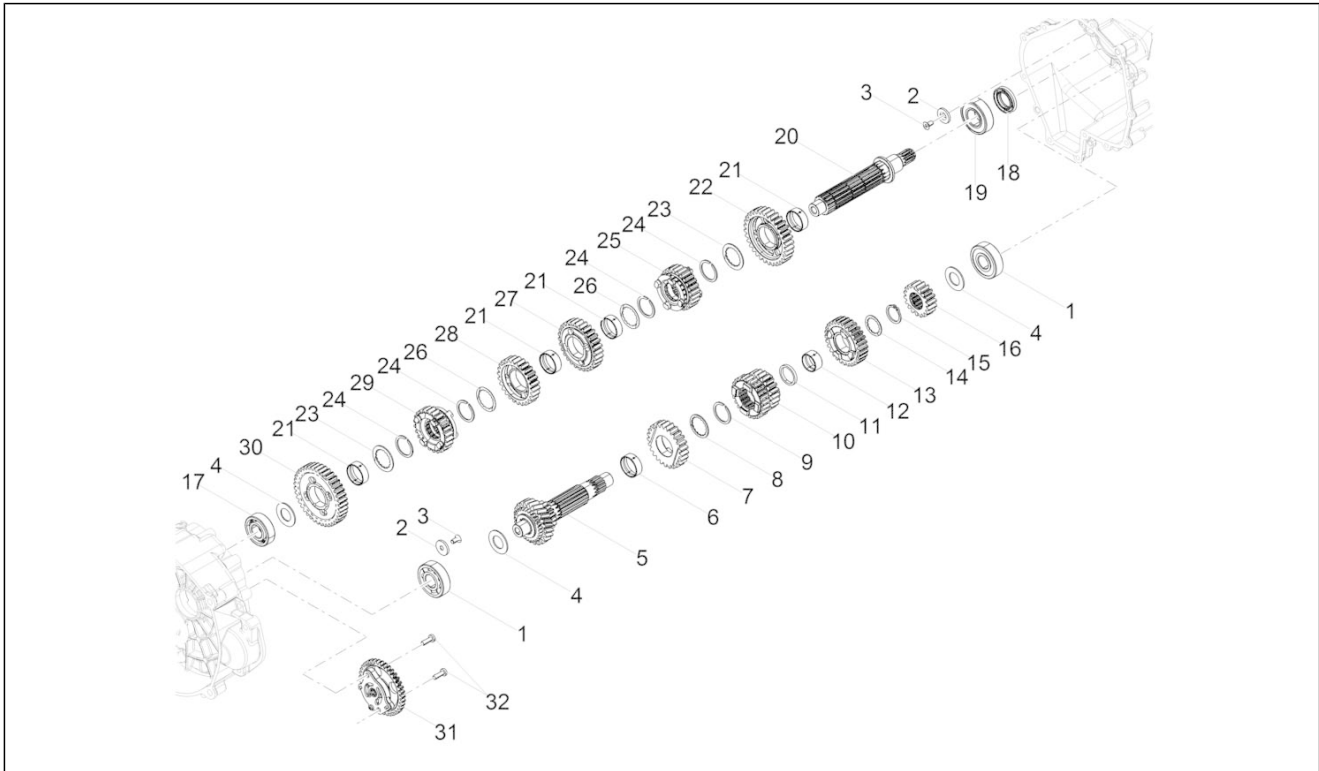
Pos.	Code	Beschreibung	Menge	Varianten
28	2A000241	Schraube M5x16	1	
29	857250	Kugellager 25x42x9	1	
30	GU05235531	Scheibe	1	
31	GU05234631	Stift	6	
32	GU90271022	Seegerring	1	
33	834764	Lager	1	
34	GU90706203	O-Ring 20,24X2,62	1	
35	GU12022600	Ölschraube	1	
36	GU19002020	Buchse 6,6x9x13	2	
37	2A000591	Zylinderschraube M6x55	14	
38	2A000222	Verschiebenocken kplt.	1	
39	B063025	Dichtung 8,7x14,2x1,3	1	
40	B063269	Sensor	1	
41	2A000097	Kugellager 6202-2RSH/C3 LHT23	2	
42	GU93180220	Deckel	1	
43	2A000438	Entlüftungsschraube	1	
44	224566	Unterlegscheibe	1	

Einheit	Motor
Code	03.180
Beschreibung	Schaltgetriebe - Zahnräder
Inspektion	1



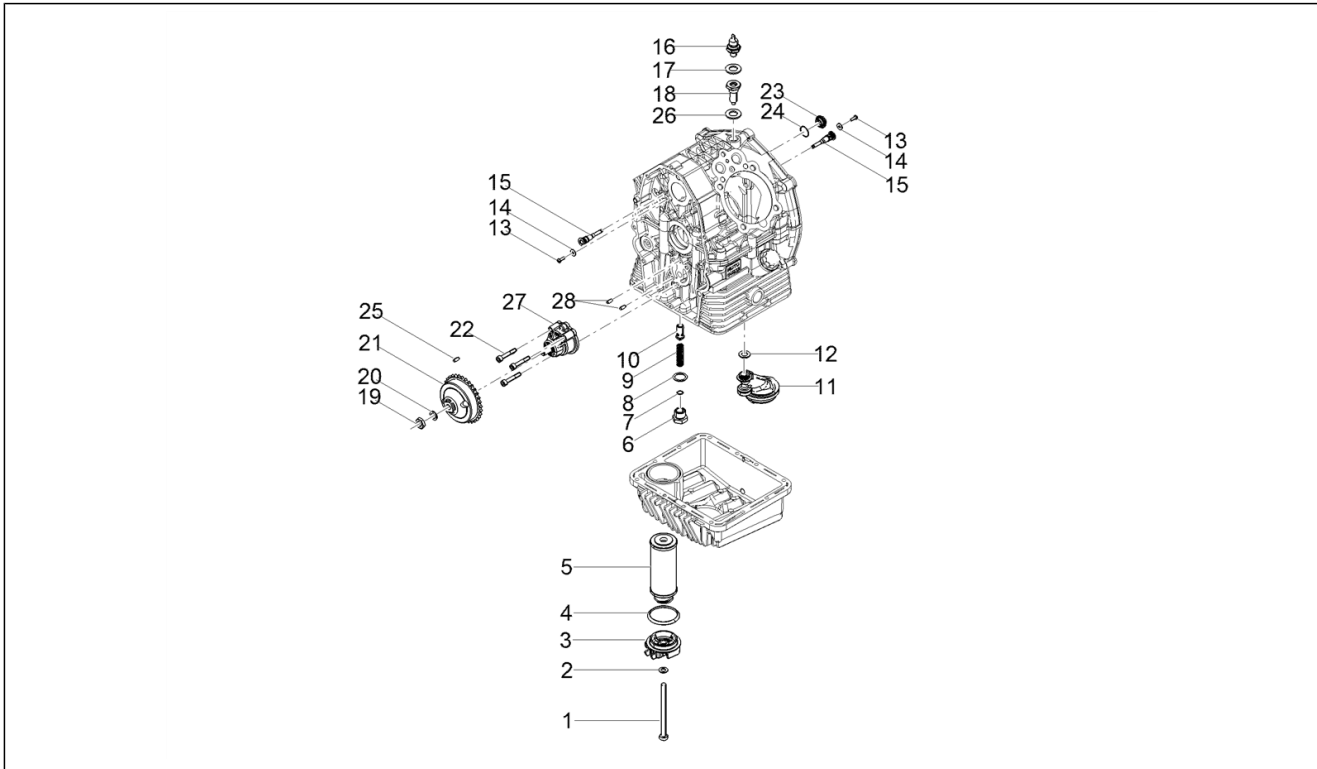
Pos.	Code	Beschreibung	Menge	Varianten
1	GU92201822	Kugellager 20x52x15	2	
2	873928	Unterlegscheibe	2	
3	B013608	Schraube	2	
4	1A000566	Ausgleichsscheibe	1	
5	2A000727	Vorgelegewelle	1	
6	849308	Buchse Beweglich	1	
7	1A000360	Schnellgangrad	1	
8	849424	Bundscheibe	1	
9	1A002604	Welle Sprengring	1	
10	1A000436	Zahnrad 3a - 4a vel.	1	
11	B015040	Ausgleichsscheibe	1	
12	974162	Buchse Beweglich	1	
13	2A000627	Zahnrad 6. Gang	1	
14	849396	Bundscheibe	1	
15	974165	Sprengring	1	
16	1A000365	Zahnrad 2.Hauptwelle	1	
17	848650	Kugellager 20x47x14	1	
18	GU90412541	Gasket ring 25X40X7	1	
19	GU92201226	Kugellager 25x52x15	1	
20	2A000203	Nebentriebewelle	1	
21	849308	Buchse Beweglich	4	
22	1A000366	Wechselrad 2. gang Z=32	1	
23	849309	Bundscheibe	2	
24	1A002604	Welle Sprengring	4	
25	1A000370	Zahnrad 6. Gang Z=24	1	
26	849310	Bundscheibe	2	
27	1A000367	Wechselrad 3. gang Z=28	1	
28	1A000368	Wechselrad 4. gang Z=26	1	

Einheit	Motor
Code	03.180
Beschreibung	Schaltgetriebe - Zahnräder
Inspektion	1



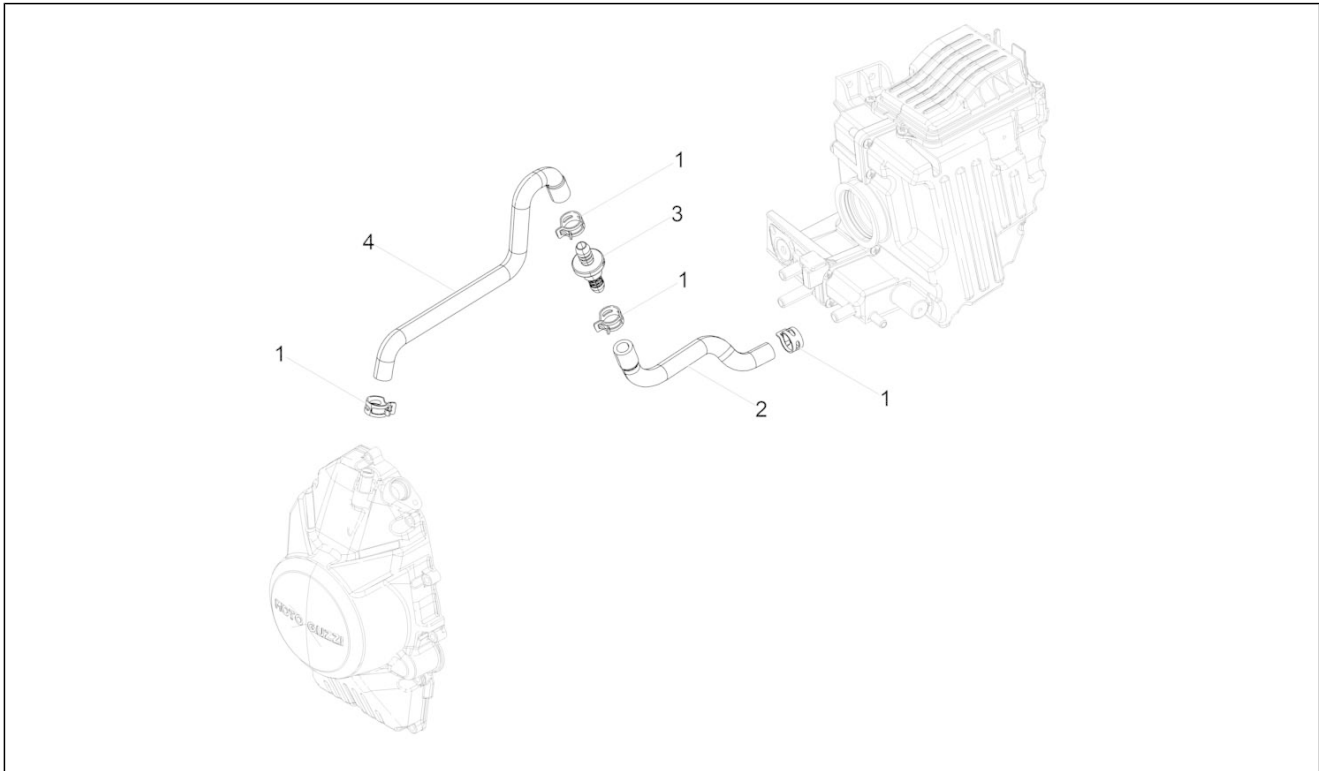
Pos.	Code	Beschreibung	Menge	Varianten
29	1A000369	Wechselrad 5. gang Z=24	1	
30	2A000629	Zahnrad 1.gang	1	
31	B018448	Ölpumpe	1	
32	2A000241	Schraube M5x16	2	

Einheit	Motor
Code	03.190
Beschreibung	Schmierung
Inspektion	1



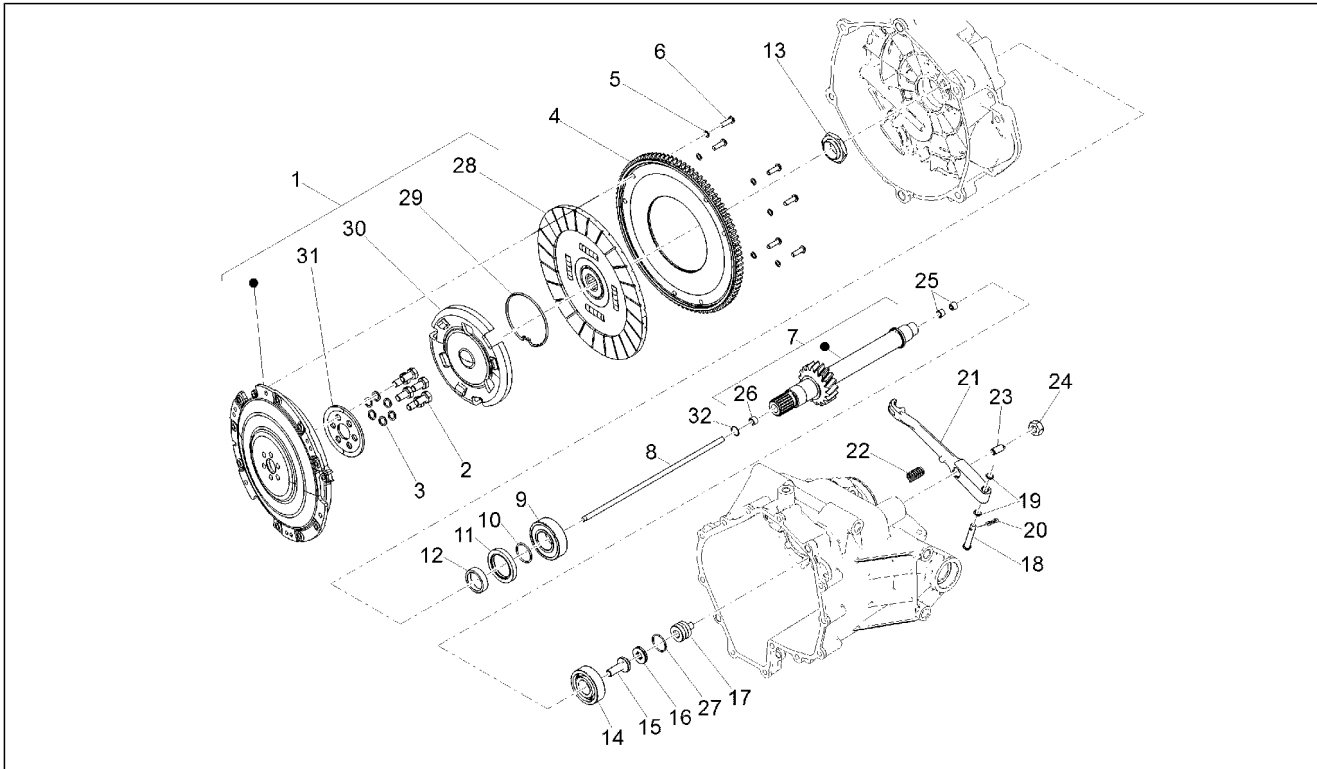
Pos.	Code	Beschreibung	Menge	Varianten
1	GU27152885	Schraubbolzen	1	
2	GU12154200	Dichtung 8,25x15x1	1	
3	1A005199	Ölfilterdeckel	1	
4	GU90706444	O-Ring	1	
5	2A000633	Ölfiltereinsatz	1	
6	GU31159050	Deckel	1	
7	GU95008206	Ausgleichscheibe 6,15x11x0,8	1	
8	GU18144350	Ausgleichscheibe 18,25x24x1	3	
9	GU94321079	Feder	1	
10	GU31150950	Kolben	1	
11	1A004549	Oil strainer	1	
12	237553	O-Ring	1	
13	1A005257	Linsenschraube	2	
14	013763	Flachscheibe 4,2x12x1	2	
15	1A004442	Kühlöse Kolben	2	
16	643090	Öldrucksensor	1	
17	GU95100309	Ausgleichscheibe	1	
18	887093	Anschluß	1	
19	GU92602510	Mutter M10x1,25	1	
20	AP8152220	Scheibe	1	
21	GU20147710	Zahnrad pumpe	1	
22	1A007008	TCEI Schraube M6x35 preimpregnata	3	
23	826165	Ölfilter Verschuß	1	
24	285536	O-Ring 31,47x1,78	1	
25	GU92296723	Rolle	1	
26	GU95100602	Dichtung	1	
27	1A006053	Ölpumpe komplett	1	
28	GU19018920	Stift	2	

Einheit	Motor
Code	03.196
Beschreibung	Anlage Blow-by
Inspektion	1



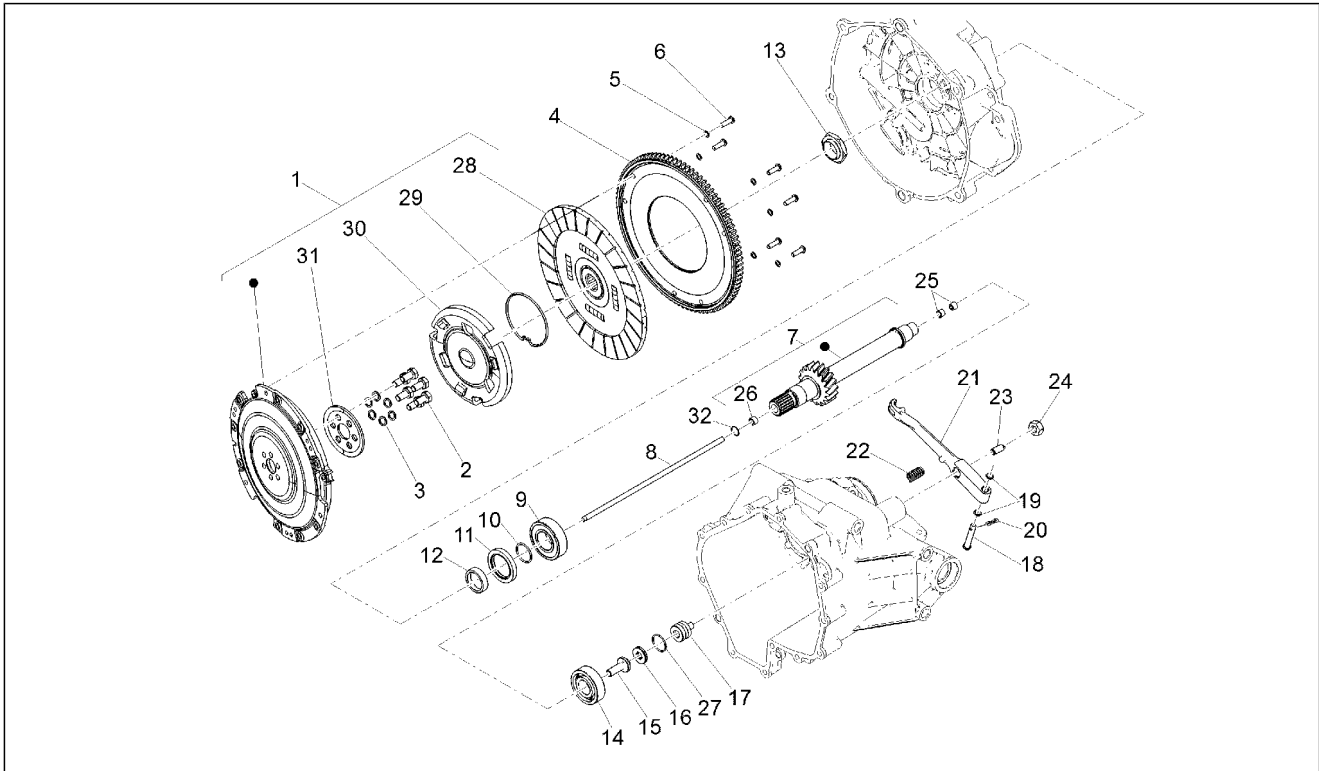
Pos.	Code	Beschreibung	Menge	Varianten
1	CM226902	Federschelle 19/12	4	
2	2B003204	Blow-By-Leitung	1	
3	2B003105	Rückstauventil	1	
4	2B002602	Blow-By-Leitung	1	

Einheit	Motor
Code	03.230
Beschreibung	Kupplung
Inspektion	1



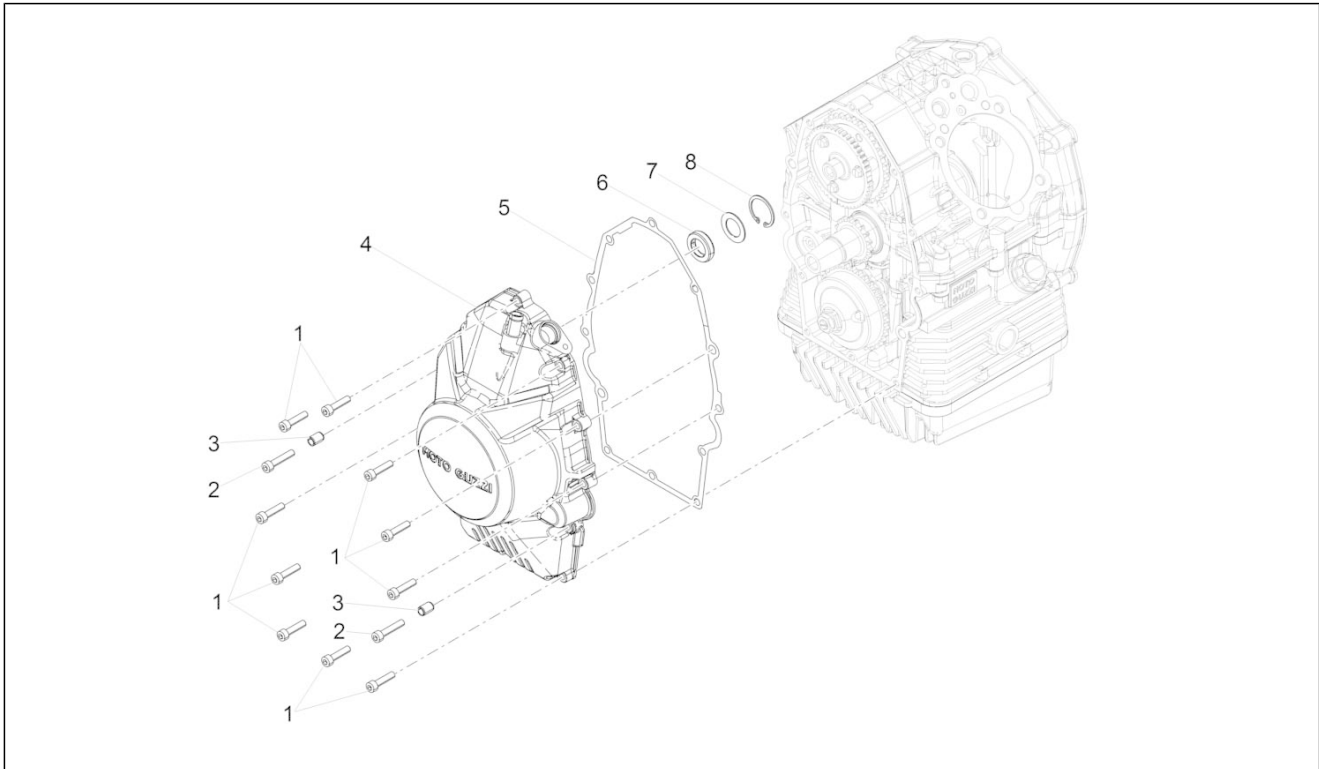
Pos.	Code	Beschreibung	Menge	Varianten
1	2A000419	Einscheiben-Kupplungseinheit komplett	1	
2	GU19067700	Schraube	6	
3	GU14615901	Ausgleichscheibe 8,4X13X0,8	6	
4	2A000724	Anlasserzahnkranz	1	
5	GU14217901	Scheibe 6,4x10x0,7	6	
6	623920	Schraube torx	6	
7	2A000792	Kupplungswelle Kpl. Z=21	1	
8	2A000216	Regelstange	1	
9	GU92201226	Kugellager 25x52x15	1	
10	GU90706235	O-Ring 23,52x1,78	1	
11	886629	Gasket ring	1	
12	GU19213760	Distanzscheibe	2	
13	GU19356760	Mutter	1	
14	2A000375	Kugellager	1	
15	B013037	Kupplungswelle	1	
16	2A000376	Drucklager	1	
17	GU14086100	Aussengehäuse	1	
18	2A000384	Hebelbolzen	1	
19	2A000385	O-Ring 6.5x1.5	2	
20	GU95500222	Splint	1	
21	2A000631	Ausrueckwelle	1	
22	GU94321105	Rückholfeder Starterhebel	1	
23	2A000767	Regelschraube	1	
24	GU92606508	Mutter	1	
25	GU14085900	Buchse	2	
26	GU05217630	Buchse	1	
27	GU90706170	O-Ring 17,13x2,62	1	
28	2A000770	Getriebene Kuppl.scheibe	1	

Einheit	Motor
Code	03.230
Beschreibung	Kupplung
Inspektion	1



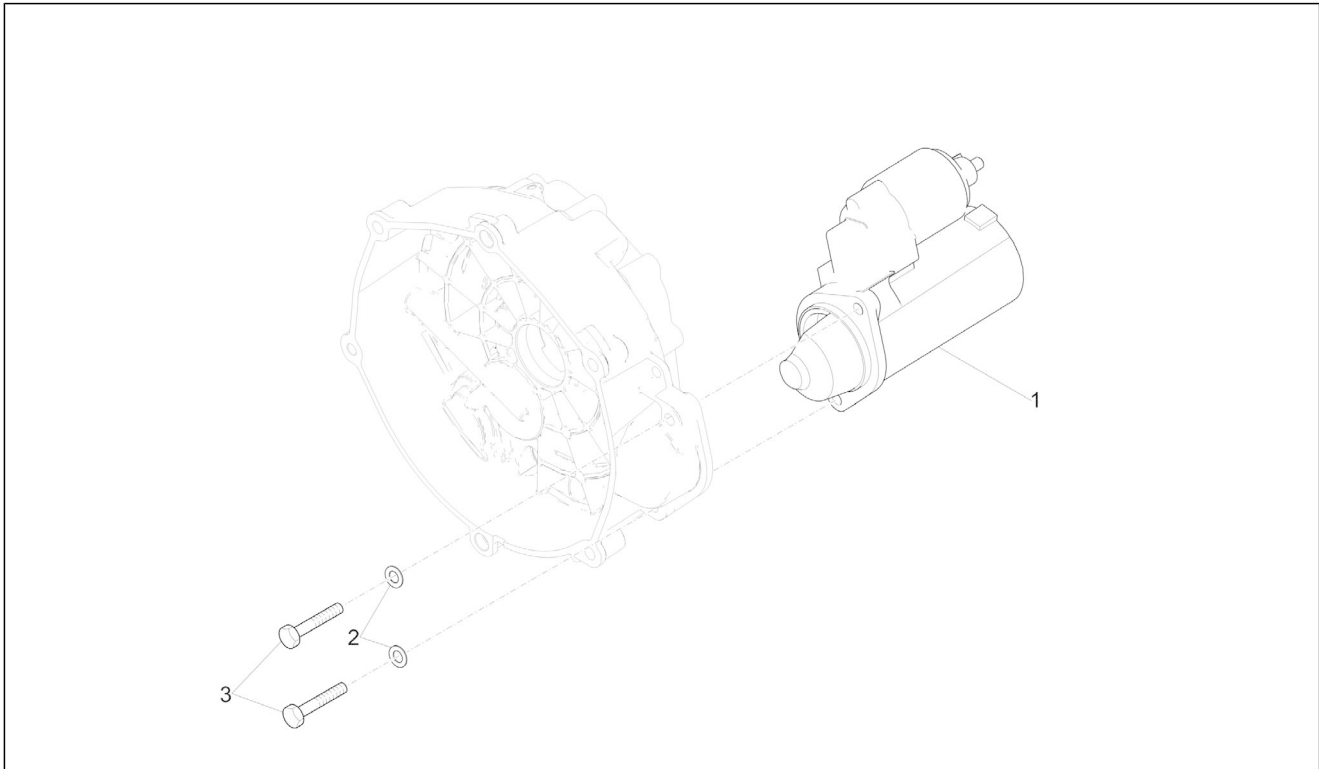
Pos.	Code	Beschreibung	Menge	Varianten
29	2A000418	Ring	1	
30	2A000638	Federteller	1	
31	2A000741	Stütze	1	
32	2A000378	Gasket ring	1	

Einheit	Motor
Code	03.270
Beschreibung	Zuenderdeckel
Inspektion	1



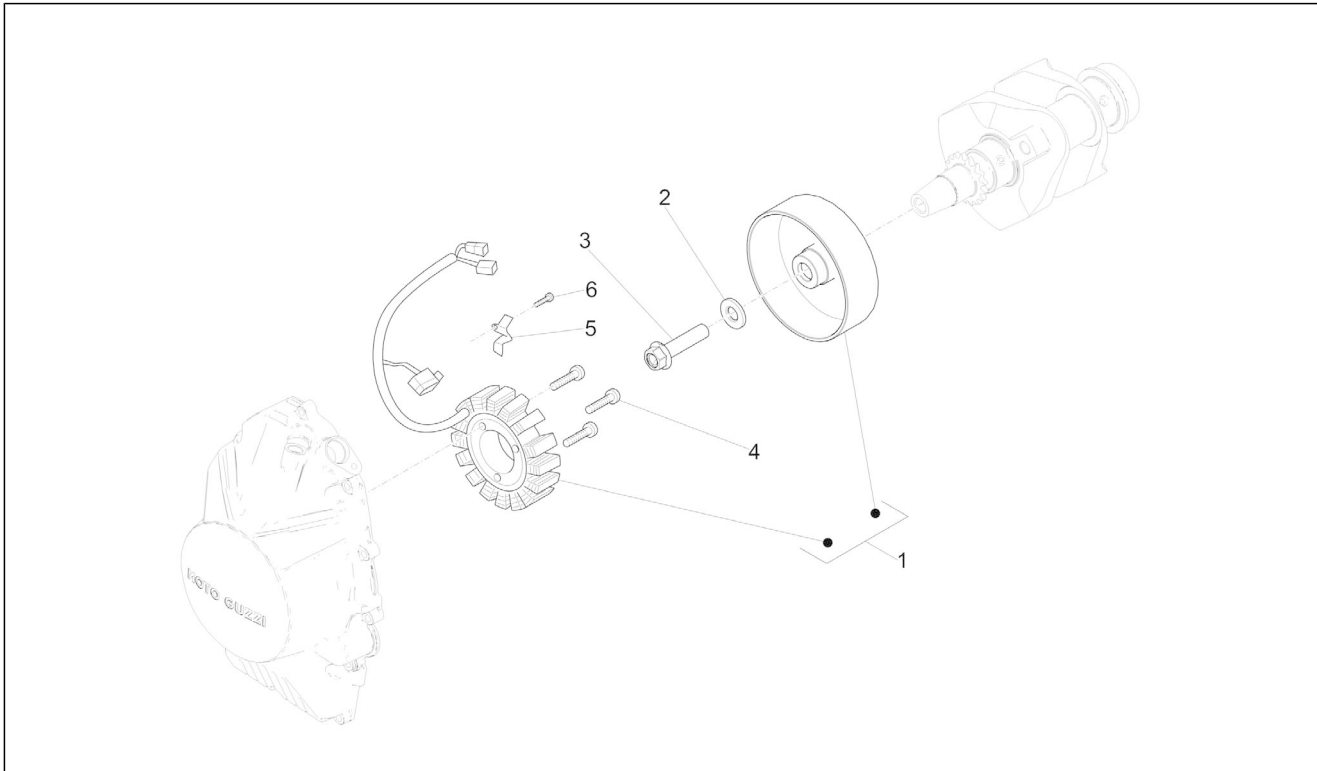
Pos.	Code	Beschreibung	Menge	Varianten
1	GU98682325	TCEI Schraube M6x25	10	
2	GU98682330	TCEI Schraube M6x20	2	
3	GU19002020	Buchse 6,6x9x13	2	
4	1A006298	Deckel	1	
5	887003	Deckeldichtung Kupplungsseite	1	
6	898268	Gasket ring 18x30x7	1	
7	898269	Bundscheibe	1	
8	006630	Sprengring	1	

Einheit	Motor
Code	03.290
Beschreibung	Zündung / Elektrischer Anfang
Inspektion	1



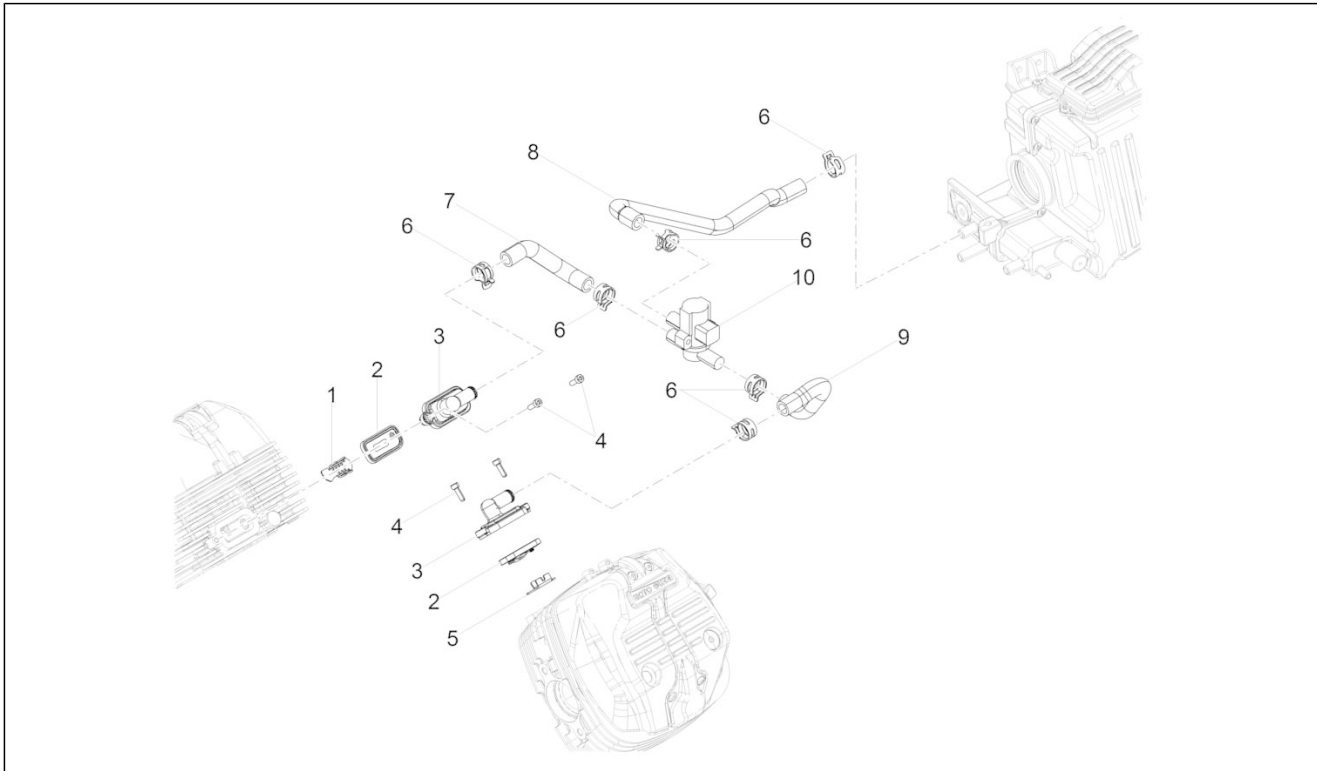
Pos.	Code	Beschreibung	Menge	Varianten
1	97729R	Startermotor	1	
2	GU95008208	Ausgleichscheibe 8,4X15X1,5	2	
3	GU98682435	TCEI Schraube	2	

Einheit	Motor
Code	03.300
Beschreibung	Schwungradmagnetstarter / Zündung
Inspektion	1



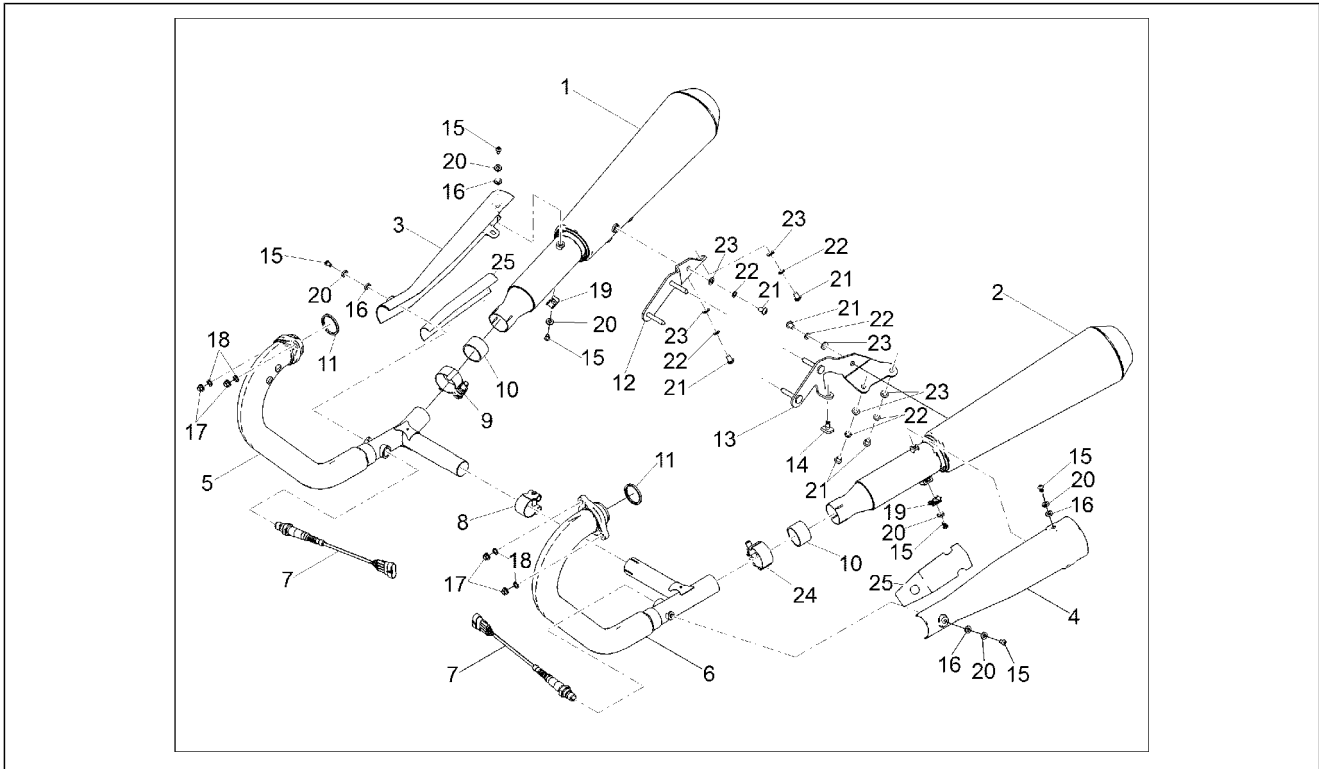
Pos.	Code	Beschreibung	Menge	Varianten
1	2D000024	Schwungrad Mag. klp.	1	
2	897478	Unterlegscheibe 12x26.5x3	1	
3	857206	TE Schr. m. Flansch M12X1,25X50	1	
4	2A000129	Flache Innensechskantschraube M6x35	3	
5	2A000115	Platte	1	
6	GU98682212	TCEI Schraube M5x12	1	

Einheit	Motor
Code	03.320
Beschreibung	Secondary air
Inspektion	1



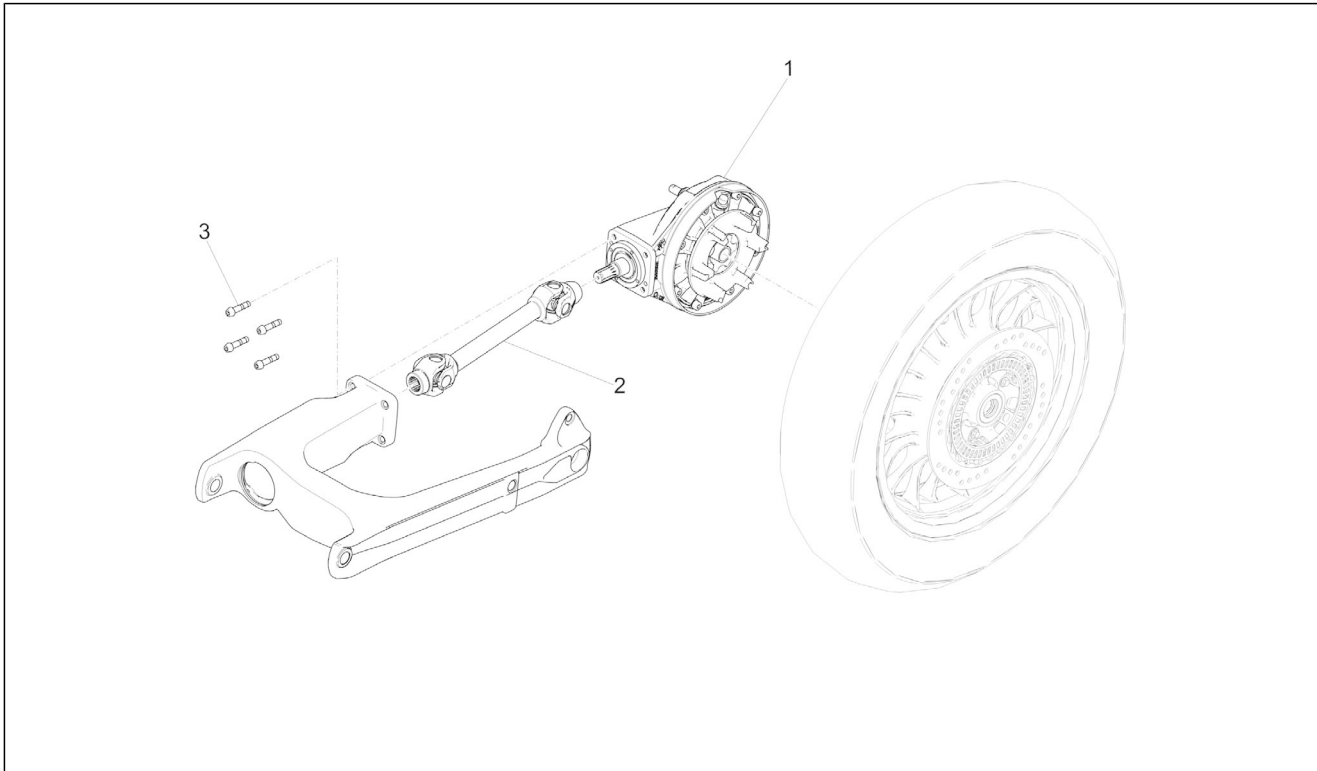
Pos.	Code	Beschreibung	Menge	Varianten
1	857047	Spark arrester	1	
2	857045	Reed valve	2	
3	2A000597	Abdeckung	1	
4	GU98612216	TCEI Schraube	2	
5	857046	Spark arrester	1	
6	CM226902	Federschelle 19/12	6	
7	2B002529	Schlauch rechts "S.A.S."	1	
8	2B002531	Leitung Filtergehäuse "S.A.S."	1	
9	2B002530	Schlauch links "S.A.S."	1	
10	857181	SAS ventil	1	

Einheit	Motor
Code	03.330
Beschreibung	Auspuffrohr
Inspektion	1



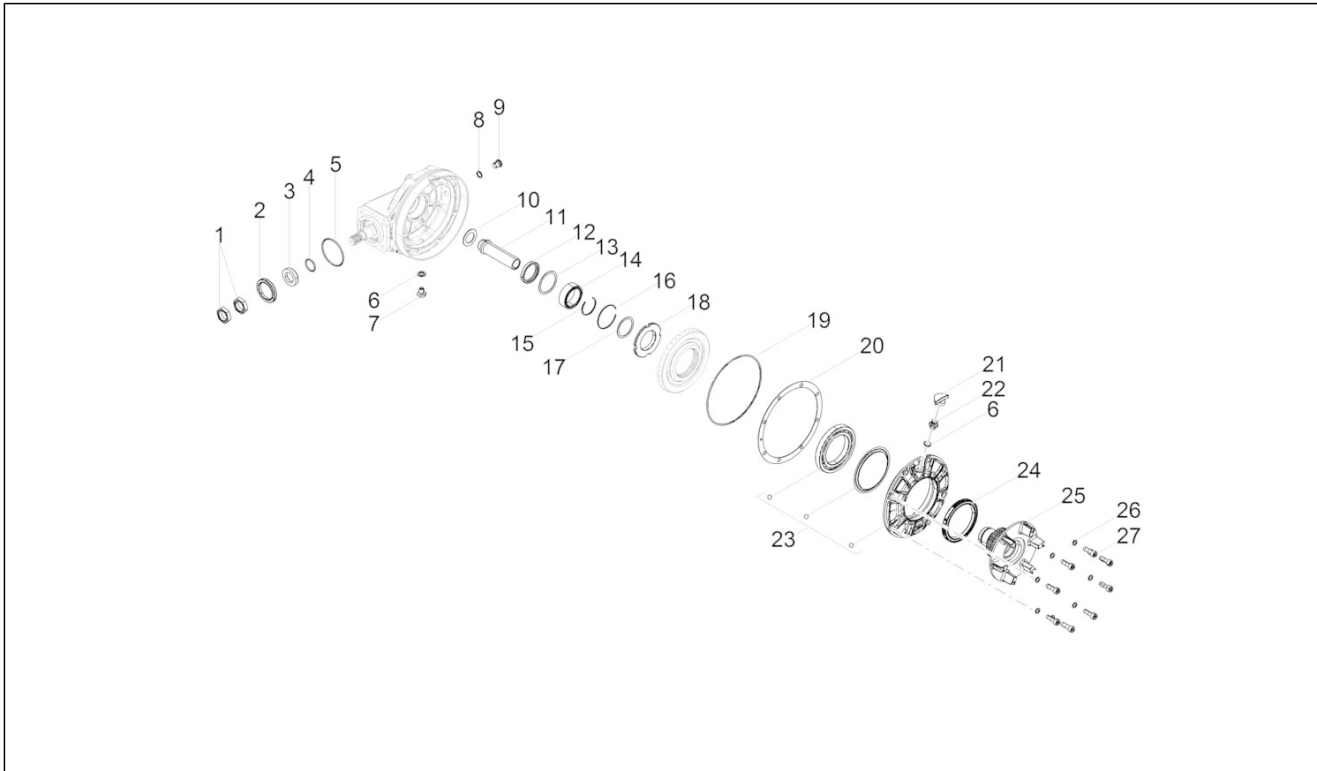
Pos.	Code	Beschreibung	Menge	Varianten
1	2B0010995	Auspufftopf rechts	1	
2	2B0011005	Auspufftopf links	1	
3	2B0022935	R.Schalldämpferschutz	1	
4	2B0022925	L.Schalldämpferschutz	1	
5	2B001084	Auspuffkrümmer rechts	1	
6	2B001083	Auspuffkrümmer links	1	
7	896110	Lamdasonde l.660 mm	2	
8	B063292	Schelle D.37	1	
9	874957	Schelle	1	
10	GU91113826	Buchse	2	
11	852090	Dichtung Auspuffrohr	2	
12	2B002533	Haltebügel Schalldämpfer rechts mit Innenteilen	1	
13	2B002532	Haltebügel Schalldämpfer links mit Innenteilen	1	
14	AP8120455	Gummi	1	
15	2B002187	TBEI Schraube M6x10	6	
16	876879	Abstandhalter	4	
17	GU92660021	Geflanschte Mutter M8	4	
18	GU14615901	Ausgleichscheibe 8,4X13X0,8	4	
19	254485	Plattchen M6	2	
20	834951	Kegelscheibe	6	
21	AP8152055	TBEI Schraube M8x12	6	
22	GU14615901	Ausgleichscheibe 8,4X13X0,8	6	
23	GU95008208	Ausgleichscheibe 8,4X15X1,5	6	
24	2B001935	Schelle	1	
25	2B003284	Wärmeschutz	2	

Einheit	Motor
Code	03.340
Beschreibung	Getriebe kpl.
Inspektion	1



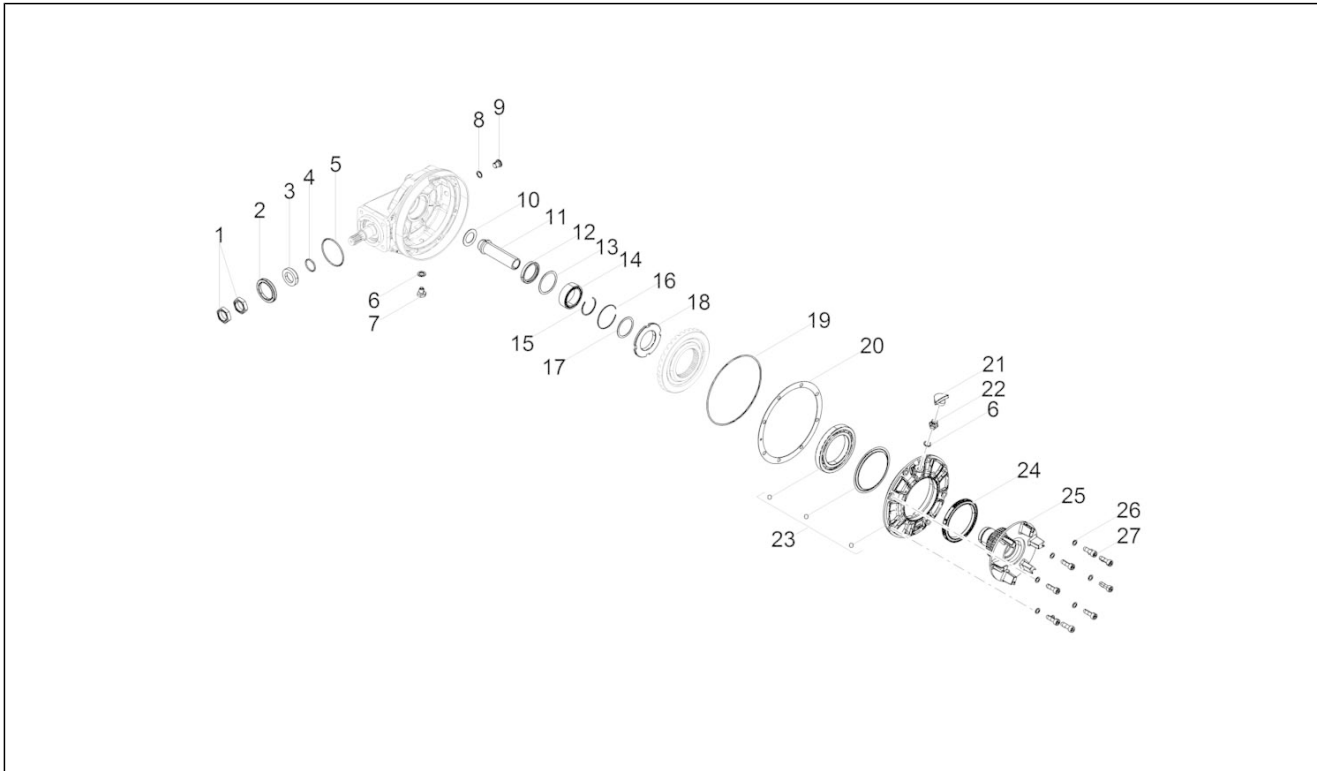
Pos.	Code	Beschreibung	Menge	Varianten
1	2B0011535	Kraftübertragung, kpl.	1	
2	2B002298	Getriebe	1	
3	2B002699	Schraube TCC Torx M8x35 mit vorimpr. Bund	4	

Einheit	Motor
Code	03.350
Beschreibung	Getriebedeckel
Inspektion	1



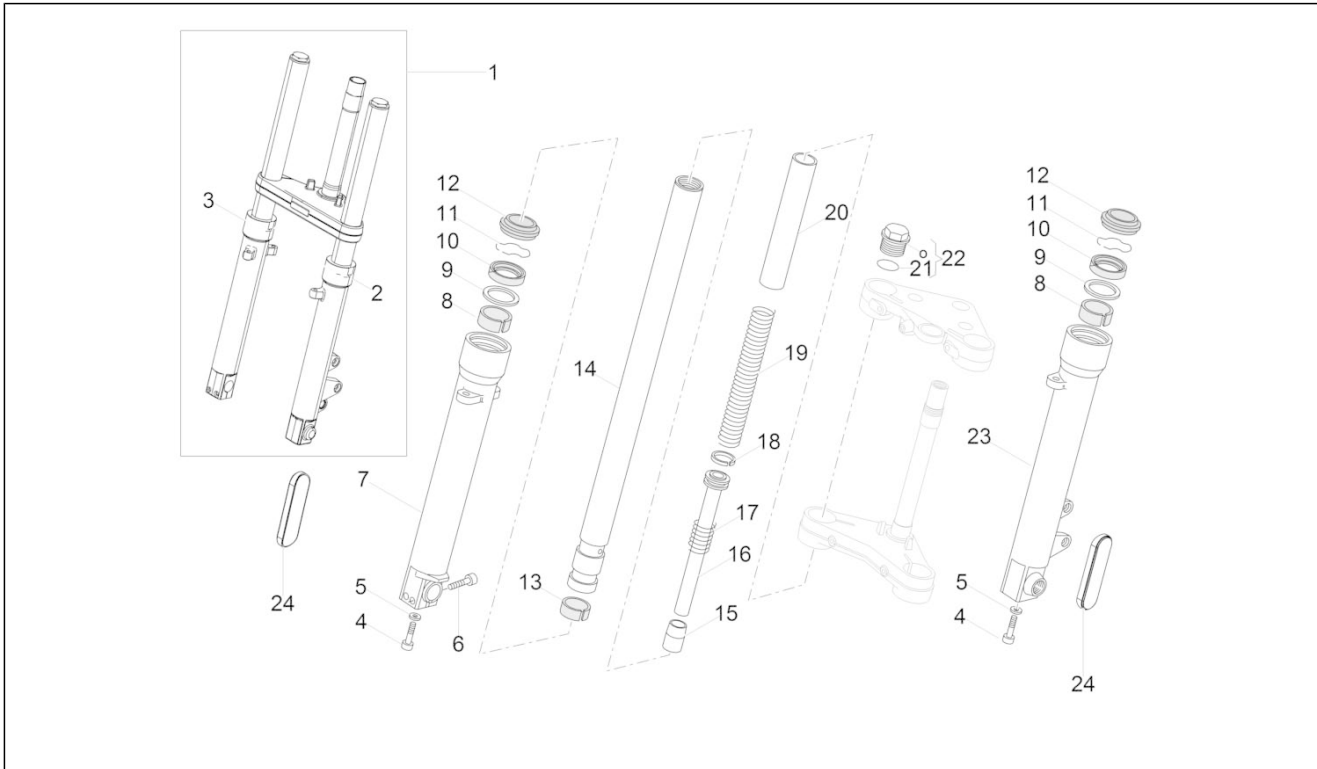
Pos.	Code	Beschreibung	Menge	Varianten
1	976649	Mutter M25x1,5	2	
2	2B000404	Gasket ring	1	
3	2B001311	Distanzscheibe	1	
4	GU90706188	Gasket ring 18,77X1,78	1	
5	GU90706584	Dichtung 58,42x2,62	1	
6	GU01528930	Dichtung 10x18x1,5	2	
7	GU31003766	Ölablaßschraube M10x1	1	
8	224566	Unterlegscheibe	1	
9	GU05351230	Ölschraube M12x1,5	1	
10	GU37359005	Ausgleichscheibe	1	
11	2B001307	Distanzscheibe	1	
12	GU90413850	Gasket ring 38X50X7	1	
13	GU12351100	Gasket ring	1	
14	GU92254340	Rollenlager 40x55x17	1	
15	2B002200	Wellenscheibe	1	
16	B064304	Seegerring	1	
17	GU19351100	Bundscheibe	1	
18	2B002536	Gewinding Befestigung Zahnkranz	1	
19	GU90706958	O-Ring 158,42X2,62	1	
20	GU04355100	Scheibe 0,6 mm	1	
20	GU04355101	Scheibe 0,7 mm	1	
20	GU04355102	Scheibe 0,8 mm	1	
20	GU04355103	Scheibe 0,9 mm	1	
20	GU04355104	Scheibe 1 mm	1	
20	GU04355105	Scheibe 1,1 mm	1	
20	GU04355106	Scheibe 1,2 mm	1	
21	2B002807	Kappe	1	
22	2A000438	Entlüftungsschraube	1	

Einheit	Motor
Code	03.350
Beschreibung	Getriebedeckel
Inspektion	1



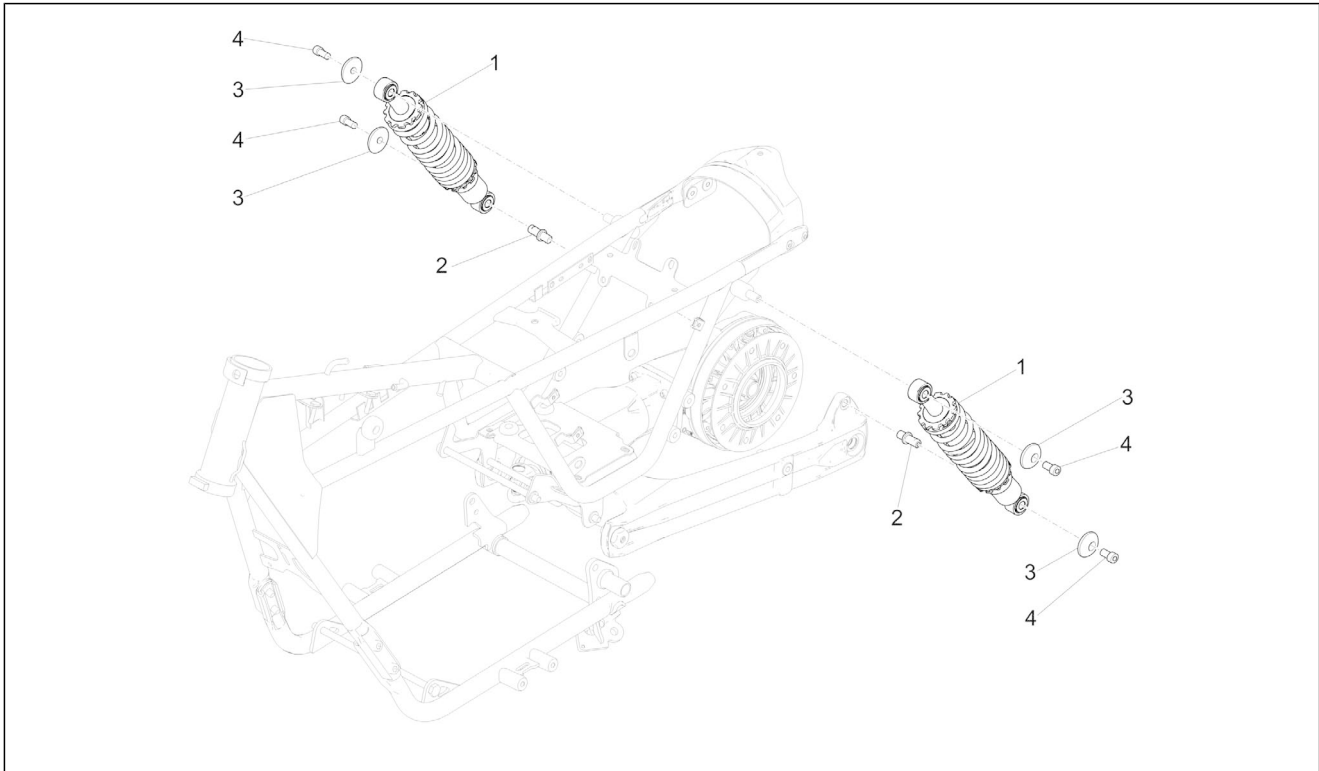
Pos.	Code	Beschreibung	Menge	Varianten
23	2B0033875	Flansch komplett	1	
24	2B002535	Gasket ring 80x100x10	1	
25	2B001303	Dämpfernabe	1	
26	GU14615901	Ausgleichscheibe 8,4X13X0,8	8	
27	2B002171	TC Schraube 8x25	8	

Einheit	Radaufhängungen
Code	04.060
Beschreibung	Vorderradgabel Kaifa
Inspektion	1



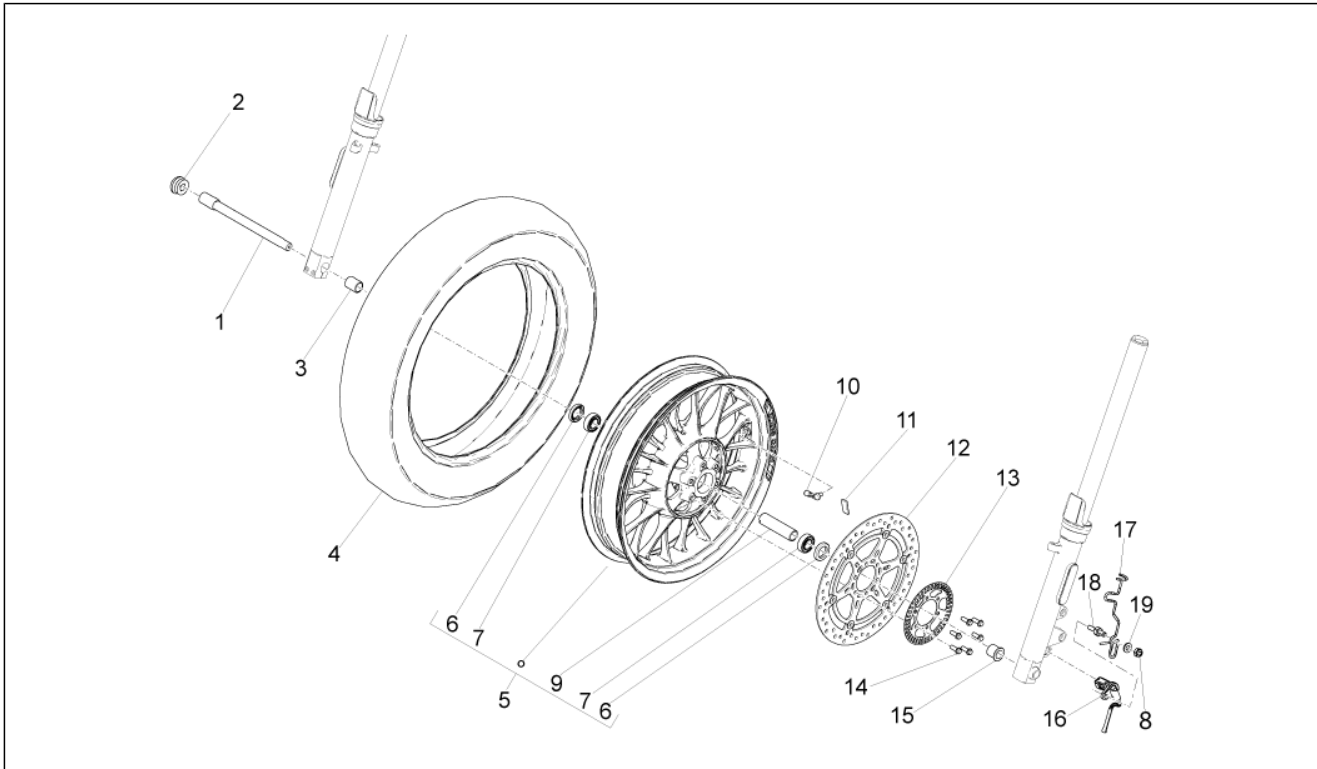
Pos.	Code	Beschreibung	Menge	Varianten
1	2B002192	Vorderradgabel komplett	1	
2	2B002295	Kolbenstange mit Boden lks.	1	
3	2B002294	Kolbenstange mit Boden rch.	1	
4	887878	Schraube M10x30	2	
5	887879	Ausgleichscheibe	2	
6	887880	Schraube	2	
7	2R000109	Rechte Hülse	1	
8	887882	Obere Buchse	2	
9	887883	Ausgleichscheibe	2	
10	887884	Gasket ring	2	
11	887885	Sperring	2	
12	887886	Staubschutz	2	
13	887888	Buchse	2	
14	2B003742	Schaft rechts-links	1	
15	887889	Puffer	2	
16	887891	Pumpenrad kplt.	2	
17	887890	Gegenfeder	2	
18	887905	Kolbenring	2	
19	2R000243	Feder	2	
20	887893	Leitung	2	
21	887916	O-Ring 4118	2	
22	887894	Verschlussschraube kplt.	2	
23	2R000110	Linke Hülse	1	
24	GU05781630	Rückstrahler, gelb	2	

Einheit	Radaufhängungen
Code	04.080
Beschreibung	Stoßdämpfer
Inspektion	1



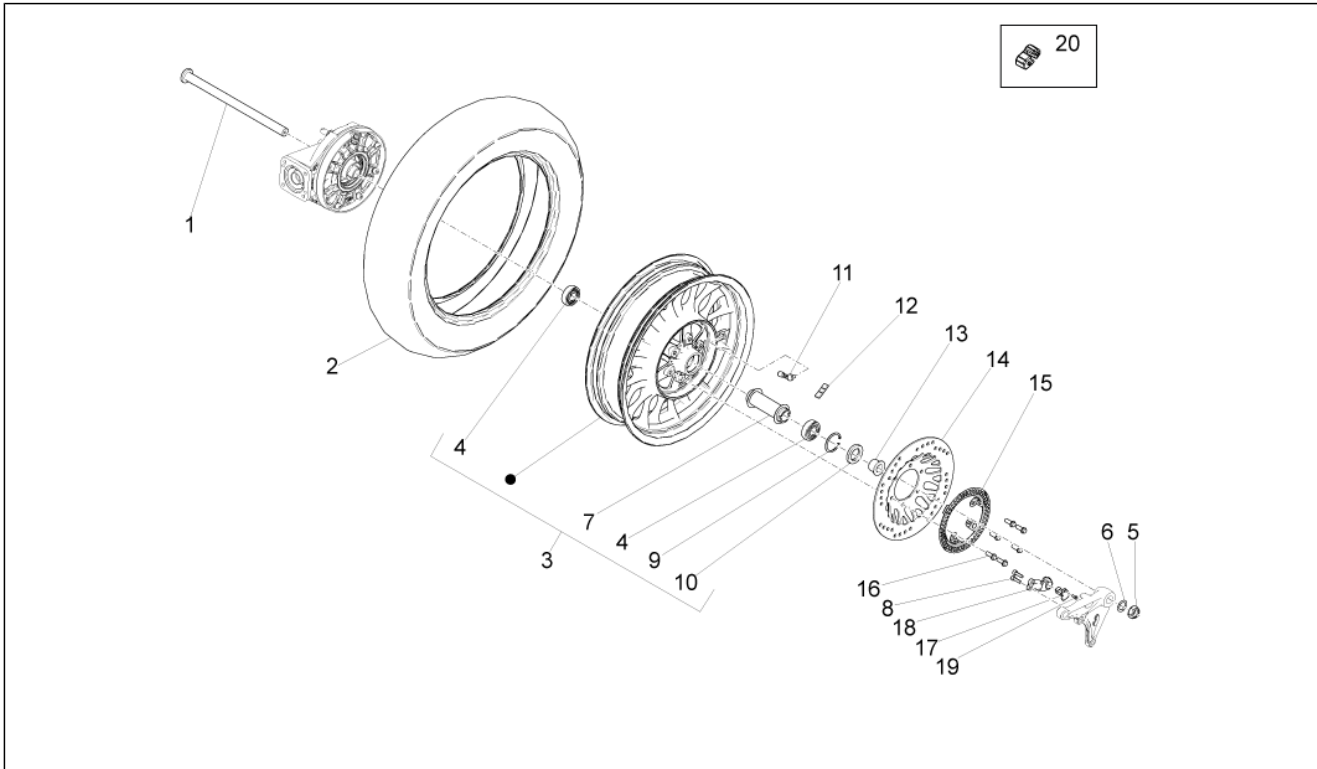
Pos.	Code	Beschreibung	Menge	Varianten
1	2B002988	Hinterer Stoßdämpfer	2	
2	2B003111	Stoßdämpfer-Bolzen	2	
3	B063174	Buchse	4	
4	884031	TCEI Schraube M6x14	4	

Einheit	Räder
Code	05.010
Beschreibung	Vorderrad
Inspektion	1



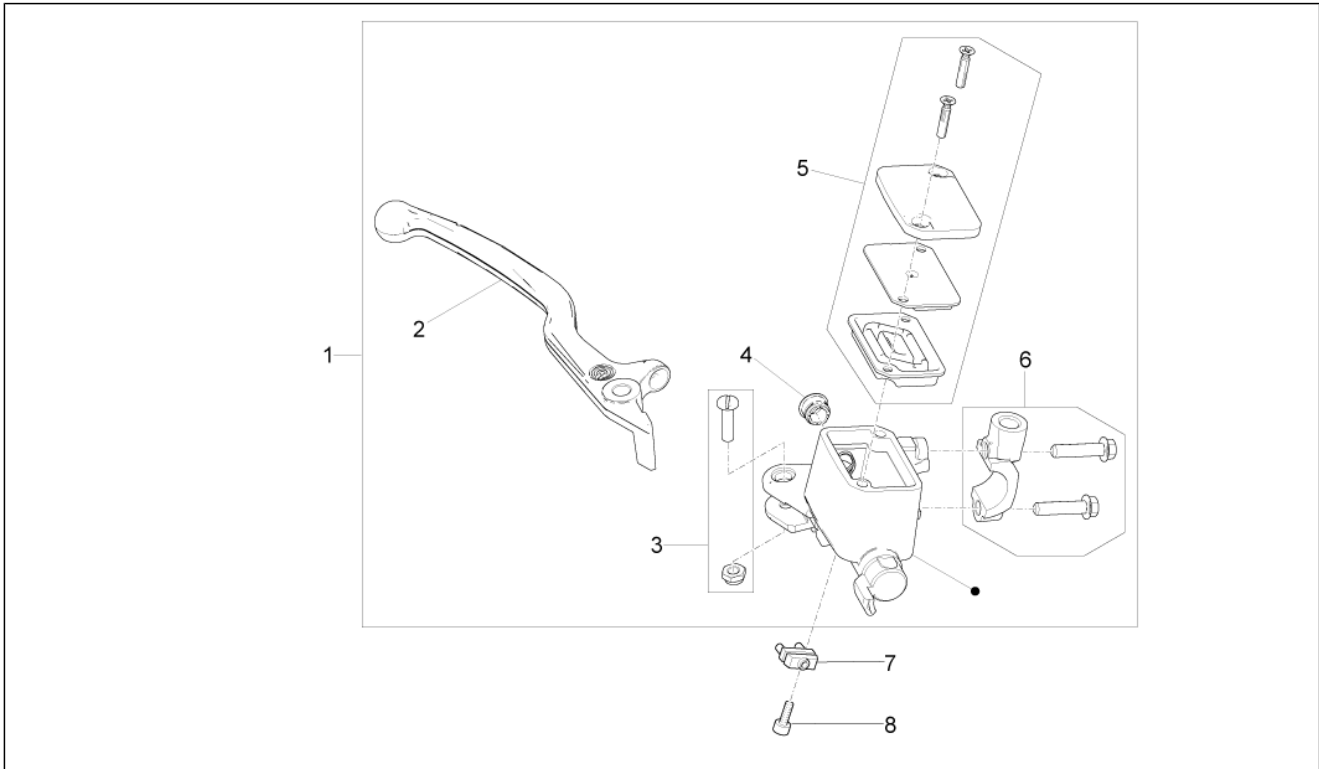
Pos.	Code	Beschreibung	Menge	Varianten
1	2B001139	Vorderradbolzen	1	
2	GU93180111	Deckel 15 mm	1	
3	GU32615660	R. Distanzscheibe	1	
4	2B002383	Vorderreifen 130/90 - 16"	1	
5	2B001762	Vorderrad 3.5X16 mit Lager	1	
6	GU90402642	Gasket ring	2	
7	GU92204221	Lager	2	
8	GU92630207	Mutter	1	
9	2B001073	Innerer Abstandhalter Vorderrad	1	
10	GU03617710	Schlauchloses Reifenventil	1	
11	GU14616150	Gegengewicht	1	
12	883688	Vorderradbremsscheibe 320	1	
13	887875	Phonic wheel	1	
14	887762	Flanschschraube TE M8x22	6	
15	GU31616384	L. Distanzscheibe	1	
16	859792	Sensor ABS	2	
17	2B001561	Kabelführung	1	
18	2B001708	Distanzscheibe	1	
19	AP8150178	Ausgleichscheibe 6,4x12,5*	1	

Einheit	Räder
Code	05.020
Beschreibung	Hinterrad
Inspektion	1



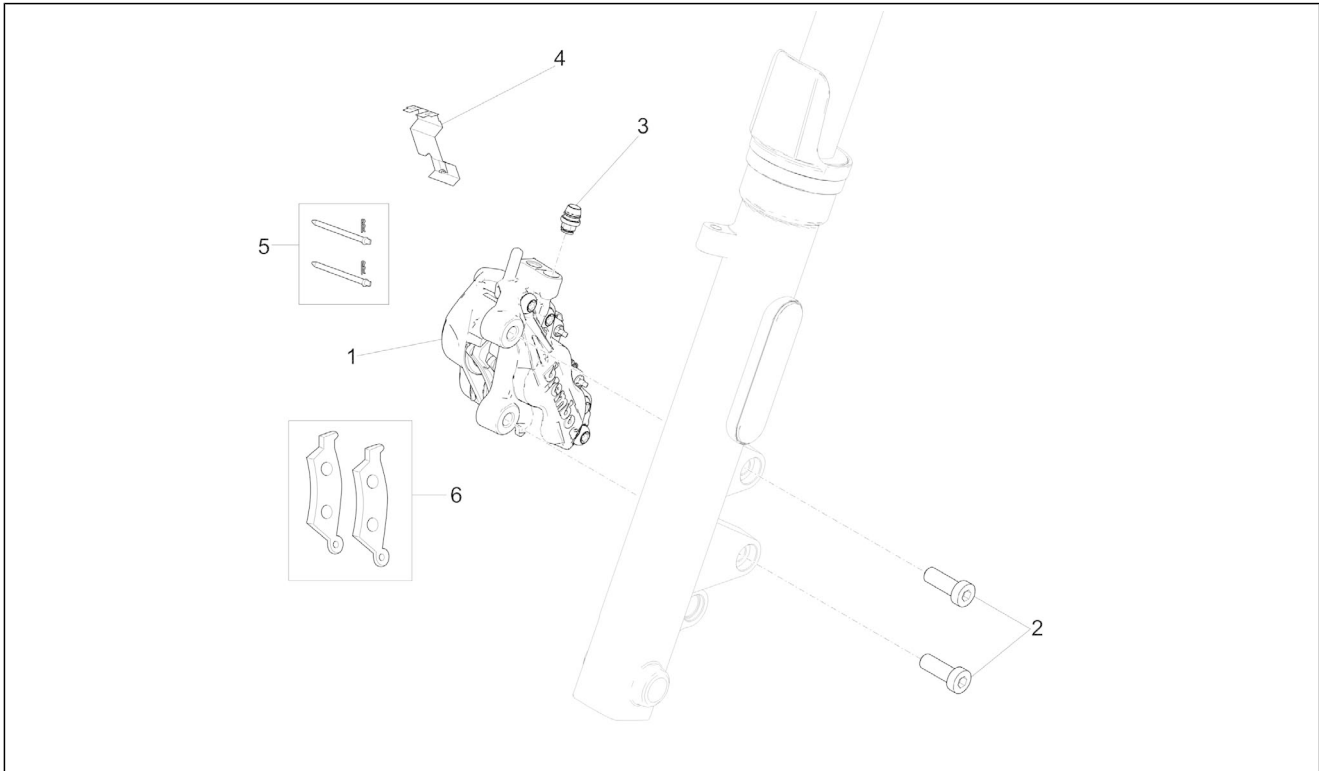
Pos.	Code	Beschreibung	Menge	Varianten
1	2B001310	Hinterradbolzen	1	
2	2B002900	Hinterer Reifen 150/80 16"	1	
3	2B001114	Hint. Felge 4X16" mit Lager	1	
4	GU92204220	Kugellager 20X47X14	2	
5	648708	Hinterradbolzen mut.	1	
6	AP8125687	U-scheibe Hint.radbolz	1	
7	2B001279	Baugruppe Distanzscheibe Hinterrad	1	
8	GU98682312	TCEI Schraube M6x12	2	
9	GU90272047	Seegerring 47X50,5	1	
10	AP8110109	Gasket ring 28X47X7	1	
11	GU03617710	Schlauchloses Reifenventil	1	
12	GU14616150	Gegengewicht	1	
13	2B001956	Hinterrad Distanzscheibe	1	
14	887448	Bremsscheibe	1	
15	2B000225	Phonic wheel	1	
16	887762	Flanschschraube TE M8x22	6	
17	859792	Sensor ABS	2	
18	2B000377	Halter Sensor ABS	1	
19	1C001499	Schraube TBEI TORX M5x16 INOX	1	
20	GU32632510	Gummikupplung	6	

Einheit	Bremsanlage
Code	06.010
Beschreibung	Vorderradbremspumpe
Inspektion	1



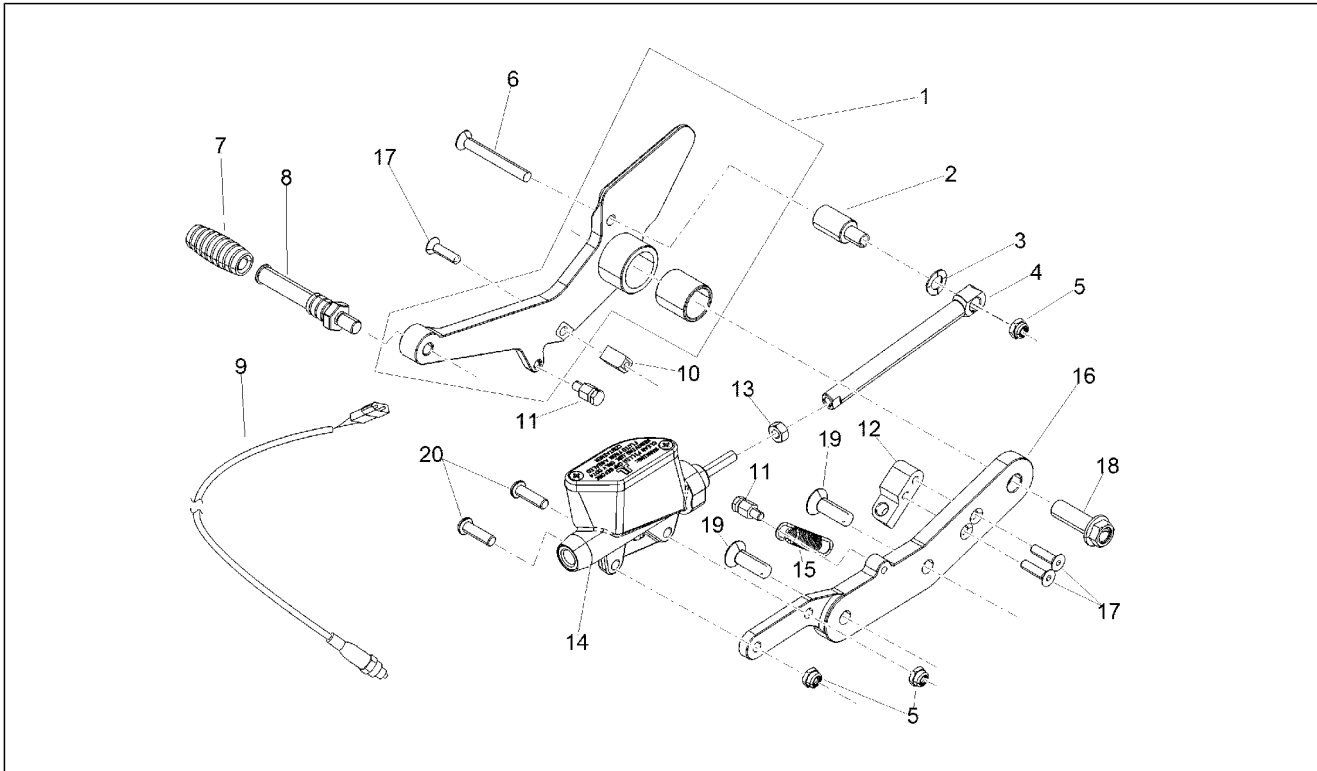
Pos.	Code	Beschreibung	Menge	Varianten
1	2B002269	Vorderradbremspumpe	1	
2	2B003041	Ersatzteil Hebel	1	
3	2B003040	Ersatzteil Hebelbolzen kpl. mit Mutter	1	
4	2B001930	Ersatzteil Schauglas vordere Bremspumpe	1	
5	2B003039	Ersatzteil Deckel kpl. mit Membran und Schrauben	1	
6	2B001929	Klemmschelle Bremsarmatur	1	
7	GU03749845	Bremslichtschalter	1	
8	AP8152043	TCEI Schraube M4x10	1	

Einheit	Bremsanlage
Code	06.020
Beschreibung	Vorderradbremzange
Inspektion	1



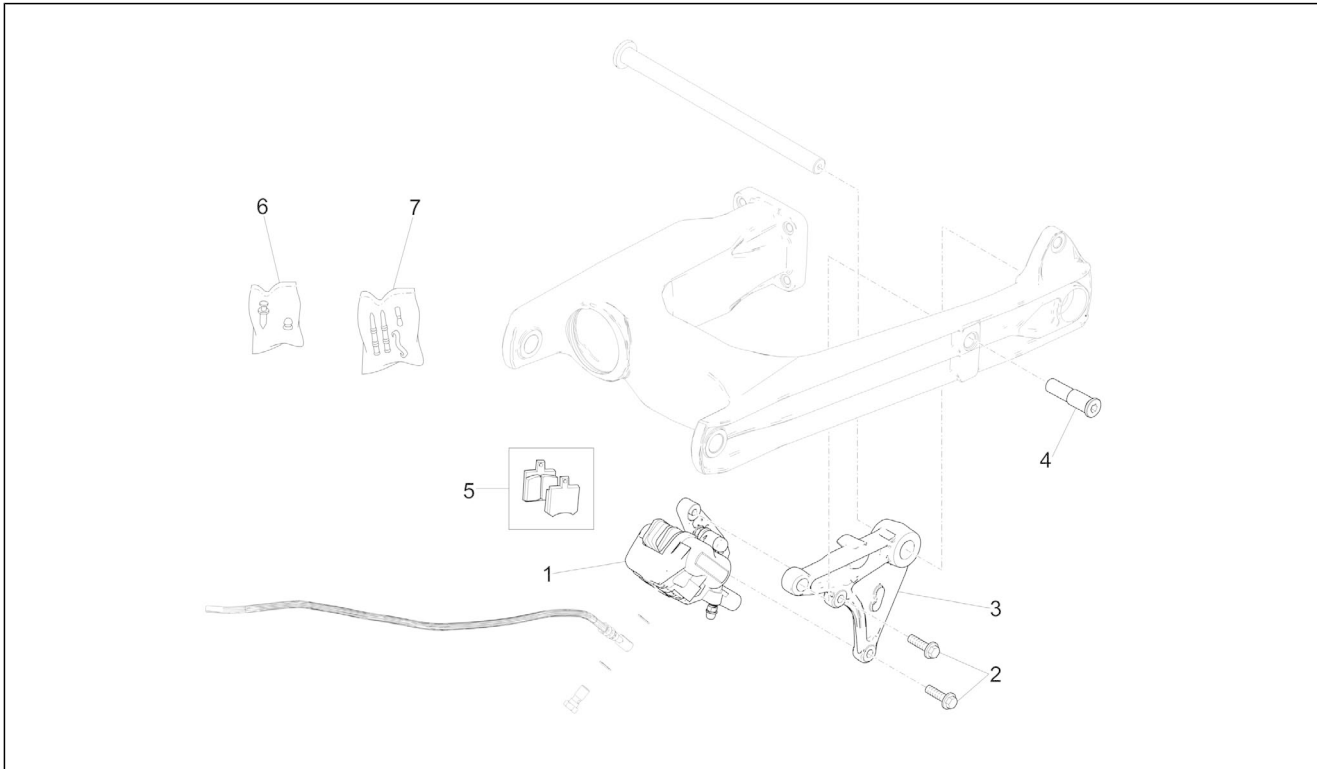
Pos.	Code	Beschreibung	Menge	Varianten
1	2B003271	Vorderradbremzange l.	1	
2	AP8152385	TCEI Schraube M10x1,25	2	
3	GU05659230	Entlüftung+Haube	1	
4	GU01659131	Feder	1	
5	GU01659130	Stifte-Federn Bremzange	1	
6	2B003313	Beläge (Paar)	1	

Einheit	Bremsanlage
Code	06.030
Beschreibung	Hinterradbremspumpe
Inspektion	1



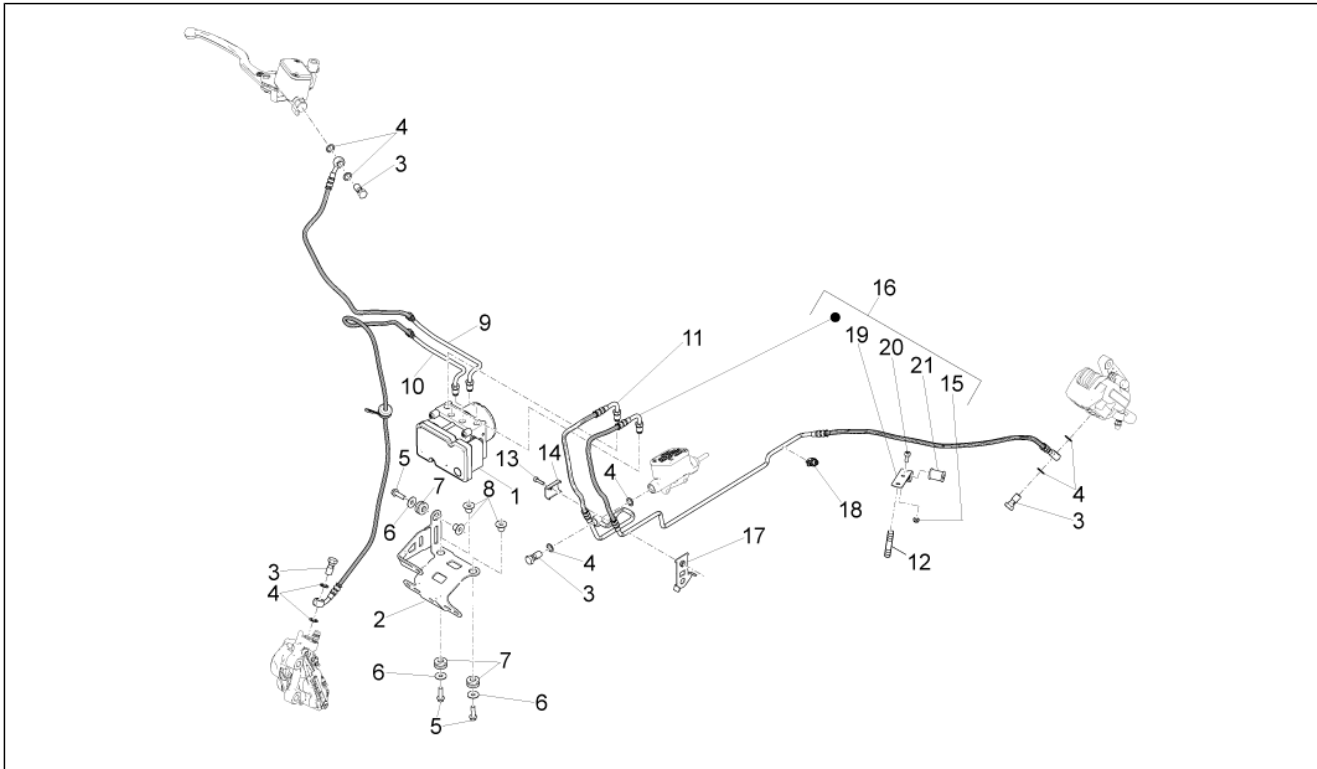
Pos.	Code	Beschreibung	Menge	Varianten
1	2B004050	Hebel Hinterradbremse komplett	1	
2	2B004107	Distanzscheibe	1	
3	658837	Gewellte Sprengscheibe D15 F8,4 S1,5 - INOX	1	
4	2B004076	Pumpenstange H. Bremse	1	
5	GU92630707	Mutter M6	3	
6	2B004111	Schraube TSPEI M6x50	1	
7	AP8120912	Gummi für Hebel	1	
8	2B004062	Gummigleitschutze	1	
9	2D0002805	Knopf stop	1	
10	2B004064	Fermacorsa pedale freno post.	1	
11	898286	Federn Fixierstift	2	
12	2B004063	Supporto interruttore stop	1	
13	GU92606206	Mutter	1	
14	2B002189	Hintere Bremspumpe mit Behälter	1	
15	AP8121927	Feder Hinterradbremsh.	1	
16	2B004042	Piastra pedana pilota dx	1	
17	658778	Schraube TSPEI M5x20	3	
18	967384	Schraube TEF M10X45	1	
19	2B004112	Schraube TSPEI IX M8X25	2	
20	GU98370625	TBEI Schraube M6x25	2	

Einheit	Bremsanlage
Code	06.040
Beschreibung	Hinterradbremzange
Inspektion	1



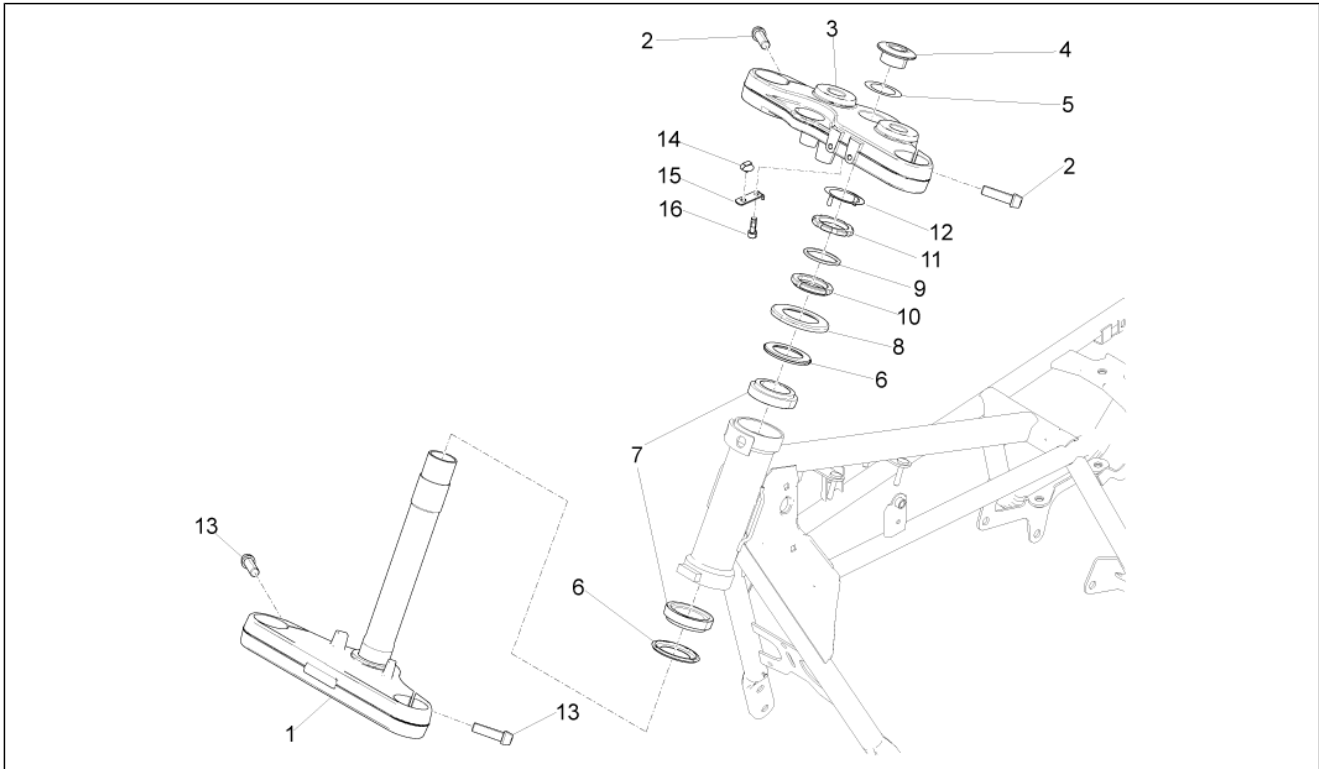
Pos.	Code	Beschreibung	Menge	Varianten
1	2B000525	Hinterradbremzange	1	
2	AP8152288	TE Schr. m. Flansch M8x30	1	
3	2B001953	Halter. H.radbremzange	1	
4	GU31544181	Bolzen	1	
5	2R000248	Paar Bremsklötze	1	
6	GU31659281	Entlüftung+Haube	1	
7	GU31659181	Stifte+Feder kit	1	

Einheit	Bremsanlage
Code	06.050
Beschreibung	Bremsanlage ABS
Inspektion	1



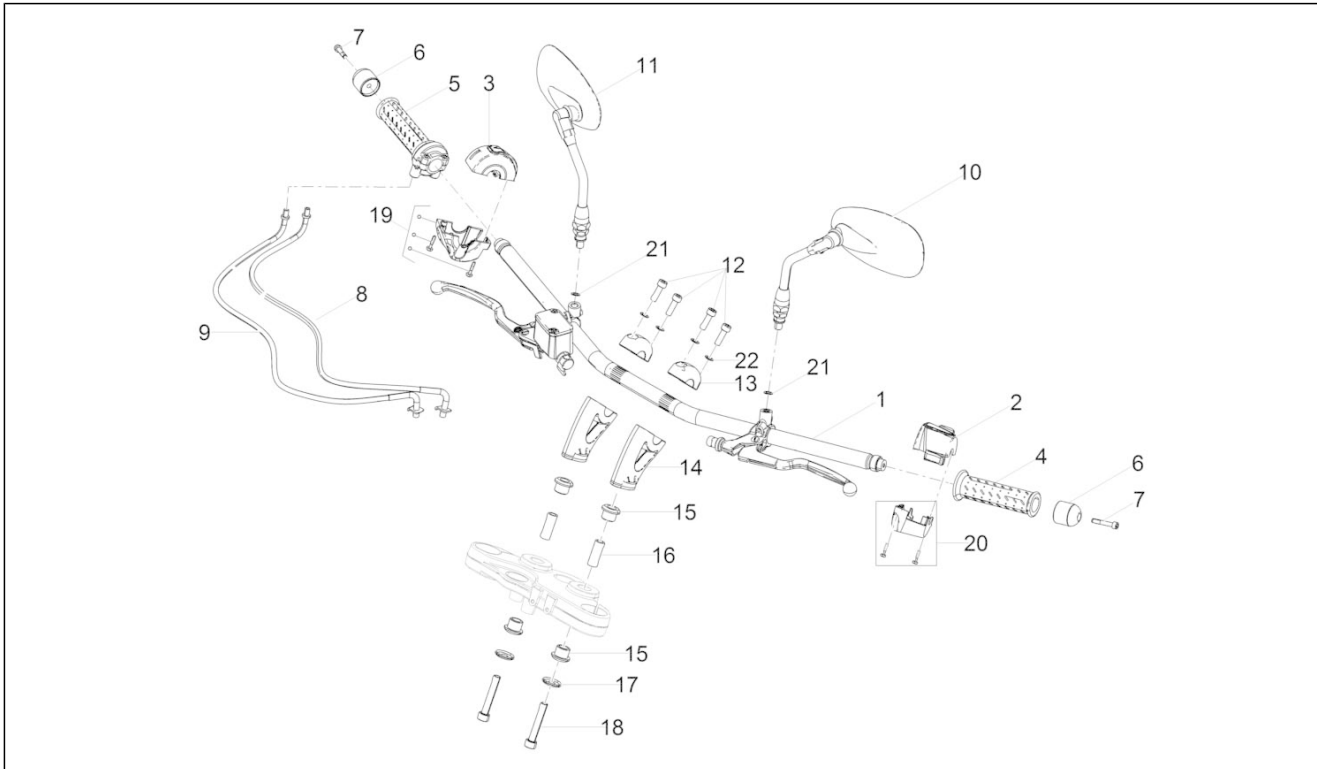
Pos.	Code	Beschreibung	Menge	Varianten
1	2D000102	ABS-Steuergerät	1	
2	2B003056	Halterbügel Steuerung	1	
3	AP8113003	Fixierschraube Ölschlauch	4	
4	AP8113004	Ausgleichscheibe 10x14x1,6*	8	
5	00H02402282	Schraube 6X20	3	
6	AP8150015	Ausgleichscheibe 6,6x18x1,6*	3	
7	AP8120030	Gummi	3	
8	AP8221023	T-Buchse	2	
9	2B002991	ABS HECU Leitung - Pumpe vorne	1	
10	2B002805	ABS HECU Leitung - Bremssattel Vorderradbremse	1	
11	2B002681	ABS HECU Leitung - Pumpe hinten	1	
12	GU96451316	Stiftschraube	1	
13	959559	TCEI Schraube M4x16	1	
14	2B001614	Fixierplatte Führungs	1	
15	AP8150451	Selbstsperr.mut Unt.	1	
16	2B002806	Leitung ABS HECU - Bremssattel hinten	1	
17	2B001564	Halteplatte Bremsschlauch	1	
18	AP8121882	Kabelführungs	1	
19	GU03658330	Schelle	1	
20	895709	TCEI Schraube M5x12	1	
21	GU03658201	Ring	1	

Einheit	Lenkstange - Schaltungen
Code	07.010
Beschreibung	Lenkung
Inspektion	1



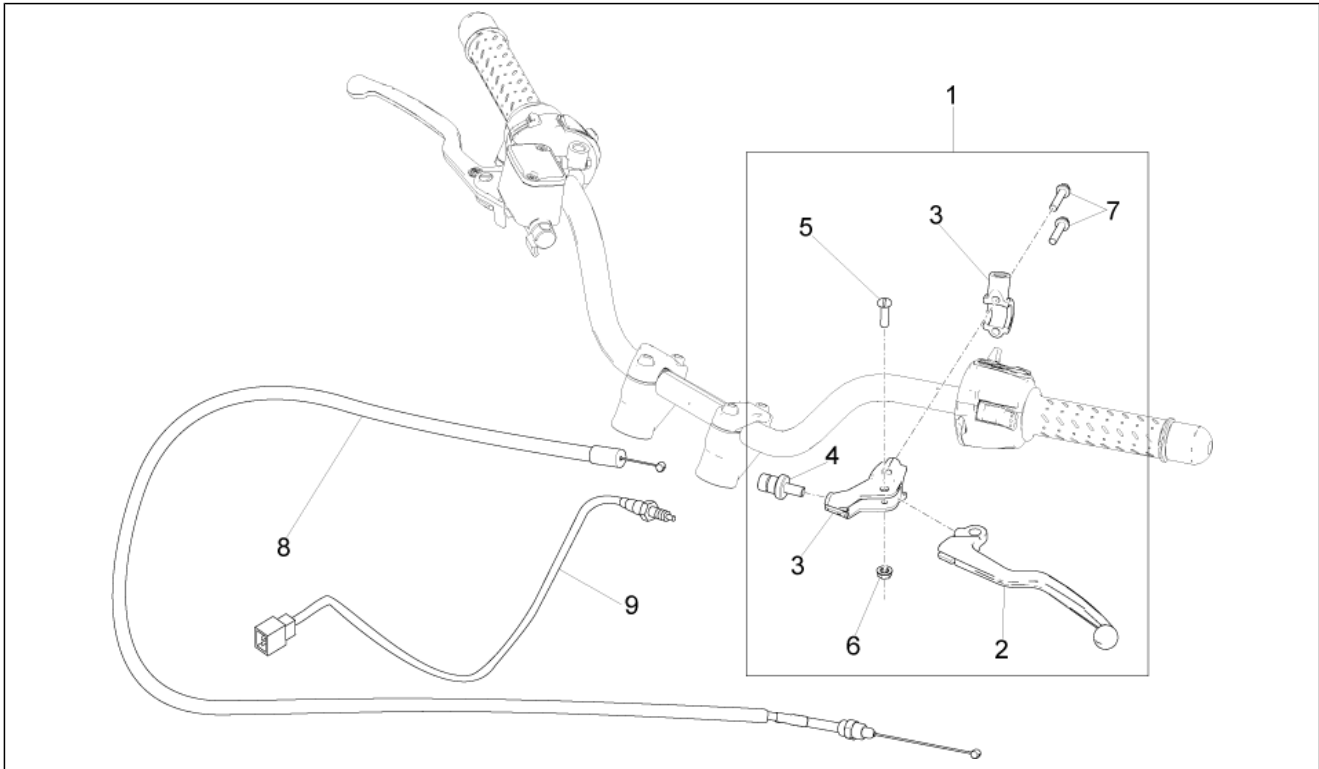
Pos.	Code	Beschreibung	Menge	Varianten
1	2B003743	Untere Gabelplatte	1	
2	AP8150543	Zylinderschraube M8x35	2	
3	2B001052	Obere Gabelplatte	1	
4	AP8121205	Fixierbuchse ob. Platte	1	
5	AP8152384	Scheibe Lenkkopf	1	
6	AP8123641	Staubschutzring	2	
7	AP8110077	Axialkugellager	2	
8	AP8123644	Staubschutzring	1	
9	887831	Gummischeibe	1	
10	AP8123642	Nutmutter	1	
11	AP8123643	Gegenmutter	1	
12	887832	Sicherheitspl. Lenkung	1	
13	AP8150540	Zylinderschraube	2	
14	890760	Halterung Instrumente	1	
15	2B003292	Platte	1	
16	GU98210616	TBEI Schraube m.Flansch M6x16 inox	1	

Einheit	Lenkstange - Schaltungen
Code	07.020
Beschreibung	Lenkstange - Schaltungen
Inspektion	1



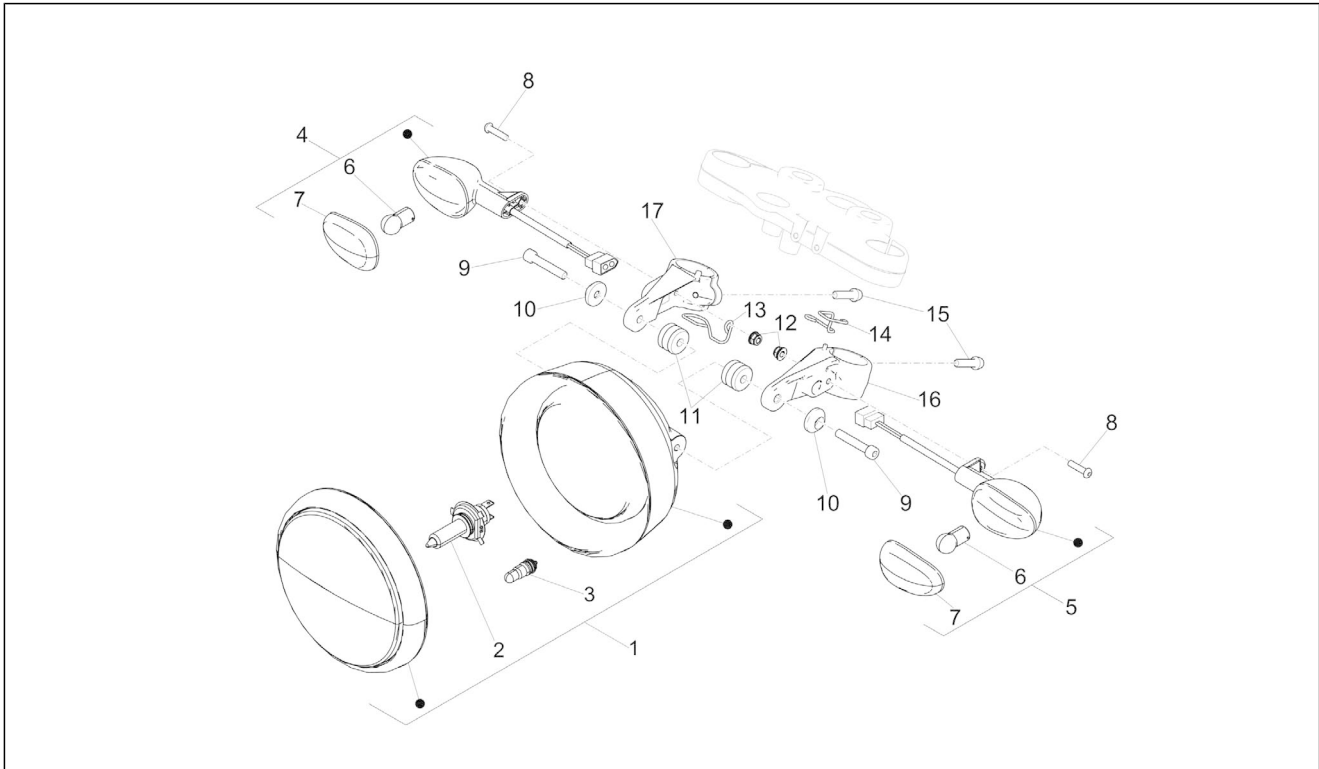
Pos.	Code	Beschreibung	Menge	Varianten
1	2B002852	Lenkstange	1	
2	2D000227	Bedienelement Lenker links	1	
3	2D000226	Bedienelement Lenker rechts	1	
4	AP8118579	Links griff	1	
5	2B002364	Rechts griff	1	
6	AP8104509	Schwingschutzgewicht schwarz	2	
7	2B002195	Schraube TCEI IX M6X35 vorimprägniert	2	
8	2B002844	Verschuß Gaszugkabel	1	
9	2B002843	Öffnungswinkel Gaszugkabel	1	
10	2B001049	Rückspiegel links	1	
11	2B001048	Rückspiegel rechts	1	
12	AP8150540	Zylinderschraube	4	
13	2B002091	Obere Klemme Lenker	2	
14	2B002090	Untere Klemme Lenker	2	
15	AP8144222	Gummi	4	
16	854827	Distanzscheibe 10,1x14,1x38	2	
17	2B002875	Becher	2	
18	AP8150049	Schraube M10x60	2	
19	2D000163	Untere Schale DX	1	
20	2D000218	Untere Schale SX	1	
21	GU91181003	Distanzscheibe 10,25X20X4	2	
22	GU14615901	Ausgleichscheibe 8,4X13X0,8	4	

Einheit	Lenkstange - Schaltungen
Code	07.030
Beschreibung	Kupplungssteuerung
Inspektion	1



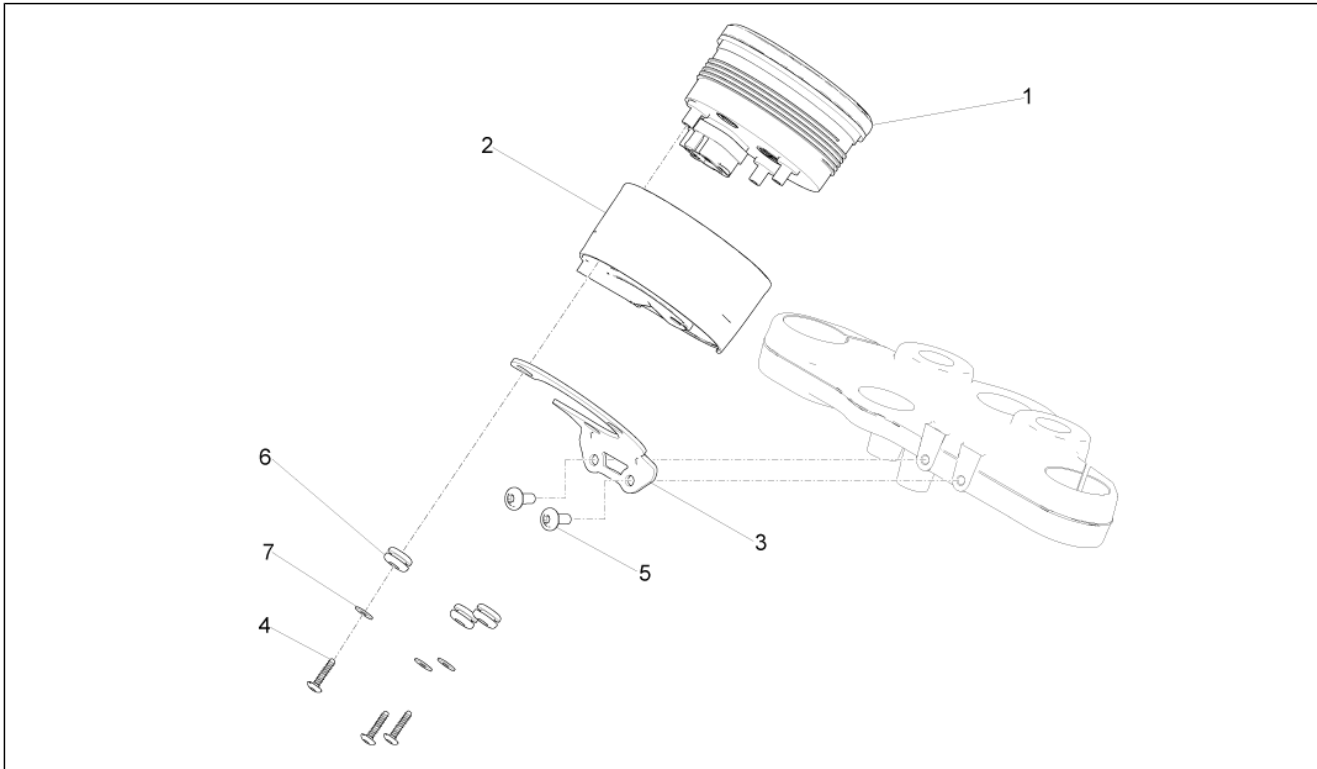
Pos.	Code	Beschreibung	Menge	Varianten
1	2B002391	Gruppe Kupplungshebel	1	
2	2B002390	Hebel Kupplungssteuer.	1	
3	GU30601060	Feder	1	
4	GU30602500	Einstellschraube	1	
5	AP8213028	Schraube	1	
6	AP8213388	Selbstsperrende Mutter	1	
7	GU97202325	TE Schr. m. Flansch schw. M6x25	2	
8	2B002842	Kupplungskabel	1	
9	2D0002885	Kupplungsschalter	1	

Einheit	Vorderer Lichter - Instrumente
Code	08.010
Beschreibung	Vorderer Lichter
Inspektion	1



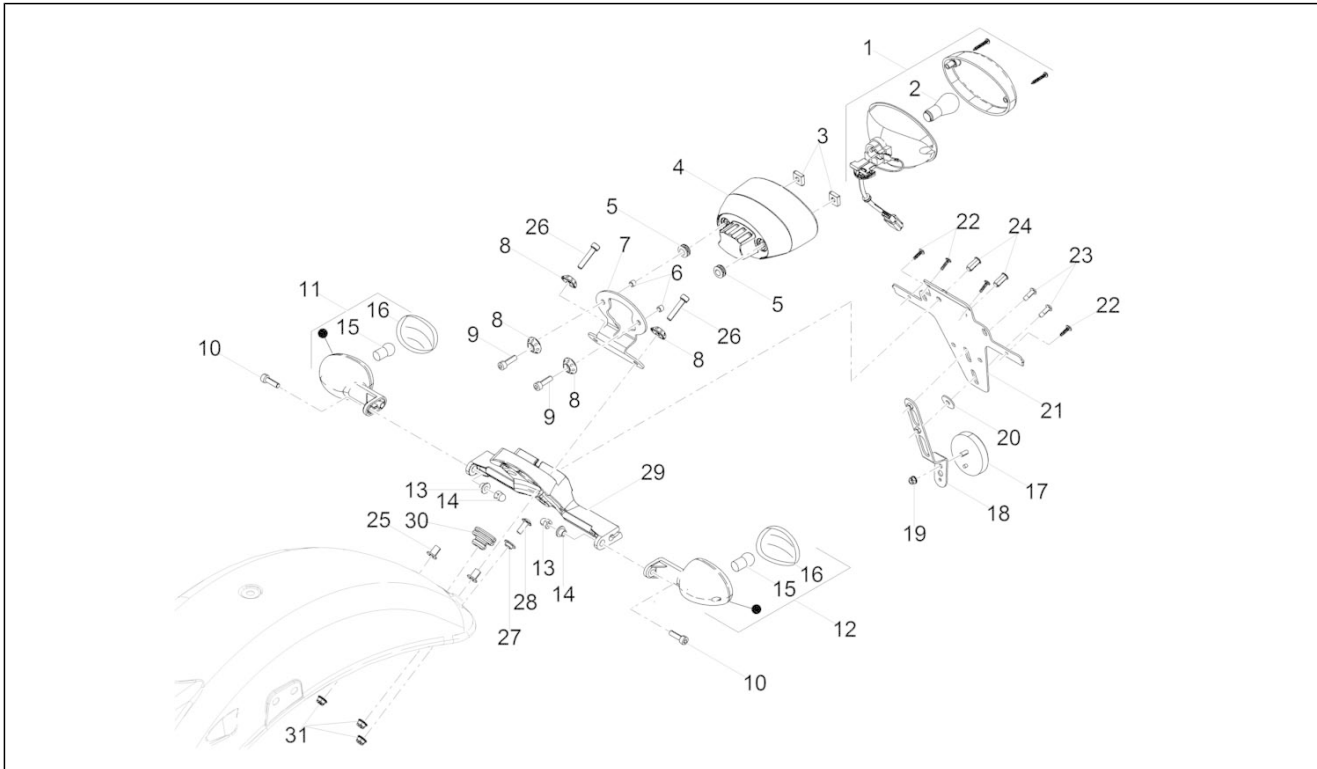
Pos.	Code	Beschreibung	Menge	Varianten
1	2D000225	Scheinwerfer	1	
2	292723	Lampen H4 12V-60/55W	1	
3	292022	Lampen 12V-5W	1	
4	2D000261	Blinker vorne RE	1	
5	2D000262	Blinker vorne LI	1	
6	584332	Lampen 12V-10W	2	
7	639338	Blinkerglas	2	
8	GU98612320	TCEI Schraube M6x20	2	
9	GU98690445	Schraube M8x45	2	
10	AP8121199	Buchse	2	
11	2B002011	Abstandhalter Frontscheinwerfer	2	
12	AP8152299	Selbstsperrende Mutter M6	2	
13	2B003164	Kabelführung	1	
14	2B003165	Kabelführung	1	
15	AP8150053	TCEI Schraube M6x25	2	
16	2B001231	Linke Halterung Frontscheinwerfer	1	
17	2B001182	Rechte Halterung Frontscheinwerfer	1	

Einheit	Vorderer Lichter - Instrumente
Code	08.020
Beschreibung	Instrumente
Inspektion	1



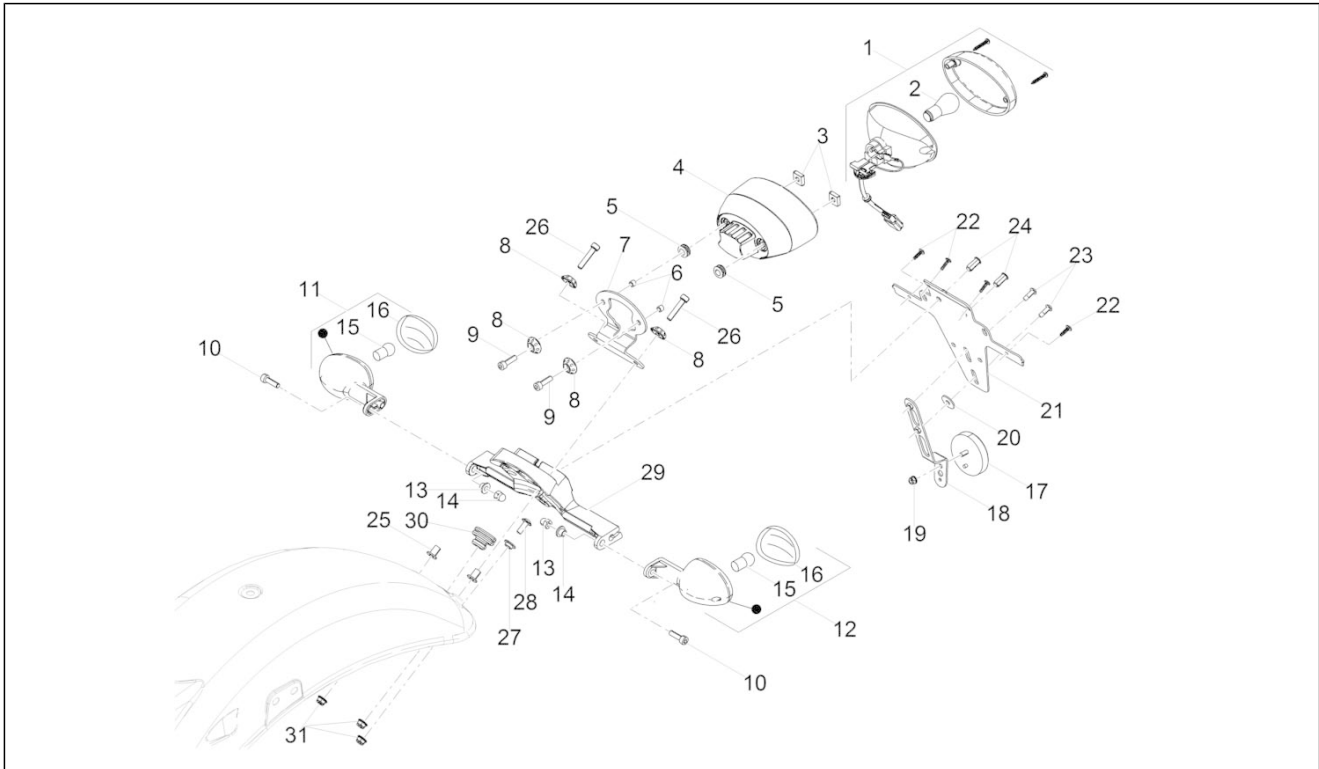
Pos.	Code	Beschreibung	Menge	Varianten
1	2D000099	Instrumententafel	1	
2	2B001223	Abdeckung Armaturenbrett	1	
3	2B001154	Instrumentenhalterung	1	
4	CM178609	Gew.schr.	3	
5	GU98210610	Schraube	2	
6	2B003367	Kabelführung	3	
7	013763	Flachscheibe 4,2x12x1	3	

Einheit	Vorderer Lichter - Instrumente
Code	08.030
Beschreibung	Hinterer Lichter
Inspektion	1



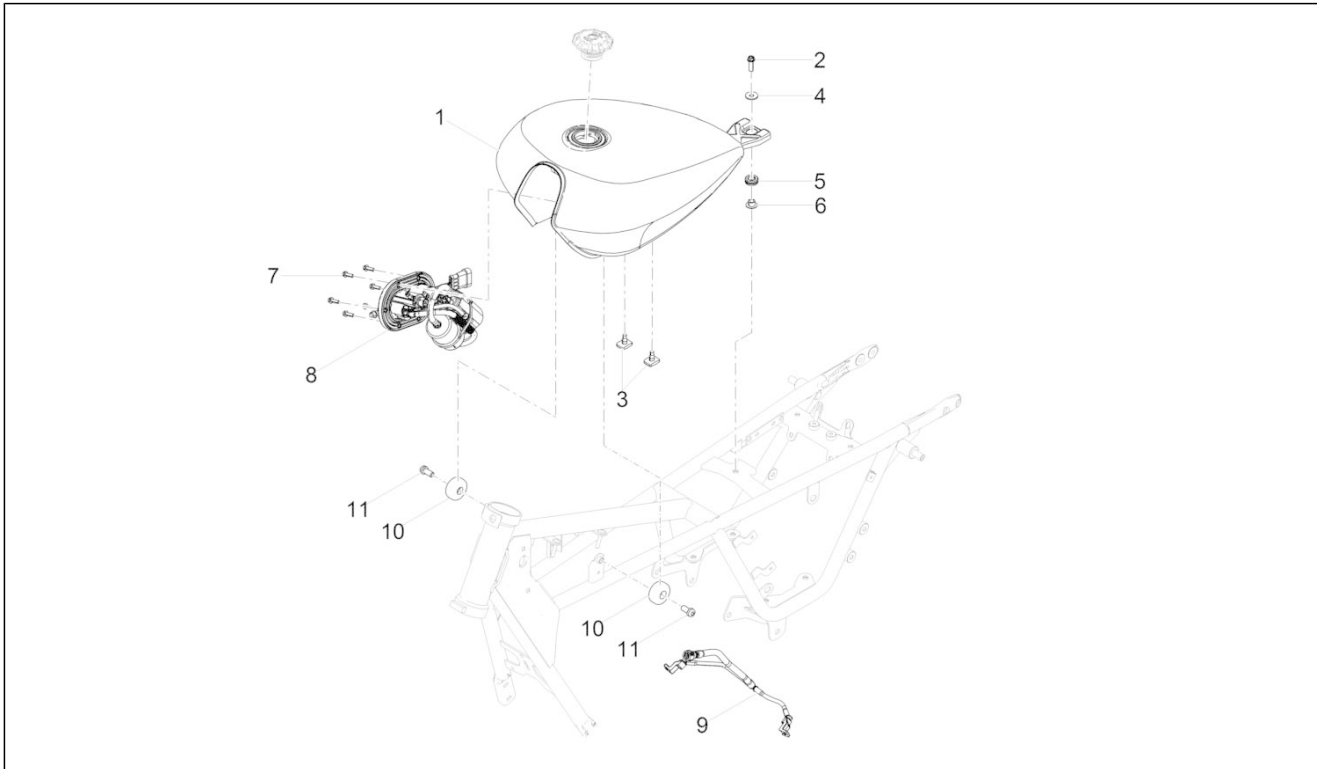
Pos.	Code	Beschreibung	Menge	Varianten
1	2B002365	Rücklicht	1	
2	GU93450224	Lampen	1	
3	2B002443	Vierkantmutter M6	1	
4	2B002483	Halteschale Scheinwerfer hinten	2	
5	AP8220186	Gummi	2	
6	AP8120278	Distanzscheibe	2	
7	2B002484	Rücklichthalterung	1	
8	AP8150536	Spezial-U-scheibe	4	
9	AP8150053	TCEI Schraube M6x25	2	
10	GU98612320	TCEI Schraube M6x20	2	
11	2D000255	Hinterer Blinker Re	1	
12	2D000256	Hinterer Blinker Li	1	
13	479175	Hutmutter	2	
14	840509	Distanzscheibe	2	
15	584332	Lampen 12V-10W	2	
16	639338	Blinkerglas	2	
17	AP8224164	Rückstrahler Rücklicht, rot	1	
18	AP8134448	Rückstrahler-Fixierung	1	
19	AP8152306	Selbstsperrende Mutter M5	1	
20	GU95005310	Ausgleichscheibe 8,4x18x2	1	
21	2B002541	Abschluss Nummernschildhalter	1	
22	AP8150413	Gew.schr. 3,9x14	4	
23	B016796	Linsenkopfschraube Torx	2	
24	AP8201755	Geschnitten Kunststoffniet	2	
25	AP8121725	T-Buchse *	2	
26	GU98682330	TCEI Schraube M6x20	2	
27	AP9100053	Buchse d.10-h.3,5	1	
28	GU98210616	TBEI Schraube m.Flansch M6x16 inox	1	

Einheit	Vorderer Lichter - Instrumente
Code	08.030
Beschreibung	Hinterer Lichter
Inspektion	1



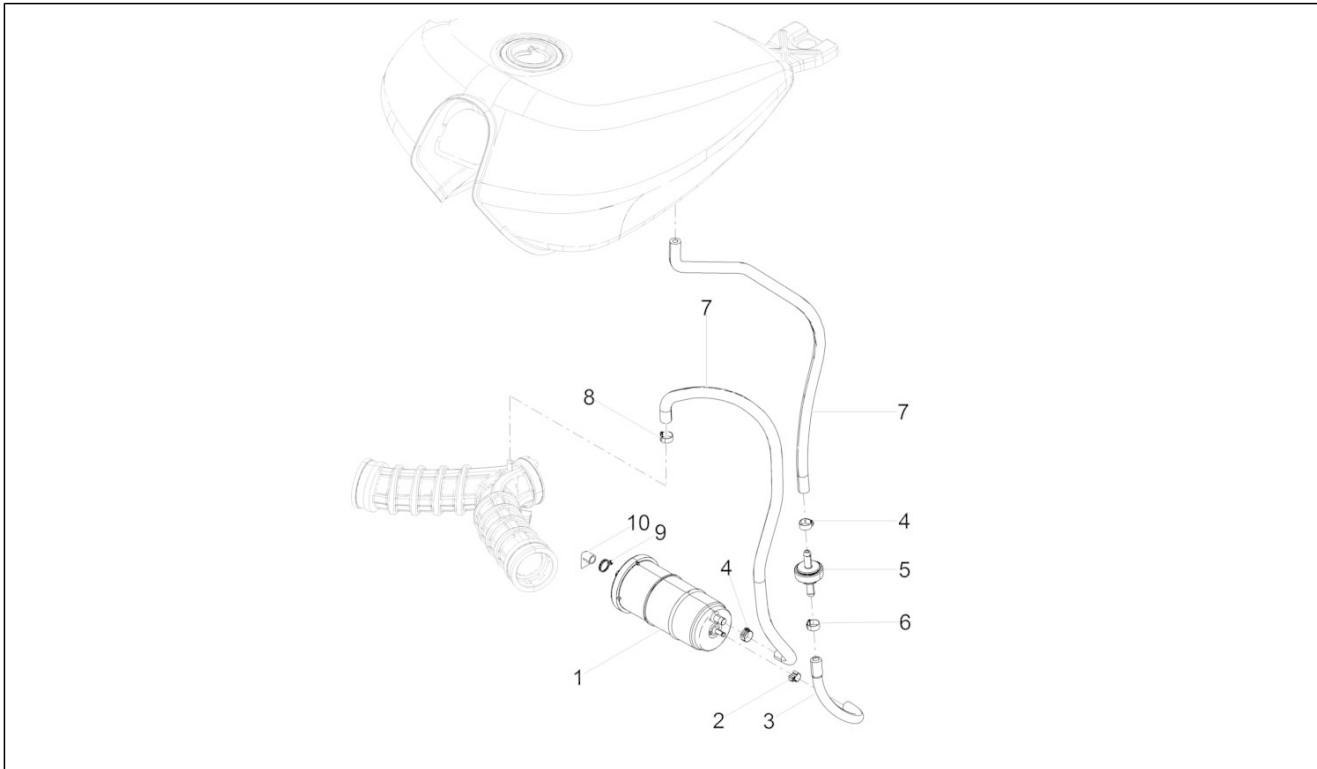
Pos.	Code	Beschreibung	Menge	Varianten
29	2B002615	Blinkerhalterung	1	
30	070286	Kabelführung	1	
31	AP8152299	Selbstsperrende Mutter M6	3	

Einheit	Tank
Code	09.010
Beschreibung	Kraftstofftank
Inspektion	1



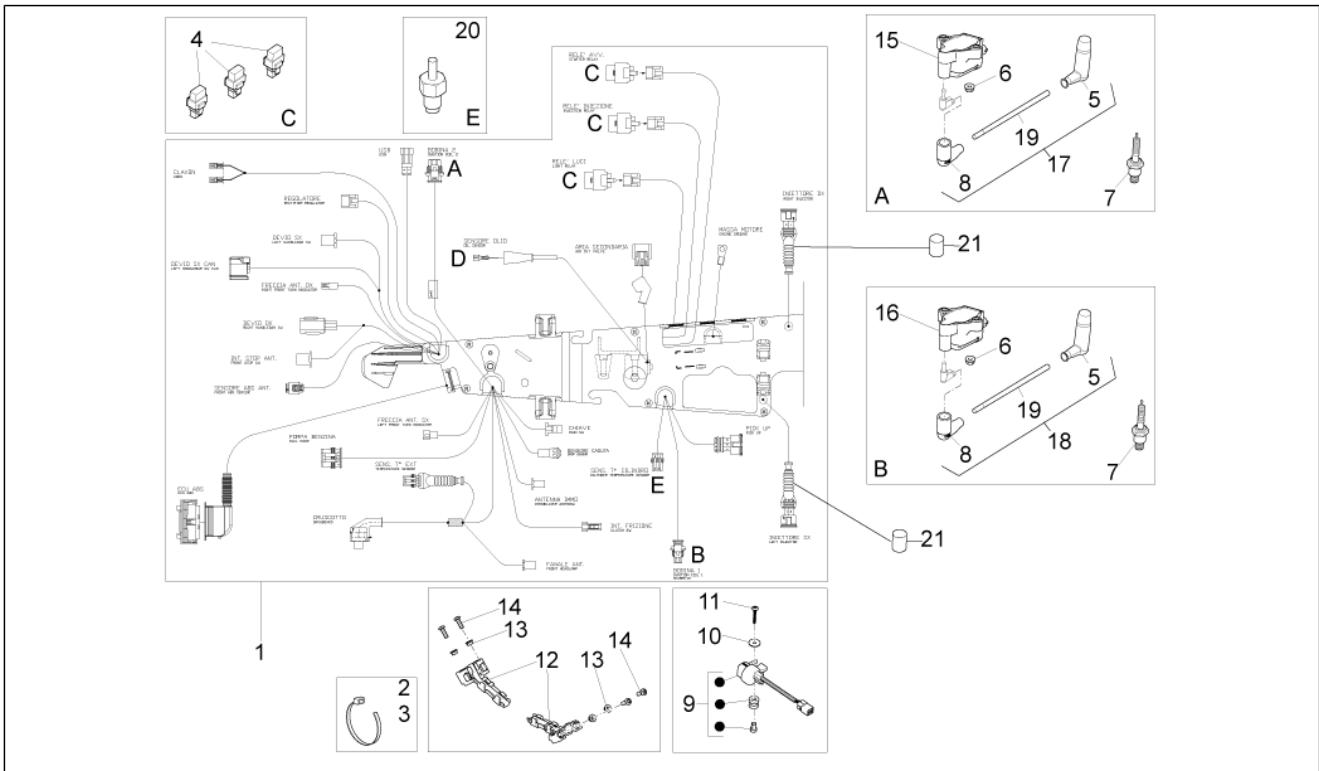
Pos.	Code	Beschreibung	Menge	Varianten
1	2H001446500XR7	Kraftstofftank, rot	1	
1	2B001629	Kraftstofftank	1	
1	2H001249500YG3	Tankabdeckung, gelb	1	
1	2H001401500Q4	Kraftstoffbehälter weiss	1	
2	AP8152288	TE Schr. m. Flansch M8x30	2	
3	AP8120455	Gummi	2	
4	AP8150018	Ausgleichscheibe	1	
5	GU91551131	Gummi	1	
6	2B002944	T-Buchse	1	
7	AP8152273	Flanschschraube M5x15	6	
8	1D001450	Kraftstoffpumpe	1	
9	2B002486	Kraftstoffleitungen	1	
10	GU66103415	Gummi	2	
11	GU98682416	TCEI Schraube M8x16	1	

Einheit	Tank
Code	09.020
Beschreibung	Benzindampfrückf.-Anlage
Inspektion	1



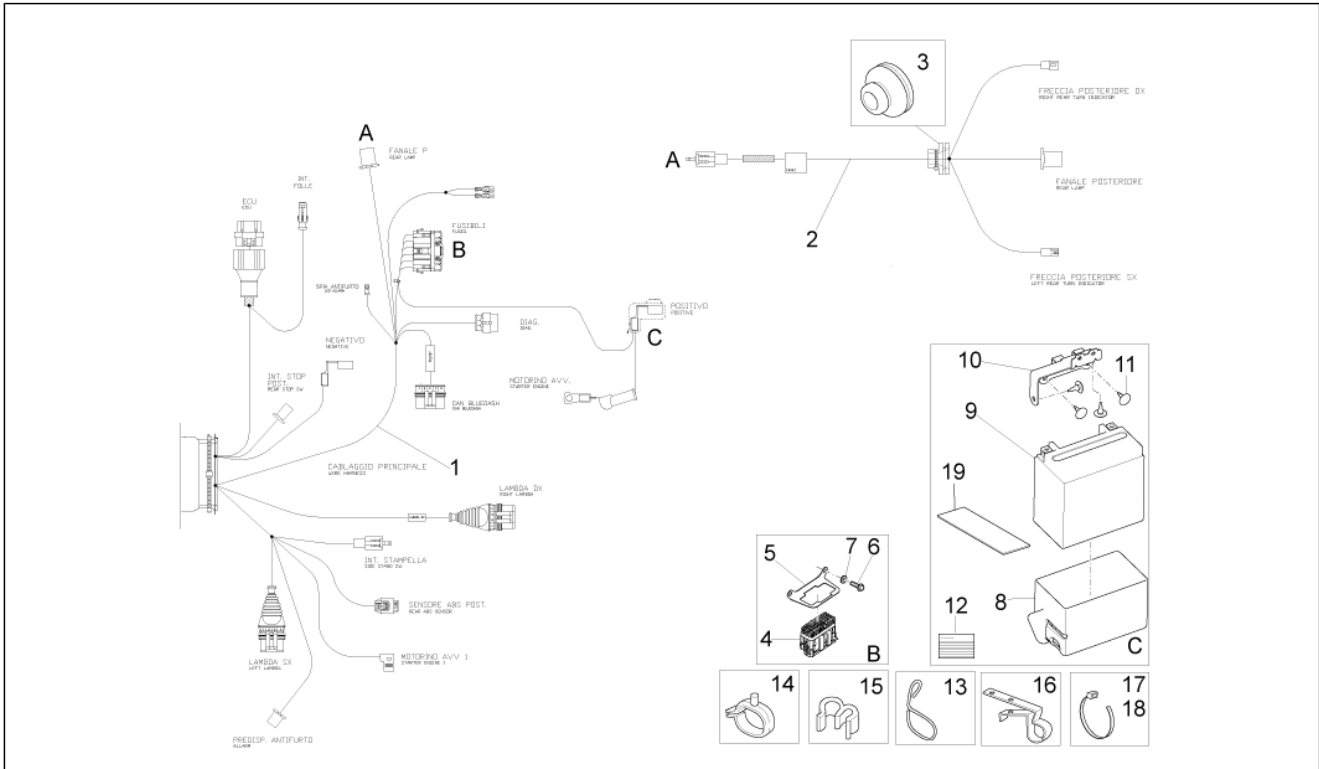
Pos.	Code	Beschreibung	Menge	Varianten
1	2B002632	Kohlefilter	1	
2	AP8102738	Schlauchschelle	1	
3	2B003042	Leitung SAE 30 R12A-3/16	1	
4	AP8102239	Schelle 12,5x8	2	
5	CM179008	Sicherheitsventil	1	
6	AP8102159	Schelle	1	
7	856063	Leitung SAE 30 d.12,7x6,35	2	
8	GU93304360	Schelle 7,6x380	1	
9	AP8102520	Schlauchschelle	1	
10	AP8127601	Lüftungsröhrchen	1	

Einheit	Elektrische Anlage
Code	11.020
Beschreibung	Mitt. elektrische Anlage
Inspektion	1



Pos.	Code	Beschreibung	Menge	Varianten
1	2D000209	Kabelast	1	
2	GU49609601	Schelle 2,4x92	1	
3	GU14609650	Schelle 3,6x20,6	24	
4	AP8224462	Zündrelais 12V-30A	3	
5	1A005382	Zündkerzenstecker	2	
6	AP8152299	Selbstsperrende Mutter M6	4	
7	887481	Zündkerze NGK CPR8EB-9	2	
8	641040	Isolierhaube	2	
9	680212	Kippsensor	1	
10	GU95005304	Ausgleichscheibe 5,2x18x1,5	1	
11	478533	Gew.schr.	1	
12	2B002901	Halterung Zündkerzenkabel	2	
13	2B003052	T-Buchse	4	
14	1A003444	Linsenschraube	4	
15	641901	Zuendtransform.cpl.	1	
16	642034	Zuendtransform.cpl. DX	1	
17	CM277101	Zuendkabel (450 mm)	1	
18	CM277102	Zuendkabel (580 mm)	1	
19	080341	Kabel Zündspulensockel	1	
20	887421	Temperaturfühler	1	
21	2D000355	Cappuccio termorestringente	1	

Einheit	Elektrische Anlage
Code	11.030
Beschreibung	Hint.Elektrische Anlage
Inspektion	1



Pos.	Code	Beschreibung	Menge	Varianten
1	2D000209	Kabelast	1	
2	2D000245	Gruppe Kabel Rücklicht	1	
3	070286	Kabelführung	1	
4	584211	Sicherungskasten	1	
5	883161	Hltr. Sicherungsblock	1	
6	GU98682212	TCEI Schraube M5x12	2	
7	GU95100059	Ausgleichscheibe 5,25x14x1,5	2	
8	2B002781	Batterieabdeckung	1	
9	638733	Batterie Yuasa YTX14-BS 12V-12Ah (150x87x145)	1	
10	B063233	Batteriehalterung	1	
11	AP8120001	Gummi	4	
12	GU32517710	Deko "Battery service"	1	
13	AP8181140	Kabelführung	1	
14	CM013202	Rückhaltefeder Leitungen/Kabel	1	
15	894704	Kabelführung	9	
16	B043850	Schelle	1	
17	GU14609650	Schelle 3,6x20,6	24	
18	GU49609601	Schelle 2,4x92	1	
19	AP8144552	seit. Gummiaufkl. Batterie	1	


MOTO GUZZI®

ERSATZTEILKATALOG



V9 Bobber 2016 (EMEA)

Vorsatzcode Fahrgestell: ZGULHA00

Vorsatzcode Motor:

Inhaltsverzeichnis

Fertige Produkte.....	4
Alphanumerisches Verzeichnis.....	5
Rahmen.....	10
Tafel 01.010 - Rahmen.....	10
Tafel 01.020 - Fussrasten.....	11
Tafel 01.030 - Hauptständer.....	12
Tafel 01.040 - Schutz.....	13
Tafel 01.050 - Schwinge.....	14
Aufbau.....	15
Tafel 02.030 - Vorderes Schutzblech-Stütze.....	15
Tafel 02.100 - Mittlerer Aufbau.....	16
Tafel 02.120 - Sitz.....	17
Tafel 02.150 - Hinteres schutzblech.....	18
Tafel 02.170 - Schlösser.....	19
Tafel 02.190 - Deko.....	20
Motor.....	21
Tafel 03.010 - Motor-Fertigstellung.....	21
Tafel 03.020 - Schalthebel.....	22
Tafel 03.030 - Gehäuse I.....	24
Tafel 03.050 - Filtergehäuse.....	25
Tafel 03.060 - Klappenkörper.....	26
Tafel 03.090 - Kopfdeckel.....	27
Tafel 03.100 - Zylinderkopf - ventile.....	28
Tafel 03.120 - Steuer.....	29
Tafel 03.150 - Zylinder - Kolben.....	30
Tafel 03.160 - Kurbelwelle.....	31
Tafel 03.170 - Schaltgetriebe / Schaltgabel / Desmodrom.....	32
Tafel 03.180 - Schaltgetriebe - Zahnräder.....	34
Tafel 03.190 - Schmierung.....	36
Tafel 03.196 - Anlage Blow-by.....	38
Tafel 03.230 - Kupplung.....	39
Tafel 03.270 - Zuenderdeckel.....	41
Tafel 03.290 - Zündung / Elektrischer Anfang.....	42
Tafel 03.300 - Schwungmagnetstarter / Zündung.....	43
Tafel 03.320 - Secondary air.....	44
Tafel 03.330 - Auspuffrohr.....	45
Tafel 03.340 - Getriebe kpl.....	46
Tafel 03.350 - Getriebedeckel.....	47
Radaufhängungen.....	49
Tafel 04.060 - Vorderradgabel Kaifa.....	49
Tafel 04.080 - Stoßdämpfer.....	50
Räder.....	51
Tafel 05.010 - Vorderrad.....	51

Tafel 05.020 - Hinterrad.....	52
Bremsanlage	53
Tafel 06.010 - Vorderradbremspumpe.....	53
Tafel 06.020 - Vorderradbremzange.....	54
Tafel 06.030 - Hinterradbremspumpe.....	55
Tafel 06.040 - Hinterradbremzange.....	57
Tafel 06.050 - Bremsanlage ABS.....	58
Lenkstange - Schaltungen.....	59
Tafel 07.010 - Lenkung.....	59
Tafel 07.020 - Lenkstange - Schaltungen.....	60
Tafel 07.030 - Kupplungssteuerung.....	61
Vorderer lichter - Instrumente.....	62
Tafel 08.010 - Vorderer lichter.....	62
Tafel 08.020 - Instrumente.....	63
Tafel 08.030 - Hinterer lichter.....	64
Tank.....	66
Tafel 09.010 - Kraftstofftank.....	66
Tafel 09.020 - Benzindampfdruckf.-Anlage.....	67
Elektrische Anlage.....	68
Tafel 11.010 - Vorder Elektrische Anlage.....	68
Tafel 11.020 - Mitt. elektrische Anlage.....	69
Tafel 11.030 - Hint.Elektrische Anlage.....	70

Fertige Produkte

Code	Gültigkeit
GU9032251EUG01	
GU9032251EUG02	
GU9032251EUG99	
GU9032251GBG01	
GU9032251GBG02	
GU9032251GBG99	

Code	Nr. der Tafel	Pos.	Code	Nr. der Tafel	Pos.	Code	Nr. der Tafel	Pos.
	08.010	15	1A0066355	03.010	1	2A000467	03.170	15
006630	03.270	8	1A0066655	03.030	8	2A000496	03.120	4
00H02402282	06.050	5	1A0066656	03.030	7	2A000521	03.120	9
013763	03.190	14	1A0066659	03.100	12	2A000527	03.120	27
013763	08.020	7	1A0066680G	03.160	3	2A000528	03.120	8
070286	08.030	30	1A0066680N	03.160	3	2A000565	03.090	1
070286	11.030	3	1A0066680V	03.160	3	2A000579	03.120	5
080341	11.020	19	1A0066690G	03.160	8	2A000591	03.170	37
122675	11.010	12	1A0066690N	03.160	8	2A000597	03.320	3
1A000360	03.180	7	1A0066690V	03.160	8	2A000608	03.060	8
1A000365	03.180	16	1A006671AA	03.160	7	2A000609	03.060	3
1A000366	03.180	22	1A006671BB	03.160	7	2A000612	03.060	7
1A000367	03.180	27	1A006716	03.090	4	2A000620	03.090	6
1A000368	03.180	28	1A006860	03.030	19	2A000627	03.180	13
1A000369	03.180	29	1A006861	03.120	16	2A000629	03.180	30
1A000370	03.180	25	1A0068695	03.100	10	2A000631	03.230	21
1A000436	03.180	10	1A0068705	03.100	11	2A000633	03.190	5
1A000566	03.180	4	1A0068960B	03.160	2	2A000638	03.230	30
1A002604	03.180	24	1A0068960G	03.160	2	2A000659	03.090	2
1A002604	03.180	9	1A0068960R	03.160	2	2A000724	03.230	4
1A003444	11.020	14	1A006963	03.060	12	2A000727	03.180	5
1A003452	03.100	5	1A007008	03.190	22	2A000741	03.230	31
1A004442	03.190	15	1A007070	03.150	2	2A0007425	03.170	19
1A004530	03.030	10	1A007111	03.150	9	2A0007505	03.170	6
1A004549	03.190	11	1A008576	03.120	25	2A000767	03.230	23
1A004550	03.030	1	1C001499	01.030	8	2A000770	03.230	28
1A004660	03.100	1	1C001499	05.020	19	2A000774	03.230	6
1A004661	03.100	1	1D001393	03.060	2	2A000792	03.230	7
1A004662	03.100	1	1D001450	09.010	8	2B000221	11.010	3
1A004750	03.100	8	1D001549	11.010	7	2B000225	05.020	15
1A004751	03.100	4	224566	03.170	44	2B000377	05.020	18
1A004752	03.100	6	224566	03.350	8	2B000404	03.350	2
1A004903	03.120	13	237553	03.190	12	2B000525	06.040	1
1A004905	03.120	12	248419	01.040	12	2B001009	03.020	15
1A004907	03.120	14	254485	03.330	19	2B001035	01.010	17
1A004953	03.150	8	254485	11.010	5	2B001048	07.020	11
1A004954	03.150	7	285536	03.170	3	2B001049	07.020	10
1A004955	03.150	6	292022	08.010	3	2B001052	07.010	3
1A004956	03.150	5	292723	08.010	2	2B001055	01.010	1
1A005199	03.190	3	2A000097	03.170	41	2B001073	05.010	9
1A005211	03.030	2	2A000115	03.300	5	2B001083	03.330	6
1A005257	03.190	13	2A000129	03.300	4	2B001084	03.330	5
1A0052625	03.030	21	2A000203	03.180	20	2B001088	01.030	5
1A005325AA	03.160	6	2A000216	03.230	8	2B0010995	03.330	1
1A005325BB	03.160	6	2A000219	03.170	12	2B0011005	03.330	2
1A005382	11.020	5	2A000222	03.170	38	2B001114	05.020	3
1A005424	03.100	2	2A000224	03.170	20	2B001139	05.010	1
1A005425	03.100	9	2A000225	03.170	23	2B001141	02.030	1
1A005712	03.120	1	2A000226	03.170	21	2B001147	02.030	2
1A0057145	03.120	24	2A000227	03.170	22	2B0011535	03.340	1
1A005951	03.120	7	2A000241	03.170	27	2B001154	08.020	3
1A005955	03.120	19	2A000241	03.170	28	2B001182	08.010	17
1A006047	03.030	4	2A000241	03.180	32	2B001223	08.020	2
1A006053	03.190	27	2A000306	03.170	27	2B001231	08.010	16
1A006055	03.190	25	2A000339	03.090	3	2B001279	05.020	7
1A006056	03.190	24	2A0003535	03.120	6	2B001301	01.050	1
1A006064	03.190	23	2A000375	03.230	14	2B001303	03.350	25
1A006119	03.120	22	2A000376	03.230	16	2B001307	03.350	11
1A006127	03.120	23	2A000378	03.230	32	2B001310	05.020	1
1A006243	03.120	21	2A000384	03.230	18	2B001311	03.350	3
1A006272AA	03.150	10	2A000385	03.230	19	2B001561	05.010	17
1A006272BB	03.150	10	2A000415	03.170	24	2B001564	06.050	17
1A006272CC	03.150	10	2A000418	03.230	29	2B001612	01.010	16
1A006272DD	03.150	10	2A000419	03.230	1	2B001614	06.050	14
1A006283	03.030	17	2A00042115	03.170	1	2B001618	02.100	2
1A006284	03.030	18	2A000438	03.170	43	2B001619	02.100	1
1A006298	03.270	4	2A000438	03.350	22	2B001629	09.010	1

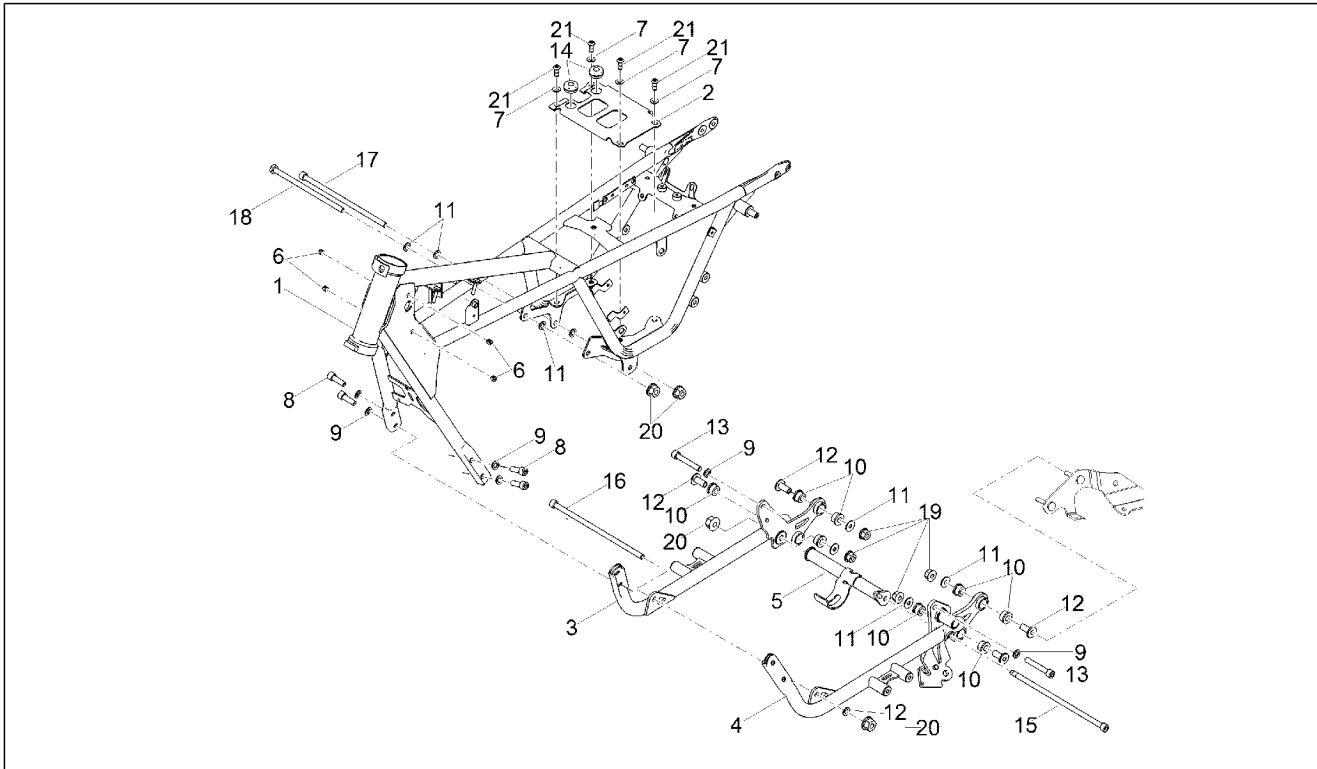
Code	Nr. der Tafel	Pos.	Code	Nr. der Tafel	Pos.	Code	Nr. der Tafel	Pos.
2B001708	05.010	18	2B002705	01.030	1	2D000004	02.170	4
2B001762	05.010	5	2B002781	11.030	8	2D000024	03.300	1
2B001783	02.100	5	2B002799	01.040	1	2D000099	08.020	1
2B001823	03.060	12	2B002805	06.050	10	2D000100	08.010	1
2B001929	06.010	6	2B002806	06.050	16	2D000102	06.050	1
2B001930	06.010	4	2B002807	03.350	21	2D000159	08.020	1
2B001935	03.330	24	2B002810	01.010	5	2D000163	07.020	19
2B001941	03.020	18	2B002817	01.010	15	2D000209	11.010	1
2B001953	06.040	3	2B002832	03.050	2	2D000209	11.020	1
2B001956	05.020	13	2B002843	07.020	9	2D000209	11.030	1
2B002011	08.010	11	2B002844	07.020	8	2D000218	07.020	20
2B002043	02.170	3	2B002851	03.050	5	2D000225	08.010	1
2B002090	07.020	14	2B002852	07.020	1	2D000226	07.020	3
2B002091	07.020	13	2B002875	07.020	17	2D000227	07.020	2
2B002171	01.020	21	2B002900	05.020	2	2D000245	11.030	2
2B002171	03.350	27	2B002901	11.020	12	2D000255	08.030	11
2B002187	03.330	15	2B002936	02.170	11	2D000256	08.030	12
2B002189	06.030	1	2B002937	01.040	10	2D000261	08.010	4
2B002192	04.060	1	2B002940	02.170	1	2D000262	08.010	5
2B002195	07.020	7	2B002943	01.040	9	2D0002805	06.030	9
2B002200	03.350	15	2B002944	09.010	6	2D0002885	07.030	9
2B002205	01.050	6	2B002959	03.050	14	2D000299	02.170	2
2B002218	01.020	1	2B002961	07.030	8	2D000355	11.020	21
2B002219	01.020	2	2B002988	04.080	1	2H001260	02.190	2
2B002225	01.020	5	2B002991	06.050	9	2H001433000NI	09.010	1
2B002233	06.030	13	2B003039	06.010	5	2H001434000NI	02.030	1
2B002269	06.010	1	2B003040	06.010	3	2H001439	02.190	5
2B0022925	03.330	4	2B003041	06.010	2	2H001442	02.190	8
2B0022935	03.330	3	2B003042	09.020	3	2H001443	02.190	4
2B002294	04.060	3	2B003052	11.020	13	2H001445	02.190	3
2B002295	04.060	2	2B003056	06.050	2	2H001466000NI	02.150	1
2B002298	03.340	2	2B003076	01.020	4	2H001467	02.190	6
2B002311	01.010	21	2B003077	01.020	3	2H001468	02.190	7
2B002311	02.150	4	2B003078	01.010	12	2H001469	02.190	1
2B002321	02.150	5	2B003089	02.150	6	2H001470	02.190	9
2B002325	01.010	3	2B003102	01.040	3	2H001476000EQ	09.010	1
2B002326	01.010	4	2B003103	01.040	4	2H001477000EQ	02.030	1
2B002364	07.020	5	2B003105	03.196	3	2H001478000NI	02.150	1
2B002365	08.030	1	2B003111	04.080	2	2H001480	02.190	5
2B002369	03.020	3	2B003164	08.010	13	2H001481	02.190	8
2B002378	01.040	2	2B003165	08.010	14	2H001482	02.190	1
2B002383	05.010	4	2B003204	03.196	2	2H001483	02.190	9
2B002386	02.150	3	2B003212	01.050	5	2Q000110	02.190	10
2B002390	07.030	2	2B003271	06.020	1	2R000109	04.060	7
2B002391	07.030	1	2B003284	03.330	25	2R000110	04.060	23
2B002443	08.030	3	2B003292	07.010	15	2R000243	04.060	19
2B002483	08.030	4	2B003313	06.020	6	2R000248	06.040	5
2B002484	08.030	7	2B003367	08.020	6	319165	02.170	9
2B002486	09.010	9	2B0033875	03.350	23	478533	11.020	11
2B002502000C1	02.120	1	2B003422	01.050	7	479175	08.030	13
2B002529	03.320	7	2B003742	04.060	14	484993	03.030	20
2B002530	03.320	9	2B003743	07.010	1	584211	11.030	4
2B002531	03.320	8	2B004042	06.030	24	584332	08.010	6
2B002532	03.330	13	2B004043	03.020	28	584332	08.030	15
2B002533	03.330	12	2B004044	01.020	22	598839	02.100	6
2B002535	03.350	24	2B004050	06.030	37	638733	11.030	9
2B002536	03.350	18	2B004053	03.020	3	639338	08.010	7
2B002537	02.150	1	2B004062	03.020	2	639338	08.030	16
2B002541	08.030	21	2B004062	06.030	30	641040	11.020	8
2B002602	03.196	4	2B004063	06.030	27	641901	11.020	15
2B002615	08.030	29	2B004064	06.030	29	642034	11.020	16
2B002621	01.040	6	2B004076	06.030	34	643090	03.190	16
2B002622	01.040	5	2B004107	06.030	36	643277	11.010	2
2B002632	09.020	1	2B004109	03.020	9	648708	05.020	5
2B002680	03.020	9	2B004111	06.030	32	658778	06.030	23
2B002681	06.050	11	2B004112	03.020	27	658837	03.030	5
2B002699	03.340	3	2B004112	06.030	21	658837	06.030	35

Code	Nr. der Tafel	Pos.	Code	Nr. der Tafel	Pos.	Code	Nr. der Tafel	Pos.
680212	11.020	9	887893	04.060	20	AP8120876	03.050	11
825694	03.100	13	887894	04.060	22	AP8120912	03.020	1
831135	03.030	11	887905	04.060	18	AP8120912	06.030	17
832029	11.010	10	887908	03.020	2	AP8120912	06.030	31
834764	03.170	33	887908	06.030	16	AP8121014	01.030	3
834951	03.330	20	887916	04.060	21	AP8121032	02.100	7
840509	08.030	14	890760	03.050	13	AP8121133	01.020	19
848650	03.180	17	890760	07.010	14	AP8121199	08.010	10
849308	03.180	21	894704	11.030	15	AP8121205	07.010	4
849308	03.180	6	895328	03.020	5	AP8121420	02.170	6
849309	03.180	23	895328	06.030	10	AP8121509	03.020	26
849310	03.180	26	895709	06.050	20	AP8121567	01.020	15
849396	03.180	14	896110	03.330	7	AP8121725	08.030	25
849424	03.180	8	896174	01.040	8	AP8121882	06.050	18
852090	03.330	11	897478	03.300	2	AP8121927	06.030	15
854827	07.020	16	898268	03.270	6	AP8121927	06.030	25
856063	09.020	7	898269	03.270	7	AP8123641	07.010	6
857045	03.320	2	898283	03.020	11	AP8123642	07.010	10
857046	03.320	5	898286	06.030	28	AP8123643	07.010	11
857047	03.320	1	898396	03.020	14	AP8123644	07.010	8
857181	03.320	10	898397	03.020	7	AP8124936	11.010	6
857206	03.300	3	959559	06.050	13	AP8125687	05.020	6
857250	03.170	29	967356	01.030	6	AP8127601	09.020	10
859792	05.010	16	967363	01.010	20	AP8127856	01.030	7
859792	05.020	17	967384	01.020	24	AP8134448	08.030	18
859946	06.030	11	967384	06.030	22	AP8134451	01.020	18
859946	06.030	14	974162	03.180	12	AP8144007	03.020	4
871640	03.100	7	974165	03.180	15	AP8144007	06.030	19
873905	03.170	26	976591	03.090	5	AP8144071	01.010	10
873928	03.180	2	976614	02.100	3	AP8144222	07.020	15
874567	03.150	4	976649	03.350	1	AP8144552	11.030	19
874957	03.330	9	97729R	03.290	1	AP8145034	01.020	6
876879	03.330	16	977527	02.170	5	AP8145035	01.020	7
880260	03.060	4	978415	02.170	7	AP8150009	01.010	7
883161	11.030	5	AP8101861	01.020	20	AP8150012	06.030	12
883688	05.010	12	AP8102159	09.020	6	AP8150015	06.050	6
883826	03.030	13	AP8102239	09.020	4	AP8150018	01.010	11
884031	04.080	4	AP8102375	02.100	4	AP8150018	03.020	24
884033	06.030	18	AP8102520	03.050	15	AP8150018	09.010	4
884310	03.060	11	AP8102520	09.020	9	AP8150026	03.020	19
886365	03.030	15	AP8102524	01.030	4	AP8150048	01.010	13
886629	03.230	11	AP8102671	01.010	6	AP8150049	07.020	18
887003	03.270	5	AP8102671	01.040	14	AP8150053	08.030	9
887093	03.190	18	AP8102738	09.020	2	AP8150115	03.020	12
887421	11.020	20	AP8102913	02.170	12	AP8150178	05.010	19
887448	05.020	14	AP8104509	07.020	6	AP8150285	06.030	7
887481	11.020	7	AP8104525	03.050	4	AP8150377	11.010	4
887762	05.010	14	AP8104924	03.050	7	AP8150413	01.040	13
887762	05.020	16	AP8110053	03.020	16	AP8150413	08.030	22
887815	03.050	8	AP8110077	07.010	7	AP8150451	06.050	15
887831	07.010	9	AP8110109	05.020	10	AP8150500	01.040	11
887832	07.010	12	AP8113003	06.050	3	AP8150500	03.060	6
887843	03.050	9	AP8113004	06.050	4	AP8150509	03.050	10
887844	03.050	12	AP8113081	06.030	4	AP8150536	08.030	8
887875	05.010	13	AP8113082	06.030	5	AP8150538	02.030	4
887878	04.060	4	AP8118579	07.020	4	AP8150540	07.010	13
887879	04.060	5	AP8120001	01.040	15	AP8150540	07.020	12
887880	04.060	6	AP8120001	11.030	11	AP8150543	07.010	2
887882	04.060	8	AP8120030	06.050	7	AP8152043	06.010	8
887883	04.060	9	AP8120178	06.030	3	AP8152055	03.330	21
887884	04.060	10	AP8120278	08.030	6	AP8152138	03.020	17
887885	04.060	11	AP8120311	01.010	14	AP8152220	03.190	20
887886	04.060	12	AP8120455	03.050	3	AP8152229	02.170	8
887888	04.060	13	AP8120455	03.330	14	AP8152267	03.090	7
887889	04.060	15	AP8120455	09.010	3	AP8152272	03.120	10
887890	04.060	17	AP8120573	01.020	17	AP8152273	02.150	7
887891	04.060	16	AP8120615	03.050	6	AP8152273	09.010	7

Code	Nr. der Tafel	Pos.	Code	Nr. der Tafel	Pos.	Code	Nr. der Tafel	Pos.
AP8152277	01.020	11	GU03013800	03.060	10	GU30602500	07.030	4
AP8152288	06.040	2	GU03617710	05.010	10	GU31003766	03.030	22
AP8152288	09.010	2	GU03617710	05.020	11	GU31003766	03.350	7
AP8152299	02.100	8	GU03658201	06.050	21	GU31150950	03.190	10
AP8152299	02.150	2	GU03658330	06.050	19	GU31159050	03.190	6
AP8152299	08.010	12	GU03749845	06.010	7	GU31256881	03.020	10
AP8152299	08.030	31	GU04355100	03.350	20	GU31544181	06.040	4
AP8152299	11.020	6	GU04355101	03.350	20	GU31547882	01.050	3
AP8152306	08.030	19	GU04355102	03.350	20	GU31616384	05.010	15
AP8152329	03.050	1	GU04355103	03.350	20	GU31659181	06.040	7
AP8152384	07.010	5	GU04355104	03.350	20	GU31659281	06.040	6
AP8152385	06.020	2	GU04355105	03.350	20	GU32441210	01.020	10
AP8161054	03.050	16	GU04355106	03.350	20	GU32442310	01.020	8
AP8181140	11.030	13	GU05217630	03.230	26	GU32442710	01.020	9
AP8201755	08.030	24	GU05234230	03.170	9	GU32517710	11.030	12
AP8210007	03.020	20	GU05234631	03.170	31	GU32615660	05.010	3
AP8213028	07.030	5	GU05235531	03.170	30	GU32632510	05.020	20
AP8213388	07.030	6	GU05238231	03.170	13	GU32944310	02.190	11
AP8220186	08.030	5	GU05238431	03.170	11	GU37359005	03.350	10
AP8221023	03.050	18	GU05239330	03.170	16	GU49609601	11.010	8
AP8221023	06.050	8	GU05351230	03.350	9	GU49609601	11.020	2
AP8221197	01.030	2	GU05659230	06.020	3	GU49609601	11.030	18
AP8221277	01.020	16	GU05781630	04.060	24	GU61027200	03.150	1
AP8224164	08.030	17	GU10034100	03.120	15	GU66103415	09.010	10
AP8224462	11.020	4	GU10528900	03.030	23	GU90271014	03.170	17
AP8702101	02.170	10	GU12022600	03.170	35	GU90271022	03.170	32
AP9100053	08.030	27	GU12154200	03.190	2	GU90272047	05.020	9
AP9100477	01.020	23	GU12351100	03.350	13	GU90353014	03.170	8
B013037	03.230	15	GU14085900	03.230	25	GU90353029	03.120	17
B013608	03.170	25	GU14086100	03.230	17	GU90401424	03.170	18
B013608	03.180	3	GU14217901	03.230	5	GU90402642	05.010	6
B015040	03.180	11	GU14609650	11.010	9	GU90412541	03.180	18
B015598	03.170	2	GU14609650	11.020	3	GU90413850	03.350	12
B016796	03.060	5	GU14609650	11.030	17	GU90706141	11.010	11
B016796	08.030	23	GU14615901	03.230	3	GU90706170	03.230	27
B017406	03.170	5	GU14615901	03.330	18	GU90706188	03.350	4
B017636	03.100	3	GU14615901	03.330	22	GU90706203	03.170	34
B018020	03.170	4	GU14615901	03.350	26	GU90706235	03.230	10
B018448	03.180	31	GU14615901	07.020	22	GU90706281	03.030	25
B043850	11.030	16	GU14616150	05.010	11	GU90706444	03.190	4
B063025	03.170	39	GU14616150	05.020	12	GU90706584	03.350	5
B063174	04.080	3	GU18144350	03.190	8	GU90706958	03.350	19
B063233	11.030	10	GU19002020	03.170	36	GU91113826	03.330	10
B063269	03.170	40	GU19002020	03.270	3	GU91181003	07.020	21
B063287	01.010	2	GU19003800	03.030	3	GU91551010	01.010	19
B063292	03.330	8	GU19015020	03.030	14	GU91551010	03.050	19
B063907	01.020	12	GU19018920	03.030	9	GU91551131	09.010	5
B063956	03.170	14	GU19018920	03.190	28	GU92201226	03.180	19
B064023	02.120	2	GU19021360	03.150	3	GU92201226	03.230	9
B064112	03.170	10	GU19045861	03.120	3	GU92201822	03.180	1
B064113	03.170	7	GU19055700	03.120	2	GU92204220	05.020	7
B064304	03.350	16	GU19058021	03.120	20	GU92204221	05.010	4
CM013202	11.030	14	GU19058220	03.120	11	GU92254340	03.350	14
CM178609	08.020	4	GU19062261	03.160	1	GU92296723	03.190	30
CM179008	09.020	5	GU19065400	03.160	9	GU92602510	03.190	19
CM226902	03.196	1	GU19067700	03.230	2	GU92606206	03.020	8
CM226902	03.320	6	GU19213760	03.230	12	GU92606206	06.030	2
CM228401	01.020	14	GU19351100	03.350	17	GU92606206	06.030	26
CM258301	03.060	13	GU19356760	03.230	13	GU92606208	03.030	6
CM258303	03.050	17	GU19547000	01.050	2	GU92606508	03.230	24
CM275402	03.060	1	GU20147710	03.190	21	GU92630206	06.030	6
CM277101	11.020	17	GU20147810	03.190	26	GU92630207	05.010	8
CM277102	11.020	18	GU20258221	03.020	23	GU92630510	03.020	25
GU01528930	03.350	6	GU27061885	03.160	4	GU92630707	06.030	33
GU01659130	06.020	5	GU27066460	03.160	5	GU92660021	03.330	17
GU01659131	06.020	4	GU27152885	03.190	1	GU93180105	01.050	4
GU03013800	03.020	22	GU30601060	07.030	3	GU93180111	05.010	2

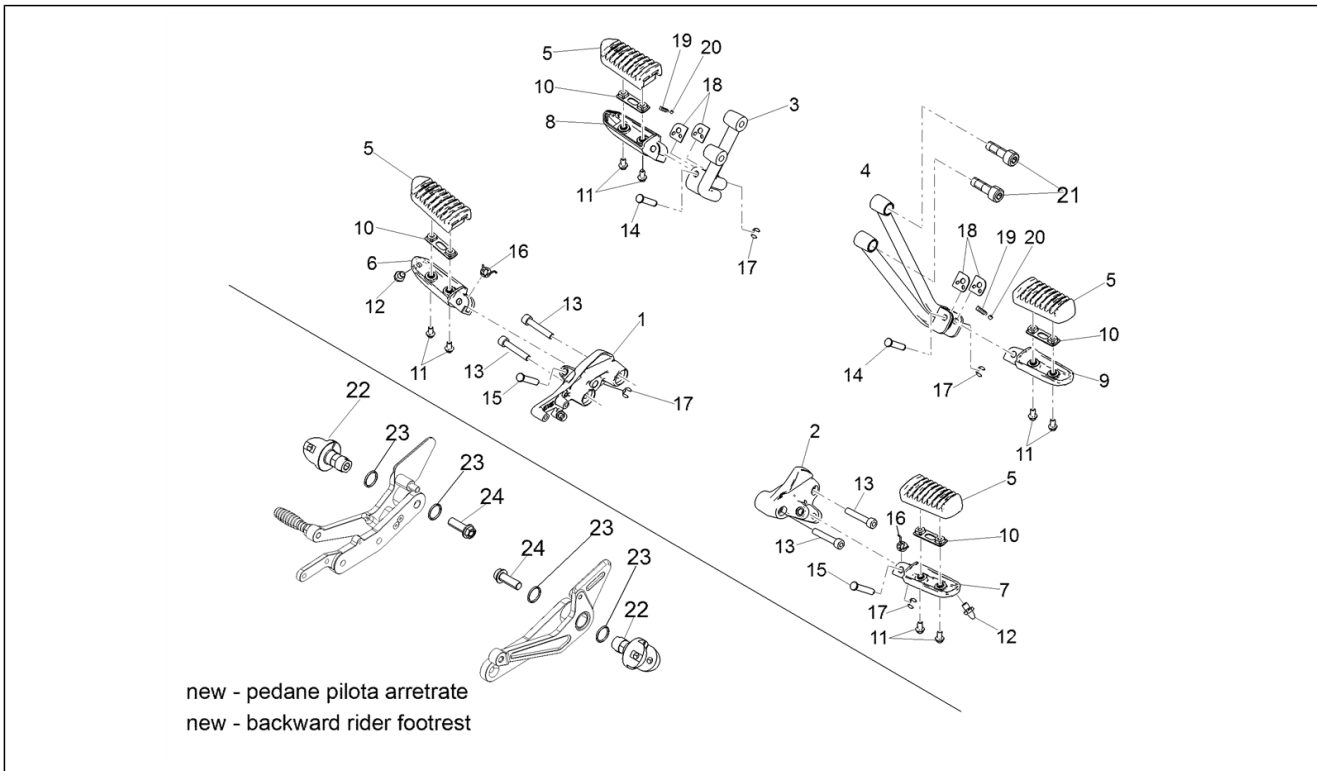
Code	Nr. der Tafel	Pos.
GU93180220	03.170	42
GU93304360	09.020	8
GU93450224	08.030	2
GU94321079	03.190	9
GU94321105	03.230	22
GU95005304	11.020	10
GU95005310	08.030	20
GU95008206	03.190	7
GU95008208	03.290	2
GU95008208	03.330	23
GU95008210	01.010	9
GU95020105	01.030	9
GU95100059	11.030	7
GU95100309	03.190	17
GU95100602	03.190	29
GU95129115	03.120	18
GU95500222	03.230	20
GU96451316	06.050	12
GU96451430	03.030	12
GU96508055	03.030	16
GU97202325	07.030	7
GU98110199	01.010	18
GU98210610	08.020	5
GU98210616	07.010	16
GU98210616	08.030	28
GU98370625	06.030	20
GU98612216	03.320	4
GU98612320	08.010	8
GU98612320	08.030	10
GU98620330	01.040	7
GU98622322	03.060	9
GU98632322	03.020	21
GU98680445	01.020	13
GU98680445	06.030	8
GU98680460	03.020	6
GU98682212	03.300	6
GU98682212	11.030	6
GU98682312	05.020	8
GU98682325	03.030	24
GU98682325	03.270	1
GU98682330	03.270	2
GU98682330	08.030	26
GU98682416	09.010	11
GU98682435	03.290	3
GU98682530	01.010	8
GU98690445	02.030	3
GU98690445	08.010	9
GU98692318	03.020	13
GU98882316	03.120	26

Einheit	Rahmen
Code	01.010
Beschreibung	Rahmen
Inspektion	1



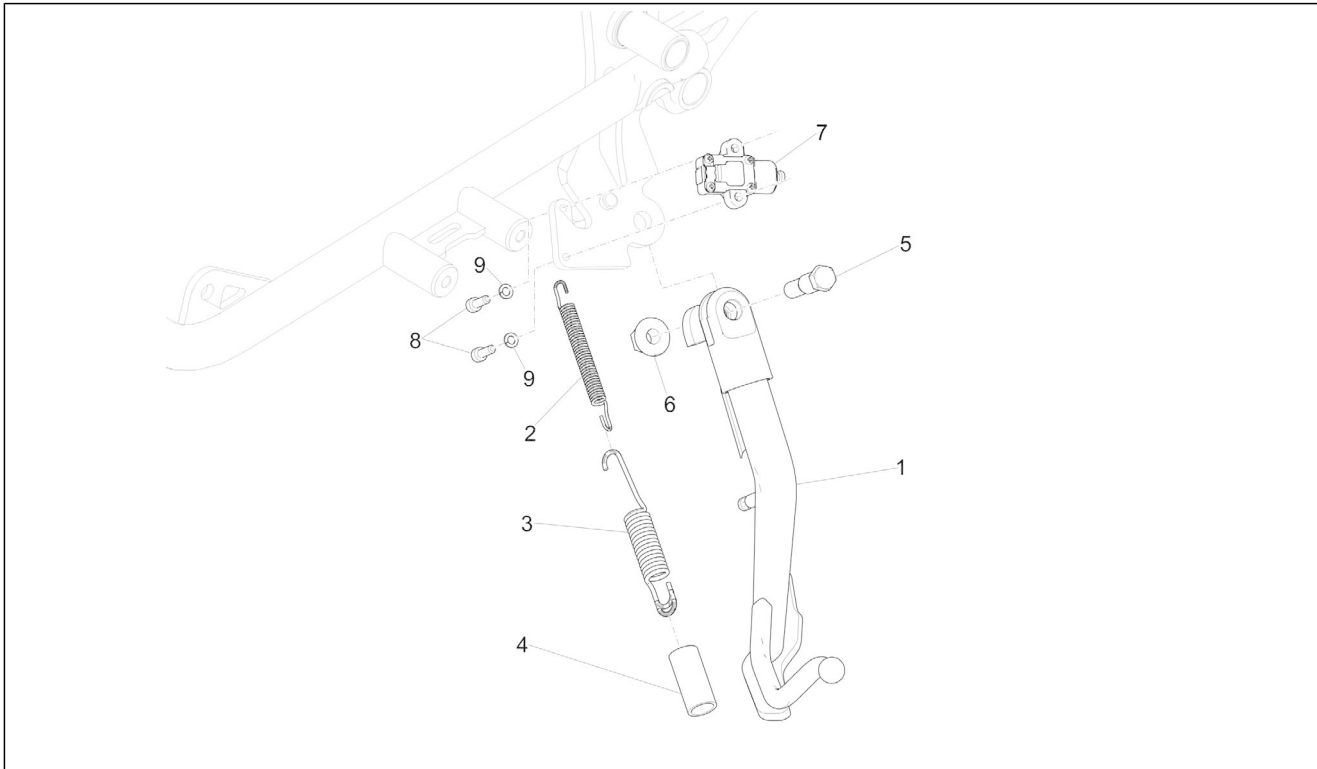
Pos.	Code	Beschreibung	Menge	Varianten
1	2B001055	Fahrgestell	1	
2	B063287	Verbindungsplatte Rahmen	1	
3	2B002325	Arm Rahmenschleife rechts	1	
4	2B002326	Arm Rahmenschleife links	1	
5	2B002810	Rahmenträger	1	
6	AP8102671	Kunststoffniet	4	
7	AP8150009	Scheibe	4	
8	GU98682530	TCEI Schraube M10x30	4	
9	GU95008210	Ausgleichscheibe 10,2X18X2	6	
10	AP8144071	Gummi auspuffrohr	8	
11	AP8150018	Ausgleichscheibe	4	
12	2B003078	Distanzscheibe	4	
13	AP8150048	TCEI Schraube	2	
14	AP8120311	Gummi	2	
15	2B002817	Zapfen M10	1	
16	2B001612	Bolzen M10X253	1	
17	2B001035	Bolzen 234X10	1	
18	GU98110199	Bolzen M10x205	1	
19	GU91551010	Gummi 10X20X10	2	
20	967363	Mutter M8x1,25	4	
21	2B002311	Linsenschraube Torx M8X20	4	

Einheit	Rahmen
Code	01.020
Beschreibung	Fussrasten
Inspektion	1



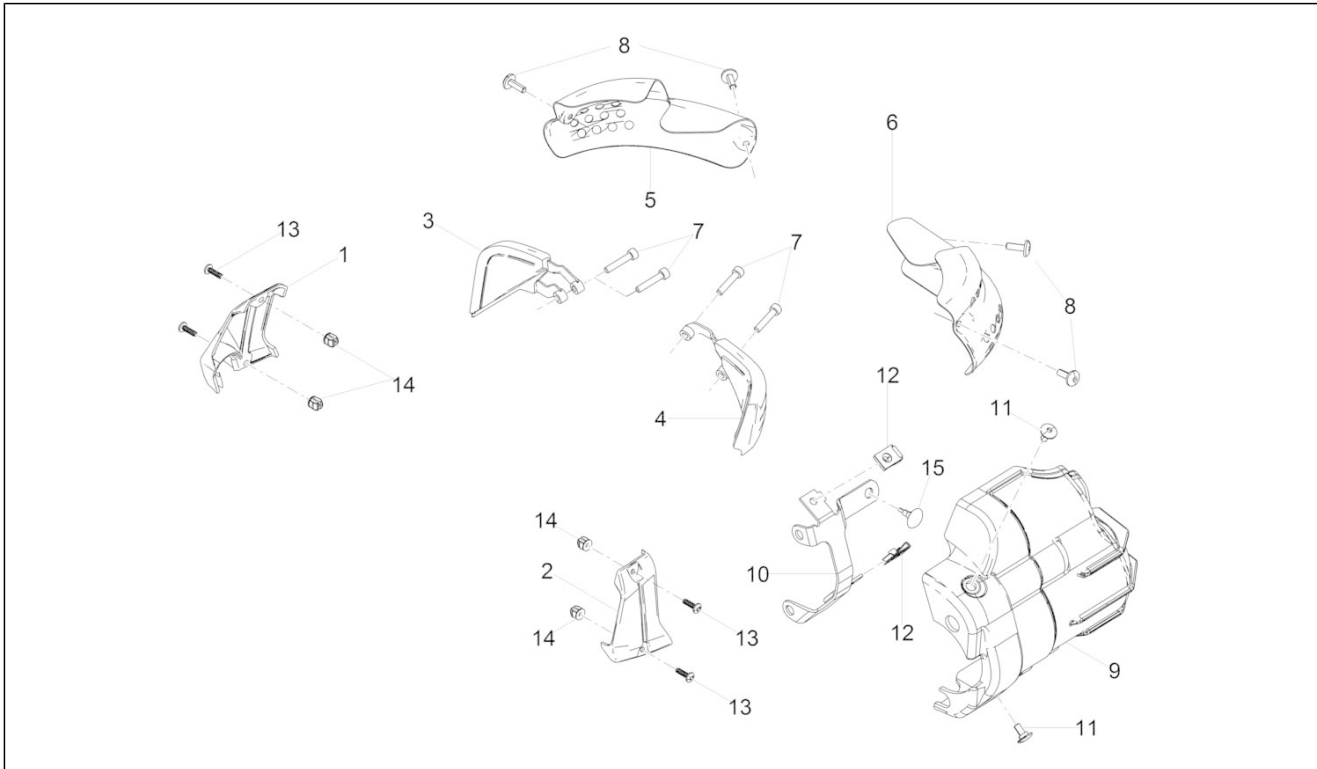
Pos.	Code	Beschreibung	Menge	Varianten
1	2B002218	Fußrastenhalter Fahrer rechts	1	Technische Spezifikation: standard rider footrest[old]
2	2B002219	Fußrastenhalter Fahrer links	1	Technische Spezifikation: standard rider footrest[old]
3	2B003077	Fußrasten-Halterung Beif. rechts	1	
4	2B003076	Fußrasten-Halterung Beif. links	1	
5	2B002225	Gummiraste	4	
6	AP8145034	Fussrasten r.	1	
7	AP8145035	Fussrasten l.	1	
8	GU32442310	Soziusraste rechts	1	
9	GU32442710	Soziusraste links	1	
10	GU32441210	Platte	4	
11	AP8152277	TE Schr. m. Flansch M6x12	8	
12	B063907	Rastenbolzen	2	
13	GU98680445	TCEI Schraube	4	Technische Spezifikation: standard rider footrest[old]
14	CM228401	Rastenbolzen	2	
15	AP8121567	Bolzen	2	
16	AP8221277	Rückholfeder	2	
17	AP8120573	Sperring	4	
18	AP8134451	Fixierplatte	4	
19	AP8121133	Schraubenfederkompr.	2	
20	AP8101861	Kugel D6,35	2	
21	2B002171	TC Schraube 8x25	4	
22	2B004044	Halterung Fahrertrittbrett	2	Technische Spezifikation: backward rider footrest[new]
23	AP9100477	O-Ring 18x2	4	Technische Spezifikation: backward rider footrest[new]
24	967384	Schraube TEF M10X45	2	Technische Spezifikation: backward rider footrest[new]

Einheit	Rahmen
Code	01.030
Beschreibung	Hauptständer
Inspektion	1



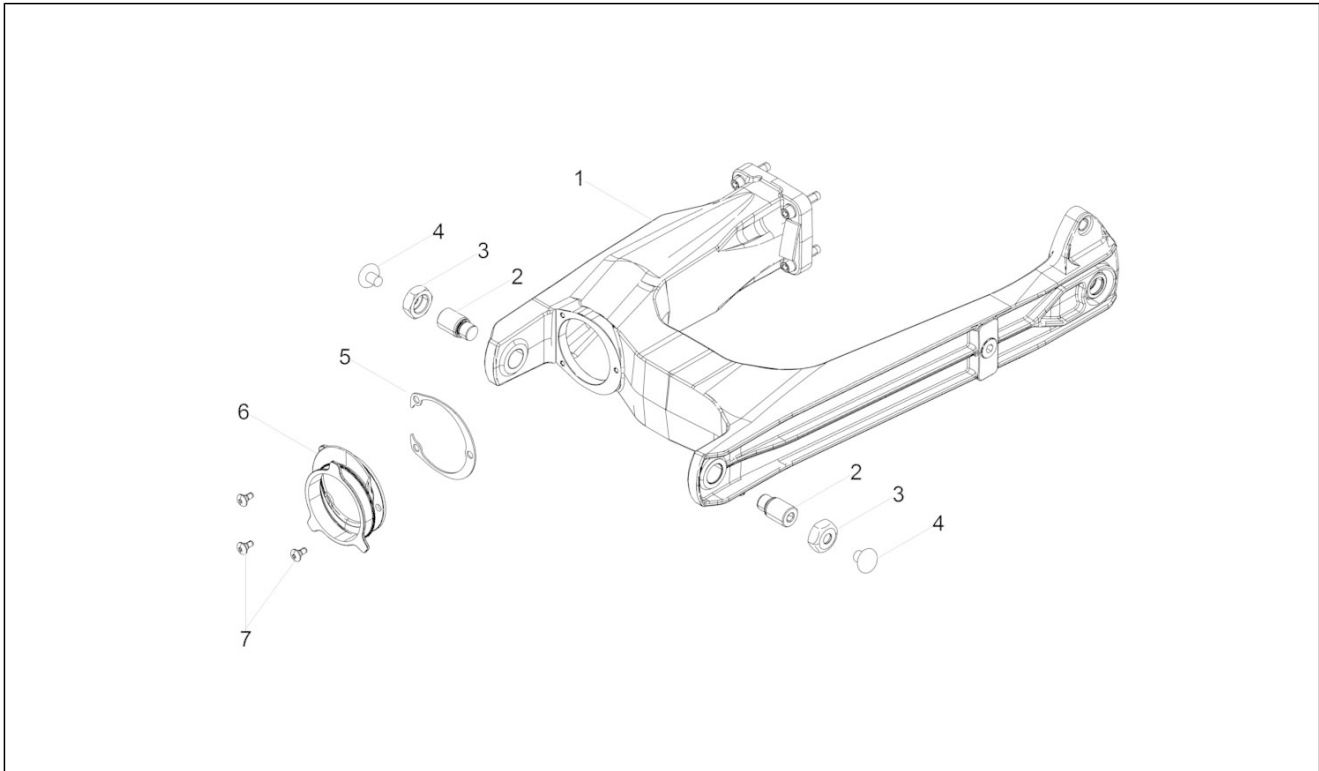
Pos.	Code	Beschreibung	Menge	Varianten
1	2B002705	Seitenständer	1	
2	AP8221197	Hauptständer Schraubenfeder	1	
3	AP8121014	Schraubenfeder	1	
4	AP8102524	Schutz f. Ständerfeder	1	
5	2B001088	Ständerbolzen	1	
6	967356	Geflanschte Mutter M10x1,25	1	
7	AP8127856	Ständer lichtschalter	1	
8	1C001499	Schraube TBEI TORX M5x16 INOX	2	
9	GU95020105	Ausgleichscheibe 5,3x8,9x2,4	2	

Einheit	Rahmen
Code	01.040
Beschreibung	Schutz
Inspektion	1



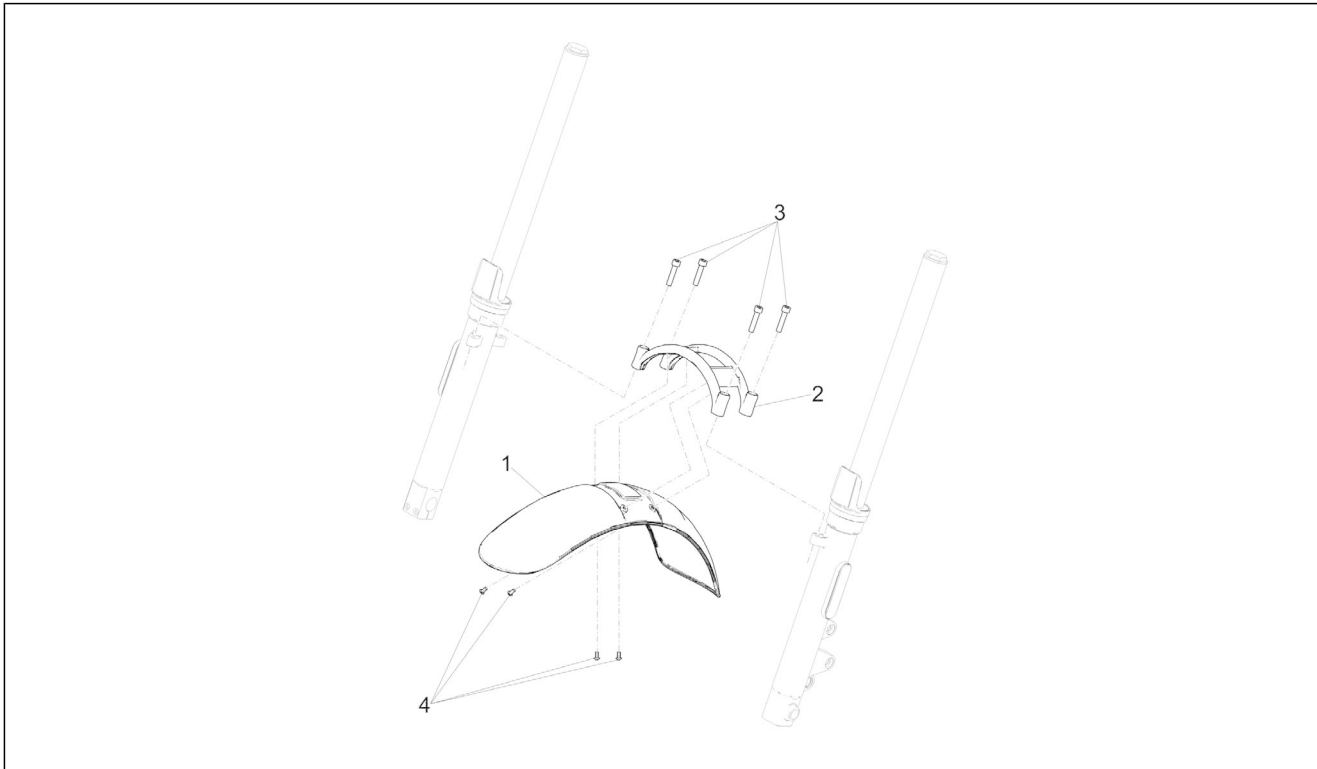
Pos.	Code	Beschreibung	Menge	Varianten
1	2B002799	Rahmenschutz rechts	1	
2	2B002378	Rahmenschutz links	1	
3	2B003102	Knieschutz rechts	1	
4	2B003103	Knieschutz links	1	
5	2B002622	Einspritzdüsenabdeckung rechts	1	
6	2B002621	Einspritzdüsenabdeckung links	1	
7	GU98620330	Schraube	4	
8	896174	Schraube TBEI Schwarz M5x12	4	
9	2B002943	Abdeckung anlassermotor	1	
10	2B002937	Haltebügel Abdeckung	1	
11	AP8150500	TBEI Schraube M5x9	2	
12	248419	Plattchen M5	2	
13	AP8150413	Gew.schr. 3,9x14	1	
14	AP8102671	Kunststoffniet	2	
15	AP8120001	Gummi	1	

Einheit	Rahmen
Code	01.050
Beschreibung	Schwinge
Inspektion	1



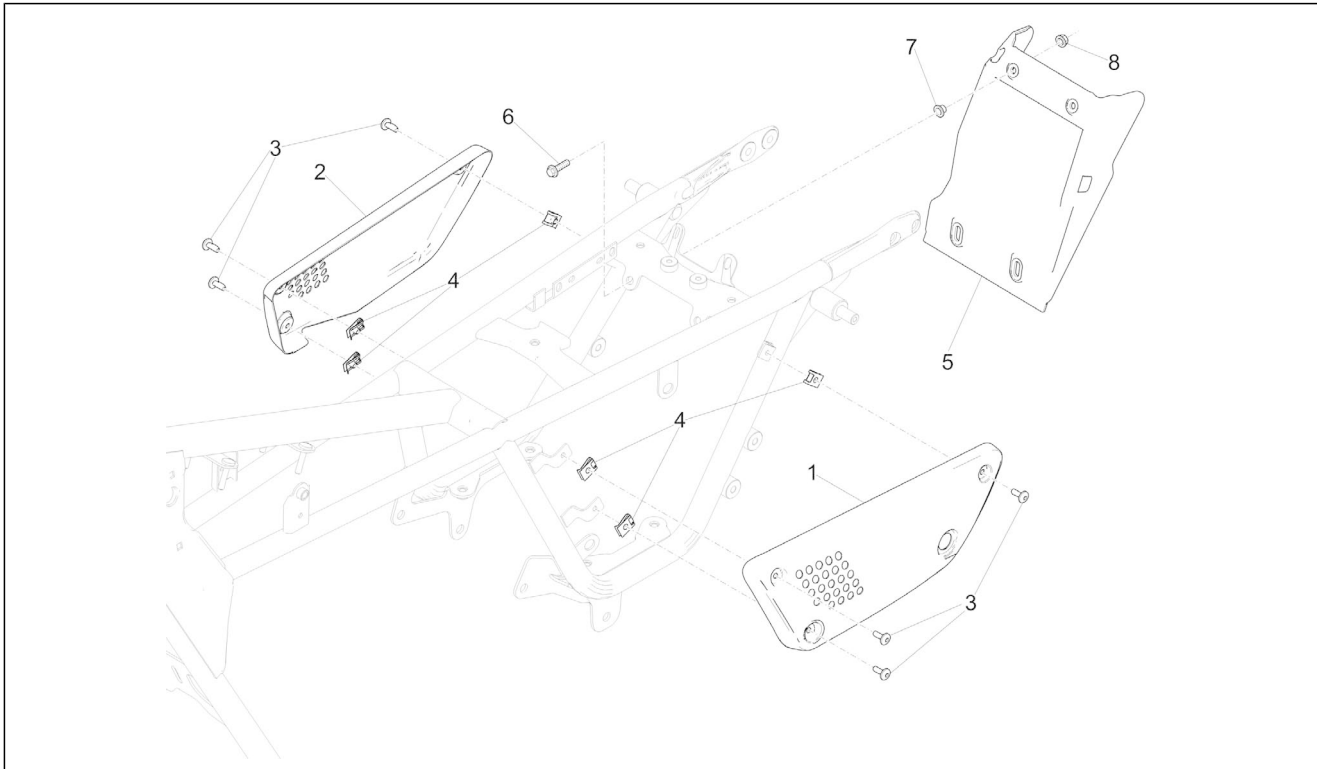
Pos.	Code	Beschreibung	Menge	Varianten
1	2B001301	Schwinge	1	
2	GU19547000	Bolzen	2	
3	GU31547882	Mutter	2	
4	GU93180105	Deckel	2	
5	2B003212	Fixierplatte	1	
6	2B002205	Gummibalg	1	
7	2B003422	***TBEI Schraube	3	

Einheit	Aufbau
Code	02.030
Beschreibung	Vorderes Schutzblech-Stütze
Inspektion	1



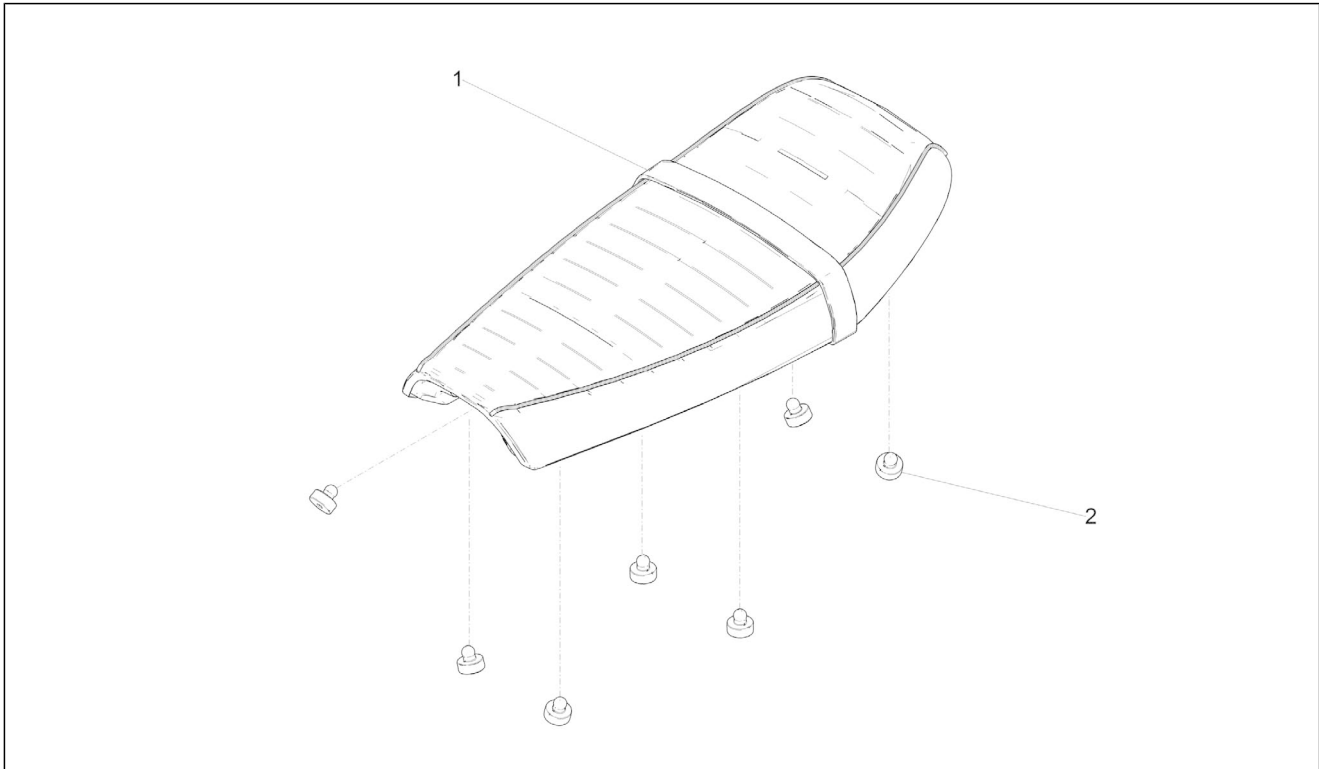
Pos.	Code	Beschreibung	Menge	Varianten
1	2B001141	Vorderes Schutzblech	1	
1	2H001434000NI	V. Schutzblech, schwarz	1	Baujahr: 2016[G] Farbe: Matt Competition Schwarz[NC] Land: Europa[EU] Großbritannien[UK]
1	2H001477000EQ	V. Schutzblech, grau	1	Baujahr: 2016[G] Farbe: Mattgrau Blade[GB] Land: Europa[EU] Großbritannien[UK]
2	2B001147	Schutzblechhalterung	1	
3	GU98690445	Schraube M8x45	4	
4	AP8150538	TBEI Schraube M5x10	4	

Einheit	Aufbau
Code	02.100
Beschreibung	Mittlerer Aufbau
Inspektion	1



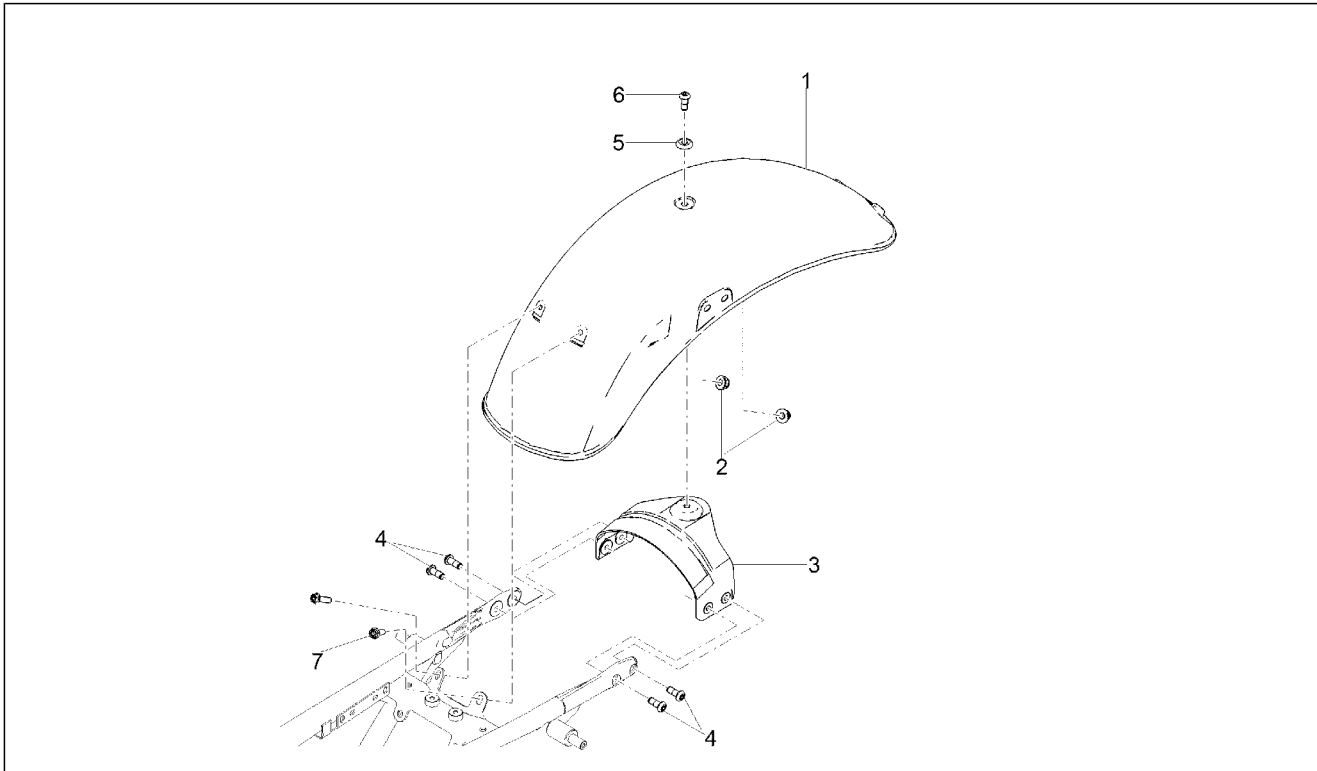
Pos.	Code	Beschreibung	Menge	Varianten
1	2B001619	L. kl. Seitenteil	1	
2	2B001618	R. kl. Seitenteil	1	
3	976614	TBEI Schraube M5x15	6	
4	AP8102375	Klammer M5	6	
5	2B001783	Hinteres, Spritzschutz	1	
6	598839	TE Schr. m. Flansch	2	
7	AP8121032	Buchse	2	
8	AP8152299	Selbstsperrende Mutter M6	2	

Einheit	Aufbau
Code	02.120
Beschreibung	Sitz
Inspektion	1



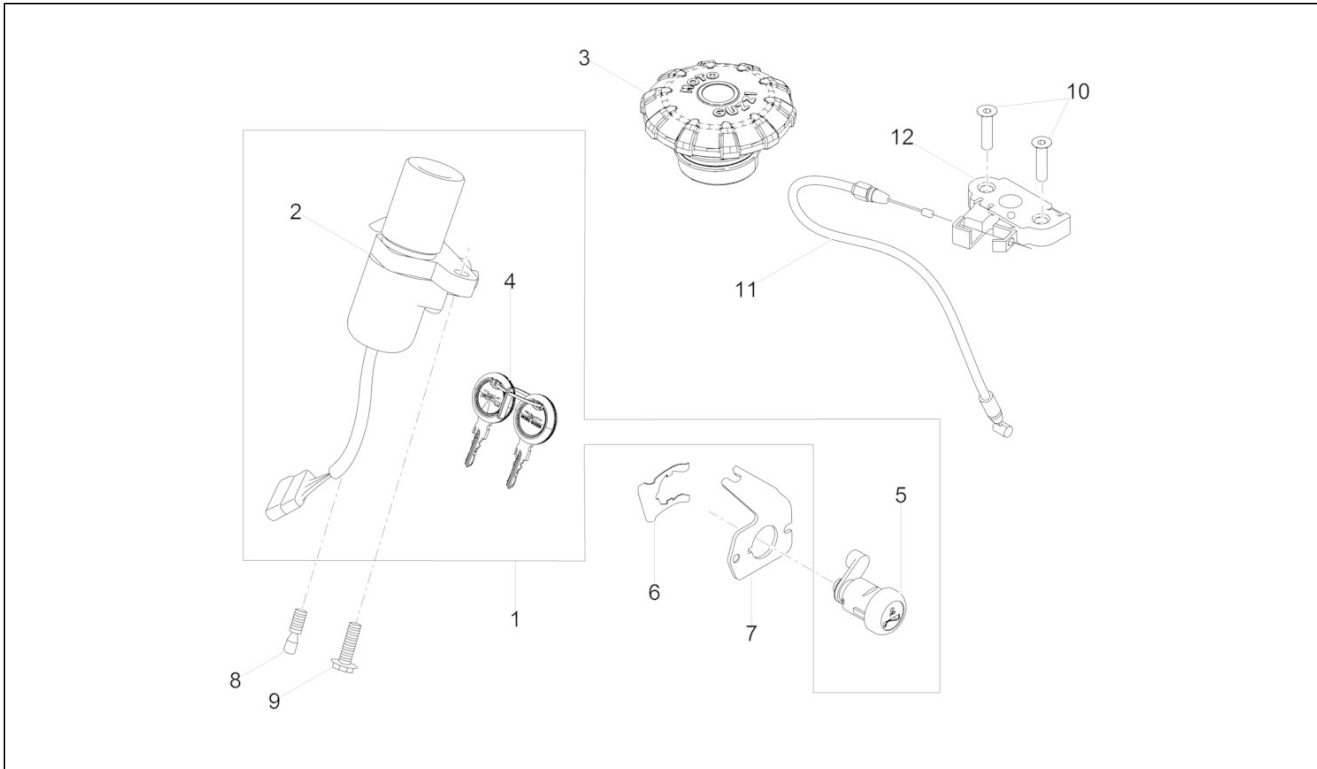
Pos.	Code	Beschreibung	Menge	Varianten
1	2B002502000C1	Sitz mit Riemen	1	
2	B064023	Sitz-Auflagegummi	7	

Einheit	Aufbau
Code	02.150
Beschreibung	Hinteres Schutzblech
Inspektion	1



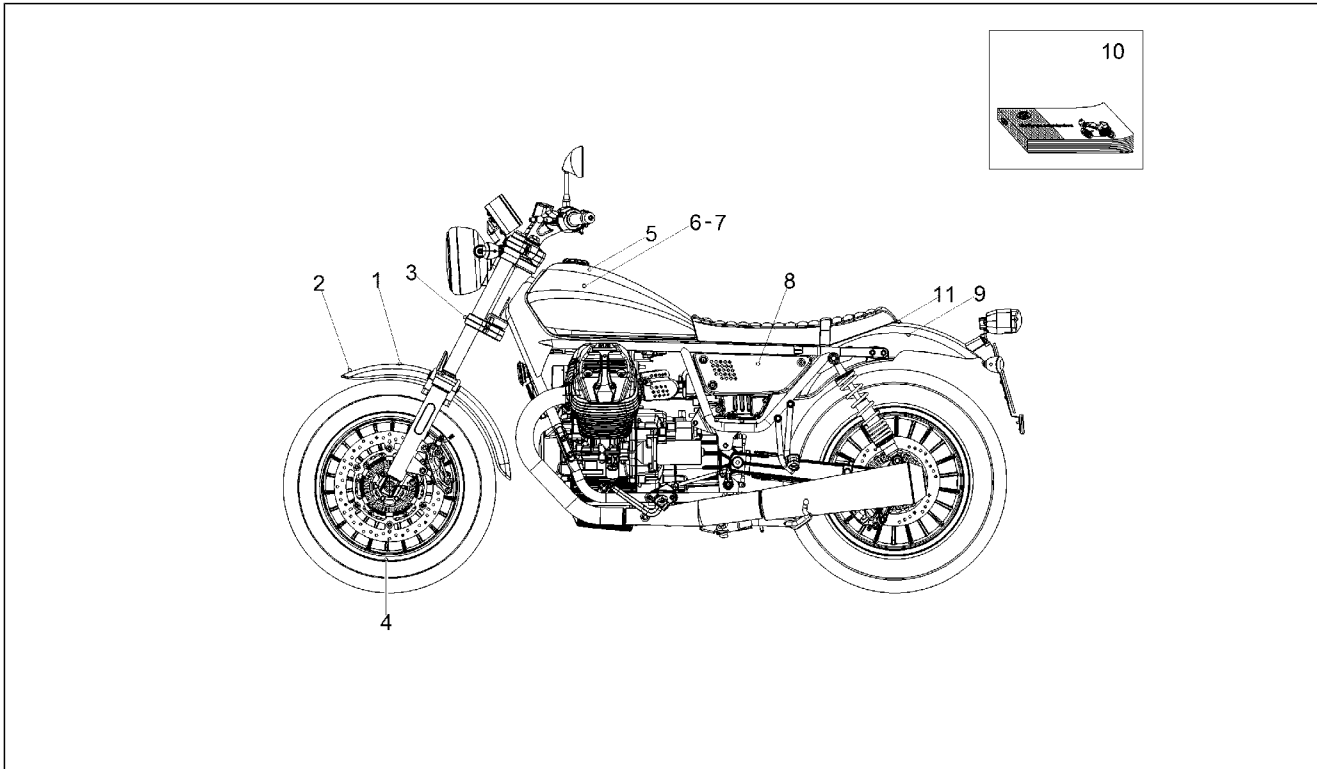
Pos.	Code	Beschreibung	Menge	Varianten
1	2B002537	Heckkotflügel Bobber	1	Baujahr: 2016[G] Farbe: Unlackiert[GR] Land: Europa[EU] Großbritannien[UK]
1	2H001466000NI	Heckkotflügel Schwarz Competition	1	Baujahr: 2016[G] Farbe: Matt Competition Schwarz[NC] Land: Europa[EU] Großbritannien[UK] Technische Spezifikation: Mit Aufkleber[D]
1	2H001478000NI	H. Schutzblech, schwarz	1	Baujahr: 2016[G] Farbe: Mattgrau Blade[GB] Land: Europa[EU] Großbritannien[UK] Technische Spezifikation: Mit Aufkleber[D]
2	AP8152299	Selbstsperrende Mutter M6	2	
3	2B002386	Hintere Kotflügelhalterung	1	
4	2B002311	Linsenschraube Torx M8X20	4	
5	2B002321	Buchse für Schraube	1	
6	2B003089	Schraube TCC TORX M8x16	1	
7	AP8152273	Flanschschraube M5x15	2	

Einheit	Aufbau
Code	02.170
Beschreibung	Schlösser
Inspektion	1



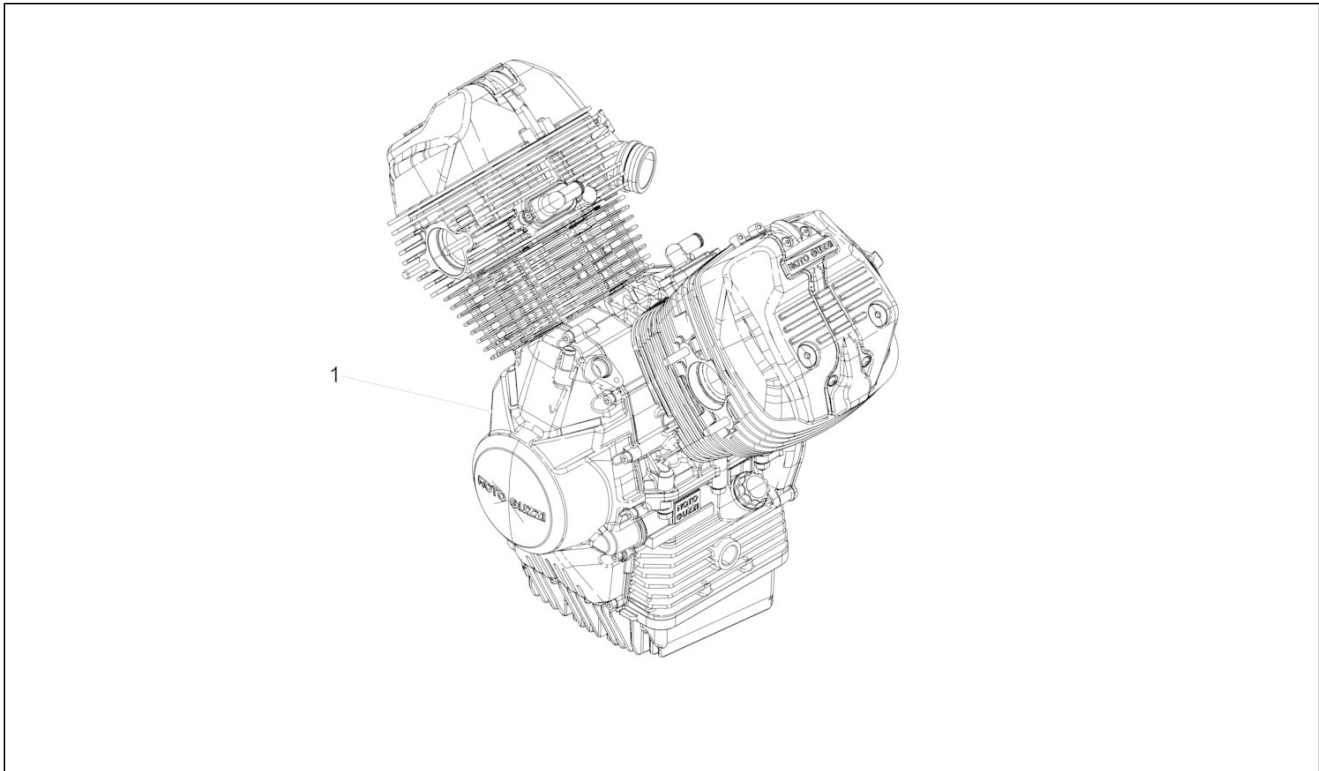
Pos.	Code	Beschreibung	Menge	Varianten
1	2B002940	Kit Schließvorrichtungen	1	
2	2D000299	Umschalter mit Schlüssel	1	
3	2B002043	Tankfüllschraube	1	
4	2D000004	Transponderschlüssel glatt	1	
5	977527	Schloss komplett mit Schlüsseln	1	
6	AP8121420	Gabelfeder	1	
7	978415	Kabelplatte	1	
8	AP8152229	Reißschraube M8x20	1	
9	319165	Schraube	1	
10	AP8702101	Schraube M6x25	2	
11	2B002936	Bowdenzug Sitzbank	1	
12	AP8102913	Fixierplatte Soziussitz	1	

Einheit	Aufbau
Code	02.190
Beschreibung	Deko
Inspektion	1



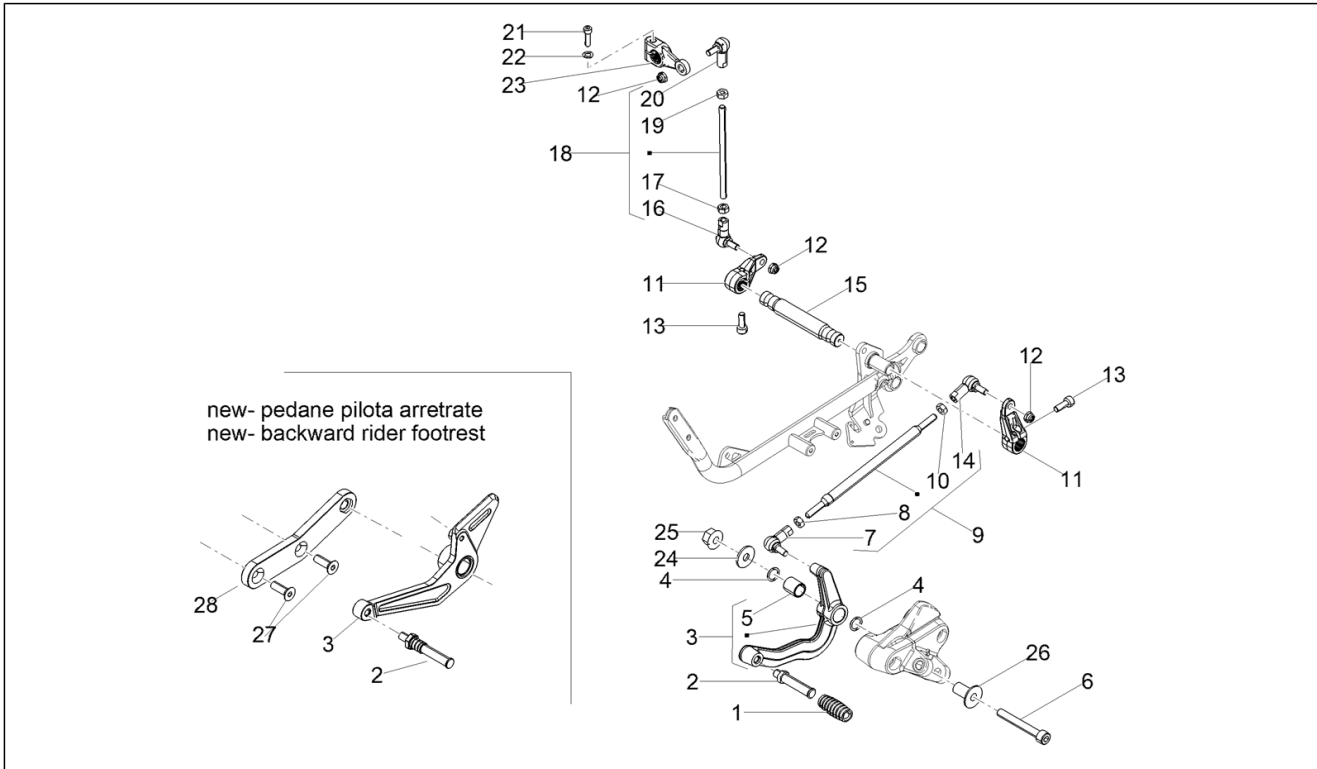
Pos.	Code	Beschreibung	Menge	Varianten
1	2H001469	Aufkleber Schachmuster	1	Baujahr: 2016[G] Farbe: Matt Competition Schwarz[NC] Land: Europa[EU] Großbritannien[UK]
1	2H001482	Aufkleber Schachmuster	1	Baujahr: 2016[G] Farbe: Mattgrau Blade[GB] Land: Europa[EU] Großbritannien[UK]
2	2H001260	Aufkleber "Adler"	1	
3	2H001445	Schild "Moto Guzzi"	1	
4	2H001443	Deko "Moto Guzzi"	2	
5	2H001480	Aufkleber Tank	1	Baujahr: 2016[G] Farbe: Mattgrau Blade[GB] Land: Europa[EU] Großbritannien[UK]
5	2H001439	Aufkleber Tank	1	Baujahr: 2016[G] Farbe: Matt Competition Schwarz[NC] Land: Europa[EU] Großbritannien[UK]
6	2H001467	Rechtes Schild "Aquila"	1	
7	2H001468	L.Schild "Aquila"	1	
8	2H001442	Schild "V9 Bobber"	2	
8	2H001481	Schild "V9 Bobber"	2	
9	2H001483	Aufkleber Schachmuster	1	Baujahr: 2016[G] Farbe: Mattgrau Blade[GB] Land: Europa[EU] Großbritannien[UK]
9	2H001470	Aufkleber Schachmuster	1	Baujahr: 2016[G] Farbe: Matt Competition Schwarz[NC] Land: Europa[EU] Großbritannien[UK]
10	2Q000110	Bed./Wart.-Anl.I-D-F-E-UK-NL I-F-D-NL-E-UK	1	
11	GU32944310	Deko schutz	1	Farbe: Mattgrau Blade[GB] Matt Competition Schwarz[NC]

Einheit	Motor
Code	03.010
Beschreibung	Motor-Fertigstellung
Inspektion	1



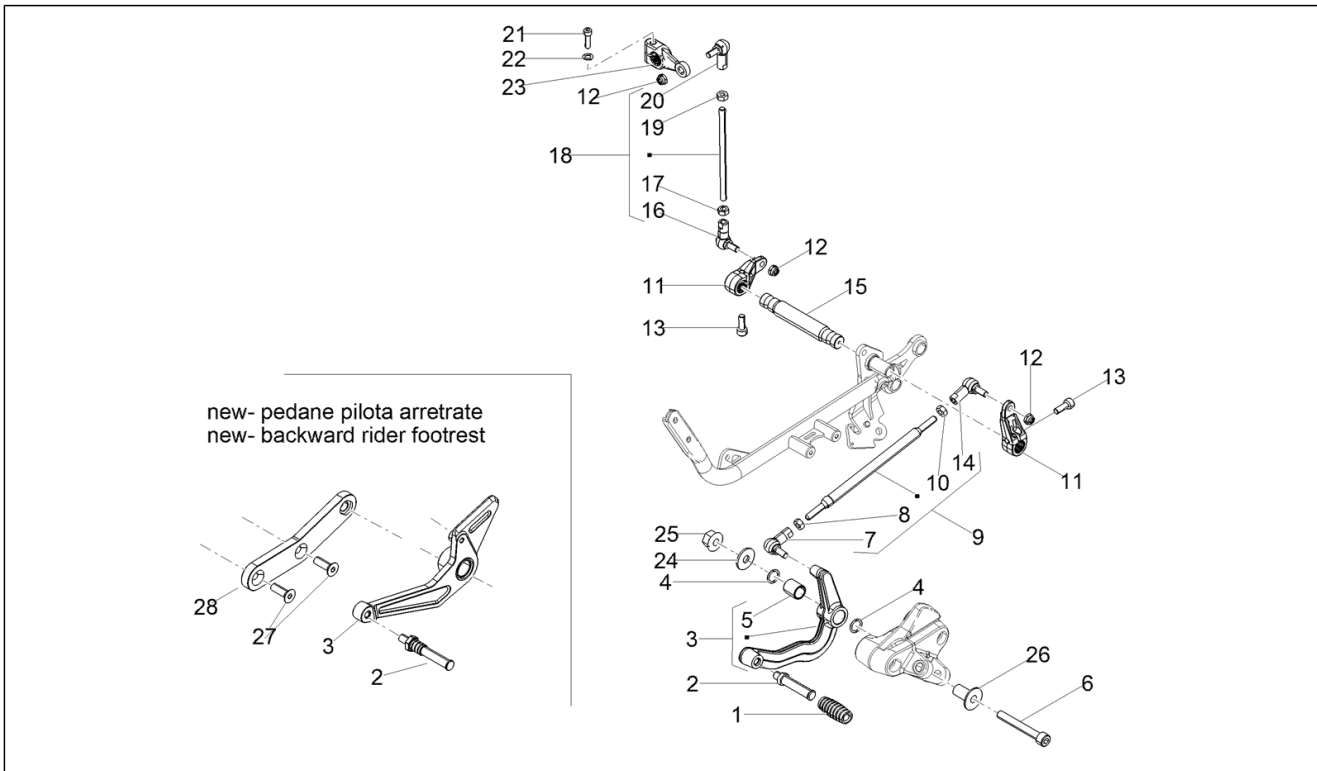
Pos.	Code	Beschreibung	Menge	Varianten
1	1A0066355	Motor kpl.ohneSchaltgetriebe	1	

Einheit	Motor
Code	03.020
Beschreibung	Schalthebel
Inspektion	1



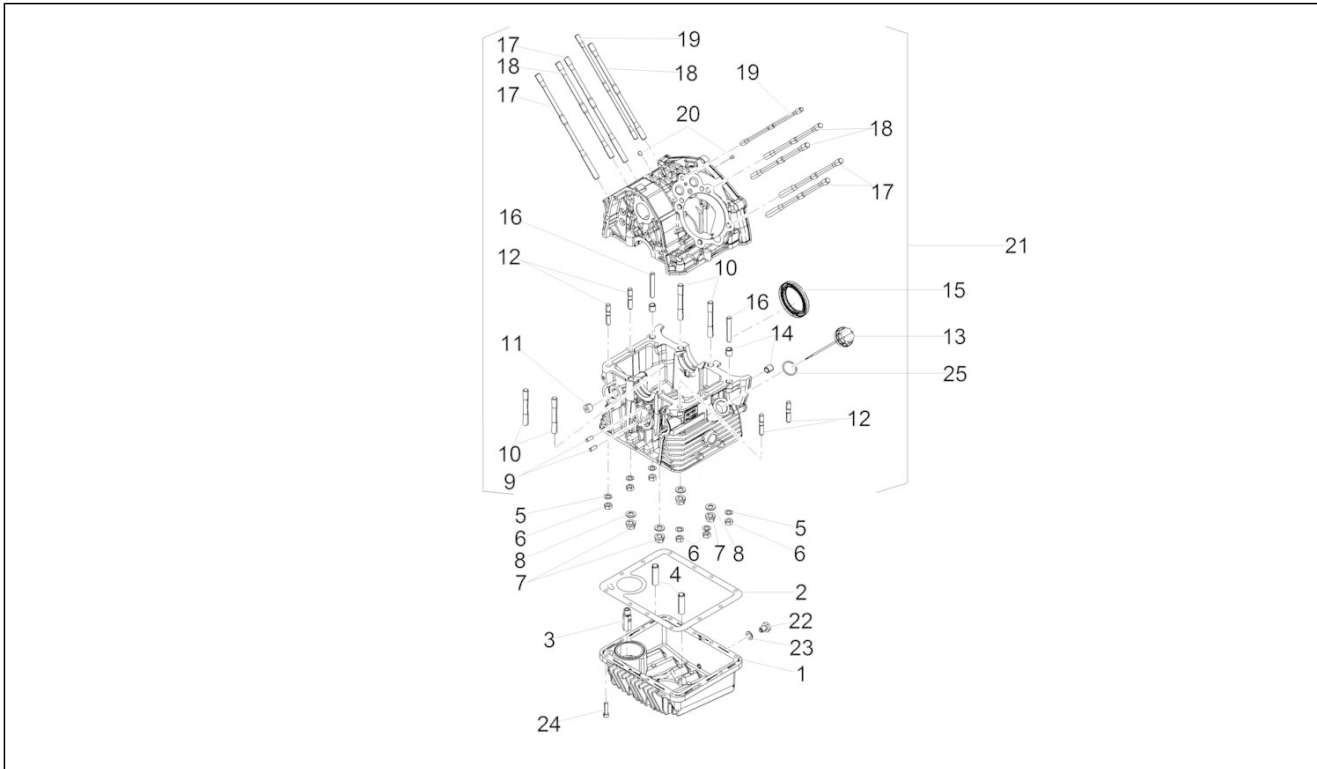
Pos.	Code	Beschreibung	Menge	Varianten
1	AP8120912	Gummi für Hebel	1	
2	887908	Gummigleitschutze	1	
2	2B004062	Gummigleitschutze	1	
3	2B002369	Schalthebel kpl.	1	
3	2B004053	Schalthebel kpl.	1	
4	AP8144007	O-Ring 11,11x1,78	2	
5	895328	Buchse gesintert	1	
6	GU98680460	TCEI Schraube M8x60	1	
7	898397	Kugelgelenk links M6	1	
8	GU92606206	Mutter	1	
9	2B002680	Zugstange Schaltzug cpl.	1	
9	2B004109	Tirante comando cambio cpl.	1	
10	GU31256881	Mutter Linksgewinde M6	1	
11	898283	Schalthebel	2	
12	AP8150115	Selbstsperr.mut Unt. M6	2	
13	GU98692318	TCEI Schraube	2	
14	898396	Kugelgelenk rechts M6	1	
15	2B001009	Hebelbolzen	1	
16	AP8110053	Kugelgelenk links M6	1	
17	AP8152138	Mutter	1	
18	2B001941	Zugstange Schaltzug	1	
19	AP8150026	Mutter M6	1	
20	AP8210007	Kugelgelenk rechts M6	1	
21	GU98632322	Schraube	1	
22	GU03013800	Ausgleichscheibe 6,4x12	1	
23	GU20258221	Schalthebel	1	
24	AP8150018	Ausgleichscheibe	1	
25	GU92630510	Mutter M10x1,5	1	

Einheit	Motor
Code	03.020
Beschreibung	Schalthebel
Inspektion	1



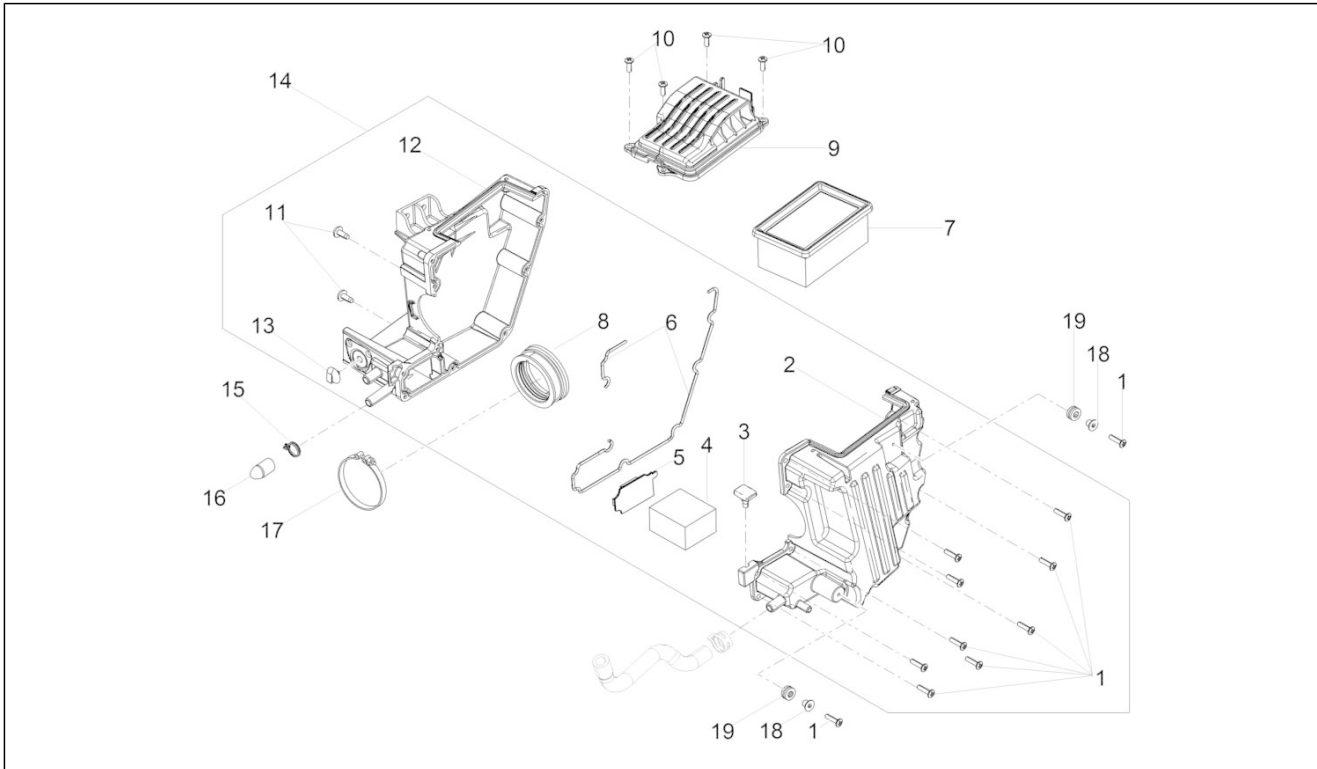
Pos.	Code	Beschreibung	Menge	Varianten
26	AP8121509	Buchse	1	
27	2B004112	Schraube TSPEI IX M8X25	2	
28	2B004043	Piastra pedana pilota sx	1	

Einheit	Motor
Code	03.030
Beschreibung	Gehäuse I
Inspektion	1



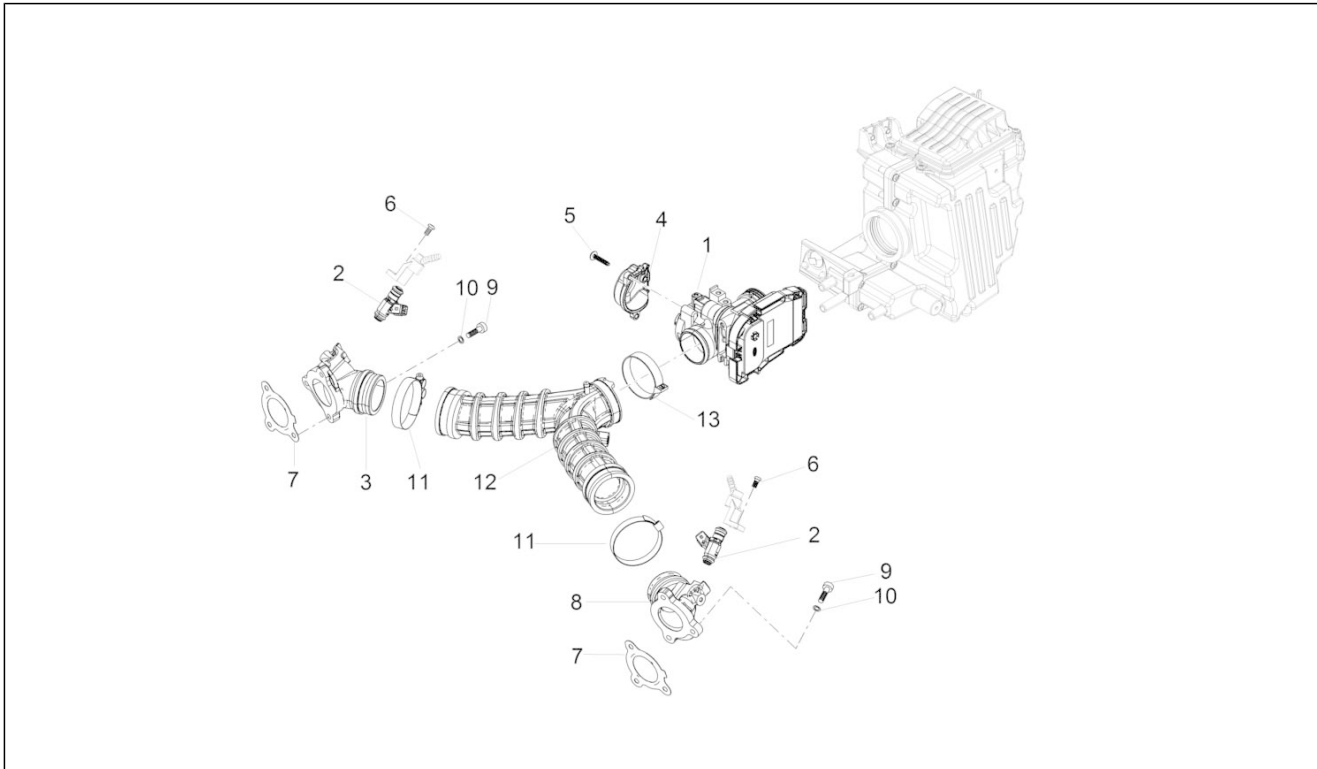
Pos.	Code	Beschreibung	Menge	Varianten
1	1A004550	Pfropfen	1	
2	1A005211	Ölwannendichtung	1	
3	GU19003800	Anschluss	1	
4	1A006047	Anschlußschlauch	2	
5	658837	Gewellte Sprengscheibe D15 F8,4 S1,5 - INOX	6	
6	GU92606208	Mutter M8x1,25	6	
7	1A006656	Geflanschte Mutter M10x1	4	
8	1A006655	Flachscheibe	4	
9	GU19018920	Stift	2	
10	1A004530	Stiftschraube	4	
11	831135	Verschlusschraube M14x1,5	1	
12	GU96451430	Stiftschraube	4	
13	883826	Öleinfüllschraube	1	
14	GU19015020	Buchse	2	
15	886365	Gasket ring	1	
16	GU96508055	Stiftschraube	2	
17	1A006283	Stiftschraube langer Kopf	4	
18	1A006284	Stiftschraube kurzer Kopf	4	
19	1A006860	Stiftschraube zentraler Kopf	2	
20	484993	Haltestein	2	
21	1A0052625	Gekoppelte Kurbelgehäuse	1	
22	GU31003766	Ölablaßschraube M10x1	1	
23	GU10528900	Dichtung	1	
24	GU98682325	TCEI Schraube M6x25	12	
25	GU90706281	O-Ring 28,24x2,62	1	

Einheit	Motor
Code	03.050
Beschreibung	Filtergehäuse
Inspektion	1



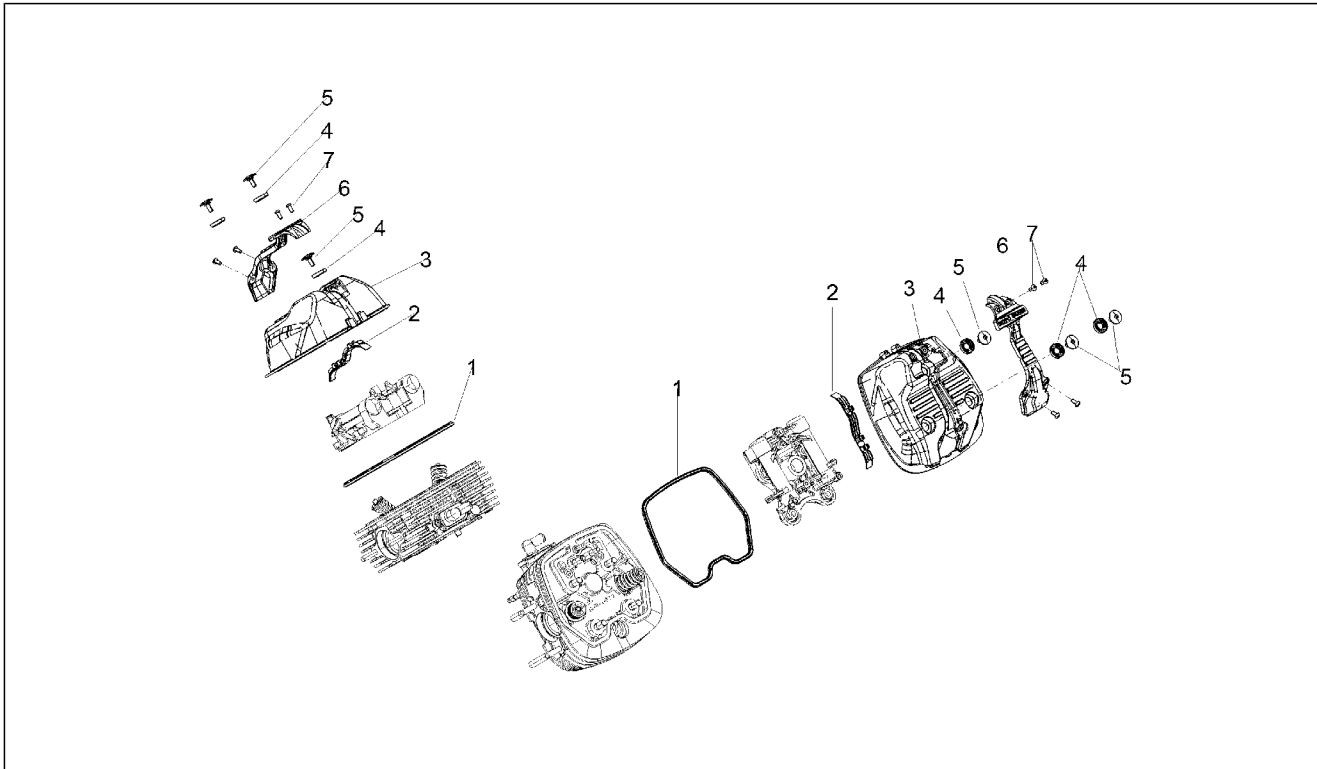
Pos.	Code	Beschreibung	Menge	Varianten
1	AP8152329	Kreuz.schl.flnschschr. M5x20	9	
2	2B002832	L.deckel Filtergehäuse	1	
3	AP8120455	Gummi	1	
4	AP8104525	Filter blow-by	2	
5	2B002851	Membran	1	
6	AP8120615	Dichtung D3	1	
7	AP8104924	Luftfilter	1	
8	887815	Ansaugmuffe	1	
9	887843	Luftfilterdeck	1	
10	AP8150509	Gew.schr. 5x14	4	
11	AP8120876	Verschlussschraube	2	
12	887844	Schale re Filtergehäuse	1	
13	890760	Halterung Instrumente	1	
14	2B002959	Sicherungskasten	1	
15	AP8102520	Schlauchschelle	2	
16	AP8161054	Kappe	2	
17	CM258303	Schelle 63	1	
18	AP8221023	T-Buchse	2	
19	GU91551010	Gummi 10X20X10	2	

Einheit	Motor
Code	03.060
Beschreibung	Klappenkörper
Inspektion	1



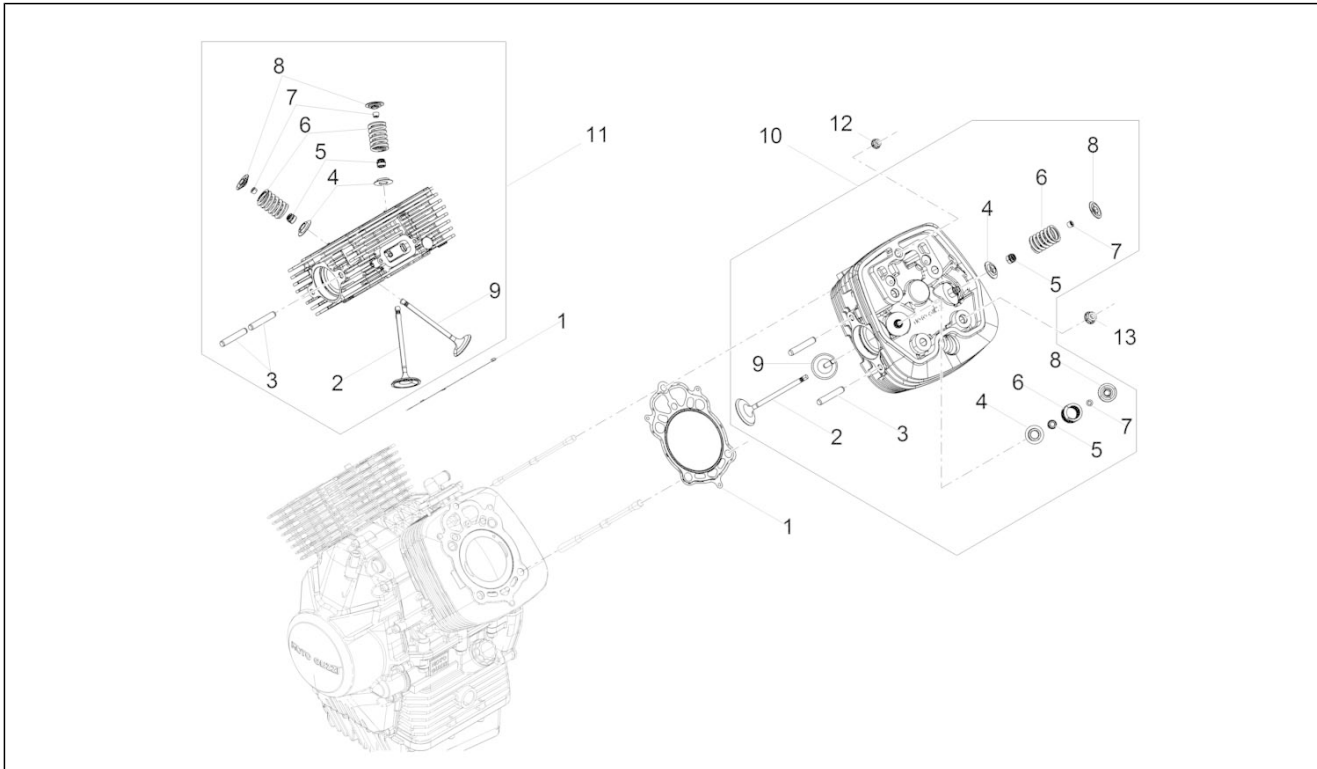
Pos.	Code	Beschreibung	Menge	Varianten
1	CM275402	Drosselkörper mit ECU (MIU)	1	Technische Spezifikation: FULL POWER[FP]
2	1D001393	Injektor	2	
3	2A000609	Anschluß re.	1	
4	880260	Klappenkörper Schutz	1	
5	B016796	Linsenkopfschraube Torx	3	
6	AP8150500	TBEI Schraube M5x9	2	
7	2A000612	Dichtung Einlassanschluss	2	
8	2A000608	Anschluß li.	1	
9	GU98622322	Schraube	6	
10	GU03013800	Ausgleichscheibe 6,4x12	6	
11	884310	Schelle D.55	2	
12	2B001823	Muffe Drosselklappe	1	Technische Spezifikation: FULL POWER[FP]
12	1A006963	Muffe Drosselklappe 35 KW	1	Technische Spezifikation: Version 35 KW[KW]
13	CM258301	Schelle	1	

Einheit	Motor
Code	03.090
Beschreibung	Kopfdeckel
Inspektion	1



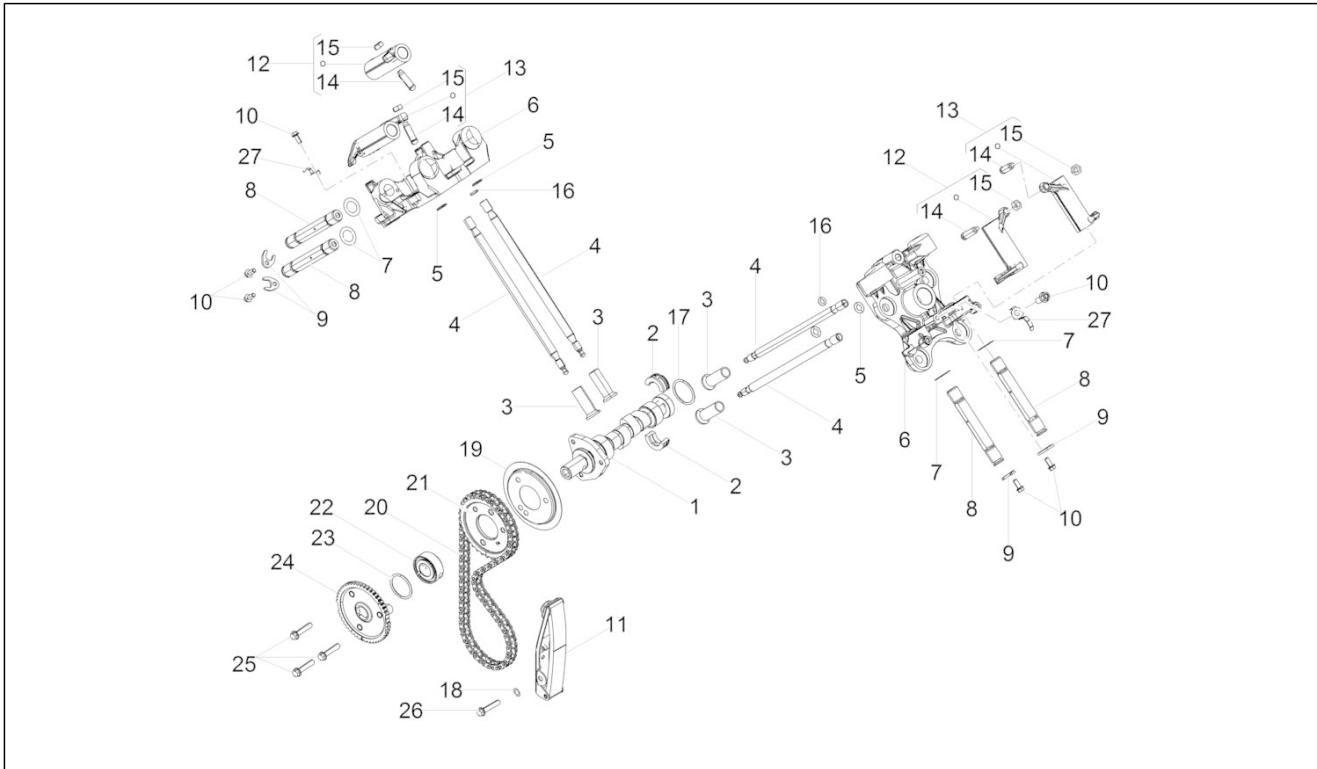
Pos.	Code	Beschreibung	Menge	Varianten
1	2A000565	Kopf Deckel Dichtung	2	
2	2A000659	Kabelführung	2	
3	2A000339	Kopfdeckel	2	
4	1A006716	Stopfen dämpfer	6	
5	976591	Spezialschraube	6	
6	2A000620	Zündkerzedeckel	2	
7	AP8152267	TBEI Spez.schr. M5x12	8	

Einheit	Motor
Code	03.100
Beschreibung	Zylinderkopf - ventile
Inspektion	1



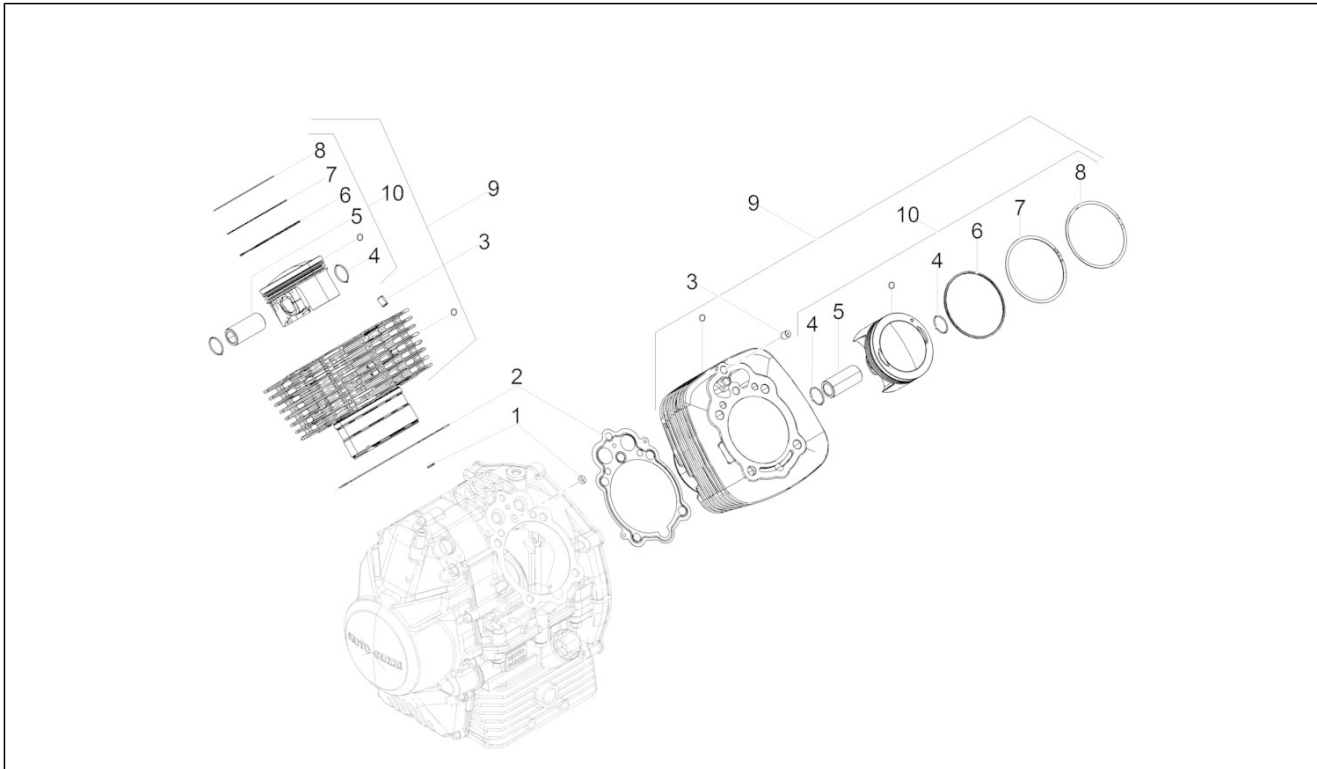
Pos.	Code	Beschreibung	Menge	Varianten
1	1A004661	Zylinder/Kopf Dichtung SP. 0.8 mm	66	
1	1A004660	Zylinder/Kopf Dichtung sp. 0,6 mm	66	
1	1A004662	Zylinder/Kopf Dichtung SP. 10 mm	1	
2	1A005424	Ein. ventil	1	
3	B017636	Auspufftopf Stiftschraube	2	
4	1A004751	Federteller unten	4	
5	1A003452	Ventil Dichtring	2	
6	1A004752	Rückzugsfeder	2	
7	871640	Halbkegel	8	
8	1A004750	Federteller oben	4	
9	1A005425	Auslassventil	1	
10	1A0068695	L.Kopf kpl.mitVentilführungen	1	
11	1A0068705	R.Kopf kpl.mitVentilführungen	1	
12	1A006659	Geflanschte Mutter M8x1.25	1	
13	825694	Mutter M10x1,25	1	

Einheit	Motor
Code	03.120
Beschreibung	Steuer
Inspektion	1



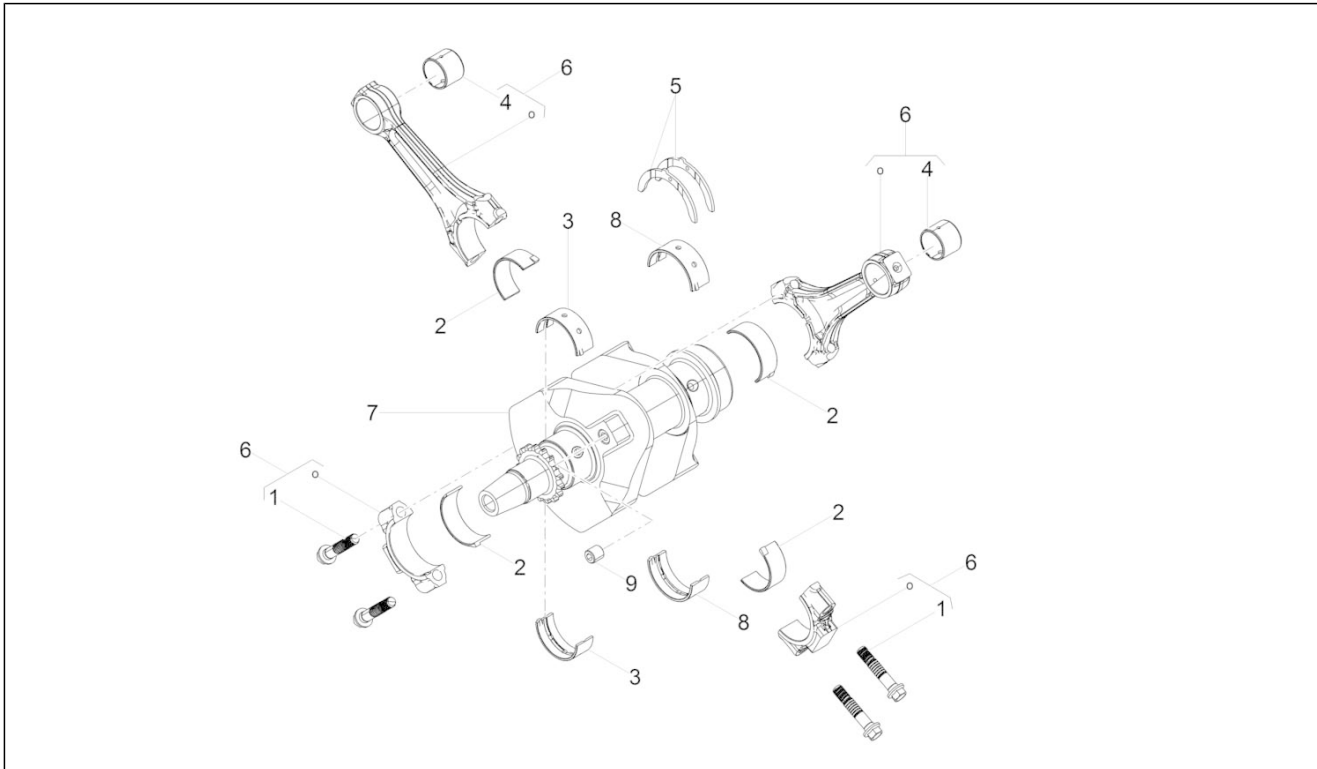
Pos.	Code	Beschreibung	Menge	Varianten
1	1A005712	Nockenwelle	1	
2	GU19055700	Sektor	2	
3	GU19045861	Ventilstässel	4	
4	2A000496	Kipphebelstange	4	
5	2A000579	Dichtungsring O-Ring 2,62x9.19	4	
6	2A0003535	Kippbellager	2	
7	1A005951	Gebogene Sprengscheibe	4	
8	2A000528	Kipphebel-Federwelle	4	
9	2A000521	Schaltgabel	4	
10	AP8152272	TE Schr. m. Flansch M5x12	4	
11	GU19058220	Kettenspanner	1	
12	1A004905	Kipphebel Einlass re Auslass li	2	
13	1A004903	Kipphebel Einlass li Auslass re	2	
14	1A004907	Einstellschraube	2	
15	GU10034100	Mutter	2	
16	1A006861	Gasket ring	2	
17	GU90353029	Sprengring	1	
18	GU95129115	Ausgleichscheibe	1	
19	1A005955	Platte	2	
20	GU19058021	Steuerkette	1	
21	1A006243	Steuer Zahnkranz	1	
22	1A006119	Distanzscheibe	1	
23	1A006127	O-Ring	1	
24	1A0057145	Phonic wheel	0	
25	1A008576	***TE Schr. m. Flansch	3	
26	GU98882316	Schraube	1	
27	2A000527	Platte	2	

Einheit	Motor
Code	03.150
Beschreibung	Zylinder - Kolben
Inspektion	1



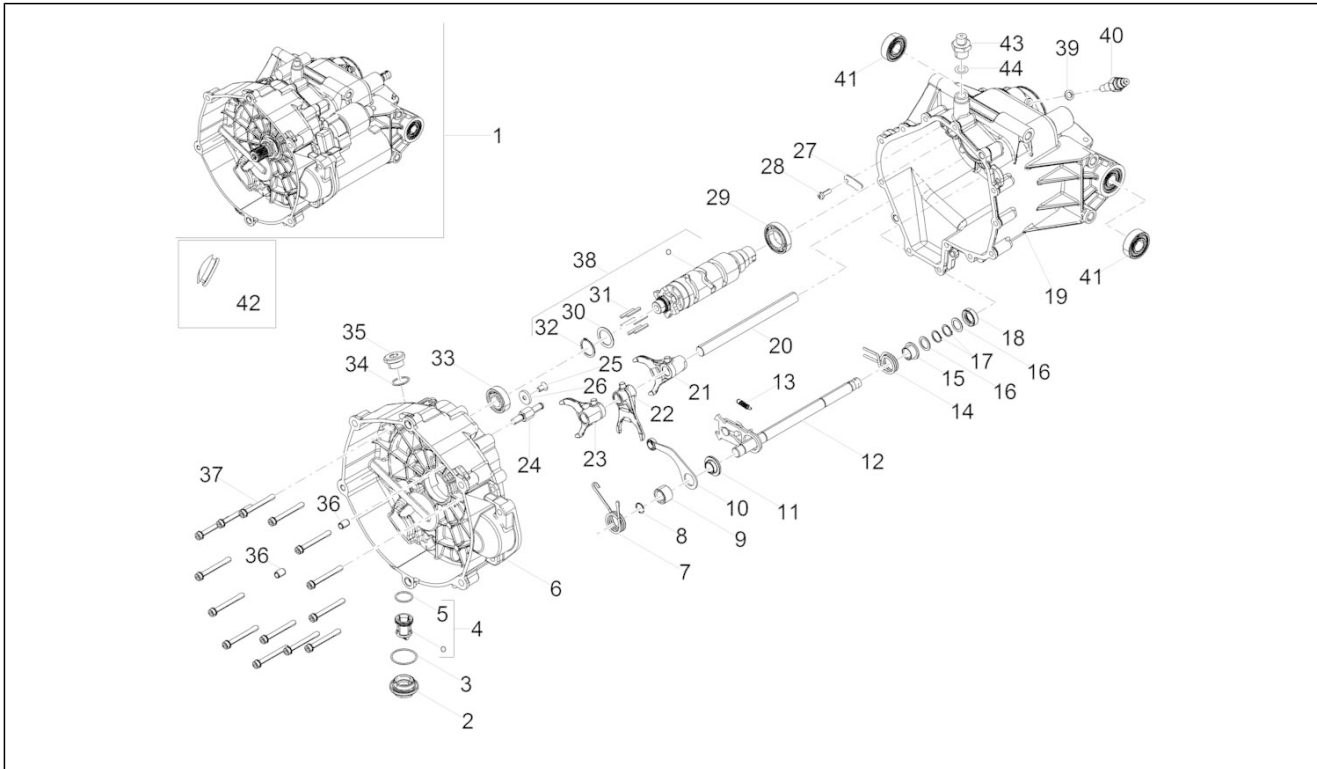
Pos.	Code	Beschreibung	Menge	Varianten
1	GU61027200	O-Ring	2	
2	1A007070	Dichtung Zylinder/Gehäuse	2	
3	GU19021360	Buchse	2	
4	874567	Sperring	4	
5	1A004956	Bolzen	2	
6	1A004955	Ölabstreifer	2	
7	1A004954	Kompressions-kolbenring	2	
8	1A004953	Kompressions-kolbenring	2	
9	1A007111	Kolben mit Zylinder kpl.	1	
10	1A006272AA	Kolben kpl. Auswahl "G"	1	
10	1A006272BB	Kolben kpl. Auswahl "H"	1	
10	1A006272DD	Kolben kpl. Auswahl "M"	1	
10	1A006272CC	Kolben kpl. Auswahl "L"	1	

Einheit	Motor
Code	03.160
Beschreibung	Kurbelwelle
Inspektion	1



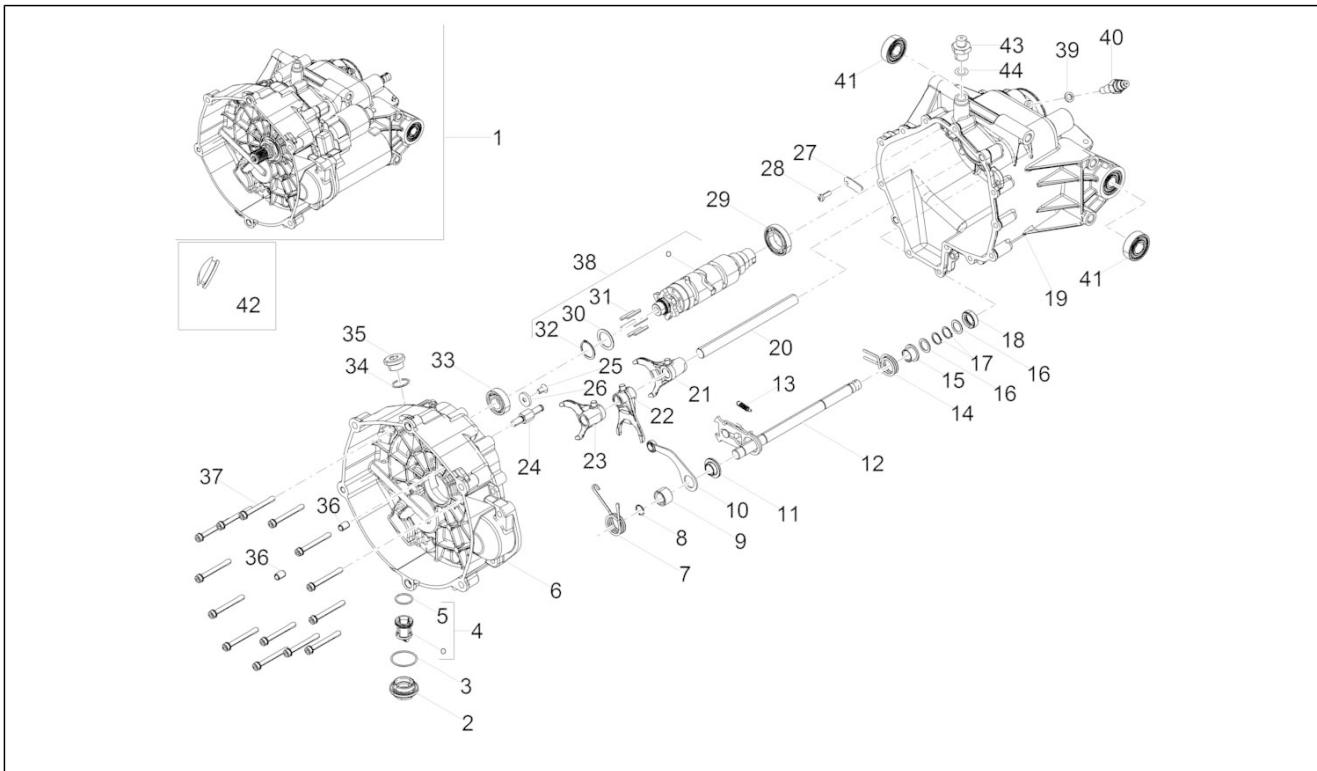
Pos.	Code	Beschreibung	Menge	Varianten
1	GU19062261	Schraube	4	
2	1A0068960B	Pleuellagerschale blau	4	
2	1A0068960G	Pleuellagerschale gelb	4	
2	1A0068960R	Pleuellagerschale Rot	4	
3	1A0066680V	Hauptlagerschale vorne Grün	1	
3	1A0066680N	Hauptlagerschale vorne Schwarz	1	
3	1A0066680G	Hauptlagerschale vorne gelb	1	
4	GU27061885	Buchse	2	
5	GU27066460	Halb-Klemme	2	
6	1A005325BB	Pleuel Auswahlklasse "B"	1	
6	1A005325AA	Pleuel Auswahlklasse "A"	1	
7	1A006671AA	Kurbelwelle kpl.,cat.1	1	
7	1A006671BB	Kurbelwelle, komplett kat. 2	1	
8	1A0066690G	Hauptlagerschale hinten gelb	2	
8	1A0066690N	Hauptlagerschale hinten Schwarz	2	
8	1A0066690V	Hauptlagerschale hinten Grün	2	
9	GU19065400	Deckel	1	

Einheit	Motor
Code	03.170
Beschreibung	Schaltgetriebe / Schaltgabel / Desmodrom.
Inspektion	1



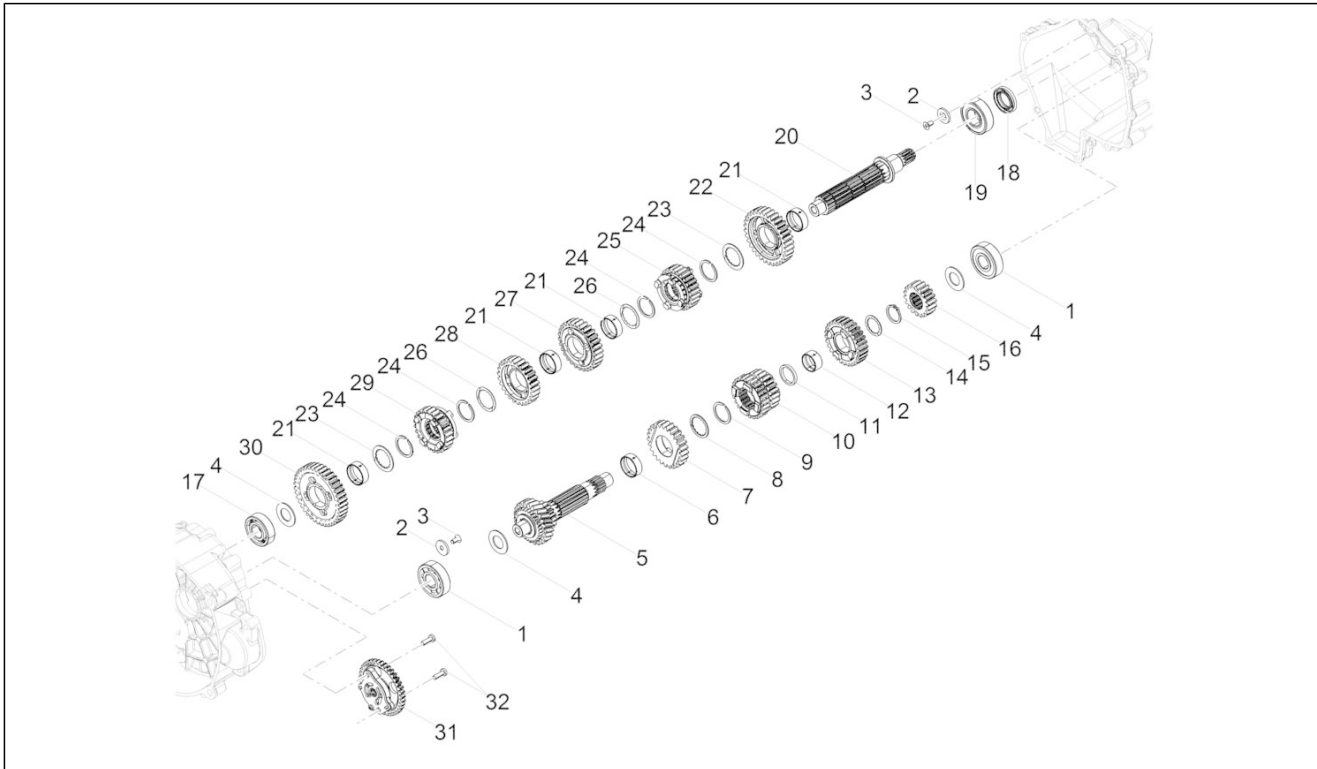
Pos.	Code	Beschreibung	Menge	Varianten
1	2A00042115	Getriebe komplett	1	
2	B015598	Ölfilter Verschluss	1	
3	285536	O-Ring 31,47x1,78	1	
4	B018020	Ölfiltereinsatz kpl.	1	
5	B017406	O-Ring 20.35x1.78	1	
6	2A0007505	Kupplungsglocke	1	
7	B064113	Index feder	1	
8	GU90353014	Seegering	1	
9	GU05234230	Distanzscheibe	1	
10	B064112	Indexhebel kpl.	1	
11	GU05238431	Buchse	1	
12	2A000219	Schaltautomat	1	
13	GU05238231	Feder	1	
14	B063956	Feder	1	
15	2A000467	Distanzscheibe	1	
16	GU05239330	Anlaufscheibe	2	
17	GU90271014	Seegering	2	
18	GU90401424	Gasket ring 14x24x7	1	
19	2A0007425	Not available	1	
20	2A000224	Stange	1	
21	2A000226	Schaltgabel 2-3 Gang	1	
22	2A000227	Gabel 5.-6. Gang	1	
23	2A000225	Gabel für Sekundärwelle	1	
24	2A000415	Anschlagschraube	1	
25	B013608	Schraube	1	
26	873905	Unterlegscheibe	1	
27	2A000306	Anschlagplatte	1	
27	2A000241	Schraube M5x16	1	

Einheit	Motor
Code	03.170
Beschreibung	Schaltgetriebe / Schaltgabel / Desmodrom.
Inspektion	1



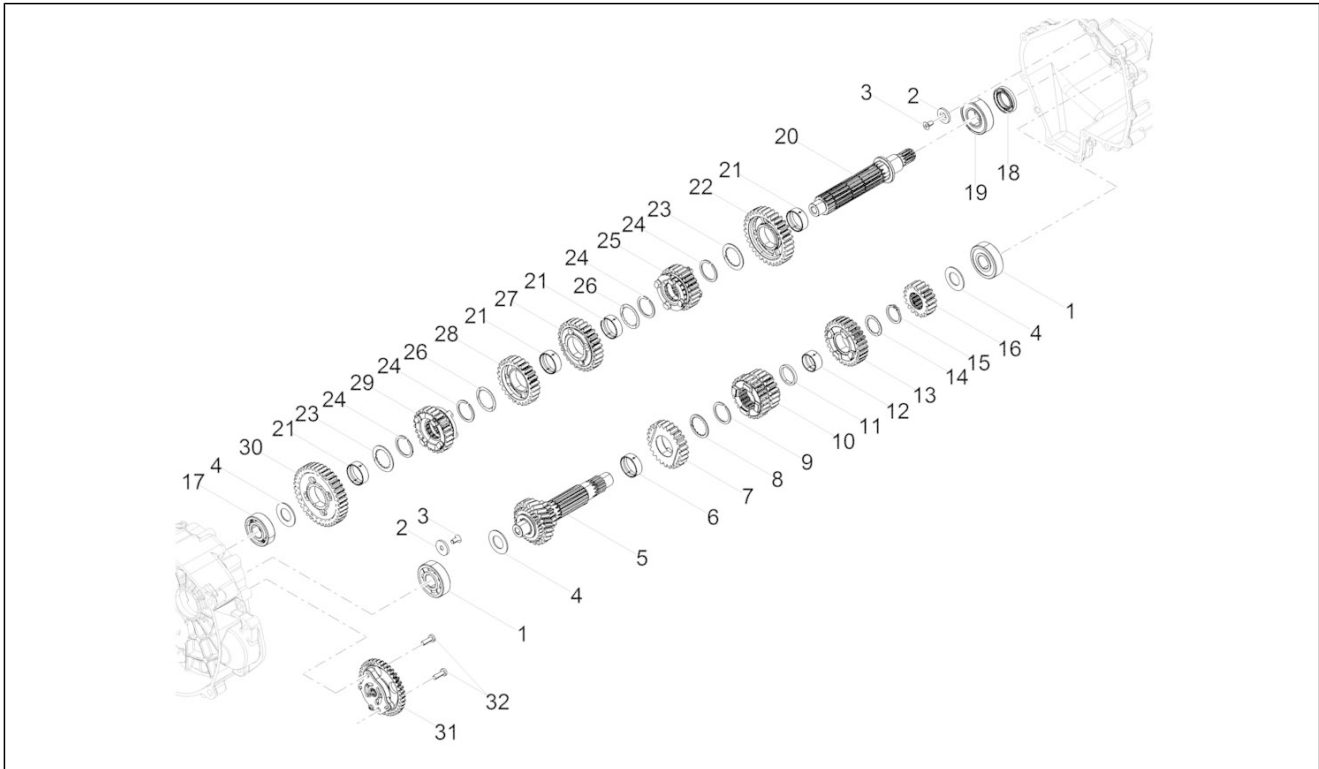
Pos.	Code	Beschreibung	Menge	Varianten
28	2A000241	Schraube M5x16	1	
29	857250	Kugellager 25x42x9	1	
30	GU05235531	Scheibe	1	
31	GU05234631	Stift	6	
32	GU90271022	Seegerring	1	
33	834764	Lager	1	
34	GU90706203	O-Ring 20,24X2,62	1	
35	GU12022600	Ölschraube	1	
36	GU19002020	Buchse 6,6x9x13	2	
37	2A000591	Zylinderschraube M6x55	14	
38	2A000222	Verschiebenocken kplt.	1	
39	B063025	Dichtung 8,7x14,2x1,3	1	
40	B063269	Sensor	1	
41	2A000097	Kugellager 6202-2RSH/C3 LHT23	2	
42	GU93180220	Deckel	1	
43	2A000438	Entlüftungsschraube	1	
44	224566	Unterlegscheibe	1	

Einheit	Motor
Code	03.180
Beschreibung	Schaltgetriebe - Zahnräder
Inspektion	1



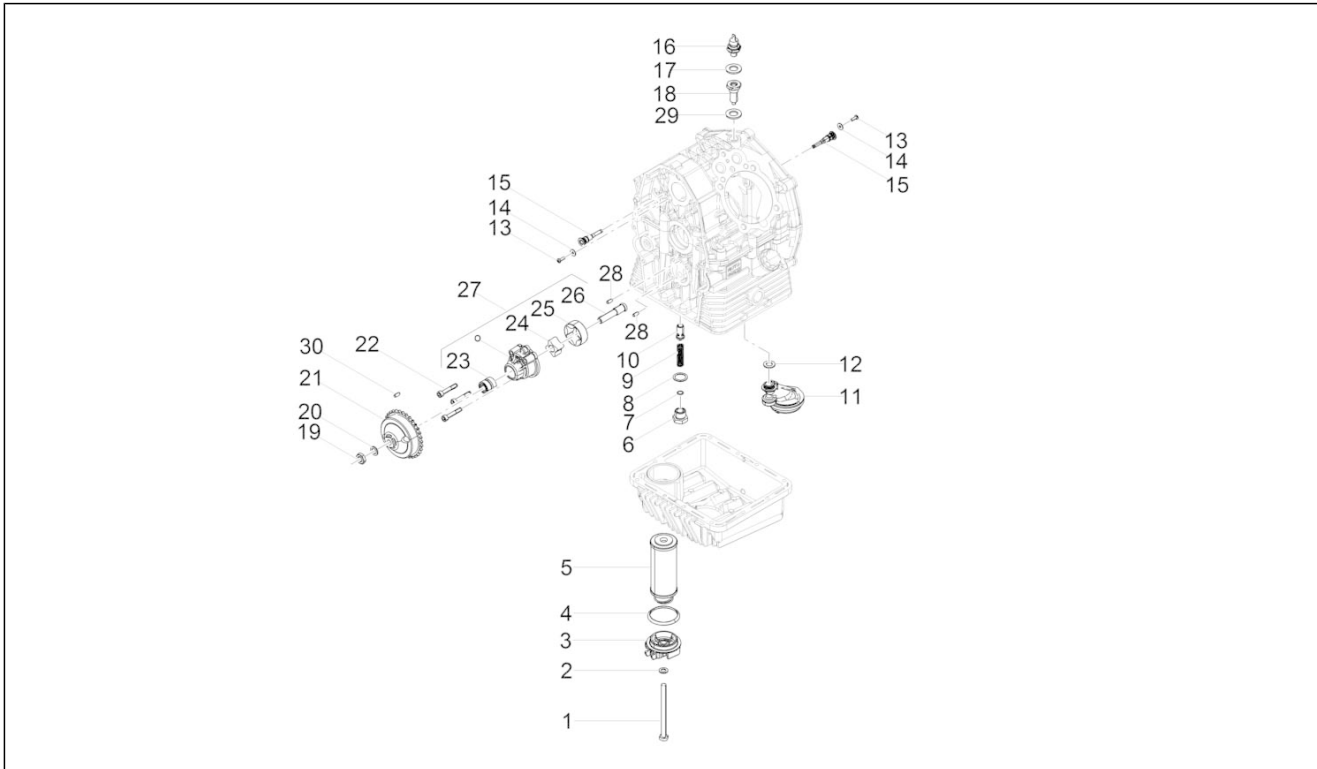
Pos.	Code	Beschreibung	Menge	Varianten
1	GU92201822	Kugellager 20x52x15	2	
2	873928	Unterlegscheibe	2	
3	B013608	Schraube	2	
4	1A000566	Ausgleichsscheibe	1	
5	2A000727	Vorgelegewelle	1	
6	849308	Buchse Beweglich	1	
7	1A000360	Schnellgangrad	1	
8	849424	Bundscheibe	1	
9	1A002604	Welle Sprengring	1	
10	1A000436	Zahnrad 3a - 4a vel.	1	
11	B015040	Ausgleichsscheibe	1	
12	974162	Buchse Beweglich	1	
13	2A000627	Zahnrad 6. Gang	1	
14	849396	Bundscheibe	1	
15	974165	Sprengring	1	
16	1A000365	Zahnrad 2.Hauptwelle	1	
17	848650	Kugellager 20x47x14	1	
18	GU90412541	Gasket ring 25X40X7	1	
19	GU92201226	Kugellager 25x52x15	1	
20	2A000203	Nebentriebewelle	1	
21	849308	Buchse Beweglich	4	
22	1A000366	Wechselrad 2. gang Z=32	1	
23	849309	Bundscheibe	2	
24	1A002604	Welle Sprengring	4	
25	1A000370	Zahnrad 6. Gang Z=24	1	
26	849310	Bundscheibe	2	
27	1A000367	Wechselrad 3. gang Z=28	1	
28	1A000368	Wechselrad 4. gang Z=26	1	

Einheit	Motor
Code	03.180
Beschreibung	Schaltgetriebe - Zahnräder
Inspektion	1



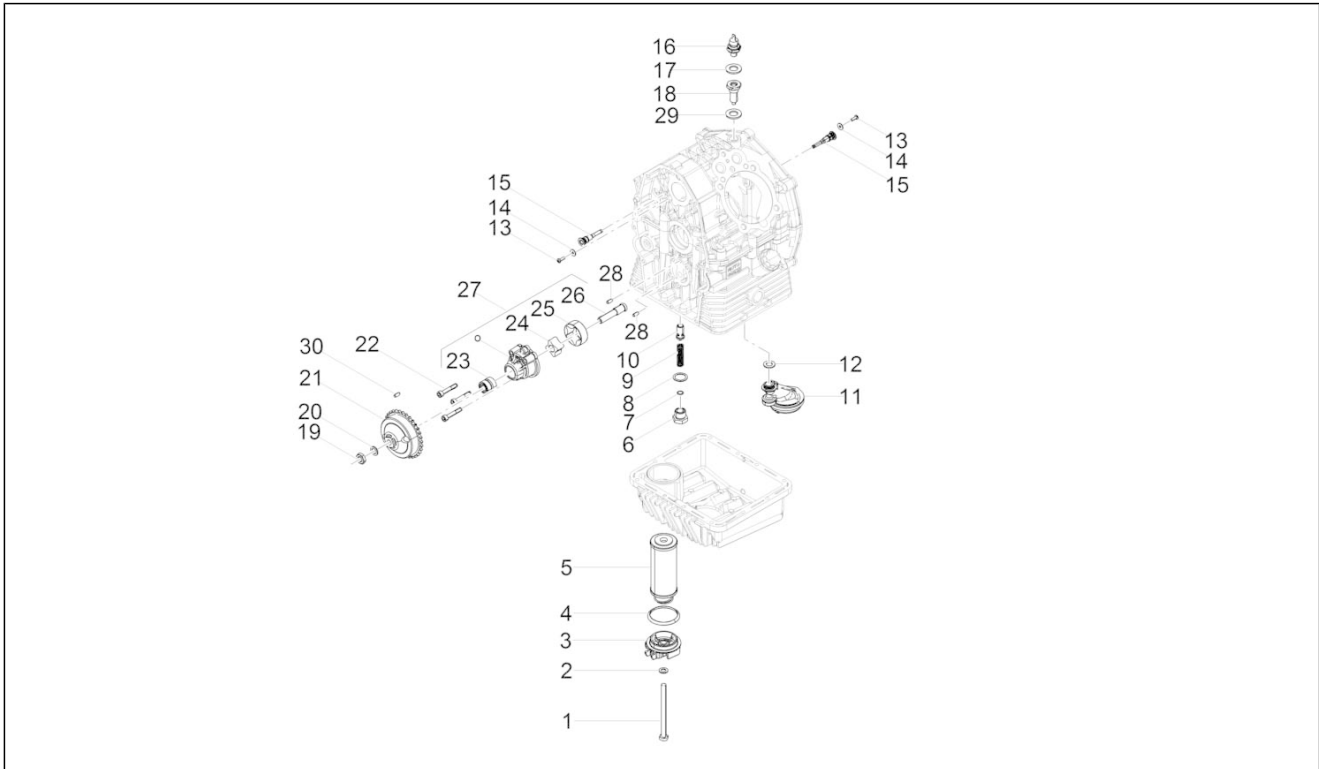
Pos.	Code	Beschreibung	Menge	Varianten
29	1A000369	Wechselrad 5. gang Z=24	1	
30	2A000629	Zahnrad 1.gang	1	
31	B018448	Ölpumpe	1	
32	2A000241	Schraube M5x16	2	

Einheit	Motor
Code	03.190
Beschreibung	Schmierung
Inspektion	1



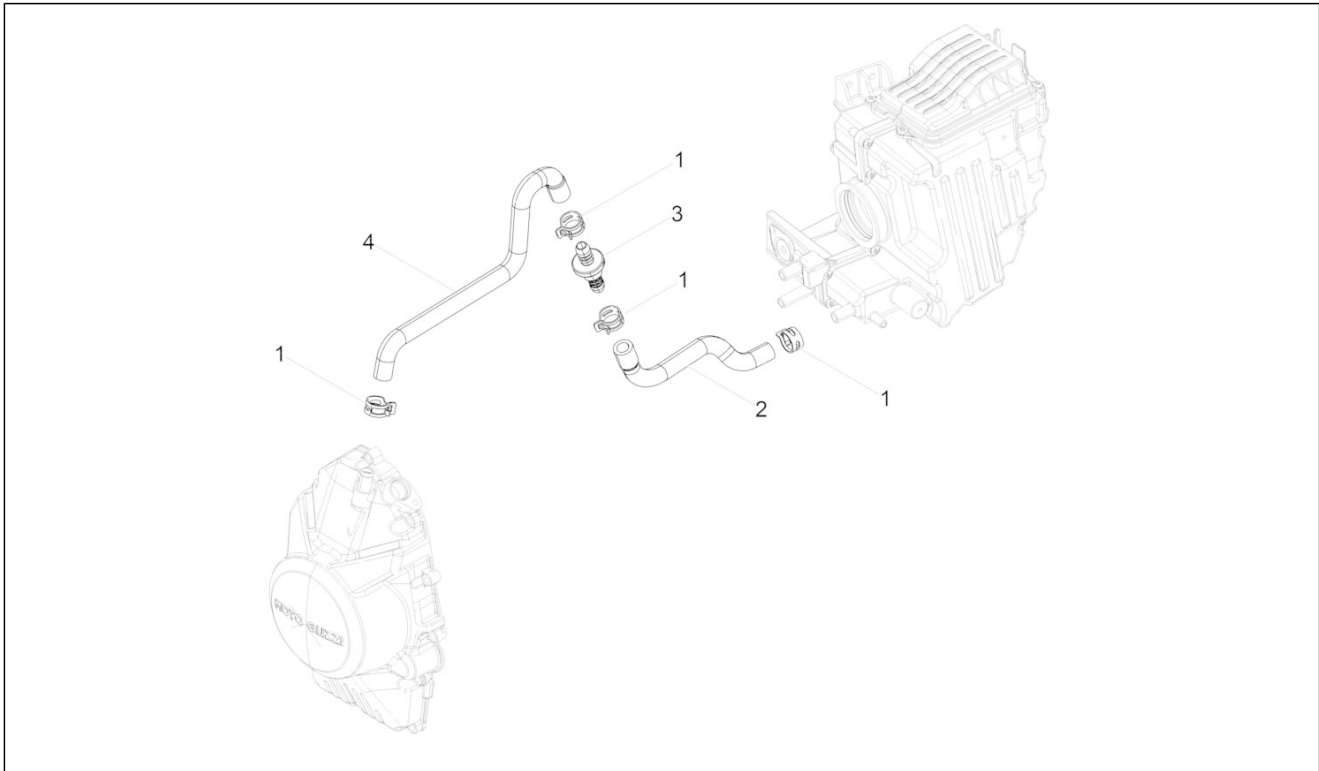
Pos.	Code	Beschreibung	Menge	Varianten
1	GU27152885	Schraubbolzen	1	
2	GU12154200	Dichtung 8,25x15x1	1	
3	1A005199	Ölfilterdeckel	1	
4	GU90706444	O-Ring	1	
5	2A000633	Ölfiltereinsatz	1	
6	GU31159050	Deckel	1	
7	GU95008206	Ausgleichscheibe 6,15x11x0,8	1	
8	GU18144350	Ausgleichscheibe 18,25x24x1	3	
9	GU94321079	Feder	1	
10	GU31150950	Kolben	1	
11	1A004549	Oil strainer	1	
12	237553	O-Ring	1	
13	1A005257	Linsenschraube	2	
14	013763	Flachscheibe 4,2x12x1	2	
15	1A004442	Kühldüse Kolben	2	
16	643090	Öldrucksensor	1	
17	GU95100309	Ausgleichscheibe	1	
18	887093	Anschluß	1	
19	GU92602510	Mutter M10x1,25	1	
20	AP8152220	Scheibe	1	
21	GU20147710	Zahnrad pumpe	1	
22	1A007008	TCEI Schraube M6x35 preimpregnata	3	
23	1A006064	Rollenlager	1	
24	1A006056	Innenrotor	1	
25	1A006055	Außenrotor	1	
26	GU20147810	Ölpumpenwelle	1	
27	1A006053	Ölpumpe komplett	1	
28	GU19018920	Stift	2	

Einheit	Motor
Code	03.190
Beschreibung	Schmierung
Inspektion	1



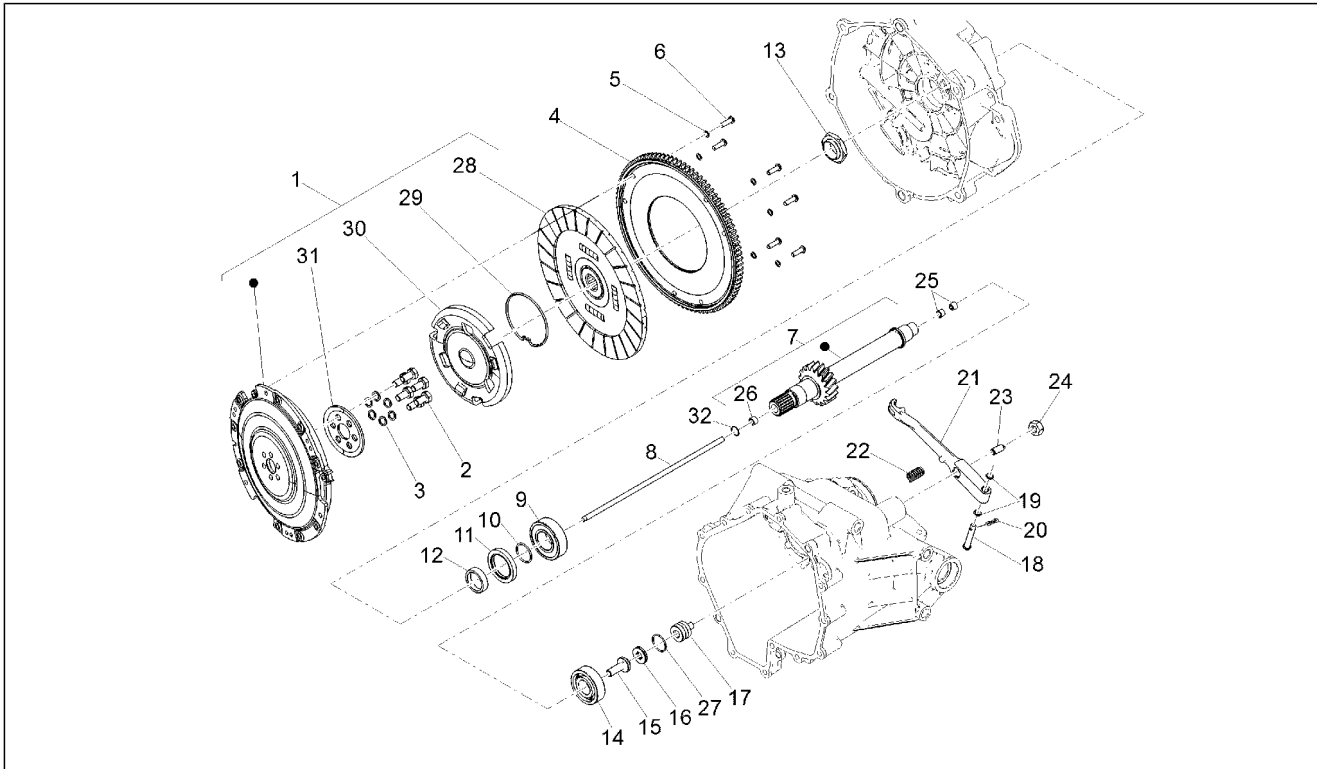
Pos.	Code	Beschreibung	Menge	Varianten
29	GU95100602	Dichtung	1	
30	GU92296723	Rolle	1	

Einheit	Motor
Code	03.196
Beschreibung	Anlage Blow-by
Inspektion	1



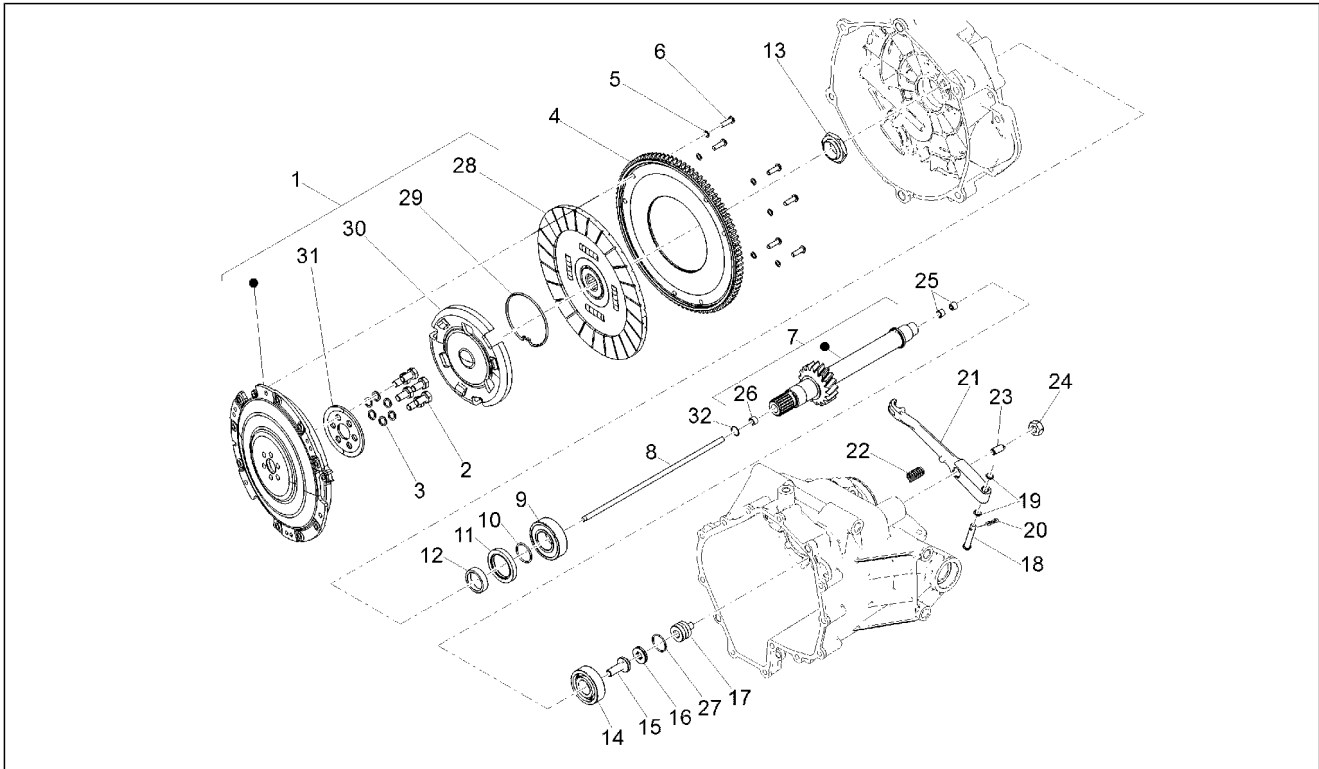
Pos.	Code	Beschreibung	Menge	Varianten
1	CM226902	Federschelle 19/12	4	
2	2B003204	Blow-By-Leitung	1	
3	2B003105	Rückstauventil	1	
4	2B002602	Blow-By-Leitung	1	

Einheit	Motor
Code	03.230
Beschreibung	Kupplung
Inspektion	1



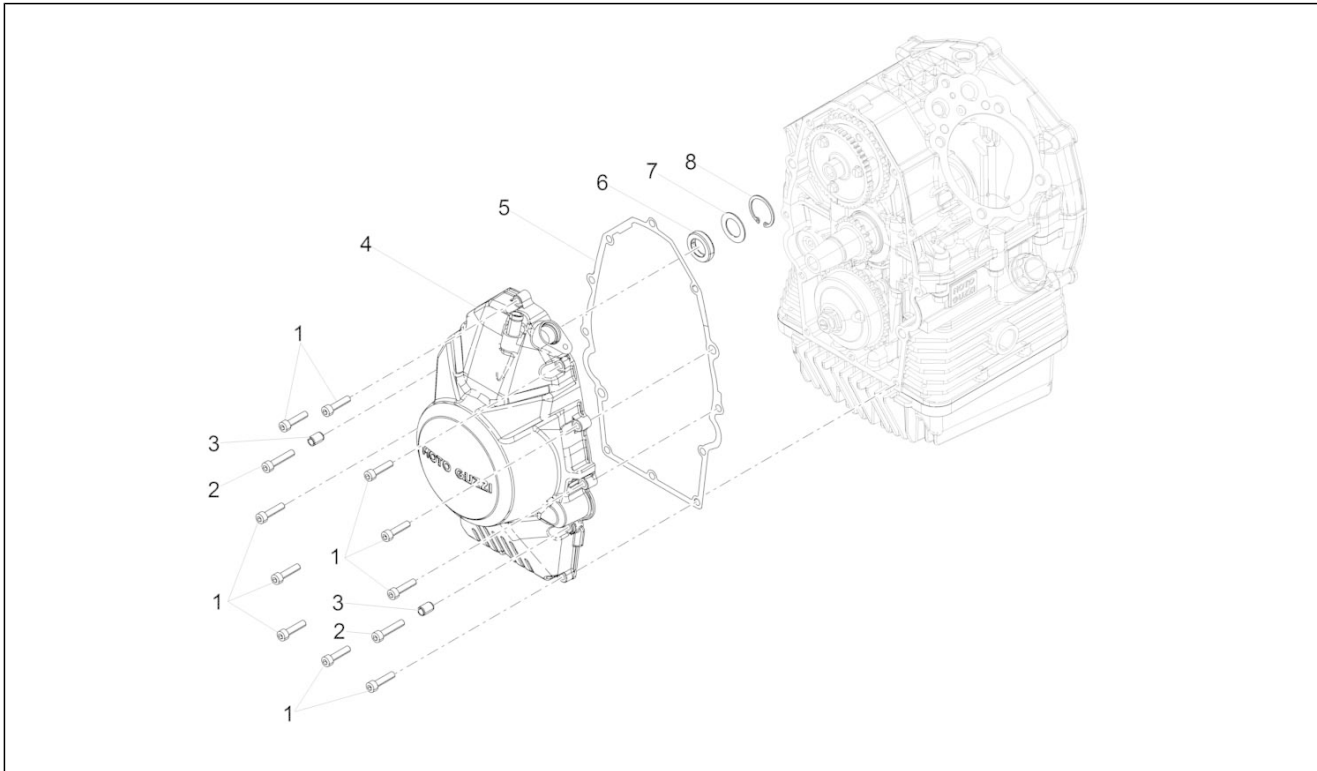
Pos.	Code	Beschreibung	Menge	Varianten
1	2A000419	Einscheiben-Kupplungseinheit komplett	1	
2	GU19067700	Schraube	6	
3	GU14615901	Ausgleichscheibe 8,4X13X0,8	6	
4	2A000724	Anlasserzahnkranz	1	
5	GU14217901	Scheibe 6,4x10x0,7	6	
6	2A000774		6	
7	2A000792	Kupplungswelle Kpl. Z=21	1	
8	2A000216	Regelstange	1	
9	GU92201226	Kugellager 25x52x15	1	
10	GU90706235	O-Ring 23,52x1,78	1	
11	886629	Gasket ring	1	
12	GU19213760	Distanzscheibe	2	
13	GU19356760	Mutter	1	
14	2A000375	Kugellager	1	
15	B013037	Kupplungswelle	1	
16	2A000376	Drucklager	1	
17	GU14086100	Aussengehäuse	1	
18	2A000384	Hebelbolzen	1	
19	2A000385	O-Ring 6.5x1.5	2	
20	GU95500222	Splint	1	
21	2A000631	Ausrueckwelle	1	
22	GU94321105	Rückholfeder Starterhebel	1	
23	2A000767	Regelschraube	1	
24	GU92606508	Mutter	1	
25	GU14085900	Buchse	2	
26	GU05217630	Buchse	1	
27	GU90706170	O-Ring 17,13x2,62	1	
28	2A000770	Getriebene Kuppl.scheibe	1	

Einheit	Motor
Code	03.230
Beschreibung	Kupplung
Inspektion	1



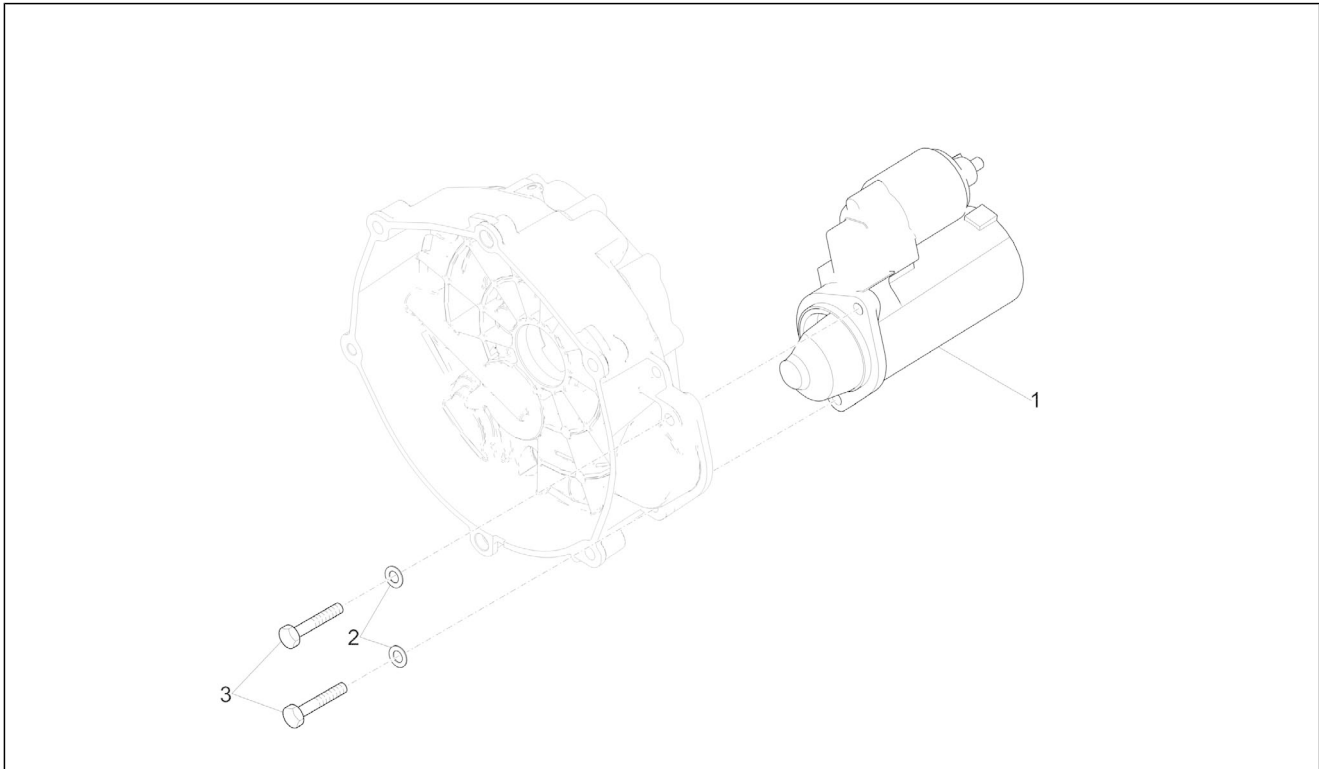
Pos.	Code	Beschreibung	Menge	Varianten
29	2A000418	Ring	1	
30	2A000638	Federteller	1	
31	2A000741	Stütze	1	
32	2A000378	Gasket ring	1	

Einheit	Motor
Code	03.270
Beschreibung	Zuenderdeckel
Inspektion	1



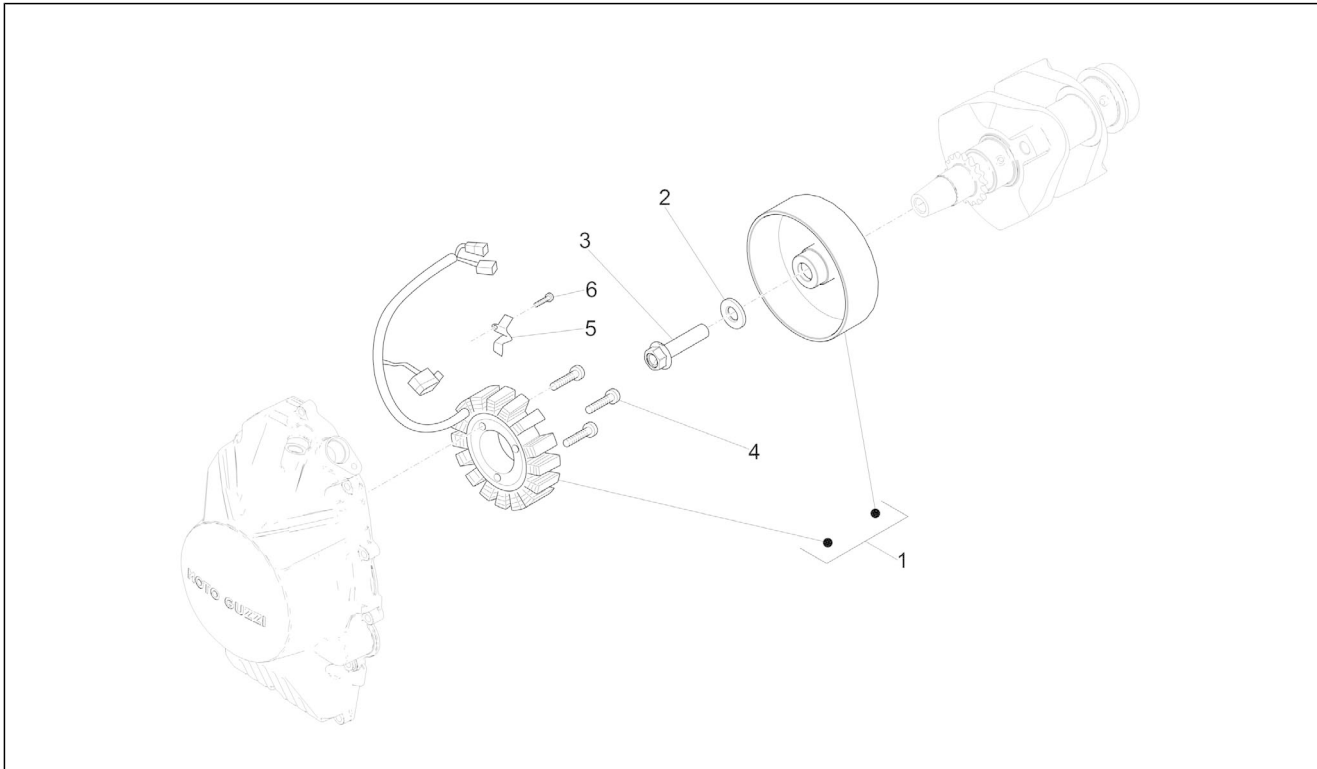
Pos.	Code	Beschreibung	Menge	Varianten
1	GU98682325	TCEI Schraube M6x25	10	
2	GU98682330	TCEI Schraube M6x20	2	
3	GU19002020	Buchse 6,6x9x13	2	
4	1A006298	Deckel	1	
5	887003	Deckeldichtung Kupplungsseite	1	
6	898268	Gasket ring 18x30x7	1	
7	898269	Bundscheibe	1	
8	006630	Sprengring	1	

Einheit	Motor
Code	03.290
Beschreibung	Zündung / Elektrischer Anfang
Inspektion	1



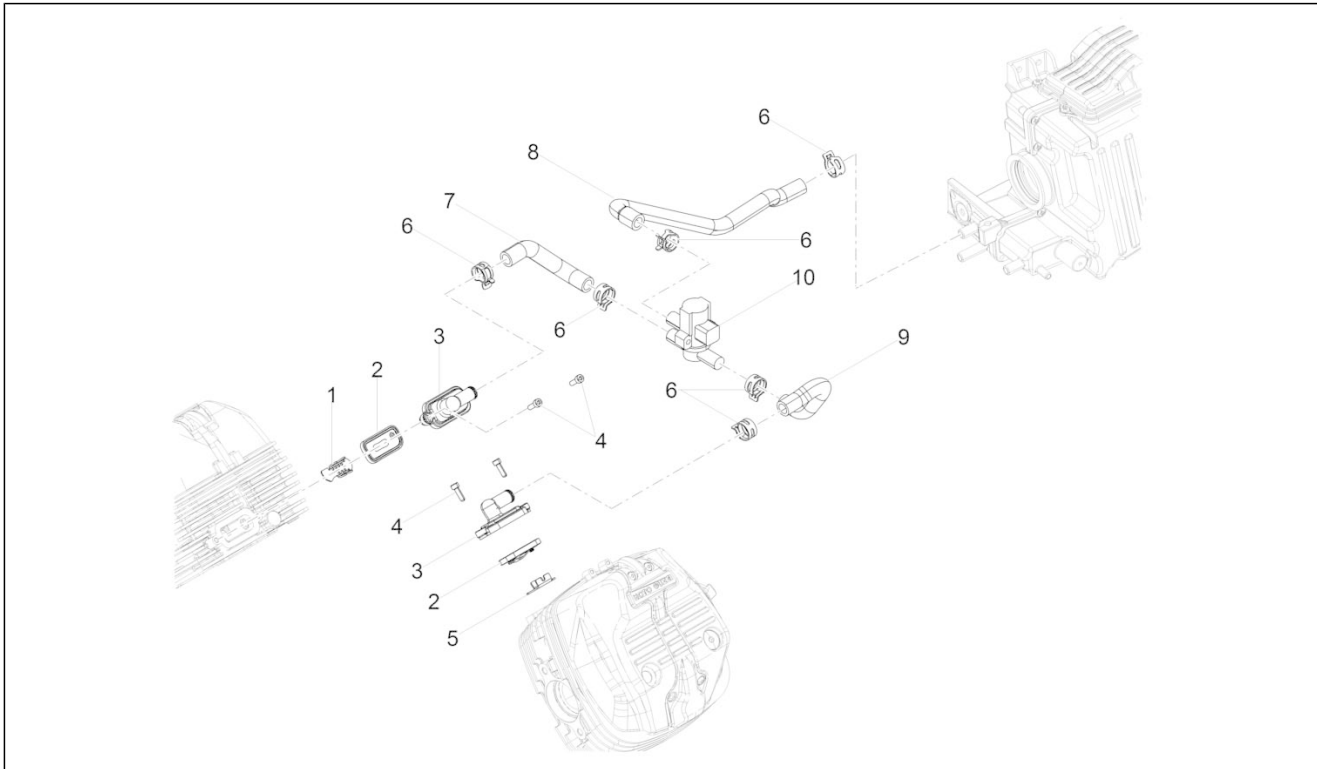
Pos.	Code	Beschreibung	Menge	Varianten
1	97729R	Startermotor	1	
2	GU95008208	Ausgleichscheibe 8,4X15X1,5	2	
3	GU98682435	TCEI Schraube	2	

Einheit	Motor
Code	03.300
Beschreibung	Schwungradmagnetstarter / Zündung
Inspektion	1



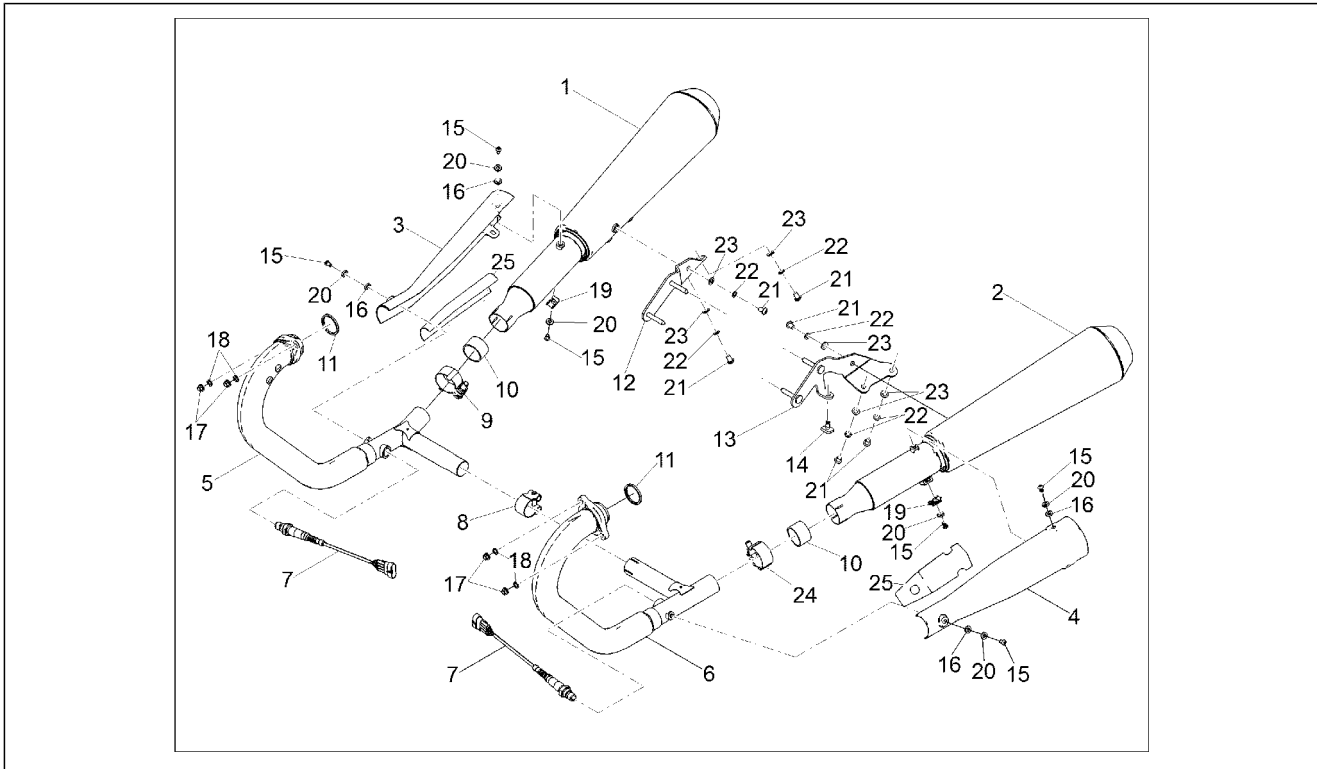
Pos.	Code	Beschreibung	Menge	Varianten
1	2D000024	Schwungrad Mag. klp.	1	
2	897478	Unterlegscheibe 12x26.5x3	1	
3	857206	TE Schr. m. Flansch M12X1,25X50	1	
4	2A000129	Flache Innensechskantschraube M6x35	3	
5	2A000115	Platte	1	
6	GU98682212	TCEI Schraube M5x12	1	

Einheit	Motor
Code	03.320
Beschreibung	Secondary air
Inspektion	1



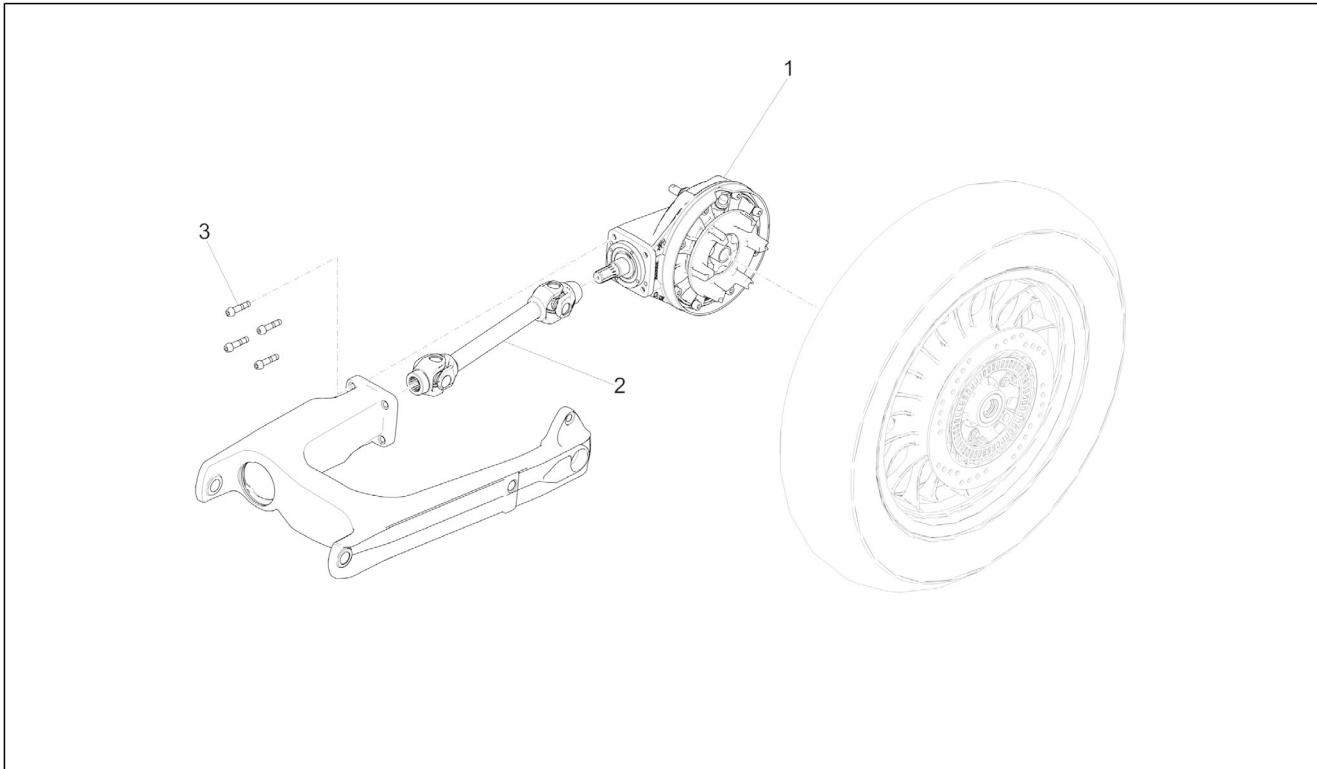
Pos.	Code	Beschreibung	Menge	Varianten
1	857047	Spark arrester	1	
2	857045	Reed valve	2	
3	2A000597	Abdeckung	1	
4	GU98612216	TCEI Schraube	2	
5	857046	Spark arrester	1	
6	CM226902	Federschelle 19/12	6	
7	2B002529	Schlauch rechts "S.A.S."	1	
8	2B002531	Leitung Filtergehäuse "S.A.S."	1	
9	2B002530	Schlauch links "S.A.S."	1	
10	857181	SAS ventil	1	

Einheit	Motor
Code	03.330
Beschreibung	Auspuffrohr
Inspektion	1



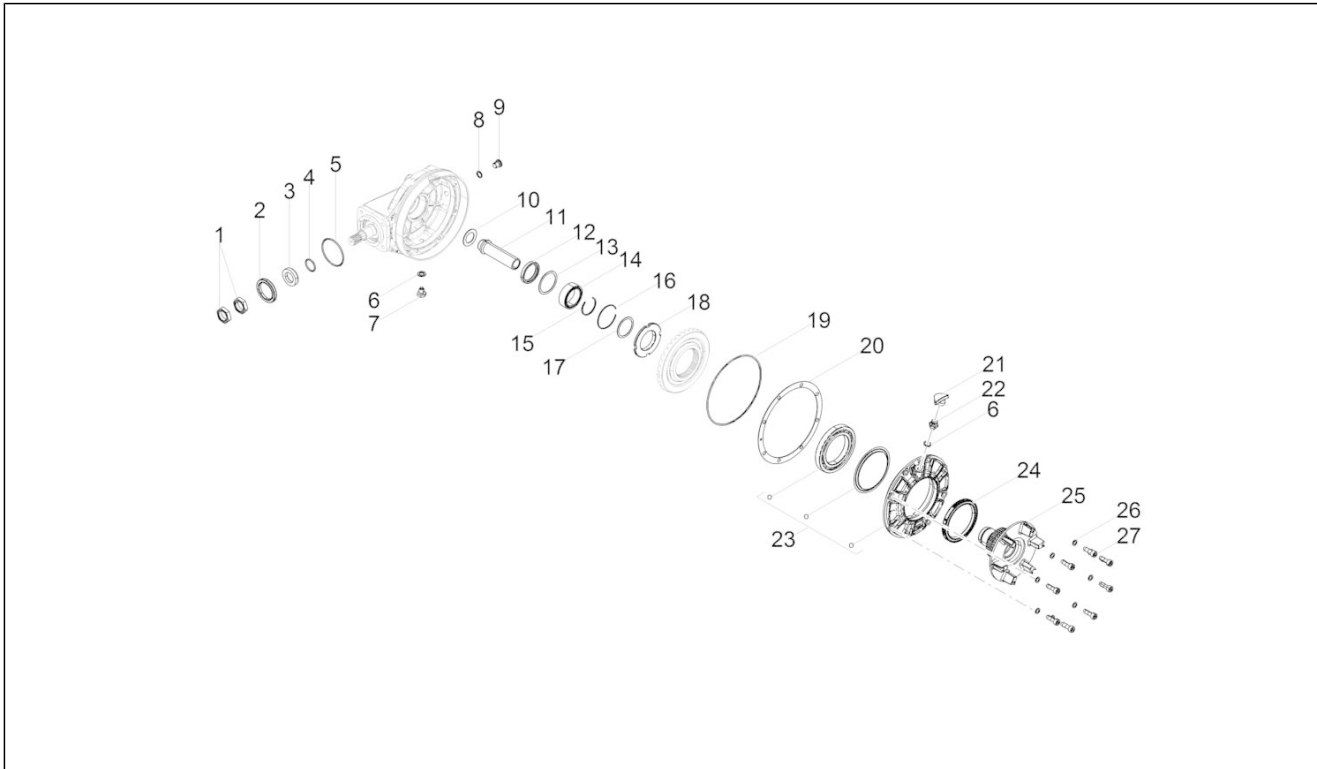
Pos.	Code	Beschreibung	Menge	Varianten
1	2B0010995	Auspufftopf rechts	1	
2	2B0011005	Auspufftopf links	1	
3	2B0022935	R.Schalldämpferschutz	1	
4	2B0022925	L.Schalldämpferschutz	1	
5	2B001084	Auspuffkrümmer rechts	1	
6	2B001083	Auspuffkrümmer links	1	
7	896110	Lamdasonde l.660 mm	2	
8	B063292	Schelle D.37	1	
9	874957	Schelle	1	
10	GU91113826	Buchse	2	
11	852090	Dichtung Auspuffrohr	2	
12	2B002533	Haltebügel Schalldämpfer rechts mit Innenteilen	1	
13	2B002532	Haltebügel Schalldämpfer links mit Innenteilen	1	
14	AP8120455	Gummi	1	
15	2B002187	TBEI Schraube M6x10	6	
16	876879	Abstandhalter	4	
17	GU92660021	Geflanschte Mutter M8	4	
18	GU14615901	Ausgleichscheibe 8,4X13X0,8	4	
19	254485	Plattchen M6	2	
20	834951	Kegelscheibe	6	
21	AP8152055	TBEI Schraube M8x12	6	
22	GU14615901	Ausgleichscheibe 8,4X13X0,8	6	
23	GU95008208	Ausgleichscheibe 8,4X15X1,5	6	
24	2B001935	Schelle	1	
25	2B003284	Wärmeschutz	2	

Einheit	Motor
Code	03.340
Beschreibung	Getriebe kpl.
Inspektion	1



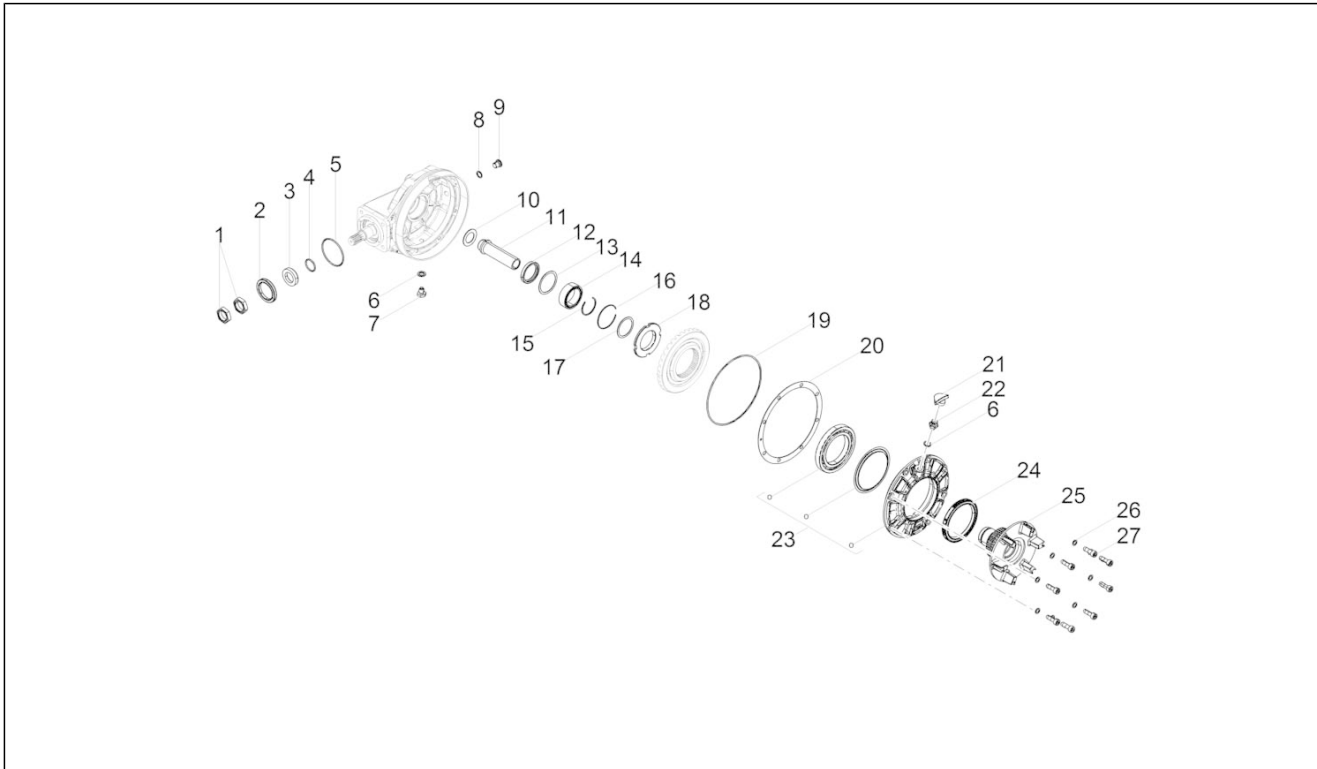
Pos.	Code	Beschreibung	Menge	Varianten
1	2B0011535	Kraftübertragung, kpl.	1	
2	2B002298	Getriebe	1	
3	2B002699	Schraube TCC Torx M8x35 mit vorimpr. Bund	4	

Einheit	Motor
Code	03.350
Beschreibung	Getriebedeckel
Inspektion	1



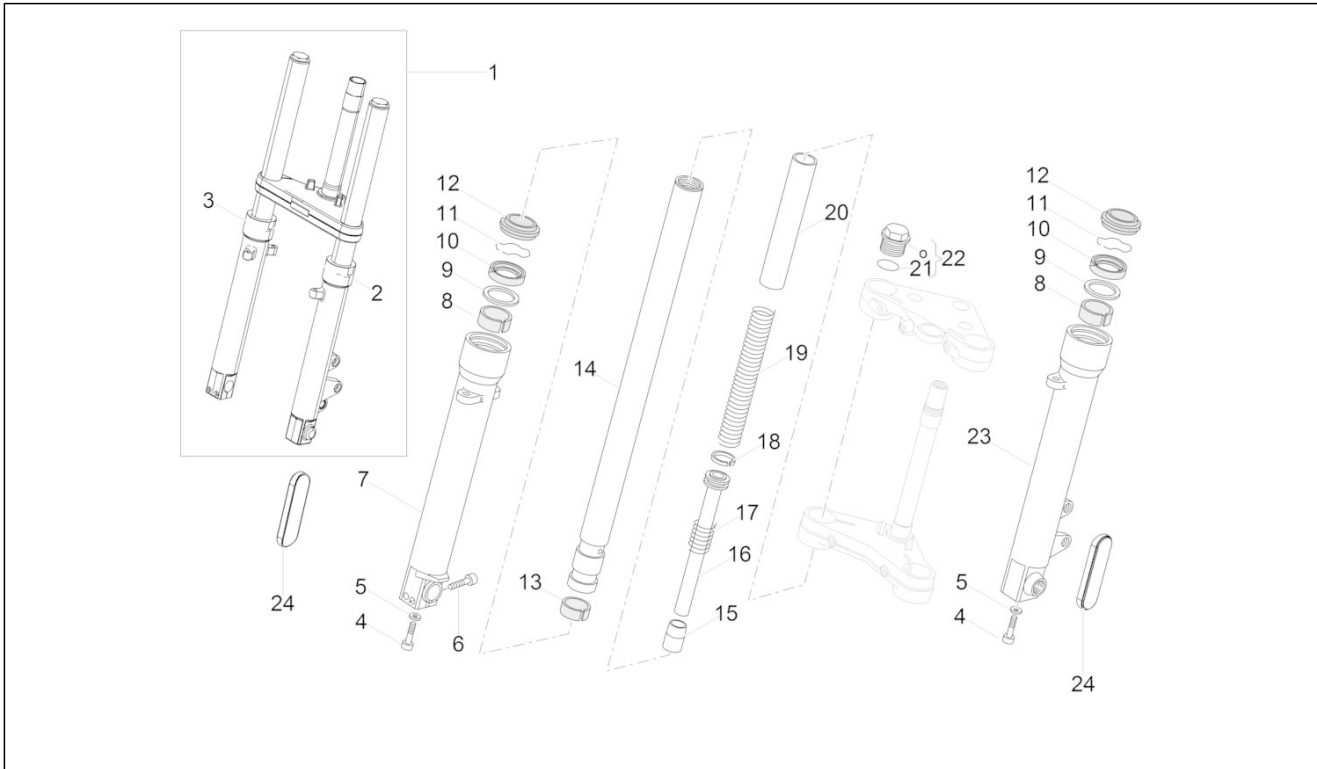
Pos.	Code	Beschreibung	Menge	Varianten
1	976649	Mutter M25x1,5	2	
2	2B000404	Gasket ring	1	
3	2B001311	Distanzscheibe	1	
4	GU90706188	Gasket ring 18,77X1,78	1	
5	GU90706584	Dichtung 58,42x2,62	1	
6	GU01528930	Dichtung 10x18x1,5	2	
7	GU31003766	Ölablaßschraube M10x1	1	
8	224566	Unterlegscheibe	1	
9	GU05351230	Ölschraube M12x1,5	1	
10	GU37359005	Ausgleichscheibe	1	
11	2B001307	Distanzscheibe	1	
12	GU90413850	Gasket ring 38X50X7	1	
13	GU12351100	Gasket ring	1	
14	GU92254340	Rollenlager 40x55x17	1	
15	2B002200	Wellenscheibe	1	
16	B064304	Seegerring	1	
17	GU19351100	Bundscheibe	1	
18	2B002536	Gewinding Befestigung Zahnkranz	1	
19	GU90706958	O-Ring 158,42X2,62	1	
20	GU04355102	Scheibe 0,8 mm	1	
20	GU04355101	Scheibe 0,7 mm	1	
20	GU04355100	Scheibe 0,6 mm	1	
20	GU04355104	Scheibe 1 mm	1	
20	GU04355106	Scheibe 1,2 mm	1	
20	GU04355105	Scheibe 1,1 mm	1	
20	GU04355103	Scheibe 0,9 mm	1	
21	2B002807	Kappe	1	
22	2A000438	Entlüftungsschraube	1	

Einheit	Motor
Code	03.350
Beschreibung	Getriebedeckel
Inspektion	1



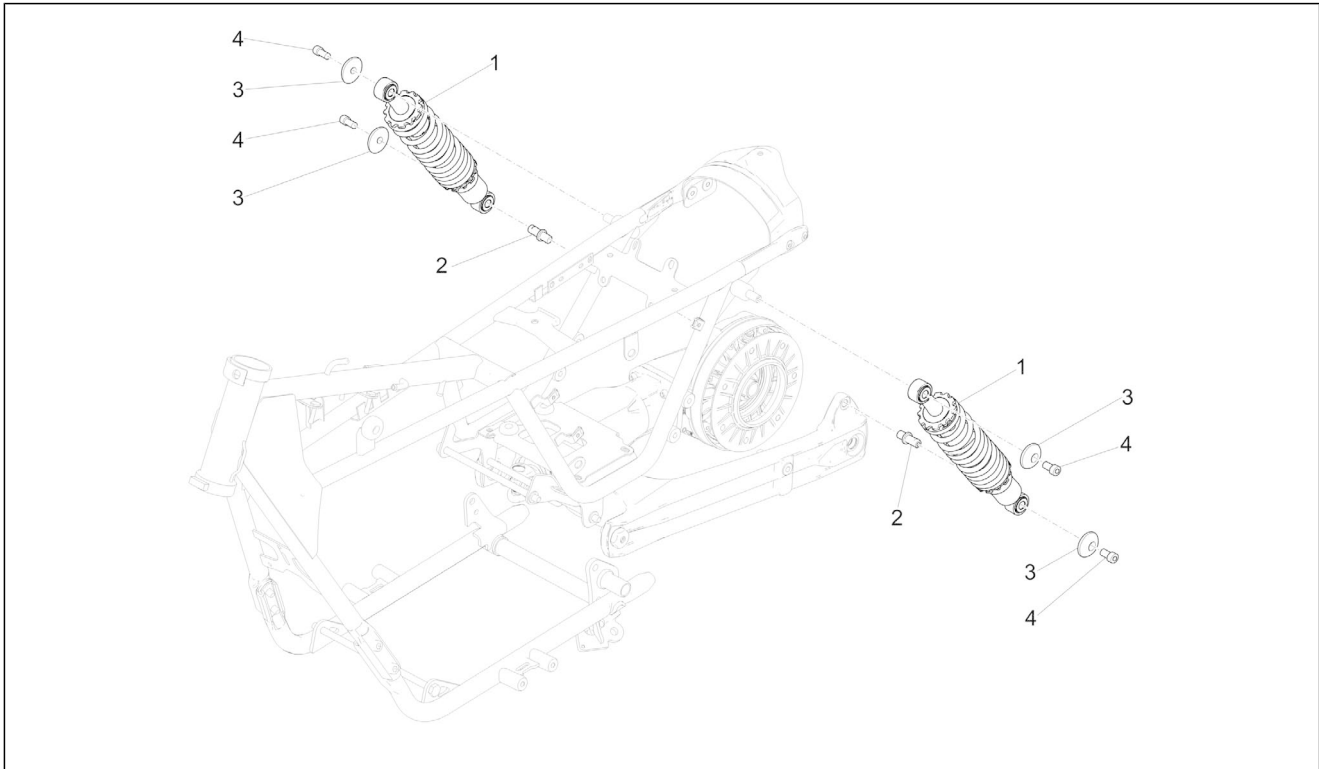
Pos.	Code	Beschreibung	Menge	Varianten
23	2B0033875	Flansch komplett	1	
24	2B002535	Gasket ring 80x100x10	1	
25	2B001303	Dämpfernabe	1	
26	GU14615901	Ausgleichscheibe 8,4X13X0,8	8	
27	2B002171	TC Schraube 8x25	8	

Einheit	Radaufhängungen
Code	04.060
Beschreibung	Vorderradgabel Kaifa
Inspektion	1



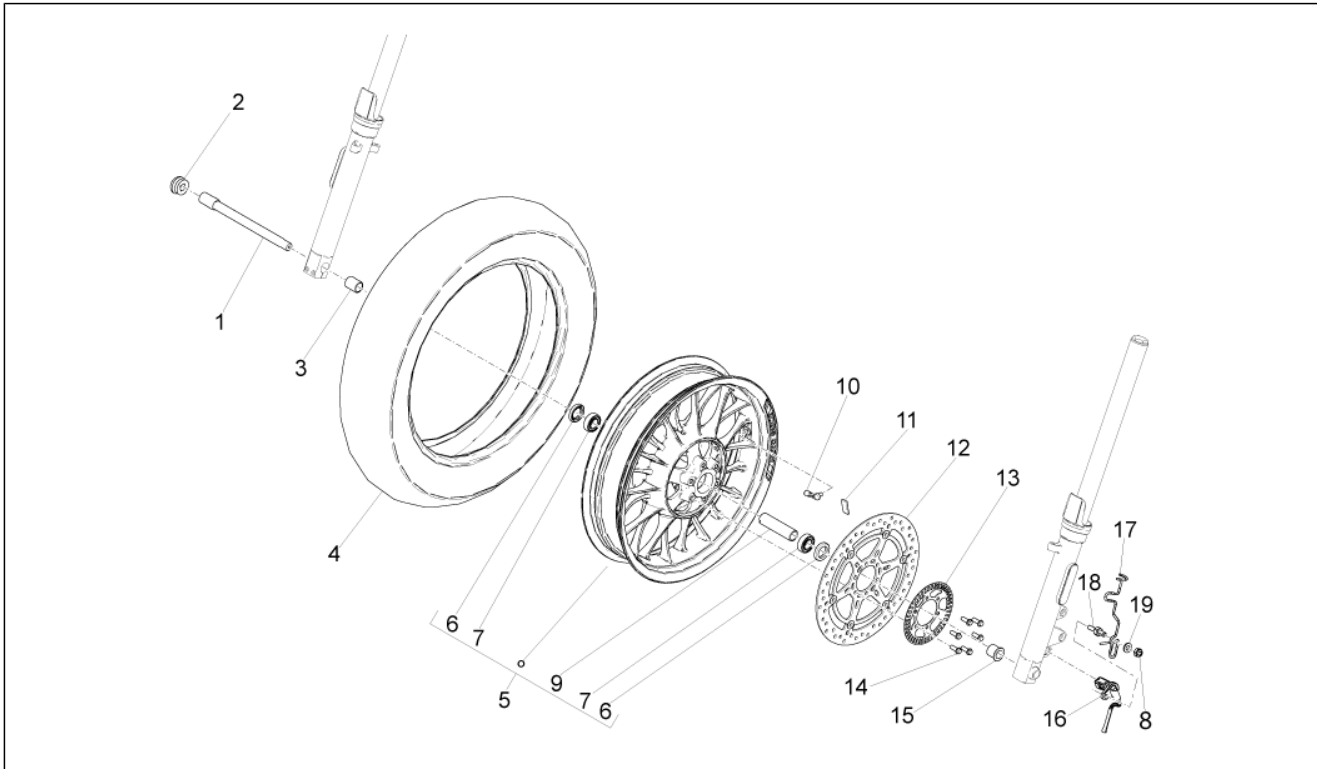
Pos.	Code	Beschreibung	Menge	Varianten
1	2B002192	Vorderradgabel komplett	1	
2	2B002295	Kolbenstange mit Boden lks.	1	
3	2B002294	Kolbenstange mit Boden rch.	1	
4	887878	Schraube M10x30	2	
5	887879	Ausgleichscheibe	2	
6	887880	Schraube	2	
7	2R000109	Rechte Hülse	1	
8	887882	Obere Buchse	2	
9	887883	Ausgleichscheibe	2	
10	887884	Gasket ring	2	
11	887885	Sperring	2	
12	887886	Staubschutz	2	
13	887888	Buchse	2	
14	2B003742	Schaft rechts-links	1	
15	887889	Puffer	2	
16	887891	Pumpenrad kplt.	2	
17	887890	Gegenfeder	2	
18	887905	Kolbenring	2	
19	2R000243	Feder	2	
20	887893	Leitung	2	
21	887916	O-Ring 4118	2	
22	887894	Verschlussschraube kplt.	2	
23	2R000110	Linke Hülse	1	
24	GU05781630	Rückstrahler, gelb	2	

Einheit	Radaufhängungen
Code	04.080
Beschreibung	Stoßdämpfer
Inspektion	1



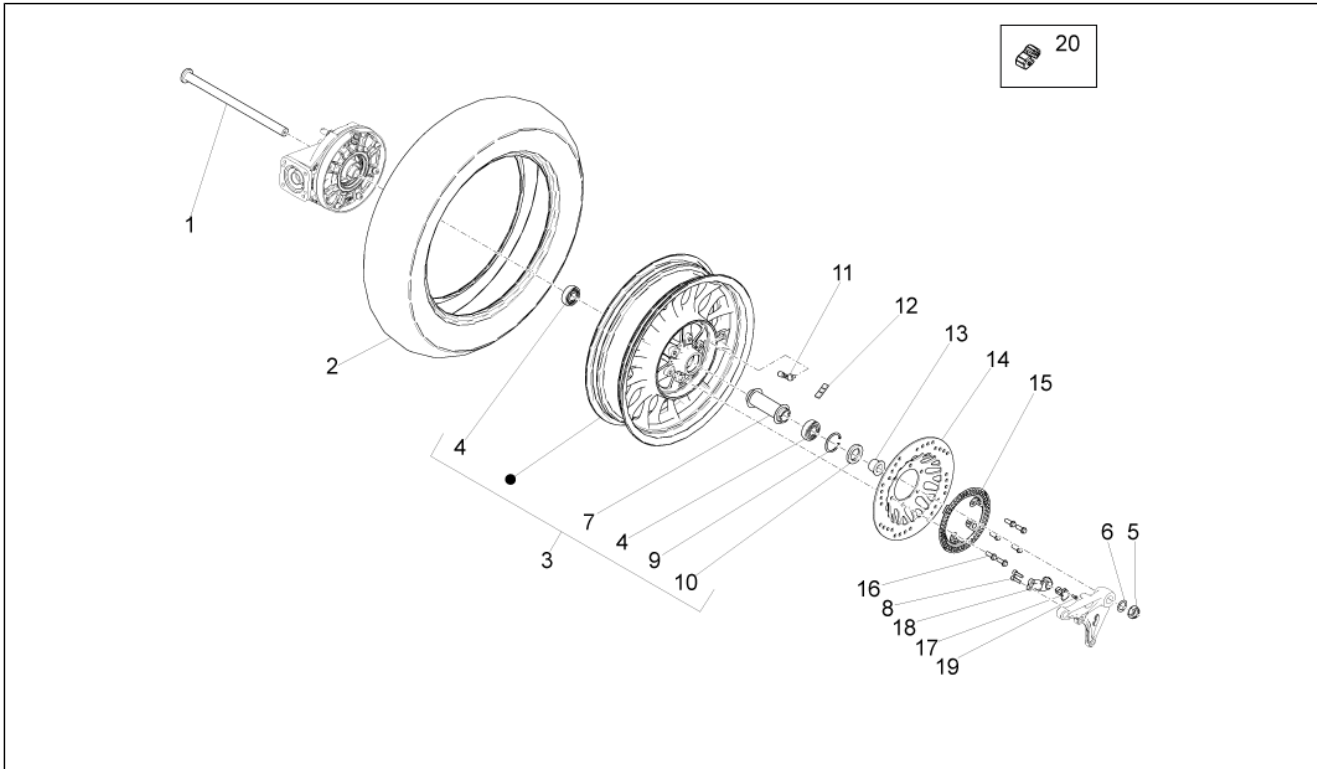
Pos.	Code	Beschreibung	Menge	Varianten
1	2B002988	Hinterer Stoßdämpfer	2	
2	2B003111	Stoßdämpfer-Bolzen	2	
3	B063174	Buchse	4	
4	884031	TCEI Schraube M6x14	4	

Einheit	Räder
Code	05.010
Beschreibung	Vorderrad
Inspektion	1



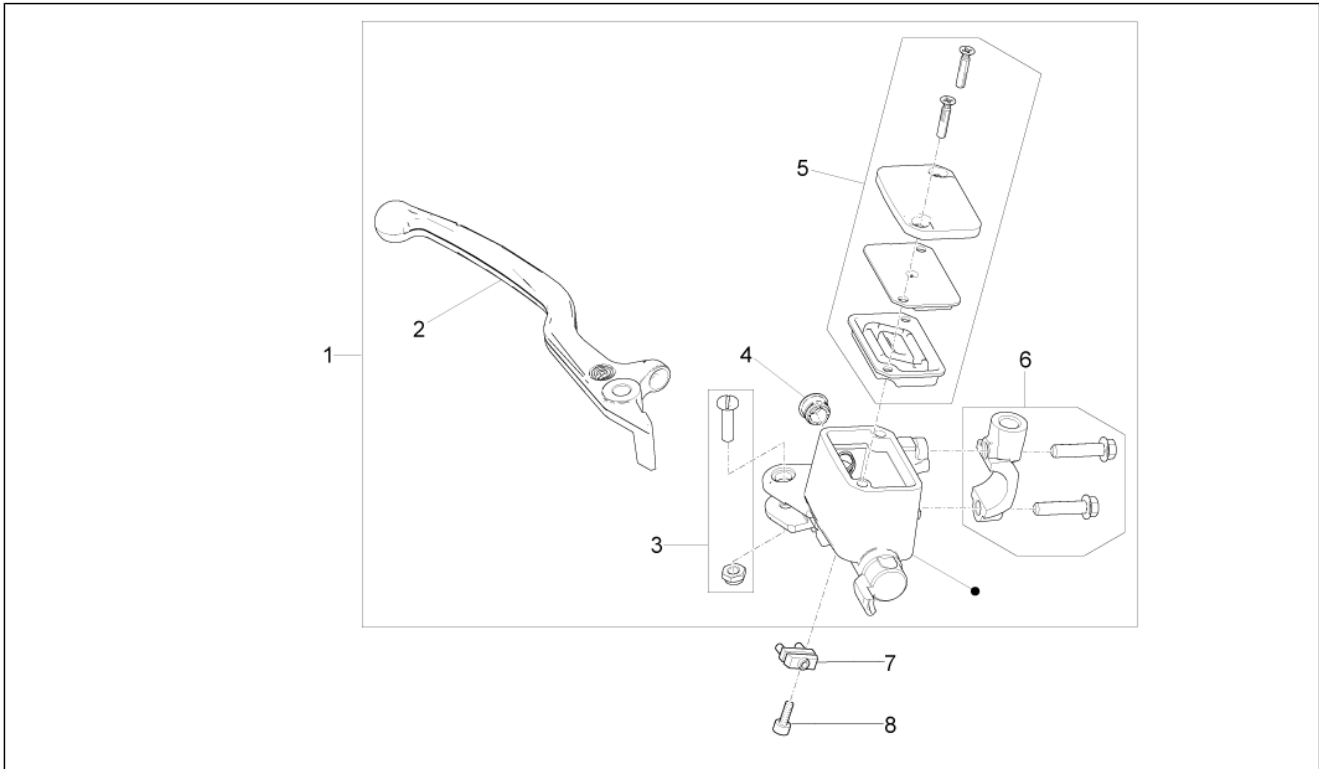
Pos.	Code	Beschreibung	Menge	Varianten
1	2B001139	Vorderradbolzen	1	
2	GU93180111	Deckel 15 mm	1	
3	GU32615660	R. Distanzscheibe	1	
4	2B002383	Vorderreifen 130/90 - 16"	1	
5	2B001762	Vorderrad 3.5X16 mit Lager	1	
6	GU90402642	Gasket ring	2	
7	GU92204221	Lager	2	
8	GU92630207	Mutter	1	
9	2B001073	Innerer Abstandhalter Vorderrad	1	
10	GU03617710	Schlauchloses Reifenventil	1	
11	GU14616150	Gegengewicht	1	
12	883688	Vorderradbremsscheibe 320	1	
13	887875	Phonic wheel	1	
14	887762	Flanschschraube TE M8x22	6	
15	GU31616384	L. Distanzscheibe	1	
16	859792	Sensor ABS	2	
17	2B001561	Kabelführung	1	
18	2B001708	Distanzscheibe	1	
19	AP8150178	Ausgleichscheibe 6,4x12,5*	1	

Einheit	Räder
Code	05.020
Beschreibung	Hinterrad
Inspektion	1



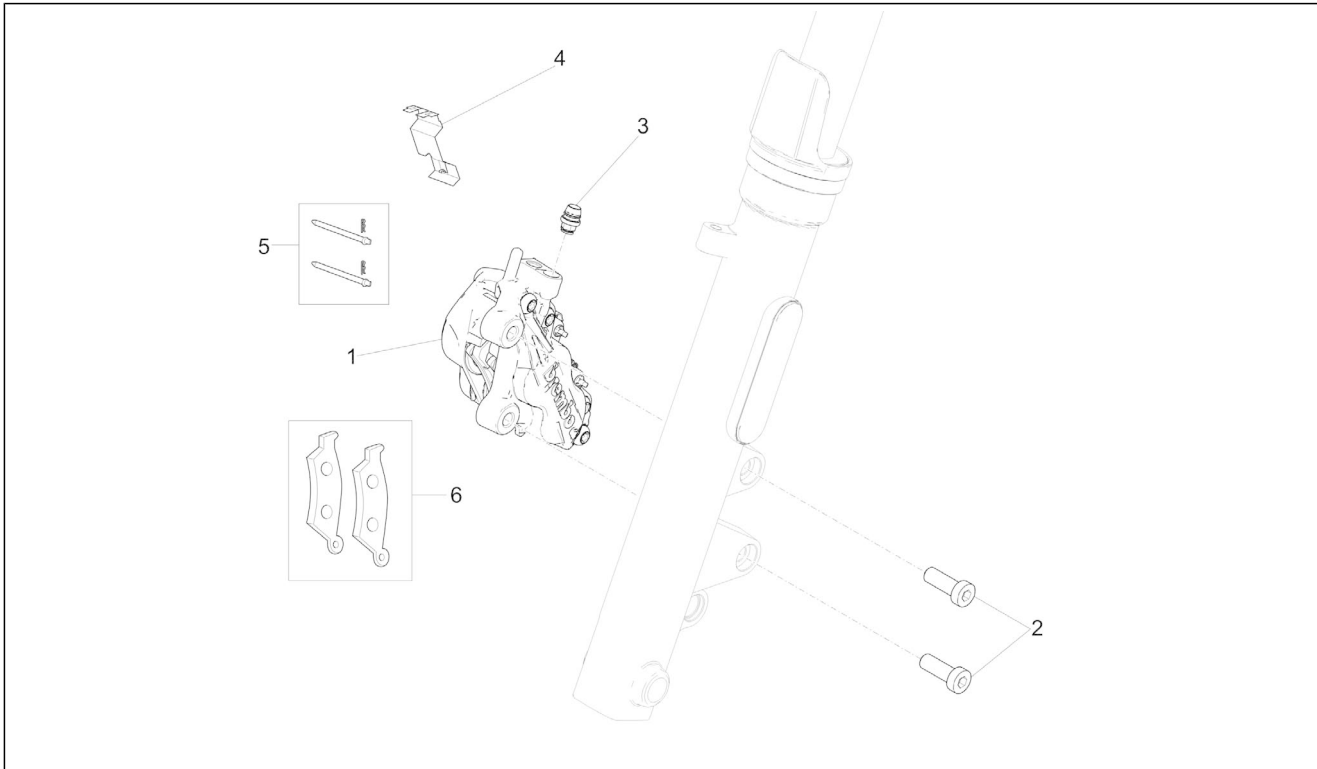
Pos.	Code	Beschreibung	Menge	Varianten
1	2B001310	Hinterradbolzen	1	
2	2B002900	Hinterer Reifen 150/80 16"	1	
3	2B001114	Hint. Felge 4X16" mit Lager	1	
4	GU92204220	Kugellager 20X47X14	2	
5	648708	Hinterradbolzen mut.	1	
6	AP8125687	U-scheibe Hint.radbolz	1	
7	2B001279	Baugruppe Distanzscheibe Hinterrad	1	
8	GU98682312	TCEI Schraube M6x12	2	
9	GU90272047	Seegerring 47X50,5	1	
10	AP8110109	Gasket ring 28X47X7	1	
11	GU03617710	Schlauchloses Reifenventil	1	
12	GU14616150	Gegengewicht	1	
13	2B001956	Hinterrad Distanzscheibe	1	
14	887448	Bremsscheibe	1	
15	2B000225	Phonic wheel	1	
16	887762	Flanschschraube TE M8x22	6	
17	859792	Sensor ABS	2	
18	2B000377	Halter Sensor ABS	1	
19	1C001499	Schraube TBEI TORX M5x16 INOX	1	
20	GU32632510	Gummikupplung	6	

Einheit	Bremsanlage
Code	06.010
Beschreibung	Vorderradbremspumpe
Inspektion	1



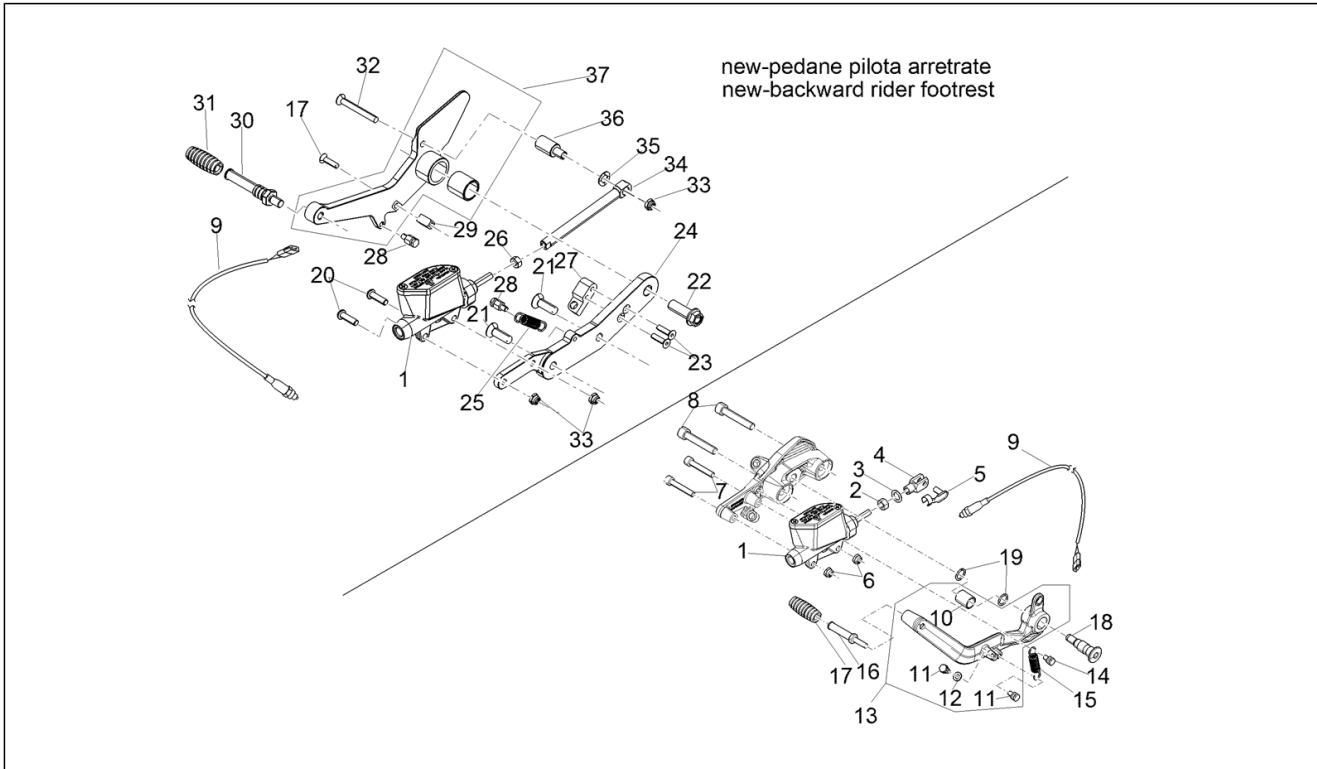
Pos.	Code	Beschreibung	Menge	Varianten
1	2B002269	Vorderradbremspumpe	1	
2	2B003041	Ersatzteil Hebel	1	
3	2B003040	Ersatzteil Hebelbolzen kpl. mit Mutter	1	
4	2B001930	Ersatzteil Schauglas vordere Bremspumpe	1	
5	2B003039	Ersatzteil Deckel kpl. mit Membran und Schrauben	1	
6	2B001929	Klemmschelle Bremsarmatur	1	
7	GU03749845	Bremslichtschalter	1	
8	AP8152043	TCEI Schraube M4x10	1	

Einheit	Bremsanlage
Code	06.020
Beschreibung	Vorderradbremzange
Inspektion	1



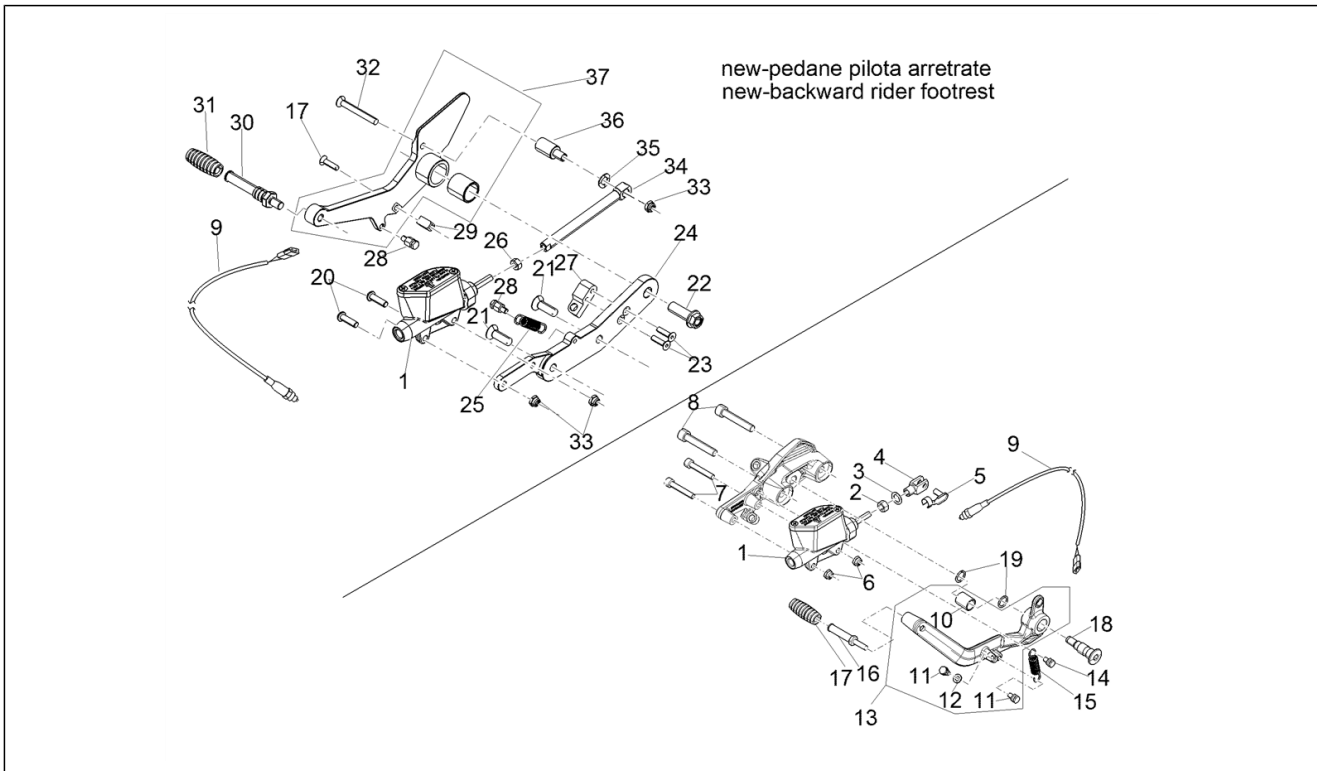
Pos.	Code	Beschreibung	Menge	Varianten
1	2B003271	Vorderradbremzange l.	1	
2	AP8152385	TCEI Schraube M10x1,25	2	
3	GU05659230	Entlüftung+Haube	1	
4	GU01659131	Feder	1	
5	GU01659130	Stifte-Federn Bremzange	1	
6	2B003313	Beläge (Paar)	1	

Einheit	Bremsanlage
Code	06.030
Beschreibung	Hinterradbremspumpe
Inspektion	1



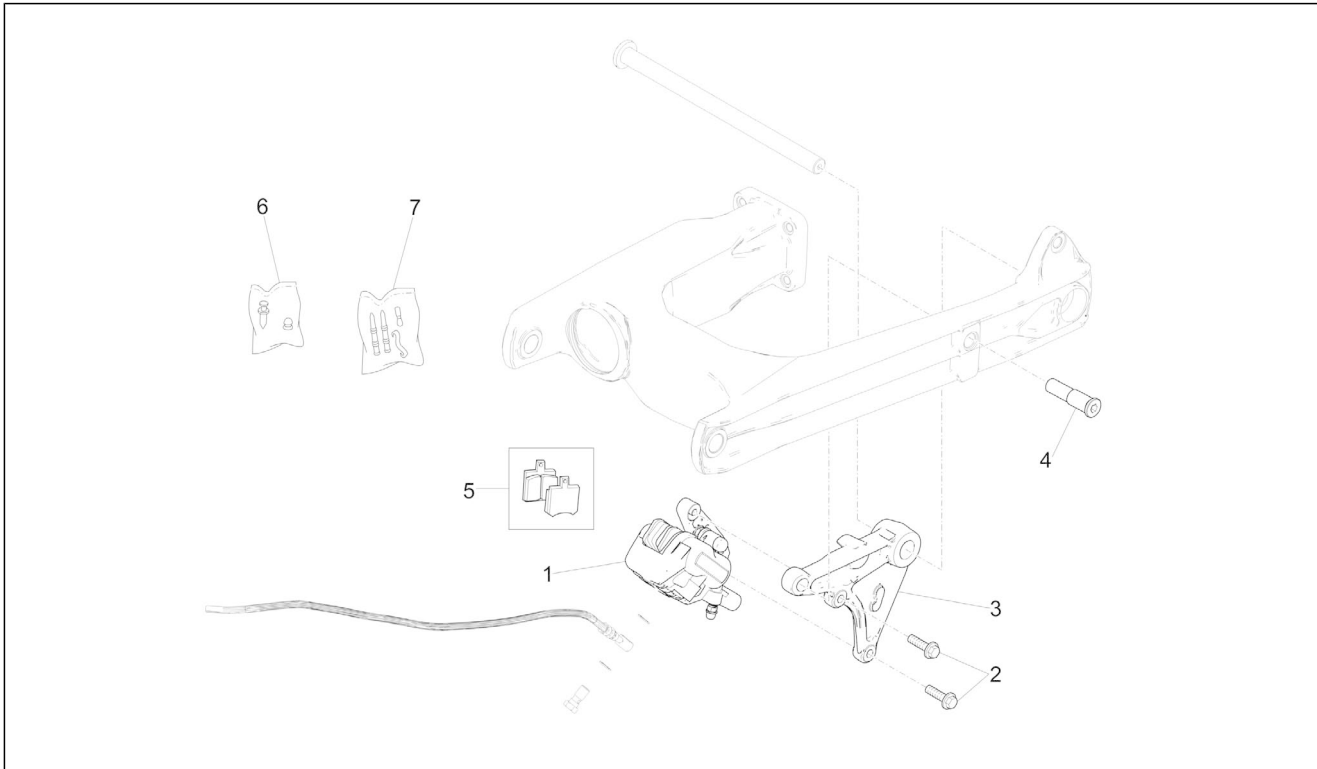
Pos.	Code	Beschreibung	Menge	Varianten
1	2B002189	Hintere Bremspumpe mit Behälter	1	
2	GU92606206	Mutter	1	
3	AP8120178	O-Ring OR112	1	
4	AP8113081	Schaltgabel	1	
5	AP8113082	Klemmen für Schaltgabel	1	
6	GU92630206	Dado autobloccante M6x1	2	
7	AP8150285	TCEI Schraube M6x35	2	
8	GU98680445	TCEI Schraube	2	
9	2D0002805	Knopf stop	1	
10	895328	Buchse gesintert	1	
11	859946	Befestigungsbolzen	2	
12	AP8150012	Ausgleichscheibe 5,3x10x1*	1	
13	2B002233	Hebel Hinterradbremse komplett	1	
14	859946	Befestigungsbolzen	1	
15	AP8121927	Feder Hinterradbremsh.	1	
16	887908	Gummigleitschutze	1	
17	AP8120912	Gummi für Hebel	1	
18	884033	Hebelbolzen	1	
19	AP8144007	O-Ring 11,11x1,78	2	
20	GU98370625	TBEI Schraube M6x25	1	
21	2B004112	Schraube TSPEI IX M8X25	2	
22	967384	Schraube TEF M10X45	1	
23	658778	Schraube TSPEI M5x20	3	
24	2B004042	Piastra pedana pilota dx	1	
25	AP8121927	Feder Hinterradbremsh.	1	
26	GU92606206	Mutter	1	
27	2B004063	Supporto interruttore stop	1	
28	898286	Federn Fixierstift	2	

Einheit	Bremsanlage
Code	06.030
Beschreibung	Hinterradbremspumpe
Inspektion	1



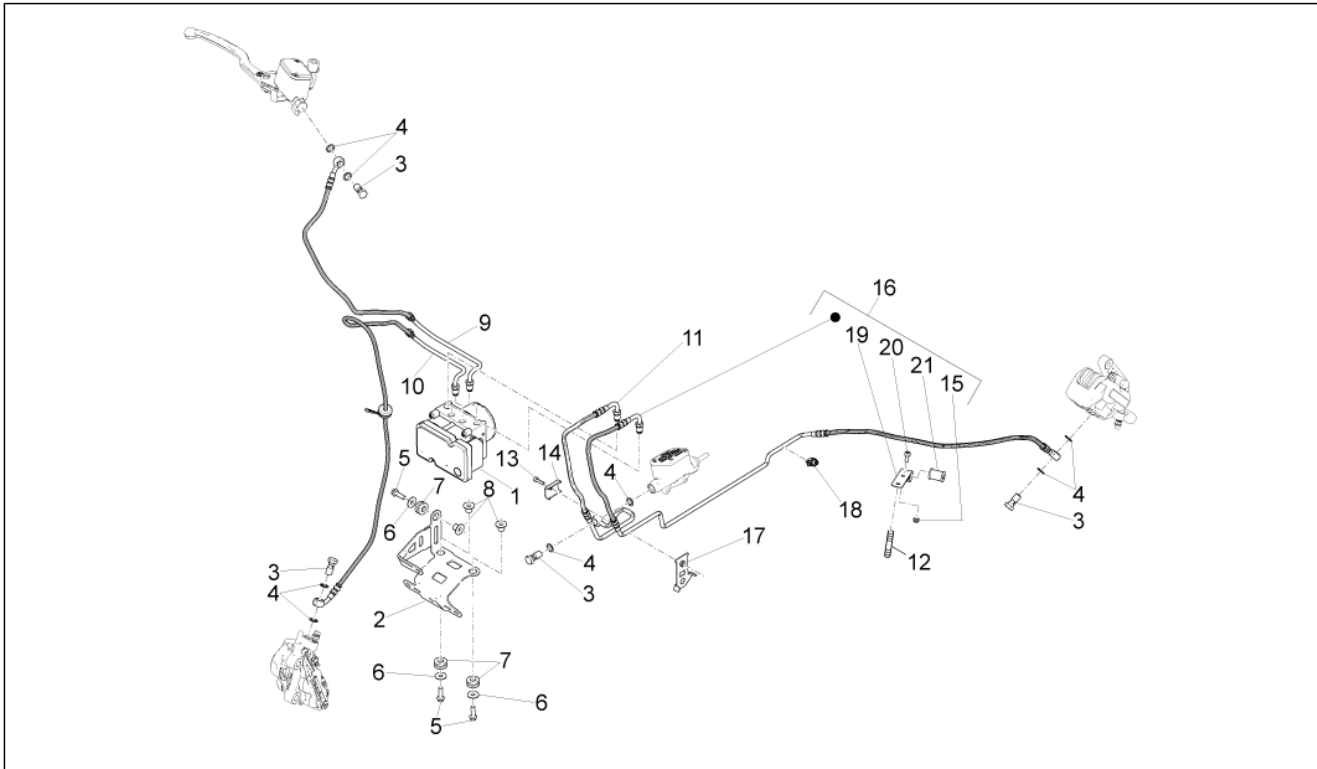
Pos.	Code	Beschreibung	Menge	Varianten
29	2B004064	Fermacorsa pedale freno post.	1	
30	2B004062	Gummigleitschutze	1	
31	AP8120912	Gummi für Hebel	1	
32	2B004111	Schraube TSPEI M6x50	1	
33	GU92630707	Mutter M6	3	
34	2B004076	Pumpenstange H. brems	1	
35	658837	Gewellte Sprengscheibe D15 F8,4 S1,5 - INOX	1	
36	2B004107	Distanzscheibe	1	
37	2B004050	Hebel Hinterradbremse komplett	1	

Einheit	Bremsanlage
Code	06.040
Beschreibung	Hinterradbremzange
Inspektion	1



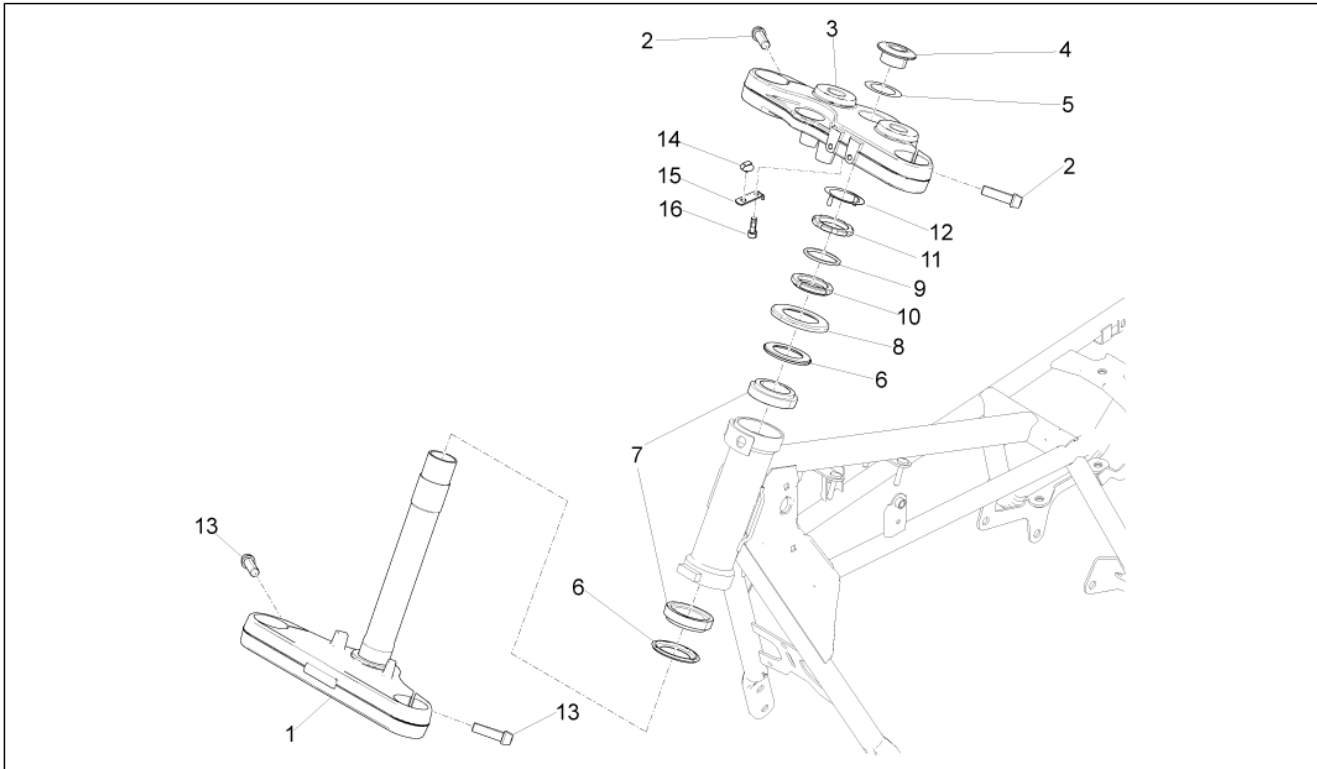
Pos.	Code	Beschreibung	Menge	Varianten
1	2B000525	Hinterradbremzange	1	
2	AP8152288	TE Schr. m. Flansch M8x30	1	
3	2B001953	Halter. H.radbremzange	1	
4	GU31544181	Bolzen	1	
5	2R000248	Paar Bremsklötze	1	
6	GU31659281	Entlüftung+Haube	1	
7	GU31659181	Stifte+Feder kit	1	

Einheit	Bremsanlage
Code	06.050
Beschreibung	Bremsanlage ABS
Inspektion	1



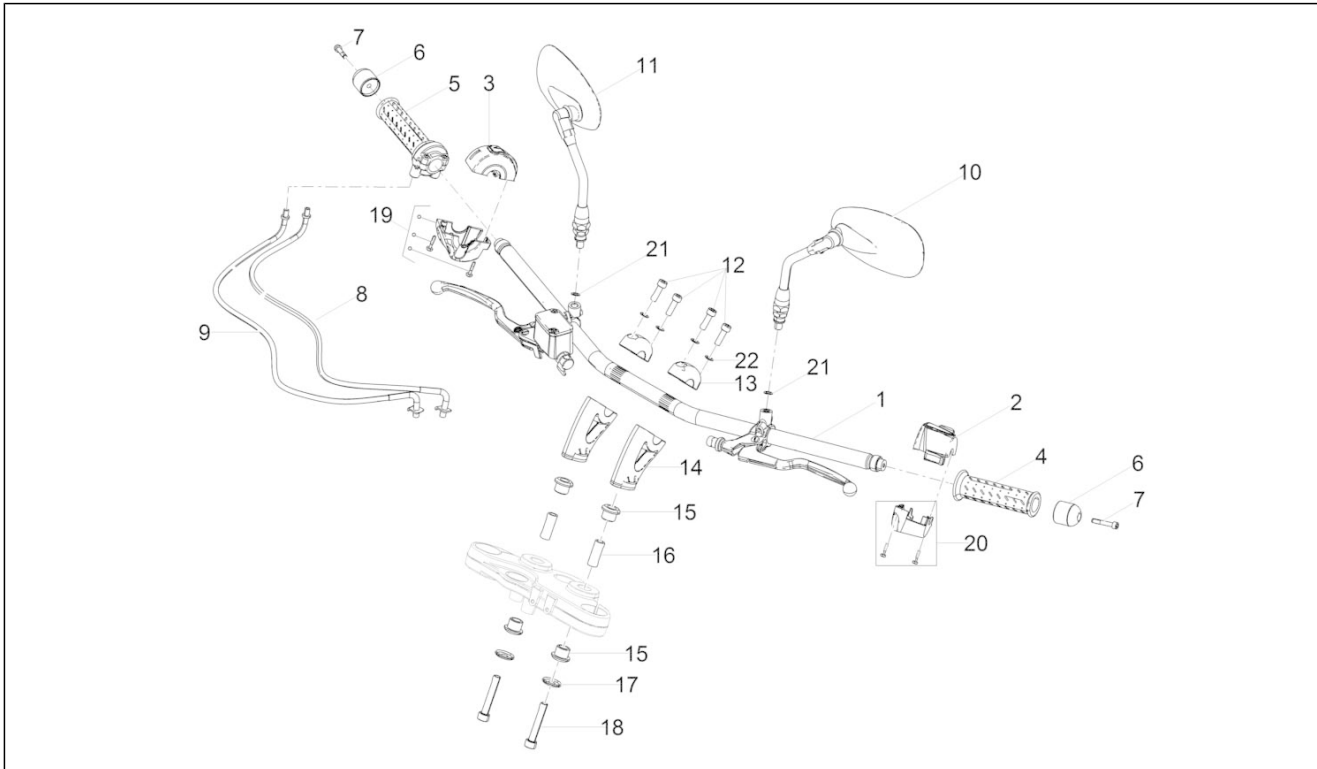
Pos.	Code	Beschreibung	Menge	Varianten
1	2D000102	ABS-Steuergerät	1	
2	2B003056	Halterbügel Steuerung	1	
3	AP8113003	Fixierschraube Ölschlauch	4	
4	AP8113004	Ausgleichscheibe 10x14x1,6*	8	
5	00H02402282	Schraube 6X20	3	
6	AP8150015	Ausgleichscheibe 6,6x18x1,6*	3	
7	AP8120030	Gummi	3	
8	AP8221023	T-Buchse	2	
9	2B002991	ABS HECU Leitung - Pumpe vorne	1	
10	2B002805	ABS HECU Leitung - Bremssattel Vorderradbremse	1	
11	2B002681	ABS HECU Leitung - Pumpe hinten	1	
12	GU96451316	Stiftschraube	1	
13	959559	TCEI Schraube M4x16	1	
14	2B001614	Fixierplatte Führungs	1	
15	AP8150451	Selbstsperr.mut Unt.	1	
16	2B002806	Leitung ABS HECU - Bremssattel hinten	1	
17	2B001564	Halteplatte Bremsschlauch	1	
18	AP8121882	Kabelführungs	1	
19	GU03658330	Schelle	1	
20	895709	TCEI Schraube M5x12	1	
21	GU03658201	Ring	1	

Einheit	Lenkstange - Schaltungen
Code	07.010
Beschreibung	Lenkung
Inspektion	1



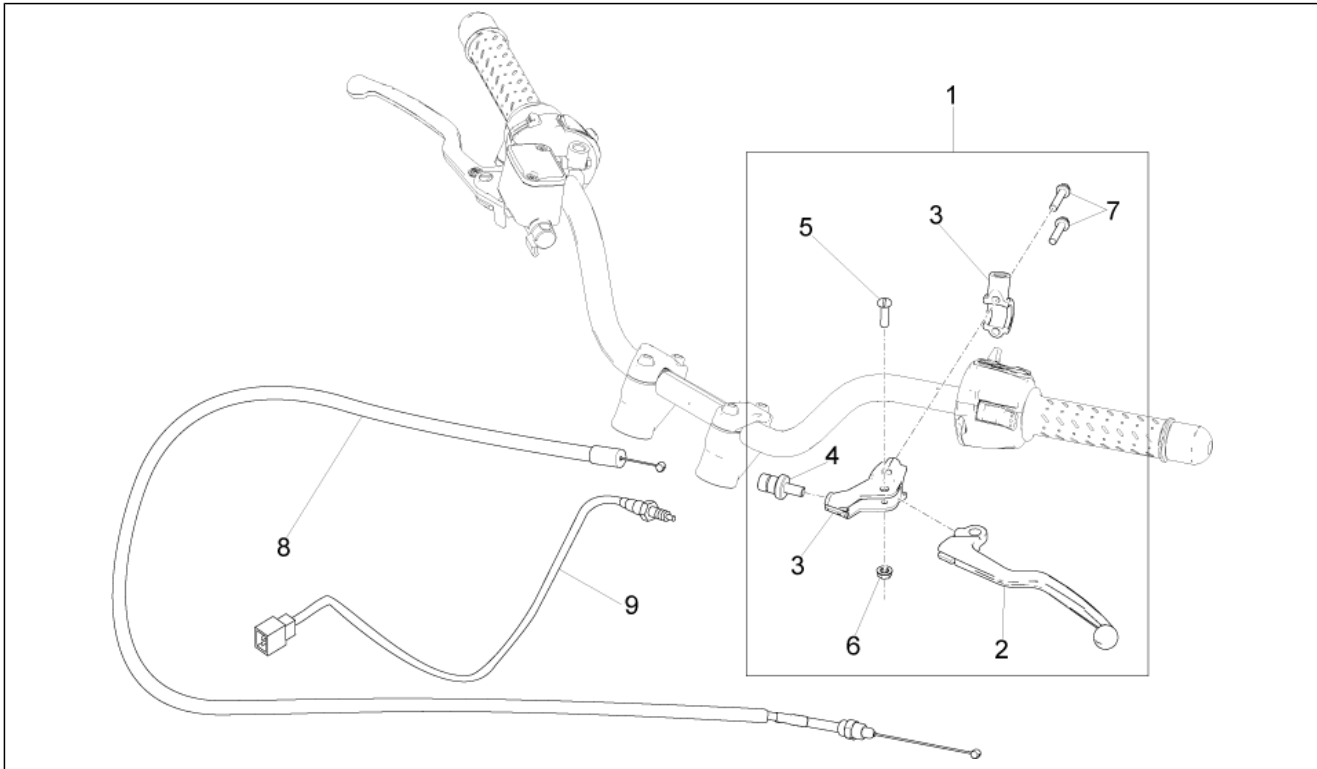
Pos.	Code	Beschreibung	Menge	Varianten
1	2B003743	Untere Gabelplatte	1	
2	AP8150543	Zylinderschraube M8x35	2	
3	2B001052	Obere Gabelplatte	1	
4	AP8121205	Fixierbuchse ob. Platte	1	
5	AP8152384	Scheibe Lenkkopf	1	
6	AP8123641	Staubschutzring	2	
7	AP8110077	Axialkugellager	2	
8	AP8123644	Staubschutzring	1	
9	887831	Gummischeibe	1	
10	AP8123642	Nutmutter	1	
11	AP8123643	Gegenmutter	1	
12	887832	Sicherheitspl. Lenkung	1	
13	AP8150540	Zylinderschraube	2	
14	890760	Halterung Instrumente	1	
15	2B003292	Platte	1	
16	GU98210616	TBEI Schraube m.Flansch M6x16 inox	1	

Einheit	Lenkstange - Schaltungen
Code	07.020
Beschreibung	Lenkstange - Schaltungen
Inspektion	1



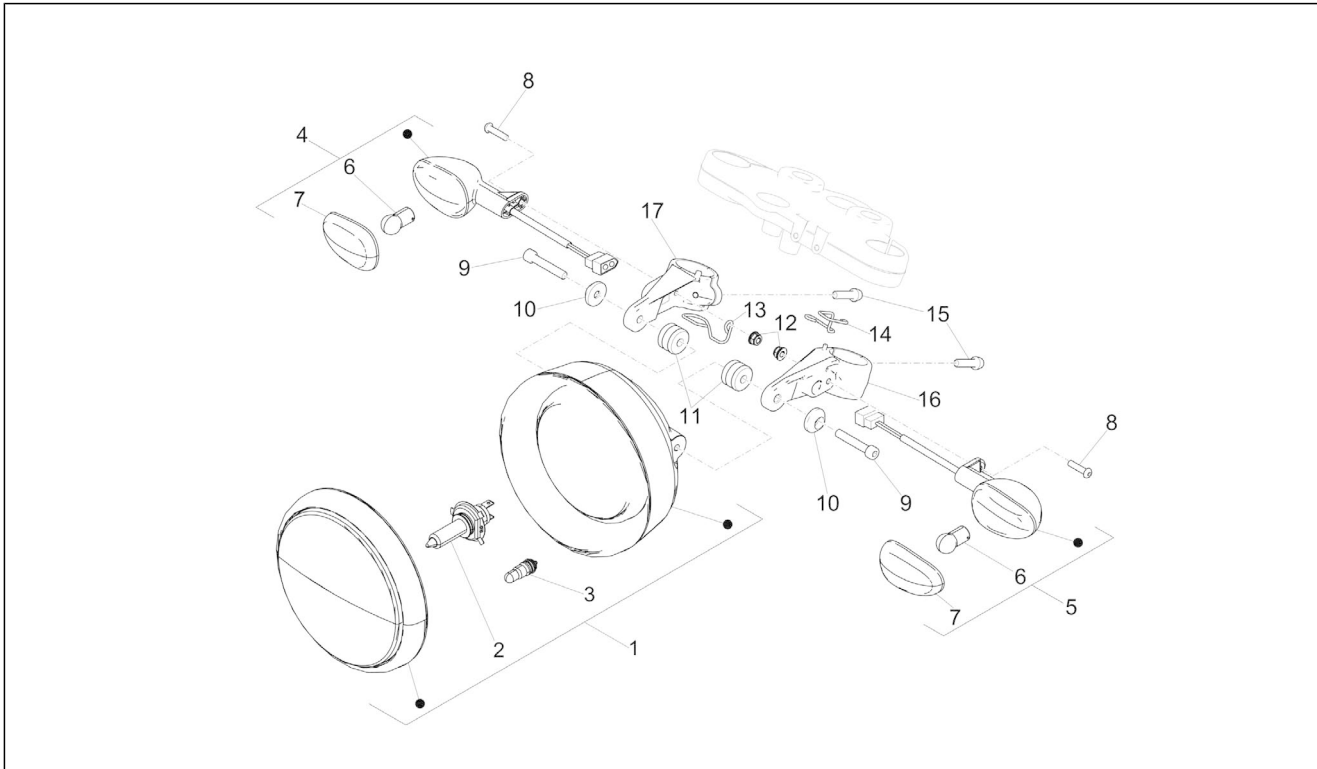
Pos.	Code	Beschreibung	Menge	Varianten
1	2B002852	Lenkstange	1	
2	2D000227	Bedienelement Lenker links	1	
3	2D000226	Bedienelement Lenker rechts	1	
4	AP8118579	Links griff	1	
5	2B002364	Rechts griff	1	
6	AP8104509	Schwingschutzgewicht schwarz	2	
7	2B002195	Schraube TCEI IX M6X35 vorimprägniert	2	
8	2B002844	Verschuß Gaszugkabel	1	
9	2B002843	Öffnungswinkel Gaszugkabel	1	
10	2B001049	Rückspiegel links	1	
11	2B001048	Rückspiegel rechts	1	
12	AP8150540	Zylinderschraube	4	
13	2B002091	Obere Klemme Lenker	2	
14	2B002090	Untere Klemme Lenker	2	
15	AP8144222	Gummi	4	
16	854827	Distanzscheibe 10,1x14,1x38	2	
17	2B002875	Becher	2	
18	AP8150049	Schraube M10x60	2	
19	2D000163	Untere Schale DX	1	
20	2D000218	Untere Schale SX	1	
21	GU91181003	Distanzscheibe 10,25X20X4	2	
22	GU14615901	Ausgleichscheibe 8,4X13X0,8	4	

Einheit	Lenkstange - Schaltungen
Code	07.030
Beschreibung	Kupplungssteuerung
Inspektion	1



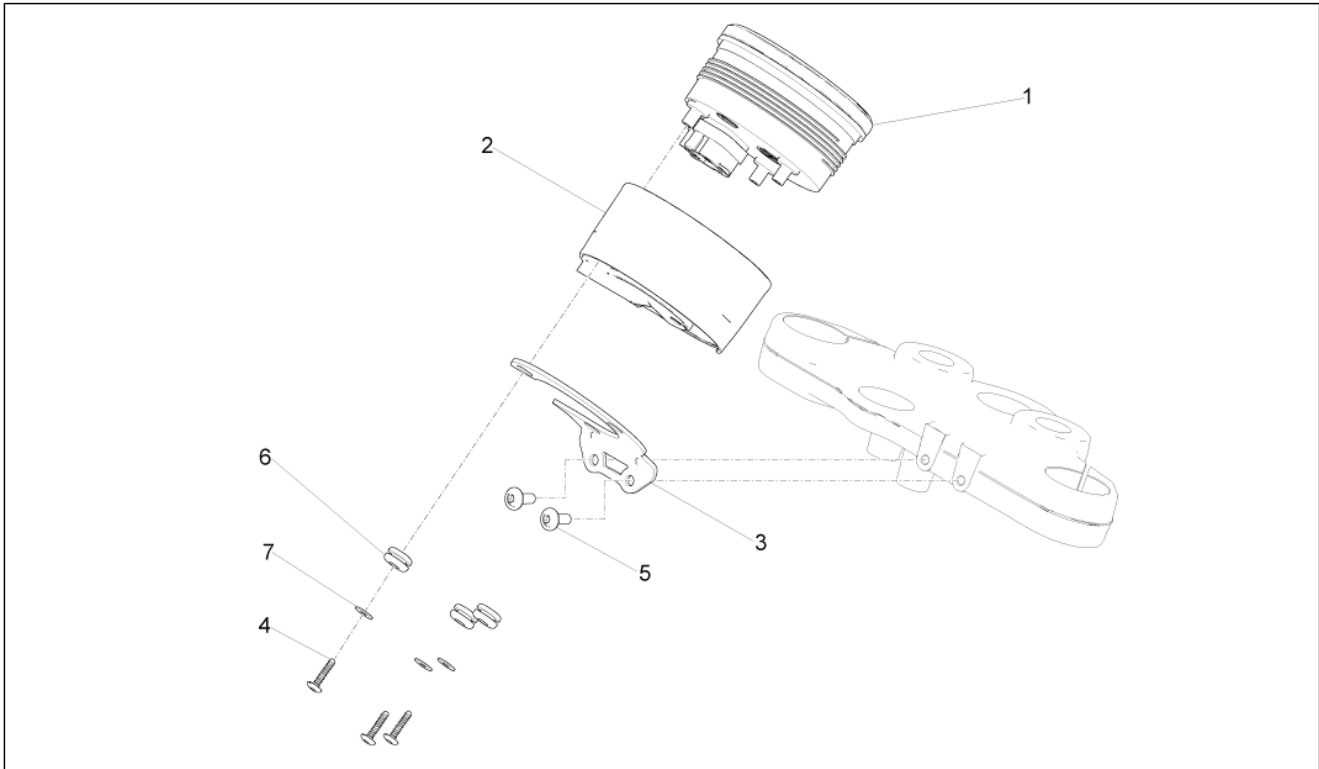
Pos.	Code	Beschreibung	Menge	Varianten
1	2B002391	Gruppe Kupplungshebel	1	
2	2B002390	Hebel Kupplungssteuer.	1	
3	GU30601060	Feder	1	
4	GU30602500	Einstellschraube	1	
5	AP8213028	Schraube	1	
6	AP8213388	Selbstsperrende Mutter	1	
7	GU97202325	TE Schr. m. Flansch schw. M6x25	2	
8	2B002961	Kupplungskabel	1	
9	2D0002885	Kupplungsschalter	1	

Einheit	Vorderer Lichter - Instrumente
Code	08.010
Beschreibung	Vorderer Lichter
Inspektion	1



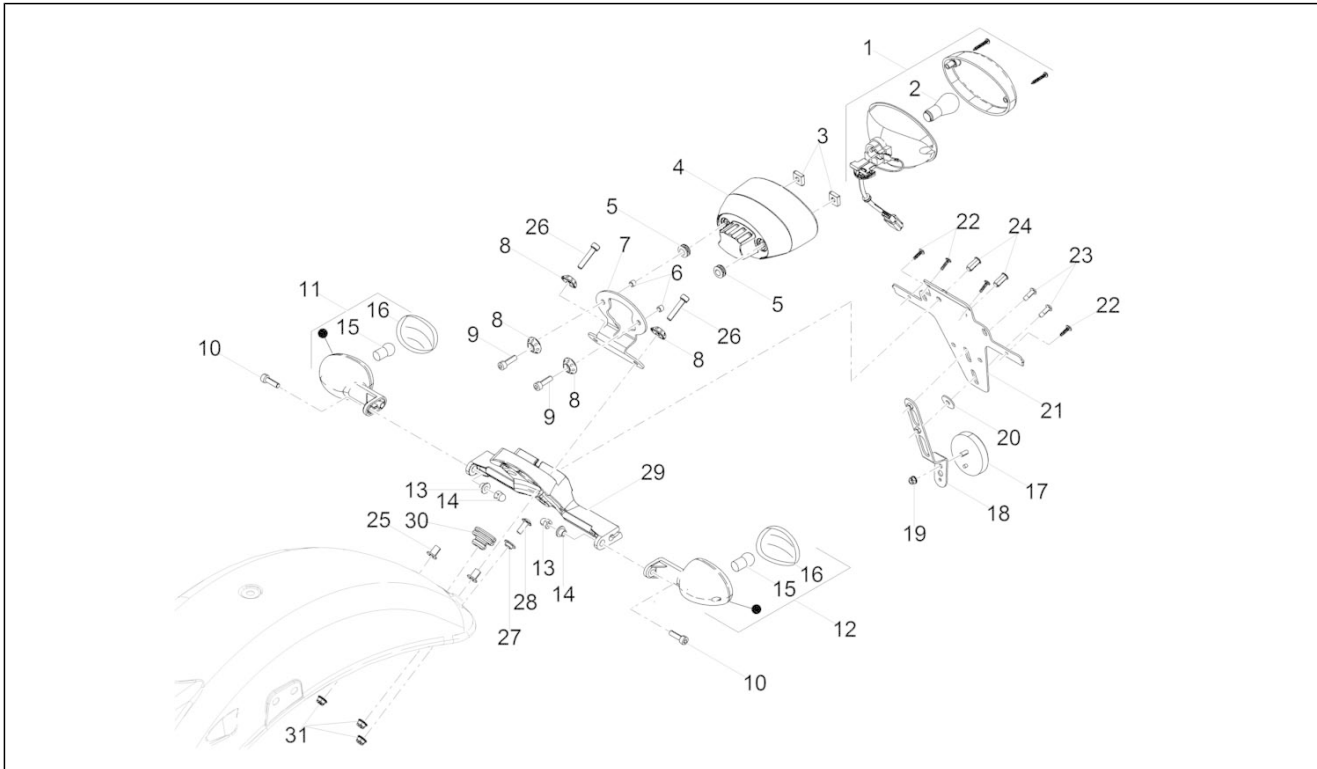
Pos.	Code	Beschreibung	Menge	Varianten
1	2D000225	Scheinwerfer	1	Land:[GB]
1	2D000100	Scheinwerfer	1	Land:Europa[EU]
2	292723	Lampen H4 12V-60/55W	1	
3	292022	Lampen 12V-5W	1	
4	2D000261	Blinker vorne RE	1	
5	2D000262	Blinker vorne LI	1	
6	584332	Lampen 12V-10W	2	
7	639338	Blinkerglas	2	
8	GU98612320	TCEI Schraube M6x20	2	
9	GU98690445	Schraube M8x45	2	
10	AP8121199	Buchse	2	
11	2B002011	Abstandhalter Frontscheinwerfer	2	
12	AP8152299	Selbstsperrende Mutter M6	2	
13	2B003164	Kabelführung	1	
14	2B003165	Kabelführung	1	
15		[...]	2	
16	2B001231	Linke Halterung Frontscheinwerfer	1	
17	2B001182	Rechte Halterung Frontscheinwerfer	1	

Einheit	Vorderer Lichter - Instrumente
Code	08.020
Beschreibung	Instrumente
Inspektion	1



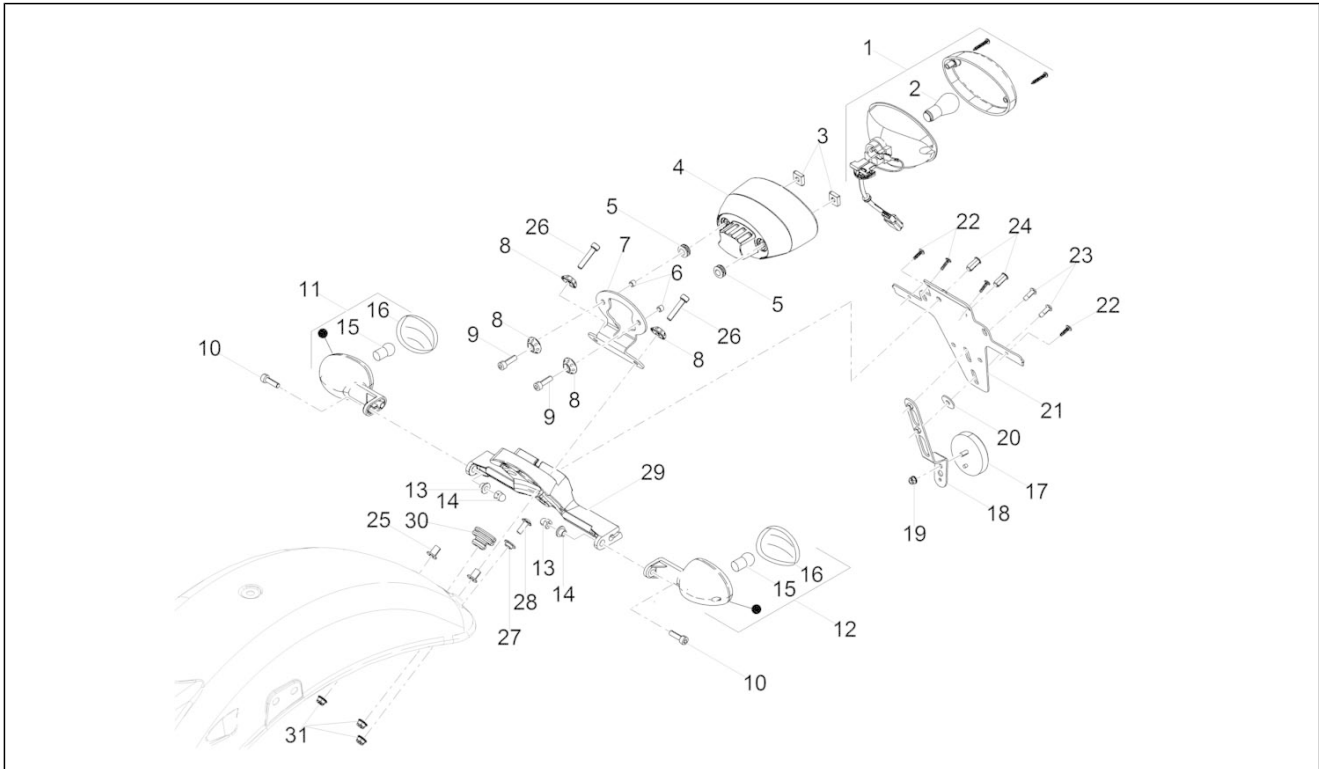
Pos.	Code	Beschreibung	Menge	Varianten
1	2D000099	Instrumententafel	1	Land:Europa[EU]
1	2D000159	Armaturenbrett D105 MPH	1	Land:[GB]
2	2B001223	Abdeckung Armaturenbrett	1	
3	2B001154	Instrumentenhalterung	1	
4	CM178609	Gew.schr.	3	
5	GU98210610	Schraube	2	
6	2B003367	Kabelführung	3	
7	013763	Flachscheibe 4,2x12x1	3	

Einheit	Vorderer Lichter - Instrumente
Code	08.030
Beschreibung	Hinterer Lichter
Inspektion	1



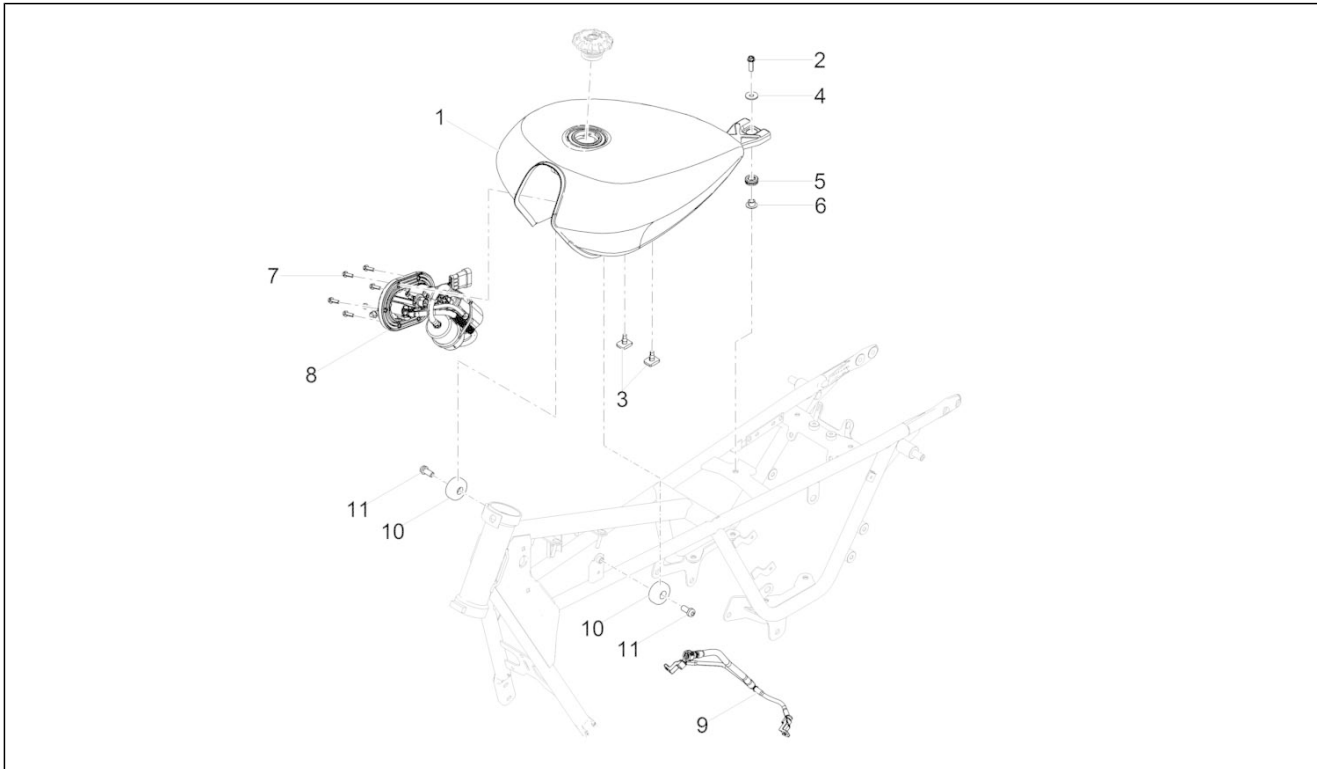
Pos.	Code	Beschreibung	Menge	Varianten
1	2B002365	Rücklicht	1	
2	GU93450224	Lampen	1	
3	2B002443	Vierkantmutter M6	1	
4	2B002483	Halteschale Scheinwerfer hinten	2	
5	AP8220186	Gummi	2	
6	AP8120278	Distanzscheibe	2	
7	2B002484	Rücklichthalterung	1	
8	AP8150536	Spezial-U-scheibe	4	
9	AP8150053	TCEI Schraube M6x25	2	
10	GU98612320	TCEI Schraube M6x20	2	
11	2D000255	Hinterer Blinker Re	1	
12	2D000256	Hinterer Blinker Li	1	
13	479175	Hutmutter	2	
14	840509	Distanzscheibe	2	
15	584332	Lampen 12V-10W	2	
16	639338	Blinkerglas	2	
17	AP8224164	Rückstrahler Rücklicht, rot	1	
18	AP8134448	Rückstrahler-Fixierung	1	
19	AP8152306	Selbstsperrende Mutter M5	1	
20	GU95005310	Ausgleichscheibe 8,4x18x2	1	
21	2B002541	Abschluss Nummernschildhalter	1	
22	AP8150413	Gew.schr. 3,9x14	4	
23	B016796	Linsenkopfschraube Torx	2	
24	AP8201755	Geschnitten Kunststoffniet	2	
25	AP8121725	T-Buchse *	2	
26	GU98682330	TCEI Schraube M6x20	2	
27	AP9100053	Buchse d.10-h.3,5	1	
28	GU98210616	TBEI Schraube m.Flansch M6x16 inox	1	

Einheit	Vorderer Lichter - Instrumente
Code	08.030
Beschreibung	Hinterer Lichter
Inspektion	1



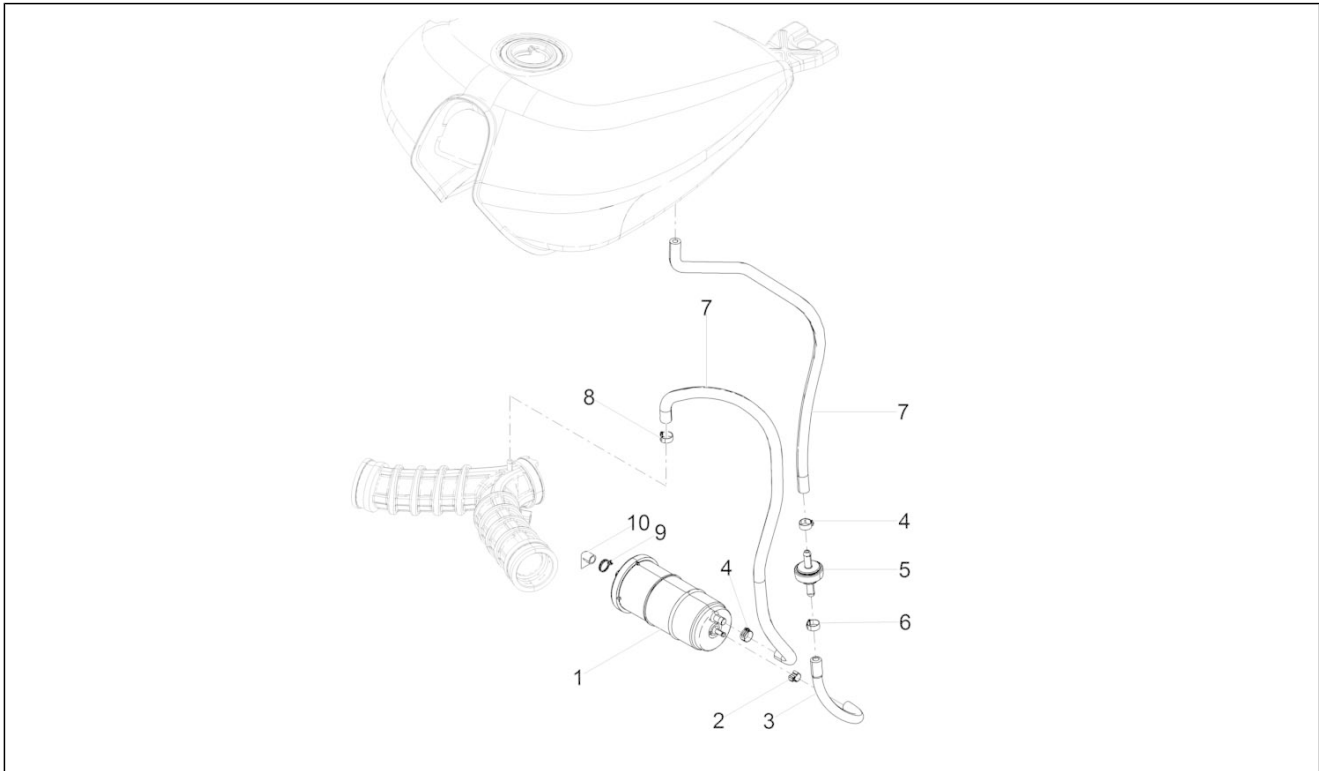
Pos.	Code	Beschreibung	Menge	Varianten
29	2B002615	Blinkerhalterung	1	
30	070286	Kabelführung	1	
31	AP8152299	Selbstsperrende Mutter M6	3	

Einheit	Tank
Code	09.010
Beschreibung	Kraftstofftank
Inspektion	1



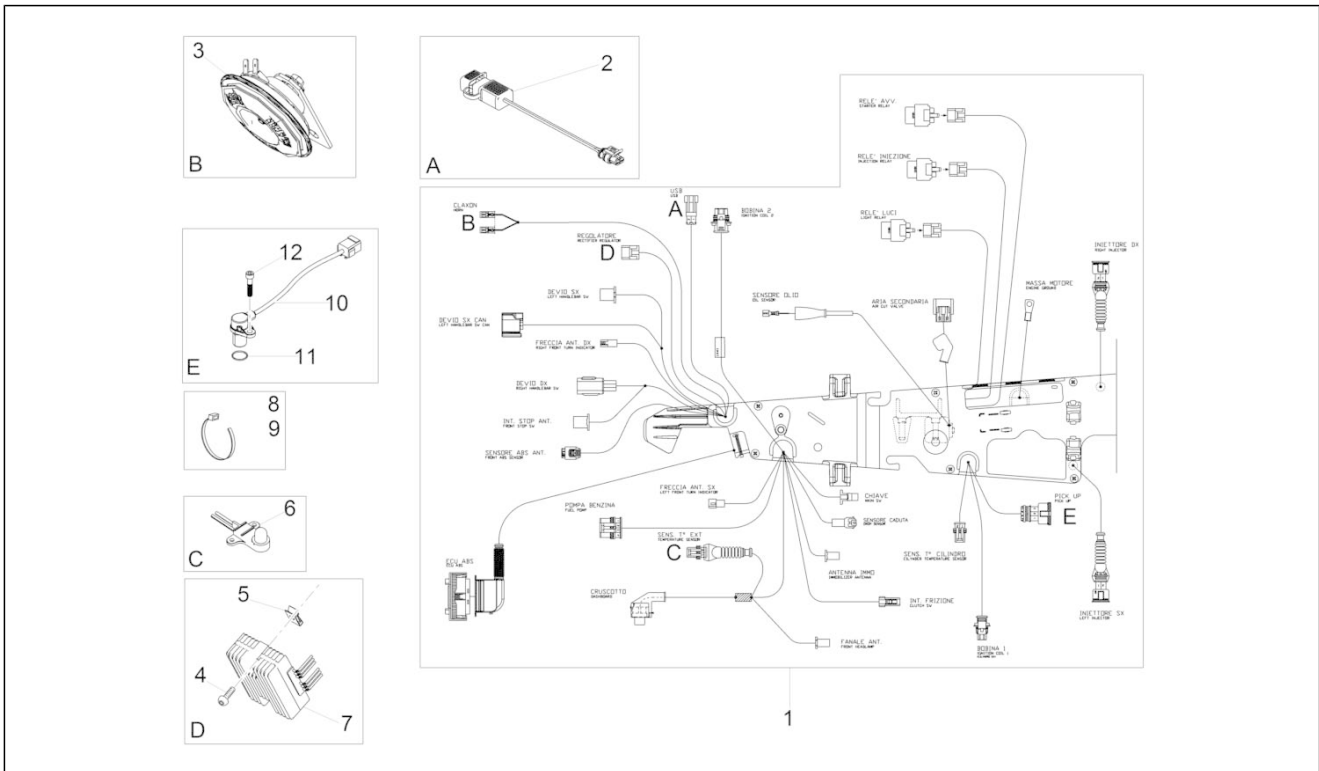
Pos.	Code	Beschreibung	Menge	Varianten
1	2H001433000NI	Kraftstofftank, schwarz	1	Baujahr: 2016[G] Farbe: Matt Competition Schwarz[NC] Land: Europa[EU] Großbritannien[UK] Technische Spezifikation: Mit Aufkleber[D]
1	2H001476000EQ	Kraftstofftank, grau	1	Baujahr: 2016[G] Farbe: Mattgrau Blade[GB] Land: Europa[EU] Großbritannien[UK] Technische Spezifikation: Mit Aufkleber[D]
1	2B001629	Kraftstofftank	1	Farbe: Unlackiert[GR]
2	AP8152288	TE Schr. m. Flansch M8x30	2	
3	AP8120455	Gummi	2	
4	AP8150018	Ausgleichscheibe	1	
5	GU91551131	Gummi	1	
6	2B002944	T-Buchse	1	
7	AP8152273	Flanschschraube M5x15	6	
8	1D001450	Kraftstoffpumpe	1	
9	2B002486	Kraftstoffleitungen	1	
10	GU66103415	Gummi	2	
11	GU98682416	TCEI Schraube M8x16	1	

Einheit	Tank
Code	09.020
Beschreibung	Benzindampfrückf.-Anlage
Inspektion	1



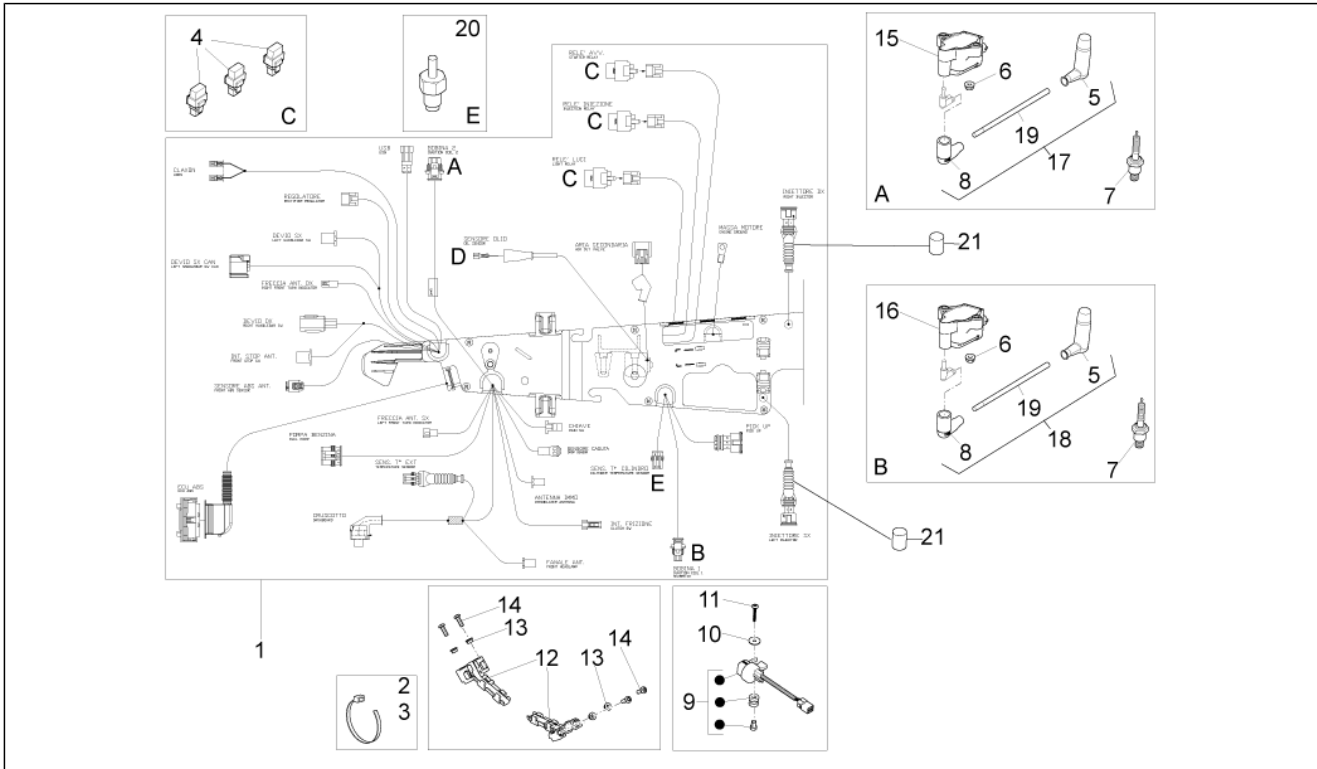
Pos.	Code	Beschreibung	Menge	Varianten
1	2B002632	Kohlefilter	1	
2	AP8102738	Schlauchschelle	1	
3	2B003042	Leitung SAE 30 R12A-3/16	1	
4	AP8102239	Schelle 12,5x8	2	
5	CM179008	Sicherheitsventil	1	
6	AP8102159	Schelle	1	
7	856063	Leitung SAE 30 d.12,7x6,35	2	
8	GU93304360	Schelle 7,6x380	1	
9	AP8102520	Schlauchschelle	1	
10	AP8127601	Lüftungsröhrchen	1	

Einheit	Elektrische Anlage
Code	11.010
Beschreibung	Vorder Elektrische Anlage
Inspektion	1



Pos.	Code	Beschreibung	Menge	Varianten
1	2D000209	Kabelast	1	
2	643277	Klembrett USB	1	
3	2B000221	Hupe	1	
4	AP8150377	Vite TCB M6x16	1	
5	254485	Plattchen M6	1	
6	AP8124936	Lufttemperaturfühler	1	
7	1D001549	Spannungsregler	1	
8	GU49609601	Schelle 2,4x92	1	
9	GU14609650	Schelle 3,6x20,6	24	
10	832029	Tonrad sensor	1	
11	GU90706141	O-Ring	1	
12	122675	TCEI Schraube	1	

Einheit	Elektrische Anlage
Code	11.020
Beschreibung	Mitt. elektrische Anlage
Inspektion	1



Pos.	Code	Beschreibung	Menge	Varianten
1	2D000209	Kabelast	1	
2	GU49609601	Schelle 2,4x92	1	
3	GU14609650	Schelle 3,6x20,6	24	
4	AP8224462	Zündrelais 12V-30A	3	
5	1A005382	Zündkerzenstecker	2	
6	AP8152299	Selbstsperrende Mutter M6	4	
7	887481	Zündkerze NGK CPR8EB-9	2	
8	641040	Isolierhaube	2	
9	680212	Kippsensor	1	
10	GU95005304	Ausgleichscheibe 5,2x18x1,5	1	
11	478533	Gew.schr.	1	
12	2B002901	Halterung Zündkerzenkabel	2	
13	2B003052	T-Buchse	4	
14	1A003444	Linsenschraube	4	
15	641901	Zuendtransform.cpl.	1	
16	642034	Zuendtransform.cpl. DX	1	
17	CM277101	Zuendkabel (450 mm)	1	
18	CM277102	Zuendkabel (580 mm)	1	
19	080341	Kabel Zündspulensockel	1	
20	887421	Temperaturfühler	1	
21	2D000355	Cappuccio termorestringente	1	


MOTO GUZZI®

ERSATZTEILKATALOG



V9 Bobber 850 E4 2017 (EMEA)

Vorsatzcode Fahrgestell: ZGULHE00

Vorsatzcode Motor:

Inhaltsverzeichnis

Fertige Produkte.....	4
Alphanumerisches Verzeichnis.....	5
Rahmen.....	10
Tafel 01.010 - Rahmen.....	10
Tafel 01.020 - Fussrasten.....	11
Tafel 01.030 - Hauptständer.....	12
Tafel 01.040 - Schutz.....	13
Tafel 01.050 - Schwinge.....	14
Aufbau.....	15
Tafel 02.030 - Vorderes Schutzblech-Stütze.....	15
Tafel 02.100 - Mittlerer Aufbau.....	16
Tafel 02.120 - Sitz.....	17
Tafel 02.150 - Hinteres schutzblech.....	18
Tafel 02.170 - Schlösser.....	19
Tafel 02.190 - Deko.....	20
Motor.....	21
Tafel 03.010 - Motor-Fertigstellung.....	21
Tafel 03.020 - Schalthebel.....	22
Tafel 03.030 - Gehäuse I.....	23
Tafel 03.050 - Filtergehäuse.....	24
Tafel 03.060 - Klappenkörper.....	25
Tafel 03.090 - Kopfdeckel.....	26
Tafel 03.100 - Zylinderkopf - ventile.....	27
Tafel 03.120 - Steuer.....	28
Tafel 03.150 - Zylinder - Kolben.....	29
Tafel 03.160 - Kurbelwelle.....	30
Tafel 03.170 - Schaltgetriebe / Schaltgabel / Desmodrom.....	31
Tafel 03.180 - Schaltgetriebe - Zahnräder.....	33
Tafel 03.190 - Schmierung.....	35
Tafel 03.196 - Anlage Blow-by.....	36
Tafel 03.230 - Kupplung.....	37
Tafel 03.270 - Zuenderdeckel.....	39
Tafel 03.290 - Zündung / Elektrischer Anfang.....	40
Tafel 03.300 - Schwungmagnetstarter / Zündung.....	41
Tafel 03.320 - Secondary air.....	42
Tafel 03.330 - Auspuffrohr.....	43
Tafel 03.340 - Getriebe kpl.....	44
Tafel 03.350 - Getriebedeckel.....	45
Radaufhängungen.....	47
Tafel 04.060 - Vorderradgabel Kaifa.....	47
Tafel 04.080 - Stoßdämpfer.....	48
Räder.....	49
Tafel 05.010 - Vorderrad.....	49

Tafel 05.020 - Hinterrad.....	50
Bremsanlage	51
Tafel 06.010 - Vorderradbremspumpe.....	51
Tafel 06.020 - Vorderradbremzange.....	52
Tafel 06.030 - Hinterradbremspumpe.....	53
Tafel 06.040 - Hinterradbremzange.....	54
Tafel 06.050 - Bremsanlage ABS.....	55
Lenkstange - Schaltungen.....	56
Tafel 07.010 - Lenkung.....	56
Tafel 07.020 - Lenkstange - Schaltungen.....	57
Tafel 07.030 - Kupplungssteuerung.....	58
Vorderer lichter - Instrumente.....	59
Tafel 08.010 - Vorderer lichter.....	59
Tafel 08.020 - Instrumente.....	60
Tafel 08.030 - Hinterer lichter.....	61
Tank.....	63
Tafel 09.010 - Kraftstofftank.....	63
Tafel 09.020 - Benzindampfdruckf.-Anlage.....	64
Elektrische Anlage.....	65
Tafel 11.010 - Vorder Elektrische Anlage.....	65
Tafel 11.020 - Mitt. elektrische Anlage.....	66
Tafel 11.030 - Hint.Elektrische Anlage.....	67

Fertige Produkte

Code	Gültigkeit
GU9032253ECH01	
GU9032253EUH01	
GU9032253EUH02	

Code	Nr. der Tafel	Pos.	Code	Nr. der Tafel	Pos.	Code	Nr. der Tafel	Pos.
006630	03.270	8	1A0066680V	03.160	3	2A000565	03.090	1
00H02402282	06.050	5	1A0066690G	03.160	8	2A000579	03.120	5
013763	03.190	14	1A0066690N	03.160	8	2A000591	03.170	37
013763	08.020	7	1A0066690V	03.160	8	2A000597	03.320	3
070286	08.030	30	1A006671AA	03.160	7	2A000608	03.060	8
070286	11.030	3	1A006671BB	03.160	7	2A000609	03.060	3
080341	11.020	19	1A006716	03.090	4	2A000612	03.060	7
122675	11.010	12	1A006860	03.030	19	2A000620	03.090	6
1A000360	03.180	7	1A006861	03.120	16	2A000627	03.180	13
1A000365	03.180	16	1A006869S	03.100	10	2A000629	03.180	30
1A000366	03.180	22	1A006870S	03.100	11	2A000631	03.230	21
1A000367	03.180	27	1A0068960B	03.160	2	2A000633	03.190	5
1A000368	03.180	28	1A0068960G	03.160	2	2A000638	03.230	30
1A000369	03.180	29	1A0068960R	03.160	2	2A000659	03.090	2
1A000370	03.180	25	1A006933S	03.030	21	2A000724	03.230	4
1A000436	03.180	10	1A007008	03.190	22	2A000727	03.180	5
1A000566	03.180	4	1A007070	03.150	2	2A000741	03.230	31
1A002604	03.180	24	1A007111	03.150	9	2A000767	03.230	23
1A002604	03.180	9	1A008576	03.120	25	2A000770	03.230	28
1A003444	11.020	14	1A008732	03.090	3	2A000792	03.230	7
1A003452	03.100	5	1A008913S	03.010	1	2A000908S	03.170	19
1A004442	03.190	15	1C001499	01.030	8	2A000910S	03.170	6
1A004530	03.030	10	1C001499	05.020	19	2A000914S	03.170	1
1A004549	03.190	11	1D001393	03.060	2	2B000221	11.010	3
1A004550	03.030	1	1D001450	09.010	8	2B000225	05.020	15
1A004660	03.100	1	1D001549	11.010	7	2B000377	05.020	18
1A004661	03.100	1	224566	03.170	44	2B000404	03.350	2
1A004662	03.100	1	224566	03.350	8	2B000525	06.040	1
1A004750	03.100	8	237553	03.190	12	2B001009	03.020	15
1A004751	03.100	4	248419	01.040	12	2B001035	01.010	17
1A004752	03.100	6	254485	03.330	19	2B001048	07.020	11
1A004903	03.120	13	254485	11.010	5	2B001049	07.020	10
1A004905	03.120	12	285536	03.170	3	2B001052	07.010	3
1A004907	03.120	14	285536	03.190	24	2B001055	01.010	1
1A004953	03.150	8	292022	08.010	3	2B001073	05.010	9
1A004954	03.150	7	292723	08.010	2	2B001083	03.330	6
1A004955	03.150	6	2A000097	03.170	41	2B001084	03.330	5
1A004956	03.150	5	2A000115	03.300	5	2B001088	01.030	5
1A005199	03.190	3	2A000129	03.300	4	2B001099S	03.330	1
1A005211	03.030	2	2A000203	03.180	20	2B001100S	03.330	2
1A005257	03.190	13	2A000216	03.230	8	2B001114	05.020	3
1A005325AA	03.160	6	2A000219	03.170	12	2B001139	05.010	1
1A005325BB	03.160	6	2A000222	03.170	38	2B001141	02.030	1
1A005382	11.020	5	2A000224	03.170	20	2B001147	02.030	2
1A005424	03.100	2	2A000225	03.170	23	2B001153S	03.340	1
1A005425	03.100	9	2A000226	03.170	21	2B001154	08.020	3
1A005712	03.120	1	2A000227	03.170	22	2B001182	08.010	17
1A005714S	03.120	24	2A000241	03.170	27	2B001223	08.020	2
1A005951	03.120	7	2A000241	03.170	28	2B001231	08.010	16
1A005955	03.120	19	2A000241	03.180	32	2B001279	05.020	7
1A006047	03.030	4	2A000306	03.170	27	2B001301	01.050	1
1A006053	03.190	27	2A000353S	03.120	6	2B001303	03.350	25
1A006119	03.120	22	2A000375	03.230	14	2B001307	03.350	11
1A006127	03.120	23	2A000376	03.230	16	2B001310	05.020	1
1A006243	03.120	21	2A000378	03.230	32	2B001311	03.350	3
1A006272AA	03.150	10	2A000384	03.230	18	2B001561	05.010	17
1A006272BB	03.150	10	2A000385	03.230	19	2B001564	06.050	17
1A006272CC	03.150	10	2A000415	03.170	24	2B001612	01.010	16
1A006272DD	03.150	10	2A000418	03.230	29	2B001614	06.050	14
1A006283	03.030	17	2A000419	03.230	1	2B001618	02.100	2
1A006284	03.030	18	2A000438	03.170	43	2B001619	02.100	1
1A006298	03.270	4	2A000438	03.350	22	2B001629	09.010	1
1A006655	03.030	8	2A000467	03.170	15	2B001708	05.010	18
1A006656	03.030	7	2A000496	03.120	4	2B001762	05.010	5
1A006659	03.100	12	2A000521	03.120	9	2B001783	02.100	5
1A0066680G	03.160	3	2A000527	03.120	27	2B001823	03.060	12
1A0066680N	03.160	3	2A000528	03.120	8	2B001929	06.010	6

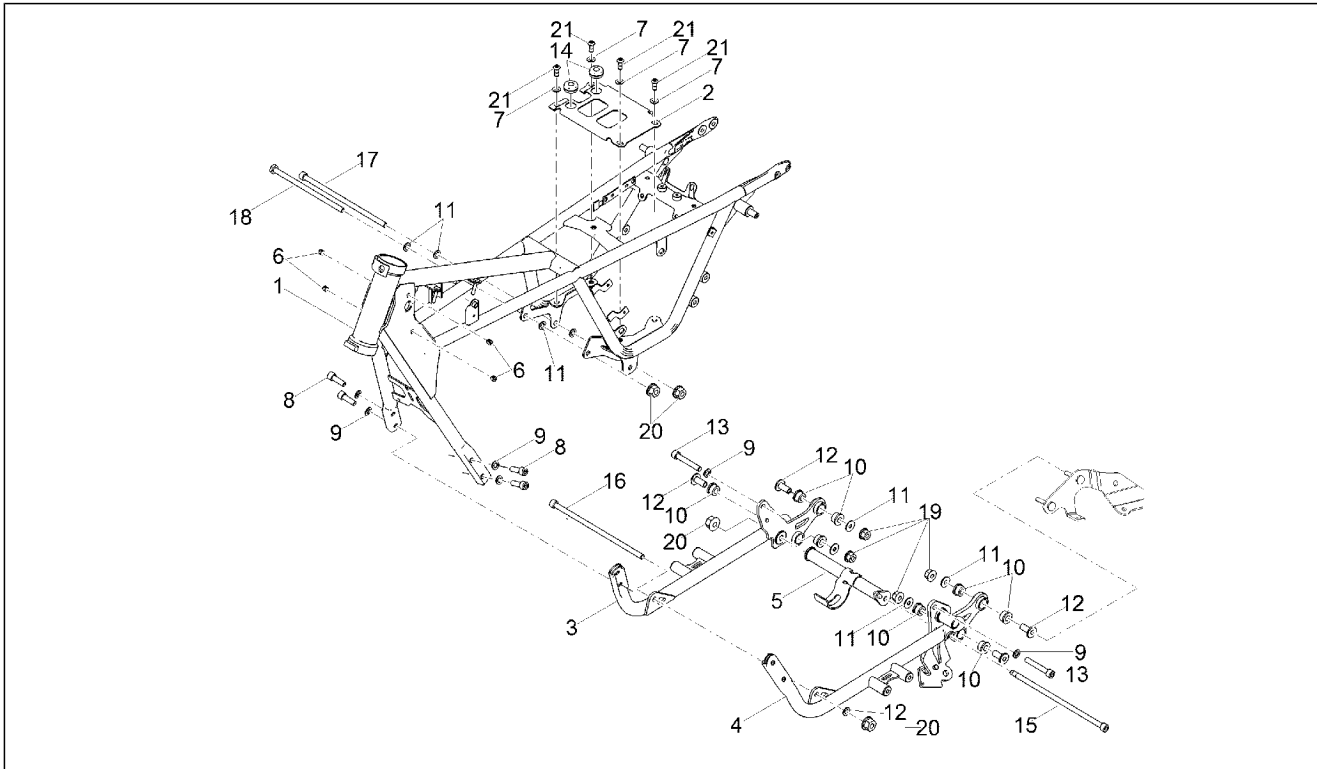
Code	Nr. der Tafel	Pos.	Code	Nr. der Tafel	Pos.	Code	Nr. der Tafel	Pos.
2B001930	06.010	4	2B002844	07.020	8	2D000209	11.030	1
2B001935	03.330	24	2B002851	03.050	5	2D000218	07.020	20
2B001941	03.020	18	2B002852	07.020	1	2D000226	07.020	3
2B001953	06.040	3	2B002875	07.020	17	2D000227	07.020	2
2B001956	05.020	13	2B002900	05.020	2	2D000245	11.030	2
2B002011	08.010	11	2B002901	11.020	12	2D000255	08.030	11
2B002043	02.170	3	2B002936	02.170	11	2D000256	08.030	12
2B002090	07.020	14	2B002937	01.040	10	2D000261	08.010	4
2B002091	07.020	13	2B002940	02.170	1	2D000262	08.010	5
2B002171	01.020	21	2B002943	01.040	9	2D0002805	06.030	9
2B002171	03.350	27	2B002944	09.010	6	2D0002885	07.030	9
2B002187	03.330	15	2B002959	03.050	14	2D000299	02.170	2
2B002189	06.030	14	2B002961	07.030	8	2D000355	11.020	21
2B002192	04.060	1	2B002988	04.080	1	2H001260	02.190	2
2B002195	07.020	7	2B002991	06.050	9	2H001433000NI	09.010	1
2B002200	03.350	15	2B003039	06.010	5	2H001434000NI	02.030	1
2B002205	01.050	6	2B003040	06.010	3	2H001439	02.190	5
2B002225	01.020	5	2B003041	06.010	2	2H001442	02.190	8
2B002269	06.010	1	2B003042	09.020	3	2H001443	02.190	4
2B0022925	03.330	4	2B003052	11.020	13	2H001445	02.190	3
2B0022935	03.330	3	2B003056	06.050	2	2H001467	02.190	6
2B002294	04.060	3	2B003076	01.020	4	2H001468	02.190	7
2B002295	04.060	2	2B003077	01.020	3	2H001469	02.190	1
2B002298	03.340	2	2B003078	01.010	12	2H001470	02.190	9
2B002311	01.010	21	2B003089	02.150	6	2H001476000EQ	09.010	1
2B002311	02.150	4	2B003102	01.040	3	2H001477000EQ	02.030	1
2B002321	02.150	5	2B003103	01.040	4	2H001480	02.190	5
2B002325	01.010	3	2B003105	03.196	3	2H001481	02.190	8
2B002326	01.010	4	2B003111	04.080	2	2H001482	02.190	1
2B002364	07.020	5	2B003164	08.010	13	2H001483	02.190	9
2B002365	08.030	1	2B003165	08.010	14	2Q000263	02.190	10
2B002378	01.040	2	2B003204	03.196	2	2R000109	04.060	7
2B002383	05.010	4	2B003212	01.050	5	2R000110	04.060	23
2B002386	02.150	3	2B003271	06.020	1	2R000243	04.060	19
2B002390	07.030	2	2B003284	03.330	25	2R000248	06.040	5
2B002391	07.030	1	2B003292	07.010	15	319165	02.170	9
2B002443	08.030	3	2B003313	06.020	6	478533	11.020	11
2B002483	08.030	4	2B003367	08.020	6	479175	08.030	13
2B002484	08.030	7	2B0033875	03.350	23	484993	03.030	20
2B002486	09.010	9	2B003742	04.060	14	584211	11.030	4
2B002529	03.320	7	2B003743	07.010	1	584332	08.010	6
2B002530	03.320	9	2B004027000C1	02.120	1	584332	08.030	15
2B002531	03.320	8	2B004028000C1	02.120	2	598839	02.100	6
2B002532	03.330	13	2B004042	06.030	16	623920	03.230	6
2B002533	03.330	12	2B004043	03.020	5	638733	11.030	9
2B002535	03.350	24	2B004044	01.020	1	639338	08.010	7
2B002536	03.350	18	2B004050	06.030	1	639338	08.030	16
2B002537	02.150	1	2B004053	03.020	3	641040	11.020	8
2B002537500NI	02.150	1	2B004062	03.020	2	641901	11.020	15
2B002541	08.030	21	2B004062	06.030	8	642034	11.020	16
2B002602	03.196	4	2B004063	06.030	12	643090	03.190	16
2B002615	08.030	29	2B004064	06.030	10	643277	11.010	2
2B002621	01.040	6	2B004076	06.030	4	648708	05.020	5
2B002622	01.040	5	2B004077	01.020	12	658778	06.030	17
2B002632	09.020	1	2B004107	06.030	2	658837	03.030	5
2B002681	06.050	11	2B004109	03.020	9	658837	06.030	3
2B002699	03.340	3	2B004111	06.030	6	680212	11.020	9
2B002705	01.030	1	2B004112	03.020	4	825694	03.100	13
2B002781	11.030	8	2B004112	06.030	19	826165	03.190	23
2B002799	01.040	1	2D000004	02.170	4	831135	03.030	11
2B002805	06.050	10	2D000024	03.300	1	832029	11.010	10
2B002806	06.050	16	2D000099	08.020	1	834764	03.170	33
2B002807	03.350	21	2D000100	08.010	1	834951	03.330	20
2B002810	01.010	5	2D000102	06.050	1	840509	08.030	14
2B002817	01.010	15	2D000163	07.020	19	848650	03.180	17
2B002832	03.050	2	2D000209	11.010	1	849308	03.180	21
2B002843	07.020	9	2D000209	11.020	1	849308	03.180	6

Code	Nr. der Tafel	Pos.	Code	Nr. der Tafel	Pos.	Code	Nr. der Tafel	Pos.
849309	03.180	23	898286	06.030	11	AP8127856	01.030	7
849310	03.180	26	898396	03.020	14	AP8134448	08.030	18
849396	03.180	14	898397	03.020	7	AP8134451	01.020	18
849424	03.180	8	959559	06.050	13	AP8144071	01.010	10
852090	03.330	11	967356	01.030	6	AP8144222	07.020	15
854827	07.020	16	967363	01.010	20	AP8144552	11.030	19
856063	09.020	7	967384	01.020	13	AP81450345	01.020	6
857045	03.320	2	967384	06.030	18	AP81450355	01.020	7
857046	03.320	5	974162	03.180	12	AP8150009	01.010	7
857047	03.320	1	974165	03.180	15	AP8150015	06.050	6
857181	03.320	10	976591	03.090	5	AP8150018	01.010	11
857206	03.300	3	976614	01.040	8	AP8150018	09.010	4
857250	03.170	29	976614	02.100	3	AP8150026	03.020	19
859792	05.010	16	976649	03.350	1	AP8150048	01.010	13
859792	05.020	17	97729R	03.290	1	AP8150049	07.020	18
871640	03.100	7	977527	02.170	5	AP8150053	08.010	15
873905	03.170	26	978415	02.170	7	AP8150053	08.030	9
873928	03.180	2	AP8101861	01.020	20	AP8150178	05.010	19
874567	03.150	4	AP8102159	09.020	6	AP8150377	11.010	4
874957	03.330	9	AP8102239	09.020	4	AP8150413	01.040	13
876879	03.330	16	AP8102375	02.100	4	AP8150413	08.030	22
880260	03.060	4	AP8102520	03.050	15	AP8150430	03.020	12
883161	11.030	5	AP8102520	09.020	9	AP8150451	06.050	15
883688	05.010	12	AP8102524	01.030	4	AP8150500	01.040	11
883826	03.030	13	AP8102671	01.010	6	AP8150500	03.060	6
884031	04.080	4	AP8102671	01.040	14	AP8150509	03.050	10
884310	03.060	11	AP8102738	09.020	2	AP8150536	08.030	8
886365	03.030	15	AP8102913	02.170	12	AP8150538	02.030	4
886629	03.230	11	AP8104509	07.020	6	AP8150540	07.010	13
887003	03.270	5	AP8104525	03.050	4	AP8150540	07.020	12
887093	03.190	18	AP8104924	03.050	7	AP8150543	07.010	2
887421	11.020	20	AP8110053	03.020	16	AP8152043	06.010	8
887448	05.020	14	AP8110077	07.010	7	AP8152055	03.330	21
887481	11.020	7	AP8110109	05.020	10	AP8152138	03.020	17
887762	05.010	14	AP8113003	06.050	3	AP8152220	03.190	20
887762	05.020	16	AP8113004	06.050	4	AP8152229	02.170	8
887815	03.050	8	AP8118579	07.020	4	AP8152267	03.090	7
887831	07.010	9	AP8120001	01.040	15	AP8152272	03.120	10
887832	07.010	12	AP8120001	11.030	11	AP8152273	02.150	7
887843	03.050	9	AP8120030	06.050	7	AP8152273	09.010	7
887844	03.050	12	AP8120278	08.030	6	AP8152277	01.020	11
887875	05.010	13	AP8120311	01.010	14	AP8152288	06.040	2
887878	04.060	4	AP8120455	03.050	3	AP8152288	09.010	2
887879	04.060	5	AP8120455	03.330	14	AP8152299	02.100	8
887880	04.060	6	AP8120455	09.010	3	AP8152299	02.150	2
887882	04.060	8	AP8120573	01.020	17	AP8152299	08.010	12
887883	04.060	9	AP8120615	03.050	6	AP8152299	08.030	31
887884	04.060	10	AP8120876	03.050	11	AP8152299	11.020	6
887885	04.060	11	AP8120912	03.020	1	AP8152306	08.030	19
887886	04.060	12	AP8120912	06.030	7	AP8152329	03.050	1
887888	04.060	13	AP8121014	01.030	3	AP8152384	07.010	5
887889	04.060	15	AP8121032	02.100	7	AP8152385	06.020	2
887890	04.060	17	AP8121133	01.020	19	AP8161054	03.050	16
887891	04.060	16	AP8121199	08.010	10	AP8181140	11.030	13
887893	04.060	20	AP8121205	07.010	4	AP8201755	08.030	24
887894	04.060	22	AP8121420	02.170	6	AP8210007	03.020	20
887905	04.060	18	AP8121567	01.020	15	AP8213028	07.030	5
887916	04.060	21	AP8121725	08.030	25	AP8213388	07.030	6
890760	03.050	13	AP8121882	06.050	18	AP8220186	08.030	5
890760	07.010	14	AP8121927	06.030	15	AP8221023	03.050	18
894704	11.030	15	AP8123641	07.010	6	AP8221023	06.050	8
895709	06.050	20	AP8123642	07.010	10	AP8221197	01.030	2
896110	03.330	7	AP8123643	07.010	11	AP8221277	01.020	16
897478	03.300	2	AP8123644	07.010	8	AP8224164	08.030	17
898268	03.270	6	AP8124936	11.010	6	AP8224462	11.020	4
898269	03.270	7	AP8125687	05.020	6	AP8702101	02.170	10
898283	03.020	11	AP8127601	09.020	10	AP9100053	08.030	27

Code	Nr. der Tafel	Pos.	Code	Nr. der Tafel	Pos.	Code	Nr. der Tafel	Pos.
AP9100477	01.020	2	GU12351100	03.350	13	GU90353029	03.120	17
B013037	03.230	15	GU14085900	03.230	25	GU90401424	03.170	18
B013608	03.170	25	GU14086100	03.230	17	GU90402642	05.010	6
B013608	03.180	3	GU14217901	03.230	5	GU90412541	03.180	18
B014598	01.050	7	GU14609650	11.010	9	GU90413850	03.350	12
B015040	03.180	11	GU14609650	11.020	3	GU90706141	11.010	11
B015598	03.170	2	GU14609650	11.030	17	GU90706170	03.230	27
B016796	08.030	23	GU14615901	03.230	3	GU90706188	03.350	4
B0167965	03.060	5	GU14615901	03.330	18	GU90706203	03.170	34
B017406	03.170	5	GU14615901	03.330	22	GU90706235	03.230	10
B017636	03.100	3	GU14615901	03.350	26	GU90706281	03.030	25
B018020	03.170	4	GU14615901	07.020	22	GU90706444	03.190	4
B018448	03.180	31	GU14616150	05.010	11	GU90706584	03.350	5
B043850	11.030	16	GU14616150	05.020	12	GU90706958	03.350	19
B063025	03.170	39	GU18144350	03.190	8	GU91113826	03.330	10
B063174	04.080	3	GU19002020	03.170	36	GU91181003	07.020	21
B063233	11.030	10	GU19002020	03.270	3	GU91551010	01.010	19
B063269	03.170	40	GU19003800	03.030	3	GU91551010	03.050	19
B063287	01.010	2	GU19015020	03.030	14	GU91551131	09.010	5
B063292	03.330	8	GU19018920	03.030	9	GU92201226	03.180	19
B063956	03.170	14	GU19018920	03.190	28	GU92201226	03.230	9
B064023	02.120	3	GU19021360	03.150	3	GU92201822	03.180	1
B064112	03.170	10	GU19045861	03.120	3	GU92204220	05.020	4
B064113	03.170	7	GU19055700	03.120	2	GU92204221	05.010	7
B064304	03.350	16	GU19058021	03.120	20	GU92254340	03.350	14
CM013202	11.030	14	GU19058220	03.120	11	GU92296723	03.190	25
CM178609	08.020	4	GU19062261	03.160	1	GU92602510	03.190	19
CM179008	09.020	5	GU19065400	03.160	9	GU92606206	03.020	8
CM226902	03.196	1	GU19067700	03.230	2	GU92606206	06.030	13
CM226902	03.320	6	GU19213760	03.230	12	GU92606208	03.030	6
CM228401	01.020	14	GU19351100	03.350	17	GU92606508	03.230	24
CM258301	03.060	13	GU19356760	03.230	13	GU92630207	05.010	8
CM258303	03.050	17	GU19547000	01.050	2	GU92630707	06.030	5
CM275402	03.060	1	GU20147710	03.190	21	GU92660021	03.330	17
CM277101	11.020	17	GU20258221	03.020	6	GU93180105	01.050	4
CM277102	11.020	18	GU27061885	03.160	4	GU93180111	05.010	2
GU01528930	03.350	6	GU27066460	03.160	5	GU93180220	03.170	42
GU01659130	06.020	5	GU27152885	03.190	1	GU93304360	09.020	8
GU01659131	06.020	4	GU30601060	07.030	3	GU93450224	08.030	2
GU03013800	03.020	22	GU30602500	07.030	4	GU94321079	03.190	9
GU03013800	03.060	10	GU31003766	03.030	22	GU94321105	03.230	22
GU03617710	05.010	10	GU31003766	03.350	7	GU95005304	11.020	10
GU03617710	05.020	11	GU31150950	03.190	10	GU95005310	08.030	20
GU03658201	06.050	21	GU31159050	03.190	6	GU95008206	03.190	7
GU03658330	06.050	19	GU31256881	03.020	10	GU95008208	03.290	2
GU03749845	06.010	7	GU31544181	06.040	4	GU95008208	03.330	23
GU04355100	03.350	20	GU31547882	01.050	3	GU95008210	01.010	9
GU04355101	03.350	20	GU31616384	05.010	15	GU95020105	01.030	9
GU04355102	03.350	20	GU31659181	06.040	7	GU95100059	11.030	7
GU04355103	03.350	20	GU31659281	06.040	6	GU95100309	03.190	17
GU04355104	03.350	20	GU32441210	01.020	10	GU95100602	03.190	26
GU04355105	03.350	20	GU32442310	01.020	8	GU95129115	03.120	18
GU04355106	03.350	20	GU32442710	01.020	9	GU95500222	03.230	20
GU05217630	03.230	26	GU32517710	11.030	12	GU96451316	06.050	12
GU05234230	03.170	9	GU32615660	05.010	3	GU96451430	03.030	12
GU05234631	03.170	31	GU32632510	05.020	20	GU96508055	03.030	16
GU05235531	03.170	30	GU32944310	02.190	11	GU97202325	07.030	7
GU05238231	03.170	13	GU37359005	03.350	10	GU98110199	01.010	18
GU05238431	03.170	11	GU49609601	11.010	8	GU98210610	08.020	5
GU05239330	03.170	16	GU49609601	11.020	2	GU98210616	07.010	16
GU05351230	03.350	9	GU49609601	11.030	18	GU98210616	08.030	28
GU05659230	06.020	3	GU61027200	03.150	1	GU98370625	06.030	20
GU05781630	04.060	24	GU66103415	09.010	10	GU98612216	03.320	4
GU10034100	03.120	15	GU90271014	03.170	17	GU98612320	08.010	8
GU10528900	03.030	23	GU90271022	03.170	32	GU98612320	08.030	10
GU12022600	03.170	35	GU90272047	05.020	9	GU98620330	01.040	7
GU12154200	03.190	2	GU90353014	03.170	8	GU98622322	03.060	9

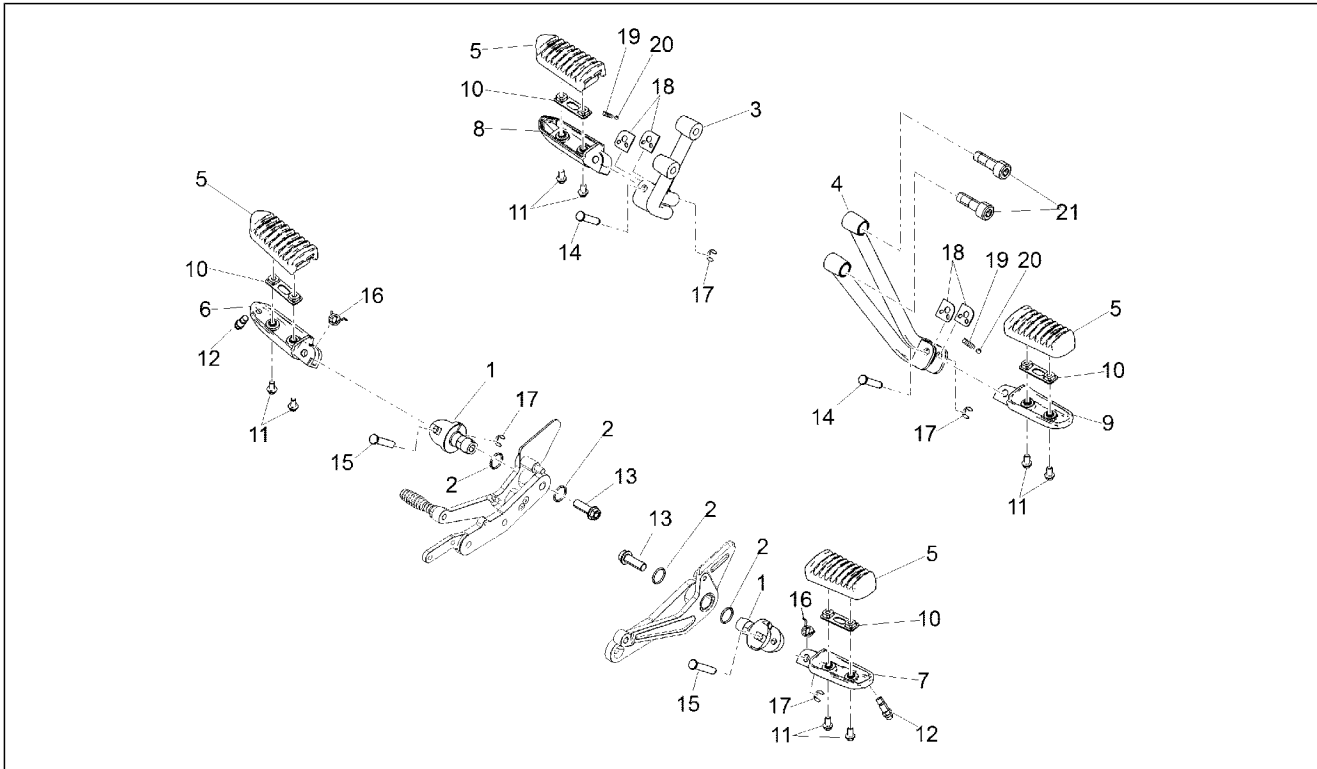
Code	Nr. der Tafel	Pos.
GU98632322	03.020	21
GU98682212	03.300	6
GU98682212	11.030	6
GU98682312	05.020	8
GU98682325	03.030	24
GU98682325	03.270	1
GU98682330	03.270	2
GU98682330	08.030	26
GU98682416	09.010	11
GU98682435	03.290	3
GU98682530	01.010	8
GU98690445	02.030	3
GU98690445	08.010	9
GU98692318	03.020	13
GU98882316	03.120	26

Einheit	Rahmen
Code	01.010
Beschreibung	Rahmen
Inspektion	1



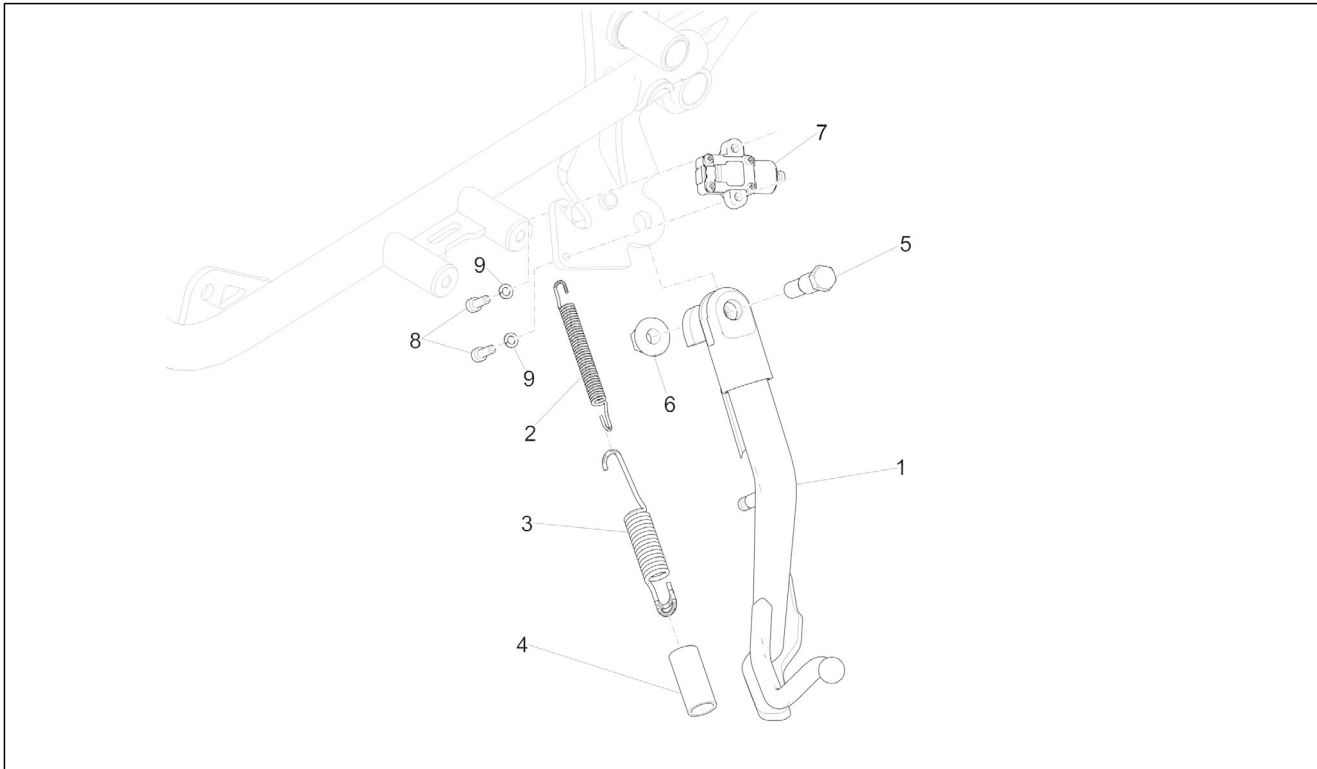
Pos.	Code	Beschreibung	Menge	Varianten
1	2B001055	Fahrgestell	1	
2	B063287	Verbindungsplatte Rahmen	1	
3	2B002325	Arm Rahmenschleife rechts	1	
4	2B002326	Arm Rahmenschleife links	1	
5	2B002810	Rahmenträger	1	
6	AP8102671	Kunststoffniet	4	
7	AP8150009	Scheibe	4	
8	GU98682530	TCEI Schraube M10x30	4	
9	GU95008210	Ausgleichscheibe 10,2X18X2	6	
10	AP8144071	Gummi auspuffrohr	8	
11	AP8150018	Ausgleichscheibe	4	
12	2B003078	Distanzscheibe	4	
13	AP8150048	TCEI Schraube	2	
14	AP8120311	Gummi	2	
15	2B002817	Zapfen M10	1	
16	2B001612	Bolzen M10X253	1	
17	2B001035	Bolzen 234X10	1	
18	GU98110199	Bolzen M10x205	1	
19	GU91551010	Gummi 10X20X10	2	
20	967363	Mutter M8x1,25	4	
21	2B002311	Linsenschraube Torx M8X20	4	

Einheit	Rahmen
Code	01.020
Beschreibung	Fussrasten
Inspektion	1



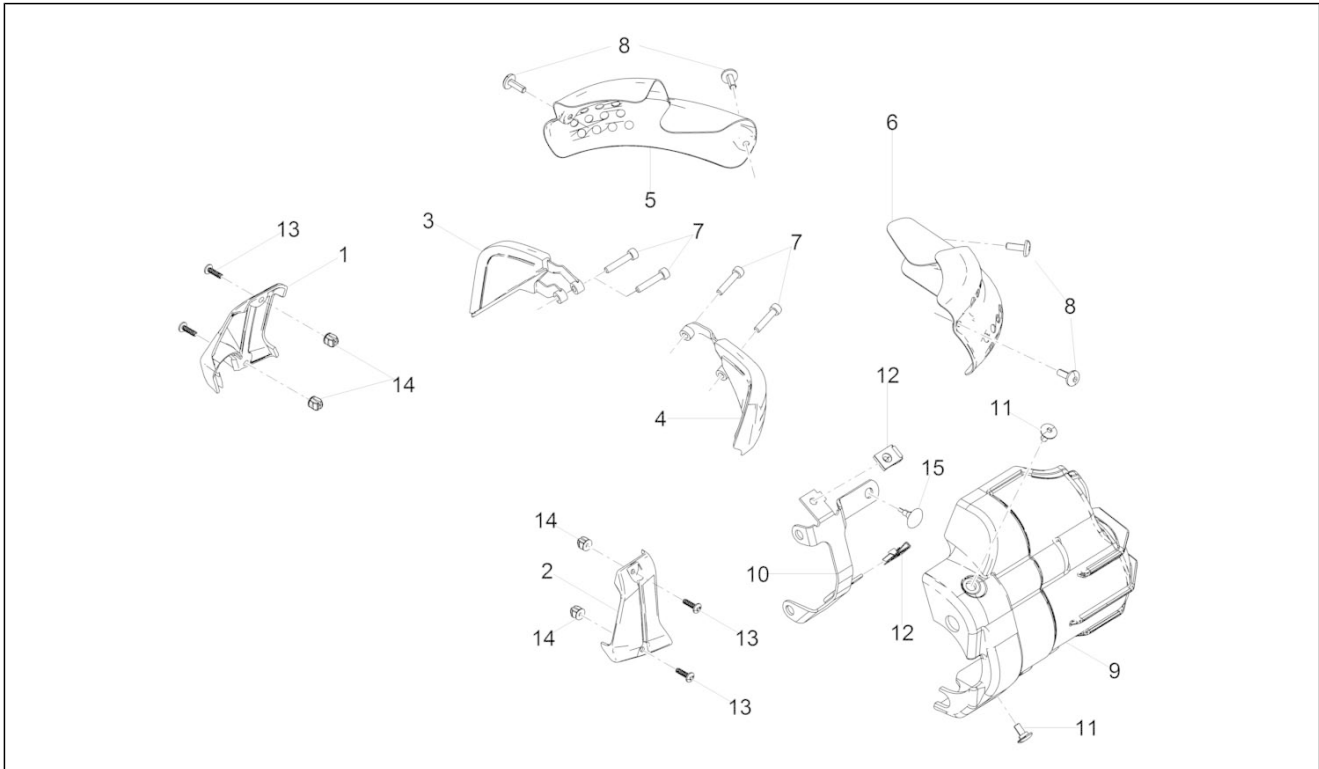
Pos.	Code	Beschreibung	Menge	Varianten
1	2B004044	Halterung Fahrertrittbrett	2	
2	AP9100477	O-Ring 18x2	4	
3	2B003077	Fußrasten-Halterung Beif. rechts	1	
4	2B003076	Fußrasten-Halterung Beif. links	1	
5	2B002225	Gummiraste	4	
6	AP81450345	Fussrasten r.	1	
7	AP81450355	Fussrasten l.	1	
8	GU32442310	Soziusraste rechts	1	
9	GU32442710	Soziusraste links	1	
10	GU32441210	Platte	4	
11	AP8152277	TE Schr. m. Flansch M6x12	8	
12	2B004077	Rastenbolzen	2	
13	967384	Schraube TEF M10X45	2	
14	CM228401	Rastenbolzen	2	
15	AP8121567	Bolzen	2	
16	AP8221277	Rückholfeder	2	
17	AP8120573	Sperring	4	
18	AP8134451	Fixierplatte	4	
19	AP8121133	Schraubenfederkompr.	2	
20	AP8101861	Kugel D6,35	2	
21	2B002171	TC Schraube 8x25	4	

Einheit	Rahmen
Code	01.030
Beschreibung	Hauptständer
Inspektion	1



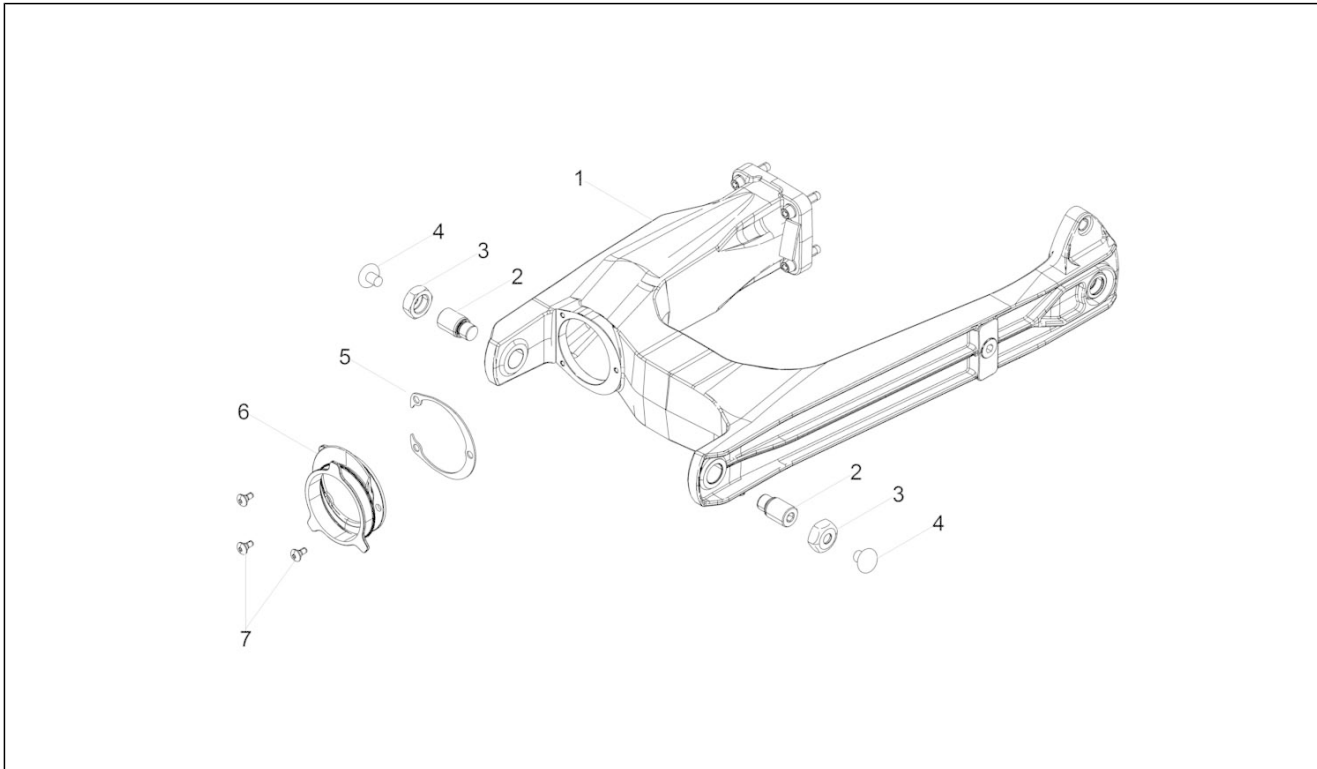
Pos.	Code	Beschreibung	Menge	Varianten
1	2B002705	Seitenständer	1	
2	AP8221197	Hauptständer Schraubenfeder	1	
3	AP8121014	Schraubenfeder	1	
4	AP8102524	Schutz f. Ständerfeder	1	
5	2B001088	Ständerbolzen	1	
6	967356	Geflanschte Mutter M10x1,25	1	
7	AP8127856	Ständer lichtschalter	1	
8	1C001499	Schraube TBEI TORX M5x16 INOX	2	
9	GU95020105	Ausgleichscheibe 5,3x8,9x2,4	2	

Einheit	Rahmen
Code	01.040
Beschreibung	Schutz
Inspektion	1



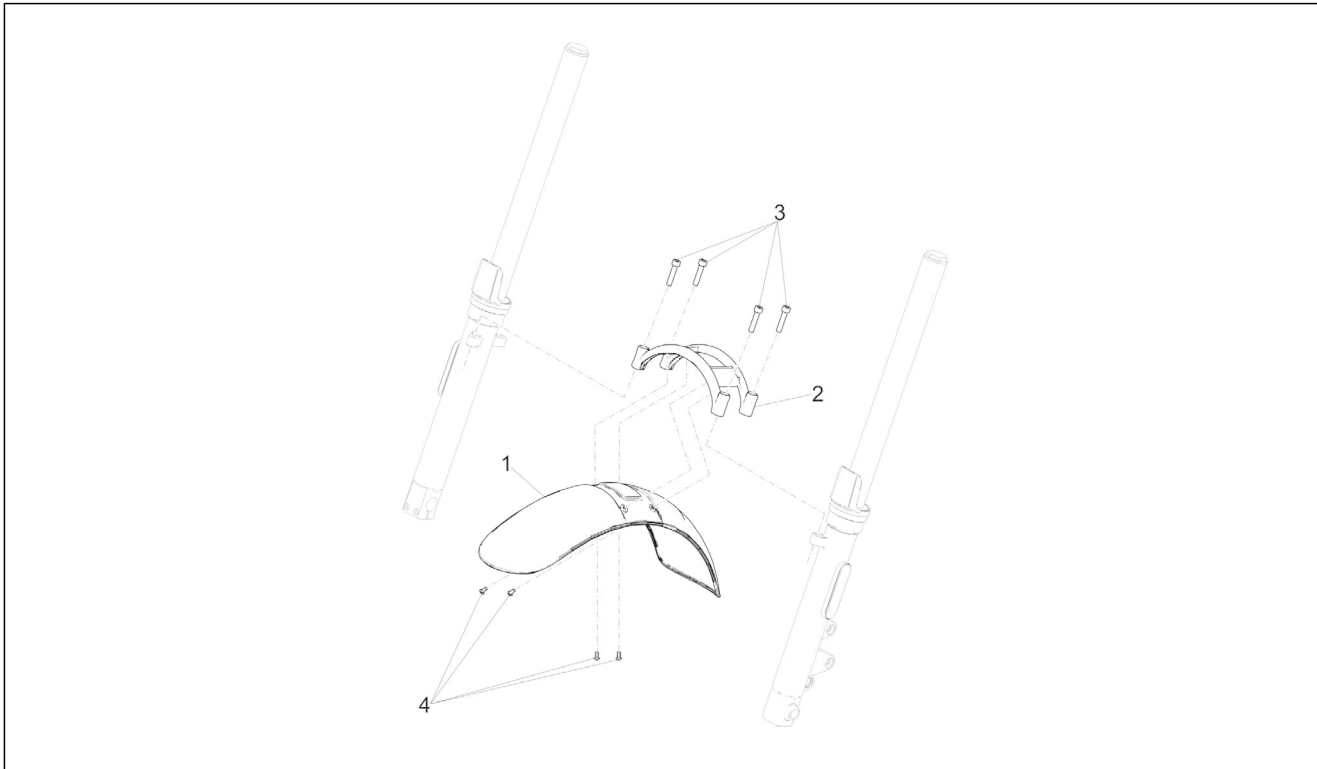
Pos.	Code	Beschreibung	Menge	Varianten
1	2B002799	Rahmenschutz rechts	1	
2	2B002378	Rahmenschutz links	1	
3	2B003102	Knieschutz rechts	1	
4	2B003103	Knieschutz links	1	
5	2B002622	Einspritzdüsenabdeckung rechts	1	
6	2B002621	Einspritzdüsenabdeckung links	1	
7	GU98620330	Schraube	4	
8	976614	TBEI Schraube M5x15	4	
9	2B002943	Abdeckung anlassermotor	1	
10	2B002937	Haltebügel Abdeckung	1	
11	AP8150500	TBEI Schraube M5x9	2	
12	248419	Plattchen M5	2	
13	AP8150413	Gew.schr. 3,9x14	1	
14	AP8102671	Kunststoffniet	2	
15	AP8120001	Gummi	1	

Einheit	Rahmen
Code	01.050
Beschreibung	Schwinge
Inspektion	1



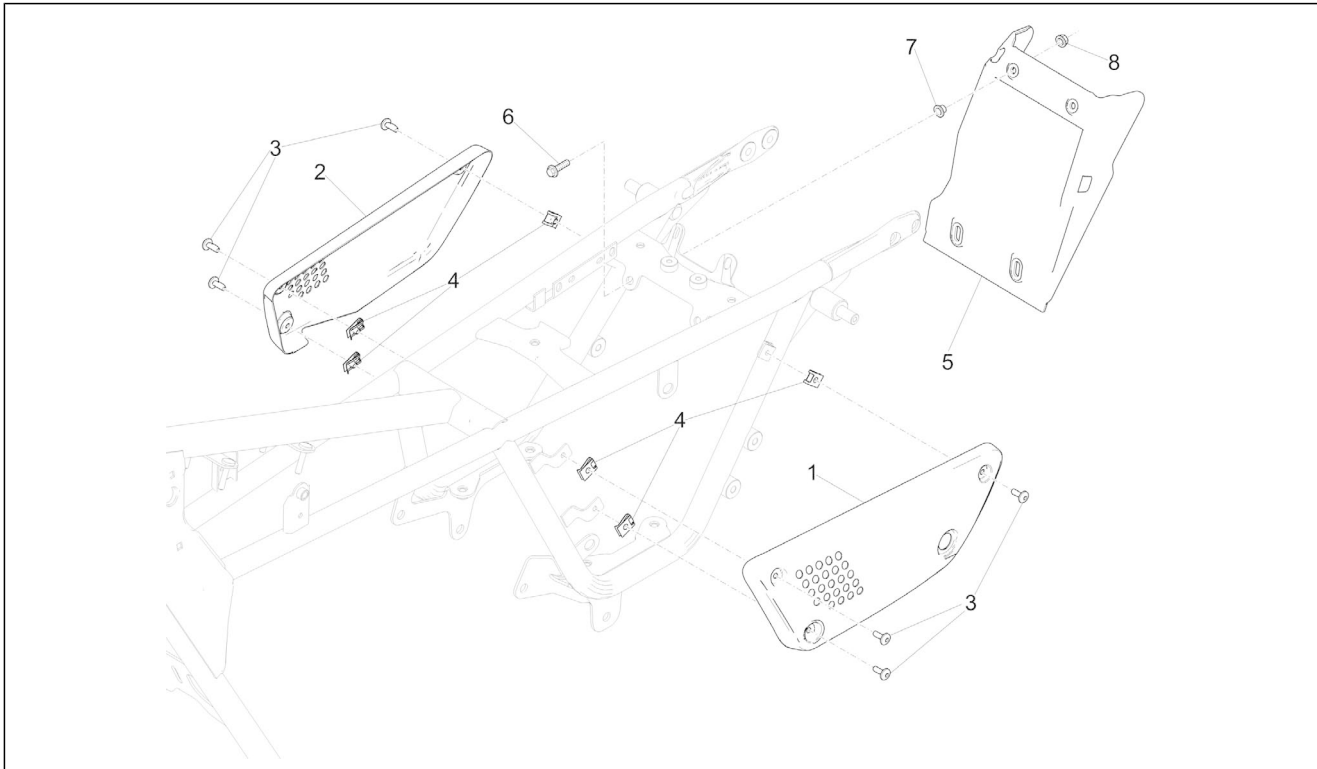
Pos.	Code	Beschreibung	Menge	Varianten
1	2B001301	Schwinge	1	
2	GU19547000	Bolzen	2	
3	GU31547882	Mutter	2	
4	GU93180105	Deckel	2	
5	2B003212	Fixierplatte	1	
6	2B002205	Gummibalg	1	
7	B014598	Torx Schraube M5x12	3	

Einheit	Aufbau
Code	02.030
Beschreibung	Vorderes Schutzblech-Stütze
Inspektion	1



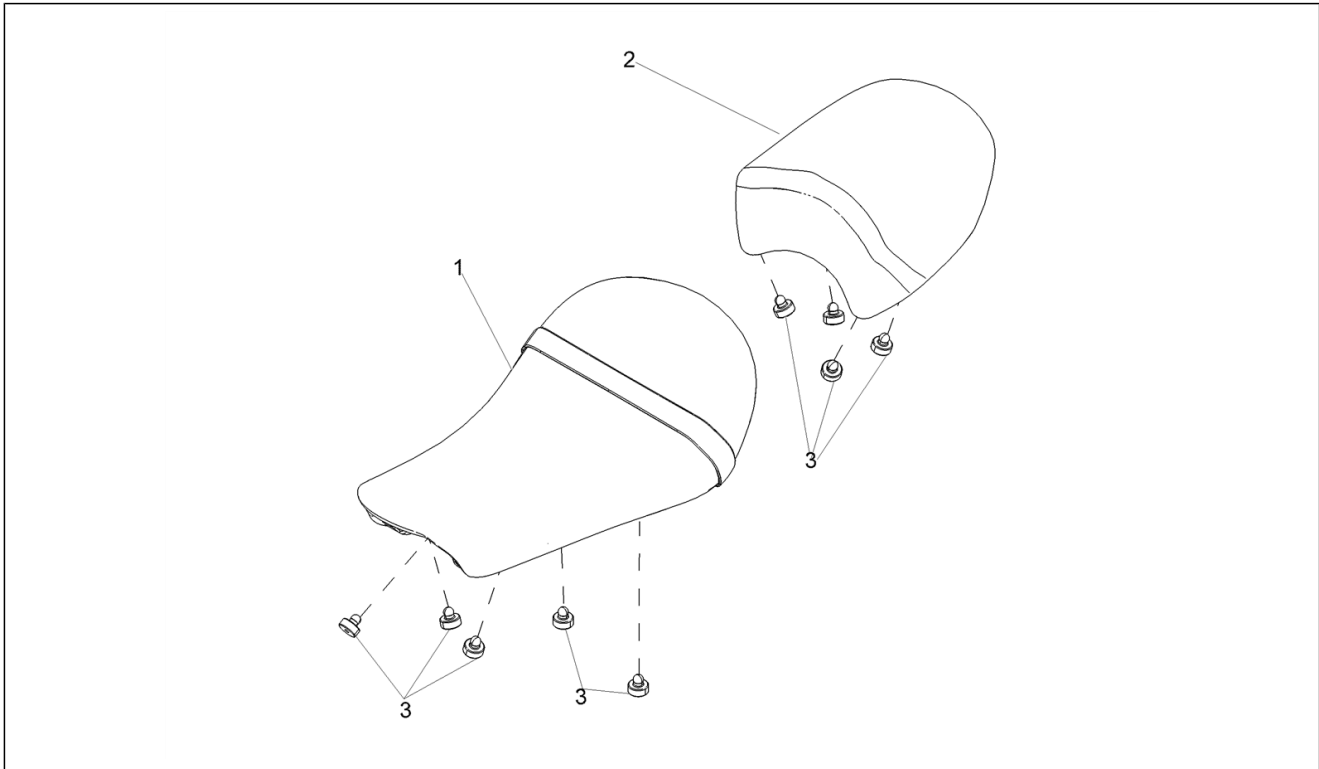
Pos.	Code	Beschreibung	Menge	Varianten
1	2B001141	Vorderes Schutzblech	1	
1	2H001434000NI	V. Schutzblech, schwarz	1	Baujahr:[] Farbe:Matt Competition Schwarz[NC] Land:[]
1	2H001477000EQ	V. Schutzblech, grau	1	Baujahr:[] Farbe:Mattgrau Blade[GB] Land:[]
2	2B001147	Schutzblechhalterung	1	
3	GU98690445	Schraube M8x45	4	
4	AP8150538	TBEI Schraube M5x10	4	

Einheit	Aufbau
Code	02.100
Beschreibung	Mittlerer Aufbau
Inspektion	1



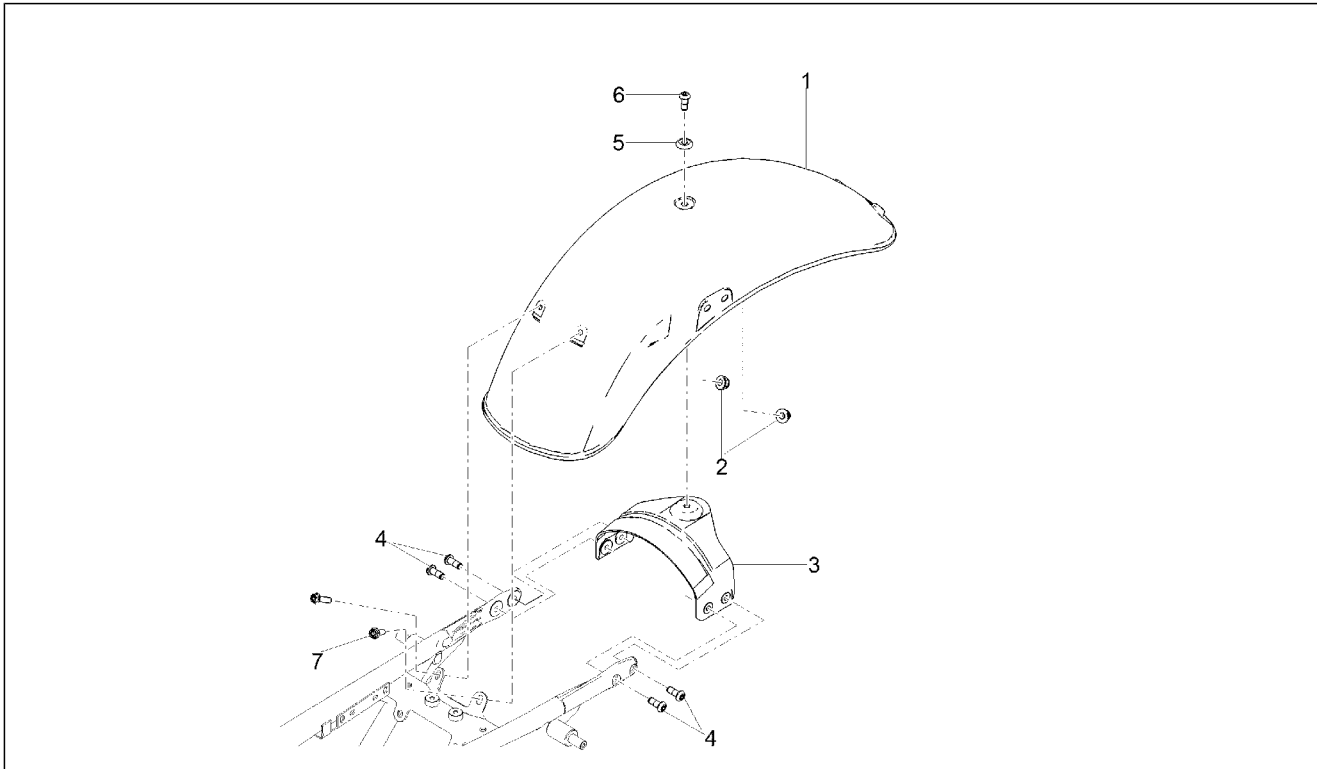
Pos.	Code	Beschreibung	Menge	Varianten
1	2B001619	L. kl. Seitenteil	1	
2	2B001618	R. kl. Seitenteil	1	
3	976614	TBEI Schraube M5x15	6	
4	AP8102375	Klammer M5	6	
5	2B001783	Hinteres, Spritzschutz	1	
6	598839	TE Schr. m. Flansch	2	
7	AP8121032	Buchse	2	
8	AP8152299	Selbstsperrende Mutter M6	2	

Einheit	Aufbau
Code	02.120
Beschreibung	Sitz
Inspektion	1



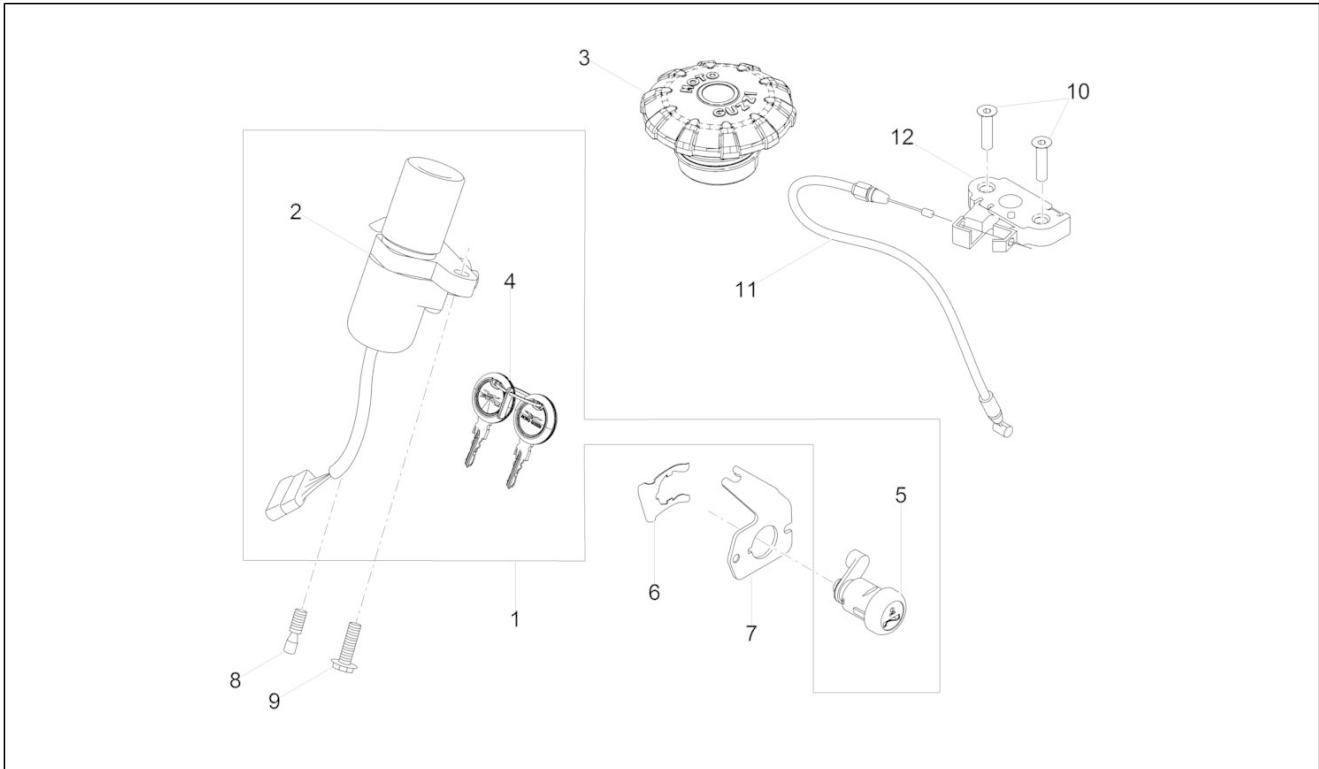
Pos.	Code	Beschreibung	Menge	Varianten
1	2B004027000C1	Sitz mit Riemen	1	
2	2B004028000C1	Soziussitz	1	
3	B064023	Sitz-Auflagegummi	9	

Einheit	Aufbau
Code	02.150
Beschreibung	Hinteres Schutzblech
Inspektion	1



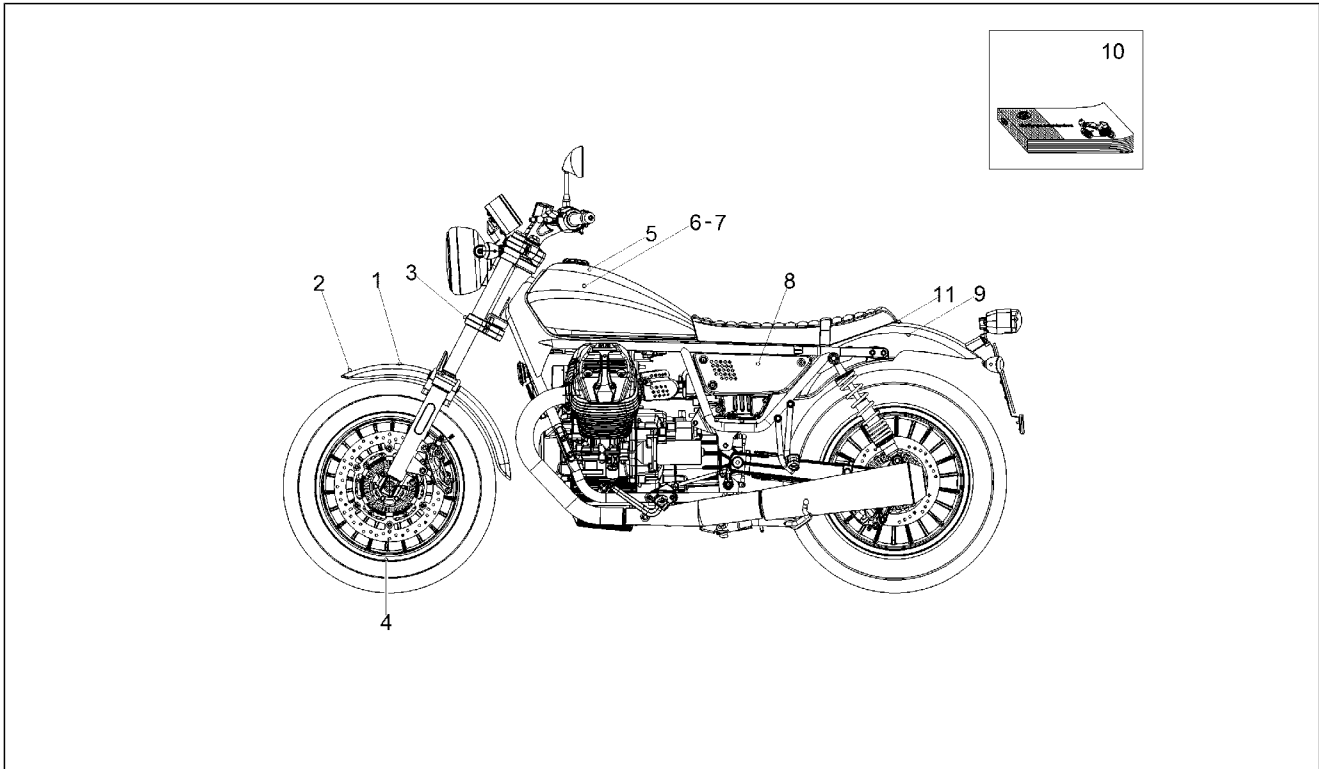
Pos.	Code	Beschreibung	Menge	Varianten
1	2B002537	Heckkotflügel Bobber	1	Farbe:Unlackiert[GR]
1	2B002537500NI	Parafango post.v.nero comp.	1	Technische Spezifikation:Ohne Aufkleber[ND] Farbe:Matt Competition Schwarz[NC] Mattgrau Blade[GB]
2	AP8152299	Selbstsperrende Mutter M6	2	
3	2B002386	Hintere Kotflügelhalterung	1	
4	2B002311	Linsenschraube Torx M8X20	4	
5	2B002321	Buchse für Schraube	1	
6	2B003089	Schraube TCC TORX M8x16	1	
7	AP8152273	Flanschschraube M5x15	2	

Einheit	Aufbau
Code	02.170
Beschreibung	Schlösser
Inspektion	1



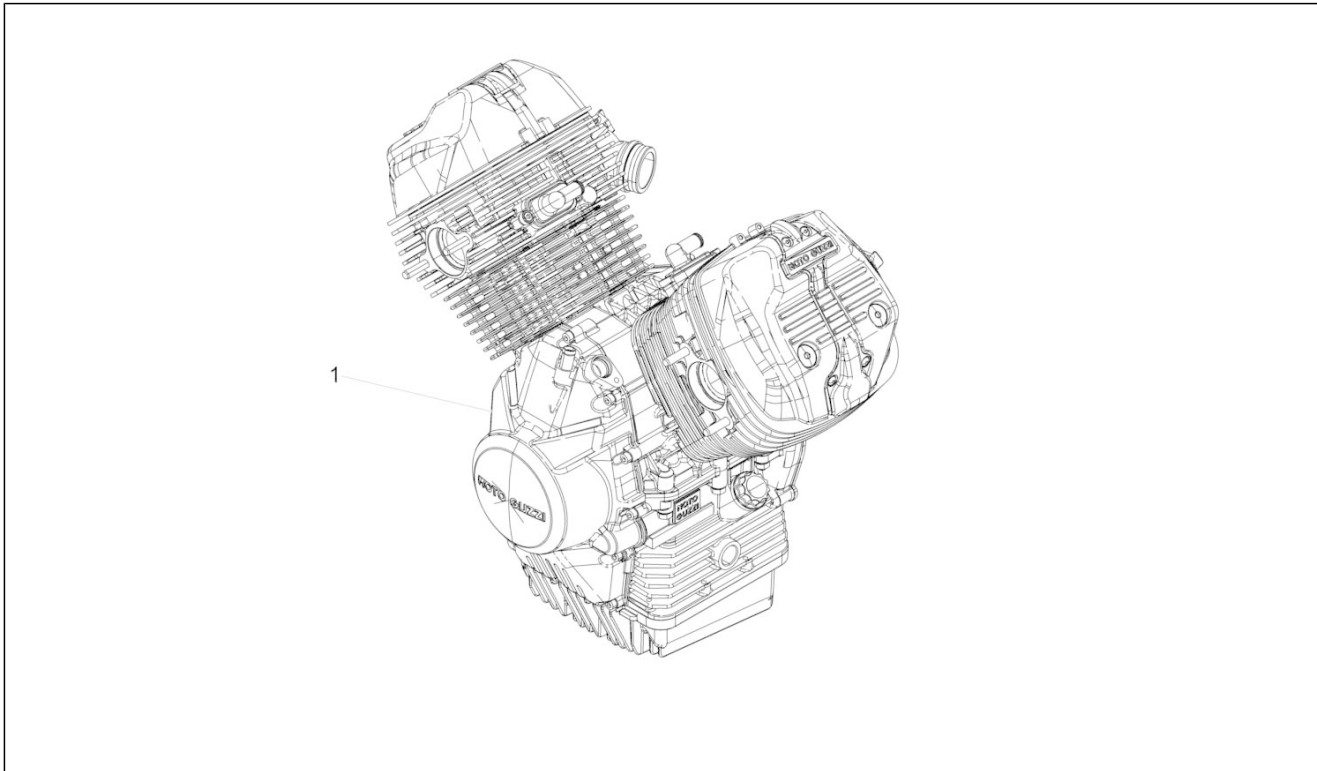
Pos.	Code	Beschreibung	Menge	Varianten
1	2B002940	Kit Schließvorrichtungen	1	
2	2D000299	Umschalter mit Schlüssel	1	
3	2B002043	Tankfüllschraube	1	
4	2D000004	Transponderschlüssel glatt	1	
5	977527	Schloss komplett mit Schlüsseln	1	
6	AP8121420	Gabelfeder	1	
7	978415	Kabelplatte	1	
8	AP8152229	Reißschraube M8x20	1	
9	319165	Schraube	1	
10	AP8702101	Schraube M6x25	2	
11	2B002936	Bowdenzug Sitzbank	1	
12	AP8102913	Fixierplatte Soziussitz	1	

Einheit	Aufbau
Code	02.190
Beschreibung	Deko
Inspektion	1



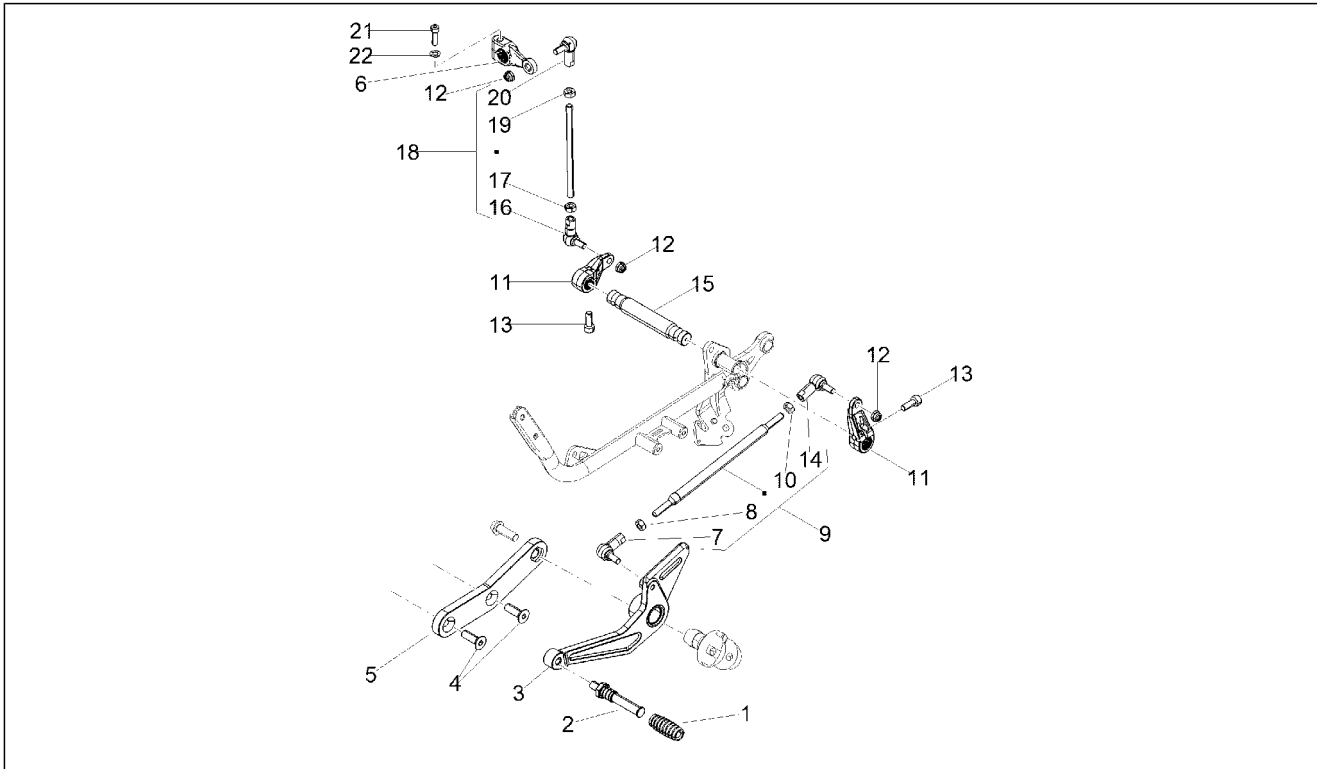
Pos.	Code	Beschreibung	Menge	Varianten
1	2H001469	Aufkleber Schachmuster	1	Farbe:Matt Competition Schwarz[NC]
1	2H001482	Aufkleber Schachmuster	1	Farbe:Mattgrau Blade[GB]
2	2H001260	Aufkleber "Adler"	1	
3	2H001445	Schild "Moto Guzzi"	1	
4	2H001443	Deko "Moto Guzzi"	2	
5	2H001439	Aufkleber Tank	1	Farbe:Matt Competition Schwarz[NC]
5	2H001480	Aufkleber Tank	1	Farbe:Mattgrau Blade[GB]
6	2H001467	Rechtes Schild "Aquila"	1	
7	2H001468	L.Schild "Aquila"	1	
8	2H001442	Schild "V9 Bobber"	2	Farbe:Matt Competition Schwarz[NC]
8	2H001481	Schild "V9 Bobber"	2	Farbe:Mattgrau Blade[GB]
9	2H001470	Aufkleber Schachmuster	1	Farbe:Matt Competition Schwarz[NC]
9	2H001483	Aufkleber Schachmuster	1	Farbe:Mattgrau Blade[GB]
10	2Q000263	LUM V9 Roamer-Bobber My 2017 IFRDENLESEN	1	
11	GU32944310	Deko Schutz	1	

Einheit	Motor
Code	03.010
Beschreibung	Motor-Fertigstellung
Inspektion	1



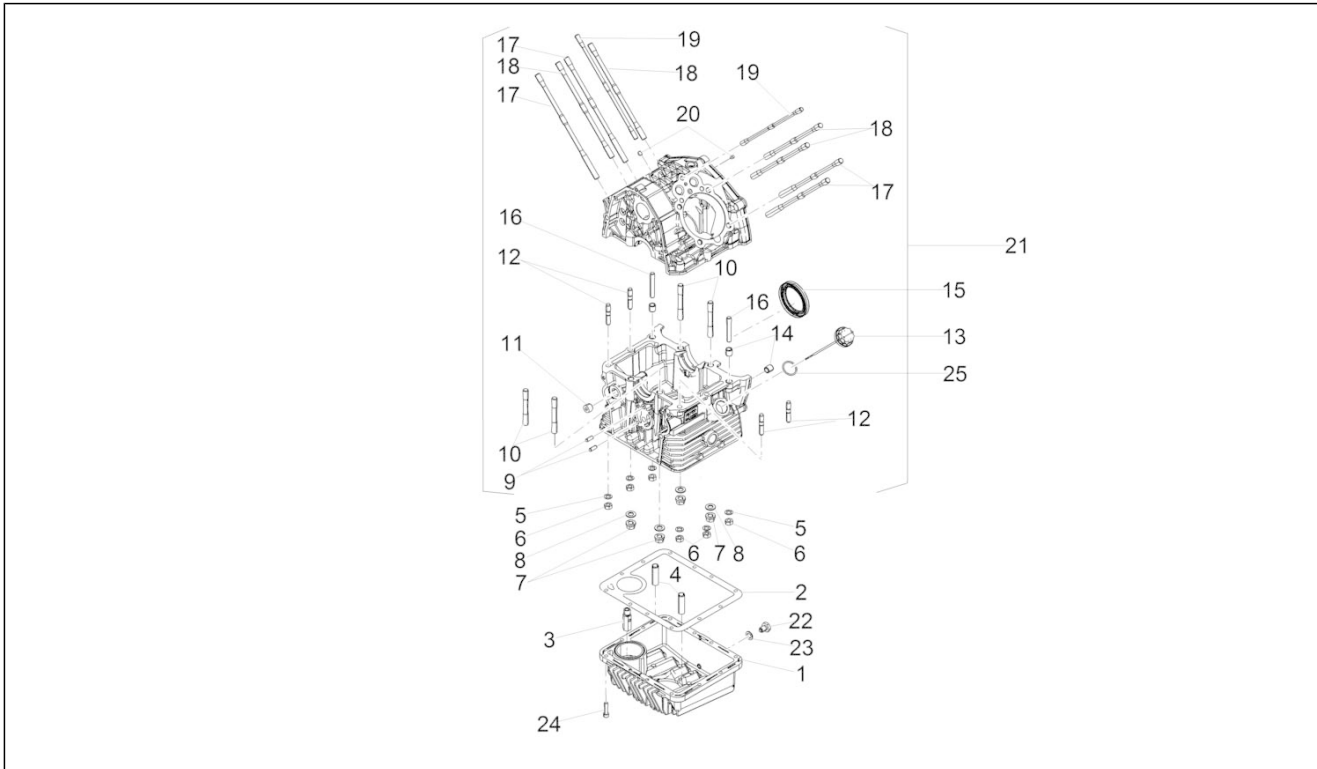
Pos.	Code	Beschreibung	Menge	Varianten
1	1A0089135	Motor kpl.ohneSchaltgetriebe	1	

Einheit	Motor
Code	03.020
Beschreibung	Schalthebel
Inspektion	1



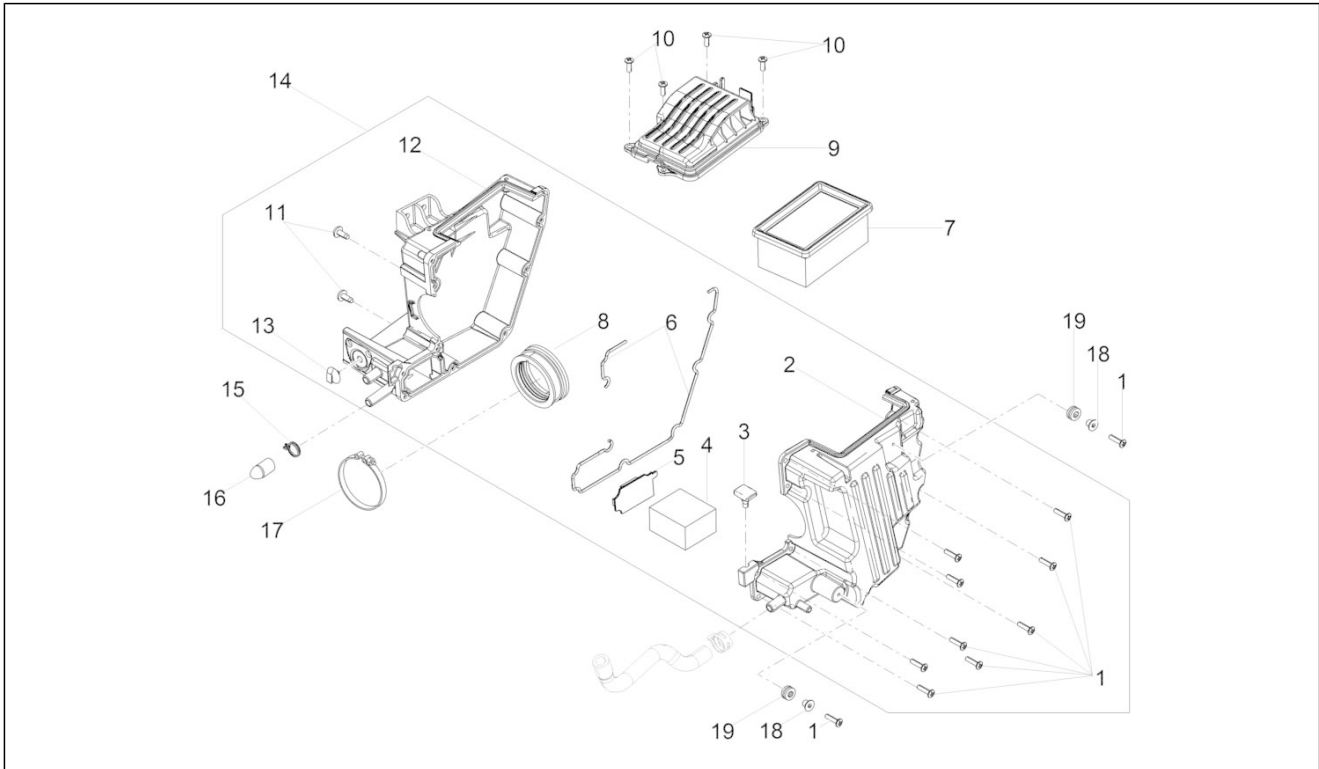
Pos.	Code	Beschreibung	Menge	Varianten
1	AP8120912	Gummi für Hebel	1	
2	2B004062	Gummigleitschutze	1	
3	2B004053	Schalthebel kpl.	1	
4	2B004112	Schraube TSPEI IX M8X25	2	
5	2B004043	Piastra pedana pilota sx	1	
6	GU20258221	Schalthebel	1	
7	898397	Kugelgelenk links M6	1	
8	GU92606206	Mutter	1	
9	2B004109	Tirante comando cambio cpl.	1	
10	GU31256881	Mutter Linksgewinde M6	1	
11	898283	Schalthebel	2	
12	AP8150430	Selbstsperr.mut Unt.	2	
13	GU98692318	TCEI Schraube	2	
14	898396	Kugelgelenk rechts M6	1	
15	2B001009	Hebelbolzen	1	
16	AP8110053	Kugelgelenk links M6	1	
17	AP8152138	Mutter	1	
18	2B001941	Zugstange Schaltzug	1	
19	AP8150026	Mutter M6	1	
20	AP8210007	Kugelgelenk rechts M6	1	
21	GU98632322	Schraube	1	
22	GU03013800	Ausgleichscheibe 6,4x12	1	

Einheit	Motor
Code	03.030
Beschreibung	Gehäuse I
Inspektion	1



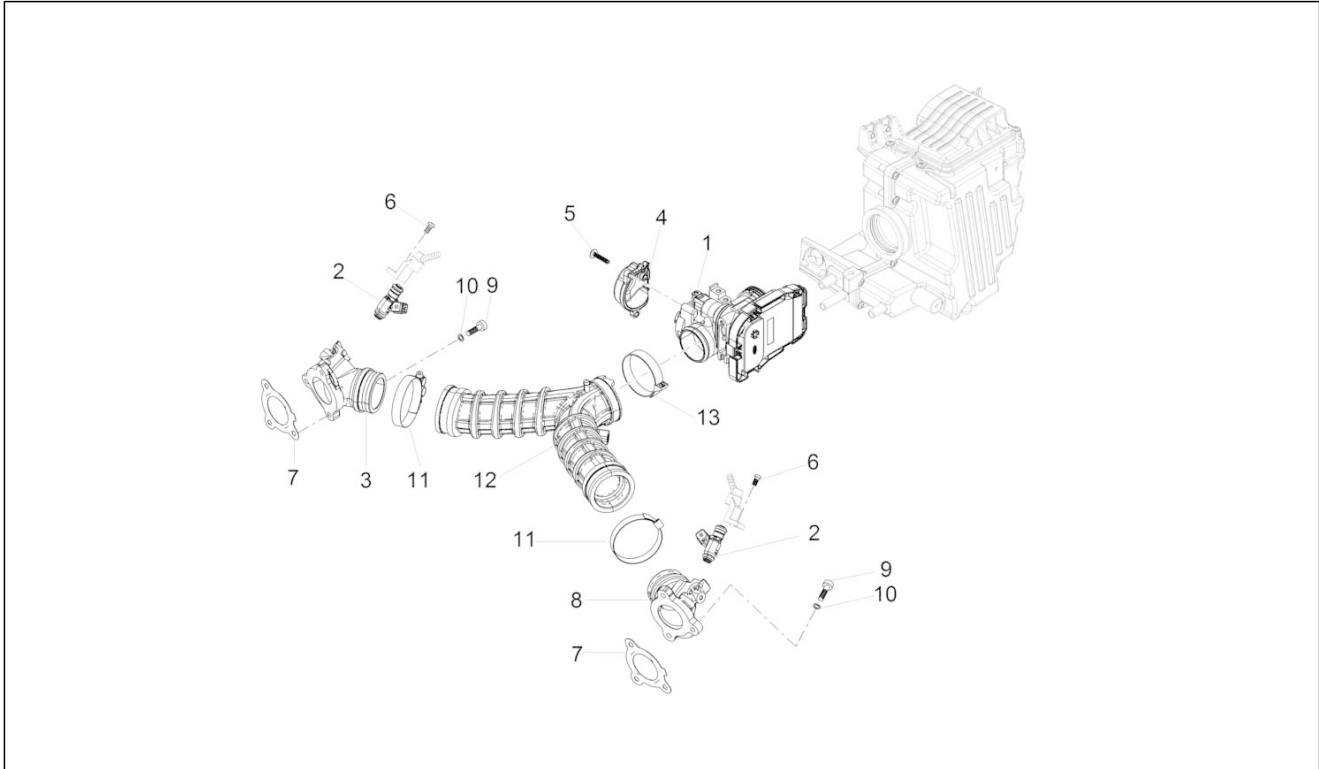
Pos.	Code	Beschreibung	Menge	Varianten
1	1A004550	Pfropfen	1	
2	1A005211	Ölwannendichtung	1	
3	GU19003800	Anschluss	1	
4	1A006047	Anschlußschlauch	2	
5	658837	Gewellte Sprengscheibe D15 F8,4 S1,5 - INOX	6	
6	GU92606208	Mutter M8x1,25	6	
7	1A006656	Geflanschte Mutter M10x1	4	
8	1A006655	Flachscheibe	4	
9	GU19018920	Stift	2	
10	1A004530	Stiftschraube	4	
11	831135	Verschlusschraube M14x1,5	1	
12	GU96451430	Stiftschraube	4	
13	883826	Öleinfüllschraube	1	
14	GU19015020	Buchse	2	
15	886365	Gasket ring	1	
16	GU96508055	Stiftschraube	2	
17	1A006283	Stiftschraube langer Kopf	4	
18	1A006284	Stiftschraube kurzer Kopf	4	
19	1A006860	Stiftschraube zentraler Kopf	2	
20	484993	Haltestein	2	
21	1A0069335	Gekoppelte Kurbelgehäuse	1	
22	GU31003766	Ölablaßschraube M10x1	1	
23	GU10528900	Dichtung	1	
24	GU98682325	TCEI Schraube M6x25	12	
25	GU90706281	O-Ring 28,24x2,62	1	

Einheit	Motor
Code	03.050
Beschreibung	Filtergehäuse
Inspektion	1



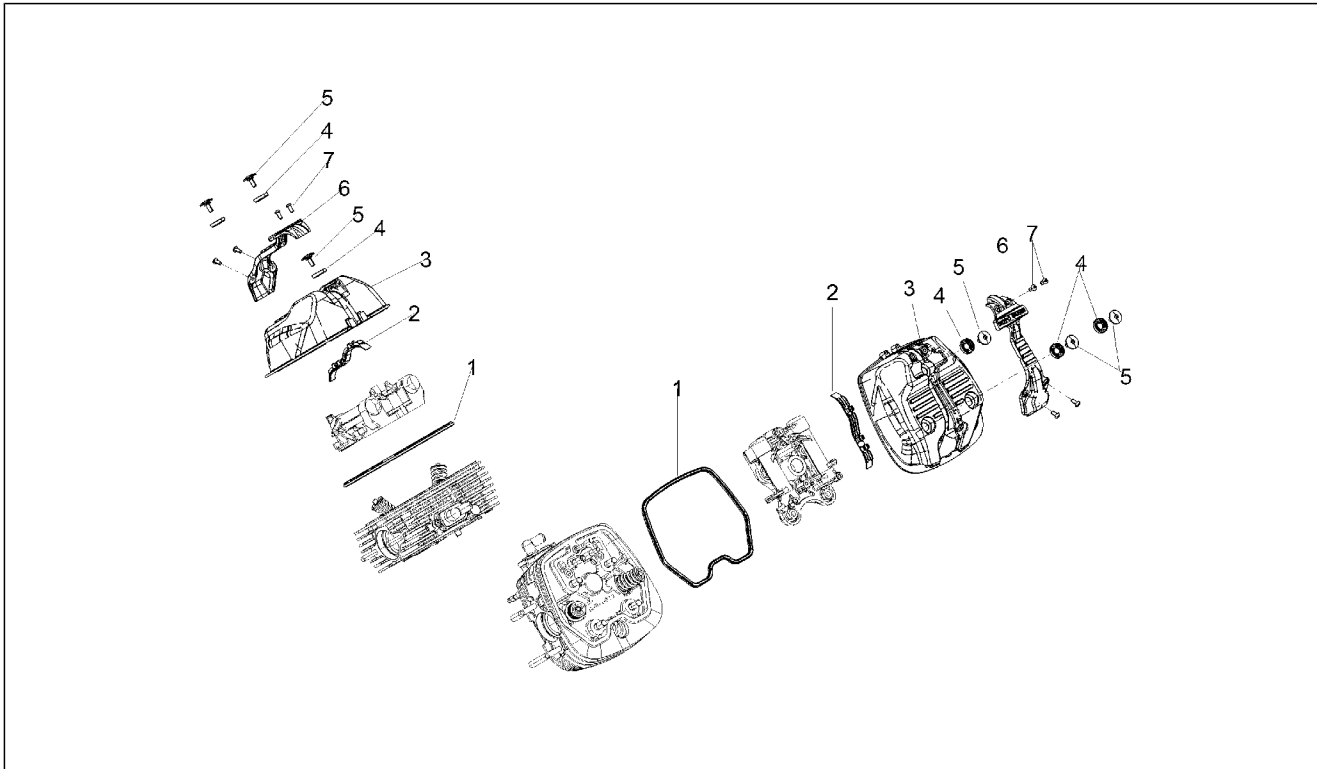
Pos.	Code	Beschreibung	Menge	Varianten
1	AP8152329	Kreuz.schl.flnschschr. M5x20	9	
2	2B002832	L.deckel Filtergehäuse	1	
3	AP8120455	Gummi	1	
4	AP8104525	Filter blow-by	2	
5	2B002851	Membran	1	
6	AP8120615	Dichtung D3	1	
7	AP8104924	Luftfilter	1	
8	887815	Ansaugmuffe	1	
9	887843	Luftfilterdeck	1	
10	AP8150509	Gew.schr. 5x14	4	
11	AP8120876	Verschlussschraube	2	
12	887844	Schale re Filtergehäuse	1	
13	890760	Halterung Instrumente	1	
14	2B002959	Sicherungskasten	1	
15	AP8102520	Schlauchschelle	2	
16	AP8161054	Kappe	2	
17	CM258303	Schelle 63	1	
18	AP8221023	T-Buchse	2	
19	GU91551010	Gummi 10X20X10	2	

Einheit	Motor
Code	03.060
Beschreibung	Klappenkörper
Inspektion	1



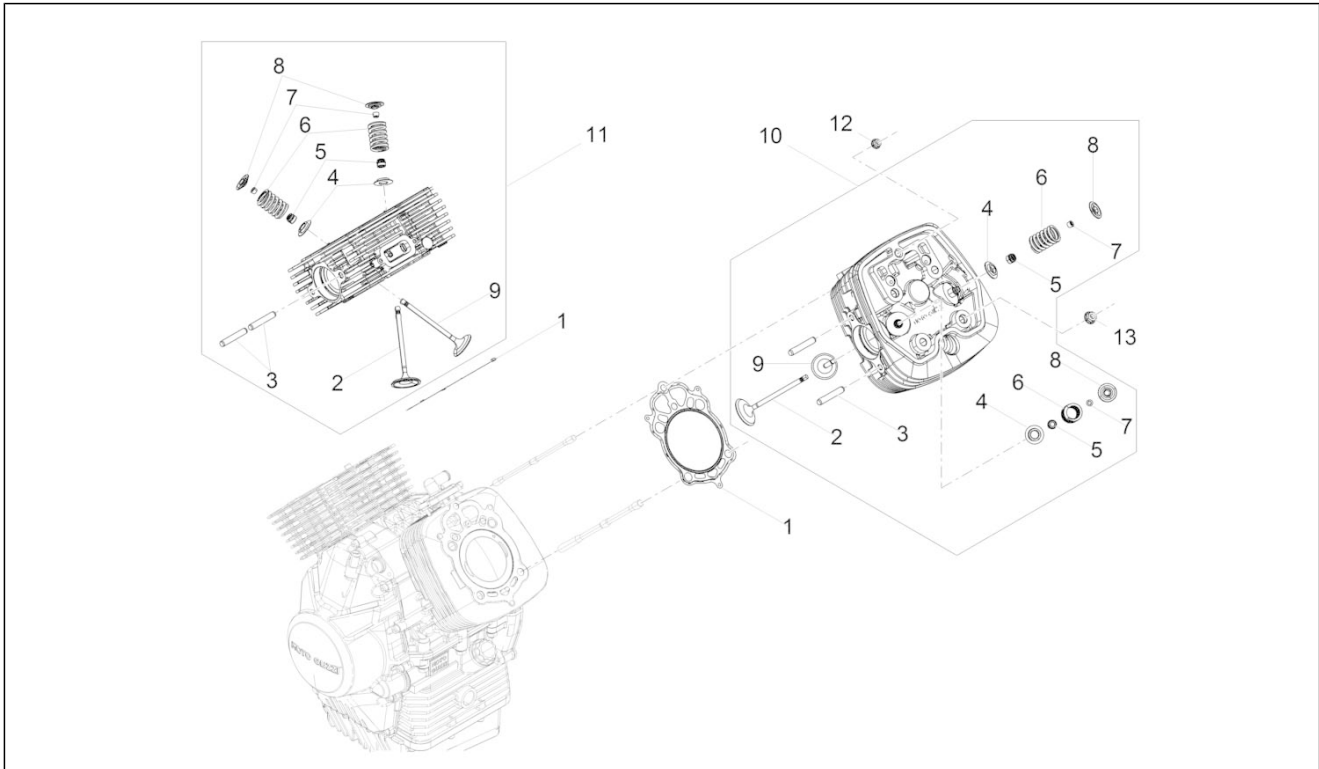
Pos.	Code	Beschreibung	Menge	Varianten
1	CM275402	Drosselkörper mit ECU (MIU)	1	
2	1D001393	Injektor	2	
3	2A000609	Anschluß re.	1	
4	880260	Klappenkörper Schutz	1	
5	B0167965	Linsenkopfschraube Torx M5x16	3	
6	AP8150500	TBEI Schraube M5x9	2	
7	2A000612	Dichtung Einlassanschluss	2	
8	2A000608	Anschluß li.	1	
9	GU98622322	Schraube	6	
10	GU03013800	Ausgleichscheibe 6,4x12	6	
11	884310	Schelle D.55	2	
12	2B001823	Muffe Drosselklappe	1	
13	CM258301	Schelle	1	

Einheit	Motor
Code	03.090
Beschreibung	Kopfdeckel
Inspektion	1



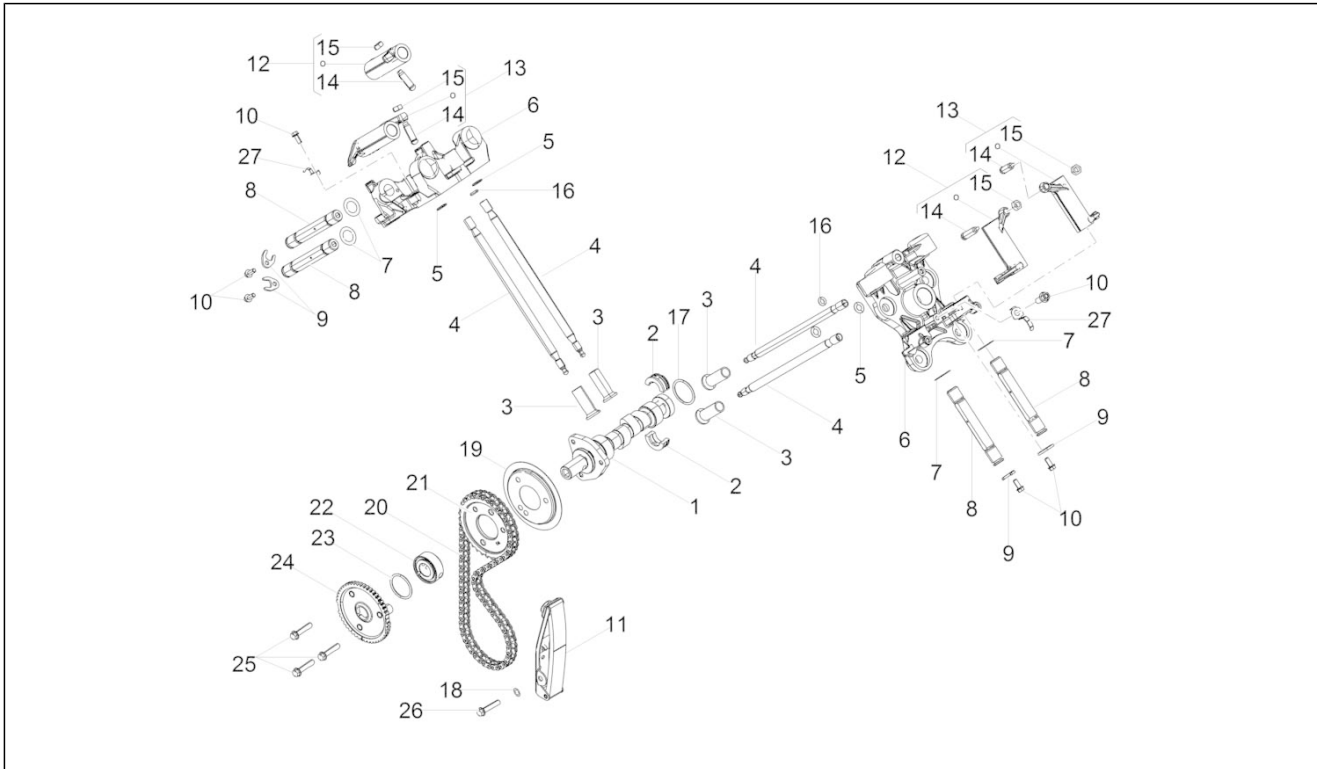
Pos.	Code	Beschreibung	Menge	Varianten
1	2A000565	Kopf Deckel Dichtung	2	
2	2A000659	Kabelführung	2	
3	1A008732	Kopfdeckel	2	
4	1A006716	Stopfen dämpfer	6	
5	976591	Spezialschraube	6	
6	2A000620	Zündkerzedeckel	2	
7	AP8152267	TBEI Spez.schr. M5x12	8	

Einheit	Motor
Code	03.100
Beschreibung	Zylinderkopf - ventile
Inspektion	1



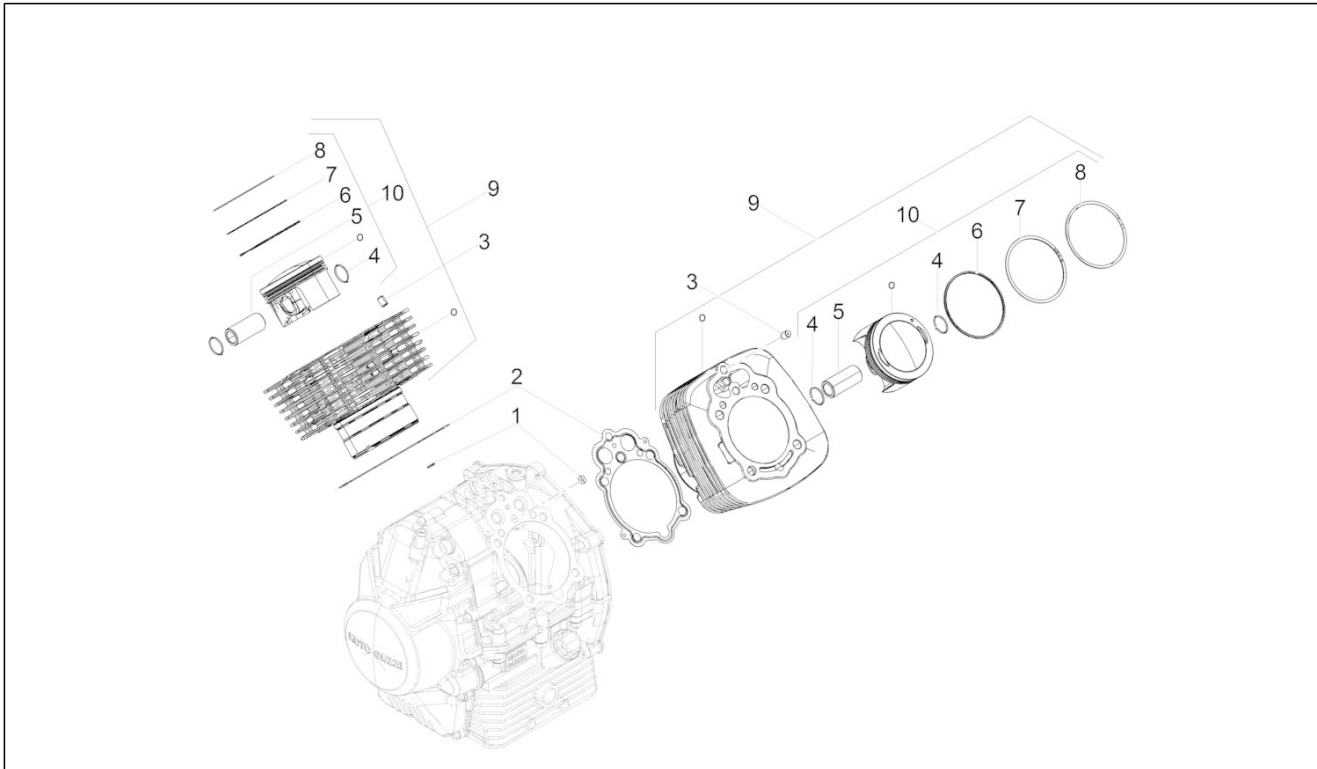
Pos.	Code	Beschreibung	Menge	Varianten
1	1A004660	Zylinder/Kopf Dichtung sp. 0,6 mm	66	
1	1A004661	Zylinder/Kopf Dichtung SP. 0.8 mm	66	
1	1A004662	Zylinder/Kopf Dichtung SP. 10 mm	1	
2	1A005424	Ein. ventil	1	
3	B017636	Auspufftopf Stiftschraube	2	
4	1A004751	Federteller unten	4	
5	1A003452	Ventil Dichtring	2	
6	1A004752	Rückzugsfeder	2	
7	871640	Halbkegel	8	
8	1A004750	Federteller oben	4	
9	1A005425	Auslassventil	1	
10	1A0068695	L.Kopf kpl.mitVentilführungen	1	
11	1A0068705	R.Kopf kpl.mitVentilführungen	1	
12	1A006659	Geflanschte Mutter M8x1.25	1	
13	825694	Mutter M10x1,25	1	

Einheit	Motor
Code	03.120
Beschreibung	Steuer
Inspektion	1



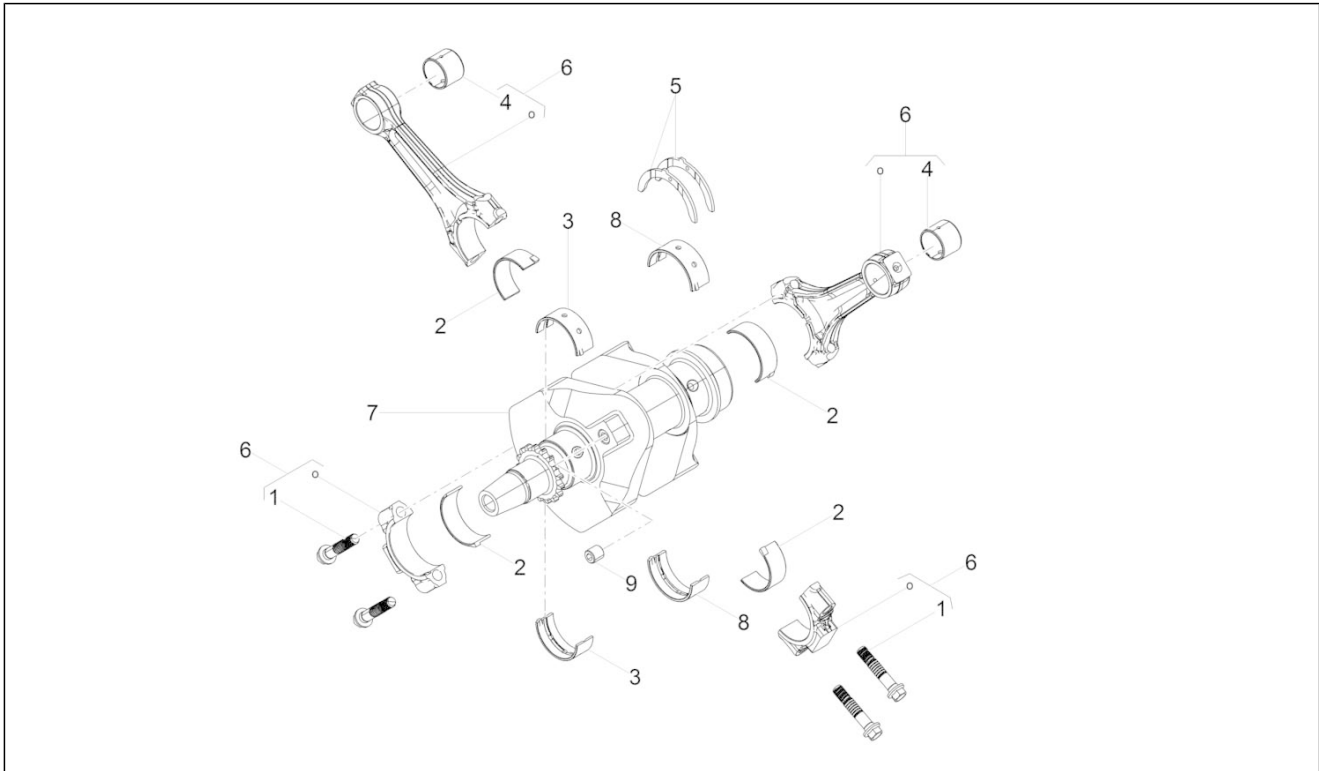
Pos.	Code	Beschreibung	Menge	Varianten
1	1A005712	Nockenwelle	1	
2	GU19055700	Sektor	2	
3	GU19045861	Ventilstässel	4	
4	2A000496	Kipphebelstange	4	
5	2A000579	Dichtungsring O-Ring 2,62x9.19	4	
6	2A0003535	Kipphebellager	2	
7	1A005951	Gebogene Sprengscheibe	4	
8	2A000528	Kipphebel-Federwelle	4	
9	2A000521	Schaltgabel	4	
10	AP8152272	TE Schr. m. Flansch M5x12	4	
11	GU19058220	Kettenspanner	1	
12	1A004905	Kipphebel Einlass re Auslass li	2	
13	1A004903	Kipphebel Einlass li Auslass re	2	
14	1A004907	Einstellschraube	2	
15	GU10034100	Mutter	2	
16	1A006861	Gasket ring	2	
17	GU90353029	Sprengring	1	
18	GU95129115	Ausgleichscheibe	1	
19	1A005955	Platte	2	
20	GU19058021	Steuerkette	1	
21	1A006243	Steuer Zahnkranz	1	
22	1A006119	Distanzscheibe	1	
23	1A006127	O-Ring	1	
24	1A0057145	Phonic wheel	0	
25	1A008576	***TE Schr. m. Flansch	3	
26	GU98882316	Schraube	1	
27	2A000527	Platte	2	

Einheit	Motor
Code	03.150
Beschreibung	Zylinder - Kolben
Inspektion	1



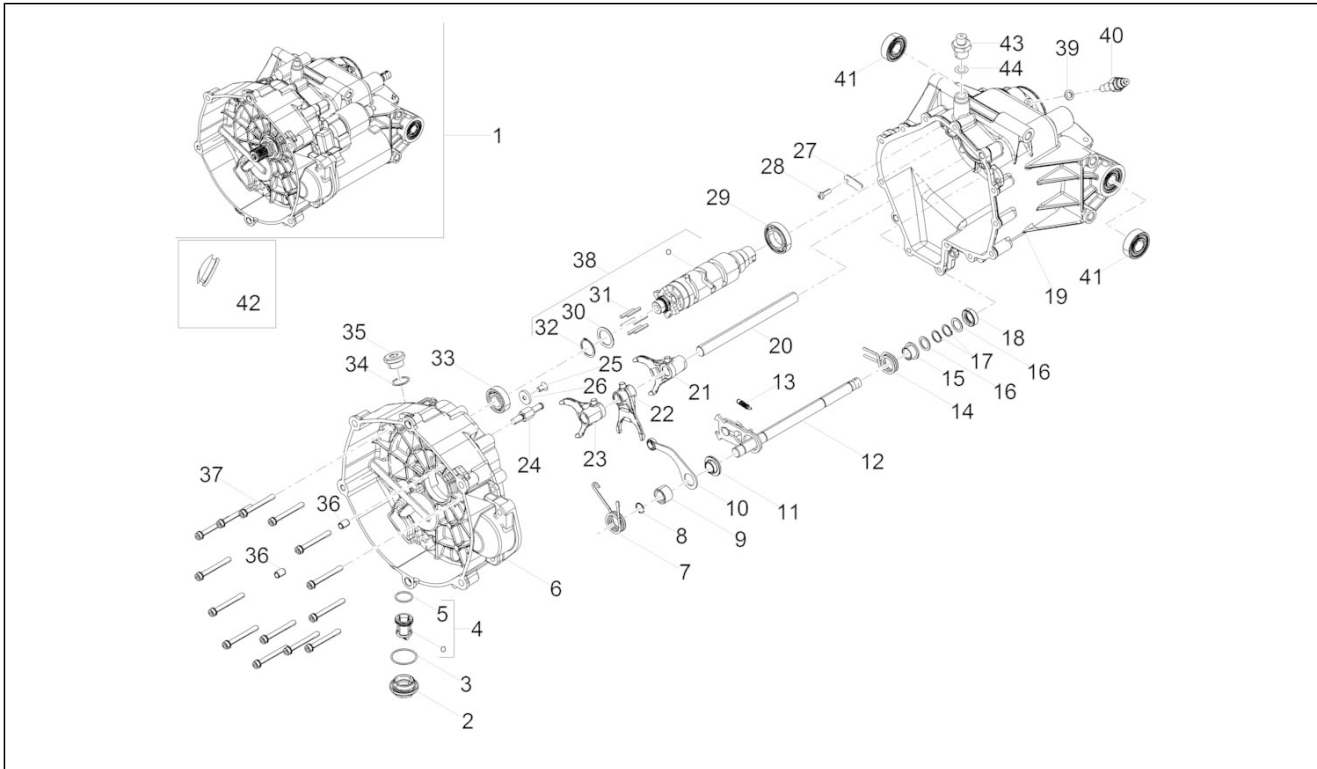
Pos.	Code	Beschreibung	Menge	Varianten
1	GU61027200	O-Ring	2	
2	1A007070	Dichtung Zylinder/Gehäuse	2	
3	GU19021360	Buchse	2	
4	874567	Sperring	4	
5	1A004956	Bolzen	2	
6	1A004955	Ölabstreifer	2	
7	1A004954	Kompressions-kolbenring	2	
8	1A004953	Kompressions-kolbenring	2	
9	1A007111	Kolben mit Zylinder kpl.	1	
10	1A006272BB	Kolben kpl. Auswahl "H"	1	
10	1A006272CC	Kolben kpl. Auswahl "L"	1	
10	1A006272DD	Kolben kpl. Auswahl "M"	1	
10	1A006272AA	Kolben kpl. Auswahl "G"	1	

Einheit	Motor
Code	03.160
Beschreibung	Kurbelwelle
Inspektion	1



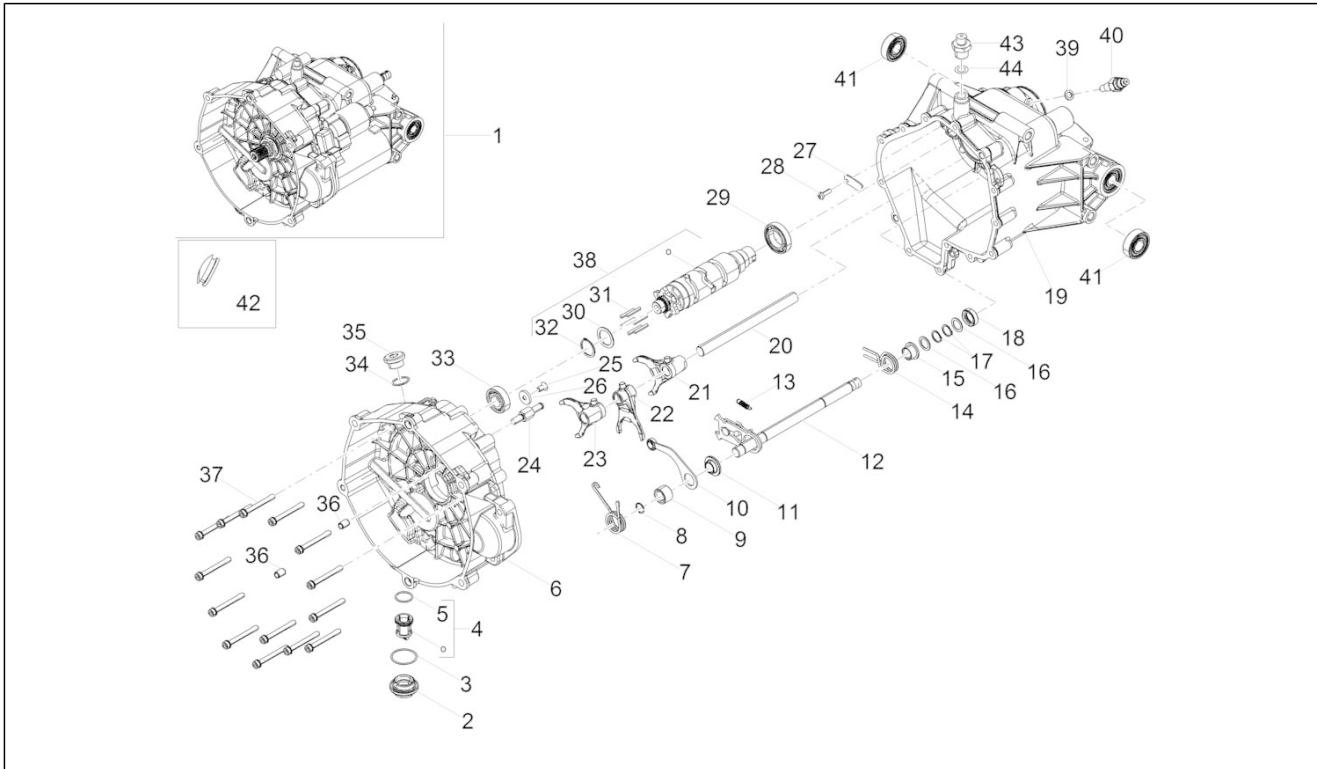
Pos.	Code	Beschreibung	Menge	Varianten
1	GU19062261	Schraube	4	
2	1A0068960B	Pleuellagerschale blau	4	
2	1A0068960G	Pleuellagerschale gelb	4	
2	1A0068960R	Pleuellagerschale Rot	4	
3	1A0066680G	Hauptlagerschale vorne gelb	1	
3	1A0066680N	Hauptlagerschale vorne Schwarz	1	
3	1A0066680V	Hauptlagerschale vorne Grün	1	
4	GU27061885	Buchse	2	
5	GU27066460	Halb-Klemme	2	
6	1A005325AA	Pleuel Auswahlklasse "A"	1	
6	1A005325BB	Pleuel Auswahlklasse "B"	1	
7	1A006671AA	Kurbelwelle kpl.,cat.1	1	
7	1A006671BB	Kurbelwelle, komplett kat. 2	1	
8	1A0066690G	Hauptlagerschale hinten gelb	2	
8	1A0066690N	Hauptlagerschale hinten Schwarz	2	
8	1A0066690V	Hauptlagerschale hinten Grün	2	
9	GU19065400	Deckel	1	

Einheit	Motor
Code	03.170
Beschreibung	Schaltgetriebe / Schaltgabel / Desmodrom.
Inspektion	1



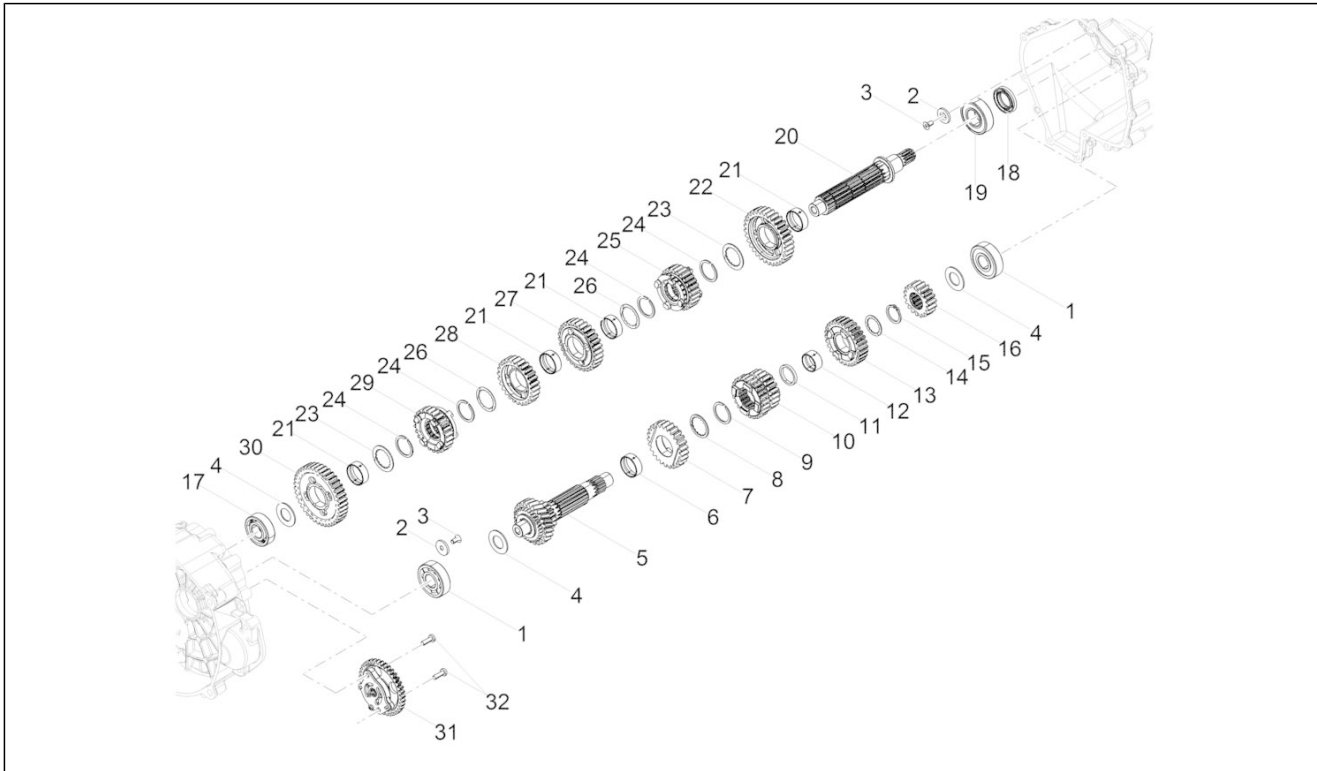
Pos.	Code	Beschreibung	Menge	Varianten
1	2A0009145	Schaltgetriebe kpl.	1	
2	B015598	Ölfilter Verschluss	1	
3	285536	O-Ring 31,47x1,78	1	
4	B018020	Ölfiltereinsatz kpl.	1	
5	B017406	O-Ring 20.35x1.78	1	
6	2A0009105	Kupplungsglocke	1	
7	B064113	Index feder	1	
8	GU90353014	Seegerring	1	
9	GU05234230	Distanzscheibe	1	
10	B064112	Indexhebel kpl.	1	
11	GU05238431	Buchse	1	
12	2A000219	Schaltautomat	1	
13	GU05238231	Feder	1	
14	B063956	Feder	1	
15	2A000467	Distanzscheibe	1	
16	GU05239330	Anlaufscheibe	2	
17	GU90271014	Seegerring	2	
18	GU90401424	Gasket ring 14x24x7	1	
19	2A0009085	Not available	1	
20	2A000224	Stange	1	
21	2A000226	Schaltgabel 2-3 Gang	1	
22	2A000227	Gabel 5.-6. Gang	1	
23	2A000225	Gabel für Sekundärwelle	1	
24	2A000415	Anschlagschraube	1	
25	B013608	Schraube	1	
26	873905	Unterlegscheibe	1	
27	2A000241	Schraube M5x16	1	
27	2A000306	Anschlagplatte	1	

Einheit	Motor
Code	03.170
Beschreibung	Schaltgetriebe / Schaltgabel / Desmodrom.
Inspektion	1



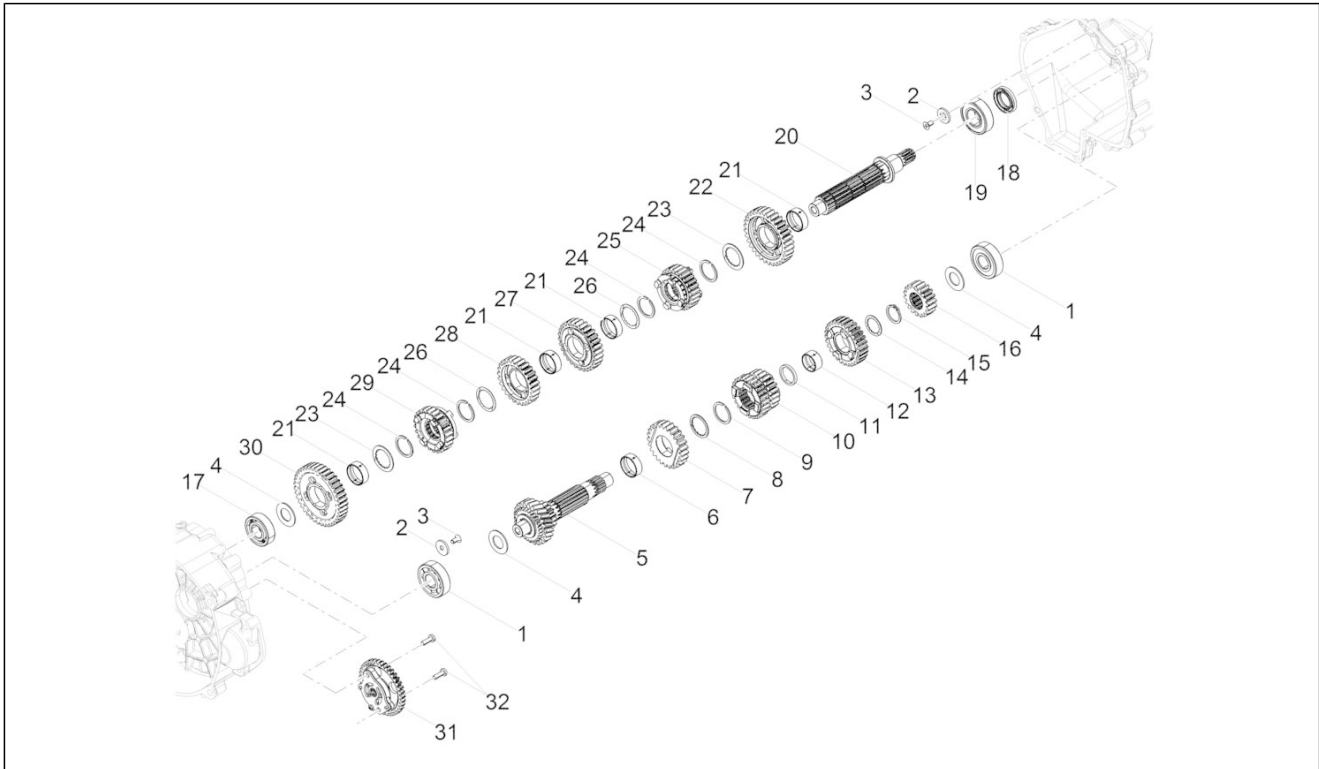
Pos.	Code	Beschreibung	Menge	Varianten
28	2A000241	Schraube M5x16	1	
29	857250	Kugellager 25x42x9	1	
30	GU05235531	Scheibe	1	
31	GU05234631	Stift	6	
32	GU90271022	Seegerring	1	
33	834764	Lager	1	
34	GU90706203	O-Ring 20,24X2,62	1	
35	GU12022600	Ölschraube	1	
36	GU19002020	Buchse 6,6x9x13	2	
37	2A000591	Zylinderschraube M6x55	14	
38	2A000222	Verschiebenocken kplt.	1	
39	B063025	Dichtung 8,7x14,2x1,3	1	
40	B063269	Sensor	1	
41	2A000097	Kugellager 6202-2RSH/C3 LHT23	2	
42	GU93180220	Deckel	1	
43	2A000438	Entlüftungsschraube	1	
44	224566	Unterlegscheibe	1	

Einheit	Motor
Code	03.180
Beschreibung	Schaltgetriebe - Zahnräder
Inspektion	1



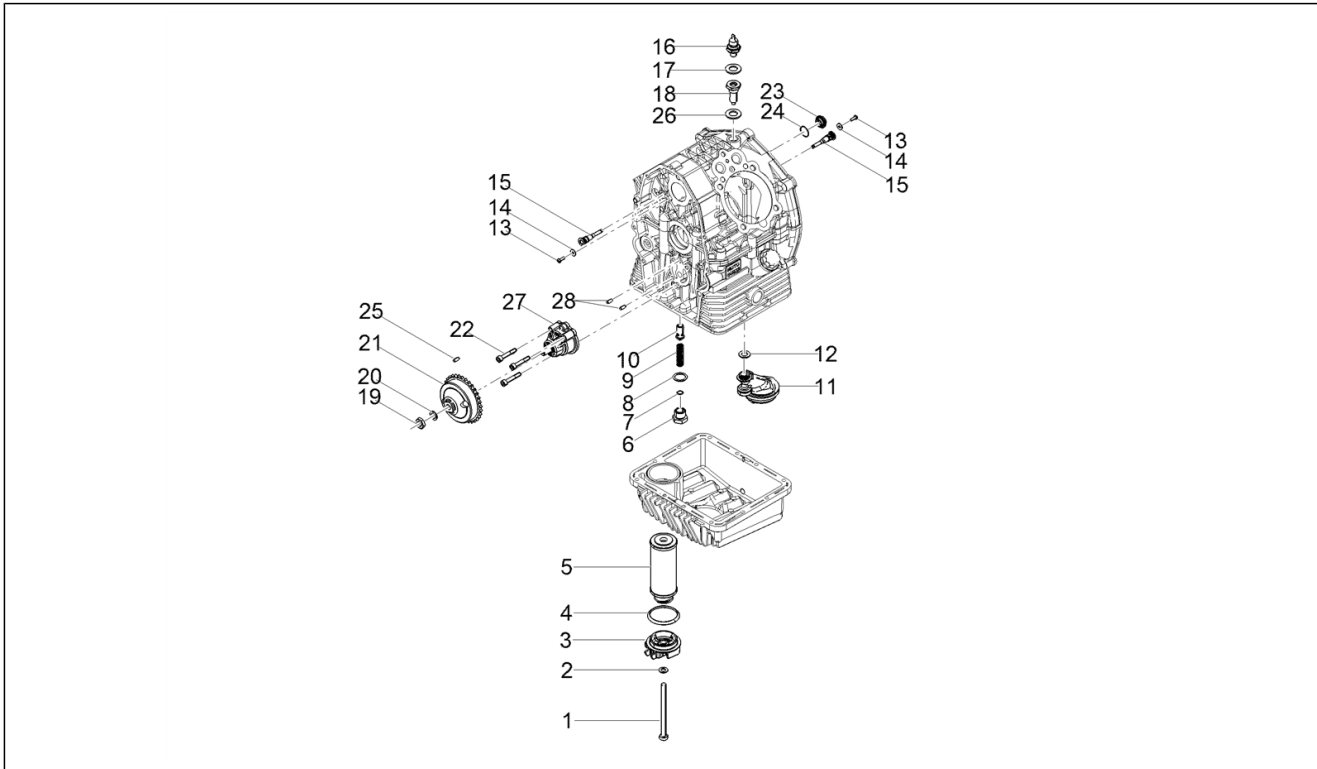
Pos.	Code	Beschreibung	Menge	Varianten
1	GU92201822	Kugellager 20x52x15	2	
2	873928	Unterlegscheibe	2	
3	B013608	Schraube	2	
4	1A000566	Ausgleichsscheibe	1	
5	2A000727	Vorgelegewelle	1	
6	849308	Buchse Beweglich	1	
7	1A000360	Schnellgangrad	1	
8	849424	Bundscheibe	1	
9	1A002604	Welle Sprengring	1	
10	1A000436	Zahnrad 3a - 4a vel.	1	
11	B015040	Ausgleichsscheibe	1	
12	974162	Buchse Beweglich	1	
13	2A000627	Zahnrad 6. Gang	1	
14	849396	Bundscheibe	1	
15	974165	Sprengring	1	
16	1A000365	Zahnrad 2.Hauptwelle	1	
17	848650	Kugellager 20x47x14	1	
18	GU90412541	Gasket ring 25X40X7	1	
19	GU92201226	Kugellager 25x52x15	1	
20	2A000203	Nebentriebewelle	1	
21	849308	Buchse Beweglich	4	
22	1A000366	Wechselrad 2. gang Z=32	1	
23	849309	Bundscheibe	2	
24	1A002604	Welle Sprengring	4	
25	1A000370	Zahnrad 6. Gang Z=24	1	
26	849310	Bundscheibe	2	
27	1A000367	Wechselrad 3. gang Z=28	1	
28	1A000368	Wechselrad 4. gang Z=26	1	

Einheit	Motor
Code	03.180
Beschreibung	Schaltgetriebe - Zahnräder
Inspektion	1



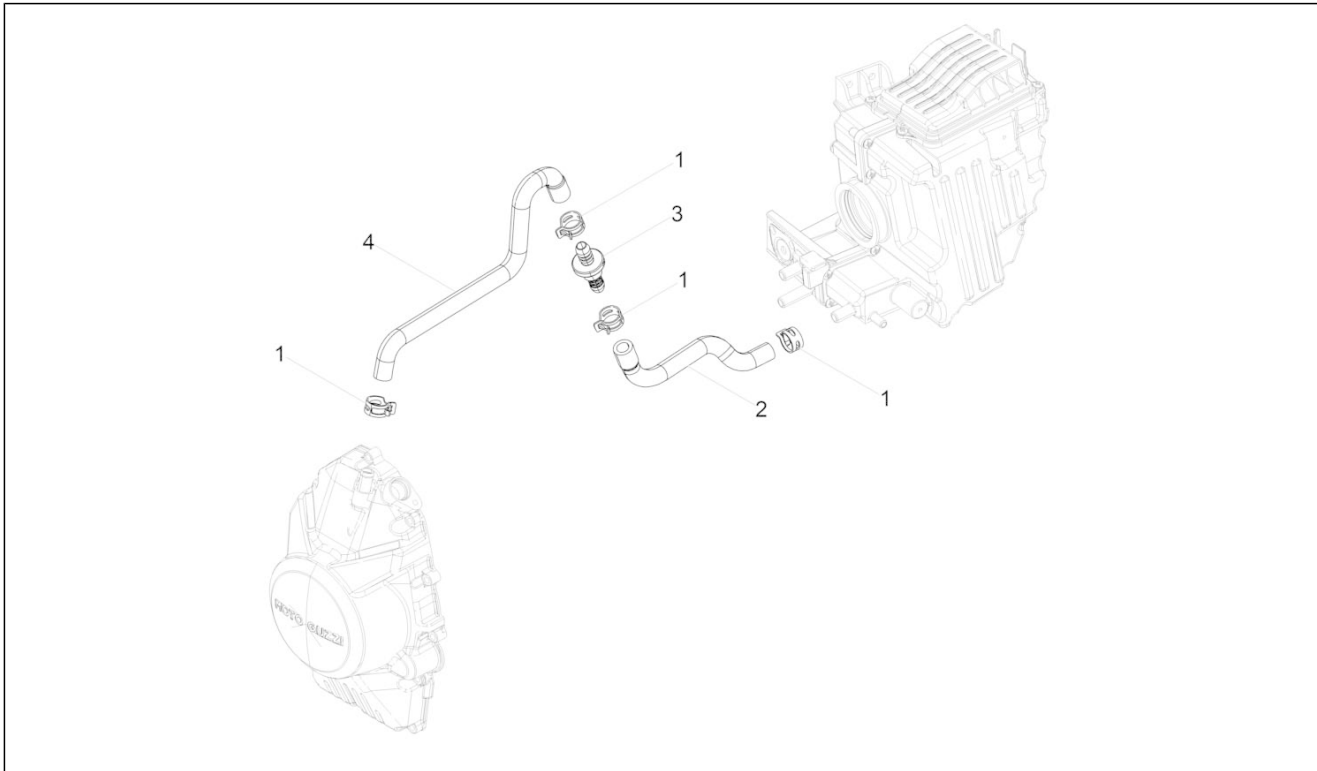
Pos.	Code	Beschreibung	Menge	Varianten
29	1A000369	Wechselrad 5. gang Z=24	1	
30	2A000629	Zahnrad 1.gang	1	
31	B018448	Ölpumpe	1	
32	2A000241	Schraube M5x16	2	

Einheit	Motor
Code	03.190
Beschreibung	Schmierung
Inspektion	1



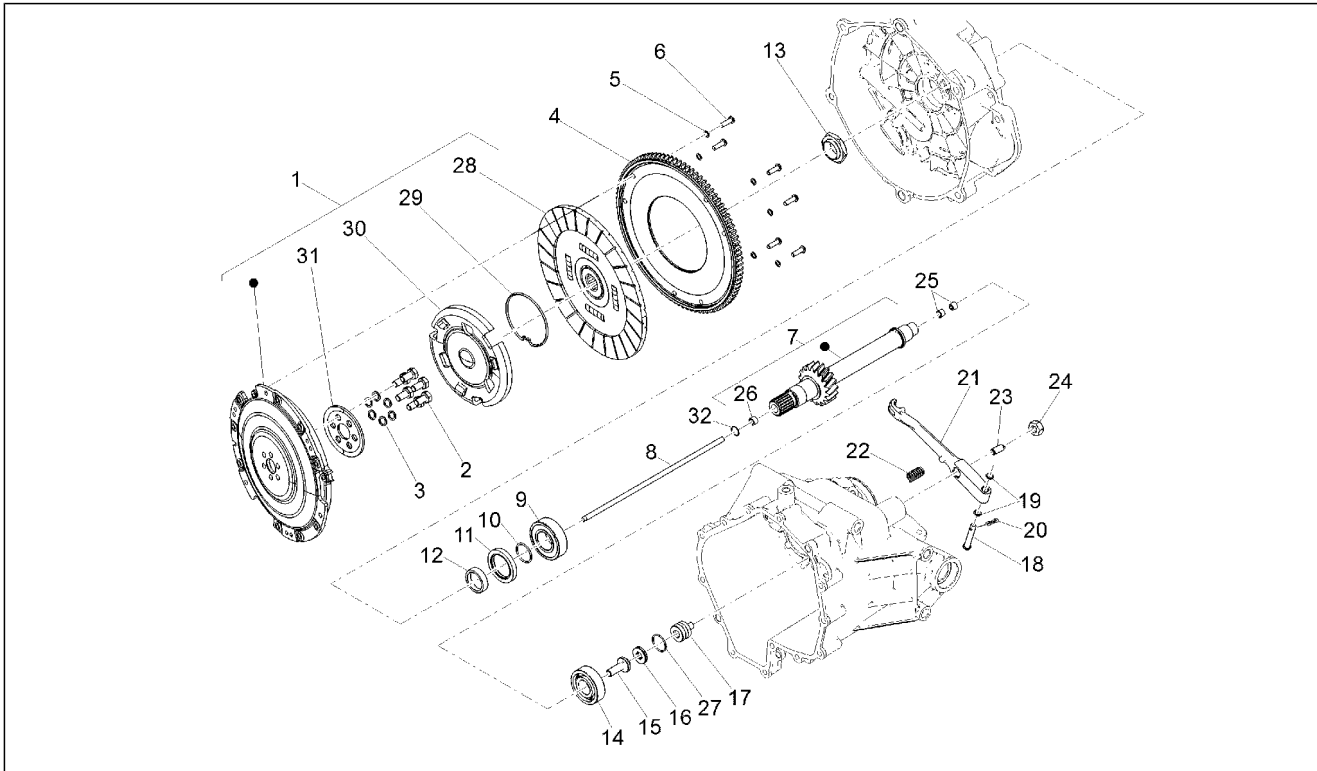
Pos.	Code	Beschreibung	Menge	Varianten
1	GU27152885	Schraubbolzen	1	
2	GU12154200	Dichtung 8,25x15x1	1	
3	1A005199	Ölfilterdeckel	1	
4	GU90706444	O-Ring	1	
5	2A000633	Ölfiltereinsatz	1	
6	GU31159050	Deckel	1	
7	GU95008206	Ausgleichscheibe 6,15x11x0,8	1	
8	GU18144350	Ausgleichscheibe 18,25x24x1	3	
9	GU94321079	Feder	1	
10	GU31150950	Kolben	1	
11	1A004549	Oil strainer	1	
12	237553	O-Ring	1	
13	1A005257	Linsenschraube	2	
14	013763	Flachscheibe 4,2x12x1	2	
15	1A004442	Kühlöse Kolben	2	
16	643090	Öldrucksensor	1	
17	GU95100309	Ausgleichscheibe	1	
18	887093	Anschluß	1	
19	GU92602510	Mutter M10x1,25	1	
20	AP8152220	Scheibe	1	
21	GU20147710	Zahnrad pumpe	1	
22	1A007008	TCEI Schraube M6x35 preimpregnata	3	
23	826165	Ölfilter Verschuß	1	
24	285536	O-Ring 31,47x1,78	1	
25	GU92296723	Rolle	1	
26	GU95100602	Dichtung	1	
27	1A006053	Ölpumpe komplett	1	
28	GU19018920	Stift	2	

Einheit	Motor
Code	03.196
Beschreibung	Anlage Blow-by
Inspektion	1



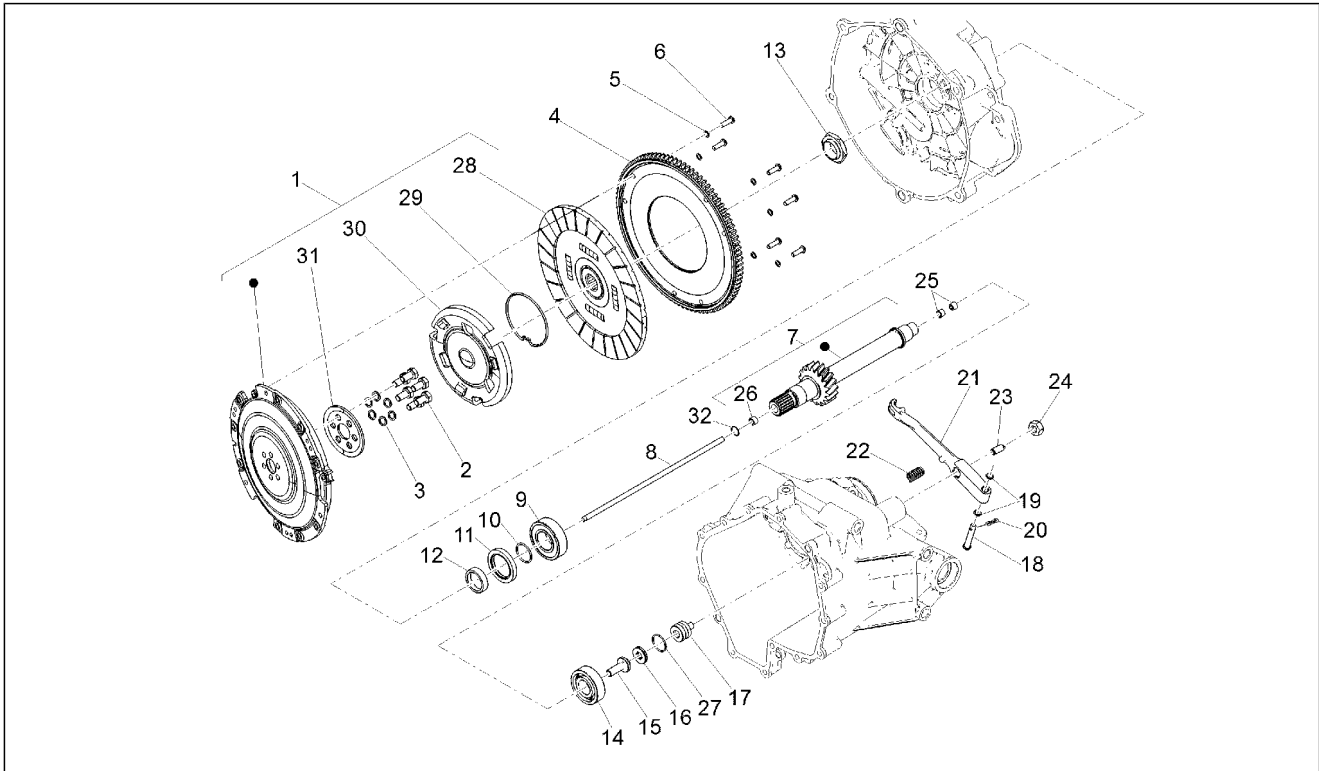
Pos.	Code	Beschreibung	Menge	Varianten
1	CM226902	Federschelle 19/12	4	
2	2B003204	Blow-By-Leitung	1	
3	2B003105	Rückstauventil	1	
4	2B002602	Blow-By-Leitung	1	

Einheit	Motor
Code	03.230
Beschreibung	Kupplung
Inspektion	1



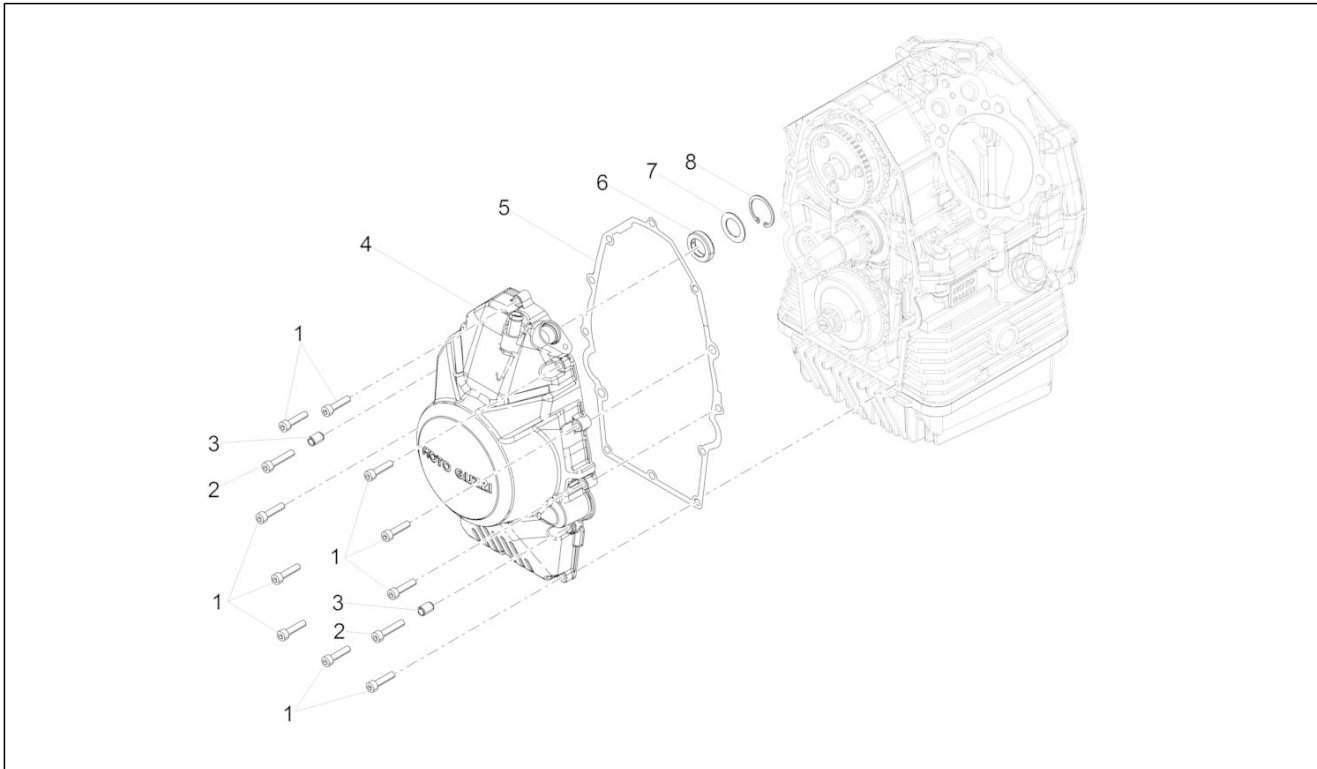
Pos.	Code	Beschreibung	Menge	Varianten
1	2A000419	Einscheiben-Kupplungseinheit komplett	1	
2	GU19067700	Schraube	6	
3	GU14615901	Ausgleichscheibe 8,4X13X0,8	6	
4	2A000724	Anlasserzahnkranz	1	
5	GU14217901	Scheibe 6,4x10x0,7	6	
6	623920	Schraube torx	6	
7	2A000792	Kupplungswelle Kpl. Z=21	1	
8	2A000216	Regelstange	1	
9	GU92201226	Kugellager 25x52x15	1	
10	GU90706235	O-Ring 23,52x1,78	1	
11	886629	Gasket ring	1	
12	GU19213760	Distanzscheibe	2	
13	GU19356760	Mutter	1	
14	2A000375	Kugellager	1	
15	B013037	Kupplungswelle	1	
16	2A000376	Drucklager	1	
17	GU14086100	Aussengehäuse	1	
18	2A000384	Hebelbolzen	1	
19	2A000385	O-Ring 6.5x1.5	2	
20	GU95500222	Splint	1	
21	2A000631	Ausrueckwelle	1	
22	GU94321105	Rückholfeder Starterhebel	1	
23	2A000767	Regelschraube	1	
24	GU92606508	Mutter	1	
25	GU14085900	Buchse	2	
26	GU05217630	Buchse	1	
27	GU90706170	O-Ring 17,13x2,62	1	
28	2A000770	Getriebene Kuppl.scheibe	1	

Einheit	Motor
Code	03.230
Beschreibung	Kupplung
Inspektion	1



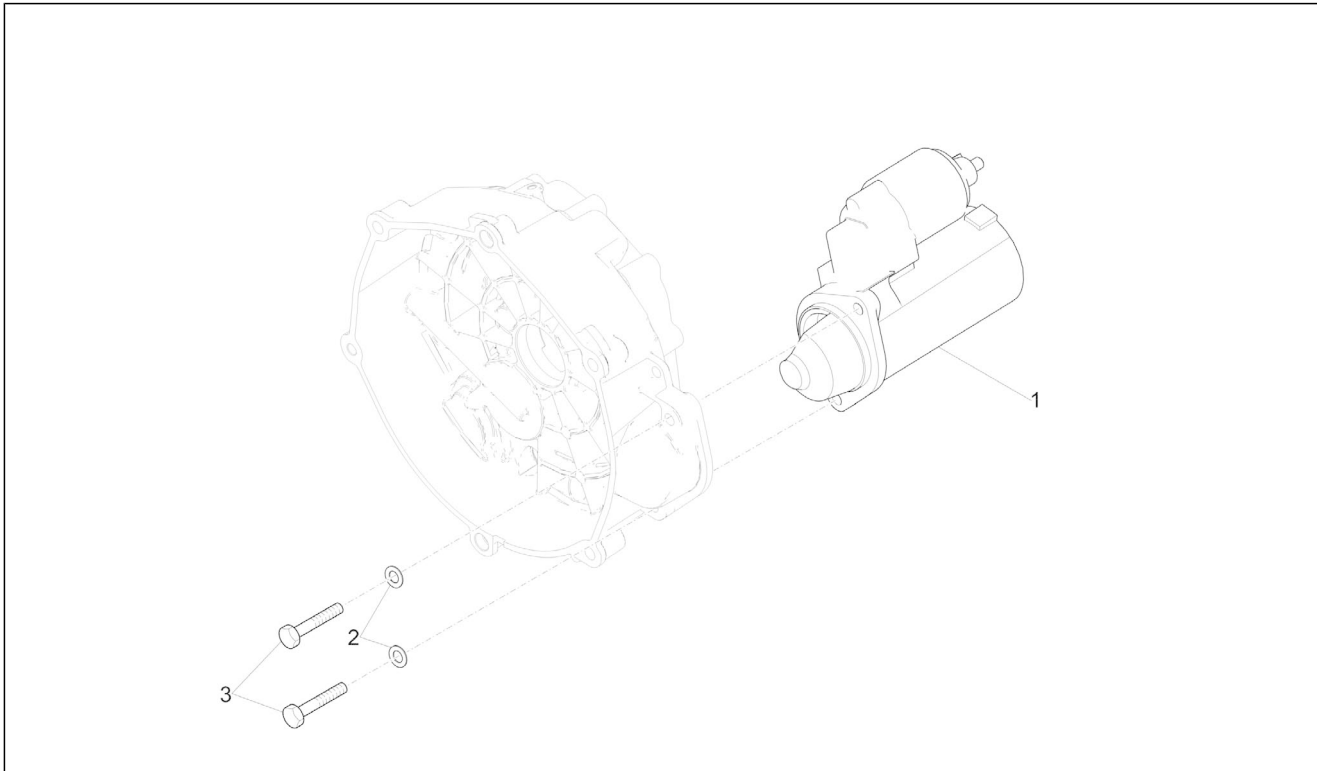
Pos.	Code	Beschreibung	Menge	Varianten
29	2A000418	Ring	1	
30	2A000638	Federteller	1	
31	2A000741	Stütze	1	
32	2A000378	Gasket ring	1	

Einheit	Motor
Code	03.270
Beschreibung	Zuenderdeckel
Inspektion	1



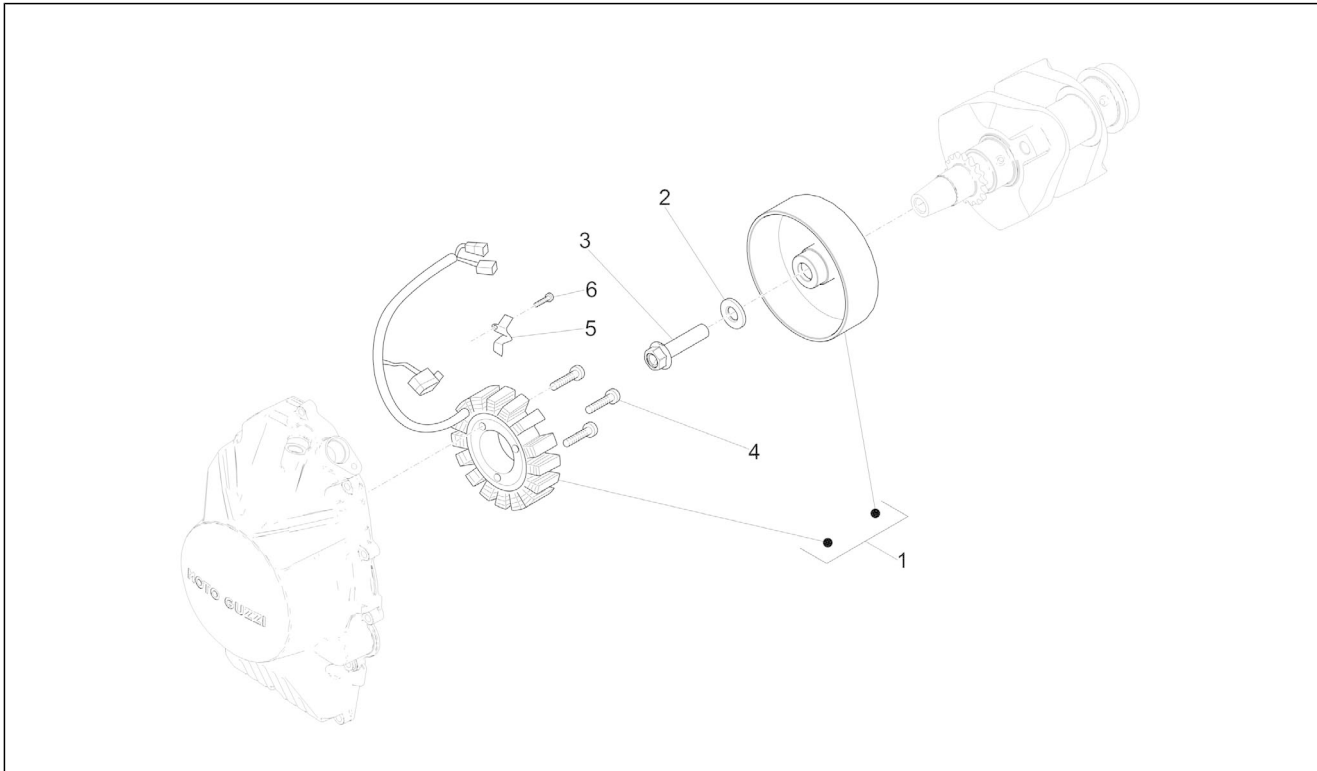
Pos.	Code	Beschreibung	Menge	Varianten
1	GU98682325	TCEI Schraube M6x25	10	
2	GU98682330	TCEI Schraube M6x20	2	
3	GU19002020	Buchse 6,6x9x13	2	
4	1A006298	Deckel	1	
5	887003	Deckeldichtung Kupplungsseite	1	
6	898268	Gasket ring 18x30x7	1	
7	898269	Bundscheibe	1	
8	006630	Sprengring	1	

Einheit	Motor
Code	03.290
Beschreibung	Zündung / Elektrischer Anfang
Inspektion	1



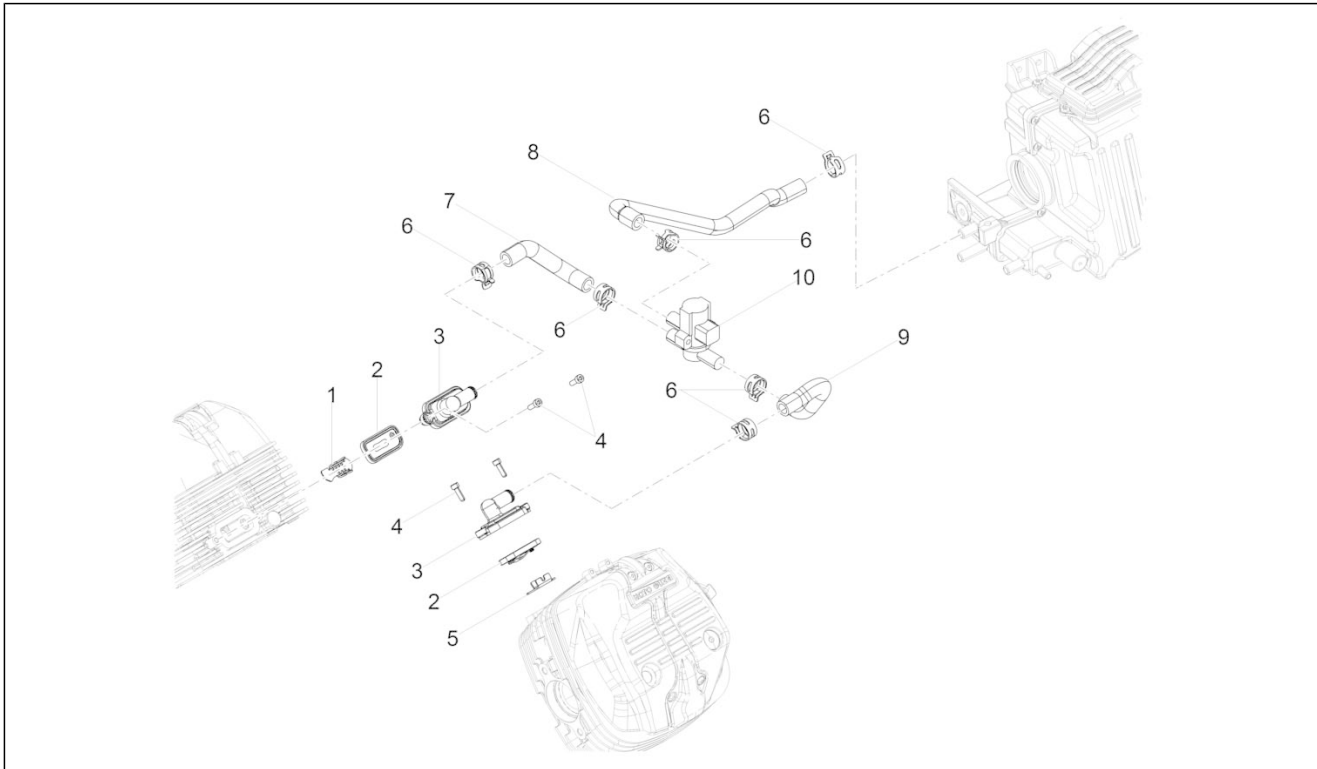
Pos.	Code	Beschreibung	Menge	Varianten
1	97729R	Startermotor	1	
2	GU95008208	Ausgleichscheibe 8,4X15X1,5	2	
3	GU98682435	TCEI Schraube	2	

Einheit	Motor
Code	03.300
Beschreibung	Schwungradmagnetstarter / Zündung
Inspektion	1



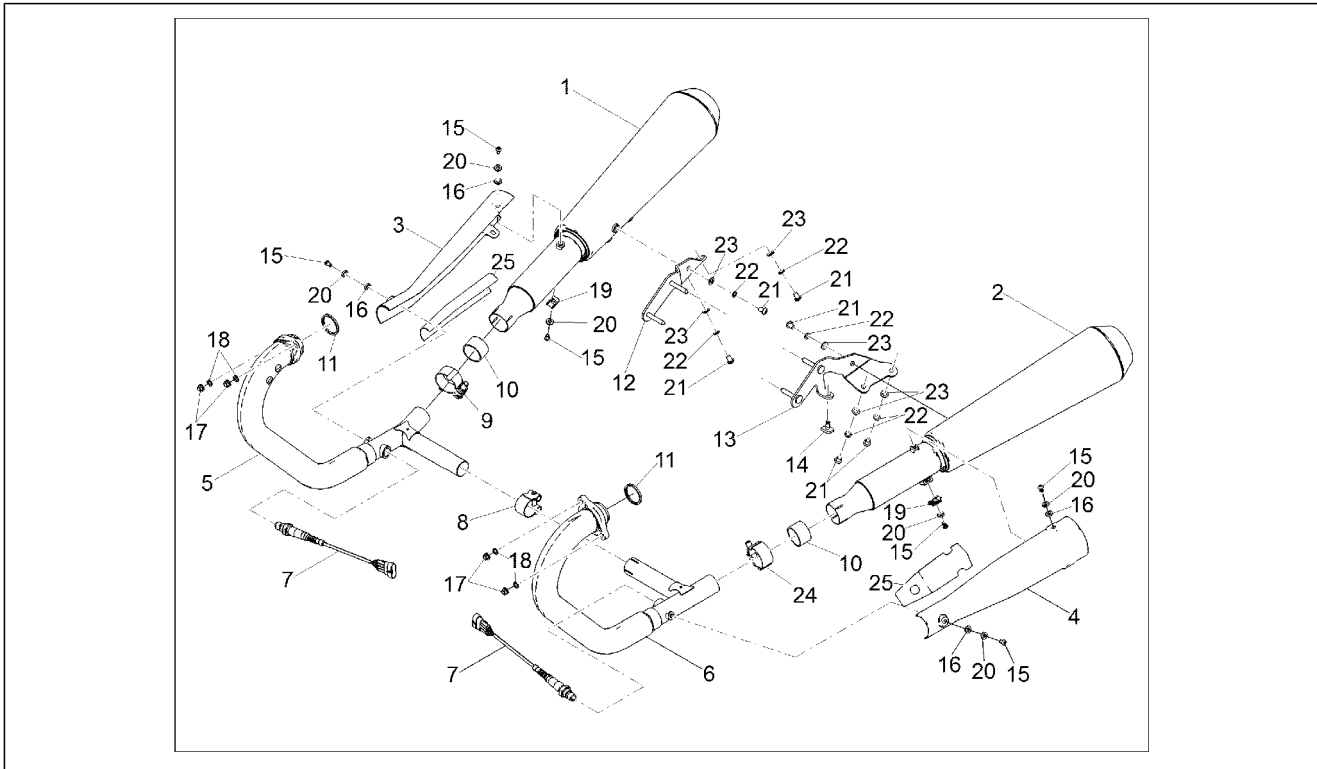
Pos.	Code	Beschreibung	Menge	Varianten
1	2D000024	Schwungrad Mag. klp.	1	
2	897478	Unterlegscheibe 12x26.5x3	1	
3	857206	TE Schr. m. Flansch M12X1,25X50	1	
4	2A000129	Flache Innensechskantschraube M6x35	3	
5	2A000115	Platte	1	
6	GU98682212	TCEI Schraube M5x12	1	

Einheit	Motor
Code	03.320
Beschreibung	Secondary air
Inspektion	1



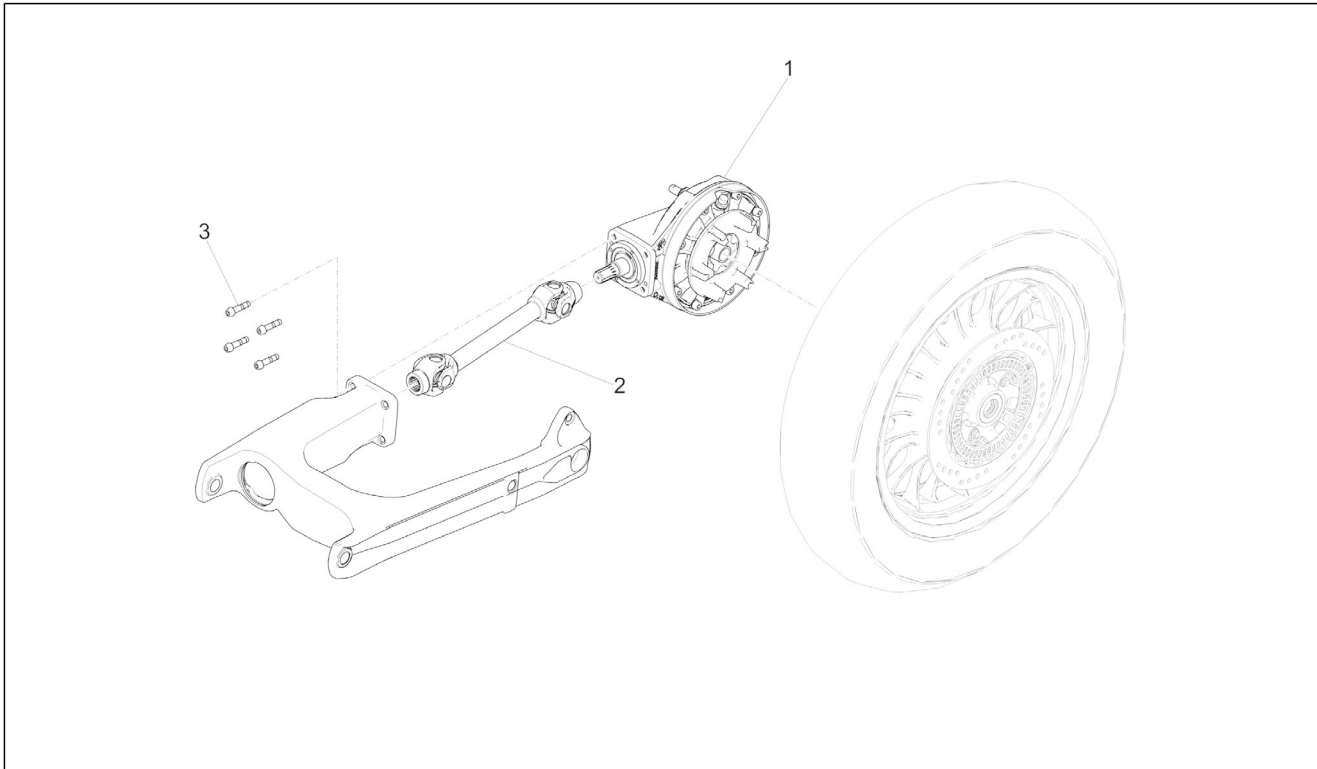
Pos.	Code	Beschreibung	Menge	Varianten
1	857047	Spark arrester	1	
2	857045	Reed valve	2	
3	2A000597	Abdeckung	1	
4	GU98612216	TCEI Schraube	2	
5	857046	Spark arrester	1	
6	CM226902	Federschelle 19/12	6	
7	2B002529	Schlauch rechts "S.A.S."	1	
8	2B002531	Leitung Filtergehäuse "S.A.S."	1	
9	2B002530	Schlauch links "S.A.S."	1	
10	857181	SAS ventil	1	

Einheit	Motor
Code	03.330
Beschreibung	Auspuffrohr
Inspektion	1



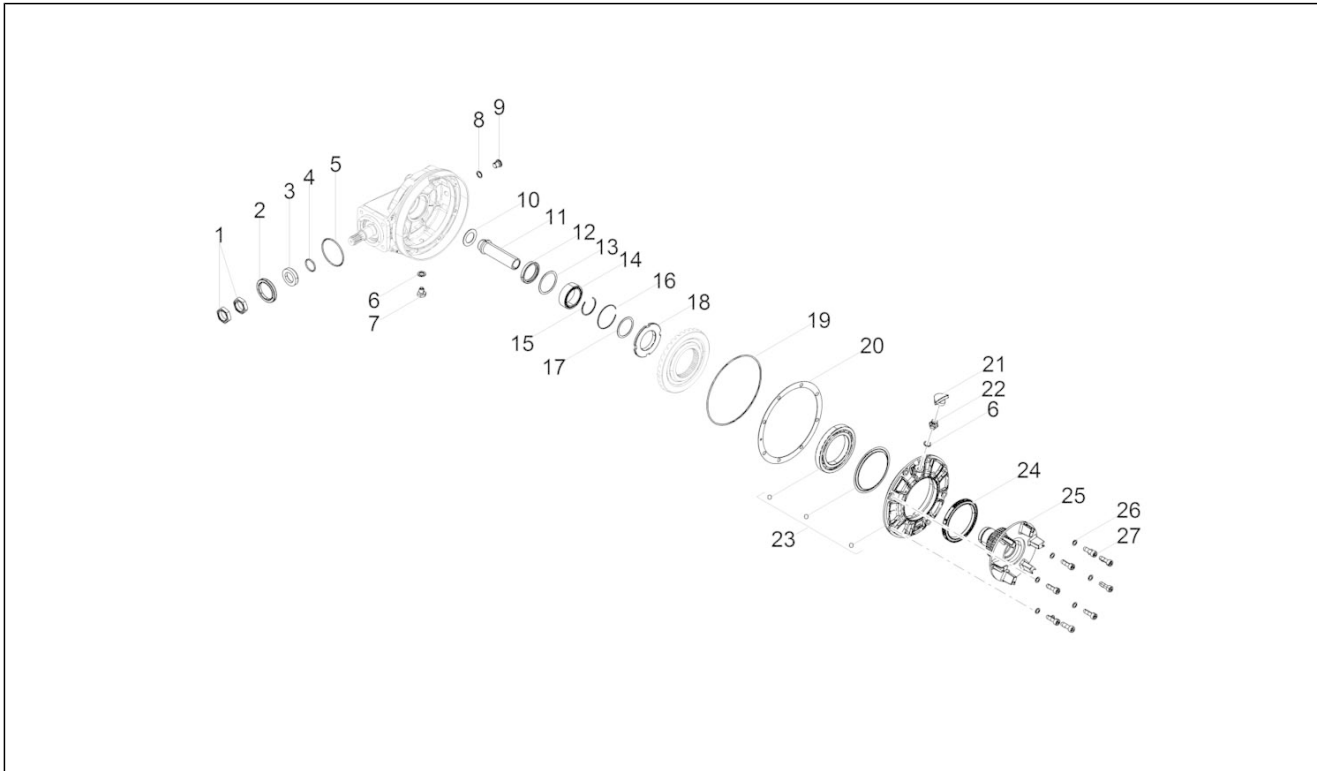
Pos.	Code	Beschreibung	Menge	Varianten
1	2B0010995	Auspufftopf rechts	1	
2	2B0011005	Auspufftopf links	1	
3	2B0022935	R.Schalldämpferschutz	1	
4	2B0022925	L.Schalldämpferschutz	1	
5	2B001084	Auspuffkrümmer rechts	1	
6	2B001083	Auspuffkrümmer links	1	
7	896110	Lamdasonde l.660 mm	2	
8	B063292	Schelle D.37	1	
9	874957	Schelle	1	
10	GU91113826	Buchse	2	
11	852090	Dichtung Auspuffrohr	2	
12	2B002533	Haltebügel Schalldämpfer rechts mit Innenteilen	1	
13	2B002532	Haltebügel Schalldämpfer links mit Innenteilen	1	
14	AP8120455	Gummi	1	
15	2B002187	TBEI Schraube M6x10	6	
16	876879	Abstandhalter	4	
17	GU92660021	Geflanschte Mutter M8	4	
18	GU14615901	Ausgleichscheibe 8,4X13X0,8	4	
19	254485	Plattchen M6	2	
20	834951	Kegelscheibe	6	
21	AP8152055	TBEI Schraube M8x12	6	
22	GU14615901	Ausgleichscheibe 8,4X13X0,8	6	
23	GU95008208	Ausgleichscheibe 8,4X15X1,5	6	
24	2B001935	Schelle	1	
25	2B003284	Wärmeschutz	2	

Einheit	Motor
Code	03.340
Beschreibung	Getriebe kpl.
Inspektion	1



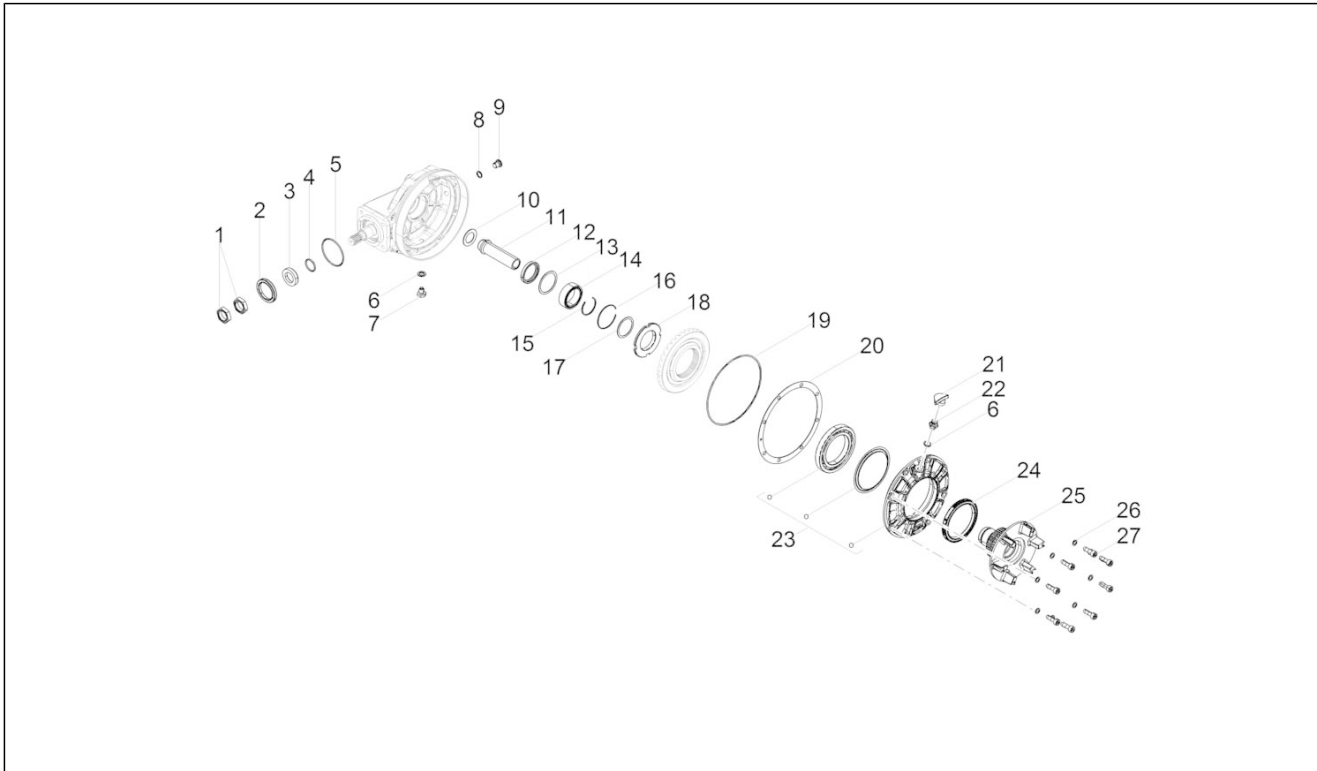
Pos.	Code	Beschreibung	Menge	Varianten
1	2B0011535	Kraftübertragung, kpl.	1	
2	2B002298	Getriebe	1	
3	2B002699	Schraube TCC Torx M8x35 mit vorimpr. Bund	4	

Einheit	Motor
Code	03.350
Beschreibung	Getriebedeckel
Inspektion	1



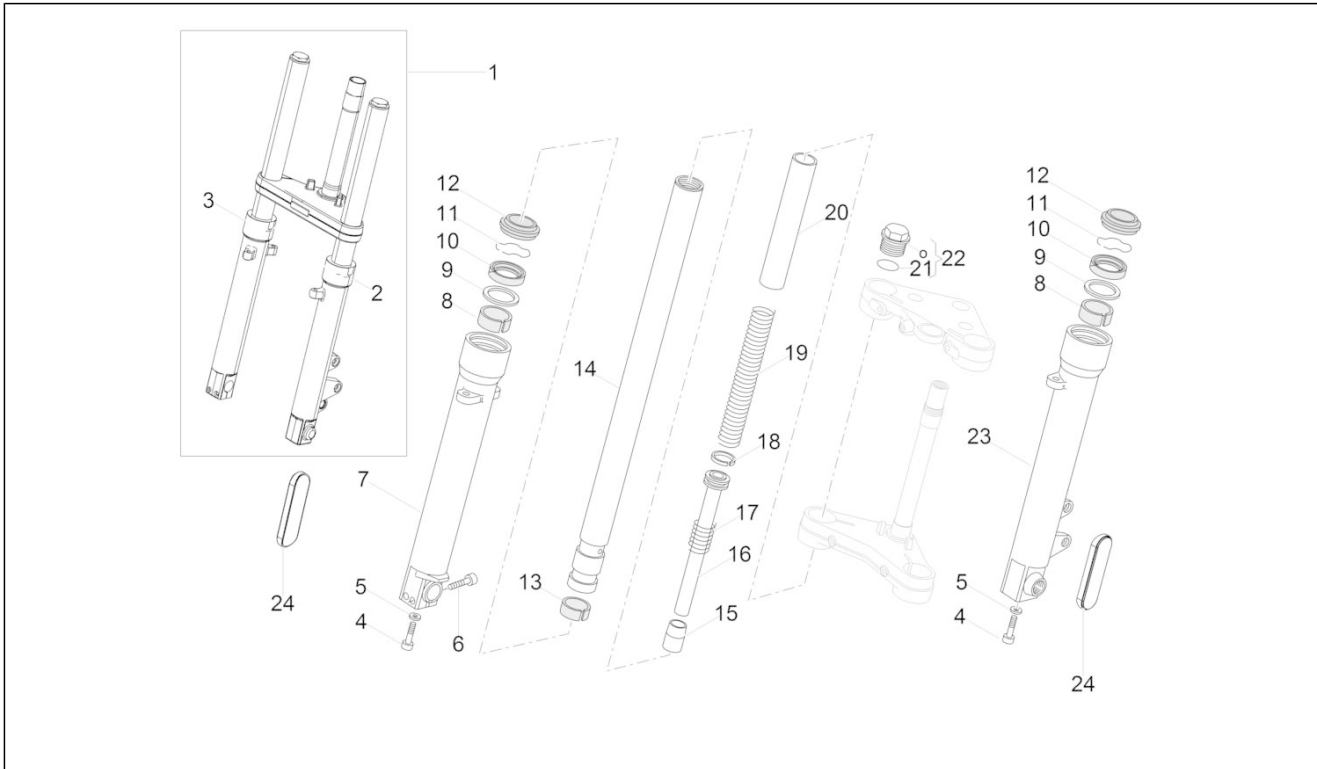
Pos.	Code	Beschreibung	Menge	Varianten
1	976649	Mutter M25x1,5	2	
2	2B000404	Gasket ring	1	
3	2B001311	Distanzscheibe	1	
4	GU90706188	Gasket ring 18,77X1,78	1	
5	GU90706584	Dichtung 58,42x2,62	1	
6	GU01528930	Dichtung 10x18x1,5	2	
7	GU31003766	Ölablaßschraube M10x1	1	
8	224566	Unterlegscheibe	1	
9	GU05351230	Ölschraube M12x1,5	1	
10	GU37359005	Ausgleichscheibe	1	
11	2B001307	Distanzscheibe	1	
12	GU90413850	Gasket ring 38X50X7	1	
13	GU12351100	Gasket ring	1	
14	GU92254340	Rollenlager 40x55x17	1	
15	2B002200	Wellenscheibe	1	
16	B064304	Seegerring	1	
17	GU19351100	Bundscheibe	1	
18	2B002536	Gewinding Befestigung Zahnkranz	1	
19	GU90706958	O-Ring 158,42X2,62	1	
20	GU04355100	Scheibe 0,6 mm	1	
20	GU04355101	Scheibe 0,7 mm	1	
20	GU04355102	Scheibe 0,8 mm	1	
20	GU04355103	Scheibe 0,9 mm	1	
20	GU04355104	Scheibe 1 mm	1	
20	GU04355105	Scheibe 1,1 mm	1	
20	GU04355106	Scheibe 1,2 mm	1	
21	2B002807	Kappe	1	
22	2A000438	Entlüftungsschraube	1	

Einheit	Motor
Code	03.350
Beschreibung	Getriebedeckel
Inspektion	1



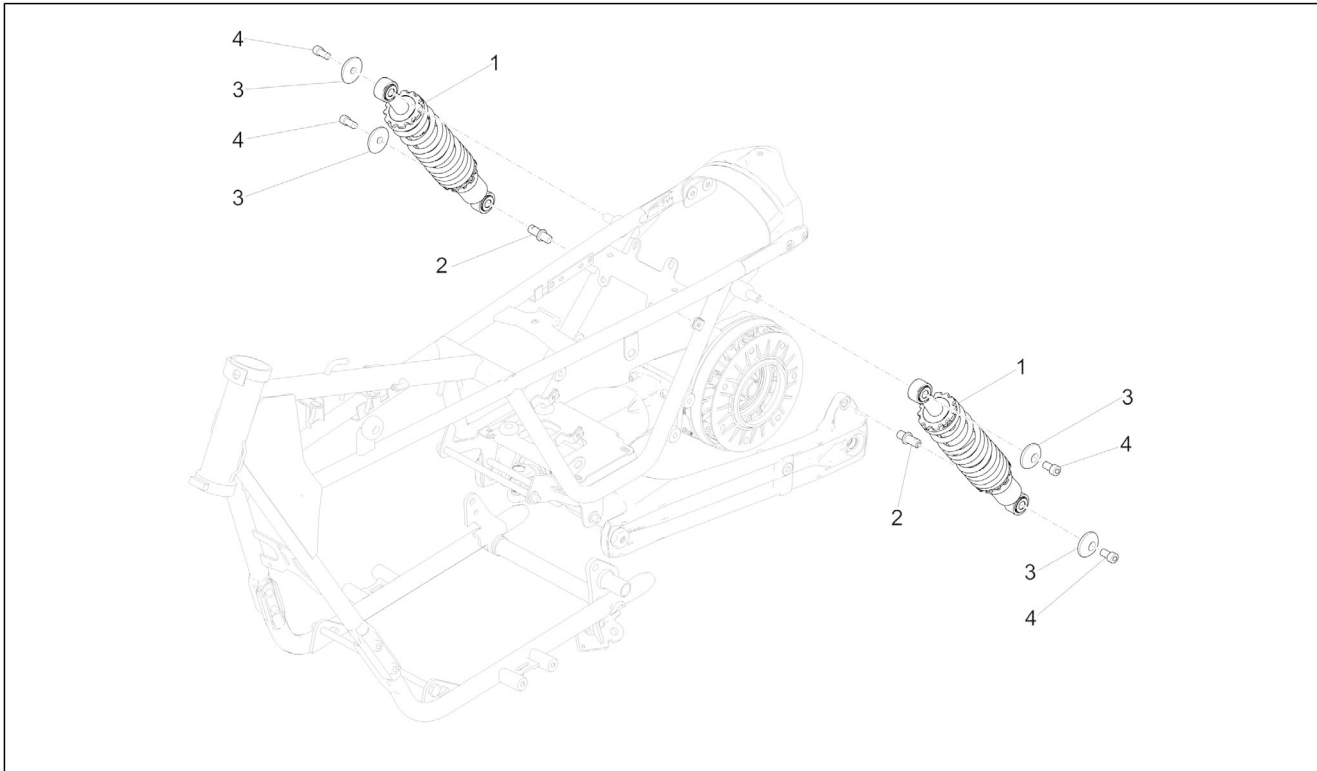
Pos.	Code	Beschreibung	Menge	Varianten
23	2B0033875	Flansch komplett	1	
24	2B002535	Gasket ring 80x100x10	1	
25	2B001303	Dämpfernabe	1	
26	GU14615901	Ausgleichscheibe 8,4X13X0,8	8	
27	2B002171	TC Schraube 8x25	8	

Einheit	Radaufhängungen
Code	04.060
Beschreibung	Vorderradgabel Kaifa
Inspektion	1



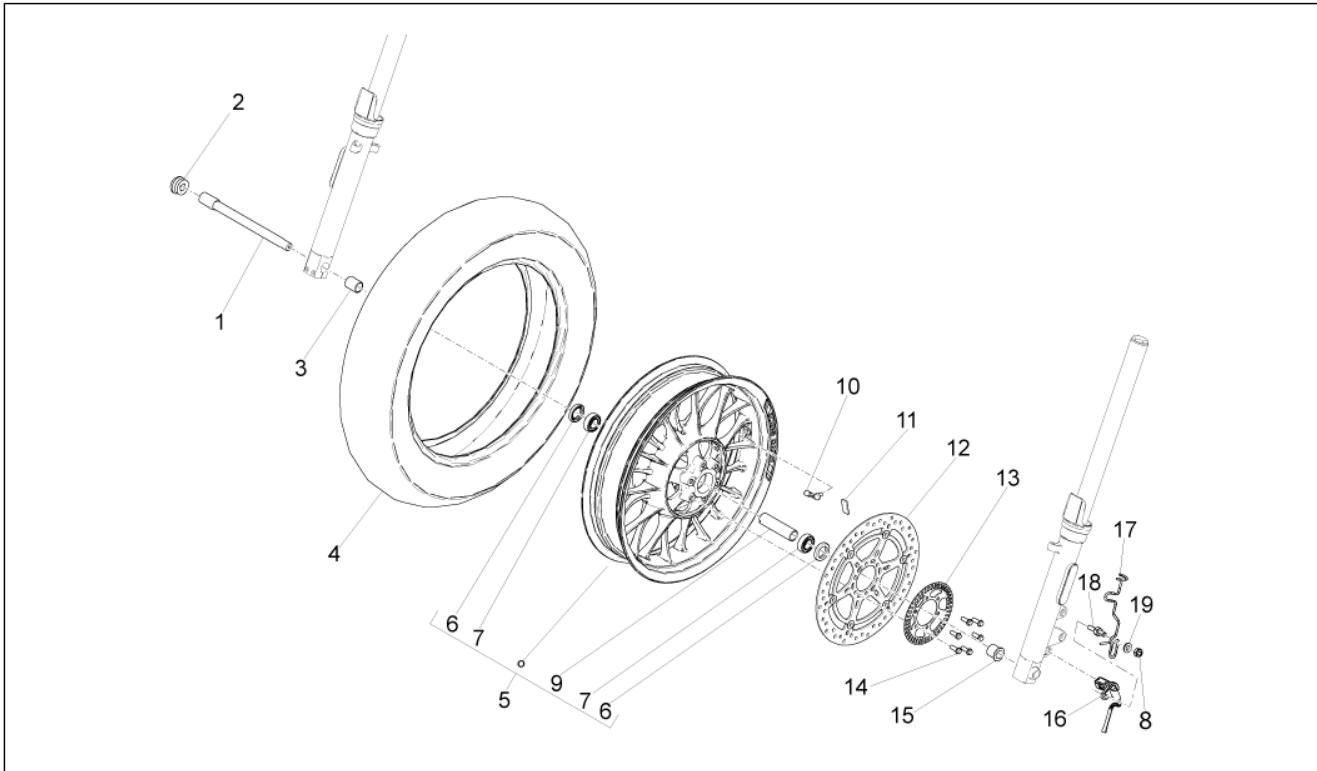
Pos.	Code	Beschreibung	Menge	Varianten
1	2B002192	Vorderradgabel komplett	1	
2	2B002295	Kolbenstange mit Boden lks.	1	
3	2B002294	Kolbenstange mit Boden rch.	1	
4	887878	Schraube M10x30	2	
5	887879	Ausgleichscheibe	2	
6	887880	Schraube	2	
7	2R000109	Rechte Hülse	1	
8	887882	Obere Buchse	2	
9	887883	Ausgleichscheibe	2	
10	887884	Gasket ring	2	
11	887885	Sperring	2	
12	887886	Staubschutz	2	
13	887888	Buchse	2	
14	2B003742	Schaft rechts-links	1	
15	887889	Puffer	2	
16	887891	Pumpenrad kplt.	2	
17	887890	Gegenfeder	2	
18	887905	Kolbenring	2	
19	2R000243	Feder	2	
20	887893	Leitung	2	
21	887916	O-Ring 4118	2	
22	887894	Verschlussschraube kplt.	2	
23	2R000110	Linke Hülse	1	
24	GU05781630	Rückstrahler, gelb	2	

Einheit	Radaufhängungen
Code	04.080
Beschreibung	Stoßdämpfer
Inspektion	1



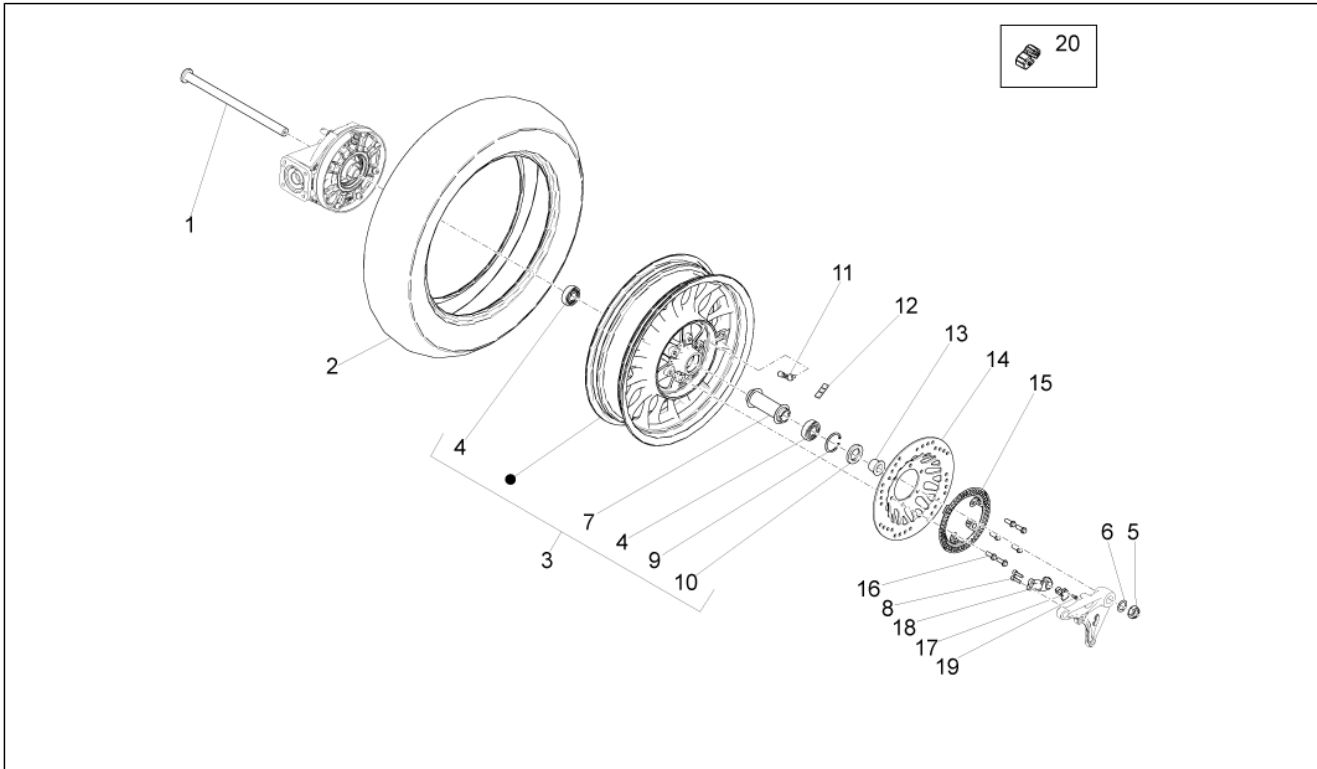
Pos.	Code	Beschreibung	Menge	Varianten
1	2B002988	Hinterer Stoßdämpfer	2	
2	2B003111	Stoßdämpfer-Bolzen	2	
3	B063174	Buchse	4	
4	884031	TCEI Schraube M6x14	4	

Einheit	Räder
Code	05.010
Beschreibung	Vorderrad
Inspektion	1



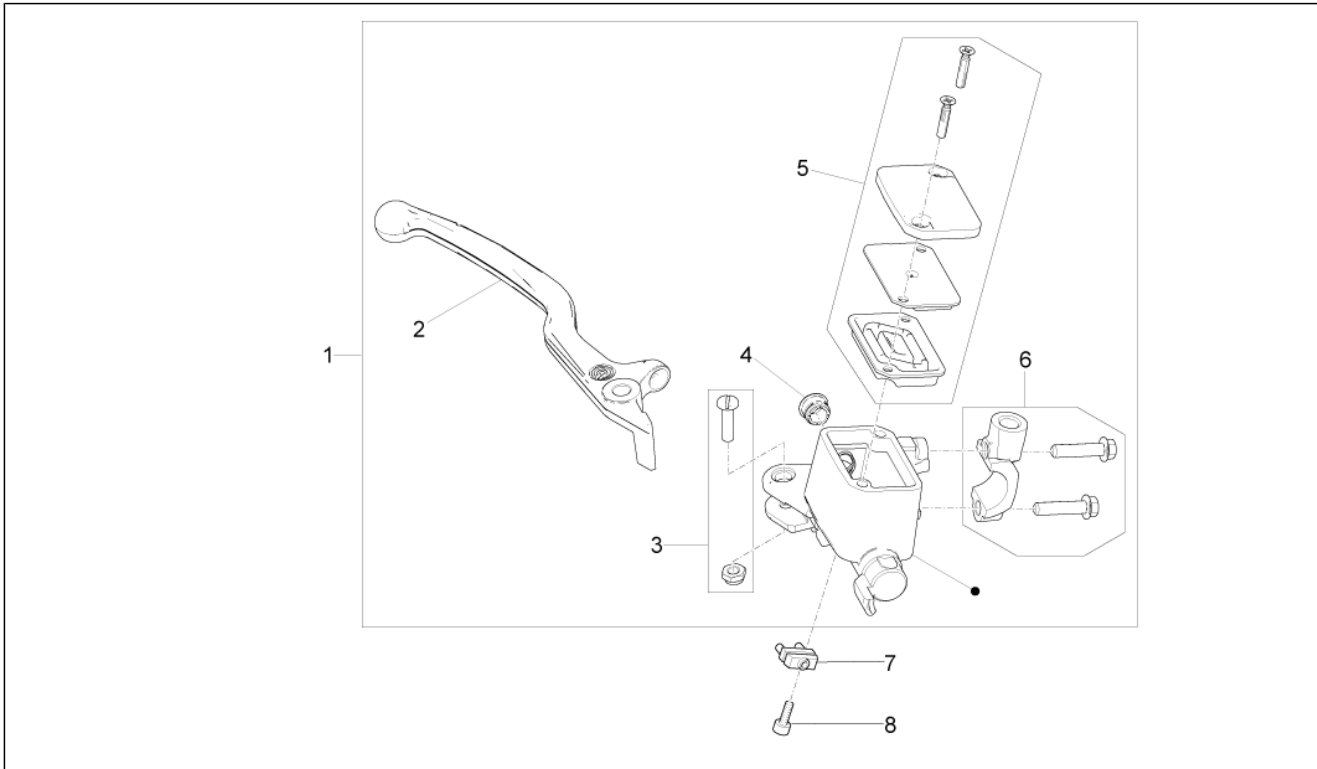
Pos.	Code	Beschreibung	Menge	Varianten
1	2B001139	Vorderradbolzen	1	
2	GU93180111	Deckel 15 mm	1	
3	GU32615660	R. Distanzscheibe	1	
4	2B002383	Vorderreifen 130/90 - 16"	1	
5	2B001762	Vorderrad 3.5X16 mit Lager	1	
6	GU90402642	Gasket ring	2	
7	GU92204221	Lager	2	
8	GU92630207	Mutter	1	
9	2B001073	Innerer Abstandhalter Vorderrad	1	
10	GU03617710	Schlauchloses Reifenventil	1	
11	GU14616150	Gegengewicht	1	
12	883688	Vorderradbremsscheibe 320	1	
13	887875	Phonic wheel	1	
14	887762	Flanschschraube TE M8x22	6	
15	GU31616384	L. Distanzscheibe	1	
16	859792	Sensor ABS	2	
17	2B001561	Kabelführung	1	
18	2B001708	Distanzscheibe	1	
19	AP8150178	Ausgleichscheibe 6,4x12,5*	1	

Einheit	Räder
Code	05.020
Beschreibung	Hinterrad
Inspektion	1



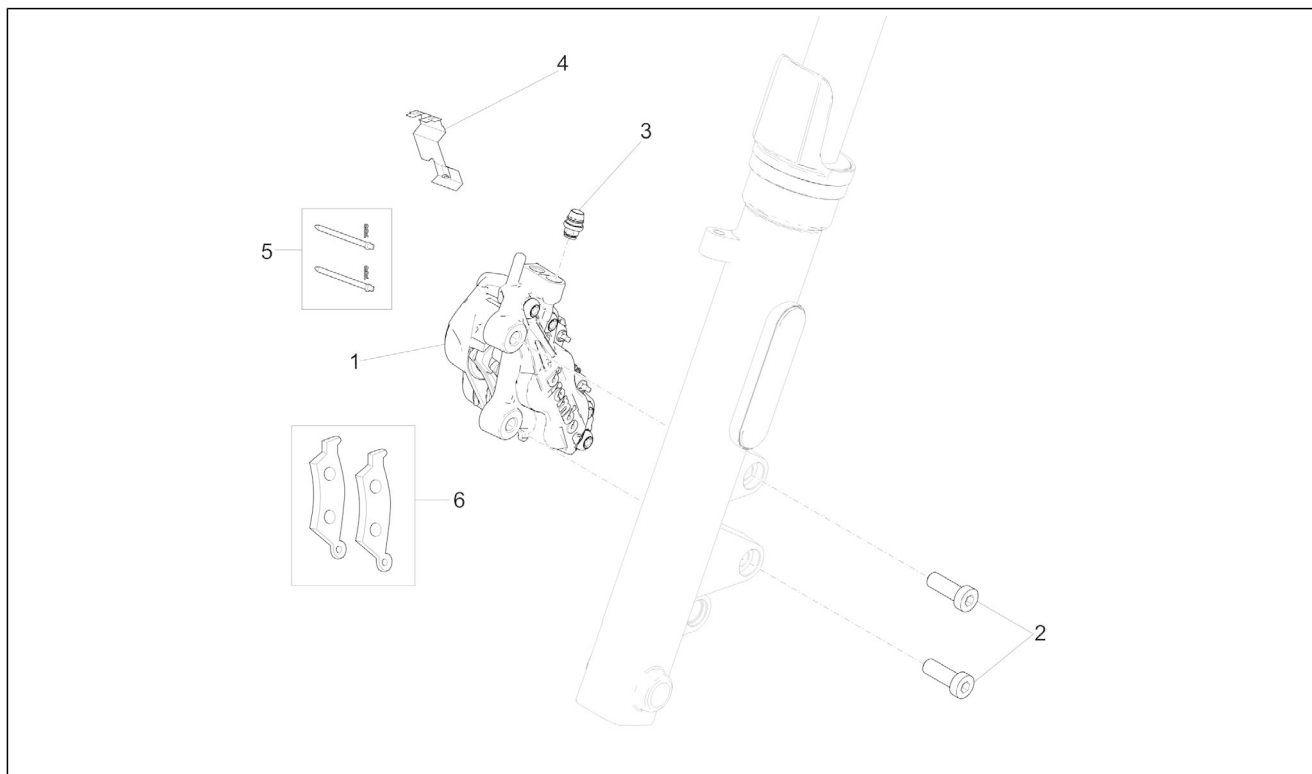
Pos.	Code	Beschreibung	Menge	Varianten
1	2B001310	Hinterradbolzen	1	
2	2B002900	Hinterer Reifen 150/80 16"	1	
3	2B001114	Hint. Felge 4X16" mit Lager	1	
4	GU92204220	Kugellager 20X47X14	2	
5	648708	Hinterradbolzen mut.	1	
6	AP8125687	U-scheibe Hint.radbolz	1	
7	2B001279	Baugruppe Distanzscheibe Hinterrad	1	
8	GU98682312	TCEI Schraube M6x12	2	
9	GU90272047	Seegerring 47X50,5	1	
10	AP8110109	Gasket ring 28X47X7	1	
11	GU03617710	Schlauchloses Reifenventil	1	
12	GU14616150	Gegengewicht	1	
13	2B001956	Hinterrad Distanzscheibe	1	
14	887448	Bremsscheibe	1	
15	2B000225	Phonic wheel	1	
16	887762	Flanschschraube TE M8x22	6	
17	859792	Sensor ABS	2	
18	2B000377	Halter Sensor ABS	1	
19	1C001499	Schraube TBEI TORX M5x16 INOX	1	
20	GU32632510	Gummikupplung	6	

Einheit	Bremsanlage
Code	06.010
Beschreibung	Vorderradbremspumpe
Inspektion	1



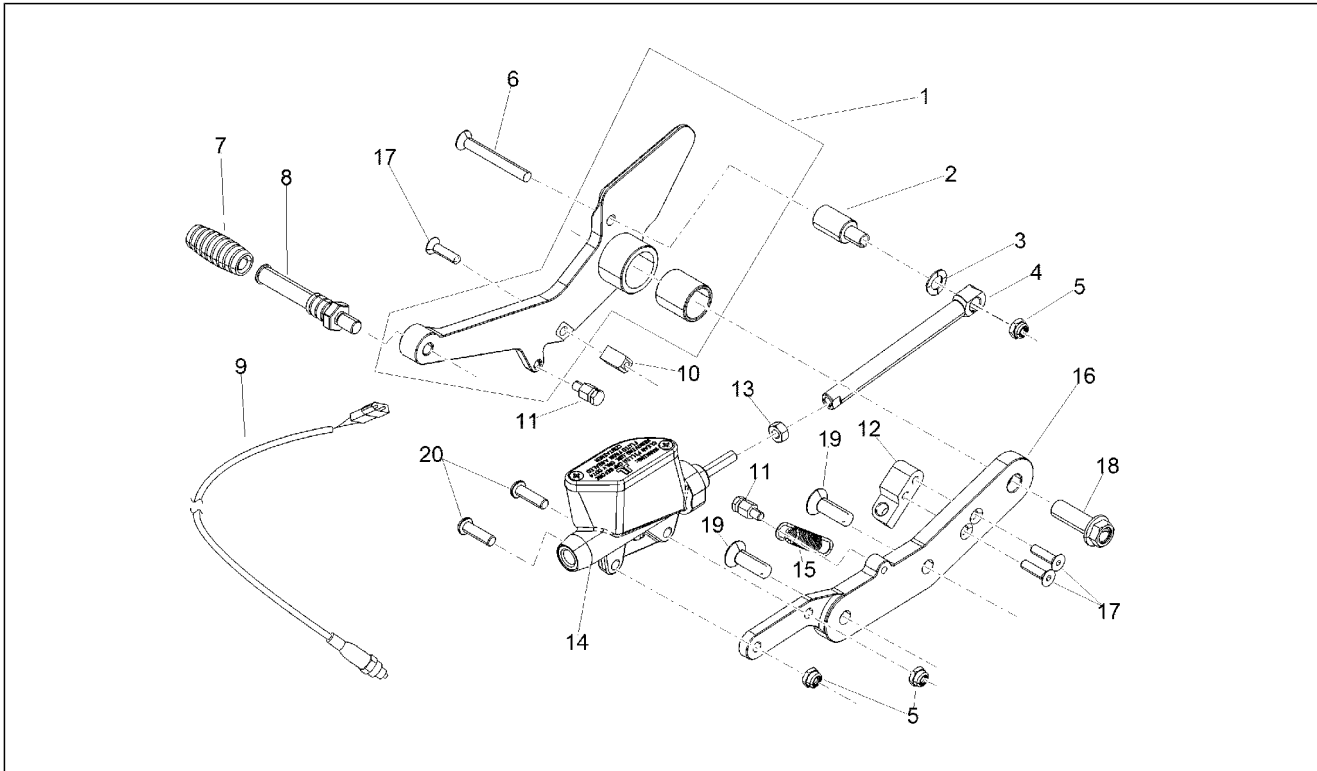
Pos.	Code	Beschreibung	Menge	Varianten
1	2B002269	Vorderradbremspumpe	1	
2	2B003041	Ersatzteil Hebel	1	
3	2B003040	Ersatzteil Hebelbolzen kpl. mit Mutter	1	
4	2B001930	Ersatzteil Schauglas vordere Bremspumpe	1	
5	2B003039	Ersatzteil Deckel kpl. mit Membran und Schrauben	1	
6	2B001929	Klemmschelle Bremsarmatur	1	
7	GU03749845	Bremslichtschalter	1	
8	AP8152043	TCEI Schraube M4x10	1	

Einheit	Bremsanlage
Code	06.020
Beschreibung	Vorderradbremzange
Inspektion	1



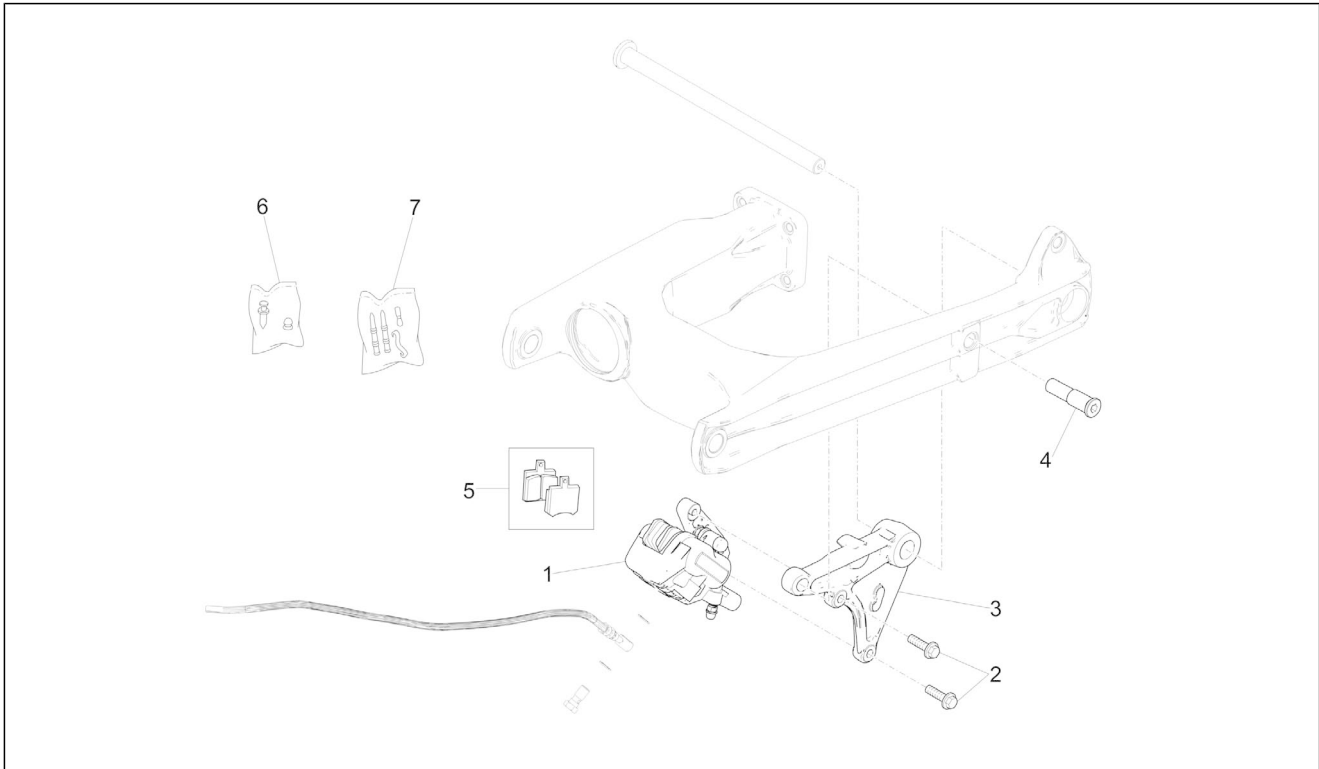
Pos.	Code	Beschreibung	Menge	Varianten
1	2B003271	Vorderradbremzange l.	1	
2	AP8152385	TCEI Schraube M10x1,25	2	
3	GU05659230	Entlüftung+Haube	1	
4	GU01659131	Feder	1	
5	GU01659130	Stifte-Federn Bremszange	1	
6	2B003313	Beläge (Paar)	1	

Einheit	Bremsanlage
Code	06.030
Beschreibung	Hinterradbremspumpe
Inspektion	1



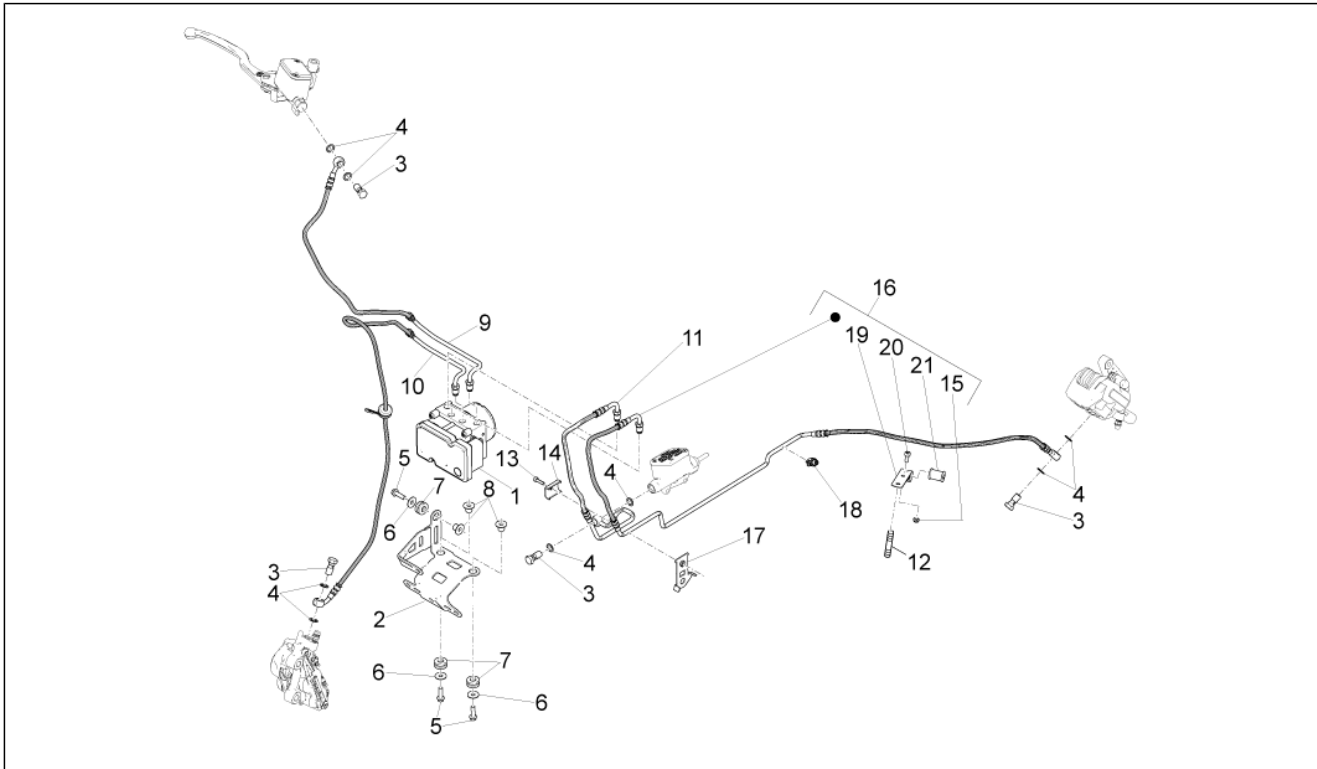
Pos.	Code	Beschreibung	Menge	Varianten
1	2B004050	Hebel Hinterradbremse komplett	1	
2	2B004107	Distanzscheibe	1	
3	658837	Gewellte Sprengscheibe D15 F8,4 S1,5 - INOX	1	
4	2B004076	Pumpenstange H. Bremse	1	
5	GU92630707	Mutter M6	3	
6	2B004111	Schraube TSPEI M6x50	1	
7	AP8120912	Gummi für Hebel	1	
8	2B004062	Gummigleitschutze	1	
9	2D0002805	Knopf stop	1	
10	2B004064	Fermacorsa pedale freno post.	1	
11	898286	Federn Fixierstift	2	
12	2B004063	Supporto interruttore stop	1	
13	GU92606206	Mutter	1	
14	2B002189	Hintere Bremspumpe mit Behälter	1	
15	AP8121927	Feder Hinterradbremsh.	1	
16	2B004042	Piastra pedana pilota dx	1	
17	658778	Schraube TSPEI M5x20	3	
18	967384	Schraube TEF M10X45	1	
19	2B004112	Schraube TSPEI IX M8X25	2	
20	GU98370625	TBEI Schraube M6x25	2	

Einheit	Bremsanlage
Code	06.040
Beschreibung	Hinterradbremzange
Inspektion	1



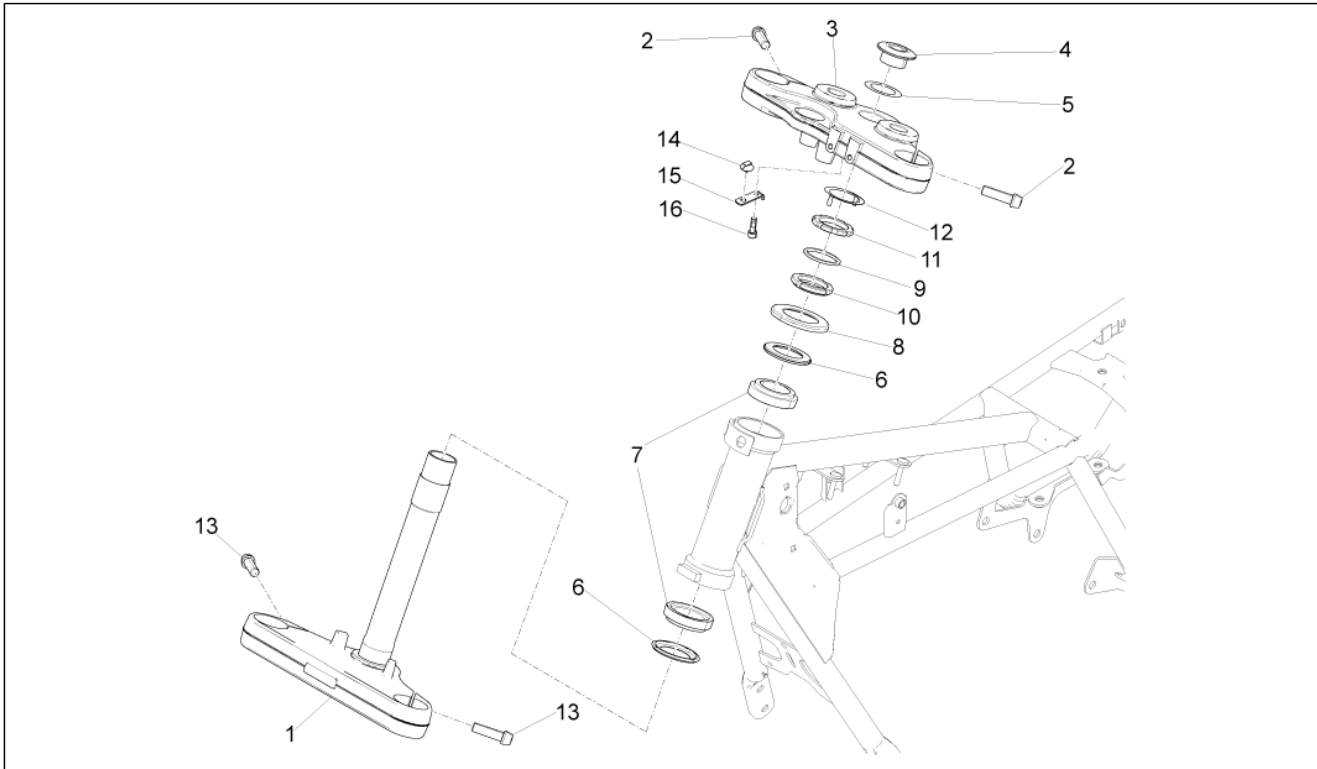
Pos.	Code	Beschreibung	Menge	Varianten
1	2B000525	Hinterradbremzange	1	
2	AP8152288	TE Schr. m. Flansch M8x30	1	
3	2B001953	Halter. H.radbremzange	1	
4	GU31544181	Bolzen	1	
5	2R000248	Paar Bremsklötze	1	
6	GU31659281	Entlüftung+Haube	1	
7	GU31659181	Stifte+Feder kit	1	

Einheit	Bremsanlage
Code	06.050
Beschreibung	Bremsanlage ABS
Inspektion	1



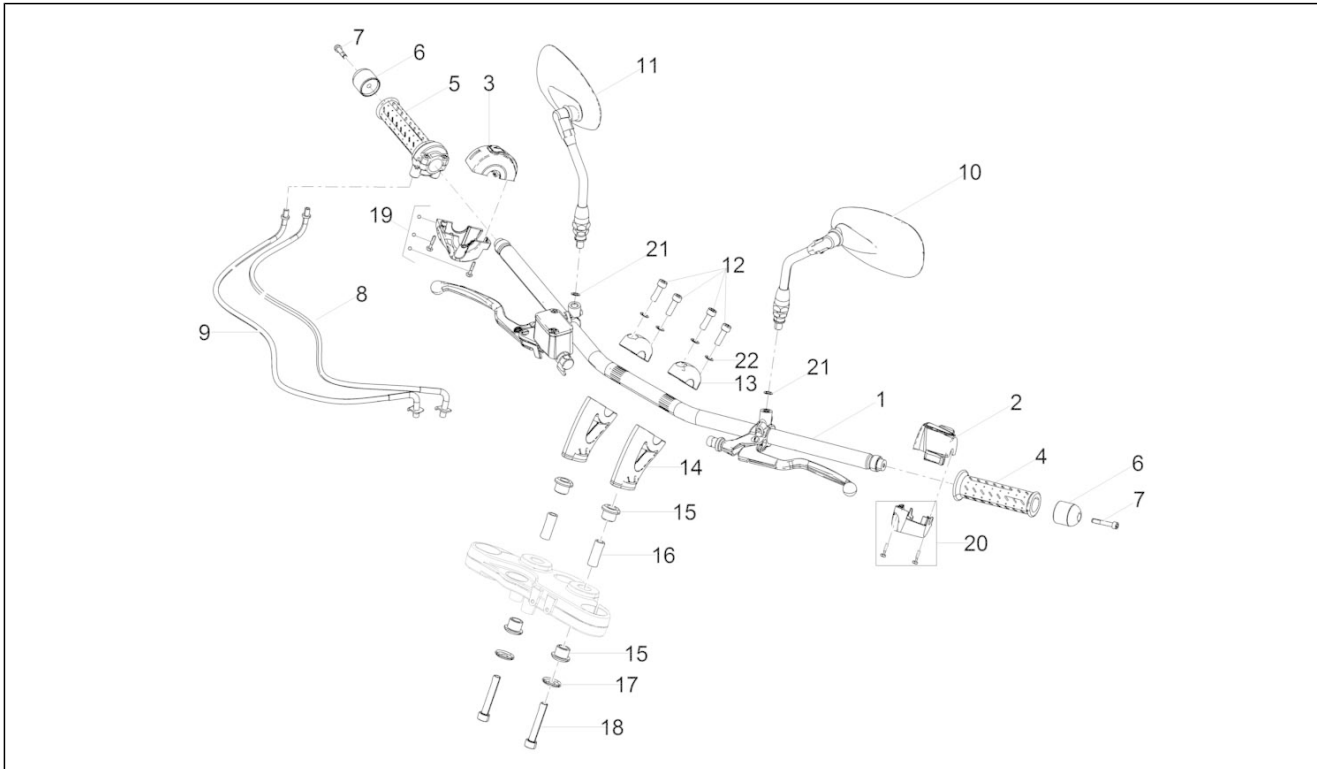
Pos.	Code	Beschreibung	Menge	Varianten
1	2D000102	ABS-Steuergerät	1	
2	2B003056	Halterbügel Steuerung	1	
3	AP8113003	Fixierschraube Ölschlauch	4	
4	AP8113004	Ausgleichscheibe 10x14x1,6*	8	
5	00H02402282	Schraube 6X20	3	
6	AP8150015	Ausgleichscheibe 6,6x18x1,6*	3	
7	AP8120030	Gummi	3	
8	AP8221023	T-Buchse	2	
9	2B002991	ABS HECU Leitung - Pumpe vorne	1	
10	2B002805	ABS HECU Leitung - Bremssattel Vorderradbremse	1	
11	2B002681	ABS HECU Leitung - Pumpe hinten	1	
12	GU96451316	Stiftschraube	1	
13	959559	TCEI Schraube M4x16	1	
14	2B001614	Fixierplatte Führungs	1	
15	AP8150451	Selbstsperr.mut Unt.	1	
16	2B002806	Leitung ABS HECU - Bremssattel hinten	1	
17	2B001564	Halteplatte Bremsschlauch	1	
18	AP8121882	Kabelführungs	1	
19	GU03658330	Schelle	1	
20	895709	TCEI Schraube M5x12	1	
21	GU03658201	Ring	1	

Einheit	Lenkstange - Schaltungen
Code	07.010
Beschreibung	Lenkung
Inspektion	1



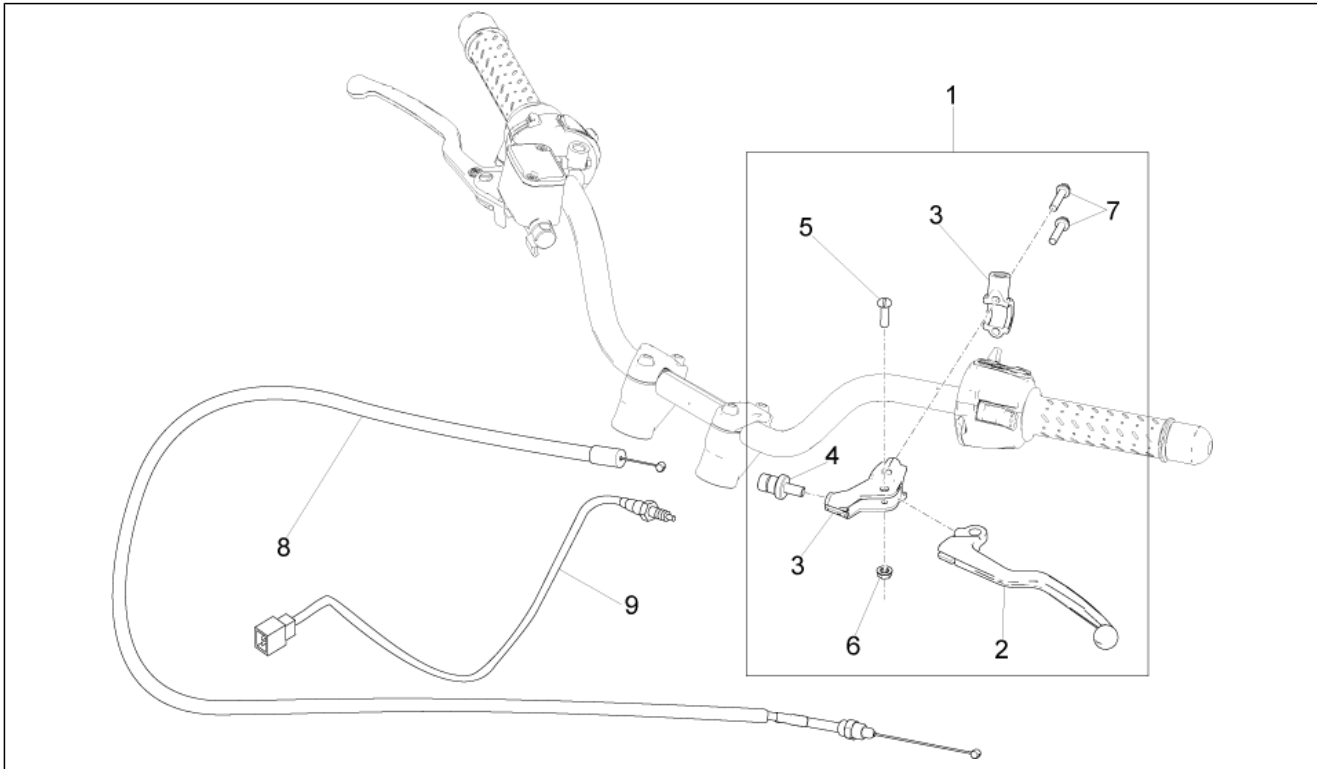
Pos.	Code	Beschreibung	Menge	Varianten
1	2B003743	Untere Gabelplatte	1	
2	AP8150543	Zylinderschraube M8x35	2	
3	2B001052	Obere Gabelplatte	1	
4	AP8121205	Fixierbuchse ob. Platte	1	
5	AP8152384	Scheibe Lenkkopf	1	
6	AP8123641	Staubschutzring	2	
7	AP8110077	Axialkugellager	2	
8	AP8123644	Staubschutzring	1	
9	887831	Gummischeibe	1	
10	AP8123642	Nutmutter	1	
11	AP8123643	Gegenmutter	1	
12	887832	Sicherheitspl. Lenkung	1	
13	AP8150540	Zylinderschraube	2	
14	890760	Halterung Instrumente	1	
15	2B003292	Platte	1	
16	GU98210616	TBEI Schraube m.Flansch M6x16 inox	1	

Einheit	Lenkstange - Schaltungen
Code	07.020
Beschreibung	Lenkstange - Schaltungen
Inspektion	1



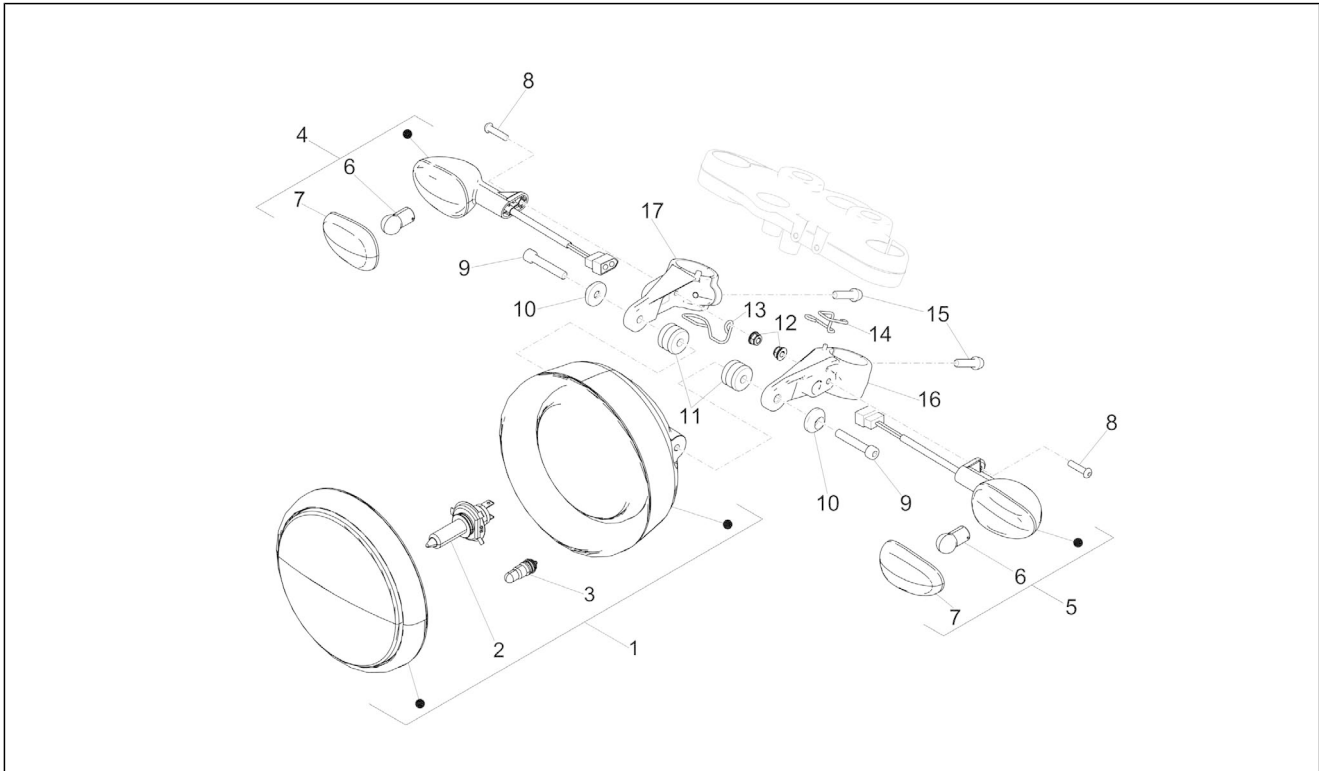
Pos.	Code	Beschreibung	Menge	Varianten
1	2B002852	Lenkstange	1	
2	2D000227	Bedienelement Lenker links	1	
3	2D000226	Bedienelement Lenker rechts	1	
4	AP8118579	Links griff	1	
5	2B002364	Rechts griff	1	
6	AP8104509	Schwingschutzgewicht schwarz	2	
7	2B002195	Schraube TCEI IX M6X35 vorimprägniert	2	
8	2B002844	Verschuß Gaszugkabel	1	
9	2B002843	Öffnungswinkel Gaszugkabel	1	
10	2B001049	Rückspiegel links	1	
11	2B001048	Rückspiegel rechts	1	
12	AP8150540	Zylinderschraube	4	
13	2B002091	Obere Klemme Lenker	2	
14	2B002090	Untere Klemme Lenker	2	
15	AP8144222	Gummi	4	
16	854827	Distanzscheibe 10,1x14,1x38	2	
17	2B002875	Becher	2	
18	AP8150049	Schraube M10x60	2	
19	2D000163	Untere Schale DX	1	
20	2D000218	Untere Schale SX	1	
21	GU91181003	Distanzscheibe 10,25X20X4	2	
22	GU14615901	Ausgleichscheibe 8,4X13X0,8	4	

Einheit	Lenkstange - Schaltungen
Code	07.030
Beschreibung	Kupplungssteuerung
Inspektion	1



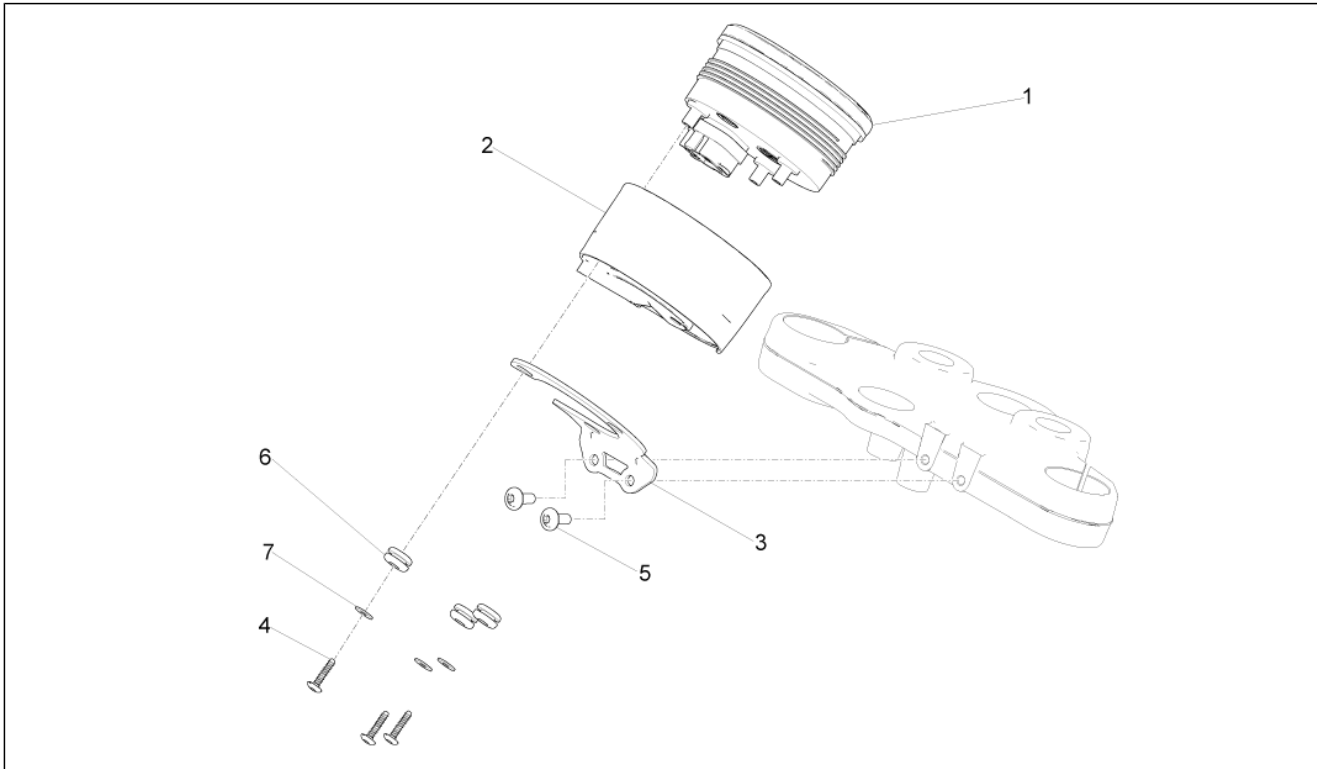
Pos.	Code	Beschreibung	Menge	Varianten
1	2B002391	Gruppe Kupplungshebel	1	
2	2B002390	Hebel Kupplungssteuer.	1	
3	GU30601060	Feder	1	
4	GU30602500	Einstellschraube	1	
5	AP8213028	Schraube	1	
6	AP8213388	Selbstsperrende Mutter	1	
7	GU97202325	TE Schr. m. Flansch schw. M6x25	2	
8	2B002961	Kupplungskabel	1	
9	2D0002885	Kupplungsschalter	1	

Einheit	Vorderer Lichter - Instrumente
Code	08.010
Beschreibung	Vorderer Lichter
Inspektion	1



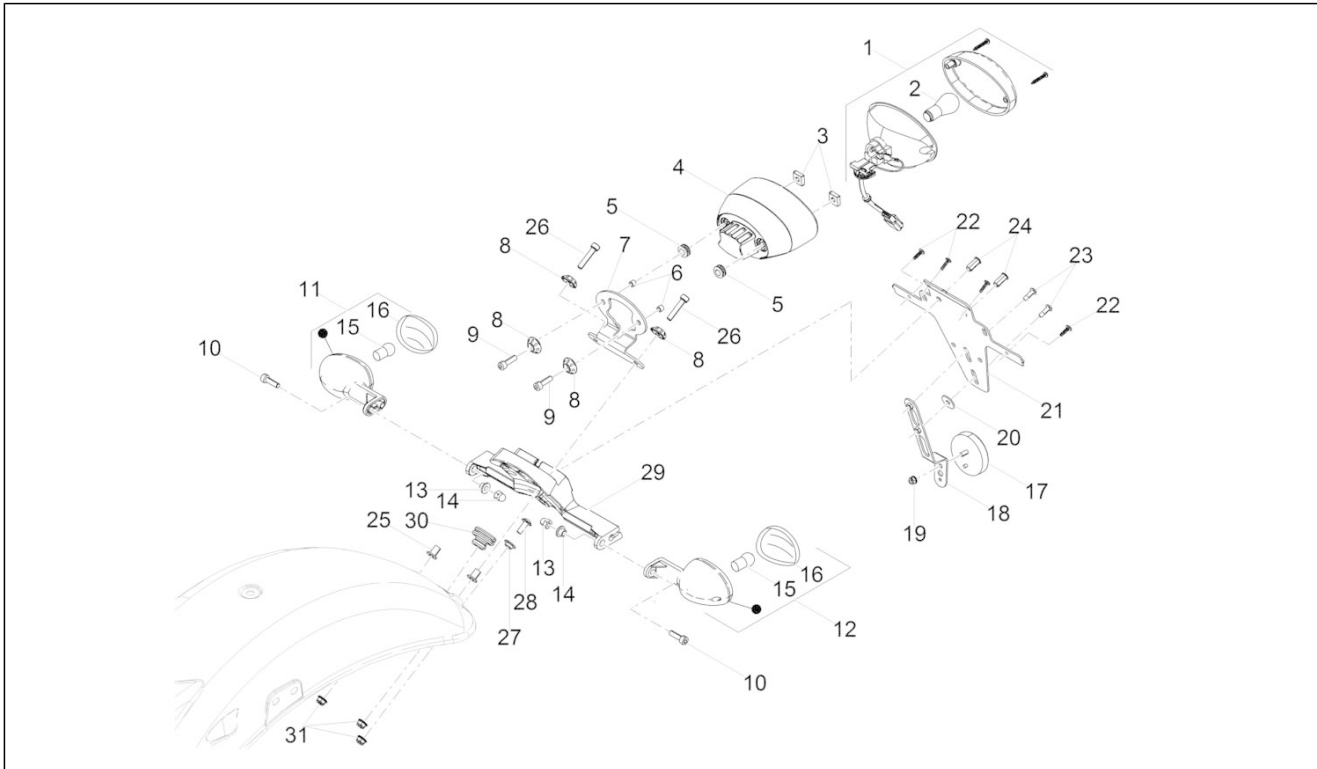
Pos.	Code	Beschreibung	Menge	Varianten
1	2D000100	Scheinwerfer	1	
2	292723	Lampen H4 12V-60/55W	1	
3	292022	Lampen 12V-5W	1	
4	2D000261	Blinker vorne RE	1	
5	2D000262	Blinker vorne LI	1	
6	584332	Lampen 12V-10W	2	
7	639338	Blinkerglas	2	
8	GU98612320	TCEI Schraube M6x20	2	
9	GU98690445	Schraube M8x45	2	
10	AP8121199	Buchse	2	
11	2B002011	Abstandhalter Frontscheinwerfer	2	
12	AP8152299	Selbstsperrende Mutter M6	2	
13	2B003164	Kabelführung	1	
14	2B003165	Kabelführung	1	
15	AP8150053	TCEI Schraube M6x25	2	
16	2B001231	Linke Halterung Frontscheinwerfer	1	
17	2B001182	Rechte Halterung Frontscheinwerfer	1	

Einheit	Vorderer Lichter - Instrumente
Code	08.020
Beschreibung	Instrumente
Inspektion	1



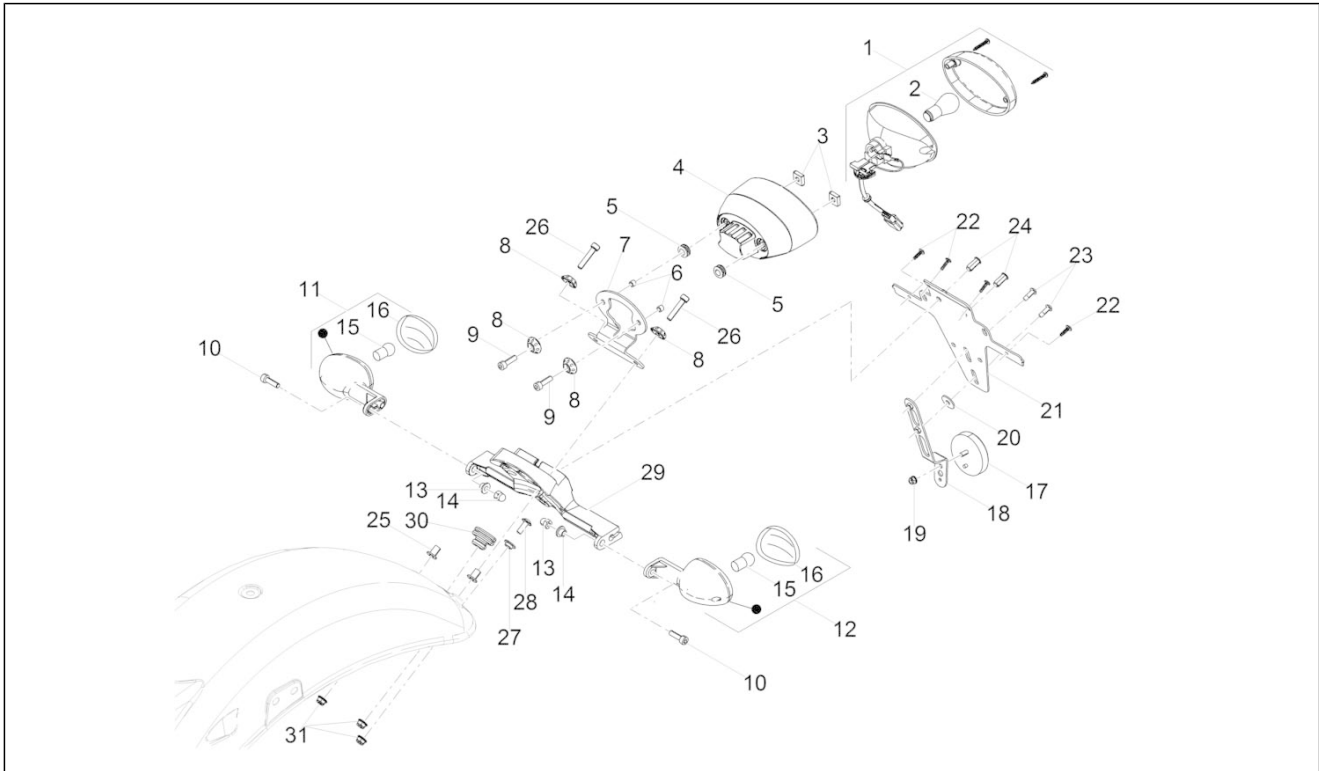
Pos.	Code	Beschreibung	Menge	Varianten
1	2D000099	Instrumententafel	1	
2	2B001223	Abdeckung Armaturenbrett	1	
3	2B001154	Instrumentenhalterung	1	
4	CM178609	Gew.schr.	3	
5	GU98210610	Schraube	2	
6	2B003367	Kabelführung	3	
7	013763	Flachscheibe 4,2x12x1	3	

Einheit	Vorderer Lichter - Instrumente
Code	08.030
Beschreibung	Hinterer Lichter
Inspektion	1



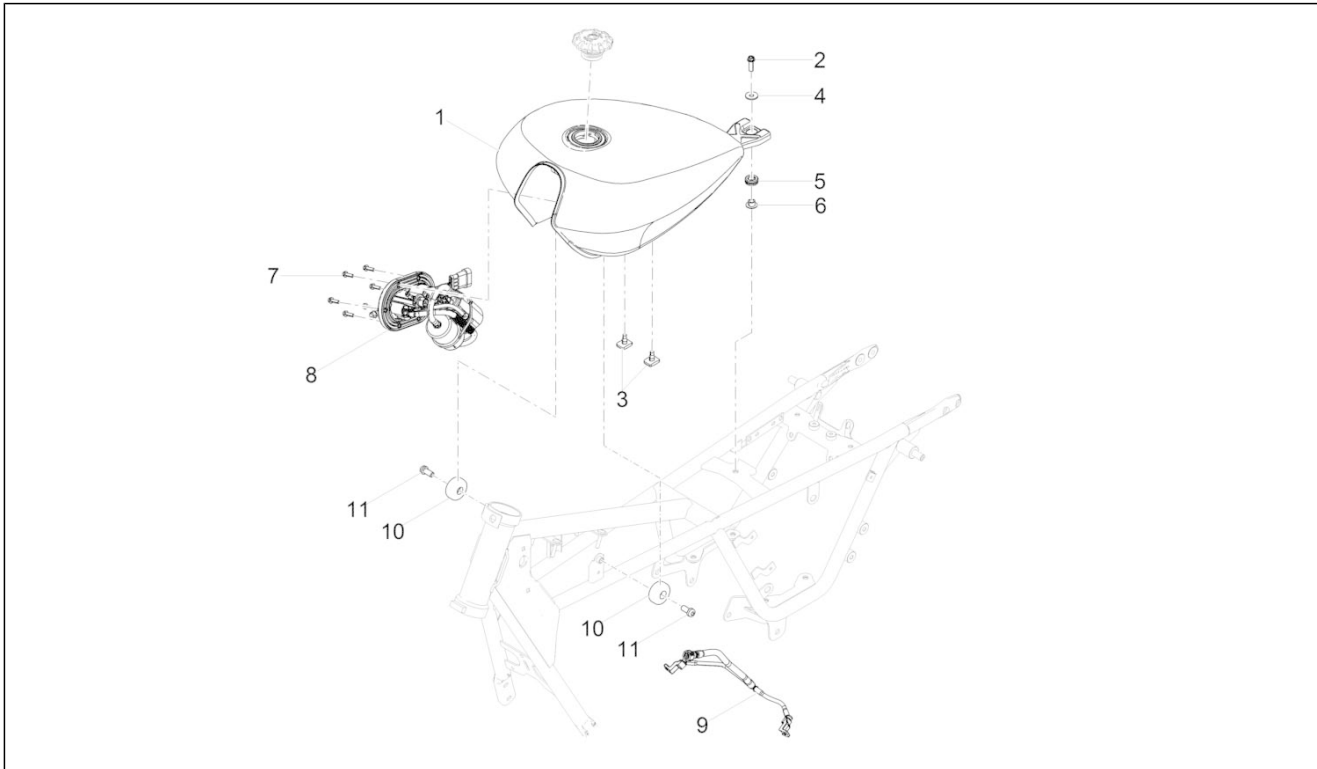
Pos.	Code	Beschreibung	Menge	Varianten
1	2B002365	Rücklicht	1	
2	GU93450224	Lampen	1	
3	2B002443	Vierkantmutter M6	1	
4	2B002483	Halteschale Scheinwerfer hinten	2	
5	AP8220186	Gummi	2	
6	AP8120278	Distanzscheibe	2	
7	2B002484	Rücklichthalterung	1	
8	AP8150536	Spezial-U-scheibe	4	
9	AP8150053	TCEI Schraube M6x25	2	
10	GU98612320	TCEI Schraube M6x20	2	
11	2D000255	Hinterer Blinker Re	1	
12	2D000256	Hinterer Blinker Li	1	
13	479175	Hutmutter	2	
14	840509	Distanzscheibe	2	
15	584332	Lampen 12V-10W	2	
16	639338	Blinkerglas	2	
17	AP8224164	Rückstrahler Rücklicht, rot	1	
18	AP8134448	Rückstrahler-Fixierung	1	
19	AP8152306	Selbstsperrende Mutter M5	1	
20	GU95005310	Ausgleichscheibe 8,4x18x2	1	
21	2B002541	Abschluss Nummernschildhalter	1	
22	AP8150413	Gew.schr. 3,9x14	4	
23	B016796	Linsenkopfschraube Torx	2	
24	AP8201755	Geschnitten Kunststoffniet	2	
25	AP8121725	T-Buchse *	2	
26	GU98682330	TCEI Schraube M6x20	2	
27	AP9100053	Buchse d.10-h.3,5	1	
28	GU98210616	TBEI Schraube m.Flansch M6x16 inox	1	

Einheit	Vorderer Lichter - Instrumente
Code	08.030
Beschreibung	Hinterer Lichter
Inspektion	1



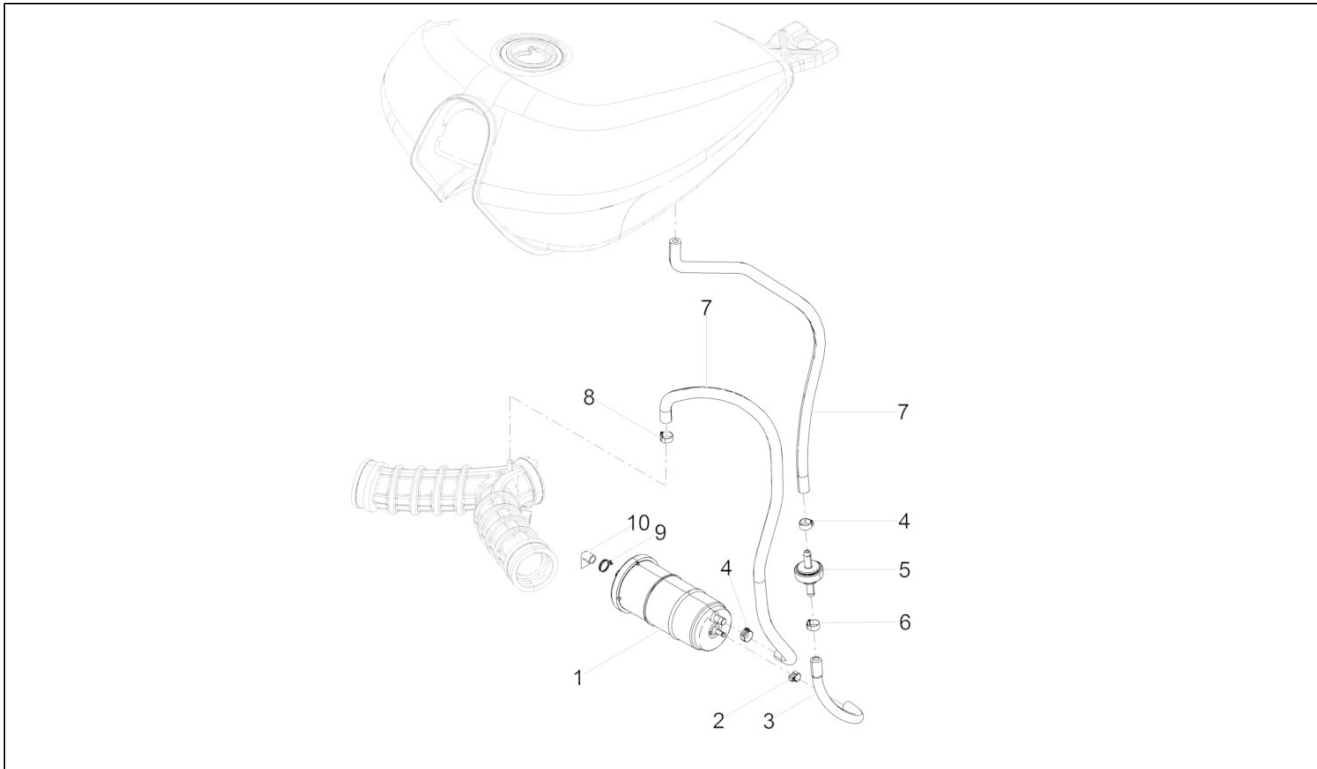
Pos.	Code	Beschreibung	Menge	Varianten
29	2B002615	Blinkerhalterung	1	
30	070286	Kabelführung	1	
31	AP8152299	Selbstsperrende Mutter M6	3	

Einheit	Tank
Code	09.010
Beschreibung	Kraftstofftank
Inspektion	1



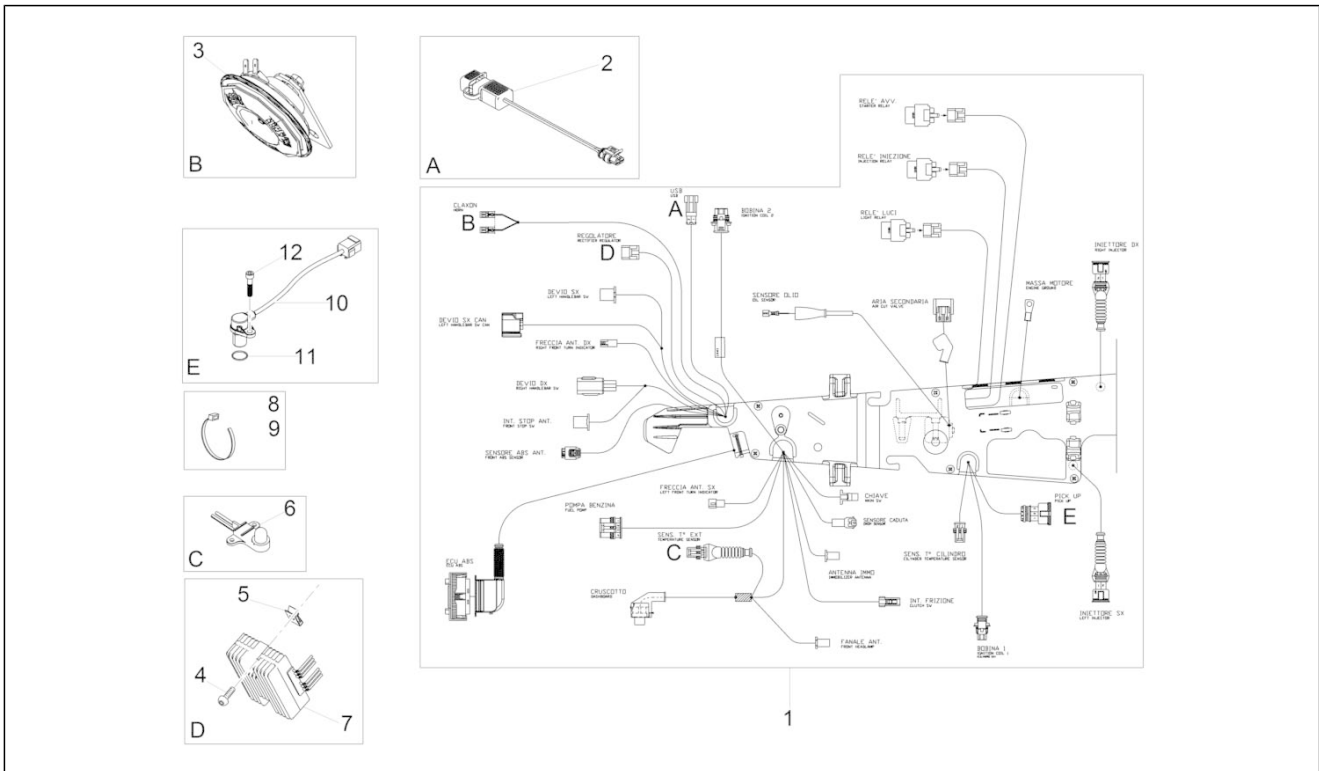
Pos.	Code	Beschreibung	Menge	Varianten
1	2H001433000NI	Kraftstofftank, schwarz	1	Farbe: Matt Competition Schwarz[NC]
1	2H001476000EQ	Kraftstofftank, grau	1	Farbe: Mattgrau Blade[GB]
1	2B001629	Kraftstofftank	1	Farbe: Unlackiert[GR]
2	AP8152288	TE Schr. m. Flansch M8x30	2	
3	AP8120455	Gummi	2	
4	AP8150018	Ausgleichscheibe	1	
5	GU91551131	Gummi	1	
6	2B002944	T-Buchse	1	
7	AP8152273	Flanschschraube M5x15	6	
8	1D001450	Kraftstoffpumpe	1	
9	2B002486	Kraftstoffleitungen	1	
10	GU66103415	Gummi	2	
11	GU98682416	TCEI Schraube M8x16	1	

Einheit	Tank
Code	09.020
Beschreibung	Benzindampfrückf.-Anlage
Inspektion	1



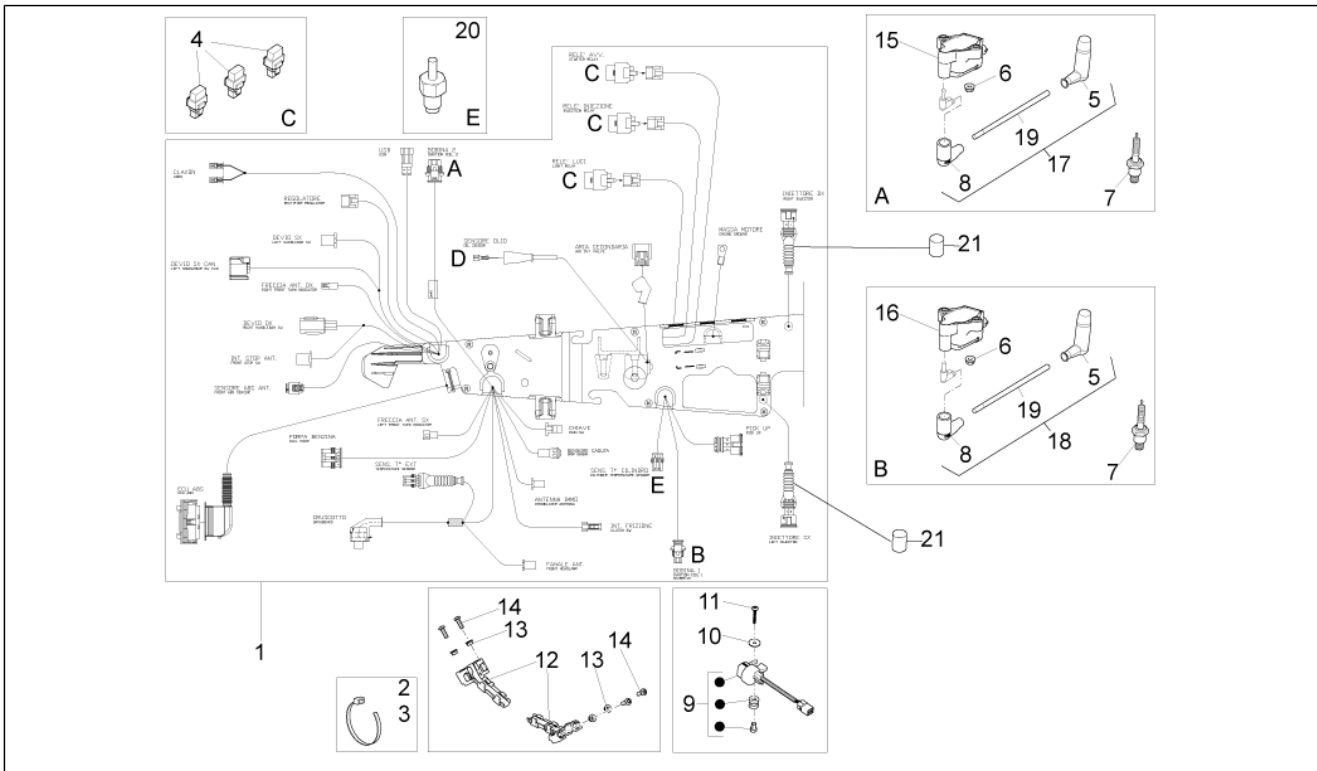
Pos.	Code	Beschreibung	Menge	Varianten
1	2B002632	Kohlefilter	1	
2	AP8102738	Schlauchschelle	1	
3	2B003042	Leitung SAE 30 R12A-3/16	1	
4	AP8102239	Schelle 12,5x8	2	
5	CM179008	Sicherheitsventil	1	
6	AP8102159	Schelle	1	
7	856063	Leitung SAE 30 d.12,7x6,35	2	
8	GU93304360	Schelle 7,6x380	1	
9	AP8102520	Schlauchschelle	1	
10	AP8127601	Lüftungsröhrchen	1	

Einheit	Elektrische Anlage
Code	11.010
Beschreibung	Vorder Elektrische Anlage
Inspektion	1



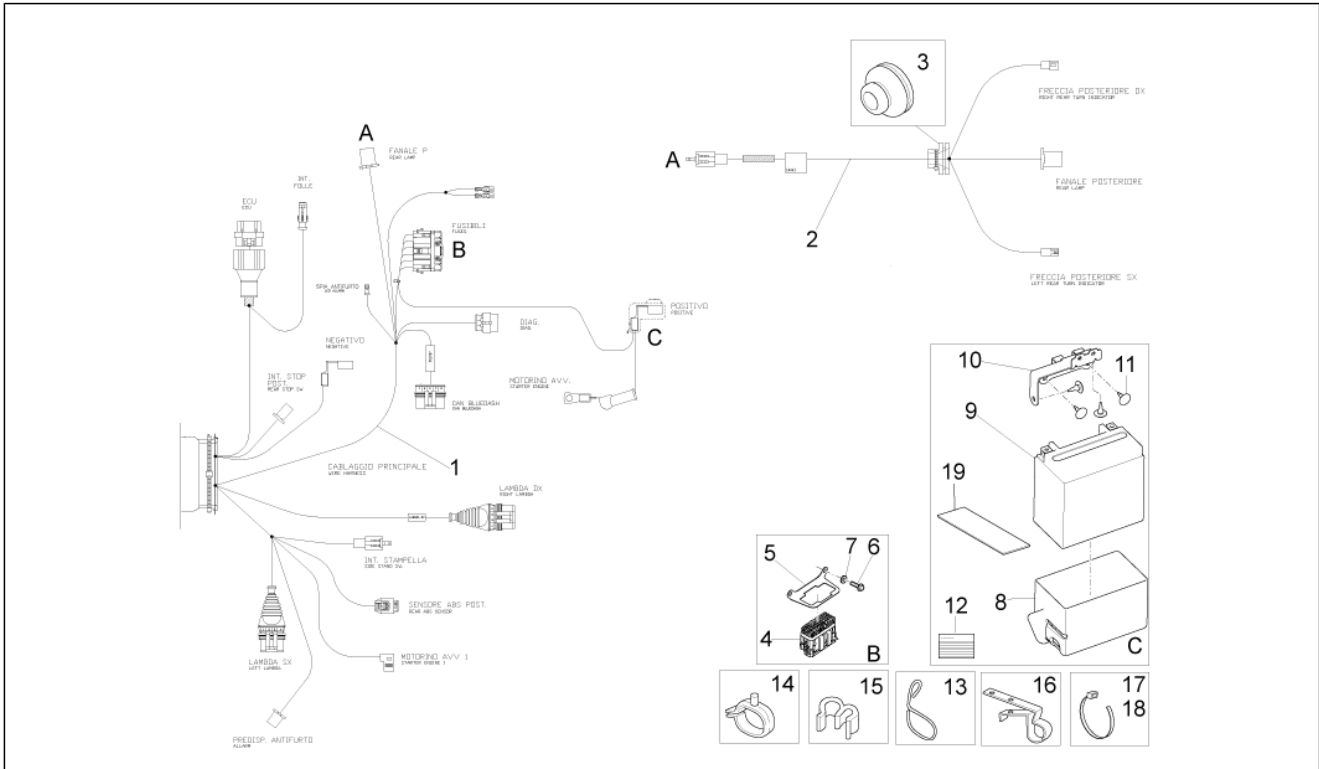
Pos.	Code	Beschreibung	Menge	Varianten
1	2D000209	Kabelast	1	
2	643277	Klembrett USB	1	
3	2B000221	Hupe	1	
4	AP8150377	Vite TCB M6x16	1	
5	254485	Plattchen M6	1	
6	AP8124936	Lufttemperaturfühler	1	
7	1D001549	Spannungsregler	1	
8	GU49609601	Schelle 2,4x92	1	
9	GU14609650	Schelle 3,6x20,6	24	
10	832029	Tonrad sensor	1	
11	GU90706141	O-Ring	1	
12	122675	TCEI Schraube	1	

Einheit	Elektrische Anlage
Code	11.020
Beschreibung	Mitt. elektrische Anlage
Inspektion	1



Pos.	Code	Beschreibung	Menge	Varianten
1	2D000209	Kabelast	1	
2	GU49609601	Schelle 2,4x92	1	
3	GU14609650	Schelle 3,6x20,6	24	
4	AP8224462	Zündrelais 12V-30A	3	
5	1A005382	Zündkerzenstecker	2	
6	AP8152299	Selbstsperrende Mutter M6	4	
7	887481	Zündkerze NGK CPR8EB-9	2	
8	641040	Isolierhaube	2	
9	680212	Kippsensor	1	
10	GU95005304	Ausgleichscheibe 5,2x18x1,5	1	
11	478533	Gew.schr.	1	
12	2B002901	Halterung Zündkerzenkabel	2	
13	2B003052	T-Buchse	4	
14	1A003444	Linsenschraube	4	
15	641901	Zuendtransform.cpl.	1	
16	642034	Zuendtransform.cpl. DX	1	
17	CM277101	Zuendkabel (450 mm)	1	
18	CM277102	Zuendkabel (580 mm)	1	
19	080341	Kabel Zündspulensockel	1	
20	887421	Temperaturfühler	1	
21	2D000355	Cappuccio termorestringente	1	

Einheit	Elektrische Anlage
Code	11.030
Beschreibung	Hint.Elektrische Anlage
Inspektion	1



Pos.	Code	Beschreibung	Menge	Varianten
1	2D000209	Kabelast	1	
2	2D000245	Gruppe Kabel Rücklicht	1	
3	070286	Kabelführung	1	
4	584211	Sicherungskasten	1	
5	883161	Hltr. Sicherungsblock	1	
6	GU98682212	TCEI Schraube M5x12	2	
7	GU95100059	Ausgleichscheibe 5,25x14x1,5	2	
8	2B002781	Batterieabdeckung	1	
9	638733	Batterie Yuasa YTX14-BS 12V-12Ah (150x87x145)	1	
10	B063233	Batteriehalterung	1	
11	AP8120001	Gummi	4	
12	GU32517710	Deko "Battery service"	1	
13	AP8181140	Kabelführung	1	
14	CM013202	Rückhaltefeder Leitungen/Kabel	1	
15	894704	Kabelführung	9	
16	B043850	Schelle	1	
17	GU14609650	Schelle 3,6x20,6	24	
18	GU49609601	Schelle 2,4x92	1	
19	AP8144552	seit. Gummiaufkl. Batterie	1	


MOTO GUZZI®

ERSATZTEILKATALOG



V9 Roamer 2016 (EMEA)

Vorsatzcode Fahrgestell: ZGULH000

Vorsatzcode Motor:

Inhaltsverzeichnis

Fertige Produkte.....	4
Alphanumerisches Verzeichnis.....	5
Rahmen.....	10
Tafel 01.010 - Rahmen.....	10
Tafel 01.020 - Fussrasten.....	11
Tafel 01.030 - Hauptständer.....	12
Tafel 01.040 - Schutz.....	13
Tafel 01.050 - Schwinge.....	14
Aufbau.....	15
Tafel 02.030 - Vorderes Schutzblech-Stütze.....	15
Tafel 02.100 - Mittlerer Aufbau.....	16
Tafel 02.120 - Sitz.....	17
Tafel 02.150 - Hinteres schutzblech.....	18
Tafel 02.170 - Schlösser.....	19
Tafel 02.190 - Deko.....	20
Motor.....	22
Tafel 03.010 - Motor-Fertigstellung.....	22
Tafel 03.020 - Schalthebel.....	23
Tafel 03.030 - Gehäuse I.....	25
Tafel 03.050 - Filtergehäuse.....	26
Tafel 03.060 - Klappenkörper.....	27
Tafel 03.090 - Kopfdeckel.....	28
Tafel 03.100 - Zylinderkopf - ventile.....	29
Tafel 03.120 - Steuer.....	30
Tafel 03.150 - Zylinder - Kolben.....	31
Tafel 03.160 - Kurbelwelle.....	32
Tafel 03.170 - Schaltgetriebe / Schaltgabel / Desmodrom.....	33
Tafel 03.180 - Schaltgetriebe - Zahnräder.....	35
Tafel 03.190 - Schmierung.....	37
Tafel 03.196 - Anlage Blow-by.....	39
Tafel 03.230 - Kupplung.....	40
Tafel 03.270 - Zuenderdeckel.....	42
Tafel 03.290 - Zündung / Elektrischer Anfang.....	43
Tafel 03.300 - Schwungmagnetstarter / Zündung.....	44
Tafel 03.320 - Secondary air.....	45
Tafel 03.330 - Auspuffrohr.....	46
Tafel 03.340 - Getriebe kpl.....	47
Tafel 03.350 - Getriebedeckel.....	48
Radaufhängungen.....	50
Tafel 04.060 - Vorderradgabel Kaifa.....	50
Tafel 04.080 - Stoßdämpfer.....	51
Räder.....	52
Tafel 05.010 - Vorderrad.....	52

Tafel 05.020 - Hinterrad.....	53
Bremsanlage	54
Tafel 06.010 - Vorderradbremspumpe.....	54
Tafel 06.020 - Vorderradbremzange.....	55
Tafel 06.030 - Hinterradbremspumpe.....	56
Tafel 06.040 - Hinterradbremzange.....	58
Tafel 06.050 - Bremsanlage ABS.....	59
Lenkstange - Schaltungen.....	60
Tafel 07.010 - Lenkung.....	60
Tafel 07.020 - Lenkstange - Schaltungen.....	61
Tafel 07.030 - Kupplungssteuerung.....	62
Vorderer lichter - Instrumente.....	63
Tafel 08.010 - Vorderer lichter.....	63
Tafel 08.020 - Instrumente.....	64
Tafel 08.030 - Hinterer lichter.....	65
Tank.....	67
Tafel 09.010 - Kraftstofftank.....	67
Tafel 09.020 - Benzindampfdruckf.-Anlage.....	68
Elektrische Anlage.....	69
Tafel 11.010 - Vorder Elektrische Anlage.....	69
Tafel 11.020 - Mitt. elektrische Anlage.....	70
Tafel 11.030 - Hint.Elektrische Anlage.....	71

Fertige Produkte

Code	Gültigkeit
GU9032250AUG99	
GU9032250EUG01	
GU9032250EUG02	
GU9032250EUG03	
GU9032250GBG01	
GU9032250GBG02	
GU9032250GBG03	
GU9032250GBG99	

Code	Nr. der Tafel	Pos.	Code	Nr. der Tafel	Pos.	Code	Nr. der Tafel	Pos.
006630	03.270	8	1A006655	03.030	8	2A000496	03.120	4
00H02402282	06.050	5	1A006656	03.030	7	2A000521	03.120	9
013763	03.190	14	1A006659	03.100	12	2A000527	03.120	27
013763	08.020	7	1A0066680G	03.160	3	2A000528	03.120	8
070286	08.030	30	1A0066680N	03.160	3	2A000565	03.090	1
070286	11.030	3	1A0066680V	03.160	3	2A000579	03.120	5
080341	11.020	19	1A0066690G	03.160	8	2A000591	03.170	37
122675	11.010	12	1A0066690N	03.160	8	2A000597	03.320	3
1A000360	03.180	7	1A0066690V	03.160	8	2A000608	03.060	8
1A000365	03.180	16	1A006671AA	03.160	7	2A000609	03.060	3
1A000366	03.180	22	1A006671BB	03.160	7	2A000612	03.060	7
1A000367	03.180	27	1A006716	03.090	4	2A000620	03.090	6
1A000368	03.180	28	1A006860	03.030	19	2A000627	03.180	13
1A000369	03.180	29	1A006861	03.120	16	2A000629	03.180	30
1A000370	03.180	25	1A0068695	03.100	10	2A000631	03.230	21
1A000436	03.180	10	1A0068705	03.100	11	2A000633	03.190	5
1A000566	03.180	4	1A0068960B	03.160	2	2A000638	03.230	30
1A002604	03.180	24	1A0068960G	03.160	2	2A000659	03.090	2
1A002604	03.180	9	1A0068960R	03.160	2	2A000724	03.230	4
1A003444	11.020	14	1A006963	03.060	12	2A000727	03.180	5
1A003452	03.100	5	1A007008	03.190	22	2A000741	03.230	31
1A004442	03.190	15	1A007070	03.150	2	2A0007425	03.170	19
1A004530	03.030	10	1A007111	03.150	9	2A0007505	03.170	6
1A004549	03.190	11	1A008576	03.120	25	2A000767	03.230	23
1A004550	03.030	1	1C001499	01.030	8	2A000770	03.230	28
1A004660	03.100	1	1C001499	05.020	19	2A000774	03.230	6
1A004661	03.100	1	1D001393	03.060	2	2A000792	03.230	7
1A004662	03.100	1	1D001450	09.010	8	2B000215	03.330	15
1A004750	03.100	8	1D001549	11.010	7	2B000221	11.010	3
1A004751	03.100	4	224566	03.170	44	2B000225	05.020	11
1A004752	03.100	6	224566	03.350	8	2B000377	05.020	14
1A004903	03.120	13	237553	03.190	12	2B000404	03.350	2
1A004905	03.120	12	248419	01.040	12	2B000525	06.040	1
1A004907	03.120	14	254485	03.330	19	2B001009	03.020	15
1A004953	03.150	8	254485	11.010	5	2B001035	01.010	17
1A004954	03.150	7	285536	03.170	3	2B001052	07.010	3
1A004955	03.150	6	292022	08.010	3	2B001055	01.010	1
1A004956	03.150	5	292723	08.010	2	2B001058	05.010	5
1A005199	03.190	3	2A000097	03.170	41	2B001073	05.010	9
1A005211	03.030	2	2A000115	03.300	5	2B001088	01.030	5
1A005257	03.190	13	2A000129	03.300	4	2B001139	05.010	1
1A0052625	03.030	21	2A000203	03.180	20	2B001141	02.030	1
1A005325AA	03.160	6	2A000216	03.230	8	2B001147	02.030	2
1A005325BB	03.160	6	2A000219	03.170	12	2B001148	07.020	12
1A005382	11.020	5	2A000222	03.170	38	2B0011535	03.340	1
1A005424	03.100	2	2A000224	03.170	20	2B001154	08.020	3
1A005425	03.100	9	2A000225	03.170	23	2B001163	07.020	1
1A005712	03.120	1	2A000226	03.170	21	2B001182	08.010	17
1A0057145	03.120	24	2A000227	03.170	22	2B001223	08.020	2
1A005951	03.120	7	2A000241	03.170	27	2B001231	08.010	16
1A005955	03.120	19	2A000241	03.170	28	2B001279	05.020	18
1A006047	03.030	4	2A000241	03.180	32	2B001301	01.050	1
1A006053	03.190	27	2A000306	03.170	27	2B001303	03.350	25
1A006055	03.190	25	2A000339	03.090	3	2B001307	03.350	11
1A006056	03.190	24	2A0003535	03.120	6	2B001310	05.020	1
1A006064	03.190	23	2A000375	03.230	14	2B001311	03.350	3
1A006119	03.120	22	2A000376	03.230	16	2B001406	02.150	1
1A006127	03.120	23	2A000378	03.230	32	2B001561	05.010	17
1A006243	03.120	21	2A000384	03.230	18	2B001564	06.050	17
1A006272AA	03.150	10	2A000385	03.230	19	2B001612	01.010	16
1A006272BB	03.150	10	2A000415	03.170	24	2B001614	06.050	14
1A006272CC	03.150	10	2A000418	03.230	29	2B001618	02.100	2
1A006272DD	03.150	10	2A000419	03.230	1	2B001619	02.100	1
1A006283	03.030	17	2A00042115	03.170	1	2B001629	09.010	1
1A006284	03.030	18	2A000438	03.170	43	2B001708	05.010	18
1A006298	03.270	4	2A000438	03.350	22	2B001783	02.100	5
1A0066355	03.010	1	2A000467	03.170	15	2B001823	03.060	12

Code	Nr. der Tafel	Pos.	Code	Nr. der Tafel	Pos.	Code	Nr. der Tafel	Pos.
2B001929	06.010	6	2B002702	07.020	8	2D000102	06.050	1
2B001930	06.010	4	2B002705	01.030	1	2D000159	08.020	1
2B001935	03.330	24	2B002781	11.030	8	2D000163	07.020	19
2B001941	03.020	18	2B002799	01.040	1	2D000209	11.010	1
2B001953	06.040	3	2B002804	06.050	9	2D000209	11.020	1
2B001956	05.020	9	2B002805	06.050	10	2D000209	11.030	1
2B002011	08.010	11	2B002806	06.050	16	2D000218	07.020	20
2B002043	02.170	3	2B002807	03.350	21	2D000225	08.010	1
2B002171	01.020	21	2B002810	01.010	5	2D000226	07.020	3
2B002171	03.350	27	2B002817	01.010	15	2D000227	07.020	2
2B002189	06.030	1	2B002832	03.050	2	2D000245	11.030	2
2B002192	04.060	1	2B002842	07.030	8	2D000255	08.030	11
2B002195	07.020	7	2B002851	03.050	5	2D000256	08.030	12
2B002200	03.350	15	2B002875	07.020	16	2D000261	08.010	4
2B002205	01.050	6	2B002901	11.020	12	2D000262	08.010	5
2B002218	01.020	1	2B002936	02.170	11	2D0002805	06.030	9
2B002219	01.020	2	2B002937	01.040	10	2D0002885	07.030	9
2B002225	01.020	5	2B002940	02.170	1	2D000299	02.170	2
2B002233	06.030	13	2B002943	01.040	9	2D000355	11.020	21
2B002269	06.010	1	2B002944	09.010	6	2H001249500YG3	09.010	1
2B002294	04.060	3	2B002959	03.050	14	2H001250500YG3	02.030	1
2B002295	04.060	2	2B002989	04.080	1	2H001253	02.190	8
2B002298	03.340	2	2B003039	06.010	5	2H001254	02.190	7
2B002311	01.010	21	2B003040	06.010	3	2H001255	02.190	12
2B002311	02.150	4	2B003041	06.010	2	2H001256	02.190	11
2B002321	02.150	5	2B003042	09.020	3	2H001257	02.190	6
2B002325	01.010	3	2B003052	11.020	13	2H001258	02.190	5
2B002326	01.010	4	2B003056	06.050	2	2H001259	02.190	14
2B002359000C1	02.120	1	2B003076	01.020	4	2H001260	02.190	13
2B002364	07.020	5	2B003077	01.020	3	2H001366500YG3	02.150	1
2B002365	08.030	1	2B003078	01.010	12	2H001367	02.190	10
2B002366	08.030	29	2B003089	02.150	6	2H001368	02.190	9
2B002369	03.020	3	2B003102	01.040	3	2H001369	02.190	2
2B002378	01.040	2	2B003103	01.040	4	2H001370	02.190	1
2B002380	05.010	4	2B003105	03.196	3	2H001371	02.190	4
2B002381	05.020	2	2B003111	04.080	2	2H001372	02.190	3
2B002386	02.150	3	2B003164	08.010	13	2H001401500Q4	09.010	1
2B002390	07.030	2	2B003165	08.010	14	2H001402500Q4	02.030	1
2B002391	07.030	1	2B003204	03.196	2	2H001403500Q4	02.150	1
2B002443	08.030	3	2B003212	01.050	5	2H001404	02.190	8
2B002448	05.020	3	2B003271	06.020	1	2H001405	02.190	7
2B002471	07.020	13	2B003284	03.330	25	2H001406	02.190	10
2B002483	08.030	4	2B003292	07.010	15	2H001407	02.190	9
2B002484	08.030	7	2B003313	06.020	6	2H001408	02.190	2
2B002486	09.010	9	2B003367	08.020	6	2H001409	02.190	1
2B002495	03.330	6	2B0033875	03.350	23	2H001410	02.190	4
2B002496	03.330	5	2B003742	04.060	14	2H001411	02.190	3
2B0024975	03.330	1	2B003743	07.010	1	2H001412	02.190	6
2B0024985	03.330	2	2B004042	06.030	24	2H001413	02.190	5
2B002529	03.320	7	2B004043	03.020	28	2H001445	02.190	16
2B002530	03.320	9	2B004044	01.020	22	2H001446500XR7	09.010	1
2B002531	03.320	8	2B004050	06.030	37	2H001447500XR7	02.030	1
2B002532	03.330	13	2B004053	03.020	3	2H001448500XR7	02.150	1
2B002533	03.330	12	2B004062	03.020	2	2H001450	02.190	8
2B002535	03.350	24	2B004062	06.030	30	2H001451	02.190	7
2B002536	03.350	18	2B004063	06.030	27	2H001452	02.190	10
2B002541	08.030	21	2B004064	06.030	29	2H001453	02.190	9
2B002602	03.196	4	2B004076	06.030	34	2H001454	02.190	2
2B0026135	03.330	4	2B004107	06.030	36	2H001455	02.190	1
2B0026145	03.330	3	2B004109	03.020	9	2H001456	02.190	4
2B002621	01.040	6	2B004111	06.030	32	2H001457	02.190	3
2B002622	01.040	5	2B004112	03.020	27	2H001458	02.190	6
2B002632	09.020	1	2B004112	06.030	21	2H001459	02.190	5
2B002680	03.020	9	2D000004	02.170	4	2Q000110	02.190	15
2B002681	06.050	11	2D000024	03.300	1	2R000109	04.060	7
2B002699	03.340	3	2D000099	08.020	1	2R000110	04.060	23
2B002701	07.020	9	2D000100	08.010	1	2R000243	04.060	19

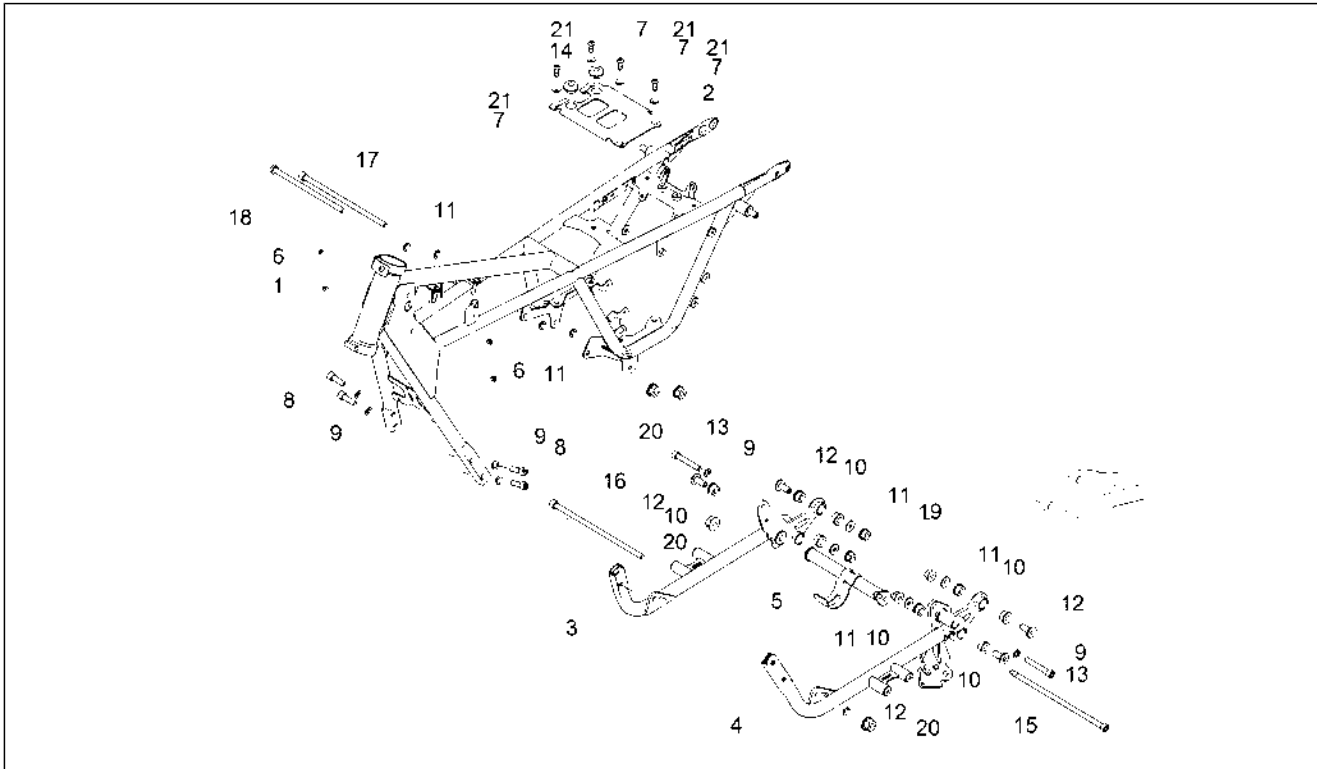
Code	Nr. der Tafel	Pos.	Code	Nr. der Tafel	Pos.	Code	Nr. der Tafel	Pos.
2R000248	06.040	5	887481	11.020	7	AP8104525	03.050	4
319165	02.170	9	887762	05.010	14	AP8104924	03.050	7
478533	11.020	11	887762	05.020	12	AP8110053	03.020	16
479175	08.030	13	887815	03.050	8	AP8110077	07.010	7
484993	03.030	20	887831	07.010	9	AP8110109	05.020	6
584211	11.030	4	887832	07.010	12	AP8113003	06.050	3
584332	08.010	6	887843	03.050	9	AP8113004	06.050	4
584332	08.030	15	887844	03.050	12	AP8113081	06.030	4
638733	11.030	9	887875	05.010	8	AP8113082	06.030	5
639338	08.010	7	887878	04.060	4	AP8118579	07.020	4
639338	08.030	16	887879	04.060	5	AP8120001	01.040	15
641040	11.020	8	887880	04.060	6	AP8120001	11.030	11
641901	11.020	15	887882	04.060	8	AP8120030	06.050	7
642034	11.020	16	887883	04.060	9	AP8120178	06.030	3
643090	03.190	16	887884	04.060	10	AP8120278	08.030	6
643277	11.010	2	887885	04.060	11	AP8120311	01.010	14
648708	05.020	17	887886	04.060	12	AP8120455	03.050	3
658778	06.030	23	887888	04.060	13	AP8120455	03.330	14
658837	03.030	5	887889	04.060	15	AP8120455	09.010	3
658837	06.030	35	887890	04.060	17	AP8120573	01.020	17
680212	11.020	9	887891	04.060	16	AP8120615	03.050	6
825694	03.100	13	887893	04.060	20	AP8120876	03.050	11
831135	03.030	11	887894	04.060	22	AP8120912	03.020	1
832029	11.010	10	887905	04.060	18	AP8120912	06.030	17
834764	03.170	33	887908	03.020	2	AP8120912	06.030	31
834951	03.330	20	887908	06.030	16	AP8121014	01.030	3
840509	08.030	14	887916	04.060	21	AP8121032	02.100	7
848650	03.180	17	890760	03.050	13	AP8121133	01.020	19
849308	03.180	21	890760	07.010	14	AP8121199	08.010	10
849308	03.180	6	894704	11.030	15	AP8121205	07.010	4
849309	03.180	23	895328	03.020	5	AP8121420	02.170	6
849310	03.180	26	895328	06.030	10	AP8121509	03.020	26
849396	03.180	14	895709	06.050	20	AP8121567	01.020	15
849424	03.180	8	896110	03.330	7	AP8121725	08.030	25
852090	03.330	11	896174	01.040	8	AP8121882	06.050	18
854827	07.020	15	897478	03.300	2	AP8121927	06.030	15
856063	09.020	7	898268	03.270	6	AP8121927	06.030	25
857045	03.320	2	898269	03.270	7	AP8123641	07.010	6
857046	03.320	5	898283	03.020	11	AP8123642	07.010	10
857047	03.320	1	898286	06.030	28	AP8123643	07.010	11
857181	03.320	10	898396	03.020	14	AP8123644	07.010	8
857206	03.300	3	898397	03.020	7	AP8124936	11.010	6
857250	03.170	29	959559	06.050	13	AP8125687	05.020	16
859792	05.010	16	967356	01.030	6	AP8127601	09.020	10
859792	05.020	15	967363	01.010	20	AP8127856	01.030	7
859946	06.030	11	967384	01.020	24	AP8134448	08.030	18
859946	06.030	14	967384	06.030	22	AP8134451	01.020	18
871640	03.100	7	974162	03.180	12	AP8144007	03.020	4
873905	03.170	26	974165	03.180	15	AP8144007	06.030	19
873928	03.180	2	976591	03.090	5	AP8144071	01.010	10
874567	03.150	4	976614	02.100	3	AP8144222	07.020	14
874957	03.330	9	976649	03.350	1	AP8144552	11.030	19
876879	03.330	16	97729R	03.290	1	AP8145034	01.020	6
880260	03.060	4	977527	02.170	5	AP8145035	01.020	7
883161	11.030	5	978415	02.170	7	AP8150009	01.010	7
883688	05.010	12	978570	07.020	10	AP8150012	06.030	12
883802	07.020	10	AP8101861	01.020	20	AP8150015	06.050	6
883826	03.030	13	AP8102159	09.020	6	AP8150018	01.010	11
884031	04.080	4	AP8102239	09.020	4	AP8150018	03.020	24
884033	06.030	18	AP8102375	02.100	4	AP8150018	09.010	4
884310	03.060	11	AP8102520	03.050	15	AP8150026	03.020	19
886365	03.030	15	AP8102520	09.020	9	AP8150048	01.010	13
886629	03.230	11	AP8102524	01.030	4	AP8150049	07.020	17
887003	03.270	5	AP8102671	01.010	6	AP8150053	08.010	15
887093	03.190	18	AP8102671	01.040	14	AP8150053	08.030	9
887421	11.020	20	AP8102738	09.020	2	AP8150115	03.020	12
887448	05.020	10	AP8102913	02.170	12	AP8150178	05.010	19

Code	Nr. der Tafel	Pos.	Code	Nr. der Tafel	Pos.	Code	Nr. der Tafel	Pos.
AP8150285	06.030	7	B063907	01.020	12	GU19003800	03.030	3
AP8150377	11.010	4	B063956	03.170	14	GU19015020	03.030	14
AP8150413	01.040	13	B064023	02.120	2	GU19018920	03.030	9
AP8150413	08.030	22	B064112	03.170	10	GU19018920	03.190	28
AP8150451	06.050	15	B064113	03.170	7	GU19021360	03.150	3
AP8150500	01.040	11	B064304	03.350	16	GU19045861	03.120	3
AP8150500	03.060	6	CM013202	11.030	14	GU19055700	03.120	2
AP8150509	03.050	10	CM178609	08.020	4	GU19058021	03.120	20
AP8150536	08.030	8	CM179008	09.020	5	GU19058220	03.120	11
AP8150538	02.030	4	CM179301	02.100	6	GU19062261	03.160	1
AP8150540	07.010	13	CM226902	03.196	1	GU19065400	03.160	9
AP8150543	07.010	2	CM226902	03.320	6	GU19067700	03.230	2
AP8152043	06.010	8	CM228401	01.020	14	GU19213760	03.230	12
AP8152055	03.330	21	CM258301	03.060	13	GU19351100	03.350	17
AP8152138	03.020	17	CM258303	03.050	17	GU19356760	03.230	13
AP8152220	03.190	20	CM275401	03.060	1	GU19547000	01.050	2
AP8152267	03.090	7	CM277101	11.020	17	GU20147710	03.190	21
AP8152272	03.120	10	CM277102	11.020	18	GU20147810	03.190	26
AP8152273	02.150	7	GU01528930	03.350	28	GU20258221	03.020	23
AP8152273	09.010	7	GU01528930	03.350	6	GU27061885	03.160	4
AP8152277	01.020	11	GU01659130	06.020	5	GU27066460	03.160	5
AP8152288	06.040	2	GU01659131	06.020	4	GU27152885	03.190	1
AP8152288	09.010	2	GU03013800	03.020	22	GU30601060	07.030	3
AP8152299	02.100	8	GU03013800	03.060	10	GU30602500	07.030	4
AP8152299	02.150	2	GU03617710	05.010	10	GU31003766	03.030	22
AP8152299	08.010	12	GU03617710	05.020	7	GU31003766	03.350	7
AP8152299	08.030	31	GU03658201	06.050	21	GU31150950	03.190	10
AP8152299	11.020	6	GU03658330	06.050	19	GU31159050	03.190	6
AP8152306	08.030	19	GU03749845	06.010	7	GU31256881	03.020	10
AP8152329	03.050	1	GU04355100	03.350	20	GU31544181	06.040	4
AP8152384	07.010	5	GU04355101	03.350	20	GU31547882	01.050	3
AP8152385	06.020	2	GU04355102	03.350	20	GU31616384	05.010	15
AP8161054	03.050	16	GU04355103	03.350	20	GU31659181	06.040	7
AP8181140	11.030	13	GU04355104	03.350	20	GU31659281	06.040	6
AP8201755	08.030	24	GU04355105	03.350	20	GU32441210	01.020	10
AP8210007	03.020	20	GU04355106	03.350	20	GU32442310	01.020	8
AP8213028	07.030	5	GU05217630	03.230	26	GU32442710	01.020	9
AP8213388	07.030	6	GU05234230	03.170	9	GU32517710	11.030	12
AP8220186	08.030	5	GU05234631	03.170	31	GU32602860	07.020	6
AP8221023	03.050	18	GU05235531	03.170	30	GU32615660	05.010	3
AP8221023	06.050	8	GU05238231	03.170	13	GU32632510	05.020	20
AP8221197	01.030	2	GU05238431	03.170	11	GU32944310	02.190	17
AP8221277	01.020	16	GU05239330	03.170	16	GU37359005	03.350	10
AP8224164	08.030	17	GU05351230	03.350	9	GU49609601	11.020	2
AP8224462	11.020	4	GU05659230	06.020	3	GU61027200	03.150	1
AP8702101	02.170	10	GU05781630	04.060	24	GU66103415	09.010	10
AP9100053	08.030	27	GU10034100	03.120	15	GU90271014	03.170	17
AP9100477	01.020	23	GU10528900	03.030	23	GU90271022	03.170	32
B013037	03.230	15	GU12022600	03.170	35	GU90272047	05.020	5
B013608	03.170	25	GU12154200	03.190	2	GU90353014	03.170	8
B013608	03.180	3	GU12351100	03.350	13	GU90353029	03.120	17
B014598	01.050	7	GU14085900	03.230	25	GU90401424	03.170	18
B015040	03.180	11	GU14086100	03.230	17	GU90402642	05.010	6
B015598	03.170	2	GU14217901	03.230	5	GU90412541	03.180	18
B016796	03.060	5	GU14609650	11.010	9	GU90413850	03.350	12
B016796	08.030	23	GU14609650	11.020	3	GU90706141	11.010	11
B017406	03.170	5	GU14609650	11.030	17	GU90706170	03.230	27
B017636	03.100	3	GU14615901	03.230	3	GU90706188	03.350	4
B018020	03.170	4	GU14615901	03.330	18	GU90706203	03.170	34
B018448	03.180	31	GU14615901	03.330	22	GU90706235	03.230	10
B043850	11.030	16	GU14615901	03.350	26	GU90706281	03.030	25
B063025	03.170	39	GU14615901	07.020	18	GU90706444	03.190	4
B063174	04.080	3	GU14616150	05.010	11	GU90706584	03.350	5
B063233	11.030	10	GU14616150	05.020	8	GU90706958	03.350	19
B063269	03.170	40	GU18144350	03.190	8	GU91113826	03.330	10
B063287	01.010	2	GU19002020	03.170	36	GU91181003	07.020	21
B063292	03.330	8	GU19002020	03.270	3	GU91551010	01.010	19

Code	Nr. der Tafel	Pos.
GU91551010	03.050	19
GU91551131	09.010	5
GU92201226	03.180	19
GU92201226	03.230	9
GU92201822	03.180	1
GU92204220	05.020	4
GU92204221	05.010	7
GU92254340	03.350	14
GU92296723	03.190	30
GU92602510	03.190	19
GU92606206	03.020	8
GU92606206	06.030	2
GU92606206	06.030	26
GU92606208	03.030	6
GU92606508	03.230	24
GU92630206	06.030	6
GU92630207	05.010	20
GU92630510	03.020	25
GU92630707	06.030	33
GU92660021	03.330	17
GU93180105	01.050	4
GU93180111	05.010	2
GU93180220	03.170	42
GU93304360	09.020	8
GU93304390	11.010	8
GU93304390	11.030	18
GU93450224	08.030	2
GU94321079	03.190	9
GU94321105	03.230	22
GU95005304	11.020	10
GU95005310	08.030	20
GU95008206	03.190	7
GU95008208	03.290	2
GU95008208	03.330	23
GU95008210	01.010	9
GU95008306	08.030	32
GU95020105	01.030	9
GU95100059	11.030	7
GU95100309	03.190	17
GU95100602	03.190	29
GU95129115	03.120	18
GU95500222	03.230	20
GU96451316	06.050	12
GU96451430	03.030	12
GU96508055	03.030	16
GU97202325	07.030	7
GU98110199	01.010	18
GU98210610	08.020	5
GU98210616	07.010	16
GU98210616	08.030	28
GU98370625	06.030	20
GU98612216	03.320	4
GU98612320	08.010	8
GU98612320	08.030	10
GU98620330	01.040	7
GU98622322	03.060	9
GU98632322	03.020	21
GU98680445	01.020	13
GU98680445	06.030	8
GU98680460	03.020	6
GU98682212	03.300	6
GU98682212	11.030	6
GU98682312	05.020	13
GU98682325	03.030	24
GU98682325	03.270	1
GU98682330	03.270	2
GU98682330	08.030	26

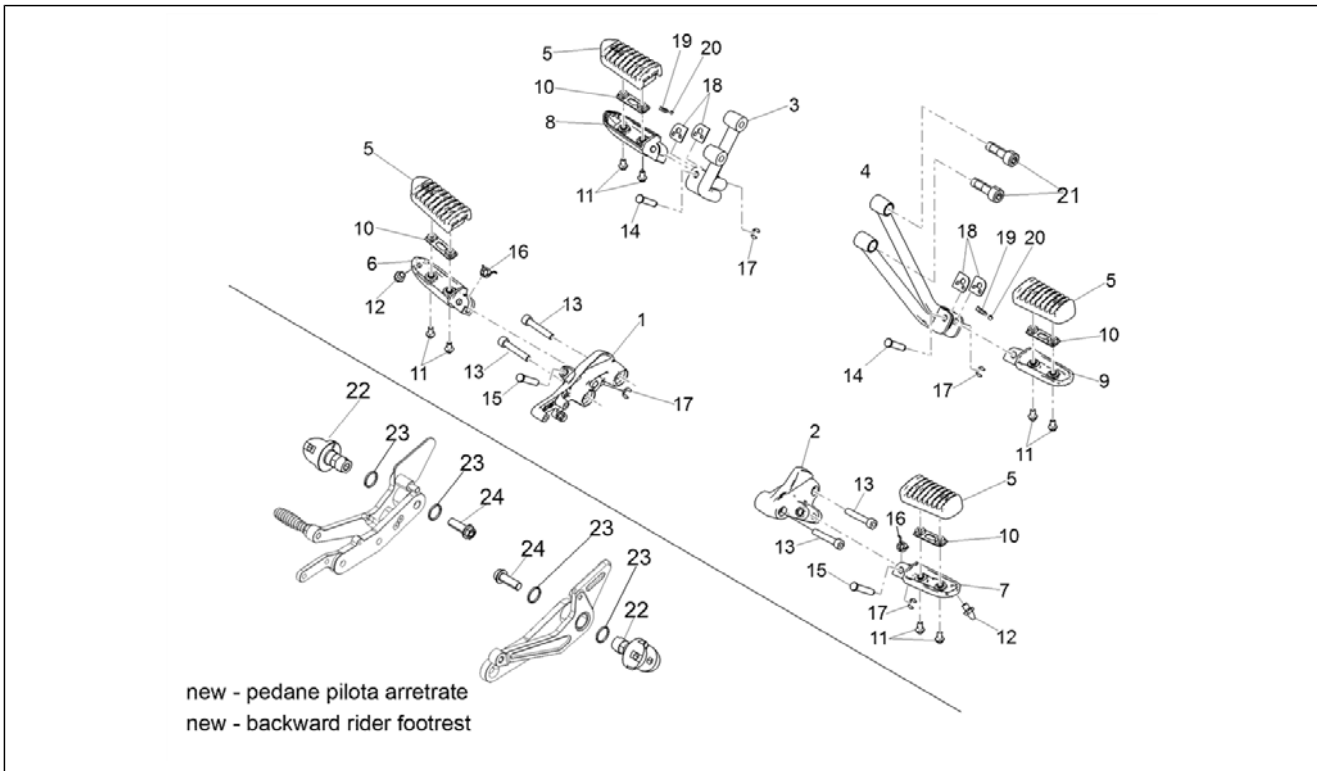
Code	Nr. der Tafel	Pos.
GU98682416	02.170	8
GU98682416	09.010	11
GU98682435	03.290	3
GU98682530	01.010	8
GU98690445	02.030	3
GU98690445	08.010	9
GU98692318	03.020	13
GU98692425	07.020	11
GU98882316	03.120	26

Einheit	Rahmen
Code	01.010
Beschreibung	Rahmen
Inspektion	1



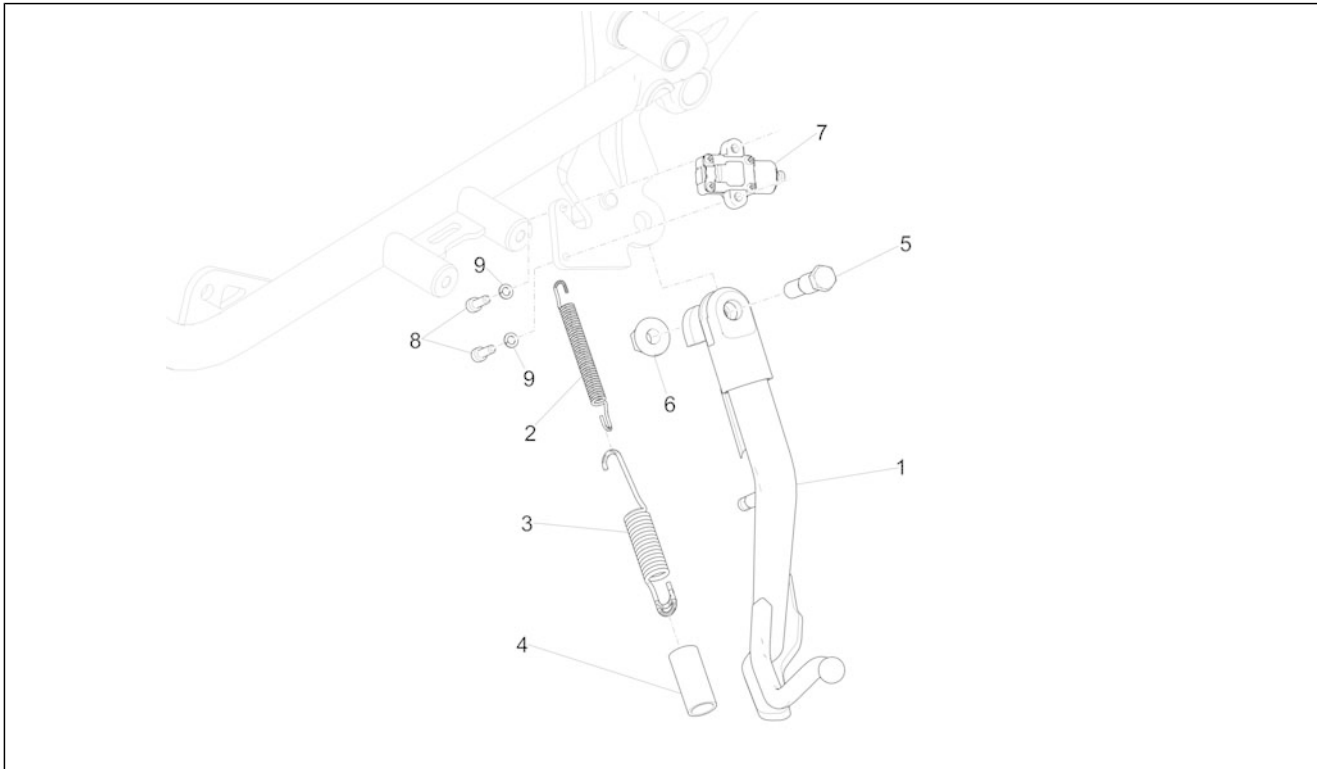
Pos.	Code	Beschreibung	Menge	Varianten
1	2B001055	Fahrgestell	1	
2	B063287	Verbindungsplatte Rahmen	1	
3	2B002325	Arm Rahmenschleife rechts	1	
4	2B002326	Arm Rahmenschleife links	1	
5	2B002810	Rahmenträger	1	
6	AP8102671	Kunststoffniet	4	
7	AP8150009	Scheibe	4	
8	GU98682530	TCEI Schraube M10x30	4	
9	GU95008210	Ausgleichscheibe 10,2X18X2	6	
10	AP8144071	Gummi auspuffrohr	8	
11	AP8150018	Ausgleichscheibe	4	
12	2B003078	Distanzscheibe	4	
13	AP8150048	TCEI Schraube	2	
14	AP8120311	Gummi	2	
15	2B002817	Zapfen M10	1	
16	2B001612	Bolzen M10X253	1	
17	2B001035	Bolzen 234X10	1	
18	GU98110199	Bolzen M10x205	1	
19	GU91551010	Gummi 10X20X10	2	
20	967363	Mutter M8x1,25	4	
21	2B002311	Linsenschraube Torx M8X20	4	

Einheit	Rahmen
Code	01.020
Beschreibung	Fussrasten
Inspektion	1



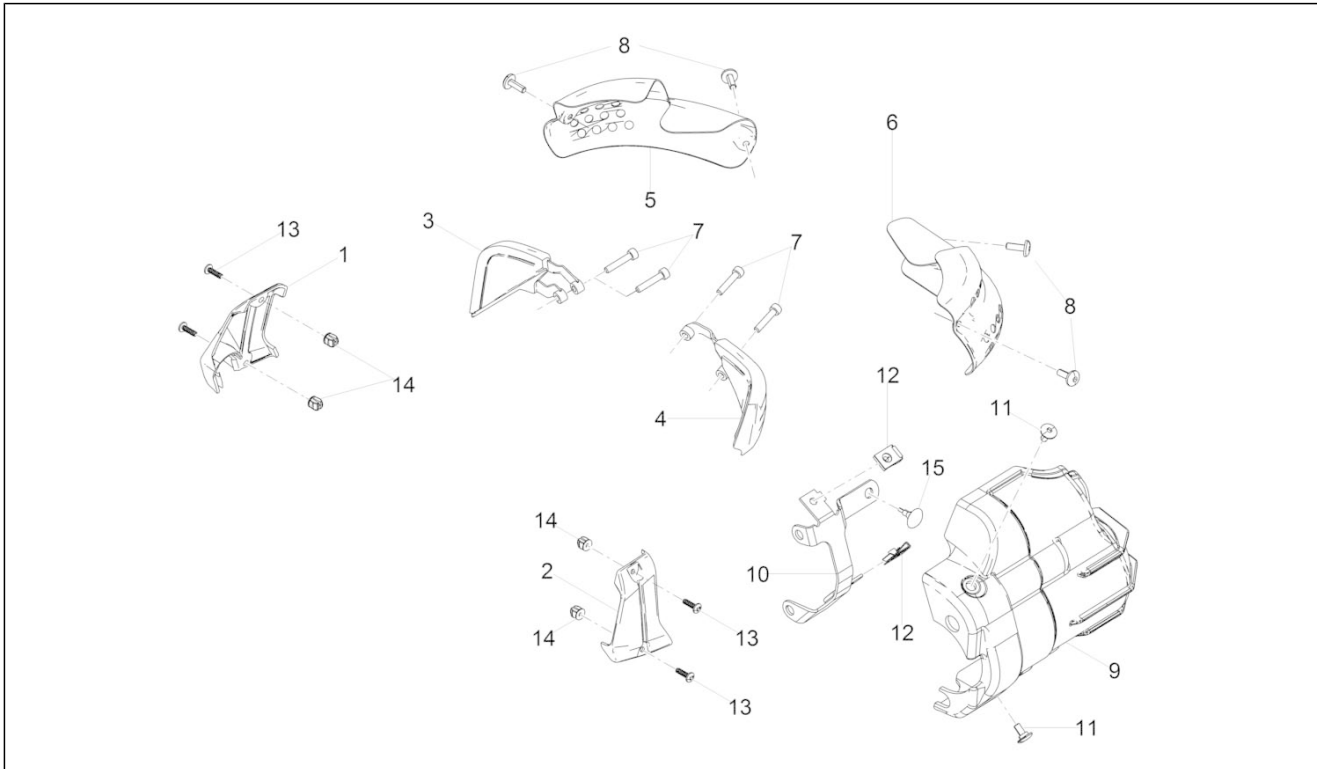
Pos.	Code	Beschreibung	Menge	Varianten
1	2B002218	Fußrastenhalter Fahrer rechts	1	Technische Spezifikation: standard rider footrest[old]
2	2B002219	Fußrastenhalter Fahrer links	1	Technische Spezifikation: standard rider footrest[old]
3	2B003077	Fußrasten-Halterung Beif. rechts	1	
4	2B003076	Fußrasten-Halterung Beif. links	1	
5	2B002225	Gummiraste	4	
6	AP8145034	Fussrasten r.	1	
7	AP8145035	Fussrasten l.	1	
8	GU32442310	Soziusraste rechts	1	
9	GU32442710	Soziusraste links	1	
10	GU32441210	Platte	4	
11	AP8152277	TE Schr. m. Flansch M6x12	8	
12	B063907	Rastenbolzen	2	
13	GU98680445	TCEI Schraube	4	Technische Spezifikation: standard rider footrest[old]
14	CM228401	Rastenbolzen	2	
15	AP8121567	Bolzen	2	
16	AP8221277	Rückholfeder	2	
17	AP8120573	Sperring	4	
18	AP8134451	Fixierplatte	4	
19	AP8121133	Schraubenfederkompr.	2	
20	AP8101861	Kugel D6,35	2	
21	2B002171	TC Schraube 8x25	4	
22	2B004044	Halterung Fahrertrittbrett	2	Technische Spezifikation: backward rider footrest[new]
23	AP9100477	O-Ring 18x2	4	Technische Spezifikation: backward rider footrest[new]
24	967384	Schraube TEF M10X45	2	Technische Spezifikation: backward rider footrest[new]

Einheit	Rahmen
Code	01.030
Beschreibung	Hauptständer
Inspektion	1



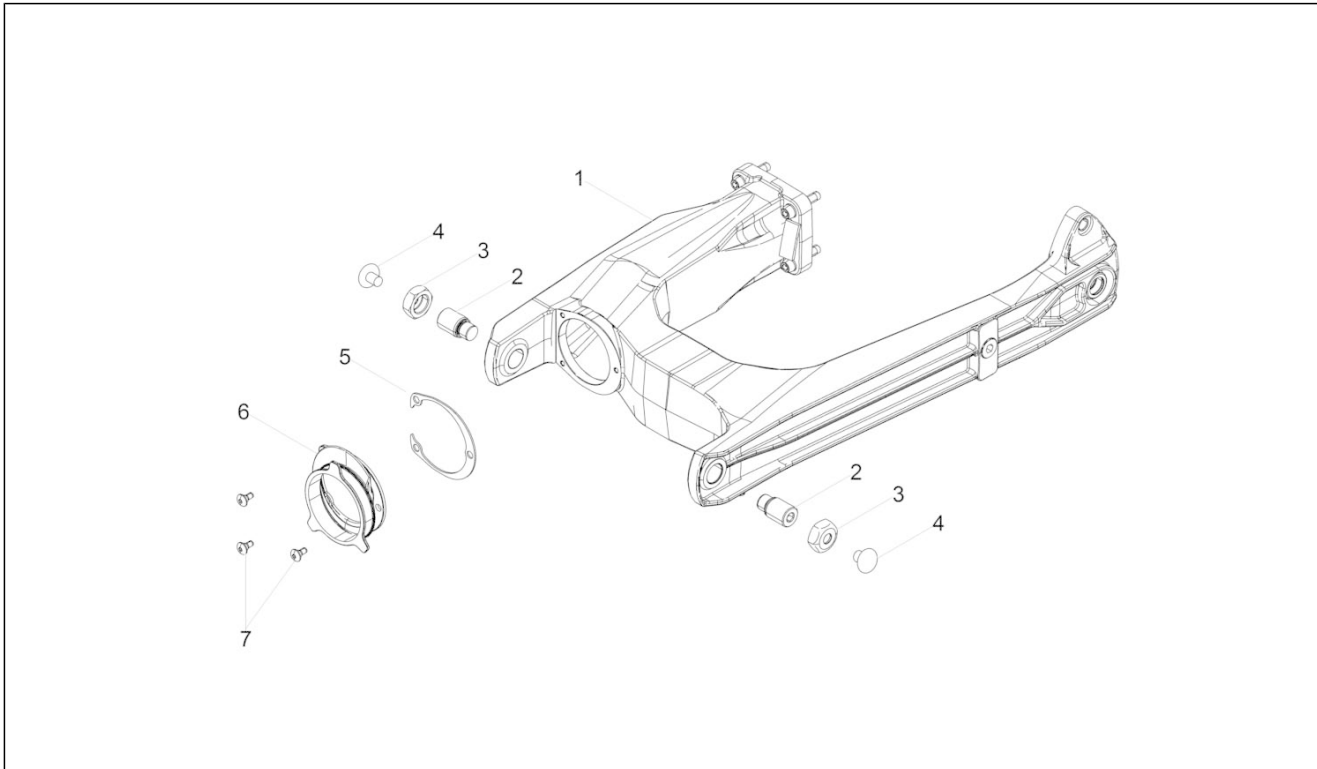
Pos.	Code	Beschreibung	Menge	Varianten
1	2B002705	Seitenständer	1	
2	AP8221197	Hauptständer Schraubenfeder	1	
3	AP8121014	Schraubenfeder	1	
4	AP8102524	Schutz f. Ständerfeder	1	
5	2B001088	Ständerbolzen	1	
6	967356	Geflanschte Mutter M10x1,25	1	
7	AP8127856	Ständer lichtschalter	1	
8	1C001499	Schraube TBEI TORX M5x16 INOX	2	
9	GU95020105	Ausgleichscheibe 5,3x8,9x2,4	2	

Einheit	Rahmen
Code	01.040
Beschreibung	Schutz
Inspektion	1



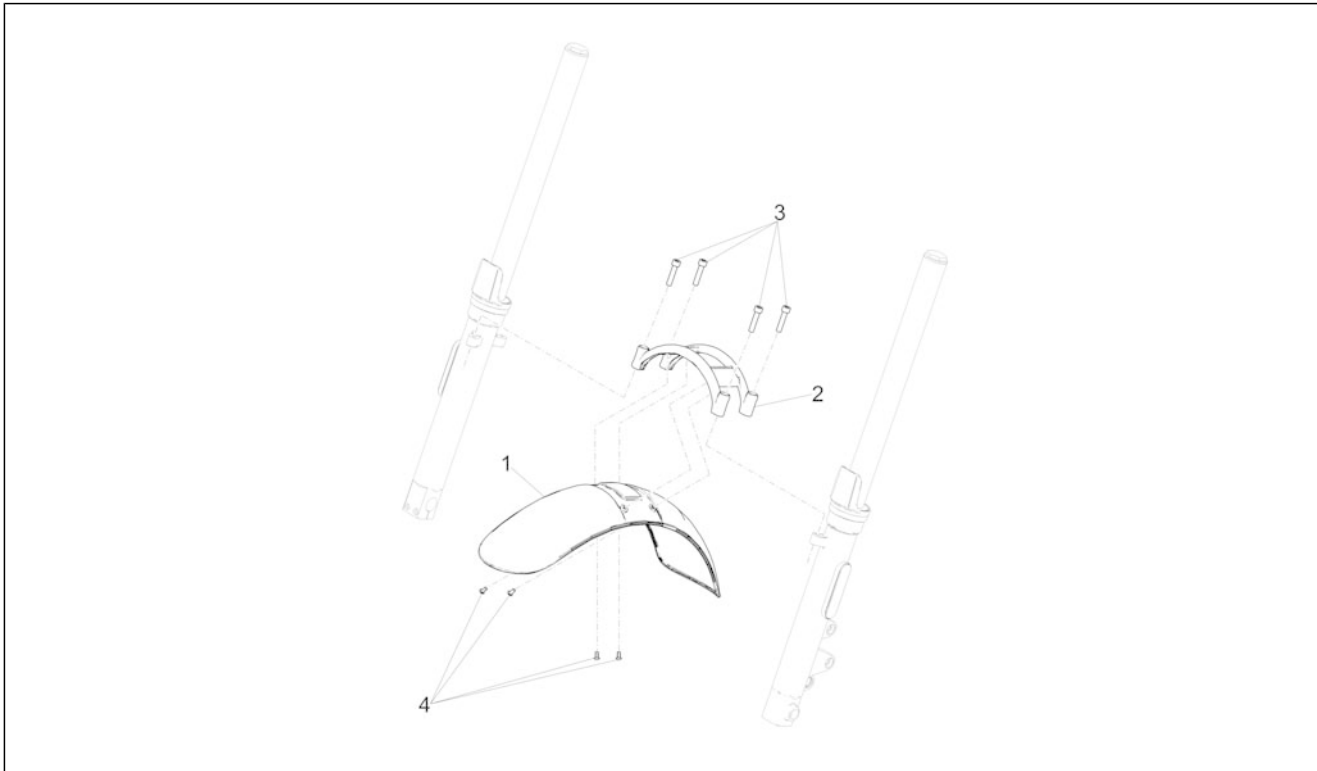
Pos.	Code	Beschreibung	Menge	Varianten
1	2B002799	Rahmenschutz rechts	1	
2	2B002378	Rahmenschutz links	1	
3	2B003102	Knieschutz rechts	1	
4	2B003103	Knieschutz links	1	
5	2B002622	Einspritzdüsenabdeckung rechts	1	
6	2B002621	Einspritzdüsenabdeckung links	1	
7	GU98620330	Schraube	4	
8	896174	Schraube TBEI Schwarz M5x12	4	
9	2B002943	Abdeckung anlassermotor	1	
10	2B002937	Haltebügel Abdeckung	1	
11	AP8150500	TBEI Schraube M5x9	2	
12	248419	Plattchen M5	2	
13	AP8150413	Gew.schr. 3,9x14	1	
14	AP8102671	Kunststoffniet	2	
15	AP8120001	Gummi	1	

Einheit	Rahmen
Code	01.050
Beschreibung	Schwinge
Inspektion	1



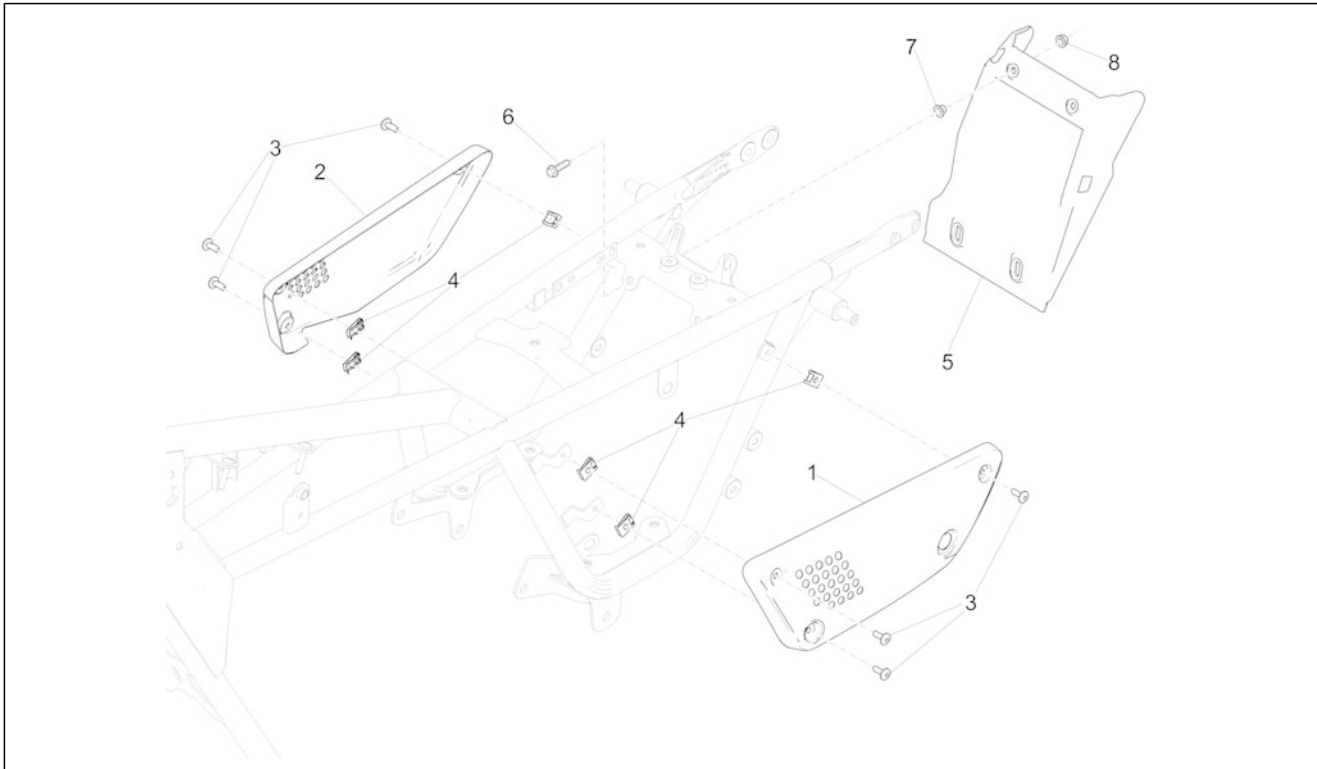
Pos.	Code	Beschreibung	Menge	Varianten
1	2B001301	Schwinge	1	
2	GU19547000	Bolzen	2	
3	GU31547882	Mutter	2	
4	GU93180105	Deckel	2	
5	2B003212	Fixierplatte	1	
6	2B002205	Gummibalg	1	
7	B014598	Torx Schraube M5x12	3	

Einheit	Aufbau
Code	02.030
Beschreibung	Vorderes Schutzblech-Stütze
Inspektion	1



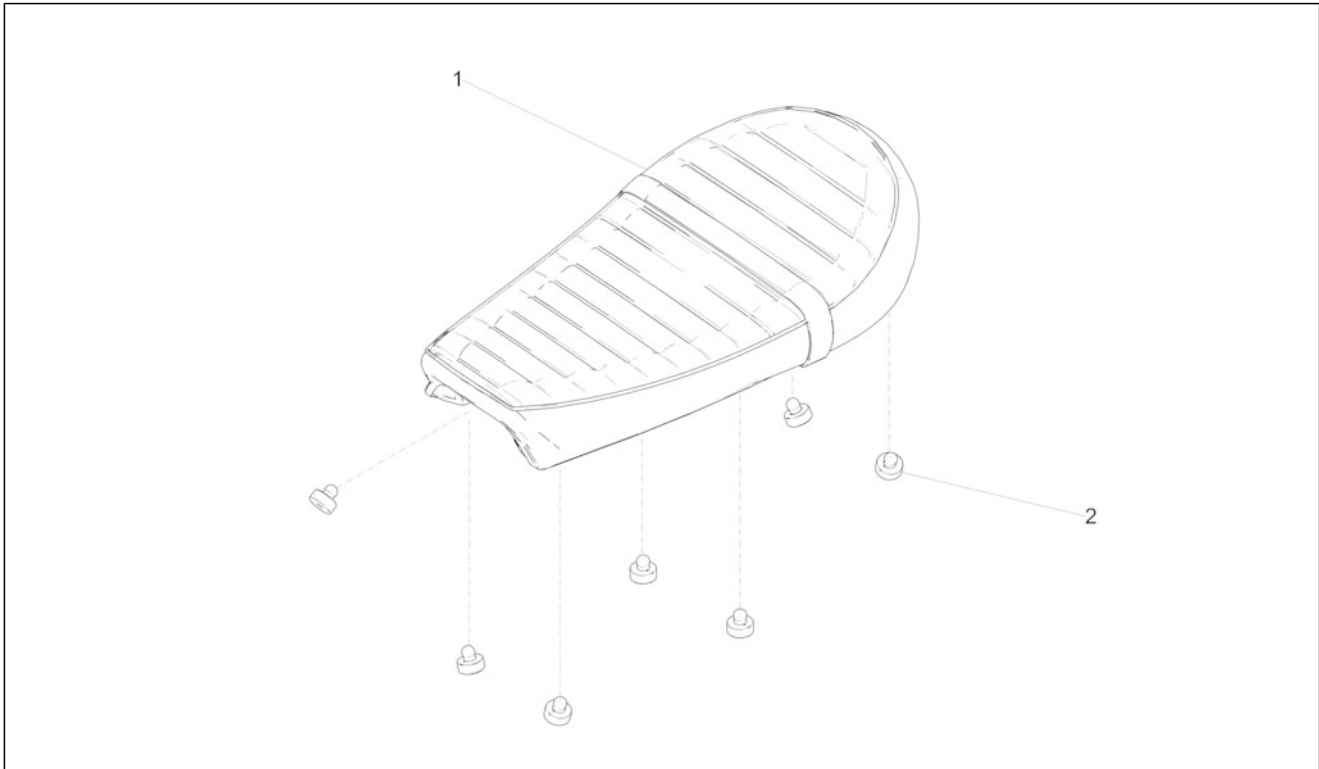
Pos.	Code	Beschreibung	Menge	Varianten
1	2H001447500XR7	V. Schutzblech, rot	1	Farbe: Rot Ibis[RI]
1	2H001250500YG3	Schutzblech v.gelb	1	Farbe: Gelb Brio[YB]
1	2B001141	Vorderes Schutzblech	1	
1	2H001402500Q4	V. Schutzblech, weiß	1	Farbe: Weiß Tech[BT]
2	2B001147	Schutzblechhalterung	1	
3	GU98690445	Schraube M8x45	4	
4	AP8150538	TBEI Schraube M5x10	4	

Einheit	Aufbau
Code	02.100
Beschreibung	Mittlerer Aufbau
Inspektion	1



Pos.	Code	Beschreibung	Menge	Varianten
1	2B001619	L. kl. Seitenteil	1	
2	2B001618	R. kl. Seitenteil	1	
3	976614	TBEI Schraube M5x15	6	
4	AP8102375	Klammer M5	6	
5	2B001783	Hinteres, Spritzschutz	1	
6	CM179301	Schraube M6x16	2	
7	AP8121032	Buchse	2	
8	AP8152299	Selbstsperrende Mutter M6	2	

Einheit	Aufbau
Code	02.120
Beschreibung	Sitz
Inspektion	1



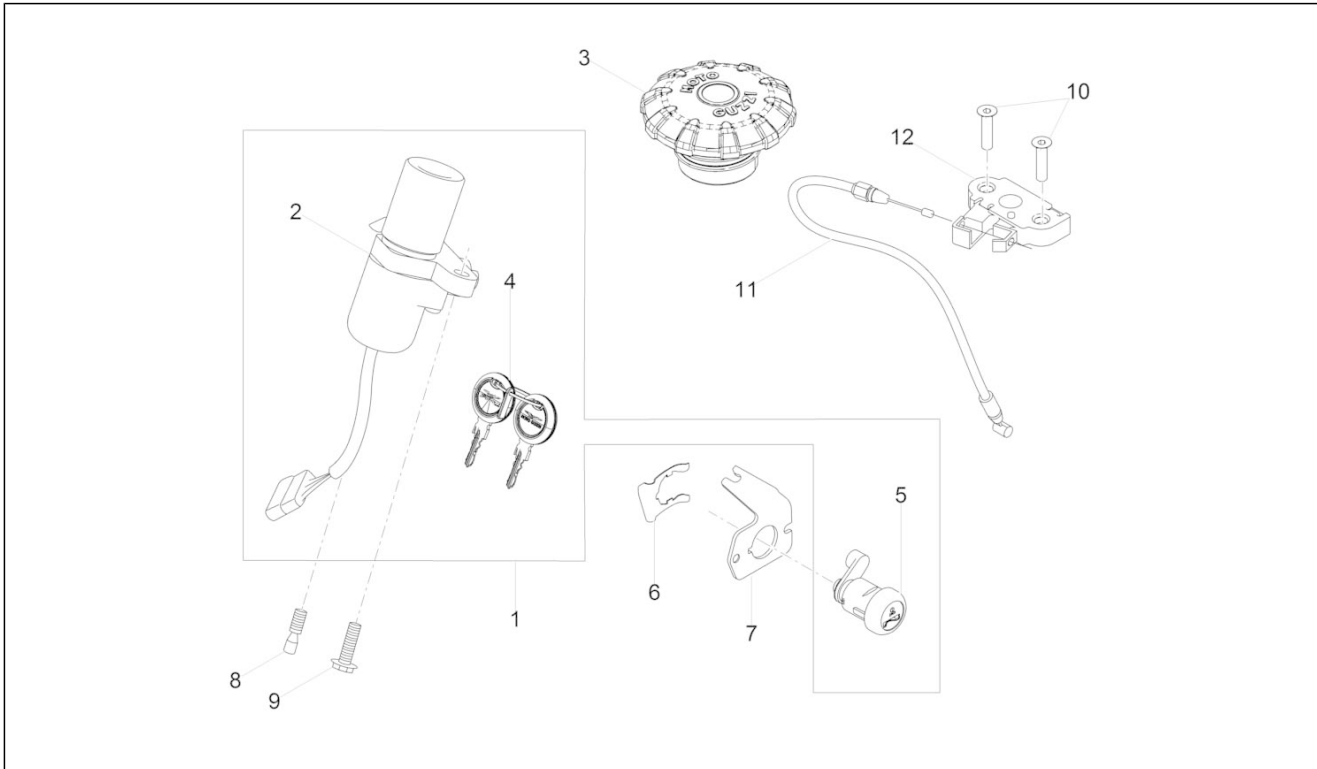
Pos.	Code	Beschreibung	Menge	Varianten
1	2B002359000C1	Sitzbank Custom	1	Baujahr: 2016[G] Farbe: Weiß Tech[BT] Rot Ibis[RI] Gelb Brio[YB] Land: Europa[EU] Großbritannien[GB]
2	B064023	Sitz-Auflagegummi	7	

Einheit	Aufbau
Code	02.150
Beschreibung	Hinteres Schutzblech
Inspektion	1



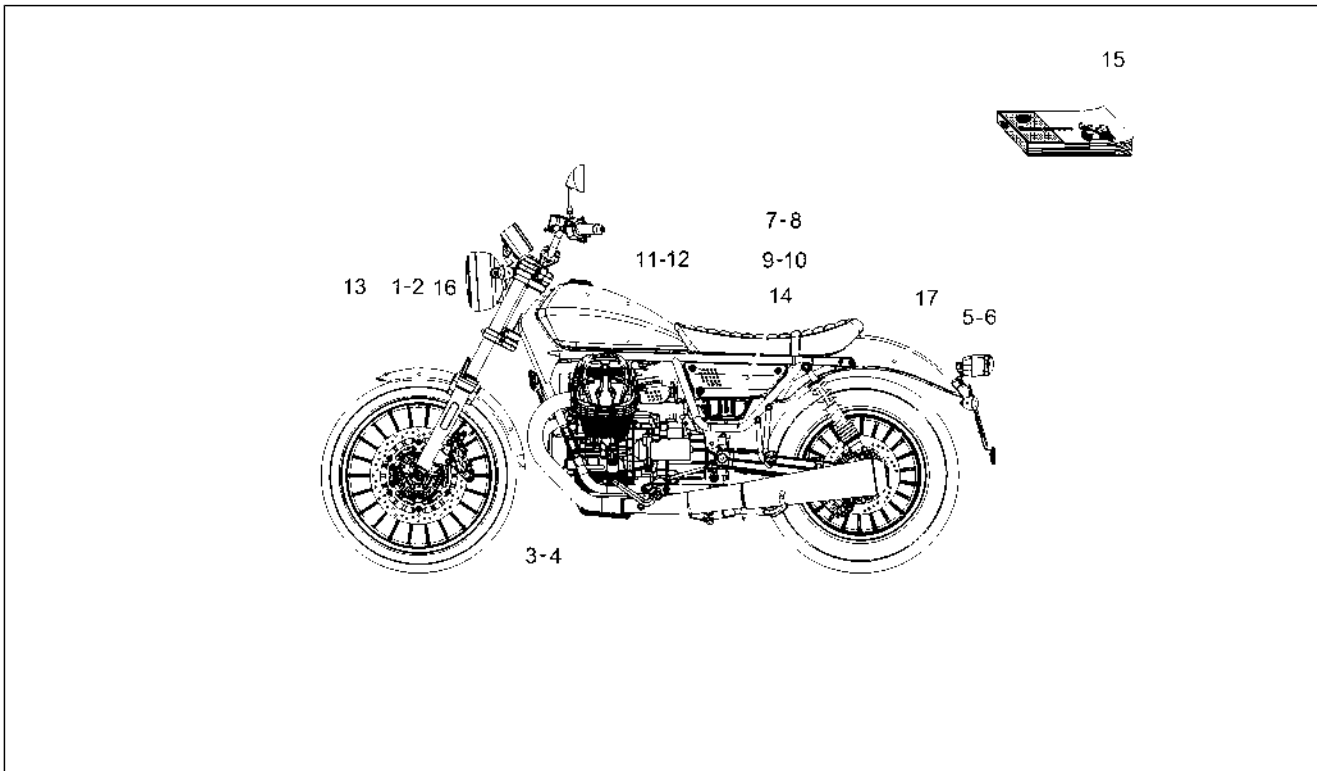
Pos.	Code	Beschreibung	Menge	Varianten
1	2H001448500XR7	H. Schutzblech, rot	1	Farbe: Rot Ibis[RI] Technische Spezifikation: Einzelteil mit Aufkleber[D]
1	2H001403500Q4	H. Schutzblech, weiß	1	Farbe: Weiß Tech[BT] Technische Spezifikation: Einzelteil mit Aufkleber[D]
1	2H001366500YG3	H.Schutzblech gelb lack.	1	Farbe: Gelb Brio[YB] Technische Spezifikation: Einzelteil mit Aufkleber[D]
1	2B001406	Hinteres Schutzblech	1	Farbe: Unlackiert[GR]
2	AP8152299	Selbstsperrende Mutter M6	2	
3	2B002386	Hintere Kotflügelhalterung	1	
4	2B002311	Linsenschraube Torx M8X20	4	
5	2B002321	Buchse für Schraube	1	
6	2B003089	Schraube TCC TORX M8x16	1	
7	AP8152273	Flanschschraube M5x15	2	

Einheit	Aufbau
Code	02.170
Beschreibung	Schlösser
Inspektion	1



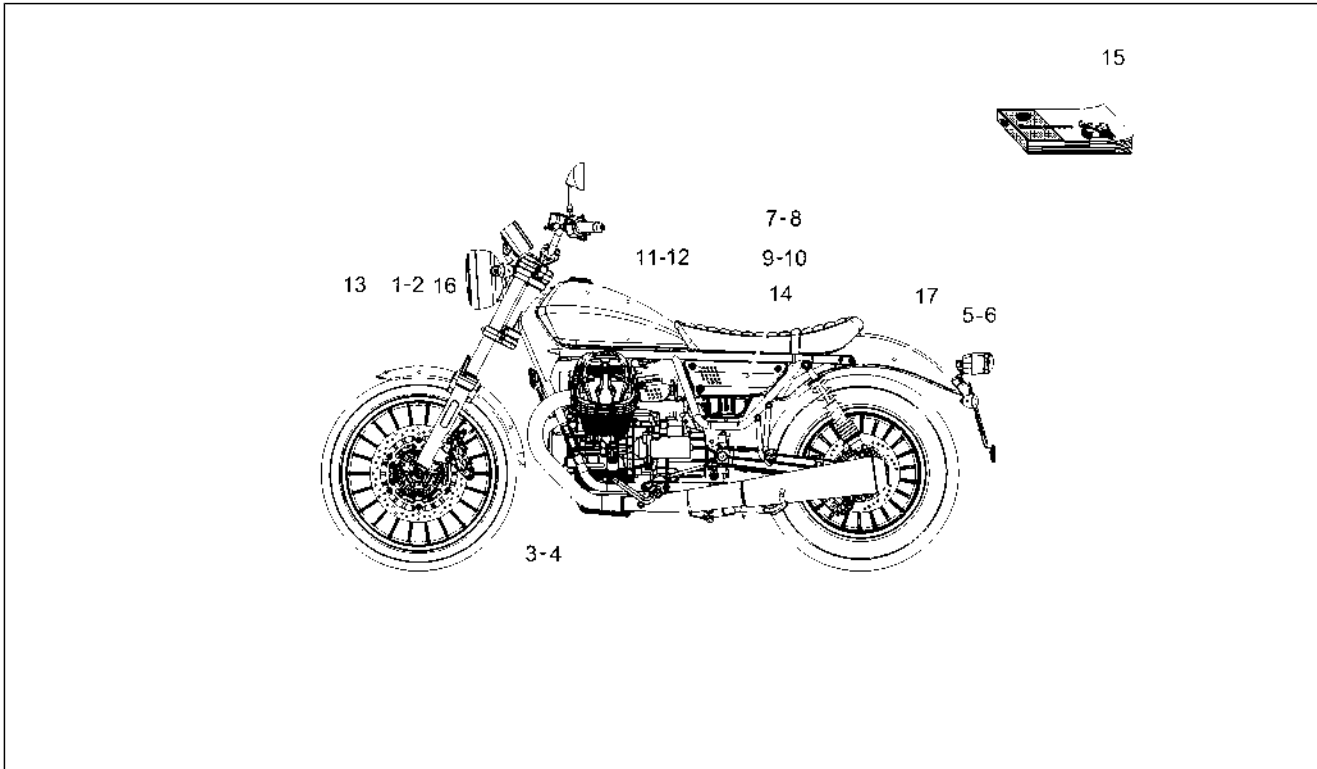
Pos.	Code	Beschreibung	Menge	Varianten
1	2B002940	Kit Schließvorrichtungen	1	
2	2D000299	Umschalter mit Schlüssel	1	
3	2B002043	Tankfüllschraube	1	
4	2D000004	Transponderschlüssel glatt	1	
5	977527	Schloss komplett mit Schlüsseln	1	
6	AP8121420	Gabelfeder	1	
7	978415	Kabelplatte	1	
8	GU98682416	TCEI Schraube M8x16	1	
9	319165	Schraube	1	
10	AP8702101	Schraube M6x25	2	
11	2B002936	Bowdenzug Sitzbank	1	
12	AP8102913	Fixierplatte Soziussitz	1	

Einheit	Aufbau
Code	02.190
Beschreibung	Deko
Inspektion	1



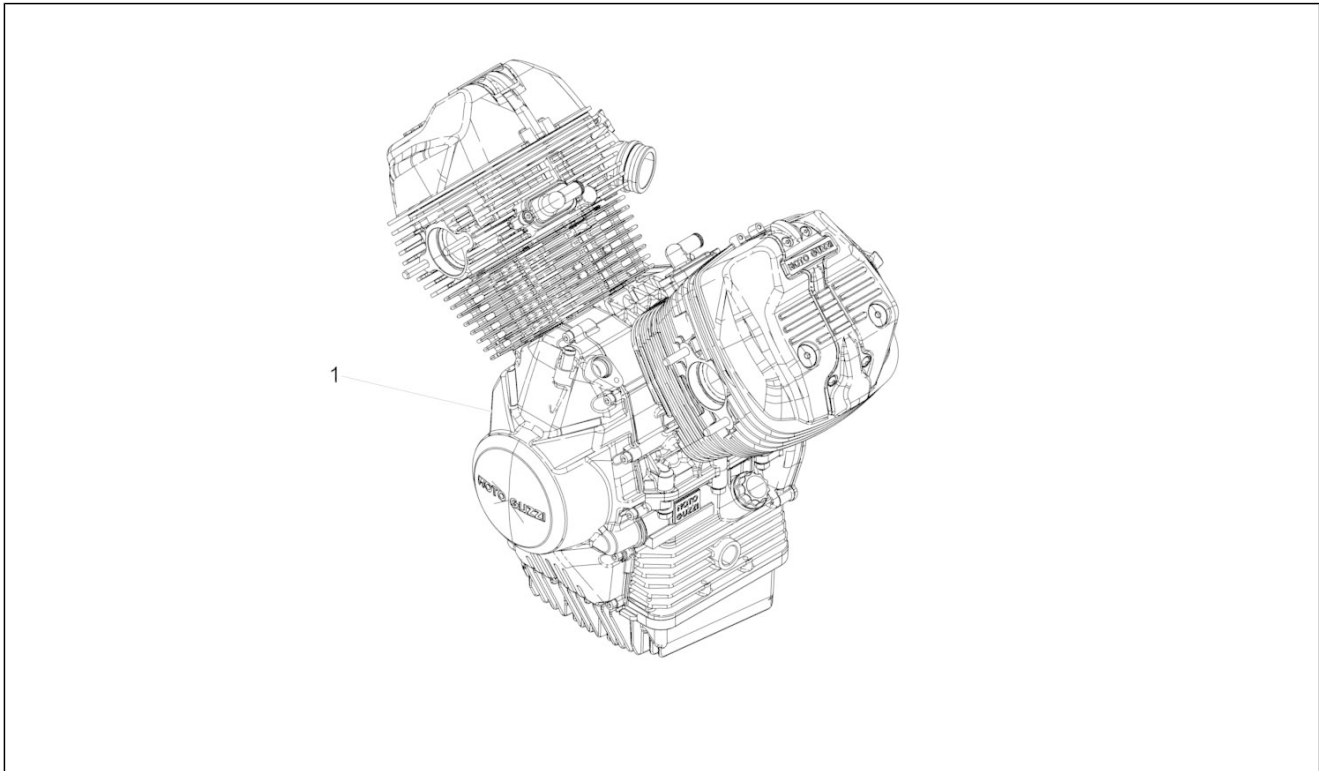
Pos.	Code	Beschreibung	Menge	Varianten
1	2H001370	Aufkleber Schutzblech v. SX	1	Farbe:Gelb Brio[YB]
1	2H001455	Aufkleber Schutzblech v. SX	1	Farbe:Rot Ibis[RI]
1	2H001409	Aufkleber Schutzblech v. SX	1	Farbe:Weiß Tech[BT]
2	2H001454	Aufkleber Schutzblech v. DX	1	Farbe:Rot Ibis[RI]
2	2H001408	Aufkleber Schutzblech v. DX	1	Farbe:Weiß Tech[BT]
2	2H001369	Aufkleber Schutzblech v. DX	1	Farbe:Gelb Brio[YB]
3	2H001372	Aufkleber Schutzblech v. SX	1	Farbe:Gelb Brio[YB]
3	2H001457	Aufkleber Schutzblech v. SX	1	Farbe:Rot Ibis[RI]
3	2H001411	Aufkleber Schutzblech v. SX	1	Farbe:Weiß Tech[BT]
4	2H001456	Aufkleber Schutzblech v. DX	1	Farbe:Rot Ibis[RI]
4	2H001371	Aufkleber Schutzblech v. DX	1	Farbe:Gelb Brio[YB]
4	2H001410	Aufkleber Schutzblech v. DX	1	Farbe:Weiß Tech[BT]
5	2H001459	Aufkl.hint.Schutzblech SX	1	Farbe:Rot Ibis[RI]
5	2H001258	Aufkl.hint.Schutzblech	1	Farbe:Gelb Brio[YB]
5	2H001413	Aufkl.hint.Schutzblech SX	1	Farbe:Weiß Tech[BT]
6	2H001412	Aufkl.hint.Schutzblech DX	1	Farbe:Weiß Tech[BT]
6	2H001257	Aufkl.hint.Schutzblech DX	1	Farbe:Gelb Brio[YB]
6	2H001458	Aufkl.hint.Schutzblech DX	1	Farbe:Rot Ibis[RI]
7	2H001254	Aufkleber linie L.blau lord	1	Farbe:Gelb Brio[YB]
7	2H001405	Aufkleber linie L.blau lord	1	Farbe:Weiß Tech[BT]
7	2H001451	Aufkleber linie L.blau lord	1	Farbe:Rot Ibis[RI]
8	2H001404	Aufkleber Streifen re Tank	1	Farbe:Weiß Tech[BT]
8	2H001253	Aufkleber Streifen re Tank	1	Farbe:Gelb Brio[YB]
8	2H001450	Aufkleber Streifen re Tank	1	Farbe:Rot Ibis[RI]
9	2H001453	Aufkleber unterer Streifen links	1	Farbe:Rot Ibis[RI]
9	2H001407	Aufkleber unterer Streifen links	1	Farbe:Weiß Tech[BT]
9	2H001368	Aufkleber unterer Streifen links	1	Farbe:Gelb Brio[YB]
10	2H001452	Aufkleber unterer Streifen rechts	1	Farbe:Rot Ibis[RI]

Einheit	Aufbau
Code	02.190
Beschreibung	Deko
Inspektion	1



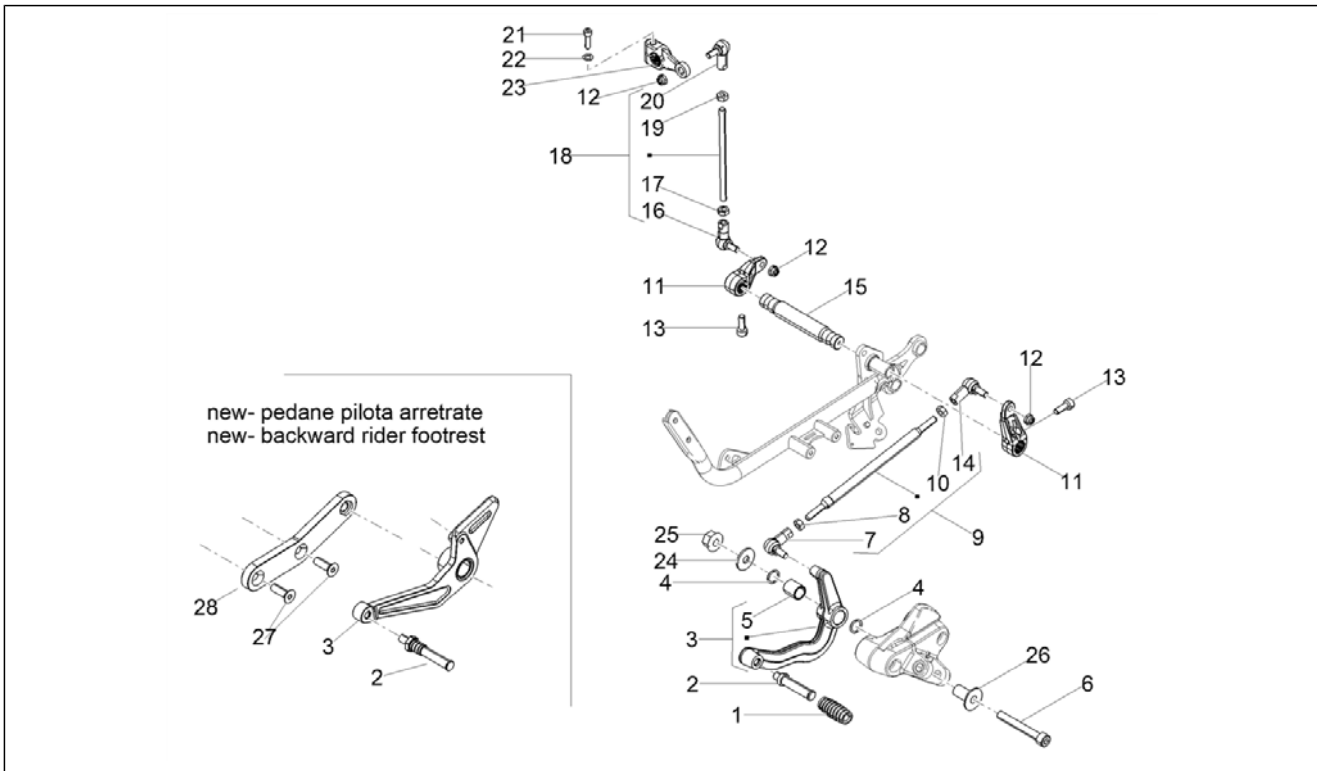
Pos.	Code	Beschreibung	Menge	Varianten
10	2H001406	Aufkleber unterer Streifen rechts	1	Farbe:Weiß Tech[BT]
10	2H001367	Aufkleber unterer Streifen rechts	1	Farbe:Gelb Brio[YB]
11	2H001256	Aufkleber "Adler" SX	1	Farbe:Gelb Brio[YB] Rot Ibis[RI] Weiß Tech[BT]
12	2H001255	Aufkleber "Adler" DX	1	Farbe:Gelb Brio[YB] Rot Ibis[RI] Weiß Tech[BT]
13	2H001260	Aufkleber "Adler"	1	Farbe:Gelb Brio[YB] Weiß Tech[BT] Rot Ibis[RI]
14	2H001259	Schild "V9 Roamer" DX-SX	2	Farbe:Gelb Brio[YB] Weiß Tech[BT] Rot Ibis[RI]
15	2Q000110	Bed./Wart.-Anl.I-D-F-E-UK-NL I-F-D-NL-E-UK	1	
16	2H001445	Schild "Moto Guzzi"	1	
17	GU32944310	Deko schutz	1	Farbe:Gelb Brio[YB] Rot Ibis[RI]

Einheit	Motor
Code	03.010
Beschreibung	Motor-Fertigstellung
Inspektion	1



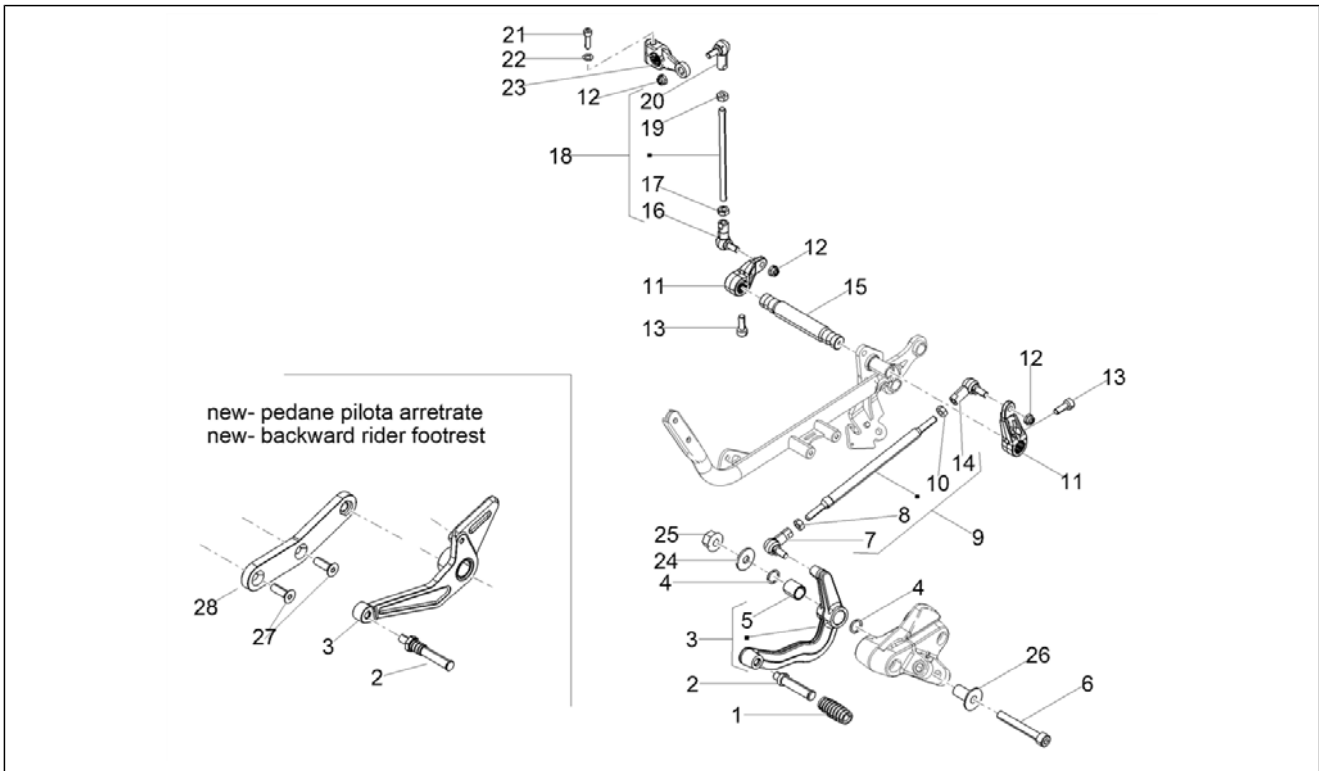
Pos.	Code	Beschreibung	Menge	Varianten
1	1A0066355	Motor kpl.ohneSchaltgetriebe	1	

Einheit	Motor
Code	03.020
Beschreibung	Schalthebel
Inspektion	1



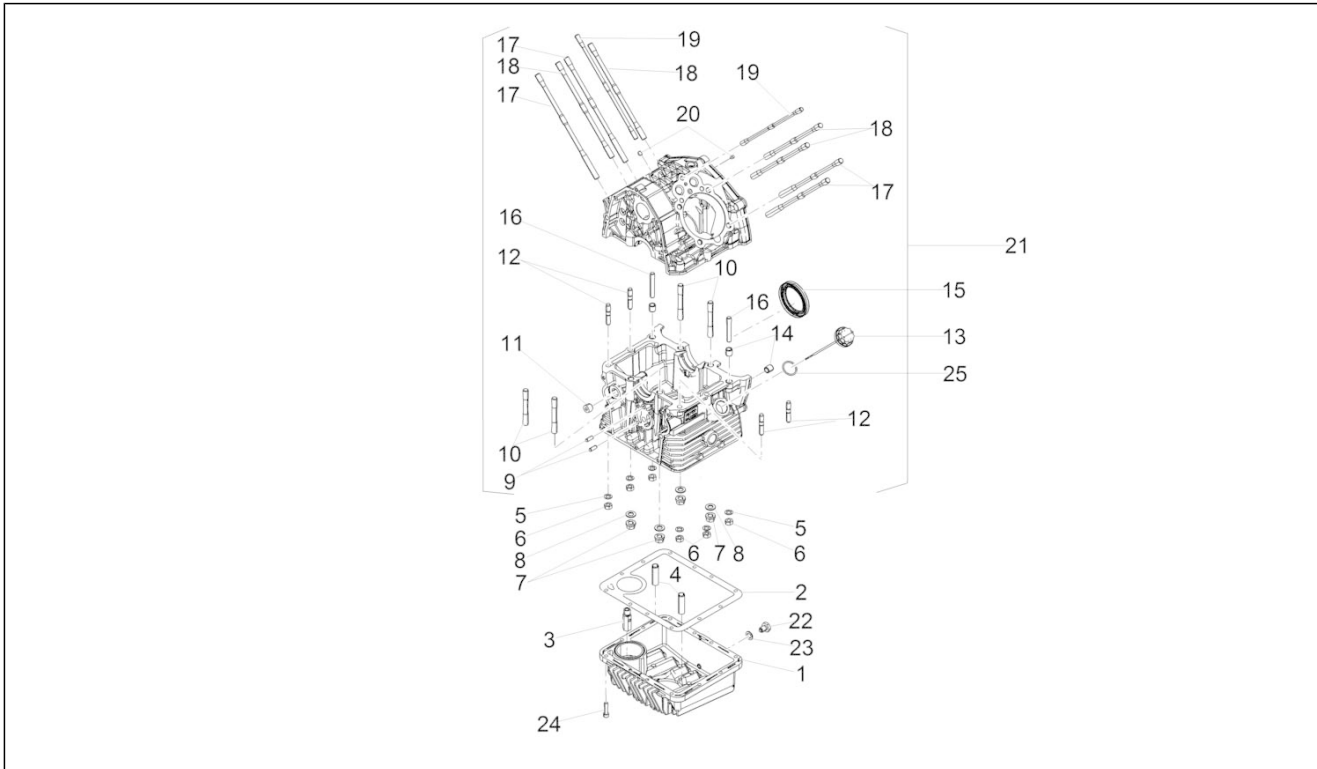
Pos.	Code	Beschreibung	Menge	Varianten
1	AP8120912	Gummi für Hebel	1	
2	887908	Gummigleitschutze	1	Technische Spezifikation: standard rider footrest[old]
2	2B004062	Gummigleitschutze	1	Technische Spezifikation: backward rider footrest[new]
3	2B002369	Schalthebel kpl.	1	Technische Spezifikation: standard rider footrest[old]
3	2B004053	Schalthebel kpl.	1	Technische Spezifikation: backward rider footrest[new]
4	AP8144007	O-Ring 11,11x1,78	2	
5	895328	Buchse gesintert	1	
6	GU98680460	TCEI Schraube M8x60	1	
7	898397	Kugelgelenk links M6	1	
8	GU92606206	Mutter	1	
9	2B002680	Zugstange Schaltzug cpl.	1	Technische Spezifikation: standard rider footrest[old]
9	2B004109	Tirante comando cambio cpl.	1	Technische Spezifikation: backward rider footrest[new]
10	GU31256881	Mutter Linksgewinde M6	1	
11	898283	Schalthebel	2	
12	AP8150115	Selbstsperr.mut Unt. M6	2	
13	GU98692318	TCEI Schraube	2	
14	898396	Kugelgelenk rechts M6	1	
15	2B001009	Hebelbolzen	1	
16	AP8110053	Kugelgelenk links M6	1	
17	AP8152138	Mutter	1	
18	2B001941	Zugstange Schaltzug	1	
19	AP8150026	Mutter M6	1	
20	AP8210007	Kugelgelenk rechts M6	1	
21	GU98632322	Schraube	1	
22	GU03013800	Ausgleichscheibe 6,4x12	1	
23	GU20258221	Schalthebel	1	
24	AP8150018	Ausgleichscheibe	1	
25	GU92630510	Mutter M10x1,5	1	

Einheit	Motor
Code	03.020
Beschreibung	Schalthebel
Inspektion	1



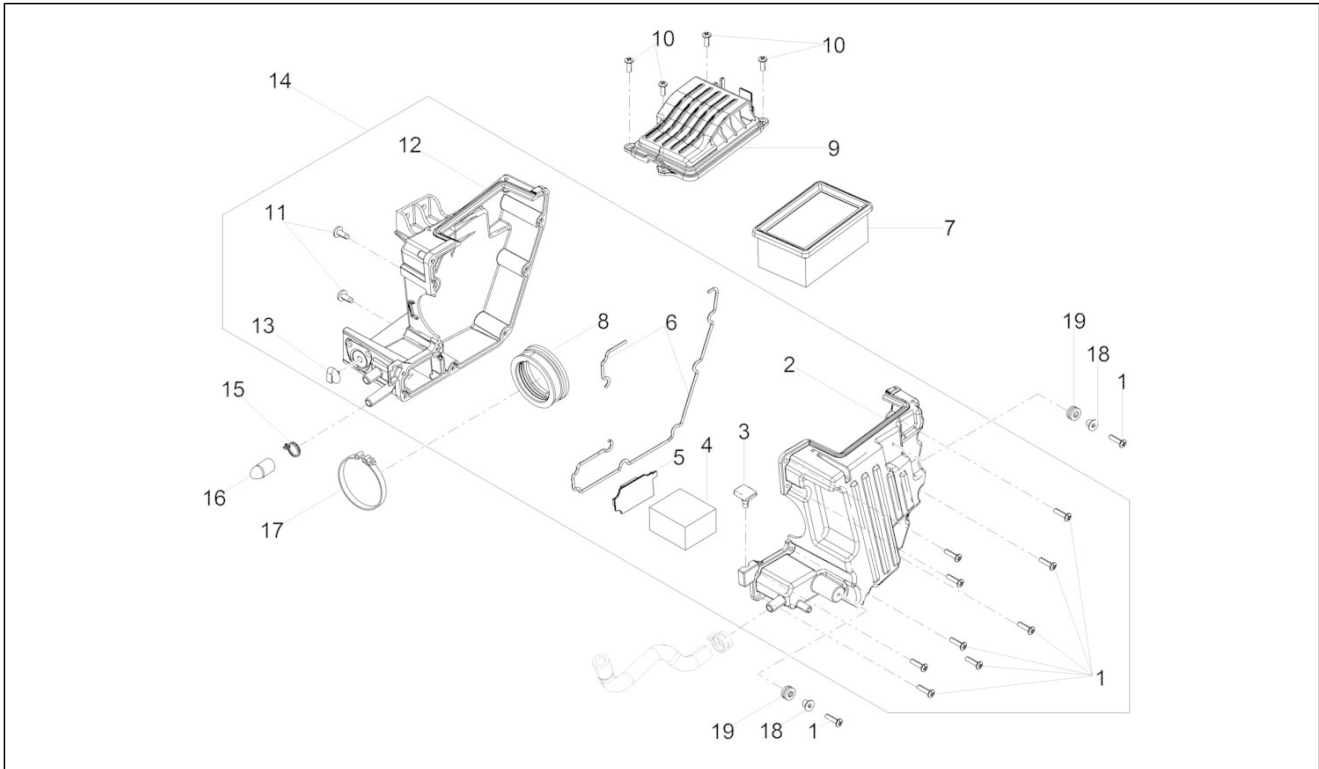
Pos.	Code	Beschreibung	Menge	Varianten
26	AP8121509	Buchse	1	
27	2B004112	Schraube TSPEI IX M8X25	2	Technische Spezifikation: backward rider footrest[new]
28	2B004043	Piastra pedana pilota sx	1	Technische Spezifikation: backward rider footrest[new]

Einheit	Motor
Code	03.030
Beschreibung	Gehäuse I
Inspektion	1



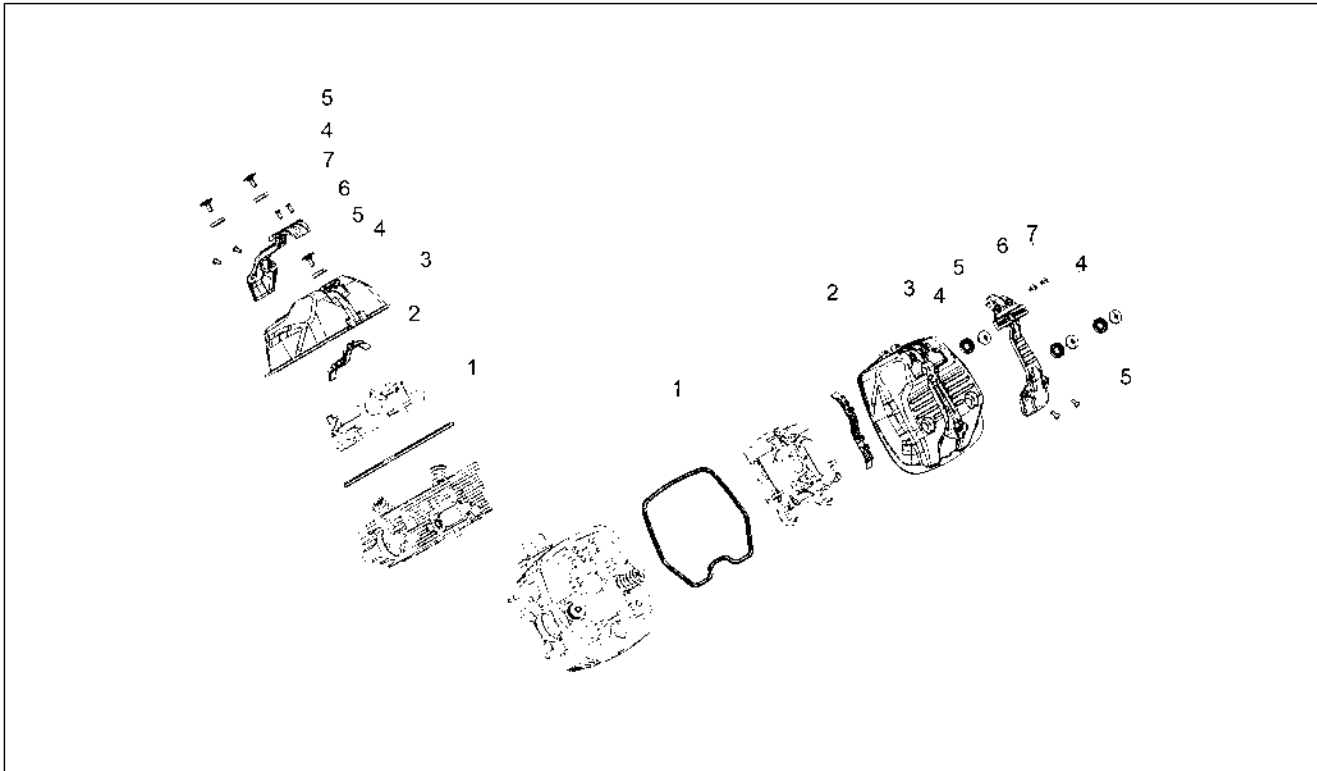
Pos.	Code	Beschreibung	Menge	Varianten
1	1A004550	Pfropfen	1	
2	1A005211	Ölwannendichtung	1	
3	GU19003800	Anschluss	1	
4	1A006047	Anschlußschlauch	2	
5	658837	Gewellte Sprengscheibe D15 F8,4 S1,5 - INOX	6	
6	GU92606208	Mutter M8x1,25	6	
7	1A006656	Geflanschte Mutter M10x1	4	
8	1A006655	Flachscheibe	4	
9	GU19018920	Stift	2	
10	1A004530	Stiftschraube	4	
11	831135	Verschlusschraube M14x1,5	1	
12	GU96451430	Stiftschraube	4	
13	883826	Öleinfüllschraube	1	
14	GU19015020	Buchse	2	
15	886365	Gasket ring	1	
16	GU96508055	Stiftschraube	2	
17	1A006283	Stiftschraube langer Kopf	4	
18	1A006284	Stiftschraube kurzer Kopf	4	
19	1A006860	Stiftschraube zentraler Kopf	2	
20	484993	Haltestein	2	
21	1A0052625	Gekoppelte Kurbelgehäuse	1	
22	GU31003766	Ölablaßschraube M10x1	1	
23	GU10528900	Dichtung	1	
24	GU98682325	TCEI Schraube M6x25	12	
25	GU90706281	O-Ring 28,24x2,62	1	

Einheit	Motor
Code	03.050
Beschreibung	Filtergehäuse
Inspektion	1



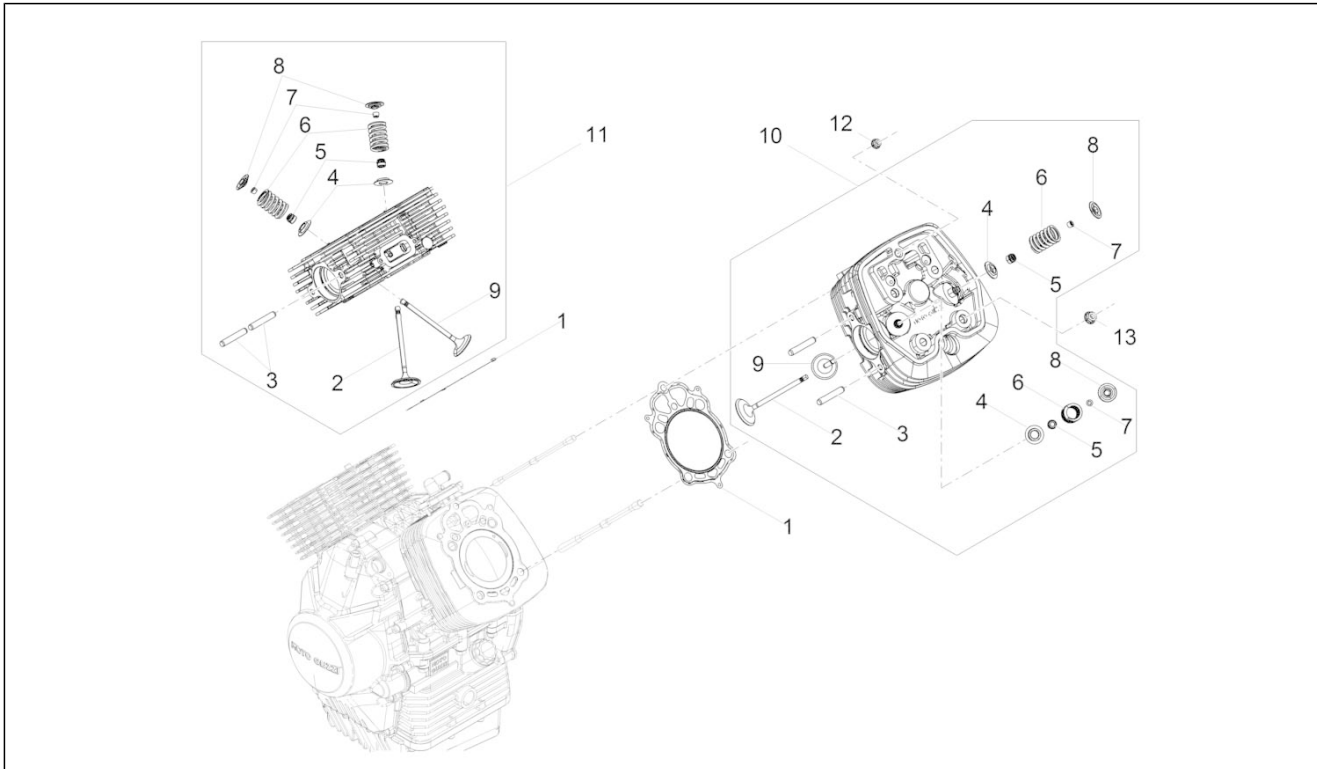
Pos.	Code	Beschreibung	Menge	Varianten
1	AP8152329	Kreuz.schl.flnschschr. M5x20	9	
2	2B002832	L.deckel Filtergehäuse	1	
3	AP8120455	Gummi	1	
4	AP8104525	Filter blow-by	2	
5	2B002851	Membran	1	
6	AP8120615	Dichtung D3	1	
7	AP8104924	Luftfilter	1	
8	887815	Ansaugmuffe	1	
9	887843	Luftfilterdeck	1	
10	AP8150509	Gew.schr. 5x14	4	
11	AP8120876	Verschlussschraube	2	
12	887844	Schale re Filtergehäuse	1	
13	890760	Halterung Instrumente	1	
14	2B002959	Sicherungskasten	1	
15	AP8102520	Schlauchschelle	2	
16	AP8161054	Kappe	2	
17	CM258303	Schelle 63	1	
18	AP8221023	T-Buchse	2	
19	GU91551010	Gummi 10X20X10	2	

Einheit	Motor
Code	03.090
Beschreibung	Kopfdeckel
Inspektion	1



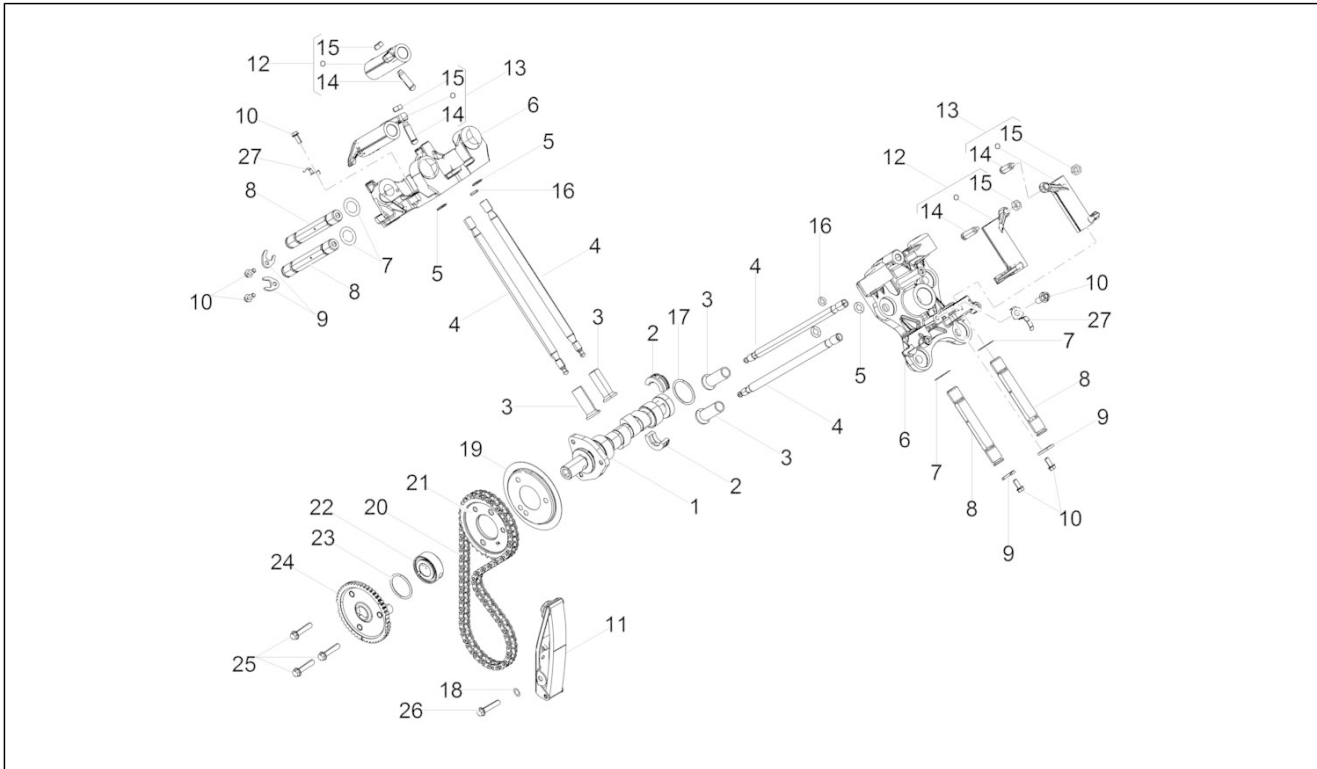
Pos.	Code	Beschreibung	Menge	Varianten
1	2A000565	Kopf Deckel Dichtung	2	
2	2A000659	Kabelführung	2	
3	2A000339	Kopfdeckel	2	
4	1A006716	Stopfen dämpfer	6	
5	976591	Spezialschraube	6	
6	2A000620	Zündkerzedeckel	2	
7	AP8152267	TBEI Spez.schr. M5x12	8	

Einheit	Motor
Code	03.100
Beschreibung	Zylinderkopf - ventile
Inspektion	1



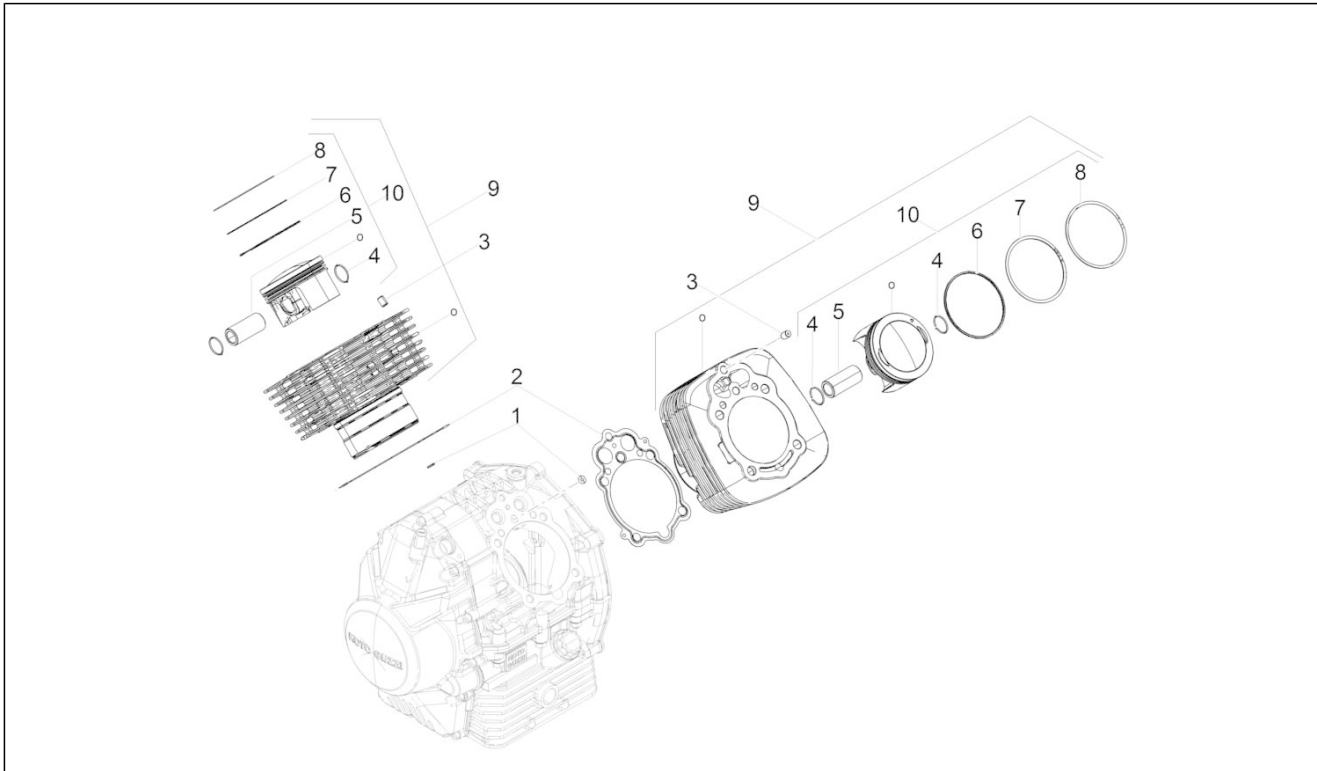
Pos.	Code	Beschreibung	Menge	Varianten
1	1A004661	Zylinder/Kopf Dichtung SP. 0.8 mm	1	
1	1A004660	Zylinder/Kopf Dichtung sp. 0,6 mm	1	
1	1A004662	Zylinder/Kopf Dichtung SP. 10 mm	1	
2	1A005424	Ein. ventil	1	
3	B017636	Auspufftopf Stiftschraube	2	
4	1A004751	Federteller unten	4	
5	1A003452	Ventil Dichtring	2	
6	1A004752	Rückzugsfeder	2	
7	871640	Halbkegel	8	
8	1A004750	Federteller oben	4	
9	1A005425	Auslassventil	1	
10	1A0068695	L.Kopf kpl.mitVentilführungen	1	
11	1A0068705	R.Kopf kpl.mitVentilführungen	1	
12	1A006659	Geflanschte Mutter M8x1.25	1	
13	825694	Mutter M10x1,25	1	

Einheit	Motor
Code	03.120
Beschreibung	Steuer
Inspektion	1



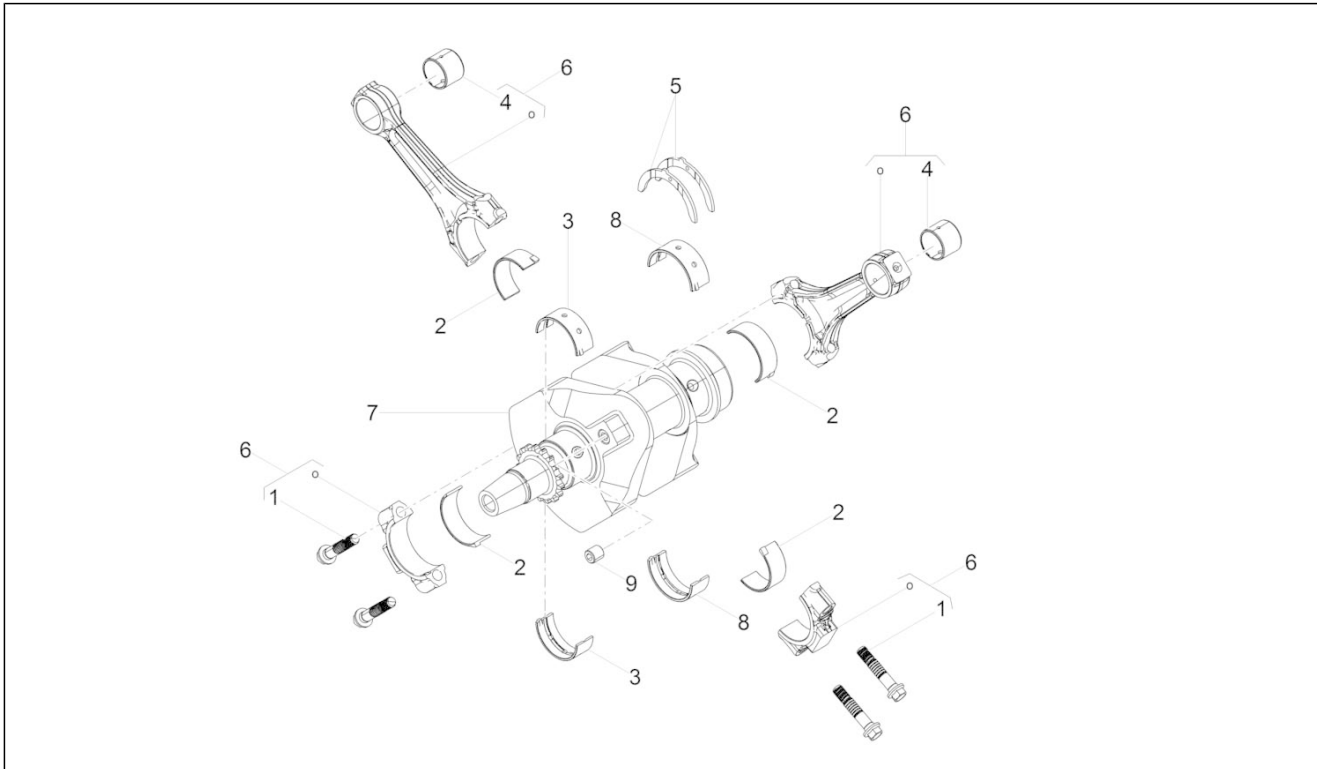
Pos.	Code	Beschreibung	Menge	Varianten
1	1A005712	Nockenwelle	1	
2	GU19055700	Sektor	2	
3	GU19045861	Ventilstässel	4	
4	2A000496	Kipphebelstange	4	
5	2A000579	Dichtungsring O-Ring 2,62x9.19	4	
6	2A0003535	Kipphebellager	2	
7	1A005951	Gebogene Sprengscheibe	4	
8	2A000528	Kipphebel-Federwelle	4	
9	2A000521	Schaltgabel	4	
10	AP8152272	TE Schr. m. Flansch M5x12	4	
11	GU19058220	Kettenspanner	1	
12	1A004905	Kipphebel Einlass re Auslass li	2	
13	1A004903	Kipphebel Einlass li Auslass re	2	
14	1A004907	Einstellschraube	2	
15	GU10034100	Mutter	2	
16	1A006861	Gasket ring	2	
17	GU90353029	Sprengring	1	
18	GU95129115	Ausgleichscheibe	1	
19	1A005955	Platte	2	
20	GU19058021	Steuerkette	1	
21	1A006243	Steuer Zahnkranz	1	
22	1A006119	Distanzscheibe	1	
23	1A006127	O-Ring	1	
24	1A0057145	Phonic wheel	0	
25	1A008576	***TE Schr. m. Flansch	3	
26	GU98882316	Schraube	1	
27	2A000527	Platte	2	

Einheit	Motor
Code	03.150
Beschreibung	Zylinder - Kolben
Inspektion	1



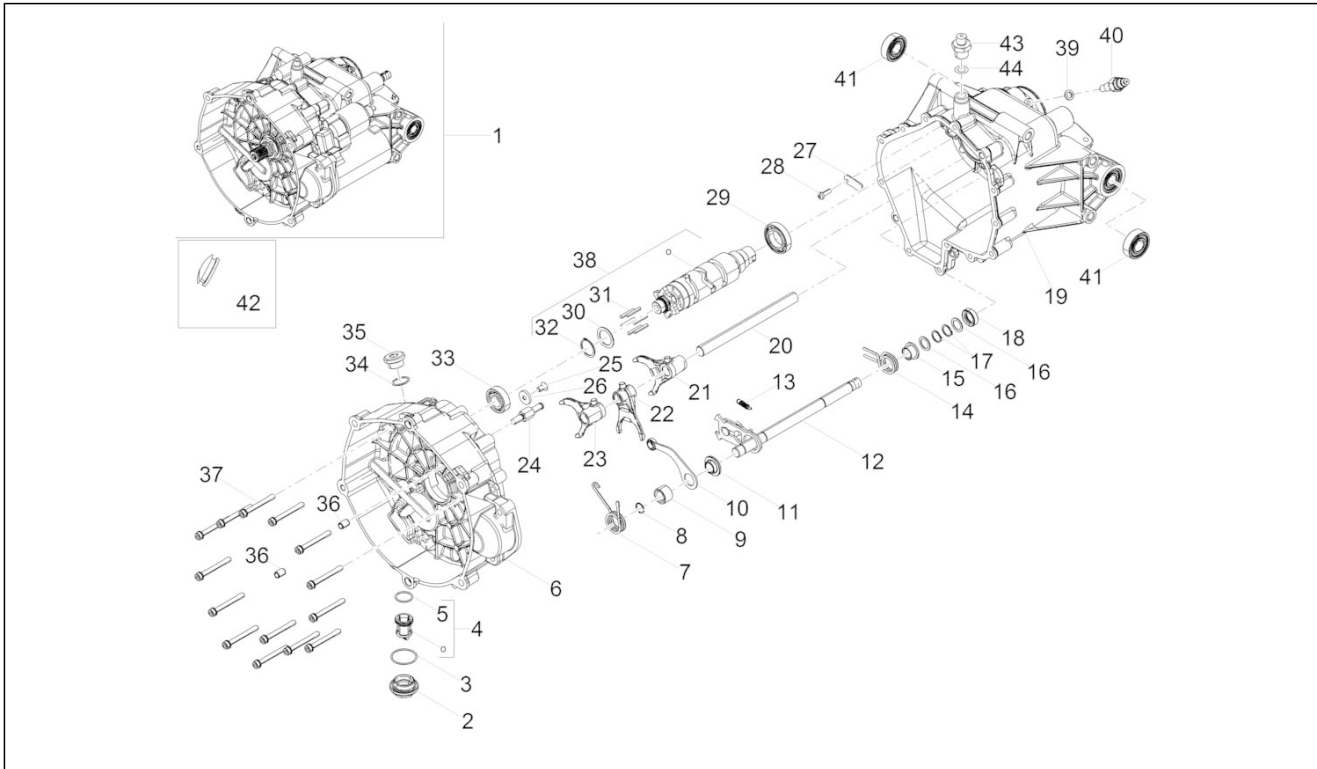
Pos.	Code	Beschreibung	Menge	Varianten
1	GU61027200	O-Ring	2	
2	1A007070	Dichtung Zylinder/Gehäuse	2	
3	GU19021360	Buchse	2	
4	874567	Sperring	4	
5	1A004956	Bolzen	2	
6	1A004955	Ölabstreifer	2	
7	1A004954	Kompressions-kolbenring	2	
8	1A004953	Kompressions-kolbenring	2	
9	1A007111	Kolben mit Zylinder kpl.	1	
10	1A006272AA	Kolben kpl. Auswahl "G"	1	
10	1A006272BB	Kolben kpl. Auswahl "H"	1	
10	1A006272CC	Kolben kpl. Auswahl "L"	1	
10	1A006272DD	Kolben kpl. Auswahl "M"	1	

Einheit	Motor
Code	03.160
Beschreibung	Kurbelwelle
Inspektion	1



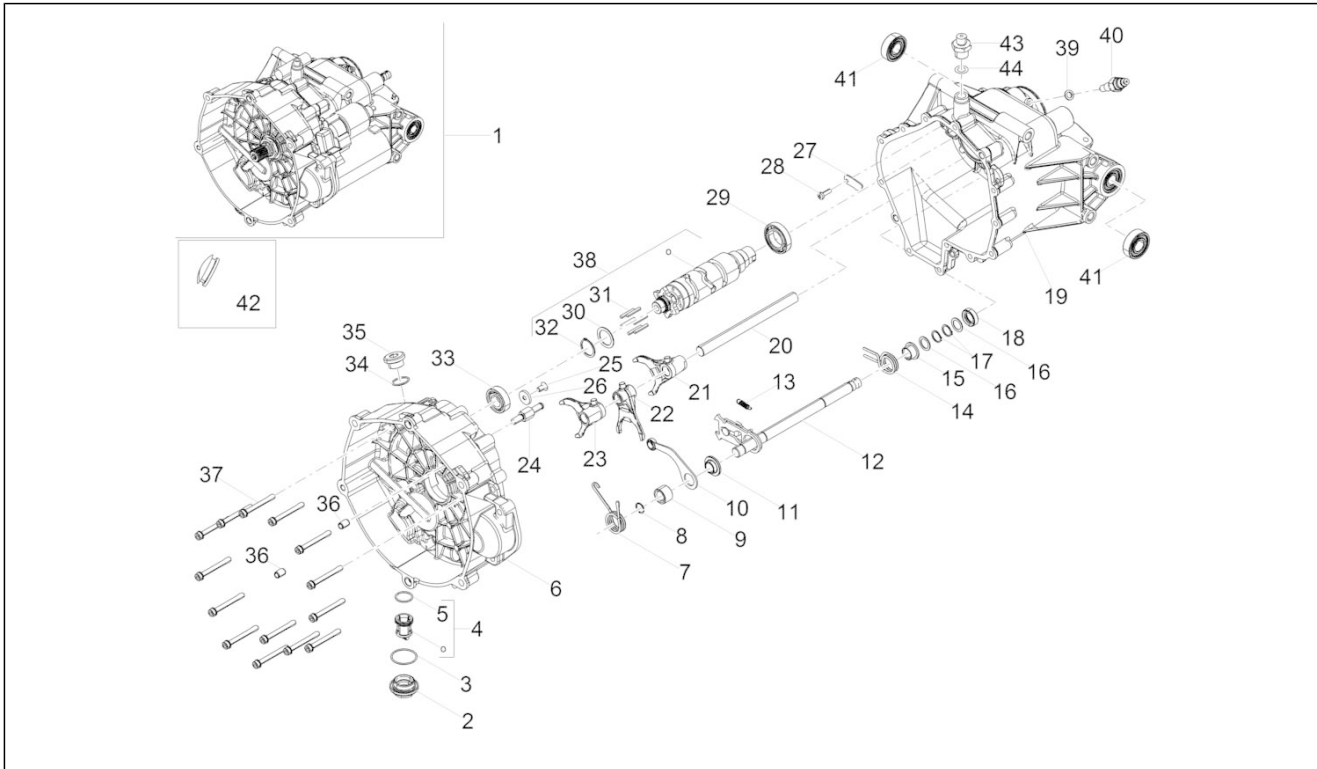
Pos.	Code	Beschreibung	Menge	Varianten
1	GU19062261	Schraube	4	
2	1A0068960B	Pleuellagerschale blau	4	
2	1A0068960G	Pleuellagerschale gelb	4	
2	1A0068960R	Pleuellagerschale Rot	4	
3	1A0066680G	Hauptlagerschale vorne gelb	1	
3	1A0066680N	Hauptlagerschale vorne Schwarz	1	
3	1A0066680V	Hauptlagerschale vorne Grün	1	
4	GU27061885	Buchse	2	
5	GU27066460	Halb-Klemme	2	
6	1A005325AA	Pleuel Auswahlklasse "A"	1	
6	1A005325BB	Pleuel Auswahlklasse "B"	1	
7	1A006671BB	Kurbelwelle, komplett kat. 2	1	
7	1A006671AA	Kurbelwelle kpl.,cat.1	1	
8	1A0066690G	Hauptlagerschale hinten gelb	2	
8	1A0066690V	Hauptlagerschale hinten Grün	2	
8	1A0066690N	Hauptlagerschale hinten Schwarz	2	
9	GU19065400	Deckel	1	

Einheit	Motor
Code	03.170
Beschreibung	Schaltgetriebe / Schaltgabel / Desmodrom.
Inspektion	1



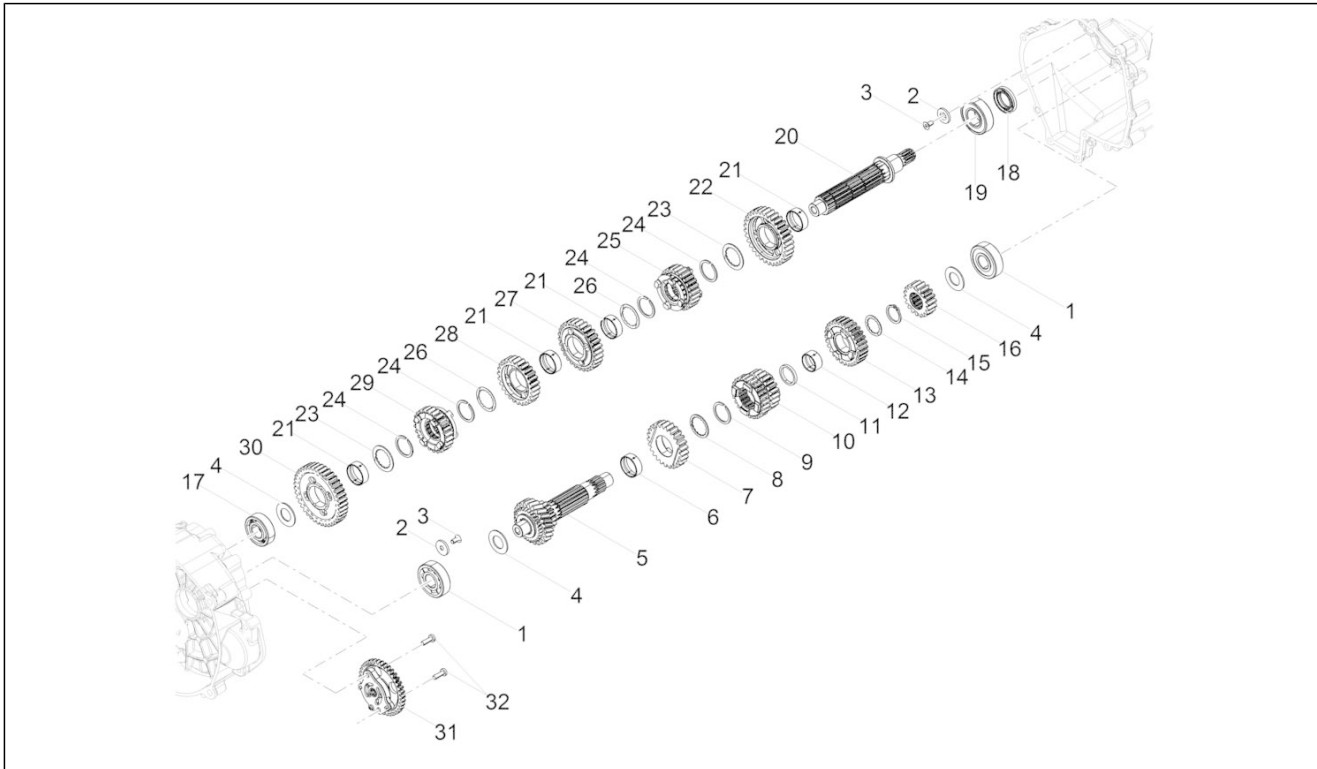
Pos.	Code	Beschreibung	Menge	Varianten
1	2A00042115	Getriebe komplett	1	
2	B015598	Ölfilter Verschuß	1	
3	285536	O-Ring 31,47x1,78	1	
4	B018020	Ölfiltereinsatz kpl.	1	
5	B017406	O-Ring 20.35x1.78	1	
6	2A0007505	Kupplungsglocke	1	
7	B064113	Index feder	1	
8	GU90353014	Seegering	1	
9	GU05234230	Distanzscheibe	1	
10	B064112	Indexhebel kpl.	1	
11	GU05238431	Buchse	1	
12	2A000219	Schaltautomat	1	
13	GU05238231	Feder	1	
14	B063956	Feder	1	
15	2A000467	Distanzscheibe	1	
16	GU05239330	Anlaufscheibe	2	
17	GU90271014	Seegering	2	
18	GU90401424	Gasket ring 14x24x7	1	
19	2A0007425	Not available	1	
20	2A000224	Stange	1	
21	2A000226	Schaltgabel 2-3 Gang	1	
22	2A000227	Gabel 5.-6. Gang	1	
23	2A000225	Gabel für Sekundärwelle	1	
24	2A000415	Anschlagschraube	1	
25	B013608	Schraube	1	
26	873905	Unterlegscheibe	1	
27	2A000306	Anschlagplatte	1	
27	2A000241	Schraube M5x16	1	

Einheit	Motor
Code	03.170
Beschreibung	Schaltgetriebe / Schaltgabel / Desmodrom.
Inspektion	1



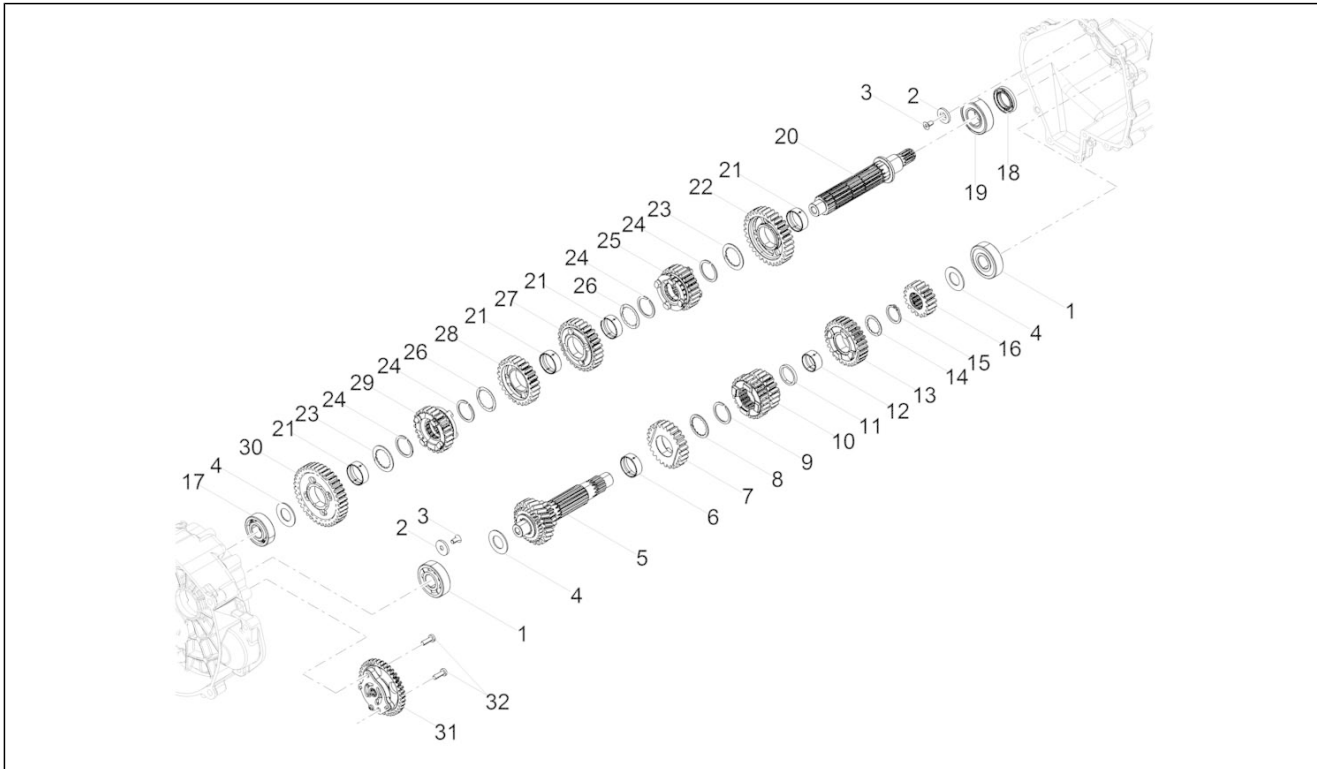
Pos.	Code	Beschreibung	Menge	Varianten
28	2A000241	Schraube M5x16	1	
29	857250	Kugellager 25x42x9	1	
30	GU05235531	Scheibe	1	
31	GU05234631	Stift	6	
32	GU90271022	Seegerring	1	
33	834764	Lager	1	
34	GU90706203	O-Ring 20,24X2,62	1	
35	GU12022600	Ölschraube	1	
36	GU19002020	Buchse 6,6x9x13	2	
37	2A000591	Zylinderschraube M6x55	14	
38	2A000222	Verschiebenocken kplt.	1	
39	B063025	Dichtung 8,7x14,2x1,3	1	
40	B063269	Sensor	1	
41	2A000097	Kugellager 6202-2RSH/C3 LHT23	2	
42	GU93180220	Deckel	1	
43	2A000438	Entlüftungsschraube	1	
44	224566	Unterlegscheibe	1	

Einheit	Motor
Code	03.180
Beschreibung	Schaltgetriebe - Zahnräder
Inspektion	1



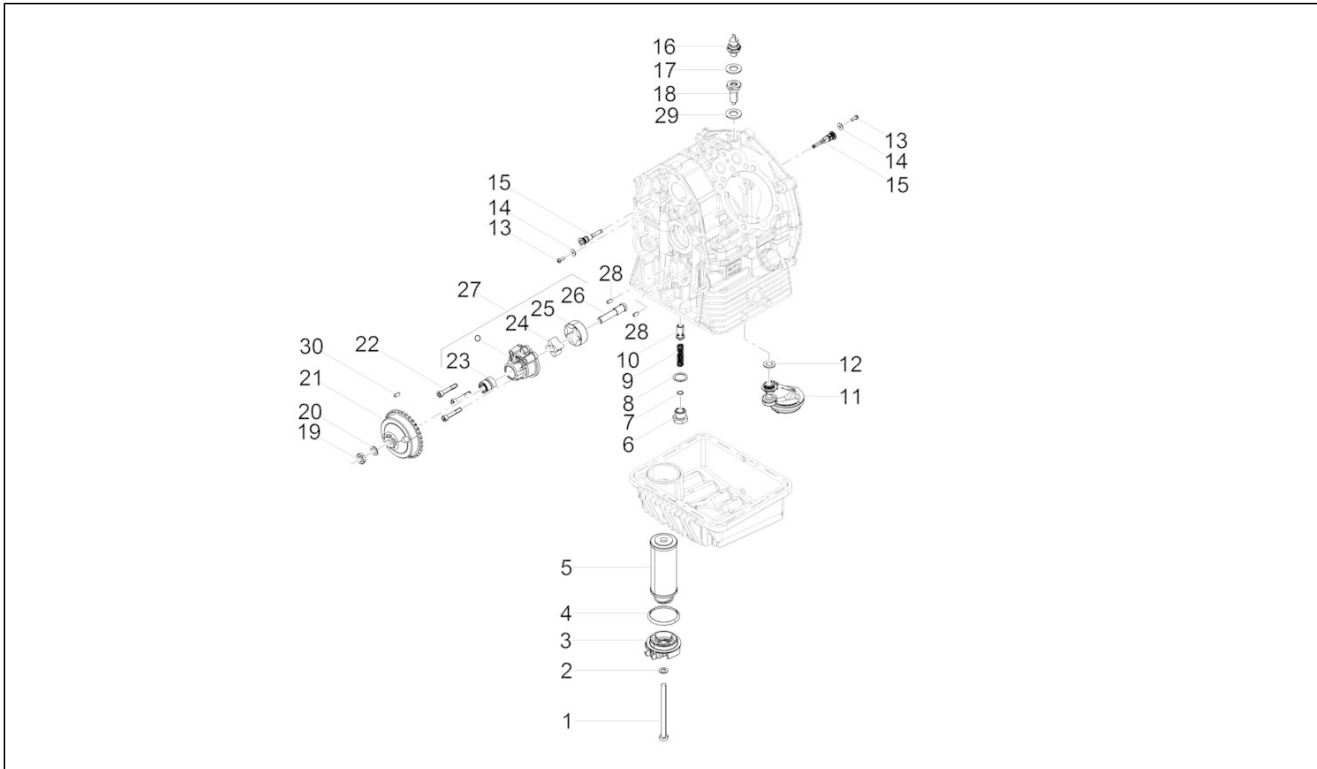
Pos.	Code	Beschreibung	Menge	Varianten
1	GU92201822	Kugellager 20x52x15	2	
2	873928	Unterlegscheibe	2	
3	B013608	Schraube	2	
4	1A000566	Ausgleichsscheibe	1	
5	2A000727	Vorgelegewelle	1	
6	849308	Buchse Beweglich	1	
7	1A000360	Schnellgangrad	1	
8	849424	Bundscheibe	1	
9	1A002604	Welle Sprengring	1	
10	1A000436	Zahnrad 3a - 4a vel.	1	
11	B015040	Ausgleichsscheibe	1	
12	974162	Buchse Beweglich	1	
13	2A000627	Zahnrad 6. Gang	1	
14	849396	Bundscheibe	1	
15	974165	Sprengring	1	
16	1A000365	Zahnrad 2.Hauptwelle	1	
17	848650	Kugellager 20x47x14	1	
18	GU90412541	Gasket ring 25X40X7	1	
19	GU92201226	Kugellager 25x52x15	1	
20	2A000203	Nebentriebewelle	1	
21	849308	Buchse Beweglich	4	
22	1A000366	Wechselrad 2. gang Z=32	1	
23	849309	Bundscheibe	2	
24	1A002604	Welle Sprengring	4	
25	1A000370	Zahnrad 6. Gang Z=24	1	
26	849310	Bundscheibe	2	
27	1A000367	Wechselrad 3. gang Z=28	1	
28	1A000368	Wechselrad 4. gang Z=26	1	

Einheit	Motor
Code	03.180
Beschreibung	Schaltgetriebe - Zahnräder
Inspektion	1



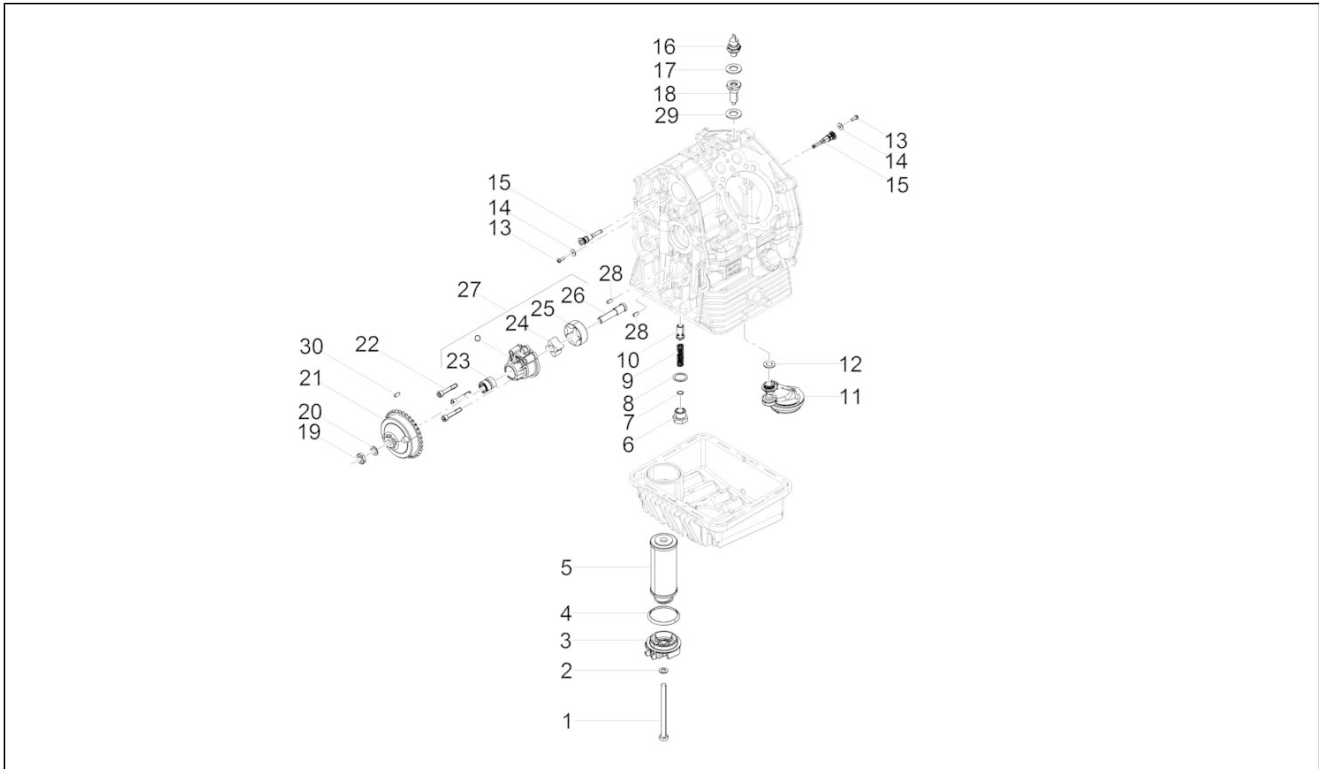
Pos.	Code	Beschreibung	Menge	Varianten
29	1A000369	Wechselrad 5. gang Z=24	1	
30	2A000629	Zahnrad 1.gang	1	
31	B018448	Ölpumpe	1	
32	2A000241	Schraube M5x16	2	

Einheit	Motor
Code	03.190
Beschreibung	Schmierung
Inspektion	1



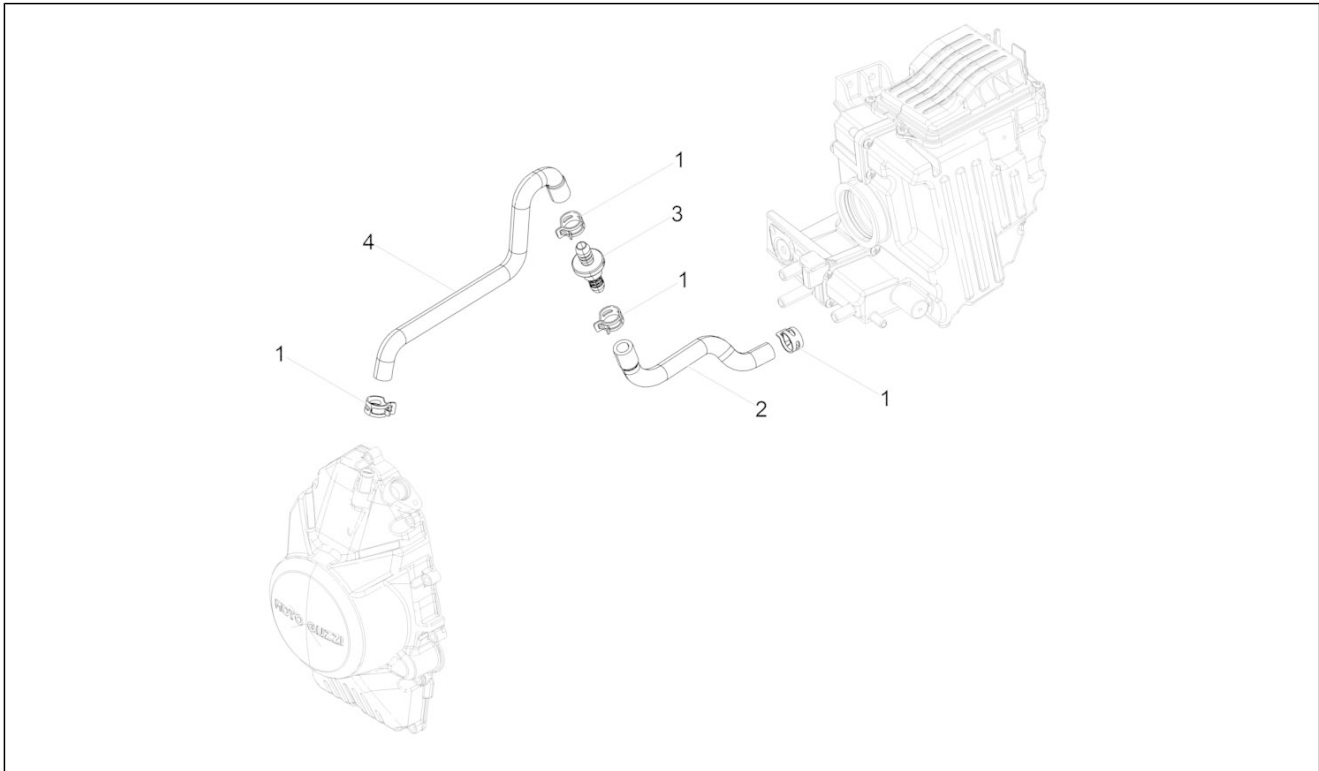
Pos.	Code	Beschreibung	Menge	Varianten
1	GU27152885	Schraubbolzen	1	
2	GU12154200	Dichtung 8,25x15x1	1	
3	1A005199	Ölfilterdeckel	1	
4	GU90706444	O-Ring	1	
5	2A000633	Ölfiltereinsatz	1	
6	GU31159050	Deckel	1	
7	GU95008206	Ausgleichscheibe 6,15x11x0,8	1	
8	GU18144350	Ausgleichscheibe 18,25x24x1	3	
9	GU94321079	Feder	1	
10	GU31150950	Kolben	1	
11	1A004549	Oil strainer	1	
12	237553	O-Ring	1	
13	1A005257	Linsenschraube	2	
14	013763	Flachscheibe 4,2x12x1	2	
15	1A004442	Kühldüse Kolben	2	
16	643090	Öldrucksensor	1	
17	GU95100309	Ausgleichscheibe	1	
18	887093	Anschluß	1	
19	GU92602510	Mutter M10x1,25	1	
20	AP8152220	Scheibe	1	
21	GU20147710	Zahnrad pumpe	1	
22	1A007008	TCEI Schraube M6x35 preimpregnata	3	
23	1A006064	Rollenlager	1	
24	1A006056	Innenrotor	1	
25	1A006055	Außenrotor	1	
26	GU20147810	Ölpumpenwelle	1	
27	1A006053	Ölpumpe komplett	1	
28	GU19018920	Stift	2	

Einheit	Motor
Code	03.190
Beschreibung	Schmierung
Inspektion	1



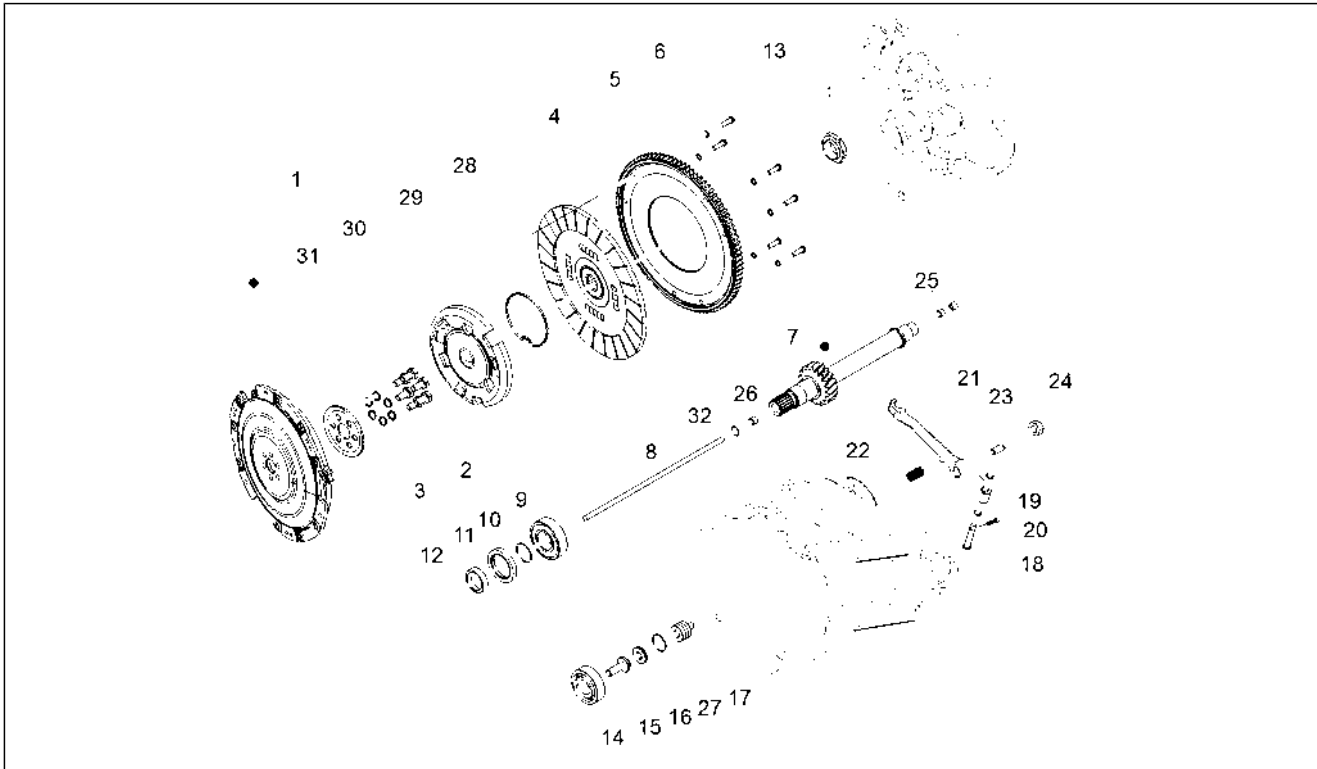
Pos.	Code	Beschreibung	Menge	Varianten
29	GU95100602	Dichtung	1	
30	GU92296723	Rolle	1	

Einheit	Motor
Code	03.196
Beschreibung	Anlage Blow-by
Inspektion	1



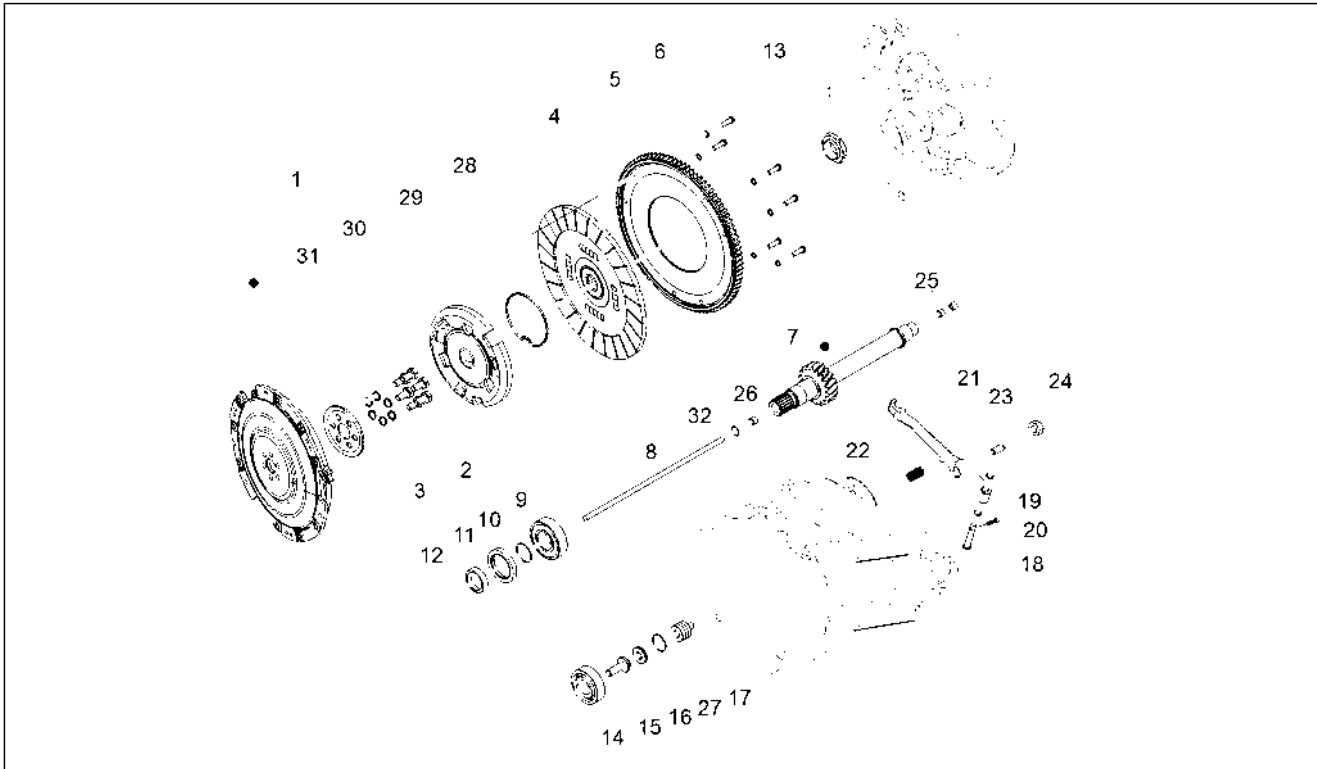
Pos.	Code	Beschreibung	Menge	Varianten
1	CM226902	Federschelle 19/12	4	
2	2B003204	Blow-By-Leitung	1	
3	2B003105	Rückstauventil	1	
4	2B002602	Blow-By-Leitung	1	

Einheit	Motor
Code	03.230
Beschreibung	Kupplung
Inspektion	1



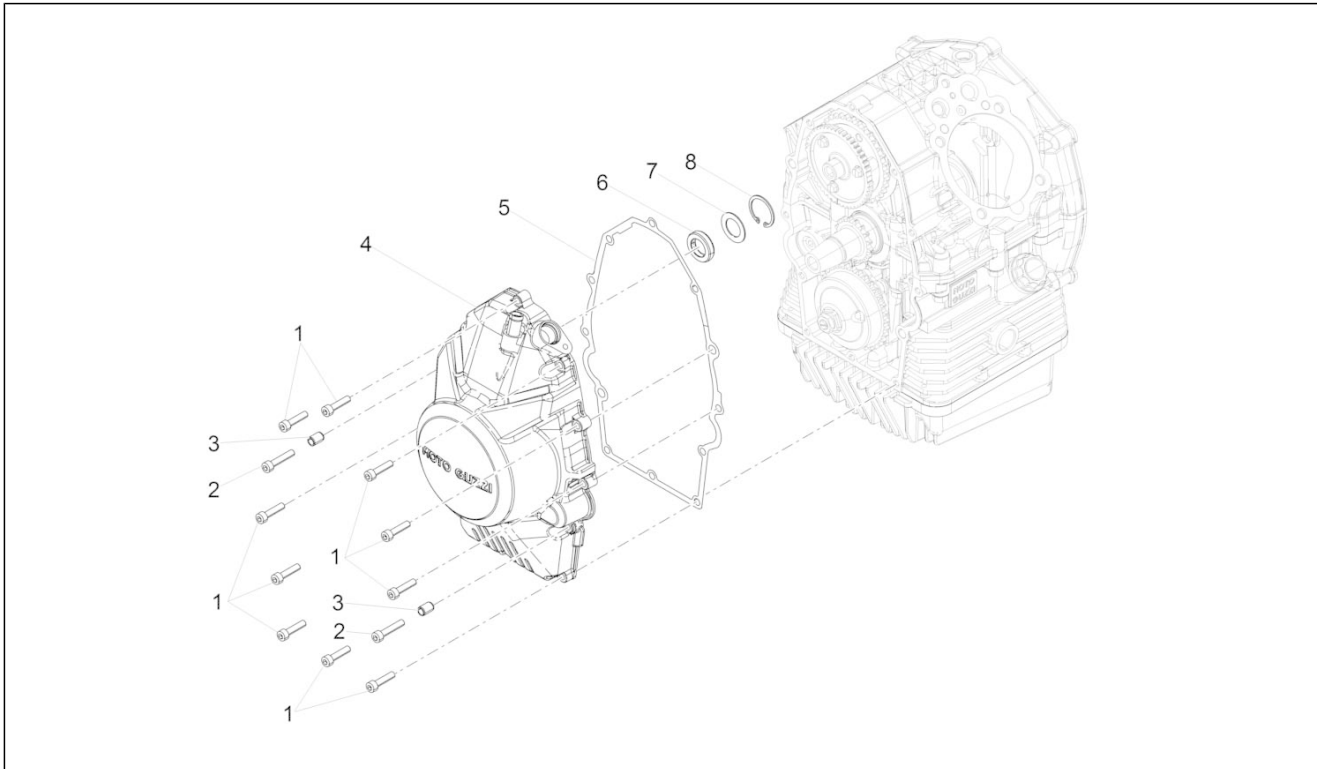
Pos.	Code	Beschreibung	Menge	Varianten
1	2A000419	Einscheiben-Kupplungseinheit komplett	1	
2	GU19067700	Schraube	6	
3	GU14615901	Ausgleichscheibe 8,4X13X0,8	6	
4	2A000724	Anlasserzahnkranz	1	
5	GU14217901	Scheibe 6,4x10x0,7	6	
6	2A000774		6	
7	2A000792	Kupplungswelle Kpl. Z=21	1	
8	2A000216	Regelstange	1	
9	GU92201226	Kugellager 25x52x15	1	
10	GU90706235	O-Ring 23,52x1,78	1	
11	886629	Gasket ring	1	
12	GU19213760	Distanzscheibe	2	
13	GU19356760	Mutter	1	
14	2A000375	Kugellager	1	
15	B013037	Kupplungswelle	1	
16	2A000376	Drucklager	1	
17	GU14086100	Aussengehäuse	1	
18	2A000384	Hebelbolzen	1	
19	2A000385	O-Ring 6.5x1.5	2	
20	GU95500222	Splint	1	
21	2A000631	Ausrueckwelle	1	
22	GU94321105	Rückholfeder Starterhebel	1	
23	2A000767	Regelschraube	1	
24	GU92606508	Mutter	1	
25	GU14085900	Buchse	2	
26	GU05217630	Buchse	1	
27	GU90706170	O-Ring 17,13x2,62	1	
28	2A000770	Getriebene Kuppl.scheibe	1	

Einheit	Motor
Code	03.230
Beschreibung	Kupplung
Inspektion	1



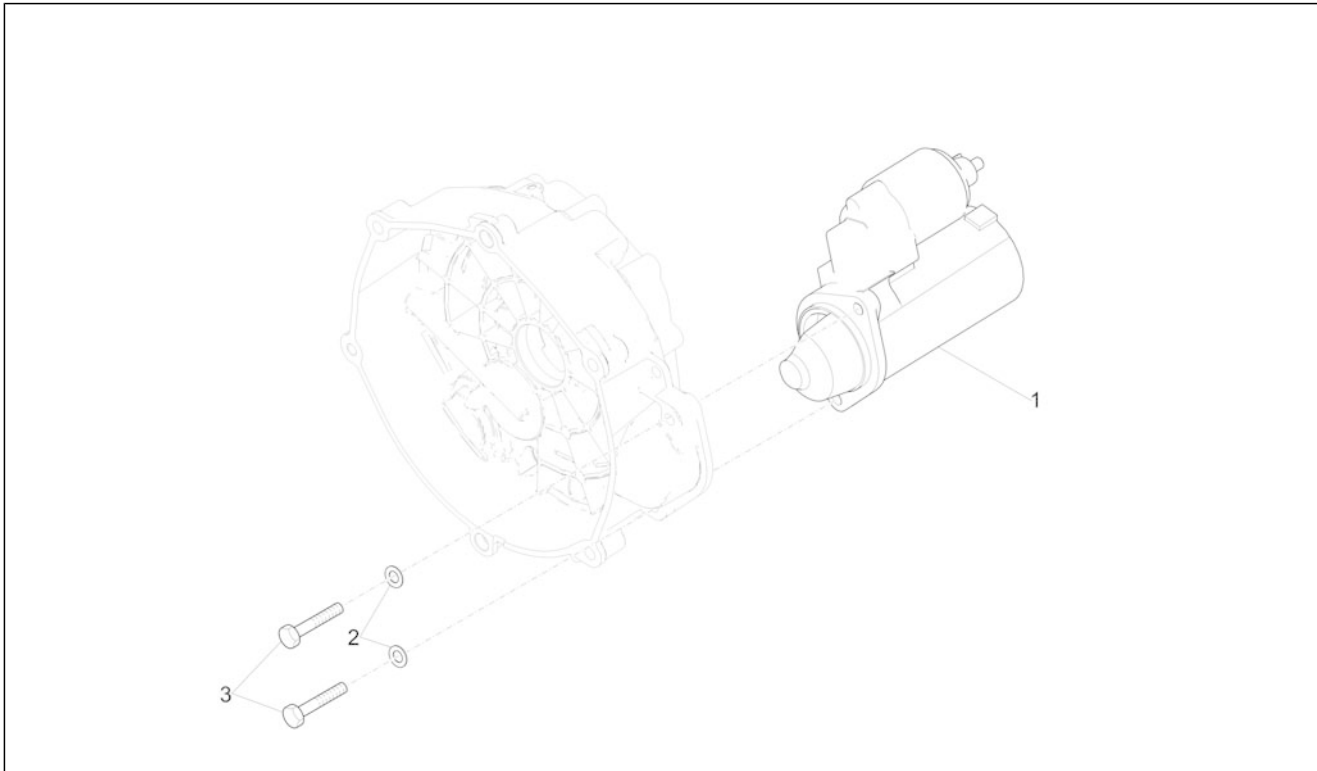
Pos.	Code	Beschreibung	Menge	Varianten
29	2A000418	Ring	1	
30	2A000638	Federteller	1	
31	2A000741	Stütze	1	
32	2A000378	Gasket ring	1	

Einheit	Motor
Code	03.270
Beschreibung	Zuenderdeckel
Inspektion	1



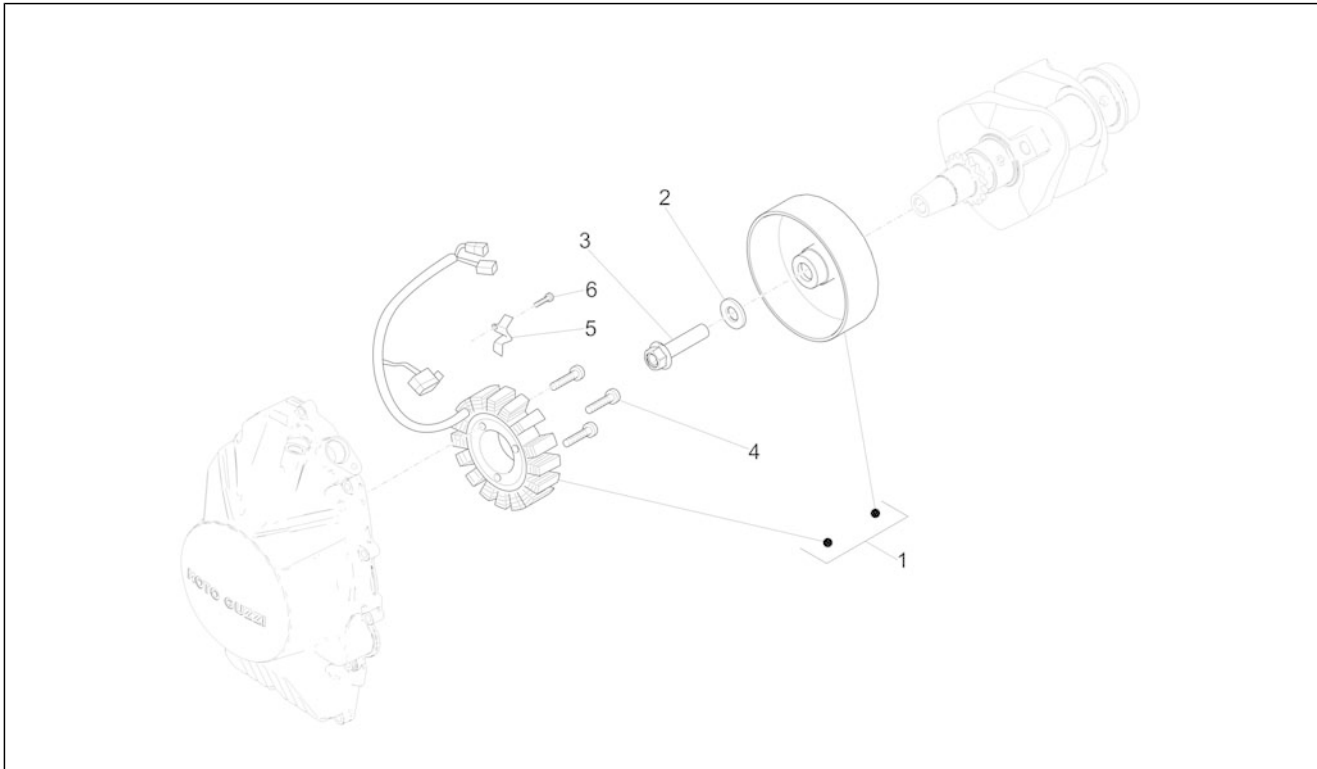
Pos.	Code	Beschreibung	Menge	Varianten
1	GU98682325	TCEI Schraube M6x25	10	
2	GU98682330	TCEI Schraube M6x20	2	
3	GU19002020	Buchse 6,6x9x13	2	
4	1A006298	Deckel	1	
5	887003	Deckeldichtung Kupplungsseite	1	
6	898268	Gasket ring 18x30x7	1	
7	898269	Bundscheibe	1	
8	006630	Sprengring	1	

Einheit	Motor
Code	03.290
Beschreibung	Zündung / Elektrischer Anfang
Inspektion	1



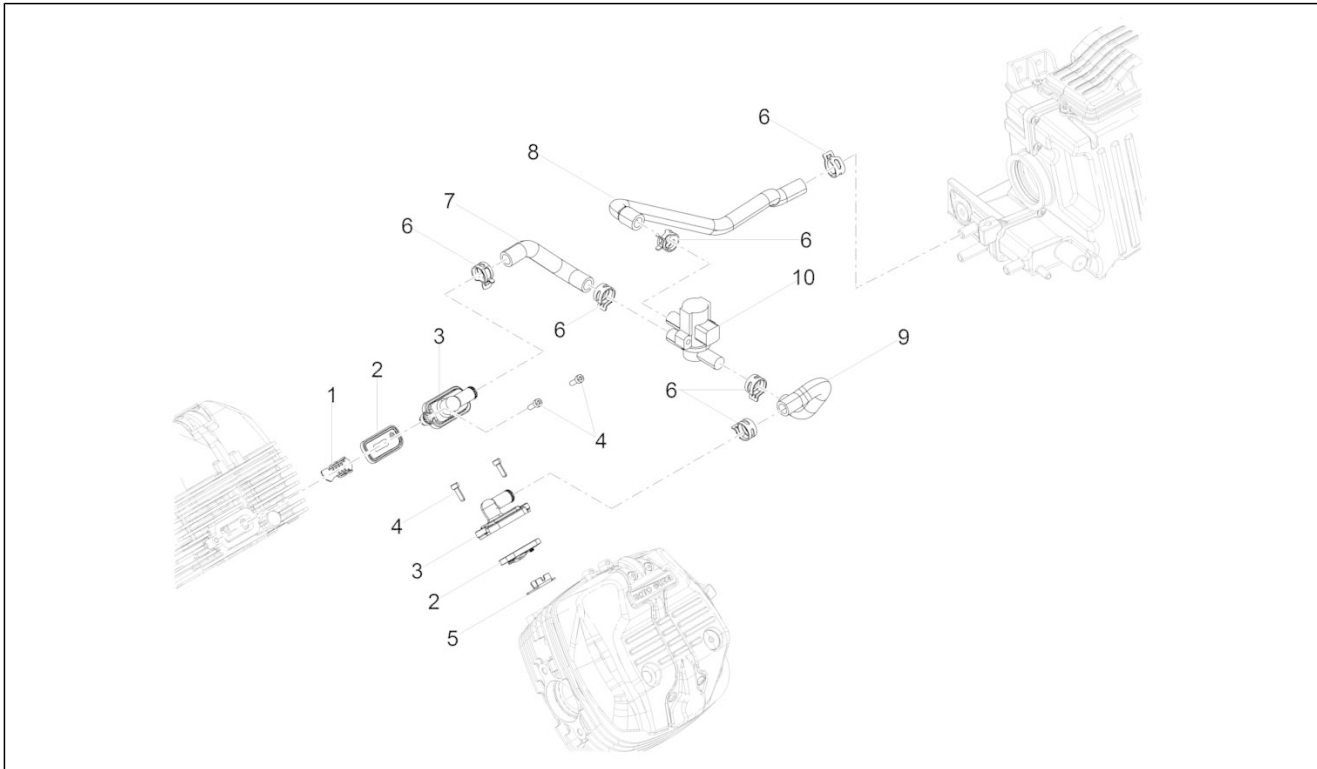
Pos.	Code	Beschreibung	Menge	Varianten
1	97729R	Startermotor	1	
2	GU95008208	Ausgleichscheibe 8,4X15X1,5	2	
3	GU98682435	TCEI Schraube	2	

Einheit	Motor
Code	03.300
Beschreibung	Schwungradmagnetstarter / Zündung
Inspektion	1



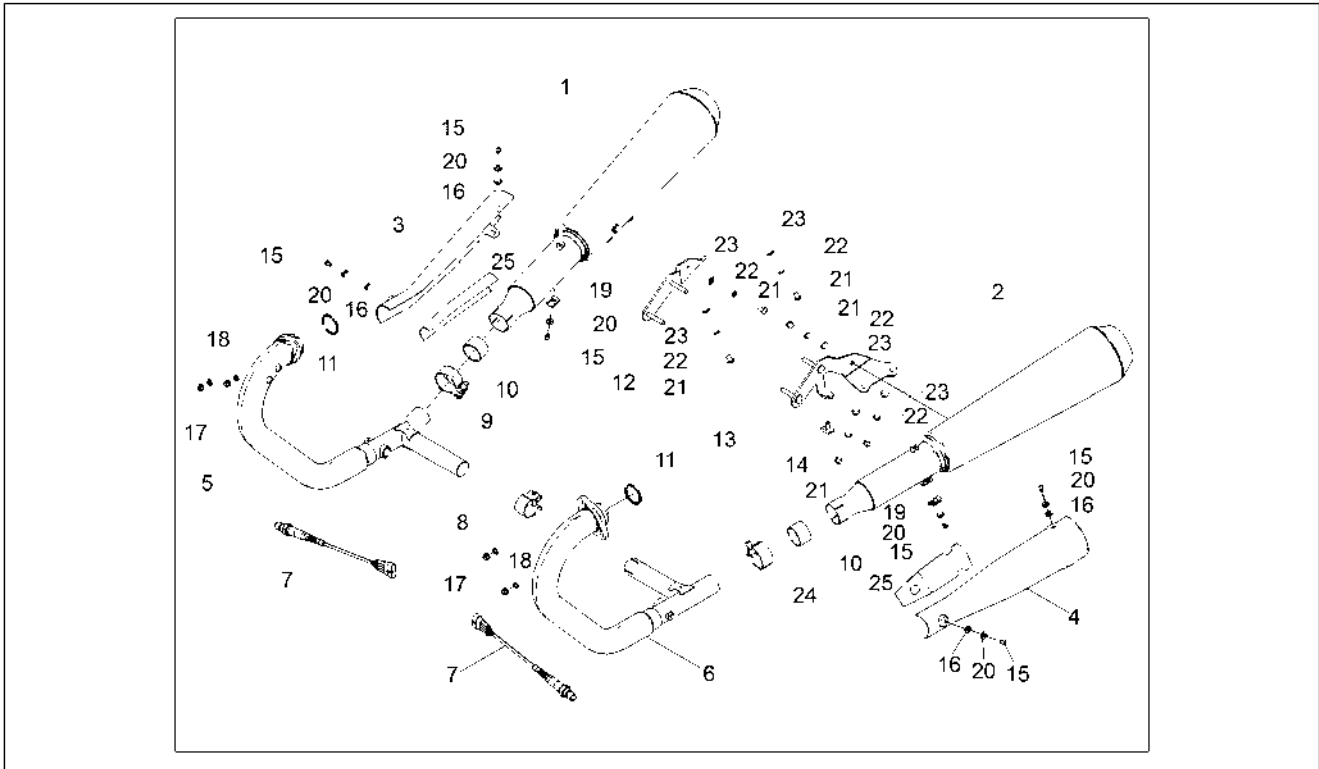
Pos.	Code	Beschreibung	Menge	Varianten
1	2D000024	Schwungrad Mag. klp.	1	
2	897478	Unterlegscheibe 12x26.5x3	1	
3	857206	TE Schr. m. Flansch M12X1,25X50	1	
4	2A000129	Flache Innensechskantschraube M6x35	3	
5	2A000115	Platte	1	
6	GU98682212	TCEI Schraube M5x12	1	

Einheit	Motor
Code	03.320
Beschreibung	Secondary air
Inspektion	1



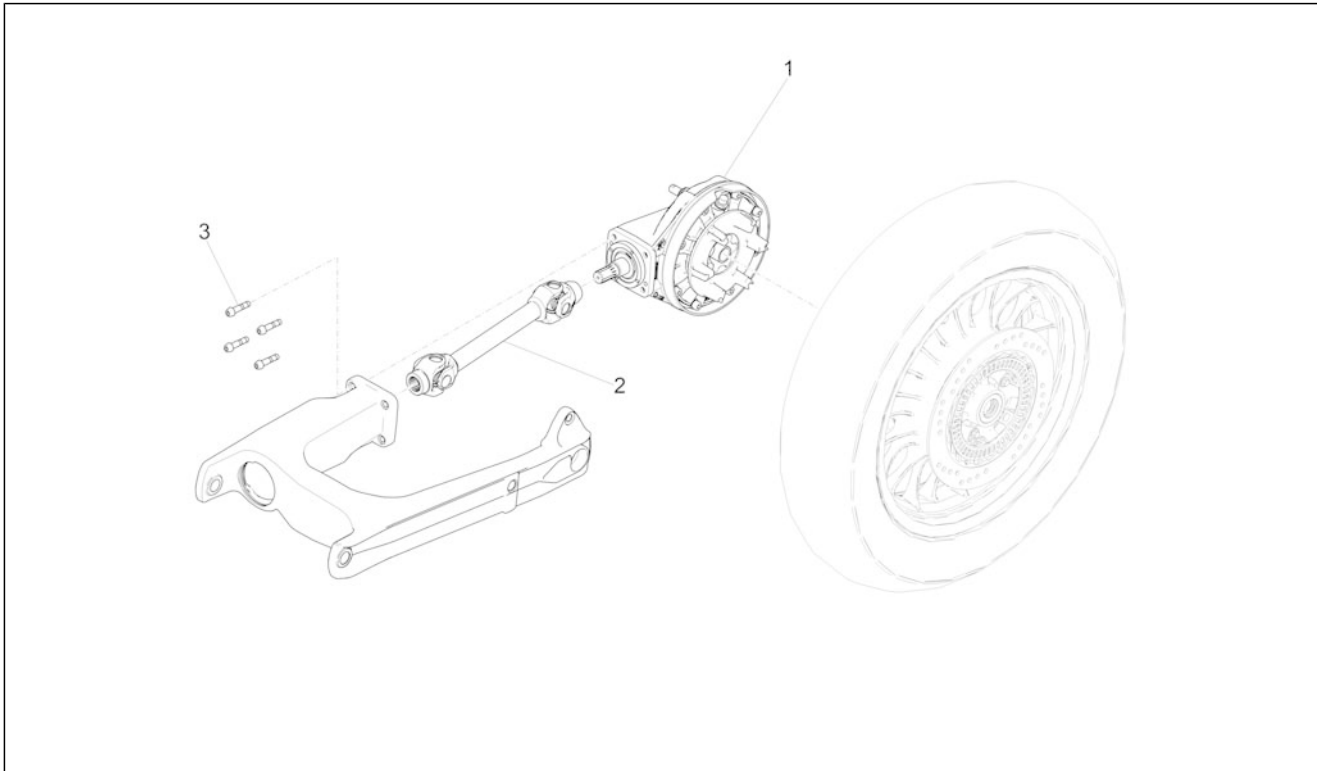
Pos.	Code	Beschreibung	Menge	Varianten
1	857047	Spark arrester	1	
2	857045	Reed valve	2	
3	2A000597	Abdeckung	1	
4	GU98612216	TCEI Schraube	2	
5	857046	Spark arrester	1	
6	CM226902	Federschelle 19/12	6	
7	2B002529	Schlauch rechts "S.A.S."	1	
8	2B002531	Leitung Filtergehäuse "S.A.S."	1	
9	2B002530	Schlauch links "S.A.S."	1	
10	857181	SAS ventil	1	

Einheit	Motor
Code	03.330
Beschreibung	Auspuffrohr
Inspektion	1



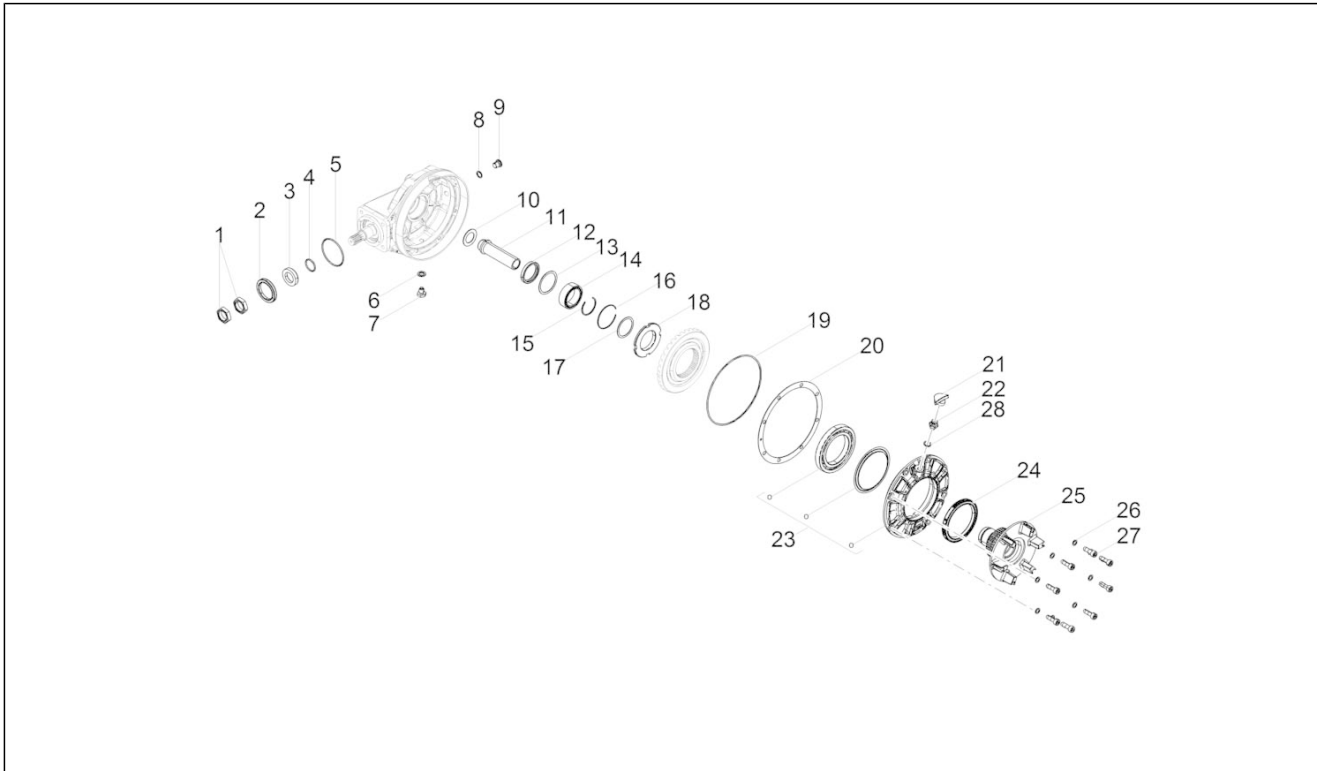
Pos.	Code	Beschreibung	Menge	Varianten
1	2B0024975	Re. Schalldämpfer verchromt	1	
2	2B0024985	Li. Schalldämpfer verchromt	1	
3	2B0026145	Auspuffverkleidung rechts verchromt	1	
4	2B0026135	Auspuffverkleidung links verchromt	1	
5	2B002496	Auspuffkrümmer rechts	1	
6	2B002495	Auspuffkrümmer links	1	
7	896110	Lamdasonde l.660 mm	2	
8	B063292	Schelle D.37	1	
9	874957	Schelle	1	
10	GU91113826	Buchse	2	
11	852090	Dichtung Auspuffrohr	2	
12	2B002533	Haltebügel Schalldämpfer rechts mit Innenteilen	1	
13	2B002532	Haltebügel Schalldämpfer links mit Innenteilen	1	
14	AP8120455	Gummi	1	
15	2B000215	TBEI Schraube m.Flansch M6x10	6	
16	876879	Abstandhalter	4	
17	GU92660021	Geflanschte Mutter M8	4	
18	GU14615901	Ausgleichscheibe 8,4X13X0,8	4	
19	254485	Plattchen M6	2	
20	834951	Kegelscheibe	6	
21	AP8152055	TBEI Schraube M8x12	6	
22	GU14615901	Ausgleichscheibe 8,4X13X0,8	6	
23	GU95008208	Ausgleichscheibe 8,4X15X1,5	6	
24	2B001935	Schelle	1	
25	2B003284	Wärmeschutz	2	

Einheit	Motor
Code	03.340
Beschreibung	Getriebe kpl.
Inspektion	1



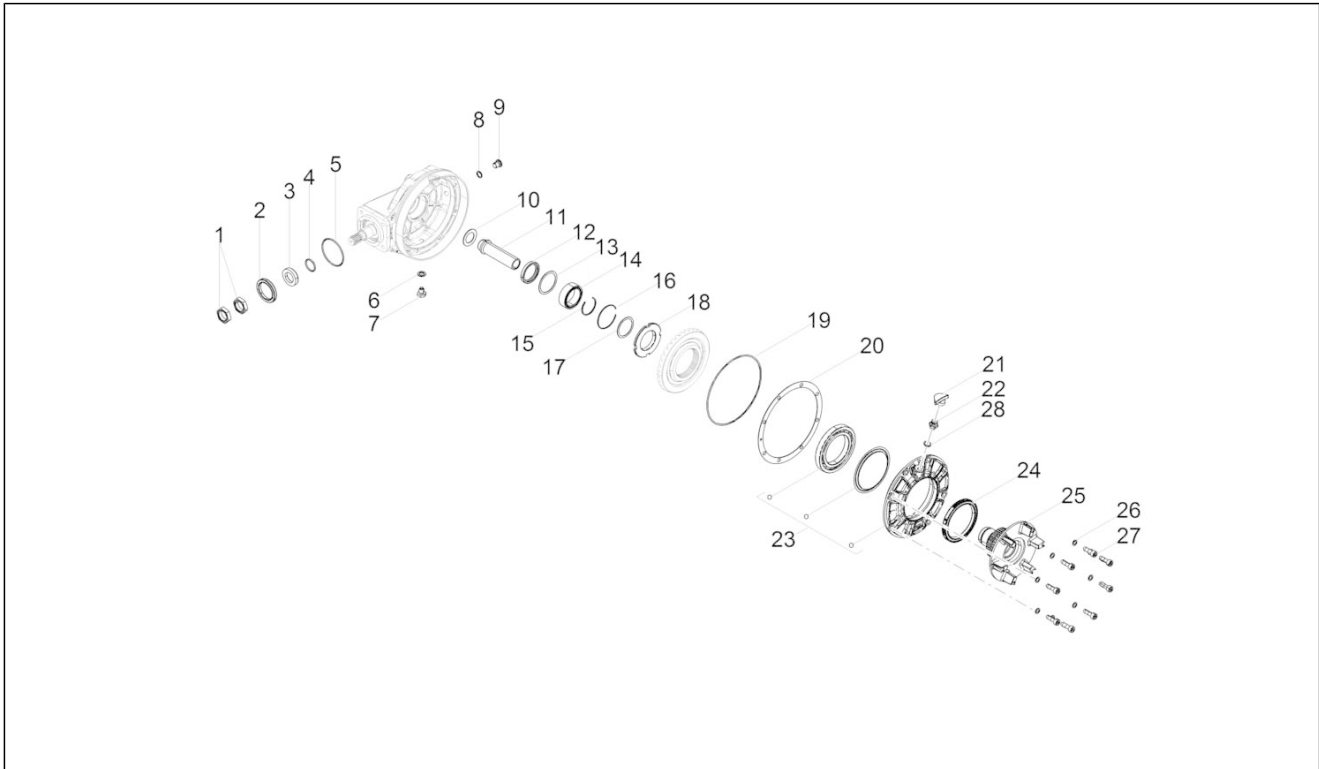
Pos.	Code	Beschreibung	Menge	Varianten
1	2B0011535	Kraftübertragung, kpl.	1	
2	2B002298	Getriebe	1	
3	2B002699	Schraube TCC Torx M8x35 mit vorimpr. Bund	4	

Einheit	Motor
Code	03.350
Beschreibung	Getriebedeckel
Inspektion	1



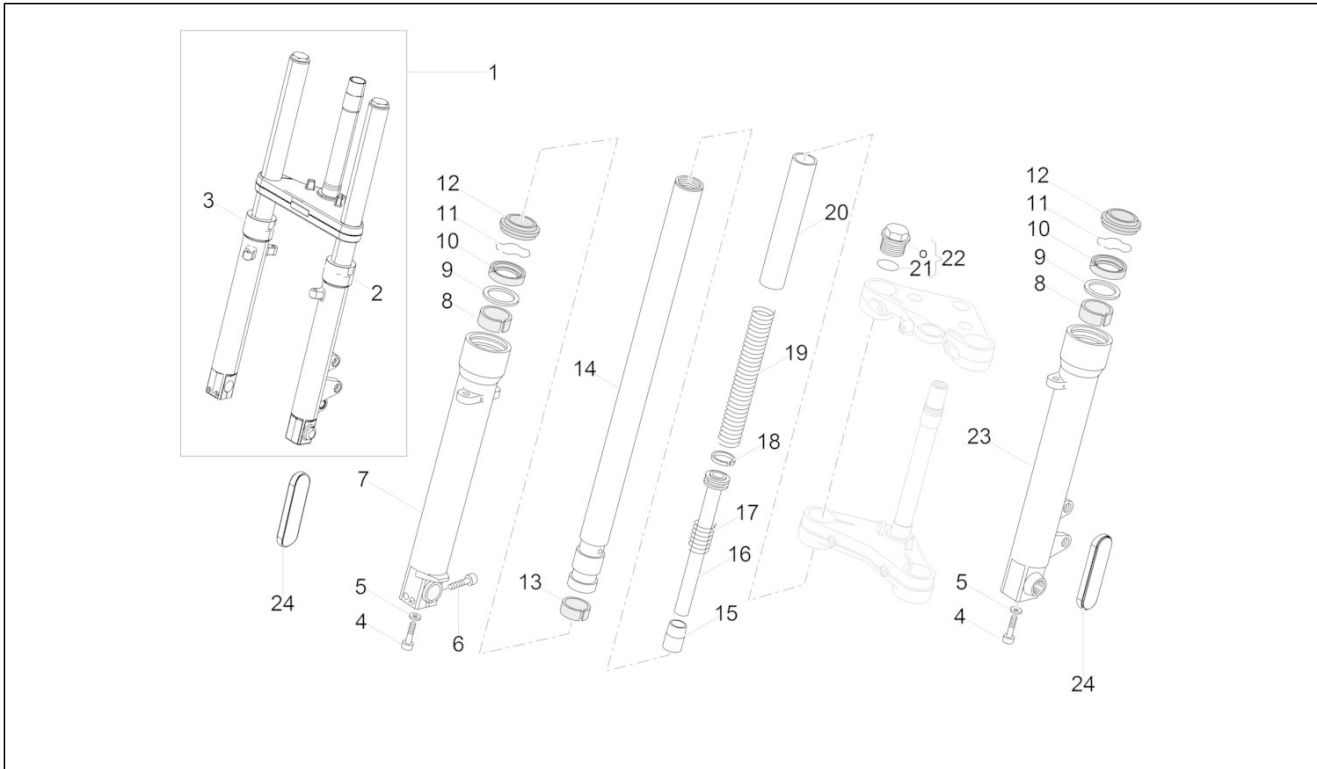
Pos.	Code	Beschreibung	Menge	Varianten
1	976649	Mutter M25x1,5	2	
2	2B000404	Gasket ring	1	
3	2B001311	Distanzscheibe	1	
4	GU90706188	Gasket ring 18,77X1,78	1	
5	GU90706584	Dichtung 58,42x2,62	1	
6	GU01528930	Dichtung 10x18x1,5	1	
7	GU31003766	Ölablaßschraube M10x1	1	
8	224566	Unterlegscheibe	1	
9	GU05351230	Ölschraube M12x1,5	1	
10	GU37359005	Ausgleichscheibe	1	
11	2B001307	Distanzscheibe	1	
12	GU90413850	Gasket ring 38X50X7	1	
13	GU12351100	Gasket ring	1	
14	GU92254340	Rollenlager 40x55x17	1	
15	2B002200	Wellenscheibe	1	
16	B064304	Seegerring	1	
17	GU19351100	Bundscheibe	1	
18	2B002536	Gewinding Befestigung Zahnkranz	1	
19	GU90706958	O-Ring 158,42X2,62	1	
20	GU04355106	Scheibe 1,2 mm	1	
20	GU04355105	Scheibe 1,1 mm	1	
20	GU04355100	Scheibe 0,6 mm	1	
20	GU04355101	Scheibe 0,7 mm	1	
20	GU04355102	Scheibe 0,8 mm	1	
20	GU04355104	Scheibe 1 mm	1	
20	GU04355103	Scheibe 0,9 mm	1	
21	2B002807	Kappe	1	
22	2A000438	Entlüftungsschraube	1	

Einheit	Motor
Code	03.350
Beschreibung	Getriebedeckel
Inspektion	1



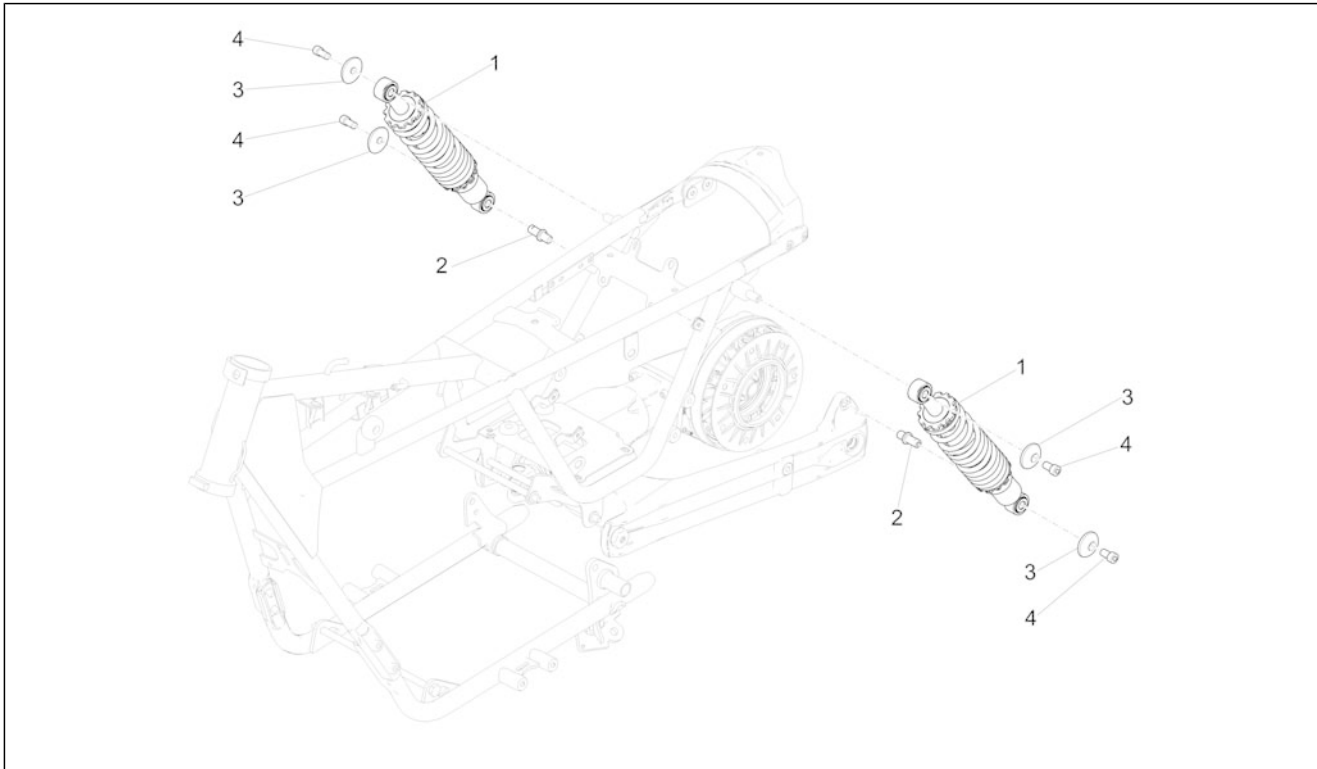
Pos.	Code	Beschreibung	Menge	Varianten
23	2B0033875	Flansch komplett	1	
24	2B002535	Gasket ring 80x100x10	1	
25	2B001303	Dämpfernabe	1	
26	GU14615901	Ausgleichscheibe 8,4X13X0,8	8	
27	2B002171	TC Schraube 8x25	8	
28	GU01528930	Dichtung 10x18x1,5	1	

Einheit	Radaufhängungen
Code	04.060
Beschreibung	Vorderradgabel Kaifa
Inspektion	1



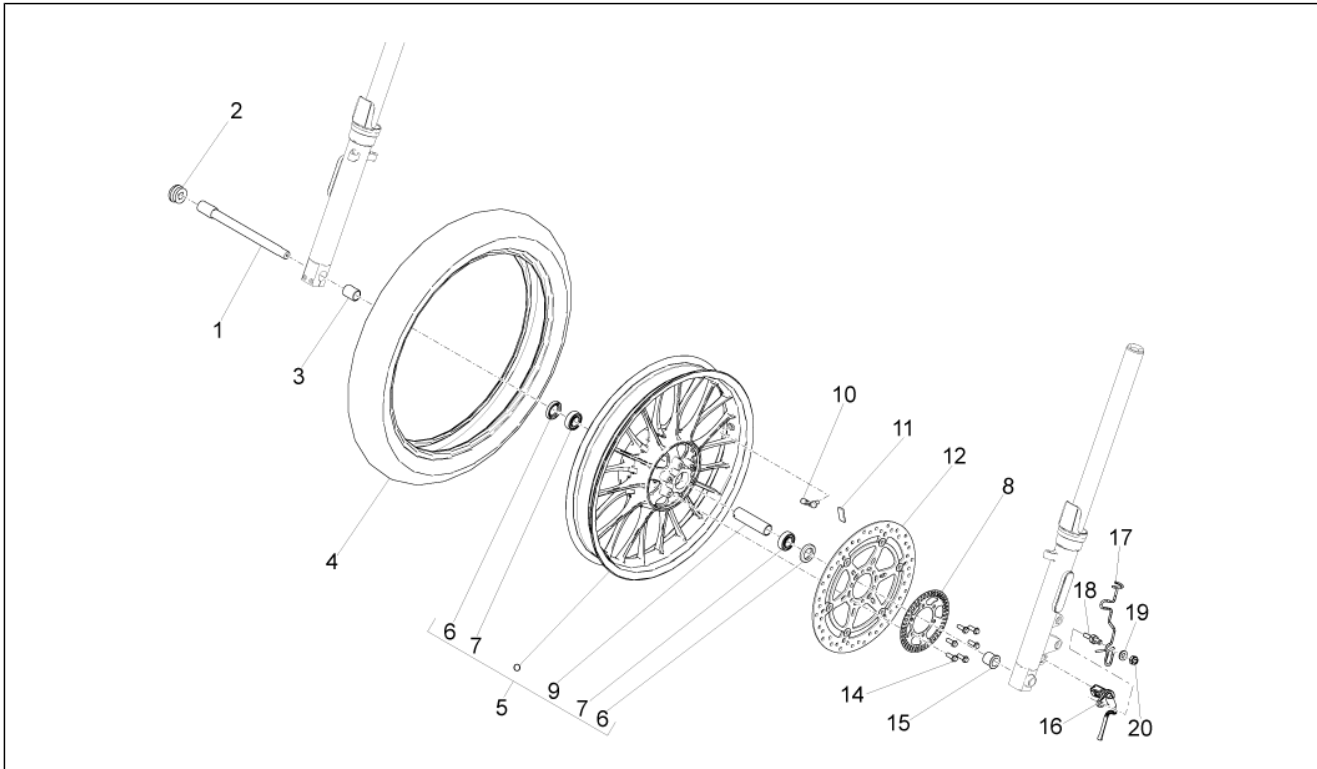
Pos.	Code	Beschreibung	Menge	Varianten
1	2B002192	Vorderradgabel komplett	1	
2	2B002295	Kolbenstange mit Boden lks.	1	
3	2B002294	Kolbenstange mit Boden rch.	1	
4	887878	Schraube M10x30	2	
5	887879	Ausgleichscheibe	2	
6	887880	Schraube	2	
7	2R000109	Rechte Hülse	1	
8	887882	Obere Buchse	2	
9	887883	Ausgleichscheibe	2	
10	887884	Gasket ring	2	
11	887885	Sperring	2	
12	887886	Staubschutz	2	
13	887888	Buchse	2	
14	2B003742	Schaft rechts-links	1	
15	887889	Puffer	2	
16	887891	Pumpenrad kplt.	2	
17	887890	Gegenfeder	2	
18	887905	Kolbenring	2	
19	2R000243	Feder	2	
20	887893	Leitung	2	
21	887916	O-Ring 4118	2	
22	887894	Verschlussschraube kplt.	2	
23	2R000110	Linke Hülse	1	
24	GU05781630	Rückstrahler, gelb	2	

Einheit	Radaufhängungen
Code	04.080
Beschreibung	Stoßdämpfer
Inspektion	1



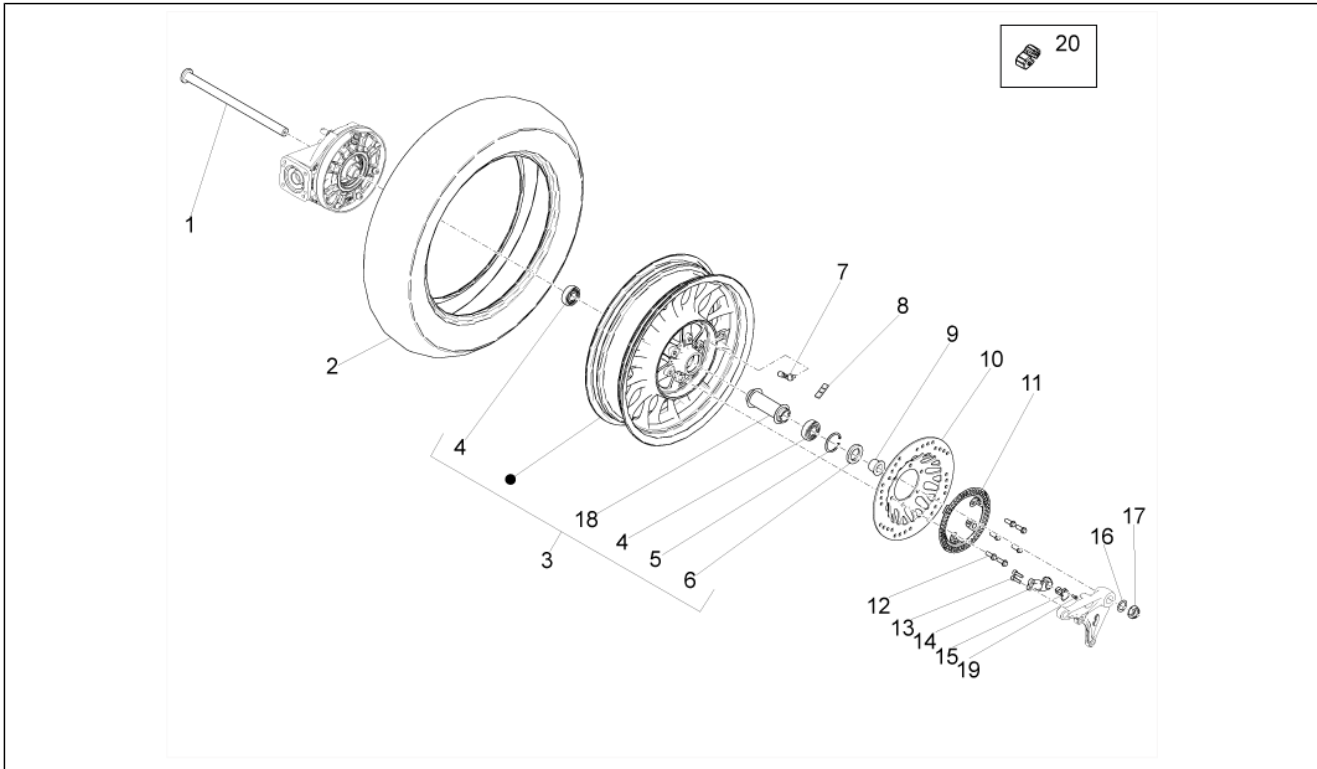
Pos.	Code	Beschreibung	Menge	Varianten
1	2B002989	Hinterer Stoßdämpfer	2	
2	2B003111	Stoßdämpfer-Bolzen	2	
3	B063174	Buchse	4	
4	884031	TCEI Schraube M6x14	4	

Einheit	Räder
Code	05.010
Beschreibung	Vorderrad
Inspektion	1



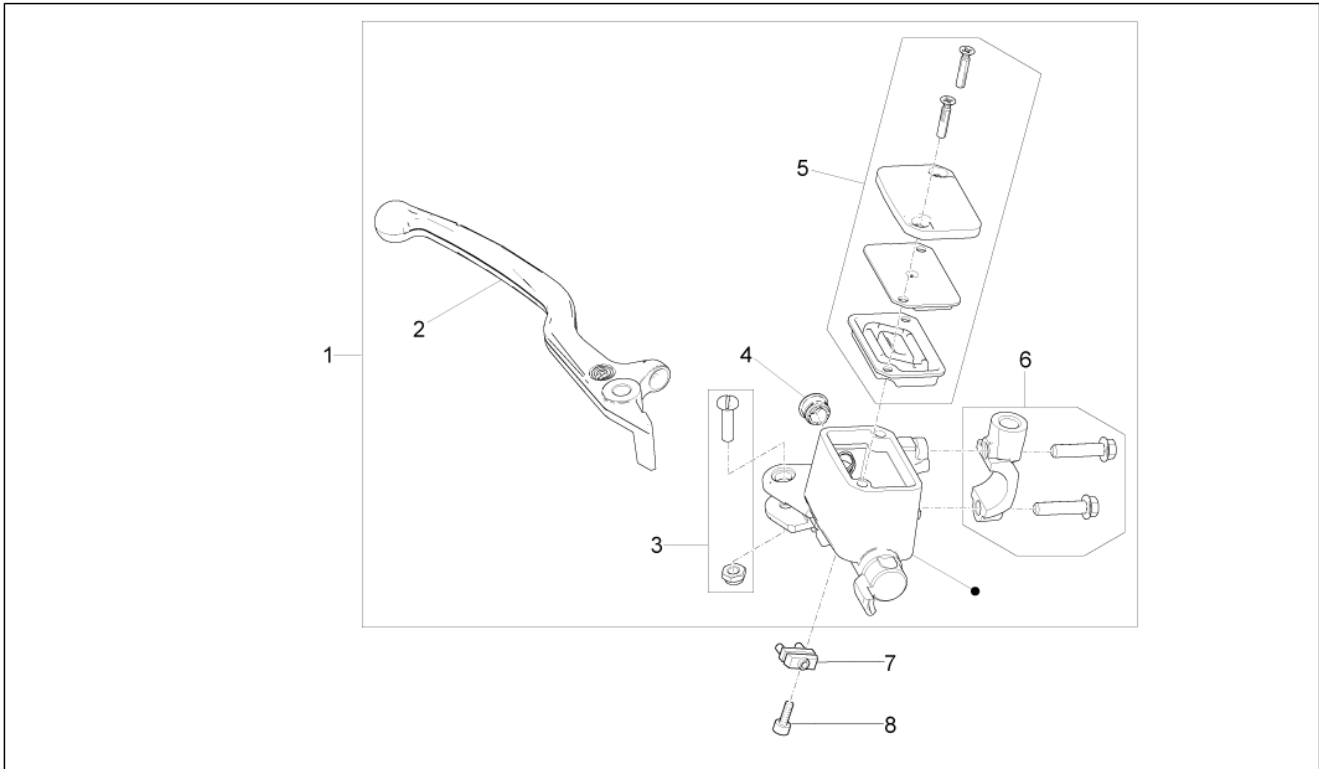
Pos.	Code	Beschreibung	Menge	Varianten
1	2B001139	Vorderradbolzen	1	
2	GU93180111	Deckel 15 mm	1	
3	GU32615660	R. Distanzscheibe	1	
4	2B002380	Vorderreifen 100/90 - 19"	1	
5	2B001058	Vorderrad 2.5X19 mit Lager	1	
6	GU90402642	Gasket ring	2	
7	GU92204221	Lager	2	
8	887875	Phonic wheel	1	
9	2B001073	Innerer Abstandhalter Vorderrad	1	
10	GU03617710	Schlauchloses Reifenventil	1	
11	GU14616150	Gegengewicht	1	
12	883688	Vorderradbremsscheibe 320	1	
14	887762	Flanschschraube TE M8x22	6	
15	GU31616384	L. Distanzscheibe	1	
16	859792	Sensor ABS	2	
17	2B001561	Kabelführung	1	
18	2B001708	Distanzscheibe	1	
19	AP8150178	Ausgleichscheibe 6,4x12,5*	2	
20	GU92630207	Mutter	1	

Einheit	Räder
Code	05.020
Beschreibung	Hinterrad
Inspektion	1



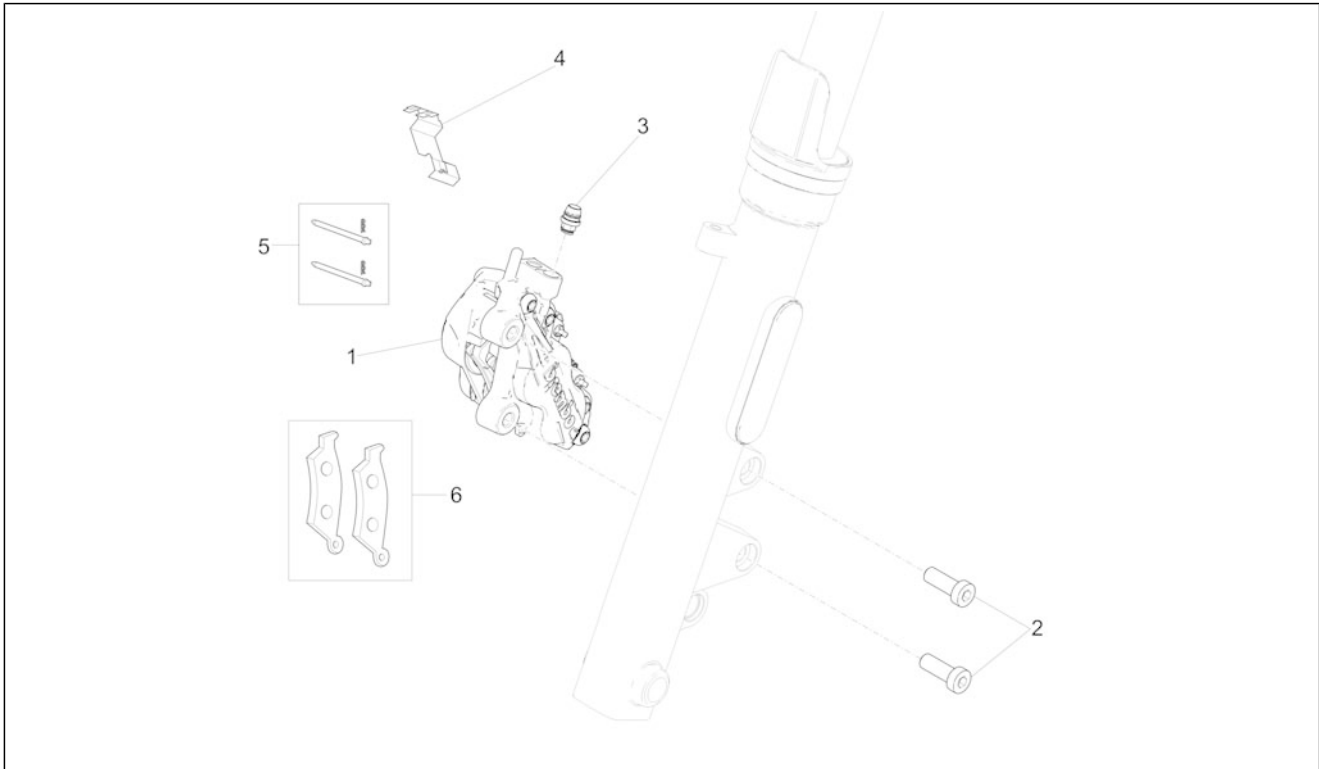
Pos.	Code	Beschreibung	Menge	Varianten
1	2B001310	Hinterradbolzen	1	
2	2B002381	Hinterer Reifen 150/80 - 16	1	
3	2B002448	Hint. Felge 4X16" mit Lager	1	
4	GU92204220	Kugellager 20X47X14	2	
5	GU90272047	Seegerring 47X50,5	1	
6	AP8110109	Gasket ring 28X47X7	1	
7	GU03617710	Schlauchloses Reifenventil	1	
8	GU14616150	Gegengewicht	1	
9	2B001956	Hinterrad Distanzscheibe	1	
10	887448	Bremsscheibe	1	
11	2B000225	Phonic wheel	1	
12	887762	Flanschschraube TE M8x22	6	
13	GU98682312	TCEI Schraube M6x12	2	
14	2B000377	Halter Sensor ABS	1	
15	859792	Sensor ABS	2	
16	AP8125687	U-scheibe Hint.radbolzen	1	
17	648708	Hinterradbolzen mut.	1	
18	2B001279	Baugruppe Distanzscheibe Hinterrad	1	
19	1C001499	Schraube TBEI TORX M5x16 INOX	1	
20	GU32632510	Gummikupplung	6	

Einheit	Bremsanlage
Code	06.010
Beschreibung	Vorderradbremspumpe
Inspektion	1



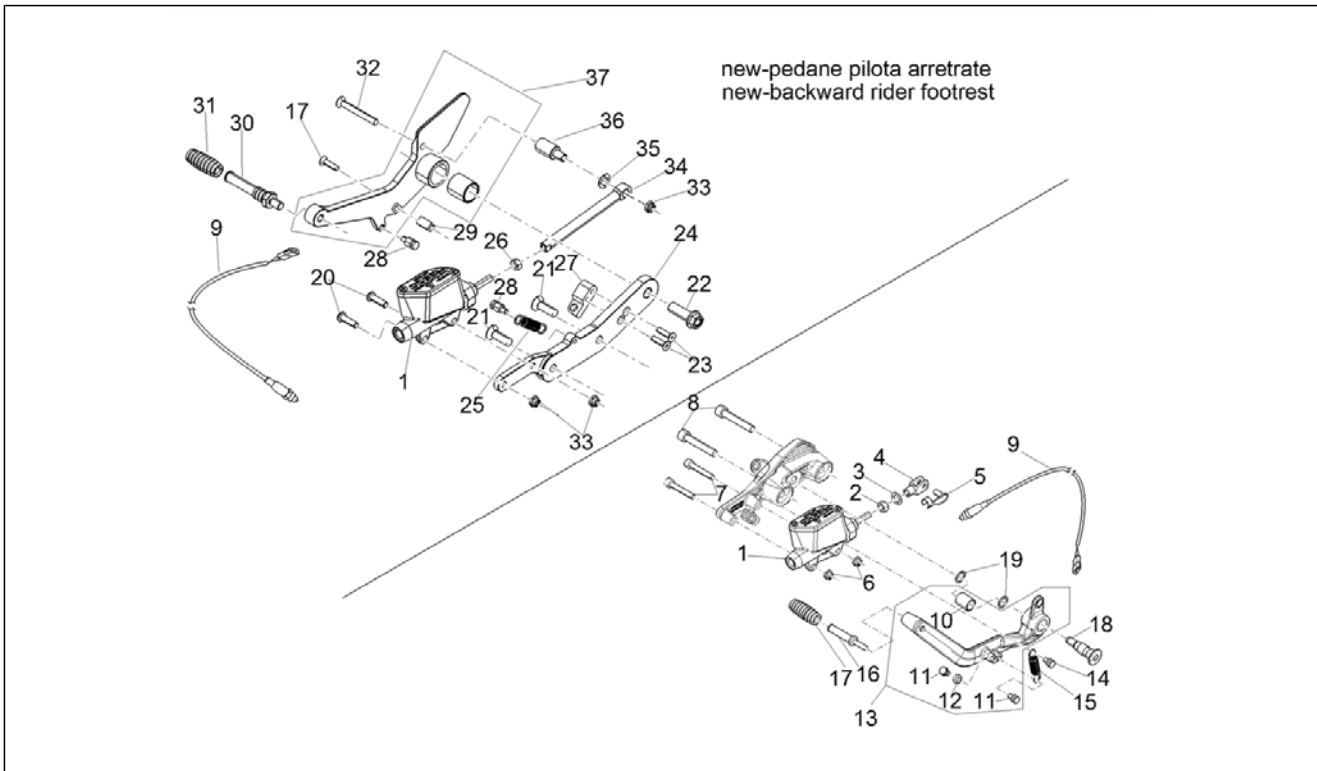
Pos.	Code	Beschreibung	Menge	Varianten
1	2B002269	Vorderradbremspumpe	1	
2	2B003041	Ersatzteil Hebel	1	
3	2B003040	Ersatzteil Hebelbolzen kpl. mit Mutter	1	
4	2B001930	Ersatzteil Schauglas vordere Bremspumpe	1	
5	2B003039	Ersatzteil Deckel kpl. mit Membran und Schrauben	1	
6	2B001929	Klemmschelle Bremsarmatur	1	
7	GU03749845	Bremslichtschalter	1	
8	AP8152043	TCEI Schraube M4x10	1	

Einheit	Bremsanlage
Code	06.020
Beschreibung	Vorderradbremzange
Inspektion	1



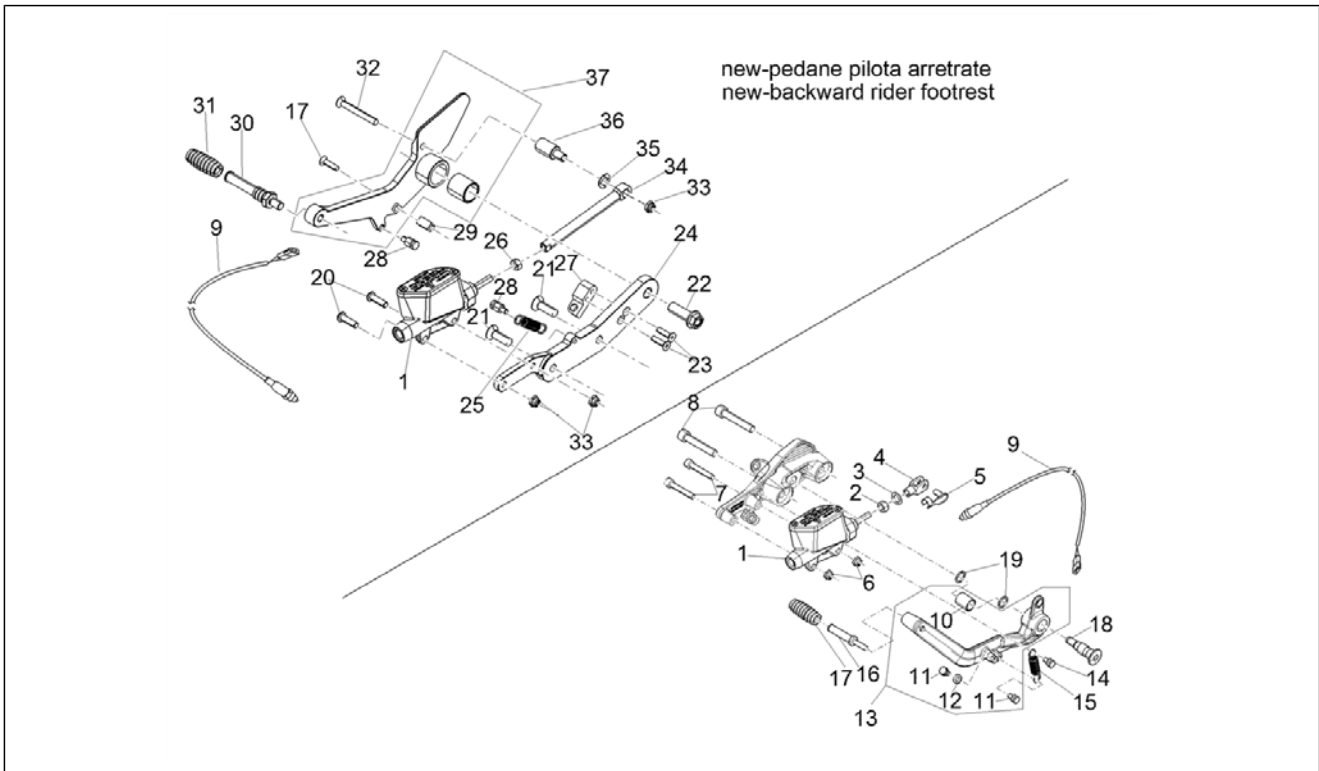
Pos.	Code	Beschreibung	Menge	Varianten
1	2B003271	Vorderradbremzange l.	1	
2	AP8152385	TCEI Schraube M10x1,25	2	
3	GU05659230	Entlüftung+Haube	1	
4	GU01659131	Feder	1	
5	GU01659130	Stifte-Federn Bremzange	1	
6	2B003313	Beläge (Paar)	1	

Einheit	Bremsanlage
Code	06.030
Beschreibung	Hinterradbrenspumpe
Inspektion	1



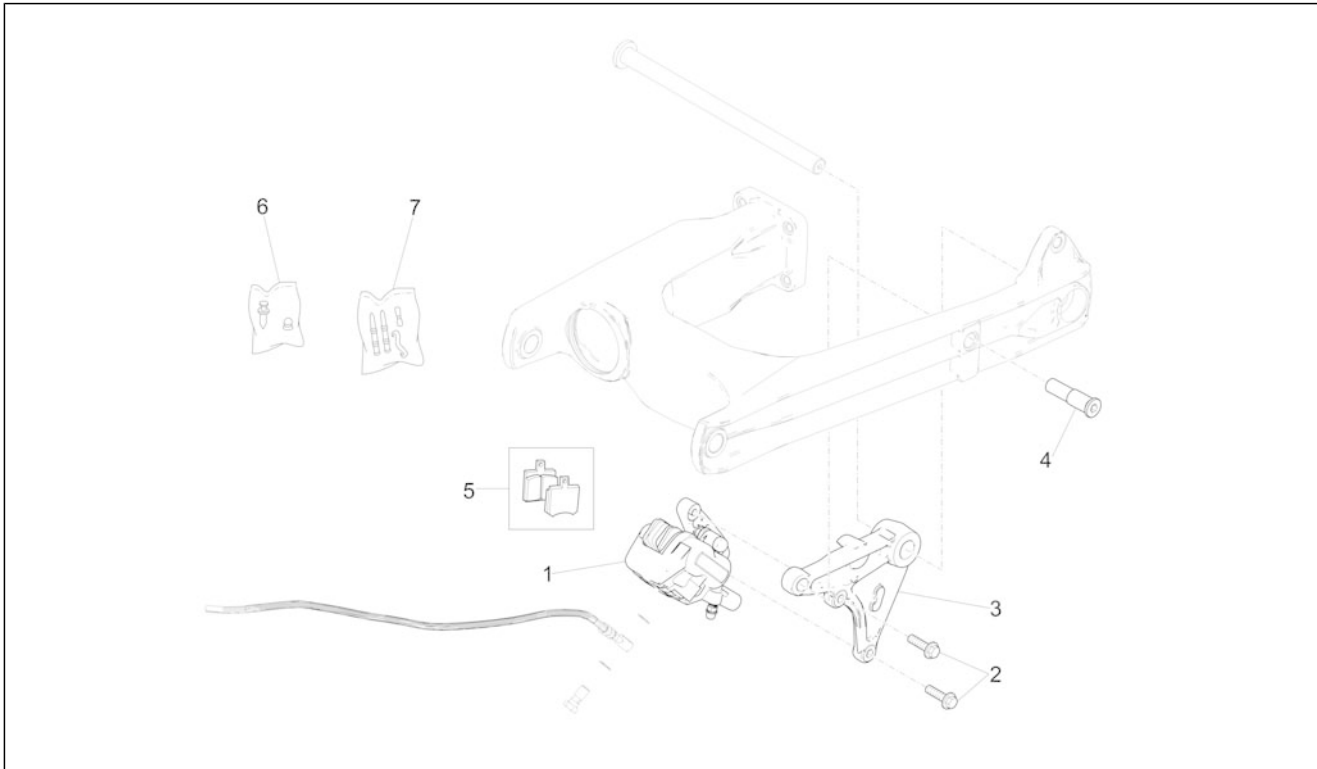
Pos.	Code	Beschreibung	Menge	Varianten
1	2B002189	Hintere Bremspumpe mit Behälter	1	
2	GU92606206	Mutter	1	Technische Spezifikation:standard rider footrest[old]
3	AP8120178	O-Ring OR112	1	Technische Spezifikation:standard rider footrest[old]
4	AP8113081	Schaltgabel	1	Technische Spezifikation:standard rider footrest[old]
5	AP8113082	Klemmen für Schaltgabel	1	Technische Spezifikation:standard rider footrest[old]
6	GU92630206	Dado autobloccante M6x1	2	Technische Spezifikation:standard rider footrest[old]
7	AP8150285	TCEI Schraube M6x35	2	Technische Spezifikation:standard rider footrest[old]
8	GU98680445	TCEI Schraube	2	Technische Spezifikation:standard rider footrest[old]
9	2D0002805	Knopf stop	1	
10	895328	Buchse gesintert	1	Technische Spezifikation:standard rider footrest[old]
11	859946	Befestigungsbolzen	2	Technische Spezifikation:standard rider footrest[old]
12	AP8150012	Ausgleichscheibe 5,3x10x1*	1	Technische Spezifikation:standard rider footrest[old]
13	2B002233	Hebel Hinterradbremse komplett	1	Technische Spezifikation:standard rider footrest[old]
14	859946	Befestigungsbolzen	1	Technische Spezifikation:standard rider footrest[old]
15	AP8121927	Feder Hinterradbremsh.	1	Technische Spezifikation:standard rider footrest[old]
16	887908	Gummigleitschutze	1	Technische Spezifikation:standard rider footrest[old]
17	AP8120912	Gummi für Hebel	1	Technische Spezifikation:standard rider footrest[old]
18	884033	Hebelbolzen	1	Technische Spezifikation:standard rider footrest[old]
19	AP8144007	O-Ring 11,11x1,78	2	Technische Spezifikation:standard rider footrest[old]
20	GU98370625	TBEI Schraube M6x25	1	Technische Spezifikation:backward rider footrest[new]
21	2B004112	Schraube TSPEI IX M8X25	2	Technische Spezifikation:backward rider footrest[new]
22	967384	Schraube TEF M10X45	1	Technische Spezifikation:backward rider footrest[new]
23	658778	Schraube TSPEI M5x20	3	Technische Spezifikation:backward rider footrest[new]
24	2B004042	Piastra pedana pilota dx	1	Technische Spezifikation:backward rider footrest[new]
25	AP8121927	Feder Hinterradbremsh.	1	Technische Spezifikation:backward rider footrest[new]
26	GU92606206	Mutter	1	Technische Spezifikation:backward rider footrest[new]
27	2B004063	Supporto interruttore stop	1	Technische Spezifikation:backward rider footrest[new]
28	898286	Federn Fixierstift	2	Technische Spezifikation:backward rider footrest[new]

Einheit	Bremsanlage
Code	06.030
Beschreibung	Hinterradbremspumpe
Inspektion	1



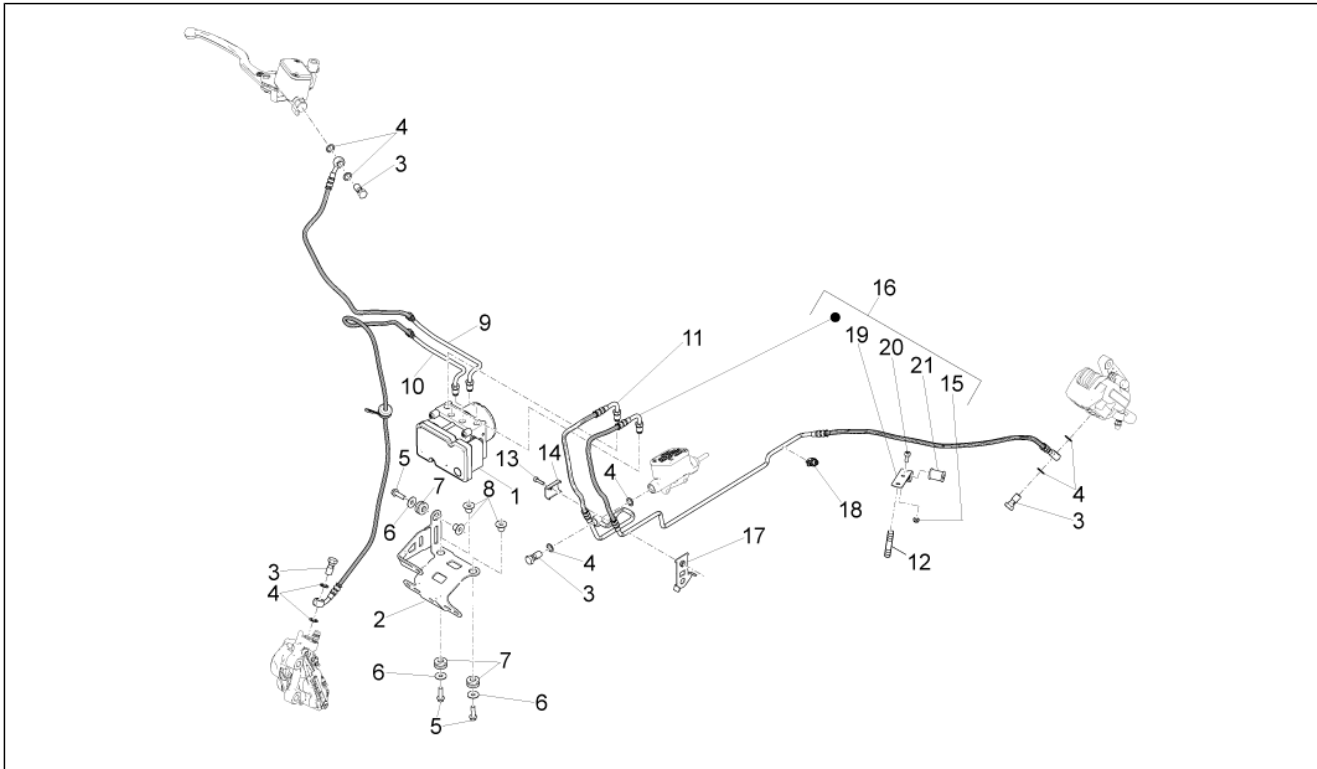
Pos.	Code	Beschreibung	Menge	Varianten
29	2B004064	Fermacorsa pedale freno post.	1	Technische Spezifikation: backward rider footrest[new]
30	2B004062	Gummigleitschutze	1	Technische Spezifikation: backward rider footrest[new]
31	AP8120912	Gummi für Hebel	1	Technische Spezifikation: backward rider footrest[new]
32	2B004111	Schraube TSPEI M6x50	1	Technische Spezifikation: backward rider footrest[new]
33	GU92630707	Mutter M6	3	Technische Spezifikation: backward rider footrest[new]
34	2B004076	Pumpenstange H. brems	1	Technische Spezifikation: backward rider footrest[new]
35	658837	Gewellte Sprengscheibe D15 F8,4 S1,5 - INOX	1	Technische Spezifikation: backward rider footrest[new]
36	2B004107	Distanzscheibe	1	Technische Spezifikation: backward rider footrest[new]
37	2B004050	Hebel Hinterradbremse komplett	1	Technische Spezifikation: backward rider footrest[new]

Einheit	Bremsanlage
Code	06.040
Beschreibung	Hinterradbremzange
Inspektion	1



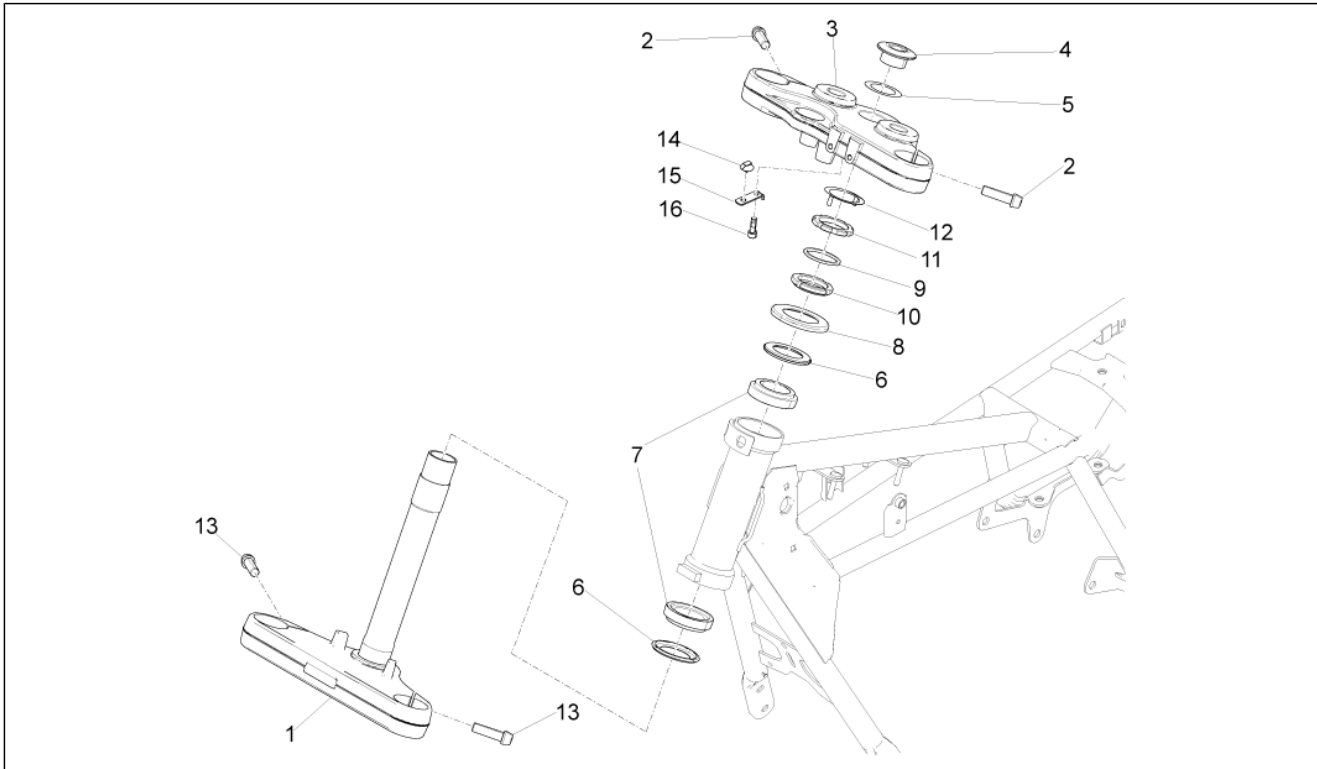
Pos.	Code	Beschreibung	Menge	Varianten
1	2B000525	Hinterradbremzange	1	
2	AP8152288	TE Schr. m. Flansch M8x30	1	
3	2B001953	Halter. H.radbremzange	1	
4	GU31544181	Bolzen	1	
5	2R000248	Paar Bremsklötze	1	
6	GU31659281	Entlüftung+Haube	1	
7	GU31659181	Stifte+Feder kit	1	

Einheit	Bremsanlage
Code	06.050
Beschreibung	Bremsanlage ABS
Inspektion	1



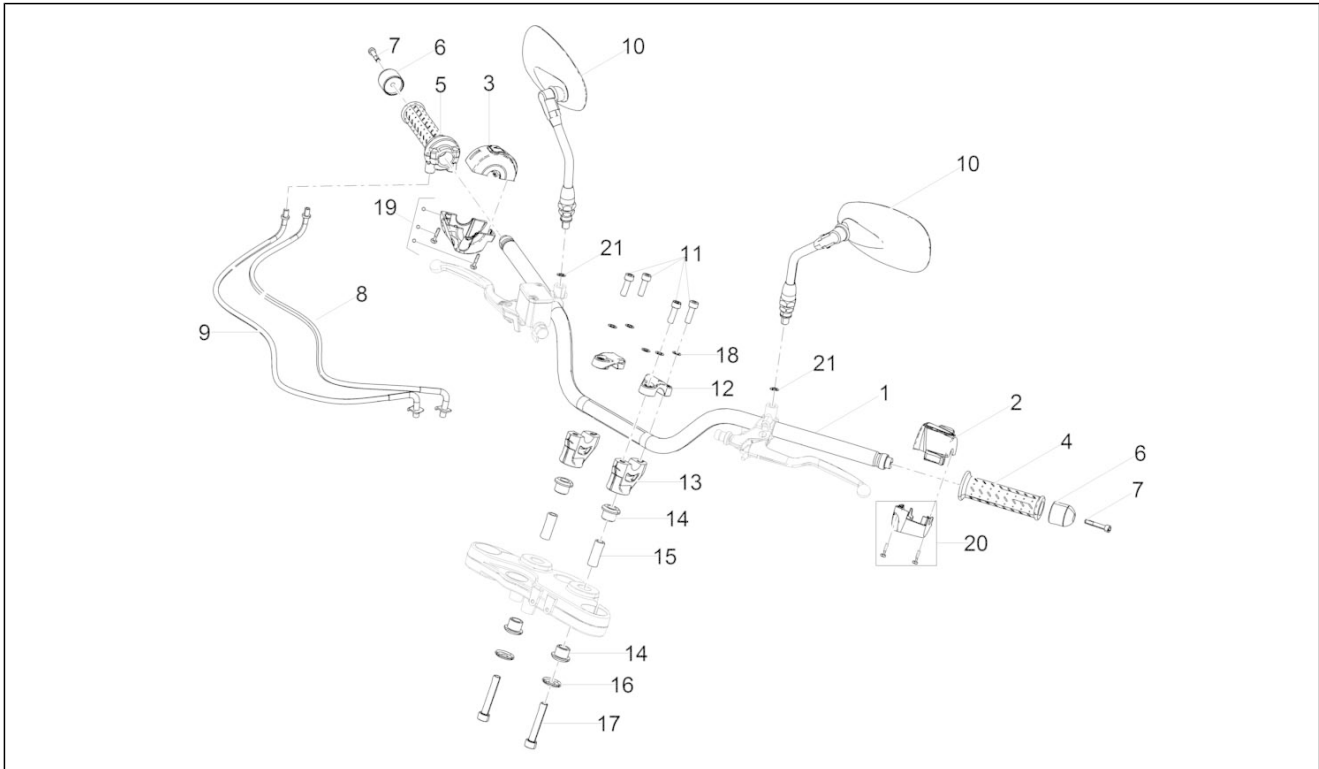
Pos.	Code	Beschreibung	Menge	Varianten
1	2D000102	ABS-Steuergerät	1	
2	2B003056	Halterbügel Steuerung	1	
3	AP8113003	Fixierschraube Ölschlauch	4	
4	AP8113004	Ausgleichscheibe 10x14x1,6*	8	
5	00H02402282	Schraube 6X20	3	
6	AP8150015	Ausgleichscheibe 6,6x18x1,6*	3	
7	AP8120030	Gummi	3	
8	AP8221023	T-Buchse	2	
9	2B002804	ABS HECU Leitung - Pumpe vorne	1	
10	2B002805	ABS HECU Leitung - Bremssattel Vorderradbremse	1	
11	2B002681	ABS HECU Leitung - Pumpe hinten	1	
12	GU96451316	Stiftschraube	1	
13	959559	TCEI Schraube M4x16	1	
14	2B001614	Fixierplatte Führungs	1	
15	AP8150451	Selbstsperr.mut Unt.	1	
16	2B002806	Leitung ABS HECU - Bremssattel hinten	1	
17	2B001564	Halteplatte Bremsschlauch	1	
18	AP8121882	Kabelführungs	1	
19	GU03658330	Schelle	1	
20	895709	TCEI Schraube M5x12	1	
21	GU03658201	Ring	1	

Einheit	Lenkstange - Schaltungen
Code	07.010
Beschreibung	Lenkung
Inspektion	1



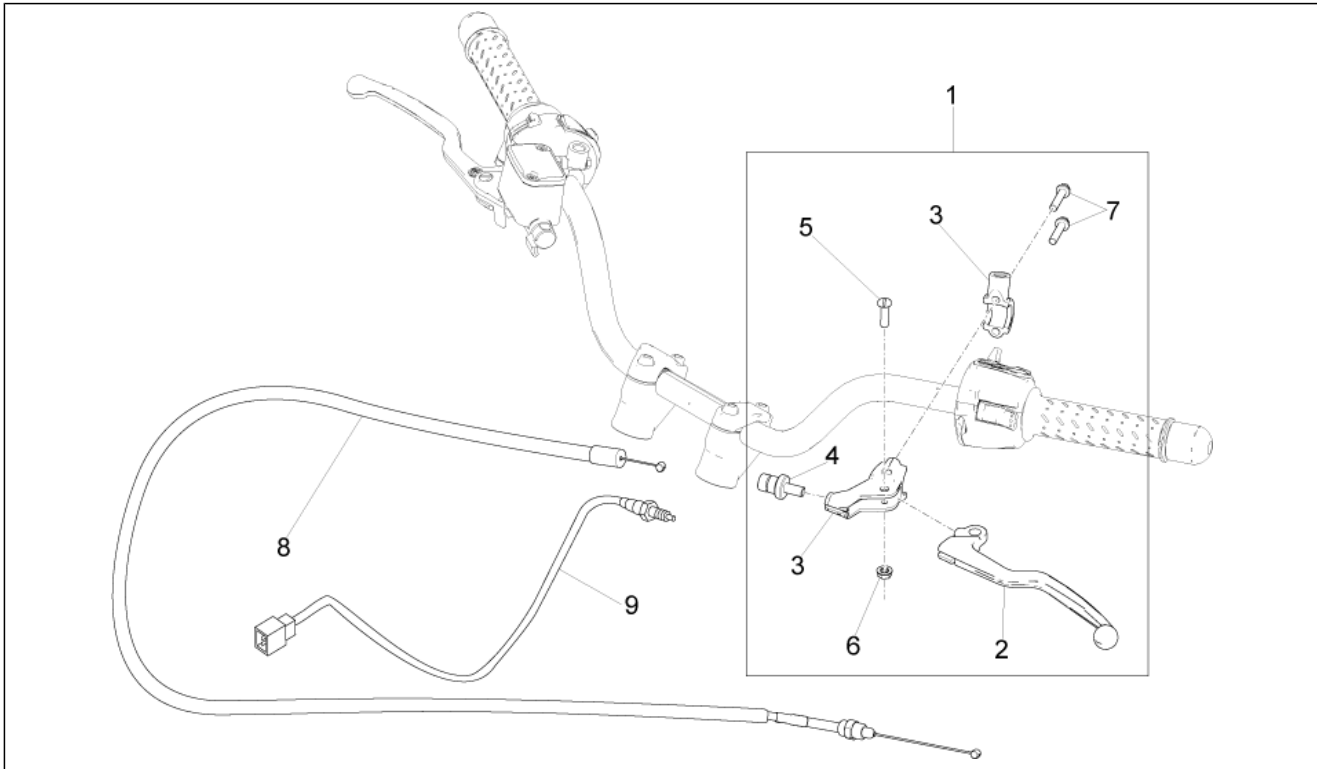
Pos.	Code	Beschreibung	Menge	Varianten
1	2B003743	Untere Gabelplatte	1	
2	AP8150543	Zylinderschraube M8x35	2	
3	2B001052	Obere Gabelplatte	1	
4	AP8121205	Fixierbuchse ob. Platte	1	
5	AP8152384	Scheibe Lenkkopf	1	
6	AP8123641	Staubschutzring	2	
7	AP8110077	Axialkugellager	2	
8	AP8123644	Staubschutzring	1	
9	887831	Gummischeibe	1	
10	AP8123642	Nutmutter	1	
11	AP8123643	Gegenmutter	1	
12	887832	Sicherheitspl. Lenkung	1	
13	AP8150540	Zylinderschraube	2	
14	890760	Halterung Instrumente	1	
15	2B003292	Platte	1	
16	GU98210616	TBEI Schraube m.Flansch M6x16 inox	1	

Einheit	Lenkstange - Schaltungen
Code	07.020
Beschreibung	Lenkstange - Schaltungen
Inspektion	1



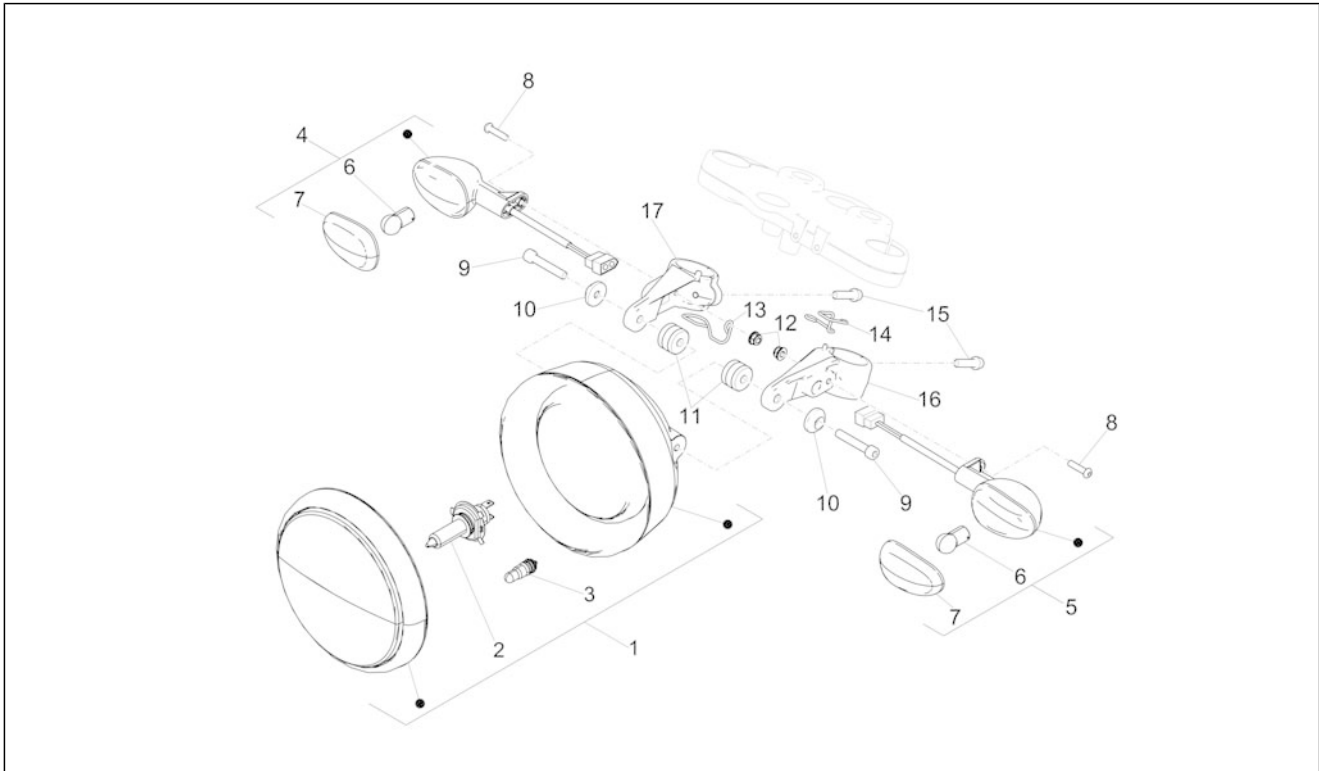
Pos.	Code	Beschreibung	Menge	Varianten
1	2B001163	Lenkstange	1	
2	2D000227	Bedienelement Lenker links	1	
3	2D000226	Bedienelement Lenker rechts	1	
4	AP8118579	Links griff	1	
5	2B002364	Rechts griff	1	
6	GU32602860	Schwingschutzgewicht chr.	2	
7	2B002195	Schraube TCEI IX M6X35 vorimprägniert	2	
8	2B002702	Gas trasmission return	1	
9	2B002701	Gas trasmission delivery	1	
10	978570	Rückspiegel	2	Technische Spezifikation: "mit Kennzeichnung ""FAR""[FAR]
10	883802	Rückspiegel rechts/links	2	Technische Spezifikation: "Gekennzeichnet mit ""FU E11 81R-001047""[FU]
11	GU98692425	TCEI Schraube M8x25	4	
12	2B001148	Klemme Lenker	2	
13	2B002471	Unter.Bügelbolzen	2	
14	AP8144222	Gummi	4	
15	854827	Distanzscheibe 10,1x14,1x38	2	
16	2B002875	Becher	2	
17	AP8150049	Schraube M10x60	2	
18	GU14615901	Ausgleichscheibe 8,4X13X0,8	4	
19	2D000163	Untere Schale DX	1	
20	2D000218	Untere Schale SX	1	
21	GU91181003	Distanzscheibe 10,25X20X4	2	

Einheit	Lenkstange - Schaltungen
Code	07.030
Beschreibung	Kupplungssteuerung
Inspektion	1



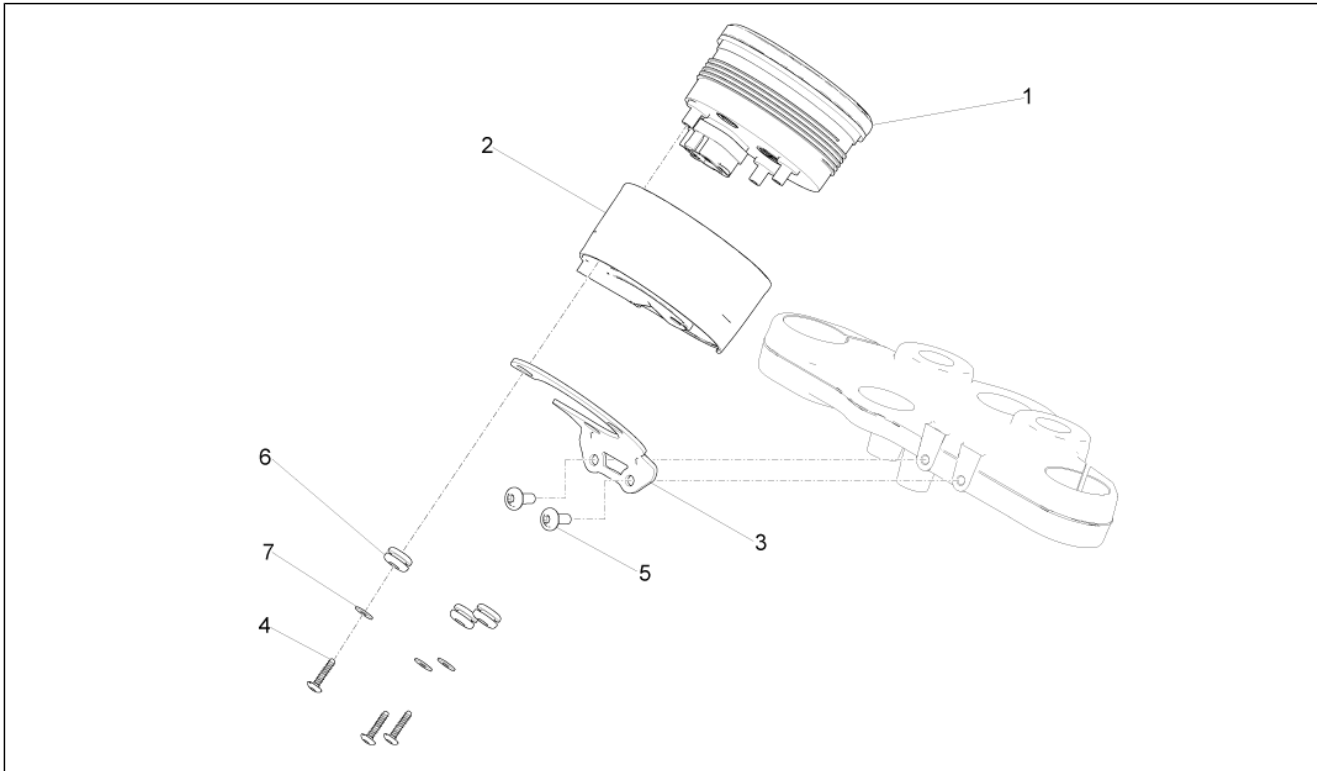
Pos.	Code	Beschreibung	Menge	Varianten
1	2B002391	Gruppe Kupplungshebel	1	
2	2B002390	Hebel Kupplungssteuer.	1	
3	GU30601060	Feder	1	
4	GU30602500	Einstellschraube	1	
5	AP8213028	Schraube	1	
6	AP8213388	Selbstsperrende Mutter	1	
7	GU97202325	TE Schr. m. Flansch schw. M6x25	2	
8	2B002842	Kupplungskabel	1	
9	2D0002885	Kupplungsschalter	1	

Einheit	Vorderer Lichter - Instrumente
Code	08.010
Beschreibung	Vorderer Lichter
Inspektion	1



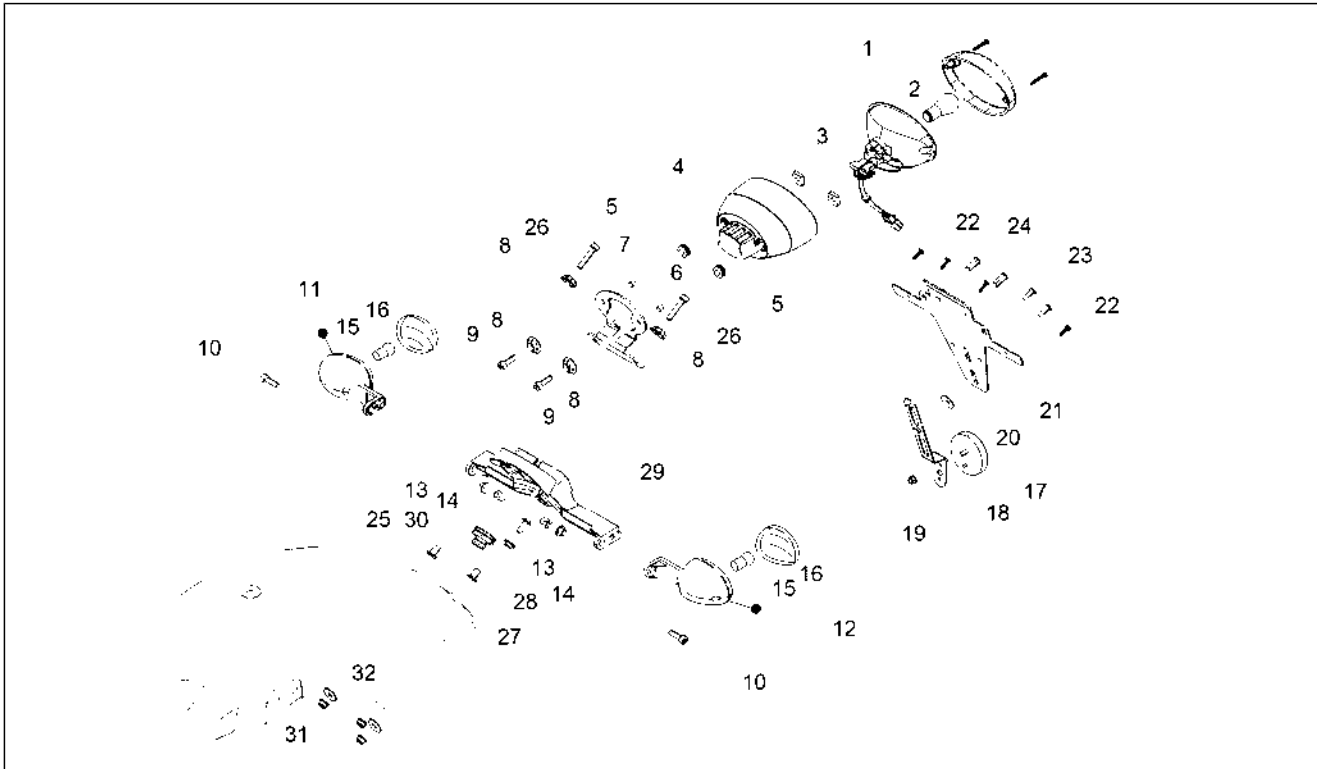
Pos.	Code	Beschreibung	Menge	Varianten
1	2D000225	Scheinwerfer	1	Land:Großbritannien[GB]
1	2D000100	Scheinwerfer	1	Land:Europa[EU]
2	292723	Lampen H4 12V-60/55W	1	
3	292022	Lampen 12V-5W	1	
4	2D000261	Blinker vorne RE	1	
5	2D000262	Blinker vorne LI	1	
6	584332	Lampen 12V-10W	2	
7	639338	Blinkerglas	2	
8	GU98612320	TCEI Schraube M6x20	2	
9	GU98690445	Schraube M8x45	2	
10	AP8121199	Buchse	2	
11	2B002011	Abstandhalter Frontscheinwerfer	2	
12	AP8152299	Selbstsperrende Mutter M6	2	
13	2B003164	Kabelführung	1	
14	2B003165	Kabelführung	1	
15	AP8150053	TCEI Schraube M6x25	2	
16	2B001231	Linke Halterung Frontscheinwerfer	1	
17	2B001182	Rechte Halterung Frontscheinwerfer	1	

Einheit	Vorderer Lichter - Instrumente
Code	08.020
Beschreibung	Instrumente
Inspektion	1



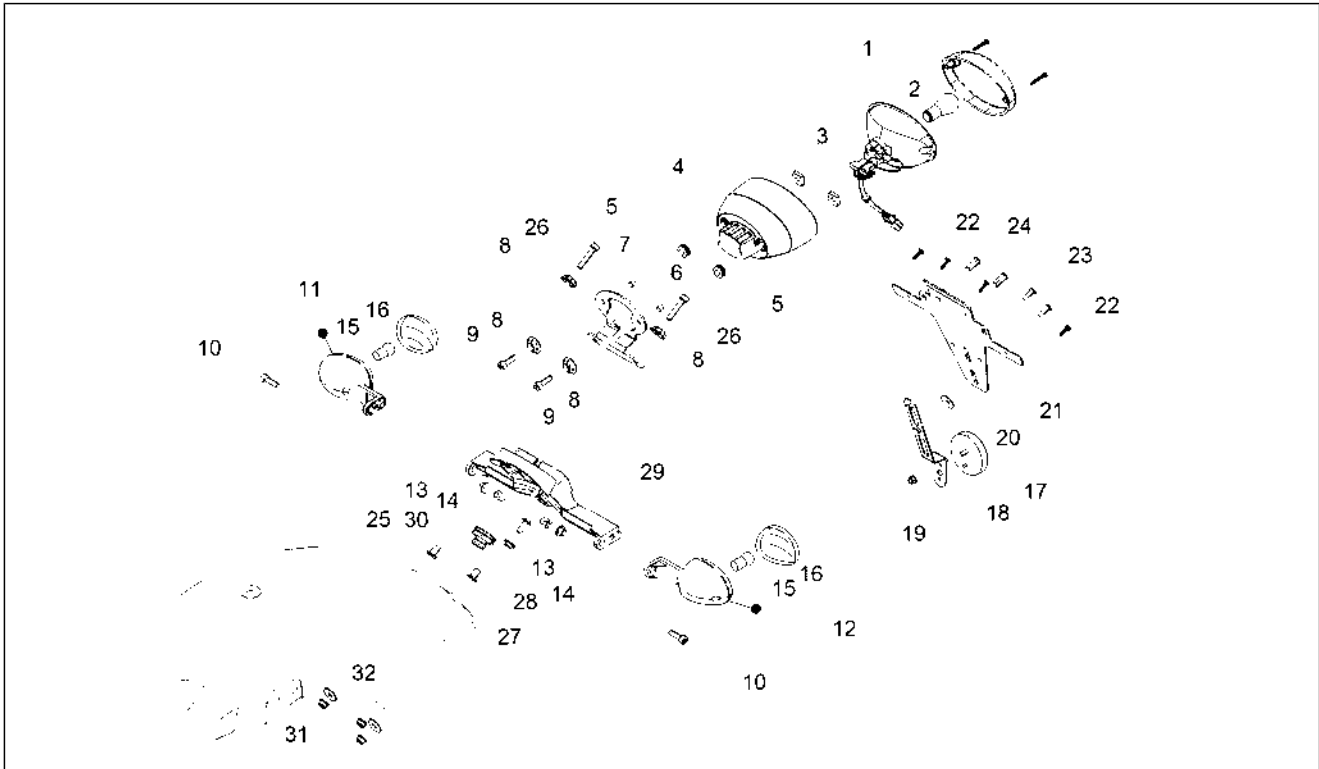
Pos.	Code	Beschreibung	Menge	Varianten
1	2D000099	Instrumententafel	1	Land:Europa[EU]
1	2D000159	Armaturenbrett D105 MPH	1	Land:Großbritannien[GB]
2	2B001223	Abdeckung Armaturenbrett	1	
3	2B001154	Instrumentenhalterung	1	
4	CM178609	Gew.schr.	3	
5	GU98210610	Schraube	2	
6	2B003367	Kabelführung	3	
7	013763	Flachscheibe 4,2x12x1	3	

Einheit	Vorderer Lichter - Instrumente
Code	08.030
Beschreibung	Hinterer Lichter
Inspektion	1



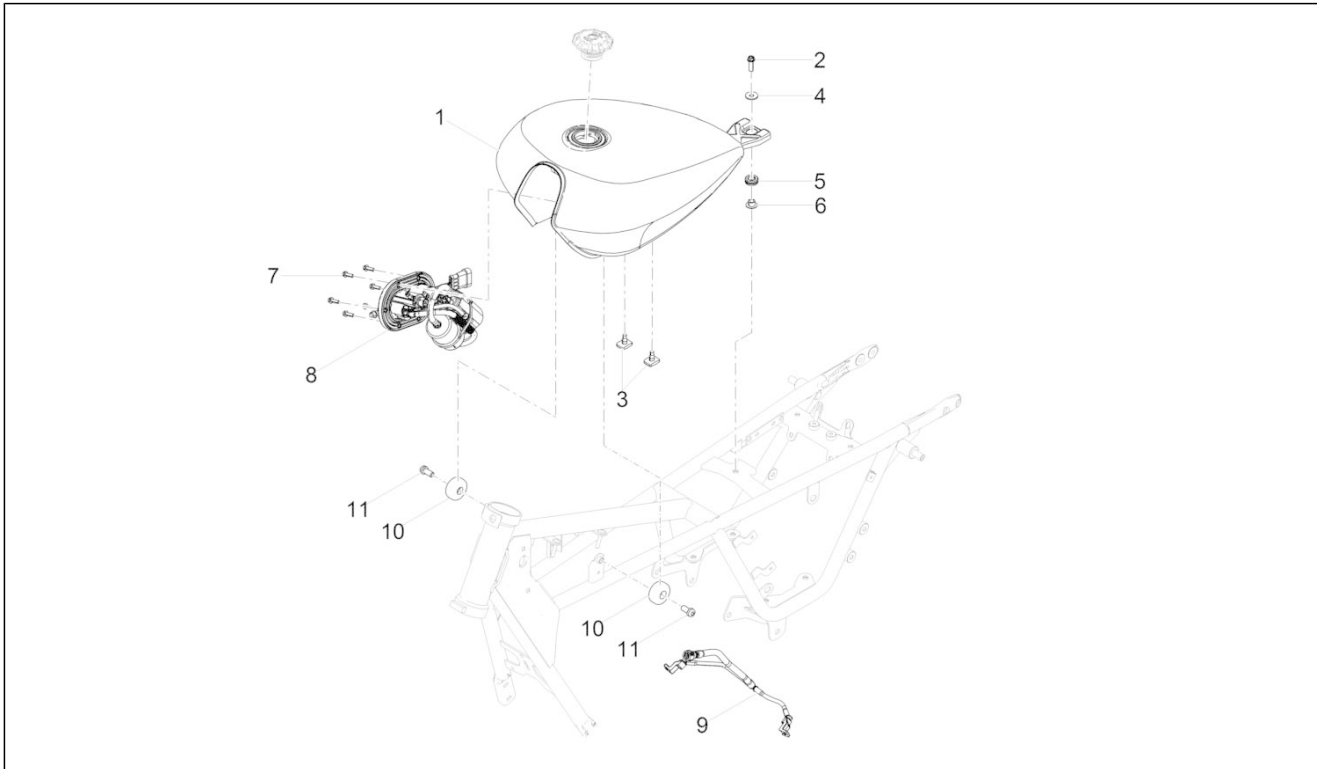
Pos.	Code	Beschreibung	Menge	Varianten
1	2B002365	Rücklicht	1	
2	GU93450224	Lampen	1	
3	2B002443	Vierkantmutter M6	1	
4	2B002483	Halteschale Scheinwerfer hinten	2	
5	AP8220186	Gummi	2	
6	AP8120278	Distanzscheibe	2	
7	2B002484	Rücklichthalterung	1	
8	AP8150536	Spezial-U-scheibe	4	
9	AP8150053	TCEI Schraube M6x25	2	
10	GU98612320	TCEI Schraube M6x20	2	
11	2D000255	Hinterer Blinker Re	1	
12	2D000256	Hinterer Blinker Li	1	
13	479175	Hutmutter	2	
14	840509	Distanzscheibe	2	
15	584332	Lampen 12V-10W	2	
16	639338	Blinkerglas	2	
17	AP8224164	Rückstrahler Rücklicht, rot	1	
18	AP8134448	Rückstrahler-Fixierung	1	
19	AP8152306	Selbstsperrende Mutter M5	1	
20	GU95005310	Ausgleichscheibe 8,4x18x2	1	
21	2B002541	Abschluss Nummernschildhalter	1	
22	AP8150413	Gew.schr. 3,9x14	4	
23	B016796	Linsenkopfschraube Torx	2	
24	AP8201755	Geschnitten Kunststoffniet	2	
25	AP8121725	T-Buchse *	2	
26	GU98682330	TCEI Schraube M6x20	2	
27	AP9100053	Buchse d.10-h.3,5	1	
28	GU98210616	TBEI Schraube m.Flansch M6x16 inox	1	

Einheit	Vorderer Lichter - Instrumente
Code	08.030
Beschreibung	Hinterer Lichter
Inspektion	1



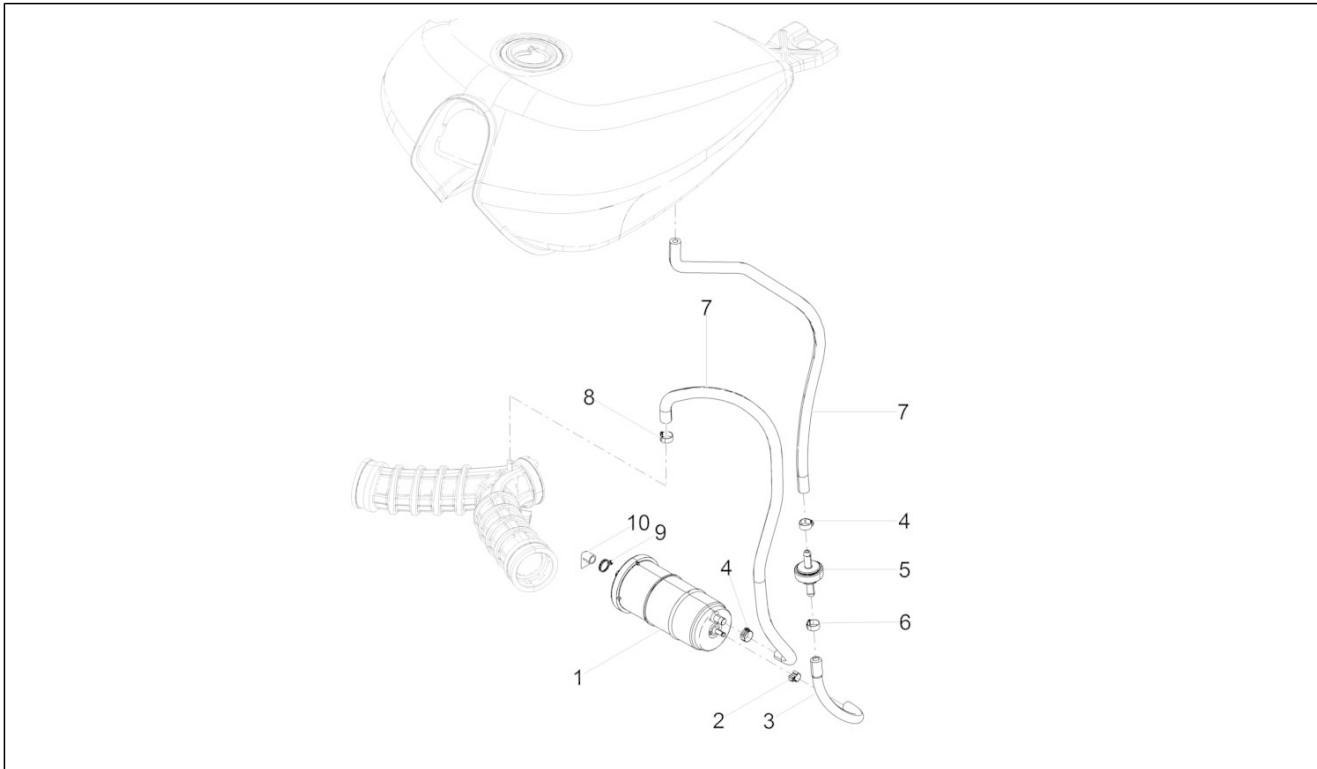
Pos.	Code	Beschreibung	Menge	Varianten
29	2B002366	Halterung Blinker	1	
30	070286	Kabelführung	1	
31	AP8152299	Selbstsperrende Mutter M6	3	
32	GU95008306	Ausgleichscheibe 6,4x12x1,2	3	

Einheit	Tank
Code	09.010
Beschreibung	Kraftstofftank
Inspektion	1



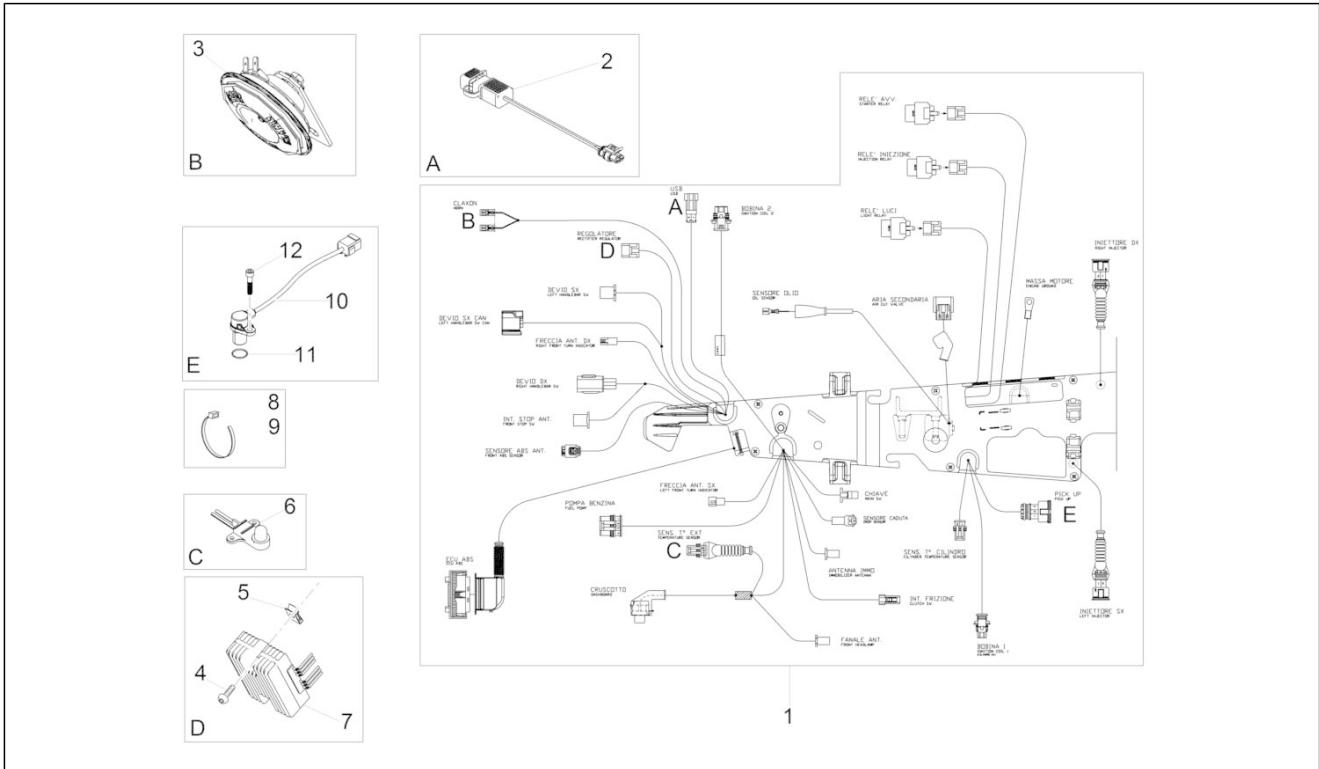
Pos.	Code	Beschreibung	Menge	Varianten
1	2H001446500XR7	Kraftstofftank, rot	1	Farbe: Rot Ibis[RI]
1	2H001249500YG3	Tankabdeckung, gelb	1	Farbe: Gelb Brio[YB]
1	2H001401500Q4	Kraftstoffbehälter weiss	1	Farbe: Weiß Tech[BT]
1	2B001629	Kraftstofftank	1	Farbe: Unlackiert[GR]
2	AP8152288	TE Schr. m. Flansch M8x30	2	
3	AP8120455	Gummi	2	
4	AP8150018	Ausgleichscheibe	1	
5	GU91551131	Gummi	1	
6	2B002944	T-Buchse	1	
7	AP8152273	Flanschschraube M5x15	6	
8	1D001450	Kraftstoffpumpe	1	
9	2B002486	Kraftstoffleitungen	1	
10	GU66103415	Gummi	2	
11	GU98682416	TCEI Schraube M8x16	1	

Einheit	Tank
Code	09.020
Beschreibung	Benzindampfdruckf.-Anlage
Inspektion	1



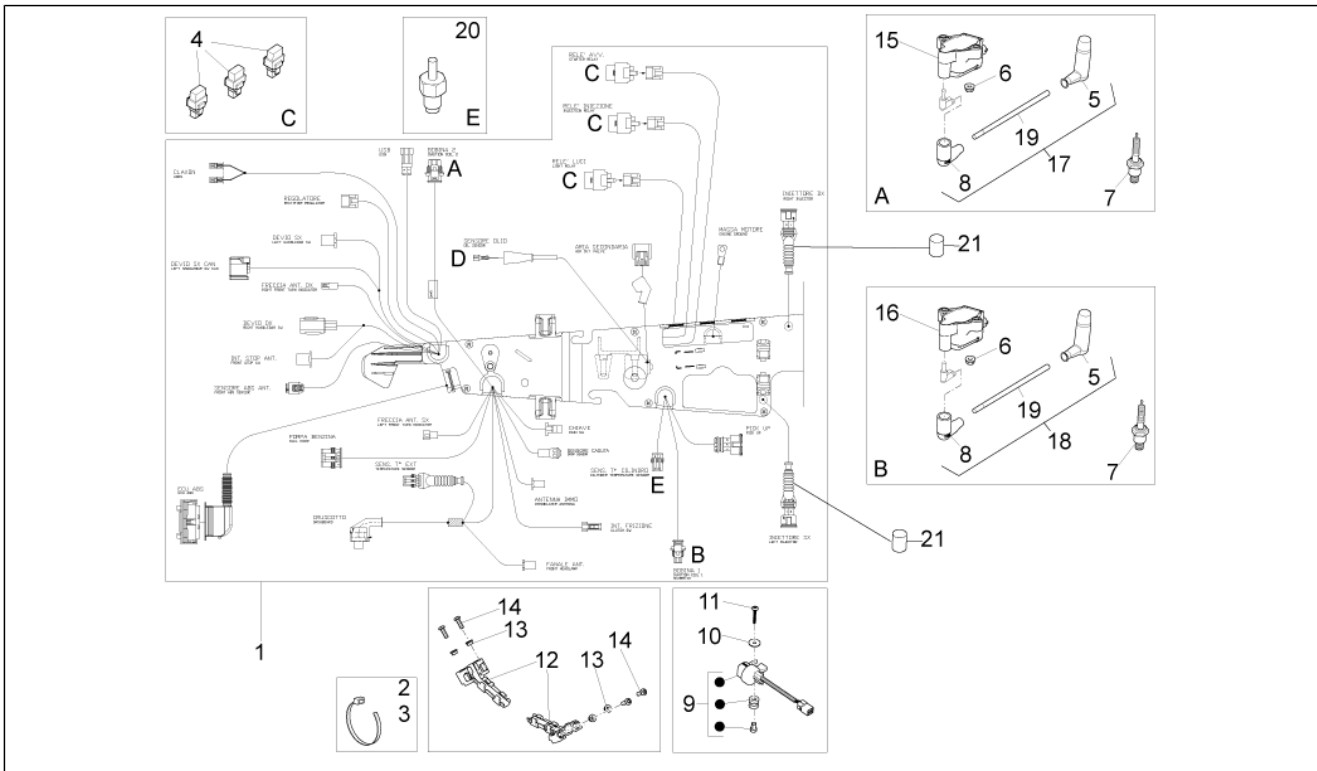
Pos.	Code	Beschreibung	Menge	Varianten
1	2B002632	Kohlefilter	1	
2	AP8102738	Schlauchschelle	1	
3	2B003042	Leitung SAE 30 R12A-3/16	1	
4	AP8102239	Schelle 12,5x8	2	
5	CM179008	Sicherheitsventil	1	
6	AP8102159	Schelle	1	
7	856063	Leitung SAE 30 d.12,7x6,35	2	
8	GU93304360	Schelle 7,6x380	1	
9	AP8102520	Schlauchschelle	1	
10	AP8127601	Lüftungsröhrchen	1	

Einheit	Elektrische Anlage
Code	11.010
Beschreibung	Vorder Elektrische Anlage
Inspektion	1



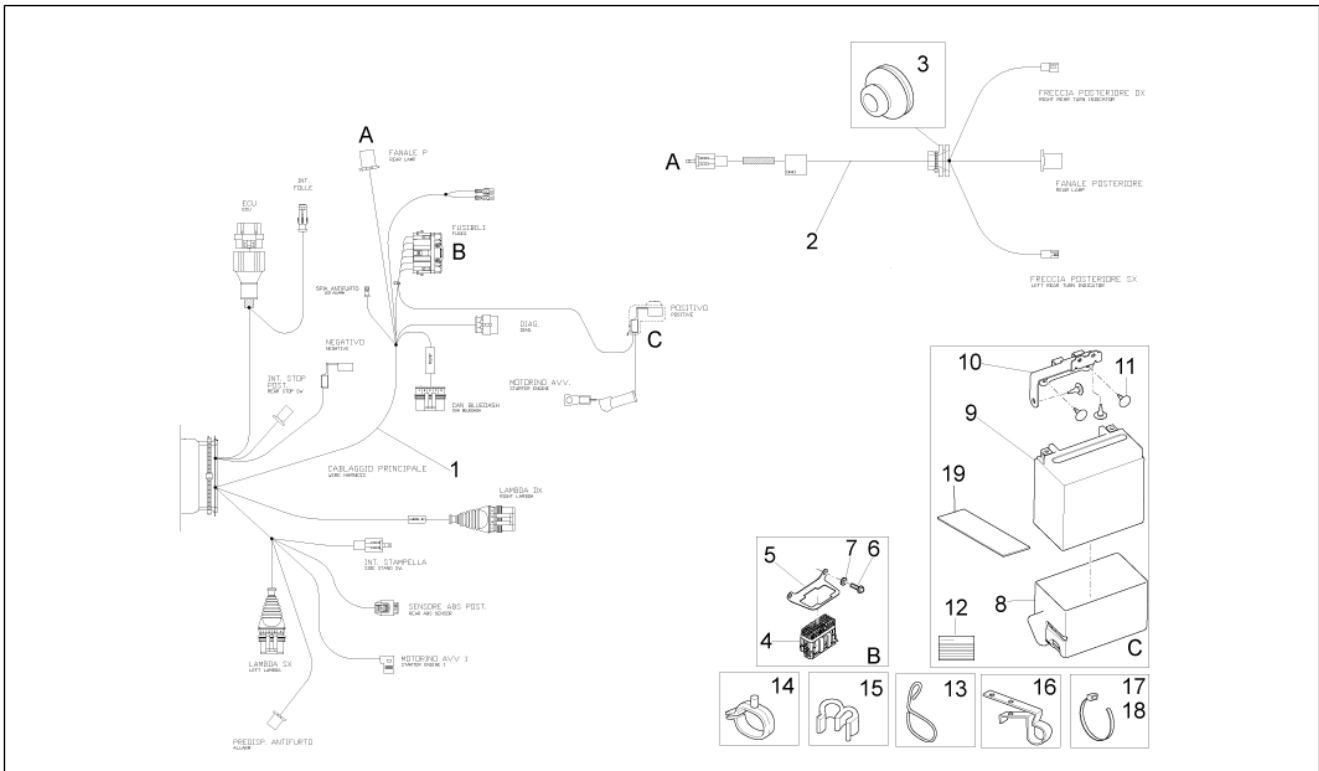
Pos.	Code	Beschreibung	Menge	Varianten
1	2D000209	Kabelast	1	
2	643277	Klemmbrett USB	1	
3	2B000221	Hupe	1	
4	AP8150377	Vite TCB M6x16	1	
5	254485	Plattchen M6	1	
6	AP8124936	Lufttemperaturfühler	1	
7	1D001549	Spannungsregler	1	
8	GU93304390	Schelle 3,6x375	2	
9	GU14609650	Schelle 3,6x20,6	24	
10	832029	Tonrad sensor	1	
11	GU90706141	O-Ring	1	
12	122675	TCEI Schraube	1	

Einheit	Elektrische Anlage
Code	11.020
Beschreibung	Mitt. elektrische Anlage
Inspektion	1



Pos.	Code	Beschreibung	Menge	Varianten
1	2D000209	Kabelast	1	
2	GU49609601	Schelle 2,4x92	1	
3	GU14609650	Schelle 3,6x20,6	24	
4	AP8224462	Zündrelais 12V-30A	3	
5	1A005382	Zündkerzenstecker	2	
6	AP8152299	Selbstsperrende Mutter M6	4	
7	887481	Zündkerze NGK CPR8EB-9	2	
8	641040	Isolierhaube	2	
9	680212	Kippsensor	1	
10	GU95005304	Ausgleichscheibe 5,2x18x1,5	1	
11	478533	Gew.schr.	1	
12	2B002901	Halterung Zündkerzenkabel	2	
13	2B003052	T-Buchse	4	
14	1A003444	Linsenschraube	4	
15	641901	Zuendtransform.cpl.	1	
16	642034	Zuendtransform.cpl. DX	1	
17	CM277101	Zuendkabel (450 mm)	1	
18	CM277102	Zuendkabel (580 mm)	1	
19	080341	Kabel Zündspulensockel	1	
20	887421	Temperaturfühler	1	
21	2D000355	Cappuccio termorestringente	1	

Einheit	Elektrische Anlage
Code	11.030
Beschreibung	Hint.Elektrische Anlage
Inspektion	1



Pos.	Code	Beschreibung	Menge	Varianten
1	2D000209	Kabelast	1	
2	2D000245	Gruppe Kabel Rücklicht	1	
3	070286	Kabelführung	1	
4	584211	Sicherungskasten	1	
5	883161	Hltr. Sicherungsblock	1	
6	GU98682212	TCEI Schraube M5x12	2	
7	GU95100059	Ausgleichscheibe 5,25x14x1,5	2	
8	2B002781	Batterieabdeckung	1	
9	638733	Batterie Yuasa YTX14-BS 12V-12Ah (150x87x145)	1	
10	B063233	Batteriehalterung	1	
11	AP8120001	Gummi	4	
12	GU32517710	Deko "Battery service"	1	
13	AP8181140	Kabelführung	1	
14	CM013202	Rückhaltefeder Leitungen/Kabel	1	
15	894704	Kabelführung	9	
16	B043850	Schelle	1	
17	GU14609650	Schelle 3,6x20,6	24	
18	GU93304390	Schelle 3,6x375	2	
19	AP8144552	seit. Gummiaufkl. Batterie	1	


MOTO GUZZI®

ERSATZTEILKATALOG



V9 Roamer 850 E4 2017 (EMEA)

Vorsatzcode Fahrgestell: ZGULHB00

Vorsatzcode Motor:

Inhaltsverzeichnis

Fertige Produkte.....	4
Alphanumerisches Verzeichnis.....	5
Rahmen.....	10
Tafel 01.010 - Rahmen.....	10
Tafel 01.020 - Fussrasten.....	11
Tafel 01.030 - Hauptständer.....	12
Tafel 01.040 - Schutz.....	13
Tafel 01.050 - Schwinge.....	14
Aufbau.....	15
Tafel 02.030 - Vorderes Schutzblech-Stütze.....	15
Tafel 02.100 - Mittlerer Aufbau.....	16
Tafel 02.120 - Sitz.....	17
Tafel 02.150 - Hinteres schutzblech.....	18
Tafel 02.170 - Schlösser.....	19
Tafel 02.190 - Deko.....	20
Motor.....	22
Tafel 03.010 - Motor-Fertigstellung.....	22
Tafel 03.020 - Schalthebel.....	23
Tafel 03.030 - Gehäuse I.....	24
Tafel 03.050 - Filtergehäuse.....	25
Tafel 03.060 - Klappenkörper.....	26
Tafel 03.090 - Kopfdeckel.....	27
Tafel 03.100 - Zylinderkopf - ventile.....	28
Tafel 03.120 - Steuer.....	29
Tafel 03.150 - Zylinder - Kolben.....	30
Tafel 03.160 - Kurbelwelle.....	31
Tafel 03.170 - Schaltgetriebe / Schaltgabel / Desmodrom.....	32
Tafel 03.180 - Schaltgetriebe - Zahnräder.....	34
Tafel 03.190 - Schmierung.....	36
Tafel 03.196 - Anlage Blow-by.....	37
Tafel 03.230 - Kupplung.....	38
Tafel 03.270 - Zuenderdeckel.....	40
Tafel 03.290 - Zündung / Elektrischer Anfang.....	41
Tafel 03.300 - Schwungmagnetstarter / Zündung.....	42
Tafel 03.320 - Secondary air.....	43
Tafel 03.330 - Auspuffrohr.....	44
Tafel 03.340 - Getriebe kpl.....	45
Tafel 03.350 - Getriebedeckel.....	46
Radaufhängungen.....	48
Tafel 04.060 - Vorderradgabel Kaifa.....	48
Tafel 04.080 - Stoßdämpfer.....	49
Räder.....	50
Tafel 05.010 - Vorderrad.....	50

Tafel 05.020 - Hinterrad.....	51
Bremsanlage	52
Tafel 06.010 - Vorderradbremspumpe.....	52
Tafel 06.020 - Vorderradbremzange.....	53
Tafel 06.030 - Hinterradbremspumpe.....	54
Tafel 06.040 - Hinterradbremzange.....	55
Tafel 06.050 - Bremsanlage ABS.....	56
Lenkstange - Schaltungen.....	57
Tafel 07.010 - Lenkung.....	57
Tafel 07.020 - Lenkstange - Schaltungen.....	58
Tafel 07.030 - Kupplungssteuerung.....	59
Vorderer lichter - Instrumente.....	60
Tafel 08.010 - Vorderer lichter.....	60
Tafel 08.020 - Instrumente.....	61
Tafel 08.030 - Hinterer lichter.....	62
Tank.....	64
Tafel 09.010 - Kraftstofftank.....	64
Tafel 09.020 - Benzindampfrückf.-Anlage.....	65
Elektrische Anlage.....	66
Tafel 11.010 - Vorder Elektrische Anlage.....	66
Tafel 11.020 - Mitt. elektrische Anlage.....	67
Tafel 11.030 - Hint.Elektrische Anlage.....	68

Fertige Produkte

Code	Gültigkeit
GU9032252EUH01	
GU9032252EUH02	
GU9032252EUH03	

Code	Nr. der Tafel	Pos.	Code	Nr. der Tafel	Pos.	Code	Nr. der Tafel	Pos.
006630	03.270	8	1A0066680V	03.160	3	2A000528	03.120	8
00H02402282	06.050	5	1A0066690G	03.160	8	2A000565	03.090	1
013763	03.190	14	1A0066690N	03.160	8	2A000579	03.120	5
013763	08.020	7	1A0066690V	03.160	8	2A000591	03.170	37
070286	08.030	30	1A006671AA	03.160	7	2A000597	03.320	3
070286	11.030	3	1A006671BB	03.160	7	2A000608	03.060	8
080341	11.020	19	1A006716	03.090	4	2A000609	03.060	3
122675	11.010	12	1A006860	03.030	19	2A000612	03.060	7
1A000360	03.180	7	1A006861	03.120	16	2A000620	03.090	6
1A000365	03.180	16	1A006869S	03.100	10	2A000627	03.180	13
1A000366	03.180	22	1A006870S	03.100	11	2A000629	03.180	30
1A000367	03.180	27	1A0068960B	03.160	2	2A000631	03.230	21
1A000368	03.180	28	1A0068960G	03.160	2	2A000633	03.190	5
1A000369	03.180	29	1A0068960R	03.160	2	2A000638	03.230	30
1A000370	03.180	25	1A006933S	03.030	21	2A000659	03.090	2
1A000436	03.180	10	1A007008	03.190	22	2A000724	03.230	4
1A000566	03.180	4	1A007070	03.150	2	2A000727	03.180	5
1A002604	03.180	24	1A007111	03.150	9	2A000741	03.230	31
1A002604	03.180	9	1A008576	03.120	25	2A000767	03.230	23
1A003444	11.020	14	1A008732	03.090	3	2A000770	03.230	28
1A003452	03.100	5	1A008913S	03.010	1	2A000792	03.230	7
1A004442	03.190	15	1C001499	01.030	8	2A000908S	03.170	19
1A004530	03.030	10	1C001499	05.020	19	2A000910S	03.170	6
1A004549	03.190	11	1D001393	03.060	2	2B000221	11.010	3
1A004550	03.030	1	1D001450	09.010	8	2B000225	05.020	15
1A004660	03.100	1	1D001549	11.010	7	2B000377	05.020	18
1A004661	03.100	1	224566	03.170	44	2B000404	03.350	2
1A004662	03.100	1	224566	03.350	8	2B000525	06.040	1
1A004750	03.100	8	237553	03.190	12	2B001009	03.020	15
1A004751	03.100	4	248419	01.040	12	2B001035	01.010	17
1A004752	03.100	6	254485	03.330	19	2B001048	07.020	11
1A004903	03.120	13	254485	11.010	5	2B001049	07.020	10
1A004905	03.120	12	285536	03.170	3	2B001052	07.010	3
1A004907	03.120	14	285536	03.190	24	2B001055	01.010	1
1A004953	03.150	8	292022	08.010	3	2B001073	05.010	9
1A004954	03.150	7	292723	08.010	2	2B001083	03.330	6
1A004955	03.150	6	2A000097	03.170	41	2B001084	03.330	5
1A004956	03.150	5	2A000115	03.300	5	2B001088	01.030	5
1A005199	03.190	3	2A000129	03.300	4	2B001099S	03.330	1
1A005211	03.030	2	2A000203	03.180	20	2B001100S	03.330	2
1A005257	03.190	13	2A000216	03.230	8	2B001114	05.020	3
1A005325AA	03.160	6	2A000219	03.170	12	2B001139	05.010	1
1A005325BB	03.160	6	2A000222	03.170	38	2B001141	02.030	1
1A005382	11.020	5	2A000224	03.170	20	2B001147	02.030	2
1A005424	03.100	2	2A000225	03.170	23	2B001153S	03.340	1
1A005425	03.100	9	2A000226	03.170	21	2B001154	08.020	3
1A005712	03.120	1	2A000227	03.170	22	2B001182	08.010	17
1A005714S	03.120	24	2A000241	03.170	27	2B001223	08.020	2
1A005951	03.120	7	2A000241	03.170	28	2B001231	08.010	16
1A005955	03.120	19	2A000241	03.180	32	2B001279	05.020	7
1A006047	03.030	4	2A000306	03.170	27	2B001301	01.050	1
1A006053	03.190	27	2A000353S	03.120	6	2B001303	03.350	25
1A006119	03.120	22	2A000375	03.230	14	2B001307	03.350	11
1A006127	03.120	23	2A000376	03.230	16	2B001310	05.020	1
1A006243	03.120	21	2A000378	03.230	32	2B001311	03.350	3
1A006272AA	03.150	10	2A000384	03.230	18	2B001406	02.150	1
1A006272BB	03.150	10	2A000385	03.230	19	2B001561	05.010	17
1A006272CC	03.150	10	2A000415	03.170	24	2B001564	06.050	17
1A006272DD	03.150	10	2A000418	03.230	29	2B001612	01.010	16
1A006283	03.030	17	2A000419	03.230	1	2B001614	06.050	14
1A006284	03.030	18	2A0004211S	03.170	1	2B001618	02.100	2
1A006298	03.270	4	2A000438	03.170	43	2B001619	02.100	1
1A006655	03.030	8	2A000438	03.350	22	2B001629	09.010	1
1A006656	03.030	7	2A000467	03.170	15	2B001708	05.010	18
1A006659	03.100	12	2A000496	03.120	4	2B001762	05.010	5
1A0066680G	03.160	3	2A000521	03.120	9	2B001783	02.100	5
1A0066680N	03.160	3	2A000527	03.120	27	2B001823	03.060	12

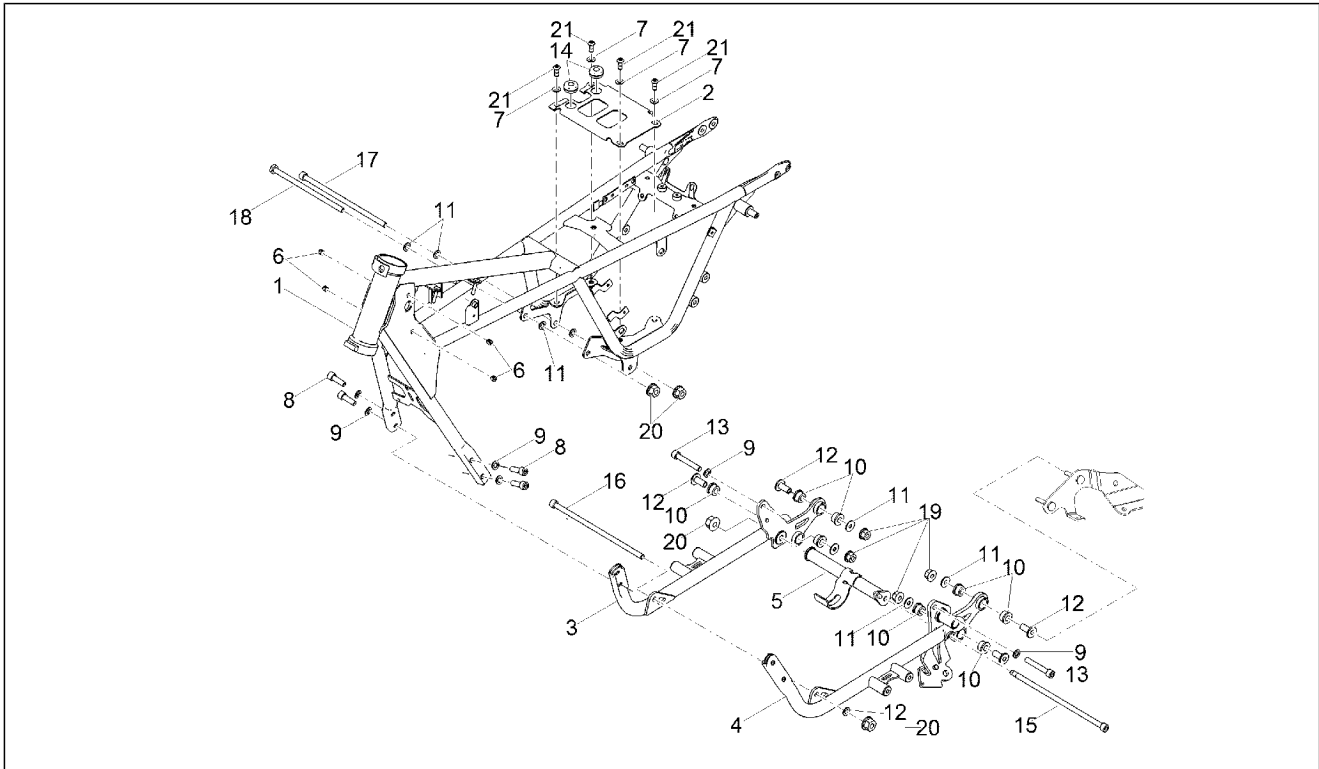
Code	Nr. der Tafel	Pos.	Code	Nr. der Tafel	Pos.	Code	Nr. der Tafel	Pos.
2B001929	06.010	6	2B002844	07.020	8	2D000226	07.020	3
2B001930	06.010	4	2B002851	03.050	5	2D000227	07.020	2
2B001935	03.330	24	2B002852	07.020	1	2D000245	11.030	2
2B001941	03.020	18	2B002875	07.020	17	2D000255	08.030	11
2B001953	06.040	3	2B002900	05.020	2	2D000256	08.030	12
2B001956	05.020	13	2B002901	11.020	12	2D000261	08.010	4
2B002011	08.010	11	2B002936	02.170	11	2D000262	08.010	5
2B002043	02.170	3	2B002937	01.040	10	2D0002805	06.030	9
2B002090	07.020	14	2B002940	02.170	1	2D0002885	07.030	9
2B002091	07.020	13	2B002943	01.040	9	2D000299	02.170	2
2B002171	01.020	21	2B002944	09.010	6	2D000355	11.020	21
2B002171	03.350	27	2B002959	03.050	14	2H001249500YG3	09.010	1
2B002187	03.330	15	2B002988	04.080	1	2H001250500YG3	02.030	1
2B002189	06.030	14	2B002991	06.050	9	2H001253	02.190	8
2B002192	04.060	1	2B003039	06.010	5	2H001254	02.190	7
2B002195	07.020	7	2B003040	06.010	3	2H001255	02.190	12
2B002200	03.350	15	2B003041	06.010	2	2H001256	02.190	11
2B002205	01.050	6	2B003042	09.020	3	2H001257	02.190	6
2B002225	01.020	5	2B003052	11.020	13	2H001258	02.190	5
2B002269	06.010	1	2B003056	06.050	2	2H001259	02.190	14
2B0022925	03.330	4	2B003076	01.020	4	2H001260	02.190	13
2B0022935	03.330	3	2B003077	01.020	3	2H001366500YG3	02.150	1
2B002294	04.060	3	2B003078	01.010	12	2H001367	02.190	10
2B002295	04.060	2	2B003089	02.150	6	2H001368	02.190	9
2B002298	03.340	2	2B003102	01.040	3	2H001369	02.190	2
2B002311	01.010	21	2B003103	01.040	4	2H001370	02.190	1
2B002311	02.150	4	2B003105	03.196	3	2H001371	02.190	4
2B002321	02.150	5	2B003111	04.080	2	2H001372	02.190	3
2B002325	01.010	3	2B003164	08.010	13	2H001401500Q4	09.010	1
2B002326	01.010	4	2B003165	08.010	14	2H001402500Q4	02.030	1
2B002364	07.020	5	2B003204	03.196	2	2H001403500Q4	02.150	1
2B002365	08.030	1	2B003212	01.050	5	2H001404	02.190	8
2B002378	01.040	2	2B003271	06.020	1	2H001405	02.190	7
2B002383	05.010	4	2B003284	03.330	25	2H001406	02.190	10
2B002386	02.150	3	2B003292	07.010	15	2H001407	02.190	9
2B002390	07.030	2	2B003313	06.020	6	2H001408	02.190	2
2B002391	07.030	1	2B003367	08.020	6	2H001409	02.190	1
2B002443	08.030	3	2B0033875	03.350	23	2H001410	02.190	4
2B002483	08.030	4	2B003742	04.060	14	2H001411	02.190	3
2B002484	08.030	7	2B003743	07.010	1	2H001412	02.190	6
2B002486	09.010	9	2B004021000C1	02.120	1	2H001413	02.190	5
2B002529	03.320	7	2B004042	06.030	16	2H001445	02.190	16
2B002530	03.320	9	2B004043	03.020	5	2H001446500XR7	09.010	1
2B002531	03.320	8	2B004044	01.020	1	2H001447500XR7	02.030	1
2B002532	03.330	13	2B004050	06.030	1	2H001448500XR7	02.150	1
2B002533	03.330	12	2B004053	03.020	3	2H001450	02.190	8
2B002535	03.350	24	2B004062	03.020	2	2H001451	02.190	7
2B002536	03.350	18	2B004062	06.030	8	2H001452	02.190	10
2B002541	08.030	21	2B004063	06.030	12	2H001453	02.190	9
2B002602	03.196	4	2B004064	06.030	10	2H001454	02.190	2
2B002615	08.030	29	2B004076	06.030	4	2H001455	02.190	1
2B002621	01.040	6	2B004077	01.020	12	2H001456	02.190	4
2B002622	01.040	5	2B004107	06.030	2	2H001457	02.190	3
2B002632	09.020	1	2B004109	03.020	9	2H001458	02.190	6
2B002681	06.050	11	2B004111	06.030	6	2H001459	02.190	5
2B002699	03.340	3	2B004112	03.020	4	2Q000263	02.190	15
2B002705	01.030	1	2B004112	06.030	19	2R000109	04.060	7
2B002781	11.030	8	2D000004	02.170	4	2R000110	04.060	23
2B002799	01.040	1	2D000024	03.300	1	2R000243	04.060	19
2B002805	06.050	10	2D000099	08.020	1	2R000248	06.040	5
2B002806	06.050	16	2D000100	08.010	1	319165	02.170	9
2B002807	03.350	21	2D000102	06.050	1	478533	11.020	11
2B002810	01.010	5	2D000163	07.020	19	479175	08.030	13
2B002817	01.010	15	2D000209	11.010	1	484993	03.030	20
2B002832	03.050	2	2D000209	11.020	1	584211	11.030	4
2B002842	07.030	8	2D000209	11.030	1	584332	08.010	6
2B002843	07.020	9	2D000218	07.020	20	584332	08.030	15

Code	Nr. der Tafel	Pos.	Code	Nr. der Tafel	Pos.	Code	Nr. der Tafel	Pos.
623920	03.230	6	887879	04.060	5	AP8120455	09.010	3
638733	11.030	9	887880	04.060	6	AP8120573	01.020	17
639338	08.010	7	887882	04.060	8	AP8120615	03.050	6
639338	08.030	16	887883	04.060	9	AP8120876	03.050	11
641040	11.020	8	887884	04.060	10	AP8120912	03.020	1
641901	11.020	15	887885	04.060	11	AP8120912	06.030	7
642034	11.020	16	887886	04.060	12	AP8121014	01.030	3
643090	03.190	16	887888	04.060	13	AP8121032	02.100	7
643277	11.010	2	887889	04.060	15	AP8121133	01.020	19
648708	05.020	5	887890	04.060	17	AP8121199	08.010	10
658778	06.030	17	887891	04.060	16	AP8121205	07.010	4
658837	03.030	5	887893	04.060	20	AP8121420	02.170	6
658837	06.030	3	887894	04.060	22	AP8121567	01.020	15
680212	11.020	9	887905	04.060	18	AP8121725	08.030	25
825694	03.100	13	887916	04.060	21	AP8121882	06.050	18
826165	03.190	23	890760	03.050	13	AP8121927	06.030	15
831135	03.030	11	890760	07.010	14	AP8123641	07.010	6
832029	11.010	10	894704	11.030	15	AP8123642	07.010	10
834764	03.170	33	895709	06.050	20	AP8123643	07.010	11
834951	03.330	20	896110	03.330	7	AP8123644	07.010	8
840509	08.030	14	896174	01.040	8	AP8124936	11.010	6
848650	03.180	17	897478	03.300	2	AP8125687	05.020	6
849308	03.180	21	898268	03.270	6	AP8127601	09.020	10
849308	03.180	6	898269	03.270	7	AP8127856	01.030	7
849309	03.180	23	898283	03.020	11	AP8134448	08.030	18
849310	03.180	26	898286	06.030	11	AP8134451	01.020	18
849396	03.180	14	898396	03.020	14	AP8144071	01.010	10
849424	03.180	8	898397	03.020	7	AP8144222	07.020	15
852090	03.330	11	959559	06.050	13	AP8144552	11.030	19
854827	07.020	16	967356	01.030	6	AP81450345	01.020	6
856063	09.020	7	967384	01.020	13	AP81450355	01.020	7
857045	03.320	2	967384	06.030	18	AP8150009	01.010	7
857046	03.320	5	974162	03.180	12	AP8150015	06.050	6
857047	03.320	1	974165	03.180	15	AP8150018	01.010	11
857181	03.320	10	976591	03.090	5	AP8150018	09.010	4
857206	03.300	3	976614	02.100	3	AP8150026	03.020	19
857250	03.170	29	976649	03.350	1	AP8150048	01.010	13
859792	05.010	16	97729R	03.290	1	AP8150049	07.020	18
859792	05.020	17	977527	02.170	5	AP8150053	08.010	15
871640	03.100	7	978415	02.170	7	AP8150053	08.030	9
873905	03.170	26	AP8101861	01.020	20	AP8150178	05.010	19
873928	03.180	2	AP8102159	09.020	6	AP8150377	11.010	4
874567	03.150	4	AP8102239	09.020	4	AP8150413	01.040	13
874957	03.330	9	AP8102375	02.100	4	AP8150413	08.030	22
876879	03.330	16	AP8102520	03.050	15	AP8150430	03.020	12
880260	03.060	4	AP8102520	09.020	9	AP8150451	06.050	15
883161	11.030	5	AP8102524	01.030	4	AP8150500	01.040	11
883688	05.010	12	AP8102671	01.010	6	AP8150500	03.060	6
883826	03.030	13	AP8102671	01.040	14	AP8150509	03.050	10
884031	04.080	4	AP8102738	09.020	2	AP8150536	08.030	8
884310	03.060	11	AP8102913	02.170	12	AP8150538	02.030	4
886365	03.030	15	AP8104509	07.020	6	AP8150540	07.010	13
886629	03.230	11	AP8104525	03.050	4	AP8150540	07.020	12
887003	03.270	5	AP8104924	03.050	7	AP8150543	07.010	2
887093	03.190	18	AP8110053	03.020	16	AP8152043	06.010	8
887421	11.020	20	AP8110077	07.010	7	AP8152055	03.330	21
887448	05.020	14	AP8110109	05.020	10	AP8152138	03.020	17
887481	11.020	7	AP8113003	06.050	3	AP8152220	03.190	20
887762	05.010	14	AP8113004	06.050	4	AP8152267	03.090	7
887762	05.020	16	AP8118579	07.020	4	AP8152272	03.120	10
887815	03.050	8	AP8120001	01.040	15	AP8152273	02.150	7
887831	07.010	9	AP8120001	11.030	11	AP8152273	09.010	7
887832	07.010	12	AP8120030	06.050	7	AP8152277	01.020	11
887843	03.050	9	AP8120278	08.030	6	AP8152288	06.040	2
887844	03.050	12	AP8120311	01.010	14	AP8152288	09.010	2
887875	05.010	13	AP8120455	03.050	3	AP8152299	02.100	8
887878	04.060	4	AP8120455	03.330	14	AP8152299	02.150	2

Code	Nr. der Tafel	Pos.	Code	Nr. der Tafel	Pos.	Code	Nr. der Tafel	Pos.
AP8152299	08.010	12	GU03658330	06.050	19	GU31256881	03.020	10
AP8152299	08.030	31	GU03749845	06.010	7	GU31544181	06.040	4
AP8152299	11.020	6	GU04355100	03.350	20	GU31547882	01.050	3
AP8152306	08.030	19	GU04355101	03.350	20	GU31616384	05.010	15
AP8152329	03.050	1	GU04355102	03.350	20	GU31659181	06.040	7
AP8152384	07.010	5	GU04355103	03.350	20	GU31659281	06.040	6
AP8152385	06.020	2	GU04355104	03.350	20	GU32441210	01.020	10
AP8161054	03.050	16	GU04355105	03.350	20	GU32442310	01.020	8
AP8181140	11.030	13	GU04355106	03.350	20	GU32442710	01.020	9
AP8201755	08.030	24	GU05217630	03.230	26	GU32517710	11.030	12
AP8210007	03.020	20	GU05234230	03.170	9	GU32615660	05.010	3
AP8213028	07.030	5	GU05234631	03.170	31	GU32632510	05.020	20
AP8213388	07.030	6	GU05235531	03.170	30	GU32944310	02.190	17
AP8220186	08.030	5	GU05238231	03.170	13	GU37359005	03.350	10
AP8221023	03.050	18	GU05238431	03.170	11	GU49609601	11.010	8
AP8221023	06.050	8	GU05239330	03.170	16	GU49609601	11.020	2
AP8221197	01.030	2	GU05351230	03.350	9	GU49609601	11.030	18
AP8221277	01.020	16	GU05659230	06.020	3	GU61027200	03.150	1
AP8224164	08.030	17	GU05781630	04.060	24	GU66103415	09.010	10
AP8224462	11.020	4	GU10034100	03.120	15	GU90271014	03.170	17
AP8702101	02.170	10	GU10528900	03.030	23	GU90271022	03.170	32
AP9100053	08.030	27	GU12022600	03.170	35	GU90272047	05.020	9
AP9100477	01.020	2	GU12154200	03.190	2	GU90353014	03.170	8
B013037	03.230	15	GU12351100	03.350	13	GU90353029	03.120	17
B013608	03.170	25	GU14085900	03.230	25	GU90401424	03.170	18
B013608	03.180	3	GU14086100	03.230	17	GU90402642	05.010	6
B014598	01.050	7	GU14217901	03.230	5	GU90412541	03.180	18
B015040	03.180	11	GU14609650	11.010	9	GU90413850	03.350	12
B015598	03.170	2	GU14609650	11.020	3	GU90706141	11.010	11
B016796	08.030	23	GU14609650	11.030	17	GU90706170	03.230	27
B0167965	03.060	5	GU14615901	03.230	3	GU90706188	03.350	4
B017406	03.170	5	GU14615901	03.330	18	GU90706203	03.170	34
B017636	03.100	3	GU14615901	03.330	22	GU90706235	03.230	10
B018020	03.170	4	GU14615901	03.350	26	GU90706281	03.030	25
B018448	03.180	31	GU14615901	07.020	22	GU90706444	03.190	4
B043850	11.030	16	GU14616150	05.010	11	GU90706584	03.350	5
B063025	03.170	39	GU14616150	05.020	12	GU90706958	03.350	19
B063174	04.080	3	GU18144350	03.190	8	GU91113826	03.330	10
B063233	11.030	10	GU19002020	03.170	36	GU91181003	07.020	21
B063269	03.170	40	GU19002020	03.270	3	GU91551010	01.010	19
B063287	01.010	2	GU19003800	03.030	3	GU91551010	03.050	19
B063292	03.330	8	GU19015020	03.030	14	GU91551131	09.010	5
B063956	03.170	14	GU19018920	03.030	9	GU92201226	03.180	19
B064023	02.120	2	GU19018920	03.190	28	GU92201226	03.230	9
B064112	03.170	10	GU19021360	03.150	3	GU92201822	03.180	1
B064113	03.170	7	GU19045861	03.120	3	GU92204220	05.020	4
B064304	03.350	16	GU19055700	03.120	2	GU92204221	05.010	7
CM013202	11.030	14	GU19058021	03.120	20	GU92254340	03.350	14
CM178609	08.020	4	GU19058220	03.120	11	GU92296723	03.190	25
CM179008	09.020	5	GU19062261	03.160	1	GU92602510	03.190	19
CM179301	02.100	6	GU19065400	03.160	9	GU92606206	03.020	8
CM226902	03.196	1	GU19067700	03.230	2	GU92606206	06.030	13
CM226902	03.320	6	GU19213760	03.230	12	GU92606208	03.030	6
CM228401	01.020	14	GU19351100	03.350	17	GU92606508	03.230	24
CM258301	03.060	13	GU19356760	03.230	13	GU92630207	05.010	8
CM258303	03.050	17	GU19547000	01.050	2	GU92630510	01.010	20
CM275401	03.060	1	GU20147710	03.190	21	GU92630707	06.030	5
CM277101	11.020	17	GU20258221	03.020	6	GU92660021	03.330	17
CM277102	11.020	18	GU27061885	03.160	4	GU93180105	01.050	4
GU01528930	03.350	6	GU27066460	03.160	5	GU93180111	05.010	2
GU01659130	06.020	5	GU27152885	03.190	1	GU93180220	03.170	42
GU01659131	06.020	4	GU30601060	07.030	3	GU93304360	09.020	8
GU03013800	03.020	22	GU30602500	07.030	4	GU93450224	08.030	2
GU03013800	03.060	10	GU31003766	03.030	22	GU94321079	03.190	9
GU03617710	05.010	10	GU31003766	03.350	7	GU94321105	03.230	22
GU03617710	05.020	11	GU31150950	03.190	10	GU95005304	11.020	10
GU03658201	06.050	21	GU31159050	03.190	6	GU95005310	08.030	20

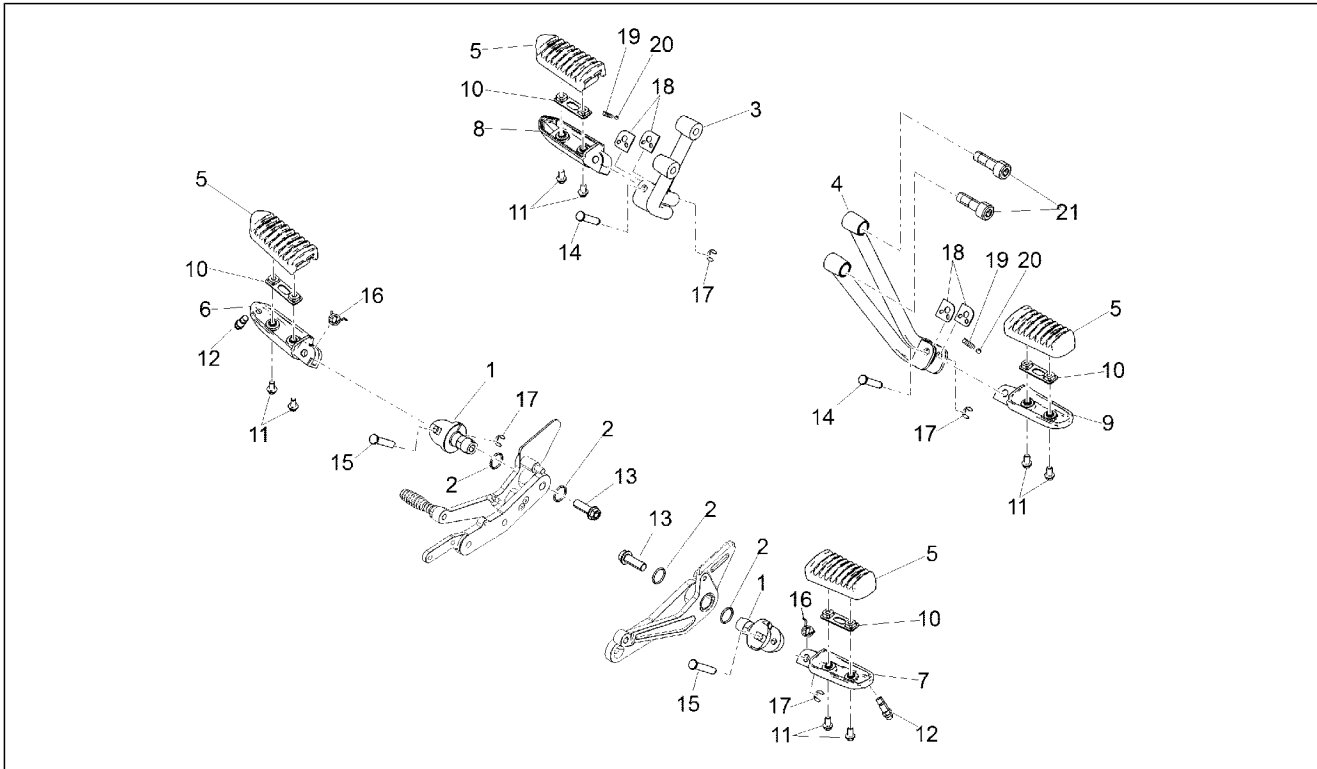
Code	Nr. der Tafel	Pos.
GU95008206	03.190	7
GU95008208	03.290	2
GU95008208	03.330	23
GU95008210	01.010	9
GU95020105	01.030	9
GU95100059	11.030	7
GU95100309	03.190	17
GU95100602	03.190	26
GU95129115	03.120	18
GU95500222	03.230	20
GU96451316	06.050	12
GU96451430	03.030	12
GU96508055	03.030	16
GU97202325	07.030	7
GU98110199	01.010	18
GU98210610	08.020	5
GU98210616	07.010	16
GU98210616	08.030	28
GU98370625	06.030	20
GU98612216	03.320	4
GU98612320	08.010	8
GU98612320	08.030	10
GU98620330	01.040	7
GU98622322	03.060	9
GU98632322	03.020	21
GU98682212	03.300	6
GU98682212	11.030	6
GU98682312	05.020	8
GU98682325	03.030	24
GU98682325	03.270	1
GU98682330	03.270	2
GU98682330	08.030	26
GU98682416	02.170	8
GU98682416	09.010	11
GU98682435	03.290	3
GU98682530	01.010	8
GU98690445	02.030	3
GU98690445	08.010	9
GU98692318	03.020	13
GU98882316	03.120	26

Einheit	Rahmen
Code	01.010
Beschreibung	Rahmen
Inspektion	1



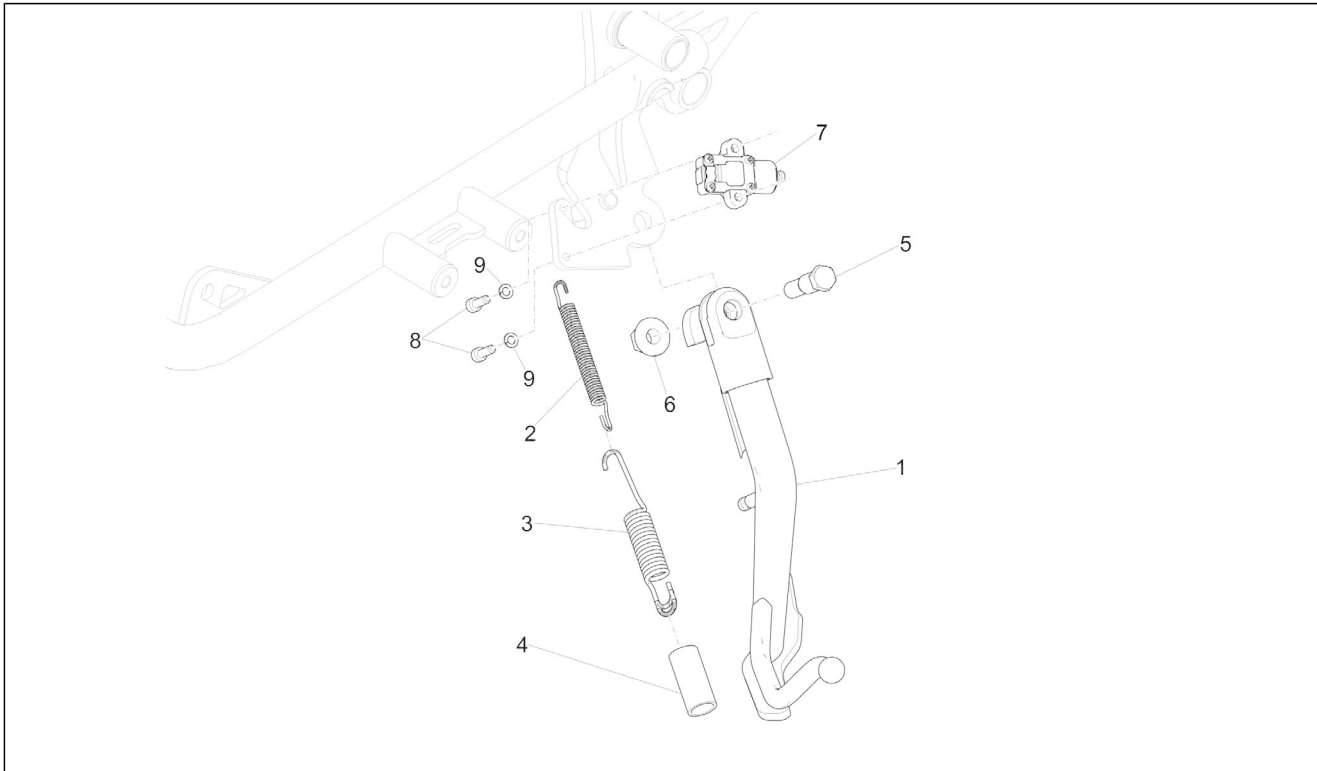
Pos.	Code	Beschreibung	Menge	Varianten
1	2B001055	Fahrgestell	1	
2	B063287	Verbindungsplatte Rahmen	1	
3	2B002325	Arm Rahmenschleife rechts	1	
4	2B002326	Arm Rahmenschleife links	1	
5	2B002810	Rahmenträger	1	
6	AP8102671	Kunststoffniet	4	
7	AP8150009	Scheibe	4	
8	GU98682530	TCEI Schraube M10x30	4	
9	GU95008210	Ausgleichscheibe 10,2X18X2	6	
10	AP8144071	Gummi auspuffrohr	8	
11	AP8150018	Ausgleichscheibe	4	
12	2B003078	Distanzscheibe	4	
13	AP8150048	TCEI Schraube	2	
14	AP8120311	Gummi	2	
15	2B002817	Zapfen M10	1	
16	2B001612	Bolzen M10X253	1	
17	2B001035	Bolzen 234X10	1	
18	GU98110199	Bolzen M10x205	1	
19	GU91551010	Gummi 10X20X10	2	
20	GU92630510	Mutter M10x1,5	4	
21	2B002311	Linsenschraube Torx M8X20	4	

Einheit	Rahmen
Code	01.020
Beschreibung	Fussrasten
Inspektion	1



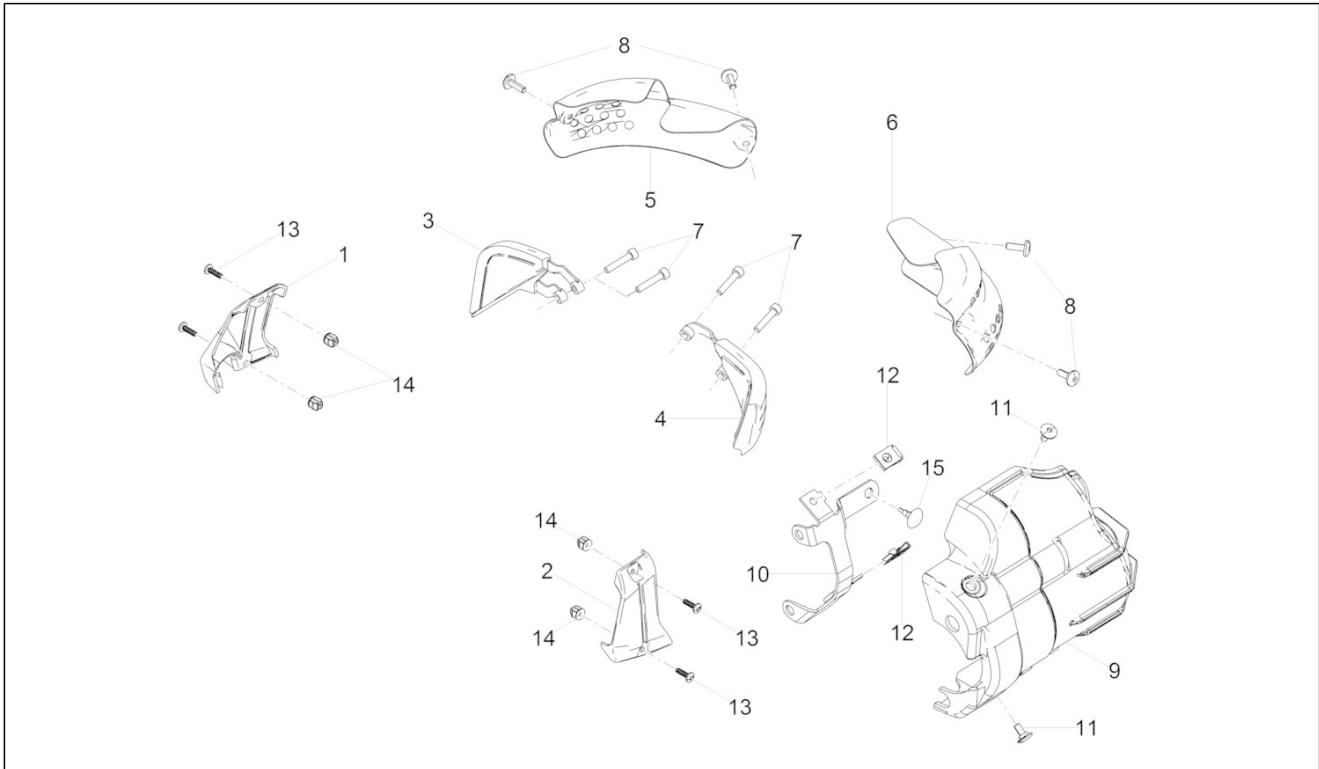
Pos.	Code	Beschreibung	Menge	Varianten
1	2B004044	Halterung Fahrertrittbrett	2	
2	AP9100477	O-Ring 18x2	4	
3	2B003077	Fußraster-Halterung Beif. rechts	1	
4	2B003076	Fußraster-Halterung Beif. links	1	
5	2B002225	Gummiraste	4	
6	AP81450345	Fussrasten r.	1	
7	AP81450355	Fussrasten l.	1	
8	GU32442310	Soziusraste rechts	1	
9	GU32442710	Soziusraste links	1	
10	GU32441210	Platte	4	
11	AP8152277	TE Schr. m. Flansch M6x12	8	
12	2B004077	Rastenbolzen	2	
13	967384	Schraube TEF M10X45	2	
14	CM228401	Rastenbolzen	2	
15	AP8121567	Bolzen	2	
16	AP8221277	Rückholfeder	2	
17	AP8120573	Sperring	4	
18	AP8134451	Fixierplatte	4	
19	AP8121133	Schraubenfederkompr.	2	
20	AP8101861	Kugel D6,35	2	
21	2B002171	TC Schraube 8x25	4	

Einheit	Rahmen
Code	01.030
Beschreibung	Hauptständer
Inspektion	1



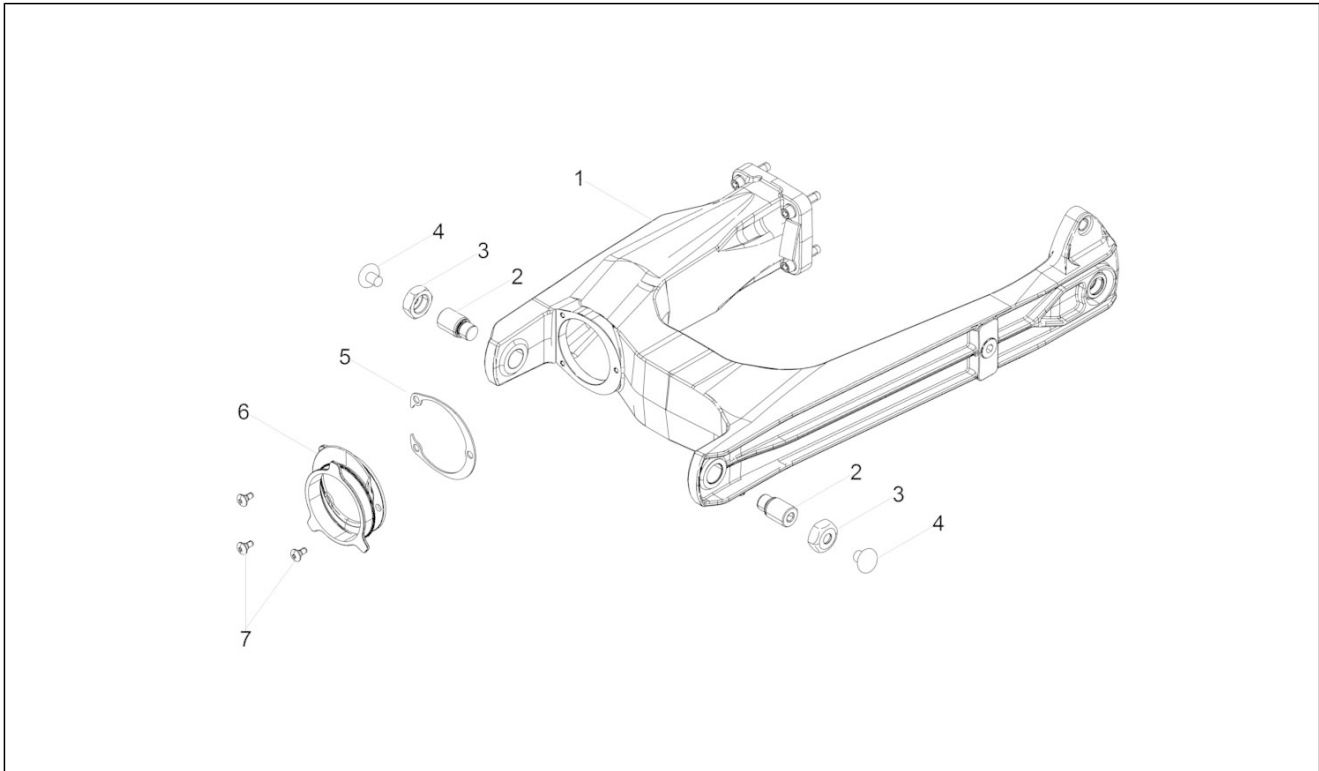
Pos.	Code	Beschreibung	Menge	Varianten
1	2B002705	Seitenständer	1	
2	AP8221197	Hauptständer Schraubenfeder	1	
3	AP8121014	Schraubenfeder	1	
4	AP8102524	Schutz f. Ständerfeder	1	
5	2B001088	Ständerbolzen	1	
6	967356	Geflanschte Mutter M10x1,25	1	
7	AP8127856	Ständer lichtschalter	1	
8	1C001499	Schraube TBEI TORX M5x16 INOX	2	
9	GU95020105	Ausgleichscheibe 5,3x8,9x2,4	2	

Einheit	Rahmen
Code	01.040
Beschreibung	Schutz
Inspektion	1



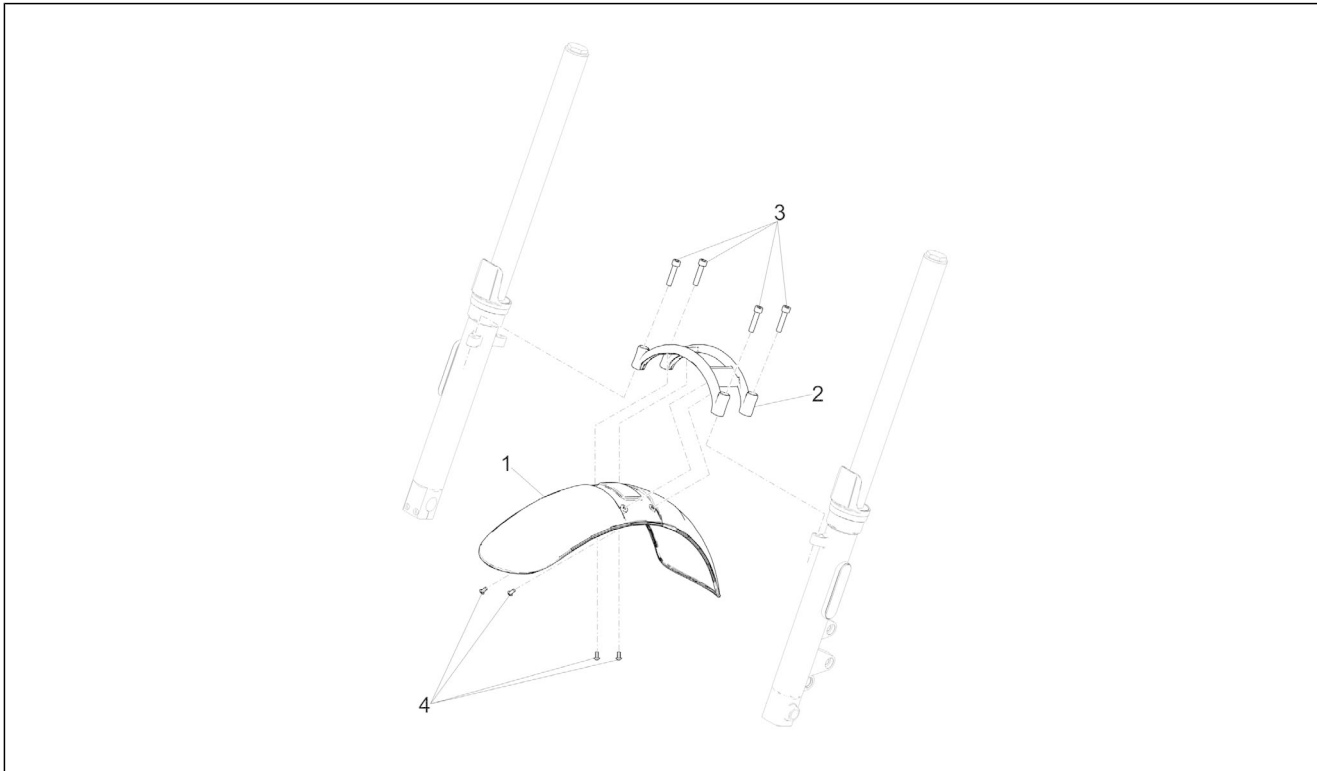
Pos.	Code	Beschreibung	Menge	Varianten
1	2B002799	Rahmenschutz rechts	1	
2	2B002378	Rahmenschutz links	1	
3	2B003102	Knieschutz rechts	1	
4	2B003103	Knieschutz links	1	
5	2B002622	Einspritzdüsenabdeckung rechts	1	
6	2B002621	Einspritzdüsenabdeckung links	1	
7	GU98620330	Schraube	4	
8	896174	Schraube TBEI Schwarz M5x12	4	
9	2B002943	Abdeckung anlassermotor	1	
10	2B002937	Haltebügel Abdeckung	1	
11	AP8150500	TBEI Schraube M5x9	2	
12	248419	Plattchen M5	2	
13	AP8150413	Gew.schr. 3,9x14	1	
14	AP8102671	Kunststoffniet	2	
15	AP8120001	Gummi	1	

Einheit	Rahmen
Code	01.050
Beschreibung	Schwinge
Inspektion	1



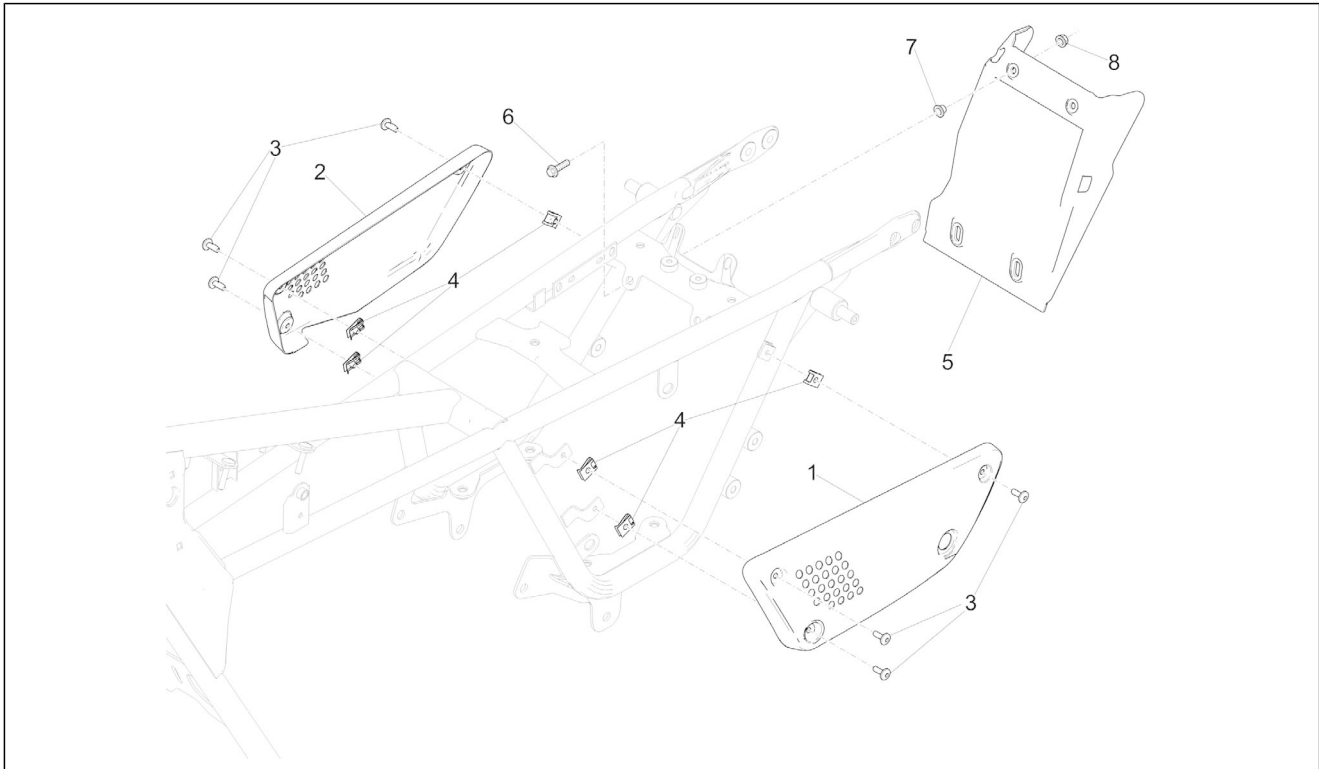
Pos.	Code	Beschreibung	Menge	Varianten
1	2B001301	Schwinge	1	
2	GU19547000	Bolzen	2	
3	GU31547882	Mutter	2	
4	GU93180105	Deckel	2	
5	2B003212	Fixierplatte	1	
6	2B002205	Gummibalg	1	
7	B014598	Torx Schraube M5x12	3	

Einheit	Aufbau
Code	02.030
Beschreibung	Vorderes Schutzblech-Stütze
Inspektion	1



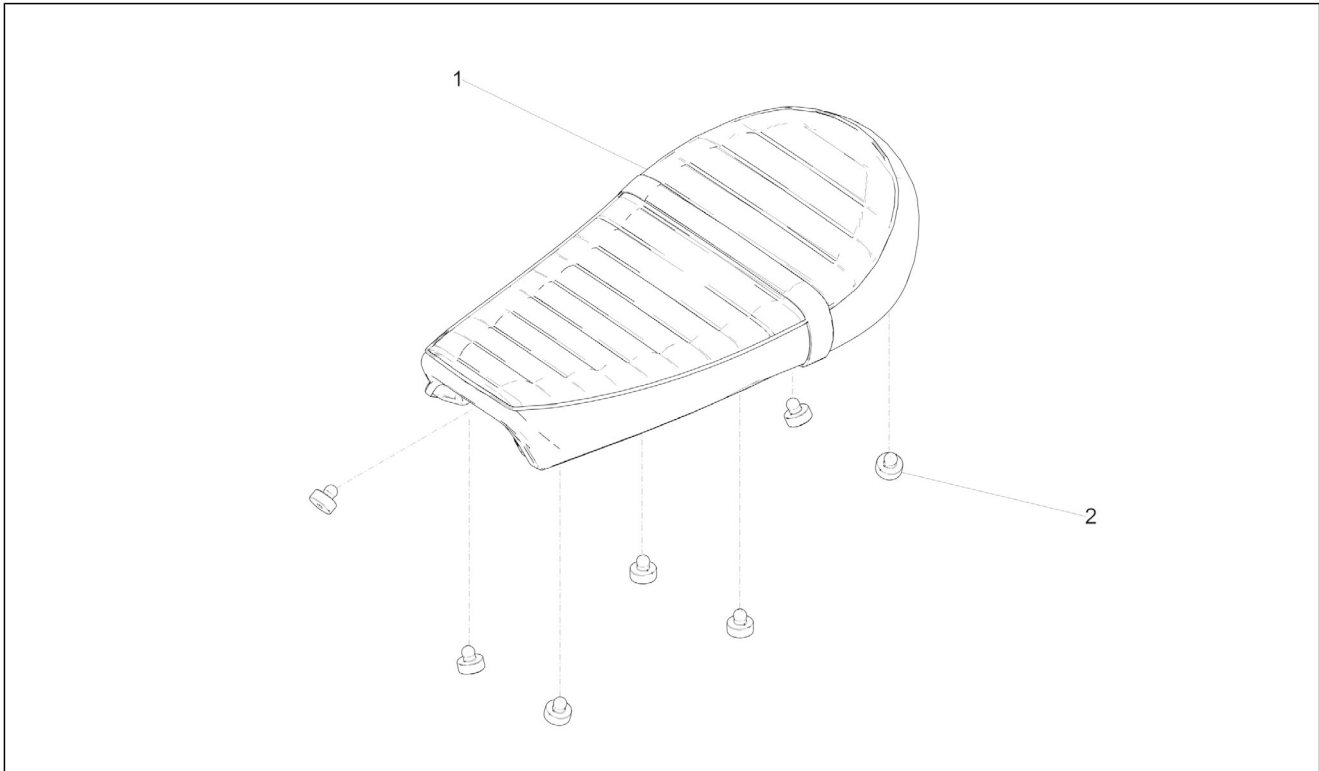
Pos.	Code	Beschreibung	Menge	Varianten
1	2B001141	Vorderes Schutzblech	1	Farbe: Unlackiert[GR]
1	2H001250500YG3	Schutzblech v.gelb	1	Farbe: Gelb Brio[YB] Technische Spezifikation: Einzelteil mit Aufkleber[D]
1	2H001402500Q4	V. Schutzblech, weiß	1	Farbe: Weiß Tech[BT] Technische Spezifikation: Einzelteil mit Aufkleber[D]
1	2H001447500XR7	V. Schutzblech, rot	1	Farbe: Rot Ibis[RI] Technische Spezifikation: Einzelteil mit Aufkleber[D]
2	2B001147	Schutzblechhalterung	1	
3	GU98690445	Schraube M8x45	4	
4	AP8150538	TBEI Schraube M5x10	4	

Einheit	Aufbau
Code	02.100
Beschreibung	Mittlerer Aufbau
Inspektion	1



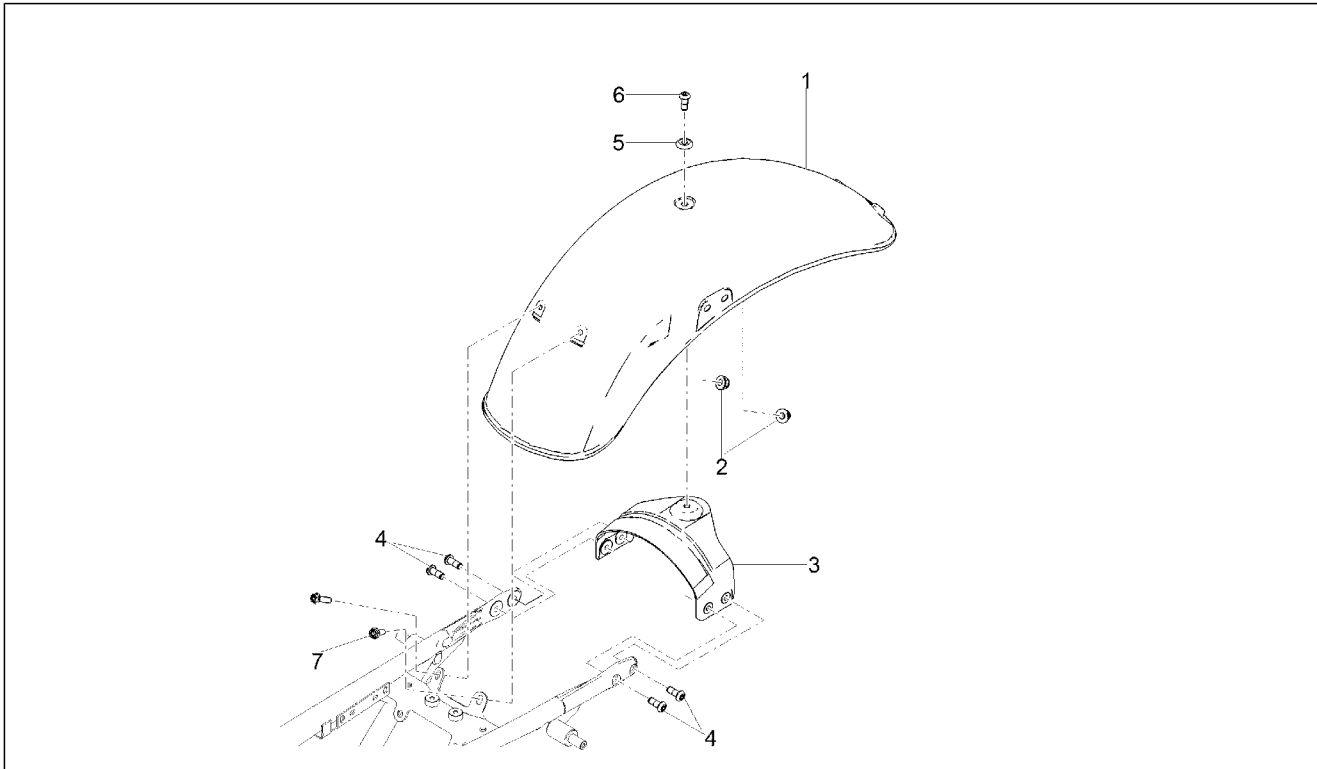
Pos.	Code	Beschreibung	Menge	Varianten
1	2B001619	L. kl. Seitenteil	1	
2	2B001618	R. kl. Seitenteil	1	
3	976614	TBEI Schraube M5x15	6	
4	AP8102375	Klammer M5	6	
5	2B001783	Hinteres, Spritzschutz	1	
6	CM179301	Schraube M6x16	2	
7	AP8121032	Buchse	2	
8	AP8152299	Selbstsperrende Mutter M6	2	

Einheit	Aufbau
Code	02.120
Beschreibung	Sitz
Inspektion	1



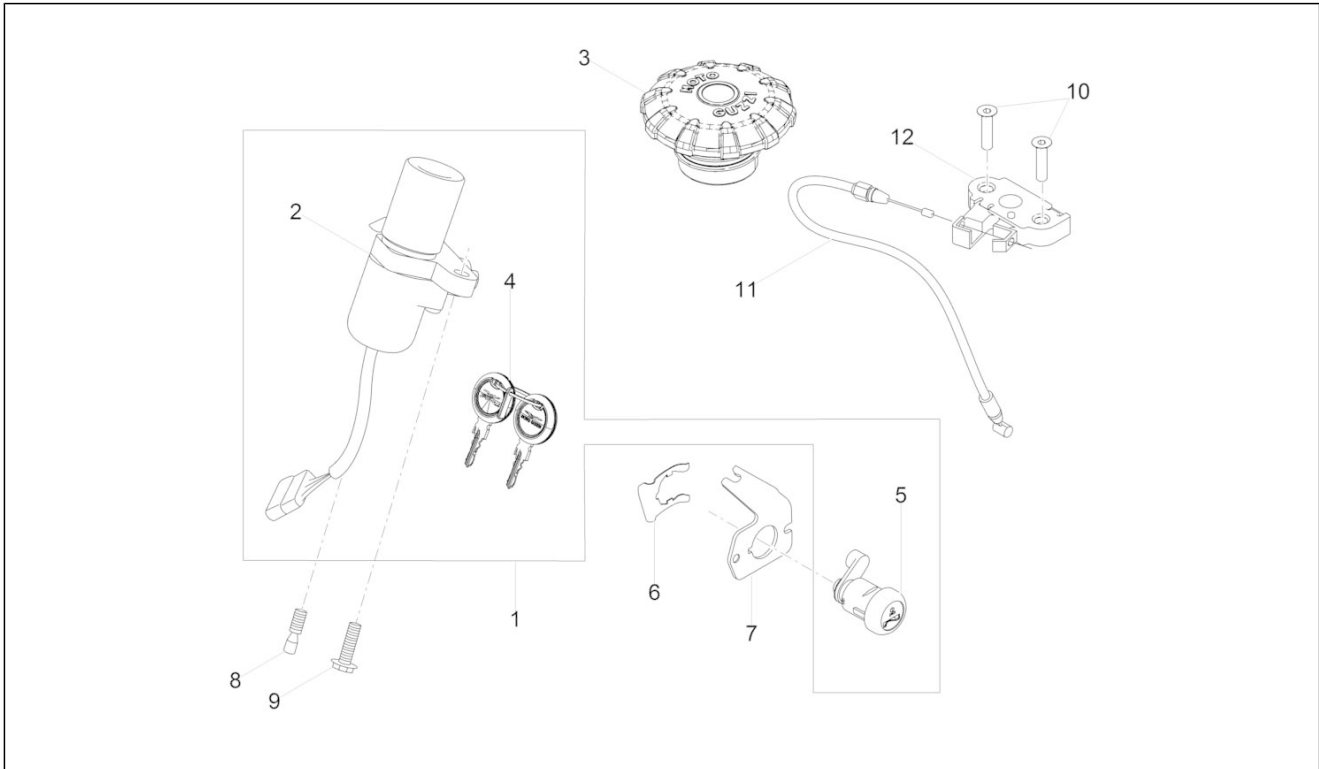
Pos.	Code	Beschreibung	Menge	Varianten
1	2B004021000C1	Sella confort	1	
2	B064023	Sitz-Auflagegummi	7	

Einheit	Aufbau
Code	02.150
Beschreibung	Hinteres Schutzblech
Inspektion	1



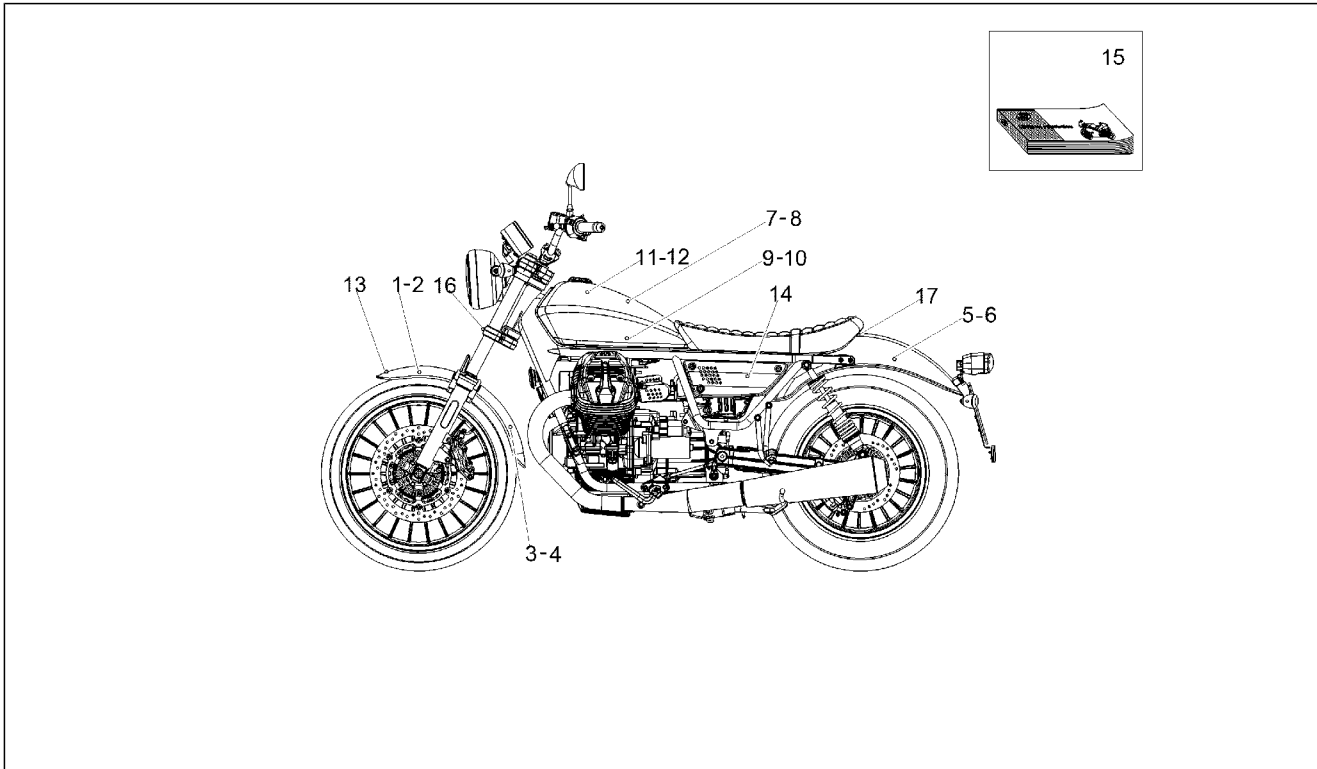
Pos.	Code	Beschreibung	Menge	Varianten
1	2B001406	Hinteres Schutzblech	1	Farbe: Unlackiert[GR]
1	2H001366500YG3	H.Schutzblech gelb lack.	1	Farbe: Gelb Brio[YB] Technische Spezifikation: Einzelteil mit Aufkleber[D]
1	2H001403500Q4	H. Schutzblech, weiß	1	Farbe: Weiß Tech[BT] Technische Spezifikation: Einzelteil mit Aufkleber[D]
1	2H001448500XR7	H. Schutzblech, rot	1	Farbe: Rot Ibis[RI] Technische Spezifikation: Einzelteil mit Aufkleber[D]
2	AP8152299	Selbstsperrende Mutter M6	2	
3	2B002386	Hintere Kotflügelhalterung	1	
4	2B002311	Linsenschraube Torx M8X20	4	
5	2B002321	Buchse für Schraube	1	
6	2B003089	Schraube TCC TORX M8x16	1	
7	AP8152273	Flanschschraube M5x15	2	

Einheit	Aufbau
Code	02.170
Beschreibung	Schlösser
Inspektion	1



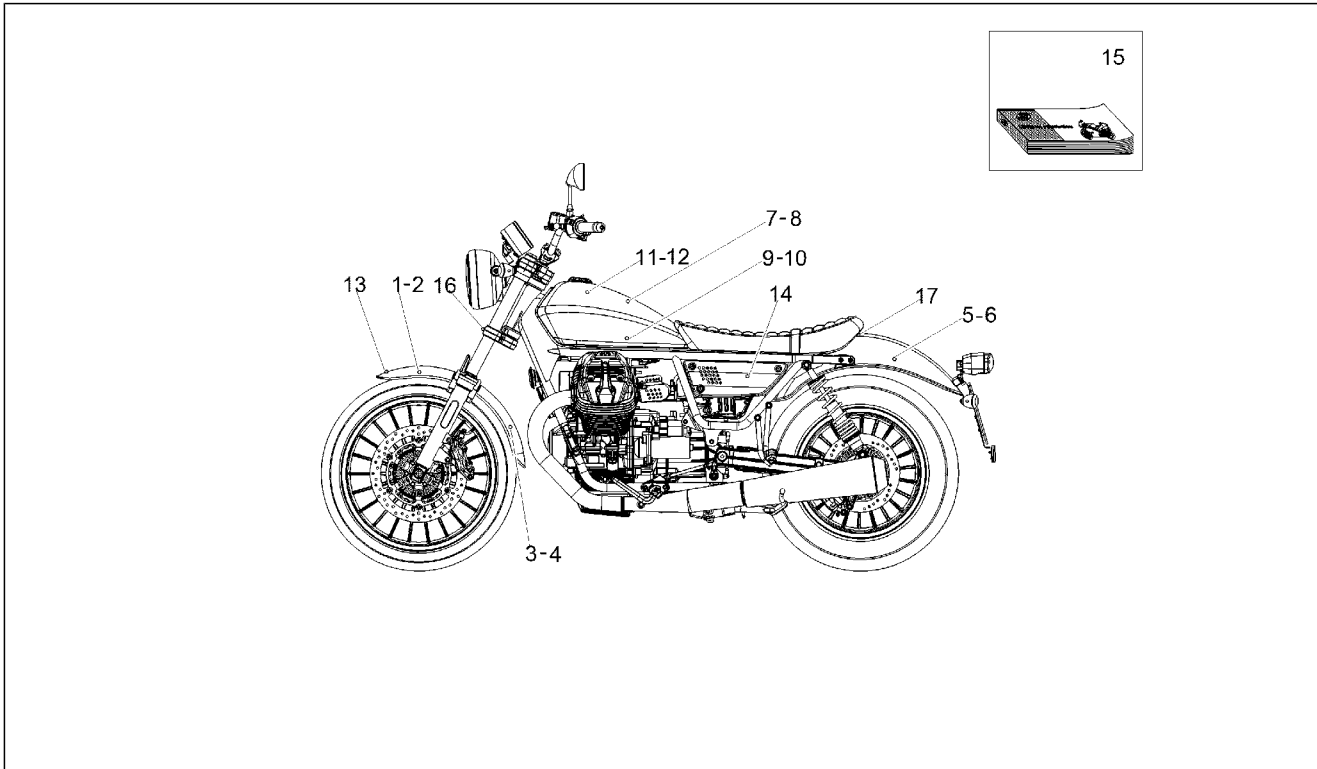
Pos.	Code	Beschreibung	Menge	Varianten
1	2B002940	Kit Schließvorrichtungen	1	
2	2D000299	Umschalter mit Schlüssel	1	
3	2B002043	Tankfüllschraube	1	
4	2D000004	Transponderschlüssel glatt	1	
5	977527	Schloss komplett mit Schlüsseln	1	
6	AP8121420	Gabelfeder	1	
7	978415	Kabelplatte	1	
8	GU98682416	TCEI Schraube M8x16	1	
9	319165	Schraube	1	
10	AP8702101	Schraube M6x25	2	
11	2B002936	Bowdenzug Sitzbank	1	
12	AP8102913	Fixierplatte Soziussitz	1	

Einheit	Aufbau
Code	02.190
Beschreibung	Deko
Inspektion	1



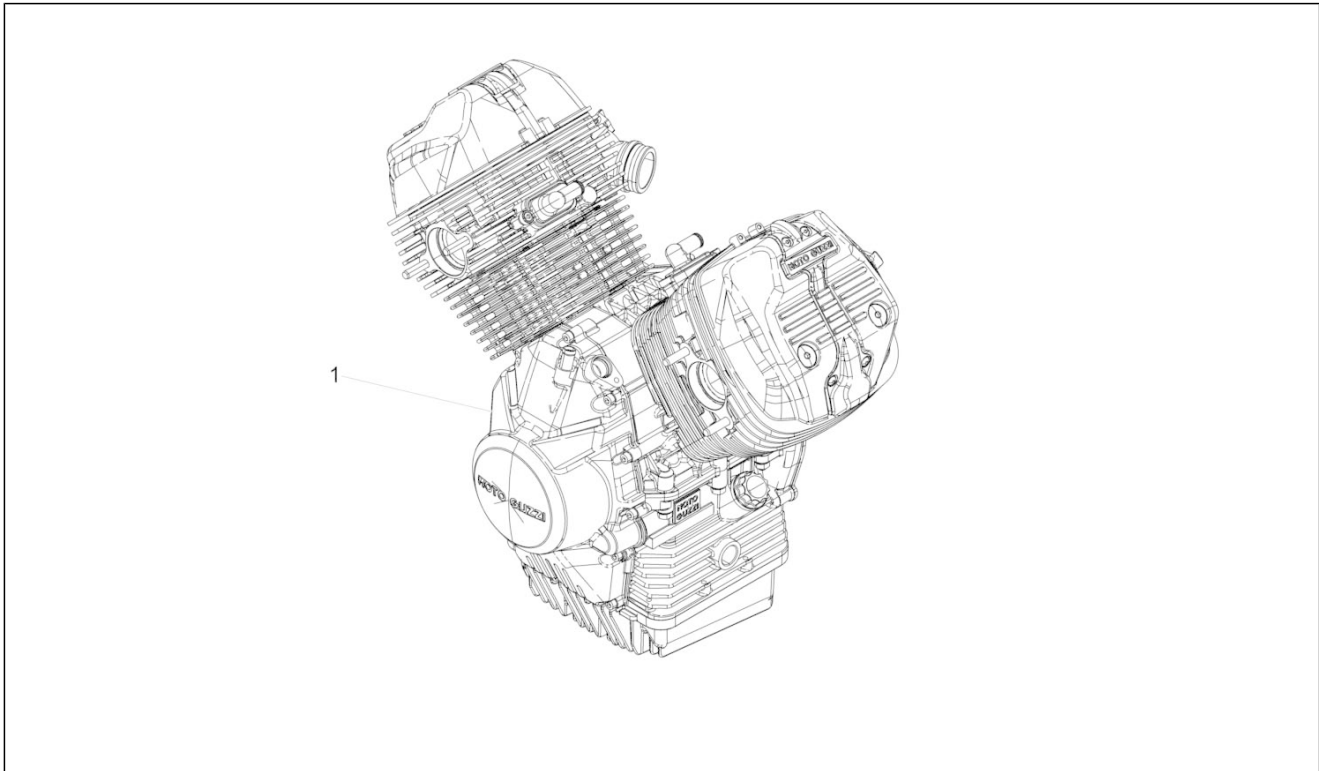
Pos.	Code	Beschreibung	Menge	Varianten
1	2H001370	Aufkleber Schutzblech v. SX	1	Farbe:Gelb Brio[YB]
1	2H001409	Aufkleber Schutzblech v. SX	1	Farbe:Weiß Tech[BT]
1	2H001455	Aufkleber Schutzblech v. SX	1	Farbe:Rot Ibis[RI]
2	2H001369	Aufkleber Schutzblech v. DX	1	Farbe:Gelb Brio[YB]
2	2H001408	Aufkleber Schutzblech v. DX	1	Farbe:Weiß Tech[BT]
2	2H001454	Aufkleber Schutzblech v. DX	1	Farbe:Rot Ibis[RI]
3	2H001372	Aufkleber Schutzblech v. SX	1	Farbe:Gelb Brio[YB]
3	2H001411	Aufkleber Schutzblech v. SX	1	Farbe:Weiß Tech[BT]
3	2H001457	Aufkleber Schutzblech v. SX	1	Farbe:Rot Ibis[RI]
4	2H001371	Aufkleber Schutzblech v. DX	1	Farbe:Gelb Brio[YB]
4	2H001410	Aufkleber Schutzblech v. DX	1	Farbe:Weiß Tech[BT]
4	2H001456	Aufkleber Schutzblech v. DX	1	Farbe:Rot Ibis[RI]
5	2H001258	Aufkl.hint.Schutzblech	1	Farbe:Gelb Brio[YB]
5	2H001413	Aufkl.hint.Schutzblech SX	1	Farbe:Weiß Tech[BT]
5	2H001459	Aufkl.hint.Schutzblech SX	1	Farbe:Rot Ibis[RI]
6	2H001257	Aufkl.hint.Schutzblech DX	1	Farbe:Gelb Brio[YB]
6	2H001412	Aufkl.hint.Schutzblech DX	1	Farbe:Weiß Tech[BT]
6	2H001458	Aufkl.hint.Schutzblech DX	1	Farbe:Rot Ibis[RI]
7	2H001254	Aufkleber linie L.blau lord	1	Farbe:Gelb Brio[YB]
7	2H001405	Aufkleber linie L.blau lord	1	Farbe:Weiß Tech[BT]
7	2H001451	Aufkleber linie L.blau lord	1	Farbe:Rot Ibis[RI]
8	2H001253	Aufkleber Streifen re Tank	1	Farbe:Gelb Brio[YB]
8	2H001404	Aufkleber Streifen re Tank	1	Farbe:Weiß Tech[BT]
8	2H001450	Aufkleber Streifen re Tank	1	Farbe:Rot Ibis[RI]
9	2H001368	Aufkleber unterer Streifen links	1	Farbe:Gelb Brio[YB]
9	2H001407	Aufkleber unterer Streifen links	1	Farbe:Weiß Tech[BT]
9	2H001453	Aufkleber unterer Streifen links	1	Farbe:Rot Ibis[RI]
10	2H001367	Aufkleber unterer Streifen rechts	1	Farbe:Gelb Brio[YB]

Einheit	Aufbau
Code	02.190
Beschreibung	Deko
Inspektion	1



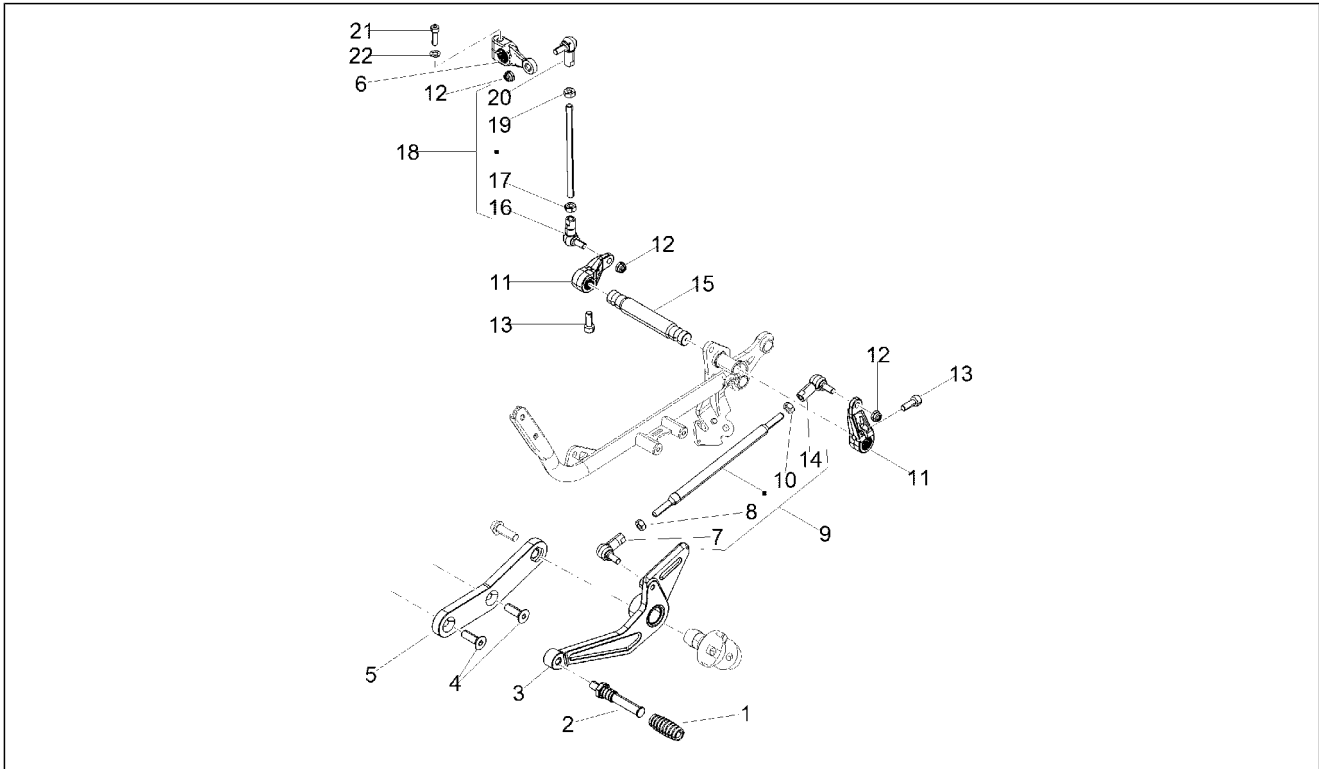
Pos.	Code	Beschreibung	Menge	Varianten
10	2H001406	Aufkleber unterer Streifen rechts	1	Farbe:Weiß Tech[BT]
10	2H001452	Aufkleber unterer Streifen rechts	1	Farbe:Rot Ibis[RI]
11	2H001256	Aufkleber "Adler" SX	1	Farbe:Gelb Brio[YB] Rot Ibis[RI] Weiß Tech[BT]
12	2H001255	Aufkleber "Adler" DX	1	Farbe:Gelb Brio[YB] Rot Ibis[RI] Weiß Tech[BT]
13	2H001260	Aufkleber "Adler"	1	Farbe:Gelb Brio[YB] Weiß Tech[BT] Rot Ibis[RI]
14	2H001259	Schild "V9 Roamer" DX-SX	2	Farbe:Gelb Brio[YB] Weiß Tech[BT] Rot Ibis[RI]
15	2Q000263	LUM V9 Roamer-Bobber My 2017 IFRDENLESEN	1	
16	2H001445	Schild "Moto Guzzi"	1	
17	GU32944310	Deko schutz	1	Farbe:Gelb Brio[YB] Rot Ibis[RI]

Einheit	Motor
Code	03.010
Beschreibung	Motor-Fertigstellung
Inspektion	1



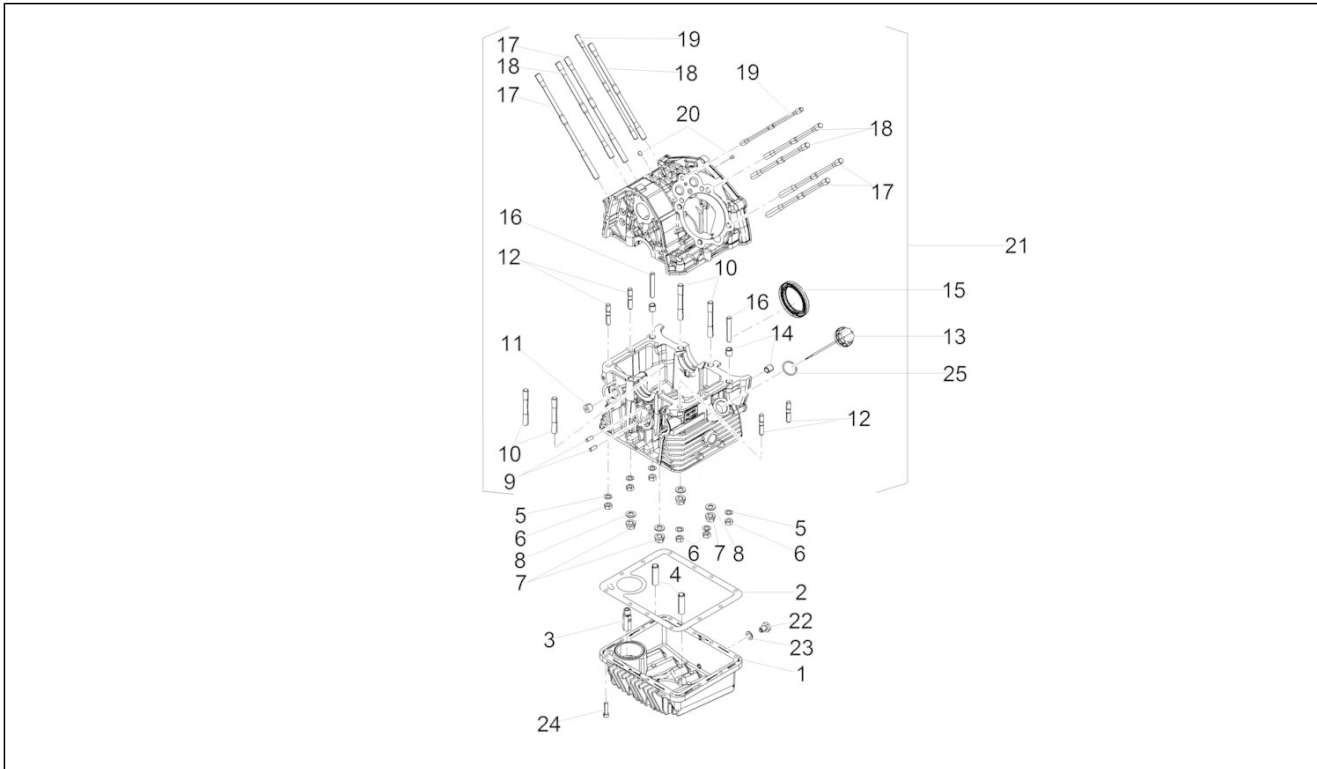
Pos.	Code	Beschreibung	Menge	Varianten
1	1A0089135	Motor kpl.ohneSchaltgetriebe	1	

Einheit	Motor
Code	03.020
Beschreibung	Schalthebel
Inspektion	1



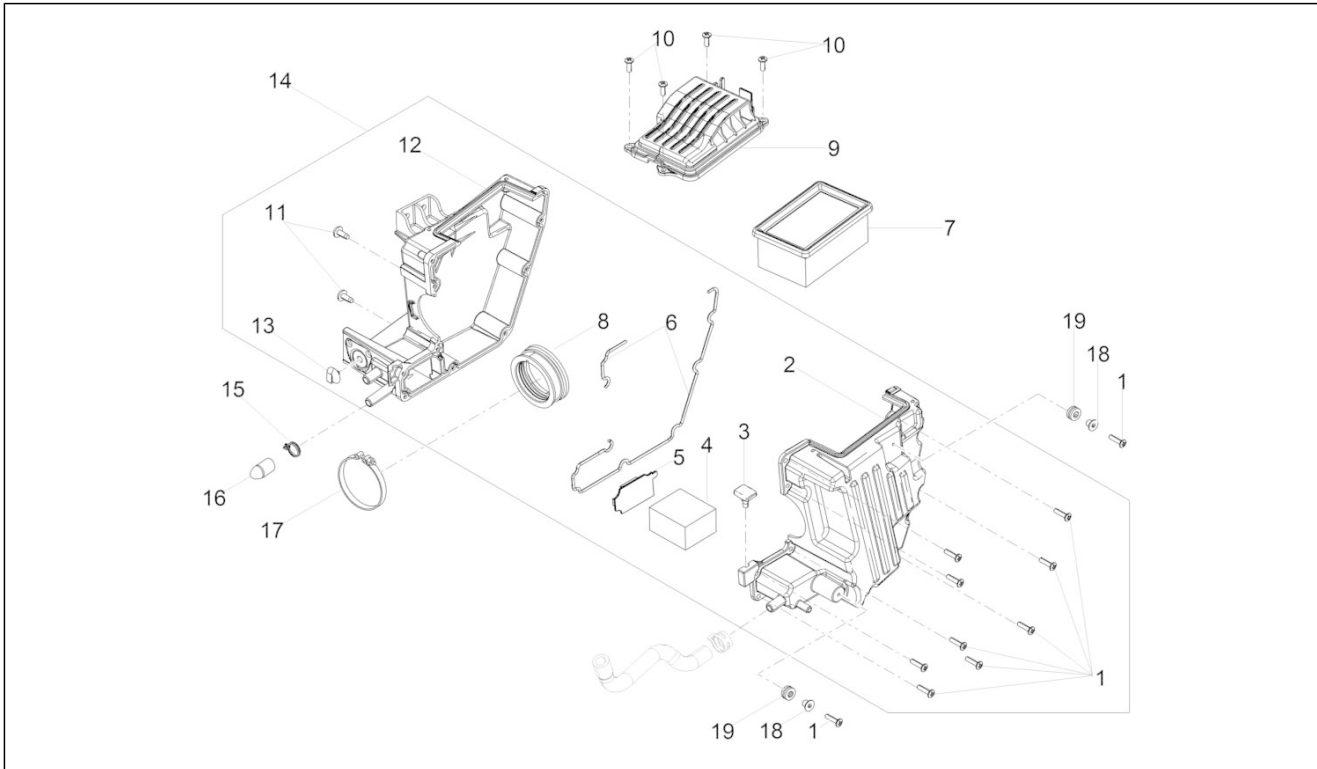
Pos.	Code	Beschreibung	Menge	Varianten
1	AP8120912	Gummi für Hebel	1	
2	2B004062	Gummigleitschutze	1	
3	2B004053	Schalthebel kpl.	1	
4	2B004112	Schraube TSPEI IX M8X25	2	
5	2B004043	Piastra pedana pilota sx	1	
6	GU20258221	Schalthebel	1	
7	898397	Kugelgelenk links M6	1	
8	GU92606206	Mutter	1	
9	2B004109	Tirante comando cambio cpl.	1	
10	GU31256881	Mutter Linksgewinde M6	1	
11	898283	Schalthebel	2	
12	AP8150430	Selbstsperr.mut Unt.	2	
13	GU98692318	TCEI Schraube	2	
14	898396	Kugelgelenk rechts M6	1	
15	2B001009	Hebelbolzen	1	
16	AP8110053	Kugelgelenk links M6	1	
17	AP8152138	Mutter	1	
18	2B001941	Zugstange Schaltzug	1	
19	AP8150026	Mutter M6	1	
20	AP8210007	Kugelgelenk rechts M6	1	
21	GU98632322	Schraube	1	
22	GU03013800	Ausgleichscheibe 6,4x12	1	

Einheit	Motor
Code	03.030
Beschreibung	Gehäuse I
Inspektion	1



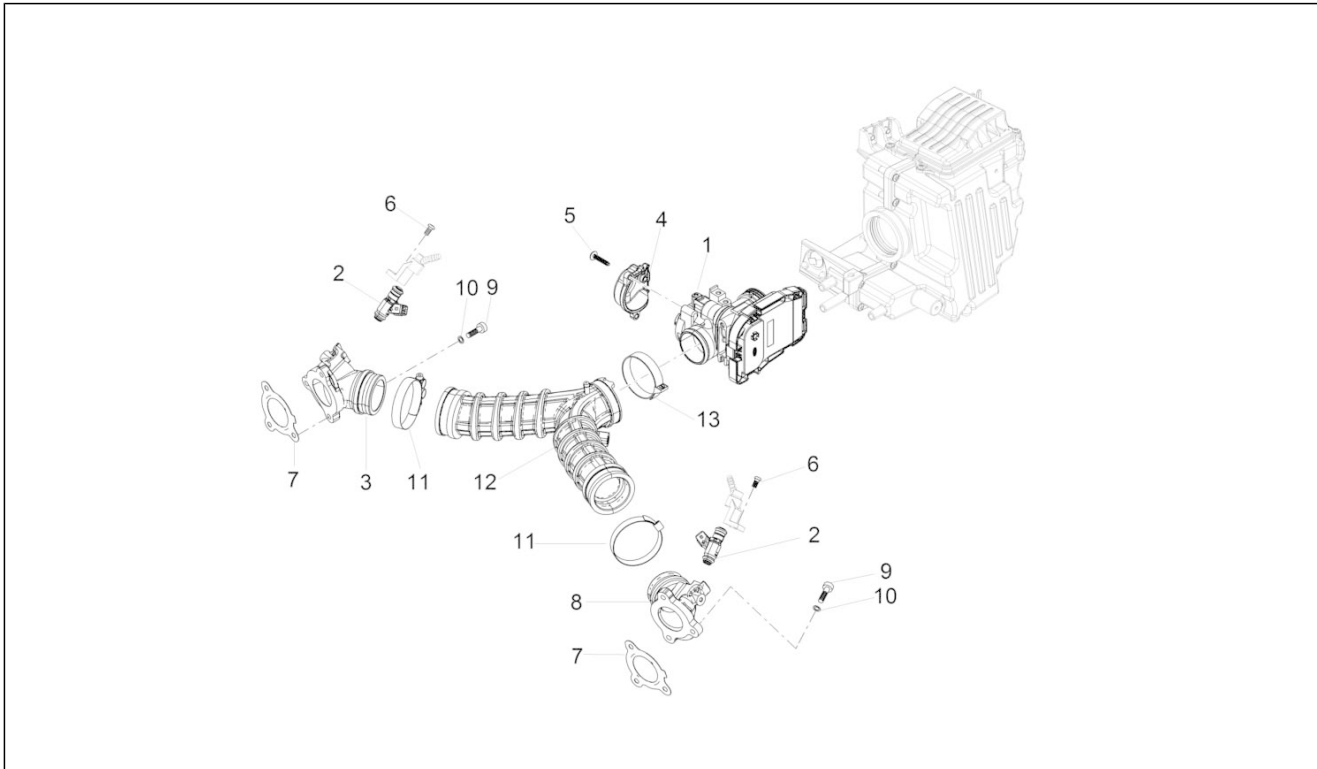
Pos.	Code	Beschreibung	Menge	Varianten
1	1A004550	Pfropfen	1	
2	1A005211	Ölwannendichtung	1	
3	GU19003800	Anschluss	1	
4	1A006047	Anschlußschlauch	2	
5	658837	Gewellte Sprengscheibe D15 F8,4 S1,5 - INOX	6	
6	GU92606208	Mutter M8x1,25	6	
7	1A006656	Geflanschte Mutter M10x1	4	
8	1A006655	Flachscheibe	4	
9	GU19018920	Stift	2	
10	1A004530	Stiftschraube	4	
11	831135	Verschlusschraube M14x1,5	1	
12	GU96451430	Stiftschraube	4	
13	883826	Öleinfüllschraube	1	
14	GU19015020	Buchse	2	
15	886365	Gasket ring	1	
16	GU96508055	Stiftschraube	2	
17	1A006283	Stiftschraube langer Kopf	4	
18	1A006284	Stiftschraube kurzer Kopf	4	
19	1A006860	Stiftschraube zentraler Kopf	2	
20	484993	Haltestein	2	
21	1A0069335	Gekoppelte Kurbelgehäuse	1	
22	GU31003766	Ölablaßschraube M10x1	1	
23	GU10528900	Dichtung	1	
24	GU98682325	TCEI Schraube M6x25	12	
25	GU90706281	O-Ring 28,24x2,62	1	

Einheit	Motor
Code	03.050
Beschreibung	Filtergehäuse
Inspektion	1



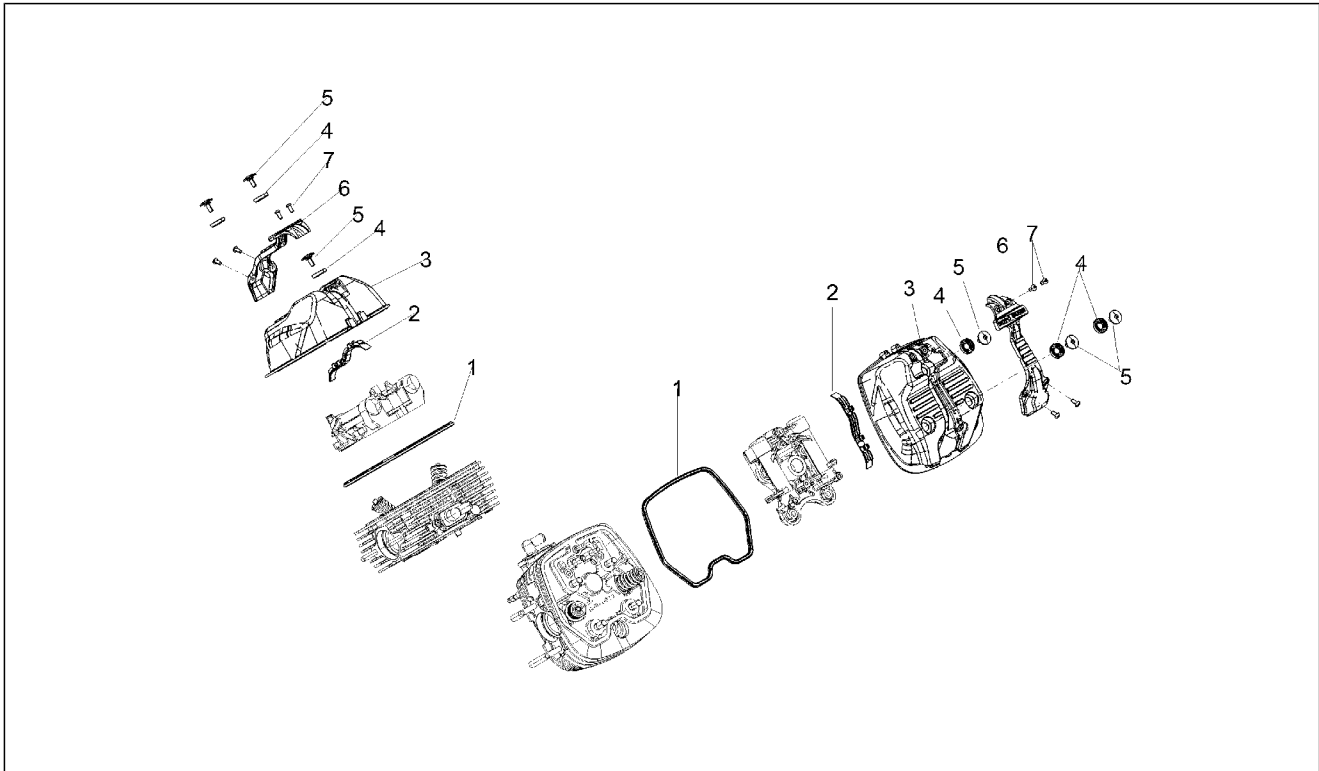
Pos.	Code	Beschreibung	Menge	Varianten
1	AP8152329	Kreuz.schl.flnschschr. M5x20	9	
2	2B002832	L.deckel Filtergehäuse	1	
3	AP8120455	Gummi	1	
4	AP8104525	Filter blow-by	2	
5	2B002851	Membran	1	
6	AP8120615	Dichtung D3	1	
7	AP8104924	Luftfilter	1	
8	887815	Ansaugmuffe	1	
9	887843	Luftfilterdeck	1	
10	AP8150509	Gew.schr. 5x14	4	
11	AP8120876	Verschlussschraube	2	
12	887844	Schale re Filtergehäuse	1	
13	890760	Halterung Instrumente	1	
14	2B002959	Sicherungskasten	1	
15	AP8102520	Schlauchschelle	2	
16	AP8161054	Kappe	2	
17	CM258303	Schelle 63	1	
18	AP8221023	T-Buchse	2	
19	GU91551010	Gummi 10X20X10	2	

Einheit	Motor
Code	03.060
Beschreibung	Klappenkörper
Inspektion	1



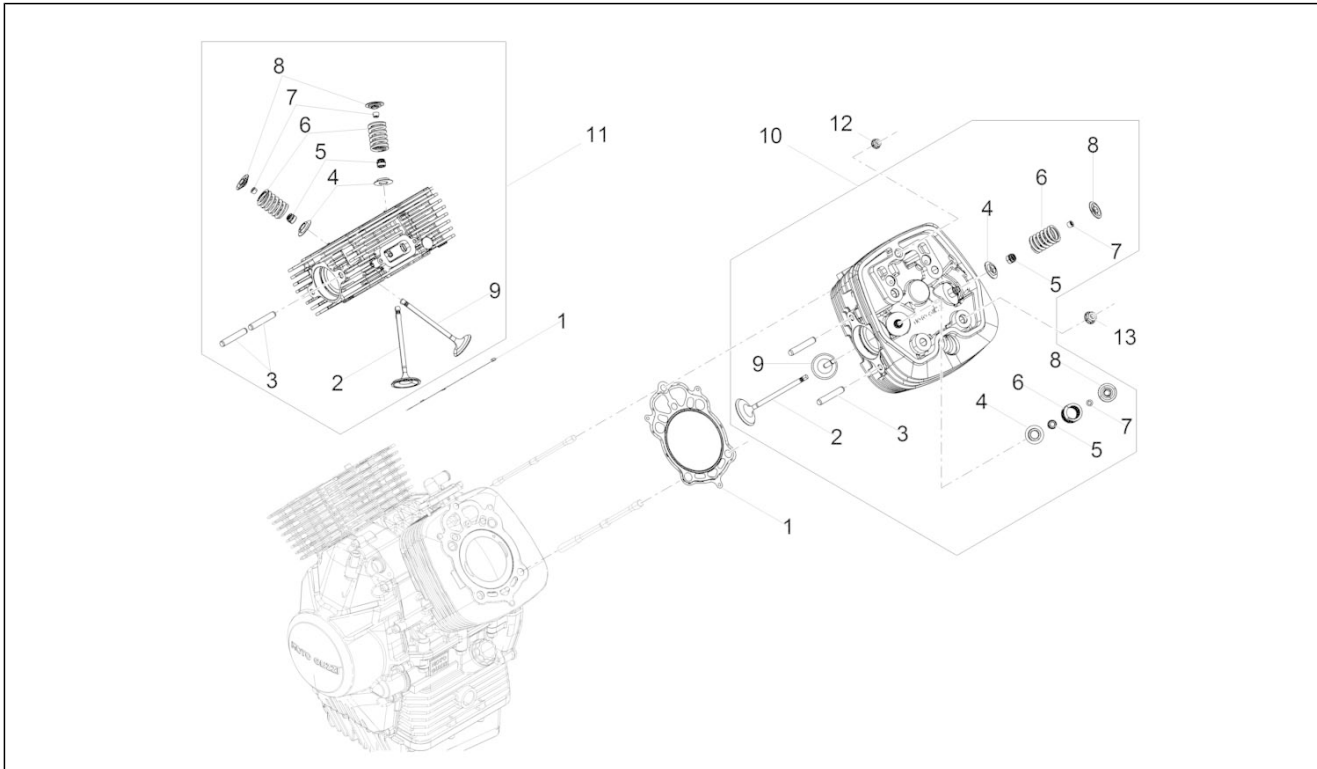
Pos.	Code	Beschreibung	Menge	Varianten
1	CM275401	Drosselkörper mit E.C.U.	1	
2	1D001393	Injektor	2	
3	2A000609	Anschluß re.	1	
4	880260	Klappenkörper Schutz	1	
5	B0167965	Linsenkopfschraube Torx M5x16	3	
6	AP8150500	TBEI Schraube M5x9	2	
7	2A000612	Dichtung Einlassanschluss	2	
8	2A000608	Anschluß li.	1	
9	GU98622322	Schraube	6	
10	GU03013800	Ausgleichscheibe 6,4x12	6	
11	884310	Schelle D.55	2	
12	2B001823	Muffe Drosselklappe	1	
13	CM258301	Schelle	1	

Einheit	Motor
Code	03.090
Beschreibung	Kopfdeckel
Inspektion	1



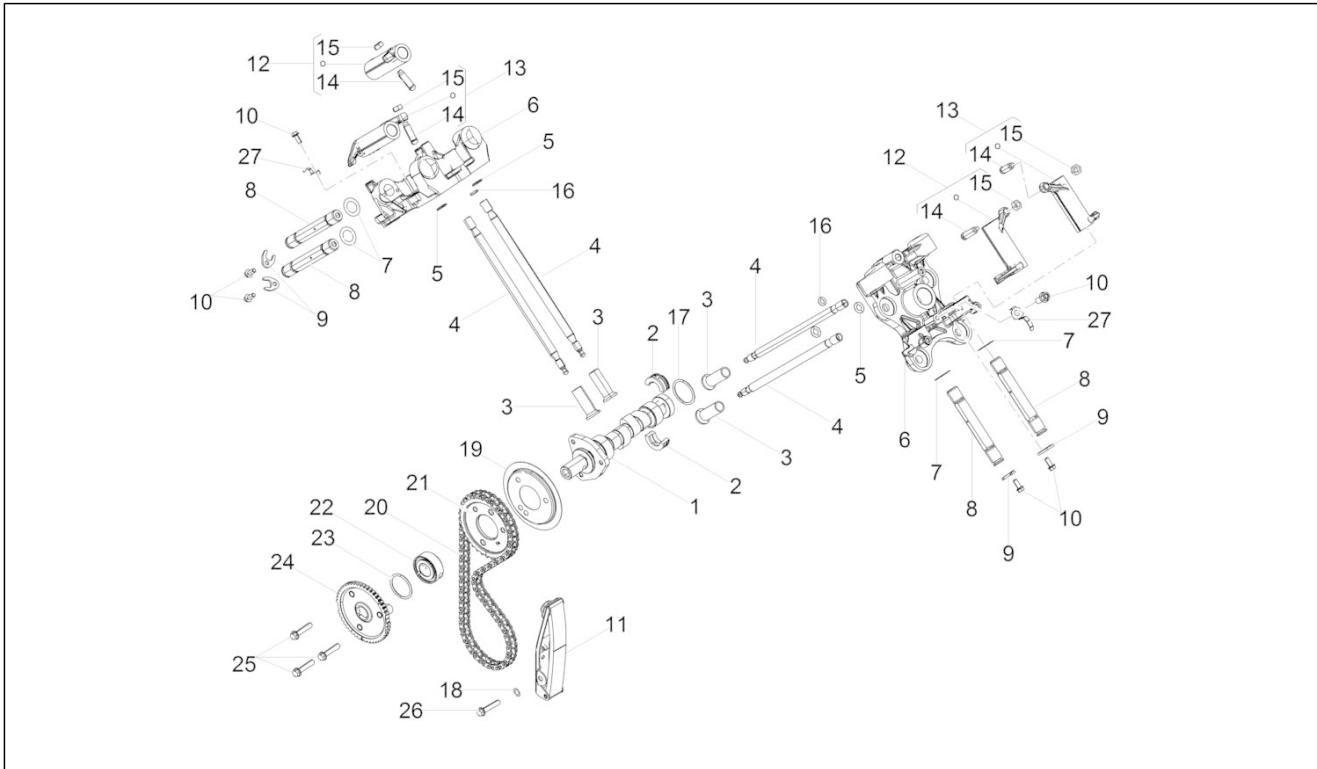
Pos.	Code	Beschreibung	Menge	Varianten
1	2A000565	Kopf Deckel Dichtung	2	
2	2A000659	Kabelführung	2	
3	1A008732	Kopfdeckel	2	
4	1A006716	Stopfen dämpfer	6	
5	976591	Spezialschraube	6	
6	2A000620	Zündkerzedeckel	2	
7	AP8152267	TBEI Spez.schr. M5x12	8	

Einheit	Motor
Code	03.100
Beschreibung	Zylinderkopf - ventile
Inspektion	1



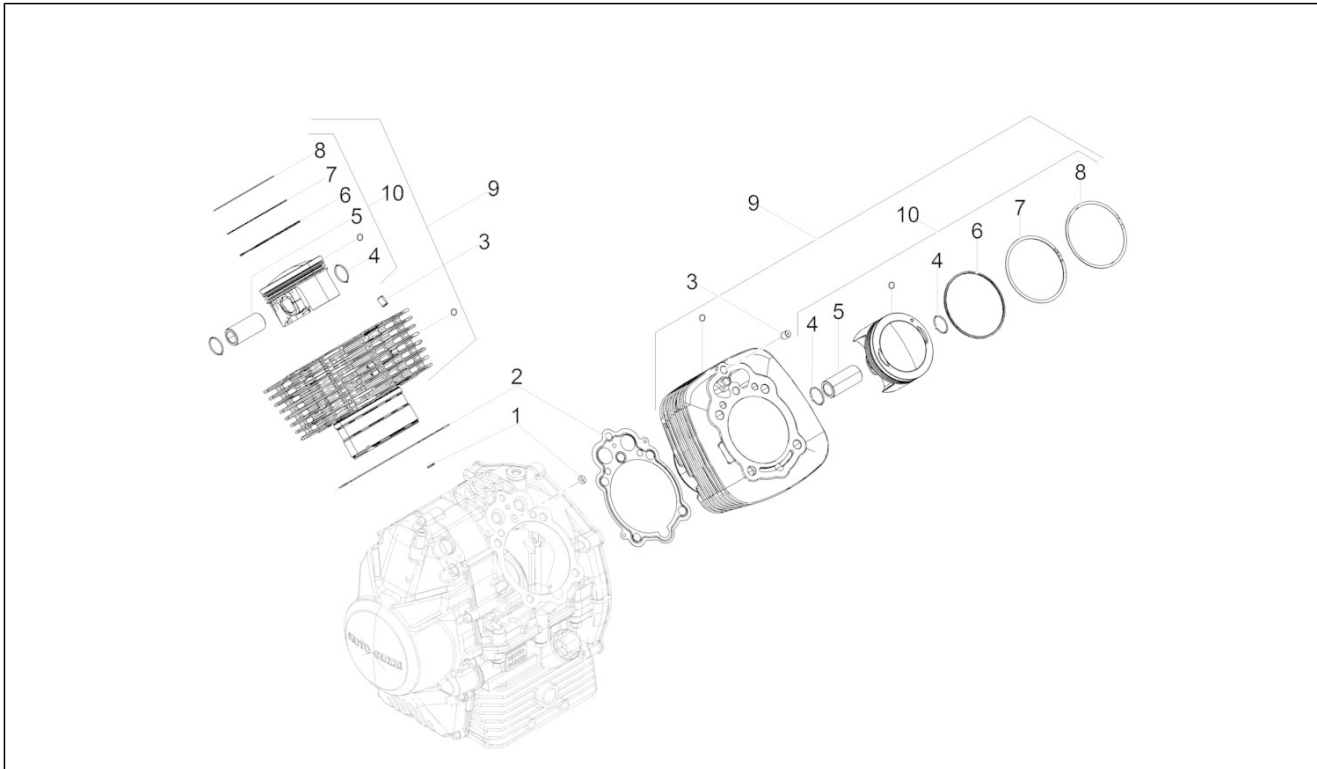
Pos.	Code	Beschreibung	Menge	Varianten
1	1A004660	Zylinder/Kopf Dichtung sp. 0,6 mm	66	
1	1A004661	Zylinder/Kopf Dichtung SP. 0.8 mm	66	
1	1A004662	Zylinder/Kopf Dichtung SP. 10 mm	1	
2	1A005424	Ein. ventil	1	
3	B017636	Auspufftopf Stiftschraube	2	
4	1A004751	Federteller unten	4	
5	1A003452	Ventil Dichtring	2	
6	1A004752	Rückzugsfeder	2	
7	871640	Halbkegel	8	
8	1A004750	Federteller oben	4	
9	1A005425	Auslassventil	1	
10	1A0068695	L.Kopf kpl.mitVentilführungen	1	
11	1A0068705	R.Kopf kpl.mitVentilführungen	1	
12	1A006659	Geflanschte Mutter M8x1.25	1	
13	825694	Mutter M10x1,25	1	

Einheit	Motor
Code	03.120
Beschreibung	Steuer
Inspektion	1



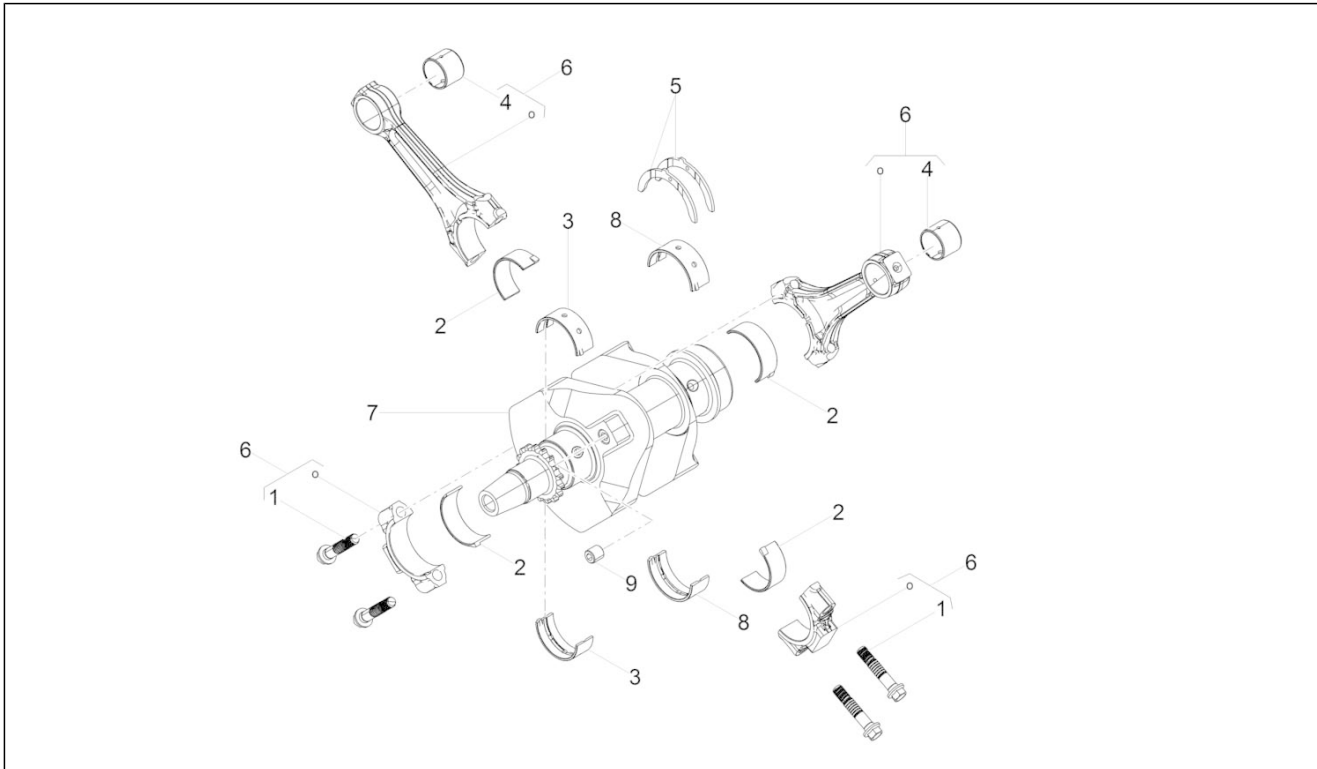
Pos.	Code	Beschreibung	Menge	Varianten
1	1A005712	Nockenwelle	1	
2	GU19055700	Sektor	2	
3	GU19045861	Ventilstässel	4	
4	2A000496	Kipphebelstange	4	
5	2A000579	Dichtungsring O-Ring 2,62x9.19	4	
6	2A0003535	Kipphebellager	2	
7	1A005951	Gebogene Sprengscheibe	4	
8	2A000528	Kipphebel-Federwelle	4	
9	2A000521	Schaltgabel	4	
10	AP8152272	TE Schr. m. Flansch M5x12	4	
11	GU19058220	Kettenspanner	1	
12	1A004905	Kipphebel Einlass re Auslass li	2	
13	1A004903	Kipphebel Einlass li Auslass re	2	
14	1A004907	Einstellschraube	2	
15	GU10034100	Mutter	2	
16	1A006861	Gasket ring	2	
17	GU90353029	Sprengring	1	
18	GU95129115	Ausgleichscheibe	1	
19	1A005955	Platte	2	
20	GU19058021	Steuerkette	1	
21	1A006243	Steuer Zahnkranz	1	
22	1A006119	Distanzscheibe	1	
23	1A006127	O-Ring	1	
24	1A0057145	Phonic wheel	0	
25	1A008576	***TE Schr. m. Flansch	3	
26	GU98882316	Schraube	1	
27	2A000527	Platte	2	

Einheit	Motor
Code	03.150
Beschreibung	Zylinder - Kolben
Inspektion	1



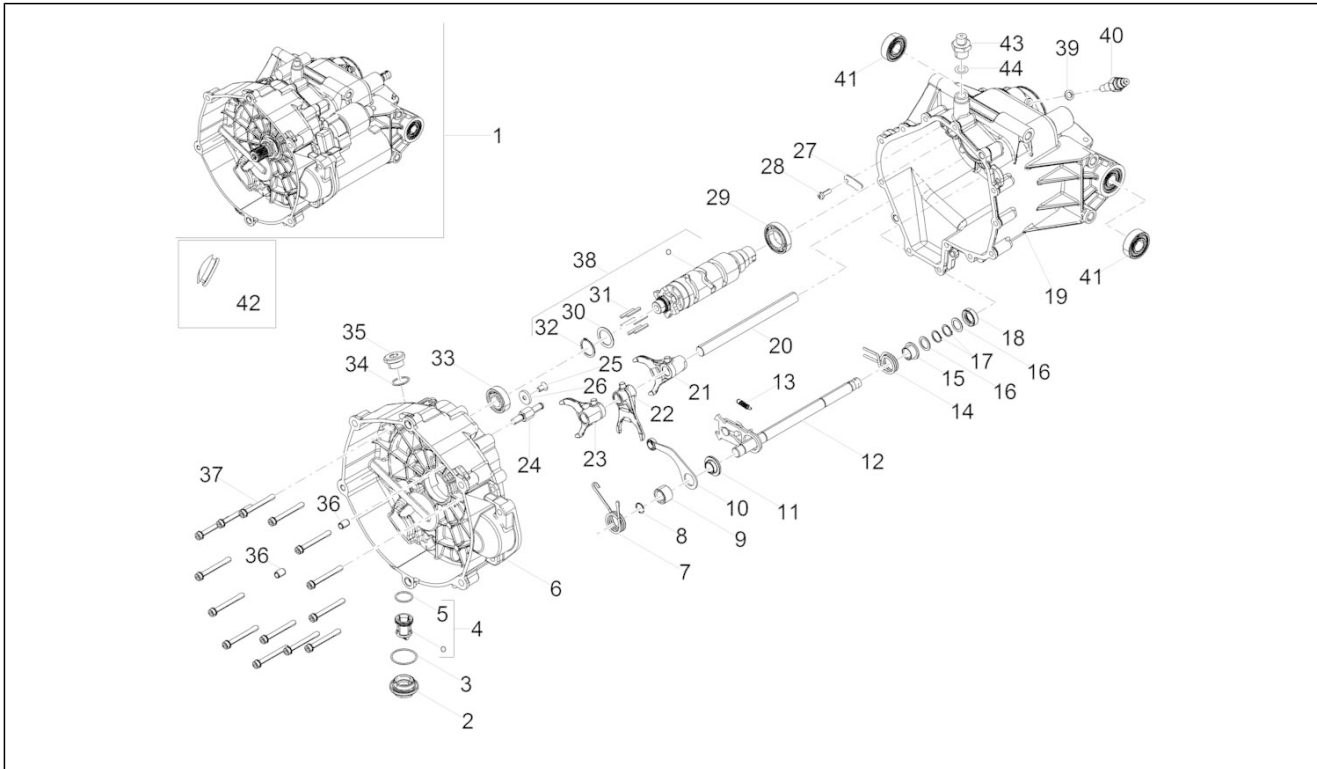
Pos.	Code	Beschreibung	Menge	Varianten
1	GU61027200	O-Ring	2	
2	1A007070	Dichtung Zylinder/Gehäuse	2	
3	GU19021360	Buchse	2	
4	874567	Sperring	4	
5	1A004956	Bolzen	2	
6	1A004955	Ölabstreifer	2	
7	1A004954	Kompressions-kolbenring	2	
8	1A004953	Kompressions-kolbenring	2	
9	1A007111	Kolben mit Zylinder kpl.	1	
10	1A006272AA	Kolben kpl. Auswahl "G"	1	
10	1A006272BB	Kolben kpl. Auswahl "H"	1	
10	1A006272CC	Kolben kpl. Auswahl "L"	1	
10	1A006272DD	Kolben kpl. Auswahl "M"	1	

Einheit	Motor
Code	03.160
Beschreibung	Kurbelwelle
Inspektion	1



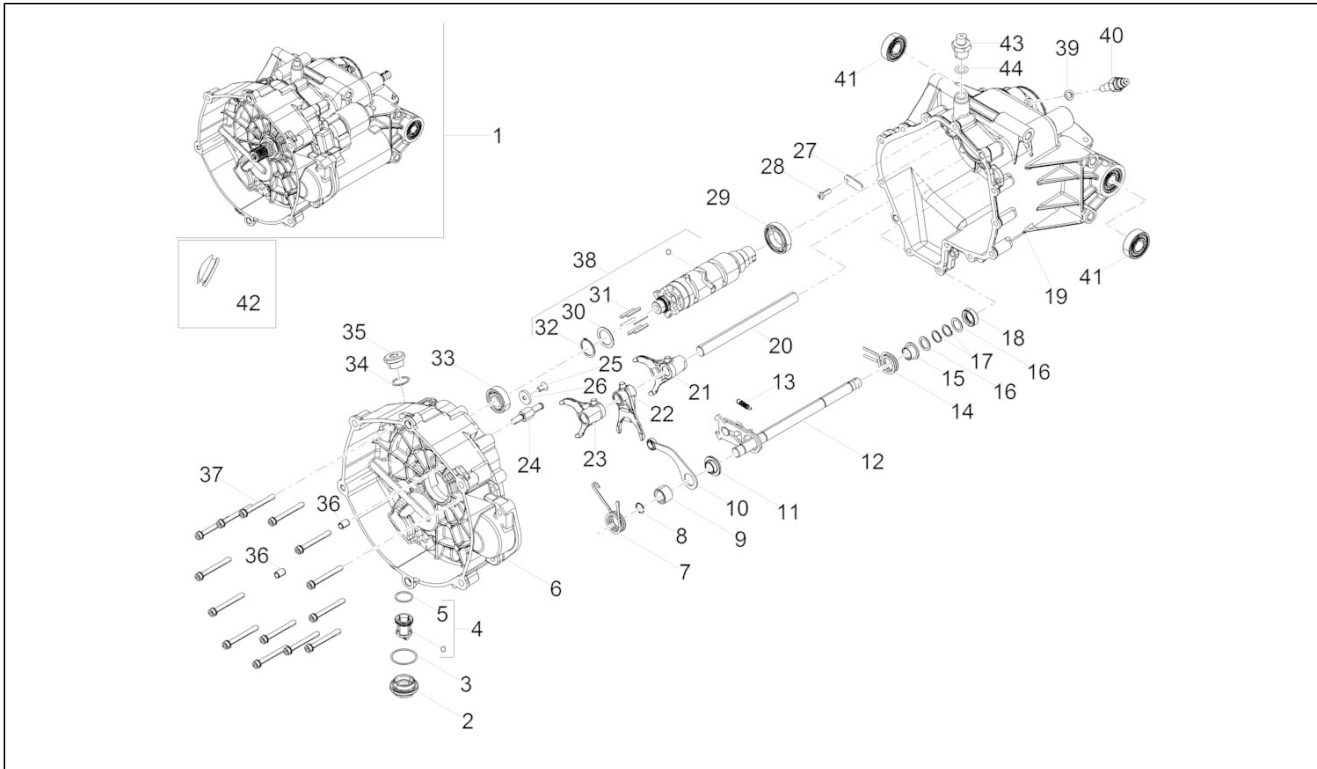
Pos.	Code	Beschreibung	Menge	Varianten
1	GU19062261	Schraube	4	
2	1A0068960B	Pleuellagerschale blau	4	
2	1A0068960G	Pleuellagerschale gelb	4	
2	1A0068960R	Pleuellagerschale Rot	4	
3	1A0066680G	Hauptlagerschale vorne gelb	1	
3	1A0066680N	Hauptlagerschale vorne Schwarz	1	
3	1A0066680V	Hauptlagerschale vorne Grün	1	
4	GU27061885	Buchse	2	
5	GU27066460	Halb-Klemme	2	
6	1A005325AA	Pleuel Auswahlklasse "A"	1	
6	1A005325BB	Pleuel Auswahlklasse "B"	1	
7	1A006671AA	Kurbelwelle kpl.,cat.1	1	
7	1A006671BB	Kurbelwelle, komplett kat. 2	1	
8	1A0066690G	Hauptlagerschale hinten gelb	2	
8	1A0066690N	Hauptlagerschale hinten Schwarz	2	
8	1A0066690V	Hauptlagerschale hinten Grün	2	
9	GU19065400	Deckel	1	

Einheit	Motor
Code	03.170
Beschreibung	Schaltgetriebe / Schaltgabel / Desmodrom.
Inspektion	1



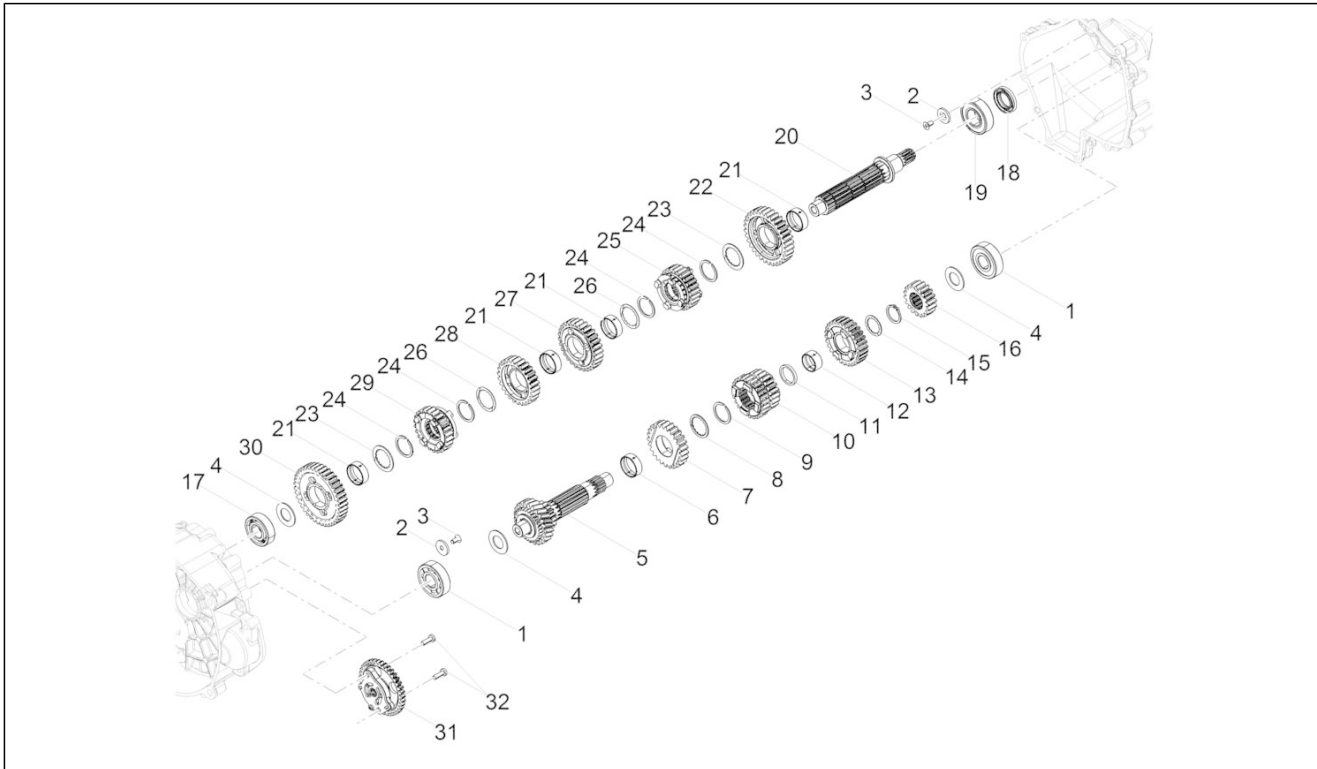
Pos.	Code	Beschreibung	Menge	Varianten
1	2A00042115	Getriebe komplett	1	
2	B015598	Ölfilter Verschuß	1	
3	285536	O-Ring 31,47x1,78	1	
4	B018020	Ölfiltereinsatz kpl.	1	
5	B017406	O-Ring 20.35x1.78	1	
6	2A0009105	Kupplungsglocke	1	
7	B064113	Index feder	1	
8	GU90353014	Seegerring	1	
9	GU05234230	Distanzscheibe	1	
10	B064112	Indexhebel kpl.	1	
11	GU05238431	Buchse	1	
12	2A000219	Schaltautomat	1	
13	GU05238231	Feder	1	
14	B063956	Feder	1	
15	2A000467	Distanzscheibe	1	
16	GU05239330	Anlaufscheibe	2	
17	GU90271014	Seegerring	2	
18	GU90401424	Gasket ring 14x24x7	1	
19	2A0009085	Not available	1	
20	2A000224	Stange	1	
21	2A000226	Schaltgabel 2-3 Gang	1	
22	2A000227	Gabel 5.-6. Gang	1	
23	2A000225	Gabel für Sekundärwelle	1	
24	2A000415	Anschlagschraube	1	
25	B013608	Schraube	1	
26	873905	Unterlegscheibe	1	
27	2A000241	Schraube M5x16	1	
27	2A000306	Anschlagplatte	1	

Einheit	Motor
Code	03.170
Beschreibung	Schaltgetriebe / Schaltgabel / Desmodrom.
Inspektion	1



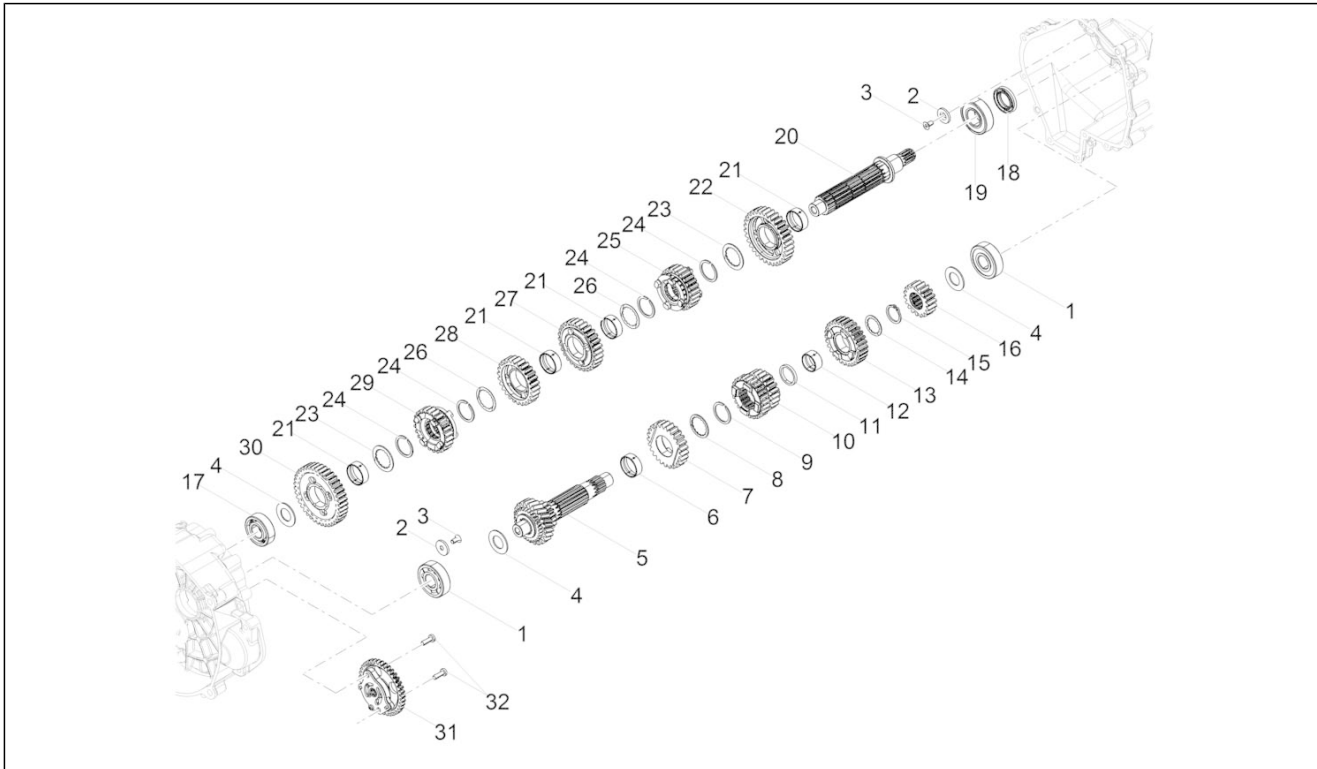
Pos.	Code	Beschreibung	Menge	Varianten
28	2A000241	Schraube M5x16	1	
29	857250	Kugellager 25x42x9	1	
30	GU05235531	Scheibe	1	
31	GU05234631	Stift	6	
32	GU90271022	Seegerring	1	
33	834764	Lager	1	
34	GU90706203	O-Ring 20,24X2,62	1	
35	GU12022600	Ölschraube	1	
36	GU19002020	Buchse 6,6x9x13	2	
37	2A000591	Zylinderschraube M6x55	14	
38	2A000222	Verschiebenocken kplt.	1	
39	B063025	Dichtung 8,7x14,2x1,3	1	
40	B063269	Sensor	1	
41	2A000097	Kugellager 6202-2RSH/C3 LHT23	2	
42	GU93180220	Deckel	1	
43	2A000438	Entlüftungsschraube	1	
44	224566	Unterlegscheibe	1	

Einheit	Motor
Code	03.180
Beschreibung	Schaltgetriebe - Zahnräder
Inspektion	1



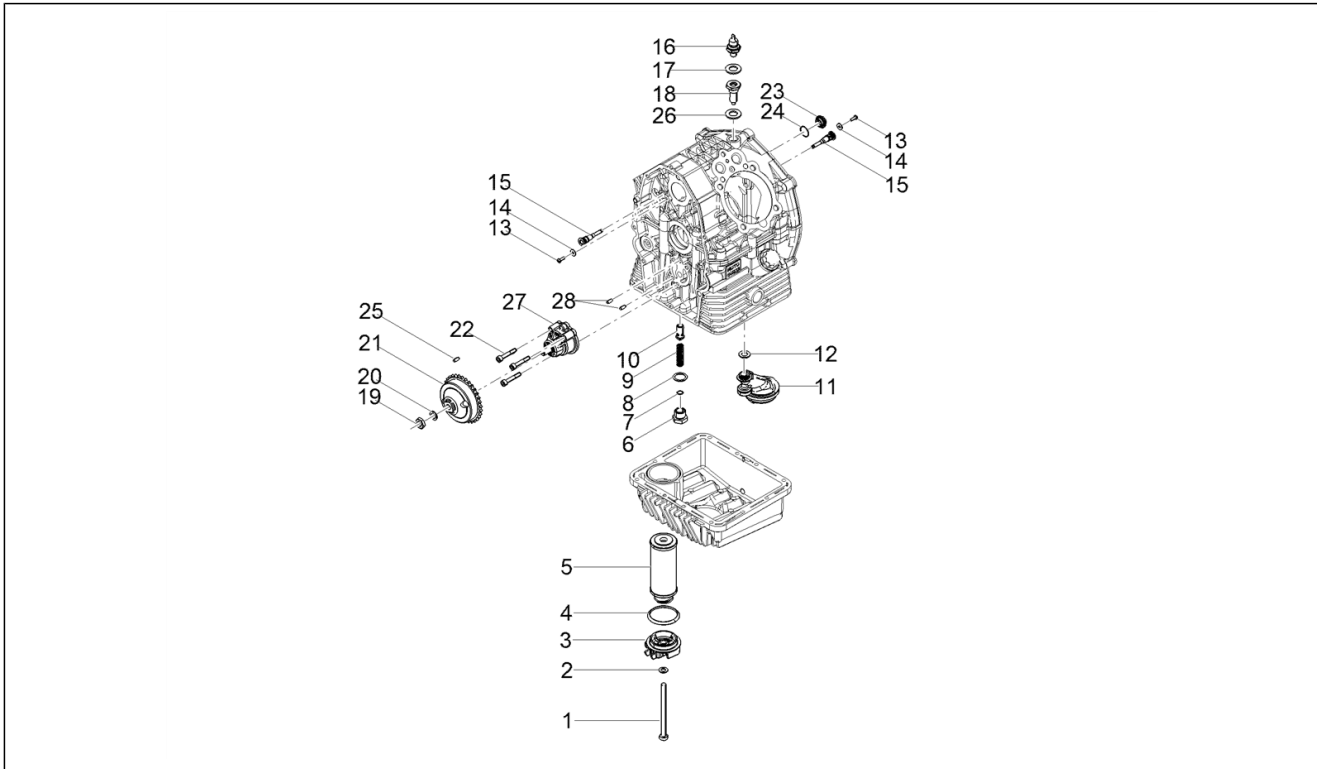
Pos.	Code	Beschreibung	Menge	Varianten
1	GU92201822	Kugellager 20x52x15	2	
2	873928	Unterlegscheibe	2	
3	B013608	Schraube	2	
4	1A000566	Ausgleichsscheibe	1	
5	2A000727	Vorgelegewelle	1	
6	849308	Buchse Beweglich	1	
7	1A000360	Schnellgangrad	1	
8	849424	Bundscheibe	1	
9	1A002604	Welle Sprengring	1	
10	1A000436	Zahnrad 3a - 4a vel.	1	
11	B015040	Ausgleichsscheibe	1	
12	974162	Buchse Beweglich	1	
13	2A000627	Zahnrad 6. Gang	1	
14	849396	Bundscheibe	1	
15	974165	Sprengring	1	
16	1A000365	Zahnrad 2.Hauptwelle	1	
17	848650	Kugellager 20x47x14	1	
18	GU90412541	Gasket ring 25X40X7	1	
19	GU92201226	Kugellager 25x52x15	1	
20	2A000203	Nebentriebewelle	1	
21	849308	Buchse Beweglich	4	
22	1A000366	Wechselrad 2. gang Z=32	1	
23	849309	Bundscheibe	2	
24	1A002604	Welle Sprengring	4	
25	1A000370	Zahnrad 6. Gang Z=24	1	
26	849310	Bundscheibe	2	
27	1A000367	Wechselrad 3. gang Z=28	1	
28	1A000368	Wechselrad 4. gang Z=26	1	

Einheit	Motor
Code	03.180
Beschreibung	Schaltgetriebe - Zahnräder
Inspektion	1



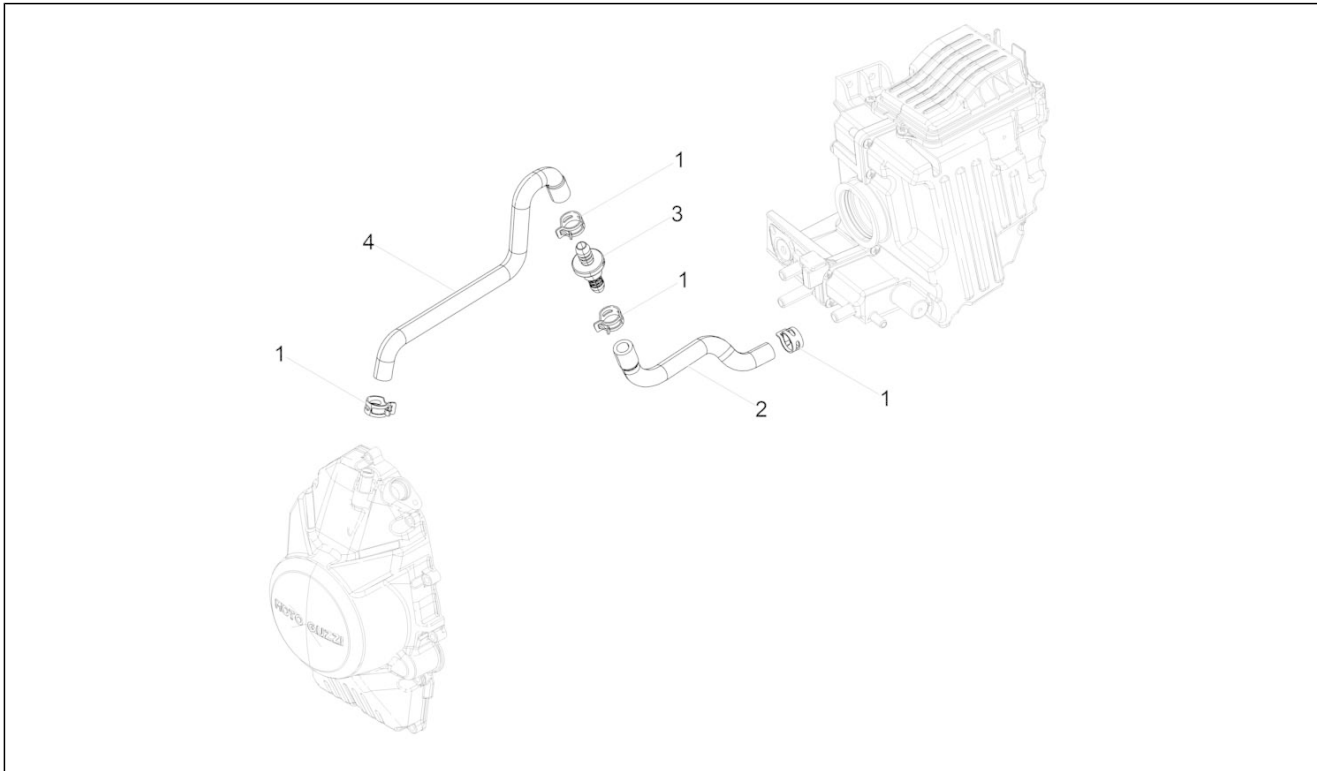
Pos.	Code	Beschreibung	Menge	Varianten
29	1A000369	Wechselrad 5. gang Z=24	1	
30	2A000629	Zahnrad 1.gang	1	
31	B018448	Ölpumpe	1	
32	2A000241	Schraube M5x16	2	

Einheit	Motor
Code	03.190
Beschreibung	Schmierung
Inspektion	1



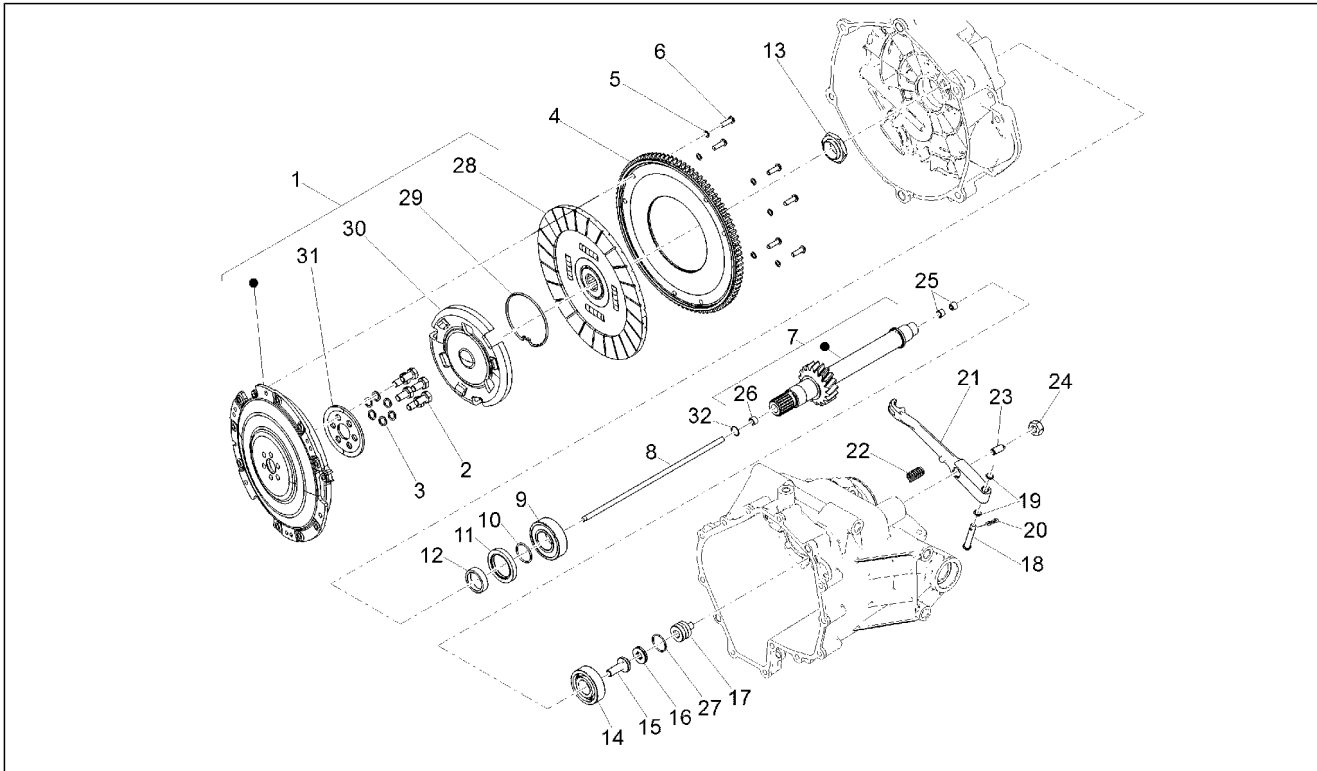
Pos.	Code	Beschreibung	Menge	Varianten
1	GU27152885	Schraubbolzen	1	
2	GU12154200	Dichtung 8,25x15x1	1	
3	1A005199	Ölfilterdeckel	1	
4	GU90706444	O-Ring	1	
5	2A000633	Ölfiltereinsatz	1	
6	GU31159050	Deckel	1	
7	GU95008206	Ausgleichscheibe 6,15x11x0,8	1	
8	GU18144350	Ausgleichscheibe 18,25x24x1	3	
9	GU94321079	Feder	1	
10	GU31150950	Kolben	1	
11	1A004549	Oil strainer	1	
12	237553	O-Ring	1	
13	1A005257	Linsenschraube	2	
14	013763	Flachscheibe 4,2x12x1	2	
15	1A004442	Kühlöse Kolben	2	
16	643090	Öldrucksensor	1	
17	GU95100309	Ausgleichscheibe	1	
18	887093	Anschluß	1	
19	GU92602510	Mutter M10x1,25	1	
20	AP8152220	Scheibe	1	
21	GU20147710	Zahnrad pumpe	1	
22	1A007008	TCEI Schraube M6x35 preimpregnata	3	
23	826165	Ölfilter Verschuß	1	
24	285536	O-Ring 31,47x1,78	1	
25	GU92296723	Rolle	1	
26	GU95100602	Dichtung	1	
27	1A006053	Ölpumpe komplett	1	
28	GU19018920	Stift	2	

Einheit	Motor
Code	03.196
Beschreibung	Anlage Blow-by
Inspektion	1



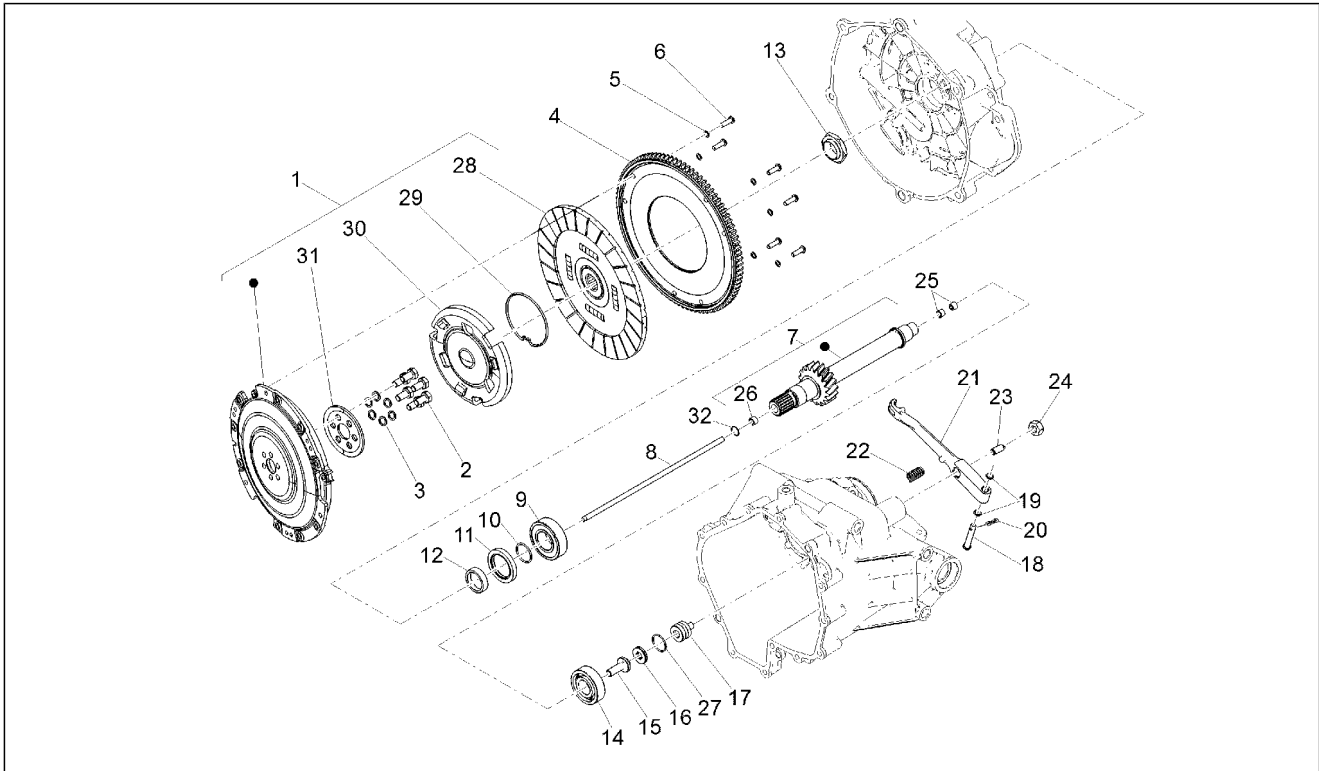
Pos.	Code	Beschreibung	Menge	Varianten
1	CM226902	Federschelle 19/12	4	
2	2B003204	Blow-By-Leitung	1	
3	2B003105	Rückstauventil	1	
4	2B002602	Blow-By-Leitung	1	

Einheit	Motor
Code	03.230
Beschreibung	Kupplung
Inspektion	1



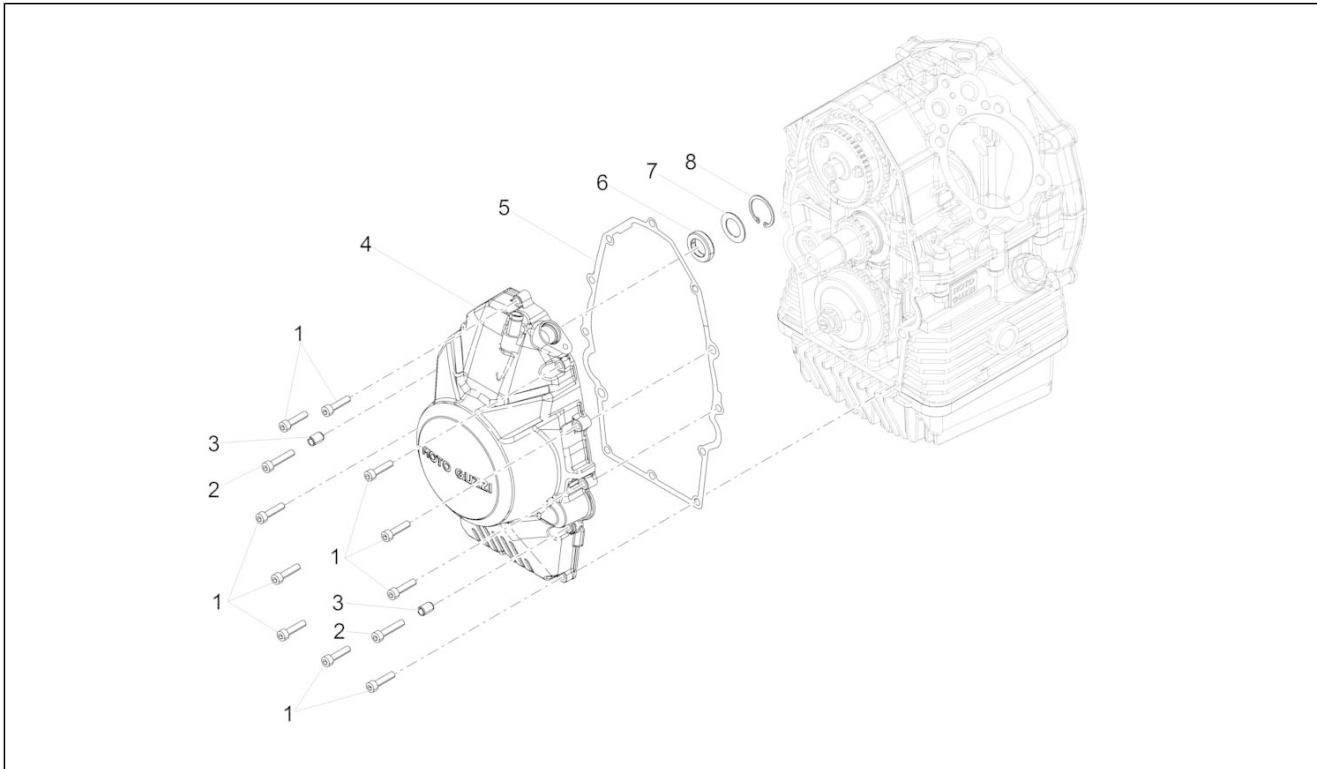
Pos.	Code	Beschreibung	Menge	Varianten
1	2A000419	Einscheiben-Kupplungseinheit komplett	1	
2	GU19067700	Schraube	6	
3	GU14615901	Ausgleichscheibe 8,4X13X0,8	6	
4	2A000724	Anlasserzahnkranz	1	
5	GU14217901	Scheibe 6,4x10x0,7	6	
6	623920	Schraube torx	6	
7	2A000792	Kupplungswelle Kpl. Z=21	1	
8	2A000216	Regelstange	1	
9	GU92201226	Kugellager 25x52x15	1	
10	GU90706235	O-Ring 23,52x1,78	1	
11	886629	Gasket ring	1	
12	GU19213760	Distanzscheibe	2	
13	GU19356760	Mutter	1	
14	2A000375	Kugellager	1	
15	B013037	Kupplungswelle	1	
16	2A000376	Drucklager	1	
17	GU14086100	Aussengehäuse	1	
18	2A000384	Hebelbolzen	1	
19	2A000385	O-Ring 6.5x1.5	2	
20	GU95500222	Splint	1	
21	2A000631	Ausrueckwelle	1	
22	GU94321105	Rückholfeder Starterhebel	1	
23	2A000767	Regelschraube	1	
24	GU92606508	Mutter	1	
25	GU14085900	Buchse	2	
26	GU05217630	Buchse	1	
27	GU90706170	O-Ring 17,13x2,62	1	
28	2A000770	Getriebene Kuppl.scheibe	1	

Einheit	Motor
Code	03.230
Beschreibung	Kupplung
Inspektion	1



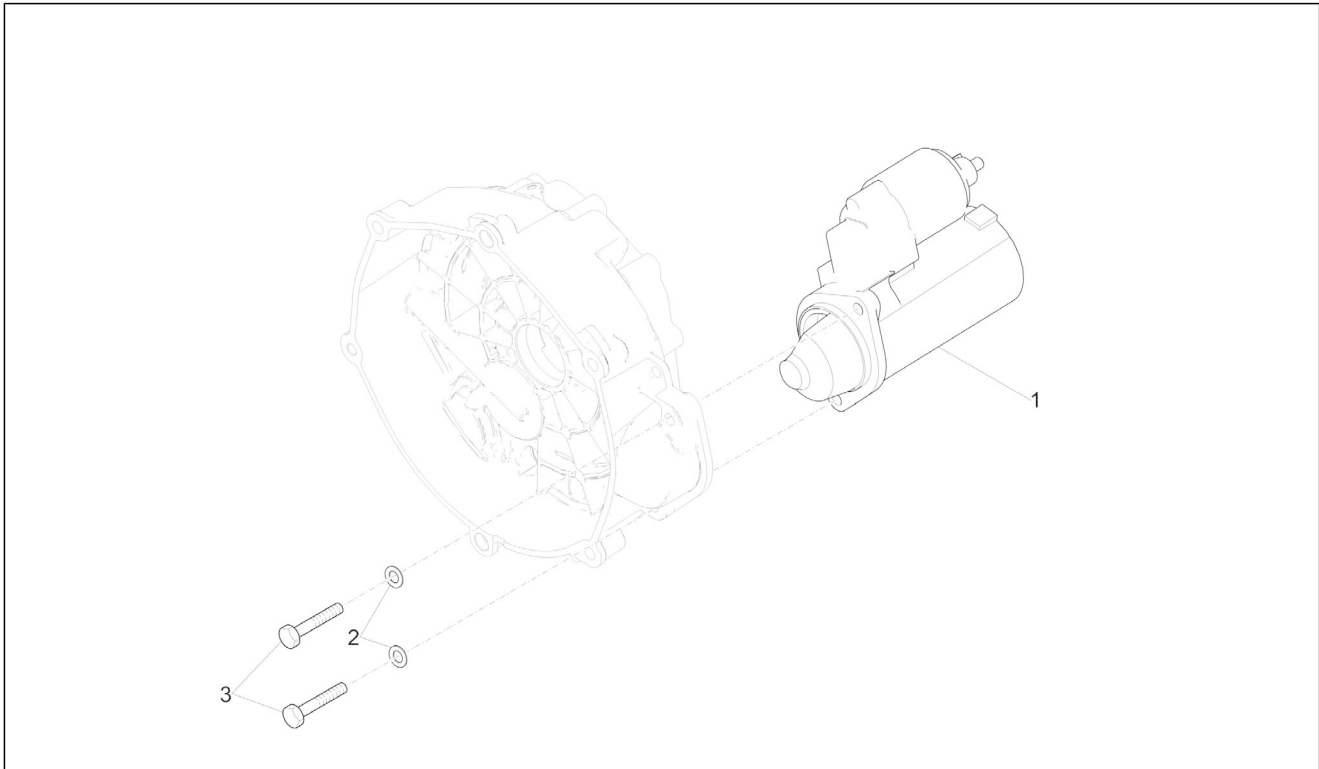
Pos.	Code	Beschreibung	Menge	Varianten
29	2A000418	Ring	1	
30	2A000638	Federteller	1	
31	2A000741	Stütze	1	
32	2A000378	Gasket ring	1	

Einheit	Motor
Code	03.270
Beschreibung	Zuenderdeckel
Inspektion	1



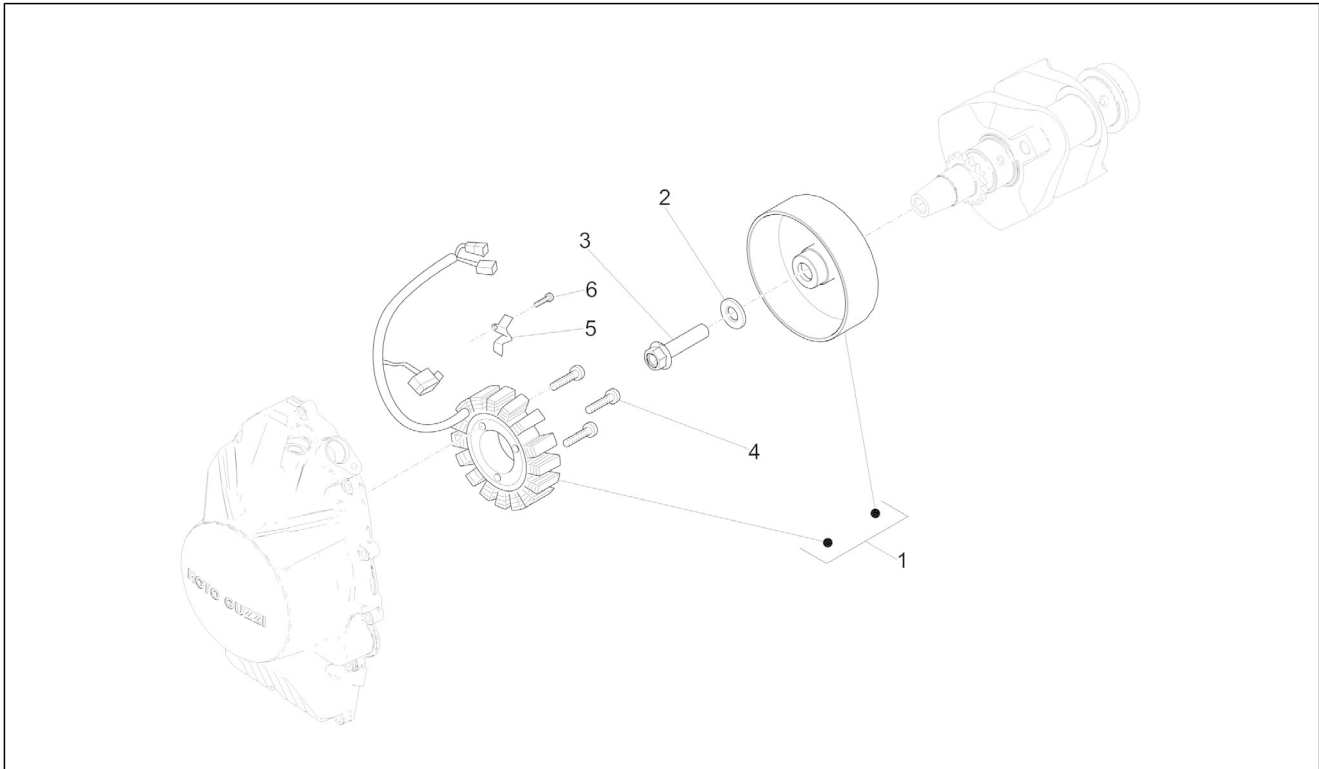
Pos.	Code	Beschreibung	Menge	Varianten
1	GU98682325	TCEI Schraube M6x25	10	
2	GU98682330	TCEI Schraube M6x20	2	
3	GU19002020	Buchse 6,6x9x13	2	
4	1A006298	Deckel	1	
5	887003	Deckeldichtung Kupplungsseite	1	
6	898268	Gasket ring 18x30x7	1	
7	898269	Bundscheibe	1	
8	006630	Sprengring	1	

Einheit	Motor
Code	03.290
Beschreibung	Zündung / Elektrischer Anfang
Inspektion	1



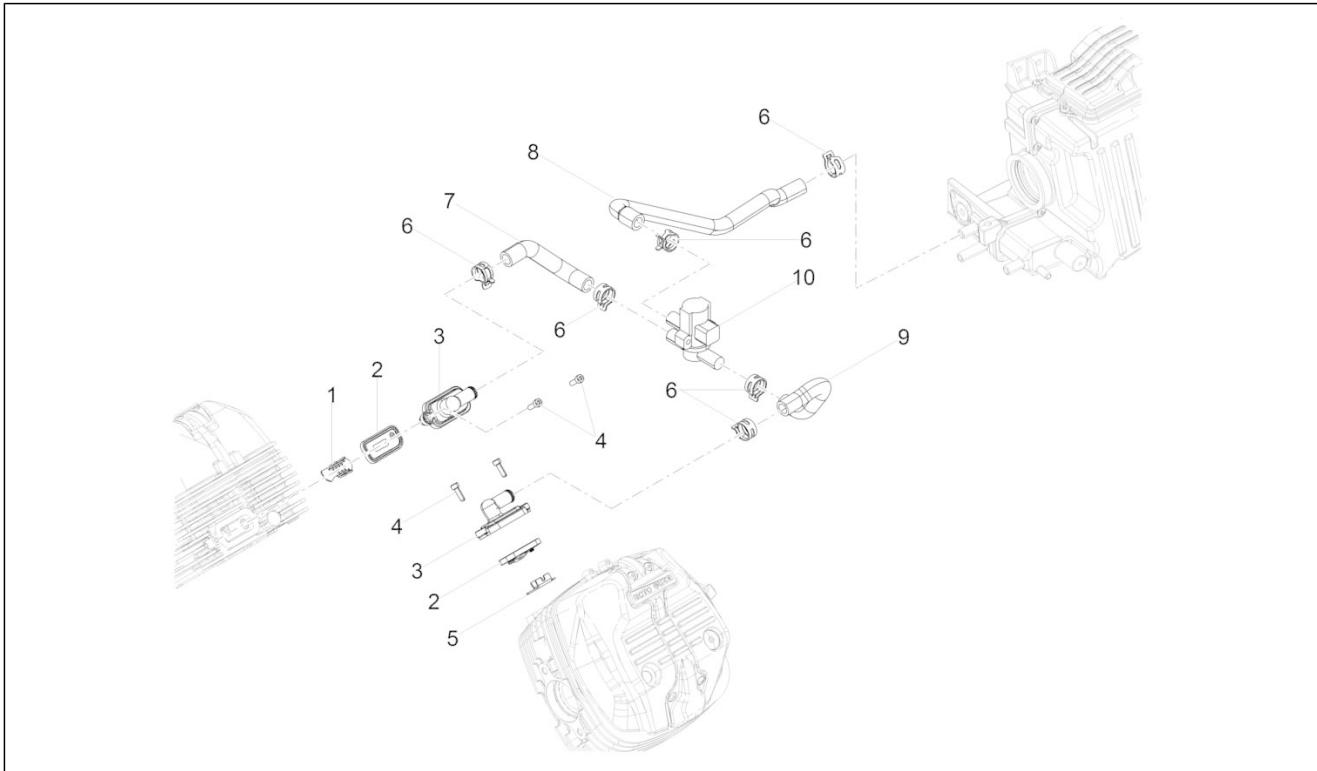
Pos.	Code	Beschreibung	Menge	Varianten
1	97729R	Startermotor	1	
2	GU95008208	Ausgleichscheibe 8,4X15X1,5	2	
3	GU98682435	TCEI Schraube	2	

Einheit	Motor
Code	03.300
Beschreibung	Schwungradmagnetstarter / Zündung
Inspektion	1



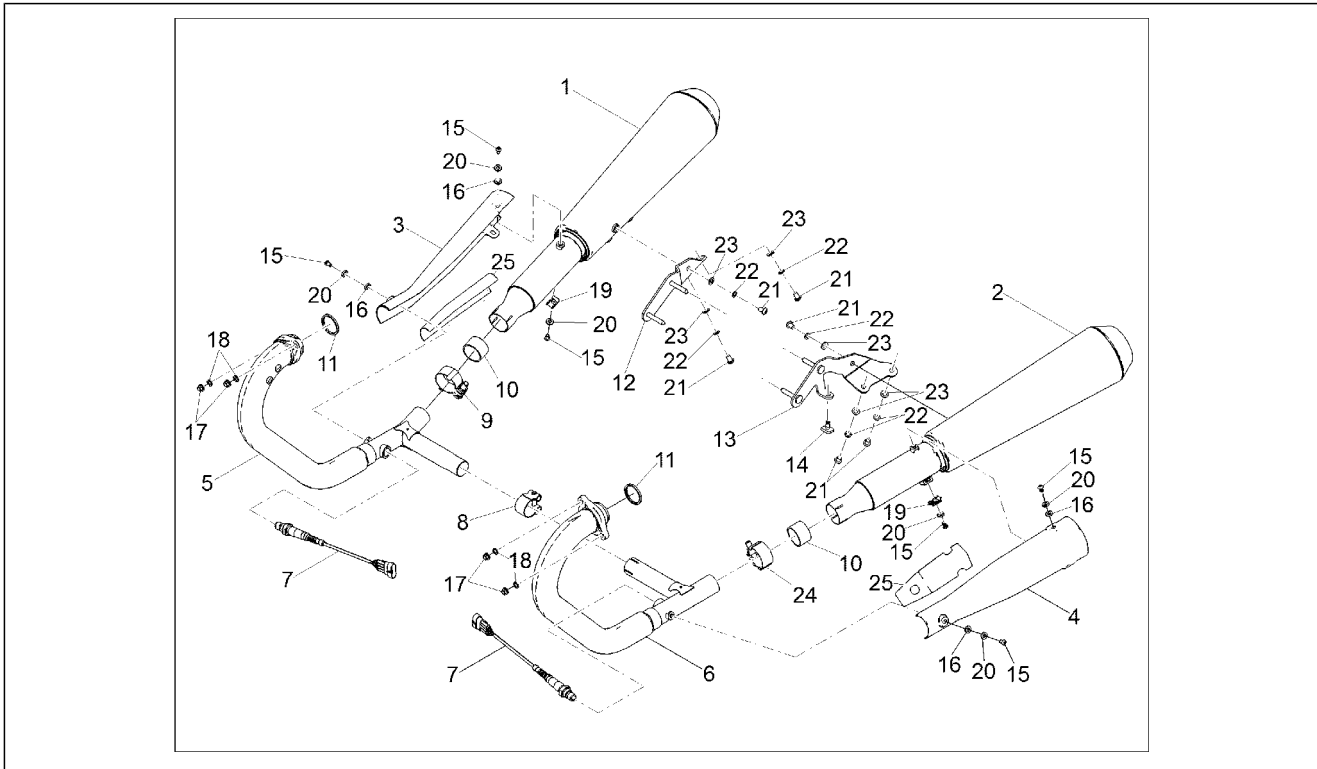
Pos.	Code	Beschreibung	Menge	Varianten
1	2D000024	Schwungrad Mag. klp.	1	
2	897478	Unterlegscheibe 12x26.5x3	1	
3	857206	TE Schr. m. Flansch M12X1,25X50	1	
4	2A000129	Flache Innensechskantschraube M6x35	3	
5	2A000115	Platte	1	
6	GU98682212	TCEI Schraube M5x12	1	

Einheit	Motor
Code	03.320
Beschreibung	Secondary air
Inspektion	1



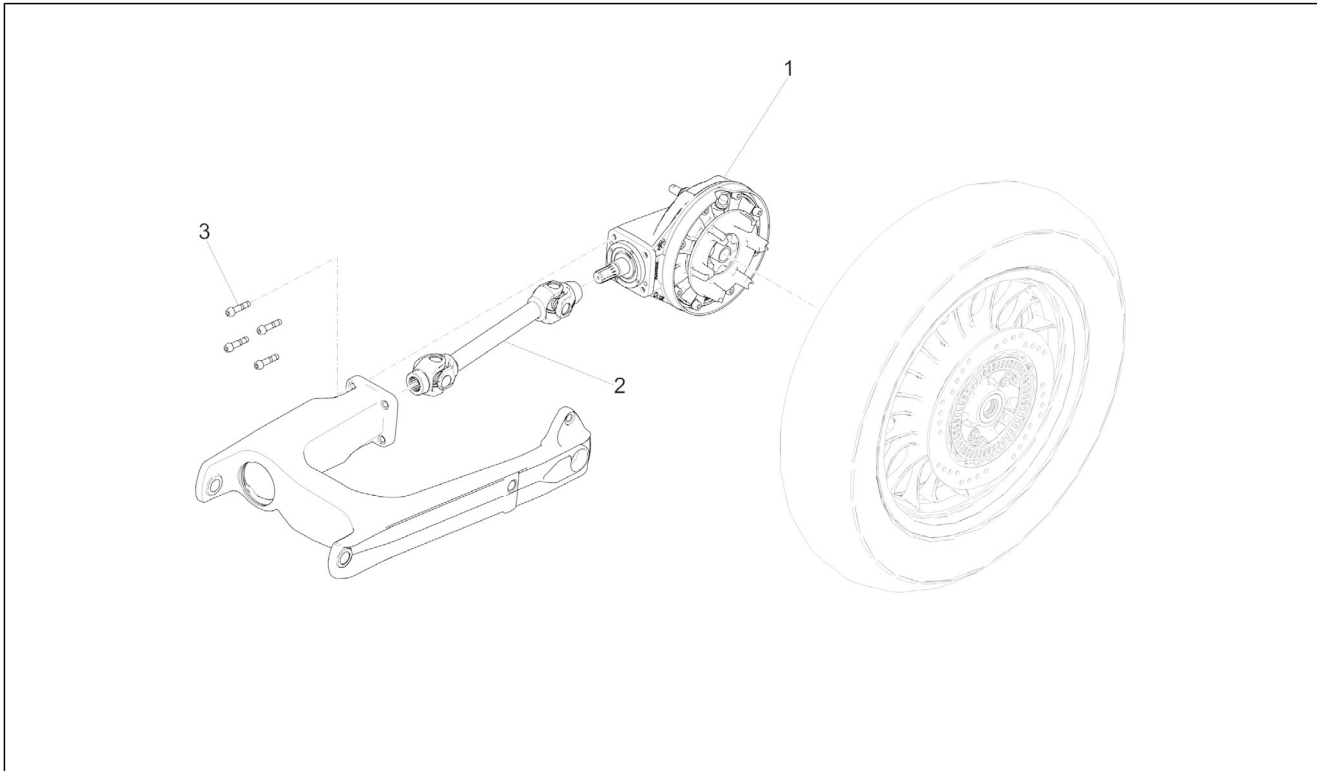
Pos.	Code	Beschreibung	Menge	Varianten
1	857047	Spark arrester	1	
2	857045	Reed valve	2	
3	2A000597	Abdeckung	1	
4	GU98612216	TCEI Schraube	2	
5	857046	Spark arrester	1	
6	CM226902	Federschelle 19/12	6	
7	2B002529	Schlauch rechts "S.A.S."	1	
8	2B002531	Leitung Filtergehäuse "S.A.S."	1	
9	2B002530	Schlauch links "S.A.S."	1	
10	857181	SAS ventil	1	

Einheit	Motor
Code	03.330
Beschreibung	Auspuffrohr
Inspektion	1



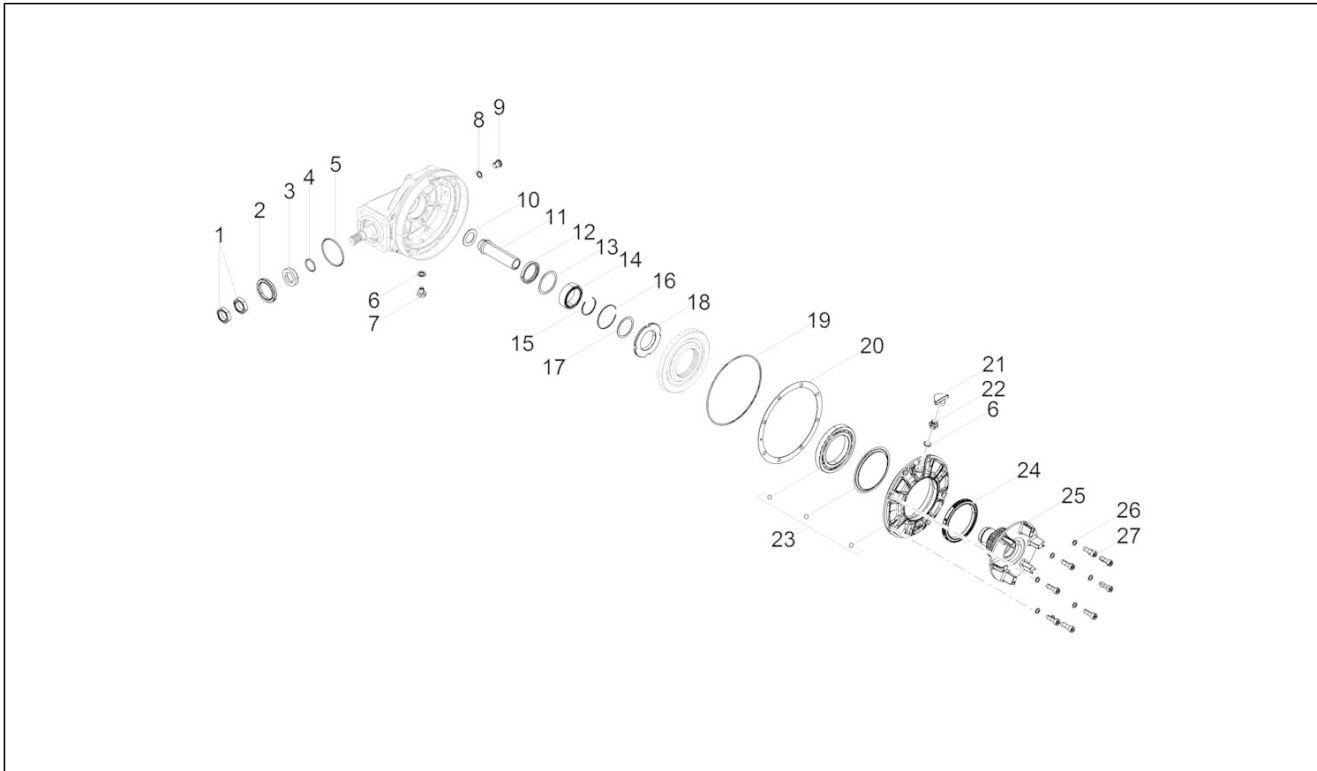
Pos.	Code	Beschreibung	Menge	Varianten
1	2B0010995	Auspufftopf rechts	1	
2	2B0011005	Auspufftopf links	1	
3	2B0022935	R.Schalldämpferschutz	1	
4	2B0022925	L.Schalldämpferschutz	1	
5	2B001084	Auspuffkrümmer rechts	1	
6	2B001083	Auspuffkrümmer links	1	
7	896110	Lamdasonde l.660 mm	2	
8	B063292	Schelle D.37	1	
9	874957	Schelle	1	
10	GU91113826	Buchse	2	
11	852090	Dichtung Auspuffrohr	2	
12	2B002533	Haltebügel Schalldämpfer rechts mit Innenteilen	1	
13	2B002532	Haltebügel Schalldämpfer links mit Innenteilen	1	
14	AP8120455	Gummi	1	
15	2B002187	TBEI Schraube M6x10	6	
16	876879	Abstandhalter	4	
17	GU92660021	Geflanschte Mutter M8	4	
18	GU14615901	Ausgleichscheibe 8,4X13X0,8	4	
19	254485	Plattchen M6	2	
20	834951	Kegelscheibe	6	
21	AP8152055	TBEI Schraube M8x12	6	
22	GU14615901	Ausgleichscheibe 8,4X13X0,8	6	
23	GU95008208	Ausgleichscheibe 8,4X15X1,5	6	
24	2B001935	Schelle	1	
25	2B003284	Wärmeschutz	2	

Einheit	Motor
Code	03.340
Beschreibung	Getriebe kpl.
Inspektion	1



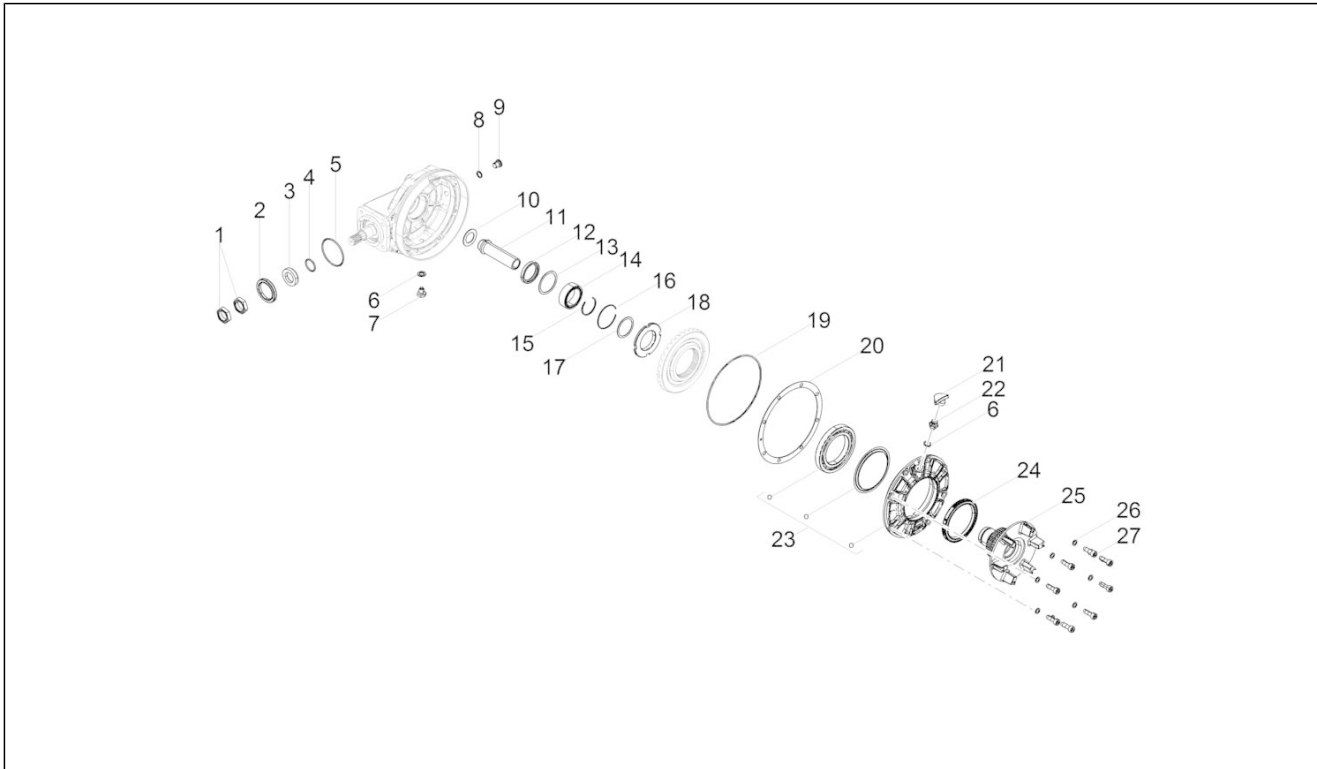
Pos.	Code	Beschreibung	Menge	Varianten
1	2B0011535	Kraftübertragung, kpl.	1	
2	2B002298	Getriebe	1	
3	2B002699	Schraube TCC Torx M8x35 mit vorimpr. Bund	4	

Einheit	Motor
Code	03.350
Beschreibung	Getriebedeckel
Inspektion	1



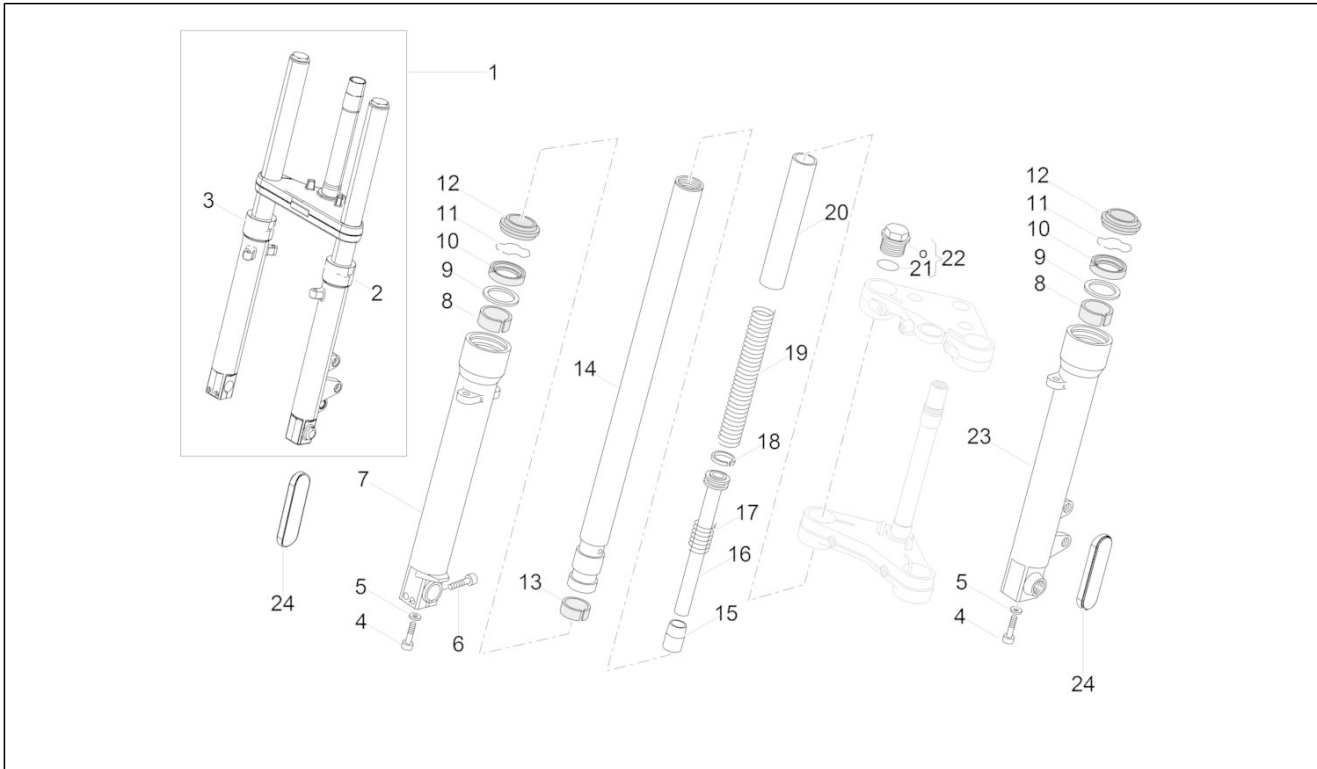
Pos.	Code	Beschreibung	Menge	Varianten
1	976649	Mutter M25x1,5	2	
2	2B000404	Gasket ring	1	
3	2B001311	Distanzscheibe	1	
4	GU90706188	Gasket ring 18,77X1,78	1	
5	GU90706584	Dichtung 58,42x2,62	1	
6	GU01528930	Dichtung 10x18x1,5	2	
7	GU31003766	Ölablaßschraube M10x1	1	
8	224566	Unterlegscheibe	1	
9	GU05351230	Ölschraube M12x1,5	1	
10	GU37359005	Ausgleichscheibe	1	
11	2B001307	Distanzscheibe	1	
12	GU90413850	Gasket ring 38X50X7	1	
13	GU12351100	Gasket ring	1	
14	GU92254340	Rollenlager 40x55x17	1	
15	2B002200	Wellenscheibe	1	
16	B064304	Seegerring	1	
17	GU19351100	Bundscheibe	1	
18	2B002536	Gewinding Befestigung Zahnkranz	1	
19	GU90706958	O-Ring 158,42X2,62	1	
20	GU04355100	Scheibe 0,6 mm	1	
20	GU04355101	Scheibe 0,7 mm	1	
20	GU04355102	Scheibe 0,8 mm	1	
20	GU04355103	Scheibe 0,9 mm	1	
20	GU04355104	Scheibe 1 mm	1	
20	GU04355105	Scheibe 1,1 mm	1	
20	GU04355106	Scheibe 1,2 mm	1	
21	2B002807	Kappe	1	
22	2A000438	Entlüftungsschraube	1	

Einheit	Motor
Code	03.350
Beschreibung	Getriebedeckel
Inspektion	1



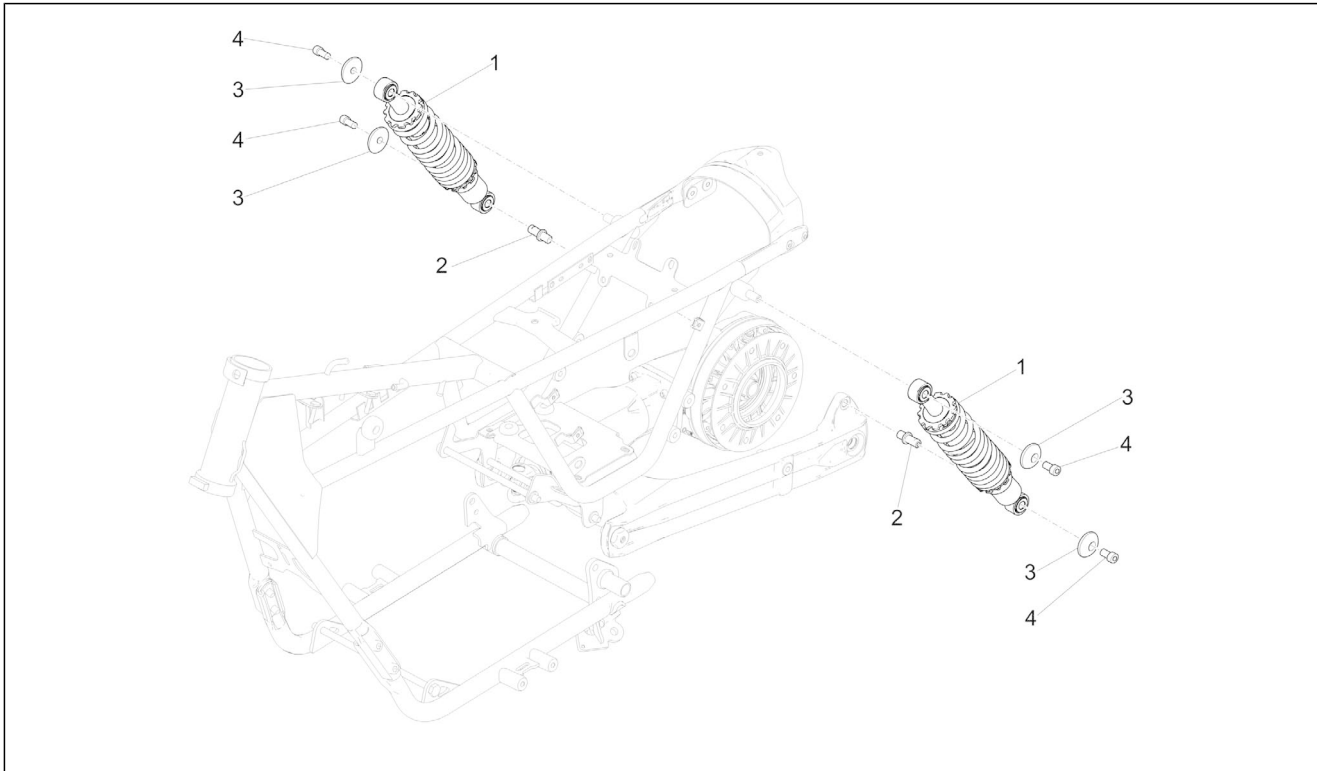
Pos.	Code	Beschreibung	Menge	Varianten
23	2B0033875	Flansch komplett	1	
24	2B002535	Gasket ring 80x100x10	1	
25	2B001303	Dämpfernabe	1	
26	GU14615901	Ausgleichscheibe 8,4X13X0,8	8	
27	2B002171	TC Schraube 8x25	8	

Einheit	Radaufhängungen
Code	04.060
Beschreibung	Vorderradgabel Kaifa
Inspektion	1



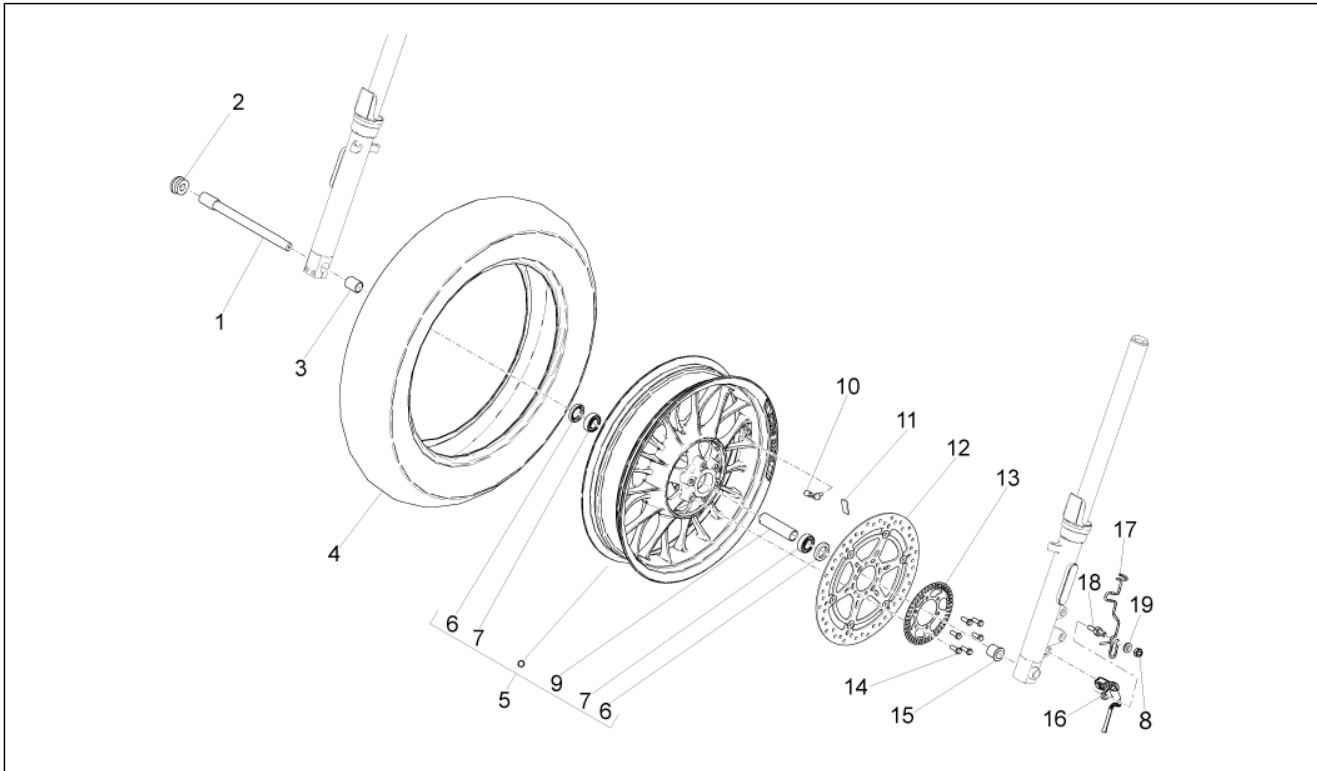
Pos.	Code	Beschreibung	Menge	Varianten
1	2B002192	Vorderradgabel komplett	1	
2	2B002295	Kolbenstange mit Boden lks.	1	
3	2B002294	Kolbenstange mit Boden rch.	1	
4	887878	Schraube M10x30	2	
5	887879	Ausgleichscheibe	2	
6	887880	Schraube	2	
7	2R000109	Rechte Hülse	1	
8	887882	Obere Buchse	2	
9	887883	Ausgleichscheibe	2	
10	887884	Gasket ring	2	
11	887885	Sperring	2	
12	887886	Staubschutz	2	
13	887888	Buchse	2	
14	2B003742	Schaft rechts-links	1	
15	887889	Puffer	2	
16	887891	Pumpenrad kplt.	2	
17	887890	Gegenfeder	2	
18	887905	Kolbenring	2	
19	2R000243	Feder	2	
20	887893	Leitung	2	
21	887916	O-Ring 4118	2	
22	887894	Verschlussschraube kplt.	2	
23	2R000110	Linke Hülse	1	
24	GU05781630	Rückstrahler, gelb	2	

Einheit	Radaufhängungen
Code	04.080
Beschreibung	Stoßdämpfer
Inspektion	1



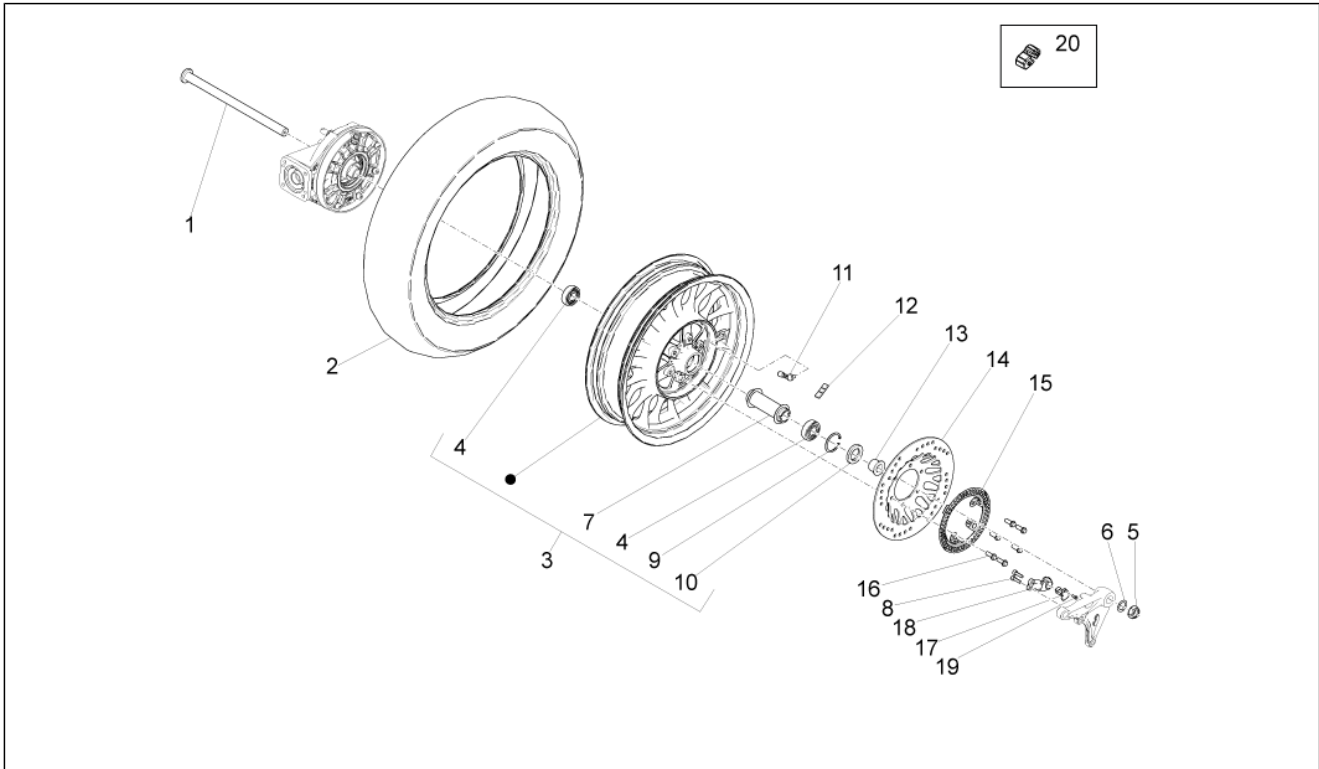
Pos.	Code	Beschreibung	Menge	Varianten
1	2B002988	Hinterer Stoßdämpfer	2	
2	2B003111	Stoßdämpfer-Bolzen	2	
3	B063174	Buchse	4	
4	884031	TCEI Schraube M6x14	4	

Einheit	Räder
Code	05.010
Beschreibung	Vorderrad
Inspektion	1



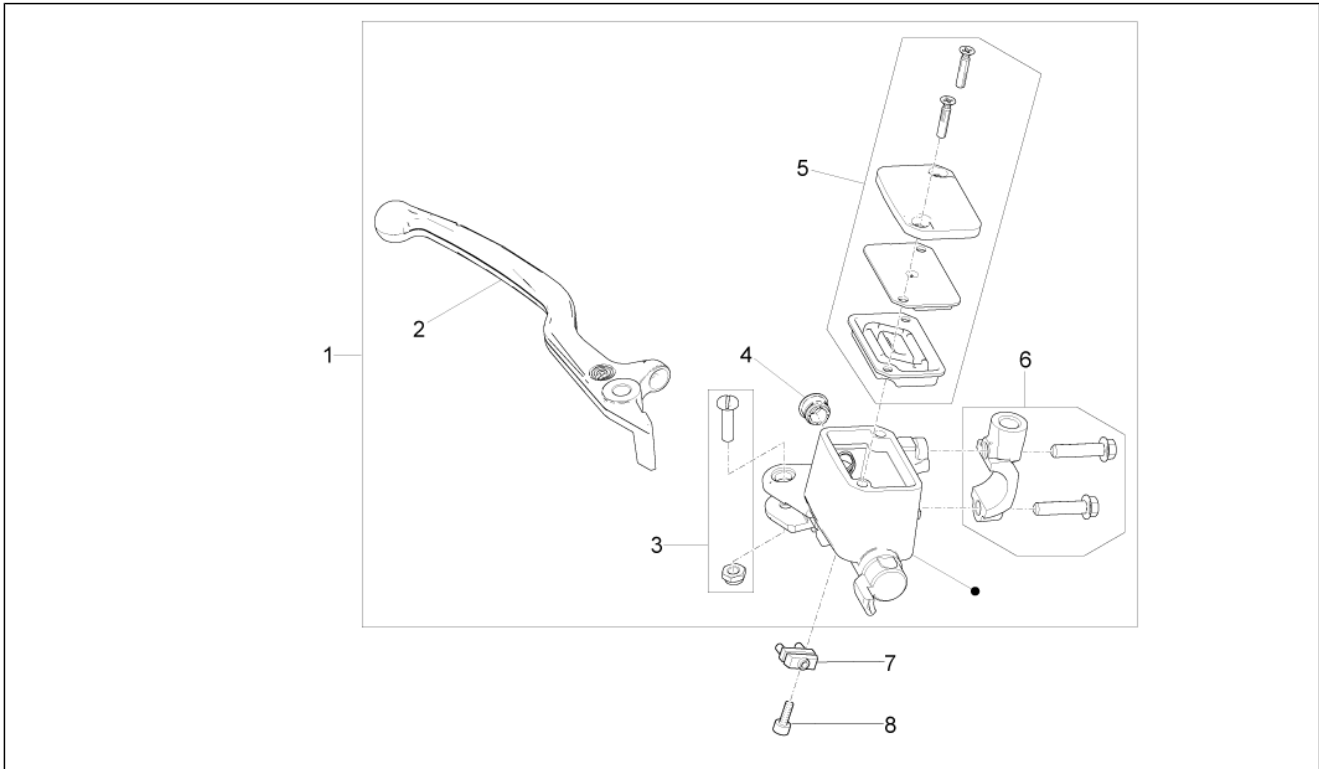
Pos.	Code	Beschreibung	Menge	Varianten
1	2B001139	Vorderradbolzen	1	
2	GU93180111	Deckel 15 mm	1	
3	GU32615660	R. Distanzscheibe	1	
4	2B002383	Vorderreifen 130/90 - 16"	1	
5	2B001762	Vorderrad 3.5X16 mit Lager	1	
6	GU90402642	Gasket ring	2	
7	GU92204221	Lager	2	
8	GU92630207	Mutter	1	
9	2B001073	Innerer Abstandhalter Vorderrad	1	
10	GU03617710	Schlauchloses Reifenventil	1	
11	GU14616150	Gegengewicht	1	
12	883688	Vorderradbremsscheibe 320	1	
13	887875	Phonic wheel	1	
14	887762	Flanschschraube TE M8x22	6	
15	GU31616384	L. Distanzscheibe	1	
16	859792	Sensor ABS	2	
17	2B001561	Kabelführung	1	
18	2B001708	Distanzscheibe	1	
19	AP8150178	Ausgleichscheibe 6,4x12,5*	1	

Einheit	Räder
Code	05.020
Beschreibung	Hinterrad
Inspektion	1



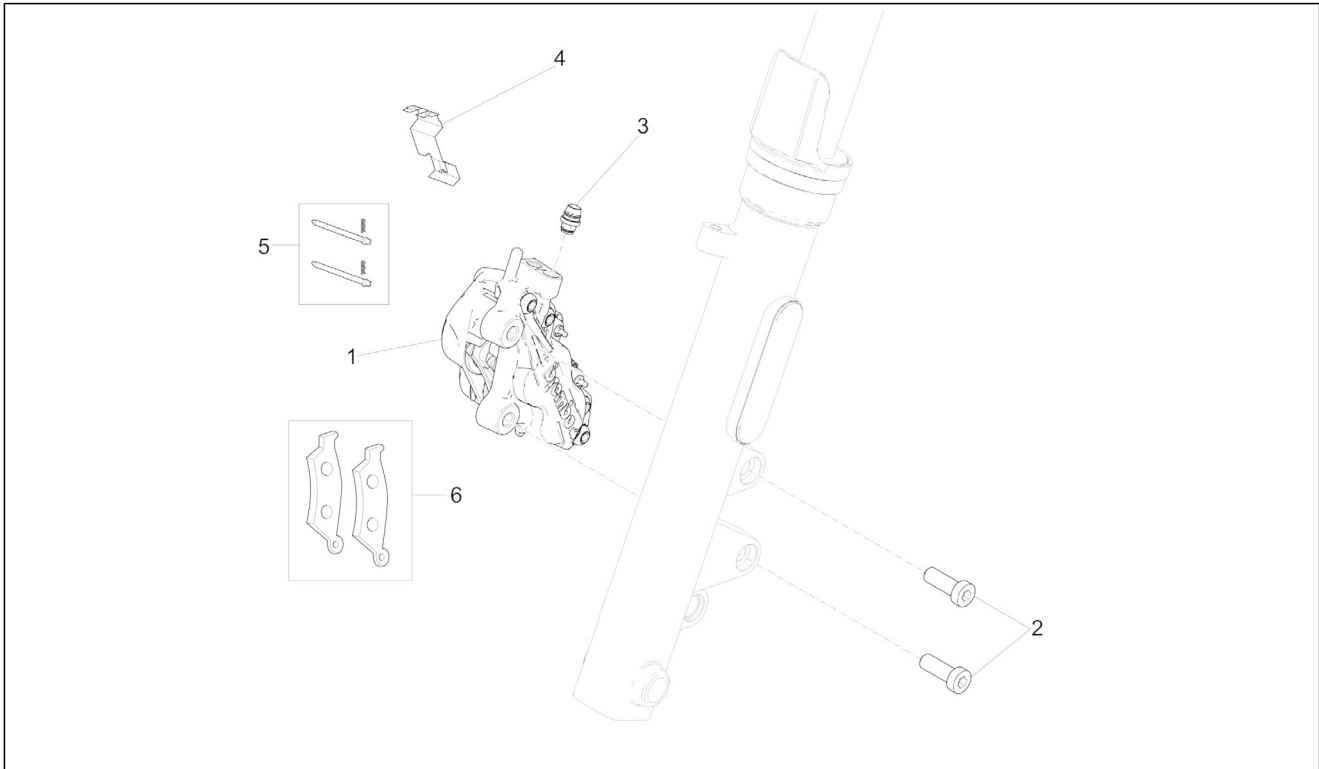
Pos.	Code	Beschreibung	Menge	Varianten
1	2B001310	Hinterradbolzen	1	
2	2B002900	Hinterer Reifen 150/80 16"	1	
3	2B001114	Hint. Felge 4X16" mit Lager	1	
4	GU92204220	Kugellager 20X47X14	2	
5	648708	Hinterradbolzen mut.	1	
6	AP8125687	U-scheibe Hint.radbolz	1	
7	2B001279	Baugruppe Distanzscheibe Hinterrad	1	
8	GU98682312	TCEI Schraube M6x12	2	
9	GU90272047	Seegerring 47X50,5	1	
10	AP8110109	Gasket ring 28X47X7	1	
11	GU03617710	Schlauchloses Reifenventil	1	
12	GU14616150	Gegengewicht	1	
13	2B001956	Hinterrad Distanzscheibe	1	
14	887448	Bremsscheibe	1	
15	2B000225	Phonic wheel	1	
16	887762	Flanschschraube TE M8x22	6	
17	859792	Sensor ABS	2	
18	2B000377	Halter Sensor ABS	1	
19	1C001499	Schraube TBEI TORX M5x16 INOX	1	
20	GU32632510	Gummikupplung	6	

Einheit	Bremsanlage
Code	06.010
Beschreibung	Vorderradbremspumpe
Inspektion	1



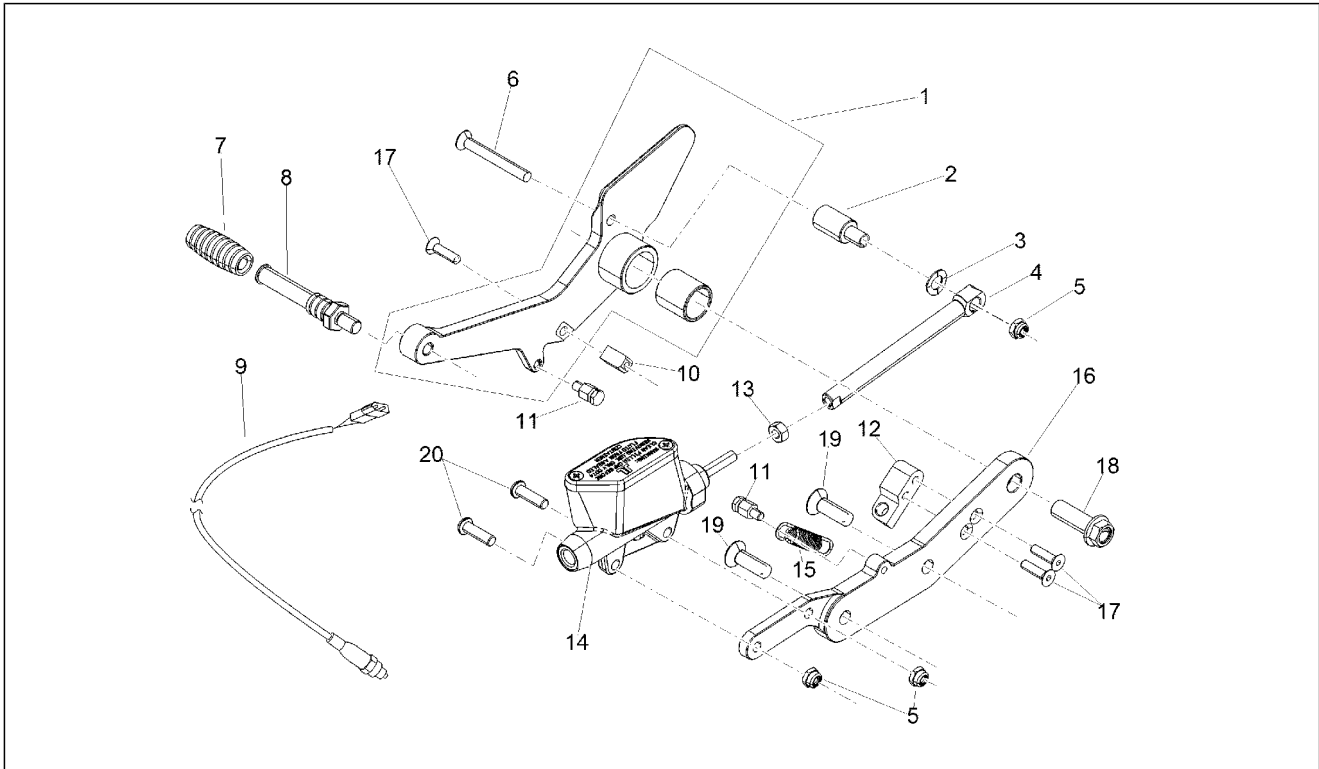
Pos.	Code	Beschreibung	Menge	Varianten
1	2B002269	Vorderradbremspumpe	1	
2	2B003041	Ersatzteil Hebel	1	
3	2B003040	Ersatzteil Hebelbolzen kpl. mit Mutter	1	
4	2B001930	Ersatzteil Schauglas vordere Bremspumpe	1	
5	2B003039	Ersatzteil Deckel kpl. mit Membran und Schrauben	1	
6	2B001929	Klemmschelle Bremsarmatur	1	
7	GU03749845	Bremslichtschalter	1	
8	AP8152043	TCEI Schraube M4x10	1	

Einheit	Bremsanlage
Code	06.020
Beschreibung	Vorderradbremzange
Inspektion	1



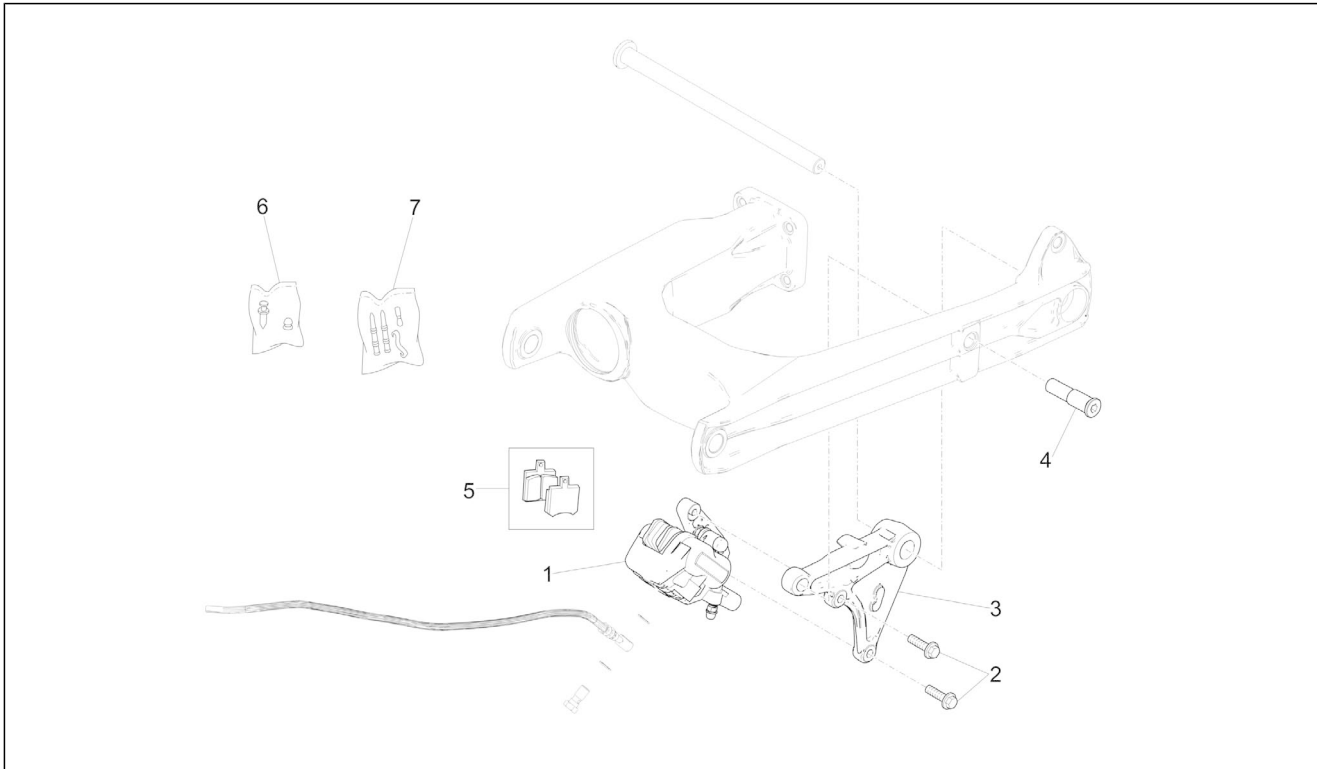
Pos.	Code	Beschreibung	Menge	Varianten
1	2B003271	Vorderradbremzange l.	1	
2	AP8152385	TCEI Schraube M10x1,25	2	
3	GU05659230	Entlüftung+Haube	1	
4	GU01659131	Feder	1	
5	GU01659130	Stifte-Federn Bremzange	1	
6	2B003313	Beläge (Paar)	1	

Einheit	Bremsanlage
Code	06.030
Beschreibung	Hinterradbremspumpe
Inspektion	1



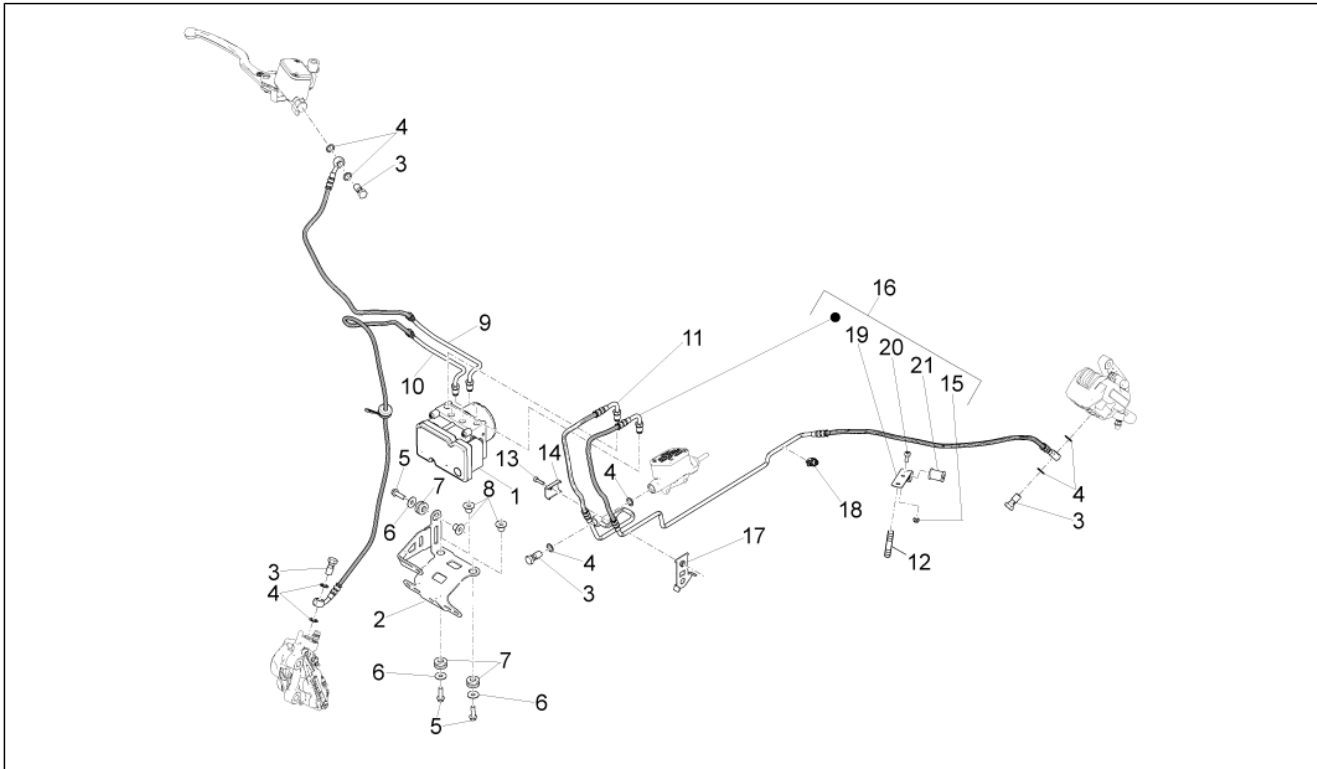
Pos.	Code	Beschreibung	Menge	Varianten
1	2B004050	Hebel Hinterradbremse komplett	1	
2	2B004107	Distanzscheibe	1	
3	658837	Gewellte Sprengscheibe D15 F8,4 S1,5 - INOX	1	
4	2B004076	Pumpenstange H. Bremse	1	
5	GU92630707	Mutter M6	3	
6	2B004111	Schraube TSPEI M6x50	1	
7	AP8120912	Gummi für Hebel	1	
8	2B004062	Gummigleitschutze	1	
9	2D0002805	Knopf stop	1	
10	2B004064	Fermacorsa pedale freno post.	1	
11	898286	Federn Fixierstift	2	
12	2B004063	Supporto interruttore stop	1	
13	GU92606206	Mutter	1	
14	2B002189	Hintere Bremspumpe mit Behälter	1	
15	AP8121927	Feder Hinterradbremsh.	1	
16	2B004042	Piastra pedana pilota dx	1	
17	658778	Schraube TSPEI M5x20	3	
18	967384	Schraube TEF M10X45	1	
19	2B004112	Schraube TSPEI IX M8X25	2	
20	GU98370625	TBEI Schraube M6x25	2	

Einheit	Bremsanlage
Code	06.040
Beschreibung	Hinterradbremzange
Inspektion	1



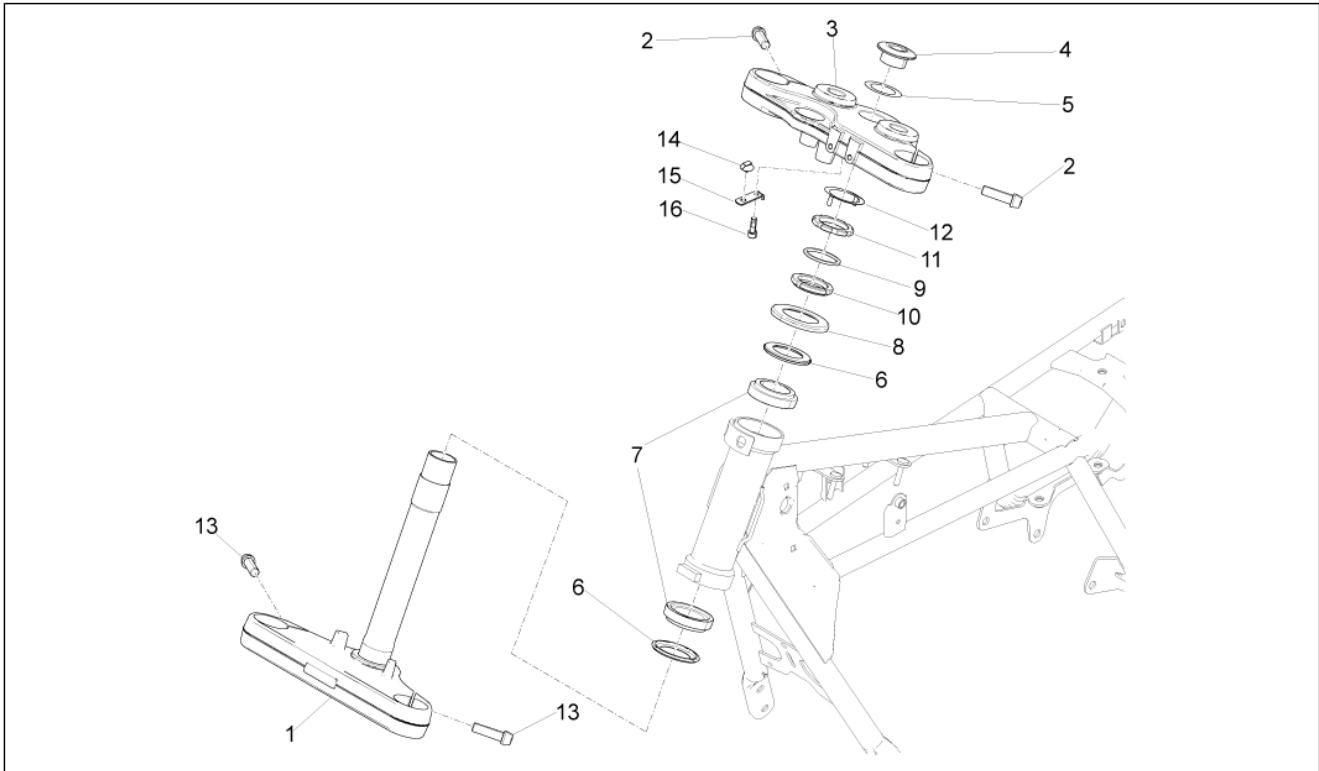
Pos.	Code	Beschreibung	Menge	Varianten
1	2B000525	Hinterradbremzange	1	
2	AP8152288	TE Schr. m. Flansch M8x30	1	
3	2B001953	Halter. H.radbremzange	1	
4	GU31544181	Bolzen	1	
5	2R000248	Paar Bremsklötze	1	
6	GU31659281	Entlüftung+Haube	1	
7	GU31659181	Stifte+Feder kit	1	

Einheit	Bremsanlage
Code	06.050
Beschreibung	Bremsanlage ABS
Inspektion	1



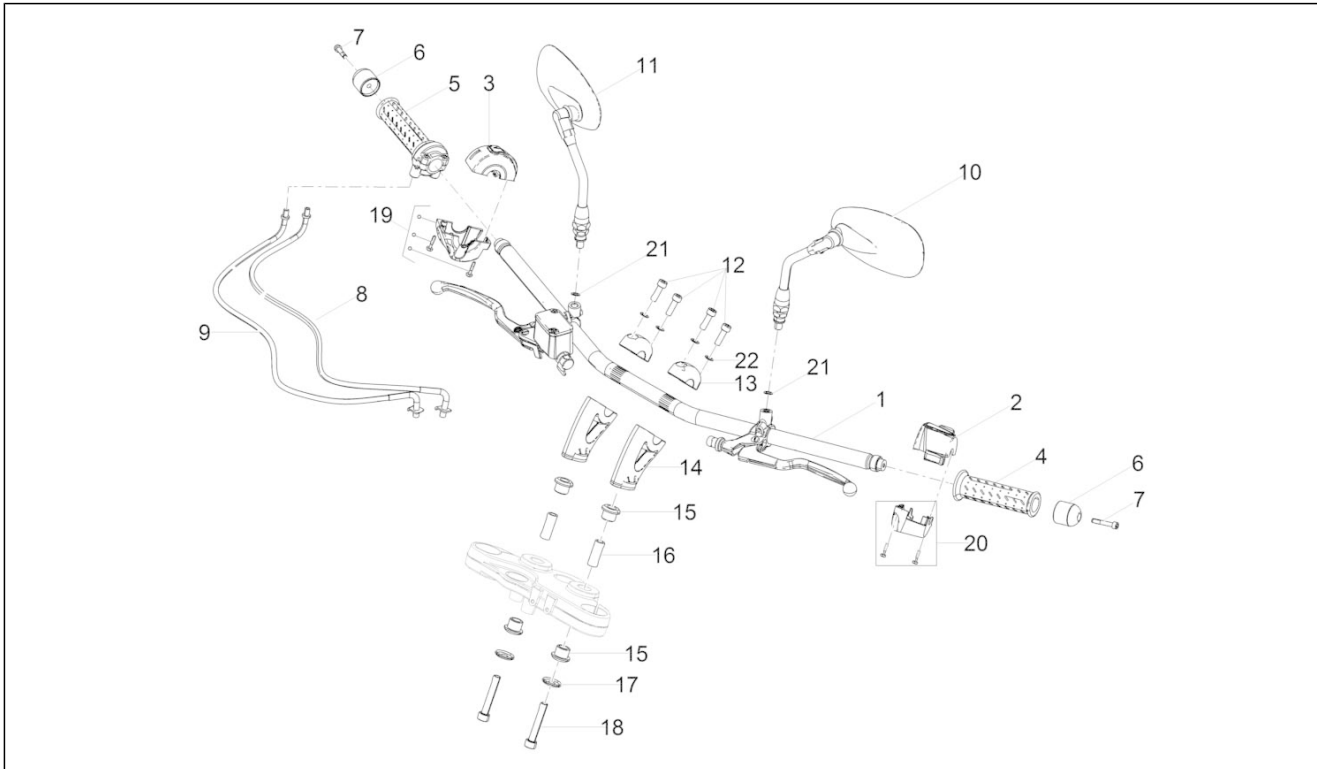
Pos.	Code	Beschreibung	Menge	Varianten
1	2D000102	ABS-Steuergerät	1	
2	2B003056	Haltebügel Steuerung	1	
3	AP8113003	Fixierschraube Ölschlauch	4	
4	AP8113004	Ausgleichscheibe 10x14x1,6*	8	
5	00H02402282	Schraube 6X20	3	
6	AP8150015	Ausgleichscheibe 6,6x18x1,6*	3	
7	AP8120030	Gummi	3	
8	AP8221023	T-Buchse	2	
9	2B002991	ABS HECU Leitung - Pumpe vorne	1	
10	2B002805	ABS HECU Leitung - Bremssattel Vorderradbremse	1	
11	2B002681	ABS HECU Leitung - Pumpe hinten	1	
12	GU96451316	Stiftschraube	1	
13	959559	TCEI Schraube M4x16	1	
14	2B001614	Fixierplatte Führungs	1	
15	AP8150451	Selbstsperr.mut Unt.	1	
16	2B002806	Leitung ABS HECU - Bremssattel hinten	1	
17	2B001564	Halteplatte Bremsschlauch	1	
18	AP8121882	Kabelführungs	1	
19	GU03658330	Schelle	1	
20	895709	TCEI Schraube M5x12	1	
21	GU03658201	Ring	1	

Einheit	Lenkstange - Schaltungen
Code	07.010
Beschreibung	Lenkung
Inspektion	1



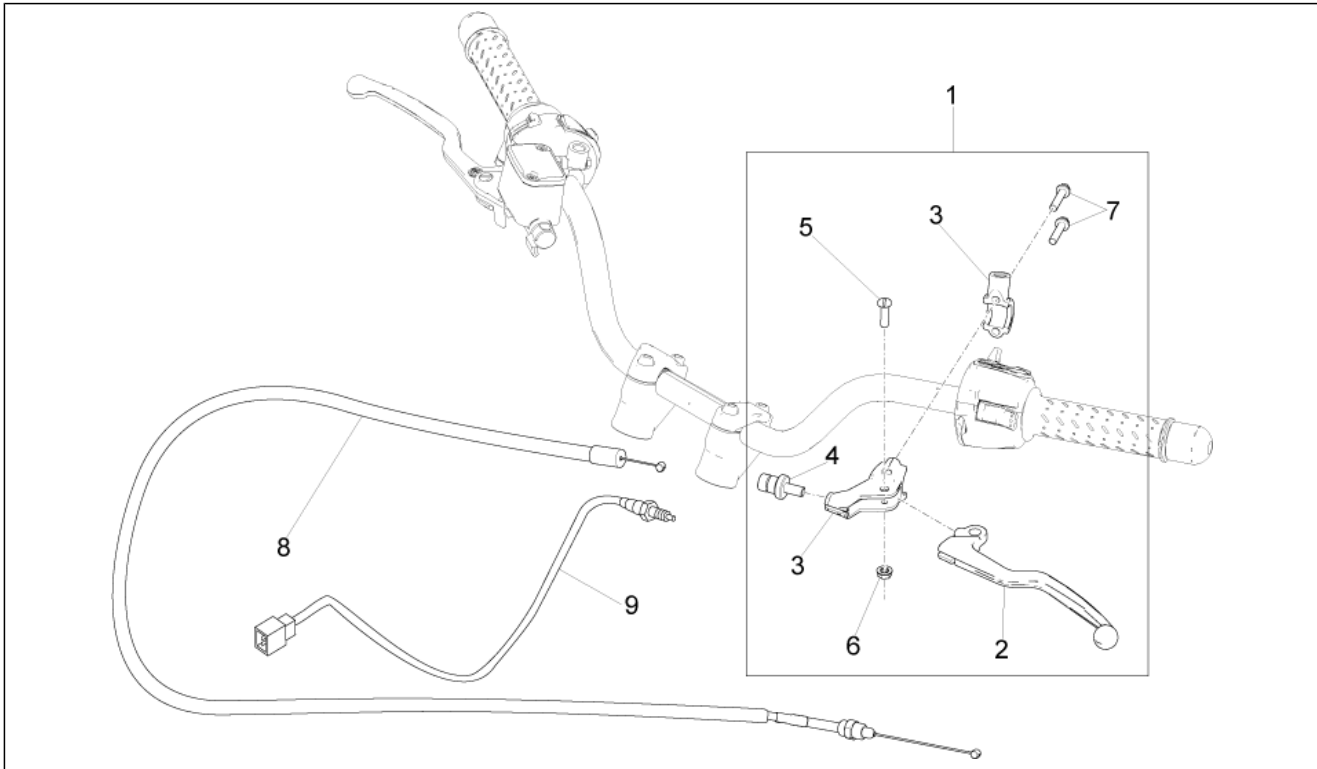
Pos.	Code	Beschreibung	Menge	Varianten
1	2B003743	Untere Gabelplatte	1	
2	AP8150543	Zylinderschraube M8x35	2	
3	2B001052	Obere Gabelplatte	1	
4	AP8121205	Fixierbuchse ob. Platte	1	
5	AP8152384	Scheibe Lenkkopf	1	
6	AP8123641	Staubschutzring	2	
7	AP8110077	Axialkugellager	2	
8	AP8123644	Staubschutzring	1	
9	887831	Gummischeibe	1	
10	AP8123642	Nutmutter	1	
11	AP8123643	Gegenmutter	1	
12	887832	Sicherheitspl. Lenkung	1	
13	AP8150540	Zylinderschraube	2	
14	890760	Halterung Instrumente	1	
15	2B003292	Platte	1	
16	GU98210616	TBEI Schraube m.Flansch M6x16 inox	1	

Einheit	Lenkstange - Schaltungen
Code	07.020
Beschreibung	Lenkstange - Schaltungen
Inspektion	1



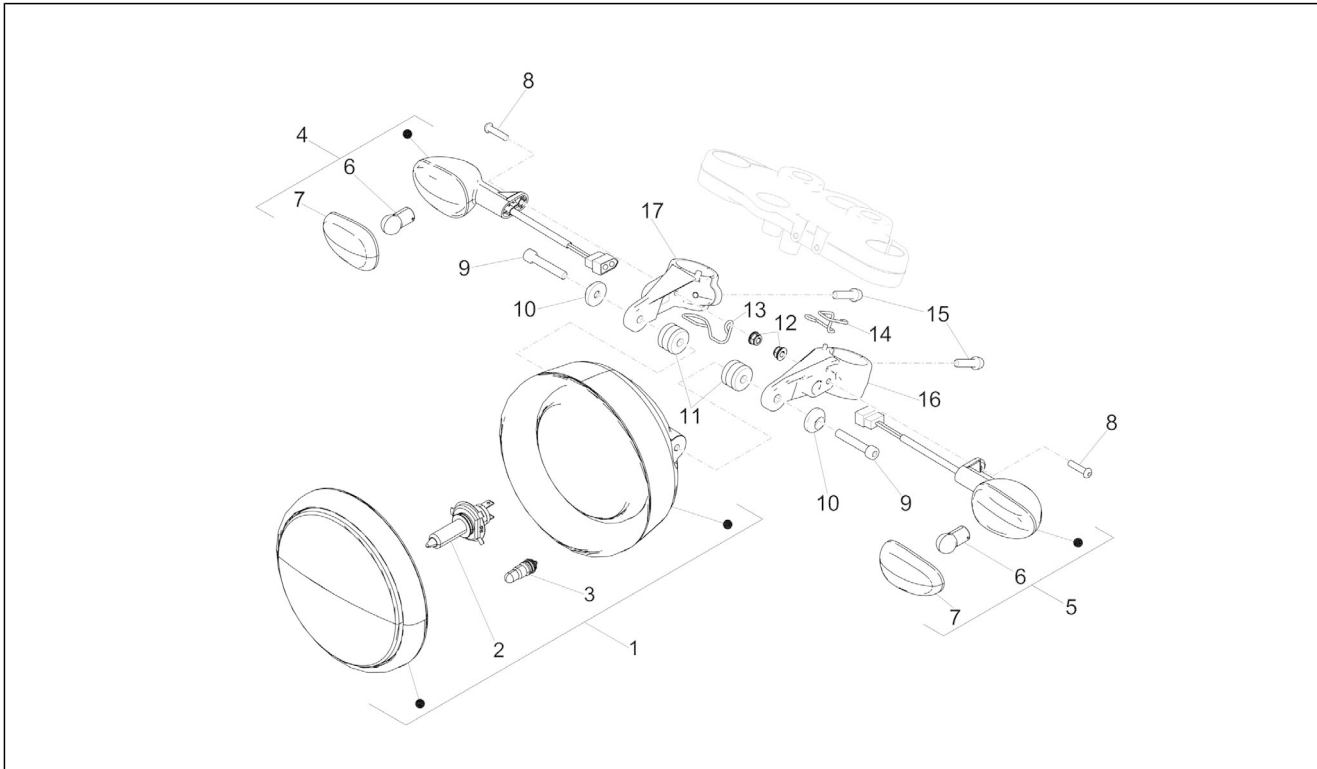
Pos.	Code	Beschreibung	Menge	Varianten
1	2B002852	Lenkstange	1	
2	2D000227	Bedienelement Lenker links	1	
3	2D000226	Bedienelement Lenker rechts	1	
4	AP8118579	Links griff	1	
5	2B002364	Rechts griff	1	
6	AP8104509	Schwingschutzgewicht schwarz	2	
7	2B002195	Schraube TCEI IX M6X35 vorimprägniert	2	
8	2B002844	Verschuß Gaszugkabel	1	
9	2B002843	Öffnungswinkel Gaszugkabel	1	
10	2B001049	Rückspiegel links	1	
11	2B001048	Rückspiegel rechts	1	
12	AP8150540	Zylinderschraube	4	
13	2B002091	Obere Klemme Lenker	2	
14	2B002090	Untere Klemme Lenker	2	
15	AP8144222	Gummi	4	
16	854827	Distanzscheibe 10,1x14,1x38	2	
17	2B002875	Becher	2	
18	AP8150049	Schraube M10x60	2	
19	2D000163	Untere Schale DX	1	
20	2D000218	Untere Schale SX	1	
21	GU91181003	Distanzscheibe 10,25X20X4	2	
22	GU14615901	Ausgleichscheibe 8,4X13X0,8	4	

Einheit	Lenkstange - Schaltungen
Code	07.030
Beschreibung	Kupplungssteuerung
Inspektion	1



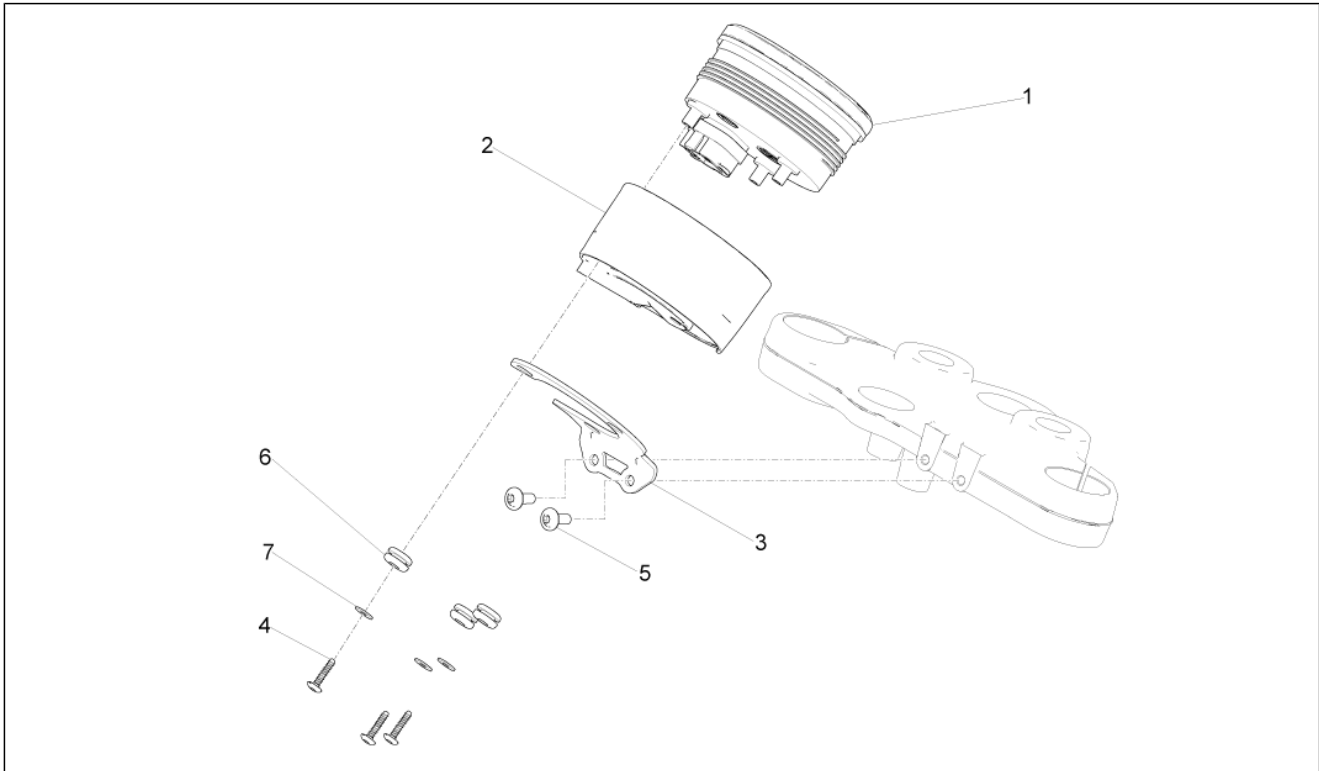
Pos.	Code	Beschreibung	Menge	Varianten
1	2B002391	Gruppe Kupplungshebel	1	
2	2B002390	Hebel Kupplungssteuer.	1	
3	GU30601060	Feder	1	
4	GU30602500	Einstellschraube	1	
5	AP8213028	Schraube	1	
6	AP8213388	Selbstsperrende Mutter	1	
7	GU97202325	TE Schr. m. Flansch schw. M6x25	2	
8	2B002842	Kupplungskabel	1	
9	2D0002885	Kupplungsschalter	1	

Einheit	Vorderer Lichter - Instrumente
Code	08.010
Beschreibung	Vorderer Lichter
Inspektion	1



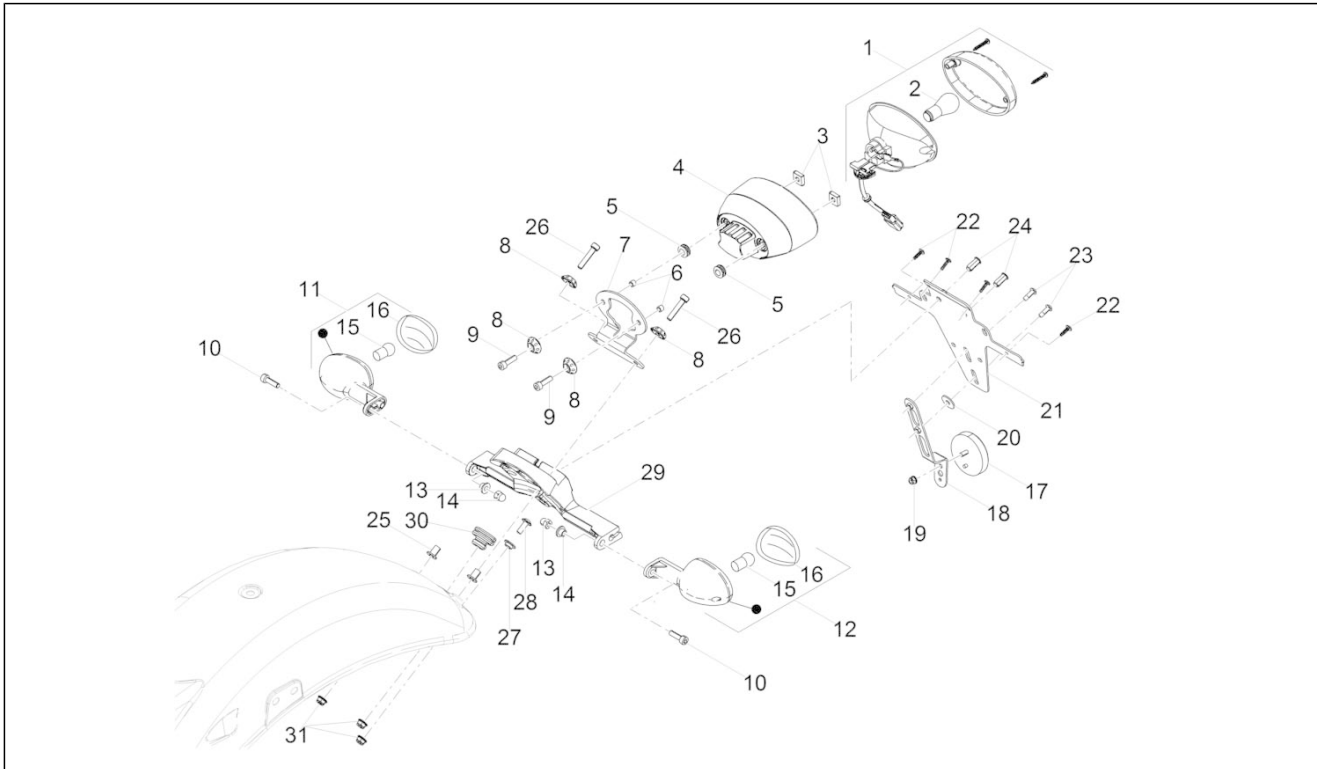
Pos.	Code	Beschreibung	Menge	Varianten
1	2D000100	Scheinwerfer	1	
2	292723	Lampen H4 12V-60/55W	1	
3	292022	Lampen 12V-5W	1	
4	2D000261	Blinker vorne RE	1	
5	2D000262	Blinker vorne LI	1	
6	584332	Lampen 12V-10W	2	
7	639338	Blinkerglas	2	
8	GU98612320	TCEI Schraube M6x20	2	
9	GU98690445	Schraube M8x45	2	
10	AP8121199	Buchse	2	
11	2B002011	Abstandhalter Frontscheinwerfer	2	
12	AP8152299	Selbstsperrende Mutter M6	2	
13	2B003164	Kabelführung	1	
14	2B003165	Kabelführung	1	
15	AP8150053	TCEI Schraube M6x25	2	
16	2B001231	Linke Halterung Frontscheinwerfer	1	
17	2B001182	Rechte Halterung Frontscheinwerfer	1	

Einheit	Vorderer Lichter - Instrumente
Code	08.020
Beschreibung	Instrumente
Inspektion	1



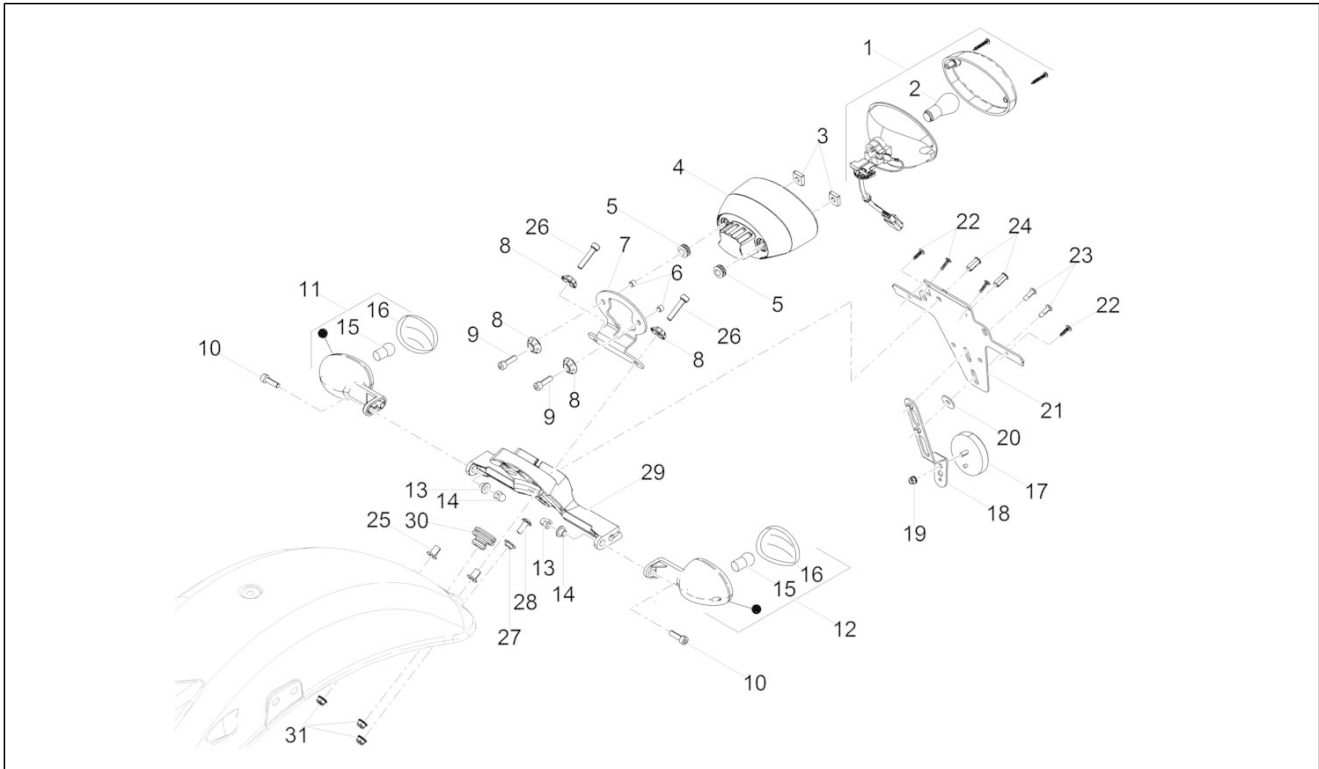
Pos.	Code	Beschreibung	Menge	Varianten
1	2D000099	Instrumententafel	1	
2	2B001223	Abdeckung Armaturen Brett	1	
3	2B001154	Instrumentenhalterung	1	
4	CM178609	Gew.schr.	3	
5	GU98210610	Schraube	2	
6	2B003367	Kabelführung	3	
7	013763	Flachscheibe 4,2x12x1	3	

Einheit	Vorderer Lichter - Instrumente
Code	08.030
Beschreibung	Hinterer Lichter
Inspektion	1



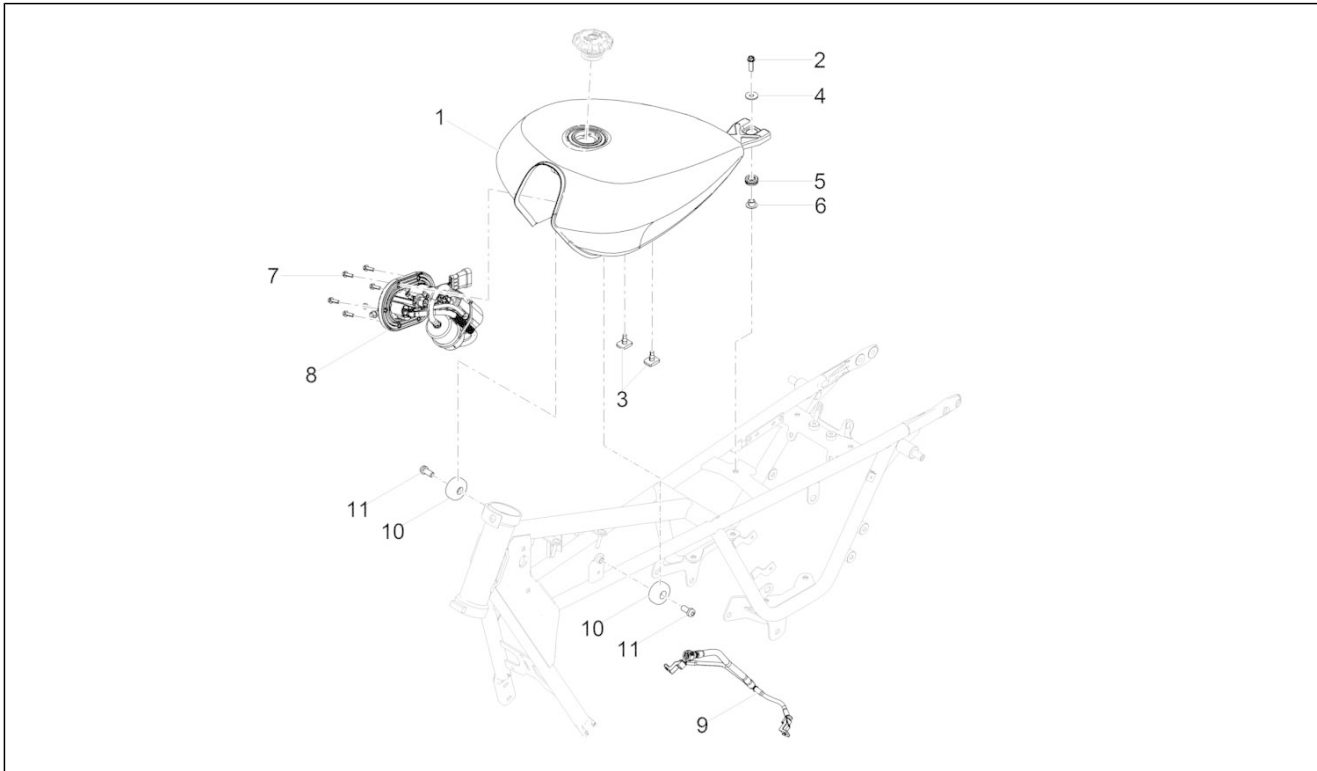
Pos.	Code	Beschreibung	Menge	Varianten
1	2B002365	Rücklicht	1	
2	GU93450224	Lampen	1	
3	2B002443	Vierkantmutter M6	1	
4	2B002483	Halteschale Scheinwerfer hinten	2	
5	AP8220186	Gummi	2	
6	AP8120278	Distanzscheibe	2	
7	2B002484	Rücklichthalterung	1	
8	AP8150536	Spezial-U-scheibe	4	
9	AP8150053	TCEI Schraube M6x25	2	
10	GU98612320	TCEI Schraube M6x20	2	
11	2D000255	Hinterer Blinker Re	1	
12	2D000256	Hinterer Blinker Li	1	
13	479175	Hutmutter	2	
14	840509	Distanzscheibe	2	
15	584332	Lampen 12V-10W	2	
16	639338	Blinkerglas	2	
17	AP8224164	Rückstrahler Rücklicht, rot	1	
18	AP8134448	Rückstrahler-Fixierung	1	
19	AP8152306	Selbstsperrende Mutter M5	1	
20	GU95005310	Ausgleichscheibe 8,4x18x2	1	
21	2B002541	Abschluss Nummernschildhalter	1	
22	AP8150413	Gew.schr. 3,9x14	4	
23	B016796	Linsenkopfschraube Torx	2	
24	AP8201755	Geschnitten Kunststoffniet	2	
25	AP8121725	T-Buchse *	2	
26	GU98682330	TCEI Schraube M6x20	2	
27	AP9100053	Buchse d.10-h.3,5	1	
28	GU98210616	TBEI Schraube m.Flansch M6x16 inox	1	

Einheit	Vorderer Lichter - Instrumente
Code	08.030
Beschreibung	Hinterer Lichter
Inspektion	1



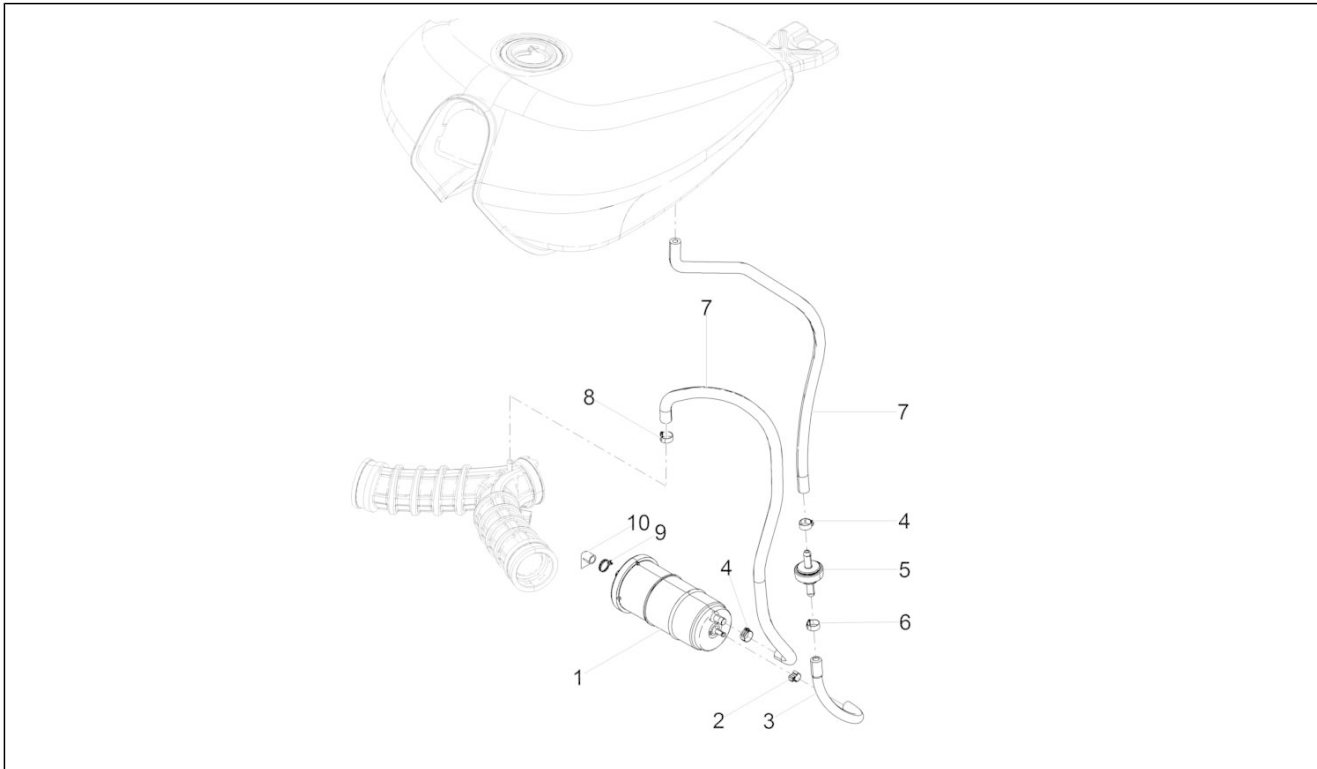
Pos.	Code	Beschreibung	Menge	Varianten
29	2B002615	Blinkerhalterung	1	
30	070286	Kabelführung	1	
31	AP8152299	Selbstsperrende Mutter M6	3	

Einheit	Tank
Code	09.010
Beschreibung	Kraftstofftank
Inspektion	1



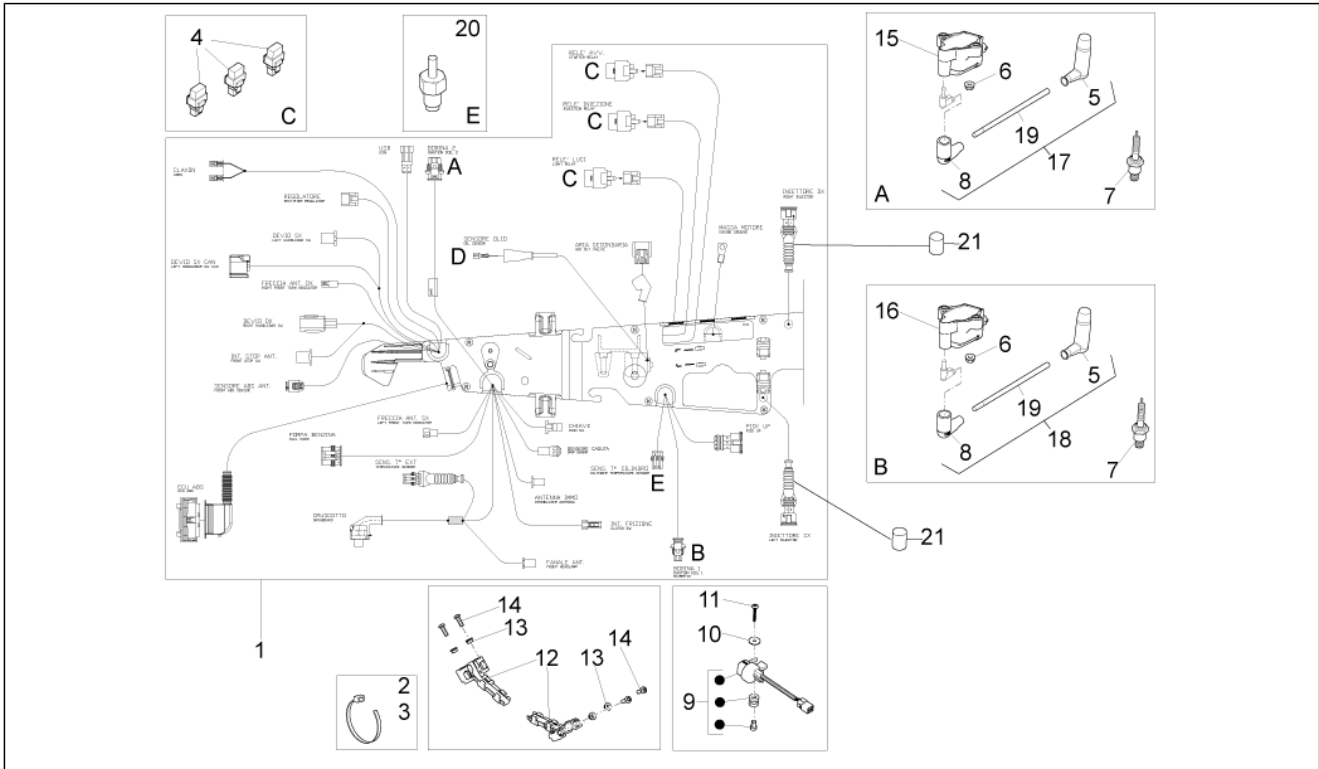
Pos.	Code	Beschreibung	Menge	Varianten
1	2B001629	Kraftstofftank	1	Farbe: Unlackiert[GR]
1	2H001249500YG3	Tankabdeckung, gelb	1	Farbe: Gelb Brio[YB]
1	2H001401500Q4	Kraftstoffbehälter weiss	1	Farbe: Weiß Tech[BT]
1	2H001446500XR7	Kraftstofftank, rot	1	Farbe: Rot Ibis[RI]
2	AP8152288	TE Schr. m. Flansch M8x30	2	
3	AP8120455	Gummi	2	
4	AP8150018	Ausgleichscheibe	1	
5	GU91551131	Gummi	1	
6	2B002944	T-Buchse	1	
7	AP8152273	Flanschschraube M5x15	6	
8	1D001450	Kraftstoffpumpe	1	
9	2B002486	Kraftstoffleitungen	1	
10	GU66103415	Gummi	2	
11	GU98682416	TCEI Schraube M8x16	1	

Einheit	Tank
Code	09.020
Beschreibung	Benzindampfrückf.-Anlage
Inspektion	1



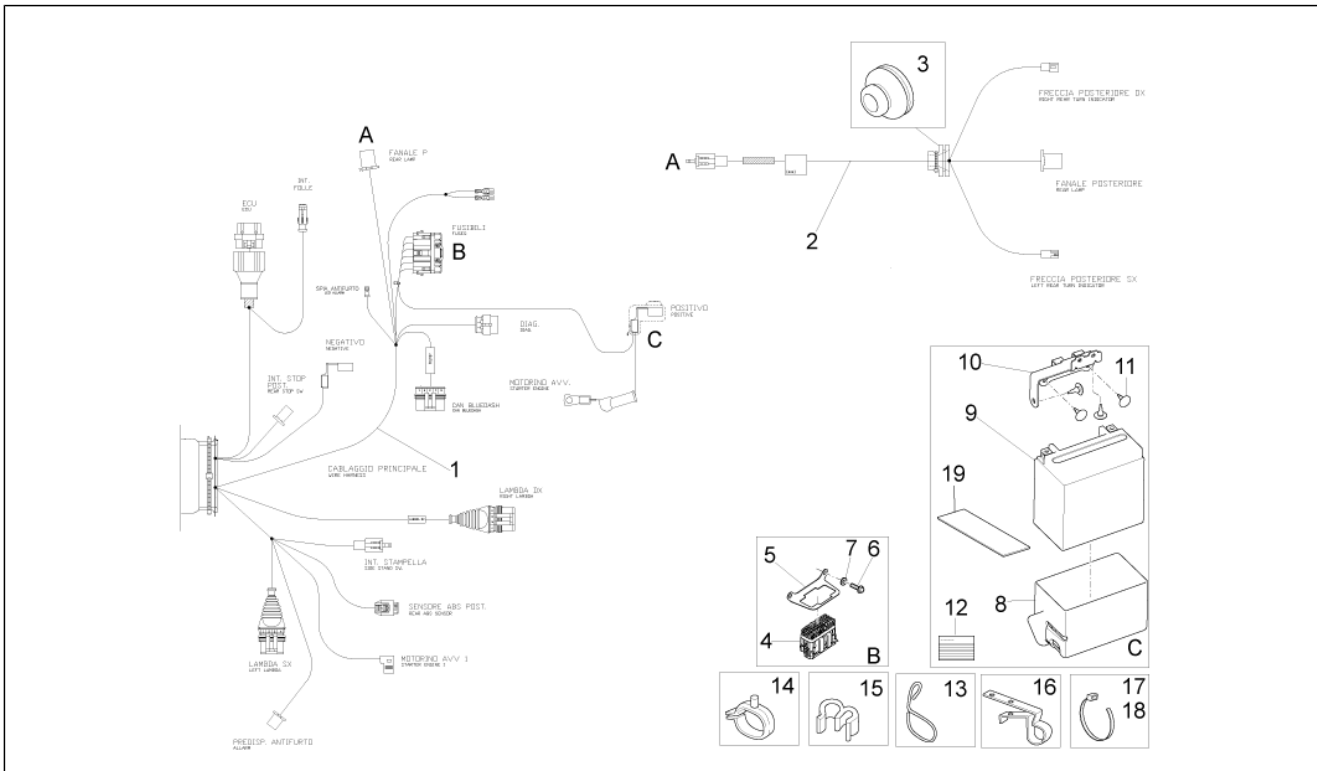
Pos.	Code	Beschreibung	Menge	Varianten
1	2B002632	Kohlefilter	1	
2	AP8102738	Schlauchschelle	1	
3	2B003042	Leitung SAE 30 R12A-3/16	1	
4	AP8102239	Schelle 12,5x8	2	
5	CM179008	Sicherheitsventil	1	
6	AP8102159	Schelle	1	
7	856063	Leitung SAE 30 d.12,7x6,35	2	
8	GU93304360	Schelle 7,6x380	1	
9	AP8102520	Schlauchschelle	1	
10	AP8127601	Lüftungsröhrchen	1	

Einheit	Elektrische Anlage
Code	11.020
Beschreibung	Mitt. elektrische Anlage
Inspektion	1



Pos.	Code	Beschreibung	Menge	Varianten
1	2D000209	Kabelast	1	
2	GU49609601	Schelle 2,4x92	1	
3	GU14609650	Schelle 3,6x20,6	24	
4	AP8224462	Zündrelais 12V-30A	3	
5	1A005382	Zündkerzenstecker	2	
6	AP8152299	Selbstsperrende Mutter M6	4	
7	887481	Zündkerze NGK CPR8EB-9	2	
8	641040	Isolierhaube	2	
9	680212	Kippsensor	1	
10	GU95005304	Ausgleichscheibe 5,2x18x1,5	1	
11	478533	Gew.schr.	1	
12	2B002901	Halterung Zündkerzenkabel	2	
13	2B003052	T-Buchse	4	
14	1A003444	Linsenschraube	4	
15	641901	Zuendtransform.cpl.	1	
16	642034	Zuendtransform.cpl. DX	1	
17	CM277101	Zuendkabel (450 mm)	1	
18	CM277102	Zuendkabel (580 mm)	1	
19	080341	Kabel Zündspulensockel	1	
20	887421	Temperaturfühler	1	
21	2D000355	Cappuccio termorestringente	1	

Einheit	Elektrische Anlage
Code	11.030
Beschreibung	Hint.Elektrische Anlage
Inspektion	1



Pos.	Code	Beschreibung	Menge	Varianten
1	2D000209	Kabelast	1	
2	2D000245	Gruppe Kabel Rücklicht	1	
3	070286	Kabelführung	1	
4	584211	Sicherungskasten	1	
5	883161	Hltr. Sicherungsblock	1	
6	GU98682212	TCEI Schraube M5x12	2	
7	GU95100059	Ausgleichscheibe 5,25x14x1,5	2	
8	2B002781	Batterieabdeckung	1	
9	638733	Batterie Yuasa YTX14-BS 12V-12Ah (150x87x145)	1	
10	B063233	Batteriehalterung	1	
11	AP8120001	Gummi	4	
12	GU32517710	Deko "Battery service"	1	
13	AP8181140	Kabelführung	1	
14	CM013202	Rückhaltefeder Leitungen/Kabel	1	
15	894704	Kabelführung	9	
16	B043850	Schelle	1	
17	GU14609650	Schelle 3,6x20,6	24	
18	GU49609601	Schelle 2,4x92	1	
19	AP8144552	seit. Gummiaufkl. Batterie	1	



PIAGGIO & C.s.p.a.



SPARE PARTS CATALOGUE



V9 Bobber 2017 (USA)

Chassis prefix: ZGULHU01

Engine prefix:



Index

Finished products.....	4
Alphanumeric index.....	5
Frame.....	10
Table 01.010 - Frame.....	10
Table 01.020 - Foot rests.....	11
Table 01.030 - Central stand.....	12
Table 01.040 - Protection.....	13
Table 01.050 - Swing arm.....	14
Body.....	15
Table 02.030 - Front mudguard-Pillar.....	15
Table 02.100 - Central body.....	16
Table 02.120 - Saddle.....	17
Table 02.150 - Rear mudguard.....	18
Table 02.170 - Locks.....	19
Table 02.190 - Decal.....	20
Engine.....	22
Table 03.010 - Engine-Completing part-Lever.....	22
Table 03.020 - Gear lever.....	23
Table 03.030 - Crankcases I.....	24
Table 03.050 - Air box.....	25
Table 03.060 - Throttle body.....	26
Table 03.090 - Head cover.....	27
Table 03.100 - Cylinder head - valves.....	28
Table 03.120 - Timing system.....	29
Table 03.150 - Cylinder - Piston.....	30
Table 03.160 - Drive shaft.....	31
Table 03.170 - Gear box / Selector / Shift cam.....	32
Table 03.180 - Gear box - Gear assembly.....	34
Table 03.190 - Lubrication.....	36
Table 03.196 - Blow-by system.....	38
Table 03.230 - Clutch.....	39
Table 03.270 - Flywheel cover.....	41
Table 03.290 - Starter / Electric starter.....	42
Table 03.300 - Cdi magneto assy / Ignition unit.....	43
Table 03.320 - Secondary air.....	44
Table 03.330 - Exhaust pipe.....	45
Table 03.340 - Transmission complete.....	46
Table 03.350 - Rear transmission / Components.....	47
Suspensions.....	49
Table 04.060 - Front fork Kaifa.....	49
Table 04.080 - Shock absorber.....	50
Wheels.....	51
Table 05.010 - Front wheel.....	51



Table 05.020 - Rear wheel.....	52
Brake system.....	53
Table 06.010 - Front master cilinder.....	53
Table 06.020 - Front brake caliper.....	54
Table 06.030 - Rear master cylinder.....	55
Table 06.040 - Rear brake caliper.....	56
Table 06.050 - ABS Brake system.....	57
Handlebar - Controls.....	58
Table 07.010 - Steering.....	58
Table 07.020 - Handlebar - Controls.....	59
Table 07.030 - Clutch control.....	60
Lights - Instruments.....	61
Table 08.010 - lampu depan.....	61
Table 08.020 - Instrumen.....	62
Table 08.030 - Lampu belakang.....	63
Tank.....	65
Table 09.010 - Tangki bahan bakar.....	65
Table 09.020 - Sistem pemulih uap bahan bakar.....	66
Electrical systems.....	67
Table 11.010 - Sistem kelistrikan depan.....	67
Table 11.020 - Sistem kelistrikan pusat.....	68
Table 11.030 - Sistem kelistrikan belakang.....	69



Finished products

Code	Validity
GU9032251CAH00	
GU9032251CAH01	
GU9032251CAH02	
GU9032251USH00	
GU9032251USH01	
GU9032251USH02	



Code	No. table	Pos.	Code	No. table	Pos.	Code	No. table	Pos.
	04.060	14	1A006283	03.030	17	2A000608	03.060	8
	07.010	1	1A006284	03.030	18	2A000609	03.060	3
	08.010	15	1A006298	03.270	4	2A000612	03.060	7
006630	03.270	8	1A0066355	03.010	1	2A000620	03.090	6
00H02402282	06.050	5	1A006655	03.030	8	2A000627	03.180	13
013763	03.190	14	1A006656	03.030	7	2A000629	03.180	30
013763	08.020	7	1A006659	03.100	12	2A000631	03.230	21
070286	08.030	30	1A006716	03.090	4	2A000633	03.190	5
070286	11.030	3	1A006860	03.030	19	2A000638	03.230	30
080341	11.020	19	1A006861	03.120	16	2A000659	03.090	2
122675	11.010	12	1A0068695	03.100	10	2A000724	03.230	4
1A000360	03.180	7	1A0068705	03.100	11	2A000727	03.180	5
1A000365	03.180	16	1A007008	03.190	22	2A000741	03.230	31
1A000366	03.180	22	1A007070	03.150	2	2A0007425	03.170	19
1A000367	03.180	27	1A007111	03.150	9	2A0007505	03.170	6
1A000368	03.180	28	1C001499	01.030	8	2A000767	03.230	23
1A000369	03.180	29	1C001499	05.020	19	2A000770	03.230	28
1A000370	03.180	25	1D001393	03.060	2	2A000792	03.230	7
1A000436	03.180	10	1D001450	09.010	8	2B000160	08.030	34
1A000566	03.180	4	1D001549	11.010	7	2B000221	11.010	3
1A002604	03.180	24	224566	03.170	44	2B000225	05.020	15
1A002604	03.180	9	224566	03.350	8	2B000377	05.020	18
1A003444	11.020	14	237553	03.190	12	2B000404	03.350	2
1A003452	03.100	5	248419	01.040	12	2B000525	06.040	1
1A004442	03.190	15	254485	03.330	19	2B001009	03.020	15
1A004530	03.030	10	254485	11.010	5	2B001035	01.010	17
1A004549	03.190	11	285536	03.170	3	2B001048	07.020	11
1A004550	03.030	1	292022	08.010	3	2B001049	07.020	10
1A004660	03.100	1	292723	08.010	2	2B001052	07.010	3
1A004661	03.100	1	2A000097	03.170	41	2B001055	01.010	1
1A004662	03.100	1	2A000115	03.300	5	2B001073	05.010	9
1A004750	03.100	8	2A000129	03.300	4	2B001083	03.330	6
1A004751	03.100	4	2A000203	03.180	20	2B001084	03.330	5
1A004752	03.100	6	2A000216	03.230	8	2B001088	01.030	5
1A004903	03.120	13	2A000219	03.170	12	2B0010995	03.330	1
1A004905	03.120	12	2A000222	03.170	38	2B0011005	03.330	2
1A004907	03.120	14	2A000224	03.170	20	2B001114	05.020	3
1A004953	03.150	8	2A000225	03.170	23	2B001139	05.010	1
1A004954	03.150	7	2A000226	03.170	21	2B001141	02.030	1
1A004955	03.150	6	2A000227	03.170	22	2B001147	02.030	2
1A004956	03.150	5	2A000241	03.170	27	2B0011535	03.340	1
1A005016	03.120	25	2A000241	03.170	28	2B001154	08.020	3
1A005199	03.190	3	2A000241	03.180	32	2B001182	08.010	17
1A005211	03.030	2	2A000306	03.170	27	2B001223	08.020	2
1A005257	03.190	13	2A000339	03.090	3	2B001231	08.010	16
1A0052625	03.030	21	2A0003535	03.120	6	2B001279	05.020	7
1A005325AA	03.160	6	2A000375	03.230	14	2B001301	01.050	1
1A005325BB	03.160	6	2A000376	03.230	16	2B001303	03.350	25
1A005382	11.020	5	2A000384	03.230	18	2B001307	03.350	11
1A005424	03.100	2	2A000385	03.230	19	2B001310	05.020	1
1A005425	03.100	9	2A000415	03.170	24	2B001311	03.350	3
1A005712	03.120	1	2A000418	03.230	29	2B001498	01.010	7
1A0057145	03.120	24	2A000419	03.230	1	2B001561	05.010	17
1A005951	03.120	7	2A00042115	03.170	1	2B001564	06.050	17
1A005955	03.120	19	2A000438	03.170	43	2B001612	01.010	16
1A006047	03.030	4	2A000438	03.350	22	2B001614	06.050	14
1A006053	03.190	27	2A000467	03.170	15	2B001618	02.100	2
1A006055	03.190	25	2A000496	03.120	4	2B001619	02.100	1
1A006056	03.190	24	2A000521	03.120	9	2B001629	09.010	1
1A006064	03.190	23	2A000527	03.120	27	2B001708	05.010	18
1A006119	03.120	22	2A000528	03.120	8	2B001762	05.010	5
1A006127	03.120	23	2A000565	03.090	1	2B001783	02.100	5
1A006243	03.120	21	2A000579	03.120	5	2B001823	03.060	12
1A006272AA	03.150	10	2A000588AA	03.160	7	2B001929	06.010	6
1A006272BB	03.150	10	2A000588BB	03.160	7	2B001930	06.010	4
1A006272CC	03.150	10	2A000591	03.170	37	2B001935	03.330	24
1A006272DD	03.150	10	2A000597	03.320	3	2B001941	03.020	18



Code	No. table	Pos.	Code	No. table	Pos.	Code	No. table	Pos.
2B001953	06.040	3	2B002817	01.010	15	2G000160	02.190	19
2B001956	05.020	13	2B002832	03.050	2	2H001260	02.190	2
2B002011	08.010	11	2B002843	07.020	9	2H001433000NI	09.010	1
2B002043	02.170	3	2B002844	07.020	8	2H001434000NI	02.030	1
2B002090	07.020	14	2B002851	03.050	5	2H001439	02.190	5
2B002091	07.020	13	2B002852	07.020	1	2H001442	02.190	8
2B002171	01.020	21	2B002875	07.020	17	2H001443	02.190	4
2B002171	03.350	27	2B002900	05.020	2	2H001445	02.190	3
2B002187	03.330	15	2B002901	11.020	12	2H001466000NI	02.150	1
2B002189	06.030	1	2B002936	02.170	11	2H001467	02.190	6
2B002192	04.060	1	2B002937	01.040	10	2H001468	02.190	7
2B002195	07.020	7	2B002940	02.170	1	2H001469	02.190	1
2B002200	03.350	15	2B002943	01.040	9	2H001470	02.190	9
2B002205	01.050	6	2B002944	09.010	6	2H001476000EQ	09.010	1
2B002218	01.020	1	2B002959	03.050	14	2H001477000EQ	02.030	1
2B002219	01.020	2	2B002961	07.030	8	2H001478000NI	02.150	1
2B002225	01.020	5	2B002988	04.080	1	2H001480	02.190	5
2B002233	06.030	13	2B002991	06.050	9	2H001481	02.190	8
2B002269	06.010	1	2B003039	06.010	5	2H001482	02.190	1
2B0022925	03.330	4	2B003040	06.010	3	2H001483	02.190	9
2B0022935	03.330	3	2B003041	06.010	2	2Q000111	02.190	10
2B002294	04.060	3	2B003042	09.020	3	2R000109	04.060	7
2B002295	04.060	2	2B003052	11.020	13	2R000110	04.060	23
2B002298	03.340	2	2B003056	06.050	2	2R000243	04.060	19
2B002311	01.010	21	2B003076	01.020	4	2R000248	06.040	5
2B002311	02.150	8	2B003077	01.020	3	319165	02.170	9
2B002317	02.150	4	2B003078	01.010	12	478533	11.020	11
2B002321	02.150	5	2B003089	02.150	6	479175	08.030	13
2B002325	01.010	3	2B003102	01.040	3	484993	03.030	20
2B002326	01.010	4	2B003103	01.040	4	584211	11.030	4
2B002364	07.020	5	2B003105	03.196	3	584332	08.010	6
2B002365	08.030	1	2B003111	04.080	2	584332	08.030	15
2B002366	08.030	29	2B003164	08.010	13	598839	02.100	6
2B002369	03.020	3	2B003165	08.010	14	623920	03.230	6
2B002378	01.040	2	2B003204	03.196	2	638733	11.030	9
2B002383	05.010	4	2B003212	01.050	5	639338	08.010	7
2B002386	02.150	3	2B003271	06.020	1	639338	08.030	16
2B002390	07.030	2	2B003284	03.330	25	641040	11.020	8
2B002391	07.030	1	2B003292	07.010	15	641041	11.020	19
2B002443	08.030	4	2B003313	06.020	6	641901	11.020	15
2B002483	08.030	3	2B003367	08.020	6	642034	11.020	16
2B002484	08.030	7	2B0033875	03.350	23	643090	03.190	16
2B002486	09.010	9	2D000004	02.170	4	643277	11.010	2
2B002502000C1	02.120	1	2D000024	03.300	1	648708	05.020	5
2B002529	03.320	7	2D000099	08.020	1	658837	03.030	5
2B002530	03.320	9	2D000100	08.010	1	680212	11.020	9
2B002531	03.320	8	2D000102	06.050	1	825694	03.100	13
2B002532	03.330	13	2D000159	08.020	1	831135	03.030	11
2B002533	03.330	12	2D000163	07.020	19	832029	11.010	10
2B002535	03.350	24	2D000209	11.010	1	834764	03.170	33
2B002536	03.350	18	2D000209	11.020	1	834951	03.330	20
2B002537	02.150	1	2D000209	11.030	1	840509	08.030	14
2B002541	08.030	21	2D000218	07.020	20	848650	03.180	17
2B002602	03.196	4	2D000225	08.010	1	849308	03.180	21
2B002621	01.040	6	2D000226	07.020	3	849308	03.180	6
2B002622	01.040	5	2D000227	07.020	2	849309	03.180	23
2B002632	09.020	1	2D000245	11.030	2	849310	03.180	26
2B002680	03.020	9	2D000255	08.030	11	849396	03.180	14
2B002681	06.050	11	2D000256	08.030	12	849424	03.180	8
2B002699	03.340	3	2D000261	08.010	4	852090	03.330	11
2B002705	01.030	1	2D000262	08.010	5	854827	07.020	16
2B002781	11.030	8	2D0002805	06.030	9	856063	09.020	7
2B002799	01.040	1	2D0002885	07.030	9	857045	03.320	2
2B002805	06.050	10	2D000299	02.170	2	857046	03.320	5
2B002806	06.050	16	2G000157	02.190	18	857047	03.320	1
2B002807	03.350	21	2G000158	02.190	17	857181	03.320	10
2B002810	01.010	5	2G000159	02.190	21	857206	03.300	3



Code	No. table	Pos.	Code	No. table	Pos.	Code	No. table	Pos.
857250	03.170	29	967363	03.020	25	AP8144007	03.020	4
859792	05.010	16	974162	03.180	12	AP8144007	06.030	19
859792	05.020	17	974165	03.180	15	AP8144071	01.010	10
859946	06.030	11	976591	03.090	5	AP8144222	07.020	15
859946	06.030	14	976614	01.040	8	AP8144552	11.030	19
871640	03.100	7	976614	02.100	3	AP8145034	01.020	6
873905	03.170	26	976649	03.350	1	AP8145035	01.020	7
873928	03.180	2	97729R	03.290	1	AP8149034	08.030	35
874567	03.150	4	977527	02.170	5	AP8150009	01.010	22
874957	03.330	9	978415	02.170	7	AP8150012	06.030	12
876879	03.330	16	AP8101861	01.020	20	AP8150015	06.050	6
880260	03.060	4	AP8102159	09.020	6	AP8150018	01.010	11
883161	11.030	5	AP8102239	09.020	4	AP8150018	03.020	24
883688	05.010	12	AP8102375	02.100	4	AP8150018	09.010	4
883826	03.030	13	AP8102520	03.050	15	AP8150026	03.020	19
884031	04.080	4	AP8102520	09.020	9	AP8150048	01.010	13
884033	06.030	18	AP8102524	01.030	4	AP8150049	07.020	18
884310	03.060	11	AP8102671	01.010	6	AP8150053	08.030	9
886365	03.030	15	AP8102671	01.040	14	AP8150115	03.020	12
886629	03.230	11	AP8102738	09.020	2	AP8150178	05.010	19
887003	03.270	5	AP8102913	02.170	12	AP8150285	06.030	7
887093	03.190	18	AP8104509	07.020	6	AP8150349	02.170	8
887421	11.020	20	AP8104525	03.050	4	AP8150377	11.010	4
887443	02.190	12	AP8104924	03.050	7	AP8150413	01.040	13
887448	05.020	14	AP8110053	03.020	16	AP8150413	08.030	22
887481	11.020	7	AP8110077	07.010	7	AP8150451	06.050	15
887762	05.010	14	AP8110109	05.020	10	AP8150500	01.040	11
887762	05.020	16	AP8113003	06.050	3	AP8150500	03.060	6
887815	03.050	8	AP8113004	06.050	4	AP8150509	03.050	10
887831	07.010	9	AP8113081	06.030	4	AP8150536	08.030	8
887832	07.010	12	AP8113082	06.030	5	AP8150538	02.030	4
887843	03.050	9	AP8118579	07.020	4	AP8150540	07.010	13
887844	03.050	12	AP8120001	01.040	15	AP8150540	07.020	12
887875	05.010	13	AP8120001	11.030	11	AP8150543	07.010	2
887878	04.060	4	AP8120030	06.050	7	AP8152043	06.010	8
887879	04.060	5	AP8120178	06.030	3	AP8152055	03.330	21
887880	04.060	6	AP8120278	08.030	6	AP8152138	03.020	17
887882	04.060	8	AP8120311	01.010	14	AP8152220	03.190	20
887883	04.060	9	AP8120455	03.050	3	AP8152246	08.030	32
887884	04.060	10	AP8120455	03.330	14	AP8152267	03.090	7
887885	04.060	11	AP8120455	09.010	3	AP8152272	03.120	10
887886	04.060	12	AP8120573	01.020	17	AP8152273	02.150	7
887888	04.060	13	AP8120615	03.050	6	AP8152273	09.010	7
887889	04.060	15	AP8120876	03.050	11	AP8152277	01.020	11
887890	04.060	17	AP8120912	03.020	1	AP8152288	06.040	2
887891	04.060	16	AP8120912	06.030	17	AP8152288	09.010	2
887893	04.060	20	AP8121014	01.030	3	AP8152298	08.030	33
887905	04.060	18	AP8121032	02.100	7	AP8152299	02.100	8
887908	03.020	2	AP8121133	01.020	19	AP8152299	02.150	2
887908	06.030	16	AP8121199	08.010	10	AP8152299	08.010	12
887916	04.060	21	AP8121205	07.010	4	AP8152299	08.030	31
890760	03.050	13	AP8121420	02.170	6	AP8152299	11.020	6
890760	07.010	14	AP8121509	03.020	26	AP8152306	08.030	19
894704	11.030	15	AP8121567	01.020	15	AP8152329	03.050	1
895328	03.020	5	AP8121725	08.030	25	AP8152384	07.010	5
895328	06.030	10	AP8121882	06.050	18	AP8152385	06.020	2
895709	06.050	20	AP8121927	06.030	15	AP8157100	02.190	14
896110	03.330	7	AP8123641	07.010	6	AP8161054	03.050	16
897478	03.300	2	AP8123642	07.010	10	AP8181140	11.030	13
898268	03.270	6	AP8123643	07.010	11	AP8201755	08.030	24
898269	03.270	7	AP8123644	07.010	8	AP8210007	03.020	20
898283	03.020	11	AP8124936	11.010	6	AP8213028	07.030	5
898396	03.020	14	AP8125687	05.020	6	AP8213388	07.030	6
898397	03.020	7	AP8127601	09.020	10	AP8220186	08.030	5
959559	06.050	13	AP8127856	01.030	7	AP8221023	03.050	18
967356	01.030	6	AP8134448	08.030	18	AP8221023	06.050	8
967363	01.010	20	AP8134451	01.020	18	AP8221197	01.030	2

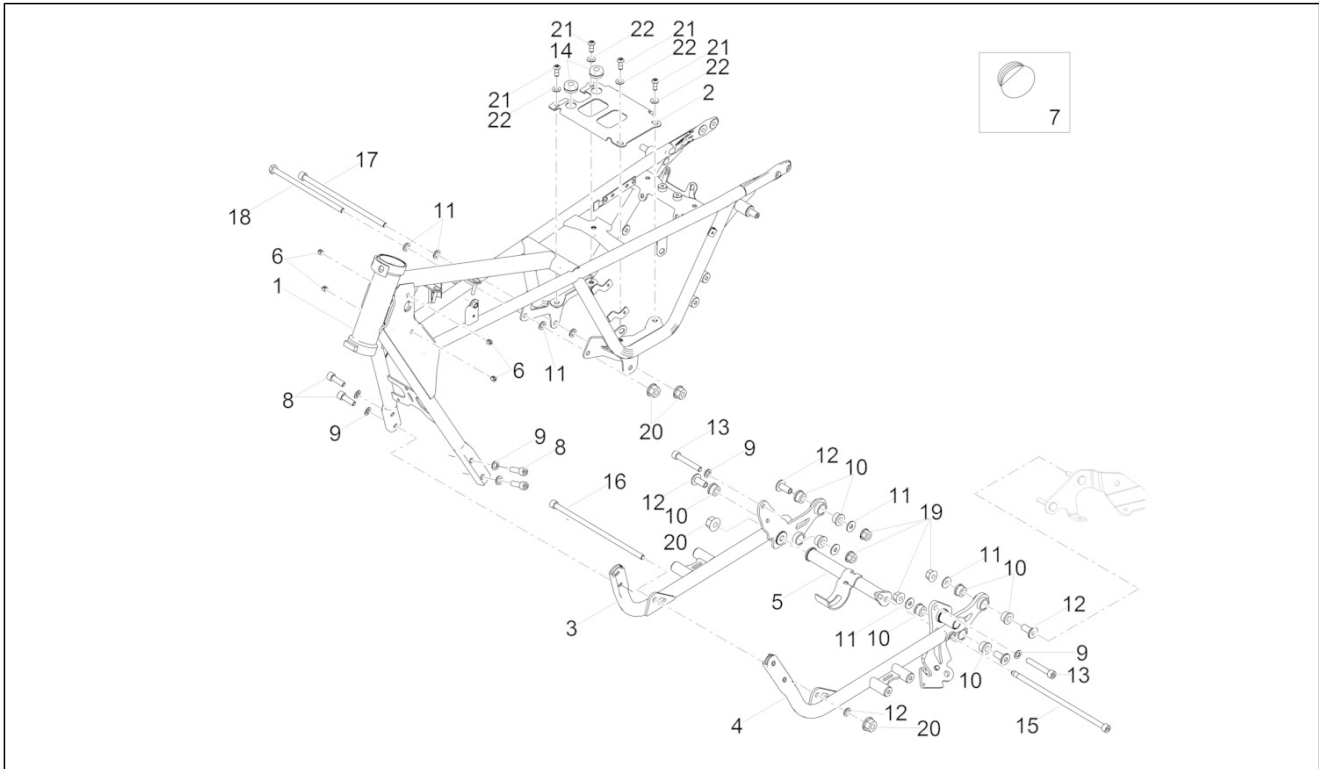


Code	No. table	Pos.	Code	No. table	Pos.	Code	No. table	Pos.
AP8221277	01.020	16	GU05238231	03.170	13	GU32442710	01.020	9
AP8224164	08.030	17	GU05238431	03.170	11	GU32517710	11.030	12
AP8224462	11.020	4	GU05239330	03.170	16	GU32615660	05.010	3
AP8257609	02.190	15	GU05351230	03.350	9	GU32632510	05.020	20
AP8257742	02.190	16	GU05659230	06.020	3	GU32944310	02.190	11
AP8257794	02.190	13	GU05781630	04.060	24	GU37359005	03.350	10
AP8702101	02.170	10	GU10034100	03.120	15	GU49609601	11.010	8
AP9100053	08.030	27	GU10528900	03.030	23	GU49609601	11.020	2
B013037	03.230	15	GU12022600	03.170	35	GU49609601	11.030	18
B013608	03.170	25	GU12154200	03.190	2	GU61027200	03.150	1
B013608	03.180	3	GU12351100	03.350	13	GU66103415	09.010	10
B014598	01.050	7	GU14085900	03.230	25	GU90271014	03.170	17
B015040	03.180	11	GU14086100	03.230	17	GU90271022	03.170	32
B015598	03.170	2	GU14217901	03.230	5	GU90272047	05.020	9
B016796	03.060	5	GU14609650	11.010	9	GU90353014	03.170	8
B016796	08.030	23	GU14609650	11.020	3	GU90353029	03.120	17
B017406	03.170	5	GU14609650	11.030	17	GU90401424	03.170	18
B017636	03.100	3	GU14615901	03.230	3	GU90402642	05.010	6
B018020	03.170	4	GU14615901	03.330	18	GU90412541	03.180	18
B018448	03.180	31	GU14615901	03.330	22	GU90413850	03.350	12
B043850	11.030	16	GU14615901	03.350	26	GU90706141	11.010	11
B045974	02.190	20	GU14615901	07.020	22	GU90706170	03.230	27
B063025	03.170	39	GU14616150	05.010	11	GU90706188	03.350	4
B063174	04.080	3	GU14616150	05.020	12	GU90706203	03.170	34
B063233	11.030	10	GU18144350	03.190	8	GU90706235	03.230	10
B063269	03.170	40	GU19002020	03.170	36	GU90706281	03.030	25
B063287	01.010	2	GU19002020	03.270	3	GU90706444	03.190	4
B063292	03.330	8	GU19003800	03.030	3	GU90706584	03.350	5
B063907	01.020	12	GU19015020	03.030	14	GU90706958	03.350	19
B063956	03.170	14	GU19018920	03.030	9	GU91113826	03.330	10
B064023	02.120	2	GU19018920	03.190	28	GU91181003	07.020	21
B064112	03.170	10	GU19021360	03.150	3	GU91551010	01.010	19
B064113	03.170	7	GU19045861	03.120	3	GU91551010	03.050	19
B064304	03.350	16	GU19055700	03.120	2	GU91551131	09.010	5
CM013202	11.030	14	GU19058021	03.120	20	GU92201226	03.180	19
CM178609	08.020	4	GU19058220	03.120	11	GU92201226	03.230	9
CM179008	09.020	5	GU19062261	03.160	1	GU92201822	03.180	1
CM226902	03.196	1	GU19065400	03.160	9	GU92204220	05.020	4
CM226902	03.320	6	GU19067700	03.230	2	GU92204221	05.010	7
CM228401	01.020	14	GU19213760	03.230	12	GU92254340	03.350	14
CM258301	03.060	13	GU19351100	03.350	17	GU92296723	03.190	30
CM258303	03.050	17	GU19356760	03.230	13	GU92602510	03.190	19
CM275402	03.060	1	GU19547000	01.050	2	GU92606206	03.020	8
CM277101	11.020	17	GU20147710	03.190	21	GU92606208	03.030	6
CM277102	11.020	18	GU20147810	03.190	26	GU92606508	03.230	24
GU01528930	03.350	28	GU20258221	03.020	23	GU92609007	06.030	2
GU01528930	03.350	6	GU27061885	03.160	4	GU92630206	06.030	6
GU01659130	06.020	5	GU27062060	03.160	2	GU92630207	05.010	8
GU01659131	06.020	4	GU27065660	03.160	3	GU92660021	03.330	17
GU03013800	03.020	22	GU27066460	03.160	5	GU93180105	01.050	4
GU03013800	03.060	10	GU27066560	03.160	8	GU93180111	05.010	2
GU03617710	05.010	10	GU27152885	03.190	1	GU93180220	03.170	42
GU03617710	05.020	11	GU30601060	07.030	3	GU93304360	09.020	8
GU03658201	06.050	21	GU30602500	07.030	4	GU93450224	08.030	2
GU03658330	06.050	19	GU31003766	03.030	22	GU94321079	03.190	9
GU03749845	06.010	7	GU31003766	03.350	7	GU94321105	03.230	22
GU04355100	03.350	20	GU31150950	03.190	10	GU95005304	11.020	10
GU04355101	03.350	20	GU31159050	03.190	6	GU95005310	08.030	20
GU04355102	03.350	20	GU31256881	03.020	10	GU95008206	03.190	7
GU04355103	03.350	20	GU31504583	04.060	22	GU95008208	03.290	2
GU04355104	03.350	20	GU31544181	06.040	4	GU95008208	03.330	23
GU04355105	03.350	20	GU31547882	01.050	3	GU95008210	01.010	9
GU04355106	03.350	20	GU31616384	05.010	15	GU95020105	01.030	9
GU05217630	03.230	26	GU31659181	06.040	7	GU95100059	11.030	7
GU05234230	03.170	9	GU31659281	06.040	6	GU95100309	03.190	17
GU05234631	03.170	31	GU32441210	01.020	10	GU95100602	03.190	29
GU05235531	03.170	30	GU32442310	01.020	8	GU95129115	03.120	18



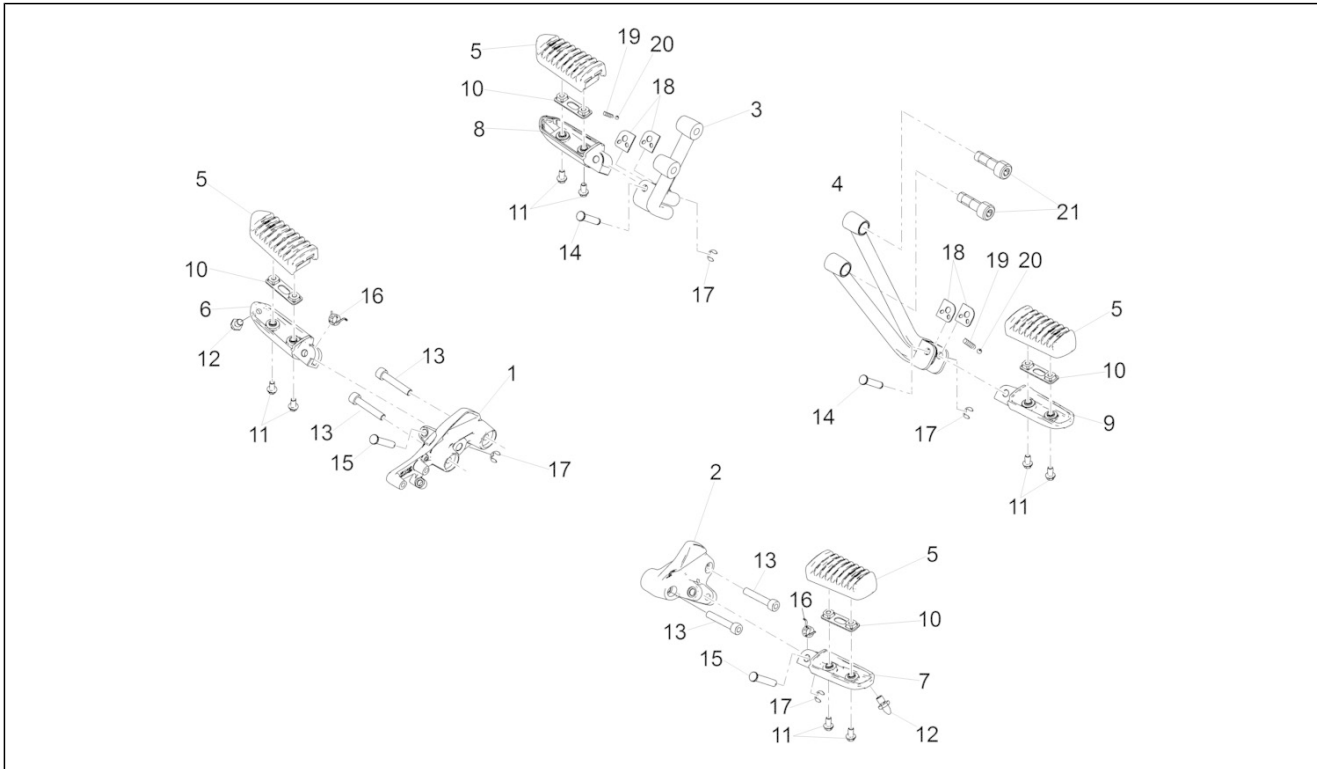
Code	No. table	Pos.
GU95500222	03.230	20
GU96451316	06.050	12
GU96451430	03.030	12
GU96508055	03.030	16
GU97202325	07.030	7
GU98110199	01.010	18
GU98210610	08.020	5
GU98210616	07.010	16
GU98210616	08.030	28
GU98612216	03.320	4
GU98612320	08.010	8
GU98612320	08.030	10
GU98620330	01.040	7
GU98622322	03.060	9
GU98632322	03.020	21
GU98680445	01.020	13
GU98680445	06.030	8
GU98680460	03.020	6
GU98682212	03.300	6
GU98682212	11.030	6
GU98682312	05.020	8
GU98682325	03.030	24
GU98682325	03.270	1
GU98682330	03.270	2
GU98682330	08.030	26
GU98682416	09.010	11
GU98682435	03.290	3
GU98682530	01.010	8
GU98690445	02.030	3
GU98690445	08.010	9
GU98692318	03.020	13
GU98882316	03.120	26

Group	Frame
Code	01.010
Description	Frame
Service	1



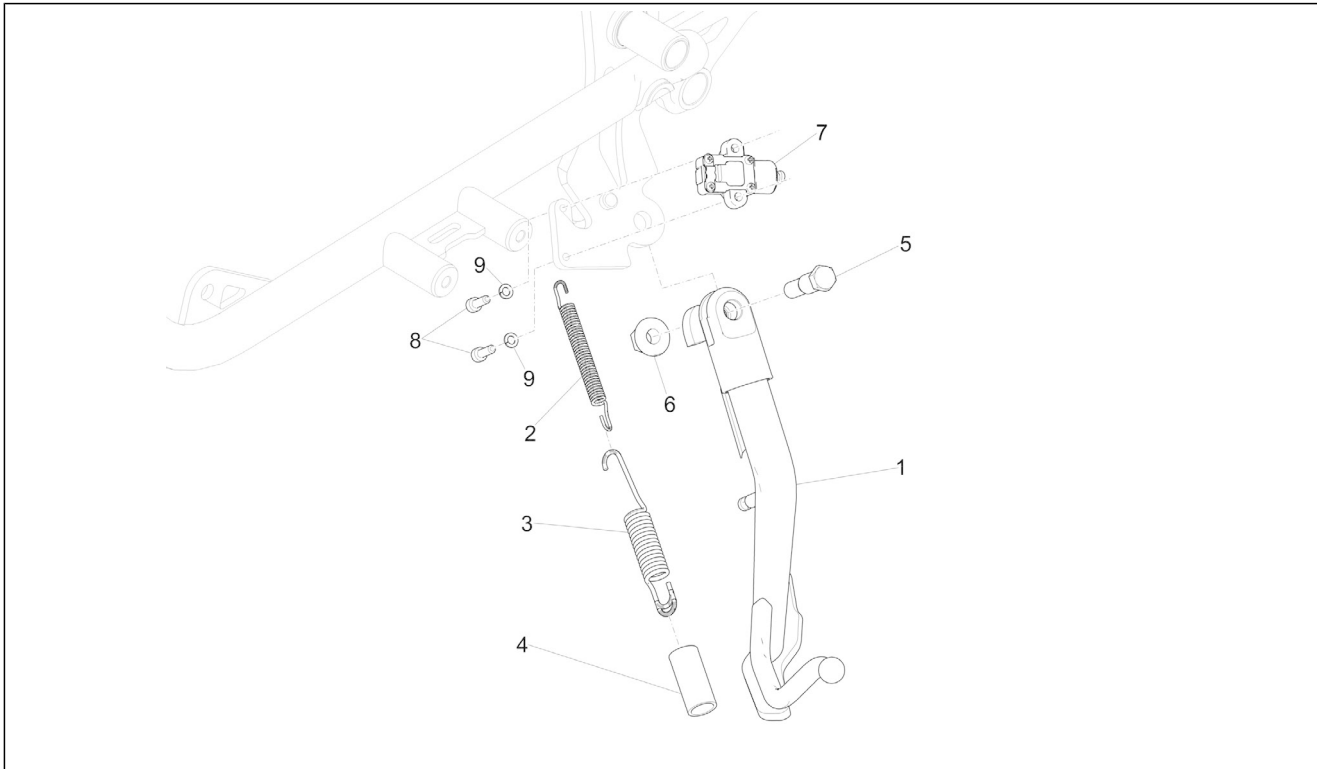
Pos.	Code	Description	Qty	Variants
1	2B001055	Frame with u.p.	1	
2	B063287	Frame union plate	1	
3	2B002325	RH cradle arm	1	
4	2B002326	LH cradle arm	1	
5	2B002810	Chassis crossbeam	1	
6	AP8102671	Plastic rivet	4	
7	2B001498	Cover	2	
8	GU98682530	Hex socket screw M10x30	4	
9	GU95008210	Washer 10,2X18X2	6	
10	AP8144071	Rubber exhaust	8	
11	AP8150018	Washer	4	
12	2B003078	Spacer	4	
13	AP8150048	Hex socket screw	2	
14	AP8120311	Rubber spacer	2	
15	2B002817	M10 pin	1	
16	2B001612	Pin M10X253	1	
17	2B001035	Pin 234X10	1	
18	GU98110199	Pin M10x205	1	
19	GU91551010	Rubber 10X20X10	2	
20	967363	Nut M8x1,25	4	
21	2B002311	Oval head torx screw M8X20	4	
22	AP8150009	Washer	4	

Group	Frame
Code	01.020
Description	Foot rests
Service	1



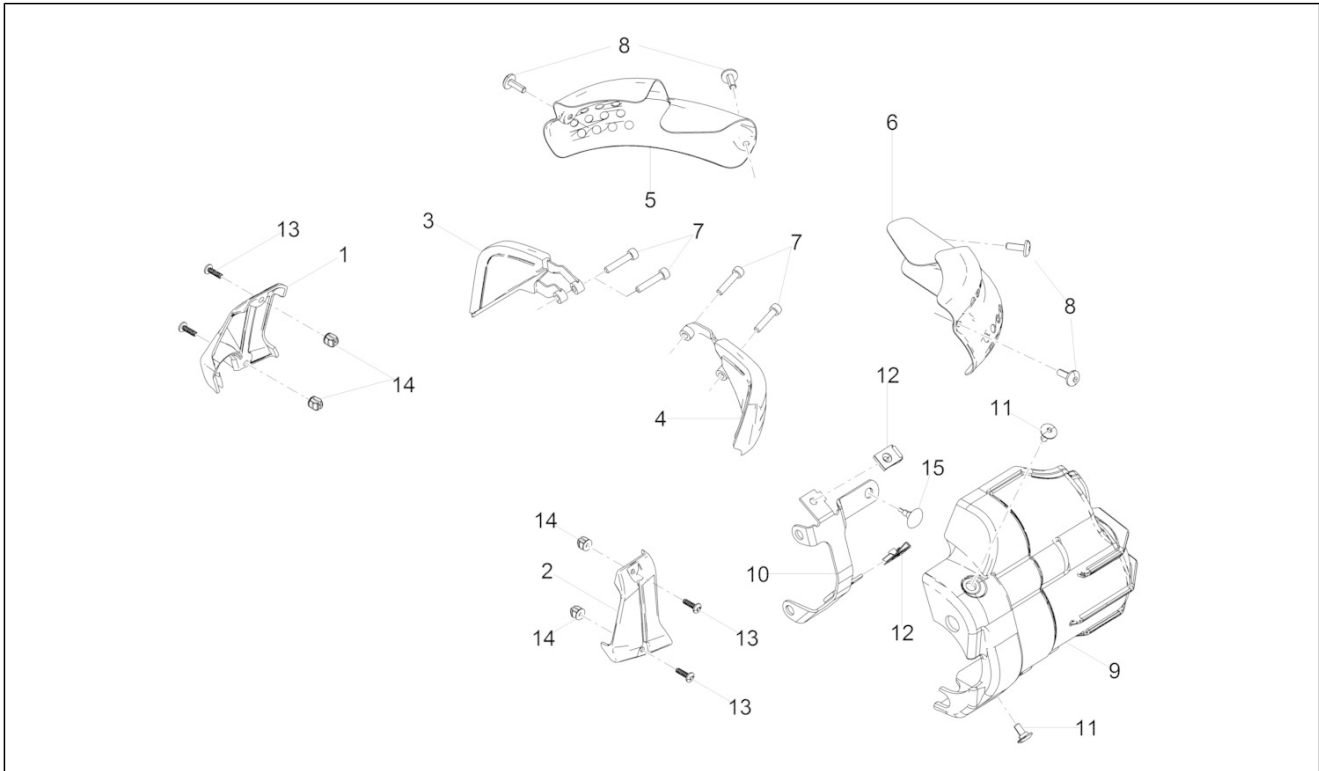
Pos.	Code	Description	Qty	Variants
1	2B002218	RH front footrest bracket	1	
2	2B002219	LH front footrest bracket	1	
3	2B003077	Right pass. footrest support	1	
4	2B003076	Left pass. footrest support	1	
5	2B002225	Footrest rubber	4	
6	AP8145034	RH Foot rests	1	
7	AP8145035	LH Foot rests	1	
8	GU32442310	Rear footrest, RH	1	
9	GU32442710	Rear footrest, LH	1	
10	GU32441210	Plate	4	
11	AP8152277	Screw w/ flange M6x12	8	
12	B063907	Footrest pin	2	
13	GU98680445	Hex socket screw	4	
14	CM228401	Footrest pin	2	
15	AP8121567	Pin	2	
16	AP8221277	Footrest return spring	2	
17	AP8120573	Stop ring	4	
18	AP8134451	Footrest plate	4	
19	AP8121133	Coil compress. spring	2	
20	AP8101861	Ball D6,35	2	
21	2B002171	Special cap screw 8x25	4	

Group	Frame
Code	01.030
Description	Central stand
Service	1



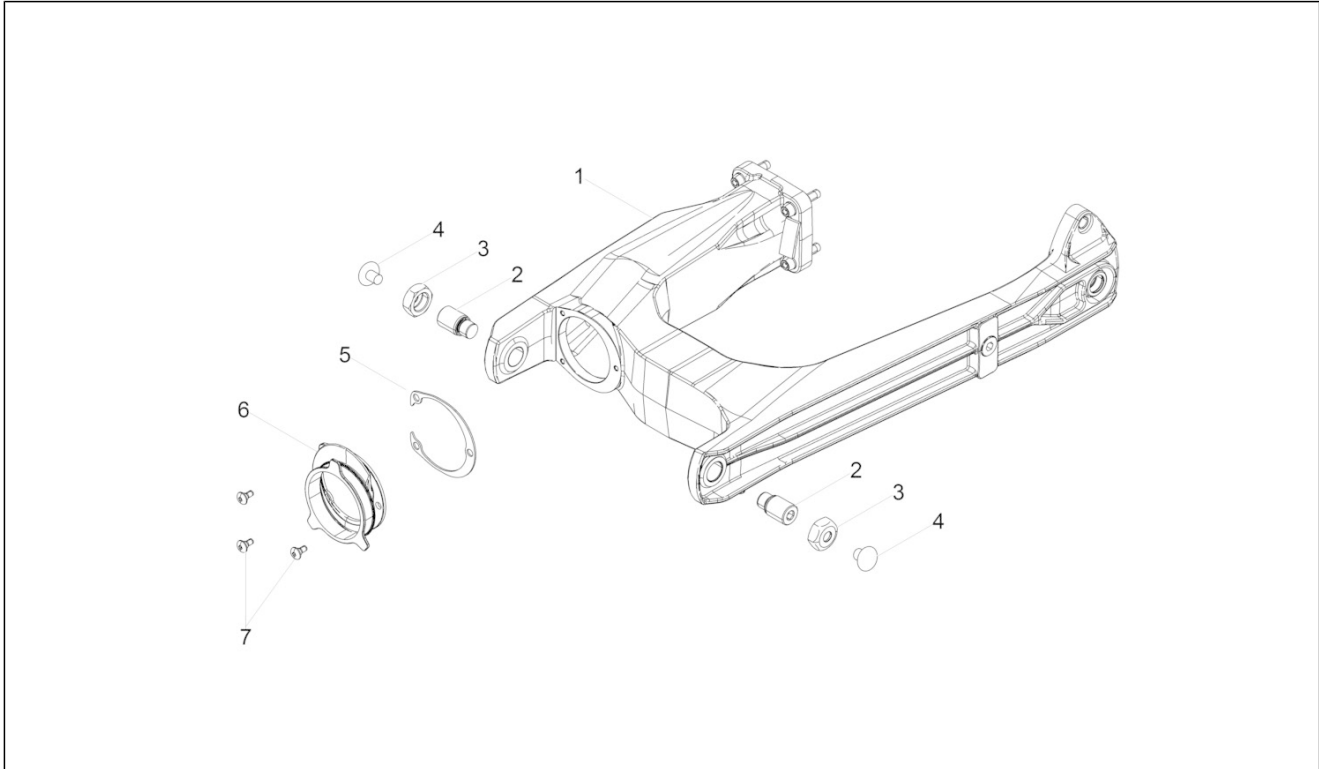
Pos.	Code	Description	Qty	Variants
1	2B002705	Lateral stand	1	
2	AP8221197	Lateral stand spring	1	
3	AP8121014	Coil pull spring	1	
4	AP8102524	Stand spring protection	1	
5	2B001088	Stand pin	1	
6	967356	Flanged nut M10x1,25	1	
7	AP8127856	Lateral stand switch	1	
8	1C001499	TBEI TORX screw M5x16 INOX	2	
9	GU95020105	Washer 5,3x8,9x2,4	2	

Group	Frame
Code	01.040
Description	Protection
Service	1



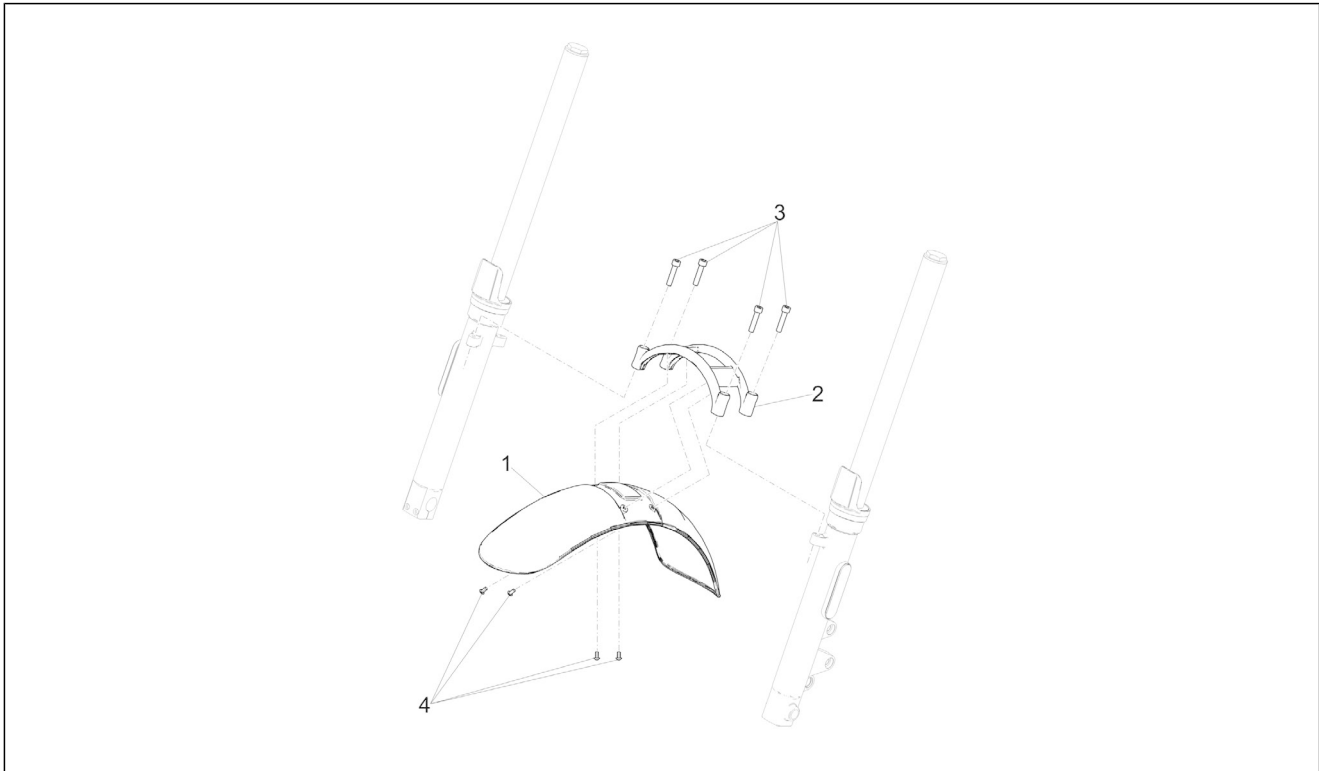
Pos.	Code	Description	Qty	Variants
1	2B002799	RH frame protection	1	
2	2B002378	LH frame protection	1	
3	2B003102	Right kneepad protection	1	
4	2B003103	Left kneepad protection	1	
5	2B002622	Right injector covers	1	
6	2B002621	Left injector covers	1	
7	GU98620330	screw	4	
8	976614	Hex socket screw M5x15	4	
9	2B002943	Starter motor cover	1	
10	2B002937	Cover support bracket	1	
11	AP8150500	Hex socket screw M5x9	2	
12	248419	Spring plate m5	2	
13	AP8150413	Self-tap screw 3,9x14	1	
14	AP8102671	Plastic rivet	2	
15	AP8120001	Rubber spacer	1	

Group	Frame
Code	01.050
Description	Swing arm
Service	1



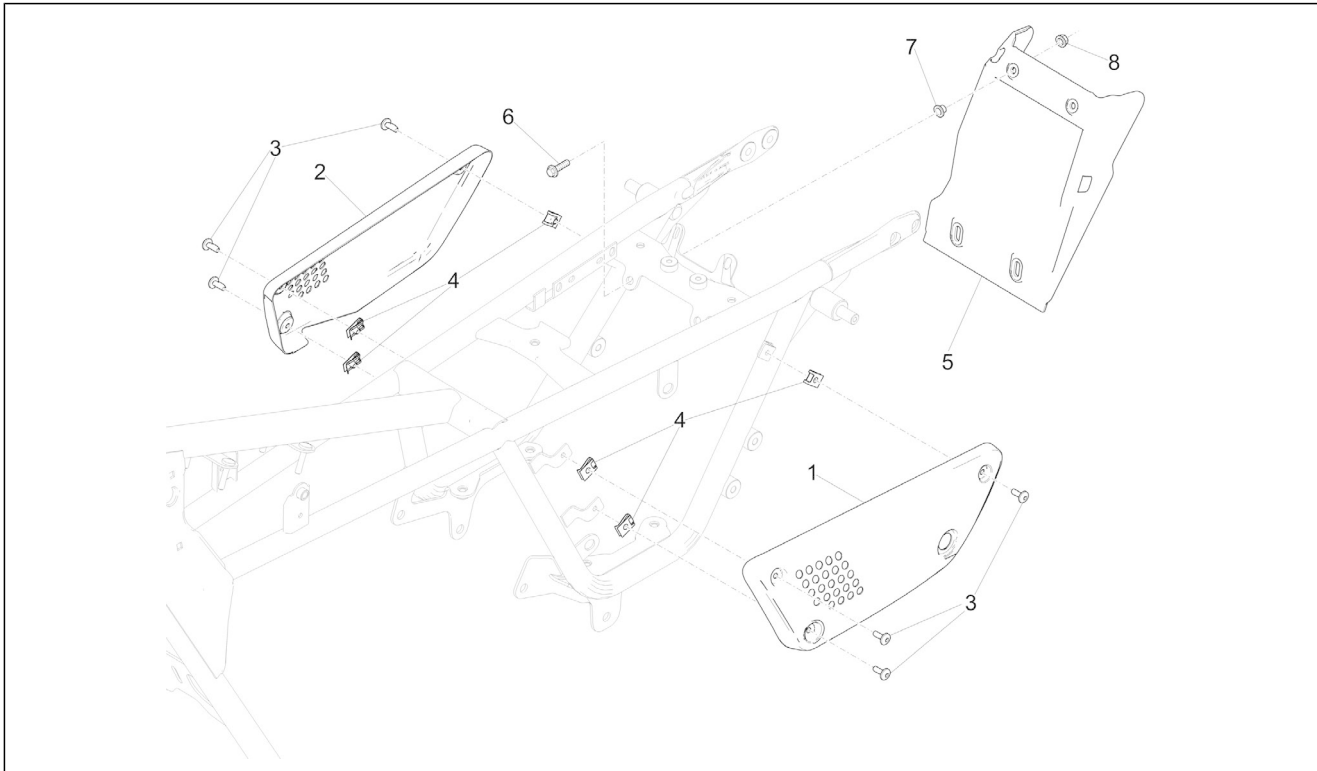
Pos.	Code	Description	Qty	Variants
1	2B001301	Swing arm	1	
2	GU19547000	Pin	2	
3	GU31547882	Nut	2	
4	GU93180105	Cover	2	
5	2B003212	Fixing plate	1	
6	2B002205	Rubber bellows	1	
7	B014598	Torx Screw M5x12	3	

Group	Body
Code	02.030
Description	Front mudguard-Pillar
Service	1



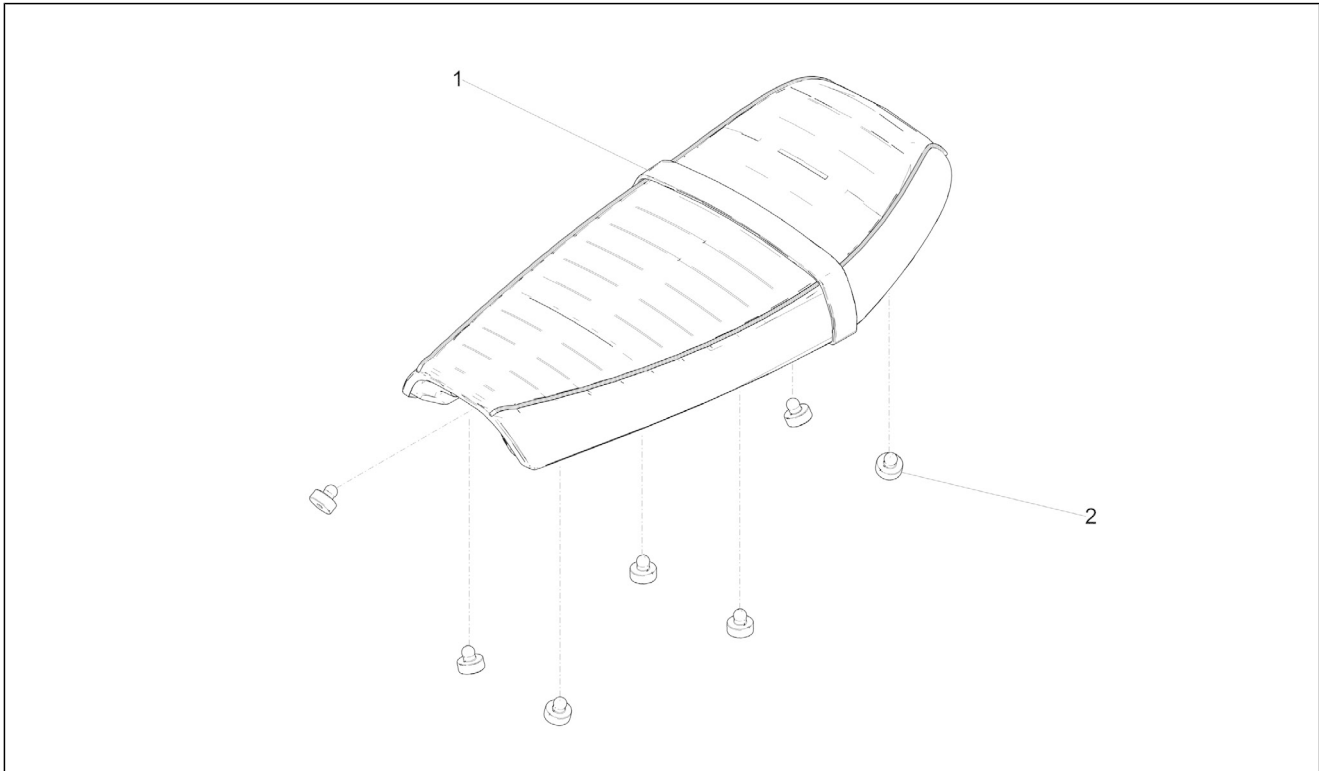
Pos.	Code	Description	Qty	Variants
1	2B001141	Front mudguard	1	
1	2H001434000NI	Front mudguard, black	1	Year: Vehicle colour: Opaque Competition Black[NC] Country:
1	2H001477000EQ	Front mudguard, grey	1	Year: Vehicle colour: Grigio Blade opaco[GB] Country:
2	2B001147	Mudguard support	1	
3	GU98690445	screw M8x45	4	
4	AP8150538	Hex socket screw M5x10	4	

Group	Body
Code	02.100
Description	Central body
Service	1



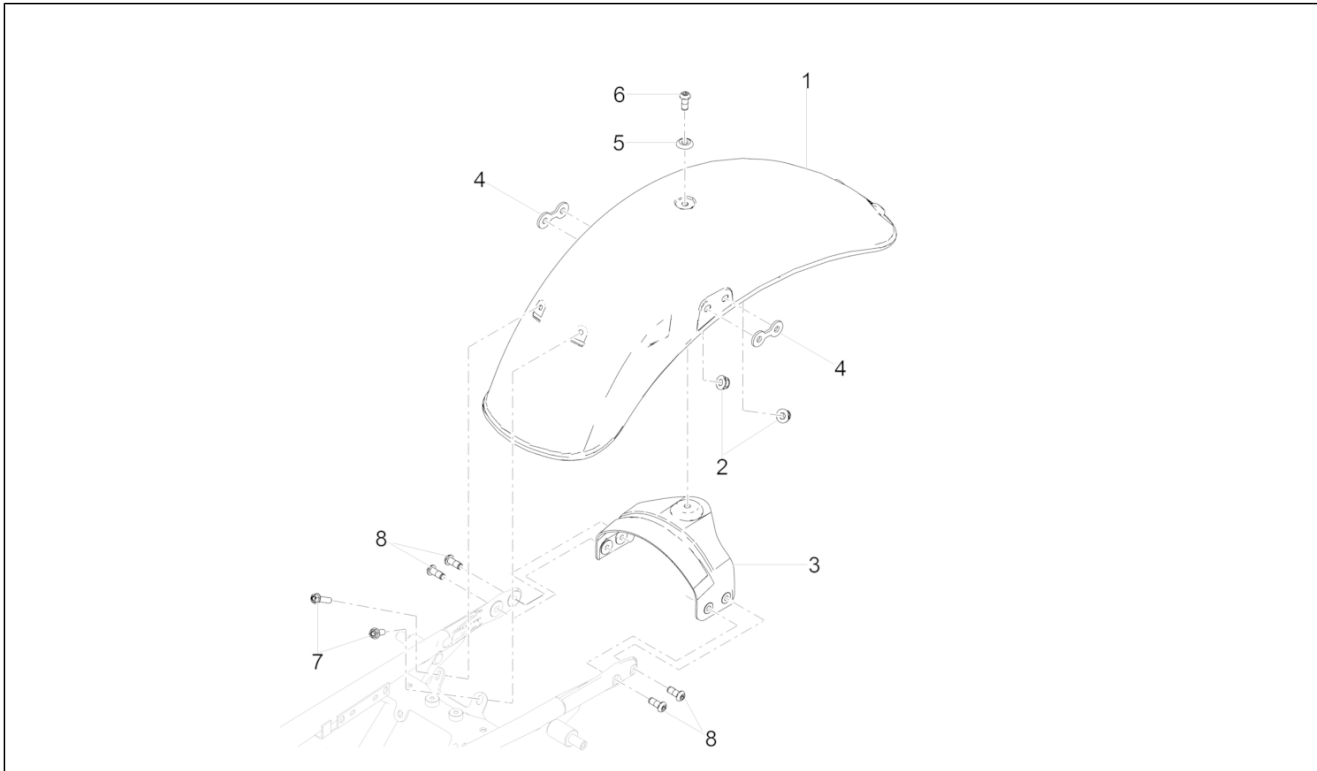
Pos.	Code	Description	Qty	Variants
1	2B001619	LH side panel	1	
2	2B001618	RH side panel	1	
3	976614	Hex socket screw M5x15	6	
4	AP8102375	Clip m5	6	
5	2B001783	Rear splash guard	1	
6	598839	Screw w/ flange	2	
7	AP8121032	Bush	2	
8	AP8152299	Self-locking nut M6	2	

Group	Body
Code	02.120
Description	Saddle
Service	1



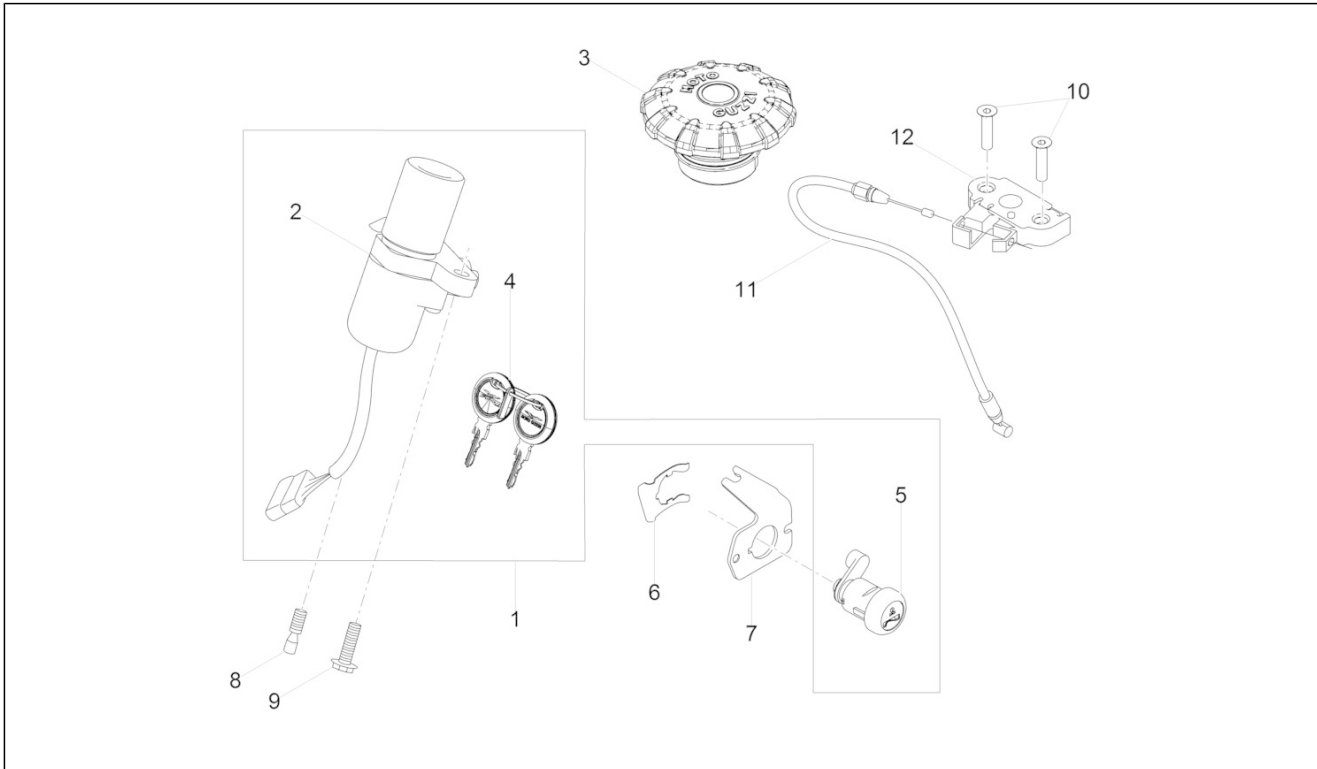
Pos.	Code	Description	Qty	Variants
1	2B002502000C1	Saddle with belt	1	
2	B064023	Saddle rubber	7	

Group	Body
Code	02.150
Description	Rear mudguard
Service	1



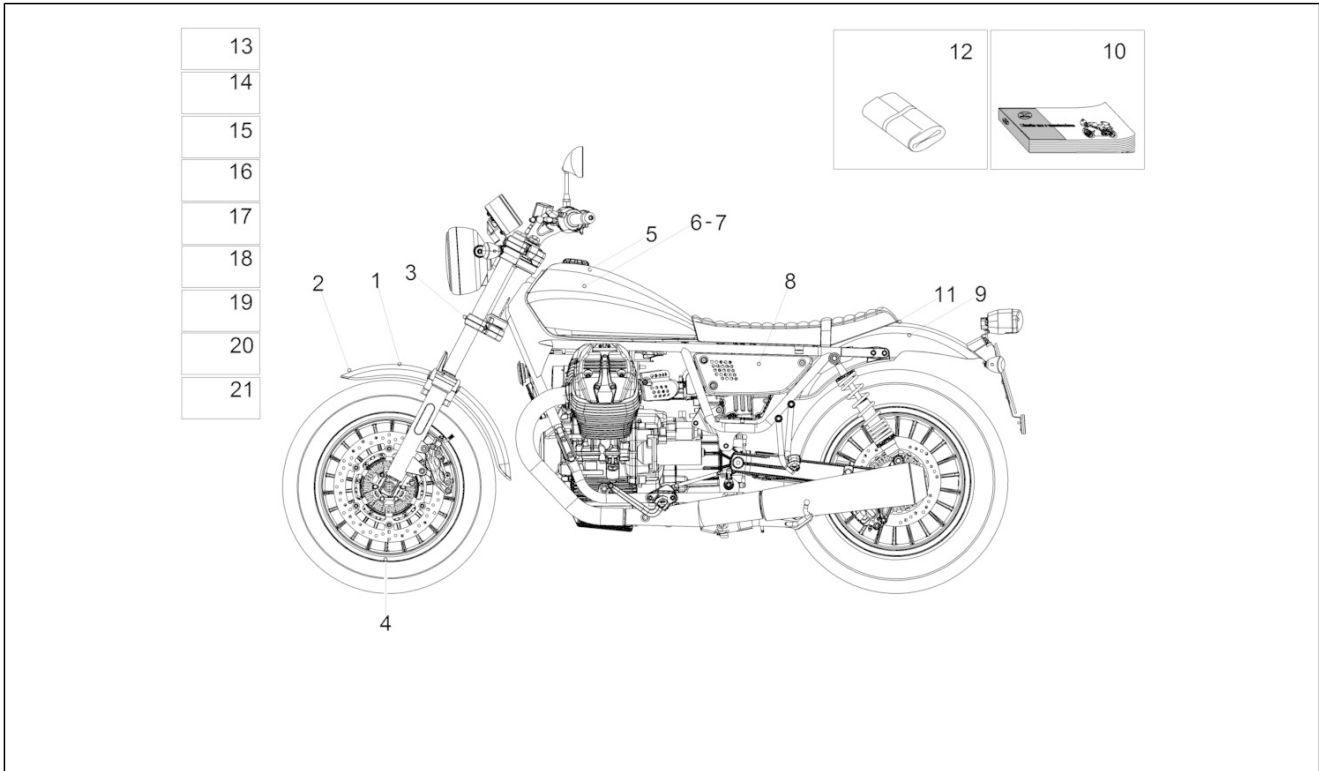
Pos.	Code	Description	Qty	Variants
1	2B002537	Parafango posteriore Bobber	1	Year: Vehicle colour: Blank[GR] Country:
1	2H001466000NI	Parafango post. nero competition	1	Year: Vehicle colour: Opaque Competition Black[NC] Country: Technical specification: Decal[D]
1	2H001478000NI	Rear mudguard, black	1	Year: Vehicle colour: Grigio Blade opaco[GB] Country: Technical specification: Decal[D]
2	AP8152299	Self-locking nut M6	2	
3	2B002386	Rear mudguard support	1	
4	2B002317	Spacer	2	
5	2B002321	Bushing for screw	1	
6	2B003089	Vite TCC TORX M8x16	1	
7	AP8152273	Screw w/ flange M5x15	2	
8	2B002311	Oval head torx screw M8X20	4	

Group	Body
Code	02.170
Description	Locks
Service	1



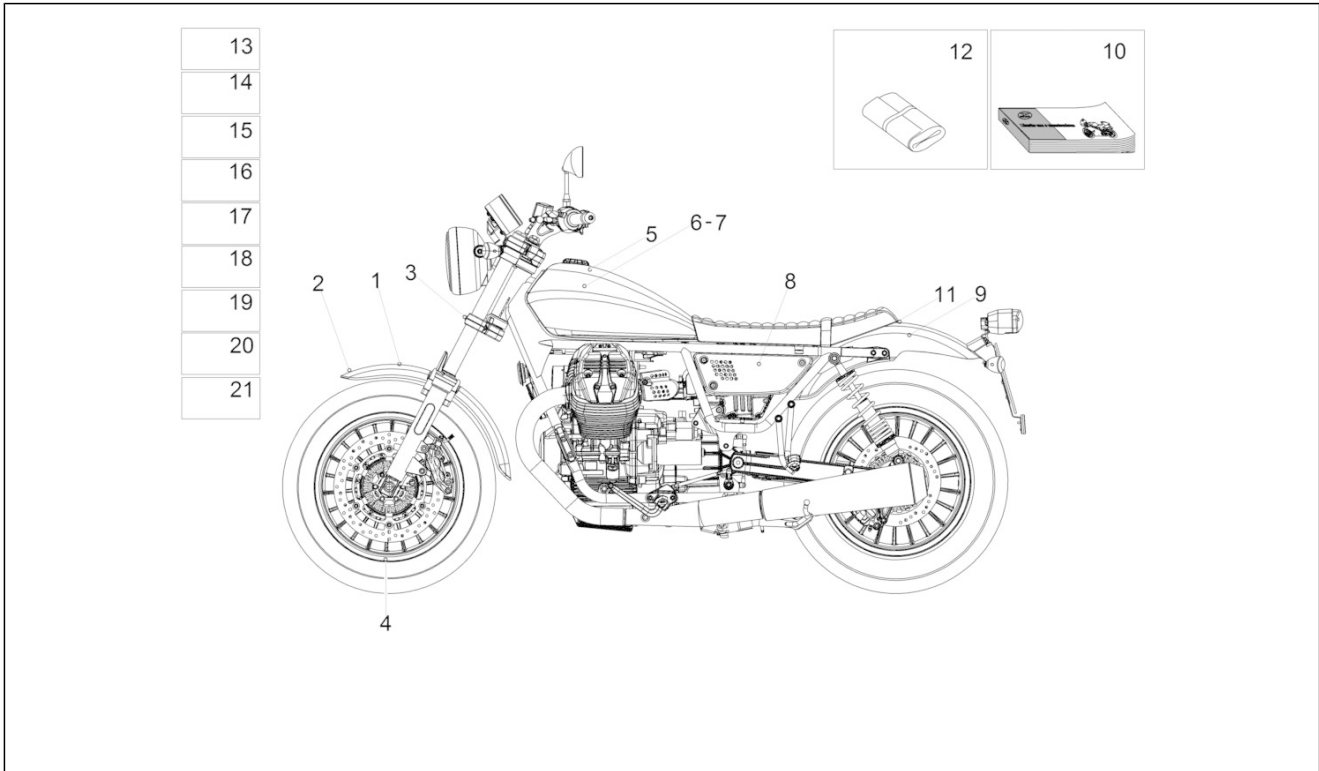
Pos.	Code	Description	Qty	Variants
1	2B002940	Lock kit	1	
2	2D000299	Key switch	1	
3	2B002043	Fuel filler cap	1	
4	2D000004	Key with simple transponder	1	
5	977527	Locking complete with keys	1	
6	AP8121420	Fork spring	1	
7	978415	Cable fixing plate	1	
8	AP8150349	Special screw M8x15	1	
9	319165	screw	1	
10	AP8702101	Screw M6x25	2	
11	2B002936	Saddle transmission	1	
12	AP8102913	Pass.saddle connecting plate	1	

Group	Body
Code	02.190
Description	Decal
Service	1



Pos.	Code	Description	Qty	Variants
1	2H001469	Decalco scacchi	1	Year: Vehicle colour:Opaque Competition Black[NC] Country:
1	2H001482	Decalco scacchi	1	Year: Vehicle colour:Grigio Blade opaco[GB] Country:
2	2H001260	"Aquila" decal	1	
3	2H001445	Name plate "Moto Guzzi"	1	
4	2H001443	Decal "Moto Guzzi"	2	
5	2H001439	Fuel tank decal	1	Year: Vehicle colour:Opaque Competition Black[NC] Country:
5	2H001480	Fuel tank decal	1	Year: Vehicle colour:Grigio Blade opaco[GB] Country:
6	2H001467	Name plate "Aquila" DX	1	
7	2H001468	Name plate "Aquila" SX	1	
8	2H001442	Name plate "V9 Bobber" DX-SX	2	
8	2H001481	Name plate "V9 Bobber" DX-SX	2	
9	2H001470	Decalco scacchi	1	Year: Vehicle colour:Opaque Competition Black[NC] Country:
9	2H001483	Decalco scacchi	1	Year: Vehicle colour:Grigio Blade opaco[GB] Country:
10	2Q000111	Op's handbook I-D-F-E-UK-NL EN-US-FR-ES-IT	1	
11	GU32944310	Guard decal	1	Vehicle colour:Grigio Blade opaco[GB], Opaque Competition Black[NC]
12	887443	Toolkit	1	
13	AP8257794	Battery decal	1	
14	AP8157100	Decal Shock Adsorber	1	

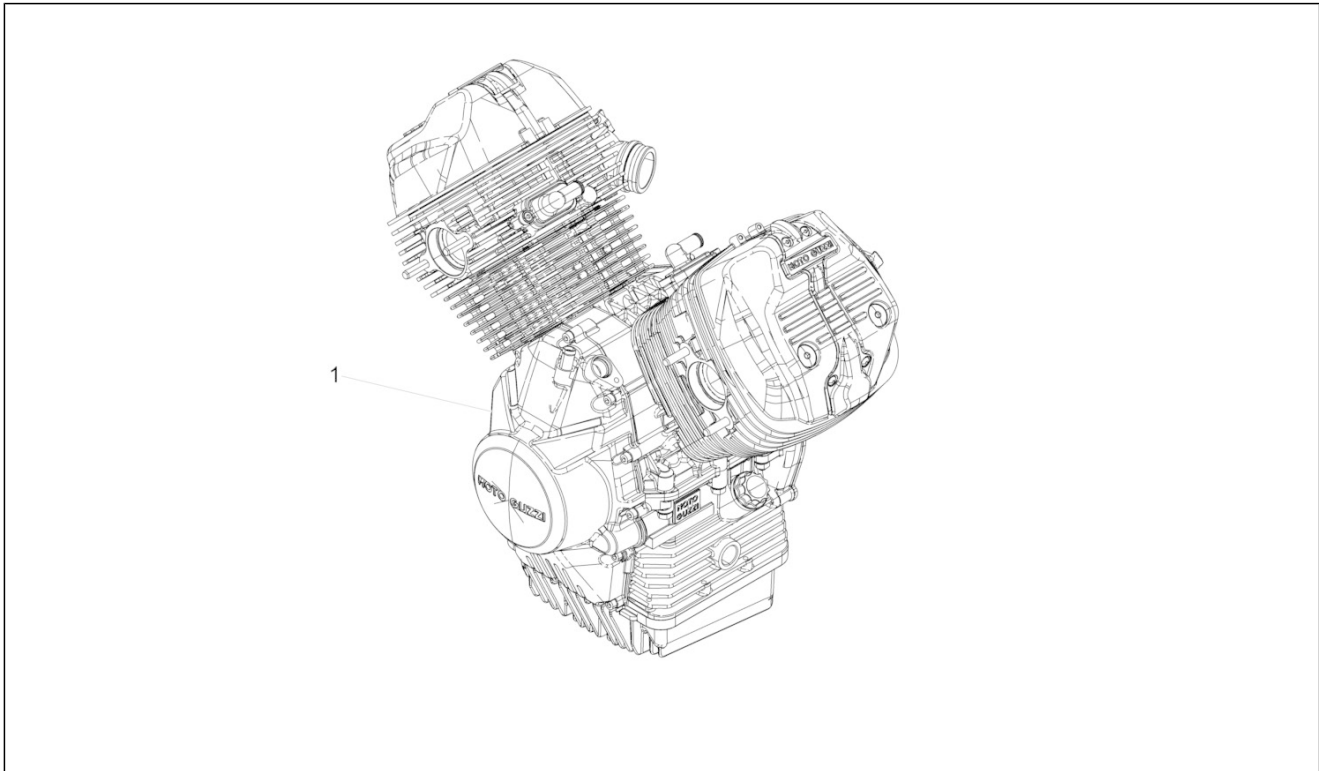
Group	Body
Code	02.190
Description	Decal
Service	1



Pos.	Code	Description	Qty	Variants
15	AP8257609	Mirror decal	1	
16	AP8257742	Keys warning decal	1	
17	2G000158	Tyre pressure decal	1	
18	2G000157	Noise emission sticker	1	
19	2G000160	Carbon filter sticker	1	
20	B045974	Fuel decal E15	1	
21	2G000159	Emission control sticker	1	

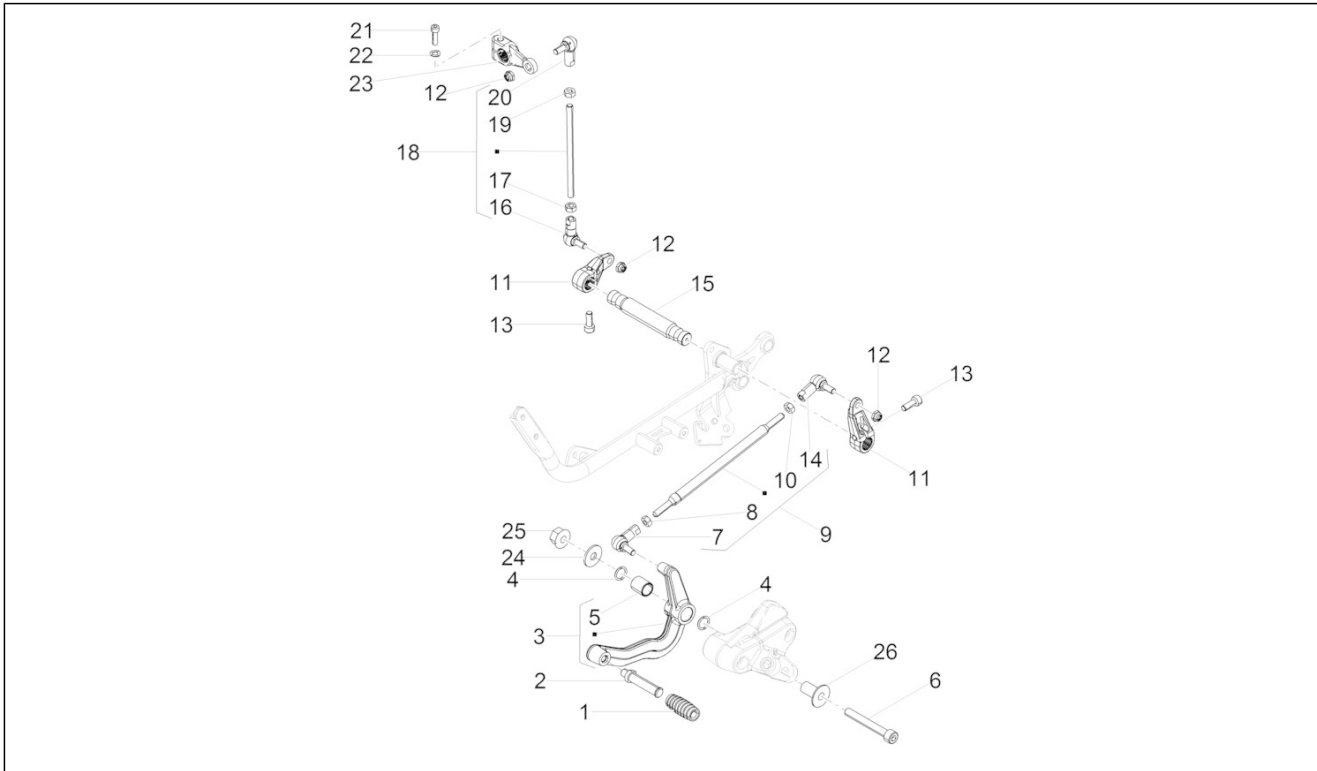


Group	Engine
Code	03.010
Description	Engine-Completing part-Lever
Service	1



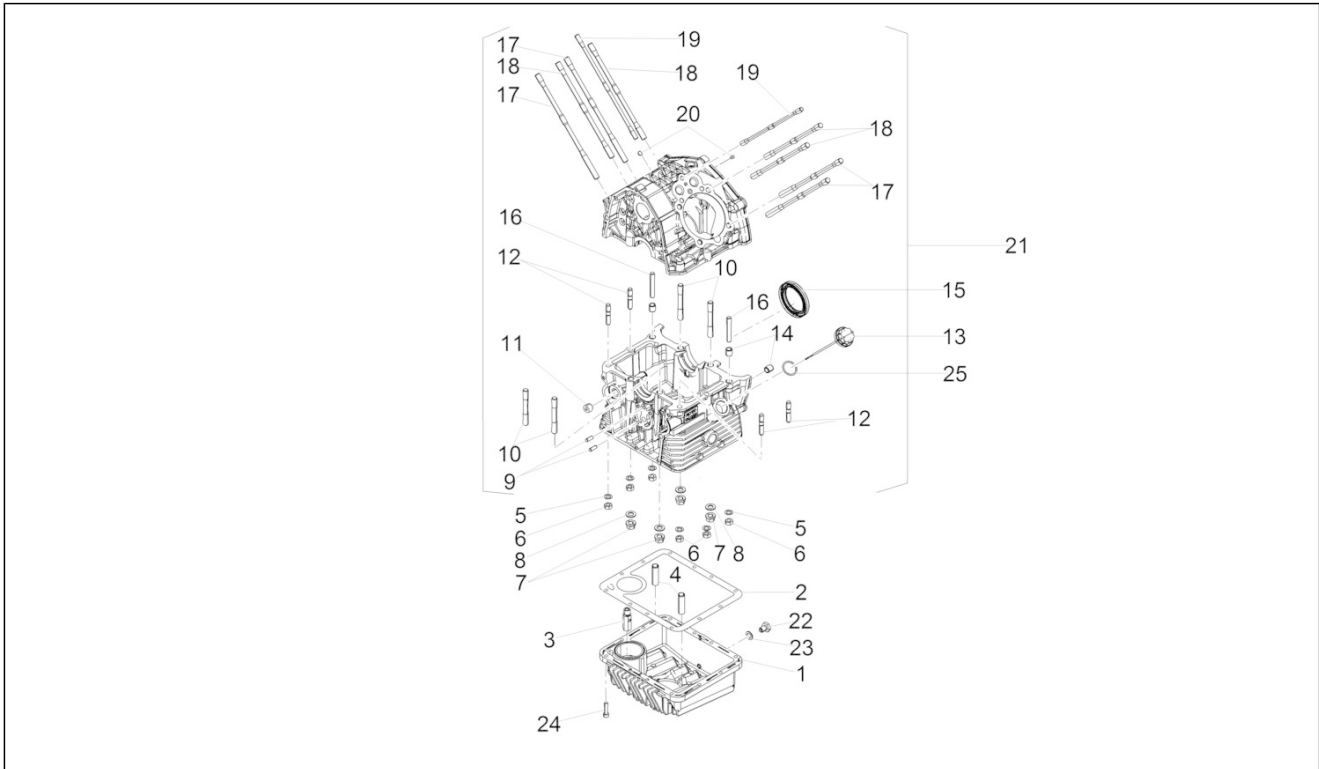
Pos.	Code	Description	Qty	Variants
1	1A0066355	Engine assy w/hout transm.	1	

Group	Engine
Code	03.020
Description	Gear lever
Service	1



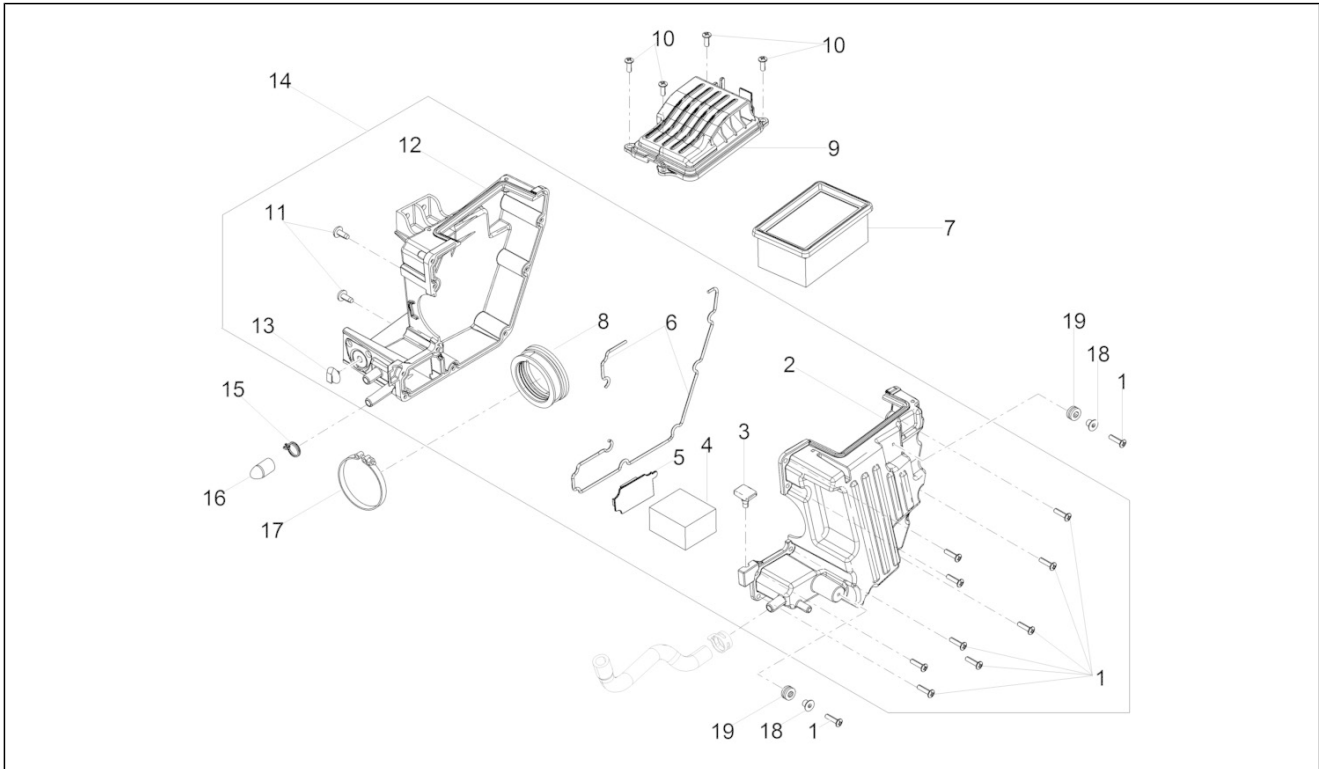
Pos.	Code	Description	Qty	Variants
1	AP8120912	Lever rubber	1	
2	887908	Rubber pedal	1	
3	2B002369	Complete gearchange lever	1	
4	AP8144007	O-ring 11,11x1,78	2	
5	895328	Sintered bushing	1	
6	GU98680460	Hex socket screw M8x60	1	
7	898397	Left ball joint M6	1	
8	GU92606206	Nut	1	
9	2B002680	Gear control tie rod cpl	1	
10	GU31256881	LH thread nut M6	1	
11	898283	Gear change lever	2	
12	AP8150115	Low self-locking nut M6	2	
13	GU98692318	Hex socket screw	2	
14	898396	RH ball joint M6	1	
15	2B001009	Lever pin	1	
16	AP8110053	Left ball joint M6	1	
17	AP8152138	Nut	1	
18	2B001941	Gear control tie rod	1	
19	AP8150026	Nut M6	1	
20	AP8210007	RH ball joint M6	1	
21	GU98632322	screw	1	
22	GU03013800	Washer 6,4x12	1	
23	GU20258221	Shift lever	1	
24	AP8150018	Washer	1	
25	967363	Nut M8x1,25	1	
26	AP8121509	Bush	1	

Group	Engine
Code	03.030
Description	Crankcases I
Service	1



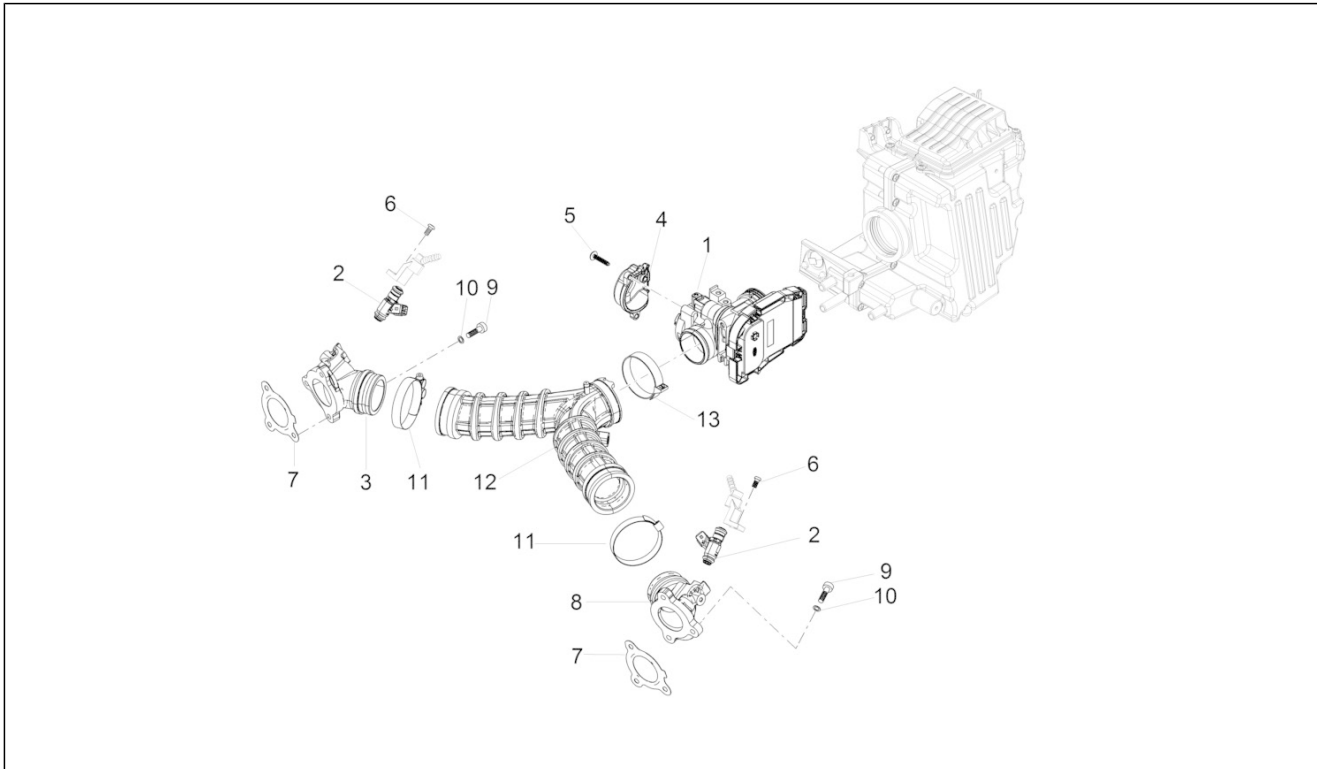
Pos.	Code	Description	Qty	Variants
1	1A004550	Pan oil	1	
2	1A005211	Sump gasket	1	
3	GU19003800	Joint	1	
4	1A006047	Hose union	2	
5	658837	Crinkle washer D15 F8,4 S1,5 - INOX	6	
6	GU92606208	Nut M8x1,25	6	
7	1A006656	Flanged nut M10x1	4	
8	1A006655	Flat washer	4	
9	GU19018920	Pin	2	
10	1A004530	Stud bolt	4	
11	831135	Plug M14x1,5	1	
12	GU96451430	Stud bolt	4	
13	883826	Oil load plug	1	
14	GU19015020	Bushing	2	
15	886365	Gasket ring	1	
16	GU96508055	Stud bolt	2	
17	1A006283	Long head stud bolt	4	
18	1A006284	Short head stud bolt	4	
19	1A006860	Central head stud bolt	2	
20	484993	Locating dowel	2	
21	1A0052625	Coupled crankcase	1	
22	GU31003766	Oil unload plug M10x1	1	
23	GU10528900	Gasket	1	
24	GU98682325	Hex socket screw M6x25	12	
25	GU90706281	O-ring 28,24x2,62	1	

Group	Engine
Code	03.050
Description	Air box
Service	1



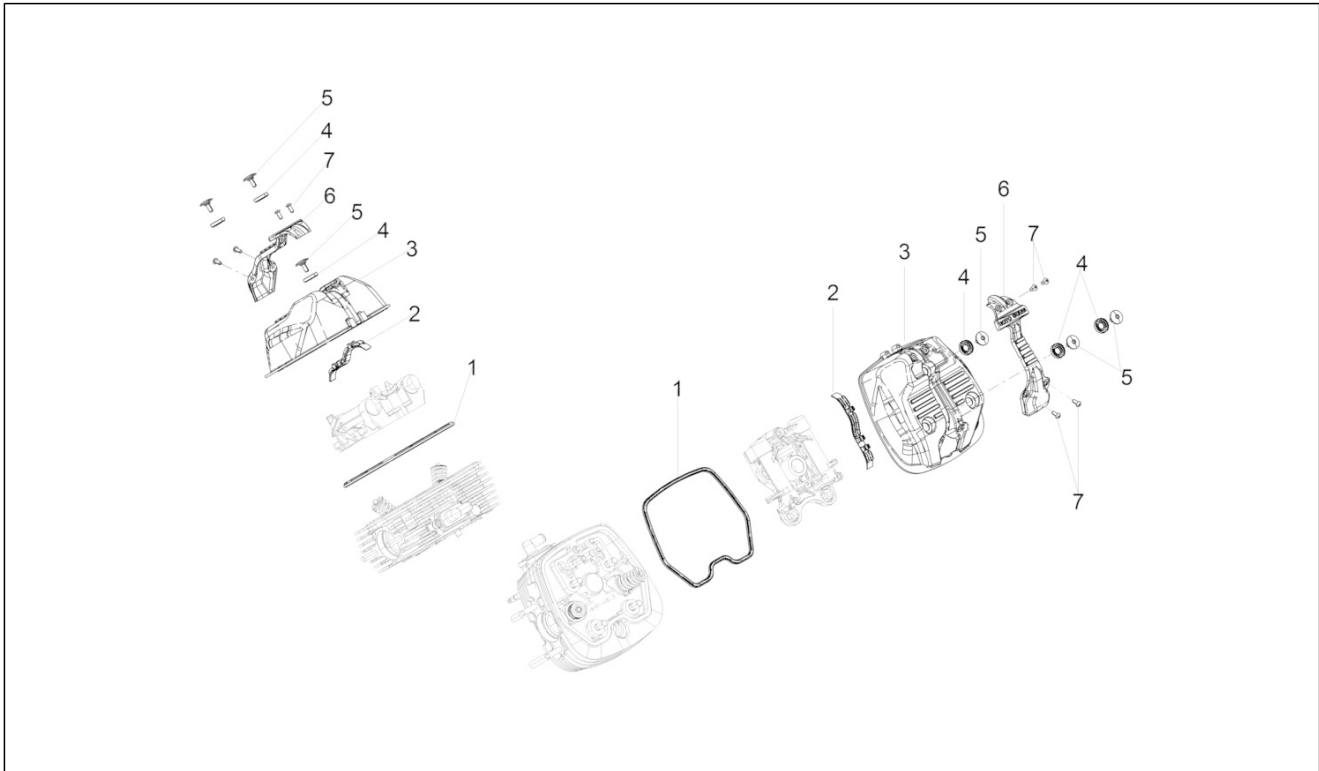
Pos.	Code	Description	Qty	Variants
1	AP8152329	Phillips screw, SWP M5x20	9	
2	2B002832	LH filter housing cover	1	
3	AP8120455	Rubber spacer	1	
4	AP8104525	Filter blow-by	2	
5	2B002851	Diaphragm	1	
6	AP8120615	Gasket D3	1	
7	AP8104924	Air filter	1	
8	887815	Intake hose	1	
9	887843	Air filter cover	1	
10	AP8150509	Self-tap screw 5x14	4	
11	AP8120876	Plug	2	
12	887844	Filter box right shell	1	
13	890760	Instrument support	1	
14	2B002959	Filter box	1	
15	AP8102520	Hose clamp	2	
16	AP8161054	Cap	2	
17	CM258303	Hose clamp 63	1	
18	AP8221023	T bush	2	
19	GU91551010	Rubber 10X20X10	2	

Group	Engine
Code	03.060
Description	Throttle body
Service	1



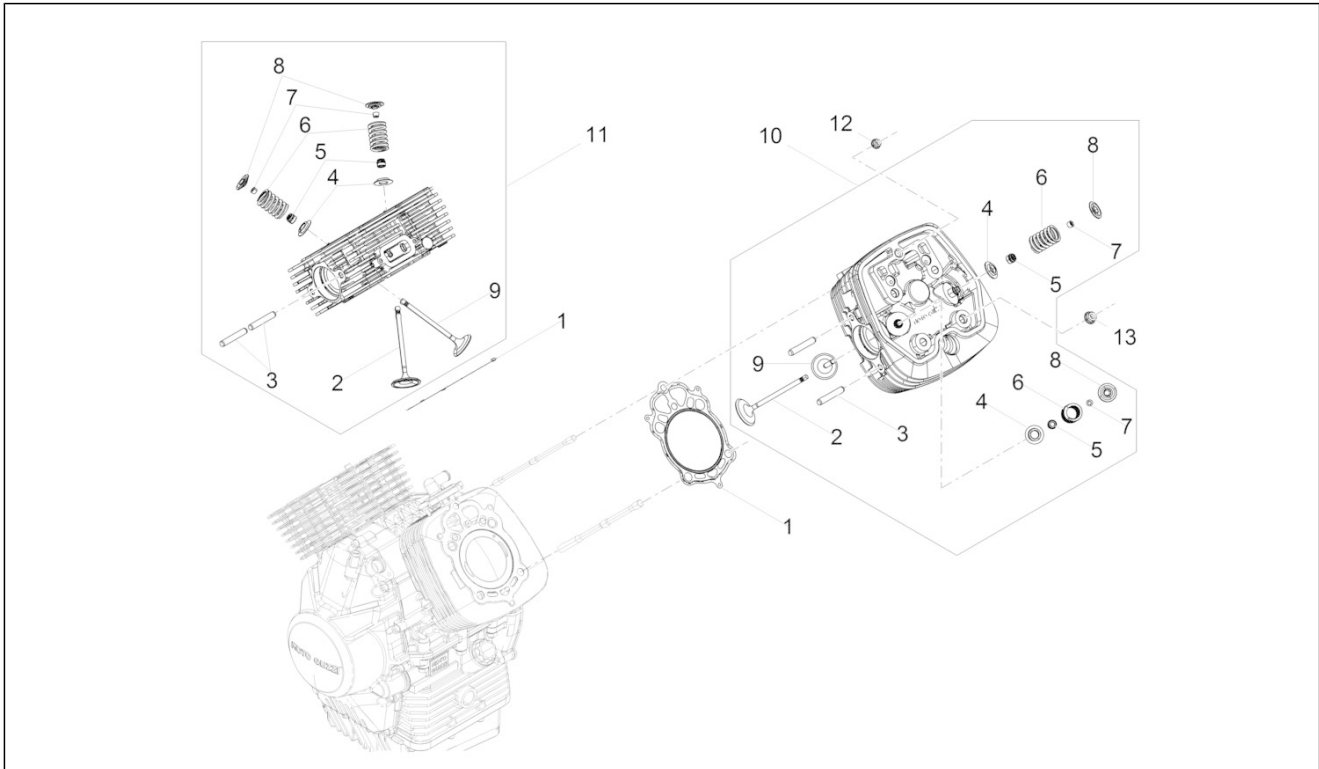
Pos.	Code	Description	Qty	Variants
1	CM275402	Throttle body with ECU (MIU)	1	
2	1D001393	Injector	2	
3	2A000609	RH union	1	
4	880260	Throttle body Protection	1	
5	B016796	Torx convex big end screw	3	
6	AP8150500	Hex socket screw M5x9	2	
7	2A000612	Induction joint gasket	2	
8	2A000608	LH union	1	
9	GU98622322	screw	6	
10	GU03013800	Washer 6,4x12	6	
11	884310	Hose clamp D.55	2	
12	2B001823	Throttle body hose	1	
13	CM258301	Hose clamp	1	

Group	Engine
Code	03.090
Description	Head cover
Service	1



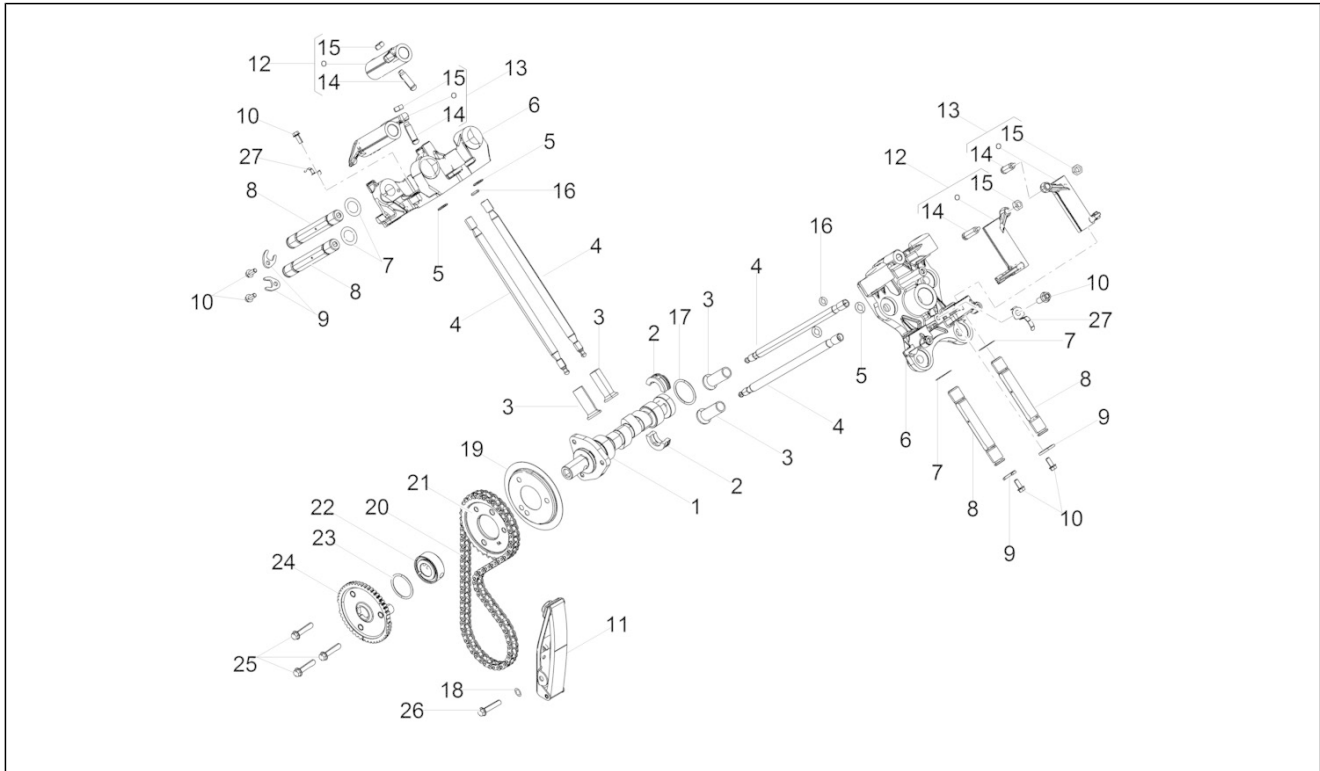
Pos.	Code	Description	Qty	Variants
1	2A000565	Head cover gasket	2	
2	2A000659	Fairlead	2	
3	2A000339	Head cover	2	
4	1A006716	Damper drift	6	
5	976591	Special screw	6	
6	2A000620	Spark plug cover	2	
7	AP8152267	Hex socket screw M5x12	8	

Group	Engine
Code	03.100
Description	Cylinder head - valves
Service	1



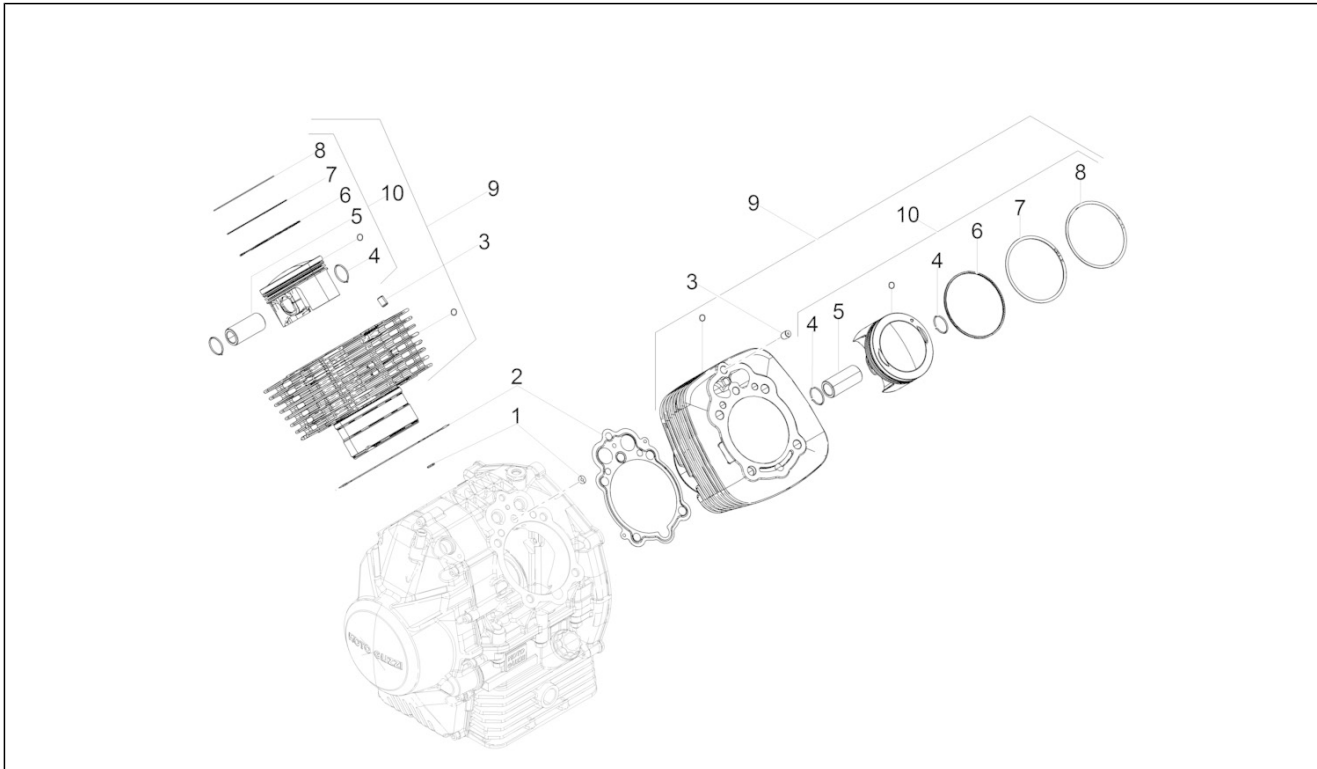
Pos.	Code	Description	Qty	Variants
1	1A004660	Cylinder/head gasket sp. 0,6 mm	0.66	
1	1A004661	Cylinder/head gasket SP. 0.8 mm	0.66	
1	1A004662	Cylinder/head gasket SP. 10 mm	1	
2	1A005424	Valve, in	1	
3	B017636	Exhaust pipe stud bolt	2	
4	1A004751	Lower cap	4	
5	1A003452	Valve gasket ring	2	
6	1A004752	Return spring	2	
7	871640	Half-cone	8	
8	1A004750	Upper cap	4	
9	1A005425	Exhaust valve	1	
10	1A0068695	LH head assy with valve	1	
11	1A0068705	RH head assy w/h valve	1	
12	1A006659	Flanged nut M8x1.25	1	
13	825694	Nut M10x1,25	1	

Group	Engine
Code	03.120
Description	Timing system
Service	1



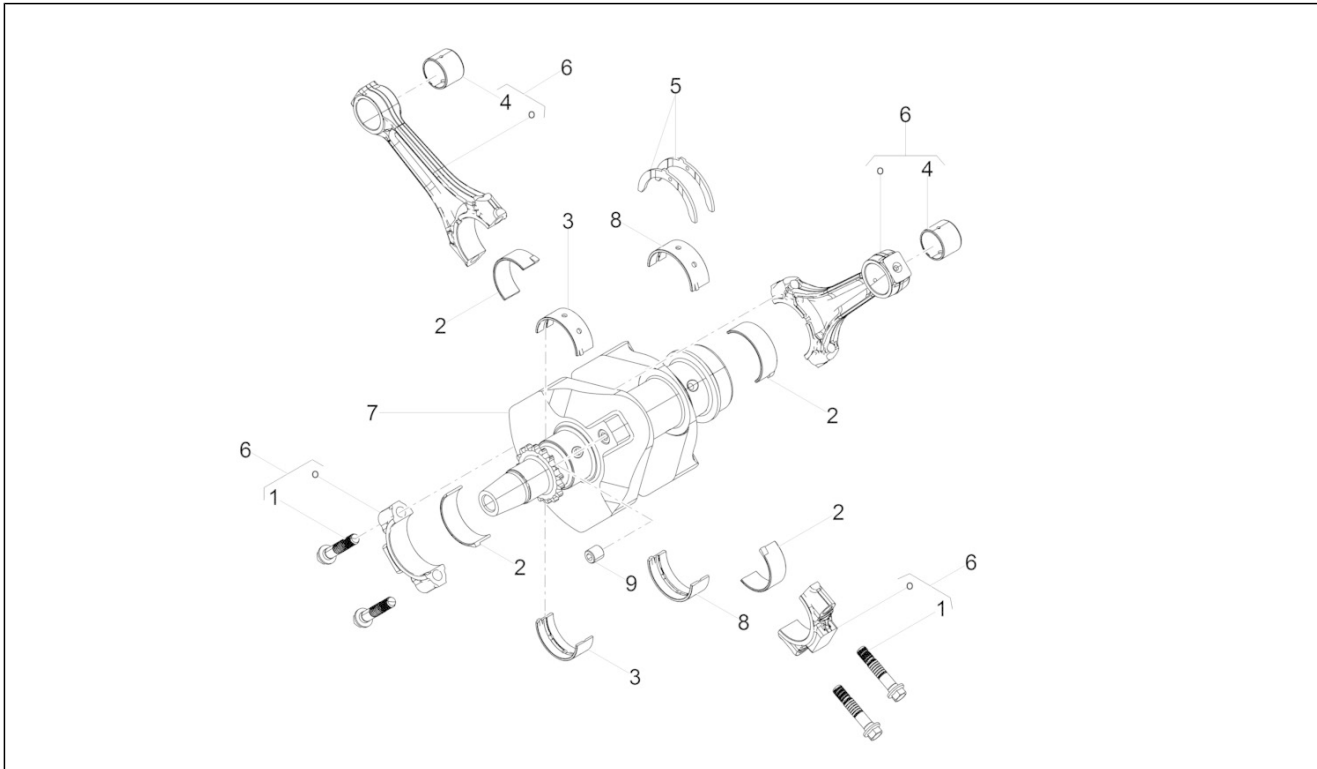
Pos.	Code	Description	Qty	Variants
1	1A005712	Camshaft	1	
2	GU19055700	Sector	2	
3	GU19045861	Tappet	4	
4	2A000496	Rocker arm rod	4	
5	2A000579	O-Ring seal ring 2,62x9.19	4	
6	2A0003535	Rocker arm support	2	
7	1A005951	Curved spring washer	4	
8	2A000528	Rocker shaft	4	
9	2A000521	Fork	4	
10	AP8152272	Screw w/ flange M5x12	4	
11	GU19058220	Chain stretching drive	1	
12	1A004905	Left exhaust right intake rocker	2	
13	1A004903	Right exhaust left intake rocker	2	
14	1A004907	Adjuster screw	2	
15	GU10034100	Nut	2	
16	1A006861	Gasket ring	2	
17	GU90353029	Snap ring	1	
18	GU95129115	Washer	1	
19	1A005955	Plate	2	
20	GU19058021	Camshaft chain	1	
21	1A006243	Timing system gear	1	
22	1A006119	Spacer	1	
23	1A006127	Oring	1	
24	1A0057145	Phonic wheel	0	
25	1A005016	Screw w/ flange	3	
26	GU98882316	screw	1	
27	2A000527	Plate	2	

Group	Engine
Code	03.150
Description	Cylinder - Piston
Service	1



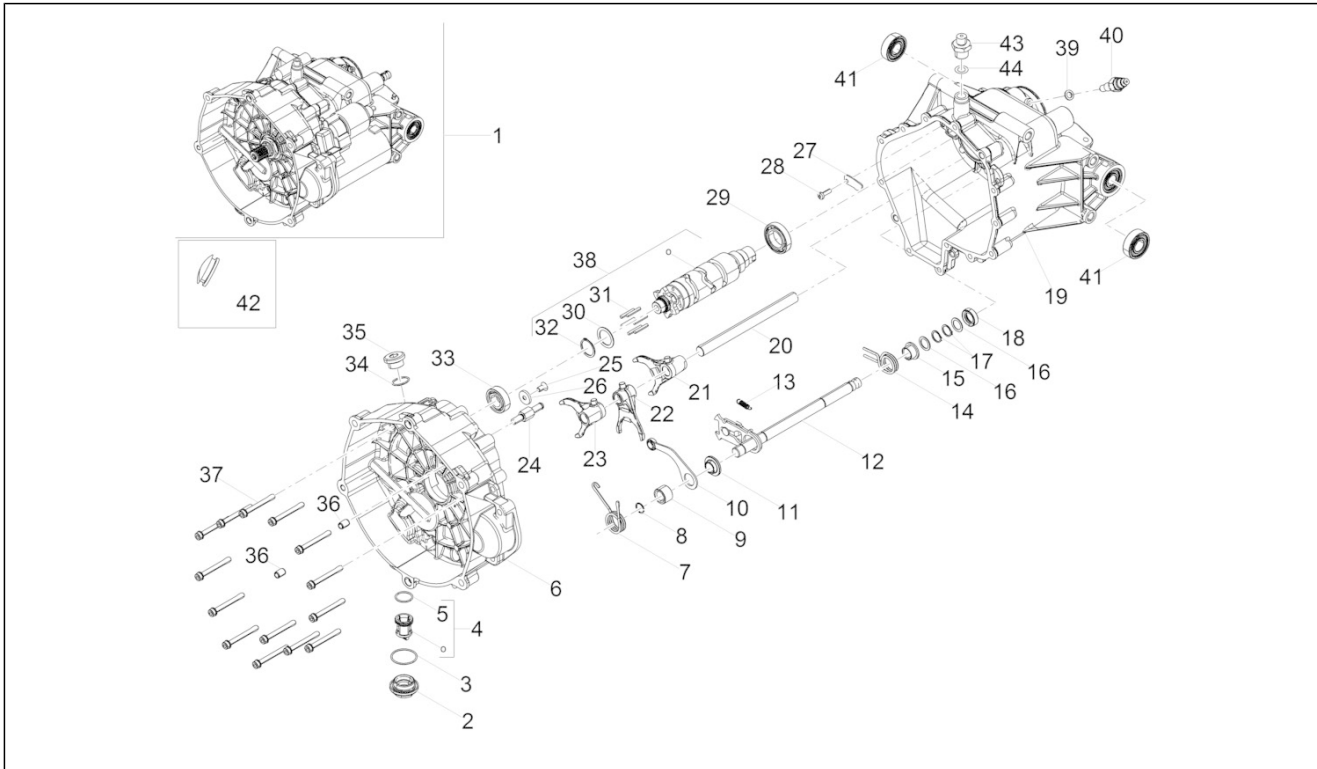
Pos.	Code	Description	Qty	Variants
1	GU61027200	O-ring	2	
2	1A007070	Crankcase/cylinder gasket	2	
3	GU19021360	Bushing	2	
4	874567	Stop ring	4	
5	1A004956	Piston pin	2	
6	1A004955	Oil scraper ring	2	
7	1A004954	Compression ring	2	
8	1A004953	Compression ring	2	
9	1A007111	Cylinder with piston	1	
10	1A006272AA	Pistone cpl. selezione "G"	1	
10	1A006272BB	Pistone cpl. selezione "H"	1	
10	1A006272CC	Pistone cpl. selezione "L"	1	
10	1A006272DD	Pistone cpl. selezione "M"	1	

Group	Engine
Code	03.160
Description	Drive shaft
Service	1



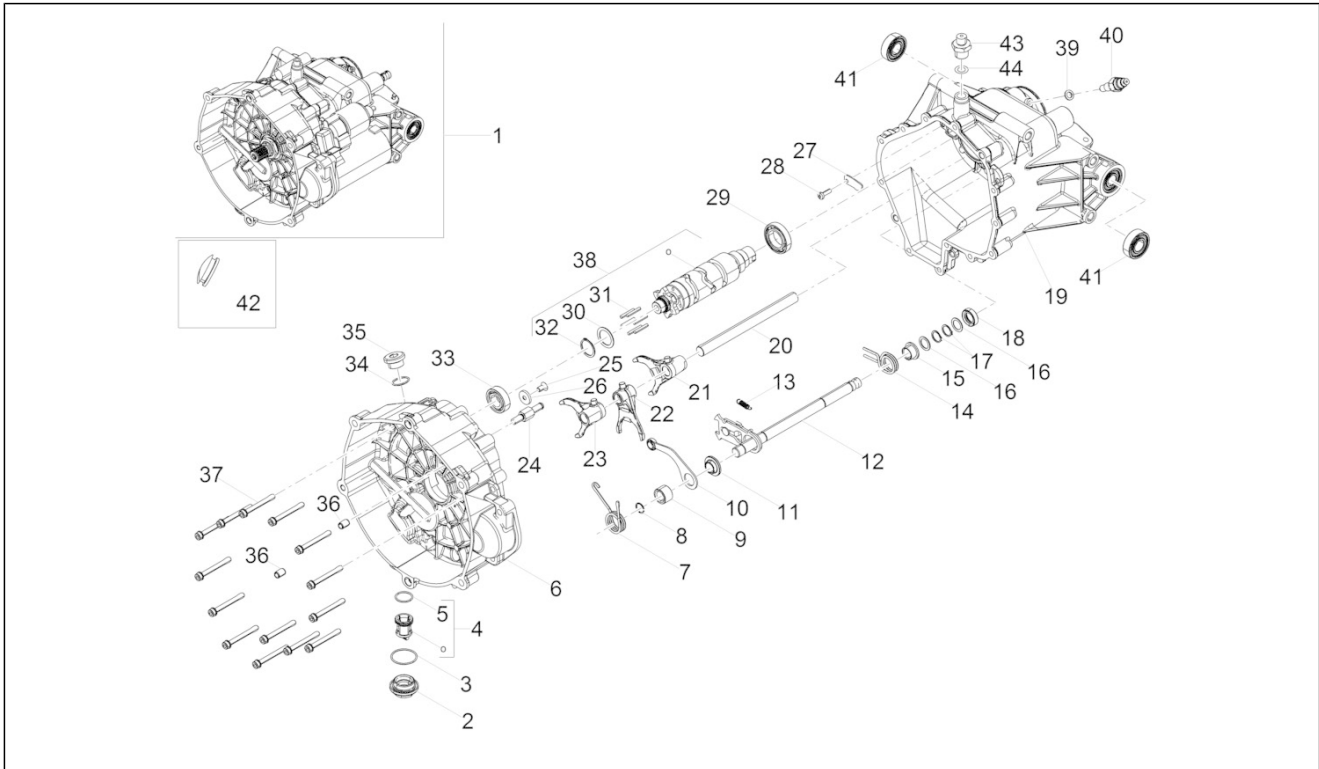
Pos.	Code	Description	Qty	Variants
1	GU19062261	screw	4	
2	GU27062060	Bearing half-shell	4	
3	GU27065660	Front main half-bearing	2	
4	GU27061885	Bushing	2	
5	GU27066460	Half-clamp	2	
6	1A005325AA	Biella classe selezione "A"	1	
6	1A005325BB	[...]	1	
7	2A000588AA	Albero motore cpl.cat."A"	1	
7	2A000588BB	Albero motore cpl.cat."B"	1	
8	GU27066560	Rear main half-bearing	2	
9	GU19065400	Cover	1	

Group	Engine
Code	03.170
Description	Gear box / Selector / Shift cam
Service	1



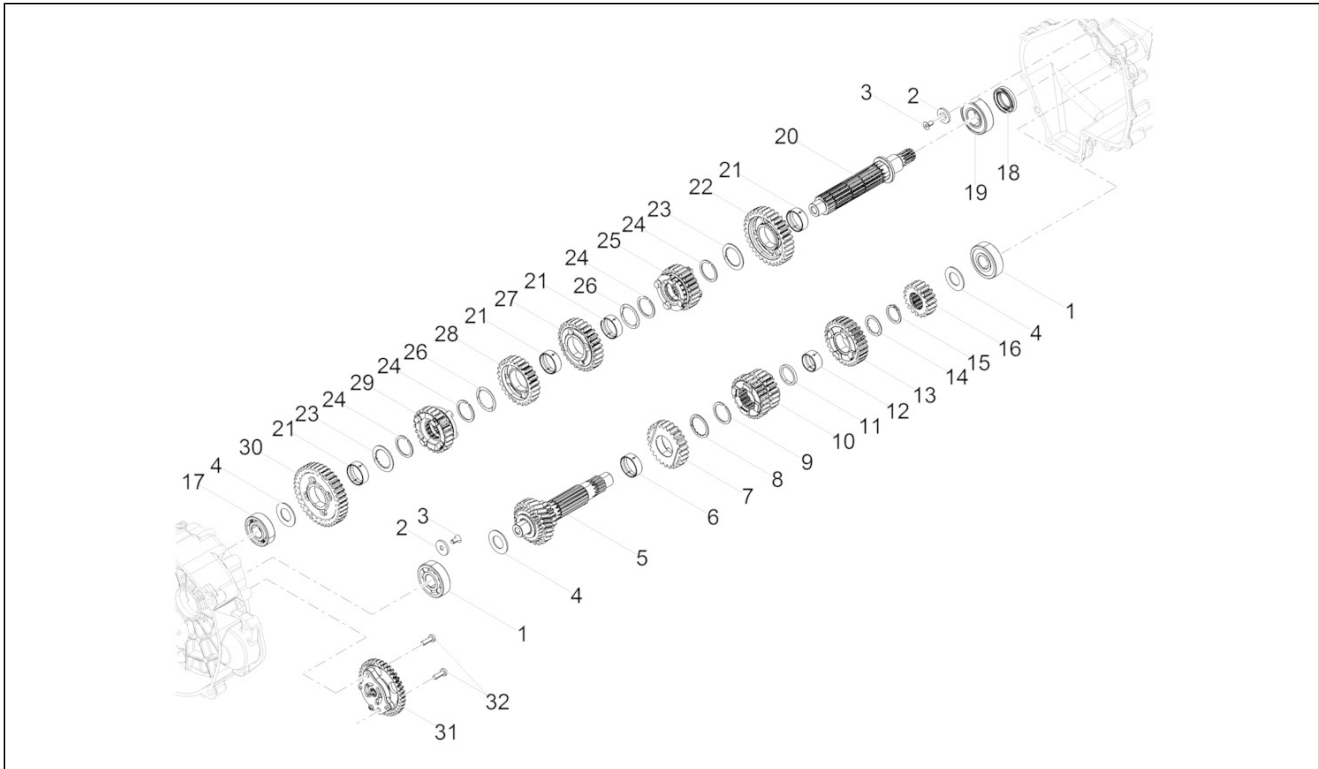
Pos.	Code	Description	Qty	Variants
1	2A00042115	Transmission, assy	1	
2	B015598	Oil filter plug	1	
3	285536	O-ring 31,47x1,78	1	
4	B018020	Oil filter cpl.	1	
5	B017406	O-ring 20.35x1.78	1	
6	2A0007505	Clutch drum	1	
7	B064113	Index spring	1	
8	GU90353014	Circlip	1	
9	GU05234230	Spacer	1	
10	B064112	Index assy. lever	1	
11	GU05238431	Bushing	1	
12	2A000219	Preselection complete	1	
13	GU05238231	Spring	1	
14	B063956	Spring	1	
15	2A000467	Spacer	1	
16	GU05239330	Fifth wheel	2	
17	GU90271014	Circlip	2	
18	GU90401424	Gasket ring 14x24x7	1	
19	2A0007425	Gear box	1	
20	2A000224	Rod	1	
21	2A000226	Fork 2-3 speed	1	
22	2A000227	5-6 gear fork	1	
23	2A000225	Fork for secondary shaft	1	
24	2A000415	Set screw	1	
25	B013608	Screw	1	
26	873905	Washer	1	
27	2A000241	Screw M5x16	1	
27	2A000306	Lock plate	1	

Group	Engine
Code	03.170
Description	Gear box / Selector / Shift cam
Service	1



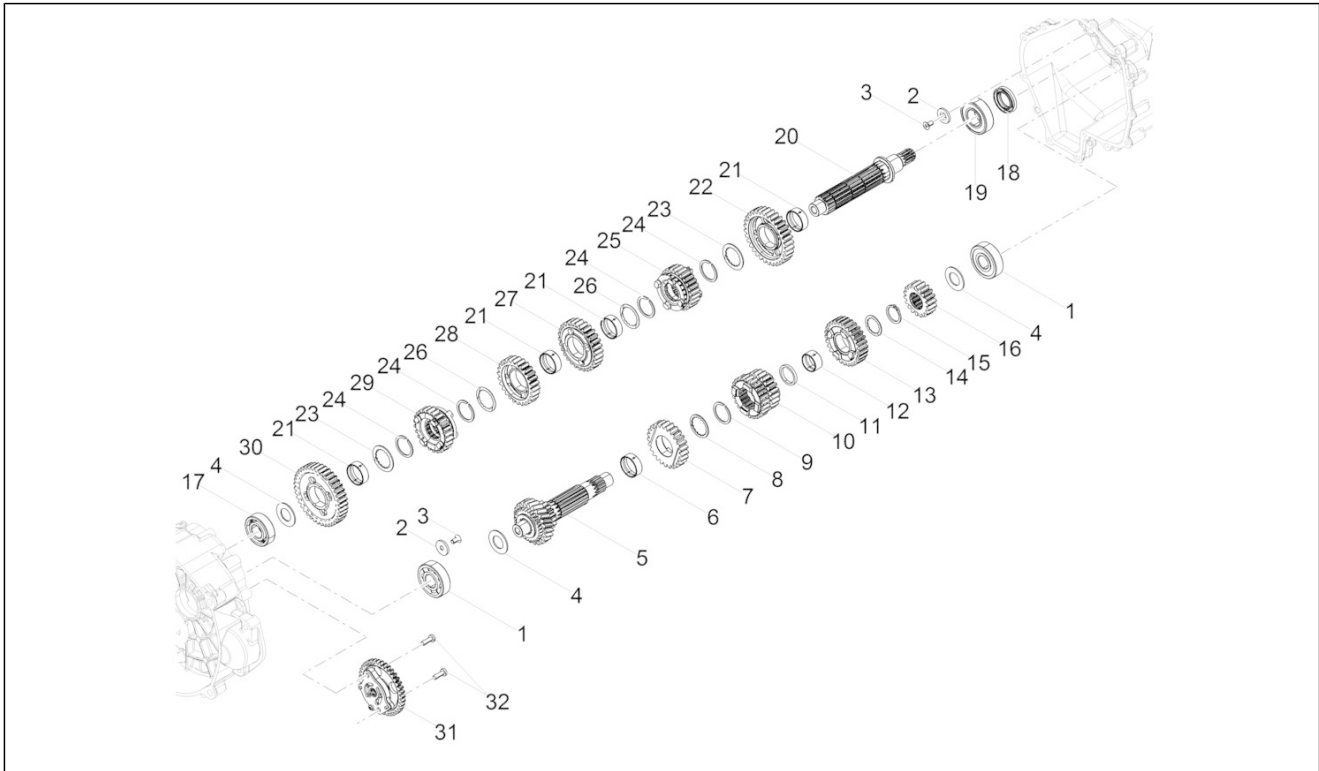
Pos.	Code	Description	Qty	Variants
28	2A000241	Screw M5x16	1	
29	857250	Ball bearing 25x42x9	1	
30	GU05235531	Spacer	1	
31	GU05234631	Pin	6	
32	GU90271022	Circlip	1	
33	834764	Bearing	1	
34	GU90706203	O-ring 20,24X2,62	1	
35	GU12022600	Oil plug	1	
36	GU19002020	Bushing 6,6x9x13	2	
37	2A000591	Special hex socket screw M6x55	14	
38	2A000222	Shift cam cpl.	1	
39	B063025	Gasket 8.7x14.2x1.3	1	
40	B063269	Sensor	1	
41	2A000097	Ball bearing 6202-2RSH/C3 LHT23	2	
42	GU93180220	Cover	1	
43	2A000438	Breather plug	1	
44	224566	Washer	1	

Group	Engine
Code	03.180
Description	Gear box - Gear assembly
Service	1



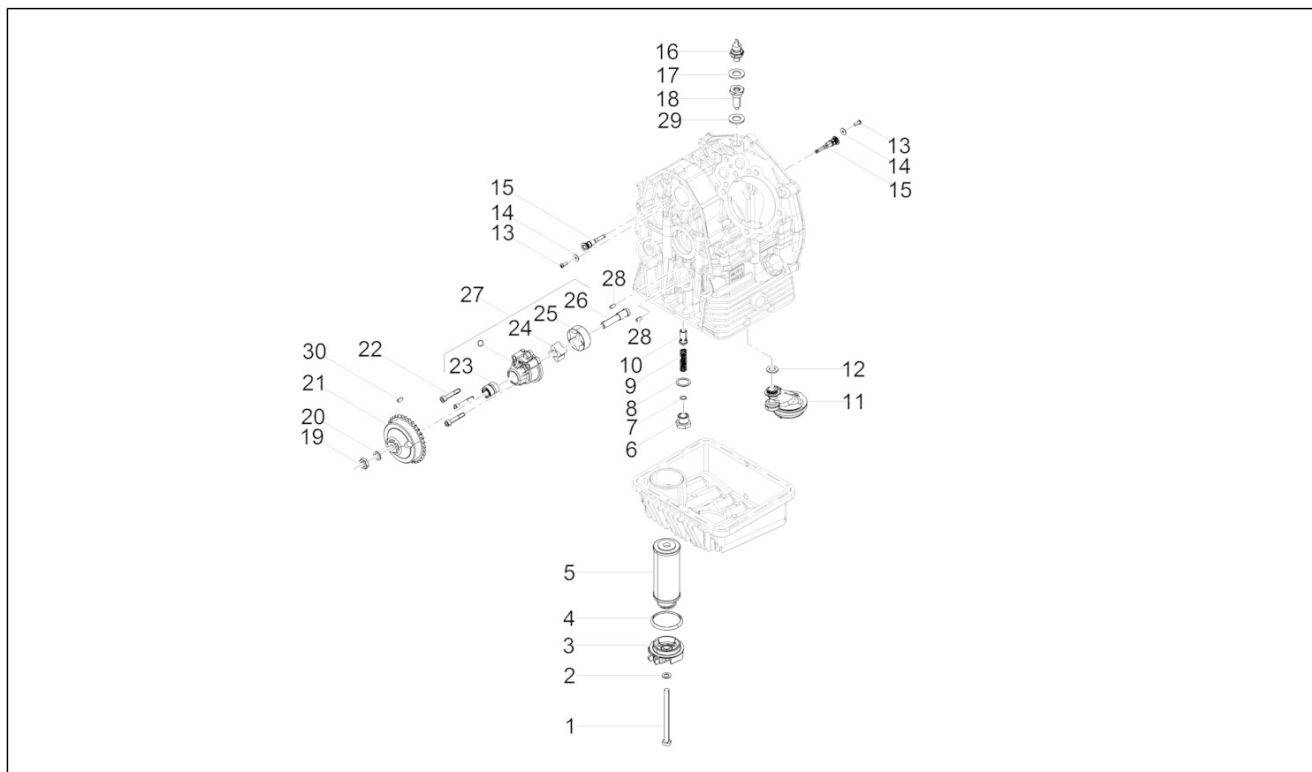
Pos.	Code	Description	Qty	Variants
1	GU92201822	Ball bearing 20x52x15	2	
2	873928	Washer	2	
3	B013608	Screw	2	
4	1A000566	Thrust washer	1	
5	2A000727	Primary gear shaft	1	
6	849308	Moveable bush	1	
7	1A000360	Fifth speed gear	1	
8	849424	Clearance washer	1	
9	1A002604	Shaft snap ring	1	
10	1A000436	Sliding pinion 3a - 4a vel.	1	
11	B015040	Thrust washer	1	
12	974162	Moveable bush	1	
13	2A000627	Gear 6a	1	
14	849396	Clearance washer	1	
15	974165	Snap ring	1	
16	1A000365	2nd pinion gear	1	
17	848650	Ball bearing 20x47x14	1	
18	GU90412541	Gasket ring 25X40X7	1	
19	GU92201226	Ball bearing 25x52x15	1	
20	2A000203	Secondary gearbox shaft	1	
21	849308	Moveable bush	4	
22	1A000366	Second speed gear Z=32	1	
23	849309	Clearance washer	2	
24	1A002604	Shaft snap ring	4	
25	1A000370	Gear 6a Z=24	1	
26	849310	Clearance washer	2	
27	1A000367	Third speed gear Z=28	1	
28	1A000368	Fourth speed gear Z=26	1	

Group	Engine
Code	03.180
Description	Gear box - Gear assembly
Service	1



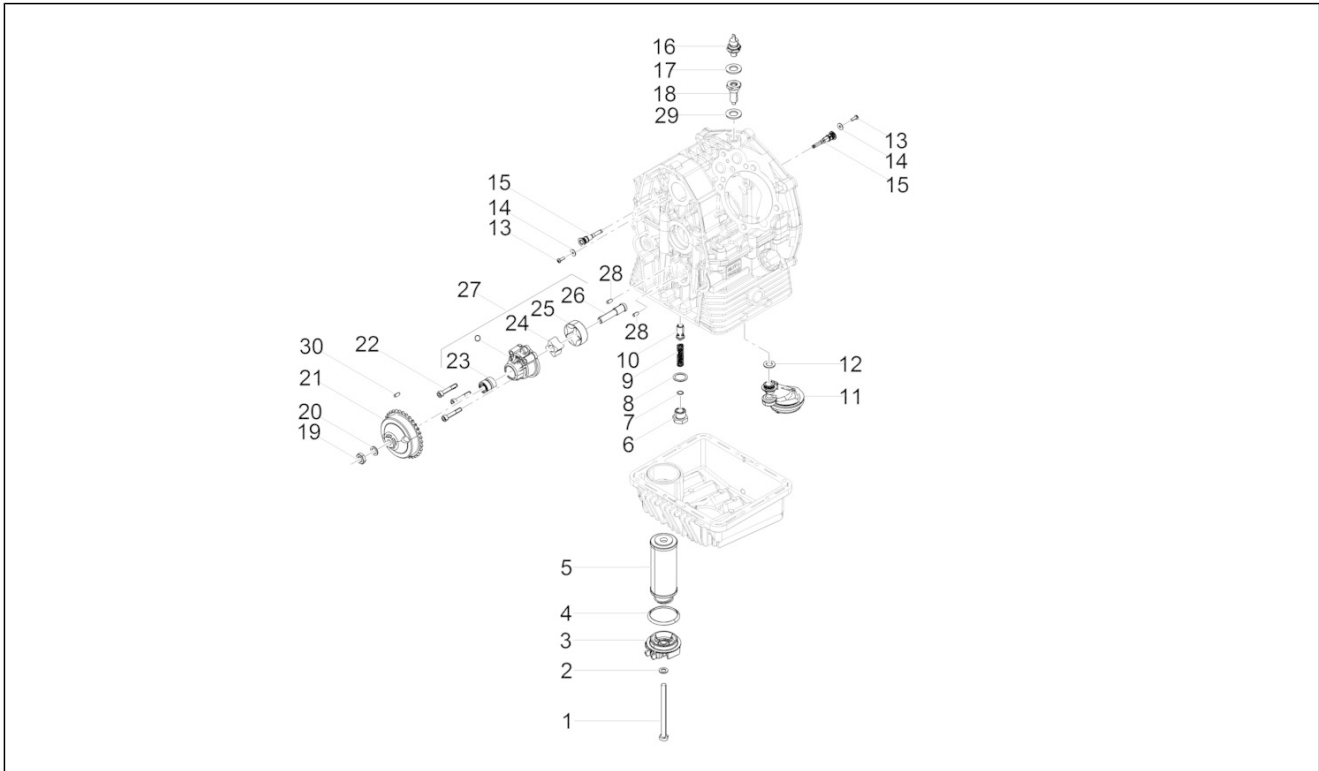
Pos.	Code	Description	Qty	Variants
29	1A000369	Fifth speed gear Z=24	1	
30	2A000629	1st gear	1	
31	B018448	Oil pump assy.	1	
32	2A000241	Screw M5x16	2	

Group	Engine
Code	03.190
Description	Lubrication
Service	1



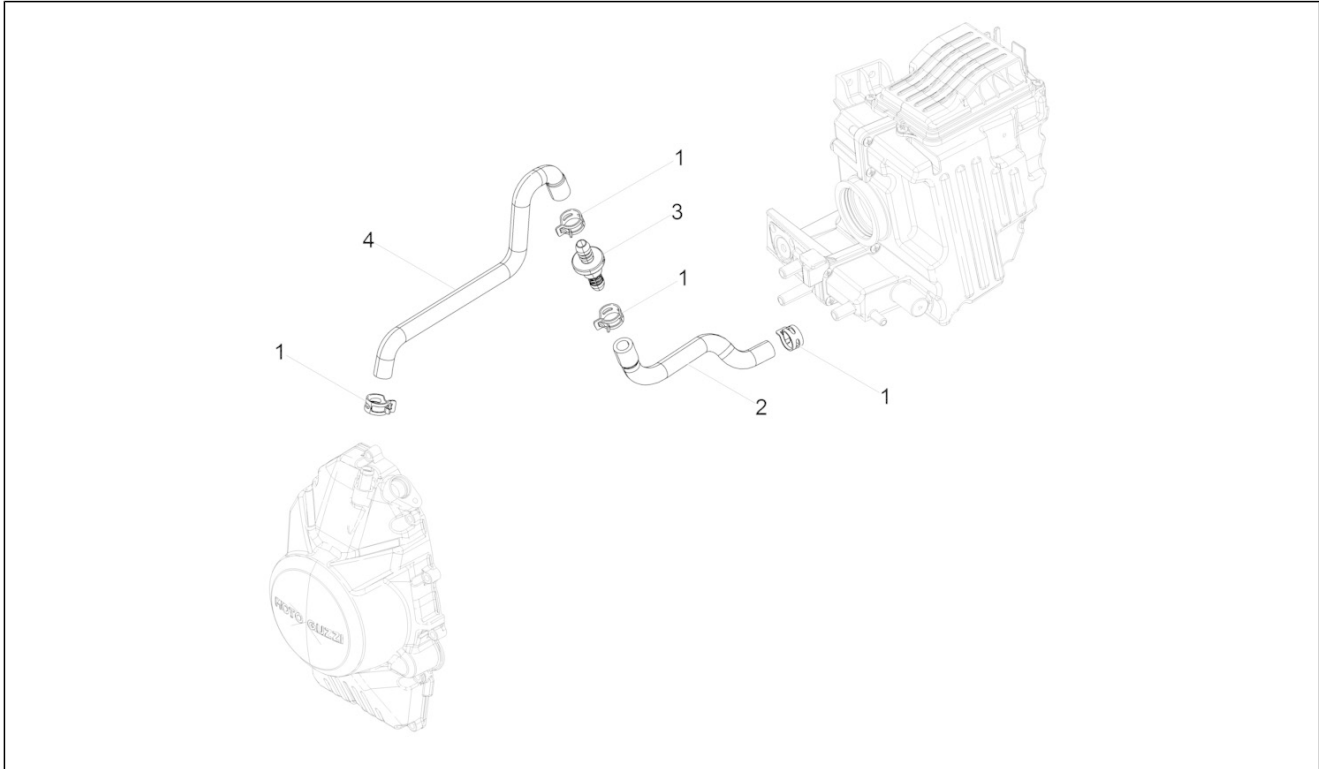
Pos.	Code	Description	Qty	Variants
1	GU27152885	Bolt	1	
2	GU12154200	Gasket 8,25x15x1	1	
3	1A005199	Oil filter cover	1	
4	GU90706444	O-ring	1	
5	2A000633	Oil filter	1	
6	GU31159050	Cover	1	
7	GU95008206	Washer 6,15x11x0,8	1	
8	GU18144350	Washer 18,25x24x1	3	
9	GU94321079	Spring	1	
10	GU31150950	Piston	1	
11	1A004549	Oil strainer	1	
12	237553	O-ring	1	
13	1A005257	Oval head screw	2	
14	013763	Flat washer 4,2x12x1	2	
15	1A004442	Piston cooling jet	2	
16	643090	Minimum oil pressure sensor	1	
17	GU95100309	Washer	1	
18	887093	Union	1	
19	GU92602510	Nut M10x1,25	1	
20	AP8152220	Washer	1	
21	GU20147710	Pump gear	1	
22	1A007008	Hex socket screw M6x35 preimpregnata	3	
23	1A006064	Roller bearing	1	
24	1A006056	Internal rotor	1	
25	1A006055	External rotor	1	
26	GU20147810	Oil pump shaft assy.	1	
27	1A006053	Oil pump assembly	1	
28	GU19018920	Pin	2	

Group	Engine
Code	03.190
Description	Lubrication
Service	1



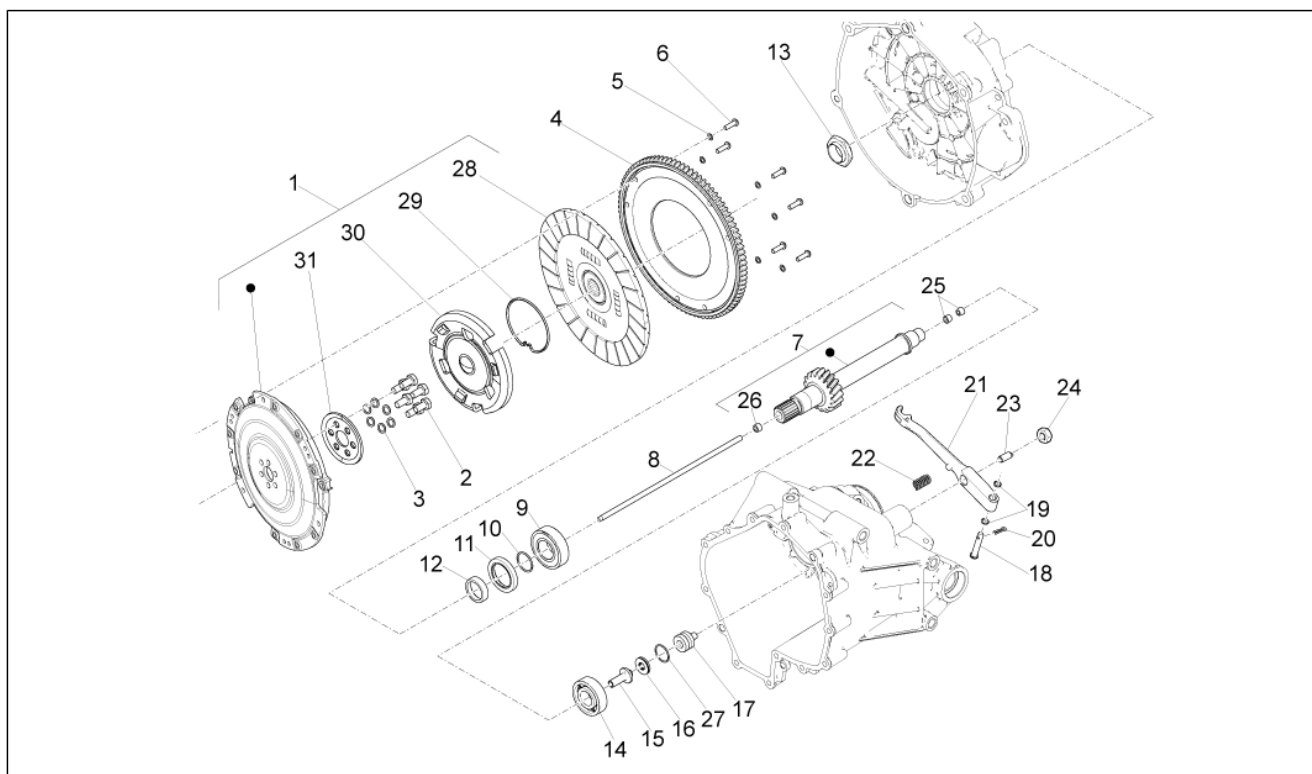
Pos.	Code	Description	Qty	Variants
29	GU95100602	Gasket	1	
30	GU92296723	Roller	1	

Group	Engine
Code	03.196
Description	Blow-by system
Service	1



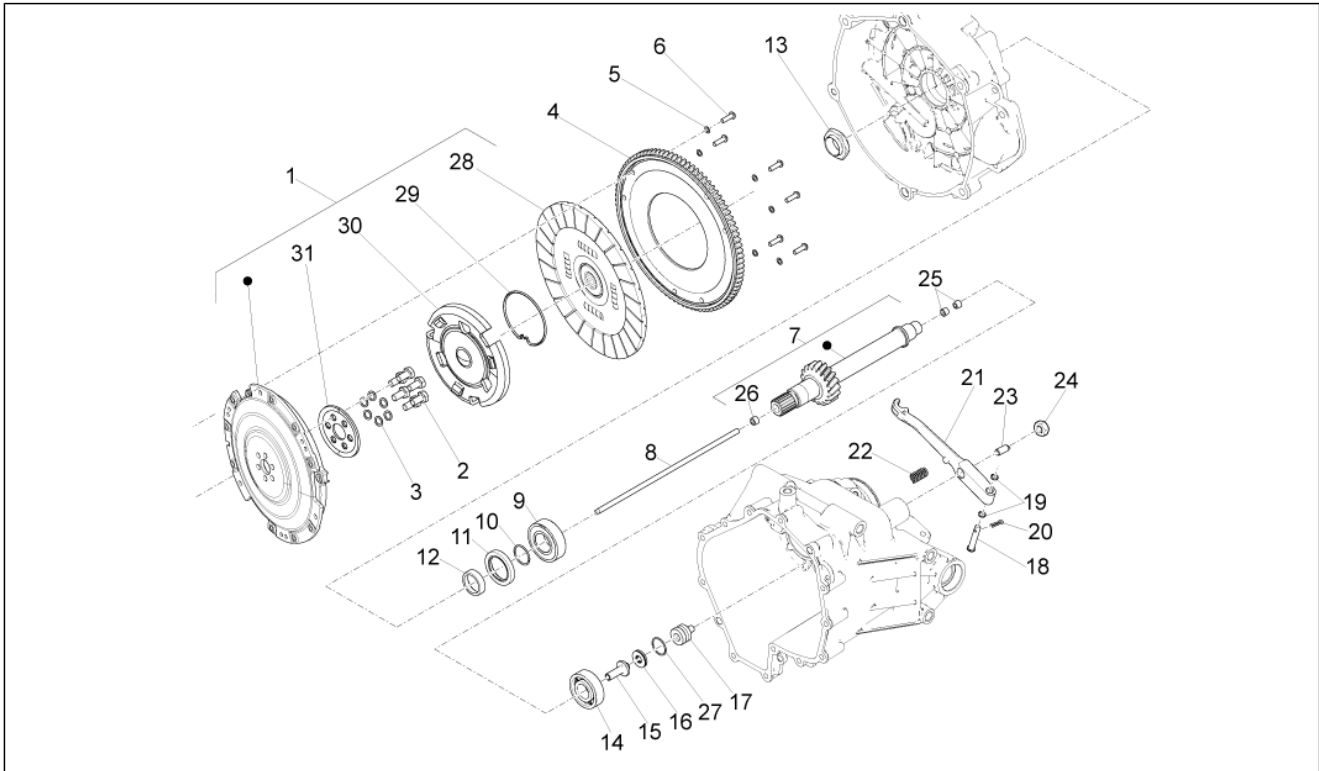
Pos.	Code	Description	Qty	Variants
1	CM226902	Spring clamp 19/12	4	
2	2B003204	Blow-by pipe	1	
3	2B003105	Anti-return valve	1	
4	2B002602	Blow-by pipe	1	

Group	Engine
Code	03.230
Description	Clutch
Service	1



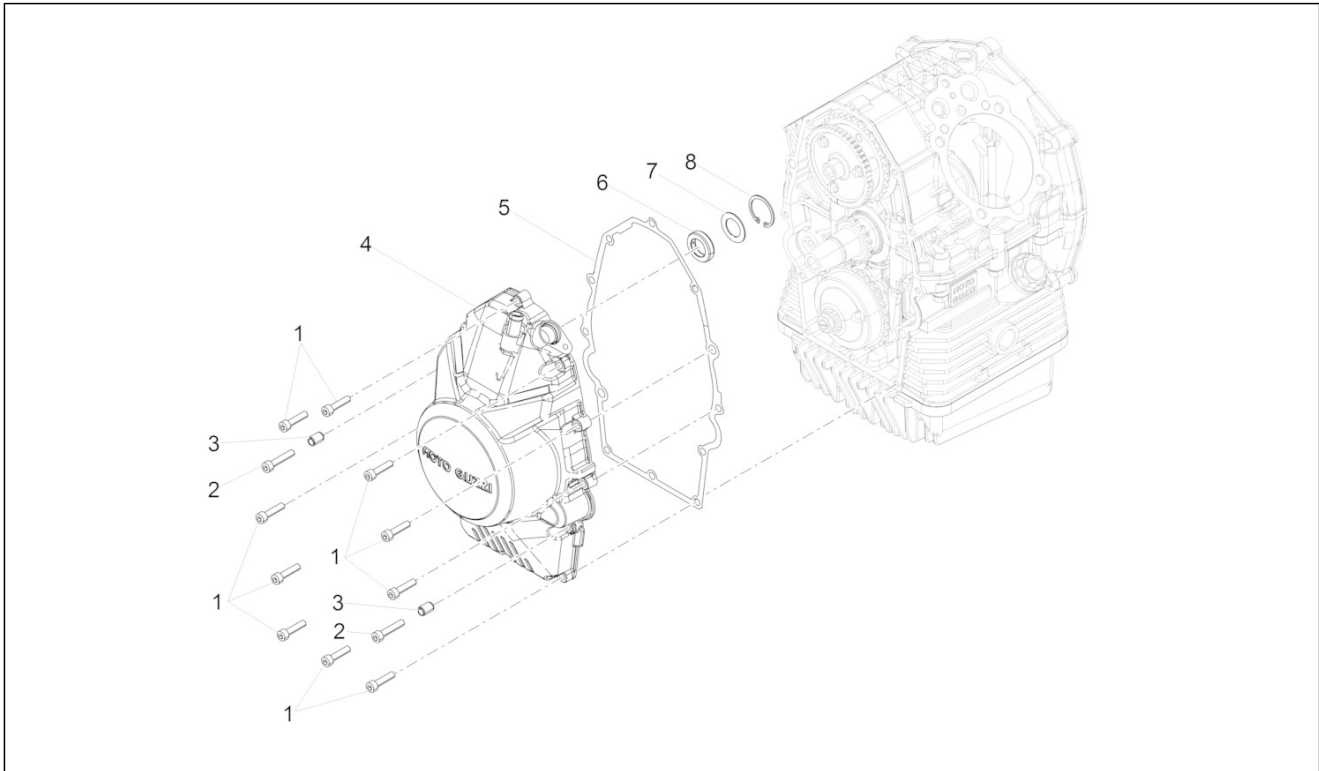
Pos.	Code	Description	Qty	Variants
1	2A000419	Gruppo frizione monodisco completo	1	
2	GU19067700	screw	6	
3	GU14615901	Washer 8,4X13X0,8	6	
4	2A000724	Corona dentata avviamento	1	
5	GU14217901	Washer 6,4x10x0,7	6	
6	623920	screw torx	6	
7	2A000792	Clutch shaft cpl. Z=21	1	
8	2A000216	Drive rod	1	
9	GU92201226	Ball bearing 25x52x15	1	
10	GU90706235	O-ring 23,52x1,78	1	
11	886629	Gasket ring	1	
12	GU19213760	Spacer	2	
13	GU19356760	Nut	1	
14	2A000375	Ball bearing	1	
15	B013037	Clutch gear	1	
16	2A000376	Thrust bearing	1	
17	GU14086100	Outer body	1	
18	2A000384	Lever pin	1	
19	2A000385	O-ring 6.5x1.5	2	
20	GU95500222	Split pin	1	
21	2A000631	Clutch release shaft	1	
22	GU94321105	Lever return spring	1	
23	2A000767	Adjuster screw	1	
24	GU92606508	Nut	1	
25	GU14085900	Bush	2	
26	GU05217630	Bushing	1	
27	GU90706170	O-ring 17,13x2,62	1	
28	2A000770	Driven clutch disc	1	

Group	Engine
Code	03.230
Description	Clutch
Service	1



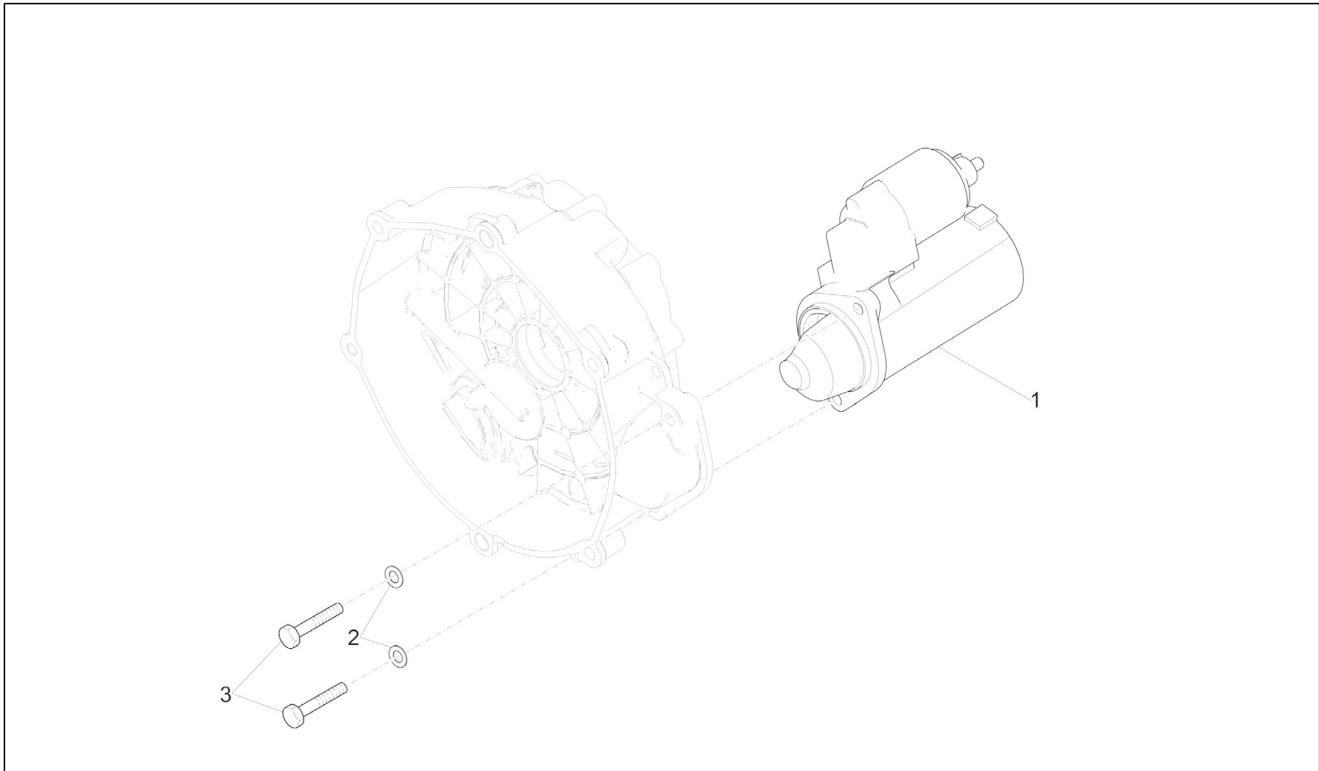
Pos.	Code	Description	Qty	Variants
29	2A000418	Ring	1	
30	2A000638	Spring cap	1	
31	2A000741	Support	1	

Group	Engine
Code	03.270
Description	Flywheel cover
Service	1



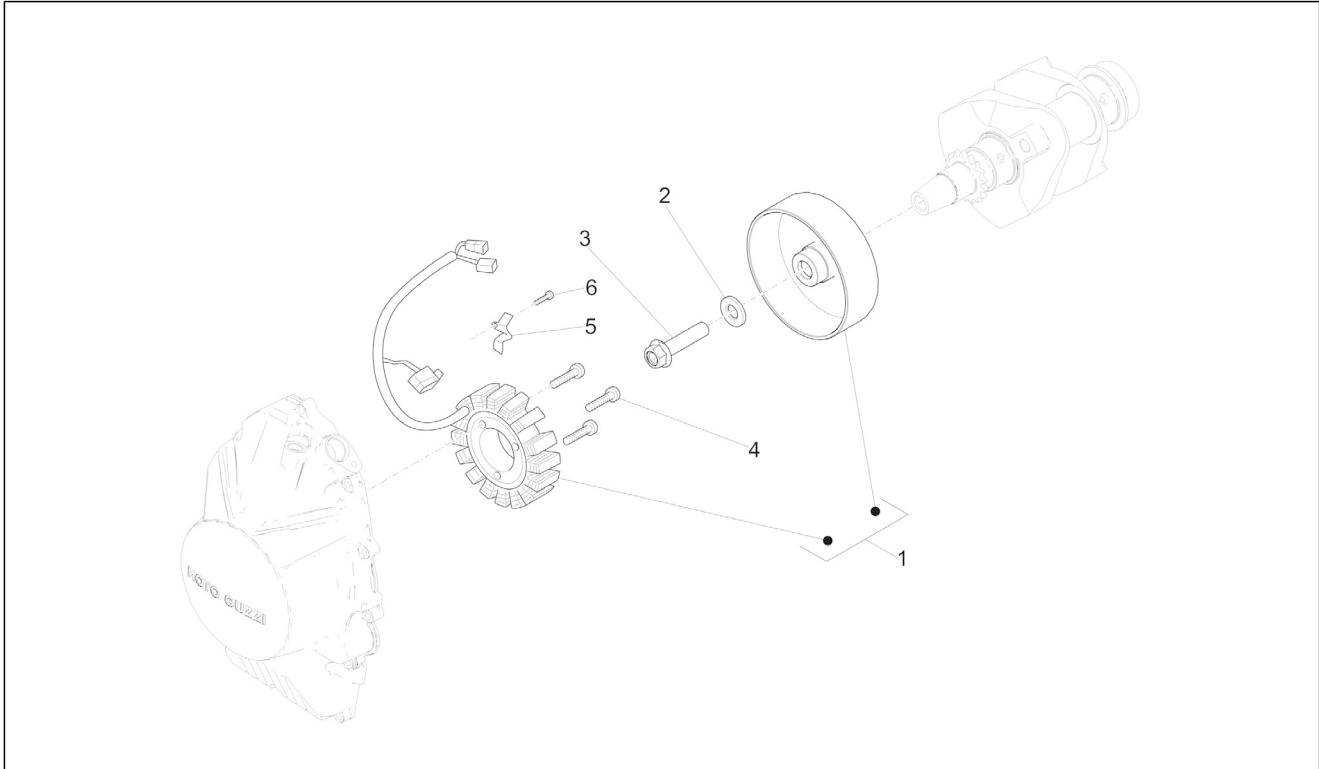
Pos.	Code	Description	Qty	Variants
1	GU98682325	Hex socket screw M6x25	10	
2	GU98682330	Hex socket screw M6x20	2	
3	GU19002020	Bushing 6,6x9x13	2	
4	1A006298	Cover	1	
5	887003	Cover gasket	1	
6	898268	Gasket ring 18x30x7	1	
7	898269	Clearance washer	1	
8	006630	Snap ring	1	

Group	Engine
Code	03.290
Description	Starter / Electric starter
Service	1



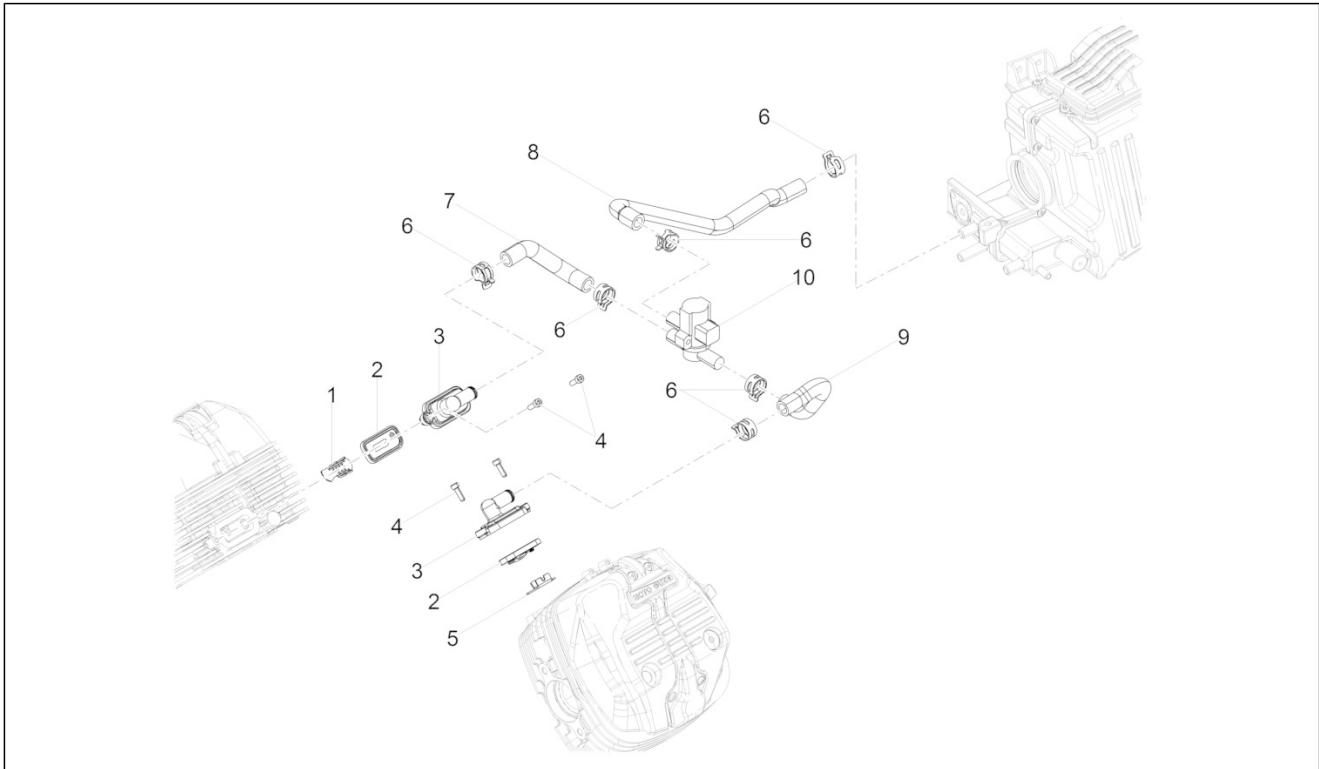
Pos.	Code	Description	Qty	Variants
1	97729R	Starter motor	1	
2	GU95008208	Washer 8,4X15X1,5	2	
3	GU98682435	Hex socket screw	2	

Group	Engine
Code	03.300
Description	Cdi magneto assy / Ignition unit
Service	1



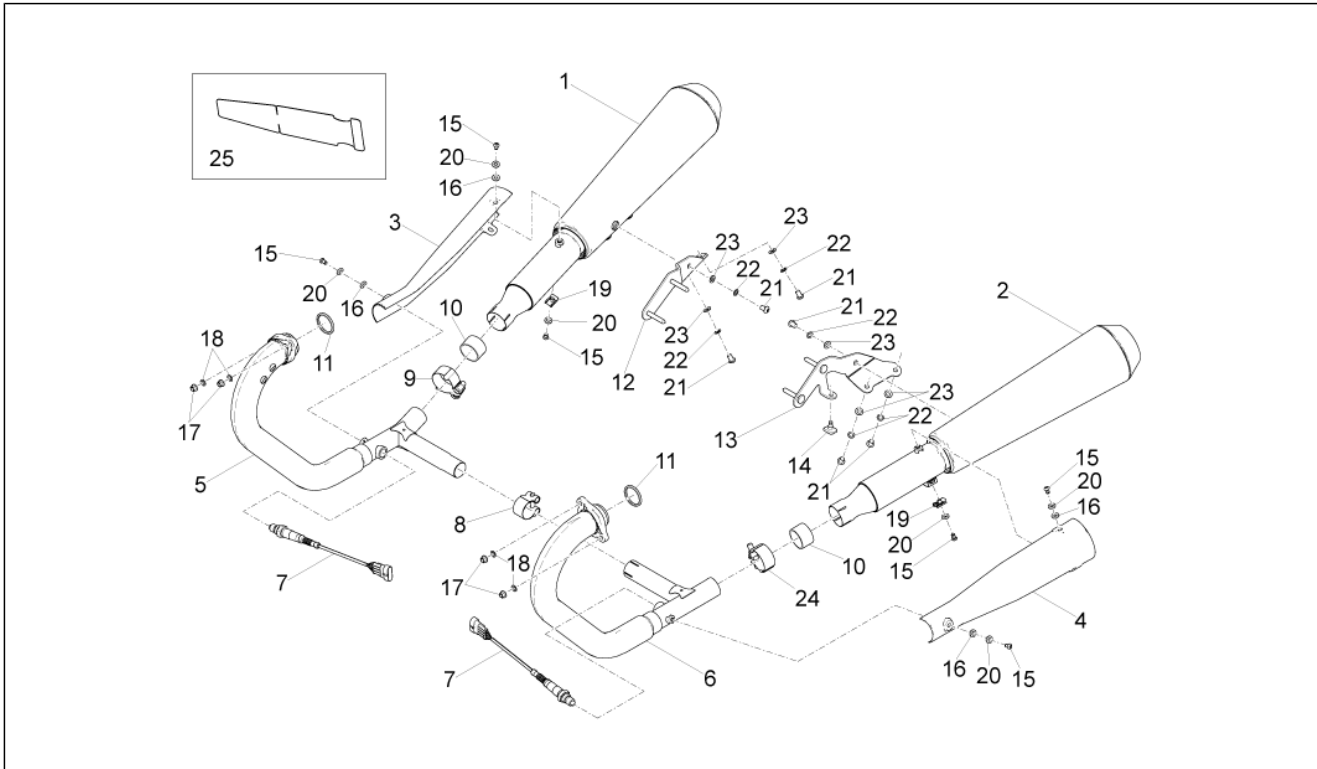
Pos.	Code	Description	Qty	Variants
1	2D000024	Cdi magneto assy	1	
2	897478	Washer 12x26.5x3	1	
3	857206	Screw w/ flange M12X1,25X50	1	
4	2A000129	Low head socket screw M6x35	3	
5	2A000115	Plate	1	
6	GU98682212	Hex socket screw M5x12	1	

Group	Engine
Code	03.320
Description	Secondary air
Service	1



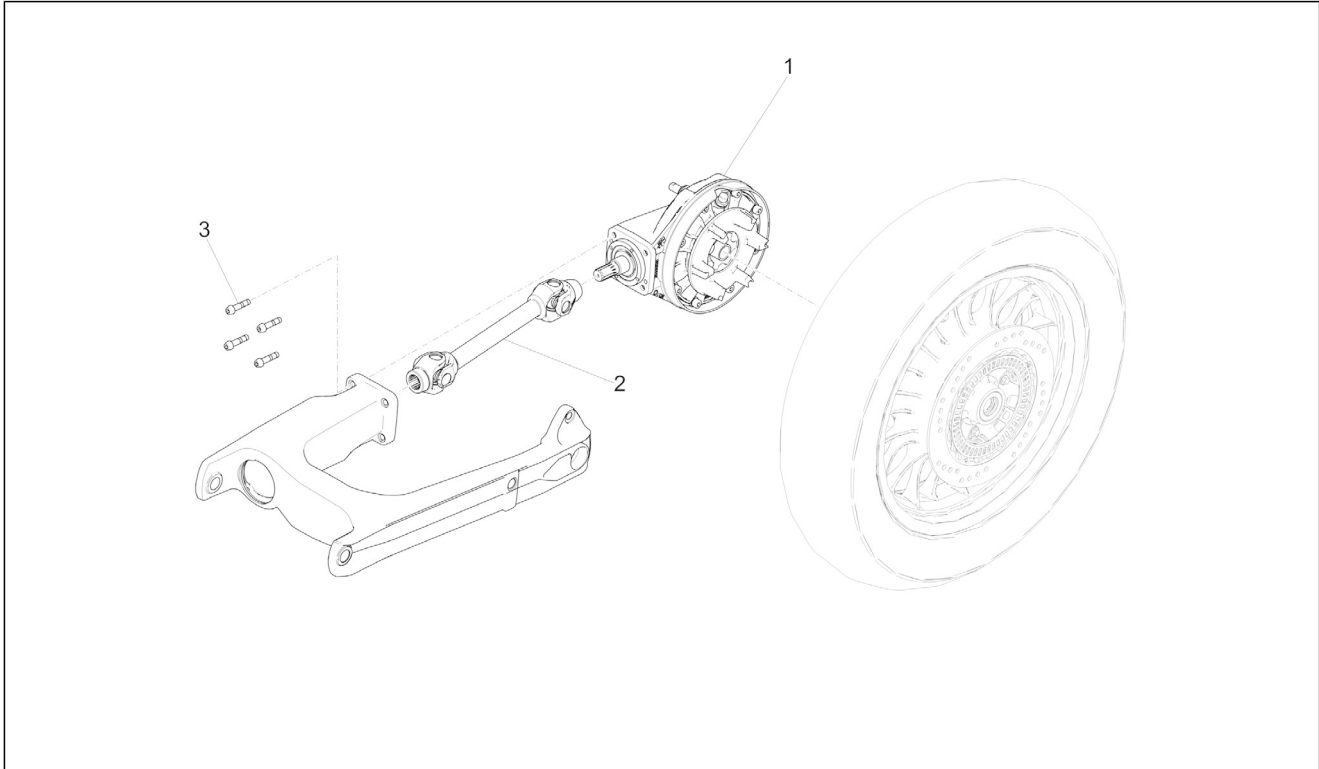
Pos.	Code	Description	Qty	Variants
1	857047	Spark arrester	1	
2	857045	Reed valve	2	
3	2A000597	Coperchio reed valve	1	
4	GU98612216	Hex socket screw	2	
5	857046	Spark arrester	1	
6	CM226902	Spring clamp 19/12	6	
7	2B002529	RH pipe "S.A.S."	1	
8	2B002531	Tubo cassa filtro "S.A.S."	1	
9	2B002530	LH pipe "S.A.S."	1	
10	857181	SAS valve	1	

Group	Engine
Code	03.330
Description	Exhaust pipe
Service	1



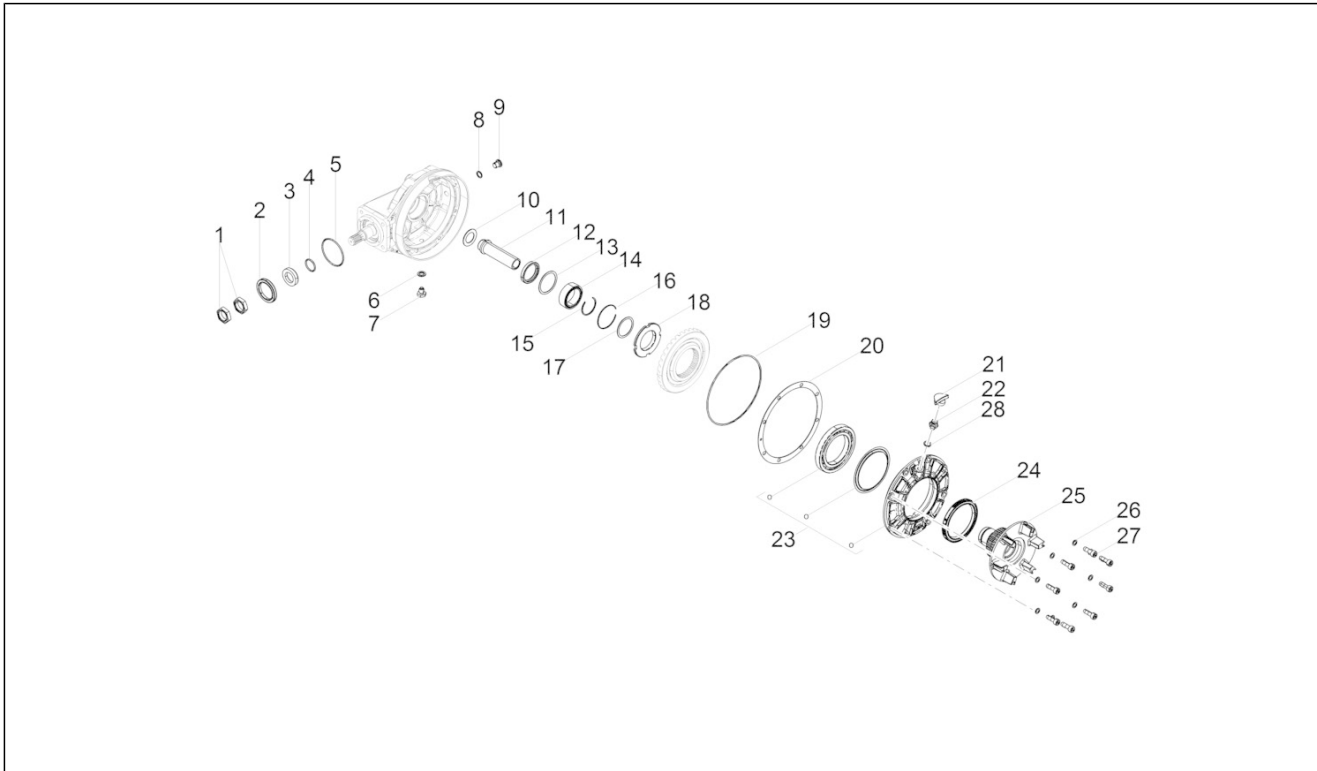
Pos.	Code	Description	Qty	Variants
1	2B0010995	RH silencer	1	
2	2B0011005	LH silencer	1	
3	2B0022935	Silencer dx protection	1	
4	2B0022925	Silencer sx protection	1	
5	2B001084	Right exhaust manifold	1	
6	2B001083	Left exhaust manifold	1	
7	896110	Lamda sensor l.660 mm	2	
8	B063292	D.37 clamp	1	
9	874957	Hose clamp	1	
10	GU91113826	Bushing	2	
11	852090	Exhaust pipe gasket	2	
12	2B002533	Right silencer support bracket with i.p.	1	
13	2B002532	Left silencer support bracket with i.p.	1	
14	AP8120455	Rubber spacer	1	
15	2B002187	Hex socket screw M6x10	6	
16	876879	Spacer	4	
17	GU92660021	Flanged nut M8	4	
18	GU14615901	Washer 8,4X13X0,8	4	
19	254485	Spring plate M6	2	
20	834951	Conical washer	6	
21	AP8152055	Hex socket screw M8x12	6	
22	GU14615901	Washer 8,4X13X0,8	6	
23	GU95008208	Washer 8,4X15X1,5	6	
24	2B001935	Hose clamp	1	
25	2B003284	Heat protection	2	

Group	Engine
Code	03.340
Description	Transmission complete
Service	1



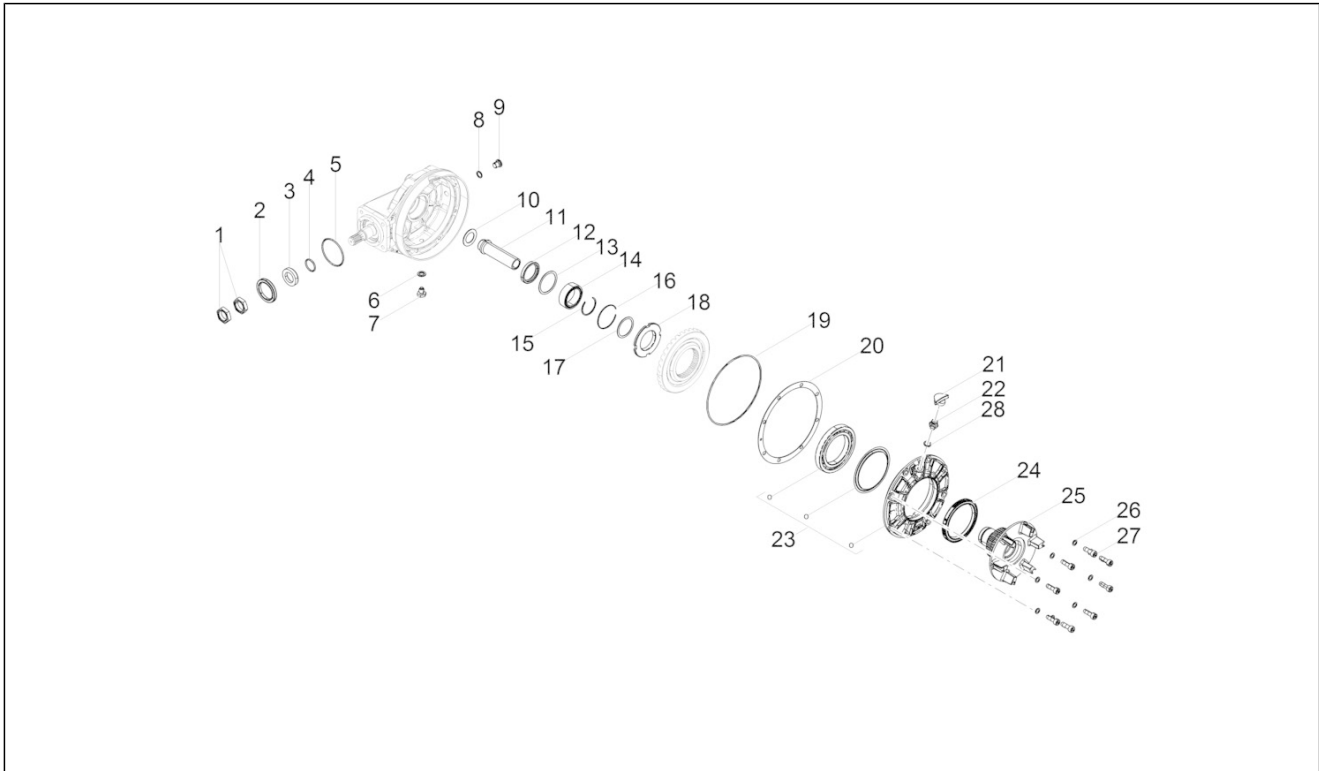
Pos.	Code	Description	Qty	Variants
1	2B0011535	Transmission complete	1	
2	2B002298	Drive shaft	1	
3	2B002699	Vite TCC torx M8x35 con colletto preimpr.	4	

Group	Engine
Code	03.350
Description	Rear transmission / Components
Service	1



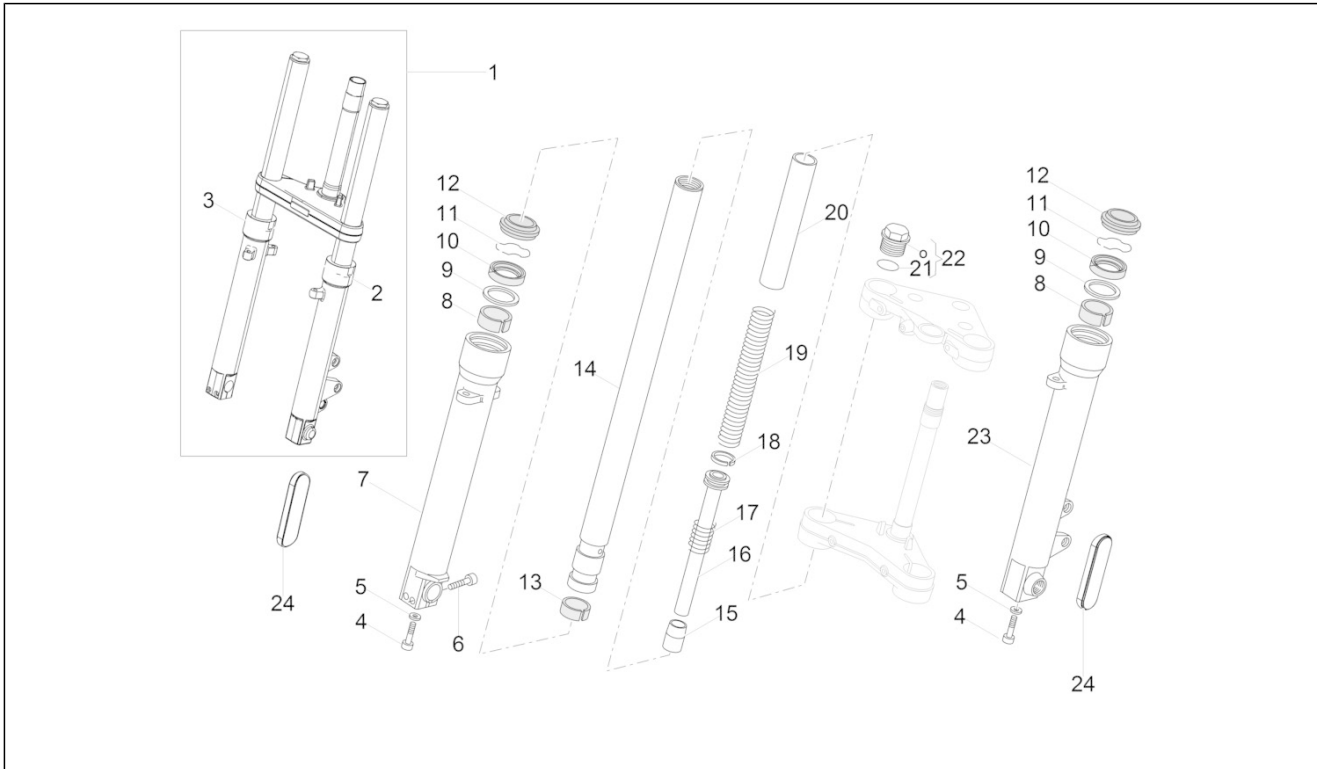
Pos.	Code	Description	Qty	Variants
1	976649	Nut M25x1,5	2	
2	2B000404	Gasket ring	1	
3	2B001311	Spacer	1	
4	GU90706188	Gasket ring 18,77X1,78	1	
5	GU90706584	Gasket 58,42x2,62	1	
6	GU01528930	Gasket 10x18x1,5	1	
7	GU31003766	Oil unload plug M10x1	1	
8	224566	Washer	1	
9	GU05351230	Oil plug M12x1,5	1	
10	GU37359005	Washer	1	
11	2B001307	Spacer	1	
12	GU90413850	Gasket ring 38X50X7	1	
13	GU12351100	Gasket ring	1	
14	GU92254340	Roller bearing 40x55x17	1	
15	2B002200	Washer for shafts	1	
16	B064304	Circlip	1	
17	GU19351100	Clearance washer	1	
18	2B002536	Ghiera fissaggio corona	1	
19	GU90706958	O-ring 158,42X2,62	1	
20	GU04355100	Spacer 0,6 mm	1	
20	GU04355101	Spacer 0,7 mm	1	
20	GU04355102	Spacer 0,8 mm	1	
20	GU04355103	Spacer 0,9 mm	1	
20	GU04355104	Spacer 1 mm	1	
20	GU04355105	Spacer 1,1 mm	1	
20	GU04355106	Spacer 1,2 mm	1	
21	2B002807	Cap	1	
22	2A000438	Breather plug	1	

Group	Engine
Code	03.350
Description	Rear transmission / Components
Service	1



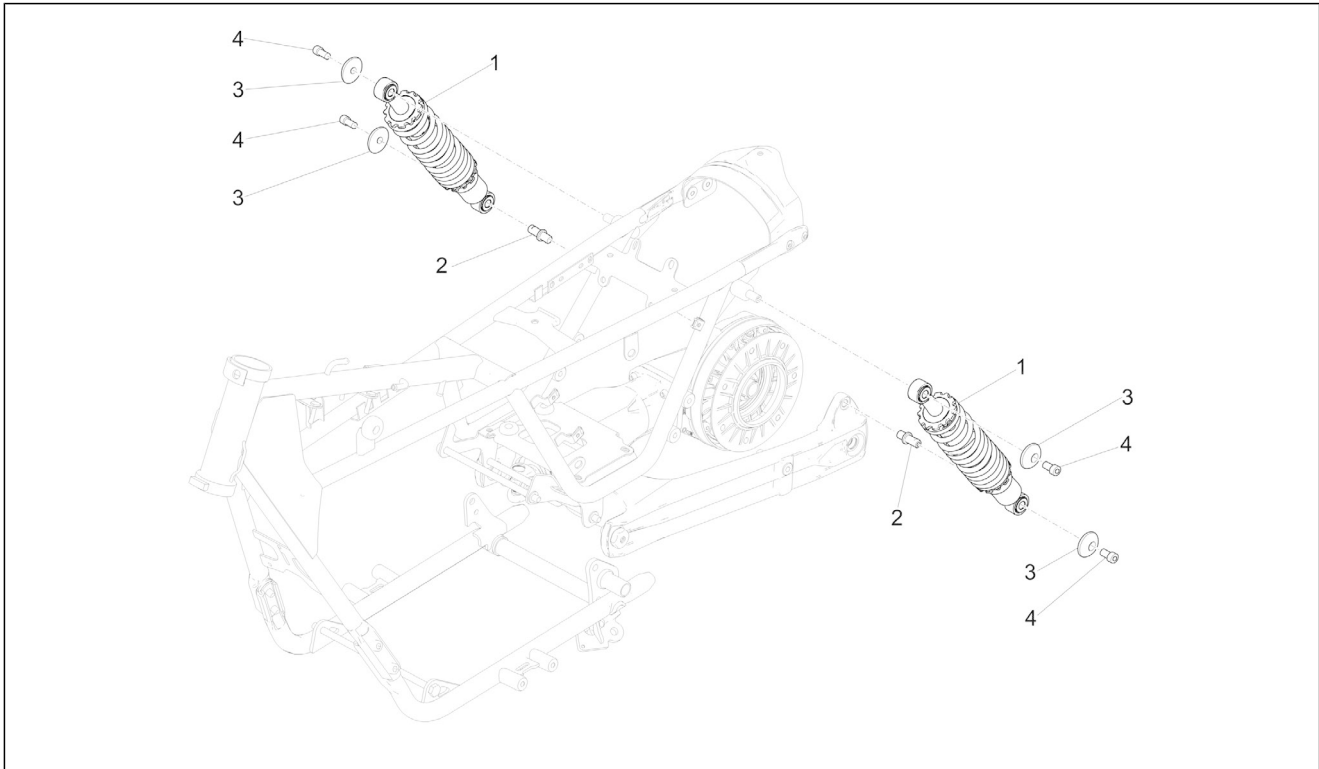
Pos.	Code	Description	Qty	Variants
23	2B0033875	Complete flange	1	
24	2B002535	Gasket ring 80x100x10	1	
25	2B001303	Flexible couplings hub	1	
26	GU14615901	Washer 8,4X13X0,8	8	
27	2B002171	Special cap screw 8x25	8	
28	GU01528930	Gasket 10x18x1,5	1	

Group	Suspensions
Code	04.060
Description	Front fork Kaifa
Service	1



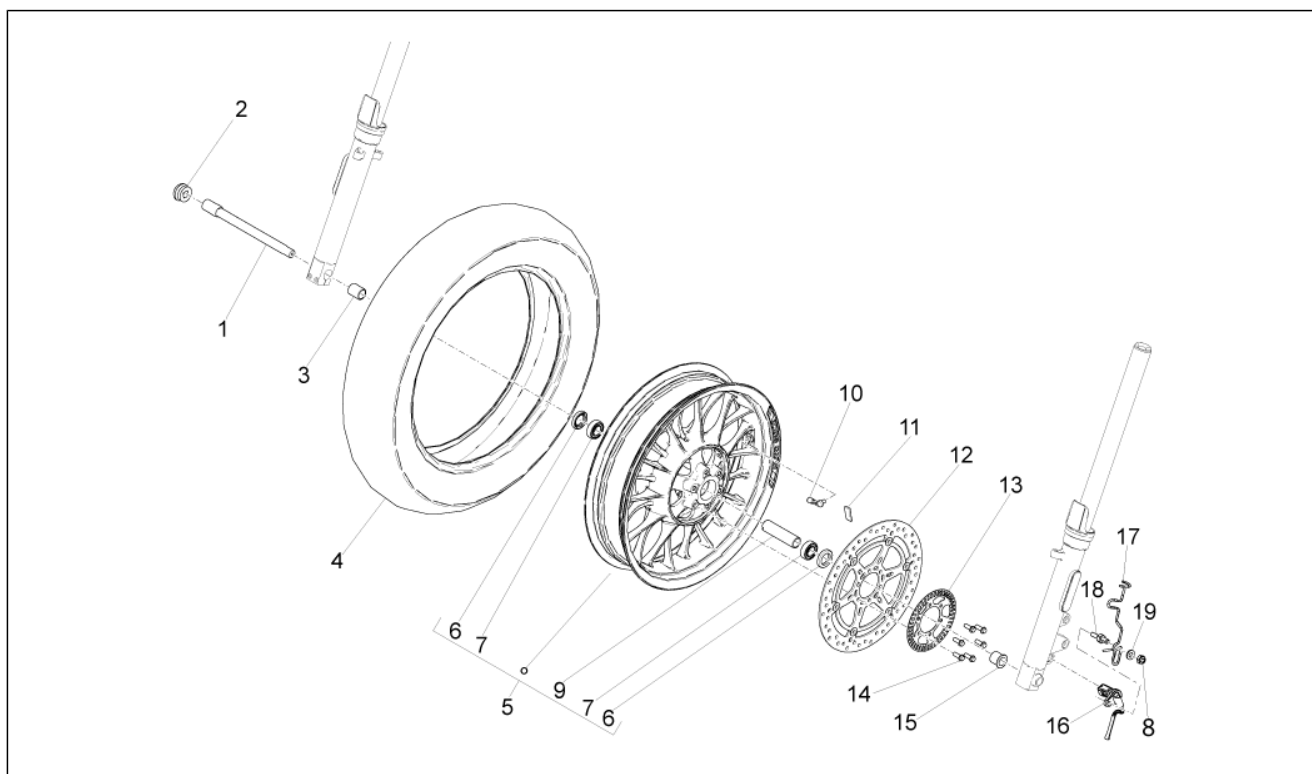
Pos.	Code	Description	Qty	Variants
1	2B002192	Front fork assembly	1	
2	2B002295	LH sleeve and rod	1	
3	2B002294	RH sleeve and rod	1	
4	887878	screw M10x30	2	
5	887879	Washer	2	
6	887880	screw	2	
7	2R000109	RH sleeve	1	
8	887882	Upper bush	2	
9	887883	Washer	2	
10	887884	Gasket ring	2	
11	887885	Stop ring	2	
12	887886	Dust cover	2	
13	887888	Bush	2	
14			0	
15	887889	Pad	2	
16	887891	Plunger, complete	2	
17	887890	Return spring	2	
18	887905	Ring	2	
19	2R000243	Spring	2	
20	887893	pipe	2	
21	887916	O-ring 4118	2	
22	GU31504583	Plug cpl.	2	
23	2R000110	LH sleeve	1	
24	GU05781630	Reflector, amber	2	

Group	Suspensions
Code	04.080
Description	Shock absorber
Service	1



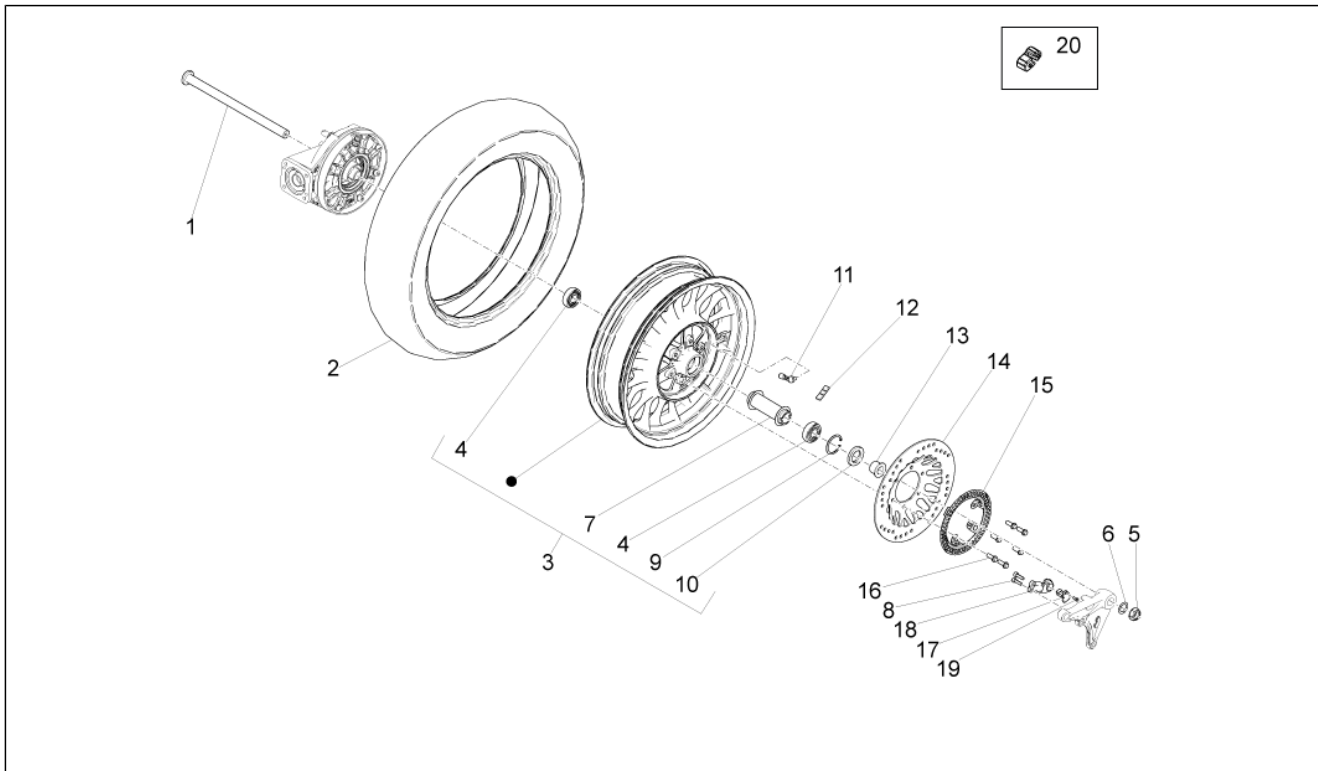
Pos.	Code	Description	Qty	Variants
1	2B002988	Rear shock absorber	2	
2	2B003111	Shock absorber pin	2	
3	B063174	Bush	4	
4	884031	Hex socket screw M6x14	4	

Group	Wheels
Code	05.010
Description	Front wheel
Service	1



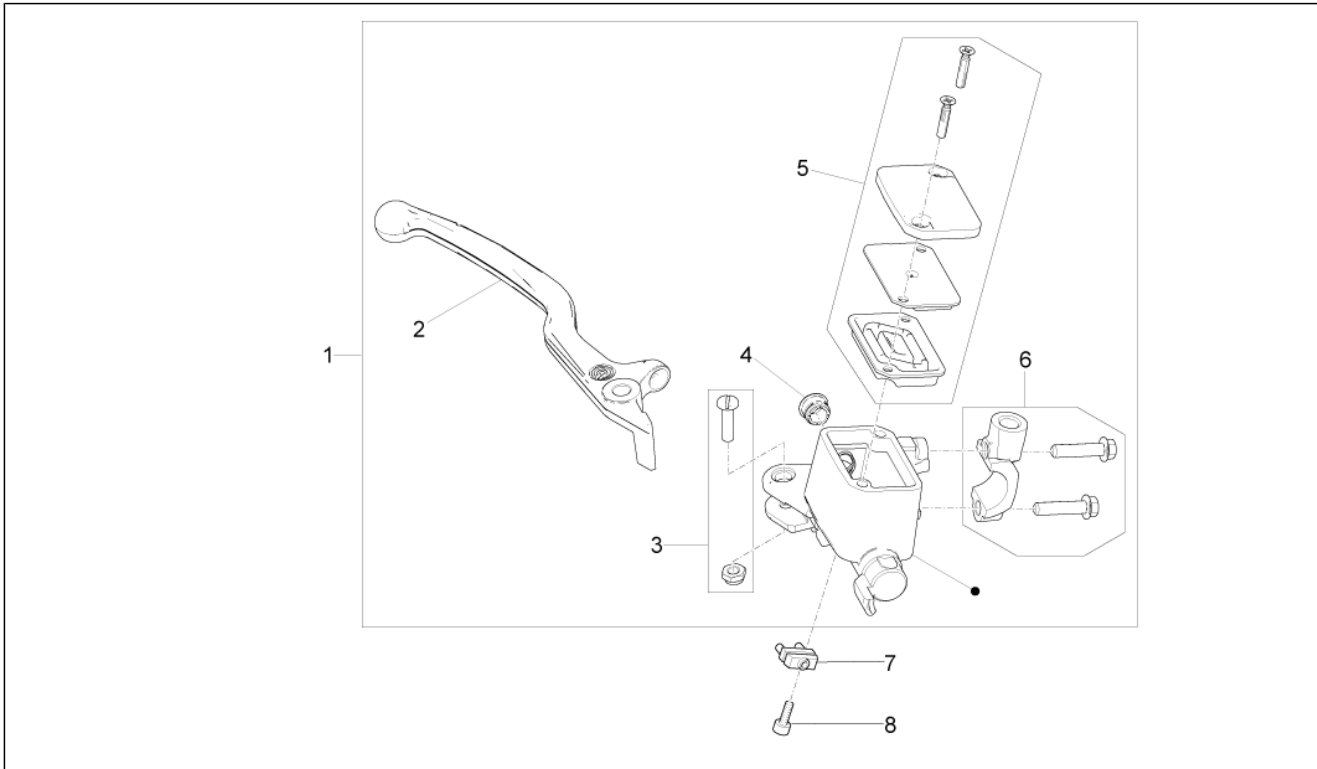
Pos.	Code	Description	Qty	Variants
1	2B001139	Front wheel spindle	1	
2	GU93180111	Cover 15 mm	1	
3	GU32615660	RH spacer	1	
4	2B002383	Pneumatico ant. 130/90 - 16	1	
5	2B001762	Ruota anteriore 3.5X16 con cuscinetti	1	
6	GU90402642	Gasket ring	2	
7	GU92204221	Bearing	2	
8	GU92630207	Nut	1	
9	2B001073	Front wheel internal spacer	1	
10	GU03617710	Tubeless tyre valve	1	
11	GU14616150	Counterweight	1	
12	883688	Front brake disc 320	1	
13	887875	Phonic wheel	1	
14	887762	Flanged TE screw M8x22	6	
15	GU31616384	LH spacer	1	
16	859792	Sensor ABS	2	
17	2B001561	Fairlead	1	
18	2B001708	Spacer	1	
19	AP8150178	Washer 6,4x12,5*	1	

Group	Wheels
Code	05.020
Description	Rear wheel
Service	1



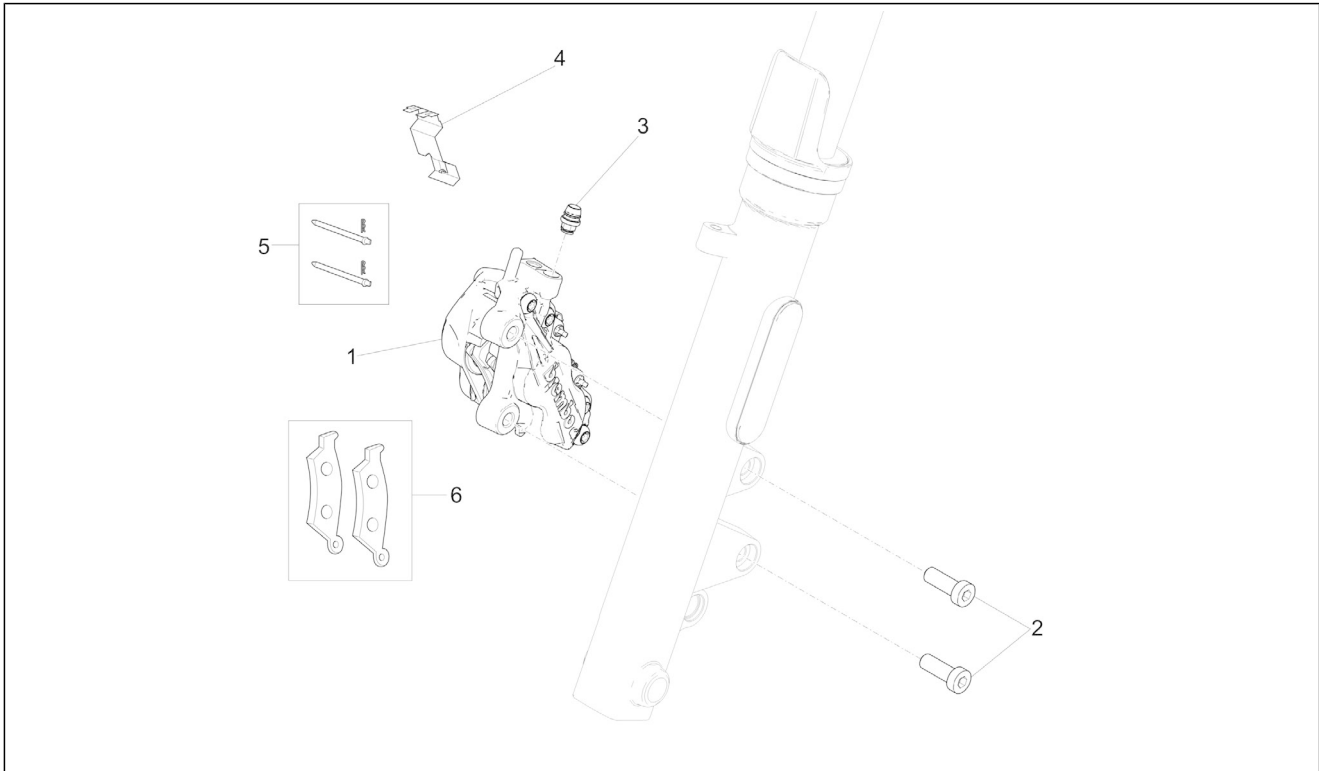
Pos.	Code	Description	Qty	Variants
1	2B001310	Rear wheel spindle	1	
2	2B002900	Pneumatico post.150/80 16"	1	
3	2B001114	Rear rim 4X16" with bearings	1	
4	GU92204220	Ball bearing 20X47X14	2	
5	648708	Rear wheel spindle nut	1	
6	AP8125687	Wheel pin washer	1	
7	2B001279	Assieme distanziale ruota post.	1	
8	GU98682312	Hex socket screw M6x12	2	
9	GU90272047	Circlip 47X50,5	1	
10	AP8110109	Gasket ring 28X47X7	1	
11	GU03617710	Tubeless tyre valve	1	
12	GU14616150	Counterweight	1	
13	2B001956	Rear wheel spacer	1	
14	887448	Brake disc	1	
15	2B000225	Phonic wheel	1	
16	887762	Flanged TE screw M8x22	6	
17	859792	Sensor ABS	2	
18	2B000377	Sensor support ABS	1	
19	1C001499	TBEI TORX screw M5x16 INOX	1	
20	GU32632510	Rubber coupling	1	

Group	Brake system
Code	06.010
Description	Front master cilinder
Service	1



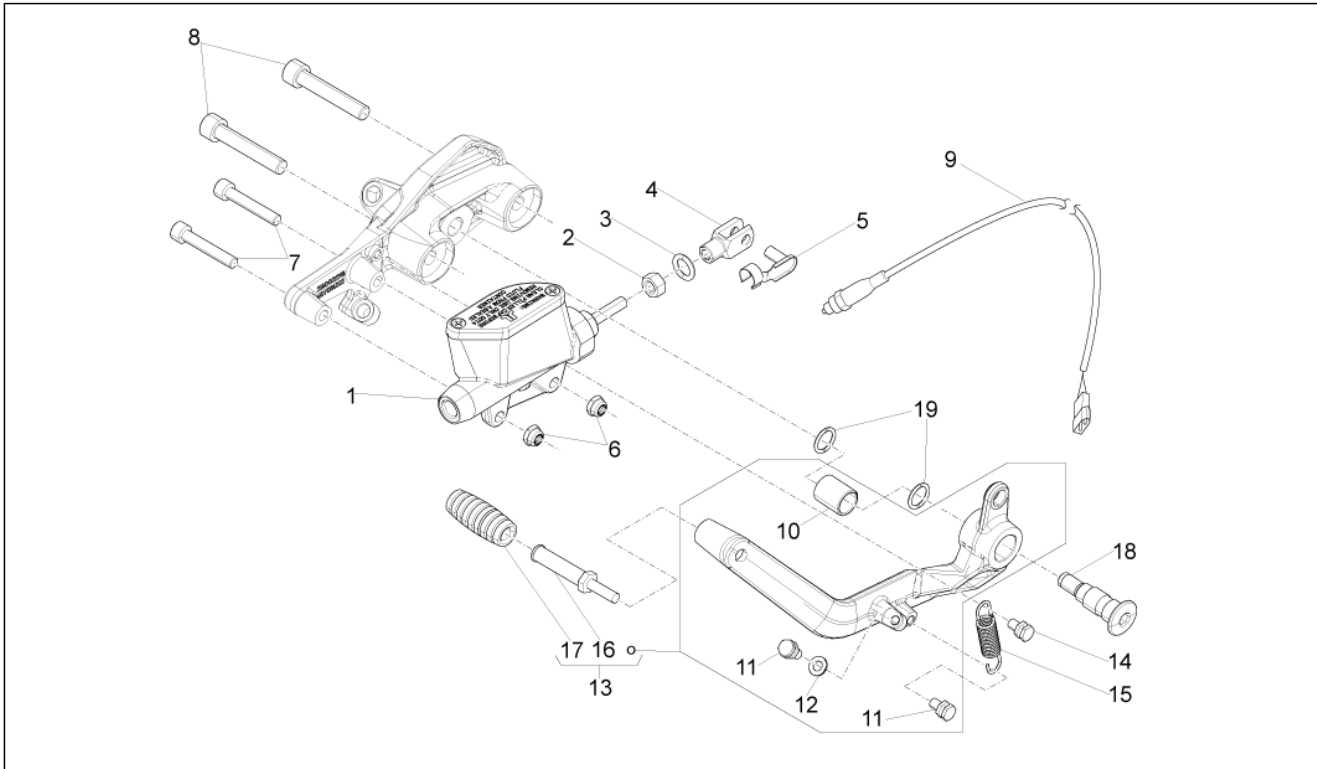
Pos.	Code	Description	Qty	Variants
1	2B002269	Front master cilinder	1	
2	2B003041	Ricambio leva	1	
3	2B003040	Ricambio perno leva cpl. di dado	1	
4	2B001930	Ricambio oblò pompa freno ant.	1	
5	2B003039	Ricambio tappo cpl. di membrana e viti	1	
6	2B001929	Bracket	1	
7	GU03749845	Stop switch	1	
8	AP8152043	Hex socket screw M4x10	1	

Group	Brake system
Code	06.020
Description	Front brake caliper
Service	1



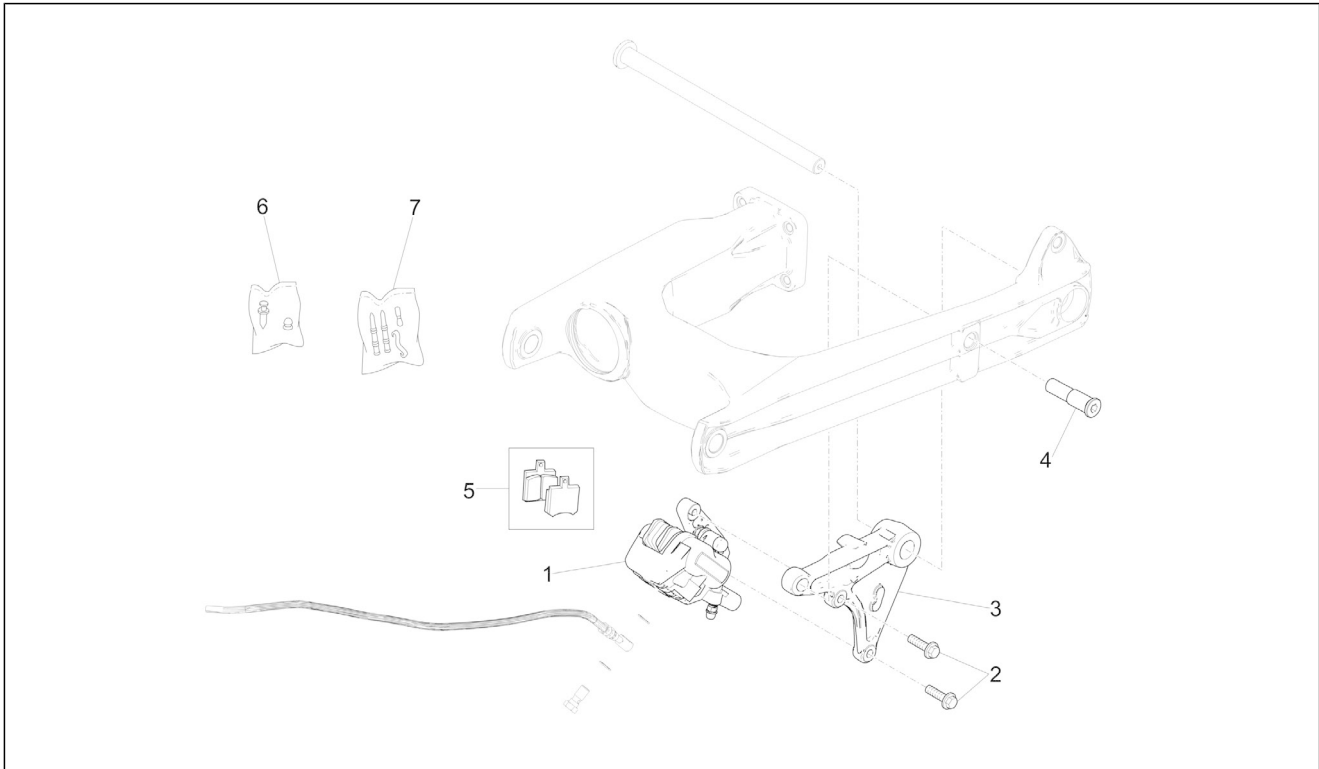
Pos.	Code	Description	Qty	Variants
1	2B003271	LH front brake caliper	1	
2	AP8152385	Hex socket screw M10x1,25	2	
3	GU05659230	Bleeder+cap	1	
4	GU01659131	Spring	1	
5	GU01659130	Pins+Caliper springs	1	
6	2B003313	Pads pair	1	

Group	Brake system
Code	06.030
Description	Rear master cylinder
Service	1



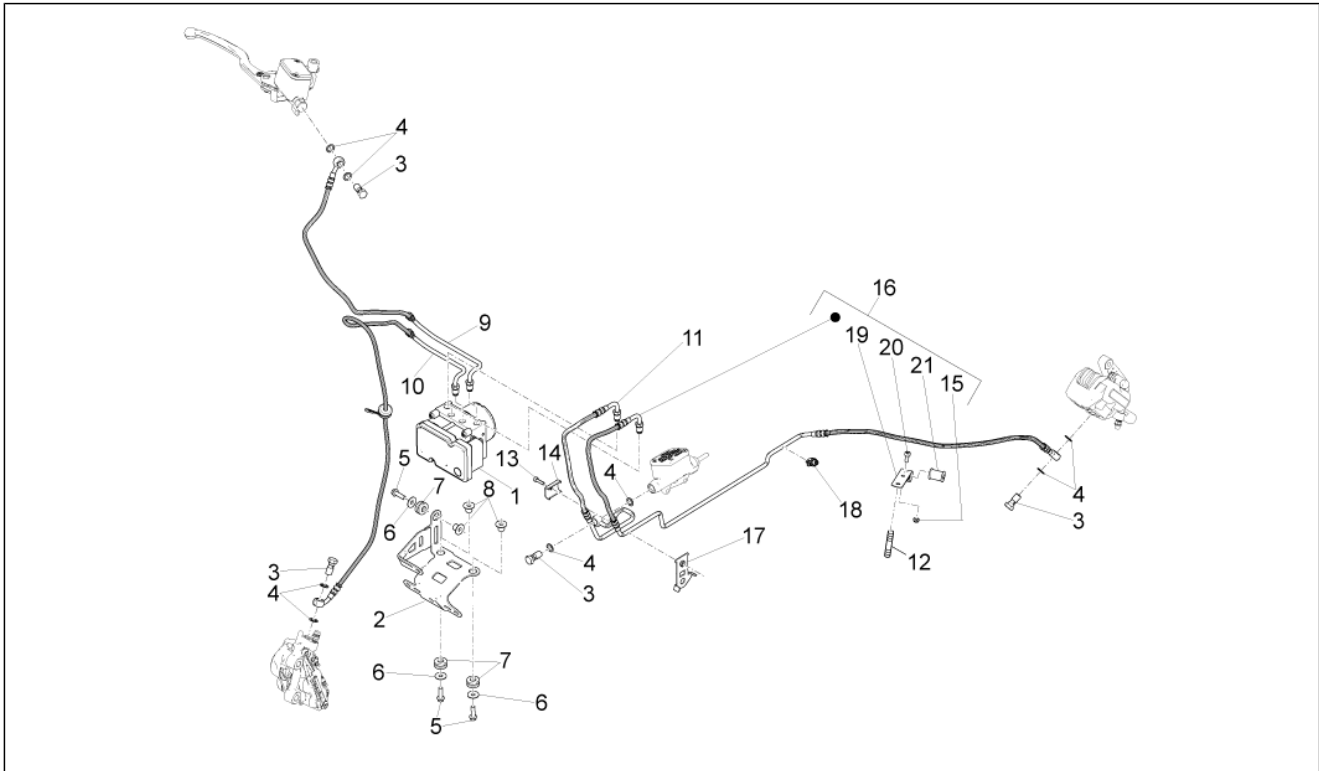
Pos.	Code	Description	Qty	Variants
1	2B002189	Pompa freno post. con serbatoio	1	
2	GU92609007	Nut	1	
3	AP8120178	O-ring OR112	1	
4	AP8113081	Fork	1	
5	AP8113082	Gear selector fork clips	1	
6	GU92630206	Nut M6x1	2	
7	AP8150285	Hex socket screw M6x35	2	
8	GU98680445	Hex socket screw	2	
9	2D0002805	stop Button	1	
10	895328	Sintered bushing	1	
11	859946	Fixing pin	2	
12	AP8150012	Washer 5,3x10x1*	1	
13	2B002233	Leva freno post. completa	1	
14	859946	Fixing pin	1	
15	AP8121927	Rear brake lever spring	1	
16	887908	Rubber pedal	1	
17	AP8120912	Lever rubber	1	
18	884033	Lever pin	1	
19	AP8144007	O-ring 11,11x1,78	2	

Group	Brake system
Code	06.040
Description	Rear brake caliper
Service	1



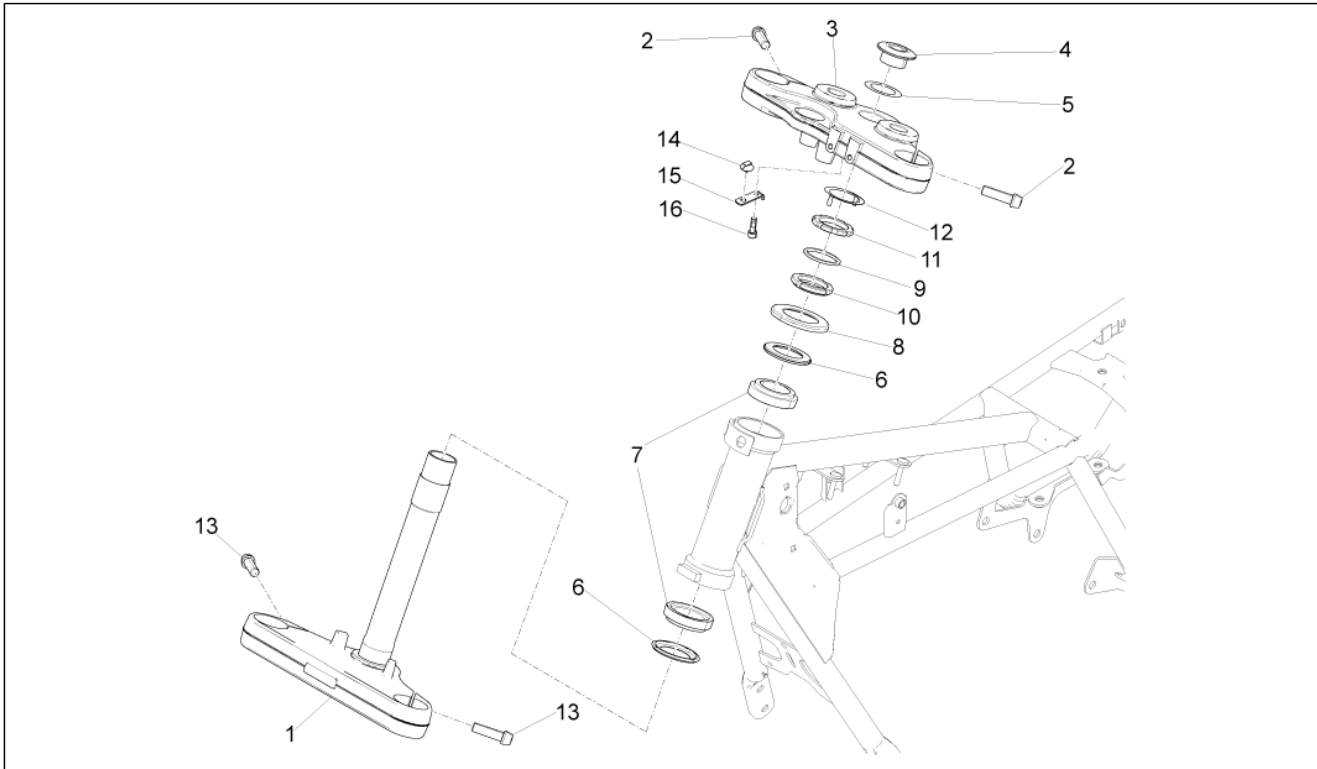
Pos.	Code	Description	Qty	Variants
1	2B000525	Rear brake caliper	1	
2	AP8152288	Screw w/ flange	1	
3	2B001953	Rear brake caliper support	1	
4	GU31544181	Pin	1	
5	2R000248	Brake pads torque	1	
6	GU31659281	Bleeder+cap	1	
7	GU31659181	Pins+spring kit	1	

Group	Brake system
Code	06.050
Description	ABS Brake system
Service	1



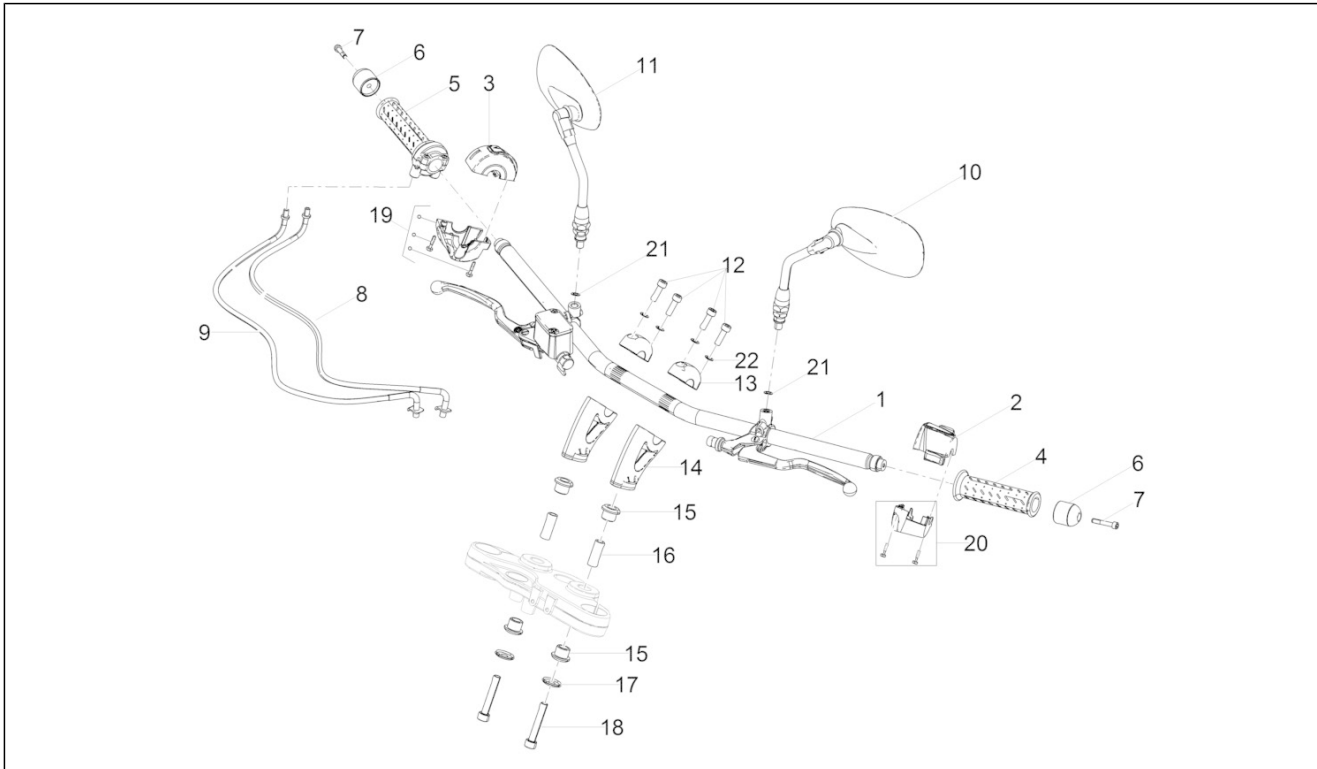
Pos.	Code	Description	Qty	Variants
1	2D000102	ABS control unit	1	
2	2B003056	Control unit sup. bracket	1	
3	AP8113003	Oil pipe screw	4	
4	AP8113004	Washer 10x14x1,6*	8	
5	00H02402282	screw 6X20	3	
6	AP8150015	Washer 6,6x18x1,6*	3	
7	AP8120030	Rubber spacer	3	
8	AP8221023	T bush	2	
9	2B002991	Tube ABS HECU - Pompa anteriore	1	
10	2B002805	Tube ABS HECU - Pinza anteriore	1	
11	2B002681	Tube ABS HECU - Pompa posteriore	1	
12	GU96451316	Stud bolt	1	
13	959559	Hex socket screw M4x16	1	
14	2B001614	Pipe fixing plate	1	
15	AP8150451	Low self-locking nut	1	
16	2B002806	Tube ABS HECU - Pinza posteriore	1	
17	2B001564	Brake hose holder plate	1	
18	AP8121882	Cable-guide	1	
19	GU03658330	Hose clamp	1	
20	895709	Hex socket screw M5x12	1	
21	GU03658201	Ring	1	

Group	Handlebar - Controls
Code	07.010
Description	Steering
Service	1



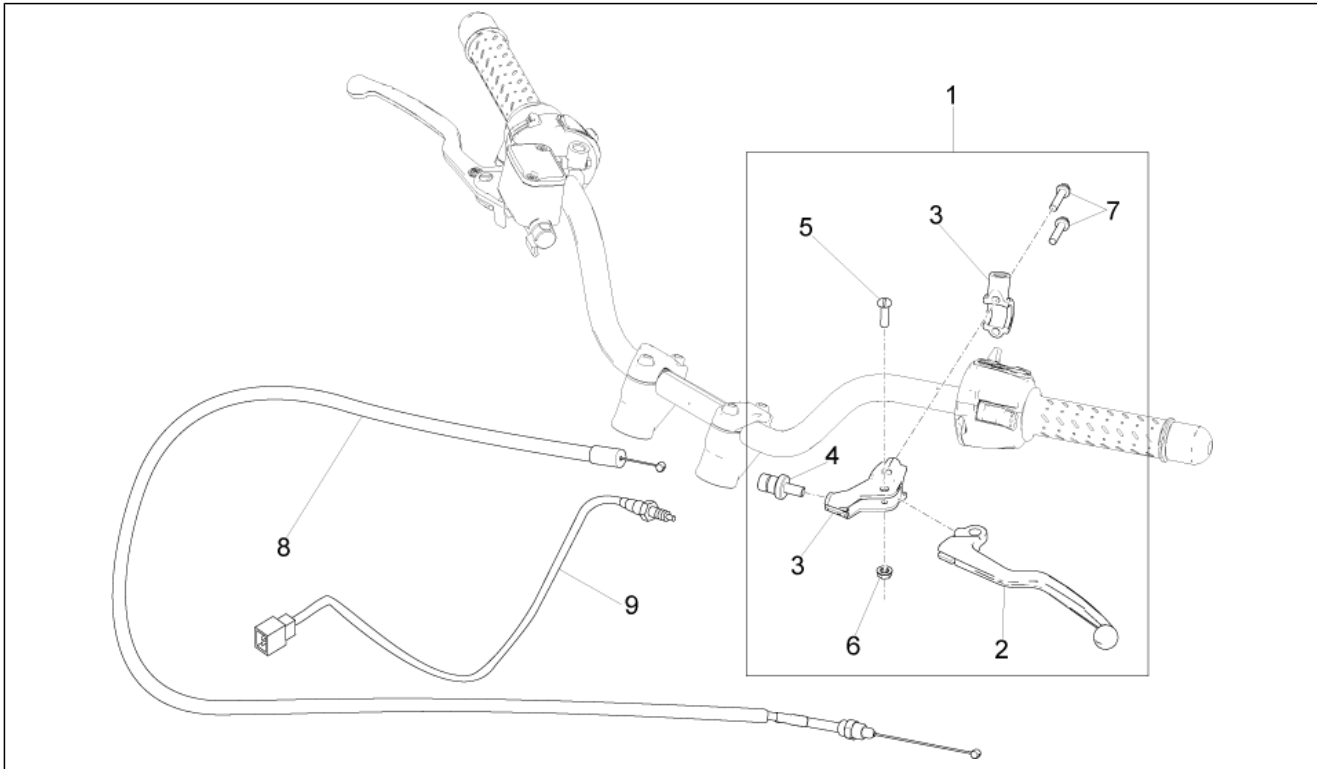
Pos.	Code	Description	Qty	Variants
1			1	
2	AP8150543	Screw M8x35	2	
3	2B001052	Fork upper plate	1	
4	AP8121205	Upper plate fixing bush	1	
5	AP8152384	Stem plug washer	1	
6	AP8123641	Dust cover ring	2	
7	AP8110077	Axial ball bearing	2	
8	AP8123644	Dust cover ring	1	
9	887831	Rubber spacer	1	
10	AP8123642	Ring nut	1	
11	AP8123643	Return ring nut	1	
12	887832	Steering security plate	1	
13	AP8150540	Screw	2	
14	890760	Instrument support	1	
15	2B003292	Plate	1	
16	GU98210616	Screw w/ flange M6x16 inox	1	

Group	Handlebar - Controls
Code	07.020
Description	Handlebar - Controls
Service	1



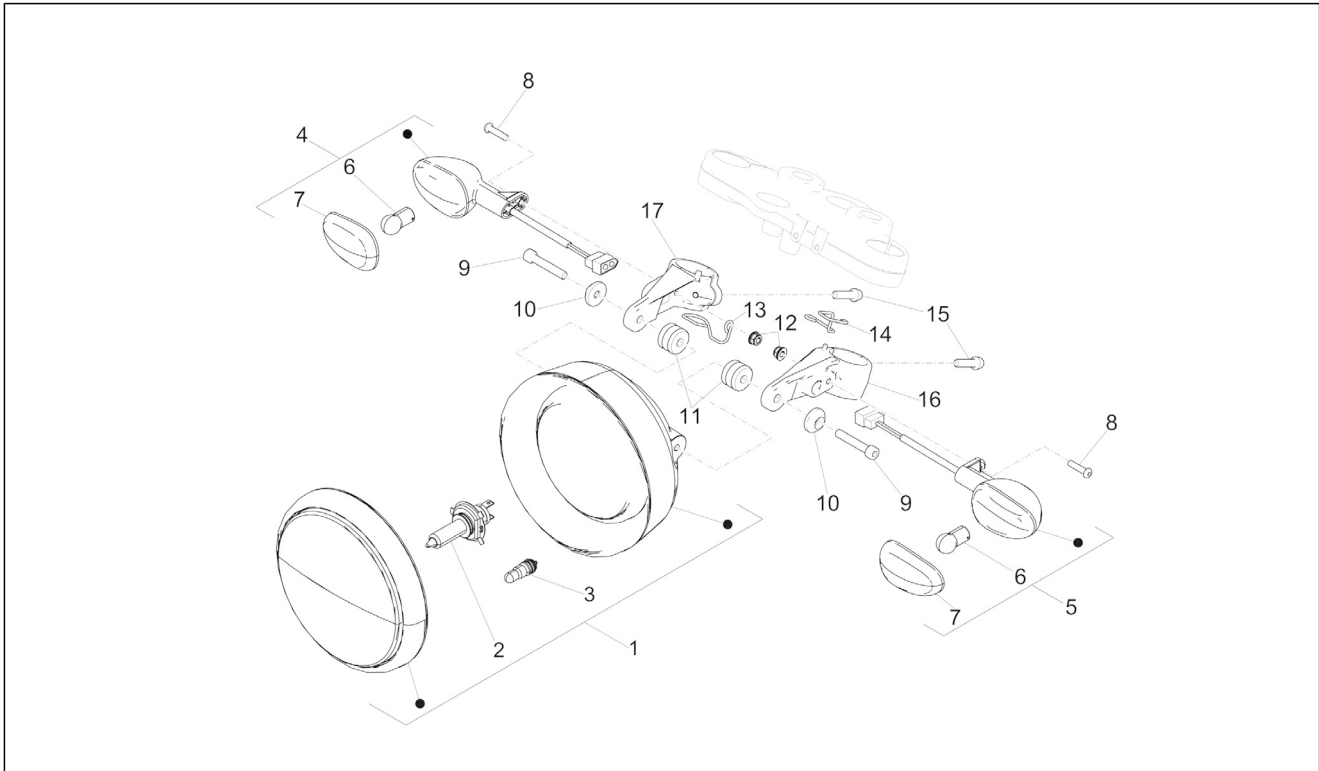
Pos.	Code	Description	Qty	Variants
1	2B002852	Handlebar	1	
2	2D000227	Comando manubrio sx	1	
3	2D000226	Comando manubrio dx	1	
4	AP8118579	LH hand grip	1	
5	2B002364	RH hand grip	1	
6	AP8104509	Anti.v weight, black	2	
7	2B002195	Vite TCEI IX M6X35 preimpregnata	2	
8	2B002844	Closure throttle cable	1	
9	2B002843	Opening throttle cable	1	
10	2B001049	LH rearview mirror	1	
11	2B001048	RH rearview mirror	1	
12	AP8150540	Screw	4	
13	2B002091	Morsetto superiore manubrio	2	
14	2B002090	Morsetto inferiore manubrio	2	
15	AP8144222	Rubber spacer	4	
16	854827	Spacer 10,1x14,1x38	2	
17	2B002875	Cup	2	
18	AP8150049	screw M10x60	2	
19	2D000163	Lower shell DX	1	
20	2D000218	Lower shell SX	1	
21	GU91181003	Spacer 10,25X20X4	2	
22	GU14615901	Washer 8,4X13X0,8	4	

Group	Handlebar - Controls
Code	07.030
Description	Clutch control
Service	1



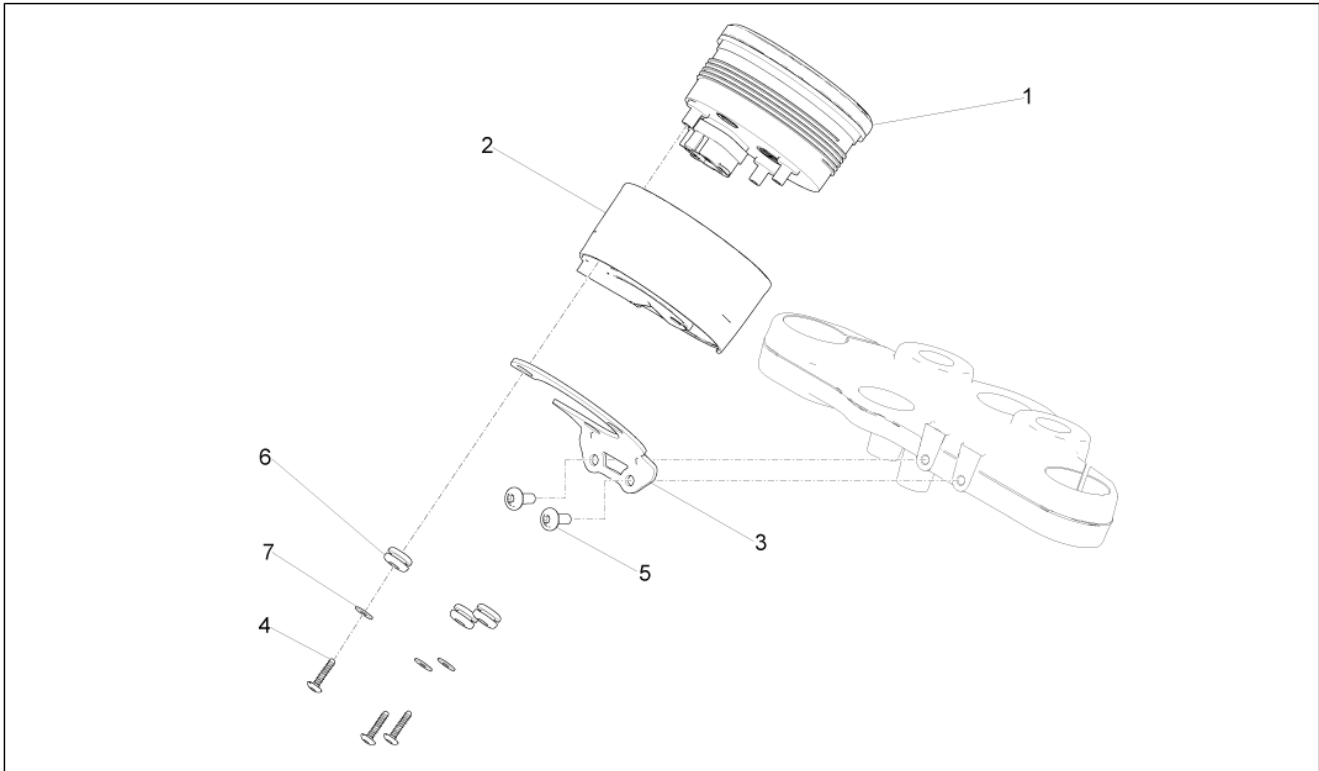
Pos.	Code	Description	Qty	Variants
1	2B002391	Gruppo leva comando frizione	1	
2	2B002390	Clutch control lever	1	
3	GU30601060	Clump	1	
4	GU30602500	Register	1	
5	AP8213028	screw	1	
6	AP8213388	Self-locking nut	1	
7	GU97202325	Black screw w/ flange M6x25	2	
8	2B002961	Clutch cable	1	
9	2D0002885	clutch switch	1	

Group	Lights - Instruments
Code	08.010
Description	lampu depan
Service	1



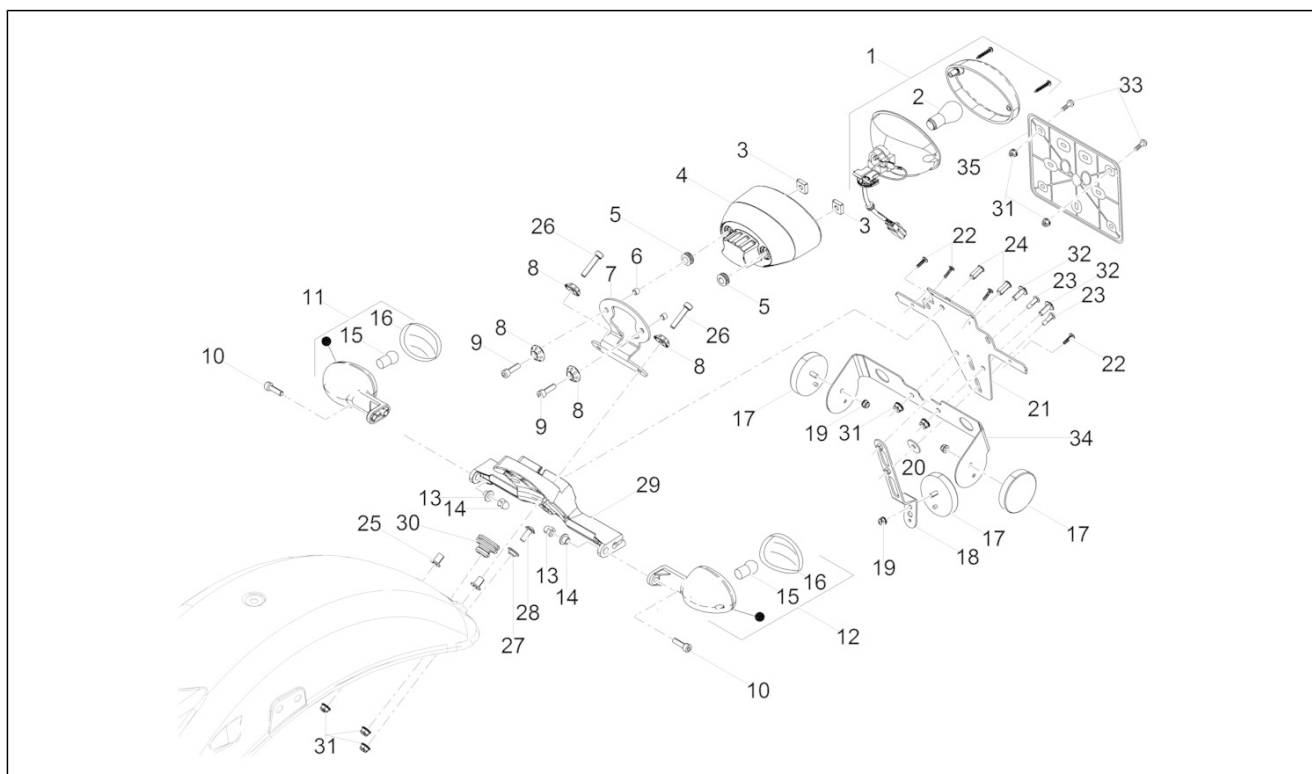
Pos.	Code	Description	Qty	Variants
1	2D000100	Headlight	1	Country:
1	2D000225	Headlight-uk-	1	Country:
2	292723	Lamp H4 12V-60/55W	1	
3	292022	Lamp 12V-5W	1	
4	2D000261	Front right turn indicator	1	
5	2D000262	Front left turn indicator	1	
6	584332	Lamp 12V-10W	2	
7	639338	Vetrino indicatore direzione	2	
8	GU98612320	Hex socket screw M6x20	2	
9	GU98690445	screw M8x45	2	
10	AP8121199	Bush	2	
11	2B002011	Distanziale fanale anteriore	2	
12	AP8152299	Self-locking nut M6	2	
13	2B003164	Fairlead	1	
14	2B003165	Fairlead	1	
15			2	
16	2B001231	Supporto sinistro fanale anteriore	1	
17	2B001182	Supporto destro fanale anteriore	1	

Group	Lights - Instruments
Code	08.020
Description	Instrumen
Service	1



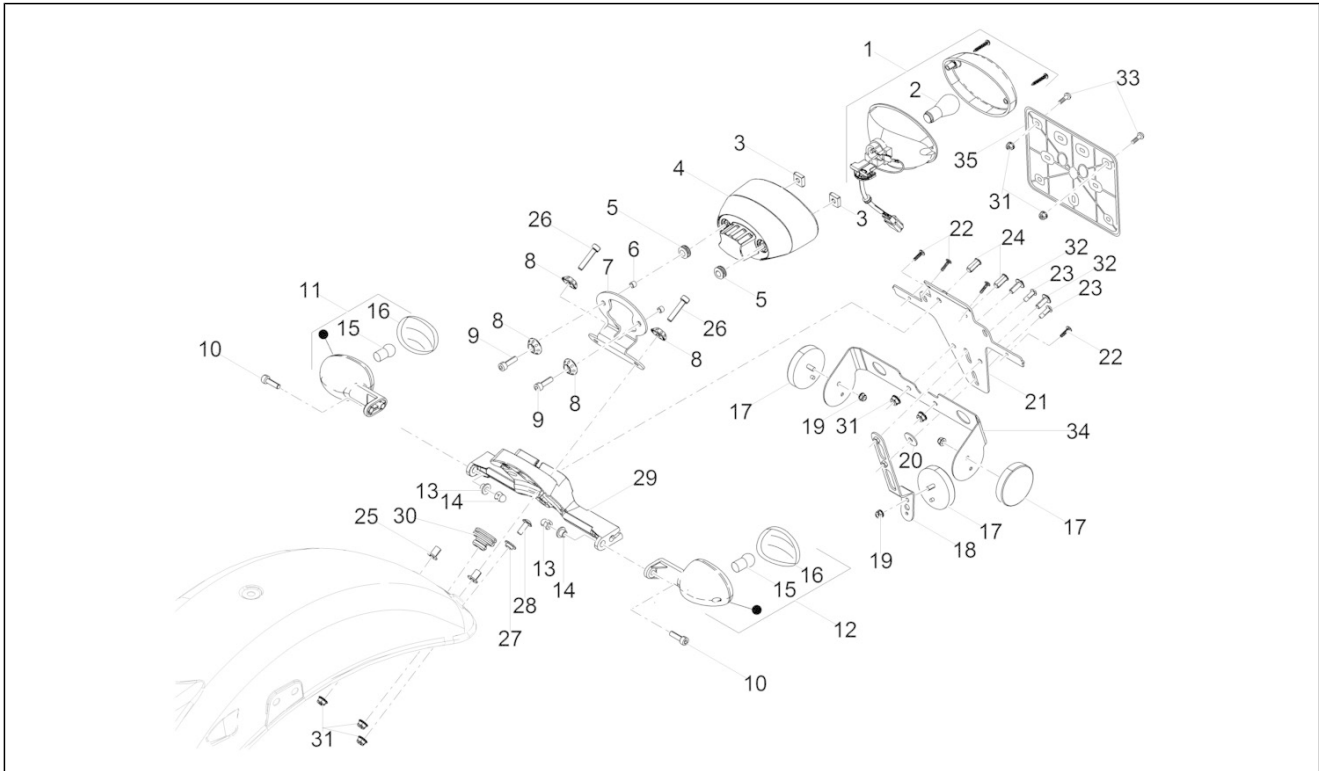
Pos.	Code	Description	Qty	Variants
1	2D000099	Dashboard	1	Country:
1	2D000159	Cruscotto D105 MPH	1	Country:
2	2B001223	Instrument panel cover	1	
3	2B001154	Instrument support	1	
4	CM178609	Self-tap screw	3	
5	GU98210610	screw	2	
6	2B003367	Fairlead	3	
7	013763	Flat washer 4,2x12x1	3	

Group	Lights - Instruments
Code	08.030
Description	Lampu belakang
Service	1



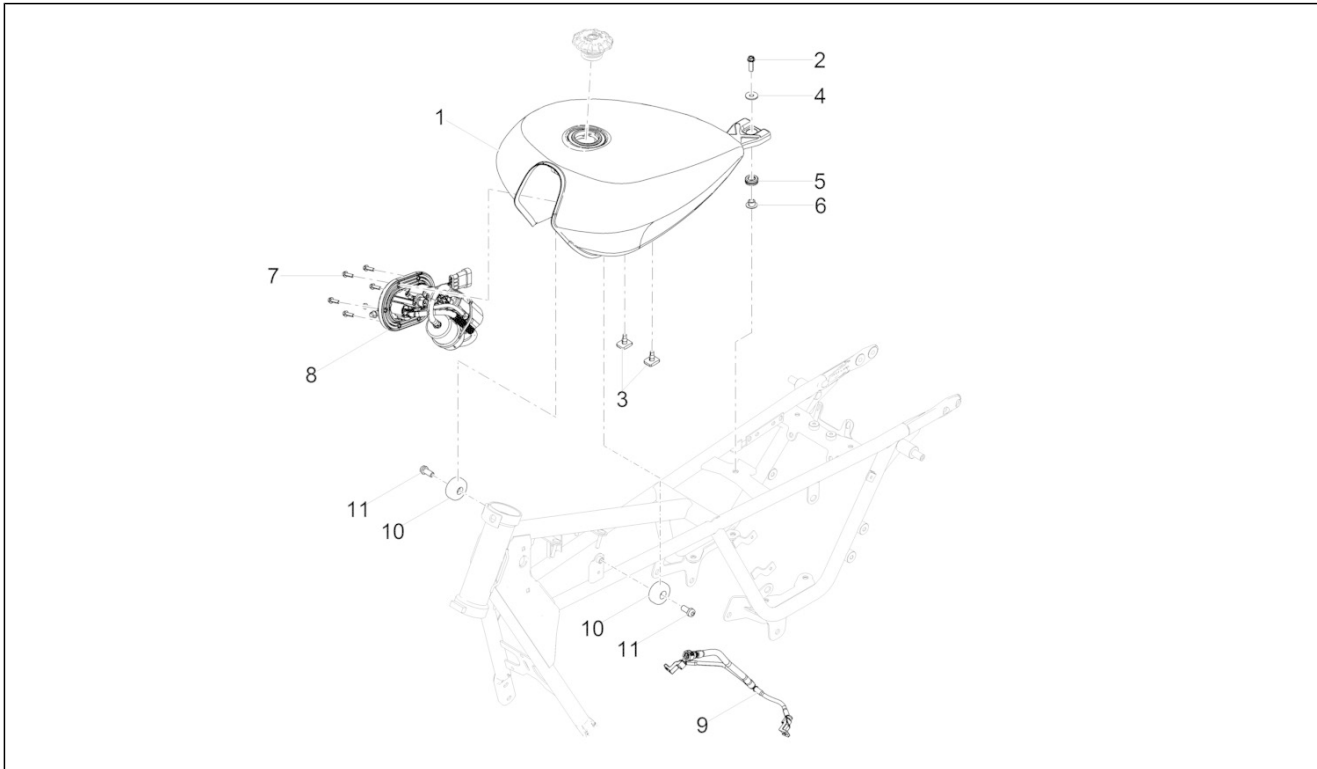
Pos.	Code	Description	Qty	Variants
1	2B002365	Taillight	1	
2	GU93450224	Lamp	1	
3	2B002483	Calotta supporto faro post.	1	
4	2B002443	Square nut M6	2	
5	AP8220186	Rubber spacer	2	
6	AP8120278	Spacer	2	
7	2B002484	Rear headlight supp.	1	
8	AP8150536	Special washer	4	
9	AP8150053	Hex socket screw M6x25	2	
10	GU98612320	Hex socket screw M6x20	2	
11	2D000255	Right rear turn indicator	1	
12	2D000256	Left rear turn indicator	1	
13	479175	Cap nut	2	
14	840509	Spacer	2	
15	584332	Lamp 12V-10W	2	
16	639338	Vetrino indicatore direzione	2	
17	AP8224164	Rear reflector, red	1	
18	AP8134448	Reflector support	1	
19	AP8152306	Self-locking nut m5	1	
20	GU95005310	Washer 8,4x18x2	1	
21	2B002541	Chiusura portatarga	1	
22	AP8150413	Self-tap screw 3,9x14	4	
23	B016796	Torx convex big end screw	2	
24	AP8201755	Threaded rivet	2	
25	AP8121725	T bush *	2	
26	GU98682330	Hex socket screw M6x20	2	
27	AP9100053	Bush d.10-h.3,5	1	
28	GU98210616	Screw w/ flange M6x16 inox	1	

Group	Lights - Instruments
Code	08.030
Description	Lampu belakang
Service	1



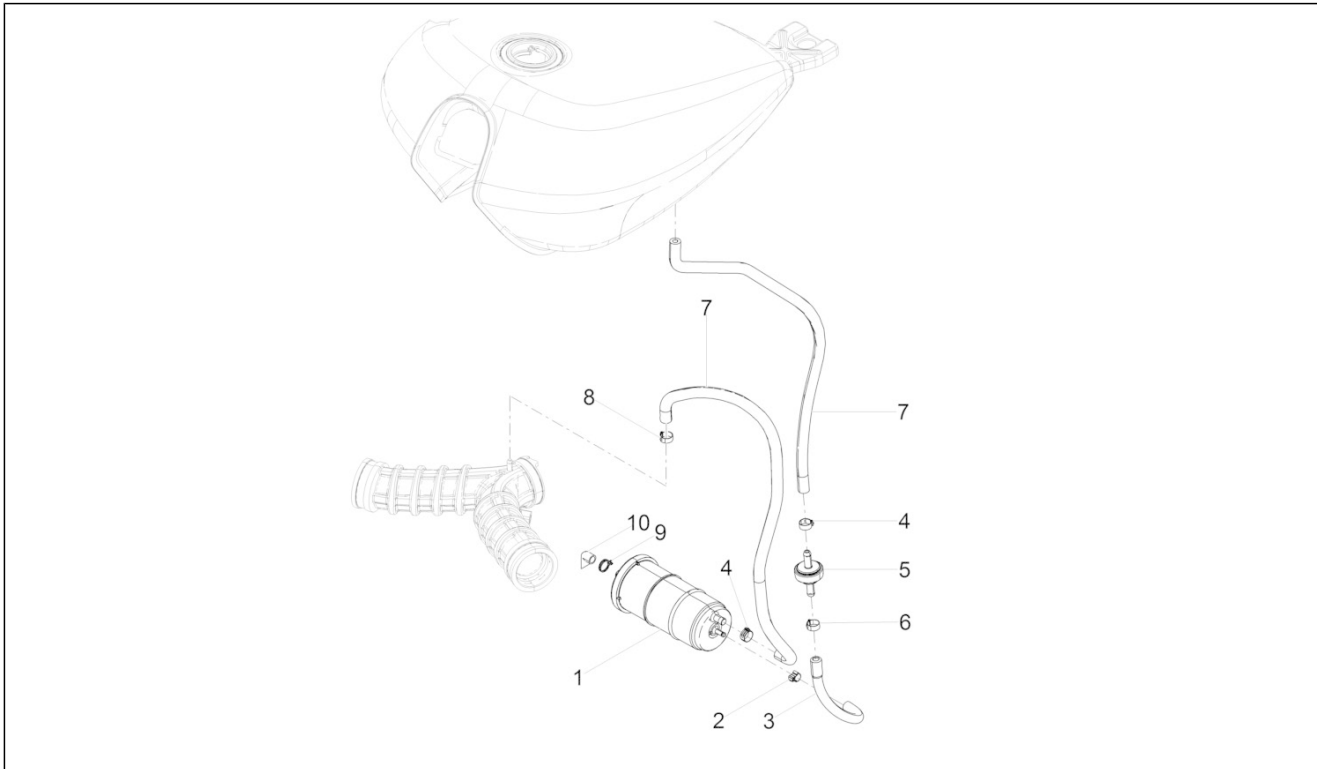
Pos.	Code	Description	Qty	Variants
29	2B002366	Turn indicator support	1	
30	070286	Fairlead	1	
31	AP8152299	Self-locking nut M6	7	
32	AP8152246	Screw w/ flange M6x16	2	
33	AP8152298	Screw w/ flange M5x16	4	
34	2B000160	Lat. reflectors support	1	
35	AP8149034	Number plate support	1	

Group	Tank
Code	09.010
Description	Tangki bahan bakar
Service	1



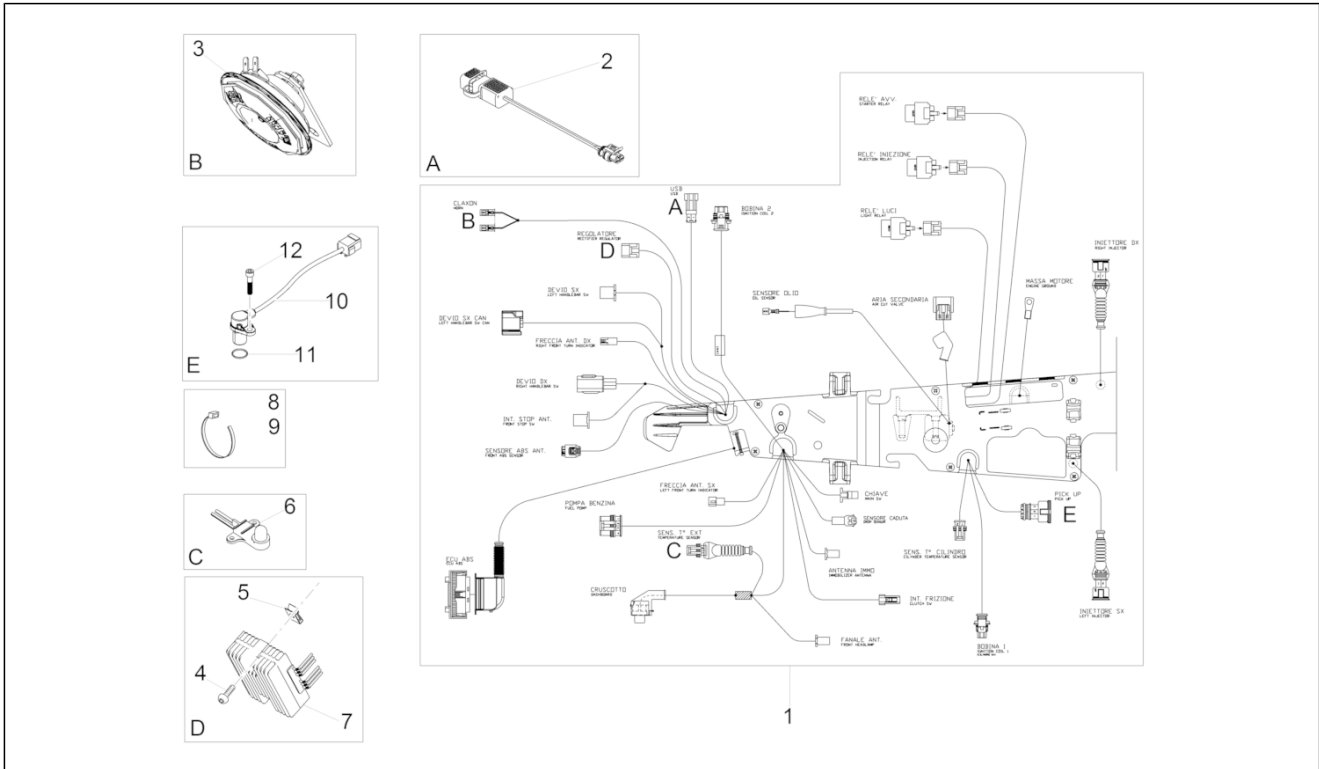
Pos.	Code	Description	Qty	Variants
1	2B001629	Fuel tank	1	Vehicle colour:Blank[GR]
1	2H001433000NI	Fuel tank, black	1	Year: Vehicle colour:Opaque Competition Black[NC] Country: Technical specification:Decal[D]
1	2H001476000EQ	Fuel tank, grey	1	Year: Vehicle colour:Grigio Blade opaco[GB] Country: Technical specification:Decal[D]
2	AP8152288	Screw w/ flange	2	
3	AP8120455	Rubber spacer	2	
4	AP8150018	Washer	1	
5	GU91551131	Rubber spacer	1	
6	2B002944	T bush	1	
7	AP8152273	Screw w/ flange M5x15	6	
8	1D001450	Fuel pump	1	
9	2B002486	Fuel system pipes	1	
10	GU66103415	Rubber spacer	2	
11	GU98682416	Hex socket screw M8x16	1	

Group	Tank
Code	09.020
Description	Sistem pemulih uap bahan bakar
Service	1



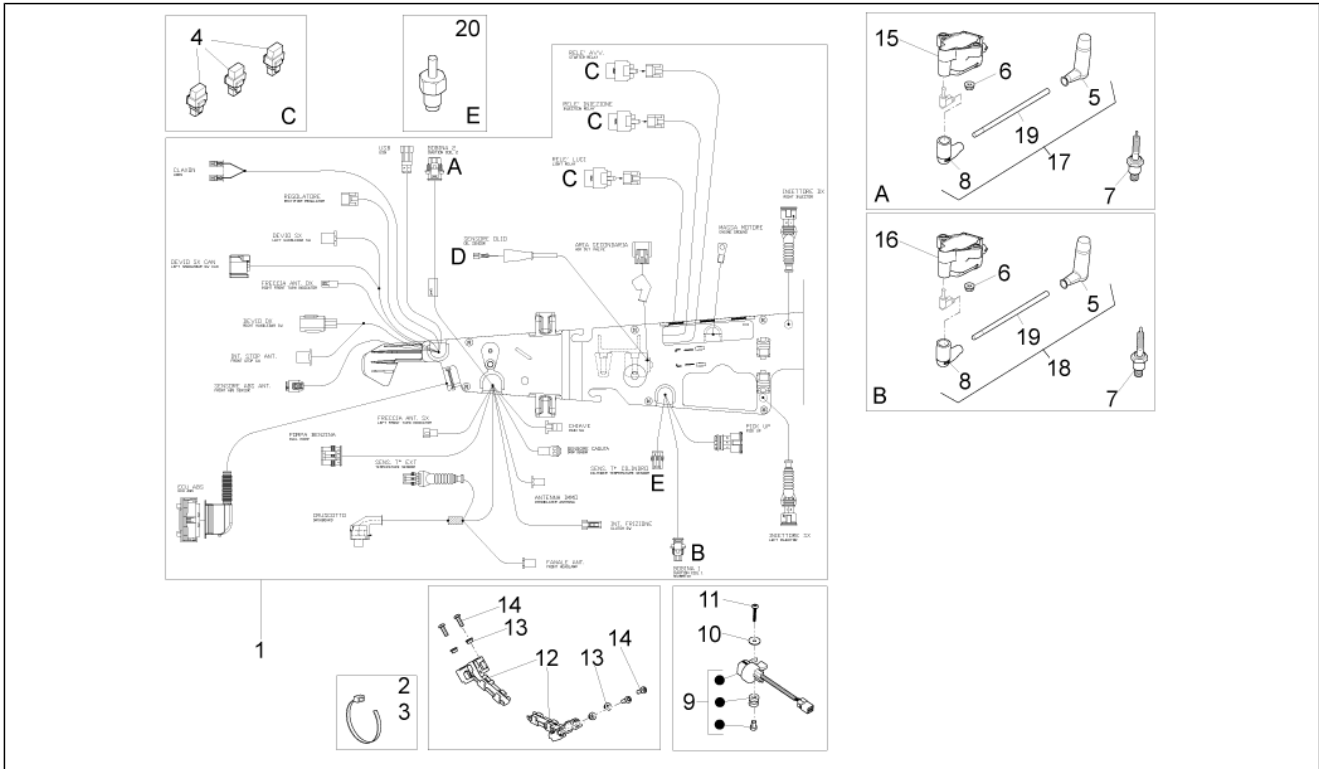
Pos.	Code	Description	Qty	Variants
1	2B002632	Canister	1	
2	AP8102738	Hose clamp	1	
3	2B003042	Tubo SAE 30 R12A-3/16	1	
4	AP8102239	Hose clamp 12,5x8	2	
5	CM179008	Safety valve	1	
6	AP8102159	Hose clamp	1	
7	856063	pipe SAE 30 d.12,7x6,35	2	
8	GU93304360	Hose clamp 7,6x380	1	
9	AP8102520	Hose clamp	1	
10	AP8127601	Ventilation plug	1	

Group	Electrical systems
Code	11.010
Description	Sistem kelistrikan depan
Service	1



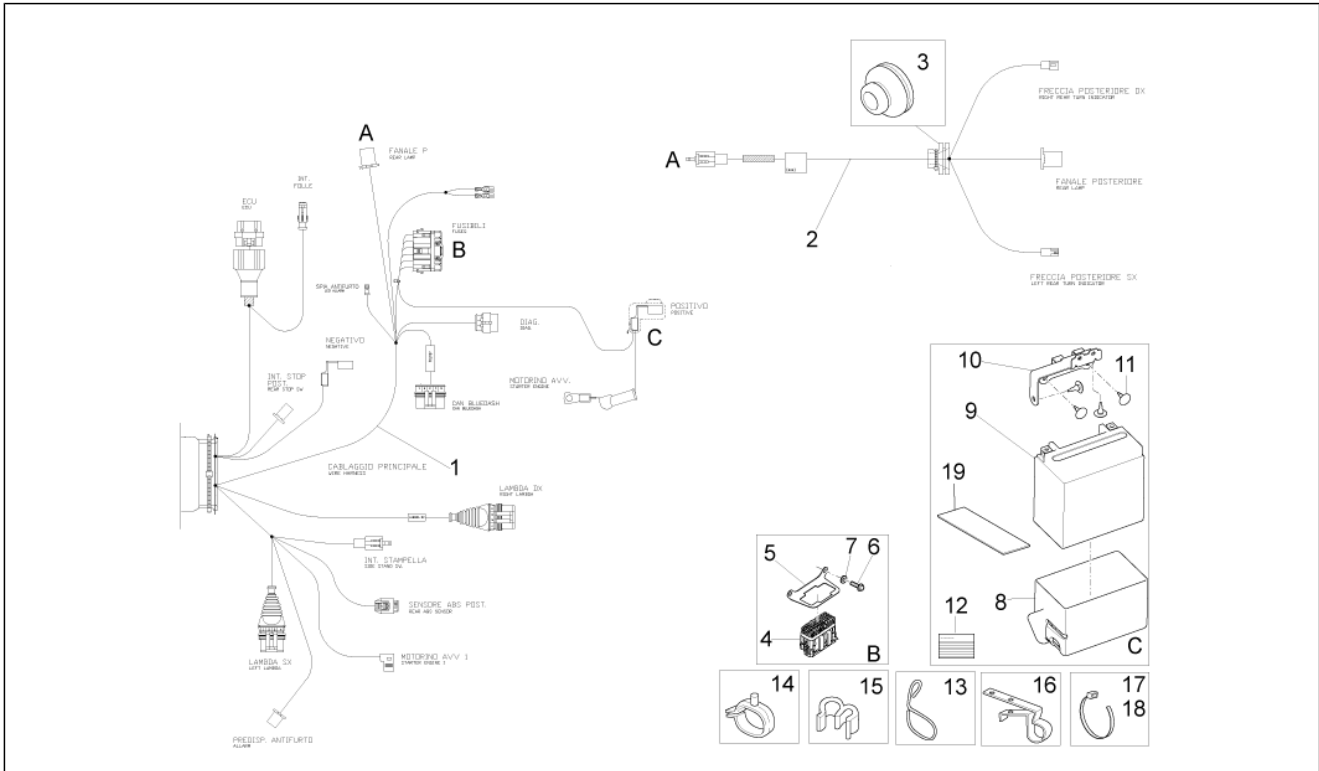
Pos.	Code	Description	Qty	Variants
1	2D000209	Cable harness	1	
2	643277	Socket USB	1	
3	2B000221	Horn	1	
4	AP8150377	screw	1	
5	254485	Spring plate M6	1	
6	AP8124936	Air temp. Sensor	1	
7	1D001549	Voltage regulator	1	
8	GU49609601	Hose clamp 2,4x92	1	
9	GU14609650	Hose clamp 3,6x20,6	24	
10	832029	Encoder sensor	1	
11	GU90706141	O-ring	1	
12	122675	Hex socket screw	1	

Group	Electrical systems
Code	11.020
Description	Sistem kelistrikan pusat
Service	1



Pos.	Code	Description	Qty	Variants
1	2D000209	Cable harness	1	
2	GU49609601	Hose clamp 2,4x92	1	
3	GU14609650	Hose clamp 3,6x20,6	24	
4	AP8224462	Relay 12V-30A	3	
5	1A005382	Screened cap	2	
6	AP8152299	Self-locking nut M6	4	
7	887481	Spark plug NGK CPR8EB-9	2	
8	641040	Insulating cap	2	
9	680212	Fall sensor	1	
10	GU95005304	Washer 5,2x18x1,5	1	
11	478533	Self-tap screw	1	
12	2B002901	Supporto cavo candela	2	
13	2B003052	T bushing	4	
14	1A003444	Oval head screw	4	
15	641901	HT coil	1	
16	642034	HT coil DX	1	
17	CM277101	HT wire (450 mm)	1	
18	CM277102	HT wire (580 mm)	1	
19	080341	H.V. cable	1	
19	641041	HV terminal	1	
20	887421	Temp. Sensor	1	

Group	Electrical systems
Code	11.030
Description	Sistem kelistrikan belakang
Service	1



Pos.	Code	Description	Qty	Variants
1	2D000209	Cable harness	1	
2	2D000245	Gruppo cavi fanale post.	1	
3	070286	Fairlead	1	
4	584211	Fuse holder box	1	
5	883161	Fuse block support	1	
6	GU98682212	Hex socket screw M5x12	2	
7	GU95100059	Washer 5,25x14x1,5	2	
8	2B002781	Cuffia batteria	1	
9	638733	Battery Yuasa 12V-12Ah (150x85x145)	1	
10	B063233	Battery bracket	1	
11	AP8120001	Rubber spacer	4	
12	GU32517710	Decal "Battery service"	1	
13	AP8181140	Fairlead	1	
14	CM013202	Pipes/cables retainer spring	1	
15	894704	Fairlead	9	
16	B043850	Hose clamp	1	
17	GU14609650	Hose clamp 3,6x20,6	24	
18	GU49609601	Hose clamp 2,4x92	1	
19	AP8144552	Support rubber part	1	


MOTO GUZZI®

ERSATZTEILKATALOG



V9 Bobber 2017 (USA)

Vorsatzcode Fahrgestell: ZGULHU01

Vorsatzcode Motor:

Inhaltsverzeichnis

Fertige Produkte.....	4
Alphanumerisches Verzeichnis.....	5
Rahmen.....	10
Tafel 01.010 - Rahmen.....	10
Tafel 01.020 - Fussrasten.....	11
Tafel 01.030 - Hauptständer.....	12
Tafel 01.040 - Schutz.....	13
Tafel 01.050 - Schwinge.....	14
Aufbau.....	15
Tafel 02.030 - Vorderes Schutzblech-Stütze.....	15
Tafel 02.100 - Mittlerer Aufbau.....	16
Tafel 02.120 - Sitz.....	17
Tafel 02.150 - Hinteres schutzblech.....	18
Tafel 02.170 - Schlösser.....	19
Tafel 02.190 - Deko.....	20
Motor.....	22
Tafel 03.010 - Motor-Fertigstellung.....	22
Tafel 03.020 - Schalthebel.....	23
Tafel 03.030 - Gehäuse I.....	25
Tafel 03.050 - Filtergehäuse.....	26
Tafel 03.060 - Klappenkörper.....	27
Tafel 03.090 - Kopfdeckel.....	28
Tafel 03.100 - Zylinderkopf - ventile.....	29
Tafel 03.120 - Steuer.....	30
Tafel 03.150 - Zylinder - Kolben.....	31
Tafel 03.160 - Kurbelwelle.....	32
Tafel 03.170 - Schaltgetriebe / Schaltgabel / Desmodrom.....	33
Tafel 03.180 - Schaltgetriebe - Zahnräder.....	35
Tafel 03.190 - Schmierung.....	37
Tafel 03.196 - Anlage Blow-by.....	39
Tafel 03.230 - Kupplung.....	40
Tafel 03.270 - Zuenderdeckel.....	42
Tafel 03.290 - Zündung / Elektrischer Anfang.....	43
Tafel 03.300 - Schwungmagnetstarter / Zündung.....	44
Tafel 03.320 - Secondary air.....	45
Tafel 03.330 - Auspuffrohr.....	46
Tafel 03.340 - Getriebe kpl.....	47
Tafel 03.350 - Getriebedeckel.....	48
Radaufhängungen.....	50
Tafel 04.060 - Vorderradgabel Kaifa.....	50
Tafel 04.080 - Stoßdämpfer.....	51
Räder.....	52
Tafel 05.010 - Vorderrad.....	52

Tafel 05.020 - Hinterrad.....	53
Bremsanlage	54
Tafel 06.010 - Vorderradbremspumpe.....	54
Tafel 06.020 - Vorderradbremzange.....	55
Tafel 06.030 - Hinterradbremspumpe.....	56
Tafel 06.040 - Hinterradbremzange.....	58
Tafel 06.050 - Bremsanlage ABS.....	59
Lenkstange - Schaltungen.....	60
Tafel 07.010 - Lenkung.....	60
Tafel 07.020 - Lenkstange - Schaltungen.....	61
Tafel 07.030 - Kupplungssteuerung.....	62
Vorderer lichter - Instrumente.....	63
Tafel 08.010 - Vorderer lichter.....	63
Tafel 08.020 - Instrumente.....	64
Tafel 08.030 - Hinterer lichter.....	65
Tank.....	67
Tafel 09.010 - Kraftstofftank.....	67
Tafel 09.020 - Benzindampfdruckf.-Anlage.....	68
Elektrische Anlage.....	69
Tafel 11.010 - Vorder Elektrische Anlage.....	69
Tafel 11.020 - Mitt. elektrische Anlage.....	70
Tafel 11.030 - Hint.Elektrische Anlage.....	71

Fertige Produkte

Code	Gültigkeit
GU9032251CAH01	
GU9032251CAH02	
GU9032251USH01	
GU9032251USH02	

Code	Nr. der Tafel	Pos.	Code	Nr. der Tafel	Pos.	Code	Nr. der Tafel	Pos.
	08.010	15	1A0066355	03.010	1	2A000467	03.170	15
006630	03.270	8	1A0066655	03.030	8	2A000496	03.120	4
00H02402282	06.050	5	1A0066656	03.030	7	2A000521	03.120	9
013763	03.190	14	1A0066659	03.100	12	2A000527	03.120	27
013763	08.020	7	1A0066680G	03.160	3	2A000528	03.120	8
070286	08.030	30	1A0066680N	03.160	3	2A000565	03.090	1
070286	11.030	3	1A0066680V	03.160	3	2A000579	03.120	5
080341	11.020	19	1A0066690G	03.160	8	2A000591	03.170	37
122675	11.010	12	1A0066690N	03.160	8	2A000597	03.320	3
1A000360	03.180	7	1A0066690V	03.160	8	2A000608	03.060	8
1A000365	03.180	16	1A006671AA	03.160	7	2A000609	03.060	3
1A000366	03.180	22	1A006671BB	03.160	7	2A000612	03.060	7
1A000367	03.180	27	1A006716	03.090	4	2A000620	03.090	6
1A000368	03.180	28	1A006860	03.030	19	2A000627	03.180	13
1A000369	03.180	29	1A006861	03.120	16	2A000629	03.180	30
1A000370	03.180	25	1A0068695	03.100	10	2A000631	03.230	21
1A000436	03.180	10	1A0068705	03.100	11	2A000633	03.190	5
1A000566	03.180	4	1A0068960B	03.160	2	2A000638	03.230	30
1A002604	03.180	24	1A0068960G	03.160	2	2A000659	03.090	2
1A002604	03.180	9	1A0068960R	03.160	2	2A000724	03.230	4
1A003444	11.020	14	1A007008	03.190	22	2A000727	03.180	5
1A003452	03.100	5	1A007070	03.150	2	2A000741	03.230	31
1A004442	03.190	15	1A007111	03.150	9	2A0007425	03.170	19
1A004530	03.030	10	1A008576	03.120	25	2A0007505	03.170	6
1A004549	03.190	11	1C001499	01.030	8	2A000767	03.230	23
1A004550	03.030	1	1C001499	05.020	19	2A000770	03.230	28
1A004660	03.100	1	1D001393	03.060	2	2A000792	03.230	7
1A004661	03.100	1	1D001450	09.010	8	2B000160	08.030	34
1A004662	03.100	1	1D001549	11.010	7	2B000221	11.010	3
1A004750	03.100	8	224566	03.170	44	2B000225	05.020	15
1A004751	03.100	4	224566	03.350	8	2B000377	05.020	18
1A004752	03.100	6	237553	03.190	12	2B000404	03.350	2
1A004903	03.120	13	248419	01.040	12	2B000525	06.040	1
1A004905	03.120	12	254485	03.330	19	2B001009	03.020	15
1A004907	03.120	14	254485	11.010	5	2B001035	01.010	17
1A004953	03.150	8	285536	03.170	3	2B001048	07.020	11
1A004954	03.150	7	285536	03.190	31	2B001049	07.020	10
1A004955	03.150	6	292022	08.010	3	2B001052	07.010	3
1A004956	03.150	5	292723	08.010	2	2B001055	01.010	1
1A005199	03.190	3	2A000097	03.170	41	2B001073	05.010	9
1A005211	03.030	2	2A000115	03.300	5	2B001083	03.330	6
1A005257	03.190	13	2A000129	03.300	4	2B001084	03.330	5
1A0052625	03.030	21	2A000203	03.180	20	2B001088	01.030	5
1A005325AA	03.160	6	2A000216	03.230	8	2B0010995	03.330	1
1A005325BB	03.160	6	2A000219	03.170	12	2B0011005	03.330	2
1A005382	11.020	5	2A000222	03.170	38	2B001114	05.020	3
1A005424	03.100	2	2A000224	03.170	20	2B001139	05.010	1
1A005425	03.100	9	2A000225	03.170	23	2B001141	02.030	1
1A005712	03.120	1	2A000226	03.170	21	2B001147	02.030	2
1A0057145	03.120	24	2A000227	03.170	22	2B0011535	03.340	1
1A005951	03.120	7	2A000241	03.170	27	2B001154	08.020	3
1A005955	03.120	19	2A000241	03.170	28	2B001182	08.010	17
1A006047	03.030	4	2A000241	03.180	32	2B001223	08.020	2
1A006053	03.190	27	2A000306	03.170	27	2B001231	08.010	16
1A006055	03.190	25	2A000339	03.090	3	2B001279	05.020	7
1A006056	03.190	24	2A0003535	03.120	6	2B001301	01.050	1
1A006064	03.190	23	2A000375	03.230	14	2B001303	03.350	25
1A006119	03.120	22	2A000376	03.230	16	2B001307	03.350	11
1A006127	03.120	23	2A000378	03.230	32	2B001310	05.020	1
1A006243	03.120	21	2A000384	03.230	18	2B001311	03.350	3
1A006272AA	03.150	10	2A000385	03.230	19	2B001561	05.010	17
1A006272BB	03.150	10	2A000415	03.170	24	2B001564	06.050	17
1A006272CC	03.150	10	2A000418	03.230	29	2B001612	01.010	16
1A006272DD	03.150	10	2A000419	03.230	1	2B001614	06.050	14
1A006283	03.030	17	2A00042115	03.170	1	2B001618	02.100	2
1A006284	03.030	18	2A000438	03.170	43	2B001619	02.100	1
1A006298	03.270	4	2A000438	03.350	22	2B001629	09.010	1

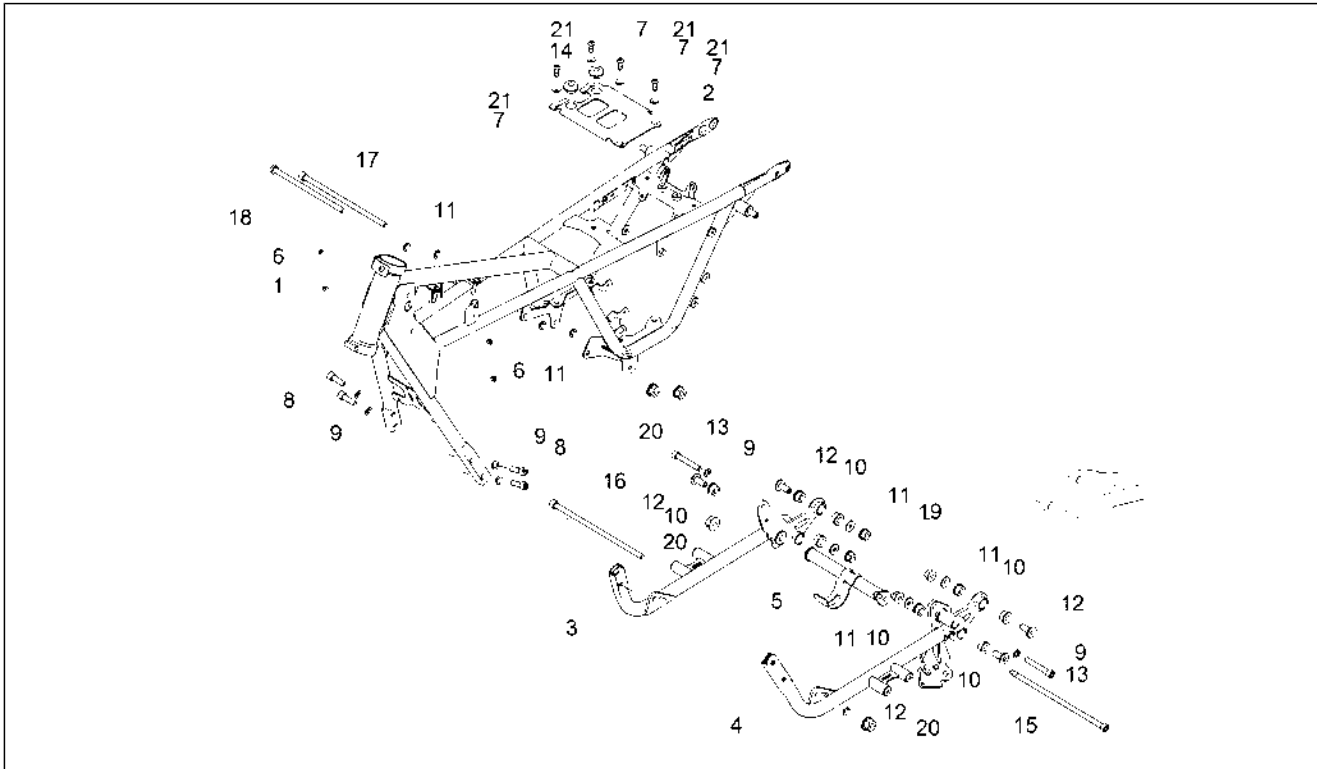
Code	Nr. der Tafel	Pos.	Code	Nr. der Tafel	Pos.	Code	Nr. der Tafel	Pos.
2B001708	05.010	18	2B002705	01.030	1	2D000024	03.300	1
2B001762	05.010	5	2B002781	11.030	8	2D000099	08.020	1
2B001783	02.100	5	2B002799	01.040	1	2D000100	08.010	1
2B001823	03.060	12	2B002805	06.050	10	2D000102	06.050	1
2B001929	06.010	6	2B002806	06.050	16	2D000159	08.020	1
2B001930	06.010	4	2B002807	03.350	21	2D000163	07.020	19
2B001935	03.330	24	2B002810	01.010	5	2D000209	11.010	1
2B001941	03.020	18	2B002817	01.010	15	2D000209	11.020	1
2B001953	06.040	3	2B002832	03.050	2	2D000209	11.030	1
2B001956	05.020	13	2B002843	07.020	9	2D000218	07.020	20
2B002011	08.010	11	2B002844	07.020	8	2D000225	08.010	1
2B002043	02.170	3	2B002851	03.050	5	2D000226	07.020	3
2B002090	07.020	14	2B002852	07.020	1	2D000227	07.020	2
2B002091	07.020	13	2B002875	07.020	17	2D000245	11.030	2
2B002171	01.020	21	2B002900	05.020	2	2D000255	08.030	11
2B002171	03.350	27	2B002901	11.020	12	2D000256	08.030	12
2B002187	03.330	15	2B002936	02.170	11	2D000261	08.010	4
2B002189	06.030	1	2B002937	01.040	10	2D000262	08.010	5
2B002192	04.060	1	2B002940	02.170	1	2D0002805	06.030	9
2B002195	07.020	7	2B002943	01.040	9	2D0002885	07.030	9
2B002200	03.350	15	2B002944	09.010	6	2D000299	02.170	2
2B002205	01.050	6	2B002959	03.050	14	2D000355	11.020	21
2B002218	01.020	1	2B002961	07.030	8	2G000157	02.190	18
2B002219	01.020	2	2B002988	04.080	1	2G000158	02.190	17
2B002225	01.020	5	2B002991	06.050	9	2G000159	02.190	21
2B002233	06.030	13	2B003039	06.010	5	2G000160	02.190	19
2B002269	06.010	1	2B003040	06.010	3	2H001260	02.190	2
2B0022925	03.330	4	2B003041	06.010	2	2H001433000NI	09.010	1
2B0022935	03.330	3	2B003042	09.020	3	2H001434000NI	02.030	1
2B002294	04.060	3	2B003052	11.020	13	2H001439	02.190	5
2B002295	04.060	2	2B003056	06.050	2	2H001442	02.190	8
2B002298	03.340	2	2B003076	01.020	4	2H001443	02.190	4
2B002311	01.010	21	2B003077	01.020	3	2H001445	02.190	3
2B002311	02.150	4	2B003078	01.010	12	2H001466000NI	02.150	1
2B002321	02.150	5	2B003089	02.150	6	2H001467	02.190	6
2B002325	01.010	3	2B003102	01.040	3	2H001468	02.190	7
2B002326	01.010	4	2B003103	01.040	4	2H001469	02.190	1
2B002364	07.020	5	2B003105	03.196	3	2H001470	02.190	9
2B002365	08.030	1	2B003111	04.080	2	2H001476000EQ	09.010	1
2B002369	03.020	3	2B003164	08.010	13	2H001477000EQ	02.030	1
2B002378	01.040	2	2B003165	08.010	14	2H001478000NI	02.150	1
2B002383	05.010	4	2B003204	03.196	2	2H001480	02.190	5
2B002386	02.150	3	2B003212	01.050	5	2H001481	02.190	8
2B002390	07.030	2	2B003271	06.020	1	2H001482	02.190	1
2B002391	07.030	1	2B003284	03.330	25	2H001483	02.190	9
2B002443	08.030	3	2B003292	07.010	15	2Q000111	02.190	10
2B002483	08.030	4	2B003313	06.020	6	2R000109	04.060	7
2B002484	08.030	7	2B003367	08.020	6	2R000110	04.060	23
2B002486	09.010	9	2B0033875	03.350	23	2R000243	04.060	19
2B002502000C1	02.120	1	2B003742	04.060	14	2R000248	06.040	5
2B002529	03.320	7	2B003743	07.010	1	319165	02.170	9
2B002530	03.320	9	2B004042	06.030	24	478533	11.020	11
2B002531	03.320	8	2B004043	03.020	28	479175	08.030	13
2B002532	03.330	13	2B004044	01.020	22	484993	03.030	20
2B002533	03.330	12	2B004050	06.030	37	584211	11.030	4
2B002535	03.350	24	2B004053	03.020	3	584332	08.010	6
2B002536	03.350	18	2B004062	03.020	2	584332	08.030	15
2B002537	02.150	1	2B004062	06.030	30	598839	02.100	6
2B002541	08.030	21	2B004063	06.030	27	623920	03.230	6
2B002602	03.196	4	2B004064	06.030	29	638733	11.030	9
2B002615	08.030	29	2B004076	06.030	34	639338	08.010	7
2B002621	01.040	6	2B004107	06.030	36	639338	08.030	16
2B002622	01.040	5	2B004109	03.020	9	641040	11.020	8
2B002632	09.020	1	2B004111	06.030	32	641901	11.020	15
2B002680	03.020	9	2B004112	03.020	27	642034	11.020	16
2B002681	06.050	11	2B004112	06.030	21	643090	03.190	16
2B002699	03.340	3	2D000004	02.170	4	643277	11.010	2

Code	Nr. der Tafel	Pos.	Code	Nr. der Tafel	Pos.	Code	Nr. der Tafel	Pos.
648708	05.020	5	887885	04.060	11	AP8120455	03.050	3
658778	06.030	23	887886	04.060	12	AP8120455	03.330	14
658837	03.030	5	887888	04.060	13	AP8120455	09.010	3
658837	06.030	35	887889	04.060	15	AP8120573	01.020	17
680212	11.020	9	887890	04.060	17	AP8120615	03.050	6
825694	03.100	13	887891	04.060	16	AP8120876	03.050	11
826165	03.190	32	887893	04.060	20	AP8120912	03.020	1
831135	03.030	11	887894	04.060	22	AP8120912	06.030	17
832029	11.010	10	887905	04.060	18	AP8120912	06.030	31
834764	03.170	33	887908	03.020	2	AP8121014	01.030	3
834951	03.330	20	887908	06.030	16	AP8121032	02.100	7
840509	08.030	14	887916	04.060	21	AP8121133	01.020	19
848650	03.180	17	890760	03.050	13	AP8121199	08.010	10
849308	03.180	21	890760	07.010	14	AP8121205	07.010	4
849308	03.180	6	894704	11.030	15	AP8121420	02.170	6
849309	03.180	23	895328	03.020	5	AP8121509	03.020	26
849310	03.180	26	895328	06.030	10	AP8121567	01.020	15
849396	03.180	14	895709	06.050	20	AP8121725	08.030	25
849424	03.180	8	896110	03.330	7	AP8121882	06.050	18
852090	03.330	11	896174	01.040	8	AP8121927	06.030	15
854827	07.020	16	897478	03.300	2	AP8121927	06.030	25
856063	09.020	7	898268	03.270	6	AP8123641	07.010	6
857045	03.320	2	898269	03.270	7	AP8123642	07.010	10
857046	03.320	5	898283	03.020	11	AP8123643	07.010	11
857047	03.320	1	898286	06.030	28	AP8123644	07.010	8
857181	03.320	10	898396	03.020	14	AP8124936	11.010	6
857206	03.300	3	898397	03.020	7	AP8125687	05.020	6
857250	03.170	29	959559	06.050	13	AP8127601	09.020	10
859792	05.010	16	967356	01.030	6	AP8127856	01.030	7
859792	05.020	17	967384	01.020	24	AP8134448	08.030	18
859946	06.030	11	967384	06.030	22	AP8134451	01.020	18
859946	06.030	14	974162	03.180	12	AP8144007	03.020	4
871640	03.100	7	974165	03.180	15	AP8144007	06.030	19
873905	03.170	26	976591	03.090	5	AP8144071	01.010	10
873928	03.180	2	976614	02.100	3	AP8144222	07.020	15
874567	03.150	4	976649	03.350	1	AP8144552	11.030	19
874957	03.330	9	97729R	03.290	1	AP8145034	01.020	6
876879	03.330	16	977527	02.170	5	AP8145035	01.020	7
880260	03.060	4	978415	02.170	7	AP8149034	08.030	35
883161	11.030	5	AP8101861	01.020	20	AP8150009	01.010	7
883688	05.010	12	AP8102159	09.020	6	AP8150012	06.030	12
883826	03.030	13	AP8102239	09.020	4	AP8150015	06.050	6
884031	04.080	4	AP8102375	02.100	4	AP8150018	01.010	11
884033	06.030	18	AP8102520	03.050	15	AP8150018	03.020	24
884310	03.060	11	AP8102520	09.020	9	AP8150018	09.010	4
886365	03.030	15	AP8102524	01.030	4	AP8150026	03.020	19
886629	03.230	11	AP8102671	01.010	6	AP8150048	01.010	13
887003	03.270	5	AP8102671	01.040	14	AP8150049	07.020	18
887093	03.190	18	AP8102738	09.020	2	AP8150053	08.030	9
887421	11.020	20	AP8102913	02.170	12	AP8150115	03.020	12
887443	02.190	12	AP8104509	07.020	6	AP8150178	05.010	19
887448	05.020	14	AP8104525	03.050	4	AP8150285	06.030	7
887481	11.020	7	AP8104924	03.050	7	AP8150377	11.010	4
887762	05.010	14	AP8110053	03.020	16	AP8150413	01.040	13
887762	05.020	16	AP8110077	07.010	7	AP8150413	08.030	22
887815	03.050	8	AP8110109	05.020	10	AP8150451	06.050	15
887831	07.010	9	AP8113003	06.050	3	AP8150500	01.040	11
887832	07.010	12	AP8113004	06.050	4	AP8150500	03.060	6
887843	03.050	9	AP8113081	06.030	4	AP8150509	03.050	10
887844	03.050	12	AP8113082	06.030	5	AP8150536	08.030	8
887875	05.010	13	AP8118579	07.020	4	AP8150538	02.030	4
887878	04.060	4	AP8120001	01.040	15	AP8150540	07.010	13
887879	04.060	5	AP8120001	11.030	11	AP8150540	07.020	12
887880	04.060	6	AP8120030	06.050	7	AP8150543	07.010	2
887882	04.060	8	AP8120178	06.030	3	AP8152043	06.010	8
887883	04.060	9	AP8120278	08.030	6	AP8152055	03.330	21
887884	04.060	10	AP8120311	01.010	14	AP8152138	03.020	17

Code	Nr. der Tafel	Pos.	Code	Nr. der Tafel	Pos.	Code	Nr. der Tafel	Pos.
AP8152220	03.190	20	CM178609	08.020	4	GU19058220	03.120	11
AP8152229	02.170	8	CM179008	09.020	5	GU19062261	03.160	1
AP8152246	08.030	32	CM226902	03.196	1	GU19065400	03.160	9
AP8152267	03.090	7	CM226902	03.320	6	GU19067700	03.230	2
AP8152272	03.120	10	CM228401	01.020	14	GU19213760	03.230	12
AP8152273	02.150	7	CM258301	03.060	13	GU19351100	03.350	17
AP8152273	09.010	7	CM258303	03.050	17	GU19356760	03.230	13
AP8152277	01.020	11	CM275402	03.060	1	GU19547000	01.050	2
AP8152288	06.040	2	CM277101	11.020	17	GU20147710	03.190	21
AP8152288	09.010	2	CM277102	11.020	18	GU20147810	03.190	26
AP8152298	08.030	33	GU01528930	03.350	28	GU20258221	03.020	23
AP8152299	02.100	8	GU01528930	03.350	6	GU27061885	03.160	4
AP8152299	02.150	2	GU01659130	06.020	5	GU27066460	03.160	5
AP8152299	08.010	12	GU01659131	06.020	4	GU27152885	03.190	1
AP8152299	08.030	31	GU03013800	03.020	22	GU30601060	07.030	3
AP8152299	11.020	6	GU03013800	03.060	10	GU30602500	07.030	4
AP8152306	08.030	19	GU03617710	05.010	10	GU31003766	03.030	22
AP8152329	03.050	1	GU03617710	05.020	11	GU31003766	03.350	7
AP8152384	07.010	5	GU03658201	06.050	21	GU31150950	03.190	10
AP8152385	06.020	2	GU03658330	06.050	19	GU31159050	03.190	6
AP8157100	02.190	14	GU03749845	06.010	7	GU31256881	03.020	10
AP8161054	03.050	16	GU04355100	03.350	20	GU31544181	06.040	4
AP8181140	11.030	13	GU04355101	03.350	20	GU31547882	01.050	3
AP8201755	08.030	24	GU04355102	03.350	20	GU31616384	05.010	15
AP8210007	03.020	20	GU04355103	03.350	20	GU31659181	06.040	7
AP8213028	07.030	5	GU04355104	03.350	20	GU31659281	06.040	6
AP8213388	07.030	6	GU04355105	03.350	20	GU32441210	01.020	10
AP8220186	08.030	5	GU04355106	03.350	20	GU32442310	01.020	8
AP8221023	03.050	18	GU05217630	03.230	26	GU32442710	01.020	9
AP8221023	06.050	8	GU05234230	03.170	9	GU32517710	11.030	12
AP8221197	01.030	2	GU05234631	03.170	31	GU32615660	05.010	3
AP8221277	01.020	16	GU05235531	03.170	30	GU32632510	05.020	20
AP8224164	08.030	17	GU05238231	03.170	13	GU32944310	02.190	11
AP8224462	11.020	4	GU05238431	03.170	11	GU37359005	03.350	10
AP8257609	02.190	15	GU05239330	03.170	16	GU49609601	11.010	8
AP8257742	02.190	16	GU05351230	03.350	9	GU49609601	11.020	2
AP8257794	02.190	13	GU05659230	06.020	3	GU49609601	11.030	18
AP8702101	02.170	10	GU05781630	04.060	24	GU61027200	03.150	1
AP9100053	08.030	27	GU10034100	03.120	15	GU66103415	09.010	10
AP9100477	01.020	23	GU10528900	03.030	23	GU90271014	03.170	17
B013037	03.230	15	GU12022600	03.170	35	GU90271022	03.170	32
B013608	03.170	25	GU12154200	03.190	2	GU90272047	05.020	9
B013608	03.180	3	GU12351100	03.350	13	GU90353014	03.170	8
B014598	01.050	7	GU14085900	03.230	25	GU90353029	03.120	17
B015040	03.180	11	GU14086100	03.230	17	GU90401424	03.170	18
B015598	03.170	2	GU14217901	03.230	5	GU90402642	05.010	6
B016796	03.060	5	GU14609650	11.010	9	GU90412541	03.180	18
B016796	08.030	23	GU14609650	11.020	3	GU90413850	03.350	12
B017406	03.170	5	GU14609650	11.030	17	GU90706141	11.010	11
B017636	03.100	3	GU14615901	03.230	3	GU90706170	03.230	27
B018020	03.170	4	GU14615901	03.330	18	GU90706188	03.350	4
B018448	03.180	31	GU14615901	03.330	22	GU90706203	03.170	34
B043850	11.030	16	GU14615901	03.350	26	GU90706235	03.230	10
B045974	02.190	20	GU14615901	07.020	22	GU90706281	03.030	25
B063025	03.170	39	GU14616150	05.010	11	GU90706444	03.190	4
B063174	04.080	3	GU14616150	05.020	12	GU90706584	03.350	5
B063233	11.030	10	GU18144350	03.190	8	GU90706958	03.350	19
B063269	03.170	40	GU19002020	03.170	36	GU91113826	03.330	10
B063287	01.010	2	GU19002020	03.270	3	GU91181003	07.020	21
B063292	03.330	8	GU19003800	03.030	3	GU91551010	01.010	19
B063907	01.020	12	GU19015020	03.030	14	GU91551010	03.050	19
B063956	03.170	14	GU19018920	03.030	9	GU91551131	09.010	5
B064023	02.120	2	GU19018920	03.190	28	GU92201226	03.180	19
B064112	03.170	10	GU19021360	03.150	3	GU92201226	03.230	9
B064113	03.170	7	GU19045861	03.120	3	GU92201822	03.180	1
B064304	03.350	16	GU19055700	03.120	2	GU92204220	05.020	4
CM013202	11.030	14	GU19058021	03.120	20	GU92204221	05.010	7

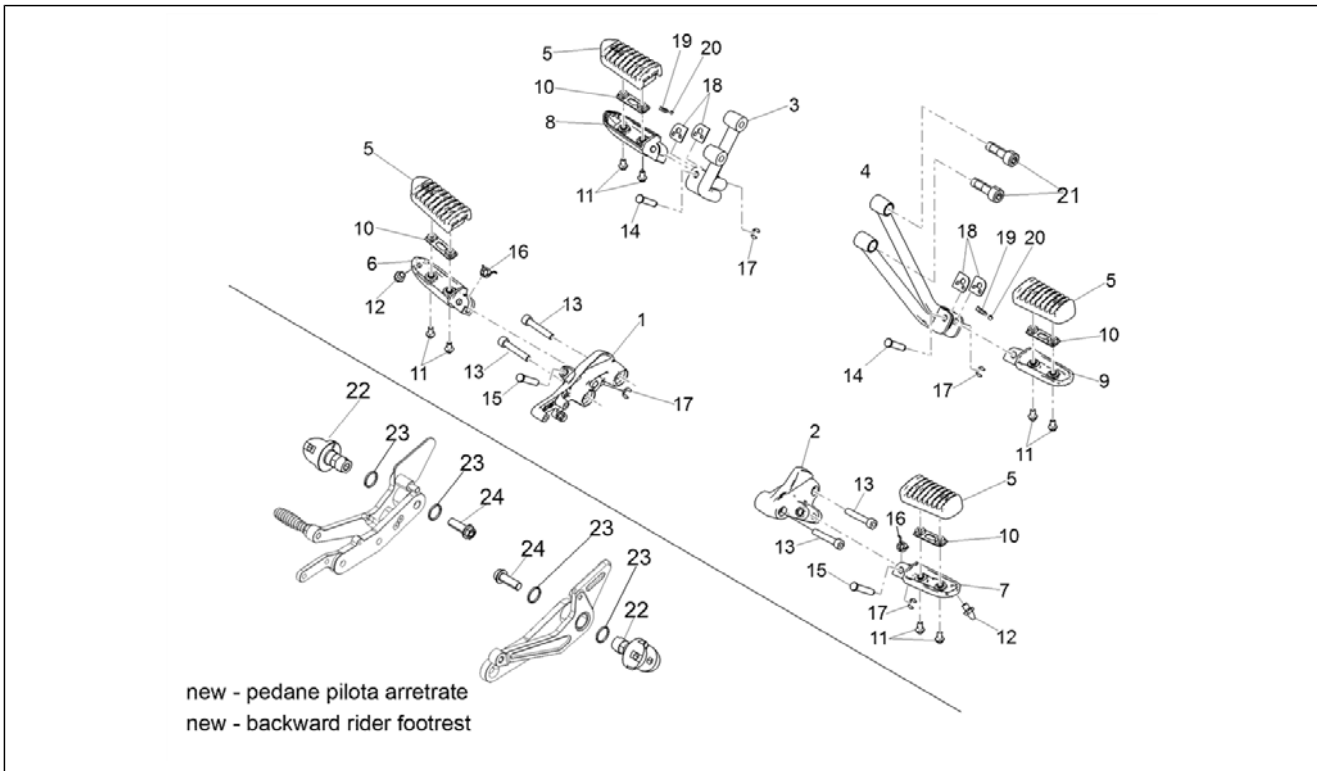
Code	Nr. der Tafel	Pos.
GU92254340	03.350	14
GU92296723	03.190	30
GU92602510	03.190	19
GU92606206	03.020	8
GU92606206	06.030	2
GU92606206	06.030	26
GU92606208	03.030	6
GU92606508	03.230	24
GU92630206	06.030	6
GU92630207	05.010	8
GU92630510	01.010	20
GU92630510	03.020	25
GU92630707	06.030	33
GU92660021	03.330	17
GU93180105	01.050	4
GU93180111	05.010	2
GU93180220	03.170	42
GU93304360	09.020	8
GU93450224	08.030	2
GU94321079	03.190	9
GU94321105	03.230	22
GU95005304	11.020	10
GU95005310	08.030	20
GU95008206	03.190	7
GU95008208	03.290	2
GU95008208	03.330	23
GU95008210	01.010	9
GU95020105	01.030	9
GU95100059	11.030	7
GU95100309	03.190	17
GU95100602	03.190	29
GU95129115	03.120	18
GU95500222	03.230	20
GU96451316	06.050	12
GU96451430	03.030	12
GU96508055	03.030	16
GU97202325	07.030	7
GU98110199	01.010	18
GU98210610	08.020	5
GU98210616	07.010	16
GU98210616	08.030	28
GU98370625	06.030	20
GU98612216	03.320	4
GU98612320	08.010	8
GU98612320	08.030	10
GU98620330	01.040	7
GU98622322	03.060	9
GU98632322	03.020	21
GU98680445	01.020	13
GU98680445	06.030	8
GU98680460	03.020	6
GU98682212	03.300	6
GU98682212	11.030	6
GU98682312	05.020	8
GU98682325	03.030	24
GU98682325	03.270	1
GU98682330	03.270	2
GU98682330	08.030	26
GU98682416	09.010	11
GU98682435	03.290	3
GU98682530	01.010	8
GU98690445	02.030	3
GU98690445	08.010	9
GU98692318	03.020	13
GU98882316	03.120	26

Einheit	Rahmen
Code	01.010
Beschreibung	Rahmen
Inspektion	1



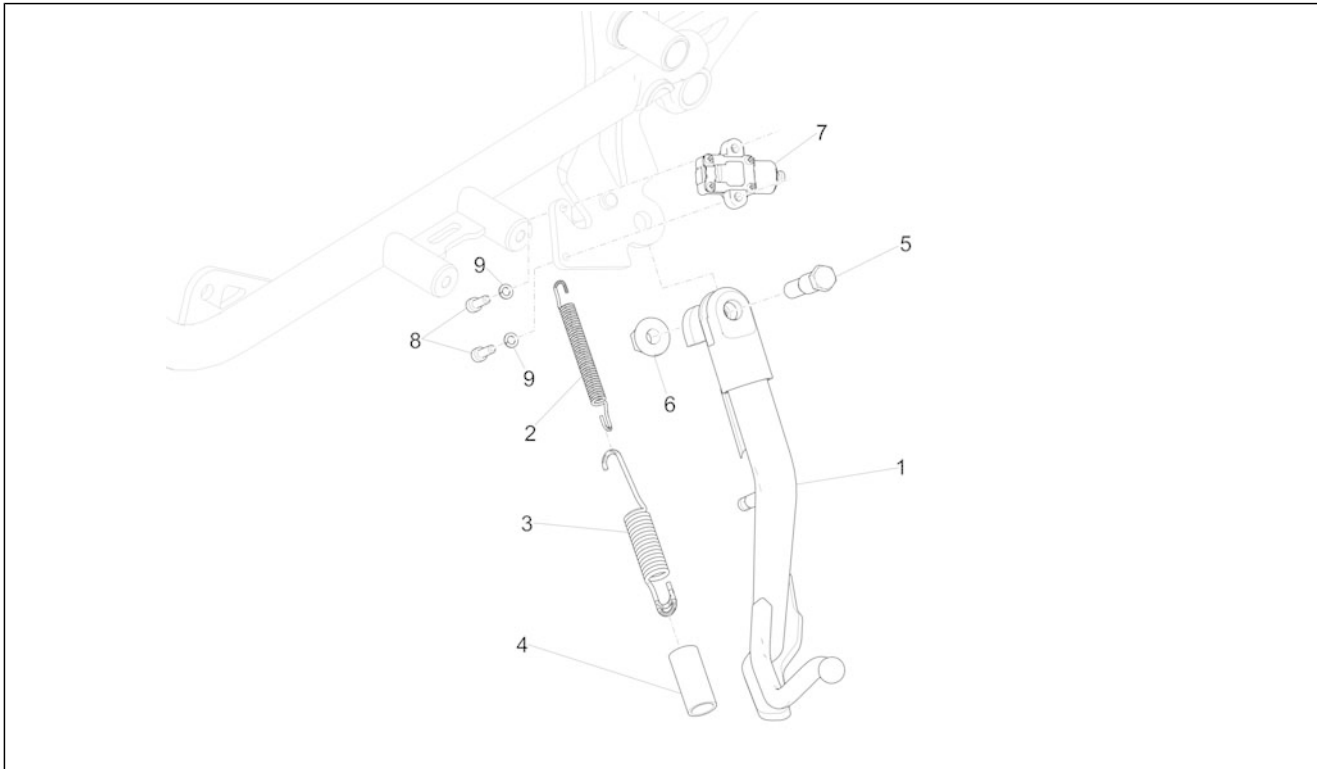
Pos.	Code	Beschreibung	Menge	Varianten
1	2B001055	Fahrgestell	1	
2	B063287	Verbindungsplatte Rahmen	1	
3	2B002325	Arm Rahmenschleife rechts	1	
4	2B002326	Arm Rahmenschleife links	1	
5	2B002810	Rahmenträger	1	
6	AP8102671	Kunststoffniet	4	
7	AP8150009	Scheibe	4	
8	GU98682530	TCEI Schraube M10x30	4	
9	GU95008210	Ausgleichscheibe 10,2X18X2	6	
10	AP8144071	Gummi auspuffrohr	8	
11	AP8150018	Ausgleichscheibe	4	
12	2B003078	Distanzscheibe	4	
13	AP8150048	TCEI Schraube	2	
14	AP8120311	Gummi	2	
15	2B002817	Zapfen M10	1	
16	2B001612	Bolzen M10X253	1	
17	2B001035	Bolzen 234X10	1	
18	GU98110199	Bolzen M10x205	1	
19	GU91551010	Gummi 10X20X10	2	
20	GU92630510	Mutter M10x1,5	4	
21	2B002311	Linsenschraube Torx M8X20	4	

Einheit	Rahmen
Code	01.020
Beschreibung	Fussrasten
Inspektion	1



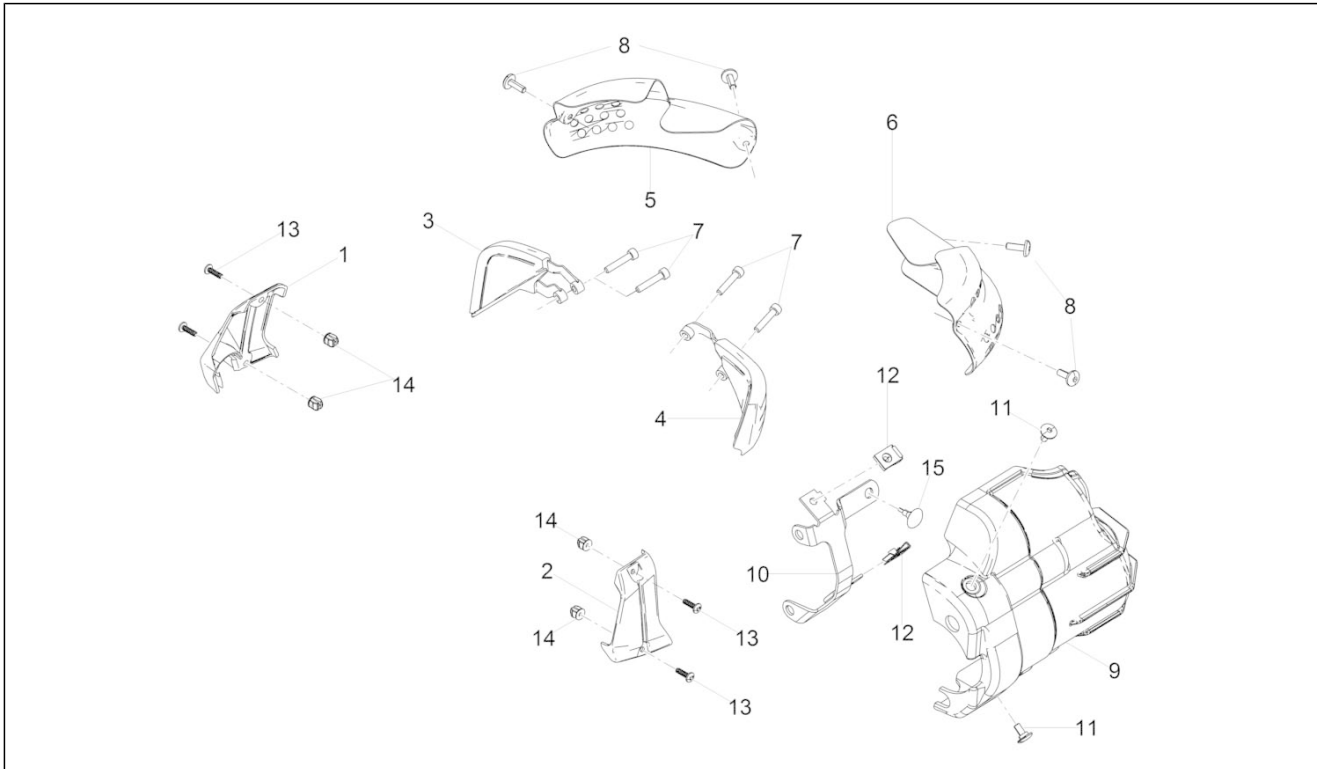
Pos.	Code	Beschreibung	Menge	Varianten
1	2B002218	Fußrastenhalter Fahrer rechts	1	Technische Spezifikation: standard rider footrest[old]
2	2B002219	Fußrastenhalter Fahrer links	1	Technische Spezifikation: standard rider footrest[old]
3	2B003077	Fußrasten-Halterung Beif. rechts	1	
4	2B003076	Fußrasten-Halterung Beif. links	1	
5	2B002225	Gummiraste	4	
6	AP8145034	Fussrasten r.	1	
7	AP8145035	Fussrasten l.	1	
8	GU32442310	Soziusraste rechts	1	
9	GU32442710	Soziusraste links	1	
10	GU32441210	Platte	4	
11	AP8152277	TE Schr. m. Flansch M6x12	8	
12	B063907	Rastenbolzen	2	
13	GU98680445	TCEI Schraube	4	Technische Spezifikation: standard rider footrest[old]
14	CM228401	Rastenbolzen	2	
15	AP8121567	Bolzen	2	
16	AP8221277	Rückholfeder	2	
17	AP8120573	Sperring	4	
18	AP8134451	Fixierplatte	4	
19	AP8121133	Schraubenfederkompr.	2	
20	AP8101861	Kugel D6,35	2	
21	2B002171	TC Schraube 8x25	4	
22	2B004044	Halterung Fahrertrittbrett	2	Technische Spezifikation: backward rider footrest[new]
23	AP9100477	O-Ring 18x2	4	Technische Spezifikation: backward rider footrest[new]
24	967384	Schraube TEF M10X45	2	Technische Spezifikation: backward rider footrest[new]

Einheit	Rahmen
Code	01.030
Beschreibung	Hauptständer
Inspektion	1



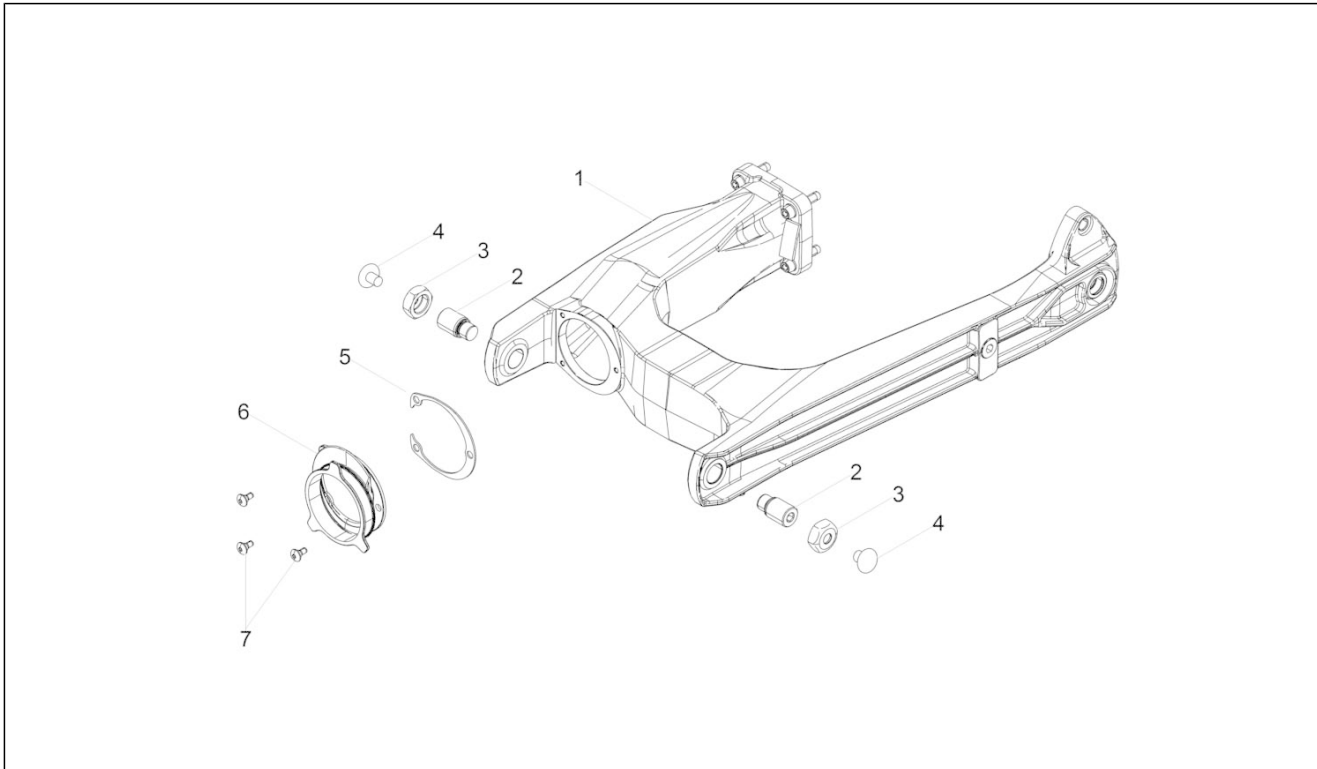
Pos.	Code	Beschreibung	Menge	Varianten
1	2B002705	Seitenständer	1	
2	AP8221197	Hauptständer Schraubenfeder	1	
3	AP8121014	Schraubenfeder	1	
4	AP8102524	Schutz f. Ständerfeder	1	
5	2B001088	Ständerbolzen	1	
6	967356	Geflanschte Mutter M10x1,25	1	
7	AP8127856	Ständer lichtschalter	1	
8	1C001499	Schraube TBEI TORX M5x16 INOX	2	
9	GU95020105	Ausgleichscheibe 5,3x8,9x2,4	2	

Einheit	Rahmen
Code	01.040
Beschreibung	Schutz
Inspektion	1



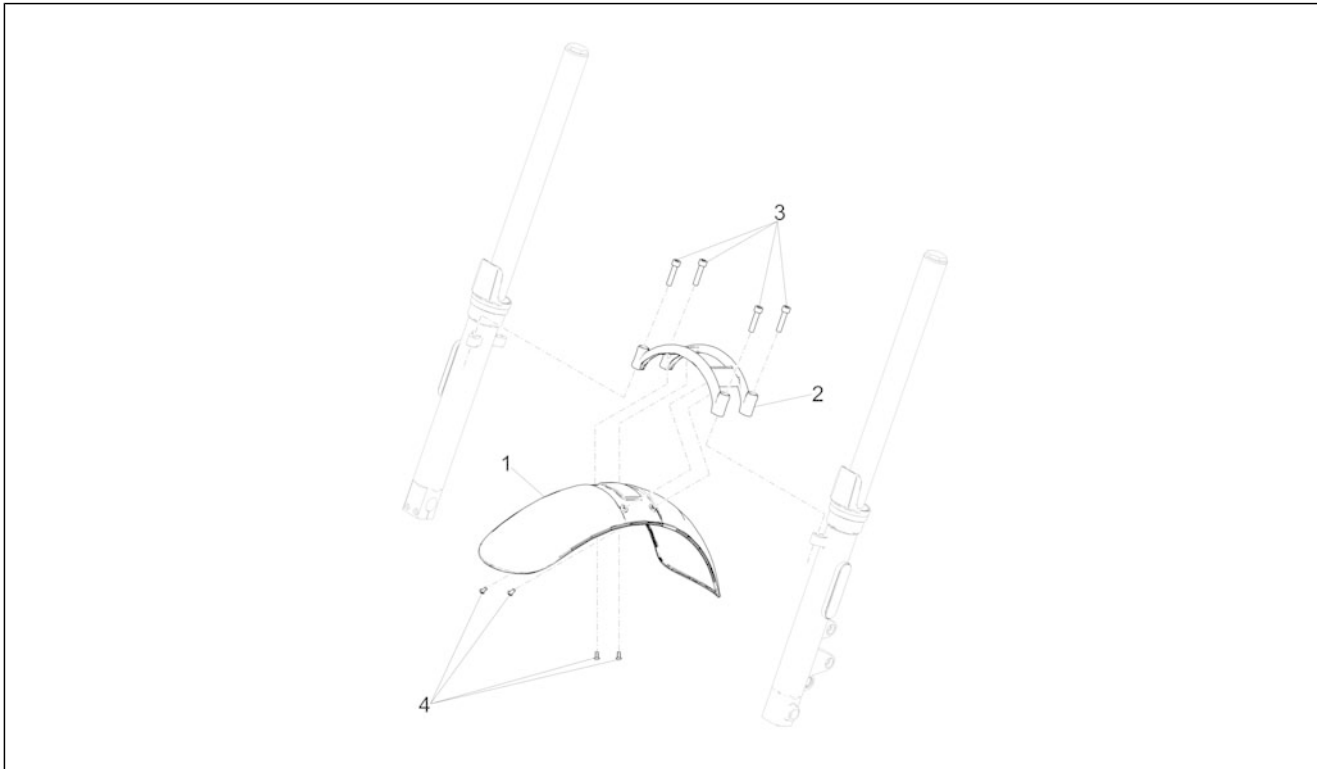
Pos.	Code	Beschreibung	Menge	Varianten
1	2B002799	Rahmenschutz rechts	1	
2	2B002378	Rahmenschutz links	1	
3	2B003102	Knieschutz rechts	1	
4	2B003103	Knieschutz links	1	
5	2B002622	Einspritzdüsenabdeckung rechts	1	
6	2B002621	Einspritzdüsenabdeckung links	1	
7	GU98620330	Schraube	4	
8	896174	Schraube TBEI Schwarz M5x12	4	
9	2B002943	Abdeckung anlassermotor	1	
10	2B002937	Haltebügel Abdeckung	1	
11	AP8150500	TBEI Schraube M5x9	2	
12	248419	Plattchen M5	2	
13	AP8150413	Gew.schr. 3,9x14	1	
14	AP8102671	Kunststoffniet	2	
15	AP8120001	Gummi	1	

Einheit	Rahmen
Code	01.050
Beschreibung	Schwinge
Inspektion	1



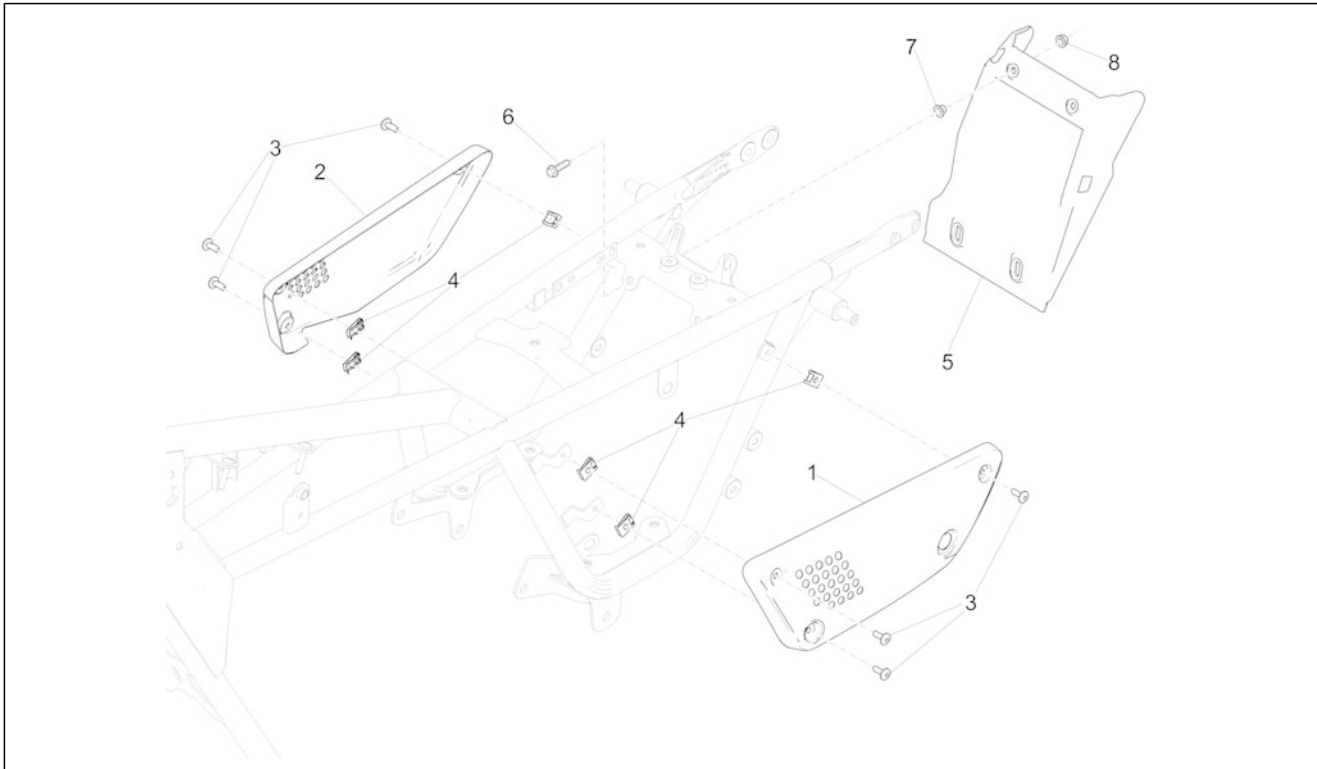
Pos.	Code	Beschreibung	Menge	Varianten
1	2B001301	Schwinge	1	
2	GU19547000	Bolzen	2	
3	GU31547882	Mutter	2	
4	GU93180105	Deckel	2	
5	2B003212	Fixierplatte	1	
6	2B002205	Gummibalg	1	
7	B014598	Torx Schraube M5x12	3	

Einheit	Aufbau
Code	02.030
Beschreibung	Vorderes Schutzblech-Stütze
Inspektion	1



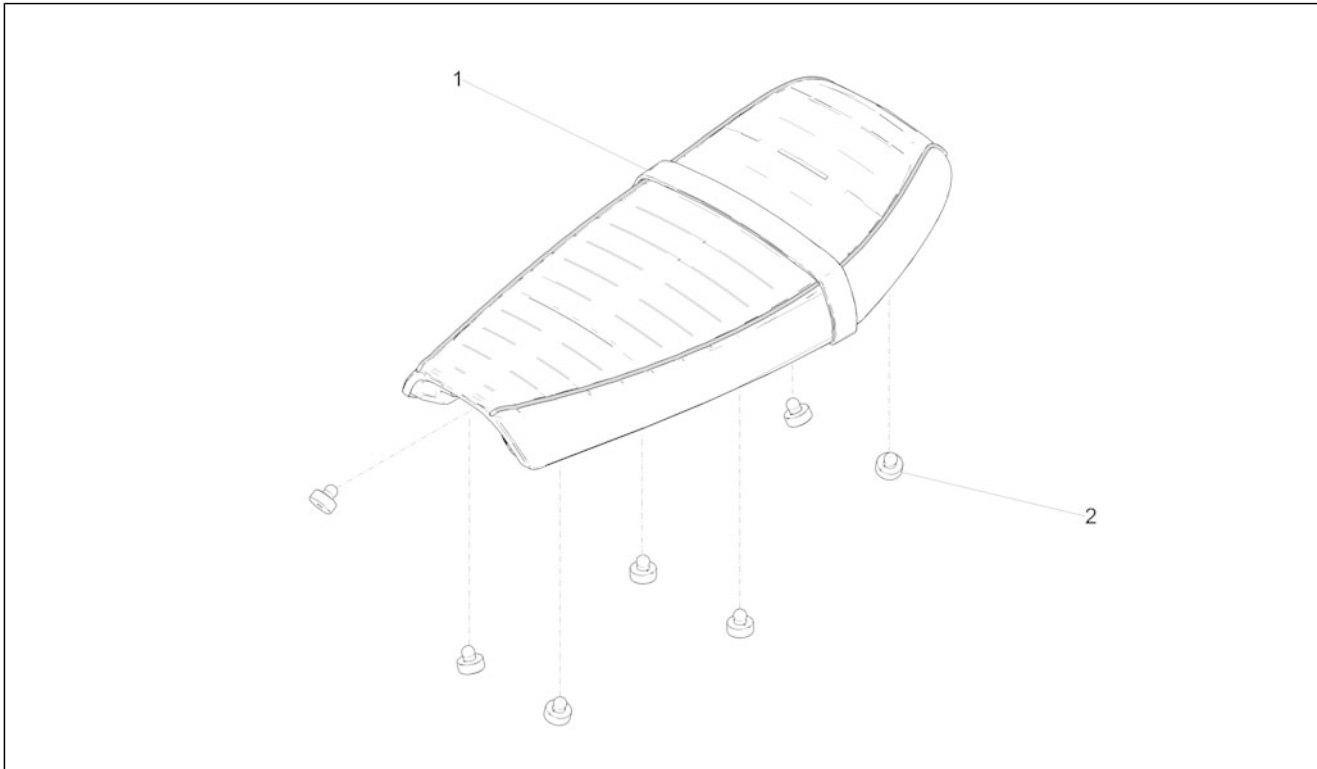
Pos.	Code	Beschreibung	Menge	Varianten
1	2B001141	Vorderes Schutzblech	1	
1	2H001477000EQ	V. Schutzblech, grau	1	Baujahr: [G] Farbe: Mattgrau Blade[GB] Land: [EU][UK]
1	2H001434000NI	V. Schutzblech, schwarz	1	Baujahr: [G] Farbe: Matt Competition Schwarz[NC] Land: [EU][UK]
2	2B001147	Schutzblechhalterung	1	
3	GU98690445	Schraube M8x45	4	
4	AP8150538	TBEI Schraube M5x10	4	

Einheit	Aufbau
Code	02.100
Beschreibung	Mittlerer Aufbau
Inspektion	1



Pos.	Code	Beschreibung	Menge	Varianten
1	2B001619	L. kl. Seitenteil	1	
2	2B001618	R. kl. Seitenteil	1	
3	976614	TBEI Schraube M5x15	6	
4	AP8102375	Klammer M5	6	
5	2B001783	Hinteres, Spritzschutz	1	
6	598839	TE Schr. m. Flansch	2	
7	AP8121032	Buchse	2	
8	AP8152299	Selbstsperrende Mutter M6	2	

Einheit	Aufbau
Code	02.120
Beschreibung	Sitz
Inspektion	1



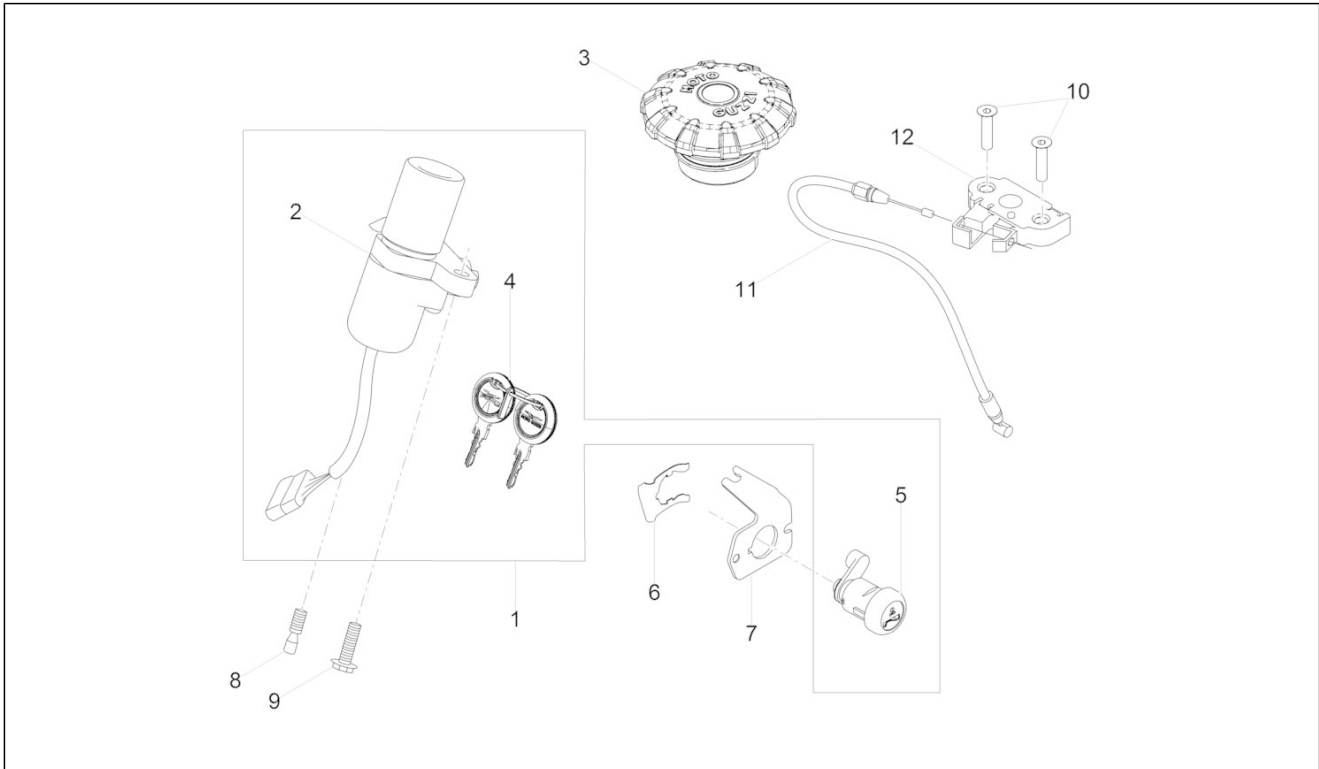
Pos.	Code	Beschreibung	Menge	Varianten
1	2B002502000C1	Sitz mit Riemen	1	
2	B064023	Sitz-Auflagegummi	7	

Einheit	Aufbau
Code	02.150
Beschreibung	Hinteres Schutzblech
Inspektion	1



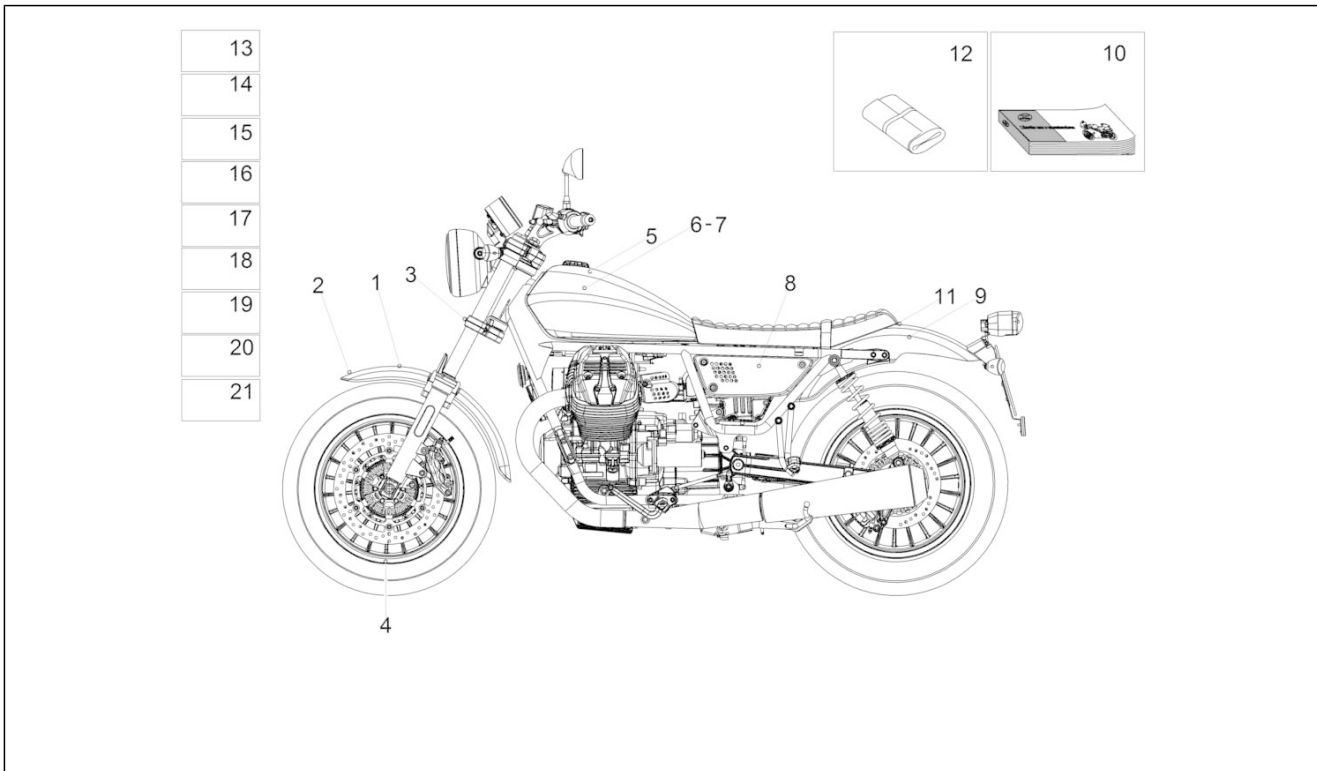
Pos.	Code	Beschreibung	Menge	Varianten
1	2H001478000NI	H. Schutzblech, schwarz	1	Baujahr: [G] Farbe: Mattgrau Blade[GB] Land: [EU][UK] Technische Spezifikation: Mit Aufkleber[D]
1	2H001466000NI	Heckkotflügel Schwarz Competition	1	Baujahr: [G] Farbe: Matt Competition Schwarz[NC] Land: [EU][UK] Technische Spezifikation: Mit Aufkleber[D]
1	2B002537	Heckkotflügel Bobber	1	Baujahr: [G] Farbe: Unlackiert[GR] Land: [EU][UK]
2	AP8152299	Selbstsperrende Mutter M6	2	
3	2B002386	Hintere Kotflügelhalterung	1	
4	2B002311	Linsenschraube Torx M8X20	4	
5	2B002321	Buchse für Schraube	1	
6	2B003089	Schraube TCC TORX M8x16	1	
7	AP8152273	Flanschschraube M5x15	2	

Einheit	Aufbau
Code	02.170
Beschreibung	Schlösser
Inspektion	1



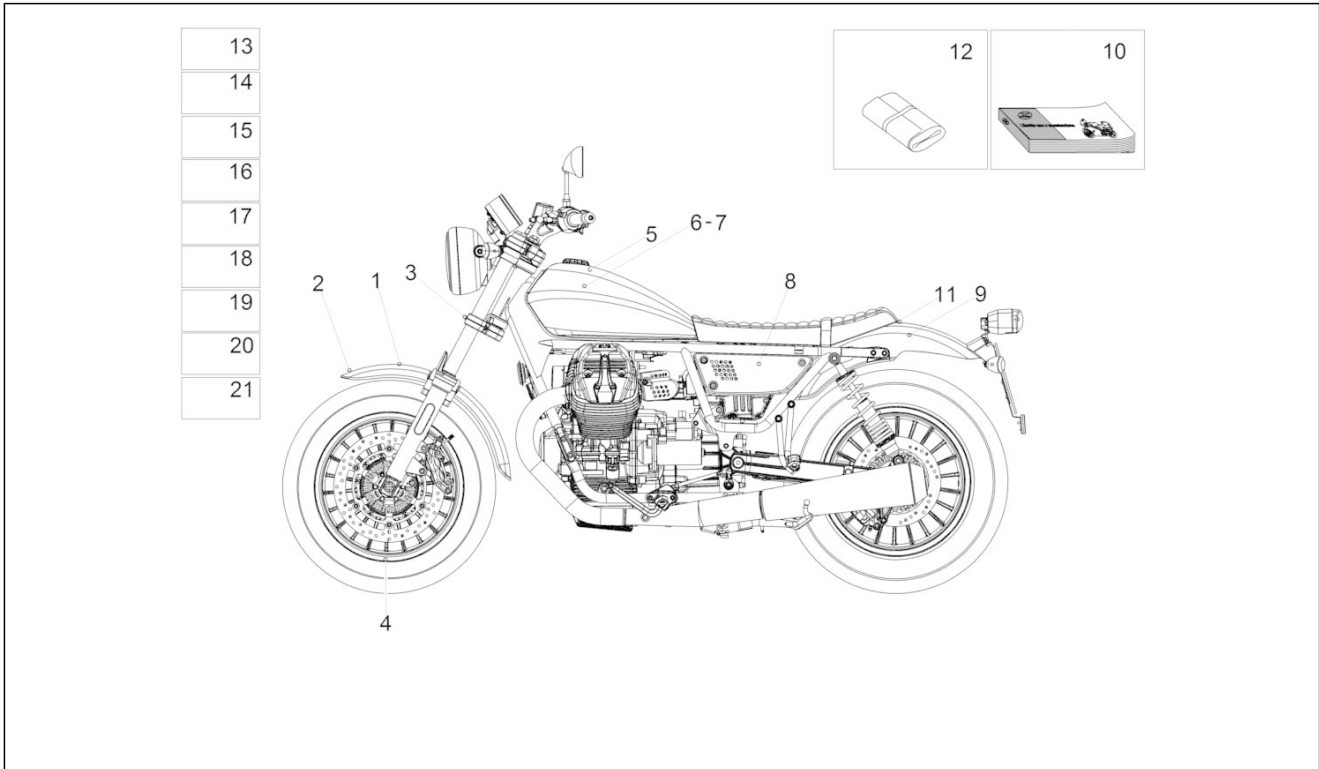
Pos.	Code	Beschreibung	Menge	Varianten
1	2B002940	Kit Schließvorrichtungen	1	
2	2D000299	Umschalter mit Schlüssel	1	
3	2B002043	Tankfüllschraube	1	
4	2D000004	Transponderschlüssel glatt	1	
5	977527	Schloss komplett mit Schlüsseln	1	
6	AP8121420	Gabelfeder	1	
7	978415	Kabelplatte	1	
8	AP8152229	Reißschraube M8x20	1	
9	319165	Schraube	1	
10	AP8702101	Schraube M6x25	2	
11	2B002936	Bowdenzug Sitzbank	1	
12	AP8102913	Fixierplatte Soziussitz	1	

Einheit	Aufbau
Code	02.190
Beschreibung	Deko
Inspektion	1



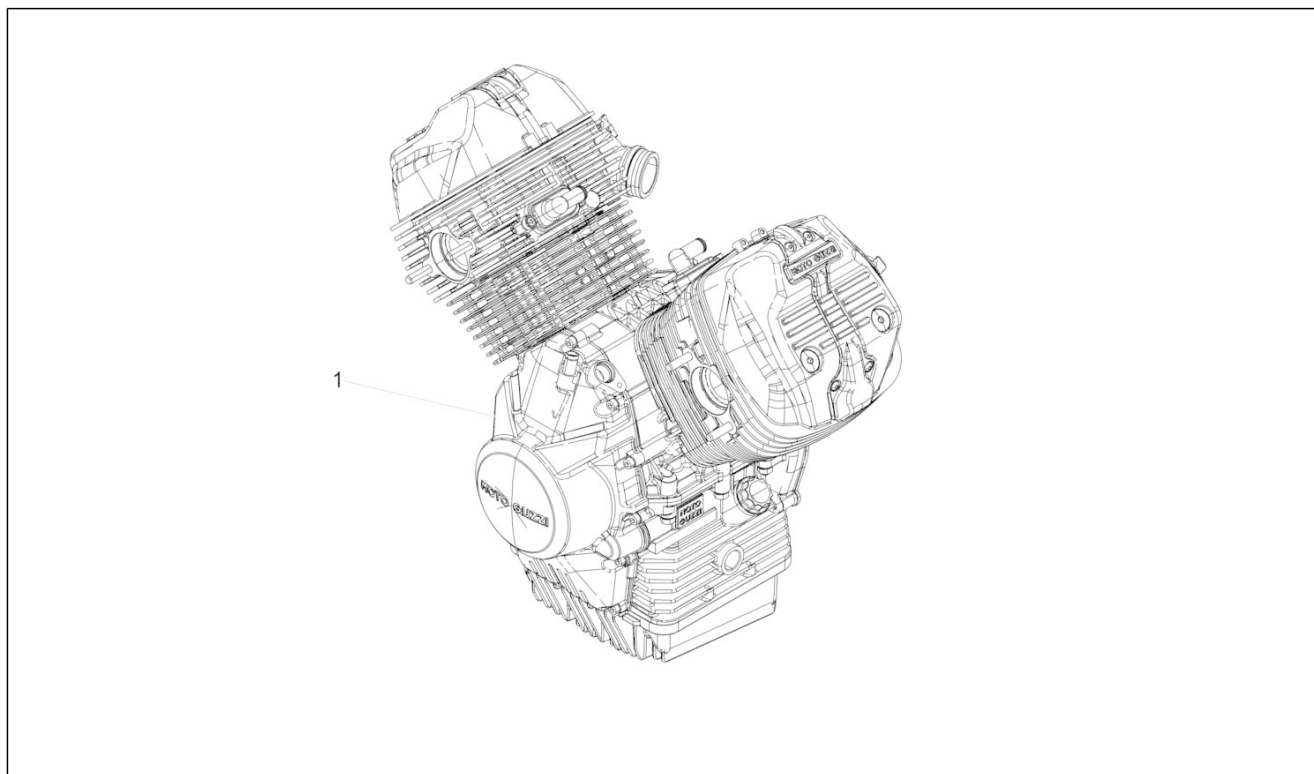
Pos.	Code	Beschreibung	Menge	Varianten
1	2H001469	Aufkleber Schachmuster	1	Baujahr:[G] Farbe:Matt Competition Schwarz[NC] Land:[EU][UK]
1	2H001482	Aufkleber Schachmuster	1	Baujahr:[G] Farbe:Mattgrau Blade[GB] Land:[EU][UK]
2	2H001260	Aufkleber "Adler"	1	
3	2H001445	Schild "Moto Guzzi"	1	
4	2H001443	Deko "Moto Guzzi"	2	
5	2H001439	Aufkleber Tank	1	Baujahr:[G] Farbe:Matt Competition Schwarz[NC] Land:[EU][UK]
5	2H001480	Aufkleber Tank	1	Baujahr:[G] Farbe:Mattgrau Blade[GB] Land:[EU][UK]
6	2H001467	Rechtes Schild "Aquila"	1	
7	2H001468	L.Schild "Aquila"	1	
8	2H001442	Schild "V9 Bobber"	2	
8	2H001481	Schild "V9 Bobber"	2	
9	2H001483	Aufkleber Schachmuster	1	Baujahr:[G] Farbe:Mattgrau Blade[GB] Land:[EU][UK]
9	2H001470	Aufkleber Schachmuster	1	Baujahr:[G] Farbe:Matt Competition Schwarz[NC] Land:[EU][UK]
10	2Q000111	Bed./Wart.-Anl.I-D-F-E-UK-NL EN-US-FR-ES-IT	1	
11	GU32944310	Deko schutz	1	Farbe:Mattgrau Blade[GB] Matt Competition Schwarz[NC]
12	887443	Werkzeugtasche	1	
13	AP8257794	Batterie deko	1	
14	AP8157100	Deko Shock Adsorber	1	
15	AP8257609	Spiegel deko	1	

Einheit	Aufbau
Code	02.190
Beschreibung	Deko
Inspektion	1



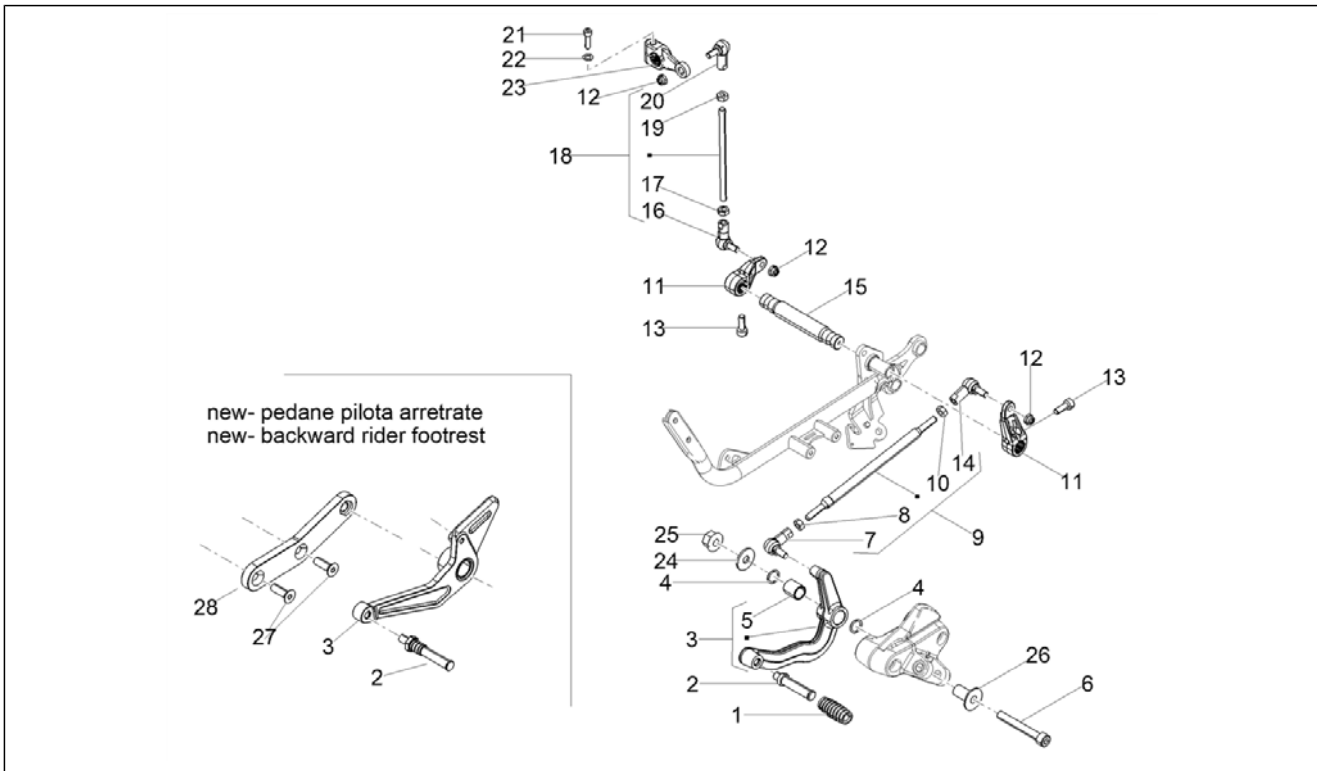
Pos.	Code	Beschreibung	Menge	Varianten
16	AP8257742	Keys warning decal	1	
17	2G000158	Aufkleber Reifendruck	1	
18	2G000157	Lautherausgabe selbstkleber	1	
19	2G000160	Carbon filter sticker	1	
20	B045974	Deckel Benzin E15	1	
21	2G000159	Emission control sticker	1	

Einheit	Motor
Code	03.010
Beschreibung	Motor-Fertigstellung
Inspektion	1



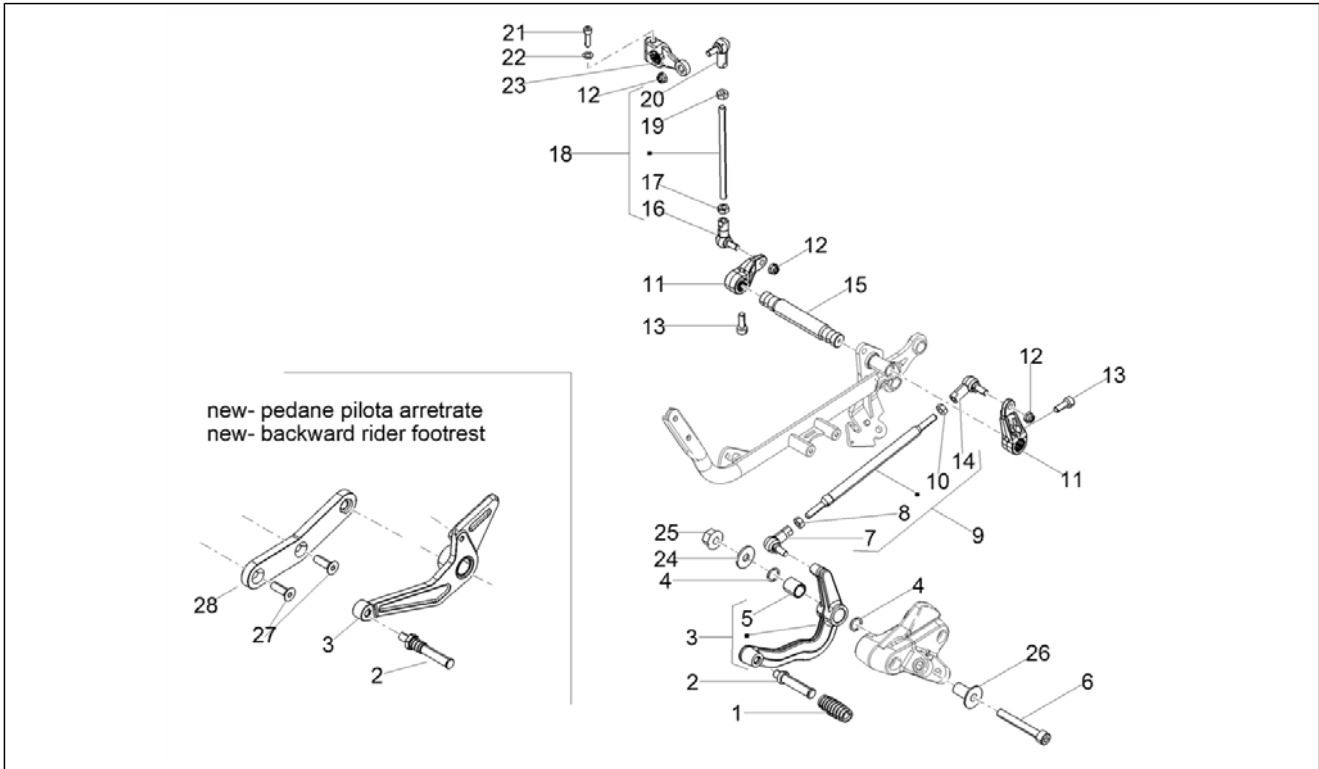
Pos.	Code	Beschreibung	Menge	Varianten
1	1A0066355	Motor kpl.ohneSchaltgetriebe	1	

Einheit	Motor
Code	03.020
Beschreibung	Schalthebel
Inspektion	1



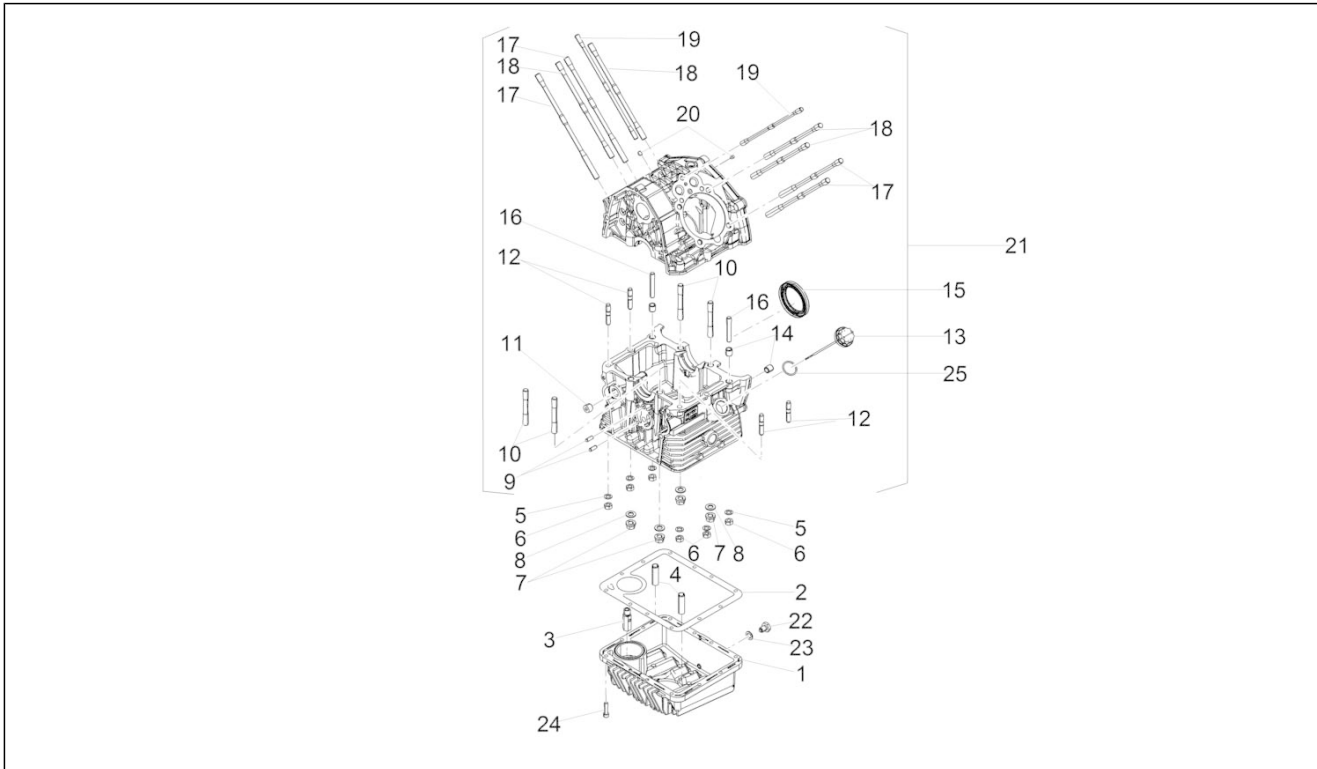
Pos.	Code	Beschreibung	Menge	Varianten
1	AP8120912	Gummi für Hebel	1	
2	887908	Gummigleitschutze	1	Technische Spezifikation: standard rider footrest[old]
2	2B004062	Gummigleitschutze	1	Technische Spezifikation: backward rider footrest[new]
3	2B002369	Schalthebel kpl.	1	Technische Spezifikation: standard rider footrest[old]
3	2B004053	Schalthebel kpl.	1	Technische Spezifikation: backward rider footrest[new]
4	AP8144007	O-Ring 11,11x1,78	2	
5	895328	Buchse gesintert	1	
6	GU98680460	TCEI Schraube M8x60	1	
7	898397	Kugelgelenk links M6	1	
8	GU92606206	Mutter	1	
9	2B002680	Zugstange Schaltzug cpl.	1	Technische Spezifikation: standard rider footrest[old]
9	2B004109	Tirante comando cambio cpl.	1	Technische Spezifikation: backward rider footrest[new]
10	GU31256881	Mutter Linksgewinde M6	1	
11	898283	Schalthebel	2	
12	AP8150115	Selbstsperr.mut Unt. M6	2	
13	GU98692318	TCEI Schraube	2	
14	898396	Kugelgelenk rechts M6	1	
15	2B001009	Hebelbolzen	1	
16	AP8110053	Kugelgelenk links M6	1	
17	AP8152138	Mutter	1	
18	2B001941	Zugstange Schaltzug	1	
19	AP8150026	Mutter M6	1	
20	AP8210007	Kugelgelenk rechts M6	1	
21	GU98632322	Schraube	1	
22	GU03013800	Ausgleichscheibe 6,4x12	1	
23	GU20258221	Schalthebel	1	
24	AP8150018	Ausgleichscheibe	1	
25	GU92630510	Mutter M10x1,5	1	

Einheit	Motor
Code	03.020
Beschreibung	Schalthebel
Inspektion	1



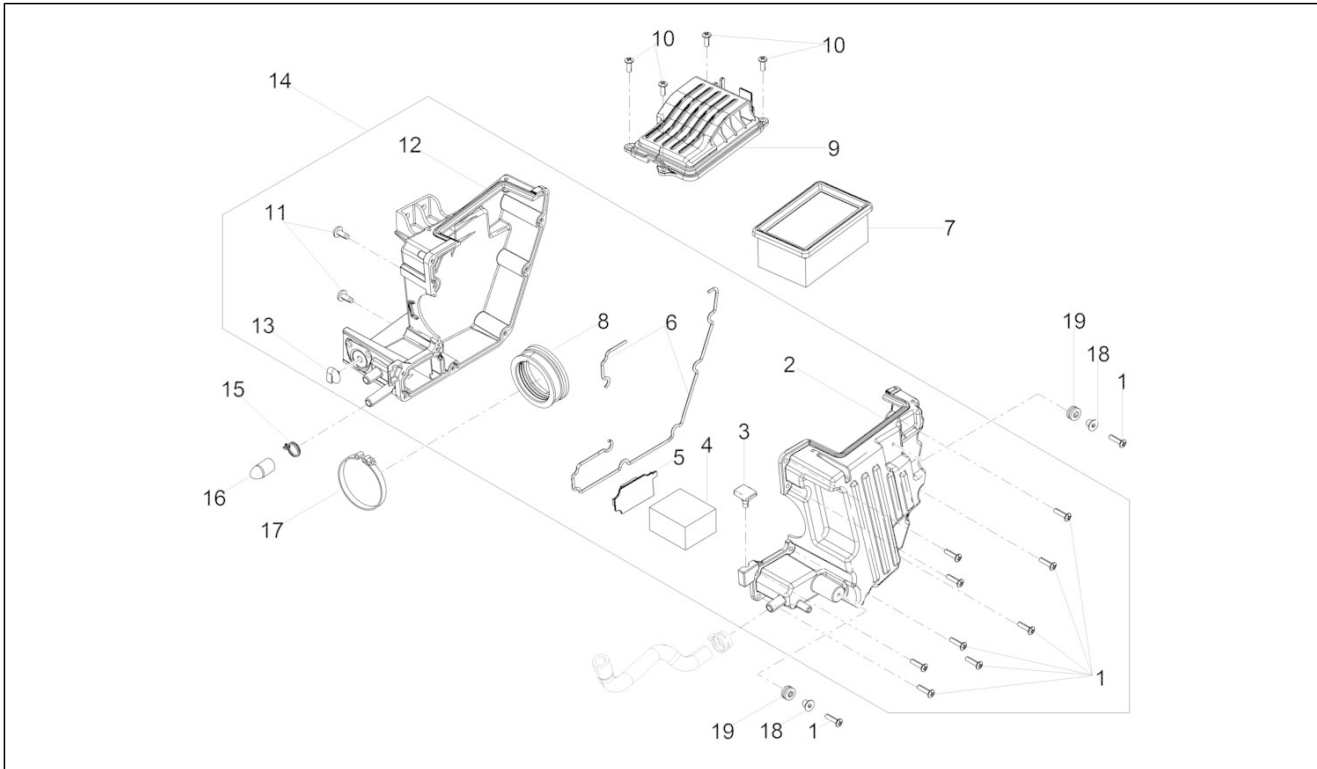
Pos.	Code	Beschreibung	Menge	Varianten
26	AP8121509	Buchse	1	
27	2B004112	Schraube TSPEI IX M8X25	2	Technische Spezifikation: backward rider footrest[new]
28	2B004043	Piastra pedana pilota sx	1	Technische Spezifikation: backward rider footrest[new]

Einheit	Motor
Code	03.030
Beschreibung	Gehäuse I
Inspektion	1



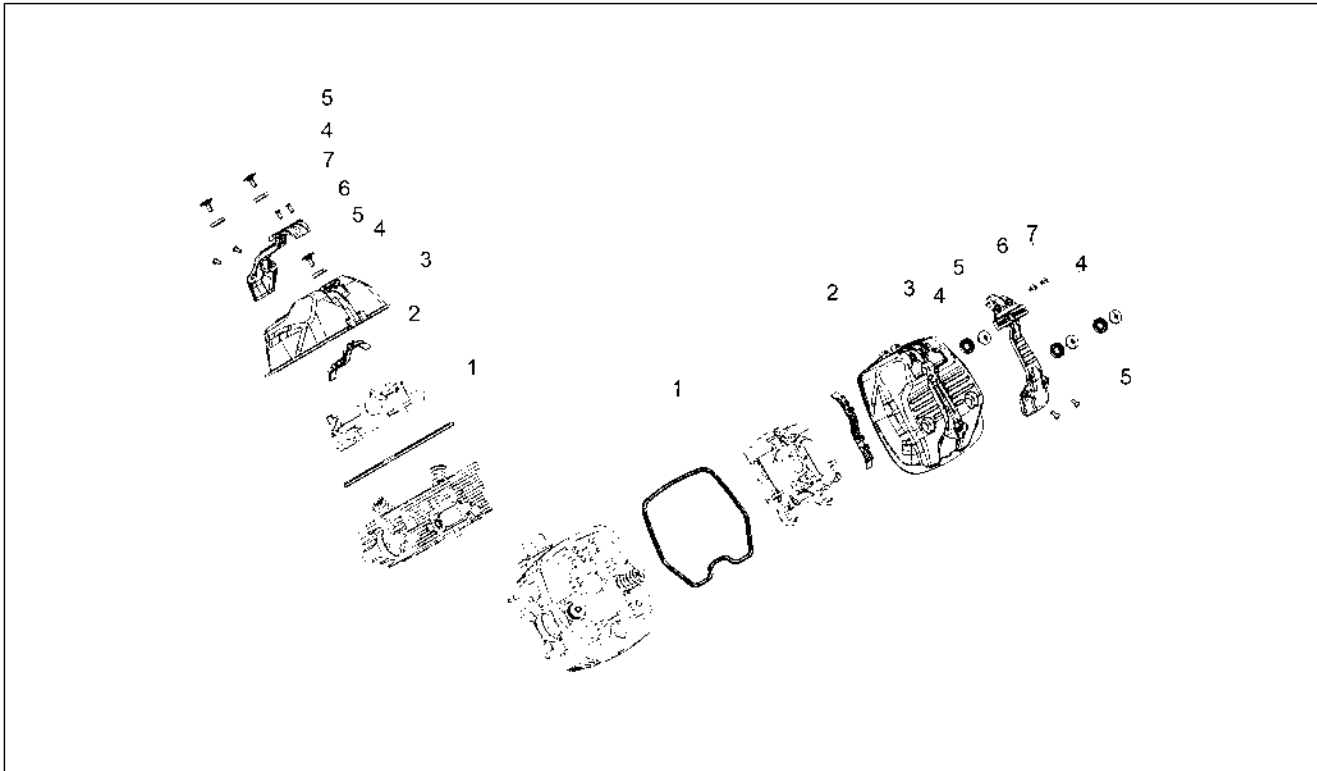
Pos.	Code	Beschreibung	Menge	Varianten
1	1A004550	Pfropfen	1	
2	1A005211	Ölwannendichtung	1	
3	GU19003800	Anschluss	1	
4	1A006047	Anschlußschlauch	2	
5	658837	Gewellte Sprengscheibe D15 F8,4 S1,5 - INOX	6	
6	GU92606208	Mutter M8x1,25	6	
7	1A006656	Geflanschte Mutter M10x1	4	
8	1A006655	Flachscheibe	4	
9	GU19018920	Stift	2	
10	1A004530	Stiftschraube	4	
11	831135	Verschlusschraube M14x1,5	1	
12	GU96451430	Stiftschraube	4	
13	883826	Öleinfüllschraube	1	
14	GU19015020	Buchse	2	
15	886365	Gasket ring	1	
16	GU96508055	Stiftschraube	2	
17	1A006283	Stiftschraube langer Kopf	4	
18	1A006284	Stiftschraube kurzer Kopf	4	
19	1A006860	Stiftschraube zentraler Kopf	2	
20	484993	Haltestein	2	
21	1A0052625	Gekoppelte Kurbelgehäuse	1	
22	GU31003766	Ölablaßschraube M10x1	1	
23	GU10528900	Dichtung	1	
24	GU98682325	TCEI Schraube M6x25	12	
25	GU90706281	O-Ring 28,24x2,62	1	

Einheit	Motor
Code	03.050
Beschreibung	Filtergehäuse
Inspektion	1



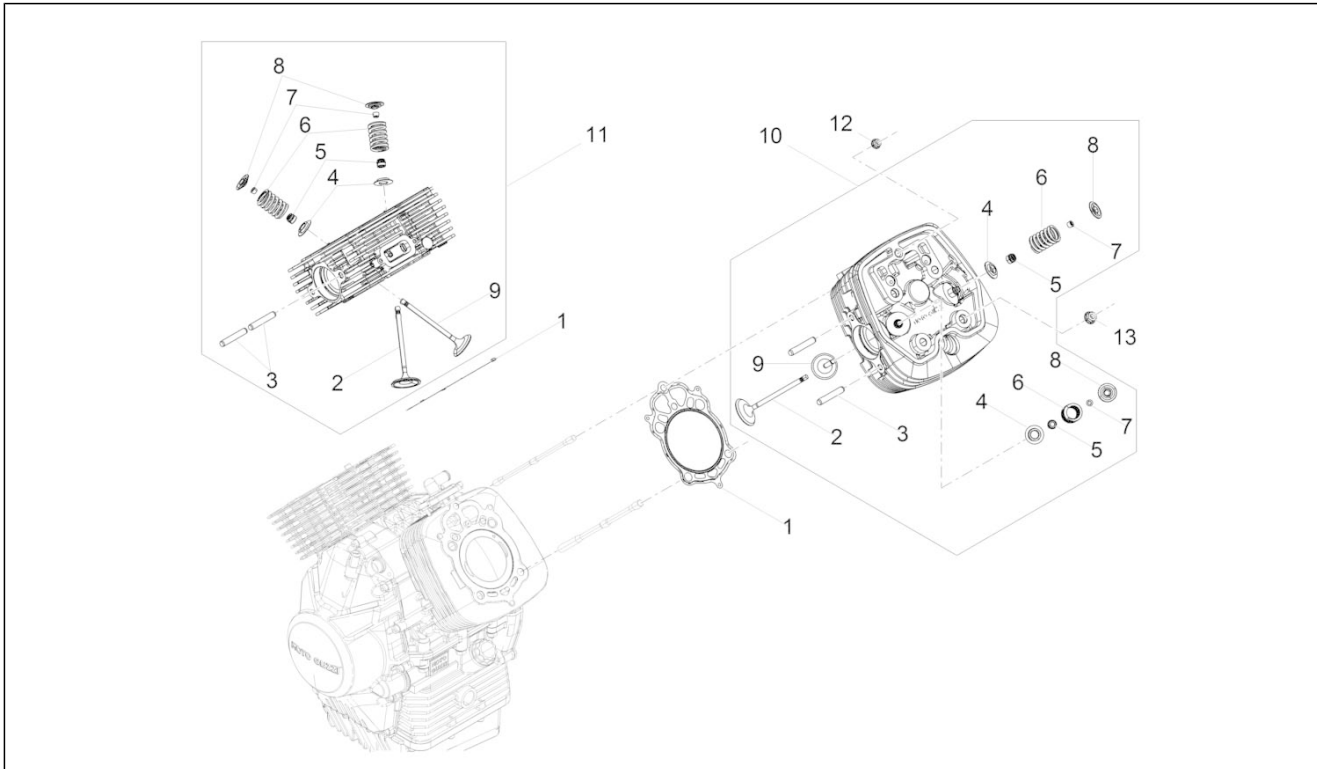
Pos.	Code	Beschreibung	Menge	Varianten
1	AP8152329	Kreuz.schl.flnschschr. M5x20	9	
2	2B002832	L.deckel Filtergehäuse	1	
3	AP8120455	Gummi	1	
4	AP8104525	Filter blow-by	2	
5	2B002851	Membran	1	
6	AP8120615	Dichtung D3	1	
7	AP8104924	Luftfilter	1	
8	887815	Ansaugmuffe	1	
9	887843	Luftfilterdeck	1	
10	AP8150509	Gew.schr. 5x14	4	
11	AP8120876	Verschlussschraube	2	
12	887844	Schale re Filtergehäuse	1	
13	890760	Halterung Instrumente	1	
14	2B002959	Sicherungskasten	1	
15	AP8102520	Schlauchschelle	2	
16	AP8161054	Kappe	2	
17	CM258303	Schelle 63	1	
18	AP8221023	T-Buchse	2	
19	GU91551010	Gummi 10X20X10	2	

Einheit	Motor
Code	03.090
Beschreibung	Kopfdeckel
Inspektion	1



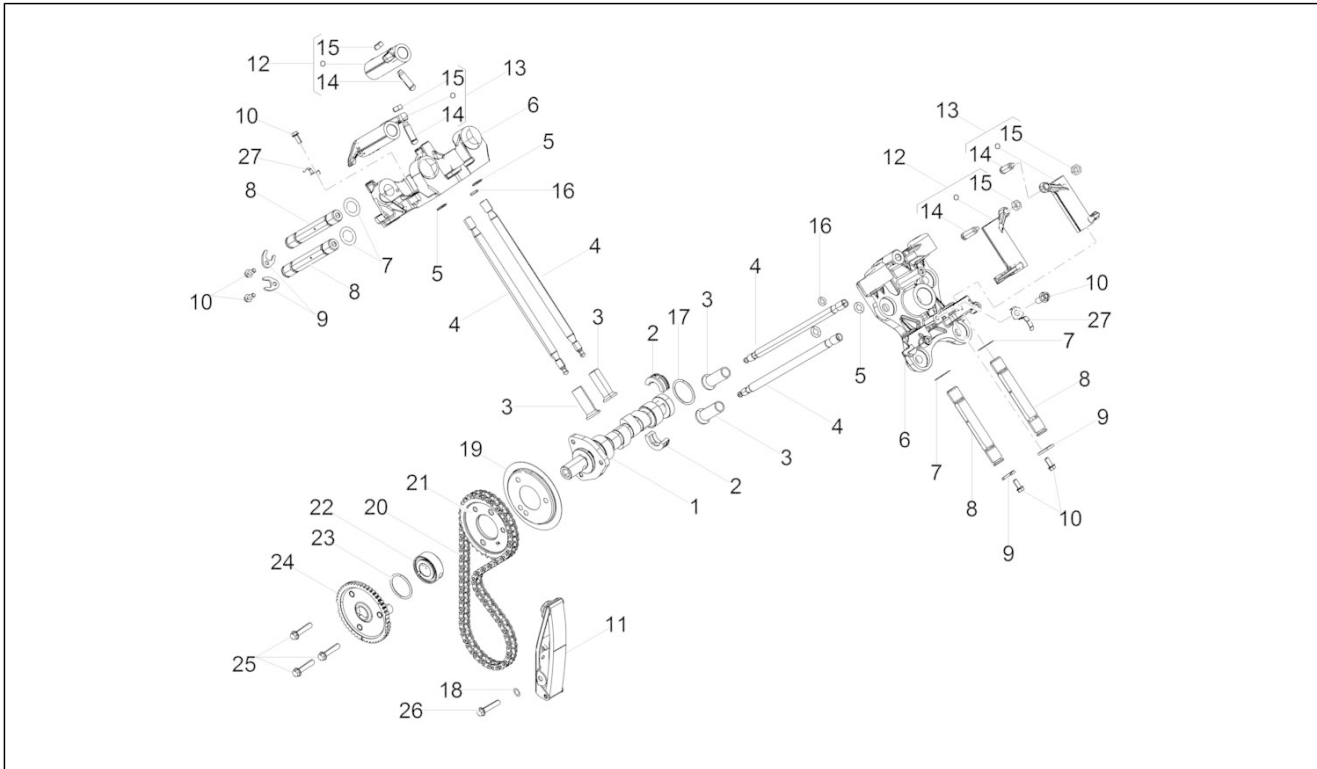
Pos.	Code	Beschreibung	Menge	Varianten
1	2A000565	Kopf Deckel Dichtung	2	
2	2A000659	Kabelführung	2	
3	2A000339	Kopfdeckel	2	
4	1A006716	Stopfen dämpfer	6	
5	976591	Spezialschraube	6	
6	2A000620	Zündkerzedeckel	2	
7	AP8152267	TBEI Spez.schr. M5x12	8	

Einheit	Motor
Code	03.100
Beschreibung	Zylinderkopf - ventile
Inspektion	1



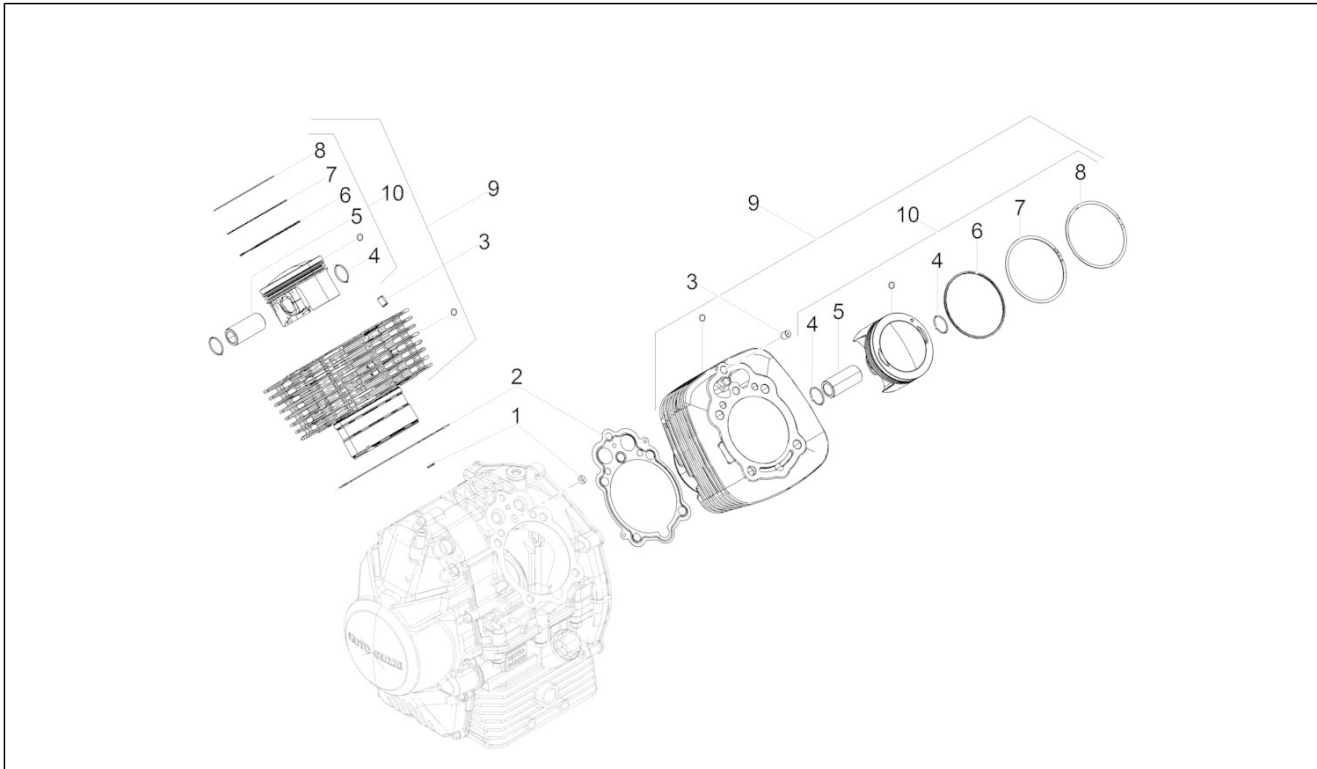
Pos.	Code	Beschreibung	Menge	Varianten
1	1A004660	Zylinder/Kopf Dichtung sp. 0,6 mm	66	
1	1A004661	Zylinder/Kopf Dichtung SP. 0.8 mm	66	
1	1A004662	Zylinder/Kopf Dichtung SP. 10 mm	1	
2	1A005424	Ein. ventil	1	
3	B017636	Auspufftopf Stiftschraube	2	
4	1A004751	Federteller unten	4	
5	1A003452	Ventil Dichtring	2	
6	1A004752	Rückzugsfeder	2	
7	871640	Halbkegel	8	
8	1A004750	Federteller oben	4	
9	1A005425	Auslassventil	1	
10	1A0068695	L.Kopf kpl.mitVentilführungen	1	
11	1A0068705	R.Kopf kpl.mitVentilführungen	1	
12	1A006659	Geflanschte Mutter M8x1.25	1	
13	825694	Mutter M10x1,25	1	

Einheit	Motor
Code	03.120
Beschreibung	Steuer
Inspektion	1



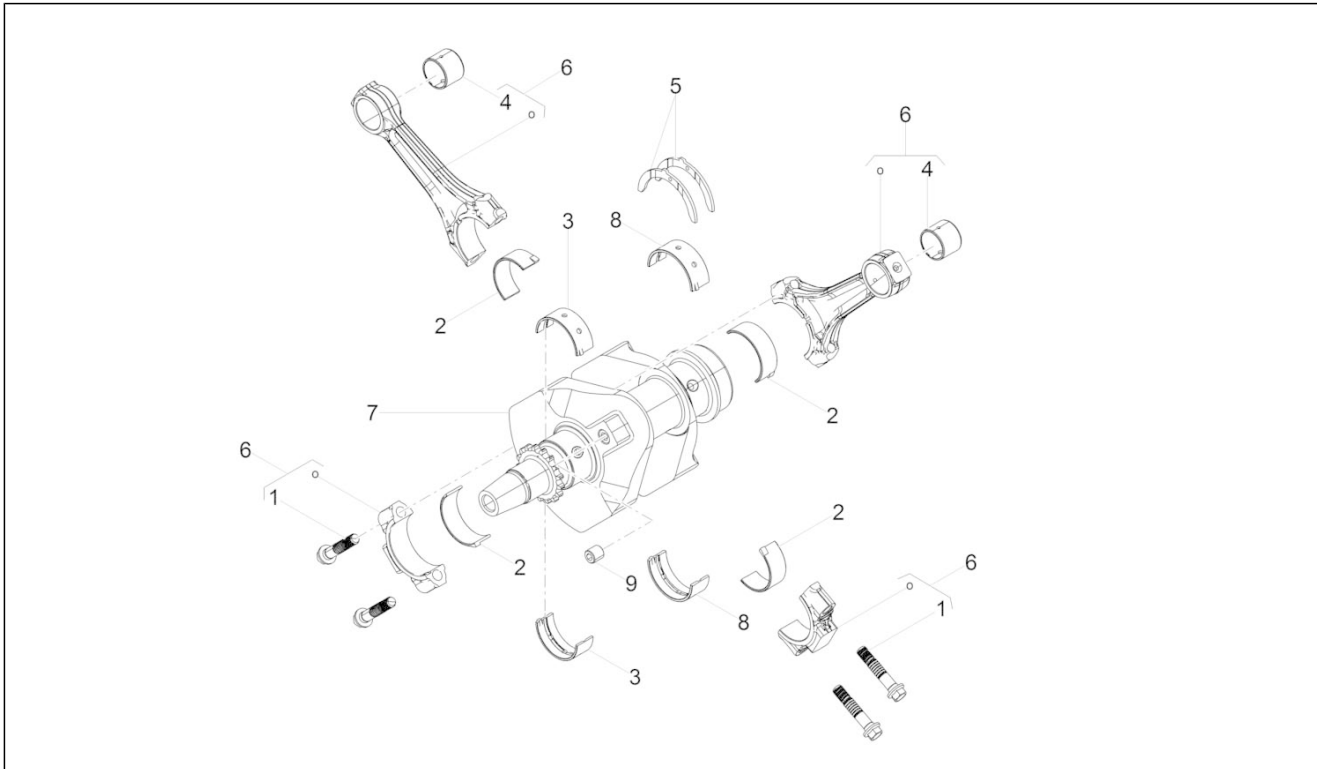
Pos.	Code	Beschreibung	Menge	Varianten
1	1A005712	Nockenwelle	1	
2	GU19055700	Sektor	2	
3	GU19045861	Ventilstässel	4	
4	2A000496	Kipphebelstange	4	
5	2A000579	Dichtungsring O-Ring 2,62x9.19	4	
6	2A0003535	Kippbellager	2	
7	1A005951	Gebogene Sprengscheibe	4	
8	2A000528	Kipphebel-Federwelle	4	
9	2A000521	Schaltgabel	4	
10	AP8152272	TE Schr. m. Flansch M5x12	4	
11	GU19058220	Kettenspanner	1	
12	1A004905	Kipphebel Einlass re Auslass li	2	
13	1A004903	Kipphebel Einlass li Auslass re	2	
14	1A004907	Einstellschraube	2	
15	GU10034100	Mutter	2	
16	1A006861	Gasket ring	2	
17	GU90353029	Sprengring	1	
18	GU95129115	Ausgleichscheibe	1	
19	1A005955	Platte	2	
20	GU19058021	Steuerkette	1	
21	1A006243	Steuer Zahnkranz	1	
22	1A006119	Distanzscheibe	1	
23	1A006127	O-Ring	1	
24	1A0057145	Phonic wheel	0	
25	1A008576	***TE Schr. m. Flansch	3	
26	GU98882316	Schraube	1	
27	2A000527	Platte	2	

Einheit	Motor
Code	03.150
Beschreibung	Zylinder - Kolben
Inspektion	1



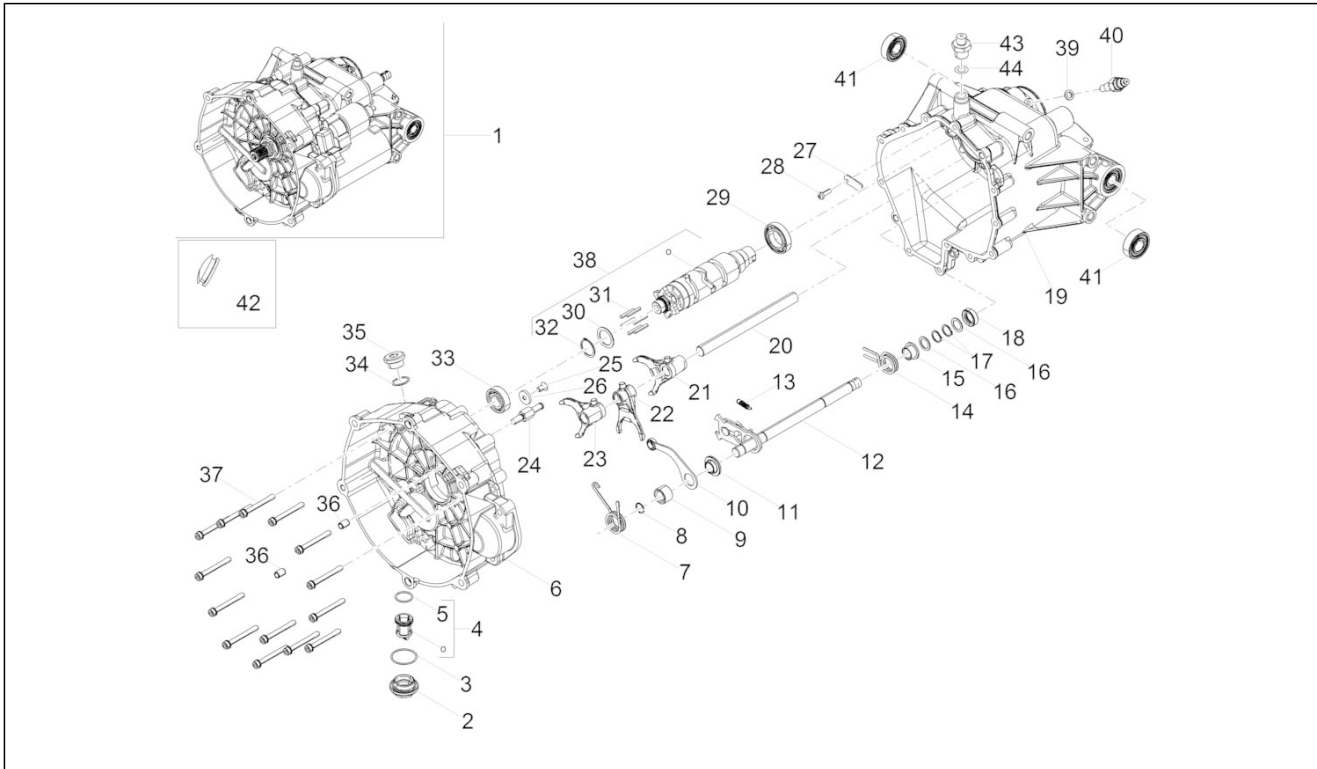
Pos.	Code	Beschreibung	Menge	Varianten
1	GU61027200	O-Ring	2	
2	1A007070	Dichtung Zylinder/Gehäuse	2	
3	GU19021360	Buchse	2	
4	874567	Sperring	4	
5	1A004956	Bolzen	2	
6	1A004955	Ölabstreifer	2	
7	1A004954	Kompressions-kolbenring	2	
8	1A004953	Kompressions-kolbenring	2	
9	1A007111	Kolben mit Zylinder kpl.	1	
10	1A006272CC	Kolben kpl. Auswahl "L"	1	
10	1A006272BB	Kolben kpl. Auswahl "H"	1	
10	1A006272AA	Kolben kpl. Auswahl "G"	1	
10	1A006272DD	Kolben kpl. Auswahl "M"	1	

Einheit	Motor
Code	03.160
Beschreibung	Kurbelwelle
Inspektion	1



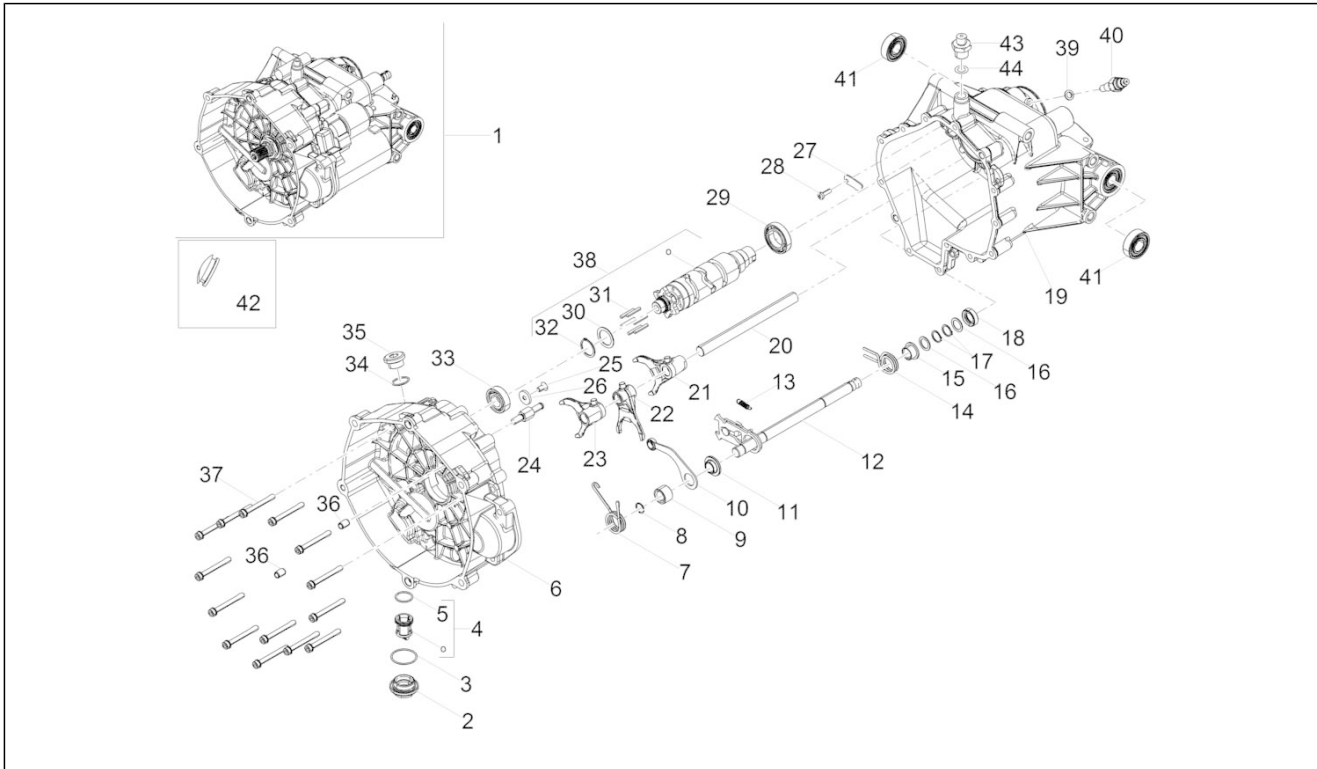
Pos.	Code	Beschreibung	Menge	Varianten
1	GU19062261	Schraube	4	
2	1A0068960G	Pleuellagerschale gelb	4	
2	1A0068960R	Pleuellagerschale Rot	4	
2	1A0068960B	Pleuellagerschale blau	4	
3	1A0066680N	Hauptlagerschale vorne Schwarz	1	
3	1A0066680G	Hauptlagerschale vorne gelb	1	
3	1A0066680V	Hauptlagerschale vorne Grün	1	
4	GU27061885	Buchse	2	
5	GU27066460	Halb-Klemme	2	
6	1A005325BB	Pleuel Auswahlklasse "B"	1	
6	1A005325AA	Pleuel Auswahlklasse "A"	1	
7	1A006671BB	Kurbelwelle, komplett kat. 2	1	
7	1A006671AA	Kurbelwelle kpl.,cat.1	1	
8	1A0066690V	Hauptlagerschale hinten Grün	2	
8	1A0066690N	Hauptlagerschale hinten Schwarz	2	
8	1A0066690G	Hauptlagerschale hinten gelb	2	
9	GU19065400	Deckel	1	

Einheit	Motor
Code	03.170
Beschreibung	Schaltgetriebe / Schaltgabel / Desmodrom.
Inspektion	1



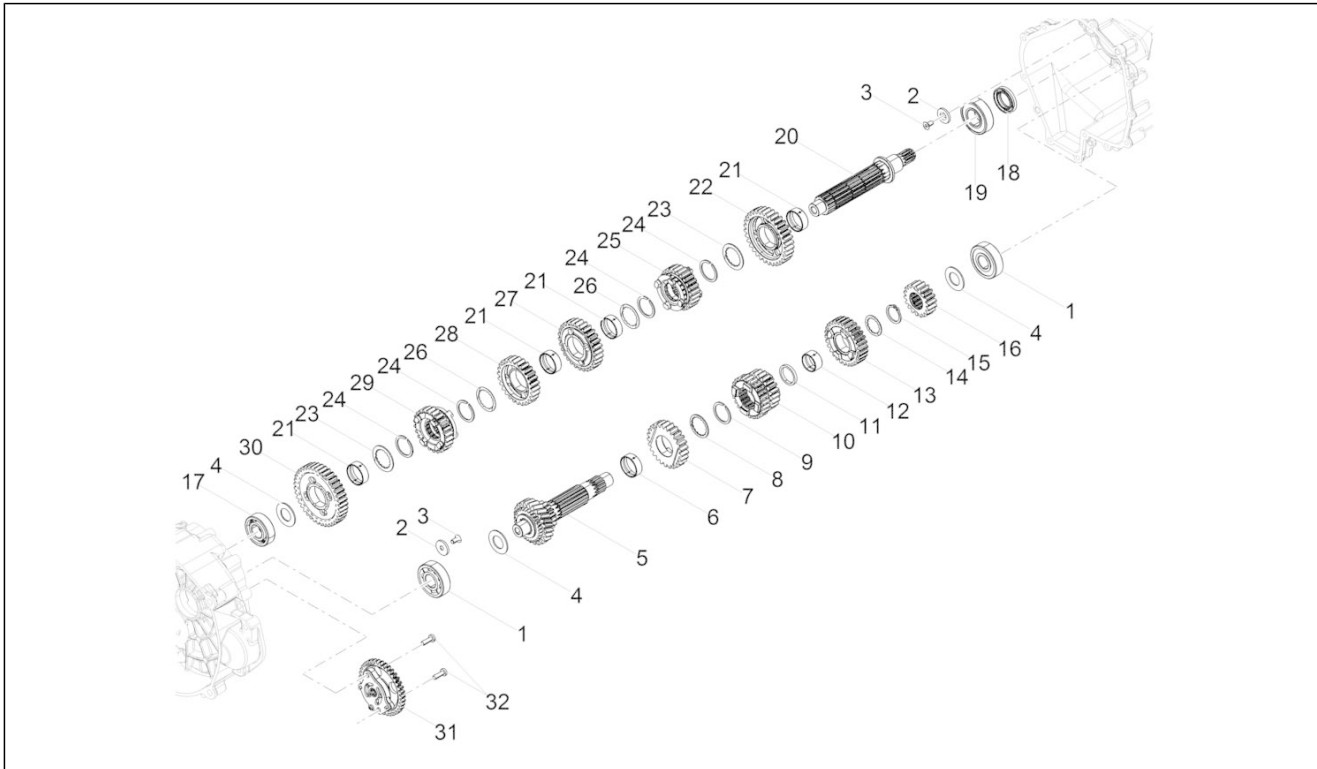
Pos.	Code	Beschreibung	Menge	Varianten
1	2A00042115	Getriebe komplett	1	
2	B015598	Ölfilter Verschuß	1	
3	285536	O-Ring 31,47x1,78	1	
4	B018020	Ölfiltereinsatz kpl.	1	
5	B017406	O-Ring 20.35x1.78	1	
6	2A0007505	Kupplungsglocke	1	
7	B064113	Index feder	1	
8	GU90353014	Seegerring	1	
9	GU05234230	Distanzscheibe	1	
10	B064112	Indexhebel kpl.	1	
11	GU05238431	Buchse	1	
12	2A000219	Schaltautomat	1	
13	GU05238231	Feder	1	
14	B063956	Feder	1	
15	2A000467	Distanzscheibe	1	
16	GU05239330	Anlaufscheibe	2	
17	GU90271014	Seegerring	2	
18	GU90401424	Gasket ring 14x24x7	1	
19	2A0007425	Not available	1	
20	2A000224	Stange	1	
21	2A000226	Schaltgabel 2-3 Gang	1	
22	2A000227	Gabel 5.-6. Gang	1	
23	2A000225	Gabel für Sekundärwelle	1	
24	2A000415	Anschlagschraube	1	
25	B013608	Schraube	1	
26	873905	Unterlegscheibe	1	
27	2A000306	Anschlagplatte	1	
27	2A000241	Schraube M5x16	1	

Einheit	Motor
Code	03.170
Beschreibung	Schaltgetriebe / Schaltgabel / Desmodrom.
Inspektion	1



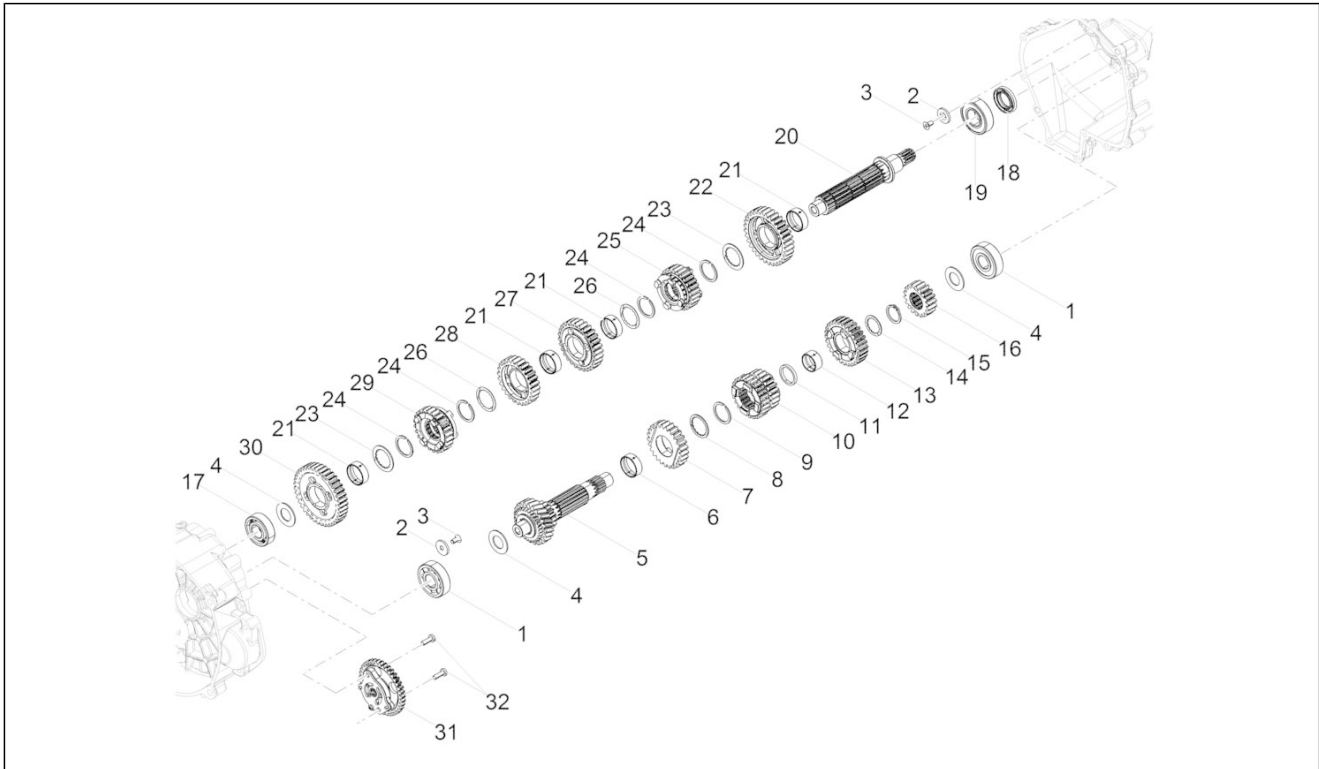
Pos.	Code	Beschreibung	Menge	Varianten
28	2A000241	Schraube M5x16	1	
29	857250	Kugellager 25x42x9	1	
30	GU05235531	Scheibe	1	
31	GU05234631	Stift	6	
32	GU90271022	Seegerring	1	
33	834764	Lager	1	
34	GU90706203	O-Ring 20,24X2,62	1	
35	GU12022600	Ölschraube	1	
36	GU19002020	Buchse 6,6x9x13	2	
37	2A000591	Zylinderschraube M6x55	14	
38	2A000222	Verschiebenocken kplt.	1	
39	B063025	Dichtung 8,7x14,2x1,3	1	
40	B063269	Sensor	1	
41	2A000097	Kugellager 6202-2RSH/C3 LHT23	2	
42	GU93180220	Deckel	1	
43	2A000438	Entlüftungsschraube	1	
44	224566	Unterlegscheibe	1	

Einheit	Motor
Code	03.180
Beschreibung	Schaltgetriebe - Zahnräder
Inspektion	1



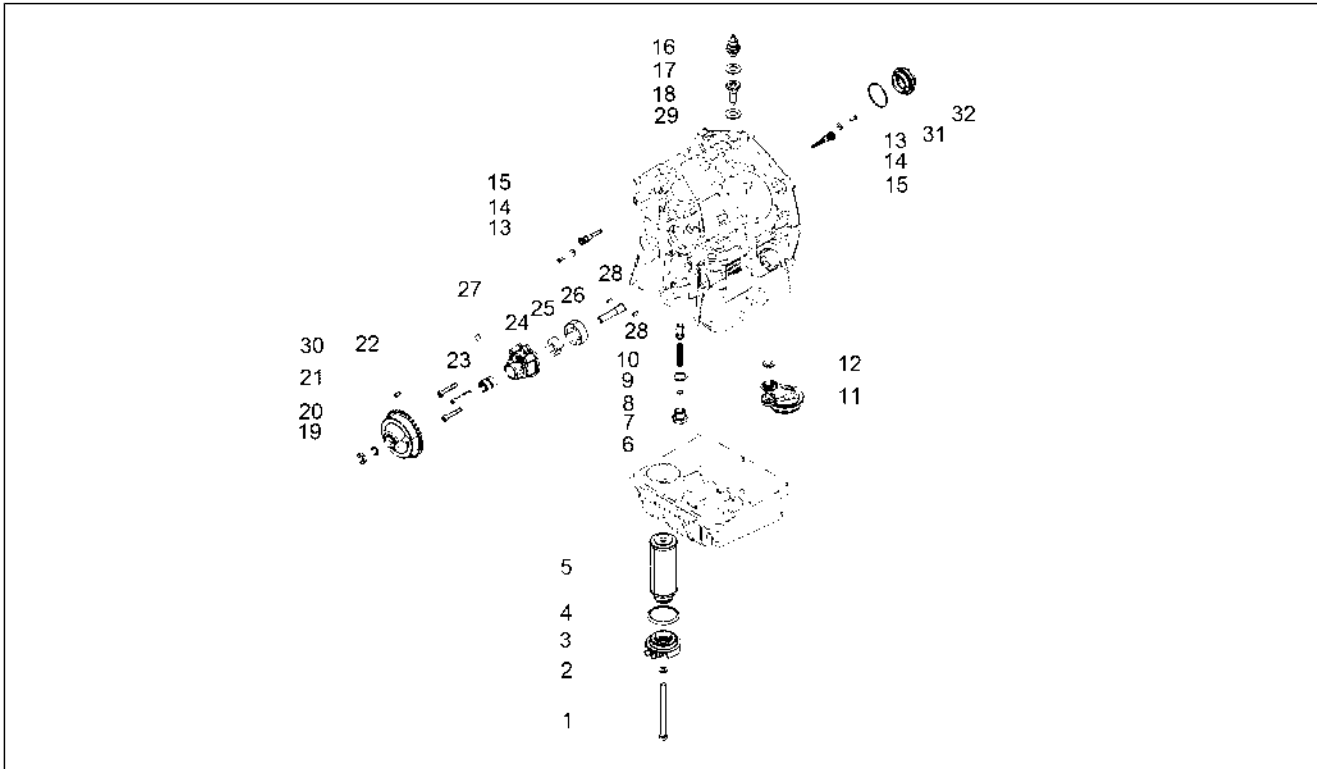
Pos.	Code	Beschreibung	Menge	Varianten
1	GU92201822	Kugellager 20x52x15	2	
2	873928	Unterlegscheibe	2	
3	B013608	Schraube	2	
4	1A000566	Ausgleichsscheibe	1	
5	2A000727	Vorgelegewelle	1	
6	849308	Buchse Beweglich	1	
7	1A000360	Schnellgangrad	1	
8	849424	Bundscheibe	1	
9	1A002604	Welle Sprengring	1	
10	1A000436	Zahnrad 3a - 4a vel.	1	
11	B015040	Ausgleichsscheibe	1	
12	974162	Buchse Beweglich	1	
13	2A000627	Zahnrad 6. Gang	1	
14	849396	Bundscheibe	1	
15	974165	Sprengring	1	
16	1A000365	Zahnrad 2.Hauptwelle	1	
17	848650	Kugellager 20x47x14	1	
18	GU90412541	Gasket ring 25X40X7	1	
19	GU92201226	Kugellager 25x52x15	1	
20	2A000203	Nebentriebewelle	1	
21	849308	Buchse Beweglich	4	
22	1A000366	Wechselrad 2. gang Z=32	1	
23	849309	Bundscheibe	2	
24	1A002604	Welle Sprengring	4	
25	1A000370	Zahnrad 6. Gang Z=24	1	
26	849310	Bundscheibe	2	
27	1A000367	Wechselrad 3. gang Z=28	1	
28	1A000368	Wechselrad 4. gang Z=26	1	

Einheit	Motor
Code	03.180
Beschreibung	Schaltgetriebe - Zahnräder
Inspektion	1



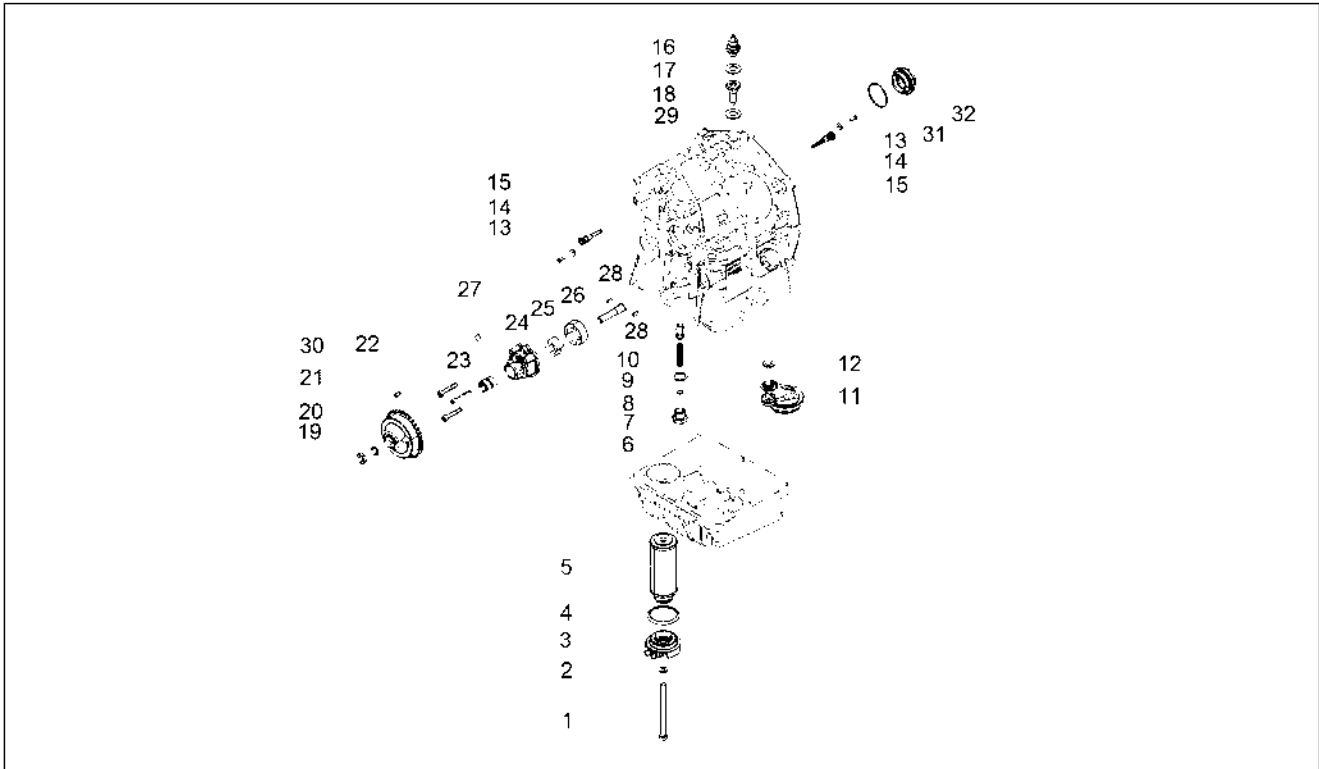
Pos.	Code	Beschreibung	Menge	Varianten
29	1A000369	Wechselrad 5. gang Z=24	1	
30	2A000629	Zahnrad 1.gang	1	
31	B018448	Ölpumpe	1	
32	2A000241	Schraube M5x16	2	

Einheit	Motor
Code	03.190
Beschreibung	Schmierung
Inspektion	1



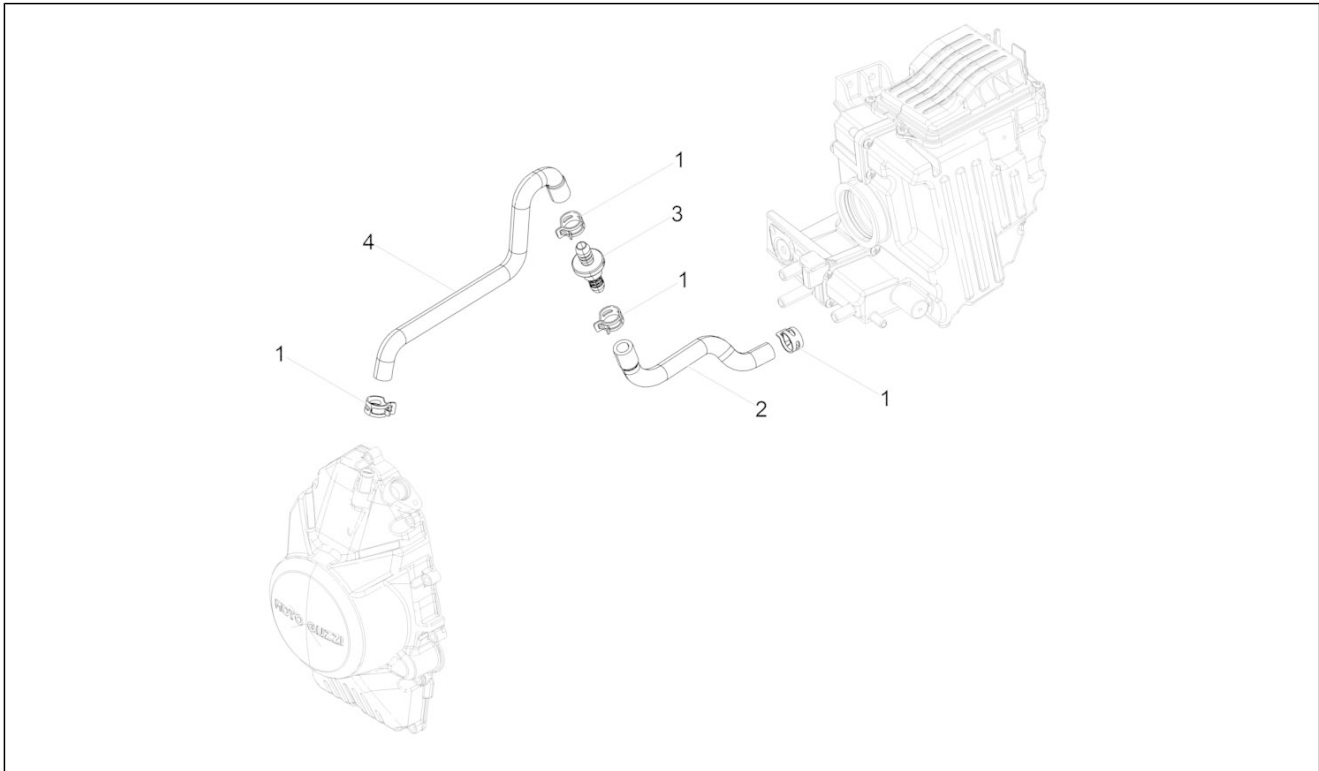
Pos.	Code	Beschreibung	Menge	Varianten
1	GU27152885	Schraubbolzen	1	
2	GU12154200	Dichtung 8,25x15x1	1	
3	1A005199	Ölfilterdeckel	1	
4	GU90706444	O-Ring	1	
5	2A000633	Ölfiltereinsatz	1	
6	GU31159050	Deckel	1	
7	GU95008206	Ausgleichscheibe 6,15x11x0,8	1	
8	GU18144350	Ausgleichscheibe 18,25x24x1	3	
9	GU94321079	Feder	1	
10	GU31150950	Kolben	1	
11	1A004549	Oil strainer	1	
12	237553	O-Ring	1	
13	1A005257	Linsenschraube	2	
14	013763	Flachscheibe 4,2x12x1	2	
15	1A004442	Kühldüse Kolben	2	
16	643090	Öldrucksensor	1	
17	GU95100309	Ausgleichscheibe	1	
18	887093	Anschluß	1	
19	GU92602510	Mutter M10x1,25	1	
20	AP8152220	Scheibe	1	
21	GU20147710	Zahnrad pumpe	1	
22	1A007008	TCEI Schraube M6x35 preimpregnata	3	
23	1A006064	Rollenlager	1	
24	1A006056	Innenrotor	1	
25	1A006055	Außenrotor	1	
26	GU20147810	Ölpumpenwelle	1	
27	1A006053	Ölpumpe komplett	1	
28	GU19018920	Stift	2	

Einheit	Motor
Code	03.190
Beschreibung	Schmierung
Inspektion	1



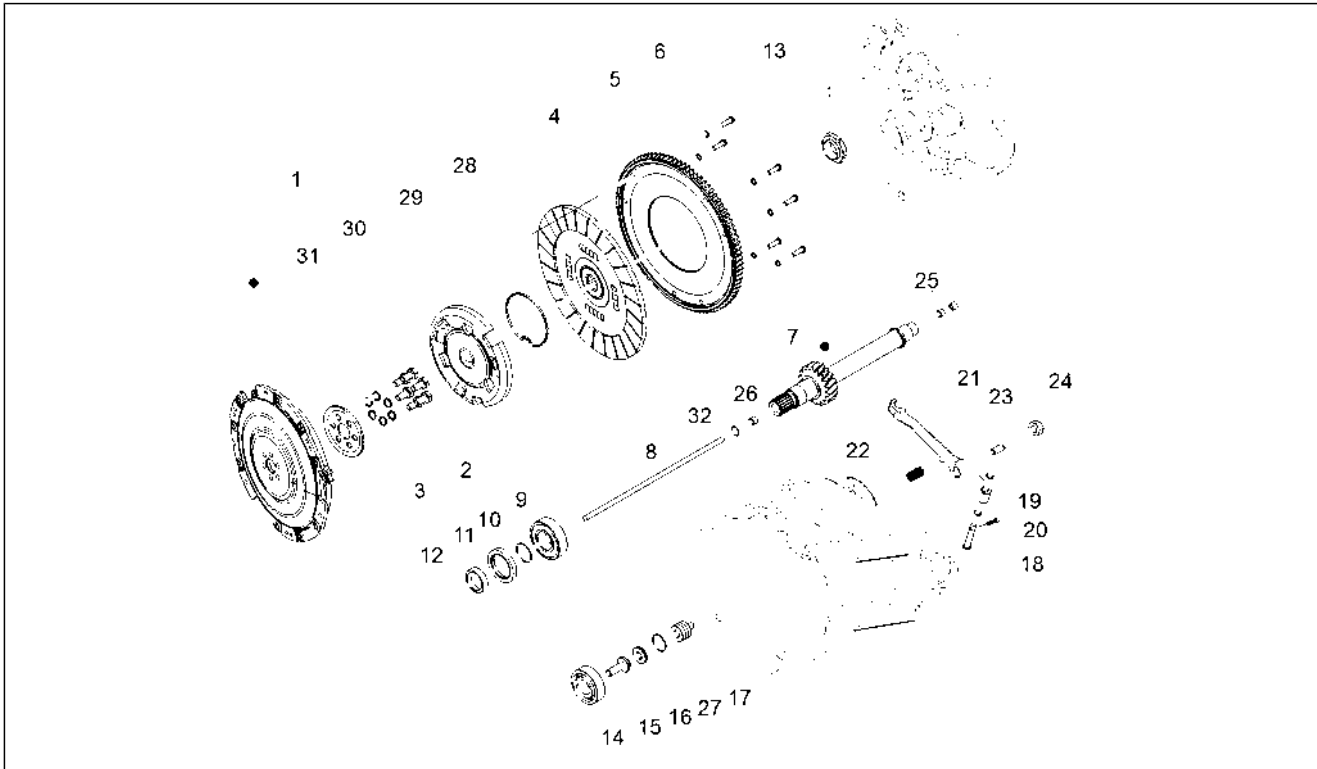
Pos.	Code	Beschreibung	Menge	Varianten
29	GU95100602	Dichtung	1	
30	GU92296723	Rolle	1	
31	285536	O-Ring 31,47x1,78	1	
32	826165	Ölfilter Verschuß	1	

Einheit	Motor
Code	03.196
Beschreibung	Anlage Blow-by
Inspektion	1



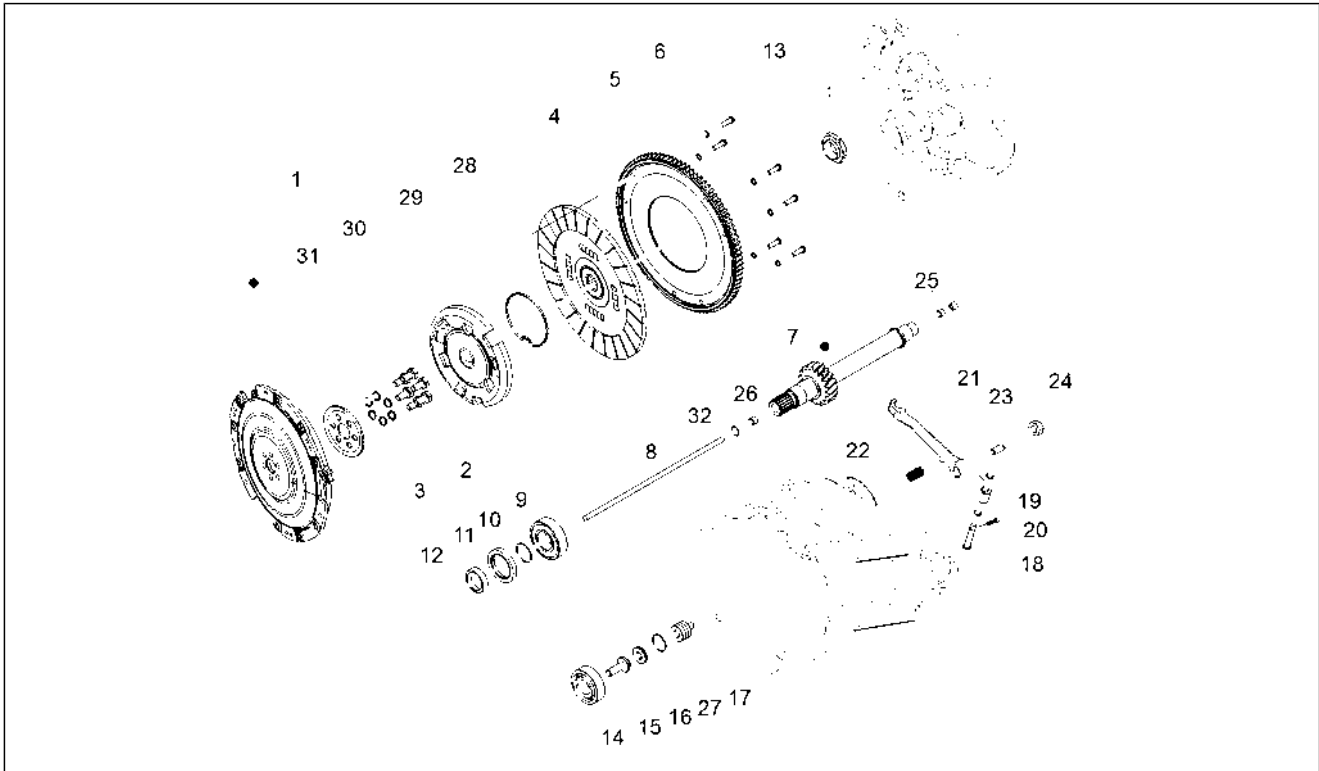
Pos.	Code	Beschreibung	Menge	Varianten
1	CM226902	Federschelle 19/12	4	
2	2B003204	Blow-By-Leitung	1	
3	2B003105	Rückstauventil	1	
4	2B002602	Blow-By-Leitung	1	

Einheit	Motor
Code	03.230
Beschreibung	Kupplung
Inspektion	1



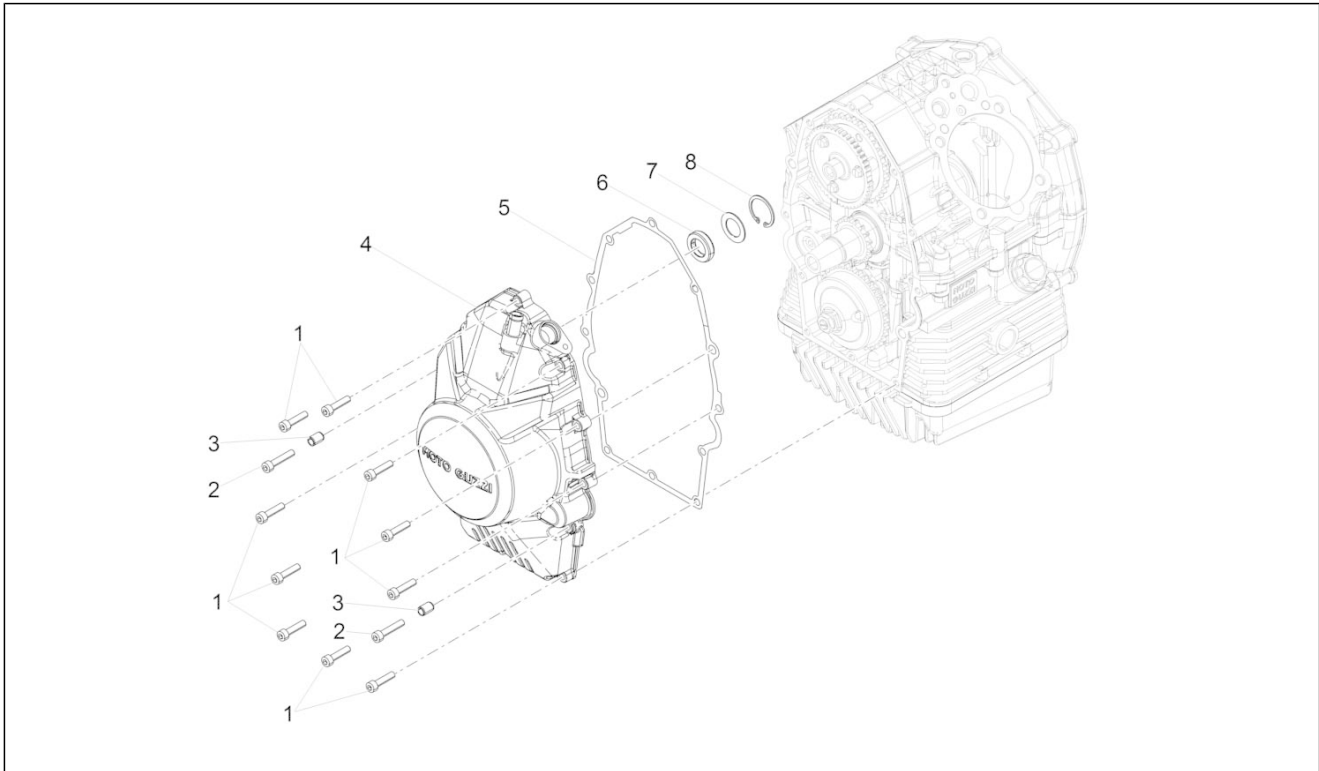
Pos.	Code	Beschreibung	Menge	Varianten
1	2A000419	Einscheiben-Kupplungseinheit komplett	1	
2	GU19067700	Schraube	6	
3	GU14615901	Ausgleichscheibe 8,4X13X0,8	6	
4	2A000724	Anlasserzahnkranz	1	
5	GU14217901	Scheibe 6,4x10x0,7	6	
6	623920	Schraube torx	6	
7	2A000792	Kupplungswelle Kpl. Z=21	1	
8	2A000216	Regelstange	1	
9	GU92201226	Kugellager 25x52x15	1	
10	GU90706235	O-Ring 23,52x1,78	1	
11	886629	Gasket ring	1	
12	GU19213760	Distanzscheibe	2	
13	GU19356760	Mutter	1	
14	2A000375	Kugellager	1	
15	B013037	Kupplungswelle	1	
16	2A000376	Drucklager	1	
17	GU14086100	Aussengehäuse	1	
18	2A000384	Hebelbolzen	1	
19	2A000385	O-Ring 6.5x1.5	2	
20	GU95500222	Splint	1	
21	2A000631	Ausrueckwelle	1	
22	GU94321105	Rückholfeder Starterhebel	1	
23	2A000767	Regelschraube	1	
24	GU92606508	Mutter	1	
25	GU14085900	Buchse	2	
26	GU05217630	Buchse	1	
27	GU90706170	O-Ring 17,13x2,62	1	
28	2A000770	Getriebene Kuppl.scheibe	1	

Einheit	Motor
Code	03.230
Beschreibung	Kupplung
Inspektion	1



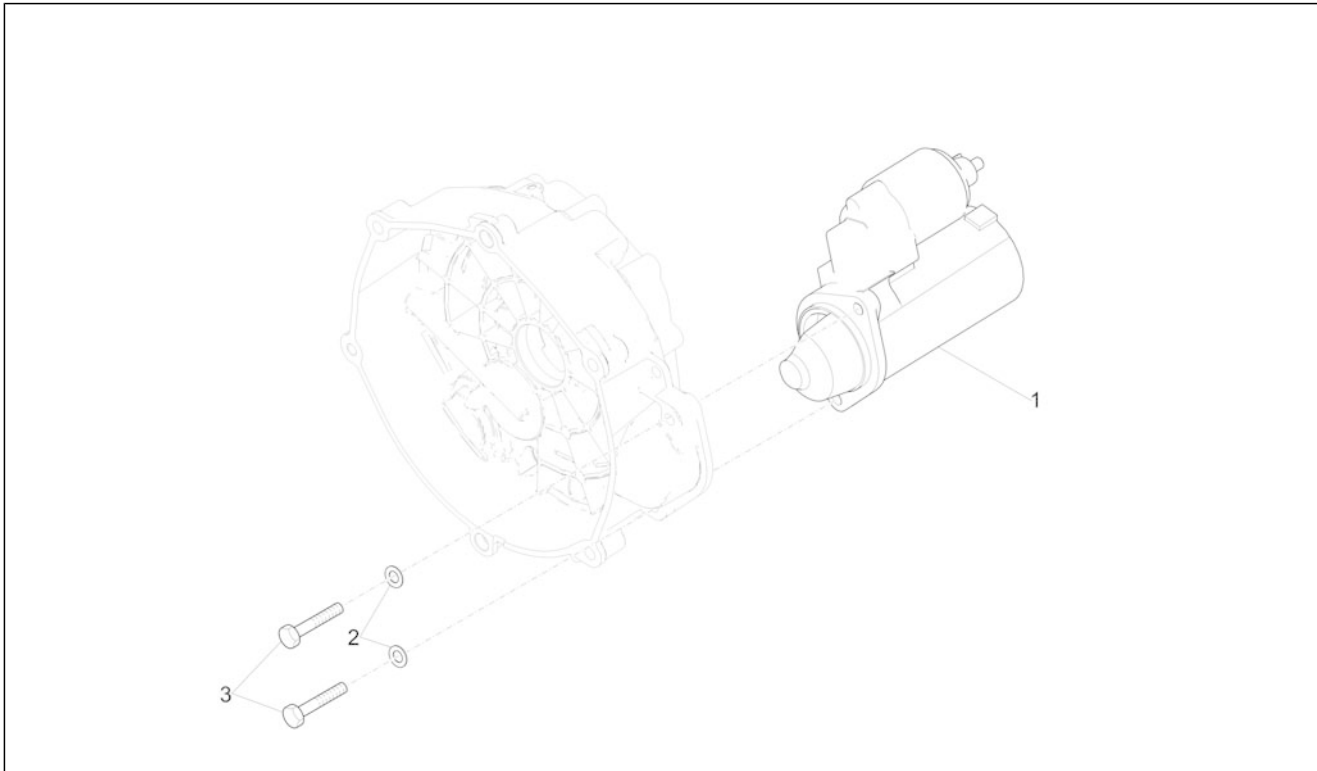
Pos.	Code	Beschreibung	Menge	Varianten
29	2A000418	Ring	1	
30	2A000638	Federteller	1	
31	2A000741	Stütze	1	
32	2A000378	Gasket ring	1	

Einheit	Motor
Code	03.270
Beschreibung	Zuenderdeckel
Inspektion	1



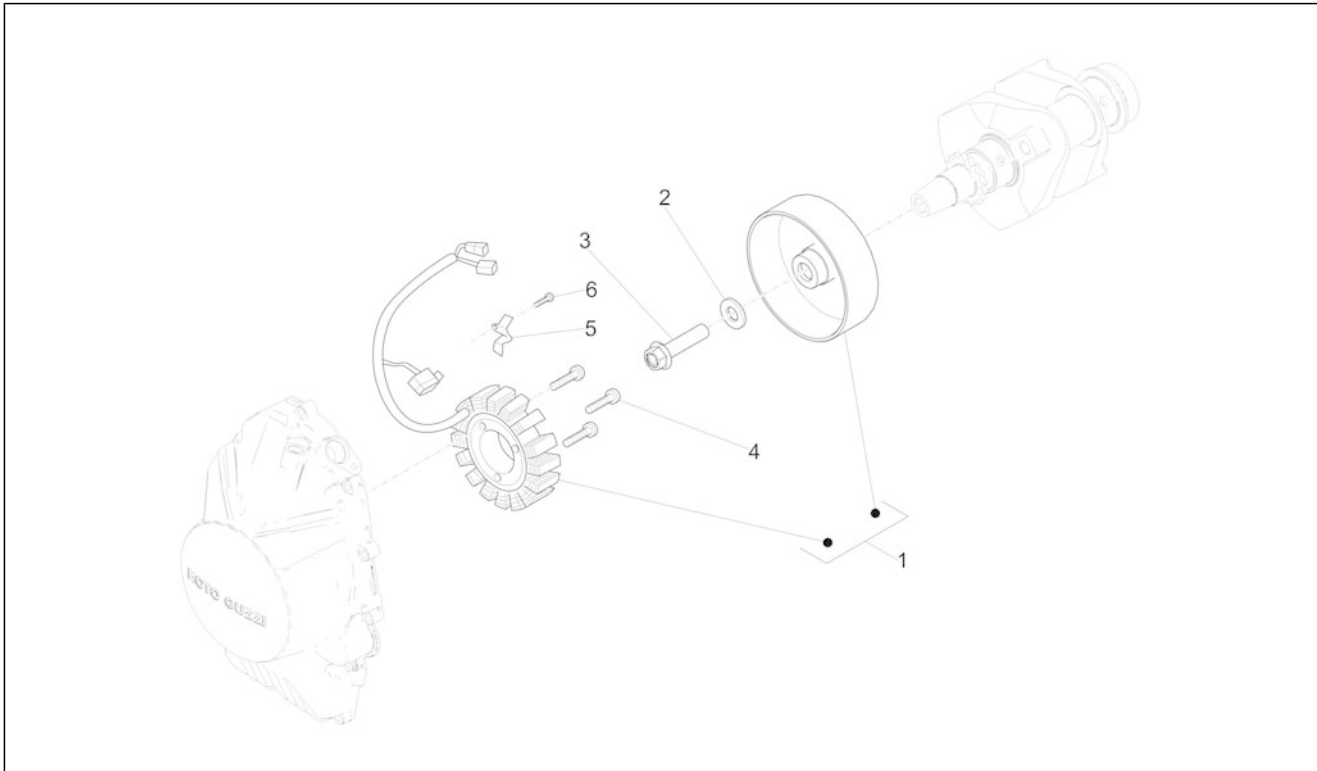
Pos.	Code	Beschreibung	Menge	Varianten
1	GU98682325	TCEI Schraube M6x25	10	
2	GU98682330	TCEI Schraube M6x20	2	
3	GU19002020	Buchse 6,6x9x13	2	
4	1A006298	Deckel	1	
5	887003	Deckeldichtung Kupplungsseite	1	
6	898268	Gasket ring 18x30x7	1	
7	898269	Bundscheibe	1	
8	006630	Sprengring	1	

Einheit	Motor
Code	03.290
Beschreibung	Zündung / Elektrischer Anfang
Inspektion	1



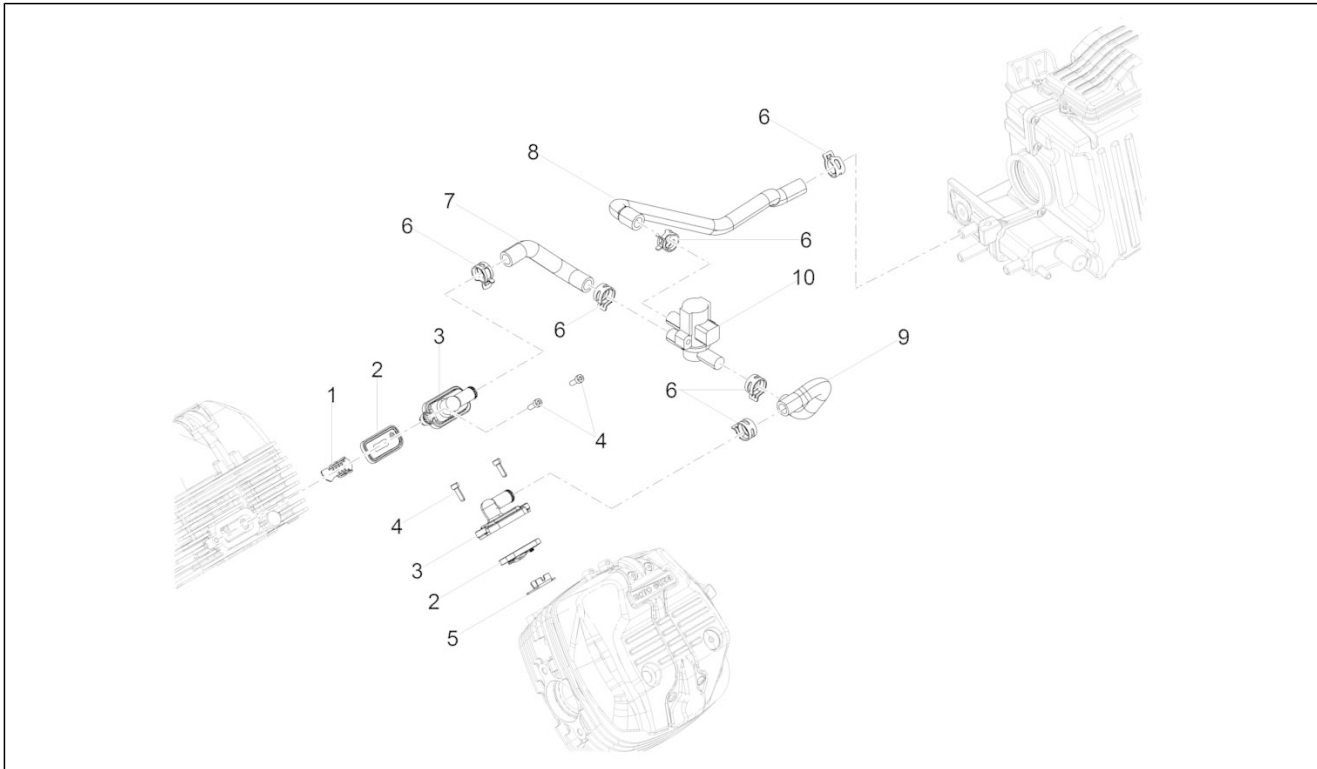
Pos.	Code	Beschreibung	Menge	Varianten
1	97729R	Startermotor	1	
2	GU95008208	Ausgleichscheibe 8,4X15X1,5	2	
3	GU98682435	TCEI Schraube	2	

Einheit	Motor
Code	03.300
Beschreibung	Schwungmagnetstarter / Zündung
Inspektion	1



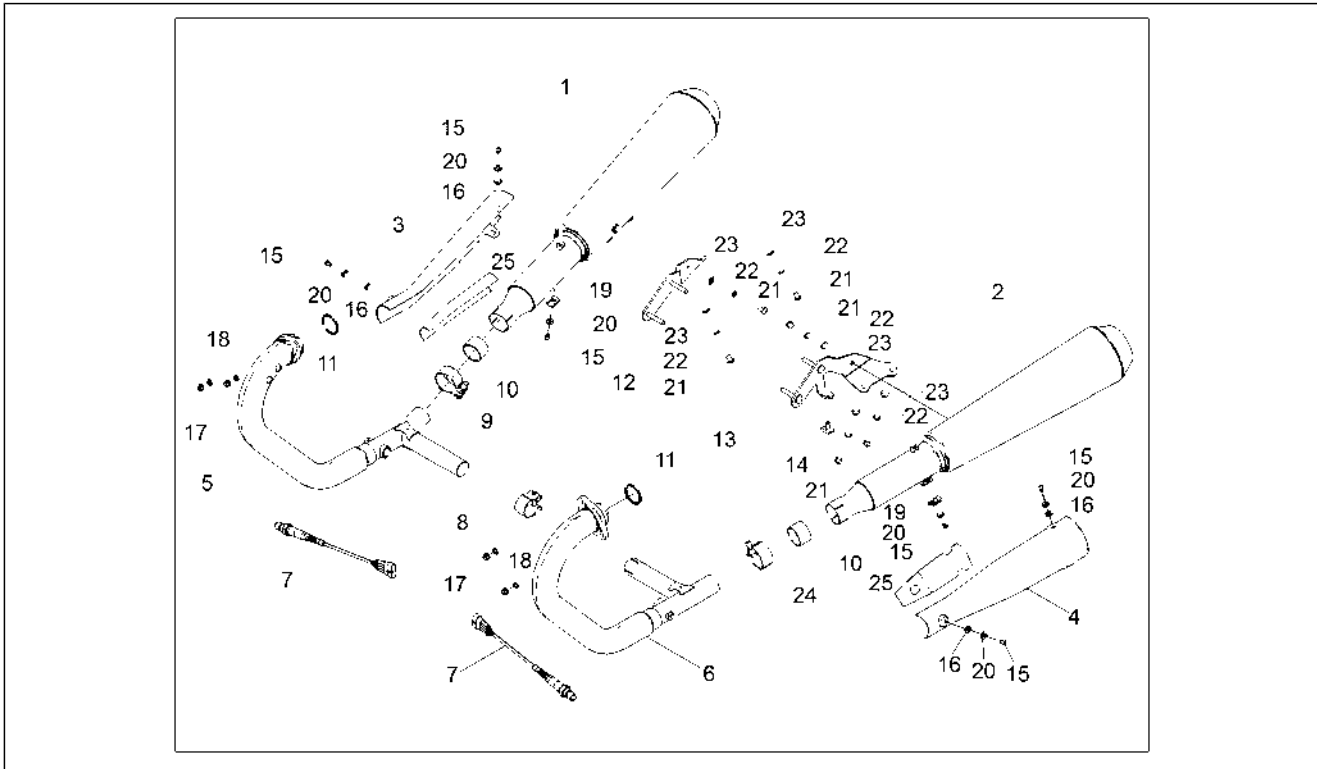
Pos.	Code	Beschreibung	Menge	Varianten
1	2D000024	Schwungrad Mag. klp.	1	
2	897478	Unterlegscheibe 12x26.5x3	1	
3	857206	TE Schr. m. Flansch M12X1,25X50	1	
4	2A000129	Flache Innensechskantschraube M6x35	3	
5	2A000115	Platte	1	
6	GU98682212	TCEI Schraube M5x12	1	

Einheit	Motor
Code	03.320
Beschreibung	Secondary air
Inspektion	1



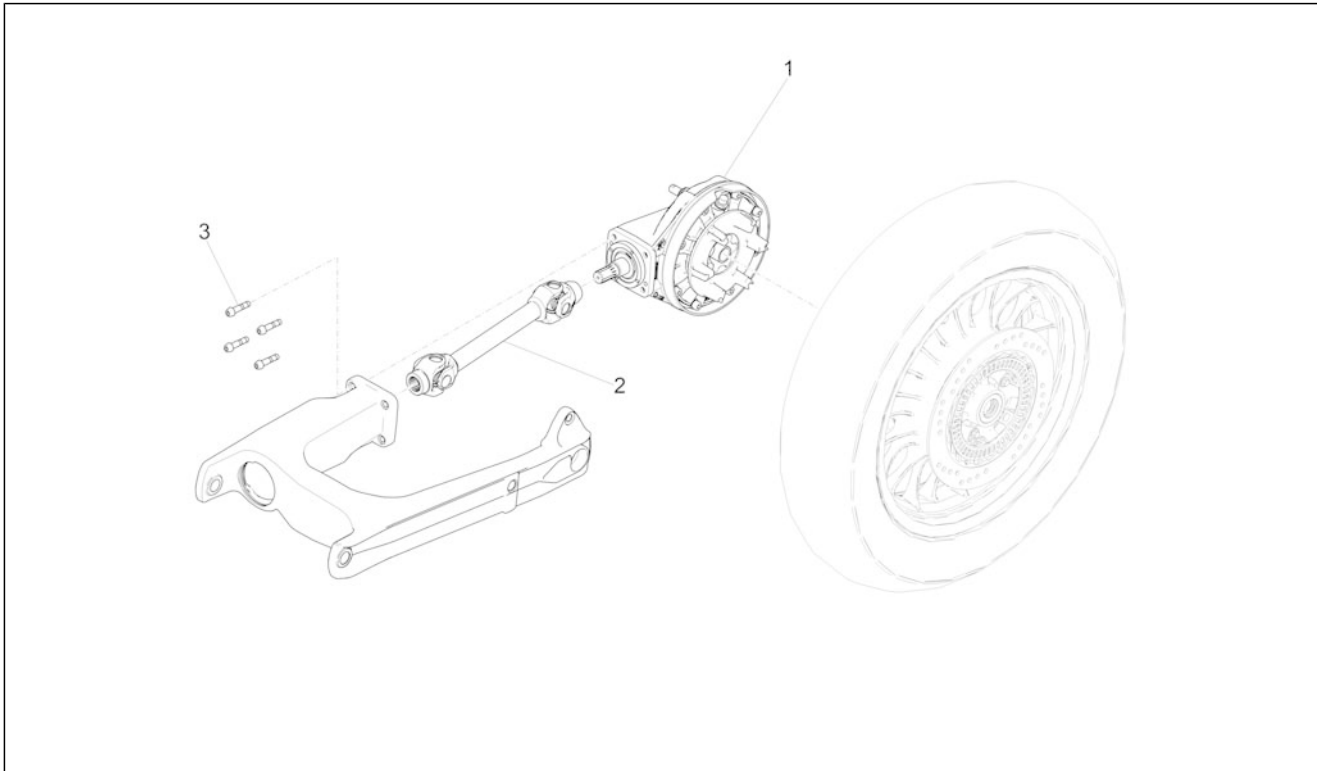
Pos.	Code	Beschreibung	Menge	Varianten
1	857047	Spark arrester	1	
2	857045	Reed valve	2	
3	2A000597	Abdeckung	1	
4	GU98612216	TCEI Schraube	2	
5	857046	Spark arrester	1	
6	CM226902	Federschelle 19/12	6	
7	2B002529	Schlauch rechts "S.A.S."	1	
8	2B002531	Leitung Filtergehäuse "S.A.S."	1	
9	2B002530	Schlauch links "S.A.S."	1	
10	857181	SAS ventil	1	

Einheit	Motor
Code	03.330
Beschreibung	Auspuffrohr
Inspektion	1



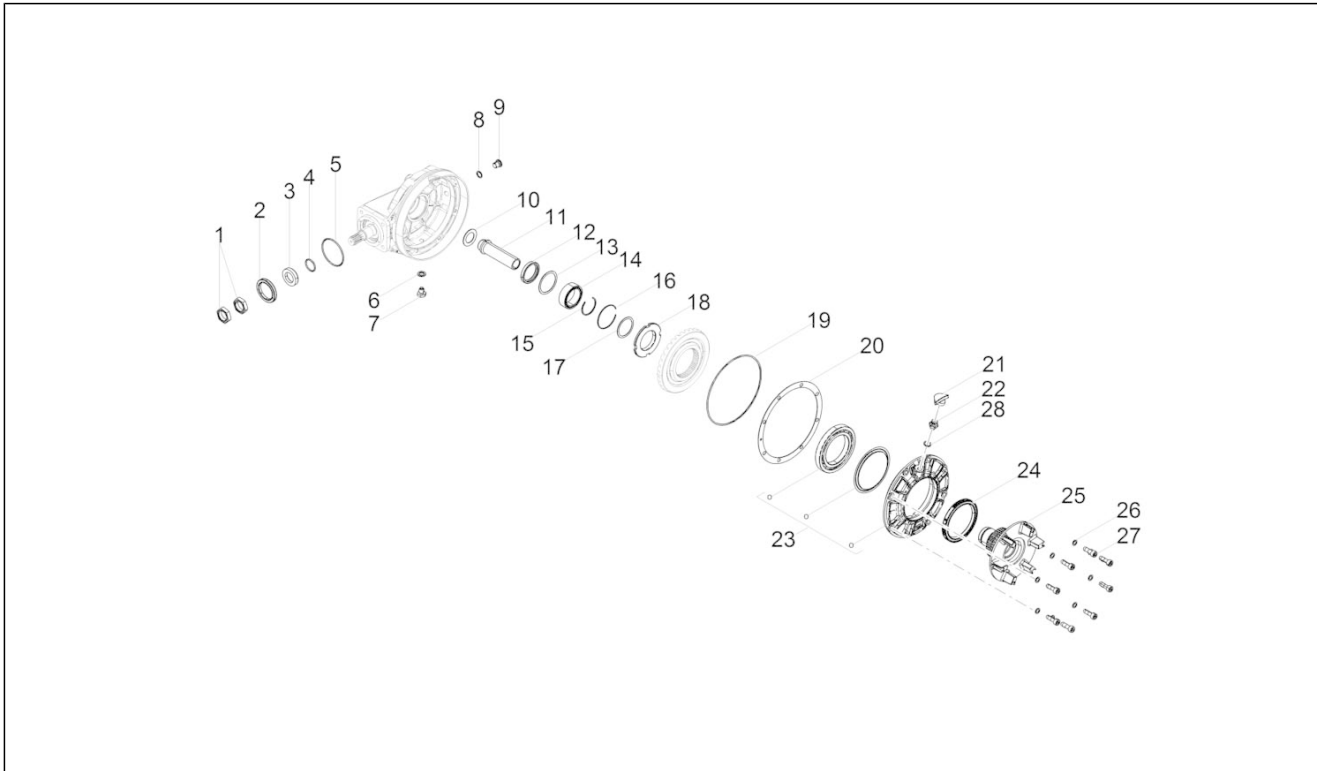
Pos.	Code	Beschreibung	Menge	Varianten
1	2B0010995	Auspufftopf rechts	1	
2	2B0011005	Auspufftopf links	1	
3	2B0022935	R.Schalldämpferschutz	1	
4	2B0022925	L.Schalldämpferschutz	1	
5	2B001084	Auspuffkrümmer rechts	1	
6	2B001083	Auspuffkrümmer links	1	
7	896110	Lamdasonde l.660 mm	2	
8	B063292	Schelle D.37	1	
9	874957	Schelle	1	
10	GU91113826	Buchse	2	
11	852090	Dichtung Auspuffrohr	2	
12	2B002533	Haltebügel Schalldämpfer rechts mit Innenteilen	1	
13	2B002532	Haltebügel Schalldämpfer links mit Innenteilen	1	
14	AP8120455	Gummi	1	
15	2B002187	TBEI Schraube M6x10	6	
16	876879	Abstandhalter	4	
17	GU92660021	Geflanschte Mutter M8	4	
18	GU14615901	Ausgleichscheibe 8,4X13X0,8	4	
19	254485	Plattchen M6	2	
20	834951	Kegelscheibe	6	
21	AP8152055	TBEI Schraube M8x12	6	
22	GU14615901	Ausgleichscheibe 8,4X13X0,8	6	
23	GU95008208	Ausgleichscheibe 8,4X15X1,5	6	
24	2B001935	Schelle	1	
25	2B003284	Wärmeschutz	2	

Einheit	Motor
Code	03.340
Beschreibung	Getriebe kpl.
Inspektion	1



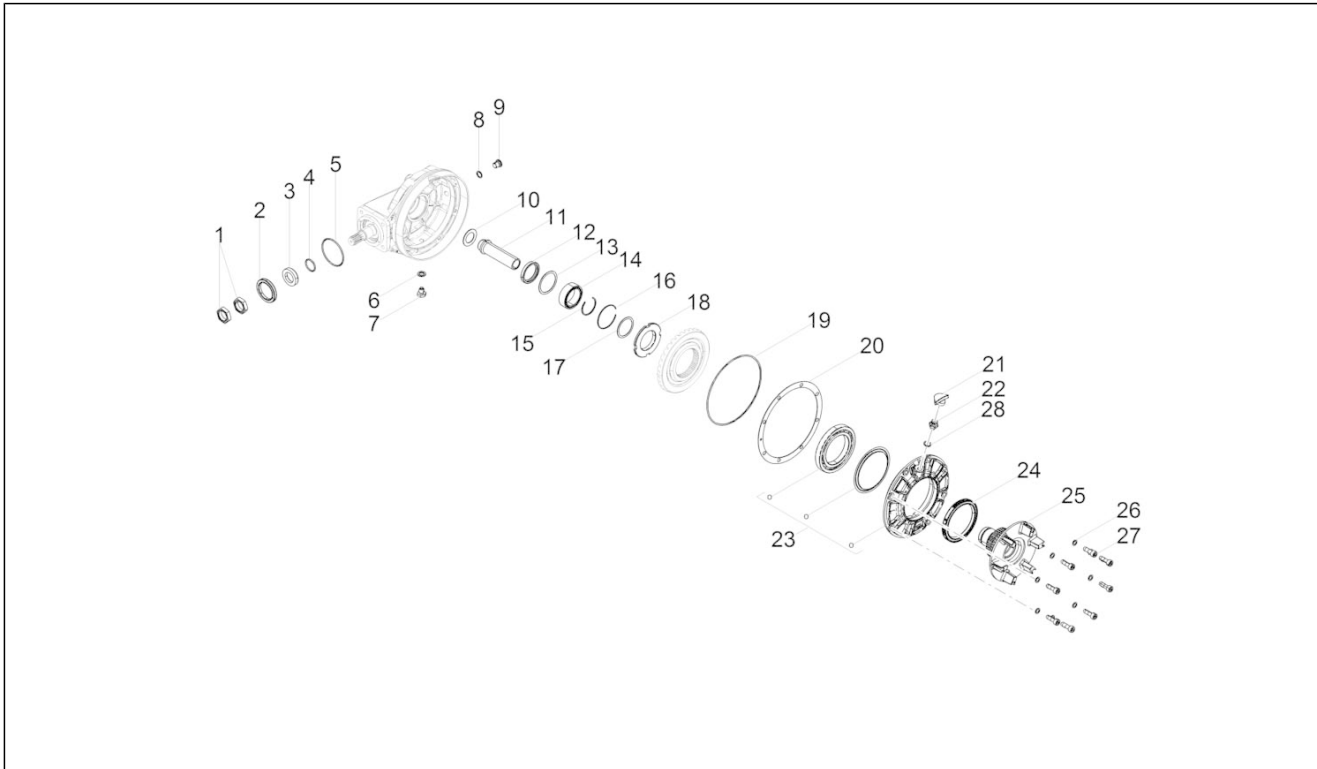
Pos.	Code	Beschreibung	Menge	Varianten
1	2B0011535	Kraftübertragung, kpl.	1	
2	2B002298	Getriebe	1	
3	2B002699	Schraube TCC Torx M8x35 mit vorimpr. Bund	4	

Einheit	Motor
Code	03.350
Beschreibung	Getriebedeckel
Inspektion	1



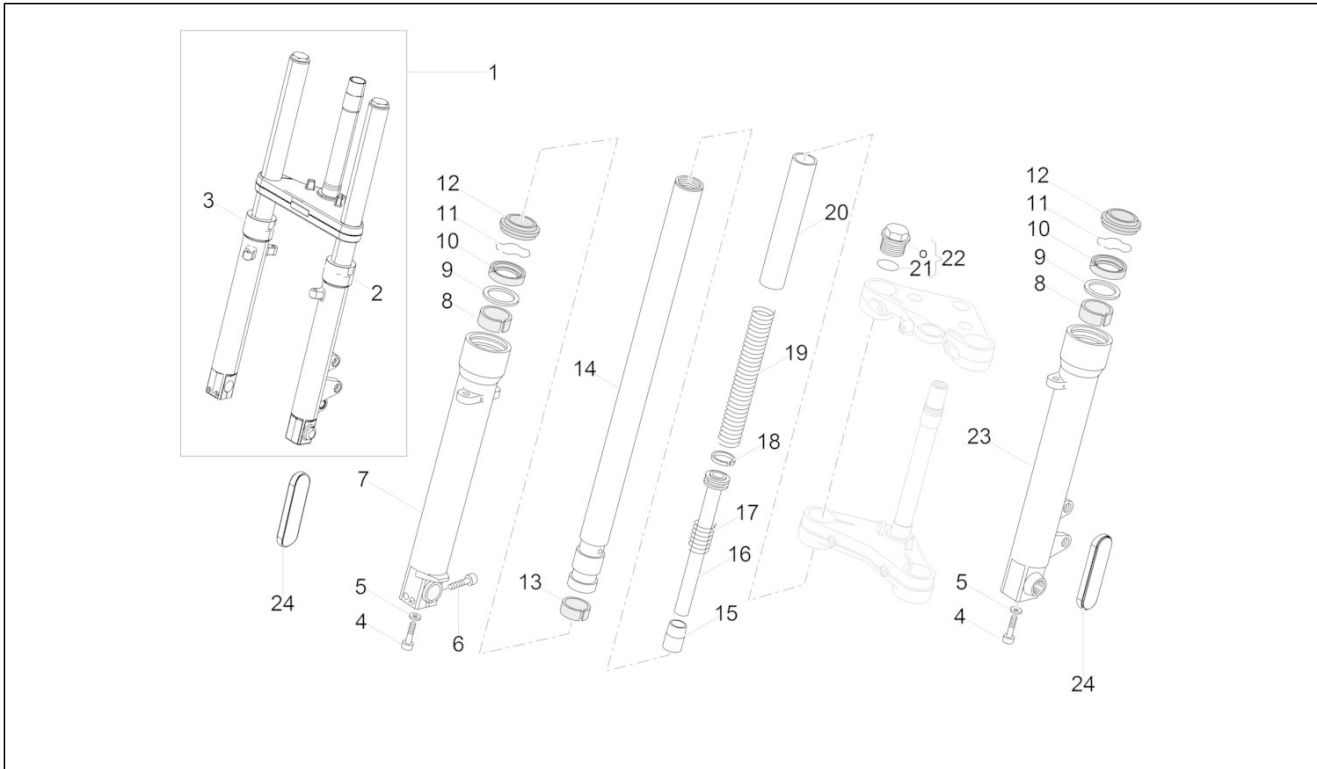
Pos.	Code	Beschreibung	Menge	Varianten
1	976649	Mutter M25x1,5	2	
2	2B000404	Gasket ring	1	
3	2B001311	Distanzscheibe	1	
4	GU90706188	Gasket ring 18,77X1,78	1	
5	GU90706584	Dichtung 58,42x2,62	1	
6	GU01528930	Dichtung 10x18x1,5	1	
7	GU31003766	Ölablaßschraube M10x1	1	
8	224566	Unterlegscheibe	1	
9	GU05351230	Ölschraube M12x1,5	1	
10	GU37359005	Ausgleichscheibe	1	
11	2B001307	Distanzscheibe	1	
12	GU90413850	Gasket ring 38X50X7	1	
13	GU12351100	Gasket ring	1	
14	GU92254340	Rollenlager 40x55x17	1	
15	2B002200	Wellenscheibe	1	
16	B064304	Seegerring	1	
17	GU19351100	Bundscheibe	1	
18	2B002536	Gewinding Befestigung Zahnkranz	1	
19	GU90706958	O-Ring 158,42X2,62	1	
20	GU04355103	Scheibe 0,9 mm	1	
20	GU04355104	Scheibe 1 mm	1	
20	GU04355100	Scheibe 0,6 mm	1	
20	GU04355106	Scheibe 1,2 mm	1	
20	GU04355105	Scheibe 1,1 mm	1	
20	GU04355101	Scheibe 0,7 mm	1	
20	GU04355102	Scheibe 0,8 mm	1	
21	2B002807	Kappe	1	
22	2A000438	Entlüftungsschraube	1	

Einheit	Motor
Code	03.350
Beschreibung	Getriebedeckel
Inspektion	1



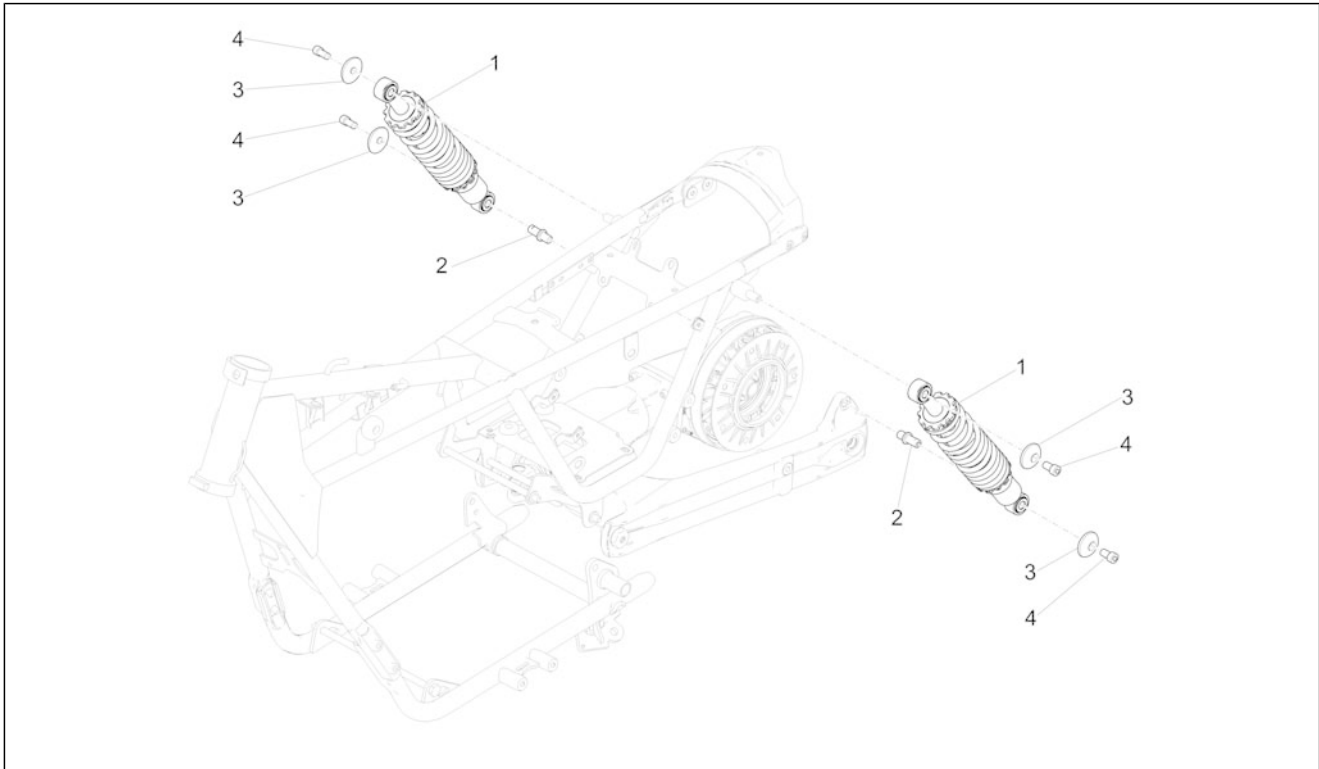
Pos.	Code	Beschreibung	Menge	Varianten
23	2B0033875	Flansch komplett	1	
24	2B002535	Gasket ring 80x100x10	1	
25	2B001303	Dämpfernabe	1	
26	GU14615901	Ausgleichscheibe 8,4X13X0,8	8	
27	2B002171	TC Schraube 8x25	8	
28	GU01528930	Dichtung 10x18x1,5	1	

Einheit	Radaufhängungen
Code	04.060
Beschreibung	Vorderradgabel Kaifa
Inspektion	1



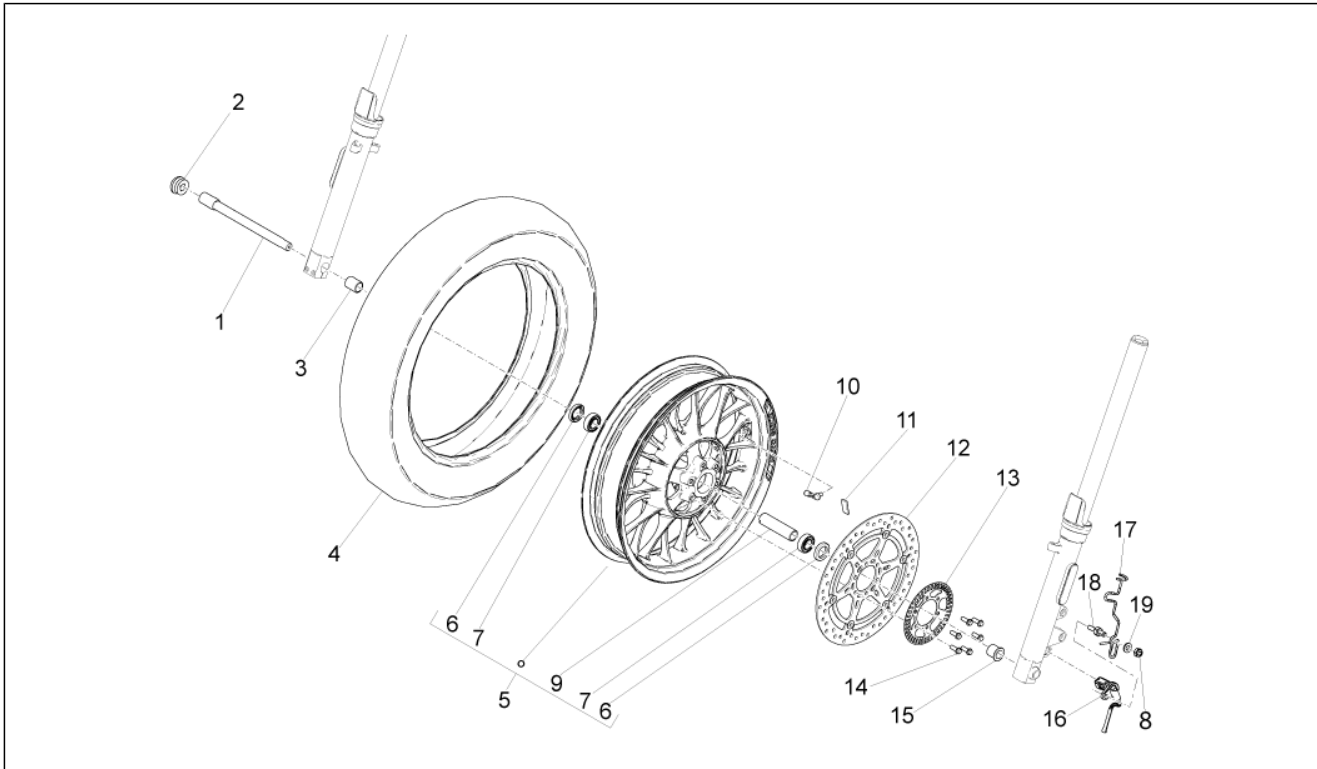
Pos.	Code	Beschreibung	Menge	Varianten
1	2B002192	Vorderradgabel komplett	1	
2	2B002295	Kolbenstange mit Boden lks.	1	
3	2B002294	Kolbenstange mit Boden rch.	1	
4	887878	Schraube M10x30	2	
5	887879	Ausgleichscheibe	2	
6	887880	Schraube	2	
7	2R000109	Rechte Hülse	1	
8	887882	Obere Buchse	2	
9	887883	Ausgleichscheibe	2	
10	887884	Gasket ring	2	
11	887885	Sperring	2	
12	887886	Staubschutz	2	
13	887888	Buchse	2	
14	2B003742	Schaft rechts-links	1	
15	887889	Puffer	2	
16	887891	Pumpenrad kplt.	2	
17	887890	Gegenfeder	2	
18	887905	Kolbenring	2	
19	2R000243	Feder	2	
20	887893	Leitung	2	
21	887916	O-Ring 4118	2	
22	887894	Verschlussschraube kplt.	2	
23	2R000110	Linke Hülse	1	
24	GU05781630	Rückstrahler, gelb	2	

Einheit	Radaufhängungen
Code	04.080
Beschreibung	Stoßdämpfer
Inspektion	1



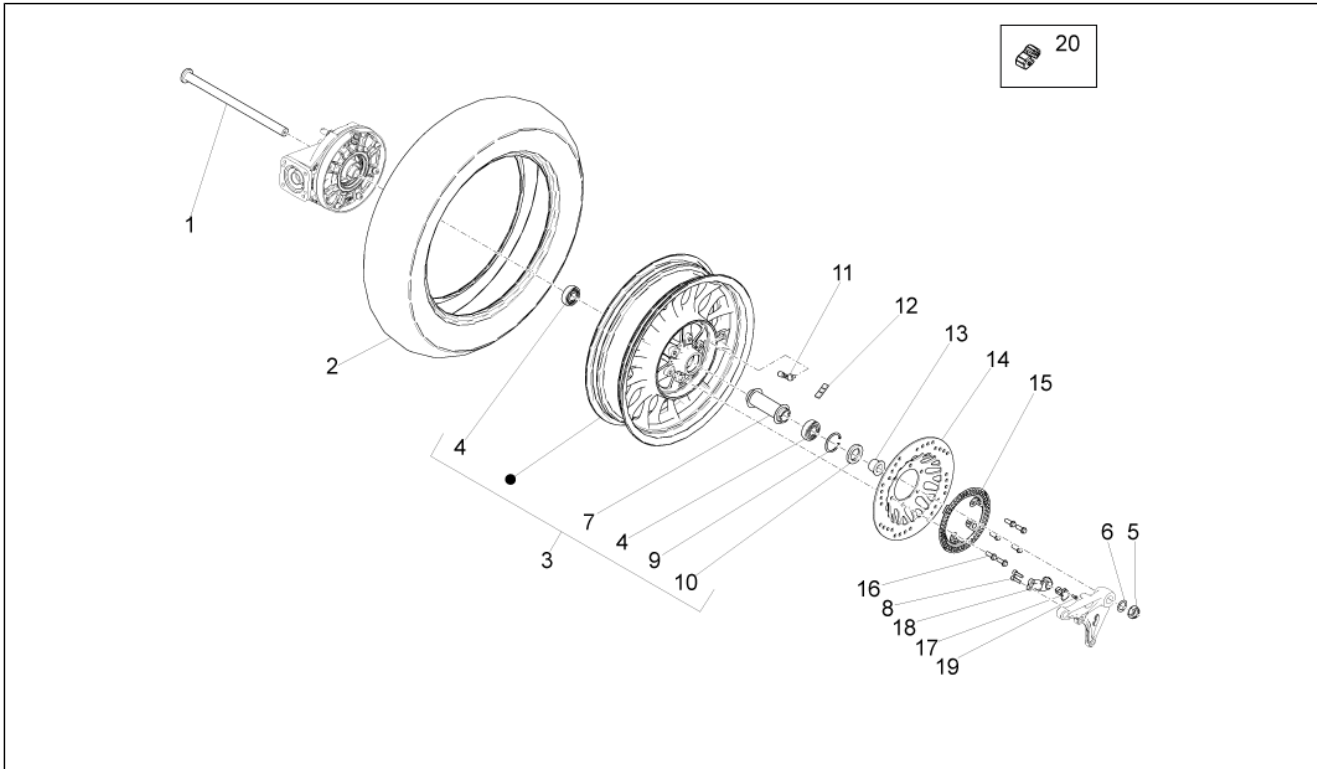
Pos.	Code	Beschreibung	Menge	Varianten
1	2B002988	Hinterer Stoßdämpfer	2	
2	2B003111	Stoßdämpfer-Bolzen	2	
3	B063174	Buchse	4	
4	884031	TCEI Schraube M6x14	4	

Einheit	Räder
Code	05.010
Beschreibung	Vorderrad
Inspektion	1



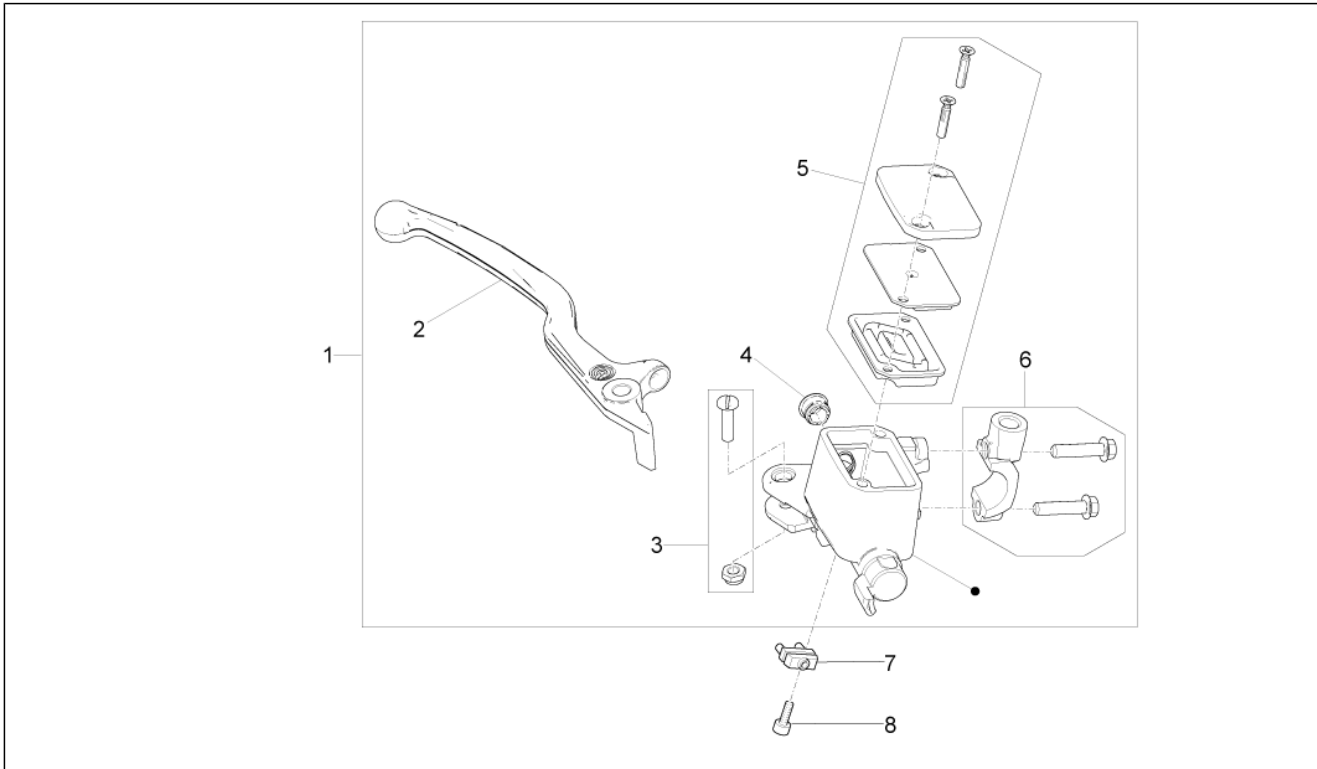
Pos.	Code	Beschreibung	Menge	Varianten
1	2B001139	Vorderradbolzen	1	
2	GU93180111	Deckel 15 mm	1	
3	GU32615660	R. Distanzscheibe	1	
4	2B002383	Vorderreifen 130/90 - 16"	1	
5	2B001762	Vorderrad 3.5X16 mit Lager	1	
6	GU90402642	Gasket ring	2	
7	GU92204221	Lager	2	
8	GU92630207	Mutter	1	
9	2B001073	Innerer Abstandhalter Vorderrad	1	
10	GU03617710	Schlauchloses Reifenventil	1	
11	GU14616150	Gegengewicht	1	
12	883688	Vorderradbremsscheibe 320	1	
13	887875	Phonic wheel	1	
14	887762	Flanschschraube TE M8x22	6	
15	GU31616384	L. Distanzscheibe	1	
16	859792	Sensor ABS	2	
17	2B001561	Kabelführung	1	
18	2B001708	Distanzscheibe	1	
19	AP8150178	Ausgleichscheibe 6,4x12,5*	1	

Einheit	Räder
Code	05.020
Beschreibung	Hinterrad
Inspektion	1



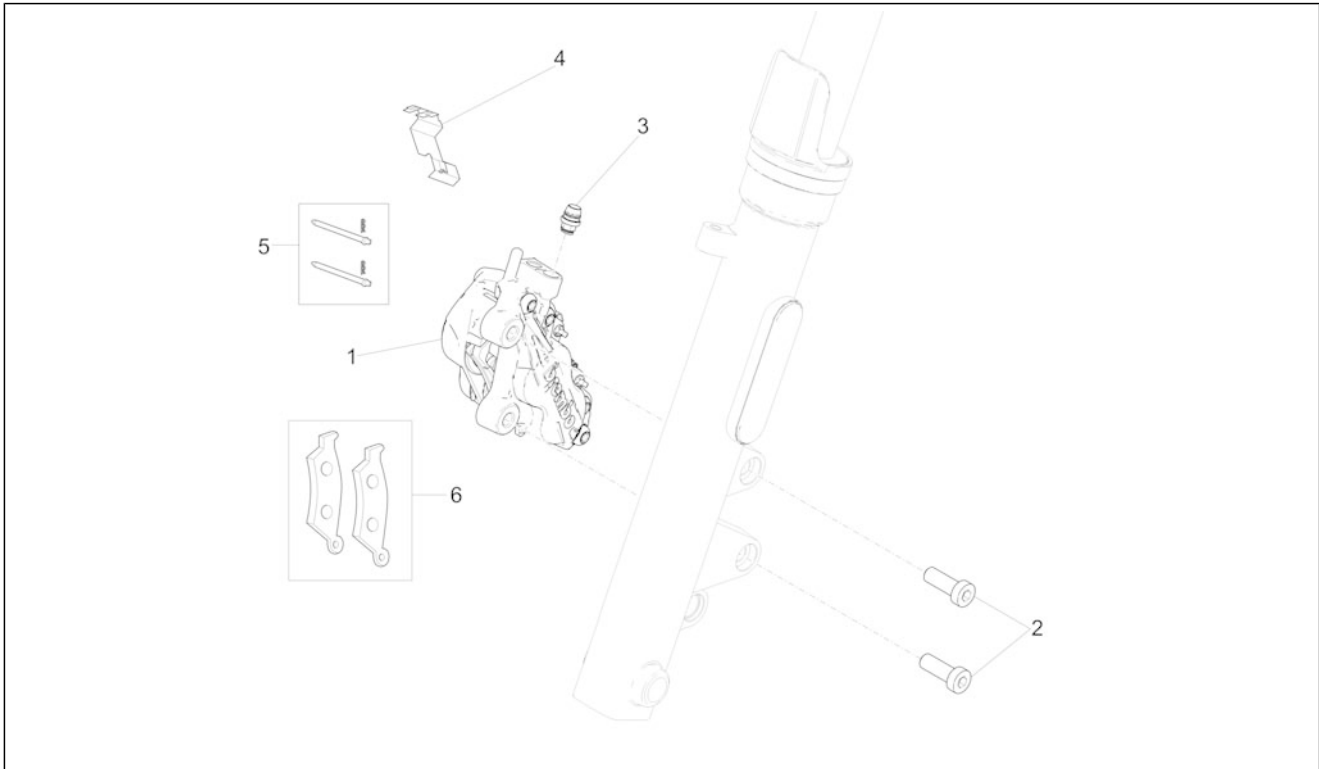
Pos.	Code	Beschreibung	Menge	Varianten
1	2B001310	Hinterradbolzen	1	
2	2B002900	Hinterer Reifen 150/80 16"	1	
3	2B001114	Hint. Felge 4X16" mit Lager	1	
4	GU92204220	Kugellager 20X47X14	2	
5	648708	Hinterradbolzen mut.	1	
6	AP8125687	U-scheibe Hint.radbolz	1	
7	2B001279	Baugruppe Distanzscheibe Hinterrad	1	
8	GU98682312	TCEI Schraube M6x12	2	
9	GU90272047	Seegerring 47X50,5	1	
10	AP8110109	Gasket ring 28X47X7	1	
11	GU03617710	Schlauchloses Reifenventil	1	
12	GU14616150	Gegengewicht	1	
13	2B001956	Hinterrad Distanzscheibe	1	
14	887448	Bremsscheibe	1	
15	2B000225	Phonic wheel	1	
16	887762	Flanschschraube TE M8x22	6	
17	859792	Sensor ABS	2	
18	2B000377	Halter Sensor ABS	1	
19	1C001499	Schraube TBEI TORX M5x16 INOX	1	
20	GU32632510	Gummikupplung	6	

Einheit	Bremsanlage
Code	06.010
Beschreibung	Vorderradbremspumpe
Inspektion	1



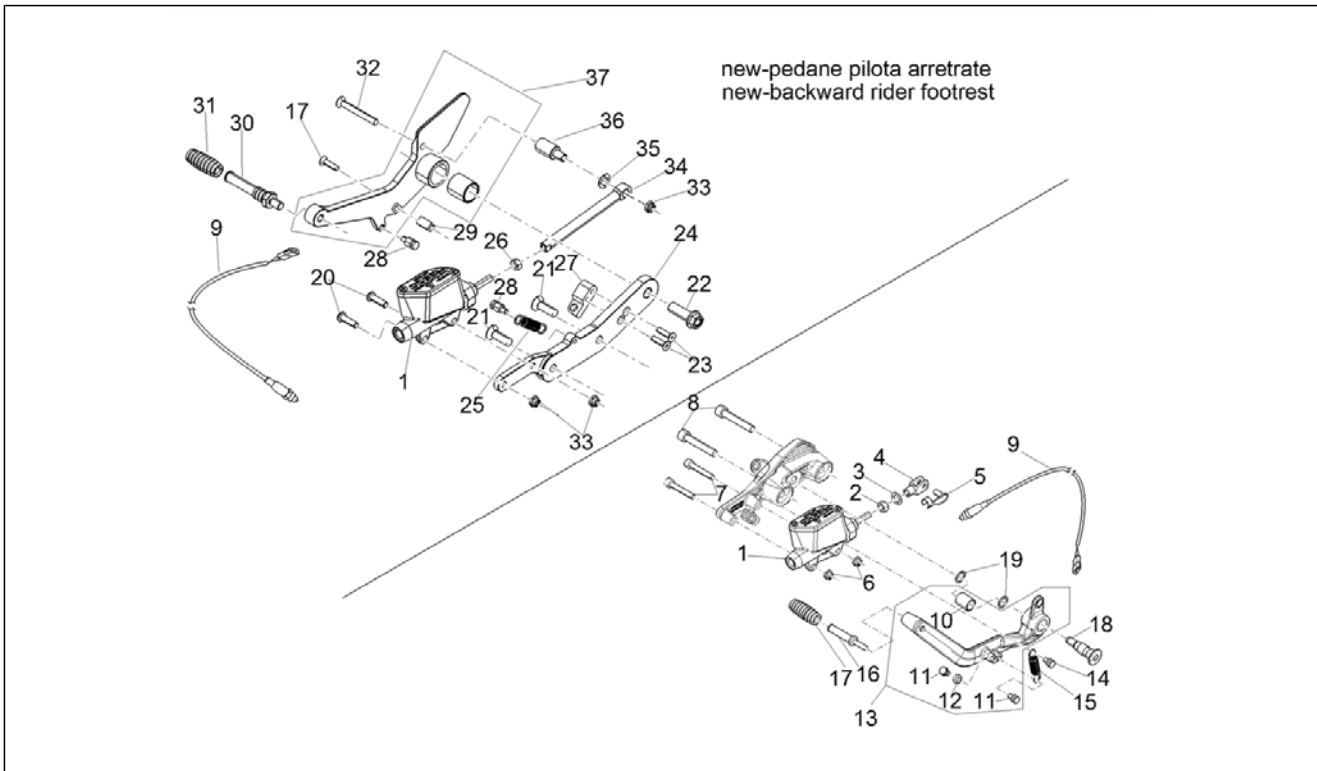
Pos.	Code	Beschreibung	Menge	Varianten
1	2B002269	Vorderradbremspumpe	1	
2	2B003041	Ersatzteil Hebel	1	
3	2B003040	Ersatzteil Hebelbolzen kpl. mit Mutter	1	
4	2B001930	Ersatzteil Schauglas vordere Bremspumpe	1	
5	2B003039	Ersatzteil Deckel kpl. mit Membran und Schrauben	1	
6	2B001929	Klemmschelle Bremsarmatur	1	
7	GU03749845	Bremslichtschalter	1	
8	AP8152043	TCEI Schraube M4x10	1	

Einheit	Bremsanlage
Code	06.020
Beschreibung	Vorderradbremzange
Inspektion	1



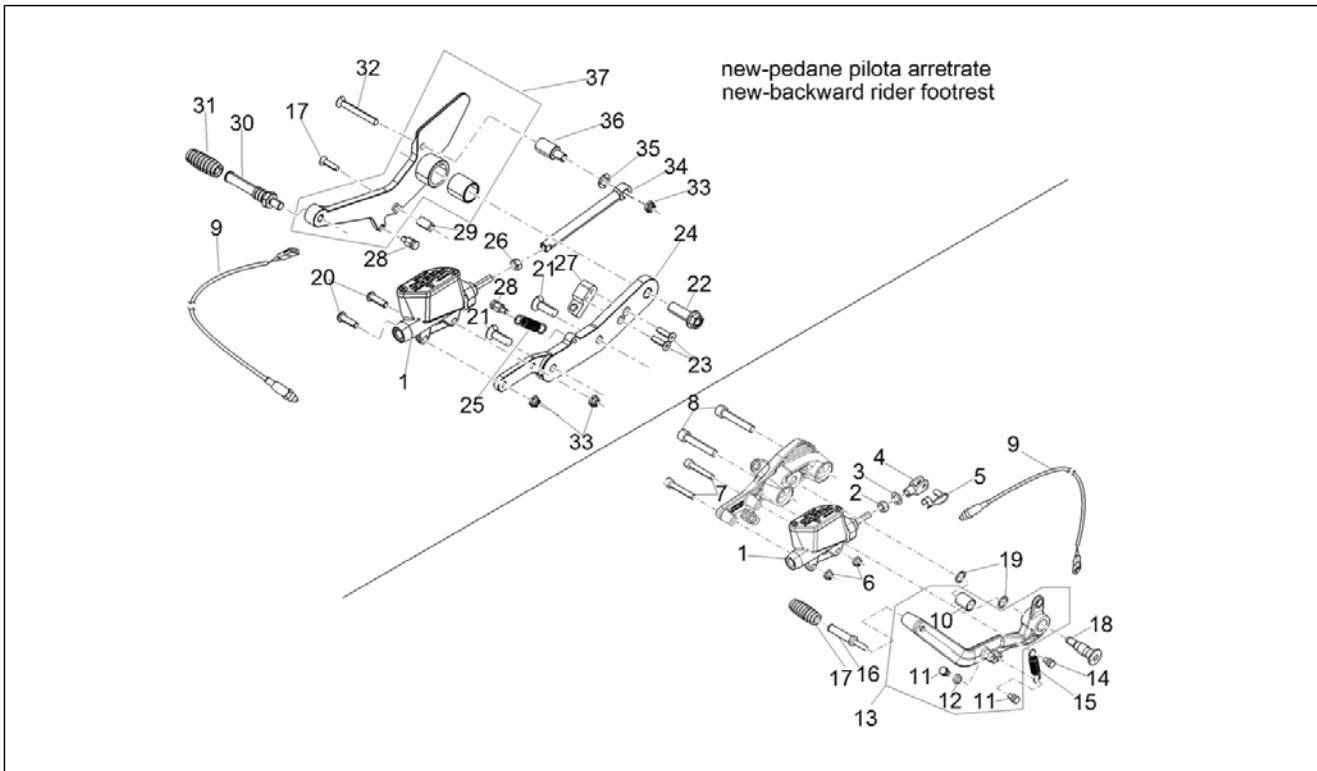
Pos.	Code	Beschreibung	Menge	Varianten
1	2B003271	Vorderradbremzange l.	1	
2	AP8152385	TCEI Schraube M10x1,25	2	
3	GU05659230	Entlüftung+Haube	1	
4	GU01659131	Feder	1	
5	GU01659130	Stifte-Federn Bremszange	1	
6	2B003313	Beläge (Paar)	1	

Einheit	Bremsanlage
Code	06.030
Beschreibung	Hinterradbrenspumpe
Inspektion	1



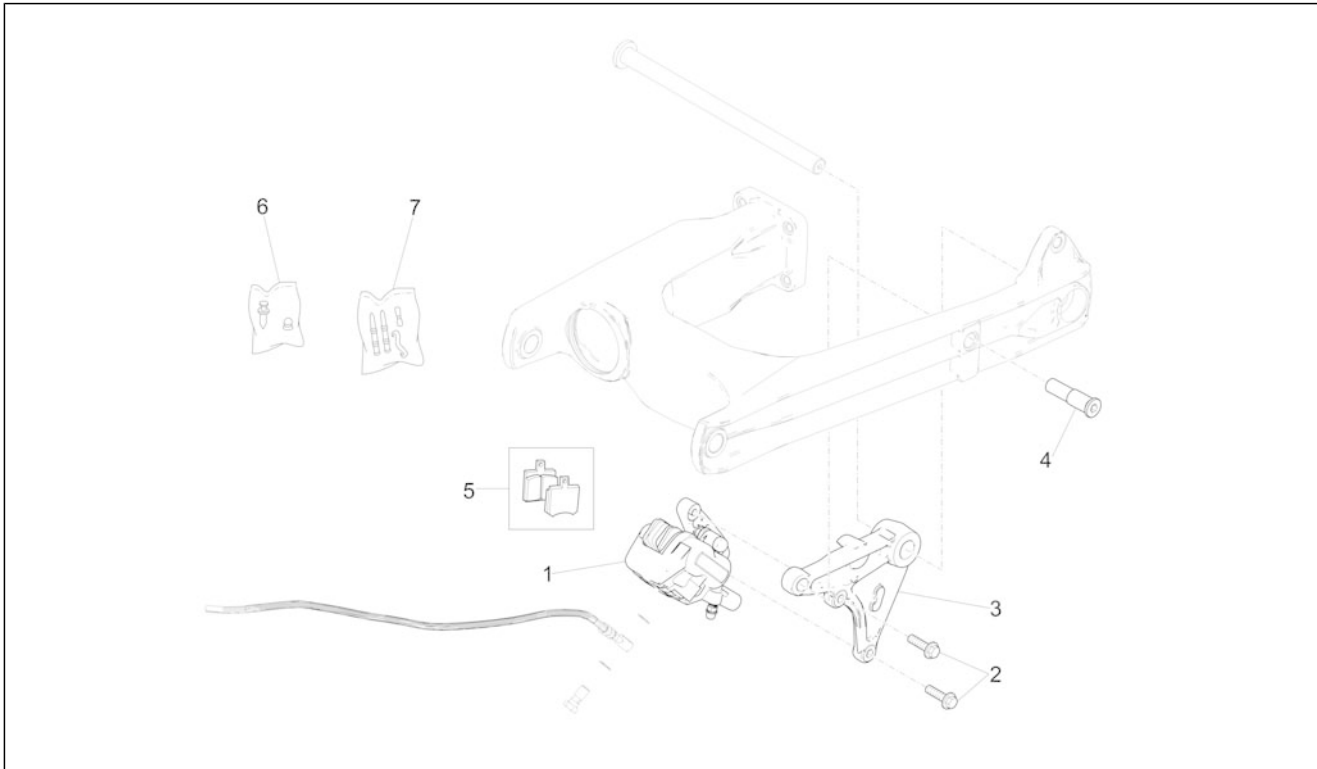
Pos.	Code	Beschreibung	Menge	Varianten
1	2B002189	Hintere Bremspumpe mit Behälter	1	
2	GU92606206	Mutter	1	Technische Spezifikation:standard rider footrest[old]
3	AP8120178	O-Ring OR112	1	Technische Spezifikation:standard rider footrest[old]
4	AP8113081	Schaltgabel	1	Technische Spezifikation:standard rider footrest[old]
5	AP8113082	Klemmen für Schaltgabel	1	Technische Spezifikation:standard rider footrest[old]
6	GU92630206	Dado autobloccante M6x1	2	Technische Spezifikation:standard rider footrest[old]
7	AP8150285	TCEI Schraube M6x35	2	Technische Spezifikation:standard rider footrest[old]
8	GU98680445	TCEI Schraube	2	Technische Spezifikation:standard rider footrest[old]
9	2D0002805	Knopf stop	1	
10	895328	Buchse gesintert	1	Technische Spezifikation:standard rider footrest[old]
11	859946	Befestigungsbolzen	2	Technische Spezifikation:standard rider footrest[old]
12	AP8150012	Ausgleichscheibe 5,3x10x1*	1	Technische Spezifikation:standard rider footrest[old]
13	2B002233	Hebel Hinterradbremse komplett	1	Technische Spezifikation:standard rider footrest[old]
14	859946	Befestigungsbolzen	1	Technische Spezifikation:standard rider footrest[old]
15	AP8121927	Feder Hinterradbremsh.	1	Technische Spezifikation:standard rider footrest[old]
16	887908	Gummigleitschutze	1	Technische Spezifikation:standard rider footrest[old]
17	AP8120912	Gummi für Hebel	1	Technische Spezifikation:standard rider footrest[old]
18	884033	Hebelbolzen	1	Technische Spezifikation:standard rider footrest[old]
19	AP8144007	O-Ring 11,11x1,78	2	Technische Spezifikation:standard rider footrest[old]
20	GU98370625	TBEI Schraube M6x25	1	Technische Spezifikation:backward rider footrest[new]
21	2B004112	Schraube TSPEI IX M8X25	2	Technische Spezifikation:backward rider footrest[new]
22	967384	Schraube TEF M10X45	1	Technische Spezifikation:backward rider footrest[new]
23	658778	Schraube TSPEI M5x20	3	Technische Spezifikation:backward rider footrest[new]
24	2B004042	Piastra pedana pilota dx	1	Technische Spezifikation:backward rider footrest[new]
25	AP8121927	Feder Hinterradbremsh.	1	Technische Spezifikation:backward rider footrest[new]
26	GU92606206	Mutter	1	Technische Spezifikation:backward rider footrest[new]
27	2B004063	Supporto interruttore stop	1	Technische Spezifikation:backward rider footrest[new]
28	898286	Federn Fixierstift	2	Technische Spezifikation:backward rider footrest[new]

Einheit	Bremsanlage
Code	06.030
Beschreibung	Hinterradbremspumpe
Inspektion	1



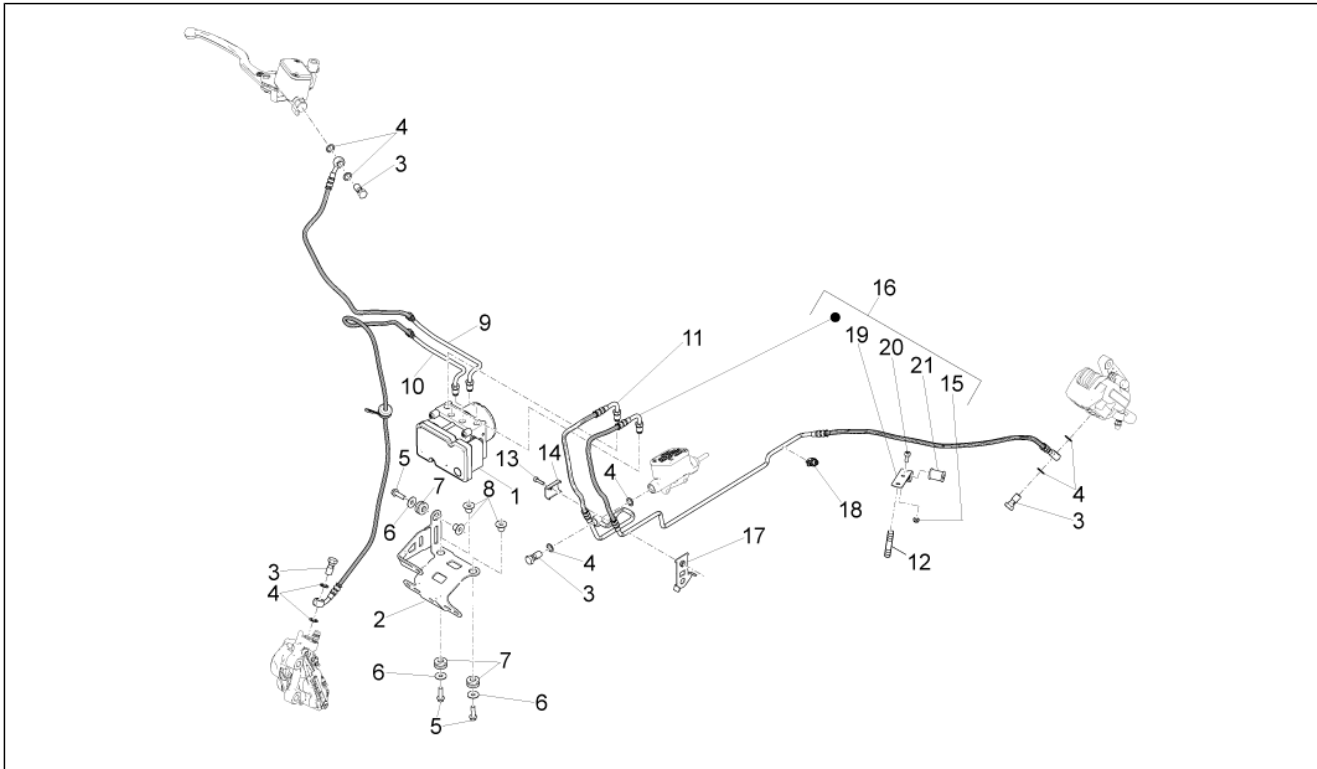
Pos.	Code	Beschreibung	Menge	Varianten
29	2B004064	Fermacorsa pedale freno post.	1	Technische Spezifikation: backward rider footrest[new]
30	2B004062	Gummigleitschutze	1	Technische Spezifikation: backward rider footrest[new]
31	AP8120912	Gummi für Hebel	1	Technische Spezifikation: backward rider footrest[new]
32	2B004111	Schraube TSPEI M6x50	1	Technische Spezifikation: backward rider footrest[new]
33	GU92630707	Mutter M6	3	Technische Spezifikation: backward rider footrest[new]
34	2B004076	Pumpenstange H. brems	1	Technische Spezifikation: backward rider footrest[new]
35	658837	Gewellte Sprengscheibe D15 F8,4 S1,5 - INOX	1	Technische Spezifikation: backward rider footrest[new]
36	2B004107	Distanzscheibe	1	Technische Spezifikation: backward rider footrest[new]
37	2B004050	Hebel Hinterradbremse komplett	1	Technische Spezifikation: backward rider footrest[new]

Einheit	Bremsanlage
Code	06.040
Beschreibung	Hinterradbremzange
Inspektion	1



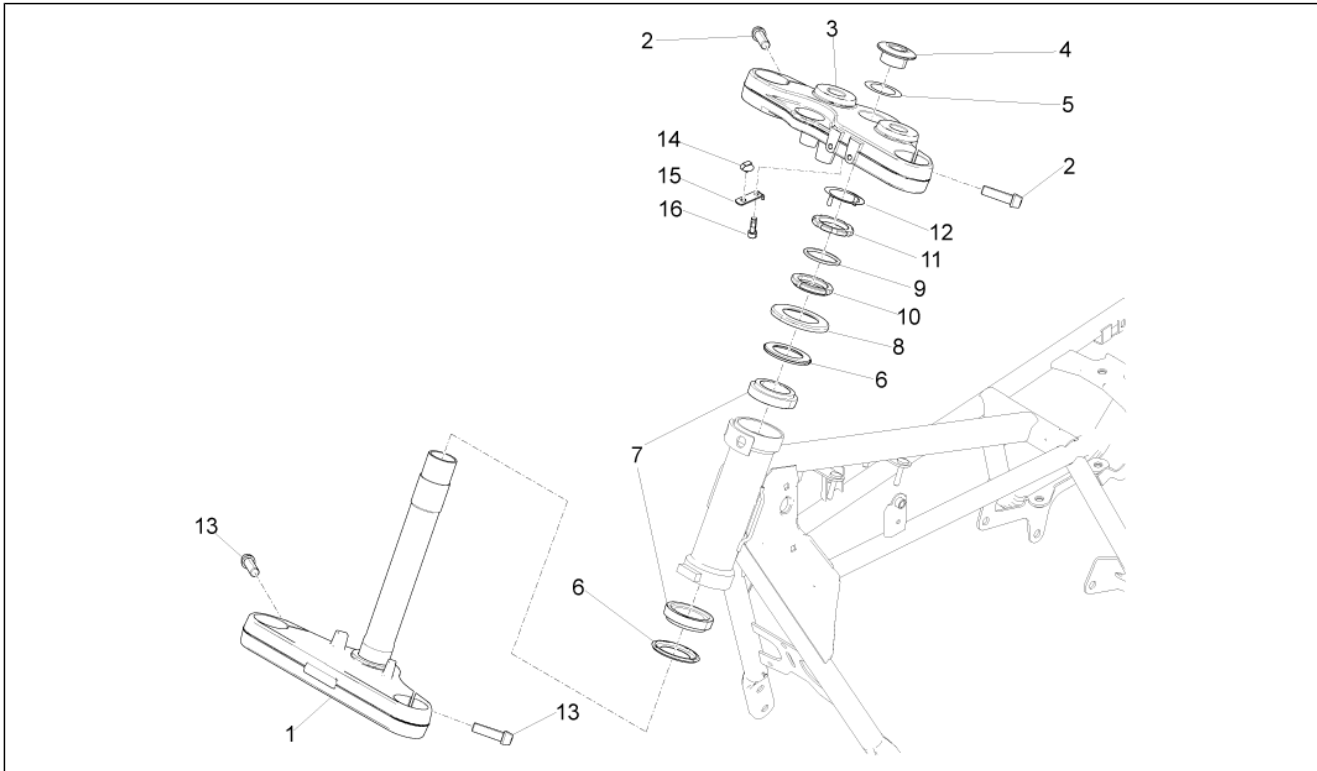
Pos.	Code	Beschreibung	Menge	Varianten
1	2B000525	Hinterradbremzange	1	
2	AP8152288	TE Schr. m. Flansch M8x30	1	
3	2B001953	Halter. H.radbremzange	1	
4	GU31544181	Bolzen	1	
5	2R000248	Paar Bremsklötze	1	
6	GU31659281	Entlüftung+Haube	1	
7	GU31659181	Stifte+Feder kit	1	

Einheit	Bremsanlage
Code	06.050
Beschreibung	Bremsanlage ABS
Inspektion	1



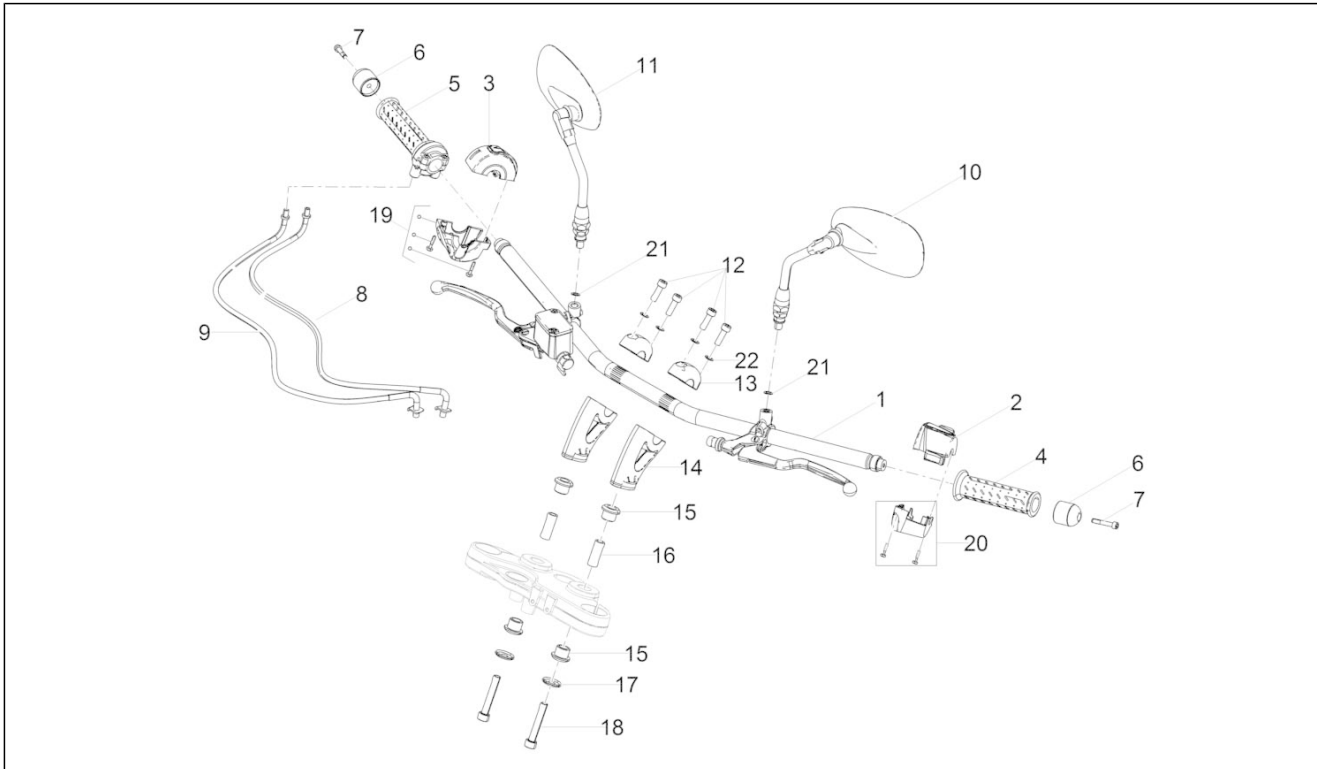
Pos.	Code	Beschreibung	Menge	Varianten
1	2D000102	ABS-Steuergerät	1	
2	2B003056	Halterbügel Steuerung	1	
3	AP8113003	Fixierschraube Ölschlauch	4	
4	AP8113004	Ausgleichscheibe 10x14x1,6*	8	
5	00H02402282	Schraube 6X20	3	
6	AP8150015	Ausgleichscheibe 6,6x18x1,6*	3	
7	AP8120030	Gummi	3	
8	AP8221023	T-Buchse	2	
9	2B002991	ABS HECU Leitung - Pumpe vorne	1	
10	2B002805	ABS HECU Leitung - Bremssattel Vorderradbremse	1	
11	2B002681	ABS HECU Leitung - Pumpe hinten	1	
12	GU96451316	Stiftschraube	1	
13	959559	TCEI Schraube M4x16	1	
14	2B001614	Fixierplatte Führungs	1	
15	AP8150451	Selbstsperr.mut Unt.	1	
16	2B002806	Leitung ABS HECU - Bremssattel hinten	1	
17	2B001564	Halteplatte Bremsschlauch	1	
18	AP8121882	Kabelführungs	1	
19	GU03658330	Schelle	1	
20	895709	TCEI Schraube M5x12	1	
21	GU03658201	Ring	1	

Einheit	Lenkstange - Schaltungen
Code	07.010
Beschreibung	Lenkung
Inspektion	1



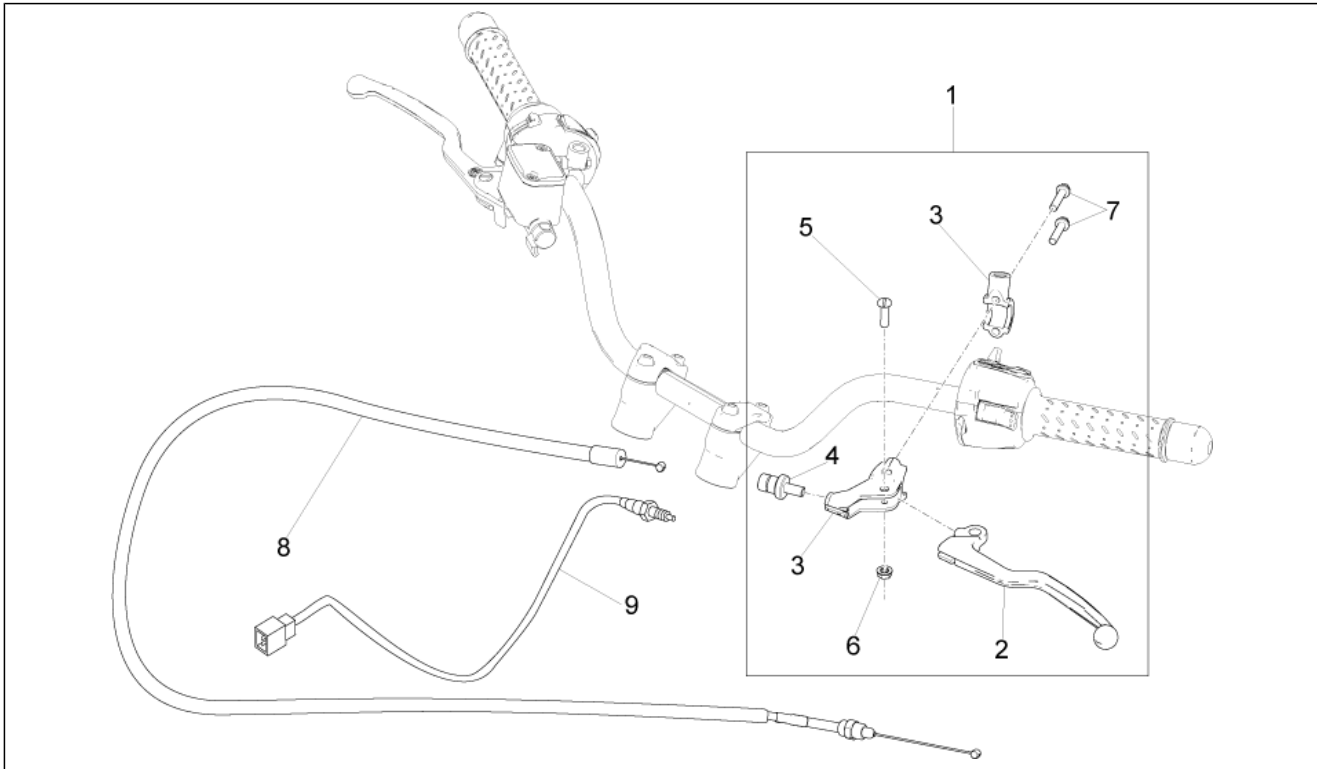
Pos.	Code	Beschreibung	Menge	Varianten
1	2B003743	Untere Gabelplatte	1	
2	AP8150543	Zylinderschraube M8x35	2	
3	2B001052	Obere Gabelplatte	1	
4	AP8121205	Fixierbuchse ob. Platte	1	
5	AP8152384	Scheibe Lenkkopf	1	
6	AP8123641	Staubschutzring	2	
7	AP8110077	Axialkugellager	2	
8	AP8123644	Staubschutzring	1	
9	887831	Gummischeibe	1	
10	AP8123642	Nutmutter	1	
11	AP8123643	Gegenmutter	1	
12	887832	Sicherheitspl. Lenkung	1	
13	AP8150540	Zylinderschraube	2	
14	890760	Halterung Instrumente	1	
15	2B003292	Platte	1	
16	GU98210616	TBEI Schraube m.Flansch M6x16 inox	1	

Einheit	Lenkstange - Schaltungen
Code	07.020
Beschreibung	Lenkstange - Schaltungen
Inspektion	1



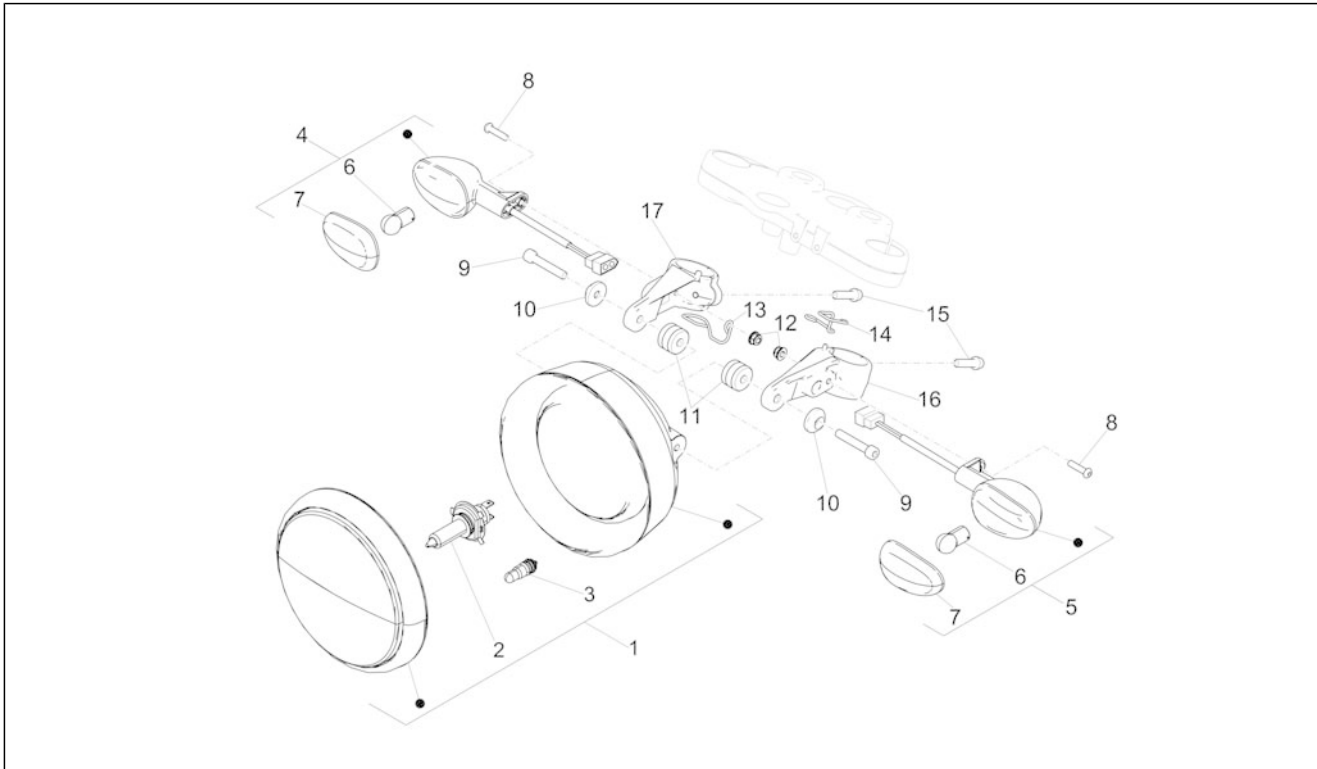
Pos.	Code	Beschreibung	Menge	Varianten
1	2B002852	Lenkstange	1	
2	2D000227	Bedienelement Lenker links	1	
3	2D000226	Bedienelement Lenker rechts	1	
4	AP8118579	Links griff	1	
5	2B002364	Rechts griff	1	
6	AP8104509	Schwingschutzgewicht schwarz	2	
7	2B002195	Schraube TCEI IX M6X35 vorimprägniert	2	
8	2B002844	Verschuß Gaszugkabel	1	
9	2B002843	Öffnungswinkel Gaszugkabel	1	
10	2B001049	Rückspiegel links	1	
11	2B001048	Rückspiegel rechts	1	
12	AP8150540	Zylinderschraube	4	
13	2B002091	Obere Klemme Lenker	2	
14	2B002090	Untere Klemme Lenker	2	
15	AP8144222	Gummi	4	
16	854827	Distanzscheibe 10,1x14,1x38	2	
17	2B002875	Becher	2	
18	AP8150049	Schraube M10x60	2	
19	2D000163	Untere Schale DX	1	
20	2D000218	Untere Schale SX	1	
21	GU91181003	Distanzscheibe 10,25X20X4	2	
22	GU14615901	Ausgleichscheibe 8,4X13X0,8	4	

Einheit	Lenkstange - Schaltungen
Code	07.030
Beschreibung	Kupplungssteuerung
Inspektion	1



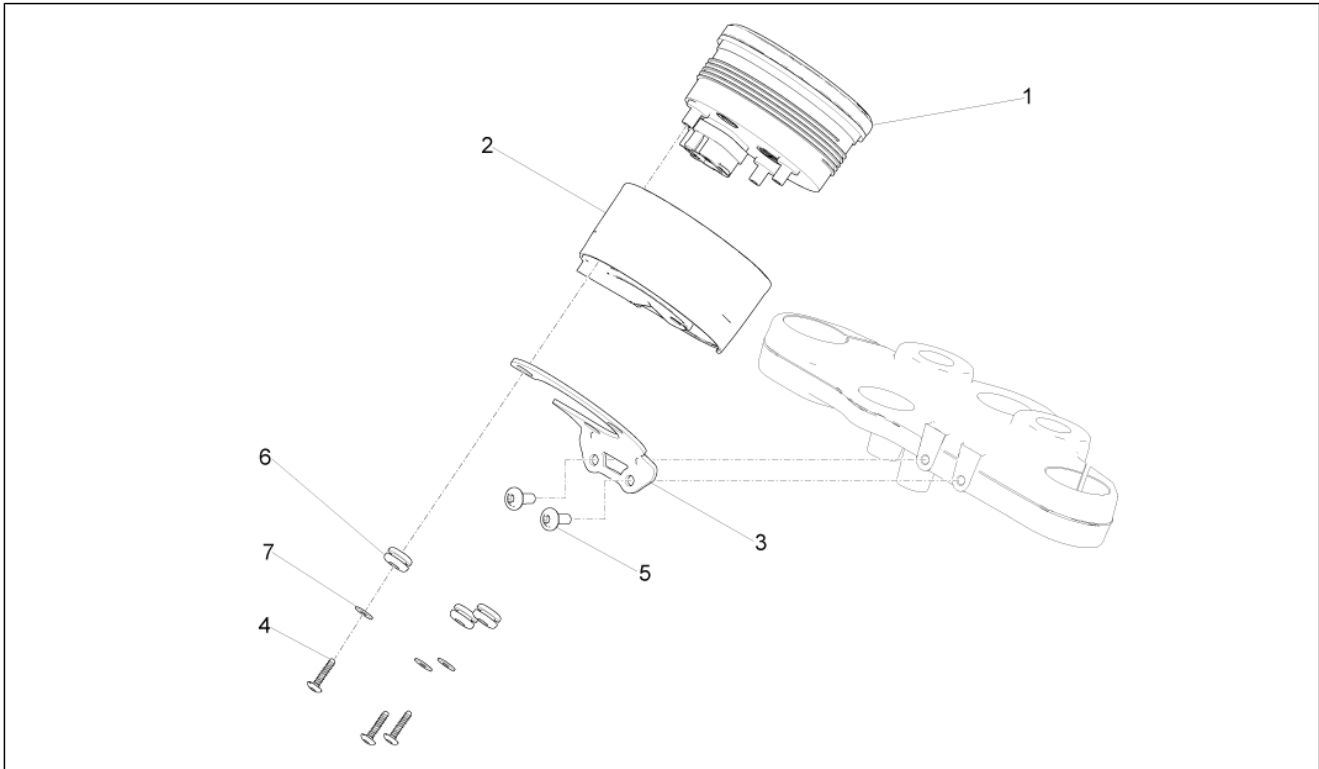
Pos.	Code	Beschreibung	Menge	Varianten
1	2B002391	Gruppe Kupplungshebel	1	
2	2B002390	Hebel Kupplungssteuer.	1	
3	GU30601060	Feder	1	
4	GU30602500	Einstellschraube	1	
5	AP8213028	Schraube	1	
6	AP8213388	Selbstsperrende Mutter	1	
7	GU97202325	TE Schr. m. Flansch schw. M6x25	2	
8	2B002961	Kupplungskabel	1	
9	2D0002885	Kupplungsschalter	1	

Einheit	Vorderer Lichter - Instrumente
Code	08.010
Beschreibung	Vorderer Lichter
Inspektion	1



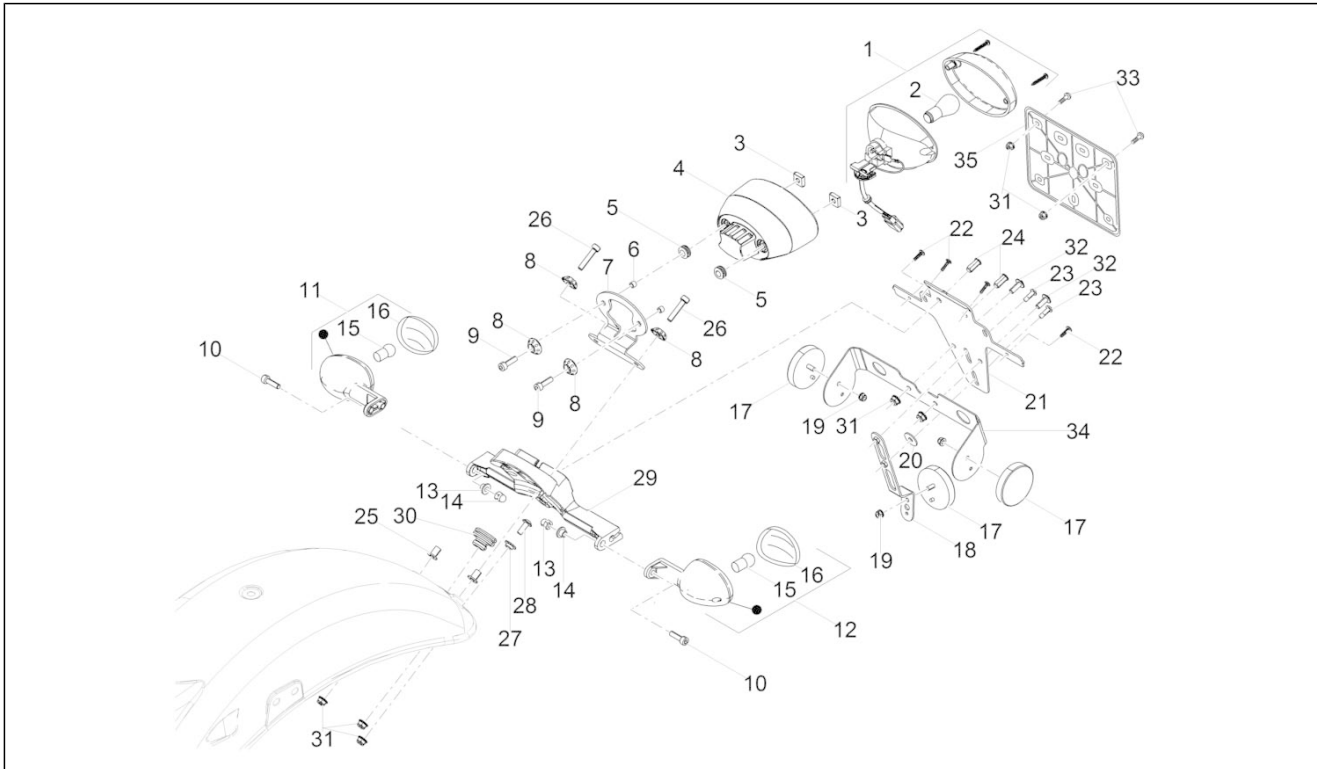
Pos.	Code	Beschreibung	Menge	Varianten
1	2D000225	Scheinwerfer	1	Land:[GB]
1	2D000100	Scheinwerfer	1	Land:[EU]
2	292723	Lampen H4 12V-60/55W	1	
3	292022	Lampen 12V-5W	1	
4	2D000261	Blinker vorne RE	1	
5	2D000262	Blinker vorne LI	1	
6	584332	Lampen 12V-10W	2	
7	639338	Blinkerglas	2	
8	GU98612320	TCEI Schraube M6x20	2	
9	GU98690445	Schraube M8x45	2	
10	AP8121199	Buchse	2	
11	2B002011	Abstandhalter Frontscheinwerfer	2	
12	AP8152299	Selbstsperrende Mutter M6	2	
13	2B003164	Kabelführung	1	
14	2B003165	Kabelführung	1	
15		[...]	2	
16	2B001231	Linke Halterung Frontscheinwerfer	1	
17	2B001182	Rechte Halterung Frontscheinwerfer	1	

Einheit	Vorderer Lichter - Instrumente
Code	08.020
Beschreibung	Instrumente
Inspektion	1



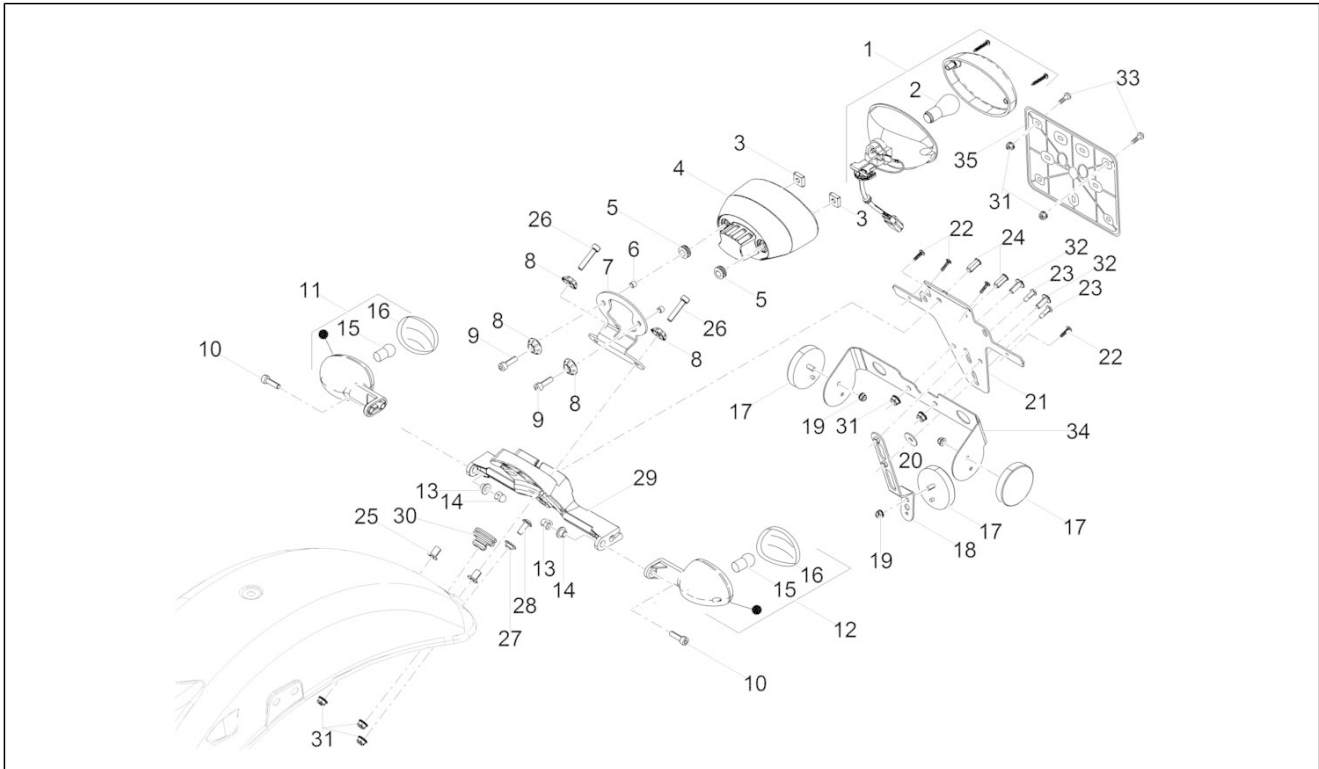
Pos.	Code	Beschreibung	Menge	Varianten
1	2D000159	Armaturenbrett D105 MPH	1	Land:[GB]
1	2D000099	Instrumententafel	1	Land:[EU]
2	2B001223	Abdeckung Armaturenbrett	1	
3	2B001154	Instrumentenhalterung	1	
4	CM178609	Gew.schr.	3	
5	GU98210610	Schraube	2	
6	2B003367	Kabelführung	3	
7	013763	Flachscheibe 4,2x12x1	3	

Einheit	Vorderer Lichter - Instrumente
Code	08.030
Beschreibung	Hinterer Lichter
Inspektion	1



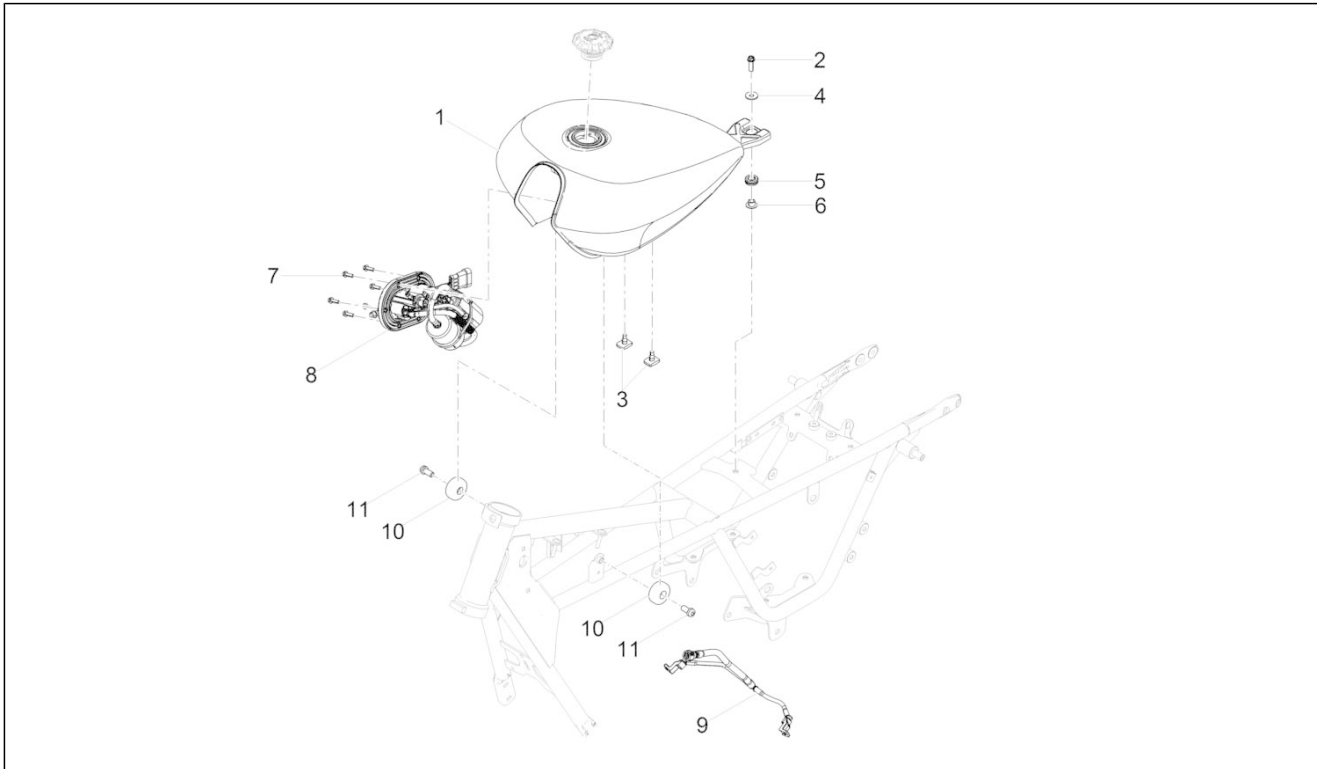
Pos.	Code	Beschreibung	Menge	Varianten
1	2B002365	Rücklicht	1	
2	GU93450224	Lampen	1	
3	2B002443	Vierkantschraube M6	1	
4	2B002483	Halteschale Scheinwerfer hinten	2	
5	AP8220186	Gummi	2	
6	AP8120278	Distanzscheibe	2	
7	2B002484	Rücklichthalterung	1	
8	AP8150536	Spezial-U-scheibe	4	
9	AP8150053	TCEI Schraube M6x25	2	
10	GU98612320	TCEI Schraube M6x20	2	
11	2D000255	Hinterer Blinker Re	1	
12	2D000256	Hinterer Blinker Li	1	
13	479175	Hutmutter	2	
14	840509	Distanzscheibe	2	
15	584332	Lampen 12V-10W	2	
16	639338	Blinkerglas	2	
17	AP8224164	Rückstrahler Rücklicht, rot	1	
18	AP8134448	Rückstrahler-Fixierung	1	
19	AP8152306	Selbstsperrende Mutter M5	1	
20	GU95005310	Ausgleichscheibe 8,4x18x2	1	
21	2B002541	Abschluss Nummernschildhalter	1	
22	AP8150413	Gew.schr. 3,9x14	4	
23	B016796	Linsenkopfschraube Torx	2	
24	AP8201755	Geschnitten Kunststoffniet	2	
25	AP8121725	T-Buchse *	2	
26	GU98682330	TCEI Schraube M6x20	2	
27	AP9100053	Buchse d.10-h.3,5	1	
28	GU98210616	TBEI Schraube m.Flansch M6x16 inox	1	

Einheit	Vorderer Lichter - Instrumente
Code	08.030
Beschreibung	Hinterer Lichter
Inspektion	1



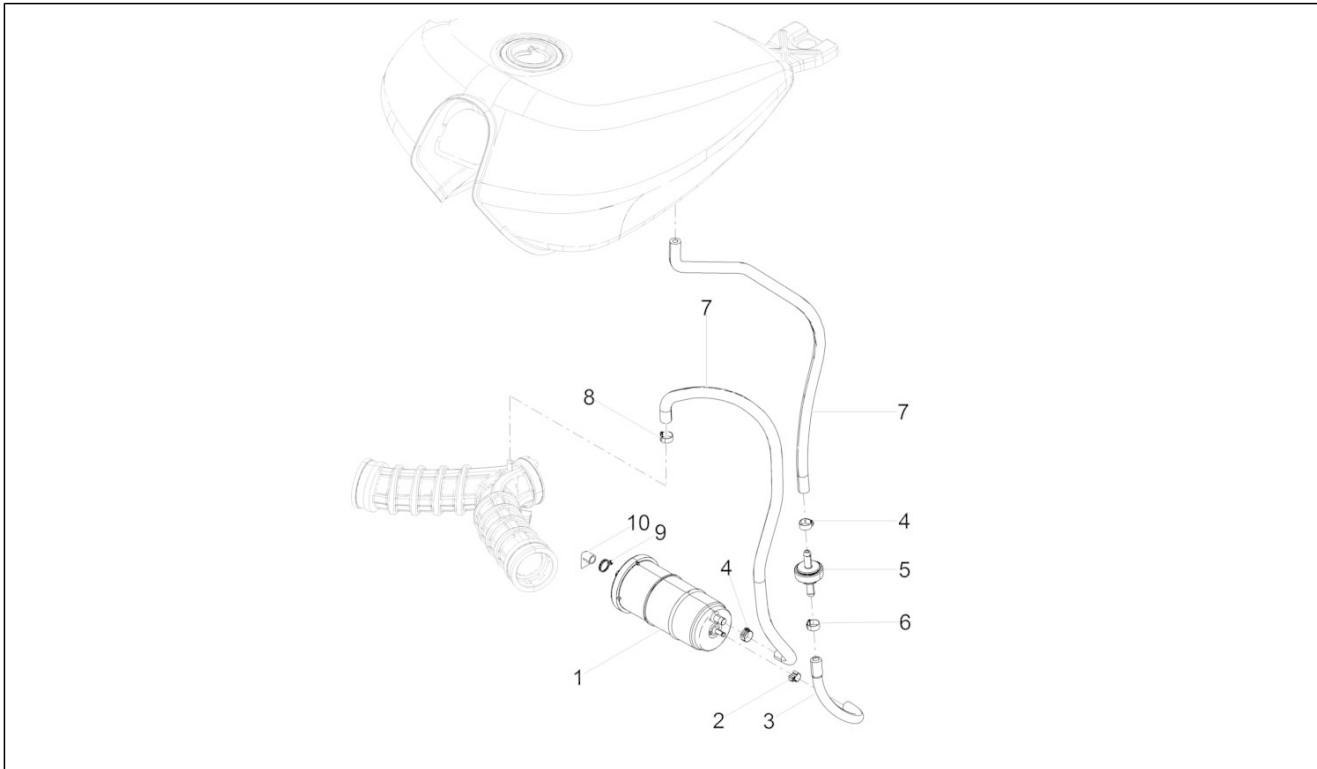
Pos.	Code	Beschreibung	Menge	Varianten
29	2B002615	Blinkerhalterung	1	
30	070286	Kabelführung	1	
31	AP8152299	Selbstsperrende Mutter M6	7	
32	AP8152246	TBEI Schraube m.Flansch M6x16	2	
33	AP8152298	TBEI Schraube m.Flansch M5x16	4	
34	2B000160	Seit. rückstrahler Support	1	
35	AP8149034	Kennzeichenhalter	1	

Einheit	Tank
Code	09.010
Beschreibung	Kraftstofftank
Inspektion	1



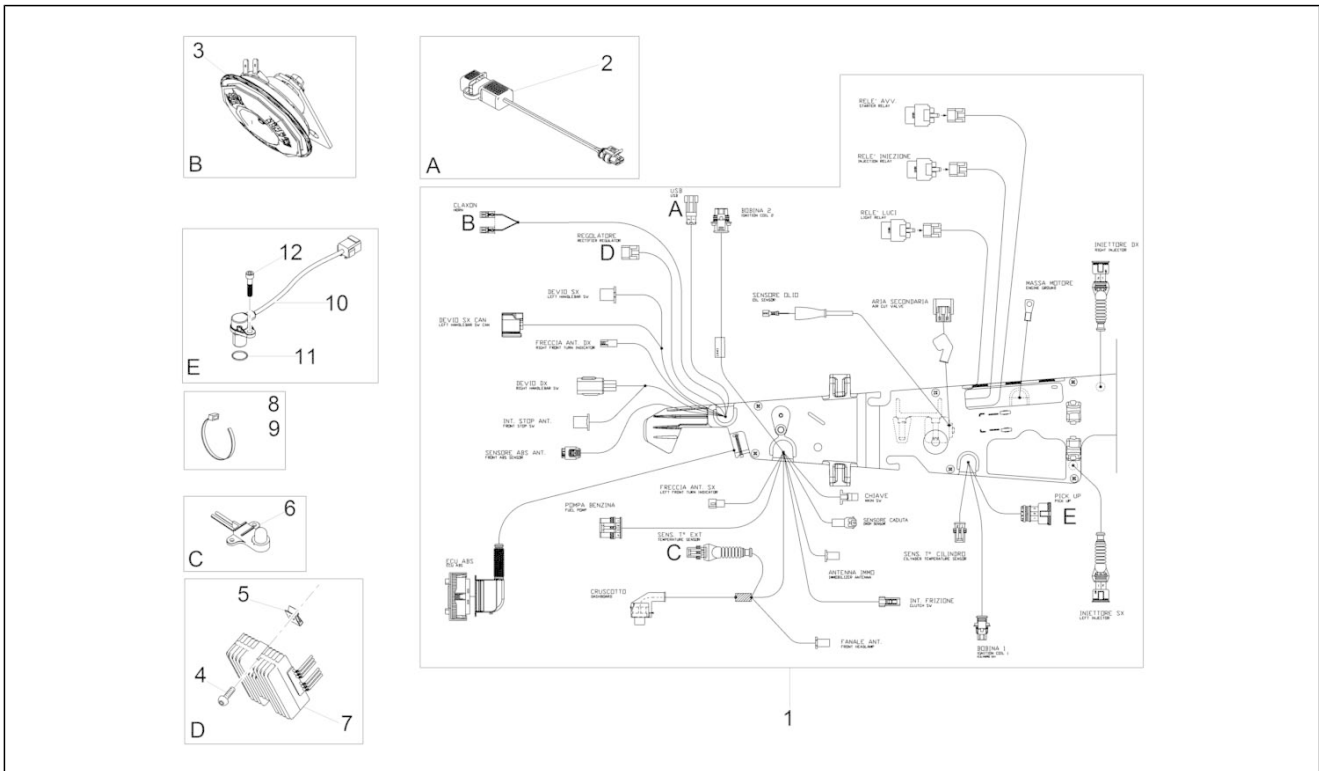
Pos.	Code	Beschreibung	Menge	Varianten
1	2B001629	Kraftstofftank	1	Farbe: Unlackiert[GR]
1	2H001476000EQ	Kraftstofftank, grau	1	Farbe: Mattgrau Blade[GB] Land: Kanada[CND] Vereinigte Staaten von Amerika[USA]
1	2H001433000NI	Kraftstofftank, schwarz	1	Farbe: Matt Competition Schwarz[NC] Land: Kanada[CND] Vereinigte Staaten von Amerika[USA]
2	AP8152288	TE Schr. m. Flansch M8x30	2	
3	AP8120455	Gummi	2	
4	AP8150018	Ausgleichscheibe	1	
5	GU91551131	Gummi	1	
6	2B002944	T-Buchse	1	
7	AP8152273	Flanschschraube M5x15	6	
8	1D001450	Kraftstoffpumpe	1	
9	2B002486	Kraftstoffleitungen	1	
10	GU66103415	Gummi	2	
11	GU98682416	TCEI Schraube M8x16	1	

Einheit	Tank
Code	09.020
Beschreibung	Benzindampfrückf.-Anlage
Inspektion	1



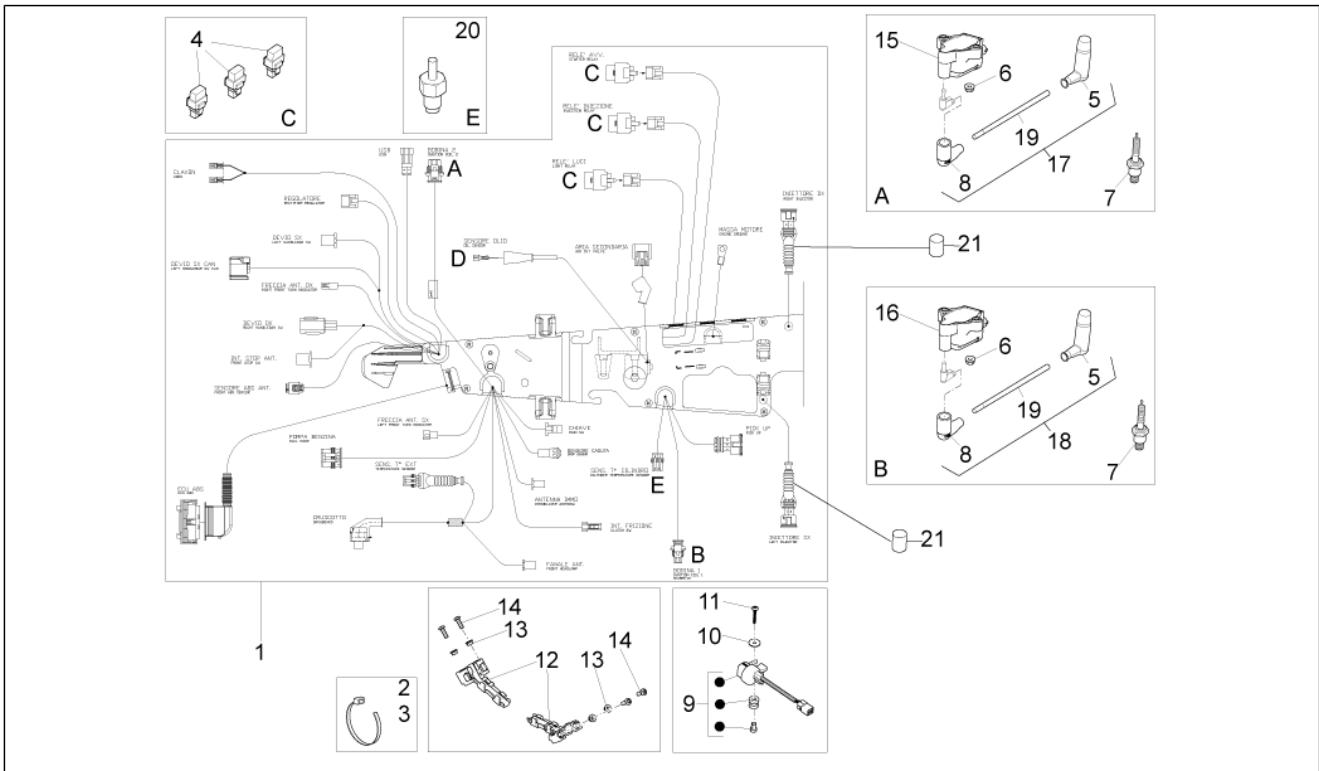
Pos.	Code	Beschreibung	Menge	Varianten
1	2B002632	Kohlefilter	1	
2	AP8102738	Schlauchschelle	1	
3	2B003042	Leitung SAE 30 R12A-3/16	1	
4	AP8102239	Schelle 12,5x8	2	
5	CM179008	Sicherheitsventil	1	
6	AP8102159	Schelle	1	
7	856063	Leitung SAE 30 d.12,7x6,35	2	
8	GU93304360	Schelle 7,6x380	1	
9	AP8102520	Schlauchschelle	1	
10	AP8127601	Lüftungsröhrchen	1	

Einheit	Elektrische Anlage
Code	11.010
Beschreibung	Vorder Elektrische Anlage
Inspektion	1



Pos.	Code	Beschreibung	Menge	Varianten
1	2D000209	Kabelast	1	
2	643277	Klemmbrett USB	1	
3	2B000221	Hupe	1	
4	AP8150377	Vite TCB M6x16	1	
5	254485	Plattchen M6	1	
6	AP8124936	Lufttemperaturfühler	1	
7	1D001549	Spannungsregler	1	
8	GU49609601	Schelle 2,4x92	1	
9	GU14609650	Schelle 3,6x20,6	24	
10	832029	Tonrad sensor	1	
11	GU90706141	O-Ring	1	
12	122675	TCEI Schraube	1	

Einheit	Elektrische Anlage
Code	11.020
Beschreibung	Mitt. elektrische Anlage
Inspektion	1



Pos.	Code	Beschreibung	Menge	Varianten
1	2D000209	Kabelast	1	
2	GU49609601	Schelle 2,4x92	1	
3	GU14609650	Schelle 3,6x20,6	24	
4	AP8224462	Zündrelais 12V-30A	3	
5	1A005382	Zündkerzenstecker	2	
6	AP8152299	Selbstsperrende Mutter M6	4	
7	887481	Zündkerze NGK CPR8EB-9	2	
8	641040	Isolierhaube	2	
9	680212	Kippsensor	1	
10	GU95005304	Ausgleichscheibe 5,2x18x1,5	1	
11	478533	Gew.schr.	1	
12	2B002901	Halterung Zündkerzenkabel	2	
13	2B003052	T-Buchse	4	
14	1A003444	Linsenschraube	4	
15	641901	Zuendtransform.cpl.	1	
16	642034	Zuendtransform.cpl. DX	1	
17	CM277101	Zuendkabel (450 mm)	1	
18	CM277102	Zuendkabel (580 mm)	1	
19	080341	Kabel Zündspulensockel	1	
20	887421	Temperaturfühler	1	
21	2D000355	Cappuccio termorestringente	1	



PIAGGIO & C.s.p.a.



SPARE PARTS CATALOGUE



V9 Roamer 2017 (USA)

Chassis prefix: ZGULHU00

Engine prefix:

V9

GU136



Index

Finished products.....	4
Alphanumeric index.....	5
Frame.....	10
Table 01.010 - Frame.....	10
Table 01.020 - Foot rests.....	11
Table 01.030 - Central stand.....	12
Table 01.040 - Protection.....	13
Table 01.050 - Swing arm.....	14
Body.....	15
Table 02.030 - Front mudguard-Pillar.....	15
Table 02.100 - Central body.....	16
Table 02.120 - Saddle.....	17
Table 02.150 - Rear mudguard.....	18
Table 02.170 - Locks.....	19
Table 02.190 - Decal.....	20
Engine.....	22
Table 03.010 - Engine-Completing part-Lever.....	22
Table 03.020 - Gear lever.....	23
Table 03.030 - Crankcases I.....	24
Table 03.050 - Air box.....	25
Table 03.060 - Throttle body.....	26
Table 03.090 - Head cover.....	27
Table 03.100 - Cylinder head - valves.....	28
Table 03.120 - Timing system.....	29
Table 03.150 - Cylinder - Piston.....	30
Table 03.160 - Drive shaft.....	31
Table 03.170 - Gear box / Selector / Shift cam.....	32
Table 03.180 - Gear box - Gear assembly.....	34
Table 03.190 - Lubrication.....	36
Table 03.196 - Blow-by system.....	38
Table 03.230 - Clutch.....	39
Table 03.270 - Flywheel cover.....	41
Table 03.290 - Starter / Electric starter.....	42
Table 03.300 - Cdi magneto assy / Ignition unit.....	43
Table 03.320 - Secondary air.....	44
Table 03.330 - Exhaust pipe.....	45
Table 03.340 - Transmission complete.....	46
Table 03.350 - Rear transmission / Components.....	47
Suspensions.....	49
Table 04.060 - Garpu depan Kaifa.....	49
Table 04.080 - Peredam kejut.....	50
Wheels.....	51
Table 05.010 - Roda depan.....	51



Table 05.020 - Roda belakang.....	52
Brake system.....	53
Table 06.010 - Silinder induk depan.....	53
Table 06.020 - Kaliper rem depan.....	54
Table 06.030 - Silinder induk belakang.....	55
Table 06.040 - Kaliper rem belakang.....	56
Table 06.050 - Sistem Rem ABS.....	57
Handlebar - Controls.....	58
Table 07.010 - Kemudi.....	58
Table 07.020 - Setang - Kontrol.....	59
Table 07.030 - Kontrol kopling.....	60
Lights - Instruments.....	61
Table 08.010 - lampu depan.....	61
Table 08.020 - Instrumen.....	62
Table 08.030 - Lampu belakang.....	63
Tank.....	65
Table 09.010 - Tangki bahan bakar.....	65
Table 09.020 - Sistem pemulih uap bahan bakar.....	66
Electrical systems.....	67
Table 11.010 - Sistem kelistrikan depan.....	67
Table 11.020 - Sistem kelistrikan pusat.....	68
Table 11.030 - Sistem kelistrikan belakang.....	69



Finished products

Code	Validity
GU9032250CAH00	
GU9032250CAH01	
GU9032250CAH02	
GU9032250CAH03	
GU9032250USG00	
GU9032250USG99	
GU9032250USH00	
GU9032250USH01	
GU9032250USH02	
GU9032250USH03	



Code	No. table	Pos.	Code	No. table	Pos.	Code	No. table	Pos.
	04.060	14	1A006284	03.030	18	2A000609	03.060	3
	07.010	1	1A006298	03.270	4	2A000612	03.060	7
006630	03.270	8	1A0066355	03.010	1	2A000620	03.090	6
00H02402282	06.050	5	1A006655	03.030	8	2A000627	03.180	13
013763	03.190	14	1A006656	03.030	7	2A000629	03.180	30
013763	08.020	7	1A006659	03.100	12	2A000631	03.230	21
070286	08.030	30	1A006716	03.090	4	2A000633	03.190	5
070286	11.030	3	1A006860	03.030	19	2A000638	03.230	30
080341	11.020	19	1A006861	03.120	16	2A000659	03.090	2
122675	11.010	12	1A0068695	03.100	10	2A000724	03.230	4
1A000360	03.180	7	1A0068705	03.100	11	2A000727	03.180	5
1A000365	03.180	16	1A007008	03.190	22	2A000741	03.230	31
1A000366	03.180	22	1A007070	03.150	2	2A0007425	03.170	19
1A000367	03.180	27	1A007111	03.150	9	2A0007505	03.170	6
1A000368	03.180	28	1C001499	01.030	8	2A000767	03.230	23
1A000369	03.180	29	1C001499	05.020	19	2A000770	03.230	28
1A000370	03.180	25	1D001393	03.060	2	2A000792	03.230	7
1A000436	03.180	10	1D001450	09.010	8	2B000160	08.030	34
1A000566	03.180	4	1D001549	11.010	7	2B000215	03.330	15
1A002604	03.180	24	224566	03.170	44	2B000221	11.010	3
1A002604	03.180	9	224566	03.350	8	2B000225	05.020	11
1A003444	11.020	14	237553	03.190	12	2B000377	05.020	14
1A003452	03.100	5	248419	01.040	12	2B000404	03.350	2
1A004442	03.190	15	254485	03.330	19	2B000525	06.040	1
1A004530	03.030	10	254485	11.010	5	2B001009	03.020	15
1A004549	03.190	11	285536	03.170	3	2B001035	01.010	17
1A004550	03.030	1	292022	08.010	3	2B001052	07.010	3
1A004660	03.100	1	292723	08.010	2	2B001055	01.010	1
1A004661	03.100	1	2A000097	03.170	41	2B001058	05.010	5
1A004662	03.100	1	2A000115	03.300	5	2B001073	05.010	9
1A004750	03.100	8	2A000129	03.300	4	2B001088	01.030	5
1A004751	03.100	4	2A000203	03.180	20	2B001139	05.010	1
1A004752	03.100	6	2A000216	03.230	8	2B001141	02.030	1
1A004903	03.120	13	2A000219	03.170	12	2B001147	02.030	2
1A004905	03.120	12	2A000222	03.170	38	2B001148	07.020	12
1A004907	03.120	14	2A000224	03.170	20	2B0011535	03.340	1
1A004953	03.150	8	2A000225	03.170	23	2B001154	08.020	3
1A004954	03.150	7	2A000226	03.170	21	2B001163	07.020	1
1A004955	03.150	6	2A000227	03.170	22	2B001182	08.010	17
1A004956	03.150	5	2A000241	03.170	27	2B001223	08.020	2
1A005016	03.120	25	2A000241	03.170	28	2B001231	08.010	16
1A005199	03.190	3	2A000241	03.180	32	2B001279	05.020	18
1A005211	03.030	2	2A000306	03.170	27	2B001301	01.050	1
1A005257	03.190	13	2A000339	03.090	3	2B001303	03.350	25
1A0052625	03.030	21	2A0003535	03.120	6	2B001307	03.350	11
1A005325AA	03.160	6	2A000375	03.230	14	2B001310	05.020	1
1A005325BB	03.160	6	2A000376	03.230	16	2B001311	03.350	3
1A005382	11.020	5	2A000384	03.230	18	2B001406	02.150	1
1A005424	03.100	2	2A000385	03.230	19	2B001498	01.010	7
1A005425	03.100	9	2A000415	03.170	24	2B001561	05.010	17
1A005712	03.120	1	2A000418	03.230	29	2B001564	06.050	17
1A0057145	03.120	24	2A000419	03.230	1	2B001612	01.010	16
1A005951	03.120	7	2A00042115	03.170	1	2B001614	06.050	14
1A005955	03.120	19	2A000438	03.170	43	2B001618	02.100	2
1A006047	03.030	4	2A000438	03.350	22	2B001619	02.100	1
1A006053	03.190	27	2A000467	03.170	15	2B001629	09.010	1
1A006055	03.190	25	2A000496	03.120	4	2B001708	05.010	18
1A006056	03.190	24	2A000521	03.120	9	2B001783	02.100	5
1A006064	03.190	23	2A000527	03.120	27	2B001823	03.060	12
1A006119	03.120	22	2A000528	03.120	8	2B001929	06.010	6
1A006127	03.120	23	2A000565	03.090	1	2B001930	06.010	4
1A006243	03.120	21	2A000579	03.120	5	2B001935	03.330	24
1A006272AA	03.150	10	2A000588AA	03.160	7	2B001941	03.020	18
1A006272BB	03.150	10	2A000588BB	03.160	7	2B001953	06.040	3
1A006272CC	03.150	10	2A000591	03.170	37	2B001956	05.020	9
1A006272DD	03.150	10	2A000597	03.320	3	2B002011	08.010	11
1A006283	03.030	17	2A000608	03.060	8	2B002043	02.170	3



Code	No. table	Pos.	Code	No. table	Pos.	Code	No. table	Pos.
2B002171	01.020	21	2B002807	03.350	21	2H001253	02.190	8
2B002171	03.350	27	2B002810	01.010	5	2H001254	02.190	7
2B002189	06.030	1	2B002817	01.010	15	2H001255	02.190	12
2B002192	04.060	1	2B002832	03.050	2	2H001256	02.190	11
2B002195	07.020	7	2B002842	07.030	8	2H001257	02.190	6
2B002200	03.350	15	2B002851	03.050	5	2H001258	02.190	5
2B002205	01.050	6	2B002875	07.020	16	2H001259	02.190	14
2B002218	01.020	1	2B002901	11.020	12	2H001260	02.190	13
2B002219	01.020	2	2B002936	02.170	11	2H001366500YG3	02.150	1
2B002225	01.020	5	2B002937	01.040	10	2H001367	02.190	10
2B002233	06.030	13	2B002940	02.170	1	2H001368	02.190	9
2B002269	06.010	1	2B002943	01.040	9	2H001369	02.190	2
2B002294	04.060	3	2B002944	09.010	6	2H001370	02.190	1
2B002295	04.060	2	2B002959	03.050	14	2H001371	02.190	4
2B002298	03.340	2	2B002989	04.080	1	2H001372	02.190	3
2B002311	01.010	21	2B003039	06.010	5	2H001401500Q4	09.010	1
2B002311	02.150	8	2B003040	06.010	3	2H001402500Q4	02.030	1
2B002317	02.150	4	2B003041	06.010	2	2H001403500Q4	02.150	1
2B002321	02.150	5	2B003042	09.020	3	2H001404	02.190	8
2B002325	01.010	3	2B003052	11.020	13	2H001405	02.190	7
2B002326	01.010	4	2B003056	06.050	2	2H001406	02.190	10
2B002359000C1	02.120	1	2B003076	01.020	4	2H001407	02.190	9
2B002364	07.020	5	2B003077	01.020	3	2H001408	02.190	2
2B002365	08.030	1	2B003078	01.010	12	2H001409	02.190	1
2B002366	08.030	29	2B003089	02.150	6	2H001410	02.190	4
2B002369	03.020	3	2B003102	01.040	3	2H001411	02.190	3
2B002378	01.040	2	2B003103	01.040	4	2H001412	02.190	6
2B002380	05.010	4	2B003105	03.196	3	2H001413	02.190	5
2B002381	05.020	2	2B003111	04.080	2	2H001445	02.190	16
2B002386	02.150	3	2B003164	08.010	13	2H001446500XR7	09.010	1
2B002390	07.030	2	2B003165	08.010	14	2H001447500XR7	02.030	1
2B002391	07.030	1	2B003204	03.196	2	2H001448500XR7	02.150	1
2B002443	08.030	4	2B003212	01.050	5	2H001450	02.190	8
2B002448	05.020	3	2B003271	06.020	1	2H001451	02.190	7
2B002471	07.020	13	2B003284	03.330	25	2H001452	02.190	10
2B002483	08.030	3	2B003292	07.010	15	2H001453	02.190	9
2B002484	08.030	7	2B003313	06.020	6	2H001454	02.190	2
2B002486	09.010	9	2B003367	08.020	6	2H001455	02.190	1
2B002495	03.330	6	2B0033875	03.350	23	2H001456	02.190	4
2B002496	03.330	5	2D000004	02.170	4	2H001457	02.190	3
2B0024975	03.330	1	2D000024	03.300	1	2H001458	02.190	6
2B0024985	03.330	2	2D000099	08.020	1	2H001459	02.190	5
2B002529	03.320	7	2D000100	08.010	1	2Q000111	02.190	15
2B002530	03.320	9	2D000102	06.050	1	2R000109	04.060	7
2B002531	03.320	8	2D000159	08.020	1	2R000110	04.060	23
2B002532	03.330	13	2D000163	07.020	19	2R000243	04.060	19
2B002533	03.330	12	2D000209	11.010	1	2R000248	06.040	5
2B002535	03.350	24	2D000209	11.020	1	319165	02.170	9
2B002536	03.350	18	2D000209	11.030	1	478533	11.020	11
2B002541	08.030	21	2D000218	07.020	20	479175	08.030	13
2B002602	03.196	4	2D000225	08.010	1	484993	03.030	20
2B0026135	03.330	4	2D000226	07.020	3	584211	11.030	4
2B0026145	03.330	3	2D000227	07.020	2	584332	08.010	6
2B002621	01.040	6	2D000245	11.030	2	584332	08.030	15
2B002622	01.040	5	2D000255	08.030	11	623920	03.230	6
2B002632	09.020	1	2D000256	08.030	12	638733	11.030	9
2B002680	03.020	9	2D000261	08.010	4	639338	08.010	7
2B002681	06.050	11	2D000262	08.010	5	639338	08.030	16
2B002699	03.340	3	2D0002805	06.030	9	641040	11.020	8
2B002701	07.020	9	2D0002885	07.030	9	641041	11.020	19
2B002702	07.020	8	2D000299	02.170	2	641901	11.020	15
2B002705	01.030	1	2G000157	02.190	24	642034	11.020	16
2B002781	11.030	8	2G000158	02.190	23	643090	03.190	16
2B002799	01.040	1	2G000159	02.190	27	643277	11.010	2
2B002804	06.050	9	2G000160	02.190	25	648708	05.020	17
2B002805	06.050	10	2H001249500YG3	09.010	1	658837	03.030	5
2B002806	06.050	16	2H001250500YG3	02.030	1	680212	11.020	9



Code	No. table	Pos.	Code	No. table	Pos.	Code	No. table	Pos.
825694	03.100	13	887891	04.060	16	AP8120912	06.030	17
831135	03.030	11	887893	04.060	20	AP8121014	01.030	3
832029	11.010	10	887905	04.060	18	AP8121032	02.100	7
834764	03.170	33	887908	03.020	2	AP8121133	01.020	19
834951	03.330	20	887908	06.030	16	AP8121199	08.010	10
840509	08.030	14	887916	04.060	21	AP8121205	07.010	4
848650	03.180	17	890760	03.050	13	AP8121420	02.170	6
849308	03.180	21	890760	07.010	14	AP8121509	03.020	26
849308	03.180	6	894704	11.030	15	AP8121567	01.020	15
849309	03.180	23	895328	03.020	5	AP8121725	08.030	25
849310	03.180	26	895328	06.030	10	AP8121882	06.050	18
849396	03.180	14	895709	06.050	20	AP8121927	06.030	15
849424	03.180	8	896110	03.330	7	AP8123641	07.010	6
852090	03.330	11	897478	03.300	2	AP8123642	07.010	10
854827	07.020	15	898268	03.270	6	AP8123643	07.010	11
856063	09.020	7	898269	03.270	7	AP8123644	07.010	8
857045	03.320	2	898283	03.020	11	AP8124936	11.010	6
857046	03.320	5	898396	03.020	14	AP8125687	05.020	16
857047	03.320	1	898397	03.020	7	AP8127601	09.020	10
857181	03.320	10	959559	06.050	13	AP8127856	01.030	7
857206	03.300	3	967356	01.030	6	AP8134448	08.030	18
857250	03.170	29	967363	01.010	20	AP8134451	01.020	18
859792	05.010	16	967363	03.020	25	AP8144007	03.020	4
859792	05.020	15	974162	03.180	12	AP8144007	06.030	19
859946	06.030	11	974165	03.180	15	AP8144071	01.010	10
859946	06.030	14	976591	03.090	5	AP8144222	07.020	14
871640	03.100	7	976614	01.040	8	AP8144552	11.030	19
873905	03.170	26	976614	02.100	3	AP8145034	01.020	6
873928	03.180	2	976649	03.350	1	AP8145035	01.020	7
874567	03.150	4	97729R	03.290	1	AP8149034	08.030	35
874957	03.330	9	977527	02.170	5	AP8150009	01.010	22
876879	03.330	16	978415	02.170	7	AP8150012	06.030	12
880260	03.060	4	978570	07.020	10	AP8150015	06.050	6
883161	11.030	5	AP8101861	01.020	20	AP8150018	01.010	11
883688	05.010	12	AP8102159	09.020	6	AP8150018	03.020	24
883802	07.020	10	AP8102239	09.020	4	AP8150018	09.010	4
883826	03.030	13	AP8102375	02.100	4	AP8150026	03.020	19
884031	04.080	4	AP8102520	03.050	15	AP8150048	01.010	13
884033	06.030	18	AP8102520	09.020	9	AP8150049	07.020	17
884310	03.060	11	AP8102524	01.030	4	AP8150053	08.010	15
886365	03.030	15	AP8102671	01.010	6	AP8150053	08.030	9
886629	03.230	11	AP8102671	01.040	14	AP8150115	03.020	12
887003	03.270	5	AP8102738	09.020	2	AP8150178	05.010	19
887093	03.190	18	AP8102913	02.170	12	AP8150285	06.030	7
887421	11.020	20	AP8104525	03.050	4	AP8150377	11.010	4
887443	02.190	18	AP8104924	03.050	7	AP8150413	01.040	13
887448	05.020	10	AP8110053	03.020	16	AP8150413	08.030	22
887481	11.020	7	AP8110077	07.010	7	AP8150451	06.050	15
887762	05.010	14	AP8110109	05.020	6	AP8150500	01.040	11
887762	05.020	12	AP8113003	06.050	3	AP8150500	03.060	6
887815	03.050	8	AP8113004	06.050	4	AP8150509	03.050	10
887831	07.010	9	AP8113081	06.030	4	AP8150536	08.030	8
887832	07.010	12	AP8113082	06.030	5	AP8150538	02.030	4
887843	03.050	9	AP8118579	07.020	4	AP8150543	07.010	2
887844	03.050	12	AP8120001	01.040	15	AP8152043	06.010	8
887875	05.010	8	AP8120001	11.030	11	AP8152055	03.330	21
887878	04.060	4	AP8120030	06.050	7	AP8152138	03.020	17
887879	04.060	5	AP8120178	06.030	3	AP8152220	03.190	20
887880	04.060	6	AP8120278	08.030	6	AP8152246	08.030	32
887882	04.060	8	AP8120311	01.010	14	AP8152267	03.090	7
887883	04.060	9	AP8120455	03.050	3	AP8152272	03.120	10
887884	04.060	10	AP8120455	03.330	14	AP8152273	02.150	7
887885	04.060	11	AP8120455	09.010	3	AP8152273	09.010	7
887886	04.060	12	AP8120573	01.020	17	AP8152277	01.020	11
887888	04.060	13	AP8120615	03.050	6	AP8152288	06.040	2
887889	04.060	15	AP8120876	03.050	11	AP8152288	09.010	2
887890	04.060	17	AP8120912	03.020	1	AP8152298	08.030	33

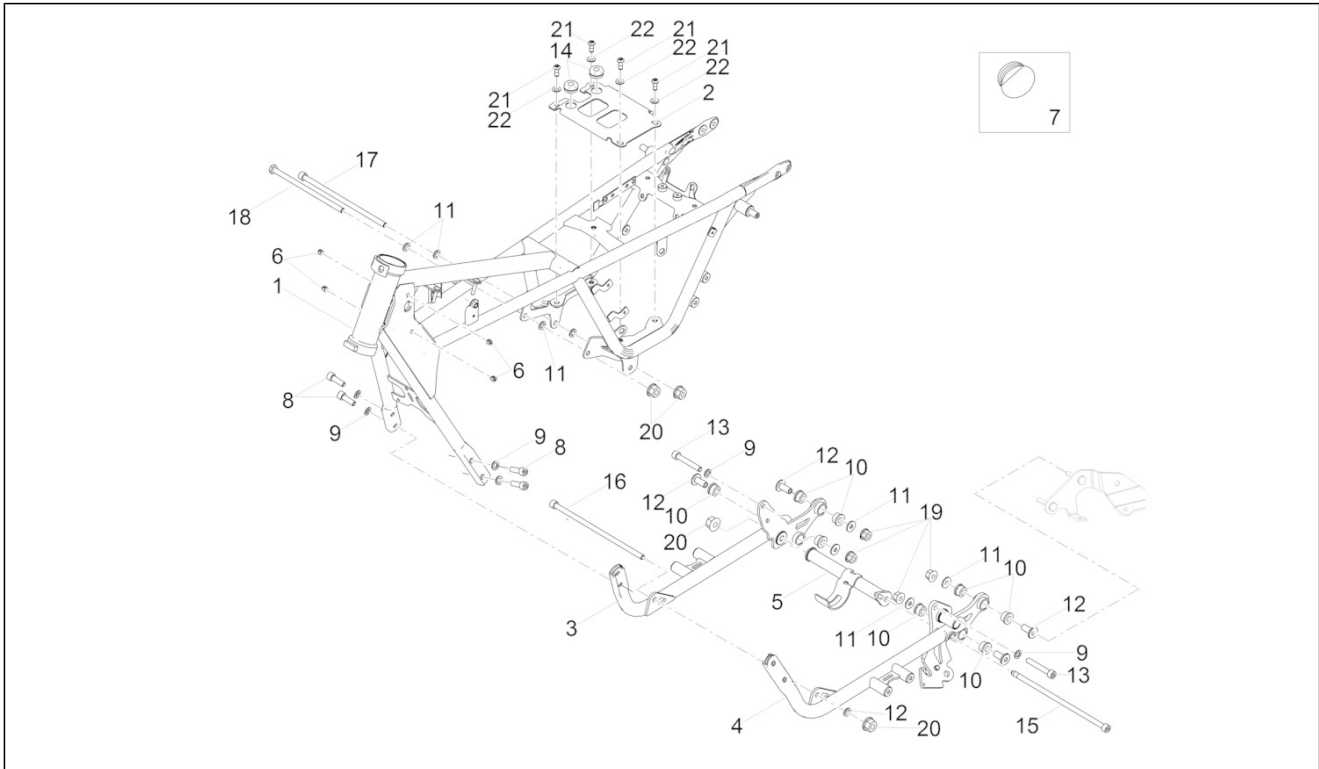


Code	No. table	Pos.	Code	No. table	Pos.	Code	No. table	Pos.
AP8152299	02.100	8	GU01528930	03.350	6	GU27061885	03.160	4
AP8152299	02.150	2	GU01659130	06.020	5	GU27062060	03.160	2
AP8152299	08.010	12	GU01659131	06.020	4	GU27065660	03.160	3
AP8152299	08.030	31	GU03013800	03.020	22	GU27066460	03.160	5
AP8152299	11.020	6	GU03013800	03.060	10	GU27066560	03.160	8
AP8152306	08.030	19	GU03617710	05.010	10	GU27152885	03.190	1
AP8152329	03.050	1	GU03617710	05.020	7	GU30601060	07.030	3
AP8152384	07.010	5	GU03658201	06.050	21	GU30602500	07.030	4
AP8152385	06.020	2	GU03658330	06.050	19	GU31003766	03.030	22
AP8157100	02.190	20	GU03749845	06.010	7	GU31003766	03.350	7
AP8161054	03.050	16	GU04355100	03.350	20	GU31150950	03.190	10
AP8181140	11.030	13	GU04355101	03.350	20	GU31159050	03.190	6
AP8201755	08.030	24	GU04355102	03.350	20	GU31256881	03.020	10
AP8210007	03.020	20	GU04355103	03.350	20	GU31504583	04.060	22
AP8213028	07.030	5	GU04355104	03.350	20	GU31544181	06.040	4
AP8213388	07.030	6	GU04355105	03.350	20	GU31547882	01.050	3
AP8220186	08.030	5	GU04355106	03.350	20	GU31616384	05.010	15
AP8221023	03.050	18	GU05217630	03.230	26	GU31659181	06.040	7
AP8221023	06.050	8	GU05234230	03.170	9	GU31659281	06.040	6
AP8221197	01.030	2	GU05234631	03.170	31	GU32441210	01.020	10
AP8221277	01.020	16	GU05235531	03.170	30	GU32442310	01.020	8
AP8224164	08.030	17	GU05238231	03.170	13	GU32442710	01.020	9
AP8224462	11.020	4	GU05238431	03.170	11	GU32517710	11.030	12
AP8257609	02.190	21	GU05239330	03.170	16	GU32602860	07.020	6
AP8257742	02.190	22	GU05351230	03.350	9	GU32615660	05.010	3
AP8257794	02.190	19	GU05659230	06.020	3	GU32632510	05.020	20
AP8702101	02.170	10	GU05781630	04.060	24	GU32944310	02.190	17
AP9100053	08.030	27	GU10034100	03.120	15	GU37359005	03.350	10
B013037	03.230	15	GU10528900	03.030	23	GU49609601	11.020	2
B013608	03.170	25	GU12022600	03.170	35	GU61027200	03.150	1
B013608	03.180	3	GU12154200	03.190	2	GU66103415	09.010	10
B014598	01.050	7	GU12351100	03.350	13	GU90271014	03.170	17
B015040	03.180	11	GU14085900	03.230	25	GU90271022	03.170	32
B015598	03.170	2	GU14086100	03.230	17	GU90272047	05.020	5
B016796	03.060	5	GU14217901	03.230	5	GU90353014	03.170	8
B016796	08.030	23	GU14609650	11.010	9	GU90353029	03.120	17
B017406	03.170	5	GU14609650	11.020	3	GU90401424	03.170	18
B017636	03.100	3	GU14609650	11.030	17	GU90402642	05.010	6
B018020	03.170	4	GU14615901	03.230	3	GU90412541	03.180	18
B018448	03.180	31	GU14615901	03.330	18	GU90413850	03.350	12
B043850	11.030	16	GU14615901	03.330	22	GU90706141	11.010	11
B045974	02.190	26	GU14615901	03.350	26	GU90706170	03.230	27
B063025	03.170	39	GU14615901	07.020	18	GU90706188	03.350	4
B063174	04.080	3	GU14616150	05.010	11	GU90706203	03.170	34
B063233	11.030	10	GU14616150	05.020	8	GU90706235	03.230	10
B063269	03.170	40	GU18144350	03.190	8	GU90706281	03.030	25
B063287	01.010	2	GU19002020	03.170	36	GU90706444	03.190	4
B063292	03.330	8	GU19002020	03.270	3	GU90706584	03.350	5
B063907	01.020	12	GU19003800	03.030	3	GU90706958	03.350	19
B063956	03.170	14	GU19015020	03.030	14	GU91113826	03.330	10
B064023	02.120	2	GU19018920	03.030	9	GU91181003	07.020	21
B064112	03.170	10	GU19018920	03.190	28	GU91551010	01.010	19
B064113	03.170	7	GU19021360	03.150	3	GU91551010	03.050	19
B064304	03.350	16	GU19045861	03.120	3	GU91551131	09.010	5
CM013202	11.030	14	GU19055700	03.120	2	GU92201226	03.180	19
CM178609	08.020	4	GU19058021	03.120	20	GU92201226	03.230	9
CM179008	09.020	5	GU19058220	03.120	11	GU92201822	03.180	1
CM179301	02.100	6	GU19062261	03.160	1	GU92204220	05.020	4
CM226902	03.196	1	GU19065400	03.160	9	GU92204221	05.010	7
CM226902	03.320	6	GU19067700	03.230	2	GU92254340	03.350	14
CM228401	01.020	14	GU19213760	03.230	12	GU92296723	03.190	30
CM258301	03.060	13	GU19351100	03.350	17	GU92602510	03.190	19
CM258303	03.050	17	GU19356760	03.230	13	GU92606206	03.020	8
CM275401	03.060	1	GU19547000	01.050	2	GU92606208	03.030	6
CM277101	11.020	17	GU20147710	03.190	21	GU92606508	03.230	24
CM277102	11.020	18	GU20147810	03.190	26	GU92609007	06.030	2
GU01528930	03.350	28	GU20258221	03.020	23	GU92630206	06.030	6



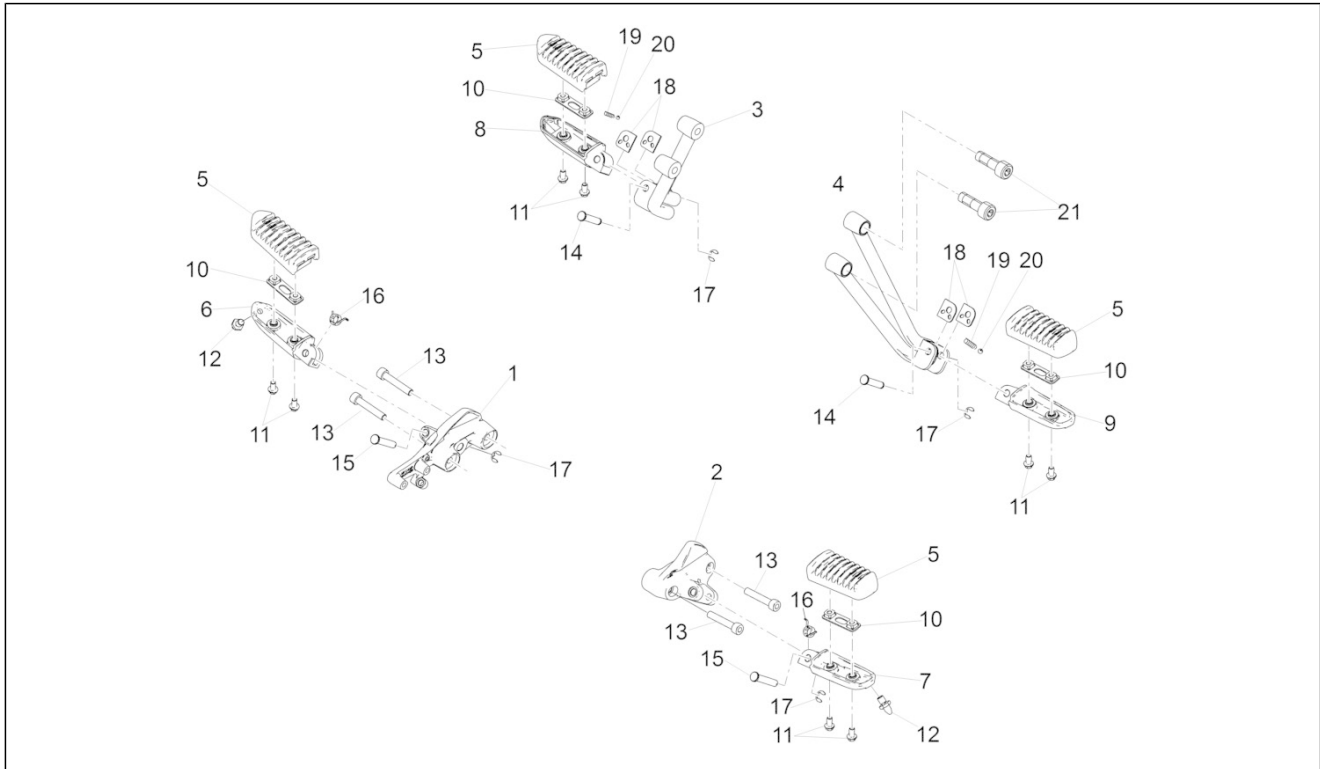
Code	No. table	Pos.
GU92630207	05.010	20
GU92660021	03.330	17
GU93180105	01.050	4
GU93180111	05.010	2
GU93180220	03.170	42
GU93304360	09.020	8
GU93304390	11.010	8
GU93304390	11.030	18
GU93450224	08.030	2
GU94321079	03.190	9
GU94321105	03.230	22
GU95005304	11.020	10
GU95005310	08.030	20
GU95008206	03.190	7
GU95008208	03.290	2
GU95008208	03.330	23
GU95008210	01.010	9
GU95020105	01.030	9
GU95100059	11.030	7
GU95100309	03.190	17
GU95100602	03.190	29
GU95129115	03.120	18
GU95500222	03.230	20
GU96451316	06.050	12
GU96451430	03.030	12
GU96508055	03.030	16
GU97202325	07.030	7
GU98110199	01.010	18
GU98210610	08.020	5
GU98210616	07.010	16
GU98210616	08.030	28
GU98612216	03.320	4
GU98612320	08.010	8
GU98612320	08.030	10
GU98620330	01.040	7
GU98622322	03.060	9
GU98632322	03.020	21
GU98680445	01.020	13
GU98680445	06.030	8
GU98680460	03.020	6
GU98682212	03.300	6
GU98682212	11.030	6
GU98682312	05.020	13
GU98682325	03.030	24
GU98682325	03.270	1
GU98682330	03.270	2
GU98682330	08.030	26
GU98682416	02.170	8
GU98682416	09.010	11
GU98682435	03.290	3
GU98682530	01.010	8
GU98690445	02.030	3
GU98690445	08.010	9
GU98692318	03.020	13
GU98692425	07.010	13
GU98692425	07.020	11
GU98882316	03.120	26

Group	Frame
Code	01.010
Description	Frame
Service	1



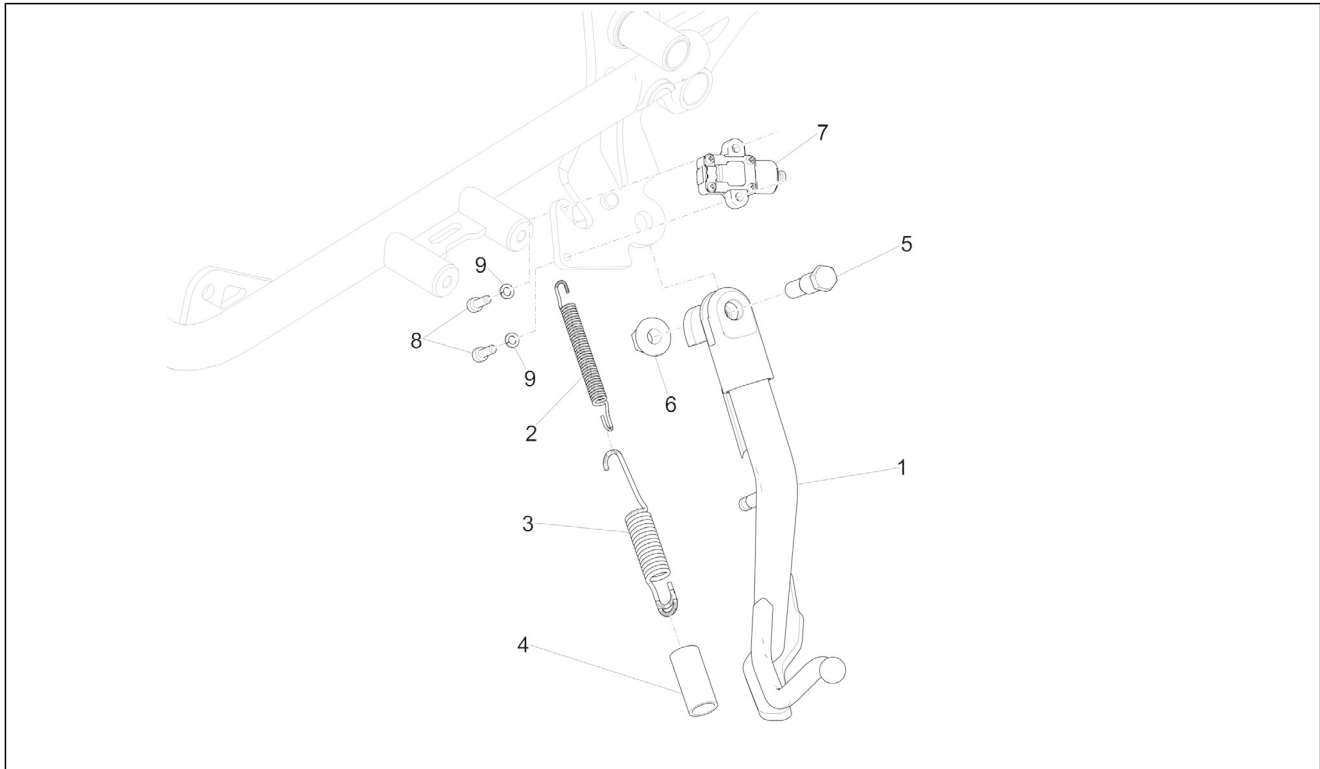
Pos.	Code	Description	Qty	Variants
1	2B001055	Frame with u.p.	1	
2	B063287	Frame union plate	1	
3	2B002325	RH cradle arm	1	
4	2B002326	LH cradle arm	1	
5	2B002810	Chassis crossbeam	1	
6	AP8102671	Plastic rivet	4	
7	2B001498	Cover	2	
8	GU98682530	Hex socket screw M10x30	4	
9	GU95008210	Washer 10,2X18X2	6	
10	AP8144071	Rubber exhaust	8	
11	AP8150018	Washer	4	
12	2B003078	Spacer	4	
13	AP8150048	Hex socket screw	2	
14	AP8120311	Rubber spacer	2	
15	2B002817	M10 pin	1	
16	2B001612	Pin M10X253	1	
17	2B001035	Pin 234X10	1	
18	GU98110199	Pin M10x205	1	
19	GU91551010	Rubber 10X20X10	2	
20	967363	Nut M8x1,25	4	
21	2B002311	Oval head torx screw M8X20	4	
22	AP8150009	Washer	4	

Group	Frame
Code	01.020
Description	Foot rests
Service	1



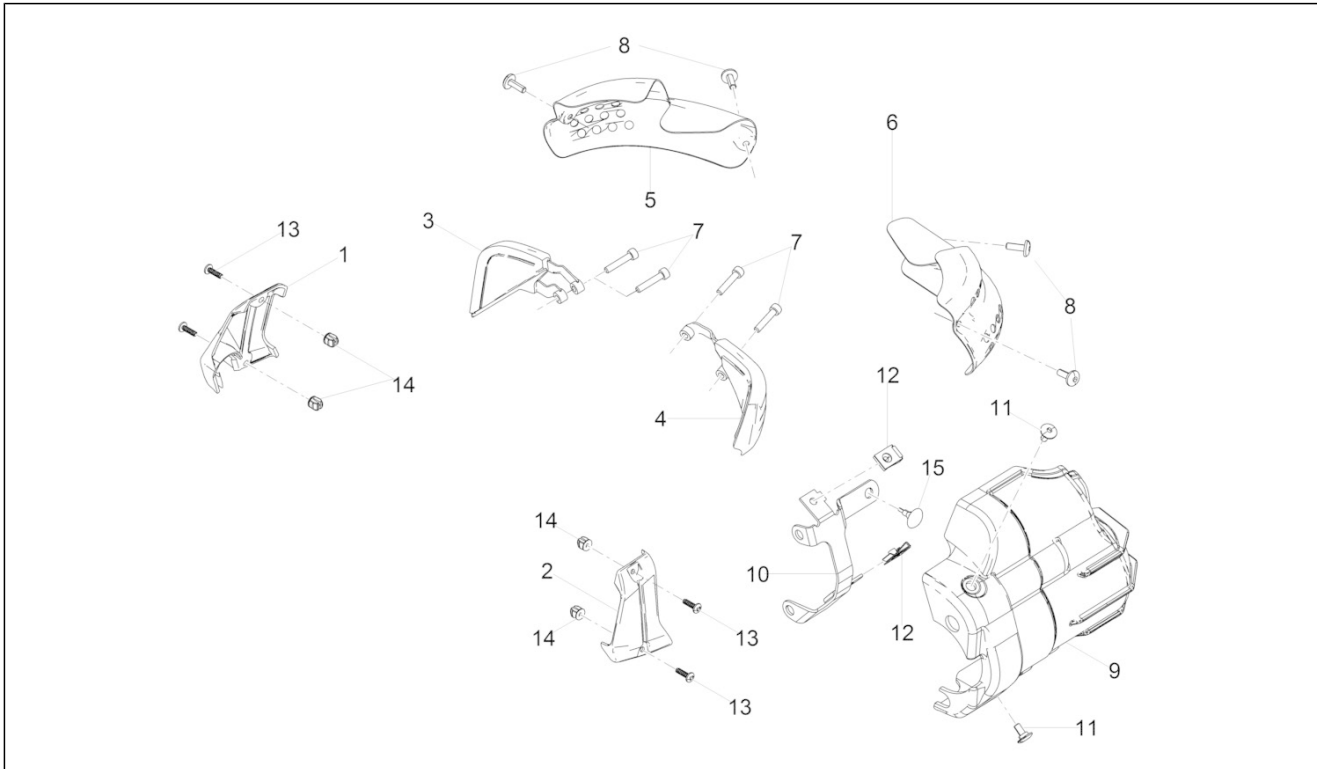
Pos.	Code	Description	Qty	Variants
1	2B002218	RH front footrest bracket	1	
2	2B002219	LH front footrest bracket	1	
3	2B003077	Right pass. footrest support	1	
4	2B003076	Left pass. footrest support	1	
5	2B002225	Footrest rubber	4	
6	AP8145034	RH Foot rests	1	
7	AP8145035	LH Foot rests	1	
8	GU32442310	Rear footrest, RH	1	
9	GU32442710	Rear footrest, LH	1	
10	GU32441210	Plate	4	
11	AP8152277	Screw w/ flange M6x12	8	
12	B063907	Footrest pin	2	
13	GU98680445	Hex socket screw	4	
14	CM228401	Footrest pin	2	
15	AP8121567	Pin	2	
16	AP8221277	Footrest return spring	2	
17	AP8120573	Stop ring	4	
18	AP8134451	Footrest plate	4	
19	AP8121133	Coil compress. spring	2	
20	AP8101861	Ball D6,35	2	
21	2B002171	Special cap screw 8x25	4	

Group	Frame
Code	01.030
Description	Central stand
Service	1



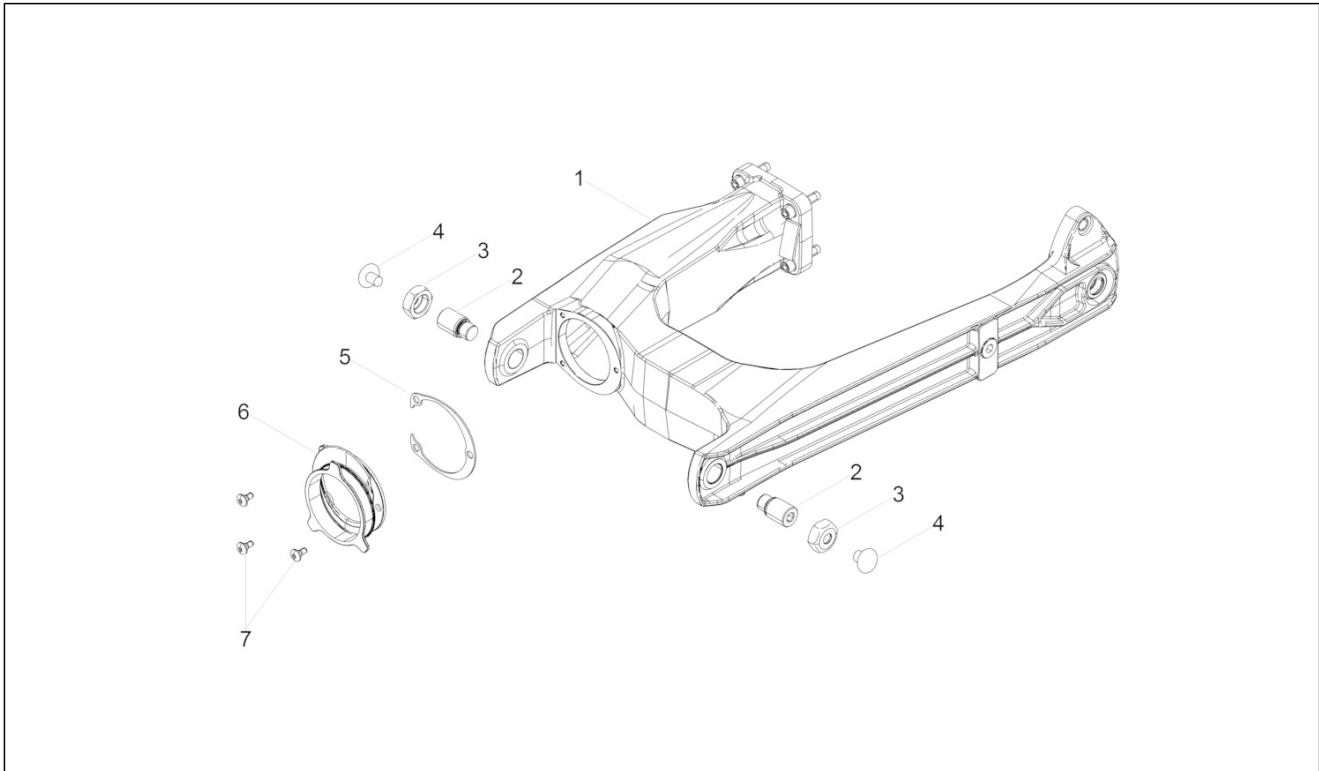
Pos.	Code	Description	Qty	Variants
1	2B002705	Lateral stand	1	
2	AP8221197	Lateral stand spring	1	
3	AP8121014	Coil pull spring	1	
4	AP8102524	Stand spring protection	1	
5	2B001088	Stand pin	1	
6	967356	Flanged nut M10x1,25	1	
7	AP8127856	Lateral stand switch	1	
8	1C001499	TBEI TORX screw M5x16 INOX	2	
9	GU95020105	Washer 5,3x8,9x2,4	2	

Group	Frame
Code	01.040
Description	Protection
Service	1



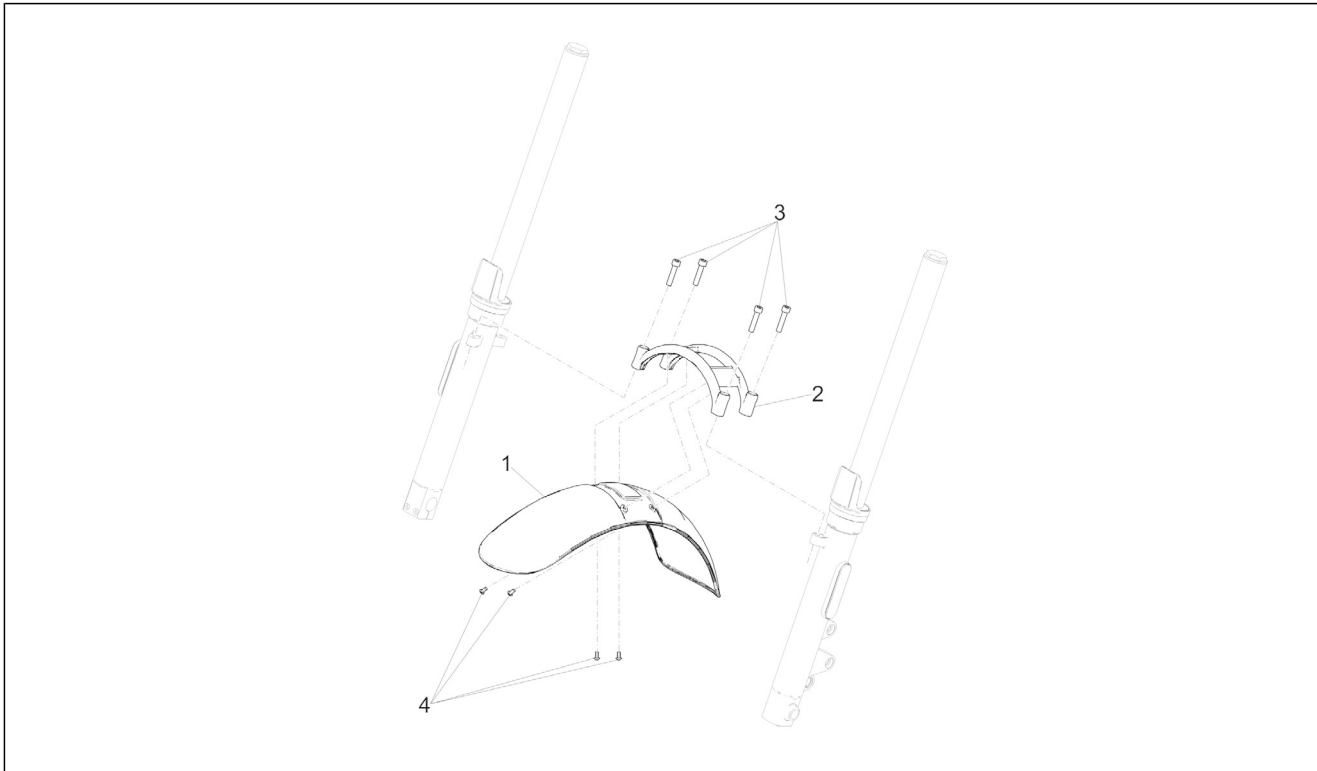
Pos.	Code	Description	Qty	Variants
1	2B002799	RH frame protection	1	
2	2B002378	LH frame protection	1	
3	2B003102	Right kneepad protection	1	
4	2B003103	Left kneepad protection	1	
5	2B002622	Right injector covers	1	
6	2B002621	Left injector covers	1	
7	GU98620330	screw	4	
8	976614	Hex socket screw M5x15	4	
9	2B002943	Starter motor cover	1	
10	2B002937	Cover support bracket	1	
11	AP8150500	Hex socket screw M5x9	2	
12	248419	Spring plate m5	2	
13	AP8150413	Self-tap screw 3,9x14	1	
14	AP8102671	Plastic rivet	2	
15	AP8120001	Rubber spacer	1	

Group	Frame
Code	01.050
Description	Swing arm
Service	1



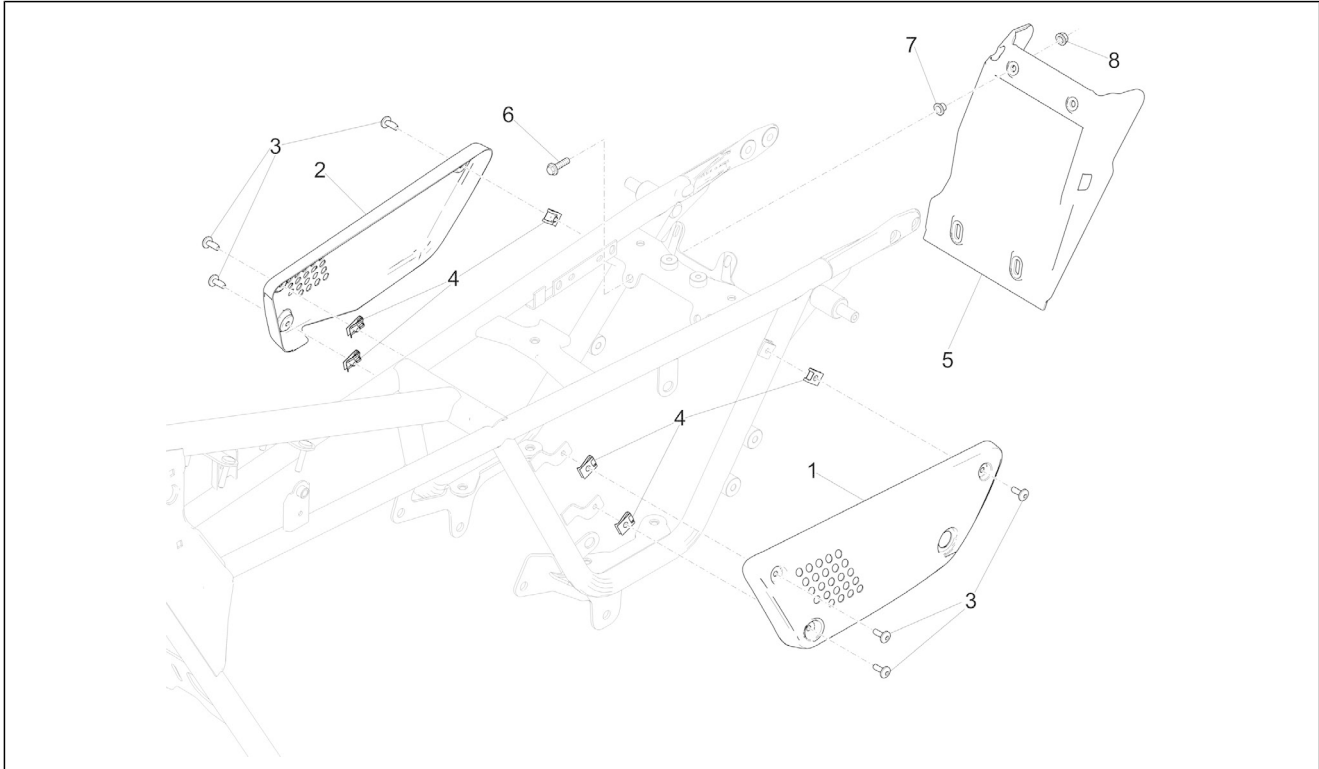
Pos.	Code	Description	Qty	Variants
1	2B001301	Swing arm	1	
2	GU19547000	Pin	2	
3	GU31547882	Nut	2	
4	GU93180105	Cover	2	
5	2B003212	Fixing plate	1	
6	2B002205	Rubber bellows	1	
7	B014598	Torx Screw M5x12	3	

Group	Body
Code	02.030
Description	Front mudguard-Pillar
Service	1



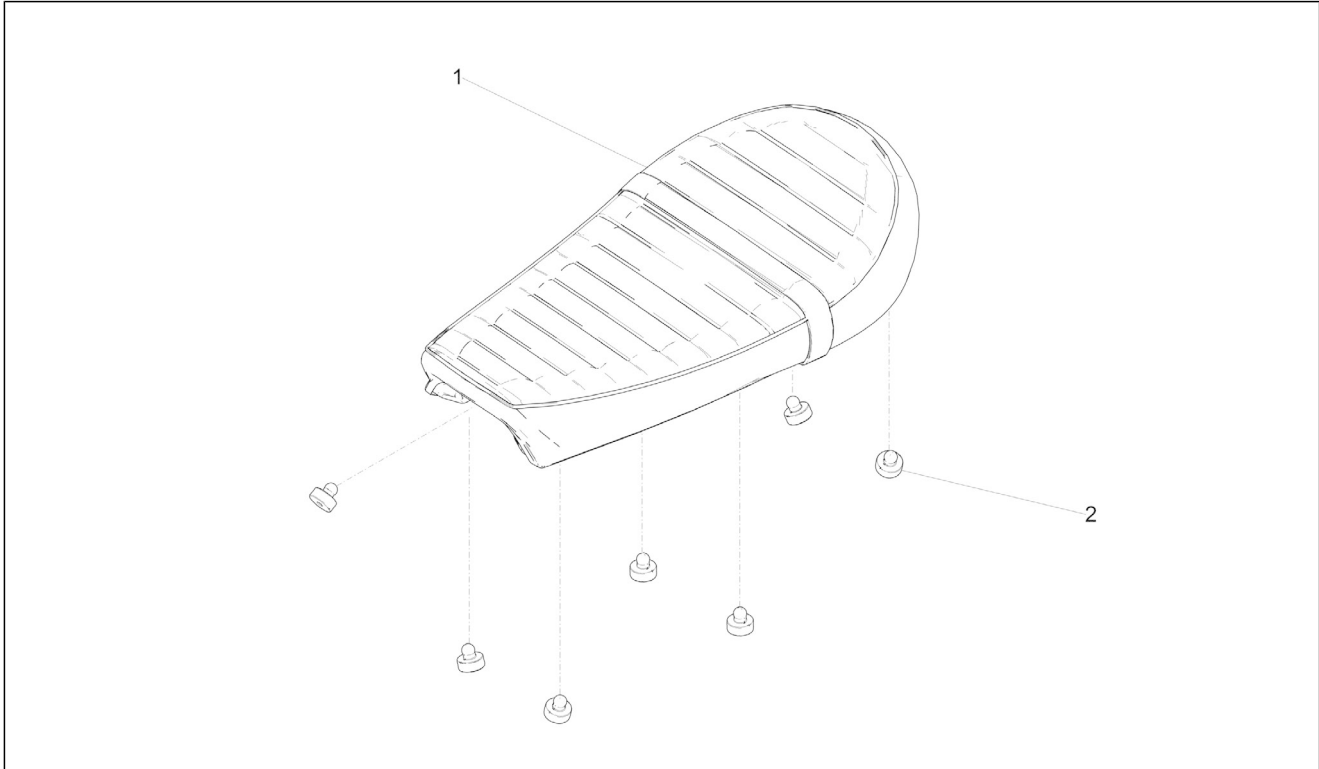
Pos.	Code	Description	Qty	Variants
1	2B001141	Front mudguard	1	
1	2H001250500YG3	Front mudguard, yellow	1	Vehicle colour:Brio Yellow[YB]
1	2H001402500Q4	Front mudguard, white	1	Vehicle colour:White Tech[BT]
1	2H001447500XR7	Front mudguard, red	1	Vehicle colour:Ibis Red[RI]
2	2B001147	Mudguard support	1	
3	GU98690445	screw M8x45	4	
4	AP8150538	Hex socket screw M5x10	4	

Group	Body
Code	02.100
Description	Central body
Service	1



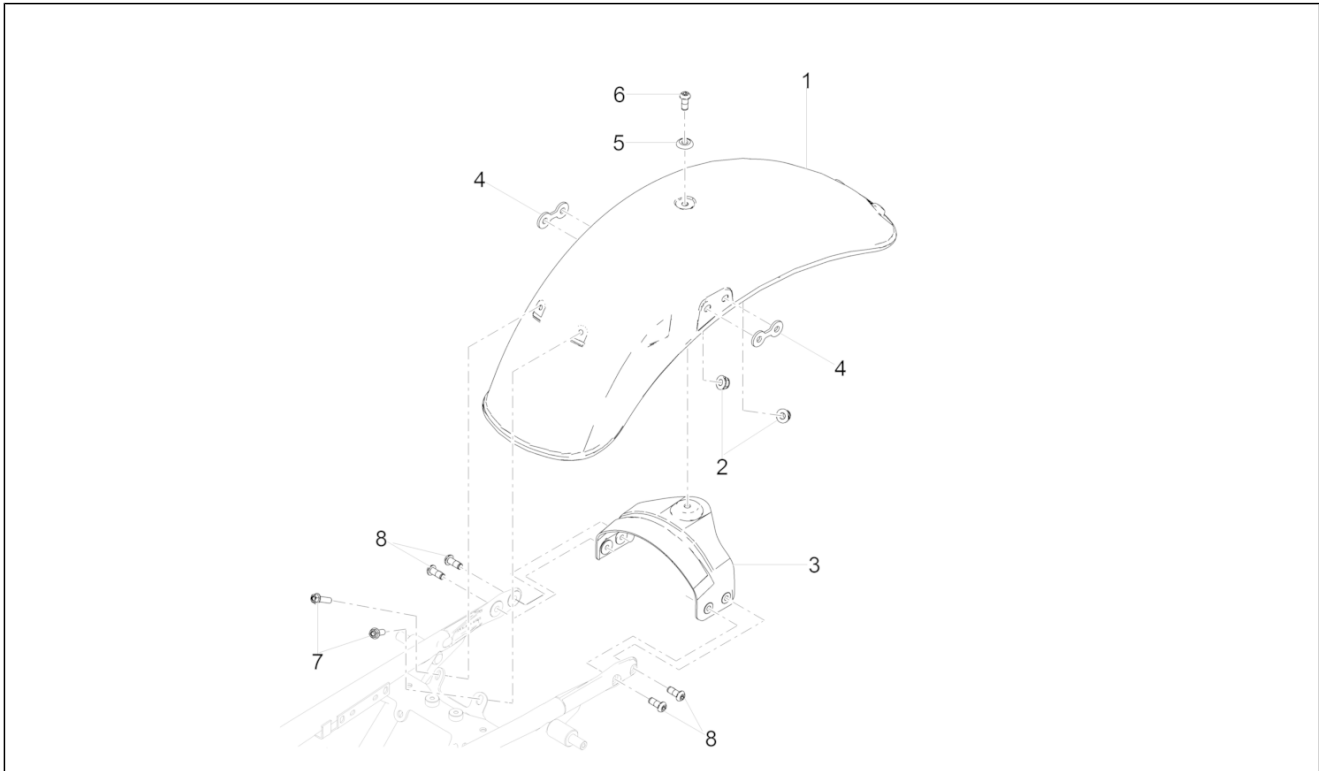
Pos.	Code	Description	Qty	Variants
1	2B001619	LH side panel	1	
2	2B001618	RH side panel	1	
3	976614	Hex socket screw M5x15	6	
4	AP8102375	Clip m5	6	
5	2B001783	Rear splash guard	1	
6	CM179301	Screw M6x16	2	
7	AP8121032	Bush	2	
8	AP8152299	Self-locking nut M6	2	

Group	Body
Code	02.120
Description	Saddle
Service	1



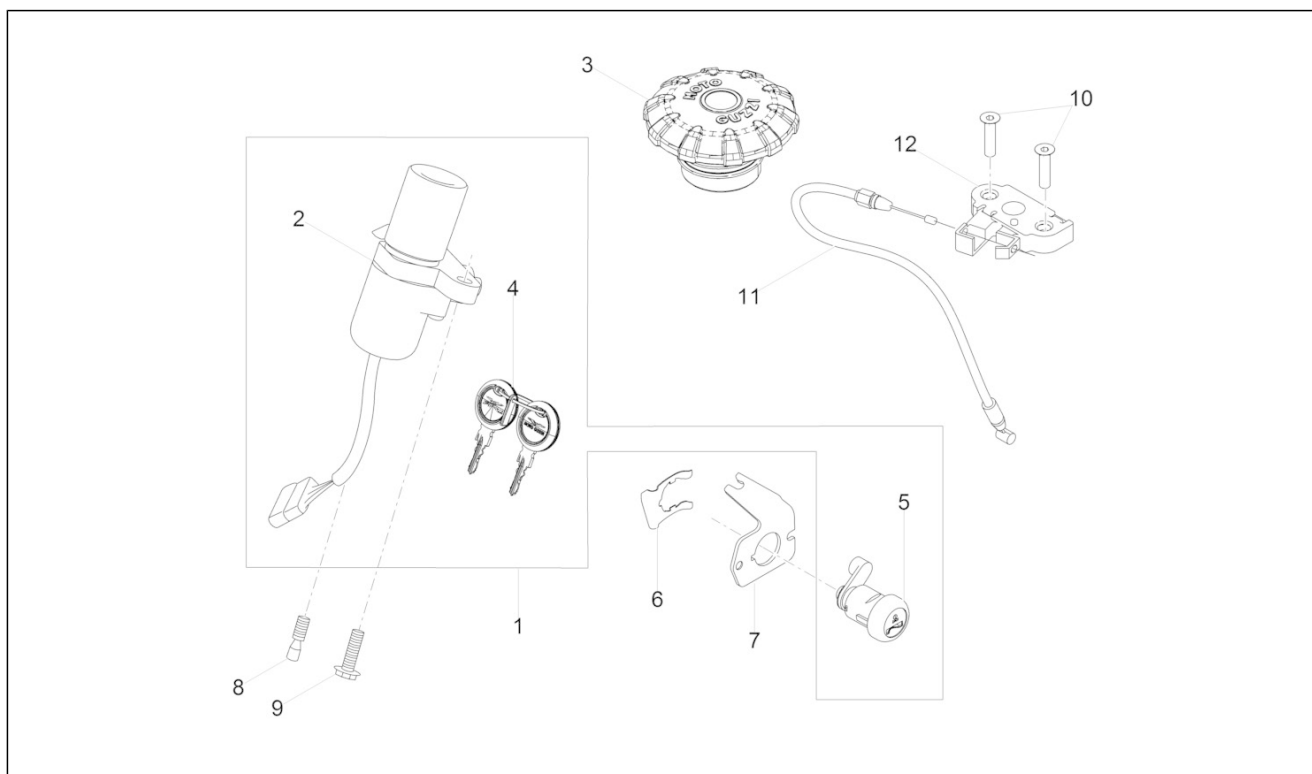
Pos.	Code	Description	Qty	Variants
1	2B002359000C1	Custom saddle	1	Year: Vehicle colour: White Tech[BT], Ibis Red[RI], Brio Yellow[YB] Country:
2	B064023	Saddle rubber	7	

Group	Body
Code	02.150
Description	Rear mudguard
Service	1



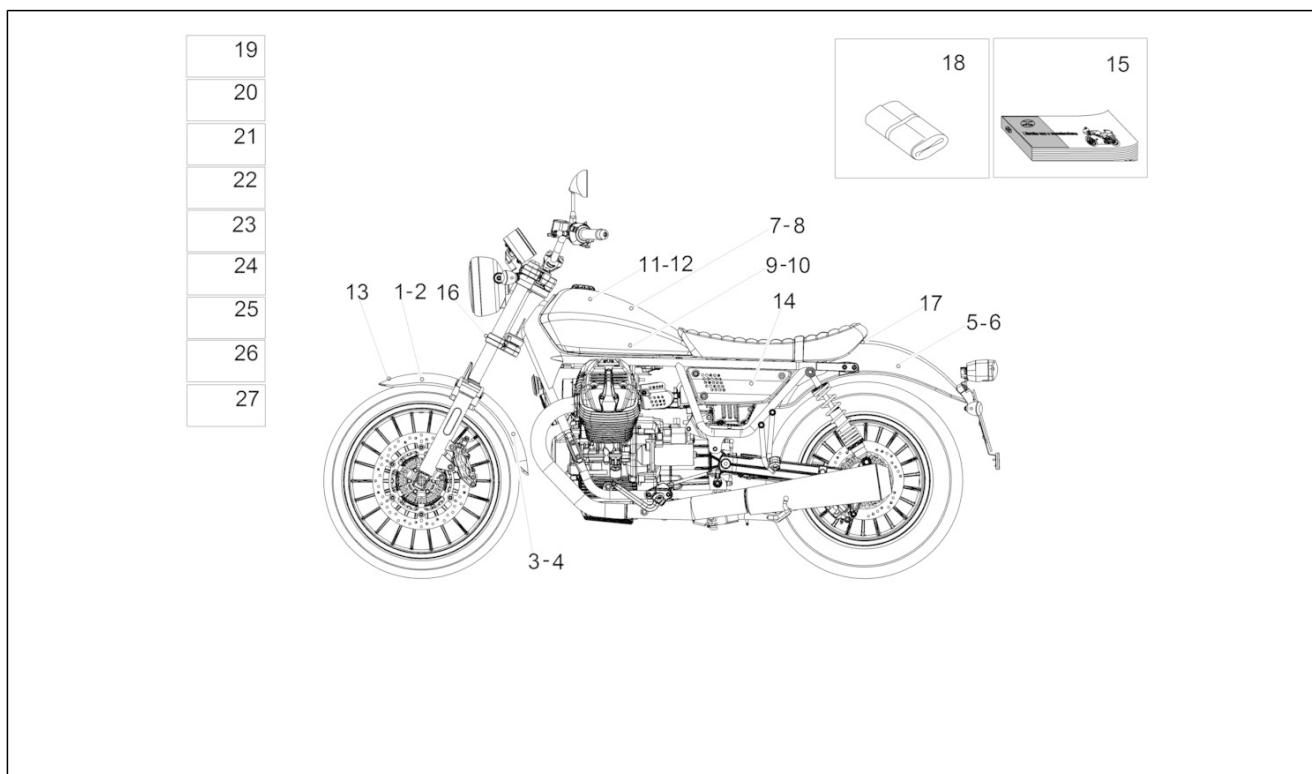
Pos.	Code	Description	Qty	Variants
1	2B001406	Rear mudguard	1	Vehicle colour:Blank[GR]
1	2H001366500YG3	Rear mudguard, yellow	1	Vehicle colour:Brio Yellow[YB] Technical specification:With decals applied[D]
1	2H001403500Q4	Rear mudguard, white	1	Vehicle colour:White Tech[BT] Technical specification:With decals applied[D]
1	2H001448500XR7	Rear mudguard, red	1	Vehicle colour:Ibis Red[RI] Technical specification:With decals applied[D]
2	AP8152299	Self-locking nut M6	2	
3	2B002386	Rear mudguard support	1	
4	2B002317	Spacer	2	
5	2B002321	Bushing for screw	1	
6	2B003089	Vite TCC TORX M8x16	1	
7	AP8152273	Screw w/ flange M5x15	2	
8	2B002311	Oval head torx screw M8X20	4	

Group	Body
Code	02.170
Description	Locks
Service	1



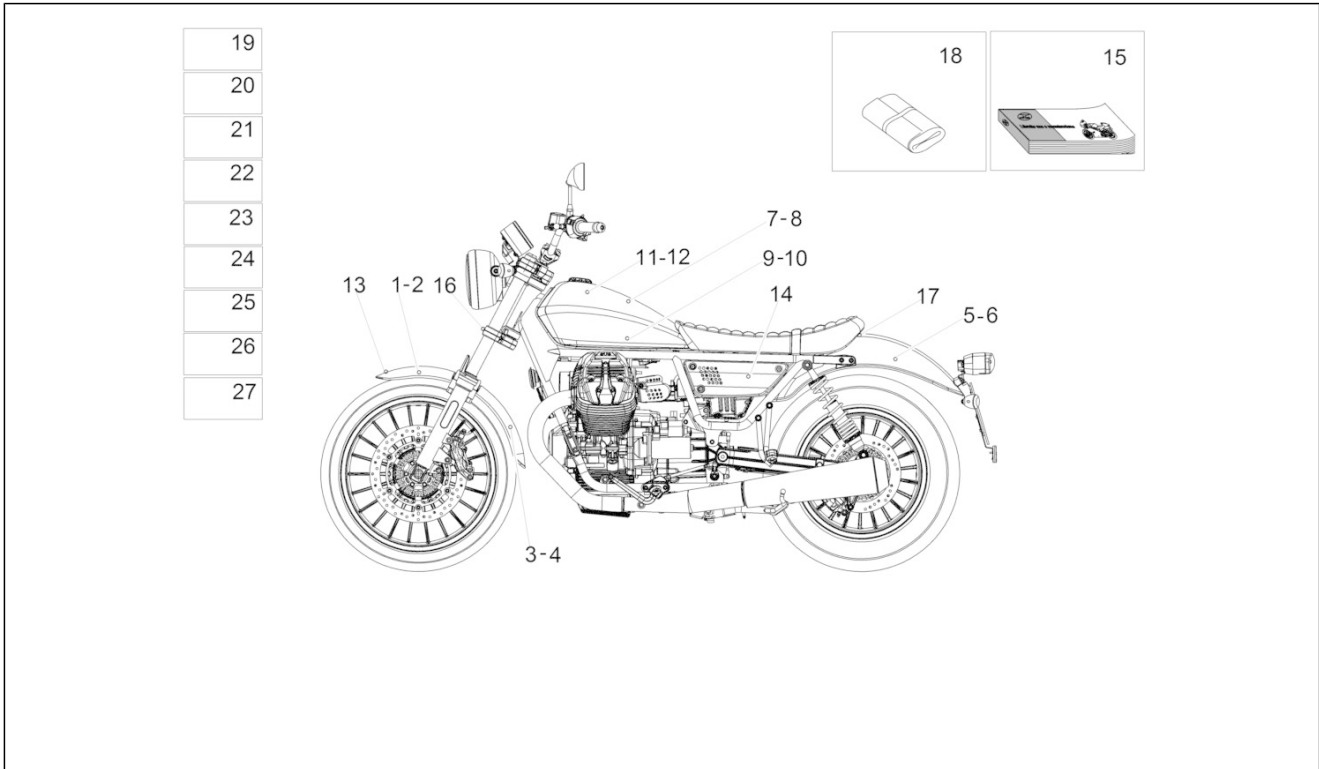
Pos.	Code	Description	Qty	Variants
1	2B002940	Lock kit	1	
2	2D000299	Key switch	1	
3	2B002043	Fuel filler cap	1	
4	2D000004	Key with simple transponder	1	
5	977527	Locking complete with keys	1	
6	AP8121420	Fork spring	1	
7	978415	Cable fixing plate	1	
8	GU98682416	Hex socket screw M8x16	1	
9	319165	screw	1	
10	AP8702101	Screw M6x25	2	
11	2B002936	Saddle transmission	1	
12	AP8102913	Pass.saddle connecting plate	1	

Group	Body
Code	02.190
Description	Decal
Service	1



Pos.	Code	Description	Qty	Variants
1	2H001370	Front mudguard decal SX	1	Vehicle colour:Brio Yellow[YB]
1	2H001409	Front mudguard decal SX	1	Vehicle colour:White Tech[BT]
1	2H001455	Front mudguard decal SX	1	Vehicle colour:Ibis Red[RI]
2	2H001369	Front mudguard decal DX	1	Vehicle colour:Brio Yellow[YB]
2	2H001408	Front mudguard decal DX	1	Vehicle colour:White Tech[BT]
2	2H001454	Front mudguard decal DX	1	Vehicle colour:Ibis Red[RI]
3	2H001372	Front mudguard decal SX	1	Vehicle colour:Brio Yellow[YB]
3	2H001411	Front mudguard decal SX	1	Vehicle colour:White Tech[BT]
3	2H001457	Front mudguard decal SX	1	Vehicle colour:Ibis Red[RI]
4	2H001371	Front mudguard decal DX	1	Vehicle colour:Brio Yellow[YB]
4	2H001410	Front mudguard decal DX	1	Vehicle colour:White Tech[BT]
4	2H001456	Front mudguard decal DX	1	Vehicle colour:Ibis Red[RI]
5	2H001258	Sticker rear mudguard	1	Vehicle colour:Brio Yellow[YB]
5	2H001413	Sticker rear mudguard SX	1	Vehicle colour:White Tech[BT]
5	2H001459	Sticker rear mudguard RI	1	Vehicle colour:Ibis Red[RI]
6	2H001257	Sticker rear mudguard DX	1	Vehicle colour:Brio Yellow[YB]
6	2H001412	Sticker rear mudguard DX	1	Vehicle colour:White Tech[BT]
6	2H001458	Sticker rear mudguard DX	1	Vehicle colour:Ibis Red[RI]
7	2H001254	Sticker line LH	1	Vehicle colour:Brio Yellow[YB]
7	2H001405	Sticker line LH	1	Vehicle colour:White Tech[BT]
7	2H001451	Sticker line LH	1	Vehicle colour:Ibis Red[RI]
8	2H001253	Tank right band decal	1	Vehicle colour:Brio Yellow[YB]
8	2H001404	Tank right band decal	1	Vehicle colour:White Tech[BT]
8	2H001450	Tank right band decal	1	Vehicle colour:Ibis Red[RI]
9	2H001368	LH lower strip decal	1	Vehicle colour:Brio Yellow[YB]
9	2H001407	LH lower strip decal	1	Vehicle colour:White Tech[BT]
9	2H001453	LH lower strip decal	1	Vehicle colour:Ibis Red[RI]
10	2H001367	RH lower strip decal	1	Vehicle colour:Brio Yellow[YB]

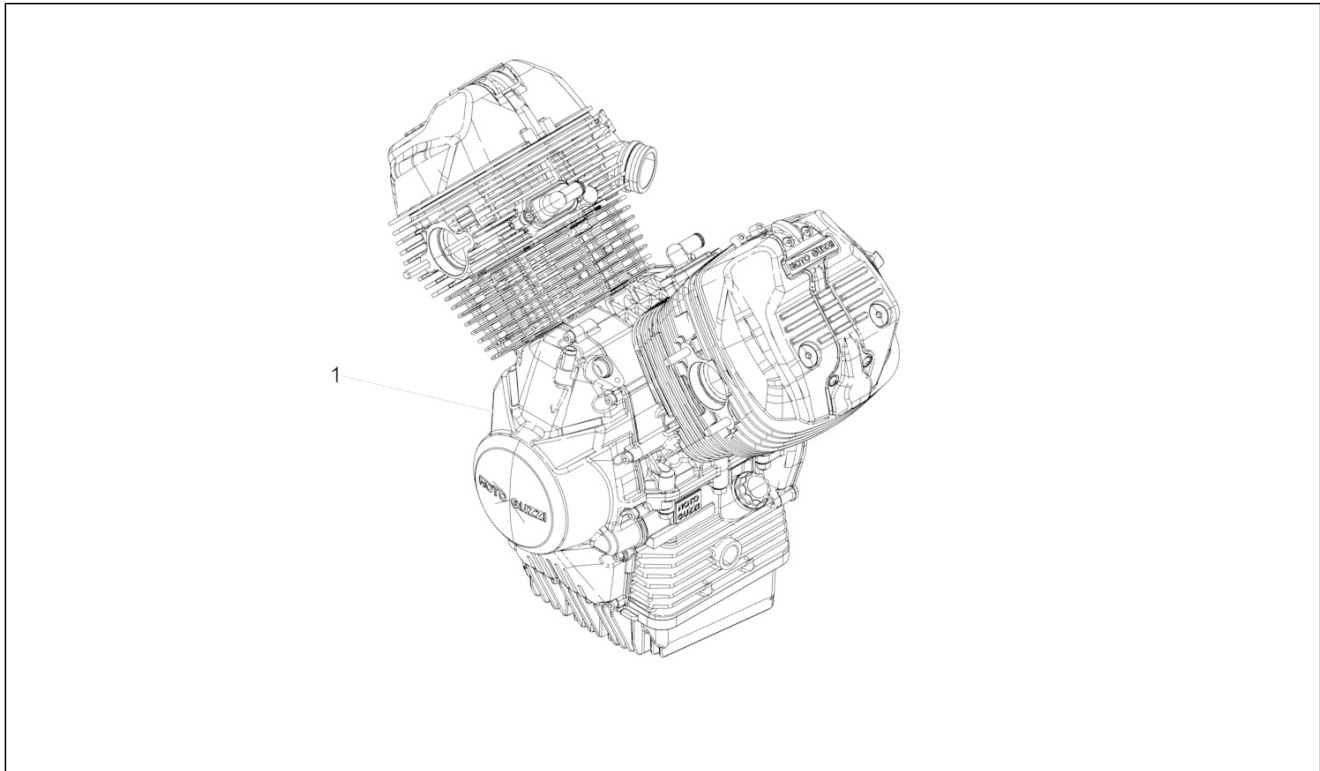
Group	Body
Code	02.190
Description	Decal
Service	1



Pos.	Code	Description	Qty	Variants
10	2H001406	RH lower strip decal	1	Vehicle colour:White Tech[BT]
10	2H001452	RH lower strip decal	1	Vehicle colour:Ibis Red[RI]
11	2H001256	"Aquila" decal SX	1	Vehicle colour:White Tech[BT], Ibis Red[RI], Brio Yellow[YB]
12	2H001255	"Aquila" decal DX	1	Vehicle colour:White Tech[BT], Ibis Red[RI], Brio Yellow[YB]
13	2H001260	"Aquila" decal	1	Vehicle colour:White Tech[BT], Ibis Red[RI], Brio Yellow[YB]
14	2H001259	Name plate "V9 Roamer" DX-SX	2	Vehicle colour:White Tech[BT], Ibis Red[RI], Brio Yellow[YB]
15	2Q000111	Op's handbook I-D-F-E-UK-NL EN-US-FR-ES-IT	1	
16	2H001445	Name plate "Moto Guzzi"	1	
17	GU32944310	Guard decal	1	Vehicle colour:Ibis Red[RI], Brio Yellow[YB]
18	887443	Toolkit	1	
19	AP8257794	Battery decal	1	
20	AP8157100	Decal Shock Adsorber	1	
21	AP8257609	Mirror decal	1	
22	AP8257742	Keys warning decal	1	
23	2G000158	Tyre pressure decal	1	
24	2G000157	Noise emission sticker	1	
25	2G000160	Carbon filter sticker	1	
26	B045974	Fuel decal E15	1	
27	2G000159	Emission control sticker	1	

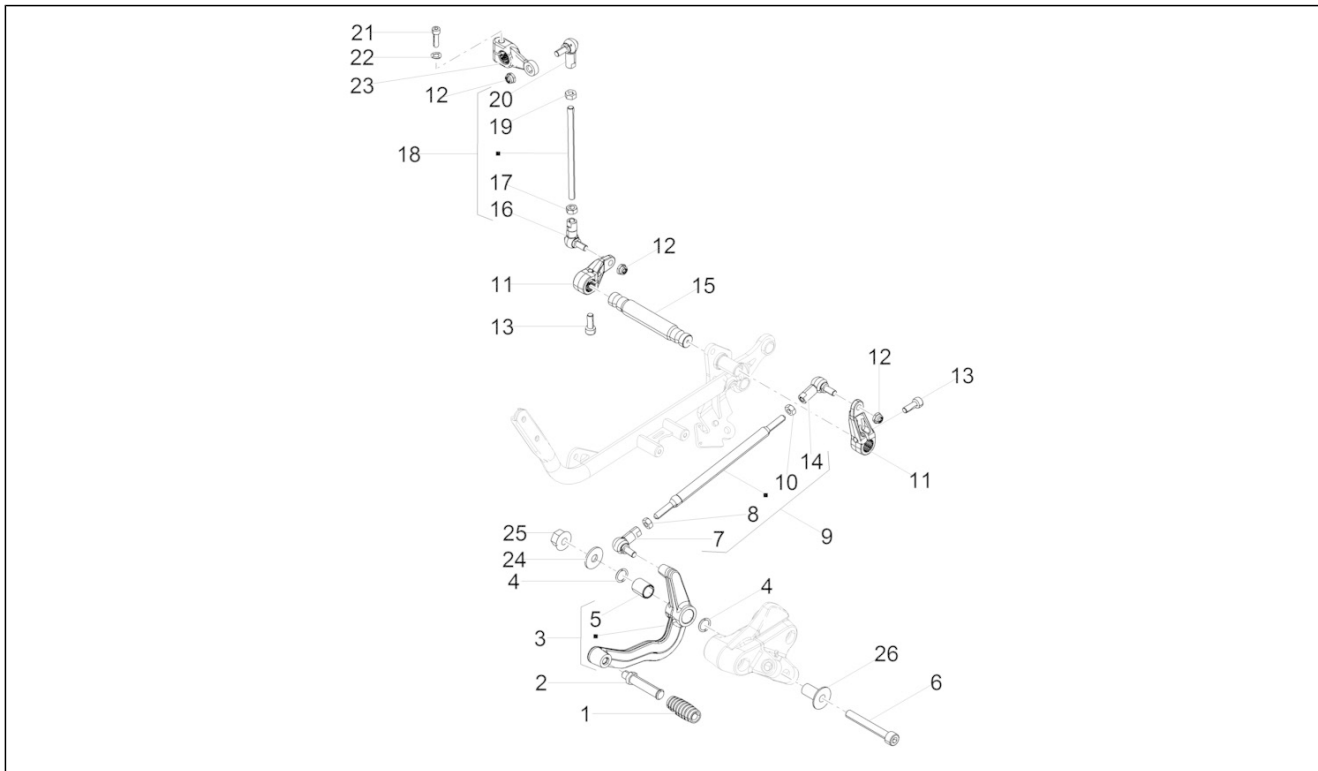


Group	Engine
Code	03.010
Description	Engine-Completing part-Lever
Service	1



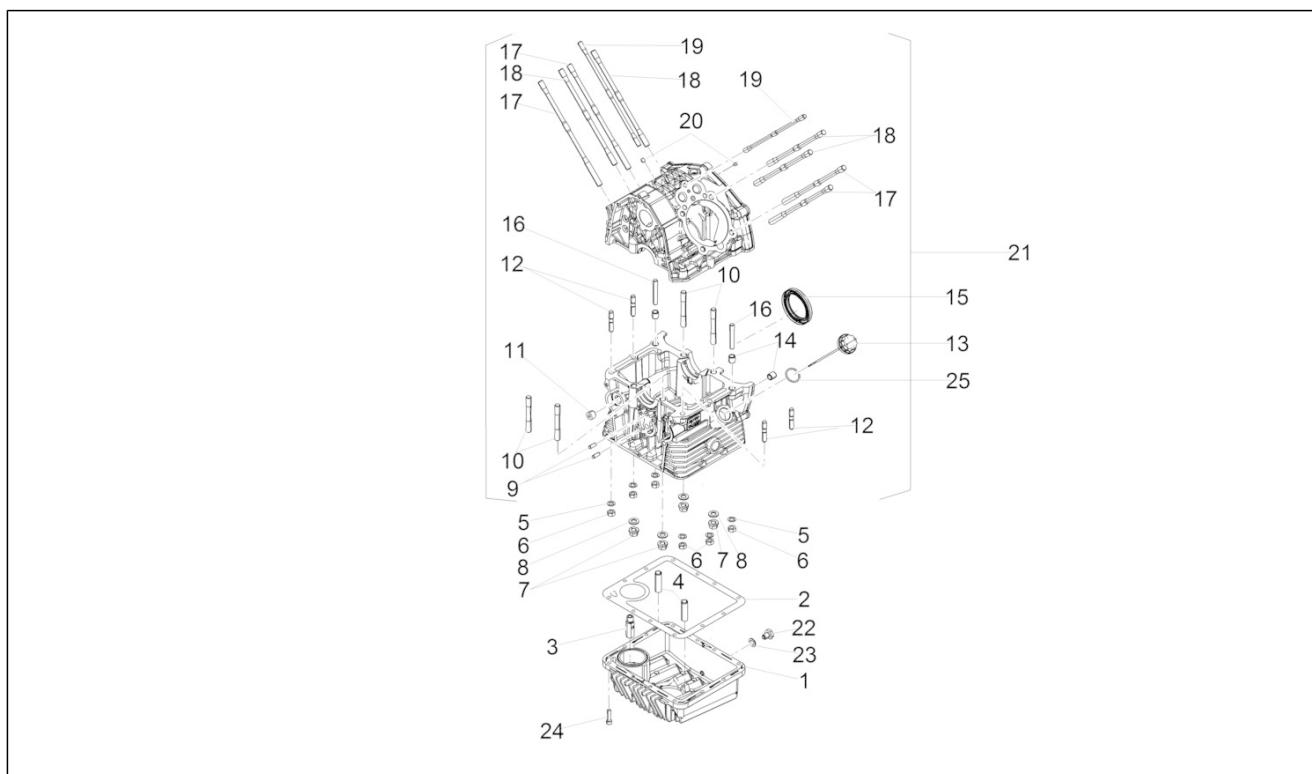
Pos.	Code	Description	Qty	Variants
1	1A0066355	Engine assy w/hout transm.	1	

Group	Engine
Code	03.020
Description	Gear lever
Service	1



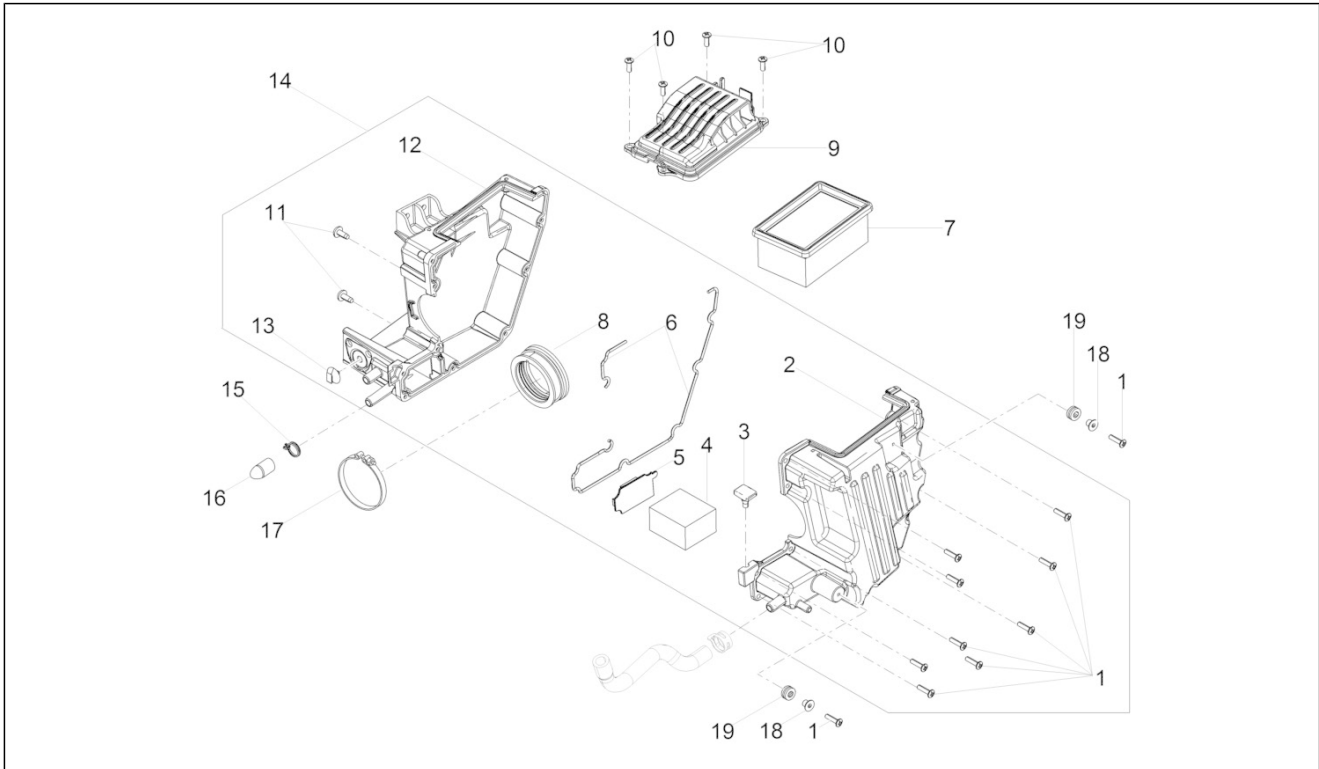
Pos.	Code	Description	Qty	Variants
1	AP8120912	Lever rubber	1	
2	887908	Rubber pedal	1	
3	2B002369	Complete gearchange lever	1	
4	AP8144007	O-ring 11,11x1,78	2	
5	895328	Sintered bushing	1	
6	GU98680460	Hex socket screw M8x60	1	
7	898397	Left ball joint M6	1	
8	GU92606206	Nut	1	
9	2B002680	Gear control tie rod cpl	1	
10	GU31256881	LH thread nut M6	1	
11	898283	Gear change lever	2	
12	AP8150115	Low self-locking nut M6	2	
13	GU98692318	Hex socket screw	2	
14	898396	RH ball joint M6	1	
15	2B001009	Lever pin	1	
16	AP8110053	Left ball joint M6	1	
17	AP8152138	Nut	1	
18	2B001941	Gear control tie rod	1	
19	AP8150026	Nut M6	1	
20	AP8210007	RH ball joint M6	1	
21	GU98632322	screw	1	
22	GU03013800	Washer 6,4x12	1	
23	GU20258221	Shift lever	1	
24	AP8150018	Washer	1	
25	967363	Nut M8x1,25	1	
26	AP8121509	Bush	1	

Group	Engine
Code	03.030
Description	Crankcases I
Service	1



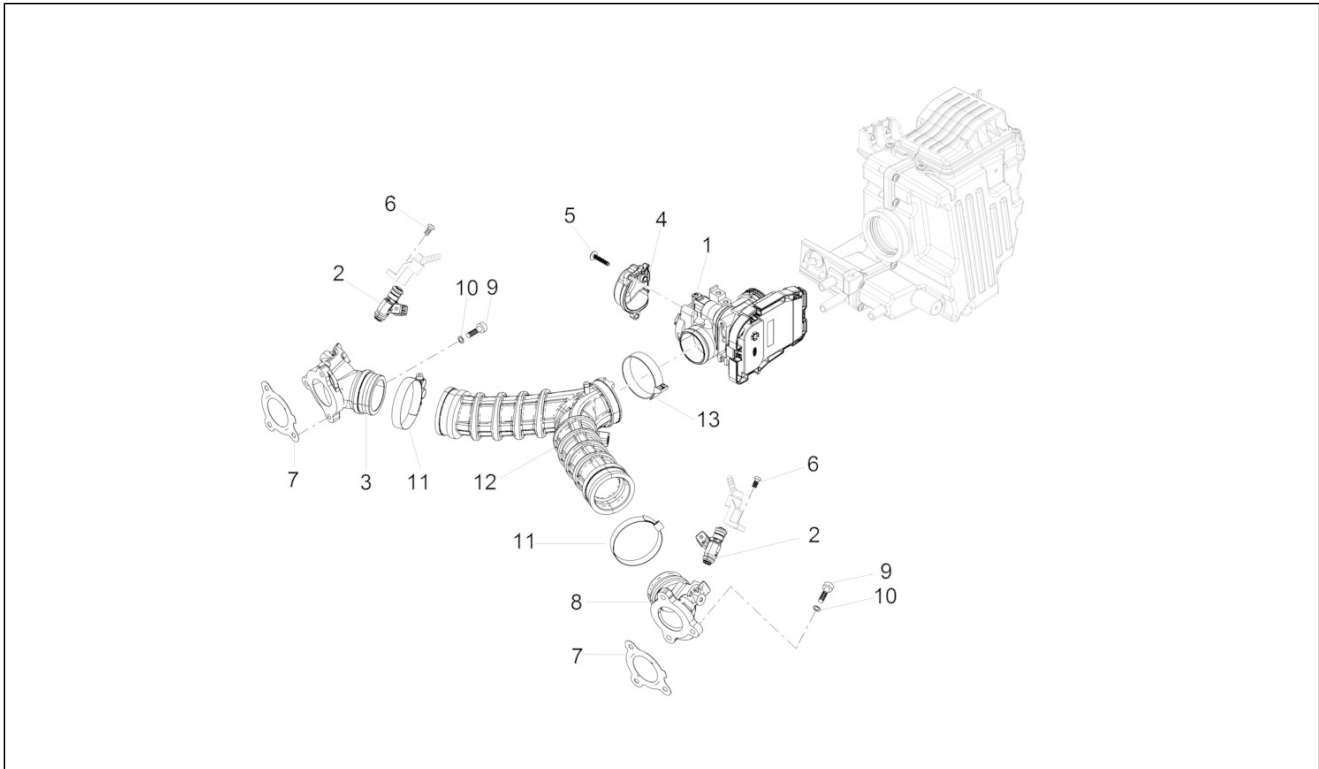
Pos.	Code	Description	Qty	Variants
1	1A004550	Pan oil	1	
2	1A005211	Sump gasket	1	
3	GU19003800	Joint	1	
4	1A006047	Hose union	2	
5	658837	Crinkle washer D15 F8,4 S1,5 - INOX	6	
6	GU92606208	Nut M8x1,25	6	
7	1A006656	Flanged nut M10x1	4	
8	1A006655	Flat washer	4	
9	GU19018920	Pin	2	
10	1A004530	Stud bolt	4	
11	831135	Plug M14x1,5	1	
12	GU96451430	Stud bolt	4	
13	883826	Oil load plug	1	
14	GU19015020	Bushing	2	
15	886365	Gasket ring	1	
16	GU96508055	Stud bolt	2	
17	1A006283	Long head stud bolt	4	
18	1A006284	Short head stud bolt	4	
19	1A006860	Central head stud bolt	2	
20	484993	Locating dowel	2	
21	1A0052625	Coupled crankcase	1	
22	GU31003766	Oil unload plug M10x1	1	
23	GU10528900	Gasket	1	
24	GU98682325	Hex socket screw M6x25	12	
25	GU90706281	O-ring 28,24x2,62	1	

Group	Engine
Code	03.050
Description	Air box
Service	1



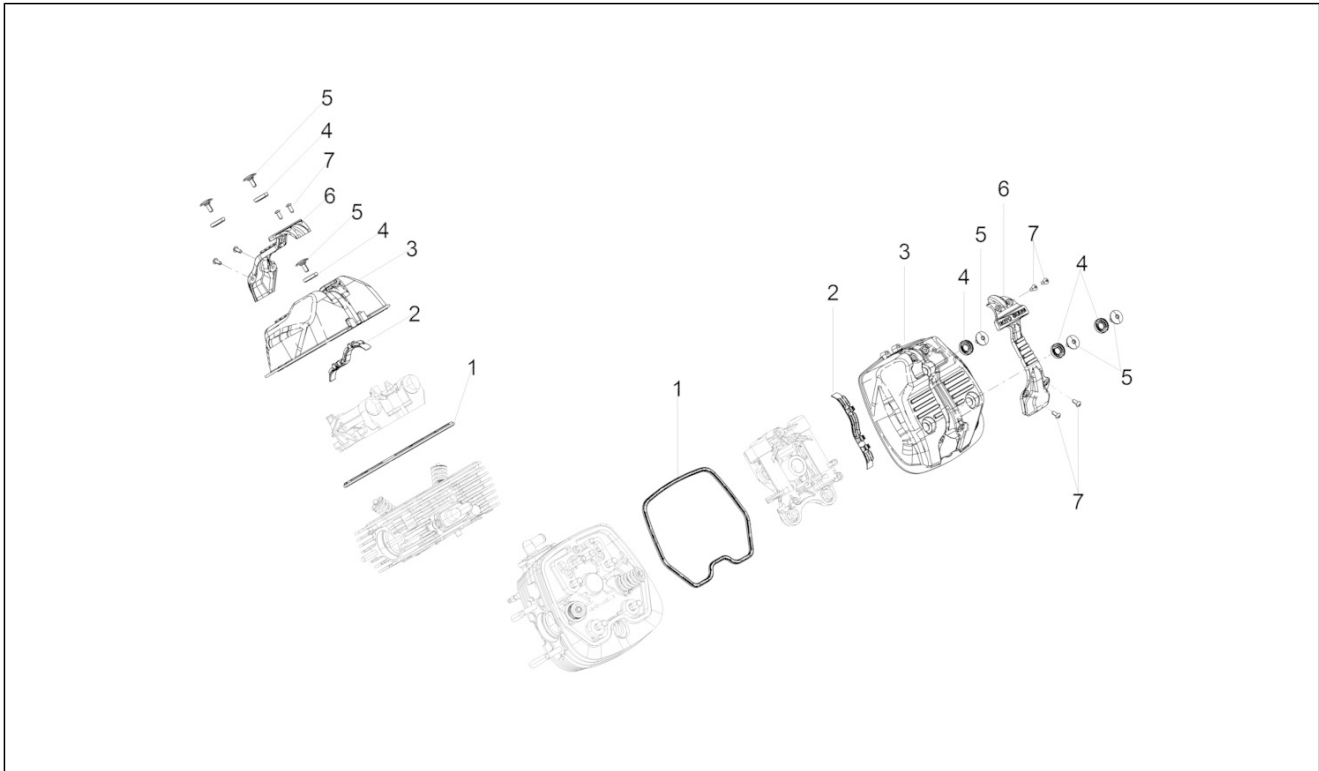
Pos.	Code	Description	Qty	Variants
1	AP8152329	Phillips screw, SWP M5x20	9	
2	2B002832	LH filter housing cover	1	
3	AP8120455	Rubber spacer	1	
4	AP8104525	Filter blow-by	2	
5	2B002851	Diaphragm	1	
6	AP8120615	Gasket D3	1	
7	AP8104924	Air filter	1	
8	887815	Intake hose	1	
9	887843	Air filter cover	1	
10	AP8150509	Self-tap screw 5x14	4	
11	AP8120876	Plug	2	
12	887844	Filter box right shell	1	
13	890760	Instrument support	1	
14	2B002959	Filter box	1	
15	AP8102520	Hose clamp	2	
16	AP8161054	Cap	2	
17	CM258303	Hose clamp 63	1	
18	AP8221023	T bush	2	
19	GU91551010	Rubber 10X20X10	2	

Group	Engine
Code	03.060
Description	Throttle body
Service	1



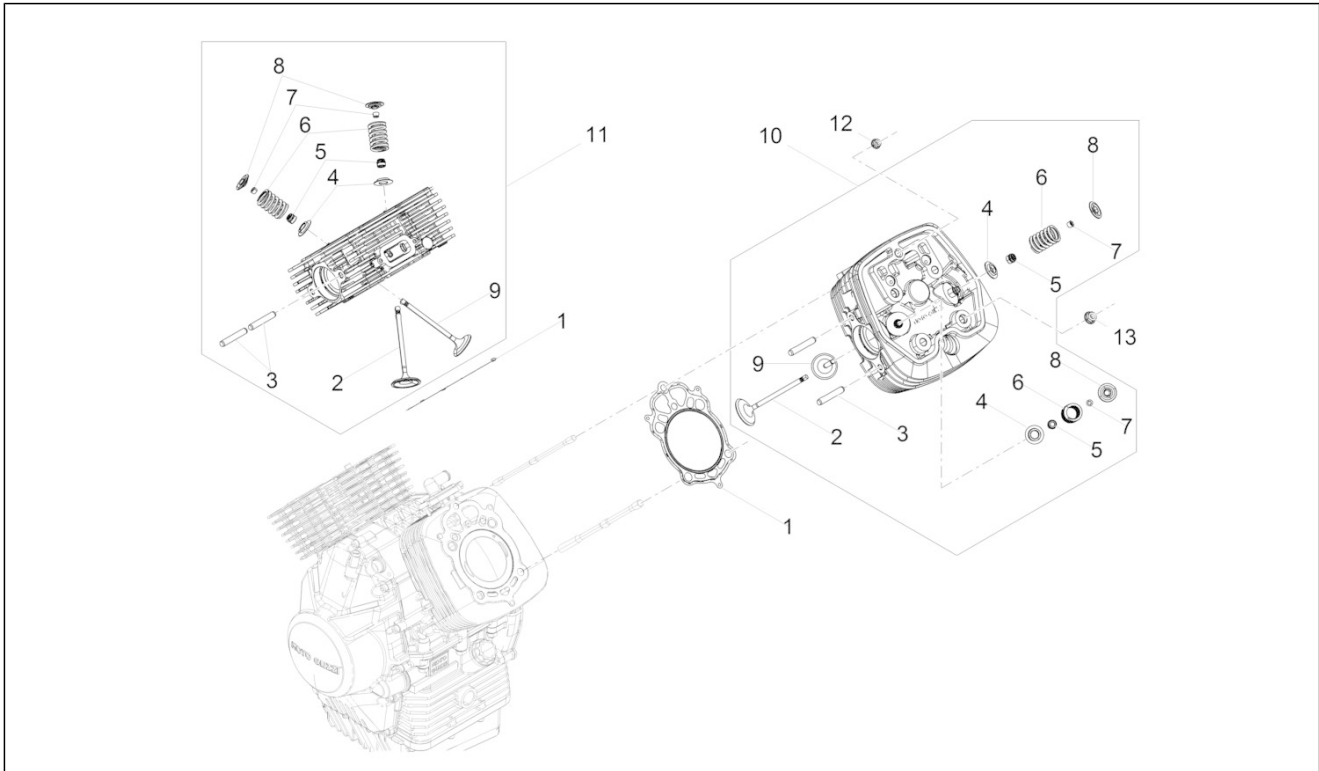
Pos.	Code	Description	Qty	Variants
1	CM275401	Throttle body with E.C.U.	1	
2	1D001393	Injector	2	
3	2A000609	RH union	1	
4	880260	Throttle body Protection	1	
5	B016796	Torx convex big end screw	3	
6	AP8150500	Hex socket screw M5x9	2	
7	2A000612	Induction joint gasket	2	
8	2A000608	LH union	1	
9	GU98622322	screw	6	
10	GU03013800	Washer 6,4x12	6	
11	884310	Hose clamp D.55	2	
12	2B001823	Throttle body hose	1	
13	CM258301	Hose clamp	1	

Group	Engine
Code	03.090
Description	Head cover
Service	1



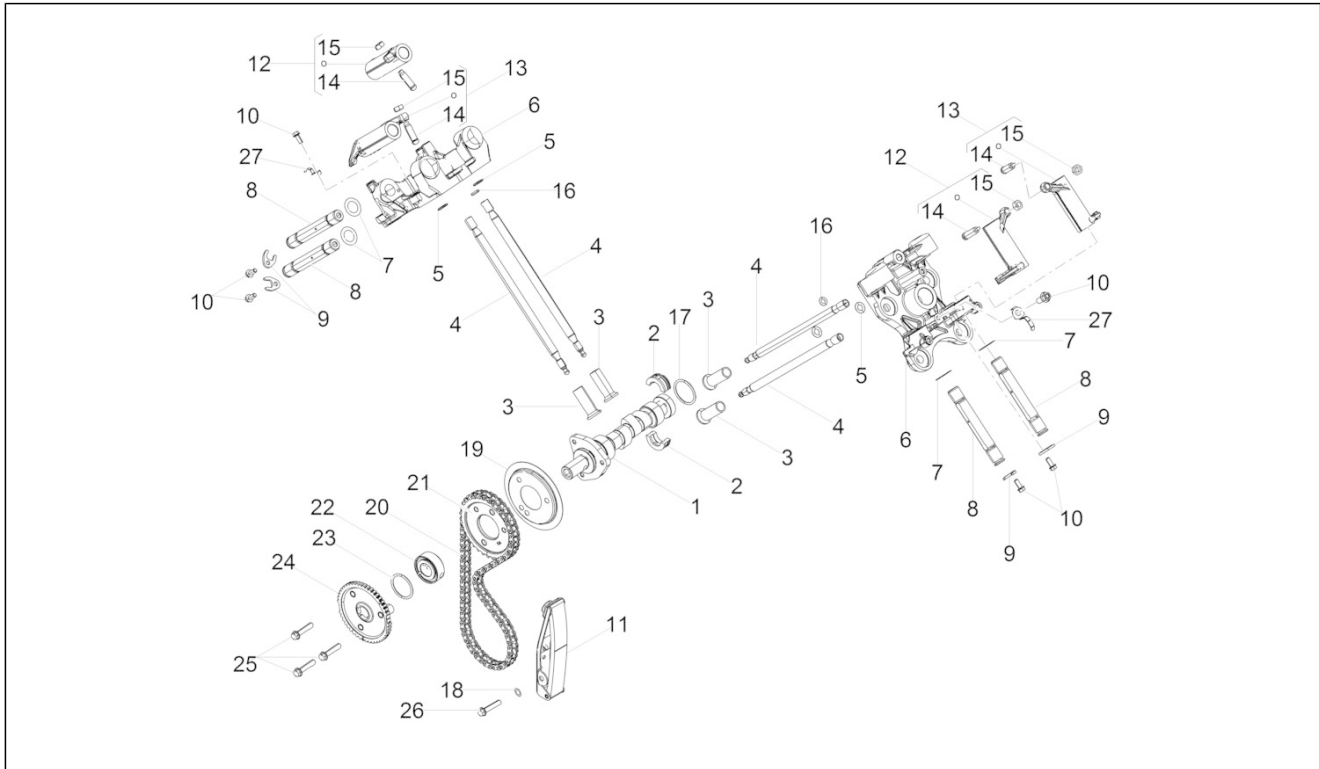
Pos.	Code	Description	Qty	Variants
1	2A000565	Head cover gasket	2	
2	2A000659	Fairlead	2	
3	2A000339	Head cover	2	
4	1A006716	Damper drift	6	
5	976591	Special screw	6	
6	2A000620	Spark plug cover	2	
7	AP8152267	Hex socket screw M5x12	8	

Group	Engine
Code	03.100
Description	Cylinder head - valves
Service	1



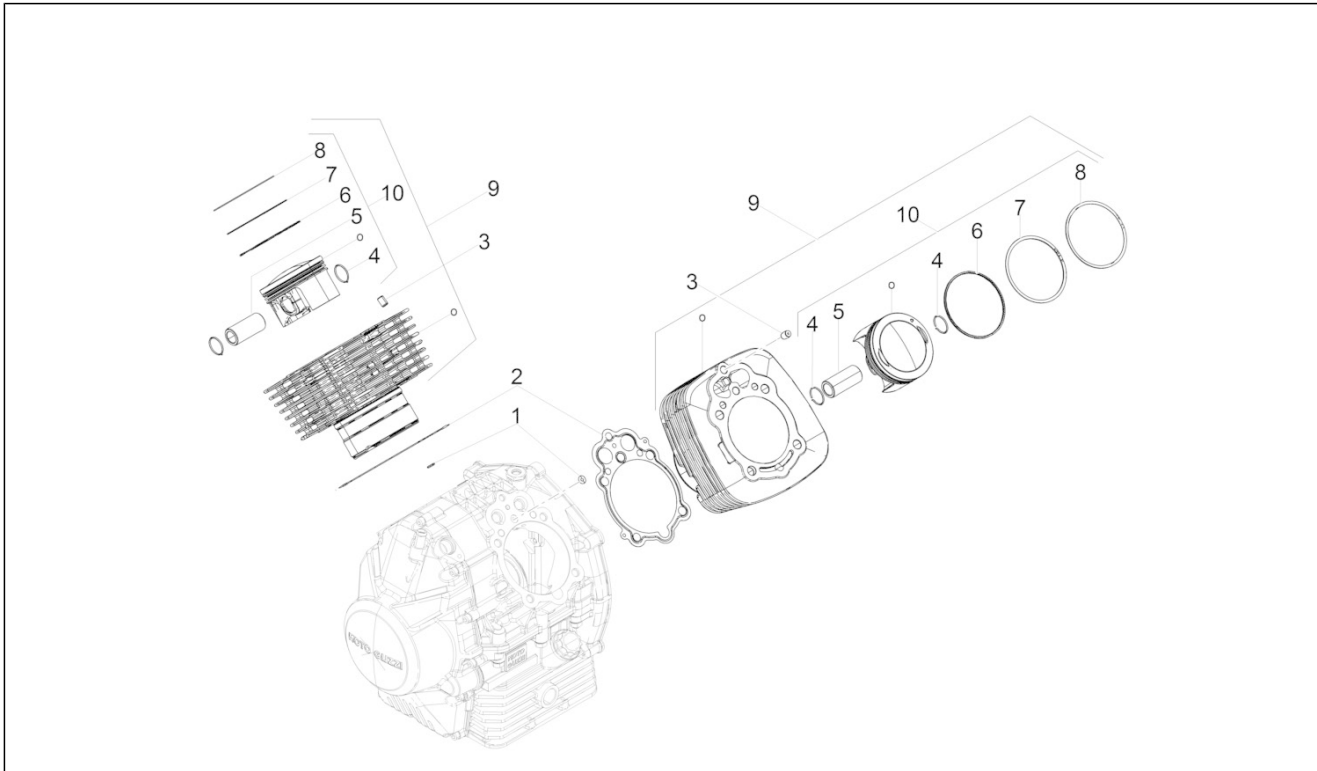
Pos.	Code	Description	Qty	Variants
1	1A004660	Cylinder/head gasket sp. 0,6 mm	0.66	
1	1A004661	Cylinder/head gasket SP. 0.8 mm	0.66	
1	1A004662	Cylinder/head gasket SP. 10 mm	1	
2	1A005424	Valve, in	1	
3	B017636	Exhaust pipe stud bolt	2	
4	1A004751	Lower cap	4	
5	1A003452	Valve gasket ring	2	
6	1A004752	Return spring	2	
7	871640	Half-cone	8	
8	1A004750	Upper cap	4	
9	1A005425	Exhaust valve	1	
10	1A0068695	LH head assy with valve	1	
11	1A0068705	RH head assy w/h valve	1	
12	1A006659	Flanged nut M8x1.25	1	
13	825694	Nut M10x1,25	1	

Group	Engine
Code	03.120
Description	Timing system
Service	1



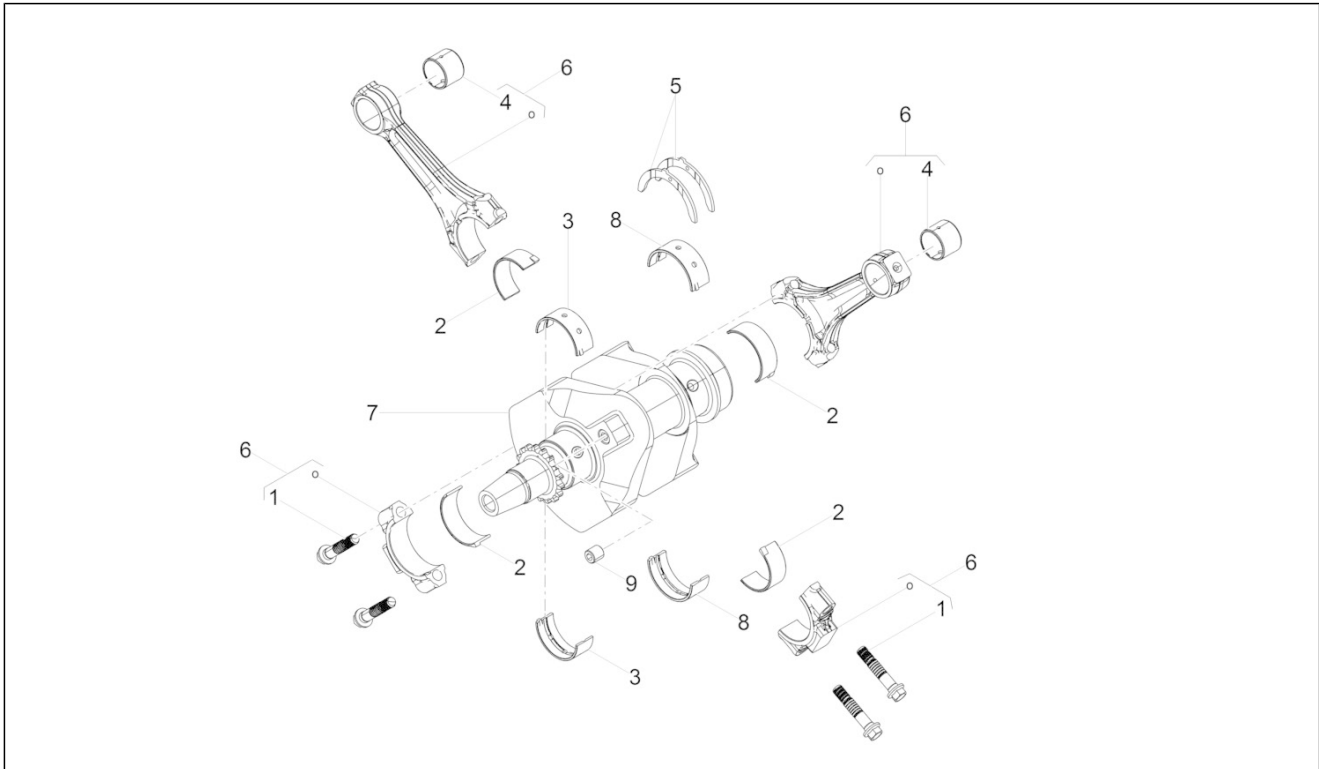
Pos.	Code	Description	Qty	Variants
1	1A005712	Camshaft	1	
2	GU19055700	Sector	2	
3	GU19045861	Tappet	4	
4	2A000496	Rocker arm rod	4	
5	2A000579	O-Ring seal ring 2,62x9.19	4	
6	2A0003535	Rocker arm support	2	
7	1A005951	Curved spring washer	4	
8	2A000528	Rocker shaft	4	
9	2A000521	Fork	4	
10	AP8152272	Screw w/ flange M5x12	4	
11	GU19058220	Chain stretching drive	1	
12	1A004905	Left exhaust right intake rocker	2	
13	1A004903	Right exhaust left intake rocker	2	
14	1A004907	Adjuster screw	2	
15	GU10034100	Nut	2	
16	1A006861	Gasket ring	2	
17	GU90353029	Snap ring	1	
18	GU95129115	Washer	1	
19	1A005955	Plate	2	
20	GU19058021	Camshaft chain	1	
21	1A006243	Timing system gear	1	
22	1A006119	Spacer	1	
23	1A006127	Oring	1	
24	1A0057145	Phonic wheel	0	
25	1A005016	Screw w/ flange	3	
26	GU98882316	screw	1	
27	2A000527	Plate	2	

Group	Engine
Code	03.150
Description	Cylinder - Piston
Service	1



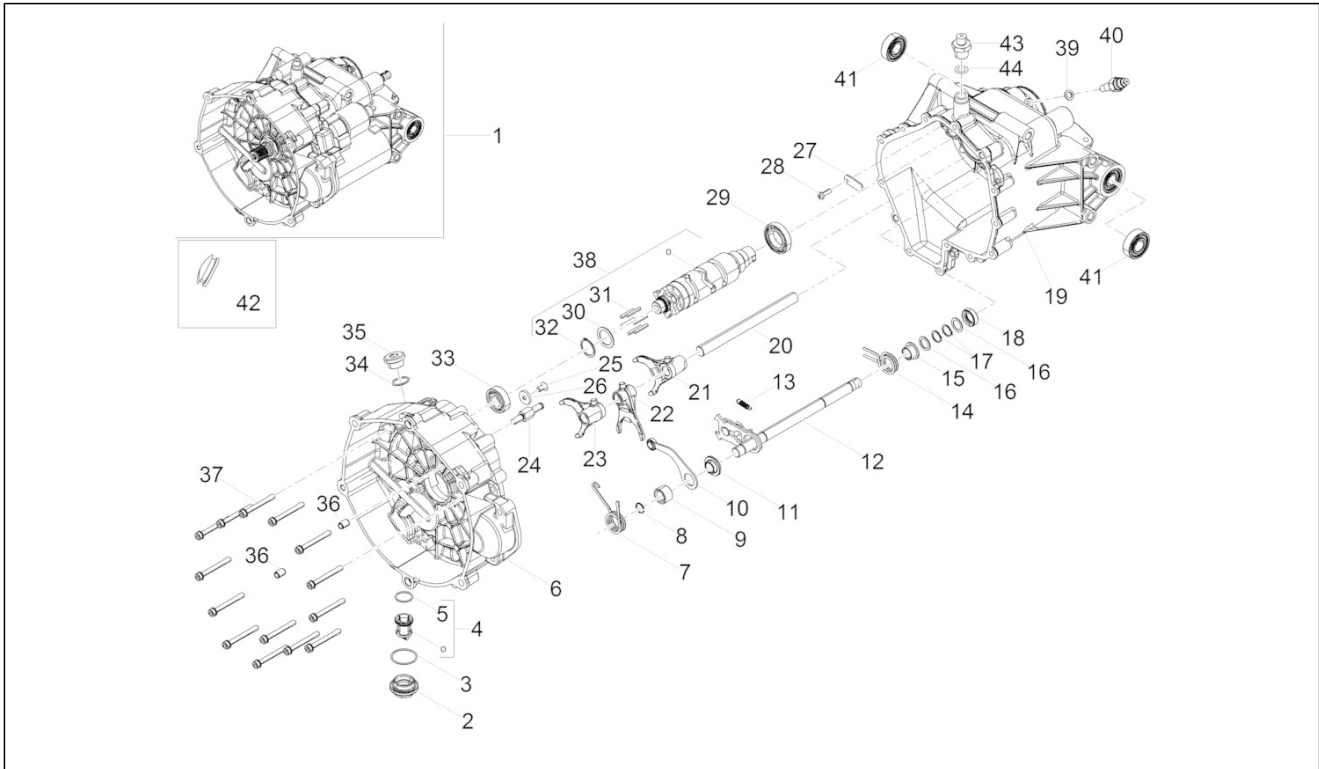
Pos.	Code	Description	Qty	Variants
1	GU61027200	O-ring	2	
2	1A007070	Crankcase/cylinder gasket	2	
3	GU19021360	Bushing	2	
4	874567	Stop ring	4	
5	1A004956	Piston pin	2	
6	1A004955	Oil scraper ring	2	
7	1A004954	Compression ring	2	
8	1A004953	Compression ring	2	
9	1A007111	Cylinder with piston	1	
10	1A006272AA	Pistone cpl. selezione "G"	1	
10	1A006272BB	Pistone cpl. selezione "H"	1	
10	1A006272CC	Pistone cpl. selezione "L"	1	
10	1A006272DD	Pistone cpl. selezione "M"	1	

Group	Engine
Code	03.160
Description	Drive shaft
Service	1



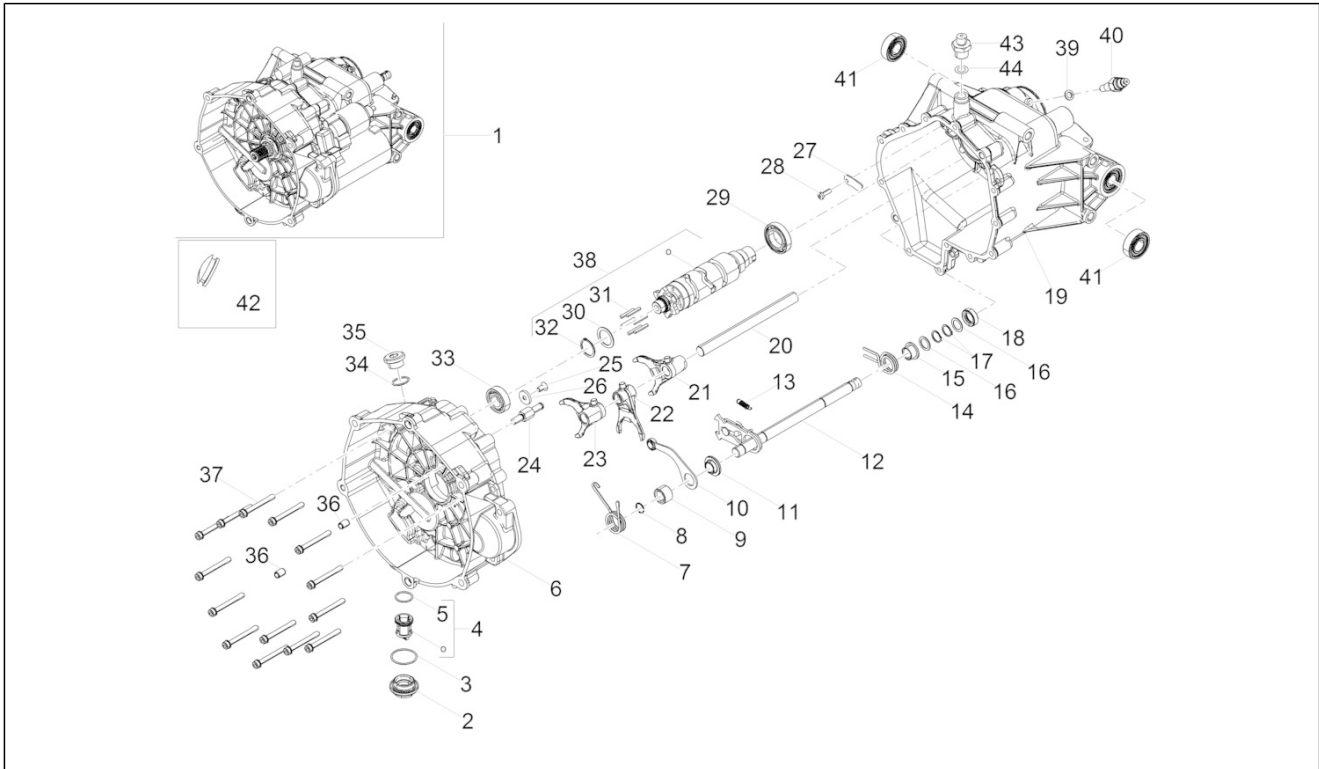
Pos.	Code	Description	Qty	Variants
1	GU19062261	screw	4	
2	GU27062060	Bearing half-shell	4	
3	GU27065660	Front main half-bearing	2	
4	GU27061885	Bushing	2	
5	GU27066460	Half-clamp	2	
6	1A005325AA	Biella classe selezione "A"	1	
6	1A005325BB	[...]	1	
7	2A000588AA	Albero motore cpl.cat."A"	1	
7	2A000588BB	Albero motore cpl.cat."B"	1	
8	GU27066560	Rear main half-bearing	2	
9	GU19065400	Cover	1	

Group	Engine
Code	03.170
Description	Gear box / Selector / Shift cam
Service	1



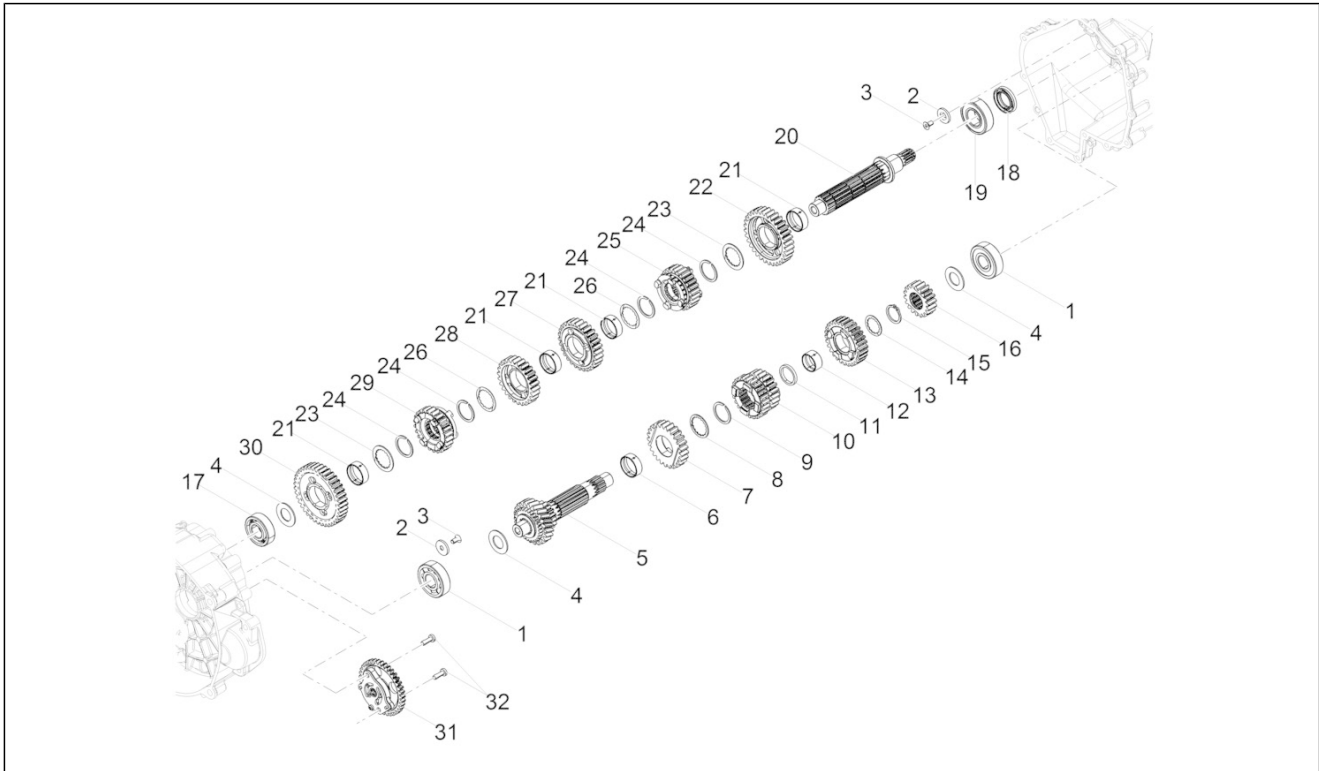
Pos.	Code	Description	Qty	Variants
1	2A00042115	Transmission, assy	1	
2	B015598	Oil filter plug	1	
3	285536	O-ring 31,47x1,78	1	
4	B018020	Oil filter cpl.	1	
5	B017406	O-ring 20.35x1.78	1	
6	2A0007505	Clutch drum	1	
7	B064113	Index spring	1	
8	GU90353014	Circlip	1	
9	GU05234230	Spacer	1	
10	B064112	Index assy. lever	1	
11	GU05238431	Bushing	1	
12	2A000219	Preselection complete	1	
13	GU05238231	Spring	1	
14	B063956	Spring	1	
15	2A000467	Spacer	1	
16	GU05239330	Fifth wheel	2	
17	GU90271014	Circlip	2	
18	GU90401424	Gasket ring 14x24x7	1	
19	2A0007425	Gear box	1	
20	2A000224	Rod	1	
21	2A000226	Fork 2-3 speed	1	
22	2A000227	5-6 gear fork	1	
23	2A000225	Fork for secondary shaft	1	
24	2A000415	Set screw	1	
25	B013608	Screw	1	
26	873905	Washer	1	
27	2A000241	Screw M5x16	1	
27	2A000306	Lock plate	1	

Group	Engine
Code	03.170
Description	Gear box / Selector / Shift cam
Service	1



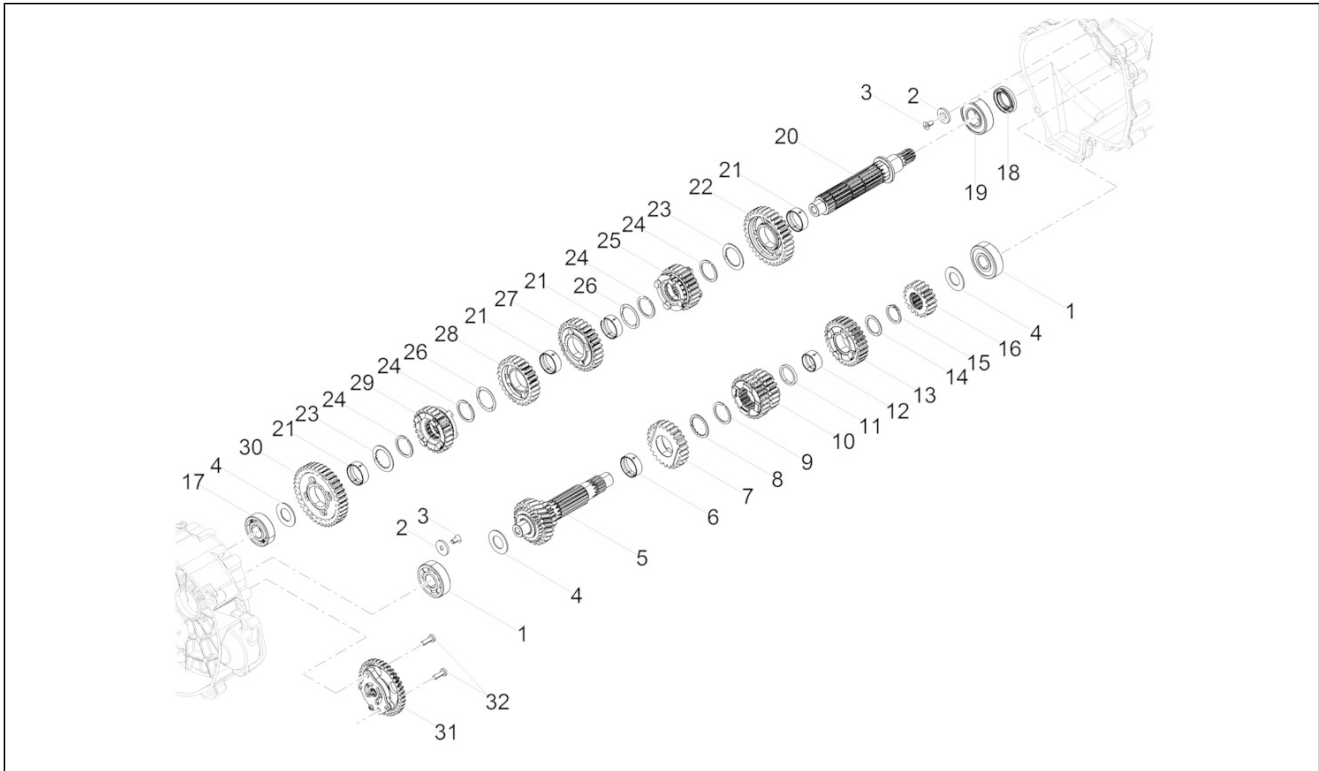
Pos.	Code	Description	Qty	Variants
28	2A000241	Screw M5x16	1	
29	857250	Ball bearing 25x42x9	1	
30	GU05235531	Spacer	1	
31	GU05234631	Pin	6	
32	GU90271022	Circlip	1	
33	834764	Bearing	1	
34	GU90706203	O-ring 20,24X2,62	1	
35	GU12022600	Oil plug	1	
36	GU19002020	Bushing 6,6x9x13	2	
37	2A000591	Special hex socket screw M6x55	14	
38	2A000222	Shift cam cpl.	1	
39	B063025	Gasket 8.7x14.2x1.3	1	
40	B063269	Sensor	1	
41	2A000097	Ball bearing 6202-2RSH/C3 LHT23	2	
42	GU93180220	Cover	1	
43	2A000438	Breather plug	1	
44	224566	Washer	1	

Group	Engine
Code	03.180
Description	Gear box - Gear assembly
Service	1



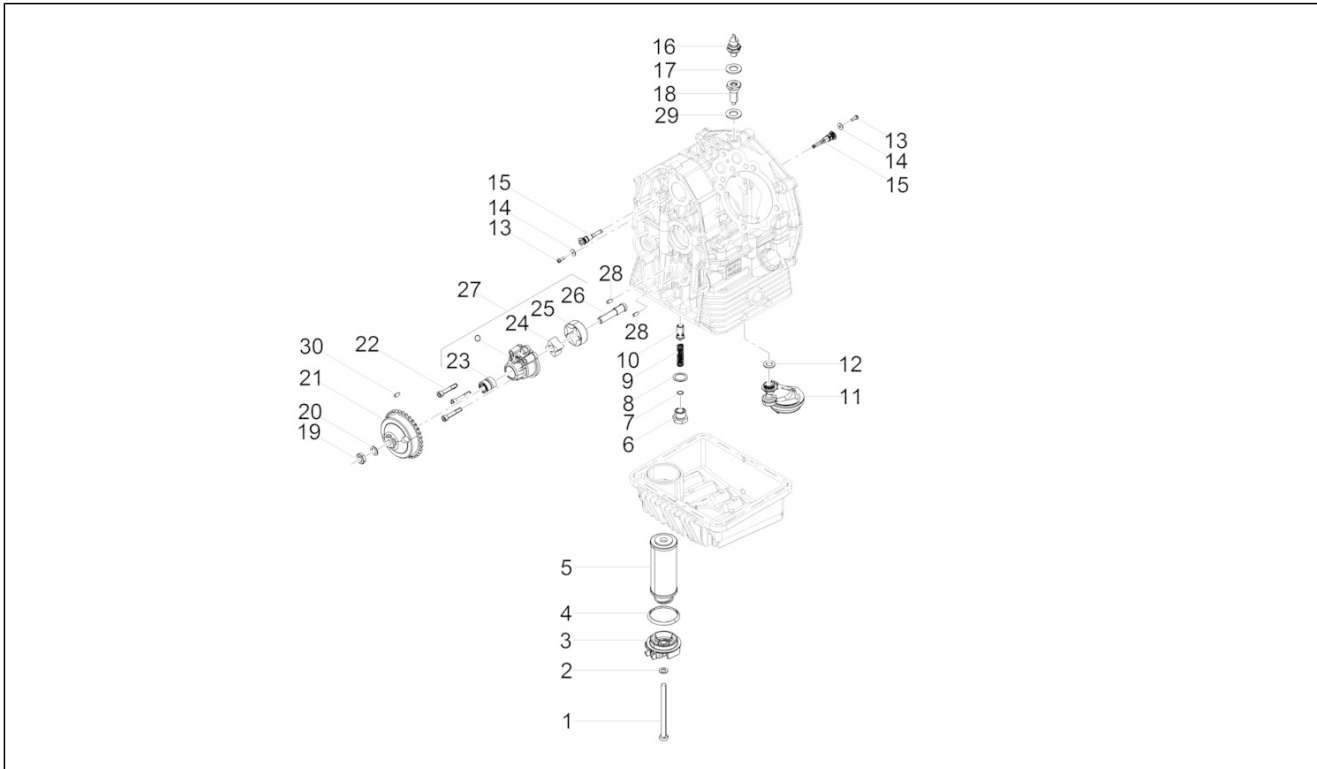
Pos.	Code	Description	Qty	Variants
1	GU92201822	Ball bearing 20x52x15	2	
2	873928	Washer	2	
3	B013608	Screw	2	
4	1A000566	Thrust washer	1	
5	2A000727	Primary gear shaft	1	
6	849308	Moveable bush	1	
7	1A000360	Fifth speed gear	1	
8	849424	Clearance washer	1	
9	1A002604	Shaft snap ring	1	
10	1A000436	Sliding pinion 3a - 4a vel.	1	
11	B015040	Thrust washer	1	
12	974162	Moveable bush	1	
13	2A000627	Gear 6a	1	
14	849396	Clearance washer	1	
15	974165	Snap ring	1	
16	1A000365	2nd pinion gear	1	
17	848650	Ball bearing 20x47x14	1	
18	GU90412541	Gasket ring 25X40X7	1	
19	GU92201226	Ball bearing 25x52x15	1	
20	2A000203	Secondary gearbox shaft	1	
21	849308	Moveable bush	4	
22	1A000366	Second speed gear Z=32	1	
23	849309	Clearance washer	2	
24	1A002604	Shaft snap ring	4	
25	1A000370	Gear 6a Z=24	1	
26	849310	Clearance washer	2	
27	1A000367	Third speed gear Z=28	1	
28	1A000368	Fourth speed gear Z=26	1	

Group	Engine
Code	03.180
Description	Gear box - Gear assembly
Service	1



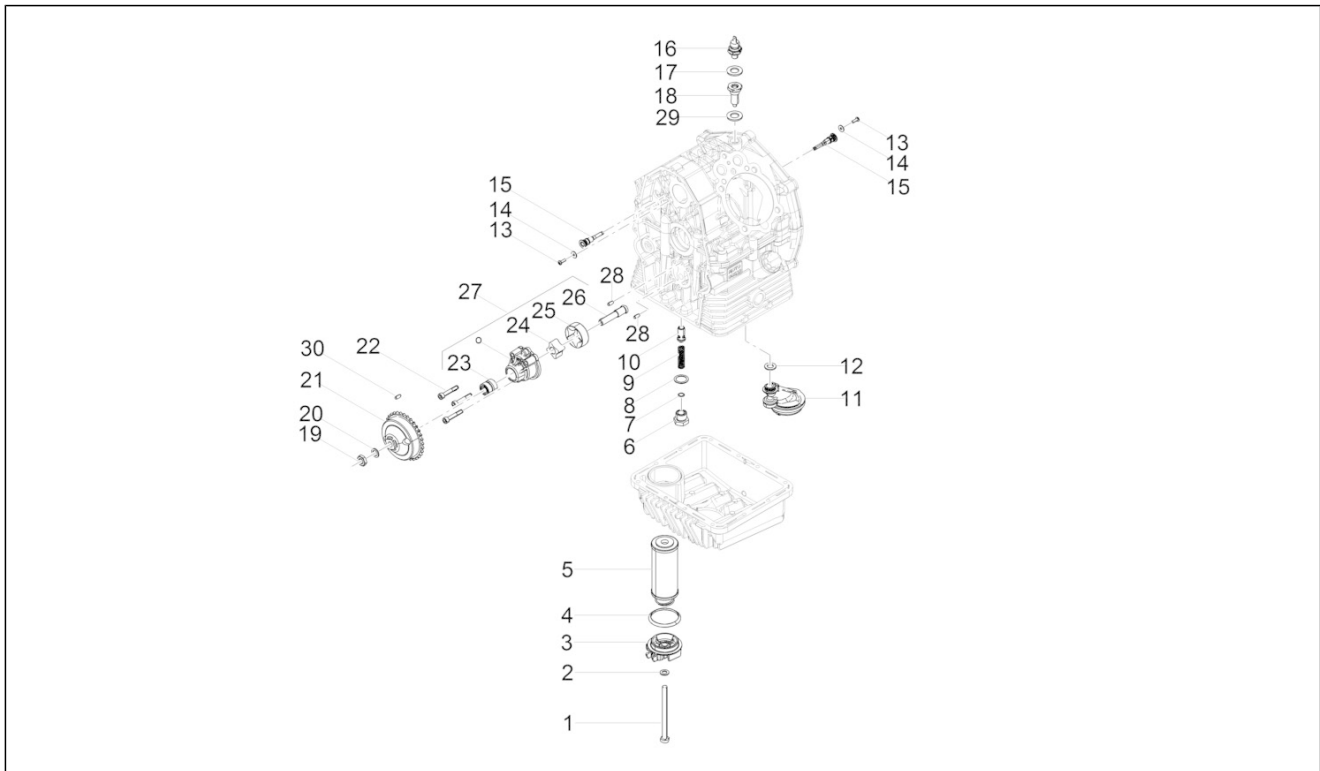
Pos.	Code	Description	Qty	Variants
29	1A000369	Fifth speed gear Z=24	1	
30	2A000629	1st gear	1	
31	B018448	Oil pump assy.	1	
32	2A000241	Screw M5x16	2	

Group	Engine
Code	03.190
Description	Lubrication
Service	1



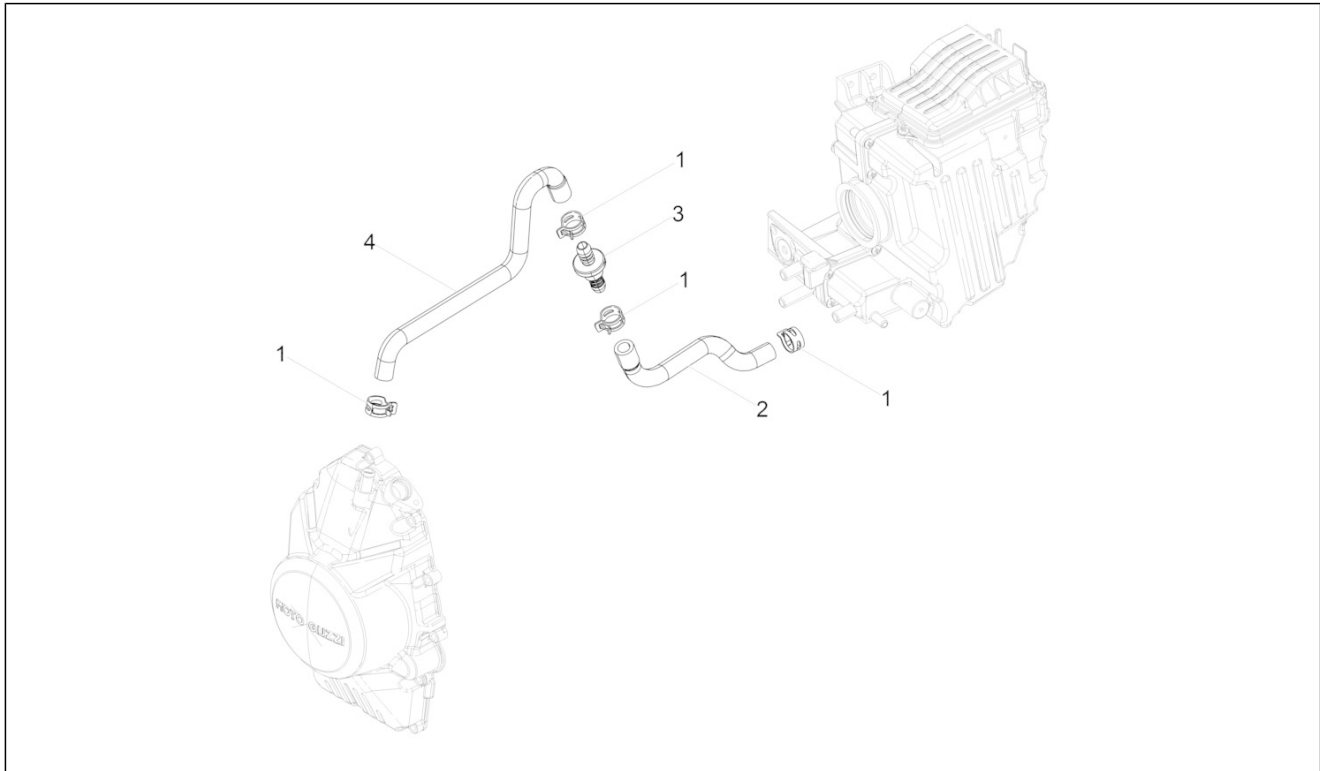
Pos.	Code	Description	Qty	Variants
1	GU27152885	Bolt	1	
2	GU12154200	Gasket 8,25x15x1	1	
3	1A005199	Oil filter cover	1	
4	GU90706444	O-ring	1	
5	2A000633	Oil filter	1	
6	GU31159050	Cover	1	
7	GU95008206	Washer 6,15x11x0,8	1	
8	GU18144350	Washer 18,25x24x1	3	
9	GU94321079	Spring	1	
10	GU31150950	Piston	1	
11	1A004549	Oil strainer	1	
12	237553	O-ring	1	
13	1A005257	Oval head screw	2	
14	013763	Flat washer 4,2x12x1	2	
15	1A004442	Piston cooling jet	2	
16	643090	Minimum oil pressure sensor	1	
17	GU95100309	Washer	1	
18	887093	Union	1	
19	GU92602510	Nut M10x1,25	1	
20	AP8152220	Washer	1	
21	GU20147710	Pump gear	1	
22	1A007008	Hex socket screw M6x35 preimpregnata	3	
23	1A006064	Roller bearing	1	
24	1A006056	Internal rotor	1	
25	1A006055	External rotor	1	
26	GU20147810	Oil pump shaft assy.	1	
27	1A006053	Oil pump assembly	1	
28	GU19018920	Pin	2	

Group	Engine
Code	03.190
Description	Lubrication
Service	1



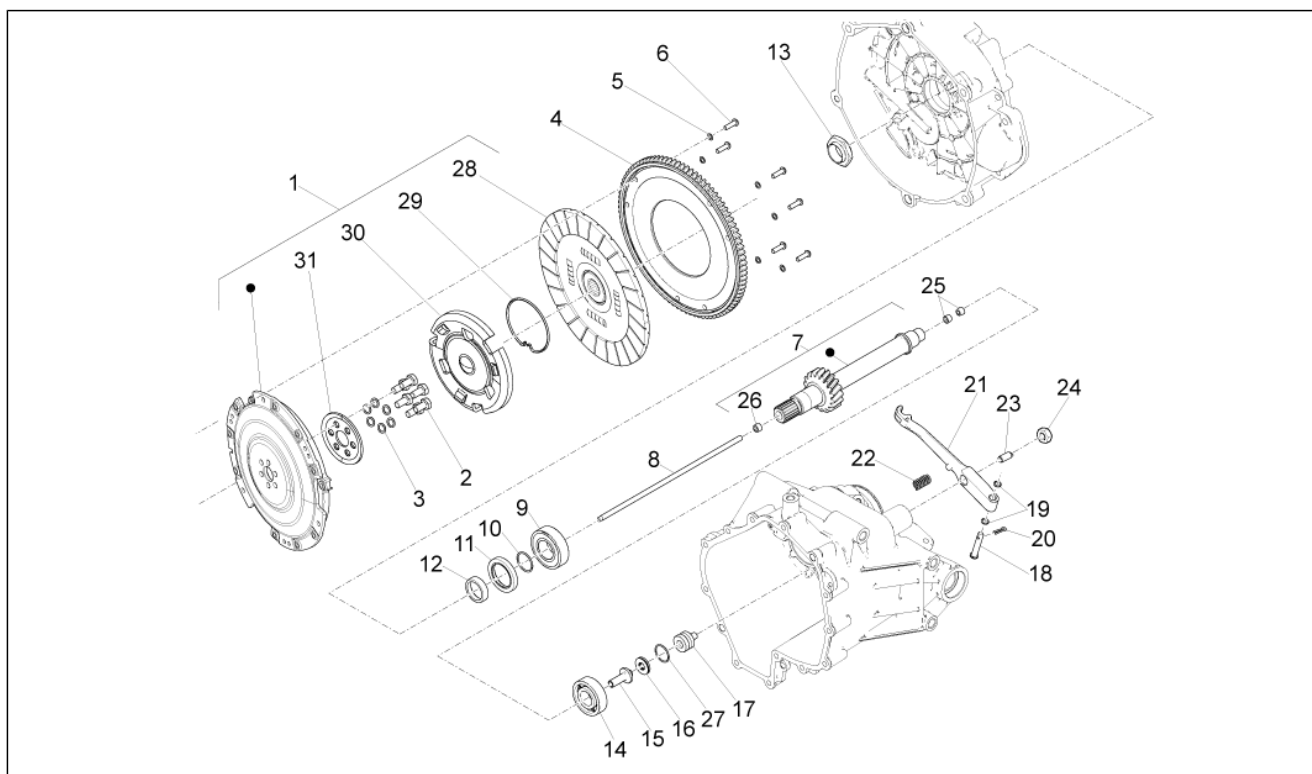
Pos.	Code	Description	Qty	Variants
29	GU95100602	Gasket	1	
30	GU92296723	Roller	1	

Group	Engine
Code	03.196
Description	Blow-by system
Service	1



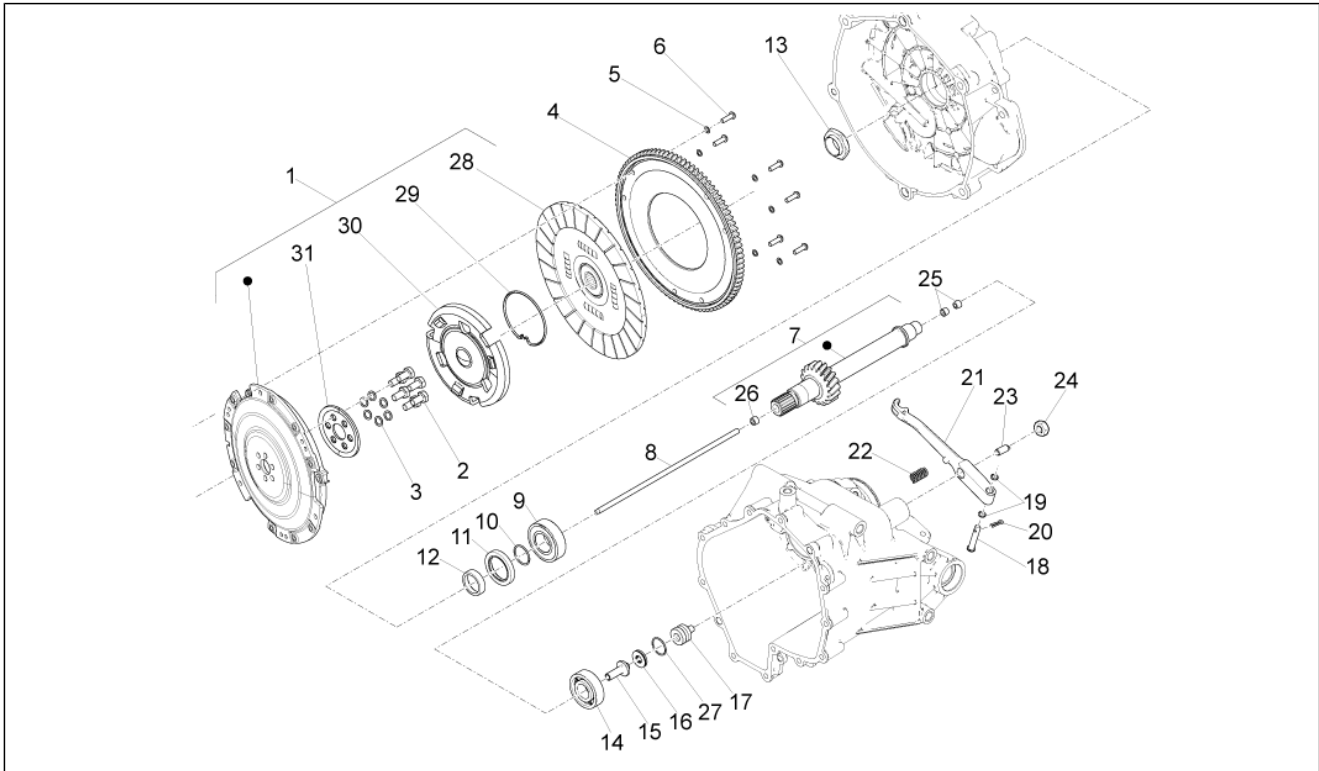
Pos.	Code	Description	Qty	Variants
1	CM226902	Spring clamp 19/12	4	
2	2B003204	Blow-by pipe	1	
3	2B003105	Anti-return valve	1	
4	2B002602	Blow-by pipe	1	

Group	Engine
Code	03.230
Description	Clutch
Service	1



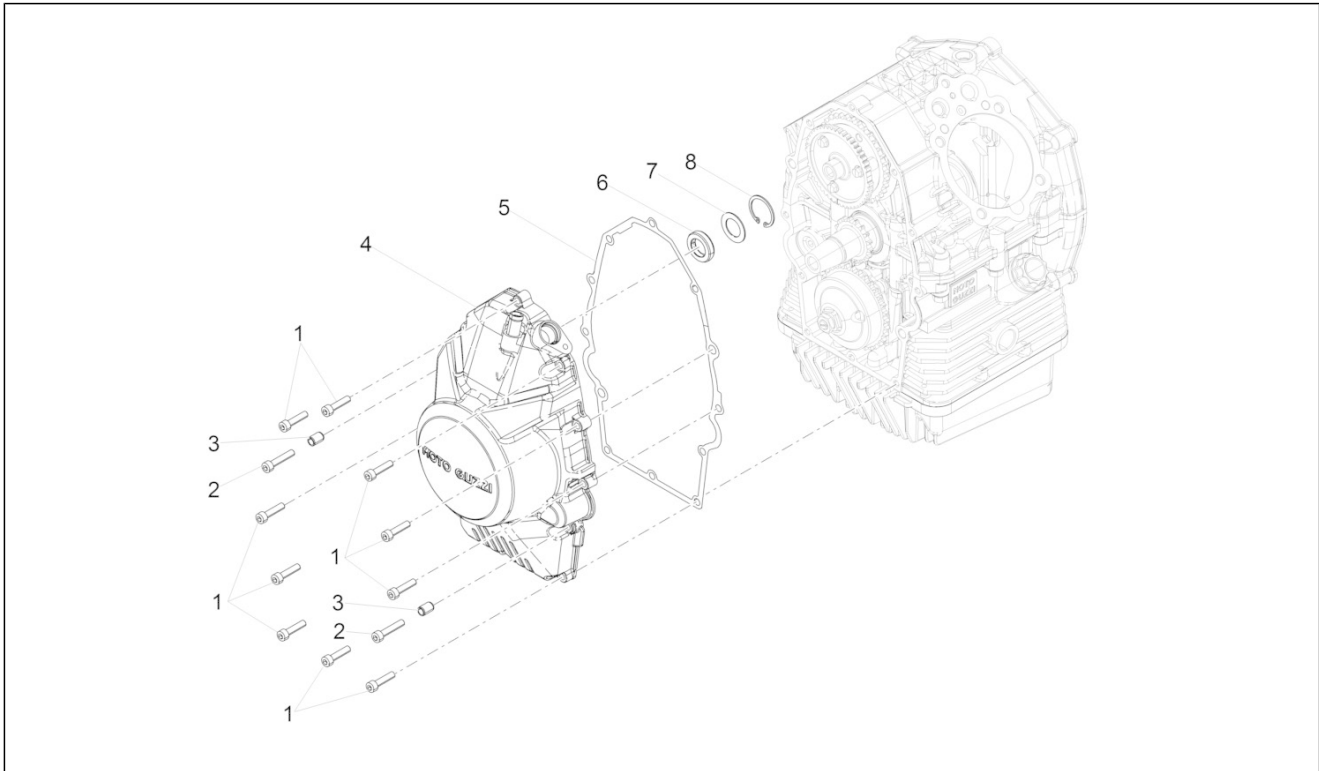
Pos.	Code	Description	Qty	Variants
1	2A000419	Gruppo frizione monodisco completo	1	
2	GU19067700	screw	6	
3	GU14615901	Washer 8,4X13X0,8	6	
4	2A000724	Corona dentata avviamento	1	
5	GU14217901	Washer 6,4x10x0,7	6	
6	623920	screw torx	6	
7	2A000792	Clutch shaft cpl. Z=21	1	
8	2A000216	Drive rod	1	
9	GU92201226	Ball bearing 25x52x15	1	
10	GU90706235	O-ring 23,52x1,78	1	
11	886629	Gasket ring	1	
12	GU19213760	Spacer	2	
13	GU19356760	Nut	1	
14	2A000375	Ball bearing	1	
15	B013037	Clutch gear	1	
16	2A000376	Thrust bearing	1	
17	GU14086100	Outer body	1	
18	2A000384	Lever pin	1	
19	2A000385	O-ring 6.5x1.5	2	
20	GU95500222	Split pin	1	
21	2A000631	Clutch release shaft	1	
22	GU94321105	Lever return spring	1	
23	2A000767	Adjuster screw	1	
24	GU92606508	Nut	1	
25	GU14085900	Bush	2	
26	GU05217630	Bushing	1	
27	GU90706170	O-ring 17,13x2,62	1	
28	2A000770	Driven clutch disc	1	

Group	Engine
Code	03.230
Description	Clutch
Service	1



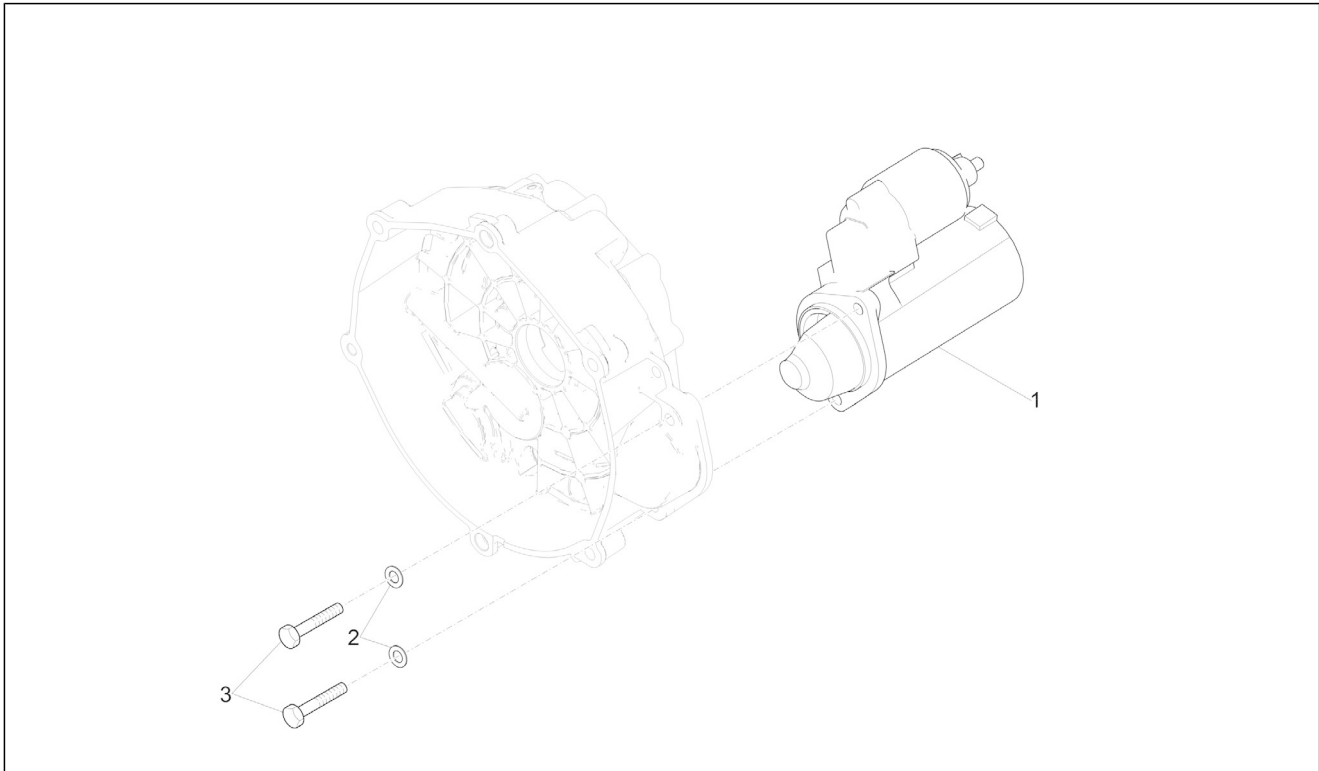
Pos.	Code	Description	Qty	Variants
29	2A000418	Ring	1	
30	2A000638	Spring cap	1	
31	2A000741	Support	1	

Group	Engine
Code	03.270
Description	Flywheel cover
Service	1



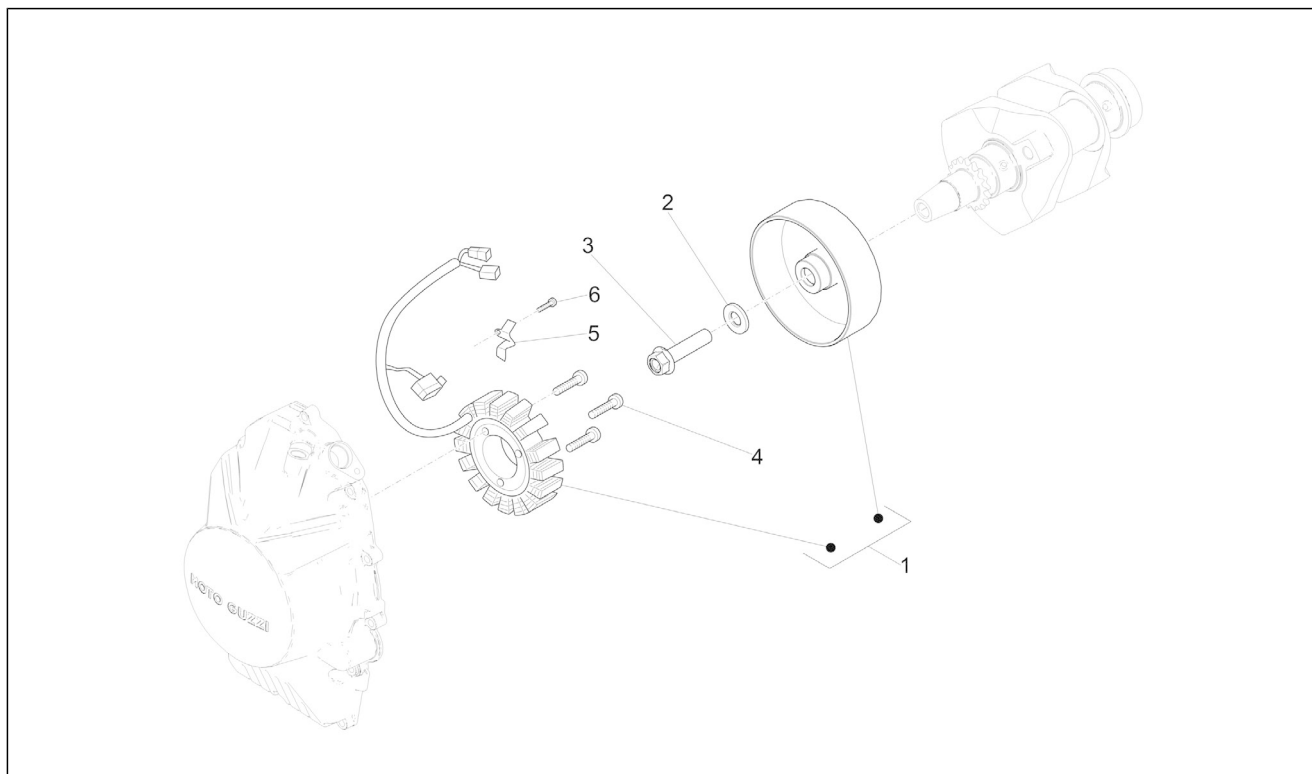
Pos.	Code	Description	Qty	Variants
1	GU98682325	Hex socket screw M6x25	10	
2	GU98682330	Hex socket screw M6x20	2	
3	GU19002020	Bushing 6,6x9x13	2	
4	1A006298	Cover	1	
5	887003	Cover gasket	1	
6	898268	Gasket ring 18x30x7	1	
7	898269	Clearance washer	1	
8	006630	Snap ring	1	

Group	Engine
Code	03.290
Description	Starter / Electric starter
Service	1



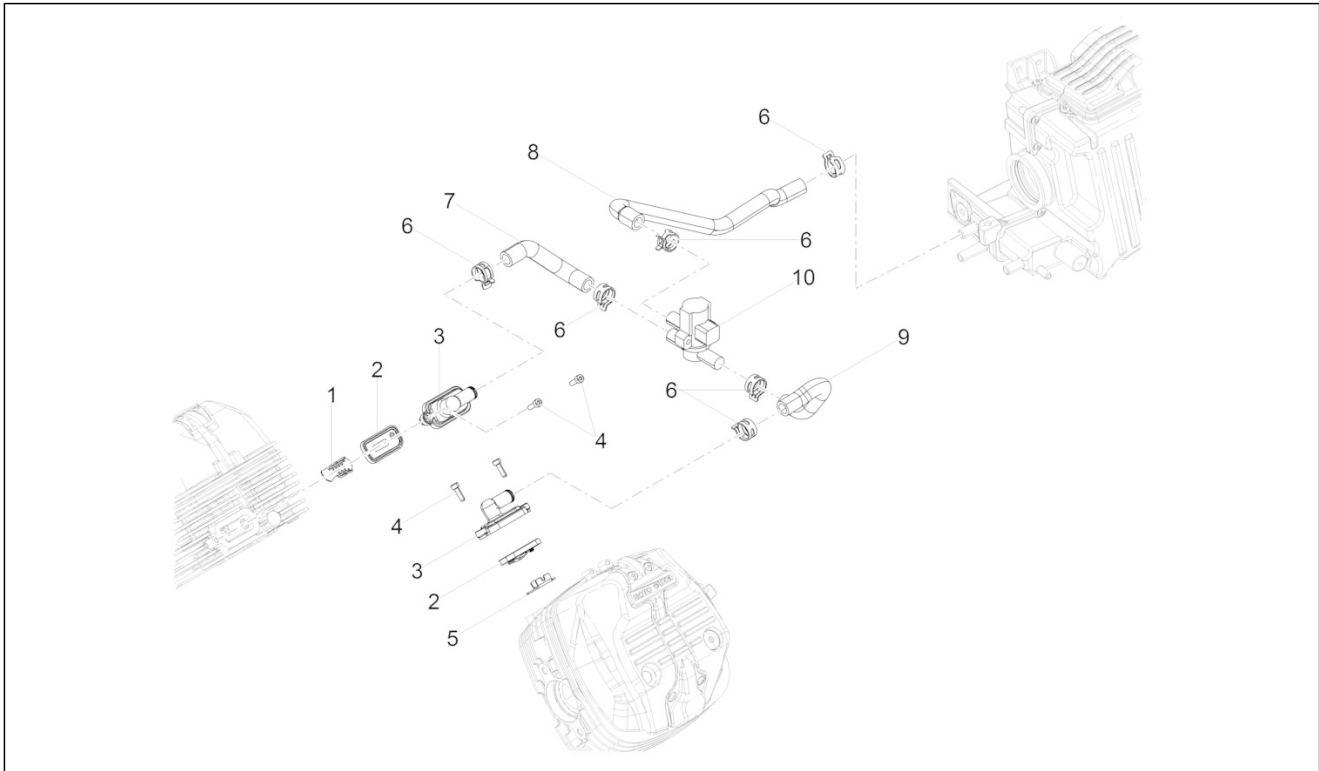
Pos.	Code	Description	Qty	Variants
1	97729R	Starter motor	1	
2	GU95008208	Washer 8,4X15X1,5	2	
3	GU98682435	Hex socket screw	2	

Group	Engine
Code	03.300
Description	Cdi magneto assy / Ignition unit
Service	1



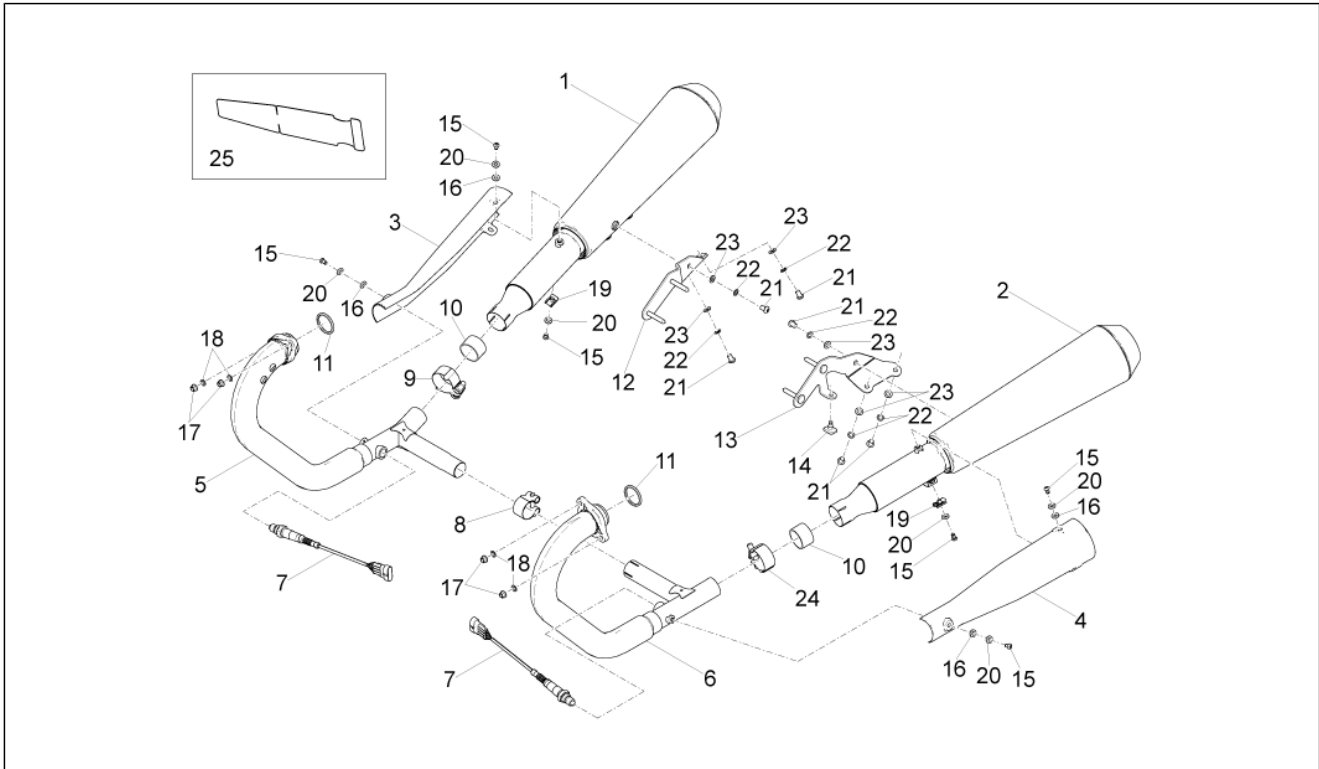
Pos.	Code	Description	Qty	Variants
1	2D000024	Cdi magneto assy	1	
2	897478	Washer 12x26.5x3	1	
3	857206	Screw w/ flange M12X1,25X50	1	
4	2A000129	Low head socket screw M6x35	3	
5	2A000115	Plate	1	
6	GU98682212	Hex socket screw M5x12	1	

Group	Engine
Code	03.320
Description	Secondary air
Service	1



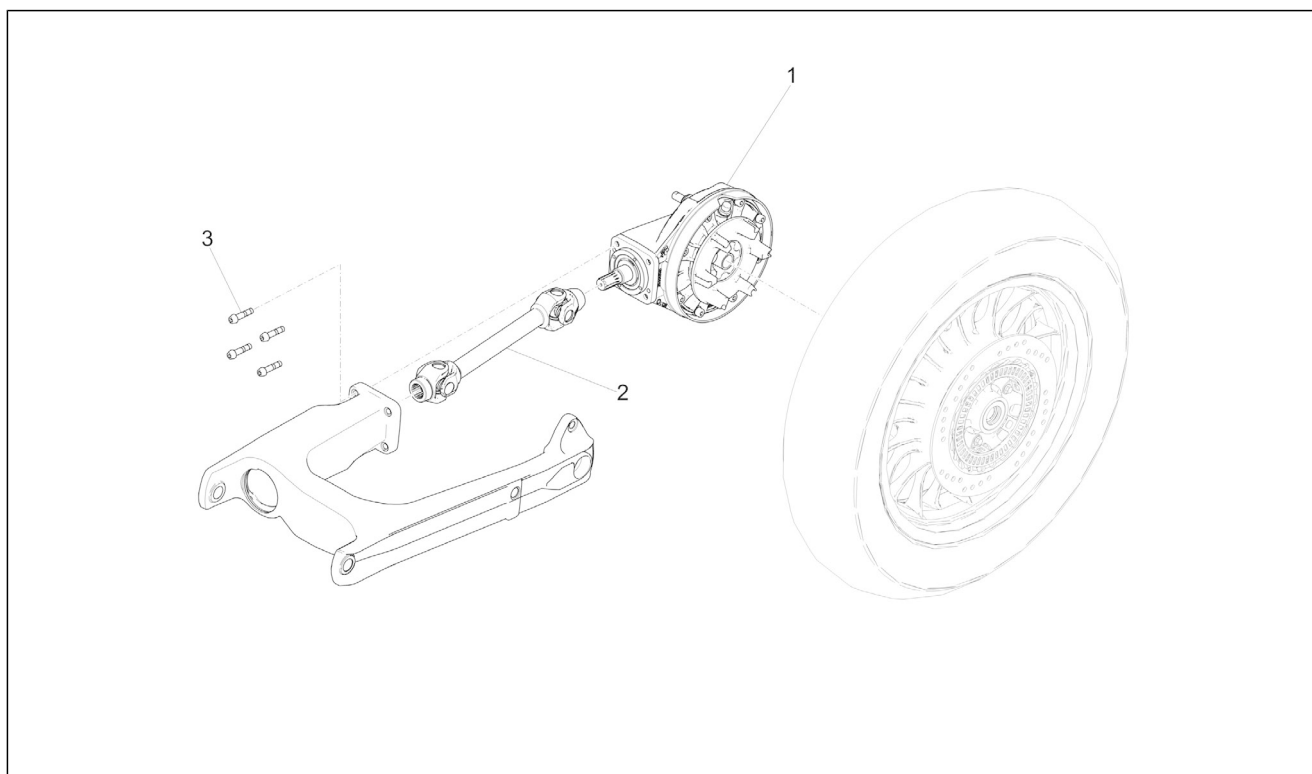
Pos.	Code	Description	Qty	Variants
1	857047	Spark arrester	1	
2	857045	Reed valve	2	
3	2A000597	Coperchio reed valve	1	
4	GU98612216	Hex socket screw	2	
5	857046	Spark arrester	1	
6	CM226902	Spring clamp 19/12	6	
7	2B002529	RH pipe "S.A.S."	1	
8	2B002531	Tubo cassa filtro "S.A.S."	1	
9	2B002530	LH pipe "S.A.S."	1	
10	857181	SAS valve	1	

Group	Engine
Code	03.330
Description	Exhaust pipe
Service	1



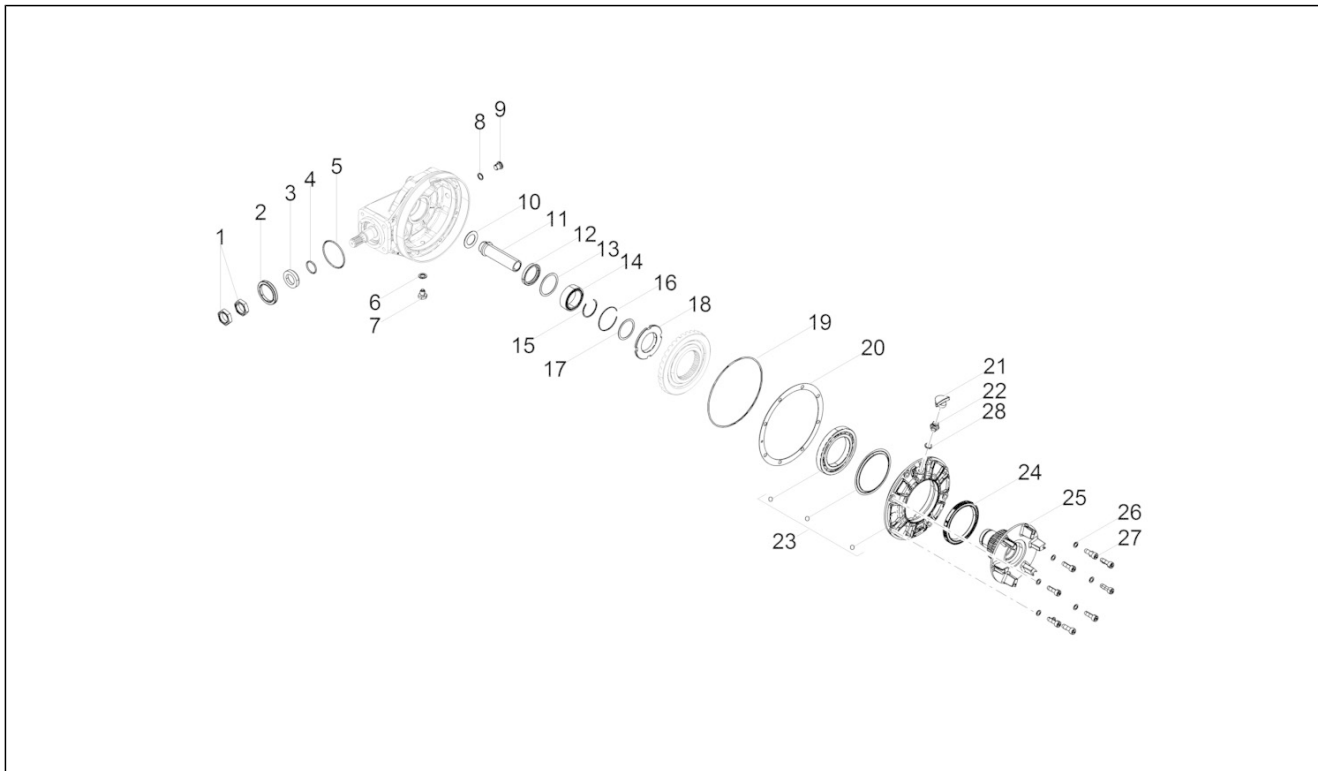
Pos.	Code	Description	Qty	Variants
1	2B0024975	RH silencer, chromium plated	1	
2	2B0024985	LH silencer, chromium plated	1	
3	2B0026145	Chromed right silencer protection	1	
4	2B0026135	Chromed left silencer protection	1	
5	2B002496	Right exhaust manifold	1	
6	2B002495	Left exhaust manifold	1	
7	896110	Lamda sensor l.660 mm	2	
8	B063292	D.37 clamp	1	
9	874957	Hose clamp	1	
10	GU91113826	Bushing	2	
11	852090	Exhaust pipe gasket	2	
12	2B002533	Right silencer support bracket with i.p.	1	
13	2B002532	Left silencer support bracket with i.p.	1	
14	AP8120455	Rubber spacer	1	
15	2B000215	Screw w/ flange M6x10	6	
16	876879	Spacer	4	
17	GU92660021	Flanged nut M8	4	
18	GU14615901	Washer 8,4X13X0,8	4	
19	254485	Spring plate M6	2	
20	834951	Conical washer	6	
21	AP8152055	Hex socket screw M8x12	6	
22	GU14615901	Washer 8,4X13X0,8	6	
23	GU95008208	Washer 8,4X15X1,5	6	
24	2B001935	Hose clamp	1	
25	2B003284	Heat protection	2	

Group	Engine
Code	03.340
Description	Transmission complete
Service	1



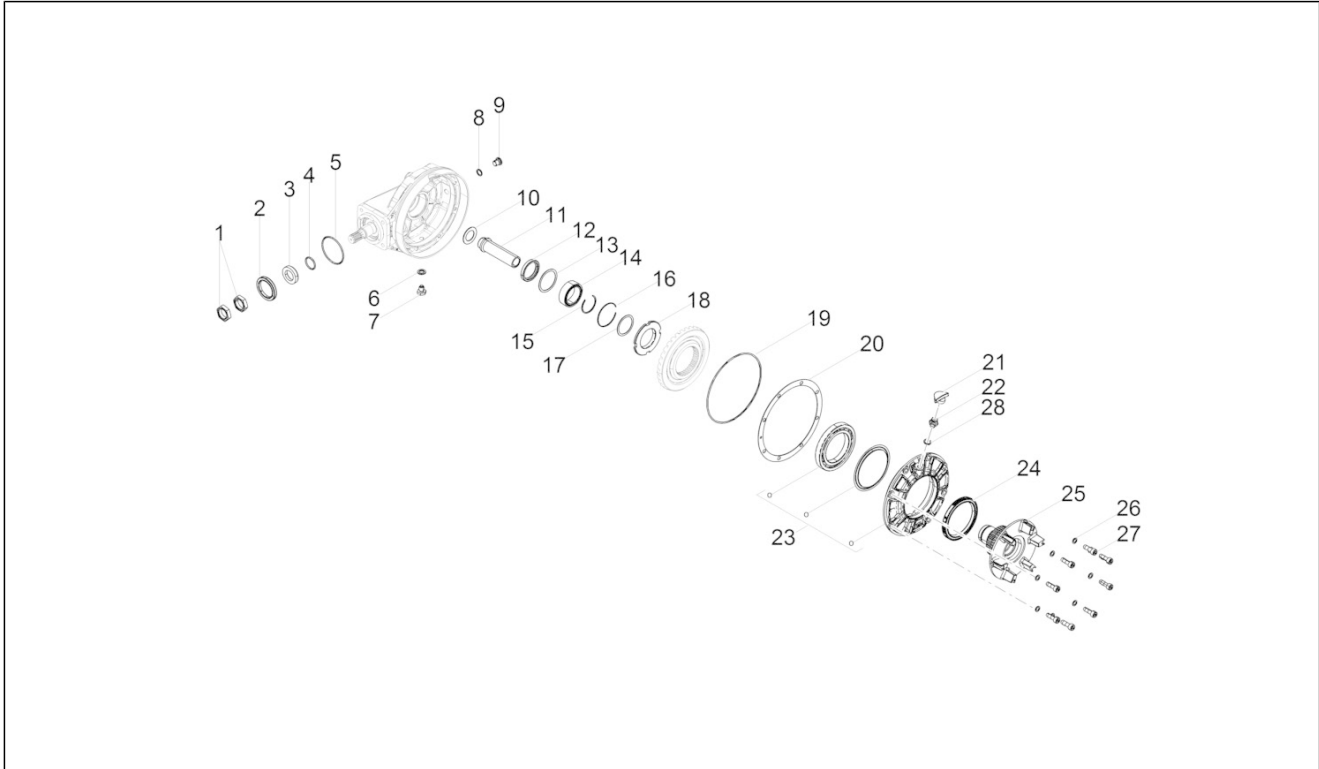
Pos.	Code	Description	Qty	Variants
1	2B0011535	Transmission complete	1	
2	2B002298	Drive shaft	1	
3	2B002699	Vite TCC torx M8x35 con colletto preimpr.	4	

Group	Engine
Code	03.350
Description	Rear transmission / Components
Service	1



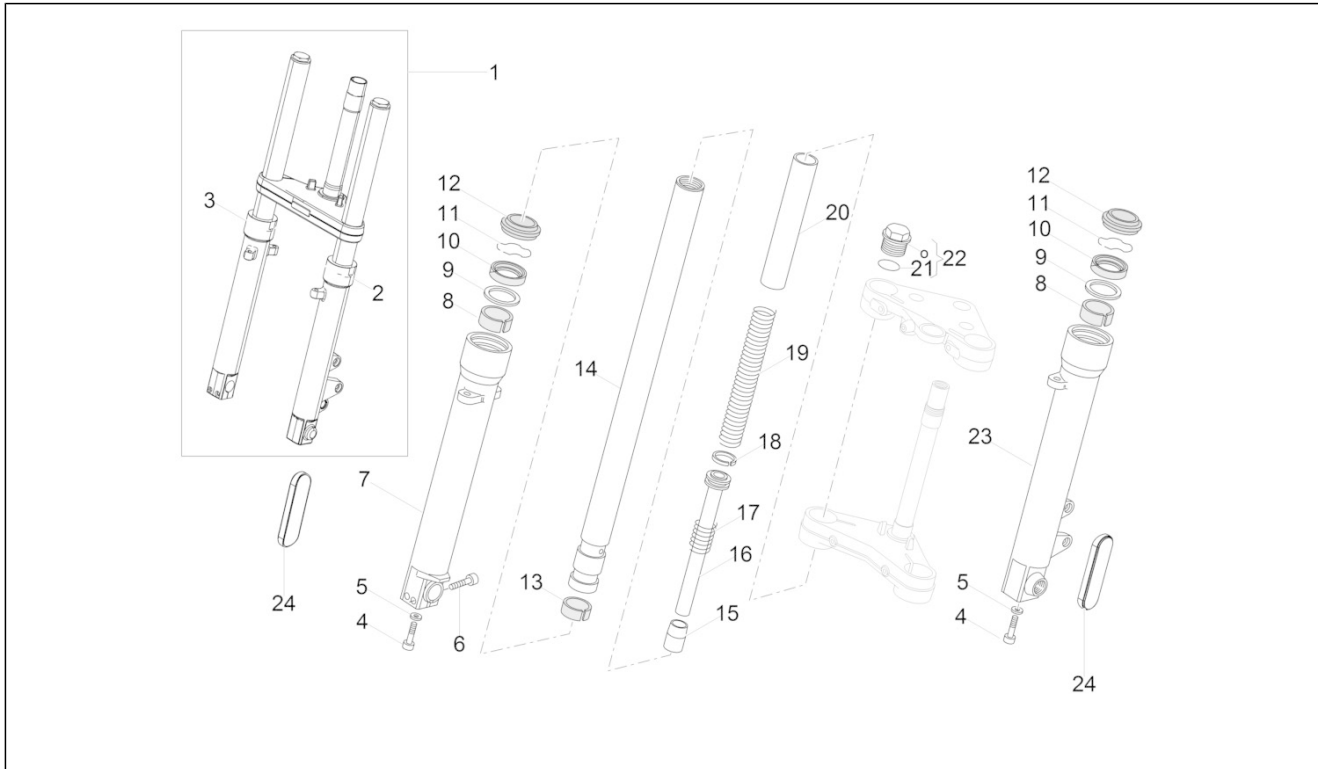
Pos.	Code	Description	Qty	Variants
1	976649	Nut M25x1,5	2	
2	2B000404	Gasket ring	1	
3	2B001311	Spacer	1	
4	GU90706188	Gasket ring 18,77X1,78	1	
5	GU90706584	Gasket 58,42x2,62	1	
6	GU01528930	Gasket 10x18x1,5	1	
7	GU31003766	Oil unload plug M10x1	1	
8	224566	Washer	1	
9	GU05351230	Oil plug M12x1,5	1	
10	GU37359005	Washer	1	
11	2B001307	Spacer	1	
12	GU90413850	Gasket ring 38X50X7	1	
13	GU12351100	Gasket ring	1	
14	GU92254340	Roller bearing 40x55x17	1	
15	2B002200	Washer for shafts	1	
16	B064304	Circlip	1	
17	GU19351100	Clearance washer	1	
18	2B002536	Ghiera fissaggio corona	1	
19	GU90706958	O-ring 158,42X2,62	1	
20	GU04355100	Spacer 0,6 mm	1	
20	GU04355101	Spacer 0,7 mm	1	
20	GU04355102	Spacer 0,8 mm	1	
20	GU04355103	Spacer 0,9 mm	1	
20	GU04355104	Spacer 1 mm	1	
20	GU04355105	Spacer 1,1 mm	1	
20	GU04355106	Spacer 1,2 mm	1	
21	2B002807	Cap	1	
22	2A000438	Breather plug	1	

Group	Engine
Code	03.350
Description	Rear transmission / Components
Service	1



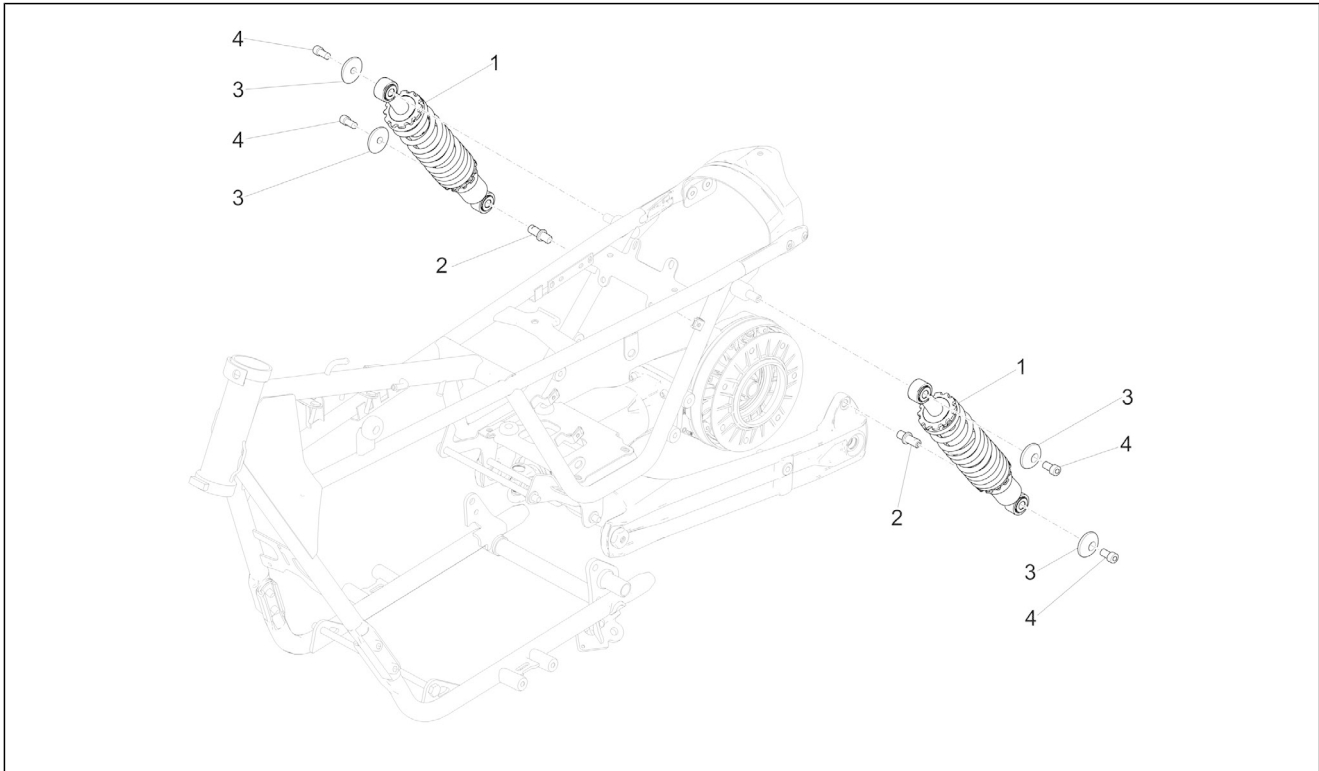
Pos.	Code	Description	Qty	Variants
23	2B0033875	Complete flange	1	
24	2B002535	Gasket ring 80x100x10	1	
25	2B001303	Flexible couplings hub	1	
26	GU14615901	Washer 8,4X13X0,8	8	
27	2B002171	Special cap screw 8x25	8	
28	GU01528930	Gasket 10x18x1,5	1	

Group	Suspensions
Code	04.060
Description	Garpu depan Kaifa
Service	1



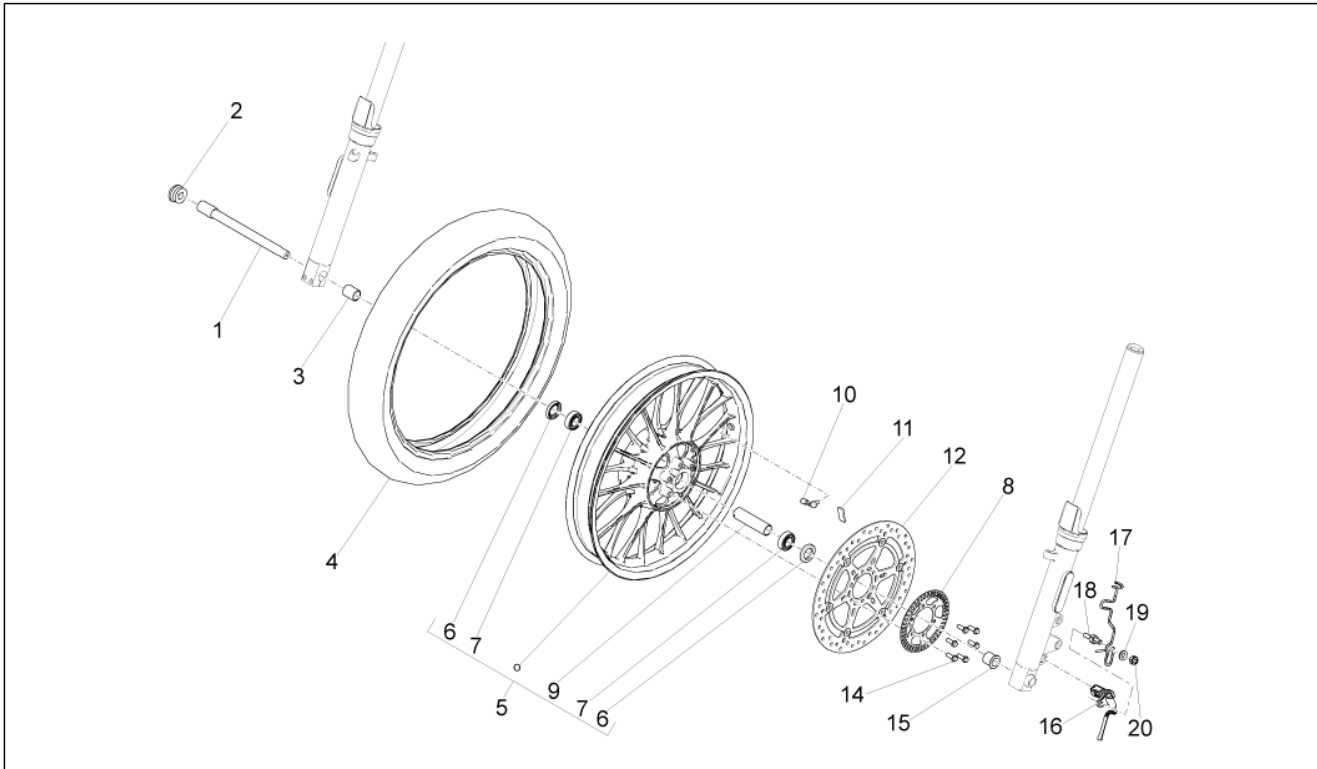
Pos.	Code	Description	Qty	Variants
1	2B002192	Front fork assembly	1	
2	2B002295	LH sleeve and rod	1	
3	2B002294	RH sleeve and rod	1	
4	887878	screw M10x30	2	
5	887879	Washer	2	
6	887880	screw	2	
7	2R000109	RH sleeve	1	
8	887882	Upper bush	2	
9	887883	Washer	2	
10	887884	Gasket ring	2	
11	887885	Stop ring	2	
12	887886	Dust cover	2	
13	887888	Bush	2	
14			0	
15	887889	Pad	2	
16	887891	Plunger, complete	2	
17	887890	Return spring	2	
18	887905	Ring	2	
19	2R000243	Spring	2	
20	887893	pipe	2	
21	887916	O-ring 4118	2	
22	GU31504583	Plug cpl.	2	
23	2R000110	LH sleeve	1	
24	GU05781630	Reflector, amber	2	

Group	Suspensions
Code	04.080
Description	Peredam kejut
Service	1



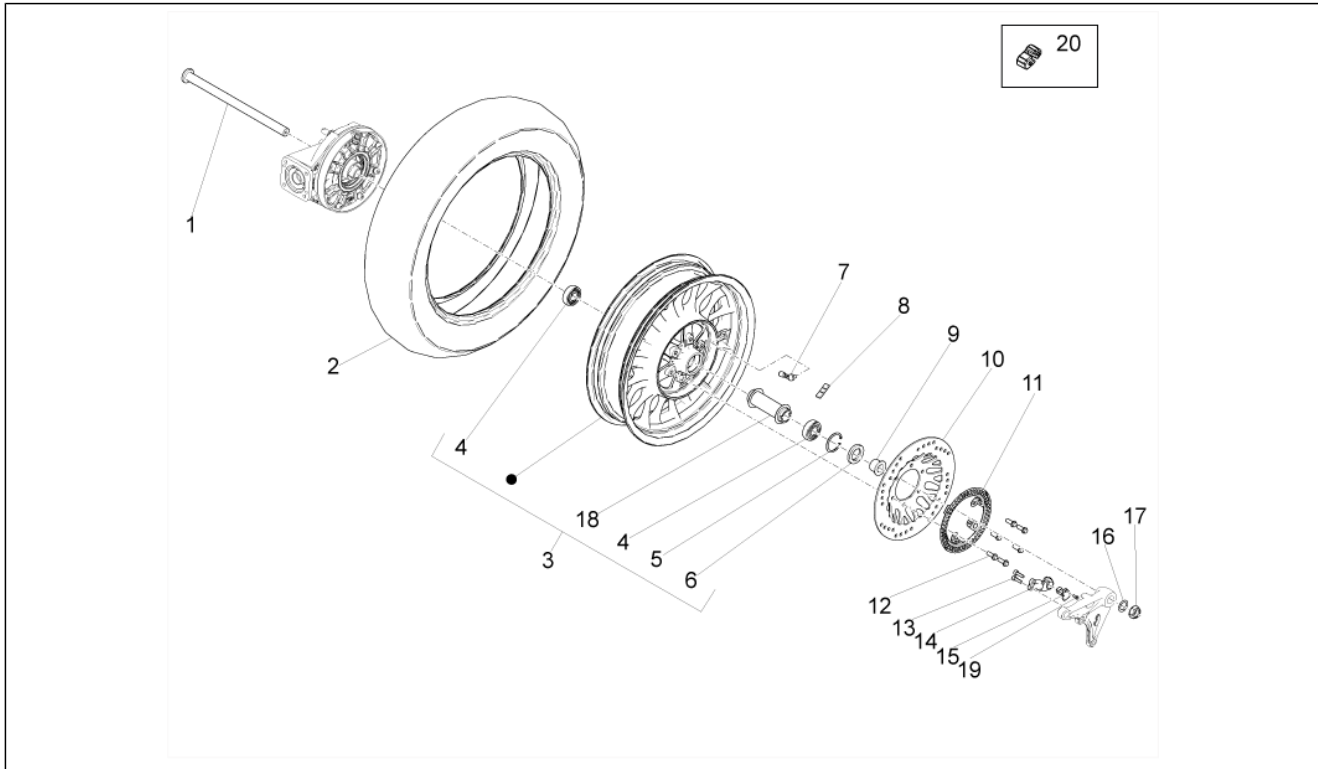
Pos.	Code	Description	Qty	Variants
1	2B002989	Rear shock absorber	2	
2	2B003111	Shock absorber pin	2	
3	B063174	Bush	4	
4	884031	Hex socket screw M6x14	4	

Group	Wheels
Code	05.010
Description	Roda depan
Service	1



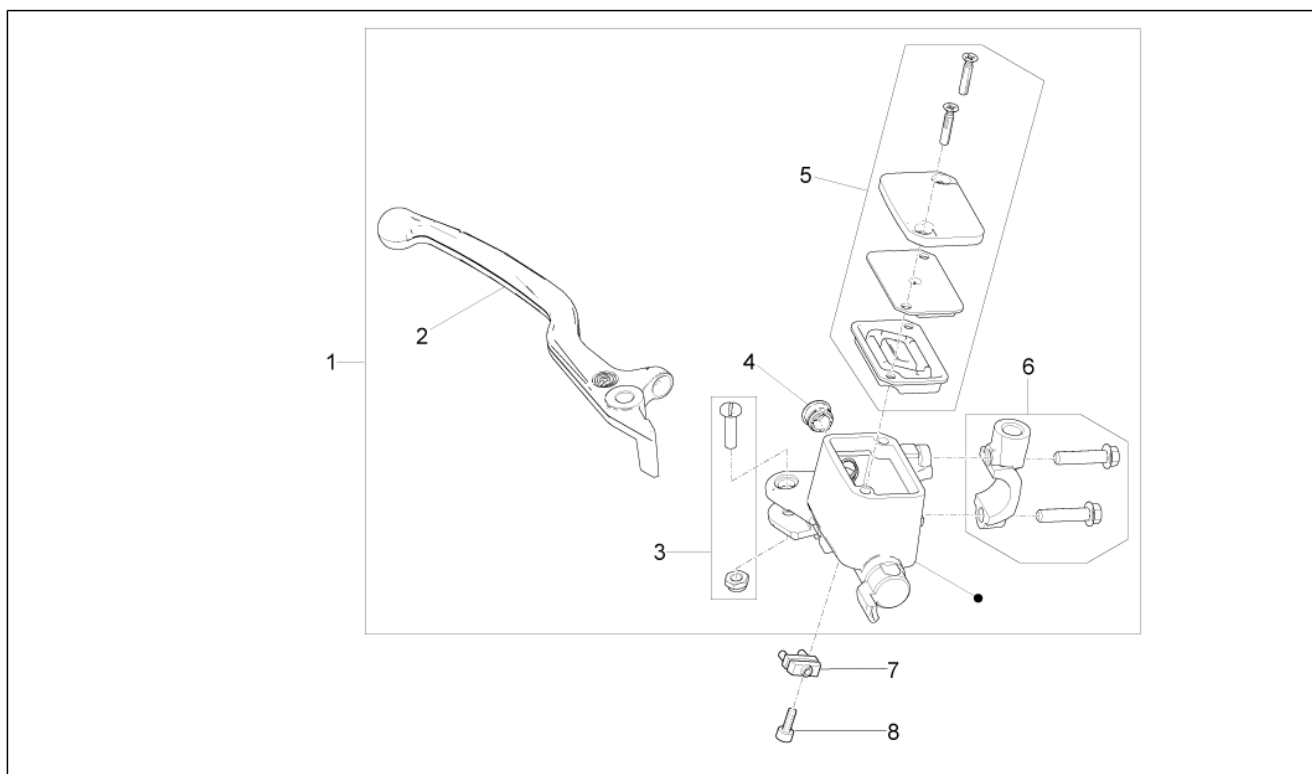
Pos.	Code	Description	Qty	Variants
1	2B001139	Front wheel spindle	1	
2	GU93180111	Cover 15 mm	1	
3	GU32615660	RH spacer	1	
4	2B002380	Front tyre 100/90 - 19	1	
5	2B001058	Front wheel 2.5X19" with bearings	1	
6	GU90402642	Gasket ring	2	
7	GU92204221	Bearing	2	
8	887875	Phonic wheel	1	
9	2B001073	Front wheel internal spacer	1	
10	GU03617710	Tubeless tyre valve	1	
11	GU14616150	Counterweight	1	
12	883688	Front brake disc 320	1	
14	887762	Flanged TE screw M8x22	6	
15	GU31616384	LH spacer	1	
16	859792	Sensor ABS	2	
17	2B001561	Fairlead	1	
18	2B001708	Spacer	1	
19	AP8150178	Washer 6,4x12,5*	2	
20	GU92630207	Nut	1	

Group	Wheels
Code	05.020
Description	Roda belakang
Service	1



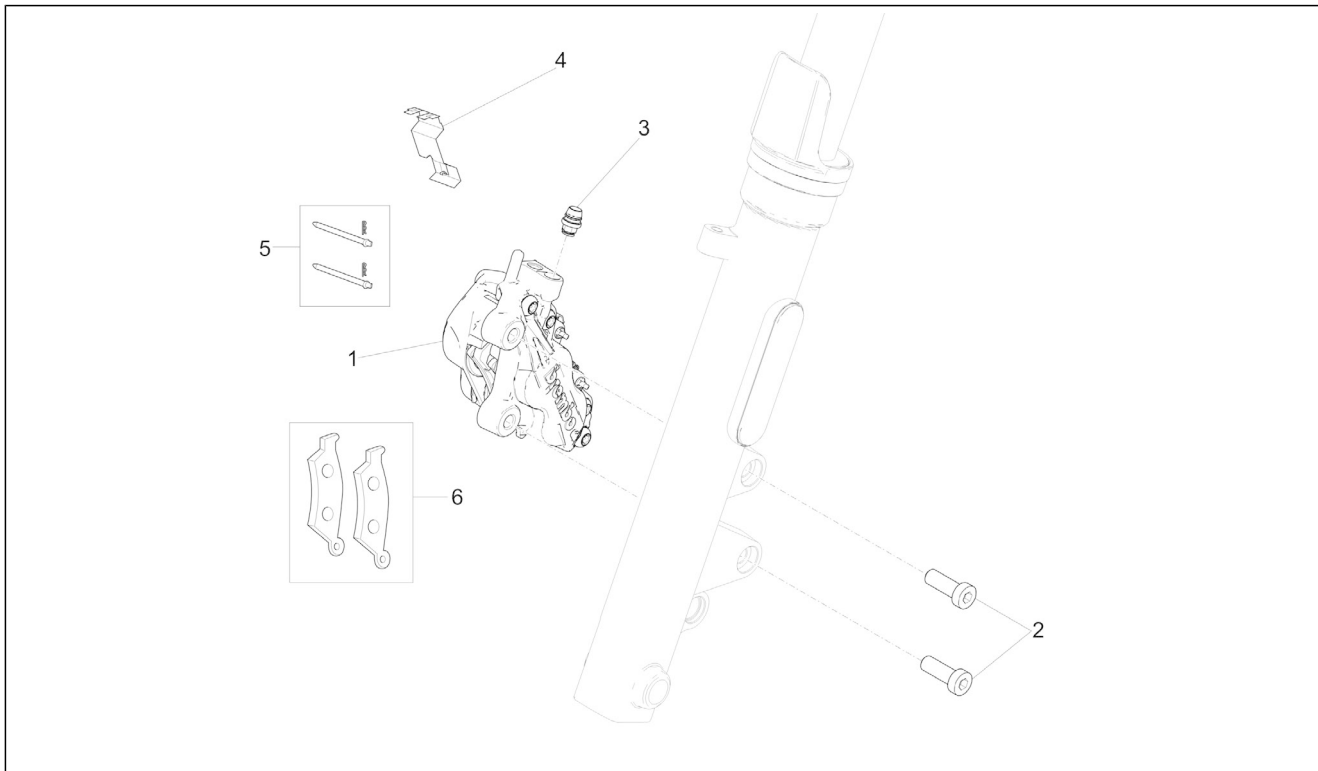
Pos.	Code	Description	Qty	Variants
1	2B001310	Rear wheel spindle	1	
2	2B002381	Rear tire 150/80 - 16	1	
3	2B002448	Rear rim 4X16" with bearings	1	
4	GU92204220	Ball bearing 20X47X14	2	
5	GU90272047	Circlip 47X50,5	1	
6	AP8110109	Gasket ring 28X47X7	1	
7	GU03617710	Tubeless tyre valve	1	
8	GU14616150	Counterweight	1	
9	2B001956	Rear wheel spacer	1	
10	887448	Brake disc	1	
11	2B000225	Phonic wheel	1	
12	887762	Flanged TE screw M8x22	6	
13	GU98682312	Hex socket screw M6x12	2	
14	2B000377	Sensor support ABS	1	
15	859792	Sensor ABS	2	
16	AP8125687	Wheel pin washer	1	
17	648708	Rear wheel spindle nut	1	
18	2B001279	Assieme distanziale ruota post.	1	
19	1C001499	TBEI TORX screw M5x16 INOX	1	
20	GU32632510	Rubber coupling	1	

Group	Brake system
Code	06.010
Description	Silinder induk depan
Service	1



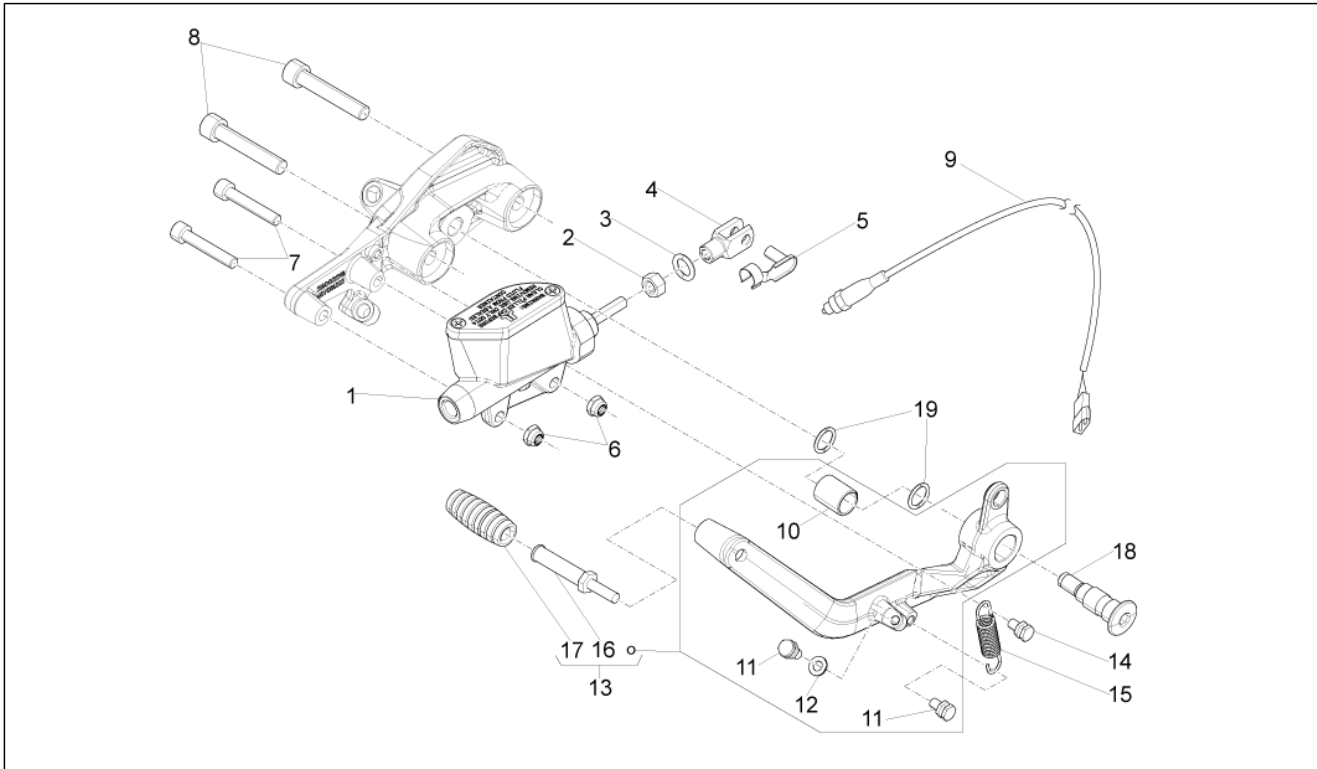
Pos.	Code	Description	Qty	Variants
1	2B002269	Front master cilinder	1	
2	2B003041	Ricambio leva	1	
3	2B003040	Ricambio perno leva cpl. di dado	1	
4	2B001930	Ricambio oblò pompa freno ant.	1	
5	2B003039	Ricambio tappo cpl. di membrana e viti	1	
6	2B001929	Bracket	1	
7	GU03749845	Stop switch	1	
8	AP8152043	Hex socket screw M4x10	1	

Group	Brake system
Code	06.020
Description	Kaliper rem depan
Service	1



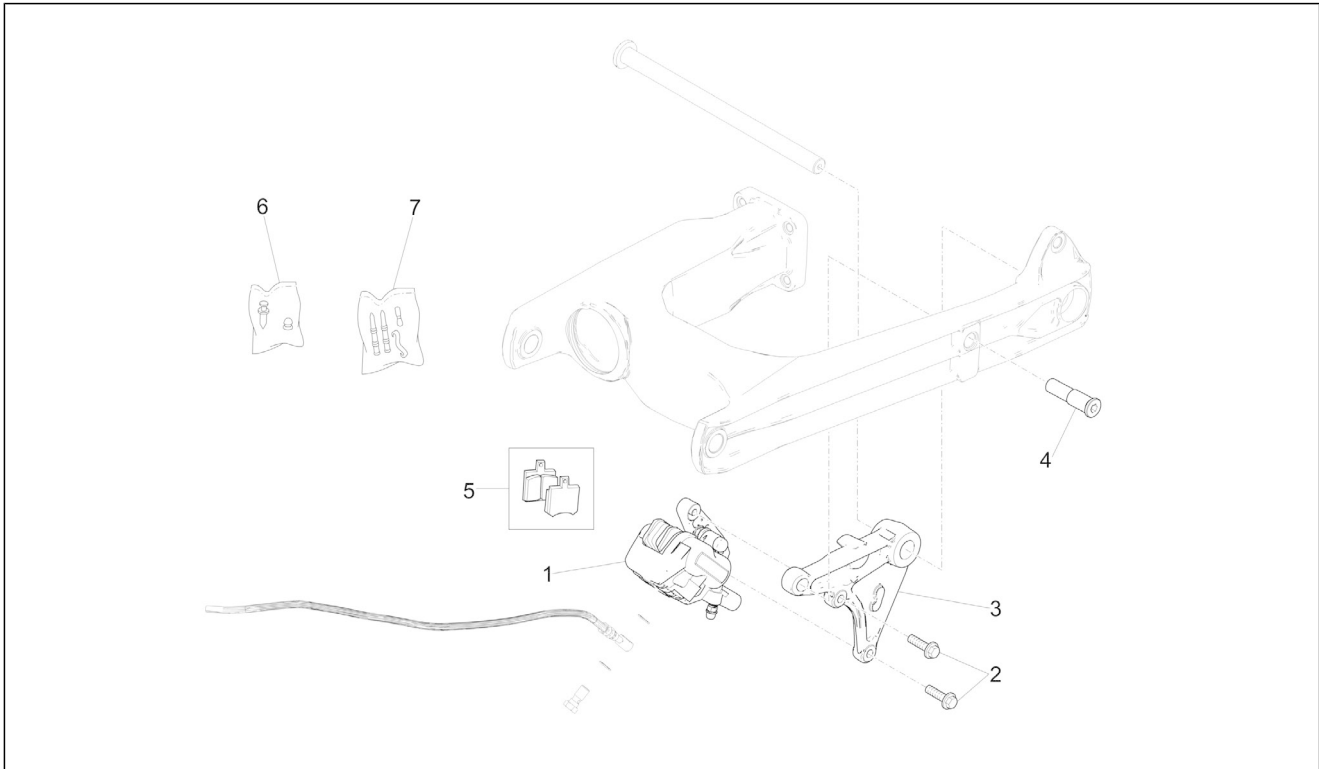
Pos.	Code	Description	Qty	Variants
1	2B003271	LH front brake caliper	1	
2	AP8152385	Hex socket screw M10x1,25	2	
3	GU05659230	Bleeder+cap	1	
4	GU01659131	Spring	1	
5	GU01659130	Pins+Caliper springs	1	
6	2B003313	Pads pair	1	

Group	Brake system
Code	06.030
Description	Silinder induk belakang
Service	1



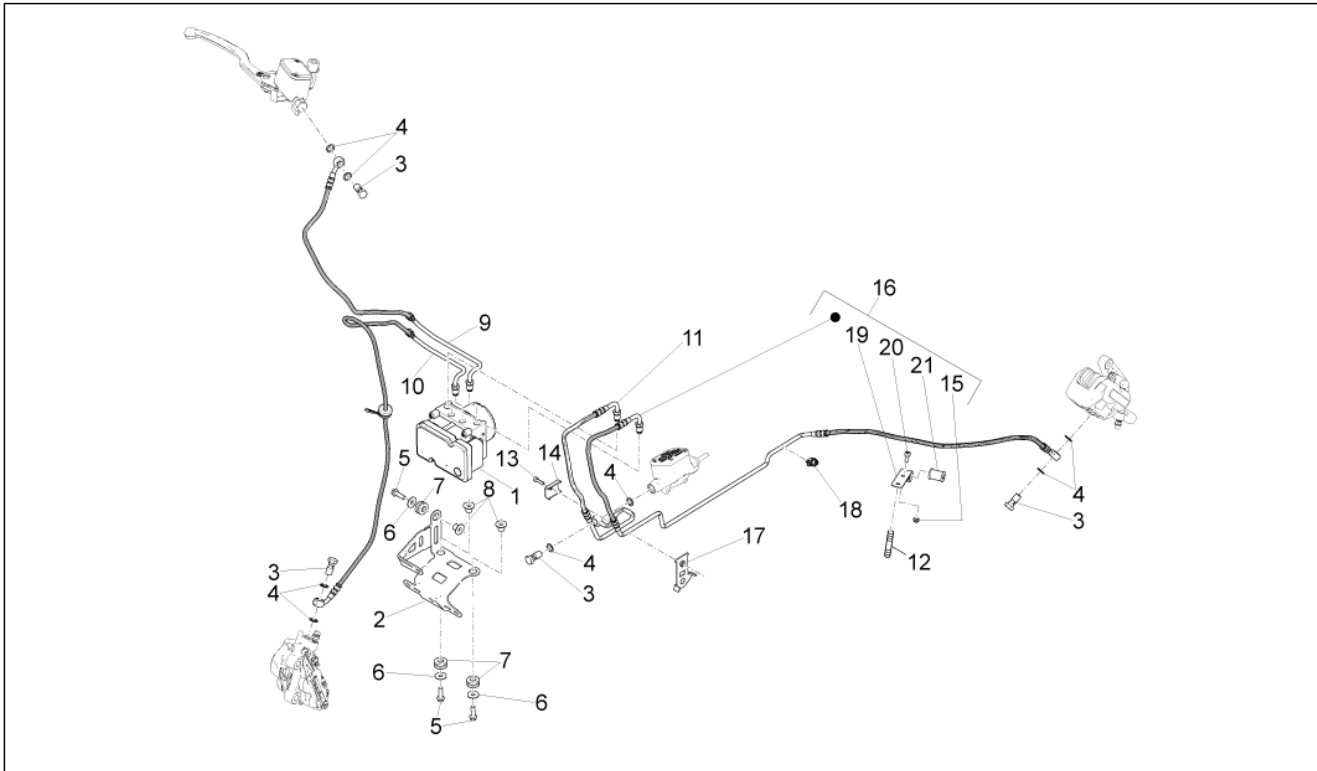
Pos.	Code	Description	Qty	Variants
1	2B002189	Pompa freno post. con serbatoio	1	
2	GU92609007	Nut	1	
3	AP8120178	O-ring OR112	1	
4	AP8113081	Fork	1	
5	AP8113082	Gear selector fork clips	1	
6	GU92630206	Nut M6x1	2	
7	AP8150285	Hex socket screw M6x35	2	
8	GU98680445	Hex socket screw	2	
9	2D0002805	stop Button	1	
10	895328	Sintered bushing	1	
11	859946	Fixing pin	2	
12	AP8150012	Washer 5,3x10x1*	1	
13	2B002233	Leva freno post. completa	1	
14	859946	Fixing pin	1	
15	AP8121927	Rear brake lever spring	1	
16	887908	Rubber pedal	1	
17	AP8120912	Lever rubber	1	
18	884033	Lever pin	1	
19	AP8144007	O-ring 11,11x1,78	2	

Group	Brake system
Code	06.040
Description	Kaliper rem belakang
Service	1



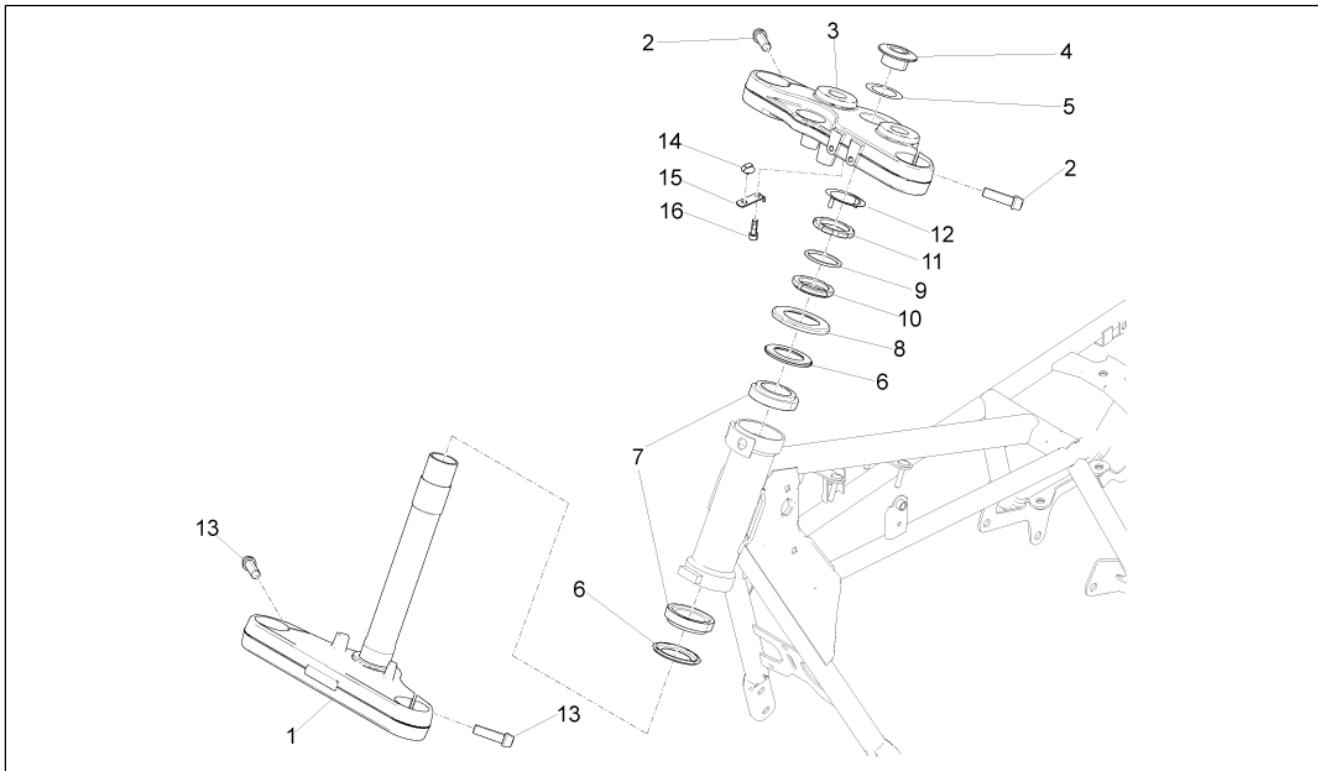
Pos.	Code	Description	Qty	Variants
1	2B000525	Rear brake caliper	1	
2	AP8152288	Screw w/ flange	1	
3	2B001953	Rear brake caliper support	1	
4	GU31544181	Pin	1	
5	2R000248	Brake pads torque	1	
6	GU31659281	Bleeder+cap	1	
7	GU31659181	Pins+spring kit	1	

Group	Brake system
Code	06.050
Description	Sistem Rem ABS
Service	1



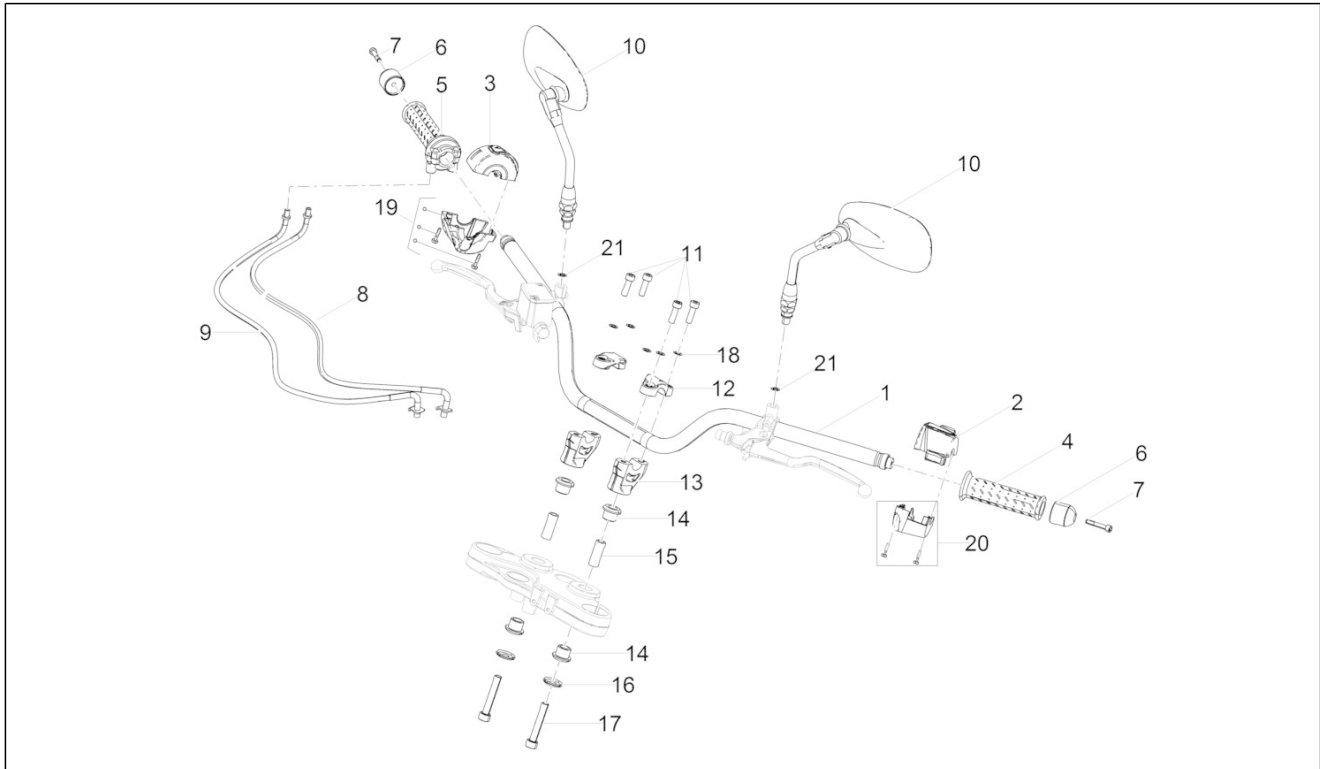
Pos.	Code	Description	Qty	Variants
1	2D000102	ABS control unit	1	
2	2B003056	Control unit sup. bracket	1	
3	AP8113003	Oil pipe screw	4	
4	AP8113004	Washer 10x14x1,6*	8	
5	00H02402282	screw 6X20	3	
6	AP8150015	Washer 6,6x18x1,6*	3	
7	AP8120030	Rubber spacer	3	
8	AP8221023	T bush	2	
9	2B002804	Tube ABS HECU - Pompa anteriore	1	
10	2B002805	Tube ABS HECU - Pinza anteriore	1	
11	2B002681	Tube ABS HECU - Pompa posteriore	1	
12	GU96451316	Stud bolt	1	
13	959559	Hex socket screw M4x16	1	
14	2B001614	Pipe fixing plate	1	
15	AP8150451	Low self-locking nut	1	
16	2B002806	Tube ABS HECU - Pinza posteriore	1	
17	2B001564	Brake hose holder plate	1	
18	AP8121882	Cable-guide	1	
19	GU03658330	Hose clamp	1	
20	895709	Hex socket screw M5x12	1	
21	GU03658201	Ring	1	

Group	Handlebar - Controls
Code	07.010
Description	Kemudi
Service	1



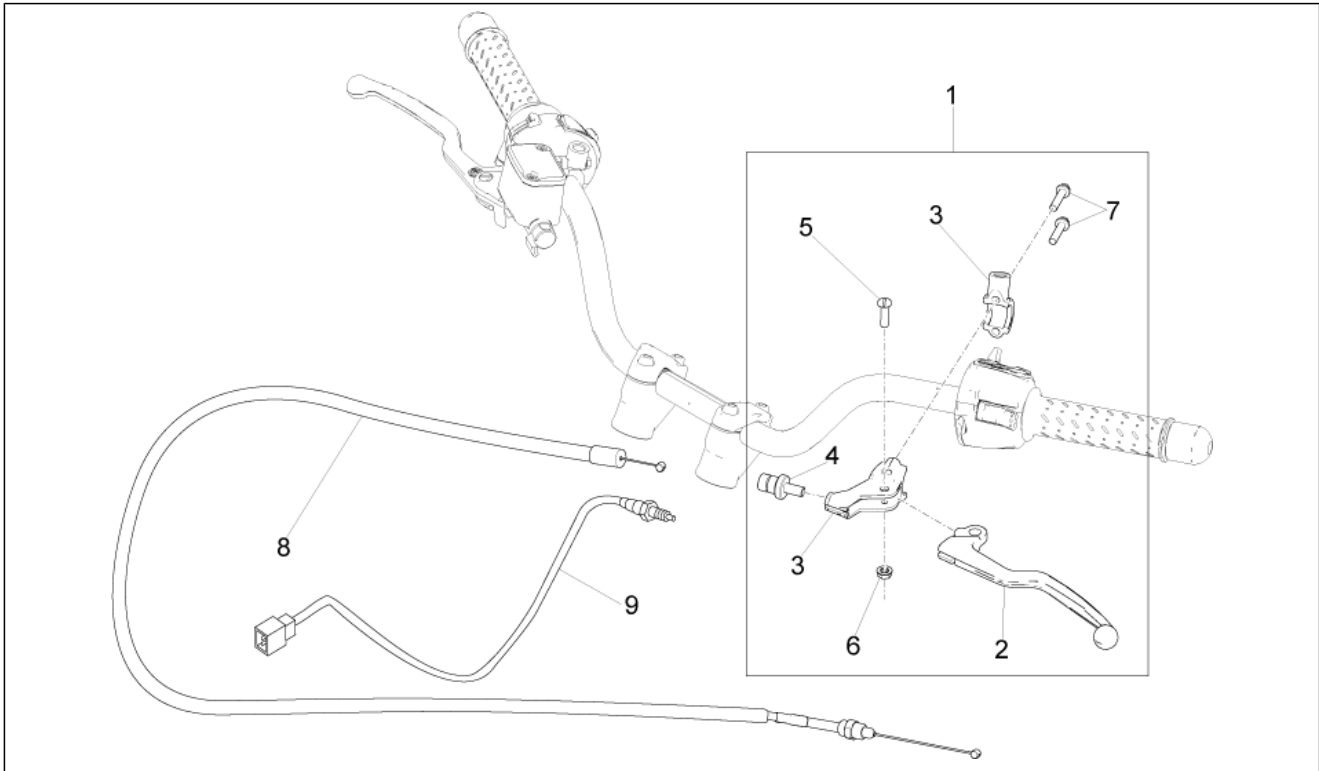
Pos.	Code	Description	Qty	Variants
1			1	
2	AP8150543	Screw M8x35	2	
3	2B001052	Fork upper plate	1	
4	AP8121205	Upper plate fixing bush	1	
5	AP8152384	Stem plug washer	1	
6	AP8123641	Dust cover ring	2	
7	AP8110077	Axial ball bearing	2	
8	AP8123644	Dust cover ring	1	
9	887831	Rubber spacer	1	
10	AP8123642	Ring nut	1	
11	AP8123643	Return ring nut	1	
12	887832	Steering security plate	1	
13	GU98692425	Hex socket screw M8x25	2	
14	890760	Instrument support	1	
15	2B003292	Plate	1	
16	GU98210616	Screw w/ flange M6x16 inox	1	

Group	Handlebar - Controls
Code	07.020
Description	Setang - Kontrol
Service	1



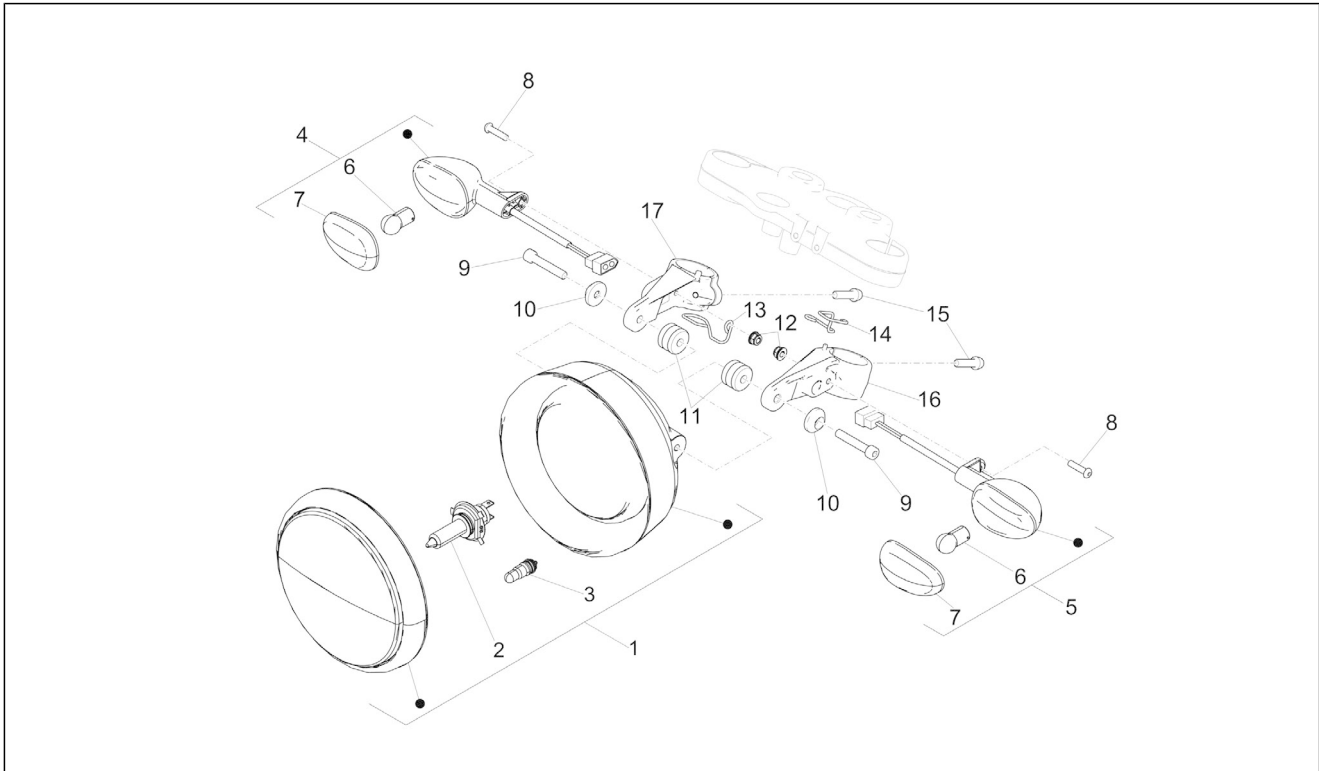
Pos.	Code	Description	Qty	Variants
1	2B001163	Handlebar	1	
2	2D000227	Comando manubrio sx	1	
3	2D000226	Comando manubrio dx	1	
4	AP8118579	LH hand grip	1	
5	2B002364	RH hand grip	1	
6	GU32602860	Anti.v weight, chr.	2	
7	2B002195	Vite TCEI IX M6X35 preimpregnata	2	
8	2B002702	Gas trasmission return	1	
9	2B002701	Gas trasmission delivery	1	
10	883802	RH/LH rearview mirror	2	Technical specification: marked "FU E11 81R-001047"[FU]
10	978570	Rearview mirror	2	Technical specification: marked "FAR"[FAR]
11	GU98692425	Hex socket screw M8x25	4	
12	2B001148	Morsetto manubrio	2	
13	2B002471	Lower U-bolt	2	
14	AP8144222	Rubber spacer	4	
15	854827	Spacer 10,1x14,1x38	2	
16	2B002875	Cup	2	
17	AP8150049	screw M10x60	2	
18	GU14615901	Washer 8,4X13X0,8	4	
19	2D000163	Lower shell DX	1	
20	2D000218	Lower shell SX	1	
21	GU91181003	Spacer 10,25X20X4	2	

Group	Handlebar - Controls
Code	07.030
Description	Kontrol koplring
Service	1



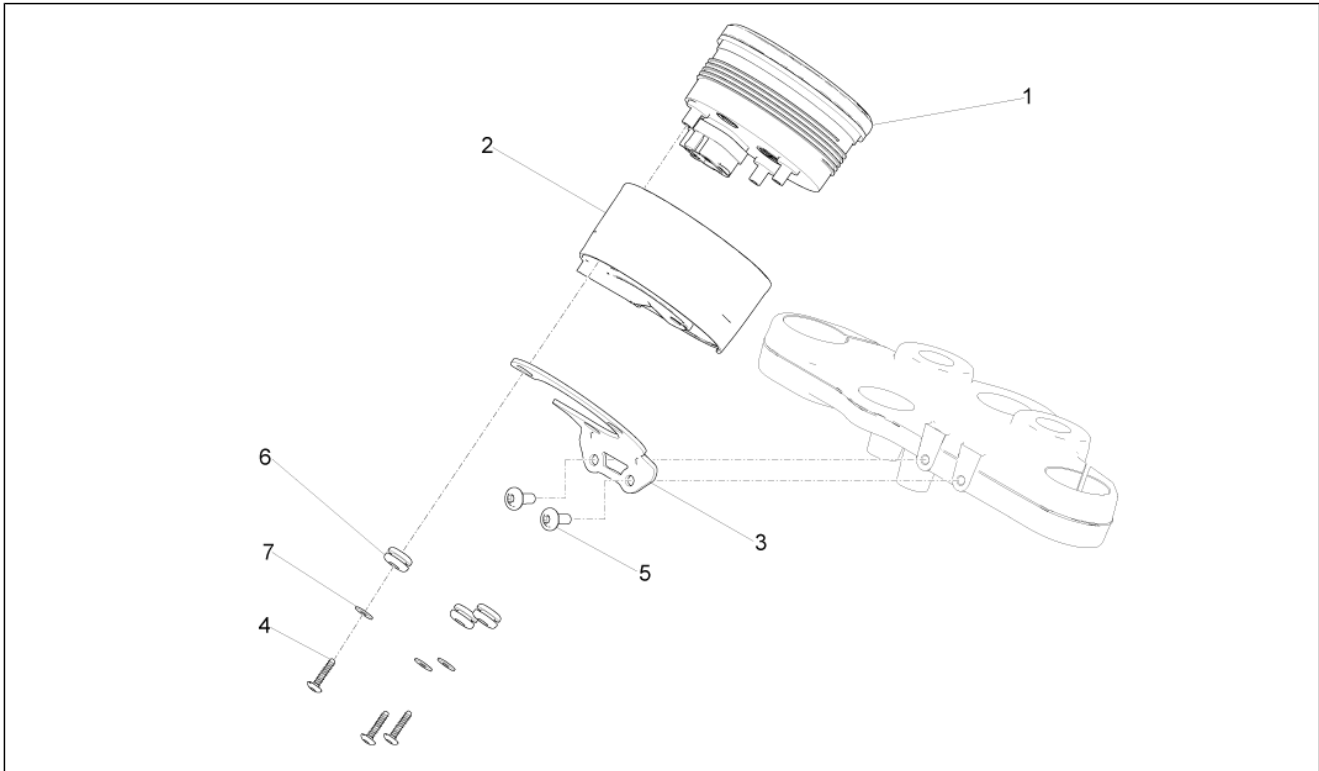
Pos.	Code	Description	Qty	Variants
1	2B002391	Gruppo leva comando frizione	1	
2	2B002390	Clutch control lever	1	
3	GU30601060	Clump	1	
4	GU30602500	Register	1	
5	AP8213028	screw	1	
6	AP8213388	Self-locking nut	1	
7	GU97202325	Black screw w/ flange M6x25	2	
8	2B002842	Clutch cable	1	
9	2D0002885	clutch switch	1	

Group	Lights - Instruments
Code	08.010
Description	lampu depan
Service	1



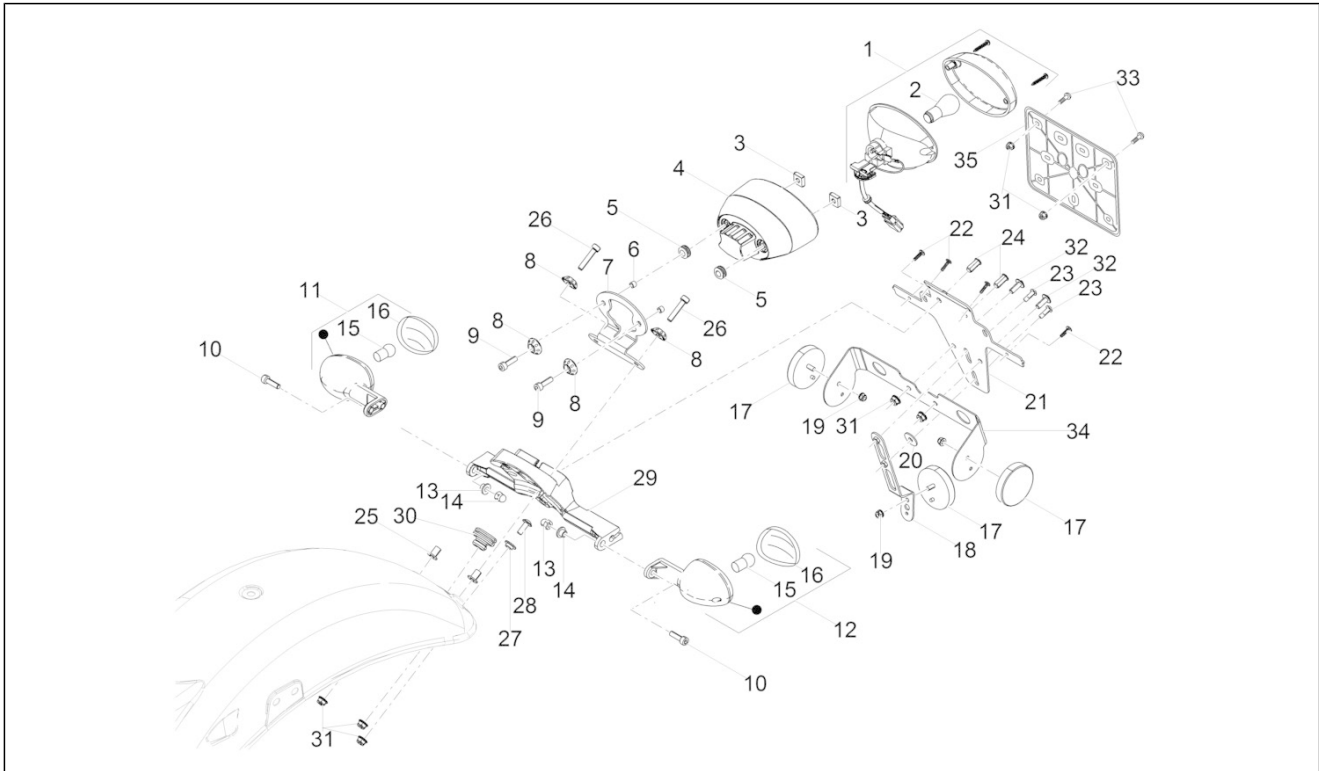
Pos.	Code	Description	Qty	Variants
1	2D000100	Headlight	1	Country:
1	2D000225	Headlight-uk-	1	Country:
2	292723	Lamp H4 12V-60/55W	1	
3	292022	Lamp 12V-5W	1	
4	2D000261	Front right turn indicator	1	
5	2D000262	Front left turn indicator	1	
6	584332	Lamp 12V-10W	2	
7	639338	Vetrino indicatore direzione	2	
8	GU98612320	Hex socket screw M6x20	2	
9	GU98690445	screw M8x45	2	
10	AP8121199	Bush	2	
11	2B002011	Distanziale fanale anteriore	2	
12	AP8152299	Self-locking nut M6	2	
13	2B003164	Fairlead	1	
14	2B003165	Fairlead	1	
15	AP8150053	Hex socket screw M6x25	2	
16	2B001231	Supporto sinistro fanale anteriore	1	
17	2B001182	Supporto destro fanale anteriore	1	

Group	Lights - Instruments
Code	08.020
Description	Instrumen
Service	1



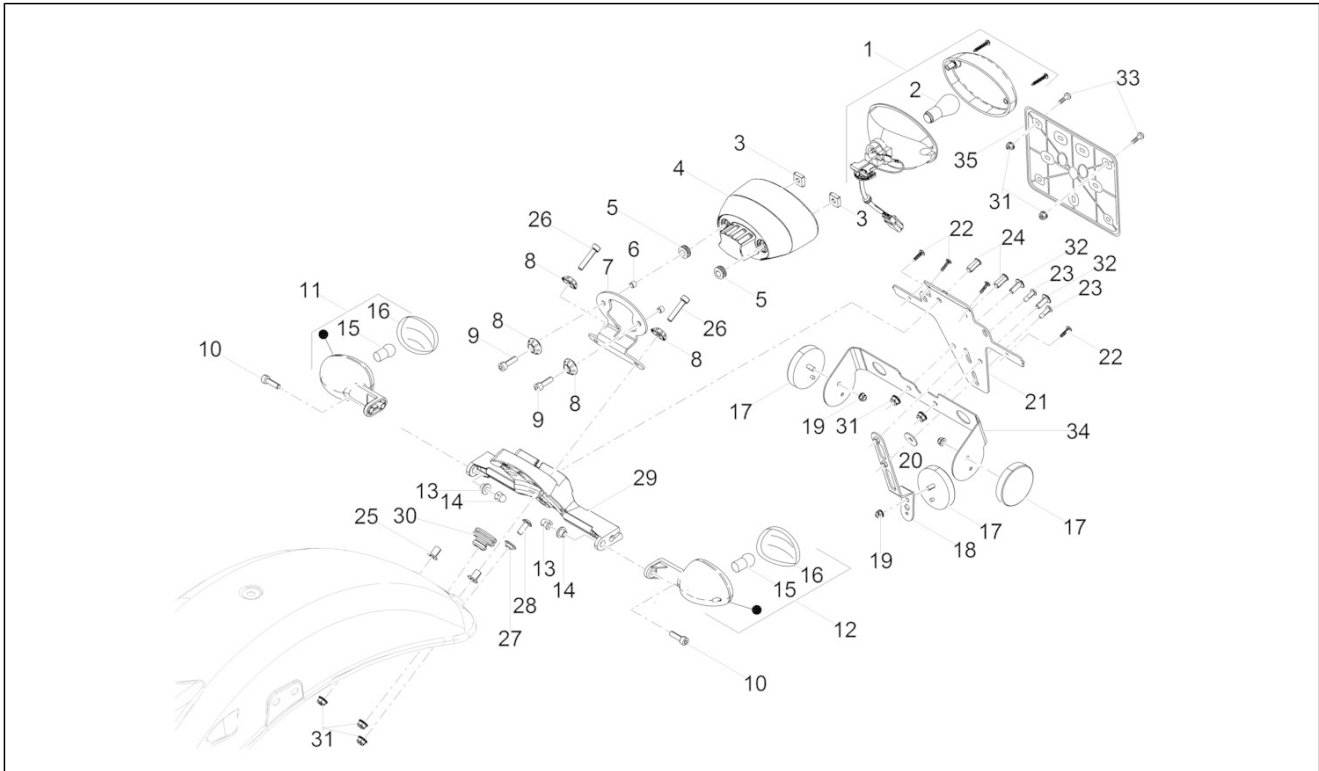
Pos.	Code	Description	Qty	Variants
1	2D000099	Dashboard	1	Country:Canadian[CND]
1	2D000159	Cruscotto D105 MPH	1	Country:United States of America[USA]
2	2B001223	Instrument panel cover	1	
3	2B001154	Instrument support	1	
4	CM178609	Self-tap screw	3	
5	GU98210610	screw	2	
6	2B003367	Fairlead	3	
7	013763	Flat washer 4,2x12x1	3	

Group	Lights - Instruments
Code	08.030
Description	Lampu belakang
Service	1



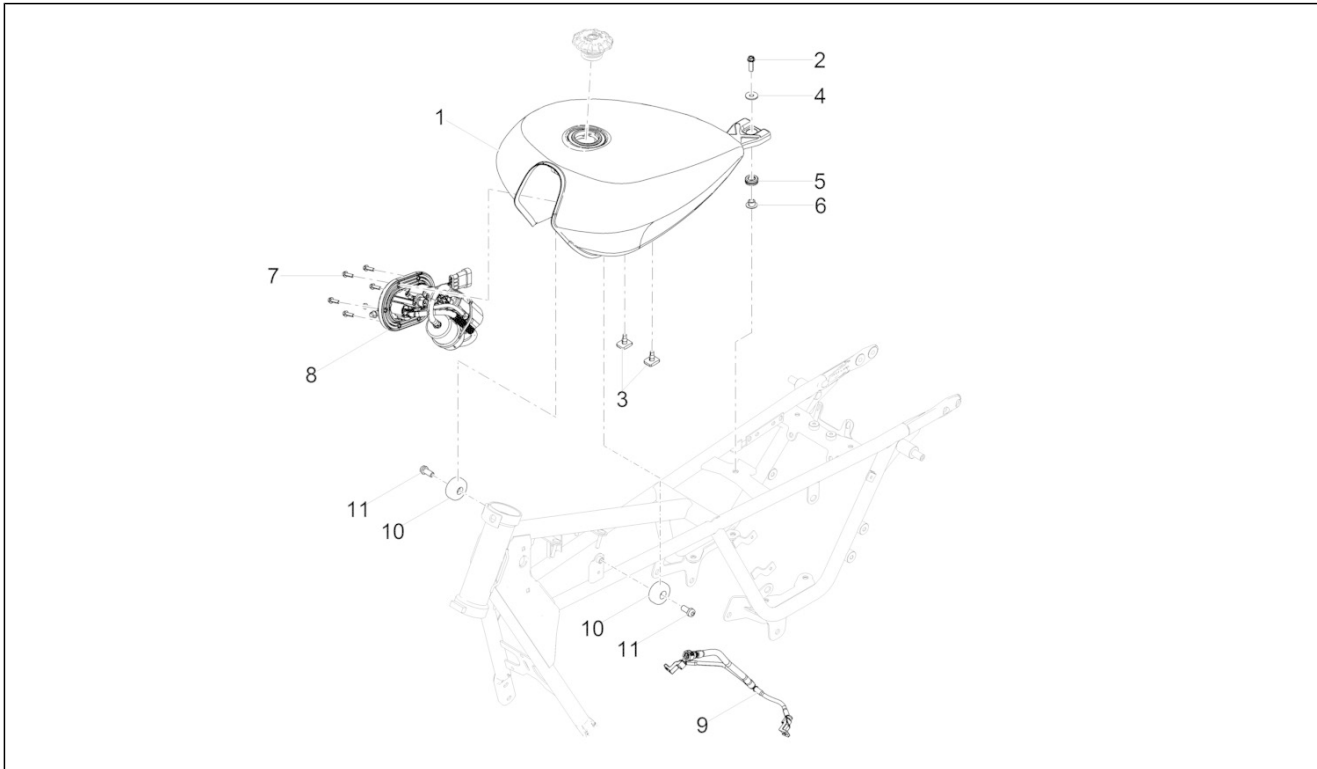
Pos.	Code	Description	Qty	Variants
1	2B002365	Taillight	1	
2	GU93450224	Lamp	1	
3	2B002483	Calotta supporto faro post.	1	
4	2B002443	Square nut M6	2	
5	AP8220186	Rubber spacer	2	
6	AP8120278	Spacer	2	
7	2B002484	Rear headlight supp.	1	
8	AP8150536	Special washer	4	
9	AP8150053	Hex socket screw M6x25	2	
10	GU98612320	Hex socket screw M6x20	2	
11	2D000255	Right rear turn indicator	1	
12	2D000256	Left rear turn indicator	1	
13	479175	Cap nut	2	
14	840509	Spacer	2	
15	584332	Lamp 12V-10W	2	
16	639338	Vetrino indicatore direzione	2	
17	AP8224164	Rear reflector, red	1	
18	AP8134448	Reflector support	1	
19	AP8152306	Self-locking nut m5	1	
20	GU95005310	Washer 8,4x18x2	1	
21	2B002541	Chiusura portatarga	1	
22	AP8150413	Self-tap screw 3,9x14	4	
23	B016796	Torx convex big end screw	2	
24	AP8201755	Threaded rivet	2	
25	AP8121725	T bush *	2	
26	GU98682330	Hex socket screw M6x20	2	
27	AP9100053	Bush d.10-h.3,5	1	
28	GU98210616	Screw w/ flange M6x16 inox	1	

Group	Lights - Instruments
Code	08.030
Description	Lampu belakang
Service	1



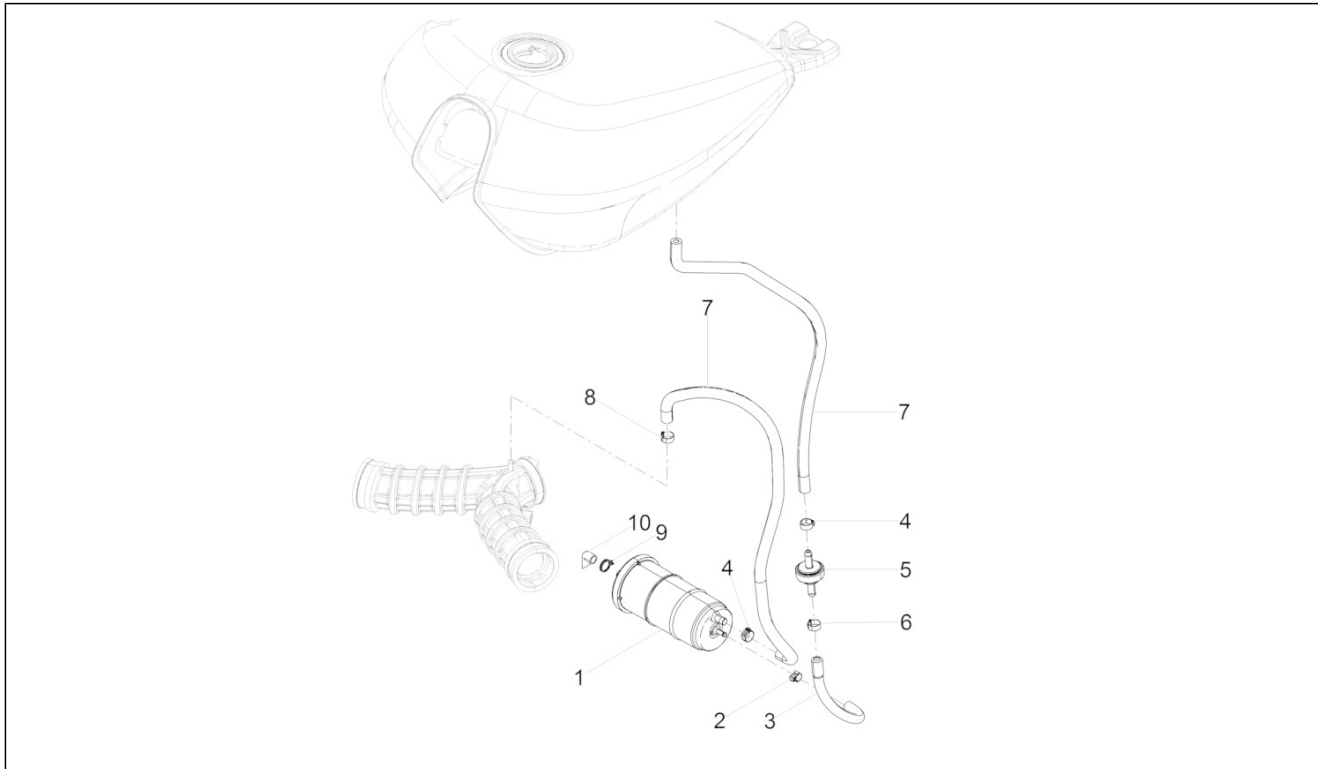
Pos.	Code	Description	Qty	Variants
29	2B002366	Turn indicator support	1	
30	070286	Fairlead	1	
31	AP8152299	Self-locking nut M6	7	
32	AP8152246	Screw w/ flange M6x16	2	
33	AP8152298	Screw w/ flange M5x16	4	
34	2B000160	Lat. reflectors support	1	
35	AP8149034	Number plate support	1	

Group	Tank
Code	09.010
Description	Tangki bahan bakar
Service	1



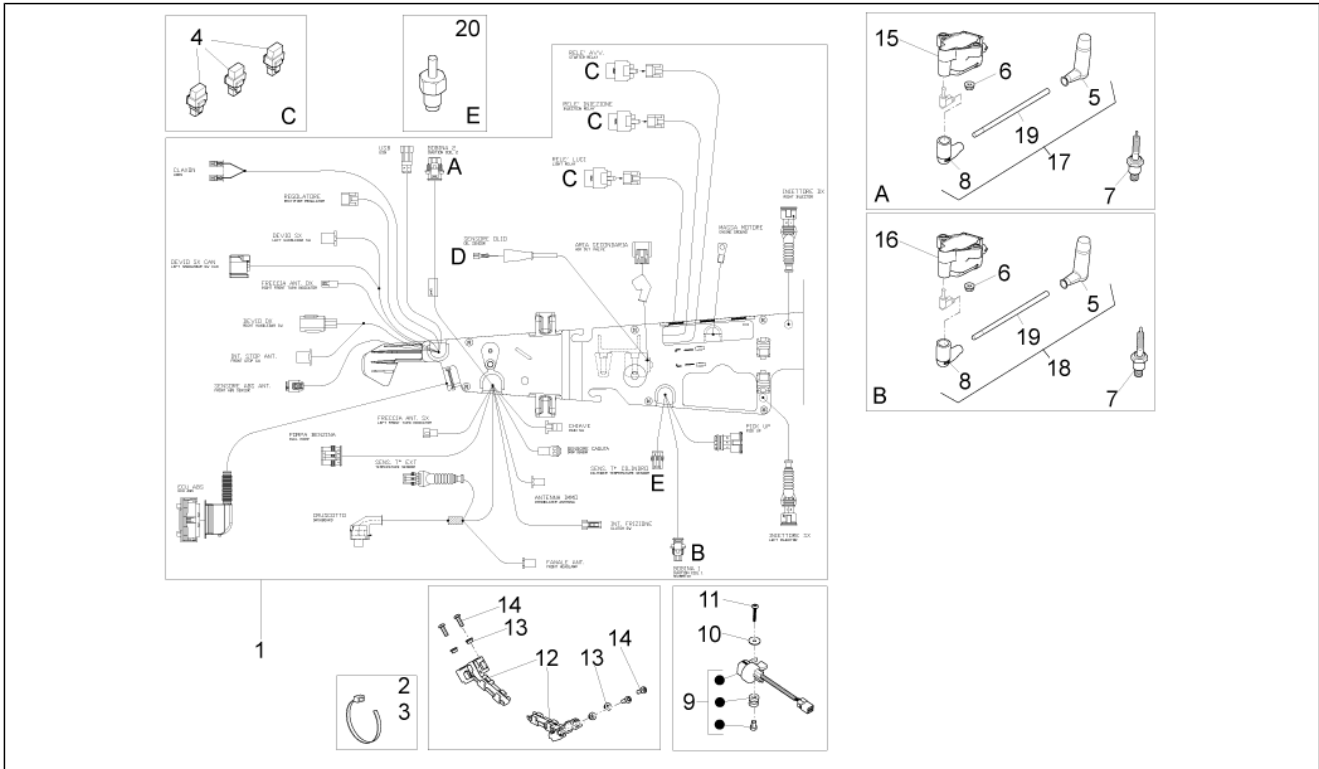
Pos.	Code	Description	Qty	Variants
1	2B001629	Fuel tank	1	Vehicle colour:Blank[GR]
1	2H001249500YG3	Fuel tank	1	Vehicle colour:Brio Yellow[YB]
1	2H001401500Q4	Fuel tank white	1	Vehicle colour:White Tech[BT]
1	2H001446500XR7	Fuel tank, red	1	Vehicle colour:Ibis Red[RI]
2	AP8152288	Screw w/ flange	2	
3	AP8120455	Rubber spacer	2	
4	AP8150018	Washer	1	
5	GU91551131	Rubber spacer	1	
6	2B002944	T bush	1	
7	AP8152273	Screw w/ flange M5x15	6	
8	1D001450	Fuel pump	1	
9	2B002486	Fuel system pipes	1	
10	GU66103415	Rubber spacer	2	
11	GU98682416	Hex socket screw M8x16	1	

Group	Tank
Code	09.020
Description	Sistem pemulihan uap bahan bakar
Service	1



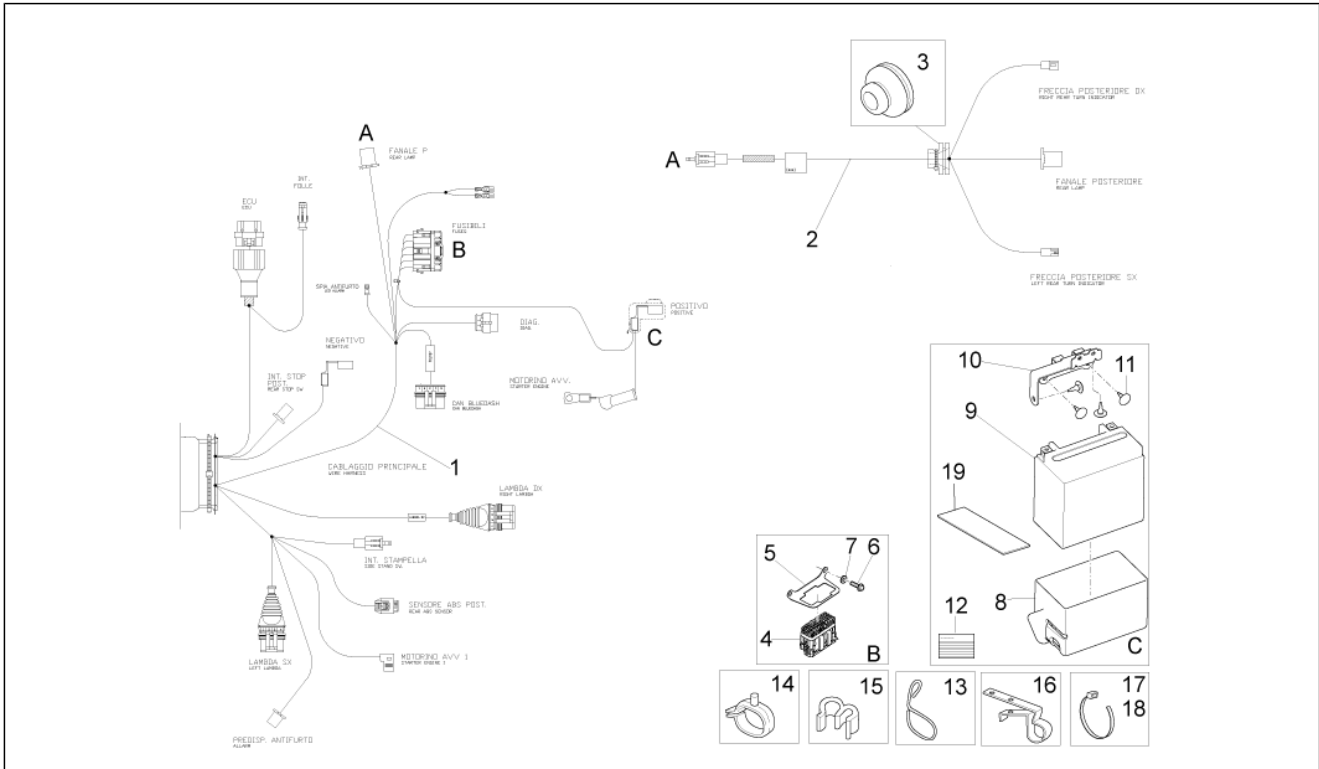
Pos.	Code	Description	Qty	Variants
1	2B002632	Canister	1	
2	AP8102738	Hose clamp	1	
3	2B003042	Tubo SAE 30 R12A-3/16	1	
4	AP8102239	Hose clamp 12,5x8	2	
5	CM179008	Safety valve	1	
6	AP8102159	Hose clamp	1	
7	856063	pipe SAE 30 d.12,7x6,35	2	
8	GU93304360	Hose clamp 7,6x380	1	
9	AP8102520	Hose clamp	1	
10	AP8127601	Ventilation plug	1	

Group	Electrical systems
Code	11.020
Description	Sistem kelistrikan pusat
Service	1



Pos.	Code	Description	Qty	Variants
1	2D000209	Cable harness	1	
2	GU49609601	Hose clamp 2,4x92	1	
3	GU14609650	Hose clamp 3,6x20,6	24	
4	AP8224462	Relay 12V-30A	3	
5	1A005382	Screened cap	2	
6	AP8152299	Self-locking nut M6	4	
7	887481	Spark plug NGK CPR8EB-9	2	
8	641040	Insulating cap	2	
9	680212	Fall sensor	1	
10	GU95005304	Washer 5,2x18x1,5	1	
11	478533	Self-tap screw	1	
12	2B002901	Supporto cavo candela	2	
13	2B003052	T bushing	4	
14	1A003444	Oval head screw	4	
15	641901	HT coil	1	
16	642034	HT coil DX	1	
17	CM277101	HT wire (450 mm)	1	
18	CM277102	HT wire (580 mm)	1	
19	080341	H.V. cable	1	
19	641041	HV terminal	1	
20	887421	Temp. Sensor	1	

Group	Electrical systems
Code	11.030
Description	Sistem kelistrikan belakang
Service	1



Pos.	Code	Description	Qty	Variants
1	2D000209	Cable harness	1	
2	2D000245	Gruppo cavi fanale post.	1	
3	070286	Fairlead	1	
4	584211	Fuse holder box	1	
5	883161	Fuse block support	1	
6	GU98682212	Hex socket screw M5x12	2	
7	GU95100059	Washer 5,25x14x1,5	2	
8	2B002781	Cuffia batteria	1	
9	638733	Battery Yuasa 12V-12Ah (150x85x145)	1	
10	B063233	Battery bracket	1	
11	AP8120001	Rubber spacer	4	
12	GU32517710	Decal "Battery service"	1	
13	AP8181140	Fairlead	1	
14	CM013202	Pipes/cables retainer spring	1	
15	894704	Fairlead	9	
16	B043850	Hose clamp	1	
17	GU14609650	Hose clamp 3,6x20,6	24	
18	GU93304390	Hose clamp 3,6x375	2	
19	AP8144552	Support rubber part	1	


MOTO GUZZI®

ERSATZTEILKATALOG



V9 Roamer 2017 (USA)

Vorsatzcode Fahrgestell: ZGULHU00

Vorsatzcode Motor:

Inhaltsverzeichnis

Fertige Produkte.....	4
Alphanumerisches Verzeichnis.....	5
Rahmen.....	10
Tafel 01.010 - Rahmen.....	10
Tafel 01.020 - Fussrasten.....	11
Tafel 01.030 - Hauptständer.....	12
Tafel 01.040 - Schutz.....	13
Tafel 01.050 - Schwinge.....	14
Aufbau.....	15
Tafel 02.030 - Vorderes Schutzblech-Stütze.....	15
Tafel 02.100 - Mittlerer Aufbau.....	16
Tafel 02.120 - Sitz.....	17
Tafel 02.150 - Hinteres schutzblech.....	18
Tafel 02.170 - Schlösser.....	19
Tafel 02.190 - Deko.....	20
Motor.....	22
Tafel 03.010 - Motor-Fertigstellung.....	22
Tafel 03.020 - Schalthebel.....	23
Tafel 03.030 - Gehäuse I.....	25
Tafel 03.050 - Filtergehäuse.....	26
Tafel 03.060 - Klappenkörper.....	27
Tafel 03.090 - Kopfdeckel.....	28
Tafel 03.100 - Zylinderkopf - ventile.....	29
Tafel 03.120 - Steuer.....	30
Tafel 03.150 - Zylinder - Kolben.....	31
Tafel 03.160 - Kurbelwelle.....	32
Tafel 03.170 - Schaltgetriebe / Schaltgabel / Desmodrom.....	33
Tafel 03.180 - Schaltgetriebe - Zahnräder.....	35
Tafel 03.190 - Schmierung.....	37
Tafel 03.196 - Anlage Blow-by.....	39
Tafel 03.230 - Kupplung.....	40
Tafel 03.270 - Zuenderdeckel.....	42
Tafel 03.290 - Zündung / Elektrischer Anfang.....	43
Tafel 03.300 - Schwungmagnetstarter / Zündung.....	44
Tafel 03.320 - Secondary air.....	45
Tafel 03.330 - Auspuffrohr.....	46
Tafel 03.340 - Getriebe kpl.....	47
Tafel 03.350 - Getriebedeckel.....	48
Radaufhängungen.....	50
Tafel 04.060 - Vorderradgabel Kaifa.....	50
Tafel 04.080 - Stoßdämpfer.....	51
Räder.....	52
Tafel 05.010 - Vorderrad.....	52

Tafel 05.020 - Hinterrad.....	53
Bremsanlage	54
Tafel 06.010 - Vorderradbremspumpe.....	54
Tafel 06.020 - Vorderradbremzange.....	55
Tafel 06.030 - Hinterradbremspumpe.....	56
Tafel 06.040 - Hinterradbremzange.....	58
Tafel 06.050 - Bremsanlage ABS.....	59
Lenkstange - Schaltungen.....	60
Tafel 07.010 - Lenkung.....	60
Tafel 07.020 - Lenkstange - Schaltungen.....	61
Tafel 07.030 - Kupplungssteuerung.....	62
Vorderer lichter - Instrumente.....	63
Tafel 08.010 - Vorderer lichter.....	63
Tafel 08.020 - Instrumente.....	64
Tafel 08.030 - Hinterer lichter.....	65
Tank.....	67
Tafel 09.010 - Kraftstofftank.....	67
Tafel 09.020 - Benzindampfdruckf.-Anlage.....	68
Elektrische Anlage.....	69
Tafel 11.010 - Vorder Elektrische Anlage.....	69
Tafel 11.020 - Mitt. elektrische Anlage.....	70
Tafel 11.030 - Hint.Elektrische Anlage.....	71

Fertige Produkte

Code	Gültigkeit
GU9032250CAH01	
GU9032250CAH02	
GU9032250CAH03	
GU9032250USG99	
GU9032250USH01	
GU9032250USH02	
GU9032250USH03	

Code	Nr. der Tafel	Pos.	Code	Nr. der Tafel	Pos.	Code	Nr. der Tafel	Pos.
006630	03.270	8	1A006655	03.030	8	2A000496	03.120	4
00H02402282	06.050	5	1A006656	03.030	7	2A000521	03.120	9
013763	03.190	14	1A006659	03.100	12	2A000527	03.120	27
013763	08.020	7	1A0066680G	03.160	3	2A000528	03.120	8
070286	08.030	30	1A0066680N	03.160	3	2A000565	03.090	1
070286	11.030	3	1A0066680V	03.160	3	2A000579	03.120	5
080341	11.020	19	1A0066690G	03.160	8	2A000591	03.170	37
122675	11.010	12	1A0066690N	03.160	8	2A000597	03.320	3
1A000360	03.180	7	1A0066690V	03.160	8	2A000608	03.060	8
1A000365	03.180	16	1A006671AA	03.160	7	2A000609	03.060	3
1A000366	03.180	22	1A006671BB	03.160	7	2A000612	03.060	7
1A000367	03.180	27	1A006716	03.090	4	2A000620	03.090	6
1A000368	03.180	28	1A006860	03.030	19	2A000627	03.180	13
1A000369	03.180	29	1A006861	03.120	16	2A000629	03.180	30
1A000370	03.180	25	1A0068695	03.100	10	2A000631	03.230	21
1A000436	03.180	10	1A0068705	03.100	11	2A000633	03.190	5
1A000566	03.180	4	1A0068960B	03.160	2	2A000638	03.230	30
1A002604	03.180	24	1A0068960G	03.160	2	2A000659	03.090	2
1A002604	03.180	9	1A0068960R	03.160	2	2A000724	03.230	4
1A003444	11.020	14	1A007008	03.190	22	2A000727	03.180	5
1A003452	03.100	5	1A007070	03.150	2	2A000741	03.230	31
1A004442	03.190	15	1A007111	03.150	9	2A0007425	03.170	19
1A004530	03.030	10	1A008576	03.120	25	2A0007505	03.170	6
1A004549	03.190	11	1C001499	01.030	8	2A000767	03.230	23
1A004550	03.030	1	1C001499	05.020	19	2A000770	03.230	28
1A004660	03.100	1	1D001393	03.060	2	2A000792	03.230	7
1A004661	03.100	1	1D001450	09.010	8	2B000160	08.030	34
1A004662	03.100	1	1D001549	11.010	7	2B000215	03.330	15
1A004750	03.100	8	224566	03.170	44	2B000221	11.010	3
1A004751	03.100	4	224566	03.350	8	2B000225	05.020	11
1A004752	03.100	6	237553	03.190	12	2B000377	05.020	14
1A004903	03.120	13	248419	01.040	12	2B000404	03.350	2
1A004905	03.120	12	254485	03.330	19	2B000525	06.040	1
1A004907	03.120	14	254485	11.010	5	2B001009	03.020	15
1A004953	03.150	8	285536	03.170	3	2B001035	01.010	17
1A004954	03.150	7	285536	03.190	31	2B001052	07.010	3
1A004955	03.150	6	292022	08.010	3	2B001055	01.010	1
1A004956	03.150	5	292723	08.010	2	2B001058	05.010	5
1A005199	03.190	3	2A000097	03.170	41	2B001073	05.010	9
1A005211	03.030	2	2A000115	03.300	5	2B001088	01.030	5
1A005257	03.190	13	2A000129	03.300	4	2B001139	05.010	1
1A0052625	03.030	21	2A000203	03.180	20	2B001141	02.030	1
1A005325AA	03.160	6	2A000216	03.230	8	2B001147	02.030	2
1A005325BB	03.160	6	2A000219	03.170	12	2B001148	07.020	12
1A005382	11.020	5	2A000222	03.170	38	2B0011535	03.340	1
1A005424	03.100	2	2A000224	03.170	20	2B001154	08.020	3
1A005425	03.100	9	2A000225	03.170	23	2B001163	07.020	1
1A005712	03.120	1	2A000226	03.170	21	2B001182	08.010	17
1A0057145	03.120	24	2A000227	03.170	22	2B001223	08.020	2
1A005951	03.120	7	2A000241	03.170	27	2B001231	08.010	16
1A005955	03.120	19	2A000241	03.170	28	2B001279	05.020	18
1A006047	03.030	4	2A000241	03.180	32	2B001301	01.050	1
1A006053	03.190	27	2A000306	03.170	27	2B001303	03.350	25
1A006055	03.190	25	2A000339	03.090	3	2B001307	03.350	11
1A006056	03.190	24	2A0003535	03.120	6	2B001310	05.020	1
1A006064	03.190	23	2A000375	03.230	14	2B001311	03.350	3
1A006119	03.120	22	2A000376	03.230	16	2B001406	02.150	1
1A006127	03.120	23	2A000378	03.230	32	2B001561	05.010	17
1A006243	03.120	21	2A000384	03.230	18	2B001564	06.050	17
1A006272AA	03.150	10	2A000385	03.230	19	2B001612	01.010	16
1A006272BB	03.150	10	2A000415	03.170	24	2B001614	06.050	14
1A006272CC	03.150	10	2A000418	03.230	29	2B001618	02.100	2
1A006272DD	03.150	10	2A000419	03.230	1	2B001619	02.100	1
1A006283	03.030	17	2A00042115	03.170	1	2B001629	09.010	1
1A006284	03.030	18	2A000438	03.170	43	2B001708	05.010	18
1A006298	03.270	4	2A000438	03.350	22	2B001783	02.100	5
1A0066355	03.010	1	2A000467	03.170	15	2B001823	03.060	12

Code	Nr. der Tafel	Pos.	Code	Nr. der Tafel	Pos.	Code	Nr. der Tafel	Pos.
2B001929	06.010	6	2B002702	07.020	8	2D000102	06.050	1
2B001930	06.010	4	2B002705	01.030	1	2D000159	08.020	1
2B001935	03.330	24	2B002781	11.030	8	2D000163	07.020	19
2B001941	03.020	18	2B002799	01.040	1	2D000209	11.010	1
2B001953	06.040	3	2B002804	06.050	9	2D000209	11.020	1
2B001956	05.020	9	2B002805	06.050	10	2D000209	11.030	1
2B002011	08.010	11	2B002806	06.050	16	2D000218	07.020	20
2B002043	02.170	3	2B002807	03.350	21	2D000225	08.010	1
2B002171	01.020	21	2B002810	01.010	5	2D000226	07.020	3
2B002171	03.350	27	2B002817	01.010	15	2D000227	07.020	2
2B002189	06.030	1	2B002832	03.050	2	2D000245	11.030	2
2B002192	04.060	1	2B002842	07.030	8	2D000255	08.030	11
2B002195	07.020	7	2B002851	03.050	5	2D000256	08.030	12
2B002200	03.350	15	2B002875	07.020	16	2D000261	08.010	4
2B002205	01.050	6	2B002901	11.020	12	2D000262	08.010	5
2B002218	01.020	1	2B002936	02.170	11	2D0002805	06.030	9
2B002219	01.020	2	2B002937	01.040	10	2D0002885	07.030	9
2B002225	01.020	5	2B002940	02.170	1	2D000299	02.170	2
2B002233	06.030	13	2B002943	01.040	9	2D000355	11.020	21
2B002269	06.010	1	2B002944	09.010	6	2G000157	02.190	24
2B002294	04.060	3	2B002959	03.050	14	2G000158	02.190	23
2B002295	04.060	2	2B002989	04.080	1	2G000159	02.190	27
2B002298	03.340	2	2B003039	06.010	5	2G000160	02.190	25
2B002311	01.010	21	2B003040	06.010	3	2H001249500YG3	09.010	1
2B002311	02.150	4	2B003041	06.010	2	2H001250500YG3	02.030	1
2B002321	02.150	5	2B003042	09.020	3	2H001253	02.190	8
2B002325	01.010	3	2B003052	11.020	13	2H001254	02.190	7
2B002326	01.010	4	2B003056	06.050	2	2H001255	02.190	12
2B002359000C1	02.120	1	2B003076	01.020	4	2H001256	02.190	11
2B002364	07.020	5	2B003077	01.020	3	2H001257	02.190	6
2B002365	08.030	1	2B003078	01.010	12	2H001258	02.190	5
2B002366	08.030	29	2B003089	02.150	6	2H001259	02.190	14
2B002369	03.020	3	2B003102	01.040	3	2H001260	02.190	13
2B002378	01.040	2	2B003103	01.040	4	2H001366500YG3	02.150	1
2B002380	05.010	4	2B003105	03.196	3	2H001367	02.190	10
2B002381	05.020	2	2B003111	04.080	2	2H001368	02.190	9
2B002386	02.150	3	2B003164	08.010	13	2H001369	02.190	2
2B002390	07.030	2	2B003165	08.010	14	2H001370	02.190	1
2B002391	07.030	1	2B003204	03.196	2	2H001371	02.190	4
2B002443	08.030	3	2B003212	01.050	5	2H001372	02.190	3
2B002448	05.020	3	2B003271	06.020	1	2H001401500Q4	09.010	1
2B002471	07.020	13	2B003284	03.330	25	2H001402500Q4	02.030	1
2B002483	08.030	4	2B003292	07.010	15	2H001403500Q4	02.150	1
2B002484	08.030	7	2B003313	06.020	6	2H001404	02.190	8
2B002486	09.010	9	2B003367	08.020	6	2H001405	02.190	7
2B002495	03.330	6	2B0033875	03.350	23	2H001406	02.190	10
2B002496	03.330	5	2B003742	04.060	14	2H001407	02.190	9
2B0024975	03.330	1	2B003743	07.010	1	2H001408	02.190	2
2B0024985	03.330	2	2B004042	06.030	24	2H001409	02.190	1
2B002529	03.320	7	2B004043	03.020	28	2H001410	02.190	4
2B002530	03.320	9	2B004044	01.020	22	2H001411	02.190	3
2B002531	03.320	8	2B004050	06.030	37	2H001412	02.190	6
2B002532	03.330	13	2B004053	03.020	3	2H001413	02.190	5
2B002533	03.330	12	2B004062	03.020	2	2H001445	02.190	16
2B002535	03.350	24	2B004062	06.030	30	2H001446500XR7	09.010	1
2B002536	03.350	18	2B004063	06.030	27	2H001447500XR7	02.030	1
2B002541	08.030	21	2B004064	06.030	29	2H001448500XR7	02.150	1
2B002602	03.196	4	2B004076	06.030	34	2H001450	02.190	8
2B0026135	03.330	4	2B004107	06.030	36	2H001451	02.190	7
2B0026145	03.330	3	2B004109	03.020	9	2H001452	02.190	10
2B002621	01.040	6	2B004111	06.030	32	2H001453	02.190	9
2B002622	01.040	5	2B004112	03.020	27	2H001454	02.190	2
2B002632	09.020	1	2B004112	06.030	21	2H001455	02.190	1
2B002680	03.020	9	2D000004	02.170	4	2H001456	02.190	4
2B002681	06.050	11	2D000024	03.300	1	2H001457	02.190	3
2B002699	03.340	3	2D000099	08.020	1	2H001458	02.190	6
2B002701	07.020	9	2D000100	08.010	1	2H001459	02.190	5

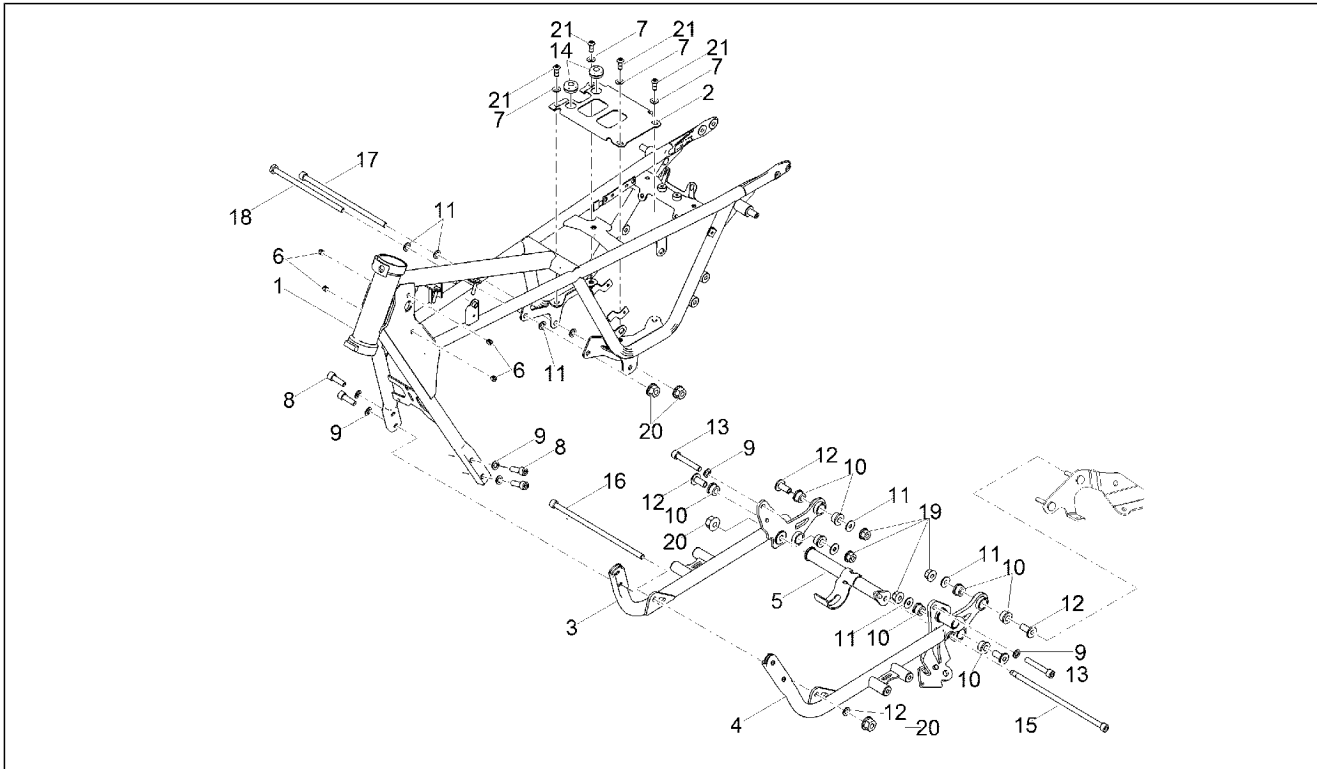
Code	Nr. der Tafel	Pos.	Code	Nr. der Tafel	Pos.	Code	Nr. der Tafel	Pos.
2Q000111	02.190	15	886365	03.030	15	AP8102520	09.020	9
2R000109	04.060	7	886629	03.230	11	AP8102524	01.030	4
2R000110	04.060	23	887003	03.270	5	AP8102671	01.010	6
2R000243	04.060	19	887093	03.190	18	AP8102671	01.040	14
2R000248	06.040	5	887421	11.020	20	AP8102738	09.020	2
319165	02.170	9	887443	02.190	18	AP8102913	02.170	12
478533	11.020	11	887448	05.020	10	AP8104525	03.050	4
479175	08.030	13	887481	11.020	7	AP8104924	03.050	7
484993	03.030	20	887762	05.010	14	AP8110053	03.020	16
584211	11.030	4	887762	05.020	12	AP8110077	07.010	7
584332	08.010	6	887815	03.050	8	AP8110109	05.020	6
584332	08.030	15	887831	07.010	9	AP8113003	06.050	3
623920	03.230	6	887832	07.010	12	AP8113004	06.050	4
638733	11.030	9	887843	03.050	9	AP8113081	06.030	4
639338	08.010	7	887844	03.050	12	AP8113082	06.030	5
639338	08.030	16	887875	05.010	8	AP8118579	07.020	4
641040	11.020	8	887878	04.060	4	AP8120001	01.040	15
641901	11.020	15	887879	04.060	5	AP8120001	11.030	11
642034	11.020	16	887880	04.060	6	AP8120030	06.050	7
643090	03.190	16	887882	04.060	8	AP8120178	06.030	3
643277	11.010	2	887883	04.060	9	AP8120278	08.030	6
648708	05.020	17	887884	04.060	10	AP8120311	01.010	14
658778	06.030	23	887885	04.060	11	AP8120455	03.050	3
658837	03.030	5	887886	04.060	12	AP8120455	03.330	14
658837	06.030	35	887888	04.060	13	AP8120455	09.010	3
680212	11.020	9	887889	04.060	15	AP8120573	01.020	17
825694	03.100	13	887890	04.060	17	AP8120615	03.050	6
826165	03.190	32	887891	04.060	16	AP8120876	03.050	11
831135	03.030	11	887893	04.060	20	AP8120912	03.020	1
832029	11.010	10	887894	04.060	22	AP8120912	06.030	17
834764	03.170	33	887905	04.060	18	AP8120912	06.030	31
834951	03.330	20	887908	03.020	2	AP8121014	01.030	3
840509	08.030	14	887908	06.030	16	AP8121032	02.100	7
848650	03.180	17	887916	04.060	21	AP8121133	01.020	19
849308	03.180	21	890760	03.050	13	AP8121199	08.010	10
849308	03.180	6	890760	07.010	14	AP8121205	07.010	4
849309	03.180	23	894704	11.030	15	AP8121420	02.170	6
849310	03.180	26	895328	03.020	5	AP8121509	03.020	26
849396	03.180	14	895328	06.030	10	AP8121567	01.020	15
849424	03.180	8	895709	06.050	20	AP8121725	08.030	25
852090	03.330	11	896110	03.330	7	AP8121882	06.050	18
854827	07.020	15	896174	01.040	8	AP8121927	06.030	15
856063	09.020	7	897478	03.300	2	AP8121927	06.030	25
857045	03.320	2	898268	03.270	6	AP8123641	07.010	6
857046	03.320	5	898269	03.270	7	AP8123642	07.010	10
857047	03.320	1	898283	03.020	11	AP8123643	07.010	11
857181	03.320	10	898286	06.030	28	AP8123644	07.010	8
857206	03.300	3	898396	03.020	14	AP8124936	11.010	6
857250	03.170	29	898397	03.020	7	AP8125687	05.020	16
859792	05.010	16	959559	06.050	13	AP8127601	09.020	10
859792	05.020	15	967356	01.030	6	AP8127856	01.030	7
859946	06.030	11	967384	01.020	24	AP8134448	08.030	18
859946	06.030	14	967384	06.030	22	AP8134451	01.020	18
871640	03.100	7	974162	03.180	12	AP8144007	03.020	4
873905	03.170	26	974165	03.180	15	AP8144007	06.030	19
873928	03.180	2	976591	03.090	5	AP8144071	01.010	10
874567	03.150	4	976614	02.100	3	AP8144222	07.020	14
874957	03.330	9	976649	03.350	1	AP8144552	11.030	19
876879	03.330	16	97729R	03.290	1	AP8145034	01.020	6
880260	03.060	4	977527	02.170	5	AP8145035	01.020	7
883161	11.030	5	978415	02.170	7	AP8149034	08.030	35
883688	05.010	12	978570	07.020	10	AP8150009	01.010	7
883802	07.020	10	AP8101861	01.020	20	AP8150012	06.030	12
883826	03.030	13	AP8102159	09.020	6	AP8150015	06.050	6
884031	04.080	4	AP8102239	09.020	4	AP8150018	01.010	11
884033	06.030	18	AP8102375	02.100	4	AP8150018	03.020	24
884310	03.060	11	AP8102520	03.050	15	AP8150018	09.010	4

Code	Nr. der Tafel	Pos.	Code	Nr. der Tafel	Pos.	Code	Nr. der Tafel	Pos.
AP8150026	03.020	19	B016796	03.060	5	GU14217901	03.230	5
AP8150048	01.010	13	B016796	08.030	23	GU14609650	11.010	9
AP8150049	07.020	17	B017406	03.170	5	GU14609650	11.020	3
AP8150053	08.010	15	B017636	03.100	3	GU14609650	11.030	17
AP8150053	08.030	9	B018020	03.170	4	GU14615901	03.230	3
AP8150115	03.020	12	B018448	03.180	31	GU14615901	03.330	18
AP8150178	05.010	19	B043850	11.030	16	GU14615901	03.330	22
AP8150285	06.030	7	B045974	02.190	26	GU14615901	03.350	26
AP8150377	11.010	4	B063025	03.170	39	GU14615901	07.020	18
AP8150413	01.040	13	B063174	04.080	3	GU14616150	05.010	11
AP8150413	08.030	22	B063233	11.030	10	GU14616150	05.020	8
AP8150430	08.030	31	B063269	03.170	40	GU18144350	03.190	8
AP8150451	06.050	15	B063287	01.010	2	GU19002020	03.170	36
AP8150500	01.040	11	B063292	03.330	8	GU19002020	03.270	3
AP8150500	03.060	6	B063907	01.020	12	GU19003800	03.030	3
AP8150509	03.050	10	B063956	03.170	14	GU19015020	03.030	14
AP8150536	08.030	8	B064023	02.120	2	GU19018920	03.030	9
AP8150538	02.030	4	B064112	03.170	10	GU19018920	03.190	28
AP8150540	07.010	13	B064113	03.170	7	GU19021360	03.150	3
AP8150543	07.010	2	B064304	03.350	16	GU19045861	03.120	3
AP8152043	06.010	8	CM013202	11.030	14	GU19055700	03.120	2
AP8152055	03.330	21	CM178609	08.020	4	GU19058021	03.120	20
AP8152138	03.020	17	CM179008	09.020	5	GU19058220	03.120	11
AP8152220	03.190	20	CM179301	02.100	6	GU19062261	03.160	1
AP8152246	08.030	32	CM226902	03.196	1	GU19065400	03.160	9
AP8152267	03.090	7	CM226902	03.320	6	GU19067700	03.230	2
AP8152272	03.120	10	CM228401	01.020	14	GU19213760	03.230	12
AP8152273	02.150	7	CM258301	03.060	13	GU19351100	03.350	17
AP8152273	09.010	7	CM258303	03.050	17	GU19356760	03.230	13
AP8152277	01.020	11	CM275401	03.060	1	GU19547000	01.050	2
AP8152288	06.040	2	CM277101	11.020	17	GU20147710	03.190	21
AP8152288	09.010	2	CM277102	11.020	18	GU20147810	03.190	26
AP8152298	08.030	33	GU01528930	03.350	28	GU20258221	03.020	23
AP8152299	02.100	8	GU01528930	03.350	6	GU27061885	03.160	4
AP8152299	02.150	2	GU01659130	06.020	5	GU27066460	03.160	5
AP8152299	08.010	12	GU01659131	06.020	4	GU27152885	03.190	1
AP8152299	11.020	6	GU03013800	03.020	22	GU30601060	07.030	3
AP8152306	08.030	19	GU03013800	03.060	10	GU30602500	07.030	4
AP8152329	03.050	1	GU03617710	05.010	10	GU31003766	03.030	22
AP8152384	07.010	5	GU03617710	05.020	7	GU31003766	03.350	7
AP8152385	06.020	2	GU03658201	06.050	21	GU31150950	03.190	10
AP8157100	02.190	20	GU03658330	06.050	19	GU31159050	03.190	6
AP8161054	03.050	16	GU03749845	06.010	7	GU31256881	03.020	10
AP8181140	11.030	13	GU04355100	03.350	20	GU31544181	06.040	4
AP8201755	08.030	24	GU04355101	03.350	20	GU31547882	01.050	3
AP8210007	03.020	20	GU04355102	03.350	20	GU31616384	05.010	15
AP8213028	07.030	5	GU04355103	03.350	20	GU31659181	06.040	7
AP8213388	07.030	6	GU04355104	03.350	20	GU31659281	06.040	6
AP8220186	08.030	5	GU04355105	03.350	20	GU32441210	01.020	10
AP8221023	03.050	18	GU04355106	03.350	20	GU32442310	01.020	8
AP8221023	06.050	8	GU05217630	03.230	26	GU32442710	01.020	9
AP8221197	01.030	2	GU05234230	03.170	9	GU32517710	11.030	12
AP8221277	01.020	16	GU05234631	03.170	31	GU32602860	07.020	6
AP8224164	08.030	17	GU05235531	03.170	30	GU32615660	05.010	3
AP8224462	11.020	4	GU05238231	03.170	13	GU32632510	05.020	20
AP8257609	02.190	21	GU05238431	03.170	11	GU32944310	02.190	17
AP8257742	02.190	22	GU05239330	03.170	16	GU37359005	03.350	10
AP8257794	02.190	19	GU05351230	03.350	9	GU49609601	11.020	2
AP8702101	02.170	10	GU05659230	06.020	3	GU61027200	03.150	1
AP9100053	08.030	27	GU05781630	04.060	24	GU66103415	09.010	10
AP9100477	01.020	23	GU10034100	03.120	15	GU90271014	03.170	17
B013037	03.230	15	GU10528900	03.030	23	GU90271022	03.170	32
B013608	03.170	25	GU12022600	03.170	35	GU90272047	05.020	5
B013608	03.180	3	GU12154200	03.190	2	GU90353014	03.170	8
B014598	01.050	7	GU12351100	03.350	13	GU90353029	03.120	17
B015040	03.180	11	GU14085900	03.230	25	GU90401424	03.170	18
B015598	03.170	2	GU14086100	03.230	17	GU90402642	05.010	6

Code	Nr. der Tafel	Pos.
GU90412541	03.180	18
GU90413850	03.350	12
GU90706141	11.010	11
GU90706170	03.230	27
GU90706188	03.350	4
GU90706203	03.170	34
GU90706235	03.230	10
GU90706281	03.030	25
GU90706444	03.190	4
GU90706584	03.350	5
GU90706958	03.350	19
GU91113826	03.330	10
GU91181003	07.020	21
GU91551010	01.010	19
GU91551010	03.050	19
GU91551131	09.010	5
GU92201226	03.180	19
GU92201226	03.230	9
GU92201822	03.180	1
GU92204220	05.020	4
GU92204221	05.010	7
GU92254340	03.350	14
GU92296723	03.190	30
GU92602510	03.190	19
GU92606206	03.020	8
GU92606206	06.030	2
GU92606206	06.030	26
GU92606208	03.030	6
GU92606508	03.230	24
GU92630206	06.030	6
GU92630207	05.010	20
GU92630510	01.010	20
GU92630510	03.020	25
GU92630707	06.030	33
GU92660021	03.330	17
GU93180105	01.050	4
GU93180111	05.010	2
GU93180220	03.170	42
GU93304360	09.020	8
GU93304390	11.010	8
GU93304390	11.030	18
GU93450224	08.030	2
GU94321079	03.190	9
GU94321105	03.230	22
GU95005304	11.020	10
GU95005310	08.030	20
GU95008206	03.190	7
GU95008208	03.290	2
GU95008208	03.330	23
GU95008210	01.010	9
GU95008306	08.030	36
GU95020105	01.030	9
GU95100059	11.030	7
GU95100309	03.190	17
GU95100602	03.190	29
GU95129115	03.120	18
GU95500222	03.230	20
GU96451316	06.050	12
GU96451430	03.030	12
GU96508055	03.030	16
GU97202325	07.030	7
GU98110199	01.010	18
GU98210610	08.020	5
GU98210616	07.010	16
GU98210616	08.030	28
GU98370625	06.030	20
GU98612216	03.320	4

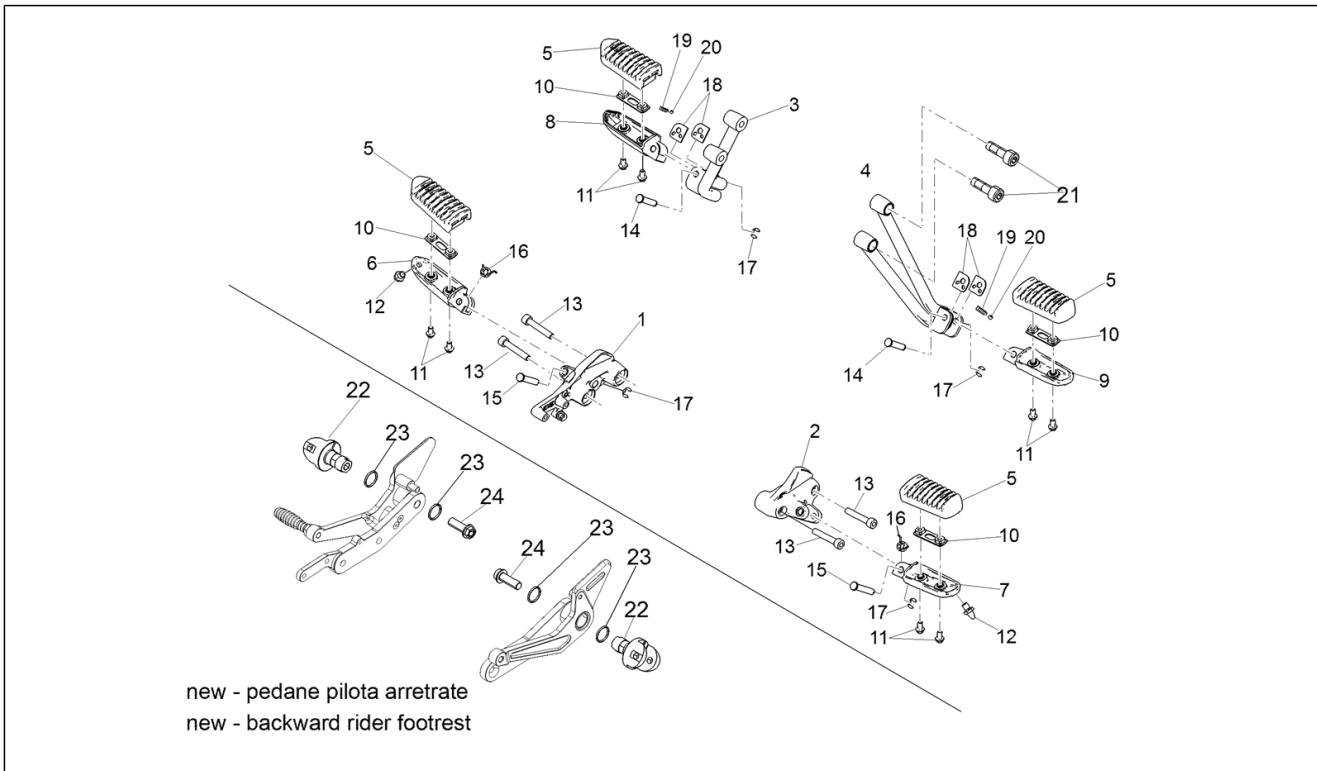
Code	Nr. der Tafel	Pos.
GU98612320	08.010	8
GU98612320	08.030	10
GU98620330	01.040	7
GU98622322	03.060	9
GU98632322	03.020	21
GU98680445	01.020	13
GU98680445	06.030	8
GU98680460	03.020	6
GU98682212	03.300	6
GU98682212	11.030	6
GU98682312	05.020	13
GU98682325	03.030	24
GU98682325	03.270	1
GU98682330	03.270	2
GU98682330	08.030	26
GU98682416	02.170	8
GU98682416	09.010	11
GU98682435	03.290	3
GU98682530	01.010	8
GU98690445	02.030	3
GU98690445	08.010	9
GU98692318	03.020	13
GU98692425	07.020	11
GU98882316	03.120	26

Einheit	Rahmen
Code	01.010
Beschreibung	Rahmen
Inspektion	1



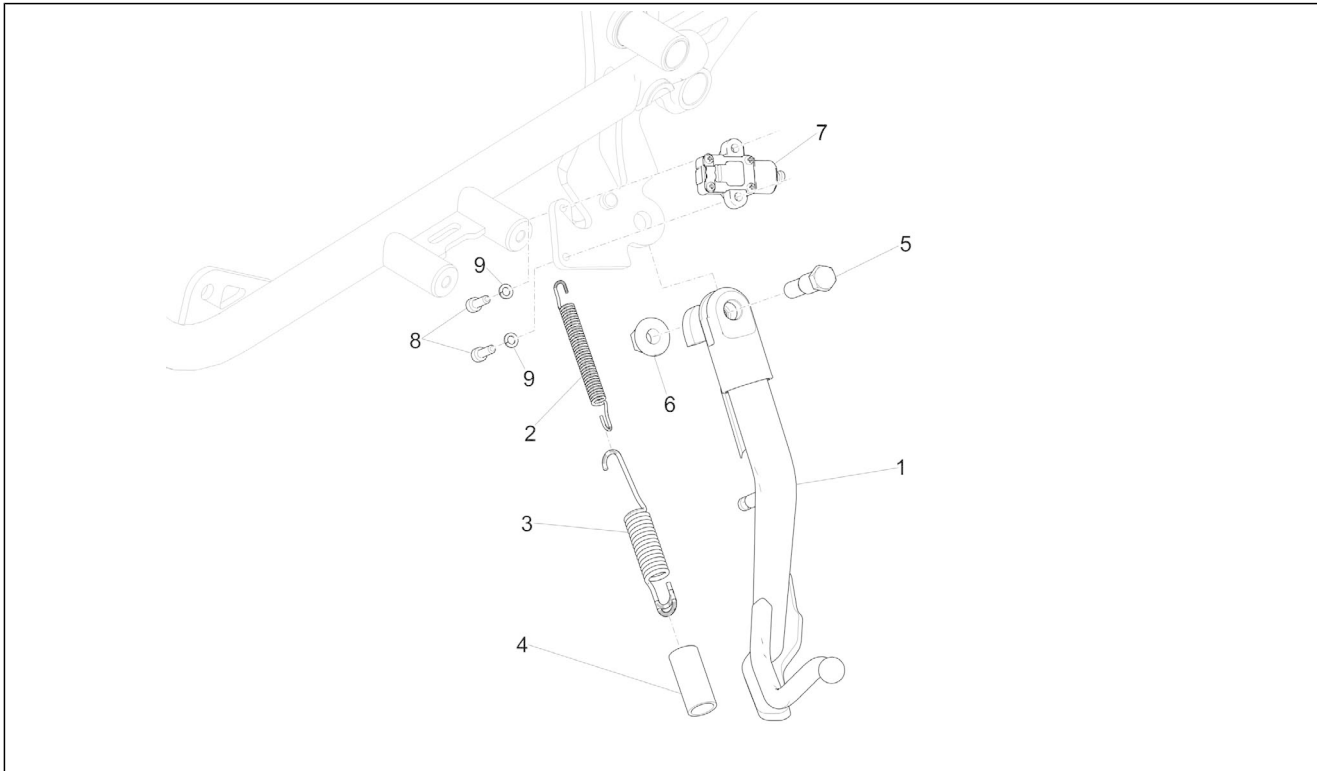
Pos.	Code	Beschreibung	Menge	Varianten
1	2B001055	Fahrgestell	1	
2	B063287	Verbindungsplatte Rahmen	1	
3	2B002325	Arm Rahmenschleife rechts	1	
4	2B002326	Arm Rahmenschleife links	1	
5	2B002810	Rahmenträger	1	
6	AP8102671	Kunststoffniet	4	
7	AP8150009	Scheibe	4	
8	GU98682530	TCEI Schraube M10x30	4	
9	GU95008210	Ausgleichscheibe 10,2X18X2	6	
10	AP8144071	Gummi auspuffrohr	8	
11	AP8150018	Ausgleichscheibe	4	
12	2B003078	Distanzscheibe	4	
13	AP8150048	TCEI Schraube	2	
14	AP8120311	Gummi	2	
15	2B002817	Zapfen M10	1	
16	2B001612	Bolzen M10X253	1	
17	2B001035	Bolzen 234X10	1	
18	GU98110199	Bolzen M10x205	1	
19	GU91551010	Gummi 10X20X10	2	
20	GU92630510	Mutter M10x1,5	4	
21	2B002311	Linsenschraube Torx M8X20	4	

Einheit	Rahmen
Code	01.020
Beschreibung	Fussrasten
Inspektion	1



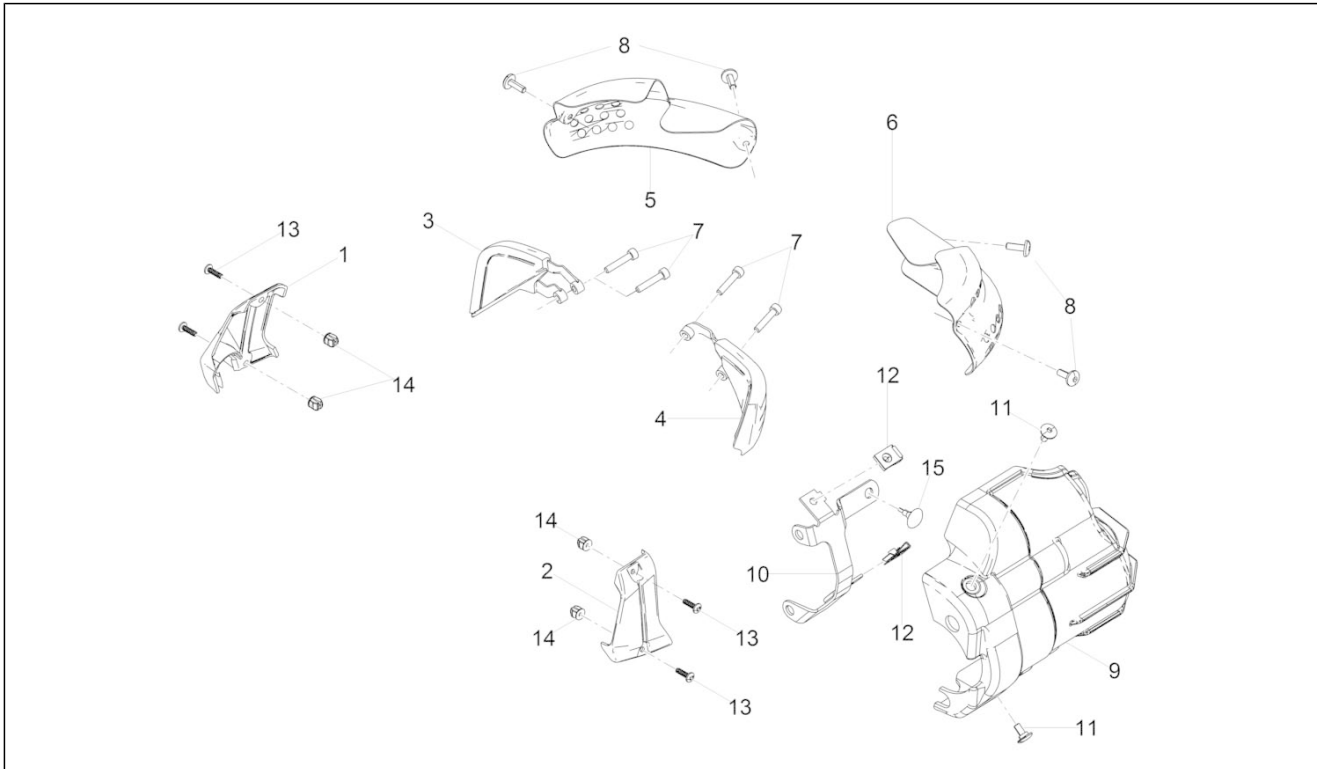
Pos.	Code	Beschreibung	Menge	Varianten
1	2B002218	Fußrastenhalter Fahrer rechts	1	Technische Spezifikation: standard rider footrest[old]
2	2B002219	Fußrastenhalter Fahrer links	1	Technische Spezifikation: standard rider footrest[old]
3	2B003077	Fußrasten-Halterung Beif. rechts	1	
4	2B003076	Fußrasten-Halterung Beif. links	1	
5	2B002225	Gummiraste	4	
6	AP8145034	Fussrasten r.	1	
7	AP8145035	Fussrasten l.	1	
8	GU32442310	Soziusraste rechts	1	
9	GU32442710	Soziusraste links	1	
10	GU32441210	Platte	4	
11	AP8152277	TE Schr. m. Flansch M6x12	8	
12	B063907	Rastenbolzen	2	
13	GU98680445	TCEI Schraube	4	Technische Spezifikation: standard rider footrest[old]
14	CM228401	Rastenbolzen	2	
15	AP8121567	Bolzen	2	
16	AP8221277	Rückholfeder	2	
17	AP8120573	Sperring	4	
18	AP8134451	Fixierplatte	4	
19	AP8121133	Schraubenfederkompr.	2	
20	AP8101861	Kugel D6,35	2	
21	2B002171	TC Schraube 8x25	4	
22	2B004044	Halterung Fahrertrittbrett	2	Technische Spezifikation: backward rider footrest[new]
23	AP9100477	O-Ring 18x2	4	Technische Spezifikation: backward rider footrest[new]
24	967384	Schraube TEF M10X45	2	Technische Spezifikation: backward rider footrest[new]

Einheit	Rahmen
Code	01.030
Beschreibung	Hauptständer
Inspektion	1



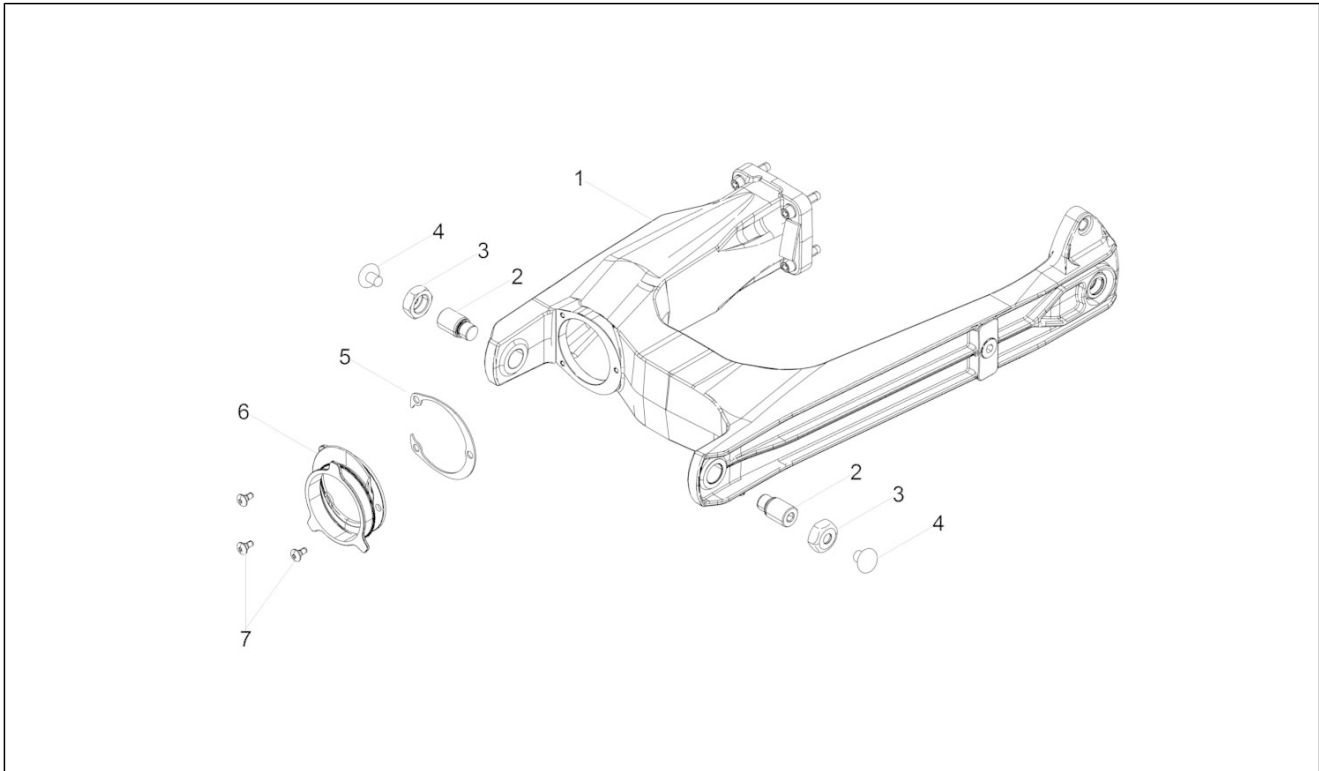
Pos.	Code	Beschreibung	Menge	Varianten
1	2B002705	Seitenständer	1	
2	AP8221197	Hauptständer Schraubenfeder	1	
3	AP8121014	Schraubenfeder	1	
4	AP8102524	Schutz f. Ständerfeder	1	
5	2B001088	Ständerbolzen	1	
6	967356	Geflanschte Mutter M10x1,25	1	
7	AP8127856	Ständer lichtschalter	1	
8	1C001499	Schraube TBEI TORX M5x16 INOX	2	
9	GU95020105	Ausgleichscheibe 5,3x8,9x2,4	2	

Einheit	Rahmen
Code	01.040
Beschreibung	Schutz
Inspektion	1



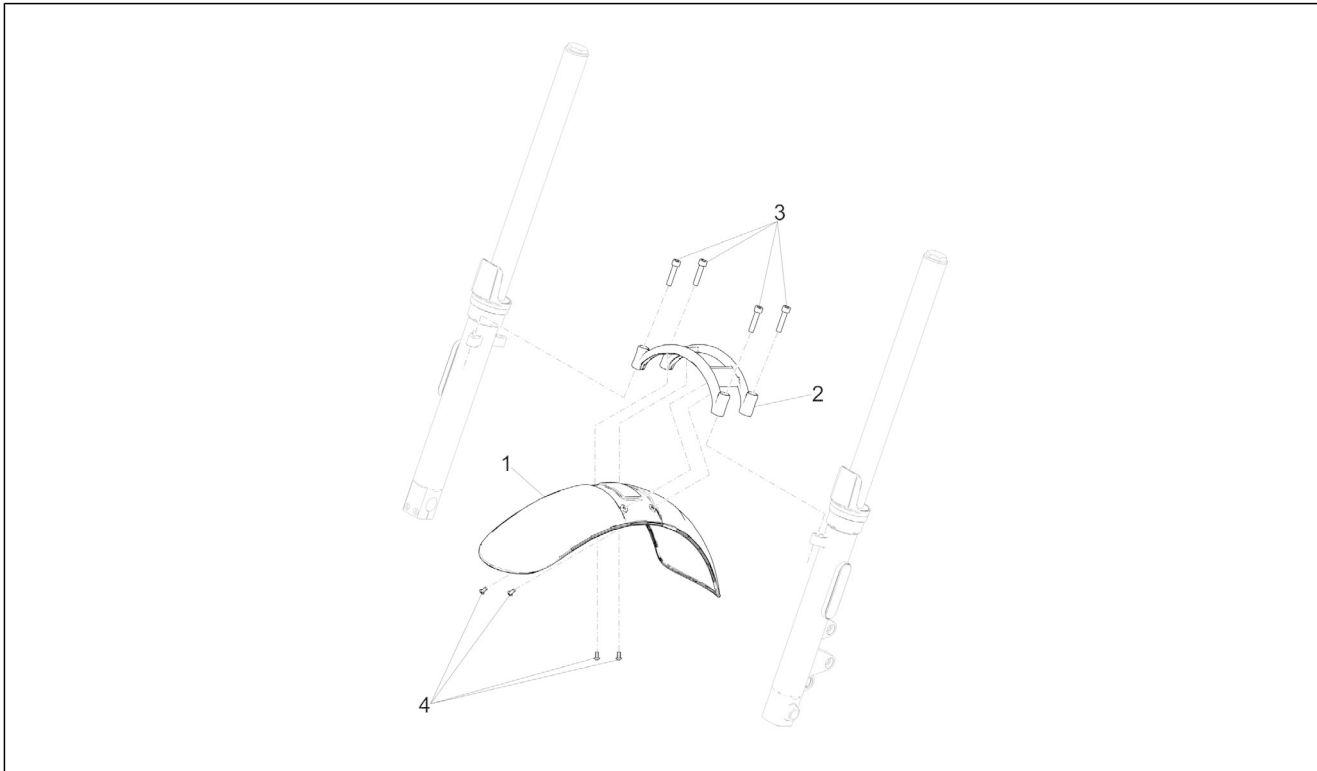
Pos.	Code	Beschreibung	Menge	Varianten
1	2B002799	Rahmenschutz rechts	1	
2	2B002378	Rahmenschutz links	1	
3	2B003102	Knieschutz rechts	1	
4	2B003103	Knieschutz links	1	
5	2B002622	Einspritzdüsenabdeckung rechts	1	
6	2B002621	Einspritzdüsenabdeckung links	1	
7	GU98620330	Schraube	4	
8	896174	Schraube TBEI Schwarz M5x12	4	
9	2B002943	Abdeckung anlassermotor	1	
10	2B002937	Haltebügel Abdeckung	1	
11	AP8150500	TBEI Schraube M5x9	2	
12	248419	Plattchen M5	2	
13	AP8150413	Gew.schr. 3,9x14	1	
14	AP8102671	Kunststoffniet	2	
15	AP8120001	Gummi	1	

Einheit	Rahmen
Code	01.050
Beschreibung	Schwinge
Inspektion	1



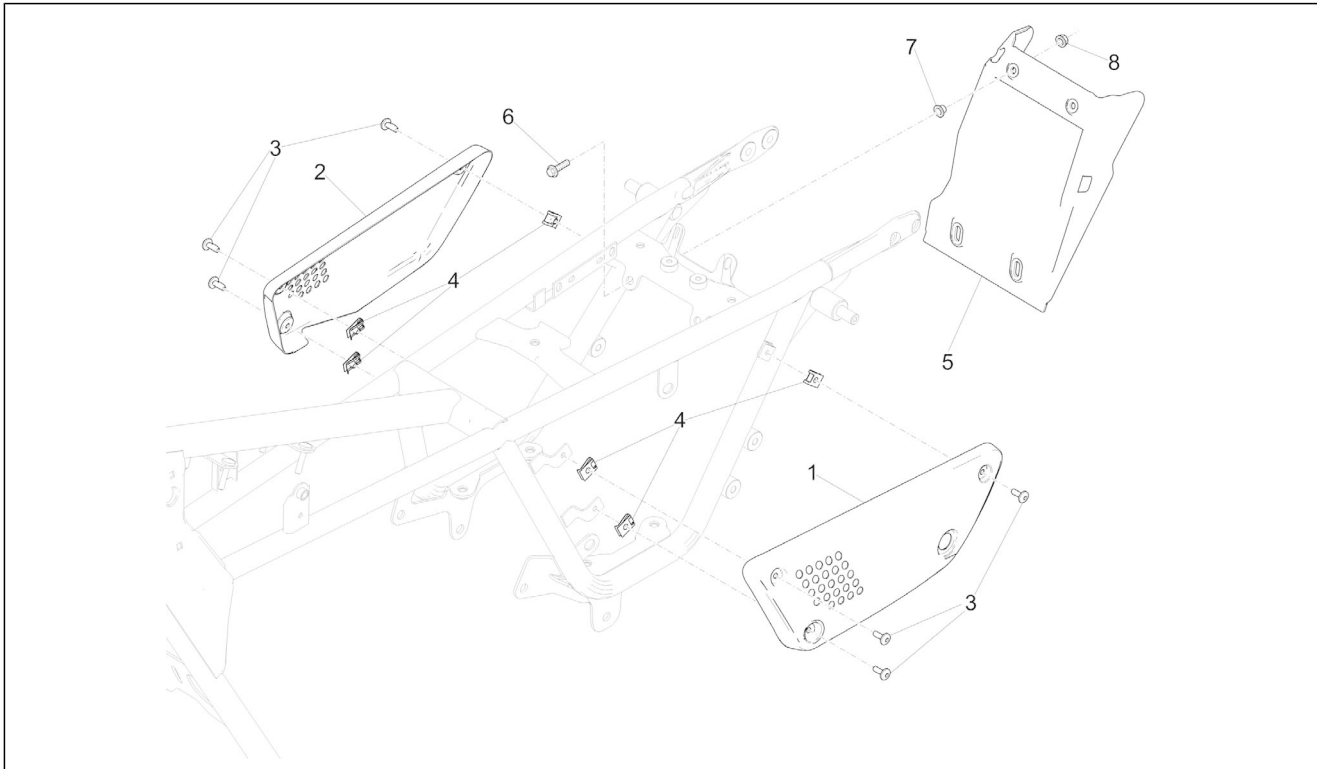
Pos.	Code	Beschreibung	Menge	Varianten
1	2B001301	Schwinge	1	
2	GU19547000	Bolzen	2	
3	GU31547882	Mutter	2	
4	GU93180105	Deckel	2	
5	2B003212	Fixierplatte	1	
6	2B002205	Gummibalg	1	
7	B014598	Torx Schraube M5x12	3	

Einheit	Aufbau
Code	02.030
Beschreibung	Vorderes Schutzblech-Stütze
Inspektion	1



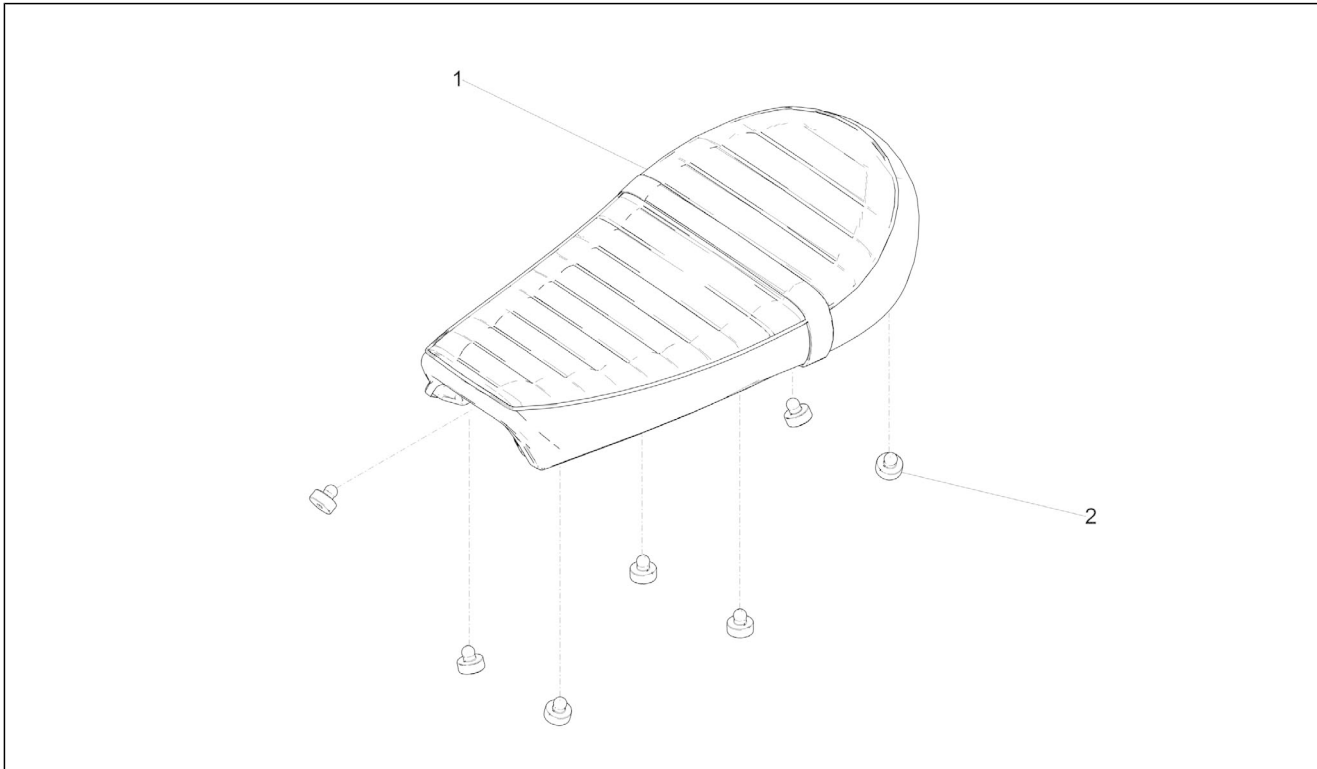
Pos.	Code	Beschreibung	Menge	Varianten
1	2H001447500XR7	V. Schutzblech, rot	1	Farbe: Rot Ibis[RI]
1	2H001250500YG3	Schutzblech v.gelb	1	Farbe: Gelb Brio[YB]
1	2B001141	Vorderes Schutzblech	1	
1	2H001402500Q4	V. Schutzblech, weiß	1	Farbe: Weiß Tech[BT]
2	2B001147	Schutzblechhalterung	1	
3	GU98690445	Schraube M8x45	4	
4	AP8150538	TBEI Schraube M5x10	4	

Einheit	Aufbau
Code	02.100
Beschreibung	Mittlerer Aufbau
Inspektion	1



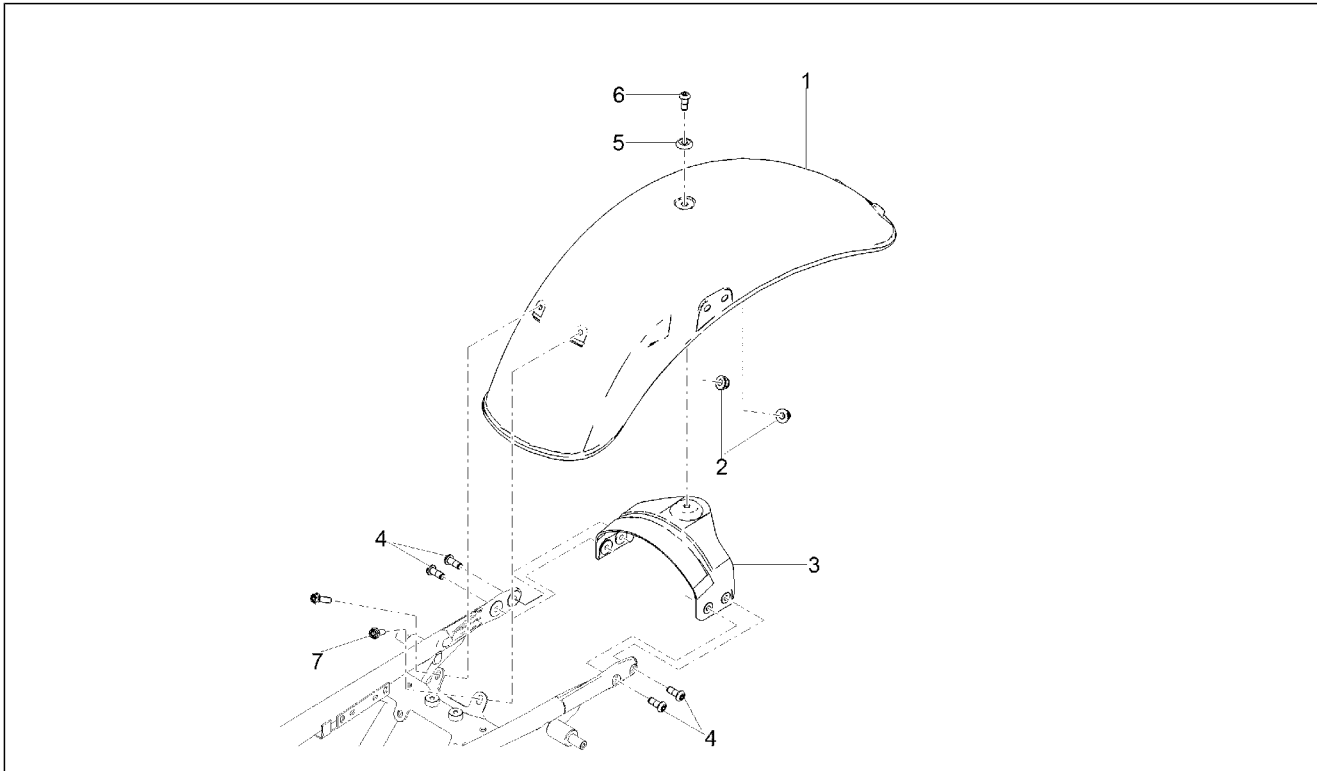
Pos.	Code	Beschreibung	Menge	Varianten
1	2B001619	L. kl. Seitenteil	1	
2	2B001618	R. kl. Seitenteil	1	
3	976614	TBEI Schraube M5x15	6	
4	AP8102375	Klammer M5	6	
5	2B001783	Hinteres, Spritzschutz	1	
6	CM179301	Schraube M6x16	2	
7	AP8121032	Buchse	2	
8	AP8152299	Selbstsperrende Mutter M6	2	

Einheit	Aufbau
Code	02.120
Beschreibung	Sitz
Inspektion	1



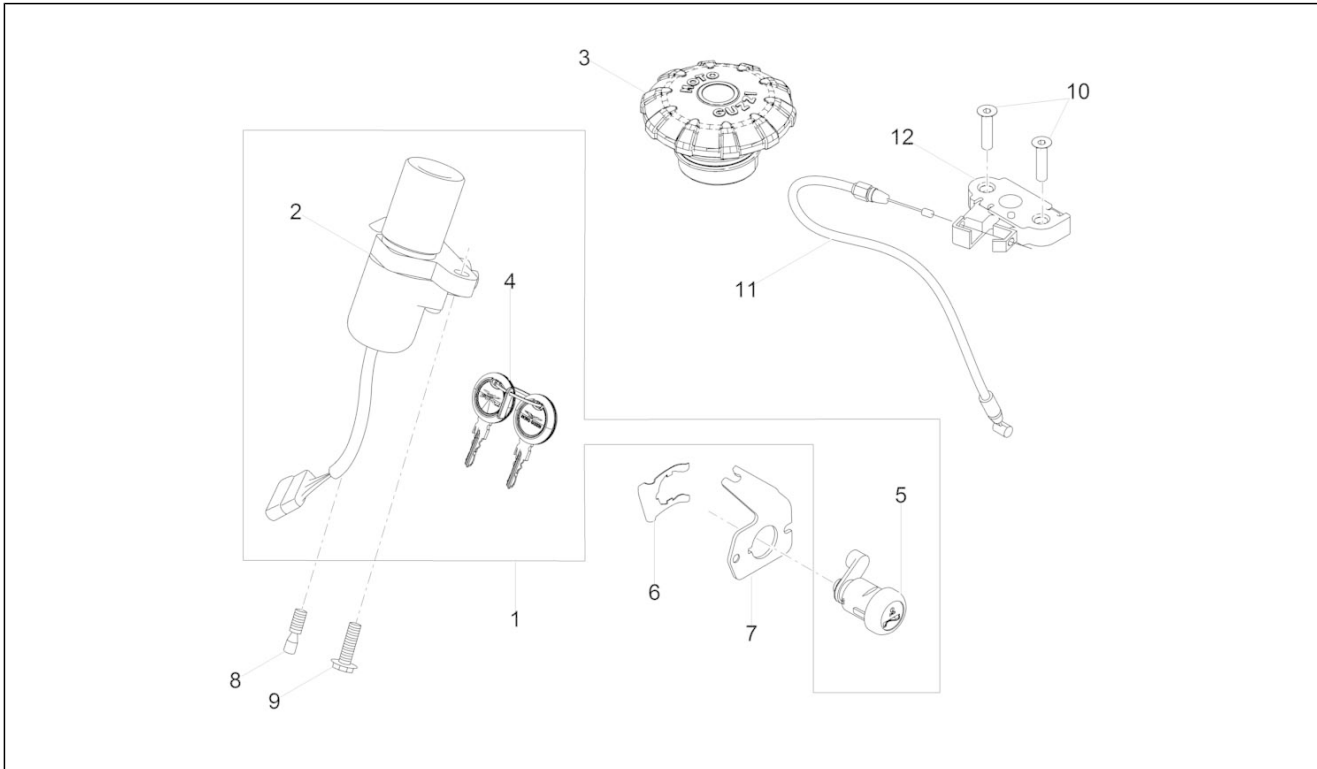
Pos.	Code	Beschreibung	Menge	Varianten
1	2B002359000C1	Sitzbank Custom	1	Baujahr:[G] Farbe:Weiß Tech[BT] Rot Ibis[RI] Gelb Brio[YB] Land:[GB]
2	B064023	Sitz-Auflagegummi	7	

Einheit	Aufbau
Code	02.150
Beschreibung	Hinteres Schutzblech
Inspektion	1



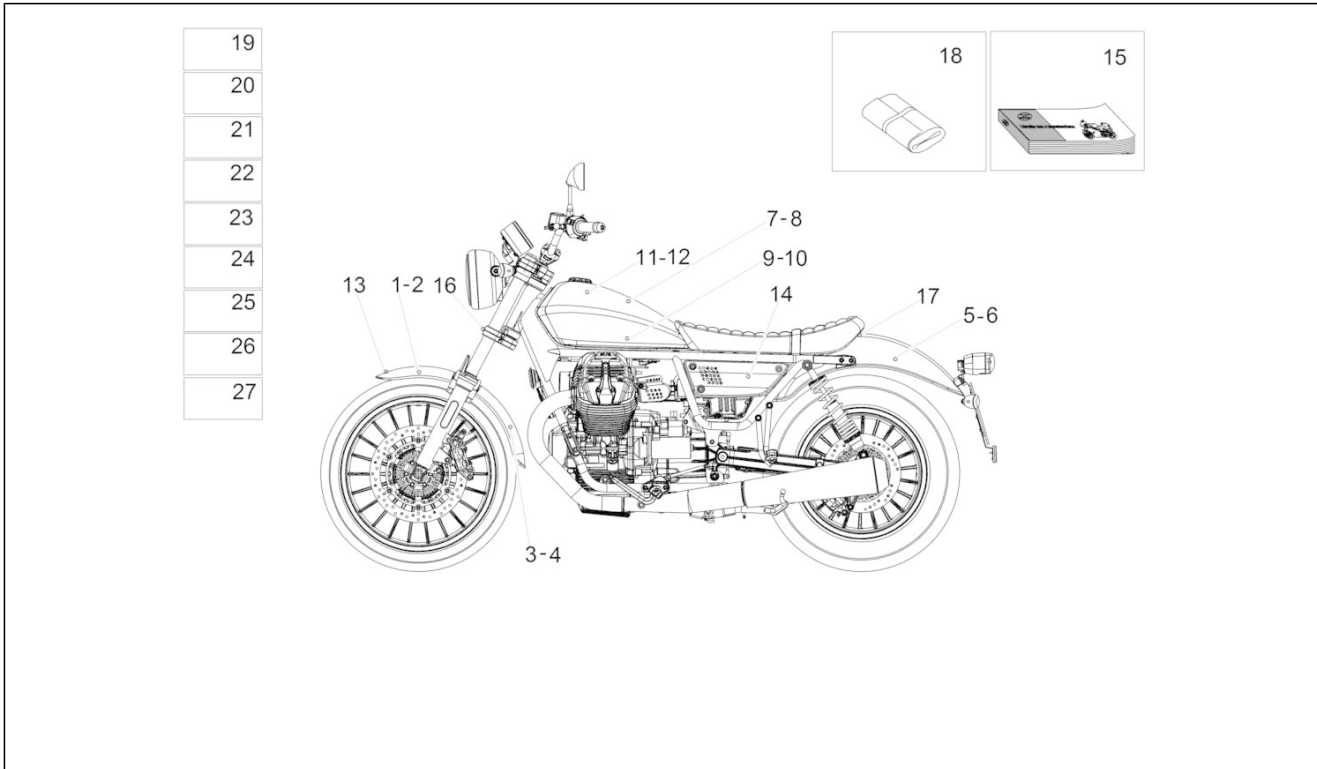
Pos.	Code	Beschreibung	Menge	Varianten
1	2H001448500XR7	H. Schutzblech, rot	1	Farbe: Rot Ibis[RI] Technische Spezifikation: Einzelteil mit Aufkleber[D]
1	2H001403500Q4	H. Schutzblech, weiß	1	Farbe: Weiß Tech[BT] Technische Spezifikation: Einzelteil mit Aufkleber[D]
1	2H001366500YG3	H.Schutzblech gelb lack.	1	Farbe: Gelb Brio[YB] Technische Spezifikation: Einzelteil mit Aufkleber[D]
1	2B001406	Hinteres Schutzblech	1	Farbe: Unlackiert[GR]
2	AP8152299	Selbstsperrende Mutter M6	2	
3	2B002386	Hintere Kotflügelhalterung	1	
4	2B002311	Linsenschraube Torx M8X20	4	
5	2B002321	Buchse für Schraube	1	
6	2B003089	Schraube TCC TORX M8x16	1	
7	AP8152273	Flanschschraube M5x15	2	

Einheit	Aufbau
Code	02.170
Beschreibung	Schlösser
Inspektion	1



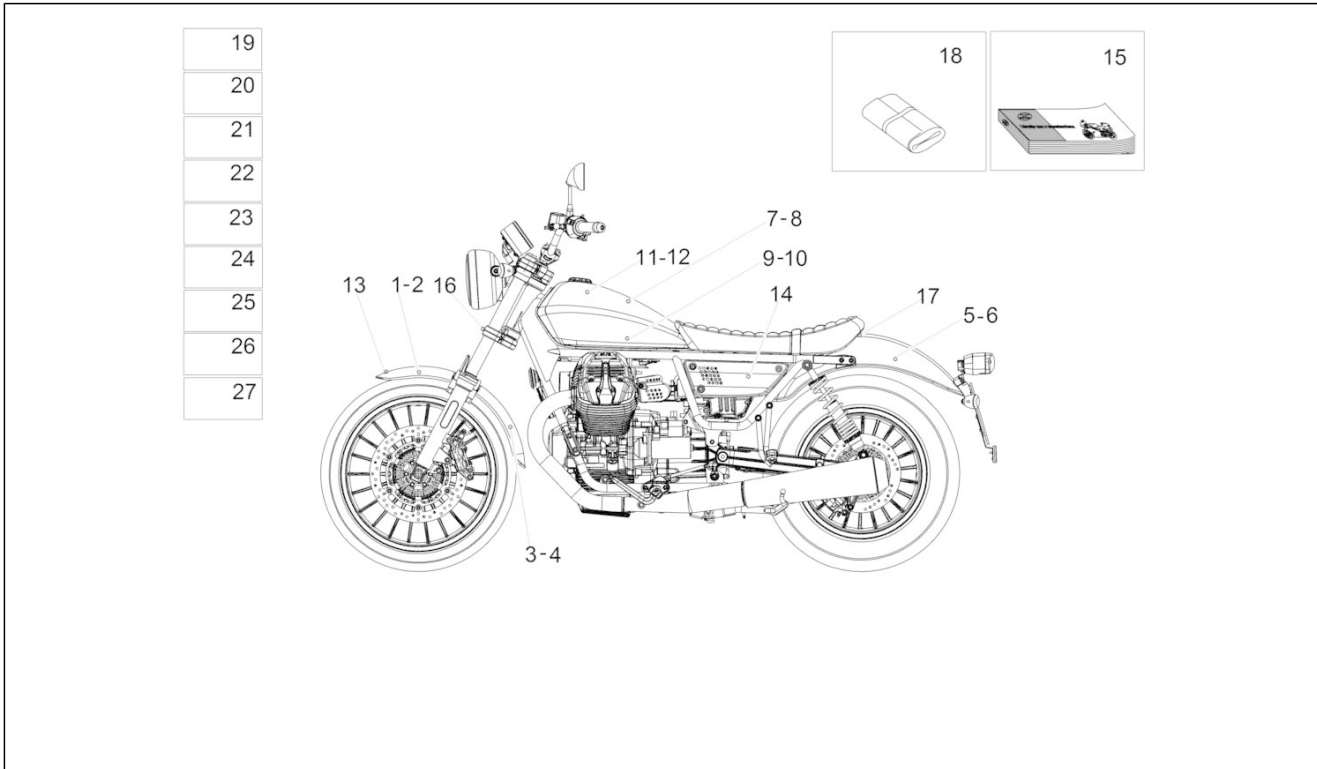
Pos.	Code	Beschreibung	Menge	Varianten
1	2B002940	Kit Schließvorrichtungen	1	
2	2D000299	Umschalter mit Schlüssel	1	
3	2B002043	Tankfüllschraube	1	
4	2D000004	Transponderschlüssel glatt	1	
5	977527	Schloss komplett mit Schlüsseln	1	
6	AP8121420	Gabelfeder	1	
7	978415	Kabelplatte	1	
8	GU98682416	TCEI Schraube M8x16	1	
9	319165	Schraube	1	
10	AP8702101	Schraube M6x25	2	
11	2B002936	Bowdenzug Sitzbank	1	
12	AP8102913	Fixierplatte Soziussitz	1	

Einheit	Aufbau
Code	02.190
Beschreibung	Deko
Inspektion	1



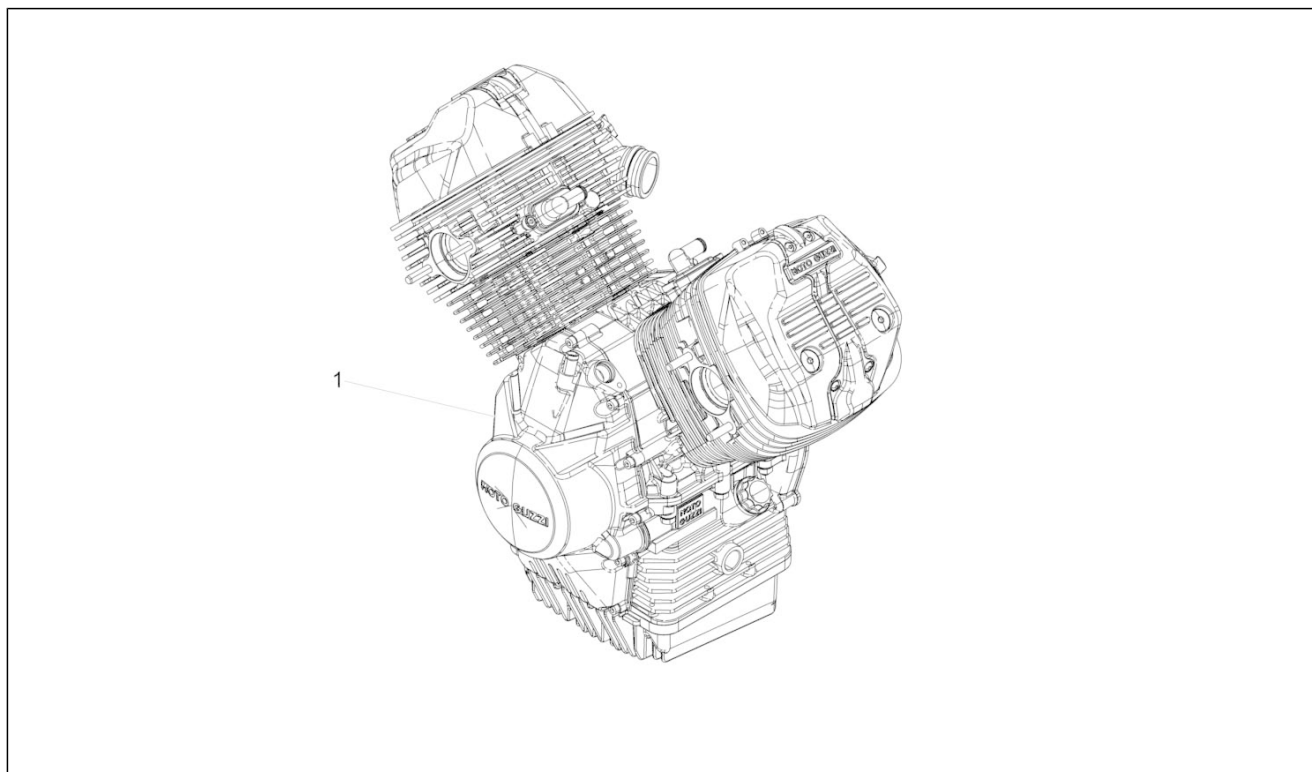
Pos.	Code	Beschreibung	Menge	Varianten
1	2H001370	Aufkleber Schutzblech v. SX	1	Farbe:Gelb Brio[YB]
1	2H001455	Aufkleber Schutzblech v. SX	1	Farbe:Rot Ibis[RI]
1	2H001409	Aufkleber Schutzblech v. SX	1	Farbe:Weiß Tech[BT]
2	2H001454	Aufkleber Schutzblech v. DX	1	Farbe:Rot Ibis[RI]
2	2H001408	Aufkleber Schutzblech v. DX	1	Farbe:Weiß Tech[BT]
2	2H001369	Aufkleber Schutzblech v. DX	1	Farbe:Gelb Brio[YB]
3	2H001372	Aufkleber Schutzblech v. SX	1	Farbe:Gelb Brio[YB]
3	2H001457	Aufkleber Schutzblech v. SX	1	Farbe:Rot Ibis[RI]
3	2H001411	Aufkleber Schutzblech v. SX	1	Farbe:Weiß Tech[BT]
4	2H001456	Aufkleber Schutzblech v. DX	1	Farbe:Rot Ibis[RI]
4	2H001371	Aufkleber Schutzblech v. DX	1	Farbe:Gelb Brio[YB]
4	2H001410	Aufkleber Schutzblech v. DX	1	Farbe:Weiß Tech[BT]
5	2H001459	Aufkl.hint.Schutzblech SX	1	Farbe:Rot Ibis[RI]
5	2H001258	Aufkl.hint.Schutzblech	1	Farbe:Gelb Brio[YB]
5	2H001413	Aufkl.hint.Schutzblech SX	1	Farbe:Weiß Tech[BT]
6	2H001412	Aufkl.hint.Schutzblech DX	1	Farbe:Weiß Tech[BT]
6	2H001257	Aufkl.hint.Schutzblech DX	1	Farbe:Gelb Brio[YB]
6	2H001458	Aufkl.hint.Schutzblech DX	1	Farbe:Rot Ibis[RI]
7	2H001254	Aufkleber linie L.blau lord	1	Farbe:Gelb Brio[YB]
7	2H001405	Aufkleber linie L.blau lord	1	Farbe:Weiß Tech[BT]
7	2H001451	Aufkleber linie L.blau lord	1	Farbe:Rot Ibis[RI]
8	2H001404	Aufkleber Streifen re Tank	1	Farbe:Weiß Tech[BT]
8	2H001253	Aufkleber Streifen re Tank	1	Farbe:Gelb Brio[YB]
8	2H001450	Aufkleber Streifen re Tank	1	Farbe:Rot Ibis[RI]
9	2H001453	Aufkleber unterer Streifen links	1	Farbe:Rot Ibis[RI]
9	2H001407	Aufkleber unterer Streifen links	1	Farbe:Weiß Tech[BT]
9	2H001368	Aufkleber unterer Streifen links	1	Farbe:Gelb Brio[YB]
10	2H001406	Aufkleber unterer Streifen rechts	1	Farbe:Weiß Tech[BT]

Einheit	Aufbau
Code	02.190
Beschreibung	Deko
Inspektion	1



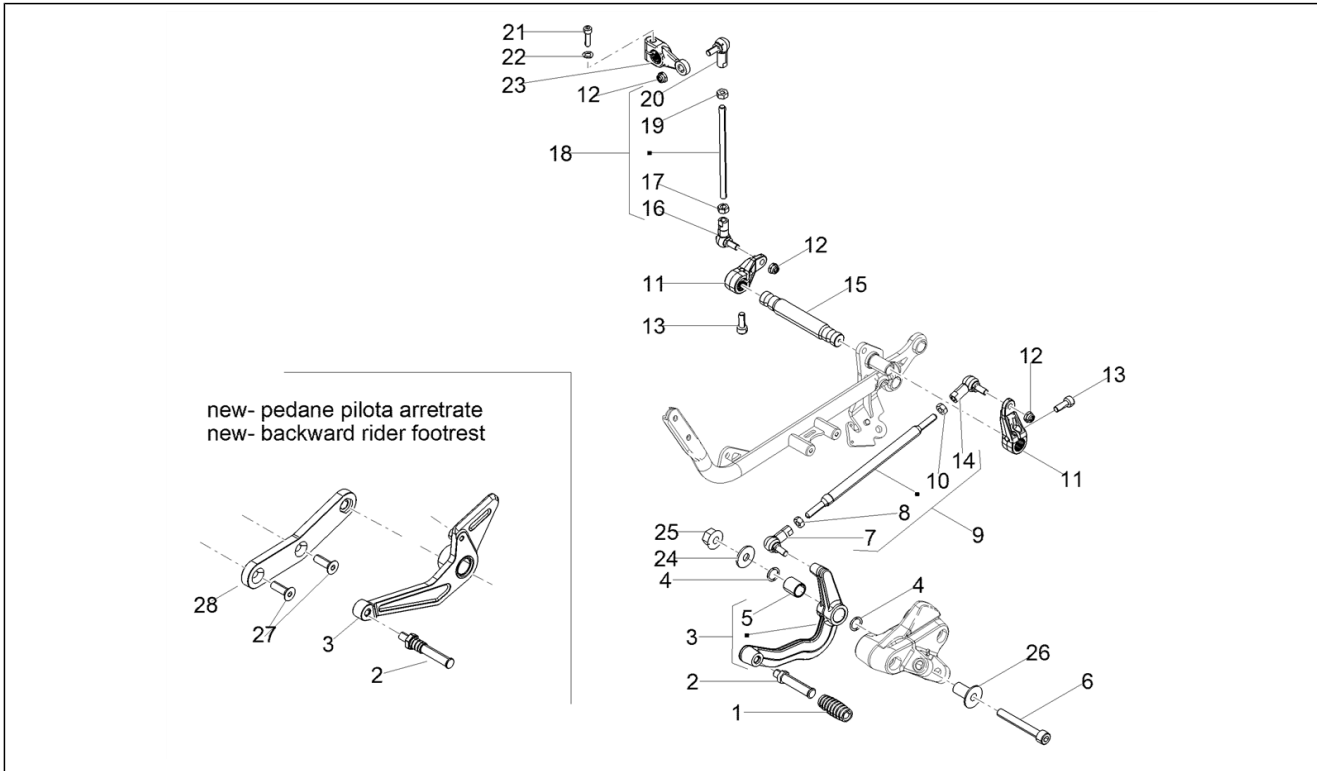
Pos.	Code	Beschreibung	Menge	Varianten
10	2H001367	Aufkleber unterer Streifen rechts	1	Farbe:Gelb Brio[YB]
10	2H001452	Aufkleber unterer Streifen rechts	1	Farbe:Rot Ibis[RI]
11	2H001256	Aufkleber "Adler" SX	1	Farbe:Gelb Brio[YB] Rot Ibis[RI] Weiß Tech[BT]
12	2H001255	Aufkleber "Adler" DX	1	Farbe:Gelb Brio[YB] Rot Ibis[RI] Weiß Tech[BT]
13	2H001260	Aufkleber "Adler"	1	Farbe:Gelb Brio[YB] Weiß Tech[BT] Rot Ibis[RI]
14	2H001259	Schild "V9 Roamer" DX-SX	2	Farbe:Gelb Brio[YB] Weiß Tech[BT] Rot Ibis[RI]
15	2Q000111	Bed./Wart.-Anl.I-D-F-E-UK-NL EN-US-FR-ES-IT	1	
16	2H001445	Schild "Moto Guzzi"	1	
17	GU32944310	Deko schutz	1	Farbe:Gelb Brio[YB] Rot Ibis[RI]
18	887443	Werkzeugtasche	1	
19	AP8257794	Batterie deko	1	
20	AP8157100	Deko Shock Adsorber	1	
21	AP8257609	Spiegel deko	1	
22	AP8257742	Keys warning decal	1	
23	2G000158	Aufkleber Reifendruck	1	
24	2G000157	Lautherausgabe selbstkleber	1	
25	2G000160	Carbon filter sticker	1	
26	B045974	Deckel Benzin E15	1	
27	2G000159	Emission control sticker	1	

Einheit	Motor
Code	03.010
Beschreibung	Motor-Fertigstellung
Inspektion	1



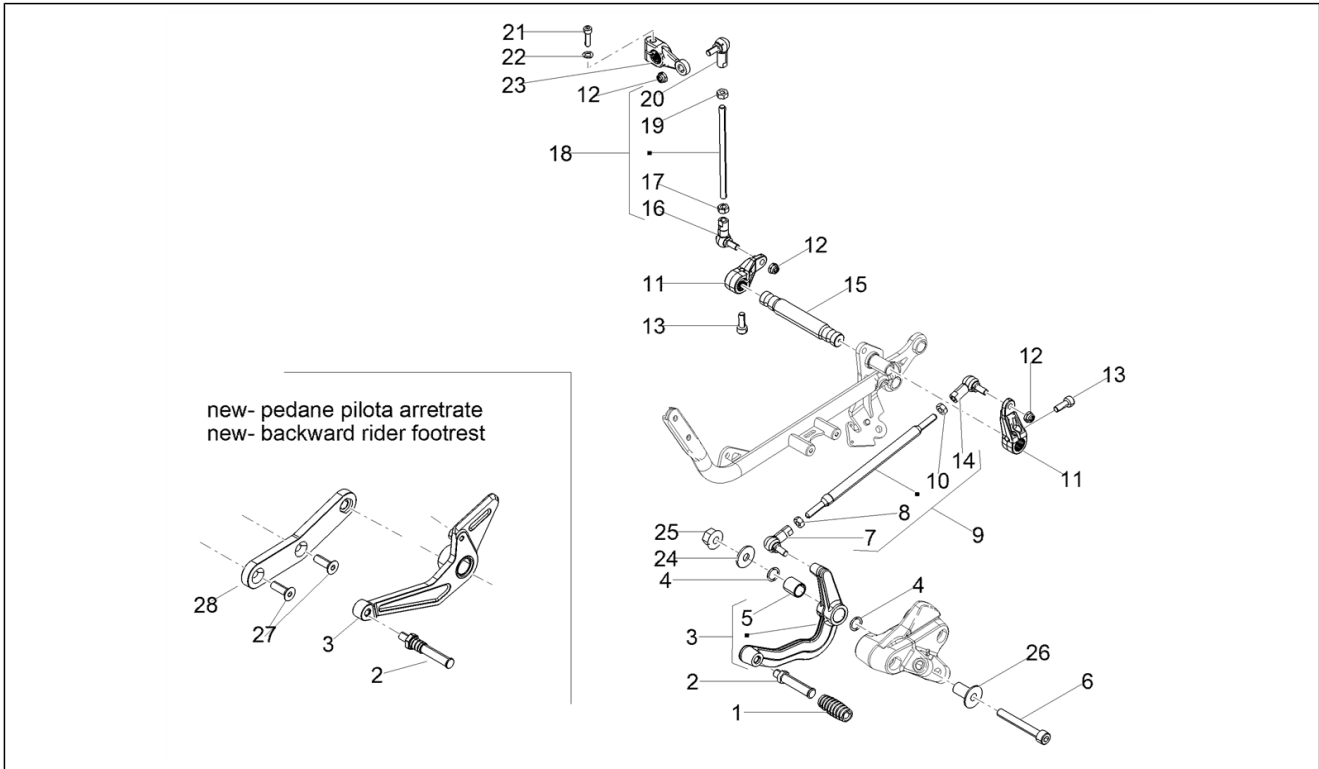
Pos.	Code	Beschreibung	Menge	Varianten
1	1A0066355	Motor kpl.ohneSchaltgetriebe	1	

Einheit	Motor
Code	03.020
Beschreibung	Schalthebel
Inspektion	1



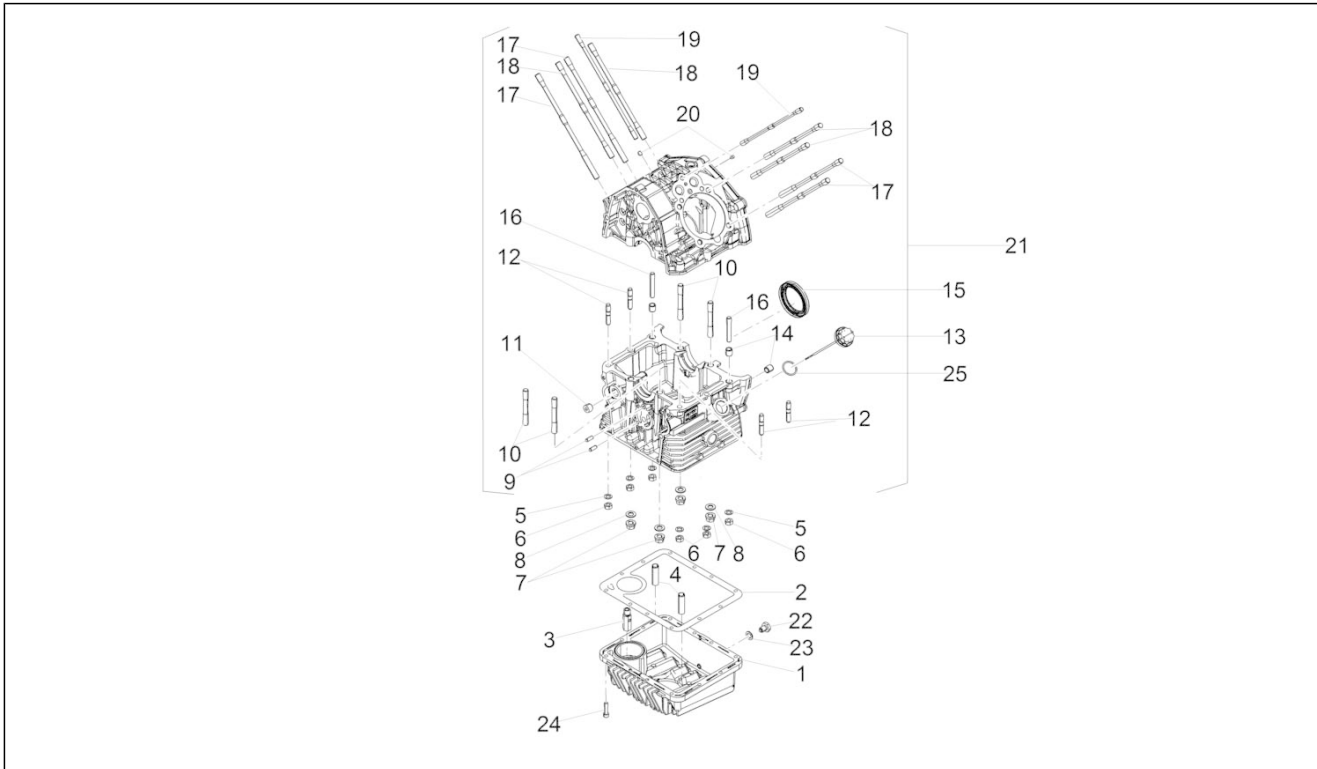
Pos.	Code	Beschreibung	Menge	Varianten
1	AP8120912	Gummi für Hebel	1	
2	887908	Gummigleitschutze	1	Technische Spezifikation: standard rider footrest[old]
2	2B004062	Gummigleitschutze	1	Technische Spezifikation: backward rider footrest[new]
3	2B002369	Schalthebel kpl.	1	Technische Spezifikation: standard rider footrest[old]
3	2B004053	Schalthebel kpl.	1	Technische Spezifikation: backward rider footrest[new]
4	AP8144007	O-Ring 11,11x1,78	2	
5	895328	Buchse gesintert	1	
6	GU98680460	TCEI Schraube M8x60	1	
7	898397	Kugelgelenk links M6	1	
8	GU92606206	Mutter	1	
9	2B002680	Zugstange Schaltzug cpl.	1	Technische Spezifikation: standard rider footrest[old]
9	2B004109	Tirante comando cambio cpl.	1	Technische Spezifikation: backward rider footrest[new]
10	GU31256881	Mutter Linksgewinde M6	1	
11	898283	Schalthebel	2	
12	AP8150115	Selbstsperr.mut Unt. M6	2	
13	GU98692318	TCEI Schraube	2	
14	898396	Kugelgelenk rechts M6	1	
15	2B001009	Hebelbolzen	1	
16	AP8110053	Kugelgelenk links M6	1	
17	AP8152138	Mutter	1	
18	2B001941	Zugstange Schaltzug	1	
19	AP8150026	Mutter M6	1	
20	AP8210007	Kugelgelenk rechts M6	1	
21	GU98632322	Schraube	1	
22	GU03013800	Ausgleichscheibe 6,4x12	1	
23	GU20258221	Schalthebel	1	
24	AP8150018	Ausgleichscheibe	1	
25	GU92630510	Mutter M10x1,5	1	

Einheit	Motor
Code	03.020
Beschreibung	Schalthebel
Inspektion	1



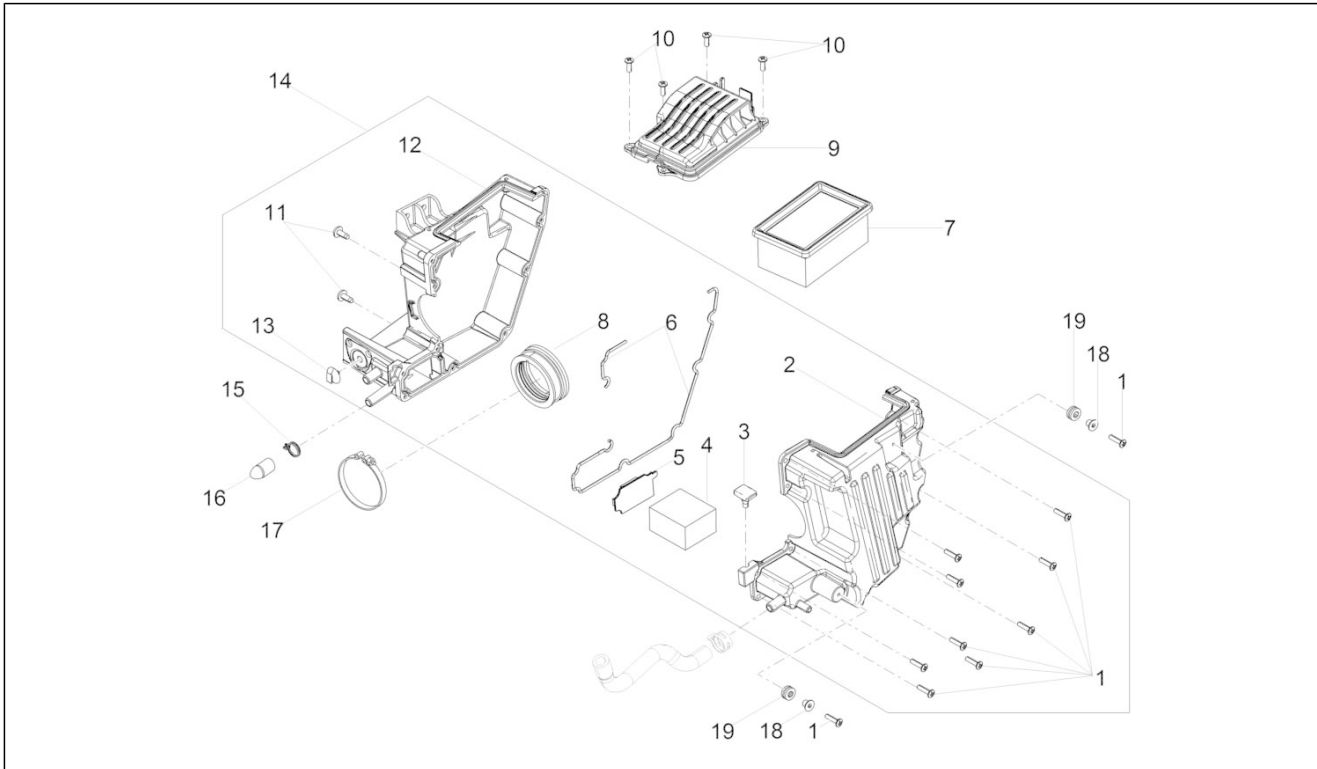
Pos.	Code	Beschreibung	Menge	Varianten
26	AP8121509	Buchse	1	
27	2B004112	Schraube TSPEI IX M8X25	2	Technische Spezifikation: backward rider footrest[new]
28	2B004043	Piastra pedana pilota sx	1	Technische Spezifikation: backward rider footrest[new]

Einheit	Motor
Code	03.030
Beschreibung	Gehäuse I
Inspektion	1



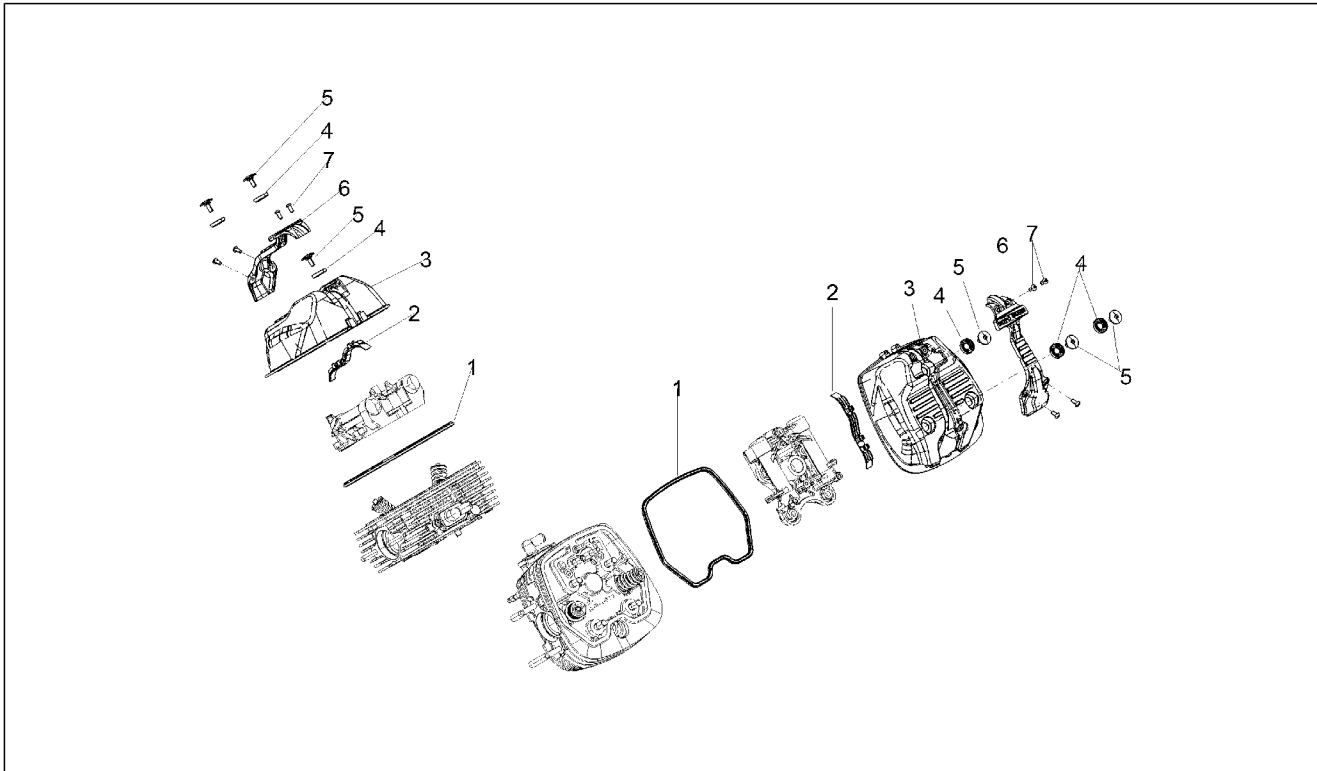
Pos.	Code	Beschreibung	Menge	Varianten
1	1A004550	Pfropfen	1	
2	1A005211	Ölwannendichtung	1	
3	GU19003800	Anschluss	1	
4	1A006047	Anschlußschlauch	2	
5	658837	Gewellte Sprengscheibe D15 F8,4 S1,5 - INOX	6	
6	GU92606208	Mutter M8x1,25	6	
7	1A006656	Geflanschte Mutter M10x1	4	
8	1A006655	Flachscheibe	4	
9	GU19018920	Stift	2	
10	1A004530	Stiftschraube	4	
11	831135	Verschlusschraube M14x1,5	1	
12	GU96451430	Stiftschraube	4	
13	883826	Öleinfüllschraube	1	
14	GU19015020	Buchse	2	
15	886365	Gasket ring	1	
16	GU96508055	Stiftschraube	2	
17	1A006283	Stiftschraube langer Kopf	4	
18	1A006284	Stiftschraube kurzer Kopf	4	
19	1A006860	Stiftschraube zentraler Kopf	2	
20	484993	Haltestein	2	
21	1A0052625	Gekoppelte Kurbelgehäuse	1	
22	GU31003766	Ölablaßschraube M10x1	1	
23	GU10528900	Dichtung	1	
24	GU98682325	TCEI Schraube M6x25	12	
25	GU90706281	O-Ring 28,24x2,62	1	

Einheit	Motor
Code	03.050
Beschreibung	Filtergehäuse
Inspektion	1



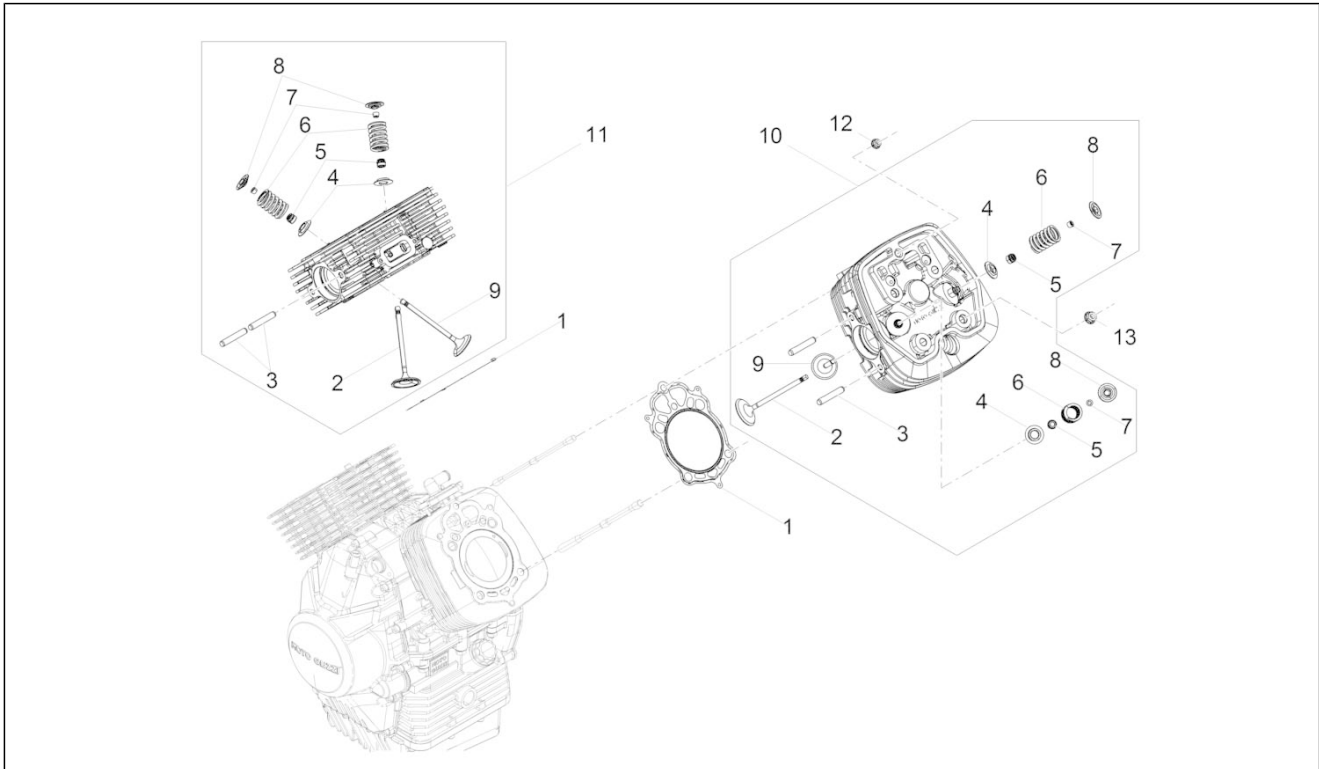
Pos.	Code	Beschreibung	Menge	Varianten
1	AP8152329	Kreuz.schl.flnschschr. M5x20	9	
2	2B002832	L.deckel Filtergehäuse	1	
3	AP8120455	Gummi	1	
4	AP8104525	Filter blow-by	2	
5	2B002851	Membran	1	
6	AP8120615	Dichtung D3	1	
7	AP8104924	Luftfilter	1	
8	887815	Ansaugmuffe	1	
9	887843	Luftfilterdeck	1	
10	AP8150509	Gew.schr. 5x14	4	
11	AP8120876	Verschlussschraube	2	
12	887844	Schale re Filtergehäuse	1	
13	890760	Halterung Instrumente	1	
14	2B002959	Sicherungskasten	1	
15	AP8102520	Schlauchschelle	2	
16	AP8161054	Kappe	2	
17	CM258303	Schelle 63	1	
18	AP8221023	T-Buchse	2	
19	GU91551010	Gummi 10X20X10	2	

Einheit	Motor
Code	03.090
Beschreibung	Kopfdeckel
Inspektion	1



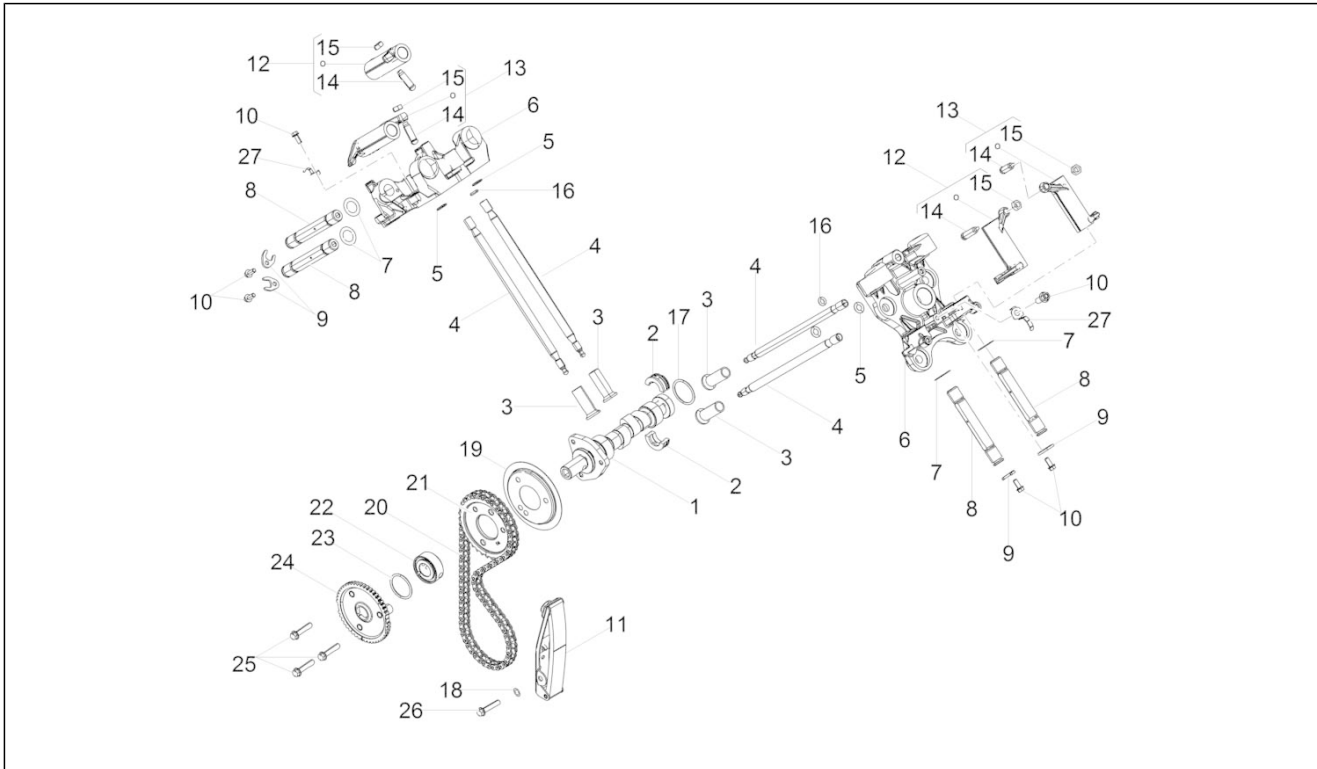
Pos.	Code	Beschreibung	Menge	Varianten
1	2A000565	Kopf Deckel Dichtung	2	
2	2A000659	Kabelführung	2	
3	2A000339	Kopfdeckel	2	
4	1A006716	Stopfen dämpfer	6	
5	976591	Spezialschraube	6	
6	2A000620	Zündkerzedeckel	2	
7	AP8152267	TBEI Spez.schr. M5x12	8	

Einheit	Motor
Code	03.100
Beschreibung	Zylinderkopf - ventile
Inspektion	1



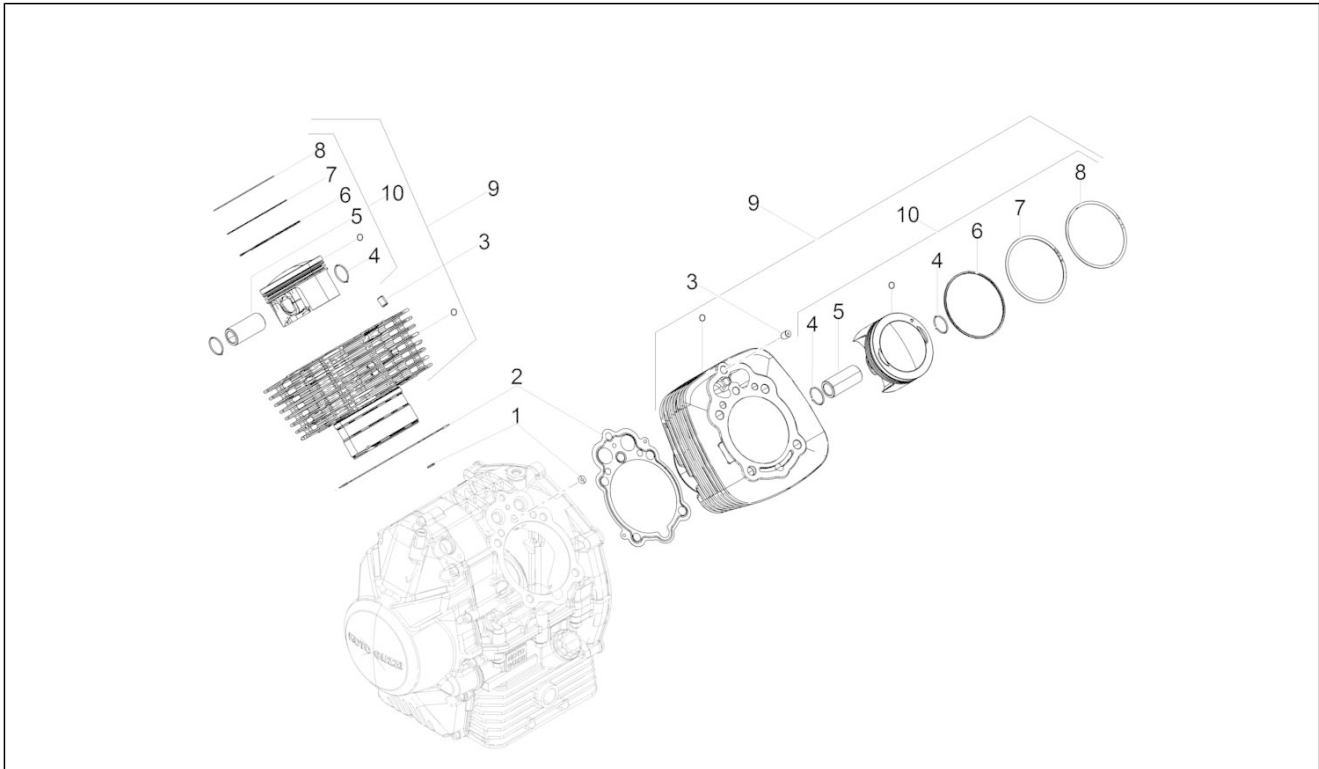
Pos.	Code	Beschreibung	Menge	Varianten
1	1A004661	Zylinder/Kopf Dichtung SP. 0.8 mm	1	
1	1A004660	Zylinder/Kopf Dichtung sp. 0,6 mm	1	
1	1A004662	Zylinder/Kopf Dichtung SP. 10 mm	1	
2	1A005424	Ein. ventil	1	
3	B017636	Auspufftopf Stiftschraube	2	
4	1A004751	Federteller unten	4	
5	1A003452	Ventil Dichtring	2	
6	1A004752	Rückzugsfeder	2	
7	871640	Halbkegel	8	
8	1A004750	Federteller oben	4	
9	1A005425	Auslassventil	1	
10	1A0068695	L.Kopf kpl.mitVentilführungen	1	
11	1A0068705	R.Kopf kpl.mitVentilführungen	1	
12	1A006659	Geflanschte Mutter M8x1.25	1	
13	825694	Mutter M10x1,25	1	

Einheit	Motor
Code	03.120
Beschreibung	Steuer
Inspektion	1



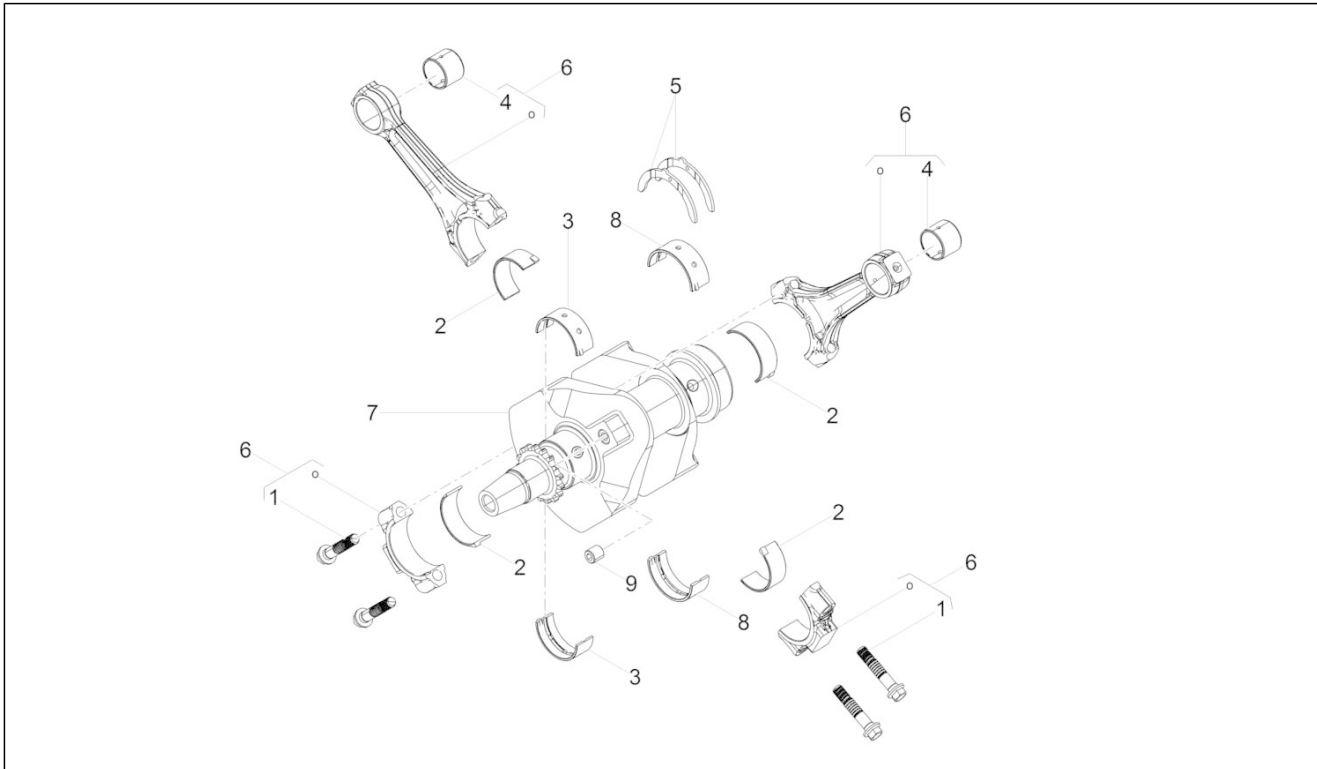
Pos.	Code	Beschreibung	Menge	Varianten
1	1A005712	Nockenwelle	1	
2	GU19055700	Sektor	2	
3	GU19045861	Ventilstässel	4	
4	2A000496	Kipphebelstange	4	
5	2A000579	Dichtungsring O-Ring 2,62x9.19	4	
6	2A0003535	Kipphebellager	2	
7	1A005951	Gebogene Sprengscheibe	4	
8	2A000528	Kipphebel-Federwelle	4	
9	2A000521	Schaltgabel	4	
10	AP8152272	TE Schr. m. Flansch M5x12	4	
11	GU19058220	Kettenspanner	1	
12	1A004905	Kipphebel Einlass re Auslass li	2	
13	1A004903	Kipphebel Einlass li Auslass re	2	
14	1A004907	Einstellschraube	2	
15	GU10034100	Mutter	2	
16	1A006861	Gasket ring	2	
17	GU90353029	Sprengring	1	
18	GU95129115	Ausgleichscheibe	1	
19	1A005955	Platte	2	
20	GU19058021	Steuerkette	1	
21	1A006243	Steuer Zahnkranz	1	
22	1A006119	Distanzscheibe	1	
23	1A006127	O-Ring	1	
24	1A0057145	Phonic wheel	0	
25	1A008576	***TE Schr. m. Flansch	3	
26	GU98882316	Schraube	1	
27	2A000527	Platte	2	

Einheit	Motor
Code	03.150
Beschreibung	Zylinder - Kolben
Inspektion	1



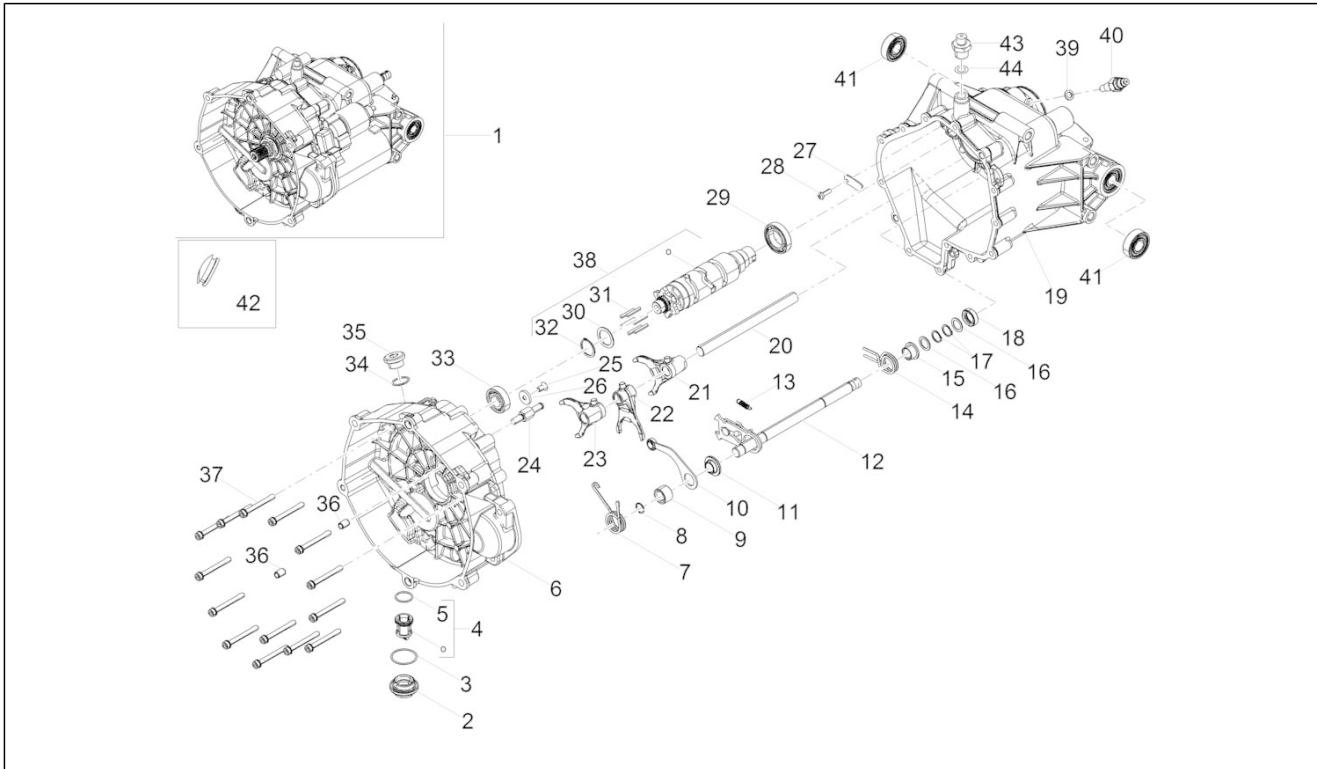
Pos.	Code	Beschreibung	Menge	Varianten
1	GU61027200	O-Ring	2	
2	1A007070	Dichtung Zylinder/Gehäuse	2	
3	GU19021360	Buchse	2	
4	874567	Sperring	4	
5	1A004956	Bolzen	2	
6	1A004955	Ölabstreifer	2	
7	1A004954	Kompressions-kolbenring	2	
8	1A004953	Kompressions-kolbenring	2	
9	1A007111	Kolben mit Zylinder kpl.	1	
10	1A006272AA	Kolben kpl. Auswahl "G"	1	
10	1A006272BB	Kolben kpl. Auswahl "H"	1	
10	1A006272CC	Kolben kpl. Auswahl "L"	1	
10	1A006272DD	Kolben kpl. Auswahl "M"	1	

Einheit	Motor
Code	03.160
Beschreibung	Kurbelwelle
Inspektion	1



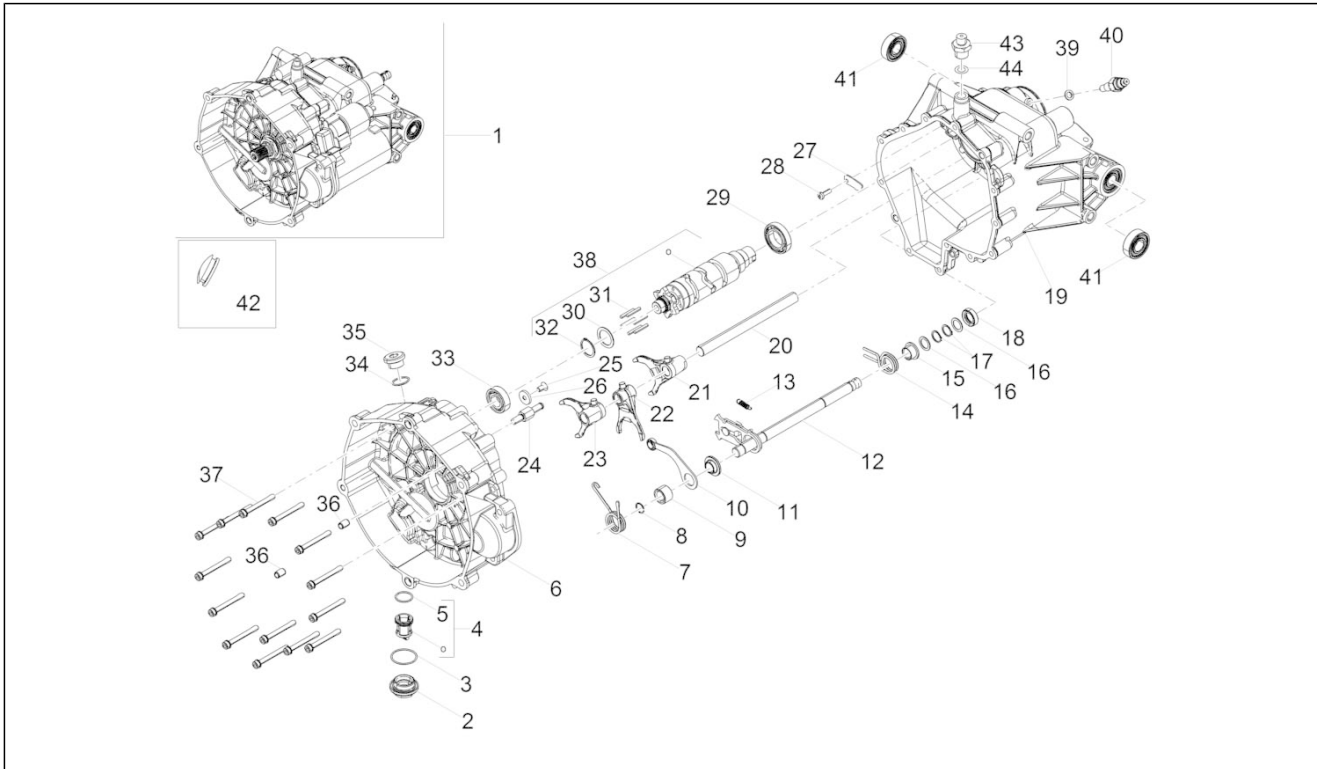
Pos.	Code	Beschreibung	Menge	Varianten
1	GU19062261	Schraube	4	
2	1A0068960R	Pleuellagerschale Rot	4	
2	1A0068960B	Pleuellagerschale blau	4	
2	1A0068960G	Pleuellagerschale gelb	4	
3	1A0066680N	Hauptlagerschale vorne Schwarz	1	
3	1A0066680V	Hauptlagerschale vorne Grün	1	
3	1A0066680G	Hauptlagerschale vorne gelb	1	
4	GU27061885	Buchse	2	
5	GU27066460	Halb-Klemme	2	
6	1A005325BB	Pleuel Auswahlklasse "B"	1	
6	1A005325AA	Pleuel Auswahlklasse "A"	1	
7	1A006671BB	Kurbelwelle, komplett kat. 2	1	
7	1A006671AA	Kurbelwelle kpl.,cat.1	1	
8	1A0066690V	Hauptlagerschale hinten Grün	2	
8	1A0066690N	Hauptlagerschale hinten Schwarz	2	
8	1A0066690G	Hauptlagerschale hinten gelb	2	
9	GU19065400	Deckel	1	

Einheit	Motor
Code	03.170
Beschreibung	Schaltgetriebe / Schaltgabel / Desmodrom.
Inspektion	1



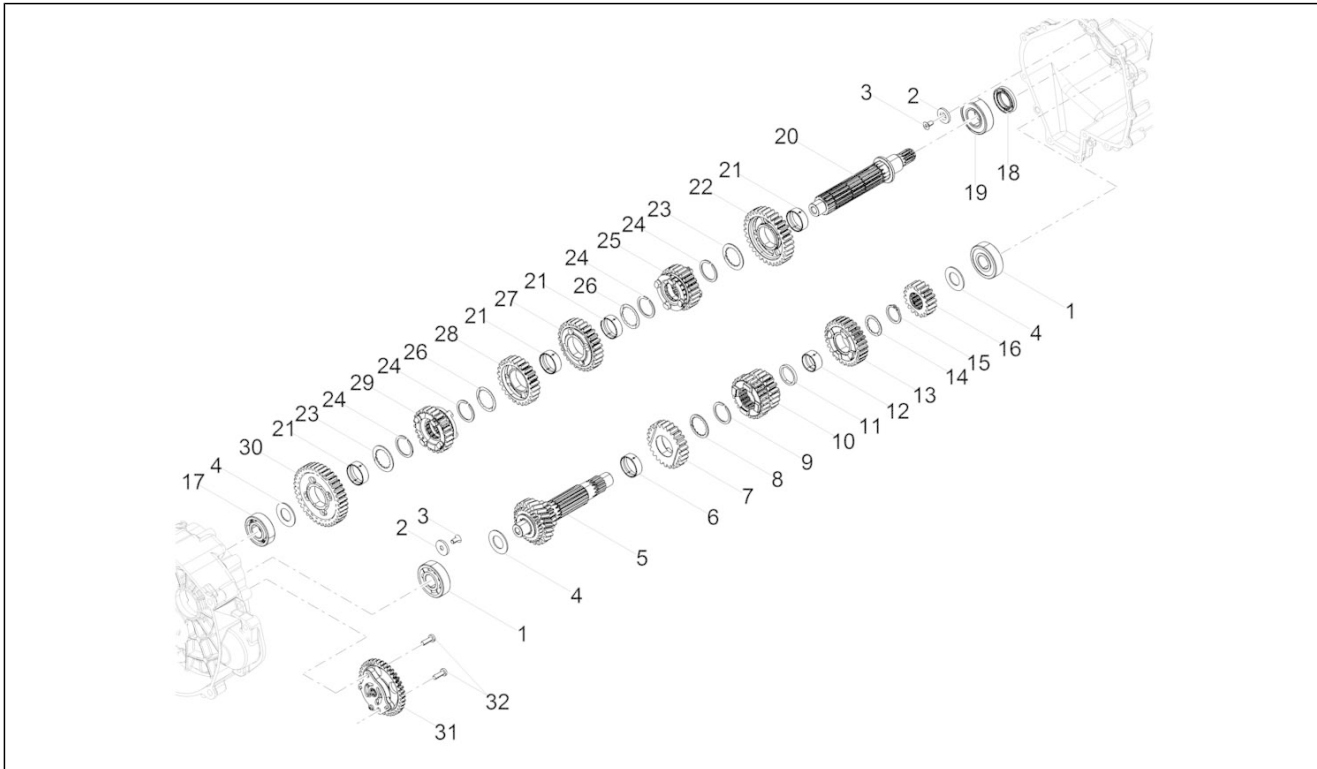
Pos.	Code	Beschreibung	Menge	Varianten
1	2A00042115	Getriebe komplett	1	
2	B015598	Ölfilter Verschluss	1	
3	285536	O-Ring 31,47x1,78	1	
4	B018020	Ölfiltereinsatz kpl.	1	
5	B017406	O-Ring 20.35x1.78	1	
6	2A0007505	Kupplungsglocke	1	
7	B064113	Index feder	1	
8	GU90353014	Seegerring	1	
9	GU05234230	Distanzscheibe	1	
10	B064112	Indexhebel kpl.	1	
11	GU05238431	Buchse	1	
12	2A000219	Schaltautomat	1	
13	GU05238231	Feder	1	
14	B063956	Feder	1	
15	2A000467	Distanzscheibe	1	
16	GU05239330	Anlaufscheibe	2	
17	GU90271014	Seegerring	2	
18	GU90401424	Gasket ring 14x24x7	1	
19	2A0007425	Not available	1	
20	2A000224	Stange	1	
21	2A000226	Schaltgabel 2-3 Gang	1	
22	2A000227	Gabel 5.-6. Gang	1	
23	2A000225	Gabel für Sekundärwelle	1	
24	2A000415	Anschlagschraube	1	
25	B013608	Schraube	1	
26	873905	Unterlegscheibe	1	
27	2A000306	Anschlagplatte	1	
27	2A000241	Schraube M5x16	1	

Einheit	Motor
Code	03.170
Beschreibung	Schaltgetriebe / Schaltgabel / Desmodrom.
Inspektion	1



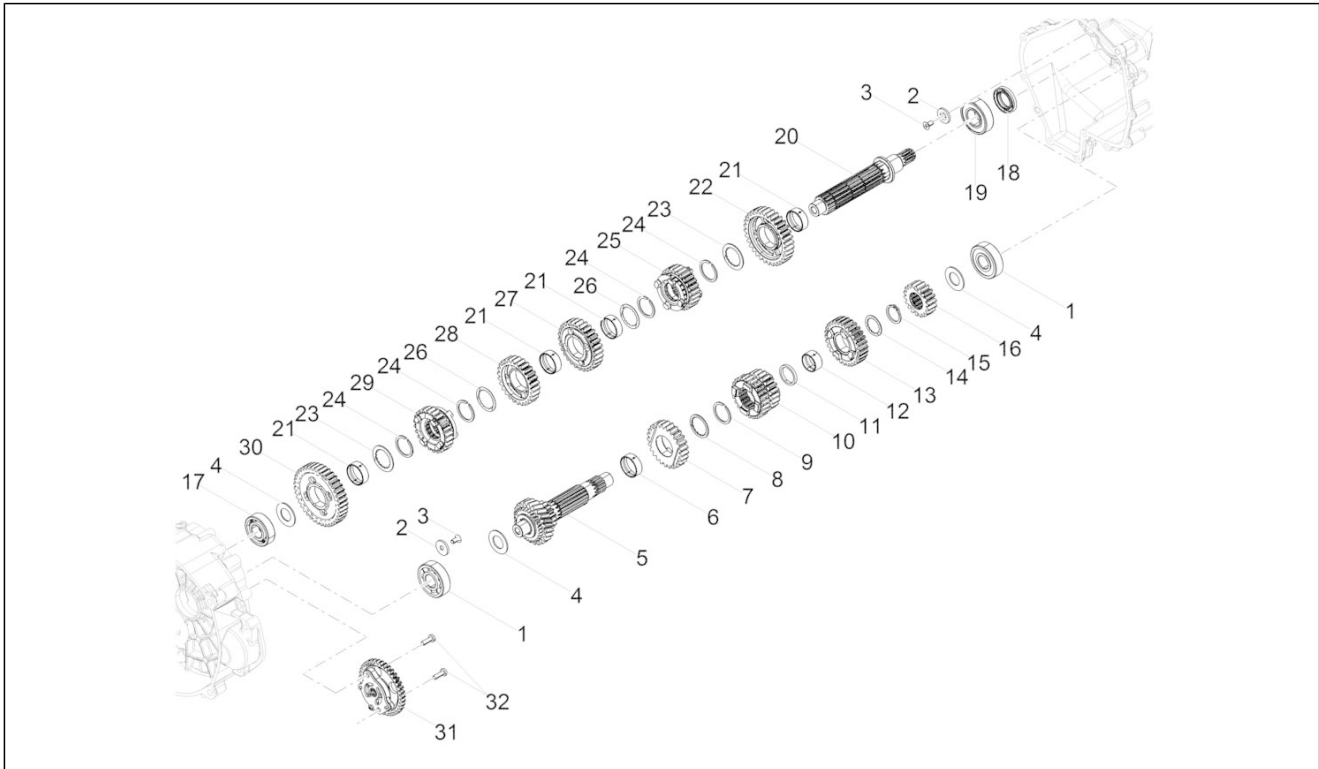
Pos.	Code	Beschreibung	Menge	Varianten
28	2A000241	Schraube M5x16	1	
29	857250	Kugellager 25x42x9	1	
30	GU05235531	Scheibe	1	
31	GU05234631	Stift	6	
32	GU90271022	Seegerring	1	
33	834764	Lager	1	
34	GU90706203	O-Ring 20,24X2,62	1	
35	GU12022600	Ölschraube	1	
36	GU19002020	Buchse 6,6x9x13	2	
37	2A000591	Zylinderschraube M6x55	14	
38	2A000222	Verschiebenocken kplt.	1	
39	B063025	Dichtung 8,7x14,2x1,3	1	
40	B063269	Sensor	1	
41	2A000097	Kugellager 6202-2RSH/C3 LHT23	2	
42	GU93180220	Deckel	1	
43	2A000438	Entlüftungsschraube	1	
44	224566	Unterlegscheibe	1	

Einheit	Motor
Code	03.180
Beschreibung	Schaltgetriebe - Zahnräder
Inspektion	1



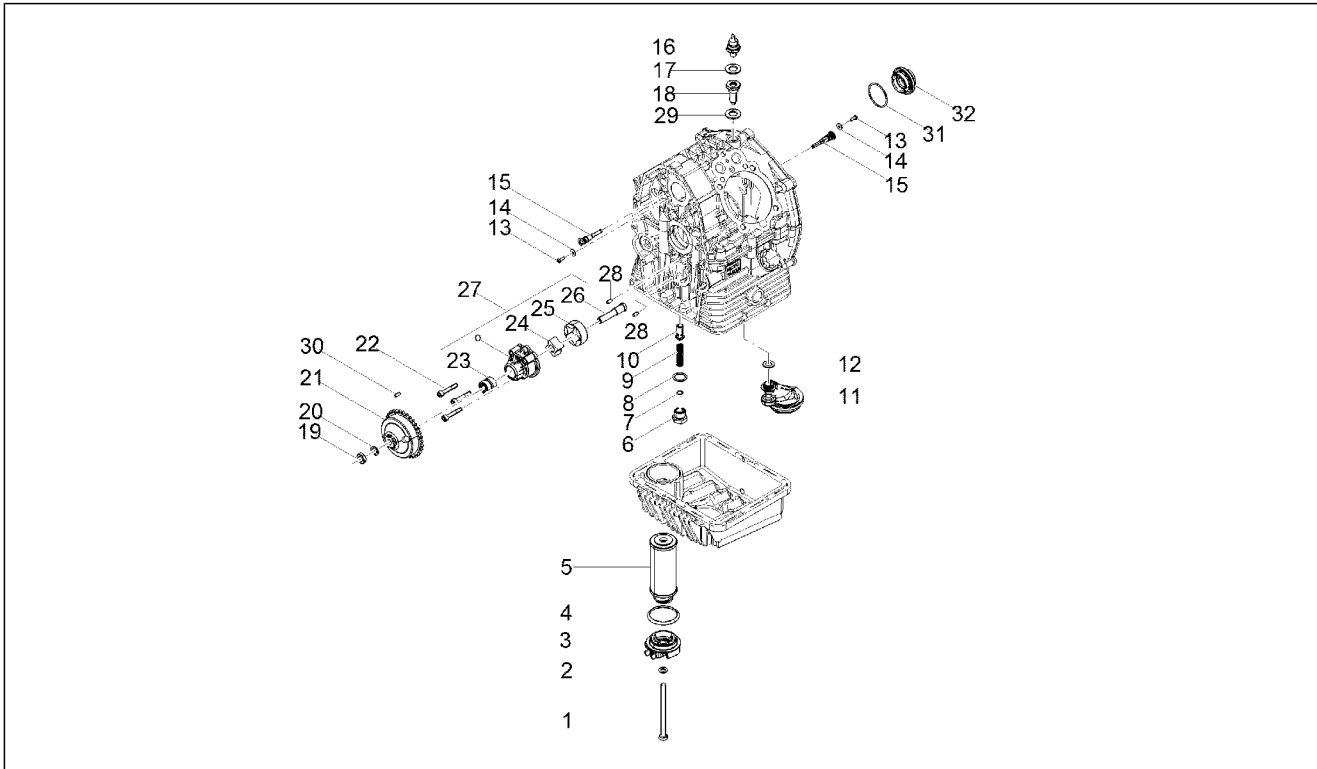
Pos.	Code	Beschreibung	Menge	Varianten
1	GU92201822	Kugellager 20x52x15	2	
2	873928	Unterlegscheibe	2	
3	B013608	Schraube	2	
4	1A000566	Ausgleichsscheibe	1	
5	2A000727	Vorgelegewelle	1	
6	849308	Buchse Beweglich	1	
7	1A000360	Schnellgangrad	1	
8	849424	Bundscheibe	1	
9	1A002604	Welle Sprengring	1	
10	1A000436	Zahnrad 3a - 4a vel.	1	
11	B015040	Ausgleichsscheibe	1	
12	974162	Buchse Beweglich	1	
13	2A000627	Zahnrad 6. Gang	1	
14	849396	Bundscheibe	1	
15	974165	Sprengring	1	
16	1A000365	Zahnrad 2.Hauptwelle	1	
17	848650	Kugellager 20x47x14	1	
18	GU90412541	Gasket ring 25X40X7	1	
19	GU92201226	Kugellager 25x52x15	1	
20	2A000203	Nebengetriebewelle	1	
21	849308	Buchse Beweglich	4	
22	1A000366	Wechselrad 2. gang Z=32	1	
23	849309	Bundscheibe	2	
24	1A002604	Welle Sprengring	4	
25	1A000370	Zahnrad 6. Gang Z=24	1	
26	849310	Bundscheibe	2	
27	1A000367	Wechselrad 3. gang Z=28	1	
28	1A000368	Wechselrad 4. gang Z=26	1	

Einheit	Motor
Code	03.180
Beschreibung	Schaltgetriebe - Zahnräder
Inspektion	1



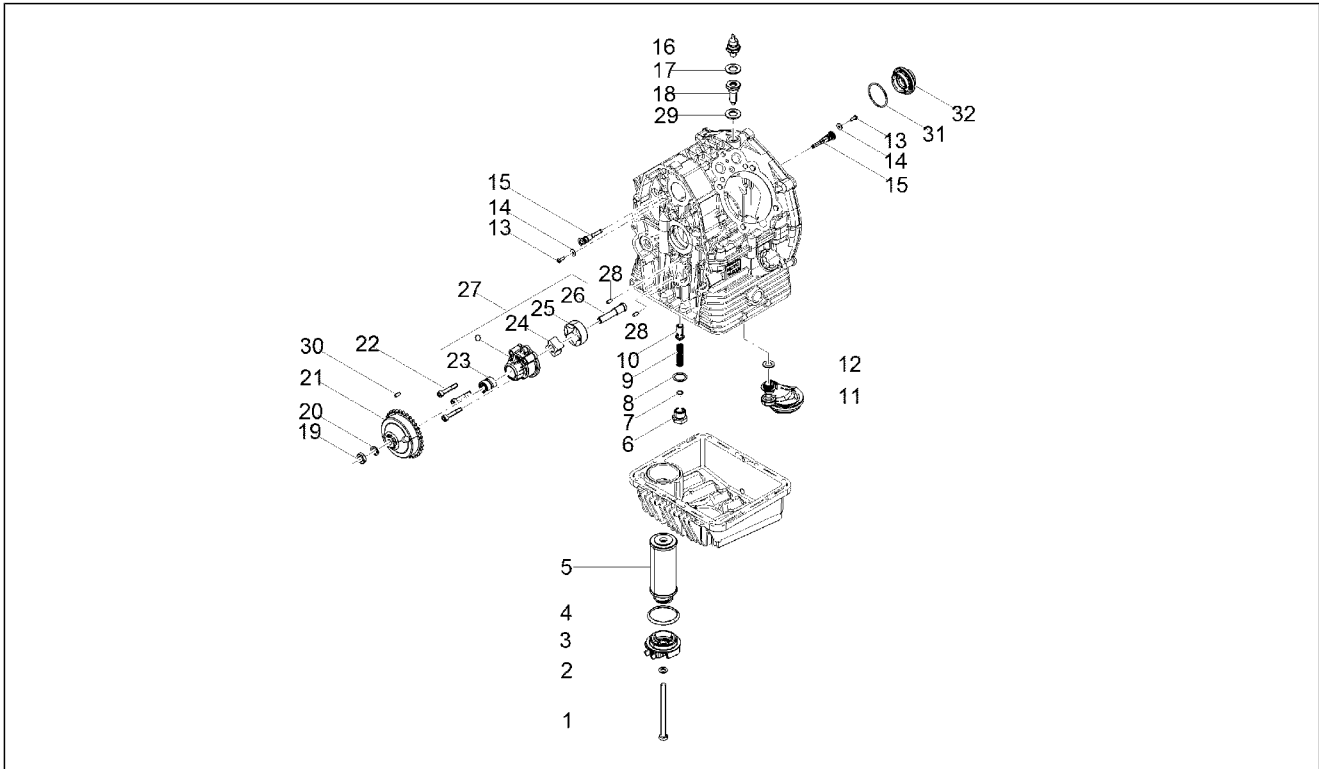
Pos.	Code	Beschreibung	Menge	Varianten
29	1A000369	Wechselrad 5. gang Z=24	1	
30	2A000629	Zahnrad 1.gang	1	
31	B018448	Ölpumpe	1	
32	2A000241	Schraube M5x16	2	

Einheit	Motor
Code	03.190
Beschreibung	Schmierung
Inspektion	1



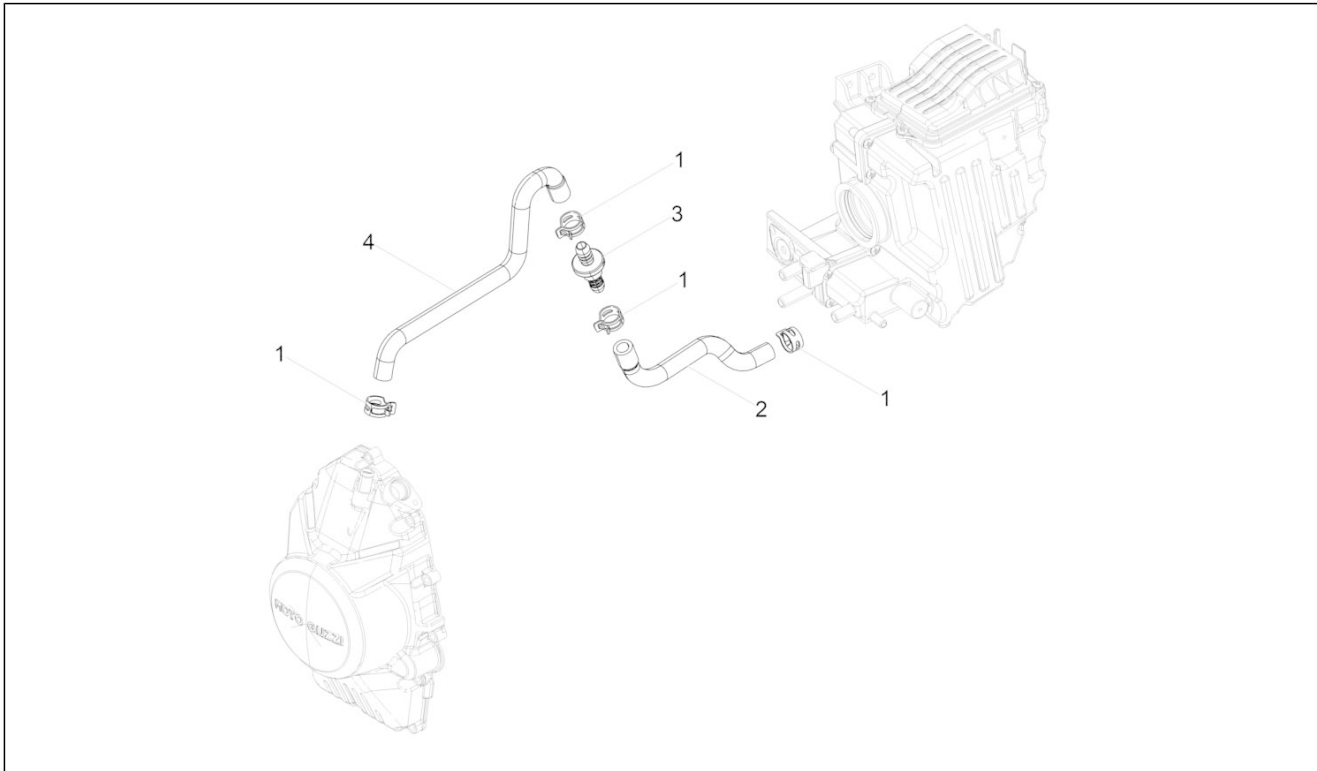
Pos.	Code	Beschreibung	Menge	Varianten
1	GU27152885	Schraubbolzen	1	
2	GU12154200	Dichtung 8,25x15x1	1	
3	1A005199	Ölfilterdeckel	1	
4	GU90706444	O-Ring	1	
5	2A000633	Ölfiltereinsatz	1	
6	GU31159050	Deckel	1	
7	GU95008206	Ausgleichscheibe 6,15x11x0,8	1	
8	GU18144350	Ausgleichscheibe 18,25x24x1	3	
9	GU94321079	Feder	1	
10	GU31150950	Kolben	1	
11	1A004549	Oil strainer	1	
12	237553	O-Ring	1	
13	1A005257	Linsenschraube	2	
14	013763	Flachscheibe 4,2x12x1	2	
15	1A004442	Kühldüse Kolben	2	
16	643090	Öldrucksensor	1	
17	GU95100309	Ausgleichscheibe	1	
18	887093	Anschluß	1	
19	GU92602510	Mutter M10x1,25	1	
20	AP8152220	Scheibe	1	
21	GU20147710	Zahnrad pumpe	1	
22	1A007008	TCEI Schraube M6x35 preimpregnata	3	
23	1A006064	Rollenlager	1	
24	1A006056	Innenrotor	1	
25	1A006055	Außenrotor	1	
26	GU20147810	Ölpumpenwelle	1	
27	1A006053	Ölpumpe komplett	1	
28	GU19018920	Stift	2	

Einheit	Motor
Code	03.190
Beschreibung	Schmierung
Inspektion	1



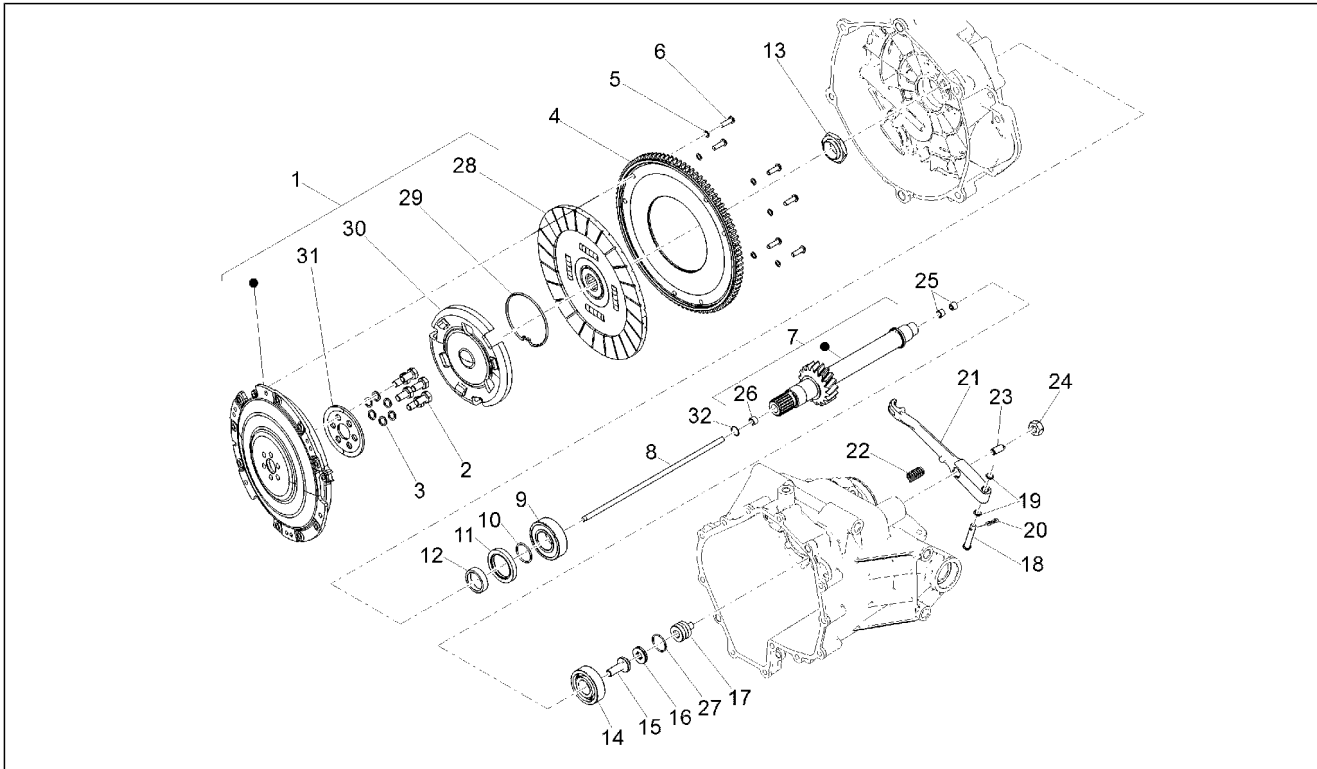
Pos.	Code	Beschreibung	Menge	Varianten
29	GU95100602	Dichtung	1	
30	GU92296723	Rolle	1	
31	285536	O-Ring 31,47x1,78	1	
32	826165	Ölfilter Verschuß	1	

Einheit	Motor
Code	03.196
Beschreibung	Anlage Blow-by
Inspektion	1



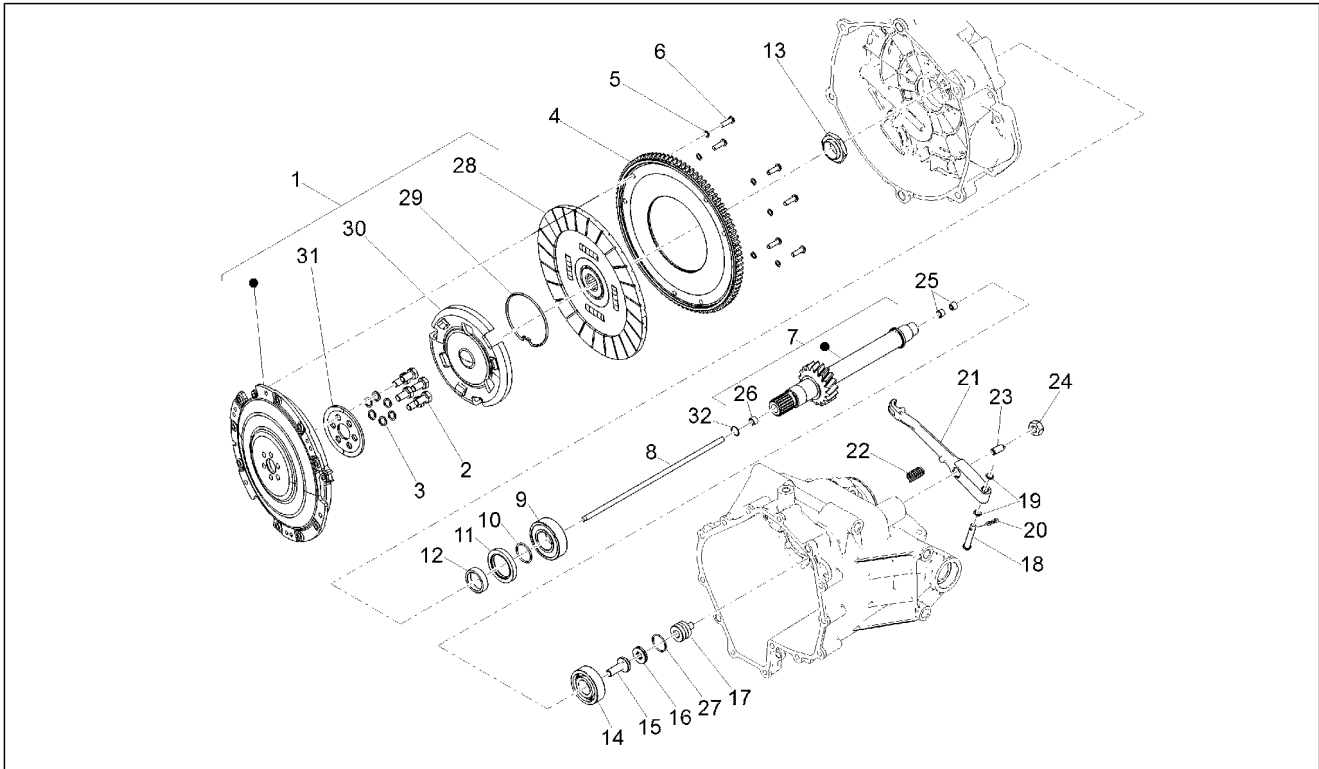
Pos.	Code	Beschreibung	Menge	Varianten
1	CM226902	Federschelle 19/12	4	
2	2B003204	Blow-By-Leitung	1	
3	2B003105	Rückstauventil	1	
4	2B002602	Blow-By-Leitung	1	

Einheit	Motor
Code	03.230
Beschreibung	Kupplung
Inspektion	1



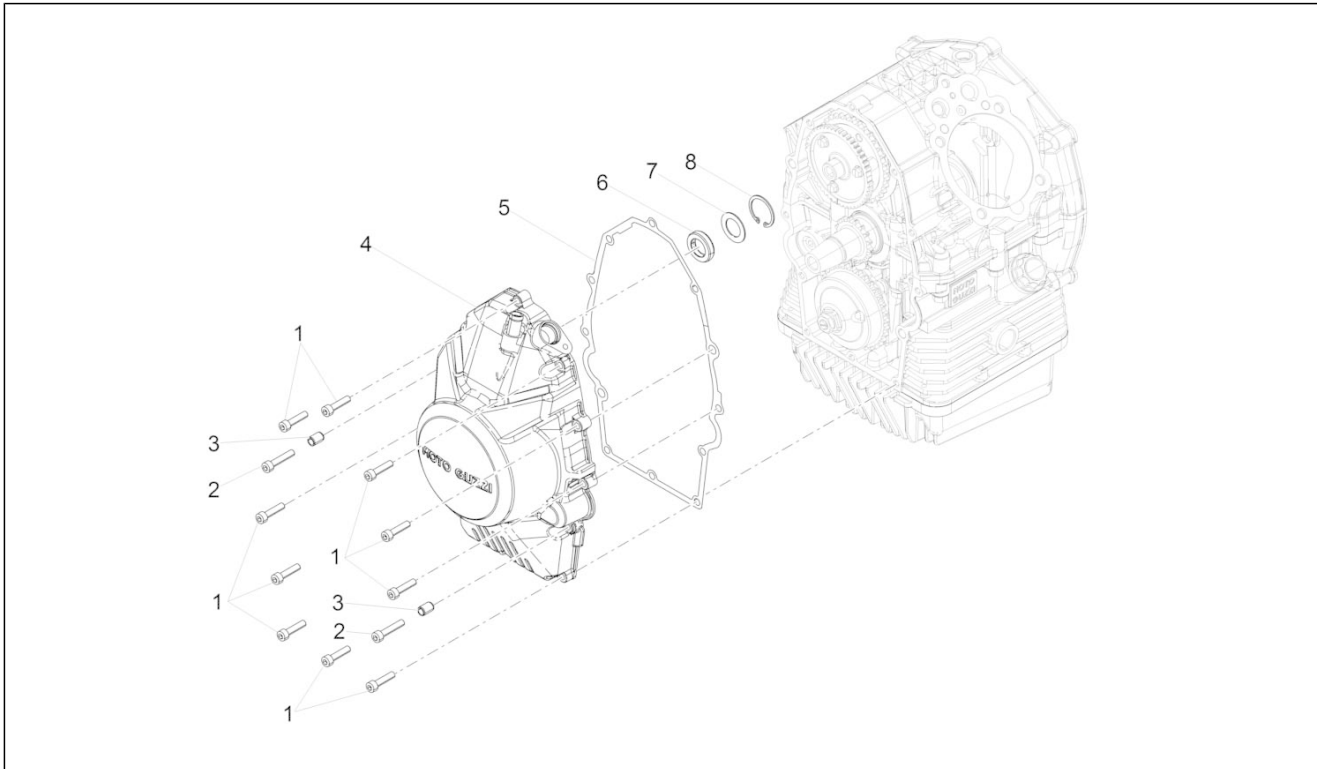
Pos.	Code	Beschreibung	Menge	Varianten
1	2A000419	Einscheiben-Kupplungseinheit komplett	1	
2	GU19067700	Schraube	6	
3	GU14615901	Ausgleichscheibe 8,4X13X0,8	6	
4	2A000724	Anlasserzahnkranz	1	
5	GU14217901	Scheibe 6,4x10x0,7	6	
6	623920	Schraube torx	6	
7	2A000792	Kupplungswelle Kpl. Z=21	1	
8	2A000216	Regelstange	1	
9	GU92201226	Kugellager 25x52x15	1	
10	GU90706235	O-Ring 23,52x1,78	1	
11	886629	Gasket ring	1	
12	GU19213760	Distanzscheibe	2	
13	GU19356760	Mutter	1	
14	2A000375	Kugellager	1	
15	B013037	Kupplungswelle	1	
16	2A000376	Drucklager	1	
17	GU14086100	Aussengehäuse	1	
18	2A000384	Hebelbolzen	1	
19	2A000385	O-Ring 6.5x1.5	2	
20	GU95500222	Splint	1	
21	2A000631	Ausrueckwelle	1	
22	GU94321105	Rückholfeder Starterhebel	1	
23	2A000767	Regelschraube	1	
24	GU92606508	Mutter	1	
25	GU14085900	Buchse	2	
26	GU05217630	Buchse	1	
27	GU90706170	O-Ring 17,13x2,62	1	
28	2A000770	Getriebene Kuppl.scheibe	1	

Einheit	Motor
Code	03.230
Beschreibung	Kupplung
Inspektion	1



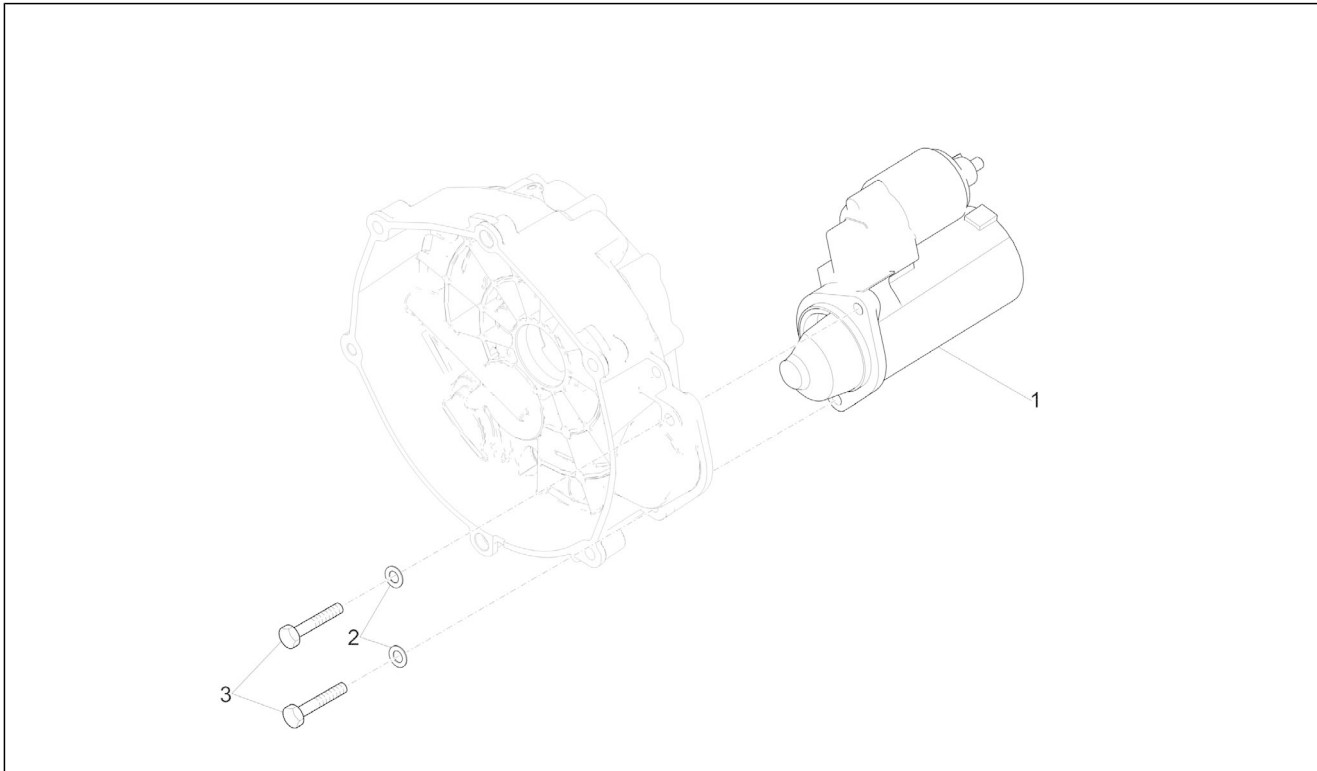
Pos.	Code	Beschreibung	Menge	Varianten
29	2A000418	Ring	1	
30	2A000638	Federteller	1	
31	2A000741	Stütze	1	
32	2A000378	Gasket ring	1	

Einheit	Motor
Code	03.270
Beschreibung	Zuenderdeckel
Inspektion	1



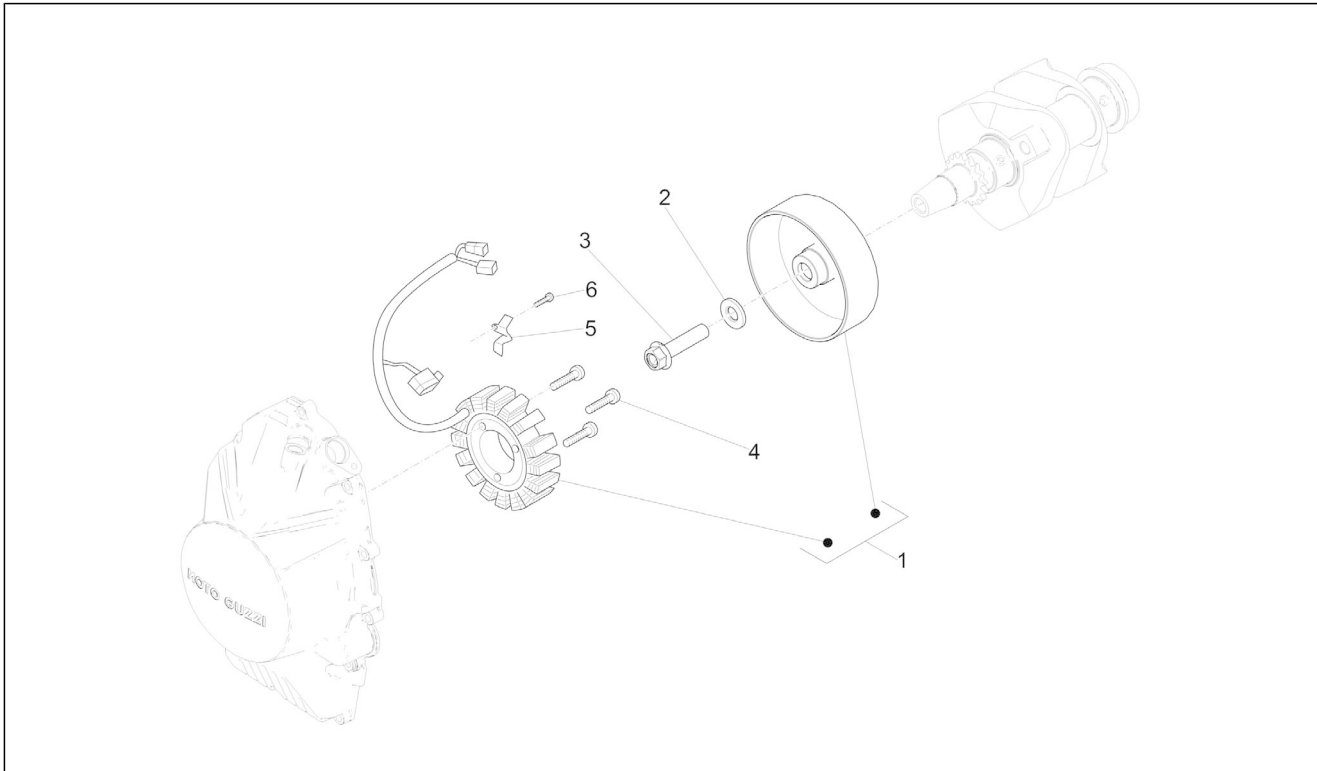
Pos.	Code	Beschreibung	Menge	Varianten
1	GU98682325	TCEI Schraube M6x25	10	
2	GU98682330	TCEI Schraube M6x20	2	
3	GU19002020	Buchse 6,6x9x13	2	
4	1A006298	Deckel	1	
5	887003	Deckeldichtung Kupplungsseite	1	
6	898268	Gasket ring 18x30x7	1	
7	898269	Bundscheibe	1	
8	006630	Sprengring	1	

Einheit	Motor
Code	03.290
Beschreibung	Zündung / Elektrischer Anfang
Inspektion	1



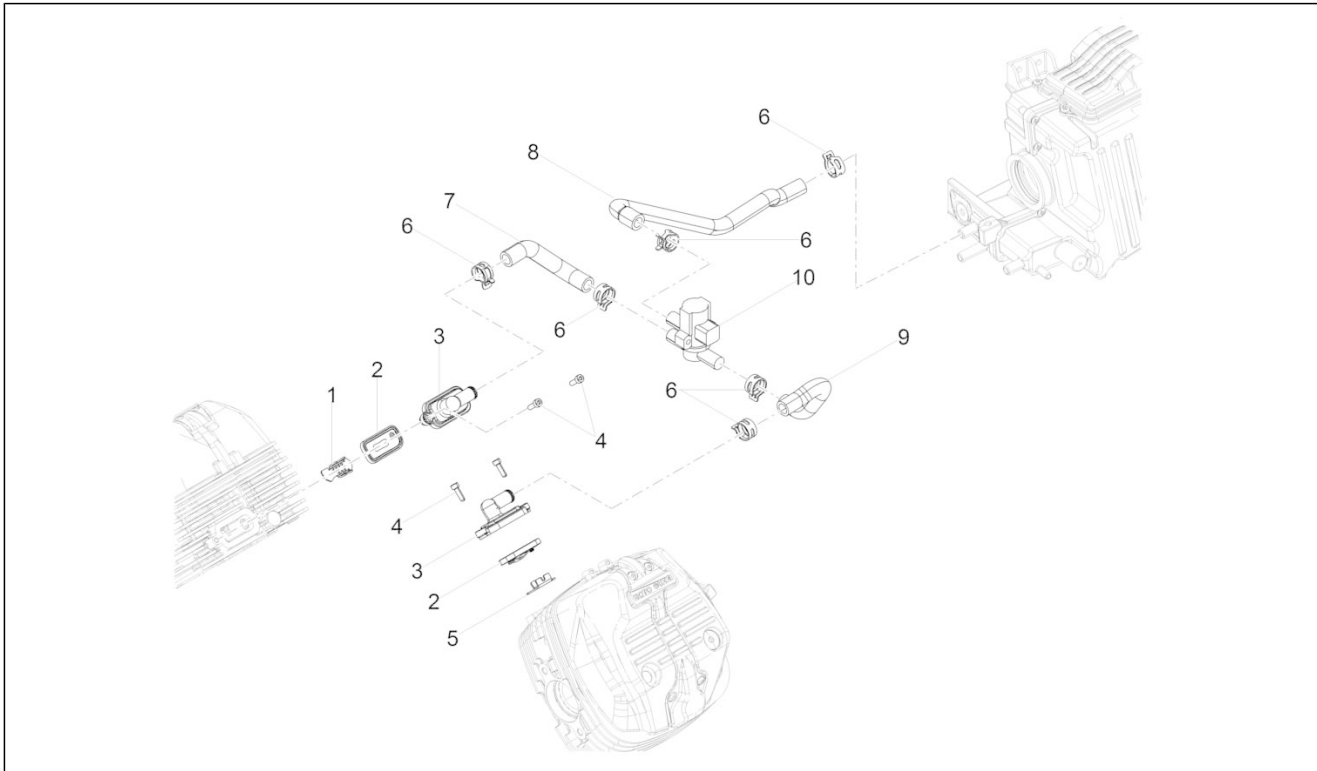
Pos.	Code	Beschreibung	Menge	Varianten
1	97729R	Startermotor	1	
2	GU95008208	Ausgleichscheibe 8,4X15X1,5	2	
3	GU98682435	TCEI Schraube	2	

Einheit	Motor
Code	03.300
Beschreibung	Schwungradmagnetstarter / Zündung
Inspektion	1



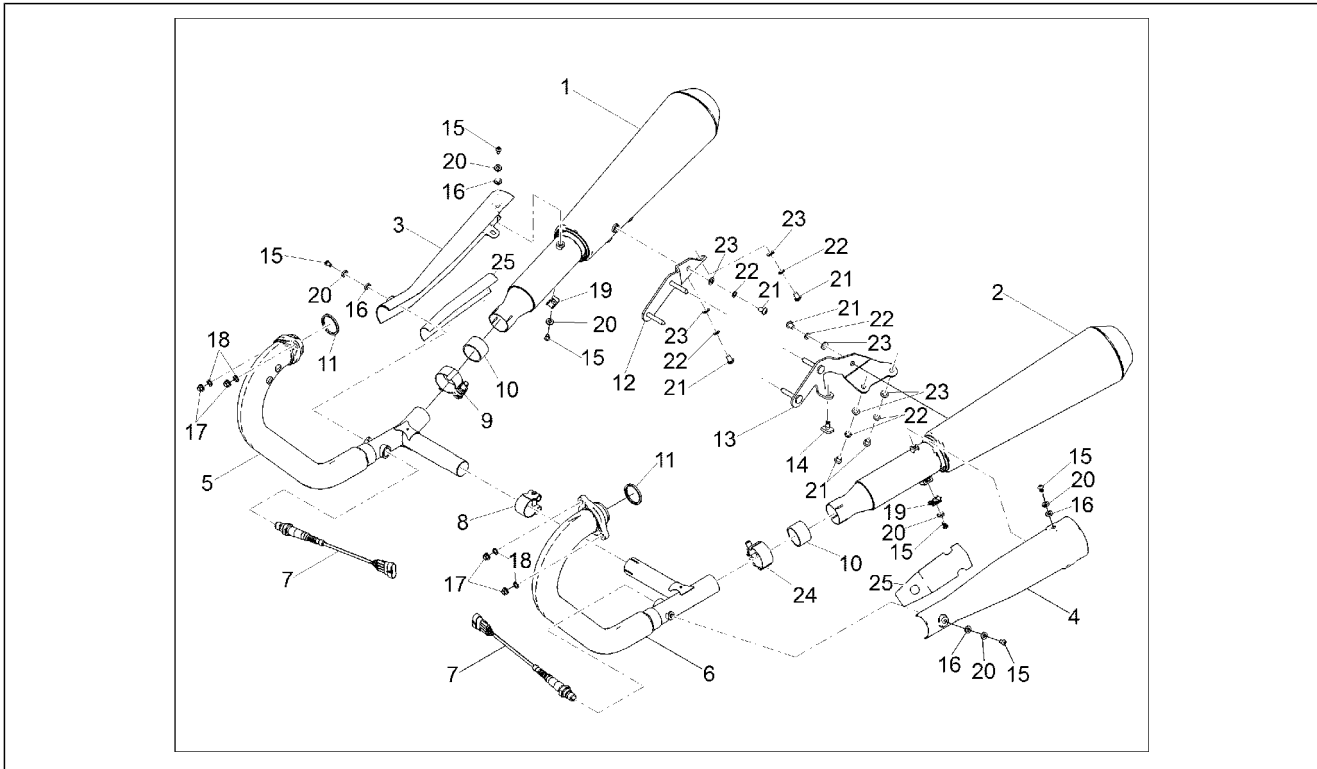
Pos.	Code	Beschreibung	Menge	Varianten
1	2D000024	Schwungrad Mag. klp.	1	
2	897478	Unterlegscheibe 12x26.5x3	1	
3	857206	TE Schr. m. Flansch M12X1,25X50	1	
4	2A000129	Flache Innensechskantschraube M6x35	3	
5	2A000115	Platte	1	
6	GU98682212	TCEI Schraube M5x12	1	

Einheit	Motor
Code	03.320
Beschreibung	Secondary air
Inspektion	1



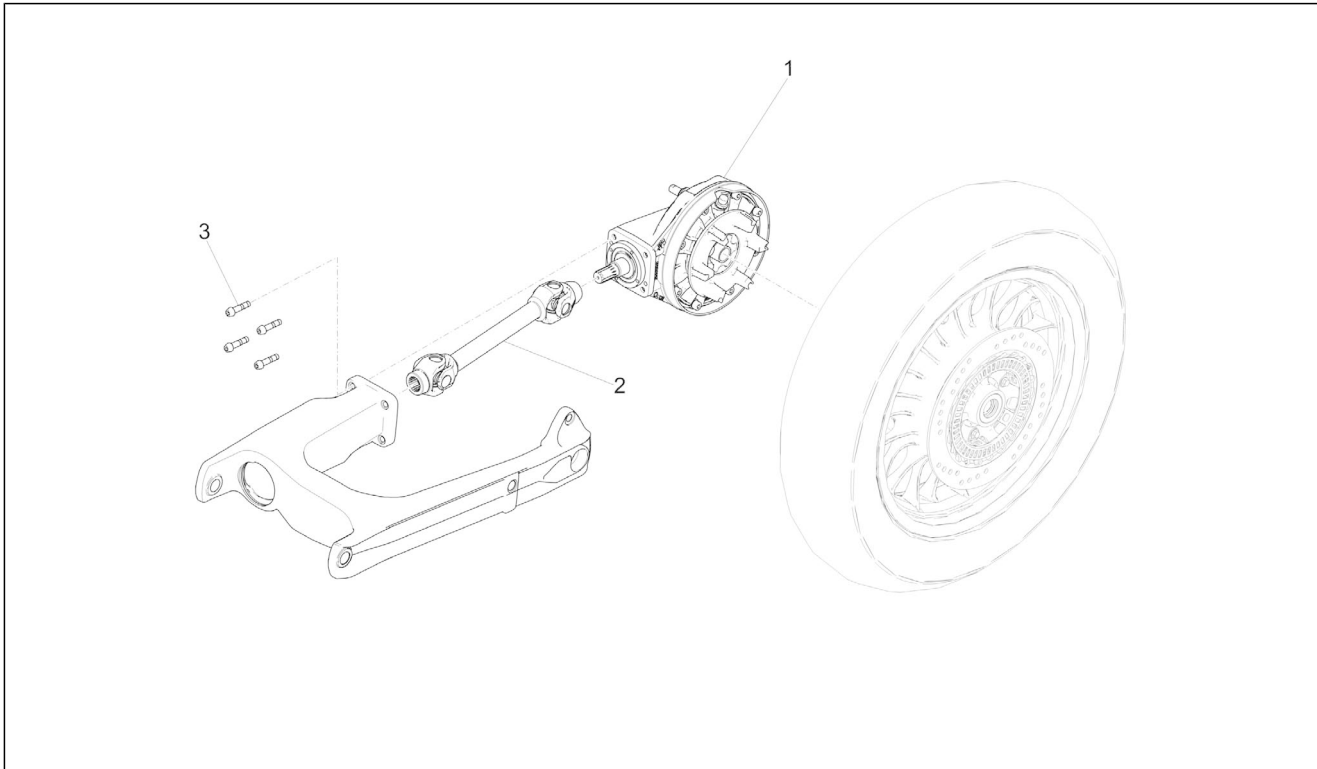
Pos.	Code	Beschreibung	Menge	Varianten
1	857047	Spark arrester	1	
2	857045	Reed valve	2	
3	2A000597	Abdeckung	1	
4	GU98612216	TCEI Schraube	2	
5	857046	Spark arrester	1	
6	CM226902	Federschelle 19/12	6	
7	2B002529	Schlauch rechts "S.A.S."	1	
8	2B002531	Leitung Filtergehäuse "S.A.S."	1	
9	2B002530	Schlauch links "S.A.S."	1	
10	857181	SAS ventil	1	

Einheit	Motor
Code	03.330
Beschreibung	Auspuffrohr
Inspektion	1



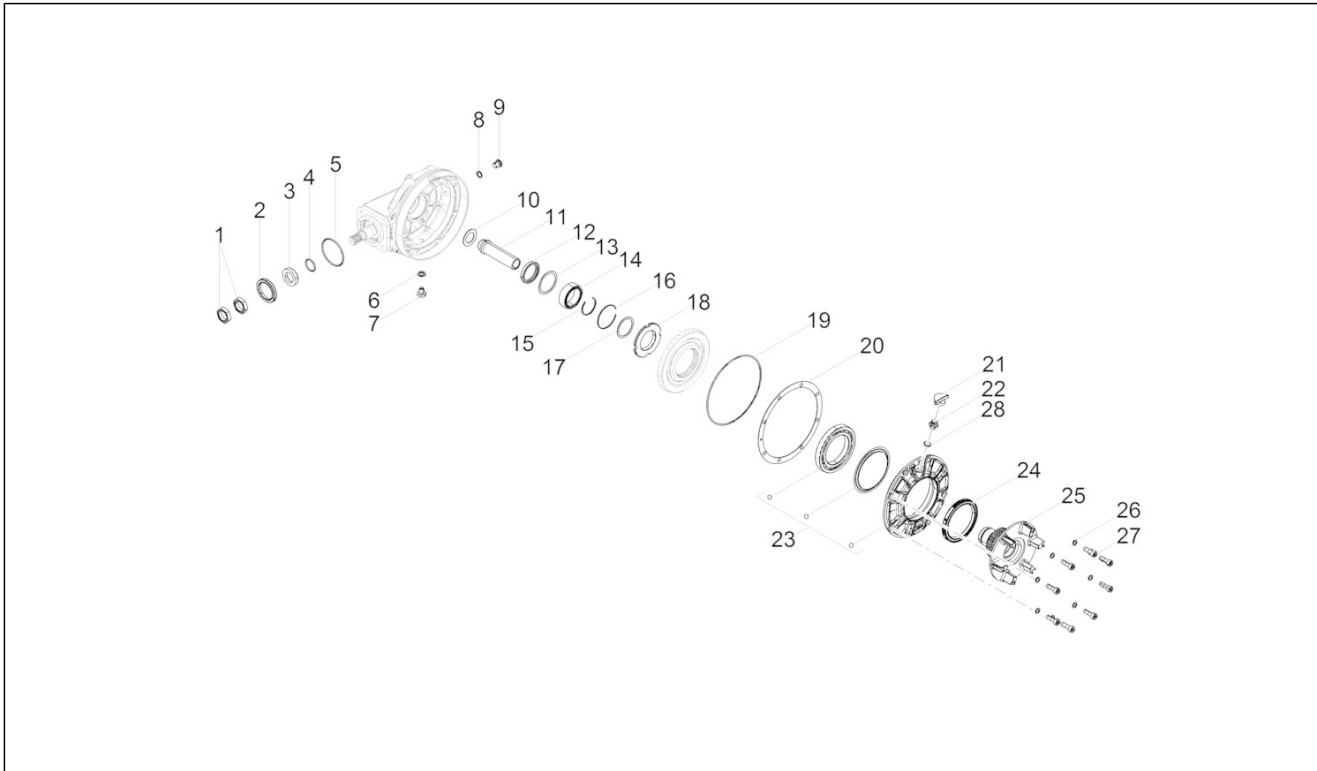
Pos.	Code	Beschreibung	Menge	Varianten
1	2B0024975	Re. Schalldämpfer verchromt	1	
2	2B0024985	Li. Schalldämpfer verchromt	1	
3	2B0026145	Auspuffverkleidung rechts verchromt	1	
4	2B0026135	Auspuffverkleidung links verchromt	1	
5	2B002496	Auspuffkrümmer rechts	1	
6	2B002495	Auspuffkrümmer links	1	
7	896110	Lamdasonde l.660 mm	2	
8	B063292	Schelle D.37	1	
9	874957	Schelle	1	
10	GU91113826	Buchse	2	
11	852090	Dichtung Auspuffrohr	2	
12	2B002533	Haltebügel Schalldämpfer rechts mit Innenteilen	1	
13	2B002532	Haltebügel Schalldämpfer links mit Innenteilen	1	
14	AP8120455	Gummi	1	
15	2B000215	TBEI Schraube m.Flansch M6x10	6	
16	876879	Abstandhalter	4	
17	GU92660021	Geflanschte Mutter M8	4	
18	GU14615901	Ausgleichscheibe 8,4X13X0,8	4	
19	254485	Plattchen M6	2	
20	834951	Kegelscheibe	6	
21	AP8152055	TBEI Schraube M8x12	6	
22	GU14615901	Ausgleichscheibe 8,4X13X0,8	6	
23	GU95008208	Ausgleichscheibe 8,4X15X1,5	6	
24	2B001935	Schelle	1	
25	2B003284	Wärmeschutz	2	

Einheit	Motor
Code	03.340
Beschreibung	Getriebe kpl.
Inspektion	1



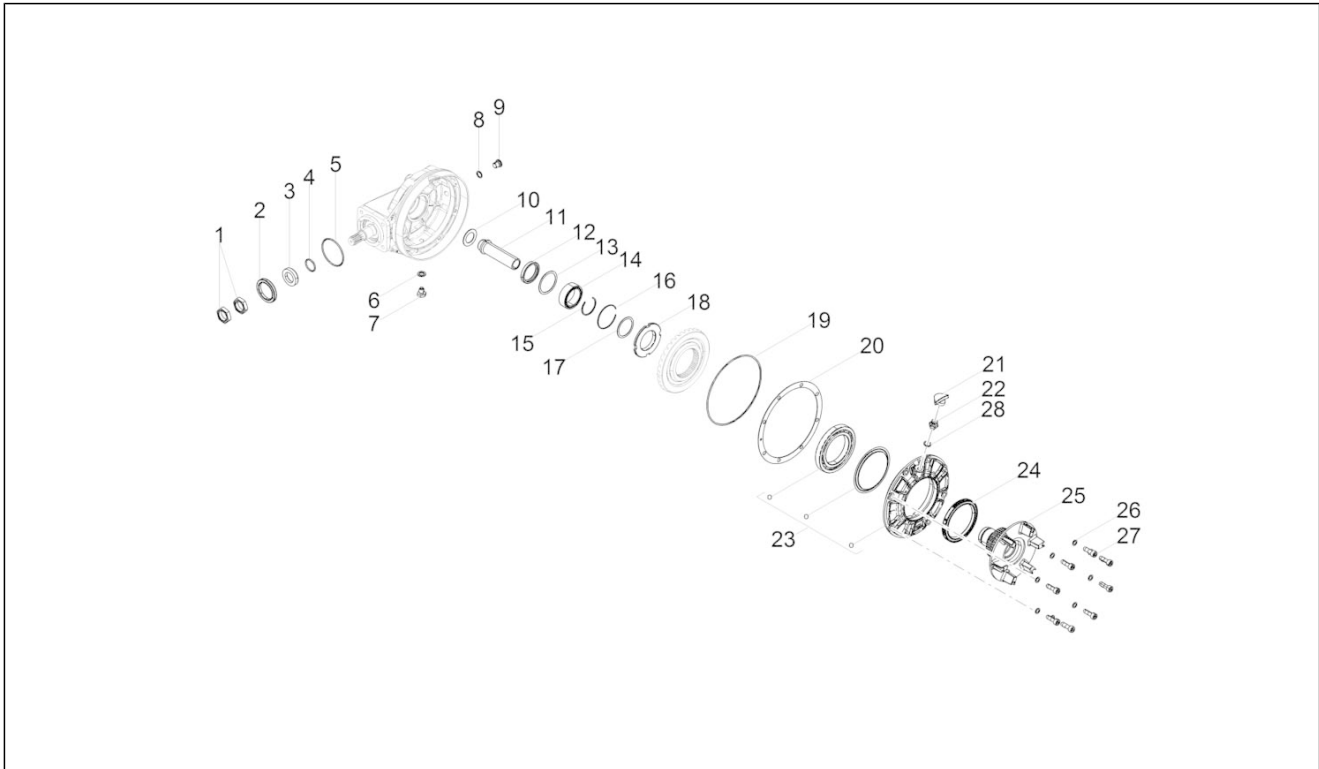
Pos.	Code	Beschreibung	Menge	Varianten
1	2B0011535	Kraftübertragung, kpl.	1	
2	2B002298	Getriebe	1	
3	2B002699	Schraube TCC Torx M8x35 mit vorimpr. Bund	4	

Einheit	Motor
Code	03.350
Beschreibung	Getriebedeckel
Inspektion	1



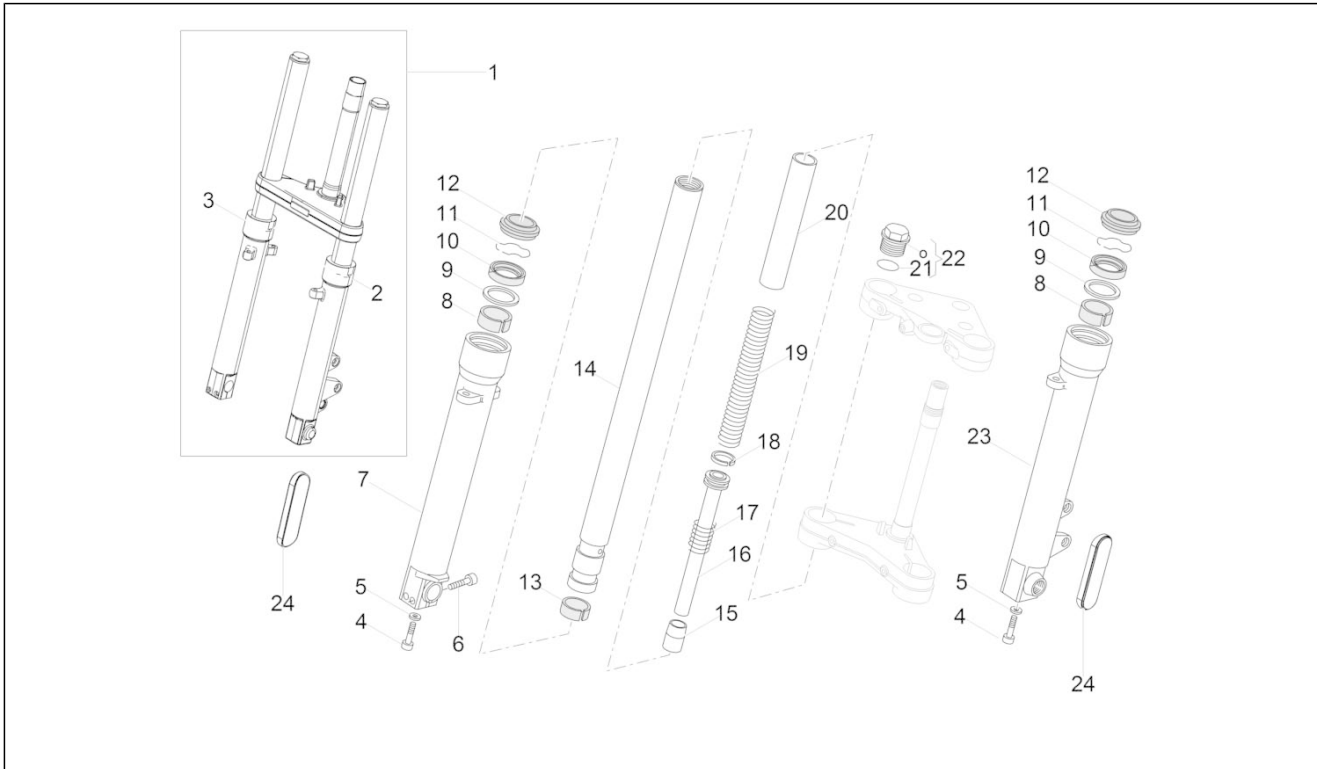
Pos.	Code	Beschreibung	Menge	Varianten
1	976649	Mutter M25x1,5	2	
2	2B000404	Gasket ring	1	
3	2B001311	Distanzscheibe	1	
4	GU90706188	Gasket ring 18,77X1,78	1	
5	GU90706584	Dichtung 58,42x2,62	1	
6	GU01528930	Dichtung 10x18x1,5	1	
7	GU31003766	Ölablaßschraube M10x1	1	
8	224566	Unterlegscheibe	1	
9	GU05351230	Ölschraube M12x1,5	1	
10	GU37359005	Ausgleichscheibe	1	
11	2B001307	Distanzscheibe	1	
12	GU90413850	Gasket ring 38X50X7	1	
13	GU12351100	Gasket ring	1	
14	GU92254340	Rollenlager 40x55x17	1	
15	2B002200	Wellenscheibe	1	
16	B064304	Seegerring	1	
17	GU19351100	Bundscheibe	1	
18	2B002536	Gewinding Befestigung Zahnkranz	1	
19	GU90706958	O-Ring 158,42X2,62	1	
20	GU04355104	Scheibe 1 mm	1	
20	GU04355103	Scheibe 0,9 mm	1	
20	GU04355106	Scheibe 1,2 mm	1	
20	GU04355105	Scheibe 1,1 mm	1	
20	GU04355100	Scheibe 0,6 mm	1	
20	GU04355101	Scheibe 0,7 mm	1	
20	GU04355102	Scheibe 0,8 mm	1	
21	2B002807	Kappe	1	
22	2A000438	Entlüftungsschraube	1	

Einheit	Motor
Code	03.350
Beschreibung	Getriebedeckel
Inspektion	1



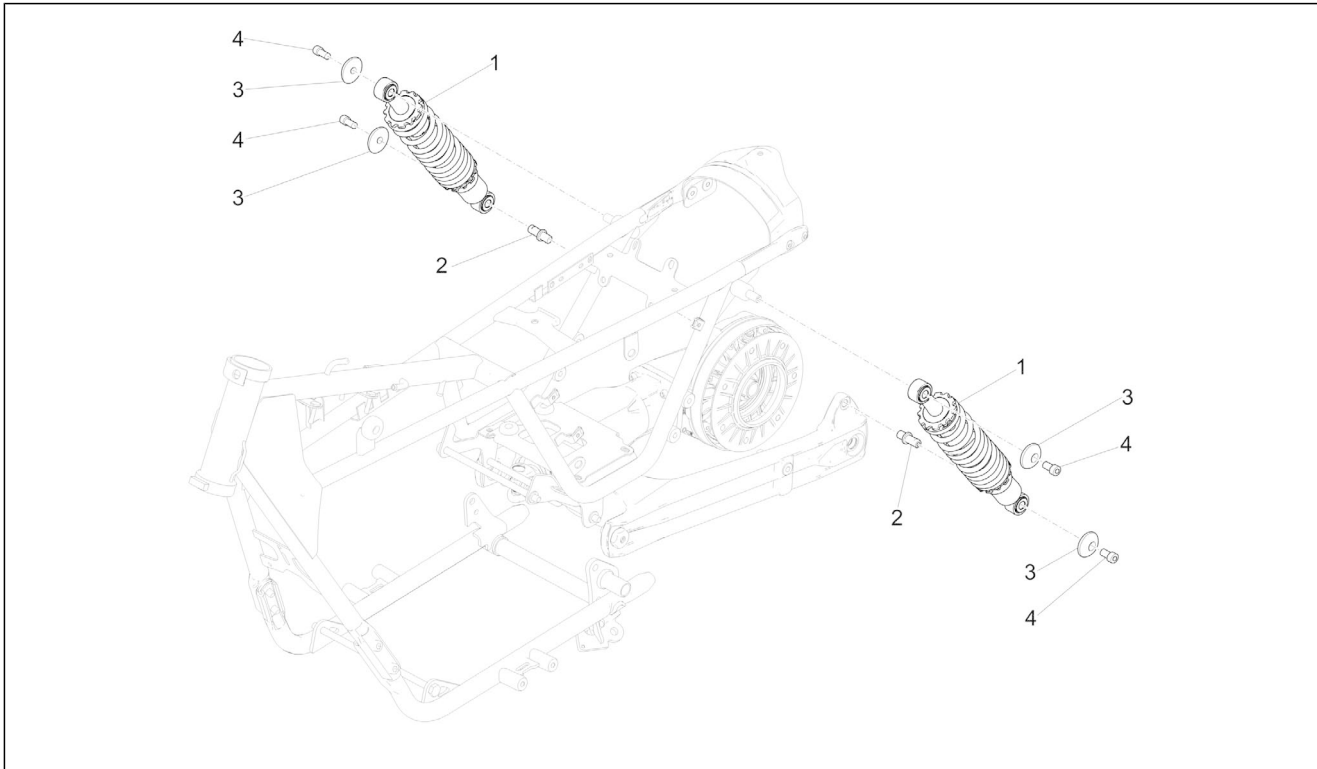
Pos.	Code	Beschreibung	Menge	Varianten
23	2B0033875	Flansch komplett	1	
24	2B002535	Gasket ring 80x100x10	1	
25	2B001303	Dämpfernabe	1	
26	GU14615901	Ausgleichscheibe 8,4X13X0,8	8	
27	2B002171	TC Schraube 8x25	8	
28	GU01528930	Dichtung 10x18x1,5	1	

Einheit	Radaufhängungen
Code	04.060
Beschreibung	Vorderradgabel Kaifa
Inspektion	1



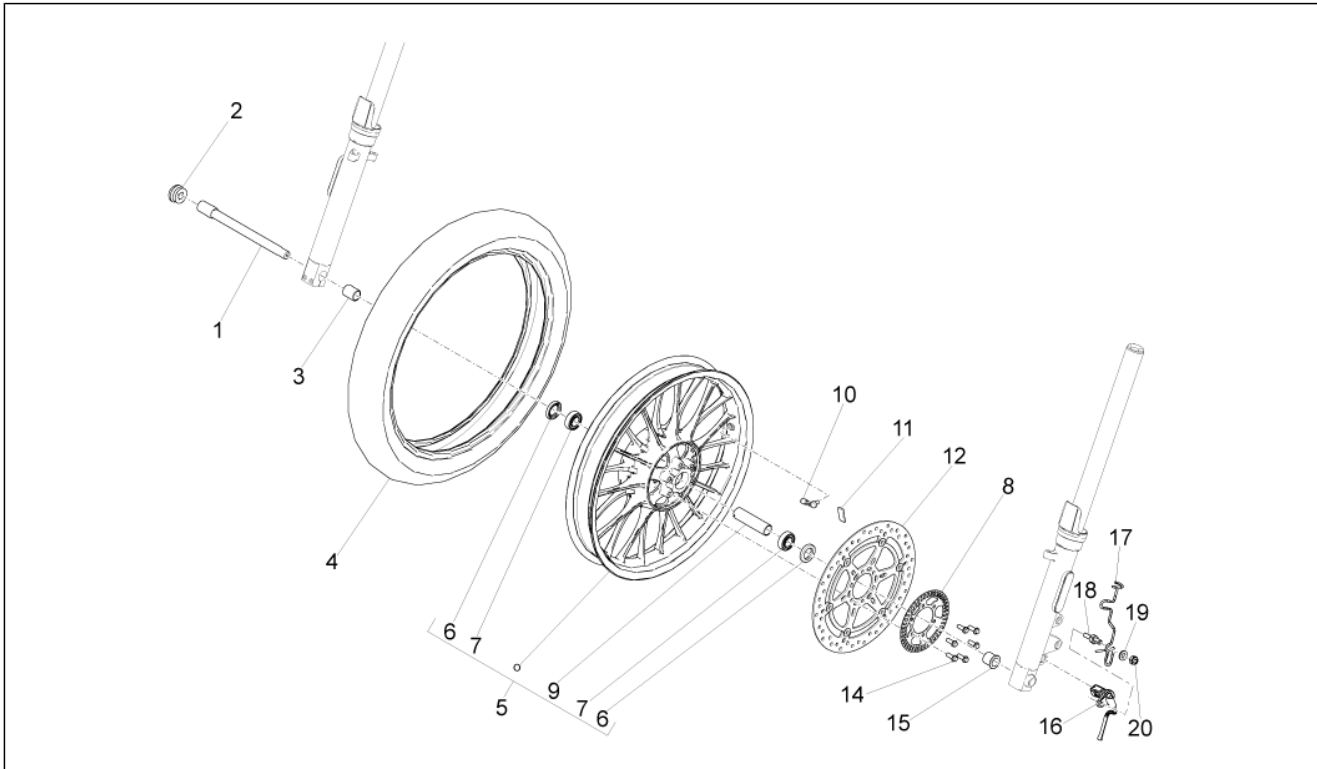
Pos.	Code	Beschreibung	Menge	Varianten
1	2B002192	Vorderradgabel komplett	1	
2	2B002295	Kolbenstange mit Boden lks.	1	
3	2B002294	Kolbenstange mit Boden rch.	1	
4	887878	Schraube M10x30	2	
5	887879	Ausgleichscheibe	2	
6	887880	Schraube	2	
7	2R000109	Rechte Hülse	1	
8	887882	Obere Buchse	2	
9	887883	Ausgleichscheibe	2	
10	887884	Gasket ring	2	
11	887885	Sperring	2	
12	887886	Staubschutz	2	
13	887888	Buchse	2	
14	2B003742	Schaft rechts-links	1	
15	887889	Puffer	2	
16	887891	Pumpenrad kplt.	2	
17	887890	Gegenfeder	2	
18	887905	Kolbenring	2	
19	2R000243	Feder	2	
20	887893	Leitung	2	
21	887916	O-Ring 4118	2	
22	887894	Verschlussschraube kplt.	2	
23	2R000110	Linke Hülse	1	
24	GU05781630	Rückstrahler, gelb	2	

Einheit	Radaufhängungen
Code	04.080
Beschreibung	Stoßdämpfer
Inspektion	1



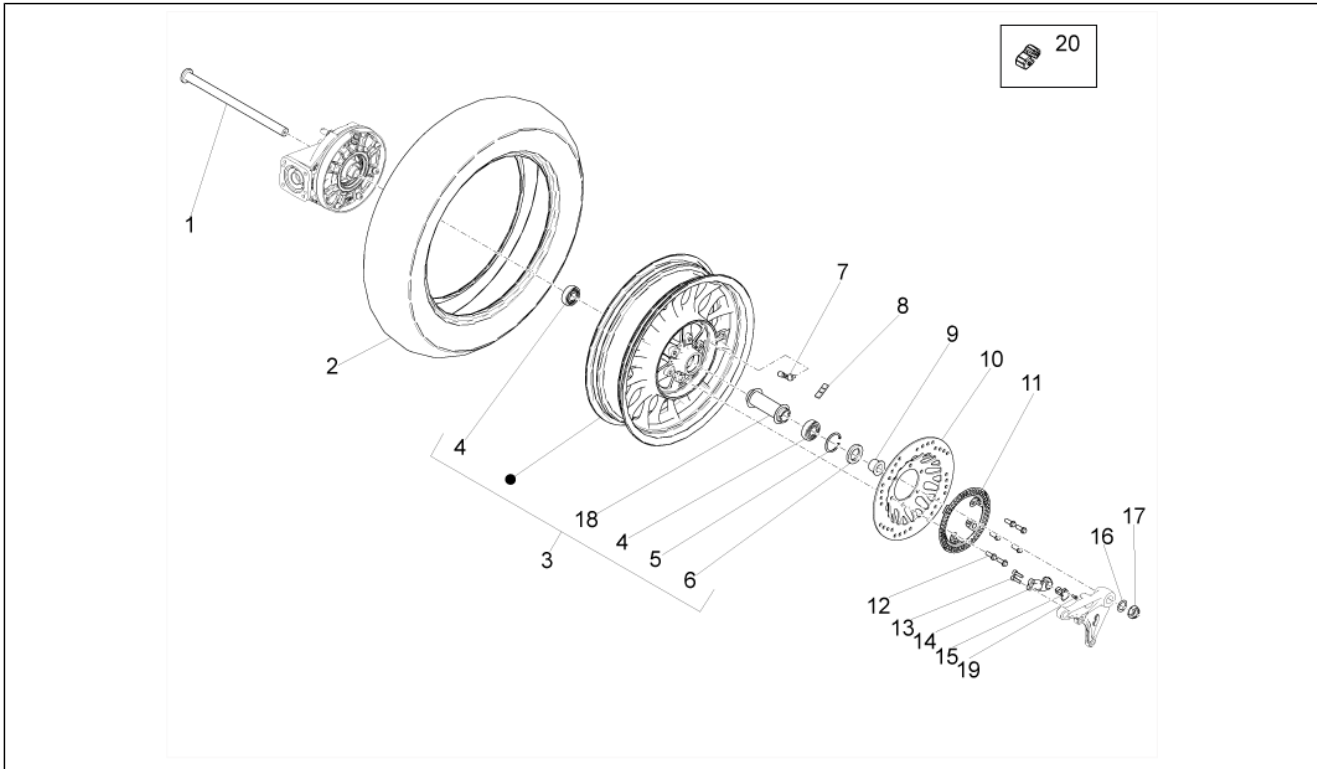
Pos.	Code	Beschreibung	Menge	Varianten
1	2B002989	Hinterer Stoßdämpfer	2	
2	2B003111	Stoßdämpfer-Bolzen	2	
3	B063174	Buchse	4	
4	884031	TCEI Schraube M6x14	4	

Einheit	Räder
Code	05.010
Beschreibung	Vorderrad
Inspektion	1



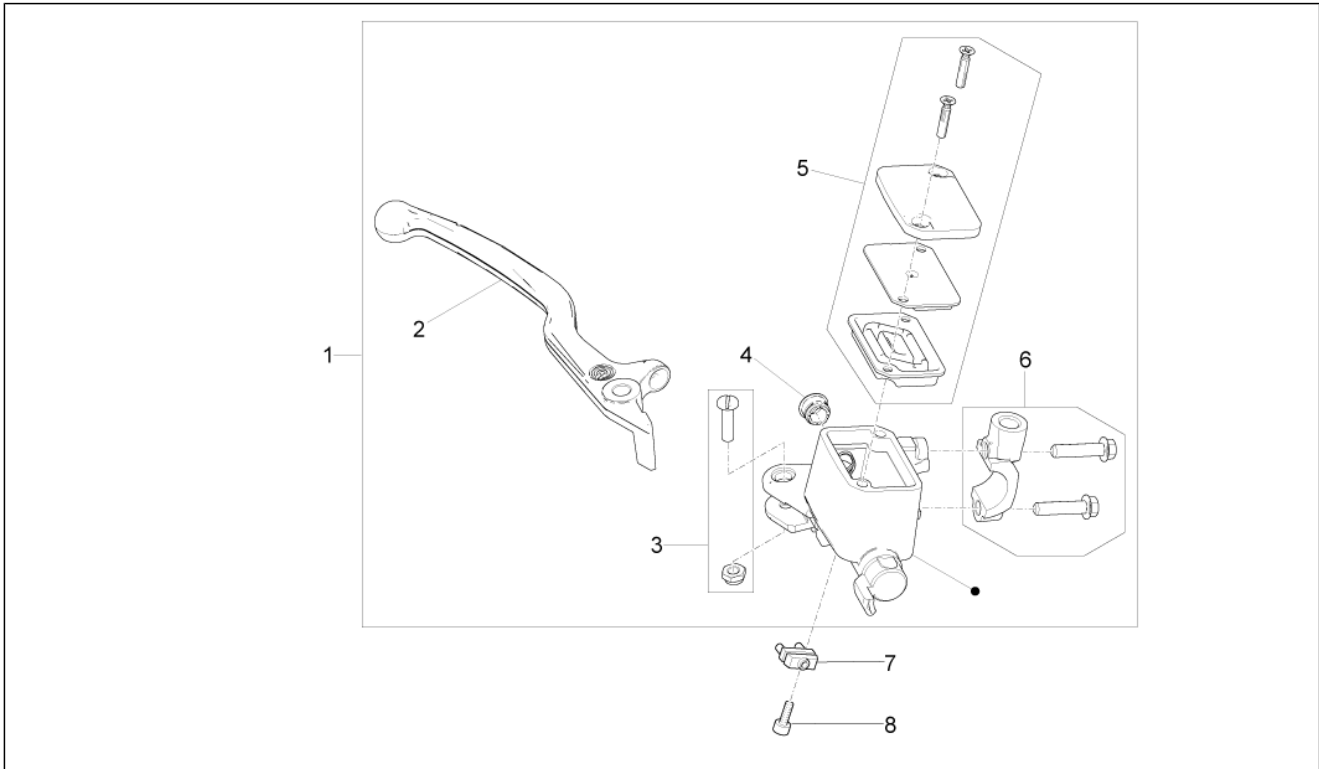
Pos.	Code	Beschreibung	Menge	Varianten
1	2B001139	Vorderradbolzen	1	
2	GU93180111	Deckel 15 mm	1	
3	GU32615660	R. Distanzscheibe	1	
4	2B002380	Vorderreifen 100/90 - 19"	1	
5	2B001058	Vorderrad 2.5X19 mit Lager	1	
6	GU90402642	Gasket ring	2	
7	GU92204221	Lager	2	
8	887875	Phonic wheel	1	
9	2B001073	Innerer Abstandhalter Vorderrad	1	
10	GU03617710	Schlauchloses Reifenventil	1	
11	GU14616150	Gegengewicht	1	
12	883688	Vorderradbremsscheibe 320	1	
14	887762	Flanschschraube TE M8x22	6	
15	GU31616384	L. Distanzscheibe	1	
16	859792	Sensor ABS	2	
17	2B001561	Kabelführung	1	
18	2B001708	Distanzscheibe	1	
19	AP8150178	Ausgleichscheibe 6,4x12,5*	2	
20	GU92630207	Mutter	1	

Einheit	Räder
Code	05.020
Beschreibung	Hinterrad
Inspektion	1



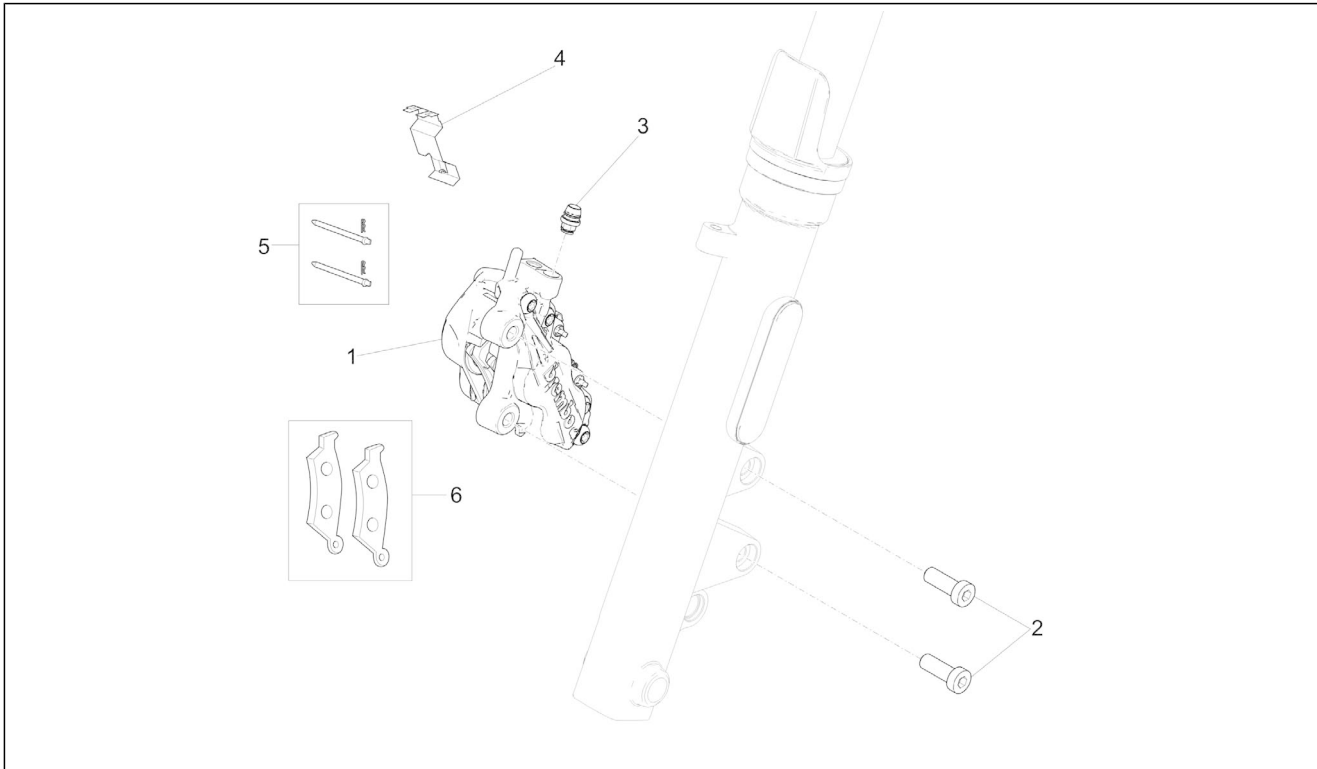
Pos.	Code	Beschreibung	Menge	Varianten
1	2B001310	Hinterradbolzen	1	
2	2B002381	Hinterer Reifen 150/80 - 16	1	
3	2B002448	Hint. Felge 4X16" mit Lager	1	
4	GU92204220	Kugellager 20X47X14	2	
5	GU90272047	Seegerring 47X50,5	1	
6	AP8110109	Gasket ring 28X47X7	1	
7	GU03617710	Schlauchloses Reifenventil	1	
8	GU14616150	Gegengewicht	1	
9	2B001956	Hinterrad Distanzscheibe	1	
10	887448	Bremsscheibe	1	
11	2B000225	Phonic wheel	1	
12	887762	Flanschschraube TE M8x22	6	
13	GU98682312	TCEI Schraube M6x12	2	
14	2B000377	Halter Sensor ABS	1	
15	859792	Sensor ABS	2	
16	AP8125687	U-scheibe Hint.radbolzen	1	
17	648708	Hinterradbolzen mut.	1	
18	2B001279	Baugruppe Distanzscheibe Hinterrad	1	
19	1C001499	Schraube TBEI TORX M5x16 INOX	1	
20	GU32632510	Gummikupplung	6	

Einheit	Bremsanlage
Code	06.010
Beschreibung	Vorderradbremspumpe
Inspektion	1



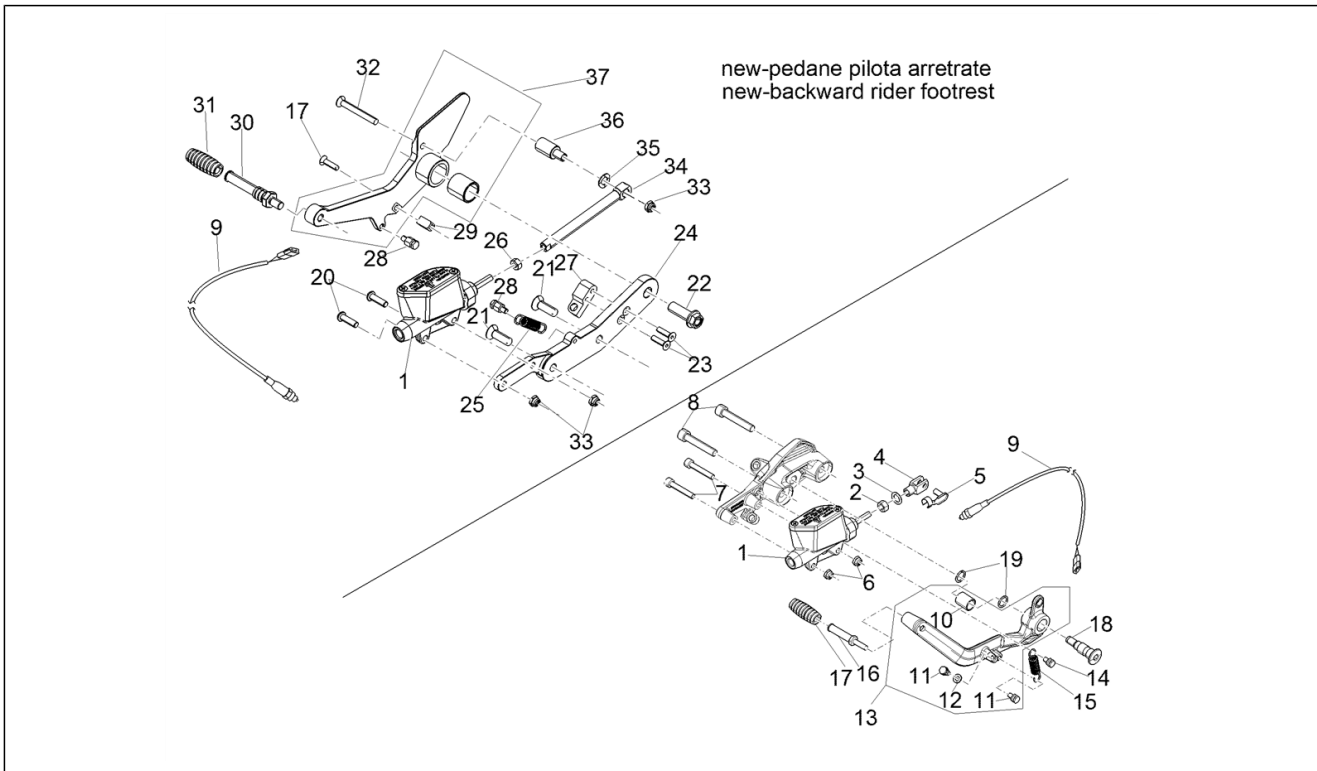
Pos.	Code	Beschreibung	Menge	Varianten
1	2B002269	Vorderradbremspumpe	1	
2	2B003041	Ersatzteil Hebel	1	
3	2B003040	Ersatzteil Hebelbolzen kpl. mit Mutter	1	
4	2B001930	Ersatzteil Schauglas vordere Bremspumpe	1	
5	2B003039	Ersatzteil Deckel kpl. mit Membran und Schrauben	1	
6	2B001929	Klemmschelle Bremsarmatur	1	
7	GU03749845	Bremslichtschalter	1	
8	AP8152043	TCEI Schraube M4x10	1	

Einheit	Bremsanlage
Code	06.020
Beschreibung	Vorderradbremzange
Inspektion	1



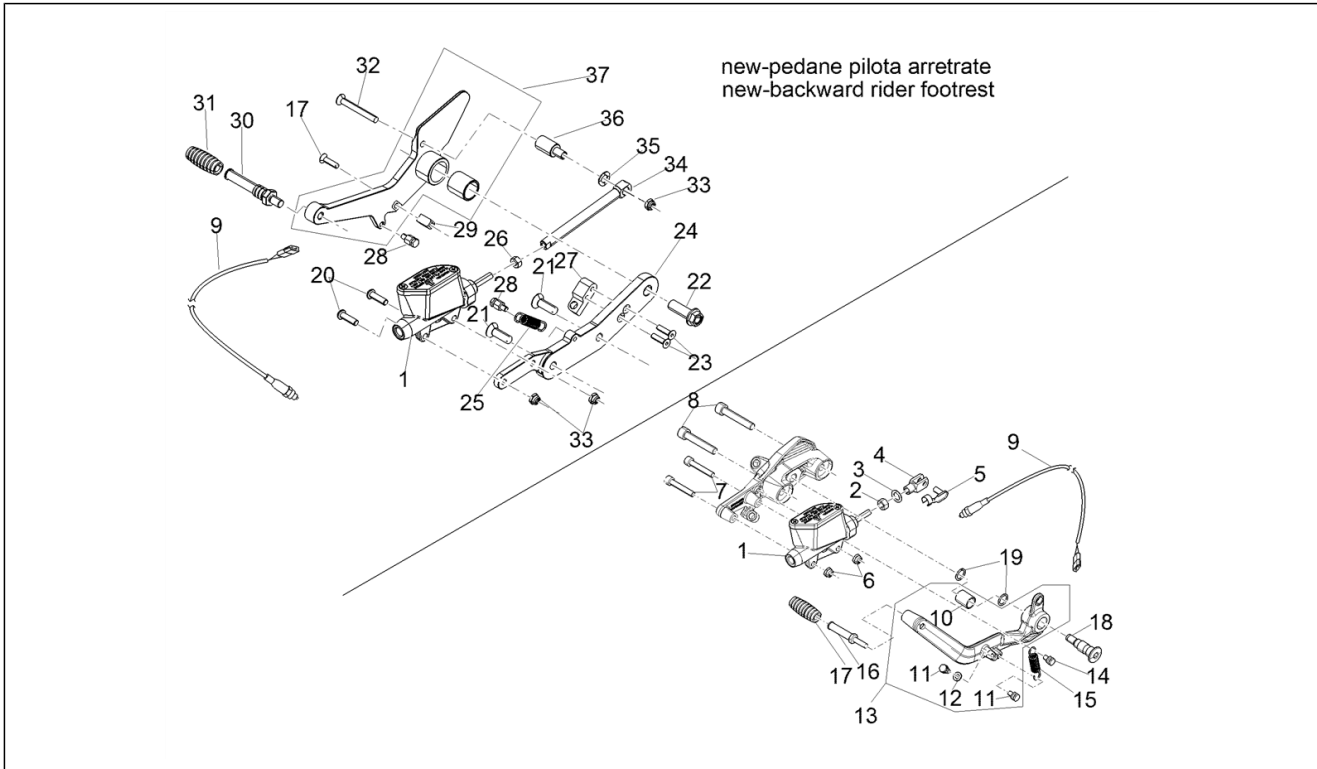
Pos.	Code	Beschreibung	Menge	Varianten
1	2B003271	Vorderradbremzange l.	1	
2	AP8152385	TCEI Schraube M10x1,25	2	
3	GU05659230	Entlüftung+Haube	1	
4	GU01659131	Feder	1	
5	GU01659130	Stifte-Federn Bremszange	1	
6	2B003313	Beläge (Paar)	1	

Einheit	Bremsanlage
Code	06.030
Beschreibung	Hinterradbremspumpe
Inspektion	1



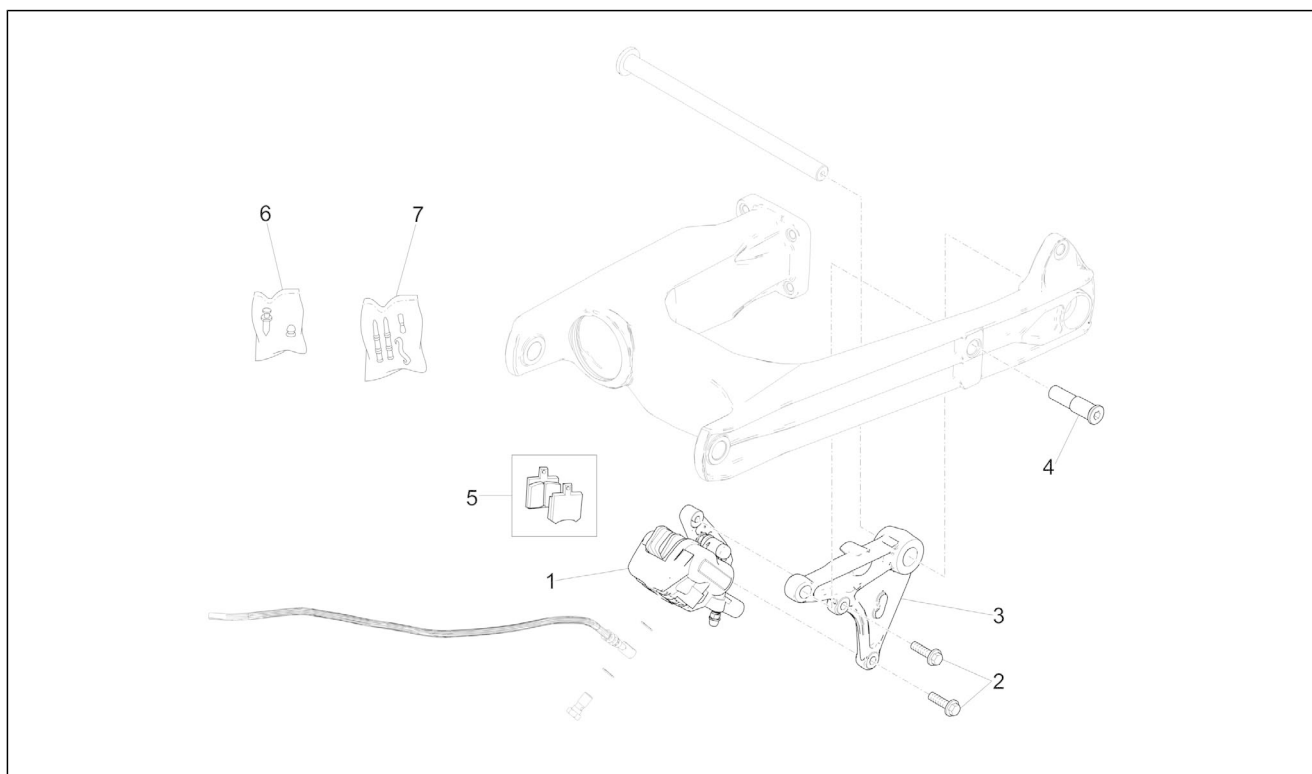
Pos.	Code	Beschreibung	Menge	Varianten
1	2B002189	Hintere Bremspumpe mit Behälter	1	
2	GU92606206	Mutter	1	Technische Spezifikation:standard rider footrest[old]
3	AP8120178	O-Ring OR112	1	Technische Spezifikation:standard rider footrest[old]
4	AP8113081	Schaltgabel	1	Technische Spezifikation:standard rider footrest[old]
5	AP8113082	Klemmen für Schaltgabel	1	Technische Spezifikation:standard rider footrest[old]
6	GU92630206	Dado autobloccante M6x1	2	Technische Spezifikation:standard rider footrest[old]
7	AP8150285	TCEI Schraube M6x35	2	Technische Spezifikation:standard rider footrest[old]
8	GU98680445	TCEI Schraube	2	Technische Spezifikation:standard rider footrest[old]
9	2D0002805	Knopf stop	1	
10	895328	Buchse gesintert	1	Technische Spezifikation:standard rider footrest[old]
11	859946	Befestigungsbolzen	2	Technische Spezifikation:standard rider footrest[old]
12	AP8150012	Ausgleichscheibe 5,3x10x1*	1	Technische Spezifikation:standard rider footrest[old]
13	2B002233	Hebel Hinterradbremse komplett	1	Technische Spezifikation:standard rider footrest[old]
14	859946	Befestigungsbolzen	1	Technische Spezifikation:standard rider footrest[old]
15	AP8121927	Feder Hinterradbremsh.	1	Technische Spezifikation:standard rider footrest[old]
16	887908	Gummigleitschutze	1	Technische Spezifikation:standard rider footrest[old]
17	AP8120912	Gummi für Hebel	1	Technische Spezifikation:standard rider footrest[old]
18	884033	Hebelbolzen	1	Technische Spezifikation:standard rider footrest[old]
19	AP8144007	O-Ring 11,11x1,78	2	Technische Spezifikation:standard rider footrest[old]
20	GU98370625	TBEI Schraube M6x25	1	Technische Spezifikation:backward rider footrest[new]
21	2B004112	Schraube TSPEI IX M8X25	2	Technische Spezifikation:backward rider footrest[new]
22	967384	Schraube TEF M10X45	1	Technische Spezifikation:backward rider footrest[new]
23	658778	Schraube TSPEI M5x20	3	Technische Spezifikation:backward rider footrest[new]
24	2B004042	Piastra pedana pilota dx	1	Technische Spezifikation:backward rider footrest[new]
25	AP8121927	Feder Hinterradbremsh.	1	Technische Spezifikation:backward rider footrest[new]
26	GU92606206	Mutter	1	Technische Spezifikation:backward rider footrest[new]
27	2B004063	Supporto interruttore stop	1	Technische Spezifikation:backward rider footrest[new]
28	898286	Federn Fixierstift	2	Technische Spezifikation:backward rider footrest[new]

Einheit	Bremsanlage
Code	06.030
Beschreibung	Hinterradbremspumpe
Inspektion	1



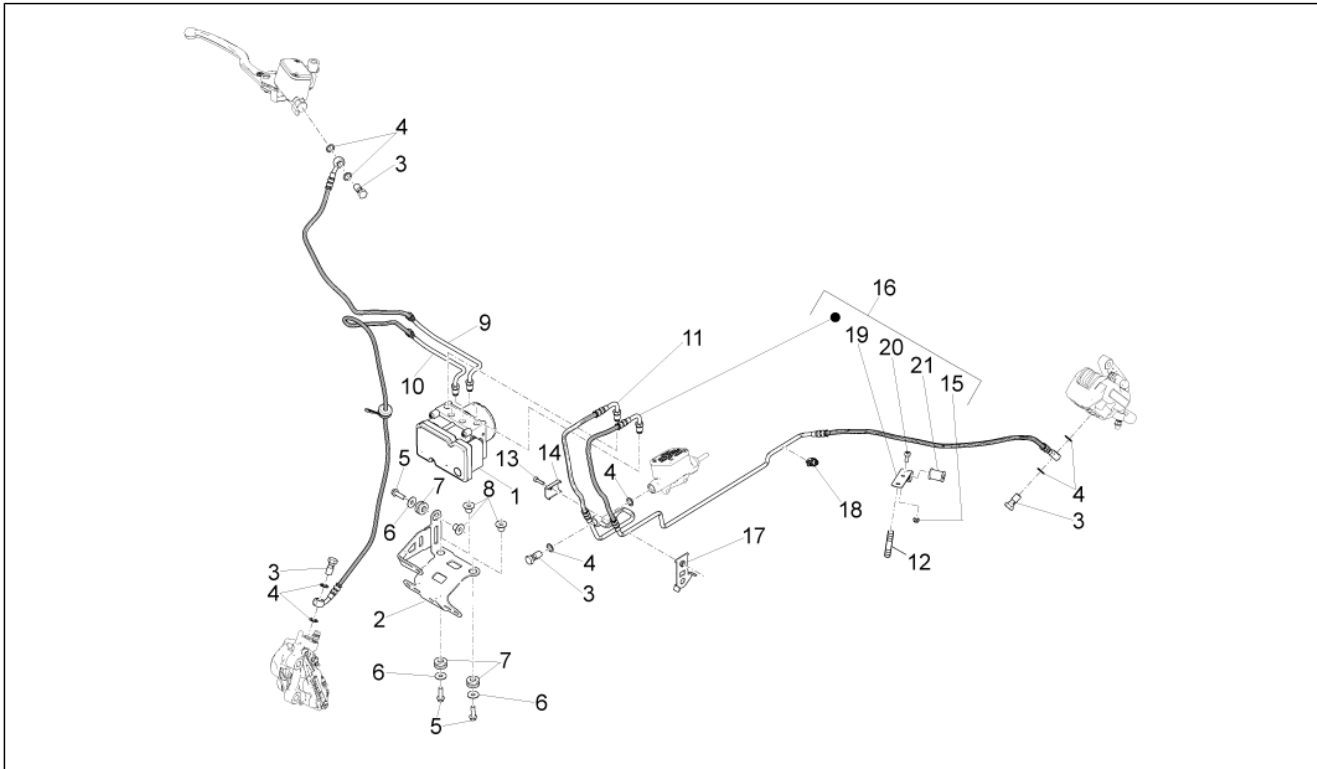
Pos.	Code	Beschreibung	Menge	Varianten
29	2B004064	Fermacorsa pedale freno post.	1	Technische Spezifikation: backward rider footrest[new]
30	2B004062	Gummigleitschutze	1	Technische Spezifikation: backward rider footrest[new]
31	AP8120912	Gummi für Hebel	1	Technische Spezifikation: backward rider footrest[new]
32	2B004111	Schraube TSPEI M6x50	1	Technische Spezifikation: backward rider footrest[new]
33	GU92630707	Mutter M6	3	Technische Spezifikation: backward rider footrest[new]
34	2B004076	Pumpenstange H. brems	1	Technische Spezifikation: backward rider footrest[new]
35	658837	Gewellte Sprengscheibe D15 F8,4 S1,5 - INOX	1	Technische Spezifikation: backward rider footrest[new]
36	2B004107	Distanzscheibe	1	Technische Spezifikation: backward rider footrest[new]
37	2B004050	Hebel Hinterradbremse komplett	1	Technische Spezifikation: backward rider footrest[new]

Einheit	Bremsanlage
Code	06.040
Beschreibung	Hinterradbremzange
Inspektion	1



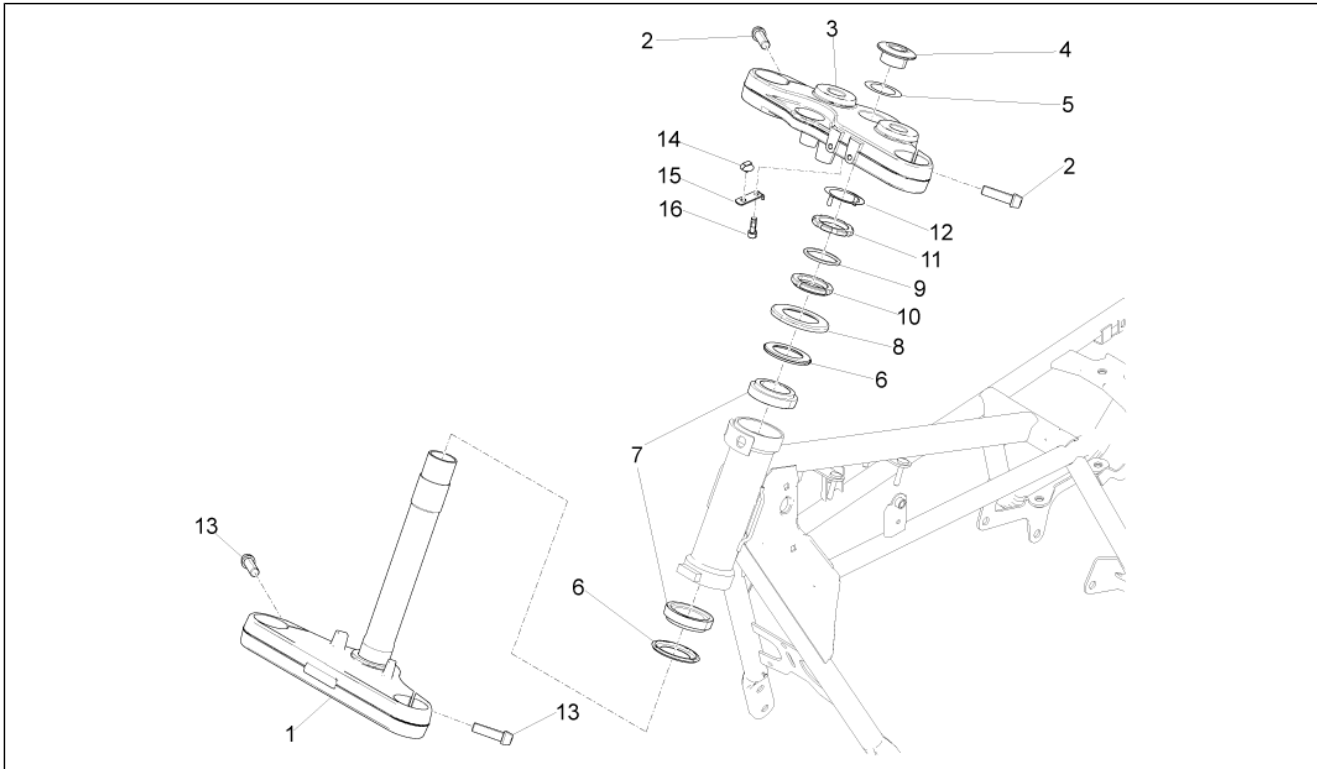
Pos.	Code	Beschreibung	Menge	Varianten
1	2B000525	Hinterradbremzange	1	
2	AP8152288	TE Schr. m. Flansch M8x30	1	
3	2B001953	Halter. H.radbremzange	1	
4	GU31544181	Bolzen	1	
5	2R000248	Paar Bremsklötze	1	
6	GU31659281	Entlüftung+Haube	1	
7	GU31659181	Stifte+Feder kit	1	

Einheit	Bremsanlage
Code	06.050
Beschreibung	Bremsanlage ABS
Inspektion	1



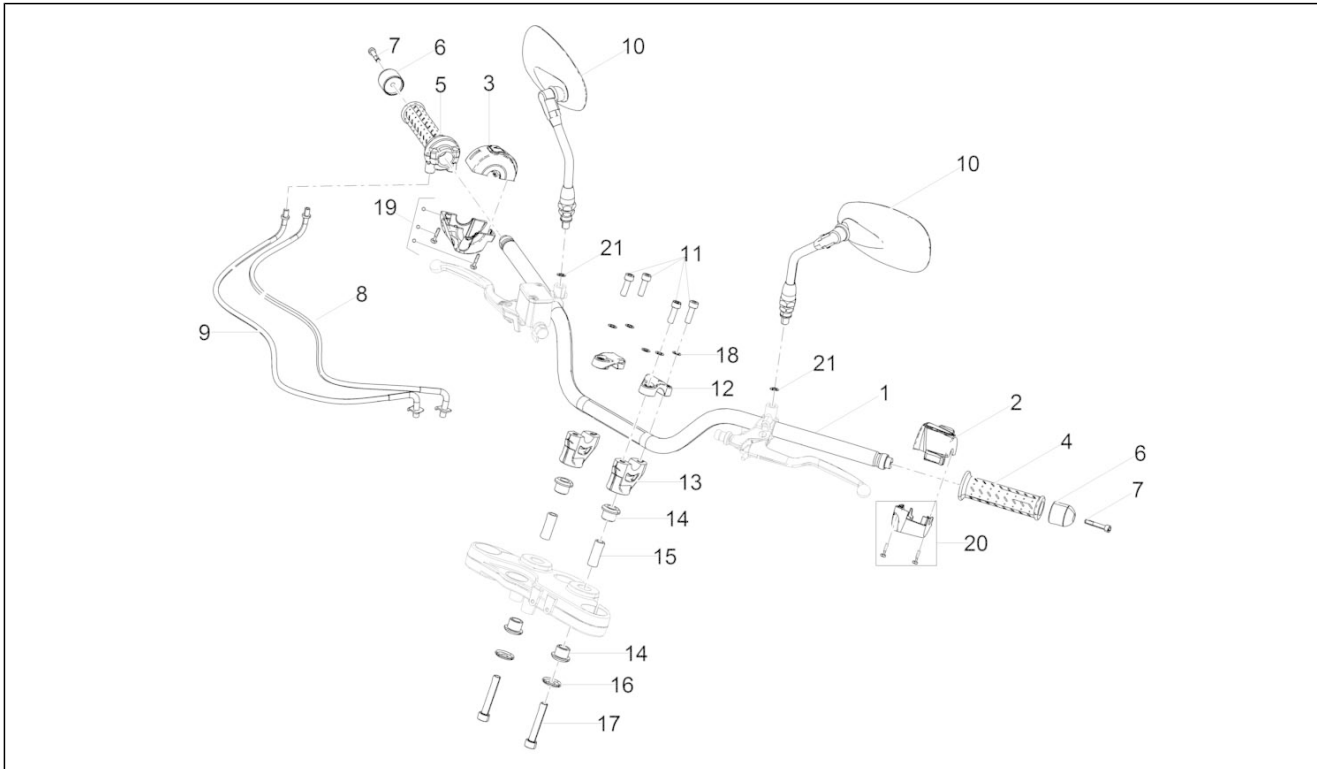
Pos.	Code	Beschreibung	Menge	Varianten
1	2D000102	ABS-Steuergerät	1	
2	2B003056	Halterbügel Steuerung	1	
3	AP8113003	Fixierschraube Ölschlauch	4	
4	AP8113004	Ausgleichscheibe 10x14x1,6*	8	
5	00H02402282	Schraube 6X20	3	
6	AP8150015	Ausgleichscheibe 6,6x18x1,6*	3	
7	AP8120030	Gummi	3	
8	AP8221023	T-Buchse	2	
9	2B002804	ABS HECU Leitung - Pumpe vorne	1	
10	2B002805	ABS HECU Leitung - Bremssattel Vorderradbremse	1	
11	2B002681	ABS HECU Leitung - Pumpe hinten	1	
12	GU96451316	Stiftschraube	1	
13	959559	TCEI Schraube M4x16	1	
14	2B001614	Fixierplatte Führungs	1	
15	AP8150451	Selbstsperr.mut Unt.	1	
16	2B002806	Leitung ABS HECU - Bremssattel hinten	1	
17	2B001564	Halteplatte Bremsschlauch	1	
18	AP8121882	Kabelführungs	1	
19	GU03658330	Schelle	1	
20	895709	TCEI Schraube M5x12	1	
21	GU03658201	Ring	1	

Einheit	Lenkstange - Schaltungen
Code	07.010
Beschreibung	Lenkung
Inspektion	1



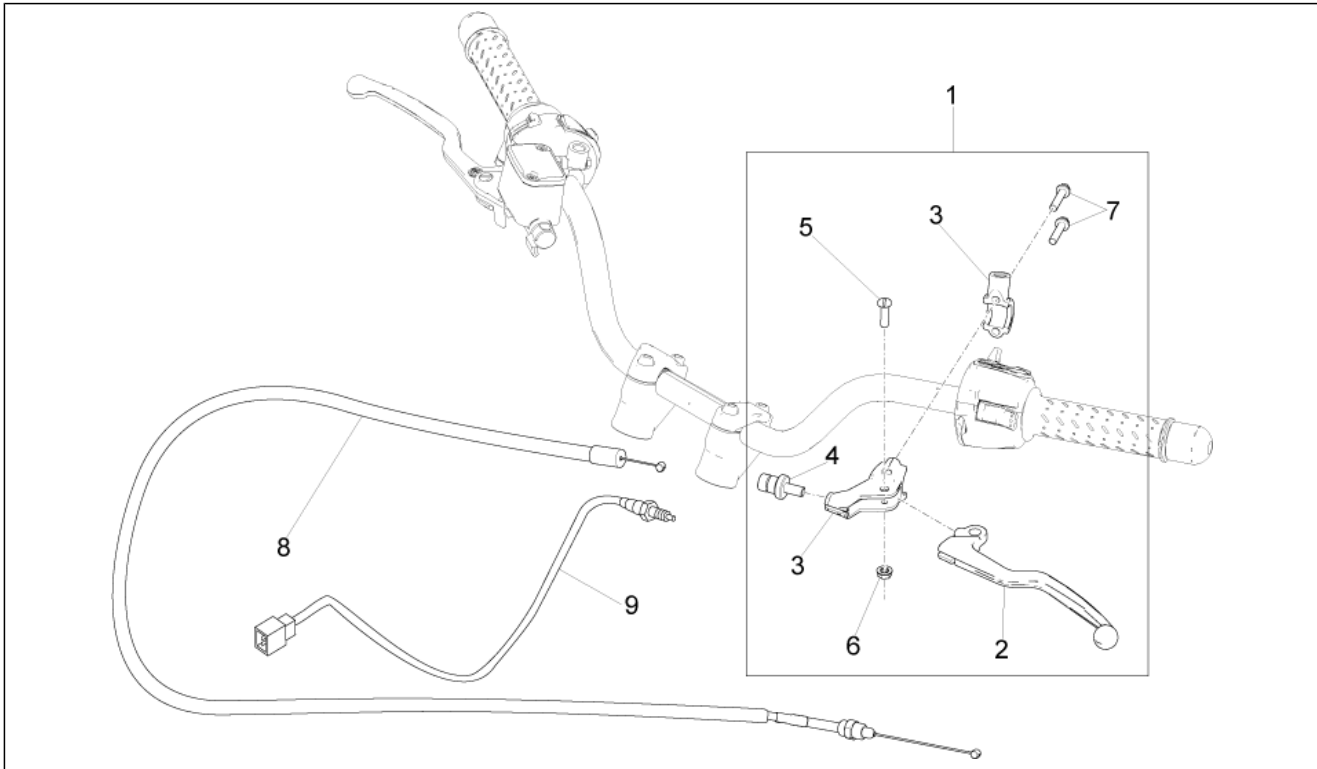
Pos.	Code	Beschreibung	Menge	Varianten
1	2B003743	Untere Gabelplatte	1	
2	AP8150543	Zylinderschraube M8x35	2	
3	2B001052	Obere Gabelplatte	1	
4	AP8121205	Fixierbuchse ob. Platte	1	
5	AP8152384	Scheibe Lenkkopf	1	
6	AP8123641	Staubschutzring	2	
7	AP8110077	Axialkugellager	2	
8	AP8123644	Staubschutzring	1	
9	887831	Gummischeibe	1	
10	AP8123642	Nutmutter	1	
11	AP8123643	Gegenmutter	1	
12	887832	Sicherheitspl. Lenkung	1	
13	AP8150540	Zylinderschraube	2	
14	890760	Halterung Instrumente	1	
15	2B003292	Platte	1	
16	GU98210616	TBEI Schraube m.Flansch M6x16 inox	1	

Einheit	Lenkstange - Schaltungen
Code	07.020
Beschreibung	Lenkstange - Schaltungen
Inspektion	1



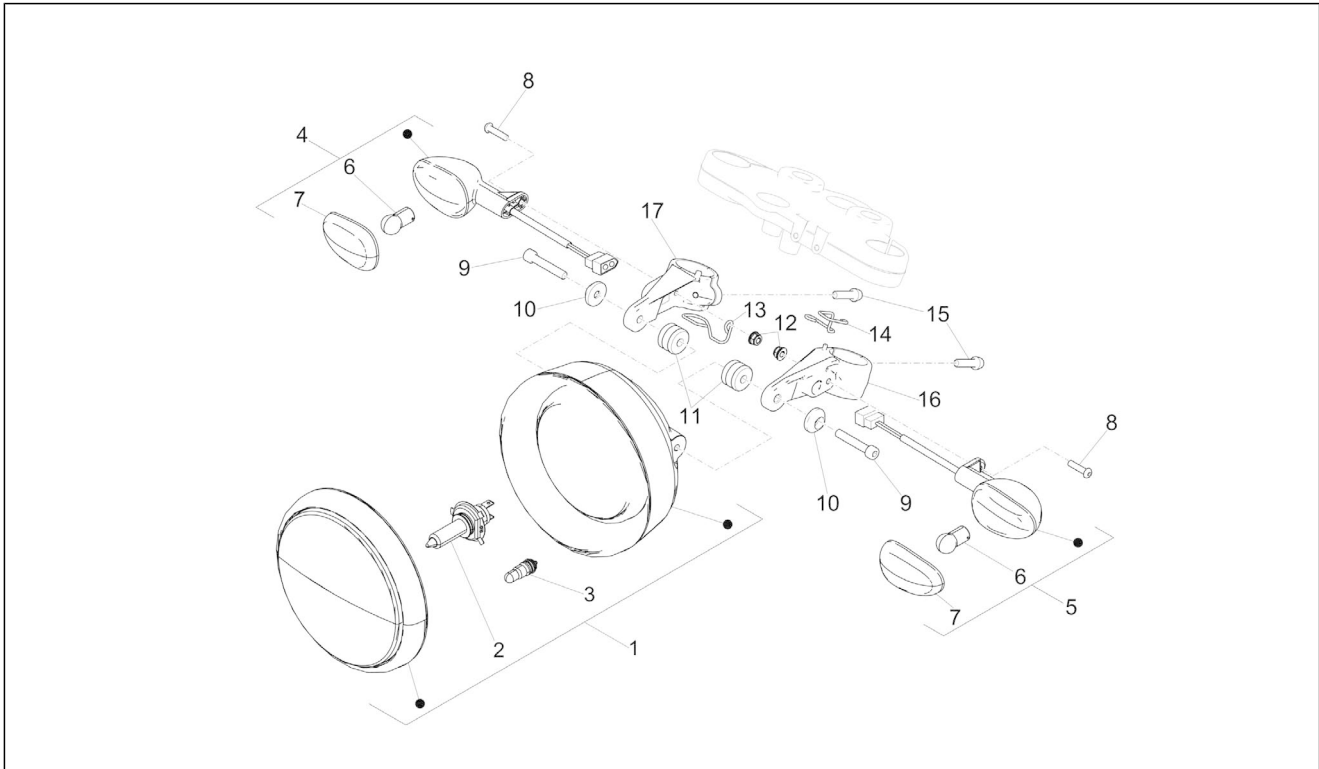
Pos.	Code	Beschreibung	Menge	Varianten
1	2B001163	Lenkstange	1	
2	2D000227	Bedienelement Lenker links	1	
3	2D000226	Bedienelement Lenker rechts	1	
4	AP8118579	Links griff	1	
5	2B002364	Rechts griff	1	
6	GU32602860	Schwingschutzgewicht chr.	2	
7	2B002195	Schraube TCEI IX M6X35 vorimprägniert	2	
8	2B002702	Gas trasmission return	1	
9	2B002701	Gas trasmission delivery	1	
10	978570	Rückspiegel	2	Technische Spezifikation: "mit Kennzeichnung ""FAR""[FAR]
10	883802	Rückspiegel rechts/links	2	Technische Spezifikation: "Gekennzeichnet mit ""FU E11 81R-001047""[FU]
11	GU98692425	TCEI Schraube M8x25	4	
12	2B001148	Klemme Lenker	2	
13	2B002471	Unter.Bügelbolzen	2	
14	AP8144222	Gummi	4	
15	854827	Distanzscheibe 10,1x14,1x38	2	
16	2B002875	Becher	2	
17	AP8150049	Schraube M10x60	2	
18	GU14615901	Ausgleichscheibe 8,4X13X0,8	4	
19	2D000163	Untere Schale DX	1	
20	2D000218	Untere Schale SX	1	
21	GU91181003	Distanzscheibe 10,25X20X4	2	

Einheit	Lenkstange - Schaltungen
Code	07.030
Beschreibung	Kupplungssteuerung
Inspektion	1



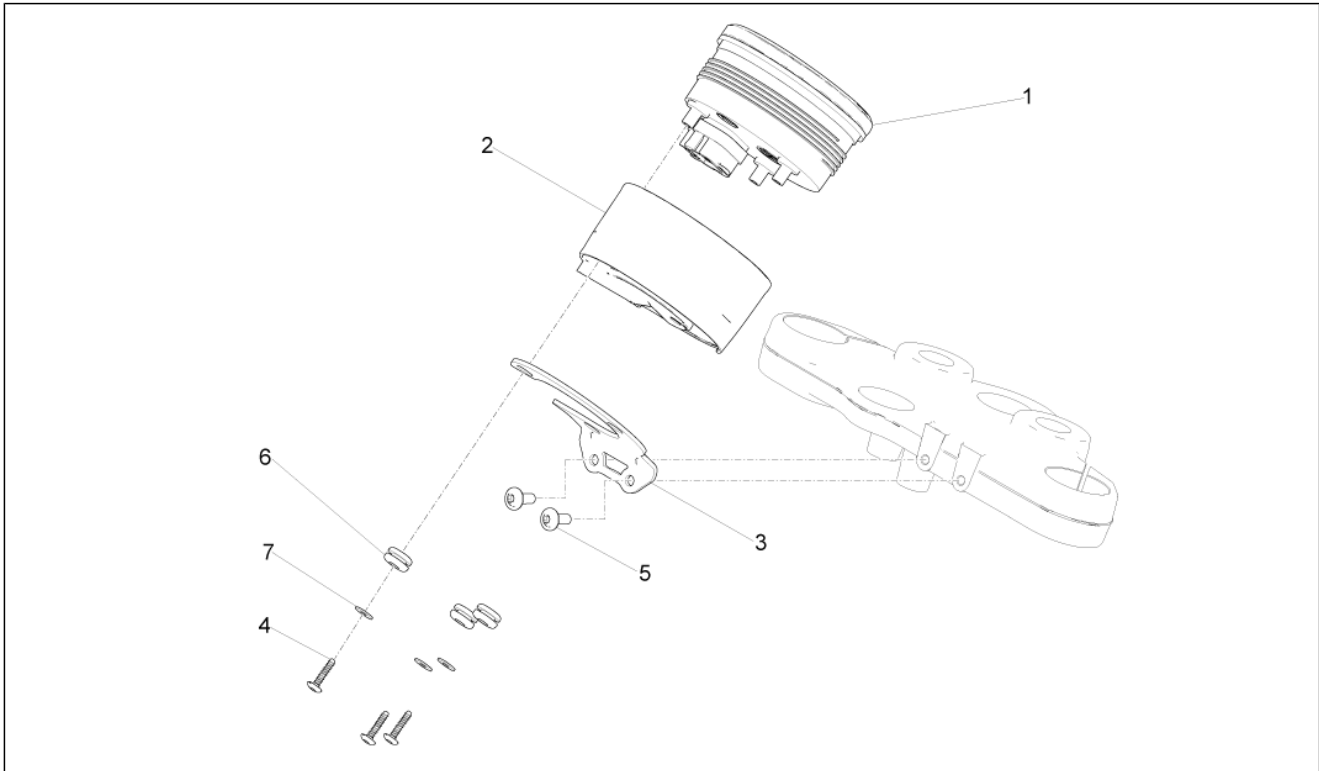
Pos.	Code	Beschreibung	Menge	Varianten
1	2B002391	Gruppe Kupplungshebel	1	
2	2B002390	Hebel Kupplungssteuer.	1	
3	GU30601060	Feder	1	
4	GU30602500	Einstellschraube	1	
5	AP8213028	Schraube	1	
6	AP8213388	Selbstsperrende Mutter	1	
7	GU97202325	TE Schr. m. Flansch schw. M6x25	2	
8	2B002842	Kupplungskabel	1	
9	2D0002885	Kupplungsschalter	1	

Einheit	Vorderer Lichter - Instrumente
Code	08.010
Beschreibung	Vorderer Lichter
Inspektion	1



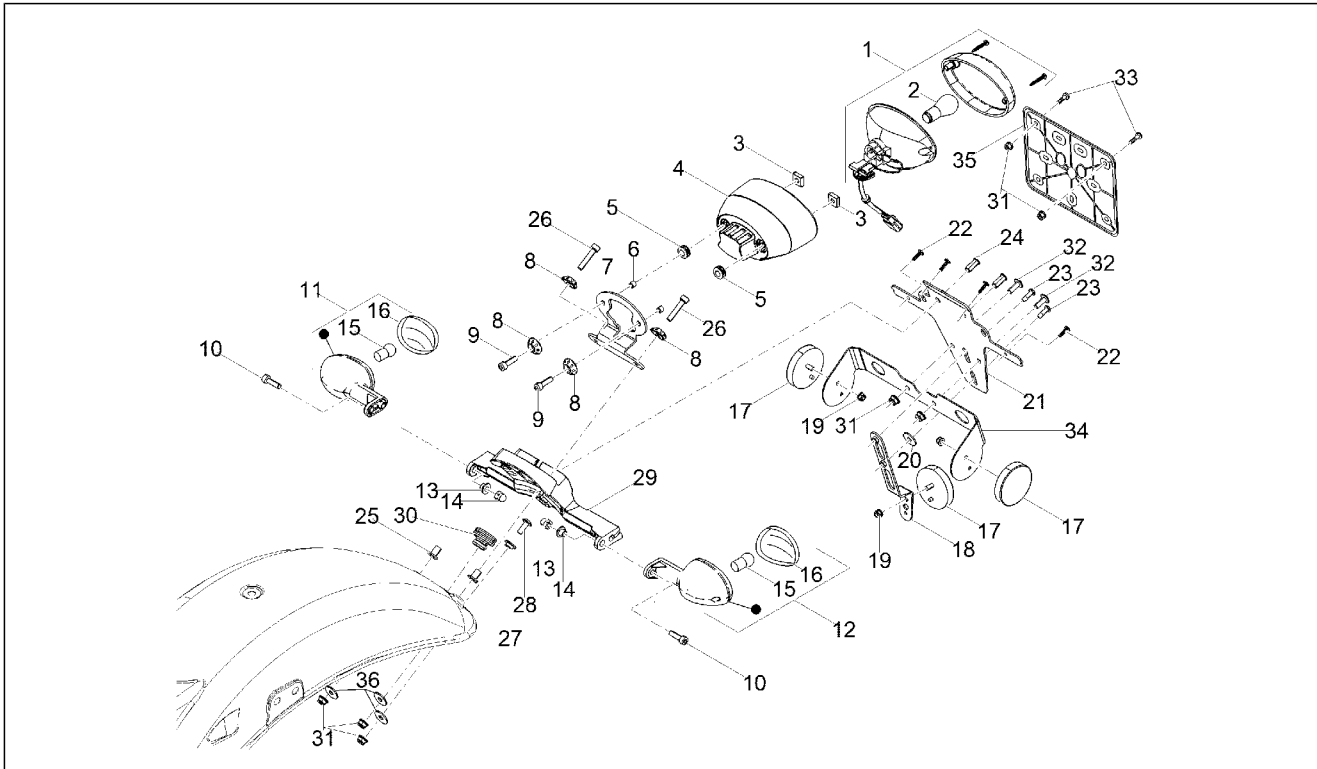
Pos.	Code	Beschreibung	Menge	Varianten
1	2D000100	Scheinwerfer	1	Land:[]
1	2D000225	Scheinwerfer	1	Land:[GB]
2	292723	Lampen H4 12V-60/55W	1	
3	292022	Lampen 12V-5W	1	
4	2D000261	Blinker vorne RE	1	
5	2D000262	Blinker vorne LI	1	
6	584332	Lampen 12V-10W	2	
7	639338	Blinkerglas	2	
8	GU98612320	TCEI Schraube M6x20	2	
9	GU98690445	Schraube M8x45	2	
10	AP8121199	Buchse	2	
11	2B002011	Abstandhalter Frontscheinwerfer	2	
12	AP8152299	Selbstsperrende Mutter M6	2	
13	2B003164	Kabelführung	1	
14	2B003165	Kabelführung	1	
15	AP8150053	TCEI Schraube M6x25	2	
16	2B001231	Linke Halterung Frontscheinwerfer	1	
17	2B001182	Rechte Halterung Frontscheinwerfer	1	

Einheit	Vorderer Lichter - Instrumente
Code	08.020
Beschreibung	Instrumente
Inspektion	1



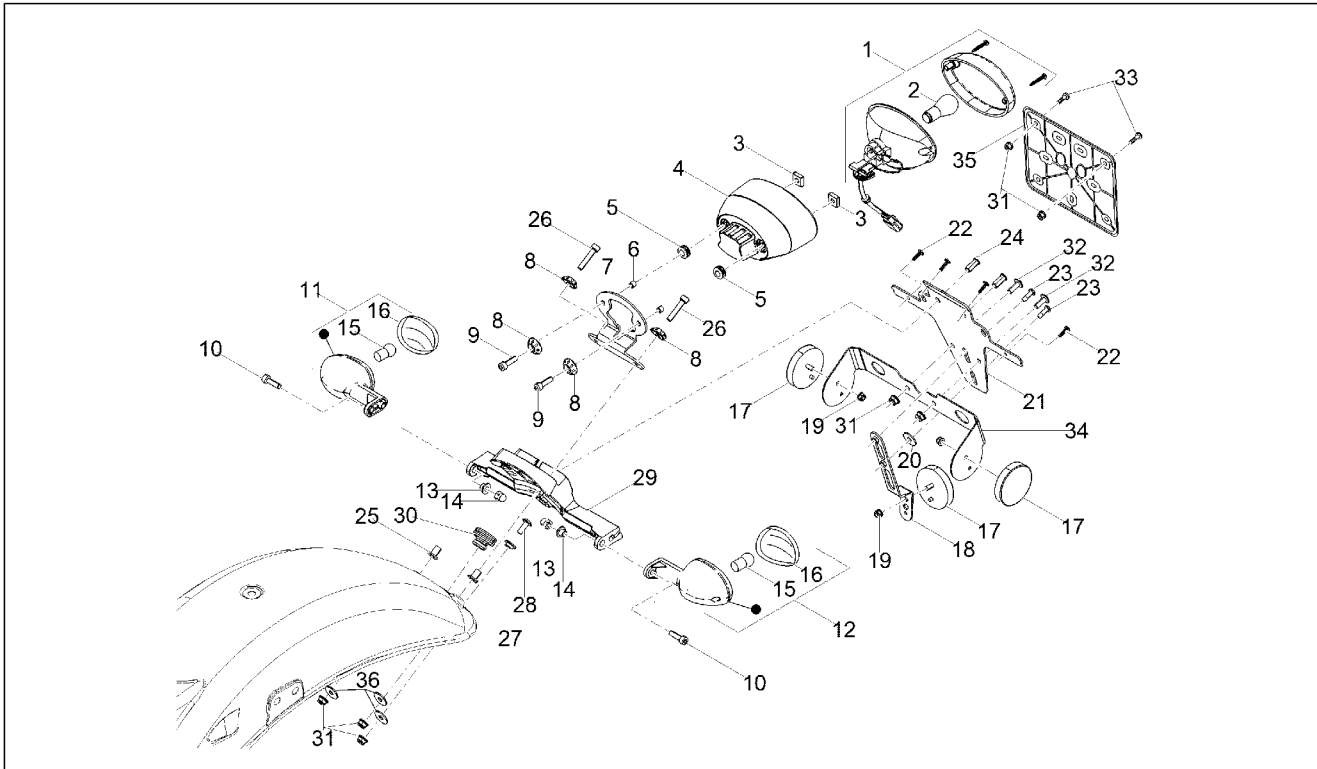
Pos.	Code	Beschreibung	Menge	Varianten
1	2D000099	Instrumententafel	1	Land:Kanada[CND]
1	2D000159	Armaturenbrett D105 MPH	1	Land:Vereinigte Staaten von Amerika[USA]
2	2B001223	Abdeckung Armaturenbrett	1	
3	2B001154	Instrumentenhalterung	1	
4	CM178609	Gew.schr.	3	
5	GU98210610	Schraube	2	
6	2B003367	Kabelführung	3	
7	013763	Flachscheibe 4,2x12x1	3	

Einheit	Vorderer Lichter - Instrumente
Code	08.030
Beschreibung	Hinterer Lichter
Inspektion	1



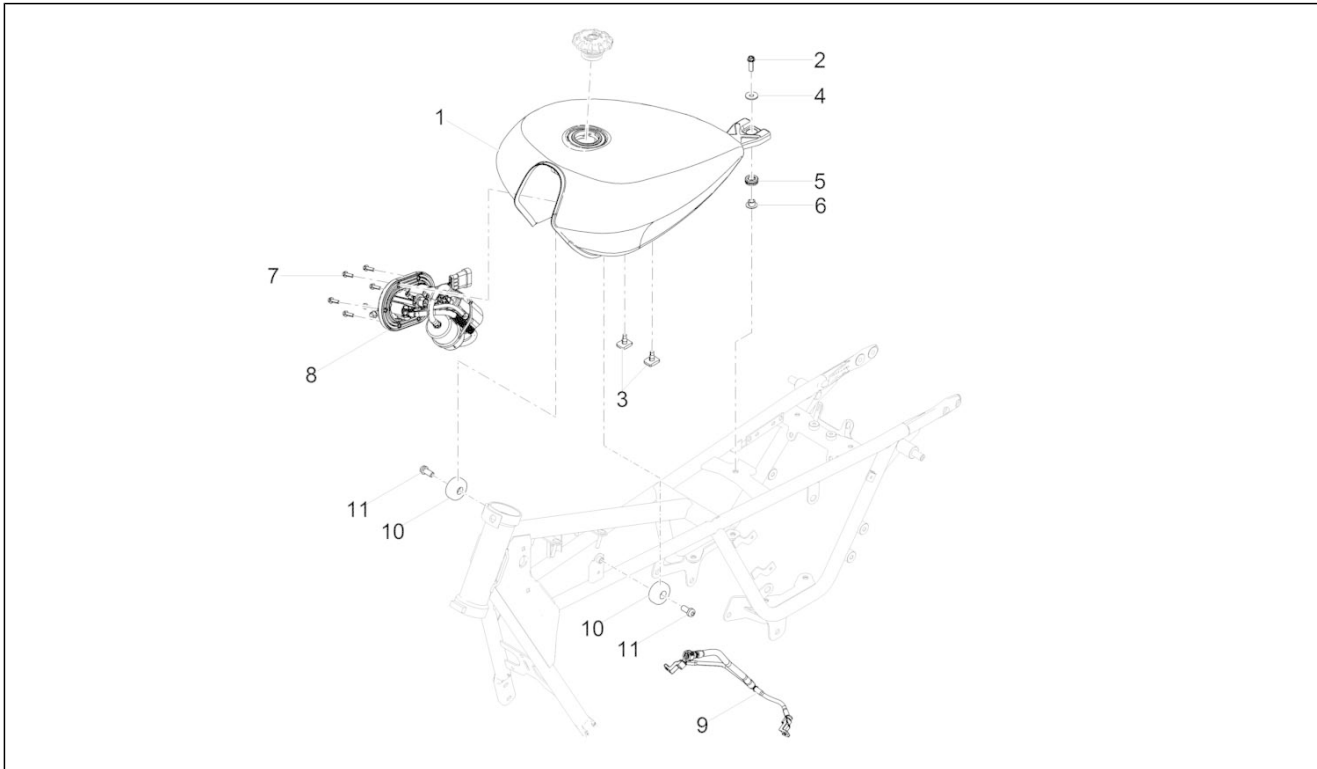
Pos.	Code	Beschreibung	Menge	Varianten
1	2B002365	Rücklicht	1	
2	GU93450224	Lampen	1	
3	2B002443	Vierkantmutter M6	1	
4	2B002483	Halteschale Scheinwerfer hinten	2	
5	AP8220186	Gummi	2	
6	AP8120278	Distanzscheibe	2	
7	2B002484	Rücklichthalterung	1	
8	AP8150536	Spezial-U-scheibe	4	
9	AP8150053	TCEI Schraube M6x25	2	
10	GU98612320	TCEI Schraube M6x20	2	
11	2D000255	Hinterer Blinker Re	1	
12	2D000256	Hinterer Blinker Li	1	
13	479175	Hutmutter	2	
14	840509	Distanzscheibe	2	
15	584332	Lampen 12V-10W	2	
16	639338	Blinkerglas	2	
17	AP8224164	Rückstrahler Rücklicht, rot	1	
18	AP8134448	Rückstrahler-Fixierung	1	
19	AP8152306	Selbstsperrende Mutter M5	1	
20	GU95005310	Ausgleichscheibe 8,4x18x2	1	
21	2B002541	Abschluss Nummernschildhalter	1	
22	AP8150413	Gew.schr. 3,9x14	4	
23	B016796	Linsenkopfschraube Torx	2	
24	AP8201755	Geschnitten Kunststoffniet	2	
25	AP8121725	T-Buchse *	2	
26	GU98682330	TCEI Schraube M6x20	2	
27	AP9100053	Buchse d.10-h.3,5	1	
28	GU98210616	TBEI Schraube m.Flansch M6x16 inox	1	

Einheit	Vorderer Lichter - Instrumente
Code	08.030
Beschreibung	Hinterer Lichter
Inspektion	1



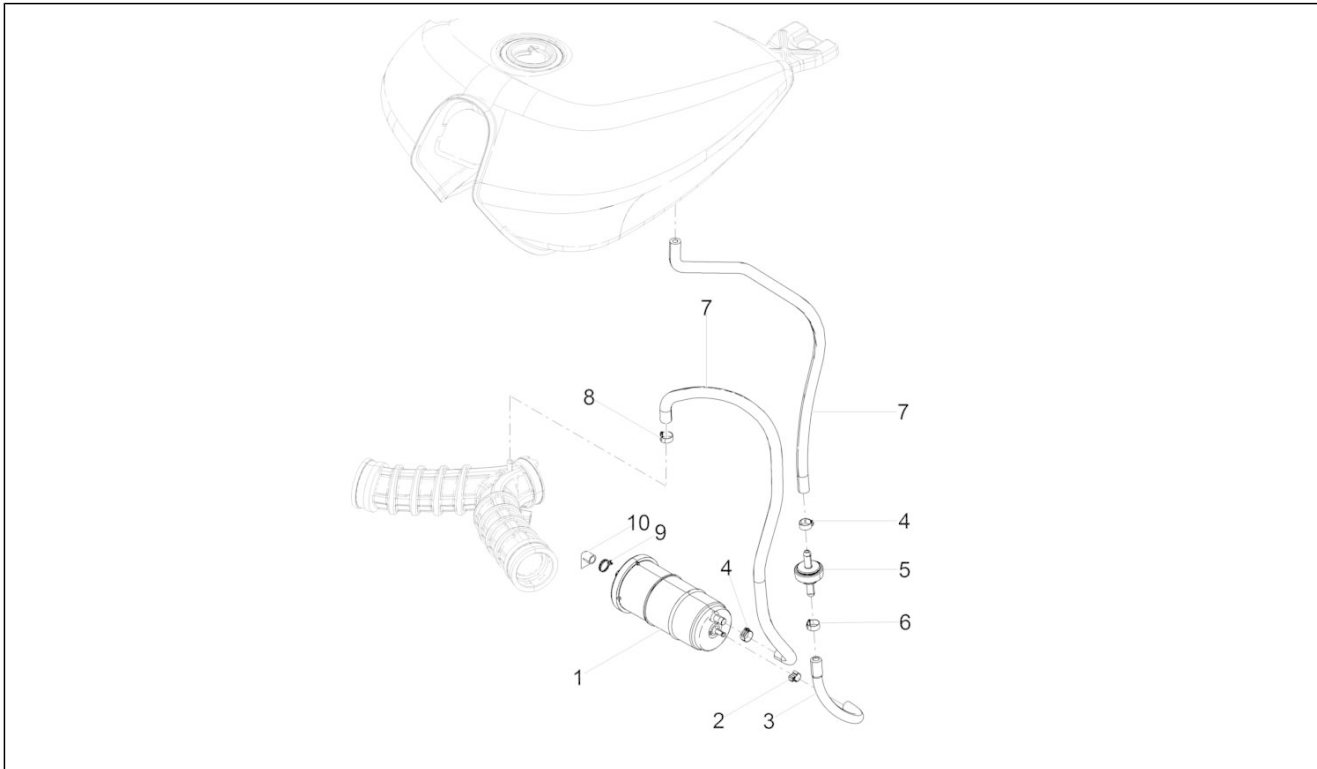
Pos.	Code	Beschreibung	Menge	Varianten
29	2B002366	Halterung Blinker	1	
30	070286	Kabelführung	1	
31	AP8150430	Selbstsperr.mut Unt.	7	
32	AP8152246	TBEI Schraube m.Flansch M6x16	2	
33	AP8152298	TBEI Schraube m.Flansch M5x16	4	
34	2B000160	Seit. rückstrahler Support	1	
35	AP8149034	Kennzeichenhalter	1	
36	GU95008306	Ausgleichscheibe 6,4x12x1,2	3	

Einheit	Tank
Code	09.010
Beschreibung	Kraftstofftank
Inspektion	1



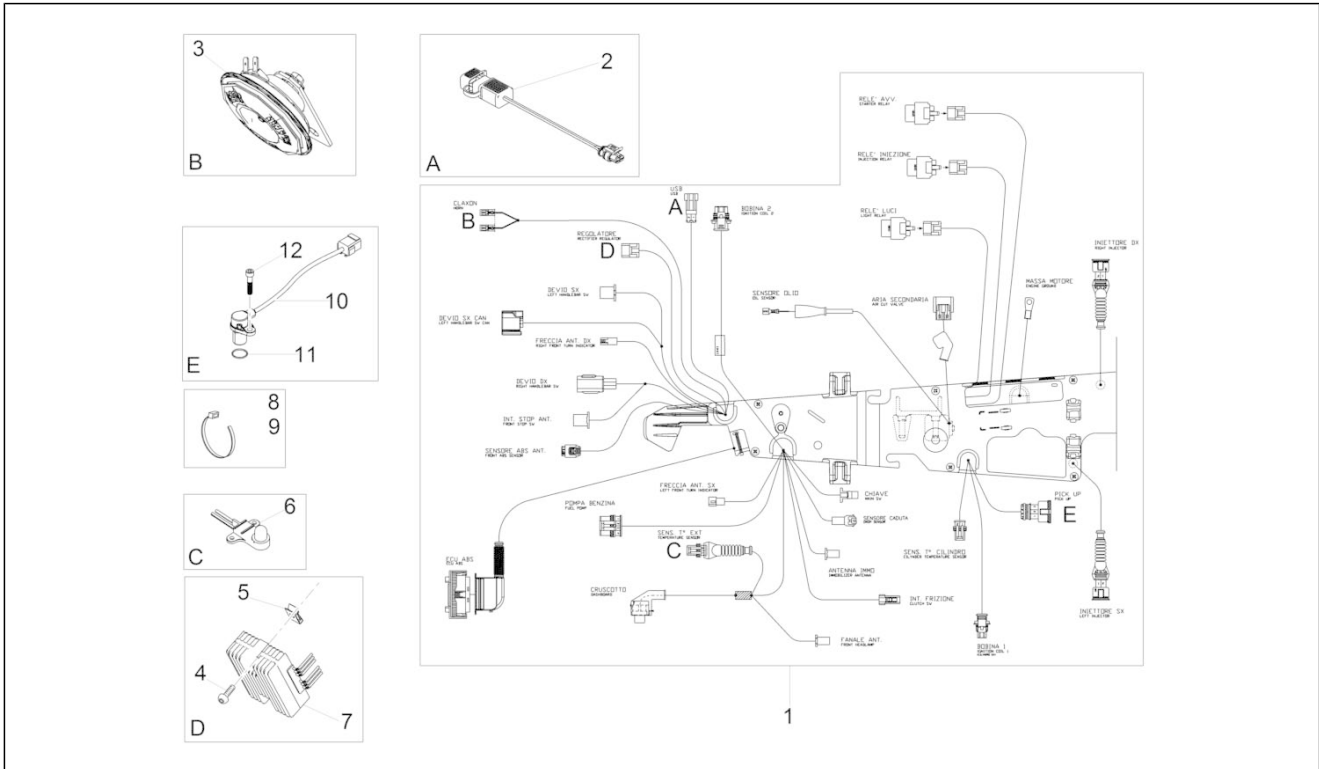
Pos.	Code	Beschreibung	Menge	Varianten
1	2H001446500XR7	Kraftstofftank, rot	1	Farbe: Rot Ibis[RI]
1	2H001249500YG3	Tankabdeckung, gelb	1	Farbe: Gelb Brio[YB]
1	2H001401500Q4	Kraftstoffbehälter weiss	1	Farbe: Weiß Tech[BT]
1	2B001629	Kraftstofftank	1	Farbe: Unlackiert[GR]
2	AP8152288	TE Schr. m. Flansch M8x30	2	
3	AP8120455	Gummi	2	
4	AP8150018	Ausgleichscheibe	1	
5	GU91551131	Gummi	1	
6	2B002944	T-Buchse	1	
7	AP8152273	Flanschschraube M5x15	6	
8	1D001450	Kraftstoffpumpe	1	
9	2B002486	Kraftstoffleitungen	1	
10	GU66103415	Gummi	2	
11	GU98682416	TCEI Schraube M8x16	1	

Einheit	Tank
Code	09.020
Beschreibung	Benzindampfrückf.-Anlage
Inspektion	1



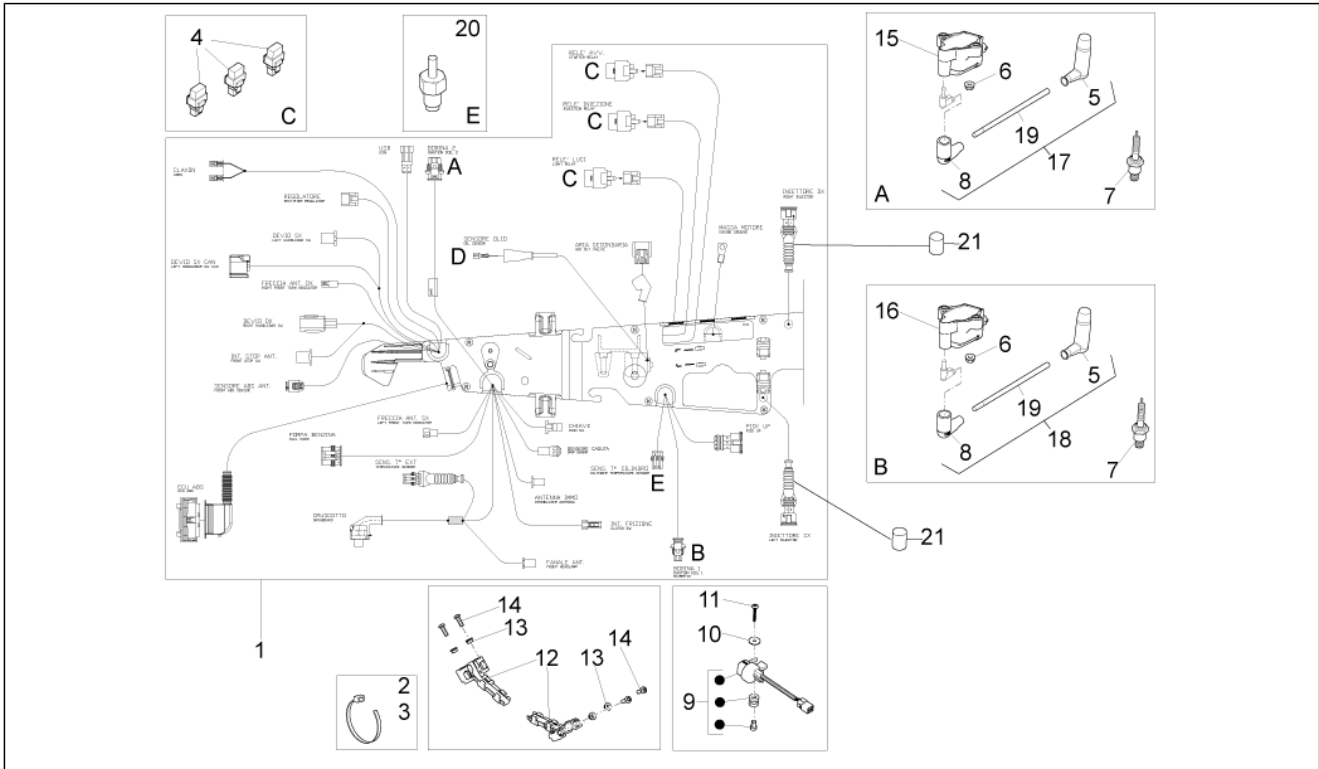
Pos.	Code	Beschreibung	Menge	Varianten
1	2B002632	Kohlefilter	1	
2	AP8102738	Schlauchschelle	1	
3	2B003042	Leitung SAE 30 R12A-3/16	1	
4	AP8102239	Schelle 12,5x8	2	
5	CM179008	Sicherheitsventil	1	
6	AP8102159	Schelle	1	
7	856063	Leitung SAE 30 d.12,7x6,35	2	
8	GU93304360	Schelle 7,6x380	1	
9	AP8102520	Schlauchschelle	1	
10	AP8127601	Lüftungsröhrchen	1	

Einheit	Elektrische Anlage
Code	11.010
Beschreibung	Vorder Elektrische Anlage
Inspektion	1



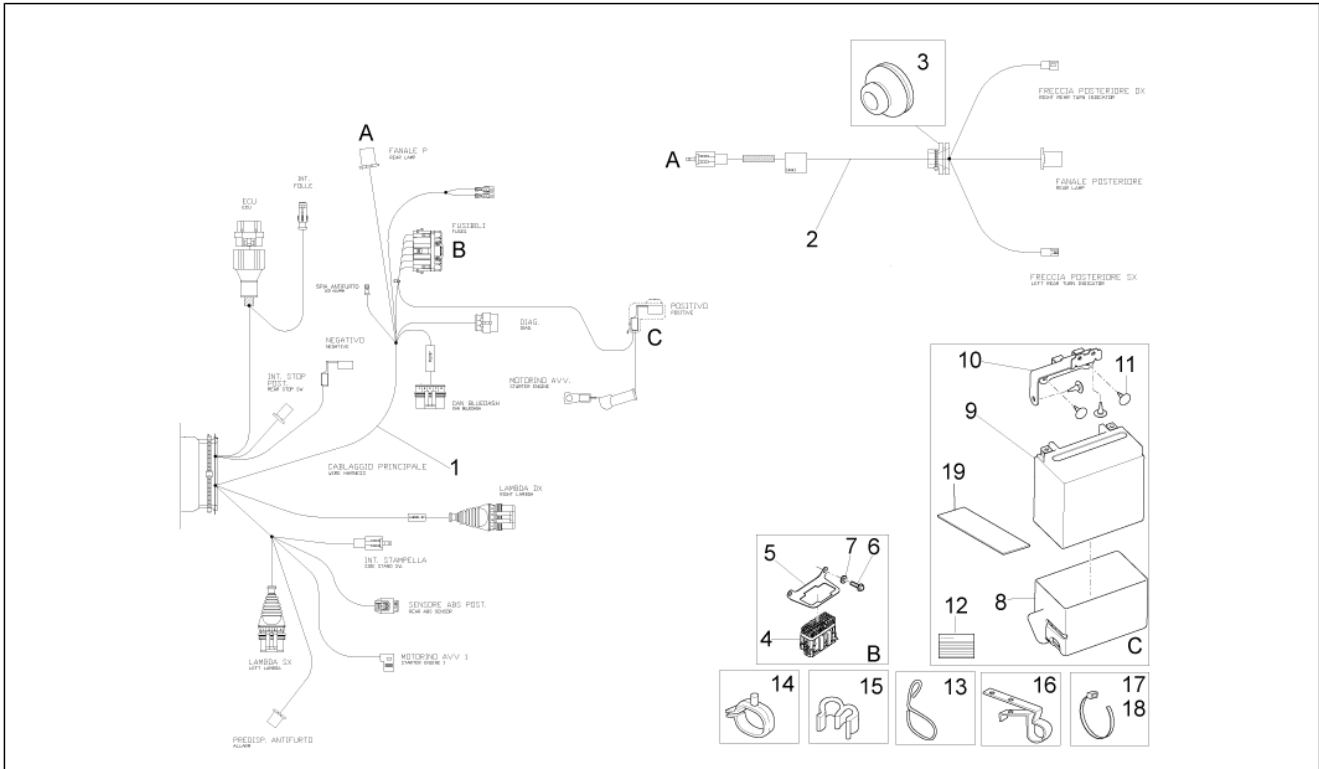
Pos.	Code	Beschreibung	Menge	Varianten
1	2D000209	Kabelast	1	
2	643277	Klembrett USB	1	
3	2B000221	Hupe	1	
4	AP8150377	Vite TCB M6x16	1	
5	254485	Plattchen M6	1	
6	AP8124936	Lufttemperaturfühler	1	
7	1D001549	Spannungsregler	1	
8	GU93304390	Schelle 3,6x375	2	
9	GU14609650	Schelle 3,6x20,6	24	
10	832029	Tonrad sensor	1	
11	GU90706141	O-Ring	1	
12	122675	TCEI Schraube	1	

Einheit	Elektrische Anlage
Code	11.020
Beschreibung	Mitt. elektrische Anlage
Inspektion	1



Pos.	Code	Beschreibung	Menge	Varianten
1	2D000209	Kabelast	1	
2	GU49609601	Schelle 2,4x92	1	
3	GU14609650	Schelle 3,6x20,6	24	
4	AP8224462	Zündrelais 12V-30A	3	
5	1A005382	Zündkerzenstecker	2	
6	AP8152299	Selbstsperrende Mutter M6	4	
7	887481	Zündkerze NGK CPR8EB-9	2	
8	641040	Isolierhaube	2	
9	680212	Kippsensor	1	
10	GU95005304	Ausgleichscheibe 5,2x18x1,5	1	
11	478533	Gew.schr.	1	
12	2B002901	Halterung Zündkerzenkabel	2	
13	2B003052	T-Buchse	4	
14	1A003444	Linsenschraube	4	
15	641901	Zuendtransform.cpl.	1	
16	642034	Zuendtransform.cpl. DX	1	
17	CM277101	Zuendkabel (450 mm)	1	
18	CM277102	Zuendkabel (580 mm)	1	
19	080341	Kabel Zündspulensockel	1	
20	887421	Temperaturfühler	1	
21	2D000355	Cappuccio termorestringente	1	

Einheit	Elektrische Anlage
Code	11.030
Beschreibung	Hint.Elektrische Anlage
Inspektion	1



Pos.	Code	Beschreibung	Menge	Varianten
1	2D000209	Kabelast	1	
2	2D000245	Gruppe Kabel Rücklicht	1	
3	070286	Kabelführung	1	
4	584211	Sicherungskasten	1	
5	883161	Hltr. Sicherungsblock	1	
6	GU98682212	TCEI Schraube M5x12	2	
7	GU95100059	Ausgleichscheibe 5,25x14x1,5	2	
8	2B002781	Batterieabdeckung	1	
9	638733	Batterie Yuasa YTX14-BS 12V-12Ah (150x87x145)	1	
10	B063233	Batteriehalterung	1	
11	AP8120001	Gummi	4	
12	GU32517710	Deko "Battery service"	1	
13	AP8181140	Kabelführung	1	
14	CM013202	Rückhaltefeder Leitungen/Kabel	1	
15	894704	Kabelführung	9	
16	B043850	Schelle	1	
17	GU14609650	Schelle 3,6x20,6	24	
18	GU93304390	Schelle 3,6x375	2	
19	AP8144552	seit. Gummiaufkl. Batterie	1	


MOTO GUZZI®

SPARE PARTS CATALOGUE



V9 Bobber 850 E5 ABS 2021 (NAFTA)

Chassis prefix: ZGUMAUB0

Engine prefix: AW

Index

Finished products.....	4
Alphanumeric index.....	5
Frame.....	10
Table 01.010 - Frame.....	10
Table 01.020 - Foot rests.....	11
Table 01.030 - Central stand.....	12
Table 01.040 - Protection.....	13
Table 01.050 - Swing arm.....	14
Body.....	15
Table 02.030 - Front mudguard-Pillar.....	15
Table 02.100 - Central body.....	16
Table 02.120 - Saddle.....	17
Table 02.150 - Rear mudguard.....	18
Table 02.170 - Locks.....	19
Table 02.180 - Plate set / Various.....	20
Table 02.190 - Decal.....	21
Engine.....	22
Table 03.010 - Engine-Completing part-Lever.....	22
Table 03.020 - Gear lever.....	23
Table 03.030 - Crankcases I.....	25
Table 03.050 - Air box.....	26
Table 03.060 - Throttle body.....	27
Table 03.090 - Head cover.....	28
Table 03.100 - Cylinder head - valves.....	29
Table 03.120 - Timing system.....	30
Table 03.150 - Cylinder - Piston.....	32
Table 03.160 - Drive shaft.....	33
Table 03.170 - Gear box / Selector / Shift cam.....	34
Table 03.180 - Gear box - Gear assembly.....	36
Table 03.190 - Lubrication.....	38
Table 03.196 - Blow-by system.....	40
Table 03.230 - Clutch.....	41
Table 03.270 - Flywheel cover.....	43
Table 03.290 - Starter / Electric starter.....	44
Table 03.300 - Cdi magneto assy / Ignition unit.....	45
Table 03.320 - Secondary air.....	46
Table 03.330 - Exhaust pipe.....	47
Table 03.340 - Transmission complete.....	48
Table 03.350 - Rear transmission / Components.....	49
Suspensions.....	51
Table 04.060 - Front fork Kaifa.....	51
Table 04.080 - Shock absorber.....	52
Wheels.....	53

Table 05.010 - Front wheel.....	53
Table 05.020 - Rear wheel.....	54
Brake system.....	55
Table 06.010 - Front master cilinder.....	55
Table 06.020 - Front brake caliper.....	56
Table 06.030 - Rear master cylinder.....	57
Table 06.040 - Rear brake caliper.....	58
Table 06.050 - ABS Brake system.....	59
Handlebar - Controls.....	61
Table 07.010 - Steering.....	61
Table 07.020 - Handlebar - Controls.....	62
Table 07.030 - Clutch control.....	63
Lights - Instruments.....	64
Table 08.010 - Front lights.....	64
Table 08.020 - Instruments.....	65
Table 08.030 - Rear lights.....	66
Tank.....	68
Table 09.010 - Fuel tank.....	68
Table 09.020 - Fuel vapour recover system.....	69
Electrical systems.....	70
Table 11.010 - Front electrical system.....	70
Table 11.020 - Central electrical system.....	71
Table 11.030 - Rear electrical system.....	72

Finished products

Code	Validity
GU9032260CAM01	
GU9032260USM01	
GU9032261CAM01	
GU9032261USM01	

Code	No. table	Pos.	Code	No. table	Pos.	Code	No. table	Pos.
000267	03.300	7	1A012793	03.120	17	2A000216	03.230	14
013763	03.190	14	1A013671	03.120	15	2A000224	03.170	20
080341	11.020	4	1A013815	03.190	3	2A000225	03.170	23
1A000360	03.180	7	1A013883	03.120	24	2A000226	03.170	21
1A000365	03.180	16	1A013936	03.150	3	2A000227	03.170	22
1A000367	03.180	27	1A014335	03.330	9	2A000241	03.170	28
1A000368	03.180	28	1A014410	03.190	19	2A000241	03.180	32
1A000436	03.180	10	1A014411	03.190	20	2A000306	03.170	27
1A000566	03.180	4	1A014459	03.100	9	2A000376	03.230	30
1A000566	03.230	27	1A014626	03.300	5	2A000378	03.230	15
1A002604	03.180	24	1A014777	03.190	31	2A000384	03.230	20
1A002604	03.180	9	1A014844	03.190	10	2A000385	03.230	21
1A003111	03.190	39	1A014908	03.190	35	2A000418	03.230	4
1A003444	11.020	14	1A015041	03.120	13	2A000467	03.170	15
1A003452	03.100	5	1A015041	03.300	6	2A000527	03.120	26
1A003632R	03.100	3	1A015201	03.330	10	2A000529	03.230	7
1A004442	03.190	15	1A015233	03.190	21	2A000565	03.090	1
1A004530	03.030	12	1A015236	03.190	18	2A000579	03.120	19
1A004549	03.190	11	1A0152720G	03.150	2	2A000591	03.170	37
1A004660	03.100	1	1A0152720H	03.150	2	2A000625	03.180	5
1A004661	03.100	1	1A0152720L	03.150	2	2A000627	03.180	13
1A004662	03.100	1	1A0152720M	03.150	2	2A000631	03.230	25
1A004750	03.100	8	1A015819	03.190	36	2A000633	03.190	5
1A004751	03.100	4	1A016293	03.010	1	2A000638	03.230	5
1A004903	03.120	3	1A016297	03.100	2	2A000659	03.090	2
1A004905	03.120	29	1A016324	03.060	12	2A000741	03.230	2
1A004907	03.120	27	1A016330	03.120	5	2A000774	03.230	9
1A004954	03.150	4	1A016349	03.100	10	2A000823	03.170	43
1A004955	03.150	5	1A016352	03.100	11	2A000823	03.350	22
1A005257	03.190	13	1A016407	03.270	1	2A000838	03.230	24
1A005951	03.120	22	1A016442	03.190	41	2A000938	03.170	31
1A005955	03.120	8	1A016500	03.300	1	2A000947	03.180	25
1A006243	03.120	6	1A016739	03.170	3	2A000948	03.180	22
1A006655	03.030	17	1A016739	03.190	24	2A000968	03.230	1
1A006656	03.030	16	1A016844	03.120	2	2A000969	03.230	6
1A006659	03.100	12	1A017035	03.120	9	2A000988	03.180	30
1A006659	03.120	25	1A017046	03.090	3	2A000989	03.180	29
1A0066680G	03.160	3	1A017047	03.090	6	2A000998	03.180	20
1A0066680N	03.160	3	1A017127	03.190	30	2A001004	03.230	10
1A0066680V	03.160	3	1A017540	03.120	21	2A001035R	03.230	28
1A0066690G	03.160	2	1A017659	03.060	8	2A001047	03.170	38
1A0066690N	03.160	2	1A017660	03.060	3	2A001050	03.170	47
1A0066690V	03.160	2	1A017801	03.320	3	2A001062	03.230	16
1A006716	03.090	4	1A017909	03.150	13	2A001099	03.160	1
1A006861	03.120	18	1A017910	03.150	1	2A0011145	03.170	1
1A008102	03.030	2	1A017929	03.190	37	2A001116	03.170	19
1A008103	03.030	3	1A018338	03.120	12	2A001118	03.170	6
1A008104	03.030	4	1A018712	03.030	10	2A001139	03.170	24
1A008256	03.030	5	1A018733	03.030	11	2B000219	09.020	11
1A008291	03.190	27	1A018734	03.030	13	2B000221	11.010	2
1A008325	03.190	7	1A018912	03.170	12	2B000404	03.350	2
1A008533	03.190	22	1A019205	03.030	1	2B000525	06.040	1
1A008566	03.190	38	1B000068	08.030	16	2B001009	03.020	15
1A008933	03.150	7	1C001209	06.050	3	2B001035	01.010	17
1A009167	03.060	7	1C001499	01.030	8	2B001048	07.020	11
1A009346	03.120	14	1C001499	05.020	18	2B001049	07.020	10
1A009630	03.230	19	1D000680	11.010	5	2B001052	07.010	3
1A009653	03.030	6	1D001393	03.060	2	2B001073	05.010	9
1A009653	03.190	16	1D002384	11.010	6	2B001114	05.020	3
1A010638	11.020	7	1D003323	11.010	12	2B001138	03.170	48
1A010753	03.160	5	1R000319	11.030	14	2B001139	05.010	1
1A010839	11.020	5	224566	03.350	7	2B001147	02.030	2
1A010855	03.150	12	237553	03.190	12	2B001279	05.020	7
1A011173	03.100	6	254485	03.330	16	2B001310	05.020	1
1A011548	03.150	6	254485	06.050	26	2B001311	03.350	3
1A011654	03.170	40	288245	03.150	10	2B001561	05.010	17
1A011963	03.120	20	2A000097	03.170	41	2B001564	06.050	17

Code	No. table	Pos.	Code	No. table	Pos.	Code	No. table	Pos.
2B001612	01.010	16	2B002936	02.170	5	2B006107	08.010	16
2B001614	06.050	14	2B002937	01.040	10	2B006110	03.350	20
2B001629	09.010	1	2B002944	09.010	6	2B006168	01.040	9
2B001636	03.340	2	2B002988	04.080	1	2B006169	01.020	7
2B001708	05.010	18	2B003039	06.010	5	2B006170	01.020	6
2B001762	05.010	5	2B003040	06.010	3	2B006720	06.050	10
2B001770	03.170	51	2B003041	06.010	2	2B006722	06.050	11
2B001929	06.010	6	2B003042	09.020	3	2B006724	06.050	2
2B001930	06.010	4	2B003052	11.020	13	2B006725	06.050	31
2B001941	03.020	18	2B003076	01.020	4	2B006729	08.010	3
2B001956	05.020	13	2B003077	01.020	3	2B006732	08.010	2
2B002090	07.020	14	2B003078	01.010	12	2B007092	06.050	28
2B002091	07.020	13	2B003105	03.196	3	2B007137	03.330	15
2B002146	08.030	12	2B003111	01.050	5	2B007157	06.050	22
2B002171	01.020	21	2B003111	04.080	2	2B007158	06.050	9
2B002171	03.350	25	2B003204	03.196	2	2B007243	03.350	29
2B002189	06.030	9	2B003212	01.050	8	2B007257	03.350	10
2B002192	04.060	1	2B003271	06.020	1	2B007415	01.010	24
2B002195	07.020	7	2B003292	07.010	15	2B007415	01.020	23
2B002200	03.350	13	2B003313	06.020	6	2B007491	08.030	9
2B002205	01.050	7	2B003336	06.030	3	2B007559	08.020	3
2B002219	01.020	2	2B003348	03.020	3	2B007598	03.330	1
2B002225	01.020	5	2B003357	06.040	3	2B007606	03.330	2
2B002269	06.010	1	2B003422	01.040	15	2B007607	03.330	3
2B002294	04.060	3	2B003422	01.050	9	2B007610	03.330	5
2B002295	04.060	2	2B003742	04.060	14	2B007611	03.330	4
2B002311	01.010	21	2B003743	07.010	1	2B007631	02.100	5
2B002311	02.150	4	2B003827	02.100	1	2B007707	08.020	2
2B002313	07.010	13	2B004031	03.330	11	2B007708	08.030	20
2B002364	07.020	5	2B004072	08.030	32	2B007753	01.020	22
2B002378	01.040	2	2B004174	11.020	12	2B007759	03.350	28
2B002386	02.150	3	2B004210	02.170	2	2B007787	01.050	3
2B002390	07.030	2	2B004219	01.010	22	2B007789	08.010	11
2B002391	07.030	1	2B004219	03.020	29	2B007833	03.330	13
2B002416	05.010	14	2B004348	03.020	11	2B007858	08.030	8
2B002416	05.020	16	2B004396R	05.020	15	2B007882	01.010	1
2B002486	09.010	9	2B004530	02.170	1	2B007891	06.050	16
2B002494	02.170	9	2B004560	06.050	5	2B007897	08.030	21
2B002529	03.320	7	2B004778	05.010	13	2B007954	08.030	2
2B002530	03.320	9	2B004784	03.330	19	2B008061	08.010	10
2B002531	03.320	8	2B004798	07.020	18	2B008082	03.050	2
2B002535	03.350	27	2B004818	03.020	2	2B008083	03.050	14
2B002536	03.350	17	2B004818	06.030	2	2B008293	03.340	1
2B002537	02.150	1	2B004819	01.030	5	2B008539	02.100	2
2B002537500NI	02.150	1	2B004821	03.020	14	2B008611	03.330	6
2B002559000C1	02.120	1	2B004822	03.020	7	2B008627	01.010	4
2B002559000C2	02.120	1	2B004824	02.030	4	2B008628	01.010	3
2B002560000C1	02.120	2	2B004827	03.020	10	2B009266	03.330	18
2B002560000C2	02.120	2	2B004828	03.020	8	2B009267	03.330	17
2B002567	09.010	7	2B004856	01.020	12	2D000163	07.020	19
2B002602	03.196	4	2B004960	03.020	9	2D000226	07.020	3
2B002621	01.040	6	2B005012	03.350	1	2D000227	07.020	2
2B002622	01.040	5	2B005143	01.020	11	2D0002805	06.030	14
2B002632	09.020	1	2B005184	02.170	4	2D000284	08.030	14
2B002699	03.340	4	2B005427	02.030	1	2D0002885	07.030	9
2B002705	01.030	1	2B005430	02.100	2	2D000492	09.010	8
2B002781	11.030	12	2B005431	02.100	1	2D000504	07.020	20
2B002799	01.040	1	2B005767	05.010	4	2D000507	08.030	24
2B002807	03.350	21	2B005768	05.020	2	2D000525	08.010	5
2B002810	01.010	5	2B005856	01.050	2	2D000526	08.010	6
2B002817	01.010	15	2B005916	08.020	9	2D000531	08.030	15
2B002843	07.020	9	2B005954	08.030	22	2D000532	08.030	23
2B002844	07.020	8	2B006001	08.030	19	2D000565	08.010	1
2B002851	03.050	5	2B006064	03.350	26	2D000571	08.020	1
2B002852	07.020	1	2B006088R	03.350	14	2D000580	07.020	3
2B002875	07.020	17	2B006091	01.040	14	2D000616	11.010	1
2B002919	01.020	1	2B006106	07.030	8	2D000616	11.020	1

Code	No. table	Pos.	Code	No. table	Pos.	Code	No. table	Pos.
2D000616	11.030	1	849396	03.180	14	974165	03.230	21
2D000643	11.030	2	849424	03.180	8	976168	03.030	20
2D000665	07.020	24	852090	03.330	14	976168	03.190	40
2D000701	06.050	1	852391	02.120	4	976591	03.090	5
2G000595	02.190	13	854827	07.020	16	976614	02.100	3
2G000620	02.190	14	856063	09.020	7	97729R	03.290	1
2G000669	02.190	15	857045	03.320	2	978415	02.170	7
2G000670	02.190	16	857046	03.320	5	AP8101861	01.020	20
2G000672	02.190	17	857047	03.320	1	AP8102159	09.020	6
2H001445	02.190	2	857181	03.320	10	AP8102239	09.020	4
2H001467	02.190	3	857250	03.170	29	AP8102375	01.040	12
2H001468	02.190	4	859792	05.010	16	AP8102375	02.100	4
2H002369	02.190	7	859792	05.020	17	AP8102375	11.030	8
2H004121	02.190	1	859946	06.030	4	AP8102386	06.050	32
2H004333000NI	09.010	1	871640	03.100	7	AP8102520	03.050	15
2H004334000NI	02.030	1	873905	03.170	26	AP8102520	09.020	9
2H004334000YV2	02.030	1	873928	03.180	2	AP8102524	01.030	4
2H004338	02.190	5	873928	03.230	12	AP8102671	01.010	6
2H004339	02.190	6	873931	03.180	18	AP8102671	01.040	4
2H004389000G12	09.010	1	874557	03.030	14	AP8102671	06.050	30
2H004390000YV2	02.100	2	878872	03.120	1	AP8102738	09.020	2
2H004391000YV2	02.100	1	878872	03.120	4	AP8104509	07.020	6
2H004392	02.190	3	880260	03.060	4	AP8104525	03.050	4
2H004393	02.190	4	883161	11.030	9	AP8104924	03.050	7
2H004394	02.190	7	883688	05.010	12	AP8110053	03.020	16
2H004605	02.190	9	884031	04.080	4	AP8110077	07.010	7
2Q000450	02.180	1	884033	06.030	7	AP8110109	05.020	10
2R000109	04.060	7	887003	03.270	2	AP8113004	06.050	4
2R000110	04.060	23	887443	02.180	2	AP8113081	06.030	12
2R000243	04.060	19	887448	05.020	14	AP8113082	06.030	13
2R000248	06.040	5	887815	03.050	8	AP8117003	01.040	16
319446	08.010	13	887831	07.010	9	AP8118579	07.020	4
433800	11.020	20	887832	07.010	12	AP8120001	01.040	3
478533	11.020	11	887843	03.050	9	AP8120030	06.050	7
484993	03.030	9	887844	03.050	12	AP8120178	06.030	11
484993	03.150	11	887878	04.060	4	AP8120311	01.010	14
485693	03.030	15	887879	04.060	5	AP8120455	03.050	3
485693	03.190	34	887880	04.060	6	AP8120455	03.330	22
584211	11.030	4	887882	04.060	8	AP8120455	09.010	3
584332	08.010	14	887883	04.060	9	AP8120615	03.050	6
584332	08.030	25	887884	04.060	10	AP8120876	03.050	11
638733	11.030	14	887885	04.060	11	AP8120912	03.020	1
639338	08.010	15	887886	04.060	12	AP8120912	06.030	1
639338	08.030	26	887888	04.060	13	AP8121014	01.030	3
640698	11.010	3	887889	04.060	15	AP8121032	02.100	7
641040	11.020	8	887890	04.060	17	AP8121133	01.020	19
641901	11.020	15	887891	04.060	16	AP8121199	08.010	9
642034	11.020	16	887893	04.060	20	AP8121205	07.010	4
642569	11.030	19	887894	04.060	22	AP8121420	02.170	6
648708	05.020	5	887905	04.060	18	AP8121509	03.020	26
658837	03.170	45	887916	04.060	21	AP8121567	01.020	15
666823	07.020	21	890760	03.050	13	AP8121882	06.050	18
680212	11.020	9	890760	07.010	14	AP8121927	06.030	16
825597	03.100	14	894704	11.010	11	AP8123641	07.010	6
825597	03.150	8	894704	11.030	7	AP8123642	07.010	10
825694	03.100	13	895328	03.020	5	AP8123643	07.010	11
825694	03.120	23	895328	06.030	5	AP8123644	07.010	8
825725	03.300	2	895709	06.050	20	AP8124718	08.030	30
830061	03.060	6	896174	01.040	8	AP8124936	11.010	7
831135	03.030	22	899543	02.170	3	AP8125687	05.020	6
834764	03.170	33	959559	06.050	13	AP8127601	09.020	10
843213	08.030	28	967356	01.030	6	AP8127856	01.030	7
848650	03.180	17	967363	01.020	24	AP8134448	08.030	5
849308	03.180	21	967363	03.020	25	AP8134451	01.020	18
849308	03.180	6	967363	03.330	23	AP8134480	11.030	17
849309	03.180	23	974162	03.180	12	AP8144007	03.020	4
849310	03.180	26	974165	03.180	15	AP8144007	06.030	6

Code	No. table	Pos.
AP8144071	01.010	10
AP8144222	07.020	15
AP8144552	11.030	13
AP8145008	01.020	8
AP8145009	01.020	9
AP8150015	06.050	6
AP8150018	01.010	11
AP8150018	03.020	24
AP8150018	09.010	4
AP8150026	03.020	19
AP8150048	01.010	13
AP8150053	08.010	4
AP8150178	05.010	19
AP8150179	08.030	17
AP8150248	08.030	11
AP8150255	08.020	6
AP8150285	06.030	15
AP8150388	01.020	13
AP8150413	01.040	7
AP8150413	06.050	29
AP8150444	08.030	7
AP8150451	06.050	15
AP8150500	01.040	11
AP8150509	03.050	10
AP8150509	08.020	5
AP8150540	07.020	12
AP8150543	07.010	2
AP8152043	06.010	8
AP8152055	03.330	20
AP8152138	03.020	17
AP8152181	03.330	12
AP8152220	01.010	23
AP8152229	02.170	8
AP8152267	03.090	7
AP8152277	03.170	49
AP8152282	11.010	4
AP8152288	06.040	2
AP8152288	09.010	2
AP8152299	02.100	8
AP8152299	02.150	2
AP8152299	06.050	24
AP8152299	07.010	17
AP8152299	08.030	1
AP8152299	11.020	6
AP8152300	02.120	5
AP8152300	02.150	5
AP8152306	08.030	33
AP8152306	08.030	4
AP8152329	03.050	1
AP8152329	06.050	23
AP8152329	08.030	27
AP8152384	07.010	5
AP8152385	06.020	2
AP8152409	01.020	17
AP8161054	03.050	16
AP8201727	06.050	25
AP8210007	03.020	20
AP8213028	07.030	5
AP8213388	07.030	6
AP8220150	08.020	7
AP8220488	08.020	10
AP8221023	03.050	18
AP8221023	06.050	8
AP8221197	01.030	2
AP8221277	01.020	16
AP8224164	08.030	6
AP8224462	11.030	18

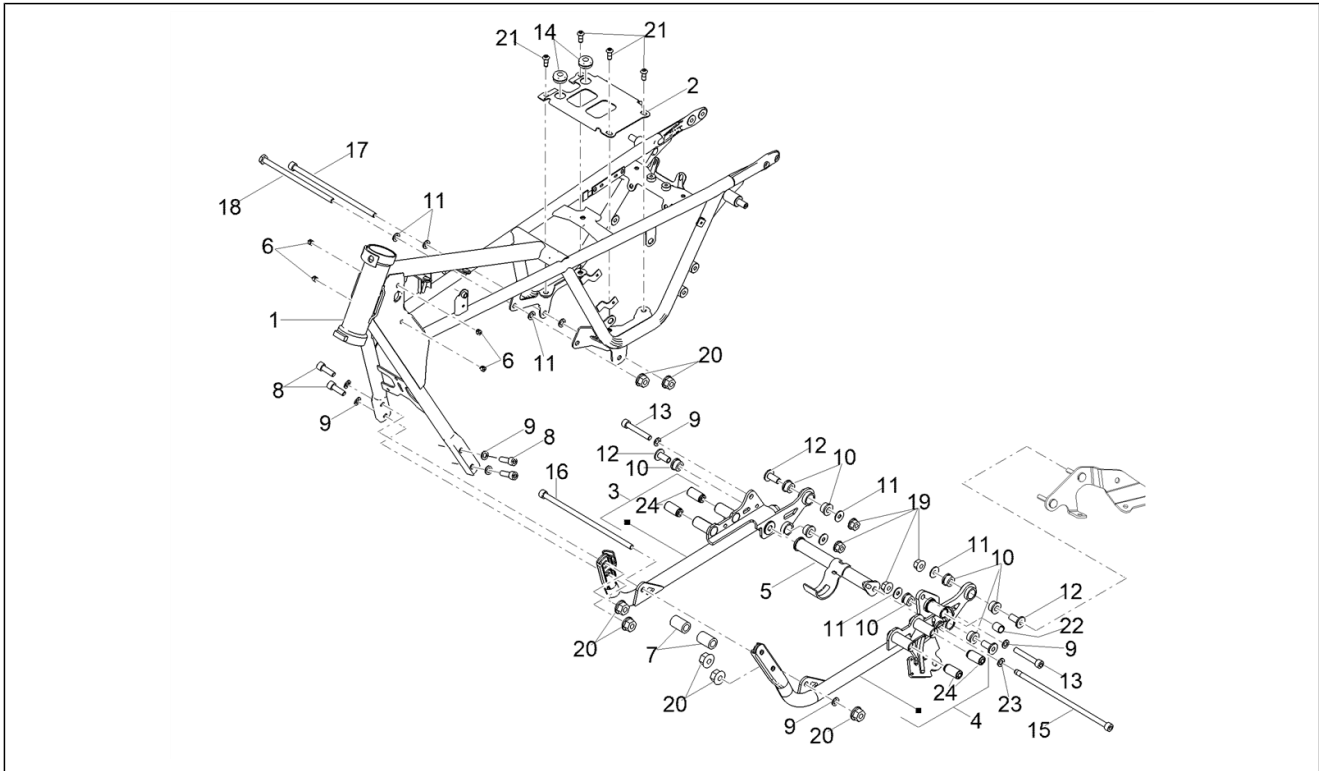
Code	No. table	Pos.
AP8257609	02.190	10
AP8257742	02.190	12
AP8257794	02.190	11
AP8702101	02.170	10
B013037	03.230	29
B013552	03.120	16
B013608	03.170	25
B013608	03.180	3
B013608	03.230	13
B015040	03.180	11
B015563	03.300	3
B015598	03.170	2
B015598	03.190	23
B016796	03.060	5
B016796	08.030	10
B018020	03.170	4
B018242	09.020	12
B018448	03.180	31
B043850	11.020	19
B045974	02.190	18
B063025	03.170	39
B063174	04.080	3
B063287	01.010	2
B063956	03.170	14
B064023	02.120	3
B064079	03.170	5
B064112	03.170	10
B064113	03.170	7
B064304	03.350	15
CM178603	08.020	4
CM178603	08.030	29
CM179008	09.020	5
CM179301	02.100	6
CM179301	02.150	6
CM179301	06.050	27
CM179302	08.020	8
CM179302	11.030	16
CM179303	08.030	13
CM179306	08.010	7
CM180701	08.030	3
CM180702	08.030	18
CM225705	11.030	5
CM225707	11.030	5
CM225710	11.030	5
CM225715	11.030	5
CM225720	11.030	3
CM225730	11.030	5
CM226902	03.196	1
CM226902	03.320	6
CM228401	01.020	14
CM258301	03.060	13
CM258302	03.060	11
CM258303	03.050	17
CM277101	11.020	17
CM277102	11.020	18
CM3120114	03.060	1
GU01528930	03.170	44
GU01528930	03.350	23
GU01528930	03.350	6
GU01577830	02.100	9
GU01609630	07.020	23
GU01659130	06.020	5
GU01659131	06.020	4
GU03013800	03.020	22
GU03013800	03.060	10
GU03609600	07.020	23
GU03617710	05.010	10

Code	No. table	Pos.
GU03617710	05.020	11
GU03658201	06.050	21
GU03658330	06.050	19
GU03749845	06.010	7
GU04355100	03.350	19
GU04355101	03.350	19
GU04355102	03.350	19
GU04355103	03.350	19
GU04355104	03.350	19
GU04355105	03.350	19
GU04355106	03.350	19
GU05217630	03.230	17
GU05234230	03.170	9
GU05235531	03.170	30
GU05238231	03.170	13
GU05238431	03.170	11
GU05239330	03.170	16
GU05351230	03.350	8
GU05659230	06.020	3
GU05781630	04.060	24
GU06418600	11.030	15
GU10034100	03.120	28
GU10528900	03.190	32
GU12022600	03.170	35
GU12154200	03.190	2
GU12351100	03.350	12
GU14085900	03.230	18
GU14086100	03.230	32
GU14217901	03.230	8
GU14609650	11.010	8
GU14609650	11.020	3
GU14609650	11.030	6
GU14615901	03.330	8
GU14615901	03.340	3
GU14615901	03.350	24
GU14615901	07.020	22
GU14616150	05.010	11
GU14616150	05.020	12
GU18144350	03.190	8
GU19002020	03.030	19
GU19002020	03.170	36
GU19002020	03.270	5
GU19003800	03.030	18
GU19003800	03.190	28
GU19015020	03.030	8
GU19017000	01.010	7
GU19018920	03.030	21
GU19018920	03.190	26
GU19021360	03.150	9
GU19058021	03.120	7
GU19067700	03.230	3
GU19351100	03.350	16
GU19547000	01.050	1
GU20258221	03.020	23
GU27066460	03.160	4
GU27152885	03.190	1
GU30601060	07.030	3
GU30602500	07.030	4
GU31003766	03.190	33
GU31003766	03.350	5
GU31159050	03.190	6
GU31544181	01.050	4
GU31544181	06.040	4
GU31616384	05.010	15
GU31659181	06.040	7
GU31659281	06.040	6
GU32441210	01.020	10

Code	No. table	Pos.
GU32615660	05.010	3
GU32632510	05.020	8
GU32944310	02.190	8
GU35214300	01.050	6
GU37359005	03.350	9
GU49609601	11.010	9
GU49609601	11.020	2
GU61270300	06.040	8
GU66103415	09.010	10
GU90271014	03.170	17
GU90271022	03.170	32
GU90272047	05.020	9
GU90353009	03.100	15
GU90353014	03.170	8
GU90401424	03.170	18
GU90402642	05.010	6
GU90413850	03.350	11
GU90706170	03.230	31
GU90706188	03.350	4
GU90706203	03.170	34
GU90706444	03.190	4
GU90706584	03.350	30
GU90706958	03.350	18
GU91551010	01.010	19
GU91551010	03.050	19
GU91551131	09.010	5
GU92201226	03.180	19
GU92201226	03.230	11
GU92201822	03.180	1
GU92204220	05.020	4
GU92204221	05.010	7
GU92296723	03.190	25
GU92606206	06.030	10
GU92606508	03.230	23
GU92609408	03.290	4
GU92630204	08.030	31
GU92630206	03.020	12
GU92630206	06.030	8
GU92630207	05.010	8
GU92630510	01.010	20
GU92630707	03.020	28
GU92660021	03.330	7
GU93180111	05.010	2
GU93180220	03.170	42
GU93304360	09.020	8
GU93304390	11.010	10
GU93304390	11.030	6
GU94321079	03.190	9
GU94321105	03.230	26
GU95005304	11.020	10
GU95005305	01.040	13
GU95008206	03.170	50
GU95008208	03.330	21
GU95008210	01.010	9
GU95008306	08.010	12
GU95020105	01.030	9
GU95100059	11.030	10
GU95100309	03.030	7
GU95100309	03.190	17
GU95129115	03.120	11
GU95129131	03.290	3
GU95129260	03.020	27
GU95500222	03.230	22
GU96451316	06.050	12
GU96451316	07.010	16
GU97202325	07.030	7
GU98110199	01.010	18

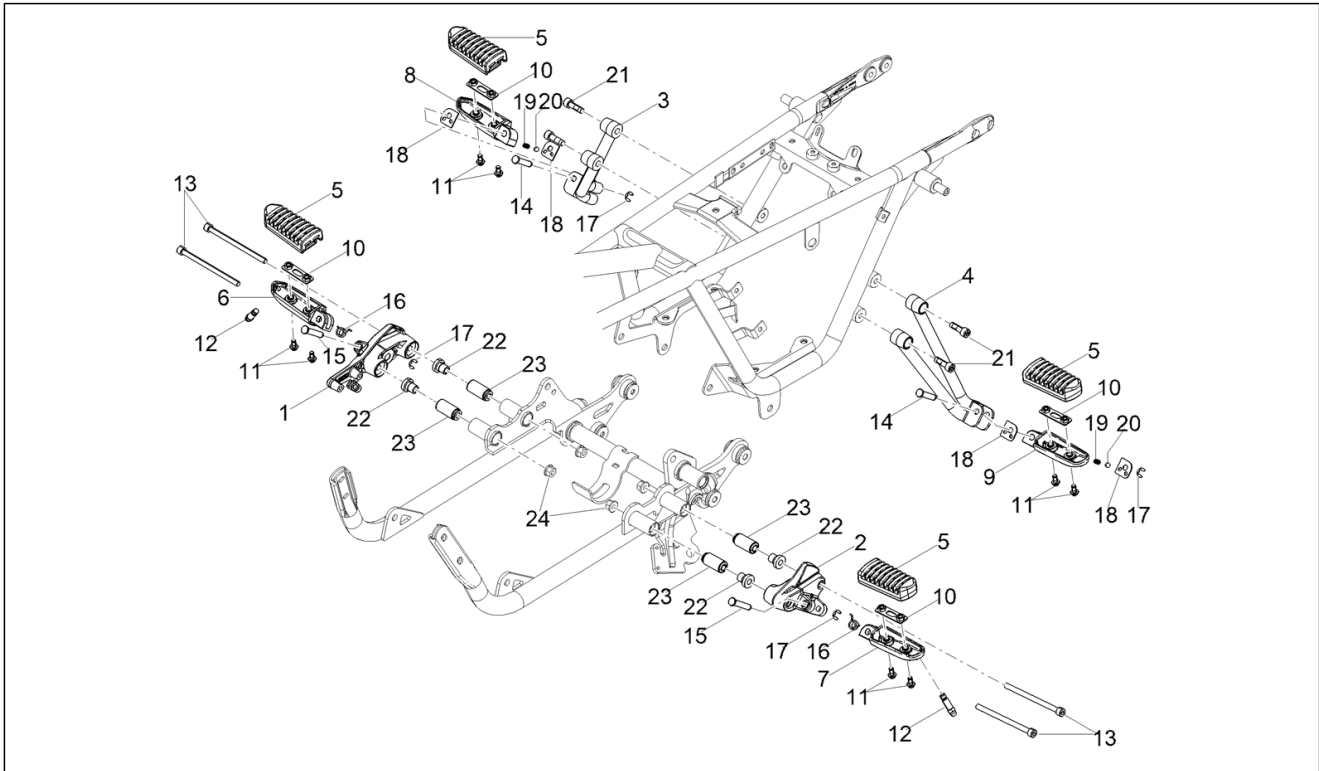
Code	No. table	Pos.
GU98612216	03.320	4
GU98622322	03.060	9
GU98632322	03.020	21
GU98680440	03.170	46
GU98680460	03.020	6
GU98682212	11.030	11
GU98682325	03.190	29
GU98682325	03.270	3
GU98682330	03.270	4
GU98682330	03.300	4
GU98682435	03.290	2
GU98682530	01.010	8
GU98690435	08.010	8
GU98690445	02.030	3
GU98692318	03.020	13
GU98882316	03.120	10
GU98882416	09.010	11

Group	Frame
Code	01.010
Description	Frame
Service	1



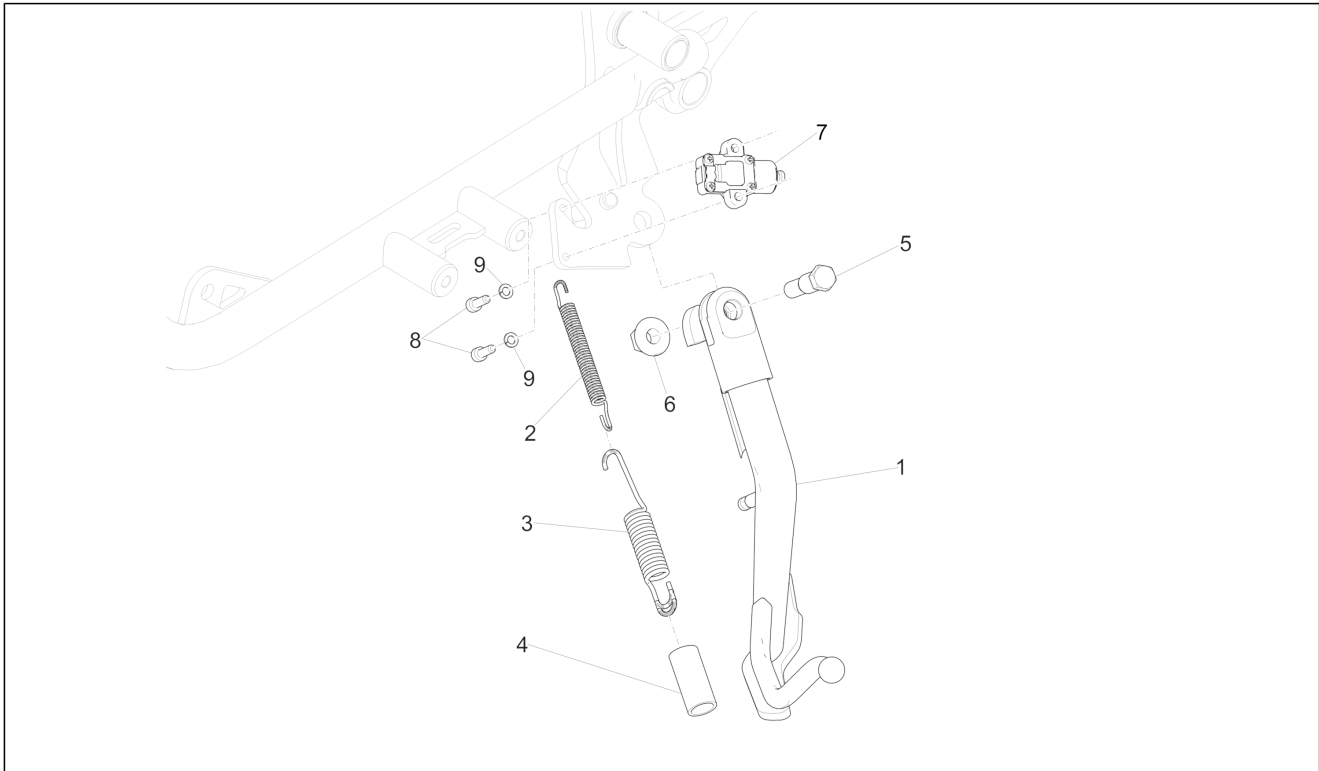
Pos.	Code	Description	Qty	Variants
1	2B007882	Frame	1	
2	B063287	Frame union plate	1	
3	2B008628	RH cradle arm	1	
4	2B008627	LH cradle arm	1	
5	2B002810	Chassis crossbeam	1	
6	AP8102671	Plastic rivet	4	
7	GU19017000	Bushing	2	
8	GU98682530	Hex socket screw M10x30	4	
9	GU95008210	Washer 10,2X18X2	6	
10	AP8144071	Rubber exhaust	8	
11	AP8150018	Washer	4	
12	2B003078	Spacer	4	
13	AP8150048	Hex socket screw	2	
14	AP8120311	Rubber spacer	2	
15	2B002817	M10 pin	1	
16	2B001612	Pin M10X253	1	
17	2B001035	Pin 234X10	1	
18	GU98110199	Pin M10x205	1	
19	GU91551010	Rubber 10X20X10	2	
20	GU92630510	Nut M10x1,5	4	
21	2B002311	Oval head torx screw M8X20	4	
22	2B004219	Bushing	1	
23	AP8152220	Washer	1	
24	2B007415	Silent-block	4	

Group	Frame
Code	01.020
Description	Foot rests
Service	1



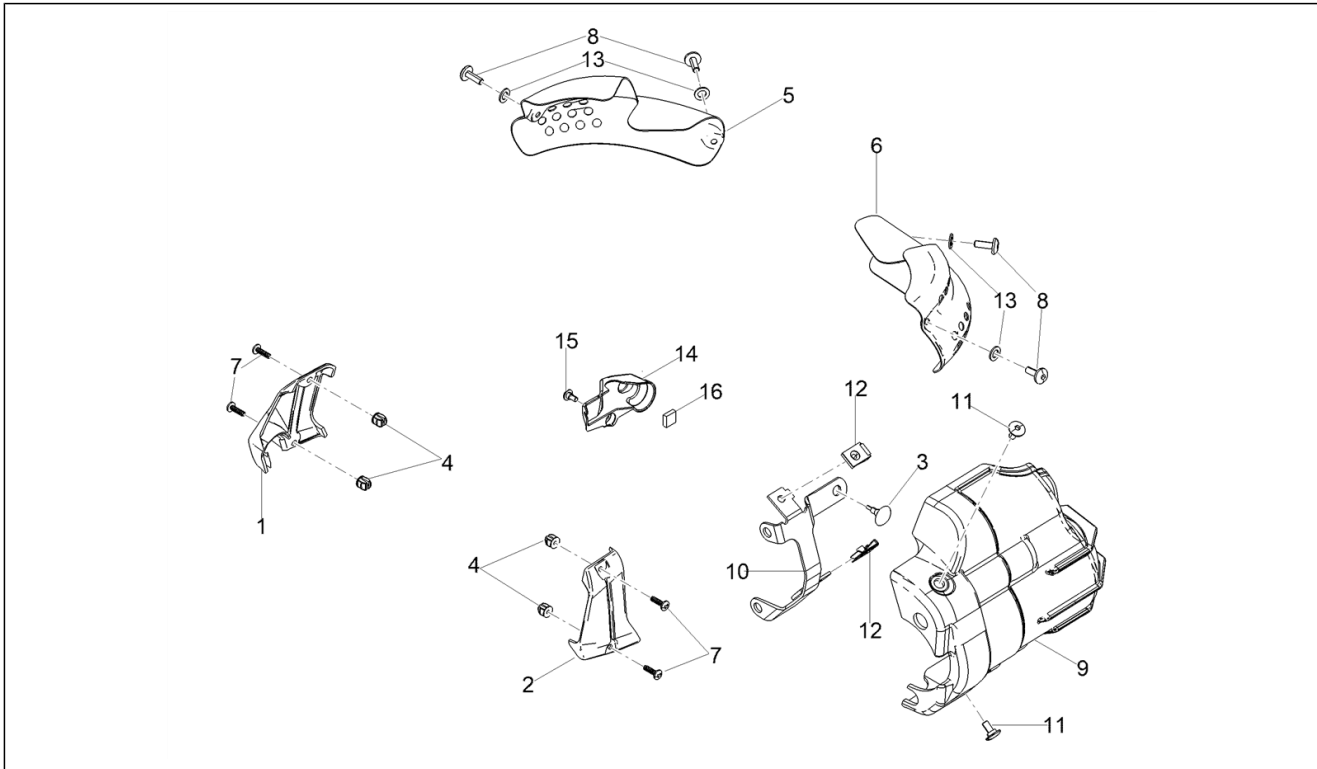
Pos.	Code	Description	Qty	Variants
1	2B002919	RH foot rest support	1	
2	2B002219	LH front footrest bracket	1	
3	2B003077	Right pass. footrest support	1	
4	2B003076	Left pass. footrest support	1	
5	2B002225	Footrest rubber	4	
6	2B006170	RH Foot rests	1	
7	2B006169	LH Foot rests	1	
8	AP8145008	Rear footrest, RH	1	
9	AP8145009	Rear footrest, LH	1	
10	GU32441210	Plate	4	
11	2B005143	Screw w/ flange M6x12	8	
12	2B004856	Footrest pin	2	
13	AP8150388	Hex socket screw	4	
14	CM228401	Footrest pin	2	
15	AP8121567	Pin	2	
16	AP8221277	Footrest return spring	2	
17	AP8152409	Stop ring	4	
18	AP8134451	Footrest plate	4	
19	AP8121133	Coil compress. spring	2	
20	AP8101861	Ball D6,35	2	
21	2B002171	Special cap screw 8x25	4	
22	2B007753	Spacer	4	
23	2B007415	Silent-block	4	
24	967363	Nut M8x1,25	4	

Group	Frame
Code	01.030
Description	Central stand
Service	1



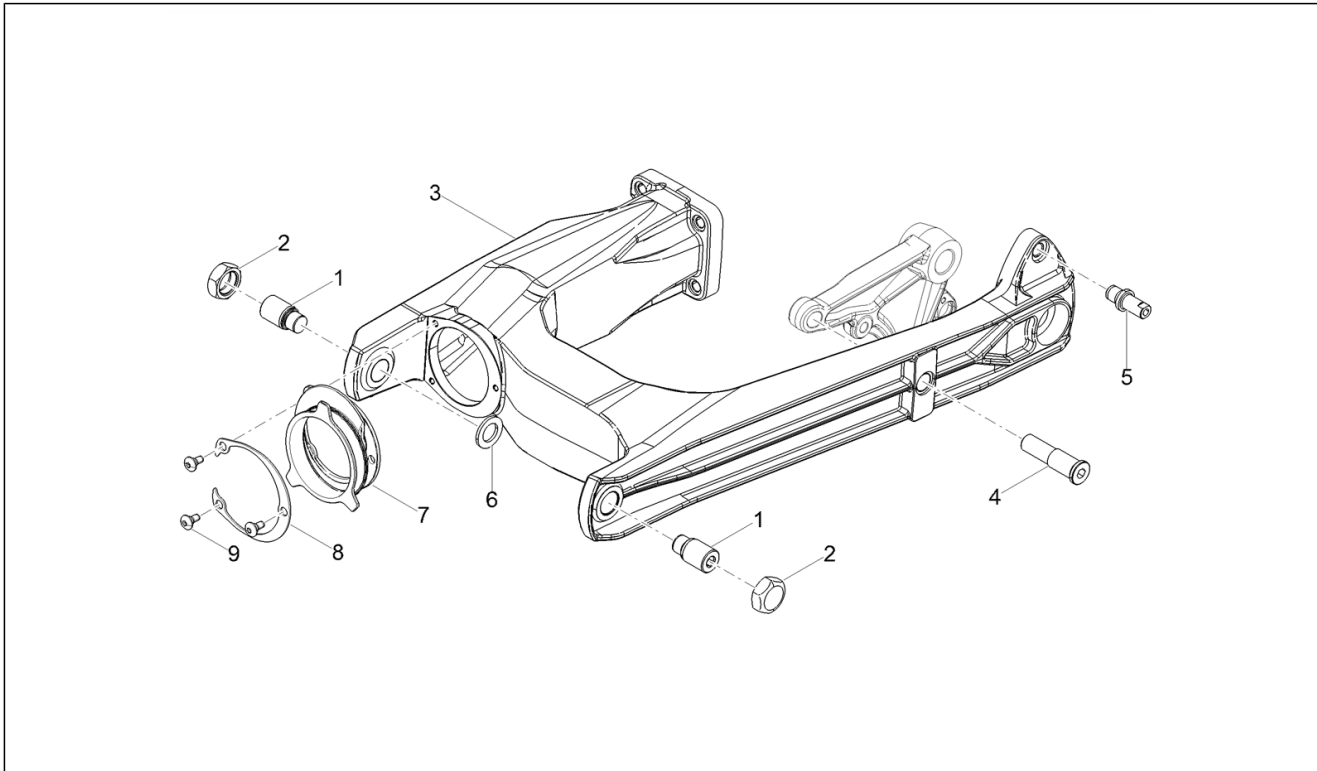
Pos.	Code	Description	Qty	Variants
1	2B002705	Lateral stand	1	
2	AP8221197	Lateral stand spring	1	
3	AP8121014	Coil pull spring	1	
4	AP8102524	Stand spring protection	1	
5	2B004819	Stand pin	1	
6	967356	Flanged nut M10x1,25	1	
7	AP8127856	Lateral stand switch	1	
8	1C001499	TBEI TORX screw M5x16 INOX	2	
9	GU95020105	Washer 5,3x8,9x2,4	2	

Group	Frame
Code	01.040
Description	Protection
Service	1



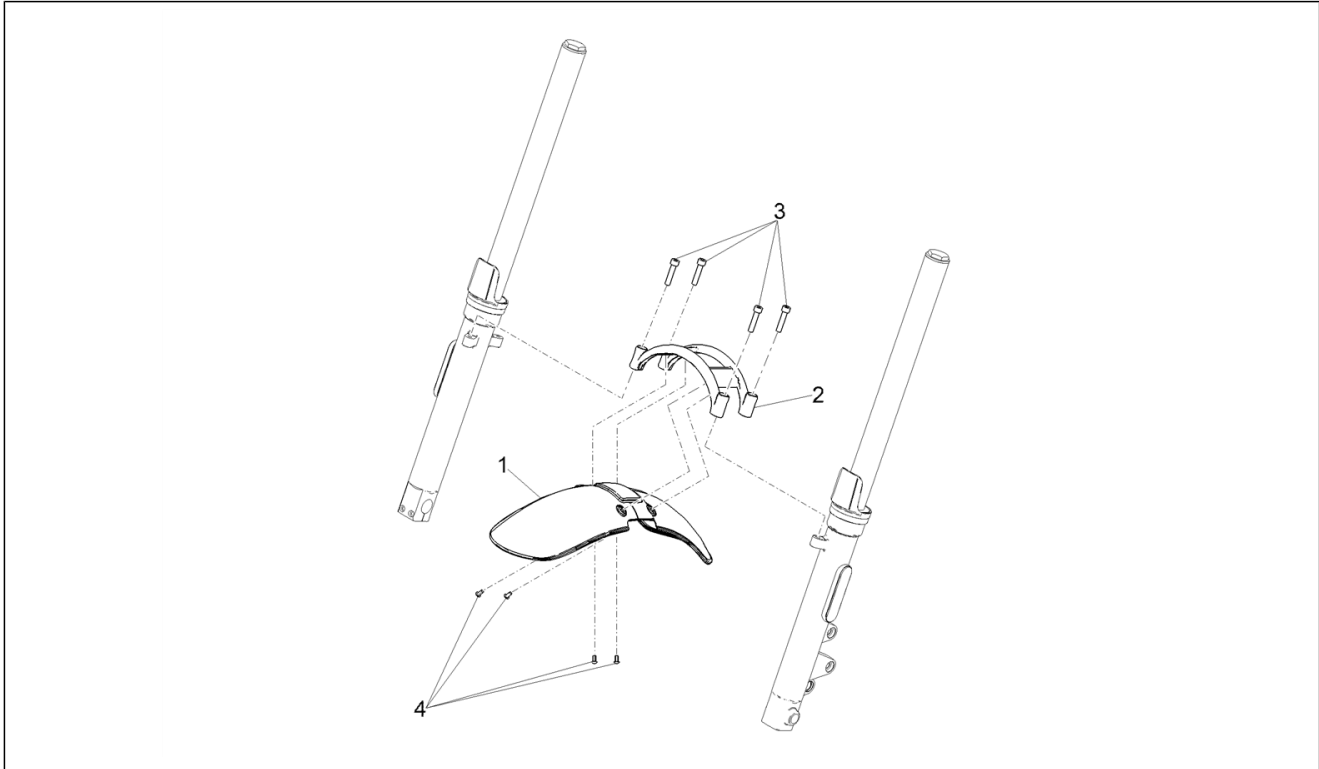
Pos.	Code	Description	Qty	Variants
1	2B002799	RH frame protection	1	
2	2B002378	LH frame protection	1	
3	AP8120001	Rubber spacer	1	
4	AP8102671	Plastic rivet	2	
5	2B002622	Right injector covers	1	
6	2B002621	Left injector covers	1	
7	AP8150413	Self-tap screw 3,9x14	1	
8	896174	Hex socket screw Black M5x12	4	
9	2B006168	Starter motor cover	1	
10	2B002937	Cover support bracket	1	
11	AP8150500	Hex socket screw M5x9 NERINOX	2	
12	AP8102375	Clip M5	2	
13	GU95005305	Washer 5,3x10x1	4	
14	2B006091	Cable harness cover	1	
15	2B003422	M5x12 pre-coated countersunk hex head Torx screw	1	
16	AP8117003	Adhesive sponge 15X5	1	

Group	Frame
Code	01.050
Description	Swing arm
Service	1



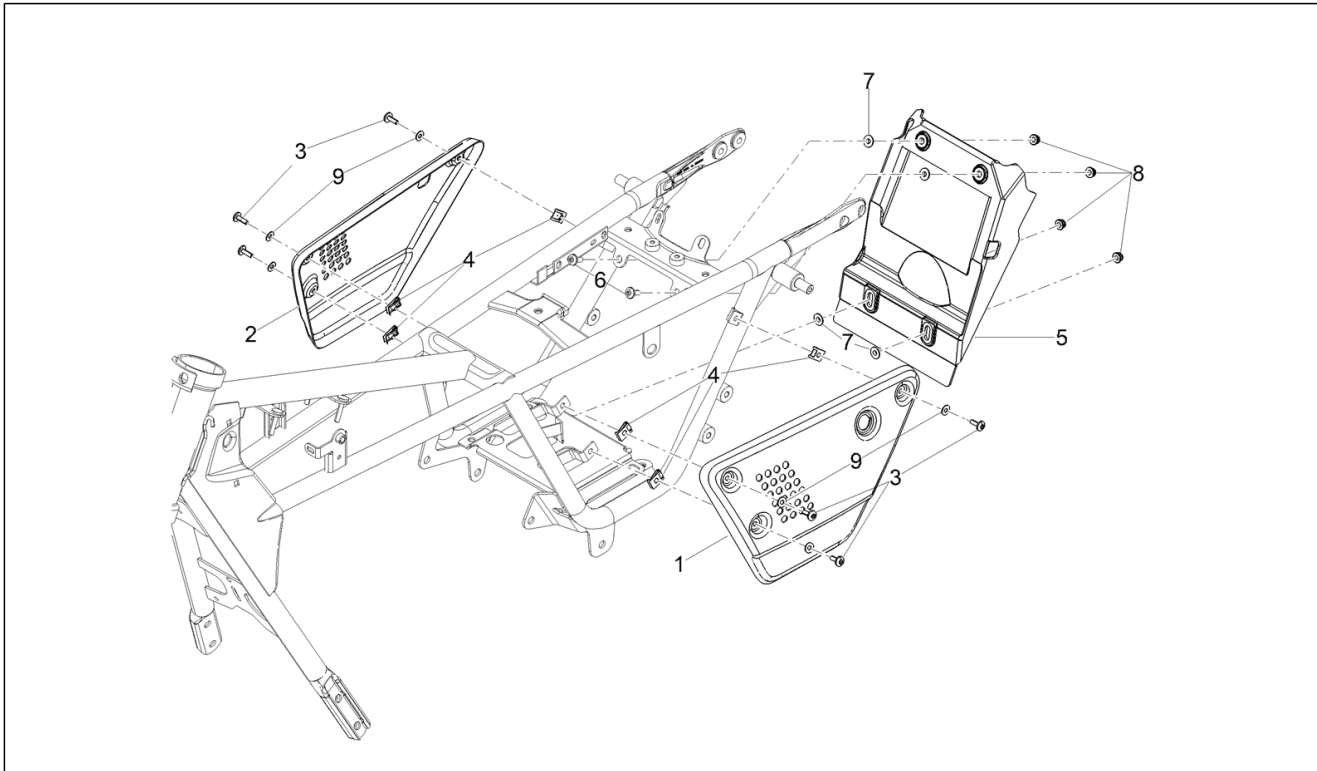
Pos.	Code	Description	Qty	Variants
1	GU19547000	Adjusting pin	2	
2	2B005856	Spindle nut	2	
3	2B007787	Swing arm	1	
4	GU31544181	Pin	1	
5	2B003111	Shock absorber pin	1	
6	GU35214300	Tickness	1	
7	2B002205	Rubber bellows	1	
8	2B003212	Fixing plate	1	
9	2B003422	M5x12 pre-coated countersunk hex head Torx screw	3	

Group	Body
Code	02.030
Description	Front mudguard-Pillar
Service	1



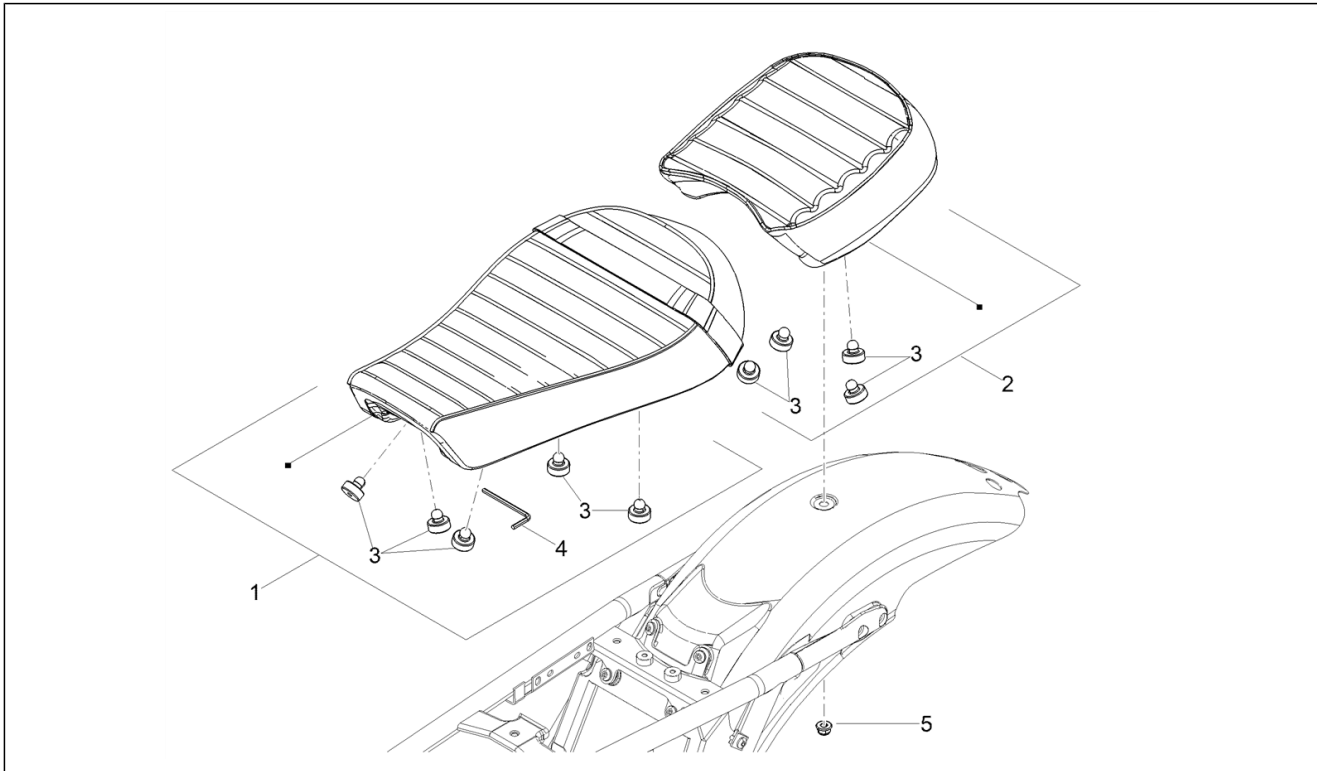
Pos.	Code	Description	Qty	Variants
1	2H004334000YV2	Front splash guard black	1	Colour: Centenary[YV2] Technical Specification: Decal[D]
1	2H004334000NI	Front splash guard black	1	Colour: Black competition 80/B[NI] Technical Specification: Decal[D]
1	2B005427	Front mudguard raw (unpainted)	1	
2	2B001147	Mudguard support	1	
3	GU98690445	screw M8x45	4	
4	2B004824	Screw TBEI M5x10 pre-coated	4	

Group	Body
Code	02.100
Description	Central body
Service	1



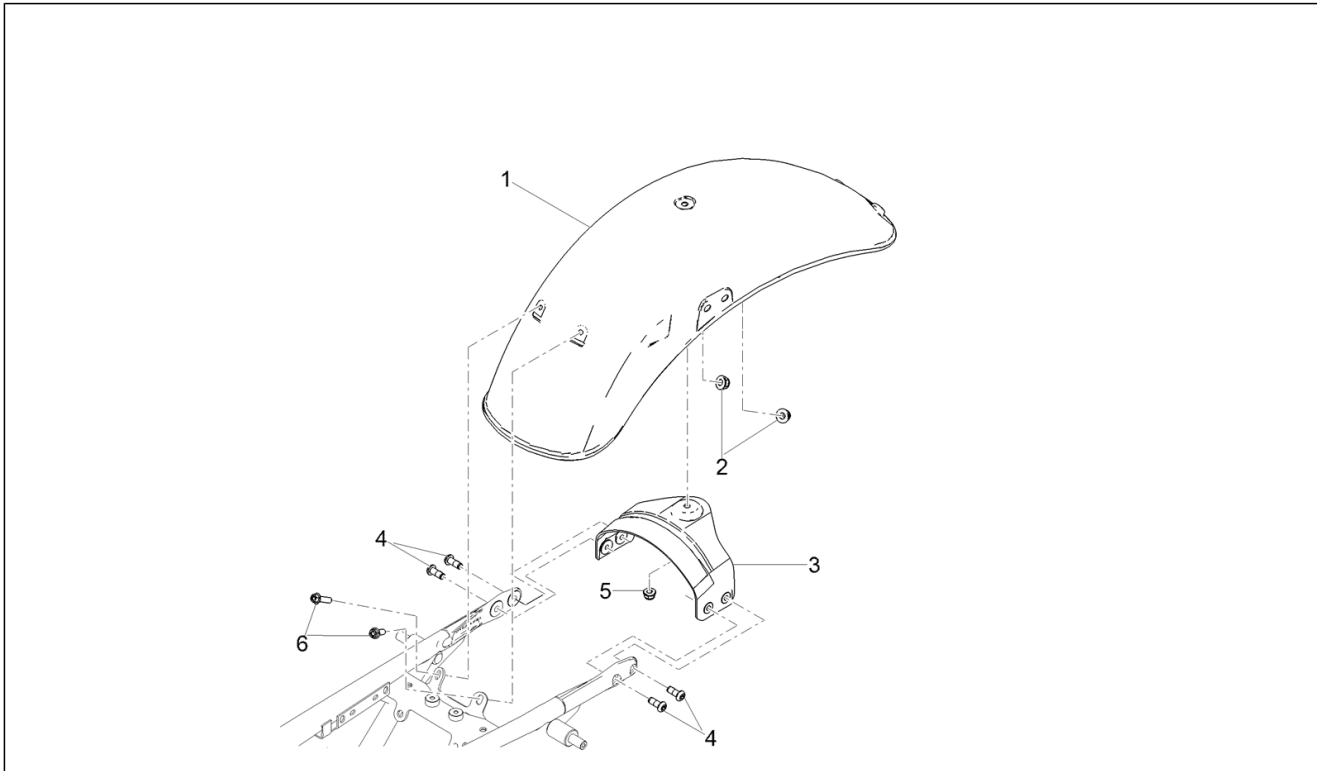
Pos.	Code	Description	Qty	Variants
1	2H004391000YV2	Left hand side panel	1	Colour:Black competition 80/B[NI]
1	2B005431	LH side panel, blank	1	Colour:Blank[GR]
1	2B003827	Left hand side panel	1	Colour:Black competition 80/B[NI] Technical Specification:Decal[D]
2	2B005430	RH side panel, blank	1	Colour:Blank[GR]
2	2H004390000YV2	Right side panel	1	Colour:Centenary[YV2] Technical Specification:Decal[D]
2	2B008539	Right side panel	1	Colour:Black competition 80/B[NI] Technical Specification:Decal[D]
3	976614	Hex socket screw M5x15	6	
4	AP8102375	Clip M5	6	
5	2B007631	Splash guard	1	
6	CM179301	Torx head cylinder head screw M6x16	2	
7	AP8121032	Bush	4	
8	AP8152299	Self-locking nut M6	4	
9	GU01577830	Nylon washer	6	

Group	Body
Code	02.120
Description	Saddle
Service	1



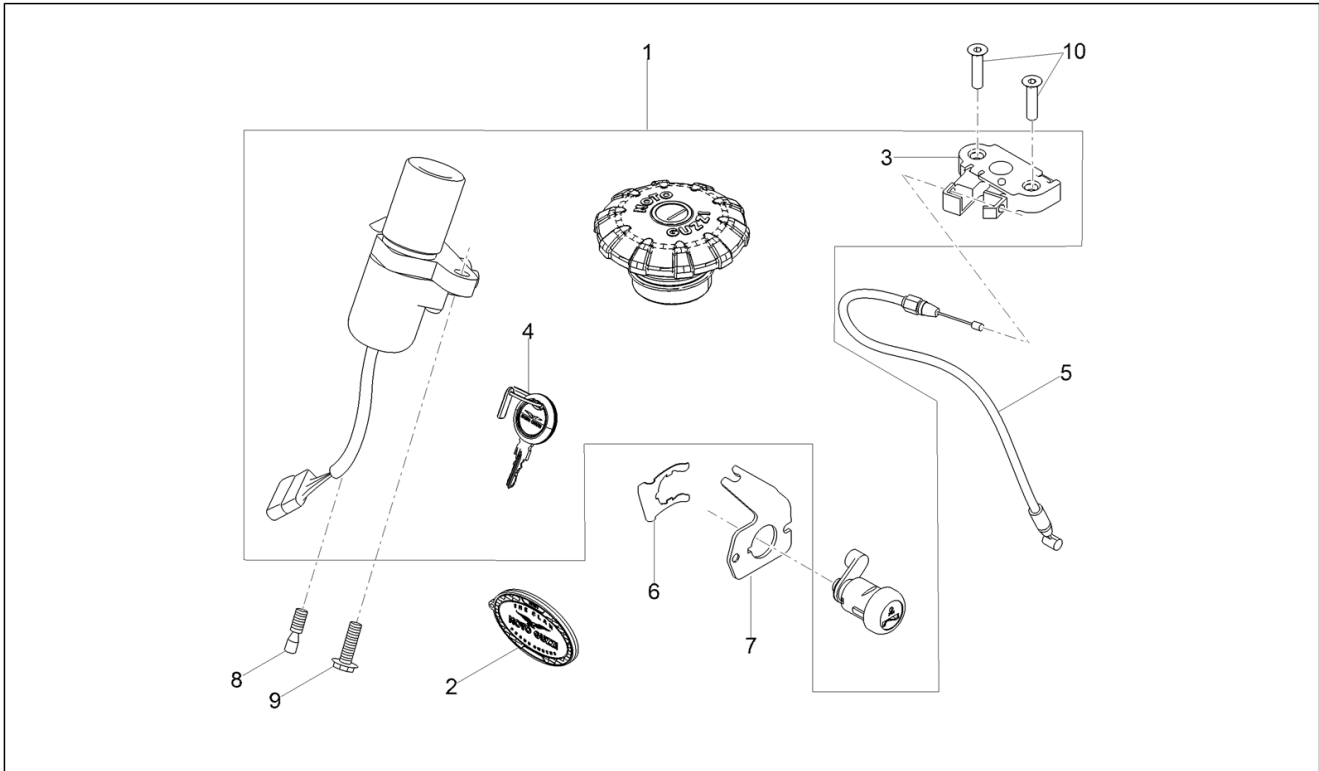
Pos.	Code	Description	Qty	Variants
1	2B002559000C2	Driver saddle, brown	1	Colour:Centenary[YV2]
1	2B002559000C1	Driver saddle, black	1	Colour:Black competition 80/B[NI]
2	2B002560000C2	Rear saddle	1	Colour:Centenary[YV2]
2	2B002560000C1	Rear saddle	1	Colour:Black competition 80/B[NI]
3	B064023	Saddle rubber	9	
4	852391	Hex key	1	
5	AP8152300	Self-locking nut M8	1	

Group	Body
Code	02.150
Description	Rear mudguard
Service	1



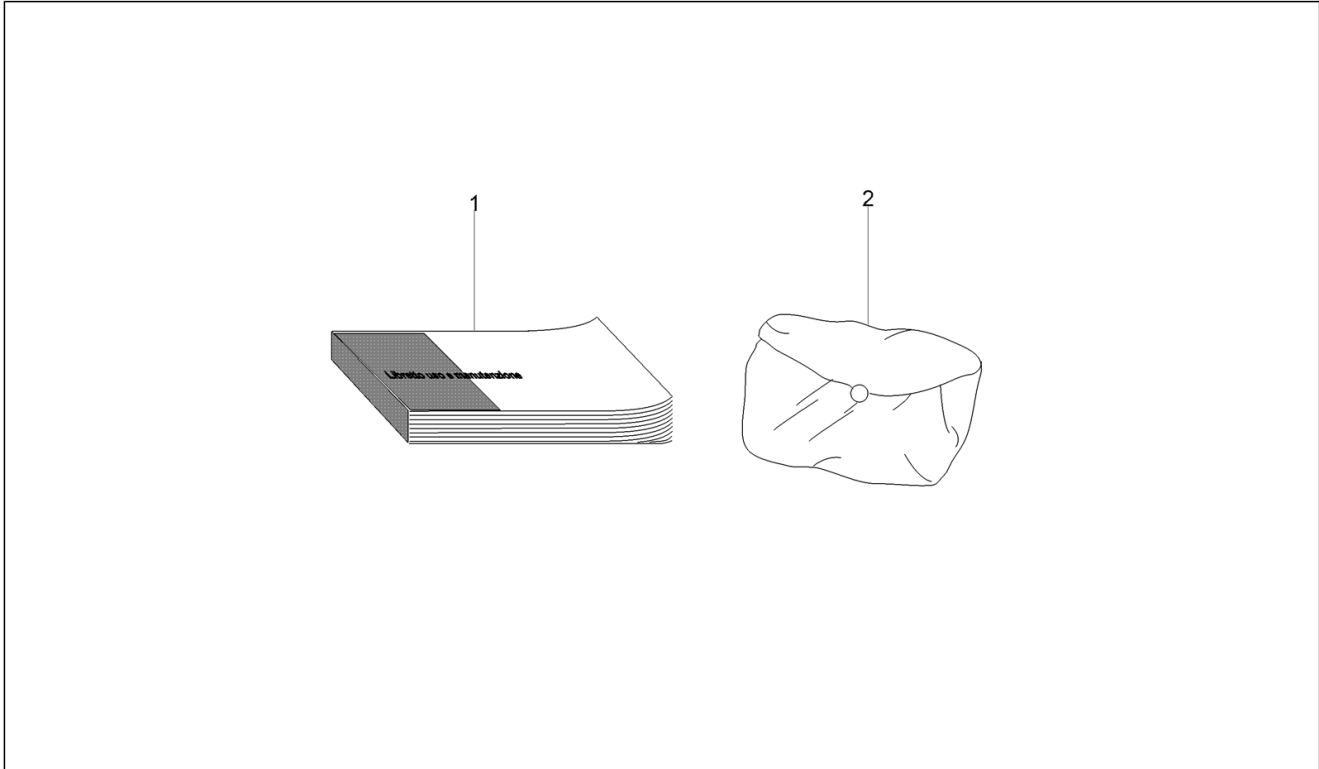
Pos.	Code	Description	Qty	Variants
1	2B002537	Rear mudguard	1	Colour:Blank[GR]
1	2B002537500NI	Parafango post.v.nero comp.	1	Colour:Black competition 80/B[NI] Centenary[YV2]
2	AP8152299	Self-locking nut M6	2	
3	2B002386	Rear mudguard support	1	
4	2B002311	Oval head torx screw M8X20	4	
5	AP8152300	Self-locking nut M8	1	
6	CM179301	Torx head cylinder head screw M6x16	2	

Group	Body
Code	02.170
Description	Locks
Service	1



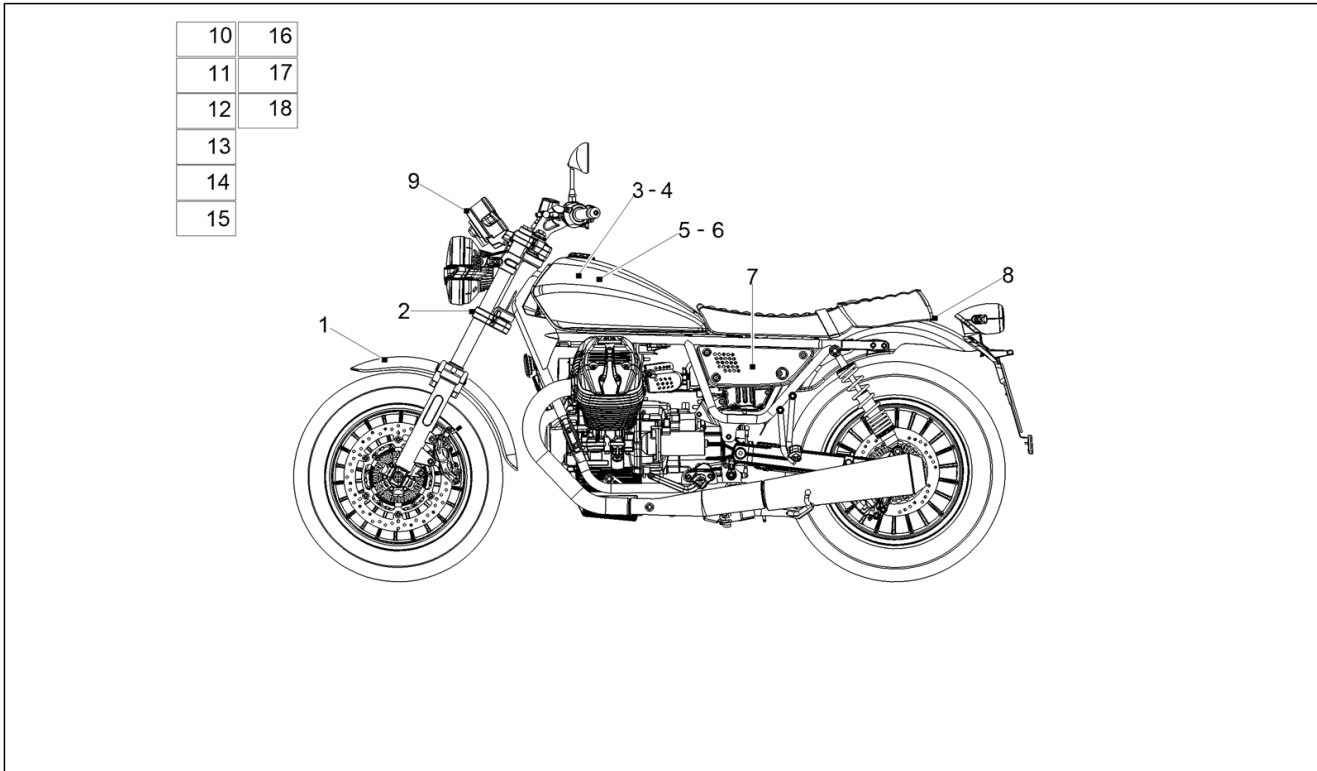
Pos.	Code	Description	Qty	Variants
1	2B004530	Lock kit	1	
2	2B004210	Key-fob "PROUD OWNERS"	1	
3	899543	Lock attachment plate	1	
4	2B005184	Key with simple transponder	1	
5	2B002936	Saddle transmission	1	
6	AP8121420	Fork spring	1	
7	978415	Cable fixing plate	1	
8	AP8152229	Shear rivet M8x20	1	
9	2B002494	Pre-coated M8x20 SHC screw	1	
10	AP8702101	Screw M6x25	2	

Group	Body
Code	02.180
Description	Plate set / Various
Service	1



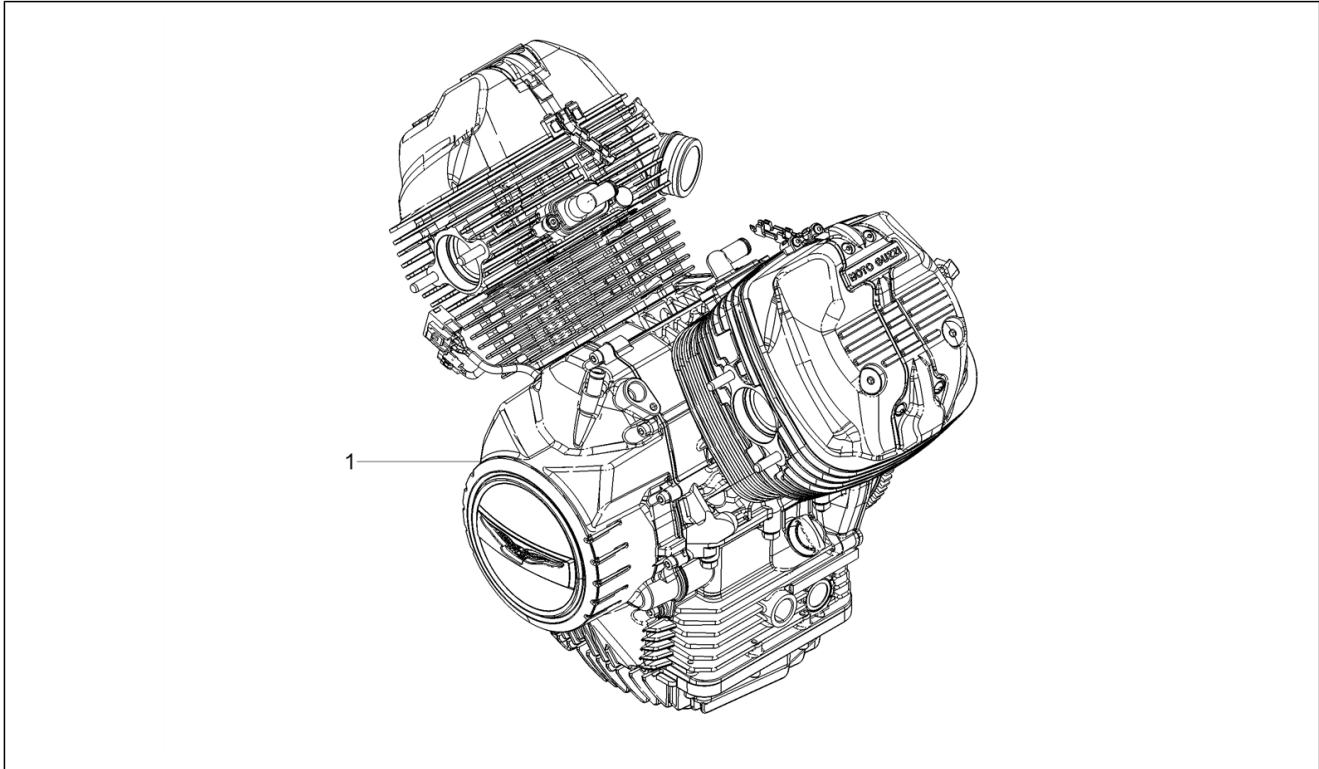
Pos.	Code	Description	Qty	Variants
1	2Q000450	Op's handbook EN-US-FR-ES-IT	1	
2	887443	Toolkit	1	

Group	Body
Code	02.190
Description	Decal
Service	1



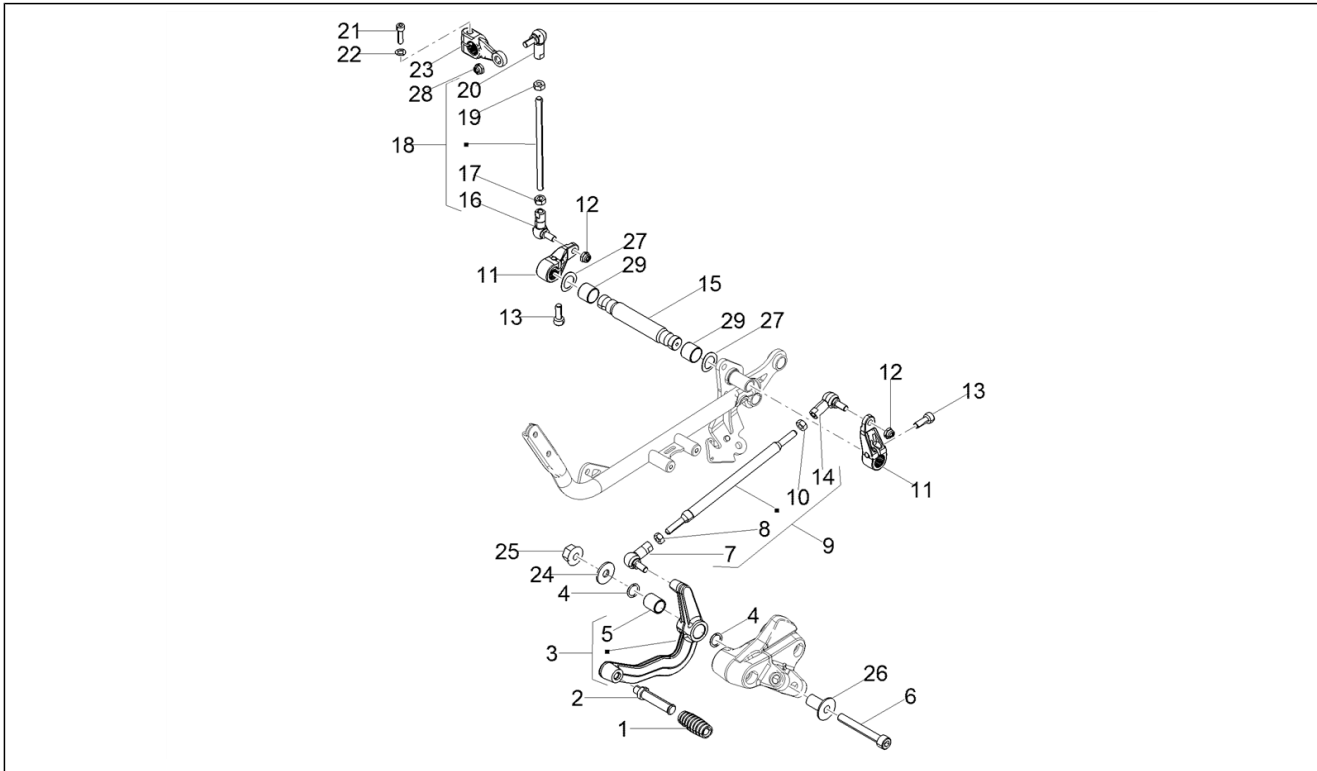
Pos.	Code	Description	Qty	Variants
1	2H004121	Front mudguard decal	1	Colour:Black competition 80/B[NI] Centenary[YV2]
2	2H001445	Name plate "Moto Guzzi"	1	Colour:Black competition 80/B[NI] Centenary[YV2]
3	2H001467	RH Name plate "Aquila"	1	Colour:Black competition 80/B[NI]
3	2H004392	RH Name plate	1	Colour:Centenary[YV2]
4	2H001468	LH Name plate "Aquila"	1	Colour:Black competition 80/B[NI]
4	2H004393	LH Name plate	1	Colour:Centenary[YV2]
5	2H004338	Tank right band decal	1	Colour:Black competition 80/B[NI]
6	2H004339	Tank left band decal	1	Colour:Black competition 80/B[NI]
7	2H004394	Name plate "V9 BOBBER" DX-SX	1	Colour:Centenary[YV2]
7	2H002369	Name plate "V9 BOBBER" DX-SX	1	Colour:Black competition 80/B[NI]
8	GU32944310	Guard decal	1	Colour:Black competition 80/B[NI] Centenary[YV2]
9	2H004605	Dashboard cover decal	1	Colour:Black competition 80/B[NI] Centenary[YV2]
10	AP8257609	Mirror decal	1	
11	AP8257794	Battery decal	1	
12	AP8257742	Keys warning decal	1	
13	2G000595	Carbon filter sticker	1	
14	2G000620	Decal ECE	1	
15	2G000669	Noise emission sticker	1	
16	2G000670	Emission control sticker	1	
17	2G000672	Tyre pressure decal	1	
18	B045974	Fuel decal E15	1	

Group	Engine
Code	03.010
Description	Engine-Completing part-Lever
Service	1



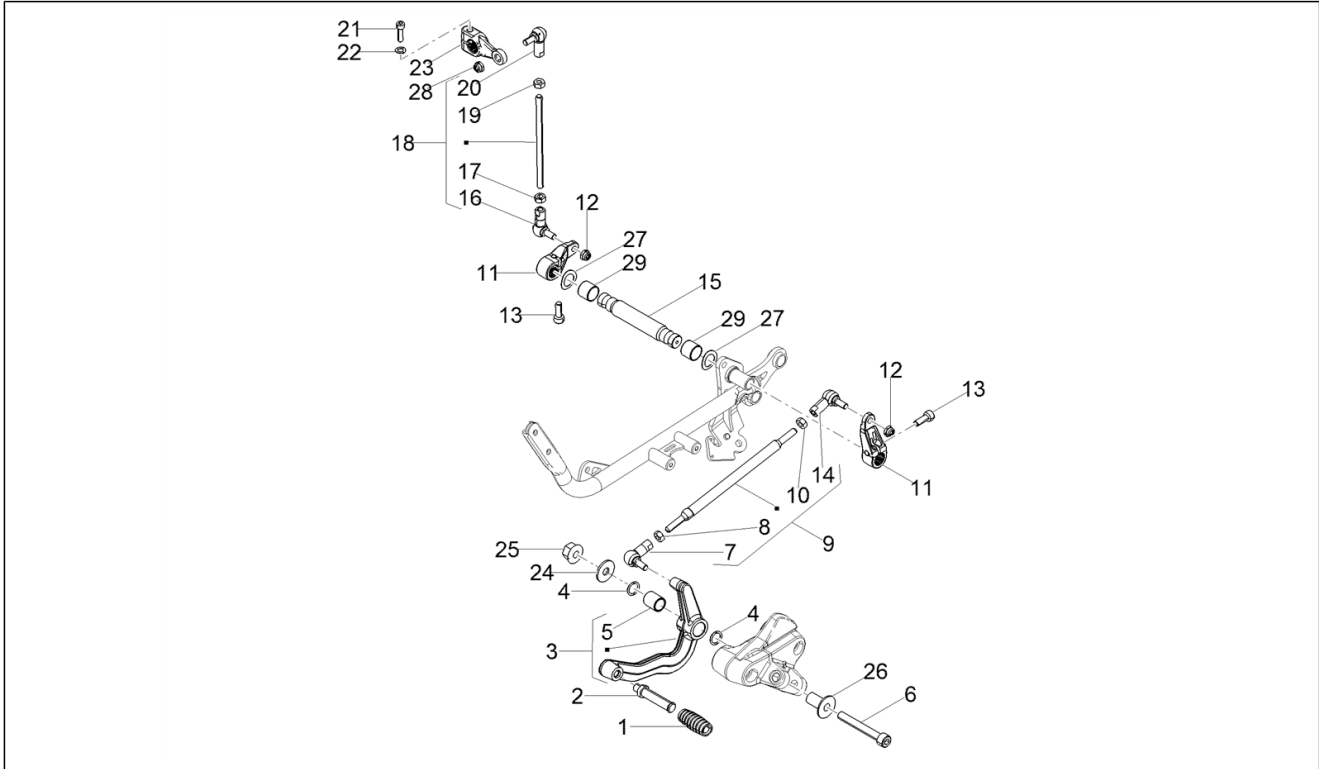
Pos.	Code	Description	Qty	Variants
1	1A016293	Engine without gearbox	1	

Group	Engine
Code	03.020
Description	Gear lever
Service	1



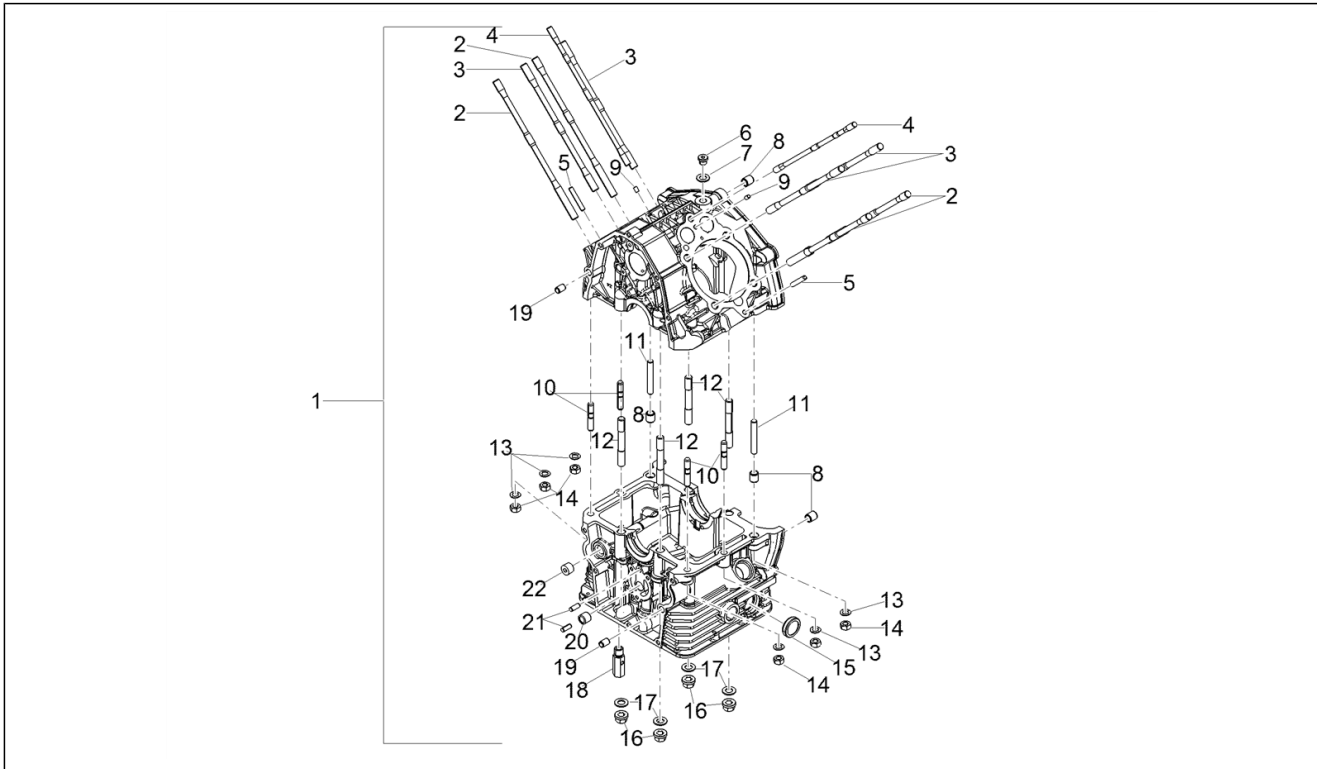
Pos.	Code	Description	Qty	Variants
1	AP8120912	Lever rubber	1	
2	2B004818	Rubber pedal	1	
3	2B003348	Complete gearchange lever	1	
4	AP8144007	O-ring 11,11x1,78	2	
5	895328	Sintered bushing	1	
6	GU98680460	Hex socket screw M8x60	1	
7	2B004822	Left ball joint M6	1	
8	2B004828	LH thread nut	1	
9	2B004960	Complete gearbox link rod	1	
10	2B004827	RIGHT threaded nut	1	
11	2B004348	Gear change lever	2	
12	GU92630206	Self-locking nut M6x1	2	
13	GU98692318	Hex socket screw M6x18	2	
14	2B004821	RH ball joint M6	1	
15	2B001009	Lever pin	1	
16	AP8110053	Left ball joint M6	1	
17	AP8152138	Nut	1	
18	2B001941	Gear control tie rod	1	
19	AP8150026	Nut M6	1	
20	AP8210007	RH ball joint M6	1	
21	GU98632322	screw	1	
22	GU03013800	Washer 6,4x12	1	
23	GU20258221	Shift lever	1	
24	AP8150018	Washer	1	
25	967363	Nut M8x1,25	1	
26	AP8121509	Bush	1	
27	GU95129260	Spring washer	2	
28	GU92630707	Nut M6	1	

Group	Engine
Code	03.020
Description	Gear lever
Service	1



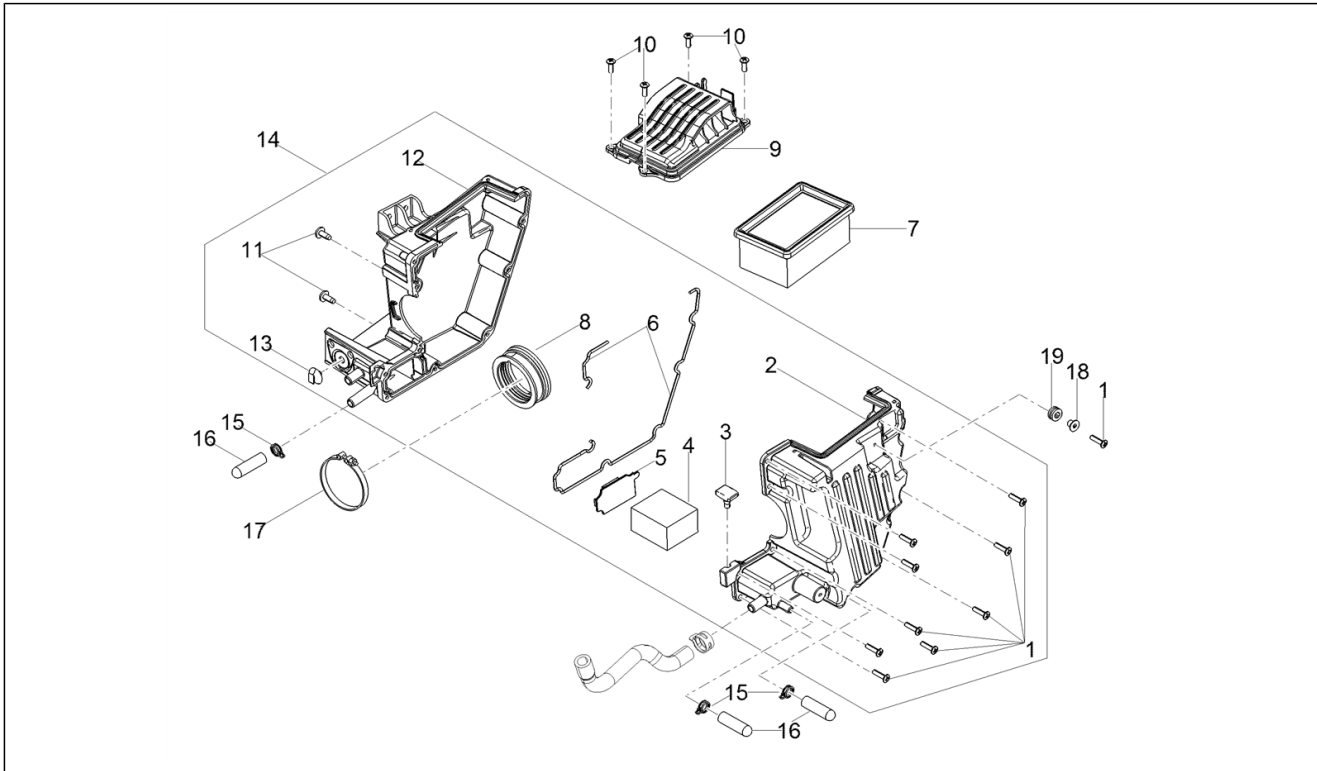
Pos.	Code	Description	Qty	Variants
29	2B004219	Bushing	1	

Group	Engine
Code	03.030
Description	Crankcases I
Service	1



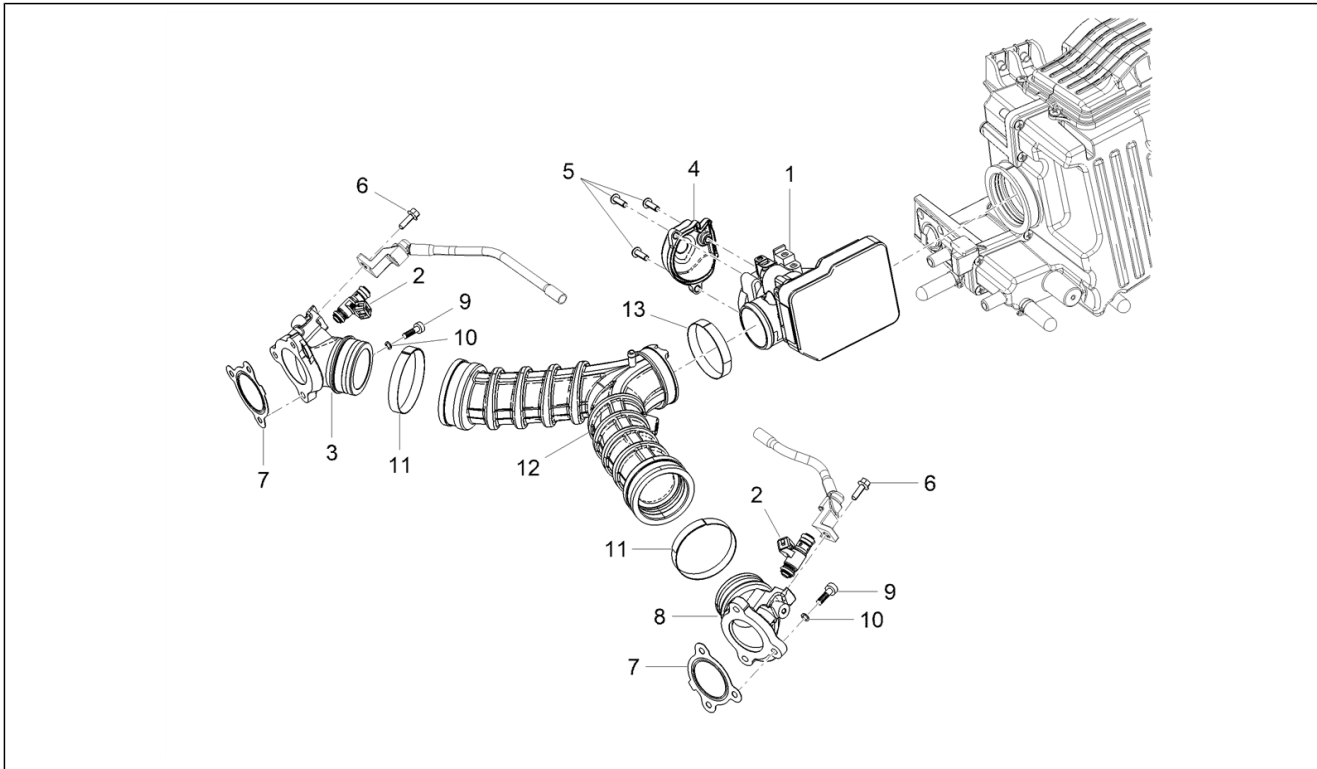
Pos.	Code	Description	Qty	Variants
1	1A019205	Coupled crankcase	1	
2	1A008102	Long head stud bolt	4	
3	1A008103	Short head stud bolt	4	
4	1A008104	Central head stud bolt	2	
5	1A008256	Stud bolt	2	
6	1A009653	Plug M10	1	
7	GU95100309	Washer	1	
8	GU19015020	Bushing	4	
9	484993	Locating dowel	2	
10	1A018712	Stud bolt	4	
11	1A018733	Stud bolt	2	
12	1A004530	Stud bolt	4	
13	1A018734	Metallic flat washer	6	
14	874557	Flanged nut M8x1,25	6	
15	485693	Oil level indicator	1	
16	1A006656	Flanged nut M10x1	4	
17	1A006655	Flat washer	4	
18	GU19003800	Joint	1	
19	GU19002020	Bushing 6,6x9x13	2	
20	976168	Drawn cap 10x14x12	1	
21	GU19018920	Pin	2	
22	831135	Plug M14x1,5	1	

Group	Engine
Code	03.050
Description	Air box
Service	1



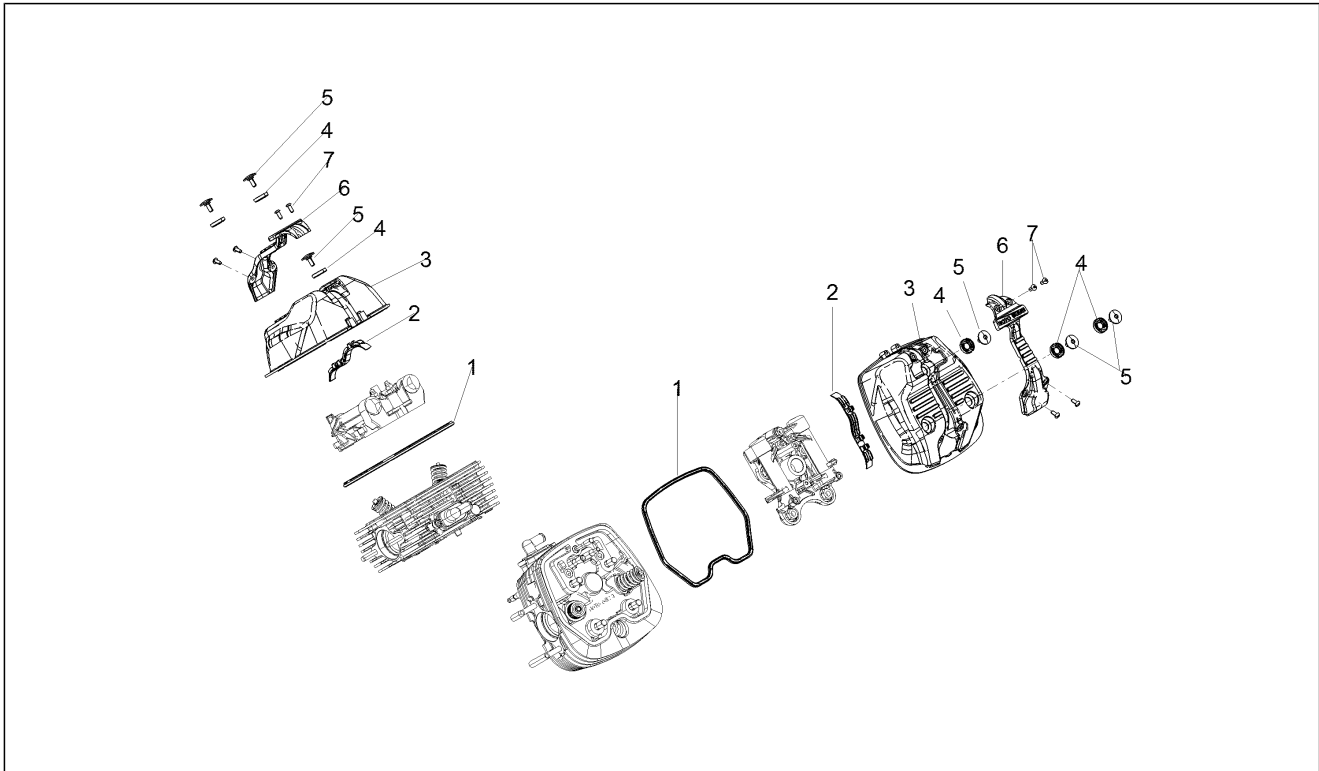
Pos.	Code	Description	Qty	Variants
1	AP8152329	Phillips screw, SWP M5x20	9	
2	2B008082	LH filter housing cover	1	
3	AP8120455	Rubber spacer	1	
4	AP8104525	Filter blow-by	1	
5	2B002851	Diaphragm	1	
6	AP8120615	Gasket D3	1	
7	AP8104924	Air filter	1	
8	887815	Intake hose	1	
9	887843	Air filter cover	1	
10	AP8150509	Self-tap screw 5x14	4	
11	AP8120876	Plug	2	
12	887844	Filter box right shell	1	
13	890760	Instrument support	1	
14	2B008083	Filter box	1	
15	AP8102520	Hose clamp	3	
16	AP8161054	Cap	3	
17	CM258303	Hose clamp 63	1	
18	AP8221023	T bush	2	
19	GU91551010	Rubber 10X20X10	2	

Group	Engine
Code	03.060
Description	Throttle body
Service	1



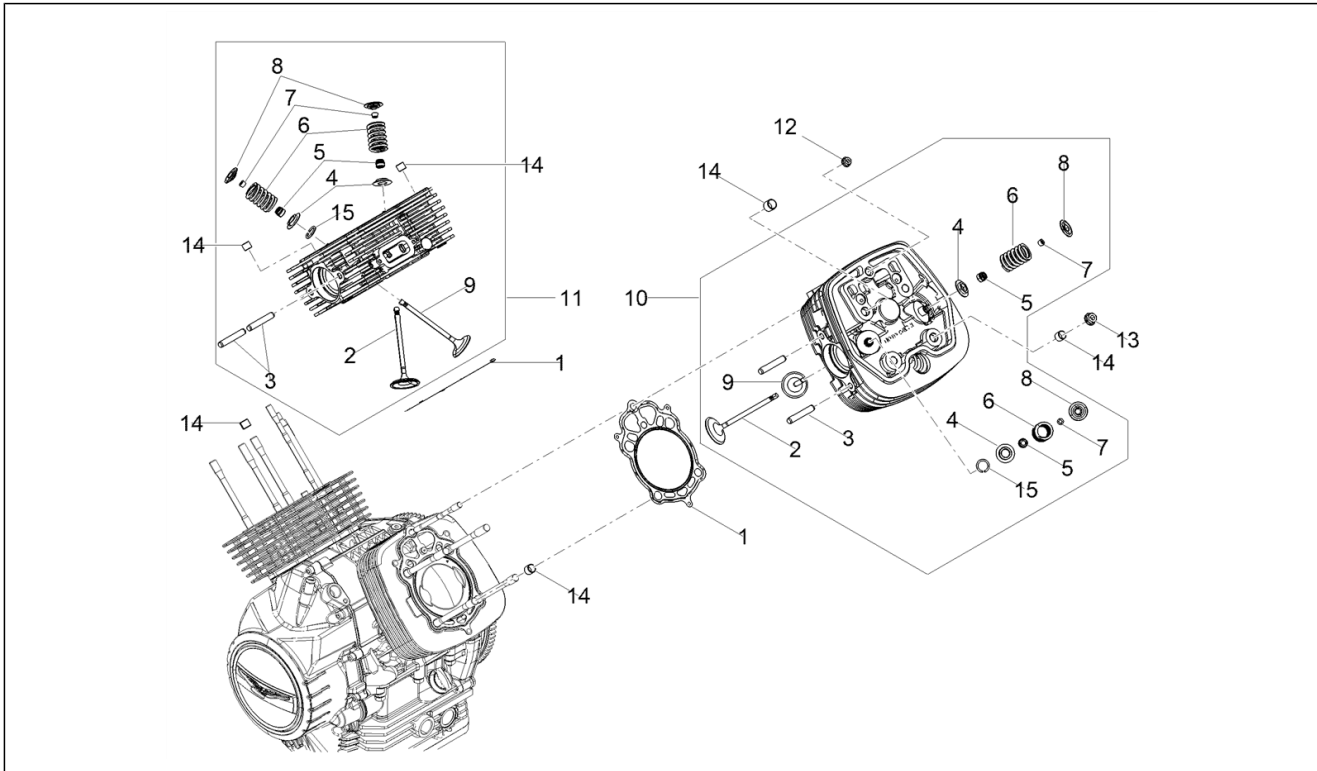
Pos.	Code	Description	Qty	Variants
1	CM3120114	Throttle body with ECU	1	
2	1D001393	Injector	2	
3	1A017660	RH intake connector	1	
4	880260	Throttle body cover	1	
5	B016796	Torx convex big end screw	3	
6	830061	Flanged hexagon screw M5x16	2	
7	1A009167	Gasket	2	
8	1A017659	LH intake connector	1	
9	GU98622322	screw	6	
10	GU03013800	Washer 6,4x12	6	
11	CM258302	Hose clamp	2	
12	1A016324	Throttle body hose	1	
13	CM258301	Hose clamp	1	

Group	Engine
Code	03.090
Description	Head cover
Service	1



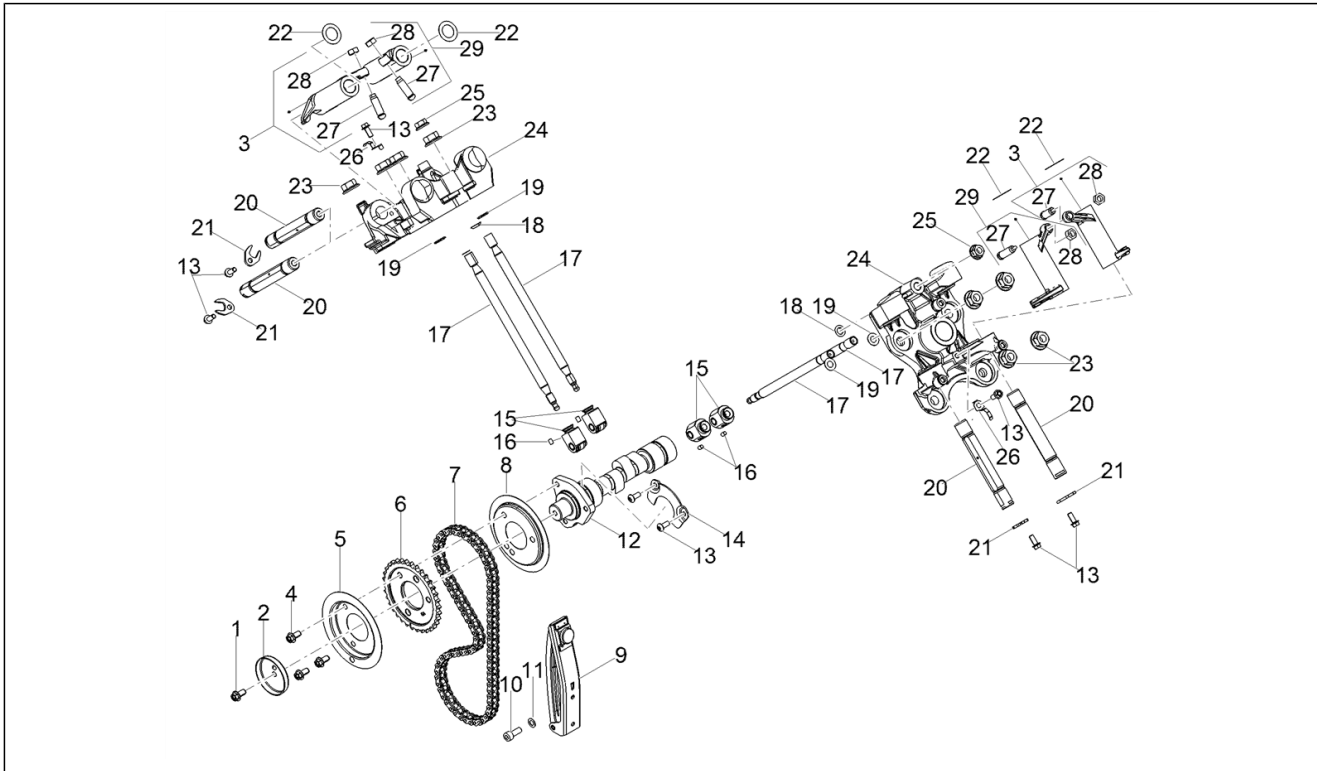
Pos.	Code	Description	Qty	Variants
1	2A000565	Head cover gasket	2	
2	2A000659	Fairlead	2	
3	1A017046	Head cover	2	
4	1A006716	Damper drift	6	
5	976591	Special screw	6	
6	1A017047	Spark plug cover	2	
7	AP8152267	Hex socket screw M5x12	8	

Group	Engine
Code	03.100
Description	Cylinder head - valves
Service	1



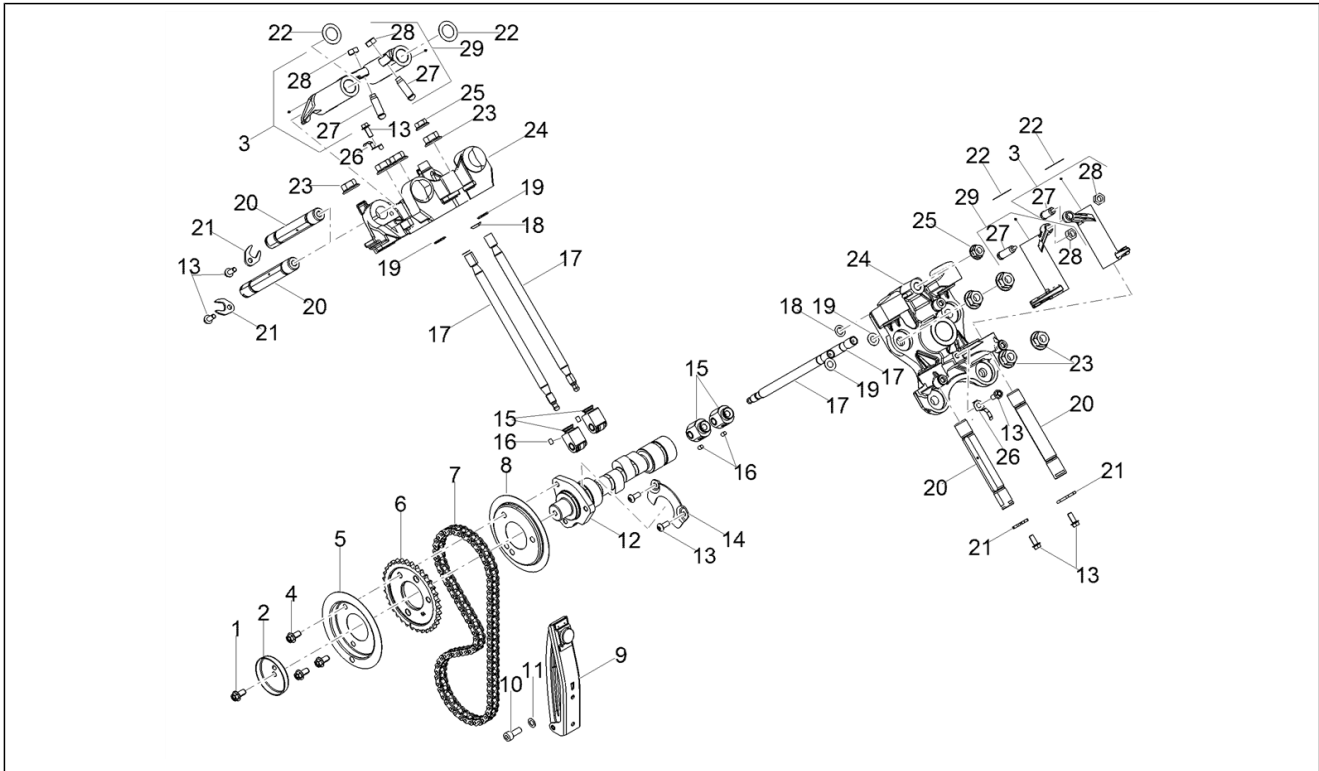
Pos.	Code	Description	Qty	Variants
1	1A004660	Cylinder/head gasket sp. 0,6 mm	1	
1	1A004661	Cylinder/head gasket SP. 0.8 mm	1	
1	1A004662	Cylinder/head gasket SP. 1 mm	1	
2	1A016297	Valve, in	2	
3	1A003632R	Stud bolt	2	
4	1A004751	Lower cap	4	
5	1A003452	Valve gasket ring	2	
6	1A011173	Valve return spring	4	
7	871640	Half-cone	8	
8	1A004750	Upper cap	4	
9	1A014459	Exhaust valve	2	
10	1A016349	LH head assy with valve	1	
11	1A016352	RH head assy w/h valve	1	
12	1A006659	Flanged nut M8x1.25	1	
13	825694	Nut M10x1,25	1	
14	825597	Pin 11,8X10	6	
15	GU90353009	Snap ring	2	

Group	Engine
Code	03.120
Description	Timing system
Service	1



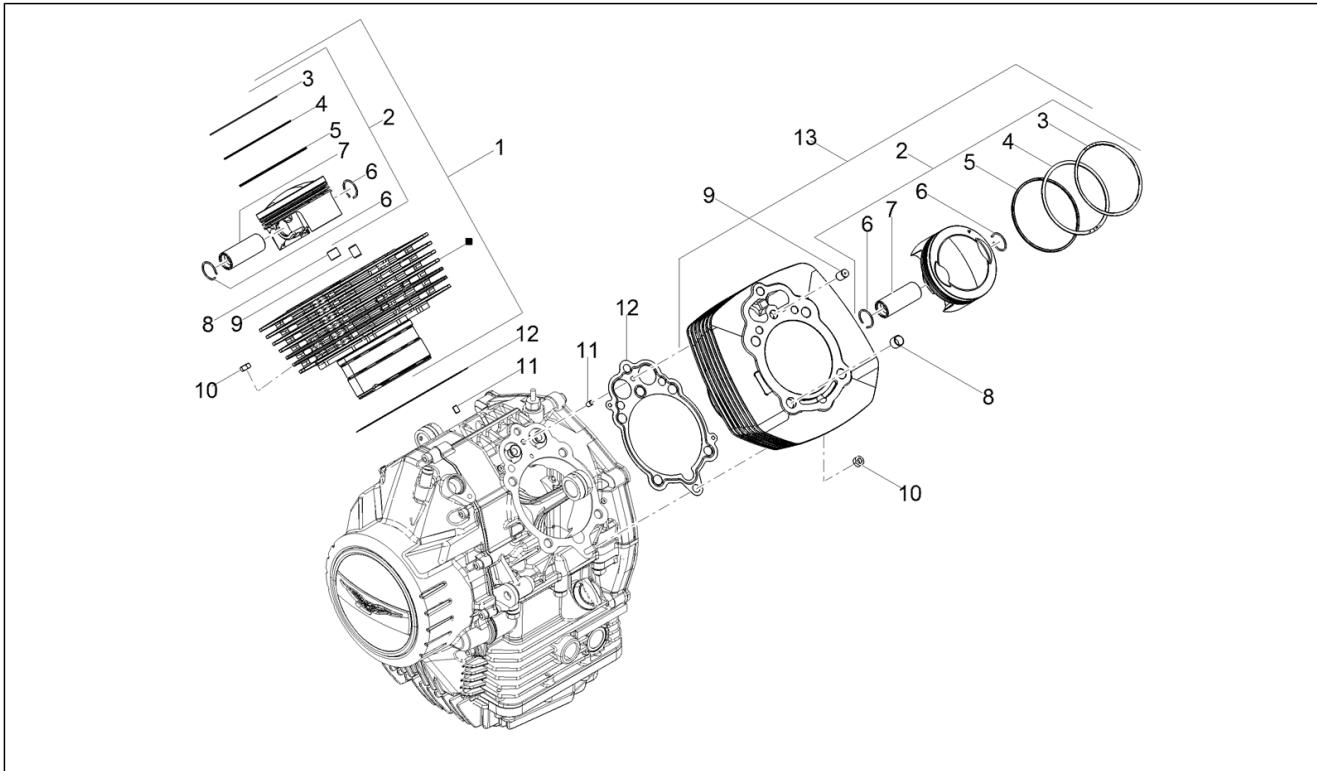
Pos.	Code	Description	Qty	Variants
1	878872	Screw w/ flange	1	
2	1A016844	Protection	1	
3	1A004903	Right exhaust left intake rocker	2	
4	878872	Screw w/ flange	3	
5	1A016330	Retaining plate	1	
6	1A006243	Timing system gear	1	
7	GU19058021	Camshaft chain	1	
8	1A005955	Plate	1	
9	1A017035	Chain stretching drive	1	
10	GU98882316	screw	1	
11	GU95129115	Washer	1	
12	1A018338	Camshaft with i.p.	1	
13	1A015041	Screw m5x12 torx	8	
14	1A009346	Camshaft retaining plate	1	
15	1A013671	Roller tappet	4	
16	B013552	Roller	4	
17	1A012793	Rocker arm rod	4	
18	1A006861	Gasket ring	2	
19	2A000579	O-Ring seal ring 2,62x9.19	4	
20	1A011963	Rocker shaft	4	
21	1A017540	Fork	4	
22	1A005951	Curved spring washer	4	
23	825694	Nut M10x1,25	8	
24	1A013883	Rocker arm support	2	
25	1A006659	Flanged nut M8x1.25	2	
26	2A000527	Plate	2	
27	1A004907	Adjuster screw	4	
28	GU10034100	Nut	4	

Group	Engine
Code	03.120
Description	Timing system
Service	1



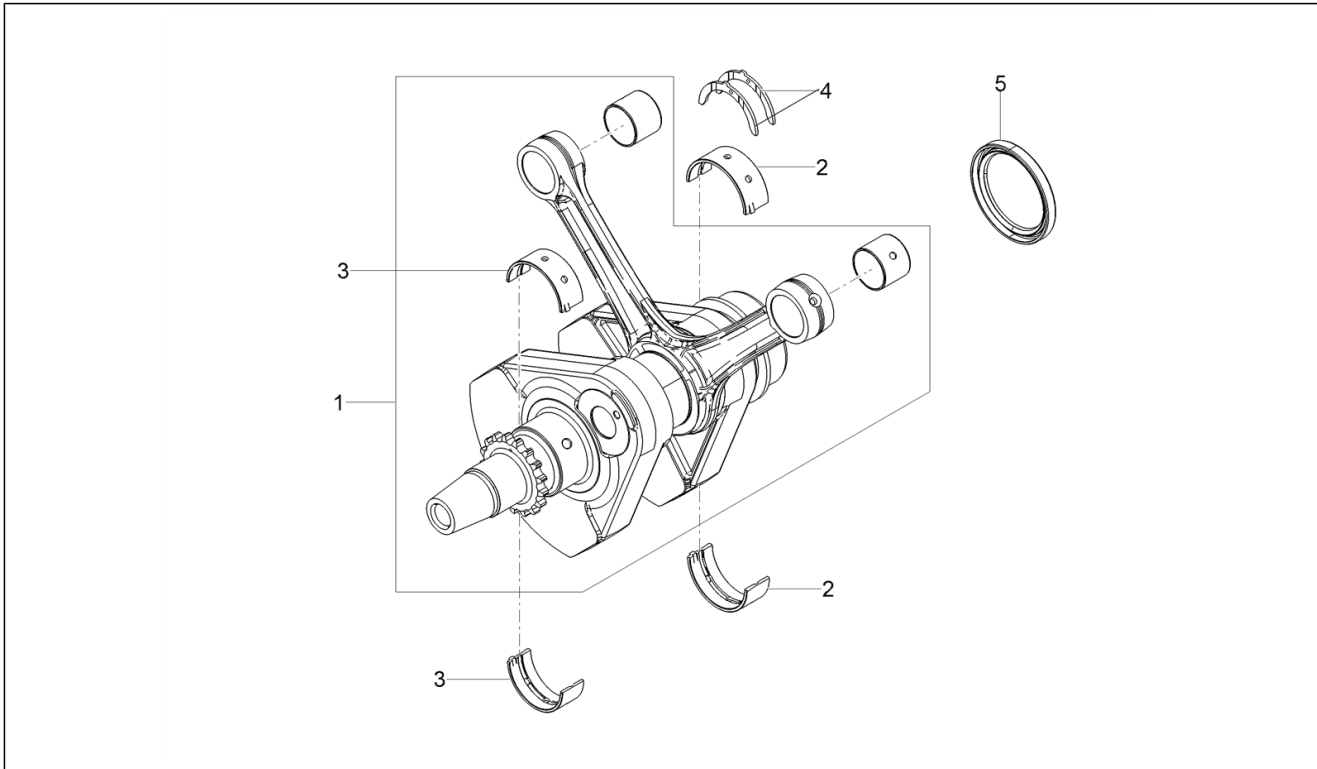
Pos.	Code	Description	Qty	Variants
29	1A004905	Left exhaust right intake rocker	1	

Group	Engine
Code	03.150
Description	Cylinder - Piston
Service	1



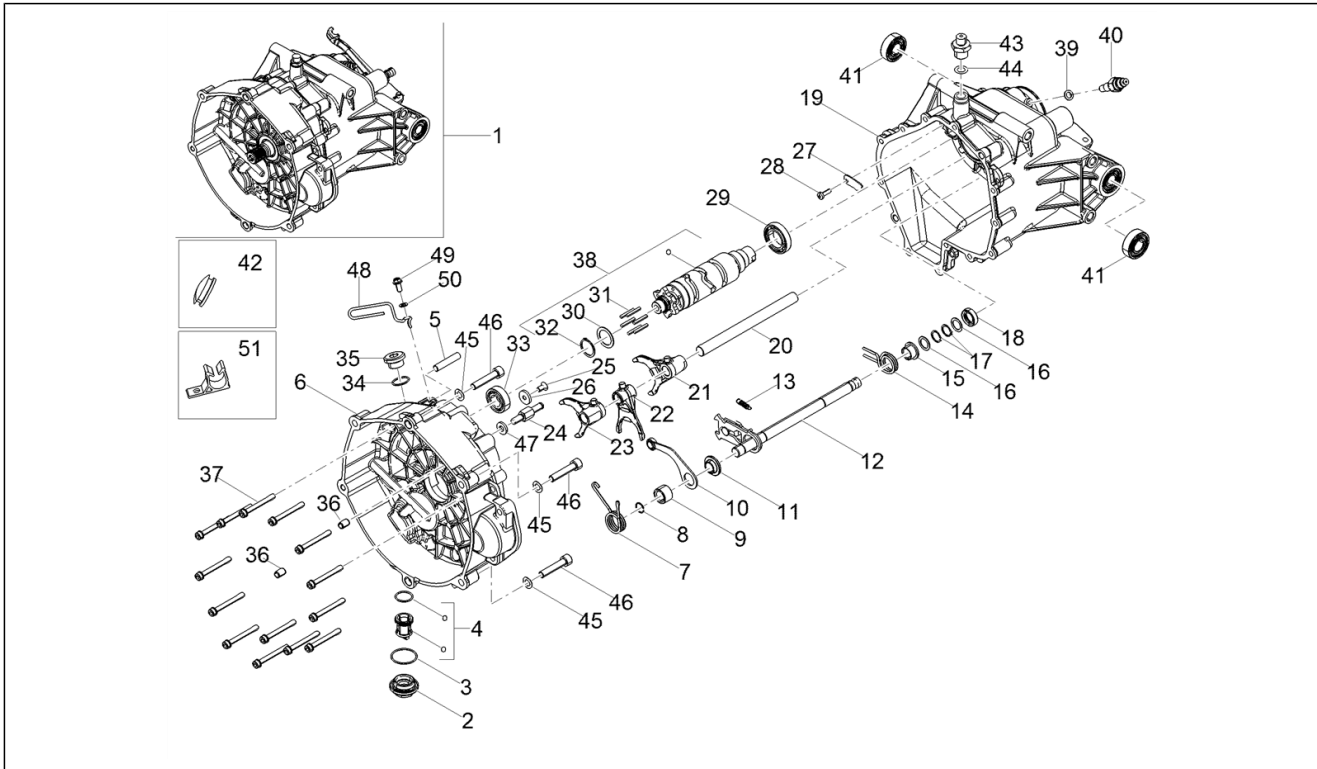
Pos.	Code	Description	Qty	Variants
1	1A017910	Cylinder with piston assy., RH	1	
2	1A0152720G	Complete piston, cat. G	1	
2	1A0152720H	Complete piston, cat. H	1	
2	1A0152720L	Complete piston, cat. L	1	
2	1A0152720M	Complete piston, cat. M	2	
3	1A013936	Compression ring	2	
4	1A004954	Compression ring	2	
5	1A004955	Oil scraper ring	2	
6	1A011548	Crank pin retainer ring	4	
7	1A008933	Piston pin	2	
8	825597	Pin 11,8X10	2	
9	GU19021360	Bushing	2	
10	288245	Self locking nut M6	2	
11	484993	Locating dowel	2	
12	1A010855	Crankcase/cylinder gasket	2	
13	1A017909	Cylinder with piston assy., LH	1	

Group	Engine
Code	03.160
Description	Drive shaft
Service	1



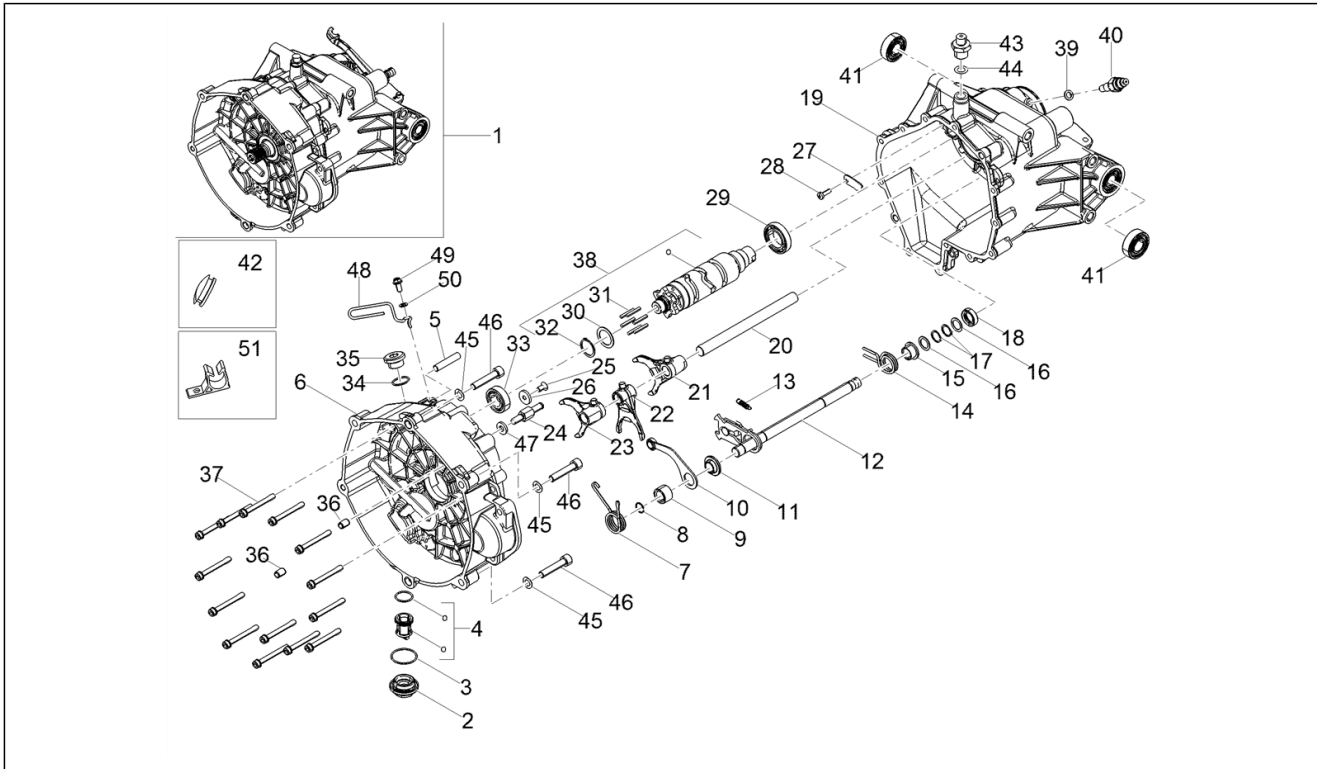
Pos.	Code	Description	Qty	Variants
1	2A001099	Crankshaft assembly	1	
2	1A0066690N	Rear main half-bearing, black	2	
2	1A0066690V	Rear main half-bearing, green	2	
2	1A0066690G	Rear main half-bearing, yellow	1	
3	1A0066680G	Front main half-bearing, yellow	1	
3	1A0066680N	Front main half-bearing, black	1	
3	1A0066680V	Front main half-bearing, green	1	
4	GU27066460	Half-clamp	2	
5	1A010753	Gasket ring 56x72x8	1	

Group	Engine
Code	03.170
Description	Gear box / Selector / Shift cam
Service	1



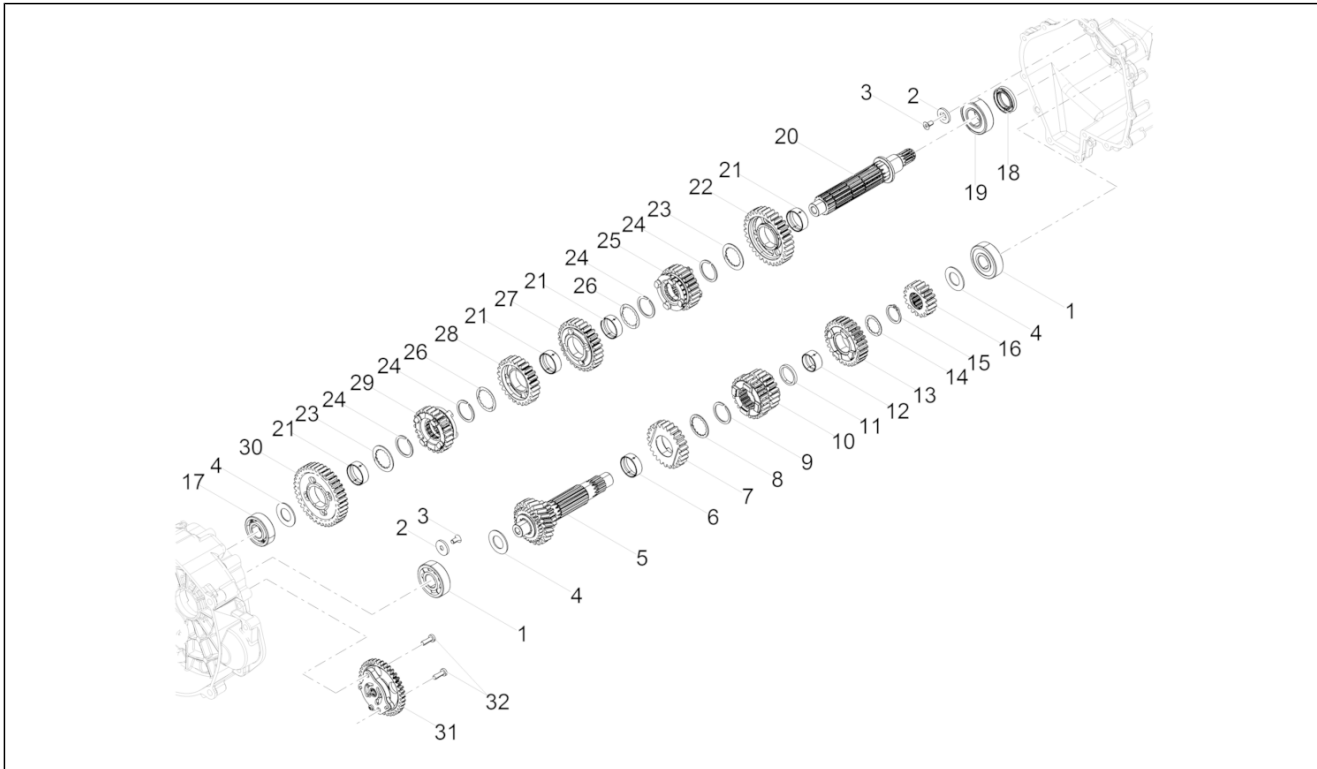
Pos.	Code	Description	Qty	Variants
1	2A0011145	Transmission, assy	1	
2	B015598	Oil filter plug	1	
3	1A016739	Gasket 31,47x1,78	1	
4	B018020	Oil filter cpl.	1	
5	B064079	Threaded pin	1	
6	2A001118	Clutch drum	1	
7	B064113	Index spring	1	
8	GU90353014	Circlip	1	
9	GU05234230	Spacer	1	
10	B064112	Index assy. lever	1	
11	GU05238431	Bushing	1	
12	1A018912	Preselection complete	1	
13	GU05238231	Spring	1	
14	B063956	Spring	1	
15	2A000467	Spacer	1	
16	GU05239330	Fifth wheel	2	
17	GU90271014	Circlip	2	
18	GU90401424	Gasket ring 14x24x7	1	
19	2A001116	Gear box	1	
20	2A000224	Rod	1	
21	2A000226	Fork 2-3 speed	1	
22	2A000227	5-6 gear fork	1	
23	2A000225	Fork for secondary shaft	1	
24	2A001139	Set screw	1	
25	B013608	Screw	1	
26	873905	Washer	1	
27	2A000306	Lock plate	1	
28	2A000241	Screw M5x16	1	

Group	Engine
Code	03.170
Description	Gear box / Selector / Shift cam
Service	1



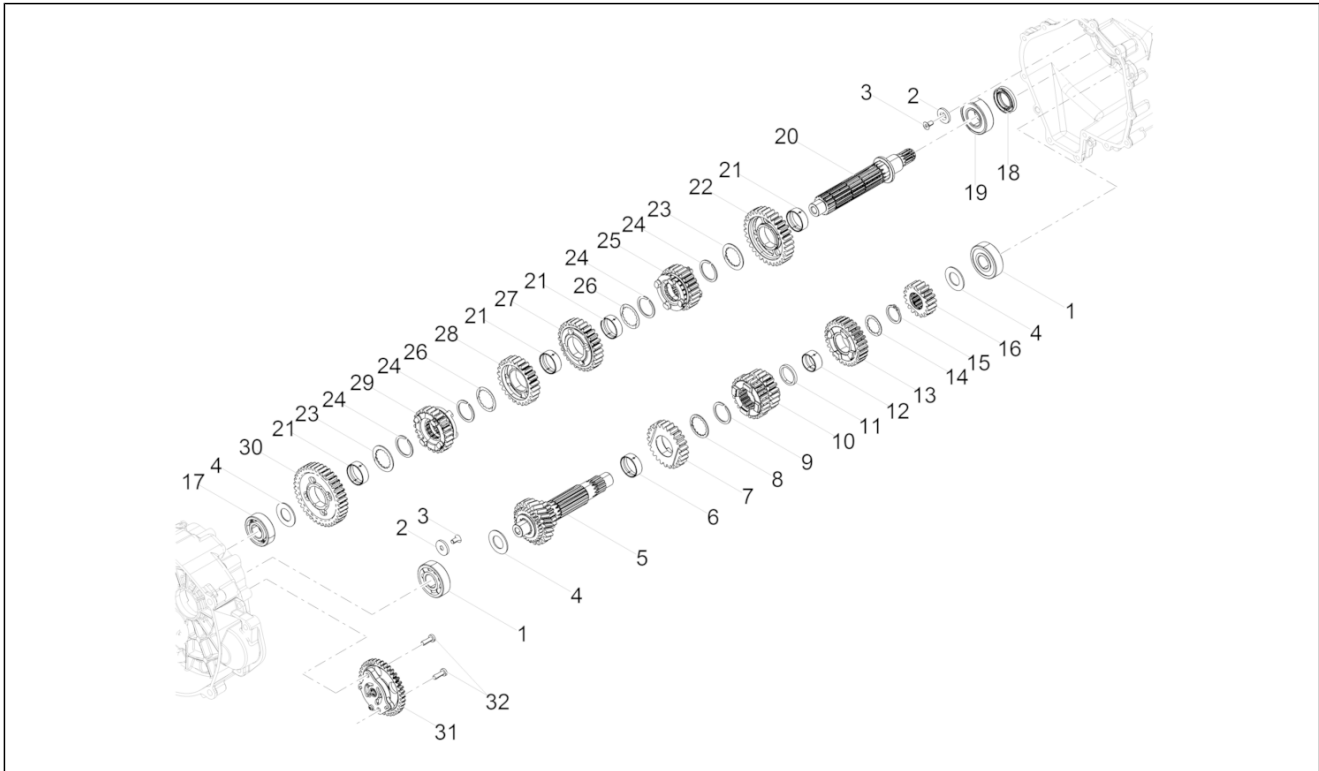
Pos.	Code	Description	Qty	Variants
29	857250	Ball bearing 25x42x9	1	
30	GU05235531	Tickness	1	
31	2A000938	Pin	6	
32	GU90271022	Circlip	1	
33	834764	Bearing	1	
34	GU90706203	O-ring 20,24X2,62	1	
35	GU12022600	Oil plug	1	
36	GU19002020	Bushing 6,6x9x13	2	
37	2A000591	Special hex socket screw M6x55	14	
38	2A001047	Shift cam cpl.	1	
39	B063025	Gasket 8.7x14.2x1.3	1	
40	1A011654	Sensor	1	
41	2A000097	Ball bearing 6202-2RSH/C3 LHT23	2	
42	GU93180220	Cover	1	
43	2A000823	Breather plug	1	
44	GU01528930	Gasket 10x18x1,5	1	
45	658837	Crinkle washer D15 F8,4 S1,5 - INOX	6	
46	GU98680440	Hex socket screw M8x40	6	
47	2A001050	Flat washer	1	
48	2B001138	Fairlead	1	
49	AP8152277	Flanged hexagon screw M6x12	1	
50	GU95008206	Washer 6,15x11x0,8	1	
51	2B001770	Fairlead	1	

Group	Engine
Code	03.180
Description	Gear box - Gear assembly
Service	1



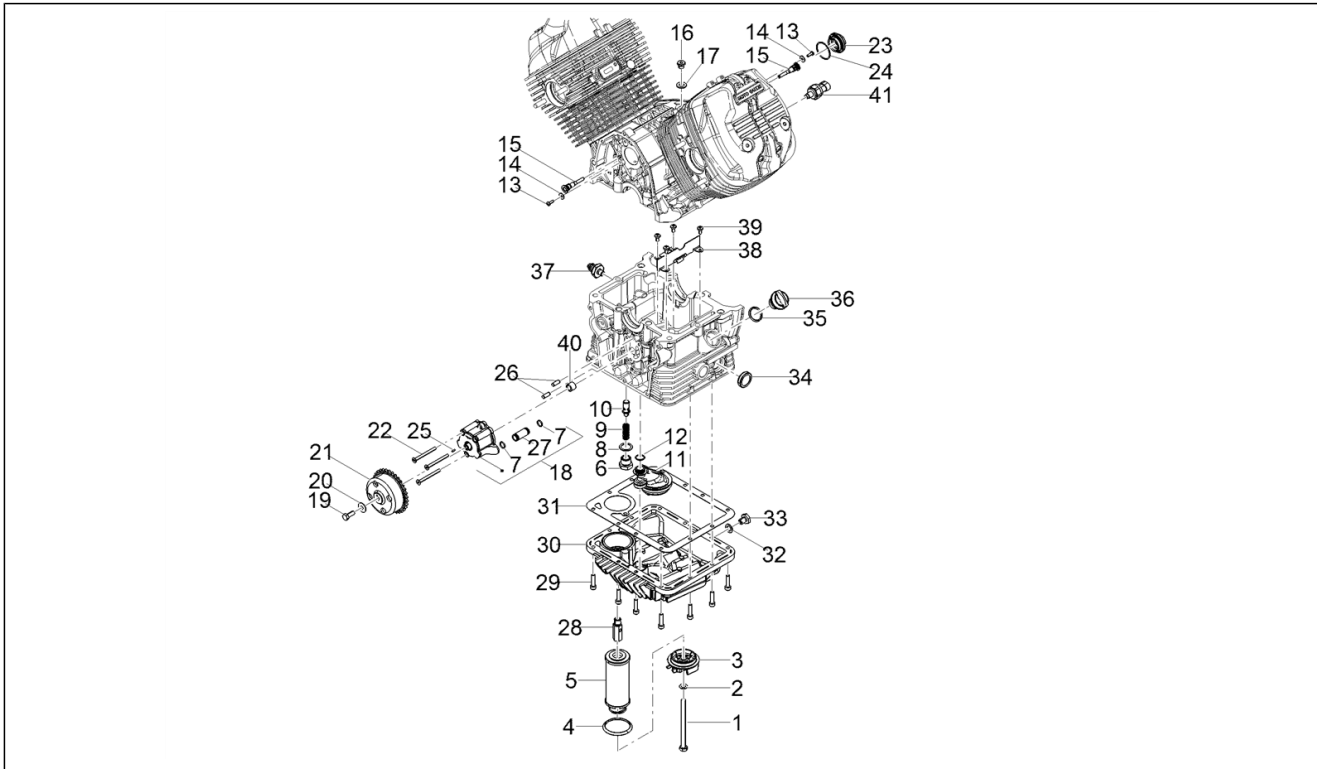
Pos.	Code	Description	Qty	Variants
1	GU92201822	Ball bearing 20x52x15	2	
2	873928	Washer	2	
3	B013608	Screw	2	
4	1A000566	Thrust washer	1	
5	2A000625	Primary gear shaft	1	
6	849308	Moveable bush	1	
7	1A000360	Fifth speed gear	1	
8	849424	Clearance washer	1	
9	1A002604	Shaft snap ring	1	
10	1A000436	Sliding pinion 3a - 4a vel.	1	
11	B015040	Thrust washer	1	
12	974162	Moveable bush	1	
13	2A000627	Gear 6a	1	
14	849396	Clearance washer	1	
15	974165	Snap ring	1	
16	1A000365	2nd pinion gear	1	
17	848650	Ball bearing 20x47x14	1	
18	873931	Gasket ring 40x25x7	1	
19	GU92201226	Ball bearing 25x52x15	1	
20	2A000998	Secondary gearbox shaft	1	
21	849308	Moveable bush	4	
22	2A000948	2nd speed gear on transmission shaft	1	
23	849309	Clearance washer	2	
24	1A002604	Shaft snap ring	4	
25	2A000947	Gear 6a	1	
26	849310	Clearance washer	2	
27	1A000367	Third speed gear Z=28	1	
28	1A000368	Fourth speed gear Z=26	1	

Group	Engine
Code	03.180
Description	Gear box - Gear assembly
Service	1



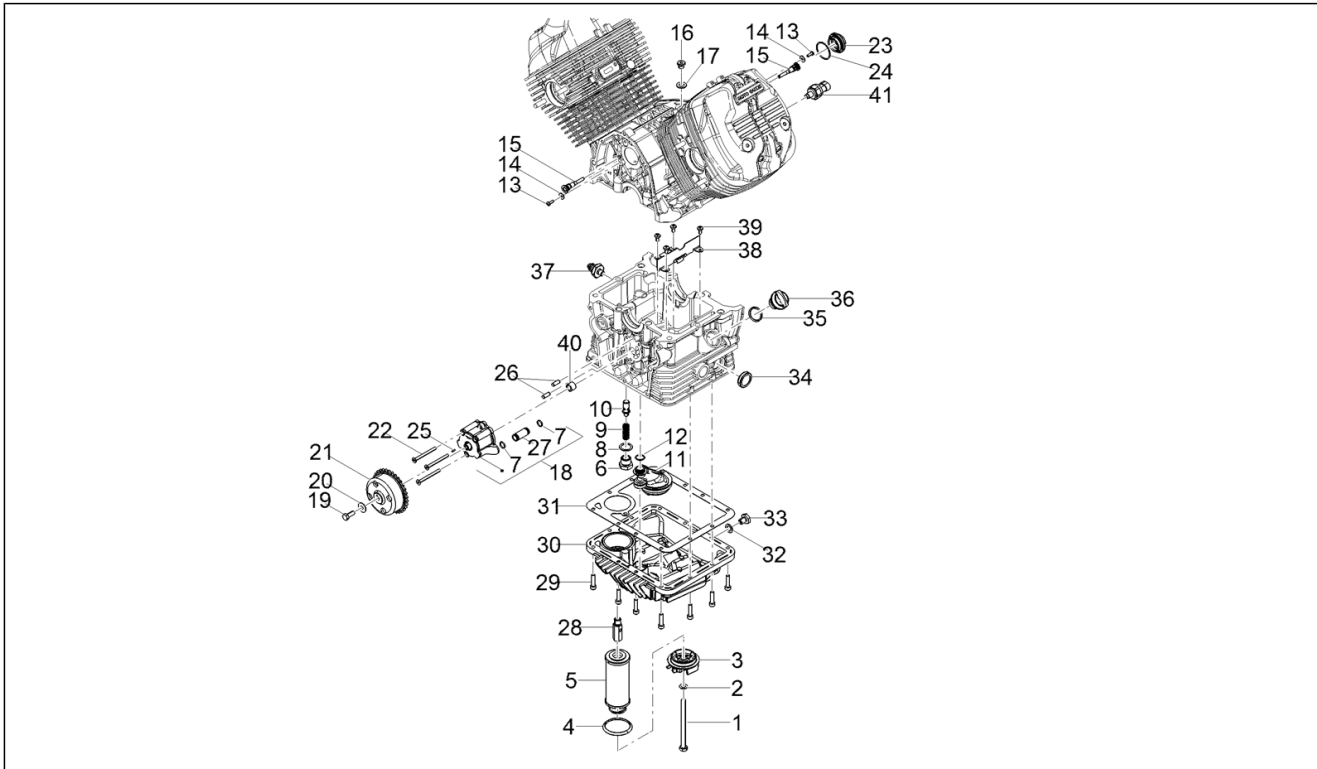
Pos.	Code	Description	Qty	Variants
29	2A000989	Fifth speed gear	1	
30	2A000988	First speed gear	1	
31	B018448	Oil pump assy.	1	
32	2A000241	Screw M5x16	2	

Group	Engine
Code	03.190
Description	Lubrication
Service	1



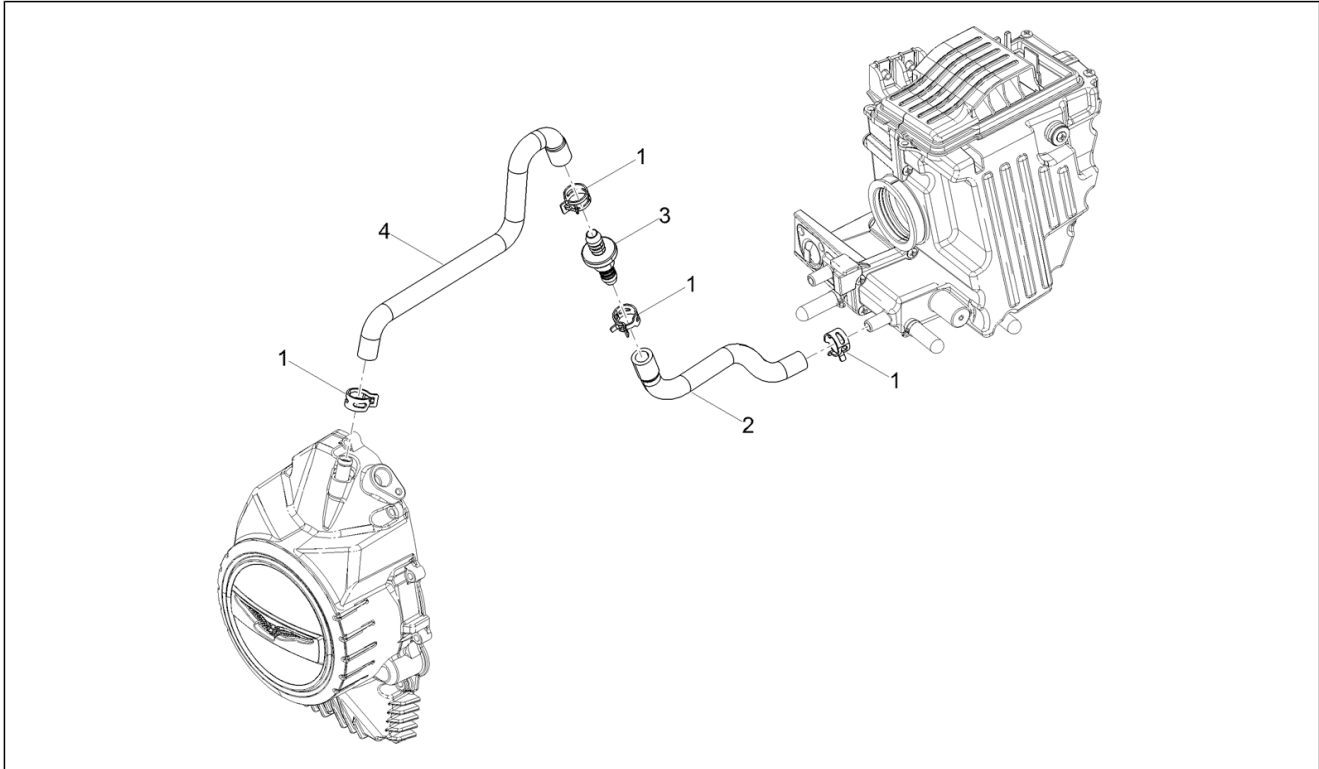
Pos.	Code	Description	Qty	Variants
1	GU27152885	Bolt	1	
2	GU12154200	Gasket 8,25x15x1	1	
3	1A013815	Oil filter cover	1	
4	GU90706444	O-ring	1	
5	2A000633	Oil filter	1	
6	GU31159050	Cover	1	
7	1A008325	Seal ring (o-ring)	2	
8	GU18144350	Washer 18,25x24x1	3	
9	GU94321079	Spring	1	
10	1A014844	Oil pressure adjusting valve	1	
11	1A004549	Oil strainer	1	
12	237553	O-ring	1	
13	1A005257	Oval head screw torx	2	
14	013763	Flat washer 4,2x12x1	2	
15	1A004442	Piston cooling jet	2	
16	1A009653	Plug M10	1	
17	GU95100309	Washer	1	
18	1A015236	Oil pump assembly	1	
19	1A014410	M7x18 pre-coated hex head screw	1	
20	1A014411	Belleville spring	1	
21	1A015233	Oil pump gear	1	
22	1A008533	Countersunk-head screw M5x55	3	
23	B015598	Oil filter plug	1	
24	1A016739	Gasket 31,47x1,78	1	
25	GU92296723	Roller	1	
26	GU19018920	Pin	2	
27	1A008291	Hose union	1	
28	GU19003800	Joint	1	

Group	Engine
Code	03.190
Description	Lubrication
Service	1



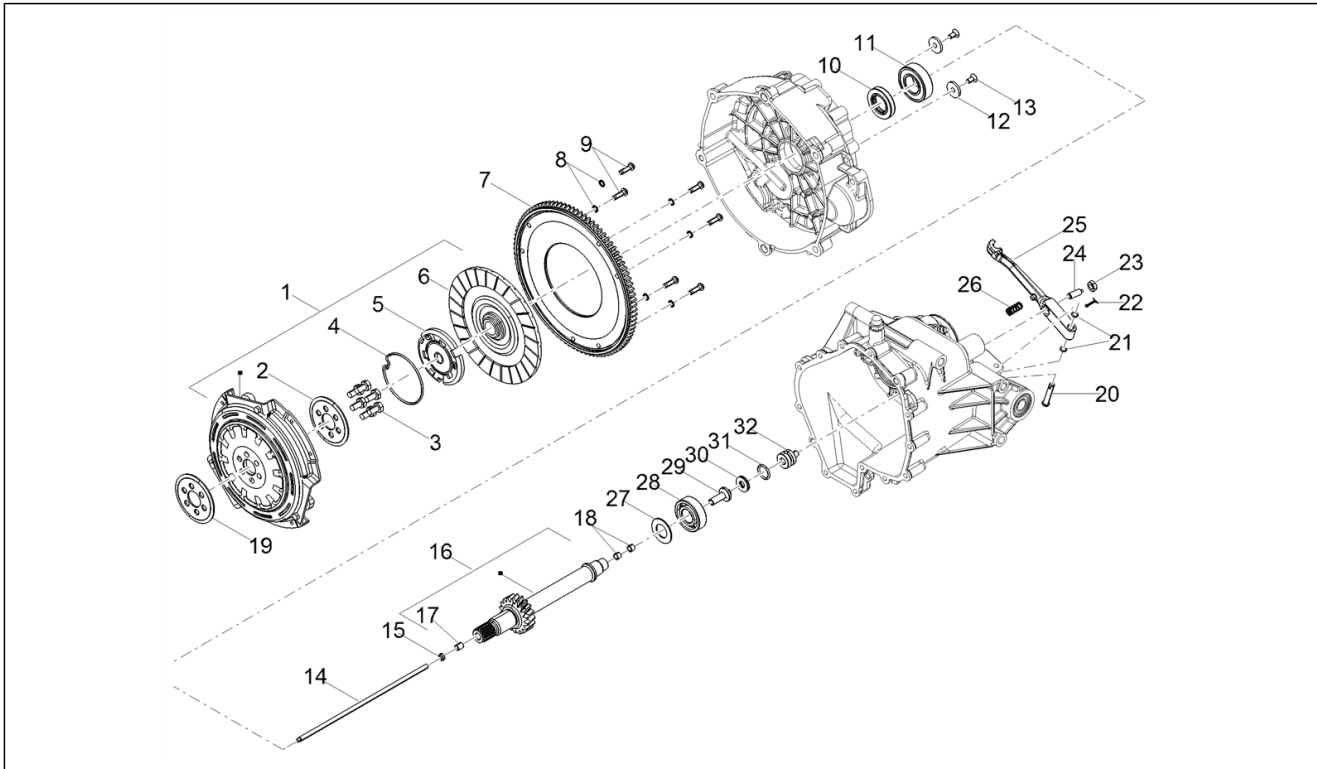
Pos.	Code	Description	Qty	Variants
29	GU98682325	Hex socket screw M6x25	12	
30	1A017127	Pan oil	1	
31	1A014777	Sump gasket	1	
32	GU10528900	Gasket	1	
33	GU31003766	Oil unload plug M10x1	1	
34	485693	Oil level indicator	1	
35	1A014908	Seal ring (o-ring)	1	
36	1A015819	Oil load plug	1	
37	1A017929	Minimum oil pressure sensor	1	
38	1A008566	Panel	1	
39	1A003111	TCIC Screw M5x10	4	
40	976168	Drawn cap 10x14x12	1	
41	1A016442	Oil temperature sensor	1	

Group	Engine
Code	03.196
Description	Blow-by system
Service	1



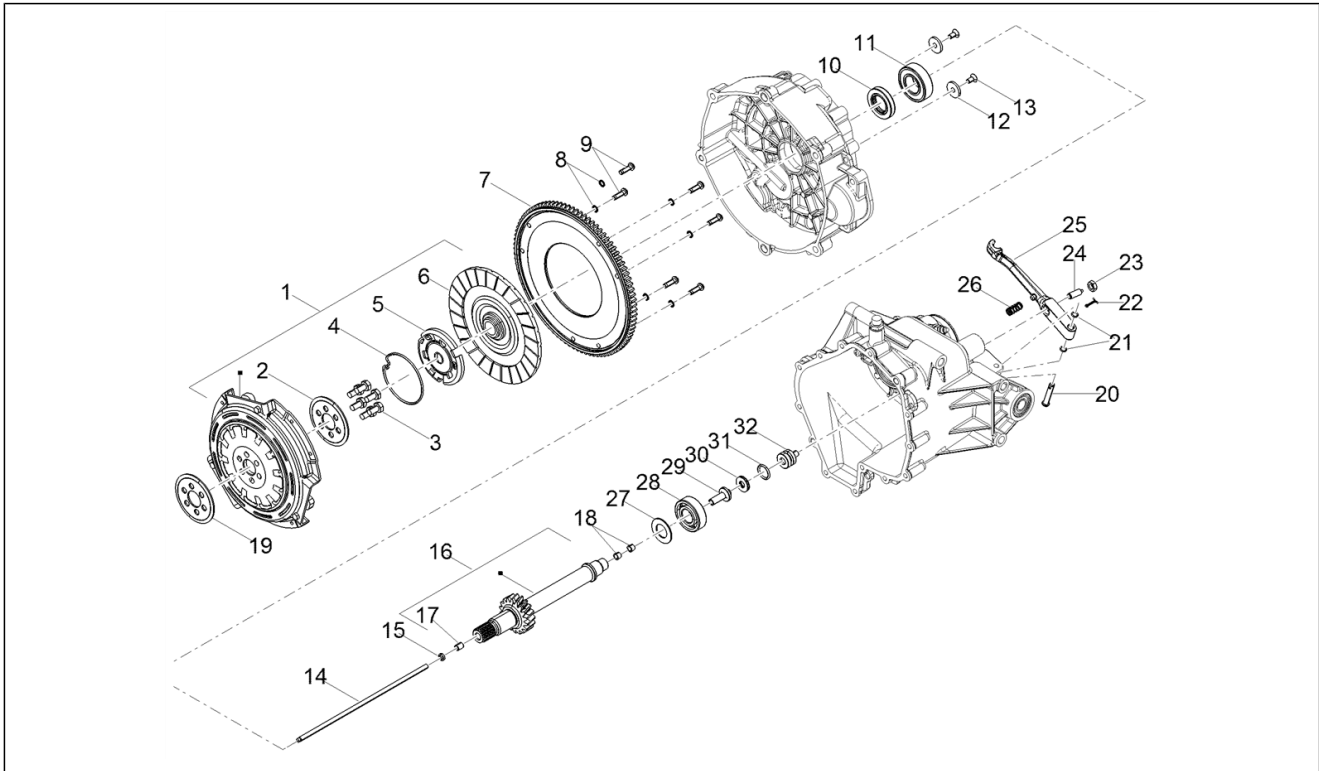
Pos.	Code	Description	Qty	Variants
1	CM226902	Spring clamp 19/12	4	
2	2B003204	Blow-by pipe	1	
3	2B003105	Anti-return valve	1	
4	2B002602	Blow-by pipe	1	

Group	Engine
Code	03.230
Description	Clutch
Service	1



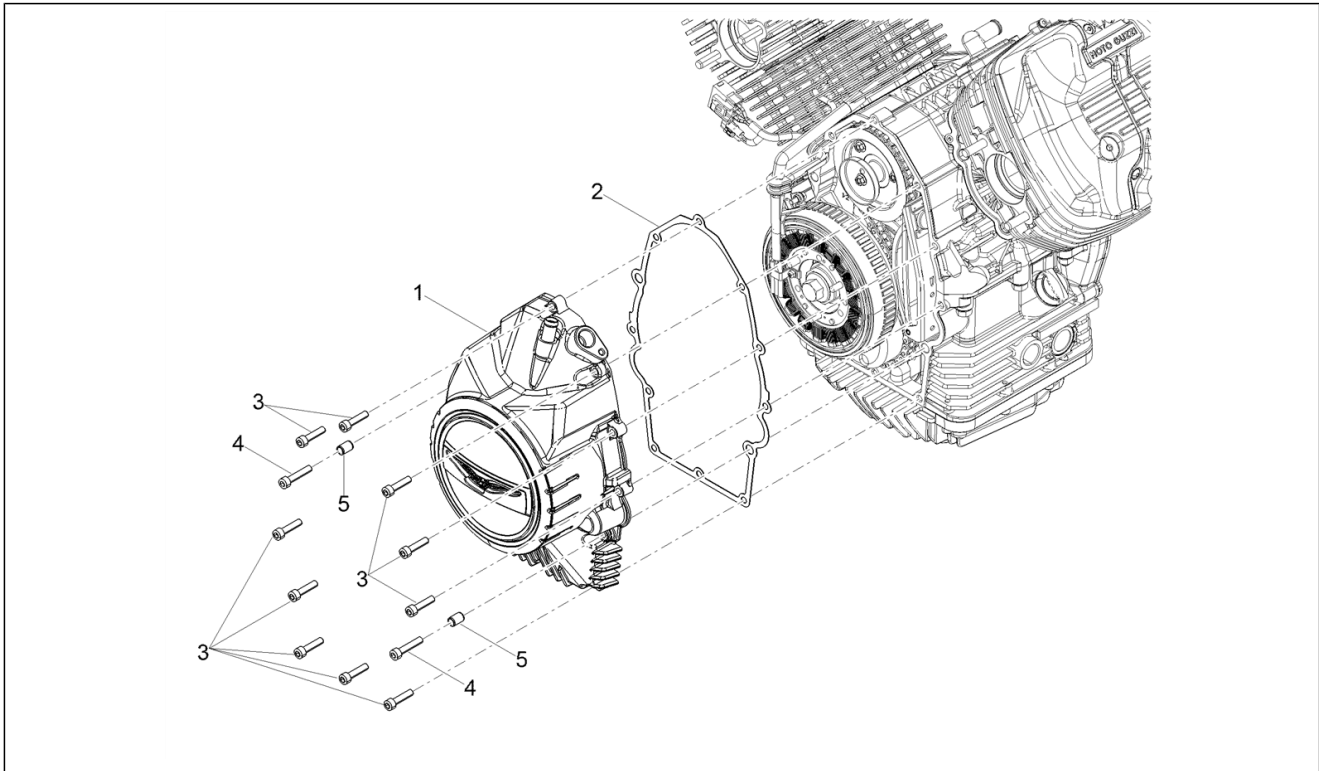
Pos.	Code	Description	Qty	Variants
1	2A000968	Single-plate clutch	1	
2	2A000741	Support	1	
3	GU19067700	screw	6	
4	2A000418	Ring	1	
5	2A000638	Spring cap	1	
6	2A000969	Driven clutch disc	1	
7	2A000529	Starter ring gear	1	
8	GU14217901	Washer 6,4x10x0,7	6	
9	2A000774	Oval head torx screw M6X20	6	
10	2A001004	Gasket ring	1	
11	GU92201226	Ball bearing 25x52x15	1	
12	873928	Washer	3	
13	B013608	Screw	3	
14	2A000216	Drive rod	1	
15	2A000378	Gasket ring	1	
16	2A001062	Clutch shaft, Z=18	1	
17	GU05217630	Bushing	1	
18	GU14085900	Bush	2	
19	1A009630	Clutch plate	1	
20	2A000384	Lever pin	1	
21	974165	Snap ring	1	
21	2A000385	O-ring 6.5x1.5	2	
22	GU95500222	Split pin	1	
23	GU92606508	Nut	1	
24	2A000838	Adjuster screw	1	
25	2A000631	Clutch release shaft	1	
26	GU94321105	Lever return spring	1	
27	1A000566	Thrust washer	1	

Group	Engine
Code	03.230
Description	Clutch
Service	1



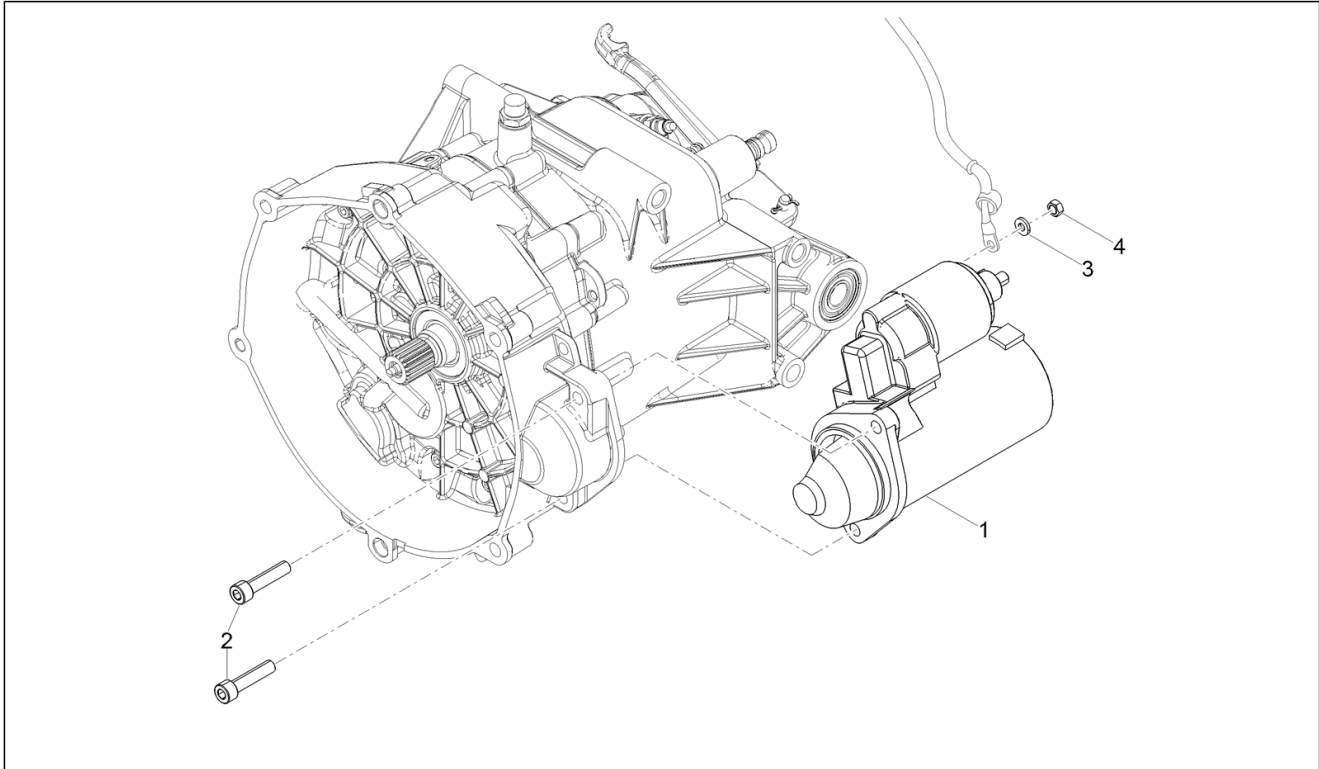
Pos.	Code	Description	Qty	Variants
28	2A001035R	Ball bearing 20x47x14	1	
29	B013037	Clutch gear	1	
30	2A000376	Thrust bearing	1	
31	GU90706170	O-ring 17,13x2,62	1	
32	GU14086100	Outer body	1	

Group	Engine
Code	03.270
Description	Flywheel cover
Service	1



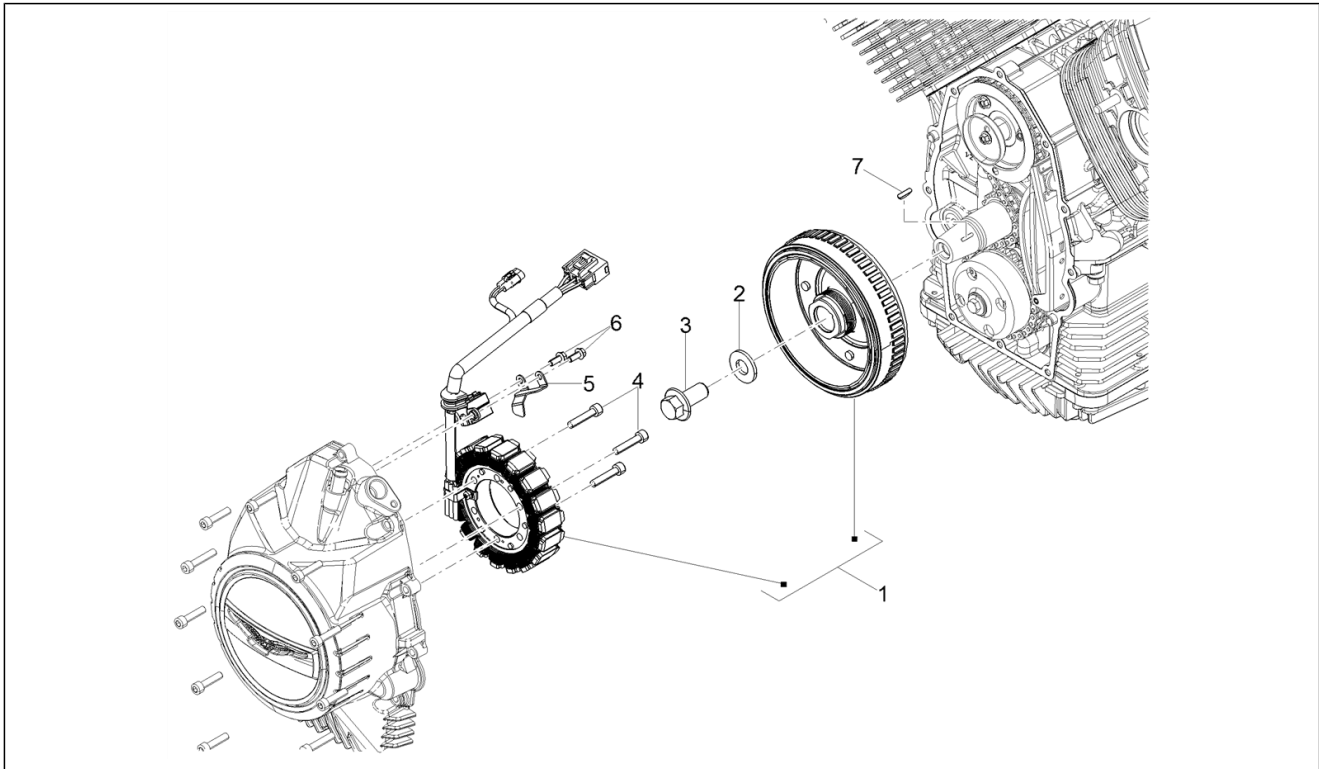
Pos.	Code	Description	Qty	Variants
1	1A016407	Cover	1	
2	887003	Cover gasket	1	
3	GU98682325	Hex socket screw M6x25	10	
4	GU98682330	Hex socket screw M6x20	2	
5	GU19002020	Bushing 6,6x9x13	2	

Group	Engine
Code	03.290
Description	Starter / Electric starter
Service	1



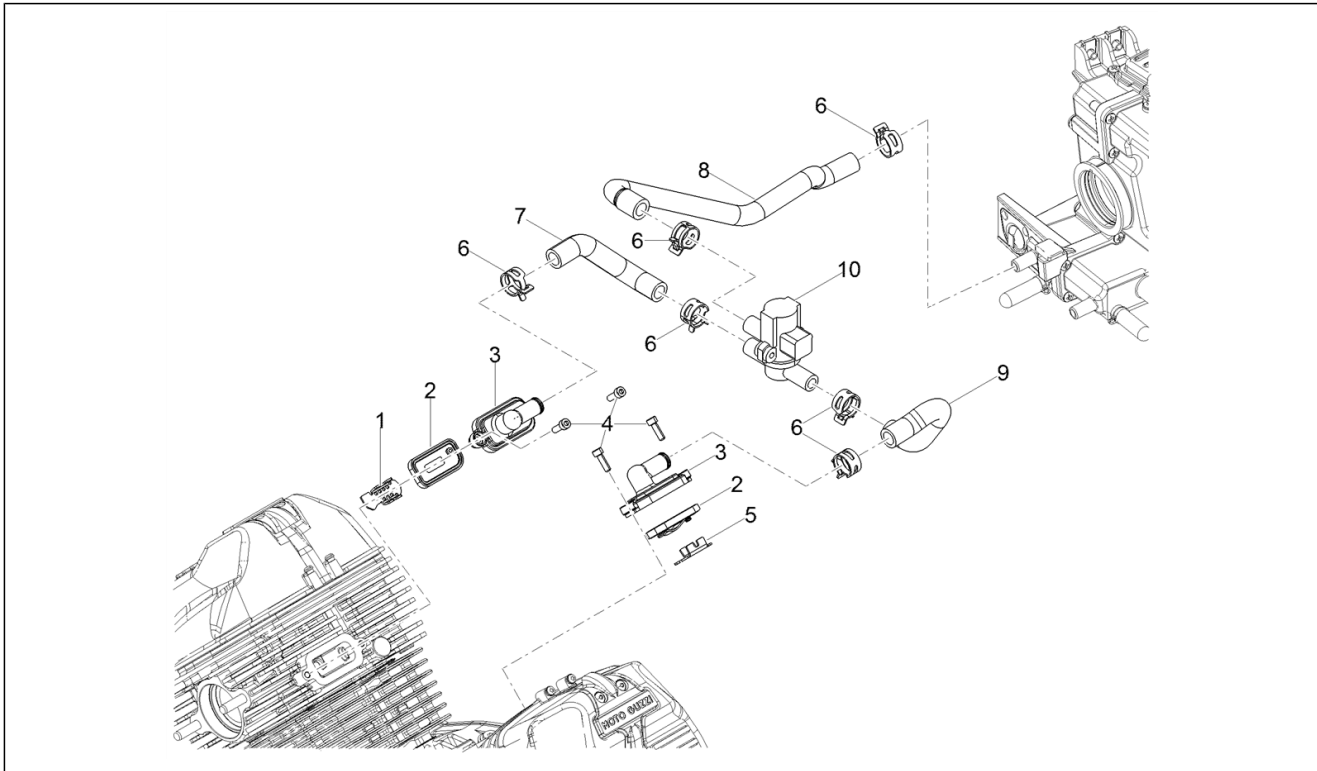
Pos.	Code	Description	Qty	Variants
1	97729R	Starter motor	1	
2	GU98682435	Hex socket screw	2	
3	GU95129131	Washer 8,4x15x1,7	1	
4	GU92609408	Nut M8x1,25	1	

Group	Engine
Code	03.300
Description	Cdi magneto assy / Ignition unit
Service	1



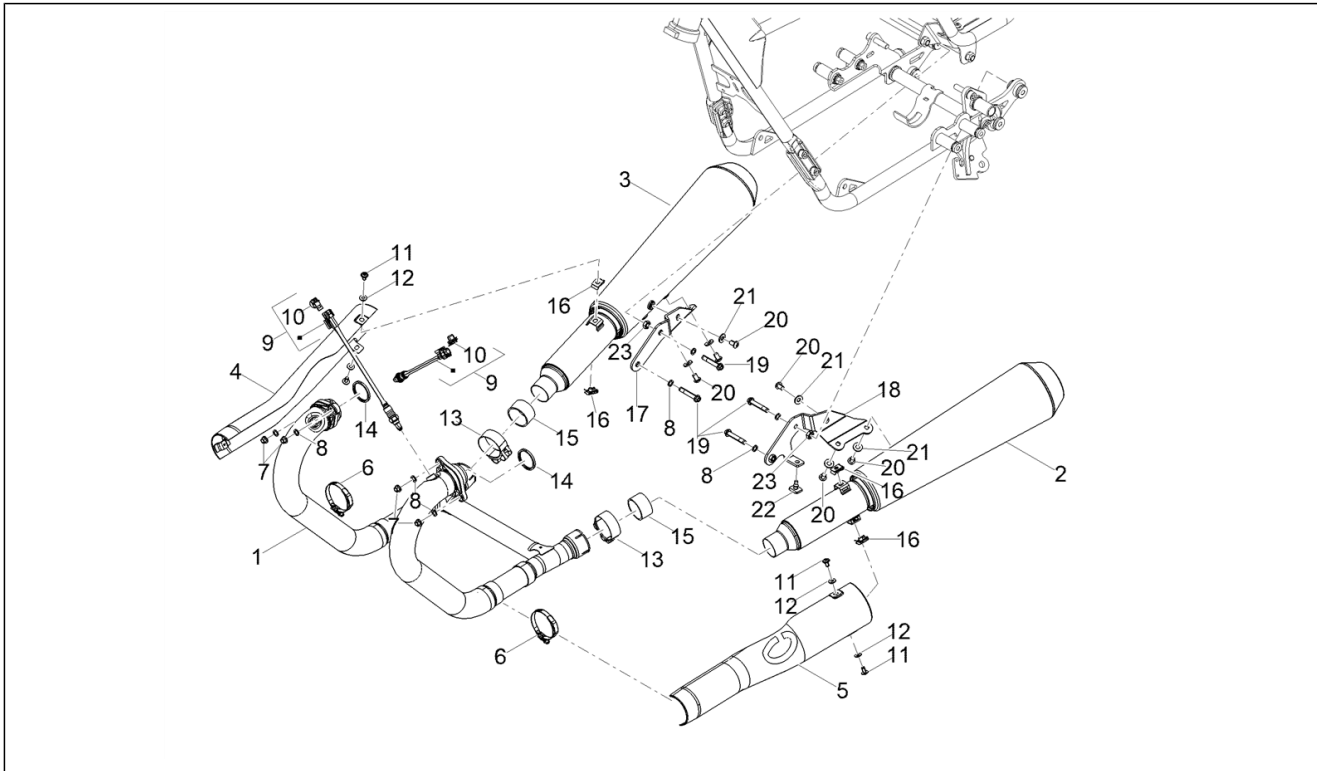
Pos.	Code	Description	Qty	Variants
1	1A016500	Complete magneto flywheel	1	
2	825725	Flat washer 14.1x30x3	1	
3	B015563	Screw w/ flange M14x30	1	
4	GU98682330	Hex socket screw M6x20	3	
5	1A014626	Plate	1	
6	1A015041	Screw m5x12 torx	2	
7	000267	Transmission key	1	

Group	Engine
Code	03.320
Description	Secondary air
Service	1



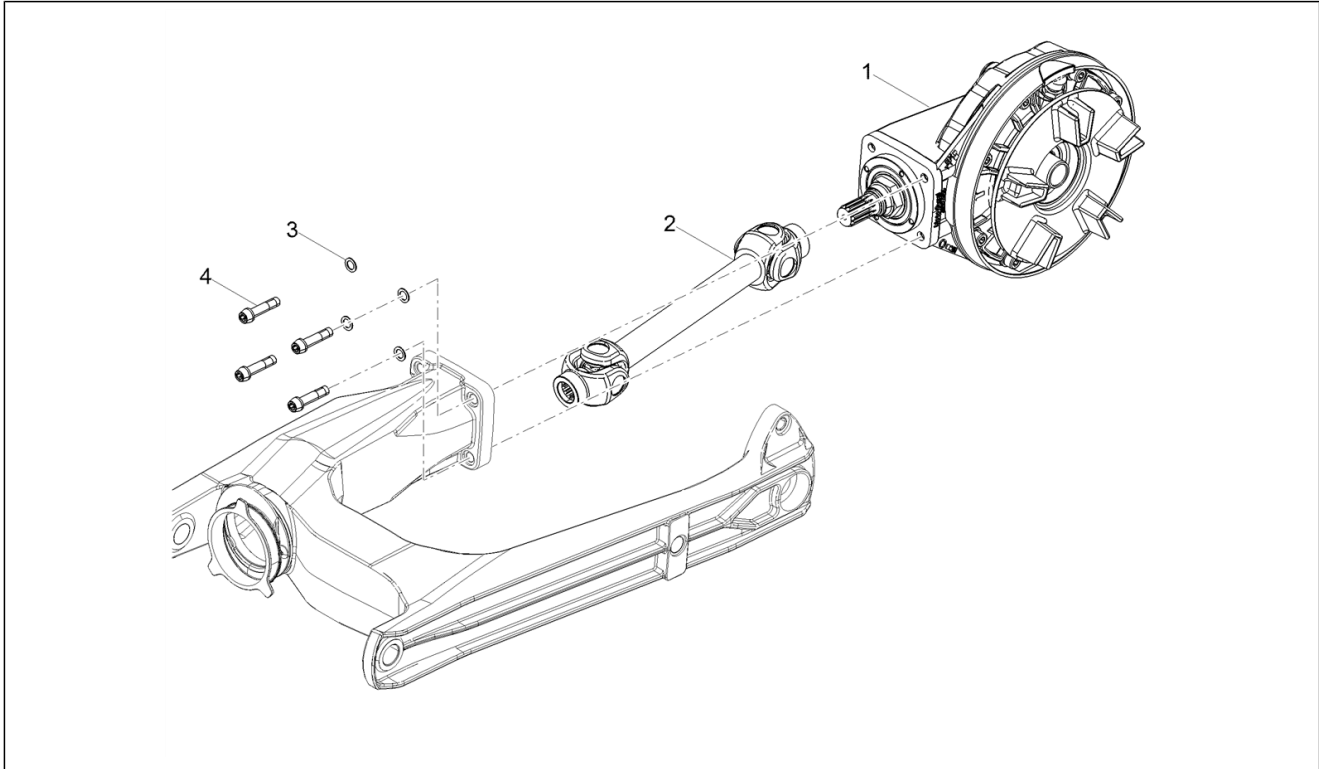
Pos.	Code	Description	Qty	Variants
1	857047	Spark arrester	1	
2	857045	Reed valve	2	
3	1A017801	Cover	2	
4	GU98612216	Hex socket screw	4	
5	857046	Spark arrester	1	
6	CM226902	Spring clamp 19/12	6	
7	2B002529	RH pipe "S.A.S."	1	
8	2B002531	Filter box pipe "S.A.S."	1	
9	2B002530	LH pipe "S.A.S."	1	
10	857181	SAS valve	1	

Group	Engine
Code	03.330
Description	Exhaust pipe
Service	1



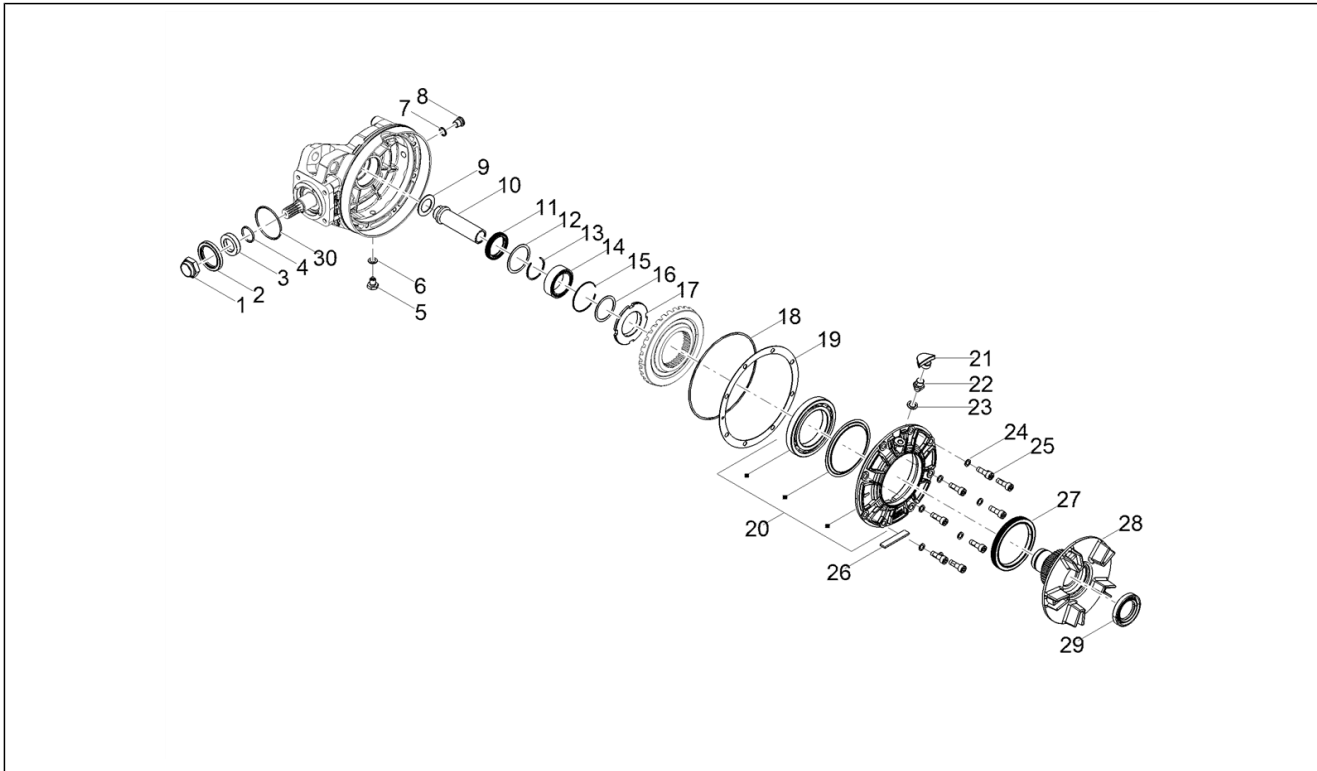
Pos.	Code	Description	Qty	Variants
1	2B007598	Exhaust manifold	1	
2	2B007606	LH silencer	1	
3	2B007607	RH silencer	1	
4	2B007611	RH silencer guard	1	
5	2B007610	LH silencer guard	1	
6	2B008611	Hose clamp Ø40-60	2	
7	GU92660021	Flanged nut M8	4	
8	GU14615901	Washer 8,4X13X0,8	10	
9	1A014335	Lamda sensor	2	
10	1A015201	Clip	2	
11	2B004031	TBEI flanged screw M6x12	4	
12	AP8152181	Washer 6,4x15x1	4	
13	2B007833	Hose clamp	2	
14	852090	Exhaust pipe gasket	2	
15	2B007137	Gasket WIREMESH	2	
16	254485	Spring plate M6	4	
17	2B009267	Right silencer support bracket	1	
18	2B009266	Left silencer support bracket	1	
19	2B004784	screw TEFL M8X45	4	
20	AP8152055	Hex socket screw M8x12	6	
21	GU95008208	Washer 8,4X15X1,5	6	
22	AP8120455	Rubber spacer	1	
23	967363	Nut M8x1,25	2	

Group	Engine
Code	03.340
Description	Transmission complete
Service	1



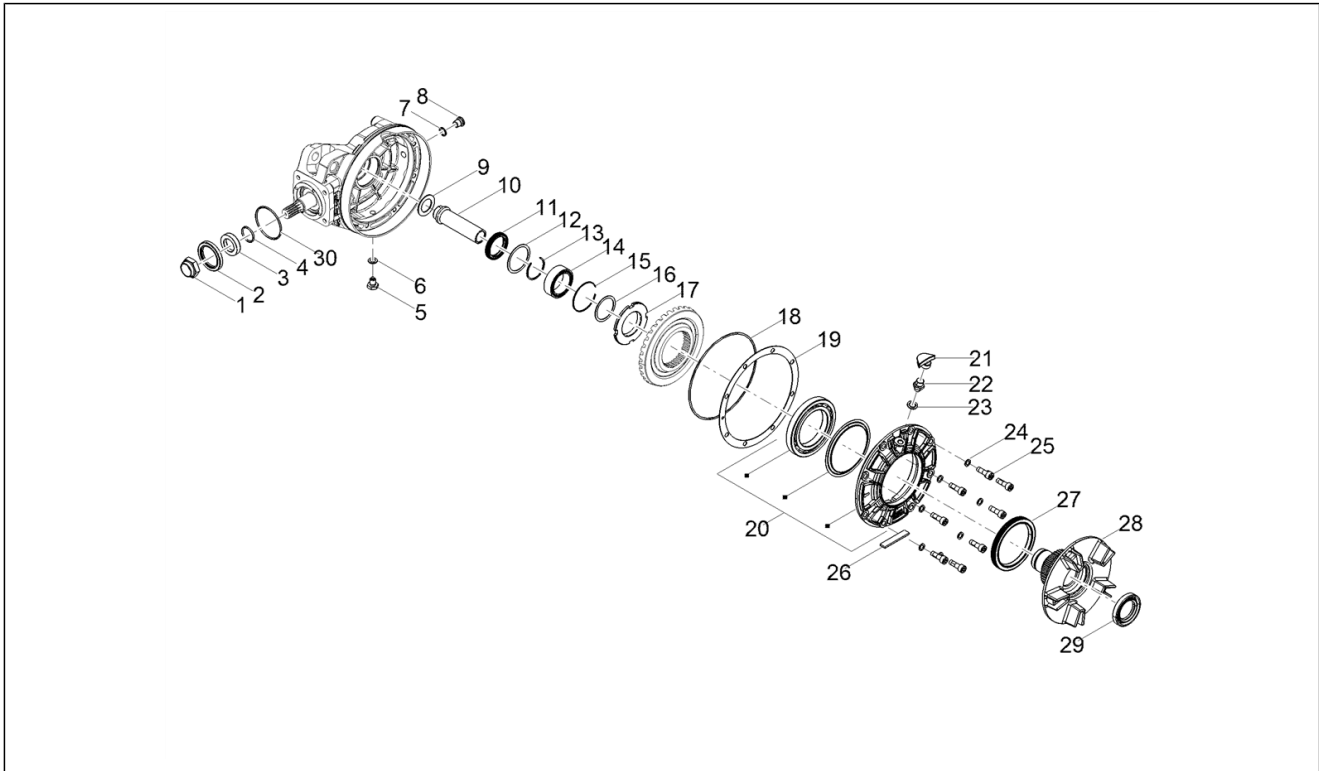
Pos.	Code	Description	Qty	Variants
1	2B008293	Transmission complete	1	
2	2B001636	Propeller shaft & universal joint	1	
3	GU14615901	Washer 8,4X13X0,8	4	
4	2B002699	Torx M8x35 cap screw with pre-coated collar	4	

Group	Engine
Code	03.350
Description	Rear transmission / Components
Service	1



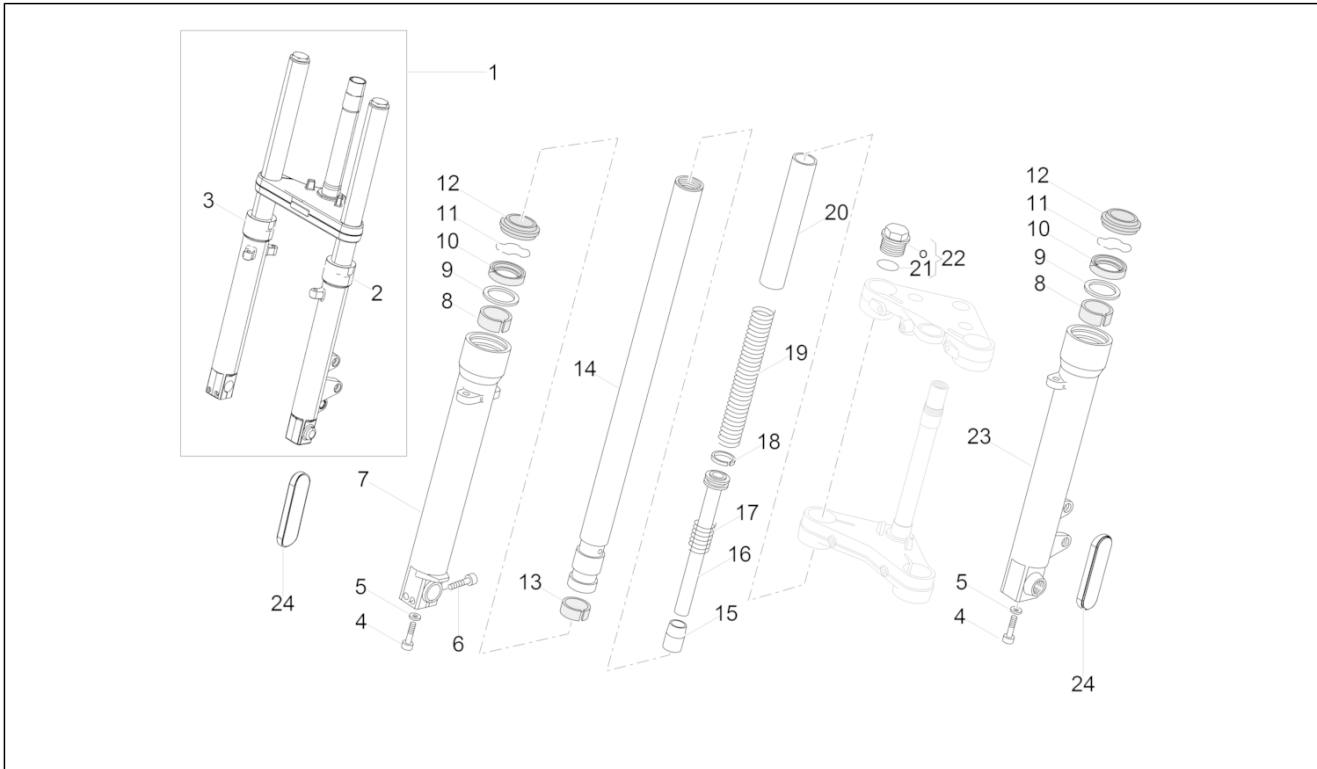
Pos.	Code	Description	Qty	Variants
1	2B005012	Nut	1	
2	2B000404	Gasket ring	1	
3	2B001311	Spacer	1	
4	GU90706188	Gasket ring 18,77X1,78	1	
5	GU31003766	Oil unload plug M10x1	1	
6	GU01528930	Gasket 10x18x1,5	1	
7	224566	Washer	1	
8	GU05351230	Oil plug M12x1,5	1	
9	GU37359005	Washer	1	
10	2B007257	Wheel spacer	1	
11	GU90413850	Gasket ring 38X50X7	1	
12	GU12351100	Gasket ring	1	
13	2B002200	Washer for shafts	1	
14	2B006088R	Roller bearing 40x55x17	1	
15	B064304	Circlip	1	
16	GU19351100	Clearance washer	1	
17	2B002536	Crown fixing ring nut	1	
18	GU90706958	O-ring 158,42X2,62	1	
19	GU04355100	Tickness 0,6 mm	1	
19	GU04355101	Tickness 0,7 mm	1	
19	GU04355104	Tickness 1 mm	1	
19	GU04355105	Tickness 1,1 mm	1	
19	GU04355106	Tickness 1,2 mm	1	
19	GU04355103	Tickness 0,9 mm	1	
19	GU04355102	Tickness 0,8 mm	1	
20	2B006110	Flange	1	
21	2B002807	Cap	1	
22	2A000823	Breather plug	1	

Group	Engine
Code	03.350
Description	Rear transmission / Components
Service	1



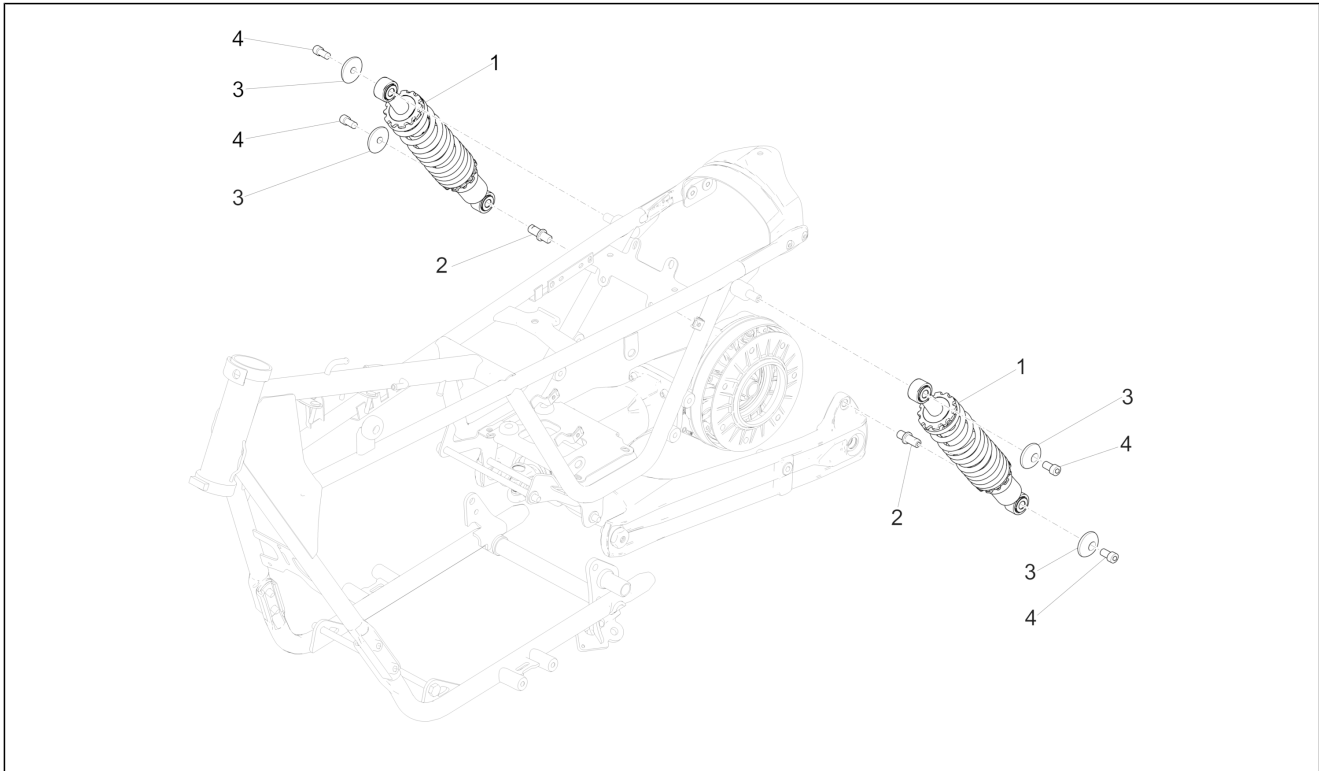
Pos.	Code	Description	Qty	Variants
23	GU01528930	Gasket 10x18x1,5	1	
24	GU14615901	Washer 8,4X13X0,8	8	
25	2B002171	Special cap screw 8x25	8	
26	2B006064	Felt	1	
27	2B002535	Gasket ring 80x100x10	1	
28	2B007759	Flexible couplings hub	1	
29	2B007243	Gasket ring 26x42x7	1	
30	GU90706584	Gasket 58,42x2,62	1	

Group	Suspensions
Code	04.060
Description	Front fork Kaifa
Service	1



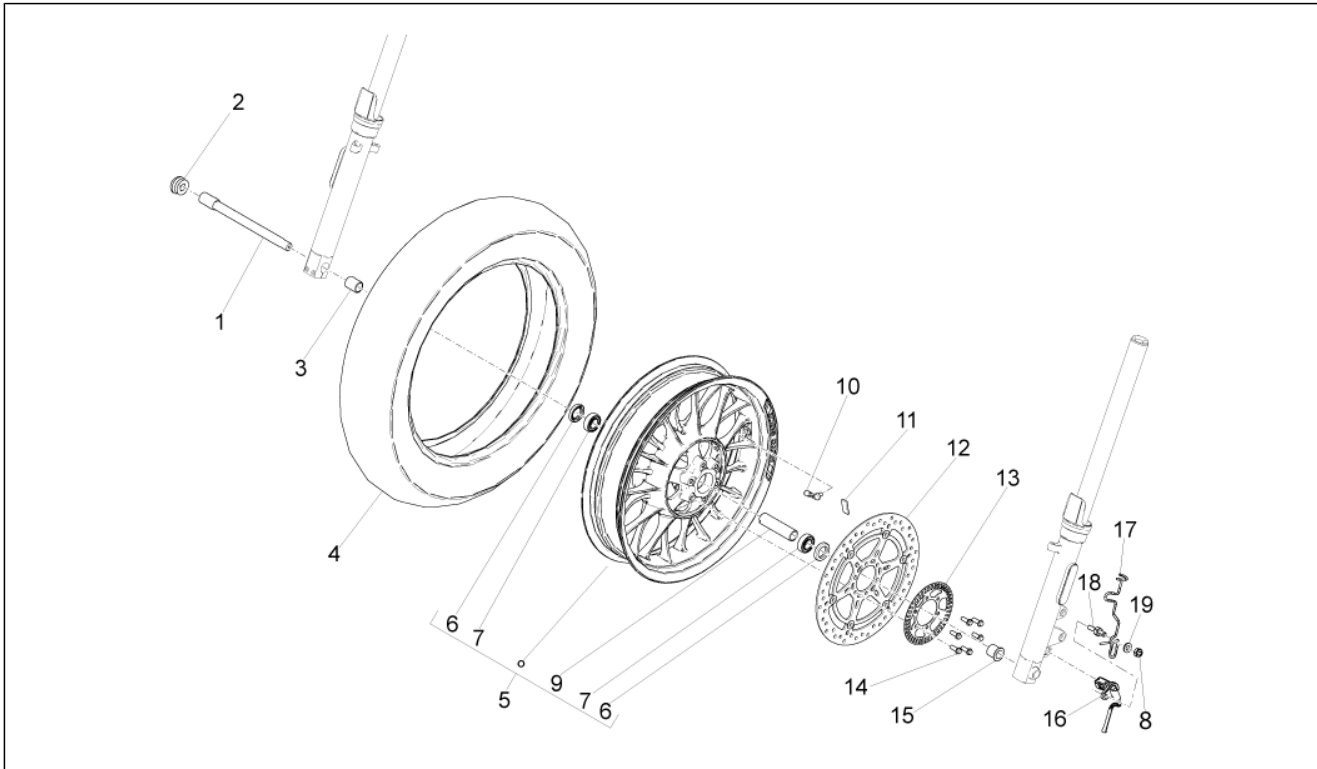
Pos.	Code	Description	Qty	Variants
1	2B002192	Front fork assembly	1	
2	2B002295	LH sleeve and rod	1	
3	2B002294	RH sleeve and rod	1	
4	887878	screw M10x30	2	
5	887879	Washer	2	
6	887880	screw	2	
7	2R000109	RH sleeve	1	
8	887882	Upper bush	2	
9	887883	Washer	2	
10	887884	Gasket ring	2	
11	887885	Stop ring	2	
12	887886	Dust cover	2	
13	887888	Bush	2	
14	2B003742	RH-LH stanchion	1	
15	887889	Pad	2	
16	887891	Plunger, complete	2	
17	887890	Return spring	2	
18	887905	Ring	2	
19	2R000243	Spring	2	
20	887893	pipe	2	
21	887916	O-ring 4118	2	
22	887894	Plug cpl.	2	
23	2R000110	LH sleeve	1	
24	GU05781630	Reflector, amber	2	

Group	Suspensions
Code	04.080
Description	Shock absorber
Service	1



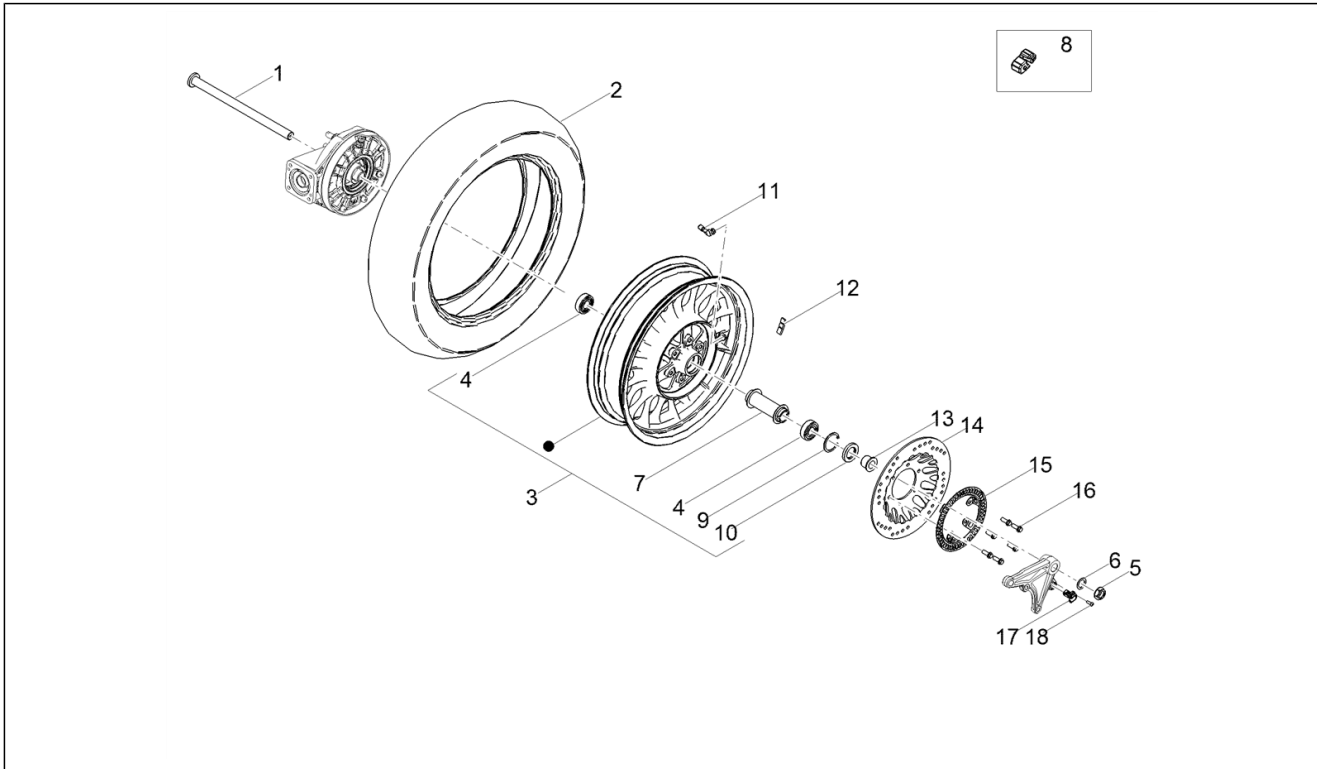
Pos.	Code	Description	Qty	Variants
1	2B002988	Rear shock absorber	2	
2	2B003111	Shock absorber pin	2	
3	B063174	Bush	4	
4	884031	Precoated SHC screw M6x14	4	

Group	Wheels
Code	05.010
Description	Front wheel
Service	1



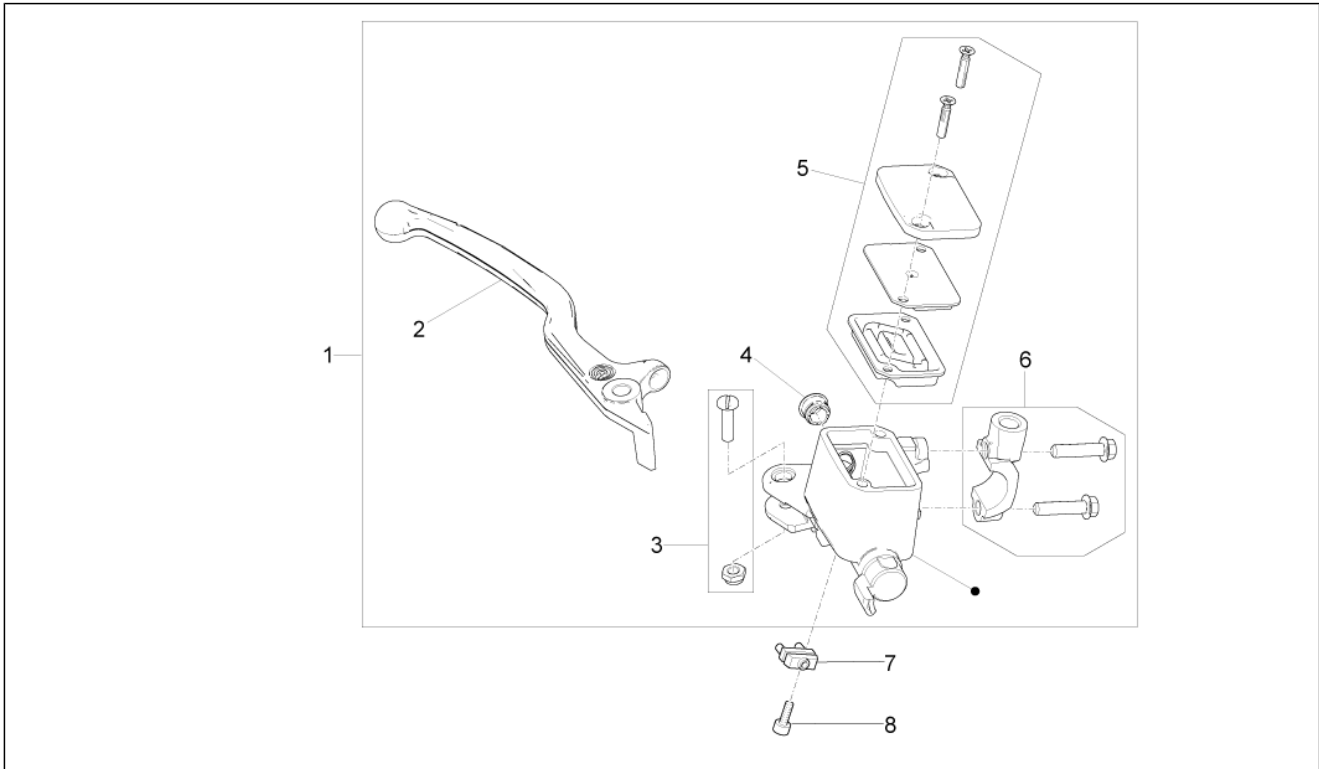
Pos.	Code	Description	Qty	Variants
1	2B001139	Front wheel spindle	1	
2	GU93180111	Cover 15 mm	1	
3	GU32615660	RH spacer	1	
4	2B005767	Front tyre 130/90 - 16 (DUNLOP)	1	
5	2B001762	3.5X16 front wheel with bearings	1	
6	GU90402642	Gasket ring 26x42x7	2	
7	GU92204221	Bearing	2	
8	GU92630207	Nut	1	
9	2B001073	Front wheel internal spacer	1	
10	GU03617710	Tubeless tyre valve	1	
11	GU14616150	Counterweight	1	
12	883688	Front brake disc 320	1	
13	2B004778	ABS phonic wheel	1	
14	2B002416	Screw w/ flange M8x20	6	
15	GU31616384	LH spacer	1	
16	859792	ABS sensor	2	
17	2B001561	Fairlead	1	
18	2B001708	Spacer	1	
19	AP8150178	Washer 6,4x12,5*	1	

Group	Wheels
Code	05.020
Description	Rear wheel
Service	1



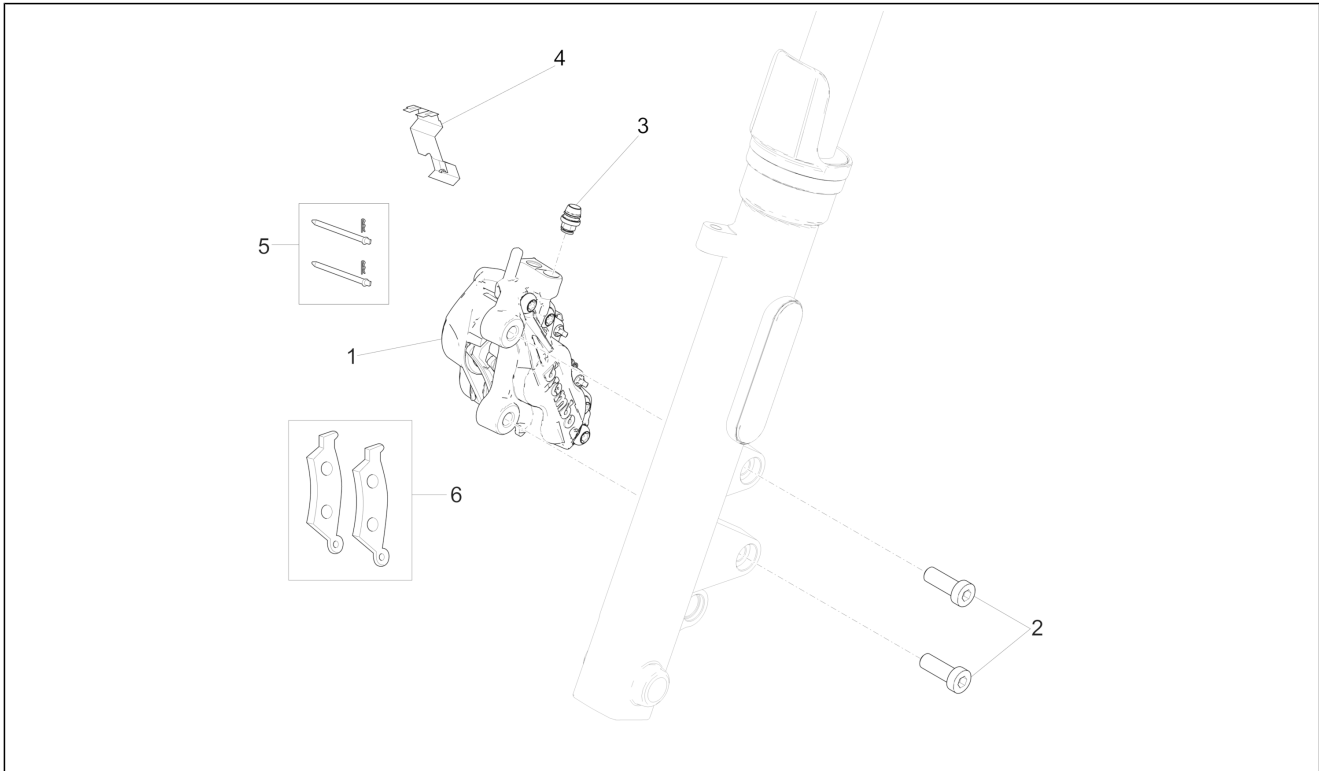
Pos.	Code	Description	Qty	Variants
1	2B001310	Rear wheel spindle	1	
2	2B005768	Rear tyre 150/80 16" (DUNLOP)	1	
3	2B001114	Rear rim 4X16" with bearings	1	
4	GU92204220	Ball bearing 20X47X14	2	
5	648708	Rear wheel spindle nut	1	
6	AP8125687	Wheel pin washer	1	
7	2B001279	Rear wheel spacer set	1	
8	GU32632510	Rubber coupling	6	
9	GU90272047	Circlip 47X50,5	1	
10	AP8110109	Gasket ring 28X47X7	1	
11	GU03617710	Tubeless tyre valve	1	
12	GU14616150	Counterweight	1	
13	2B001956	Rear wheel spacer	1	
14	887448	Brake disc	1	
15	2B004396R	Phonic wheel	1	
16	2B002416	Screw w/ flange M8x20	6	
17	859792	ABS sensor	1	
18	1C001499	TBEI TORX screw M5x16 INOX	1	

Group	Brake system
Code	06.010
Description	Front master cilinder
Service	1



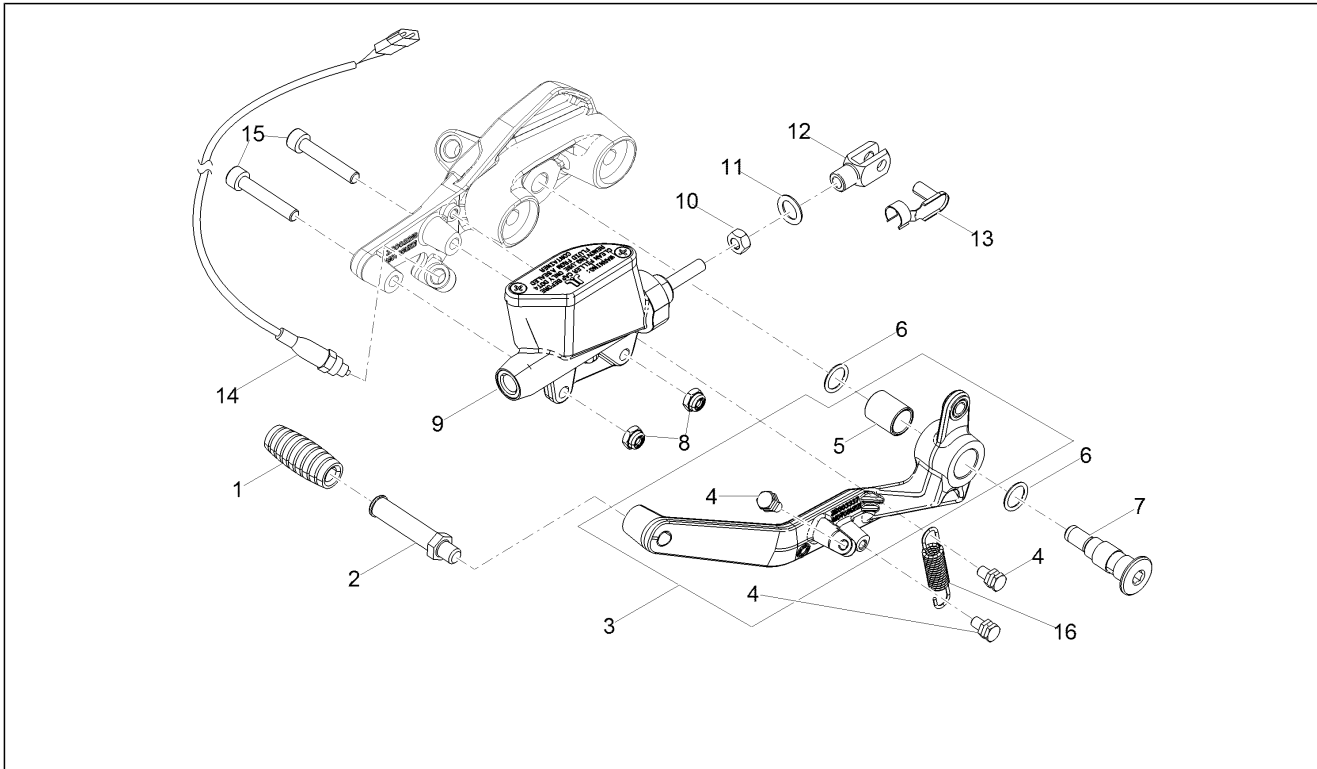
Pos.	Code	Description	Qty	Variants
1	2B002269	Front master cilinder	1	
2	2B003041	Replacement lever	1	
3	2B003040	Replacement lever pivot complete with nut	1	
4	2B001930	Replacement front brake master cylinder sight glass	1	
5	2B003039	Replacement cap complete with membrane and screws	1	
6	2B001929	Bracket	1	
7	GU03749845	Stop switch	1	
8	AP8152043	Hex socket screw M4x10	1	

Group	Brake system
Code	06.020
Description	Front brake caliper
Service	1



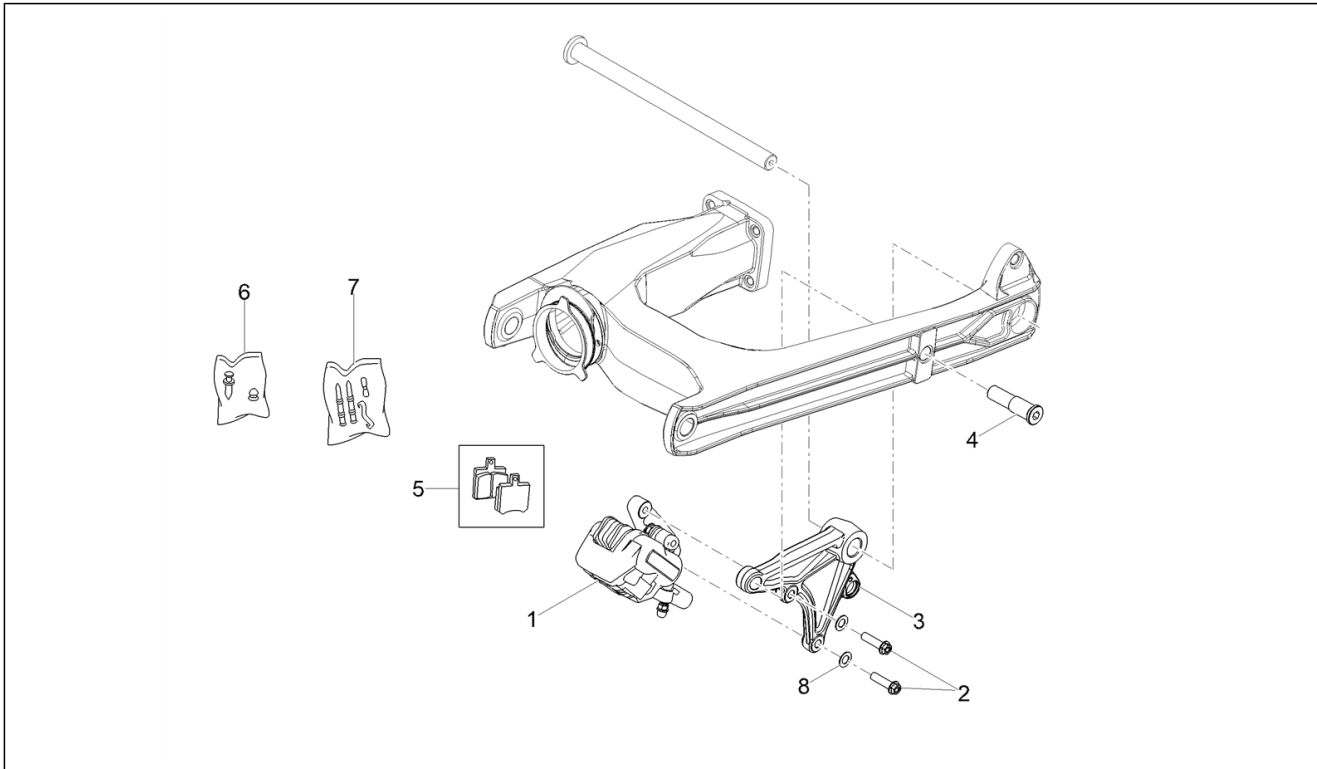
Pos.	Code	Description	Qty	Variants
1	2B003271	LH front brake caliper	1	
2	AP8152385	Hex socket screw M10x1,25	2	
3	GU05659230	Bleeder+cap	1	
4	GU01659131	Spring	1	
5	GU01659130	Pins+Caliper springs	1	
6	2B003313	Pads pair	1	

Group	Brake system
Code	06.030
Description	Rear master cylinder
Service	1



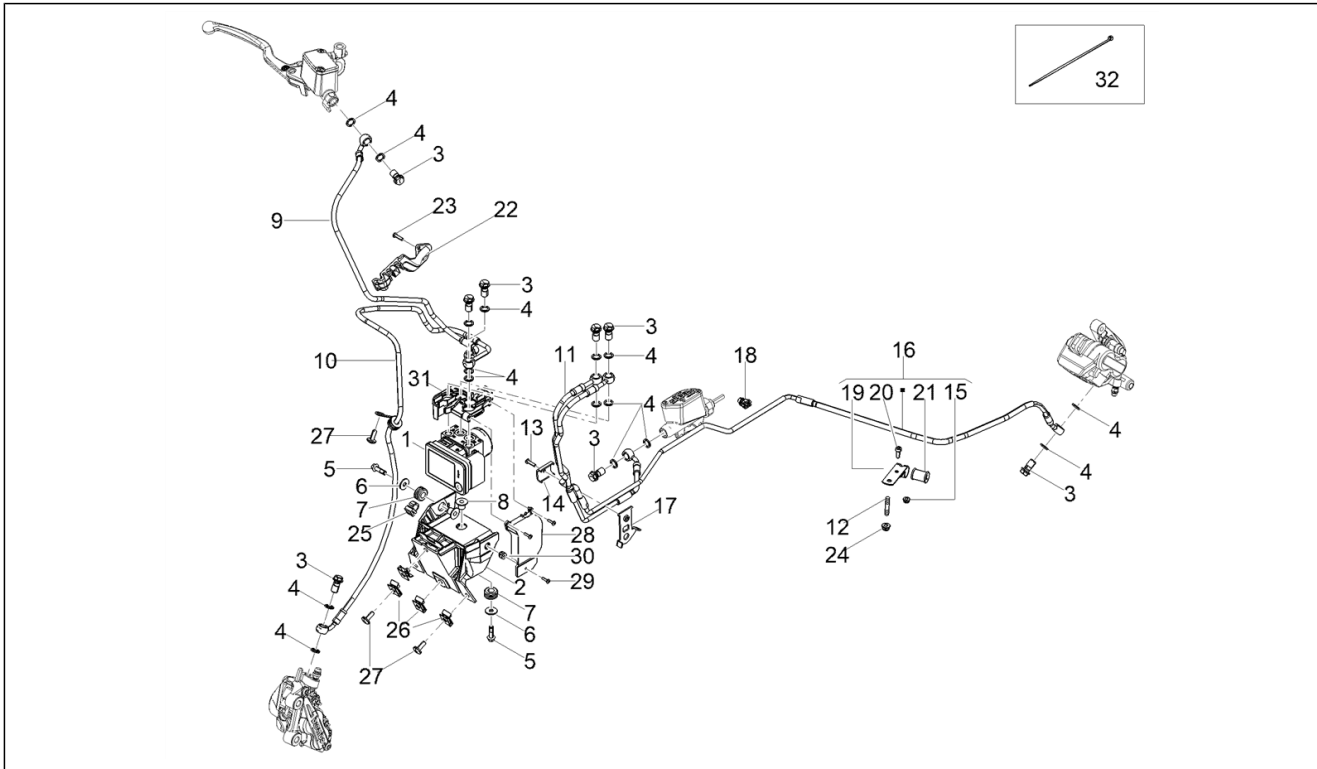
Pos.	Code	Description	Qty	Variants
1	AP8120912	Lever rubber	1	
2	2B004818	Rubber pedal	1	
3	2B003336	Rear brake control lever	1	
4	859946	Fixing pin	3	
5	895328	Sintered bushing	1	
6	AP8144007	O-ring 11,11x1,78	2	
7	884033	Lever pin	1	
8	GU92630206	Self-locking nut M6x1	2	
9	2B002189	Rear brake master cylinder with reservoir	1	
10	GU92606206	Nut	1	
11	AP8120178	O-ring OR112	1	
12	AP8113081	Fork	1	
13	AP8113082	Gear selector fork clips	1	
14	2D0002805	stop Button	1	
15	AP8150285	Hex socket screw M6x35	2	
16	AP8121927	Rear brake lever spring	1	

Group	Brake system
Code	06.040
Description	Rear brake caliper
Service	1



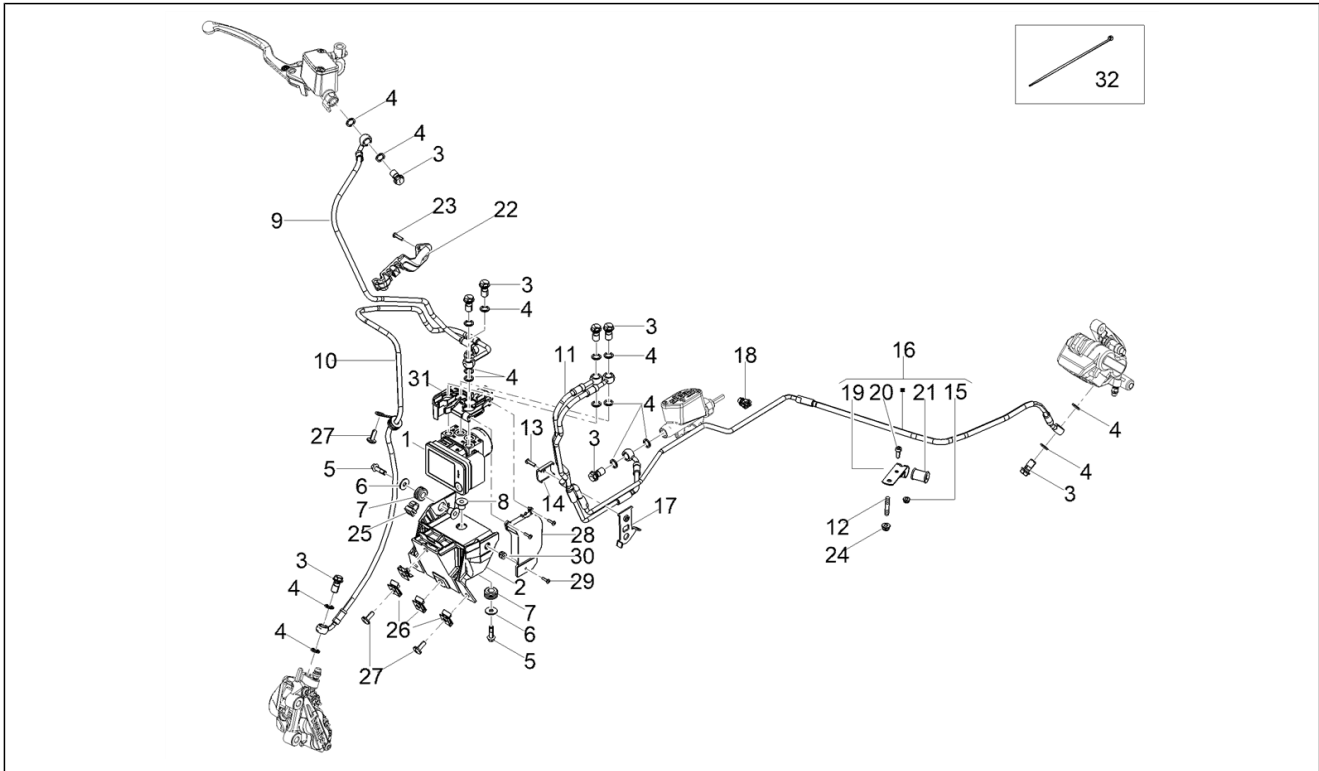
Pos.	Code	Description	Qty	Variants
1	2B000525	Rear brake caliper	1	
2	AP8152288	Screw w/ flange M8x30	2	
3	2B003357	Brake caliper support plate	1	
4	GU31544181	Pin	1	
5	2R000248	Brake pads couple	1	
6	GU31659281	Bleeder+cap	1	
7	GU31659181	Pins+spring kit	1	
8	GU61270300	Spring washer 8x15x0,3	2	

Group	Brake system
Code	06.050
Description	ABS Brake system
Service	1



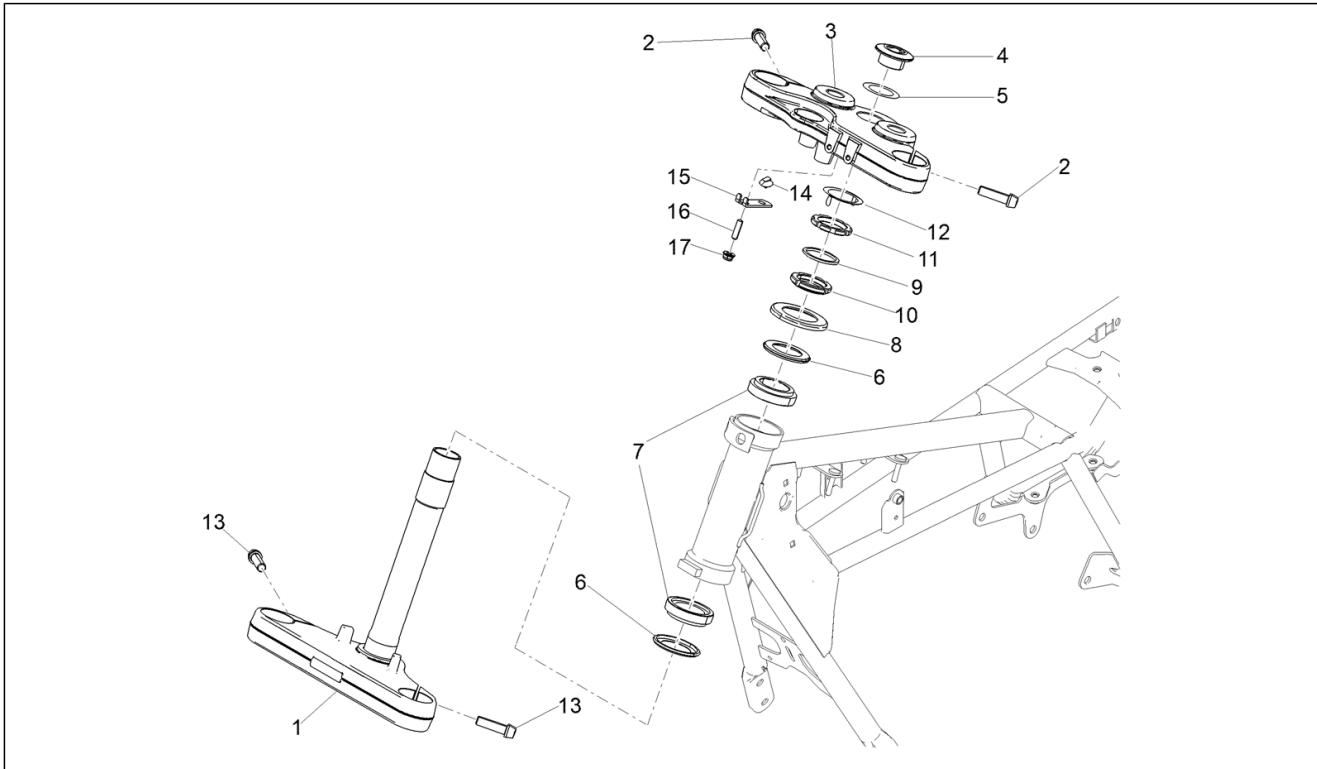
Pos.	Code	Description	Qty	Variants
1	2D000701	ABS electrohydraulic unit, prefilled	1	
2	2B006724	ABS control unit support	1	
3	1C001209	Special screw	8	
4	AP8113004	Washer 10x14x1,6*	16	
5	2B004560	M6x20 pre-coated hex head screw	2	
6	AP8150015	Washer 6,6x18x1,6*	2	
7	AP8120030	Rubber spacer	2	
8	AP8221023	T bush	2	
9	2B007158	ABS HECU pipe - Front pump	1	
10	2B006720	ABS HECU pipe - Front clamp	1	
11	2B006722	ABS HECU pipe - Rear pump	1	
12	GU96451316	Stud bolt	1	
13	959559	Hex socket screw M4x16	1	
14	2B001614	Pipe fixing plate	1	
15	AP8150451	Low self-locking nut M5	1	
16	2B007891	ABS HECU pipe - Rear clamp	1	
17	2B001564	Brake hose holder plate	1	
18	AP8121882	Cable-guide	1	
19	GU03658330	Hose clamp	1	
20	895709	Hex socket screw M5x12	1	
21	GU03658201	Ring	1	
22	2B007157	Cable conduit	1	
23	AP8152329	Phillips screw, SWP M5x20	1	
24	AP8152299	Self-locking nut M6	1	
25	AP8201727	Black cable guide	1	
26	254485	Spring plate M6	4	
27	CM179301	Torx head cylinder head screw M6x16	3	
28	2B007092	Cover	1	

Group	Brake system
Code	06.050
Description	ABS Brake system
Service	1



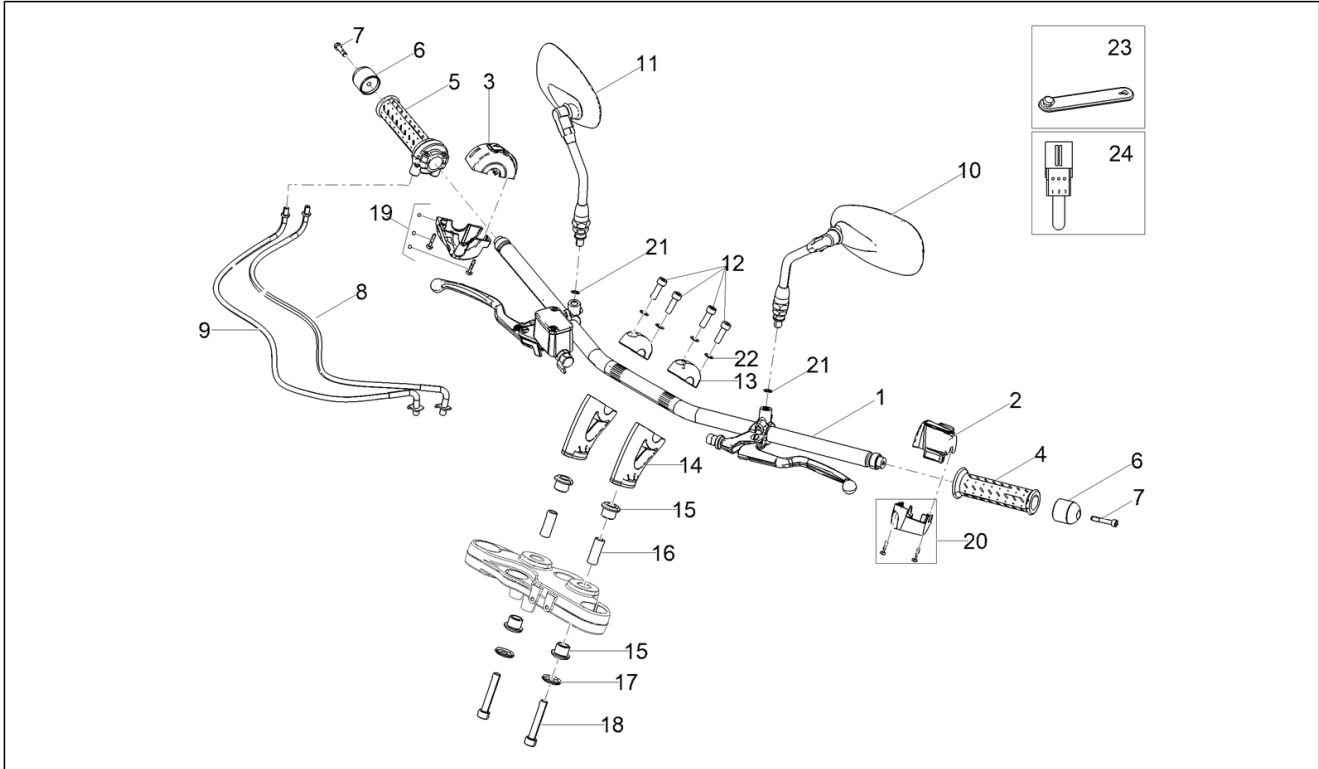
Pos.	Code	Description	Qty	Variants
29	AP8150413	Self-tap screw 3,9x14	3	
30	AP8102671	Plastic rivet	1	
31	2B006725	plate	1	
32	AP8102386	Hose clamp 2,5x160	1	

Group	Handlebar - Controls
Code	07.010
Description	Steering
Service	1



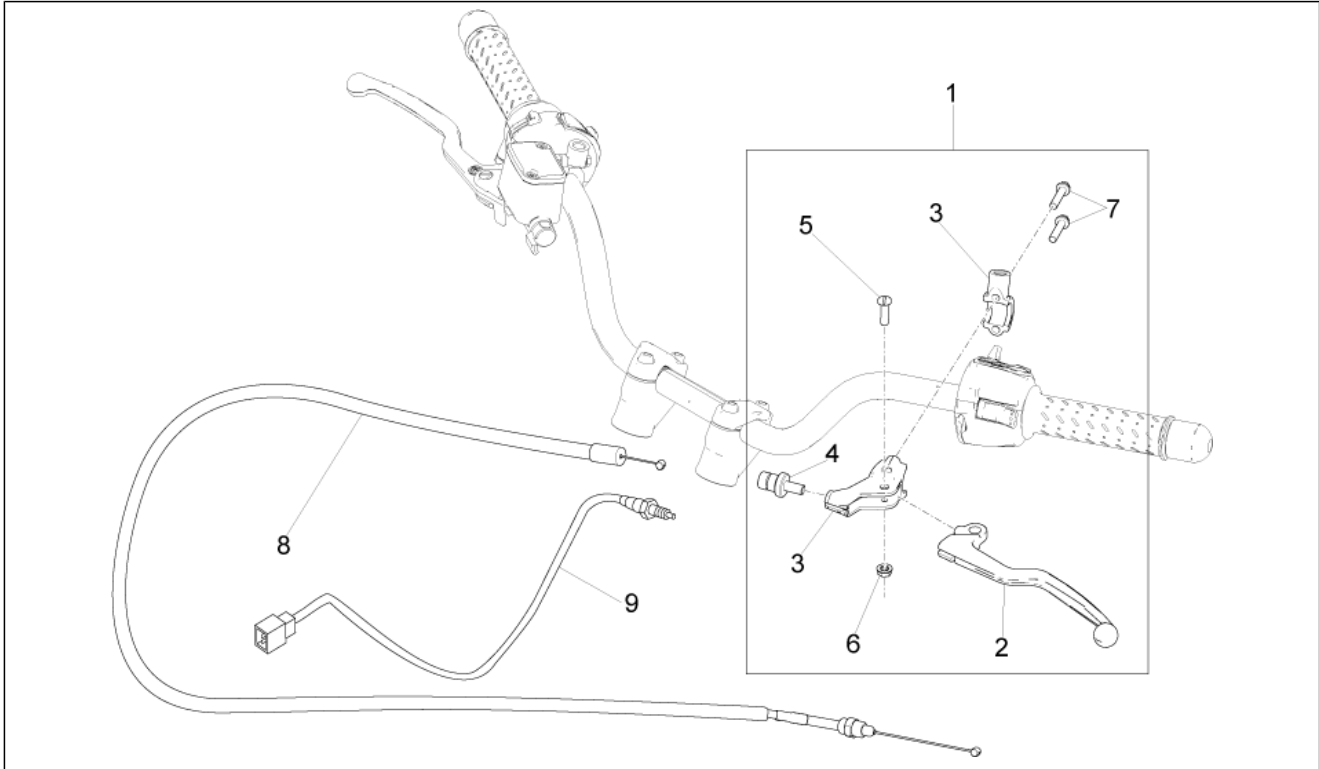
Pos.	Code	Description	Qty	Variants
1	2B003743	Fork lower plate	1	
2	AP8150543	Screw M8x35	2	
3	2B001052	Fork upper plate	1	
4	AP8121205	Upper plate fixing bush	1	
5	AP8152384	Stem plug washer	1	
6	AP8123641	Dust cover ring	2	
7	AP8110077	Axial ball bearing	2	
8	AP8123644	Dust cover ring	1	
9	887831	Rubber spacer	1	
10	AP8123642	Ring nut	1	
11	AP8123643	Return ring nut	1	
12	887832	Steering security plate	1	
13	2B002313	Screw M10x35	2	
14	890760	Instrument support	1	
15	2B003292	Plate	1	
16	GU96451316	Stud bolt	1	
17	AP8152299	Self-locking nut M6	1	

Group	Handlebar - Controls
Code	07.020
Description	Handlebar - Controls
Service	1



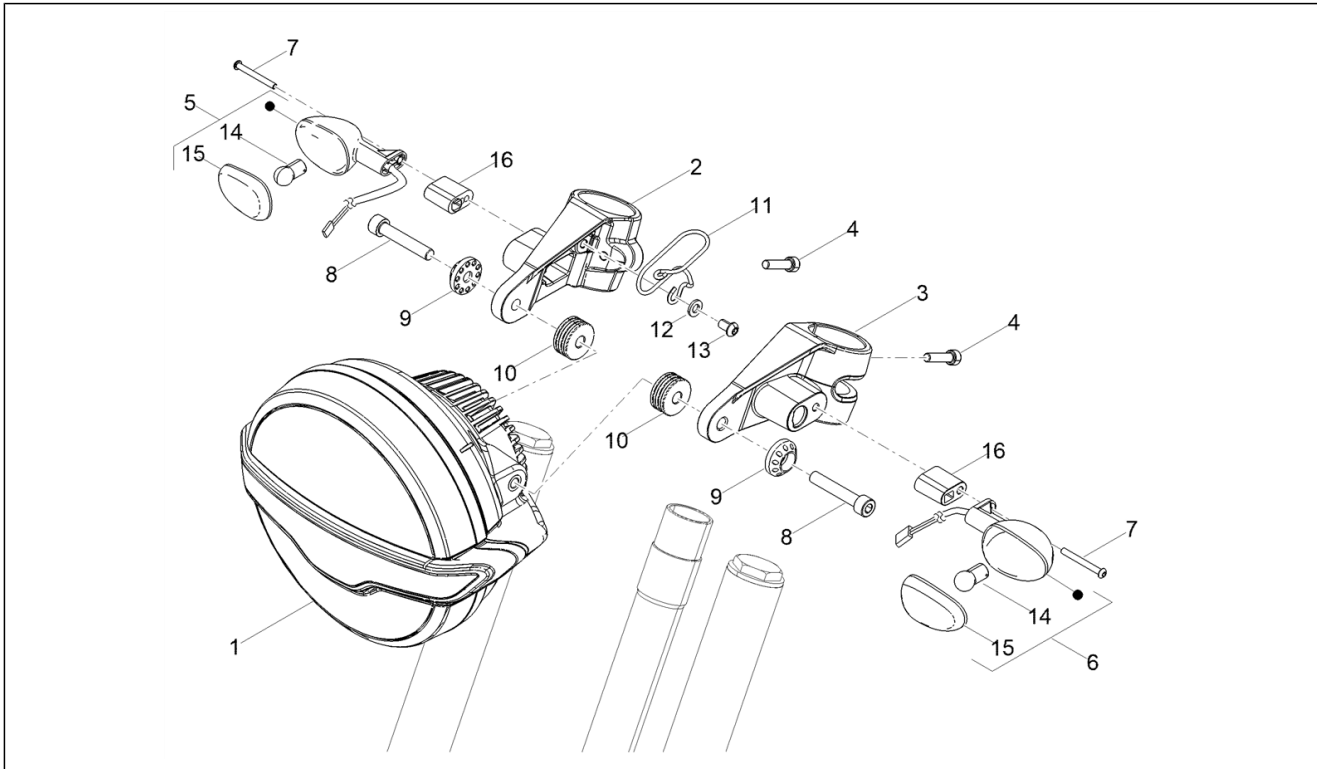
Pos.	Code	Description	Qty	Variants
1	2B002852	Handlebar	1	
2	2D000227	LH handlebar control set	1	
3	2D000226	RH handlebar control set	1	Country:Canadian[CND]
3	2D000580	RH handlebar control set with DRL	1	Country:United States of America[USA]
4	AP8118579	LH hand grip	1	
5	2B002364	RH hand grip	1	
6	AP8104509	Anti.v weight, black	2	
7	2B002195	Pre-coated IX M6X35 SHC screw	2	
8	2B002844	Closure throttle cable	1	
9	2B002843	Opening throttle cable	1	
10	2B001049	LH rearview mirror	1	
11	2B001048	RH rearview mirror	1	
12	AP8150540	Screw	4	
13	2B002091	Upper handlebar clamp	2	
14	2B002090	Lower handlebar clamp	2	
15	AP8144222	Rubber spacer	4	
16	854827	Spacer 10,1x14,1x38	2	
17	2B002875	Cup	2	
18	2B004798	Pre-impregnated screw TCEI M10X60 8.8	2	
19	2D000163	Lower shell DX	1	
20	2D000504	Lower left shell	1	
21	666823	Spacer	2	
22	GU14615901	Washer 8,4X13X0,8	4	
23	GU01609630	Hose clamp L46 mm	2	
23	GU03609600	Hose clamp L36 mm	1	
24	2D000665		1	Country:Canadian[CND]

Group	Handlebar - Controls
Code	07.030
Description	Clutch control
Service	1



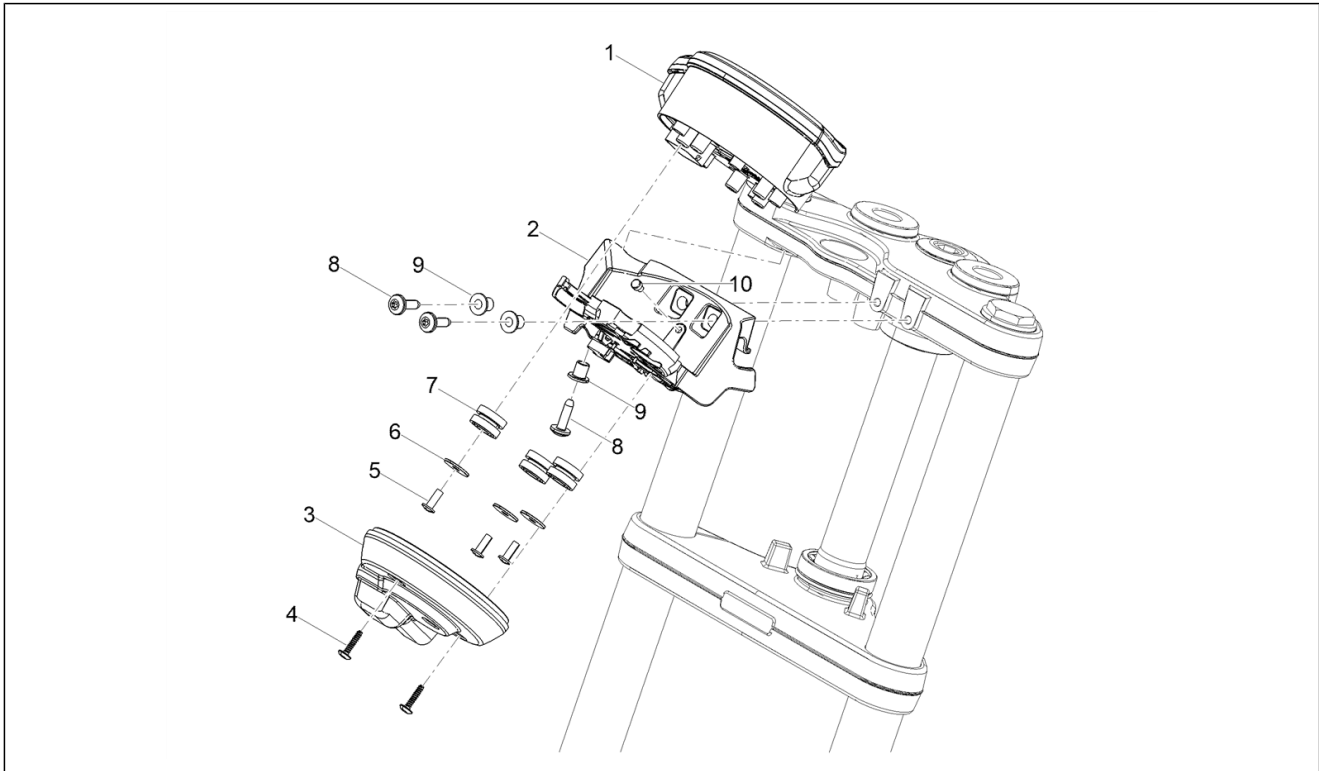
Pos.	Code	Description	Qty	Variants
1	2B002391	Clutch control lever set	1	
2	2B002390	Lever	1	
3	GU30601060	Clump	1	
4	GU30602500	Register	1	
5	AP8213028	screw	1	
6	AP8213388	Self-locking nut	1	
7	GU97202325	Black screw w/ flange M6x25	2	
8	2B006106	Clutch cable	1	
9	2D0002885	clutch switch	1	

Group	Lights - Instruments
Code	08.010
Description	Front lights
Service	1



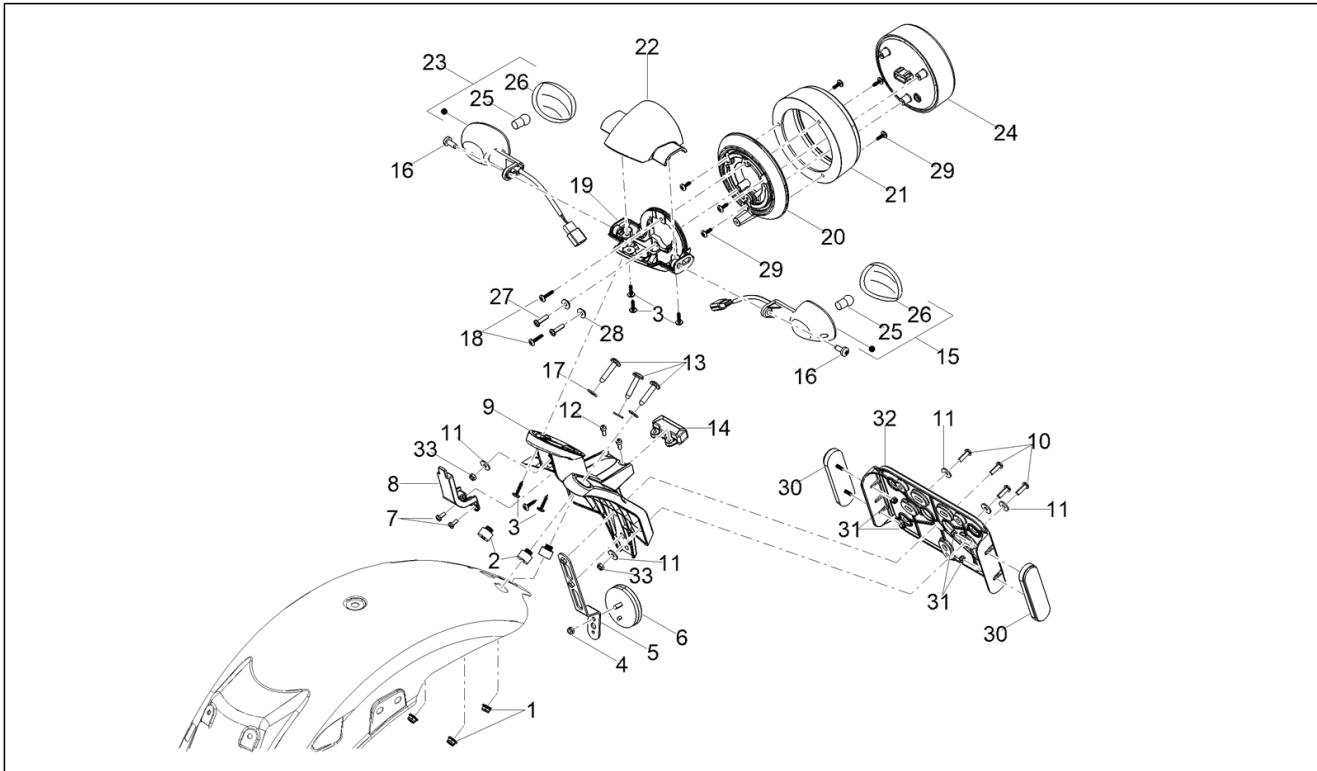
Pos.	Code	Description	Qty	Variants
1	2D000565	Headlight	1	
2	2B006732	RH headlight supp.	1	
3	2B006729	LH headlight supp.	1	
4	AP8150053	Hex socket screw M6x25	2	
5	2D000525	Left rear or right front turn indicators	1	
6	2D000526	Right rear or left front turn indicators	1	
7	CM179306	Metric screw torx	2	
8	GU98690435	Hex socket screw M8x35	2	
9	AP8121199	Bush	2	
10	2B008061	Spacer	2	
11	2B007789	Fairlead	1	
12	GU95008306	Washer 6,4x12x1,2	1	
13	319446	Hex socket screw M6x10	1	
14	584332	Lamp 12V-10W	2	
15	639338	Turn indicator lens	2	
16	2B006107	Spacer	2	

Group	Lights - Instruments
Code	08.020
Description	Instruments
Service	1



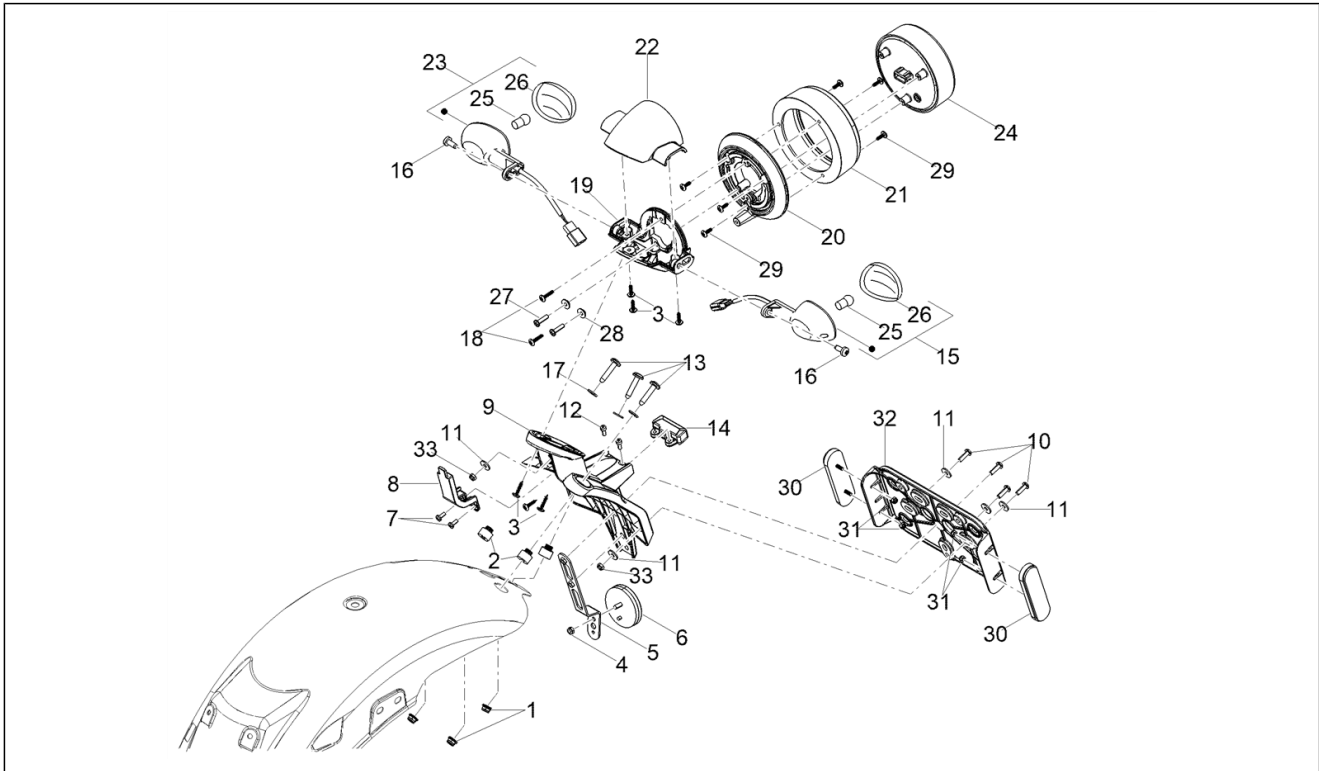
Pos.	Code	Description	Qty	Variants
1	2D000571	Dashboard	1	
2	2B007707	Socket support	1	
3	2B007559	Instrument panel cover	1	
4	CM178603	Self tapping screw D4.2x13	2	
5	AP8150509	Self-tap screw 5x14	3	
6	AP8150255	Washer 5x20x1,5	3	
7	AP8220150	Rubber spacer	3	
8	CM179302	Metric screw TBC	3	
9	2B005916	Bush	3	
10	AP8220488	Mushroom rubber	1	

Group	Lights - Instruments
Code	08.030
Description	Rear lights
Service	1



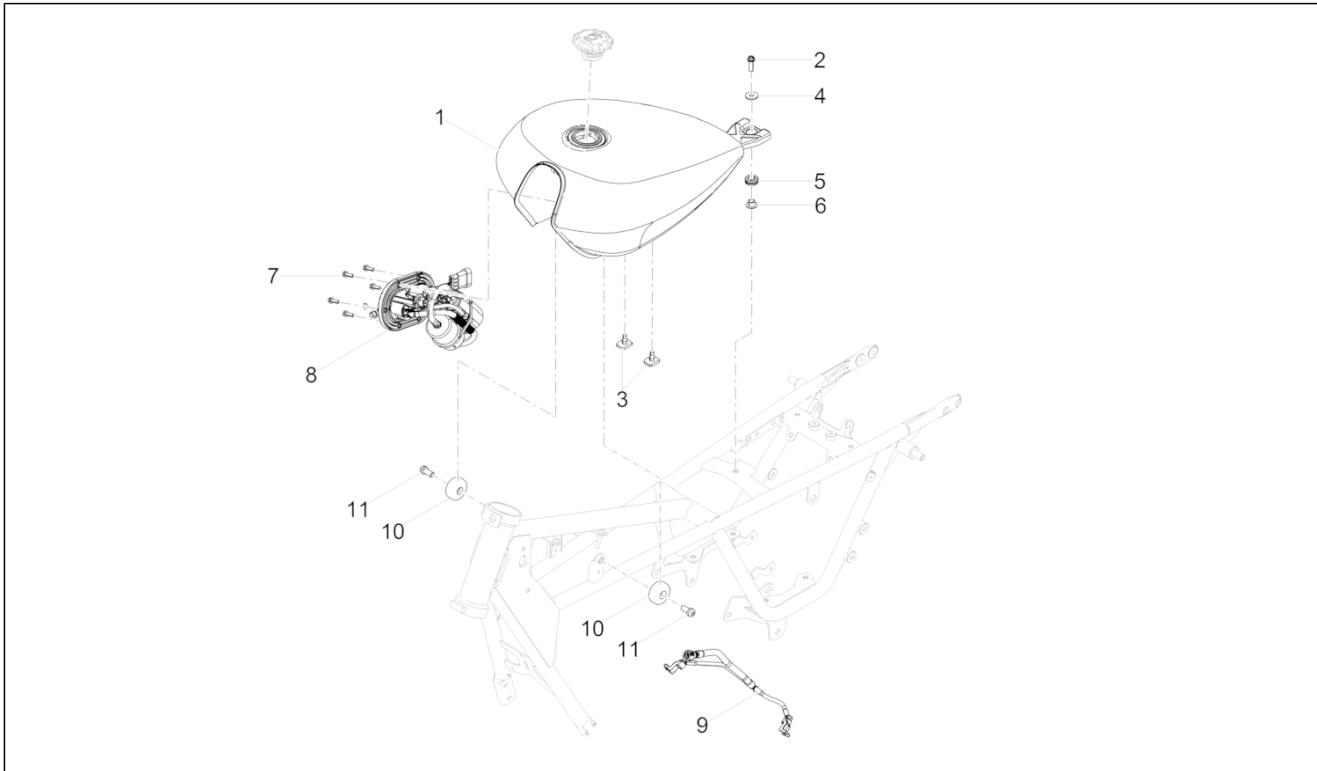
Pos.	Code	Description	Qty	Variants
1	AP8152299	Self-locking nut M6	3	
2	2B007954	Flanged spacer	3	
3	CM180701	Self tapping screw D4x16	6	
4	AP8152306	Self-locking nut M5	1	
5	AP8134448	Reflector support	1	
6	AP8224164	Rear reflector, red	1	
7	AP8150444	Self-tapping screw 3,9x10	2	
8	2B007858	Cover	1	
9	2B007491	Taillight support	1	
10	B016796	Torx convex big end screw	4	
11	AP8150248	Washer 5,5x15x1,6	5	
12	2B002146	TBEI pre-impregnated screw M4x12	2	
13	CM179303	Screw metrica	3	
14	2D000284	Number-plate light	1	
15	2D000531	Left rear turn indicator	1	
16	1B000068	Self-tapping screw M6x14	2	
17	AP8150179	Washer 6,6x18x1,6	3	
18	CM180702	Self tapping screw	2	
19	2B006001	Compl. lower tail light cover	1	
20	2B007708	Tail light bezel frame	1	
21	2B007897	Taillight bezel	1	
22	2B005954	Upper tail light cover	1	
23	2D000532	Right rear turn indicator	1	
24	2D000507	Taillight	1	
25	584332	Lamp 12V-10W	2	
26	639338	Turn indicator lens	2	
27	AP8152329	Phillips screw, SWP M5x20	2	
28	843213	T bush	2	

Group	Lights - Instruments
Code	08.030
Description	Rear lights
Service	1



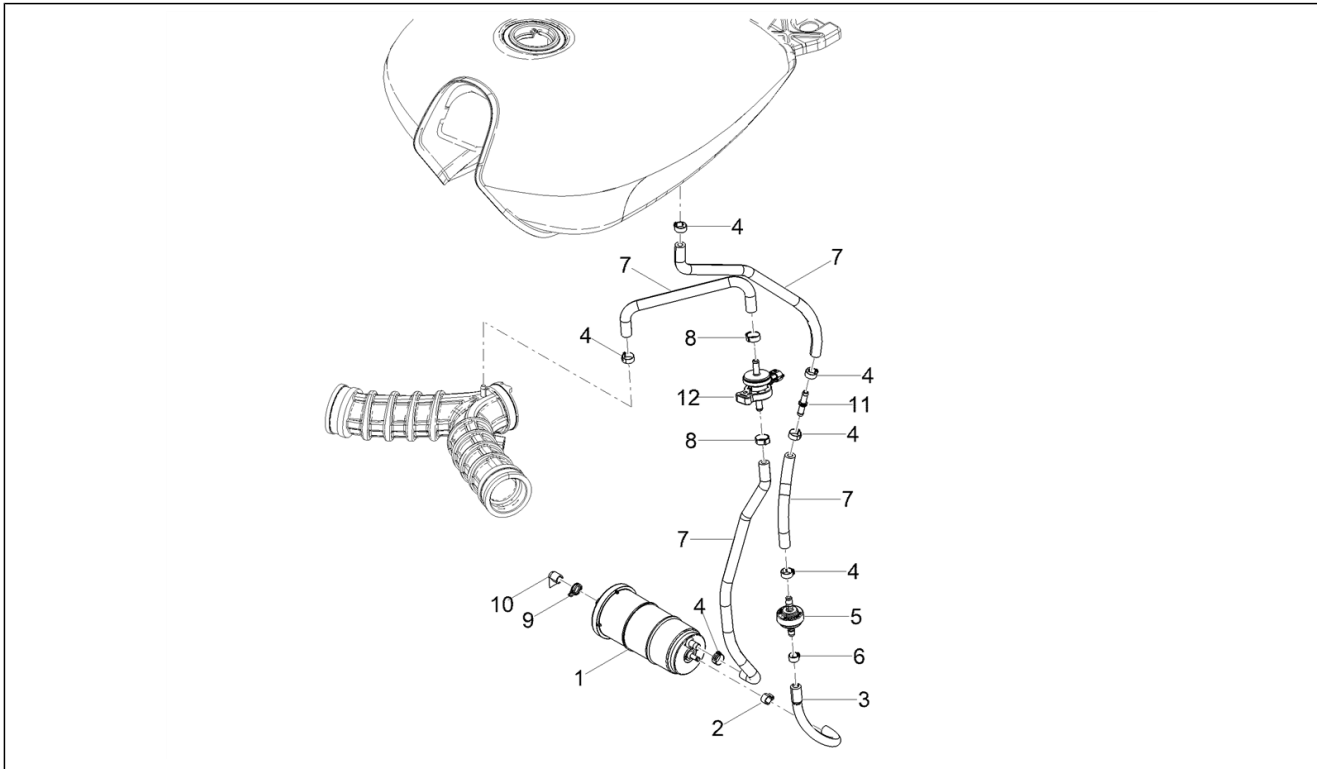
Pos.	Code	Description	Qty	Variants
29	CM178603	Self tapping screw D4.2x13	6	
30	AP8124718	Rear reflector, red	2	
31	GU92630204	Nut	4	
32	2B004072	Number plate support	1	
33	AP8152306	Self-locking nut M5	2	

Group	Tank
Code	09.010
Description	Fuel tank
Service	1



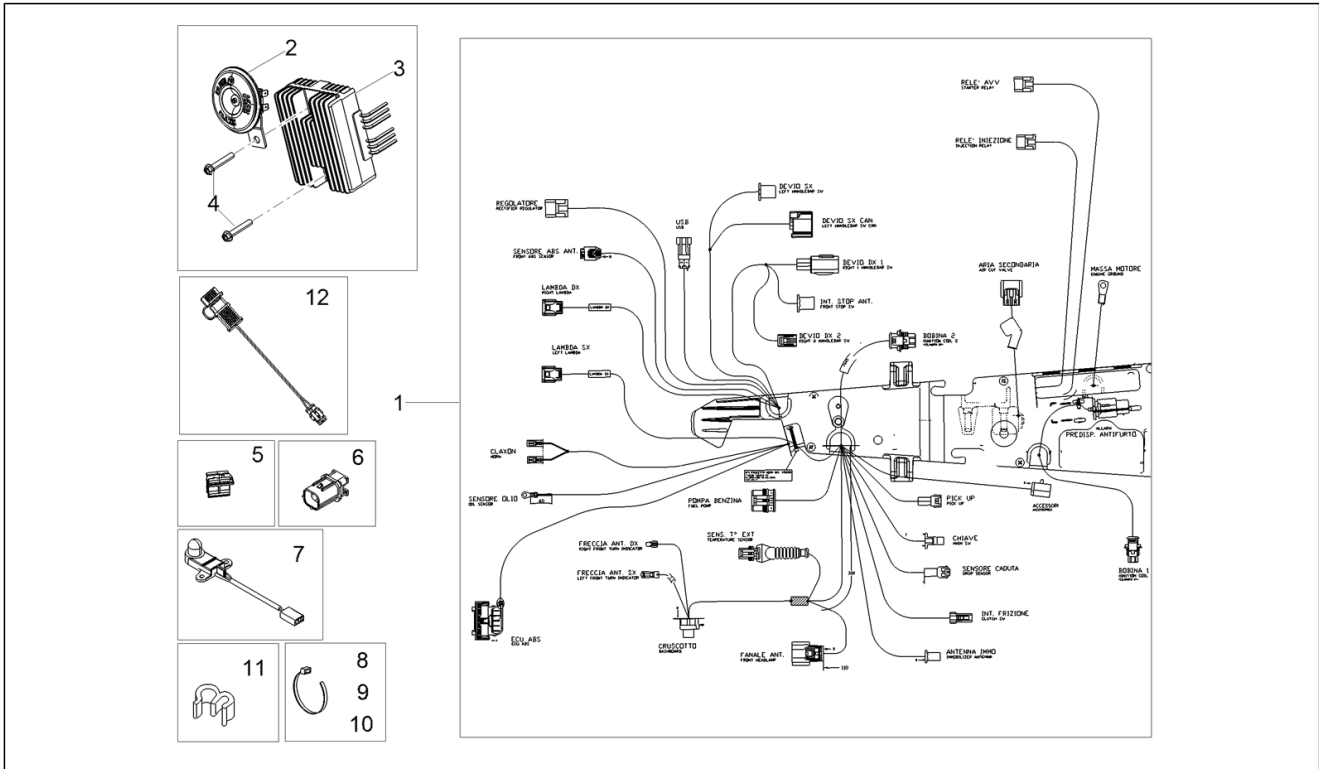
Pos.	Code	Description	Qty	Variants
1	2H004333000NI	Fuel tank, black	1	Colour: Black competition 80/B[NI] Technical Specification: Decal[D]
1	2H004389000G12	Fuel tank, black	1	Colour: Centenary[YV2] Technical Specification: Decal[D]
1	2B001629	Fuel tank	1	Colour: Blank[GR]
2	AP8152288	Screw w/ flange M8x30	1	
3	AP8120455	Rubber spacer	2	
4	AP8150018	Washer	1	
5	GU91551131	Rubber spacer	1	
6	2B002944	T bush	1	
7	2B002567	Flanged hexagon screw M5X16	6	
8	2D000492	Fuel pump	1	
9	2B002486	Fuel system pipes	1	
10	GU66103415	Rubber spacer	2	
11	GU98882416	M8x16 SHC screw	2	

Group	Tank
Code	09.020
Description	Fuel vapour recover system
Service	1



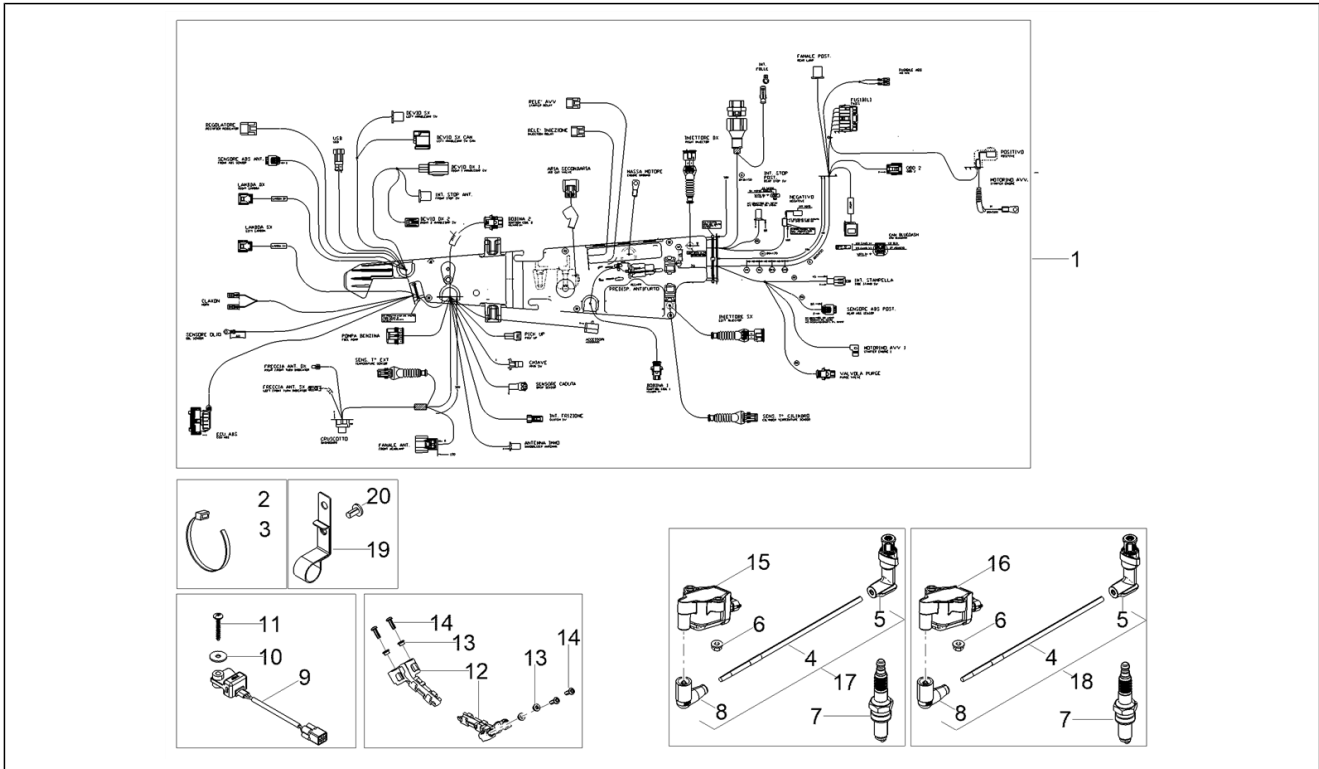
Pos.	Code	Description	Qty	Variants
1	2B002632	Canister	1	
2	AP8102738	Hose clamp	1	
3	2B003042	SAE 30 R12A-3/16 pipe	1	
4	AP8102239	Hose clamp 12,5x8	6	
5	CM179008	Safety valve	1	
6	AP8102159	Hose clamp	1	
7	856063	pipe SAE 30 d.12,7x6,35	4	
8	GU93304360	Hose clamp 7,6x380	2	
9	AP8102520	Hose clamp	1	
10	AP8127601	Ventilation plug	1	
11	2B000219	Joint	1	
12	B018242	Valve assy	1	

Group	Electrical systems
Code	11.010
Description	Front electrical system
Service	1



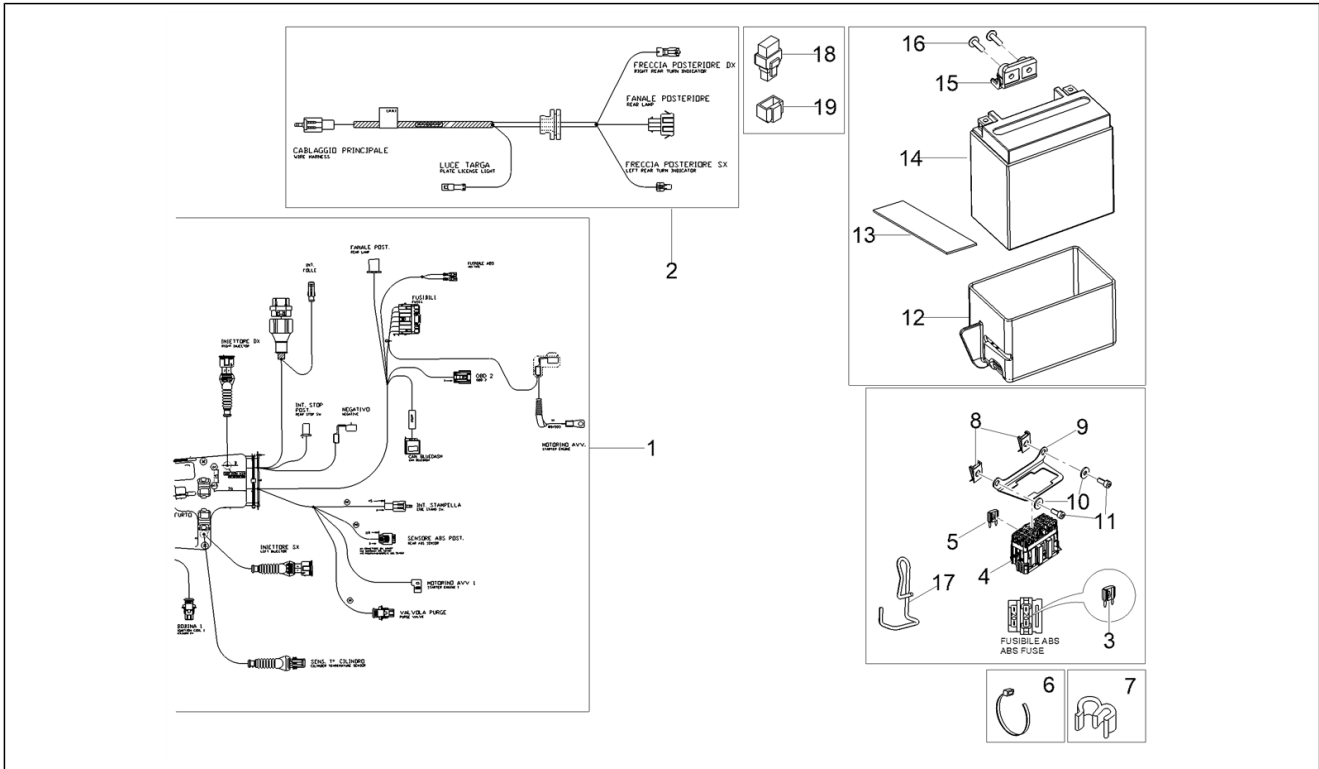
Pos.	Code	Description	Qty	Variants
1	2D000616	Main wiring harness	1	
2	2B000221	Horn	1	
3	640698	Voltage regulator	1	
4	AP8152282	Screw w/ flange M6x35	2	
5	1D000680	Plugs spring	1	
6	1D002384	Connector cover	1	
7	AP8124936	Air temp. Sensor	1	
8	GU14609650	Hose clamp 3,6x20,6	24	
9	GU49609601	Hose clamp 2,4x92	1	
10	GU93304390	Hose clamp 3,6x375	2	
11	894704	Fairlead	10	
12	1D003323	USB port	1	

Group	Electrical systems
Code	11.020
Description	Central electrical system
Service	1



Pos.	Code	Description	Qty	Variants
1	2D000616	Main wiring harness	1	
2	GU49609601	Hose clamp 2,4x92	1	
3	GU14609650	Hose clamp 3,6x20,6	24	
4	080341	H.V. cable	1	
5	1A010839	Screened cap	2	
6	AP8152299	Self-locking nut M6	4	
7	1A010638	Ignition spark plug MR8BI-8 NGK	2	
8	641040	Insulating cap	2	
9	680212	Fall sensor	1	
10	GU95005304	Washer 5,2x18x1,5	1	
11	478533	Self-tap screw	1	
12	2B004174	Spark plug cable retainer	2	
13	2B003052	T bushing	4	
14	1A003444	Oval head screw	4	
15	641901	HT coil	1	
16	642034	HT coil DX	1	
17	CM277101	HT wire (450 mm)	1	
18	CM277102	HT wire (580 mm)	1	
19	B043850	Hose clamp	1	
20	433800	screw M5x10	1	

Group	Electrical systems
Code	11.030
Description	Rear electrical system
Service	1



Pos.	Code	Description	Qty	Variants
1	2D000616	Main wiring harness	1	
2	2D000643	Taillight wiring harn.	1	
3	CM225720	Fuse 20A	2	
4	584211	Fuse holder box	1	
5	CM225707	Fuse 7,5A	1	
5	CM225710	Fuse 10A	1	
5	CM225705	Fuse 5A	2	
5	CM225715	Fuse 15A	1	
5	CM225730	Fuse 30A	1	
6	GU93304390	Hose clamp 3,6x375	2	
6	GU14609650	Hose clamp 3,6x20,6	24	
7	894704	Fairlead	10	
8	AP8102375	Clip M5	2	
9	883161	Fuse block support	1	
10	GU95100059	Washer 5,25x14x1,5	2	
11	GU98682212	Hex socket screw M5x12	2	
12	2B002781	Battery cowl	1	
13	AP8144552	Lat. battery support rubber	1	
14	638733	Battery Yuasa YTX14-BS 12V-12Ah (150x87x145)	1	
14	1R000319	Battery PTX14-BS 12V 12Ah (Piaggio)	1	
15	GU06418600	Battery fixing plate	1	
16	CM179302	Metric screw TBC	2	
17	AP8134480	Fuses hook	2	
18	AP8224462	Relay 12V-30A	3	
19	642569	Relais support elastico	1	