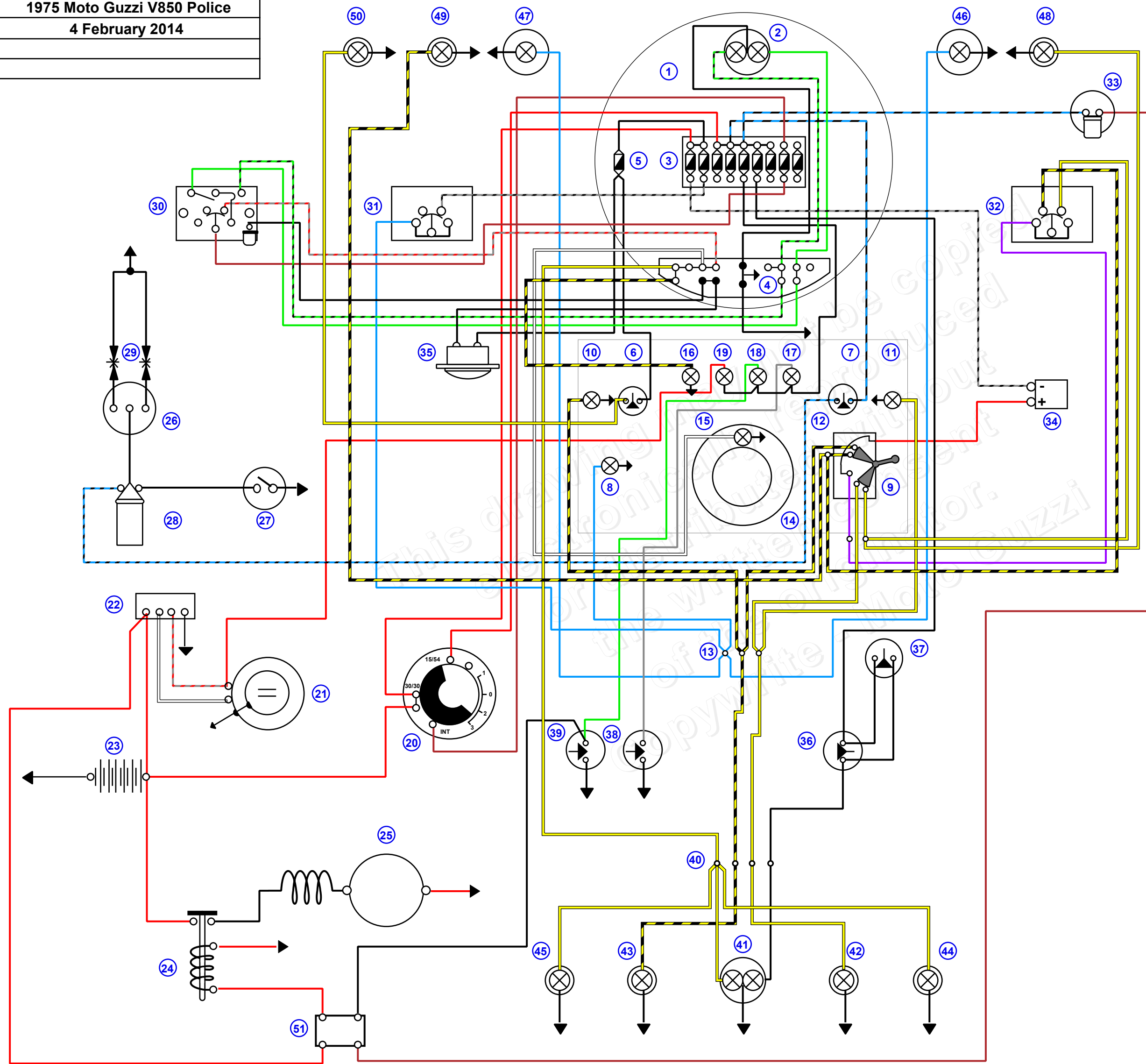


1975 Moto Guzzi V850 Police

4 February 2014



LEGEND

Wiring diagram V850 Police model

- 1. Headlight
- 2. High and low beam bulb 45/40W - 12V
- 3. Terminal block with fuses
- 4. Distributing block in headlight
- 5. Horn fuse
- 6. Courtesy light switch
- 7. Coil disconnection switch
- 8. Front warning lights indicator (red)
- 9. Turn lights and rear flashing lights switch
- 10. L/H turn signal indicator (green) 3W - 12V
- 11. R/H turn signal indicator (green) 3W - 12V
- 12. Instrument panel
- 13. Shunting connection, front
- 14. Speedometer
- 15. Bulb, speedometer illumination 3W - 12V
- 16. Red warning light, high light on 3W - 12V
- 17. Red warning light, oil pressure 3W - 12V
- 18. Neutral indicator (orange) 3W - 12V
- 19. Generator charge (red) 3W - 12V
- 20. Ignition switch
- 21. Generator
- 22. Voltage regulator
- 23. Battery
- 24. Starter motor relay
- 25. Starter motor
- 26. Distributor
- 27. Contact breaker
- 28. Coil
- 29. Spark plug
- 30. Light switch and horn button
- 31. Ground switch for relay
- 32. Turn light, front red lights, and radio control switch
- 33. Starter button
- 34. Flasher unit for turn lights, and rear lights
- 35. Horn
- 36. Rear brake stop light switch
- 37. Front brake stop light switch
- 38. Oil pressure hydraulic switch
- 39. Neutral indicator switch
- 40. Rear shunting connections
- 41. Plate and stop light 5/21W - 12V
- 42. R/H Rear flashing light (orange) 21W - 12V
- 43. L/H Rear flashing light (orange) 21W - 12V
- 44. R/H rear light (blue) 5W - 12V
- 45. L/H rear light (blue) 5W - 12V
- 46. R/H front light (red) 21W - 12V
- 47. L/H front light (red) 21W - 12V
- 48. R/H front turn light indicator (orange) 15W - 12V
- 49. Front L/H orange turn light indicator 15W - 12V
- 50. Supplementary light
- 51. Starter motor solenoid relay