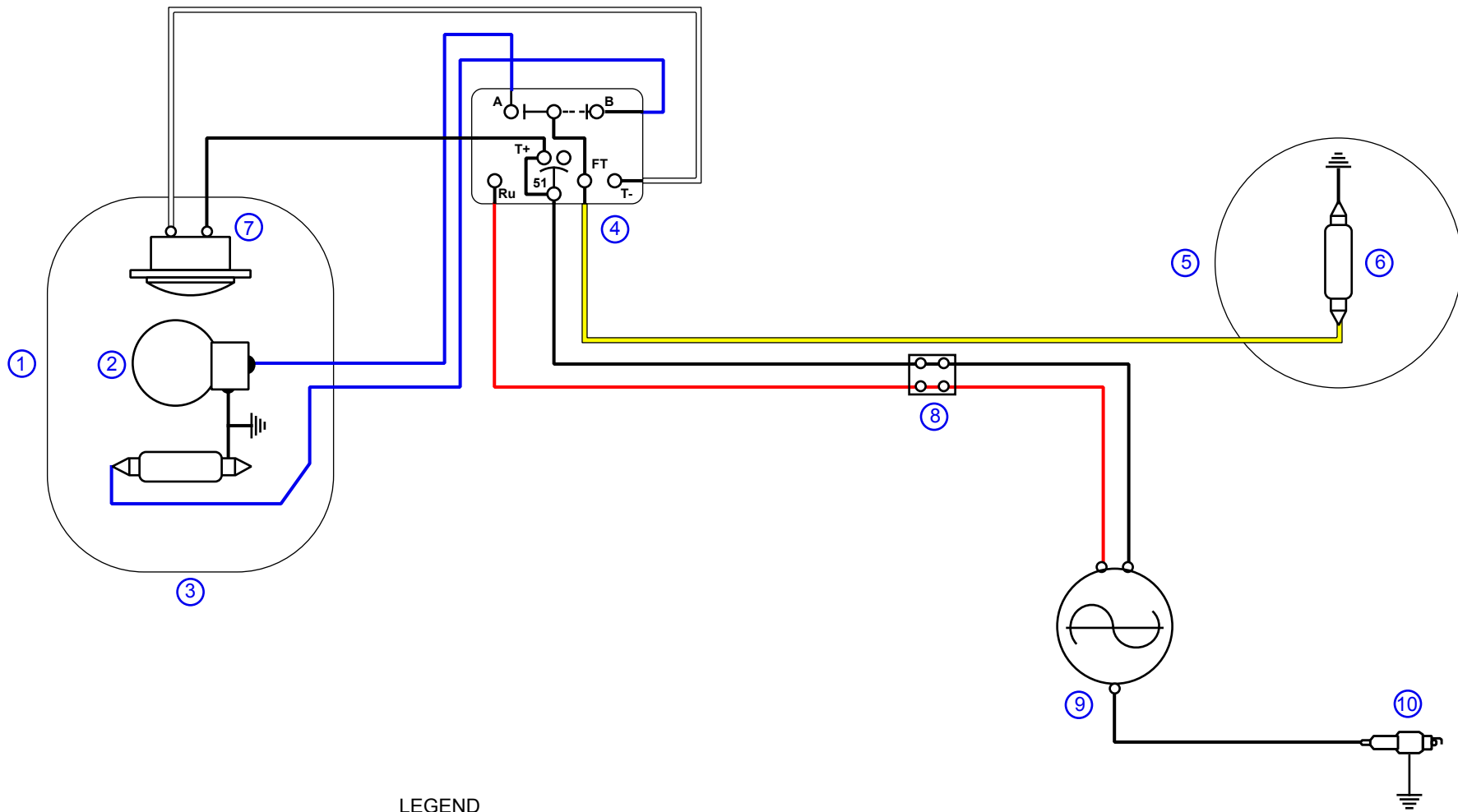


1974 Moto Guzzi Dingo

11 February 2014



LEGEND

- 1. Headlight
- 2. High beam bulb      6V - 15 W
- 3. Low beam bulb      6V - 15 W
- 4. Headlight switch and horn switch
- 5. Tail light
- 6. Tail light bulb      6V - 3 W
- 7. Horn
- 8. Connector
- 9. Generator
- 10. Spark plug