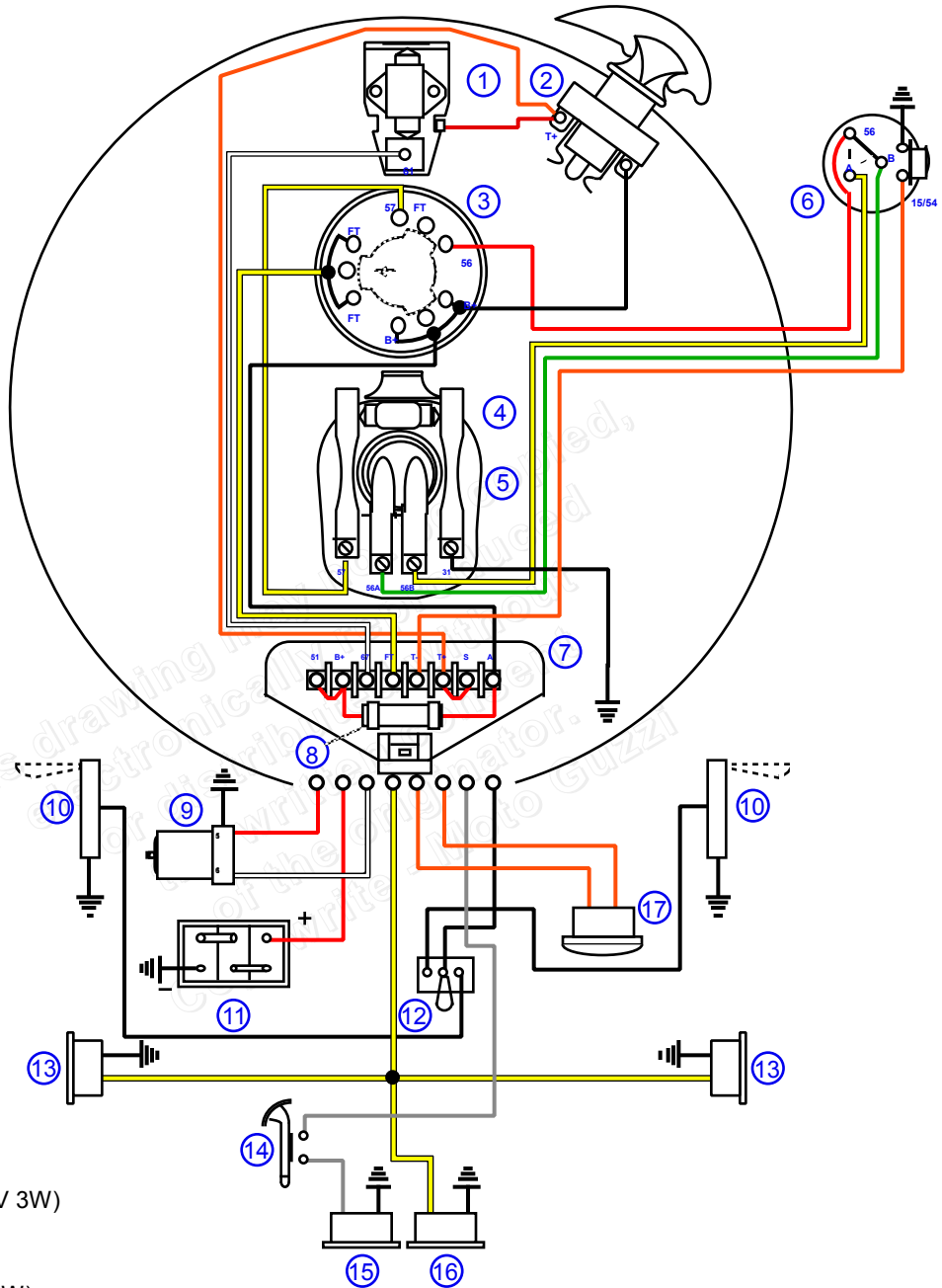


1938 Ercole

5 January 2014



Legend

- 1. Charge indicator (6V 3W)
- 2. Ignition switch
- 3. Light switch
- 4. City light (6V 5W)
- 5. Headlight (6V 25/25W)
- 6. Hi/Low beam switch and horn button
- 7. Terminal block
- 8. Fuse (8 A)
- 9. Dynamo
- 10. Turn signal
- 11. Battery
- 12. Turn signal switch
- 13. Position lights (6V 5W)
- 14. Brake light switch
- 15. Brake light
- 16. Tail light (6V 5W)
- 17. Horn